



2023 CATALOG & PARTS BOOK

THE LEADER IN LIQUID APPLICATION EQUIPMENT PARTS AND ACCESSORIES

TABLE OF CONTENTS

4-73

LIQUID APPLICATORS & SPRAYERS

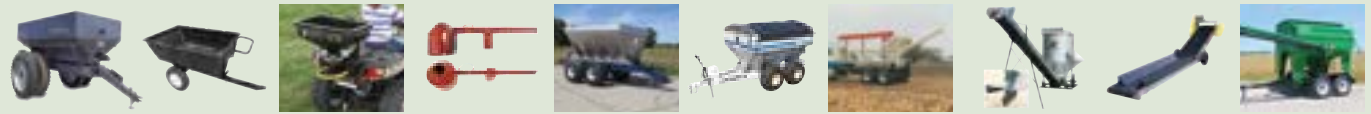
Liquid Applicators - Coulter Assemblies - Toolbars - Pull-Type Sprayers - 3 Point Sprayers - Booms—Skid Sprayers - Burn Control—Lawn & Garden Sprayers -ATV & UTV Sprayers - Lay-By Wheel Units - Hooded Sprayers - Spra-Coupe Parts



74-83

DRY MATERIAL HANDLING

Seed Tenders - Trailer Carts - 2.2 Cubic Dry Material Spreaders - Fertilizer Density Scale - Dry Spreaders - Fertilizer Tenders - Fertilizer Blenders - Conveyors



84-97

TRAILERS

Liquid Nurse Trailers - Portable Temporary Storage Trailers - All-Steer Carts - Trailer Accessories - Side Mounts



98-133

TANKS & TANK ACCESSORIES

Vertical Storage - Black or Green Water - Applicator - Tank Saddles - Transport - Cone Bottom -Tote - Pickup - Specialty - Septic & Cistern - Inductor - Tank Lids & Bungs - Fiberglass Storage - Stainless Steel Cone Bottom - Stainless Steel Hauling - Meters & Scales - Butter fly Valves - Drisclope Pipe & Fittings - Livestock Lick, Water & Liquid Feed



134-199

PUMPS - TRANSFER & APPLICATION

Bowie & Roper Gear - Cast Iron Transfer - Poly Transfer - Wet Seal - Replacement Gas Engines - Piston Pumps - Injection Check Valves - Irrigation Injection - Chem/Insectigation - Fuel - Chemical Transfer - Chemical Meters - Closed Transfer - Hypro - Roller - Hydraulic Sprayer - Diaphragm - Ace - Pto - Hydraulic Centrifugal



200-224

VALVES & FITTINGS

Norwesco Threaded - Banjo Threaded - Check Valves - Spike Valves - Quick Couplers - Micro Valves - Poly Treaded Fittings - Flanged Valves - Flanged Strainers - Air Actuated Valves - Flanged Sweep Fittings - Flange Gaskets & Clamps - Flanged Fittings - Thread Sealant - Aluminum Couplers - Stainless Steel Fittings - Black Iron Fittings



TABLE OF CONTENTS

STRAINERS, HOSE & HOSE REELS

T Strainers - Y Strainers - NH3 Hose Assemblies - Hose Clamps - Suction Hose - Discharge Hose - Sight Gauge Hose - Sprayer Hose - Lay Flat Hose - Hose Cutters - Hose Reels - Handled Hose Ends



225-234

PLANTER FERTILIZER EQUIPMENT, PLANTER ACCESSORIES & SAFETY EQUIPMENT

Tube Holders - V-Shots - Opener Blades - Seed Firmers & Rebounders - Push-To-Connect Fittings - Auto Lock Fittings Pressure Gauges - Dosa Tron - Spray Monitors - 12VDC Pump Speed Controls - 12V Diaphragm Pumps - Planter Tanks - Weed Wipers - Chemical & NH3 Gloves - Safety Accessories - Safety Decals - Calibration Jugs - Fresh Water Tanks - Wind Meters



235-251

SPRAYER CONTROLS & GUIDANCE

Foam Marker Accessories - Foam Markers - Tank Neutralizer - Guidance Systems - Sprayer Controls - TeeJet Rate Controllers - Boom Shutoff Valves - Raven Rate Controllers - In-Line Flow Meters - Flow Meters - Regulating Valves - Side Kick Injection Systems - GPS speed Sensors - Boom Shutoff Ball Valve Manifolds



252-280

NOZZLES, TIPS & SPRAY GUNS

Spray Formula's & Technical Information - Application Charts - Quick TeeJet Caps - TeeJet Spray Tips - Hypro Spray Tips - GreenLeaf Spray Tips - Wilger Spray Tips - BoomBuster Nozzles - Boomless Nozzles - Hamilton Nozzles - Boominator Nozzles - Pressure Relief Valves - Rinse Balls - Boom Components - Spray Guns



281-345

NH3 PRODUCTS

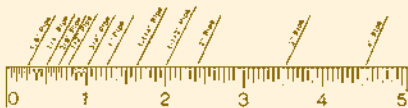
Gauges - Meter Matics - Globe Valves - Angle Valves - Regulators - Tank Valves - Manifolds - ACME Adapters - Relief Valves - Safety Breakaway Couplers - NH3 Automatic Rate Controllers - Tank Decals - Coulter Assemblies - Toolbar Shanks - Toolbar Row Units - Knives



346-357

HOSE FRICTION LOSS & CONVERSION CHARTS

Hose Friction Loss Charts - Tank Volume Charts - Conversions for Volume & Length - Pipe Thread Scale



358-360

INDEX, POLICIES & TERMS & CONDITIONS: 361-365

LIQUID APPLICATORS

LA5000 LIQUID APPLICATOR W/27', 30', 35' OR 40' TOOLBAR

DRY MATERIAL HANDLING

TRAILERS

TANKS & ACCESSORIES

PUMPS

VALVES & FITTINGS

STRAINERS & HOSE

PLANTER EQUIPMENT

SPRAYER CONTROLS & GUIDANCE

NOZZLES, TIPS & SPRAY GUNS

NH3 PRODUCTS

TECHNICAL INFORMATION

INDEX



- 1050 Gallon Tank
- 27', 30', 35' Or 40' Toolbar
- Shortest Bar to Axle in the Industry
- Adjustable Constant Wing Down Pressure
- Auto Gull Wing
- PWM Valve Pump
- Front Mount Toolbar For Superior Trailing
- Wide Parallel Linkage For Better Stability
- Heavy Duty 7 X 7 Toolbar
- 35' & 40' Bars Fold To 27' - 11 Coulters
- Tool Bar Gauge Wheels
- 320/85R38 Tires
- 8-Bolt Hubs Standard
- Adjustable Axle Spacing On Single (62"-88"; 120"-152")
- Optional Wheel Drive Piston Or Hydraulic Drive Centrifugal Pump



Model #	Description	Tank	Bar Width
ELA5127-KIT	Liquid Applicator	1050	27
ELA5130-KIT	Liquid Applicator	1050	30
ELA5135-KIT	Liquid Applicator	1050	35
ELA5140-KIT	Liquid Applicator	1050	40

Visit agspray.com For Sprayer Parts & Breakdowns.

STANDARD COLOR SCHEME

** OTHER COLOR OPTIONS - SPECIFY WHEN ORDERING **



Black Frame, Gray Tank, Silver Wheels



Black Frame, Yellow Tank, Yellow Wheels



Blue Frame, Yellow Tank, Yellow Wheels

LIQUID APPLICATORS

LA7000 LIQUID APPLICATOR W/27', 30', 35' OR 40' TOOLBAR



- 1350 Gallon Tank
- 27', 30', 35' Or 40' Toolbar
- Adjustable Constant Wing Down Pressure
- Auto Gull Wing
- PWM Valve Pump
- Front Mount Toolbar For Superior Trailing
- Wide Parallel Linkage For Better Stability
- Heavy Duty 7 X 7 Toolbar
- 35' & 40' Bars Fold To 27' - 11 Coulters
- Toolbar Gauge Wheels
- 320/90R46 Standard Tires, Various Options Available
- 10-Bolt Hubs Standard
- Adjustable Axle Spacing On Single (60"-88"; 120"-152") Or Dual Option Available
- Optional Wheel Drive Piston Or Hydraulic Drive Centrifugal Pump



Model #	Description	Tank	Bar Width
ASLA7327-KIT	Liquid Applicator	1350	27'
ASLA7330-KIT	Liquid Applicator	1350	30'
ASLA7335-KIT	Liquid Applicator	1350	35'
ASLA7340-KIT	Liquid Applicator	1350	40'

Visit agspray.com For Sprayer Parts & Breakdowns.

STANDARD COLOR SCHEME



Black Frame, Gray Tank, Silver Wheels

** OTHER COLOR OPTIONS - SPECIFY WHEN ORDERING **



Black Frame, Yellow Tank, Yellow Wheels



Blue Frame, Yellow Tank, Yellow Wheels

LIQUID APPLICATORS

LA9000 LIQUID APPLICATOR W/27', 30', 35', 40' OR 55' TOOLBAR

DRY MATERIAL
HANDLING

TRAILERS

TANKS &
ACCESSORIES

PUMPS

VALVES &
FITTINGS

STRAINERS
& HOSE

PLANTER
EQUIPMENT

SPRAYER
CONTROLS &
GUIDANCE

NOZZLES, TIPS
& SPRAY
GUNS

NH3
PRODUCTS

TECHNICAL
INFORMATION

INDEX



- 1650 Or 1950 Gallon Units
- 27', 30', 35', 40' Or 55' Toolbars
- Adjustable Constant Wing Down Pressure
- Auto Gull Wing
- Hypro SS Pump With Silicon Carbide Seal & PWM Valve
- Front Mount Toolbar For Superior Trailing
- Double Toolbar 4 X 6 With Large 2.25" Pins & Bushings
- Wide Parallel Linkage For Better Stability
- 35 Foot + Units Have Self-Locking Outer Wing Hinges
- 35' & 40' Bars Fold To 27' - 11 Coulters
- 55' Folds Up To 35' - 15 Coulters
- Tool Bar Gauge Wheels
- 380/90R54 Standard Tires, Various Options Available
- 10-Bolt Hubs Standard
- Adjustable Axle Spacing On Single (60"-88"; 120"-152") Or Dual Option Available
- Optional Wheel Drive Piston Or Hydraulic Drive Centrifugal Pump

Model #	Description	Tank	Bar Width
LA9627-KIT	Liquid Applicator	1650	27
LA9630-KIT	Liquid Applicator	1650	30
LA9635-KIT	Liquid Applicator	1650	35
LA9640-KIT	Liquid Applicator	1650	40
LA9655-KIT	Liquid Applicator	1650	55
LA9927-KIT	Liquid Applicator	1950	27
LA9930-KIT	Liquid Applicator	1950	30
LA9935-KIT	Liquid Applicator	1950	35
LA9940-KIT	Liquid Applicator	1950	40
LA9955-KIT	Liquid Applicator	1950	55

Visit agspray.com For Sprayer Parts & Breakdowns.

STANDARD COLOR SCHEME



Black Frame, Gray Tank, Silver Wheels

** OTHER COLOR OPTIONS - SPECIFY WHEN ORDERING **



Black Frame, Yellow Tank, Yellow Wheels



Blue Frame, Yellow Tank, Yellow Wheels

COULTER ASSEMBLY

APPLICATORS
& SPRAYERS

DRY MATERIAL
HANDLING

TRAILERS

TANKS &
ACCESSORIES

PUMPS

VALVES &
FITTINGS

STRAINERS
& HOSE

PLANTER
EQUIPMENT

SPRAYER
CONTROLS &
GUIDANCE

NOZZLES, TIPS
& SPRAY GUNS

NH3
PRODUCTS

TECHNICAL
INFORMATION

INDEX

COULTER BLADES

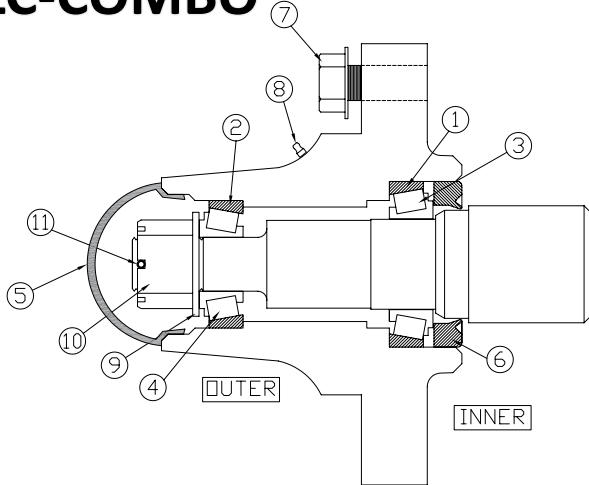


All ShieldAg disc blades are manufactured using earth-metal Boron steel preferred by most original equipment manufacturers. Our blades are heat-treated and oil quenched for longer life. Nearly every size and style of coultter is available from ShieldAg. Our exclusive use of Boron steel provides long wear life and resistance to breakage.



Standard 20" Crucible Blade

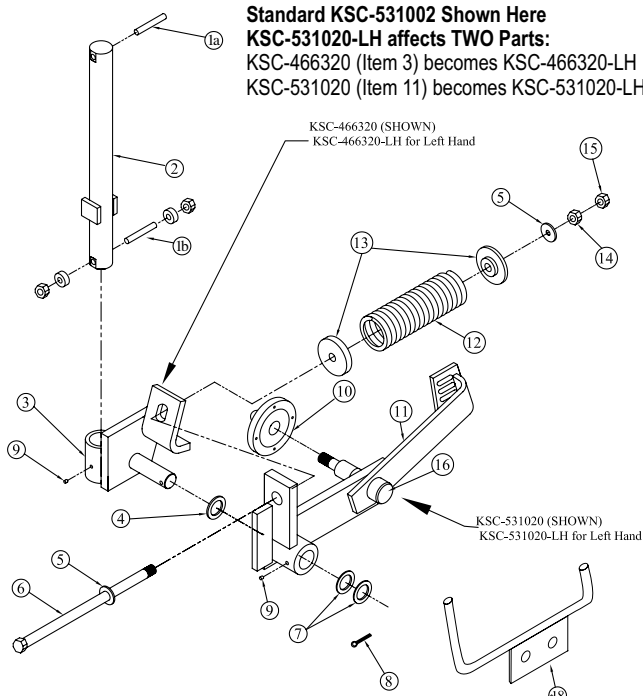
20FLC-COMBO



COULTER HUB ASSEMBLY

Item	Part #	Description	Qty
	KSC-466300-HUB	Complete Hub Assembly	
	KSC-466300-BRG	Comes Complete With Items 1-8 (Bearing Kit)	
1	KSC-LM67010	Inner Bearing Cup (Large race)	1
2	KSC-LM11910	Outer Bearing Cup (Small race)	1
3	KSC-LM67048	Inner Bearing Cone (Large rollers/cage)	1
4	KSC-LM11949	Outer Bearing Cone (Small rollers/cage)	1
5	KSC-909911	Hub Cap	1
6	KSC-906296	Seal	1
7	KSC-913572	Flange Head Bolts (each)	4
8	KSC-G1641-B	1/4-28 x 35/64 Grease Zerk	1
	KSC-466300-SPL	Comes Complete With Items 9-11	
9	KSC-913608	Spindle Washer	1
10	KSC-912953	Spindle Castle Nut	1
11	KSC-905936	Spindle Cotter Pin	1

20FLC-COMBO FOR 20" BLADE



20" LIQUID COULTER ARM ASSEMBLY

Item	Part #	Description	Qty
1a	KSC-466300-RP716	Spring Pin, 7/16 x 3	2
1b	KSC-466315-BK	Coultter Shaft Bottom Bolt, Spacers, & Nuts	1
2	KSC-466315 (20" & 24")	Coultter Shaft	1
3	KSC-466320/KSC-466320-LH	Coultter Pivot Assembly	1
4	KSC-466360-MB10	Machine Bushing 10 ga	1
5	MH6H	Washer, Flat, 3/4" High Strength	2
6	106-N1	HHCS, 3/4" x 14" Bolt GR.5	1
7	KSC-466360-MB14	Machine Bushing, 14 ga	2
8	KSC-466360-CP	Cotter Pin, 1/4 x 2	1
9	KSC-466360-GF	Drive Zerk	2
10	KSC-466300-HUB	N633 Hub Assembly W/Bearings	1
11	KSC-531020/KSC-531020-LH	Coultter Arm Assembly	1
12	SPR-1 (20" & 24")	Main Spring	1
13	S1244SL-SPC	Spring Cap Weldment	1
14	N6	Nut, Hex, 3/4" High Strength	2
15	N6J	Nut, Hex, Jam, 3/4" Plated	1
16	KSC-466300-SPL	N633 Spindle W/Hardware	1
*18R	KSC-05310166-SS	SS Coultter Arm Tube - Right Hand	
*18L	KSC-05310166-SSLH	SS Coultter Arm Tube - Left Hand	
	20PL-Combo (Not Shown)	20" Smooth Blade	
	20FL-Combo (Not Shown)	20" Fluted Blade	
**	20FLC-Combo (Not Shown)	20" Crucible Blade	
	20NO-Combo (Not Shown)	20" Notched Blade	

** Standard on LA Series. Pictured Above.

3 POINT TOOLBAR

LA SERIES 3 POINT W/27', 30', 35', 40' OR 55' TOOLBAR



- LA Series 3 Point Toolbar with Parallel Link Height Control
- 27', 30', 35', 40', 55' Toolbars
- Single Raise/Lower-Auto Gull Wing Control Function (Bar Lift and Gull Wing Feature all Done with 1 Hydraulic Switch)
- Adjustable Toolbar Gauge Wheel Set (2 sets on 55')
- Auto Gull Wing Feature Tips the Wings Up for Better Turning Clearances
- Heavy Duty 7 X 7 Toolbar on 27', 30', 35' & 40' - 12' Center Section
- 55' - 24 Row (23 coulters) Heavy Duty Double 4 X 6 Toolbar - 18' Center Section
- Adjustable Wing Down Pressure To Maintain Uniform Coulters Depth Across The Toolbar
- 2 Hydraulic Remotes Used For 27' & 30' And 3 Hydraulic Remotes Used For 35', 40' & 55' (Optional Electric/Hydraulic Kits Available)
- CAT II and CAT III Quick-Hitch Compatibility
- Optional Heavy Duty Adjustable Gauge Wheels Available
- Optional Implement Hitch For Trailing Nurse Applications

<u>Model #</u>	<u>Description</u>	<u>Bar Width</u>
ASLA3PT-27-KIT	LA SERIES 3 PT TOOLBAR	27
ASLA3PT-30-KIT	LA SERIES 3 PT TOOLBAR	30
ASLA3PT-35-KIT	LA SERIES 3 PT TOOLBAR	35
ASLA3PT-40-KIT	LA SERIES 3 PT TOOLBAR	40
ASLA3PT-55-KIT	LA SERIES 3 PT TOOLBAR	55

Visit agspray.com For Sprayer Parts & Breakdowns.

YIELD FLEXX FERTILIZER ASSEMBLY



Take control over your Nitrogen with Yield Flexx attachments. Improve your yield with perfectly timed applications.

- *Light Weight - 5 lbs Per Unit*
- *Adjustable Height - 14" to 36"*
- *Adjustable Row Spacing - 20" to 40" Rows*
- *Minimal Maintenance Parts*
- *Brackets Available for Toolbars or Spray Booms*



<u>Model #</u>	<u>Description</u>
YFNA2018CL	Yield Flexx Assembly—(Less Mounting Bracket)
5281496	Yield Flexx Assembly with 7X7 Standard Mounting Brackets
5281497	Yield Flexx Assembly with 7X7 Left Hand Offset Mounting Brackets
5281498	Yield Flexx Assembly with 7X7 Right Hand Offset Mounting Brackets
5281499	Yield Flexx Assembly with 6X4 Mounting Brackets



PULL-TYPE SPRAYERS

6000 SERIES SPRAYER W/60' OR 72' BOOM



- 1050 Gallon Tank
- Short Hitch Pin To Axle - 158"
- 60' Or 72' Heavy Duty Side Fold Boom W/ Hydraulic Accumulators
- Hypro Cast Iron Pump W/ Integrated PWM Valve
- 80 Gallon Fresh Water Rinse Tank
- Transport Width - 10'
- 320/85R38 Tires
- 8-Bolt Hubs Standard
- Adjustable Axle Spacing On Single (62"-88"; 120"-152")

OPTIONS:

- ASM Wet Boom System - 1" Stainless Wetboom With 3-Way Nozzle Bodies, Rapid Stop Adapter & Flush Valves
- PWM Pump Available For Closed & Open Hydraulic Systems
- Wide Or Narrow Axle Option

Visit agspray.com For Sprayer Parts & Breakdowns.

Model #	Description	Tank
AS6060-KIT	Side fold sprayer with 60' boom	1050 Gallon
AS6072-KIT	Side fold sprayer with 72' boom	1050 Gallon

STANDARD COLOR SCHEME



Black Frame, Gray Tank, Silver Wheels

** OTHER COLOR OPTIONS - SPECIFY WHEN ORDERING **



Black Frame, Yellow Tank, Yellow Wheels



Blue Frame, Yellow Tank, Yellow Wheels

PULL-TYPE SPRAYERS

7000 SERIES SPRAYER W/60', 80' OR 90' BOOM



- 1350 Gallon Tank
- Short Hitch Pin To Axle - 175"
- 60', 80' Or 90' Heavy Duty Side Fold Boom W/ Hydraulic Accumulators
- Hypro Cast Iron Pump W/ Integrated PWM Valve
- 150 Gallon Fresh Water Rinse Tank
- Transport Width - 12'
- 320/90R46 Standard Tires, Various Options Available
- 10-Bolt Hubs Standard
- Adjustable Axle Spacing On Single (60"-88"; 120"-152") Or Dual Option Available

OPTIONS:

- ASM Wet Boom System - 1" Stainless Wetboom With 3-Way Nozzle Bodies, Rapid Stop Adapter & Flush Valves
- PWM Pump Available For Closed & Open Hydraulic Systems
- Duals 320/90R/46 Tires
- 60" to 120" 15,000 Axles

Visit agspray.com For Sprayer Parts & Breakdowns.



Model #	Description	Tank
AS7360-KIT	Side fold sprayer with 60' boom	1350 Gallon
AS7380-KIT	Side fold sprayer with 80' boom	1350 Gallon
AS7390-KIT	Side fold sprayer with 90' boom	1350 Gallon

STANDARD COLOR SCHEME



Black Frame, Gray Tank, Silver Wheels

** OTHER COLOR OPTIONS - SPECIFY WHEN ORDERING **



Black Frame, Yellow Tank, Yellow Wheels



Blue Frame, Yellow Tank, Yellow Wheels

APPLICATORS & SPRAYERS

DRY MATERIAL HANDLING

TRAILERS

TANKS & ACCESSORIES

PUMPS

VALVES & FITTINGS

STRAINERS & HOSE

PLANTER EQUIPMENT

SPRAYER CONTROLS & GUIDANCE

NOZZLES, TIPS & SPRAY GUNS

NH3 PRODUCTS

TECHNICAL INFORMATION

INDEX

PULL-TYPE SPRAYERS

8000 SERIES SPRAYER W/60', 80' OR 90' BOOM



- 1650 or 1950 Gallon Tank
- Short Hitch Pin To Axle - 175"
- 60', 80' Or 90' Heavy Duty Side Fold Boom W/ Hydraulic Accumulators
- Hypro Stainless Steel Pump W/ Integrated PWM Valve
- Stainless Steel Fill Lid W/ No Splash Vent
- 20,000 lb Axles
- 150 Gallon Fresh Water Rinse Tank
- Transport Width - 12'
- 380/90R54 Standard Tires, Various Options Available
- 10-Bolt Hubs Standard
- Adjustable Axle Spacing On Single (60"-88"; 120"-152") Or Dual Option Available

OPTIONS:

- ASM Wet Boom System - 1" Stainless Wetboom With 3-Way Nozzle Bodies, Rapid Stop Adapter & Flush Valves
- PWM Pump Available For Closed & Open Hydraulic Systems
- Duals 320/90R/54 Tires = 60" to 120"
- Duals 380/90R/54 Tires = 76" to 152"
- More Options Available

Visit agspray.com For Sprayer Parts & Breakdowns.



Model #	Description	Tank
AS8660-KIT	Side fold sprayer with 60' boom	1650 Gallon
AS8680-KIT	Side fold sprayer with 80' boom	1650 Gallon
AS8690-KIT	Side fold sprayer with 90' boom	1650 Gallon
AS8960-KIT	Side fold sprayer with 60' boom	1950 Gallon
AS8980-KIT	Side fold sprayer with 80' boom	1950 Gallon
AS8990-KIT	Side fold sprayer with 90' boom	1950 Gallon

STANDARD COLOR SCHEME



Black Frame, Gray Tank, Silver Wheels

** OTHER COLOR OPTIONS - SPECIFY WHEN ORDERING **



Black Frame, Yellow Tank, Yellow Wheels



Blue Frame, Yellow Tank, Yellow Wheels

PULL-TYPE SPRAYERS

8000 SERIES SPRAYER W/ 120' OR 132' BOOM



- 1650 Or 1950 Gallon Tank
- Short Hitch Pin To Axle - 175"
- 120' Or 132' Boom
- Heavy Duty 6" x 3" Center Section W/ 3" King Pin Center Pivot Suspension System
- Hypro Stainless Steel Pump W/ Integrated PWM Valve
- Stainless Steel Fill Lid W/ No Splash Vent
- 150 Gallon Fresh Water Rinse Tank
- Transport Width - 12'
- 380/90R54 Tires Standard, Various Options Available
- 10-Bolt Hubs Standard
- Adjustable Axle Spacing On Single (60"-88"; 120"-152") Or Dual Option Available

OPTIONS:

- ASM Wet Boom System - 1" Stainless Wetboom With 3-Way Nozzle Bodies, Rapid Stop Adapter & Flush Valves
- PWM Pump Available For Closed & Open Hydraulic Systems



Model #	Description	Tank
AS86120-KIT	Side fold sprayer with 120' boom	1650 Gallon
AS86132-KIT	Side fold sprayer with 132' boom	1650 Gallon
AS89120-KIT	Side fold sprayer with 120' boom	1950 Gallon
AS89132-KIT	Side fold sprayer with 132' boom	1950 Gallon

APPLICATORS & SPRAYERS

DRY MATERIAL HANDLING

TRAILERS

TANKS & ACCESSORIES

PUMPS

VALVES & FITTINGS

STRAINERS & HOSE

PLANTER EQUIPMENT

SPRAYER CONTROLS & GUIDANCE

NOZZLES, TIPS & SPRAY GUNS

NH3 PRODUCTS

TECHNICAL INFORMATION

INDEX

3 POINT SPRAYERS

8000-3PT SERIES

DRY MATERIAL
HANDLING

TRAILERS

TANKS &
ACCESSORIES

PUMPS

VALVES &
FITTINGS

STRAINERS
& HOSE

PLANTER
EQUIPMENT

SPRAYER
CONTROLS &
GUIDANCE

NOZZLES, TIPS
& SPRAY GUNS

NH3
PRODUCTS

TECHNICAL
INFORMATION

INDEX



(Shown: 8000 Series 3 Point 90 Foot Boom)



Utilize your tractor tanks and convert your row crop tractor into a self-propelled sprayer in minutes with Ag Spray Equipment's 8000-3PT. Available in 60', 80', 90', 120' or 132' boom widths.

- Seven Function Control Box To Fold Boom Requiring Only One Hydraulic Remote
- Commercial Quality Boom With Center Pivot Suspension
- Powder Coat Paint
- Hydraulic Accumulator Boom Ride
- Parallel Linkage Height Adjustment
- 100" End Wing Safety Breakaway
- Light Kit
- Durable Parking Stands

<u>Model #</u>	<u>Description</u>
ASF3P60-KIT	60' 3pt side fold sprayer base unit
ASF3P80-KIT	80' 3pt side fold sprayer base unit
ASF3P90-KIT	90' 3pt side fold sprayer base unit
ASF3P120-KIT	120' 3pt side fold sprayer base unit
ASF3P132-KIT	132' 3pt side fold sprayer base unit

RAVEN AUTOBOOM AUTOMATIC BOOM HEIGHT CONTROLLER

RAVEN



Each Autoboom Kit Consists Of Two Parts:

A CONTROLLER KIT

The console and cabling that controls the system from your cab.

AN INSTALLATION KIT

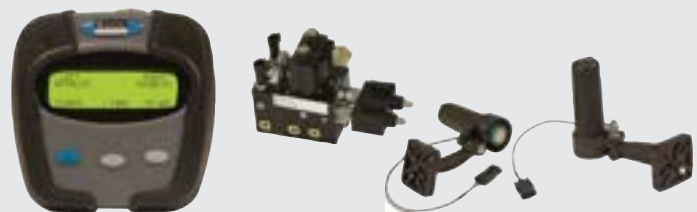
The components on the exterior of your machine. The installation kit is machine-specific, so different machines will use different kits.

Raven Offers Three Autoboom Systems.

**CALL FOR PRICING
& OPTIONS**

The AutoBoom adjusts your booms automatically at speeds of up to 20mph, increasing your spraying speed 15-30%!

ULTRAGLIDE AUTOBOOM ULTRASONIC LEVELING SYSTEM



- Ultrasonic boom leveling system with ultrasonic sensor
- Either CANbus or standard
- Simplified calibration procedure, one button calibration
- Use with CR7, Viper Pro, Envizio Pro II or SCS4X00 consoles for setup and operation
- Set the boom height and go!

PULL-TYPE SPRAYERS

PRO 500 OR 750 GALLON ELLIPTICAL TRAILER SPRAYER WITH LARGE TIRES



The Pro 500 or 750 gallon elliptical tall wheel trailer sprayer, available with booms ranging from 28' to 48' coverage, boomless nozzle kits with up to 40 feet of coverage or the "Oklahoma Special" which utilizes a combination of both. Catwalk filling platform with fold up step located on the front side of the sprayer make for easy and convenient access to the tank lid. Plumbing packages available to meet all your spraying needs.

- Heavy Duty 2" x 6" Rectangular Tubing Frame
- 500 Or 750 Gallon Elliptical Tank
- Filling Platform With Fold Up Step And Safety Hand Rail
- 30" Crop Clearance
- Adjustable Combination Clevis and Pintle Ring Hitch
- 12.4 x 38 Tires

Visit agspray.com For Sprayer Parts & Breakdowns.

PULL-TYPE SPRAYERS

APPLICATORS
& SPRAYERS

PRO 500 OR 750 GALLON ELLIPTICAL TRAILER SPRAYER WITH LARGE TIRES

Part #	MFG #	Description
BASE UNIT INCLUDES		
5276409 *	T-500-12.4-38-KIT	500 Gallon Elliptical Trailer With Tank 12.4 X 38 Tires. 72" - 120" Wheel Center
5276413 *	T-750-12.4-38-KIT	750 Gallon Elliptical Trailer With Tank 12.4 X 38 Tires 84" - 120" Wheel Center
BOOM ASSEMBLY OPTIONS		
5276015	BOOMBUSTER-KIT	Boomless Nozzle Kit 36' Coverage W/ Xt024
5278153	OKLAHOMA SPECIAL-KIT	Boom Buster Kit W/ Xt024 Tips Add On For Booms
5276740	LONGHORNBOOM-KIT	Longhorn Extended Range Boomless Boom
5300696	2308QJ	28' Shock Absorber Boom W/ 17 Quickjet Diaphragm Nozzles
5300697	2310QJ	35' Shock Absorber Boom W / 21 Quickjet Diaphragm Nozzles
5300698	2312QJ	42' Shock Absorber Boom W/ 25 Quickjet Diaphragm Nozzles
5300699	2468-12QJ	42' Heavy Duty Flat Fold Boom W/ 25 Quickjet Diaphragm Nozzles
5300700	2468-14QJ	48' Heavy Duty Flat Fold Boom W/ 29 Quickjet Diaphragm Nozzles
5281255	FB-25-TRL-HK	Hydraulic Height Self Leveling Attachment (Available On 2300 & 2468 Booms) with Hydraulic Hose Kit
5281257	HL-2468-TRL-HK	Hydraulic Lift Kit For 2468 Boom Wings with Hydraulic Hose Kit
HIGH VOLUME PLUMBING KIT		
5276195	HVPLMBEL-KIT	High Volume Plumbing Kit For Elliptical Series Sprayers
OTHER OPTIONS		
5276509	829-EG34-LP-KIT	Standard Centrifugal Plumbing Kit Electric Control Includes 744 Controller W/ 3 430 Electric Ball Valves (Less Pump)
5276078	ESF450-KIT	450 Raven Automatic Rate Controller W/ GPS Speed Sensor
5276507	826-LP-KS-KIT	Plumbing W/ Manual Boom Control (Less Pump)
5276935	7560C-PUMPKIT	8 Roller Cast Iron Pump W/ 540 Rpm Coupler
5276174	FMC-150-HYD-206-KIT	Ace Tongue Mounted Hydraulic Pump With Hydraulic Hoses
5276324	RT90MB-KIT	9 Gallon Rinse Tank With Mounting Bracket
5276972	TRD-2170-KIT	17 Gallon High Volume Foam Marker Includes Extension Cable And Mounting Brackets
5276010	AKHVTE-2-KIT	Eductor Agitator Kit
5276079	ESF60FLUSHKIT	60 Gallon Flush Kit W/ Rinse Balls
5276394	SP15IND-KIT	15 Gallon Inductor
	1502XL PUMP W/ COUPLER	1502Xl Roller Pump With Coupler (1321-0007 Coupler, 3430-0540 Torgue Arm)
5276302	QFK2-KIT	2" Quick Fill Kit (Included In 5276195 Kit)

* Designate Color: -BLU (Blue); -BLK (Black)

Visit agspray.com For Sprayer Parts & Breakdowns.

DRY MATERIAL
HANDLING

TRAILERS

TANKS &
ACCESSORIES

PUMPS

VALVES &
FITTINGS

STRAINERS
& HOSE

PLANTER
EQUIPMENT

SPRAYER
CONTROLS &
GUIDANCE

NOZZLES, TIPS
& SPRAY GUNS

NH3
PRODUCTS

TECHNICAL
INFORMATION

INDEX

PULL-TYPE SPRAYERS

PRO 500 OR 750 GALLON ELLIPTICAL TRAILER SPRAYER WITH WALKING TANDEM AXLE



The Pro 500 or 750 gallon elliptical walking tandem axle trailer sprayer, available with booms ranging from 28' to 48' coverage, boomless nozzle kits with up to 40 feet of coverage or the "Oklahoma Special" which utilizes a combination of both. Catwalk filling platform with fold up step located on the front side of the sprayer make for easy and convenient access to the tank lid. Plumbing packages available to meet all your spraying needs.

- Heavy Duty 2" x 6" Rectangular Tubing Frame
- 500 or 750 Gallon Elliptical Tank
- Filling platform With Fold Up Step and Safety Hand Rail
- 30" Crop Clearance
- Adjustable Combination Clevis and Pintle Ring Hitch
- 11L x 15 Tires



Longhorn boom is an excellent choice for pastures, fence lines, drive lanes, field boundary's and roadside spraying. Utilize the 100" flat fan boom for driveways and crop lanes and extend the spray with the boomless side mounted nozzles to reach out up to 16' each side for a combined 40' coverage.

PULL-TYPE SPRAYERS

APPLICATORS
& SPRAYERS

PRO 500 OR 750 GALLON ELLIPTICAL TRAILER SPRAYER WITH WALKING TANDEM AXLE

Part #	MFG #	Description
BASE UNIT INCLUDES		
5276408 *	T-500-WA-120-KIT	500 Gallon Elliptical Trailer Walking Tandem Axle With Tank
5276412 *	T-750-WA-120-KIT	750 Gallon Elliptical Trailer Walking Tandem Axle With Tank
BOOM ASSEMBLY OPTIONS		
5276015	BOOMBUSTER-KIT	Boomless Nozzle Kit 36' Coverage W/ Xt024
5278153	OKLAHOMA SPECIAL-KIT	Boom Buster Kit W/ Xt024 Tips Add On For Booms
5276740	LONGHORNBOOM-KIT	Longhorn Extended Range Boomless Boom
5300696	2308QJ	28' Shock Absorber Boom W/ 17 Quickjet Diaphragm Nozzles
5300697	2310QJ	35' Shock Absorber Boom W / 21 Quickjet Diaphragm Nozzles
5300698	2312QJ	42' Shock Absorber Boom W/ 25 Quickjet Diaphragm Nozzles
5300699	2468-12QJ	42' Heavy Duty Flat Fold Boom W/ 25 Quickjet Diaphragm Nozzles
5300700	2468-14QJ	48' Heavy Duty Flat Fold Boom W/ 29 Quickjet Diaphragm Nozzles
5281255	FB-25-TRL-HK	Hydraulic Height Self Leveling Attachment (Available On 2300 & 2468 Booms) with Hydraulic Hose Kit
5281257	HL-2468-TRL-HK	Hydraulic Lift Kit For 2468 Boom Wings with Hydraulic Hose Kit
HIGH VOLUME PLUMBING KIT		
5276195	HVPLMBEL-KIT	High Volume Plumbing Kit For Elliptical Series Sprayers
OTHER OPTIONS		
5276509	829-EG34-LP-KIT	Standard Centrifugal Plumbing Kit Electric Control Includes 744 Controller W/ 3 430 Electric Ball Valves (Less Pump)
5276078	ESF450-KIT	450 Raven Automatic Rate Controller W/ Gps Speed Sensor
5276507	826-LP-KS-KIT	Plumbing W/ Manual Boom Control (Less Pump)
5276935	7560C-PUMPKIT	8 Roller Cast Iron Pump W/ 540 RPM Coupler
5276174	FMC-150-HYD-206-KIT	Ace Tongue Mounted Hydraulic Pump With Hydraulic Hoses
5276324	RT90MB-KIT	9 Gallon Rinse Tank With Mounting Bracket
5276972	TRD-2170-KIT	17 Gallon High Volume Foam Marker Includes Extension Cable And Mounting Brackets
5276010	AKHVTE-2-KIT	Eductor Agitator Kit
5276079	ESF60FLUSHKIT	60 Gallon Flush Kit W/ Rinse Balls
5276394	SP15IND-KIT	15 Gallon Inductor
	1502XL PUMP W/ COUPLER	1502XI Roller Pump With Coupler (1321-0007 Coupler, 3430-0540 Torgue Arm)
5276302	QFK2-KIT	2" Quick Fill Kit (Included In 5276195 Kit)

* Designate Color: -BLU (Blue); -BLK (Black)

Visit agspray.com For Sprayer Parts & Breakdowns.

DRY MATERIAL
HANDLING

TRAILERS

TANKS &
ACCESSORIES

PUMPS

VALVES &
FITTINGS

STRAINERS
& HOSE

PLANTER
EQUIPMENT

SPRAYER
CONTROLS &
GUIDANCE

NOZZLES, TIPS
& SPRAY GUNS

NH3
PRODUCTS

TECHNICAL
INFORMATION

INDEX

3 POINT SPRAYERS

DRY MATERIAL
HANDLING

TRAILERS

TANKS &
ACCESSORIES

PUMPS

VALVES &
FITTINGS

STRAINERS
& HOSE

PLANTER
EQUIPMENT

SPRAYER
CONTROLS &
GUIDANCE

NOZZLES, TIPS
& SPRAY GUNS

NH3
PRODUCTS

TECHNICAL
INFORMATION

INDEX



PRO 300/500 GALLON ELLIPTICAL TANK 3 POINT SPRAYER WITH 60' HYDRAULIC FOLD X-BOOM

Part #	MFG #	Description
BASE UNIT INCLUDES		
• Heavy Duty 3 Point Carrier With Parking Stands • Tank • Straps And Pins • Tank Saddle • Unassembled		
5276299	PRO300E3PT-XHD-KIT	300 Gallon Elliptical 3 Point Carrier With Tank
5276300	PRO500E3PT-XHD-KIT	500 Gallon Elliptical 3 Point Carrier With Tank
BOOM ASSEMBLIES		
• Pro-Series 60' Hydraulic Fold Boom With Pro-Series Suspension System • End Wing Breakaway • Gauge Wheels • Hydraulic Hose Kit With Restrictors		
5276741	HFB-60X-LT-KIT	60' Hydraulic Fold X-Boom, Less Tower With Parking Stands
5300884	HFB-60X-3PTLT-KIT	60' Hydraulic Fold X-Boom, Less Tower, Heavy Duty 3 Point Carrier W/ Parking Stands, Platform To Mount Foam Marker & Pins
5276358	SF3/4DQT-S-KIT	Diaphragm Check Valve Nozzle Bodies Single (Each)
5300700	2468-14QJ BOOM	42' Or 48' Heavy Duty 18 Or 14 Row Boom
5281256	FB-25-3PT-HK	Hydraulic Height Adjustment. Self-Leveling Attachment W/ HYD Hose
5281258	HL-2468-3PT-HK	Hydraulic Lift Kit For 2468 Boom Wings W/ HYD Hose
5301010	HFB-60X	60" X-Fold Hydraulic Fold Boom W/36" HYD Tower & HYD Hoses
3PT WITH TANK PLUMBING KIT		
• High Volume Plumbing With Banjo Flange Fittings • Three Electric Ball Valve Shutoffs • Dual Agitation • 2" Bottom Quick Fill		
5276466	300/500XFOLDPLMB-KIT	High Volume Plmbg Kit With Mounting Bracket & Ball Valves For 3PT With Tank & Tank Plumbing
OTHER OPTIONS		
5301534	5301534	Hydraulic Tower With 36" Vertical Lift
5276465	3PT-HV2005(CKF)-KIT	High Volume Plmbg Kit Less Control & Valves Plmbg For W/Out Tank
5276763	FMC-150F-HYD-206-KIT	Flanged Ace Tongue Mounted Hyd. Pump With Hoses
5276513	9303C-HM4C-KIT	Hypro Tongue Mounted Hyd. Pump With Hoses
5273036	PTOC-150-600-6SPQC	Ace Pto Pump
5276349	SFHOFMO2000-KIT	20 Gallon High Volume Foam Marker Included Extension Cable
5276399	SS844E-P801-1-KIT	Teejet Auto Rate Controller Installed W/ Wheel Speed Sensor & Extension
5276001	AAK744A-100L-30SS-KIT	744 Control, Regulator Valve And Wire Harness (No Valves) & Extension
5276002	AAK744A-100L-33SS-KIT	744 Control, Regulator Valve And Wire Harness, 3-144 Valves & Extension
5276355	SFSCS450AO-112P-60P-S-KIT	Raven Automatic Rate Controller With Gps
5276643	SFSCSLESSCONTROL-KIT	Raven Components For GS2 Or Guidance Control

3 POINT SPRAYERS

300/500 GALLON 3 POINT SPRAYER W/60' OR 72' BOOM



Model #	Description
5302811-BLU	300 Gallon 3PT w/60' FF Boom & Blue Frame
5302812-BLU	300 Gallon 3PT w/72' FF Boom & Blue Frame
5302813-BLU	500 Gallon 3PT w/60' FF Boom & Blue Frame
5302814-BLU	500 Gallon 3PT w/72' FF Boom & Blue Frame
5302811-BLK	300 Gallon 3PT w/60' FF Boom & Black Frame
5302812-BLK	300 Gallon 3PT w/72' FF Boom & Black Frame
5302813-BLK	500 Gallon 3PT w/60' FF Boom & Black Frame
5302814-BLK	500 Gallon 3PT w/72' FF Boom & Black Frame

- 300 or 500 Gallon Tank
- 60' Or 72' Front Folding Boom. Heavy Duty W/ Hydraulic Accumulators For A Smooth Boom Ride
- Hypro Cast Iron Hydraulic Pump
- Easy Access To Ball Valves & Banjo Filters
- 2" Quick Fill To Fill Tank From Ground
- Quick Hitch Compatible

CALL FOR PRICING

Visit agspray.com For Sprayer Parts & Breakdowns.

APPLICATORS
& SPRAYERS

DRY MATERIAL
HANDLING

TRAILERS

TANKS &
ACCESSORIES

PUMPS

VALVES &
FITTINGS

STRAINERS
& HOSE

PLANTER
EQUIPMENT

SPRAYER
CONTROLS &
GUIDANCE

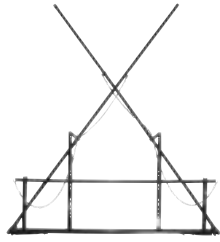
NOZZLES, TIPS
& SPRAY GUNS

NH3
PRODUCTS

TECHNICAL
INFORMATION

INDEX

FIELD SPRAYER BOOMS



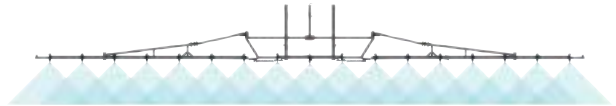
SERIES 368 BOOMS



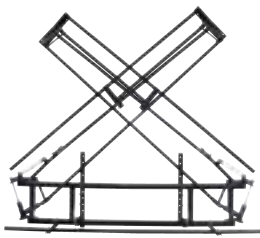
Model #	Code #	Description
368-6QJ	5300693	6 Row, 21' Boom With 13 QuickJet Diaphragm Nozzles
368-8QJ	5300694	8 Row, 28' Boom With 17 QuickJet Diaphragm Nozzles



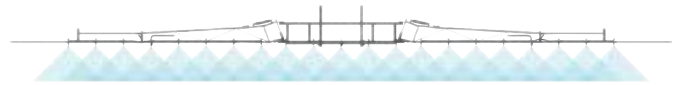
SERIES 479 BOOMS



Model #	Code #	Description
479-6QJ	5301356	6 Row, 21' Boom With 13 Nozzles W/QuickJet Diaphragm
479-8QJ	5301357	8 Row, 28' Boom With 17 Nozzles W/QuickJet Diaphragm
479-10QJ	5301358	10 Row, 35' Boom With 21 Nozzles W/QuickJet Diaphragm



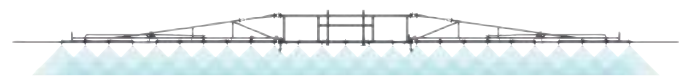
SERIES 2300 BOOMS



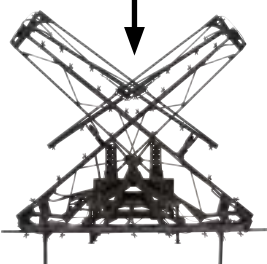
Model #	Code #	Description
2308QJ	5300696	8 Row, 28' (3 Section) Boom Assembly With 17 Nozzle W/QuickJet Diaphragm
2310QJ	5300697	10 Row, 35' (5 Section) Boom Assembly With 21 Nozzle W/QuickJet Diaphragm
2312QJ	5300698	12 Row, 42' (5 Section) Boom Assembly With 25 Nozzle W/QuickJet Diaphragm



SERIES 2468 BOOMS



Model #	Code #	Description
2468-12QJ	5300699	42' Heavy Duty 12 Row Boom - (5 Sections) (Folds Behind Sprayer - 3/4" Nozzle Harness Included W/ QuickJet Diaphragm Nozzles)
2468-14QJ	5300700	48' Heavy Duty 14 Row Boom - (5 Sections) (Folds Behind Sprayer - 3/4" Nozzle Harness Included W/ QuickJet Diaphragm Nozzles)



60 FT X-BOOM

Model #	Code #	Description
HFB-60X	5301010	60' Boom - Attachment To Trailer
HFB-60X-LT	5301203	60' Boom - Attachment To 3 Point

FIELD SPRAYER BOOMS

APPLICATORS & SPRAYERS

DRY MATERIAL HANDLING

TRAILERS

TANKS & ACCESSORIES

PUMPS

VALVES & FITTINGS

STRAINERS & HOSE

PLANTER EQUIPMENT

SPRAYER CONTROLS & GUIDANCE

NOZZLES, TIPS & SPRAY GUNS

NH3 PRODUCTS

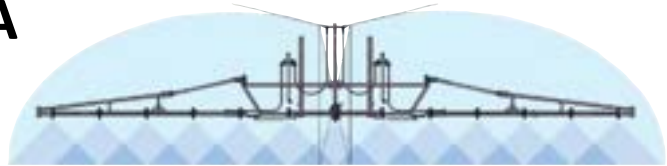
TECHNICAL INFORMATION

INDEX



OKLAHOMA SPECIAL BOOM

Model #
OKLAHOMA SPECIAL-KIT



Description
Boom Buster Kit w/ XT024 Tips add on for Booms



MX SERIES BOOMS

Model #	Code #
MX408	5303666
MX410	5303667
MX412	5303668

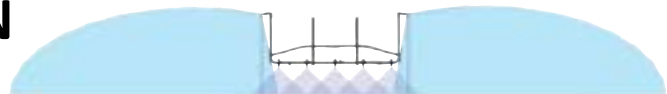


Description
8 Nozzle MX Boom, 160" Coverage - (1 or 3 Section)
10 Nozzle MX Boom, 200" Coverage - (1 or 3 Section)
12 Nozzle MX Boom, 240" Coverage - (1 or 3 Section)



LONGHORN BOOM

Model #
LONGHORNBOOM-KIT



Description
Longhorn Extended Range Boomless Boom w/XT024 Tips



BXT SERIES BOOMS

Model #	Code #
5282450	BXT3438
5282451	BXT3858

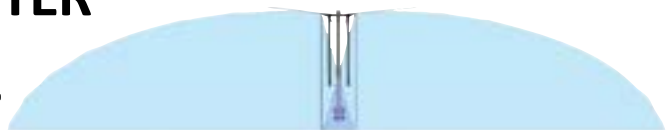


Description
Boomless 34' Coverage, 3.8 GPM At 40 PSI (3 Section) NEW
Boomless 38' Coverage, 5.8 GPM At 40 PSI (3 Section) NEW



BOOM BUSTER BOOMLESS NOZZLE KIT

Model #
BOOMBUSTER-KIT



Description
Boomless Nozzle Bracket w/XT024 Tips



HAMILTON BOOMLESS NOZZLE

Model #
#20HAMILTONROOSTER-KIT



Description
#20 Hamilton Nozzle Kit

SEE PAGES 281-331 FOR TIPS & NOZZLE OPTIONS

PX BOOM

PX BOOM—3 FOLDING OPTIONS, 2 TRANSPORT WIDTHS & 8 SIZE CONFIGURATIONS



MANUAL FOLD



HYDRAULIC FOLD



12 VOLT ELECTRIC FOLD



PX4 80" TRANSPORT WIDTH



PX6 120" TRANSPORT WIDTH

PX BOOM—3 FOLDING OPTIONS, 2 TRANSPORT WIDTHS & 8 SIZE CONFIGURATIONS



**SINGLE DIAPHRAGM QJ
NOZZLE BODIES**



**SST WET BOOM TRIPLE QJ
NOZZLE BODIES**

PX Boom Standard Manual Fold with Single diaphragm check nozzle bodies

Part #	MFG #	Description
Narrow Transport Width		
5281705	PX413-QJD	PX413 80" center section, 13' Boom with ½" single QJ boom plumbing
5281707	PX416-QJD	PX416 80" center section, 16' Boom with ½" single QJ boom plumbing
5281709	PX420-QJD	PX420 80" center section, 20' Boom with ½" single QJ boom plumbing
5281711	PX423-QJD	PX423 80" center section, 23' Boom with ½" single QJ boom plumbing
Wide Transport Width		
5281713	PX620-QJD	PX620 120" center section, 20' Boom with ½" single QJ boom plumbing
5281715	PX623-QJD	PX623 120" center section, 23' Boom with ½" single QJ boom plumbing
5281717	PX626-QJD	PX626 120" center section, 26' Boom with ½" single QJ boom plumbing
5281719	PX630-QJD	PX630 120" center section, 30' Boom with ½" single QJ boom plumbing

PX Boom Standard Manual Fold with Triple Nozzle Stainless Steel Pipe Wet Boom

Narrow Transport Width		
5281706	PX413-ASM	PX413 80" center section, 13' Boom w-1/2" SST Wet Boom-Triple QJ bodies
5281708	PX416-ASM	PX416 80" center section, 16' Boom w-1/2" SST Wet Boom-Triple QJ bodies
5281710	PX420-ASM	PX420 80" center section, 20' Boom w-1/2" SST Wet Boom-Triple QJ bodies
5281712	PX423-ASM	PX423 80" center section, 23' Boom w-1/2" SST Wet Boom-Triple QJ bodies
Wide Transport Width		
5281714	PX620-ASM	PX620 120" center section, 20' Boom w-1/2" SST Wet Boom-Triple QJ bodies
5281716	PX623-ASM	PX623 120" center section, 23' Boom w-1/2" SST Wet Boom-Triple QJ bodies
5281718	PX626-ASM	PX626 120" center section, 26' Boom w-1/2" SST Wet Boom-Triple QJ bodies
5281720	PX630-ASM	PX630 120" center section, 30' Boom w-1/2" SST Wet Boom-Triple QJ bodies

PX Boom Mounting Kit for Trailer and 3 Point

5281836	5281836	PX Boom Trailer & 3 Point Mounting Kit
---------	---------	--

Fold Options



Part #	MFG #	Description
5281777	PX-HF-13-KIT	PX Boom Hydraulic Fold Kit w/13' Hyd Hoses
5281778	PX-HF-18-KIT	PX Boom Hydraulic Fold Kit w/18' Hyd Hoses
5281779	PX-HF-22-KIT	PX Boom Hydraulic Fold Kit w/22' Hyd Hoses
5281774	PX-EF-18-KIT	PX Boom 12 Volt Electric fold Kit with 18' Cable
5281775	PX-EF-23-KIT	PX Boom 12 Volt Electric fold Kit with 23' Cable
5281776	PX-EF-28-KIT	PX Boom 12 Volt Electric fold Kit with 28' Cable

SKID SPRAYERS

FSSS-60-3.5 SKID MOUNTED SPRAYER

- Briggs & Stratton 127cc engine
- 5.5 ft-lbs gross torque
- 4 Roller Pump (6 GPM)
- 0-120 PSI
- Adjustable Pressure
- 60 Gallon Polyethylene Tank
- Pressure Gauge
- Hose & Handgun Holder
- Deluxe Handgun With Adjustable Tip and 25' Hose
- 60" Long x 24" Wide



Model #	Code #	Description
FSSS-60-B3.5-4C *‡	5301446	60 Gallon Skid Sprayer, 127cc Gas Engine; 4 Roller Pump
* Designate Color: -BLU (Blue); -BLK (Black)		

FSSS-60-12V SKID MOUNTED SPRAYER

- 12 Volt (Relief Valve) Diaphragm Pump
- Shurflo 4.0 GPM (Max) Pump (5151066)
- 0-60 PSI
- Adjustable Pressure
- 60 Gallon Polyethylene Tank
- Pressure Gauge
- Hose & Handgun Holder
- Deluxe Handgun with Adjustable Tip and 25' Hose
- 60" Long x 24" Wide



Model #	Code #	Description
FSSS-60-12V *‡	5301445	60 Gallon Skid Sprayer, 12 Volt 4.0 GPM
* Designate Color: -BLU (Blue); -BLK (Black)		

‡ BOOM AND BRACKET SOLD SEPARATELY. SEE BELOW

BOOMS & OPTIONS

Part #	Code #	Description	Coverage	Tip Spacing
TRAILER KIT				
T-62-HD	5301471	Trailer Kit For 60 Gallon Sprayer 18 x 9.50 x 8 Tires		
BOOM KITS				
BRKT-60	5301447	Mounting Bracket To Attach Booms To 60 Gallon Skid Sprayers		
FSBK-2	5300975	2 Nozzle Boom Kit	80"	40"
FSBK-5	5300976	5 Nozzle Boom Kit	100"	20"
FSBK-70	5301100	7 Nozzle Boom Kit	140"	20"
FSBK-13	5300673	9 Nozzle Boom Kit	180"	20"
FSBK-1	5301139	Boomless Boom Assembly With 1 TeeJet KLC Tip		
FSBK-3025BL	5301289	3 Nozzle, Boomless Boom (Requires 3.8 GPM Pump)	30'	
<i>See Page 37 For Boom Photos</i>				
12 VOLT PUMP KITS				
<i>(5, 7, and 9 Nozzle Booms May Require A Larger 12 Volt Pump Depending On Application. To Price Unit In Lieu Of Standard Unit Add Pump Priced Below)</i>				
2088-443-144		Shurflo Pump With Demand Switch 45 PSI, 3.5 GPM		
4311-035		Shurflo Pump With Demand Switch 45 PSI, 7 GPM With 3/4" Manifold		
5059-1311-D011		Shurflo Pump With Demand Switch 45 PSI, 5.3 GPM With 1/2" MPT		

LS10-110



LS10-110 & LS10-150

- 110 or 150 Gallon Tank
- 8 Roller Pump, 10 GPM at 250 PSI
- 5.5 Briggs Engine with Gear Reduction
- Spraygun with 25' of 3/8" Hose
- Hose Wrap
- Pressure Regulator
- Pressure Gauge

5.5 HP GAS ENGINE DRIVEN - 250 PSI - 10 GPM

Model #	Code #	Description
LS10-110 *	5301080	110 Gallon Poly Tank Skid Sprayer
LS10-150 *	5301038	150 Gallon Poly Tank Skid Sprayer

Above Sprayers Include: • Tank & Skid Only • 5.5 HP Engine • 8 Roller Cast Iron Pump • Hand Gun & 25' 3/8" Hose • 10 GPM At 250 PSI

* Designate Color: -**BLU** (Blue); -**BLK** (Black)

Optional Accessories

U-65-110-150	High Clearance Trailer Kit For 65-110-150 Gallon Skid Sprayers With 4 Bolt 15" Wheels (includes tires)
UU-65-110-150	Turf Trailer Kit For 65-110-150 Gallon Skid Sprayers With 18 x 9.5 x 8 - 4 Bolt Wheel And Tire



Shown With Optional UU-65-110-150 High Clearance Kit

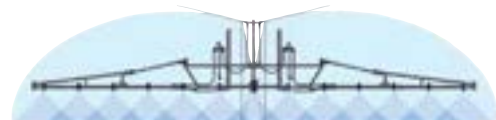


Shown With Optional UU-65-110-150 Turf Kit

Convert your Ag Spray LS10-110 or FS10-150 skid sprayer to a trailer unit in minutes. Tongue and Axle bolt-on for easy transformation.

Hose Reels Kits Available. See Page 57 for more information.

Boom Kits also available. See pages 22-23 for boom options to meet your application needs.



DUST CONTROL SPRAYERS

DUST CONTROL UNITS



Dust Control Units available in Trailer or Skid Mount Configurations. Plumbing can be set up to meet your Dust Control needs. Control the On/Off from the Tow Vehicle Cab Remotely. Optional 12VDC remote angle control allows the operator to adjust the spray width on the go! **Contact Your Nearest Ag Spray Service Center for more Details.**



12V Wireless Remote #7772011

Turn Your Dust Control Unit On & Off Remotely

Dust Control Nozzles

Model #	Description
5790	2" Dust Control Nozzle, 2" MPT inlet Black Steel-Fixed
5791SS-ADJ-KIT	2" Stainless Steel Adj Angle Dust Nozzle, 2" MPT Inlet

ADJUSTABLE PATTERN FOG NOZZLES

BLUE THERMOPLASTIC REFINERY FOG NOZZLE

- Glass filled
- Adjustable from straight stream to fog
- 100 P.S.I. maximum
- 75 G.P.M. at 100 P.S.I.



Model #	Size
RNB150S	1 1/2"

GARDEN HOSE SPRAY NOZZLE

- Heavy-duty machined aluminum construction
- Comfort-grip soft rubber
- Resists dents, mars and scratches
- Stainless steel spray cap



Model #	Description
GHN075	3/4" Garden Hose Spray Nozzle

FIRE HOSE NOZZLES



Model #	Description
HPFN150	1-1/2" NPSH Thread; 90° Spray GPM @ 100 PSI = 117 Operating Pressure from 25 PSI to 300 PSI Water Only (FM Approved)

Model #	Description
FFN100	Aluminum Forestry Nozzle, 1" NPT Thread - 25 GPM
FFN150	Aluminum Forestry Nozzle, 1-1/2" NPT Thread - 70 GPM

Model #	Description
FNB150S	Polycarbonate Nozzle, 1-1/2" NPSH Thread 100 PSI

BURN CONTROL SKID SPRAYERS

APPLICATORS & SPRAYERS

DRY MATERIAL HANDLING

TRAILERS

TANKS & ACCESSORIES

PUMPS

VALVES & FITTINGS

STRAINERS & HOSE

PLANTER EQUIPMENT

SPRAYER CONTROLS & GUIDANCE

NOZZLES, TIPS & SPRAY GUNS

NH3 PRODUCTS

TECHNICAL INFORMATION

INDEX



Ag Spray Burn Control Skid Units Range In Size And Configuration. Any Skid Unit Can Be Outfitted To Meet Your Needs.



Shown with Optional 100' Hose Reel

FIRE SUPPRESSION UNITS

Item #	Description
FSS-200PCO-2PH5	200 Gallon PCO Skid Unit, GX160 Honda-2" poly pump, 15' 2" suction, 25' 1" discharge with quick coupled 1" fire nozzle & 43L spraygun.
FSS-100PCO-2PH5	100 Gallon PCO Skid Unit, GX160 Honda-2" poly pump, 15' 2" suction, 25' 1" discharge with quick coupled 1" fire nozzle & 43L spraygun.
FSS-300EL-2PH5	300 Gallon Elliptical Skid Unit, GX160 Honda-2" poly pump, 15' 2" suction, 25' 1" discharge with quick coupled 1" fire nozzle & 43L spraygun.
FSS-200PCO-2PH5-100HR	200 Gallon PCO Skid Unit, GX160 Honda-2" poly pump, 15' 2" suction, 100' 1" discharge hose on Hand Rewind Hose Reel with quick coupled 1" fire nozzle & 43L spraygun.

Model #	Size
PLMBPKG-BURNCONTROL-KIT	2" x 5 HP Briggs Pump With Burn Control Plumbing Kit
PLMBPKG-HONDA-BURNCONTROL	2" x 5.5 Honda Pump With Burn Control Plumbing Kit
LS-PCO-200 *	200 Gallon PCO Tank With Skid
4038-17-18	1" manual rewind hose reel, 100 feet capacity
EPDM1100	1" EPDM black hose, 100 Feet

* Designate Color: -BLU (Blue); -BLK (Black)

PLMBPKG-BURNCONTROL-KIT INCLUDES:

- 2" poly pump with 5.5 Briggs & Stratton engine - Also available with Honda engine
- 15' of 2" suction hose with suction strainer
- 25' of 1" discharge hose
- 1" fire nozzle with quick coupler
- AA43L-AL6 handgun with quick coupler

See page 30 for additional Hose Reel Options.
See page 28 for adjustable pattern FOG nozzles.

PCO SKID SPRAYERS

LS-PCO-100



LS-PCO-200



100 GALLON PCO

ITEM#: 5303196 MFG#: FSS-100PCO-5.5H8C-100M
Unit Includes: LS-PCO-100, Honda 8 Roller Pump Kit, 100 FT
Hose Reel Kit & Stand, 100' 1/2" 600# Hose & Pro 22 Spraygun

200 GALLON PCO

ITEM#: 5303194 MFG#: FSS-200PCO-5.5HD403-300E
Unit Includes: LS-PCO-200, Honda Diaphragm Pump Kit, 300
FT Electric Reel, Spool Kit, 300' 1/2" 600# Hose & Pro 22 Spraygun.

100/150/200 GALLON PCO SKID

Part #	MFG #	Description
BASE UNIT		
5301077 *	LS-PCO-100	100 Gallon PCO Tank & Skid
5301078 *	LS-PCO-150	150 Gallon PCO Tank & Skid
5301079 *	LS-PCO-200	200 Gallon PCO Tank & Skid
PUMP OPTIONS		
5276496	5301072-KIT	5.5HP Briggs w/8-Roller Cast Iron Pump & 22" Pro Series Handgun
5276498	5301255-KIT	5.5HP Honda w/8-Roller Cast Iron Pump & 22" Pro Series Handgun
5276702	5301256-KIT	5.5HP Honda w/9910-D403GRGI Diaphragm Pump & 22" Pro Series Handgun
HOSE REEL KIT OPTIONS		
5301087	MANUAL HOSE REEL & MOUNT	300' Manual Hose Reel & Stand (Less Hose)
5301088	ELECTRIC HOSE REEL& MOUNT	300' Electric Hose Reel & Stand (Less Hose)
5274371	FH-3	Spool Kit For 300' Hose Reel
5276704	5272771-KIT	300' - 1/2" PVC 600# PSI Hose Assembly
5276938	100REEL-KIT	100' Manual Hose Reel & Stand (Less Hose)
5276703	5272789-KIT	100' - 1/2" PVC 600# PSI Hose Assembly
PCO BOOM MOUNTING BRACKET		
5274060-BLK	BOOM MOUNT BRKT RH	Boom Mount Bracket Left Hand
5274061-BLK	BOOM MOUNT BRKT LH	Boom Mount Bracket Right Hand

* Designate Color: -BLU (Blue); -BLK (Black)

(See Page 25 for New PX4 Boom Options)

ELLIPTICAL SKID SPRAYERS

APPLICATORS
& SPRAYERS

DRY MATERIAL
HANDLING

TRAILERS

TANKS &
ACCESSORIES

PUMPS

VALVES &
FITTINGS

STRAINERS
& HOSE

PLANTER
EQUIPMENT

SPRAYER
CONTROLS &
GUIDANCE

NOZZLES, TIPS
& SPRAY GUNS

NH3
PRODUCTS

TECHNICAL
INFORMATION

INDEX



LS-EL-300



200/300/500 GALLON ELLIPTICAL SKID

Part #	MFG #	Description
BASE UNIT		
5276244 *	LS-EL-200-KIT	200 Gallon Elliptical Tank & Skid - Dimensions: 96" long X 41" Wide X 36" Tall
5276245 *	LS-EL-300-KIT	300 Gallon Elliptical Tank & Skid - Dimensions: 96" Long X 49" Wide X 40" Tall
5276246 *	LS-EL-500-KIT	500 Gallon Elliptical Tank & Skid - Dimensions: 112" Long X 60" Wide X 49" Tall
PUMP OPTIONS		
5276496	5301072-KIT	5.5HP Briggs w/8-Roller Cast Iron Pump & 22" Pro Series Handgun
5276498	5301255-KIT	5.5HP Honda w/8-Roller Cast Iron Pump & 22" Pro Series Handgun
5276702	5301256-KIT	5.5HP Honda w/9910-D403GRGI Diaphragm Pump & 22" Pro Series Handgun
HOSE REEL KIT OPTIONS		
5301087	MANUAL HOSE REEL & MOUNT	300' Manual Hose Reel & Stand (Less Hose)
5301088	ELECTRIC HOSE REEL& MOUNT	300' Electric Hose Reel & Stand (Less Hose)
5274371	FH-3	Spool Kit For 300' Hose Reel
5276704	5272771-KIT	300' - 1/2" PVC 600# PSI Hose Assembly
5276938	100REEL-KIT	100' Manual Hose Reel & Stand (Less Hose)
5276703	5272789-KIT	100' - 1/2" PVC 600# PSI Hose Assembly
BOOM ASSEMBLY OPTIONS		
5281029	368-6-8669	21' Boom W/13 Quickjet Diaphragms With Bracket
5281030	368-8-8669	28' Boom W/17 Quickjet Diaphragms With Bracket
5281031	479-6-8669	21' Pro-Series Boom W/13 Quickjet Diaphragms With Bracket
5281032	479-8-8669	28' Pro-Series Boom W/ 17 Quickjet Diaphragms With Bracket
5281033	479-10-8669	35' Pro-Series Boom W/ 21 Quickjet Diaphragms With Bracket
5281034	2308-8669	28' Shock Absorber Boom W/17 Quickjet Diaphragms With Bracket
5281035	2310-8669	35' Shock Absorber Boom W/21 Quickjet Diaphragms With Bracket
5281036	2312-8669	42' Shock Absorber Boom W/25 Quickjet Diaphragms With Bracket
(See Page 25 for NEW PX4 Boom Options)		
BOOMLESS BOOM OPTIONS		
5276015	BOOMBUSTER-KIT	Boomless Nozzle Bracket W/XT024 Tips
5276740	LONGHORNBOOM-KIT	Longhorn Extended Range Boomless Boom W/Xt024 Tips
5278208	#20 HAM-SKID-KIT	#20 Hamilton Nozzle Kit With Slide
5278153	OKLAHOMA SPECIAL-KIT	Boom Buster Kit W/ XT024 Tips Add On For Booms
SKID PLUMBING OPTIONS (ONLY NEEDED FOR SKIDS WITH BOOMS)		
5276511	923-KIT	Dual Agitator Kit
5276508	827-3EG-12LP-KIT	Plumbing W/ Electric Boom Control Less Pump
5276507	826-LP-KIT	Plumbing W/ Manual Boom Control Less Pump

* Designate Color: -BLU (Blue); -BLK (Black)

UTV SPRAYERS

BRONZE SPOT SPRAYERS

- 15 Or 25 Gallon Corrosion Resistant Polyethylene Tank
- In Tank Filter System
- 12 Volt High-Flo High Performance Pump;
1.2 G.P.M; 60 P.S.I. (Part # 5151086)
- R1LAM Handgun - Spray Up To 15' (Part # 5163100)
- 15' of 3/8" Rubber Hose
- 8' Wire Harness With Battery Clips (Part # 5278017)
- Tank Drain

Model #	Code #	Description
BRONZE15	5302844	15 Gallon Bronze Sprayer
BRONZE25	5302845	25 Gallon Bronze Sprayer



BRONZE15

SILVER SPOT SPRAYERS

- 15 Or 25 Gallon Corrosion Resistant Polyethylene Tank
- In Tank Filter System
- 12 Volt SHURflo Pump; 2.2 G.P.M; 100 P.S.I. (Part # 5151074)
- R1LAM Handgun - Spray Up To 15' (Part # 5163100)
- 15' of 3/8" Rubber Hose
- 10' Heavy Duty Wire Harness With Battery Clips (Part # 5277040)
- Tank Drain

Model #	Code #	Description
SILVER15	5302846	15 Gallon Silver Sprayer
SILVER25	5302847	25 Gallon Silver Sprayer



SILVER25

GOLD SPOT SPRAYERS

- 15 Or 25 Gallon Corrosion Resistant Polyethylene Tank
- In Tank Filter System
- 12 Volt SHURflo Pump With Toggle Switch; 2.2 G.P.M; 100 P.S.I.
(Part #5151074)
- Handgun With Adjustable Pattern Tip (Part # 5273959)
 - Max Horizontal - 30 Feet
 - Maximum Vertical - 18 Feet
- 15' of 3/8" Rubber Hose
- 10' Heavy Duty Wire Harness With Battery Clips (Part # 5277040)
- Tank Drain

Model #	Code #	Description
GOLD15	5302848	15 Gallon Gold Sprayer
GOLD25	5302849	25 Gallon Gold Sprayer



GOLD15

PLATINUM SPOT SPRAYERS

- 15, 25 Or 55 Gallon Corrosion Resistant Polyethylene Tank
- Inline Deluxe Strainer For Easy Access & Cleaning
- By-pass Agitation Valve
- 12 Volt SHURflo Pump W/Toggle Switch; 2.2 G.P.M; 100 P.S.I. (5151074)
- New Manifold For Easy Conversion to Boom
- 13" Pro Series Handgun (5163137)
- 15' of 3/8" Rubber Hose
- Presssure Gauge
- 10' Heavy Duty Wire Harness With Battery Clips (5277040)
- Tank Drain

Model #	Code #	Description
PLATINUM15	5302850	15 Gallon Platinum Sprayer
PLATINUM25	5302851	25 Gallon Platinum Sprayer
PLATINUM55	5302852	55 Gallon Platinum Sprayer



PLATINUM15

DIAMOND SPOT SPRAYERS

- 25 Or 55 Gallon Corrosion Resistant Polyethylene Tank
- Inline Deluxe Strainer For Easy Access & Cleaning
- By-pass Agitation Valve
- 12 Volt SHURflo Pump With 4.0 G.P.M; 45 P.S.I. (5151066)
- New Manifold For Easy Conversion to Boom
- 13" Pro Series Handgun (5163137)
- 15' of 3/8" Rubber Hose
- Presssure Gauge
- 10' Heavy Duty Wire Harness With Battery Clips (Part # 5277040)
- Tank Drain

Model #	Code #	Description
DIAMOND25	5302082	25 Gallon Diamond Sprayer
DIAMOND55	5302069	55 Gallon Diamond Sprayer



DIAMOND25

COILED HOSE SPOT SPRAYERS

- 15 Or 25 Gallon Corrosion Resistant Polyethylene Tank
- Inline Deluxe Strainer For Easy Access & Cleaning
- By-pass Agitation Valve
- 12 Volt SHURflo Pump With 1.4 G.P.M; 45 P.S.I.
- TriggerJet Handgun
- 15' of Coiled Hose
- Presssure Gauge
- 10' Heavy Duty Wire Harness With Battery Clips (Part # 5277040)
- Tank Drain

Model #	Code #	Description
AG15DLXRG	5302075	15 Gallon Sprayer - Coiled Hose
AG25DLXRG	5302070	25 Gallon Sprayer - Coiled Hose



AG25DLXRG

SPOT SPRAYERS

DRY MATERIAL
HANDLING

TRAILERS

TANKS &
ACCESSORIES

PUMPS



40 GALLON SPOT SPRAYER

- 40 Gallon Polyethylene Tank
- 12 Volt Diaphragm Pump
- 2.2 GPM; 100 PSI Max.
- Fully Drainable Sump
- 8' Wire Harness With Clips & On/Off Switch
- Deluxe Handgun With Adjustable Pattern Tip & 25' Of Hose
- Steel Base
- Ready For Roundup®

Model #	Code #	Tank Size
FSP40 *	5301500	40 Gallon

* Designate Color: -BLU (Blue); -BLK (Black)

VALVES &
FITTINGS

STRAINERS
& HOSE

PLANTER
EQUIPMENT

SPRAYER
CONTROLS &
GUIDANCE



FSP40-BLU

15 & 25 GALLON BRUSH SPRAYERS

- High-Flo Pro Series 12 Volt Pump (2.2 GPM - 100 PSI Max)
- Heavy Duty Power Cord
- Deluxe Hand Gun
- Heavy Duty Hose
- Made for Diesel & Chemical Blends

Model #	Code #	Tank Size
FSP15-BRUSH	5276639	15 Gallon
FSP25-BRUSH	5276640	25 Gallon



FSP25-BRUSH

NOZZLES, TIPS
& SPRAY GUNS

NH3
PRODUCTS

TECHNICAL
INFORMATION

INDEX

DELUXE WITH RACK SPOT SPRAYERS

- 55 Gallon Corrosion Resistant Polyethylene Tank
- In-Line Deluxe Strainer
- By-pass Agitation Valve
- 12 Volt SHURflo Pump With Toggle Switch; 1.8 G.P.M.; 60 P.S.I. (Part # 8000-543-936)
- Spraying Systems 43L-AL Handgun
- 15' of 3/8" Rubber Hose
- Chrome Plated Ball Valves
- 10' Heavy Duty Wire Harness With Battery Clips
- Tank Drain
- With Rack



Model #	Code #	Tank Size
AG55DLXH	5302074	55 Gallon Deluxe With Rack

SINGLE NOZZLE SPOT SPRAYER KIT

Bolt-On Boomless Nozzle Assembly for Spot Sprayers with Top-Mounted Pumps



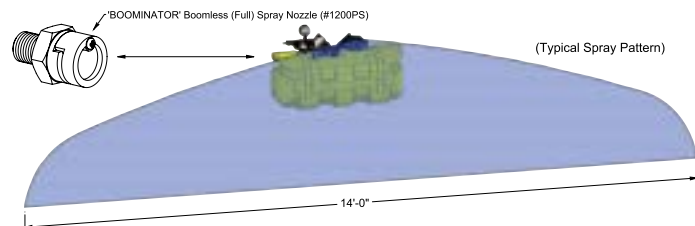
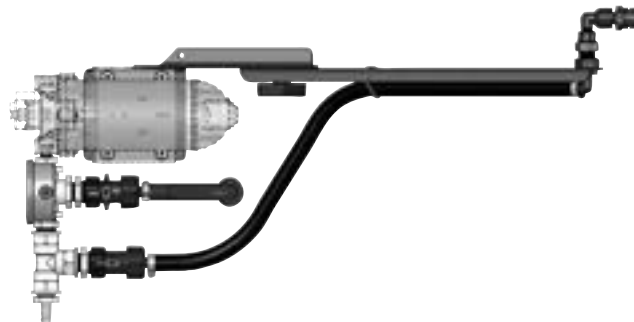
(Sprayer and pump not included)

- Boomless Nozzle - Covers 15 Feet
- Fully Adjustable & Fits Most Sprayers
- Complete With All Hoses & Fittings To Attach To Most Sprayers
- Includes Separate Cut-Off Valve For Controlling Nozzle

Model #	Code #	Description
BA1K	5302060	Single Nozzle Spot Sprayer Kit

'BOOMINATOR' Boomless (Full) Spray Tip Model #1200PS

		(1/4" MNPT)		Speed (MPH)						
Spraying Pressure	Flow Rate	Tested Height = 24"	Tested Height = 36"	1	2	3	4	5	6	7
PSI	GPM	Spray Distance	Spray Distance	Gallons Per Acre (GPA)						
20	1.0	12 Ft.	14 Ft.	35	18	12	9	7	6	5
30	1.2	12 Ft.	14 Ft.	42	21	14	10	8	7	6
40	1.4	12 Ft.	14 Ft.	49.5	25	16.5	12	10	8	7



ATV SPRAYERS

25 GALLON BOOMLESS ATV SPRAYER



- 25 Gallon Poly Tank
- 12 Volt Pump; 4.0 G.P.M.; 45 PSI
- 3 Individual Nozzle Shutoffs
- 3 Polypropylene Nozzles with 30 Feet Spray Swath
- Bypass Kit With Gauge
- Adjustable Nozzle Angle
- Positive Shutoff Handgun With 15' Of 3/8" Hose

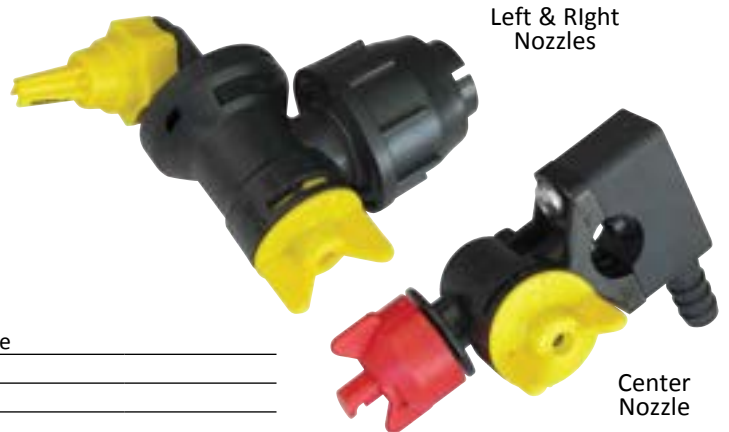


Model #	Code #	Tank Size	Coverage
FS-ATV-25BL-4.0	5301406	25 Gallon	30 Feet

WETBOOM STYLE BOOMLESS NOZZLES

- Nozzle Assemblies Fit 5100316 Stainless Steel Tube
- Center Nozzle Assembly Inlet 1/2" Hose
- Shut-Off Valves Built Into Nozzle Assembly
- 30 Foot Total Swath
- Nozzle Assemblies Have Built In Swivel

Part #	Description
5275122	Polyacetal Left/Right Nozzle Assembly, 13' Coverage
5275123	Polyacetal Center Nozzle Assembly, 4' Coverage
5100316	Stainless Steel Tube
5274861	X Tender Tip, Yellow





FS-ATV-25 Shown With FSBK-70 Boom (7-Nozzle). Boom Not Included.

ATV SPRAYERS

- 15 or 25 Gallon Poly Tank
- Handgun Kit - R1ALM
- 2.2 GPM Shurflo Pump; 100 PSI
- Bypass Kit With Pressure Gauge
- 8' Electric Cord With Battery Clip
- Adjustable Quick-Tach Boom Bracket

§ BOOMS MUST BE ORDERED SEPARATELY, SEE BELOW

Model #	Code #	Tank Size
FS-ATV-15 §	5301169	15 Gallon Sprayer (Less Boom)
FS-ATV-25 §	5301170	25 Gallon Sprayer (Less Boom)

LAWN & GARDEN SPRAYER BOOMS



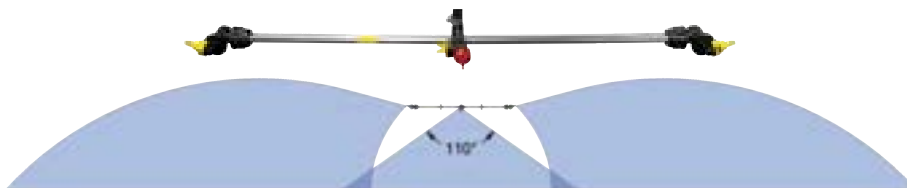
FSBK-2
2 Nozzle Boom
80" Spray Coverage



FSBK-5
5 Nozzle Folding Boom
100" Spray Coverage



FSBK-70
7 Nozzle Folding Boom
140" Spray Coverage



FSBK-3025BL
3 Nozzle Boomless
30' Spray Coverage

Part #	Code #	Description	Coverage	Tip Spacing
FSBK-2	5300975	2 Nozzle Boom Kit	80"	40"
FSBK-5	5300976	5 Nozzle Boom Kit	100"	20"
FSBK-70	5301100	7 Nozzle Boom Kit	140"	20"
FSBK-1**	5301139	Boomless Boom Assembly With 1 TeeJet KLC Tip		
FSBK-3025BL	5301289	3 Nozzle, Boomless Boom (Requires 3.8 GPM Pump)	30'	

** Only works on 25 & 40 gallon units

PRO UTV SPRAYER

DRY MATERIAL
HANDLING

TRAILERS

TANKS &
ACCESSORIES

PUMPS

VALVES &
FITTINGS

STRAINERS
& HOSE

PLANTER
EQUIPMENT

SPRAYER
CONTROLS &
GUIDANCE

NOZZLES, TIPS
& SPRAY GUNS

NH3
PRODUCTS

TECHNICAL
INFORMATION

INDEX

The PROUTV Series from AG SPRAY is an Exciting Addition to Our UTV Sprayer Lineup.

The PROFESSIONAL SERIES is designed with many upgraded features to make operation more user friendly with years of trouble free use.



12 VOLT PUMP UNITS

- 65 or 105 Gallon
- Molded-in Tank Baffle with Sloped Floor
- Molded-In Outlet Fitting for Complete Cleanout
- 3 Section Manual Control Swing Arm with Position Detents
- Dimensions: 34.5" L X 46" W, Tailgate on Most Units Closed
- Steel Base with Fork Stake Pockets for Installation / Removal
- Pro 22" Spraygun with 25' Hose and Hose Wrap
- 5.3 GPM Demand Switch 60 PSI Pump

OPTIONS

- 50' Manual Hose Reel with 180 Degree Swivel
- Booms; Traditional 13' to 28' OR Boomless Up To 40' Coverage

GAS ENGINE POWERED PUMP UNITS

- 65 or 105 Gallon
- Molded-In Tank Baffle with Sloped Floor
- Molded-In Outlet Fitting for Complete Cleanout
- 3 Section Manual Control Swing Arm with Position Detents OR 3 Section 12 Volt Electric Controls with Cab Mounted Control Box
- Dimensions: 52" L X 46" W, Tailgate on Most Units Open
- Steel Base with Fork Stake Pockets for Installation / Removal
- Pro 22" Spraygun with 25' Hose and Hose Wrap
- GX160 Engine with GE-85 Centrifugal Pump 23 GPM Max 58 PSI OR 252 Diaphragm Pump 6.1 GPM Max 363 PSI

PRO UTV SPRAYER CONFIGURATIONS

APPLICATORS
& SPRAYERS

DRY MATERIAL
HANDLING

TRAILERS

TANKS &
ACCESSORIES

PUMPS

VALVES &
FITTINGS

STRAINERS
& HOSE

PLANTER
EQUIPMENT

SPRAYER
CONTROLS &
GUIDANCE

NOZZLES, TIPS
& SPRAY GUNS

NH3
PRODUCTS

TECHNICAL
INFORMATION

INDEX



PROUTV65-12V-M with BXT3438 Boom. 65 Gallon with 12 Volt Pump, 3 Section Manual Control Arm with 25' Hose, Pro 22" Spraygun and BXT3438 Boom with 34' Coverage.



PROUTV65-GC-M with BXT3858 Boom. 65 Gallon with GX160 Honda Gas Centrifugal Pump, 3 Section Manual Control Arm with 50' Hose Reel with Swivel Bracket, Pro 22" Spraygun and BXT3858 Boom with 38' Coverage.

Part #	MFG #	Description
5303225	PROUTV65-12V-M**	65 Gal, 12 Volt 5.3 GPM Pump, 3 Section Manual Control Arm w/Switch with Boom Bracket
5303226	PROUTV65-GC-M	65 Gal, GX160 Honda w/GE-85 Pump, 3 Section Manual Control Arm
5303227	PROUTV65-GC-E	65 Gal, GX160 Honda w/GE-85 Pump, 3 Section Electric Control
5303228	PROUTV65-GD-M	65 Gal, GX160 Honda w/252 Diaphragm Pump, 3 Section Manual Control Arm
5303229	PROUTV65-GD-E	65 Gal, GX160 Honda w/252 Diaphragm Pump, 3 Section Electric Control
5303230	PROUTV105-12V-M**	105 Gal, 12 Volt 5.3 GPM Pump, 3 Section Manual Control Arm w/Switch with Boom Bracket
5303231	PROUTV105-GC-M	105 Gal, GX160 Honda w/GE-85 Pump, 3 Section Manual Control Arm
5303232	PROUTV105-GC-E	105 Gal, GX160 Honda w/GE-85 Pump, 3 Section Electric Control
5303233	PROUTV105-GD-M	105 Gal, GX160 Honda w/252 Diaphragm Pump, 3 Section Manual Control Arm
5303234	PROUTV105-GD-E	105 Gal, GX160 Honda w/252 Diaphragm Pump, 3 Section Electric Control

Gas Engine Skid Boom Mount Kit

5282426	GAS BOOM MOUNT KIT	*Boom Mounting Kit For Gas Skid Units
---------	--------------------	---------------------------------------

Boom Assembly Options

5303666	MX408	8 Nozzle MX Boom, 160" Coverage - (1 or 3 Section)
5303667	MX410	10 Nozzle MX Boom, 200" Coverage - (1 or 3 Section)
5303668	MX412	12 Nozzle MX Boom, 240" Coverage - (1 or 3 Section)
5301356	479-6QJ	6 Row 21' Pro Boom w/QJD
5301357	479-8QJ	8 Row 28' Pro Boom w/QJD
5281705	PX413-QJD*	PX413 13' Manual Fold Boom w/QJD
5281707	PX416-QJD*	PX416 16' Manual Fold Boom w/QJD
5281709	PX420-QJD*	PX420 20' Manual Fold Boom w/QJD
5281711	PX423-QJD*	PX423 23' Manual Fold Boom w/QJD
5281774	*PXEF-18-KIT	PX Boom Electric Fold Kit w/Control Box & 18' Harness (*Add To Above PX Boom)

(** Booms compatible with PROUTV - 12 Volt along with traditional L & G Booms pg. 37)

Boomless Assembly Options

5282450	BXT3438**	Boomless 34' Coverage, 3.8 GPM At 40 PSI (3 Section) NEW
5282451	BXT3858	Boomless 38' Coverage, 5.8 GPM At 40 PSI (3 Section) NEW

Handgun Options

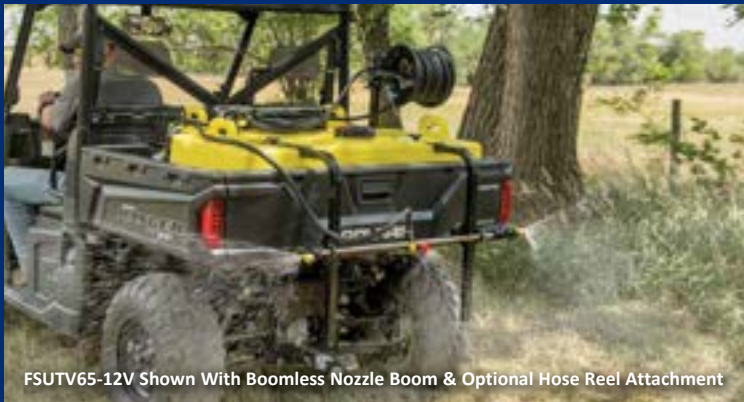
5282421	PROUTV-M50HR-KIT	Manual Hose Reel 50' Hise With Bracket
---------	------------------	--

UTV SPRAYERS

45 & 65 GALLON UTV SPRAYERS



FSUTV65-12V Shown With 7-Nozzle Boom



FSUTV65-12V Shown With Boomless Nozzle Boom & Optional Hose Reel Attachment



• **Innovative Tank Design**

- Heavy Duty Roto Molded 45 Or 65 Gallon Poly Tank
- Low Profile For Improved Stability / Center Of Gravity
- Molded Handles For Easy Installation In UTV's
- Conveniently Positioned Pump / Manifold Near UTV Cab To Easily Set Sprayer P.S.I.
- 12 Volt ShurFlo Pump, 4.0 G.P.M.: 45 P.S.I. Max
- Hose Wrap Holder With 25 Feet Of 3/8" Hose
- New Multi-Lid Included (See Page 41)

• **Spray Boom**

- Quick Release Spray Boom For Fast Assembly / Disassembly
- Can Be Used With UTV Tailgate Closed Or Open

• **Roundup® Ready**



OPTIONAL HOSE REEL ATTACHMENT W/50' OF 3/8" HOSE



Pump & Manifold Assembly

Product Description	Tank Dimensions	Dry Sprayer Weight Without Spray Boom	Dry Sprayer Weight With Spray Boom	Total Sprayer Weight When Filled with Water
45 7-Nozzle	36" x 30"	46 lbs	81 lbs	465 lbs
45 Boomless	36" x 30"	46 lbs	66 lbs	450 lbs
65 7-Nozzle	47" x 34.5"	58 lbs	87 lbs	640 lbs
65 Boomless	47" x 34.5"	58 lbs	72 lbs	625 lbs

Model #	Code #	Description
FSUTV45-12V §	5302903	45 gallon UTV sprayer
FSUTV65-12V §	5302904	65 gallon UTV sprayer
FSUTV-HR-50	5302919	Hand crank hose reel - 3/8" x 50 feet of hose

§ BOOMS MUST BE ORDERED SEPARATELY. SEE PAGE 37

12 VOLT SPRAYER ACCESSORIES

APPLICATORS & SPRAYERS

DRY MATERIAL HANDLING

TRAILERS

TANKS & ACCESSORIES

PUMPS

VALVES & FITTINGS

STRAINERS & HOSE

PLANTER EQUIPMENT

SPRAYER CONTROLS & GUIDANCE

NOZZLES, TIPS & SPRAY GUNS

NH3 PRODUCTS

TECHNICAL INFORMATION

INDEX

12V ON/OFF WIRELESS REMOTE CONTROL

Controls ALL 12 Volt Products Up To 20 Amps!



- Wireless Remote
- Convenient Keychain Clip
- Quick Connect Into FIMCO Products Or Wire Into All 12 Volt Products Up To 20 Amps



Model #	Code #	Description
7772011	12V WIRELESS REMOTE	12 Volt On/Off Wireless Remote Control

REPLACEMENT HANDGUNS



Model #	Code #	Description
R1ALM	5163100	Handgun w/Adjustable Tip
5273959	5273959	Deluxe Handgun w/X-26 Tip
5163137	5163137	13" Pro Handgun
5163136	5163136	22" Pro Handgun
AA43L-AL6	5163062	43LA Handgun w/D6 Disc

REPLACEMENT PRESSURE GAUGES



Model #	Code #	Description
3-G	5167017	2 1/2" 0-60PSI Dry Gauge
5-G	5167007	2" 0-100PSI Dry Gauge
L07	5167031	2 1/2" 0-100PSI Liquid Filled

WIRING HARNESSES



Model #	Code #	Description
5273295	5273295	8" Lead Wire Assembly
5273212	5273212	5' Extension Wire Assembly
5277040	5277040	10' 14 Gauge Wire Harness w/Switch
5275053	5275053	10' Wire Harness W/Cigarette Lighter Plug

ACCURATELY MEASURE & POUR CHEMICALS



- Food grade, 32 ounce measuring cup is attached to tank lid
- Garden hose port secures hose for safe and easy filling with one person
- Fits sprayers with a 5" tank lid
- Made in the USA

MULTI-LID



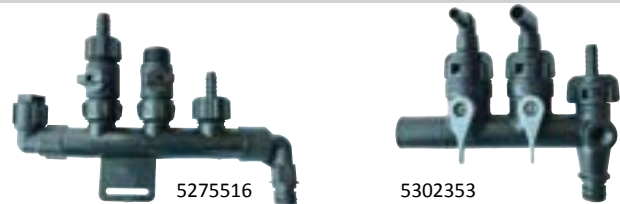
Model #	Code #	Description
MULTI-LID	7772085	Multi-Lid Chemical Measuring Lid

DRAIN CAP & TANK LID



Model #	Code #	Description
19012	5274373	Tank Drain Cap w/ Tether 3/4" FGHT
5058188	5058188	5" Threaded Tank Lid w/ Lanyard

ATV/UTV SPRAYER PLUMBING MANIFOLDS



Model #	Code #	Description
5275516	5275516	QC Manifold 3/8" Handgun, 1/2" Boom, 3/4 MGHT Bypass
5302353	5302353	QC Manifold 3/8" Handgun, 1/2" Boom, 3/8" Bypass
5005456	5005456	Port To O-ring
5005456	5005456	Port To Clip

Visit the Ag Spray Website for a complete listing of Owners/Operators Manuals with Sprayer Breakdowns and Complete Replacement Parts Listings.

WWW.AGSPRAY.COM/MANUALS

3 POINT SPRAYERS

55 GALLON 3PT SPRAYERS QUIC-TACH (CAT I)

- 55 Gallon Horizontal Corrosion Resistant Polyethylene Tank
- Heavy Duty Metal Frame
- Nylon Tank Straps
- Tank Braces For Added Tank Stability
- Strainer Assembly
- Pressure Regulator For By-pass & Agitation
- Manual Valves For Boom Or Nozzle Control
- Category 1 Lift Pins
- 100 P.S.I. Dry Pressure Gauge
- Hypro 6 Roller Pump With Quick Coupler
- 22" Pro Series Handgun With 25' of 3/8" Rubber Hose, Gun Holder & Hose Wrap
- Powder Coat Paint

OPTIONS:

- FSBK-1 - Covers 15 Feet
- FSBK-2 - 80 Inches
- FSBK-3025BL - Covers 30 Feet
- FSBK-5 - Covers 100 Inches
- FSBK-70 - Covers 140 Inches



AG-RM557N22PS

Part #	Description
AG-RM55UT22PS *	55 Gallon 3PT Sprayer, Gun Only. No Boom, 6500C Cast Iron 6 Roller Pump, 540 Coupler
AG-RM55KLC22PS *	55 Gallon 3PT Sprayer, KLC-18 Tip, 6500C Cast Iron 6 Roller Pump, 540 Coupler
AG-RM55BXT22PS *	55 Gallon 3PT Sprayer, Boom Extender, 6500C Cast Iron 6 Roller Pump, 540 Coupler
AG-RM55HAM22PS *	55 Gallon 3PT Sprayer, Hamilton, 6500C Cast Iron 6 Roller Pump, 540 Coupler
AG-RM557N22PS *	55 Gallon 3PT Sprayer, 7 Nozzle Boom, 6500C Cast Iron 6 Roller Pump, 540 Coupler
AG-RM555N22PS*	55 Gallon 3PT Sprayer, 5 Nozzle Boom, 6500C Cast Iron 6 Roller Pump, 540 Coupler
AG-RM553N22PS*	55 Gallon 3PT Sprayer, 3 Nozzle Boomless with 30' Coverage, 6500C Cast Iron 6 Roller Pump, 540 Coupler

* Designate Color: -**BLU** (Blue); -**BLK** (Black)



HAMILTON TIP



HYPRO BOOM EXTENDER TIPS

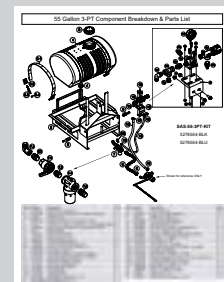
55 GALLON 3-POINT SPRAYER

Part #	MFG #	Description
55 GALLON 3 POINT ASSEMBLY		
5276554 *	SAS-55-3PT-KIT	55 Gallon 3-Point Sprayer w/Plumbing
BOOM ASSEMBLY OPTIONS		
5301139	FSBK-1	1 KLC Tip Boomless (15' Coverage)
5300975	FSBK-2	2 Nozzle Boom (80" Coverage)
5301289	FSBK-3025BL	3 Nozzle Boomless (30' Coverage)
5300976	FSBK-5	5 Nozzle Boom (100" Coverage)
5301100	FSBK-70	7 Nozzle Boom (140" Coverage)
BOOMLESS BOOM OPTIONS		
5278207	55 3PT-BXT-KIT	Boombuster Kit for 55 3-PT
5278206	55 3PT #10 HAM	Rooster Tail w/#10 Hamilton Nozzle
HANDGUN OPTIONS		
5278156	SAS3PT-409-KIT	Deluxe Handgun, Holder W/ 25' Of Hose
5281261	SAS3PT-22PS-KIT	22" Pro Series Handgun Kit for 3-Point
PUMP OPTIONS		
5276934	6500C-PUMPKIT	Cast Iron 6 Roller Pump & Multi Speed Coupler
5276976	6500N-PUMPKIT	Ni-Resist 6 Roller Pump & Multi Speed Coupler
5276977	6500XL-PUMPKIT	Silver Cast 6 Roller Pump & Multi Speed Coupler

* Designate Color: -BLU (Blue); -BLK (Black)

Visit WWW.AGSPRAY.COM
for Operation and Winterization.

Parts Breakdowns are under the
MANUALS Tab > 3 POINTS.



MC 1 - 3 POINT SPRAYERS

Maximize your tractor's carrying capacity with a NEW MC 1 Series 3-Point Sprayer. The tank and frame are designed to carry the fluid load closer to the tractor allowing more capacity and greater stability.



Spraygun holder and 25' hose wrap can be mounted on either side of the unit. Conveniently mounted for easy operator access.

FEATURES

- MC Close Coupled tank
- 60 or 90 Gallon Fully Drainable Tank
- Category 1 Lift Pins
- Quic-Tach Compatible
- Heavy Duty Metal Frame
- Manual or Electric Section Controls
- Powder Coat Paint
- 6 Roller Pump

OPTIONS

- Traditional Booms from 100" to 240" Coverage
- Boomless Booms from 30' to 50' Coverage
- Spray Wands with 25' Hose & Hose Wrap

Item #	MFG#	Description	3PT Dry Weight (lbs)	Full Weight Water (lbs)	Center Gravity Distance	Effective Weight (lbs @ 24")	Comparison to Previous Version	Actual Weight Reduction	Eff. weight Reduction (lbs @ 24")	% Effective Weight Reduction
5303641	MC1-60-3PT	60 Gallon MC3PT	136	637	10.48	278	MH-60	2	191	40.67%
5303641	MC1-60-3PT	60 Gallon MC3PT	136	637	10.48	278	SAS-55	-9	167	37.47%
5303642	MC1-90-3PT	90 Gallon MC3PT	149	900	10.42	391	SAS-55	-272	54	12.13%
5303642	MC1-90-3PT	90 Gallon MC3PT	149	900	10.42	391	FS110E	230	393	50.15%
5303642	MC1-90-3PT	90 Gallon MC3PT	149	900	10.42	391	FS-110	320	638	62.00%
5301243	MH-60-3PT	60 Gallon 3PT Sprayer	140	639	17.61	469				
5276645	FS110E-3PT	110 Gallon Economy 3PT	213	1130	16.65	784				
5276554	SAS-55-3PT	55 Gallon 3PT Sprayer	169	628	17	445				
5276973	FS-110-3PT	110 Gallon 3PT	303	1220	20.23	1028				



MC 1 - 3 POINT SPRAYERS



MC 1 3 POINT SPRAYER

<u>Part #</u>	<u>MFG #</u>	<u>Description</u>
MC 1 COMPLETE SPRAYER KITS		
5303689-BLU	MC60BXT24-22PS-BLU	MC60 3PT W/BXT24, PRO 22, SPRAYGUN & RP-600 PUMP
5303652-BLU	MC60HAM10-22PS-BLU	MC60 3PT W/HAMILTON 10, PRO22 WAND & RP-600 PUMP
5303653-BLU	MC90BXT24-22PS-BLU	MC90 3PT W/BXT24, PRO2, SPRAYGUN & RP-600 PUMP
5303654-BLU	MC90HAM10-22PS-BLU	MC90 3PT W/HAMILTON 10, PRO22 WAND & RP-600 PUMP
5303665-BLU	MC90MX12N-22PS-BLU	MC90 3PT W/MX12N, PRO22, SPRAYGUN & RP-600 PUMP
CUSTOMIZABLE SPRAYERS - BUILD OPTIONS BELOW		
5303641-BLU	MC1-60-3PT-BLU	60 GALLON MAX CARRY 3 POINT BASE UNIT
5303642-BLU	MC1-90-3PT-BLU	90 GALLON MAX CARRY 3 POINT BASE UNIT
BOOM ASSEMBLY OPTIONS		
5300976	FSBK-5	5 nozzle boom, 100" coverage - (1 Section)
5301100	FSBK-70	7 nozzle boom, 140" coverage - (1 Section)
5303666	MX408QJ	8 Nozzle MX Boom, 160" coverage - (1 or 3 Section)
5303667	MX410QJ	10 Nozzle MX Boom, 200" coverage - (1 or 3 Section)
5303668	MX412QJ	12 Nozzle MX Boom, 240" coverage - (1 or 3 Section)
BOOMLESS BOOM OPTIONS		
5301289	FSBK-3025BL	3 Nozzle Boomless Boom - 30' coverage - (1 Section)
5282538	MC1-10HAM-KIT	MC3PT Hamilton #10 Boomless Nozzle Kit - (1 Section)
5282522	MC-24BXT-KIT	*NEW Boomless Nozzle Kit w/XT024 Nozzles, 32' coverage - (2 Section)
5282450	3438-BXT	*New Boomless 34' coverage, 3.8 gpm @ 40psi (3 section)
MC 1 SECTION VALVE ADD-ON KIT		
5282497	K463T15112	Add-On Manual Lever Control for MC 3 Point [Add 1 per section above Single (1)]
HANDGUN OPTIONS		
5282518	MC-PRO22-HG-KIT	Pro 22" handgun w/25' hose and holder w/hose wrap
5282546	MC-406-HG-KIT	Deluxe handgun w/25' hose and holder w/hose wrap
5282496	5282496	Optional Handgun Shutoff Valve (Prevents handgun hose from chemical charge)
PUMP OPTIONS		
5282526	RP-600C-B-PUMP-KIT	Ace 6 Roller Cast Iron Pump w/Coupler
5276977	6500XL-PUMPKIT	SILVER CAST 6 ROLLER W/ MULTI-COUPLER
5281464	5281464	Cam Lock Pump for Easy removal and Storage
ELECTRIC CONTROL OPTIONS		
5282543	MC-1E-CONVRSN-KIT	Single (1) Section Electric Motor with Control Box & Wiring HRNS conversion kit
5282544	MC-2E-CONVRSN-KIT	DUAL (2) Section Electric Motors with Control Box & Wiring HRNS conversion kit
5282545	MC-3E-CONVRSN-KIT	TRIPLE (3) Section Electric Motors with Control Box & Wiring HRNS conversion kit

APPLICATORS
& SPRAYERS

DRY MATERIAL
HANDLING

TRAILERS

TANKS &
ACCESSORIES

PUMPS

VALVES &
FITTINGS

STRAINERS
& HOSE

PLANTER
EQUIPMENT

SPRAYER
CONTROLS &
GUIDANCE

NOZZLES, TIPS
& SPRAY GUNS

NH3
PRODUCTS

TECHNICAL
INFORMATION

INDEX

MC 2 - 3 POINT SPRAYERS

MC equals “maximum capacity” for your tractor’s CAT 2 3-Point. The NEW MC 2 Series Sprayer carries the fluid load closer to the rear of the tractor. That means more capacity, greater stability, and better performance on all terrains.



More Capacity, More Boom Options, More Acres Covered!

FEATURES

- MC Close Coupled tank
- 165 or 225 Gallon Fully Drainable Tank
- Category 2 Lift Pins
- Quic-Tach Compatible
- Heavy Duty Metal Frame
- Manual or Electric Section Controls
- Powder Coat Paint
- 8 Roller Pump

OPTIONS

- Traditional Booms from 13’ to 42’ Coverage
- Boomless Booms from 32’ to 54’ Coverage
- Spray Wands with 25’ Hose & Hose Wrap
- Hose Reel with 50’ Hose
- 6 Gallon Foam Marker
- 4 Gallon Hand Wash with Soap Dispenser

Item #	MFG#	Description	3PT Dry Weight (lbs)	Full Weight Water (lbs)	Center Gravity Distance	Effective Weight (lbs @ 24")	Comparison to Previous Version	Actual Weight Reduction	Eff. weight Reduction (lbs @ 24")	% Effective Weight Reduction
5303646	MC2-165-3PT	165 Gallon MC3PT	264	1640	14.29	976	FS-110	-420	52	5.06%
5303646	MC2-165-3PT	165 Gallon MC3PT	264	1640	14.29	976	FS-150	-79	369	27.44%
5303647	MC2-225-3PT	225 Gallon MC3PT	276	2153	14.22	1276	FS-200	-146	480	27.33%
5276973	FS-110-3PT	110 Gallon 3PT	303	1220	20.23	1028				
5276646	FS-150-3PT	150 Gallon 3PT	310	1561	20.69	1346				
5276592	FS-200-3PT	200 Gallon 3PT	339	2007	20.99	1755				



MC 2 - 3 POINT SPRAYERS

APPLICATORS
& SPRAYERS

MC 2 3 POINT SPRAYER

DRY MATERIAL
HANDLING

Part #	MFG #	Description
MC 2 COMPLETE SPRAYER KITS		
5303655-BLU	MC165BXT24-22PS-BLU	MC165 3PT W/BXT24, PRO22, SPRAYGUN & RP-800 PUMP
5303656-BLU	MC165BXT3858-22PS-BLU	MC165 3PT /BXT3858, PRO22, SPRAYGUN & RP-800 PUMP
5303657-BLU	MC165HAM20-22PS-BLU	MC165 3PT W/HAM20, PRO22, SPRAYGUN & RP-800 PUMP
5303658-BLU	MC165PRO6R-22PS-BLU	MC165 3PT /PRO6ROW, PRO22, SPRAYGUN & RP-800 PUMP
5303659-BLU	MC165PRO8R-22PS-BLU	MC165 3PT /PRO8ROW, PRO22, SPRAYGUN & RP-800 PUMP
5303690-BLU	MC165MX12N-22PS-BLU	MC165 3PT W/MX12N, PRO22, SPRAYGUN & RP-800 PUMP
5303660-BLU	MC225BXT24-22PS-BLU	MC225 3PT W/BXT24, PRO22, SPRAYGUN & RP-800 PUMP
5303661-BLU	MC225BXT3858-22PS-BLU	MC225 3PT /BXT3858, PRO22, SPRAYGUN & RP-800 PUMP
5303662-BLU	MC225HAM20-22PS-BLU	MC225 3PT W/HAM20, PRO22, SPRAYGUN & RP-800 PUMP
5303663-BLU	MC225PRO8R-22PS-BLU	MC225 3PT /PRO8ROW, PRO22, SPRAYGUN & RP-800 PUMP
5303664-BLU	MC225SHOCK8-22PS-BLU	MC225 3PT /SHOCK8R, PRO22, SPRAYGUN & RP-800 PUMP
CUSTOMIZABLE SPRAYERS - BUILD OPTIONS BELOW		
5303646-BLU	MC2-165-3PT-BLU	165 GALLON MAX CARRY 3 POINT BASE UNIT
5303647-BLU	MC2-225-3PT-BLU	225 GALLON MAX CARRY 3 POINT BASE UNIT
BOOM ASSEMBLY OPTIONS		
5303666	MX408QJ	8 Nozzle MX Boom, 160" coverage - (1 or 3 Section)
5303667	MX410QJ	10 Nozzle MX Boom, 200" coverage - (1 or 3 Section)
5303668	MX412QJ	12 Nozzle MX Boom, 240" coverage - (1 or 3 Section)
5281017	479-6-8767	6 row 21' Pro Boom W/ QJD (3 Section)
5281018	479-8-8767	8 row 28' Pro Boom W/ QJD (3 Section)
5281019	479-10-8767	10 row 35' Pro Boom W/ QJD (3 Section)
5281020	2308-8767	8 row 28' Shock Boom W/QJD (3 Section)
5281021	2310-8767	10 row 35' Shock Boom W/ QJD (3 Section)
5281022	2312-8767	12 row 42' Shock Boom W/ QJD (3 Section)
5282539	PX413QJ-MC-KIT	PX413 13' Manual Fold Boom w/ QJD (3 Section)
5282540	PX416QJ-MC-KIT	PX416 16' Manual Fold Boom w/ QJD (3 Section)
5282541	PX420QJ-MC-KIT	PX420 20' Manual Fold Boom w/QJD (3 Section)
5282542	PX423QJ-MC-KIT	PX423 23' Manual Fold Boom w/QJD (3 Section)
5281777	*PXHF-13-KIT	PX Boom Hydraulic Fold Kit w/ 13' Hoses (*Add to above PX4 Boom)
5281778	*PXHF-18-KIT	PX Boom Hydraulic Fold Kit w/ 18' Hoses (*Add to above PX6 Boom)
5281774	*PXEF-18-KIT	PX Boom Electric Fold Kit w/Control box & 18' Harness (*Add to above PX4 Boom)
5281775	*PXEF-23-KIT	PX Boom Electric Fold Kit w/Control box & 23' Harness (*Add to above PX6 Boom)
BOOMLESS ASSEMBLY OPTIONS		
5282525	MC2-20HAM-KIT	Hamilton #20 Boomless Nozzle Kit (1 Section)
5282522	MC-24BXT-KIT	Boomless Nozzle Kit w/XT024 Nozzles (2 Section)
5282451	3858-BXT	Boomless 38' coverage (3 section)
MC 2 SECTION VALVE ADD-ON KIT		
5282497	K463T15112	Add-On Manual Lever Control for MC 3 Point [Add 1 per section above Single (1)]
HANDGUN OPTIONS		
5282518	MC-PRO22-HG-KIT	Pro 22" handgun w/25' hose and holder w/hose wrap
5282546	MC-406-HG-KIT	Deluxe handgun w/25' hose and holder w/hose wrap
5282496	5282496	Optional Handgun Shutoff Valve (Prevents handgun hose from chemical charge)
5282547	MC-M50HR22PS-KIT	*Pro 22" handgun w/Manual Hose Reel 50' hose W/ *Shutoff Valve
PUMP OPTIONS		
5282527	RP-800C-B-PUMP-KIT	Ace 8 Roller Cast Iron Pump w/Coupler
5276979	7560XL-PUMPKIT	SILVER CAST 8 ROLLER W/ MULTI-COUPLER
5281464	5281464	Cam Lock Pump for Easy removal and Storage
OTHER OPTIONS		
5282543	MC-1E-CONVRSN-KIT	Single (1) Section Electric Plunger Insert Kit with Control Box & Wiring HRNS
5282544	MC-2E-CONVRSN-KIT	DUAL (2) Section Electric Plunger Insert Kit with Control Box & Wiring HRNS
5282545	MC-3E-CONVRSN-KIT	TRIPLE (3) Section Electric Plunger Insert Kit with Control Box & Wiring HRNS
5282550	MC-FM6-KIT	*6 Gallon Foam Marker Kit
5282548	MC-HANDWASH-KIT	*4.7 Gallon Hand Wash w/ Soap Dispenser Kit

TRAILERS

TANKS &
ACCESSORIES

PUMPS

VALVES &
FITTINGS

STRAINERS
& HOSE

PLANTER
EQUIPMENT

SPRAYER
CONTROLS &
GUIDANCE

NOZZLES, TIPS
& SPRAY GUNS

NH3
PRODUCTS

TECHNICAL
INFORMATION

INDEX

3 POINT SPRAYERS

110, 150 & 200 GALLON 3PT SPRAYERS QUIC-TACH (CAT II)

- 110, 150 Or 200 Gallon Horizontal Corrosion Resistant Polyethylene Tank
- Heavy Duty Metal Frame
- Nylon Tank Straps
- Tank Braces For Added Tank Stability
- Pressure Head Assembly
- Pressure Regulator For By-pass & Agitation
- Manual Valves For Boom Or Nozzle Control
- Category 2 Lift Pins
- 200 P.S.I. Liquid Pressure Gauge
- Hypro 8 Roller Pump With Quick Coupler
- 22" Pro Series Handgun with 25' of 3/8" Rubber Hose, Gun Holder & Hose Wrap
- Powder Coat Paint



AG-RM150BXT22PS-BLU W/BOOM XTENDER



AG-RM2008D22PS-BLU W/LONGHORN BOOM

Part #	Description
AG-RM1106D22PS *	110 Gallon 3PT Sprayer, 6 Row, 7560C Cast Iron 8 Roller Pump
AG-RM1108D22PS *	110 Gallon 3PT Sprayer, 8 Row, 7560C Cast Iron 8 Roller Pump
AG-RM110BXT22PS *	110 Gallon 3PT Sprayer, Boom Extender, 7560C Cast Iron 8 Roller Pump
AG-RM110HAM22PS *	110 Gallon 3PT Sprayer, Hamilton, 7560C Cast Iron 8 Roller Pump
AG-RM1506D22PS *	150 Gallon 3PT Sprayer, 6 Row, 7560C Cast Iron 8 Roller Pump
AG-RM1508D22PS *	150 Gallon 3PT Sprayer, 8 Row, 7560C Cast Iron 8 Roller Pump
AG-RM150BXT22PS *	150 Gallon 3PT Sprayer, Boom Extender, 7560C Cast Iron 8 Roller Pump
AG-RM150HAM22PS *	150 Gallon 3PT Sprayer, Hamilton, 7560C Cast Iron 8 Roller Pump
AG-RM2006D22PS *	200 Gallon 3PT Sprayer, 6 Row, 7560C Cast Iron 8 Roller Pump
AG-RM2008D22PS *	200 Gallon 3PT Sprayer, 8 Row, 7560C Cast Iron 8 Roller Pump
AG-RM200BXT22PS *	200 Gallon 3PT Sprayer, Boom Extender, 7560C Cast Iron 8 Roller Pump
AG-RM200HAM22PS *	200 Gallon 3PT Sprayer, Hamilton, 7560C Cast Iron 8 Roller Pump
AG-RM200LH22PS *	200 Gal 3PT w: Longhorn Extended Range Boomless w/XT024 Nozzles – Approx 40' Swath
AG-RM2006PRO22PS *	200 Gal 3PT w: 21' PRO Series Boom & 13 Quickjet Nozzles Bodies with Air Induced Nozzles
AG-RM2008PRO22PS *	200 Gal 3PT w: 28' PRO Series Boom & 17 Quickjet Nozzles Bodies with Air Induced Nozzles
AG-RM2008SHOCK22PS *	200 Gal 3PT w: 28' SHOCK Absorber Series Boom & 17 Quickjet Nozzles Bodies with Air Induced Nozzles

* Designate Color: -BLU (Blue); -BLK (Black)

SPRAYING TIP OPTIONS



HAMILTON TIP

HYPRO BOOM EXTENDER TIPS

3 POINT SPRAYERS



110/150/200 GALLON 3-POINT SPRAYERS

<u>Part #</u>	<u>MFG #</u>	<u>Description</u>
BASE UNIT 3 POINT ASSEMBLY		
5276973 *	FS-110-3PT*-KIT	110 Gallon Tank, Saddle & 3 Point
5276646 *	FS-150-3PT*-KIT	150 Gallon Tank, Saddle & 3 Point
5276592 *	FS-200-3PT*-KIT	200 Gallon Tank, Saddle & 3 Point
BOOM ASSEMBLY OPTIONS		
5281015	368-6-8767	21' Boom w/13 Quickjet Diaphragms with Bracket
5281016	368-8-8767	28' Boom w/17 Quickjet Diaphragms with Bracket
5281017	479-6-8767	21' Pro-Series Boom w/13 Quickjet Diaphragms with Bracket
5281018	479-8-8767	28' Pro-Series Boom w/ 17 Quickjet Diaphragms with Bracket
5281019	479-10-8767	35' Pro-Series Boom w/ 21 Quickjet Diaphragms with Bracket
5281020	2308-8767	28' Shock Absorber Boom w/17 Quickjet Diaphragms with Bracket
5281021	2310-8767	35' Shock Absorber Boom w/21 Quickjet Diaphragms with Bracket
5281022	2312-8767	42' Shock Absorber Boom w/25 Quickjet Diaphragms with Bracket
(See Page 25 for NEW PX Boom Options)		
BOOMLESS BOOM OPTIONS		
5276517	ECBOOMBUSTER-KIT	Boomless Nozzle Bracket w/XT024 Tips
5276740	LONGHORNBOOM-KIT	Longhorn Extended Range Boomless Boom w/XT024 Tips
5302330	#20HAMILTONROOSTER-KIT	#20 Hamilton Nozzle Kit
5278153	OKLAHOMA SPECIAL-KIT	Boom Buster Kit w/ XT024 Tips add on for Booms
HANDGUN OPTIONS		
5278156	SAS3PT-409-KIT	Deluxe Handgun Kit
5281261	SAS3PT-22PS-KIT	22" Pro Series Handgun, Holder w/25' Hose
3 POINT PLUMBING OPTIONS		
5276511	923-KIT	Dual Agitator Kit
5276512	925-KIT	Single Agitation (110 Gal 3 Point Only)
5276508	827-3EG-12LP-KIT	Plumbing w/ Electric Boom Control Less Pump
5276507	826-LP-KIT1	Plumbing Kit with Manual Boom Control Less Pump
5281130	5281130	Plumbing Kit for Utility/Gun Only Kit
PUMP OPTIONS		
5276935	7560C-PUMPKIT	Cast Iron 8 Roller Pump & Multi Speed Couple
5276978	7560N-PUMPKIT	Ni-Resist 8 Roller Pump & Multi Speed Coupler
5276979	7560XL-PUMPKIT	Silver Cast 8 Roller Pump & Multi Speed Coupler

* Designate Color: -**BLU** (Blue); -**BLK** (Black)

3 POINT SPRAYERS

300 GALLON 3PT SPRAYERS (CAT III)

DRY MATERIAL
HANDLING

TRAILERS

TANKS &
ACCESSORIES

PUMPS

VALVES &
FITTINGS

STRAINERS
& HOSE

PLANTER
EQUIPMENT

SPRAYER
CONTROLS &
GUIDANCE

NOZZLES, TIPS
& SPRAY
GUNS

NH3
PRODUCTS

TECHNICAL
INFORMATION

INDEX



- 300 Gallon Horizontal Corrosion Resistant Polyethylene Tank
- Heavy Duty Metal Frame
- Nylon Tank Straps
- Tank Braces For Added Tank Stability
- Pressure Head Assembly
- Pressure Regulator For By-pass & Agitation
- Manual Valves For Boom Or Nozzle Control
- Category 3 Lift Pins
- 200 P.S.I. Liquid Pressure Gauge
- Hypro 8 Roller Pump With Quick Coupler
- 22" Pro Series Handgun With 25' of 3/8" Rubber Hose, Gun Holder & Hose Wrap



SPRAYING TIP OPTIONS



OKLAHOMA SPECIAL



HAMILTON TIP



HYPRO BOOM EXTENDER TIPS

300 GALLON 3-POINT SPRAYER (CAT III)

<u>Part #</u>	<u>MFG #</u>	<u>Description</u>
BASE UNIT		
5276647 *	FS-300PT3-KIT	300 GALLON ELLIPTICAL TANK, SADDLE & 3 POINT CARRIER
BOOM ASSEMBLY OPTIONS		
5281643	479-6-CAT3	21' Pro-Series Boom w/13 Quickjet Diaphragms
5281644	479-8-CAT3	28' Pro-Series Boom w/ 17 Quickjet Diaphragms
5281645	479-10-CAT3	35' Pro-Series Boom w/ 21 Quickjet Diaphragms
5281646	2308-CAT3	28' Shock Absorber Boom w/17 Quickjet Diaphragms
5281647	2310-CAT3	35' Shock Absorber Boom w/21 Quickjet Diaphragms
5281648	2312-CAT3	42' Shock Absorber Boom w/25 Quickjet Diaphragms
(See Page 25 for NEW PX Boom Options)		
BOOMLESS BOOM OPTIONS		
5276015	BOOMBUSTER-KIT	Boomless Nozzle Bracket w/XT024 Tips
5281429	LONGHORNBOOM-KIT	Longhorn Extended Range Boomless Boom w/XT024 Tips
5302330	#20HAMILTONROOSTER-KIT	#20 Hamilton Nozzle Kit
5278153	OKLAHOMA SPECIAL-KIT	Boom Buster Kit w/ XT024 Tips add on for Booms
HANDGUN OPTIONS		
5276036	CC409-KIT	Import Handgun, Holder w/25' Hose
5281263	SAS110EC-22PS-KIT	22" Pro Series Handgun, Holder w/25' Hose
PLUMBING OPTIONS		
5281126	926-KIT	300/500 QT 3PT Dual Agitation Kit
5281401	826-LP-KIT1	Plumbing Kit with Manual Boom Control Less Pump
5276508	827-3EG-12LP-KIT	Plumbing With Electric Boom Control Less Pump (Roller)
5276509	829-EG34-LP-KIT	Plumbing With Electric Boom Control Less Pump (Centrifugal)
PUMP OPTIONS		
5276935	7560C-PUMPKIT	Cast Iron 8 Roller Pump & Multi Speed Coupler
5276978	7560N-PUMPKIT	Ni-Resist 8 Roller Pump & Multi Speed Coupler
5276979	7560XL-PUMPKIT	Silver Cast 8 Roller Pump & Multi Speed Coupler
5278245	FMC-204-HYD-KIT	1 1/4" x 1" Hydraulic Centrifugal Pump w/Hoses & Mount
MISC OPTIONS		
MTD-2040	MTD-2040	4 Gallon Foam Marker

* Designate Color: -BLU (Blue); -BLK (Black)

Visit agspray.com For Sprayer Parts & Breakdowns.

3 POINT SPRAYERS

200 & 300 GALLON 3PT SPRAYERS (QUIC-TACH)

- 200 Or 300 Gallon Horizontal Corrosion Resistant Polyethylene Tank
- Heavy Duty Metal Frame
- Nylon Tank Straps
- Tank Braces For Added Tank Stability
- Pressure Head Assembly
- Pressure Regulator For By-pass & Agitation
- Manual Valves For Boom Or Nozzle Control
- Category 3 Lift Pins
- 200 P.S.I. Liquid Pressure Gauge
- Hypro 8 Roller Pump With Quick Coupler
- 22" Pro Series Handgun Option With 25' of 3/8" Rubber Hose, Gun Holder & Hose Wrap



Shown with 2312-8388 boom & 5273950 handgun option



Shown with 2312-8388 boom

SPRAYING TIP OPTIONS



Shown with 5281263 handgun option

LONGHORN



HAMILTON TIP



HYPRO BOOM EXTENDER TIPS

200 & 300 GALLON 3-POINT SPRAYER (QUIC-TACH)

Part #	MFG #	Description
BASE UNIT		
5278953 *	FS-200PT2-KIT	200 Gallon Elliptical Tank, Saddle & 3 Point Carrier
5276648 *	FS-300PT2-KIT	300 Gallon Elliptical Tank, Saddle & 3 Point Carrier
BOOM ASSEMBLY OPTIONS		
5281028	479-6-8388	21' Pro-Series Boom w/13 Quickjet Diaphragms with Bracket
5281027	479-8-8388	28' Pro-Series Boom w/ 17 Quickjet Diaphragms with Bracket
5281026	479-10-8388	35' Pro-Series Boom w/ 21 Quickjet Diaphragms with Bracket
5281025	2308-8388	28' Shock Absorber Boom w/17 Quickjet Diaphragms with Bracket
5281024	2310-8388	35' Shock Absorber Boom w/21 Quickjet Diaphragms with Bracket
5281023	2312-8388	42' Shock Absorber Boom w/25 Quickjet Diaphragms with Bracket
5281657	2468-12-QT	42' Flat Fold Heavy Duty 12 Row Boom w/25 Quickjet Dia. Nozzles
5281658	2468-14-QT	48' Flat Fold Heavy Duty 14 Row Boom w/29 Quickjet Dia. Nozzles
(See Page 25 for NEW PX Boom Options)		
BOOMLESS BOOM OPTIONS		
5276015	BOOMBUSTER-KIT	Boomless Nozzle Bracket w/XT024 Tips
5281430	LONGHORNBOOM-KIT	Longhorn Extended Range Boomless Boom w/XT024 Tips
5278208	#20 HAM-SKID-KIT	#20 Hamilton Nozzle Kit With Slide
5278153	OKLAHOMA SPECIAL-KIT	Boom Buster Kit w/ XT024 Tips add on for Booms
HYDRAULIC OPTIONS		
5281256	FB-25-3PT-HK	3 Point Kit Hydraulic Height Adjustment, Self-Leveling Boom Attachment With Shock-Absorbers and Springs, Lift 20" w/ Hydraulic Hose Kit
5281258	HL-2468-3PT-HK	3 Point Kit Hydraulic Lift Kit Pivots Outer Wings Up & Down on 2468 Series Boom, Includes: 2 Cylinders and Attaching Hardware w/Hydraulic Hose Kit
HANDGUN OPTIONS		
5276036	CC409-KIT	Import Handgun, Holder w/25' Hose
5281263	SAS110EC-22PS-KIT	22" Pro Series Handgun, Holder w/25' Hose
PLUMBING OPTIONS		
5276511	923-KIT	Dual Agitator Kit
5281402	826-LP-KIT2	Plumbing Kit with Manual Boom Control Less Pump
5276508	827-3EG-12LP-KIT	Plumbing With Electric Boom Control Less Pump (Roller)
5276509	829-EG34-LP-KIT	Plumbing With Electric Boom Control Less Pump (Centrifugal)
PUMP OPTIONS		
5276935	7560C-PUMPKIT	Cast Iron 8 Roller Pump & Multi Speed Coupler
5276978	7560N-PUMPKIT	Ni-Resist 8 Roller Pump & Multi Speed Coupler
5276979	7560XL-PUMPKIT	Silver Cast 8 Roller Pump & Multi Speed Coupler
5281404	FMC-204-HYD-KIT1	1 1/4" X 1" Hydraulic Centrifugal Pump w/Hoses
MISC OPTIONS		
5276322	RSITR-2170-KIT	17 Gallon Foam Marker Tank and Bracket

* Designate Color: -BLU (Blue); -BLK (Black)

Visit agspray.com For Sprayer Parts & Breakdowns.

 DRY MATERIAL
HANDLING

TRAILERS

 TANKS &
ACCESSORIES

PUMPS

 VALVES &
FITTINGS

 STRAINERS
& HOSE

 PLANTER
EQUIPMENT

 SPRAYER
CONTROLS &
GUIDANCE

 NOZZLES, TIPS
& SPRAY GUNS

 NH3
PRODUCTS

 TECHNICAL
INFORMATION

INDEX

TRAILER SPRAYERS

15 & 25 GALLON 12 VOLT TRAILER SPRAYERS



- 15 or 25 gallon poly tank
 - 12 Volt Shurflo diaphragm pump (5151074); 2.2 GPM; 100 PSI
 - Trailer with large pneumatic tires
 - Handgun kit with 15' hose and R1ALM handgun with adjustable nozzle
 - Gauge and recirculation kit
 - 8' electrical cord with battery clip
 - Boom Mounting Bracket
 - **BOOM MUST BE ORDERED SEPARATELY.**
- SEE BELOW

Model #	Code #	Tank Size
FSTS-15 *§	5302838	15 Gallon Trailer Sprayer, 2.2 GPM (Less Boom)
FSTS-25 *§	5302841	25 Gallon Trailer Sprayer, 2.2 GPM (Less Boom)

* Designate Color: -BLU (Blue); -BLK (Black)

§ BOOMS MUST BE ORDERED SEPARATELY, SEE BELOW

Part #	Code #	Description	Coverage	Tip Spacing
FSBK-2	5300975	2 Nozzle Boom Kit	80"	40"
FSBK-5	5300976	5 Nozzle Boom Kit	100"	20"
FSBK-70	5301100	7 Nozzle Boom Kit	140"	20"
FSBK-13	5300673	9 Nozzle Boom Kit	160"	20"
FSBK-1**	5301139	Boomless Boom Assembly With 1 TeeJet KLC Tip		

See Page 39 For Boom Photos ** Only works on 25 & 40 gallon units

OPTIONS AND REPLACEMENT PARTS

5151074	2.2 GPM Shurflo pump with demand switch adjustable 0-60 PSI
5151088	4.5 GPM pump with demand switch adjustable 0-45 PSI
R1ALM	Handgun with positive shut-off
5302835	Mounting Kit To Attach Boom To ATV Spot Tank (2-5-7)
5275570	Filter/valve assembly with 1/2" hb x 1/2" port

40 GALLON TRAILER SPRAYER



- 40 Gallon Corrosion Resistant Polyethylene Tank
- Suction Line Sump
- 5" Fill Lid
- 12V or Gas Pump Option
- 16/650 x 8 Tires
- Deluxe Pistol Grip Handgun With Adjustable Nozzle & 25 Ft. of Hose
- Includes Boom Mounting Brackets
- **BOOM MUST BE ORDERED SEPARATELY.**
SEE BELOW

Model #	Code #	Tank Size	Weight
FSTS-40-12V *§	5301498	40 Gallon	155
FSTS-40-B3.5-4C *§	5301499	40 Gallon	175

* Designate Color: -BLU (Blue); -BLK (Black)

60 GALLON TRAILER SPRAYER



- 60 Gallon Corrosion Resistant Polyethylene Tank
- Lower Tank Profile For Improved Stability
- Full Drain Out Capability With Molded-In Drain Port, Cap & Tether
- Full Length Drain Sump
- 12V or Gas Pump Option
- 18 x 9.50 x 8 Pneumatic Tires
- Includes Boom Mounting Brackets
- **BOOM MUST BE ORDERED SEPARATELY.**
SEE BELOW

Model #	Code #	Description
FSTS-60-12V *§	5301448	60 gallon trailer sprayer
FSTS-60-B3.5-4C *§	5301452	60 gallon w/ 3.5 Briggs & Straton 127cc engine w/ Hypro 4 Roller Pump 6 G.P.M.
FSTS-60-H4.8-8XL *§	5301453	60 gallon w/ 4.8 Honda engine w/ Hypro 7560XL-R 8 Roller Pump
FSTS-60-B6.5-8C *§	5301450	60 gallon w/ 6.5 Briggs & Straton 208cc engine w/ Hypro 7560C-R 8 Roller Pump

* Designate Color: -BLU (Blue); -BLK (Black)

§ BOOMS MUST BE ORDERED SEPARATELY, SEE BELOW

Part #	Code #	Description	Coverage	Tip Spacing
FSBK-2	5300975	2 Nozzle Boom Kit	80"	40"
FSBK-5	5300976	5 Nozzle Boom Kit	100"	20"
FSBK-70	5301100	7 Nozzle Boom Kit	140"	20"
FSBK-1**	5301139	Boomless Boom Assembly With 1 TeeJet KLC Tip		
FSBK-3025BL	5301289	3 Nozzle, Boomless Boom (Requires 3.8 GPM Pump)	30'	

See Page 37 For Boom Photos ** Only works on 25 & 40 gallon units

TURF TRAILER SPRAYERS

110, 150 & 200 GALLON TURF TRAILER SPRAYER

DRY MATERIAL
HANDLING

TRAILERS

TANKS &
ACCESSORIES

PUMPS

VALVES &
FITTINGS

STRAINERS
& HOSE

PLANTER
EQUIPMENT

SPRAYER
CONTROLS &
GUIDANCE

NOZZLES, TIPS
& SPRAY GUNS

NH3
PRODUCTS

TECHNICAL
INFORMATION

INDEX



Base Trailer:

- Straight welded axle with 1 3/4" spindles and 1,250 lb. 5 bolt hubs
- 23 x 10.5 x 12 turf tires
- #2000 jack
- Adjustable pin hitch for 3/4" diameter pin
- Safety chains

Trailer Options:

- Tank saddle for 110, 150, or 200 gallon
- Hose reel with side mount or vertical swivel mount
- Hand gun holder with hose wrap
- Fenders – light duty
- Light kit with mounting brackets
- 20.5 x 8 x 10" 6 ply Pro Tour tire. 50 MPH max.
- Adjustable ball hitch coupler for a 1 7/8" or 2" ball

Pump & Engine Options:

- Centrifugal, Diaphragm and Roller pumps available
- Honda and Briggs & Stratton engines available

Boom Options:

- Boomless BXT and Hamilton Nozzles
- Standard 3 sections spray booms 28' and under

**** CUSTOMIZE YOUR NEW TURF TRAILER FOR YOUR SPECIFIC APPLICATION NEEDS ****

Visit agspray.com For Sprayer Parts & Breakdowns.

TURF TRAILER SPRAYERS

110/150/200 GALLON TURF TRAILER

<u>Part #</u>	<u>MFG #</u>	<u>Description</u>
BASE UNIT		
5302895 *	TRF110	110 Gallon Turf Base Trailer
5302896 *	TRF150	150 Gallon Turf Base Trailer
5302897 *	TRF200	200 Gallon Turf Base Trailer
BOOM ASSEMBLY OPTIONS		
5280995	368-6-8771	21' Boom w/13 Quickjet Diaphragms w/ BRKT
5280996	368-8-8771	28' Boom w/17 Quickjet Diaphragms w/ BRKT
5280998	479-6-8771	21' Pro-Series Boom w/13 Quickjet Diaphragms w/ BRKT
5281000	479-8-8771	28' Pro-Series Boom w/17 Quickjet Diaphragms w/ BRKT
5281002	2308-8771	28' Shock Absorber Boom w/17 Quickjet Diaphragms w/ BRKT
(See Page 25 for NEW PX4 Boom Options)		
BOOMLESS BOOM OPTIONS		
5276517	ECBOOMBUSTER-KIT	Boomless Nozzle Bracket w/XT024 Tips
5276740	LONGHORNBOOM-KIT	Longhorn Extended Range Boomless Boom w/XT024 Tips
5302330	#20HAMILTONROOSTER-KIT	#20 Hamilton Nozzle Kit
5278153	OKLAHOMA SPECIAL-KIT	Boom Buster Kit w/XT024 Tips add of for Booms
HOSE REEL KIT OPTIONS		
5302898	STAT 100M HOSE REEL-KIT	100' Stationary Hose Reel & Stand (Manual)
5302899	STAT 300M HOSE REEL-KIT	300' Stationary Hose Reel & Stand (Manual)
5302900	STAT 300E HOSE REEL-KIT	300' Stationary Hose Reel & Stand (Electric)
5281009	SWIVEL 300M HOSE REEL-KIT	300' Swivel Hose Reel & Stand (Manual)
5281010	SWIVEL 300E HOSE REEL-KIT	300' Swivel Hose Reel & Stand (Electric)
5274371	FH-3	Spool Kit for 300' Hose Reel
5276703	5272789-KIT	100' - 1/2" PVC 600# PSI Hose Assembly
5276704	5272771-KIT	300' - 1/2" PVC 600# PSI Hose Assembly
TRAILER OPTIONS		
-	TRF-FENDER-*	Turf Trailer Fender Kit
5280994	TRFLIGHT-KIT	Turf Trailer Light Kit
PUMP OPTIONS		
5281057	5301255-TRFTRL	5.5 HP Honda w/8-Roller Cast Iron Pump & 22" Pro Series Handgun
5281058	5301256-TRFTRL	5.5 HP Honda w/9910-D403GRGI Diaphragm Pump & 22" Pro Series Handgun
PLUMBING OPTIONS (ONLY NEEDED FOR TRAILER WITH BOOMS)		
5281059	826-TRFTRL	Plumbing w/Roller Pump Manual Boom Controls Less Pump
5281060	DIAPHRAGM826-TRFTRL	Plumbing w/9910GRGI Manual Boom Controls Less Pump
5281061	827-TRFTRL	Plumbing w/Roller Pump Electric Boom Controls Less Pump
5281063	DIAPHRAGM827-TRFTRL	Plumbing w/9910GRGI Electric Boom Controls Less Pump

* Designate Color: -**BLU** (Blue); -**BLK** (Black)

APPLICATORS
& SPRAYERS

DRY MATERIAL
HANDLING

TRAILERS

TANKS &
ACCESSORIES

PUMPS

VALVES &
FITTINGS

STRAINERS
& HOSE

PLANTER
EQUIPMENT

SPRAYER
CONTROLS &
GUIDANCE

NOZZLES, TIPS
& SPRAY GUNS

NH3
PRODUCTS

TECHNICAL
INFORMATION

INDEX

PASTURES SPRAYERS

PASTURE BLASTER® BOOMLESS NOZZLE TRAILER SPRAYER

DRY MATERIAL
HANDLING

TRAILERS

TANKS &
ACCESSORIES

PUMPS

VALVES &
FITTINGS

STRAINERS
& HOSE

PLANTER
EQUIPMENT

SPRAYER
CONTROLS &
GUIDANCE

NOZZLES, TIPS
& SPRAY GUNS

NH3
PRODUCTS

TECHNICAL
INFORMATION

INDEX



Known as our Pasture Blaster®. This unit was designed for rangeland noxious weed management.

- 300 gallon low profile tank
- Single axle durable trailer
- Adjustable axles: 65" - 85"
- Optional Filling platform with handrail
- Manual plumbing control
- 8 roller pump with 540 coupler
- 2 boomless nozzles with 32 ft. coverage
- Single agitator kit
- 10" Topwind Tongue Jack



Part #

5303174

MFG #

AG-TR300PB-BXT22PS

Description

300 Gal w/rooster Tail & XT024 Boom Extender Nozzles

300 GALLON PASTURE BLASTER®

<u>Part #</u>	<u>MFG #</u>	<u>Description</u>
BASE UNIT		
5276652 *	FS300TRLR-KIT	300 Gallon Trailer Sprayer
BOOM ASSEMBLY OPTIONS		
5281649	368-6-PB	21' Boom w/13 Quickjet Diaphragms
5281650	368-8-PB	28' Boom w/17 Quickjet Diaphragms
5281651	479-6-PB	21' Pro-Series Boom w/13 Quickjet Diaphragms
5281652	479-8-PB	28' Pro-Series Boom w/ 17 Quickjet Diaphragms
5281653	479-10-PB	35' Pro-Series Boom w/ 21 Quickjet Diaphragms
5281654	2308-PB	28' Shock Absorber Boom w/17 Quickjet Diaphragms
5281655	2310-PB	35' Shock Absorber Boom w/21 Quickjet Diaphragms
5281656	2312-PB	42' Shock Absorber Boom w/25 Quickjet Diaphragms
(See Page 25 for NEW PX Boom Options)		
BOOMLESS BOOM OPTIONS		
5276015	BOOMBUSTER-KIT	Boomless Nozzle Bracket w/XT024 Tips
5276740	LONGHORNBOOM-KIT	Longhorn Extended Range Boomless Boom w/XT024 Tips
5278208	#20 HAM-SKID-KIT	#20 Hamilton Nozzle Kit With Slide
5278153	OKLAHOMA SPECIAL-KIT	Boom Buster Kit w/ XT024 Tips add on for Booms
HANDGUN OPTIONS		
5276036	SAS-409-KIT	Import Handgun, Holder w/25' Hose
5281263	SAS110EC-22PS-KIT	22" Pro Series Handgun, Holder w/25' Hose
TRAILER PLUMBING OPTIONS		
5281127	927-KIT	300E/PB-300 Trailer Dual Agitation Kit
5276508	827-3EG-12LP-KIT	Plumbing w/ Electric Boom Control Less Pump
5281403	826-LP-KIT3	Plumbing w/ Manual Boom Control Less Pump
PUMP OPTIONS		
5276935	7560C-PUMPKIT	Cast Iron 8 Roller Pump & Multi Speed Coupler
5276978	7560N-PUMPKIT	Ni-Resist 8 Roller Pump & Multi Speed Coupler
5276979	7560XL-PUMPKIT	Silver Cast 8 Roller Pump & Multi Speed Coupler
641666	641666	PTO Drive Shaft 15/16" Bore
5278159	5.5HONDA-7560C-R	5.5 HP Honda w/7560C-R and Mounting Plate
FILLING PLATFORM		
5300633 *	GQ-4	Filling Platform

* Designate Color: -**BLU** (Blue); -**BLK** (Black)

Visit agspray.com For Sprayer Parts & Breakdowns.

TRAILER SPRAYERS

300 GALLON ECONOMY TRAILER SPRAYER

- 300 Gallon Elliptical Tank
- Heavy Duty Low Profile Frame
- Pressure, Strainer & Agitation Assemblies
- 11L-15 Implement Tread Tires
- Hypro 8 Roller Pump
- Adjustable Hitch
- 15" Jack
- Powder Coat Paint

OPTIONS:

- Boomless Nozzles - Covers 32 Feet
- Hamilton Boomless Nozzle - Covers 36 Feet
- 479 Boom - 21 Foot, 28 Foot, 35 Foot
- 2300 Boom - 28 Foot, 35 Foot, 42 Foot
- 22" Pro Series Handgun with 25' of 3/8" Rubber Hose, Gun Holder & Hose Wrap
- Manual Boom Control
- Electric Boom Control
- Agitation
- Skid Plate (Bolt On) - Protects Valves & Plumbing On Bottom Of Tank

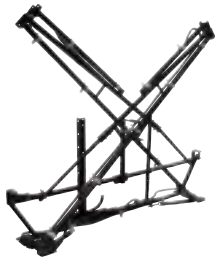
AG-TR300E-M8R22PS-BLU
W/ 2300 SERIES BOOM



Part #	Description
AG-TR300E-MBXT22PS *	300 Gallon Trailer Sprayer, Boom Extender, Manual Boom
AG-TR300E-MHAM22PS *	300 Gallon Trailer Sprayer, Hamilton, Manual Boom
AG-TR300E-LH22PS *	300 Gal w: Longhorn Extended Range Boomless w/XT024 Nozzles – Approx 40' Swath
AG-TR300E-8SHOCK22PS *	300 Gal w: 28' SHOCK Absorber Series Boom & 17 Quickjet Nozzles Bodies with Air Inducted Nozzles

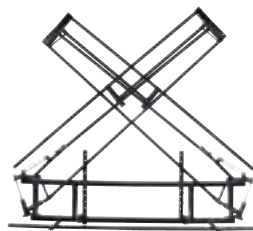
* Designate Color: -BLU (Blue); -BLK (Black)

** These electric controlled units are equipped with a TeeJet single 430 series electric ball valve and wiring harness with toggle switch.



479-8QJ
8 Row, 28' Boom With 17 Nozzles
W/QuickJet Diaphragm

479-10QJ
10 Row, 35' Boom With 21 Nozzles
W/QuickJet Diaphragm



2308QJ
8 Row (3 Section) 28' Boom Assembly
With 17 Nozzle W/QuickJet Diaphragm

2310QJ
10 Row (5 Section) 35' Boom Assembly
With 21 Nozzle W/QuickJet Diaphragm

2312QJ
12 Row (5 Section) 42' Boom Assembly
With 25 Nozzle W/QuickJet Diaphragm

SPRAYING TIP OPTIONS



OKLAHOMA SPECIAL



HAMILTON TIP



HYPRO BOOM EXTENDER TIPS

300 GALLON ECONOMY TRAILER SPRAYER

<u>Part #</u>	<u>MFG #</u>	<u>Description</u>
BASE UNIT		
5276653 *	SASTR-300-*-KIT	300 Gallon Economy Trailer - Black
BOOM ASSEMBLY OPTIONS		
5280995	368-6-8771	21' Boom W/13 Quickjet Diaphragms With Bracket
5280996	368-8-8771	28' Boom W/17 Quickjet Diaphragms With Bracket
5280998	479-6-8771	21' Pro-Series Boom W/13 Quickjet Diaphragms With Bracket
5281000	479-8-8771	28' Pro-Series Boom W/ 17 Quickjet Diaphragms With Bracket
5281014	479-10-8771	35' Pro-Series Boom W/ 21 Quickjet Diaphragms With Bracket
5281002	2308-8771	28' Shock Absorber Boom W/17 Quickjet Diaphragms With Bracket
5281012	2310-8771	35' Shock Absorber Boom W/21 Quickjet Diaphragms With Bracket
5281013	2312-8771	42' Shock Absorber Boom W/25 Quickjet Diaphragms With Bracket
(See Page 25 for NEW PX Boom Options)		
BOOMLESS BOOM OPTIONS		
5276517	ECBOOMBUSTER-KIT	Boomless Nozzle Bracket W/ XT024 Tips
5276740	LONGHORNBOOM-KIT	Longhorn Extended Range Boomless Boom W/ XT024 Tips
5302330	#20HAMILTONROOSTER-KIT	#20 Hamilton Nozzle Kit
5278153	OKLAHOMA SPECIAL-KIT	Boom Buster Kit W/ XT024 Tips Add On For Booms
HANDGUN OPTIONS		
5276552	SAS-409-KIT	Import Handgun, Holder W/25' Hose
5281262	SAS300E-22PS-KIT	22" Pro Series Handgun Kit For 300 E
5281760	SAS500E-M50HR22PS	Swivel 50' Hose Reel w/ 22" Pro Series Handgun Kit
TRAILER PLUMBING OPTIONS		
5281127	927-KIT	300E/PB-300 Trailer Dual Agitation Kit
5278154	831-3EG-12EC-KIT	Plumbing W/ Electric Boom Control (Less Pump)
5276518	EC826-LP-KIT	Plumbing W/ Manual Boom Control (Less Pump)
PUMP OPTIONS		
5276935	7560C-PUMPKIT	Cast Iron 8 Roller Pump & Multi Speed Coupler
5276978	7560N-PUMPKIT	Ni-Resist 8 Roller Pump & Multi Speed Coupler
5276979	7560XL-PUMPKIT	Silver Cast 8 Roller Pump & Multi Speed Coupler
5281011	TRL-PTO-KIT	Trailer PTO Pump Kit & Travel Bracket
OTHER OPTIONS		
-	SP300E-KIT	Skid Plate Kit For 300 Gallon Trailers
-	AS-FM6-KIT	6 Gallon Foam Marker Kit

* Designate Color: -BLU (Blue); -BLK (Black)

Visit agspray.com For Sprayer Parts & Breakdowns.

TRAILER SPRAYERS

LOW PROFILE DELUXE TRAILER SPRAYERS

DRY MATERIAL
HANDLING

TRAILERS

TANKS &
ACCESSORIES

PUMPS

VALVES &
FITTINGS

STRAINERS
& HOSE

PLANTER
EQUIPMENT

SPRAYER
CONTROLS &
GUIDANCE

NOZZLES, TIPS
& SPRAY GUNS

NH3
PRODUCTS

TECHNICAL
INFORMATION

INDEX

- 500 Gallon Elliptical Tank
- Heavy Duty Low Profile Frame
- Pressure, Agitation & Strainer Assemblies
- Strainer Assy On Top Of Frame In Front Of Tank
- Adjustable Hitch Height
- 15" Jack
- 11L-15 Implement Tread Tires
- Hypro 8 Roller Pump

OPTIONS:

- Boomless Nozzles - Covers 32 Feet
- Hamilton Boomless Nozzle - Covers 36 Feet
- 479 Boom - 21 Foot, 28 Foot, 35 Foot
- 2300 Boom - 28 Foot, 35 Foot, 42 Foot
- 22" Pro Series Handgun with 25' of 3/8" Rubber Hose, Gun Holder & Hose Wrap
- Manual Boom Control
- Electric Boom Control
- Agitation
- Skid Plate (Bolt On) - Protects Valves & Plumbing On Bottom Of Tank
- Fender Kit for 11L-15 Tires
- Torsion Axle
- Bolt On Step



Part #	Description
AG-TR500EMBXT22PS *	500 Gallon Trailer Sprayer, Boom Extender
AG-TR500EMHAM22PS *	500 Gallon Trailer Sprayer, Hamilton
AG-TR500E-LH22PS-*	500 Gallon Trailer Sprayer, Longhorn Boom

* Designate Color: -BLU (Blue); -BLK (Black)

TRAILER OPTIONS



SKID PLATE

FENDER KIT FOR 11L-15 TIRES

TORSION AXLE

BOLT ON STEP

BOOM OPTIONS



OKLAHOMA SPECIAL

HAMILTON TIP

HYPRO BOOM EXTENDER TIPS

PX BOOM

500 GALLON LOW PROFILE TRAILER SPRAYERS

Part #	MFG #	Description
BASE UNIT		
5303200-*	ASTR-500LP-11L-*-KIT	500 LOW PROFILE TRAILER, 11L X 15 TIRES With Standard Axle
5303201-*	ASTR-500LP-24-*-KIT	500 LOW PROFILE TRAILER, 11.2 X 24 TIRES With Standard Axle
5303202-*	ASTR-500LP-11L-TS-*-KIT	500 LOW PROFILE TRAILER, 11L X 15 TIRES With TORSION Axle
5303203-*	ASTR-500LP-24-TS-*-KIT	500 LOW PROFILE TRAILER, 11.2 X 24 TIRES With TORSION Axle
*Designate Color: -BLU (Blue); -BLK (Black)		
BOOM ASSEMBLY OPTIONS		
5280995	368-6-8771	21' Boom w/13 Quickjet Diaphragms with Bracket
5280996	368-8-8771	28' Boom w/17 Quickjet Diaphragms with Bracket
5280998	479-6-8771	21' Pro-Series Boom w/13 Quickjet Diaphragms with Bracket
5281000	479-8-8771	28' Pro-Series Boom w/ 17 Quickjet Diaphragms with Bracket
5281014	479-10-8771	35' Pro-Series Boom w/ 21 Quickjet Diaphragms with Bracket
5281002	2308-8771	28' Shock Absorber Boom w/17 Quickjet Diaphragms with Bracket
5281012	2310-8771	35' Shock Absorber Boom w/21 Quickjet Diaphragms with Bracket
5281013	2312-8771	42' Shock Absorber Boom w/25 Quickjet Diaphragms with Bracket
(See Page 25 for New PX Boom Options)		
BOOMLESS BOOM OPTIONS		
5276517	ECBOOMBUSTER-KIT	Boomless Nozzle Bracket w/XT024 Tips
5276740	LONGHORNBOOM-KIT	Longhorn Extended Range Boomless Boom w/XT024 Tips
5302330	#20HAMILTONROOSTER-KIT	#20 Hamilton Nozzle Kit
5278153	OKLAHOMA SPECIAL-KIT	Boom Buster Kit w/ XT024 Tips add on for Booms
HANDGUN OPTIONS		
5276552	SAS-409-KIT	Import Handgun, Holder w/25' Hose
5281262	SAS300E-22PS-KIT	22" Pro Series Handgun Kit For 300 E
5281760	SAS500E-M50HR22PS	Swivel 50' Hose Reel w/ 22" Pro Series Handgun Kit
TRAILER PLUMBING OPTIONS		
5281128	928-KIT	300/500 Low Profile Dual Agitation Kit
5278154	831-3EG-12EC-KIT	Plumbing w/ Electric Boom Control (Less Pump)
5276518	EC826-LP-KIT	Plumbing w/ Manual Boom Control (Less Pump)
PUMP OPTIONS		
5276935	7560C-PUMPKIT	Cast Iron 8 Roller Pump & Multi Speed Coupler
5276978	7560N-PUMPKIT	Ni-Resist 8 Roller Pump & Multi Speed Coupler
5276979	7560XL-PUMPKIT	Silver Cast 8 Roller Pump & Multi Speed Coupler
5281759	TRL-PTO-500E-KIT	Trailer Roller Pump Mount Kit with 540 Shaft and Stand
5281464	5281464	Cam Lock Option
OTHER OPTIONS		
5281758-BLK	SP-500E-M-KIT	Skid Plate Kit for 500E-M Trailer
5281692	5281692	Bolt on Step for 5" frame
5281693	5281693	Bolt on Fender Kit for 11L-15 tires
-	AS-FM6-KIT	6 Gallon Foam Marker Kit

TRAILER SPRAYERS

1000 GALLON LOW PROFILE TRAILER SPRAYER



Shown With Optional
Longhorn Boom

- 1000 Gallon Elliptical Tank
 - Bulldog 15" 2000lb Pipe Mount Jack
 - 3 Year Non-Prorated Warranty
 - 11L x 15 Tires
 - Tank Available In Black Or Yellow
 - Adjustable Clevis Hitch
 - Heavy Duty Low Profile Frame
 - 7000lb Torsion Axles
 - Heavy Duty Safety Chains
 - Powder Coat Paint
- OPTIONAL ITEM:**
- Sight Gauge For Black Tanks
 - See Page 135

1000 GALLON LOW PROFILE TRAILER SPRAYER

<u>Part #</u>	<u>MFG #</u>	<u>Description</u>
BASE UNIT		
5281352-BLK/AGY	SASTR-1000LP-BLK/AGY-KIT	1000 Gallon Low Profile Tandem Black Trailer W/Yellow Tank
5281354-BLU/AGY	SASTR-1000LP-BLU/AGY-KIT	1000 Gallon Low Profile Tandem Blue Trailer W/Yellow Tank
5281351-BLK/BLK	SASTR-1000LP-BLK/BLK-KIT	**1000 Gallon Low Profile Tandem Black Trailer W/Black Tank**
5281353-BLU/BLK	SASTR-1000LP-BLU/BLK-KIT	**1000 Gallon Low Profile Tandem Blue Trailer W/Black Tank**
BOOM ASSEMBLY OPTIONS		
5280995	368-6-8771	21' Boom W/13 Quickjet Diaphragms With Bracket
5280996	368-8-8771	28' Boom W/17 Quickjet Diaphragms With Bracket
5280998	479-6-8771	21' Pro-Series Boom W/13 Quickjet Diaphragms With Bracket
5281000	479-8-8771	28' Pro-Series Boom W/ 17 Quickjet Diaphragms With Bracket
5281014	479-10-8771	35' Pro-Series Boom W/ 21 Quickjet Diaphragms With Bracket
5281002	2308-8771	28' Shock Absorber Boom W/17 Quickjet Diaphragms With Bracket
5281012	2310-8771	35' Shock Absorber Boom W/21 Quickjet Diaphragms With Bracket
5281013	2312-8771	42' Shock Absorber Boom W/25 Quickjet Diaphragms With Bracket
(See Page 25 for NEW PX Boom Options)		
BOOMLESS BOOM OPTIONS		
5276517	ECBOOMBUSTER-KIT	Boomless Nozzle Bracket W/ XT024 Tips
5276740	LONGHORNBOOM-KIT	Longhorn Extended Range Boomless Boom W/ XT024 Tips
5302330	#20HAMILTONROOSTER-KIT	#20 Hamilton Nozzle Kit
5278153	OKLAHOMA SPECIAL-KIT	Boom Buster Kit W/ XT024 Tips Add On For Booms
HANDGUN OPTIONS		
5276552	SAS-409-KIT	Import Handgun, Holder W/25' Hose
5281262	SAS300E-22PS-KIT	22" Pro Series Handgun Kit For 300 E
-	SAS1000E-M50HR22PS	22" Pro Series Handgun Kit For 300 E
TRAILER PLUMBING OPTIONS		
5281128	928-KIT	300/500 Low Profile Dual Agitation Kit
5278154	831-3EG-12EC-KIT	Plumbing W/ Electric Boom Control (Less Pump)
5276518	EC826-LP-KIT	Plumbing W/ Manual Boom Control (Less Pump)
PUMP OPTIONS		
5276935	7560C-PUMPKIT	Cast Iron 8 Roller Pump & Multi Speed Coupler
5276978	7560N-PUMPKIT	Ni-Resist 8 Roller Pump & Multi Speed Coupler
5276979	7560XL-PUMPKIT	Silver Cast 8 Roller Pump & Multi Speed Coupler
5281425	TRL-1000LP-PTO-KIT	Trailer PTO Pump Kit & Travel Bracket
5282605	5282606	Tube Frame Wheel Drive w/6055 pump, Tractor Hydraulics Kit
5282606	5282608	Tube Frame Wheel Drive w/ 6055 pump, Hand Pump Hydraulics Kit
OTHER OPTIONS		
5276819	SIGHTGAUGE-KY-KIT	**Tank Sight Gauge Kit (Recommended for Black Tank)**
5281426	SP1000LP-KIT	Skid Plate for 1000 LP
5029115-BLK	5029115-BLK	Assembly 1000 LP Basket Kit

POULTRY HOUSE SPRAYERS

DELUXE POULTRY HOUSE SPRAYER



The Deluxe Poultry House Washer / Sprayer is equipped with all the options to meet the needs of todays Producers. In addition to the 725 PSI, 39.6 GPM PTO driven Diaphragm pump with 5 nozzle wall washdown boom and ceiling nozzles, the unit comes with 50' of 1/2" high pressure hose on self-retracting hose reel with high performance spraygun, easy tank access step and wheel fenders.

Unit Includes:

- 500 Gallon Tank with Easy Access Offset Manway
- Diaphragm PTO 540 Pump, 725PSI-39.6 GPM
- High Performance Spraygun, 42' Throw, 9.6 GPM

- 50' 1/2" High Pressure Hose
- Self-Retracting Hose Reel
- Fender Kit
- Tank Access Step
- 5 Nozzle Wall Boom
- Bi-Directional, Left or Right Wall Boom
- Ceiling Nozzle

Part

5281785

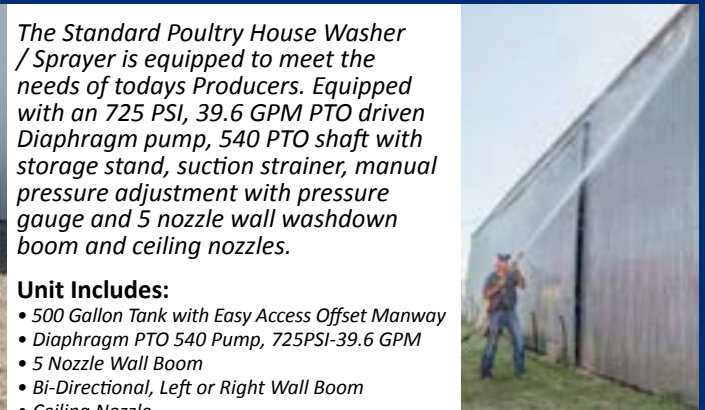
MFG

TR500PHS-D

Description

500 Gallon Poultry House Deluxe Sprayer

STANDARD POULTRY HOUSE SPRAYER



The Standard Poultry House Washer / Sprayer is equipped to meet the needs of todays Producers. Equipped with an 725 PSI, 39.6 GPM PTO driven Diaphragm pump, 540 PTO shaft with storage stand, suction strainer, manual pressure adjustment with pressure gauge and 5 nozzle wall washdown boom and ceiling nozzles.

Unit Includes:

- 500 Gallon Tank with Easy Access Offset Manway
- Diaphragm PTO 540 Pump, 725PSI-39.6 GPM
- 5 Nozzle Wall Boom
- Bi-Directional, Left or Right Wall Boom
- Ceiling Nozzle
- Adjustable Height Clevis
- Safety Chains

Part

5281784

MFG

TR500PHS-S

Description

500 Gallon Poultry House Sprayer

TRAILER OPTIONS

Part

5281783

MFG

PHS-50HRSR-10-KIT

Description

50' Self-Retracting Hose Reel w/Long Range Spraygun

5281782

PHS-25HRMR-10-KIT

25' Manual Rewind Hose Reel w/ Long Range Spraygun

5281781

PHS-25HW-10-KIT

25' Hose Stand with Long Range Spraygun

5281692-BLK

5281692-BLK

Bolt on Step for 5" Frame

5281693-BLU

5281693-BLU

Bolt on Fender Kit

5281473

5281473

Floor Wash Kit



HAY & CHEMIGATION SPRAYERS

IN CAB HAY SPRAYER

- 25 & 55 Gallon Corrosion Resistant Polyethylene Tank
- 12 Volt SHURflo Pump With In Cab Box; 2.2 G.P.M; 100 P.S.I. (5151074)
- Heavy Duty Metal Frame
- Agitation Valve
- Deluxe In-Line Strainer Assembly
- 3 Nozzle Hay Boom With XR 11001 VS Tips
- Boom Covers Pick Up On Baler
- 30' Of Heavy Duty Wire Harness With Battery Clips
- 30' Of 3/8" Rubber Hose To Boom
- No Mounting Brackets Available For Balers
- Powder Coat Paint



Part #	Description
AG25HSIC *	25 Gallon In Cab Hay Sprayer
AG55HSICH *	55 Gallon In Cab Hay Sprayer
* Designate Color: -BLU (Blue); -BLK (Black)	

500 GALLON CONE BOTTOM CHEMIGATION TRAILER

- Custom Built Durable Light Weight Trailer
- 110 GPM Recirculation Pump
- Bypass Valves
- Two 1-1/2" Educator Nozzles
- Calibration Tube
- Your Choice Of Injection Pump



Model #	Description
500-CB-INJECTION-TR	500 Gallon Chemigation Trailer

AVAILABLE PUMP OPTIONS



APPLICATORS & SPRAYERS

DRY MATERIAL HANDLING

TRAILERS

TANKS & ACCESSORIES

PUMPS

VALVES & FITTINGS

STRAINERS & HOSE

PLANTER EQUIPMENT

SPRAYER CONTROLS & GUIDANCE

NOZZLES, TIPS & SPRAY GUNS

NH3 PRODUCTS

TECHNICAL INFORMATION

INDEX

FIELD SPRAYERS

LAY-BY WHEEL UNITS

DRY MATERIAL
HANDLING

TRAILERS

TANKS &
ACCESSORIES

PUMPS

VALVES &
FITTINGS

STRAINERS
& HOSE

PLANTER
EQUIPMENT

SPRAYER
CONTROLS &
GUIDANCE

NOZZLES, TIPS
& SPRAY GUNS

NH3
PRODUCTS

TECHNICAL
INFORMATION

INDEX

- Heavy Duty Rigid Or Hydraulic Fold Tool Bar
- Available in 6 row Rigid Bar & 12 Row Folding
- Adjustable Row Spacing
- Downward Torsion Spring Tension On Each Leg
- 3" x 5" Tool Bar and 5" x 7" Tool Bar
- Three Point Quick Hitch
- 1 or 3 Nozzle Specification
- Powder Coat Paint

OPTIONS:

- Gauge Wheels
- Tool Bar Tank Racks Available In 200, 300, & 500 Gallon Capacity
- 8 Roller Pump Kit With 144 Electric Valve
- Ace 206 Hydraulic Pump Kit With 144 Electric Valve



LAY-BY WHEEL UNITS 40'

Part #	MFG #	Description
BASE UNIT		
5281228	WU12X3SF	12 Row 3 Nozzle Folding Toolbar W/ Plumbing
5302910	WU12X1SF	12 Row 1 Nozzle Folding Toolbar W/ Plumbing
TANK OPTIONS		
5281098	TB006-200E	200 Gallon 3PT. Carrier For Hooded Boom Or Lay-By Unit
5281097	TB006-300E	300 Gallon 3 PT. Carrier For Hooded Boom Or Lay-By Unit
5281096	TB006-500E	500 Gallon 3PT. Carrier For Hooded Boom Or Lay-By Unit
PLUMBING OPTIONS		
5281230	HB-LB1-RC10N	Hooded Boom Subassy. Plumbing Single Shutoff W/ Rc10n
5281218	HB-LB3-744	Hooded Boom Sprayer Plumbing Subassy/ Bank Of 3 Elec. Valve W/ 744 Cont.
PUMP OPTIONS		
5276935	7560C-PUMPKIT	7560C Roller Pump Kit With Pto Coupler & Torque Bar
5276979	7560XL-PUMPKIT	Silver Cast 8 Roller Pump & Multi Speed Coupler
5281182	48811-ECODED	206 Ace Pump Ecoated With Hydraulic Hoses
5281464	5281464	Cam-Lock Option
OTHER OPTIONS		
5276302	QFK2-KIT	2" QUICK FILL KIT
5281075-BLK	HB-CTR-GAUGEWHEEL-KIT-BLK	Heavy Duty Gauge Wheels- Pair
5281333-BLK	HB-WING-GAUGEWHEEL-KIT	Gauge Wheel Set for Wings Only

HOODED BROADCAST SPRAYER

- Heavy Duty Rigid or Hydraulic Folding Tool Bar
- Available in 12 Row Model Only
- Heavy Duty Corrugated Spray Hood
- 3" x 5" Tool Bar and 5" x 7" Tool Bar
- Three Point Quick Hitch
- Can be used with Ag Spray's 3890 3 Point Rack or Tractor Tank Racks

OPTIONS:

- Gauge Wheels
- Tool Bar Mounted Tanks Available in 200, 300 & 500 Gallon Capacity
- Various Pump Kit Options Available

CONTROL AND OTHER OPTIONS:

- Single and 3-Way Electric In-Cab Control Box
- Raven and TeeJet Rate Controllers
- Raven and TeeJet GPS Systems



DRY MATERIAL
HANDLING

TRAILERS

TANKS &
ACCESSORIES

PUMPS

VALVES &
FITTINGS

STRAINERS
& HOSE

PLANTER
EQUIPMENT

SPRAYER
CONTROLS &
GUIDANCE

NOZZLES, TIPS
& SPRAY GUNS

NH3
PRODUCTS

TECHNICAL
INFORMATION

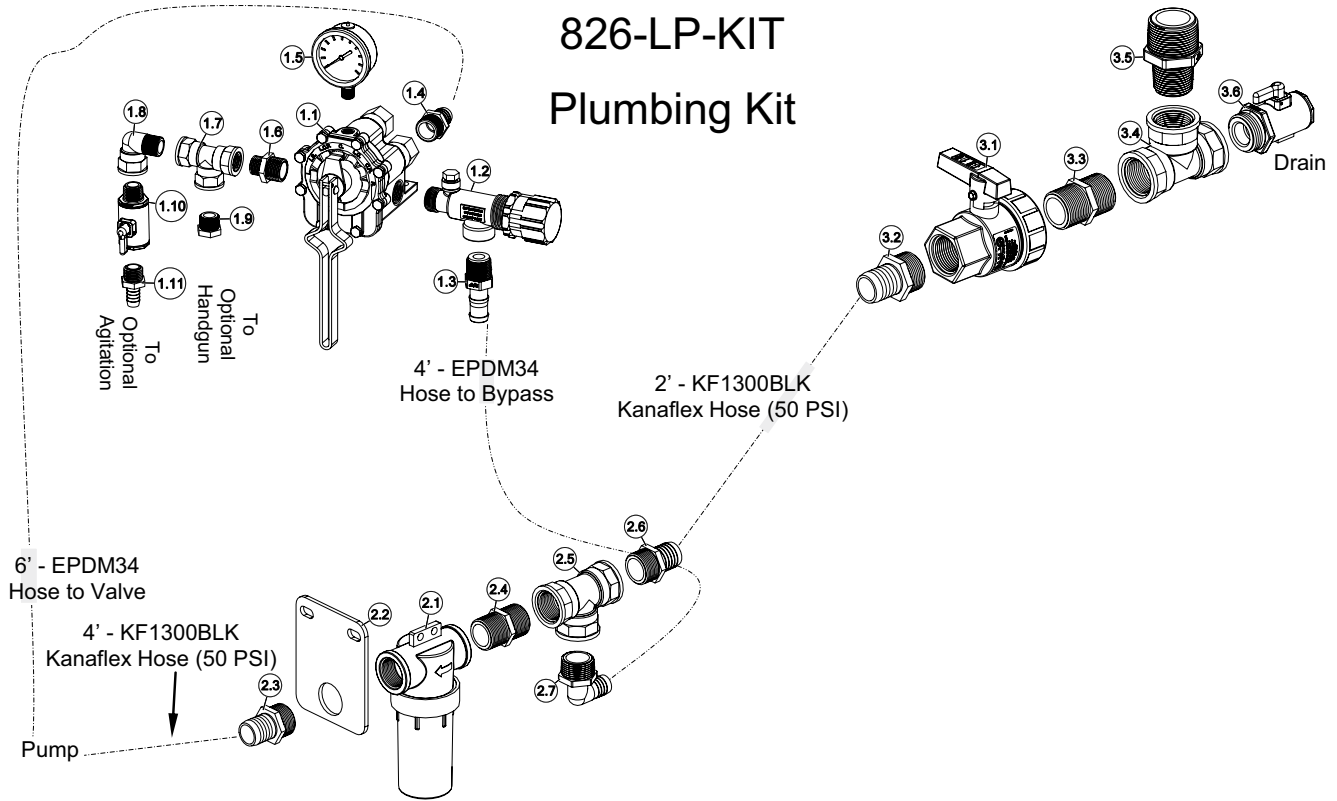
INDEX

HOODED BROADCAST SPRAYER 40'

Part #	MFG #	Description
BASE UNIT		
5302909	HBS-12/10F	12 Row Folding Hooded Broadcast Sprayer W/ Plumbing
TANK OPTIONS		
5281098	TB006-200E	200 Gallon 3PT Carrier For Hooded Boom Or Lay-By Unit
5281097	TB006-300E	300 Gallon 3PT Carrier For Hooded Boom Or Lay-By Unit
5281096	TB006-500E	500 Gallon 3PT Carrier For Hooded Boom Or Lay-By Unit
PLUMBING OPTIONS		
5281230	HB-LB1-RC10N	Hooded Boom Subassy. Plumbing Single Shutoff W/ Rc10n
5281218	HB-LB3-744	Hooded Boom Sprayer Plumbing Subassy/ Bank Of 3 Elec. Valve W/ 744 Cont.
PUMP OPTIONS		
5276935	7560C-PUMPKIT	7560C Roller Pump Kit With PTO Coupler & Torque Bar
5276979	7560XL-PUMPKIT	Silver Cast 8 Roller Pump & Multi Speed Coupler
5281182	48811-ECODED	206 Ace Pump Ecoated With Hydraulic Hoses
5281464	5281464	Cam-Lock Option
OTHER OPTIONS		
5276302	QFK2-KIT	2" Quick Fill Kit
5281075-BLK	HB-CTR-GAUGEWHEEL-KIT-BLK	Heavy Duty Gauge Wheels- Pair
5281333-BLK	HB-WING-GAUGEWHEEL-KIT	Gauge Wheel Set for Wings Only

SMALL 3 POINT PLUMBING BREAKDOWN

826-LP-KIT Plumbing Kit



Ref. #	Part #	Description	Qty
1	5281071	Tee Valve Plumbing, Sub-Assembly	1
1.1	5143295	TeeValve Assembly (AA-17L)	1
1.2	5143199	Pressure Relief Valve, (3/4" NPT)	1
1.3	5067184	Poly Fitting, 3/4" MNPT x 3/4" HB	1
1.4	5067127	Poly Fitting, 3/4" MNPT x 3/4" HB	1
1.5	5167080	Gauge, Liquid-Filled, 0-200 PSI	1
1.6	5011147	Poly Reducing Nipple, 3/4" MNPT x 1/2" MNPT	1
1.7	5010230	Poly Tee, 1/2" FNPT	1
1.8	5010243	Poly Street Elbow, (90 Deg) 1/2" MNPT x 1/2" FNPT	1
1.9	5102070	Poly Pipe Plug, 1/2" MNPT	1
1.10	BJLV050MTV	Micro Valve, 1/2" FNPT x 1/2" NPT	1
1.11	5067131	Poly Fitting, 1/2" MNPT x 1/2" HB	1
2	5278310	1" Line Strainer Plumbing, Sub-Assembly	1
2.1	5116352	In-Line Strainer, 1" Poly, 40 Mesh Screen (Black)	1
2.2	5038247	Strainer Bracket	1
2.3	5067118	Poly Fitting, 1" MNPT x 1" HB	1
2.4	5011141	Poly Close Nipple, 1" MNPT	1
2.5	5010232	Poly Tee, 1" FNPT	1
2.6	5067118	Poly Fitting, 1" MNPT x 1" HB	1
2.7	5010212	90° Elbow, 1" MPT x 3/4" HB	1
3	5281068	Tank Cut-Off & Drain Plumbing, Sub-Assembly	1
3.1	BJUV100FP	Banjo 1" Single Union Ball Valve, Poly	1
3.2	5067118	Poly Fitting, 1" MNPT x 1" HB	1
3.3	5011141	Poly Close Nipple, 1" MNPT	1
3.4	5010232	Poly Tee, 1" FNPT	1
3.5	5011212	1 1/4" MPT x 1" MPT Reducing Nipple	1
3.6	LV050100MTV	Banjo Micro Valve, 1/2 FNPT x 1" NPT	1

KF1300BLK: (2) HC16 Hose Clamps per hose
 EPDM34: (2) HC12 Hose Clamps per hose

SMALL 3 POINT PLUMBING BREAKDOWN

APPLICATORS
& SPRAYERS

DRY MATERIAL
HANDLING

TRAILERS

TANKS &
ACCESSORIES

PUMPS

VALVES &
FITTINGS

STRAINERS
& HOSE

PLANTER
EQUIPMENT

SPRAYER
CONTROLS &
GUIDANCE

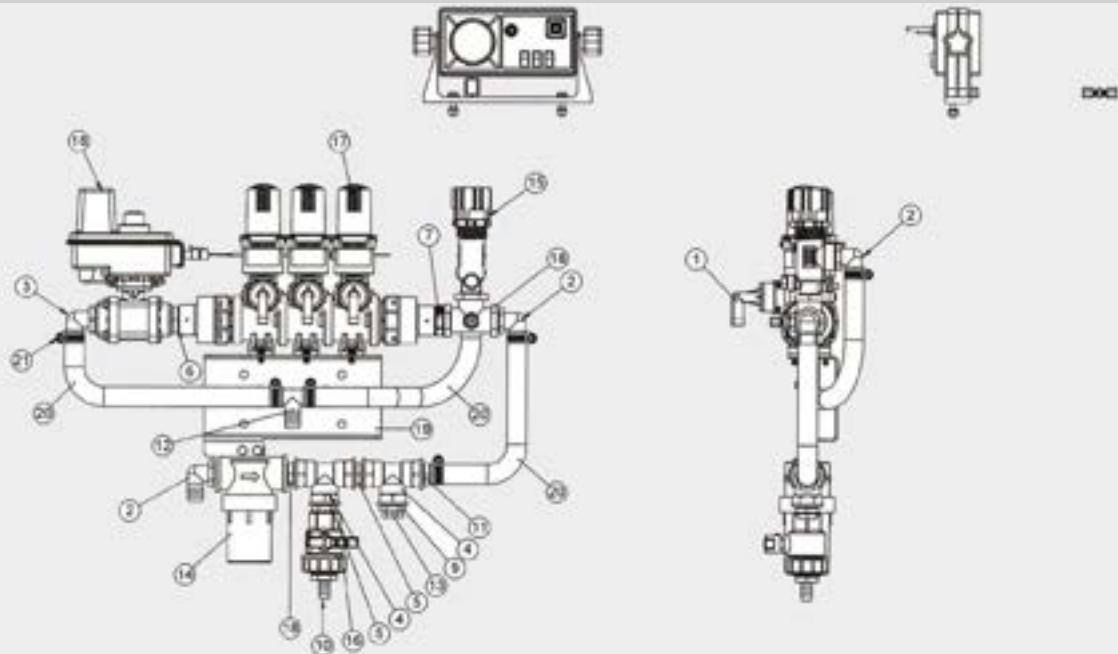
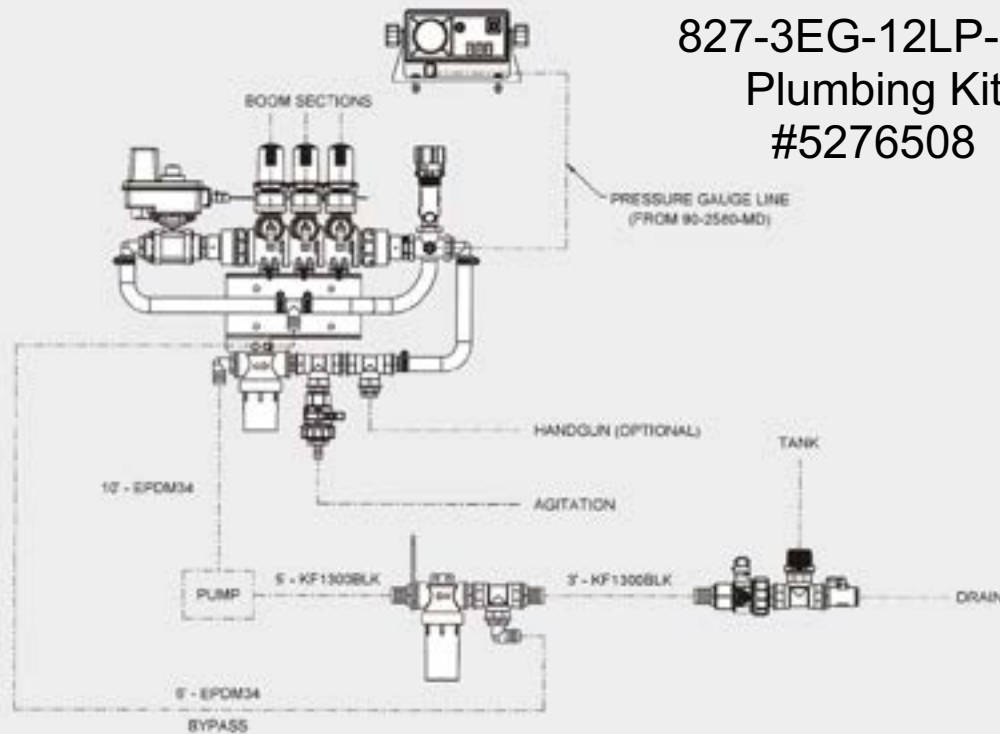
NOZZLES, TIPS
& SPRAY GUNS

NH3
PRODUCTS

TECHNICAL
INFORMATION

INDEX

827-3EG-12LP-KIT Plumbing Kit #5276508



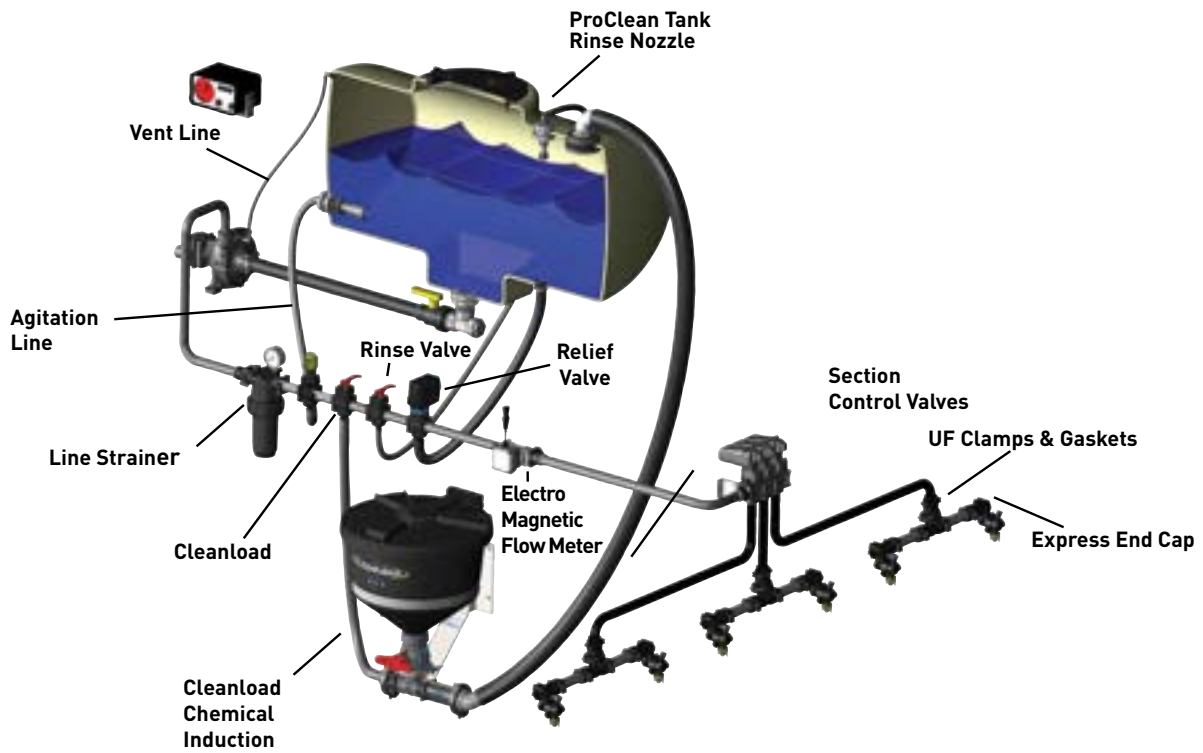
Ref. #	Part #	Description:	Qty.:
1	45529-90-1/2	TeeJet Quick-Connect, 430 EC HB90 1/2"	3
2	5010209	Poly Elbow, 3/4" MNPT x 3/4" HB	3
3	5010212	90° Elbow, 1" MPT x 3/4" HB	1
4	5010231	Poly Tee, 3/4" FNPT	2
5	5011140	Poly Close Nipple, 3/4" MNPT	2
6	5011141	Poly Close Nipple, 1" MNPT	1
7	5011210	Reducing Nipple, 1" MPT x 3/4" MPT	1
8	5034109	H.H.C.S. 1/4"-20nc x 3/4"	8
9	5041078	Poly Reducer Bushing, 3/4" MNPT x 1/2" FNPT	1
10	5067125	Poly Fitting, 3/4" MNPT x 1/2" HB	1
11	5067127	Poly Fitting, 3/4" MNPT x 3/4" HB	1

Ref. #	Part #	Description:	Qty.:
12	5086030	Poly Hose Tee, 3/4" HB	1
13	5102070	Poly Pipe Plug, 1/2" MNPT	1
14	5116322	3/4" Black Poly Strainer	1
15	5143199	Pressure Relief Valve, 2/4" NPT	1
16	5143407	3/4" Union, Poly Ball Valve	1
17	58430-6-433EC-2	TeeJet 430 Shut-Off Valve (3-Bank)	1
18	90-02580-MD	TeeJet 744KIT-3 Section/430 Series w/1" Regulator	1
19	CF430BK	3 Bank 430 Valve Mount Bracket	1
20*	EPDM34	EPDM Hose, 200 psi, 3/4"	4'
21	HC12	Clamp, 5/8" to 3/4"	6

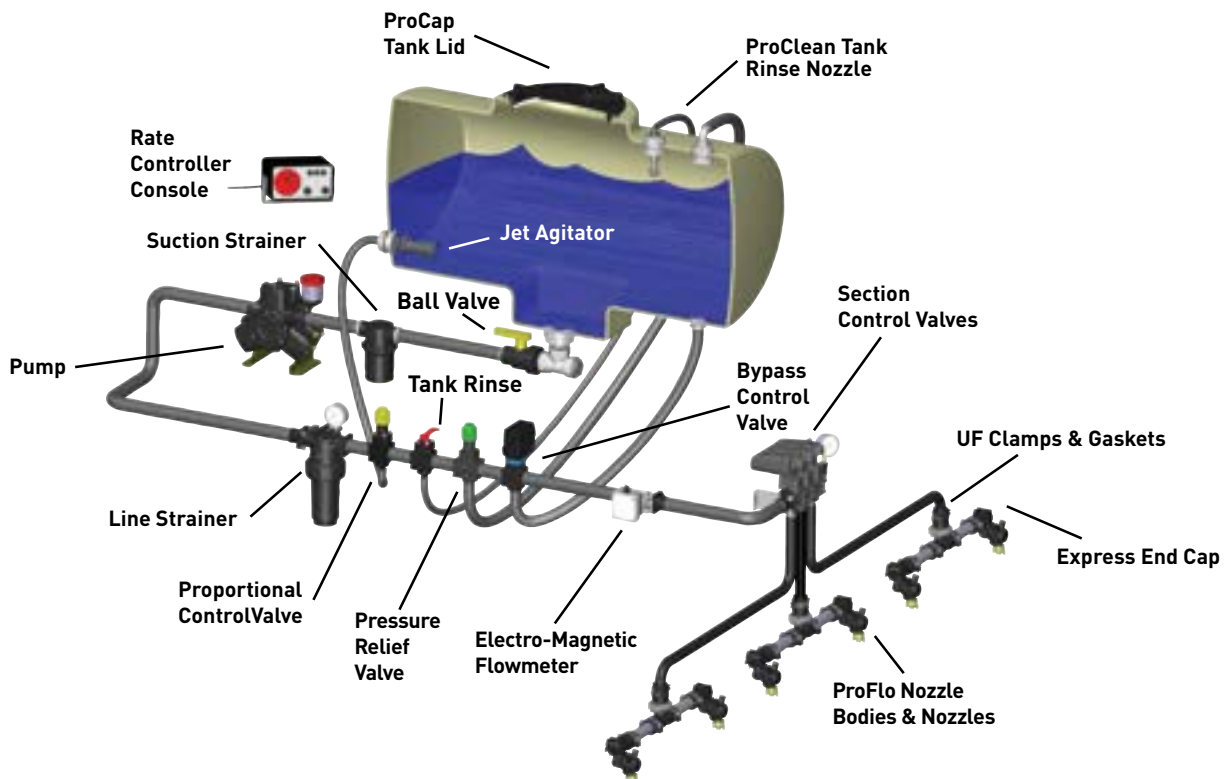
* Approx. Length of all hoses combined

SYSTEM HOOK-UPS

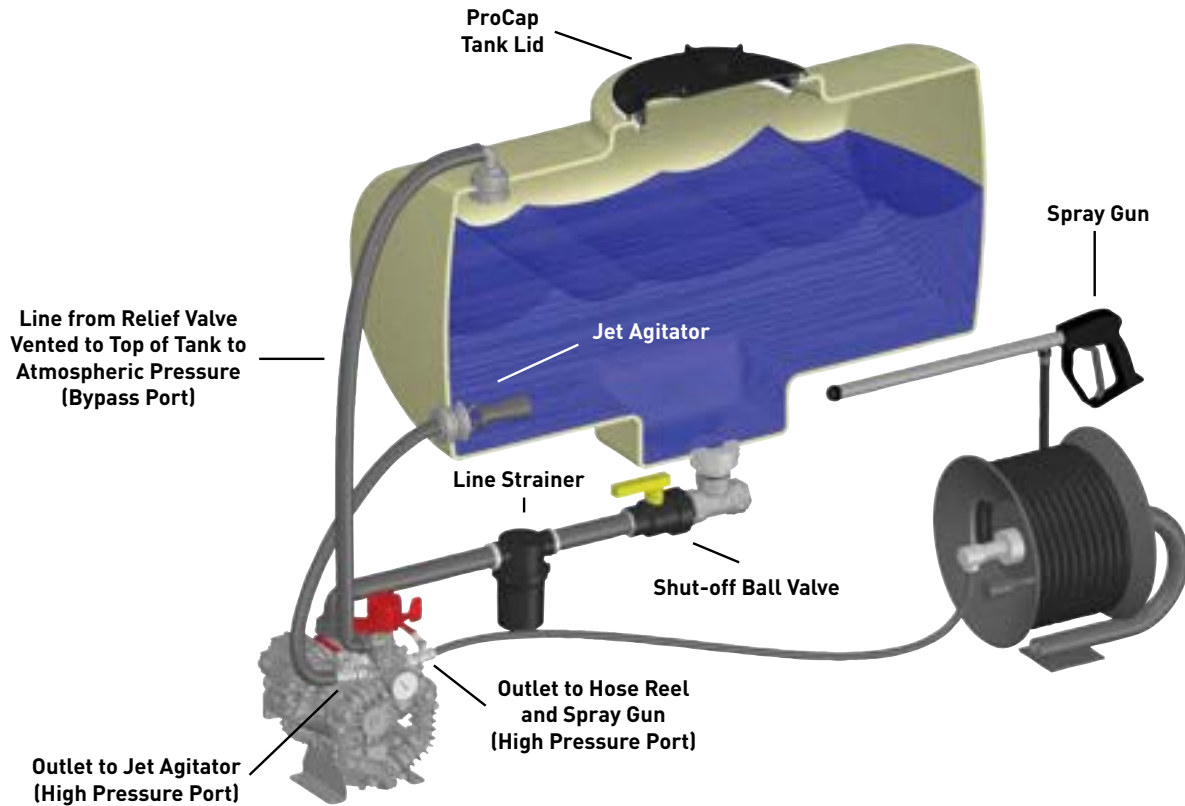
CENTRIFUGAL PUMPS



ROLLER, DIAPHRAGM PUMPS



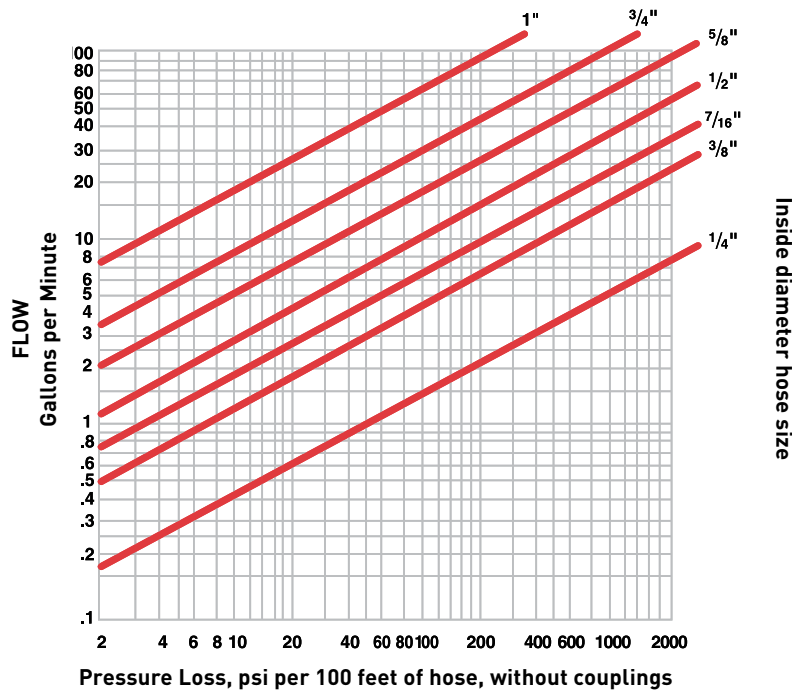
DIAPHRAGM PUMPS, HIGH PRESSURE APPLICATIONS



Pressure Loss at Various Rates of Flow of Water Through Hose*

at temperature of 68° Fahrenheit (20°C.)

*1/4-inch to 1-inch inside diameter



SPRA-COUPÉ



Water-Cooled Parts

Part #	Description
SC-CARB-WC	E-G Carburetor
SC-CAM-S	E-G Cam Seal
SC-CS-WC	E-G Reman Crankshaft
SC-EGK-2	E-G Engine Gasket Kit
SC-EGK-2U	E-G Engine Gasket Kit (Upper)
SC-EGK-2L	E-G Engine Gasket Kit (Lower)
SC-EMG-WC	E-G Exhaust Manifold Gasket
SC-IMG-WC	E-G Intake Manifold Gasket
SC-FP-2	E-G Fuel Pump
SC-FW-WC	E-G Flywheel
SC-GOV-TR	E-G Governor Throttle Rod
SC-GOV-WC	E-G Governor
SC-HG	E-G Head Gasket
SC-MBS-2	E-G Main Bearing Set
SC-OC-1	E-G Oil Cap
SC-OIL-2	E-G Oil Pump
SC-OP	E-G Oil Pan
SC-OPG	E-G Oil Pan Gasket
SC-OPS-2	E-H Oil Pressure Sender
SC-PIST	E-G Piston
SC-RING-2	E-G Piston Ring Set
SC-RBS-WC	E-G Rod Bearing Set
SC-RAD	E-G Radiator
SC-RHU	E-G Radiator Hose, Upper Pump
SC-RHL	E-G Radiator Hose, Lower Pump
SC-TB	E-G Timing Belt
SC-TB-CG	E-G Timing Belt Cam Gear
SC-TB-IP	E-G Timing Belt, Idler Pulley
SC-TH	E-G Thermostat
SC-WP	E-G Water Pump
SC-WPH-WC	E-G Water Pump Housing

Air-Cooled Parts

Part #	Description
SC-AN	A-D Sump Plate Acorn Nut
SC-CL	A-D Oil Cooler, With Gaskets
SC-CLG	A-D Gasket Set (Oil Cooler)
SC-DS	A-D Dip Stick
SC-EGK	A-D Eng. Gask. Kit W/Rear Seal
SC-EJP-L	A-D Exhaust Pipe, J(Left)
SC-EJP-R	A-D Exhaust Pipe, J(Right)
SC-EXS	A-D Exhaust Stud
SC-FP	A-D Fuel Pump
SC-FW	A-D Fly Wheel
SC-GC	A-B Gas Cap
SC-GN	A-D Gl And Nut For Flywheel
SC-GOV	C-D Governor, Belt Driven
SC-GOV-B	C-D Governor Bracket
SC-GOV-LE	C-D Governor Linkage Ends
SC-IM	A-D Intake Manifold
SC-LB	A-D 1600 Cc Long Blk, Rebuilt
SC-LB-CC	A-D Core Charge, Long Block
SC-MFF	A-D Muffler W/ Installation Kit
SC-MIK	A-D Muffler Installation Kit
SC-MM	A-D Motor Mount
SC-OC	A-D Oil Cap
SC-OFS	A-D Oil Filler Spout
SC-OPS	A-D Oil Pressure Sender
SC-PF	A-D Oil Pump Flange
SC-PRT-NA	A-D Push Rod Tube—Non-Adj
SC-PRTG	A-D Push Rod Tube Gasket
SC-RS	A-D Rear Seal, Engine
SC-SG	A-D Sump Gasket
SC-SPL	A-D Sump Plate W/ Drain Plug
SC-SSC	A-D Sump Screen
SC-STB	A-D Stud Bolt (Sump Plate)
SC-VCG	A-D Valve Cover Gasket

MODEL KEY

- A: 103
- B: 104
- C: 115
- D: 116
- E: 215
- F: 220
- G: 230
- H: 210
- I: 3440/3640

Brake Parts Air & Water Cooled

Part #	Description
SC-BOR	C-G,I caliper piston O-ring
SC-BOR-2	C-G caliper small O-ring piston
SC-BP	C-G brake puck (1)
SC-BP-2	I brake puck (1)
SC-BPS	C-G brake puck screw
SC-BP-SP	A-G spacer
SC-BS	A-B brake shoes, rear (set of 4)
SC-CP	C-G brake piston, 7/8" (length)
SC-CP-1	C-G brake piston, 1-1/6" (length)
SC-CP-2	I brake piston
SC-MC	A-B master brake cylinder
SC-MC-2	C-H master cylinder
SC-WC-L	A-B wheel cylinder, L
SC-WC-R	A-B wheel cylinder, R

Carburetor Parts Air & Water Cooled

Part #	Description
SC-CARB	A-B carburetor
SC-CARB-115	C-D carburetor
SC-CBF	A-D carburetor float, (rectangular)
SC-CBFR	C-D carburetor float, (round)
SC-CG	A-D carburetor gasket
SC-CHE	A-D choke element
SC-CJ	A-D carburetor main jet
SC-CK	A-D carburetor kit
SC-CKM	C-D carb. kit, manual choke
SC-ICO	A-D idle cut-off
SC-CK-WC	E-G Carb Kit

Filters Air & Water Cooled

Part #	Description
SC-AF-1	C-H air filter, canister style
SC-FF	A-D fuel filter
SC-FF-RBK-WC	E-G fuel filter with reservoir bracket
SC-OF	E-G oil filter

Electrical Parts Air & Water Cooled

Part #	Description
SC-AK	A-D alternator kit
SC-ALT	A-D alternator only
SC-ALT-1	E-G alternator, water cooled
SC-ALT-PULLEY	A-D alternator pulley
SC-ALT-STAND	C-D alternator stand
SC-BR	A-D generator brush set
SC-COIL	A-D coil
SC-COIL-2	E-G coil for Ser# 2205274 & down
SC-COIL-3	E-G coil for Ser# 2205275 & up
SC-COND	A-B condensor
SC-COND-2	C-D condensor
SC-COND-6V	A condensor
SC-DC	E-H distrib. cap w/o elec. ign.
SC-DC1	A-D distributor cap
SC-DC6	A distributor cap, 6 v

SC-DCE	E-H dist. cap w/electronic ign.
SC-DCL	A-D distributor clamp
SC-DIST	A-D distributor
SC-DIST-WC	E-G distributor
SC-DIST-WC-CC	E-G core charge
SC-DSU	E-G dist. sending unit
SC-GB	A-D generator bearing
SC-GEN	A-D generator, 12 v
SC-GP	A-D generator pulley, split
SC-ICM-WC	E-G ignition control module
SC-IGN	A-H ignition switch
SC-PS	A-B point set
SC-PS-2	C-D point set
SC-REG	A-D regulator
SC-ROT	A-D rotor
SC-ROT-2	E-G rotor
SC-SB	A-D starter bush., bell housing
SC-SB-2	E-G starter bushing
SC-SDB	A-D starter drive bendix
SC-SDB-1	E-G starter drive bendix
SC-SOL-1	A-D starter solenoid
SC-SOL-2	E-G starter solenoid
SC-SP	A-D spark plug
SC-SP-2	E-G spark plug
SC-ST	A-D starter, 12 v
SC-ST-WC	E-G starter
SC-ST6	A starter, 6 volt
SC-WIRE	A-D spark plug wire set
SC-WIRE-WC	E-G spark plug wire set

Transmission & Clutch Parts

Air & Water Cooled

Part #	Description
SC-BELL	A-D bell housing
SC-BELL-G	A-D gasket, bell housing
SC-CD	A-D clutch disc
SC-CD-WC	E-G clutch disc
SC-CVB	A-H CV boot
SC-CVJ	A-H CV joint
SC-GSB	A-H gear shift bracket
SC-PB	E-G pilot bearing
SC-PRP	A-D pressure plate
SC-PRP-WC	E-G pressure plate
SC-SC	A-H shifter coupler
SC-SRB	A-G shift rod bushing
SC-TM	C-D transmission mount
SC-TM-2	E-H transmission mount
SC-RB	C-D rubber bush. trans. carrier
SC-TOB	A-H throwout bearing
SC-TOB-GS	A-H guide sleeve (throwout bearing)
SC-TOBS	A-D shaft, throwout bearing
SC-TRAN-CC	A-D core charge, trans.
SC-TRAN-SK	E-G transmission seal kit
SC-TRAN-P	A-D transmission plug
SC-TRAN-S	A-D transmission O-ring seal
SC-TRAN-GSL	A-D gear shift lever

NH3 RUNNING GEARS

DALTON WNDT-GN SERIES NH3 RUNNING GEARS: DUAL 1000 OR 1450 GAL TANKS



STANDARD FEATURES

- Single Axle 8" X 4" Frame
- Tank mounting bracket made of reinforced heavy channel
- Tread Plate Steps
- Helper Lift
- 8-Bolt Hubs & Spindles
- 24-month limited warranty
- Track Width Front = 60"
- Track Width Rear Single Axle = 102"



OPTIONAL FEATURES

- 2-Wheel or 4-Wheel Brakes
- 120" Rear Track
- Lights
- Hose Holder
- Extendable Tongue
- Choose the Tire Type That Best Fits Your Application



CALL FOR PRICING & OPTIONS

10 CU. POLY CONVERTIBLE CART

- *Weight Capacity: 700 lbs.*
- *Bed Design: One Piece*
- *Molded-In Features Let You Add Bed Dividers & Side Extensions*
- *Attached Tool Caddy To Hold Short & Long Handle Tools*
- *16" Stud Tread Tire With Metal Hub*
- *Fully Assembled Welded Pedestal & Under Carriage Frame*

<u>Model #</u>	<u>Code #</u>	<u>Bed Size</u>	<u>Wt</u>
TC-10-P	5301461	10 Cu.	78



10 CU. STEEL TRAILER CART

- *Weight Capacity: 850 lbs.*
- *Bed Dimensions: 42" L x 31" W x 13" H*
- *Bed Design: One Piece/Flared Sides*
- *Gauge Of Steel: 18 Gauge Body/18 Gauge Tailgate*
- *Tires: 16" x 4.8" - 8"; Axle: 3/4" Solid Steel*
- *Removable Tailgate With Slotted Base For Support*
- *Easy Dump Release*

<u>Model #</u>	<u>Code #</u>	<u>Bed Size</u>	<u>Wt</u>
TC-10-18	5301546	10 Cu.	121



17 CU. STEEL TRAILER CART

- *Weight Capacity: 1,700 lbs.*
- *Bed Dimensions: 59" L x 37" W x 16" H*
- *Bed Design: One Piece*
- *16 Gauge Body; 16 Gauge Tailgate*
- *Tires: 16" x 6.5" - 8"; Axle: 3/4" Solid Steel*
- *Removable Tailgate With Slotted Base For Support*
- *Easy Dump Release*

<u>Model #</u>	<u>Code #</u>	<u>Bed Size</u>	<u>Wt</u>
TC-17	5301397	17 Cu.	179



4 WHEEL STEERABLE 17 CU. STEEL TRAILER CART

- *Weight Capacity: 2,000 lbs.*
- *Bed Dimensions: 59" L x 37" W x 16" H*
- *Bed Design: One Piece; 16 Gauge Body; 16 Gauge Tailgate*
- *Tires: 16" x 6.5" - 8"; Axle: 3/4" Solid Steel*
- *4 Wheel Steerable Axle Cart*
- *Removable Tailgate With Slotted Base For Support*
- *Steerable Front Wheels Makes Moving Around The Yard Easy.*

<u>Model #</u>	<u>Code #</u>	<u>Bed Size</u>	<u>Wt</u>
TC-17-4	5301398	17 Cu.	262



DRY MATERIAL SPREADERS

ATV DRY MATERIAL SPREADER

- 2.2 Cubic Foot Poly Hopper
- 12 Volt Motor With Variable Speed Control (VSC-10) and On/Off Switch
- Stainless Steel Radial 6-Blade Fan
- Holds Up To 145 Lbs. Potash or 99 Lbs Urea
- **Approved For The Following Materials:**
Fertilizer, Seed, Bait, Granular: Insecticides, Fungicides, Herbicides, Pellets, Ice Melting Pellets



5' - 45'
VARIABLE
SPREAD WIDTH

Model #	Code #	Description
SCH-DMS-12V	5301910	ATV Dry Material Spreader (Includes VSC-10)
VSC-10	5275918	Variable Speed Control

VSC-10 can be purchased separately & works on all 12 volt High-Flo pumps



Use this dry material spreader for seed, dry granular fertilizers, pesticides and ice melting materials. Variable speed 12 volt motor lets you vary the spread width from 5 to 45 feet. Cover sidewalks to parking lots with ice melt or cover odd shaped pieces of lawn with fertilizer. Mounting brackets available to fit ATV's and pickup receiver hitches.

3 POINT HITCH DRY MATERIAL SPREADER

- 4.5 Cubic Foot Poly Hopper
- 12 Volt Motor With Variable Speed Control (VSC-10) and On/Off Switch
- Stainless Steel Radial 6-Blade Fan
- Holds Up To 220 Lbs. Potash or 200 Lbs Urea
- **Approved For The Following Materials:**
Fertilizer, Seed, Bait, Granular: Insecticides, Fungicides, Herbicides, Pellets, Ice Melting Pellets



Model #	Code #	Description
DMS-3PT-12V-4.5 *	5302134	3 Point Hitch Dry Material Spreader (Includes VSC-10)
VSC-10	5275918	Variable Speed Control

* Designate Color: -BLU (Blue); -BLK (Black)

DRY MATERIAL SPREADERS

MOUNTED ON AN ATV



MOUNTED ON A PICKUP



By using the optional receiver hitch mount, the ATV-DMS-12V can easily be attached to a pickup to make de-icing a simple task! And with the dust cover on top, your de-icing material won't get wet or fly out of the hopper.

OPTIONAL DRY MATERIAL ACCESSORIES



Rain Cover
5058193



1-1/4" Hitch
5281575



2" Hitch
5281574

Code #	Description	Carton Size	Shipping Class	UPS Able	UPC Code
5281575	1-1/4" Receiver Hitch	25 x 13 x 3	85	20#	733029120526
5281574	2" Receiver Hitch	25 x 13 x 3	85	20#	733029120519
5058193	Rain Cover			1#	733029104014
7771916	3 Pack Rain Cover	25 x 13 x 3		2#	733029107442

APPLICATORS & SPRAYERS

DRY MATERIAL HANDLING

TRAILERS

TANKS & ACCESSORIES

PUMPS

VALVES & FITTINGS

STRAINERS & HOSE

PLANTER EQUIPMENT

SPRAYER CONTROLS & GUIDANCE

NOZZLES, TIPS & SPRAY GUNS

NH3 PRODUCTS

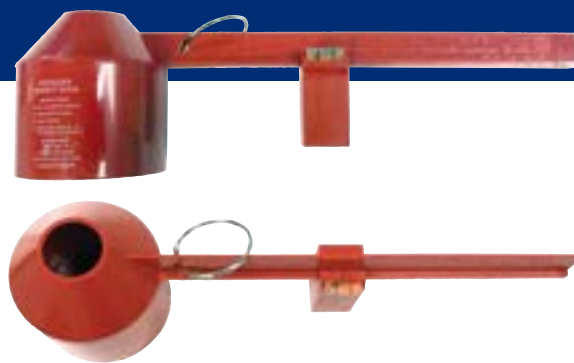
TECHNICAL INFORMATION

INDEX

DRY FERTILIZER EQUIPMENT

FERTILIZER DENSITY SCALE

The FERTILIZER DENSITY SCALE accurately measures the density of various fertilizer blends by both, pounds per cubic foot and kilograms per cubic meter. Fertilizer Density measurement is extremely important in determining accurate settings of custom application equipment.



Part #	Description
FDS	Fertilizer Density Scale

SPREADIT SERIES - FERTILIZER & LIME



- 4, 5, 6 or 8 ton models
- 304 stainless hull, dishes, blades, conveyor - 16" - 24"
- Special sprockets for low rate
- Spinner motors - double bearing, triple seat, greaseable

- Powder coat - tube frame trailer
- Bolt on trailer
- Full support of trailer
- Ground drive, drive wheel, or controller
- Superior spread pattern
- Quality designed hydraulics

NC SERIES - FERTILIZER



- 2, 3, 5, 6 or 8 ton models
- 304 stainless hull, dishes, blades, conveyor - 7"
- Reduce time in field with 50 foot swath

- Lock-in lever using Sprocket Drive
- Powder coat - tube frame trailer
- PTO drive

DRY FERTILIZER EQUIPMENT



8-TON DOUBLE AXLE FERTILIZER SPREADER



- 44 inch Frame Clearance
- Consistent Spread Pattern
- 40' to 90' Spread Pattern Available
- Wider Leaf Springs
- Obstruction Free Interior
- Mechanical Apron Drive
- 19L-16.1 Floatation Tires
- Simple Single-Bearing Design
- Split Sprocket
- Adjustable Hitch
- Integral Lights

Model #	Description
FS800	8-Ton Fertilizer Spreader

8-TON ROW CROP FERTILIZER SPREADER



- 44 inch Frame Clearance
- Consistent Spread Pattern
- 40' to 90' Spread Pattern Available
- Adjustable Tread Width
- Obstruction Free Interior
- Mechanical Apron Drive
- Simple Bearing Design
- Split Sprocket
- Adjustable Hitch
- Integral Lights

Model #	Description
RC800	8-Ton Row Crop Fertilizer Spreader

12-TON FERTILIZER SPREADER



- 41 inch Frame Clearance
- 40' to 90' Dual Spread Pattern
- Dual Stainless Steel Spinners
- All Hydraulic Drive
- Variable Rate Ready
- Dual Conveyor Chains
- Single Section Spread - Two Section Opt.
- Adjustable Row Spacing - 80" to 120"
- Adjustable Hitch Height
- Chassis Mounted Lights

Model #	Description
FS1210	12-Ton Fertilizer Spreader
FL1210	12-Ton Lime Spreader

ORCHARD SPREADER



- 60" Wheel Track
- 11L-15 Implement Tires
- 25' Spread Width
- 1.7 Ton
- Ground Drive Apron (Hydraulic Drive Option-VRR)
- 540 PTO Driven Spinner (Hydraulic Spinner Option-HSD)

Model #	Description
OS170	1.7 Ton Orchard Spreader

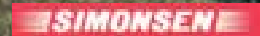
CALL FOR PRICING & OPTIONS

- APPLICATORS & SPRAYERS
- DRY MATERIAL HANDLING
- TRAILERS
- TANKS & ACCESSORIES
- PUMPS
- VALVES & FITTINGS
- STRAINERS & HOSE
- PLANTER EQUIPMENT
- SPRAYER CONTROLS & GUIDANCE
- NOZZLES, TIPS & SPRAY GUNS
- NH3 PRODUCTS
- TECHNICAL INFORMATION
- INDEX

DRY FERTILIZER EQUIPMENT

SMC PULL SPREADERS

5, 6 or 8-Ton



- Stainless steel used in critical corrosion areas
- 7" wide conveyor apron
- 50' spread width
- Floating tandem suspension
- 540 RPM PTO drive
- Apply 85 to 640 lbs. per acre
- Single distributor fan
- Rope trip controls on wheel drive
- Gearbox fan drive
- Chain and sprocket drive
- Dual range sprockets
- Fewer moving parts
- Simonsen quality.

SMC 1752 High Clearance Model Also Available

SMC TENDERS

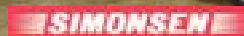
10 or 16-Ton



Let us show you how well a tender can be built. Rugged all-steel, all-welded construction means these tenders can be worked hard, every day for many years. Standard equipment includes stainless steel in critical corrosion areas for extended life. Steep side slope for better cleanout - 40° on the sides, 35° on the ends. The fertilizer will slide out quickly and easily.

BFT 304SS TENDERS - SIDE & TOP DISCHARGE

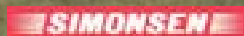
17, 20, 26 or 29-Ton



BFT 304SS top discharge tenders are available in either truck or trailer mount in sizes of 17 ton, 20 ton, 26 ton, and 29 ton. Compartment numbers are from 2 up to 5 with splits available. The top discharge BFT utilizes a 10" floor auger tube, 13" vertical auger tube, and a 10" delivery auger tube. Delivery auger tube length is 20' as a standard.

BFT TENDERS - SIDE & TOP DISCHARGE

17, 20, 26 or 29-Ton



- BFT Tenders available in 17,20, 26 or 29-ton capacity with 2,3,4, or 5 compartments with splits available. Unloading capacity of up to 4,000 lbs. per minute.
- Individual 14" x 18" slide gates let you unload any compartment. 40° side slope on all compartments provide fast unloading.
- All hydraulic controls are in front for easy access.
- Heavy-duty delivery auger folding mechanism is hydraulically operated for efficiency and ease of operation.
- Clean-out door on delivery auger.

CALL FOR PRICING

AGRI-COVER ROLL TARP SYSTEMS

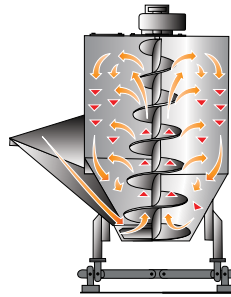
Delivering reliability with every roll since 1981, AGRI-COVER® Roll Tarp Systems are fine tuned for the uncompromising weather and diverse production of North America. Ag Spray Equipment is an authorized Agri-Cover Dealer offering the SRT-2 Spool Roll Tarp, EZ-LOC® Roll Tarp, EZ-LOC® HD Roll Tarp and all other tarping systems from Agri-Cover. Innovation, premium materials and long-lasting performance ensures superior protection with every load.



FERTILIZER BLENDING SYSTEMS - VERTICAL HOPPER

Vertical Screw Blender

- Blender vessel, inload hopper, motor mount, belt guard, support legs and gate manufactured from 304 stainless steel.
- Only one externally mounted bearing.
- Cam-action slide gate is available in manual, air, electric or hydraulic.
- Precision mix every time from a blender in 5, 6, 8, 10 and 12 ton models*.



OutLoad Conveyor

- 304 stainless steel.
- 16" and 24" wide.
- Standard lengths available up to 43' long.
- Discharges up to 4 tons per minute.
- Enclosed take-up tubes.
- Stainless steel Quick-Tach hopper.
- Stainless steel weather covers.
- Low HP requirement.
- Designed for use with Vertical Screw Blender.

BUCKET ELEVATORS

Designed For Fertilizer & Granular Free-Flowing Products

- Completely enclosed, single-leg construction.
- Horizontal and vertical seams are continuously welded
- Heavy gauge stainless steel.
- Boot is equipped with clean-out slides and removable bottom pan.
- Linear polyethylene buckets and PVC belting are standard.
- Other Speed King features include stainless steel take-up bolts and nuts, dust seals and shields for all shafts, silicone rubber sealant at flange joints, stainless steel belt splice, sealed greasable ball bearings throughout.
- Our heavy-duty bucket elevators move up to 120 tons an hour to discharge heights of 7 to 70 feet. (Higher available.)



RAPAT SERIES CU CONVEYOR

The Series CU (Car Unloader) Conveyor is the answer for unloading bulk materials such as beans, grains, and fertilizer from controlled-opening hopper-bottomed railcars and trailers.

- 90 tons of material per hour on 24" wide belt
- 8' horizontal section
- 5', 6', or 8' adjustable incline section
- Electric or hydraulic powered



SEED TENDERS

BULK SEED TENDERS AVAILABLE IN 110, 220, 330 SIZES



220 Seed Tender



110 Seed Tender



Rugged Spring Loaded Hinge



PTO Driven Auger



Lid That
Opens
From The
Ground

110 BULK SEED TRAILER

- Poly Cup Flighting
- 5.5 HP Honda Engine
- Electronic variable Speed Throttle Control
- Single Compartment
- Direct Drive (no belts)
- Ground Folding Auger (Spring Loaded Hinge)
- 3 Stage Telescoping Spout
- Delivers Up to 7 bushels per minute
- Easy Opening Ground Controlled Lid
- Spring Loaded Hinge
- Holds 100 Units of Seed
- Sight Glass

220 BULK SEED TRAILER

- Poly Cup Flighting
- 5.5 HP Honda Engine
- Wireless Variable Speed Throttle Control
- 2 - 100 Unit Compartments
- 2 Shut Off Gates
- Sight Glasses
- Clean Out Door
- Clutch System
- Direct Drive (no belts)
- Ground Controlled Lid
- Ground Folding Auger (Spring Loaded Hinge)
- 3 Stage Telescoping Spout
- Delivers Up to 7 bushels per minute

330 BULK SEED TRAILER

- 7" folding auger
- Poly Cup Flighting
- 8 HP Honda Engine
- Electronic variable Speed Throttle Control
- 2 - 150 Unit Compartments
- Sight Glasses
- Direct Drive (no belts)
- Ground Controlled Lid
- Ground Folding Auger (Spring Loaded Hinge)
- 3 Stage 8" Telescoping Spout
- Delivers Up to 20 bushels per minute

Part #	Description	
MM110/BULKG	110 Bulk Seed Tender - Green	CALL FOR PRICING
MM110/BULKR	110 Bulk Seed Tender - Red	CALL FOR PRICING
MM220/BULKG	220 Bulk Seed Tender - Green	CALL FOR PRICING
MM220/BULKR	220 Bulk Seed Tender - Red	CALL FOR PRICING
MM330/BULKG	330 Bulk Seed Tender - Green	CALL FOR PRICING
MM330/BULKR	330 Bulk Seed Tender - Red	CALL FOR PRICING

SEED TENDERS

APPLICATORS & SPRAYERS

DRY MATERIAL HANDLING

TRAILERS

TANKS & ACCESSORIES

PUMPS

VALVES & FITTINGS

STRAINERS & HOSE

PLANTER EQUIPMENT

SPRAYER CONTROLS & GUIDANCE

NOZZLES, TIPS & SPRAY GUNS

NH3 PRODUCTS

TECHNICAL INFORMATION

INDEX

PATRIOT™



2 BOX SEED TENDER



Auger Cleanout



PTO Driven Auger



Integrated Lights & Electric Brakes

STANDARD FEATURES

- Poly Cup Flighting
- 5.5 HP Honda Engine
- Electronic variable Speed Throttle Control
- 2 Enclosed Chutes
- Direct Drive (no belts)
- Ground Folding Auger (Spring Loaded Hinge)
- 3 Stage Telescoping Spout
- Delivers Up to 7 bushels per minute
- Easy Latch box lockdowns
- Spring Loaded Hinge
- Holds 2 Pro Boxes



Wireless Removable Keyfob

Part #	Description	
MM100/2BOXG	100 2 Box Seed Tender - Green	CALL FOR PRICING
MM100/2BOXR	100 2 Box Seed Tender - Red	CALL FOR PRICING
4 BOX SEED TENDERS AVAILABLE		
MM200/4BOXG	200 4 Box Seed Tender - Green	CALL FOR PRICING
MM200/4BOXR	200 4 Box Seed Tender - Red	CALL FOR PRICING

LIQUID NURSE TRAILERS

525 LIQUID NURSE TRAILER



CALL FOR PRICING

- 5 year frame warranty
- 3 or 5 year nonprorated warranty Norwesco leg tank
- Extra heavy duty 5" channel iron frame
- Back of the frame is extended 2" to act as a bumper
- 2" x 6" rectangular tubing cross-member tank supports
- Extra heavy duty high speed cambered axles
- 8000 lb. slipper spring suspension
- Pump mounting inside tongue
- Heavy duty jack that folds up inside the frame
- Adjustable clevis
- 15,000 lb. safety chains
- Step platforms
- 11L x 15 8 ply tires
- 15 x 10 wheels
- Powder coat paint

1010 DRAINABLE LIQUID NURSE TRAILER



CALL FOR PRICING

- 5 year frame warranty
- 3 or 5 year nonprorated warranty Norwesco drainable tank
- Extra heavy duty 6" channel iron frame
- Back of the frame is extended 2" to act as a bumper
- Heavy duty cross member tank supports
- Extra heavy duty high speed cambered axles
- 8,000 lb. slipper spring suspension per axle w/ easy lube hubs
- Pump mounting inside frame for greater pump protection
- Heavy duty jack that folds up inside the frame
- Adjustable clevis
- 15,000 lb. safety chains
- Step platforms
- 11L -15 Ag tires
- 15 x 10 wheels
- Powder coat paint

LIQUID NURSE TRAILERS

1025 LIQUID NURSE TRAILER



CALL FOR PRICING

- 5 year frame warranty
- 3 or 5 year nonprorated warranty Norwesco leg tank
- Extra heavy duty 6" channel iron frame
- Extended double plated tongue
- Back of the frame is extended 2" to act as a bumper
- 3" x 6" rectangular tubing cross-member tank supports
- Extra heavy duty high speed cambered axles
- 8000 lb. slipper spring suspension per axle w/ easy lube hubs
- Pump mounting inside tongue for greater protection
- Heavy duty jack that folds up inside the frame
- Adjustable clevis
- 15,000 lb. safety chains
- Step platforms
- 11L x 15 8 ply tires
- 15 x 10 wheels
- Powder coat paint

1315 DRAINABLE LIQUID NURSE TRAILER



CALL FOR PRICING

- 1315 gallon drainable tank
- 5 year frame warranty
- 3 or 5 year nonprorated warranty Norwesco leg tank
- Extra heavy duty 6 " channel iron frame
- Heavy duty cross member tank supports
- 16,000 lb. suspension with slipper springs
- Adjustable clevis hitch
- 15,000 lb. safety chains
- 2,000 lb. heavy duty tongue jack
- 12.5L x 15 - 10 ply floatation tires
- Powder coat paint

APPLICATORS
& SPRAYERS

DRY MATERIAL
HANDLING

TRAILERS

TANKS &
ACCESSORIES

PUMPS

VALVES &
FITTINGS

STRAINERS
& HOSE

PLANTER
EQUIPMENT

SPRAYER
CONTROLS &
GUIDANCE

NOZZLES, TIPS
& SPRAY GUNS

NH3
PRODUCTS

TECHNICAL
INFORMATION

INDEX

CONE BOTTOM NURSE TRAILERS

1020-1320 GALLON PORTABLE NURSE TRAILER



CALL FOR PRICING

- 1020 & 1320 Gallon Tanks Available
- 2000 Lb Heavy Duty Jack
- 1020 = 6,000 Lb/Axle Slipper Spring Suspension
- 1320 = 8,000 Lb/Axle Slipper Spring Suspension
- Pump Mounting Inside Frame For Greater Protection
- Adjustable Hitch Clevis
- Powder Coat Paint
- 3 or 5 Year Nonprorated Warranty Tank

1100 GALLON BALL TRAILER



CALL FOR PRICING

- 3 or 5 year nonprorated warranty Norwesco sphere tank
- Extra heavy duty 6" channel iron frame
- Extended double plated tongue
- Heavy duty cross members & vertical tank supports
- Extra heavy duty high speed cambered axles
- 7,000 lb. or 8,000 lb. surge brake axles available
- Front and rear pump plates
- 7.50 x 16 high speed tires
- Hosehooks
- Fender
- Lights
- Powder coat paint

1610 DRAINABLE LIQUID NURSE TRAILER



CALL FOR PRICING

- 5 year frame warranty
- 3 or 5 year nonprorated warranty Norwesco drainable tank
- Extra heavy duty 7" channel iron frame
- Heavy duty cross member tank supports
- Extended double plated tongue
- 22,000 lb. suspension with slipper springs
- Adjustable clevis hitch
- 25,000 lb. safety chains
- 10,000 lb. top wind drop leg jack
- 11 x 22.5 tires
- Powder coat paint

EXTENDED NURSE TRAILER



CALL FOR PRICING

- Specialty nurse trailer with 5' frame extension, 4' platform, 12" rail (removable on drivers side)
- All specialty nurse trailers can be built specifically for your application
- 1010, 1315, & 1610 gallon models available
- Standard 10,000 lb jack for 1610
- Optional 7000 lb jack for 1010 & 1315

LIQUID NURSE TRAILERS

NW1000EGCIH-D NURSE WAGON

COMPLETE UNITS:

- **NW1000EGCIH-D**
1000 Gallon Black Elliptical Tank, 5.5 HP Honda Banjo Pump, Deluxe 35 Gallon Mix & Fill Unit, Chemical Rack, 7,000# Torflex Axles
- **NW1635EGCIH-D**
1635 Gallon Black Elliptical Leg Tank, 5.5 HP Honda Banjo Pump, Deluxe 35 Gallon Mix & Fill Unit, Chemical Rack, 10,000# Torflex Axles, 10,000# Jack, 8-Bolt Hubs, 12.5L x 16 IMP Tires

CUSTOM UNITS:

- **NW1000E**
1000 Gallon Black Elliptical Tank & Trailer With 7,000# Torflex Axles
- **NW1635ELG**
1635 Gallon White Elliptical Leg Tank & Trailer With 10,000# Torflex Axles

CUSTOM OPTIONS:

- **Mix & Fill Units**
 - 15 Gallon Economy Mix & Fill Stand
 - 35 Gallon Economy Mix & Fill Stand
 - 35 Gallon Deluxe Mix & Fill Stand
- **Pump Kits**
 - 6.5 HP B&S With 2" Banjo Pump With Hose Kit
 - 5.5 HP Honda With 2" Banjo Pump With Hose Kit
 - Injection Pumps
- **Other Options**
 - 2" Quick Fill Plumbing
 - Electric Brakes
 - Black Tank With Sight Gauge



* Available in blue or black frame

NW1635EGCIH NURSE WAGON



* Available in blue or black frame

ALL TRAILERS INCLUDE:

- Safety Chains
- Powder Coat Paint
- Adjustable Clevis Hitch
- Hose Hanger
- 5 Year Frame Warranty
- Heavy Duty Cross Member Tank Supports

CALL FOR PRICING

DOT NURSE TRAILERS

APPLICATORS
& SPRAYERS

DRY MATERIAL
HANDLING

TRAILERS

TANKS &
ACCESSORIES

PUMPS

VALVES &
FITTINGS

STRAINERS
& HOSE

PLANTER
EQUIPMENT

SPRAYER
CONTROLS &
GUIDANCE

NOZZLES, TIPS
& SPRAY GUNS

NH3
PRODUCTS

TECHNICAL
INFORMATION

INDEX

DOT NURSE TRAILER UNITS:

- Meets or Exceeds All Federal DOT Standards
- Available in 525, 1010, 1020, 1025, 1315, 1320, & 1610 Standard and Extended Frame
- Electric Brakes
- Lights
- Fenders
- Adjustable Height Ball Coupler
- Highway Tires
- 5 Year Frame Warranty
- Step Platforms
- Powder Coat Paint

DOT NURSE TRAILER OPTIONS:

- 3 Or 5 Year Non-prorated Warranty
- Norwesco Leg Tank
- Black Tank
- Plumbing Packages: 2" & 3"
- Chemical Inductor Systems
- Bottom Load Plumbing
- Recirculation Plumbing
- Dust Control Nozzle



525 DOT LIQUID NURSE TRAILER



1020 & 1320 DOT LIQUID NURSE TRAILER



1610 DOT LIQUID NURSE TRAILER



1010 EXTENDED DOT LIQUID NURSE TRAILER



1315 EXTENDED DOT LIQUID NURSE TRAILER



CALL FOR PRICING

CONE BOTTOM NURSE TRAILERS

GN2016TD (1610 OR 2010 GALLON GOOSENECK TRAILER)



CALL FOR PRICING

- 1610 Gallon Drainable Tank
- 2010 Gallon Size Also Available (Water Only)
- Dual Tandem: 2 - 12,000 lb Axles
- 8' Deck
- D.O.T. Ready

1020-3000 GALLON STATIONARY CONE TRAILER



CALL FOR PRICING

- 1020, 1320, 1720, 2500 & 3000 Tanks available
- 100% Drainable Tank
- Powdercoat Paint
- 2000 lb Heavy Duty Jack
- Hydraulic system to raise and lower trailer
- 9.5L - 15 Tires; 6-Bolt
- Pump mounting inside frame for greater protection
- Adjustable hitch clevis, DOT approved safety chains
- Quick and easy location placement

CONE BOTTOM NURSE TRAILERS

DOUBLE CONE BOTTOM TRAILER



CALL FOR PRICING

- 2 - 2500 or 3000 Cone Bottom Tanks For Complete Drainage
- Hydraulic System To Raise And Lower The Trailer
- Quick And Easy Location Placement
- New Tires And Wheels, 6 Bolt
- Hydraulic Hand Pump Located By Axle For Easy Access
- Axle Lock Pin Located On Top Of The Trailer Frame
- Adjustable Clevis Hitch with Safety Chains
- Hydraulic Cylinder Compressed In Transport To Eliminate Scarring Of The Cylinder Shaft
- 3" Schedule 80 Pipe Axle, 2 1/2" Spindles
- Axle Removable From Trailer
- Single 2000 Lb. 15" Bulldog Jack On The Trailer Tongue
- 5000 or 6000 Gallon Capacity
- Powder Coat Paint



ACCESSORIES

Part #	Description	Cost
5274288	Hand Pump	CALL FOR PRICING
HP121-K	Hand Pump Seal Kit	CALL FOR PRICING
5274298-BLU	Tie Down Rod	CALL FOR PRICING
5281963	Valve Handle Extension Kit	CALL FOR PRICING

ALSO AVAILABLE:
PORTABLE TRIPLE CONE BOTTOM TRAILERS

APPLICATORS
& SPRAYERS

DRY MATERIAL
HANDLING

TRAILERS

TANKS &
ACCESSORIES

PUMPS

VALVES &
FITTINGS

STRAINERS
& HOSE

PLANTER
EQUIPMENT

SPRAYER
CONTROLS &
GUIDANCE

NOZZLES, TIPS
& SPRAY GUNS

NH3
PRODUCTS

TECHNICAL
INFORMATION

INDEX

TRAILERS

DUAL TANK CHASSIS TRAILER



(Unit Shown - 48' trailer, dual 3210 tanks, PR-375 hose reel, AS-300 pump, dual 60 inductors, 100 rinse system)

CALL FOR PRICING

- Standard lengths of 40', 42' or 48' (custom lengths available)
- 40' has a 13' 10" X 102" wide working deck
- 42' has a 15' 10" X 102" wide working deck
- 48' has a 21' X 102" wide working deck
- Tandem axle configurations in spring or air-ride
- New 25,000# rated axles (16 1/2" x 7" brake)
- Hutchens spring suspension with heavy duty springs
- 1 1/8" apitong floor (on working deck)
- PPG epoxy primer and black polyurethane paint
- Grote sealed wiring system with rubber mounted LED lights
- Jost 2-speed H.D. landing legs
- Aluminum front fenders and poly rear fenders

OPTIONAL FEATURES

- Spread axle or tri-axle available
- Ridewell air ride optional with suspension
- 2,610 or 3,210 gal. Norwesco 100% drainable tank with sight tube
- Ladders for tank access
- Plumbing to meet your application needs
 - Inductor Tanks
 - Hose Reels
 - Rinse Systems
 - Wet Seal Pumps

SPRAYER DROPDECK TRAILER



CALL FOR PRICING

STANDARD FEATURES

- Rear 23' of trailer equipped with 12' wide pullout
- 96" or 102" wide decks under sprayer
- Choice 10', 11', 12', 13' or 14' top decks
- 1 1/8" Apitong Flooring
- Sealed wiring system – all required LED lights and reflectors
- Tank skid neck for 100% drainable tank

OPTIONAL FEATURES

- 2610 or 3210 drainable tank
- Air-ride suspension – closed tandem, tri-axle or 10' 1" spread
- Electric and manual dump valves
- 10'1" spread on spring suspension (with equalizing rod)
- 12 1/4" x 7 1/2" brake axles with 17.5" tubeless radial tires
- Aluminum wheels
- 18", 24", 34" and 42" kingpin settings
- 12" and 14" centers on cross member spacing
- Spring assist ramps
- Center ramp on beavertail
- 2 ramps on top deck with storage compartment
- Pipe spools between stake pockets
- Slide out extensions – 12", 18" or 24"
- Bulkheads – fixed or removable
- Steel or aluminum tool boxes
- Sloped drop on necks
- Beavertail and ramps may be deleted
- Custom paint colors available
- Additional side marker lights
- LED strobe lights
- Fixed or slide winches
- Double drops available
- Plumbing options

HIGH CAPACITY CART

PATHFINDER AVAILABLE IN 1000, 1600 OR 2000 GALLONS



**TOTALLY
DRAINABLE
TRAILER**



**Crossover Tube Assembly Shown
In Articulation Mode**



**Snap Pin Used When Switching
Between Transport & Articulation Mode**



UHMW Wear Plate On Rear Axle

- Eliminate the need for saddle tanks
- Telescoping tongue speeds hook-up with 1 1/8" draw bar pin
- Less filling means you can cover more acres per day with the same planter
- Save valuable time in the spring - Place all of your fertilizer beside the row for optimum root uptake
- 120" wheel tread standard, other widths optional
- Black frame with white tank and wheels.
- Depending on tire selection up to 27" ground clearance
- Axles pivot on greasable 5th wheels
- Built rugged for today's farm operations
- Allows you to fill your planter or toolbar on the go
- Use for herbicide, fertilizer or insecticide application
- All wheel steer so rear tires follow front tire tracks for tight turning radius
- Easy to pull and maneuver
- Use all season long during planting, side dressing, strip-till, or cultivating
- 8 bolt 6000 lb. hubs 3" spindles
- Front axle also pivots horizontally to relieve stress
- Tire options (Less soil compaction with wide foot print):

- **1000 gallon trailer:**
 - 12.5 L x 15 8-ply
 - 13.5 L x 16.1 6-ply
- **1600 gallon trailer:**
 - 17.5 L x 24 10-ply
 - 12.5 L x 60 14-ply
- **2000 gallon trailer:**
 - 19.5 L x 24 10-ply

Row Spacing	Axle Spacing	Spacer
20" x 6 Rows	140"	10"
22" x 6 Rows	132"	6"
30" x 4 Rows	120"	None
36" x 4 Rows	144"	12"
40" x 4 Rows	160"	20"

Part #	Description	Cost
PFT-1000	1000 Gallon Tank, Patriot Pathfinder	CALL FOR PRICING
PFT-1600	1600 Gallon Tank, Patriot Pathfinder	CALL FOR PRICING
PFT-2000	2000 Gallon Tank, Patriot Pathfinder	CALL FOR PRICING

APPLICATORS & SPRAYERS

DRY MATERIAL HANDLING

TRAILERS

TANKS & ACCESSORIES

PUMPS

VALVES & FITTINGS

STRAINERS & HOSE

PLANTER EQUIPMENT

SPRAYER CONTROLS & GUIDANCE

NOZZLES, TIPS & SPRAY GUNS

NH3 PRODUCTS

TECHNICAL INFORMATION

INDEX

NURSE TRAILER ACCESSORIES & RATCHET STRAPS

NURSE TRAILER OPTIONS



CLEVIS, COUPLERS & RING HITCH

Part #	Description
5052015	Nurse Trailer Clevis Channel
5080030-BLK	Cast Hitch Clevis
5101226	5/8" x 4-1/4" Clevis Hitch Pin w/hairpin
5057178	2"-5/16 Ball hitch Coupler
5110306	3" Pintle Ring Hitch 20,000 Capacity

HAND PUMP & PIPE MOUNT JACKS

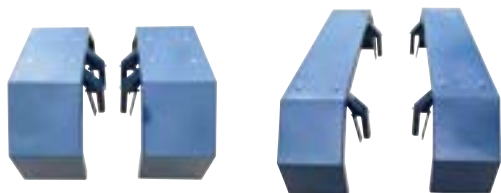


Part #	Description
5274288	Hydraulic Hand Pump for Cone Trailers
5281229	2000 LBS Pipe Mount Jack 15" Travel—Bulldog
2000PIJ15	Pro Series 2000 LBS Pipe Mount Jack 15" Travel



Part #	Description
5282458	Light Kit for Ag Trailer

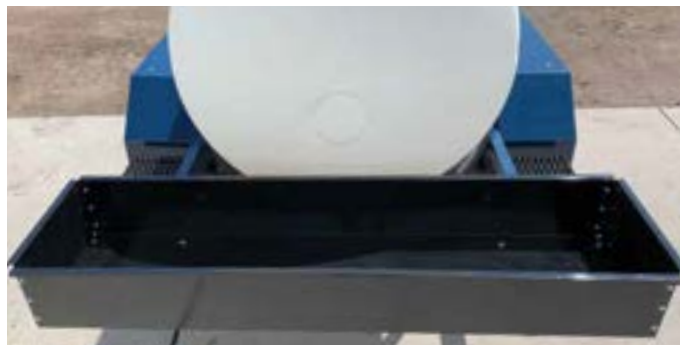
FENDERS



Part #	Description
5281675-*	Single Axle 525 Fender Kit
5281671-*	Tandem Axle 1010/1025 Fender Kit
5281672-*	Tandem Axle 1020/1320 Fender Kit
5281674-*	Tandem Axle 1315/1610 DOT Fender Kit
5301020-*	Tandem Axle 1610/1635 AG Fender Kit

(* Specify "-BLU" for Blue OR "-BLK" for Black)

CHEMICAL RACK

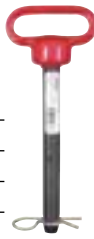


Part #	Description
5302270	Chemical Rack Assembly, 18" X 72". Bolts to rear of most Ag Spray Nurse Trailers.

PICKUP & TRAILER ACCESSORIES

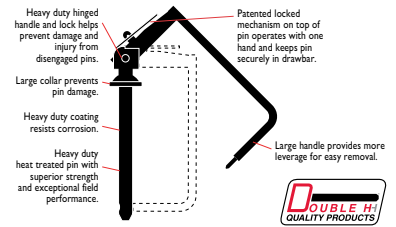
DOUBLE H HITCH PINS

Made Of High Tensile Steel And Heat Treated With The Red Plastisol Head



Part #	Description
H12	1/2" x 3 5/8" long Hitch Pin with clip
H58	5/8" x 5 1/2" long Hitch Pin with clip
H34	3/4" X 6 1/2" long Hitch Pin with clip
H78	7/8" x 6 1/2" long Hitch Pin with clip
H1250	1 1/4" x 8 1/2" long Hitch Pin with clip

LOCKEASE HITCH PINS



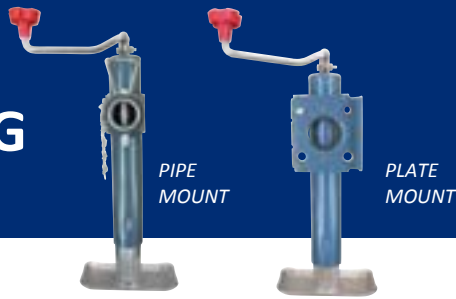
Part #	Shaft Diameter	Usable Length	Per Package	Weight
80140	5/8 "	4-1/2 "	4	2.13
80150	3/4 "	4-1/2 "	4	2.32
80160	3/4 "	6 "	4	2.58
80165	7/8 "	4-1/2 "	4	2.58
80170	7/8 "	6 "	4	2.9
80180	1 "	6 "	4	3.4
80190	1-1/8 "	7 "	4	4.62
80200	1-1/4 "	7 "	4	5.2
80210	1-1/2 "	8 "	2	7.4
80005	Repair Kit*		1	0.11

MILLER HITCH PINS

Part #	Description
HP344	3/4" x 4" long Hitch Pin with clip
HP346	3/4" x 6" long Hitch Pin with clip
HP786	7/8" x 6" long Hitch Pin with clip
HP1006	1" x 6" long Hitch Pin with clip
HPCLIP9	Hitch pin CLIP only # 9 Large
HPCLIP11	Hitch pin CLIP only # 11 Small



BULLDOG JACKS



Part #	Lift Cap	Description
2000PIJ10	2000#	Pipe mount jack 10" travel
*5281229	2000#	Pipe mount jack 15" travel
2000PLJ10	2000#	Plate mount jack 10" travel
2000PLJ15	2000#	Plate mount jack 15" travel
5000PIJ15	5000#	Pipe mount jack 15" travel
5000POJ15	5000#	Post mount jack 15" travel
**7000PIJ15	7000#	Pipe mount jack 15" travel

*Replacement jacks for 1025 & 1010 nurse trailer & double cone bottom
 **Replacement jacks for 8500 series sprayer

AM-S-C SERIES



Part #	Description
AMSC2	Ball Mount
AMSC4	Ball Mount

STANDARD BALL MOUNT



Part #	Hole Size	Drop	Rise	Length	LBS Capacity
BM2	1"	2"	-	8"	5000
BM4	1"	4"	2"	8"	5000
BM2HD	1 1/4"	2"	-	9"	9000
BM4HD	1 1/4"	4"	-	9"	9000

STANDARD HITCH BALLS

Part #	Ball Size	Shank Diameter	Shank Length	Finish	Capacity
BALL25161	2 5/16"	1"	2"	zinc	6,000
2516-114	2 5/16"	1 1/4"	2 1/4"	zinc	10,000



RATCHET & STRAP ASSEMBLIES

Part #	Capacity	Length	Strap Width
R35S	3,000	5'	1"
R39S	3,000	9'	1"
40R20S	2,400	20'	1"
6R27FH	6,000	27'	2"
10R27FH	10,000	27'	2"
12R27FH	12,000	27'	2"



APPLICATORS & SPRAYERS
 DRY MATERIAL HANDLING
 TRAILERS
 TANKS & ACCESSORIES
 PUMPS
 VALVES & FITTINGS
 STRAINERS & HOSE
 PLANTER EQUIPMENT
 SPRAYER CONTROLS & GUIDANCE
 NOZZLES, TIPS & SPRAY GUNS
 NH3 PRODUCTS
 TECHNICAL INFORMATION
 INDEX

SIDE MOUNT ASSEMBLIES

JOHN DEERE, CASE STEIGER, STX, FORD 4 WHEEL DRIVE, JOHN DEERE TRAC



Part #	Description
JOHN DEERE	
JD4WD600	300 gallon tank mount complete with tractor plates, 7 x 7 support tube, saddles, nylon straps, fasteners, less tanks (1410#)
JD4WD800	400 gallon tank mount complete with tractor plates, 7 x 7 support tube, saddles, nylon straps, fasteners, less tanks (1410#)
JD8000T600	300 gallon tank mount complete with tractor braces, saddles, nylon straps, fasteners, less tanks (1085#)
JD9300/9400T500	500 gallon tank mount complete with tractor braces, saddles, nylon straps, fasteners, less tanks (1700#)
CASE / STEIGER	
CS4WD-HC300	300 gallon tank mount complete with tractor plates, 7 x 7 support tube, saddles, nylon straps, fasteners, less tanks (1350#)
CSSTX300	300 gallon tank mount complete with tractor plates, 7 x 7 support tube, rear axle bracket, axle side braces, straps, fasteners, less tanks (1450#)
FORD	
FD4WD300	300 gallon tank mount complete with tractor plates, 7 x 7 support tube, saddles, nylon straps, fasteners, less tanks (1410#)
TANKS FOR ABOVE MOUNTS	
300APP	(2) 300-Gallon tanks, 38" diameter (220#)
400APP	(2) 400-Gallon tanks, 42" diameter (270#)
500APP	(2) 500-Gallon tanks, 48" diameter (320#)
Tanks have limited 3 year warranty and 2 bottom outlets, available in white & yellow.	

JOHN DEERE WIDE TRAC POLY TANK MOUNT AVAILABLE FOR WIDE TRACK ROW CROP WITH 16" TRACKS

- 450 total gallon capacity
- Easy to install
- Nylon straps secure tanks
- Tanks DO NOT interfere with track mounts or access to the cab
- Maintains good row visibility
- 12 gauge mounting pan
- Heavy poly tanks with a 3 year limited warranty
- Maintains good height balance
- 21" ground clearance

Part #	Description
JOHN DEERE WIDE TRACK / POLY TANK SIDE MOUNT	
JDWTPOLY225	2-225 gallon tank mount complete with tank pans, mounting brackets heavy duty nylon tank straps and mounting hardware. Includes tanks. 450 gallon total per sidemount
ALWAYS CHECK WITH MANUFACTURERS SPECIFICATIONS REGARDING USE OF SIDE MOUNTS.	

DO YOU HAVE A TRACTOR THAT'S NOT LISTED? CALL US FOR HELP.

HELICOPTER TANKS



APPLICATORS
& SPRAYERS

DRY MATERIAL
HANDLING

TRAILERS

TANKS &
ACCESSORIES

PUMPS

VALVES &
FITTINGS

STRAINERS
& HOSE

PLANTER
EQUIPMENT

SPRAYER
CONTROLS &
GUIDANCE

NOZZLES, TIPS
& SPRAY GUNS

NH3
PRODUCTS

TECHNICAL
INFORMATION

INDEX



8000 SERIES JOHN DEERE

MX SERIES CASE

STANDARD FEATURES

- 200, 260, 300 And 400 Gal Per Tank Capacity
- Available With Step Up Bars For Tractors With Front Duals
- Parallel Tank Mount Design Allows For Greater Visibility
- High Clearance For Row Crop Applications
- Available Access Step

UNDERCARRIAGE

Three main pieces make up the 8000 series undercarriage. All the pieces are made from 5/8" steel plate and welded with high strength flux core wire.

OPTIONAL ACCESSORIES FOR BOTH UNITS



Access Step



Caster Set



Step Up Bars



Fender Guards

CALL FOR PRICING

WHITE OR BLUE VERTICAL STORAGE TANKS



NORWESCO vertical tanks feature tie-down slots, built in graduated gallonage indicators, an offset fill-well with a self-vented, slosh-proof lid. NORWESCO vertical tanks are equipped with an outlet fitting and siphon tube.

	Tank Capacity	Part # White	Part # Blue	Nonprorated Warranty	Diameter	Height/Length	Fill Opening	Drain	Tank Availability Location
	10 (UPSable)	44844		3 yr	12"	26"	8"	3/4"	I
	20 (UPSable)	44846		3 yr	16"	28"	8"	3/4"	I
	22 (UPSable)	43608		3 yr	20"	20"	8"	3/4"	I,X
	25 (UPSable)	41867		3 yr	18"	29"	5"	3/4"	A
	40 (UPSable)	44848		3 yr	18"	42"	8"	3/4"	I
	40 (UPSable)	41535		3 yr	18"	42"	5"	3/4"	K
	45 (UPSable)	44850		3 yr	20"	37"	5"	3/4"	I
	50 (UPSable)	41865		3 yr	18"	53"	5"	3/4"	A
	55 (UPSable)	41451		3 yr	18"	44"	5"	3/4"	K
	65 (UPSable)	45192		3 yr	23"	43"	8"	1 1/4"	A
	75 (UPSable)	41456		3 yr	23"	50"	8"	1 1/4"	K
	75 (UPSable)	41863		3 yr	23"	49"	8"	1 1/4"	A
	100 (UPSable)	41861		3 yr	28"	43"	8"	1 1/4"	A
	100 (UPSable)	41863		3 yr	23"	63"	8"	1 1/4"	K
	105 (UPSable)	40803		3 yr	23"	63"	8"	2"/siphon	A
	120	40318		3 yr	38"	31"	5"	1 1/4"	C,D,E,G,I,L,T
	130	44102		3 yr	32"	46"	8"	3/4"	T
	150	41859		3 yr	30"	56"	8"	1 1/4"	A
	150	41869		3 yr	30"	56"	8"	1 1/4"	K
	160	44536		3 yr	28"	69"	8"	2"/siphon	C,I
	165	40281		3 yr	31"	56"	16"	2"/siphon	A
	175	41473		3 yr	30"	64"	16"	2"/siphon	K
	200	41516		3 yr	30"	59"	16"	2"/siphon	K
	200	41858		3 yr	35"	72"	16"	2"/siphon	K
	200	41856		3 yr	30"	72"	8"	2"/siphon	A
	210	47401		3 yr	32"	67"	16"	2"/siphon	A
	220	40320		3 yr	42"	44"	5"	2"/siphon	C,D,E,G,I,L,T
	225	44538		3 yr	31"	77"	8"	2"/siphon	C,I
	250	41480		3 yr	35"	68"	8"	2"/siphon	K
	250	41854		3 yr	30"	89"	8"	2"/siphon	A
	300	40213		3 yr	36"	79"	16"	2"/siphon	A
	300	41528		3 yr	35"	86"	8"	2"/siphon	K
	300	41529		3 yr	46"	50"	8"	2"/siphon	K
	300	42882		3 yr	42"	58"	8"	2"/siphon	A
	305	40302		3 yr	46"	50"	16"	2"/siphon	C,D,E,F,G,H,I,T
	310	43625		3 yr	32"	94"	16"	2"/siphon	B,C
	500	40148		3 yr	48"	73"	16"	2"/siphon	B,C,D,E,F,G,H,I,L,T
	525	41490		3 yr	46"	78"	16"	2"/siphon	K
	550	40023		3 yr	67"	44"	16"	2"/siphon	A
	750	40606		3 yr	48"	103"	16"	2"/siphon	B,C,D,E,L,T
	750	41496		3 yr	46"	107"	16"	2"/siphon	K
	850	42214		3 yr	48"	118"	16"	2"/siphon	C,D,E,L
	1000	40152	40154	3yr / 5yr	64"	80"	16"	2"/siphon	B,C,D,E,F,G,H,I,L,T
	1000	41499		3yr	64"	81"	16"	2"/siphon	K
	1000	44111		3yr	72"	66"	16"	2"/siphon	L
	1050	44818	44820	3yr / 5yr	48"	152"	16"	2"/siphon	B,C,D,E,F,G,H,I,L,T
	1100	40070	40081	3yr / 5yr	87"	53"	16"	2"/siphon	C,E,F,G,H,I,L,T
	1100G	42591	42593	3yr / 5yr	87"	53"	16"	2"/siphon	D
	1250	44356	44358	3yr / 5yr	60"	114"	16"	2"/siphon	T
	1295	44968	44970	3yr / 5yr	84"	64"	16"	2"/siphon	C

WHITE OR BLUE VERTICAL STORAGE TANKS

Tank Capacity	Part # White	Part # Blue	Nonprorated Warranty	Diameter	Height/Length	Fill Opening	Drain	Tank Availability Location
1500	40144	40146	3yr / 5yr	64"	116"	16"	2"/siphon	C,E,F,G,L,T
1500	41504		3yr	64"	116"	16"	2"/siphon	K
1500	41505		3yr	93"	60"	16"	2"/siphon	K
1505	44259	44261	3yr / 5yr	60"	135"	16"	2"/siphon	T
1550	40235	40236	3yr / 5yr	87"	67"	16"	2"/siphon	A
1550G	42595	42597	3yr / 5yr	87"	67"	16"	2"/siphon	D
1700	40010	40012	3yr / 5yr	87"	74"	16"	2"/siphon	C,I
2000	41511		3yr	64"	157"	16"	2"/siphon	K
2000	41513		3yr	93"	80"	16"	2"/siphon	K
2000	47109	47564	3yr / 5yr	64"	152"	16"	2"/siphon	B,C,D,L
2000	44125	44127	3yr / 5yr	90"	84"	16"	2"/siphon	H
2100	41399		3 yr	102"	69"	16"	2"/siphon	C
2100	40178	40241	3yr / 5yr	87"	89"	16"	2"/siphon	B,C,D,E,F,G,I,L,T
2200	44904	44906	3yr / 5yr	95"	80"	16"	2"/siphon	L
2500	40051	40052	3yr / 5yr	95"	91"	16"	2"/siphon	A
2500	41513		3yr	96"	96"	16"	2"/siphon	K
2500	42950	42952	3yr / 5yr	98"	86"	16"	2"/siphon	P
2500	42382	42384	3yr / 5yr	102"	79"	16"	2"/siphon	L
3000	40754	40755	3yr / 5yr	95"	109"	16"	2"/siphon	A
3000	43092	43093	3yr / 5yr	95"	109"	16"	3"/siphon-2" reducer	A
3000	42956	42958	3yr / 5yr	98"	101"	16"	2"/siphon	P
3000	45246	42380	3yr / 5yr	102"	93"	22"	2"/siphon	T
3000	43136	43138	3yr / 5yr	102"	93"	16"	2"/siphon	L
3450	44668	44670	3yr / 5yr	96"	120"	16"	2"/siphon	T
3600	44790		3yr	87"	151"	16"	3"/siphon-2" reducer	L
4000	40312		3 yr	102"	125"	16"	3"/siphon-2" reducer	G
4200	41403		3 yr	102"	131"	16"	3"/siphon-2" reducer	C,T
4995	44822	44824	3yr / 5yr	142"	88"	16"	3"/siphon-2" reducer	T
5000	45355	45357	3yr / 5yr	119"	112"	22"	3"/siphon-2" reducer	L
5000	40164	40166	3yr / 5yr	102"	152"	16"	3"/siphon-2" reducer	B,C,D,E,F,G,H,L,T
5000	40941	43833	3yr / 5yr	141"	86"	22"	3"/siphon-2" reducer	L
5500	45086		3 yr	138"	92"	16"	3"/siphon-2" reducer	I
6000	40226	40233	3yr / 5yr	102"	182"	16"	3"/siphon-2" reducer	B,L,T
6100	40659	40661	3yr / 5yr	119"	140"	16"	3"/siphon-2" reducer	C,D,F,G,H
6500	40224	40232	3yr / 5yr	119"	150"	16"	3"/siphon-2" reducer	B,E,L,X
6500	42315	42317	3yr / 5yr	120"	147"	16"	3"/siphon-2" reducer	T,X
6600	45385	45387	3yr / 5yr	144"	101"	22"	3"/siphon-2" reducer	L
6502	47618	47620	3yr / 5yr	102"	196"	16"	3"/siphon-2" reducer	X
7750	45389	45391	3yr / 5yr	144"	122"	22"	3"/siphon-2" reducer	L
7800	40663	40665	3yr / 5yr	119"	176"	16"	3"/siphon-2" reducer	B,L
8400	42060	42062	3yr / 5yr	119"	188"	16"	3"/siphon-2" reducer	L
8400	44395	44397	3yr / 5yr	120"	187"	16"	3"/siphon-2" reducer	T,X
9000	43618	43620	3yr / 5yr	141"	146"	22"	3"/siphon-2" reducer	B,J,L,T
10,000	43128	43130	3yr / 5yr	141"	160"	22"	3"/siphon-2" reducer	L
10,500	47638	47640	3yr / 5yr	130"	202"	16"	3"/siphon-2" reducer	X
11,000	44009	44011	3yr / 5yr	144"	167"	22"	3"/siphon-2" reducer	X
12,000	43919	43921	3yr / 5yr	141"	193"	22"	3"/stainless steel/siphon	B,L,T,X
13,000	44015	44017	3yr / 5yr	144"	198"	22"	3"/stainless steel/siphon	X
15,000	43821	43823	3 or 5 yr	165"	186"	22"	3"/stainless steel/siphon	B,J,T,X**
**15,500	43941	43943	3 or 5 yr	141"	244"	22"	3"/stainless steel/siphon	L
20,000	43825	43827	3 or 5 yr	165"	242"	22"	3"/stainless steel/siphon	B,J,X**

TANK AVAILABILITY LOCATION KEY:

A=All (excluding Albertville, AL & Washington Court House, OH); B=St.Bonifacius, MN; C=Lancaster, OH; D=Griffin, GA; E=Shawnee, OK; F=Tooele, UT; G=Owego, NY; H=Washougal, WA; I=Sheldon, IA; J=Washington Court House, K=Burnet, TX; OH; L=Hanford, CA; T=Fairfield, TX; X=Albertville, AL

VERTICAL STORAGE TANKS - FERTILIZER ONLY

Gallon Capacity	Specs	Diameter	Overall Height	Part #	Tank Availability Location*
15,000	S5	165"	186"	44942	B*, J, T, X*
20,000	ZZ	165"	242"	44926	B*, J, X*

*=Two tanks must ship together on one truck, shipment arranged by Norwesco, for FOB St. Bonifacius or Albertville, AL

BLACK OR DARK GREEN WATER TANKS



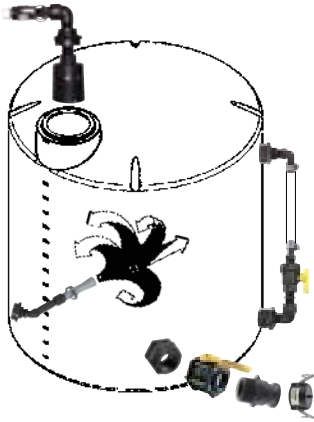
NORWESCO water tanks are manufactured using resins that meet FDA specifications to ensure safe storage of potable water. The black or dark green color limits light penetration which reduces the growth of water-borne algae. These tanks are rated at 8 pounds per gallon, which means that they are for WATER STORAGE ONLY! They should not be used for chemicals, fertilizers or any other product. Where applicable, the tanks will carry the NSF approval. Please contact your distributor for more specific information regarding NSF approval.

Tank Capacity	Part # Black	Part # DK Green	Part # CA Green	Diameter	Overall Height	Fill Opening	Bottom Fitting	Top Fitting	Tank Availability Location
40	41536	41537	-	18"	42"	8"	1 1/4"	1 1/4"	K
75	41457	41458	-	23"	50"	8"	1 1/4"	1 1/4"	K
100	41464	41465	-	23"	63"	8"	2"	1 1/2"	K
120	43858	43860	43862	38"	31"	5"	2"	1 1/2"	D,E,G,L**,T / L
150	41470	41471	-	30"	56"	8"	2"	1 1/2"	K
165*	43864	43866	43868	31"	56"	16"	2"	-	D,E,F,G,H,L**,T / L
175	41474	-	-	30"	64"	8"	2"	1 1/2"	K
200	41519	41520	-	30"	72"	8"	2"	1 1/2"	K
200	41522	41521	-	35"	59"	16"	2"	1 1/2"	K
200	44107	44109	-	30"	72"	8"	2"	1 1/2"	L
220	43870	43872	43874	42"	44"	5"	2"	1 1/2"	D,E,G,L**,T / L
250	41481	41482	-	35"	68"	16"	2"	1 1/2"	K
300	41530	41531	-	35"	89"	16"	2"	1 1/2"	K
300	41532	41533	-	46"	50"	16"	2"	1 1/2"	K
305	40702	40863	41362	46"	50"	16"	2"	1 1/2"	D,E,F,G,H,L**,T / L
500	43101	43105	43103	48"	73"	16"	2"	1 1/2"	D,E,F,G,H,L**,T / L
525	41491	41539	-	46"	78"	16"	2"	1 1/2"	K
550	40703	40864	41364	67"	44"	16"	2"	1 1/2"	D,E,F,G,H,L**,T/L
600	43800	43802	-	64"	50"	8"	2"	1 1/2"	T
750	41497	41498	-	46"	107"	16"	2"	1 1/2"	K
1000	40892	41686	43878	64"	80"	16"	2"	1 1/2"	E,H,L**,T
1000	41500	41501	-	64"	81"	16"	2"	1 1/2"	K
1000	44113	-	44115	72"	66"	16"	2"	1 1/2"	L
1075	43804	43806	-	87"	57"	8"	2"	1 1/2"	T
1100	40704	40865	41365	87"	53"	16"	2"	1 1/2"	D,E,F,G,H,L**,P,T / L
1350	40860	40858	-	71"	88"	16"	2"	1 1/2"	H
1500	41506	41508	-	93"	60"	16"	2"	1 1/2"	K
1525	43808	43810	-	93"	62"	16"	2"	1 1/2"	T
1550	40627	40866	41368	87"	67"	16"	2"	1 1/2"	D,E,F,G,H,L**,P,T / L
2000	41514	41515	-	93"	80"	16"	2"	1 1/2"	K
2000	44129	44131	-	90"	84"	16"	2"	1 1/2"	H
2100	44411	44413	44415	87"	89"	16"	2"	1 1/2"	D,E,F,G,L**,T / L
2200	44908	-	44910	95"	80"	16"	2"	1 1/2"	L
2450	44656	44658	-	96"	87"	16"	2"	1 1/2"	T
2500	40631	40867	41370	95"	91"	16"	2"	1 1/2"	D,E,F,G,H,L**,T / L
2500	41524	41525	-	96"	96"	16"	2"	1 1/2"	K
2500	42954	45396	-	98"	86"	16"	2"	1 1/2"	P
2500	42040	44133	42039	102"	79"	22"	2"	1 1/2"	H,L
2550	43812	43814	-	93"	95"	16"	2"	1 1/2"	T
2950	44660	44662	-	96"	101"	16"	2"	1 1/2"	T
3000	40635	40868	41372	95"	109"	16"	2"	1 1/2"	D,E,F,G,H,L**,T / L
3000	43140	42041	-	102"	93"	22"	2"	1 1/2"	L
3000	42960	45397	-	98"	101"	16"	2"	1 1/2"	H,L,P
3000	42042	42604	-	102"	93"	16"	2"	1 1/2"	T
3450	44664	44666	-	96"	120"	16"	2"	1 1/2"	T
4995	44247	44249	-	142"	89"	22"	2"	1 1/2"	T
5000	40641	40870	41375	102"	152"	16"	2"	1 1/2"	D,E,F,G,H,L**,T / L
	40641-TX	40870-TX	-	102"	152"	16"	2"	1 1/2"	T
5000	42044	-	42043	119"	112"	22"	2"	1 1/2"	L
5000	40943	-	41377	141"	86"	22"	2"	1 1/2"	L
5500	44964	-	44966	102"	166"	16"	2"	1 1/2"	L
6600*	44117	-	44119	144"	101"	16"	2"	-	L
7750	44121	44123	-	144"	122"	22"	2"	1 1/2"	L
6500*	43876	43880	-	119"	150"	16"	2"	-	L
10000*	43132-WCH	41379-WCH	-	141"	160"	22"	2"	-	J,L,T
	43132-CA	41379-CA	-	141"	160"	22"	2"	-	J,L,T
	43132-TX	41379-TX	-	141"	160"	22"	2"	-	J,L,T
11000*	44013	44023	-	144"	167"	22"	2"	-	X
12000*	44810	44812	-	141"	193"	22"	3 1/2"	-	L,T
15500*	44814	44816	-	141"	244"	22"	3 1/2"	-	L

* Includes One Bottom Fitting Only ** Black Tanks Only At This Location

TANK AVAILABILITY LOCATION KEY:

A=All (excluding Albertville, AL & Washington Court House, OH); B=St.Bonifacius, MN; C=Lancaster, OH; D=Griffin, GA; E=Shawnee, OK; F=Tooele, UT; G=Owego, NY; H=Washougal, WA; I=Sheldon, IA; J=Washington Court House, OH; L=Hanford, CA; T=Fairfield, TX; X=Albertville, AL



TANK ACCESSORIES

Item	Description	See Page
Tank Agitators	3/8" to 1 1/2" Tank Agitation	Page 135
Tank Floats	Tank Fill Float Kit w/Garden Hose QC inlet	Page 134
Sight Gauge Kits	3/4" Poly Tank Sight Gauge Assembly	Page 135
Tank Fittings	Tank Bung Outlet Fittings 1/2" to 6"	Pages 125-127
Valves and Fittings	1/4" to 4" Threaded and Flanged	Pages 202-230
Hose	1/4" to 6" Suction and Discharge Hose	Pages 231-234



TRACTOR MOUNTED SPACE SAVER TANKS



Tank Capacity	Part #	Nonprorated Warranty	Diameter	Height/Length	Fill Opening	Drain	Tank Availability Location
150	47345	3 yr.	24"	41"/49"	10"	1 1/4" & 1 1/4"	A
200	47344	3 yr.	24"	47"/54"	10"	1 1/4" & 1 1/4"	A
250	47340	3 yr.	24"	53"/60"	10"	1 1/4" & 1 1/4"	A



FREE STANDING WATER TANKS



These tanks have been specifically designed with residential and commercial applications in mind. The dimensions of the 250, 300 or 400 gallon allow it to fit through a conventional doorway. The design of the freestanding/self-supporting tanks eliminate the need for a steel support frame.

Tank Capacity	Part #	Nonprorated Warranty	Width	Overall Height	Length	Fill Opening	Drain	Tank Availability Location
100 Slender	44800	3 yr	22"	45"	38"	8"	1-1/4"	B,E,I
250	41526	3 yr	29"	44"	62"	16"	1-1/4"	K
250	42337	3 yr	29"	40"	62"	16"	1-1/4"	B,C,D,E,G,H,I,L
300	41527	3 yr	29"	50"	66"	16"	1-1/4"	K
300	44960	3 yr	25"	65"	59"	16"	1-1/4"	F,H,L
300	44330 Premium	3 yr	29"	50"	66"	16"	1-1/4"	B,C,D,E,G,I
400	43856	3 yr	29"	70"	66"	16"	1-1/4"	B,C,D,E,G,H,L
400 Dk Grn	44361 Water Only	3 yr	29"	70"	66"	16"	1-1/4"	H,L
400 Vert Rib	44654 Water Only	3 yr	33"	84"	43"	16"	-	B
500	41538	3 yr	31"	68"	74"	16"	1 1/4"	K
500	43616	3 yr	31"	70"	74"	16"	-	B,C,D,E,G,H,L
600 Vert Rib	44655 Water Only	3 yr	35"	84"	58"	16"	-	B
750	44310	3 yr	35"	85"	82"	16"	2"	B,C,E
1000	44045	3 yr	40"	89"	92"	16"	2"	B,C,E



SPOT SPRAYER TANKS



Tank Capacity	Part #	Description
15 Gallon	TA15Y	15 Gallon Yellow Replacement Tank for Ag Spray Equipment Spot/ATV/Trailer Sprayers. Lid and Fittings Not Included.
25 Gallon	TA25Y	25 Gallon Yellow Replacement Tank for Ag Spray Equipment Spot/ATV/Trailer Sprayers. Lid and Fittings Not Included.
40 Gallon	5169246	40 Gallon Yellow Replacement Tank for Ag Spray Equipment Spot/ATV/Trailer Sprayers. Lid and Fittings Not Included.
60 Gallon	5169250	60 Gallon Yellow Replacement Tank for Ag Spray Equipment Spot/ATV/Trailer Sprayers. Lid and Fittings Not Included.

TANK AVAILABILITY LOCATION KEY:

A=All (excluding Albertville, AL & Washington Court House, OH); B=St.Bonifacius, MN; C=Lancaster, OH; D=Griffin, GA; E=Shawnee, OK; F=Tooele, UT; G=Owego, NY; H=Washougal, WA; I=Sheldon, IA; J=Washington Court House, K=Burnet, TX; OH; L=Hanford, CA; T=Fairfield, TX; X=Albertville, AL

APPLICATOR TANKS



SLIM LINE



500 GALLON APPLICATOR

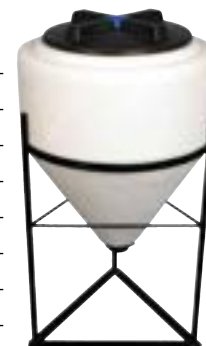
NORWESCO applicator tanks are the answer whether you're looking for a new or replacement tank. All NORWESCO applicator tanks feature a lid which threads directly into the fill-well of the tank to prevent the sloshing or leaking of tank contents during transport or application. The line includes three sizes of inductor tanks, five sizes of utility tanks and a broad selection of applicator tanks. Steel supports are available for all the tanks that require supports.

NORWESCO APPLICATOR TANKS

Tank Capacity	Part #	Nonprorated Warranty	Diameter	Height/Length	Fill Opening	Drain	Tank Availability Location
20 (UPSable)	61737	3yr.	15"	18"/31"	5"	3/4"	F,I,L
30 (UPSable)	41799	3yr.	23"	26"/21"	5"	3/4"	A
55 (UPSable)	45193	3yr.	23"	27"/34"	5"	3/4"	A
70 (UPSable)	44237	3yr.	23"	26"/44"	5"	3/4"	C,I
85 (UPSable)	45105	3yr.	23"	26"/52"	5"	3/4"	D,I
100 (UPSable)	60204	3yr.	24"	28"/57"	8"	3/4"	A
110 (UPSable)	45053	3yr.	30"	34"/41"	8"	1 1/4" & 1 1/4"	A
150	40648	3yr.	30"	33"/58"	8"	1 1/4" & 1 1/4"	D
150 x 28" slim	40777	3yr.	28"	41"/50"	8"	1 1/4" & 1 1/4"	D
150	45117	3yr.	32"	35"/46"	8"	1 1/4" & 1 1/4"	A
200 x 32"	45059	3yr.	32"	35"/62"	8"	1 1/4" & 1 1/4"	A
200 x 38"	45061	3yr.	38"	42"/47"	8"	1 1/4" & 1 1/4"	A
200 x 24" slim	41305	3yr.	24"	48"/61"	8"	1 1/4" & 1 1/4"	I
200 x 31" slim	40780	3yr.	31"	46"/48"	8"	1 1/4" & 1 1/4"	D
300	40135	3yr.	38"	41"/68"	8"	1 1/4" & 1 1/4"	A
400	40137	3yr.	42"	45"/74"	8"	1 1/4" & 1 1/4"	B,C,F
500	40274	3yr.	48"	51"/75"	8"	1 1/4" & 1 1/4"	A
1000 Sphere	43672 / 41440	3yr. / 5yr.	78"	82"	16"	No Fitting	L

NORWESCO INDUCTOR TANKS

Tank Capacity	Part #	Nonprorated Warranty	Diameter	Height/Length	Fill Opening	Drain	Tank Availability Location
15 (UPSable)	60214	3yr.	19"	23"	8"	2"	A
15 (UPSable)	42064	3yr.	24"	21"	16"	2"	A
30 (UPSable)	42065	3yr.	24"	28"	16"	2"	A
35 (UPSable)	45098	3yr.	23"	29"	8"	2"	A
40*	44978	3yr.	27"	34"	16"	2" MPT	A
60 (UPSable)	62205	3yr.	31"	32"	16"	2"	A
60	42066	3yr.	24"	42"	16"	2"	A
65*	44979	3yr.	27"	43"	16"	2" MPT	A
80	47190	3yr.	32"	37"	16"	2"	A



* FULL DRAIN W/2" MPT 15, 35 & 60 gallon inductor tank stands available

TANK AVAILABILITY LOCATION KEY:

A=All (excluding Albertville, AL & Washington Court House, OH); B=St.Bonifacius, MN; C=Lancaster, OH; D=Griffin, GA; E=Shawnee, OK; F=Tooele, UT; G=Owego, NY; H=Washougal, WA; I=Sheldon, IA; J=Washington Court House, K=Burnet, TX; OH; L=Hanford, CA; T=Fairfield, TX; X=Albertville, AL

TANK SADDLE ASSEMBLIES

SADDLES FOR 55 GALLON To 500 GALLON POLY TANKS

AG SPRAY EQUIPMENT MANUFACTURES A COMPLETE LINE OF SKIDS TO FIT ALL APPLICATIONS

**** STRAPS NOT INCLUDED. ORDER STRAPS SEPARATELY ****

SADDLES FOR APPLICATOR TANKS



Heavy Duty Saddle With Built-In Tank End Stops To Prevent The Tank From Sliding In The Saddle.

Part #	Code #	Description
FS110APP	5277007-BLK	Saddle for 110 Gallon. 30" Diameter
FS150APP	5277006-BLK	Saddle for 150 Gallon. 30" Diameter
5278211-BLK	5278211-BLK	Saddle for 150 Gallon. 32" Diameter
FS200APP	5277003-BLK	Saddle for 200 Gallon. 32" Diameter

SADDLE FOR ROUND HORIZONTAL SPRAYER TANKS



Part #	Code #	Tank / Diameter	Description
FS22-35	5273186-BLK	35 / 22 1/2"	Saddle For 35 Gallon
FS22-55	5272221-BLK	55 / 22 1/2"	Saddle For 55 Gallon
FS23-85	5274293-BLK	85 / 23"	Saddle For 85 Gallon
FS30-110	5273904-BLK	110 / 30"	Saddle For 110 Gallon
FS32-150	5273925-BLK	150 / 32"	Saddle For 150 Gallon
FS38-200	5273926-BLK	200 / 38"	Saddle For 200 Gallon
FS32-200	5273830-BLK	200 / 32"	Saddle For 200 Gallon

SADDLE FOR ROUND HORIZONTAL SPRAYER TANKS (300, 400 AND 500 GALLON)



Part #	Code #	Tank / Diameter	Description
FS38-300	5273831-BLK	300 / 38"	Saddle For 300 Gallon
FS42-400	5273927-BLK	400 / 42"	Saddle For 400 Gallon
FS48-500	5273928-BLK	500 / 48"	Saddle For 500 Gallon

FLUSH MOUNT SADDLE FOR 200, 300 & 500 GALLON ELLIPTICAL SPRAYER TANKS



Part #	Code #	Tank / Diameter	Description
FS200E-FC	5274285-BLK	200	Flush mount saddle
FS300E-FC	5273183-BLK	300 / 48"	Flush mount saddle
SKID400	SKID400	400	Flush mount saddle
FS500E-FC	5274203-BLK	500	Flush mount saddle

NYLON STRAP ASSEMBLIES FOR ABOVE SADDLES



Part #	Code #	Description	Strap Length
SB65-110	5272215	Nylon Strap Assembly For 55 Gallon to 110 Gallon Applicator Tank	72"
SB150-300	5272216	Nylon Strap Assembly For 150 Gallon To 300 Gallon Applicator Tank	1 3/4" x 96"
SB400-500	5272217	Nylon Strap Assembly For 400 Gallon To 500 Gallon Applicator Tank	3" x 132"
SB300E	5274432	Nylon Strap Assembly for 300 Gallon Elliptical Tank	3" x 96"
SB500E	5272325	Nylon Strap Assembly for 500 Gallon Elliptical Tank	3" x 132"

SKID MOUNT SADDLE FOR ELLIPTICAL SPRAYER TANKS (200 THRU 1000 GALLON) **STRAPS INCLUDED**

Price Does Not Include Tank



Part #	Code #	Tank / Diameter	Description
FS200E-SB	5301208	200 / 40"	Skid Mount Saddle & Straps
FS300E-SB	5301209	300 / 48"	Skid Mount Saddle & Straps
FS500E-SB	5301211	500 / 57"	Skid Mount Saddle & Straps
FS750E-SB	5300622	750 / 69"	Skid Mount Saddle & Straps
FS1000E-SB	5300623	1000 / 78"	Skid Mount Saddle & Straps

TANKS

NORWESCO FLAT BOTTOM UTILITY TANKS

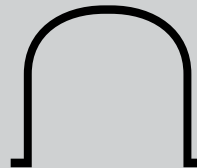


The Flat Bottom Utility tank can be used for many applications. It is the perfect choice when looking for a tank to put in the bed of a pickup truck. Select sizes have bands available as shown below. The tank may be used with or without bands.

Tank Capacity	Part #	Width	Overall Height	Length	Fill Opening	Drain	Tank Availability Location
7 +	44852	9"	18"	14"	5"	-	I
16 +	44853	14"	17"	20"	5"	-	I
20 +	44854	11"	34"	15"	5"	-	I
26 +	41445	18"	15"	24"	8"	3/4"	K
26 +	43835	18"	20"	25"	8"	3/4"	B,C,D,E,I,L,T
35 +	44873	15"	43"	15"	5"	1"	I
45 +•	43837	18"	22"	38"	8"	1"	B,C,D,E,I,L,T
50 +	41449	19"	17"	38"	8"	1"	K
50 +	42341	19"	23"	38"	8"	1"	B,C,D,E,I,L,T
52 +	43839	24"	15"	43"	5"	1"	B,C,D,E,I,L,T
55 +•	44855	18"	44"	18"	5"	3/4"	I
60 +	41452	28"	16"	42"	8"	1"	K
68 +	43841	27"	17"	42"	5"	1"	B,C,D,E,I,L,T
100 +	41460	27"	25"	39"	8"	1"	K
100 +	42343	27"	29"	43"	8"	1"	B,C,D,E,I,L,T
110 Low Profile	42349	35"	18"	48"	5" Hinged	1"	B,C,D,E,I,L,T
150	42345	36"	29"	48"	8"	1"	B,C,D,E,I,L,T
200	42347	36"	38"	48"	8"	1"	B,C,D,E,I,L,T
200 Low Profile	44875	48"	20"	60"	8"	NA	E,I
300 Low Profile	44233	56"	19"	95"	8"	NA	C,T
500 Low Profile	44643	52"	23"	130"	8"	NA	B,T

+ May ship UPS • Fitting is loose, not installed

NORWESCO TANK BANDS



Part #	Tank Size	# Bands Per Tanks
63551	50-UT	2
63552	100-UT	2
63553	150-UT	2
63554	200-UT	2

NORWESCO LOAF TANKS



The loaf tanks are designed for a variety of applications. Its rectangular shape allows for placement within pickup beds or it may be mounted on various equipment trailers for use as a mobile water supply. This line of tanks may also be used in a variety of stationary storage applications.

Tank Capacity	Part #	Width	Overall Height	Length	Fill Opening	Drain	Tank Availability Location
50	43610	27"	17"	41"	8"	NA	C,I,L,X
50	44962	20"	16"	48"	8"	NA	C,I,L,X
100	43611	27"	30"	41"	8"	NA	C,I,L,X
100	44963	20"	32"	48"	8"	NA	C,I,L,X
200	43612	36"	29"	48"	8"	NA	C,I,L,X
200	45380	40"	31"	48"	8"	NA	C,I,L,X
300	43613	42"	30"	63"	8"	NA	C,I,L,X
500	43843	48"	31"	92"	8"	NA	C,I,L,X
1050	44936	60"	49"	96"	8"	NA	B,E,F,L

NORWESCO TOTAL DRAIN TANKS



When needing tanks that provide complete drainage, these tanks are the perfect choice. The fitting is installed in the bottom of the tank.

Tank Capacity	Part #	Width	Overall Height	Length	Fill Opening	Drain	Tank Availability Location
5 Square +	42321	11"	18"	11"	8"	1-1/4"	I
10 Square +	42351	13"	21"	13"	8"	1-1/4"	I
12 Square +	60521	14"	15"	18"	5"	3/4"	A

+ May ship UPS

2610 DRAINABLE TANKS MOUNTED ON A SEMI TRAILER



WE HAVE EVERYTHING YOU NEED TO SETUP YOUR TRANSPORT TANK SYSTEM

Tanks

(See Pages 108-113)

Agitation

(See Page 135)

Pump Systems

(See Pages 138-148)

Inductors

(See Pages 120-123)

Hose Reels

(See Page 236)

Meters

(See Page 266)

DRAINABLE TANKS



3210 DRAINABLE TANK ON A 10" CHANNEL IRON SKID



1610 DRAINABLE TANK ON AN 8" CHANNEL IRON SKID



1315 DRAINABLE NURSE TRAILER



1010 DRAINABLE NURSE TRAILER



2610 DRAINABLE TANKS MOUNTED ON A SEMI TRAILER



DRAINABLE LEG TANKS

The NORWESCO drainable leg tank is a double baffled horizontal leg tank with a sloped cone bottom designed to allow all the fluid to drain to the center of the tank. The legs also slope to the center to allow complete drainage in virtually every application. NORWESCO'S drainable leg tanks feature molded-in baffles to reduce sloshing when the tank is in motion and a 16" threaded, self-vented, slosh-proof lid. Check tank specification for fitting size.

Standard Features of the DRAINABLE Leg Tank:

- Strength - the horizontal design has always been structurally the strongest tank on the market.
- Tank Bands - Norwesco uses a round pipe band that is recessed into the tank and will not allow tank movement on your skid, truck, trailer, etc.
- Environmentally Safe - the drainable feature of the Norwesco drainable leg tanks allow you to rinse the tank completely.
- Cone Bottom - the sloped cone bottom design allows for complete drainage on uneven terrain.
- Warranty - Tanks available in the 3 year nonprorated warranty premium weight or the 5 year nonprorated warranty heavy weight.

NORWESCO DRAINABLE LEG TANK

Tank Capacity	Part # White	Part # Blue	Nonprorated Warranty	Diameter	Height/Length	Fill Opening	Drain	Number Of Bands	Tank Availability Location
710	40655	40657	3yr / 5yr	47"	57"/104"	16"	2"	3	C,E
1010	40393		3 yr	47"	58"/140"	16"	2"	4	B,C,E,I,L
1010	40395		5 yr	47"	58"/140"	16"	2"	4	B,C,E,L
1315	42925	42926	3yr / 5yr	66"	60"/126"	16"	-	3	B,C
1610	40806	40808	3yr / 5yr	69"	63"/140"	16"	-	4	B,C,E
2010	43651	43652	3yr / 5yr	69"	74"/140"	16"	-	4	B,C
2610		41383	5 yr	90"	79" / 140"	16"	-	4	B,F
3210		40824	5 yr	92"	75" / 178"	16"	-	4	B,C,E
4010		45771	5 yr	92"	87" / 192"	16"	-	4	B

NOTE: Above tanks are white in color for 3 year warranty and blue in color for 5 year warranty.

TANK AVAILABILITY LOCATION KEY:

A=All (excluding Albertville, AL & Washington Court House, OH); B=St.Bonifacius, MN; C=Lancaster, OH; D=Griffin, GA; E=Shawnee, OK; F=Tooele, UT; G=Owego, NY; H=Washougal, WA; I=Sheldon, IA; J=Washington Court House, K=Burnet, TX; OH; L=Hanford, CA; T=Fairfield, TX; X=Albertville, AL

LADDERS & SKIDS

Ladders are available to bolt on the 2610 and 3210 drainable tank for easy lid access. Skids are available to fit all sizes of drainable leg tanks. Rugged steel frames are designed to contour to the drainable tanks unique floor slope. Call for more information.

Part #	Description
FC8-1610	8" 1610 Standard Skid
FC10-2610	10" 2610 Standard Skid
FC10-3210	10" 3210 Standard Skid
FC2610ELLADDER	2610 Elliptical Tank Ladder
5301133	3210 Elliptical Tank Ladder



HORIZONTAL LEG TANKS

525 TRAILER



1025 TRAILER



5025 TANK MOUNTED ON A SEMI TRAILER



HORIZONTAL LEG TANKS

325 GALLON W/ BANDS



1025 GALLON W/ BANDS



NORWESCO HORIZONTAL LEG TANKS

The 710 through 1625 NORWESCO horizontal leg tanks REQUIRE SUPPORT BANDS and FULL LENGTH SUPPORT.

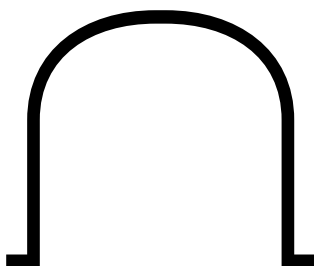
Tank Capacity	Part # White	Part # Blue	Nonprorated Warranty	Diameter	Height/Length	Fill Opening	Drain	Number Of Bands	Tank Availability Location
35 (UPSable)	45223		3yr.	20"	23"/29"	5"	3/4"	2	A
55 (UPSable)	41873		3yr.	23"	26"/34"	5"	3/4"	2	A
65 (UPSable)	45191		3yr.	23"	26"/43"	5"	3/4"	2	A
125	40298		3yr.	32"	35"/41"	8"	2"/siphon	2	A
150	41468		3yr.	34"	36"/43"	5"	2"/siphon	2	K
225	40299		3yr.	38"	41"/49"	8"	2"/siphon	2	A
225 Stand	42854		-	38" W	41"/45"				E
325	40217		3 yr.	38"	43"/68"	16"	2"/siphon	2	A
425	42016		3yr	49"	54"/60"	16"	2"/siphon	2	B,C,D,F,I,T
525	40181		3yr	49"	54"/71"	16"	2"/siphon	2	B,C,D,E,F,G,H,L,T
525	40193		5yr	49"	54"/71"	16"	2"/siphon	2	B,C,E,F,G,H,L,T
725	40180		3yr	49"	54"/101"	16"	2"/siphon	3	C,D,E,F,G
725	40194		5yr	49"	54"/101"	16"	2"/siphon	3	C,D,E,F
925	45209		3yr	62"	65"/80"	16"	2"/siphon	2	C
925 w/sump	45210		3yr	62"	69"/80"	16"	2"/siphon	2	C
1025	40089	40131	3yr / 5yr	49"	54"/139"	16"	2"/siphon	4	B,C,D,E,F,G,H,L,T
1325	41875	41877	3yr / 5yr	66"	70"/99"	16"	2"/siphon	3	B,C,E,I
1625	40026	40133	3yr / 5yr	63"	68"/139"	16"	2"/siphon	4	C
1800 2CPT	42990		3yr	62"	68"/146"	16"	2"/siphon	4	I
1800 w/sump, 2CPT	42992		3yr	62"	72"/146"	16"	2"/siphon	4	I
3725	44047	44049	3yr / 5yr	92"	97"/145"	16"	3"/siphon - 2" reducer	4	B,E
5025	41879	41881	3yr / 5yr	92"	96"/190"	16"	3"/siphon - 2" reducer	5	B,C,E,L
5025-Black		42602	5yr	92"	96"/190"	16"	3"/siphon - 2" reducer	5	B,C,E,L
6025	44314	44316	3yr / 5yr	99"	103"/193"	16"	3"/siphon - 2" reducer	5	B,C,E

NOTE: Above tanks are white in color for 3 year warranty and blue in color for 5 year warranty.

TANK AVAILABILITY LOCATION KEY:

A=All (excluding Albertville, AL & Washington Court House, OH); B=St.Bonifacius, MN; C=Lancaster, OH; D=Griffin, GA; E=Shawnee, OK; F=Tooele, UT; G=Owego, NY; H=Washougal, WA; I=Sheldon, IA; J=Washington Court House, K=Burnet, TX; OH; L=Hanford, CA; T=Fairfield, TX; X=Albertville, AL

TANK BANDS



Part #	Tank Size	# Bands Per Tanks
60520	35	2 Optional
61745	55 & 65	2 Optional
61744	125	2 Optional
60478	225 & 325	2 Optional
62852	925 & 1800	2/4 Required
60057	1025	4 Required
63282	1325	3 Required
60079	1625	4 Required
63284	5025	5 Required
64085	6025	5 Required

APPLICATORS & SPRAYERS
 DRY MATERIAL HANDLING
 TRAILERS
 TANKS & ACCESSORIES
 PUMPS
 VALVES & FITTINGS
 STRAINERS & HOSE
 PLANTER EQUIPMENT
 SPRAYER CONTROLS & GUIDANCE
 NOZZLES, TIPS & SPRAY GUNS
 NH3 PRODUCTS
 TECHNICAL INFORMATION
 INDEX

ELLIPTICAL LEG TANKS

1610 NURSE TRAILER



NORWESCO TANKS



3135, 2635 & 1635 ELLIPTICAL LEG TANKS



ELLIPTICAL LEG TANKS

NORWESCO ELLIPTICAL LEG TANKS

All NORWESCO elliptical leg tanks REQUIRE SUPPORT BANDS and FULL LENGTH SUPPORT.

Tank Capacity	Part # White	Part # Blue	Nonprorated Warranty	Diameter	Height/Length	Fill Opening	Drain	Tank Band Number	Number Of Bands	Tank Availability Location
135	44804	-	3 yr.	36"	26"/56"	8"	1 1/4"/siphon	64164	2	C,E,I,L
235	44806	-	3 yr.	40"	32"/66"	8"	2"/siphon	64165	2	C,E,I,L
335	42339	-	3 yr.	48"	33"/71"	16"	2"/siphon	63546	2	B,C,D,E,F,L,T
535	42353	-	3 yr.	57"	39"/80"	16"	2"/siphon	63547	2	B,C,D,E,F,L,T
1035	40191	-	3 yr.	79"	54"/89"	16"	2"/siphon	60325	3	B,C,F
1235	40239	-	3 yr.	66"	53"/128"	16"	2"/siphon	60477	4	L
1335	42927	42929	3yr/5yr	66"	55"/126"	16"	2"/siphon	63642	3	B,C
1635	40387	40388	3yr/5yr	71"	58"/142"	16"	2"/siphon	60586	4	B,C,D,E,F,L,T
1635-Black	40602	-	3yr	71"	58"/142"	16"	2"/siphon	60586	4	B,C,D,E,F,L,T
2035	40618	40623	3yr/5yr	84"	56"/142"	16"	2"/siphon	62079	4	B,C,D,E,F,L,T
2035-Black	40621	-	3yr	84"	56"/142"	16"	2"/siphon	63840	4	B,C,D,E,F,L,T
2635	40547	40283	3yr/5yr	90"	72"/140"	16"	3"/siphon-2" reducer	60353	4	B,C,D,F,L,T
2635EL-Black	40751	41294	3yr/5yr	90"	72"/140"	16"	3"/siphon-2" reducer	60353	4	B,C,D,F,L,T
2650 w/ baffle system	45360	45362	3yr/5yr	88"	82"/122"	16"	3"/siphon-2" reducer	60353	4	B,C,D,F,L,T
3135	40686	40688	3yr/5yr	88"	80"/150"	16"	3"/siphon-2" reducer	63620	4	B,C,D,E,F,L,T
3135-Black	-	41417	5yr	88"	80"/150"	16"	3"/siphon-2" reducer	63620	4	B,C,D,E,F,T
3250 w/ baffle system	44597	44599	3yr/5yr	88"	82"/152"	22" hinged	3"/siphon-2" reducer	63620	4	B,C,T
3250 Black w/ baffle system	44601	44603	3yr/5yr	88"	82"/152"	22" hinged	3"/siphon-2" reducer	63620	4	B,C,T
4035	41267	41269	3yr/5yr	92"	75"/192"	16" hinged	3"/siphon-2" reducer/siphon	62832	4	B,C,L,T
4035-Black	-	42011	5yr	92"	75"/192"	16" hinged	3"/siphon-2" reducer/siphon	62832	4	B,C,L,T

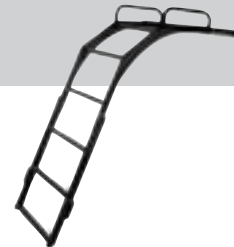
* Flat Bottom NOTE: Above tanks are white in color for 3 year warranty and blue in color for 5 year warranty.

TANK AVAILABILITY LOCATION KEY:

A=All (excluding Albertville, AL & Washington Court House, OH); B=St.Bonifacius, MN; C=Lancaster, OH; D=Griffin, GA; E=Shawnee, OK; F=Tooele, UT; G=Owego, NY; H=Washougal, WA; I=Sheldon, IA; J=Washington Court House, K=Burnet, TX; OH; L=Hanford, CA; T=Fairfield, TX; X=Albertville, AL

LADDERS

Ladders are available to bolt on the 2635, 3135 and 4035 elliptical leg tank for easy lid access.



Part #	Description
60354	2635 Elliptical Tank Ladder
5301186	4035 Elliptical Tank Ladder
62301	3135 Adapter Kit

NORWESCO ELLIPTICAL TANKS

All NORWESCO elliptical tanks REQUIRE FULL LENGTH SUPPORT.

Tank Capacity	Part #	Nonprorated Warranty	Diameter	Height/Length	Fill Opening	Drain	Tank Availability Location
200	41252	3 yr.	40"	30"/66"	8"	1 1/4"	C,D,F,L,T
300	40327	3 yr.	48"	36"/70"	16"	1 1/4" X 1 1/4"	B,C,D,F,L,T
500	40328	3 yr.	57"	44"/82"	16"	1 1/4" X 1 1/4"	B,C,D,F,L,T
750	40329	3 yr.	69"	48"/88"	16"	2"	B,C
1000	40330	3 yr.	78"	55"/90"	16"	2"	B,C

* Includes 1 stainless steel baffle. NOTE: Above tanks are white in color. See page 105 for strap assemblies.

APPLICATORS & SPRAYERS
DRY MATERIAL HANDLING
TRAILERS
TANKS & ACCESSORIES
PUMPS
VALVES & FITTINGS
STRAINERS & HOSE
PLANTER EQUIPMENT
SPRAYER CONTROLS & GUIDANCE
NOZZLES, TIPS & SPRAY GUNS
NH3 PRODUCTS
TECHNICAL INFORMATION
INDEX

CONE BOTTOM TANKS

NORWESCO PCO MULTI-PURPOSE TANKS (PEST CONTROL OPERATOR)



NORWESCO's PCO Multi-Purpose Tanks are well suited for nursery, agricultural and lawn care applications. These tanks feature self-supporting legs and do not require any saddles or steel supports. Flat spots are molded into both ends to provide mounting areas for agitation equipment.

Tank Capacity	D = Drain S = Sump	Part #	Nonprorated Warranty	Diameter	Height/Length	Fill Opening	Drain	Tank Availability Location
30PCO (UPSable)	D	41254	3 yr.	19"	23"/25"	5"	no fitting	A
50PCO (UPSable)	D	40664	3 yr.	19"	22"/38"	8"	no fitting	A
100PCO (UPSable)	D	40668	3 yr.	30"	28"/38"	8"	no fitting	A
150PCO	D	40669	3 yr.	36"	28"/48"	8"	no fitting	A
200PCO	D	41413	3 yr.	36"	37"/48"	8"	no fitting	A
300PCO	S	41381	3 yr.	36"	37"/69"	16"	no fitting	A
50RIBBED	D	42834	3 yr.	19"	23"/38"	16"	no fitting	D
100RIBBED	D	42835	3 yr.	30"	30"/38"	16"	no fitting	D
150RIBBED	S	42836	3 yr.	37"	29"/48"	16"	no fitting	D
200RIBBED	S	42837	3 yr.	37"	37"/48"	16"	no fitting	D

TANK AVAILABILITY LOCATION KEY:

A=All (excluding Albertville, AL & Washington Court House, OH); B=St.Bonifacius, MN; C=Lancaster, OH; D=Griffin, GA; E=Shawnee, OK; F=Tooele, UT; G=Owego, NY; H=Washougal, WA; I=Sheldon, IA; J=Washington Court House, K=Burnet, TX; OH; L=Hanford, CA; T=Fairfield, TX; X=Albertville, AL

**PORTABLE DOUBLE CONE BOTTOM
6000 GALLON TRAILER**



CONE BOTTOM LIQUID FEED SET UP



PORTABLE TRIPLE CONE BOTTOM TRAILER



**1050 GALLON POLY CONE BOTTOM
TANK WITH POLY STAND**



CONE BOTTOM TANKS

NORWESCO CONE BOTTOM TANKS

Tank Capacity	Part # White	Part # Blue	Slope	Nonprorated Warranty	Diameter	Overall Height	Fill Opening	Drain	Tank Availability Location
55	41450		15°	3yr	23"	39"	8"	2" / EPDM	K
100	41461		15°	3yr	23"	63"	8"	2" / EPDM	K
125 w/poly stand	43161		15°	3yr	48"	41"/12"***	8"	2" / EPDM	B
150	41467		15°	3yr	36"	43"	8"	2" / EPDM	K
160	43845		45°	3yr	36"	52"	16"	2" / EPDM	I
160 full drain	43847		45°	3yr	36"	52"	16"	2" / EPDM	I
175 w/poly stand	60113		30°	3yr	43"	49"/9"***	16"	2" / EPDM	B,C,D,E,F,I,L
200	41476		15°	3yr	36"	55"	8"	2" / EPDM	K
250	41478		15°	3yr	36"	67"	8"	2" / EPDM	K
300	41484		15°	3yr	36"	80"	8"	2" / EPDM	K
300	43848		45°	3yr	48"	56"	16"	2" / EPDM	I
300 w/poly stand	62343		30°	3yr	49"	61"/9"***	16"	2" / EPDM	B,C,D,E,F,I,L
310 w/poly stand	62441		30°	3yr	43"	72"/9"***	8"	2" / EPDM	B,C,D,E,F,I,L
350	41485		45°	3yr	52"	58"	12"	2" / EPDM	K
500	41489		45°	3yr	52"	82"	12"	2" / EPDM	K
500	43850		45°	3yr	48"	85"	16"	2" / EPDM	I
500 w/poly stand	40289		30°	3yr	49"	87"/9"***	16"	2" / EPDM	B,C,D,E,F,I,L
550	44647		20°	3yr	72"	47"	16"	2" / EPDM	I
550 w/poly stand	44649		20°	3yr	73"	57"/11"***	16"	2" / EPDM	B,C,D,E,F,I,L
750	40811		20°	3yr	72"	56"	16"	2" / viton	B
750 w/poly stand	40809		20°	3yr	73"	67"/11"***	16"	2" / viton	B
750	41495		45°	3yr	52"	105"	12"	2" / viton	K x
1000	43852		45°	3yr	72"	82"	16"	2" / viton	I
1020	44341	44420	15°	3yr / 5yr	91"	53"	16"	2" / viton	B,E
1050	40356		20°	3yr	72"	75"	16"	2" / viton	B,C,D,E,F,I
1050 w/poly stand	40359		20°	3yr	73"	86"/11"***	16"	2" / viton	B,C,D,E,F,I
1320	44339	44422	15°	3yr / 5yr	91"	64"	16"	2" / viton	B,E
1500	43854		45°	3yr	72"	112"	16"	2" / viton	I
1600	40817	40819	30°	3yr / 5yr	88"	84"	16"	2" / viton	B,C,D,E,F,I
1600 w/poly stand	40813	40815	30°	3yr / 5yr	89"	96"/11"***	16"	2" / viton	B,C,D,E,F,I
1720	44337	44424	15°	3yr / 5yr	91"	78"	16"	2" / viton	B,E
2500	40066	40129	30°	3yr / 5yr	95"	105"	16"	2" / viton	B,C,D,I
2500 w/poly stand	40672	40674	30°	3yr / 5yr	96"	116"/10"***	16"	2" / viton	B,C,D,I
2500	43065	43067	15°	3yr / 5yr	91"	108"	16"	2" / viton	I
3000	40170	40172	30°	3yr / 5yr	95"	123"	16"	2" / viton	B
3000 w/poly stand	40797	40799	30°	3yr / 5yr	96"	134"/10"***	16"	2" / viton	B
3000	45141	45242	15°	3yr / 5yr	91"	120"	16"	3"/2" reducer EPDM	E,I
4500	43058	43060	10°	3yr / 5yr	102"	145"	16"	3"/2" reducer EPDM	L
5500	40549	40316	30°	3yr / 5yr	119"	148"	16"	3"/2" reducer Viton	B,C,E
6000	40931	40933	15°	3yr / 5yr	102"	195"	16"	3"/2" reducer Viton	B,C,E
6000	43054	43056	10°	3yr / 5yr	102"	189"	16"	3"/2" reducer EPDM	L
7500	40551	40409	30°	3yr / 5yr	141"	149"	16"	3"/2" reducer Viton	B,C,E
10,000	44459	44461	15°	3yr / 5yr	142"	173"	16"	3"/2" reducer Viton	B,T
10,000	44103	44105	30°	3yr / 5yr	141"	190"	16"	3"/2" reducer Viton	B

**Distance from bottom of cone to ground. NOTE: Above tanks are white in color for 3 year warranty and blue in color for 5 year warranty.

TANK AVAILABILITY LOCATION KEY:

A=All (excluding Albertville, AL & Washington Court House, OH); B=St.Bonifacius, MN; C=Lancaster, OH; D=Griffin, GA; E=Shawnee, OK; F=Tooele, UT; G=Owego, NY; H=Washougal, WA; I=Sheldon, IA; J=Washington Court House, K=Burnet, TX; OH; L=Hanford, CA; T=Fairfield, TX; X=Albertville, AL

POLY & STEEL CONE BOTTOM STANDS & TIE DOWNS

Part #	Description
5274273-BLU	Cone Bottom Stand 15 degree - 91" Diameter for 1020, 1320, 1720, 2500 & 3000 Cone Tanks
5278923-BLU	1020 Cone Tank Tie Down Rod
5278924-BLU	1320 Cone Tank Tie Down Rod
5278943-BLU	1720 Cone Tank Tie Down Rod
5278944-BLU	2500 Cone Tank Tie Down Rod
5274298-BLU	3000 Cone Tank Tie Down Rod
5281965	160CB Stand 45 Deg
5281966	300/500 45 Deg
5281078-BLK	1000/1500 45 Deg
5281986	2500CBS/3000CBS 30 Deg
5274273-BLU	3000CBS15FS
5281809-BLK	5500CBS 30 Deg
5281803-BLK	6000CBS 15 Deg
5281811-BLK	10K/7500CBS 30 Deg
5282438-BLK	10000CBS 15 Deg

Poly Cone Bottom Stands

1050, 1600, 2500, 3000

- Norwesco Poly Stand Available – See Availability Key

Steel Cone Bottom Stands

2500, 3000, 5500, 6000, 7500

- Norwesco Steel Stand Available – See Availability Key



TANKS

NORWESCO HOLDING TANKS

Norwesco holding tanks are the largest capacity below ground storage tanks made today. Typically used to store water - both potable and non-potable - it can also be used as a large capacity septic tanks. The end ribs will accept fittings up to 4" in size. Integral columns in the tank give it excellent structural strength.



Tank Capacity	Part #	Width	Overall Height	Length	Fill Opening	Tank Availability Location
2000	42559	98"	51"	126"	1-20" (62408)	H
2000	44593	98"	51"	126"	1-20" (63672)	B,C,E
2500	44079	99"	51"	159"	1-20" (63672)	B,E,L
2500	42119	98"	51"	158"	1-20" (62408)	L
2600	43770	99"	51"	155"	1-20" (63672)	B
2650*	43771	99"	81"	155"	1-20" (63672)	B
3525	44390	102"	51"	211"	1-20" (63672)	B,T
5025	44876	102"	76"	211"	1-20" (63672)	B,T
5025*	44877	102"	96"	211"	1-20" (63672)	B,T

* Tank includes molded on manhole extension.

NORWESCO SPECIALTY FLAT BOTTOM HAULING TANKS

The flat bottom hauling tank is ideal for use on flatbed or drop deck trailers. Large ribs eliminate the need for steel support bands and assist with reducing the sloshing of fluid. The tanks may be used for liquid fertilizer and other transport applications.



Tank Capacity	Part # White	Part # Blue	Nonprorated Warranty	Width	Height/Length	Fill Opening	Outlet/Drain	Tank Availability Location
4200	44972	44974	3yr/5yr	96"	85"/180"	16"	3"/2"	B

NORWESCO SPECIALTY SPHERE TANKS

The sphere tanks are most often used on trailers that are specifically designed with the tank to allow for complete drainage and a tight turning radius.



Tank Capacity	Part # White	Part # Blue	Nonprorated Warranty	Diameter	Height	Fill Opening	Tank Availability Location
525	44878	44879	3yr/5yr	62"	64"	16"	L
1100	44347	44346	3yr/5yr	78"	86"	16"	L

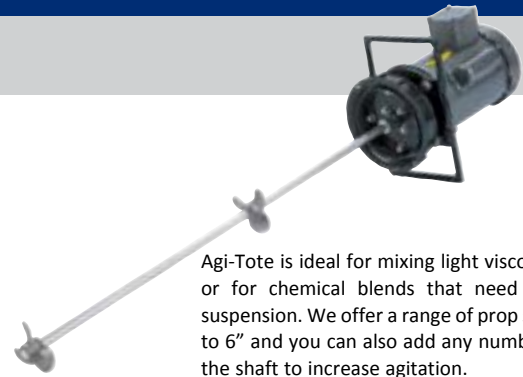
CAGE TANK



Part #	Description
TOTE275-COMP	DOT Compliant

AGI-TOTE

Part #	Description
011-301	Single Phase, ½ HP, 4.5" Prop, 270 Gallon
011-303	Three Phase, ½ HP, 4.5" Prop, 270 Gallon
011-309	12 VDC, ½ HP, 4.5" Prop, 270 Gallon
011-311	Single Phase, ¾ HP, 6" Prop, 270 Gallon
011-313	.Three Phase, ¾ HP, 6" Prop, 270 Gallon
011-305	Single Phase, ½ HP, 4.5" Prop, 330 Gallon
011-307	Three Phase, ½ HP, 4.5" Prop, 330 Gallon



Agi-Tote is ideal for mixing light viscosity materials, or for chemical blends that need to remain in suspension. We offer a range of prop sizes from 2.5" to 6" and you can also add any number of props to the shaft to increase agitation.

NORWESCO PICKUP TRUCK TANKS



NORWESCO's Pickup Tanks are designed to fit full-size, American-made pickups and are low profile for better rear vision. They feature 8" threaded fill openings offset to the side of the tank for safety and easy access and a 2" threaded poly tank fitting with a siphon tube. A tough circular design adds strength. The 210 gallon tank fits both "mini" and full-size pickups.

Tank Capacity	Part #	Nonprorated Warranty	Top Diameter	Bottom Diameter	Height	Fill Opening	Drain	Tank Availability Location
210PU	40300	3 yr	60"/51"	48"/39"	29"	8"	2"/siphon	A
305PU	44808	3 yr	60"	48"	30"	8"	2"/siphon	A
325PU	40160	3 yr	62"	49"	33"	8"	2"/siphon	A
425PU	40102	3 yr	65"	49"	39"	8"	2"/siphon	A

NORWESCO SPECIALTY WATER HAULING TANKS

The low profile design of these tanks makes them ideal for use on trailers or in the back of a truck. The slosh reduction ribs provide excellent structural support. It can also be used as a stationary water storage tank.



Tank Capacity	Part #	Width	Overall Height	Length	Fill Opening	Drain	Tank Availability Location
1250	40756	81"	38"	130"	16"	2"	E
1275	43011	84"	36"	126"	16"	2"	B,C
1500	41392	81"	44"	130"	16"	2"	E
1600	43013	84"	42"	126"	16"	2"	B,C
2400	40912	90"	53"	150"	16"	2"	B,C,T

ACE SPECIALTY TANKS



Part #	Tank Capacity	W x L x H Dimensions	Lid Opening	Fitting Size
SP002.5-RT	2.5 gallon rectangular	7 x 14 x 15	5"	3/4"
SP0003-RT	3 gallon rectangular	7 x 12 x 14	5"	3/4"
SP03.5-CL	3 1/2 gallon cylinder	11 x 15	5"	3/4"
SP0004-SQ*	4 gallon square	11 x 11 x 15	5" or 8"*	1 1/4"
SP0005-SQ*	5 gallon square	11 x 11 x 20	5" or 8"*	1 1/4"
SP0005-RT	5 gallon rectangular	10 x 22 x 8	5"	-
SP0006-2P	6 gal. w/pump mount & 2" lid	12 x 15 x 8	2"	-
SP0006-5N*	6 gallon rectangular	12 x 15 x 8	2" or 5"*	-
SP0007-RT	7 gallon rectangular	9 x 14 x 15	5"	-
SP0008-VM	8 gallon loaf	12 x 16 x 17	5"	1/2"
SP0010-SQ8	10 gallon square	13 x 13 x 21	8"	1 1/4"
SP0012-RT	12 gallon rectangular	14 x 18 x 12	5"	3/4"
SP0012-VM	12 gallon loaf	12 x 16 x 22	5"	1/2"
SP0016-MM	16 gallon rectangular	14 x 21 x 14	5"	-
SP0019-VM	19 gallon loaf	12 x 16 x 28	5"	1/2"
SP0020-LC	20 gallon rectangular	14 x 28 x 12	5"	3/4"
SP0020-OM	20 gallon rectangular	11 x 15 x 31	5"	1/2"
SP0026-RT	26 gallon rectangular	18 x 25 x 19	8"	3/4"
SP0035-RT	35 gallon rectangular	19 x 28 x 20	5"	1"
SP0045-AS	45 gallon rectangular	18 x 37 x 18	5"	-
SP0050-RT	50 gallon rectangular	19 x 38 x 20	8"	1"
SP0055-MM	55 gallon rectangular	18 x 18 x 45	5"	1"
SP0056-RT	56 gallon rectangular	20 x 38 x 26	5"	3/4"
SP0068-RT	68 gallon rectangular	26 x 42 x 17	6"	1"
SP0080-RT	80 gallon rectangular	18 x 27 x 45	5"	1"
SP0100-RT	100 gallon rectangular	27 x 43 x 26	8"	1"
SP0110-RT	110 gallon low profile rectangular	35 x 48 x 17	8"	1"
SP0150-RT	150 gallon rectangular	36 x 48 x 25	8"	1"
SP0200-RT	200 gallon rectangular	36 x 48 x 34	8"	1"
SP0250-UT	250 gallon upright rectangular	29 x 62 x 42	16"	2"
SP0400-UT	400 gallon upright rectangular	29 x 62 x 66	16"	2"

SEPTIC / CISTERN TANKS



NORWESCO's septic tank, when installed in accordance to manufacturers instruction, is warranted against defective materials and / or workmanship for a full three years from the date of manufacture. Should a defect appear within the warranty period, Norwesco will supply a new equivalent tank in replacement thereof. Norwesco's liability is limited to the value of the tank itself and specifically excludes the Cost of installation and / or removal and consequential damages.



STANDARD SINGLE COMPARTMENT

Part #	Tank Capacity	Nonprorated Warranty	Length	Width	Height	Manhole	Tank Availability Location
43745	200 Sphere	3 year	-	47" diameter	56"	1-20" (62408)	A
41319	300 Sphere	3 year	-	54" diameter	51"	1-20" (62408)	A
40785	500 Sphere	3 year	-	64" diameter	64"	1-20" (62408)	B,C,H,L
41320	500	3 year	101"	51"	42"	1-20" (62408)	B,C,D,E,F,G,H
41712	750 P	3 year	96"	48"	58"	1-20" (62408)	B,C
41814	750	3 year	96"	48"	58"	2-20" (62408)	G
41815	750 P	3 year	100"	52"	56"	2-20" (62408)	E
41716	1000 P	3 year	101"	52"	66"	1-20" (62408)	B,C,G
*	1000 P	3 year	102"	60"	58"	2-20" (62408)	A
*	1250 P	3 year	116"	55"	66"	2-20" (62408)	B,C,E,F,G,H,L
*	1500	3 year	133"	55"	66"	2-20" (62408)	A
*	1500 P	3 year	133"	55"	66"	2-20" (62408)	B,D,E,G,H

SEPTIC TANKS WITH COMPARTMENT DIVIDER

Part #	Tank Capacity	Nonprorated Warranty	Length	Width	Height	Manhole	Tank Availability Location
41715	750 (2/3 - 1/3) P	3 year	100"	52"	56"	2-20"	E
*	1000 (2/3 - 1/3)	3 year	102"	60"	58"	2-20"	A
*	1000 (2/3 - 1/3) P	3 year	102"	60"	58"	2-20"	B,D,E,G,H
*	1250 (2/3 - 1/3) P	3 year	116"	55"	66"	2-20"	B,C,E,F,G,H,L
*	1500 (2/3 - 1/3)	3 year	133"	55"	66"	2-20"	A
*	1500 (2/3 - 1/3) P	3 year	133"	55"	66"	2-20"	B,C,D,E,F,H,L

BELOW GROUND HOLDING TANK

Part #	Tank Capacity	Nonprorated Warranty	Length	Width	Height	Manhole	Tank Availability Location
42559	2000	3 year	126"	98"	53"	1-20"	B,C,E
42119	2500	3 year	158"	98"	53"	1-20"	B,L
43770	2600	3 year	98"	51"	155"	1-20" (63672)	B
43771	2650	3 year	98"	81"	155"	1-20" (63672)	B
44390	3225	3 year	211"	102"	51"	1-20" (63672)	B

BELOW GROUND WATERHOLDING CISTERNS MANUFACTURED FROM AN FDA APPROVED RESIN FOR POTABLE WATER

Part #	Tank Capacity	Nonprorated Warranty	Length	Width	Height	Manhole	Tank Availability Location
43746	250 Sphere	3 year	-	47"	56"	1-20"	A
41321	325 Sphere	3 year	-	54"	51"	1-20"	A
40856	550 Sphere	3 year	-	64"	64"	1-20"	B,C,H,L
41328	600	3 year	101"	51"	42"	1-20"	B,C,D,E,F,G,H
41329	1200	3 year	102"	60"	58"	2-20"	A
41893	1400	3 year	116"	55"	66"	2-20"	B,C,E,F,G,H,L
41330	1700	3 year	133"	55"	66"	2-20"	A

Note: Septic tanks and cisterns are furnished with manhole covers only. *Part # may change according to state or local code requirements. Please check with Norwesco prior to ordering any of the above tanks. P=Plumbed

TANK AVAILABILITY LOCATION KEY:

A=All; B=St.Bonifacius, MN; C=Lancaster, OH; D=Griffin, GA; E=Shawnee, OK; F=Tooele, UT; G=Owego, NY; H=Washougal, WA; L=Hanford, CA

INDUCTOR / EDUCTOR SYSTEMS

STS INDUCTOR SYSTEM



The STS (SMART TRANSFER SYSTEM) is designed to make adding chemical and surfactants quick and easy to your application equipment. Offered in 40 or 65 gallons with the option of 2" or 3" plumbing. The tank is designed with a molded 2" outlet for 100% drainage, eliminating any raised lip or flange that holds chemical residue. Control Handles positioned at ergonomic working height allow the operator to function the valves while never having to reach down under the tank. Standard with a 16" hinged lid and tank rinse plumbing make inducting chemicals fast and easy. Optional jug rinse kits available, whether you want a jug piercing cutting blade or rotating rinse nozzle assembly. The 4 legged welded stand is stout enough to mount the STS inductor system on a truck and stable enough to set on the ground.

STANDARD FEATURES

- 16" hinged lid
- Blue tank
- Tank rinse with valve
- Anti-vortex blade
- 4-leg stand
- "Toilet Bowl" tank rinse
- Valve handle linkage system for tank 2" outlet valve
- Eductor units - Bypass valve control lever
- Eductor plumbing can be reversed for left or right hand flow



Item #	MFG #	Description
5281637	STS-40	40 gallon tank and stand with outlet valve and valve control handle
5281633	STS-402E	40 gallon tank and stand with 2" eductor system with control handles
5281634	STS-403E	40 gallon tank and stand with 3" eductor system with control handles
5281638	STS-65	65 gallon tank and stand with outlet valve and valve control handle
5281635	STS-652E	65 gallon tank and stand with 2" eductor system with control handles
5281636	STS-653E	65 gallon tank and stand with 3" eductor system with control handles

JUG RINSE OPTIONS



Optional jug rinse kits available.

Simply remove the lid screws and drop in the jug rinse kit that meets your application needs. Whether you want a rotating rinse nozzle assembly, a jug slicer knife, or jug piercing cutting blade to puncture and rinse, we have your option.

Kit Includes: Jug rinse insert, plumbing for inside tank and 3/4" ball valve and fittings with 5' of 3/4" hose.



EZJR-16-STS-KIT



STS-SLICER-KIT



STS-JUG-PUNCTURE-KIT

Item #	MFG #	Description
5281703	STS-JUG-RINSE-KIT	Jug rinse insert kit
5281702	STS-SLICER-KIT	Slicer jug rinse kit
5281704	STS-JUG-PUNCTURE-KIT	4-Blade jug cutting puncture rinse kit

INDUCTOR / EDUCTOR SYSTEMS

MIX-N-FILL UNITS - FULL DRAIN CAPABILITY



15 GALLON
W/8" LID



35 GALLON
W/8" LID



35 GALLON
W/16" LID



40 GALLON
W/16" LID



60 GALLON
W/16" LID



65 GALLON
W/16" LID

Part #	Description
15IND-KIT	15 gal. inductor tank & stand / 8" lid
35IND-KIT	35 gal. inductor tank & stand / 8" lid
35IND16-KIT	35 gal. inductor tank & stand / 16" lid

Part #	Description
40FD-IND-KIT	40 gal. full drain inductor tank and stand 16" lid
60IND-KIT	60 gal. inductor tank & stand / 16" lid
65FD-IND-KIT	65 gal. full drain inductor tank and stand 16" lid

MIX-N-FILL UNITS

Complete with mounting plate and bolts for attaching to 6" or 7" channel trailer frames



Part #	Description
NT35IND-KIT	35 Gallon inductor tank and stand with 8" lid
NT35IND16-KIT	35 Gallon inductor tank and stand with 16" lid

2" POLY INDUCTOR SYSTEM WITH TANK RINSE

2" Poly Inductor System With Tank Rinse, Inlet 2" Hose Barb, Outlet 2" Male Quick Adapter

TANK & STAND NOT INCLUDED IN PRICE



Part #	Description
MIS220HBAK-RNS-KIT	Venturi W/Rinse Kit

2" & 3" POLY INDUCTOR SYSTEM

2" or 3" Venturi Inductor system, install after pump (Pressure side of pump). Completely empties inductor tank.



Part #	Description
MIS220HBAK	2" Venturi Inductor Kit 2" Hosebarb Inlet X 2" Male Camlock Outlet X 2" Mpt Product Valve W/ 2" Full-Port Bypass
MIS300A	3" Venturi Inductor Kit 3" Flange Inlet X 3" Male Camlock Outlet X 2" Mpt Product Valve W/ 3" Full-Port Bypass

2" INDUCTOR PLUMBING KIT FOR SUCTION SIDE OF PUMP

2" Chemical Inductor Plumbing Kit, install before pump (Suction side of pump).



Part #	Description
INDPLMB-KIT	Plumbing package for inductor tank 2" Hosebarb Inlet x 2" Hosebarb Outlet

APPLICATORS & SPRAYERS
DRY MATERIAL HANDLING
TRAILERS
TANKS & ACCESSORIES
PUMPS
VALVES & FITTINGS
STRAINERS & HOSE
PLANTER EQUIPMENT
SPRAYER CONTROLS & GUIDANCE
NOZZLES, TIPS & SPRAY GUNS
NH3 PRODUCTS
TECHNICAL INFORMATION
INDEX

INDUCTOR / EDUCTOR SYSTEMS

40 & 60 GALLON CLEANLOAD SYSTEMS

HYPRO®

- 40 or 60 gallon tank
- Market leading eduction rates
- Dual CycloRinse nozzles
- ProClean bottle rinse
- 2" bypass plumbing for use with spray pumps
- 3" bypass plumbing for use with multiple Cleanloads
- Compact eductor and bypass assembly uses less space than competitor



3371-0044

3371-0046

Part #	Description
3378-1640-2BYP	Transfer Pump, 40 Gallon, 16mm Eductor, 2" Bypass
3378-1660-3BYP	Transfer Pump, 60 Gallon, 16mm Eductor, 3" Bypass
3371-0044	2" Bypass, 11mm Eductor
3371-0046	3" Bypass, 16mm Eductor

HYPRO® 3376 SERIES CLEANLOAD

Eduction System for Quick and Safe Loading of Chemicals into Spray Tanks

- The Cleanload is a self-contained eduction system, which allows the operator the use of one system to mix liquid and dry chemicals safely and quickly
- 7.0 gallon (26.5 L) tank features a wide 16-inch lid (406 mm), holds a full 51 pound (23.1 kg) bag of dry material, and can be used to rinse larger 20-liter (5.2 gal) jugs
- Educts 7 gallons (26.5 L) of liquid in 10 seconds and a 51 pound (23.1 kg) bag of AMS in 30 seconds



Part #	Tank Size	Application	Eductor Orientation	Flange
3376-0870	7 Gallon	Turf/Diaphragm, Poly- (08mm) High Pressure/ Low Flow	Right Hand	220 Universal Flange
3376-1170	7 Gallon	On-Board Sprayer, Poly- (11mm) High Pressure/ High Flow	Right Hand	220 Universal Flange
3376-1171	7 Gallon	On-Board Sprayer, Poly- (11mm) High Pressure/ High Flow	Left Hand	220 Universal Flange
3376-1670	7 Gallon	Transfer Pump, Poly- (16mm) Low Pressure/ High Flow	Right Hand	220 Universal Flange
3376-1671	7 Gallon	Transfer Pump, Poly- (16mm) Low Pressure/ High Flow	Left Hand	220 Universal Flange
3375P-05T5	5.5 Gallon	316 Stainless Steel	Right Hand	1-1/4" x 1-1/2" Flynut ready
3375P-05T7	7 Gallon	316 Stainless Steel	Right Hand	1-1/4" x 1-1/2" Flynut ready

CLEANLOAD POLY OR STAINLESS STEEL EDUCTOR

Poly Eductor:



3371-0036

- Market leading eduction rates designed for real world applications
- Optimizes system plumbing Costs with an integrated 1/2" push-to-connect port for tank rinse
- One-piece polypropylene eductor assembly with mounting bosses and 220 Universal Flange ports
- Choose from three nozzle sizes along with right or lefthand push-to-connect orientation to fit your specific application

316 Stainless Steel Eductor:



3371-00345

- Inlet and outlet ports are flynut-ready, offering a wrenchfree connection of hoses for easy installation and servicing
- Dual-ported to accommodate rinse port for either left hand or right-hand flow orientation

Part #	Application	Nozzle	Orientation	Description
3371-0040	Transfer Pump: Low Pressure/High Flow	16 mm	Right Hand	Includes three 220 Universal Flange Gaskets, 1/2" Push-to-Connect plug
3371-0040R			Right Hand	Eductor Only
3371-0041R			Right Hand	Eductor Only



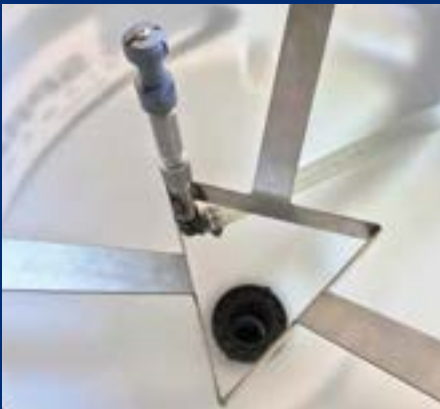
INDUCTOR / EDUCTOR SYSTEMS



Mixmate is an automated chemical mixing system with automated recordkeeping. Mixmate is designed to be portable for your spray tender trailer. Fast mixing speeds lower operating costs of application equipment. Accurate measurements and records lower the risk of mixing errors and lost inventory.



CALL FOR A QUOTE ON A SYSTEM TO FIT YOUR NEEDS!



EZ INDUCTOR JUG RINSE

Drop in jug rinse system fits any Inductor tank with a 16" lid. Stainless Steel insert with 360 degree rotating rinse nozzle. Insert fits under tank lid. Kit includes: Stainless steel tank insert, rinse nozzle, 3/4" tank fitting and in tank plumbing.

Part #	Description
EZJR-16-KIT	EZ Inductor Tank Jug Rinse Kit, with rinse nozzle, fits under 16" lid.

INDUCTOR TANK JUG PUNCTURE KIT

The Knife cuts, mixes, and rinses chemicals in less than 60 seconds

- Cut any unopened plastic chemical jug
- Empty jug contents for mixing
- Fully rinse the jugs for safe disposal
- Punctures chemical containers without opening them, reducing operator exposure to harmful chemicals
- The container can be rinsed from the bottom



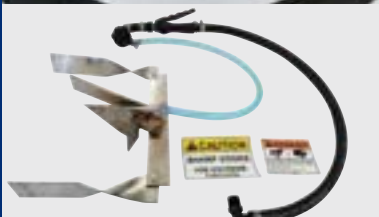
Part #	Description
85-HKNIFEKIT	Inductor Tank Jug Puncture Kit for 16" lid



SLICER JUG RINSE KIT FOR INDUCTOR / EDUCTOR TANKS

Jug Rinse System Installs In Inductor Tank. Press The Chemical Jug Down On The Stainless Steel Tri-Blade Knife And Press The Rinse Valve Trigger To Rinse Your Jugs.

(Kit Includes Stainless Steel Slicer, Tank Fitting, Trigger Valve , Hose And Warning Stickers.)



Part #	Description
SLICER-KIT	Slicer With Plumbing

- APPLICATORS & SPRAYERS
- DRY MATERIAL HANDLING
- TRAILERS
- TANKS & ACCESSORIES
- PUMPS
- VALVES & FITTINGS
- STRAINERS & HOSE
- PLANTER EQUIPMENT
- SPRAYER CONTROLS & GUIDANCE
- NOZZLES, TIPS & SPRAY GUNS
- NH3 PRODUCTS
- TECHNICAL INFORMATION
- INDEX

TANK LIDS

NORWESCO TANK LIDS

Part #	Description
62532	16" hinged lid with ring & vent
63390	16" hinged lid, ventless, w/o ring
60038	16" lid, ring and 4" center lid/air vent
60011	16" lid with 4" center lid/air vent
63485	16" lid with ring and vent
60365	16" lid, ventless
60367	16" lid, ventless with ring
60019	4" lid with air vent (air vent assembly for 16" lid)
60012	16" ring only
60032	8" lid, ring and air vent
63480	8" lid with air vent
60003	8" ring only for 60002
61727	Air vent for 8" lid only (snap on) 60002
60322	5" lid with ball check air vent (for tanks manufactured prior to 2/1/00)
63484	5" lid with ball check air vent (for tanks manufactured after 2/1/00)
62941	Ethafoam gasket for 16" non-hinged lid
60366	EPDM gasket for 5" lid, 60322, 63264, or 63484
63264	5" lid with 2" FPT, does not include vent cap
62531	Lanyard (18") for 8" or 16" non-hinged lid
67374	Strainer basket for 16" fillwell (7" depth)
63679	22" Lid and ring with air vent



62532



60030



63484



60011



63480



63485 (NEW STYLE)

POLYPROPYLENE VENT CAP/ANTI-VORTEX

Part #	Description
VC230	2" vent cap with 30 mesh screen
VC330	3" vent cap with 10 mesh screen
VC200	2" vent cap (without screen)
VC300	3" vent cap (without screen)

- 2" male NPT
- 304 SS screen
- Glass reinforced polypropylene



16" HINGED LOCKING LID 180°

Benefits:

- Lid stays secure
- Prevents collapsing under suction
- Prevents chemical spills & splashing
- Holds out in all weather conditions
- Interchangeable with standard 16" lid
- Polypropylene, chemical resistant



Part #	Description
HINGEDLID	16" hinged/locking lid
TLP-0023	16" gasket replacement

10" POLY THREADED LIDS



Part #	Description
TL101	10" non-vented tank lid

NORWESCO DOUBLE THREADED TANK FITTINGS

Part #	Fitting Size	Hole Size
62834	1/2" heavy duty double threaded polypropylene fitting	1 7/16"
60401	3/4" double threaded polypropylene fitting	1 7/16"
62798	3/4" heavy duty double threaded polypropylene fitting	1 5/8"
60427	1" double threaded polypropylene fitting	2 1/4"
60403	1 1/4" double threaded polypropylene fitting	2 1/4"
63065	1 1/4" anti-vortex polypropylene fitting	2 1/4"
60124	1 1/2" double threaded polypropylene fitting	3"
60405	2" double threaded polypropylene fitting	3"
63683	2" heavy duty	3-1/4"
60335	2" siphon tube for 60337 & 60405	-
63481	2" standard duty double threaded polypropylene fitting	3"
62299	3" double threaded polypropylene fitting only	4 1/2"
62171	4" double threaded polypropylene fitting	5 3/4"
60327	3" siphon tube for 60339	-
62714	4" siphon tube for 62171	-
63263	3" x 12" long siphon tube	-



NORWESCO DOUBLE THREADED TANK GASKETS & PARTS

Part #	Fitting Size
60330	2" polypropylene reducer for 3" fitting
60402	1/2" & 3/4" EPDM gasket for 60401 & 62834
62799	3/4" EPDM gasket for 62798
60360	1/2" & 3/4" VITON gasket for 60401 & 62834
62800	3/4" VITON gasket for 62798
60404	1" & 1 1/4" EPDM gasket for 60427, 60403, & 63065
60361	1" & 1 1/4" VITON gasket for 60427, 60403, & 63065
60406	1 1/2" & 2" EPDM gasket for 60124, 60405, 61767 & 63481
60523	1 1/2" & 2" type B VITON gasket for 60124, 60405, 61767 & 63481
60336	2" EPDM gasket for 63683
60008	2" type B VITON gasket for 63683
60331	3" EPDM gasket for 60339 & 62299
60351	3" type B VITON gasket for 60339 & 62299
62785	4" EPDM gasket for 62171
62786	4" VITON gasket for 62171
61879	Poly Welding Kit, per foot
62398	1-1/4" Antivortex adapter for 60403
62399	2" Antivortex adapter for 60405 & 60337
60401GB	3/4" BUNA gasket for 60401
60403GB	1 1/4" BUNA gasket for 60403
60405GB	2" BUNA gasket for 60405
63316	2" MPT vent cap, anti-vortex, without screen



TANK FITTINGS



DOUBLE THREADED POLY TANK FITTINGS

Part #	Fitting Size	Hole Size
TF050	1/2" double threaded polypropylene fitting	1 5/8"
TF075	3/4" double threaded polypropylene fitting	1 5/8"
TF100	1" double threaded polypropylene fitting	2 1/4"
TF125	1 1/4" double threaded polypropylene fitting	2 1/4"
TF150	1 1/2" double threaded polypropylene fitting	3"
TF200	2" double threaded polypropylene fitting	3"
TF220	2" double threaded polypropylene fitting	3 1/4"
TF300	3" double threaded polypropylene fitting	4 1/2"
150G	3/4" EPDM gasket for TF050 & TF075	1 5/8"
200G	1" & 1 1/4" EPDM gasket for TF100 & TF125	2 1/4"
300G	1 1/2" & 2" EPDM gasket for TF150 & TF200	3"
TF220G	2" EPDM gasket for TF220	3 1/4"
TF300G	3" EPDM gasket for TF300	4 1/2"



"BOTTOM DRAIN" BOLTED TANK FITTINGS EPDM GASKET



FKM GASKETS AVAILABLE

Part #	Fitting Size
BF075BD	3/4" x 1 1/2" Threaded Flange
BF100BD	1" x 1 1/2" Threaded Flange
BF150BD	1 1/2" x 2" Std Port Threaded Flange
BF200BD	2" Threaded Std Port Flange
BF220BD	2" x 2" Threaded Full Port Flange
BF300BD	3" Threaded Flange

ANTI VORTEX TANK FLANGES



Part #	Fitting Size	Hole Size
TF100AV	1" Tank Flange Anti Vortex	2 1/4"
TF125AV	1 1/4" Tank Flange Anti Vortex	2 1/4"
TF150AV	1 1/2" Tank Flange Anti Vortex	3"
TF200AV	2" Tank Flange Anti Vortex	3"

BANJO DOUBLE THREADED STAINLESS STEEL TANK FITTINGS



- Double sided threads
- Standard with EPDM gaskets
- Viton gaskets available

Part #	Fitting Size	Hole Size
TF075/SS	3/4" double threaded Stainless Steel fitting	1 5/8"
TF100/SS	1" double threaded Stainless Steel fitting	2 1/4"
TF125/SS	1 1/4" double threaded Stainless Steel fitting	2 1/4"
TF150/SS	1 1/2" double threaded Stainless Steel fitting	3"
TF200/SS	2" double threaded Stainless Steel fitting	3"
TF220/SS	2" double threaded Stainless Steel fitting	3 1/4"
TF300/SS	3" double threaded Stainless Steel fitting	4 3/8"
150G	3/4" EPDM gasket for TF075	1 5/8"
200G	1" & 1 1/4" EPDM gasket for TF100 & TF125	2 1/4"
300G	1 1/2" & 2" EPDM gasket for TF150 & TF200	3"
TF220G	2" EPDM gasket for TF220	3 1/4"
TF300G	3" EPDM gasket for TF300	4 1/2"

STAINLESS STEEL BOLT-IN TANK FITTINGS

Features:

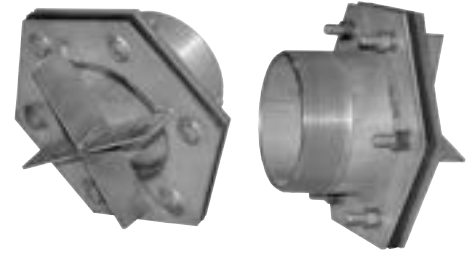
- 3/16" flange plates
- Stainless steel anti-vortex
- 304 stainless steel nipple
- Stainless steel bolts (welded in)
- Stainless steel lock washers and nuts
- Viton bolt gaskets
- EPDM flange gasket

Options:

- Viton gaskets
- Special fittings available on request

Advantages of Stainless Steel fittings

- Durable and strong
- Less chance of thread damage
- Able to withstand more weight due to plumbing hardware
- The fitting forms to the tank, not the tank to the fitting
- Requires NO special tools for installation
- The fitting CAN be reused



Part #	Size	Outside Flange	Inside Flange
2R3MX4E	3"	male	anti-vortex
2R4MX4E	4"	male	anti-vortex
3R6MX4E	6"	male	anti-vortex
1R2FX4E	2"	female	anti-vortex
2R3FX4E	3"	female	anti-vortex
2R4FX4E	4"	female	anti-vortex
2R3M3M4E	3"	male	male
2R4M4M4E	4"	male	male
1R2F90X4E	2"	female, 90° elbow	anti-vortex
2R3F90X4E	3"	female, 90° elbow	anti-vortex
2R4F90X4E	4"	female, 90° elbow	anti-vortex
2R3MXP4E	3"	male	high-flo anti-vortex
2R3FXP4E	3"	female	high-flo anti-vortex
3R6MX4E	6"	male	anti-vortex

SPECIALTY BOLTED STAINLESS STEEL TANK FITTINGS

316 stainless steel construction • Nipple welded to inside flange • HDPE gaskets • Other sizes and models are available

Part #	Description
TA-20-FC-SS	2" Full Coupling
TA-30-FC-SS	3" Full Coupling
TA-20-FN-SS	2" Full Nipple
TA-30-FN-SS	3" Full Nipple
TA-20-FC-SS-AV	2" Full Coupling Antivortex



FIBERGLASS STORAGE TANKS-CONTAINMENT SYSTEMS



Palmer manufactures tanks and vessels of high quality carbon steel and various grades of corrosion resistant steel. Our standard shop-fabricated vessel capacities range from 2,100 gallons (50 barrels) to 42,000 (1,000 barrels). Special sizes and custom fabrication are also available. We offer field services for large diameter tanks.

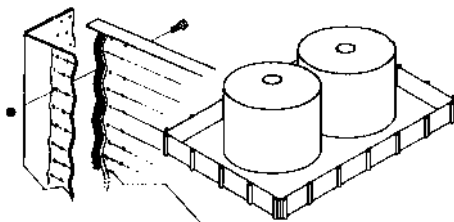
Strict quality control assures that each tank is manufactured with the highest quality steel and alloys in the specified thickness for your project application. Tanks are welded interior and exterior to API specifications and pressure tested.

Common Fiberglass Tank Sizes Available:

- 12x15 - 12,600
- 12x20 - 16,800
- 12x25 - 21,000
- 12x30 - 25,350
- 12x35 - 29,600

CONTAINMENT SYSTEMS

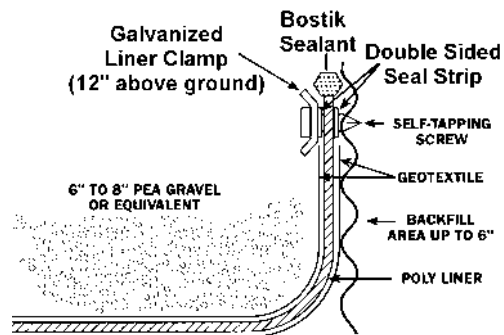
The DURA LIFE secondary containment system gives liquid fertilizer and petroleum dealers a reliable, affordable and flexible option in meeting new secondary containment regulations. The galvanized steel wall and heavy duty liner provide long lasting protection.



The DURA LIFE secondary containment system fits anywhere. Round, square, oblong, rectangular. Any shape that uses round ends or square corners. Four different heights: 25", 33", 45", 57".

The DURA LIFE secondary containment system is moveable.

10 ga. and 12 ga. corrugated sheets connect to form an extra heavy, reliable system, that holds its permanent shape.



Poly Liner System

A variety of liners are available for various secondary containment needs.

MILD STEEL FLAT BOTTOM TANKS

The mild steel tanks are constructed by a highly skilled team of steel technicians that have many years of experience in the tank manufacturing industry. The tanks are sandblasted to better prepare the surface for the application of epoxies and paints. Tanks constructed of American made carbon steel with the seams double welded.

AMERICAN
MADE MILD
STEEL FLAT
BOTTOM
STORAGE
TANK

Mild Steel Flat Bottom Tanks
1/4" bottom - 3/16" shell & top

Tank Capacity	Diameter	Height
8,500	12'	10'
10,000	12'	12'
12,600	12'	15'
16,800	12'	20'
21,000	12'	25'
25,000*	12'	30'
29,600*	12'	35'

*1/4" bottom and first ring (5')

- 1 - 4" threaded outlet
- 1 - 4" threaded inlet
- 1 - 4" siphon drain
- 1 - 24" manway
- 1 - 3/4" sight gauge
- 1 - 4" J-vent
- Lifting lugs - tie down lugs
- Sand blasted and primed

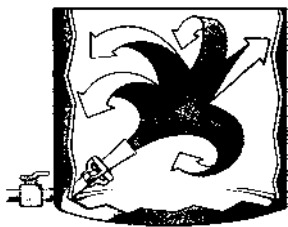
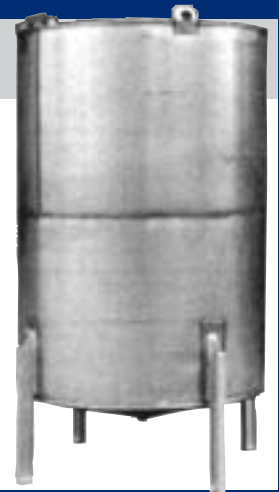
CALL AG SPRAY EQUIPMENT FOR A QUOTE ON A MILD STEEL TANK DELIVERED TO YOUR LOCATION.

STAINLESS STEEL CONE BOTTOM STORAGE TANKS

Standard features of the Stainless Steel cone bottom tanks: 1-2" top vent, 1-1 1/2" recirculation fitting, 1-2" bottom fitting, 1-16" stainless steel manway with flip lid, 4-Stainless steel fabricated legs, tapered bottom with antivortex over outlet, 3-lift hooks and mounting tab for outside pipe. 2 B finish. Pipe support bracket with stainless steel U-bolt. All horizontal seams are butt welded on the inside and out. Vertical seams overlapped and welded inside and out. Tanks pressure tested upon completion.

Model #	Tank Capacity	Dimensions	Model #	Tank Capacity	Dimensions
CB-1100	1,100 Gal.	58" x 96" x 120"	CB-3650	3,650 Gal.	94" x 120" x 144"
CB-1600	1,600 Gal.	70" x 96" x 120"	CB-4300	4,300 Gal.	94" x 144" x 168"
CB-2200	2,200 Gal.	82" x 96" x 120"	CB-5100	5,100 Gal.	94" x 168" x 192"
CB-2400	2,400 Gal.	70" x 144" x 168"	CB-6100	6,100 Gal.	94" x 204" x 228"
CB-2940	2,940 Gal.	94" x 96" x 120"	CB-8000	8,000 Gal.	94" x 264" x 288"
CB-3000	3,000 Gal.	70" x 180" x 204"	CB-10,000	10,000 Gal.	142" x 144" x 168"

CALL
FOR
PRICES



TANK AGITATION MADE EASY!

This tank mixing eductor is an inexpensive, highly effective way to improve agitation in your ag solution tanks. No extra powered equipment is necessary. You can use your existing transfer pump. For every 1 GPM pumped in, you get 5 times that for recirculation.

SEE PAGE 135 FOR MORE INFORMATION AND PRICES ON EDUCTORS.

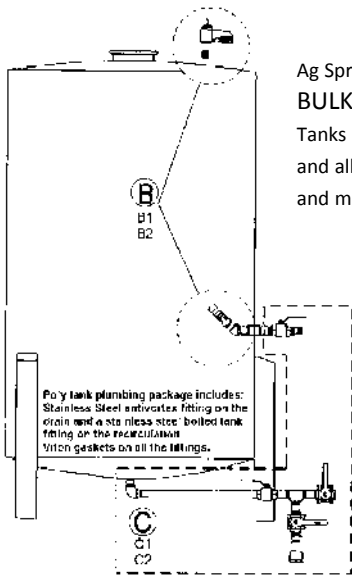
STAINLESS STEEL HAULING TANKS

- Conical or oval
- Single or double compartment
- Baffles
- Fitting size
- Sparge tube
- Ladder
- Sump style

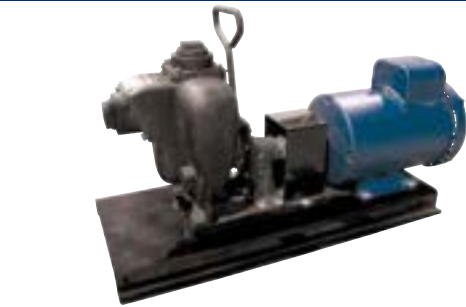
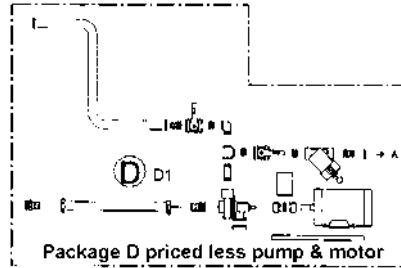
CALL FOR A CUSTOMIZED TANK QUOTE



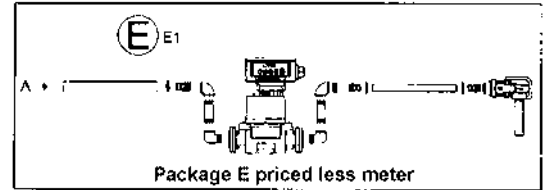
BULK HERBICIDE EQUIPMENT PACKAGE



Ag Spray Equipment carries a complete line of BULK HERBICIDE EQUIPMENT. Tanks (Stainless steel and poly), pumps, meters, and all the required plumbing. Call today for prices and more information.



2" Banjo cast iron pump 5.5 HP 3° motor



TCS METERS

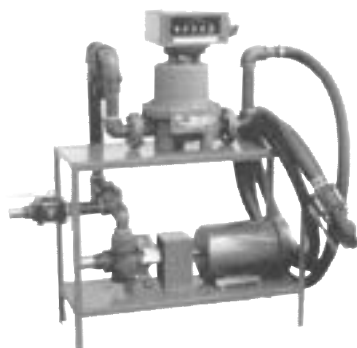
The model 682AF is an 1 1/2" piston positive displacement meter designed for the measurement of agricultural, chemical, petroleum, food and a multitude of industrial liquids. With the inlet and outlet on the same centerline, the design allows for the handling of a wide range of viscosities and gives exceptional measuring accuracy at high or low flow rates. Basic construction consists of cast iron housing, stainless steel and iron internal parts and Teflon gaskets.



Part #	Description
682-15-AF-2AT	1 1/2" Meter & register
682-15-AF-4AT	1 1/2" Meter, register, air eliminator
682-15-AF-6AT	1 1/2" Meter, register, printer, air eliminator (Metric units available)

Model 682 is the only model that is state certifiable. The 700 is certifiable for Petro but not for chemical or fertilizer. Flow Rates: 682 - .2-40 G.P.M.; 700 - 2" - 10-100 G.P.M.; 700 - 3" - 20-200 G.P.M. AF = Cast Iron • IC = HC Anodized Aluminum

HERBICIDE PUMPING SYSTEMS



PAINTED STEEL STAND FOR THE PUMP/MOTOR AND METER

Part #
 METERSTAND

PRESSURE VACUUM VENT



Pressure-vacuum vent prevents open atmosphere venting and helps prevent dry-out or moisture loss from product. Aluminum construction, 1 oz. vacuum, 8 oz. pressure, 10" height.

Part #
 748ALT

CONE BOTTOM SCALE SYSTEM

4 Sizes Of Tanks 1650, 2500, 3000 & 6000

Includes: 30° cone bottom tank with a 5 year nonprorated warranty rated at 16 lb per gallon, mild steel cone bottom stand, 3" or 4" stainless steel antivortex outlet, recirculation fitting installed in sidewall.



FS4-210

Cardinal FS4 Lever Type Scale System

- Single tension load cell.
(Less moisture & lightening problems)
- 37,500 lbs capacity
- NTEP-Legal For Trade
- 6" channel iron skid base
- Scale & base-epoxy painted
- Stainless Steel Enclosure
- NEMA 4 Rating
- 210 Cardinal digital readout



Optional

- CTP-1 Ticket Printer
- Mechanical Agitation System



HEAVY DUTY FLOOR HUGGER

Electronic low profile platform scale/ Legal for trade (NTEP) approved Rapid, accurate weighing translates into optimum performance in any operation, and Cardinal's Floor Hugger helps you reach that goal. This above-ground platform scale provides you with the latest in weighing technology. Cardinal's unique load cell assembly is self-checking and environmentally sealed for those less-than-perfect locations. The design features include a rigidly constructed weighbridge with easy to remove (optional) ramps. When necessary, the entire scale can be conveniently lifted, moved, and re-installed as your production and traffic flow needs change. Select one of the weight displays or printers to complete your weighing package. A wide selection of weight displays provide the answer to almost any weight and control needs, from simple to complex. The printers are equally flexible in design to meet recording and data processing needs. Ease of operation is paramount in the engineering of all Cardinal products. The Floor Hugger is no exception.



Part #	Description
FHN-544	4' x 4', 5000 lb capacity floor hugger scale (less display)
CTP-1	Ticket printer



STAINLESS STEEL
DESK ENCLOSURE

210 DIGITAL WEIGHT DISPLAY

Part #	Description
210	Digital weight indicator

NOTE: 210 weight display is stainless enclosures & is Nema 4 rated (waterproof)

FLANGED VALVES & COMPONENTS

PRATT BUTTERFLY VALVES



Part #	Size
NOS1-8CF8-2	2" Valve W/Handle
NOS1-8CF8-3	3" Valve W/Handle
NOS1-8CF8-4	4" Valve W/Handle

BLACK IRON FLANGE - 150 PSI

Part #	Size
BICF200	2"
BICF300	3"
BICF400	4"
BICF600	6"



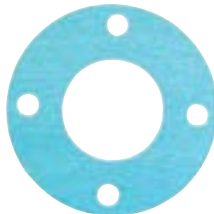
POLY FLANGE - 150 PSI

Part #	Size
AF100	1"
AF150	1 1/2"
AF200	2"
AF300	3"
AF400	4"



COMPANION FLANGE GASKET ON-ASBESTOS

Part #	Size
CFG2	2"
CFG3	3"
CFG4	4"
CFG6	6"

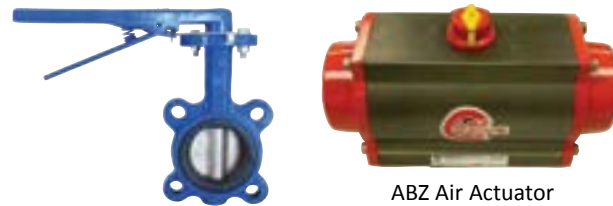


CELCON GATE VALVE

Part #	Size
GVL050	1/2"
GVL100	1"
GVL125	1 1/4"



ABZ BUTTERFLY VALVES



ABZ Air Actuator

Part #	Size
396-979-2	2" Valve w/ handle
396-979-3	3" Valve w/ handle
396-979-4	4" Valve w/ handle
396-979-6	6" Valve w/ handle
ABZ40DA	Air Actuator (2")
ABZ80DA	Air Actuator (3" & 4")
ABZ200DA	Air Actuator (5" & 6")
ABZHANDLE2	Handle for valves above
ABZHANDLE4	Handle for valves above
ABZHANDLE6	Handle for valves above

BLACK IRON KING NIPPLE

Part #	Size
BIKN112	1 1/2"
BIKN200	2"
BIKN300	3"
BIKN400	4"
BIKN600	6"



316 STAINLESS STEEL HOSE BARB



- 316 SS Precision Castings
- Hex Flats
- Combination Sizes

Part #	Description
HB025SS	1/4" Male Thread x 1/4" Hose Shank
HB025038SS	1/4" Male Thread x 3/8" Hose Shank
HB025050SS	1/4" Male Thread x 1/2" Hose Shank
HB038050SS	3/8" Male Thread x 1/2" Hose Shank
HB050SS	1/2" Male Thread x 1/2" Hose Shank
HB050058SS	1/2" Male Thread x 5/8" Hose Shank
HB050075SS	1/2" Male Thread x 3/4" Hose Shank
HB075SS	3/4" Male Thread x 3/4" Hose Shank
HB075050SS	3/4" Male Thread X 1/2" Hose Shank
HB075100SS	3/4" Male Thread x 1" Hose Shank
HB100075SS	1" Male Thread x 1" Hose Shank
HB300SS	3" Male Thread x 3" Hose Shank

DRICOPIPE POLYETHYLENE PIPE FITTINGS

FOR HEAT FUSION WELDING DRISCOPIPE



Part #	Size	Fitting Type
DR112IPS	1-1/2"	SDR11 Pipe
DR2IPS	2"	SDR11 Pipe
DR3IPS	3"	SDR11 Pipe
DR4IPS	4"	SDR11 Pipe
DR6IPS	6"	SDR11 Pipe

TRANSITION FITTINGS



Part #	Size	Transaction Type
DRTR200FB	2"	SDR11 Pipe x MPT (full-bore)
DRTR200KN	2"	SDR11 Pipe x King Nipple
DRTR300FB	3"	SDR11 Pipe x MPT (full bore)
DRTR300KN	3"	SDR11 Pipe x King Nipple
DRTR400FB	4"	SDR11 Pipe x MPT (full-bore)
DRTR400KN	4"	SDR11 Pipe x King Nipple
DRTR600KN	6"	SDR11 Pipe x King Nipple

45° ELBOWS



Part #	Size	Fitting Type
DRLL20045	2"	45° Elbow, SDR11
DRLL30045	3"	45° Elbow, SDR11
DRLL40045	4"	45° Elbow, SDR11
DRLL60045	6"	45° Elbow, SDR11

90° ELBOWS



Part #	Size	Fitting Type
DRLL112	1-1/2"	90° Elbow, SDR11
DRLL2	2"	90° Elbow, SDR11
DRLL3	3"	90° Elbow, SDR11
DRLL4	4"	90° Elbow, SDR11
DRLL6	6"	90° Elbow, SDR11

REDUCERS



Part #	Size	Fitting Type
DRBR300200	3" x 2"	Reducer, SDR11
DRBR400300	4" x 3"	Reducer, SDR11
DRBR600400	6" x 4"	Reducer, SDR11

TEES



Part #	Size	Fitting Type
DRT112	1-1/2"	Tee, SDR11
DRT2	2"	Tee, SDR11
DRT3	3"	Tee, SDR11
DRT4	4"	Tee, SDR11
DRT6	6"	Tee, SDR11

FLANGE ADAPTERS



Part #	Size	Fitting Type
DRFA2	2"	Flange Adapter, SDR11
DRFA3	3"	Flange Adapter, SDR11
DRFA4	4"	Flange Adapter, SDR11
DRFA6	6"	Flange Adapter, SDR11

IRON BACK-UP RINGS



Part #	Size	Fitting Type
DRBUR200	2"	Iron Backup Ring for FA2
DRBUR300	3"	Iron Backup Ring for FA3
DRBUR400	4"	Iron Backup Ring for FA4
DRBUR600	6"	Iron Backup Ring for FA6

WE NOW HAVE A DRISCO MACHINE AVAILABLE FOR RENT TO HELP WITH ALL OF YOUR DRISCO NEEDS.

Call Your Nearest Location For More Details



APPLICATORS & SPRAYERS
 DRY MATERIAL HANDLING
 TRAILERS
 TANKS & ACCESSORIES
 PUMPS
 VALVES & FITTINGS
 STRAINERS & HOSE
 PLANTER EQUIPMENT
 SPRAYER CONTROLS & GUIDANCE
 NOZZLES, TIPS & SPRAY GUNS
 NH3 PRODUCTS
 TECHNICAL INFORMATION
 INDEX

LIVESTOCK

LIVESTOCK OR SUPPLY TANK FLOAT



Operating Pressure Limits -
 0 lbs. to 130 lbs.

<u>Part #</u>	<u>Description</u>
V	1" Float
V-K4	1" Float Repair Kit

(Kit Includes: Control Chamber Diaphragm, Filter, Retainer Ring, Float w/Shutoff Pad)



TANK FLOAT KIT

Keep Your Supply Tank Full.

Kit includes: Female Garden Hose Thread Quick Coupler, Male Quick Coupler, 3/4" Tank Bung Fitting, Pipe Thread Adapter 3/4" MPT X 1" MPT & 1" Tank Float.

<u>Part #</u>	<u>Description</u>
SHP-V-GH-KIT	1" float kit to attach to garden hose & mount in poly tank



DAIRY KIT

The Dairy Kit was designed to keep cows cool in holding areas which increases milk production. This kit contains plumbing fittings with a check valve and an open canopy nozzle.

<u>Part #</u>	<u>Description</u>
DAIRY-10-KIT	Dairy plumbing kit with 10 lb. check valves
DAIRY-2-KIT	Dairy plumbing kit with 2 lb. check valves

MINERAL FEEDERS

Mineral Feeders are designed for dispensing of mineral supplement to livestock. Feeders feature heavy metal base for stability and pivot system to prevent mineral loss in wind. Feeder housing is manufactured from corrosion resistant, USDA compliant medium density polyethylene with UV inhibitors. Base is manufactured from welded and painted structural steel.



<u>Part #</u>	<u>Description</u>
MF-10198	Mineral Feeder

STOCK TANKS



<u>Part #</u>	<u>Description</u>
ARM-10116	100 Gallon Oval
ARM-10117	150 Gallon Oval
ARM-10138	320 Gallon Round
ARM-10139	610 Gallon Round
ARM-10135	920 Gallon Round

LICK TANKS



<u>Part #</u>	<u>Description</u>	<u>Diameter /Height</u>
LTA155-55**	155 gallon 2 wheel lick tank	55" x 37"
LTA285-68-2**	285 gallon 2 wheel lick tank	68" x 41"
LTA285-68-4**	285 gallon 4 wheel lick tank	68" x 41"
LT24W	Lick tank 24" wheel	68" x 41"

**Wheels need to be ordered separately.

LIQUID FEED TANK SETUPS & EDUCTORS

CONE BOTTOM OR FLAT BOTTOM TANKS. UNITS ASSEMBLED TO YOUR SPECIFICATIONS. UNITS DELIVERED AND SET UP ON YOUR SITE.

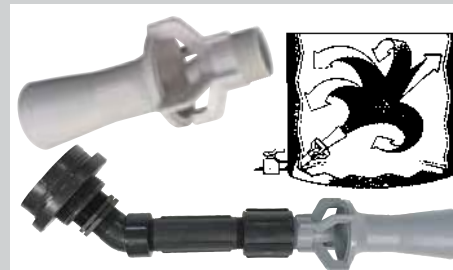


- Tanks of your choice (See pages 100-101 for vertical tanks or page 115 for cone bottom tanks)
- Pump to meet your gallon per minute requirement (See pages 136-137 for pump options)
- Second discharge if using two separate products
- Black iron or polypropylene pipe fittings
- Exclusive tank mixing eductor
- 2" full port bolted valves
- Standard plumbing which includes- bottom load through a valve assembly, suction from the tank or tanks to the pump, recirculation back to each tank eductor and a discharge line
- Rubber wire reinforced suction hose or Kanaflex 390 hose

TANK MIXING EDUCTOR

Part #	Description
EDUCTOR38	3/8" Tank Mixing Eductor Poly
EDUCTOR34	3/4" Tank Mixing Eductor Poly
EDUCTOR112	1 1/2" Tank Mixing Eductor Poly
EDUCTOR112-KIT	1 1/2" Eductor Agitation Kit, 2" Inlet (Kit includes; 2" Heavy Duty Tank Fitting, 45 degree elbow, 6" pipe extension & 1 1/2" Eductor)

Tank mixing eductor's are an inexpensive, highly effective way to improve agitation in your AG solution tanks. For every 1 GPM pumped in, you get 5 times the effective output flow.



HYPRO JET AGITATOR

Part #	Description
3371-0028	3/4" Tank Mixing Eductor Poly



HYPRO JET AGITATOR

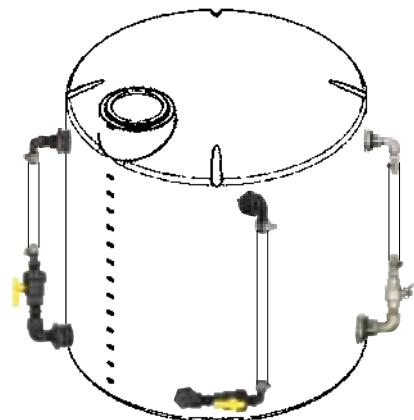
Part #	Description
3371-0019	Jet Agitator & Volume Booster

Performance Table Model 3371-0019			
Nozzle Diameter	Input to Agitator in GPM	Agitator Pressure In PSI	Agitator Output in GPM
1/8"	2.1	25	6
1/8"	2.9	50	8.8
1/8"	4.1	100	13.9
5/32"	3.1	25	7
5/32"	4.5	50	11.5
5/32"	5.8	100	13.9
3/16"	3.8	25	8.5
3/16"	5.9	50	12.8
3/16"	8.2	100	17.2
1/4"	5.9	25	11.9
1/4"	9.8	50	17.1
1/4"	13.5	100	20



SIGHT GAUGE ASSEMBLIES

Sight Gauge Kits make it easy to monitor tank levels in nontranslucent tanks. Option of Vertical or Horizontal Valve Mounting.



Part #	Code #	Description
SIGHT KIT-VERTICAL	5281253	3/4" Sight Gauge Assembly-Vertical Valve
SIGHT KIT-HORIZONTAL	5281254	3/4" Sight Gauge Assembly - Horizontal Valve
SIGHT GAUGE SS-KIT	5276850	3/4" Stainless Steel Sight Gauge Kit (Kit Includes All Stainless Fittings)

PUMPS



BOWIE GEAR PUMP UNIT

Includes: pump, electric motor, base with safety guards, belts, pulleys, completely assembled.



ELECTRIC MOTOR POWERED PUMP UNITS

Part #	Pump Size	GPM	Seal Type	HP	Phase
BPU910031-KIT	1 1/2"	33	Packed	3	1
BPU230051-KIT	2"	99	Packed	5	1

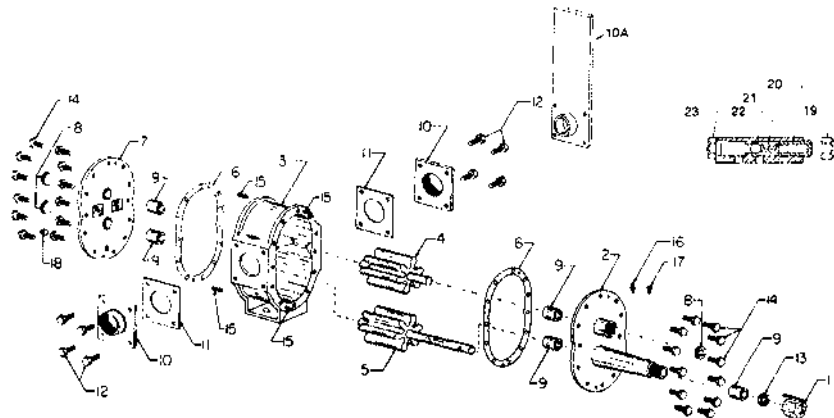
BOWIE PUMPS ONLY

Part #	Description	Max GPM	Relief Valve	Seal Type
BOW9100SW/112FLANGE	1 1/2" Bowie Pump	45	None	Packed
BOW2300STDFLADOT	2" Bowie Pump	133	None	Packed

GAS POWERED PUMP UNITS

Part #	Description	Max GPM
BPU2300G8H-KIT	2" Bowie Pump	95
BPU9100G5.5H-KIT	1-1/2" Bowie Pump	30

BOWIE REPAIR PARTS



2" BOWIE PUMP PARTS

1 1/2" BOWIE PUMP PARTS

Ref #	Part #	Description	No Req	Ref #	Part #	Description	No Req	Ref #	Part #	Description	No Req
1	301	Packing Nuts	1	5	2305A	Reg Drive Shaft	1	13	313	Rubber Graphited Packing Ring	1
2	302	Std Front Plate	1	5	2305SSA	S Steel Drive Shaft	1	13	313T	Teflon Packing	3
3	2303	Center Case	1	6	306	Pump Gasket	8	14	314	End Plate Bolt	24
4	2304	HyCar Gear w/Reg Idler Sft	1	7*	307	Std Back Plate	1	15	315	Taper Pin	4
4	2304C	Steel Gear w/Reg Idler Sft	1	7	307A	Bypass Back Plate	1	16	316	Grease Fitting	1
4*	2304SS	HyCar Gear w/SS Idler Sft	1	8	308B	End Plug	3	17	317	Lock Screw	1
4	2304A	Reg Idle Shaft	1	8*	308BF	End Plug w/Ptg	3	18	318	Drain Plug	2
4	2304SSA	Stainless Steel Idler Shaft	1	9*	309B	Bronze Bushing	5	19	319	Bypass Nut	1
4	304K	Gear Key	2	9	309T	Teflon Bushing	5	20	320	Bypass Gland	1
4	2304G	"3" Gear Only"	2	10	2310	Adapter Flange	2	21	321	Bypass Spring	1
5	2305	Std Gear w/Reg Drive Shaft	1	10A	2310A	Mounting Flange	1	22	322	Bypass Ball	1
5	2305C	Steel Gear w/Reg Drive Shaft	1	11	2311	Adapter Flange Gasket	2	23	323	Bypass Nut	1
5*	2305SS	Std Gear w/SS Drive Shaft	1	12	2312	Adapter Flange Bolt	8				
1	9101	Packing Nut	1	8	108	End Plugs	3				
2	9102	Front Plate	1	9*	109B	Bronze Bushings	4				
3	9103	Center Case	1	9	109T	Glass Filled Teflon Bushing	4				
4*	104	Gear (HyCar) w/Stainless Steel Idler Shaft	1	10	110	Packing Gland Insert	1				
			2	11	9111	Adapter Flange Gasket	1				
4	104B	Gear (Brass) w/Stainless Steel Idler Shaft	1	13*	113G	Graphite Asbestos Packing	3				
4	104SSA	Stainless Steel Idler Shaft Only	1	13	113T	Teflon Packing	3				
5*	105	Gear (HyCar) w/Stainless Steel Drive Shaft	1	14	114	End Plate Bolts	20				
5	105B	Gear (Brass) w/Stainless Steel Drive Shaft	1	15	115	Taper Pins	4				
5	105SSA	Stainless Steel Drive Shaft Only	1	16	116	Nut	1				
6	106	Pump Gaskets	7	17	123	Adjusting Bypass Screw	1				
7*	9107	Back Plate	1	18	124	Bypass Spring	1				
7	9107A	Bypass Back Plate Complete	1	19	125	Bypass Ball	1				
				20	126	Bypass Cap	1				

* Standard with above pump models



GEAR PUMP UNITS

Fully assembled complete with: 3 HP or 5 HP, 1PH or 3PH motor, steel base, double belt drive, "E-Z off" belt guard.

RPU3611RV31



ELECTRIC MOTOR POWERED PUMP UNITS

Part #	Pump Size	GPM	Relief Valve	Seal Type	HP	Phase
RPU3611RV31-KIT	2"	43	Yes	Packed	3	1
RPU3611RV53-KIT	2"	43	Yes	Packed	5	3
RPU361131-KIT	2"	43	No	Packed	3	1
RPU361133-KIT	2"	43	No	Packed	3	3
RPU2835P1-KIT	1 1/2"	12	Yes	Packed	1 1/2	1

GAS POWERED PUMP UNITS

Part #	Pump Part # / Size	GPM	Relief Valve	Seal Type	HP
RPUGH-KIT	3611HBRV / 2"	40	Yes	Packed	GX160

ROPER PUMPS ONLY

Part #	Description	Max GPM	Relief Valve	Seal Type
3611HB	2" Roper pump	75	No	Packed
3611HBRV	2" Roper pump	75	Yes	Packed
3617HBRV	2" Roper pump	98	Yes	Packed
2835P	1 1/2" Roper pump	12	Yes	Packed

RV FACEPLATE ASM

(DOES NOT INCLUDE RV COMPONENTS)
 N3-200 BRZ
 N3-218 CARBON
 N3-201 IRON
 N3-634 CRBN/GLASS/TFE
 INCLUDES P3-200 AND LONG BRGS (2):
 G5-257 BRZ
 G5-416 CARBON
 G5-269 IRON
 G5-860 CRBN/GLASS/TFE

RV ASM (STL SPR + BRGS)

(INCLUDES RV FACEPLATE ASM PLUS STL & STD RV COMPONENTS)
 N2-408 BRZ, HI
 N2-278 CARBON, STD
 N2-410 CARBON, HI
 N2-262 IRON, STD
 N2-538 IRON, HI
 N2-745 CRBN/GLASS/TFE, STD
 N2-746 CRBN/GLASS/TFE, HI

RV ASM (SST SPR + BRGS)

(INCLUDES RV FACEPLATE ASM PLUS SST & STD RV COMPONENTS)
 N2-443 BRZ, STD
 N2-443 BRZ, HI
 N2-308 CARBON, STD
 N2-735 CARBON, HI
 N2-737 IRON, STD
 N2-930 IRON, HI
 N2-937 CRBN/GLASS/TFE, STD
 N2-938 CRBN/GLASS/TFE, HI

PLAIN FACEPLATE ASM

N3-177 BRZ
 N3-226 CARBON
 N3-178 IRON
 N3-633 CRBN/GLASS/TFE
 INCLUDES P3-137 AND LONG BRGS (2):
 G5-257 BRZ
 G5-416 CARBON
 G5-269 IRON
 G5-860 CRBN/GLASS/TFE
 N43-01 PURE TFE
 N43-103 GRAPHITE FILAMENT
 N43-170 GARLOCK DSA

PKG SET

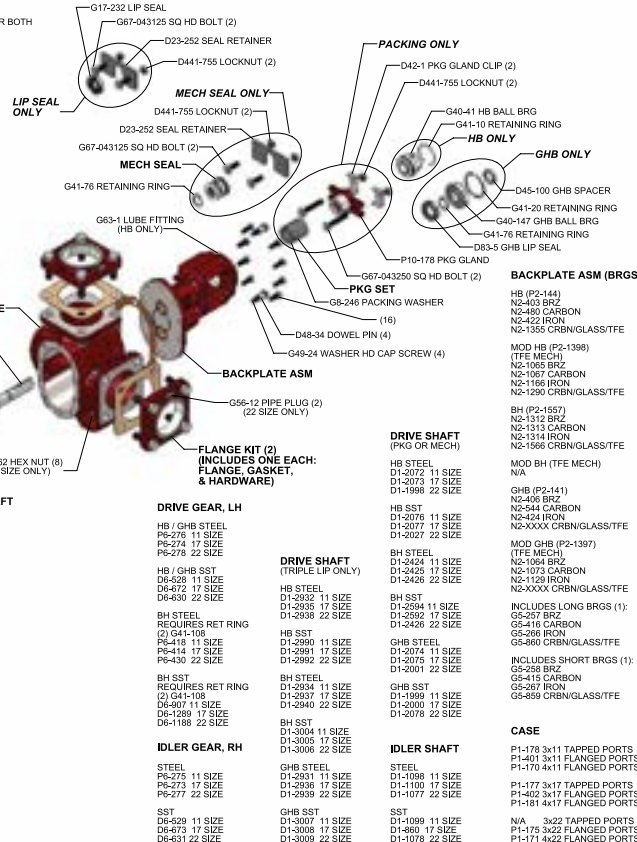
11 SIZE
 N43-1 STD
 N43-188 TFE IMPREGNATED
 N43-151 TFE GRAPHITE
 N43-01 PURE TFE
 N43-103 GRAPHITE FILAMENT
 N43-170 GARLOCK DSA
 17 SIZE
 N14-17 2" NPT (STD)
 N14-20 2 1/2" NPT
 N14-18 3" NPT
 N14-19 2" NPT EL
 N14-20 3" NPT EL
 N14-20 4" NPT EL

MECH SEAL

G4-101 STD
 G4-140 FLUOROELASTOMER
 G4-65 TFE VITON O-RING
 (REQ MOD BACKPLATE & D8-443 LOCATOR RING)

FLANGE KIT (2 REQ'D)

NOT REQ'D TO BE SAME FOR BOTH
 11 SIZE
 N14-14 2" NPT (STD)
 N14-15 2" NPT EL (VERT)
 N14-16 2" NPT EL (HOR)
 17 SIZE
 N14-17 2" NPT (STD)
 N14-20 2 1/2" NPT
 N14-18 3" NPT
 N14-19 2" NPT EL
 N14-20 3" NPT EL
 N14-20 4" NPT EL
 EL = 90° ELBOW



3611-4722 HB, BH, GHB TYPE 3



PUMPS

CAST IRON CENTRIFUGAL SELF-PRIMING PUMP



Part #	Size	Engine	HP	Starter	GPM
200PI6PRO	2"	Briggs	950 Series	Rewind	160
200PIH5-KIT	2"	Honda	GX160	Rewind	160
300PIH8	3"	Honda	GX240	Rewind	200
300PIH13	3"	Honda	GX390	Electric	

Do not run pumps dry, restrict or reduce port sizes or dead head pumps. This could cause component failure to pump.

REPLACEMENT ENGINES

Part #	Description
GX160UT1QX2	Honda GX160 engine only
GX390UT2QA2	Honda GX390 engine only
GX160UT2QE2	Honda GX160 electric start engine only
GX390UT2QAE2	Honda GX390 electric start engine only



HYDRAULIC DRIVEN CAST IRON PUMPS WITH HYDRAULIC MOTOR

Part #	Description
200PIHY	2" hydraulic driven cast pump (Min 6 gal / Max 10 / 12 HP Motor/ Open System)
300PIHY	3" hydraulic driven cast pump (Min 9 gal / Max 13 / 21 HP Motor/ Open System)



CAST IRON PUMP ONLY

(for use with gas engines - includes bolt package & support Z rails)

Part #	Description
200POI	2" cast pump only
300POI	3" cast pump only



POI - pump only is shipped complete and ready for attachment to a gasoline engine.



CAST IRON PUMP PEDESTAL MOUNTED

(for use with electric motors)

Part #	Description
200PBI	2" cast pump w/ pedestal
300PBI	3" cast pump w/ pedestal

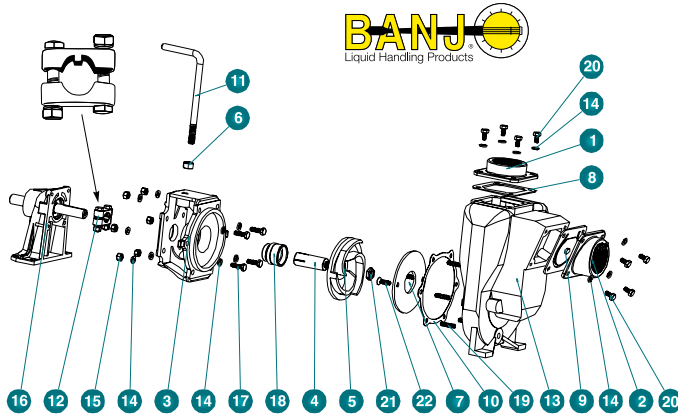


PBI - Pedestal pump is easily adaptable to electric power



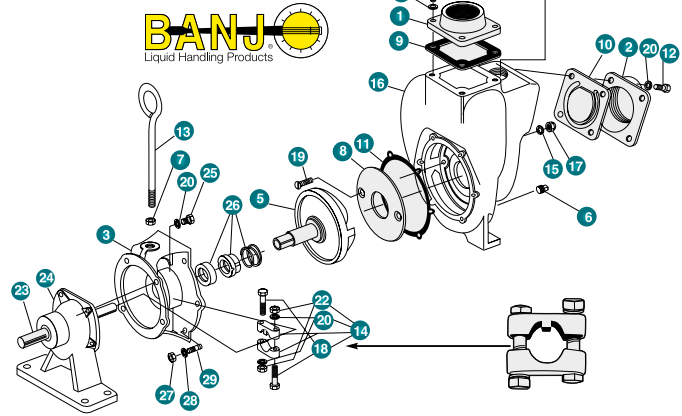
HEAVY DUTY CENTRIFUGAL PUMP UNITS

Part #	Pump Description	HP	Phase	RPM
200PBI3HP1-KIT	2" Cast Iron Pump	3 HP	1°	3450
200PBI3HP3-KIT	2" Cast Iron Pump	3 HP	3°	3450
200PBI5HP1-KIT	2" Cast Iron Pump	5 HP	1°	3450
200PBI5HP3-KIT	2" Cast Iron Pump	5 HP	3°	3450
200PBI10HP1-KIT	3" Cast Iron Pump	10 HP	1°	3450



REPLACEMENT PARTS: 1 1/2" & 2" CAST IRON PUMP

Ref. #	Part #	Description	Qty Per Pump
1	17000	Flange-Outlet 2"	1 (2" Only)
1	17001	Flange-Outlet 1 1/2"	1 (1 1/2" Only)
2	17002	Flange-Inlet 20" 2"	1 (2" Only)
2	17003	Flange-Inlet 1 1/2"	1 (1 1/2" Only)
3	17004	Adapter-Gase Engine	1
3	17046	C-Flange Adapter	1
4	17005	Sleeve Drive 5/8" for electric motor	1 (1 Per Pump)
4	*17006	Sleeve Drive 3/4" for gas engine	1 (1 Per Pump)
4	17007	Sleeve Drive 7/8" for electric motor	1 (1 Per Pump)
5	*17008	Impeller - 5" (Standard)	1
6	17010	1/2" Hex Nut	1
7	*17011	Wear Plate	1
8	17013	EPDM Gasket	1
9	17016	Gasket - Check valve Assy.	1
10	*17018	Gasket Adapter	1
11	15022	Handle	1
12	17023	Clamp 5/8", 3/4" Shaft Assy. (Old Style)	1 (1 Per Pump)
12	17123	Clamp 5/8", 3/4" Shaft Assy. (Keyed)	1 (1 Per Pump)
12	17024	Clamp 7/8" Shaft Assy.	1 (1 Per Pump)
13	17026	Pump Housing	1
14	V10118	5/16" Lockwasher	18
15	V10119	5/16" - 18 Hex Nut S.S.	6
N/S	12882R	Housing for Bearing Pedestal	1
N/S	12883B	Bearing Pedestal 3/4" Shaft Only	1
N/S	12883R	Pedestal Bearing	2
16	12882A	Complete Pedestal Assy.	1
17	17040	Cap Screw 5/16" - 24 x 1.00" NF	4
18	17028	Seal Assy. (EPDM)	1 (1 Per Pump)
18	*17035	Seal Assy. FKM (viton type)	1 (1 Per Pump)
18	17035SD	Severe Duty Seal	1 (1 Per Pump)
19	17042	Stud	6
20	17019	Capscrew 5/16" - 18 x 3/4"	8
21	17009B	Nut, Hex 1/2" - 13 UNC	1
22	17130	C' Sink Flat Head Screw	2
N/S	17033	Z Rails	Pair
N/S	17100	Pump Repair Kit (1 1/2" & 2") (Consists of items marked *)	1
N/S	12777	1/2" Plug	1
N/S	UV15163	O-ring	1



REPLACEMENT PARTS: 3" CAST IRON PUMP

Ref. #	Part #	Description	Qty Per Pump
1	18008	Flange, Outlet 3" NPT	1
2	18012	Flange Inlet 3" NPT	1
3	18026	Gas Engine Adapter	1
3	18048	3" C-Flange Adapter	1
3	18049	C.I. Hydraulic Motor Adapter 3"	1
N/S	18055	Hydraulic Adapter Shaft 3"	1
4	13777	3/4" Poly Plug	1
4a	18002	Plug, 1" NPT (old style)	1
5	18023-1.125	Impeller & Drive Shaft 1 1/8" (Electric Motor)	1
6	12777	Plug 1/2" NPT	1
7	18034	Nut, Jam 5/8" - 11 Thread. SS	1
8	18004*	Wear Plate	1
9	18009	Gasket, Outlet EPDM	1
10	18013	Gasket Check Valve Assy.	1
11	18021*	Gasket, Adapter	1
12	18010SS	Capscrew HXH D3/8" - 16 x 1 1/8" LG SS	8
13	18033	Handle 5/8 - 11 Thread.	1
14	18029	Clamp Assy. SS (Old Style)	1 Assy.
14	18129	Clamp Assy. SS (Keyed)	1 Assy.
16	18001	3" Pump Housing	1
19	18106*	Flat Head Wear Plate Screw	2
20	V20018	Lock Washer 3/8"	8
23	18504	1" Shaft for # Pedestal	1
24	18500	3" Bearing Pedestal - Complete	1
N/S	18502	Bearing	2
25	17704	Bolt	4
26	18025*	Seal Assy. FKM (viton type)	1
26	18025SD	Severe Duty Seal	1 (1 Per Pump)
27	V20019	3/8" 1655 Hex Nut	6
28	V20018	Washer 3/8" Lock SS	6
29	18218	3/8" 16 x 24 x 2 1/8 SS	6
N/S	13778	O-ring	1
N/S	18035	Z-Rail Mtg. Bracket	1 Pr.
N/S	UV15163	O-ring	1
N/S	18100	3" Pump Repair Kit (Consists of items marked *)	1

PUMPS



WET SEAL PUMPS - STAINLESS STEEL, CAST IRON & POLY



- Viton double seal contained in ethylene glycol reservoir
- Sight tube indicator
- Dynamic balanced impeller
- All Stainless steel hardware
- Available in 316 stainless steel or cast iron with bearing pedestal, gas engine or pump only

Cast Iron

Wet Seal Self-Priming Cast Iron Centrifugal Pumps

Part #	Size	Engine	HP	GPM
201PIH5W	2"	Honda	GX160	160
301PIH13W-KIT	3"	Honda	GX390	350
M332PIH13W	3"	Honda	GX390	360

Wet Seal Cast Iron Pump ONLY (for use with gas engine)

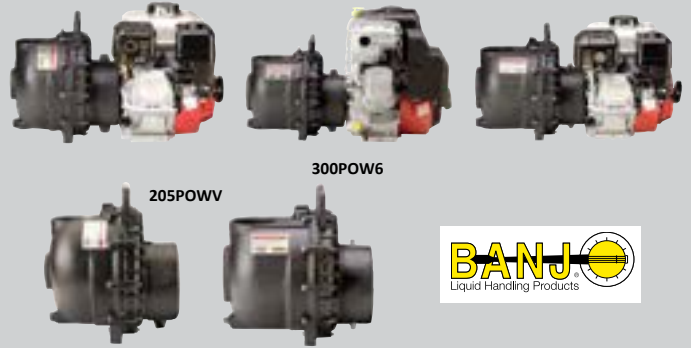
201POIW	2" cast iron pump only 3/4" shaft
301POIW	3" cast iron pump only 1" shaft

Wet Seal Cast Iron Pedestal Pump ONLY (for use with electric motor)

201PBIW	2" pump/bearing pedestal 3/4" shaft
---------	-------------------------------------

Wet Seal Pump Units

200PBI3HP1W-KIT	2" cast iron pump / wet seal
-----------------	------------------------------



- "V" shaped for quicker priming.
- Double seal contained in ethylene glycol reservoir. Carbon Ceramic seal faces with stainless steel cup-spring with EPDM rubber.
- Large weep holes between pump end and engine.
- New Compact Design!
- Pump end separated from engine. Run Dry Capability!

Poly

Wet Seal Self-Priming Poly Pumps

Part #	Size	Engine	HP	GPM
200PH5W	2"	HONDA	GX160	160
M220PH5W	M220	HONDA	GX160	160
300PH6W	3"	HONDA	GX200	300
M300PH6W	M300	HONDA	GX200	300
300P11PROW	3"	BRIGGS	1650 SERIES	320

2" & 3" Poly Wet Seal Pump Only

Part #	Description
300POW6	3" Poly Wet Seal Pump Only 3/4" Shaft



STAINLESS STEEL PUMPS



All 316 stainless steel wetable internal components: impeller, sleeve, wear plate, fasteners. 316 stainless steel housing, carbon ceramic seal.

Hydraulic Driven 316 Stainless Steel Pumps

Part #	Description
200PHYSS	2" hydraulic driven SS pump
300PHYSS	3" hydraulic driven SS pump

2" Stainless steel pump complete with Gresen MGG2 hydraulic motor.



3" Stainless steel pump complete with Tyrone UM16 hydraulic motor.



316 Stainless Steel Pump ONLY (for use with gas engine)

Part #	Description
200POSS	2" 316 SS pump only - 3/4" shaft sleeve
300POSS	3" 316 SS pump - 1" shaft sleeve

316 Stainless Steel Pedestal Pumps (for use with electric motor)

200PBSS	2" pump/bearing pedestal 3/4" shaft
300PBSS	3" pump/bearing pedestal 1" shaft

PUMP REPAIR PARTS

APPLICATORS
& SPRAYERS

DRY MATERIAL
HANDLING

TRAILERS

TANKS &
ACCESSORIES

PUMPS

VALVES &
FITTINGS

STRAINERS
& HOSE

PLANTER
EQUIPMENT

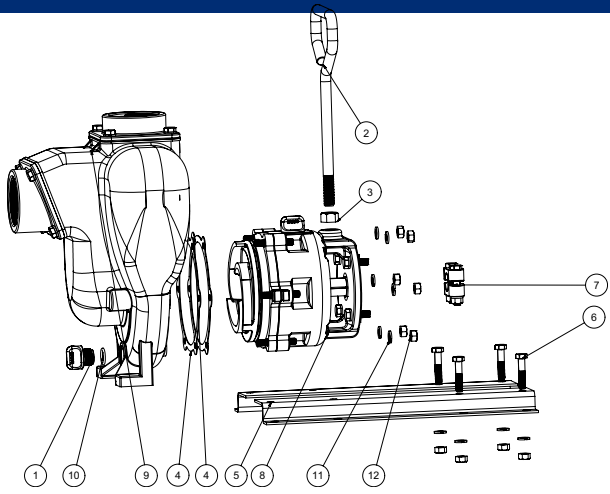
SPRAYER
CONTROLS &
GUIDANCE

NOZZLES, TIPS
& SPRAY GUNS

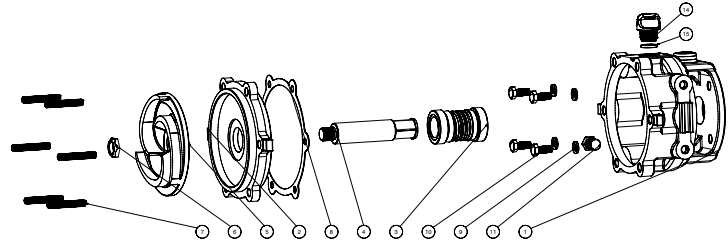
NH3
PRODUCTS

TECHNICAL
INFORMATION

INDEX



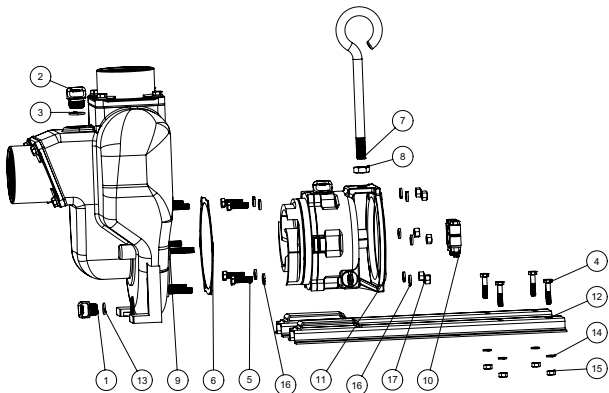
2" WET SEAL



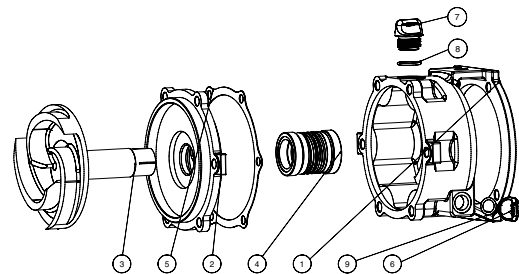
2" WET SEAL BANJO CAST IRON PUMP REPAIR PARTS

Ref. #	Description	Qty	Part #
1	1/2" Drain Plug	1	12777
2	2" Pump Handle	1	15022
3	1/2-13 Hex Nut	1	17010
4	Pump Adapter Gasket	2	17018
5	Z-Rail (Pair)	1	17033
7	CI Pump Keyed Clamp	1	17123
9	2" Wet Seal Pump Housing Sub-Assy	1	17226
10	#114 O'ring, Epdm	1	UV15163
11	5/16" Lockwasher	10	V10118
12	5/16" Hex Nut	10	V10119

Ref. #	Description	Qty	Part #
1	Reservoir	1	17201A
2	Cover plate	1	17202
3	FKM Mechanical Seal Assembly	1	17235
4	Adapter Shaft	1	17206A
5	Impeller	1	17208
6	5/8" Impeller Nut	1	17009B
7	Housing Stud	6	17242
8	Gasket Adapter	1	17018
9	5/16" Lock Washer	4	V10118
10	5/16" - 18 X 3/4" Cap Screw	4	17019
11	Pipe Plug	1	17032



3" WET SEAL



3" WET SEAL BANJO CAST IRON PUMP REPAIR PARTS

Ref. #	Description	Qty	Part #
1	1/2" Drain Plug	1	12777
2	3/4" Drain Plug	1	13777
3	#119 O'ring, Epdm	1	13778
5	3/8-16 X 1 1/4" HHCS	4	17704
6	Pump Adapter Gasket	1	18021
7	Pump Handle	1	18033
8	5/8-11 Jam Nut	1	18034
9	3/8" - 16 x 24 x 2-1/8" Stud	6	18218
10	Keyed Clamp Assy.	1	18129
11	3" CI Pump Wet Reservoir	1	18203A
13	#114 O'ring, Epdm	1	UV15163
14	5/16" Lockwasher	4	V10118
15	5/16" Hex Nut	4	V10119
16	3/8" Lockwasher	10	V20018
17	3/8" Hex Nut	6	V20019

Ref. #	Description	Qty	Part #
1	WET SEAL RESERVOIR, NEW	1	18203A
2	COVER PLATE	1	18202A
3	3 VANE IMPELLER	1	18206
4	EPDM MECH. SEAL ASSY.	1	15035E
5	PUMP ADAPTER GASKET	1	18021
6	1/2" DRAIN PLUG	1	12777
7	3/4" DRAIN PLUG	1	13777
8	2-119 O'RING	1	13778
9	2-114 O'RING	1	UV15163

PUMPS



POLY SELF-PRIMING CENTRIFUGAL PUMP



200PH5



200P6PRO



300PH6

BANJO POLY PUMP (GAS ENGINE PUMP WITH EPDM RUBBER PARTS)

Part #	Size	Model	GPM
150P3	1 1/2"	800 Series Briggs	100
200P3	2"	800 Series Briggs	100
200P6PRO	2"	950 Series Briggs	160
200PH5	2"	GX160 Honda	160
300PH6	3"	GX200 Honda	300
300P11PRO	3"	1650 Series Briggs	320



BANJO POLY BEARING PEDESTAL PUMP (TO ADAPT TO ELECTRIC ENGINE)

Part #	Description
200PB	2" pump/ pedestal 3/4" shaft
300PB	3" pump/ pedestal 3/4" shaft
205PB	2" pump/ pedestal 3/4" shaft
12882A	Bearing pedestal 3/4" shaft



BANJO POLY PUMP (GAS ENGINE PUMP WITH FKM (Viton) RUBBER PARTS)

Part #	Size	Model	GPM
200P6PROV	2"	950 Series Briggs	160
200PH5V	2"	GX160	160



BANJO POLY PUMP ONLY

Part #	Description
200POV	2" pump only w/ FKM parts
200PO	2" pump only
M225PO	2" poly manifold pump only 5 vane imp 3/4" shaft
205POV	2" pump only w/ FKM parts
205PO	2" pump only

333 SERIES PUMP



Part #	Description
333PBI	3" CI Pump/bearing pedestal with a 1" keyed shaft



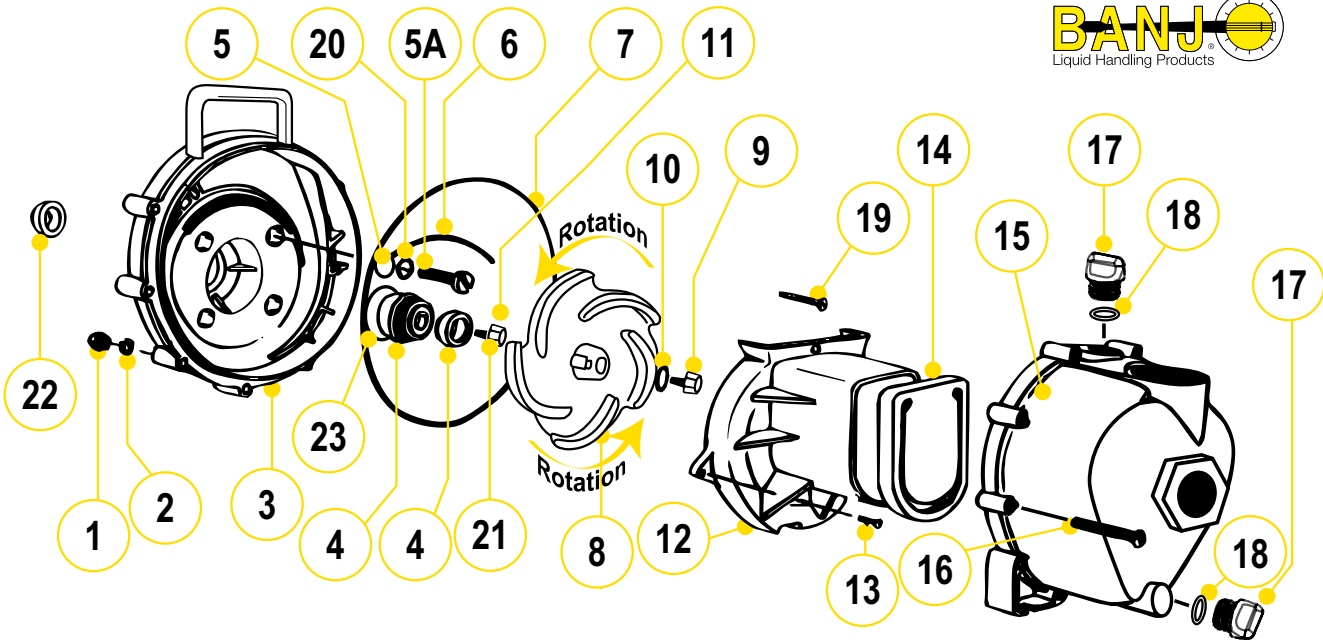
444 SERIES PUMP



Graphite loaded silicon carbide seal with stainless steel cup and spring with FKM rubber

Part #	Description
444PIH24	4" CI Pump, with 24 h.p. Honda Engine





1 1/2" - 2" - 3" BANJO POLY PUMP REPAIR PARTS

Ref. #	Description	Per Pump	Part #
1	Body Nut SS	10	V-07019
2	Lock Washer SS	10	V-07018
3	Poly Pump Rear Bracket	1	12703A
4	Seal Assembly * +	1	12713
5	Screw Heads "O" Ring * +	4	12717
5A	Bracket Screws SS	4	12715A
6	O-ring Segment * +	1	12754
7	Body O-Ring * +	1	12719A
8	3 Vane Impeller 1 1/2" Pump +	1	12771A
8	5 Vane Impeller 2" Pump +	1	12772
8	4 Vane Impeller 3" Pump +	1	13771
9	Impeller Bolt SS	1	12765A
10	Impeller Bolt O-Ring * +	1	A204
11	Impeller Hex Nut	1	12775A
12	Poly Pump Volute 1 1/2" & 2"	1	12702A
12	Poly Pump Volute 3"	1	13702
13	Volute Screws SS	2	12725
14	Poly Pump Check Valve +	1	12705
15	Poly Pump Body Assembly 1 1/2"	1	12711A

Ref. #	Description	Per Pump	Part #
15	Poly Pump Body Assembly 2"	1	12712A
15	Poly Pump Body assembly 3"	1	13712
16	Body Screws SS	10	12720
17	Prime/Drain Plug 1 1/2" & 2"	2	12777
17	Prime/Drain Plug 3"	2	13777
18	Prime/Drain Plug O-Ring* + 1 1/2" & 2"	2	UV-15163
18	Prime/Drain Plug O-Ring * + 3"	2	13778
19	Upper Volute Screw SS	1	12900
20	Rear Bracket Washer SS	1	12901
21	Impeller Key	1	12902A
22	Poly Pump Slinger * + 2" & 3"	1	12716
23	O-Ring For Seal Assembly * +	1	12710
N/S	Pump Repair Kit (Items marked+) 1 1/2" & 2"	1	12000A
N/S	Pump Seal O-Ring (Marked *) 1 1/2" & 2"	1	12999A
N/S	Pump Seal O-Ring (Marked *) 3"	1	13999
N/S	Bearing Pedestal 3/4" Straight Shaft w/key	1	12882A

PACER POLY PUMP



- Self-priming pump with lightweight, chemically resistant thermoplastic construction
- Includes a built-in check valve and self-cleaning double volute to keep fluid flowing freely
- High-quality, professional grade hardware designed for long-lasting use
- Premium LCT MAXX 208 CC engine with flow rates of up to 160 GPM
- 2" or 3" FNPT Inlet and Outlet with priming and drain plug
- Max Pressure 50 PSI
- Low Oil Alert System

(See AGSPRAY.COM for Pump Parts Breakdown)

Part #
SE2PL E5.5
SE3SL E5.5

Description
Pacer Pumps S Series 2" Self-Priming Pump with LCT MAXX 208 CC Engine
Pacer Pumps S Series 3" Self Priming Pump with LCT MAXX 208 CC Engine

TRANSFER PUMPS

BSEF SERIES These Monarch close coupled electric motor driven, utility pumps have a large rugged casing for fast self priming. The BSEF series feature cast iron construction, with a Viton shaft seal and down-sized impeller, to handle heavier ag chemical pumping applications

Part #	HP	Suct NPT	Disch. NPT	Electrical Characteristics
BSEF-150TE	1 1/2	1 1/4"	1 1/4"	1/60/230V, TEFC motor
BSEF-200TE	2	2"	2"	1/60/230V, TEFC motor
BSEF-300TE	3	2"	2"	1/60/230V, TEFC motor
BSEF-300-3TE	3	2"	2"	3/60/230/460V, TEFC motor
BSEF-500TE	5	3"	3"	1/60/230/460V, TEFC motor

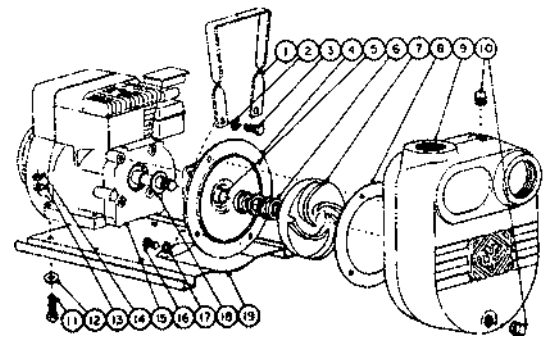


ENGINE DRIVEN SELF PRIMING - BSGF SERIES WITH IRON CLAD

BSGF SERIES - GASOLINE ENGINE DRIVEN - GENERAL PURPOSE LIQUID TRANSFER

2 Year Pump End Warranty

Part #	Suct & Disch. NPT	Model	Electrical Description
BSGF-10	2" x 2"	900 Series	B&S standard, with 3 qt. fuel tank.
BSGF-10HONDA		GX160	Honda, with 4 qt. fuel tank.
8BSGF-12	3" x 3"	1550 Series	B&S standard, with 4 qt. fuel tank.
8BSGF-12HONDA		GX270	Honda, with 6 qt. fuel tank.



WHEN ORDERING PARTS SPECIFY THE MODEL AND TYPE, CODE & PART#.

- A = BSGF-8, BSGF-8H, BSGF-8IC, BSGF-8IP, BSGF-8V
- B = 5BSGF-8, 5BSGF-8H, 5BSGF-8IP, 5BSGF-8IC
- C = BSGF-10, BSGF-10H
- D = BSGF-12
- E = 8BSGF-12, 8BSGF-12H (Type/Tip0B), 8BSGF-12IC, 8BSGF-12IP

2" & 3" MONARCH PUMP REPAIR PARTS

Ref. #	Code #	Quantity Required For					Description	Ref. #	Code #	Quantity Required For					Description
		a	b	c	d	e				a	b	c	d	e	
1	414145					1	Handle	11	226000	4	4	4	4	4	Bolt, 5/16" UNC x 1 1/2" Zinc Pl.
1	414149					1	Handle	11	226010						Bolt, 5/16" UNC 1-3/4" Zinc Pl.
1	414142					1	Handle (8BSGF-12 & 8BSGF-12IC)	13	176220	4	4	4	4	4	Spring Washer, 5/16" Zinc Plated
1	433184					1	Handle (8BSGF-12H)	14	227820	4	4	4	4	4	Nut, 5/16" UNC Zinc Plated
1	401666	1					Handle (BSGF-8IP)	15	201950	1					Engine, B & S, 3.5 HP
1	401664		1	1			Handle (5BSGF-8, 5BSGF-8IC, BSGF-10)	15	201952	1					Engine, B & S/IC, 3.5 HP
								15	202000	1					Engine, Honda, 4 HP #GX120TX
1	401662	1	1	1			Handle	15	201905	1					Engine, B & S/IP, 3.5 HP
2	176687	4	4	4	4		Toothpick Washer, 5/16" Zinc Plated	15	201907	1					Engine, B & S Vanguard, 4 HP
3	225961	4	4	4			Bolt, 5/16" UNF x 3/4" Zinc Plated	15	201915		1	1	1		Engine, B & S Intek, 5.5 HP
3	225971				4		Bolt, 5/16" UNF x 7/18" Zinc Plated	15	202001		1	1			Engine, Honda, 5.5 HP #GX160TX
3	226220					2	Bolt, 3/8" UNC x 1 1/4" Zinc Plated	15	201910		1				Engine, B & S Intek I/C, 5.5 HP
3	226230					2	Bolt, 3/8" UNC x 1 1/2" Zinc Plated	15	201909	1					Engine, B & S Vanguard, 5.5 HP
4	438275						Adapter	15	201908		1				Engine, B & S Intek/OG, 5.5 HP
4	238283	1	1	1			Adapter	15	201918						Engine, B & S, 8 HP
4	438480				1		Adapter	15	202002					1	Engine, Honda, 9 HP #GX270PX
4	438481					1	Adapter	15	201919					1	Engine, B & S/IC, 8 HP
5*	266000	1	1	1	1		Sleeve	15	201929						Engine, B & S Intek I/C, 8 HP
5*	266006					1	Sleeve SST	15	201930					1	Engine, B & S Vanguard, 9 HP
6*	240344	1	1	1	1		Mechanical Seal, 3/4" I.D.	16	124191	4	4	4		4	Bolt, 3/8" UNC x 3/4" SST
6*	240359					1	Mechanical Seal, 1 1/4" I.D.	16	172970					4	Stud, 3/8" UNC x 1-1/4" SST
7*	438180						Impeller	17*	175500	4	4	4			Aluminum Washer, 3/8"
7*	438191	1	1				Impeller	18*	191141		1	1	1		Flinger (Except 5BSGF-8H & BSGF-8IP)
7*	438202			1			Impeller								Flinger
7*	438477				1		Impeller	18*	191142	1					Flinger (8BSGF-12IC)
7*	438475					1	Impeller	18*	191270					1	Flinger (BSGF-8IC & BSGF-8V)
8*	193930	1	1	1			Gasket	18*	194140	1					Base Plate
8*	193919				1	1	Gasket	19	414140	1	1	1	1		Base (Not Shown)
9	438057	1	1	1			Casing - Yellow	19	414143					1	Nut, 3/8" UNC Zinc Plated
9	438471				1	1	Casing	N/S	227830					4	
10	185650	2	2	2	2	2	Pipe Plug, 3/4" NPT Galv.								

FRANKLIN TRANSFER PUMPS

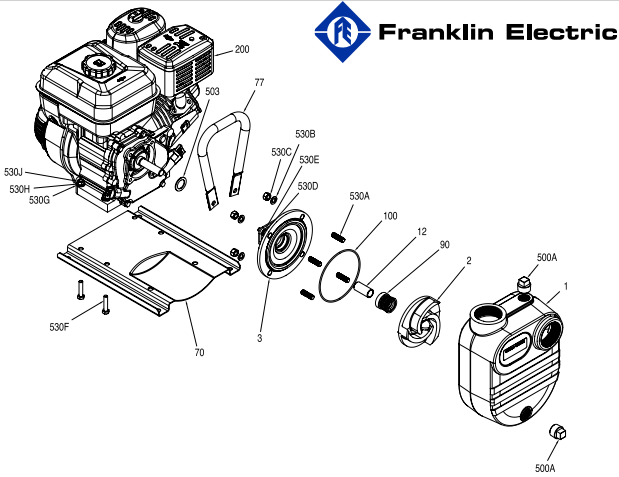


Fig. No.	Part Description	Part No.						Materials of Construction	
		FBSGF-8	FBSGF-8H	FBSGF-10	FBSGF-10H	FBSDF-10RF	FBSGF-12		FBSGF-12H
1	Pump Case	305460001			305460002			Cast Iron, ASTM-A48 CL30	
2	Impeller	305460003	305460004			305460005		Cast Iron, ASTM-A48 CL30	
3	Motor Adapter	305460007			305460008			Cast Iron, ASTM-A48 CL30	
12	Mech Seal Shaft Sleeve	305458010						416 Stainless steel	
70	Base, Engine Frame	305459015			n/a		305459016	CRS	
Not Shown	Roll Frame	n/a			309458013		n/a	CRS	
77	Pump Handle	305460009	305460010	305460009	n/a	305460021	305460011	CRS	
90	Mechanical Shaft Seal	305463116						Carbon/ Ceramic/ Iron/ 316SS	
100	Case O-Ring	305463125						EPDM	
200	Engine	See Engines Below						Misc.	
500A	Pipe Plug	305463050						Cad-Plated Steel	
503	Water Slinger	305460012	305458022		305460024	305456009		Neoprene	
530A	Stud - Volute (4 Req)	305463129						Zinc Plated Steel	
530B	Lockwasher - Volute (8-Pack)	305463032						Zinc Plated Steel	
530C	Hex Nut - Volute (8-Pack)	305463033						Zinc Plated Steel	
530D	Hex Bolt - Bracket	305463128		305463121		305463189		Zinc Plated Steel	
530E	Int. Lockwasher - Bracket (4-Pack)	305463127			305463190			Zinc Plated Steel	
530F	Hex Bolt - base	305463122			305463191		305463122	Zinc Plated Steel	
530G	Flat Washer - Base (4-Pack)	305463109						Zinc Plated Steel	
530H	Lockwasher-Base	305463092						Zinc Plated Steel	
530J	Hex Nut - Base	305463062						Cast Iron, ASTM-A48 CL30	
Not Shown	Spacer (4-Pack)	n/a						305463192	n/a

NOTE: The B/S p/n have changed in the engine table.
Viton® is a registered trademark of E. I. du Pont de Nemours and Company.

HYPRO®

HYPRO 2" & 3" POLY AND ALUMINUM TRANSFER PUMPS



1542P-65SPM



1572-SPX

Hypro 2" & 3" Aluminum Transfer Pumps

Part #	Max GPM	Max PSI	Port Size	Description
1542P-65SPM	200	58	2" x 2"	PowerPro™ 6.5 hp
1542P-65SP	200	58	2" x 2"	PowerPro™ 6.5 hp
1572-SPX	145	50	2" x 2"	Honda GX120
1573-SPX	280	50	3" x 3"	Honda GX160
3430-0792				2" Transfer Kit (NPT ports, SAE 3/4" keyed shaft mount)
3430-0793				3" Transfer Kit (NPT ports, SAE 3/4" keyed shaft mount)

HYPRO® 3" POLYPROPYLENE TRANSFER PUMPS

- Gas engine mount, pedestal mount or hydraulic drive options available
- Gas engine-driven versions powered by field proven 13 HP Hypro PowerPro™ engine or Honda GX390
- Housing: 3" X 3" Polypropylene
- Pump Seals: EPDM Mechanical
- Suction lift: 25 ft./7.62m
- Poly impeller with stainless steel insert

440 GPM

GPM AT 0 PSI	GPM AT 10 PSI	GPM AT 20 PSI	GPM AT 30 PSI	GPM AT 40 PSI	GPM AT 50 PSI	GPM AT 54 PSI
440	400	338	269	184	68	0



1542P-65SP

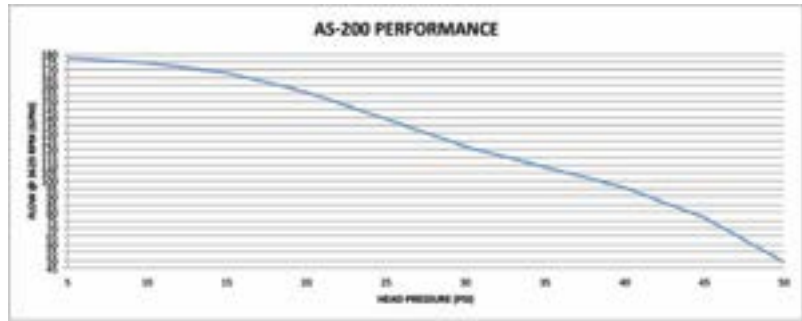


1543P-130ESP-01

Hypro 3" Polypropylene Transfer Pumps

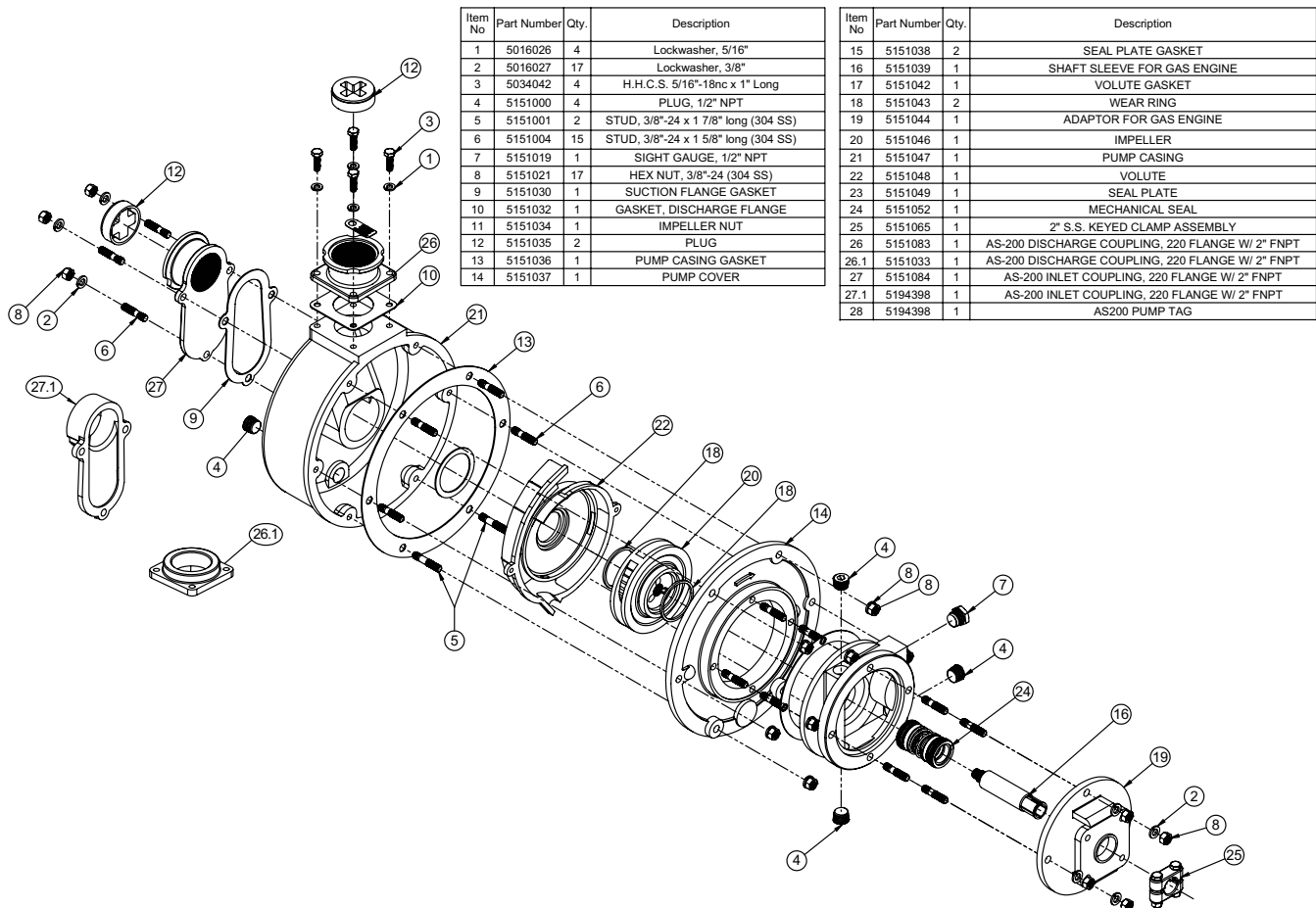
Part #	Max GPM	Max PSI	Port Size	Description
1543P-130ESP	440	54	3" x 3"	PowerPro 13 HP with elec. start
1543P-130ESP-01	440	54	3" x 3"	PowerPro 13 HP with elec. start and flange fittings
1543P-390EHSP	440	54	3" x 3"	Honda® GX390 with elec. start
9343P-GM6Y-SP*	450	52	3" x 3"	Hydraulic
9343P-GM10-SP	484	58	3" x 3"	Hydraulic
3430-0692				Pump head kit with EPDM seal
3430-0757				EDPM seal kit (4) O-Rings; (1) Mechanical Seal O-Ring; (1) Mechanical Seal; (1) Impeller O-Ring; (1) Flapper; (1) Body O-Ring

2" CAST IRON, WET SEAL TRANSFER PUMP

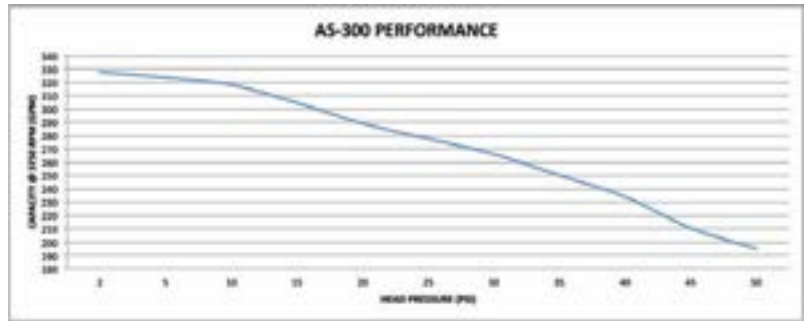


Part #	Description
AS-200U	2" Wet Seal Pump Only, Self-Priming, 3/4" Shaft
AS-200U-G5.5H-KIT	2" Wet Seal Pump With GX160 Honda

- Cast Iron Housing And Impeller Designed For Rugged Applications
- Wet Seal Reservoir Designed To Allow Seals To Run Consistently In Liquid
- Honda GX160
- High Flow 178 GPM @ 5 PSI
- 2" FNPT Inlet & Outlet
- 1/2" Drain Plug
- 2 Year Unconditional Warranty

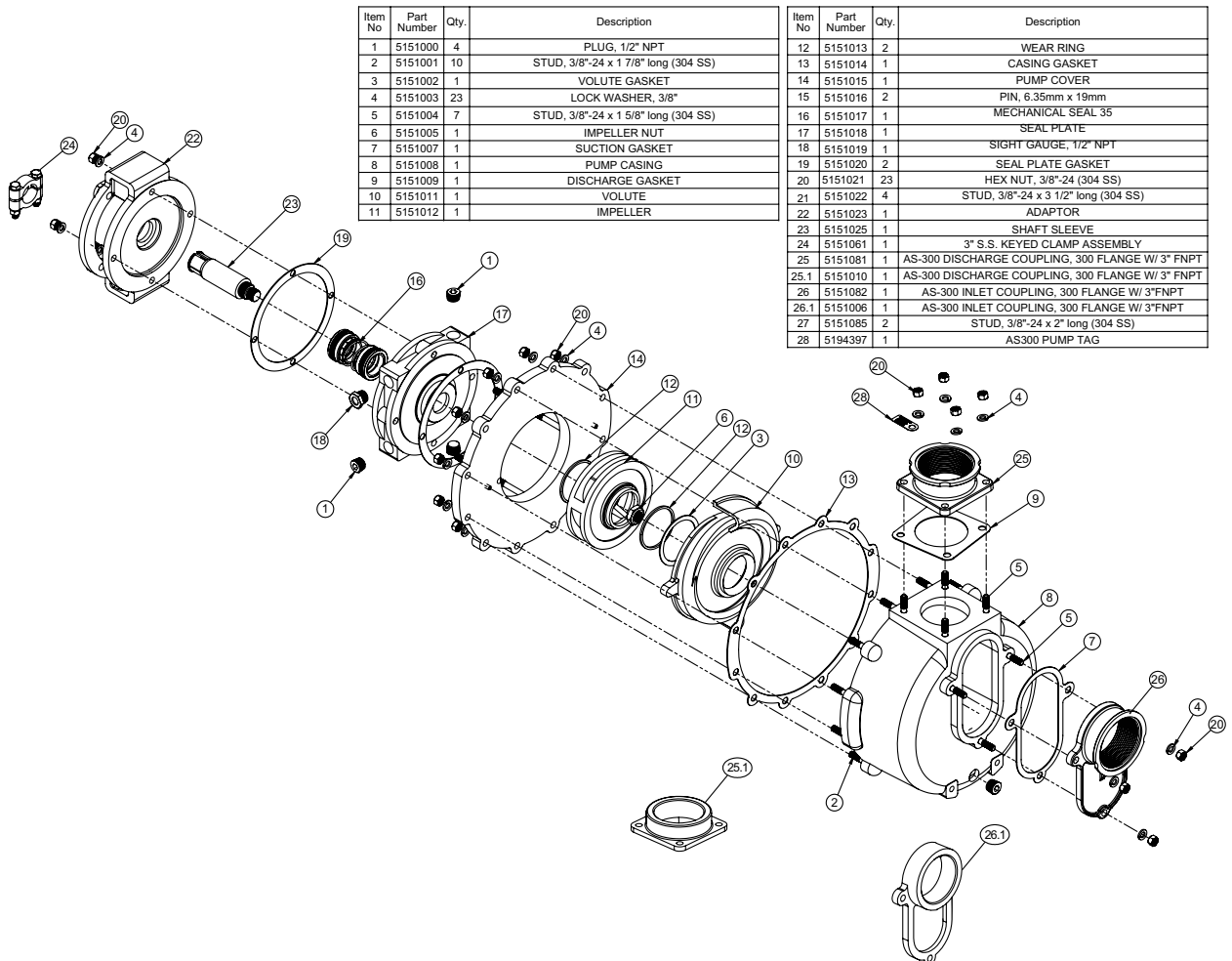


3" CAST IRON, WET SEAL TRANSFER PUMP



Part #	Description
AS-300U	3" Wet Seal Pump Only, Self-Priming, 1" Shaft
AS-300U-G13HES-KIT	3" Wet Seal Pump With GX390 Honda Electric Start

- Cast Iron Housing And Impeller Designed For Rugged Applications
- Wet Seal Reservoir Designed To Allow Seals To Run Consistently In Liquid
- Honda GX390 With Electric Start
- High Flow 332 GPM @ 0 PSI
- 3" FNPT Inlet & Outlet
- 1/2" Drain Plug
- 2 Year Unconditional Warranty



ELECTRIC CAST IRON, WEST SEAL TRANSFER PUMP

ELECTRIC 2" CAST IRON, WET SEAL TRANSFER PUMP



- Cast Iron Housing And Impeller Designed For Rugged Applications
- Wet Seal Reservoir Designed To Allow Seals To Run Consistently In Liquid
- 5 HP 1 Phase / 3 Phase Electric Motor
- High Flow 160 GPM @ 0 PSI
- 2" FNPT Inlet & Outlet
- 1/2" Drain Plug
- 2 Year Unconditional Warranty

<u>Part #</u>	<u>Description</u>
AS-2005HP1-KIT	2" Wet Seal Pump With 5 HP 1 Phase Electric Motor
AS-2005HP3-KIT	2" Wet Seal Pump With 5 HP 3 Phase Electric Motor

ELECTRIC 3" CAST IRON, WET SEAL TRANSFER PUMP



- Cast Iron Housing And Impeller Designed For Rugged Applications
- Wet Seal Reservoir Designed To Allow Seals To Run Consistently In Liquid
- 10 HP 1 Phase / 3 Phase Electric Motor
- High Flow 332 GPM @ 0 PSI
- 3" FNPT Inlet & Outlet
- 1/2" Drain Plug
- 2 Year Unconditional Warranty

<u>Part #</u>	<u>Description</u>
AS-30010HP1-KIT	3" Wet Seal Pump With 10 HP 1 Phase Electric Motor
AS-30010HP3-KIT	3" Wet Seal Pump With 10 HP 3 Phase Electric Motor

GAS ENGINE CONVERSION CHART FROM HP TO MODEL

HONDA

HP	Model #
4 HP	GX120
5.5 HP	GX160
6 HP	GX200
8 HP	GX240
9 HP	GX270
11 HP	GX340
13 HP	GX390

BRIGGS

HP	Model #
3.5 HP	800 Series
5.5 HP	900 Series
6.5 HP	950 Series
8 HP	1550 Series
11 HP	1650 Series

REPLACEMENT ENGINES

CALL FOR PRICING & SEASONAL SPECIALS

Part #	Part #	Starter	Crank Shaft Size	Oil Alert
GX120UT1QX2	5152081	Rewind	3/4" keyway	yes
GX120K1TX2	5152059	Rewind	5/8" threaded	yes
** GX160UT1QX2	5152058	Rewind	3/4" keyway	yes
GX160K1QXE2		Electric Start	3/4" keyway	yes
GX160K1HX2		6:1 Gear Reduction Box, Carb		yes
GX160UT2TX2		Rewind	5/8" threaded	yes
GX200UTQX2	5152088	Rewind	3/4" keyway	yes
GX240K1QA2	5152089	Rewind	1" keyway	yes
GX240U1QAE2	5152090	Electric & Rewind	1" keyway	yes
GX270QA2	5152092	Rewind	1" keyway	yes
GX340U1QA2	5152078	Rewind	1" keyway	yes
GX340U1QAE2	5152094	Electric & Rewind	1" keyway	yes
GX390U1QA2	5152095	Rewind	1" keyway	yes
GX390U1QAE2	5152096	Electric & Rewind	1" keyway	yes

**Banjo replacement pump engines. •18 hp & 20 hp engines do not include the gas tank or exhaust system. NOT AVAILABLE IN CALIFORNIA

Part#	Description
5152099	Briggs & Stratton 6:1 Reduction Unit, 900 Series, 3/4" keyway
5152080	Honda 6:1 Reduction Unit, 3/4" keyway



GX160UT1QX2



GX390U1QAE2



GX160K1HX 6:1 Reduction

6.5 HP & 13 HP ENGINES

PowerPro Gasoline Engine, Recoil Start

Part #	Description
2541-0045	3/4" Keyed Shaft; 6.5 HP engine

PowerPro Gasoline Engines, Electric Start

2541-0049	1" Keyed Shaft; 13 HP engine
-----------	------------------------------



LEESON ELECTRIC MOTORS TEFC

Part #	H.P.	Phase	R.P.M.	Voltage	Frame
131533	3	1°	1740	230	184T
131538	5	1°	1740	230	184T
131549	5	1°	3500	230	184T
G130008	3	3°	1760	230/460	182T
G120185	3	3°	3490	230/460	145T
131464.00	5	3°	1750	230/460	184T
131987.00	5	3°	3510	230/460	184T
G130103	7.5	3°	3505	230/460	213T
G150159	10	3°	3510	230/460	215T
G150033	20	3°	3540	230/460	256T



CDS-JOHN BLUE SQUEEZE PUMPS

Standard Pumps with Lubricated Nylon Bearings



L-6-C

Part #	# of Hoses	Metering Hose Size	GPA Rating	Discharge Hose Size	Suction Hose Size
L-6-C	6	1/2"	HIGH (7-45)	1/2"	1"
L-8-C	8	5/16"	LOW (3-18)	3/8"	1"
L-8-LC	8	1/2"	HIGH (7-45)	1/2"	1 1/4"
L-12-SC	12	5/16"	LOW (3-18)	3/8"	1 1/4"
L-12-C	12	1/2"	HIGH (7-45)	1/2"	1 1/4"
L-16-C	16	5/16"	LOW (3-18)	3/8"	1 1/4"

Optional Accessories

Part #	Description
L-4513	Sprocket Package - Complete; Includes L-1414 & L-4414; 8T, 9T, 10T, 15T, 22T, 23T, 26T, 30T, & 31T Sprockets

John Blue Replacement Hoses

Part #	Description
87249	1/2" Squeeze pump hose
87250	5/16" Squeeze pump hose

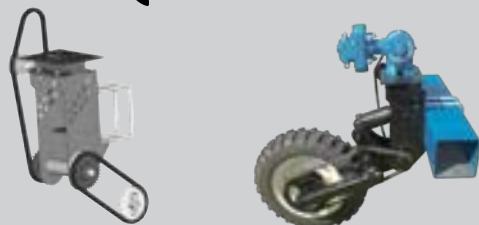
Miscellaneous Components

Part #	Description
L-1414	Sprocket Adaptot - 7/8" Bore
L-1414-1	Sprocket Adaptor - 1" Bore
L-1414-2	Sprocket Adaptor - 3/4" Bore
L-4414	Sprocket Retainer - 7/8" Bore
L-4414-1	Sprcket Retainer - 1" Bore
L-4414-2	Sprocket Retainer - 3/4" Bore
112838	Sprocket Retainer - 7/8" Hex
112839	Sprocket Adaptor - 7/8" Hex
114936-91	Split Sprocket - 7/8" Hex; 32 Tooth

Miscellaneous Components

Part #	Description
L-1383	8 Tooth Sprocket
L-1384	9 Tooth Sprocket
L-1385	10 Tooth Sprocket
L-1386	15 Tooth Sprocket
L-1381	20 Tooth Sprocket
L-1387	22 Tooth Sprocket
L-1388	23 Tooth Sprocket
L-1389	26 Tooth Sprocket
L-1390	30 Tooth Sprocket
L-1391	31 Tooth Sprocket
L-1392	32 Tooth Sprocket

NGP LIQUID METERING PUMP



Part #	Description
DRV-3200	Piston Pump Mounting Kit
DRV-3300	Universal Pump Spring Load Ground Drive



Part #	Description	Max GPM	Inlet / Outlet
NGP-4055-F	Single Piston	10.26	1" FPT x 1" FPT
NGP-6055	Single Piston	21.0	1 1/2" FPT x 1 1/2" FPT
NGP-6055-S	Single Piston, Stainless Steel	21.0	1 1/2" FPT x 1 1/2" FPT
NGP-7055-S	Single Piston, Stainless Steel	34.2	1 1/2" FPT x 1 1/2" FPT
NGP-8055	Double Piston	42.0	1 1/2" FPT x 1 1/2" FPT
NGP-8055-S	Double Piston, Stainless Steel	42.0	1 1/2" FPT x 1 1/2" FPT
NGP-9055-S	Double Piston, Stainless Steel	68.4	1 1/2" FPT x 1 1/2" FPT
NGP-9055-DR	Double Piston - Less Manifold	68.4	(2) 1 1/2" FPT x (2) 1 1/2" FPT

FLOW DIVIDERS/MANIFOLDS

APPLICATORS
& SPRAYERS

DRY MATERIAL
HANDLING

TRAILERS

TANKS &
ACCESSORIES

PUMPS

VALVES &
FITTINGS

STRAINERS
& HOSE

PLANTER
EQUIPMENT

SPRAYER
CONTROLS &
GUIDANCE

NOZZLES, TIPS
& SPRAY GUNS

NH3
PRODUCTS

TECHNICAL
INFORMATION

INDEX

Features Of The "Exacto-Flow" FD 1200 Flow Divider

- Revolutionary piston design insures unequalled accuracy
- Two or more CDS-John Blue Flow Dividers can be banked together for additional outlets while continuing to provide row-to-row precision
- Eliminates the need for orifices
- Higher tolerance of foreign materials than manifolds and orifices
- Field repairable-always calibrated equally
- 316 stainless steel body built to last a lifetime
- The "Exacto-Flow" is designed for precision farming variable rate technology of today and the future



FD-1210

Flow Dividers and Flow Divider Mounts

Part #	Description	# Of Outlets	Inlet	Outlet	Maximum Flow Per Outlet
FD-0610	"Exacto-Flo" Stainless Steel Flow Divider	6	3/4" FPT	1/4" FPT	2.25 GPM
FD-1210	"Exacto-Flo" Stainless Steel Flow Divider	12	3/4" FPT	1/4" FPT	2.25 GPM
FD-2000	"Exacto-Flo" Stainless Steel Flow Divider	20	1" FPT	1/4" FPT	2.25 GPM
113989	Flow Divider Mounting	N/A	N/A	N/A	N/A

Check Valves

115284-01	Check Valve-PVC, Viton Seal, 316 Ball, 1/4" Ball x 1/4" Hose, 1 PSI
115285-01	Check Valve-PVC, Viton Seal, 316 Ball, 3/8" Ball x 3/8" Hose, 1 PSI
115286-01	Check Valve-PVC, Viton Seal, 316 Ball, 1/2" Hose x 1/2" Hose, 1 PSI

CDS-JOHN BLUE INJECTION UNITS

CDS-John Blue Fertilizer Injection Units

Part #	Phase	Model Type	Low Range	High Range	Max PSI	Motor Size
IN-23530-NGP	Three	Simplex	3-32	12-119	120	3/4
		Duplex	6-64	24-235	120	3/4



20620



CDS-John Blue Series 2000 Simplex Pumps

Power Source	5-30	10-110
220-440 Three ph	20620	21630
12 Volt DC Motor	30620	30630

CDS-John Blue Series 2000 Duplex Pumps

Power Source	5-30 / 5-30	5-30 / 10-100	10-100 / 10-100
220-440 3 ph	20622	20623	20633
12 Volt DC Motor	-	30623	30633

IRRIGATION INJECTION ITEMS

MISTER MIST'R INJECTION CHECK VALVE



Part #	Description	PSI	Inlet Size	Max GPH
MRMR	Classic Mister Mist'r Check Valve, Poly	15 PSI	1/4" FPT Inlet	0.5 To 70 GPH
820-19-016032-0	Omni Mister Mist'r Check Valve, Poly 4"-Acid Ready	15 PSI	1/4" FPT Inlet	0.5 To 70 GPH
MRMR/ACID	Classic Mister Mist'r Check Valve - Acid Application	15 PSI	1/4" FPT Inlet	0.5 To 70 GPH
MRMRVL	Ultra Mister Mist'r Check Valve - Poly	15 PSI	1/2" MPT Inlet	3 To 110 GPH
049-085	Chemigation Check Valve - Stainless Steel 6"	50 PSI	1/2" FPT Inlet	To 200 GPH
049-087	Shorty Chemigation Check Valve - Stainless Steel 3"	50 PSI	1/2" FPT Inlet	To 200 GPH
MRMR/SS	Mister Mist'r Check Valve - Stainless Steel 8"	15 PSI	1/2" FPT Inlet	15 To 300 GPH
820-50-016128-0	Shorty Mister Mist'r Check Valve - Stainless Steel 4"	15 PSI	1/2" FPT Inlet	15 To 300 GPH

BLEEDER VALVE

Our bleeder valve has been designed to work hand in hand with the Mister Mist'r. The bleeder valve lets the user bleed out the lines and facilitates quick priming of the pump. Attaching a tube onto the outlet port allows you to direct and contain any product that is released.



821-02-008008-0

821-02-016000-0

821-02-016012-0

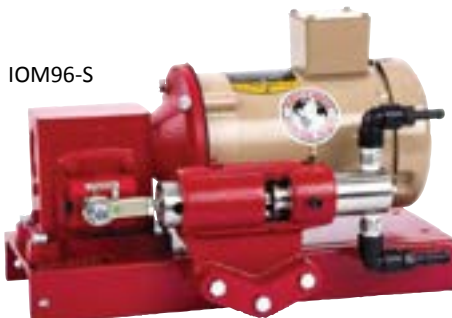
Part #	Description
821-02-008008-0	Classic Bleeder Valve Assembly, PP. 1/4" FPT X 1/4" MPT
821-02-016000-0	Bleeder Valve For 110 poly 1/2" MPT. Use up to 300 GPH 1/2" MPT X 1/2" FPT Elbow
821-02-016012-0	Bleeder Valve For 110 poly 3/8" Quick Connect. Use up to 110 GPH-3/8" Push-To-Connect X 1/2" FPT Elbow

INJECT-O-METER FERTILIZER PUMPS



IOM3301

- Stainless Steel wetted parts
- Viton O-rings
- Viton Vee-Packing
- Stainless Steel Check Valves
- Available in 30, 57, 100 GPH Units



IOM96-S

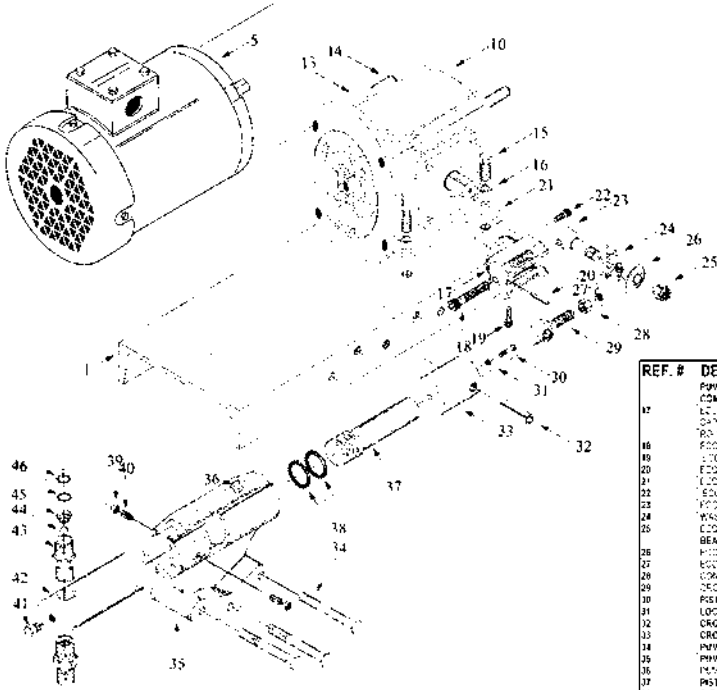
Part #	Description
IOM3301	SIMPLEX, 5-30 GPH, 3 PH; 3/8" MPT Inlet/Outlet
IOM96-S	SIMPLEX, 10-100 GPH, 3 PH; 1/2" MPT Inlet/Outlet

Part #	Description
HVI-88	SIMPLEX, INJECT-O-METER PUMP, 30 GPH; 3/8" MPT Inlet/Outlet
HVI-82	SIMPLEX, INJECT-O-METER Pump, 57 GPH; 1/2" MPT Inlet/Outlet

IRRIGATION INJECTION ITEMS



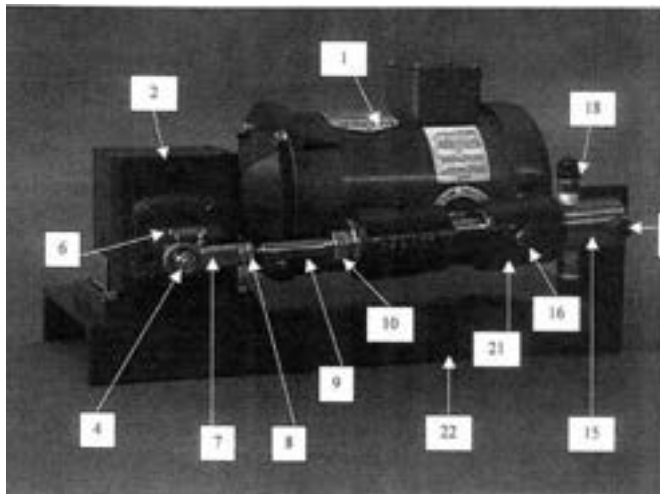
INJECT-O-METER HVI-88, HVI-82 & IOM-96 PUMPS



REF. #	DESCRIPTIONS	HVI-88 (7/8")	HVI-82 (1 1/4")	IOM-96 (1 7/16")
	PUMP ASSEMBLY COMPLETE	014-901	007-050	016-213
	ECCENTRIC COMPLETE	022-018	001-010	021-018
47	ECCENTRIC COMPLETE	022-018	001-010	021-018
48	LOCK WASHER (PISTON RETAINING SCREW)	043-081	043-081	043-081
49	PISTON	029-129	029-129	029-129
50	PISTON	029-129	029-129	029-129
51	PISTON	029-129	029-129	029-129
52	PISTON	029-129	029-129	029-129
53	PISTON	029-129	029-129	029-129
54	PISTON	029-129	029-129	029-129
55	PISTON	029-129	029-129	029-129
56	PISTON	029-129	029-129	029-129
57	PISTON	029-129	029-129	029-129
58	PISTON	029-129	029-129	029-129
59	PISTON	029-129	029-129	029-129
60	PISTON	029-129	029-129	029-129
61	PISTON	029-129	029-129	029-129
62	PISTON	029-129	029-129	029-129
63	PISTON	029-129	029-129	029-129
64	PISTON	029-129	029-129	029-129
65	PISTON	029-129	029-129	029-129
66	PISTON	029-129	029-129	029-129
67	PISTON	029-129	029-129	029-129
68	PISTON	029-129	029-129	029-129
69	PISTON	029-129	029-129	029-129
70	PISTON	029-129	029-129	029-129
71	PISTON	029-129	029-129	029-129
72	PISTON	029-129	029-129	029-129
73	PISTON	029-129	029-129	029-129
74	PISTON	029-129	029-129	029-129
75	PISTON	029-129	029-129	029-129
76	PISTON	029-129	029-129	029-129
77	PISTON	029-129	029-129	029-129
78	PISTON	029-129	029-129	029-129
79	PISTON	029-129	029-129	029-129
80	PISTON	029-129	029-129	029-129
81	PISTON	029-129	029-129	029-129
82	PISTON	029-129	029-129	029-129
83	PISTON	029-129	029-129	029-129
84	PISTON	029-129	029-129	029-129
85	PISTON	029-129	029-129	029-129
86	PISTON	029-129	029-129	029-129
87	PISTON	029-129	029-129	029-129
88	PISTON	029-129	029-129	029-129
89	PISTON	029-129	029-129	029-129
90	PISTON	029-129	029-129	029-129
91	PISTON	029-129	029-129	029-129
92	PISTON	029-129	029-129	029-129
93	PISTON	029-129	029-129	029-129
94	PISTON	029-129	029-129	029-129
95	PISTON	029-129	029-129	029-129
96	PISTON	029-129	029-129	029-129
97	PISTON	029-129	029-129	029-129
98	PISTON	029-129	029-129	029-129
99	PISTON	029-129	029-129	029-129
100	PISTON	029-129	029-129	029-129



INJECT-O-METER IOM3301 PUMPS



REF #	PART #	QTY	DESCRIPTION
1	044-005	1	MOTOR C-FACE 1/3HP, 3 Phase
1	044-004	1	Motor C Face 1/3 HP, 1 Phase
2	029-131	1	GEAR REDUCER
3	043-028	4	CAPSCREW HEX HEAD (Not Shown)
4	021-101	4	NUT HEX
5	043-081	4	LOCK WASHER (Not Shown)
6	029-012	1	ECCENTRIC ASSEMBLY COMPLETE
7	021-044	1	ECCENTRIC BEARING
8	043-072	2	NUT HEX JAM
9	029-125	1	CONNECTING ROD IOM 3-30
10	043-070	1	NUT HEX
11	029-126	1	CROSSHEAD IOM 3 - 30 (Not Shown)
12	021-103	1	PISTON RETAINING SCREW (Not Shown)
13	021-099	1	LOCK WASHER (Not Shown)
14	029-129	1	PISTON 1.25 IOM 3 - 30 (Not Shown)
15	029-128	1	CYLINDER 1.25 IOM 3 - 30
16	043-112	2	SETSCREW SOCKET
17	043-067	2	NUT HEX (Not Shown)
18	021-285	2	PUMP VALVE ASSY NEW STYLE
19	029-137	1	SHOULDER BOLT With Grease Fitting
21	029-127	1	PUMP FRAME IOM 3 - 30
22	029-130	1	BASE PLATE IOM 3 - 30
N/A	029-136	1	O'Ring Viton Big (Not Shown)
N/A	029-135	1	U-Cup Buna (Not Shown)
N/A	055-071	1	O'Ring Viton Little (Not Shown)

IRRIGATION INJECTION PUMP

DOSTEC PISTON PUMP

Dostec-40

- Three phase motor
- Available 32 GPH, 64 GPH or 95 GPH

Dostec-40 Shown w/ Pump Stand



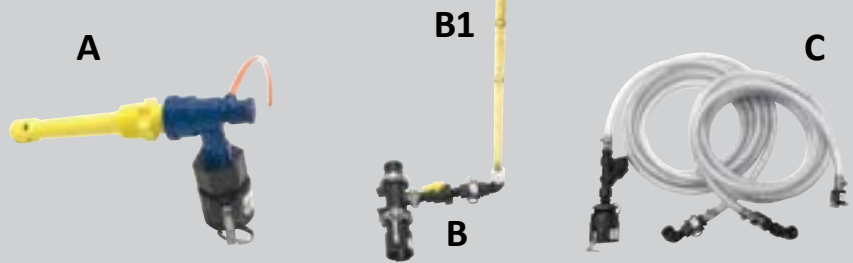
Part #	Description
60-AP44-P34CBM	Dostec 32 GPH 3ph
60-AP44-P49CBM	Dostec 64 GPH 3 ph
60-AP44-P61CBM	Dostec 95 GPH 3 ph
PUMP STAND	
5281408-CBK	Dostec-40 Series Pump Stand

ADVANTAGES:

1. Gear box sealed by bellows
2. Minimum wearout. Big diameter bearings.
3. Transparent separator for visual functioning checking.
4. Micrometric regulation.
5. Visualizador of the level of oil.
6. Dosing by means of diaphragm
7. Dosing by means of piston.
8. 1/2" connector for drainage, working with a piston.
9. Self-contained with support

High resistance PTFE diaphragm, reinforced by NBR and metallic fiber nucleus
 - Easy maintenance

99.5% Corindon's ceramic piston.
 - High hardness and chemical resistance.
 - Extremely low ruggedness.
 - Long life seals.



INJECTION PUMP ACCESSORY KITS

Ref #	Part #	Description
A	SHP-MRMRVL110-KIT	MRMRVL 3 to 110 GPH check valve & bleeder valve kit
B	SHP-IN-CAL48-KIT	Injection 48" calibration tube kit for tank w/ inline quick couplers
B1	822-13-048000-0	48" calibration tube assembly only w-3/4" male quick coupler inlet
C	SHP-INJ-HOSE-KIT	Injection Pump hose kit includes: Pump fittings, strainer and quick couplers

OZAWA METERING PUMPS



- Up to four independent pump heads
- High Chemical Resistance
- Accurate and Reliable
- Low Maintenance
- Easy Operation

Ozawa R&D Inc.
ADVANCED WATER PRODUCTS

Part #	Description
10260	1 HD A.C. 60-3ZB
22760	2 HD A.C. 90-3ZB
2302	Head Assembly 3ZB

NEPTUNE FERTILIZER PUMPS



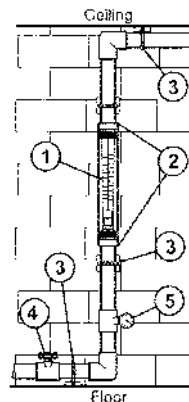
- Series 500 Hydraulic Diaphragm Metering Pumps
- Bi-Directional Motor
- Teflon diaphragm and Viton O-ring
- 316SS wetted metal parts
- Available with 30, 65, 80 GPH systems

Neptune
CHEMICAL PUMP CO., INC.

Part #	Description
547-VS-N3T	NEPTUNE PUMP, SIMPLEX-29-GPH
565-S-N3T	NEPTUNE PUMP, SIMPLEX-65-GPH
567-S-N3T	NEPTUNE PUMP, SIMPLEX-80-GPH
EFP-1	Base

BLUE-WHITE FLOW METERS

Part #	Description
F-40500LN-8	0.5 to 5.0 GPM Adapter FPT 1/2" Polypropylene 316SS
F-40750LN-12	1 to 10 GPM Adapter FPT 1/2" Polypropylene 316SS
F-41017LN-12	1 to 17 GPM Adapter FPT 3/4" Polypropylene 316SS
F-41000LN-12	2 to 20 GPM Adapter FPT 3/4" Polypropylene 316SS



- Durable, highly polished, one piece meter body.
- Annealed for added strength and chemical resistance.
- Acceptable for outdoor installations (acceptable in direct sunlight)
- Direct reading permanent scale.
- White back reflector for easy reading.
- Standard 316 stainless floats and guide rods, optional Hastelloy-C for more corrosive environments.

F-40500LN-8 F-41000LN-12

CHEMIGATION, INSECTIGATOR & FERT SYSTEM

CHEMIGATION SYSTEMS



Part #	Gallons	Description
888-11-712000-0	70 Gallons	1 PH, Less Pump
888-21-712000-0	70 Gallons	12 V, Less Pump
888-11-112000-0	110 Gallons	1 PH, Less Pump
888-21-112000-0	110 Gallons	12 V, Less Pump
888-34-112000-0	110 Gallons	3 PH, Less Pump
888-34-212000-0	200 Gallons	3 PH, Less Pump

Tank Sizes Also Available in 200, 300, 400, 500 & 600.
 MUST ORDER PUMP SEPARATELY
 501-34-000030-0 30 GPH Pump, 3 PH, Stainless Steel Pump
 Other Pump Sizes Also Available. Please Call For Your Farm Needs.

INSECTIGATOR SYSTEMS



Part #	Gallons	Description
887-34-312902-0	30 Gallons	3 PH System

All Units Include 1.9 GPH Pump And Agitator.
 Tanks Also Available in 10 And 20 Gallon Sizes.

FERTILIZER SYSTEMS



Base Units Include Base, Pump & Power Cord

Part #	Description
882-34-200030-0	30 GPH Fertilizer Pump W/ 3 PH Motor
882-34-200110-0	110 GPH Fertilizer Pump W/ 3 PH Motor

Pumps Can Be Turned Down To 10% Of Capacity. Also Available In 12 Volt And 1 PH Motors.

Complete Solutions Include Base, Pump, Power Cord, Switch, Strainer, Mister Mistr

882-34-111055-0	55 GPH Fertilizer Pump W/ Fert Pump Complete
882-34-111110-0	110 GPH Fertilizer Pump W/ Fert Pump Complete

FUEL TRANSFER PUMPS

FUEL TRANSFER PUMPS



115 VOLT

- 20 GPM
- For Stationary Tanks
- 12 ft. of 3/4" hose
- Automatic Nozzle
- 1/3 HP motor

Part #
M-3120-AL



12 VOLT

- 18 GPM
- Spin Collar
- 12 ft. of 1" hose
- Automatic Nozzle
- Adjustable Suction Pipe
- 15 ft. Power Cord

Part #
M-180S-AU

**** Above 2 models come with a 2 year warranty ****

FUEL METER



- Includes inlet/outlet fittings for versatile mounting
- Adjustable flow direction
- Batch and cumulative display
- Flow range from 5 to 30 gallons

Part #
MR5-30-G6N 3/4" (Meter Only)
MR5-30-G8N 1" (Meter Only)
MR5-30-G12N 1 1/2" (Meter Only)

FILL-RITE FUEL METERS



- 3 Wheel Mechanical Meter
- 1" Meter
- 5 - 20 GPM
- Nickel

Part #
807CN1



- 4 Wheel Mechanical Meter
- 1.5" Meter
- 6 - 40 GPM
- Nickel

Part #
901N1.5

FILL-RITE FUEL PUMPS



- 25 GPM
- 12 Volt Pump
- Lower Amp Draw
- Great for Mobile Tanks
- Auto Power Down
- 18' Hose
- 1" High Flow Nozzle

Part #
NX25-DDCNB-AA



- 15 GPM
- 12 Volt Pump
- 3/4" Manual Nozzle
- 12' of 3/4" Hose Static Wire
- 2 Year Warranty

Part #
FR1210G



- 4 Wheel Mechanical Meter
- 115/230 Volt w/Meter
- 35 GPM
- 18' of 1" Hose
- Automatic Nozzle
- Adjustable Suction Pipe
- 2 Year Warranty

Part #
FR311VB



- 4 Wheel Mechanical Meter
- 115 Volt Pump
- 20 GPM
- 18' of 1" Hose
- Automatic Nozzle
- Adjustable Suction Pipe
- 2 Year Warranty

Part #
FR711VA

CHEMICAL PUMPS & METERS

APPLICATORS & SPRAYERS
 DRY MATERIAL HANDLING
 TRAILERS
 TANKS & ACCESSORIES
 PUMPS
 VALVES & FITTINGS
 STRAINERS & HOSE
 PLANTER EQUIPMENT
 SPRAYER CONTROLS & GUIDANCE
 NOZZLES, TIPS & SPRAY GUNS
 NH3 PRODUCTS
 TECHNICAL INFORMATION
 INDEX



SOTERA
SYSTEMS

Part #
SS415B

12VDC Pump Only W/2" Bung Adapter

Features And Benefits:

- 12 Volt Dc Motor
- Santoprene Diaphragms
- EPDM Seals
- Glass-Filled Polypropylene Housing
- 13 GPM; 15 PSI
- 10Ft Suction Lift



Part #	Voltage
SS415BX731PG	12VDC
SS460BX731PG	115AC

Everything you need to Empty a Tote or Drum

Pump Unit Includes:

- Suction/Discharge Hoses
- Telescoping Suction Tube
- Shutoff Valve
- Connection Fittings
- Motor Bracket

SOTERA
SYSTEMS



Part #
SHP-SS415-825TOTE-KIT

Caged Tote Pump System

12VDC Pump Unit Includes:

- 825 Flow Meter
- Shutoff Valve
- Connection Fittings
- Stainless Steel Motor Bracket
- 1 x 12' EPDM Hose
- 1 x 9' EPDM Hose



SOTERA
SYSTEMS

Part #
SS417B

Top Mount on Barrels and Totes

12VDC Pump Unit Includes:

- 2" NPT Bung Integral to Inlet
- Telescoping Poly Suction Tube
- Ball Valve
- EPDM Discharge Hose



SOTERA
SYSTEMS

Part #
SS420B

2" MPT Inlet Connection

12VDC Pump Unit Includes:

- Telescoping Poly Suction Tube
- 1 x 12' EPDM Hose
- Shutoff Valve
- Nozzle Retainer



SOTERA
SYSTEMS

Part #
SS435B

Chemtraveller-Portable Tubular Frame w/Top or Bottom Tote Adapter Kits

12VDC Pump Unit Includes:

- 825 Digital Meter
- 1 x 12' EPDM Hose
- 1 x 9' EPDM Hose
- Shutoff Valve



9 GEMCap Recirculation Pump Unit

12VDC Pump Unit Includes:

- 9 GemCap
- 825 Digital Meter
- 1 x 12' EPDM Hose
- Shutoff Valve

Part #
SS445B

Tote Tank Pump Bracket



Stainless Steel pump Mounting Bracket for Cage Tote Tanks. Bracket designed to fit SS415, CT6 & SF1100 Series Pumps.

Part #	Description
5038924	Bracket
10132-04135	Bolt Package
SHP-SS415-BRKT-KIT	Bracket Kit

DIGITAL FLOW METER SERIES 825



Versatile meter for use in line, at the end of the hose, or mounted to one of our Rotary Vane or 400B Series Diaphragm Pumps.

Part #	Flow Rate	Max Press	Flow Ports
825SOTERA	2-20 GPM	125 PSI	1" FNPT

SERIES 850 DIGITAL FLOW METER



The 850 also includes a mass air sensor that distinguishes between fluid and air. The 850 stops metering when you've finished emptying a container.

Part #	Flow Rate	Max Press	Flow Ports
850SOTERA	2-20 GPM	120 PSI	1" NPT inlet/ outlet ports. female threads

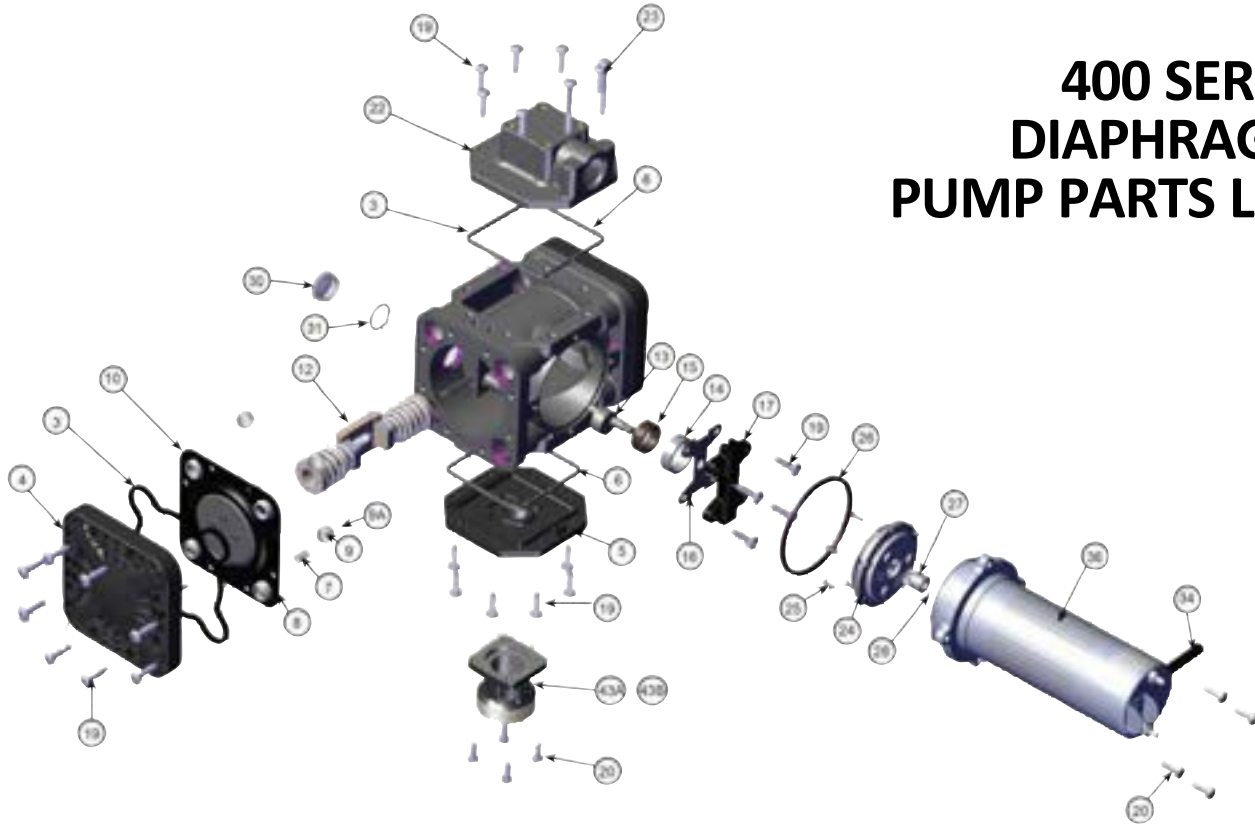
FILL-RITE IN-LINE DIGITAL TURBINE METER



Measure gallons, liters, quarts, pints, and ounces with one meter. Install it where you need it, even at the end of the hose. It has factory presets for 20 fluids and UL/ATEX listing on the entire meter. Compatible fluids: DEF/Ad Blue, Anti-Freeze, De-icing Fluid, Non-Potable Water.

Part #
TT10PN

400 SERIES DIAPHRAGM PUMP PARTS LIST



Item #	Part #	Description	Qty
1a	400G9734	12 VDC Motor with gears	Opt.
1b	400G9735	115 VAC 60 Hz Motor with gears	Opt.
2a	400EXPF6846	Motor Assembly - 12 VDC EXP PROOF	Opt.
2b	200EXPG7738	Motor Assembly - 24 VDC EXP PROOF	Opt.
2c	400EXPF7351	Motor Assembly - 115 VAC EXP PROOF	Opt.
3	400H1164	Diaphragm Cover Gasket	2
4	400H1154	Diaphragm Cover	2
5	400F6569	Flange, straight	1
6	400F6924	Gasket Inlet Flange	2
7	400F6574	Check Valve Ball	8
8	400H1171	O-Ring (-117) (Included w/item 7)	8
9a	400H1180	Outlet Check Valve Assembly w/spring	4
9b	400G7163	Check Valve Spring (Included in 9 & 10)	8
10a	400H1178	Diaphragm Assm. - Santoprene™ Green	2
10b	400H1179	Diaphragm Assembly Black Filcon	Opt.
11	400F6795	#10-24 x 1/2 THMS	8
12	400F6781	Yoke Assembly	1
13	400F6800	Drive Shaft	1
14	400F6819	Eccentric Bushing	1
15	400F6827	Bearing Ring	1
16	400F6880	Thrust Plate	1
17	400F6579	Bearing Plate	1
18	400F6693	Shaft Bushing	2
19	400G9685	1/4 x 1" PTS screw, SS	34
20	400F6792	1/4-20 x 3/4 HHCS	8
21	6U100	Nozzle, Aluminum	1
22	400F6679	90° Flange with inserts	1
23	400G9687	1/4 x 2.3" PTS screw, SS	2

Item #	Part #	Description	Qty
24	400F6557	Gear Assembly (Included w/item 1 or 2)	1
25	400G7494	#6-32 1/2 FHMS (Included w/item 1 or 2)	6
26	400F6692	Gasket Motor Flange	1
27	400F6563	Drive Gear (Included w/item 1 or 2)	1
28	1200F6440	Drive Key (Included w/item 1 or 2)	1
29	400G9104	Shaft Seal (Included w/item 1 or 2)	1
30	400F6818	Sight Cap, Polypropylene	2
31	400F6813	O-Ring (-022)	2
34	1200F7207	Cable 20 feet (DC Only)	20 ft
35a	400G9736	Nozzle Holder, Aluminum Nozzle	Opt.
35b	400G9737	Nozzle Holder, Poly Nozzle	Opt.
36	400F6566	Gear Housing (Included w/item 1 or 2)	1
37	400G7006	Bail Valve Nozzle, 1", Poly Nozzle	Opt.
39a	700F3123	1" x 12' EPDM Hose	Opt.
39b	410F3137	1" x 12' Nitrate Hose w/Threaded Ends	Opt.
40	700F6748	Nozzle Cover (Explosive Proof motor)	Opt.
41	600F2220	5/16-18 x 3/4 HHCS	Opt.
42	400G8887	O-Ring (007)	8
43a	400G9140	Bung Adapter - NPT	Opt.
43b	400F6528	Bung Adapter - Buttress	Opt.
44a	400KTF0237	Anti-Drip Spout - Fluorocarbon	Opt.
44b	435G9126	Anti-Drip Spout - EPDM	Opt.
	400F7320	Power Cord (115 VAC Only) (Not Shown)	Opt.
	650G7185	Power Cord (230 VAC Only) (Not Shown)	Opt.
	400F1855	Suction Pipe, Polypropylene (Not Shown)	Opt.
a	400KTF6863	Diaphragm Kit	
b	400KTH1457	Diaphragm Kit	

MOST PARTS ARE ONLY AVAILABLE IN KITS

CHEMICAL PUMPS & METERS



IBC CAGE PUMP SYSTEM

STANDARD FLOW 115V

Part #	Description
CT6-4E5GA-000	115V Cage System W/ Meter



IBC CAGE PUMP SYSTEM

STANDARD FLOW

Part #	Description
CT6-1E5GA-000	12V 12 GPM Kit W/Meter EPDM Seals
CT6-1E5GA-001	12V 12 GPM No Meter EPDM Seals
CT6-1V5GA-000	12V 12 GPM Kit W/Meter Viton Seals
CT6-1V5GA-001	12V 12 GPM Kit No Meter Viton Seals



IBC CAGE PUMP SYSTEM

HIGH FLOW

Part #	Description
CT6-3V5GA-000	12V 18 GPM Kit W/Meter Viton Seals
CT6-3V5GA-001	12V 18 GPM Kit No Meter Viton Seals
CT6-3E5GA-000	12V 18 GPM Kit W/Meter EPDM Seals
CT6-3E5GA-001	12V 18 GPM Kit No Meter EPDM Seals



CT6 PUMP W/MICROMATIC COUPLER

Part #	Description
CT6-1E3BA-002	12V w/Hose - No Meter
CT6-4E3BA-000	115V Pump Only - No Meter
CT6-4E3BA-002	115V Pump w/Hose - No Meter



CADDY SYSTEM

Part #	Description
CT6-3E5DA-000	12V HF w/ Meter
CT6-1E5DA-000	12V w/ Meter

SEM10 METERS



Part #	Description
SEM10	Scienco electronic flow meter
SEM10FT	Scienco electronic flow meter
SEM10SS	Scienco electronic flow meter, Stainless Steel



TANK SYSTEMS

Part #	Description
CT6-3E5CA-003	12V HF w/ Meter Syngenta Style
CT6-1E5CA-004	12V STD w/ Meter Monsanto Style



DEF CAGE PUMP SYSTEM

Part #	Description
CT6-2E5GD-001	12V - No Meter
CT6-4E5GD-001	115V No Meter

* Standard Pumps = 13 GPM HF Pumps = 18 GPM



CT6 DEF W/MICROMATIC COUPLER

Part #	Description
CT6-2E3BD-001	12V No Meter
CT6-4E5GD-001	115V No Meter

E = Water Based Product

V = Petroleum Solvent Based Product

CHEMICAL PUMPS & METERS

APPLICATORS & SPRAYERS
 DRY MATERIAL HANDLING
 TRAILERS
 TANKS & ACCESSORIES
 PUMPS
 VALVES & FITTINGS
 STRAINERS & HOSE
 PLANTER EQUIPMENT
 SPRAYER CONTROLS & GUIDANCE
 NOZZLES, TIPS & SPRAY GUNS
 NH3 PRODUCTS
 TECHNICAL INFORMATION
 INDEX

TELESCOPING SUCTION PIPE



Part #	Description
400F1855	1" (2.54cm) Polypropylene telescoping suction pipe 24" to 40" (61cm x 102cm).
445F1863	1" (2.54cm) Polypropylene telescoping suction pipe 28" to 44" with bellows (71cm x 111cm).

BOLTED POLY NOZZLE VALVE



Part #	Description
V-10161	1" Nozzle Pipe Only



BUNG ADAPTER

2" male NPT x 2" female NPT x
1" female NPT

Part #
PH-25

BALL VALVE & SPOUT



1" NPT Polypropylene

Part #
NWUVA10045NZL



CHEMICAL TRANSFER HOSE

Part #	Description
CT1NY12AS	1" x 12' EPDM Coupled MXM Chemical Transfer Hose
CT1NY15AS	1" x 15' EPDM Coupled MXM Chemical Transfer Hose

FLOW METERS



SEM-10-KIT-1



SEM-10-KIT-2E

Part #	Description
SEM-10-KIT-1	Faceplate
SEM-10-KIT-2	Wobble Assembly Viton O-Rings
SEM-10-KIT-2E	Wobble Assembly EPDM O-Rings

PH6 PANTHER PUMP



PMR-CAR02E



PHPKIT-02

Part #	Description
PMR-CAR02E	Cartridge Kit
PMR-CAR02V	Cartridge Kit - Viton
PHPKIT-02	Gasket Kit
PHPKIT-03	Power Switch Assembly
PH6M01	12 Volt Motor Only

CT6 PUMP REPAIR KITS



CT6KIT-101



CT6KIT-301



CT6KIT-203/207



CT6KIT-601

Part #	Description
CT6KIT-101	Motor assembly, 12V CT6 green, including switch and cable
CT6KIT-203	Pump housing assembly- EPDM
CT6KIT-207	Pump housing assembly- Viton
CT6KIT-301	Valve plate assembly, EPDM

Part #	Description
CT6KIT-302	Valve plate assembly, VITON
CT6KIT-304	Valve plate assembly, EPDM—HF
CT6KIT-305	Valve plate assembly, VITON—HF
CT6KIT-601	Wobble plate assembly
CT6KIT-602	Wobble plate assembly—HF

MINI-BULK PUMPS

SHURFLO® AG RUNNER

The SHURflo AG Runner™ Transfer Pump System is designed to safely and accurately transfer bulk chemicals to the point of use.

Features include:

- Industry leading pump
- Portable
- Can be used with a variety of bulk containers
- Built for rugged service with a heavy duty welded frame
- Simple and accurate flow indicator



• **APPROVED FOR DEF**

Part #	Description
SF-1100-PTS	Pump-mounted (FM-1100) (EPDM Valves)
SF-1105-PTS	Pump-mounted (FM-1100) (Viton Valves)

Description:

Chemical Transfer Pump with 12 vdc motor, 20 ft. cable, alligator clips and inline fuse (Part # SF-1100), electronic flow meter, 1-in. npt x 12 ft. Epdm discharge hose with ball valve/spout, and 1-in. npt x 12 ft. Epdm inlet hose with 1-in. elbow/ball valve/fitting assembly with locking cam arms.

SHURFLO® MINI-BULK PUMPS

The SF-1100 Series Bulk Chemical Pumps are the industry leader. They are designed for efficiency and power to handle highly viscous fluids. Servicing the SF-1100 series pump is a rare event, but if needed, it can be serviced quickly and easily with only a few hand tools.

Features include:

- Specialized EPDM elastics or Viton option
- 12 volt DC or 110 volt AC motor option
- 20 foot cord w/ alligator clips and in-line fuse
- Weather protected on/off switch
- Internal bypass to protect the pump at shut-off
- 2" MNPT inlet, 1" FNPT outlet
- Capable of priming up to 12 feet
- **APPROVED FOR DEF**



Part #	Valves	Motor
SF-1100	EPDM	12 VDC
SF-1100-110V	EPDM	110 VAC
SF-1105	Viton®	12 VDC

Model	PSI	BAR	GMP	L/min	Amps
SF-1100 and SF-1105	0	0.0	10.7	40	9.3
	5	0.3	10.1	38	10.3
	10	0.7	8.7	33	12.3
	15	1.0	7.6	29	13.9

SHURFLO® MINI-BULK PUMP KITS FOR SF-1100 SERIES



Part# 94-719-00



Part# 94-721-00



Part# 94-732-00



Part# 94-733-00



Part# 94-735-00

Part #	Description
94-719-00	Santoprene® diaphragm/lower housing/drive assembly- ready for installation
94-720-00	EPDM valve housing kits include a complete fully-assembled valve housing with o-ring seal* - ready for installation
94-720-05	Viton® valve housing kits include a complete fully-assembled valve housing with o-ring seal* - ready for installation
94-721-00	Polypropylene upper housing includes o-ring seal* and pump head screws
94-732-00	Flow meter electronics kit includes the front cover assembly and the electronic display with o-ring and batteries. Kit fits both pump-mounted and in-line meters
94-733-00	Flow meter housing seal cover kit includes the seal cover, o-ring and screws. Kit fits both pump-mounted and in-line meters

SHURFLO® Mini-Bulk Pump Kits



Part #	Description
SF-1100-DT-KIT	SF-1100 12V Pump with Dip Tube, EPDM seals
SF-1105-DT-KIT	SF-1105 12V Pump with Dip Tube, Viton Seals
SF-1100-DT-DH-KIT	SF-1100 12V Pump, Discharge Hose, Nozzle Valve & Dip Tube-EPDM
SF-1105-DT-DH-KIT	SF-1105 12V Pump, Discharge Hose, Nozzle Valve & Dip Tube-Viton
SF-1100-CAGE-KIT	SF-1100 12V Pump, Cage Bracket, Hose, Nozzle Valve & Coupler-EPDM
SF-1105-CAGE-KIT	SF-1105 12V Pump, Cage Bracket, Hose, Nozzle Valve & Coupler-Viton

DURA-ABS™ DI (Automated Direct Injection)

AUTO-BATCH SYSTEM DIRECT INJECTION

The Dura Auto-Batch System DI (Automated Direct Injection) works by direct injecting herbicides into the carrier flow while filling the sprayer.

- *Lowest cost automated sprayer filling system*
- *Filling your sprayer has never been easier or faster*
- *Reduces operator error and herbicide exposure*
- *Provides recirculation, maximizing chemical performance*
- *Accurately dispenses repeatable batches*
- *Eliminates cross contamination*

** Available in 12V or 110V with EPDM, Viton or Silicone Seals

Part #	Qty	Description
** DPABS-4312V	1-4	DURA-ABS Auto-Batch 12V System Viton
DURA-ABS DI 2 KIT	1-4	2" Accessory Kit
DURA ABS DI 3 KIT	1-4	3" Accessory Kit
DURA-ABS DI 2 GAUGE KIT	1	2" Gauge Kit
DURA ABS DI 3 GAUGE KIT	1	3" Gauge Kit
DP-P4040 DI	1	DI Frame



APPLICATORS & SPRAYERS
 DRY MATERIAL HANDLING
 TRAILERS
 TANKS & ACCESSORIES
 PUMPS
 VALVES & FITTINGS
 STRAINERS & HOSE
 PLANTER EQUIPMENT
 SPRAYER CONTROLS & GUIDANCE
 NOZZLES, TIPS & SPRAY GUNS
 NH3 PRODUCTS
 TECHNICAL INFORMATION
 INDEX

DURA PRODUCTS PUMPS & ACCESSORIES

DURA-PUMP



- High-Flow with up to 15 GPM
- Available with dip tube or cage hanging system.
- Self-priming diaphragm pump with internal by-pass
- Motor thermally protected from overheating
- 30-minute duty cycle
- Suction port has 2" Male NPT and 1" Female NPT
- Pump is easily field serviceable
- Features 2-year Warranty & Maintenance Program

Part #	Description
DP-4012E	12 Volt Dura-Pump (EPDM) (Pump Only) 15 GPM
DP-4012V	12 Volt Dura-Pump (Viton) (Pump Only) 15 GPM
DP-4015E	110 Volt Dura-Pump (EPDM) (Pump Only) 15 GPM
DP-4015V	110 Volt Dura-Pump (Viton) (Pump Only) 15 GPM

DURA-METER (FLOW METER)



- 2-22 GPM
- 2 Year maintenance and warranty program
- In-line plumbing with 1" female pipe thread inlet and outlet
- Made of impact resistant Lexan™ faceplate
- 100% moisture-sealed circuitry
- Menu driven backlit display

Part #	Description
DP-3000E	Dura Meter (EPDM) 2-22 GPM Flowmeter
DP-3000V	Dura Meter (Viton) 2-22 GPM Flowmeter

DURA-ABS (AUTO BATCH SYSTEM)



- Each Batch System Includes Pump, Auto Batch Meter, Hose, Valve and Cage Caddy
- Intuitive interface allows for the selection of manual or automatic operation with the flip of a switch
- High-flow pump with up to 15GPM
- Optimized for repeatable batching; returns to the last volume amount dispensed
- 100% moisture-sealed circuitry
- Includes Dura-Meter™ with impact resistant Lexan™ faceplate
- Available in 12 Volt or 110 Volt, and EPDM or Viton® or Silicone options
- Measures in gallons, liters and ounces
- Features a 2-year Warranty & Maintenance Program



Part #	Description
DPABS-4312E	Dura Pump Easy Caddy W/ Auto-Batch System- 12 Volt (EPDM)
DPABS-4312V	Dura-Pump Easy Caddy W/ Auto-Batch System - 12 Volt (Viton)
DPABS-4315E	Dura-Pump Easy Caddy W/ Auto-Batch System- 110 Volt (EPDM)
DPABS-4315V	Dura-Pump Easy Caddy W/ Auto-Batch System- 110 Volt (Viton)

DURA-ABS (FLOW METER)



Auto Batch Meters upgrade your existing pump to an Auto Batch System

Part #	Description
DPAB-12E	Dura-Meter w/ Auto-Batch-12V (EPDM) (Meter Only)
DPAB-12V	Dura-Meter w/ Auto-Batch-12V (Viton) (Meter Only)
DPAB-15E	Dura-Meter w/ Auto-Batch-110V (EPDM) (Meter Only)
DPAB-15V	Dura-Meter w/ Auto-Batch-110V (Viton) (Meter Only)

CLOSED TRANSFER SYSTEMS

CLOSED MIXING SYSTEMS FOR SAFE, RELIABLE RESULTS



GoatThroat™
Hand-pressurized precision pumps that handle *anything*
IT'S EASY TO COMPLY WITH THE LAW:
• Connect • Release • Repeat
• Measure • Rinse

For Use With
- 2.5 Gallon
- 5-55 Gallon
- Micromatic



Complete Package - All Parts Included • Container Remains Upright - No Chance For Spills
Dry-Break Connections At All Points Accurate Measure - Reads In Ounces, Quarts, & Gallons

Part #	Description
CCS-8605NM	Closed System Pump for 2.5 Gal

EASYFLOW CLOSED TRANSFER SYSTEM



EFJA64



EFTA55



EFWP71



- Non-spill connection with highest standards of user and environmental safety
- Automatic relocking system to prevent unintended opening of the PPP container
- Continuously adjustable flow rates, enabling exact transfer of partial container volumes
- Rinsing of accessible parts in contact with Plant Protection Products (PPP) after partial dosing (adapter stays connected to the PPP container)
- Easy installation on all sprayer tanks and on most chemical inductors

Part #	Description
EFBA02	easyFlow Closed Transfer System
EFTA55	Tank Adapter - easyFlow
EFJA64	Container Adapter - easyFlow
EFWP71	Wedge Plate Kit - easyFlow

CLOSED TRANSFER SYSTEM



744-003



741-015



4858



4580



Part #	Description
744-003	RSV/ RPV Dispense Coupler Self-Venting, 3 Key Viton
741-015	RSV Valve Installation Removal Tool
743-008	2 BSP Ext. Valve Only / Viton
4858	RSV Container Valve 2 inch NPT Viton
4580	ClosedJug Coupler Stripped
2DV3-001	RSV Rinse Socket
743-203	RSV Down Tube for 275 Gallon Tote
743-087	RSV Container Valve 2.5 X 5 Buttruss Thread Viton 3 Key

PUMPS

HYPRO[®] ROLLER PUMPS



1700C



6500C



7560C



7700C

Hypro Roller Pumps

Part #	Max GPM	Max PSI	Max RPM	Description
1502C	62.1	150	1000	Cast iron 6-roller pump with Super Rollers, Buna-N Seals, 1 1/2" NPT ports, and 15/16" solid shaft.
1502XL	62.1	150	1000	Silver Cast 6-roller pump with Super Rollers, Viton seals, 1 1/2" NPT ports, and 15/16" solid shaft.
1700C	45.0	200	1000	Cast iron 5-roller pump with Super Rollers, Viton seals, 1" NPT ports, and 15/16" solid shaft.
1700N	45.0	200	1000	Ni-Resist 5-roller pump with Super Rollers, Viton seals, 1" NPT ports, and 15/16" solid shaft.
1700XL	45.0	200	1000	Silver Cast 5-roller pump with Super Rollers, Viton seals, 1" NPT ports, and 15/16" solid shaft.
6500C*	21.8	300	1200	Cast iron 6-roller pump with Super Rollers, Super Rotor, Viton seals, 3/4" NPT ports, and 5/8" solid shaft.
6500N*	21.8	300	1200	Ni-Resist 6-roller pump with Super Rollers, Super Rotor, Viton seals, 3/4" NPT ports, and 5/8" solid shaft.
6500XL*	21.8	300	1200	Silver Cast 6-roller pump with Super Rollers, Super Rotor, Viton seals, 3/4" NPT ports, and 5/8" solid shaft.
7560C*	22.5	300	1000	Cast iron 8-roller pump with Super Rollers, Super Rotor, Viton seals, 3/4" NPT ports, and 15/16" solid shaft.
7560N*	22.5	300	1000	Ni-Resist 8-roller pump with Super Rollers, Super Rotor, Viton seals, 3/4" NPT ports, and 15/16" solid shaft.
7560XL*	22.1	300	1000	Silver Cast 8-roller pump with Super Rollers, Viton seals, 3/4" NPT ports, and 15/16" solid shaft.
7560XL-GM30*	20.1	300	1000	Same as 7560XL, coupled to an SAE 2 bolt A flanged, low speed, high torque hydraulic motor. 3 cubic inch motor displacement, 12 G.P.M. hydraulic flow maximum
7700C*	22.1	200	800	Cast iron 7-roller pump with Super Rollers, Super Rotor, Viton seals, 3/4" NPT ports and 15/16" solid shaft.
7700XL*	22.1	200	800	Silver Cast 7-roller pump with Super Rollers, Super Rotor, Viton seals, 3/4" NPT ports, and 15/16" solid shaft.

* These pumps now come standard with the super rollers & metallic rotor

HYPRO[®]



5271623



3430-0592

Hypro Torque Arm Kit (Pump Not Included)

Part #	Material	RPM	For Pump Series	Description
5271623	steel	540/1000	1700, 6500, 7560, 7700, 9600	Torque Bar & Chain Kit

Hypro 12V Clutch

Part #	Shaft Size	Pulley Type	Max HP	Max RPM	Hypro Pump Model
3430-0592	5/8"	5.00"-A	30	5000	9202C, 9203C, 9204C, 9203C-R, 9262C, 9263C-C, 9263C-CR, 9203C-SP, 9262S-C, 9263S-C, 9263S-CR, 9263C-C-SP, 9263C-CR-SP
2526-0011	7/8"	5.25"-A	30	5000	9203P, 9253P-C, 9500P-S, 9205C, 9205C-SP



4001N



4101XL



4101N-AEH



4001C



5277100

Hypro Series 4001 & 4101 Roller Pumps

Part #	Max GPM	Max PSI	Max RPM	Description
4001C	9.1	150	1800	Cast iron 4-roller pump with Super Rollers, Viton seals, 3/4" NPT ports and 5/8" solid shaft.
4001C-H	9.1	150	1800	4001C pump with 1/2" hollow shaft.
4001N	9.1	150	1800	Ni-Resist 4 roller pump with Super Rollers, Viton seals, 3/4" NPT ports, and 5/8" solid shaft.
4001N-H	9.1	150	1800	4001N pump with 1/2" hollow shaft.
4001N-EH	10.4	30	1900	12 Volt DC motor-driven, Ni-resist 4 roller pump with Super. Rollers, Viton seals, 3/4" NPT ports, 1/2" hollow shaft.
4001XL	9.1	150	1800	SilverCast 4-roller pump with Super Rollers Viton seals, 3/4" NPT ports, and 5/8" solid shaft
4001XL-H	9.1	150	1800	SilverCast 4001XL pump with 1/2" hollow shaft.
4001XL-EH	10.4	30	1900	12 Volt DC motor-driven, SilverCast, 4-roller pump with Super Rollers, Viton Seals, 3/4" NPT ports, 1/2" hollow shaft.
4101C	7.2	150	2600	Cast iron 4-roller pump with Super Rollers, Viton seals, 3/4" NPT ports, and 5/8" solid shaft.
4101C-H	7.2	150	2600	4101C pump with 1/2" hollow shaft.
5277100	7.2	150	2600	4101C Pump with Briggs & Stratton Engine
4101N	7.2	150	2600	Ni-Resist 4-roller pump with Super rollers, Viton seals, 3/4" NPT ports, and 5/8" solid shaft.
4101N-EH	7.5	50	1900	12 Volt DC motor-driven, Ni-Resist, 4-roller pump with Super Rollers, Viton seals, 3/4" ports, 1/2" hollow shaft
4101XL	7.2	150	2600	SilverCast 4-roller pump with Super Rollers, Viton seals, 3/4" NPT ports, and 5/8" solid shaft.
4101XL-H	7.2	150	2600	SilverCast 4101XL pump with 1/2" hollow shaft.
4101XL-25	8.9	150	2600	PowerPro 2.5 HP

Add "A" behind part number for super rollers & metallic rotor

HYPRO®



1320-0016



1321-0006



1323-0076

Hypro Quick Couplers (Female to Female)

Part #	PTO (I.D.)	Pump End (I.D.)	Material	RPM	For Pump Series
1320-0015	3/4"	5/8"	steel	-	4000, 6500
1320-0016	5/8"	5/8"	steel	-	4000, 6500
1320-0022	1 3/8" (6 spline)	5/8"	die cast	540	6500
1321-0006	1 3/8" (6 spline)	5/8"	die cast	540	6500
1321-0007	1 3/8" (6 spline)	15/16"	die cast	540	1500, 1700, 7560, 7700
1321-0012	1 3/8" (multi-speed)	5/8"	die cast	540/1000	4000, 6500
1321-0013	1 3/8" (multi-speed)	15/16"	die cast	540/1000	1500, 1700, 7560, 7700
1323-0072	1 3/8" (6 spline)	15/16"	forged steel	540	1500, 1700, 7560, 7700
1323-0073	1 3/8" (21 spline)	15/16"	forged steel	1000	1500, 1700, 7560
1323-0074	1 3/8" (6 spline)	5/8"	forged steel	540	6500
1323-0075	1 3/8" (21 spline)	5/8"	forged steel	1000	4000, 6500
1323-0076	1 3/8" (multi-speed)	15/16"	forged steel	540/1000	1500, 1700, 7560, 7700
1323-0077	1 3/8" (multi-speed)	5/8"	forged steel	540/1000	4000, 6500
1320-0080	1 3/4" (20 spline)	15/16"	forged steel	1000	1500, 1700, 7560

HYPRO®



9200C

Hypro Series 9200 Cast Iron, Pedestal Mount Models

Part #	Max GPM	Max PSI	Max RPM	Description
9202C	105	170	6000	Pedestal mount 1 1/4" inlet 1" outlet NPT ports. Cast iron pump with 5/8" solid shaft and Viton shaft seal.
9203C	140	170	6000	Pedestal mount cast iron pump with 5/8" solid shaft and Viton shaft seal. 1-1/2" inlet; 1-1/4" outlet NPT ports.
9203C-R	140	170	6000	Pedestal mount clockwise rotation cast iron pump, with 5/8" solid shaft, Viton seal. 1-1/2" x 1-1/4" NPT ports.
9205C	180	190	4200	Pedestal mount cast iron pump with 7/8" solid shaft and Viton seal. 2" inlet; 1 1/2" outlet NPT ports.
3430-0332				Seal and o-ring repair kit
3430-0537				Seal and o-ring kit for 9205C models

PUMPS

HYPRO® GEAR DRIVEN PUMPS



9000C



9000P

Hypro Series 9000 Gear-Driven Models

Part #	Max GPM	Max PSI	Max RPM	Description
9006C-O	117	78	600	Cast iron pump with oil lubricated gear drive and 1 3/8" 540 RPM female PTO hub w/locking collar and mounting clip. Clips pump to PTO shield of most tractors. 1 1/2" inlet, 1 1/4" outlet.
9008C-O	115	76	1000	Cast iron pump with oil lubricated gear drive and 1 3/8" 1000 RPM female PTO hub w/locking collar and mounting clip. Clips pump to PTO shield of most tractors. 1 1/2" inlet, 1 1/4" outlet.
9016C-O	117	78	600	Cast iron pump with oil lubricated gear drive and 1" solid shaft, ports (NPT): 1 1/2" inlet, 1 1/4" outlet.
9018C-O	115	76	1000	Cast iron pump with oil lubricated gear drive and 1" solid shaft, ports (NPT): 1 1/2" inlet, 1 1/4" outlet.
9028C-O	115	76	1000	Cast iron pump with oil lubricated gear drive and 1 3/4" 1000 RPM female PTO hub w/locking collar and mounting clip. Clips pump to PTO shield of most tractors. 1 1/2" inlet, 1 1/4" outlet.
9006P-O	97	83	600	Corrosion-resistant and durable polypropylene pump with oil-bath-lubricated gear drive for PTO mounting. Vitonseals and 1 3/8" 540 RPM female PTO hub w/locking collar kit.
3430-0333				Seal and O-ring repair kit for polypropylene models.
3430-0334				Seal and O-ring repair kit for cast iron models.
3430-0456				Vent line kit with 25' long, 1/4" ID vinyl hose, 1/8" NPT x 1/4" HB 90° nylon elbow fitting, 1/8" NPT x 1/4" HB straight polypropylene fitting, plastic hose clamp and plastic cable tie.

HYPRO® MOTOR DRIVEN PUMPS



9303C-HM4C-SP



9305C-HM3C-SP

Hypro Series 9303 & 9305 Cast Iron & Stainless Steel Hydraulic-Motor-Driven, Self-Priming Models

Part #	Max GPM Output	Max PSI	Hyd GPM Required	Description
9303C-HM4C-SP	99	97	7	Hydraulic motor/cast iron pump for closed/open center systems, ports (NPT): 1-1/2" inlet, 1-1/4" outlet.
3430-0589				Seal and o-ring repair kit.
9305C-HM3C-SP	155	143	19	Hydraulic motor/cast iron pump for closed center systems, ports (NPT): 2" inlet, 2" outlet.
3430-0601				Life Guard® silicon carbide seal kit.
Life Guard® silicon carbide seal - Add suffix "B" (i.e.: 9303C-HM1C-SP-B)				

HYPRO® PEDESTAL MOUNT, CLUTCH-DRIVEN CAST IRON & STAINLESS STEEL



9263S-C-U



9263C-CR

Hypro Series 9263 Cast Iron & Stainless Steel Clutch Driven Model

Part #	Max GPM	Max PSI	Max RPM	PM	Description
9263C-C	140	114	5000	Cast	Pedestal Mount, CCW Rotation, ports (NPT): 1-1/2" inlet, 1-1/4" outlet
9263C-CR	140	114	5000	Cast	Pedestal Mount, CW Rotation, ports (NPT): 1-1/2" inlet, 1-1/4" outlet
9263S-CR	140	114	5000	316 Stainless	Pedestal Mount, CW Rotation, ports (NPT): 1-1/2" inlet, 1-1/4" outlet
3430-0332					Seal and o-ring repair kit.
3430-0589					Life Guard® silicon carbide seal kit.

† Universal Flange (220 x 200) - Add Suffix "U" (i.e.: 9263C-C-U)

Life Guard silicon carbide seal - Add suffix "B" (i.e.: 9263C-CB)

*CCW (counterclockwise) CW (clockwise) are determined when looking at the shaft end.

HYPRO[®] MOTOR DRIVEN PUMPS



9303C-HM4C



9302S



9305C-HM3C



9307

Hypro Series 9300 Cast Iron & Stainless Steel Hydraulic-Motor-Driven Models

Part #	Max GPM Output	Max PSI	Hyd GPM Required	Description
9302C-HM1C	72	140		Hydraulic motor/cast iron pump, ports (NPT): 1 1/4" inlet, 1" outlet.
9302C-HM2C	65	90		Hydraulic motor/cast iron pump, ports (NPT): 1 1/4" inlet, 1" outlet.
9302C-HM4C	72	110		Hydraulic motor/cast iron pump, ports (NPT): 1 1/4" inlet, 1" outlet.
9302S-HM4C	72	110		Hydraulic motor/stainless steel pump, ports (NPT): 1 1/4" inlet, 1" outlet.
9303C-HM1C	114	130	13	Hydraulic motor/cast iron pump for open/closed center systems, ports (NPT): 1 1/2" inlet, 1 1/4" outlet.
9303C-HM2C	97	95	6	Hydraulic motor/cast iron pump for closed center systems, ports (NPT): 1 1/2" inlet, 1 1/4" outlet.
9303C-HM3C	125	98	24	Hydraulic motor/cast iron pump for large open center systems, ports (NPT): 1 1/2" inlet, 1 1/4" outlet.
9303C-HM4C	115	93	7	Hydraulic motor/cast iron pump for closed/open center systems, ports (NPT): 1 1/2" inlet, 1 1/4" outlet.
9303C-HM5C	147	145	16	Hydraulic motor/cast iron pump for closed/open center systems, ports (NPT): 1 1/2" inlet, 1 1/4" outlet.
9303S-HM1C	114	130	13	Hydraulic motor/stainless steel pump for open/closed center systems, ports (NPT): 1 1/2" inlet, 1 1/4" outlet.
9303S-HM2C	97	95	6	Hydraulic motor/stainless steel pump for closed center systems, ports (NPT): 1 1/2" inlet, 1 1/4" outlet.
9303S-HM4C	115	93	7	Hydraulic motor/stainless steel pump for closed/open center systems, ports (NPT): 1 1/2" inlet, 1 1/4" outlet.
9305C-HM3C	182	156	19	Hydraulic motor/cast iron pump for closed/open center systems, ports (NPT): 2" inlet, 1 1/2" outlet.
3430-0500				Seal and o-ring repair kit.
3430-0601				Life Guard [®] silicon carbide seal kit.
9306C-HM1C	207	130	13	Hydraulic motor/cast iron pump for closed/open center systems, ports (NPT). 2" inlet, 1 1/2 outlet.
9306C-HM1C-BU-005	207	130	13	Hydraulic motor/cast iron pump for closed/open center systems, ports (NPT). 300 x 220 Flange
9306C-HM3C	214	135	24	Hydraulic motor/cast iron pump for closed/open center systems, ports (NPT). 2" inlet, 1 1/2 outlet.
9306C-HM5C	212	140	17	Hydraulic motor/cast iron pump for closed/open center systems, ports (NPT). 2" inlet, 1 1/2 outlet.
9306S-HM1C	207	130	13	Hydraulic motor/cast iron pump for closed/open center systems, ports (NPT). 2" inlet, 1 1/2 outlet.
9306S-HM5C	212	140	17	Hydraulic motor/cast iron pump for closed/open center systems, ports (NPT). 2" inlet, 1 1/2 outlet.
3430-0332				Seal and o-ring repair kit.
3430-0589				Life Guard [®] silicon carbide seal kit.
9307C-GM10	370	135	20	Hydraulic motor/cast iron pump for closed/open center systems, ports (NPT): 3" inlet, 2" outlet.
3430-0604				Life Guard [®] silicon carbide seal kit.
9306C-HM1C-BU	207	130	13	Hydraulic motor/cast iron pump for closed/open center systems, ports: 220 series flange & Lifeguard seal.
93100-001	283	127	13	316 Stainless Steel pump, ports: 300 flange x 220 flange w/Lifeguard seal & integrated PWM.
3430-0332				Seal and o-ring repair kit.
3430-0589				Life Guard silicon carbide seal kit.

Universal Flange (220 x 200) - Add suffix "U" (i.e.: 9303C-HMC-U)

Life Guard[®] silicon carbide seal - Add suffix "B" (i.e.: 9303C-HM1C-B)

PUMPS

HYPRO® FORCEFIELD™ WET SEAL PUMPS

- ForceField Technology is a superior wet seal technology that provides the ultimate protection for the mechanical seal and avoids costly downtime
- Protects the mechanical seal against common failures related to dry run and chemical bonding by using a barrier fluid to keep it cool and lubricated
- Actively maintains a pressure differential between the barrier fluid and the pumping solution, which results in longer life and worry free operation
- Capable of flows up to 311 GPM (1177 LPM) and can produce up to 150 PSI (10.3 bar)
- Designed to be a drop-in replacement for standard Hypro hydraulically driven centrifugal pumps
- One year warranty covering pump, motor and seals



Hypro Series 9310 Cast Iron & Stainless Steel Hydraulic-Motor-Driven Wet Seal Models

Part #	Current Product Equivalent	Max GPM Output	Max PSI	Hyd GPM Required	Description
9313C-M04	9303C-HM2C	140	90	7	Hydraulic motor cast iron wet seal pump, ports: 1-1/2" NPT x 1-1/4" NPT
9313CU-M04	9303C-HM2C-U	140	90	7	Hydraulic motor cast iron wet seal pump, ports: 220 x 200 Universal Flange
9313C-M05	9303C-HM4C	155	100	8	Hydraulic motor cast iron wet seal pump, ports: 1-1/2" NPT x 1-1/4" NPT
9313CU-M05	9303C-HM4C-U	155	100	8	Hydraulic motor cast iron wet seal pump, ports: 220 x 200 Universal Flange
9313C-M08	9303C-HM1C	188	137	13	Hydraulic motor cast iron wet seal pump, ports: 1-1/2" NPT x 1-1/4" NPT
9313CU-M08	9303C-HM1C-U	188	137	13	Hydraulic motor cast iron wet seal pump, ports: 220 x 200 Universal Flange
9313C-M10	9303C-HM5C	197	150	16	Hydraulic motor cast iron wet seal pump, ports: 1-1/2" NPT x 1-1/4" NPT
9313CU-M10	9303C-HM5C-U	197	150	16	Hydraulic motor cast iron wet seal pump, ports: 220 x 200 Universal Flange
9313C-M16	9303C-HM3C	194	103	20	Hydraulic motor cast iron wet seal pump, ports: 1-1/2" NPT x 1-1/4" NPT
9313CU-M16	9303C-HM3C-U	194	103	20	Hydraulic motor cast iron wet seal pump, ports: 220 x 200 Universal Flange
9313S-M04	9303S-HM2C	140	90	7	Hydraulic motor stainless steel wet seal pump, ports: 1-1/2" NPT x 1-1/4" NPT
9313SU-M04	9303S-HM2C-U	140	90	7	Hydraulic motor stainless steel wet seal pump, ports: 220 x 200 Universal Flange
9313S-M05	9303S-HM4C	155	100	8	Hydraulic motor stainless steel wet seal pump, ports: 1-1/2" NPT x 1-1/4" NPT
9313SU-M05	9303S-HM4C-U	155	100	8	Hydraulic motor stainless steel wet seal pump, ports: 220 x 200 Universal Flange
9313S-M08	9303S-HM1C	188	137	13	Hydraulic motor stainless steel wet seal pump, ports: 1-1/2" NPT x 1-1/4" NPT
9313SU-M08	9303S-HM1C-U	188	137	13	Hydraulic motor stainless steel wet seal pump, ports: 220 x 200 Universal Flange
9313S-M10	9303S-HM5C	197	150	16	Hydraulic motor stainless steel wet seal pump, ports: 1-1/2" NPT x 1-1/4" NPT
9313SU-M10	9303S-HM5C-U	197	150	16	Hydraulic motor stainless steel wet seal pump, ports: 220 x 200 Universal Flange
9313S-M16	9303S-HM3C	194	103	20	Hydraulic motor stainless steel wet seal pump, ports: 1-1/2" NPT x 1-1/4" NPT
9313SU-M16	9303S-HM3C-U	194	103	20	Hydraulic motor stainless steel wet seal pump, ports: 220 x 200 Universal Flange
9314C-M08	9306C-HM1C	227	132	14	Hydraulic motor cast iron wet seal pump, ports: 2" NPT x 1-1/2" NPT
9314CU-M08	9306C-HM1C-U	227	132	14	Hydraulic motor cast iron wet seal pump, ports: 220 x 220 Universal Flange
9314C-M10	9306C-HM5C	233	150	17	Hydraulic motor cast iron wet seal pump, ports: 2" NPT x 1-1/2" NPT
9314CU-M10	9306C-HM5C-U	233	150	17	Hydraulic motor cast iron wet seal pump, ports: 220 x 220 Universal Flange
9314C-M16	9306C-HM3C	232	138	24	Hydraulic motor cast iron wet seal pump, ports: 2" NPT x 1-1/2" NPT
9314CU-M16	9306C-HM3C-U	232	138	24	Hydraulic motor cast iron wet seal pump, ports: 220 x 220 Universal Flange
9314S-M08	9306S-HM1C	227	132	14	Hydraulic motor stainless steel wet seal pump, ports: 2" NPT x 1-1/2" NPT
9314SU-M08	9306S-HM1C-U	227	132	14	Hydraulic motor stainless steel wet seal pump, ports: 220 x 220 Universal Flange
9314S-M10	9306S-HM5C	233	150	17	Hydraulic motor stainless steel wet seal pump, ports: 2" NPT x 1-1/2" NPT
9314SU-M10	9306S-HM5C-U	233	150	17	Hydraulic motor stainless steel wet seal pump, ports: 220 x 220 Universal Flange
9314S-M16	9306S-HM3C	232	138	24	Hydraulic motor stainless steel wet seal pump, ports: 2" NPT x 1-1/2" NPT
9314SU-M16	9306S-HM3C-U	232	138	24	Hydraulic motor stainless steel wet seal pump, ports: 220 x 220 Universal Flange
9316C3U-M08	9306C-HM1C-3U	286	127	14	Hydraulic motor cast iron wet seal pump, ports: 300 x 220 Universal Flange
9316C3U-M10	9306C-HM5C-3U	311	150	18	Hydraulic motor cast iron wet seal pump, ports: 300 x 220 Universal Flange
9316C3U-M16	9306C-HM3C-3U	307	128	24	Hydraulic motor cast iron wet seal pump, ports: 300 x 220 Universal Flange
9316S3U-M08	9306S-HM1C-3U	286	127	14	Hydraulic motor stainless steel wet seal pump, ports: 300 x 220 Universal Flange
9316S3U-M10	9306S-HM5C-3U	311	150	18	Hydraulic motor stainless steel wet seal pump, ports: 300 x 220 Universal Flange
9316S3U-M16	9306S-HM3C-3U	307	128	24	Hydraulic motor stainless steel wet seal pump, ports: 300 x 220 Universal Flange

Case Drain motor available - Add suffix "Y" (i.e. 9316C3U-M08Y)

HYPRO® HYDRAULICALLY-DRIVEN, POLYPROPYLENE



Hypro Series 9300 Polypropylene, Hydraulic-Motor-Driven Models

Part #	Max GPM	Max PSI	Description
9303P-HM1C	110	130	13 GPM hydraulic motor/polypropylene pump for open/closed center systems, ports (NPT); 1 1/2" inlet, 1 1/4" outlet
9303P-HM4C	82	85	7 GPM hydraulic motor/polypropylene pump for open/closed center systems, ports (NPT); 1 1/2" inlet, 1 1/4" outlet
3430-0456			Vent line kit with 25' long, 1/4" ID vinyl hose, 1/8" NPT x 1/4" HB 90° nylon elbow fitting 1/8" NPT x 1/4" HB straight polypropylene fitting, plastic hose clamp and plastic cable tie
3430-0445			Seal and o-ring repair kit.

HYPRO® BELT-DRIVEN, PTO, CAST IRON



Hypro Series 9400 Cast Iron, Belt-Driven Models With 12-Groove Belt & Idler Pulley

Part #	Max GPM	Max PSI	Max RPM	Shaft	Pump Housing	NPT Ports
9402C-540	76	95	600	1 3/8" hollow, 6-spline	cast iron	1 1/4" inlet, 1" outlet
9403C-540Q	140	104	600	1 3/8", 6-spine quick coupler	cast iron	1 1/2" inlet, 1 1/4" outlet
9403C-540S	140	104	600	1" solid	cast iron	1 1/2" inlet, 1 1/4" outlet
9403C-1000	140	104	1000	1 3/8" hollow, 21-spline	cast iron	1 1/2" inlet, 1 1/4" outlet
3430-0332						Seal and o-ring repair kit for cast iron models.
3430-0333						Seal and o-ring repair kit for polypropylene models.
3430-0476						Seal, o-ring, belt and gasket repair kit for 540 rpm drives with cast iron pumps
3430-0477						Seal, o-ring, belt and gasket repair kit for 1000 rpm drives with cast iron pumps.
3430-0478						Seal, o-ring, belt and gasket repair kit for 540 rpm drives with polypropylene pumps.

HYPRO® AC MOTOR DRIVEN, POLYPROPYLENE



9940-9753NRL

9940-9750NRL

Hypro Series 9940-9700 AC Motor-Driven & Pedestal Mount Models

Part #	Max GPM	Max PSI	Max RPM	Description
9940-9750NRL	132	35	3600	Chemical-resistant Noryl, pedestal mount pump designed for direct drive with an electric motor or belt and pulley drive with an electric motor or gas engine. Carpenter 20 stainless steel 5/8" solid shaft. 1 1/2" NPT inlet; 1 1/2" outlet NPT ports.
9940-9753NRL	88	30	3450	Chemical-resistant Noryl pump close-coupled to a 1 1/2 hp, 115/208-230V AC motor. 1 1/2" NPT inlet, 1 1/2" NPT outlet ports.



STAINLESS STEEL STRAIGHT CENTRIFUGAL PUMPS

AMT Stainless Steel Solids Handling End Suction Centrifugal Pumps are Designed for Continuous Duty High Flow Applications Including: Chemical Processing, Liquid Transfer, Pressure Boosting, Circulating and Dirty Water. Constructed of Rugged Deep Drawn Stainless Steel for Durability and Corrosion Resistance, handles a maximum of 1/8" Diameter Solids.



5485-98

Part #	Max GPM	Max PSI	HP	Phase	Inlet	Outlet
5485-98	125	27 PSI	1.5	1	1 1/2"	1 1/4"
5491-98	130	30 PSI	2	1	2"	1 1/2"

PUMPS

HYPRO® GAS ENGINE SPRAYER PUMPS



1521C-65



1552C-130

Hypro Series 1521C & 1552C Cast Iron, Gas Engine-Driven Power Pro™ Models

Part #	Max GPM	Max PSI	Description
1521C-65	110	80	1-1/2" x 1-1/4" Port Size, PowerPro™ 6.5hp
1538*			1-1/2" x 1-1/4" centrifugal pump. DOES NOT include engine.
3430-0332			Seal and o-ring repair kit
3430-0589			Life Guard® silicon carbide seal kit
1552C-130E	170	150	2" x 1-1/2" Port Size, PowerPro™ 13 hp with electric start
1551*			2" x 1-1/2" centrifugal pump kit. DOES NOT include engine.
1551-SP*			2" x 2" centrifugal pump kit. DOES NOT include engine.
3430-0464			Seal and o-ring repair kit.

*Must use threaded-shaft engine.

HYPRO® GAS ENGINE-DRIVEN, CAST IRON



1550

Hypro Series 1550 Cast Iron, Gas Engine-Driven Models

Part #	Max GPM	Max PSI	Description
1550	150	140	2" X 1-1/2" Port. Includes Honda 9 Hp Engine
1551*			2" X 1-1/2" Centrifugal Pump Kit. DOES NOT INCLUDE ENGINE.
1551-SP*			2" X 2" Centrifugal Pump Kit. DOES NOT INCLUDE ENGINE.
3430-0464			Seal And O-Ring Repair Kit.

HYPRO® GAS ENGINE-DRIVEN, CAST IRON AND POLY



1536/1539



1537

Hypro Series 1536, 1539, 1537 & 1540 Cast Iron, Gas Engine-Driven Models

Part #	Max GPM	Max PSI	Description
1536	110	75	1-1/2" x 1-1/4" Port Size, Briggs & Stratton 900 Series
1537	110	80	1-1/2" x 1-1/4" Port Size, Honda GX160
1538*			1-1/2" x 1-1/4" centrifugal pump kit. DOES NOT include engine.
1538-SP*			2" x 2" centrifugal pump kit. DOES NOT include engine.
9213P	91	65	1-1/2" x 1-1/4" Port Size, 4-3/4" Hollow keyed, 4-5HP Engine
3430-0332			Seal and o-ring repair kit
3430-0333			Seal and o-ring repair kit for 9213P
3430-0589			Life Guard® silicon carbide seal kit

*Must use threaded-shaft engine.



LOW PRESSURE DIAPHRAGM PUMPS



AR North America Low Pressure Diaphragm Pumps

Part #	Max GPM	Max PSI	Max RPM	Description
AR70BP-SP	19.6	290	550	2 - diaphragm pump-1 1/4" HB inlet, 1" HB outlet. Select shaft kit for desired drive
AR70BP-GR3/4	19.6	290	550	2 - diaphragm pump - 3/4" hollow shaft with gear reduction for 5 HP gasoline engine
AR115BP-C	28.5	290	550	3 - diaphragm pump - 1 1/2" HB inlet, 1" HB outlet. Select shaft kit for desired drive
AR135BP-SP	28.5	290	550	3 - diaphragm pump - 1 1/2" HB inlet, 1" HB outlet. 1 3/8" - 6 splined male shaft
AR160BP-C/C	43.9	290	550	4 - diaphragm pump - 2" HB inlet, 1 1/2" HB outlet. 1 3/8" - 6 splined male shaft
AR250BP-C/C	67.2	290	550	6 - diaphragm pump - 2" HB inlet, 1 1/2" HB outlet. 1 3/8" - 6 splined male shaft



MEDIUM PRESSURE DIAPHRAGM PUMPS



AR North America Medium Pressure Diaphragm Pumps

Part #	Max GPM	Max PSI	Max RPM	Description
AR252-SP/SGC	6.5	362	650	2 - diaphragm pump - 3/4" HB inlet, 1/2" NPT outlet. AR252 3/4" solid keyed shaft
AR252-GR-GCI3/4	6.5	362	3600	2 - diaphragm (semi-hdraulic pump - 3/4" HB inlet; 3/8" HB outlet. 3/4" hollow shaft, gear reduced for 2 - 3-1/2 HP gas engine & GIC40 control unit
AR30-SP	9.6	580	550	2 - diaphragm pump - 1" HB inlet, 1/2" HB outlet.
AR30-SP/A3/4	9.6	580	550	Same pump as AR30-SP with 3/4" solid extended shaft. Select shaft kit with base or gear reduction.
AR30-GR3/4-GCI	9.6	580	3600	2 - diaphragm pump w/ gearbox AR1636 & control GIC40 for mounting on 5 HP gas engine.
AR403-GR3/4-GCI	10.7	280	3600	3 - diaphragm pump w/ gearbox AR1636 & control GIC40 for mounting on 5 HP gas engine.
AR50-SP	14.8	580	550	2 - diaphragm pump. 1 1/4" HB inlet, 1/2" HB outlet.
AR50-SP/A1	14.8	580	550	Same pump as AR50-SP with solid thru shaft. Select shaft kit with base or gear reduction
AR503-SP	14.3	580	550	3 - diaphragm pump. 1 1/4" HB inlet, 3/4" NPT outlet. Select shaft kit or gearbox.
AR503-GR1-GCI	14.3	580	550	3 - diaphragm pump w/ gearbox AR1639 & control RM40S for mounting on 8 HP gas engine 1" shaft.



HIGH PRESSURE DIAPHRAGM PUMPS



AR North America High Pressure Diaphragm Pumps

Part #	Max GPM	Max PSI	Max RPM	Description
AR1064-C/C	28.7	725	550	4 diaphragm pump 1-1/2" HB inlet, 3/4" NPT outlet, 1-3/8" - 6 splined male shaft extension
BHA170-C/C	42.4	725	550	4 diaphragm pump 1-1/2" HB inlet, 3/4" NPT outlet, 1-3/8" - 6 splined male double-ended shaft.

PUMPS



DIAPHRAGM PUMP ACCESSORIES



AR1990



GI40



GH50



AR43397



AR1570



AR2495



AR1636



AR1639

AR North America Control Units for Pressure & Output Control of Sprayers

Part #	Max GPM	Max PSI	Description
AR1990	6.0	290	Control unit for mounting on AR252 model pumps. Includes relief valve and pressure/bypass selector. 5/8" HB bypass port and 3/8" HB outlet
GI40	21	580	Control unit for Models AR30 & AR50. Includes pressure gauge, high pressure relief valve, complete bypass lever, two 1/2" HB outlets with individual shut-offs, and 3/4" HB bypass
AR43836			Remote mounting kit for GI40 or GR40 control units. Includes mounting bracket, bolts, and hose barb
GH50	52.8	725	Control unit for BHA130, BHA150, BHS130, BHS150, BHA170, BHS170, BHA200 and BHS200. Includes: working pressure regulating valve, bypass control lever and glycerine-filled pressure gauge with colored dial

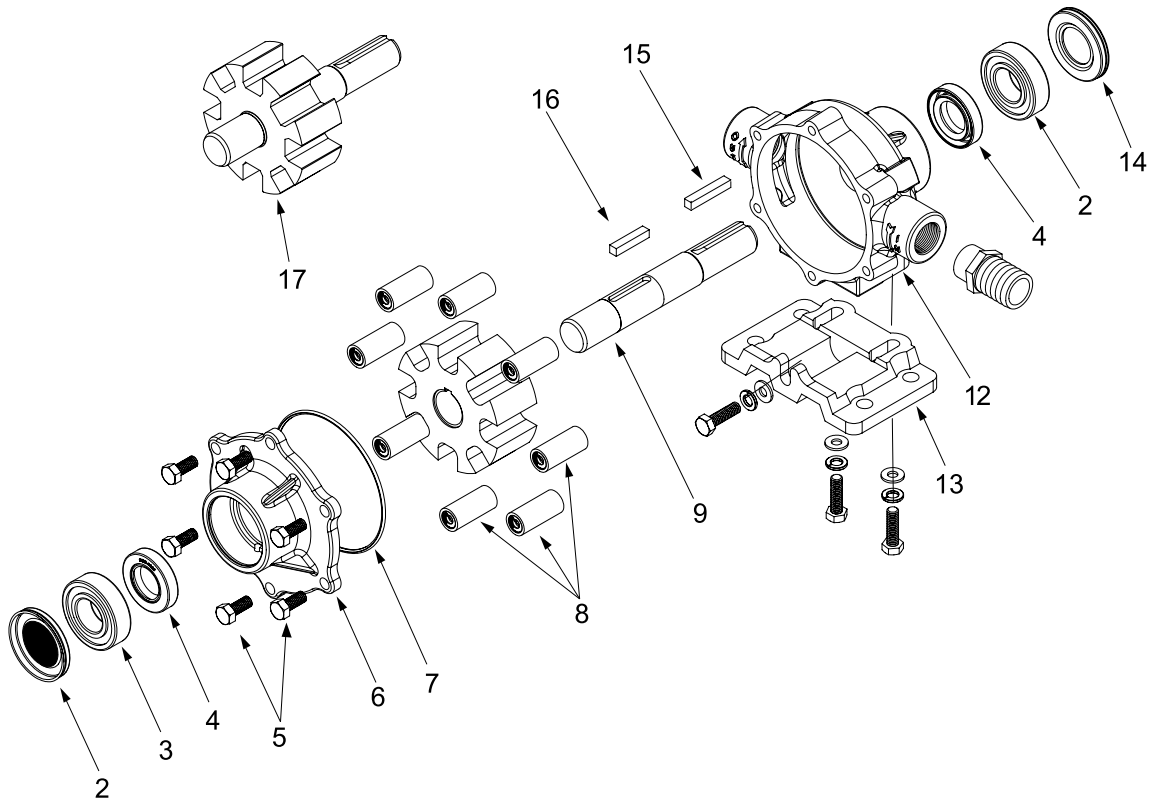
AR North America Hydraulic Motor Mounting Flange Kit

Part #	Description	Mounts On
AR43397	Kit includes one flange with SAE "A" 2-bolt hydraulic motor mount, one 1" hollow shaft and hardware for mounting	AR30, AR303, AR403, AR50, AR503, AR813, AR1064 and AR1064
AR1570	Kit includes one flange with SAE "A" 2-bolt hydraulic motor mount, one coupling and hardware for mounting. Hollow 1" shaft 1/4" keyed	AR160 and AR250
AR2495	Kit includes one flange with SAE "A" 2-bolt hydraulic motor mount, one coupling, two pins & spacer for D135. Hollow 1" shaft 1/4" keyed	AR70, AR115, AR135, AR160 and AR250

AR North America Gear Reduction Kits

Part #	Description
AR1636	For Model AR30, AR303 and AR403 pumps 6:1 gear box for standard 5.5 hp gas engine with 3/4" shaft
AR1639	For Model AR50, AR503, AR813, AR1064 and AR1064 pumps 6:1 gear box for standard 8-18 hp gas engine with 1" shaft

HYPRO® ROLLER PUMP REPAIR PARTS



Ref No.	Qty Req'd	Description	4001	6500	7560	7700	1500C, 1500N 1500XL	1700C, 1700N 1700XL
Rollers Required / Per Pump			4	6	8	7	6	5
	++ 1	Standard Repair Kit	3430-0390	3430-0380	3430-0381	3430-0381	3430-0383	3430-0383
2	1	Rear Bearing Cover	* 2300-0021	2300-0021	2300-0020	2300-0020	2300-0020	2300-0020
3	2	Ball Bearing	* 2000-0010	-	-	-	-	-
3	2	Sealed Ball Bearing	-	2000-0010	2008-0001	2008-0001	2008-0001	2008-0001
4	2	Viton Seal	* 2107-0002	2107-0002	2112-0003	2112-0003	2112-0003	2112-0003
4	2	Buna Seal	* 2102-0001	2102-0001	2112-0001	2112-0001	2112-0001	2112-0001
5	4 or 6	End Plate Bolt	2220-0018 (4)	2210-0004 (4)	2210-0004 (6)	2210-0004 (6)	2210-0026 (6)	2210-0005 (6)
6	1	End Plate CI	0200-4001C	0200-6600C	0204-7500C	0200-7700C	0200-1500C	0200-1700C
6	1	End Plate NR	0200-4001N	0200-6600N	0204-7500N	0200-7000N	0200-1500N	0200-1700N
6	1	End Plate SC	0200-4001X	0200-6600X	0204-7500X	0200-7700X	0200-1500X	0200-1700X
7	1	"O" Ring Gasket	1720-0104	1720-0008	1720-0014	1720-0014	1720-0003	1720-0099
8	()	Super Roller	1005-0002 (4)	1005-0004 (6)	1005-0004 (8)	1005-0004 (7)	1005-0005 (6)	1005-0005 (5)
8	()	Poly Roller	1002-0002 (4)	1002-0004 (6)	1002-0004 (8)	1002-0004 (7)	1002-0005 (6)	1002-0005 (5)
8	()	Teflon Roller	1055-0002 (4)	1055-0004 (6)	1055-0004 (8)	1055-0004 (7)	1055-0005 (6)	1055-0005 (5)
8	()	Buna Roller	1001-0002 (4)	1052-0004 (6)	1052-0004 (8)	1052-0004 (7)	-	-
9	1	Shaft Only	0500-6600	0500-6500	0510 7500	0510-7500	0500-1502	0500-1502
12	1	Body Cast Iron	0100-4001C	0100-6600C	0104-7500C	0100-7700C	0100-1500C	0100-1700C
12	1	Body Ni-Resist	0100-4001N	0100-6600N	0104-7500N	0100-7700N	0100-1500N	0100-1700N
12	1	Body Silver Cast	0100-4001X	0100-6600X	0104-7500X	0100-7700X	0100-1500X	0100-1700X
13	1	Base Kit	3420-0024	3420-0023	3420-0003	3420-0010	3420-0004	3420-0010
14	1	Shaft Bearing Cover	2300-0023	2300-0023	2300-0022	2300-0022	2300-0022	2300-0022
15	1	Key	N/A	N/A	1610-0005	1610-0005	1610-0005	1610-0005
16	1	Key, Stainless Steel	N/A	N/A	1610-0059	1610-0059	N/A	N/A
17	1	Rotor (Cast Iron) Shaft	CALL FOR PART #. PLEASE HAVE MODEL # AVAILABLE					

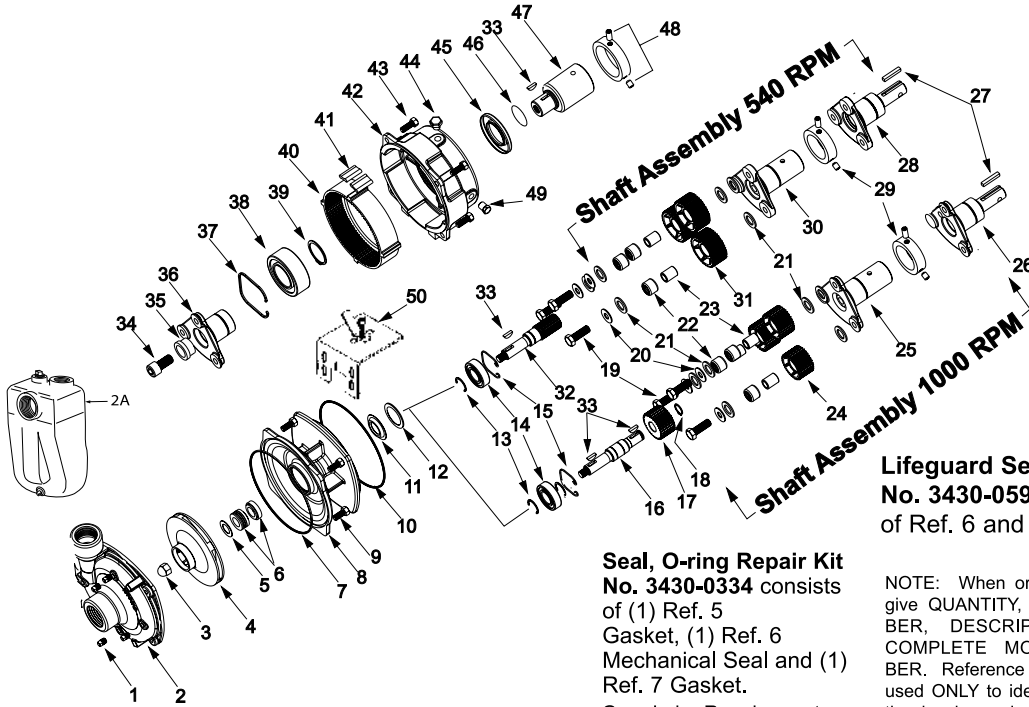
*Specify Model Number ++ Repair Kit contains super rollers, o-ring gasket and viton seals

APPLICATORS & SPRAYERS
 DRY MATERIAL HANDLING
 TRAILERS
 TANKS & ACCESSORIES
 PUMPS
 VALVES & FITTINGS
 STRAINERS & HOSE
 PLANTER EQUIPMENT
 SPRAYER CONTROLS & GUIDANCE
 NOZZLES, TIPS & SPRAY GUNS
 NH3 PRODUCTS
 TECHNICAL INFORMATION
 INDEX

PUMP REPAIR PARTS

HYPRO® 9000 SERIES REPAIR PARTS

MODELS 9006C-O, 9006C-O-SP, 9016C-O, 9016C-O-SP, 9008C-O, 9018C-O & 9028C-O



Lifeguard Seal Kit
No. 3430-0591 consists
of Ref. 6 and Ref. 7.

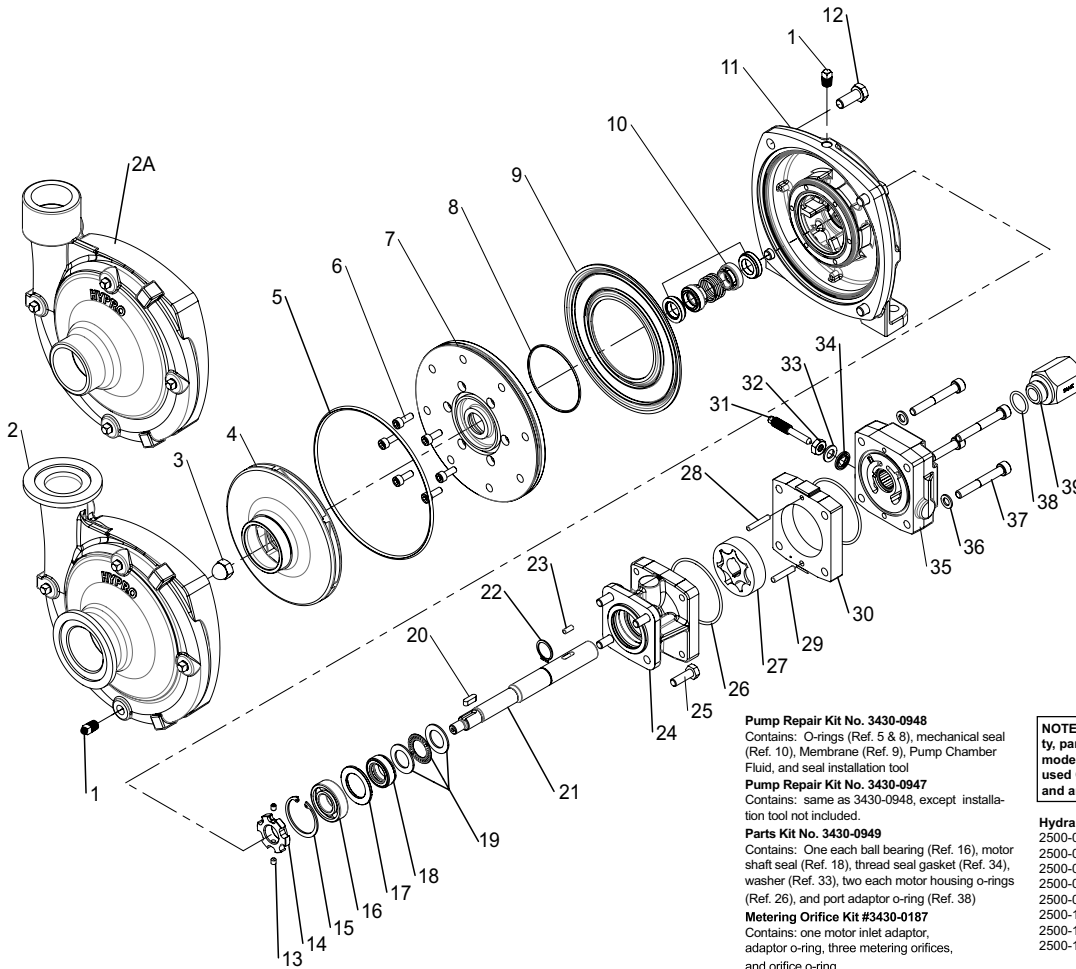
Seal, O-ring Repair Kit
No. 3430-0334 consists
of (1) Ref. 5
Gasket, (1) Ref. 6
Mechanical Seal and (1)
Ref. 7 Gasket.

Gear Lube Requirement:
Phillube SAE 80W90 Oil

NOTE: When ordering parts,
give QUANTITY, PART NUM-
BER, DESCRIPTION, and
COMPLETE MODEL NUM-
BER. Reference numbers are
used ONLY to identify parts in
the drawing and are NOT to be
used as order numbers.

Ref #	Req	Part #	Description	Ref #	Req	Part #	Description
1	4	2406-0007	Drain Plug	25	1	0562-9002D	Driver Hub (Model 9008C-O)
2	1	0150-9000C	Pump Casing (w / SS wear ring)	26	1	0501-9018D	Driver Hub (Model 9018C-O)
2A	1	3430-0480SP	Pump Casing (Self-Priming Units)	27	1	1610-0005	Key
3	1	2253-0001	Impeller Nut	28	1	0501-9016D	Driver Hub (Model 9016C-O)
4	1	0400-9000P	Impeller (Nylon)	29	1	3435-0058	Locking Collar Kit (hollow shaft)
5	1	1700-0101	Gasket	30	1	0562-9000D	Driver Hub (Model 9006C-O)
6	1	2120-0010	Mechanical Seal (Optional Buna-N)	31	3	3900-0039	Driver Gear w/Bearing (540 rpm) 39 teeth, Dia. 2.6"
6	1	2120-0011	Mechanical Seal (Standard Viton)	32	1	3900-0010	Impeller Shaft/Pinion Gear (540 rpm)
7	1	1720-0083	O-ring	33	**	1610-0012	Woodruff Key *(1) req'd for 540 rpm, (2) req'd for 1000 rpm models.
8	1	0752-9000C	Mounting Flange Adapter	34	1	2220-0035	Capscrew (Model 9028C)
9	4	2210-0020	Hex Head Capscrew	35	1	2403-0012	Bushing (Model 9028C)
10	1	1720-0139	O-ring	36	1	0501-9018D1	Driver Hub (Model 9028C)
11	1	2130-0018	Bearing Lip Seal	37	1	1800-0014	Retaining Ring
12	1	1700-0098	Gasket	38	1	2005-0006	Ball Bearing
13	*	1810-0013	Retaining Ring — (1) required for 540 rpm, (2) for 1-3/8" and (3) for 1-3/4" 1000 rpm	39	1	1810-0001	Retaining Ring
14	1	2008-0001	Ball Bearing	40	1	3900-0009	Ring Gear
15	1	1820-0025	Retaining Ring	41	8	1450-0004	Cushion Bumper
15	3	2210-0046	Capscrew	42	1	0754-9000C	Gear Casing
16	1	0500-9002	Impeller Shaft (1000 rpm)	43	4	2210-0026	Hex Head Capscrew
17	1	3900-0013	Sun Gear (1000 rpm)	44	1	2404-0193	Breather Vent
18	1	1810-0011	Retaining Ring (1000 rpm)	45	1	2102-0025	Oil Seal
19	3	2210-0046	Hex Head Capscrew	46	1	1720-0022	O-ring
20	3	2270-0003	Washer	47	1	0550-1322F4	Driver Hub (9028C) 1-3/4" Hub 20 Teeth
21	6	2265-0003	Thrust Washer	48	1	3430-0190	Locking Collar Kit (Model 9028C)
22	3	2007-0052	Bearing (included with driver gear)	49	4	2406-0019	Oil Plug
23	3	2007-0022	Bearing Inner Race	50	1	1520-0034	Mounting Clip
24	3	3900-0040	Driver Gear w/Bearing (1000 rpm) 32 teeth, Dia. 2.13"				

HYPRO® 9313 SERIES REPAIR PARTS



Pump Repair Kit No. 3430-0948

Contains: O-rings (Ref. 5 & 8), mechanical seal (Ref. 10), Membrane (Ref. 9), Pump Chamber Fluid, and seal installation tool

Pump Repair Kit No. 3430-0947

Contains: same as 3430-0948, except installation tool not included.

Parts Kit No. 3430-0949

Contains: One each ball bearing (Ref. 16), motor shaft seal (Ref. 18), thread seal gasket (Ref. 34), washer (Ref. 33), two each motor housing o-rings (Ref. 26), and port adaptor o-ring (Ref. 38)

Metering Orifice Kit #3430-0187

Contains: one motor inlet adaptor, adaptor o-ring, three metering orifices, and orifice o-ring.

NOTE: When ordering parts, give quantity, part number, description and complete model number. Reference numbers are used ONLY to identify parts in the drawing and are NOT to be used as order numbers.

Hydraulic Motor Part Nos.

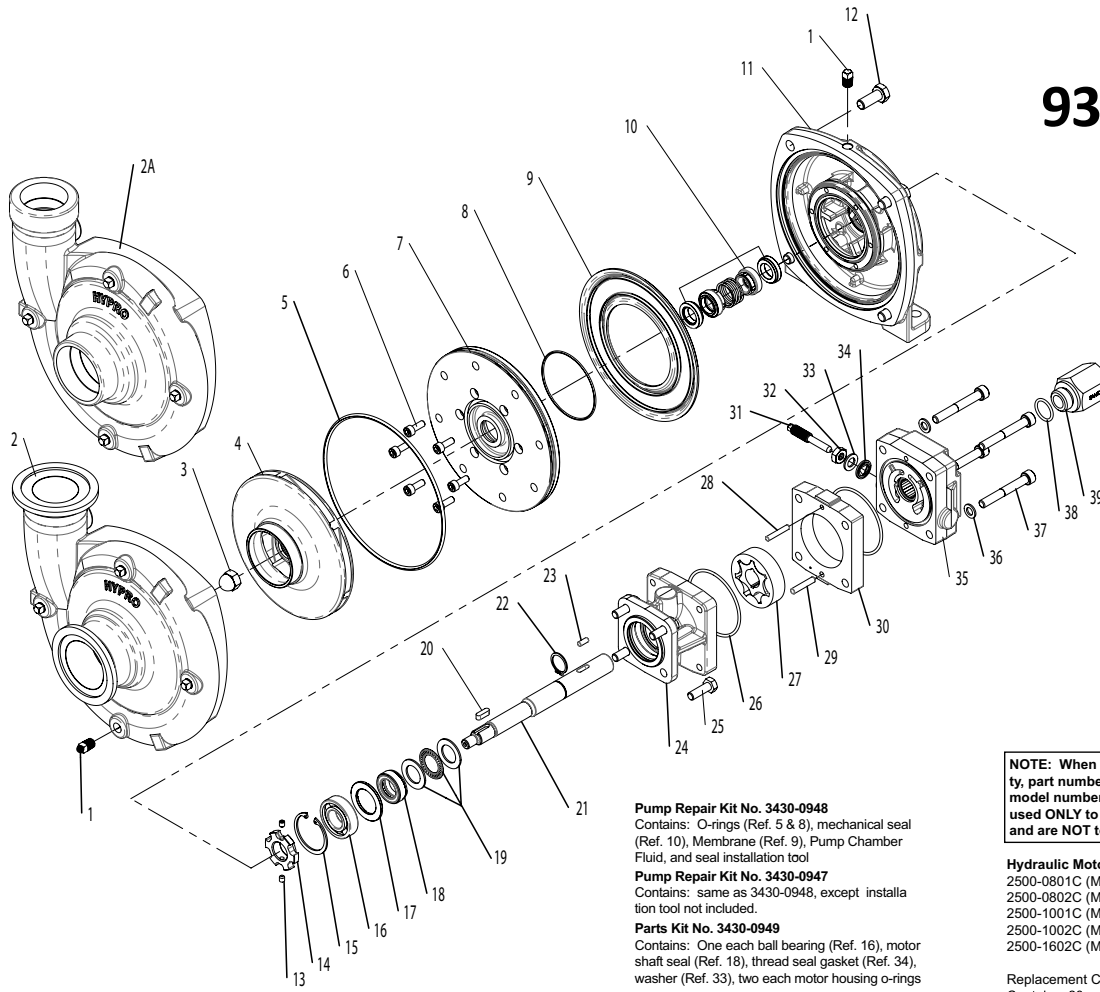
2500-0402C (M04 models)
2500-0501C (M05Y models)
2500-0502C (M05 models)
2500-0801C (M08Y models)
2500-0802C (M08 models)
2500-1001C (M10Y models)
2500-1002C (M10 models)
2500-1602C (M16 models)

Ref. No.	Qty. Req'd.	Part No.	Description
1	5	2406-0016	Drain/Vent Plug (SS)
2	1	0153-9310C	Pump Casing (9313CU)
2	1	0153-9310SM	Pump Casing (9313SU)
2A	1	0151-9310C	Pump Casing (9313C)
2A	1	0151-9310SM	Pump Casing (9313S)
3	1	2253-0015	Impeller Nut
4	1	0400-9313	Impeller
5	1	1720-0292	O-ring, Large
6	6	2220-0124	Socket Head Cap Screw
7	1	0751-9310	Plate, Front Chamber
8	1	1720-0294	O-ring, Small
9	1	2535-0015	Membrane
10	1	2120-0069	Mechanical Seal, Double (Silicon Carbide)
11	1	0752-9310C	Mounting Flange
12	4	2210-0194	Hex Head Cap Screw
13	2	2230-0051	Socket Set Screw
14	1	1410-0137	Tone Wheel
15	1	1820-0039	Retaining Ring
16	1	2000-0017	Ball Bearing
17	1	1410-0145	Spacer
18	1	2104-0011	Motor Lip Seal
19	2	2029-0010	Thrust Bearing Assy
20	1	1610-0072	Shaft Key
21	1	0533-2511	Shaft (M04/M05 Motor)
21	1	0533-2510	Shaft (M08/M10 Motor)
21	1	0533-2512	Shaft (M16 Motor)
22	1	1810-0011	Retaining Ring
23	1	1610-0032	Roll Pin (M04/M05 Motor)
23	1	1610-0031	Roll Pin (M08/M10 Motor)
23	1	1610-0055	Roll Pin (M16 Motor)
24	1	0150-2517C	Motor Body (std)
24	1	0150-2515C	Motor Body (Y series case drain motors)

Ref. No.	Qty. Req'd.	Part No.	Description
25	4	2210-0209	Hex Head Cap Screw
26	2	1720-0110	O-ring
27	1	3900-0023	Gerotor (M04 Motor)
27	1	3900-0025	Gerotor (M05 Motor)
27	1	3900-0022	Gerotor (M08 Motor)
27	1	3900-0048	Gerotor (M10 Motor)
27	1	3900-0024	Gerotor (M16 Motor)
28	1	1600-0086	Dowel Pin, Small (M04/M05 Motor)
28	1	1600-0084	Dowel Pin, Small (M08/M10 Motor)
28	1	1600-0085	Dowel Pin, Small (M16 Motor)
29	1	1600-0097	Dowel Pin, Large (M04/M05 Motor)
29	1	1600-0095	Dowel Pin, Large (M08/M10 Motor)
29	1	1600-0096	Dowel Pin, Large (M16 Motor)
30	1	0720-2601	Gerotor Housing (M04 Motor)
30	1	0720-2602	Gerotor Housing (M05 Motor)
30	1	0720-2603	Gerotor Housing (M08 Motor)
30	1	0720-2604	Gerotor Housing (M10 Motor)
30	1	0720-2606	Gerotor Housing (M16 Motor)
31	1	3220-0029	Bypass Screw (Std Motor)
32	1	2250-0038	Lock Nut, Bypass (Std Motor)
33	1	2270-0027	Washer, Bypass (Std Motor)
34	1	1700-0047	Gasket, Bypass Screw (Std Motor)
35	1	0254-2500C2	Motor End Plate (Std Motor)
35	1	0254-2500C3	Motor End Plate (Y series motors, no Bypass)
36	4	2270-0039	Washer
37	4	2210-0207	Socket Head Cap Screw (M04/M05 Motor)
37	4	2220-0135	Socket Head Cap Screw (M08 Motor)
37	4	2210-0204	Socket Head Cap Screw (M10 Motor)
37	4	2210-0208	Socket Head Cap Screw (M16 Motor)
38	1	1720-0262	O-ring, Check valve
39	1	3320-0052A	Motor Check Valve Assy (includes

PUMP REPAIR PARTS

HYPRO® 9314 SERIES REPAIR PARTS



Pump Repair Kit No. 3430-0948
Contains: O-rings (Ref. 5 & 8), mechanical seal (Ref. 10), Membrane (Ref. 9), Pump Chamber Fluid, and seal installation tool

Pump Repair Kit No. 3430-0947
Contains: same as 3430-0948, except installation tool not included.

Parts Kit No. 3430-0949
Contains: One each ball bearing (Ref. 16), motor shaft seal (Ref. 18), thread seal gasket (Ref. 34), washer (Ref. 33), two each motor housing o-rings (Ref. 26), and port adaptor o-ring (Ref. 38)

NOTE: When ordering parts, give quantity, part number, description and complete model number. Reference numbers are used **ONLY** to identify parts in the drawing and are **NOT** to be used as order numbers.

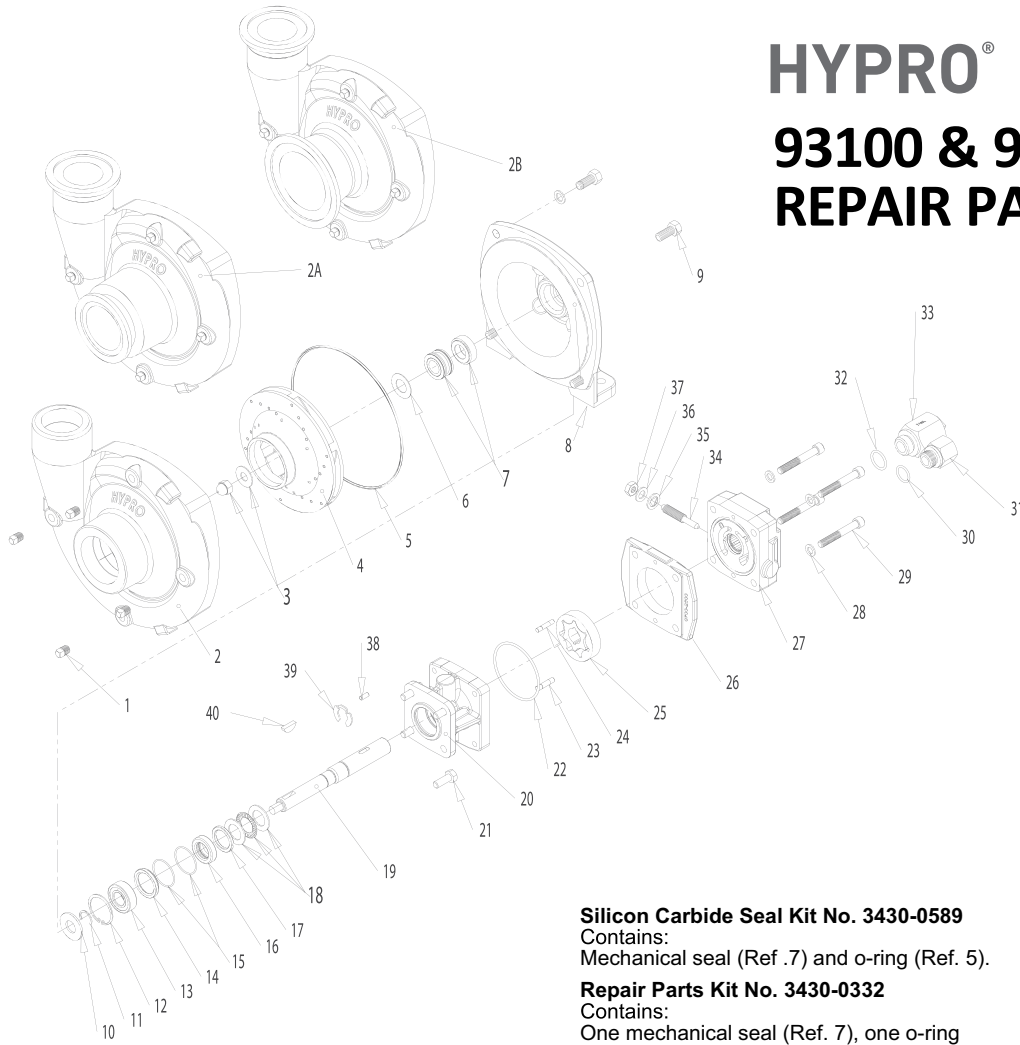
Hydraulic Motor Part Nos.
2500-0801C (M08Y models)
2500-0802C (M08 models)
2500-1001C (M10Y models)
2500-1002C (M10 models)
2500-1602C (M16 models)

Replacement Chamber Fluid #2160-0096
Contains: 23 oz of chamber fluid, pre-mixed.

Ref. No.	Qty. Req'd.	Part No.	Description
1	5	2406-0016	Drain/Vent Plug (SS)
2	1	0157-9310C	Pump Casing (9314CU)
2	1	0157-9310SM	Pump Casing (9314SU)
2A	1	0154-9310C	Pump Casing (9314C)
2A	1	0154-9310SM	Pump Casing (9314S)
3	1	2253-0015	Impeller Nut
4	1	0400-9316	Impeller
5	1	1720-0292	O-ring, Large
6	6	2220-0124	Socket Head Cap Screw
7	1	0751-9310	Plate, Front Chamber
8	1	1720-0294	O-ring, Small
9	1	2535-0015	Membrane
10	1	2120-0069	Mechanical Seal, Double (Silicon Carbide)
11	1	0752-9310C	Mounting Flange
12	4	2210-0194	Hex Head Cap Screw
13	2	2230-0051	Socket Set Screw
14	1	1410-0137	Tone Wheel
15	1	1820-0039	Retaining Ring
16	1	2000-0017	Ball Bearing
17	1	1410-0145	Spacer
18	1	2104-0011	Motor Lip Seal
19	2	2029-0010	Thrust Bearing Assy
20	1	1610-0072	Shaft Key
21	1	0533-2510	Shaft (M08/M10 Motor)
21	1	0533-2512	Shaft (M16 Motor)
22	1	1810-0011	Retaining Ring
23	1	1610-0031	Roll Pin (M08/M10 Motor)
23	1	1610-0055	Roll Pin (M16 Motor)
24	1	0150-2517C	Motor Body (std)

Ref. No.	Qty. Req'd.	Part No.	Description
24	1	0150-2515C	Motor Body (Y series case drain motors)
25	4	2210-0209	Hex Head Cap Screw
26	2	1720-0110	O-ring
27	1	3900-0022	Gerotor (M08 Motor)
27	1	3900-0048	Gerotor (M10 Motor)
27	1	3900-0024	Gerotor (M16 Motor)
28	1	1600-0084	Dowel Pin, Small (M08/M10 Motor)
28	1	1600-0085	Dowel Pin, Small (M16 Motor)
29	1	1600-0095	Dowel Pin, Large (M08/M10 Motor)
29	1	1600-0096	Dowel Pin, Large (M16 Motor)
30	1	0720-2603	Gerotor Housing (M08 Motor)
30	1	0720-2604	Gerotor Housing (M10 Motor)
30	1	0720-2606	Gerotor Housing (M16 Motor)
31	1	3220-0029	Bypass Screw (Std Motor)
32	1	2250-0038	Lock Nut, Bypass (Std Motor)
33	1	2270-0027	Washer, Bypass (Std Motor)
34	1	1700-0047	Gasket, Bypass Screw (Std Motor)
35	1	0254-2500C2	Motor End Plate (Std Motor)
35	1	0254-2500C3	Motor End Plate (Y series motors, no Bypass)
36	4	2270-0039	Washer
37	4	2220-0135	Socket Head Cap Screw (M08 Motor)
37	4	2210-0204	Socket Head Cap Screw (M10 Motor)
37	4	2210-0208	Socket Head Cap Screw (M16 Motor)
38	1	1720-0262	O-ring, Check valve
39	1	3320-0052A	Motor Check Valve Assy (includes o-ring)
n/a	1	2160-0096	Seal Chamber Fluid (not shown, pump requires 10.5 oz)

HYPRO® 93100 & 9306 SERIES REPAIR PARTS



NOTE: When ordering parts, give QUANTITY, PART NUMBER, DESCRIPTION, and COMPLETE MODEL NUMBER. Reference number are used ONLY to identify part in the drawing and are NOT to be used as order numbers.

Parts Kit No. 3430-0748 Pre-2018
3430-0881 Post-2018

Contains: One each ball bearing (Ref. 13), motor shaft seal (Ref. 16), thread seal gasket (Ref. 35), two cartridge o-rings (Ref. 15), and washer (Ref. 36); two each motor housing o-rings (Ref. 22), and port adapter o-rings (Ref. 30 & 32).

Silicon Carbide Seal Kit No. 3430-0589
 Contains:
 Mechanical seal (Ref. 7) and o-ring (Ref. 5).

Repair Parts Kit No. 3430-0332
 Contains:
 One mechanical seal (Ref. 7), one o-ring (Ref. 5) and one rubber gasket (Ref. 6).

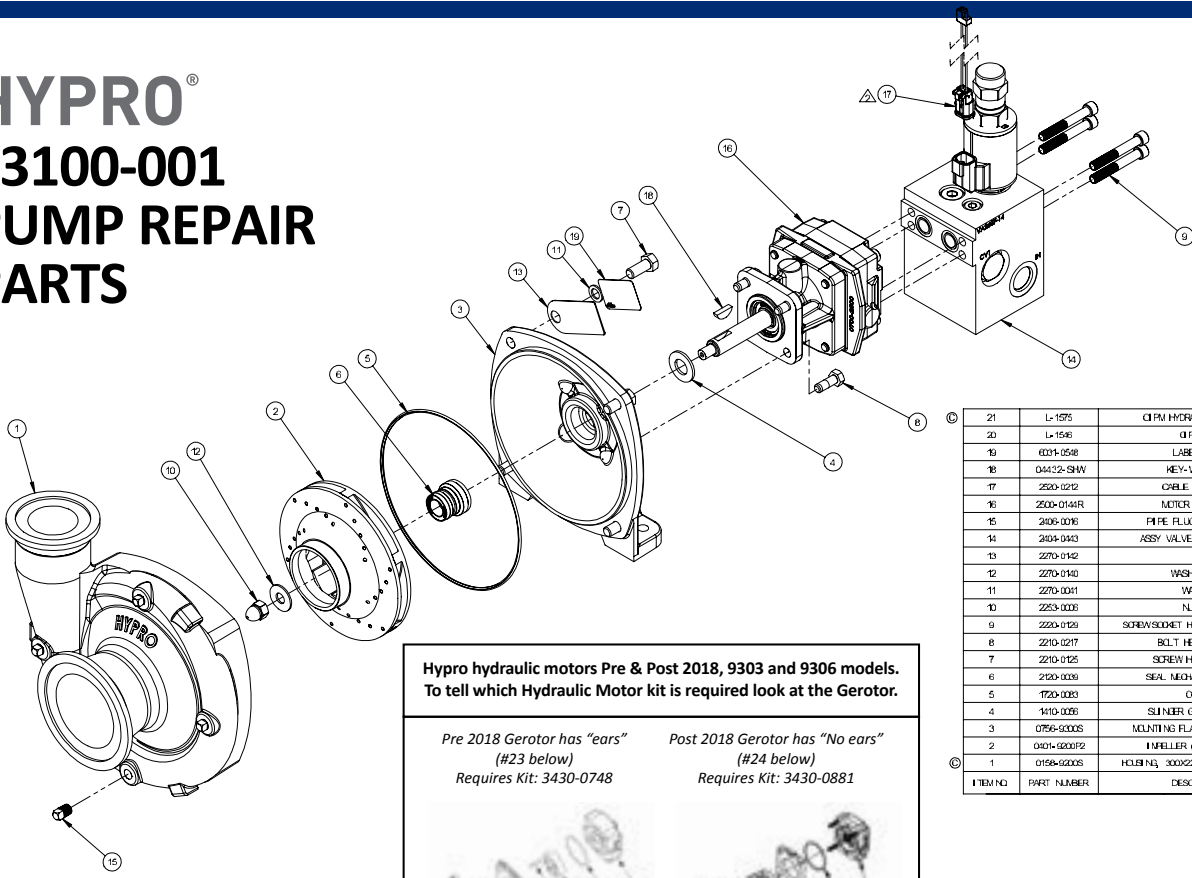
Hydraulic Motor Part Nos.
 2500-0081C (HM1C Models)
 2500-0083C (HM3C Models)
 2500-0085C (HM5C Models)

Ref. No.	Qty. Req'd.	Part No.	Description
1	4	2406-0007	Drain/Vent Plug (9306C)
1	1	2406-0016	Drain/Vent Plug (9306S)
2	4	0154-9200C1	Pump Casing (9306C)
2	1	0154-9200S1	Pump Casing (9306S)
2A	1	0157-9200C	Pump Casing (Universal Flange 220x200)
2B	1	0158-9200C	Pump Casing (Universal Flange 300x220 Cast)
2B	1	0158-9200S	Pump Casing (Universal Flange 300x220 S.S.)
3	1	2253-0002	Impeller Nut (9306C)
3	1	2253-0006	Impeller Nut (9306S)
4	1	0401-9200P2	Impeller (Nylon Std. 9306C)
4	1	0405-9100P2	Impeller (Polypropylene Optional) (Std. 9306S)
4	1	0407-9306P	Impeller (GTX Optional)
5	1	3430-0332	O-ring
6	1	3430-0332	Gasket
7	1	3430-0332	Mechanical Seal (Viton/Cermaic) (Std. 9306C)
7	1	3430-0589	Mechanical Seal (Silicon Carbide) (Std. 9306S)
8	1	0750-9300C2	Mounting Flange (9306C)
8	1	0756-9300S	Mounting Flange (9306S)
9	4	2210-0020	Hex Head Cap Screw (9306C)
9	4	2210-0125	Hex Head Cap Screw (9306S)
10	1	1410-0056	Slinger Ring
11	1	1810-0014	Snap Ring
12	1	1820-0013	Retaining Ring
13	1	3430-0748	Ball Bearing
14	1	1410-0131	Cartridge, Front
15	2	1720-0286	O-ring
16	1	3430-0748	Lip Seal
17	1	1410-0130	Seal Spacer
18	1	2029-0014	Thrust Bearing Assembly
19	1	3430-0852	Shaft (HM1C/HM5C)
19	1	3430-0855	Shaft (HM3C)

Ref. No.	Qty. Req'd.	Part No.	Description
20	1	0150-2500C	Motor Body (includes needle bearing)
21	4	2210-0005	Hex Head Cap Screw
22	2	3430-0748	O-ring
23	1	1600-0044	Dowel Pin (HM1C/HM5C)
23	1	1600-0052	Dowel Pin (HM3C)
24	1	1600-0037	Dowel Pin (HM1C/HM5C)
24	1	1600-0068	Dowel Pin (HM3C)
25	1	3900-0022	Gerotor (HM1C)
25	1	3900-0024	Gerotor (HM3C)
25	1	3900-0048	Gerotor (HM5C)
26	1	0700-2500C1	Gerotor Housing (HM1C Models) 1/2" wide
26	1	0702-2500C1	Gerotor Housing (HM3C Models) 1" wide
26	1	0704-2500C1	Gerotor Housing (HM5C Models) 5/8" wide
27	1	0254-2500C2	Motor End Plate (includes needle bearing)
28	4	2270-0039	Washer
29	4	2220-0021	Cap Screw (HM1C Models)
29	4	2220-0044	Cap Screw (HM3C Models)
29	4	2220-0032	Cap Screw (HM5C Models)
30	1	3430-0748	O-ring
31	1	3360-0021A	Pressure Port Adapter (includes o-ring)
32	1	1720-0262	O-ring
33	1	3320-0051A	Tank Port Adapter (includes o-ring)
34	1	3220-0029	Bypass Adjusting Screw
35	1	3430-0748	Gasket
36	1	3430-0748	Washer
37	1	2250-0038	Lock Nut
38	1	1610-0031	Roll Pin (HM1C/HM5C)
38	1	1610-0055	Roll Pin (HM3C)
39	1	1810-0026	Snap Ring
40	1	1610-0012	Woodruff Key (9306C)
40	1	04432	Woodruff Key (9306S)

PUMP REPAIR PARTS

HYPRO® 93100-001 PUMP REPAIR PARTS

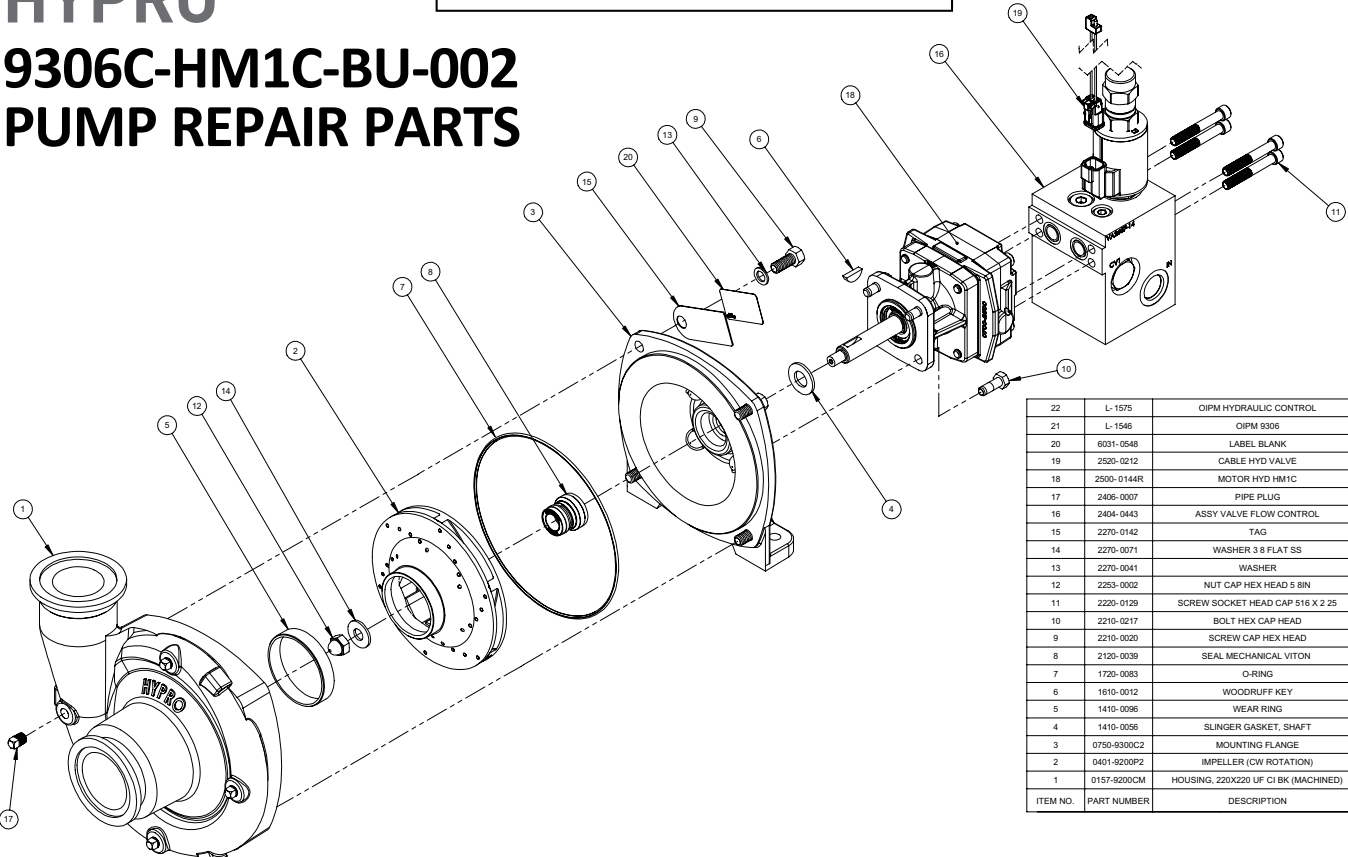


Hypro hydraulic motors Pre & Post 2018, 9303 and 9306 models.
To tell which Hydraulic Motor kit is required look at the Gerotor.

Pre 2018 Gerotor has "ears" (#23 below) Requires Kit: 3430-0748	Post 2018 Gerotor has "No ears" (#24 below) Requires Kit: 3430-0881
--	--

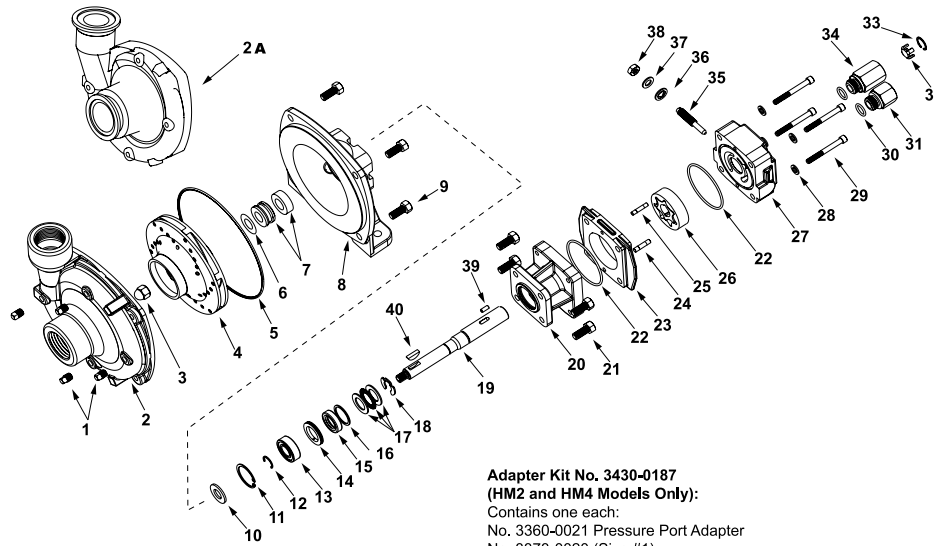
ITEM NO.	PART NUMBER	DESCRIPTION	QTY.
21	L-1575	OIPM HYDRAULIC CONTROL	1
20	L-1546	OIPM 9306	1
19	6031-0548	LABEL BLANK	1
18	04412-9HW	KEY-WOODRUFF	1
17	2500-0212	CABLE HYD VALVE	1
16	2500-0144R	MOTOR HYD HM1C	1
15	2406-0016	PIPE FLUG SQUARE HEAD	4
14	2404-0443	ASSY VALVE FLOW CONTROL	1
13	2270-0142	TAG	1
12	2270-0140	WASHER FLAT	1
11	2270-0041	WASHER	1
10	2253-0003	NUT CAP	1
9	2210-0210	SCREW SOCKET HEAD GP 516 X 2 25	4
8	2210-0217	BOLT HEX CAP HEAD	4
7	2210-0125	SCREW HEX HEAD CAP	4
6	2120-0039	SEAL MECHANICAL VITON	1
5	1720-0083	O-RING	1
4	1410-0056	SLINGER GASKET, SHAFT	1
3	0756-9300S	MOUNTING FLANGE PASS VATED	1
2	0401-9200P2	IMPELLER (CW ROTATION)	1
1	0196-9200S	HOUSING, 220X220 LF SS (COMPLETE)	1

HYPRO® 9306C-HM1C-BU-002 PUMP REPAIR PARTS



ITEM NO.	PART NUMBER	DESCRIPTION	QTY.
22	L-1575	OIPM HYDRAULIC CONTROL	1
21	L-1546	OIPM 9306	1
20	6031-0548	LABEL BLANK	1
19	2500-0212	CABLE HYD VALVE	1
18	2500-0144R	MOTOR HYD HM1C	1
17	2406-0007	PIPE FLUG	4
16	2404-0443	ASSY VALVE FLOW CONTROL	1
15	2270-0142	TAG	1
14	2270-0071	WASHER 3/8 FLAT SS	1
13	2270-0041	WASHER	1
12	2253-0002	NUT CAP HEX HEAD 5/8 IN	1
11	2220-0129	SCREW SOCKET HEAD CAP 516 X 2 25	4
10	2210-0217	BOLT HEX CAP HEAD	4
9	2210-0020	SCREW CAP HEX HEAD	4
8	2120-0039	SEAL MECHANICAL VITON	1
7	1720-0083	O-RING	1
6	1610-0012	WOODRUFF KEY	1
5	1410-0096	WEAR RING	1
4	1410-0056	SLINGER GASKET, SHAFT	1
3	0750-9300C2	MOUNTING FLANGE	1
2	0401-9200P2	IMPELLER (CW ROTATION)	1
1	0157-9200CM	HOUSING, 220X220 LF CI BK (MACHINED)	1

HYPRO® ALL 9303C & 9303S SERIES REPAIR PARTS



Repair Parts Kit No. 3430-0332
Contains: One o-ring (Ref. 5), one rubber gasket (Ref. 6), and one mechanical seal (Ref. 7).

Silicon Seal Kit No. 3430-0589
Contains one each: 1720-0083 o-ring (Ref. 5) and one mechanical seal (silicon carbide) (Ref.7).

Adapter Kit No. 3430-0187 (HM2 and HM4 Models Only):
Contains one each:
No. 3360-0021 Pressure Port Adapter
No. 3373-0020 (Size #1)
No. 3373-0021 (Size #2)
No. 3373-0022 (Size #3).
No. 1720-0108 Adapter O-ring and
No. 1720-0105 Orifice O-ring (Qty 3).

NOTE: When ordering parts, give QUANTITY, PART NUMBER, DESCRIPTION, and COMPLETE MODEL NUMBER. Reference numbers are used ONLY to identify parts in the drawing and are NOT to be used as order numbers.

Parts Kit No. 3430-0748 Pre-2018
3430-0881 Post-2018

Contains: One each ball bearing (Ref. 13), motor shaft seal (Ref. 15), thread seal gasket (Ref. 36), and washer (Ref. 37); two each motor housing o-rings (Ref. 22), and port adapter o-rings (Ref. 30).

Hydraulic Motor Part Nos.
2500-0081C (HM1C Models)
2500-0010C (HM2C Models)
2500-0011C (HM3C Models)
2500-0084C (HM4C Models)
2500-0085C (HM5C Models)

Ref #	Req	Part #	Description
1	4	2406-0007	Drain/Vent Plug (9303C)
1	4	2406-0016	Drain/Vent Plug (9303S)
2	1	0150-9000C	Pump Casing (Model 9303C)
2	1	0150-9000S	Pump Casing (Model 9303S)
2A	1	0153-9000C	Pump Casing (Universal Flange)
3	1	2253-0002	Impeller Nut (9303C)
3	1	2253-0006	Impeller Nut (Model 9303S)
4	1	0401-9100P	Impeller (Nyglass, std.)(9303C)
4	1	0402-9100P	Impeller (Optional Polypropylene) (Std 9303S)
5	1	1720-0083	O-ring
6	1	1700-0100	Rubber Gasket (9303C)
7	1	2120-0009	Mechanical Seal (Viton/Ceramic) (Std 9303C)
7	1	3430-0589	Mechanical Seal (Silicon Carbide) (Std 9303S)
8	1	0750-9300C	Mounting Flange
8	1	0756-9300S	Mounting Flange (Model 9303S)
9	4	2210-0020	Hex Head Cap Screw (9303C)
9	4	2210-0125	Hex Head Cap Screw (Model 9303S)
10	1	1410-0056	Slinger Ring
11	1	1820-0013	Retaining Ring
12	1	1810-0014	Snap Ring
13	1	2000-0010	Ball Bearing
14	1	1410-0073	Spacer
15	1	2104-0005	Shaft Seal
16	1	1410-0074	Seal Spacer
17	1	2029-0014	Thrust Bearing Assembly—Consists of: (1) Thrust Bearing & (2) Thrust Brg. Races
18	1	1810-0026	Snap Ring
19	1	0509-2500	Shaft (HM2C & HM4C Models) 6-3/4" Long
19	1	0511-2501	Shaft (HM1C & HM5C Models) 7" Long
19	1	0510-2500	Shaft (HM3C Models) 7 -1/2" Long
20	1	0151-2500C	Motor Body (Includes Main Bearing)
21	4	2210-0005	Hex Head Cap Screw
22	2	1720-0110	O-ring
23	1	0701-2500C1	Gerotor Housing (HM2C Models) 1/4" Wide
23	1	0700-2500C1	Gerotor Housing (HM1C Models) 1/2" Wide

Ref #	Req	Part #	Description
23	1	0703-2500C1	Gerotor Housing (HM4C Models) 5/16" Wide
23	1	0702-2500C1	Gerotor Housing (HM3C Models) 1" Wide
23	1	0704-2500C1	Gerotor Housing (HM5C Models) 5/8" Wide
24	1	1600-0045	Dowel Pin (HM2C & HM4C Models)
24	1	1600-0044	Dowel Pin (HM1C & HM5C Models)
24	1	1600-0052	Dowel Pin (HM3C Models)
25	1	1600-0042	Dowel Pin (HM2C & HM4C Models)
25	1	1600-0037	Dowel Pin (HM1C & HM5C Models)
25	1	1600-0068	Dowel Pin (HM3C Models)
26	1	3900-0022	Gerotor (HM1C Models)
26	1	3900-0023	Gerotor (HM2C Models)
26	1	3900-0024	Gerotor (HM3C Models)
26	1	3900-0025	Gerotor (HM4C Models)
26	1	3900-0048	Gerotor (HM5C Models)
27	1	0251-2500C2	Motor End Plate (Includes Main Bearing)
28	4	2270-0039	Washer
29	4	2220-0045	Cap Screw (HM2C & HM4C Models)
29	4	2220-0021	Cap Screw (HM1C)
29	4	2220-0044	Cap Screw (HM3C Models)
29	4	2220-0032	Cap Screw (HM5C)
30	2	1720-0108	O-ring
31	1	3360-0021	Pressure Port Adapter
32	1	3260-0068	Poppet
33	1	1820-0038	Retaining Ring
34	1	3320-0049	Tank Port Adapter
35	1	3220-0029	Bypass Adjusting Screw
36	1	1700-0047	Gasket
37	1	2270-0027	Washer
38	1	2250-0038	Lock Nut
39	1	1610-0032	Roll Pin (HM2C & HM4C Models)
39	1	1610-0031	Roll Pin (HM1C & HM5C Models)
39	1	1610-0055	Roll Pin (HM3C)
40	1	1610-0012	Woodruff Key (9303C)
40	1	04432	S.S. Woodruff Key (Model 9303S)

APPLICATORS & SPRAYERS
 DRY MATERIAL HANDLING
 TRAILERS
 TANKS & ACCESSORIES
 PUMPS
 VALVES & FITTINGS
 STRAINERS & HOSE
 PLANTER EQUIPMENT
 SPRAYER CONTROLS & GUIDANCE
 NOZZLES, TIPS & SPRAY GUNS
 NH3 PRODUCTS
 TECHNICAL INFORMATION
 INDEX

PUMP REPAIR PARTS

PARTS LIST FOR

HYPRO MODELS 9910-D30, D30AP-A, D30GRGI, & D30-B-GRGI AR MODELS AR30-SP, AR30-SP/A3/4, AR30-GR3/4-GCI

AR 30 / AR 40

	9910	9910	9910
400	9910	9910	9910
400	9910	9910	9910

Pos	Code	Description	Qty	Note
1	620011	Pump body	1	
2	620101	Head	1	
3	620102	Head	1	
4	621430	Bolt	8	3/4"
5	620080	Diaphragm	2	19R
	620081	Diaphragm	2	W8N
	620085	Diaphragm	2	Dromopan
	620082	Diaphragm	2	BlueFlex™
	620120	Piston	2	Ø 5/8"
7	620140	Connecting rod	2	
8	620110	Sleeve	2	AR30
9	622190	Sleeve	2	AR40
9	380470	Ring	2	connecting rod
10	380300	Pin	2	
11	380080	Ring	4	circip Ø 14
12	160210	Piston ring	2	
14	1040180	Retaining washer	2	
15	580360	Hub pin	2	T180°
16	180150	Nut	2	T180°
18	620050	O-ring	4	Ø 25.80x3.53
	620051	O-ring	4	Ø 25.80x3.53
19	620050	Valve	4	W8N
20	111120	Ring	2	circip Ø 42
21	620020	Cover	1	
22	620210	O-ring	1	Ø 40.05x2.62
23	620291	Ring	1	circip Ø 29
24	620191	Bearing	1	
25	850850	Bolt	2	T180°
26	550131	Washer	2	
28	180101	O-ring	2	Ø 17.5x2
29	550010	Oil sight glass	1	
30	550040	O-ring	1	Ø 26.65x2.62
31	550050	Cap	1	AR30
	550052	Cap	1	AR40
32	620160	Spacer	1	
33	550060	Sealing	1	
34	620130	Ring	1	seal
35	620310	Ring	1	circip Ø 65
36	620170	Shaft	1	(Ø) AR30
	622200	Shaft	1	AR40
37	620150	Washer	1	
38	550140	Fitting	1	T 1/8" M
	450120	Fitting	1	T 1/8" UN M
39	550150	O-ring	1	Ø 23.81x2.62
	390290	O-ring	1	Ø 2x1
40	550152	Ring nut	1	T 1/8"
	550870	Ring nut	1	T 1/4"
41	550170	Elbow	1	T 1/8"
	580040	Elbow	1	T 1/4" G
42	390060	O-ring	4	Ø 20.63x2.62
44	621780	Bolt	8	T180°

Pos	Code	Description	Qty	Note	
45	620210	Semi air chamber	upper	1	Red
46	620211	Semi air chamber	upper / w- air valve	1	
	590194	Air chamber	Diaphragm	1	BlueFlex™
47	590190	Air chamber	Diaphragm	1	W8N
	622070	Semi air chamber	lower	1	
49	650542	Casket	1		
50	180020	Air valve	1		
51	390390	O-ring	1	Ø 29x3	
52	620080	Key	1	for 620172	
	620172	Shaft	marked P	1	e 20 mm (Ø) AR30
53	620174	Shaft	marked R	1	e 3/4" (Ø) AR30
	622120	Shaft	marked R	1	e 1/4" (Ø) AR40
54	650239	Diaphragm	Dumber Isomix	1	N/A
	650213	Inlet pulvation	Dumber	1	
55	620061	Flange	1		
56	620070	Nut	1		
57	180370	Bolt	TE Mix25	1	T180°
58	620030	Ring	seal	1	
59	620021	Cover	1		
60	650660	Diaphragm holder	anodized	1	N/A Obsolete
	650670	Diaphragm	19R	1	
61	650671	Diaphragm	BlueFlex™	1	
	651620	Clamp	1		
63	1100150	Shield	1		
64	820020	Bolt	TCI M10x36	4	T180°
65	620190	Bearing	1		
66	880110	Plug	1/8" G	1	T180°
67	740290	O-ring	Ø 14x1.78	1	
68	620010	Spacer	1		
69	620040	Spacer	1		
70	380210	Bearing	1		
71	380210	Bolt	TE Mix25	2	T180°
72	180240	Nut	M8	2	
73	390290	Base	2		
74	390270	Nut	M8	2	T180°
75	450140	Flange	1		
76	110130	Ring nut	1/2"	1	
77	45720	Inlet pulvation	4-mpx conomy	1	
87	550150	O-ring	Ø 23.81x2.62	1	

* larger to fit +/- 10%

Medium pressure

Repair Kits



AR 43282
Basic diaphragms

Pos.	Qty
5	2
18	4
46	1

AR 43285
BlueFlex™ diaphragms

Pos.	Qty
5	2
18	4
46	1

AR 43283
Dromopan diaphragms

Pos.	Qty
5	2
18	4
46	1



AR 1917
Valves

Pos.	Qty
18	4
19	4



AR 1916
O-Rings

Pos.	Qty
18	4
22	1
28	2
39	2
42	4
49	1
51	1
67	1

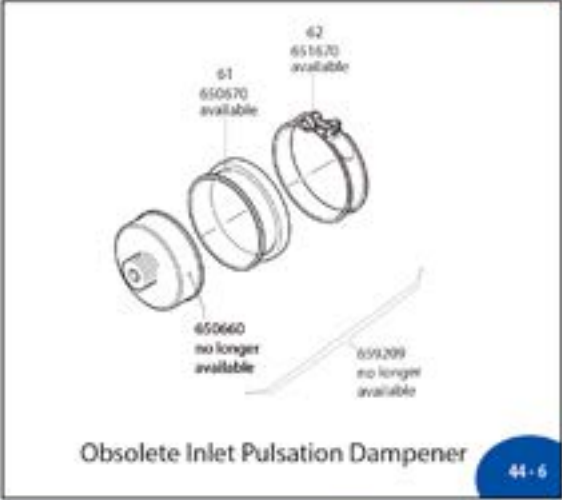
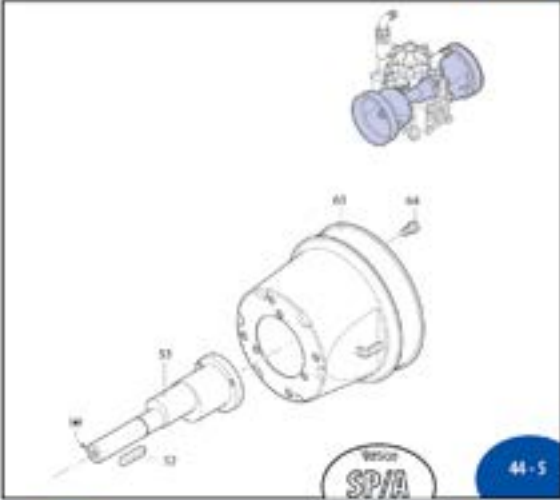
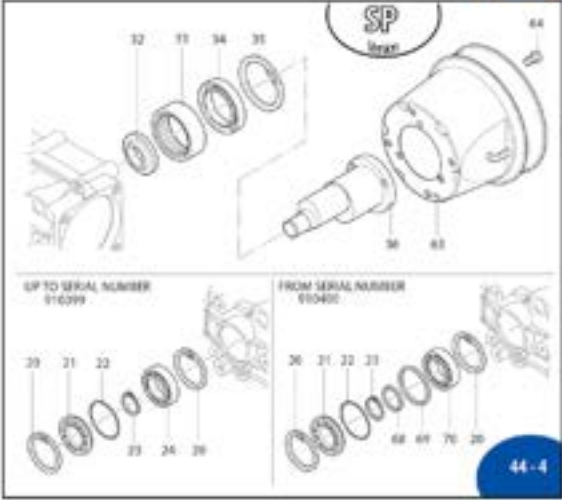
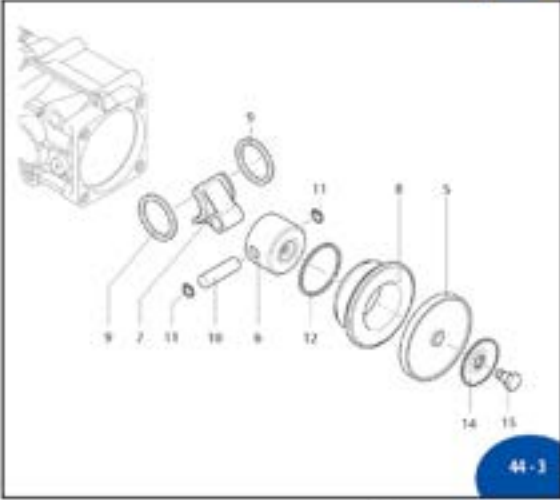
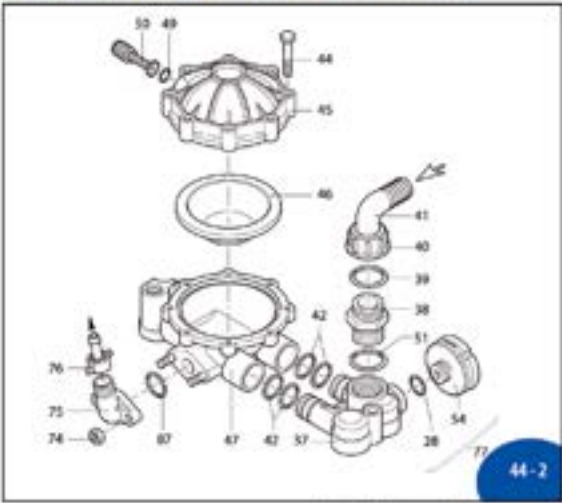
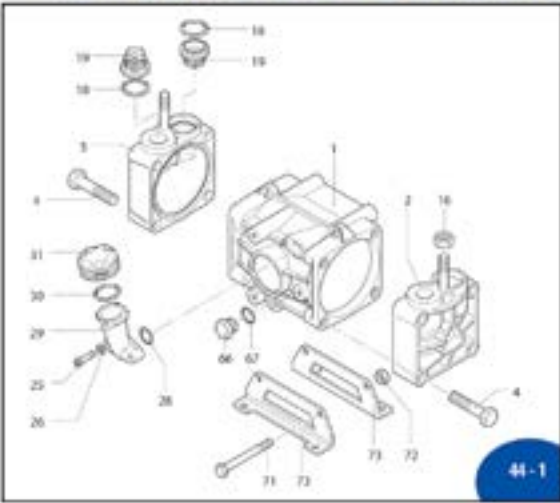


Suggested oil

Type	Qtz
AR45120	32

Crankcase Oil
Capacity 25 cc

PARTS LIST FOR HYPRO MODELS 9910-D30, D30AP-A, D30GRGI, & D30-B-GRGI AR MODELS AR30-SP, AR30-SP/A3/4, AR30-GR3/4-GCI



PUMP REPAIR PARTS

PARTS LIST FOR HYPRO MODELS 9910-DBA160 & 9910-DBA200 AR MODELS BHA170-C/C, BHA200-C/C

BHA 170 - BHA 200

BHA170	CC
BHA200	CCBA

Pos	Code	Description	Qty	Note
1	2240100	Hub pin	4	T205*
2	580090	Retaining washer	4	
3	2240000	Diaphragm	4	NBR
4	2240005	Diaphragm	4	Demopan
5	2240081	Diaphragm	4	Blueflex™
6	2240160	Sleeve	4	BHA 170
7	2240150	Sleeve	4	BHA 200
8	2240120	Piston ring	4	BHA 170
9	2240130	Piston ring	4	BHA 200
10	2240150	Piston Ø 76	4	BHA 170
11	2240150	Piston Ø 82	4	BHA 200
12	2240180	Pin	4	BHA 170
13	540010	Pin	4	BHA 200
14	180691	Ring circlip Ø 18	8	
15	2240050	Connecting rod	4	
16	2240110	Net N10	4	SS T205*
17	1800060	Plug black	1	BHA 170
18	7500050	Plug red	1	BHA 200
19	1040060	O-ring Ø 72.6x2.62	1	
20	540290	Bolt TCE M16x25	3	Typ*
21	2240070	Oil sight glass	1	
22	2240170	O-ring Ø 67.9x2.62	1	
23	2240071	Pump body	1	
24	2240452	Head marked DK	2	
25	2240470	Bolt TCE M 12x70	24	T205*
26	180181	O-ring Ø 17.5x2	1	
27	2240040	Base	1	
28	2240060	Bolt TCE M 14x35	8	T205*
29	820361	Plug 1/2" G brass	1	T180*
30	2240453	Head marked SR	2	
31	1527	Air chamber Bute	1	
32	43071	Air chamber Blueflex™	1	Not shown
33	1800020	Air valve	1	T35*
34	650152	Gasket	1	
35	180470	Bolt TCE M16x40	8	T180*
36	620234	Seed air chamber upper	1	Avandard
37	350190	Seed air chamber	1	NBR
38	520194	Air chamber	1	Blueflex™
39	2240030	Base	1	
40	2240481	Seed air chamber lower	1	
41	2240490	Fitting	1	Brass
42	720070	O-ring Ø 22.2x2.62	1	
43	540150	Elbow 1 1/2"	1	
44	540140	Ring nut 1" 3/4 G	1	
45	250170	O-ring Ø 36.1x2.62	1	
46	680000	O-ring Ø 31.5x4.25	8	
47	759051	Valve	8	
48	130491	Bolt valve 3/8" G - 1/2" G N M 38	1	
49	130130	Ring nut 1/2"	2	
50	900210	Fitting 3/8" G N-F	2	

Pos	Code	Description	Qty	Note
51	850330	Bolt TCE M 10x35	8	T355*
52	880581	Plug 1 1/4" G	1	T180*
53	820510	O-ring Ø 10.82x1.78	1	
54	2240071	Manifold asp. manifold	1	
55	850250	Bolt TCE M8x32	4	Typ*
56	390311	Washer	4	
57	1500470	Shield	1	
58	851650	Elbow manifold	1	
59	130491	Bolt valve 3/8" G - 1/2" G N M 38	1	
60	2240160	Ring circlip Ø 62	2	
61	2240150	Ring seal	2	
62	2240430	Bearing	2	
63	2240121	Ring connecting rod	2	
64	850120	Bearing	2	
65	2240173	Shaft C/C in BE	1	
66	2240290	O-ring Ø 152.7x2.62	1	
67	2240020	Flange	1	
68	180670	Bolt 1/8 M 10x25	6	T355*
69	2240190	Ring connecting rod	1	
70	2240400	Retaining washer	1	
71	2240380	Bearing	1	
72	1800090	Ring seal	1	
73	820130	Ring circlip Ø 65	1	
74	2240610	Flange	1	Ø 32
75	2240170	Flange	1	Ø 17.5
76	750020	Elbow 2"	1	Optional
77	240040	Ring nut 2" G	1	Optional
78	820210	O-ring Ø 48.95x2.62	1	Optional
79	2240080	Fitting 2" G - 1 3/4 G N-F	1	Optional
80	392790	Hose barb 1 1/2"	1	Optional

* Torque: 8-10 N·m +/- 10%

High pressure



AR 43323 Blueflex™ diaphragms	
Pos.	Qty
3	4
31	1
39	8



AR 2374 Valves	
Pos.	Qty
30	8
40	8



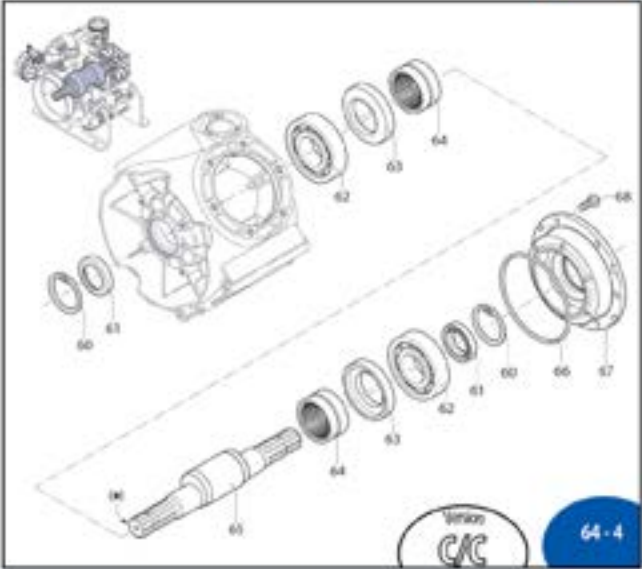
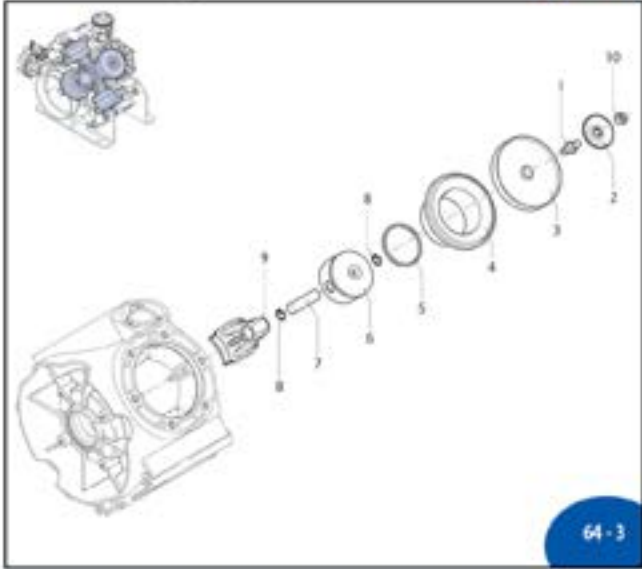
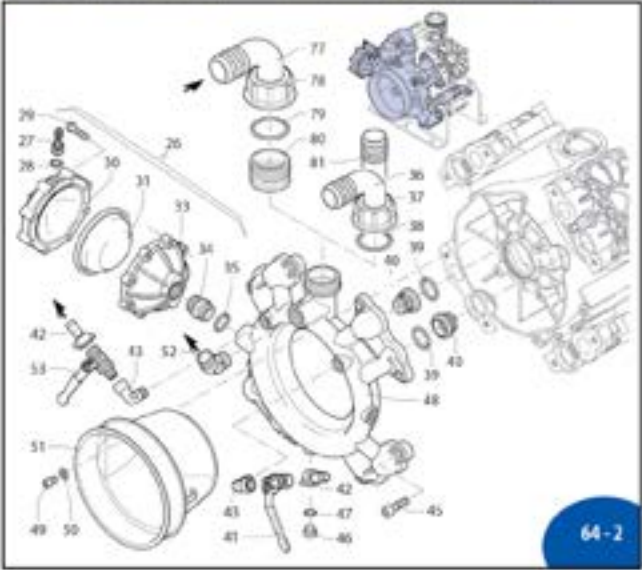
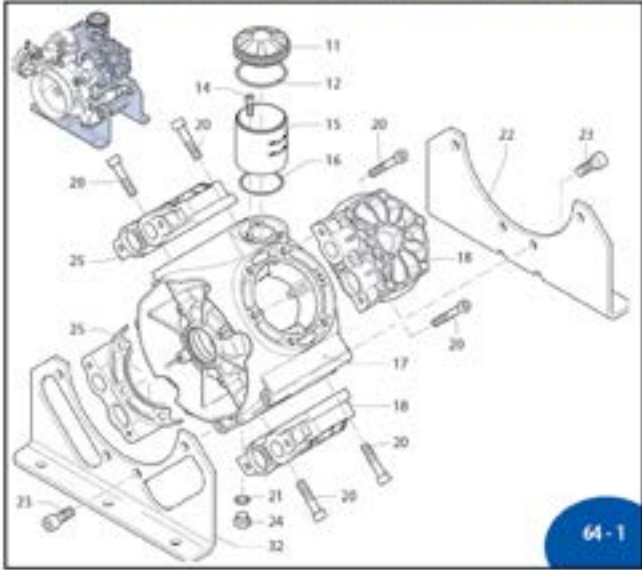
AR 2457 O-Rings	
Pos.	Qty
12	1
16	1
21	1
35	1
38	1
39	8
47	1
57	1
66	1



Suggested oil	
Type	Qty
AR6532D	33

Crankcase Oil
Capacity 119 ml

PARTS LIST FOR HYPRO MODELS 9910-DBA160 & 9910-DBA200 AR MODELS BHA170-C/C, BHA200-C/C



INDEX	TECHNICAL INFORMATION	NH3 PRODUCTS	NOZZLES, TIPS & SPRAY GUNS	SPRAYER CONTROLS & GUIDANCE	PLANTER EQUIPMENT	STRAINERS & HOSE	VALVES & FITTINGS	PUMPS	TANKS & ACCESSORIES	TRAILERS	DRY MATERIAL HANDLING	APPLICATORS & SPRAYERS
-------	-----------------------	--------------	----------------------------	-----------------------------	-------------------	------------------	-------------------	-------	---------------------	----------	-----------------------	------------------------

PUMP REPAIR PARTS



PTO BELT DRIVEN CENTRIFUGAL PUMPS

PTOC-600
PTOC-1000
1 1/4" x 1"
Suction Discharge



STAINLESS STEEL WEAR RING
AND SHAFT STANDARD

PTOC-150-600
PTOC-150-1000
1 1/2" x 1 1/4"
Suction Discharge



STAINLESS STEEL WEAR RING
AND SHAFT STANDARD

1 1/4" Suction x 1" Discharge

Part #	Weight	Description
PTOC-600-6SP	45	Cast iron straight centrifugal with pulleys and 10 groove belt arranged for direct mounting on 1 3/8" 540 RPM PTO shaft. 0-80 PSI. Equipped with 6 spline PTO drive shaft. Viton mechanical seal. Fully guarded for operator safety.
PTOC-600-QC	46	Cast iron straight centrifugal with pulleys and 10 groove belt arranged for direct mounting on 1 3/8" 540 RPM PTO shaft. 0-80 PSI. Equipped with 6 spline quick coupler PTO drive shaft. Viton mechanical seal. Fully guarded for operator safety.
PTOC-600-B	42	Cast iron straight centrifugal with pulleys and 10 groove belt. 1" diameter stub shaft and integral mounting base. 540 RPM Tumblerod drive shaft. 0-80 PSI. Equipped with Viton mechanical seal. Fully guarded for operator safety.
PTOC-1000-21SP	43	Cast iron centrifugal with pulleys and 10 groove belt arranged for direct mounting on 1 3/8" 1000 RPM PTO shaft. 0-80 PSI. Equipped with 21 spline split PTO drive shaft and split ring locking collar. Viton mechanical seal. Fully guarded for operator safety.
PTOC-1000-20SP	45	Cast iron straight centrifugal with pulleys and 10 groove belt arranged for mounting on 1 3/4" 1000 RPM PTO shaft. 0-80 PSI. Equipped with 20 spline split PTO drive shaft and split ring locking collar. Viton mechanical seal. Fully guarded for operator safety.
FMC-MIA	18	Machined to accept idler arm version of Model FMC pump above.

1 1/2" Suction x 1 1/4" Discharge

Part #	Weight	Description
PTOC-150-600-6SP	51	0-110 PSI, cast iron straight centrifugal with pulleys and 10 groove belt arranged for direct mounting on 1 3/8", 540 RPM PTO shaft. Equipped with 6 spline PTO drive shaft. Viton mechanical seal. Fully guarded for operator safety.
PTOC-150-600-6SPQC	51	0-110 PSI, cast iron straight centrifugal with pulleys and 10 groove belt assembled for direct mounting on 1 3/8", 540 RPM PTO shaft; equipped with Quick Coupler. Viton mechanical seal. Fully guarded for operator safety.
PTOC-150-600-B	52	0-110 PSI, cast iron straight centrifugal with pulleys and 10 groove belt. 1" diameter stub shaft and integral mounting base for 540 RPM Tumblerod drive shaft. Viton mechanical seal. Fully guarded for operator safety.
PTOC-150-1000-21SP	48	0-110 PSI, cast iron straight centrifugal with pulleys and 10 groove belt arranged for direct mounting on 1 3/8", 1000 RPM PTO shaft, 21 spline PTO shaft with split ring locking collar. Viton mechanical seal. Fully guarded for operator safety.
PTOC-150-1000-20SP	50	0-110 PSI, cast iron straight centrifugal with pulleys and 10 groove belt arranged for direct mounting on 1 3/4", 1000 RPM PTO shaft. Equipped with 20 spline PTO shaft with split ring locking collar. Viton mechanical seal. Fully guarded for operator safety.
PTOC-150-1000-B	45	0-110 PSI, cast iron straight centrifugal with pulleys and 10 groove belt. 1" diameter stub shaft and integral mounting base for 1000 RPM Tumblerod drive shaft. Viton mechanical seal. Fully guarded for operator safety.
FMC-150-MIA	23	Machined to accept idler arm version of Model FMC-150 Pump above.

ROLLER PUMPS

- A compact, low cost design
- Mount directly to common tractor PTO shafts with optional PTO coupler.
- Available counter clockwise standard rotation or "-R" reverse rotation clockwise models

RP-600C



RP-800C

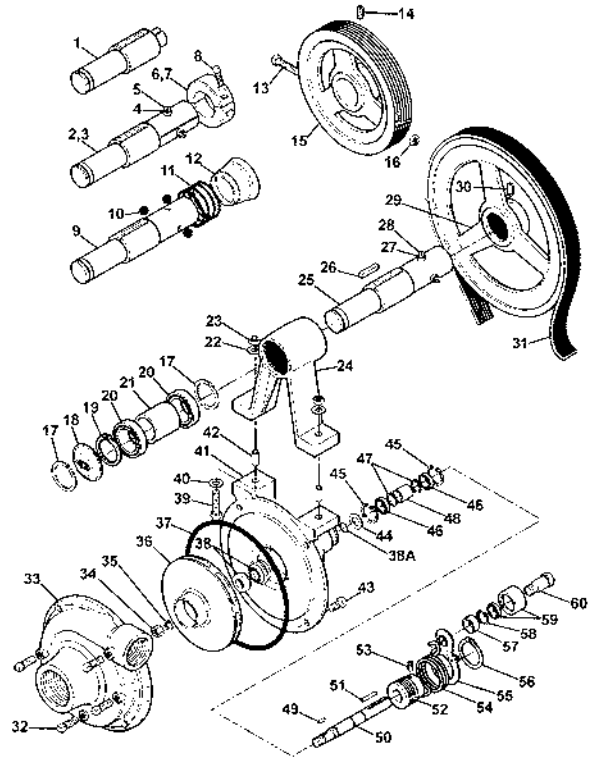


Part #	Max GPM	Max PSI	Description
RP-600C	21.8	300	6 Roller Pump. 3/4" X 3/4" NPT Port. 540-1200 RPM.
RP-800C	22.5	300	8 Roller Pump. 3/4" X 3/4" NPT Port. 540-1000 RPM.

ACE PTO PUMP PARTS 150 SERIES BELT DRIVE



*Items included in repair kit for 600 RPM models
 # Items included in repair kit for 1000 RPM models
 \$Items included in repair kit for pump only
 ••Not shown on cross section drawing



Ref #	Part #	Description	Req
1	BAC-10-S	1" tumbled rod stub drive shaft	1
2	BAC-10-175-20SP	1 3/4" 20 tooth spline PTO drive shaft	1
3	BAC-10-21SP	1 3/8" 21 tooth spline drive shaft	1
4, 27	40960	3/8" NC jam nut	3
5, 28	BAC-40	3/8" NC slotted set screw	3
6	BAC-11-175	Split ring, locking collar	1
7	BAC-11	Split ring, locking collar	1
8	BAC-11-1	Set screw	1
9	BAC-10-6SPQC	1 3/8" 6 tooth spline shaft Q/C	1
10	BAC-83-QC	Ball for quick coupler	3
11	BAC-82-QC	Spring for quick coupler	1
12	BAC-81-QC	Ball retainer sleeve, poly	1
13	41250	Cap screw (for PTOC-600-10B)	1
15	BAC-30-10-M-150	7.9" P.D. x 2" V pulley	1
15	BAC-30-175-150	7.9" P.D. x 2 3/8" V pulley	1
16	BAC-63	5/16" NC self locking nut	1
17	BAC-34	Internal snap ring	2
18	BAC-27	Name plate	1
19	BAC-35	External snap ring	1
20	BAC-31-1	Sealed ball bearing	2
21	BAC-38-1	Bearing spacer	1
22	BAC-44	3/8" lock washer	2
23	BAC-45	3/8" NC hex nut	2
24	BAC-15	PTO drive shaft bearing housing	1
24	BAC-15-B	Tumbled housing w/ mounting	1
25	BAC-10-6SP	1 3/8" 6 tooth PTO shaft	1
29	BAC-30-10-150	11.6" P.D. x 2" V pulley	1
31	BAC-28-10-150*	Poly-V belt, 10 groove (600)	1
31	BAC-28-10M-150#	Poly-V belt, 10 groove (1000)	1
32	41120	1/8" NPT pipe plug, S.S.	3
33	BAC-12-150	Volute, 1 1/2" x 1 1/4"	1
34	BAC-23-A-SS	Nut, 3/8" NF hex, lock nut, SS	1
35	BAC-24-HYD-SS	Washer 3/8", SS	1
36	BAC-26-150-CI	Impeller, cast iron with keyway	1
36	BAC-26-150-P	Impeller, w/keyway thermoplastic	1

Ref #	Part #	Description	Req
37	*#BAC-4-150	"O"-ring, volute seal	1
38	BAC-75C	Silicon carbide mechanical seal	1
38	*#BAC-7V	Viton mechanical seal	1
38A	40160	"O"-ring for shaft	1
39	BAC-42	3/8" NC x 1 3/4" cap screw	2
41	BAC-14-150-MIA	Mounting frame M. I. A.	1
43	40930	Hex head cap screw SS	4
43	40950	Hex head cap screw	4
44	BAC-54	Slinger	1
45	BAC-33	Internal snap ring	2
46	BAC-37	Sealed ball bearing	2
47	BAC-32	Eternal snap ring	2
48	BAC-32-S	Spacer for pump shaft	1
49	BACH-25	1/8" x 1/8" x 1/2" key	1
50	BAC-6-150/200-SS	5/8" driven shaft w/keyway, SS	1
51	BAC-50	3/16" x 3/16" x 1 1/4" key	1
52	BAC-29-10-1.35	1.35" P.D. x 5/8" V-pulley	1
52	BAC-29-10-1.7	1.7" P.D. x 5/8" V-pulley	1
53	BAC-57	Allen head set screw	2
54	BAC-5-150	Idler mounted torsion spring	1
55	BAC-13	Idler arm	1
56	BAC-36	External snap ring	1
57	BAC-46	5/8" spacer	1
58	BAC-49	Retainer ring	1
59	BAC-55	Idler bearing & outer assembly	1
60	BAC-47	Idler cap screw	1
••	BAC-52	1/4" cold shut torque chain anchor	1
••	BAC-55-A	Idler arm and outer assembly	-
••	BGKB	Belt and shaft guard (base)	1
••	FMC-150-MIA	Pump end only	-
••	*RK-PTOC-150-600	Repair Kit for 600 RPM models	-
••	#RK-PTOC-150-1000	Repair Kit for 1000 RPM models	-
••	\$ RK-FMC-150	Repair Kit for pump only	-

APPLICATORS & SPRAYERS
 DRY MATERIAL HANDLING
 TRAILERS
 TANKS & ACCESSORIES
 PUMPS
 VALVES & FITTINGS
 STRAINERS & HOSE
 PLANTER EQUIPMENT
 SPRAYER CONTROLS & GUIDANCE
 NOZZLES, TIPS & SPRAY GUNS
 NH3 PRODUCTS
 TECHNICAL INFORMATION
 INDEX

PUMP REPAIR PARTS

ACE PTO PUMP PARTS STANDARD BELT DRIVE

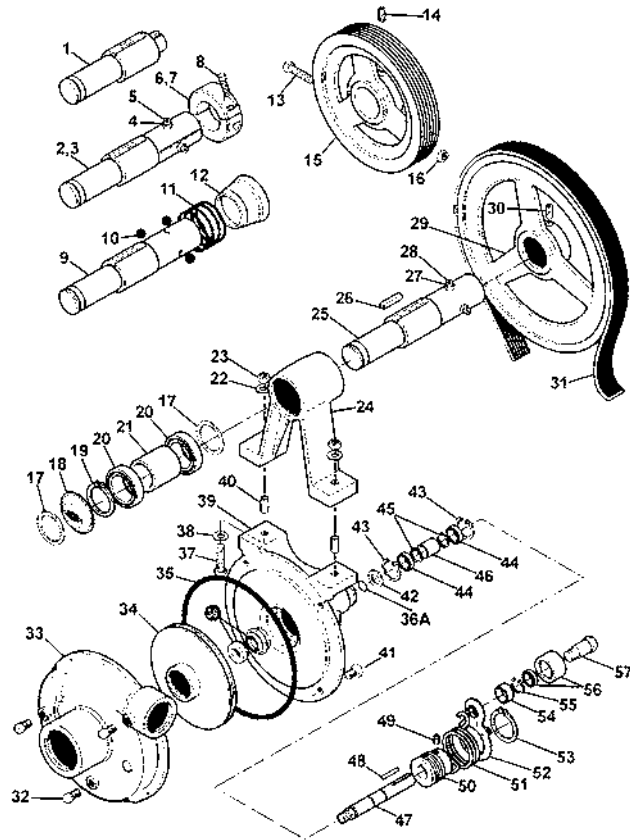


*Items included in repair kit for 600 RPM models

Items included in repair kit for 1000 RPM models

§Items included in repair kit for pump only

••Not shown on cross section drawing



Ref #	Part #	Description	Req
1	BAC-10-S	1" tumlerod stub drive shaft	1
2	BAC-10-175-20SP	1 3/4" 20 tooth spline PTO drive shaft	1
3	BAC-10-21SP	1 3/8" 21 tooth spline drive shaft	1
4, 27	40960	3/8" NC jam nut	3
5, 28	BAC-40	3/8" NC slotted set screw	3
6	BAC-11-175	Split ring, locking collar	1
7	BAC-11	Split ring, locking collar	1
8	BAC-11-1	Set screw	1
9	BAC-10-6SPQC	1 3/8" 6 tooth spline shaft Q/C	1
10	BAC-83-QC	Ball for quick coupler	3
11	BAC-82-QC	Spring for quick coupler	1
12	BAC-81-QC	Ball retainer sleeve, poly	1
13	41250	Cap screw (for PTOC-600-10B)	1
14, 30	41300	Allen head setscrew	2
15	BAC-30-10-M	6.375" P.D. x 2" poly-V pulley	1
16	BAC-63	Locking nut (for PTOC-600-10B)	1
17	BAC-34	Internal snap ring	2
18	BAC-27	Name plate	1
19	BAC-35	External snap ring	1
20	BAC-31-1	Sealed ball bearing	2
21	BAC-38-1	Bearing spacer, drive shaft	1
22	BAC-44	3/8" lock washer	2
23	BAC-45	3/8" NC hex nut	2
24	BAC-15	PTO drive housing	1
24	BAC-15-B	Bearing housing w/ mounting base	1
25	BAC-10-6SP	1 3/8" 6 tooth spline shaft 600-10-SP	1
26	BAC-51	Key, PTO drive shaft	1
29	BAC-30-10	10.6" P.D. x 2" poly-V pulley	1
31	BAC-28-10*	Poly-V belt, 10 groove (PTOC-600)	1
31	BAC-28-10-M#	Poly-V belt, 10 groove (PTOC-1000)	1
32	41120	1/8" NPT pipe plug, SS	3
33	BAC-12	Volute, 1 1/4" x 1"	1
34	BAC-26-CI	Impeller, cast iron	1
34	BAC-26-VALOX	Impeller, Valox	1
35	§BAC-4A	"O" Ring, volute seal	1

Ref #	Part #	Description	Req
36	BAC-7SC	Silicon carbide mechanical seal	1
36	§ BAC-7V	Viton mechanical seal	1
36A	40160	"O" ring for mechanical seal	1
37	BAC-42	Hex head cap screw	2
38	BAC-43	3/8" Flat washer	2
39	BAC-14-MIA	Mounting frame, machined for idler arm	1
40	BAC-15-PIN	Alignment pin	2
41	40930	Hex head cap screw SS	4
41	40950	Hex head cap screw	4
42	BAC-54	Slinger	1
43	BAC-33	Internal snap ring	2
44	BAC-37	Sealed ball bearing	2
45	BAC-32	External snap ring	2
46	BAC-32-S	Spacer for BAC-6 shaft	1
47	BAC-6-SS	5/8" driven shaft left hand thread, SS	1
48	BAC-50	Key, drive shaft	1
49	BAC-57	Allen head set screw	2
50	BAC-29-10-1.5	1.5" P.D. x 5/8" poly-V pulley	1
51	BAC-5	Idler torsion spring	1
52	BAC-13	Idler arm	1
53	BAC-36	External snap ring	1
54	BAC-46	5/8" spacer	1
55	BAC-49	Retainer ring	1
56	BAC-55	Idler bearing and assembly	1
57	BAC-47	Hex head idler cap screw	1
••	BAC-52	Torque chain anchor	1
••	BAC-58	Zerk fitting	1
••	BAC-55-A	Idler arm and outer assembly	-
••	BGKB	Belt and shaft guard kit	-
••	FMC-MIA	Pump end only	-
••	*RK-PTOC-600	Repair Kit for 600 RPM models	-
••	#RK-PTOC-1000	Repair Kit for 1000 RPM models	-
••	§RK-FMC	Repair Kit for pump only	-

POLYPROPYLENE HYDRAULIC MOTOR DRIVEN CENTRIFUGAL PUMP



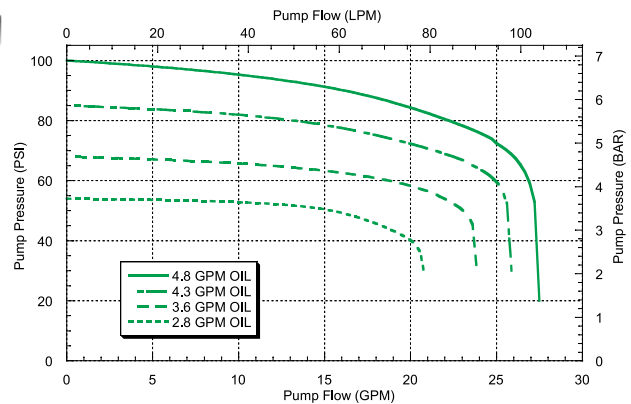
FMC-75-HYD-204



FMC-75-HYD-206-PWM

- Suction 1" Discharge 3/4"
 - 204 motor requires 4 GPM (15.1 LPM) hydraulic flow on PC Closed and Open Center Systems
 - 206 motor requires 7 GPM (26.75 LPM) hydraulic flow on LS Closed and Open Center Systems
 - 206-PWM motor with integrated PWM valve requires 7 GPM (26.5 LPM) hydraulic flow on Closed Center Systems
- Integral Needle Valve bypasses up to 9 GPM (34 LPM) on Open Center Systems
- Standard Viton® Carbon/Ceramic or Optional Severe Duty Silicon Carbide Mechanical Seal
- Polypropylene Corrosion Resistant Construction
- Stainless Steel Shaft and Hardware
- Ideal for planter set ups
- 75SP models include self-priming volute

FMC-75-HYD-204 • FMC-75-HYD-206



Oil Flow	GPM	4.8	4.3	3.6	2.8
Conversion	LPM	18.2	16.3	13.6	10.6

Maximum Shutoff Pressure 100 PSI
Note: Performance for pump with 204 motor.

- **Do Not Run Dry** - Seal damage will result from running dry. Impeller damage may also occur if run dry for an extended period.
- **Do Not Run With Flow Shutoff For Extended Periods**
Running the pump with no flow for extended periods of time will result in excessive heat and pump failure. A continuous bypass is recommended for low flow applications.

Part #
FMC-75-HYD-204
FMC-75-HYD-206

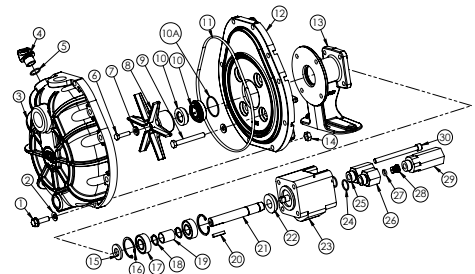
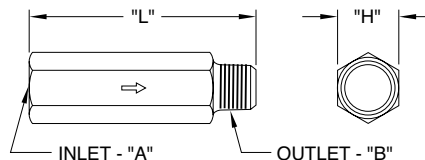
Part #
FMC-75-HYD-206-PWM
FMC-75SP-HYD-204
FMC-75SP-HYD-206
FMC-75SP-HYD-206-PWM

FLOW LIMITER VALVE

FOR USE ON LOAD SENSING OR PRESSURE-FLOW COMPENSATING CLOSED CENTER SYSTEMS



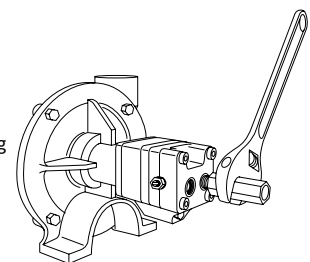
FMC-150F-HYD-206



MODELS AND DIMENSIONS

Hydraulic Motor	200 and 300 Series Motors (PRE 2005)					200N and 300N Series Motors (CURRENT)				
	Part # EDP #	A	B	L	H	Part # EDP #	A	B	L	H
BAC-75-HYD-204	LS-204 41409	3/8" NPT	3/8" NPT	3-1/4"	7/8"	LS-204N 41417	1/2" NPT	#8 SAE	3-1/4"	1-1/8"
BAC-75-HYD-206	LS-206 41408	3/8" NPT	3/8" NPT	3-1/4"	7/8"	LS-206N 41418	1/2" NPT	#8 SAE	3-1/4"	1-1/8"
BAC-75-HYD-210	LS-210 41411	3/8" NPT	3/8" NPT	3-1/4"	7/8"	LS-210N 41423	1/2" NPT	#8 SAE	3-1/4"	1-1/8"
BAC-75-HYD-304	LS-304 41413	1/2" NPT	1/2" NPT	3-5/16"	1-1/8"	LS-304N 41429	1/2" NPT	1/2" NPT	3-5/16"	1-1/8"

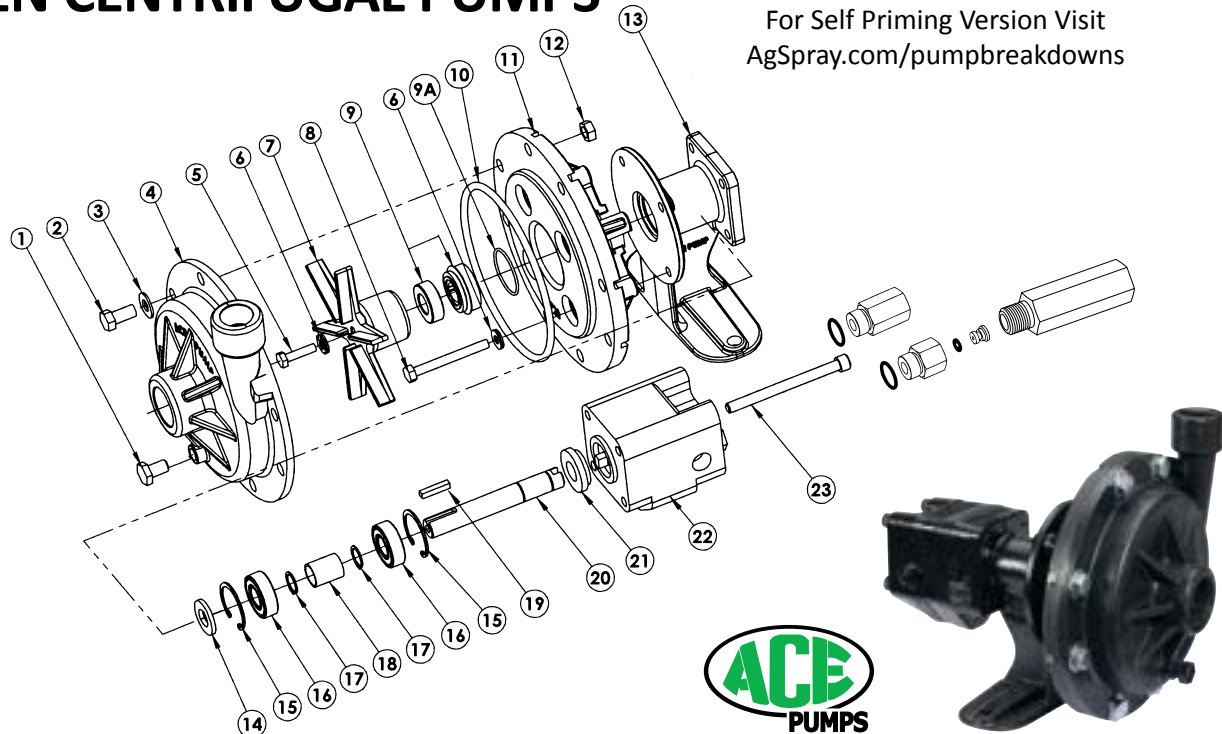
- Installs in Ace Hydraulic Motor Inlet Port
- Shuts off all hydraulic flow when the motor's capacity is exceeded
- Protects Motor from overspeeding
- Automatically Resets when hydraulic pressure is released
- Sizes available for all Ace models recommended for use on Load Sensing Hydraulic Systems



PUMP REPAIR PARTS

FMC-75-HYD-204 & FMC-75-HYD-206 HYDRAULIC DRIVEN CENTRIFUGAL PUMPS

For Self Priming Version Visit
AgSpray.com/pumpbreakdowns



Ref #	Part #	EDP #	Description	Req
1	BAC-53-P	41109	Pipe plug, 1/8" NPT, plastic	1
2	80250	80250	Cap screw, 3/8"-16 x 7/8", hex head	8
3	42701	42701	Washer, 3/8" flat	8
4	GE-12-75	42700	Volute, 3/4" x 1", polypropylene	1
5	42240	42240	Cap screw, 1/4"-28 x 1", hex, stainless steel	1
6jk	30028	30028	Washer, sealing	5
7	GE-26-75	42710	Impeller, with keyway, polypropylene	1
8	42238	42238	Cap screw, 5/16" NF x 2-1/4"	4
9j	BAC-7-75V	42730	Seal, 5/8", Viton®/carbon/ceramic	1
9k	BAC-75C-75V	42731	Seal, 5/8", Viton®/silicon carbide (optional)	1
9Aj	40159	40159	"O" Ring, seal seat	1
10jk	40017	40017	"O" Ring, volute seal	1
11	GE-14-75	42720	Bracket, polypropylene	1
13	BAC-14-75-HYD	40293	Mounting frame (for BAC-75-HYD-204R, 206R hydraulic motor)	1
14	BAC-54	41130	Slinger	1
15	BAC-33	40810	Snap ring, internal, BAC-14 mounting frame	2
16	BAC-37	40870	Bearing, BAC-6 driven shaft	2
17	BAC-32	40790	Snap ring, external, BAC-6 driven shaft	2
18	BAC-32-S	40795	Spacer for BAC-6 shaft	1
19	41082	41082	Key, 3/16" x 3/16" x 15/16"	1
20	BAC-6-75-HYD-SS	40048	Shaft, 5/8" Driven shaft with tang slot, stainless steel	1
21	S200	40161	Seal support spacer for 200 series hydraulic lip seal	1
22	BAC-75-HYD-204R	41437	Hydraulic motor, 4 GPM	1
22	BAC-75-HYD-206R	41438	Hydraulic motor, 7 GPM	1
23	41253-ACE	41253	Cap screw, 5/16" NC x 3 1/2" socket head (for 204 motor)	4
23	41255	41255	Cap screw, 5/16" NC x 3 3/4" socket head (for 206 motor)	4
24	41875	41875	O-ring, #8 SAE fitting	2
25	BAC-78-8SAE	41441	Reverse check assembly, #8 SAE male x 1/2" NPT female	1
26	BAC-80-8SAE	41455	Body, restrictor orifice, #8 SAE male x 1/2" NPT female	1
27	41448	41448	O-ring, orifice insert	1
28	BAC-79-5	41457	Orifice, restrictor insert, .078 (204)	1
28	BAC-79-7	41456	Orifice, restrictor insert, .109 (206)	1
29	LS-204N	41417	Flow limiting valve (204), #8 SAE male x 1/2" NPT female	1
29	LS-206N	41418	Flow limiting valve (206), #8 SAE male x 1/2" NPT female	1
j	RK-GE-75	60840	Repair kit for FMC-75-HYD series	-
k	RK-GE5C-75	60841	Repair kit for FMC-75-HYD series with silicon carbide shaft seal	-
*	RK-BAC-75-HYD-L	43174	Repair kit for 200 series motor	-



HYDRAULIC MOTOR DRIVEN CENTRIFUGAL PUMPS



FMC-HYD-204	1 1/4" x 1"
FMC-HYD-210	
FMC-HYD-310	

FMC150-HYD-206	1 1/2" x 1 1/4"
	Suction Discharge

FMC-200-HYD-210	2" x 1 1/2"
FMC-200-HYD-304	
FMC-200-HYD-310	

204-310 Performance Chart					
Shut-Off 0 GPM	15 GPM	30 GPM	45 GPM	60 GPM	75 GPM
100 PSI	95 PSI	83 PSI	55 PSI	30 PSI	10 PSI
80 PSI	75 PSI	70 PSI	45 PSI	25 PSI	5 PSI
60 PSI	55 PSI	50 PSI	35 PSI	15 PSI	-

150-206 Performance Chart					
Shut-Off 0 GPM	40 GPM	60 GPM	80 GPM	100 GPM	120 GPM
120 PSI	116 PSI	112 PSI	110 PSI	88 PSI	53 PSI
100 PSI	97 PSI	92 PSI	84 PSI	74 PSI	46 PSI
80 PSI	75 PSI	70 PSI	61 PSI	52 PSI	20 PSI
60 PSI	57 PSI	52 PSI	43 PSI	29 PSI	-

210-304-310 Performance Chart					
SHUT-OFF 0 GPM	60 GPM	90 GPM	120 GPM	150 GPM	180 GPM
80 PSI	77 PSI	74 PSI	68 PSI	58 PSI	51 PSI
60 PSI	56 PSI	53 PSI	47 PSI	40 PSI	-
40 PSI	39 PSI	34 PSI	34 PSI	-	-

STAINLESS STEEL WEAR RING AND SHAFT STANDARD

1 1/4" Suction x 1" Discharge

Part #	Weight	Description
FMC-HYD-203	26	Maximum pressure 100 PSI at 4600 RPM and 75 GPM at open discharge. 3 GPM hydraulic motor can be used on Open Center Systems rated 3-12 GPM.
FMC-HYD-204	26	Maximum pressure 100 PSI at 4600 RPM and 75 GPM at open discharge. 4 GPM hydraulic motor can be used on Pressure Compensating Closed Center Systems or Open Center Systems rated at 4-13 GPM. Equipped with restrictor orifice.
FMC-HYD-210	27	Maximum pressure 100 PSI at 4600 RPM and 75 GPM at open discharge. 8 GPM hydraulic motor can be used on Load Sensing Closed Center Systems or Open Centered Systems rated 8-17 GPM. Equipped with restrictor orifice.
FMC-HYD-310	33	Maximum pressure 60 PSI at 3950 RPM and 75 GPM at open discharge. 16 GPM hydraulic motor can be used on Open Center Systems rated 16-24 GPM
FMC-HYD-LM	18	Pump less motor for FMC-HYD-2xx models

STAINLESS STEEL WEAR RING AND SHAFT STANDARD

1 1/2" Suction x 1 1/4" Discharge

Part #	Weight	Description
FMC-150-HYD-206	31	Maximum pressure 120 PSI at 5100 RPM and 120 GPM at open discharge. 7 GPM hydraulic motor can be used on Pressure Compensating Closed Center Systems, Load Sensing Closed Center Systems, and Open Center Systems rated 7-16 GPM. Equipped with restrictor orifice.
FMC-150F-HYD-206	31	Same as above with flanged and NPT ports. Inlet 220 full port flange & 1-1/2" NPT outlet 200 standardport flange & 1-1/4" NPT max flow: 135 GPM max pressure: 120 PSI
FMC-150FS-HYD-206	31	Same as above but 316 stainless steel frame and volute
FMC-150-HYD-LM	31	Pump less motor for 200 Series motor
FMCS-150F-HYD-206-PWM	38	Same as FMC-150F-HYD-206 with severe duty silicon-carbide seal and integrated PWM valve
FMCS-150FS-HYD-206-PWM	38	Same as FMC-150FS-HYD-206 with severe duty silicon-carbide seal and integrated PWM valve

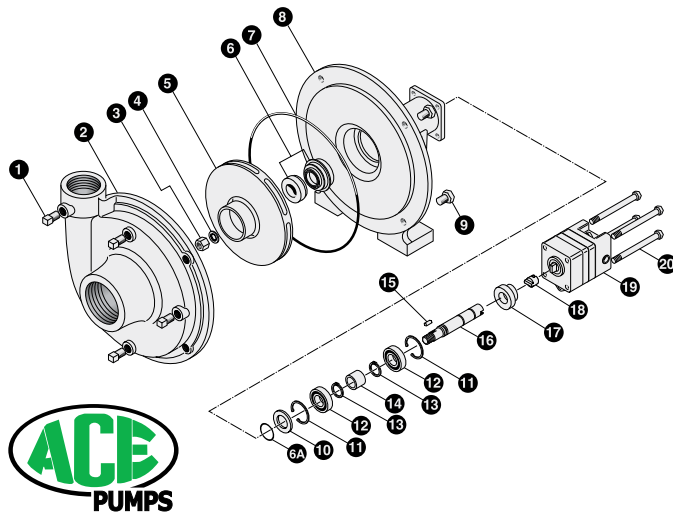
2" Suction x 1 1/2" Discharge

Part #	Weight	Description
FMC-200-HYD-210	33	Maximum pressure 60 PSI at 3950 RPM and 180 GPM at open discharge. 8 GPM hydraulic motor can be used on Pressure Compensating Closed Center Systems, Load Sensing Closed Center Systems, and Open Center Systems rated 8-17 GPM. Equipped with restrictor orifice.
FMC-200-HYD-304	38	Maximum pressure 120 PSI at 5100 RPM and 200 GPM at open discharge. 11GPM hydraulic motor can be used on Pressure Compensating Closed Center Systems, Load Sensing Closed Center Systems, and Open Center Systems rated 11-20 GPM Equipped with restrictor orifice.
FMC-200F-HYD-304	38	Cast iron centrifugal driven by a 11 GPM hydraulic motor with integral needle valve. Inlet 300 series standard port flange. Outlet 220 series full port flange. Max flow: 240 GPM. Max Pressure: 100 PSI
FMC-200SS-HYD-304	36	Same as above but 316 stainless steel impeller, frame, and volute
FMC-200-HYD-310	38	Maximum pressure 60 PSI at 3950 RPM and 180 GPM at open discharge. 16 GPM hydraulic motor
FMC-200-HYD-LM	31	Pump less motor for 210 model

PUMP REPAIR PARTS

ACE PUMP PARTS - HYDRAULIC PUMPS

FMC-150-HYD-206

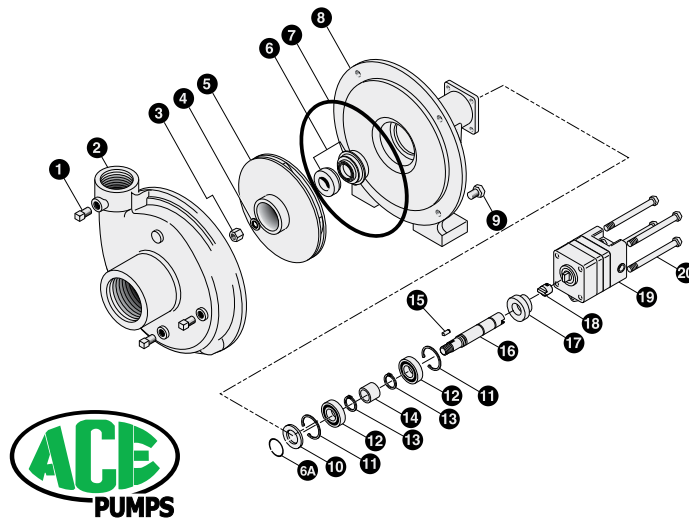


FMC-150-HYD-206

Ref #	Part #	Description	Req
1	41120	1/8" NPT pipe plug, SS	4
2	BAC-12-150	1 1/2" x 1 1/4" volute	1
3	BAC-23-A-SS	Nut, 3/8" NF, cad plated, SS	1
4	BAC-24-HYD-SS	3/8" lock washer, SS	1
5	BAC-26-150-P	Impeller with keyway, Valox	1
5	BAC-26-150-CI	Impeller with keyway, cast iron	1
6	*BAC-7V	Viton seal	1
6	BAC-75C	Silicon carbide seal	1
6A	40160	"O"-ring	1
7	*BAC-4-150	"O"-ring, body seal	1
8	BAC-14-150-HYD	Mounting frame	1
9	40950	3/8" NC x 3/4" cap screw	4
9	40930	3/8" NC x 3/4" cap screw, SS	4
10	BAC-54	Slinger	1
11	BAC-33	Internal snap ring	2
12	BAC-37	Sealed ball bearing	2
13	BAC-32	External snap ring	2
14	BAC-32-S	Spacer for BAC-6-HYD shaft	1
15	BACH-25	1/8" x 1/8" x 1/2" impeller Key	1
16	BAC-6-HYD-SS	5/8" drive shaft, SS	1
17	S200	Seal support spacer	1
18	BAC-76-HYD	Coupling	1
19	BAC-75-HYD-206	Hydraulic motor	1
••	RK-FMC-150	Repair kit for FMC-150 series	-
••	RK-BAC-75-HYD	Repair kit for 206 motor	PRE 1999
••	RK-BAC-75-HYD-L	Repair kit for 206-L motor	CURRENT

••Not shown on cross section drawing.
*Items included in pump repair kit

FMC-HYD-204/210/310



FMC-HYD

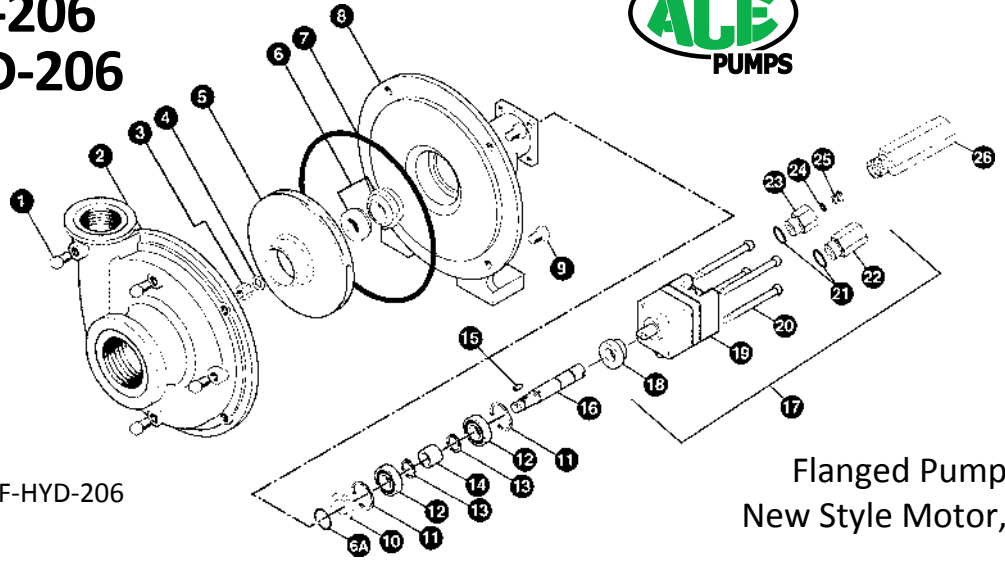
Ref #	Part #	Description	Req
1	41120	1/8" NPT pipe plug, SS	3
2	BAC-12	1 1/4" x 1" volute	1
3	BAC-23-A-SS	Nut, 3/8" NF, cad plated, SS	1
4	BAC-24-HYD-SS	3/8" washer, SS	1
5	BAC-26-HYD-VALOX	Impeller, Valox, keyway	1
5	BAC-26-HYD-CI	Impeller, cast iron (optional)	1
6	*BAC-7V	Viton mechanical seal	1
6	BAC-75C	Viton mechanical seal	1
6A	40160	Seal, mechanical, silicon carbide	1
7	*BAC-4	Gasket, 4 hole (obsolete 1996)	1
7	*BAC-4A	O-ring, body seal	1
8	BAC-14-HYD	Mounting frame	1
8	BAC-14-HYD-300	Mounting frame (310)	1
9	40950	Hex head cap screw	4
9	40930	Hex head cap screw, SS	4
10	BAC-54	Slinger	1
11	BAC-33	Internal snap ring, BAC-14	2
12	BAC-37	Sealed ball bearing, BAC-6-HYD	2
13	BAC-32	External snap ring, driven shaft	2
14	BAC-32-S	Spacer for BAC-6-HYD shaft	1
15	BACH-25	Impeller Key	1
16	BAC-6-HYD-SS	5/8" driven shaft w/ tang slot, SS	1
17	S200	Seal support spacer	1
18	BAC-76-HYD	Coupling for hydraulic motor	1
19	BAC-75-HYD-204	Hydraulic motor	1
19	BAC-75-HYD-210	Hydraulic motor, 8 GPM	1
19	BAC-75-HYD-310	Hydraulic motor	1
20	41330	Hex head cap screw (310)	4
••	RK-FMC	Repair kit for FMC series	-
••	RK-BAC-75-HYD	Repair kit for 204 and 210 motor	PRE 1999
••	RK-BAC-75-HYD-L	Repair kit for 204 & 210, lip seal	CURRENT
••	RK-BAC-75-HYD-300-L	Repair kit for 310-L motor	-



FMC-150F-HYD-206 FMC-150FS-HYD-206



FMC-150F-HYD-206

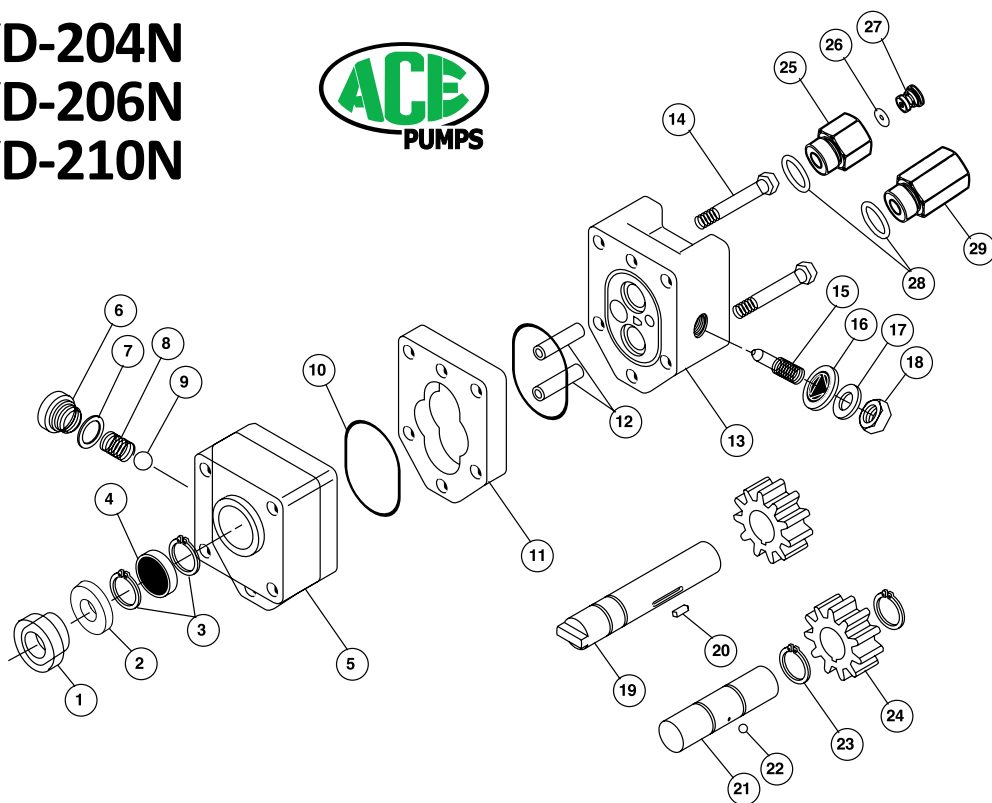


Flanged Pump
New Style Motor,

Ref #	Part #	EDP #	Description	Req
1	BAC-53	41110	Pipe plug	4
1	41120	41120	Pipe plug, stainless steel (optional)	4
2	BAC-12-150-FLG	40257	Volute, cast iron, NPT & flanged (for 150F models)	1
2	BAC-12-150-SS	40249	Volute, 316 stainless steel, NPT & flanged (for 150FS models)	1
3	BAC-23-A	40391	Nut, 3/8" NF, cad plated	1
3	BAC-23-A-SS	40392	Nut, 3/8" NF, stainless steel (optional)	1
4jk	BAC-24-HYD-SS	40400	Washer, 3/8" star, stainless steel	1
5	BAC-26-150-P	40446	Impeller, Valox, keyway	1
5	BAC-26-150-CI	40445	Impeller, cast iron, keyway (optional)	1
6j	BAC-7V	40151	Seal, carbon/ceramic/Viton (includes 40160 O-Ring)	1
6k	BAC-7SC	40152	Seal, silicon carbide/Viton (includes 40160 O-Ring) (optional)	1
6AjK	40160	40160	O-ring, shaft seal	1
7jk	BAC-4-150	40015	O-ring, body seal	1
8	BAC-14-150-HYD	40305	Mounting frame, cast iron (for 150F models)	1
8	BAC-14-150-HYD-SS	40319	Mounting frame, 316 stainless steel (for 150FS models)	1
9	40950	40950	Cap screw, 3/8" NC x 3/4" hex head	4
9	40930	40930	Cap screw, 3/8" NC x 3/4" hex head, stainless steel (optional)	4
10	BAC-54	41130	Slinger	1
11	BAC-33	40810	Snap ring, internal, BAC-14 mounting frame	2
12	BAC-37	40870	Ball Bearing, sealed, BAC-6 shaft	2
13	BAC-32	40790	Snap ring, external, BAC-6 shaft	2
14	BAC-32-S	40795	Spacer for BAC-6 shaft	1
15	BACH-25	40420	Key, 1/8" x 1/8" x 1/2"	1
16	BAC-6-HYD-SS	40061	Shaft, 5/8" diameter, keyway and tang slot, stainless steel	1
17	BAC-75-HYD-206	41372	Hydraulic motor, 7 GPM (includes parts 18 - 25)	1
18	S200	40161	Seal support spacer for 200 Series HYD motor	1
19	BAC-75-HYD-206N	41397	Hydraulic motor, 7 GPM (motor only - no external fittings)	1
20	41255	41255	Cap screw, 5/16" N. C. x 3-3/4" socket head (for 206N motor)	4
21	41875	41875	O-ring, #8 SAE fitting	2
22	BAC-78-8SAE	41441	Reverse check valve, #8 SAE male x 1/2" NPT female	1
23	BAC-80-8SAE	41455	Adapter, restrictor body, #8 SAE male x 1/2" NPT female	1
24	41448	41448	O-ring, orifice insert	1
25	BAC-79-7	41456	Orifice, restrictor insert, .109 (206N)	1
26	LS-206N	41418	Flow limiting valve (206N), #8 SAE male x 1/2" NPT female	1
j	RK-FMC-150	52710	Repair kit for FMC-150 series pump	-
k	RK-FMCSC-150	52711	Repair kit for FMC-150 series with silicon carbide shaft seal	-
#	RK-BAC-75-HYD-L	41374	Repair kit for 200-L Series motor	-

PUMP REPAIR PARTS

BAC-75-HYD-204N
BAC-75-HYD-206N
BAC-75-HYD-210N



Ref #	MODEL 204N	MODEL 206N	MODEL 210N	Description	Req
1*	S200	S200	S200	Seal support spacer	1
2*	40153	40153	40153	Seal cartridge, BAC-75-200-TLS	1
3	41941	41941	41941	Snap ring, bearing	2
4	41961	41961	41961	Ball bearing, 7/16" I.D.	1
5	41731	41731	41731	Drive plate	1
6	42041	42041	42041	Valve cap, coasting check	1
7*	42044	42044	42044	"O" ring, coasting check	1
8	42042	42042	42042	Spring, coasting check	1
9	42043	42043	42043	Ball, coasting check	1
10*	41850	41850	41850	"O" ring, housing seal	2
11	41720	41721	41725	Gear housing	1
12	41800	41801	41805	Dowel pin, housing	2
13	41742	41742	41742	End plate	1
14	41900	41900	41905	Cap screw, 1/4" N.C. hex head	2
15	42010	42010	42010	Adjusting screw, needle valve	1
16*	42030	42030	42030	Thread seal, 3/8", needle valve	1
17	42040	42040	42040	Washer, flat steel, needle valve	1
18	40960	40960	40960	Nut, 3/8" N.C. jam, needle valve	1
19	41761	41764	41766	Drive shaft	1
20	41920	41921	41925	Dowel pin, drive shaft	1
21	41970	41971	41975	Idler shaft	1
22	41990	41990	41990	Ball, idler shaft	1
23	41980	41980	41980	Retaining ring, idler gear	2
24	41750	41751	41755	Gear	2
25	41455	41455	41455	Adapter body, #8 SAE male x 1/2" NPT	1
26	41448	41448	41448	"O" ring, orifice insert (use with 41456 insert)	1
27	41457	41456	41456	Insert, restrictor orifice (use with 41455 body)	1
28	41875	41875	41875	"O" ring, #8 SAE male fitting	2
29	41441	41441	41441	Reverse check, #8 SAE male x 1/2" NPT	1
#	41374	41374	41374	Repair Kit, RK-BAC-75-HYD-L	--

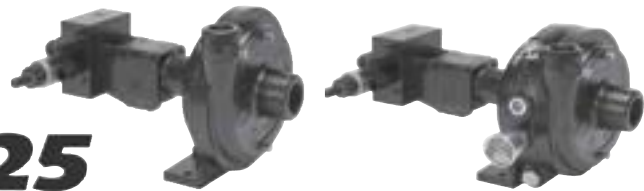
FMCWS-125-HYD-206-PWM

EXCELLENT CHOICE FOR PLANTERS

FMCSC-125-HYD-206-PWM

The Pro 5 Series has the same compact, close coupled design that you have come to expect with several new features to maximize life and reliability. E-coat corrosion protection and larger bearings provide longer life. Oasis Wet Seal Technology prevents run dry failure and isolates seals from harsh chemicals. Interchangeability of parts within the Pro 5 Series simplifies stock and reduces inventory needed for field support.

125
PRO 5 SERIES



1-1/4"	1"
SUCTION	DISCHARGE

Part #	Description
FMCWS-125-HYD-206-PWM	Wet Seal 1 1/4" X 1" Hydraulic 206 with PWM
FMCSC-125-HYD-206-PWM	Silicon Carbide 1 1/4" X 1" Hydraulic 206 with PWM

FMCSC-205F-HYD-304 FMCSC-205FS-HYD-304

Features Include:

- Standard severe duty silicon-carbide shaft seal with o-ring seat for improved survivability.
- Large bearings for extended life
- FS model has a 316 stainless steel wet end including impeller, volute, and frame for excellent corrosion resistance
- 304 motor requires 13 GPM (51.1 LPM) maximum hydraulic input. Recommended for:
 - Load Sensing Closed Center Systems
 - Open Center Systems up to 20 GPM (75.7 LPM) using internal needle valve bypass.



Part #	Weight
FMCSC-205F-HYD-304	36 LBS.
FMCSC-205FS-HYD-304	37 LBS.

300 Series Flange Suction x 220 Series Flange Discharge
 Maximum Flow: 240 GPM (908 LPM)
 Maximum Pressure: 120 PSI (8.3 BAR)

FMCSC-205F-HYD-304-PWM FMCSC-205FS-HYD-304-PWM

The new models are designed for use on closed-center hydraulic systems. The pump and valve combination is matched for quick-response rate changes with constant or variable rate applications. Additionally, the controller and valve adjust automatically for changes in flow demand, application rate or application speed.

Features Include:

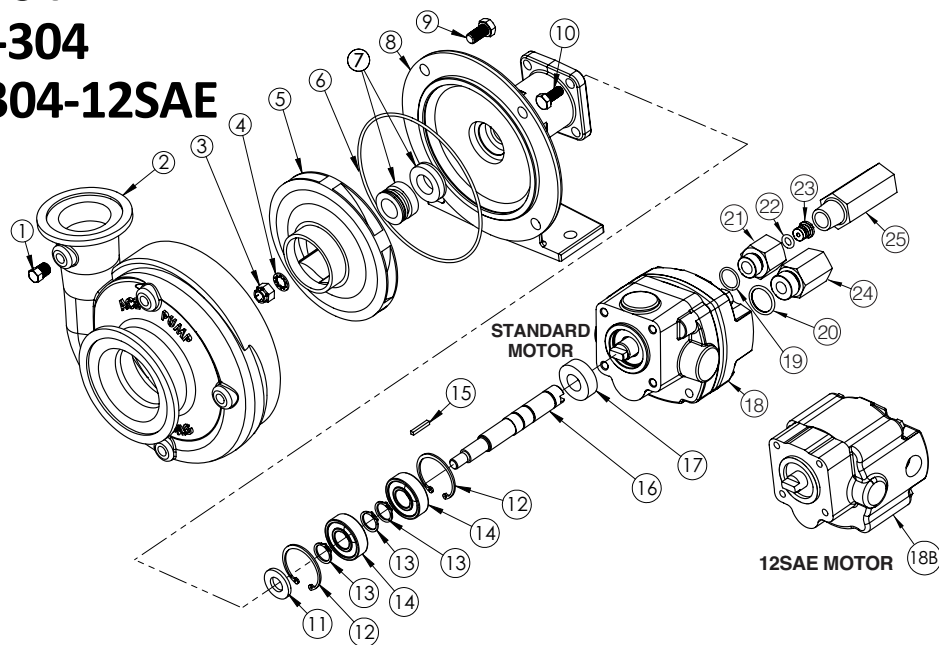
- A 12V proportional valve with industry standard Deutsch DT04-2P connector
- Compatibility with most PWM controllers
- Proportional manual override for emergency situations or troubleshooting
- Integrated valve design that simplifies mounting by eliminating the need for a separate valve manifold and additional hoses

Part #	Weight
FMCSC-205F-HYD-304-PWM	40 LBS.
FMCSC-205FS-HYD-304-PWM	40 LBS.



PUMP REPAIR PARTS

FMCS-205F-HYD-304 FMCS-205FS-HYD-304 FMCS-205F-HYD-304-12SAE



Ref #	Part #	EDP #	Description	Req
1	BAC-53	41110	Pipe plug	4
1	41120	41120	Pipe plug, stainless steel (-FS model)	4
2	7AC-14-FLG	41530	Volute, 300 standard flange x 220 full port flange, cast iron	1
2	7AC-14-FLG-SS	41532	Volute, 300 flange x 220 flange, 316 stainless steel (-FS model)	1
3	BAC-23-B-SS	40393	Nut, 3/8" NF, stainless steel	1
4	BAC-24-B-SS	42702	Washer, 3/8", stainless steel, self-locking	1
5	BAC-26-200-P	40434	Impeller, thermoplastic	1
5	BAC-26-200-CI	40433	Impeller, cast iron (optional)	1
5	BAC-26-200-SS	40436	Impeller, 316 stainless steel (-FS model) (optional)	1
6*	BAC-4A	40005	O-ring, body seal	1
7*	BAC-7SC-205V	40149	Seal, silicon carbide	1
8	BAC-14-205-HYD	40338	Mounting frame for 205 pump	1
8	BAC-14-205-HYD-SS	40346	Mounting frame for 205 pump, 316 stainless steel (-FS model)	1
9	40950	40950	Cap screw, 3/8" NC x 3/4" hex head	4
9	40930	40930	Cap screw, 3/8" NC x 3/4" hex head, stainless steel (-FS model)	4
10	41330	41330	Cap screw, 5/16" NC x 3/4" hex head, motor to pump	4
11	BAC-54	41130	Slinger	1
12	BACH-33	40820	Snap ring, internal, BAC-14-205 mounting frame	2
13	BACH-32-HD	40385	Snap ring, external, BAC-6-205 shaft	3
14	40880	40880	Ball bearing, sealed, BAC-6-205 shaft	2
15	BAC-6-205-HYD-SS	40068	Shaft, extended keyway, tang, stainless steel	1
16	BAC-25	40425	Key, 1/8" x 1/8" x 13/16", extended keyway	1
17	S305	40163	Seal support spacer for 205 series pump	1
18	BAC-75-HYD-304N	41343	Hydraulic motor, 11 GPM, effective 5/13, FMCS Motor	1
18B	BAC-75-HYD-304A-12SAE	41426	Hydraulic motor, 13 GPM, #12 DAE end ports (optional), FMC Motor	1
19	41875	41875	O-ring, #8 SAE fitting	1
20	41445	41445	O-ring, #10 SAE fitting	1
21	BAC-80-8SAE	41455	Body, restrictor orifice, #8SAE x 1/2" NPT	1
22	41448	41448	O-ring, orifice insert	1
23	BAC-79-8	41447	Orifice insert, restrictor insert, 0.125	1
24	41442	41442	Reverse check assembly, #10 SAE x 1/2" NPT	1
25	LS-304N	41429	Flow limiter (optional)	1
*	RK-FMCS-205	52705	Repair kit for FMC-205 pump with silicon carbide shaft seal	-
#	RK-BAC-75-HYD-300-L	41362	Repair kit for 300 Series hydraulic motor	-

FMCWS-650F-HYD FMCWS-650FS-HYD

FMCWS-650F-HYD-PWM FMCWS-650FS-HYD-PWM



Dual shaft seals run in a pressurized barrier fluid which is specially formulated for seal face lubrication and heat dissipation. The liquid being pumped never comes in contact with the seal surfaces so abrasive wear failures are prevented. Additionally, the buffer fluid lubricates and cools the seal faces eliminating costly run-dry failures.

Features Include:

- Pressure balancing impeller eliminates thrust load on bearings
- Tall blade impeller design develops higher pressure at lower RPM.
- High efficiency 4000 PSI (275 BAR) pressure plated motor.
- FS model has a 316 stainless steel wet end including impeller, volute, and seal plate for excellent corrosion resistance
- M16 motor requires 14.5 GPM (54.9 LPM) maximum hydraulic input. Recommended for:
 - Pressure Compensating Closed Center Systems
 - Load Sensing Closed Center Systems
 - Open Center Systems up to 14 GPM (53 LPM)
 - PWM motor with integrated PWM valve requires 14.5 GPM (54.9 LPM) hydraulic flow on Closed Center Systems



Part #	Weight
FMCWS-650F-HYD	54 LBS.
FMCWS-650FS-HYD	52 LBS.
FMCWS-650F-HYD-PWM	63 LBS.
FMCWS-650FS-HYD-PWM	61 LBS.

220 Series Flange with 1-1/2" NPT Suction x 220 Series Flange with 1-1/4" NPT Discharge
 Maximum Flow: 170 GPM (643.5 LPM)
 Maximum Pressure: 160 PSI (11 BAR)

FMC-750F-HYD-M22 FMC-750F-HYD-M22-PWM

FMC-755FS-HYD-M22 FMC-755FS-HYD-M22-PWM



Features Include:

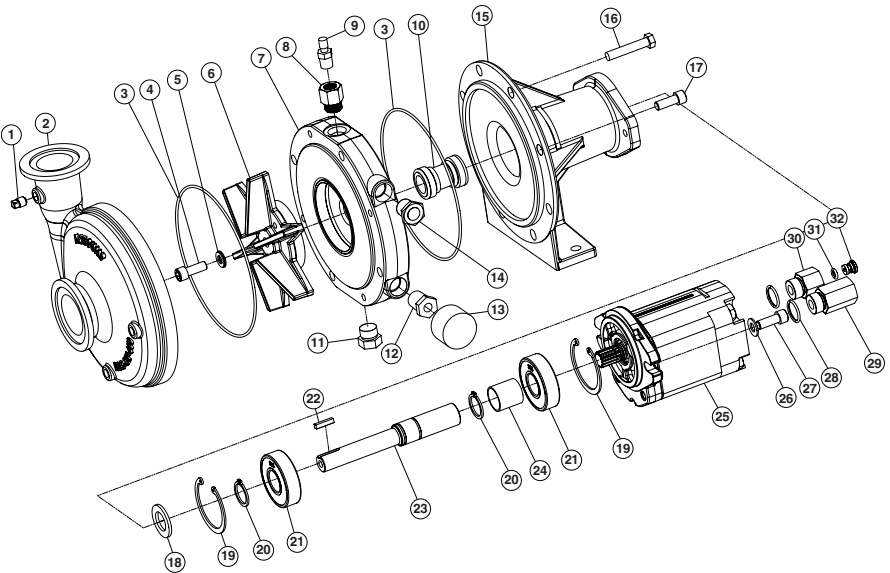
- Suction 300 Series Flange
- Discharge 220 Series Flange
- High Performance Pump
 - Maximum Flow 290 GPM (1098 LPM)
 - Maximum Pressure 150 PSI (10.3 BAR)
- Integrated Proportional 12V Control Valve for Precision Ag Applications Using Pulse Width Modulated (PWM) Control Signals
- WetSeal Technology
- Maximum Reliability
 - Oversized Bearings
 - E-coat Corrosion Protection
 - High Efficiency Pressure Plated Gear Motor



Part #	Weight
FMC-750F-HYD-M22	
FMC-750F-HYD-M22-PWM	
FMC-755FS-HYD-M22	
FMC-755FS-HYD-M22-PWM	

PUMP REPAIR PARTS

FMCWS-650F-HYD FMCWS-650FS-HYD



Ref #	Part #	EDP #	Description	Req
1	BAC-53	41110	Pipe plug, 1/8" NPT	3
1	41120	41120	Pipe plug, 1/8" NPT, stainless steel (FS model)	3
2	BAC-12-650-FLG	30159	Volute, NPT & 220 flange x NPT & 200 flange	1
2	BAC-12-650-FLG-SS	30156	Volute, NPT & 220 flange x NPT & 200 flange, 316 stainless steel (FS model)	1
3j	BAC-4-150	40015	O-ring, volute seal	2
4	40930	40930	Cap screw, 3/8" NC x 3/4" hex head, stainless steel	1
5j	30029	30029	Washer, 3/8" I.D., sealing, stainless steel	1
6	BAC-26-650-WS	30192	Impeller, cast iron, wetseal, e-coated	1
6	BAC-26-650-WS-SS	30193	Impeller, stainless steel, wetseal (FS model)	1
7	BAC-16-650	45262	Seal plate, cast iron, e-coated	1
7	BAC-16-650-A-SS	45266	Seal plate, cast iron, 316 stainless steel (FS model)	1
8	41107	41107	Plug, #8 SAE x 1/4" FNTP, hex, with O-ring	1
9	41316	41316	Air valve, 1/4" NPT	1
10	BAC-7-650-WS	40143	Seal, dual seal assembly, Type 21, .750 shaft	1
11	41108	41108	Plug, #8 SAE, hex head, with O-ring	1
12	44039	44039	Bushing, #8 sae x 1/8" FNPT	1
13	50150	50150	Gauge, pressure, 0-60 PSI, 1/8" NPT	1
14	55851	55851	Gauge, sight, brass, #8 SAE, with float	1
15	BAC-14-650-HYD	40325	Mounting frame, cast iron, e-coated	1
16	BAC-42	40970	Cap screw, 3/8" NC x 2" hex head (volute)	4
17	41907	41907	Cap screw, 3/8" NC x 1", socket head, stainless steel (seal plate)	4
18	BAC-54-650	41132	Slinger, 1.5" OD x 7/8" ID	1
19	41943	41943	Snap ring, internal, mounting frame	2
20	ACAL-32	30174	Snap ring, external, shaft	2
21	40875	40875	Bearing, FMC-650 models	2
22	41085	41085	Key, .188 x .188 x .875	1
23	BAC-6-650-HYD-SS-WS	40049	Shaft, 11T female spline, stainless steel	1
24	BAC-32-650-WS	40802	Spacer, shaft	1
25	BAC-75-HYD-M16	41359	Hydraulic motor, pressure plated gear, 14.5 GPM	1
25	BAC-75-HYD-M16-CD	41358	Hydraulic motor, pressure plated gear, 14.5 GPM, case drain	1
26	42701	42701	Washer, 3/8", stainless steel	2
27	41907	41907	Cap screw, 3/8" NC x 1", socket head, stainless steel	2
28	41445	41445	O-ring, #10 SAE fitting	2
29	41442	41442	Reverse check, #10 SAE male x 1/2" FNPT	1
30	41446	41446	Body, adapter/restrictor, #10 SAE male x 1/2" FNPT	1
31	41448	41448	O-ring, restrictor insert	1
32	BAC-79-8	41447	Restrictor orifice insert, .125	1
*33j	55032	55032	Barrier fluid, quart	0.45
j	RK-FMCWS-650	52722	Repair kit, includes items 3 (2 each), 5, 10, and 33 (1 quart)	-

FRAME MOUNTED CENTRIFUGAL PUMPS



Clockwise Rotation



Counter Clockwise Rotation



Magnetic Clutch Equipped

Clockwise Rotation (when facing into shaft)

Part #	Weight	Description
FMC-CW	18	Cast iron 1 1/4" x 1" frame mounted straight centrifugal pump. Equipped with Viton mechanical seal. Clockwise rotation when facing shaft.
FMC-CW-150	20	Cast iron 1 1/2" x 1 1/4" frame mounted straight centrifugal pump. Equipped with Viton mechanical seal. Clockwise rotation when facing shaft.
FMC-CW-200	24	Cast iron 2" x 1 1/2" frame mounted straight centrifugal pump. Equipped with Viton mechanical seal. Clockwise rotation when facing shaft.

Counter Clockwise Rotation

Part #	Weight	Description
FMC	18	Cast iron 1 1/4" x 1" frame mounted straight centrifugal pump for belt drive applications. 120 PSI 4600 RPM. 75 GPM at open discharge. Equipped with Viton mechanical seal.
FMC-150	23	Cast iron 1 1/2" x 1 1/4" frame mounted straight centrifugal pump for belt drive applications. 120 PSI 6000 RPM. 130 GPM at open discharge. Equipped with Viton mechanical seal.
FMC-200	24	Cast iron 2" x 1 1/2" frame mounted straight centrifugal pump for belt drive applications. 100 PSI 3950 RPM. 180 GPM at open discharge. Equipped with Viton mechanical seal.

SEED TREATER ELECTRIC MOTOR DRIVEN CENTRIFUGAL PUMP



For Most Industrial & Agricultural Blending, Mixing, Seed Treating & Liquid Transfer Applications



ACH-55

Performance Table		
PSI	Capacity	
	GPM	GPH
30	10	600
25	20	1200
23	30	1800
19	40	2400

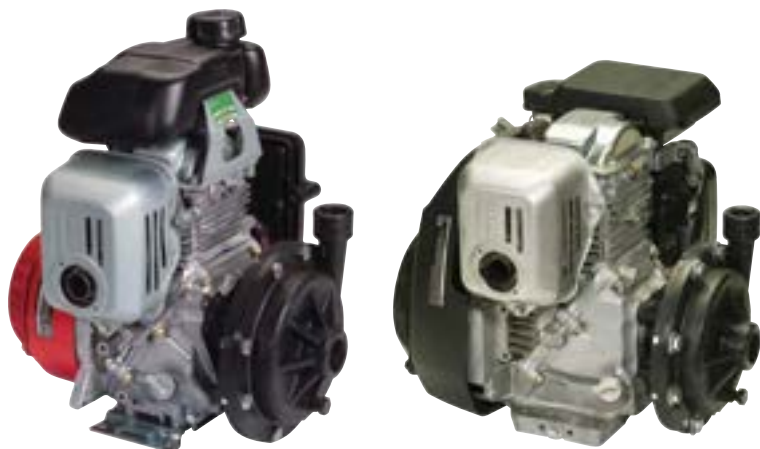
1 1/4"	x	1"
Suction		Discharge

Seed Treater Electric Motor Driven Centrifugal Pump

Part #	Weight	Description
ACH-55-1PH-TEFC	47	1 1/4" X 1" pump close coupled to 3/4 HP, 3450 RPM, single phase, 115/230 volt, totally enclosed, fan cooled motor. 26 PSI (60' head) max. 55 GPM. Non-overloading motor.

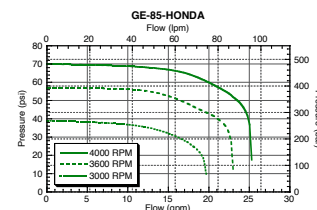
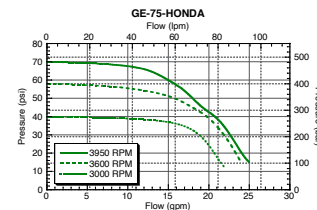
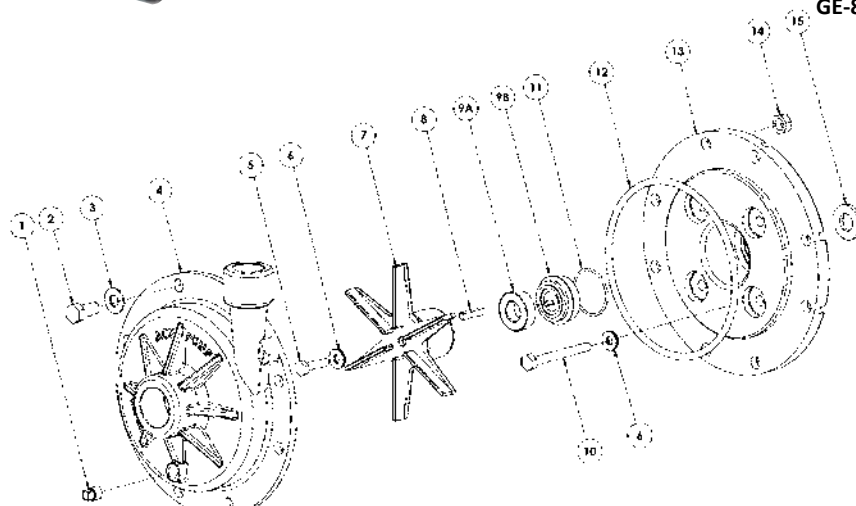
PUMP & PUMP REPAIR PARTS

GAS ENGINE DRIVE CENTRIFUGAL PUMP GE-75 SERIES & GE-85 SERIES



- Suction 1" NPT x Discharge 3/4" NPT
- Maximum flow 24 GPM
- Maximum pressure 65 PSI
- Flow Rate of 12 GPM at 65 PSI
- Available complete with engine or pump only
- Unique Barske tall blade impeller design for higher pressures at normal engine speeds
- Impeller attaches directly to 5/8" keyed shaft
- GE-75 attaches directly to 5/8" keyed shaft
- GE-85 attaches directly to 3/4" keyed shaft

Part #	Description
GE-75-LE	3LBS. LESS ENGINE
GE-85-LE	3LBS. LESS ENGINE
GE-75-HONDA	28LBS. COMPLETE
GE-85-HONDA	46.5LBS. COMPLETE



Ref #	GE-75 Part #	EDP #	GE-85 Part #	EDP #	Description	Req
1	BAC-53-P	41119	BAC-53-P	41119	Pipe plug, 1/8" NPT, plastic	1
2	80250	80250	80250	80250	Cap screw, 3/8"-16 x 7/8", hex head	8
3	42701	42701	42701	42701	Washer, 3/8" flat	8
4	GE-12-75	42700	GE-12-75	42700	Volute, 3/4" x 1", polypropylene	1
5	42240	42240	GE-60-SS	42235	Cap screw, 5/16"-NF x 3/4", hex, stainless steel	1
6①②	30028	30028	30028	30028	Washer, sealing	5
7	GE-26-75	42710	GE-26-85	42711	Impeller, with keyway, polypropylene	1
8	41082	41082	41082	41082	Key, 3/16" x 3/16" x 15/16"	1
9①	BAC-7-75V	42730	BAC-7-660V	30225	Seal, 3/4", Viton® type rubber	1
9②	BAC-7SC-75V	42731	BAC-7SC-660V	30226	Seal, 3/4", Carbide/Ceramic/Viton® (optional)	1
10	42245	42245	42245	42245	Cap screw, M8 x 60, stainless steel (GC-160)	4
10	42238	42238	42238	42238	Cap screw, 5/16"NF x 2-1/4", (GX-160)	4
11①②	40159	40159	40159	40159	O-ring, shaft seal	1
12①②	40017	40017	40017	40017	O-ring, volute seal	1
13	GE-14-75	42720	GE-14-85	42721	Bracket, GE-85, polypropylene	1
14	BAC-45	41010	BAC-45	41010	Nut, hex, 3/8"	8
15	BAC-54	41130	GE-54	42220	Slinger	1
#	BAC-12-150	40255	-	-	Engine, 3 HP, Honda GX100QA2	1
①	RK-GE-75	60840	RK-GE-85	60845	Repair kit	-
②	RK-GESC-75	60841	RK-GESC-85	60846	Repair kit, silicon carbide seal (optional)	-

PUMP & PUMP REPAIR PARTS

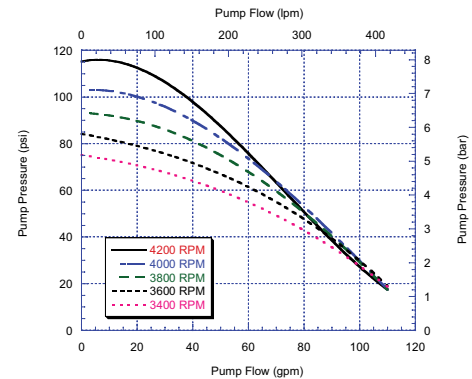
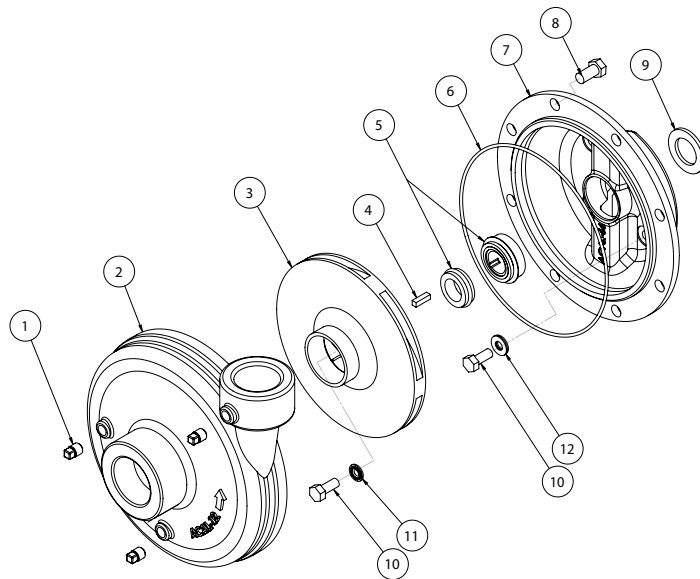
GAS ENGINE DRIVEN CENTRIFUGAL PUMP - GE-660 SERIES



GE-660-HONDA-ES

- Suction 1-1/2" NPT x Discharge 1-1/4" NPT
- Maximum flow 110 GPM
- Maximum pressure 115 PSI
- Available complete or less engine
- 6-1/2" diameter impeller for higher pressure at lower engine RPM
- Impeller attaches directly to 3/4" keyed shaft
- Improved design maximizes key engagement, strengthening the impeller attachment
- Heavier impeller hub for improved torque transfer
- Shaft slinger and spacious vent channel keep liquid away from engine

Part #	Description
GE-660-LE	LESS ENGINE
GE-660-HONDA-ES	ELECTRIC START
GE-660-HONDA	GX160 HONDA PULL START



* Engine shaft speed at shut-off.
Performance data of pump equipped with 160 Honda GX.

Ref #	Part #	EDP #	Description	Req
1	BAC-53	41110	Pipe plug, 1/8" NPT	3
1	41120	41120	Pipe plug, 1/8" NPT, stainless steel (optional)	3
2	ACAL-12	30161	Volute, 1 1/2" x 1 1/4", clockwise rotation	1
2	ACAL-12-EC	30196	Volute, 1 1/2" x 1 1/4", clockwise rotation, e-coated (optional)	1
3	ACAL-28-660	30171	Impeller, cast iron, 3/4" keyed shaft	1
3	ACAL-28-660-EC	30195	Impeller, cast iron, 3/4" keyed shaft, e-coated (optional)	1
4	41081	41081	Key, impeller, 3/16" x 3/16" x 3/4",	1
5①	BAC-7-660V	30225	Seal, Type 6A-3/4, carbon/ceramic/Viton	1
5②	BAC-7SC	660V	30226Seal, Type 6A-3/4, silicon carbide/Viton	1
6①②	BAC-4-150	40015	O-ring, volute seal	1
7	ACAL-66	30186	Bracket, GE-660 keyed shaft	1
7	ACAL-66-EC	30197	Bracket, GE-660 keyed shaft, e-coated (optional)	1
8	40950	40950	Cap screw, 3/8" NC x 3/4" hex head	8
8	40930	40930	Cap screw, 3/8"NC x 3/4", stainless steel (optional)	8
9	GE-54-660	42222	Slinger	1
10	GE-60-SS	42235	Cap screw, 5/16" NF x 3/4", stainless steel	5
11①②	30031	30031	Washer, Stat-O-Seal®, 5/16" ID, impeller attachment (effective Oct. 2011)	1
12①②	30028	30028	Washer, sealing, 5/16" ID, bracket attachment	4
*①②	30035	30035	Threadlocker, removable	-
*	42062	42062	Engine, 5.5 HP Honda, pull start, (GX160UT1QX2)	1
*	42064	42064	Engine, 5.5 HP Honda, electric start, (GX160K1QXE2)	1
①	RK-GE-660	61162	Repair kit	-
②	RK-GESC-660	61167	Repair kit with silicon carbide shaft seal	-

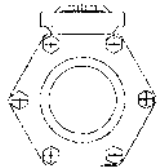
APPLICATORS & SPRAYERS
 DRY MATERIAL HANDLING
 TRAILERS
 TANKS & ACCESSORIES
 PUMPS
 VALVES & FITTINGS
 STRAINERS & HOSE
 PLANTER EQUIPMENT
 SPRAYER CONTROLS & GUIDANCE
 NOZZLES, TIPS & SPRAY GUNS
 NH3 PRODUCTS
 TECHNICAL INFORMATION
 INDEX

THREADED VALVES

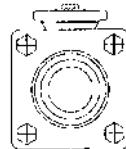


POLYPROPYLENE BALL, SINGLE UNION & NOZZLE VALVES

- Glass reinforced polypropylene for strength and durability - will never rust or corrode
- Self-aligning ball rotates freely against Teflon seats
- Unique body-to-flange design allows for low torque on/off operation
- Viton O-ring stem seal
- EPDM O-ring body seal
- Pressure rated 125 PSI



2" FP = full port
6 bolt
2" ball opening



2" STD = standard port
4 bolt
1 1/2" ball opening

POLY BOLTED BALL VALVE STAINLESS STEEL BOLTS, NUTS & WASHERS

Part #	Size
NWV050FP	1/2"
NWV075FP	3/4"
NWV100STD	1"
NWV100FP	1"
NWV125STD	1 1/4"
NWV125FP	1 1/4"
NWV150FP	1 1/2"
NWV200STD	2"
NWV200FP	2"
NWV300FP	3"
NWV400FP	4"



ANGLE VALVE

Part #	Size
NWVA150FP	1 1/2"
NWVA200STD	2" std
NWVA200FP	2" fp

POLY BOLTED BALL VALVE WITH MALE NIPPLE

Part #	Size
NWVNIP200STD	2" std
NWVNIP200FP	2" fp
NWVNIP300FP	3" fp



SINGLE UNION BALL VALVE

Part #	Size
NWUV050	1/2"
NWUV075	3/4"
NWUV100	1"
NWUV125	1 1/4"
NWUV150	1 1/2"
NWUV200	2"
NWUV300	3"
NWUVA10045NZL	1" nzl



NWUVA10045NZL

MULTIPORT BALL VALVE

Part #	Size
NWMP075	3/4"
NWMP200	2"



316 STAINLESS STEEL BALL VALVE

Part #	Size
SSV025	1/4"
200850M7606	3/8"
SSV050	1/2"
SSV075	3/4"
SSV100	1"
SSV150	1 1/2"
SSV200	2"
SSV300	3"



316 stainless with locking handle

- Manufactured from 316 SS
- Full port construction
- Water, oil and gas rated to 1000 PSI
- LOCKING HANDLE
- Teflon seats and seals
- Polished stainless steel ball for precise operation
- Tested by air pressure under water

THREADED VALVES

NORWESCO COMPACT VALVES

SINGLE UNION VALVE REPAIR PARTS

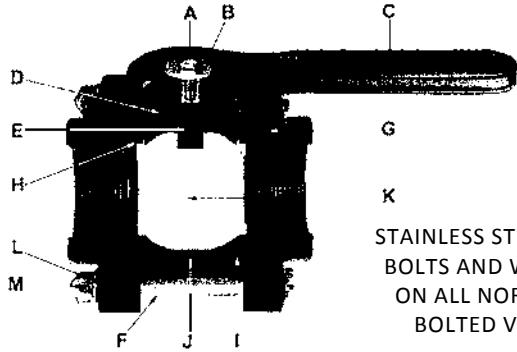


Norwesco Single Union Repair Parts				
Size of SINGLE UNION VALVE	Repair kit EPDM O-rings Teflon Seat	Viton O-Rings	Handles	Valve Stem with EPDM O-Rings
1/2"	60430	60437	60444	60451
3/4"	60431	60438	60445	60452
1"	60432	60439	60446	60453
1 1/4"	60433	60440	60447	60454
1 1/2"	60434	60441	60448	60455
2"	60435	60442	60449	60456
3"	60436	60443	60450	60457
MULTI-PORT VALVE	Repair kit EPDM O-rings Teflon seat	T-Ball	Handles	Valve Stem with EPDM O-ring
3/4"	61733	60429	61735	60452
2"	60435	60428	61736	60456

POLY COMPACT BALL VALVE, STAINLESS STEEL BOLTS, NUTS & WASHERS



VALVE REPAIR PARTS



STAINLESS STEEL NUTS, BOLTS AND WASHERS ON ALL NORWESCO BOLTED VALVES

Part # **Size/Description**

NWCV200MXF 2" fp / mpt x fpt

NWCV200FXF 2" fp / fpt x fpt

NWCV200MXM 2" fp / mpt x male coupler

NWCV200FXM 2" fp / fpt x male coupler

- Male pipe thread end flanges and cam action coupler end flange (F coupler) eliminate the need for additional fittings.
- Self-aligning ball rotates freely against Teflon seats.
- Viton O-ring stem seal and EPDM O-ring body seal.
- Pressure rated at 125 PSI @ 70°F.

NORWESCO BOLTED BALL VALVE REPAIR PARTS

Item Code & Description	1/2" FP	3/4" FP	1" STD	1" FP	1-1/4" STD	1-1/4" FP	1-1/2" FP	2" STD	2" FP COMPACT	2" FP	3" FP	4" FP	1-1/2" FPNZ	2" STDNZ	2" FPNZ
A Stem Screw	61347	61347	61347	61347	61347	-	-	-	-	-	-	-	-	-	-
B Stem Cap Screw & Flat Washer	-	-	-	-	-	61350	61350	61350	61350	61351	61351	61351	61351	61351	61351
C-1 Yellow Blank Handle	61783	61783	61783	61784	61784	61785	61785	61785	61785	61786	61786	62838	61787	61787	61788
C-2 Norwesco Blue Handle	61721	61721	61721	61722	61722	61723	61723	61723	61723	61724	61724	62839	61725	61725	61726
D Viton Stem O-Ring(s)*	61497	61497	61497	61497	61497	61425	61425	61425	61425	61447	61477	62817	61425	61425	61447
E Valve Stem w/Viton O-Ring(s)	61359	61359	61359	61446	61446	61360	61360	61360	61360	61361	61361	62818	61360	61360	61361
F Stainless Steel Bolt, Hex Nut & Lock Washer	61421	61421	61421	61422	61422	61423	61423	61423	61424	61424	62208	62819	61423	61423	61424
G End Flange w/Teflon® Seat	62051	62052	62053	62054	62055	62056	62057	62059	62316	62060	62065	62820	62057	62059	62060
G Male End Flange w/Teflon® Seat	-	-	-	-	-	-	-	62064	62317	62063	62066	-	-	-	-
G Male Coupler End Flange w/Teflon® Seat	-	-	-	-	-	-	-	-	62318	-	-	-	-	-	-
G Flanged End Flange w/Teflon® Seat	-	-	-	62929	-	-	-	-	62930	-	62931	-	-	-	-
H Teflon® Seat	62077	62077	62077	62076	62076	62075	62075	62075	62074	62074	62073	62821	62075	62075	62074
I Large Body EPDM O-Ring Seal	61378	61378	61378	61379	61379	61380	61380	61380	62319	61381	61382	82822	61380	61380	61381
J Valve Body	61383	61383	61383	61384	61384	61385	61385	61385	62315	61386	61387	62823	61385	61385	61386
K Valve Ball	61388	61388	61388	61389	61389	91390	91390	61390	62312	61391	61392	62824	61390	61390	61391
N Top Flange w/Teflon® Seat For Nozzle	-	-	-	-	-	-	-	-	-	-	-	-	62058	62061	62062
O Nozzle Pipe	-	-	-	-	-	-	-	-	-	-	-	-	61400	61401	61401
P Seat O-Ring	-	-	-	-	-	-	-	-	-	-	-	62114	-	-	-

THREADED VALVES



POLY BOLTED VALVES



4 BOLT VALVES

- Stainless steel nuts & bolts
- 100% PTFE Ball Seats
- FKM Seals

Part #	Description	Opening Thru Ball
BJV050FP	Valve-Full Port	3/4"
BJV075FP	Valve-Full Port	3/4"
BJV100STD	Valve-Standard Port	3/4"
BJV100FP	Valve-Full Port	1"
BJV125STD	Valve-Standard Port	1"
BJV125FP	Valve-Full Port	1 1/2"
BJV150FP	Valve-Full Port	1 1/2"
BJV200STD	Valve-Standard Port	1 1/2"

4 BOLT VALVES



Part #	Description	Opening Thru Ball
BJVFMT204FP	2" Valve-Male NPT x Male Adapter-Full Port	2"
BJV204FP	2" Valve-Female NPT x Female NPT Full Port	2"



6 BOLT VALVES

- Stainless steel nuts & bolts
- 100% Teflon Ball Seats
- Viton Seals

Part #	Description	Opening Thru Ball
BJV200FP	Valve-Full Port	2"
BJV300STD	Valve-Standard Port	2 1/2"
BJV300FP	Valve-Full Port	3"
BJV400STD	Valve-Standard Port	3 1/2"

6 BOLT VALVES



- Stainless steel nuts & bolts
- 100% PTFE Ball Seats
- FKM Seals

Part #	Description	Opening Thru Ball
BJVFMT200FP	2" Male Adapter x 2" Male NPT Thread	2"

CASE QUANTITIES

V050FP thru V200STD.....	24/CASE
V200FP thru V300STD.....	8/CASE
V300FP	6/CASE
V400STD	4/CASE

HANDLE RISERS



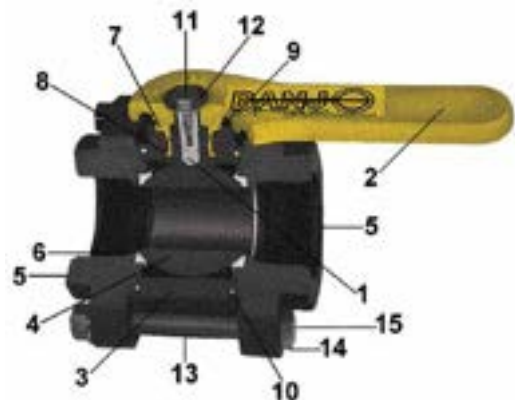
Part #	Description	
V10153138BL	1" x 1 3/8" Handle Offset	3/4" & 1" 3-Way BL Valves
V10153138	1" x 1 3/8" Handle Offset	1" FP & 1 1/4" SP, 3/4" & 1" 3-Way SL Valves
V20153138BL	2" x 1 3/8" Handle Offset	1 1/4" & 1 1/2" 3-Way BL Valves
V20153138	2" x 1 3/8" Handle Offset	1 1/4" FP - 2" SP, 1 1/4" & 1 1/2" 3-Way SL Valves
V25153138BL	2" x 1 3/8" Handle Offset	2" & 3" 3-Way BL Valves
V25153138	2" x 1 3/8" Handle Offset	2" FP Valve & 2" 3-Way SL Valves

Banjo Bolted Ball Valve Repair Parts

ITEM #	Description	1/2" 3/4" Fullport 1" STD 1" STDNZN	1" FP 1 1/4" STD	1 1/4" 1/2" Fullport 1 1/2" NZL 2" STD 2" STDNZN	2" FP 2" FPNZN	3" STD	3" FP	4" STD
1	Stem	V07151A	V10151A	V20151M	V25151B	V25151B	V25151B	V25151B
2	Handle Straight	V10153A	V10153A	V20153	V25153	V25153	V25153	V25153
2	Handle Angle	-	-	V20152	V25152	-	-	-
3	Valve Body	V07254	V10254	V20254	V25254	V30254	V35254	V40254
4	Valve Ball *	V07155	V10155	V20255A	V25255A	V30255	V35255A	V40255
5	1/2" End Plate	V05256	-	-	-	-	-	-
5	3/4" End Plate	V07257	-	-	-	-	-	-
5	1" End Plate	V07256	V10257	-	-	-	-	-
5	1 1/4" End Plate	-	V10256	V20267	-	-	-	-
5	1 1/2" End Plate	-	-	V20257	-	-	-	-
5	2" End Plate	-	-	V20256	V25256	-	-	-
5	3" End Plate	-	-	-	-	V30264	V35264	-
5	4" End Plate	-	-	-	-	-	-	V40264
5	1 1/2" NZL End FL	-	-	V20262	-	-	-	-
5	2" NZL End FL	-	-	V20261	V25261	-	-	-
13	S.S. Body Bolt	V07017	V10117	V20017	V25017	V30017	V35017	V40017
14	S.S. Lock Washer	V07018	V10118	V20018	V25018	V30018	V35018	V40018
15	S.S. Nut	V07019	V10119	V20019	V25019	V30019	V35019	V40019
11	S.S. Handle Bolt	V10020A	V10020A	V20020	V20023	V20023	V20023	V20023
12	S.S. Handle Washer	V07021A	V07021A	V20021	V25121A	V25121A	V25121A	V25121A
6	Teflon Bal Seat*	V07258A	V10258A	V20258A	V25258A	V30258A	V35258A	V40258B
7	Upper Stem Bush*	V07159	V10159	V20159	V25160	V25160	V25160	V25160
8	Thrust washer*	V07060	V10060	V20060	V25060	V25060	V25060	V25060
9	Stem O-Ring VITON*	V07163	V10163	V20163	V25163	V25163	V25163	V25163
10	Body O-Ring VITON*	V07264	V10264	V20264	V25264	V30265	V35265	V40265
N/S	1" Nozzle pipe	V10161	V10161	-	-	-	-	-
N/S	1 1/2" Nozzle Pipe	-	-	V20166	-	-	-	-
N/S	2" Nozzle Pipe	-	-	V25165	V25165	-	-	-
N/S	Valve repair kit (consists of * items)	V07200	V10200	V20200	V25200	V30200	V35200	V40200



VALVE REPAIR PARTS



Stainless steel nuts, bolts and washers on ALL BANJO bolted valves

POLY NOZZLE VALVES

BOLTED POLY NOZZLE VALVE



Light weight hose end valve for convenient transfer of liquids. Angled end flange with 8" long poly fill spout.

Part #
BJVA150FP
BJVA200STD

Part #
BJVA200FP

POLY DISPENSING NOZZLE



- Glass filled polypropylene
- Stainless steel handle, spring & pin
- Viton rubber parts
- Resists corrosion
- Padlock capacity
- 75 PSI

Part #
BJVN100

**ORDER
YOUR
PARTS
24 HOURS
A DAY AT**

www.AgSpray.com

POLY BOTTOM LOAD VALVE

Part #	Size	Opening Thru Ball
BJBLV075	3/4"	1"
BJBLV100	1"	1"
BJBLV125	1 1/4"	1 1/2"
BJBLV150	1 1/2"	1 1/2"
BJBLV200	2"	2"

Directional flow either right or left. Valve can be turned off to stop flow.



POLY SIDE LOAD VALVE

Part #	Size	Opening Thru Ball
BJSLV075	3/4"	1"
BJSLV100	1"	1"
BJSLV125	1 1/4"	1 1/2"
BJSLV150	1 1/2"	1 1/2"
BJSLV200	2"	2"

Directional flow either right or left. Valve can't be turned off.



LOCKING DEVICE

Part #
VL-20153

Locking device for V125FP, V150FP & V200STD



LOCKING DEVICE

Part #
VL-25153

Locking handle for V200FP, V300STD, V300FP & V400STD



MOUNTING BRACKETS



304 Stainless Steel

BOTH FIT V150FP, V200FP, V300STD, & V300FP

Part # **Size/Description**
V25270 Straight Mounting Bracket
V25271 90° Mounting Bracket

HOSE END VALVE HANDLE



NEW!

- Fits most 2" and 3" Valves
- Fits Banjo and Norwesco Valves
- Utilizes Existing Valve Bolts
- Powder Coat Tough Skin Paint

Part # **Description**
5078819-CBK Universal Valve Handle



VALVES



“STUBBY VALVES” STANDARD PORT BALL VALVES



Part #	Description
BJVSF200	2" Male Adapter x 2" Female NPT Thread

BJVSF300	3" Male Adapter x 3" Female NPT Thread
----------	--



Part #	Description
BJVSM200	2" Male NPT Thread x 2" Female NPT Thread

BJVSM300	3" Male NPT Thread x 3" Female NPT Thread
----------	---



Part #	Description
BJVSFMT200	2" Male Adapter x 2" Male NPT Thread

BJVSFMT300	3" Male Adapter x 3" Male NPT Thread
------------	--------------------------------------



“STUBBY VALVE” 2" FULL PORT BALL VALVES



Part #	Description
BJVSM204FP	2" Male NPT Thread x 2" Female NPT Thread

BJVSF204FP	2" Male Adapter x 2" Female NPT Thread
------------	--



Part #	Description
BJVSFMT204FP	2" Male Adapter x 2" Male NPT Thread

BJVS204FP	2" x 2" Female NPT Thread
-----------	---------------------------



304 STAINLESS STEEL BALL VALVE BULLETS

- 1000 W.O.G.
- 304 Stainless Steel
- Max Temp. 212 degrees Fahrenheit
- Adjust flow or positive shutoff
- Full port ball
- Teflon seals
- Chrome-plated ball



SSBV150

Part #	Description
SSBV50	½" 304 Stainless Steel Ball Valve
SSBV75	¾" 304 Stainless Steel Ball Valve
SSBV100	1" 304 Stainless Steel Ball Valve
SSBV125	1¼" 304 Stainless Steel Ball Valve
SSBV150	1½" 304 Stainless Steel Ball Valve
SSBV200	2" 304 Stainless Steel Ball Valve

VALVES



3" FULL PORT STAINLESS STEEL MANIFOLD "STUBBY" VALVES



MVS300HSFP



MVSMT300HSFP

Part #	Description	Max PSI	Pipe Size	Opening Thru Ball
MVS300HSFP	3" FP Flange x 3" FP Flange w/SS Ball, Stem & Handle	100	3"	3"
MVSMT300HSFP	3" FP Flange x 3" Male NPT w/SS Ball, Stem & Handle	200	3"	3"



3" FULL PORT BALL VALVES "STUBBY VALVES"

SINGLE UNION POLY VALVES

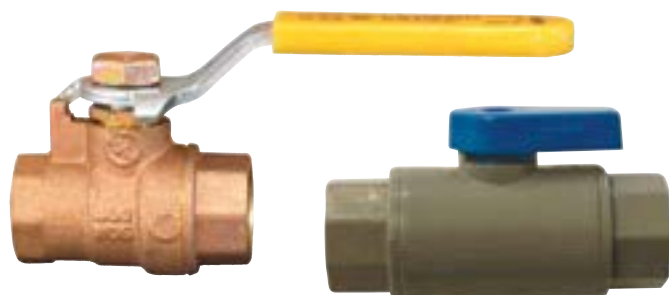
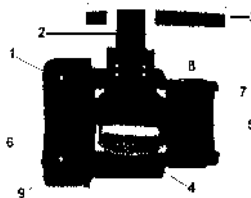


Part #	Description
BJVSFMT300FP	3" FP Male Adapter x 3" Male NPT Thread
BJVSFMT300HSFP	3" FP Male Adapter x 3" Male NPT W/SS Ball, Stem & Handle

Part #	Size
BJUV050FP	1/2"
BJUV075FP	3/4"
BJUV100FP	1"
BJUV125FP	1 1/4"
BJUV150FP	1 1/2"
BJUV200FP	2"

Banjo Single Union Repair Parts

VALVE SIZE	End Cap	Stem	Handle	Body	Ball	End Plate	Valve Seat EPDM	Stem O-Ring EPDM	Body O-Ring EPDM
	1	2	3	4	5	6	7	8	9
1/2"	UV07150	UV07151	UV07153	UV05254	UV07255	UV05256	UV07258	UV07163	UV07264
3/4"	UV07150	UV07151	UV07153	UV07254	UV07255	UV07256	UV07258	UV07163	UV07264
1" & 1" nsl	UV10150	UV10151	UV10153	UV10254	UV10255	UV10256	UV10258	UV10163	UV10264
1 1/4"	UV15150	UV15151	UV15153	UV15244	UV15255	UV15267	V20258	UV15163	UV15264
1 1/2"	UV15150	UV15151	UV15153	UV15254	UV15255	UV15257	V20258	UV15163	UV15264
2"	UV20150	UV20151	UV20153	UV20254	UV20255	UV20257	V20258	UV20163	UV20264



BRASS BALL VALVES

Part #	Size/Description
5143197	1/2" Brass Ball Valve
5143190	3/4" Brass Ball Valve
5143191	1" Brass Ball Valve
5143211	3/8" Brass Ball Valve
5143226	1/4" PVC Valve

DRY-MATES, SPIKE & CHECK VALVES



DRY MATE



Part #	Description
DM150A	1 1/2" Male Dry-Mate
DM150D	1 1/2" Female Dry-Mate
DM200A	2" Male Dry-Mate
DM200D	2" Female Dry-Mate
DM220A	2" Male Dry-Mate Full Port
DM220D	2" Female Dry-Mate Full Port
DM200CAP	Dust Cap For Male Fits 1 1/2" & 2"
DM200PL	Dust Cap For Female Fits 1 1/2" & 2"



- Minimal fluid loss when disconnected
- Effective for closed system transfers and chemical
- Prevents accidental spills & exposure

DRY POPPET COUPLINGS

Part #	Description
DPCF100	Female Dry Poppet Coupler, 1" Female NPT Threads FKM Seals
DPCM100	Male Dry Poppet Adapter, 1" Female NPT Threads FKM Seals
DPCMT100	Male Dry Poppet Adapter With 2" Male Threaded Body, 1" Female NPT Threads FKM Seals

POLYPROPYLENE CHECK VALVES



Part #	Description
CV100MT	1" Male x Female NPT
CV221	2" Full Port Check Valve
CV300	3" Full Port Check Valve

POLYPROPYLENE CHECK VALVE



Part #	Description	Max PSI	Pipe Size
MCV100	1" Flanged Poly Check Valve	300	1"
MCV200	2" Flanged Poly Check Valve	300	1 1/2"
MCV221	2" Full Port Poly Check Valve	200	2"
MCV300	3" Flanged Poly Check Valve	200	3"

**ORDER YOUR PARTS
24 HOURS A DAY AT**

www.AgSpray.com

STAINLESS STEEL CHECK VALVE



Part #	Size
CVSE375	3/8" SS Check Valve w/ Viton O-Ring
CVSE50	1/2" SS Check Valve w/ Viton O-Ring
CVSE75	3/4" SS Check Valve w/ Viton O-Ring
CVSE100	1" SS Check Valve w/ Viton O-Ring
CVSE125	1 1/4" SS Check Valve w/ Viton O-Ring
CVSE150	1 1/2" SS Check Valve w/ Viton O-Ring
CVSE200	2" SS Check Valve w/ Viton O-Ring
CVSE300	3" SS Check Valve w/ Viton O-Ring
CVSE400	4" SS Check Valve w/ Viton O-Ring

MANIFOLD PRESSURE SPIKE VALVES



Part #	Description	Pressure Spikes
MPRV100-050	1" x 1" Pressure Spike Valve	50 P.S.I.
MPRV100-075	1" x 1" Pressure Spike Valve	75 P.S.I.
MPRV100-100	1" x 1" Pressure Spike Valve	100 P.S.I.
MPRV100-125	1" x 1" Pressure Spike Valve	125 P.S.I.

PVC INLINE CHECK VALVES



Part #	Size
210-303	1/2"
210-305	1"
210-306	1 1/4"
210-307	1 1/2"

CAM LEVER COUPLINGS & MICRO VALVES

POLY CAM LEVER COUPLINGS

Part #	Description	Max PSI	Gasket	Qty
201B	2" Female Coupler - 2" Extended Male Thread	200	EPDM	1
303B	3" Female Coupler - 3" Extended Male Thread	150	EPDM	1
303C	3" Female Coupler w/3 Arms - 3" Hose Shank	200	EPDM	1



QDC ADAPTER COUPLINGS



Part #	Description	Max PSI	Gasket	Qty
200FF	2" Male Adapter - 2" Male Adapter	150	N/A	10/ bag
300F200F	3" Male Adapter - 2" Male Adapter	75	N/A	1
300FF	3" Male Adapter - 3" Male Adapter	75	N/A	1
303B200A	3" Female Coupler w/3 Arms - 2" Male Adapter	200	EPDM	1



LOCKING MICRO VALVES



Part #	Description
LV038050MTLV	3/8" Female x 1/2" Male NPT Locking Micro Valve
LV050100MTLV	1/2" Female x 1" Male NPT Locking Micro Valve



Part #	Description
LVHB075100MTLV	3/4" HB x 1" Male NPT Locking Micro Valve



Part #	Description
LV050SLLV	1/2" Side Load Locking Micro Valve

POLY MICRO VALVES



Part #	Description
LVPL025V	1/4" Push-To-Connect Micro Valve
LVPL038V	3/8" Push-To-Connect Micro Valve



Part #	Description
LVHB038050MTV	3/8" HB X 1/2" MPT Micro Valve
LVHB075MTV	3/4" HB X 3/4" MPT Micro Valve
LVHB075100MTV	3/4" HB X 1" MPT Micro Valve



Part #	Description
LV025MTV	1/4" FPT X 1/4" MPT Micro Valve
LV038MTV	3/8" FPT X 3/8" MPT Micro Valve
LV038050MTV	3/8" FPT X 1/2" MPT Micro Valve
LV050MTV	1/2" FPT X 1/2" MPT Micro Valve
LV050100MTV	1/2" FPT X 1" MPT Micro Valve



Part #	Description
LV025V	1/4" FPT X 1/4" FPT Micro Valve
LV038V	3/8" FPT X 3/8" FPT Micro Valve
LV050V	1/2" FPT X 1/2" FPT Micro Valve
LV050SLV	1/2" FPT Side Load Micro Valve



CAM LEVER COUPLINGS

90° CAM LEVER COUPLINGS



A90° MALE ADAPTER X FEMALE NPT 90°



Size	Part #	Part #
1 1/2"	61293	150A90
2"	61296	200A90

C90° FEMALE ADAPTER X HOSE SHANK 90°



Size	Part #	Part #
1 1/2"	61299	150C90
2"	61301	200C90

D90° FEMALE ADAPTER X FEMALE NPT 90°



Size	Part #	Part #
1 1/2"	61300	150D90
2"	61302	200D90

F90° MALE ADAPTER X MALE NPT 90°



Size	Part #	Part #
1 1/2"	61289	150F90
2"	61291	200F90

Norwesco Coupler Repair Parts

Coupler size	EPDM Gasket	X-Thick EPDM Gasket	Shim	Arms	SS Pin
1/2"	75G	75GXT	SHIM34	61594	61582
3/4"	75G	75GXT	SHIM34	61594	61582
1"	100G	100GXT	SHIM100	61594	61582
1 1/4"	150G	150GXT	SHIM112	61595	61585
1 1/2"	150G	150GXT	SHIM112	61595	61585
2"	200G	200GXT	SHIM200	61595	61585
3"	300G	300GXT	SHIM300	61596	61584

NORWESCO COUPLERS ON PAGES 211-212

Banjo Coupler Parts List

Size of Coupler	EPDM Gasket	VITON Gasket	BUNA Gasket	X-Thick EPDM Gasket	Shim	SS Cam arm/ring	SS Cam pin	Ring only
1/2"	75G			75GXT	SHIM34	75K	75P	100 ring
3/4"	75G			75GXT	SHIM34	75K	75P	100 ring
1"	100G	100GV		100GXT	SHIM100	100K	100P	100 ring
1 1/4"	100G	100GV		100GXT	SHIM114	100K	100P	100 ring
1 1/2"	150G	150GV	150GB	150GXT	SHIM112	150/200K	200P	150 ring
2"	200G	200GV	200GB	200GXT	SHIM200	150/200K	200P	150 ring
2 1/2"	-	250GV	-	-	-	-	-	-
3"	300G	300GV	300GB	300GXT	SHIM300	300K	300P	150 ring
4"	400G		-		SHIM400	-	300P	-

BANJO COUPLERS ON PAGE 211-212

POLY LANYARD

Part #	Description
V20207	11" Polyurethane rubber lanyard



- Strong and durable
- Corrosion resistant

EASY-FILL VALVE

- STREAMLINED COUPLER / HOSE BARB CONNECTIONS
- VSBHB BANJO VALVES
- SMART, USER FRIENDLY DESIGN

Part #	Description
VSBHB204FP	2" FP Easy-Fill Valve
VSBHB205FP	2" FP Easy-Fill Valve with Carry Handle
VSBHB304FP	3" FP Easy-Fill Valve
VSBHB305FP	3" FP Easy-Fill Valve with Carry Handle
H25053	2" & 3" Carry Handle



VSBHB305FP

POLY CAM LEVER COUPLINGS

MALE ADAPTER X FEMALE NPT

A

Size	Norwesco Part #	Banjo Part #
1/4"	-	75A1/4
1/2"	61199	75A1/2
3/4"	61207	75A3/4
1"	61215	100A
1 1/4"	61223	125A
1 1/2" x 1 1/4"	-	150125A
1 1/2"	61231	150A
2"	61239	200A
3"	61247	300A
4"	62789	400A



FEMALE COUPLER X MALE NPT

B

Size	Norwesco Part #	Banjo Part #
1/2"	61255	75B1/2
3/4"	61259	75B3/4
1"	61263	100B
1 1/4"	61267	125B
1 1/2" x 1 1/4"	-	150125B
1 1/2"	61271	150B
2"	61275	200B
2"	-	201B*
3"	61279	300B
3"	-	303B*
4"	62790	400B

* EXTENDED MALE THREAD



FEMALE COUPLER X HOSE SHANK

C

Size	Norwesco Part #	Banjo Part #
1/2"	61256	050C
3/4"	61260	075C
1"	61264	100C
1 1/4"	61268	125C
1 1/2" x 1 1/4"	-	150125C
1 1/2"	61272	150C
2" x 1 1/2"	-	200150C
2"	61276	200C
3"	61280	300C
3"	-	303C
4"	62791	400C



Banjo 303C Has 3 Cam Arms

FEMALE COUPLER X FEMALE NPT

D

Size	Norwesco Part #	Banjo Part #
1/2"	61257	050D
3/4"	61261	075D
1"	61265	100D
1 1/4"	61269	125D
1 1/2" x 1 1/4"	-	150125D
1 1/2"	61273	150D
2"	61277	200D
3"	61281	300D
4"	62792	400D



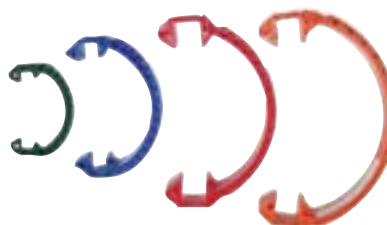
ALSO AVAILABLE IN STAINLESS STEEL, ALUMINUM, HARD COAT ALUMINUM & NYGLASS. CALL FOR PRICING

COUPLER ARM SAFETY LOCK®



PT Coupling Company

Size	Part #
2"	77015
3"	77013
4"	77014



POLY CAM LEVER COUPLINGS

MALE ADAPTER X HOSE SHANK



E

Size	Norwesco Part #	Banjo Part #
1/2"	61203	050E
3/4"	61211	075E
1"	61219	100E
1 1/4"	61227	125E
1 1/2" x 1 1/4"	-	150125E
1 1/2"	61235	150E
2"	61243	200E
3"	61251	300E
4"	62793	400E



MALE ADAPTER X MALE NPT



F

Size	Norwesco Part #	Banjo Part #
1/2"	61204	050F
3/4"	61212	075F
1"	61220	100F
1 1/4"	61228	125F
1 1/2" x 1 1/4"	-	150125F
1 1/2"	61236	150F
2"	61244	200F
2"	-	200F45
3"	61252	300F
4"	62794	400F



FEMALE CAP

CAP

Size	Norwesco Part #	Banjo Part #
1/2"	61258	075CAP
1"	61266	100125CAP
1 1/2"	61274	150CAP
2"	61278	200CAP
2 1/2"	-	250CAP
3"	61282	300CAP
4"	62795	400CAP



FEMALE CAP WITH HANDLE

Size	Part #	Code #	Description	Cost
2"	77021	5149172	Hose Female Cap w/Handle	\$ 45.92
3"	77023	5149174	Hose Female Cap w/Handle	\$ 77.37
4"	77025	5149176	Hose Female Cap w/Handle	\$ 73.22



MALE PLUG

PLUG

Size	Norwesco Part #	Banjo Part #
1/2"	61214	75PL
1"	61222	100125PL
1 1/2"	61238	150PL
2"	61246	200PL
3"	61254	300PL
4"	62796	400PL



MALE PLUG WITH HANDLE

Size	Part #	Code #	Description
2"	77020	5149171	Hose Male Plug w/Handle
3"	77022	5149173	Hose Male Plug w/Handle
4"	77024	5149175	Hose Male Plug w/Handle



POLYPROPYLENE PIPE FITTINGS



Features

- Precision molded in polypropylene
- Glass reinforced for stability, strength and toughness
- Hose barbs are molded specifically to fit into hoses

- Sizes range from 1/4" to 4"
- Combination sizes available
- Excellent chemical resistance
- Pressure to 150 PSI at 70°

HOSE BARBS



Part #	MPT	HB
HB025	1/4"	1/4"
HB025038	1/4"	3/8"
HB038	3/8"	3/8"
HB038050	3/8"	1/2"
HB050038	1/2"	3/8"
HB050	1/2"	1/2"
HB050075	1/2"	3/4"
HB075038	3/4"	3/8"
HB075050	3/4"	1/2"
HB075058	3/4"	5/8"
HB075	3/4"	3/4"
HB075100	3/4"	1"
HB100075	1"	3/4"
HB100	1"	1"
HB100125	1"	1 1/4"
HB125075	1 1/4"	3/4"
HB125100	1 1/4"	1"
HB125	1 1/4"	1 1/4"
HB125150	1 1/4"	1 1/2"
HB150100	1 1/2"	1"
HB150125	1 1/2"	1 1/4"
HB150	1 1/2"	1 1/2"
HB150200	1 1/2"	2"
HB200150	2"	1 1/2"
HB200	2"	2"
HB300	3"	3"
HB400	4"	4"

HOSE MENDERS



Part #	MPT	HB
HM050	1/2"	1/2"
HM075	3/4"	3/4"
HM100	1"	1"
HM125	1 1/4"	1 1/4"
HM150	1 1/2"	1 1/2"
HM200	2"	2"
HM300	3"	3"

HOSE BARB TEES



Part #	HB X MPT
HBT050075	1/2" x 1/2" x 3/4"
HBT075050	3/4" x 3/4" x 1/2"
HBT075	3/4"
HBT075100	3/4" x 3/4" x 1"
HBT100075	1" x 1" x 3/4"
HBT100	1"
HBT200	2" x 2" x 2"
HBT300	3" x 3" x 3"

HOSE BARB TEE X MPT



Part #	MPT	HB
HBT150100	1 1/2"	1"
HBT150150	1 1/2"	1 1/2"

REDUCING NIPPLES



Part #	MPT	MPT
RN050038	1/2"	3/8"
RN075050	3/4"	1/2"
RN100050	1"	1/2"
RN100075	1"	3/4"
RN125075	1 1/4"	3/4"
RN125100	1 1/4"	1"
RN150100	1 1/2"	1"
RN150125	1 1/2"	1 1/4"
RN200125	2"	1 1/4"
RN200150	2"	1 1/2"
RN300200	3"	2"

REDUCER COUPLINGS



Part #	FPT	FPT
RC100075	1"	3/4"
RC150100	1 1/2"	1"
RC150125	1 1/2"	1 1/4"
RC200050	2"	1/2"
RC200100	2"	1"
RC200125	2"	1 1/4"
RC200150	2"	1 1/2"
RC300200	3"	2"

90° HOSE BARBS



Part #	MPT	HB
HB02590	1/4"	1/4"
HB02503890	1/4"	3/8"
HB03890	3/8"	3/8"
HB05003890	1/2"	3/8"
HB05090	1/2"	1/2"
HB05007590	1/2"	3/4"
HB07505090	3/4"	1/2"
HB07590	3/4"	3/4"
HB07510090	3/4"	1"
HB10007590	1"	3/4"
HB10090	1"	1"
HB10012590	1"	1 1/4"
HB12510090	1 1/4"	1"
HB12590	1 1/4"	1 1/4"
HB15090	1 1/2"	1 1/2"
HB15012590	1 1/2"	1 1/4"
HB20090	2"	2"
HB20015090	2"	1 1/2"
HB30090	3"	3"

PIPE NIPPLES



Part #	MPT	HB
NIP025SH	1/4"	SHORT
NIP038SH	3/8"	SHORT
NIP050SH	1/2"	SHORT
NIP0503	1/2"	3"
NIP075SH	3/4"	SHORT
NIP0754	3/4"	4"
NIP0756	3/4"	6"
NIP100SH	1"	SHORT
NIP1004	1"	4"
NIP1006	1"	6"
NIP125SH	1 1/4"	SHORT
NIP1254	1 1/4"	4"
NIP1256	1 1/4"	6"
NIP150SH	1 1/2"	SHORT
NIP1503	1 1/2"	3"
NIP1504	1 1/2"	4"
NIP1505	1 1/2"	5"
NIP1506	1 1/2"	6"
NIP200SH	2"	SHORT
NIP2004	2"	4"
NIP2006	2"	6"
NIP300SH	3"	SHORT
NIP3004	3"	4"
NIP3006	3"	6"

COUPLINGS



Part #	FPT
CPLG038	3/8"
CPLG050	1/2"
CPLG075	3/4"
CPLG100	1"
CPLG125	1 1/4"
CPLG150	1 1/2"
CPLG200	2"
CPLG300	3"

THREADED PLUGS



Part #	FPT
PLUG050	1/2"
PLUG075	3/4"
PLUG100	1"
PLUG125	1 1/4"
PLUG150	1 1/2"
PLUG200	2"
PLUG300	3"

HOSE MENDER ELBOW



Part #	Description
HBEL10090	1" HB x 1" HB
HBEL15010090	1 1/2" HB x 1" MPT

POLYPROPYLENE PIPE FITTINGS



Features

- Precision molded in polypropylene
- Glass reinforced for stability, strength and toughness
- Hose barbs are molded specifically to fit into hoses

- Sizes range from 1/4" to 4"
- Combination sizes available
- Excellent chemical resistance
- Pressure to 150 PSI at 70°

REDUCER BUSHINGS



Part #	MPT	HB
RB038025	3/8"	1/4"
RB050025	1/2"	1/4"
RB050038	1/2"	3/8"
RB075018	3/4"	1/8"
RB075025	3/4"	1/4"
RB075038	3/4"	3/8"
RB075050	3/4"	1/2"
RB100025	1"	1/4"
RB100050	1"	1/2"
RB100075	1"	3/4"
RB125075	1 1/4"	3/4"
RB125100	1 1/4"	1"
RB150075	1 1/2"	3/4"
RB150100	1 1/2"	1"
RB150125	1 1/2"	1 1/4"
RB200075	2"	3/4"
RB200100	2"	1"
RB200125	2"	1 1/4"
RB200150	2"	1 1/2"
RB300150	3"	1 1/2"
RB300200	3"	2"
RB400300	4"	3"

STREET ELBOWS 45°



Part #	MPT	FPT
SL07545	3/4"	3/4"-45°
SL10045	1"	1"-45°
SL12545	1 1/4"	1 1/4"-45°
SL15045	1 1/2"	1 1/2"-45°
SL20045	2"	2"-45°
SL30045	3"	3"-45°

CAPS



Part #	FPT
CAP050	1/2"
CAP075	3/4"
CAP100	1"
CAP125	1 1/4"
CAP150	1 1/2"
CAP200	2"
CAP300	3"

45° ELBOWS



Part #	MPT	FPT
EL10045	1"	1"-45°

POLY SWIVELS

Part #	MPT	FPT
SW100	1"	1"
SW150	1 1/2"	1 1/2"
SW200	2"	2"



Features:

- Hex flats
- Viton O-rings
- 75 PSI maximum
- Teflon thrust bearing
- Stainless steel drive stud
- Heavy duty reinforced polypropylene.

90° ELBOWS



Part #	FPT	FPT
EL03890	3/8"	3/8"-90°
EL05090	1/2"	1/2"-90°
EL07590	3/4"	3/4"-90°
EL10090	1"	1"-90°
EL12590	1 1/4"	1 1/4"-90°
EL15090	1 1/2"	1 1/2"-90°
EL20090	2"	2"-90°
EL30090	3"	3"-90°

TEES



Part #	FPT	FPT
TEE038	3/8"	3/8"
TEE050	1/2"	1/2"
TEE075	3/4"	3/4"
TEE100	1"	1"
TEE125	1 1/4"	1 1/4"
TEE150	1 1/2"	1 1/2"
TEE200	2"	2"
TEE300	3"	3"

HOSE BARBS



Part #	FPT	HB
HBF075	3/4"	3/4"
HBF075100	3/4"	1"
HBF100	1"	1"

STREET ELBOWS



Part #	MPT	FPT
SL03890	3/8"	3/8"-90°
SL05090	1/2"	1/2"-90°
SL07590	3/4"	3/4"-90°
SL10090	1"	1"-90°
SL12590	1 1/4"	1 1/4"-90°
SL15090	1 1/2"	1 1/2"-90°
SL20090	2"	2"-90°
SL30090	3"	3"-90°

CROSSES



Part #	FPT
CR075	3/4"
CR100	1"
CR125	1 1/4"
CR150	1 1/2"
CR200	2"

SUCTION BASKET STRAINER



Part #	Description
TSS25	2" strainer
TSS35	3" strainer

GAUGE TEES



Part #	FPT	FPT
TEG100	1"	1"

1/4" female thread gauge port on top of tee

POLY VENT CAP / ANTI VORTEX



Part #	Description
VC230	2" cap with 12 mesh screen
VC300	3" cap no screen
VC330	3" cap with 10 mesh screen

MANIFOLD VALVES

Features

- Positive Seals
- Quick & Easy Assembly
- Easy On/Off Hose Connections
- 360° Orientation
- No Threads, No Sealant, No Pipe Tape

Sizes

- 100 Series-1" Full Port
- 200 Series-2" Standard Port (1 1/2" Flow)
- 220 Series-2" Full Port
- 300 Series-3" Full Port



Part #	Description
BJVSF200CF	2" Flange x 2" Male Adapter Standard Port Ball Valve



Part #	Description
BJVSMT200CF	2" Flange x 2" Male NPT Standard Port Ball Valve
MVSMT300	3" Manifold Flange x 3" Male NPT Thread
MVS220FP	2" Full Port Flange x 2" Female Thread Stubby Ball Valve



Part #	Description
VSMT200CF	200 Flange X 2" MPT
VSF200CF	200 Flange X 2" Male Adapter
MVS220FP	220 FP Flange X 2" FPT
MVSF220FP	220 FP Flange X 2" Male Adapter
MVS220CF	220 FP Flange X 220 Flange
MVSMT220FP	2" MPT x 220 FP Flange



Part #	Description
MV100CF	1" x 1" Flange Ball Valve
MV200CF	2" x 2" Standard Port Flange Ball Valve
MV220CF	2" x 2" Full Port Flange Ball Valve
MVS220CF	2" x 2" Full Port Flange Stubby Ball Valve



Part #	Description
MVSF300	3" Manifold Flange x 3" Male Adapter
MVSF300FP	3" Full Port Flange x 3" Male Adapter Stubby Ball Valve
MVSMT300	3" Flange x 3" MPT
MVS300CF	3" Flange X 3" Flange
MVS300CFPP	3" FP Flange x 3" FP Flange



Part #	Description
MV300CF	3" Flange x 3" Flange Ball Valve
MV300BL	3" Flange 3-Way Bottom Load Valve

Part #	Description
DM200ACF	2" Std Port Flange-Male Dry-Mate
DM200DCF	2" Std Port Flange-Female Dry-Mate
DM200A	Threaded
DM200D	Threaded
DM300ACF	3" Flanges Male with FKM Seals
DM300DCF	3" Female Mainfold Dry-Mate

DM200ACF & DM200DCF



MANIFOLD VALVES & FLOW METERS

MANIFOLD LINE STRAINERS



- EPDM Gaskets
- 304 Stainless Steel Screens
- 150 PSI Maximum

MANIFOLD 1" & 2" STANDARD PORT "T" STRAINERS

Part #	Description	Max PSI
MLST100-30	1" Flanged "T" Strainer - 30 Mesh	300
MLST100-50	1" Flanged "T" Strainer - 50 Mesh	300
MLST100-80	1" Flanged "T" Strainer - 80 Mesh	300
MLST100-100	1" Flanged "T" Strainer - 100 Mesh	300
MLST150-30	2" Standard Port "T" Strainer - 30 Mesh	225
MLST150-50	2" Standard Port "T" Strainer - 50 Mesh	225
MLST150-80	2" Standard Port "T" Strainer - 80 Mesh	225
MLST150-100	2" Standard Port "T" Strainer - 100 Mesh	225



- EPDM Gaskets
- 316 Stainless Steel Screens
- 150 PSI Maximum



MANIFOLD 2" "Y" STRAINERS

Part #	Description	Max PSI
MLS200BC	2" Standard Port Flanged "Y" Strainer Body & Cap 2" Body, Bowl, Drain Plug, 2 O-rings, Plug & Gasket	225
MLS200-06	2" Standard Port Flanged "Y" Strainer - 6 Mesh	225
MLS200-20	2" Standard Port Flanged "Y" Strainer - 20 Mesh	225
MLS200-30	2" Standard Port Flanged "Y" Strainer - 30 Mesh	225
MLS200-50	2" Standard Port Flanged "Y" Strainer - 50 Mesh	225
MLS200-80	2" Standard Port Flanged "Y" Strainer - 80 Mesh	225



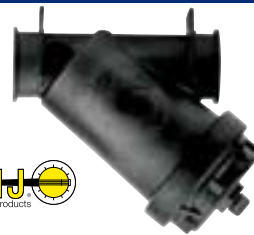
- EPDM Gaskets
- 316 Stainless Steel Screens
- 150 PSI Maximum



MANIFOLD 2" FULL PORT "Y" STRAINERS

Part #	Description	Max PSI
MLS222BC	2" Full Port Flanged Body & Cap Less Screen 2" Body, Bowl, Drain Plug, 2 O-rings, Plug & Gasket	150
MLS222-04	2" Full Port Flanged "Y" Strainer - 4 Mesh	150
MLS222-10	2" Full Port Flanged "Y" Strainer - 10 Mesh	150
MLS222-16	2" Full Port Flanged "Y" Strainer - 16 Mesh	150
MLS222-30	2" Full Port Flanged "Y" Strainer - 30 Mesh	150
MLS222-50	2" Full Port Flanged "Y" Strainer - 50 Mesh	150
MLS222-80	2" Full Port Flanged "Y" Strainer - 80 Mesh	150

MANIFOLD LINE STRAINERS



- EPDM Gaskets
- 304 Stainless Steel Screens
- 75 PSI Maximum



Part #	Description	Max PSI
MLS300-12	3" Manifold Line Strainer - 12 Mesh	100
MLS300-20	3" Manifold Line Strainer - 20 Mesh	100
MLS300-50	3" Manifold Line Strainer - 50 Mesh	100

POLY AIR ACTUATED SHUTOFF VALVES



Part #	Description	Max PSI	Pipe Size	Handle Type
PV075	3/4" x 3/4" Poly Pinch Valve	70	3/4"	N/A
PV100	1" X 1" Poly Pinch Valve	70	1"	N/A
PV100-075	1" x 3/4" Poly Pinch Valve	70	1 x 3/4"	N/A
PV100-075V	1" x 3/4" FKM (viton Poly Pinch Valve type)	70	1 x 3/4"	N/A
PV100-075B	1" x 3/4" Poly Pinch B CPLG Valve	70	1 x 3/4"	N/A

3-WAY BOTTOM LOAD POLY VALVE



Direction flow, right or left. Valve can be turned off to stop flow.

Part #	Description	Max PSI	Pipe Size	Handle Type
MV100BL	1" Flanges x 1" FPT Inlet	300	1"	T
MV200BL	2" Std Port Flanges x 1 1/2" Inlet	225	2"	T
MV220BL	2" Full Port Flanges x 2" FPT Inlet	150	2"	S
MV300BL	3" Full Port Flanges x 3" FPT Inlet	150	3"	S

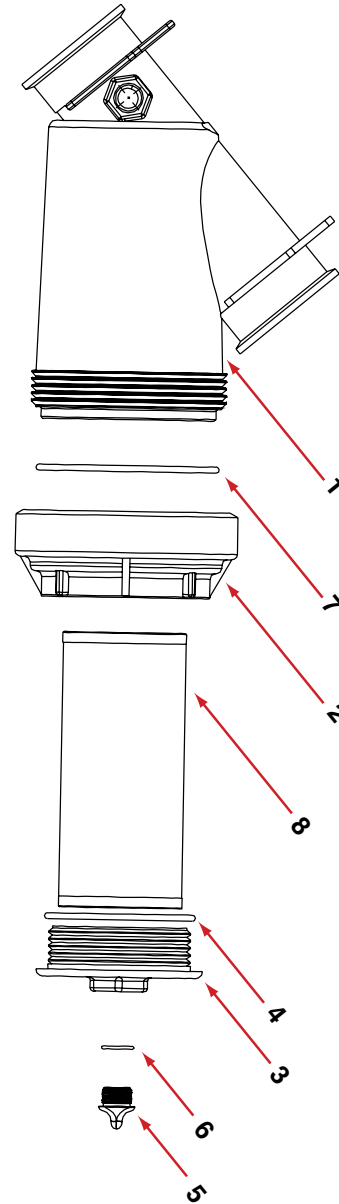
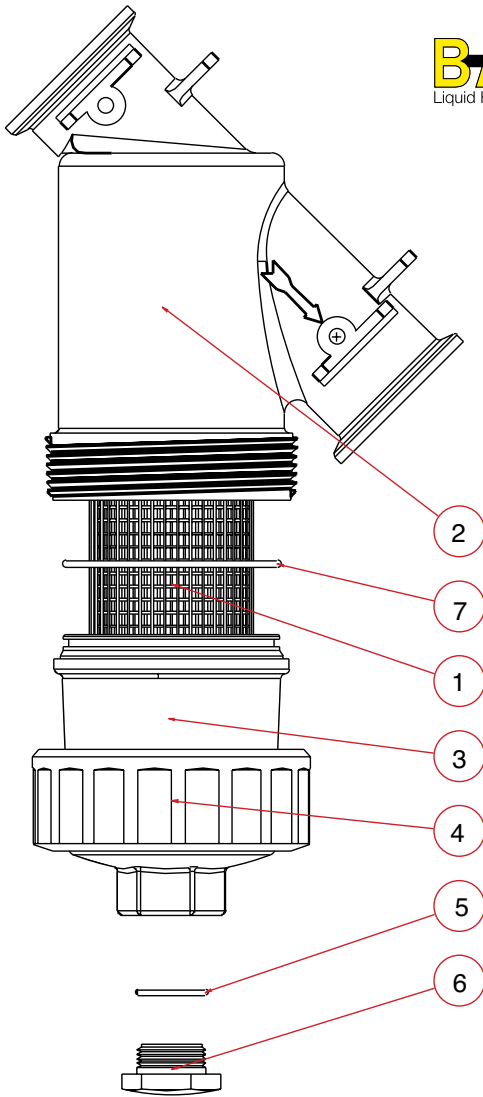
3-WAY SIDE LOAD POLY VALVE



Directional flow, right or left. Valve cannot be turned off.

Part #	Description	Max PSI	Pipe Size	Handle Type
MV100SL	1" Flanges x 1" FPT Inlet	100	1"	T
MV200SL	2" Std Port Flanges x 1 1/2" Inlet	100	2"	S
MV220SL	2" Full Port Flanges x 2" FPT Inlet	100	2"	S

MANIFOLD REPAIR PARTS



NEW!

Mesh Size	RAL #
6	White
8	Zinc Yellow
12	Black
16	Brown Red
20	Beige
30	Flame Red
40	Brown
50	Gentian Blue
60	Gentian Blue
80	Zinc Yellow
100	Traffic Green
120	Black
150	Pure Orange

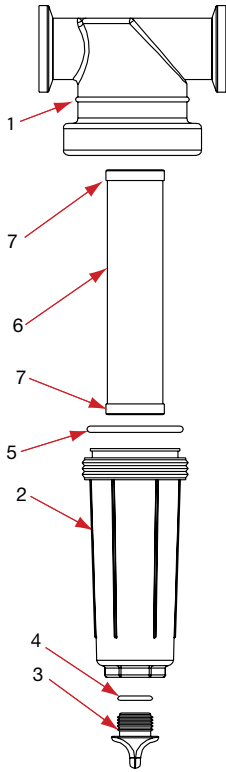
REPLACEMENT PARTS MLS222

Ref #	Part #	Description	Qty
1	LST204SS	4 SS Mesh Screen	1
1	LST206SS	6 SS Mesh Screen	1
1	LST208SS	8 SS Mesh Screen	1
1	LST210SS	10 SS Mesh Screen	1
1	LST216SS	16 SS Mesh Screen	1
1	LST230SS	30 SS Mesh Screen	1
1	LST250SS	50 SS Mesh Screen	1
1	MLS250SS	50 SS Mesh Perforated Screen	1
1	LST280SS	80 SS Mesh Screen	1
1	MLS280SS	80 SS Mesh Perforated Screen	1
1	LST2100SS	100 SS Mesh Screen	1
1	MLS2100SS	100 SS Mesh Perforated Screen	1
2	MLS222B	2" Flanged Y Strainer Body	1
3	MLS220C1	2" Flanged Y Strainer Cap	1
4	MLS220R1	2" Flanged Y Strainer Ring	1
5	LSQ200-R	2" Plug Gasket	1
6	LSQ200-PL	2" Plug	1
7	MLS220G1	2" Body Gasket	1
2-7	MLS222BC	Strainer without Screen	1

REPLACEMENT PARTS MLS300

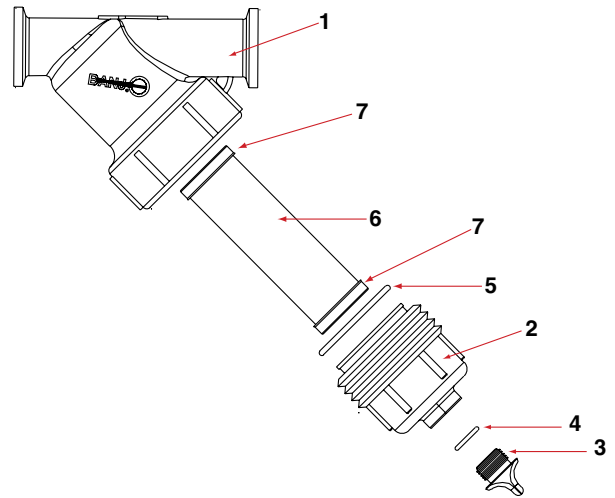
Ref #	Part #	Description	Qty
1	MLS300B	3" Flanged Y Strainer Body	1
2	MLS300CAP	3" Flanged Y Strainer Cap	1
3	LS300EC	3" End Cap	1
4	MLS300ECG	3" EPDM End Cap Gasket	1
4	MLS300ECGV	3" FKM (viton type) End Cap Gasket	1
5	13777	3" End Cap Plug	1
6	13778	3" End Cap Plug Gasket	1
7	MLS300G	3" EPDM Cap Gasket	1
8	LS304	4 SS Mesh Screen	1
8	LS308	8 SS Mesh Screen	1
8	LS312	12 SS Mesh Screen	1
8	LS320	20 SS Mesh Screen	1
8	LS350	50 SS Mesh Screen	1

MANIFOLD REPAIR PARTS



NEW! LINE STRAINER SCREEN COLOR CHART

Mesh Size	Old Color	New Color
6	White	White
8	Blue	Zinc Yellow
12	Black	Black
16	Gray	Brown Red
20	Beige	Beige
30	Yellow	Flame Red
40	Brown	Brown
50	Red	Gentian Blue
60	Orange	Gentian Blue
80	Blue	Zinc Yellow
100	Green	Traffic Green
120	Black	Black
150	White	Pure Orange



REPLACEMENT PARTS MLST100

Ref #	Part #	Description	Qty
1	MLST100-H	1" Flanged T Strainer Head	1
N/S	MLST100-HB	1" Flanged T Strainer (Includes 1-5)	1
2	LST100-B	1" Flanged T Strainer Bowl, Drain Plug & O-Ring	1
3	12777	1" Flanged T Strainer Plug	1
4	UV-15163	1" Flanged T Strainer O-Ring	1
5	LST100-G	1" EPDM Gasket	1
5	LST100-GV	1" FKM (viton type) Gasket	1
6	LST116	16 Mesh Screen	1
6	LST130	30 Mesh Screen	1
6	LST150	50 Mesh Screen	1
6	LST180	80 Mesh Screen	1
6	LST1100	100 Mesh Screen	1
7	13778	3/4" EPDM O-Ring for Screen	2

REPLACEMENT PARTS MLS100

Ref #	Part #	Description	Qty
1	MLS100B	1" Y Strainer Body	1
N/S	MLS100BC	1" Y Strainer Assembly (Includes items 1-5)	1
2	LS100-C1	1" Y Strainer Cap, Drain Plug & O-Ring	1
3	12777	1" Flanged Y Strainer Plug	1
4	UV-15163	1" Flanged Y Strainer O-Ring	1
5	LS100-G	1" EPDM Gasket	1
6	LS120	20 Mesh Screen	1
6	LS140	40 Mesh Screen	1
6	LS150	50 Mesh Screen	1
6	LS180	80 Mesh Screen	1
7	LS125G	1" EPDM O-Ring for Screen	2

REPLACEMENT PARTS MLST150

Ref #	Part #	Description	Qty
1	MLST150-H	1 1/2" Flanged T Strainer Head	1
N/S	MLST150-HB	1 1/2" Flanged T Strainer (Includes 1-5)	1
2	LST150-B	1 1/2" Flanged T Strainer Bowl, Drain Plug & O-Ring	1
3	LSQ200-PL	1 1/2" Flanged T Strainer Plug	1
4	LSQ200-R	1 1/2" Flanged T Strainer O-Ring	1
5	LST150-G	1 1/2" EPDM Gasket	1
5	LST150-GV	1 1/2" FKM (viton type) Gasket	1
6	LST1516	16 Mesh Screen	1
6	LST1530	30 Mesh Screen	1
6	LST1550	50 Mesh Screen	1
6	LST1580	80 Mesh Screen	1
6	LST15100	100 Mesh Screen	1
7	LST034G	1 1/2" EPDM O-Ring for Screen	2

REPLACEMENT PARTS MLS200

Ref #	Part #	Description	Qty
1	MLS200B	2" Y Strainer Body	1
N/S	MLS200BC	2" Y Strainer Assembly (Includes items 1-5)	1
2	LS150-C	2" Y Strainer Cap, Drain Plug & O-Ring	1
3	LSQ200-PL	2" Flanged Y Strainer Plug	1
4	LSQ200-R	2" Flanged Y Strainer O-Ring	1
5	LS150-G	2" EPDM Gasket	1
5	LS150-GV	2" FKM (viton type) Gasket	1
6	LS206	6 Mesh Screen	1
6	LS212	12 Mesh Screen	1
6	LS220	20 Mesh Screen	1
6	LS230	30 Mesh Screen	1
6	LS250	50 Mesh Screen	1
6	LS280	80 Mesh Screen	1
6	LS2100	100 Mesh Screen	1
6	LS2120	120 Mesh Screen	1
7	LS141G	2" EPDM O-Ring for Screen	2

MANIFOLD SWEEPS & BOLTED MANIFOLD FLANGES



SWEEPS



Part #	Description
M100SWP90	1" Flange x Flange Sweep
M100BRBSSWP90	1" Flange x Hose Shank Sweep
M100125BRBSSWP90	1" Flange x 1/4" Hose Shank Sweep
M200SWP90	2" Flange x Flange Sweep
M200150BRBSSWP90	2" Flange X 1-1/2" Hose Shank Sweep
M220ASWP90	2" Full Port Flange x Male Adapter Sweep
M220BRBSSWP90	2" Full Port Flange x Hose Shank Sweep
M220MPTSWP90	2" Full Port Flange x Male NPT Thread Sweep
M220SWP90	2" Full Port Flange x Flange Sweep
M220200SWP90	2" Full Port Flange x 2" Flange Sweep
M300ASWP90	3" Flange x Male Adapter Sweep
M300BRBSSWP90	3" Flange x Hose Shank Sweep
M300MPTSWP90	3" Flange x Male NPT Thread Sweep
M300SWP90	3" Flange x Flange Sweep
M300220SWP90	3" Full Port Flange X 2" Full Port Flange Sweep

SWEEPS W/ GAUGE PORT

Part #	Description
M100SWPG90	1" Flange x Flange Sweep w/ 1/4" gauge port
M100BRBSSWPG90	1" Full Port Flange x 1" Hose Shank Sweep w/ 1/4" gauge port
M300SWPG90	3" Flange x Flange Sweep w/ 1/4" gauge port

BOLTED MANIFOLD TANK FLANGES



- Stainless Steel Bolts
- Bolt Head Plugs Sealed Electronically
- Glass Reinforced Poly
- EPDM Gaskets Standard (Viton available)

BOLTED MANIFOLD TANK FLANGES

EPDM	Viton	Cost	Outlet x Inlet
MBF100	MBF100V	-	1" Flange x 1 1/2" Female Thread
MBF200	-	-	2" Std Port Flange x 2" Female Thread
MBF220	-	-	2" Full Port Flange x 2" Female Thread
MBF300	-	-	3" Flange x 3" Female Thread

BOLTED FLANGE GASKETS

EPDM	Viton	Flange Size
BF100GE	BF100GV	1"
BF200GE	BF200GV	1 1/2" & 2" Std Port
200G	200GV	2" Full Port
BF300GE	BF300GV	3"



BOLTED MANIFOLD BOTTOM DRAIN TANK FLANGES

BOLTED MANIFOLD

EPDM	Outlet x Inlet
MBF100BD	1" Flange x 1" Female Thread-Bottom Drain
MBF200BD	2" Standard Port Flange x 2" Female Thread-Bottom Drain
MBF220BD	2" Full Port Flange x 2" Female Thread-Bottom Drain
MBF300BD	3" Flange x 3" Female Thread-Bottom Drain

BOLTED DRAIN FLANGE GASKETS

EPDM	Viton	Description	Flange Size
BF100GE	BF100GV	Full Gasket	1"
BF100GRE	BF100GRV	Foot Gasket	1"
BF200GE	BF200GV	Full Gasket	1 1/2" & 2"
BF200GFE	BF200GFV	Foot Gasket	1 1/2" & 2" Std Port, 2" Full Port
200G	200GV	Full Gasket	2" Full Port
BF300GE	BF300GV	Full Gasket	3"
BF300GFE	BF300GFV	Foot Gasket	3"

MANIFOLD TANK FITTINGS

FLANGE GASKETS



Part #	Description
M100G	1" EPDM Gasket
M100GV	1" Viton Gasket
150G	2" EPDM Gasket
150GV	2" Viton Gasket
200G	2" Full Port Gasket EPDM
200GV	2" Full Port Gasket Viton
300G	3" EPDM Gasket
300GV	3" Viton Gasket

RIBBED FLANGE GASKETS

Rib Keeps Gasket In Place During Assembly



Part #	Description
M101G	100 Series EPDM Manifold Gasket w/ Rib
M201G	200 Series EPDM Manifold Gasket w/ Rib
M221G	220 Series EPDM Manifold Gasket w/ Rib
M301G	300 Series EPDM Manifold Gasket w/ Rib

UNIVERSAL FLANGED GASKETS

Part #	Description
UFG0100E-A	1" EPDM Gasket
UFG0150E-A	1.4" EPDM Gasket
UFG0200E-A	2" (full port) EPDM Gasket
UFG0300E-A	3" EPDM Gasket



FLANGE X FEMALE QDC



Part #	Description
M220D	2" Full Port Flange x 2" Female Coupler
M303D	3" Full Port Flange x 3" Female Coupler w/3 Arm

FLANGE X MALE QDC



Part #	Description
M100A	1" Manifold Flange x 1" Male Adapter
M200A	2" Manifold Flange x 2" Male Adapter
M220A	2" FP Manifold Flange x 2" Male Adapter
M300A	3" FP Manifold Flange x 3" Male Adapter

MANIFOLD MPT ADAPTER



Part #	Description
M100MPTSS	1" Flange x 1" Male Thread
M200125MPTSS	2" Standard Port Flange x 1 1/4" Male Thread
M200150MPTSS	2" Standard Port Flange x 1 1/2" Male Thread
M200MPTSS	2" Standard Port Flange x 2" Male Thread
M220150MPTSS	2" Full Port Flange x 1 1/2" Male Thread
M220MPTSS	2" Full Port Flange x 2" Male Thread
M300MPTSS	3" Flange x 3" Male Thread

WORM CLAMP "U" BOLT



Part #	Description
BJFC100	1" Worm Screw Clamp
BJFC200	2" Worm Screw Clamp
BJFC220	2" Worm Screw Clamp
BJFC300	3" Worm Screw Clamp

UNIVERSAL FLANGED CLAMPS

Part #	Description
UFC0100	1" Clamp
UFC0150	1.5" Clamp
UFC0200	2" Clamp
UFC0300	3" Clamp



BOLTED FLANGE CLAMPS

Part #	Description
FC220B	2" Full Port Bolted Flange Clamp
FC300B	3" Bolted Flange Clamp



T-BOLT FLANGE CLAMPS

Part #	Description
FC220TB	2" Full Port Hi-Torque T-Bolt Flange Clamp
FC300TB	3" Full Port Hi-Torque T-Bolt Flange Clamp



U-BOLT SS

Part #	Description
UB100	100 Series Mounting "U" Bolt
UB202	200 Series Mounting "U" Bolt
UB220	220 Series Mounting "U" Bolt



FLANGED Y COUPLINGS



Part #	Description
M220Y45	2" FP x 2" FP. 2" FP Y Flange 45°
M220YG45	2" FP x 2" FP. 2" FP Y Flange 45° With 3/4"
M300YG45	3" FP x 3" FP. 3" FP Y Flange 45° With 3/4"
M300220WYCG	3" Full Port Flange X 2" Full Port Flange WYE

BANJO VENTURI



Part #	Inlet	Outlet	Suction
MHV200	M200	M200	M200
HV200	2"	2"	1 1/2"
MHV220A	M220	M220	M220

MANIFOLD FITTINGS

COUPLING



Part #	Description
M100CPG	1" Flange x 1" Flange
M200CPG	2" Flange x 2" Std Port Flange
M220CPG	2" x 2" Full Port Flange
M220CPG6	2" x 2" Full Port Flange x 6"
M300CPG	3" x 3" Full Port Flange
M300CPG7	3" x 3" Full Port Flange x 7"
M300CPG12	3" x 3" Full Port Flange x 12"

MANIFOLD MPT ADAPTER



Part #	Description
M100075MPT	1" Flange x 3/4" Male Thread
M100MPT	1" Manifold x 1" Male Thread
M100125MPT	1" Flange x 1 1/4" Male Thread
M200125MPT	2" x 1 1/4" Male Thread
M200150MPT	2" Manifold x 1 1/2" Male Thread
M200MPT	2" Manifold x 2" Male Thread
M220MPT	2" Manifold x 2" Full Port
M300MPT	3" Manifold x 3" Male Thread

HOSE BARB 90°



Part #	Description
M100075BRB90	1" Flange x 3/4" Hose Barb 90° Elbow
M100BRB90	1" Flange x 1" Hose Barb 90° Elbow
M100125BRB90	1" Flange x 1 1/4" Hose Barb 90° Elbow
M100150BRB90	1" Flange x 1 1/2" Hose Barb 90° Elbow
M200100BRB90	2" Flange x 1" Hose Barb 90° Elbow
M200125BRB90	2" Flange x 1 1/4" Hose Barb 90° Elbow
M200150BRB90	2" Flange x 1 1/2" Hose Barb 90° Elbow
M200BRB90	2" Flange x 2" Hose Barb 90° Elbow
M220150BRB90	2" Full Port Flange x 1 1/2" Hose Barb 90° Elbow
M220BRB90	2" Full Port Flange x 2" Hose Barb 90° Elbow
M300220BRB90	3" x Flange x 2" Hose Barb 90° Elbow
M300BRB90	3" Flange x 3" Hose Barb 90° Elbow

FLANGE X 45° HOSE BARB



Part #	Description
M100BRB45	1" Flange x 1" 45° Hose Barb
M200BRB45	2" Flange x 2" 45° Hose Barb
M220BRB45	2" Full Port Flange x 2" 45° Hose Barb
M300BRB45	3" Flange x 3" 45° Hose Barb
M200150BRB45	2" Flange x 1 1/2" 45° Hose Barb

CROSS



Part #	Description
M100CR	1" Flanged Cross
M200CR	2" Flanged Cross
M220CR	2" Full Port Flanged Cross
M300CR	3" Full Port Flanged Cross

45° FLANGED COUPLINGS



Part #	Description
M100CPG45	1" Flange x 45°
M200CPG45	2" Flange x 45°
M220CPG45	2" FP Flange x 45°
M300CPG45	3" Flange x 45°

MANIFOLD FPT ADAPTER



Part #	Description
M100050FPT	1" Flange x 1/2" Pipe Thread
M100075FPT	1" Flange x 3/4" Pipe Thread
M100FPT	1" Flange x 1" Pipe Thread
M200FPT	2" Flange x 2" Pipe Thread
M220FPT	2" Full Flange x 2" Female Pipe Thread
M300FPT	3" Flange x 3" Female Pipe Thread

COUPLING 90°



Part #	Description
M100CPG90	1" Flange x 1" Flange 90°
M200CPG90	2" Flange x 2" Port Flange 90°
M200CPG90SH	2" x 2" Standard Port Flange 90° Short
M220CPG90	2" x 2" Full Port Flange 90°
M300CPG90	3" Flange x 3" Flange 90°

TEE



Part #	Description
M100TEE	1" Manifold Tee
M200100TEE	2" x 1" Manifold Tee
M200100TEEB	2" x 1" Manifold Tee w/Mounting Bracket
M200TEE	2" Manifold Tee
M220TEE	2" Full Port Manifold Tee
M220100TEE	2" Full Port x 1" Manifold Tee
M300TEE	3" Manifold Tee

HOSE BARB TEE



Part #	Description
M100100HBT	1" Flange x 1" Hose Barbs
M220200HBT	2" Flange x 2" Hose Barbs
M300300HBT	3" Flange x 3" Hose Barbs

HOSE BARB



Part #	Description
M100075BRB	1" Flange x 3/4" Hose Barb
M100BRB	1" Flange x 1" Hose Barb
M100125BRB	1" Flange x 1 1/4" Hose Barb
M200100BRB	2" Flange x 1" Hose Barb
M200125BRB	2" Flange x 1 1/4" Barb
M200150BRB	2" Flange x 1 1/2" Hose Barb
M200BRB	2" Flange x 2" Hose Barb
M220100BRB	2" Full Port Flange x 1" Hose Barb
M220125BRB	2" Full Port Flange x 1 1/4" Hose Barb
M220150BRB	2" Full Port Flange x 1 1/2" Hose Barb
M220BRB	2" Full Port Flange x 2" Hose Barb
M300220BRB	3" Flange x 2" Hose Barb
M300BRB	3" Flange x 3" Hose Barb

PLUG



Part #	Description
M100PLG	1" Flange Plug
M200PLG	2" Flange Plug
M220PLG	2" Full Port Flange Plug
M300PLG	3" Flange Plug
M100PLG025	1" Flange Plug with 1/4" FPT
M200PLG025	2" Std Port Flange Plug with 1/4" FPT
M200PLG038	2" Std Port Flange Plug with 3/8" FPT
M200PLG050	2" Std Port Flange Plug with 1/2" FPT
M200PLG075	2" Std Port Flange Plug with 3/4" FPT
M200PLG100	2" Std Port Flange Plug with 1" FPT
M220PLG075	2" FP Flange Plug with 3/4" FPT
M300PLG075	3" Flange Plug with 3/4" FPT
M300PLG100	3" Flange Plug with 1" FPT

REDUCER FLANGE



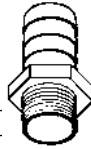
Part #	Description
M200100CPG	2" x 1" Reducer Flange
M220100CPG	2" Full Port x 1" Reducer Flange
M220200CPG	2" Full Port x 2" Reducer Flange
M300220CPG	3" x 2" Full Port Reducer Flange
M300200CPG	3" x 2" Std. Port Reducer Flange

SCHEDULE 40 FITTINGS

HOSE BARB

MALE PIPE THREAD BY HOSE BARB

Part #	MPT	HB
3A1814	1/8	1/4
3A1838	1/8	3/8
3A14	1/4	1/4
3A1438	1/4	3/8
3A1412	1/4	1/2
3A3814	3/8	1/4
3A38	3/8	3/8
3A3812	3/8	1/2
3A3858	3/8	5/8
3A1214	1/2	1/4
3A1238	1/2	3/8
3A12	1/2	1/2
3A1258	1/2	5/8
3A1234	1/2	3/4
NYA12100	1/2	1
3A3414	3/4	1/4
3A3438	3/4	3/8
3A3412	3/4	1/2
3A3458	3/4	5/8
3A34	3/4	3/4
3A34100	3/4	1
3A10034	1	3/4
3A100	1	1
3A100114	1	1 1/4
3A11434	1 1/4	3/4
3A114100	1 1/4	1
3A114	1 1/4	1 1/4
3A114112	1 1/4	1 1/2
3A112114	1 1/2	1 1/4
3A112	1 1/2	1 1/2
NYA112200	1 1/2	2
3A200	2	2



HOSE BARB

FEMALE PIPE THREAD BY HOSE BARB

Part #	FPT	HB
3AF14	1/4	1/4
3AF1438	1/4	3/8
3AF3814	3/8	1/4
3AF38	3/8	3/8
3AF3812	3/8	1/2
3AF1214	1/2	1/4
3AF1238	1/2	3/8
3AF12	1/2	1/2
3AF1234	1/2	3/4
3AF3438	3/4	3/8
3AF3412	3/4	1/2
3AF34	3/4	3/4



HOSE BARB 90°

FEMALE PIPE THREAD x HOSE BARB ELBOW

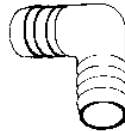
Part #	FPT	HB
3EL14F	1/4	1/4
3EL1438F	1/4	3/8
3EL38F	3/8	3/8
3EL3812F	3/8	1/2
TEF20812PP	1/2	3/4
3EL3412F	3/4	1/2
3EL3458F	3/4	5/8
3EL34F	3/4	3/4



HB x HB ELBOW

HOSE BARB BY HOSE BARB ELBOW

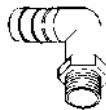
Part #	Barb	Barb
3EL14HB	1/4	1/4
3EL38HB	3/8	3/8
3EL1214HB	1/2	1/4
3EL1238HB	1/2	3/8
3EL12HB	1/2	1/2
3EL58HB	5/8	5/8
3EL34HB	3/4	3/4
3EL100HB	1	1
3EL114HB	1 1/4	1 1/4
3EL112HB	1 1/2	1 1/2
3EL200HB	2	2



HOSE BARB 90°

MALE PIPE THREAD BY HOSE BARB ELBOW

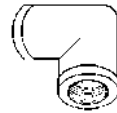
Part #	MPT	HB
3EL1814	1/8	1/4
3EL1838	1/8	3/8
3EL14	1/4	1/4
3EL1438	1/4	3/8
3EL1412	1/4	1/2
NYEL1458	1/4	5/8
3EL3814	3/8	1/4
3EL38	3/8	3/8
3EL3812	3/8	1/2
3EL3858	3/8	5/8
3EL1214	1/2	1/4
3EL1238	1/2	3/8
3EL12	1/2	1/2
3EL1258	1/2	5/8
3EL1234	1/2	3/4
NYEL12100	1/2	1
3EL3414	3/4	1/4
3EL3438	3/4	3/8
3EL3412	3/4	1/2
3EL3458	3/4	5/8
3EL34	3/4	3/4
3EL34100	3/4	1
3EL10012	1	1/2
3EL10034	1	3/4
3EL100	1	1
3EL11434	1 1/4	3/4
3EL114100	1 1/4	1
3EL114	1 1/4	1 1/4
3EL114112	1 1/4	1 1/2
3EL112	1 1/2	1 1/2
3EL200	2	2



ELBOW

FEMALE PIPE BY FEMALE PIPE 90°

Part #	FPT	FPT
3LL12	1/2	1/2
3LL34	3/4	3/4
3LL100	1	1
3LL114	1 1/4	1 1/4
3LL112	1 1/2	1 1/2
3LL200	2	2



STREET ELBOW 90°

FEMALE PIPE BY MALE PIPE -

Part #	FPT	MPT
3SE14	1/4	1/4
NYSE38	3/8	3/8
3SE12	1/2	1/2
3SE34	3/4	3/4
3SE100	1	1
3SE114	1 1/4	1 1/4
3SE112	1 1/2	1 1/2
3SE200	2	2



NIPPLE

MALE PIPE x MALE PIPE

Part #	MPT	MPT
3M18	1/8	1/8
3M14	1/4	1/4
3M38	3/8	3/8
3M12	1/2	1/2
3M34	3/4	3/4
3M100	1	1
3M114	1 1/4	1 1/4
3M112	1 1/2	1 1/2
3M200	2	2



REDUCING NIPPLE

Part #	MPT	MPT
3M1418	1/4	1/8
3M3818	3/8	1/8
3M3814	3/8	1/4
NYM1218	1/2	1/8
3M1214	1/2	1/4
3M1238	1/2	3/8
3M3438	3/4	3/8
3M3412	3/4	1/2



NIPPLE

11/16 THREAD BY MPT

Part #	NPT	MPT
3NB1614	11/16	1/4
3NB1612	11/16	1/2



REDUCER BUSHING

Part #	MPT	FPT
NYRB1418	1/4	1/8
3RB3814	3/8	1/4
3RB1214	1/2	1/4
3RB1238	1/2	3/8
3RB3418	3/4	1/8
3RB3414	3/4	1/4
3RB3438	3/4	3/8
3RB3412	3/4	1/2
3RB10012	1	1/2
3RB10034	1	3/4
3RB11434	1 1/4	3/4
3RB114100	1 1/4	1
3RB11234	1 1/2	3/4
3RB112100	1 1/2	1
3RB112114	1 1/2	1 1/4
NYRB20034	2	3/4
3RB200100	2	1
3RB200114	2	1 1/4
3RB200112	2	1 1/2
3RB300200	3	2



STREET ELBOW 45°

FEMALE PIPE x MALE PIPE

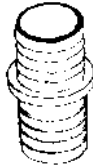
Part #	FPT	MPT
3SE3445	3/4	3/4



SCHEDULE 40 FITTINGS

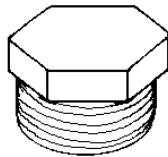
HOSE MENDER

Part #	Barb	Barb
SHM18	1/8	1/8
3SHM14	1/4	1/4
NYSHM3814	3/8	1/4
3SHM38	3/8	3/8
NYSHM1214	1/2	1/4
3SHM1238	1/2	3/8
3SHM12	1/2	1/2
3SHM1258	1/2	5/8
NYSHM5838	5/8	3/8
3SHM58	5/8	5/8
3SHM34	3/4	3/4
3SHM100	1	1
3SHM114	1 1/4	1 1/4
3SHM112	1 1/2	1 1/2
3SHM200	2	2



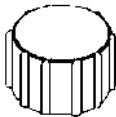
HEX HEAD PIPE PLUG

Part #	Thread
3F18	1/8
3F14	1/4
3F38	3/8
3F12	1/2
3F34	3/4
3F100	1
3F114	1 1/4
3F112	1 1/2
3F200	2



CAP - PIPE THREAD

Part #	Thread
3N14	1/4
NYN38	3/8
NYN12	1/2
NYN35	3/4



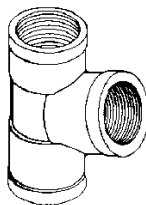
COUPLING - FEMALE BY FEMALE

Part #	Thread	Thread
NYFC18	1/8	1/8
NYFC14	1/4	1/4
NYFC38	3/8	3/8
3FC12	1/2	1/2
3FC34	3/4	3/4
3FC100	1	1
3FC114	1 1/4	1 1/4
3FC112	1 1/2	1 1/2
3FC200	2	2



TEE - FEMALE THREAD

Part #	Thread
NYTT14CLOSED	1/4
3TT14	1/4
3TT12	1/2
3TT34	3/4
3TT100	1
3TT114	1 1/4
3TT112	1 1/2
3TT200	2



TEE - GAUGE PORT - FEMALE THREAD

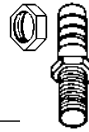
Part #	Thread	Port
3GTT1214	1/2	1/4
3GTT3414	3/4	1/4
NYGTT10014	1	1/4
NYGTT11414	1 1/4	1/4
NYGTT11214	1 1/2	1/4
NYGTT20014	2	1/4



THREAD BY BARB

(Price includes B12 nut)

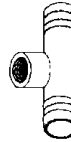
Part #	Thread	Barb
338D	11/16	3/8
33812D	11/16	1/2



TEE

HOSE BARB x FEMALE PIPE THREAD

Part #	FTP Barb	Barb 2 & 3
3T34F	3/4	3/4



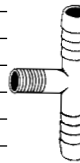
TEE BARB

Part #	Barb 1	Barb 2 & 3
NYT18	1/8	1/8
3T14	1/4	1/4
NYT1412	1/4	1/2
3T1438	1/4	3/8
3T38	3/8	3/8
NYT3814	3/8	1/4
NYT3812	3/8	1/2
NYT3858	3/8	5/8
3T1238	1/2	3/8
3T12	1/2	1/2
NYT1234	1/2	3/4
NYT1258	1/2	5/8
3T58	5/8	5/8
3T3412	3/4	1/2
3T34	3/4	3/4
3T100	1	1
3T114	1 1/4	1 1/4
3T112	1 1/2	1 1/2
3T200	2	2



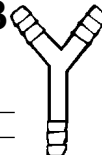
TEE - BARB BY MPT

Part #	MPT Side	Hose Barbs
NYT1814T	1/8	1/4
3T14T	1/4	1/4
3T1438T	1/4	3/8
3T38T	3/8	3/8
3T3812T	3/8	1/2
3T1238T	1/2	3/8
3T12T	1/2	1/2
3T34T	3/4	3/4
NYT34100T	3/4	1



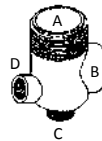
WYE - HOSE BARB

Part #	Hose Barbs
NYTTY14	1/4
NYTTY38	3/8
NYTTY12	1/2



TANK OUTLET

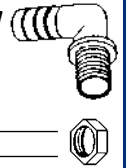
Part #	Location	Thread
NYX200	A	2" mpt
	B	1 1/4" fpt
	C	3/4" mpt
		x 3/4 fpt
		(internal)
	D	1/2" fpt



NOZZLE ELBOW

(Price includes B12 nut)

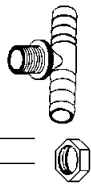
Part #	Thread	Barb
3NTL38	11/16	3/8
3NTL12	11/16	1/2
3NTL58	11/16	5/8
3NTL34	11/16	3/4



NOZZLE TEE

(Price includes B12 nut)

Part #	Thread	Barb
3NTT38	11/16	3/8
3NTT12	11/16	1/2
3NTT58	11/16	5/8
3NTT34	11/16	3/4



NOZZLE CROSS

(Price includes B12 nut)

Part #	Thread	Barb
3T38C	11/16	3/8
3T12C	11/16	1/2



SWIVEL NUT

Part #	Thread
38027	11/16
NY18032AWINGED	11/16



METERING BARB FOR 38027 SWIVEL NUT

Part #	Thread
3K8414	1/4
3K8438	3/8
3K8412	1/2



NOZZLE NUT

Part #	Thread
3B12	11/16



COUPLING FEMALE TIP ADAPTER

Part #	Thread	Thread
3NF1614	11/16	1/4



NOZZLE CAP

Part #	Thread
33942	11/16



NOZZLE SCREENS

Part #	Mesh
8079-PP-50	50
8079-PP-100	100
4193A-PP-5-50SS	50/CHECK
4193A-PP-5-100SS	100/CHECK

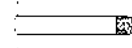
AGITATOR, THREAD SEALANT & GARDEN HOSE FITTINGS

BOOM CLAMPS



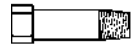
Part #	Boom Size
AA111-3/4	3/4" round

AGITATOR TEE



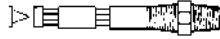
Part #	Thread	Barb
T34TE	3/4"	3/4"

EXTENSION



Part #	Thread	Barb
EXTENSION	3/4"	3/4"

JET AGITATOR



Part #	Description
3371-0019	3/4" jet agitator

JOMAR THREAD SEALANT & TEFLON TAPE THREAD SEALANT



- Use on all metal, PVC, CPVC, nylon & polypropylene
- Will not dry out
- E Z to use 2 oz tube, 1/4, 1/2 pints & tape

Part #	Description
JM2OZ	2 oz. tube
JM1/4	1/4 pint w/ brush
JM1/2	1/2 pint w/ brush
TEF12600USA	Teflon tape 1/2" x 600" USA
TEF34600USA	Teflon tape 3/4" x 600" USA



GARDEN HOSE FITTINGS



GHFT075A



GHMT075B



GHFT075D



GHMT075F



GHFT075MPT



GHMT075FPT



GHMT075MPT

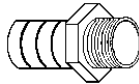


GHN075

Part #	Description	Part #	Description
GHFT075A	3/4" Male QDC X 3/4" FGHT	GHFT075MPT	3/4" MPT X 3/4" FGHT
GHMT075B	3/4" Female QDC X 3/4" MGHT	GHMT075FPT	3/4" FPT X 3/4" MGHT
GHFT075D	3/4" Female QDC X 3/4" FGHT	GHMT075MPT	3/4" MPT X 3/4" MGHT
GHMT075F	3/4" Male QDC X 3/4" MGHT	GHN075	3/4" Garden Hose Spray Nozzle

HOSE BARB

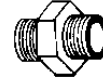
MALE GARDEN HOSE BY HOSE BARB



Part #	MPT	HB
NYGHB3414	3/4	1/4
3D3438	3/4	3/8
3D3412	3/4	1/2
3D3458	3/4	5/8
3D34	3/4	3/4

NIPPLE

MALE GARDEN HOSE THREAD



Part #	MGHT	MGHT
NYGN34	3/4	3/4

GARDEN HOSE CAP

FEMALE GARDEN HOSE CAP



Part #	FGHT
3N34	3/4

ELBOW

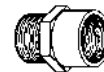
MALE GARDEN HOSE BY HOSE BARB 90°



Part #	MPT	HB
NYGHB3414EL	3/4	1/4
NYGHB3438EL	3/4	3/8
NYGHB3412EL	3/4	1/2
NYGHB3458EL	3/4	5/8
NYGHB34EL	3/4	3/4

ADAPTOR

MALE GARDEN HOSE THREAD x FPT



Part #	MGHT	FPT
3G3414	3/4	1/4
3G3412	3/4	1/2
3G34	3/4	3/4

FLAT SEAT HOSE BARB

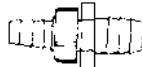
Part #	Barb
3C14	1/4
3C38	3/8
3C12	1/2
3C58	5/8
3C34	3/4
3C100	1



All flat seat hose barbs must use a B34 or a B35 swivel nut.

COUPLING

GARDEN HOSE BARB BY HOSE BARB



Part #	GHB	HB
NYGHC3414	3/4	1/4
NYGHC3438	3/4	3/8
NYGHC3412	3/4	1/2
NYGHC3458	3/4	5/8
NYGHC34	3/4	3/4

ADAPTOR

FEMALE GARDEN HOSE BY MALE PIPE THREAD



Part #	FGHT	MPT
3H34	3/4	3/4

GARDEN HOSE

SWIVEL NUT use with flat seat hose barbs



Part #	Pipe Thread
3B34	3/4 FGHT
3B35	3/4 FPT

NIPPLE

MALE GARDEN HOSE THREAD x MALE PIPE THREAD



Part #	MPT	MGHT
3E3438	3/4	3/8
3E3412	3/4	1/2
3E34	3/4	3/4

ADAPTOR

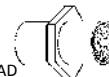
FEMALE GARDEN HOSE BY MALE GARDEN HOSE



Part #	FGHT	MGHT
3I34	3/4	3/4

COUPLER

FEMALE GARDEN HOSE BY FEMALE PIPE THREAD



Part #	FGHT	FPT
3J3412	3/4	1/2

GARDEN HOSE WASHER & FILTER WASHER



Part #	Pipe Thread
W406V	Washer
W160M	Filter Washer

SPECIALTY ALUMINUM FITTINGS

REDUCING COUPLER X ADAPTER



Part #	Description
AL2030DA	2" cplr x 3" adpt
AL3020DA	3" cplr x 2" adpt
AL3040DA	3" cplr x 4" adpt
AL4020DA	4" cplr x 2" adpt
AL4030DA	4" cplr x 3" adpt
AL6040DA	6" cplr x 4" adpt

REDUCING ADAPTER X FEMALE NPT



Part #	Description
AL2030A	2" adpt x 3" FNPT
AL3040A	3" adpt x 4" FNPT
AL4030A	4" adpt x 3" FNPT

REDUCING COUPLER X MALE NPT



Part #	Description
AL2015B	2" cplr x 1 1/2" MNPT
AL3020B	3" cplr x 2" MNPT

REDUCING COUPLER X HOSE SHANK



Part #	Description
AL3020C	3" cplr x 2" HB
AL4030C	4" cplr x 3" HB

MALE 90° ADAPTER X MALE NPT



Part #	Description
AL200F90	2" 90° adpt x MNPT

REDUCING COUPLER X FEMALE NPT



Part #	Description
AL3020D	3" cplr x 2" FNPT
AL4030D	4" cplr x 3" FNPT

REDUCING ADAPTER X MALE NPT



Part #	Description
AL3020F	3" adpt x 2" NPT
AL3040F	3" adpt x 4" NPT
AL4030F	4" adpt x 3" NPT

TANK CAR ADAPTER

5" Railroad Tank Car Thread



Part #	Description
ALTC300	3" adapter x 5" RRT
ALTC400	4" adapter x 5" RRT

45° TANK CAR SWIVEL ADAPTER

5" Railroad Tank Car Thread



Part #	Description
ALTC45A400	4" 45° adpt x 5" RRT

TANK CAR FIBER GASKET



Part #	Description
500G	5" Leather gasket / tank car

MALE ADAPTER X MALE ADAPTER



Part #	Description
AL200AA	2" adpt x 2" adpt
AL2030AA	2" adpt x 3" adpt
AL300AA	3" adpt x 3" adpt
AL4060AA	4" adpt x 6" adpt

MALE 90° ADAPTER X FEMALE NPT



Part #	Description
AL300A90	3" 90° adpt x FNPT

FEMALE COUPLE 90° X HOSE SHANK



Part #	Description
AL300C90	3" 90° cplr x HB
AL400C90	4" 90° cplr x HB

FEMALE COUPLER 90° X FEMALE NPT



Part #	Description
AL300D90	3" 90° cplr x FNPT

FEMALE COUPLER 90° X MALE ADAPTER



Part #	Description
AL200DA90	2" 90° cplr x adpt
AL300DA90	3" 90° cplr x adpt
AL400DA90	4" 90° cplr x adpt

LOCKABLE DUST CAP



Part #	Description
AL200DC-L	2" locking dust cap
AL300DC-L	3" locking dust cap

ALUMINUM KING NIPPLE



Part #	Description
ALKN075	3/4" MNPT x 3/4" HB
ALKN100	1" MNPT x 1" HB
ALKN125	1 1/4" MNPT x 1 1/4" HB
ALKN150	1 1/2" MNwPT x 1 1/2" HB
ALKN200	2" MNPT x 2" HB
ALKN300	3" MNPT x 3" HB
ALKN400	4" MNPT x 4" HB

APPLICATORS & SPRAYERS

DRY MATERIAL HANDLING

TRAILERS

TANKS & ACCESSORIES

PUMPS

VALVES & FITTINGS

STRAINERS & HOSE

PLANTER EQUIPMENT

SPRAYER CONTROLS & GUIDANCE

NOZZLES, TIPS & SPRAY GUNS

NH3 PRODUCTS

TECHNICAL INFORMATION

INDEX

PIPE FITTINGS

STAINLESS STEEL & BLACK IRON PIPE FITTINGS ALUMINUM KING NIPPLES



Stainless	Black Iron
SSLL14	BILL14
SSLL38	BILL38
SSLL12	BILL12
SSLL34	BILL34
SSLL100	BILL100
SSLL114	BILL114
SSLL112	BILL112
SSLL200	BILL200
SSLL300	BILL300
SSLL400	BILL400

Stainless	Black Iron
SSLL1445	BILL1445
SSLL3845	BILL3845
SSLL1245	BILL1245
SSLL3445	BILL3445
SSLL10045	BILL10045
SSLL11445	BILL11445
SSLL11245	BILL11245
SSLL20045	BILL20045
SSLL30045	BILL30045
SSLL40045	BILL40045

Stainless	Black Iron
SSSE14	BISE14
SSSE38	BISE38
SSSE12	BISE12
SSSE34	BISE34
SSSE100	BISE100
SSSE114	BISE114
SSSE112	BISE112
SSSE200	BISE200
SSSE300	BISE300
SSSE400	BISE400

Stainless	Black Iron
SSTT14	BITT14
SSTT38	BITT38
SSTT12	BITT12
SSTT34	BITT34
SSTT100	BITT100
SSTT114	BITT114
SSTT112	BITT112
SSTT200	BITT200
SSTT300	BITT300
SSTT400	BITT400



Stainless	Black Iron
SSRB1418	BIRB1418
SSRB1214	BIRB1214
SSRB3412	BIRB3412
SSRB10034	BIRB10034
SSRB114100	BIRB114100
SSRB112114	BIRB112114
SSRB200112	BIRB200112
SSRB300200	BIRB300200
SSRB400300	BIRB400300
SSRB400200	BIRB400200

Stainless	Black Iron
SSFC14	BIFC14
SSFC38	BIFC38
SSFC12	BIFC12
SSFC34	BIFC34
SSFC100	BIFC100
SSFC114	BIFC114
SSFC112	BIFC112
SSFC200	BIFC200
SSFC300	BIFC300
SSFC400	BIFC400

Stainless	Black Iron
SSCR14	BICR14
SSCR38	BICR38
SSCR12	BICR12
SSCR34	BICR34
SSCR100	BICR100
SSCR114	BICR114
SSCR112	BICR112
SSCR200	BICR200
SSCR300	BICR300
SSCR400	BICR400

Stainless	Black Iron
SSF14	BIF14
SSF38	BIF38
SSF12	BIF12
SSF34	BIF34
SSF100	BIF100
SSF114	BIF114
SSF112	BIF112
SSF200	BIF200
SSF300	BIF300
SSF400	BIF400

NIPPLES

STAINLESS STEEL & BLACK IRON

Black Iron fittings are all schedule 40. Schedule 80 available.

Stainless Steel fittings are all schedule 40 - 304. Schedule 80 available.



Diameter	Length	Stainless	Black Iron
1/4"	Close	SSM14	BIM14
1/4"	3"	SSM14X3	BIM14X3
1/4"	4"	SSM14X4	BIM14X4
1/4"	6"	SSM14X6	BIM14X6
1/4"	8"	SSM14X8	-
1/4"	12"	SSM14X12	-
1/2"	Close	SSM12	BIM12
1/2"	3"	SSM12X3	BIM12X3
1/2"	4"	SSM12X4	BIM12X4
1/2"	6"	SSM12X6	BIM12X6
1/2"	8"	SSM12X8	-
1/2"	12"	SSM12X12	-
3/4"	Close	SSM34	BIM34
3/4"	3"	SSM34X3	BIM34X3
3/4"	4"	SSM34X4	BIM34X4
3/4"	6"	SSM34X6	BIM34X6
3/4"	8"	SSM34X8	BIM34X8
3/4"	12"	SSM34X12	BIM34X12
1"	Close	SSM100	BIM100
1"	3"	SSM100X3	BIM100X3
1"	4"	SSM100X4	BIM100X4
1"	6"	SSM100X6	BIM100X6
1"	8"	SSM100X8	BIM100X8
1"	12"	SSM100X12	BIM100X12

Diameter	Length	Stainless	Black Iron
1-1/4"	Close	SSM114	BIM114
1-1/4"	3"	SSM114X3	BIM114X3
1-1/4"	4"	SSM114X4	BIM114X4
1-1/4"	6"	SSM114X6	BIM114X6
1-1/4"	8"	SSM114X8	-
1-1/4"	12"	-	-
1-1/2"	Close	SSM112	BIM112
1-1/2"	3"	SSM112X3	BIM112X3
1-1/2"	4"	SSM112X4	BIM112X4
1-1/2"	6"	SSM112X6	BIM112X6
1-1/2"	8"	SSM112X8	BIM112X8
1-1/2"	12"	SSM112X12	BIM112X12
2"	Close	SSM200	BIM200
2"	3"	SSM200X3	BIM200X3
2"	4"	SSM200X4	BIM200X4
2"	6"	SSM200X6	BIM200X6
2"	8"	SSM200X8	BIM200X8
2"	12"	SSM200X12	BIM200X12
3"	Close	SSM300	BIM300
3"	3"	SSM300X3	BIM300X3
3"	4"	SSM300X4	BIM300X4
3"	6"	SSM300X6	BIM300X6
3"	8"	SSM300X8	BIM300X8
3"	12"	SSM300X12	BIM300X12
4"	Close	SSM400	BIM400
4"	3"	-	-
4"	4"	SSM400X4	BIM400X4
4"	6"	SSM400X6	BIM400X6
4"	8"	SSM400X8	-
4"	12"	-	-

POLYPROPYLENE & NYLON STRAINERS



Part #	Code #	Description
3440SBS	5116322	3/4" Line Strainer 40 Mesh Screen w/Short Bowl
3440LSB	5116351	3/4" Line Strainer 40 Mesh Screen w/Long Bowl
1040LSB	5116352	1" Line Strainer 40 Mesh Screen w/Long Bowl

REPLACEMENT PARTS

40 Mesh Screen	EPDM Gasket	Viton Gasket	Bowl
341040S	3410EPDM	3410VIT	-
341040M	3410EPDM	3410VIT	3410BOB
341040M	3410EPDM	3410VIT	3410BOB



AA122 SERIES 1/2" & 3/4"



Complete Strainer	Replacement	Gaskets	Screen Part #	Mesh
AA122-1/2-PP.* 16-100 mesh screen	CP23172-PP Replacement Bowl	CP23173-EPR	CP23174-1-304SS CP23174-2-304SS CP45102-3-SSPP	16 30 50
AA122-3/4-PP.* 16-100 mesh screen	CP23171-1/2(or 3/4)-PP Replacement Head	CP23173-VI	CP45102-4-SSPP CP45102-5-SSPP	80 100

*Please Specify Screen Mesh When Ordering...Otherwise 50 Mesh Standard.

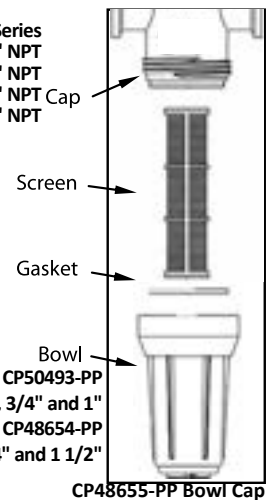


AA126ML 3/4", 1", 1 1/4" & 1 1/2"



CP50491-PP for 50 Series
CP50492-1-PP for 1" NPT
CP50492-3/4-PP for 3/4" NPT
CP63065-1-1/4-PP for 1 1/4" NPT
CP63066-1-1/2-PP for 1 1/2" NPT

Complete Strainer	Pipe/Flange Connection (F)	Flow Rate With 5 PSI (0.35 bar) Pressure Drop	Screen Part #	Mesh
AA(B)126ML-F50.* 16-100 mesh screen	50 Series Flange	35 GPM (132 l/min)	CP16903-1-SSPP CP16903-3-SSPP	16 30
AA(B)126ML-3.* 16-100 mesh screen	3/4"	23 GPM (87 l/min)	CP16903-4-SSPP CP16903-5-SSPP	50 80
AA(B)126ML-4.* 16-100 mesh screen	1"	35 GPM (132 l/min)	CP16903-6-SSPP CP16903-7-SSPP	100 200
AA(B)126ML-F75.* 16-100 mesh screen	75 Series Flange	77 GPM (291 l/min)	CP15941-1-SSPP CP15941-2-SSPP	16 30
AA(B)126ML-5.* 16-100 mesh screen	1-1/4"	59 GPM (223 l/min)	CP15941-3-SSPP CP15941-4-SSPP	50 80
AA(B)126ML-6.* 16-100 mesh screen	1-1/2"	77 GPM (291 l/min)	CP15941-5-SSPP CP15941-6-SSPP	100 120



Bowl
CP50493-PP
for 50 Series, 3/4" and 1"
CP48654-PP
for 75 series, 1 1/4" and 1 1/2"
CP48655-PP Bowl Cap

Part #	Description
CP50494-EPR	3/4 & 1 Gasket-EPDM
CP50494-VI	3/4 & 1 Gasket-Viton
CP48656-EPR	1 1/4 & 1 1/2 Gasket-EPDM
CP48656-VI	1 1/4 & 1 1/2 Gasket-VITON

*Please Specify Screen Mesh When Ordering...Otherwise 50 Mesh Standard.



CAST IRON & ALUMINUM STRAINERS



Complete Strainer	Gaskets	Screen Part #	Mesh
AA124-1-1/2-I.* Cast Iron Head	CP12291-BU	CP15941-1-SSPP CP15941-2-SSPP	16 30
AA124-1-1/2-AL.*	CP12291-VI	CP15941-3-SSPP CP15941-4-SSPP	50 80
AA124-2-I.* Cast Iron Head	CP14633-BU	CP14634-1-SS CP14634-2-SS	16 30
AA124-2-AL.*	CP14633-VI	CP14634-3-SS CP14634-4-SS	50 80

1 1/2" 124 Series
Cast Iron Or
Aluminum Head,
Nylon Bowl

2" 124 Series
Cast Iron Or
Aluminum Head
Nylon Bowl

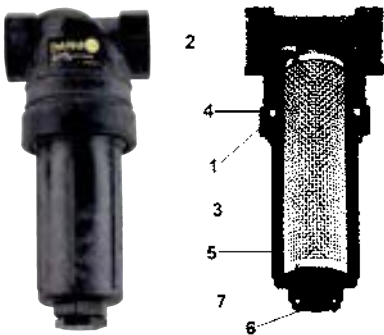
*Please Specify Screen Mesh When Ordering...Otherwise 50 Mesh Standard.

LINE STRAINERS

POLY "T" LINE STRAINERS

- Heavy glass reinforced polypropylene
- Clean-out plug
- 304 stainless steel reinforced screen
- EPDM gaskets
- 150 PSI at 70° F

The 2" strainer features a 316 stainless steel head with a glass reinforced bowl and viton gaskets



EXCELLENT CHOICE

Part #	Description
BJLST07516	3/4" w/ 16 mesh screen
BJLST07530	3/4" w/ 30 mesh screen
BJLST07550	3/4" w/ 50 mesh screen
BJLST07580	3/4" w/ 80 mesh screen
BJLST075100	3/4" w/ 100 mesh screen
BJLST10016	1" w/ 16 mesh screen
LST100-30	1" w/ 30 mesh screen
BJLST10050	1" w/ 50 mesh screen
BJLST10080	1" w/ 80 mesh screen
BJLST100100	1" w/ 100 mesh screen
BJLST12516	1 1/4" w/ 16 mesh screen
BJLST12530	1 1/4" w/ 30 mesh screen
BJLST12550	1 1/4" w/ 50 mesh screen
BJLST12580	1 1/4" w/ 80 mesh screen
BJLST15030	1 1/2" w/ 30 mesh screen
BJLST15050	1 1/2" w/ 50 mesh screen
BJLST15080	1 1/2" w/ 80 mesh screen
BJLST150100	1 1/2" w/ 100 mesh screen
BJLST20050SS	2" w/ 50 mesh screen

Banjo "T" Line Strainer Repair Parts 3/4" to 2"

Size of T-line Strainer	EPDM Gasket	VITON Gasket	Head, Bowl, & Gasket	Strainer Head Only	Strainer Bowl Only	Clean Out Plug Only	O-Ring For Plug	4 Mesh Screen
ITEM#	4	4	1	2	3	6	7	5
3/4"	LST100-G	LST100-GV	LST075-HB	LST075-HB	LST100-B	12777	UV-15163	-
1"	LST100-G	LST100-GV	LST100-HB	LST100-HB	LST100-B	12777	UV-15163	-
1 1/4"	LST150-G	LST150-GV	LST125-HB	LST125-HB	LST150-B	LSQ200-PL	LSQ200R	-
1 1/2"	LST150-G	LST150-GV	-	-	LST150-B	LSQ200-PL	LSQ200R	-
2"	-	LST200-GV	-	-	LST200-B	LSQ200-PL	LSQ200R	LST204SS

Banjo "T" Line Strainer Repair Parts 3/4" to 2" Continued

Size of T-line Strainer	6 Mesh Screen	8 Mesh Screen	10 Mesh Screen	16 Mesh Screen	30 Mesh Screen	50 Mesh Screen	80 Mesh Screen	100 Mesh Screen
ITEM#	5	5	5	5	5	5	5	5
3/4"	-	-	-	LST116	LST130	LST150	LST180	LST1100
1"	-	-	-	LST116	LST130	LST150	LST180	LST1100
1 1/4"	-	-	-	LST1516	LST1530	LST1550	LST1580	LST15100
1 1/2"	-	-	-	LST1516	LST1530	LST1550	LST1580	LST15100
2"	LST206SS	LST208SS	LST210SS	LST216SS	LST230SS	LST250SS	LST280SS	LST2100SS

BANJO POLY MINI "T" LINE STRAINERS

1/2" & 3/4" Mini T-Strainers

Part #	Size	Description	Qty
LSTM050-30	1/2" x 1/2"	Black Bowl Strainer - 30 Mesh Screen	1
LSTM050-30	1/2" x 1/2"	Black Bowl Strainer - 30 Mesh Screen	1
LSTM050-30C	1/2" x 1/2"	Clear Bowl Strainer - 30 Mesh Screen	1
LSTM050-80	1/2" x 1/2"	Black Bowl Strainer - 80 Mesh Screen	1
LSTM050-50C	1/2" x 1/2"	Clear Bowl Strainer - 50 Mesh Screen	1
LSTM050-80C	1/2" x 1/2"	Clear Bowl Strainer - 80 Mesh Screen	1
LSTM075-30	3/4" x 3/4"	Black Bowl Strainer - 30 Mesh Screen	1
LSTM075-50	3/4" x 3/4"	Black Bowl Strainer - 50 Mesh Screen	1
LSTM075-80	3/4" x 3/4"	Black Bowl Strainer - 80 Mesh Screen	1
LSTM075-30C	3/4" x 3/4"	Clear Bowl Strainer - 30 Mesh Screen	1
LSTM075-50C	3/4" x 3/4"	Clear Bowl Strainer - 50 Mesh Screen	1
LSTM075-80C	3/4" x 3/4"	Clear Bowl Strainer - 80 Mesh Screen	1

NEW ISO COLOR SYSTEM

Mesh Size	RAL #	Mesh Size	RAL #
6	White	50	Gentian Blue
8	Zinc Yellow	60	Gentian Blue
12	Black	80	Zinc Yellow
16	Brown Red	100	Traffic Green
20	Beige	120	Black
30	Flame Red	150	Pure Orange
40	Brown		



LINE STRAINERS

NORWESCO T-LINE STRAINERS

Part #	Description
NWTLS05020	1/2" w/ 20 mesh screen
NWTLS05040	1/2" w/ 40 mesh screen
NWTLS05080	1/2" w/ 80 mesh screen
NWTLS07520	3/4" w/ 20 mesh screen
NWTLS07540	3/4" w/ 40 mesh screen
NWTLS07580	3/4" w/ 80 mesh screen
NWTLS10020	1" w/ 20 mesh screen
NWTLS10080	1" w/ 80 mesh screen



with top mounting tabs

T-Line Strainer Parts

Size	EPDM Gasket	TLS Body Less Screen	20 Mesh Screen	40 Mesh Screen	80 Mesh Screen
1/2"	61537	61283	61404	61405	61406
3/4"	61537	61284	61404	61405	61406
1"	61537	61285	61404	61405	61406



QUICK DISCONNECT Y-LINE STRAINER

Part #	Description
BJLSQ20006	2" LSQ 06 mesh screen
BJLSQ20020	2" LSQ 20 mesh screen
BJLSQ20030	2" LSQ 30 mesh screen
BJLSQ20050	2" LSQ 50 mesh screen
BJLSQ20080	2" LSQ 80 mesh screen

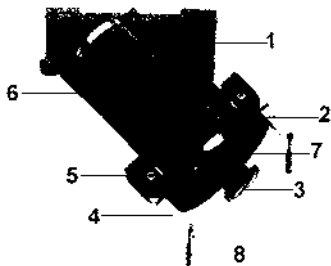


- Precision molded in glass reinforced polypropylene
- Cam lever configuration for easy access for cleaning and servicing
- 3/4" plug in cam lever cap for attaching ball valve for draining or back flushing
- Stainless steel or poly screens available
- EPDM lathe cut gasket
- 75 PSI maximum

NEW ISO COLOR SYSTEM

Mesh Size	RAL #
6	White
8	Zinc Yellow
12	Black
16	Brown Red
20	Beige
30	Flame Red
40	Brown
50	Gentian Blue
60	Gentian Blue
80	Zinc Yellow
100	Traffic Green
120	Black
150	Pure Orange

Banjo LSQ Y-Line Strainer Repair Parts



Size of LSQ	EPDM Gasket	Body/Cap	Cap	O-Ring For Plug	SS Cam	SS Cam Arm
ITEM#	2	1 & 7	7	N/A	4	5
1 1/2"	LSQ200G	LSQ150BC	LSQ200C	LSQ200R	300K	300P
2"	LSQ200G	LSQ200BC	LSQ200C	LSQ200R	300K	300P

Banjo LSQ Y-Line Strainer Repair Parts Continued

Size of LSQ	Ring Pin	6 Mesh SS Screen	12 Mesh SS Screen	20 Mesh SS Screen	30 Mesh SS Screen	50 Mesh SS Screen	80 Mesh SS Screen
ITEM#	8	6	6	6	6	6	6
1 1/2"	15ORING	LS206	LS212	LS220	LS230	LS250	LS280
2"	15ORING	LS206	LS212	LS220	LS230	LS250	LS280

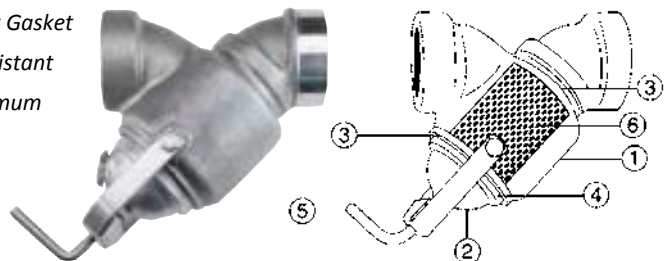


3" 304 STAINLESS STEEL LINE STRAINER

3" SS "Y" Strainer Parts

Item #	Part #	Description
1 & 2	LSS300BC	SS body, cap, & gaskets
3	LSS300S	Screen Seal (2 per strainer)
4	LSS300G	Replacement gasket for cap
5	LSS300H	Handle / clamp assembly
6	LSS306	6 mesh screen SS
6	LSS320	20 mesh screen SS

- EPDM Rubber Gasket
- Corrosion Resistant
- 200 PSI Maximum



When ordering the 3" stainless steel line strainer the screen must be ordered separately. It is not included in the strainer price.

APPLICATORS & SPRAYERS
 DRY MATERIAL HANDLING
 TRAILERS
 TANKS & ACCESSORIES
 PUMPS
 VALVES & FITTINGS
 STRAINERS & HOSE
 PLANTER EQUIPMENT
 SPRAYER CONTROLS & GUIDANCE
 NOZZLES, TIPS & SPRAY GUNS
 NH3 PRODUCTS
 TECHNICAL INFORMATION
 INDEX

POLYPROPYLENE LINE STRAINERS

Polypropylene Line Strainers

Description	Norwesco	Banjo
1/2" w/ 20 mesh screen	64169	LS050-20
1/2" w/ 40 mesh screen	64170	LS050-40
1/2" w/ 80 mesh screen	64171	LS050-80
3/4" w/ 20 mesh screen	64173	LS075-20
3/4" w/ 40 mesh screen	64174	LS075-40
3/4" w/ 80 mesh screen	64175	LS075-80
1" w/ 20 mesh screen	61478	LS100-20
1" w/ 40 mesh screen	-	LS100-40
1" w/ 80 mesh screen	61480	LS100-80
1 1/4" w/ 20 mesh screen	61738	LS125-20
1 1/4" w/ 40 mesh screen	61740	LS125-40
1 1/4" w/ 80 mesh screen	61741	LS125-80
1 1/2" w/ 06 mesh screen	-	LS150-06
1 1/2" w/ 12 mesh screen	-	LS150-12
1 1/2" w/ 20 mesh screen	-	LS150-20
1 1/2" w/ 30 mesh screen	-	LS150-30
1 1/2" w/ 50 mesh screen	-	LS150-50
1 1/2" w/ 80 mesh screen	61490	LS150-80
1 1/2" w/ 120 mesh screen	-	LS150-120
2" w/ 06 mesh screen	-	LS200-06
2" w/ 12 mesh screen	-	LS200-12
2" w/ 20 mesh screen	61493	LS200-20
2" w/ 30 mesh screen	-	LS200-30
2" w/ 50 mesh screen	-	LS200-50
2" w/ 80 mesh screen	-	LS200-80
2" w/ 120 mesh screen	-	LS200-120
3" w/ 04 mesh screen	-	LSM300-04
3" w/ 06 mesh screen	-	-
3" w/ 08 mesh screen	-	LSM300-08
3" w/ 12 mesh screen	62338	LSM300-12
3" w/ 20 mesh screen	62339	LSM300-20
3" w/ 40 mesh screen	62340	-
3" w/ 50 mesh screen	-	LSM300-50



- 1/2" to 1 1/4" 75 PSI - 1 1/2" to 2" 150 PSI
- 304 Stainless steel screens
- Clean-out plug on 1-1/2" and 2" strainers



3" poly "Y" strainer to be used on suction side or non-pressure side in all applications



New Design Unscrew End Cap to Remove & Clean Screen. Removing Band Clamp No Longer Required

Banjo Poly "Y" Line Strainer Replacement Parts

Size of Y-Line Strainer	Y-Body/Cap (Less screen)	Y-Body only	O-Ring (new style)	SQ Gasket (old style)	End Cap (new style)	Clean Out Plug	O-ring for the plug	4 mesh SS Screen
ITEM#	1 & 3	1	2	2	3	5	6	4
1/2"	-	-	LS075-G	-	-	12723	12724	-
3/4"	LS075BC1	-	LS075-G	-	-	12723	12724	-
1"	LS100BC1	-	LS100-GV	-	LS100-C1	12777	UV-15163	-
1 1/4"	LS125BC1	-	LS100-G	-	LS100-C1	12777	UV-15163	-
1 1/2"	LS150BC	-	LS150-G	LS200-G	LS150-C	LSQ200-PL	LSQ200R	-
2"	LS200BC	-	LS150-G	LS200-G	LS150-C	LSQ200-PL	LSQ200R	-
3"	LS300C2 Cap Only	-	LS300-G1	-	LS300C2	13777	13778	LS304



Old style strainer use LS-200C end cap.

Banjo Poly "Y" Line Strainer Replacement Parts Continued

Size of Y-Line Strainer	6 mesh SS Screen	8 mesh SS Screen	12 mesh SS Screen	20 mesh SS Screen	30 mesh SS Screen	40 mesh SS Screen	50 mesh SS Screen	80 mesh SS Screen	120 mesh SS Screen
ITEM#	4	4	4	4	4	4	4	4	4
1/2"	-	-	-	LS720	-	LS740	-	LS780	-
3/4"	-	-	-	LS720	-	LS740	-	LS780	-
1"	-	-	-	LS120	-	LS140	-	LS180	-
1 1/4"	-	-	-	LS120	-	LS140	-	LS180	-
1 1/2"	LS206	-	LS212	LS220	LS230	-	LS250	LS280	LS2120
2"	LS206	-	LS212	LS220	LS230	-	LS250	LS280	LS2120
3"	-	LS308	LS320	LS320	-	-	LS350	-	-

HOSE CLAMPS & NH3 ASSEMBLIES



CUSTOM SIZES AVAILABLE,
PLEASE CALL FOR PRICING

1" PRE-COUPLED NH3 ASSEMBLIES

Part #	Size x FT
NH31NY3G	1" x 3'
NH31NY4G	1" x 4'
NH31NY5G	1" x 5'
NH31NY6G	1" x 6'
NH31NY7G	1" x 7'
NH31NY8G	1" x 8'
NH31NY9G	1" x 9'
NH31NY10G	1" x 10'
NH31NY12G	1" x 12'
NH31NY15G	1" x 15'
NH31NY20G	1" x 20'
NH31NY25G	1" x 25'
NH31NY30G	1" x 30'

1-1/4" PRE-COUPLED NH3 ASSEMBLIES

Part #	Size x FT
NH3114NY3G	1-1/4" x 3'
NH3114NY4G	1-1/4" x 4'
NH3114NY5G	1-1/4" x 5'
NH3114NY6G	1-1/4" x 6'
NH3114NY7G	1-1/4" x 7'
NH3114NY8G	1-1/4" x 8'
NH3114NY9G	1-1/4" x 9'
NH3114NY10G	1-1/4" x 10'
NH3114NY12G	1-1/4" x 12'
NH3114NY15G	1-1/4" x 15'
NH3114NY20G	1-1/4" x 20'
NH3114NY25G	1-1/4" x 25'
NH3114NY30G	1-1/4" x 30'
NH3114NY40G	1-1/4" x 40'

2" PRE-COUPLED NH3 ASSEMBLIES

NH32NY2G	2" x 2'
NH32NY9G	2" x 9'

T-BOLT CLAMPS



Part #	Size	Min/Max Dia
BJTC130	1 1/4"	1.30"/1.70"
BJTC150	1 1/2"	1.50"/1.75"
BJTC162	1 1/4"	1.62"/1.87"
BJTC181	1 1/2"	1.81"/2.06"
BJTC193	1 1/2"	1.93"/2.18"
BJTC218	2"	2.18"/2.50"
BJTC224	2"	2.24"/2.58"
BJTC231	2"	2.31"/2.62"
BJTC250	2"	2.50"/2.81"
BJTC287	2"	2.87"/3.18"
BJTC331	3"	3.31"/3.62"
BJTC343	3"	3.43"/3.75"
BJTC425	4"	4.25"/4.56"
BJTC438	4"	4.38"/4.75"
BJTC456	4"	4.56"/4.94"

• All stainless steel construction • 360° sealing surface • Steel nut with coating to prevent seizing (will rust) • Ideal for high torque applications • Strong, positive connections where ordinary hose clamps fail • Nylon lock feature • T-bolt design • 3 spot welds for extra strength • Burst pressure to 10,000 PSI

SPEEDY CLAMPS

Part #	Fits Hose Size
F	Small 3/8"
G	Large 3/8"
H	1/2"



Clamp the SPEEDY clamp on EVA and rubber spray hose with a pliers for a snug fit. Push side ways to unclamp.

HOSE & CABLE TIES - BLACK NYLON TIE STRAPS



Part #	Length	Tensile	Bag Qty
NS4	4	18 lb	100
NS6	6	30 lb	100
NS8	8	30 lb	100
NS11	11	50 lb	100
NS14	14	50 lb	100
NS21	21	175 lb	100
NS30	30	175 lb	100

1" PETROLEUM TRANSFER HOSE



Bulk 1" Petroleum transfer hose. (Order by the foot.)



Part #	Description
FARM1	1" petroleum bulkhose

WORM DRIVE CLAMPS STAINLESS STEEL



Part #	Min/Max Diameter
M4	1/4
M5	1/4 - 11/16
M6	5/16 - 7/8
M8	3/8 - 1
M10	1/2 - 1 1/16
M12	1/2 - 1 1/2
M16	11/16 - 1 1/2
M20	3/4 - 1 3/4
M24	1-2
M28	1 1/2
M32	1 1/2 - 2 1/2
M36	1 3/4 - 2 3/4
M48	2 1/2 - 3 1/2
M56	3 - 4
M72	3 - 5

All worm clamps standard packaging 10 per box.

Miniature clamps M4, M5, M6 & M8 come with a 5/16" 301 stainless steel band and housing and 1/4" hex slotted 410 stainless steel screw. M10 thru M72 clamps come standard with 1/2" 301 stainless steel band and housing and 5/16" hex slotted 305 stainless steel screw.

APPLICATORS & SPRAYERS
DRY MATERIAL HANDLING
TRAILERS
TANKS & ACCESSORIES
PUMPS
VALVES & FITTINGS
STRAINERS & HOSE
PLANTER EQUIPMENT
SPRAYER CONTROLS & GUIDANCE
NOZZLES, TIPS & SPRAY GUNS
NH3 PRODUCTS
TECHNICAL INFORMATION
INDEX

HOSE

KANAFLEX 390 SD / SUCTION & DISCHARGE HOSE

EXCELLENT CHOICE

Part #	Size	PSI	Reel Size	Recommended T-Bolt Clamp Size	Cost
KF114390	1 1/4"	100	100'	TC162	Call For Pricing
KF112390	1 1/2"	100	100'	TC181	Call For Pricing
KF2390	2"	100	100'	TC224/TC231	Call For Pricing
KF3390	3"	90	100'	TC343	Call For Pricing



fabric reinforced to prevent elongation

Kanaflex 390 is an excellent all-weather suction/discharge hose • Use it where pressure is a factor. • Up to 50% lighter than conventional rubber hose • Highly resistant to temperature changes and deterioration by sun, ozone or mildew • Flexible in low temperature - Lends itself to working in tight spaces • EPDM tube with a thermal plastic helix for full suction • BLACK

KANAFLEX 300 SD / FERTILIZER SOLUTION EPDM TUBE - PVC HELIX

Part #	Size	PSI	Reel Size	Recommended T-Bolt Clamp Size	Cost
KF1300	1"	50	100'	-	Call For Pricing
KF114300	1 1/4"	50	100'	TC150	Call For Pricing
KF112300	1 1/2"	50	100'	TC181	Call For Pricing
KF2300	2"	50	100'	TC218	Call For Pricing
KF3300	3"	43l	100'	TC331	Call For Pricing
KF4300	4"	38	100'	TC438	Call For Pricing



100' rolls of 2" & smaller UPSable

Kanaflex 300 is an excellent all-weather suction hose • Good for low pressure usage • Lightweight - low Cost • Highly resistant to temperature changes and deterioration by sun, ozone or mildew • Flexible in low temperature - 100% EPDM tube - polyethylene helix • Smooth I.D. for maximum flow rates • GREEN & BLACK.

PVC SUCTION HOSE CLEAR WITH WHITE HELIX / CL112

Part #	Size	PSI	Reel Size	Recommended T-Bolt Clamp Size	Cost
PVC34	3/4"	85	100'	-	Call For Pricing
PVC1	1"	85	100'	-	Call For Pricing
PVC114	1 1/4"	80	100'	TC130/TC150	Call For Pricing
PVC112	1 1/2"	70	100'	TC162	Call For Pricing
PVC2	2"	65	100'	TC206	Call For Pricing
PVC250					Call For Pricing
PVC3	3"	55	100'	TC312	Call For Pricing



Kanaflex CL112 is a high quality, flexible, long lasting PVC suction and discharge hose ideally suited for GENERAL purpose water suction • Smooth bore combined with smooth bending characteristics, makes for the fastest, most efficient transfer of fluids • Not chemical resistant • Clear tube with a white spiral.

AG SUCTION HOSE - BLACK EPDM RUBBER WITH STEEL WIRE BRAID

EXCELLENT CHOICE

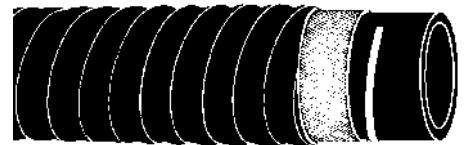
Part #	Size	PSI	Reel Size	Recommended T-Bolt Clamp Size	Cost
AGSUC114	1 1/4"	125	100'	TC162	Call For Pricing
AGSUC112	1 1/2"	125	100'	TC181	Call For Pricing
AGSUC2	2"	125	100'	TC224	Call For Pricing
AGSUC3	3"	90	100'	TC331	Call For Pricing
AGSUC4	4"	75	100'	TC438	Call For Pricing



Ag suction is a general purpose suction hose for agricultural use • Weather and ozone resistant EPDM rubber • Black EPDM rubber tube with reinforced spiraled high tensile textile cords • Spiral wire construction to withstand suction and prevent collapsing • Chemical resistant.

CHEMFLEX ACID & CHEMICAL TRANSFER HOSE

Part #	Size	PSI	Reel Size	Recommended T-Bolt Clamp Size	Cost
CF1	1"	200	100'	TC150	Call For Pricing
CF114	1 1/4"	200	100'	TC162	Call For Pricing
CF112	1 1/2"	200	100'	TC181	Call For Pricing
CF2	2"	200	100'	TC231	Call For Pricing
CF3	3"	150	100'	TC343	Call For Pricing



Chemflex is an economical, versatile chemical transfer hose for use at docks, terminals and on transfer trucks • At normal storage temperatures, up to 90% of all known chemicals, plus solvents, acids, alkalis, oils, fuels and hydraulic fluids can be safely handled by Chemflex. • Constructed of special cross-linked polyethylene tube reinforced with plies of braided synthetic yarn with helix of spring wire • The EPDM cover is resistant to many chemicals, acids, weather and abrasion.

EVA TUBING 1/8" WALL

Part #	Size	Approx Reel Size	Cost
EVA14	1/4" x 1/8" wall	300'	Call For Pricing
EVA38	3/8" x 1/8" wall	500'	Call For Pricing
EVA12	1/2" x 1/8" wall	300'	Call For Pricing
EVA58	5/8" x 1/8" wall	250'	Call For Pricing
EVA34	3/4" x 1/8" wall	250'	Call For Pricing
EVA1	1" x 1/8" wall	100'	Call For Pricing

FULL 18% EVA



Demand the tubing with the BLUE TINT for world class quality and service

REINFORCED EVA TUBING

Part #	Size	PSI	Approx Reel Size	Cost
EVA14RE	1/4"	300	300'	Call For Pricing
EVA38RE	3/8"	250	300'	Call For Pricing
EVA12RE	1/2"	200	300'	Call For Pricing
EVA58RE	5/8"	200	200'	Call For Pricing
EVA34RE	3/4"	200	300'	Call For Pricing
EVA1RE	1"	200	200'	Call For Pricing



Reinforced EVA is extremely tough, with very good stress crack resistance at low temperatures. Use reinforced EVA for higher pressure rating than EVA tubing.

CLEAR VINYL TUBING - SIGHT GAUGE - 1/8" OR 1/4" WALL

Part #	Size	Approx Reel Size	Cost
CLV148	1/4" x 1/8" wall	100'	Call For Pricing
CLV388	3/8" x 1/8" wall	100'	Call For Pricing
CLV128	1/2" x 1/8" wall	100'	Call For Pricing
CLV588	5/8" x 1/8" wall	100'	Call For Pricing
CLV348	3/4" x 1/8" wall	100'	Call For Pricing
CLV18	1" x 1/8" wall	100'	Call For Pricing
CLV1144	1 1/4" x 1/4" wall	50'	Call For Pricing
CLV1124	1 1/2" x 1/4" wall	50'	Call For Pricing
CLV24	2" x 1/4" wall	50'	Call For Pricing



Clear vinyl hose is excellent for sight gauge and by pass applications. Designed for low working pressure.

CLEAR VINYL TUBING - SIGHT -GAUGE - 1/16" WALL

Part #	Size	Approx Reel Size	Cost
CLV1416	1/4" x 1/16" wall	100'	Call For Pricing
CLV3816	3/8" x 1/16" wall	100'	Call For Pricing
CLV1216	1/2" x 1/16" wall	100'	Call For Pricing



REINFORCED CLEAR VINYL TUBING

Part #	Size	Approx Reel Size	Cost
CLV14RE	1/4" x 1/8" wall	300'	Call For Pricing
CLV38RE	3/8" x 1/8" wall	300'	Call For Pricing
CLV12RE	1/2" x 1/8" wall	300'	Call For Pricing
CLV58RE	5/8" x 1/8" wall	300'	Call For Pricing
CLV34RE	3/4" x 1/8" wall	200'	Call For Pricing
CLV1RE	1" x 1/8" wall	100'	Call For Pricing
CLV114RE	1 1/4" x 1/8" wall	50'	Call For Pricing
CLV112RE	1 1/2" x 1/4" wall	50'	Call For Pricing



Reinforced CLV is highly flexible. Higher pressure ratings of the reinforced clear vinyl tubing offers a wider range of applications. Excellent for handguns and other sprayer applications.

BLACK RUBBER EPDM SPRAYER HOSE

Part #	Size	PSI	Approx Reel Size	Cost
EPDM14	1/4" x 2sp	200	700'	Call For Pricing
EPDM38	3/8" x 2sp	200	700'	Call For Pricing
EPDM12	1/2" x 2sp	200	700'	Call For Pricing
EPDM58	5/8" x 2sp	200	700'	Call For Pricing
EPDM34	3/4" x 2sp	200	700'	Call For Pricing
EPDM100	1" x 2sp	150	700'	Call For Pricing
EPDM114	1 1/4" x 4sp	150	550'	Call For Pricing
EPDM112	1 1/2" x 4sp	150	400'	Call For Pricing
EPDM200	2" x 4sp	150	300'	Call For Pricing



EPDM sprayer hose is an excellent general purpose hose for water and ag chemical applications • EPDM construction of the hose makes it suitable for a wide variety of chemicals including water mixed agricultural sprays • Lasso resistant

HOSE

PVC 600# SPRAY HOSE

Part #	Size	PSI	Approx Reel Size	Cost
PVC38600	3/8"	600	300'	Call For Pricing
PVC12600	1/2"	600	300'	Call For Pricing
PVC58600	5/8"	600	300'	Call For Pricing
PVC34600	3/4"	600	300'	Call For Pricing



PVC high pressure hose for use with fertilizers, herbicides, and insecticide in both agriculture and lawn spray service • PVC tube and cover • Co-extruded with a single braided synthetic cord

BLUE PVC LAY FLAT DISCHARGE HOSE

Part #	Size	PSI	Approx Reel Size	Recommended T-Bolt Clamp Size	Cost
LF112	1 1/2"	70	300'	TC162	Call For Pricing
LF2	2"	65	300'	TC206	Call For Pricing
LF3	3"	55	300'	TC312	Call For Pricing
LF4	4"	50	300'	TC425	Call For Pricing



Blue PVC lay flat hose is an economical hose for discharging water in construction, agriculture, etc • Resistant to oils, grease and many chemicals and acids • Non water-absorbing • Mildew proof • Tube and cover are PVC and reinforcement is a spiral of high grade cord fabric

IRONSIDE LAY FLAT DISCHARGE HOSE

Part #	Size	PSI	Approx Reel Size	Recommended T-Bolt Clamp Size	Cost
IS112	1 1/2"	150	300'	TC162	Call For Pricing
IS2	2"	150	300'	TC206	Call For Pricing
IS3	3"	150	300'	TC312	Call For Pricing
IS4	4"	150	300'	TC425	Call For Pricing
IS6	6"	150	as needed		Call For Pricing



Ironside brown lay flat discharging hose used in construction, irrigation, agriculture, etc • It is superior to the Blue PVC Lay flat in working pressure and gauge thickness • Non water-absorbing • Mildew proof • Tube and cover are premium quality PVC tube and cover • Reinforced with two spiral plies and one longitudinal synthetic cord

GRAIN VAC HOSE

Part #	Size	Vacuum Rating	Approx Reel Size	Cost
180BL4	4"	-	100'	Call For Pricing
180BL5	5"	-	100'	Call For Pricing
180BL6	6"	-	100'	Call For Pricing

• Only Available in 5' Increments

- SBR rubber blended with static carbon black
- Rigid PVC helix
- Smooth bore
- Corrugated O.D.
- Light weight
- Discharge Only



HD GRAIN VAC HOSE USED FOR GRAIN TRANSFER

Part #	Size	Vacuum Rating	Approx Reel Size	Cost
180AR5	5"	28	100'	Call For Pricing

• Only Available in 5' Increments

- SBR rubber blended with static carbon black
- Rigid PVC helix
- Smooth bore
- Corrugated O.D.
- Light weight
- Suction



620 WDWS BLOWER HOSE (MOWER)

Part #	Size	Approx Reel Size	Cost
620WDWS6	6"	50'	Call For Pricing

• Only Available in 5' Increments

- EPDM rubber, metal wire helix
- Wearstripping
- Smooth bore
- Corrugated O.D.



HOSE CUTTER

The perfect tool for cutting hose and tubing • Lightweight and easy to use

Part #	Description
T-100	Hose cutter - cuts thru 1" hose
SS200	Hose cutter - cuts thru 2" hose
BT100	Blade for the T100 cutter
SSB200	Blade for the SS200 cutter



HOSE REELS

APPLICATORS & SPRAYERS
 DRY MATERIAL HANDLING
 TRAILERS
 TANKS & ACCESSORIES
 PUMPS
 VALVES & FITTINGS
 STRAINERS & HOSE
 PLANTER EQUIPMENT
 SPRAYER CONTROLS & GUIDANCE
 NOZZLES, TIPS & SPRAY GUNS
 NH3 PRODUCTS
 TECHNICAL INFORMATION
 INDEX

LOW PRESSURE COX REEL

- Heavy duty 1/4" plate steel support post and mounting plate
- 1" Oil-lite self lubricating bearing
- Solid 1" steel center support shaft
- Full flow swivel joint
- Adjustable arm guide (wall, floor, ceiling and pit)
- Cartridge style spring motor
- 4 Roller non-snap hose guide
- Eight position locking ratchet



Part #	Code #	Hose ID	Hose OD	Ft	PSI
P-LP-350	5274152	3/8"	21/32"	50	300
P-LP-415	5274153	1/2"	27/32"	15	300

COX HAND CRANK REEL



Part #	Code #	Inlet/Outlet	Reel Capacity In Feet	PSI
1125-4-325	5274304	1/2"	450' of 3/8" 325' of 1/2"	3000

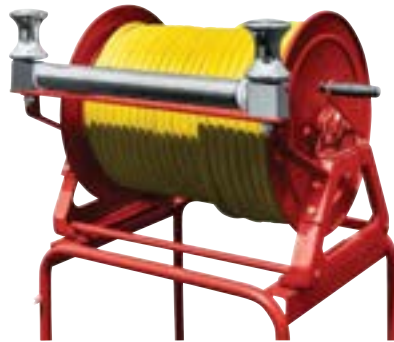
COX 12 VOLT ELECTRIC REEL (GEAR DRIVEN)



Part #	Code #	Inlet/Outlet	Reel Capacity In Feet	PSI
1125-4-325E	5274305	1/2"	450' of 3/8" 325' of 1/2"	3000

1526-17-18

- 1/2 FNPT Inlet & Outlet
- Holds 300 Ft of 1/2" ID. x 7/8" OD. Hose
- 3000 PSI Max. Pressure
- Temperature Range -20° to 400°
- Optional Guide Rollers & Mounting Bracket



Reel Shown with Optional Spool Kit, Reel Stand & Hose

Part #	Shipping Bundle #	Description	Weight
1526-17-18	5272182	Hannay Manual Rewind Hose Reel	38

Crank is Permanently Attached to the Reel Axle on this Model

GENERAL PUMP HAND CRANK REEL



Part #	Code #	Inlet/Outlet	Reel Capacity In Feet	PSI
D30006	5277374	3/8" NPT-M 3/8" NPT-F	200' of 3/8"	3500

1" HOSE MANUAL REWIND HOSE REEL



Shown on PCO-200 Skid Page 30

Part #	Description
4038-17-18	1" Hose Manual Rewind Hose Reel, 100' Capacity

MOUNTING STAND FOR HOSE REEL

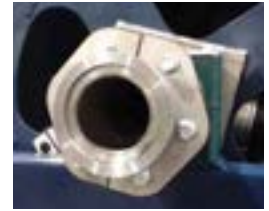
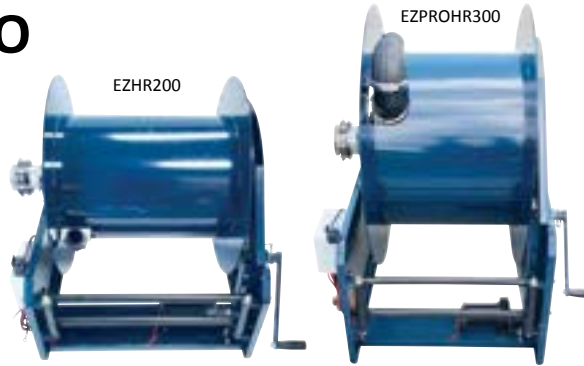


Part #	Description
5274195	Mounting Stand for Hose Reel

HOSE REELS

E-Z REEL & E-Z REEL PRO HOSE REEL

- 12VDC Electric Motor Rewind
- Manual Hand Crank Included
- Vertical & Horizontal Guide Tubes
- Chain Guard
- Manual Clutch Lockout for Easy Unwind
- Wireless Remote - Key fob
- Mounted Control Switch
- 316 Stainless Steel Swivel w/ Flange Connections



Swivel w/ Flange Connections

Part #	Description	Dimensions	Hose Capacity
EZHR200	2" E-Z Electric Hose Reel	25 1/4" W X 28" L	75' of 2" Ribbed Hose
EZPROHR300	3" E-Z Pro Electric Hose Reel	25 1/4" W X 42" L	75' of 3" Ribbed Hose



E-Z Reel Guide Roller



Wireless Remote

E-Z Reel Optional Equipment

5281390	E-Z Reel Guide Roller Assembly (Recommended if hose drop over 40")
---------	---

2" & 3" E-Z HOSE REEL KITS

- 2" or 3" EZ Series Hose Reel
- 50 FT KF2" or 3" 390 Hose
- Hose end valve
- Valve carrying handle
- Male or Female Quick Coupler
- Safety Bump Plug or Cap



Shown with optional 5281390 E-Z Guide Roller

Part #	Description
EZHR200-50-F-*-KIT	2" EZHR200 hose reel, 50' KF2390 hose, T-bolt hose clamps, 2" full port flanged valve, HD valve Handle, *2" MALE or Female quick coupler, GTX flange clamps & Dust Cap or Plug w/ built in handle. (220 Series Flange Inlet) (*Specify Male or Female hose end coupler)
EZHR300-50-F-*-KIT	3" EZPROHR300 hose reel, 50' KF3390 hose, T-bolt hose clamps, 3" flanged valve, HD valve Handle, 3" MALE or Female quick coupler, GTX flange clamps & Dust Cap or Plug w/ built in handle. (300 Series Flange Inlet) (*Specify Male or Female hose end coupler)

2" & 3" EZ HOSE REEL TRAILER PACKAGES

- Universal Trailer Mounting Bracket
- 2" or 3" EZ Series Hose Reel
- 50 FT KF2" or 3" 390 Hose
- Hose end valve
- Valve carrying handle
- Male or Female Quick Coupler
- Safety Bump Plug or Cap



CAN BE RETROFITTED ONTO EXISTING TRAILERS OR BE INSTALLED ON A NEW TRAILER

Part #	Description
EZHR200-TRLMT-50-*-KIT	2" EZ hose reel, Universal Trailer mount kit, 50FT kf2390 hose, 2" valve w/Male or Female QC and Handle Cap or Plug (*Specify Male or Female hose end coupler)
EZHR300-TRLMT-50-*-KIT	3" EZ hose reel, Universal Trailer mount kit, 50FT kf3390 hose, 3" valve w/Male or Female QC and Handle Cap or Plug (*Specify Male or Female hose end coupler)

PLANTER-TUBEHOLDERS



Case IH 1200 Series Planter Rear Delivery (S5-CIH RD)



John Deere 7200, 7300, & 1700 Series Planters In Furrow, XP Plate Option Shown (S5-7200)



White Planter Rear Delivery (S5-WHITE 8222 RD)

Brand	Model	Planter Tube Part #
Buffalo	Buffalo Planter	S5-691
Case IH	1200 Series Planter	S5-1200
Case IH	800 Series Planter	S5-653
Case IH	900 Series Planter	S5-901
Case IH	950 ('94 and Newer)	S5-950-94
Case IH	1200 Series Planter	S5-CSIH RD
Case IH	2000 Series Planter	S5-CSIH RD 2150
John Deere	1700 w/seed lock	S5-17SL
John Deere	7000 Scrapper Bolt	S5-619
John Deere	7200 or 7300 ('93 & Older) Series & 1700 Series	S5-7200
John Deere	7200 and 7300 ('92 & Older), 1700 (All) w/Finger Pickup Seeding Unit	S5-7200 FP
John Deere	7200 and 7300 Series ('94 & Newer)	S5-7294
Kinze	50 Series Row Unit	S5-KINZE SER 50
White	5100 Series White Air Boss	S5-5100
White	6100 Series White	S5-6100
White	White Planter Rear Delivery	S5-WHITE 8222 RD
Generic	S5-611	
Generic	S5-616	

DRILL-TUBEHOLDERS



Great Plains Heavy Duty Series In Furrow with Scrapper(S5-54 HD S)

Brand	Model	Drill Tube Part #
Case IH	5100 Double Disk	S5-546
Case IH	5300 Double Disk Drill	S5-5500
Case IH	Mulch Till Double Disk	S5-5500 MT
Case IH	SDX No-Till Air Drill	S5-SDX
Crust Buster	Crust Buster Double Disk	S5-234
Crust Buster	3400 Double Disk Drill	S5-3400
Crust Buster	4000 Series 93+ All Plant	S5-93CB AP
Crust Buster	Minimum Till ('94 and Newer)	S5-94CB MT
Crust Buster	Press Wheel Mount Rear Delivery	S5-CB RD
Crust Buster	Crust Buster Hoe w/Acra Plant	S5-CB H
Great Plains	4010 Heavy Duty Drill	S5-4010 HD
Great Plains	Double Disk	S5-54
Great Plains	Heavy Duty	S5-54 HD
Great Plains	Press Wheel Mount Rear Delivery	S5-GP RD
Great Plains	10 Series Opener Heavy Duty	S5-GP 10 HD
Great Plains	Hoe High Clear	S5-GPH-HC
John Deere	No-till opener, Seed-loc wheel mount	S5-1560
John Deere	No-till Rear Delivery Heavy Duty Left	S5-1560 HD RD L
John Deere	No-till Rear Delivery Heavy Duty Right	S5-1560 HD RD R
John Deere	455 & 450 Drill	S5-455-450
John Deere	750 Left	S5-750 HD L
John Deere	750 Right	S5-750 HD R
John Deere	8300 Guage-O-Matic Double Disk	S5-8500
John Deere	8300 G.O.M. DD Aluminum cast boot	S5-8500(A)
John Deere	9300 Hoe Drill	S5-9300
John Deere	9400 Hoe Drill	S5-9400
Krause	5200 Series No-Till Opener	S5-5200K
Krause	5300 Series Double Disk Opener	S5-5300
Krause	5400 Series Rotary Scrapper Opener	S5-5400 RS
Landoll	5530 Double Disk	S5-5530F
Sunflower	9431 Double Disk (Older than '96)	S5-9431
Sunflower	9431 Double Disk ('96 and Newer)	S5-9431-96
Tye	Double Disk	S5-TYE D D
Tye	2030 NT	S5-TYE 2030NT
Generic	Most Older Hoe Drills	S5-548
Generic	S5-611	
Generic	S5-616	

SEED PLANTING



V-SHOT KIT

V-Shot Kit For John Deere XP, XP Pro And MaxEmerge 5.



Part #
 AP-1985V-SHOT

V-Shot Kit For John Deere MaxEmerge 2, MaxEmerge Plus And MaxEmerge Pro.



Part #
 AP-1785V-SHOT

V-Shot Kit For Case-IH 800, 900 & 1200 Series



Part #
 AP-9885V-SHOT



Heavy Duty Replacement Planter Blades



Part #	Description
AP-1700XP15	Heavy Duty 15" Replacement Planter Blades For John Deere Xp, Xpro, Mes & Hi-Speed
AP-1200-14-HDL	Heavy Duty 14" Replacement Planter Blades For Case-Ih 800, 900 & 1200 Series (Leading)
AP-1200-14-HDT	Heavy Duty 14" Replacement Planter Blades For Case-Ih 800, 900 & 1200 Series (Trailing)

Available For Other Planter Models, Call For Pricing And Availability For V-Shots & Planter Blades To Fit Your Planter Or Drill!

KEETON SEED FIRMER™



- The right kind of poly to hold its shape, withstand abrasive soil and keep the proper amount of tension over the seed.
- The right "attack" angle to properly guide the seed to the trench.
- The right shape to protect the "V" of the seed trench and to prevent plugging.
- Won't collapse the seed trench and drag dry, chemical-laden soil around your seeds.

ONLY KEETON CAN FIRM THE SEED TO THE BOTTOM OF THE TRENCH

A thin piece of plastic slides down the seed trench, trapping seeds as they exit the seed tube and firming them into the bottom of the "V." In fact, the Keeton Seed Firmer is the only device that can contact the seed for true firming performance.

Part #	Description
P100T	Traditional Deep Model. Liquid Seed Tube Mounted
100P300	Short Low Profile Model "Common" Universal
100P300X	Short Low Profile Tail, Universal Bracket

REBOUNDER 2000

Part #	Description
RJD	Rebounder-JD-White-Kinze
RY	Y-Not Split-It (Y-Not Split-It Fitting, 3/8" Tube, 2-5" Tie Straps, 2'-1/4" Hose)

Super Tuff Rebounder. Recommended for planters that cover 2000 acres or more a year.

ROJD Orange Rebounder - JD -White - Kinze
 Please Specify What Planter Or Drill



Shown With Y-Not Split-It Fertilizer Attachment & Hose Holder Kit

PUSH-TO-CONNECT FITTINGS



QUICK TEEJET PUSH TO CONNECT FITTINGS

Part #	Description
QJ98595-1/4-2	Push to Connect QJ Body & Cap, 1/4", 2 PSI (0.14 bar) check valve
QJ98595-1/4-10	Push to Connect QJ Body & Cap, 1/4", 10 PSI (0.69 bar) check valve
QJ98594-3/8-2	Push to Connect QJ Body & Cap, 3/8", 2 PSI (0.14 bar) check valve
QJ98588-1/4	Push to Connect QJ Cap, 1/4" w/ gasket
QJ98592-1/4-2	Push to Connect QJ Body, 1/4", 2 PSI (0.14 bar) check valve
QJ98592-1/4-10	Push to Connect QJ Body, 1/4", 10 PSI (0.69 bar) check valve
QJ98586-3/8	Push to Connect QJ Cap, 3/8" w/ gasket
QJ98590-3/8-2	Push to Connect QJ Body, 3/8", 2 PSI (0.14 bar) check valve
QJ98590-3/8-10	Push to Connect QJ Body, 3/8", 10 PSI (0.69 bar) check valve
QJ98599-90-3/8	Push to Connect 90° QJ Cap
QJ98598-90-1/4	Push to Connect 90° QJ Cap
QJ114403-1/4	Push to Connect 90° QJ Swivel Cap
QJ114404-5/16	Push to Connect 90° QJ Swivel Cap
QJ114405-3/8	Push to Connect 90° QJ Swivel Cap
QJ114398-5/16	Push to Connect QJ Cap
QJ114430-1/4-#	Push to Connect x Push to Connect Body
QJ114432-5/16-#	Push to Connect x Push to Connect Body
QJ114434-3/8-#	Push to Connect x Push to Connect Body



QJ98590 and QJ98592



QJ98586 and QJ98588 Cap



MANIFOLD TUBING

Part #	Description
2T20-0403N-100	Tubing, 11/64 ID w/1/4" OD NATURAL
2T20-0403BK-100	Tubing, 11/64 ID w/1/4" OD BLACK
2T20-0403G-100	Tubing, 11/64 ID w/1/4" OD GREEN
2T20-0403Y-100	Tubing, 11/64 ID w/1/4" OD YELLOW
2T20-0604BK-100	Tubing, 1/4" ID w/3/8" OD BLACK
2T20-0604N-100	Tubing, 1/4" ID w/3/8" OD NATURAL
2T20-0503BK-100	Tubing, 5/16" OD Black



Available in:
 - 100 ft Rolls
 - 1000 ft Rolls
 Please specify when ordering.

APPLICATORS & SPRAYERS
 DRY MATERIAL HANDLING
 TRAILERS
 TANKS & ACCESSORIES
 PUMPS
 VALVES & FITTINGS
 STRAINERS & HOSE
 PLANTER EQUIPMENT
 SPRAYER CONTROLS & GUIDANCE
 NOZZLES, TIPS & SPRAY GUNS
 NH3 PRODUCTS
 TECHNICAL INFORMATION
 INDEX

AUTO LOCK FITTINGS

MALE CONNECTOR

Part #	Tube O.D.	MPT
MC14018	1/4"	1/8"
MC14014	1/4"	1/4"
MC14038	1/4"	3/8"
MC51614	5/16"	1/4"
MC51638	5/16"	3/8"
MC53218	5/32"	1/8"
MC38014	3/8"	1/4"
MC38038	3/8"	3/8"
MC38012	3/8"	1/2"
MC12012	1/2"	1/2"



FEMALE CONNECTOR

Part #	Tube O.D.	FPT
FC140140NPT	1/4"	1/4"
FC380140NPT	3/8"	1/4"



CROSS

Part #	Tube O.D.
CR380380	3/8"



END STOP

Part #	Tube O.D.
ES140	1/4"
ES380	3/8"



MALE TUBE STEM

Part #	Tube O.D.	MPT
MT14018	1/4"	1/8"
MT14014	1/4"	1/4"
MT38014	3/8"	1/4"
MT38038	3/8"	3/8"
MT12012	1/2"	1/2"

CHECK VALVE

Part #	Break PSI	Tube O.D.
CV380	.3 PSI	3/8"
CV140	.3 PSI	1/4"



TUBE STEM ELBOW CONNECTOR

Part #	Tube O.D.	MPT
TEC140140	1/4"	1/4"
TEC380140	3/8"	1/4"
TEC380380	3/8"	3/8"
TEC120120	1/2"	1/2"
TEC516516	5/16"	5/16"



2-WAY DIVIDER CONNECTOR

Part #	Tube O.D.	Tube O.D.
2WDC140	1/4"	1/4"
2WDC380	3/8"	3/8"
2WDC516	5/16"	5/16"



90° MALE ELBOW

Part #	Tube O.D.	MPT
ME140180	1/4"	1/8"
ME140140	1/4"	1/4"
ME380140	3/8"	1/4"
ME140380	1/4"	3/8"
ME516380	5/16"	3/8"
ME516140	5/16"	1/4"
ME380380	3/8"	3/8"



UNION CONNECTOR

Part #	Tube O.D.
UC316	3/16"
UC140	1/4"
UC380	3/8"
UC120	1/2"
UC516	5/16"
RUC516140	5/16" x 1/4"
RUC380140	3/8" x 1/4"
RUC380516	3/8" x 5/16"



UNION ELBOW CONNECTOR

Part #	Tube O.D.
ULC140	1/4"
ULC380	3/8"
ULC120	1/2"
RLC380140	3/8" x 1/4"
RLC120380	1/2" x 3/8"



TUBE STEM TO HOSE BARB ELBOW

Part #	Tube O.D.	Tube O.D.
TLS140140	1/4"	1/4"
TLS380140	3/8"	1/4"



UNION TEE CONNECTOR

Part #	Tube O.D.
UTC140	1/4"
UTC380	3/8"
UTC120	1/2"
UTC120380	1/2" x 3/8"



SHUT-OFF VALVES FOR POTABLE WATER

John Guest Shut-Off Valves are manufactured in white polypropylene with food grade EPDM O-rings for use with potable water. For use with other potable liquids please contact our sales staff for guidance. These valves are not to be used with compressed air, explosive air, explosive gases, petroleum spirits and other fuels or for heating systems. Working Pressures and Temperatures: Water: Max 150 PSI, 33°F to 150°F

SPEEDFIT TO SPEEDFIT

Part #	Tube O.D.
V140140-GG	1/4"
V380380-GG	3/8"



SPEEDFIT TO MALE

Part #	Tube O.D.	MPT
V140140-MG	1/4"	1/4"
V380380-MG	3/8"	3/8"



SPEEDFIT TO FEMALE

Part #	Tube O.D.	FPT
V140140E-FG	1/4"	1/4"
V380140E-FG	3/8"	1/4"



PRESSURE GAUGEES - SPRAYER, PRESSURE WASH & HYDRAULIC

QUANTITY DISCOUNTS WILL BE GIVEN ON VOLUME GAUGE ORDERS

SERIES WGG-SS LIQUID FILLED GAUGE

304 stainless steel case and tube, stainless steel stem and internals, black enameled aluminum pointer, polycarbonate window, liquid filled, built-in restrictor.

Stainless Steel Case / Stainless Steel Stem



Part #	Size	PSI
WGGSS60	2 1/2"	0-60
WGGSS100	2 1/2"	0-100
WGGSS160	2 1/2"	0-160
WGGSS400	2 1/2"	0-400
WGGSS604	4"	0-60
WGGSS1604	4"	0-160

SERIES GG LIQUID FILLED GAUGE

304 stainless steel case, bronze tube, brass stem and internals, white enameled aluminum dial face, black enameled aluminum pointer, acrylic window, liquid filled, built-in restrictor.

Stainless Steel case / 1/4" bottom brass stem

Part #	Size	PSI
GG60	2 1/2"	0-60
GG100	2 1/2"	0-100
GG604	4"	0-60
GG1004	4"	0-100



GAUGE DAMPENER

Part #	Size
DAMPENER	1/4"



CHEMICAL ISOLATOR KIT

The Chemical Isolator Kit keeps chemicals from entering the tractor cab for added operator safety and longer life on gauges and monitors. Dampens and protects pressure gauge from corrosive chemicals. Large capacity assures accurate pressure reading. Maximum operating pressure, 150 PSI. Pre-filled at the factory with non-toxic RV antifreeze.



Part #	Description
2300	Kit w/ mtg brkt, 1/8" & 1/4" fittings
2350	Kit w/ mtg brkt, 1/8" fpt less tube ftgs
2391	Kit w/ mtg brkt, 1/4" fpt less tube ftgs

SERIES ASG AMMONIA GAUGE

Enameled steel case, 304 stainless steel tube, stem and internals, coated aluminum dial face, black enameled steel pointer, polycarbonate window, 304 stainless steel stem with zinc dihydrogen phosphate plating, restrictor.

Stainless Steel 1/4" Bottom Stem

Part #	Size	PSI
ASG60	2 1/2"	0-60
ASG160	2 1/2"	0-160
ASG400	2 1/2"	0-400
ASG604	4"	0-60
ASG1604	4"	0-160



SERIES SG STANDARD DRY GAUGE

ABS plastic case, bronze tube, brass stem and internals, coated aluminum dial face, black enameled steel pointer, acrylic window, restrictor.

Dry Gauge / 1/4" Bottom Brass Stem

Part #	Size	PSI
SG60	2 1/2"	0-60
SG100	2 1/2"	0-100
SG160	2 1/2"	0-160
SG200	2 1/2"	0-200
SG604	4"	0-60
SG1004	4"	0-100



SERIES G STANDARD DRY GAUGE

Dry gauge / 1/4" bottom brass stem

Part #	Size	PSI
3-G	2"	0-60
5-G	2"	0-100
2-G	2"	0-400



PRESSURE GAUGE TUBING & FITTINGS



Part #	Description
5153059	1/8" OD Pressure Tubing
1181	Compression Fitting 1/8" MPT Tubing Connector
1182	Union Fitting 1/8" Tubing
214-0001-001	1/4" OD Pressure Tubing
333-0001-007	1/4" MPT X 1/4" Pressure Line Conn
333-0001-008	1/4" Pressure Line Union

SPEEDFIT 3-WAY VALVE

Part #	Size
MC-3-1/4	1/4"
MC-3-3/8	3/8"



APPLICATORS & SPRAYERS
 DRY MATERIAL HANDLING
 TRAILERS
 TANKS & ACCESSORIES
 PUMPS
 VALVES & FITTINGS
 STRAINERS & HOSE
 PLANTER EQUIPMENT
 SPRAYER CONTROLS & GUIDANCE
 NOZZLES, TIPS & SPRAY GUNS
 NH3 PRODUCTS
 TECHNICAL INFORMATION
 INDEX

SPRAY MONITORS

REDBALL® FLOW MONITORS

Part #	Description
3999-0041	4 Column Assembly; (1) 3/4" HB in, (4) 1/4" OD Push to Connect outlets
3999-0042	4 Column Assembly; (1) 3/4" HB in, (4) 5/16" OD Push to Connect outlets
3999-0043	4 Column Assembly; (1) 3/4" HB in, (4) 3/8" OD Push to Connect outlets



4 Column Manifold Models(4 Column Units)

Part #	Description
3999-0001	4 Column Assmb; (1) 3/4" HB In, (4) 1/4" HB Out
3999-0002	4 Column Assmb; (1) 3/4" HB In, (4) 3/8" HB Out
3999-0008	4 Column Assmb; (1) 3/4" HB In, (4) 1/2" HB Out



1 Column Starter Models (Single Column Units)

Part #	Description
3999-3414	Monitor; 1/4" Starter, 3/4" HB In, 1/4" HB Out
3999-3438	Monitor; 3/8" Starter, 3/4" HB In, 3/8" HB Out
3999-3412	Monitor; 1/2" Starter, 3/4" HB In, 1/2" HB Out

1 Column Adder Models (Single Column Units)

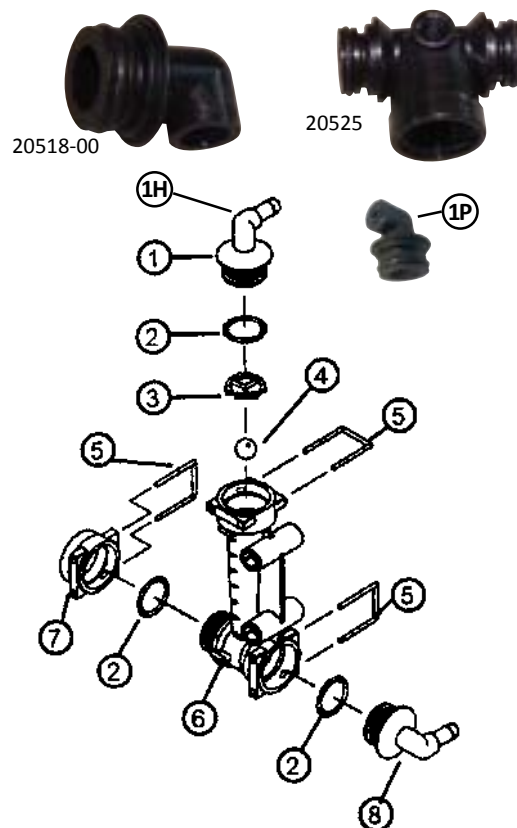
Part #	Description
3999-0014	Monitor; 1/4" Adder, 1/4" HB Out
3999-0038	Monitor; 3/8" Adder, 3/8" HB Out
3999-0012	Monitor; 1/2" Adder, 1/2" HB Out

1 Column Squeeze Pump Models

Part #	Description
3999-1414	Monitor; 1/4" Squeeze, 1/4" HB In, 1/4" HB Out
3999-3838	Monitor; 3/8" Squeeze, 3/8" HB In, 3/8" HB Out
3999-1212	Monitor; 1/2" Squeeze, 1/2" HB In, 1/2" HB Out

SPRAY MONITOR REPLACEMENT PARTS SNAP-RING STYLE

Ref #	Part #	Description
1H	002133	1/4" Elbow Hose Barb
	002134	3/8" Elbow Hose Barb
	002135	1/2" Elbow Hose Barb
1P	20516	1/4" OD Push to Connect Elbow 90
	20528	5/16" OD Push to connect Elbow 90
	20517	3/8" OD Push to Connect Elbow 90
2	002140	O-Ring EPDM
	002141	O-Ring Viton
3	002137	Float Stop
4	8165105	Ball, Red Glass
	8165101	Ball, Green Plastic
	8165102	Ball, Black Plastic
	8165100	Ball, Red Plastic
	SS316-200	Ball, Stainless Steel
5	002037	U-Pin
6	002139	Column, Single
7	002138	Cap, Plug
8	002136	3/4" Elbow Hose Barb, Inlet
8a	20525	Connection Tee O-Ring x O-Ring x 1" FPT
1a	20518-00	1/4" FPT, 90°
1b	20519-01	1/4" FPT



SPEED CONTROLLER & SPRAY MONITORS



FLOW MONITORS

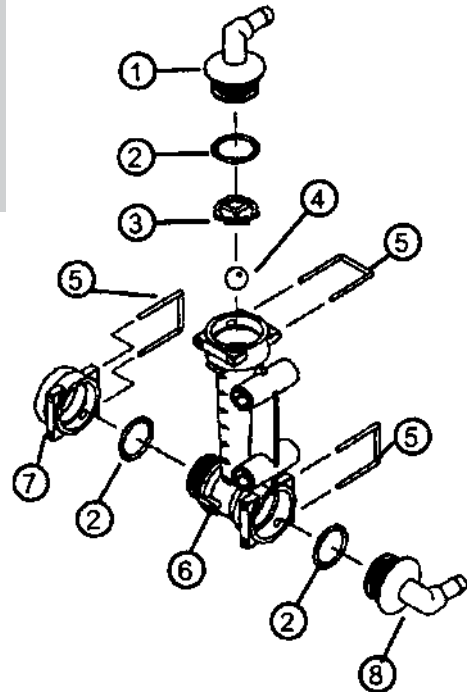


Part #	Description
BM1CADW	Flow Monitor, Single Column Add On
BM4RCAW	Flow Monitor, 4 Row Assembly - 3/8" HB
BM6RCAW	Flow Monitor, 6 Row Assembly - 3/8" HB
BM8RCAW	Flow Monitor, 8 Row Assembly - 3/8" HB

SPRAY MONITOR REPLACEMENT PARTS SNAP-RING STYLE



BM20525-00W



Ref #	Part #	Description
1	BM20511-00W	3/8" Elbow Hose Barb
	BM20512-00W	1/2" Elbow Hose Barb
2	BM20460-03W	O-Ring
3	BM20460-02W	Float Stop, Ball Retainer
4	BM20460-06W	Ball, Red Glass
	BM20460-08W	Ball, Green Plastic
	BM20460-07W	Ball, Red Plastic
	BM20460-05W	Ball, Stainless Steel
5	BM20460-04W	U-Pin
6	BM20460-01W	Column, Single Body
7	BM20521-00W	Cap, Plug
8	BM20513-00W	3/4" Elbow Hose Barb, Inlet
8a	BM20525-00W	Tee Connector With 1" FPS

UNIVERSAL MOUNTING BRACKET

Part #	Description
CFVGM	Universal Mounting Bracket



12 VOLT PUMP SPEED CONTROLLER

Includes: 12 Volt, 10 amp, 30 amp, speed control • Reverse polarity protected • 8 ft. input wire • 15 ft. output wire • On/off control switch • Speed control adjustment knob

Part #	Description	Use With
500ESCNG-10	10 amp controller with wires & fitting	12 volt diaphragm
MSC10-NG	10 amp controller only, less wiring harness	
500ESCNG	30 amp controller wires & fitting	12 volt diaphragm
MSC-30NG-I	30 amp controller only, less wiring harness	
216012	Implement Switch	
MSC30-PWM-C	Electric Motor Drive for Automatic Rate Control	12 volt diaphragm



APPLICATORS & SPRAYERS
 DRY MATERIAL HANDLING
 TRAILERS
 TANKS & ACCESSORIES
 PUMPS
 VALVES & FITTINGS
 STRAINERS & HOSE
 PLANTER EQUIPMENT
 SPRAYER CONTROLS & GUIDANCE
 NOZZLES, TIPS & SPRAY GUNS
 NH3 PRODUCTS
 TECHNICAL INFORMATION
 INDEX

PLANTER INJECTION/INJECTION KIT & MISC.



Part #

SHP-6ROW-QC3/8-FERT-KIT

SHP-8ROW-QC1/4-FERT-KIT

SHP-8ROW-QC3/8-FERT-KIT

SHP-12ROW-QC1/4-FERT-KIT

SHP-12ROW-QC3/8-FERT-KIT

SHP-24ROW-QC1/4-FERT-KIT

SHP-24ROW-QC3/8-FERT-KIT

KITS INCLUDE:

- Diaphragm Check Valve (216)
- 1/4 Turn Quickcap
- 1 Set of Metering Orifices (Specify Size)
- Row Unit Tubing Adapter Fitting
- Row Unit Tubing
- Main Line 80 Mesh Filter

Customized Planter Kit manifold system cut to match the width of the implement. This allows the grower to place the outlet and metering orifice at the seed tube and use short lengths of hosing to get down to the furrow.

Part #

Description

800PP-007 3/4" SCHEDULE 80 PIPE

**** NEED TO ORDER PUMP, PUMP CONTROLLER & GAUGE SEPARATELY ****



DOSATRON

DOSATRON injection kits are easily mounted to your planter for an economical option of applying in-furrow insecticides and fungicides to your starter program.

Kit includes, Mounting bracket, 10 gallon tank with an ability to add agitation as needed.

Part #

Description

DOSA10

14gpm chemical injection with 10 gallon tank kit

DOSA10A

Same kit as DOSA10 with agitation included

DOSA10-5

14gpm 5% injection with 10 gallon tank kit for Microbial Nutrient application

DOSAPRE

Upgrade from standard kit to Premier for agitation

DOSATRON Repair Parts

PJDI116VF

Injection Seal Kit for Dosatron 14gpm metering system

MKD14M2ZVF

Rebuild Kit for Dosatron 14gpm metering system



Shurflo Diaphragm Pumps

Part #	Volts	Max GPM	Max Amp Draw	Type Of Control	Shut Off Pressure	Switch On Pressure	Port Size	Valve Material	Diaphragm Material
2087-593-135	12	3.0	8.0	Demand Switch	50 PSI	45 PSI	1/2" MPT	Viton	Santoprene
2088-343-135	12	3.0	7.7	Demand Switch	60 PSI	45 PSI	1/2" MPT	Viton	Santoprene
2088-443-144	12	3.5	9.1	Demand Switch	60 PSI	45 PSI	1/2" MPT	Santo	Santoprene
2088-514-144	12	4.0	12.0	Demand Switch	60 PSI	45 PSI	1/2" MPT	Santo	Santoprene
2088-313-145	12	3.6	9.5	Demand Switch	60 PSI	45 PSI	1/2" MPT	Viton	Santoprene
2088-394-154	115-AC	3.2	0.9	Demand Switch	40 PSI	20 PSI	1/2" MPT	Viton	Santoprene
5059-1310-D011	12	5.3	17.0	Demand Switch	60 PSI	PSI	1/2" NPTF	Viton	Santoprene
5059-1311-D011	12	5.3	17.0	Demand Switch	60 PSI	PSI	1/2" NPSM	Viton	Santoprene
5059-3610-D011	12	5.3	20.9	Internal BP	80 PSI	Bypass	1/2" NPTF	Viton	Santoprene
5059-3611-D011	12	5.3	20.9	Internal BP	80 PSI	Bypass	1/2" NPSM	Viton	Santoprene
8000-533-250	115-AC	1.4	0.7	45 PSI internal BP	Bypass	Bypass	3/8" FPT	Viton	Santoprene
8000-533-236	115-AC	1.4	0.7	Demand Switch	60 PSI	45 PSI	3/8" FPT	Viton	Santoprene
8000-543-236	12	1.4	7.0	Demand Switch	60 PSI	45 PSI	3/8" FPT	Viton	Santoprene
8000-543-936	12	1.8	7.0	Demand Switch	60 PSI	45 PSI	3/8" FPT	Viton	Santoprene
8000-643-236	12	1.8	7.0	Demand Switch	60 PSI	45 PSI	3/8" FPT	Buna	Geolast
8000-543-250	12	1.4	5.0	45 PSI Internal BP	Bypass	Bypass	3/8" FPT	Viton	Santoprene
8000-543-220	12	1.5	7.1	Internal BP	Bypass	Bypass	3/8" FPT	Viton	Santoprene
8007-593-836	12	1.8	7.0	Demand Switch	60 PSI	45 PSI	3/8" FPT	Viton	Santoprene
8007-594-838	12	2.1	7.0	Demand Switch	100 PSI	50 PSI	3/8" FPT	Viton	Santoprene

SHURFLO POWER TWIN FLOWS TO 7 GPM



Pressure (PSI) Inlet/Outlet	Flow (GPM)	Current (AMPS)
0/2	6.82	9.54
10	6.22	11.80
20	5.64	14.46
30	5.02	17.14
40	4.35	18.98

Power Twin Double-Headed Pump 12 VDC with Heat Sink, Viton Valves, Santoprene Diaphragms, Splash-Proof Demand Switch, 45 PSI, 3/4" Manifold, 1/2" MPT Inlet and Outlet.

Part #
4311-035

HIGH-FLO HIGH PERFORMANCE 12 VOLT DIAPHRAGM PUMPS

HIGH-FLO
 HIGH PERFORMANCE

HIGH-FLO
 HIGH PERFORMANCE

HIGH-FLO
 HIGH PERFORMANCE



1.2 GPM (5151086)



2.4 GPM (5151087)

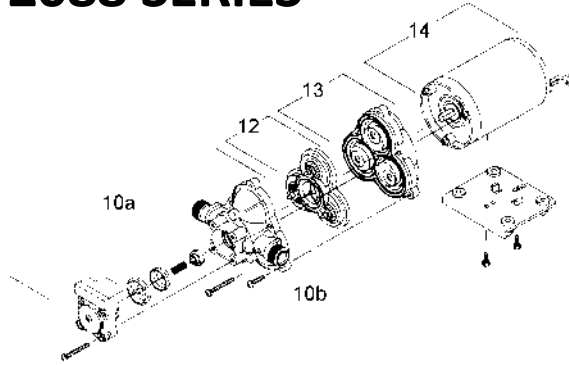


4.5 GPM (5151088)

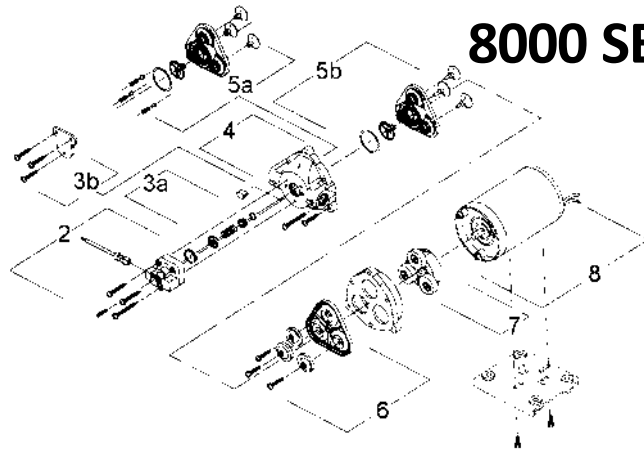
Part #	Volts	Amps	Demand Switch Or Relief Valve	Max Pressure	Gallons Per Minute Max
5151086	12	4.0	Demand Switch	60	1.2
5151087	12	8.0	Demand Switch	60	2.4
5151088	12	14.0	Demand Switch	60	4.5

PUMP REPAIR PARTS

2088 SERIES



8000 SERIES



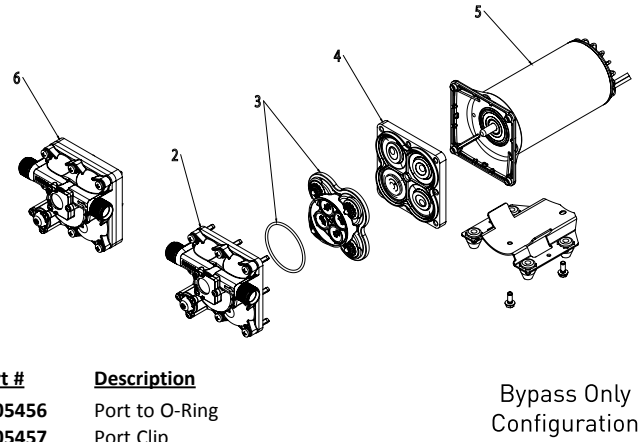
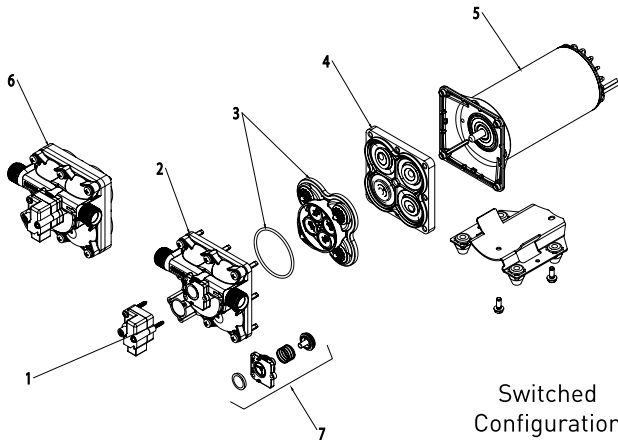
Shurflo Repair Parts & Kits

Ref #	Part #	Description	Pump #
5b	94-390-05	Valve repair kit, Viton (pressure switch)	8000 (236)
5a	94-391-05	Valve repair kit, Viton (Bypass)	8000 (210)
6	94-395-06	Diaphragm kit, santoprene	8000
4	94-379-00	Upper housing, poly pro, 3/8" FPT	8000
2	94-375-05	Switch kit, Viton (pressure switch)	8000 (236)
10a	94-231-05	Upper housing with switch kit, Viton	2088
10a	94-231-20	Upper housing with switch kit, Santoprene	2088
10b	94-231-30	Upper housing with out switch kit	2088
12	94-232-00	Valve kit, Santoprene	2088
13	94-238-04	Diaphragm drive kit, Santoprene	2088

Shurflo Repair Parts & Kits

Ref #	Part #	Description	Pump #
N/S	41-017	Pump Mount Grommet	-
N/S	94-390-10	BUNA valve assembly	8000
N/S	94-395-05	Viton Diaphragm kit	8000
3A	94-374-05	Check valve kit (8000) celc/viton	8000
15	94-910-10	Pumphead	5059
16	94-910-02	Switch Only	5059
17	94-910-01	Upper Housing w/switch	5059-131
18	94-910-03	Check Valve	5059
19	94-910-05	Valve Assembly	5059
20	94-910-04	Drive Assembly	5059
21	94-71-000-17	Motor	5059

5059 SERIES - SWITCHED & BYPASS CONFIGURATIONS



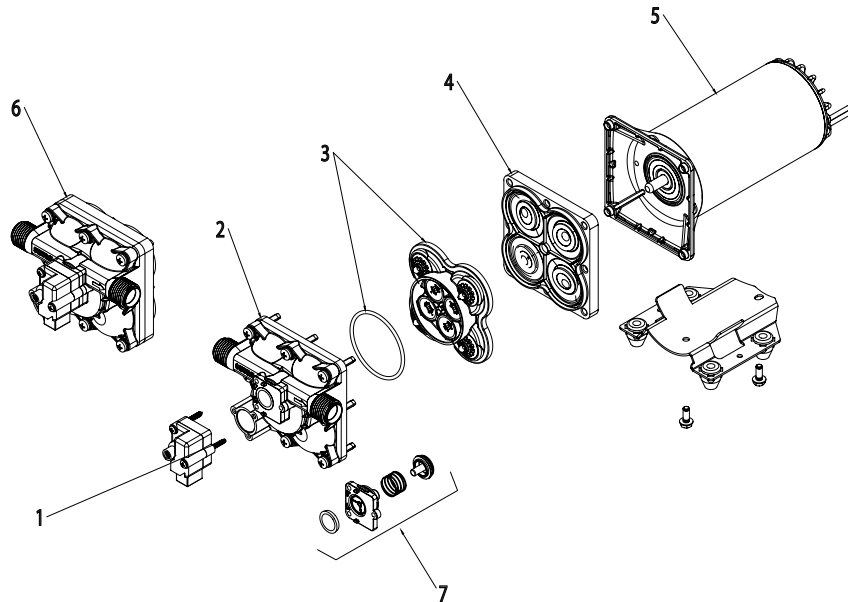
Model	1 Switch Only	2 Upper Housing	3 Valve Assembly	4 Drive Assembly	5 Motor	6 Pump Head	7 Check Valve
5059-1310-xxxx	94-910-02	94-910-11	94-910-05	94-910-04	94-71-000-17	94-910-10	94-910-03
5059-1311-xxxx	94-910-02	94-910-01	94-910-05	94-910-04	94-71-000-17	94-910-00	94-910-03
5059-3610-xxxx	N/A	94-910-15	94-910-05	94-910-04	94-71-000-17	94-910-13	N/A
5059-3611-xxxx	N/A	94-910-14	94-910-05	94-910-04	94-71-000-17	94-910-12	N/A

Shurflo Pump Swivel Fittings-Elbow & Straight

Part #	Description
234-2916	1/2" fpt x 3/8" hb swivel straight
234-2926	1/2" fpt x 1/2" hb swivel straight
234-2946	1/2" fpt x 3/4" hb swivel straight
234-3916	1/2" fpt x 3/8" hb swivel 90 elbow
234-3926	1/2" fpt x 1/2" hb swivel 90 elbow
234-3946	1/2" fpt x 3/4" hb swivel 90 elbow



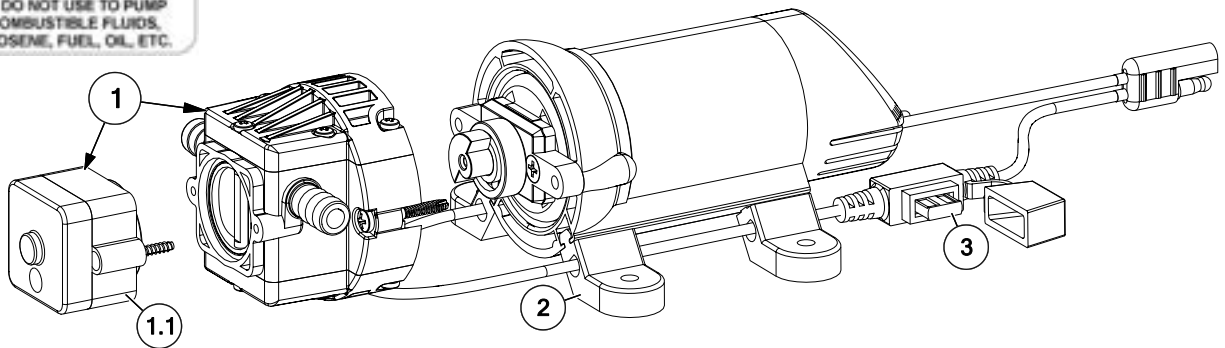
SHURFLO®



Model	1 Switch Only	2 Upper Housing	3 Valve Assembly	4 Drive Assembly	5 Motor	6 Pump Head	7 Check Valve
5059-1310-D011	94-910-02	94-910-11	94-910-05	94-910-04	94-71-000-17	94-910-10	94-910-03
5059-1311-D011	94-910-02	94-910-01	94-910-05	94-910-04	94-71-000-17	94-910-00	94-910-03

HIGH-FLO HIGH PERFORMANCE

STOP WARNING STOP
DO NOT USE PUMP IN AN EXPLOSIVE ENVIRONMENT. DO NOT USE TO PUMP FLAMMABLE/COMBUSTIBLE FLUIDS, GASOLINE, KEROSENE, FUEL, OIL, ETC.



Pump Model: 5281370

Available

Replacement Parts

Replacement Pump: 5151086

Ref. #	Part #	Description	Qty
1	5164272	1.2 GPM Pump Head	1
1.1	5164271	60 PSI Pressure Switch Assembly	1
2	5095202	Pump Mount Feet (4 Pack)	1
3	5157204	5 Amp 'Mini Blade' Fuse	1

APPLICATORS
& SPRAYERS

DRY MATERIAL
HANDLING

TRAILERS

TANKS &
ACCESSORIES

PUMPS

VALVES &
FITTINGS

STRAINERS
& HOSE

PLANTER
EQUIPMENT

SPRAYER
CONTROLS &
GUIDANCE

NOZZLES, TIPS
& SPRAY GUNS

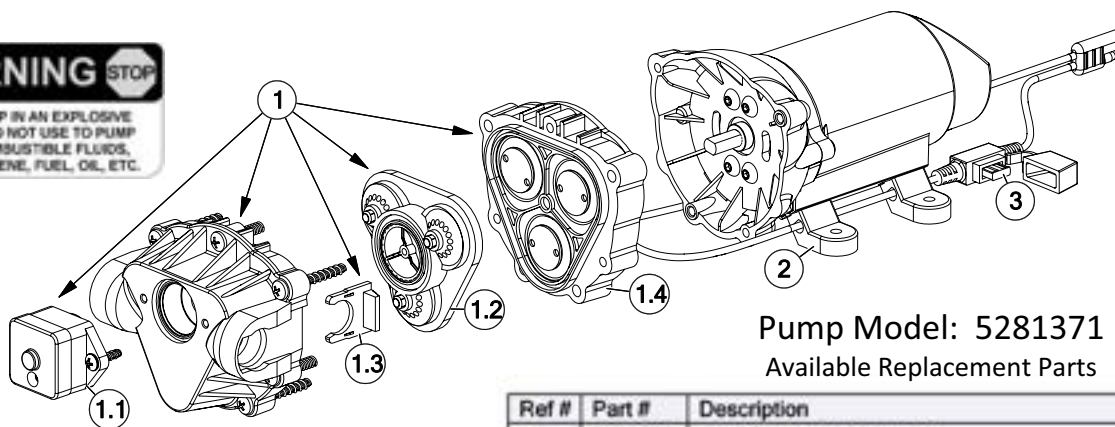
NH3
PRODUCTS

TECHNICAL
INFORMATION

INDEX

PUMP REPAIR PARTS

HIGH-FLO HIGH PERFORMANCE

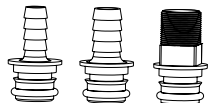


Pump Model: 5281371

Available Replacement Parts

Replacement Pump: 5151087

Includes:



1/2" MNPT Port Kit Fitting

#5168832

1/2" Hose Barb Port Kit Fitting

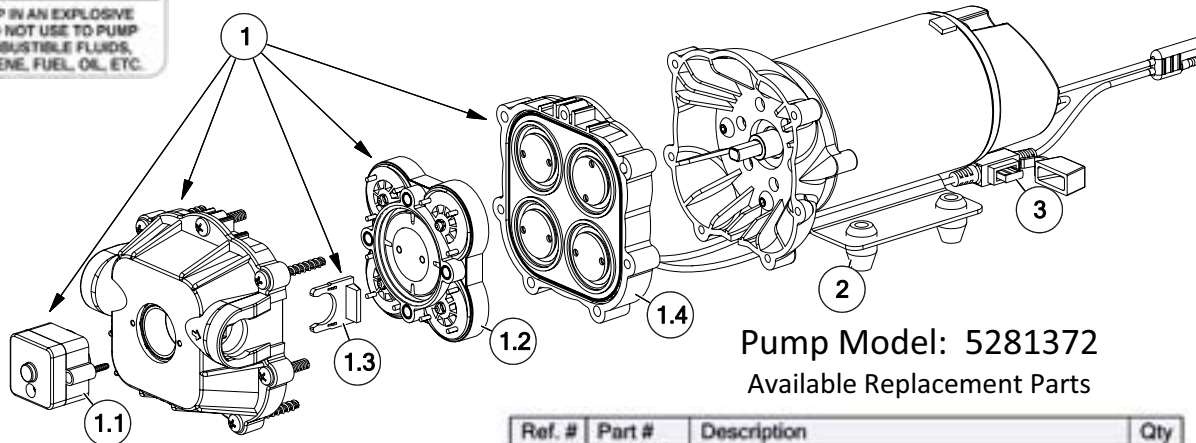
#5168833

3/8" Hose Barb Port Kit Fitting

#5168836

Ref #	Part #	Description	Qty
1	5164273	2.4 GPM Upper Housing	1
1.1	5157202	60 PSI Pressure Switch Assembly	1
1.2	5143544	Check Valve Assembly	1
1.3	5051162	Pump Slide Clips (Pkg/2)	1
1.4	5063270	2.4 GPM Diaphragm /Piston/Cam/Bearing Kit	1
2	5095202	Pump Mount Feet (4 Pack)	1
3	5164274	10 Amp 'Mini Blade' Fuse	1

HIGH-FLO HIGH PERFORMANCE

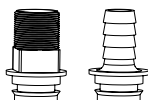


Pump Model: 5281372

Available Replacement Parts

Replacement Pump: 5151088

Includes:



1/2" MNPT Port Kit Fitting #5168832

1/2" Hose Barb Port Kit Fitting #5168833

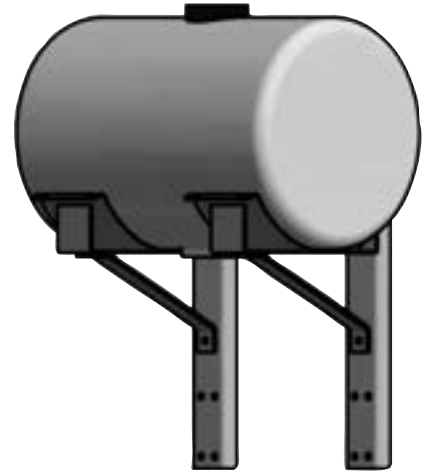
Ref. #	Part #	Description	Qty
1	5151097	4.5 GPM Pump Head	1
1.1	5164271	60 PSI Pressure Switch	1
1.2	5168824	Check Valve w/O-Ring	1
1.3	5051162	Pump Slide Clips (Pkg/2)	1
1.4	5063271	4.5 GPM Diaphragm/Piston/Cam/Bearing Kit	1
2	5075019	Grommets (Pkg/4)	1

PLANTER / TOOL BAR TANK MOUNT ASSEMBLIES



110 or 150 gallon capacity bolts to a 4" x 4" or 7" x 7" bar. Heavy duty channel iron frame, good tool bar clearance, stainless steel tank straps, foam tank pads, 12 gauge saddles.

Specify 4" x 4" or 7" x 7" bar



Part #	Description
2TBTS	(1 set) 2 saddles for one 110 or 150 gallon applicator tank, stainless steel straps, tanks pads, bolts for assembly and attaching. Tank not included.
110APP	110 gallon 30" diameter applicator tank
150APP	150 gallon 32" diameter applicator tank

Planter Tank Mounts - 150 to 500 Gallon

Elliptical or Round Tank Mounts Available.



Case IH 1250 400 Gallon Round Tank



Case IH 1200/1240 * 200 Gallon Side Mount

Call Your Nearest Ag Spray Service Center With Your Planter Model. For A Quote On A Tank Mount Assembly, Call Your Nearest Ag Spray Location. (Brackets Are Built To Order To Match The Planter. Lead Times Can Vary, Plan Accordingly.)

WIPERS

RED WEEDER

With the Red Weeder, you wipe herbicides exactly where you want it. Not in the air, on the soil or on other plants. It's the safe alternative.



- Easier than hand weeding
- Safer than spraying
- No spray drift or over spraying
- Automatic feeding - no valve
- Economical

Part #	Description
RW0012	Red Weeder
RW0190	Replacement Sleeve

PULL-TYPE MODELS



Model #	Kit	Wings
WWW30-P	30 Ft	Yes

* Models available in 10 ft, 15 ft, 20 ft & 40 ft booms.

SUPER SPONGE WEED WIPERS



Model #	Kit	Fits Ag Spray's Boom Part #
WWTCKT5-A	5 Ft	FSBK-5
WWTCKT10-A	10 Ft	FSBK-70
WWTCKT20-A	20 Ft	5302038 or 479-6QJ
WWTCKT30-A	30 Ft	479-10QJ or 2310QJ



SELF-PROPELLED SPRAYER KITS

Model #	Kit
WWTCKT60-SP	60 Ft
WWTCKT90-SP	90 Ft

* Custom models can be made for boom sizes 5-120ft.

ATV/FRONT BUCKET MODELS

Model #	Kit	Wings
WWTCATV5	5 Ft	No
WWTCATV10	10 Ft	No
WWTCATV15	15 Ft	Yes
WWTCATV20	20 Ft	Yes

FRONT BUCKET MODELS

Model #	Kit	Wings
WWTCRC25	25 Ft	Yes

SAFETY ACCESSORIES

FERTILIZER, CHEMICAL & NH3 GLOVES



Part #	Mill/Length	Green Gloves 37-145	Size
GL0106	12"	Fully coated - knit lined	S
GL0109	13 mils / 13"	Embossed / Straight cuff	L
GL0110	13 mils / 13"	Embossed / Straight cuff	2XL

Sol-Vex brand gloves for Fertilizer, Chemical, etc
**** ORDER 12 FOR A FULL PACK ****

Part #	Mill/Length	Green Gloves 37-175	Size
GL0113	15"	Fully coated - knit lined	L
GL0114	15 mils / 13"	Embossed/Flocked/Straight cuff	XL
GL0115	15 mils / 13"	Embossed/Flocked/Straight cuff	2XL

Sol-Vex brand gloves for Fertilizer, Chemical, etc

Part #	Mill/Length	Black Gloves 12-212	Size
GL1016	12"	Fully coated - knit lined	XL

Petroflex brand gloves for use with NH3

SAFETY GLASSES & GOGGLES



Part #	Description
PC1767	Ventless Goggle / Clear Lense

JET RINSE



Jet Rinse is an easy to use way of rinsing chemical containers. The importance of rinsing the chemical container is to permit total usage of the chemical and also the safety factor involved with chemicals left in the container. Many landfills and salvage yards will not accept empty chemical containers that have not been properly rinsed.

Part #	Description
JR77	Jet Rinse

SPOTON® SPRAYER CALIBRATOR

Provides quick and accurate flow rate checking on individual sprayer nozzles. Best for flow rates below 1 GPM.



Part #	Description
23890	Spoton Sprayer Calibrator

CLEANING BRUSH



Part #	Description
CP20016-NY	Cleaning Brush

TYVEK COVERALLS

Dupont's Tyvek® is a nonwoven material made of spunbond polyethylene fiber which offers comfortable protection from a number of particulates.



ORDER
25 FOR A
FULL PACK!

Part #	Description
4100-L	Tyvek L Coverall
4100-XL	Tyvek XL Coverall
4100-XXL	Tyvek XXL Coverall

3M FULL FACEPIECE REUSABLE RESPIRATOR



Part #	Description	Size
3M6800*	6800 Full Facepiece Reusable Respirator	Medium
3M6900*	6900 Full Facepiece Reusable Respirator	Large

*Cartridges Sold Separately, See Below

3M HALF FACEPIECE REUSABLE RESPIRATOR



Part #	Description	Size
3M6200*	6200 Half Facepiece Reusable Respirator	Medium
3M6300*	6300 Half Facepiece Reusable Respirator	Large

*Cartridges Sold Separately, See Below

3M CARTRIDGES FOR REUSABLE RESPIRATORS



Part #	Description	Size
3M6001	6001 Organic Vapor Cartridge (2 pack)	Medium
3M6004	6004 Ammonia Methylamine Cartridge (2 pack)	Large

APPLICATORS & SPRAYERS
 DRY MATERIAL HANDLING
 TRAILERS
 TANKS & ACCESSORIES
 PUMPS
 VALVES & FITTINGS
 STRAINERS & HOSE
 PLANTER EQUIPMENT
 SPRAYER CONTROLS & GUIDANCE
 NOZZLES, TIPS & SPRAY GUNS
 NH3 PRODUCTS
 TECHNICAL INFORMATION
 INDEX

SAFETY DECALS

Part #	Description
48505R	2" Curved Anhydrous Ammonia Red Letters On White



Part #	Description
48235R	4" Curved Anhydrous Ammonia Red Letters On White



Part #	Description
DEC-CC	4" Curved Anhydrous Ammonia Green Letters On White



Part #	Description
48245R	6" Caution Ammonia Red Letters On White



Part #	Description
48245G	6" Caution Ammonia Green Letters On White



ANHYDROUS AMMONIA

ANHYDROUS AMMONIA

Part #	Description
48215R	2" Anhydrous Ammonia Red Letters On White

Part #	Description
48215G	2" Anhydrous Ammonia Green Letters On White

ANHYDROUS AMMONIA

ANHYDROUS AMMONIA

Part #	Description
48225R	4" Anhydrous Ammonia Red Letters On White 2 Required Per Trailer

Part #	Description
DEC-AA	4" Anhydrous Ammonia Green Letters On White 2 Required Per Trailer

Part #	Description
SAF0243	6" Curved Caution Ammonia Red Letters On White 2 Required Per Trailer

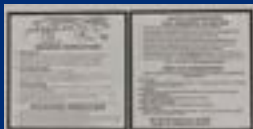


INHALATION HAZARD DECALS

INHALATION HAZARD

Part #	Description
4885	2" Inhalation Hazard Green Letters On White

Part #	Description
DEC-FSD	Transfer Instructions



FLAMMABLE/ NONFLAMMABLE DECALS

Part #	Description
DEC-1005	Placard 1005/2 Diamond 4 required per trailer



Part #	Description
DEC-NFG	Placard, Non-Flammable Gas Diamond



MISCELLANEOUS DECALS

Part #	Description
DEC-3PC	Caution/First Aid (3) Pieces Red On White 1 required per trailer



Part #	Description
48045	Liquid-Vapor-Relief Red On White



Part #	Description
DEC-SMV	SMV-13 5" Triangle



Part #	Description
1445	First Aid Water



Part #	Description
1465	Wear Your Goggles



Part #	Description
1475	Maximum Pulling Speed (Reverse For Window)



** FOR COMPLETE NH3 TANK DECAL KITS, SEE PAGE 354 **

WIND METERS & MISC ITEMS

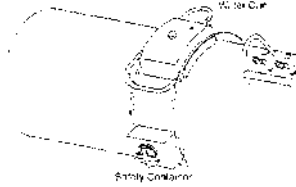
9 GALLON FRESH WATER SAFETY TANK



Part #
6000-30

Description
9 gallon fresh water tank

WATER CAN & SAFETY CONTAINER



Galvanized Bands - Rust Resistant

Part #
000008

Description
Water Can

000022
Safety Container

CHEMWASH EMERGENCY WASH KIT



Part #
5300774

Description
6.75 gallon Chemwash Unit
Comes standard with mounting bracket

CALIBRATION JUGS



- Made From Food Grade Polypropylene
- Raised Graduations
- Both US Oz. & Metric

Part #	Description
PM80008	8oz
PM80016	16oz
PM80032	32oz/ 1LT
PM80064	64oz/ 2LT
PM80128	128oz/ 4LT

KESTREL 1000



- Small enough to fit in your pocket
- Large crystal display which offers 3 modes: Wind speed, Average Wind Speed & Maximum Wind Speed

Part #
KESTREL1000

Description
Kestrel 1000 Wind Meter

- Precision ultralight impeller mounted in jewel bearings
- Waterproof and floats
- One year guarantee

KESTREL 2000



Part #
KESTREL2000

Description
Kestrel 2000 Wind Meter

- Temperature Sensor
- Waterproof to IP67 standards
- Backlight
- Data hold function
- User replaceable impeller
- Reliable, portable and easy to use
- Assembled in the USA
- 5 year warranty

KESTREL 3000



Part #
KESTREL3000

Description
Kestrel 3000 Wind Meter

- ONLY hand-held instrument for measuring: Wind Speed, Temp, Wind Chill, Relative Humidity, Heat Stress Index and Dew Point Temperature
- Pocket sized & easy to use
- Impeller & protective housing pop out without tools for easy and inexpensive replacement

5 GALLON CALIBRATION JUG



Part #
CALIBRATION

Description
5 gallon calibration jug

APPLICATORS & SPRAYERS
DRY MATERIAL HANDLING
TRAILERS
TANKS & ACCESSORIES
PUMPS
VALVES & FITTINGS
STRAINERS & HOSE
PLANTER EQUIPMENT
SPRAYER CONTROLS & GUIDANCE
NOZZLES, TIPS & SPRAY GUNS
NH3 PRODUCTS
TECHNICAL INFORMATION
INDEX

FOAM MARKER

FOAM MARKER



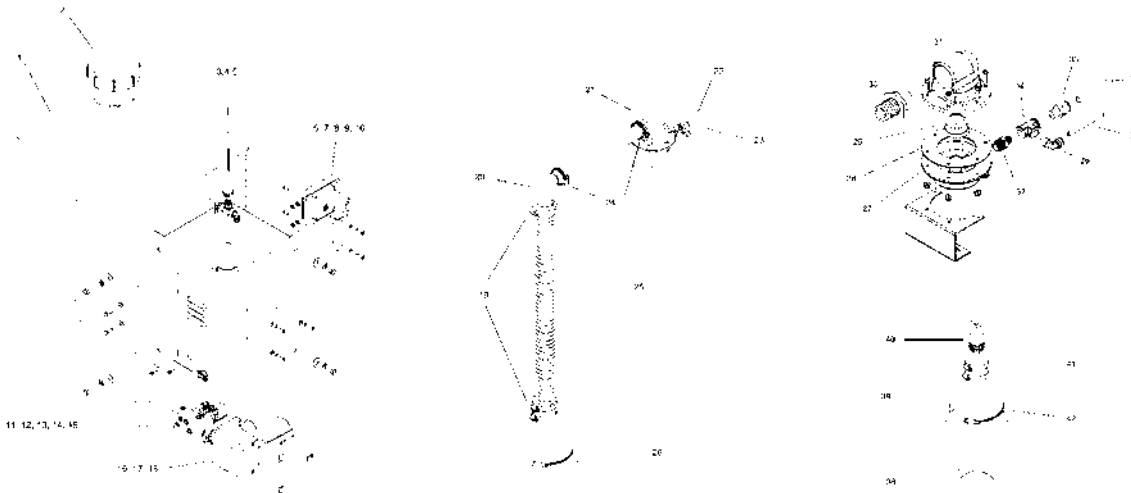
- *Designed and includes components for up to 90' boom*
- *Use with field speeds up to 12 MPH*

INCLUDES:

- 20 gallon power unit/tank assembly (10' cable)
- Switch box with pwr controls (10' cable)
- Remote mount foamheads (with two 10' hoses)
- Foamhead mounting hardware
- Drop hoses
- Collector deflectors
- Foam streamers
- 150' tubing lengths (1/4 & 3/8)

Part #	Description
RSITR-2200-KIT	20 Gallon Foam Marker

RSITR-2200 REPAIR PARTS LIST



Ref.#	Part #	Description
1.....	E-1985	Tank Only
2.....	E-1705	Tank Cap
3.....	E-0250	Flow Control Valve Only
4.....	E-0395	1/4m x 1/4t Elbow (QC)
5.....	E-0075	1/4 Street Elbow
6.....	E-1357	Liquid Pump Only
7.....	E1765	Liquid Pump Tubing (18")
8.....	E-0023	1/4m x 1/4hb Elbow
9.....	E-1348	1/4 stem x 1/4hb
10.....	E-1347	Speed Clamp
11.....	E-1722	Control Module Assembly
12.....	E-1707	3-Way Actuator
13.....	E-0969	1/8m x 1/4t Elbow(QC)
14.....	E-1728	1/4 Stem x 1/4t Elbow (QC)
15.....	E-1721	Control Module Block Only
16.....	E-0024	Diaphragm Compressor
17.....	E-0050	Compressor Filter
18.....	E-0707	1/8m x 1/4hb Elbow
19.....	E-0042	#28 Hose Clamp
20.....	E-0012	Boom End Elbow
21.....	E-1112	Remote Foamhead Complete

Ref.#	Part #	Description
22.....	E-0310	3/8 Tubing (per ft)
23.....	E-0286	1/4 Tubing (per ft)
24.....	E-0059	#20 Hose Clamp
25.....	E-0013	1 1/2" Drop Hose
26.....	CD-150-NO	Color Deflector (Orange)
27.....	E-1068	Base Housing
28.....	E-1066	Gasket
29.....	E-1067	3/8 f Screen
30.....	E-1167	Homogenizer Nipple
31.....	E-1065	Top Housing
32.....	E-0400	1/4f Tee (Brass)
33.....	E-0699	1/4m x 3/8t Straight (QC)
34.....	E-0310	3/8 Tubing (per ft)
35.....	E-0286	1/4 Tubing (per ft)
36.....	E-0395	1/4m x 1/4t Elbow (QC)
37.....	E-1694	3/8m x 1/4m Reducer
38.....	CH-0048	Collector Cartridge- White
39.....	CD-SNO	Deflector Shell
40.....	E-0047	1 1/2" Collector Insert
41.....	E-0042	#28 Clamp
42.....	E-0045	#80 Clamp

FOAM MARKER HOSE

Part # **Description**
EVA12 100 ft. Roll Standard Series

Part # **Description**
PVC34 100 ft. Roll, High Output Series

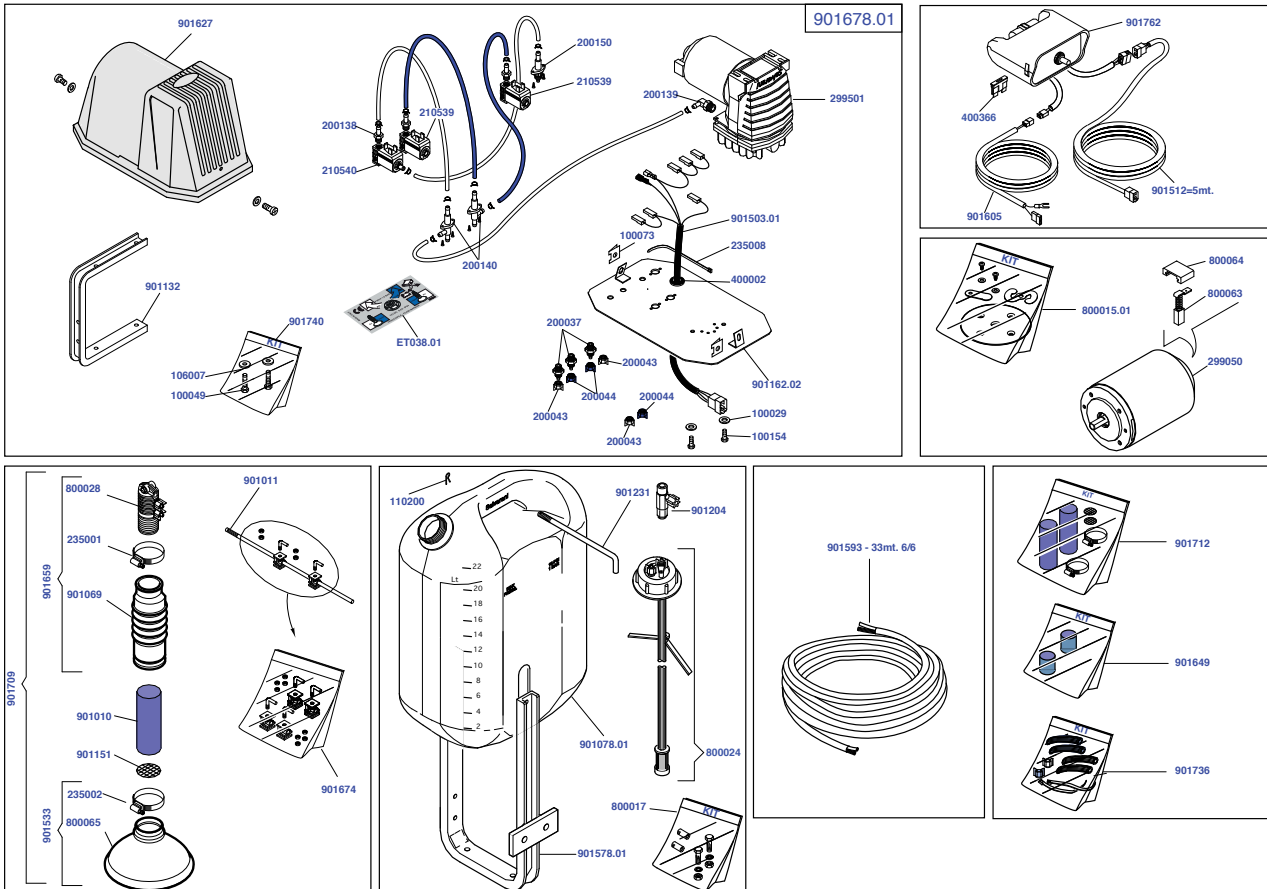
FOAM MARKER KIT

- Maximum foam volume
- 6 gallon tank capacity
- Fits farm sprayer booms up to 80 feet
- Fast electric side switching with in-cab control
- Adjustable foam control valve
- Environmentally friendly-uses less foam concentrate (2%-3%)
- Electro-pneumatic operated
- Makes 161 gallons of foam



Part # **Description**
5303182 Complete Foam Marker Kit

6 GALLON FOAM MARKER KIT PARTS LIST



FOAM AND TANK CLEANING ACCESSORIES



SCHABEN'S SUPER FOAM

Long lasting foam. Holds up to hard water, high winds and high temperatures. 160 to 1 concentrate

Part #	Description
SUPERFOAM1	1 Gallon
SHP-SUPERFOAM4-KIT	4-1 Gallon



SUPER SIGNAL BLUE

Super concentrated, blue spray pattern indicator formulated to provide visual evidence of where a spray application has been made Broadcast: 16 to 32 oz/100 gallons Handheld: 1 to 2 oz/3 gallons

Part #	Description
SUPERSIGNALBLUE/QT	1 Quart
SUPERSIGNALBLUE/2.5	2.5 Gallons



GUNDOWN

- Foam destroyer
- Used as an antifoam or general de-foamer by adding it to a chemical solution

Part #	Description
GUNDOWNMAX	1 Quart



ERASE

Spray System Cleaner

Erase emulsifies oily residues in sprayer lines and hoses while elevating rinsate pH to degrade vulnerable plant protection products

Part #	Description
ERASE/QT	Erase 1 Quart
ERASE/GAL	Erase 1 Gallon

PRO-SERIES FOAM MARKER

- 17 gallon tank
- Designed and includes components for up to 60' boom
- Use with field speeds up to 12 MPH
- Foam heads that mix air with foam at the boom end for "longer" lasting foam

Part #	Description
RSI-TRD-17	17 Gallon Foam Marker



TANK NEUTRALIZER

Reduces corrosion in tanks and pumps

Part #	Description
5173029	Tank Neutralizer 32 oz / 12 per case



ATV FOAM MARKER

Turf care professional, sprayer up to 15' wide, speeds up to 6 MPH, dual tanks (60 oz each), high output long life dual air pumps integrated with remote mounted switchbox, up to one hour run time, 12 volt vehicle battery powered. Simple hand tools required for mounting.



Part #	Description
TT4401	ATV foam marker

FOAM COLORANTS

Colorants will make your foam stand out in the field like you've never seen before! Pour it in your foamer along with your foam concentrate. It leaves a bright colored mark long after the foam is gone. Mix Rate = 2 oz to 10 gallons.

Part #	Description
TRACERPINK	Pink (32 oz)

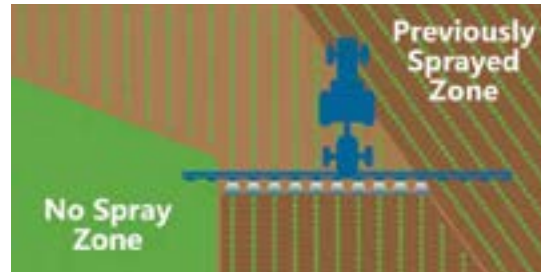


AUTOMATIC BOOM SECTION CONTROL

RAVEN ACCUBOOM™

Benefits & Features

- Automatic on-off control for up to 10 sections
- Eliminate costly skips and overlaps
- Adjustable look ahead function lets you adjust settings easily for the overlap you choose
- Speed compensation function accounts for how fast you are driving and ensures properly timed shut-off



Part #	Description
117-1004-039	Serial Cable for SCS440, 450, 460, 660 CONSOLE
063-0172-316	ACCUBOOM control NODE

OPTIONS

117-1004-039	Serial Cable for SCS440, 450, 460, 660 Console
117-0171-284*	ACCUBOOM control Node with Wireless Remote Control

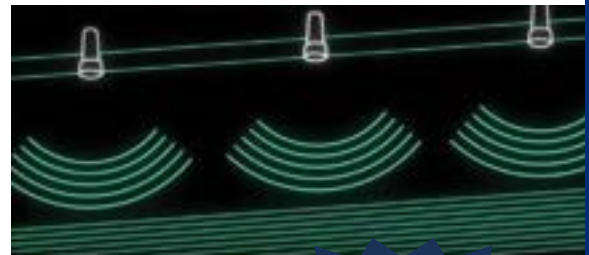
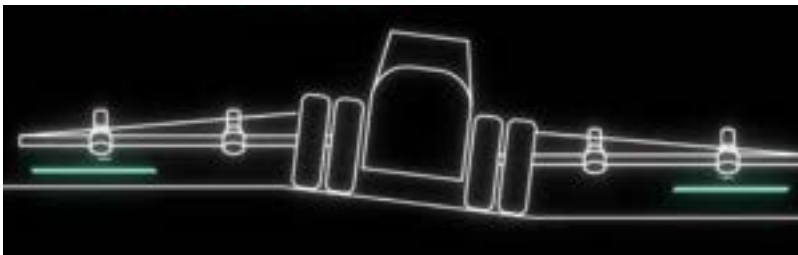
With a wireless receiver and remote control option, you can check each section by yourself outside the cab.

CALL FOR A QUOTE ON A SYSTEM TO RETRO-FIT YOUR SPRAYER

AUTOMATIC BOOM HEIGHT CONTROL

The AutoBoom automatic boom height control system offers faster operating speeds, simple calibration and user-friendly controls. Its unique hydraulic-powered design delivers a smooth and responsive height-adjusting system. ISO Only.

RAVEN AUTOBOOM®



Part #	Description
5276348	AUTOBOOM Ultra Glide Ultrasonic Boom Height Control for Ag Spray/Schaben. ISO Only.

CALL FOR PRICING

CALL FOR A QUOTE ON A SYSTEM TO RETRO-FIT YOUR SPRAYER

SMARTRAX MD

SmarTrax MD™ is a steering system that uses a mechanical drive unit (MDU) attached to the steering wheel. This greatly simplifies the installation of an assisted steering system. It also allows the owner to easily move the steering system between different machines. The kits contain the control node, MDU, mounting hardware and cables necessary to connect to the Viper Pro™, Envizio Pro™, or Cruiser™. Additional CAN cabling and terminators may be necessary depending on system configuration.



FEATURES:

- Faster operating speeds
- 2x more torque
- Improved line acquire
- Simple to install and move between machines
- 3D terrain compensation
- Quiet operation

Part #	Description
117-5030-020	GEN II SmarTrax MD™ Kit with 3D for Envizio Pro (II)™ / Cruiser II™

RAVEN

FIELD COMPUTER

RAVEN CR7

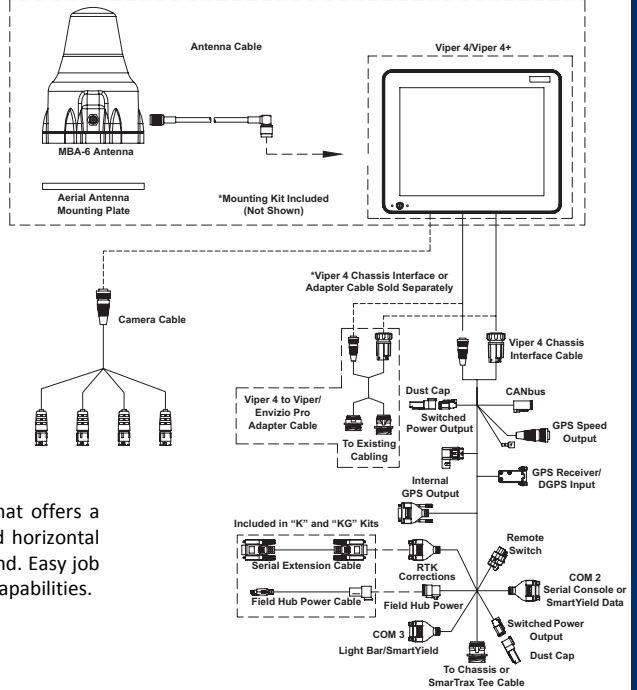


- Multiple language support and customizable units
- Simplified, customizable widget layout
- Ability to access settings page from inside a job
- Map-based navigation
- Auto field boundaries keep you organized automatically
- Interactive field/job list and map view
- Slingshot-ready for file transfer, remote support, and OTA software updates
- Compatible with Raven AccuBoom, serial SCS consoles, and external lightbar support
- ISO Universal Terminal and Task Controller functionality via unlock
- Straight A-B, A plus heading, pivot, contour, and last pass guidance
- Compatible with autosteer products including SmarTrax/SmarTrax MD
- Sub-meter single frequency GPS and GLONASS (optional external)
- Scalable GPS (optional external)



Part #	Description
117-2295-001	MAPPING AND GUIDANCE ONLY SCS CONSOLE ACCUBOOM
117-2295-001UN	UNIVERSAL TERMINAL
117-2295-001TN	SINGLE PRODUCT CONTROL (RCM)
117-2295-001TS	SINGLE PRODUCT (VRA)
117-2295-001TC	MULTI PRODUCT (VRA)

RAVEN VIPER 4+



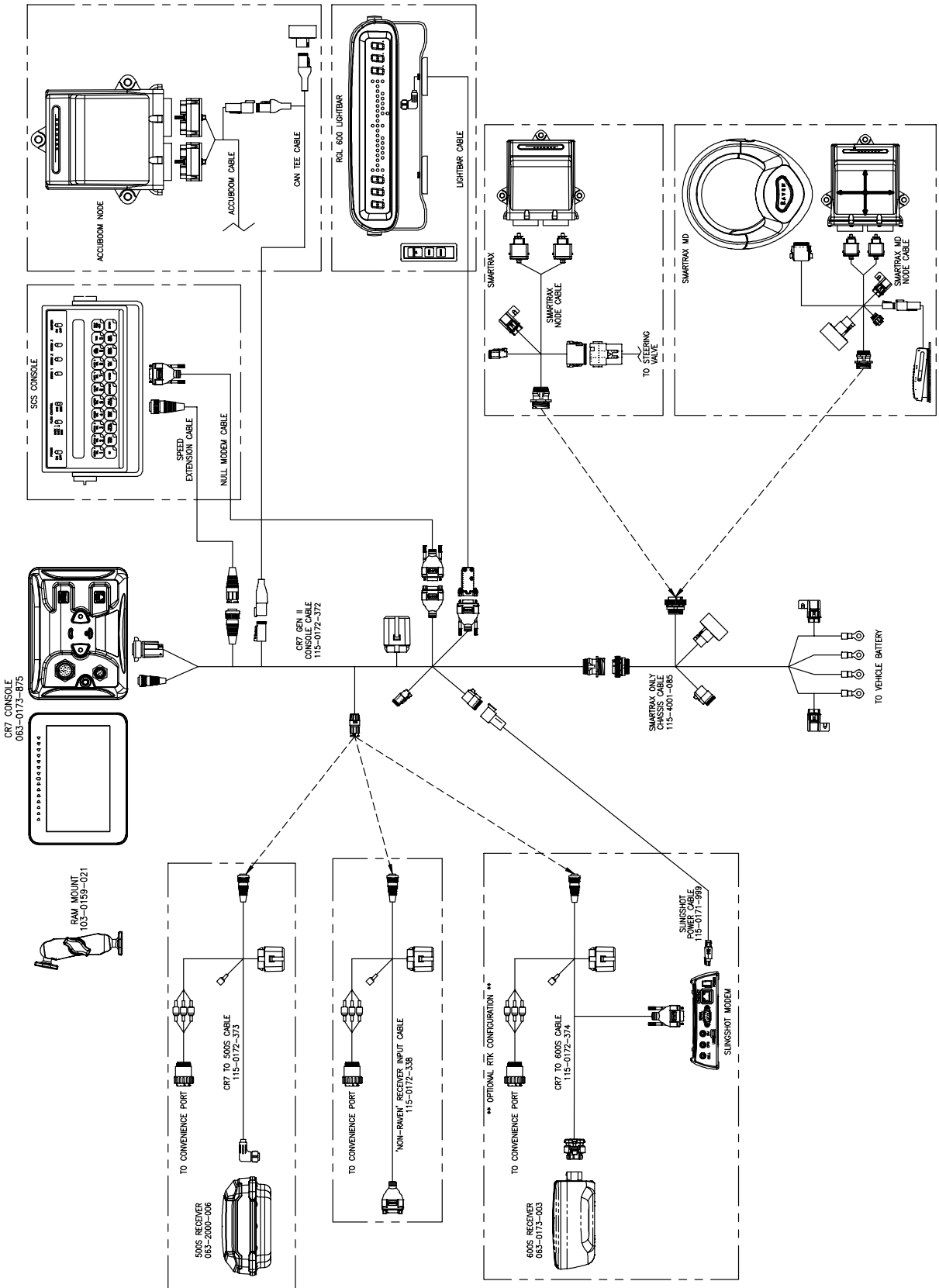
Viper® 4+ integrates with Raven's full line of products into one networked platform that offers a capacitive touchscreen and an intuitive, tablet-style interface with swiping features and horizontal or vertical orientation. It's colorblind which means it works with equipment of every brand. Easy job set-up, fewer touches, and greater efficiency allow for extraordinary data management capabilities.

Part #	Description
117-5010-010B	Viper 4+ Without GPS
CABLES	
115-0172-025	Cable, Viper 4+ Chassis Interface
SOFTWARE	
077-0180-100	Viper 4+ Single Product Variable Rate Key
077-0180-102	Viper 4+ Multi-Product Variable Rate Key
117-5010-010BM	V4 Kit W/Single and Multi-VRA Unlocks

CR7 FIELD COMPUTER DIAGRAM

CR7 EXPANSION TO SCS CONSOLE AND ACCUBOOM

CR7 - SMARTRAX/ACCUBOOM ONLY - GEN II



INDEX	TECHNICAL INFORMATION	NH3 PRODUCTS	NOZZLES, TIPS & SPRAY GUNS	SPRAYER CONTROLS & GUIDANCE	PLANTER EQUIPMENT	STRAINERS & HOSE	VALVES & FITTINGS	PUMPS	TANKS & ACCESSORIES	TRAILERS	DRY MATERIAL HANDLING	APPLICATORS & SPRAYERS
-------	-----------------------	--------------	----------------------------	-----------------------------	-------------------	------------------	-------------------	-------	---------------------	----------	-----------------------	------------------------

AUTOMATED CONTROLS

RS1™

RAVEN



The RS1™ combines autosteer, GPS, and Slingshot® into one intuitive, easy-to-use unit. Incredible accuracy at both high and low speeds with quick line acquire improves efficiency and gives you the power to cover more acres in a day. Best-in-class diagnostics gather machine performance data while you work, alerting Raven of issues and connecting you to support as you need it. The unit is designed with a simple set up and integrated help guides, enhanced further by Slingshot - providing remote support, file transfer, OTA software updates and fleet management and logistics.

CALL FOR A QUOTE ON A SYSTEM CUSTOMIZED TO FIT YOUR MACHINE AND APPLICATION NEEDS.

RCM (RATE CONTROL MODULE)

RAVEN

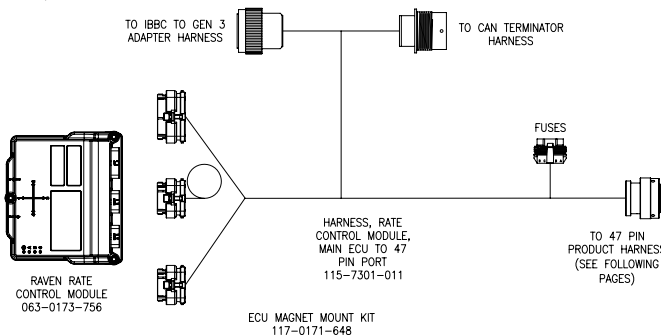


Benefits & Features

- Liquid Applications NH3 product control
- Liquid single product control
- Section control up to 16 sections
- Control of up to four Direct Injection ICD pumps
- Tank fill monitoring
- Dry Applications Spreader and air cart profile
- Control of up to four product applications
- Section control up to 16 sections (planter section control)
- Bin chaining
- Spinner RPM control
- ISOBUS compliant CAN channel + three available CAN subnets
Compatible with ISOBUS Virtual Terminal and Task Controllers
- Built-in inertial sensors (3-axis gyroscope and accelerometer)
- Diagnostic tri-color LED indicators reflecting power, system, and connectivity status
- Certified worldwide with regulatory marks for CE, RCM, IC, FCC, E-Mark, CNC Mark, ANATEL, ICASA, Ukr-sepro, and SRRC
- Multi-lingual support: English, French, Russian, Spanish, Portuguese
- IP 67 environmental rating for the harshest of environmental conditions
- Integrated magnet mount option to easily attach and detach with any metal frame
- Support for diagnostics to monitor supply voltages, current draw, input short/open load detection, output driver current/temperature, and ECU Self-Test
- Dynamically configure run screen based on operator preferences to show most relevant data during operation

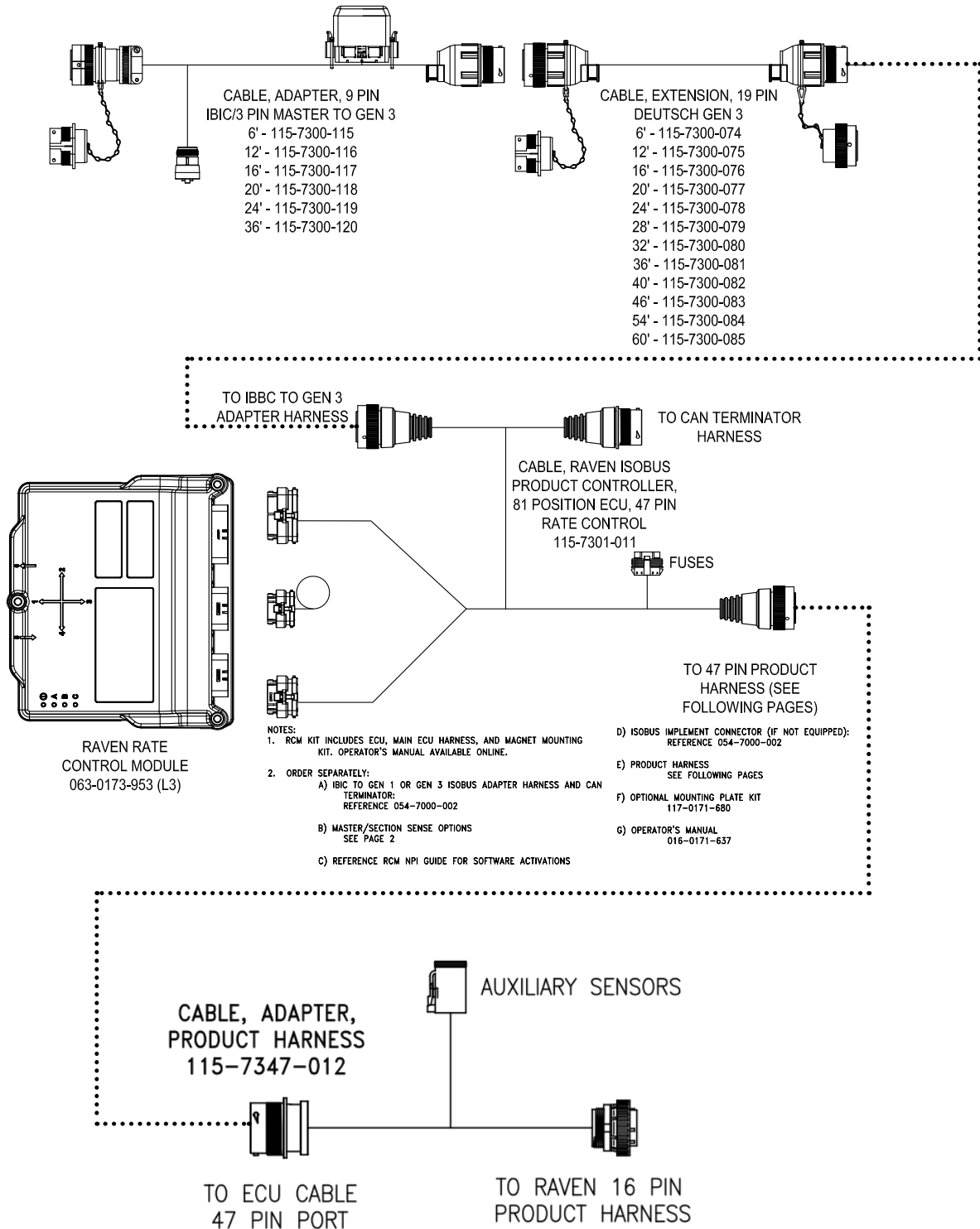
The Raven Rate Control Module (RCM) is the next generation in precision application rate control that meets and exceeds these demands. It uses Raven's innovative control algorithms to make it the most precise application controller on the market today. The RCM fits a variety of applications—up to five product liquid and granular control, NH3 (including AccuFlow™ HP+), air cart and generic applicators. Sixteen-section control eliminates expensive skips and overlaps for all phases of your operation, from spraying to NH3, and fertilizer application to planting.

RATE CONTROL MODULE
KIT P/N 117-7100-003



Part #	Description
117-7100-003	Rate Control Module Kit (RCM)
117-7100-002	Single Product Rate Control Module Kit (RCM)

AUTOMATED CONTROLS DIAGRAM



Kit #	Description
117-7100-001	(Level 0) GPA ONLY
117-7100-002	(Level 1) Automatic Rate Control with Section Control (Full Unlock)
117-7100-003	(Level 2) Automatic Rate Control with Section Control (Multi Product)
117-7100-004	(Level 3) Automatic Rate Control with Section Control (Multi Product)

APPLICATORS & SPRAYERS
 DRY MATERIAL HANDLING
 TRAILERS
 TANKS & ACCESSORIES
 PUMPS
 VALVES & FITTINGS
 STRAINERS & HOSE
 PLANTER EQUIPMENT
 SPRAYER CONTROLS & GUIDANCE
 NOZZLES, TIPS & SPRAY GUNS
 NH3 PRODUCTS
 TECHNICAL INFORMATION
 INDEX

SPRAYING EQUIPMENT

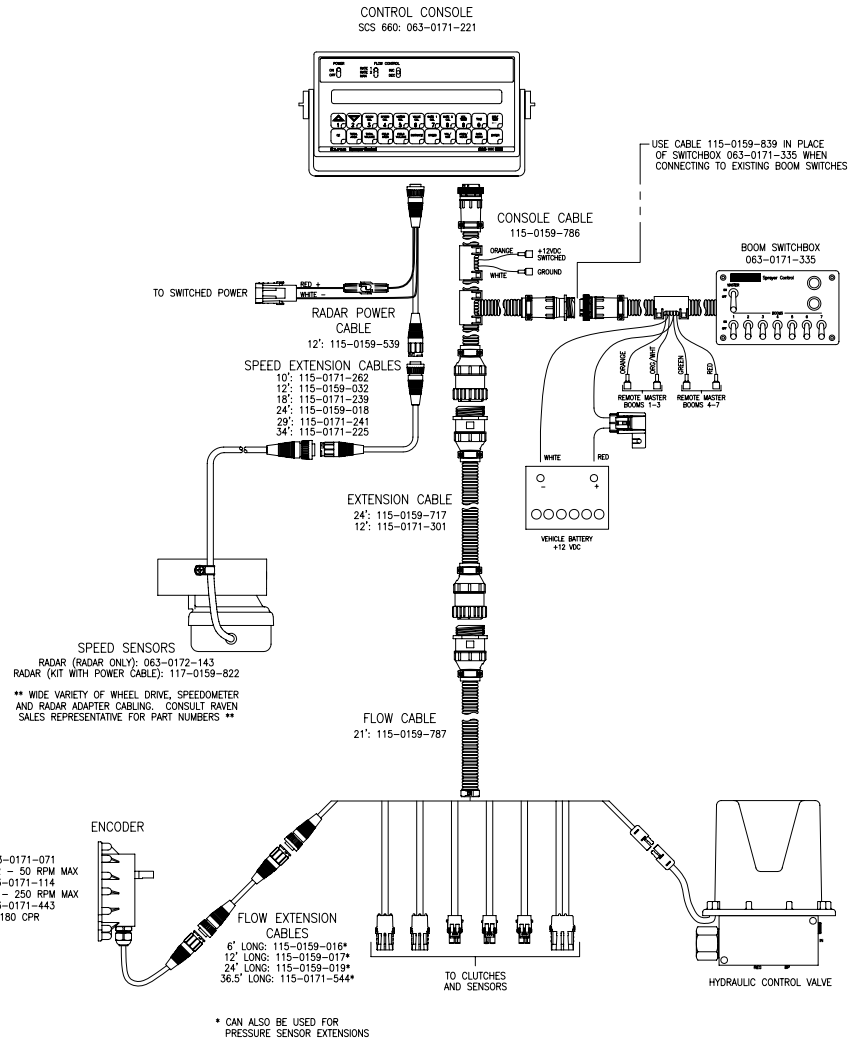
660M GRANULAR CONTROL SYSTEM



Raven SCS 660M is designed to provide uniformity of granular applications, regardless of the vehicle's speed.

Utilizing a computer-based console, a speed sensor, an encoder, and a hydraulic control valve, the SCS 660M also functions as an area monitor, speed monitor, and volume totalizer.

SCS 660 GRANULAR CONTROL SYSTEM WITH SWITCHBOX



GRANULAR CONTROL

Part #	Description
063-0172-542	660 Console w/Master Switch
115-0159-707	Cable, 3' 660 Console Cable
115-0171-301	Cable, 12' Extension Cable
115-0159-717	Cable, 24' Extension Cable
115-0159-787	Cable, 21' Flow Cable
063-0171-071	Encoder, 180CPR - 50RPM Max
063-0171-114	Encoder, 36 CPR - 250RPM Max
117-6100-002	37 Pin ISO Product Kit Liquid/Granular w/ Foot Switch
115-0171-319	12' 37 Pin ISO Extension Cable
117-6100-003	22 Pin ISO Product Kit Liquid/Granular w/ Foot Switch
115-0171-974	12' 22 Pin ISO Extension Cable
115-7347-008	Cable Adapter 47 Pin JD To 37 Raven ISO
115-0171-864	Cable Adapter 37 Pin Raven To 22 Pin Raven ISO

SIDEKICK PRO



It's the direct injection system that sets a new standard for chemical applications of every type, with unprecedented precision, savings and safety. No tank mixing required — and with the industry's first remote and closed calibration and prime feature, you're ready to go in minutes.

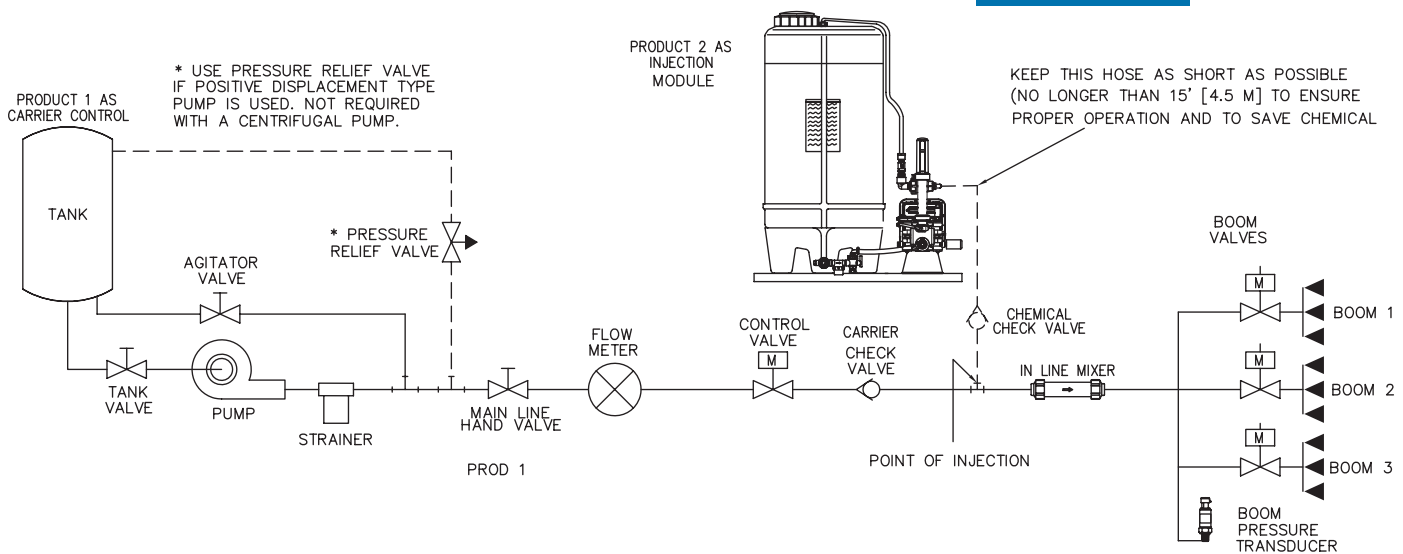


SIDEKICK PRO FEATURES:

- Up to 4 units on 1 machine, easy switching between fields and applications
- Powerful positive displacement pump which injects on the pressure side, closer to the boom, for faster response time
- Low volume capacity of 1-40 oz/minute
- High volume capacity range of 5-200 oz/minute
- Reduced chemical exposure means additional safety for operator
- Adjust chemical concentration on the fly rather than spraying more or less of the entire mix
- ISO compatible pump
- High resolution encoder that provides smoother pump control and exceptional lock on target rate technology
- Remote closed-system calibration, eliminating the need for calibration catch tests and exposure to chemicals
- Automatic priming feature
- Real-time diagnostics

Example Sidekick Pro Injection System

RAVEN



Part #	Description	Cost
063-0173-201	Sidekick Pro Kit, Injection Pump, 1-40 oz/min	Call For Pricing
063-0173-200	Sidekick Pro Kit, Injection Pump, 5-200 oz/min	Call For Pricing
063-0173-212	Sidekick Pro Kit, Injection Pump w/ tank, 1-40 oz/min	Call For Pricing
063-0173-213	Sidekick Pro Kit, Injection Pump w/ tank, 5-200 oz/min	Call For Pricing

INJECTION CHECK VALVES

Part #	Description
333-0011-078	3/8" Stainless Steel Check Valve, 5PSI, Teflon Ball
333-0011-102	1/2" Stainless Steel Check Valve, 12 PSI (Use w/ NH3 & N-Serve)
333-0011-090	1" Check Valve, 14 GPM, Carrier
333-0011-091	1 1/4" Check Valve, 22 GPM, Carrier
333-0011-093	2" Check Valve, 70 GPM, Carrier

IN-LINE MIXERS

Part #	Description
063-0173-770	1 1/2" In-Line Mixer w/ Injection port
063-0159-632	1 1/4" Poly In-Line Mixer
063-0171-300	2" Poly In-Line Mixer
063-0171-303	1" Poly In-Line Mixer
063-0173-699	4" Stainless Steel Mixer, Assy w/back check & Injection Ports, Flange
063-0173-698	3" Stainless Steel Mixer, Assy w/back check & Injection Ports, Flange
063-0173-432	1" NPT Mixer Assembly, Low Flow

SPRAYING EQUIPMENT

SCS450-KIT OPTIONS

Set your application rate and the SCS450 automatically maintains that rate throughout the entire spray job. The SCS450AO can be programmed to automatically control the following application rates regardless of vehicle speed or terrain: Volume per acre, Volume per hectare, Volume per thousand square feet. Raven 450 has the ability to handle up to 6 boom sections.

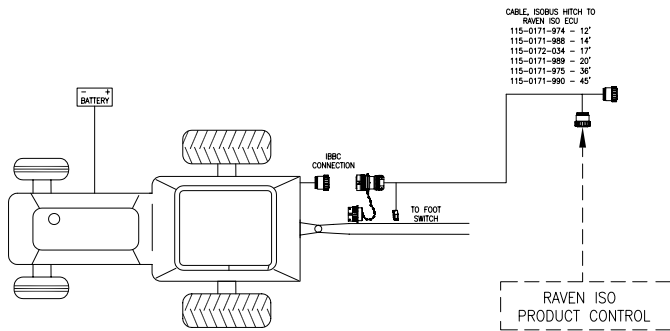
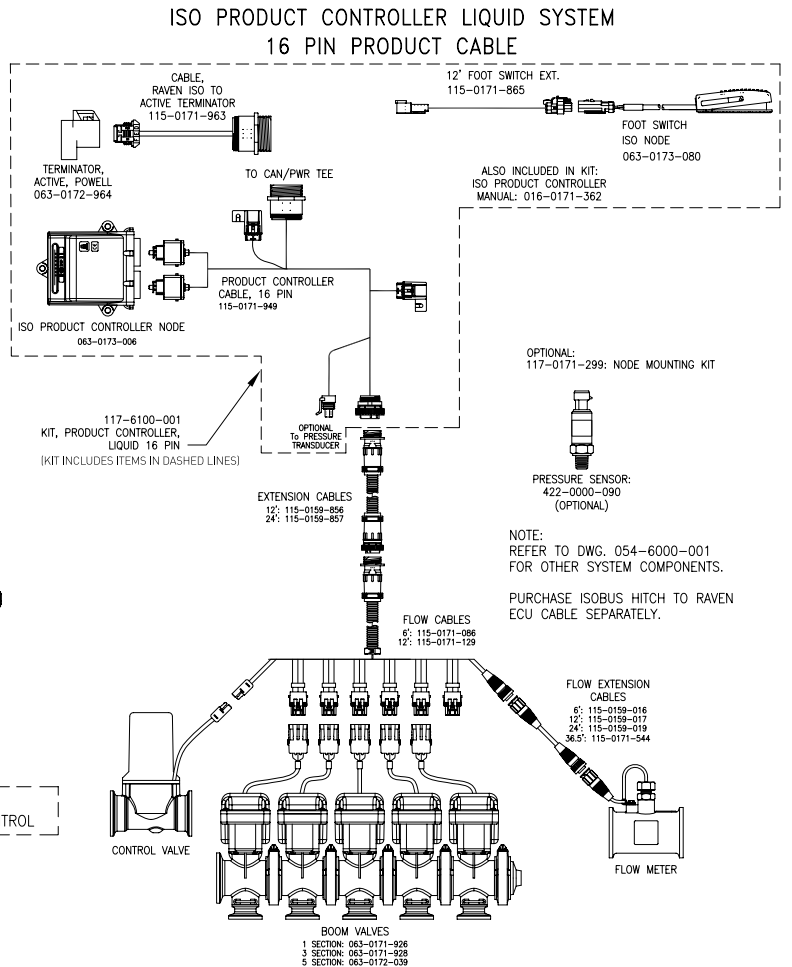


Part #	Description
SHP-SCS450AO-1P60-KIT	450AO Console, 10' Console Cable, 12' Flow Cable, 1" Poly Control Valve, RFM60 Flow Meter, Less Speed Sensor
SHP-SCS450-112P-60P-KIT	450 Console, 10' Console Cable, 12' Flow Cable, 1 1/2" Control Valve, RFM60P Flow Meter, Less Speed Sensor

RAVEN ISO PRODUCT CONTROL SYSTEM

Utilize the Virtual Terminal (VT) in your tractor to control application. Mount the flow control and flow sensor on the implement and plug into your tractors ISOBUS Data Port and Go.

Contact your nearest Ag Spray Service Center for a customized system to meet all your application needs.



ISO PRODUCT CONTROL

Part #	Description
117-6100-001	Single Product Liquid Control Kit, 16 Pin (Kit includes items in dashed lines) (Kit Includes: ISO Liquid Control Node, Product Controller Cable-16 Pin, Terminator, Foot Switch) (Purchase ISOBUS Hitch to Raven ECU Cable Separately.)
115-0171-974	12' Isobus Hitch To Raven ECU Cable

ISO ADAPTER CABLE (TIE INTO EXISTING JD TRACTOR ISO PRODUCT CONTROL)

Part #	Description
AE3170	37 pin to 16 pin Raven flow control adapter cable



CABLES, EXTENSIONS & CONSOLES

Part #	Description
SCS450AO-747	Console only / 6 boom
115-0171-085	10' Console cable
RAV-418	10' Console cable (old style square)
115-0159-856	12' Flow Extension Cable, 16 pin-Raven 440/450/460
115-0171-129	12' Flow Cable, 16 pin Round, 6 Section, Weather Pack
115-0171-085-PWM	10' Console Cable with Boost Box for PWM
PWM-CONTROL SWITCH	Rheostat Control for PWM Systems
115-0159-857	24' Flow Extension Cable, 16 pin-Raven 440/450/460
RAV-409	12' Flow extension cable (old style square)
RAV-414	24' Flow extension cable (old style square)
115-0171-055	12' Flow Cable, 16 Pin round, 3 section, w/ weather pack ends
115-0159-496	12' Flow Cable, 16 pin round, 6 section /spade ends
RAV-404	6' Secondary cable (old style square)
RAV-405	12' Optional Secondary cable (old style square)
RAV-032	12' Speed extension cable
RAV-018	24' Speed extension cable
01415	GPS Speed w/ Raven Plug
AE3170	37 Pin to 16 Pin Raven Flow Control Adapter Cable



SPRAYING EQUIPMENT

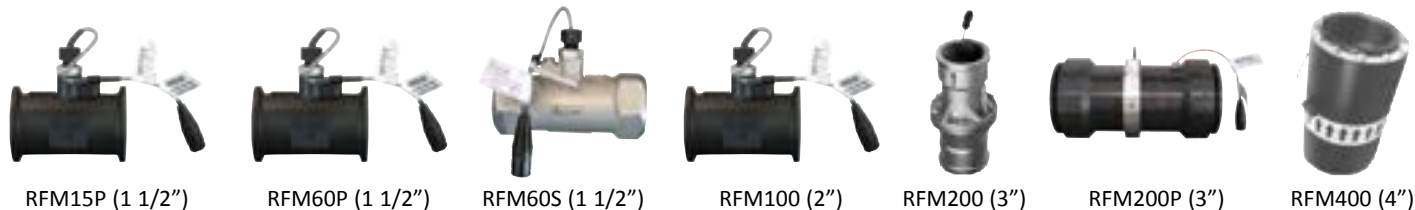
RAVEN REGULATING VALVES

Part #	Description
RAV-120	3/4" Poly Valve
RAV-125	1" Poly Valve
RAV-894	1 1/2" Poly Valve
RAV-557	Regulating Valve
RAV-805	2" SS Valve
RAV-558	1" NH3 on/off w/4-Pin Twistlock
RAV-155	1" Fast Close for NH3
RAV-500	1" NH3 on/off w/4-Pin Twistlock
063-0173-207	Motor Only on/off Valve NH3
063-0173-206	Motor Only Regulating Valve NH3
063-0173-667	1 1/2" Regulating Valve
063-0173-668	1 1/2" On/Off Valve
115-0171-807	NH3 Control Valve Adapter cable New 4-Pin Round to Old 2 pin
115-0171-808	NH3 On/Off Valve Adapter Cable New 4-pin Round to Old 3 spades
333-0002-343	1" To 1 1/4" Adapter
115-0171-151	Console Cable, 12'

Part #	Description
115-0159-016	Extension Cable, 6'
115-0159-017	Extension Cable, 12'
115-0159-019	Extension Cable, 24'
115-0171-151	12' pressure sensor end cable
422-0000-090	Raven Pressure Sensor/Transducer



RAVEN FLOW METERS



Part #	Ports	GPM	PSI	Make	Use With
RFM15	1 1/2" FPT & M200	.3 - 30		Poly	Fertilizers
RFM60P	1 1/2" FPT & M200	1-66	150	Poly	Fertilizers/Chemicals
RFM60S	1 1/2" FPT	1-66		Stainless Steel	NH3
RFM100	2" FPT M220	3 - 100	150	Poly	Fertilizers
RFM200P	3" FPT M300	15 - 200	90	Poly	Acidic Fertilizers
063-0173-869	1 1/2" NH3	-	-	-	NH3

MANIFOLD FLOW METER



- Accuracy is 99% from 2 to 110 GPM for 1".
- Accuracy is 99% from 6 to 300 GPM for 2".
- Accuracy is 99% from 14 to 670 GPM for 3".
- Displays overall total volume & batch total volume!
- Easy to change six (6) AA batteries.
- Flow rate allows for Gallons or Liters Per Minute.
- Measures water and most conductive liquids.
- Magnetic Style meter with Stainless Steel Electrodes
- Self calibrating meter.

Part #	Description	GPM
MFM100	1" Full Port Manifold Flow Meter	110
MFM220	2" Full Port Flanges	300
MFM300	3" Full Port Flanges	670

FLOW MAX 221



IN-LINE 2" DIGITAL METER KIT



- 200 Gallons Per Minute!
- Counts Gallons Per Minute

Part #	Description
FLOWMAX221	2" Digital Meter Kit

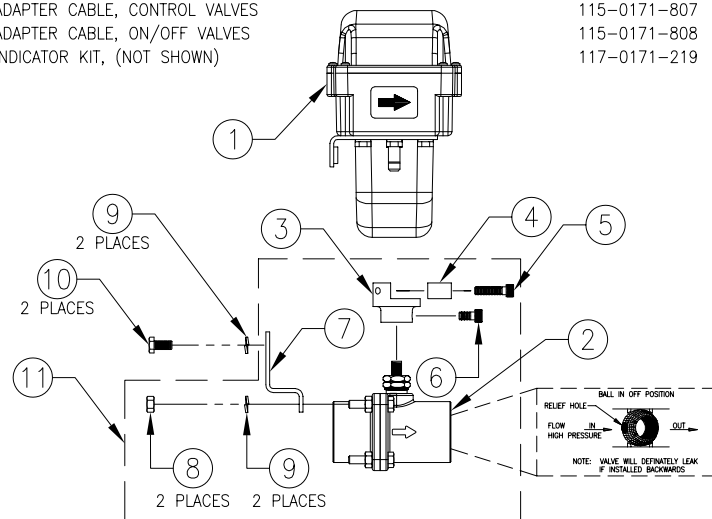
1" BALL VALVE REPLACEMENT PARTS

063-0172-977, CONTROL VALVE, NH3

063-0172-978, ON/OFF VALVE, NH3

063-0172-979, FAST VALVE, NH3

ITEM	DESCRIPTION	RAVEN PART #
1	MOTOR ASSEMBLY, CONTROL VALVE	063-0173-206
	MOTOR ASSEMBLY, ON/OFF VALVE	063-0173-207
	MOTOR ASSEMBLY, FAST VALVE	063-0172-982
2	1" BALL VALVE	063-0173-257
	1 1/4" BALL VALVE	063-0173-209
3	COUPLER	107-0171-393
4	CLAMP, COUPLER	107-0171-394
5	SCREW, CAP, 1/4-20 x 1"	311-0073-068
6	SCREW, CAP, 1/4-20 x 1/2"	311-0073-064
7	BRACKET	107-0171-891
8	NUT, 1/4-20	312-1001-033
9	WASHER, SPLIT LOCK	313-1001-017
10	BOLT, HEX, 1/4-20 x 1/2"	311-0050-201
11	VALVE/BRACKET ASSEMBLY	063-0173-256
11	VALVE, BRACKET ASSEMBLY	063-0173-205
12	SEAL, PACKING KIT (NOT SHOWN)	117-0171-355
*13	ADAPTER CABLE, CONTROL VALVES	115-0171-807
*14	ADAPTER CABLE, ON/OFF VALVES	115-0171-808
15	INDICATOR KIT, (NOT SHOWN)	117-0171-219

RAVEN


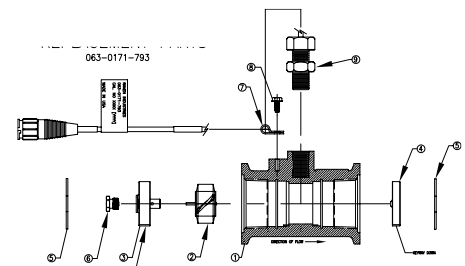
TO ASSEMBLE:

1. RUN MOTOR ASSEMBLY TO FULLY CLOSED POSITION. ALSO MAKE SURE BALL VALVE IS CLOSED.
 2. ASSEMBLE BRACKET TO VALVE.
 3. THREAD COUPLER ON BALL VALVE THE ENTIRE WAY, THEN BACK OFF (NO MORE THAN 1 TURN) UNTIL COUPLER IS IN POSITION ABOVE. TIGHTEN CAP SCREW (ITEM 6).
 4. ASSEMBLE VALVE BRACKET TO MOTOR ASSEMBLY USING ITEMS 9 AND 10.
 5. TIGHTEN THE TWO CAP SCREWS (ITEM 5).
- * ADAPTER CABLES TO BE USED WHEN CONNECTION NEW VALVES P/N 063-0172-977, 063-0172-978, AND 063-0172-979 TO AN OLD HARNESS WITH 'SPADE TYPE' CONNECTORS.

RFM 15P, 60P, 60S & 100P Replacement Flow Meter Sensor

RAVEN


Part #	Description
063-0171-669	Flow Meter Sensor Assembly (Pre 2019)
063-0172-004	Flow Meter Sensor Assembly High Pulse, Current



MICRO-TRAK SYSTEMS EQUIPMENT & PARTS



MICRO-TRAK SYSTEMS, NC

ASTRO GPS SPEED SENSORS



- Boost productivity and efficiency by putting powerful GPS technology to work for you
- Flexible mounting options and compact size make the Astro™ a clear choice; easily transfer it from one vehicle to another
- Rugged design consistently performs in tough field conditions; unaffected by dust, vibration, and changes in crop canopy



Part #	Description
01413	Dickey John
01415	Raven
01417	TeeJet
01410	Astro II - 1 Hz GPS speed sensor
01425	Astro 5 - 5 Hz GPS speed sensor



MICRO-TRAK SYSTEMS, NC

RATE KING PLUS

ADVANCED LIQUID RATE CONTROL

Flexible, powerful, automatic liquid rate control solutions for agriculture, turf, and highway maintenance. Customizable monitoring options and advanced features let you manage your liquid applications with absolute peace-of-mind.



Part #	Description
01883	RateKing Plus 5 section w/ FM750GFN flow meter, 1" servo (less speed sensor)

SAFEGUARD™ BLOCKAGE MONITOR



SafeGuard™ electronically detects blockages and alerts you with an Audible Alarm and a Visual Display of the blocked row's number. Reduce over and under-application, save money, and apply liquid fertilizer with confidence without having to watch flow monitors or outlets.

- Monitors all runs continuously
- Alerts operator regardless of lighting conditions
- Blockage is detected while your attention is on other things
- Same performance Day or Night, Rain or Shine
- System is not affected by cloudy or dark liquids
- Achieve full benefits of liquid fertilizer application knowing all rows are applying



Cartridges:

Nine different cartridge choices accommodate a wide variety of applications and allow monitoring of parital blockages



(Available in other row combinations and also 20" leads. Call for more information.)

Part #	Description
01999	SafeGuard Console Kit w/Amphenol
01994	SafeGuard Liquid Blockage Sensor Kit w/Short Leads-Amphenol (Order 1 Blockage Senor Kit per Row)

CALC-AN-ACRE®



ACCURATE SPEED, AREA AND DISTANCE MEASUREMENT

- Large readout with lighted liquid crystal display and Brite Knob for night use.
- New area per hour and accumulated hour functions to track progress, plan work and schedule maintenance.
- New width reduction function to measure the effective area of active boom sections.



Part #	Description
CALC	Calc-an-acre. Includes Hall effect speed sensor, mounting hardware and weather-proof connectors.

MICRO-TRAK SYSTEMS EQUIPMENT & PARTS

APPLICATORS & SPRAYERS
 DRY MATERIAL HANDLING
 TRAILERS
 TANKS & ACCESSORIES
 PUMPS
 VALVES & FITTINGS
 STRAINERS & HOSE
 PLANTER EQUIPMENT
 SPRAYER CONTROLS & GUIDANCE
 NOZZLES, TIPS & SPRAY GUNS
 NH3 PRODUCTS
 TECHNICAL INFORMATION
 INDEX



SPRAYMATE™ II

SprayMate II is a 3-section auto-matic rate controller for liquid and anhydrous with built-in boom switches on the console. Its all-in-one design makes it a convenient, simple user friendly package at a very economical price.



Part #	Description
01171	SprayMate II w/ FM750 GFN Flowmeter, 1" Servo - Less Speed
01196	SprayMate II w/ EMD & 750 LF Flowmeter

SPRAYMATE II & SPRAYMATE PLUS COMPONENTS

Part #	Description
13096	5' Hall-Effect flow sensor cable w/ threaded sensor
14313	Boom/Servo/Flow Harness
14315	Power Cable
14314	72" Ignition Cable
14316	120" 10-Pin extension cable
21963	Run/Hold Switch Assembly
21779	Power Switch Assembly
18422	Dual Pump Kit System
18420	Dual Pump Kit System

MICRO-TRAK FLOWMETER W/SENSOR



Part #	Description	GPM
01500	FM500 1/2 FPT	.5-5 GPM
01501	FM750 GFN 3/4 FPT	2-40 GPM
01650	FM750 LF GFN 3/4 FPT	.5-12 GPM
01504	FM750 SS 3/4 FPT	2-40 GPM
01505	FM1000 SS 1" FPT	3.5-70 GPM
01515	FM270 2" Flange SS	3.5-70 GPM
01515PA	FM270-P 2" Metro Pack	3.5-70 GPM
01511	FM2000 P 2" FLANGE	19-198 GPM



SPRAYMATE™ PLUS

Compact in size, yet packed with all the powerful rate control and calculating features you've come to expect from Micro-Trak. Built to fit your changing needs with flexible system options like PWM control and three-way section valves.



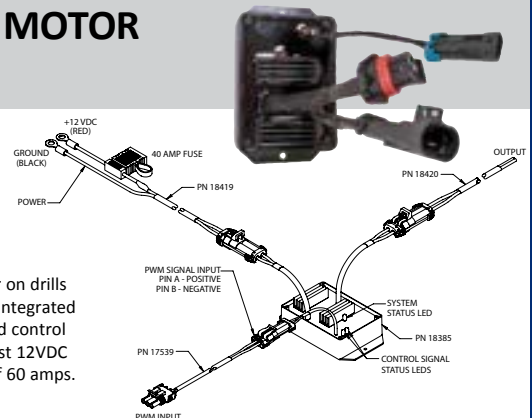
Part #	Description
01866	SprayMate Plus w/ FM750 GFN Flowmeter, 1" Servo - Less Speed

MICRO-TRAK SERVO VALVES

Part #	Description
19093	1" Servo Valve, 150PSI
19094	12VDC 1" FPT (300 PSI)
19096	M200 Flanged or 1.5" FPT, 1" Butterfly, Viton, 150 PSI
19097	M200 Flanged or 1.5" FPT, 1.5" Butterfly, Viton, 150 PSI
18187	1" FPT NH3 Servo Valve

ELECTRIC MOTOR DRIVER

Enables Automatic Rate Controllers to control flow rate by regulating the speed of a 12VDC pump. Ideal for low-rate applications such as liquid starter fertilizer on drills and planters. Can be integrated into most major brand control systems. Controls most 12VDC pumps up to a max of 60 amps.



Part #	Description
01757	EMD 40 amp Electric Pump Drive Kit-Standard control Kit includes: 40 amp EMD STD, 20' power cord, 4' pump cable.
01758	EMD 40 amp Electric Pump Drive Kit-PWM control Kit includes: 40 amp EMD PWM, 20' power cord, 4' pump cable.
MSC30-PWM-C	Electric Motor Driver for Automatic Rate Control, 30 AMP

MT TO RAVEN REPLACEMENTS

Part #	Description
FLANGED TURBINE FLOWMETERS WITH 3 PIN CONXALL/RAVEN:	
01980-P	FM270 LF Kit .5-15 GPM 225 PSI M200 Flanged with 3 pin Conxall (RFM15)
01980-P	FM270 Kit 3.5-70 GPM 225 PSI M200 Flanged with 3 pin Conxall (RFM60P)
01578-P	FM10/100 Kit 10-100 GPM 225 PSI M200 Flanged with 3 pin Conxall \$574.00 (RFM100)
02028	FM1500 Kit 10-130 GPM 500 PSI 1.5" FPT Stainless Steel
02029	FM1500 KIT 3.5-70 GPM 500 PSI 1.5" FPT Stainless Steel
SERVO VALVES WITH RAVEN CONNECTIVITY:	
16129A	Flanged Servo Valve – 1" Butterfly – Raven 2 pin molded (RAV-125)
16130A	Flanged Servo Valve – 1.5" Butterfly – Raven 2 pin molded (RAV-894)
ADAPTORS FOR SERVO/ FLOWMETERS: MICRO TRAK ITEMS USED IN RAVEN HARNESS	
17442B	9" H/E Flow sensor cable with 3 pin Conxall

SPRAYING EQUIPMENT



MATRIX 908



The TeeJet Matrix 908 is an all new field computer with expandable options to appeal to any agricultural application. You can choose between navigation models for guidance use or choose an ISO model that includes application control in addition to guidance. Multiple GNSS accuracy options are available and require no change in hardware to upgrade. The bright 8" display and fully updated menu structure offers intuitive operations and quick setup.

GNSS SOLUTION TYPE	PASS-TO-PASS ACCURACY*
SBAS (L1)	8" (20 CM)
TERRASTAR-L (L2+TSL)	6" (15 CM)
TERRASTAR-C PRO (L2+TSC)	0.8" (2 CM)

Note: A. Horizontal pass-to-pass accuracy is based on a 15-minute time period, 95 percent confidence level, and clear view of sky.

Part #	Description
90-10006-ENUS	Kit, M908 NAV-L1-GLO-ENUS
90-10007-ENUS	Kit, M908 NAV-L2+TSL-GLO-ENUS
90-10008-ENUS	Kit, M908 NAV-L2+TSC-GLO-ENUS



TEEJET MATRIX 430

- Versatile GNSS guidance in a compact, portable package
- High-contrast full-color, 4.3" x 110mm graphic touchscreen display provides superior visibility in bright light conditions
- Minimal setup needed before operating
- Guidance modes include: Straight AB, Curved AB, Circle Pivot, & Last Pass
- Applied alert provides operator with audible alarm when entering into previously applied areas
- Return-to-point feature allows operator to resume jobs or mark field hazards
- Simple reporting function provides coverage reports in .KML or .PDF format downloaded via USB port

Part #	Description
GD430-GLO-P-L	Matrix 430



TEEJET RADION 8140

- Large 4.3" color touch screen is packed with useful information, and is easy to view in both day and night conditions
- Built-in Droplet Size Monitor Uses TeeJet 800 Series cables for quick hookup
- Available with 5, 7 or 9 boom section switches plus master shutoff
- TeeJet spray nozzle database is programmed into the Radion 8140, making tip selection quick and easy
- Communication port for connection to external variable rate controls
- Designed for direct connection to TeeJet Matrix® consoles for auto-section control without extra devices
- Tank level monitoring and automatic filling function

Part #	Description
75-50064	Radion 8140-5
75-50066	Radion 8140-9

SENTRY 6140 TIP FLOW MONITOR



Identifying Plugged Spray Tips Has Never Been Easier

Plugged or partially blocked spray tips can have a significant impact on the quality of your spraying job. Streaks in the field caused by misapplication can result in yield reductions, increased weed pressure and the need to re-apply - all of which can be costly. The Sentry 6140 Tip Flow Monitor provides a simple, reliable solution to this age-old problem. Flow sensors mounted at each spray tip location monitor the flow through the tip and provide instantaneous feedback to the operator should a tip become clogged. By eliminating the need to detect plugged tips visually from the cab, operators can cover more acres in a day, and know, with confidence, that their spray tips are operating properly.

Part #	Description
90-02860	Basic Sentry 6140 Kit, Multiple Section (1-15)
90-02889	Basic Sentry 6140 Kit, Single Section
90-02861	Dual Flow Sensor Kit
90-02862	Single Flow Sensor Kit

Replacement Parts

401-0016	Cable, Battery Adapter
78-05105	Dual Tip Sensor
57-00122	Flow Meter Assembly

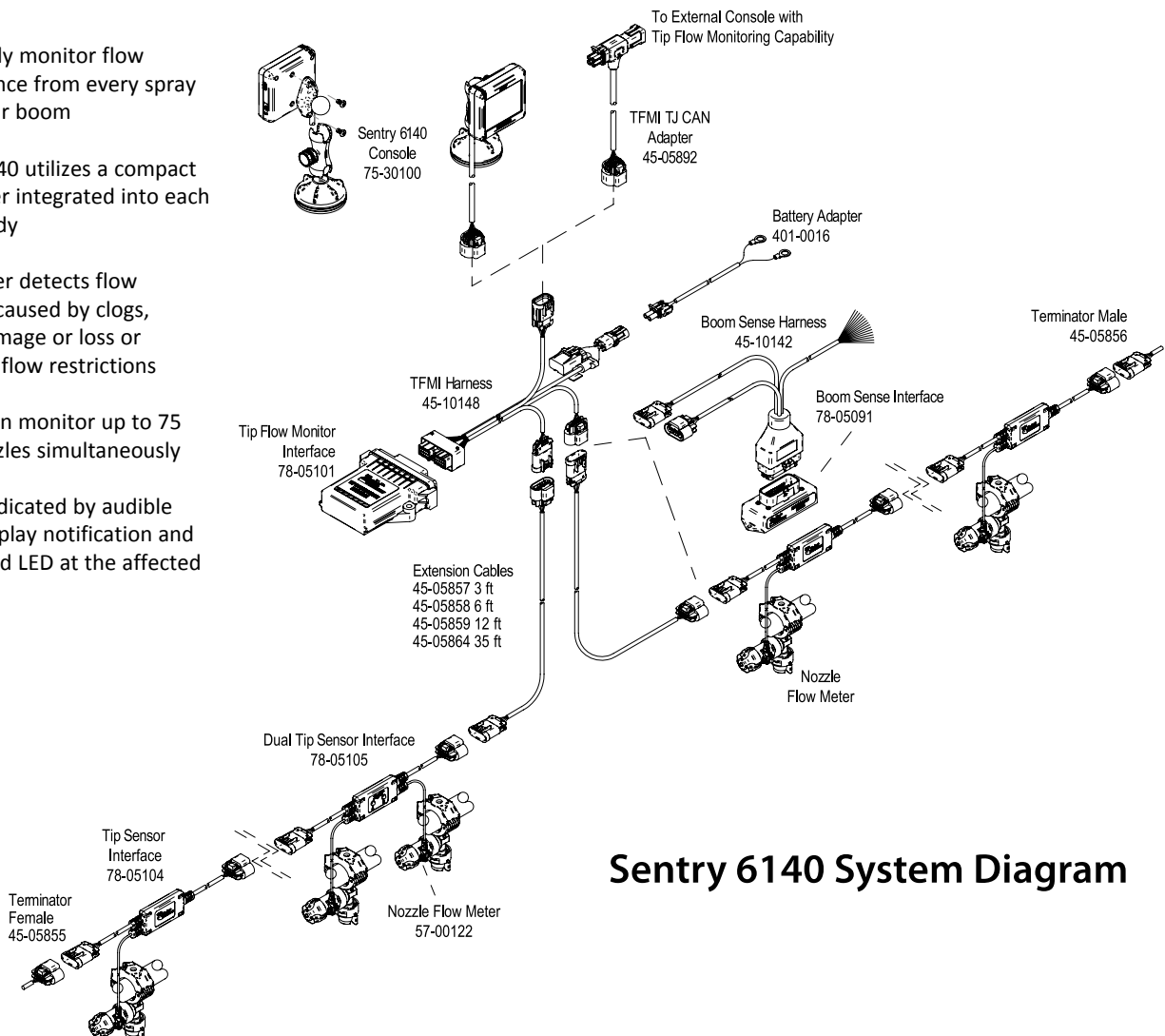
Individually monitor flow performance from every spray tip on your boom

Sentry 6140 utilizes a compact flow meter integrated into each nozzle body

Flow meter detects flow variation caused by clogs, nozzle damage or loss or upstream flow restrictions

System can monitor up to 75 spray nozzles simultaneously

Error is indicated by audible alarm, display notification and illuminated LED at the affected nozzle



Sentry 6140 System Diagram

SPRAYING EQUIPMENT

845 SPRAYER CONTROL



The 845 Sprayer Control features a row of VisiFlo colors on its front panel - specifically matched to one of 10 standard TeeJet spray tip colors - for fast and convenient spray tip selection. During calibration, just program your target application rate into the controller. The next programming step allows you to select the spray tip you'll use by simply selecting a color. The ability to set spray tip parameters by simply selecting a color make programming the 845 an almost foolproof operation.

Part #	Description
Contoller 90-50268	KIT,845,Mounting Bracket, Power Cable, User Guide
Cabling (Use with 430 Valves) 45-10106-MD	Harness, 5 section ball valves, Mini-Din
45-10152-MD	Harness, 9 Section Ball Valves, Mini-Din
Cabling (Use with 450 Valves) 45-10106-MP	Harness, 5 section ball valves, Metri-Pak
45-10152-MP	Harness, 9 Section Ball Valves, Metri-Pak
Cabling Harness 45-10050	Harness, Ext. w/PWR, 10 Section
Regulating Valve 344BRL-24-03CCS	1" NPT, 2 way, 344 BRL Valve, 27 GPM

FLOW METERS



801 Flow Meter Features

- Flow range of 2-60 GPM (7.5-225 l/min)
- 300 PSI (20 bar) max pressure
- 50-series flange connection



802 Flow Meter Features

- Flow range of 3-130 GPM (11-492 l/min)
- 200 PSI (14 bar) max pressure
- 75-series flange connection

Part #	Description
90-50230	1" 801 flow meter
90-50232	1 1/4" 801 flow meter
57-10122	2" flange 802 flow meter, no hose barb kit 3 to 130 GPM

SPEED SENSORS



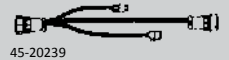
Part #	Description
16-40004	Proximity speed sensor
01417	GPS Speed Sensor

PRESSURE TRANSDUCER



Part #	Description
90-02476	TeeJet Pressure sensor, 1/4" NPT, 145 PSI (854 & 844-E)
422-0000-090	Raven Pressure Sensor/Transducer

854, 844-E CABLES



Part #	Description
45-05210	Direct cable for 845 / 26'
45-20239	SprayLink extension cable with power and speed inputs
45-20066	Direct Cable For 845 / 14'
45-20009	12' power cable
45-20084	Y adapter cable - D-J cable splitter
45-20026	Y adapter cable - D-J (Case/IH)
45-20027	Y adapter cable - D-J or Magnavox (JD 7000/8000)
45-20029	Y adapter cable - D-J (Cat 65 / 75)
45-20043	12" radar adapter cable (Raven to 845)
65-50004	Console mounting bracket

SUCTION CUP MOUNTS

Nominal Sizes	Load Capacities
3" (77 mm) diameter	15 lbs (7 kg)
4 1/2" (115 mm) diameter	40 lbs (18 kg)

Part #	Description
TL3AMB	3" Suction Cup
LJ45AMP	4 1/2" Suction Cup
90-02349	Ram Mount Kit



Vacuum-attaching tools for securing small loads. Spring balanced pump maintains constant vacuum level, and red line on plunger warns user of decrease in vacuum level.

SPRAYING EQUIPMENT

APPLICATORS
& SPRAYERS

SPRAYER CONTROLS

DRY MATERIAL
HANDLING



- Pressure regulator (1560A)
- 8' power cord with fuseholder
- Mounting bracket
- 15' sprayer harness
- Regulator & boom switch

Ideal control package for sprayers which require control of one boom shut off valve.

Part #	Description
2055	Remote Control System with 1541A pressure regulator, 1999A-1 solenoid valve, & 1988 valve mounting bracket
2201A	Solenoid Valve, .148 orifice, 1/4" in & out, 1/4" male spade terminals
RC-10N	Remote Control System with 1560A pressure regulator without solenoid shutoff valve.
RC10N/144-1-KIT	Remote Control System with 1560A pressure regulator with Spraying Systems AA144A-1 solenoid shut off valve.
RC-1B	Remote Control Panel Assembly with Toggle-type Boom & Pressure Regulator Switches

TRAILERS

TANKS &
ACCESSORIES

SWITCH & WIRE ASSEMBLY



Switch and Wire Assembly for electric pressure regulators. Includes two-way switch with 8' battery power cord and 8' wires from switch to regulator.

Part #	Description
1625	Switch & Wire Assembly for 1541A or 1560A pressure regulator



Switch & Wire Assembly for on-off control of one solenoid shutoff valve. Includes on-off switch with 8' battery power core and 8' wires with connectors for solenoid valve.

Part #	Description
2114	Switch & Wire Assembly

PUMPS

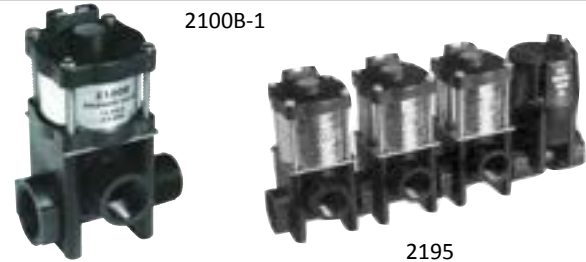
VALVES &
FITTINGS

SERIES 1999 VALVES



Part #	Description
1999A-1A	Solenoid Shutoff Valve Single
1999A-2A	Solenoid Shutoff Valve Double
1999A-3A	Solenoid Shutoff Valve Triple
2113	Repair Kit for 1999A Valve (Aflas)
2515	Coil Assy For 1999A-1

SERIES 2100 VALVES



Part #	Description
2100B-3V	Solenoid Shutoff Valve Triple

STRAINERS
& HOSE

PLANTER
EQUIPMENT

SPRAYER
CONTROLS &
GUIDANCE

SERIES 2500 VALVES



Part #	Description
2500B-1	Solenoid Shutoff Valve Single
2500B-3	Solenoid Shutoff Valve Triple

PRESSURE REGULATORS



The 1560A Electric Pressure Regulator is equipped with a precision high torque motor and gear reduction, and high strength valve body for heavy-duty service. Chemical resistant glass-filled nylon body, stainless steel motor shaft and butterfly, and viton seal. Low current draw, 50 MA at 12 volts. Maximum recommended pressure is 150 PSI. Speed at 12 volts is 1 RPM; at 6 volts is 1/2 RPM.

Part #	Description
1560A	TIR 3/4" Pressure Regulator
1541A	TIR 1" Pressure Regulator

NOZZLES, TIPS
& SPRAY GUNS

NH3
PRODUCTS

TECHNICAL
INFORMATION

INDEX

SPRAYING EQUIPMENT

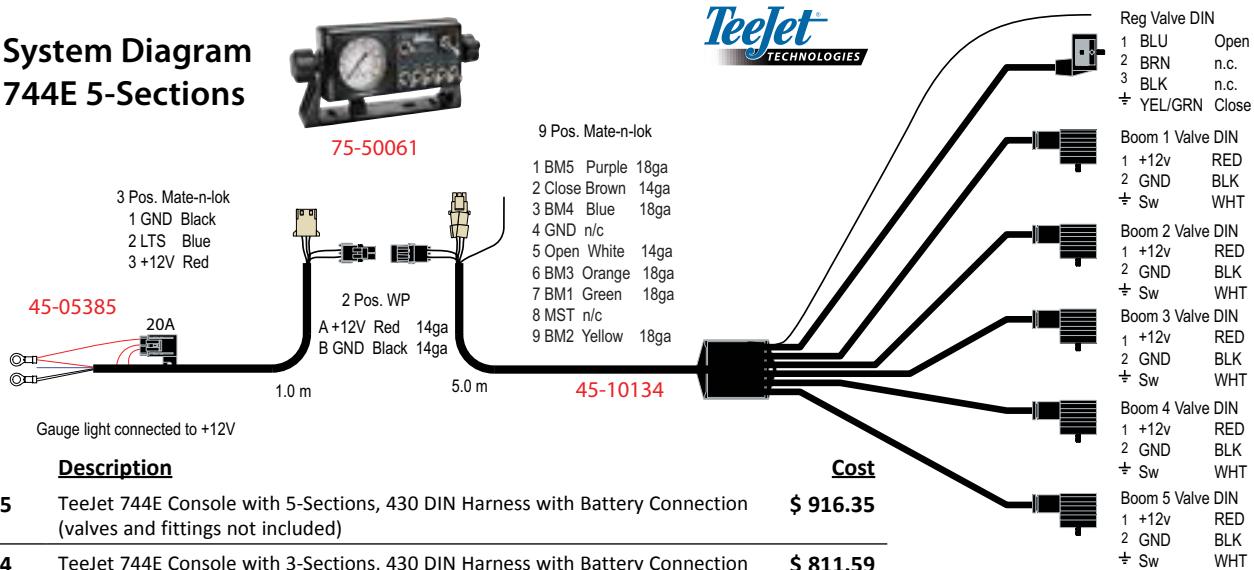
TEEJET 744A SPRAYER CONTROL



- Made of Rugged Noryl Material
- High Quality Sealed Switches
- Lighted Gauge & Switches
- 12VDC Sprayer Control
- 744A -Plastic Rocker Boom Section Switch
- 744E -Steel Toggle Boom Section Switch

Part #	Description
90-50161	TeeJet 744A Sprayer Control Kit (3 Switch w/100 PSI Liquid Filled Gauge) w/Solenoid Harness & 244C Regulating Valve & No Control Valves
90-50163	TeeJet 744A Sprayer Control Kit (3 Switch w/100 PSI Liquid Filled Gauge) w/Solenoid Harness & 244C Regulating Valve & 3 144A Boom Control Valves

System Diagram 744E 5-Sections

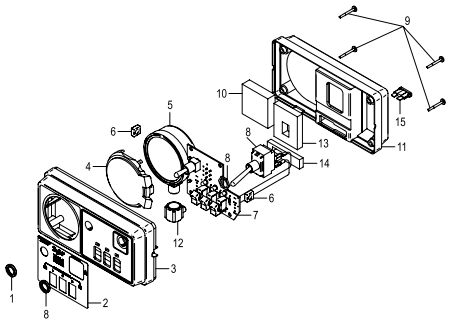


Part #	Description	Cost
90-50255	TeeJet 744E Console with 5-Sections, 430 DIN Harness with Battery Connection (valves and fittings not included)	\$ 916.35
90-50254	TeeJet 744E Console with 3-Sections, 430 DIN Harness with Battery Connection (valves and fittings not included)	\$ 811.59

TEEJET 744A SPRAYER CONTROL BREAKDOWN

CONTROL HOUSING ASSEMBLY

New consoles have boom switches, gauge lamps/LEDs and boom LED soldered to the circuit board.



Item	Part #	Description
1	60-50020	Knurled Nut, Brass Nickel Plated
2	84-20002	Graphic Panel
3	64-50024	Front Housing
4	64-50031	Lens Gauge
5	51-20008	100 PSI Liquid Gauge
5	51-20007	300 PSI Liquid Gauge
6	60-50019	Square Nut (2 Req'd)
7	01-50007	Circuit Board
8	32-50010	Toggle Switch
9	350-2610	Plastic Screw
10	64-50030	Foam Spacer
11	64-50025	Back Housing
12	64-50029	Elbow, Nylon (Black)
13	64-50032	Output Cable Shield, Neoprene
14	64-50026	Receptacle Fuse Shield, Neoprene
15	604-0014	Fuse, 15A

ELECTRIC REGULATING VALVE



- 2 GPM by-pass at 10 PSI pressure drop when fully closed
- Fewer components due to elimination of core and o-ring

Part #	Description
35-50029	Electric Regulating Valve
344BRL-	1" 344 Regulating Valve for 90-02439
24-01CCS	744A Controller

DirectoValve® 430 SERIES 2-WAY MANIFOLD

The 430 series 2-way shutoff manifold offers the proven reliability of a ball valve in a very compact design. The 430 provides simple, dependable on/off control and can be configured to suit the needs of a wide variety of sprayers.

Part #	Description
58430-6-431EC-2	Single, 2-Way DirectoValve Manifold
58430-6-432EC-2	2 Valve, 2-Way DirectoValve Manifold
58430-6-433EC-2	3 Valve, 2-Way DirectoValve Manifold
58430-6-434EC-2	4 Valve, 2-Way DirectoValve Manifold
58430-6-435EC-2	5 Valve, 2-Way DirectoValve Manifold

ALL "430" TYPE DIRECTOVALVES ARE AVAILABLE WITH DIN (D) ELECTRICAL CONNECTIONS

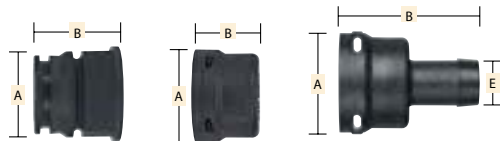


LINE STRAINER

The AA122 line strainer features a compact size that is well suited for small agricultural and turf sprayers. The AA122 is constructed of poly propylene head and bowl with stainless steel screen for excellent chemical resistance and is available with 1/29 or 3/49 (F) NPT pipe connections. The maximum pressure rating is 150 PSI (10 bar). A Quick Connect version of the 122 is also available for easy installation on valves/manifolds equipped with Quick Connect outlets. The maximum pressure rating for this version is 215 PSI (15 bar).

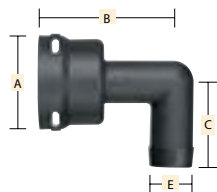
Part #	Pipe Conn.	Approx Flow Rate 5PSI (0.34 bar) Pressure Drop In GPM (l/min)
AA122ML-QC-PP-*	QC	18 (68)

DirectoValve® QUICK CONNECT FITTINGS



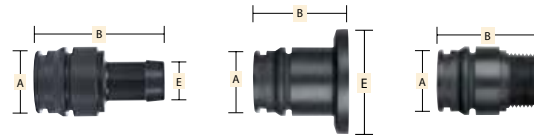
Quick Connect Straight Hose Barb

Part #	Description	"A"	"B"	"E"
45529-1/2	1/2" Straight Hose Barb	1-11/16"	2-1/4"	1/2"
45529-3/4	3/4" Straight Hose Barb	1-11/16"	2-1/4"	3/4"
45529-1	1" Straight Hose Barb	1-11/16"	2-1/4"	1"
45529-C	Quick Connect Cap	1-11/16"	1-1/8"	-
45529-P	Quick Connect Plug	1-7/16"	1-5/16"	-



90° Quick Connect Hose Barb

Part #	Description	"A"	"B"	"E"
45529-90-1/2	1/2" 90° HB	1-11/16"	2-19/64"	1/2"
45529-90-3/4	3/4" 90° HB	1-11/16"	2-19/64"	5/8"
45529-90-1	1" 90° HB	1-11/16"	2-19/64"	3/4"



Male Quick Connect Fittings

Part #	Description	"A"	"B"	"E"
CP46029-PP	50-Series Flange	1-5/16"	1-3/16"	2"
CP45527-NYB	3/4" Male Pipe Thread	1-5/16"	2"	-
CP45526-NYB	1" Male Pipe Thread	1-5/16"	2"	-

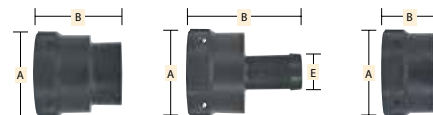
Clip & O-Ring



Part #	Description
CP37166-302SS	Retaining Clip 302SS
CP7717-3-912-VI	O-Ring (Viton®)

Large Quick Connect Cap Fittings

Part #	Description	"A"	"B"
58456-C	Cap Fitting	2-1/2"	1-5/8"



Large Quick Connect Threaded Fitting

Part #	Description	"A"	"B"
58456-3/4	3/4" Female Thread	2-1/2"	2"
58456-1	1" Female Thread	2-1/2"	2"
58456-1-1/2	1-1/2" Female Thread	2-1/2"	2-7/16"

SPECIALTY VALVES

ELECTRONICALLY OPERATED SOLENOID VALVES



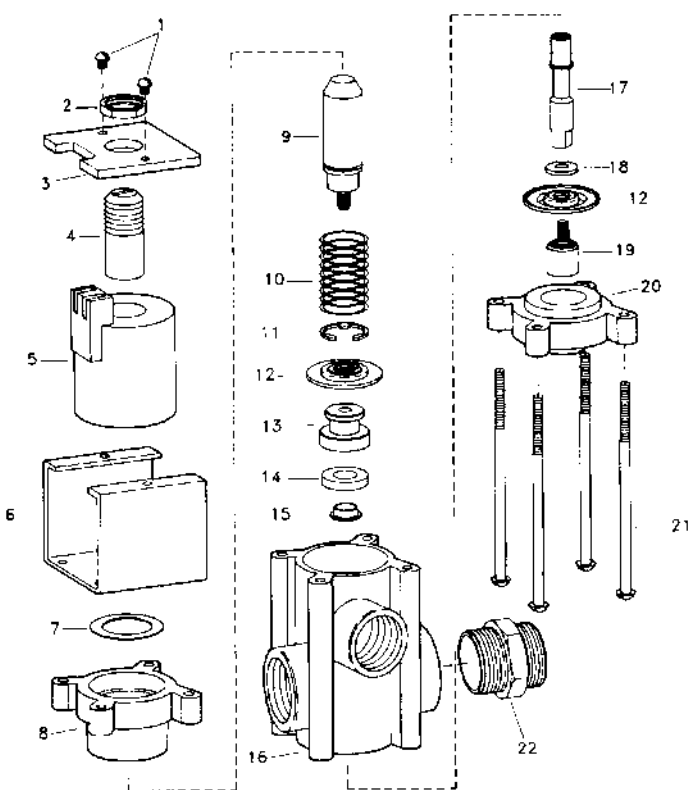
Directo Valve Electronically Operated Valves

- Direct acting; large internal flow chamber without pilot hole reduces chance of clogging.
- Stainless steel wetted parts provide additional corrosion resistance.
- Operate on 12 VDC system.
- Encapsulated solenoid coil can be changed without removing valve from system.
- EPDM diaphragms and seat washers, Viton optional.
- Continuous flow through bypass connection with flow to spray line controlled by valve "on-off" action.

Part #	Unit	Spray Line	Inlet / Bypass	Current Amp Draw
AA144A-1	1	1/2"	3/4"	2.0
AA144A-2	2	1/2"	3/4"	2.0
AA144A-3	3	1/2"	3/4"	2.0

144A = Polypropylene bodies (100 PSI, 10 GPM rating)

144A - 1, 2, 3 PARTS BREAKDOWN



Ref #	Part #	Description
1	CP14933-SS	Screw
2	CP15168-IENP	Jam nut
3	CP15166-I	Coil cover
4	CP15161-IENP	Armature stop
5	CP15163-NYB	12 V coil assembly
7	CP15169-SS	Washer -Stainless steel
8	CP15164-NYB	Upper diaphragm housing
9	CP15170-IENP	Armature
10	CP15167-302SS	Spring, 302 Stainless steel
11	CP14813-1-IENP	Retainer ring
12	CP36101-EPR	Diaphragm, EPDM std (2 req'd)
12A	CP36101-VI	Diaphragm, Viton opt. (2 req'd)
13	CP14807-SS	Seat washer retainer
14	CP14802-EPR	Seat washer - EPDM std.
14A	CP14802-VI	Seat washer - Viton opt.
15	CP14811-SS	Spacer - Stainless steel
16	CP14801-PP	Body - Polypropylene
17	CP14812-SS	Stem, stainless steel
18	CP14806-SS	Washer, stainless steel
19	CP15162-SS	Lower diaphragm piston
20	CP15165-NYB	Lower diaphragm housing
21	CP14819-SS	Screw, SS (4 req'd)
22	CP21737-NYB	Connecting nipple
	PK-AB144A-1-KIT	REPAIR KIT (10, 12, 14)
	PK-AB144A-1-VI-KIT	REPAIR KIT, VITON (10, 12A, 14A)
	PK-AB144-1-KIT	Old Style Repair Kit (9,11,14,22)



450BEC MANIFOLD



200 Series Flange



Flow Back

- Maximum Pressure 150 PSI (10 bar)
- Easy Mounting With Built-In Brackets
- 12 VDC Operation
- Nylon Stem and Polypropylene Ball Available As Standard (Stainless Steel Ball And Stem Optional)

- Pressure Regulating Valves Can Be Incorporated Upon Request
- Flow Rate 31 GPM @ 5 PSI Pressure Drop (Flow Rates May Vary Based On Number Of Valves And Inlet Size)
- No External Fuses-Incorporates An Internal Resettable Fuse (Disconnect Power To Valve For 20 Seconds To Reset)

ALL "B" TYPE DIRECTOVALVES ARE AVAILABLE WITH CABLE (C) OR DIN (D) ELECTRICAL CONNECTIONS.

Part #	Description	Outlet
451BEC-2F-C15	1 Valve w/ manifold	200 Series Flange/1" Flanged Outlet
452BEC-2F-C15	2 Valves w/ manifold	200 Series Flange/1" Flanged Outlet
453BEC-2F-C15	3 Valves w/ manifold	200 Series Flange/1" Flanged Outlet
454BEC-2F-C15	4 Valves w/ manifold	200 Series Flange/1" Flanged Outlet
455BEC-2F-C15	5 Valves w/ manifold	200 Series Flange/1" Flanged Outlet
451BEC-3FBF-C15	1 Valve	Flow Back w/ manifold
452BEC-3FBF-C15	2 Valve	Flow Back w/ manifold
453BEC-3FBF-C15	3 Valve	Flow Back w/ manifold
455BEC-3FBF-C15	5 Valve	Flow Back w/ manifold

SPRAYING SYSTEMS BALL VALVE & SHUT OFF



MOTORIZED PRESSURE REGULATING BALL VALVE

Part #	Description
344BRL-24-03CCS	1" NPT
35-02116	3/4" NPT
35-02112	Flange

1" or 3/4" pressure regulating valve

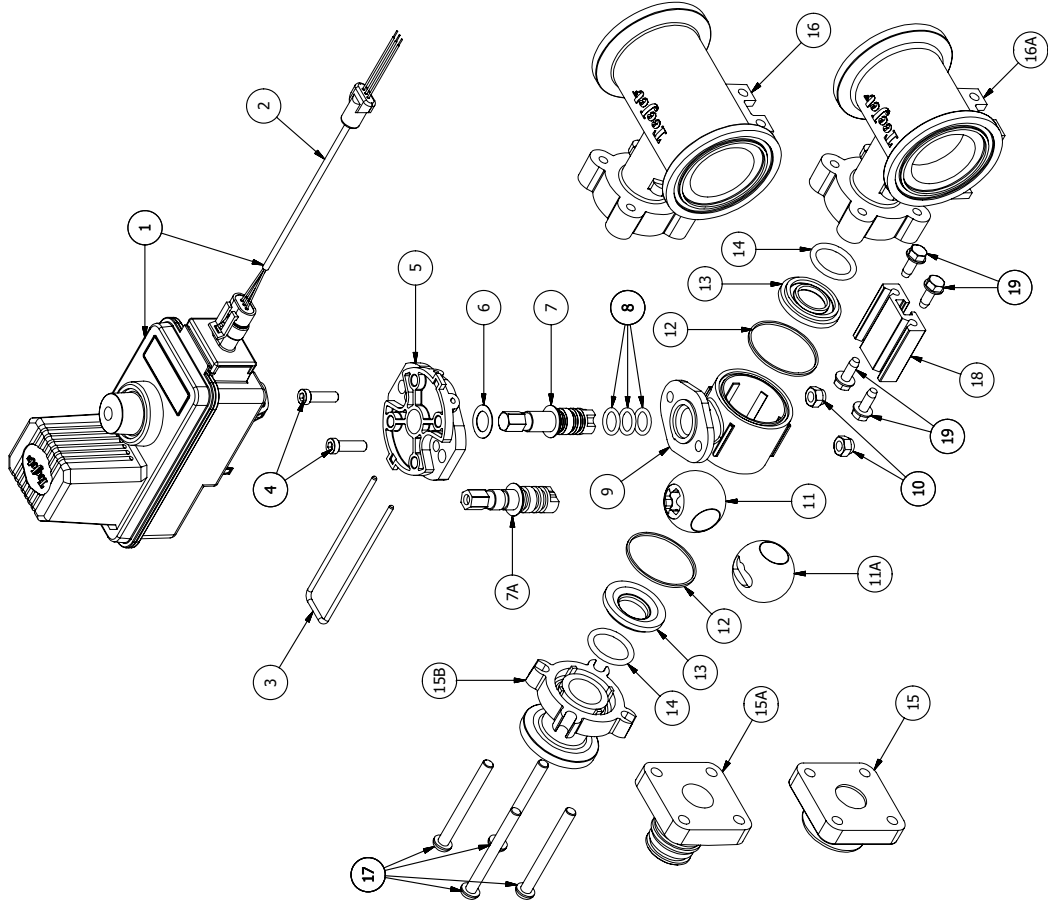


MOTORIZED SHUT OFF BALL VALVE

Part #	Description
344BEC-24-C	1" shut off valve
344BEC-34-C	3-way shut off valve

SPECIALTY VALVES

FOR METRI-PACK CABLE REFERENCE DS98546



ITEM #	PART NUMBER	DESCRIPTION
1	50515-22CP03	BEC MOTOR, 22-RPM (0.7-SEC), 0.3-METER CABLE, POSITIVELY SWITCHED
	50515-22CP05	BEC MOTOR, 22-RPM (0.7-SEC), 0.5-METER CABLE, POSITIVELY SWITCHED
	50515-22CP15	BEC MOTOR, 22-RPM (0.7-SEC), 1.5-METER CABLE, POSITIVELY SWITCHED
	50515-22CP60	BEC MOTOR, 22-RPM (0.7-SEC), 6.0-METER CABLE, POSITIVELY SWITCHED
1A	50515-22P	BEC MOTOR, 22-RPM (0.7-SEC), W/O CABLE, POSITIVELY SWITCHED
1B	50515-22DP	BEC MOTOR, 22-RPM (0.7-SEC), DIN CONNECTION, POSITIVELY SWITCHED
1C	50633-22C03	BE MOTOR, 22-RPM (0.7-SEC), 0.3-METER CABLE
	50633-22C05	BE MOTOR, 22-RPM (0.7-SEC), 0.5-METER CABLE
	50633-22C15	BE MOTOR, 22-RPM (0.7-SEC), 1.5-METER CABLE
	50633-22C60	BE MOTOR, 22-RPM (0.7-SEC), 6.0-METER CABLE
1D	50633-22P	BE MOTOR, 22-RPM (0.7-SEC), W/O CABLE
1E	50633-22DP	BE MOTOR, 22-RPM (0.7-SEC), DIN CONNECTION
2	98546FC	3-WIRE CABLE W/ METRI-PACK TOWER CONNECTION
3	CP95017-SSPV	RETAINING CLIP, 304 STAINLESS STEEL
4	CP26197-7/8-SS	SOCKET HEAD CAP SCREW, STAINLESS STEEL (2 REQ'D)
5	CP50514-PP	MOTOR ADAPTER, POLYPROPYLENE (BLACK)
* 6	CP20125-TEF	THRUST WASHER, TEFLON
7	CP56613-SS	STEM, 303 STAINLESS STEEL (FOR POLYPROPYLENE BALL)
7A	CP56615-SS	STEM, 303 STAINLESS STEEL (FOR 2-WAY STAINLESS STEEL BALL)
* 8	CP7717-M1.2X2.5-VI	O-RING, VITON (3 REQ'D)
9	CP20101-NYB	BODY, NYLON (BLACK) (2-WAY)
10	CP38435-1/4-SSNY	ELASTIC LOCKNUT, STAINLESS STEEL (2 REQ'D)
11	CP20106-1-PP	BALL, POLYPROPYLENE (WHITE) (2-WAY)
11A	CP19926-SS	BALL, STAINLESS STEEL (2-WAY)
* 12	CP20564-VI	GASKET, VITON (2 REQ'D)
* 13	CP20103-TEF	SEAL, TEFLON (2 REQ'D)
* 14	CP7717-2/21.3-VI	O-RING, VITON (2 REQ'D)
15	CP20104-3/4-NYB	END CAP, NYLON (BLACK) (3/4" NPT THREAD)
	CPB20104-3/4-NYB	END CAP, NYLON (BLACK) (3/4" BSPT THREAD)
	CP20104-1-NYB	END CAP, NYLON (BLACK) (1" NPT THREAD)
	CPB20104-1-NYB	END CAP, NYLON (BLACK) (1" BSPT THREAD)
15A	CP45514-NYB	END CAP, NYLON (BLACK) (QUICK CONNECT)
15B	CP45253-NYB	END CAP, NYLON (BLACK) (50-SERIES FLANGE)
16	CP45251-PP	75-SERIES TEE BODY, POLYPROPYLENE (BLACK)
16A	CP55224-PP	75-SERIES NARROW TEE BODY, POLYPROPYLENE (BLACK)
17	CP45252-2-3/4-SSPV	SCREW, 1/4" X 12 X 2-3/4" PAN HEAD, STAINLESS STEEL (4 REQ'D)
18	CP45216-AL	MOUNTING RAIL, ALUMINUM
19	CP45259-S	SCREW, M6 X 1 X 16 MIM HEX, STAINLESS STEEL
20	56609-2	VALVE BODY SUB-ASSY, SPECIFY WIDTH, OUTLET FITTING & BALL MATERIAL, INCLUDE ITEMS 4-19

AB344AE-KIT, SPARE PARTS KIT (INCLUDES ALL ITEMS MARKED WITH *)
 NOTE: (B) IN PART NUMBER INDICATES B.S.P.T. OUTLET CONNECTIONS
 # NOTE: FOR NEGATIVELY SWITCHED MOTORS SPECIFY "N" RATHER THAN "P" IN MOTOR PART NUMBER
 EXAMPLE: 50515-22CN05

THREADED MOTORIZED BALL VALVES



- 316 stainless steel ball & stem
- Stainless steel hardware
- Fiberglass reinforced polypropylene
- Glass reinforced PTFE seats
- FKM (viton type) or EPDM O-rings
- 12-volt PSI maximum pressure
- Easily repairable
- Open/closed indicator



On/Off Electric Valves-3/4 Second Response Time

Part #	Description	Max PSI	Pipe Size	Opening Thru Ball
EV100FP	1" Electric Valve	150	1"	1"
EV125	1 1/4" Electric Valve	150	1 1/4"	1"

ELECTRIC MANIFOLD VALVES

1", 2" STANDARD PORT & 2" FULL PORT

- 316 stainless steel ball & stem
- Fiberglass reinforced polypropylene
- Glass reinforced PTFE seats
- FKM (viton type) or EPDM O-rings
- 12-volt PSI max. pressure
- Internally fused/automatic reset
- Open/closed indicator



On/Off Electric Valves-3/4 Second Response Time

Part #	Description	Max PSI	Flange Size	Opening Thru Ball	Response Time (Set)
MEV100CF	1" Full Port Electric Ball Valve	150	1"	1"	3/4
MEV200CF	2" Standard Port Electric Ball Valve	150	2" Std Port	1 1/2"	1 1/4
MEV220CF	2" Full Port Electric Ball Valve	150	2" Full Port	2"	1 1/4

Part # Description

MEV105CF 1" Banjo Manifold Valve Assembly (2" standard port inlet flanges & 1" outlet flanges)

MEV103CF 1" Banjo Manifold Valve Assembly (2" standard port inlet flanges & 1" outlet flanges)

Regulating Electric Valves-4 Second Response Time

Part #	Description	Max PSI	Flange Size	Opening Thru Ball	Response Time (Set)
MEVR200CF	2" Standard Port Electric Ball Valve	150	2" Std Port	1 1/2"	4

**ORDER
 YOUR
 PARTS
 24 HOURS
 A DAY AT**

www.AgSpray.com

3-WAY ELECTRIC MANIFOLD VALVES

1", 1 1/2" & 2" FULL PORT



Side Load: Directional Flow Left or Right. Valve Cannot Be Turned Off.

Part #	Description	Max PSI	Flange Size	Opening Thru Ball	Response Time (Set)
MEV100SLCF	1" Full Port Electric Valve	150	1"	1"	3/4
MEV220SLCF	2" Full Port Electric Valve	150	2"	2"	1 1/4

SPECIALTY VALVES

APPLICATORS
& SPRAYERS

DRY MATERIAL
HANDLING

TRAILERS

TANKS &
ACCESSORIES

PUMPS

VALVES &
FITTINGS

STRAINERS
& HOSE

PLANTER
EQUIPMENT

SPRAYER
CONTROLS &
GUIDANCE

NOZZLES, TIPS
& SPRAY GUNS

NH3
PRODUCTS

TECHNICAL
INFORMATION

INDEX

ACTUATOR FEATURES

- Up to 35% smaller actuator/valve
- Many communication protocols including On/Off, regulating, CAN/ISO BUS and PWM pulse-width modulation
- Bluetooth or wired communications
- Diagnostic options include cycle counts, voltage and temperature
- 12V DC standard. 24-volt available
- IP68 waterproof
- -20 to 150F (-29 to 65C) operating
- -67 to 221F (-55 to 105C) storage
- Actuator rated to 500,000 cycles
- 100G's shock rating

VALVE FEATURES

- Proprietary polypropylene formulation ensures durability and enables injection molding to precision tolerances
- Welded construction supports sleek, compact valve design while eliminating a leak point
- Valve rated to 50,000 cycles leak-free
- Hollow stainless steel ball lessens weight and maintains valve performance
- Polypropylene balls available
- Bottom-located threaded inserts provide versatile mounting solution
- Female NPT and manifold flange connections offer plumbing options
- Banks of 1" & 2" EVX units available
- The Bluetooth word mark and logos are registered trademark owned by Bluetooth SIG, Inc.



1"-3" EVX ON/OFF ELECTRIC VALVES

Part#	Description	Max PSI	Pipe Size	Opening thru ball
EVX101	1" Full Port Electric Valve	300	1"	1"
EVX121	1 1/4" Standard Port Electric Valve	300	1 1/4"	1"
EVX151	1 1/2" Full Port Electric Valve	300	1 1/2"	1 1/2"
EVX201	2" Standard Port Electric Valve	300	2"	1 1/2"
EVX221	2" Full Port Electric Valve	250	2"	2"
EVX300	3" Full Port Electric Valve	150	3"	3"

1" TO 220 SERIES FLANGED ON/OFF ELECTRIC VALVES

MEVX100	1" Full Port Manifold Electric Valve	300	1"	1"
MEVX200	2" Standard Port Manifold Electric Valve	300	2"	1 1/2"
MEVX220	2" Full Port Manifold Electric Valve	250	2"	2"
MEVX300	3" Full Port Manifold Electric Valve	150	3"	3"
MEVX100BL	1" Full Port Manifold Bottom Load Electric Valve	300	1"	1"
MEVX200BL	2" Standard Port Manifold Bottom Load Electric Valve	250	2"	1 1/2"
MEVX220BL	2" Full Port Manifold Bottom Load Electric Valve	125	2"	2"
MEVX300BL	3" Full Port Manifold Bottom Load Electric Valve	200	3"	3"
MEVX100SL	1" Full Port Manifold Side Load Electric Valve	300	1"	1"
MEVX200SL	2" Standard Port Manifold Side Load Electric Valve	250	2"	1 1/2"
MEVX220SL	2" Full Port Manifold Side Load Electric Valve	125	2"	2"

1"-3" EVX REGULATING ELECTRIC VALVES

EVXR101	1" Full Port Regulating Electric Valve	300	1"	1"
EVXR121	1 1/4" Standard Port Regulating Electric Valve	300	1 1/4"	1"
EVXR151	1 1/2" Full Port Electric Valve	300	1 1/2"	1 1/2"
EVXR201	2" Standard Port Electric Valve	300	2"	1 1/2"
EVXR221	2" Full Port Electric Valve	250	2"	2"
EVXR300	3" Full Port Electric Valve	150	3"	3"
MEVXR100	1" Full Port Manifold Electric Valve	300	1"	1"
MEVXR200	2" Standard Port Manifold Electric Valve	300	2"	1 1/2"
MEVXR220	2" Full Port Manifold Electric Valve	250	2"	2"
MEVXR300	3" Full Port Manifold Electric Valve	150	3"	3"



SPRAY TIPS APPROVED FOR THE APPLICATION OF

*** Please Check Chemical Websites On This Page For Updated Information ***

RECOMMENDATIONS CURRENT AT TIME OF PUBLICATION

WEBSITE LINKS ARE LISTED BELOW IN BLUE

Tank Mix
(engeniaherbicide.com)

Engenia™
Herbicide

Nozzle Type

* Must use a DRN on approved list

† Only for post-emerg application

- | | | | |
|---|---|--|--|
| <input type="checkbox"/> 1/4PT204 Turf Jet* | <input type="checkbox"/> PSLDMQ0004 | <input type="checkbox"/> TTI11003 | <input type="checkbox"/> ULDM130-05 |
| <input type="checkbox"/> 1/4PT208 Turf Jet* | <input type="checkbox"/> PSLDMQ0005 | <input type="checkbox"/> TTI11004 | <input type="checkbox"/> ULDM130-06 |
| <input type="checkbox"/> DF110-10 | <input type="checkbox"/> PSLDMQ0006 | <input type="checkbox"/> TTI11005 | <input type="checkbox"/> ULDM130-08 (max psi 80) |
| <input type="checkbox"/> MUG-03 | <input type="checkbox"/> PSLDMQ0008 (max psi 80) | <input type="checkbox"/> TTI11006† | <input type="checkbox"/> UR110-06 |
| <input type="checkbox"/> MUG-03E | <input type="checkbox"/> SD11010 (max psi 90) | <input type="checkbox"/> TTI11007† | <input type="checkbox"/> UR110-06E |
| <input type="checkbox"/> MUG-04 | <input type="checkbox"/> TDKL11009-D (max psi 90) | <input type="checkbox"/> UL2120-04† (max psi 90) | <input type="checkbox"/> UR110-08 |
| <input type="checkbox"/> MUG-05 | <input type="checkbox"/> TDKL11009-D† | <input type="checkbox"/> UL2120-05† (max psi 90) | <input type="checkbox"/> UR110-08E |
| <input type="checkbox"/> PSLDMQ0008 (max psi 80) | <input type="checkbox"/> TDKL11005-D† | <input type="checkbox"/> UL2120-06† (max psi 90) | <input type="checkbox"/> UR110-10 |
| <input type="checkbox"/> PSLDMQ0008† (max psi 90) | <input type="checkbox"/> TDKL11009-D | <input type="checkbox"/> ULDM130-08 (max psi 70) | |
| <input type="checkbox"/> PSLDMQ0003 (max psi 70) | <input type="checkbox"/> TTI11005 | <input type="checkbox"/> ULDM130-04 | |

Nozzles | XtendiMax® Herbicide with VaporGrip® Technology
(xtendimaxapplicationrequirements.com)

XTENDIMAX™
with VaporGrip® Technology

Manufacturer	Model No.	Application	100	150	200	250	300	350	400	450	500	550	600	650	700	750	800	850	900	950	1000
Eaton	1000	1000																			
	1000	1000																			
	1000	1000																			
	1000	1000																			
	1000	1000																			
	1000	1000																			
	1000	1000																			
	1000	1000																			
	1000	1000																			
	1000	1000																			

Tavium Tank-Mix Partners | Syngenta US
(syngenta-us.com)



Tavium® Plus Vapor Grip Technology

Nozzles

- | | | | |
|----------------------|--------------------------|--------------------------|------------------------|
| A8003 (max psi 80) | MUG110-03 (max psi 90) | TDKL-D11003 (max psi 80) | ULD130-04 (max psi 80) |
| A8004 (max psi 80) | MUG110-04 (max psi 90) | TDKL-D11004 (max psi 80) | ULD130-05 (max psi 80) |
| A8005 (max psi 80) | MUG110-05 (max psi 90) | TDKL11005-D (max psi 80) | ULD130-06 (max psi 80) |
| A8006 (max psi 80) | MUG110-02S (max psi 90) | TDKL11006 (max psi 80) | ULD130-08 (max psi 80) |
| A11003 (max psi 80) | MUG110-02S (max psi 90) | TDKL11005 (max psi 80) | ULD13005 |
| A11004 (max psi 50) | PSLDMQ3006 (max psi 40) | TDKL11006 (max psi 80) | UR11004 (max psi 60) |
| A11005 (max psi 60) | PSLDMQ3008 (max psi 40) | TTI11003 (max psi 50) | UR11005 (max psi 60) |
| A11006 (max psi 60) | TADF-D11003 (max psi 60) | TTI11004 (max psi 40) | UR11006 (max psi 60) |
| DB11010 (max psi 40) | TADF-D11004 (max psi 60) | TTI11005 (max psi 40) | UR11008 (max psi 60) |
| ID11003 (max psi 60) | TADF-D11005 (max psi 60) | UL212004 (max psi 80) | UR11010 (max psi 60) |
| ID11004 (max psi 60) | TADF-D11006 (max psi 60) | UL212005 (max psi 80) | |
| ID11005 (max psi 60) | TADF11003-D (max psi 60) | UL212006 (max psi 50) | |
| ID11006 (max psi 60) | TADF11006-D (max psi 60) | ULD130-03 (max psi 80) | |

Enlist Duo Allowable Nozzles
Enlist™ weed control system

Enlist Duo® herbicide



MANUFACTURER	MODEL	10	20	30	40	50	60	70	80	90	100
AJL AGRI	AJL 100-04										
	AJL 100-05										
	AJL 100-06										
	AJL 100-07										
BUSHMAN	T08L 100-01										
	T08L 100-02										
	T08L 100-03										
	T08L 100-04										
	T08L 100-05										
	T08L 100-06										
EYFRO	ELD 100-04										
	ELD 100-05										
LECHER	LD 100-01										
	LD 100-02										
TOLJET	AT 100-04										
	AT 100-05										
	AT 100-06										
	AT 100-07										
WILSON	W10 100-04										
	W10 100-05										
	W10 100-06										
	W10 100-07										

Enlist One Allowable Nozzles
Enlist™ weed control system

Enlist One® herbicide



MANUFACTURER	MODEL	10	20	30	40	50	60	70	80	90	100
AJL AGRI	AJL 100-04										
	AJL 100-05										
	AJL 100-06										
	AJL 100-07										
BUSHMAN	T08L 100-01										
	T08L 100-02										
	T08L 100-03										
	T08L 100-04										
	T08L 100-05										
	T08L 100-06										
EYFRO	ELD 100-04										
	ELD 100-05										
LECHER	LD 100-01										
	LD 100-02										
TOLJET	AT 100-04										
	AT 100-05										
	AT 100-06										
	AT 100-07										
WILSON	W10 100-04										
	W10 100-05										
	W10 100-06										
	W10 100-07										

TECHNICAL INFORMATION

TECHNICAL INFORMATION

Useful Formulas

$$\text{GPM (Per Nozzle)} = \frac{\text{GPA} \times \text{MPH} \times \text{W}}{5,940}$$

$$\text{GPM (Per Nozzle)} = \frac{\text{GAL}/1000\text{FT}^2 \times \text{MPH} \times \text{W}}{136}$$

$$\text{GPA} = \frac{5,940 \times \text{GPM (Per Nozzle)}}{\text{MPH} \times \text{W}}$$

$$\text{GAL}/1000\text{FT}^2 = \frac{136 \times \text{GPM (Per Nozzle)}}{\text{MPH} \times \text{W}}$$

GPM – Gallons Per Minute

GPA – Gallons Per Acre

GAL/1000FT² – Gallons Per 1000 Square Feet

MPH – Miles Per Hour

W – Nozzle spacing (in inches) for broadcast spraying

– Spray width (in inches) for single nozzle, band spraying or boomless spraying

– Row spacing (in inches) divided by the number of nozzles per row for directed spraying

Nozzle Spacing

If the nozzle spacing on your boom is different than those tabulated, multiply the tabulated GPA coverages by one of the following factors.

20"	
Other Spacing (Inches)	Conversion Factor
8	2.5
10	2
12	1.67
14	1.43
16	1.25
18	1.11
22	.91
24	.83
30	.66

Useful Formulas for Roadway Applications

$$\text{GPLM} = \frac{60 \times \text{GPM}}{\text{MPH}} \quad \text{GPM} = \frac{\text{GPLM} \times \text{MPH}}{60}$$

GPLM = Gallons Per Lane Mile

Note: GPLM is not a normal volume per unit area measurement. It is a volume per distance measurement. Increases or decreases in lane width (swath width) are not accommodated by these formulas.

Measuring Travel Speed

Measure a test course in the area to be sprayed or in an area with similar surface conditions. Minimum lengths of 100 and 200 feet are recommended for measuring speeds up to 5 and 10 MPH, respectively. Determine the time required to travel the test course. To help ensure accuracy, conduct the speed check with a partially loaded (about half full) sprayer and select the engine throttle setting and gear that will be used when spraying. Repeat the above process and average the times that were measured. Use the following equation or the table at right to determine ground speed.

$$\text{Speed (MPH)} = \frac{\text{Distance (FT)} \times 60}{\text{Time (seconds)} \times 88}$$

Speeds

Speed in MPH	Time Required in SECONDS to Travel a Distance of:		
	100 Feet	200 Feet	300 Feet
1.0	68	136	205
1.5	45	91	136
2.0	34	68	102
2.5	27	55	82
3.0	23	45	68
3.5	19	39	58
4.0	17	34	51
4.5	15	30	45
5.0	14	27	41
5.5	—	25	37
6.0	—	23	34
6.5	—	21	31
7.0	—	19	29
7.5	—	18	27
8.0	—	17	26
8.5	—	16	24
9.0	—	15	23

30"	
Other Spacing (Inches)	Conversion Factor
26	1.15
28	1.07
32	.94
34	.88
36	.83
38	.79
40	.75
42	.71
44	.68

40"	
Other Spacing (Inches)	Conversion Factor
28	1.43
30	1.33
32	1.25
34	1.18
36	1.11
38	1.05
42	.95
44	.91
48	.83

Miscellaneous Conversion Factors

One Acre = 43,560 Square Feet
 = 43.56 1000FT² Blocks
 = 0.405 Hectare

One Hectare = 2.471 Acres

One Gallon Per Acre
 = 2.9 Fluid Ounces per 1000FT²
 = 9.35 Liters Per Hectare

One Gallon Per 1000FT² = 43.56 GPA

One Mile = 5,280 Feet
 = 1,610 Meters
 = 1.61 Kilometers

One Gallon = 128 Fluid Ounces
 = 8 Pints
 = 4 Quarts
 = 3.79 Liters
 = 0.83 Imperial Gallon

One Pound Per Square Inch
 = 0.069 bar
 = 6.896 Kilopascals

One Mile Per Hour = 1.609 Kilometers Per Hour

Suggested Minimum Spray Heights

The nozzle height suggestions in the table below are based on the minimum overlap required to obtain uniform distribution. However, in many cases, typical height adjustments are based on a 1 to 1 nozzle spacing to height ratio. For example, 110° flat spray tips spaced 20 inches apart are commonly set 20 inches above the target.

	Nozzle Angle	Nozzle Spacing (Inches)		
		20"	30"	40"
TeeJet® Standard, TJ	65°	22–24"	33–35"	NR*
TeeJet, XR, TX, DG, TJ	80°	17–19"	26–28"	NR*
TeeJet, XR, DG, TT, TTI, TJ, DGTJ, AI, AIXR	110°	16–18"	20–22"	NR*
FullJet®	120°	10–18"***	14–18"***	14–18"***
FloodJet® TK, TF	120°	14–16"***	15–17"***	18–20"***

* Not recommended.

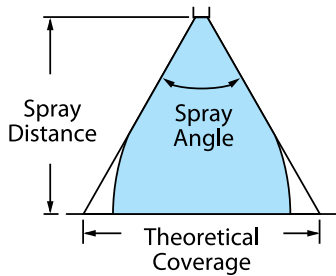
** Nozzle height based on 30° to 45° angle of orientation (see page 284 of catalog).

*** Wide angle spray tip height is influenced by nozzle orientation. The critical factor is to achieve a double spray pattern overlap.

SPRAY COVERAGE INFORMATION

SPRAY COVERAGE INFORMATION

This table lists the theoretical coverage of spray patterns as calculated from the included spray angle of the spray and the distance from the nozzle orifice. These values are based on the assumption that the spray angle remains the same throughout the entire spray distance. In actual practice, the tabulated spray angle does not hold for long spray distances.



Included Spray Angle	Theoretical Coverage at Various Spray Heights (in Inches)							
	8"	10"	12"	15"	18"	24"	30"	36"
15°	2.1	2.6	3.2	3.9	4.7	6.3	7.9	9.5
20°	2.8	3.5	4.2	5.3	6.4	8.5	10.6	12.7
25°	3.5	4.4	5.3	6.6	8.0	10.6	13.3	15.9
30°	4.3	5.4	6.4	8.1	9.7	12.8	16.1	19.3
35°	5.0	6.3	7.6	9.5	11.3	15.5	18.9	22.7
40°	5.8	7.3	8.7	10.9	13.1	17.5	21.8	26.2
45°	6.6	8.3	9.9	12.4	14.9	19.9	24.8	29.8
50°	7.5	9.3	11.2	14.0	16.8	22.4	28.0	33.6
55°	8.3	10.3	12.5	15.6	18.7	25.0	31.2	37.5
60°	9.2	11.5	13.8	17.3	20.6	27.7	34.6	41.6
65°	10.2	12.7	15.3	19.2	22.9	30.5	38.2	45.8
73°	11.8	14.8	17.8	22.0	27.0	36.0	44.0	53.0
80°	13.4	16.8	20.2	25.2	30.3	40.3	50.4	60.4
85°	14.7	18.3	22.0	27.5	33.0	44.0	55.4	66.4
90°	16.0	20.0	24.0	30.0	36.0	48.0	60.0	72.0
95°	17.5	21.8	26.2	32.8	40.3	52.4	65.5	78.6
100°	19.1	23.8	28.6	35.8	43.0	57.2	71.6	85.9
110°	22.8	28.5	34.3	42.8	51.4	68.5	85.6	103
120°	27.7	34.6	41.6	52.0	62.4	83.2	104	
130°	34.3	42.9	51.5	64.4	77.3	103		
140°	43.8	54.8	65.7	82.2	98.6			
150°	59.6	74.5	89.5					

Typical Pressure Drop (PSI) at Various Flow Rates (GPM)

Component No.	3 GPM	5 GPM	7 GPM	8 GPM	9 GPM	10 GPM	15 GPM	18 GPM	32 GPM
AA2 GunJet	2	5.3	10		16				
AA18 GunJet	5	13	25		40				
AA30L GunJet		14							
AA43 GunJet		1	2						
AA143 GunJet		0.9	1.7			3.5	7.9		
AA6B Valve		0.5	1.2	1.7	2.2	2.9	7.8	12.2	
AA17 Valve		1.5	2.5	3.5	4	5	11.5	16	
AA144A Valve		1.5	2.5	3.5	4	5	11.5	16	
AA144A-1-3 Valve				5					
AA145 Valve							5		
AA344AE-2 Valve									5

Pressure Drop in PSI (10 Ft length without couplings)

Flow in GPM	1/4" I.D.	3/8" I.D.	1/2" I.D.	3/4" I.D.	1" I.D.
0.5	1.4	0.2			
1		0.7			
1.5		1.4	0.4		
2		2.4	0.6		
2.5		3.4	0.9		
3			1.2		
4			2		
5			2.9	0.4	
6			4	0.6	
8				0.9	0.3
10				1.4	0.4

APPLICATORS & SPRAYERS
 DRY MATERIAL HANDLING
 TRAILERS
 TANKS & ACCESSORIES
 PUMPS
 VALVES & FITTINGS
 STRAINERS & HOSE
 PLANTER EQUIPMENT
 SPRAYER CONTROLS & GUIDANCE
 NOZZLES, TIPS & SPRAY GUNS
 NH3 PRODUCTS
 TECHNICAL INFORMATION
 INDEX

SELECTING THE RIGHT SPRAY NOZZLES

SPRAY QUALITY

The size and the variation of droplets determine the spray quality that a nozzle produces. To apply a spray solution safely and with the most agronomic value, it must be delivered with the appropriate droplet size spectrum.

ASABE S572.1 DROPLET SIZE CLASSIFICATION

The American Society of Agricultural and Biological Engineers (ASABE) developed the ASABE S572.1 standard to measure and interpret spray quality from nozzles.

<u>Spray Quality*</u>	<u>Size of Droplets</u>	<u>VMD Range (Microns**)</u>	<u>Color Code</u>	<u>Retention on Difficult To Wet Leaves</u>	<u>Drift Potential</u>		
Extremely Fine	Small	<60	Purple	Excellent	High		
Very Fine		61-105	Red	Excellent			
Fine		106-235	Orange	Very Good			
Medium		236-340	Yellow	Good			
Coarse		341-403	Blue	Moderate			
Very Coarse		404-502	Green	Poor			
Extremely Coarse		503-665	White	Very Poor			
Ultra Coarse		Large	>665	Black		Very Poor	Low

*Always read the pesticide label to determine which spray quality is required. ** Estimated from sample reference graph in ASABE/ANSI/ASAE Standard S572.1.

The ASABE S572.1 standard uses eight droplet classification categories, six of which are common for agriculture and horticulture: Very Fine, Fine, Medium, Coarse, Very Coarse and Extremely Coarse. Most agrochemical applications recommend a fine, medium, or coarse spray.

Fine

Medium

Coarse

Fine sprays provide enhanced retention for directed spraying on the target including:

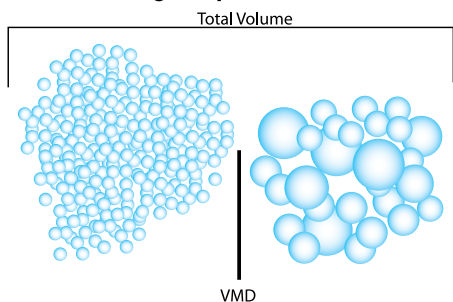
- Foliar-acting weed control
- Contact-acting fungicides and insecticides

Medium sprays are the most widely used spray type.

- Used by default by most applicators when spray quality is not defined by the label.
- Systemic-acting fungicides, insecticides and herbicides.

Coarse sprays are used with systemic, residual, and soil-applied herbicides.

Understanding Droplet VMD



VMD is the droplet size at which 50% of the spray volume is in droplets larger than the VMD and 50% of the volume is in droplets smaller than the VMD [adapted from Matthews 1992].

Understanding Micron Size

Degree of Atomization	Droplet Size (Microns)	Relative Size Related to Common Objects
Fog	Up to 25	Point of a Needle (25 Microns)
Fine Mist	20-100	Human Hair (100 Microns)
Fine Drizzle	100-250	Sewing Thread (150 Microns)
Heavy Drizzle	250-500	Toothbrush Bristle (300 Microns)
Light Rain	500-800	Staple (550 Microns)
Heavy Rain	800-1000	Paper Clip (850 Microns)
Thunderstorm Rain	1000-4000	#2 Pencil Lead (2000 Microns)

- Droplet sizes are usually expressed in microns (micrometers).
- One micron equals one thousandth of a millimeter.
- Lower spraying pressures provide larger droplet sizes, while higher spraying pressures yield smaller droplet sizes.
- The smallest droplet sizes are achieved by air atomizing nozzles.
- Generally speaking, the largest spray droplets are produced by wide-angle, flat hydraulic spray nozzles.

QUICK TEEJET CAPS & ADAPTER CAPS

Quick TeeJet® Caps



QUICK TEEJET CAPS	PART NUMBER		FOR USE WITH FLAT SPRAY TIPS 300 PSI (20 bar) MAXIMUM PRESSURE
	QUICK TEEJET CAP ONLY	QUICK TEEJET CAP & SEAT GASKET SET	
	CP114440- [*] -CE	114441- [*] -CELR 114441- [*] -CELVI	TeeJet® Flat Spray Tips (Smaller Capacities)
	CP25611- [*] -NY CP25611-9-PP ¹	25612- [*] -NYR 25612-9-PP ¹	
	CP25609- [*] -NY	25610- [*] -NYR	TeeJet Flat Spray Tips (Larger Capacities)
	CP114442- [*] -CE	114443- [*] -CELR 114443- [*] -CELVI	
	CP25597- [*] -NY	25598- [*] -NYR	
	CP114501- [*] -CE ⁶	114502- [*] -CELR ⁶ 114502- [*] -CELVI ⁶	
	CP98578-1-NY ²	98579-1-NYR ²	
	CP25595- [*] -NY	25596- [*] -NYR	TeeJet Flat Spray Tips (Smaller Capacities) Tips can be positioned in choice of two spray plane directions—parallel or perpendicular to wings of Quick TeeJet cap.
	CP25599- [*] -NY	25600- [*] -NYR	
	CP114444- [*] -CE	114445- [*] -CELR 114445- [*] -CELVI	
	CP25607- [*] -NY CP25607-9-PP ¹	25608- [*] -NYR 25608-9-PP ¹	
	CP25607- [*] -NY	—	
	CP26277-1-NY ²	26278-1-NYR ²	
	CP114395-1-NYB ²	114396-1-NYR ²	
	QJ4676-1/8-NYR QJ4676-45-1/4-NYR QJ4676-90-1/4-NYR	—	114396-1-NYR includes gasket and O-Ring (CP7717-M10.5x1.5-VI) TXR ConeJet ² Permits use of standard 1/89 and 1/49 nozzles. Can be used for mounting pressure gauge at the nozzle. 45° Quick TeeJet cap with 1/49 NPT female threaded outlet 90° Quick TeeJet cap with 1/49 NPT female threaded outlet
	QJ90-2-NYR	—	90° included angle between outlets. When used with standard flat fan tips produces a twin type spray pattern for improved coverage and canopy penetration.

²Specify color code (see chart). ¹These caps only available in gray and rated to 150 psi (10 bar). ²These caps only available in black. ³Color available in CP25597, CP25611, CP114440, CP114442 and CP114444 caps. ⁴Color available in CP114440, CP114442 and CP114501 caps. ⁵Color available in CP114501 cap. ⁶This cap offered in Black, White, Light Green, Light Blue and Telemagenta only.

ADAPTER CAPS AND SHUT OFF CAPS

Part #	Description
40204-00	SQ Lug (TeeJet) To Combo-Jet Adapter-Lock Ring (New)
40203-00	Combo-Jet To SQ Lug (TeeJet) Adapter
QJ-W-PP	Wilger Combo-Jet Body To TeeJet/Hypro Tip/Cap
55240-CELR	Hardi To Quick Jet
114447A-1-CELR	TeeJet Blank Shutoff Cap w/ Gasket



APPLICATORS & SPRAYERS
 DRY MATERIAL HANDLING
 TRAILERS
 TANKS & ACCESSORIES
 PUMPS
 VALVES & FITTINGS
 STRAINERS & HOSE
 PLANTER EQUIPMENT
 SPRAYER CONTROLS & GUIDANCE
 NOZZLES, TIPS & SPRAY GUNS
 NH3 PRODUCTS
 TECHNICAL INFORMATION
 INDEX

SPRAY TIPS

XR TeeJet® Extended Range Flat Spray Tips

Typical Applications:

General use tip that provides excellent coverage particularly when applying insecticides, fungicides or contact herbicides.

Features:

- Excellent spray distribution over a wide range of pressures—15–60 PSI (1–4 bar).
- Ideal for rigs equipped with sprayer controllers.
- Reduces drift at lower pressures, better coverage at higher pressures.
- Available in stainless steel, ceramic and polymer in 80° and 110° spray angles with VisiFlo® color-coding.
- Ceramic is available with corrosive-resistant polypropylene VisiFlo color-coded tip holder in 80° capacities 03–08 and 110° capacities 02–08.
- XR110025 only available in VK.
- XR80025 and XR80035 only available in VS.
- Brass available in 110° only.
- Automatic spray alignment with 114441-*–CELQR Quick TeeJet® cap and gasket.
- Automatic spray alignment for sizes 10 and 15 with 25610-*–NYR Quick TeeJet cap and gasket.

Part

XR8001VS thru XR8008VS

XR11001VS thru XR11008VS

For use with the 114441-*–CELQR TeeJet cap

XR8010SS thru XR8015SS

XR11010SS thru XR11015SS
For use with the 25610 TeeJet cap

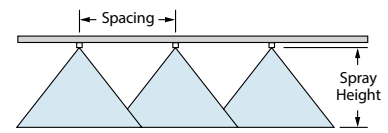


At 15 PSI (1 bar) Pressure At 60 PSI (4 bar) Pressure



CONTACT PRODUCT	SYSTEMIC PRODUCT	DRIFT MANAGEMENT
EXCELLENT	GOOD	GOOD
GOOD*	VERY GOOD *	VERY GOOD *

*At pressures below 30 PSI (2.0 bar)



Optimum Spray Height

	80°	30°

How to order:
Specify tip number.

Examples:

- XR8004VS – Stainless Steel with VisiFlo color-coding
- XR11004-VP – Polymer with VisiFlo color-coding (110° only)

Tip #	Material	Capacity	Drop Size	PSI	80°/110°	20°															
						GPA										GALLONS PER 1000 SQ. FT.					
						4 MPH	5 MPH	6 MPH	8 MPH	10 MPH	12 MPH	15 MPH	20 MPH	2 MPH	3 MPH	4 MPH	5 MPH				
XR8001	15	F	F	0.061	7.8	4.5	3.6	3.0	2.3	1.8	1.5	1.2	0.91	0.21	0.14	0.10	0.08				
	20	F	F	0.071	9.1	5.3	4.2	3.5	2.6	2.1	1.8	1.4	1.1	0.24	0.16	0.12	0.10				
	30	F	F	0.087	11	6.5	5.2	4.3	3.2	2.6	2.2	1.7	1.3	0.30	0.20	0.15	0.12				
	40	F	F	0.10	13	7.4	5.9	5.0	3.7	3.0	2.5	2.0	1.5	0.34	0.23	0.17	0.14				
	50	F	F	0.11	14	8.2	6.5	5.4	4.1	3.3	2.7	2.2	1.6	0.37	0.25	0.19	0.15				
	60	F	VF	0.12	15	8.9	7.1	5.9	4.5	3.6	3.0	2.4	1.8	0.41	0.27	0.20	0.16				
XR8001S	15	M	F	0.092	12	6.8	5.5	4.6	3.4	2.7	2.3	1.8	1.4	0.31	0.21	0.16	0.13				
	20	M	F	0.11	14	8.2	6.5	5.4	4.1	3.3	2.7	2.2	1.6	0.37	0.25	0.19	0.15				
	30	M	F	0.13	17	9.7	7.7	6.4	4.8	3.9	3.2	2.6	1.9	0.44	0.29	0.22	0.18				
	40	M	F	0.15	19	11.1	8.9	7.4	5.6	4.5	3.7	3.0	2.2	0.51	0.34	0.26	0.20				
	50	M	F	0.17	22	12.6	10.1	8.4	6.3	5.0	4.2	3.4	2.5	0.58	0.39	0.29	0.23				
	60	M	F	0.18	23	13.4	10.7	8.9	6.7	5.3	4.5	3.6	2.7	0.61	0.41	0.31	0.24				
XR8002	15	M	M	0.12	15	8.9	7.1	5.9	4.5	3.6	3.0	2.4	1.8	0.41	0.27	0.20	0.16				
	20	M	M	0.14	18	10.4	8.3	6.9	5.2	4.2	3.5	2.8	2.1	0.48	0.32	0.24	0.19				
	30	M	M	0.17	22	12.6	10.1	8.4	6.3	5.0	4.2	3.4	2.5	0.58	0.39	0.29	0.23				
	40	M	M	0.20	26	14.9	11.9	9.9	7.4	5.9	5.0	4.0	3.0	0.68	0.45	0.34	0.27				
	50	M	M	0.22	28	16.3	13.1	10.9	8.2	6.5	5.4	4.4	3.3	0.75	0.50	0.37	0.30				
	60	M	M	0.24	31	17.8	14.3	11.9	8.9	7.1	5.9	4.8	3.6	0.82	0.54	0.41	0.33				
XR8002S	15	M	M	0.15	19	11.1	8.9	7.4	5.6	4.5	3.7	3.0	2.2	0.51	0.34	0.26	0.20				
	20	M	M	0.18	23	13.4	10.7	8.9	6.7	5.3	4.5	3.6	2.7	0.61	0.41	0.31	0.24				
	30	M	M	0.22	28	16.3	13.1	10.9	8.2	6.5	5.4	4.4	3.3	0.75	0.50	0.37	0.30				
	40	M	M	0.25	32	18.6	14.9	12.4	9.3	7.4	6.2	5.0	3.7	0.85	0.57	0.43	0.34				
	50	M	M	0.28	36	21	16.6	13.9	10.4	8.3	6.9	5.5	4.2	0.95	0.63	0.48	0.38				
	60	M	M	0.31	40	23	18.4	15.3	11.5	9.2	7.7	6.1	4.6	1.1	0.70	0.53	0.42				
XR8003	15	M	M	0.18	23	13.4	10.7	8.9	6.7	5.3	4.5	3.6	2.7	0.61	0.41	0.31	0.24				
	20	M	M	0.21	27	15.6	12.5	10.4	7.8	6.2	5.2	4.2	3.1	0.71	0.48	0.36	0.29				
	30	M	M	0.26	33	19.3	15.4	12.9	9.7	7.7	6.4	5.1	3.9	0.88	0.59	0.44	0.35				
	40	M	M	0.30	38	22	17.8	14.9	11.1	8.9	7.4	5.9	4.5	1.0	0.68	0.51	0.41				
	50	M	M	0.34	44	25	20	16.8	12.6	10.1	8.4	6.7	5.0	1.2	0.77	0.58	0.46				
	60	M	M	0.37	47	27	22	18.3	13.7	11.0	9.2	7.3	5.5	1.3	0.84	0.63	0.50				
XR8003S	15	M	M	0.21	27	15.6	12.5	10.4	7.8	6.2	5.2	4.2	3.1	0.71	0.48	0.36	0.29				
	20	M	M	0.25	32	18.6	14.9	12.4	9.3	7.4	6.2	5.0	3.7	0.85	0.57	0.43	0.34				
	30	M	M	0.30	38	22	17.8	14.9	11.1	8.9	7.4	5.9	4.5	1.0	0.68	0.51	0.41				
	40	M	M	0.35	45	26	21	17.3	13.0	10.4	8.7	6.9	5.2	1.2	0.79	0.60	0.48				
	50	M	M	0.39	50	29	23	19.3	14.5	11.6	9.7	7.7	5.8	1.3	0.88	0.66	0.53				
	60	M	M	0.43	55	32	26	21	16.0	12.8	10.6	8.5	6.4	1.5	0.97	0.73	0.58				
XR8004	15	C	M	0.24	31	17.8	14.3	11.9	8.9	7.1	5.9	4.8	3.6	0.82	0.54	0.41	0.33				
	20	M	M	0.28	36	21	16.6	13.9	10.4	8.3	6.9	5.5	4.2	1.0	0.63	0.48	0.38				
	30	M	M	0.35	45	26	21	17.3	13.0	10.4	8.7	6.9	5.2	1.2	0.79	0.60	0.48				
	40	M	M	0.40	51	30	24	19.8	14.9	11.9	9.9	7.9	5.9	1.4	0.91	0.68	0.54				
	50	F	F	0.45	58	33	27	22	16.7	13.4	11.1	8.9	6.7	1.5	1.0	0.77	0.61				
	60	F	F	0.49	63	36	29	24	18.2	14.6	12.1	9.7	7.3	1.7	1.1	0.83	0.67				
XR8005	15	C	M	0.31	40	23	18.4	15.3	11.5	9.2	7.7	6.1	4.6	1.1	0.70	0.53	0.42				
	20	M	M	0.35	45	26	21	17.3	13.0	10.4	8.7	6.9	5.2	1.2	0.79	0.60	0.48				
	30	M	M	0.43	55	32	26	21	16.0	12.8	10.6	8.5	6.4	1.5	0.97	0.73	0.58				
	40	M	M	0.50	64	37	30	25	18.6	14.9	12.4	9.9	7.4	1.7	1.1	0.85	0.68				
	50	M	M	0.56	72	42	33	28	21	16.6	13.9	11.1	8.3	1.9	1.3	0.95	0.76				
	60	F	F	0.61	78	45	36	30	23	18.1	15.1	12.1	9.1	2.1	1.4	1.0	0.83				
XR8006	15	C	C	0.37	47	27	22	18.3	13.7	11.0	9.2	7.3	5.5	1.3	0.84	0.63	0.50				
	20	M	M	0.42	54	31	25	21	15.6	12.5	10.4	8.3	6.2	1.4	1.0	0.71	0.57				
	30	M	M	0.52	67	39	31	26	19.3	15.4	12.9	10.3	7.7	1.8	1.2	0.88	0.71				
	40	M	M	0.60	77	45	36	30	22	17.8	14.9	11.9	8.9	2.0	1.4	1.0	0.82				
	50	M	M	0.67	86	50	40	33	25	19.9	16.6	13.3	9.9	2.3	1.5	1.1	0.91				
	60	M	M	0.73	93	54	43	36	27	22	18.1	14.5	10.8	2.5	1.7	1.2	0.99				
XR8008	15	VC	VC	0.49	63	36	29	24	18.2	14.6	12.1	9.7	7.3	1.7	1.1	0.83	0.67				
	20	VC	VC	0.57	73	42	34	28	21	16.9	14.1	11.3	8.5	1.9	1.3	0.97	0.78				
	30	VC	VC	0.69	88	51	41	34	26	20	17.1	13.7	10.2	2.3	1.6	1.2	0.94				
	40	M	M	0.80	102	59	48	40	30	24	19.8	15.8	11.9	2.7	1.8	1.4	1.1				
	50	M	M	0.89	114	66	53	44	33	26	22	17.6	13.2	3.0	2.0	1.5	1.2				
	60	M	M	0.98	125	73	58	49	36	29	24	19.4	14.6	3.3	2.2	1.7	1.3				
XR8010 †	15	XC	VC	0.61	78	45	36	30	23	18.1	15.1	12.1	9.1	2.1	1.4	1.0	0.83				
	20	VC	VC	0.71	91	53	42	35	26	21	17.6	14.1	10.5	2.4	1.6	1.2	0.97				
	30	VC	VC	0.87	111	65	52	43	32	26	22	17.2	12.9	3.0	2.0	1.5	1.2				
	40	C	M	1.00	128	74	59	50	37	30	25	19.8	14.9	3.4	2.3	1.7	1.4				
	50	C	M	1.12	143	83	67	55	42	33	28	22	16.6	3.8	2.5	1.9	1.5				
	60	C	M	1.22	156	91	72	60	45	36	30	24	18.1	4.1	2.8	2.1	1.7				
XR8015 †	15	XC	VC	0.92	118	68	55	46	34	27	23	18.2	13.7	3.1	2.1	1.6	1.3				
	20	XC	VC	1.06	136	79	63	52	39	31	26	21	15.7	3.6	2.4	1.8	1.4</				

XRC TeeJet® Extended Range Flat Spray Tips

Part #
XRC80015-VS thru XRC8008-VS
XRC110025-VS thru XRC11005-VS

Features:

- Excellent spray distribution over a wide range of pressures—15–60 PSI (1–4 bar).
- Ideal for rigs equipped with sprayer controllers.
- Reduces drift at lower pressures, better coverage at higher pressures.
- 80° available in stainless steel (015, 02, 03–06 capacities) and ceramic (02, 03–08 capacities).
- 110° available in stainless steel (025–05 capacities), ceramic (02–08 capacities) and polymer (025–20 capacities).
- XR TeeJet tip molded into Quick TeeJet® cap provides automatic spray alignment.
- Includes tightly fitting washer that stays put and assures a good seal.

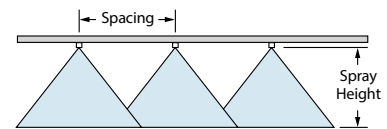


At 15 PSI (1 bar) Pressure At 60 PSI (4 bar) Pressure



CONTACT PRODUCT	SYSTEMIC PRODUCT	DRIFT MANAGEMENT
EXCELLENT	GOOD	GOOD
GOOD*	VERY GOOD*	VERY GOOD*

*At pressures below 30 PSI (2.0 bar)



Optimum Spray Height

Tip Angle	Optimum Spray Height
80°	30"
110°	20"

How to order:

Specify tip number.

Examples:

- XRC11004-VS – Stainless Steel with VisiFlo® color-coding
- XRC11004-VP – Polymer with VisiFlo color-coding

Part #	PSI	DROP SIZE (M/F)	CAPACITY ONE NOZZLE IN GPM	CAPACITY ONE NOZZLE IN OZ./MIN.	GPA										GALLONS PER 1000 SQ. FT.				
					20°														
					4 MPH	5 MPH	6 MPH	8 MPH	10 MPH	12 MPH	15 MPH	20 MPH	2 MPH	3 MPH	4 MPH	5 MPH			
XRC80015 (100)	15	M	0.092	12	6.8	5.5	4.6	3.4	2.7	2.3	1.8	1.4	0.31	0.21	0.16	0.13			
	20	F	0.11	14	8.2	6.5	5.4	4.1	3.3	2.7	2.2	1.6	0.37	0.25	0.19	0.15			
	30	F	0.13	17	9.7	7.7	6.4	4.8	3.9	3.2	2.6	1.9	0.44	0.29	0.22	0.18			
	40	F	0.15	19	11.1	8.9	7.4	5.6	4.5	3.7	3.0	2.2	0.51	0.34	0.26	0.20			
	50	F	0.17	22	12.6	10.1	8.4	6.3	5.0	4.2	3.4	2.5	0.58	0.39	0.29	0.23			
XRC8002 XRC11002 (50)	15	M	0.12	15	8.9	7.1	5.9	4.5	3.6	3.0	2.4	1.8	0.41	0.27	0.20	0.16			
	20	M	0.14	18	10.4	8.3	6.9	5.2	4.2	3.5	2.8	2.1	0.48	0.32	0.24	0.19			
	30	F	0.17	22	12.6	10.1	8.4	6.3	5.0	4.2	3.4	2.5	0.58	0.39	0.29	0.23			
	40	F	0.20	26	14.9	11.9	9.9	7.4	5.9	5.0	4.0	3.0	0.68	0.45	0.34	0.27			
	50	F	0.22	28	16.3	13.1	10.9	8.2	6.5	5.4	4.4	3.3	0.75	0.50	0.37	0.30			
XRC110025 (50)	15	M	0.15	19	11.1	8.9	7.4	5.6	4.5	3.7	3.0	2.2	0.51	0.34	0.26	0.20			
	20	M	0.18	23	13.4	10.7	8.9	6.7	5.3	4.5	3.6	2.7	0.61	0.41	0.31	0.24			
	30	F	0.22	28	16.3	13.1	10.9	8.2	6.5	5.4	4.4	3.3	0.75	0.50	0.37	0.30			
	40	F	0.25	32	18.6	14.9	12.4	9.3	7.4	6.2	5.0	3.7	0.85	0.57	0.43	0.34			
	50	F	0.28	36	21	16.6	13.9	10.4	8.3	6.9	5.5	4.2	0.95	0.63	0.48	0.38			
XRC8003 XRC11003 (50)	15	M	0.18	23	13.4	10.7	8.9	6.7	5.3	4.5	3.6	2.7	0.61	0.41	0.31	0.24			
	20	M	0.21	27	15.6	12.5	10.4	7.8	6.2	5.2	4.2	3.1	0.71	0.48	0.36	0.29			
	30	F	0.26	33	19.3	15.4	12.9	9.7	7.7	6.4	5.1	3.9	0.88	0.59	0.44	0.35			
	40	F	0.30	38	22	17.8	14.9	11.1	8.9	7.4	5.9	4.5	1.0	0.68	0.51	0.41			
	50	F	0.34	44	25	20	16.8	12.6	10.1	8.4	6.7	5.0	1.2	0.77	0.58	0.46			
XRC8004 XRC11004 (50)	15	C	0.24	31	17.8	14.3	11.9	8.9	7.1	5.9	4.8	3.6	0.82	0.54	0.41	0.33			
	20	M	0.28	36	21	16.6	13.9	10.4	8.3	6.9	5.5	4.2	0.95	0.63	0.48	0.38			
	30	M	0.35	45	26	21	17.3	13.0	10.4	8.7	6.9	5.2	1.2	0.79	0.60	0.48			
	40	M	0.40	51	30	24	19.8	14.9	11.9	9.9	7.9	5.9	1.4	0.91	0.68	0.54			
	50	F	0.45	58	33	27	22	16.7	13.4	11.1	8.9	6.7	1.5	1.0	0.77	0.61			
XRC8005 XRC11005 (50)	15	C	0.31	40	23	18.4	15.3	11.5	9.2	7.7	6.1	4.6	1.1	0.70	0.53	0.42			
	20	C	0.35	45	26	21	17.3	13.0	10.4	8.7	6.9	5.2	1.2	0.79	0.60	0.48			
	30	M	0.43	55	32	26	21	16.0	12.8	10.6	8.5	6.4	1.5	0.97	0.73	0.58			
	40	M	0.50	64	37	30	25	18.6	14.9	12.4	9.9	7.4	1.7	1.1	0.85	0.68			
	50	F	0.56	72	42	33	28	21	16.6	13.9	11.1	8.3	1.9	1.3	0.95	0.76			
XRC8006 XRC11006 (50)	15	C	0.37	47	27	22	18.3	13.7	11.0	9.2	7.3	5.5	1.3	0.84	0.63	0.50			
	20	C	0.42	54	31	25	21	15.6	12.5	10.4	8.3	6.2	1.4	0.95	0.71	0.57			
	30	M	0.52	67	39	31	26	19.3	15.4	12.9	10.3	7.7	1.8	1.2	0.88	0.71			
	40	M	0.60	77	45	36	30	22	17.8	14.9	11.9	8.9	2.0	1.4	1.0	0.82			
	50	M	0.67	86	50	40	33	25	19.9	16.6	13.3	9.9	2.3	1.5	1.1	0.91			
XRC8008 XRC11008 (50)	15	VC	0.49	63	36	29	24	18.2	14.6	12.1	9.7	7.3	1.7	1.1	0.83	0.67			
	20	VC	0.57	73	42	34	28	21	16.9	14.1	11.3	8.5	1.9	1.3	0.97	0.78			
	30	C	0.69	88	51	41	34	26	20	17.1	13.7	10.2	2.3	1.6	1.2	0.94			
	40	M	0.80	102	59	48	40	30	24	19.8	15.8	11.9	2.7	1.8	1.4	1.1			
	50	M	0.89	114	66	53	44	33	26	22	17.6	13.2	3.0	2.0	1.5	1.2			
XRC11010	15	VC	0.92	125	73	58	49	36	29	24	19.4	14.6	3.3	2.2	1.7	1.3			
	20	VC	1.01	141	83	66	54	42	34	27	21.1	15.8	3.8	2.5	1.9	1.5			
	30	C	1.12	161	94	75	60	48	39	31	24.1	18.1	4.1	2.8	2.1	1.7			
	40	M	1.22	181	105	86	69	54	44	35	26.1	20.1	4.4	3.1	2.3	1.8			
	50	M	1.32	201	116	97	77	61	49	40	28.1	22.1	4.7	3.4	2.6	2.0			
XRC11015	15	VC	1.18	168	105	84	70	55	45	37	30	22	5.1	3.4	2.6	2.0			
	20	VC	1.36	196	123	101	83	62	50	42	33	25	5.7	3.8	2.9	2.3			
	30	VC	1.50	216	137	111	91	74	58	47	38	29	6.3	4.2	3.1	2.5			
	40	C	1.68	245	151	124	101	83	67	55	44	33	7.6	5.1	3.8	3.0			
	50	C	1.84	274	165	137	111	91	73	61	49	36	8.3	5.6	4.2	3.3			
XRC11020	15	XC	1.22	156	91	72	60	45	36	30	24	18.1	4.1	2.8	2.1	1.7			
	20	XC	1.41	180	105	84	70	52	42	35	28	21	4.8	3.2	2.4	1.9			
	30	VC	1.73	221	128	103	86	64	51	43	34	26	5.9	3.9	2.9	2.4			
	40	VC	2.00	256	149	119	99	74	59	50	40	30	6.8	4.5	3.4	2.7			
	50	VC	2.24	287	166	133	111	83	67	55	44	33	7.6	5.1	3.8	3.0			

Note: Always double check your application rates. Tabulations are based on spraying water at 70°F (21°C). See pages 281-284 for drop size classification, useful formulas and other information.

SPRAY TIPS

TP TeeJet[®] VisiFlo[®] Flat Spray Tips

Features:

- Tapered edge flat spray pattern for uniform coverage in broadcast spraying.
- VisiFlo color-coded version available in stainless steel, ceramic and polymer in 80° or 110° spray angles in selected sizes.
- Available in ceramic 80° capacities 01–02 and 110° capacities 01–015. See XR and XRC TeeJet[®] tips on page 12–13 for larger capacities.
- Standard version (not color-coded) available in 15°, 25°, 40°, 50° and 65° spray angles in brass, stainless steel or hardened stainless steel.
- Automatic spray alignment with 114441-* CELR Quick TeeJet[®] cap and gasket.
- Automatic spray alignment for sizes 10 through 20 with 25610-* NYR Quick TeeJet cap and gasket.

Part

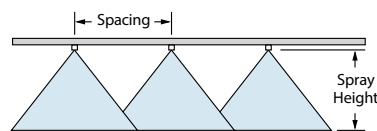
TP800*EVS

TP950*EVS

For use with the 114441-* CELR TeeJet cap



	PSI	DROP SIZE 80°/110°	CAPACITY ONE NOZZLE IN GPM	CAPACITY ONE NOZZLE IN OZ./MIN.	20°												
					GPA								GALLONS PER 1000 SQ. FT.				
					4 MPH	5 MPH	6 MPH	8 MPH	10 MPH	12 MPH	15 MPH	20 MPH	2 MPH	3 MPH	4 MPH	5 MPH	
TP650050 †	30		0.043	5.5	3.2	2.6	2.1	1.6	1.3	1.1	0.85	0.64	0.15	0.10	0.07	0.06	
TP800050 †	35		0.047	6.0	3.5	2.8	2.3	1.7	1.4	1.2	0.93	0.70	0.16	0.11	0.08	0.06	
TP1100050 †	40		0.050	6.4	3.7	3.0	2.5	1.9	1.5	1.2	0.99	0.74	0.17	0.11	0.09	0.07	
	50		0.056	7.2	4.2	3.3	2.8	2.1	1.7	1.4	1.1	0.83	0.19	0.13	0.10	0.08	
	60		0.061	7.8	4.5	3.6	3.0	2.3	1.8	1.5	1.2	0.91	0.21	0.14	0.10	0.08	
TP650067 †	30		0.058	7.4	4.3	3.4	2.9	2.2	1.7	1.4	1.1	0.86	0.20	0.13	0.10	0.08	
TP800067 †	35		0.063	8.1	4.7	3.7	3.1	2.3	1.9	1.6	1.2	0.94	0.21	0.14	0.11	0.09	
TP1100067 †	40		0.067	8.6	5.0	4.0	3.3	2.5	2.0	1.7	1.3	0.99	0.23	0.15	0.11	0.09	
	50		0.075	9.6	5.6	4.5	3.7	2.8	2.2	1.9	1.5	1.1	0.26	0.17	0.13	0.10	
	60		0.082	10	6.1	4.9	4.1	3.0	2.4	2.0	1.6	1.2	0.28	0.19	0.14	0.11	
TP6501 †	30	F	0.087	11	6.5	5.2	4.3	3.2	2.6	2.2	1.7	1.3	0.30	0.20	0.15	0.12	
TP8001	35	F	0.094	12	7.0	5.6	4.7	3.5	2.8	2.3	1.9	1.4	0.32	0.21	0.16	0.13	
TP11001	40	F	0.10	13	7.4	5.9	5.0	3.7	3.0	2.5	2.0	1.5	0.34	0.23	0.17	0.14	
	50	F	0.11	14	8.2	6.5	5.4	4.1	3.3	2.7	2.2	1.6	0.37	0.25	0.19	0.15	
	60	F	0.12	15	8.9	7.1	5.9	4.5	3.6	3.0	2.4	1.8	0.41	0.27	0.20	0.16	
TP65015 †	30	F	0.13	17	9.7	7.7	6.4	4.8	3.9	3.2	2.6	1.9	0.44	0.29	0.22	0.18	
TP80015	35	F	0.14	18	10.4	8.3	6.9	5.2	4.2	3.5	2.8	2.1	0.48	0.32	0.24	0.19	
TP110015	40	F	0.15	19	11.1	8.9	7.4	5.6	4.5	3.7	3.0	2.2	0.51	0.34	0.26	0.20	
	50	F	0.17	22	12.6	10.1	8.4	6.3	5.0	4.2	3.4	2.5	0.58	0.39	0.29	0.23	
	60	F	0.18	23	13.4	10.7	8.9	6.7	5.3	4.5	3.6	2.7	0.61	0.41	0.31	0.24	
TP6502 †	30	F	0.17	22	12.6	10.1	8.4	6.3	5.0	4.2	3.4	2.5	0.58	0.39	0.29	0.23	
TP8002	35	F	0.19	24	14.1	11.3	9.4	7.1	5.6	4.7	3.8	2.8	0.65	0.43	0.32	0.26	
TP11002	40	F	0.20	26	14.9	11.9	9.9	7.4	5.9	5.0	4.0	3.0	0.68	0.45	0.34	0.27	
	50	F	0.22	28	16.3	13.1	10.9	8.2	6.5	5.4	4.4	3.3	0.75	0.50	0.37	0.30	
	60	F	0.24	31	17.8	14.3	11.9	8.9	7.1	5.9	4.8	3.6	0.82	0.54	0.41	0.33	
TP6503 †	30	F	0.26	33	19.3	15.4	12.9	9.7	7.7	6.4	5.1	3.9	0.88	0.59	0.44	0.35	
TP8003	35	F	0.28	36	21	16.6	13.9	10.4	8.3	6.9	5.5	4.2	0.95	0.63	0.48	0.38	
TP11003	40	F	0.30	38	22	17.8	14.9	11.1	8.9	7.4	5.9	4.5	1.0	0.68	0.51	0.41	
	50	F	0.34	44	25	20	16.8	12.6	10.1	8.4	6.7	5.0	1.2	0.77	0.58	0.46	
	60	F	0.37	47	27	22	18.3	13.7	11.0	9.2	7.3	5.5	1.3	0.84	0.63	0.50	
TP6504 †	30	M	0.35	45	26	21	17.3	13.0	10.4	8.7	6.9	5.2	1.2	0.79	0.60	0.48	
TP8004	35	M	0.37	47	27	22	18.3	13.7	11.0	9.2	7.3	5.5	1.3	0.84	0.63	0.50	
TP11004	40	M	0.40	51	30	24	19.8	14.9	11.9	9.9	7.9	5.9	1.4	0.91	0.68	0.54	
	50	F	0.45	58	33	27	22	16.7	13.4	11.1	8.9	6.7	1.5	1.0	0.77	0.61	
	60	F	0.49	63	36	29	24	18.2	14.6	12.1	9.7	7.3	1.7	1.1	0.83	0.67	
TP6505 †	30	M	0.43	55	32	26	21	16.0	12.8	10.6	8.5	6.4	1.5	0.97	0.73	0.58	
TP8005	35	M	0.47	60	35	28	23	17.4	14.0	11.6	9.3	7.0	1.6	1.1	0.80	0.64	
TP11005	40	M	0.50	64	37	30	25	18.6	14.9	12.4	9.9	7.4	1.7	1.1	0.85	0.68	
	50	F	0.56	72	42	33	28	21	16.6	13.9	11.1	8.3	1.9	1.3	0.95	0.76	
	60	F	0.61	78	45	36	30	23	18.1	15.1	12.1	9.1	2.1	1.4	1.0	0.83	
TP6506 †	30	M	0.52	67	39	31	26	19.3	15.4	12.9	10.3	7.7	1.8	1.2	0.88	0.71	
TP8006	35	M	0.56	72	42	33	28	21	16.6	13.9	11.1	8.3	1.9	1.3	0.95	0.76	
TP11006	40	M	0.60	77	45	36	30	22	17.8	14.9	11.9	8.9	2.0	1.4	1.0	0.82	
	50	M	0.67	86	50	40	33	25	19.9	16.6	13.3	9.9	2.3	1.5	1.1	0.91	
	60	M	0.73	93	54	43	36	27	22	18.1	14.5	10.8	2.5	1.7	1.2	0.99	
TP6508 †	30	C	0.69	88	51	41	34	26	20	17.1	13.7	10.2	2.3	1.6	1.2	0.94	
TP8008	35	C	0.75	96	56	45	37	28	22	18.6	14.9	11.1	2.6	1.7	1.3	1.0	
TP11008	40	M	0.80	102	59	48	40	30	24	19.8	15.8	11.9	2.7	1.8	1.4	1.1	
	50	M	0.89	114	66	53	44	33	26	22	17.6	13.2	3.0	2.0	1.5	1.2	
	60	M	0.98	125	73	58	49	36	29	24	19.4	14.6	3.3	2.2	1.7	1.3	
TP6510 †	30	C	0.87	111	65	52	43	32	26	22	17.2	12.9	3.0	2.0	1.5	1.2	
TP8010 †	35	C	0.94	120	70	56	47	35	28	23	18.6	14.0	3.2	2.1	1.6	1.3	
TP11010 †	40	M	1.00	128	74	59	50	37	30	25	19.8	14.9	3.4	2.3	1.7	1.4	
	50	C	1.12	143	83	67	55	42	33	28	22	16.6	3.8	2.5	1.9	1.5	
	60	M	1.22	156	91	72	60	45	36	30	24	18.1	4.1	2.8	2.1	1.7	
TP6515 †	30	VC	1.30	166	97	77	64	48	39	32	26	19.3	4.4	2.9	2.2	1.8	
TP8015 †	35	VC	1.40	179	104	83	69	52	42	35	28	21	4.8	3.2	2.4	1.9	
TP11015 †	40	M	1.50	192	111	89	74	56	45	37	30	22	5.1	3.4	2.6	2.0	
	50	M	1.68	215	125	100	83	62	50	42	33	25	5.7	3.8	2.9	2.3	
	60	C	1.84	236	137	109	91	68	55	46	36	27	6.3	4.2	3.1	2.5	
TP6520 †	30		1.73	221	128	103	86	64	51	43	34	26	5.9	3.9	2.9	2.4	
TP8020 †	35		1.87	239	139	111	93	69	56	46	37	28	6.4	4.2	3.2	2.5	
TP11020 †	40		2.00	256	149	119	99	74	59	50	40	30	6.8	4.5	3.4	2.7	
	50		2.24	287	166	133	111	83	67	55	44	33	7.6	5.1	3.8	3.0	
	60		2.45	314	182	146	121	91	73	61	49	36	8.3	5.6	4.2	3.3	



Optimum Spray Height

Tip Angle	Optimum Spray Height
65°	35"
80°	30"
110°	20"

How to order:

Specify tip number.

- Examples:
- TP8002VS – Stainless Steel with VisiFlo color-coding
 - TP11002VP – Polymer with VisiFlo color-coding
 - TP11002-HSS – Hardened Stainless Steel
 - TP8002-SS – Stainless Steel
 - TP8002 – Brass

AIXR TeeJet® Air Induction XR Flat Spray Tips

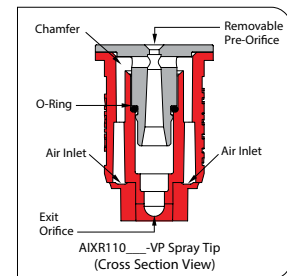
Part #
AIXR1100*VP
AIXR11008 & 10VP
 For use with the 114441-*CELR TeeJet cap

Typical Applications:

Air induction design provides good drift control while still providing coverage. Ideal for a wide range of application including post-emerge systemic products.

Features:

- 110° wide, tapered flat spray angle with air induction technology offers better drift management.
- Made of a two-piece UHMWPE polymer construction with VisiFlo® color-coding. UHMWPE provides excellent chemical resistance, including acids, as well as exceptional wear life.
- Compact size to prevent tip damage.
- Depending on the chemical, produces large air-filled drops through a Venturi air aspirator.
- Removable pre-orifice.
- Available in nine tip capacities with a wide operating pressure range: 15–90 PSI (1–6 bar).
- Automatic spray alignment with 114441-*CELR Quick TeeJet® cap and gasket for capacities 015 thru 06; 114443-*CELR for capacities 08 thru 10.

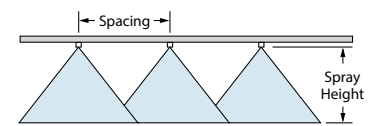


TIPO	PSI	DROPSIZE	CAPACITY ONE NOZZLE IN GPM	CAPACITY ONE NOZZLE IN OZ./MIN.	GPA										GALLONS PER 1000 SQ. FT.				
					20"														
					4 MPH	5 MPH	6 MPH	8 MPH	10 MPH	12 MPH	15 MPH	20 MPH	2 MPH	3 MPH	4 MPH	5 MPH			
AIXR110015 (100)	15	XC	0.092	12	6.8	5.5	4.6	3.4	2.7	2.3	1.8	1.4	0.31	0.21	0.16	0.13			
	20	VC	0.11	14	8.2	6.5	5.4	4.1	3.3	2.7	2.2	1.6	0.37	0.25	0.19	0.15			
	30	C	0.13	17	9.7	7.7	6.4	4.8	3.9	3.2	2.6	1.9	0.44	0.29	0.22	0.18			
	40	C	0.15	19	11.1	8.9	7.4	5.6	4.5	3.7	3.0	2.2	0.51	0.34	0.26	0.20			
	50	M	0.17	22	12.6	10.1	8.4	6.3	5.0	4.2	3.4	2.5	0.58	0.39	0.29	0.23			
AIXR11002 (50)	15	XC	0.12	15	8.9	7.1	5.9	4.5	3.6	3.0	2.4	1.8	0.41	0.27	0.20	0.16			
	20	VC	0.14	18	10.4	8.3	6.9	5.2	4.2	3.5	2.8	2.1	0.48	0.32	0.24	0.19			
	30	C	0.17	22	12.6	10.1	8.4	6.3	5.0	4.2	3.4	2.5	0.58	0.39	0.29	0.23			
	40	C	0.20	26	14.9	11.9	9.9	7.4	5.9	5.0	4.0	3.0	0.68	0.45	0.34	0.27			
	50	M	0.22	28	16.3	13.1	10.9	8.2	6.5	5.4	4.4	3.3	0.75	0.50	0.37	0.30			
AIXR110025 (50)	15	XC	0.15	19	11.1	8.9	7.4	5.6	4.5	3.7	3.0	2.2	0.51	0.34	0.26	0.20			
	20	VC	0.18	23	13.4	10.7	8.9	6.7	5.3	4.5	3.6	2.7	0.61	0.41	0.31	0.24			
	30	C	0.22	28	16.3	13.1	10.9	8.2	6.5	5.4	4.4	3.3	0.75	0.50	0.37	0.30			
	40	VC	0.25	32	18.6	14.9	12.4	9.3	7.4	6.2	5.0	3.7	0.85	0.57	0.43	0.34			
	50	C	0.28	36	21	16.6	13.9	10.4	8.3	6.9	5.5	4.2	0.95	0.63	0.48	0.38			
AIXR11003 (50)	15	XC	0.18	23	13.4	10.7	8.9	6.7	5.3	4.5	3.6	2.7	0.61	0.41	0.31	0.24			
	20	VC	0.21	27	15.6	12.5	10.4	7.8	6.2	5.2	4.2	3.1	0.71	0.48	0.36	0.29			
	30	C	0.26	33	19.3	15.4	12.9	9.7	7.7	6.4	5.1	3.9	0.88	0.59	0.44	0.35			
	40	VC	0.30	38	22	17.8	14.9	11.1	8.9	7.4	5.9	4.5	1.0	0.68	0.51	0.41			
	50	M	0.34	44	25	20	16.8	12.6	10.1	8.4	6.7	5.0	1.2	0.77	0.58	0.46			
AIXR11004 (50)	15	XC	0.24	29	17.8	14.3	11.9	8.9	7.1	5.9	4.8	3.6	0.82	0.54	0.41	0.33			
	20	VC	0.28	34	21	18.2	14.6	11.1	8.9	7.4	5.9	4.5	1.0	0.77	0.60	0.48			
	30	C	0.35	45	26	21	17.3	13.0	10.4	8.7	6.9	5.2	1.2	0.79	0.60	0.48			
	40	VC	0.40	51	30	24	19.8	14.9	11.9	9.9	7.9	5.9	1.4	0.91	0.68	0.54			
	50	M	0.45	58	33	27	22	16.7	13.4	11.1	8.9	6.7	1.5	1.0	0.77	0.61			
AIXR11005 (50)	15	XC	0.31	40	23	18.4	15.3	11.5	9.2	7.7	6.1	4.6	1.1	0.70	0.53	0.42			
	20	VC	0.35	45	26	21	17.3	13.0	10.4	8.7	6.9	5.2	1.2	0.79	0.60	0.48			
	30	C	0.43	55	32	26	21	16.0	12.8	10.6	8.5	6.4	1.5	0.97	0.73	0.58			
	40	VC	0.50	64	37	30	25	18.6	14.9	12.4	9.9	7.4	1.7	1.1	0.85	0.68			
	50	M	0.56	72	42	33	28	21	16.6	13.9	11.1	8.3	1.9	1.3	0.95	0.76			
AIXR11006 (50)	15	XC	0.37	47	27	22	18.3	13.7	11.0	9.2	7.3	5.5	1.3	0.84	0.63	0.50			
	20	VC	0.42	54	31	25	21	15.6	12.5	10.4	8.3	6.2	1.4	0.95	0.71	0.57			
	30	C	0.52	67	39	31	26	19.3	15.4	12.9	10.3	7.7	1.8	1.2	0.88	0.71			
	40	VC	0.60	77	45	36	30	22	17.8	14.9	11.9	8.9	2.0	1.4	1.0	0.82			
	50	M	0.67	86	50	40	33	25	19.9	16.6	13.3	9.9	2.3	1.5	1.1	0.91			
NEW! AIXR11008 (50)	15	XC	0.49	63	36	29	24	18.2	14.6	12.1	9.7	7.3	1.7	1.1	0.83	0.67			
	20	VC	0.57	73	42	34	28	21	16.9	14.1	11.3	8.5	1.9	1.3	0.97	0.78			
	30	C	0.69	88	51	41	34	26	20	17.1	13.7	10.2	2.3	1.6	1.2	0.94			
	40	VC	0.80	102	59	48	40	30	24	19.8	15.8	11.9	2.7	1.8	1.4	1.1			
	50	M	0.89	114	66	53	44	33	26	22	17.6	13.2	3.0	2.0	1.5	1.2			
NEW! AIXR11010	15	XC	0.98	125	72	58	49	36	29	24	19.4	14.6	3.3	2.2	1.7	1.3			
	20	VC	1.10	141	82	65	54	41	33	27	22	16.3	3.7	2.5	1.9	1.5			
	30	C	1.20	154	89	71	59	45	36	30	24	17.8	4.1	2.7	2.0	1.6			
	40	VC	1.37	175	102	81	68	51	41	34	27	20	4.7	3.1	2.3	1.9			
	50	M	1.50	192	111	89	74	56	45	37	30	22	5.1	3.4	2.6	2.0			

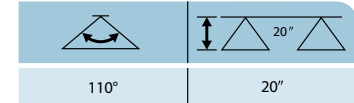
Note: Always double check your application rates. Tabulations are based on spraying water at 70°F (21°C).



CONTACT PRODUCT	SYSTEMIC PRODUCT	DRIFT MANAGEMENT
GOOD	EXCELLENT	EXCELLENT



Optimum Spray Height



How to order:
 Specify tip number.

- Example:
 AIXR11004VP – Polymer with VisiFlo color-coding
 AIXR11003VP-CE – Polymer with VisiFlo color-coding, Includes Quick TeeJet cap and gasket

SPRAY TIPS

Turbo TeeJet® Wide Angle Flat Spray Tips



Part #
TT1100*-VP
TT11010 & 12-VP
 For use with the 114441*-CELR TeeJet cap

Typical Applications:

Mid-range droplet size offers very good coverage with moderate drift control. Ideal for contact products, including herbicides, fungicides and insecticides.

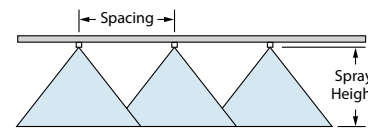
Features:

- Tapered edge wide angle flat spray pattern for uniform coverage in broadcast spraying.
- Large, rounded internal passage to minimize clogging.
- Excellent resistance to corrosive solutions.
- Superior wear characteristics.
- Larger droplets for less drift — 15–90 PSI (1–6 bar).
- Automatic spray alignment with 114441- *CELR Quick TeeJet cap and gasket for capacities 01 thru 08; 114502-*CELR for capacities 10 and 12. 98579-1-NYR
- Unique internal configuration means substantially longer wear life.

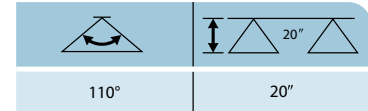


CONTACT PRODUCT	SYSTEMIC PRODUCT	DRIFT MANAGEMENT
VERY GOOD	VERY GOOD	VERY GOOD
GOOD*	EXCELLENT*	VERY GOOD*

*At pressures below 30 PSI (2.0 bar)



Optimum Spray Height



How to order:

Specify tip number.

Example:

TT11001-VP – Polymer with VisiFlo® color-coding

TT11002-VP-CE – Polymer with VisiFlo color-coding, includes Quick TeeJet cap and gasket

TIPOLOGY	PSI	DROPS PER MIN	CAPACITY ONE NOZZLE IN GPM	CAPACITY ONE NOZZLE IN OZ./MIN										GALLONS PER 1000 SQ. FT.				
				4 MPH	5 MPH	6 MPH	8 MPH	10 MPH	12 MPH	15 MPH	20 MPH	2 MPH	3 MPH	4 MPH	5 MPH			
TT11001 (100)	15	C	0.061	7.8	4.5	3.6	3.0	2.3	1.8	1.5	1.2	0.91	0.21	0.14	0.10	0.08		
	20	M	0.087	11	6.5	5.2	4.3	3.2	2.6	2.2	1.7	1.3	0.30	0.20	0.12	0.10		
	30	M	0.10	13	7.4	5.9	5.0	3.7	3.0	2.5	2.0	1.5	0.34	0.23	0.17	0.14		
	40	M	0.11	14	8.2	6.5	5.4	4.1	3.3	2.7	2.2	1.6	0.37	0.25	0.19	0.15		
	60	F	0.12	15	8.9	7.1	5.9	4.5	3.6	3.0	2.4	1.8	0.41	0.27	0.20	0.16		
TT110015 (100)	15	VC	0.092	12	6.8	5.5	4.6	3.4	2.7	2.3	1.8	1.4	0.31	0.21	0.16	0.13		
	20	C	0.11	14	8.2	6.5	5.4	4.1	3.3	2.7	2.2	1.6	0.37	0.25	0.19	0.15		
	30	C	0.13	17	9.7	7.7	6.4	4.8	3.9	3.2	2.6	1.9	0.44	0.29	0.22	0.18		
	40	M	0.15	19	11.1	8.9	7.4	5.6	4.5	3.7	3.0	2.2	0.51	0.34	0.26	0.20		
	60	M	0.18	23	13.4	10.7	8.9	6.7	5.3	4.5	3.6	2.7	0.61	0.41	0.31	0.24		
TT11002 (50)	15	VC	0.12	15	8.9	7.1	5.9	4.5	3.6	3.0	2.4	1.8	0.41	0.27	0.20	0.16		
	20	VC	0.14	18	10.4	8.3	6.9	5.2	4.2	3.5	2.8	2.1	0.48	0.32	0.24	0.19		
	30	C	0.17	22	12.6	10.1	8.4	6.3	5.0	4.2	3.4	2.5	0.58	0.39	0.29	0.23		
	40	M	0.20	26	14.9	11.9	9.9	7.4	5.9	5.0	4.0	3.0	0.68	0.45	0.34	0.27		
	60	M	0.22	28	16.3	13.1	10.9	8.2	6.5	5.4	4.4	3.3	0.75	0.50	0.37	0.30		
TT110025 (50)	15	VC	0.15	19	11.1	8.9	7.4	5.6	4.5	3.7	3.0	2.2	0.51	0.34	0.26	0.20		
	20	VC	0.18	23	13.4	10.7	8.9	6.7	5.3	4.5	3.6	2.7	0.61	0.41	0.31	0.24		
	30	C	0.22	28	16.3	13.1	10.9	8.2	6.5	5.4	4.4	3.3	0.75	0.50	0.37	0.30		
	40	M	0.25	32	18.6	14.9	12.4	9.3	7.4	6.2	5.0	3.7	0.85	0.57	0.43	0.34		
	60	M	0.31	36	21.6	16.6	13.9	10.4	8.3	6.9	5.5	4.2	0.95	0.63	0.48	0.38		
TT11003 (50)	15	VC	0.18	23	13.4	10.7	8.9	6.7	5.3	4.5	3.6	2.7	0.61	0.41	0.31	0.24		
	20	VC	0.21	27	15.6	12.5	10.4	7.8	6.2	5.2	4.2	3.1	0.71	0.48	0.36	0.29		
	30	C	0.26	33	19.3	15.4	12.9	9.7	7.7	6.4	5.1	3.9	0.88	0.59	0.44	0.35		
	40	M	0.30	38	22	17.8	14.9	11.1	8.9	7.4	5.9	4.5	1.0	0.68	0.51	0.41		
	60	M	0.34	44	25	20	16.8	12.6	10.1	8.4	6.7	5.0	1.2	0.77	0.58	0.46		
TT11004 (50)	15	VC	0.24	31	17.8	14.3	11.9	8.9	7.1	5.9	4.8	3.6	0.82	0.54	0.41	0.33		
	20	VC	0.28	36	21	16.6	13.9	10.4	8.3	6.9	5.5	4.2	0.95	0.63	0.48	0.38		
	30	C	0.35	45	26	21	17.3	13.0	10.4	8.7	6.9	5.2	1.2	0.79	0.60	0.48		
	40	M	0.40	51	30	24	19.8	14.9	11.9	9.9	7.9	5.9	1.4	0.91	0.68	0.54		
	60	M	0.45	58	33	27	22	16.7	13.4	11.1	8.9	6.7	1.5	1.0	0.77	0.61		
TT11005 (50)	15	VC	0.24	31	17.8	14.3	11.9	8.9	7.1	5.9	4.8	3.6	0.82	0.54	0.41	0.33		
	20	VC	0.28	36	21	16.6	13.9	10.4	8.3	6.9	5.5	4.2	0.95	0.63	0.48	0.38		
	30	C	0.35	45	26	21	17.3	13.0	10.4	8.7	6.9	5.2	1.2	0.79	0.60	0.48		
	40	M	0.40	51	30	24	19.8	14.9	11.9	9.9	7.9	5.9	1.4	0.91	0.68	0.54		
	60	M	0.45	58	33	27	22	16.7	13.4	11.1	8.9	6.7	1.5	1.0	0.77	0.61		
TT11006 (50)	15	VC	0.24	31	17.8	14.3	11.9	8.9	7.1	5.9	4.8	3.6	0.82	0.54	0.41	0.33		
	20	VC	0.28	36	21	16.6	13.9	10.4	8.3	6.9	5.5	4.2	0.95	0.63	0.48	0.38		
	30	C	0.35	45	26	21	17.3	13.0	10.4	8.7	6.9	5.2	1.2	0.79	0.60	0.48		
	40	M	0.40	51	30	24	19.8	14.9	11.9	9.9	7.9	5.9	1.4	0.91	0.68	0.54		
	60	M	0.45	58	33	27	22	16.7	13.4	11.1	8.9	6.7	1.5	1.0	0.77	0.61		
TT11008 (50)	15	VC	0.37	47	27	22	18.3	13.7	11.0	9.2	7.3	5.5	1.3	0.84	0.63	0.50		
	20	VC	0.42	54	31	25	21	15.6	12.5	10.4	8.3	6.2	1.4	0.95	0.71	0.57		
	30	C	0.52	67	39	31	26	19.3	15.4	12.9	10.3	7.7	1.8	1.2	0.88	0.71		
	40	M	0.60	77	45	36	30	22	17.8	14.9	11.9	8.9	2.0	1.4	1.0	0.82		
	60	M	0.67	86	50	40	33	25	19.9	16.6	13.3	9.9	2.3	1.5	1.1	0.91		
TT11010	15	VC	0.73	93	54	43	36	27	22	18.1	14.5	10.8	2.5	1.7	1.2	0.99		
	20	VC	0.82	105	61	49	41	30	24	20	16.2	12.2	2.8	1.9	1.4	1.1		
	30	C	0.90	115	67	53	45	33	27	22	17.8	13.4	3.1	2.0	1.5	1.2		
	40	M	1.05	135	78	62	51	39	32	26	21	16.1	3.5	2.3	1.7	1.4		
	60	M	1.14	151	88	70	58	44	36	29	23	18.1	3.9	2.6	2.0	1.6		
TT11012	15	VC	0.85	109	63	50	42	32	25	21	16.8	12.6	2.9	1.9	1.5	1.2		
	20	VC	1.04	133	77	62	51	39	31	26	21	15.4	3.5	2.4	1.8	1.4		
	30	C	1.20	154	89	71	59	45	36	30	24	17.8	4.1	2.7	2.0	1.6		
	40	M	1.34	172	99	80	66	50	40	33	27	19.9	4.6	3.0	2.3	1.8		
	60	M	1.47	198	109	87	73	55	44	36	29	22.3	5.0	3.3	2.5	2.0		
TT11012	15	VC	1.14	151	88	70	58	44	36	29	23	18.1	3.9	2.6	2.0	1.6		
	20	VC	1.20	154	89	71	59	45	36	30	24	17.8	4.1	2.7	2.0	1.6		
	30	C	1.37	175	102	81	68	51	41	34	27	20	4.6	3.1	2.3	1.8		
	40	M	1.50	192	111	89	74	56	45	37	30	22	5.1	3.4	2.6	2.0		
	60	M	1.64	210	122	97	81	61	49	41	32	24	5.6	3.7	2.8	2.2		
TT11012	15	VC	1.80	230	134	107	89	67	53	45	36	27	6.1	4.1	3.1	2.5		
	20	VC	2.00	260	150	120	100	75	60	50	40	32	7.0	4.7	3.5	2.7		
	30	C	2.20	290	170	135	112	88	70	56	45	36	7.9	5.2	3.9	3.0		
	40	M	2.40	320	190	150	125	100	80	64	51	40	8.8	5.8	4.3	3.3		
	60	M	2.60	350	210	165	135	108	86	68	54	43	9.7	6.4	4.7	3.6		

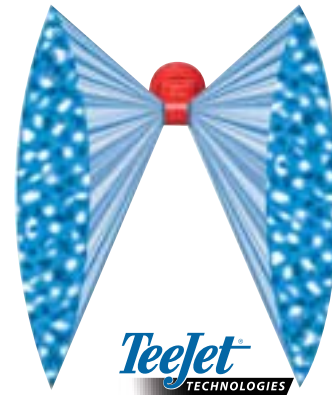
Note: Always double check your application rates. Tabulations are based on spraying water at 70°F (21°C).

TurboTwinJet® Twin Flat Spray Tips

Part

TTJ60-1100*VP

For use with the 114441-*CELR TeeJet Cap



Typical Applications:

Twin spray pattern provides excellent coverage, ideal for contact herbicides, fungicides and insecticides.

Features:

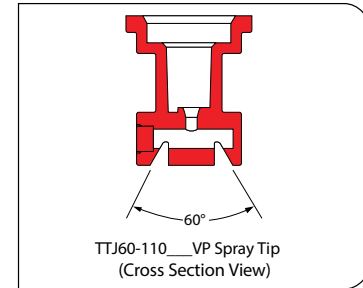
- Dual outlet design produces two 110° flat fan spray patterns using the patented technology from the Turbo TeeJet® nozzle. The angle between each spray pattern is 60° forward and back.
- Best suited for broadcast spraying where superior leaf coverage and canopy penetration is important.

- Droplet size range is slightly larger than for the same capacity Turbo TeeJet nozzle providing drift-reducing properties with increased canopy coverage and penetration.
- Molded polymer for excellent chemical and wear resistance.
- Available in six VisiFlo® color-coded capacities with pressure ranges from 20–90 PSI (1.5–6 bar).
- Ideal for use with automatic sprayer controllers.
- Automatic alignment when used with 114441-*CELR Quick TeeJet® cap and gasket.



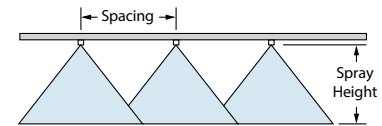
TIPOLOGY	PSI	DROPLET SIZE	CAPACITY ONE NOZZLE IN GPM	CAPACITY ONE NOZZLE IN OZ./MIN.	GPA										GALLONS PER 1000 SQ. FT.				
					20°														
					4 MPH	5 MPH	6 MPH	8 MPH	10 MPH	12 MPH	15 MPH	20 MPH	2 MPH	3 MPH	4 MPH	5 MPH			
TTJ60-11002 (100)	20	C	0.14	18	10.4	8.3	6.9	5.2	4.2	3.5	2.8	2.1	0.48	0.32	0.24	0.19			
	30	M	0.17	22	12.6	10.1	8.4	6.3	5.0	4.2	3.4	2.5	0.58	0.39	0.29	0.23			
	40	M	0.20	26	14.9	11.9	9.9	7.4	5.9	5.0	4.0	3.0	0.68	0.45	0.34	0.27			
	50	M	0.22	28	16.3	13.1	10.9	8.2	6.5	5.4	4.4	3.3	0.75	0.50	0.37	0.30			
	60	M	0.24	31	17.8	14.3	11.9	8.9	7.1	5.9	4.8	3.6	0.82	0.54	0.41	0.33			
TTJ60-110025 (100)	20	VC	0.18	23	13.4	10.7	8.9	6.7	5.3	4.5	3.6	2.7	0.61	0.41	0.31	0.24			
	30	C	0.22	28	16.3	13.1	10.9	8.2	6.5	5.4	4.4	3.3	0.75	0.50	0.37	0.30			
	40	C	0.25	32	18.6	14.9	12.4	9.3	7.4	6.2	5.0	3.7	0.85	0.57	0.43	0.34			
	50	M	0.28	36	21	16.6	13.9	10.4	8.3	6.9	5.5	4.2	0.95	0.63	0.48	0.38			
	60	M	0.31	40	23	18.4	15.3	11.5	9.2	7.7	6.1	4.6	1.1	0.70	0.53	0.42			
TTJ60-11003 (100)	20	VC	0.21	27	15.6	12.5	10.4	7.8	6.2	5.2	4.2	3.1	0.71	0.48	0.36	0.29			
	30	C	0.26	33	19.3	15.4	12.9	9.7	7.7	6.4	5.1	3.9	0.88	0.59	0.44	0.35			
	40	M	0.30	38	22	17.8	14.9	11.1	8.9	7.4	5.9	4.5	1.0	0.68	0.51	0.41			
	50	M	0.34	44	25	20	16.8	12.6	10.1	8.4	6.7	5.0	1.2	0.77	0.58	0.46			
	60	M	0.37	47	27	22	18.3	13.7	11.0	9.2	7.3	5.5	1.3	0.84	0.63	0.50			
TTJ60-11004 (50)	20	VC	0.28	36	21	16.6	13.9	10.4	8.3	6.9	5.5	4.2	0.95	0.63	0.48	0.38			
	30	C	0.35	45	26	21	17.3	13.0	10.4	8.7	6.9	5.2	1.2	0.79	0.60	0.48			
	40	M	0.40	51	30	24	19.8	14.9	11.9	9.9	7.9	5.9	1.4	0.91	0.68	0.54			
	50	M	0.45	58	33	27	22	16.7	13.4	11.1	8.9	6.7	1.5	1.0	0.77	0.61			
	60	M	0.49	63	36	29	24	18.2	14.6	12.1	9.7	7.3	1.7	1.1	0.83	0.67			
TTJ60-11005 (50)	20	VC	0.35	45	26	21	17.3	13.0	10.4	8.7	6.9	5.2	1.2	0.79	0.60	0.48			
	30	C	0.40	51	30	24	19.8	14.9	11.9	9.9	7.9	5.9	1.4	0.91	0.68	0.54			
	40	M	0.45	58	33	27	22	16.7	13.4	11.1	8.9	6.7	1.5	1.0	0.77	0.61			
	50	M	0.49	63	36	29	24	18.2	14.6	12.1	9.7	7.3	1.7	1.1	0.83	0.67			
	60	M	0.53	68	39	31	26	19.7	15.7	13.1	10.5	7.9	1.8	1.2	0.90	0.72			
TTJ60-11006 (50)	20	VC	0.42	54	31	25	21	15.6	12.5	10.4	8.3	6.2	1.4	0.95	0.71	0.57			
	30	C	0.52	67	39	31	26	19.3	15.4	12.9	10.3	7.7	1.8	1.2	0.88	0.71			
	40	M	0.60	77	45	36	30	22	17.8	14.9	11.9	8.9	2.0	1.4	1.0	0.82			
	50	M	0.67	86	50	40	33	25	19.9	16.6	13.3	9.9	2.3	1.5	1.1	0.91			
	60	M	0.73	93	54	43	36	27	22	18.1	14.5	10.8	2.5	1.7	1.2	0.99			
TTJ60-11008 (50)	20	VC	0.57	73	42	34	28	21	16.9	14.1	11.3	8.5	1.9	1.3	0.97	0.78			
	30	C	0.69	88	51	41	34	26	20	17.1	13.7	10.2	2.3	1.6	1.2	0.94			
	40	M	0.80	102	59	48	40	30	24	19.8	15.8	11.9	2.7	1.8	1.4	1.09			
	50	M	0.89	114	66	53	44	33	26	22	17.6	13.2	3.0	2.0	1.5	1.2			
	60	M	0.98	125	73	58	49	36	29	24	19.4	14.6	3.3	2.2	1.7	1.3			
TTJ60-11010 (50)	20	VC	0.71	91	53	42	35	26	21	17.6	14.1	10.5	2.4	1.6	1.2	0.97			
	30	C	0.87	111	65	52	43	32	26	22	17.2	12.9	3.0	2.0	1.5	1.2			
	40	M	1.00	128	74	59	50	37	30	25	19.8	14.9	3.4	2.3	1.7	1.4			
	50	M	1.12	143	83	67	55	42	33	28	22	16.6	3.8	2.5	1.9	1.5			
	60	M	1.22	156	91	72	60	45	36	30	24	18.1	4.1	2.8	2.1	1.7			

Note: Always double check your application rates. Tabulations are based on spraying water at 70°F (21°C). See pages 281–284 for drop size classification, useful formulas and other information.

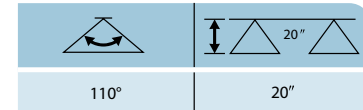


CONTACT PRODUCT	SYSTEMIC PRODUCT	DRIFT MANAGEMENT
EXCELLENT	EXCELLENT	VERY GOOD
VERY GOOD*	EXCELLENT*	EXCELLENT*

*At pressures below 30 PSI (2.0 bar)



Optimum Spray Height



How to order:

Specify tip number.

Example:

TTJ60-11004VP – Polymer with VisiFlo® color-coding

TTJ60-11003VP-CE – Polymer with VisiFlo color-coding, includes Quick TeeJet cap and gasket

SPRAY TIPS

TTI TwinJet® Twin Flat Spray Tips

Part #
TTI60-1100*-VP

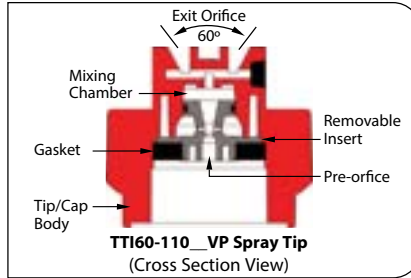
For use with the 114441*-CELRL TeeJet cap

Typical Applications:

Extremely coarse droplet size provides the best drift control possible, with minimal driftable fines and a twin spray pattern for improved coverage. Ideal for post-emerge systemic products, including dicamba.

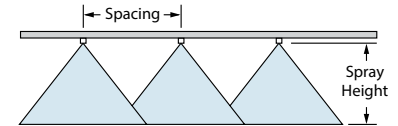
Features:

- 110° wide angle, air induction, twin tapered flat spray tip pattern based on the patented outlet orifice design of the original Turbo TeeJet® nozzle.
- 60° angle between leading and trailing patterns for increased canopy coverage and penetration.
- Depending on the chemical, produces large air-filled drops through a Venturi air aspirator resulting in less drift.
- All polymer construction for excellent chemical and wear resistance.
- All in one molded nozzle and Quick TeeJet® cap design allows for quick installation and automatic spray alignment.
- Removable pre-orifice for fast and easy cleaning.
- Wide operating pressure range: 20-100 PSI (1.5-7 bar).

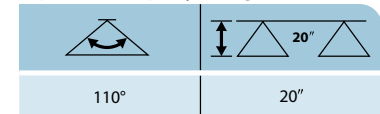


PSI	DROP SIZE	CAPACITY ONE NOZZLE IN GPM	CAPACITY ONE NOZZLE IN OZ./MIN.	20°																										
				GPA								GALLONS PER 1000 SQ. FT.																		
				4 MPH	5 MPH	6 MPH	8 MPH	10 MPH	12 MPH	15 MPH	20 MPH	2 MPH	3 MPH	4 MPH	5 MPH															
TTI60-11002VP (50)	20 UC	0.14	18	10.4	8.3	6.9	5.2	4.2	3.5	2.8	2.1	0.48	0.32	0.24	0.19	0.17	22	12.6	10.1	8.4	6.3	5.0	4.2	3.4	2.5	0.58	0.39	0.29	0.23	
	30 UC	0.20	26	14.9	11.9	9.9	7.4	5.9	5.0	4.0	3.0	0.68	0.45	0.34	0.27	0.22	28	16.3	13.1	10.9	8.2	6.5	5.4	4.4	3.3	0.75	0.50	0.37	0.30	
	40 UC	0.24	31	17.8	14.3	11.9	8.9	7.1	5.9	4.8	3.6	0.82	0.54	0.41	0.33	60 VC	0.26	33	19.3	15.4	12.9	9.7	7.7	6.4	5.1	3.9	0.88	0.59	0.44	0.35
	70 VC	0.28	36	21	16.6	13.9	10.4	8.3	6.9	5.5	4.2	0.95	0.63	0.48	0.38	80 VC	0.28	36	21	16.6	13.9	10.4	8.3	6.9	5.5	4.2	0.95	0.63	0.48	0.38
	90 VC	0.30	38	22	17.8	14.9	11.1	8.9	7.4	5.9	4.5	1.0	0.68	0.51	0.41															
TTI60-110025VP (50)	20 UC	0.18	23	13.4	10.7	8.9	6.7	5.3	4.5	3.6	2.7	0.61	0.41	0.31	0.24	30 UC	0.22	28	16.3	13.1	10.9	8.2	6.5	5.4	4.4	3.3	0.75	0.50	0.37	0.30
	40 UC	0.25	32	18.6	14.9	12.4	9.3	7.4	6.2	5.0	3.7	0.85	0.57	0.43	0.34	50 UC	0.28	36	21	16.6	13.9	10.4	8.3	6.9	5.5	4.2	0.95	0.63	0.48	0.38
	60 VC	0.31	40	23	18.4	15.3	11.5	9.2	7.7	6.1	4.6	1.1	0.75	0.53	0.42	70 VC	0.33	42	25	19.6	16.3	12.3	9.8	8.2	6.5	4.9	1.1	0.75	0.56	0.45
	80 VC	0.35	45	26	21	17.3	13.0	10.4	8.7	6.9	5.2	1.2	0.79	0.60	0.48	90 VC	0.38	49	28	23	18.8	14.1	11.3	9.4	7.5	5.6	1.3	0.86	0.65	0.52
	TTI60-11003VP (50)	20 UC	0.21	27	15.6	12.5	10.4	7.8	6.2	5.2	4.2	3.1	0.71	0.48	0.36	0.29	30 UC	0.26	33	19.3	15.4	12.9	9.7	7.7	6.4	5.1	3.9	0.88	0.59	0.44
40 UC		0.30	38	22	17.8	14.9	11.1	8.9	7.4	5.9	4.5	1.0	0.68	0.51	0.41	50 UC	0.34	44	25	20	16.8	12.6	10.1	8.4	6.7	5.0	1.2	0.77	0.58	0.46
60 VC		0.37	47	27	22	18.3	13.7	11.0	9.2	7.3	5.5	1.3	0.84	0.63	0.50	70 VC	0.40	51	30	24	19.8	14.9	11.9	9.9	7.9	5.9	1.4	0.91	0.68	0.54
80 VC		0.42	54	31	25	21	15.6	12.5	10.4	8.3	6.2	1.4	0.95	0.71	0.57	90 VC	0.45	58	33	27	22	16.7	13.4	11.1	8.9	6.7	1.5	1.0	0.77	0.61
TTI60-11004VP (50)		20 UC	0.28	36	21	16.6	13.9	10.4	8.3	6.9	5.5	4.2	0.95	0.63	0.48	0.38	30 UC	0.35	45	26	21	17.3	13.0	10.4	8.7	6.9	5.2	1.2	0.79	0.60
	40 UC	0.40	51	30	24	19.8	14.9	11.9	9.9	7.9	5.9	1.4	0.91	0.68	0.54	50 UC	0.45	58	33	27	22	16.7	13.4	11.1	8.9	6.7	1.5	1.0	0.77	0.61
	60 VC	0.49	63	36	29	24	18.2	14.6	12.1	9.7	7.3	1.7	1.1	0.83	0.67	70 VC	0.53	68	39	31	26	19.7	15.7	13.1	10.5	7.9	1.8	1.2	0.90	0.72
	80 VC	0.57	73	42	34	28	21	16.9	14.1	11.3	8.5	1.9	1.3	0.97	0.78	90 VC	0.60	77	45	36	30	22	17.8	14.9	11.9	8.9	2.0	1.4	1.0	0.82
	TTI60-11005VP (50)	20 UC	0.35	45	26	21	17.3	13.0	10.4	8.7	6.9	5.2	1.2	0.79	0.60	0.48	30 UC	0.43	55	32	26	21	16.0	12.8	10.6	8.5	6.4	1.5	0.97	0.73
40 UC		0.50	64	37	30	25	18.6	14.9	12.4	9.9	7.4	1.7	1.1	0.85	0.68	50 UC	0.56	72	42	33	28	21	16.6	13.9	11.1	8.3	1.9	1.3	0.95	0.76
60 VC		0.61	78	45	36	30	23	18.1	15.1	12.1	9.1	2.1	1.4	1.0	0.83	70 VC	0.66	84	49	39	33	25	19.6	16.3	13.1	9.8	2.2	1.5	1.1	0.90
80 VC		0.71	91	53	42	35	26	21	17.6	14.1	10.5	2.4	1.6	1.2	0.97	90 VC	0.75	96	56	45	37	28	22	18.6	14.9	11.1	2.6	1.7	1.3	1.0
TTI60-11006VP (50)		20 UC	0.42	54	31	25	21	15.6	12.5	10.4	8.3	6.2	1.4	0.95	0.71	0.57	30 UC	0.52	67	39	31	26	19.3	15.4	12.9	10.3	7.7	1.8	1.2	0.88
	40 UC	0.60	77	45	36	30	22	17.8	14.9	11.9	8.9	2.0	1.4	1.0	0.82	50 UC	0.67	86	50	40	33	25	19.9	16.6	13.3	9.9	2.3	1.5	1.1	0.91
	60 VC	0.73	93	54	43	36	27	22	18.1	14.5	10.8	2.5	1.7	1.2	0.99	70 VC	0.79	101	59	47	39	29	23	19.6	15.6	11.7	2.7	1.8	1.3	1.1
	80 VC	0.85	109	63	50	42	32	25	21	16.8	12.6	2.9	1.9	1.4	1.2	90 VC	0.90	115	67	53	45	33	27	22	17.8	13.4	3.1	2.0	1.5	1.2
	TTI60-11008VP (50)	20 UC	0.57	73	42	34	28	21	16.9	14.1	11.3	8.5	1.9	1.3	0.97	0.78	30 UC	0.69	88	51	41	34	26	20	17.1	13.7	10.2	2.3	1.6	1.2
40 UC		0.80	102	59	48	40	30	24	19.8	15.8	11.9	2.7	1.8	1.4	1.09	50 UC	0.89	114	66	53	44	33	26	22	17.6	13.2	3.0	2.0	1.5	1.2
60 UC		0.98	125	73	58	49	36	29	24	19.4	14.6	3.3	2.2	1.7	1.3	70 UC	1.06	136	79	63	52	39	31	26	21	15.7	3.6	2.4	1.8	1.4
80 UC		1.13	145	84	67	56	42	34	28	22	16.8	3.8	2.6	1.9	1.5	90 UC	1.20	154	89	71	59	45	36	30	24	17.8	4.1	2.7	2.0	1.6

CONTACT PRODUCT	SYSTEMIC PRODUCT	DRIFT MANAGEMENT
-	EXCELLENT	EXCELLENT



Optimum Spray Height



How to order:

Specify tip number.
Example:
TTI60-11004VP – Polymer with VisiFlo color-coding, includes Quick TeeJet cap and gasket

Note: Always double check your application rates. Tabulations are based on spraying water at 70°F (21°C).

SPRAY TIPS

Air Induction Turbo TwinJet®

Twin Flat Spray Tips

Typical Applications:

Large droplets provide excellent drift control, while twin patterns ensures thorough coverage. Ideal for systemic herbicides and other drift sensitive products.

Features:

- Air induction with dual 110° flat fan patterns
- 60° between leading and trailing spray patterns
- Good coverage with increased canopy penetration and best drift control

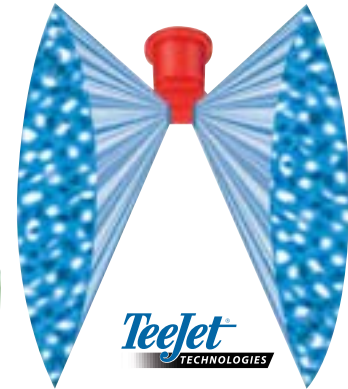
- Best suited for postemergence applications
- Excellent drift control with coarse to very coarse droplets
- Available in nine VisiFlo® color coded capacities (02 through 15)—color represents total flow
- Pressure ranges from 20–90 PSI (1.5–6 bar)
- Automatic spray alignment when used with 114443*-CEL (02–06) or 114502*-CEL (08–15) Quick TeeJet® cap and gasket.



Part

AITTJ60-1100*VP
AITTJ60-1100B, 10 & 15VP

Automatic spray alignment when used with 25598*-N (02-06) or 98579-1-N (08-15). Quick TeeJet Cap and Gasket



PSI	DROPSIZE	CAPACITY ONE NOZZLE IN GPM	CAPACITY ONE NOZZLE IN OZ./MIN.	GPA										GALLONS PER 1000 SQ. FT.				
				20°														
				4 MPH	5 MPH	6 MPH	8 MPH	10 MPH	12 MPH	15 MPH	20 MPH	2 MPH	3 MPH	4 MPH	5 MPH			
20	XC	0.14	18	10.4	8.3	6.9	5.2	4.2	3.5	2.8	2.1	0.48	0.32	0.24	0.19			
30	VC	0.17	22	12.6	10.1	8.4	6.3	5.0	4.2	3.4	2.5	0.58	0.39	0.29	0.23			
40	C	0.20	26	14.9	11.9	9.9	7.4	5.9	5.0	4.0	3.0	0.68	0.45	0.34	0.27			
50	C	0.22	28	16.3	13.1	10.9	8.2	6.5	5.4	4.4	3.3	0.75	0.50	0.37	0.30			
60	C	0.24	31	17.8	14.3	11.9	8.9	7.1	5.9	4.8	3.6	0.82	0.54	0.41	0.33			
70	M	0.26	33	19.3	15.4	12.9	9.7	7.7	6.4	5.1	3.9	0.88	0.59	0.44	0.35			
80	M	0.28	36	21	16.6	13.9	10.4	8.3	6.9	5.5	4.2	0.95	0.63	0.48	0.38			
90	M	0.30	38	22	17.8	14.9	11.1	8.9	7.4	5.9	4.5	1.0	0.68	0.51	0.41			
20	XC	0.18	23	13.4	10.7	8.9	6.7	5.3	4.5	3.6	2.7	0.61	0.41	0.31	0.24			
30	VC	0.22	28	16.3	13.1	10.9	8.2	6.5	5.4	4.4	3.3	0.75	0.50	0.37	0.30			
40	VC	0.25	32	18.6	14.9	12.4	9.3	7.4	6.2	5.0	3.7	0.85	0.57	0.43	0.34			
50	C	0.28	36	21	16.6	13.9	10.4	8.3	6.9	5.5	4.2	0.95	0.63	0.48	0.38			
60	C	0.31	40	23	18.4	15.3	11.5	9.2	7.7	6.1	4.6	1.1	0.70	0.53	0.42			
70	M	0.33	42	25	19.6	16.3	12.3	9.8	8.2	6.5	4.9	1.1	0.75	0.56	0.45			
80	M	0.35	45	26	21	17.3	13.0	10.4	8.7	6.9	5.2	1.2	0.79	0.60	0.48			
90	M	0.38	49	28	23	18.8	14.1	11.3	9.4	7.5	5.6	1.3	0.86	0.65	0.52			
20	UC	0.21	27	15.6	12.5	10.4	7.8	6.2	5.2	4.2	3.1	0.71	0.48	0.36	0.29			
30	XC	0.26	33	19.3	15.4	12.9	9.7	7.7	6.4	5.1	3.9	0.88	0.59	0.44	0.35			
40	VC	0.30	38	22	17.8	14.9	11.1	8.9	7.4	5.9	4.5	1.0	0.68	0.51	0.41			
50	VC	0.34	44	25	20	16.8	12.6	10.1	8.4	6.7	5.0	1.2	0.77	0.58	0.46			
60	C	0.37	47	27	22	18.3	13.7	11.0	9.2	7.3	5.5	1.3	0.84	0.63	0.50			
70	C	0.40	51	30	24	19.8	14.9	11.9	9.9	7.9	5.9	1.4	0.91	0.68	0.54			
80	C	0.42	54	31	25	21	15.6	12.9	10.4	8.3	6.2	1.4	0.95	0.71	0.57			
90	M	0.45	58	33	27	22	16.7	13.4	11.1	8.9	6.7	1.5	1.0	0.77	0.61			
20	UC	0.28	36	21	16.6	13.9	10.4	8.3	6.9	5.5	4.2	0.95	0.63	0.48	0.38			
30	XC	0.35	45	26	21	17.3	13.0	10.4	8.7	6.9	5.2	1.2	0.79	0.60	0.48			
40	VC	0.40	51	30	24	19.8	14.9	11.9	9.9	7.9	5.9	1.4	0.91	0.68	0.54			
50	VC	0.45	58	33	27	22	16.7	13.4	11.1	8.9	6.7	1.5	1.0	0.77	0.61			
60	C	0.49	63	36	29	24	18.2	14.6	12.1	9.7	7.3	1.7	1.1	0.83	0.67			
70	C	0.53	68	39	31	26	19.7	15.7	13.1	10.5	7.9	1.8	1.2	0.90	0.72			
80	M	0.57	73	42	34	28	21	16.9	14.1	11.3	8.5	1.9	1.3	0.97	0.78			
90	M	0.60	77	45	36	30	22	17.8	14.9	11.9	8.9	2.0	1.4	1.0	0.82			
20	UC	0.35	45	26	21	17.3	13.0	10.4	8.7	6.9	5.2	1.2	0.79	0.60	0.48			
30	XC	0.43	55	32	26	21	16.0	12.8	10.6	8.5	6.4	1.5	0.97	0.73	0.58			
40	VC	0.50	64	37	30	25	18.6	14.9	12.4	9.9	7.4	1.7	1.1	0.85	0.68			
50	VC	0.56	72	42	33	28	21	16.6	13.9	11.1	8.3	1.9	1.3	0.95	0.76			
60	VC	0.61	78	45	36	30	23	18.1	12.1	9.1	2.1	1.4	1.0	0.83				
70	C	0.66	84	49	39	33	25	19.6	16.3	13.1	9.8	2.2	1.5	1.1	0.90			
80	C	0.71	91	53	42	35	26	21	17.6	14.1	10.5	2.4	1.6	1.2	0.97			
90	M	0.75	96	56	45	37	28	22	18.6	14.9	11.1	2.6	1.7	1.3	1.0			
20	UC	0.42	54	31	25	21	15.6	12.5	10.4	8.3	6.2	1.4	0.95	0.71	0.57			
30	XC	0.52	67	39	31	26	19.3	15.4	12.9	10.3	7.7	1.8	1.2	0.88	0.71			
40	VC	0.60	77	45	36	30	22	17.8	14.9	11.9	8.9	2.0	1.4	1.0	0.82			
50	VC	0.67	86	50	40	33	25	19.9	16.6	13.3	9.9	2.3	1.5	1.1	0.91			
60	C	0.73	93	54	43	36	27	22	18.1	14.5	10.8	2.5	1.7	1.2	0.99			
70	C	0.79	101	59	47	39	29	23	19.6	15.6	11.7	2.7	1.8	1.3	1.1			
80	C	0.85	109	63	50	42	32	25	21	16.8	12.6	2.9	1.9	1.4	1.2			
90	M	0.90	115	67	53	45	33	27	22	17.8	13.4	3.1	2.0	1.5	1.2			
20	UC	0.57	73	42	34	28	21	16.9	14.1	11.3	8.5	1.9	1.3	0.97	0.78			
30	UC	0.69	88	51	41	34	26	20	17.1	13.7	10.2	2.3	1.6	1.2	0.94			
40	XC	0.80	102	59	48	40	30	24	19.8	15.8	11.9	2.7	1.8	1.4	1.09			
50	XC	0.89	114	66	53	44	33	26	22	17.6	13.2	3.0	2.0	1.5	1.2			
60	VC	0.98	125	73	58	49	36	29	24	19.4	14.6	3.3	2.2	1.7	1.3			
70	VC	1.06	136	79	63	52	39	31	26	21	15.7	3.6	2.4	1.8	1.4			
80	VC	1.13	145	84	67	56	42	34	28	22	16.8	3.8	2.6	1.9	1.5			
90	C	1.20	154	89	71	59	45	36	30	24	17.8	4.1	2.7	2.0	1.6			
20	UC	0.71	91	53	42	35	26	21	17.6	14.1	10.5	2.4	1.6	1.2	0.97			
30	UC	0.87	111	65	52	43	32	26	22	17.2	12.9	3.0	2.0	1.5	1.2			
40	XC	1.00	128	74	59	50	37	30	25	19.8	14.9	3.4	2.3	1.7	1.4			
50	XC	1.12	143	83	67	55	42	33	28	22	16.6	3.8	2.5	1.9	1.5			
60	VC	1.22	156	91	72	60	45	36	30	24	18.1	4.1	2.8	2.1	1.7			
70	VC	1.32	169	98	78	65	49	39	33	26	19.6	4.5	3.0	2.2	1.8			
80	VC	1.41	180	105	84	70	52	42	35	28	21	4.8	3.2	2.4	1.9			
90	VC	1.50	192	111	89	74	56	45	37	30	22	5.1	3.4	2.6	2.0			
20	UC	1.06	136	79	63	52	39	31	26	21	15.7	3.6	2.4	1.8	1.4			
30	UC	1.30	166	97	77	64	48	39	32	26	19.3	4.4	2.9	2.2	1.8			
40	UC	1.50	192	111	89	74	56	45	37	30	22	5.1	3.4	2.6	2.0			
50	XC	1.68	215	125	100	83	62	50	42	33	25	5.7	3.8	2.9	2.3			
60	XC	1.84	236	137	109	91	68	55	46	36	27	6.3	4.2	3.1	2.5			
70	XC	1.98	253	147	118	98	74	59	49	39	29	6.7	4.5	3.4	2.7			
80	VC	2.12	271	157	126	105	79	63	52	42	31	7.2	4.8	3.6	2.9			
90	VC	2.25	288	167	134	111	84	67	56	45	33	7.7</						

AI TeeJet® Air Induction Flat Spray Tips

Part #
AI1100*VS

For use with the 114443-*CELR TeeJet cap

Typical Applications:

Ideal for drift sensitive applications, including systemic herbicides.

■ Depending on the chemical, produces large air-filled drops through the use of a Venturi air aspirator.

■ Automatic spray alignment with 114443-*CELR Quick TeeJet® cap and gasket.

Features:

- Stainless steel insert produces a tapered edge flat spray pattern for uniform coverage in broadcast spraying.
- Polymer insert holder and pre-orifice with VisiFlo® color-coding.
- Larger droplets for less drift.
- Available in eight capacities with a recommended pressure rating 30–115 PSI (2–8 bar).



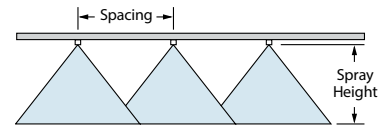
PSI	DROP SIZE	CAPACITY ONE NOZZLE IN GPM	CAPACITY ONE NOZZLE IN OZ./MIN.	20"											GALLONS PER 1000 SQ. FT.				
				GPA															
				4 MPH	5 MPH	6 MPH	8 MPH	10 MPH	12 MPH	15 MPH	20 MPH	2 MPH	3 MPH	4 MPH	5 MPH				
30	UC UC	0.13	17	9.7	7.7	6.4	4.8	3.9	3.2	2.6	1.9	0.44	0.29	0.22	0.18				
40	XC XC	0.15	19	11.1	8.9	7.4	5.6	4.5	3.7	3.0	2.2	0.51	0.34	0.26	0.20				
50	XC VC	0.17	22	12.6	10.1	8.4	6.3	5.0	4.2	3.4	2.5	0.58	0.39	0.29	0.23				
60	VC VC	0.18	23	13.4	10.7	8.9	6.7	5.3	4.5	3.6	2.7	0.61	0.41	0.31	0.24				
70	VC VC	0.20	26	14.9	11.9	9.9	7.4	5.9	5.0	4.0	3.0	0.68	0.45	0.34	0.27				
80	VC VC	0.21	27	15.6	12.5	10.4	7.8	6.2	5.2	4.2	3.1	0.71	0.48	0.36	0.29				
90	VC VC	0.23	29	17.1	13.7	11.4	8.5	6.8	5.7	4.6	3.4	0.78	0.52	0.39	0.31				
100	VC VC	0.24	31	17.8	14.3	11.9	8.9	7.1	5.9	4.8	3.6	0.82	0.54	0.41	0.33				
30	UC UC	0.17	22	12.6	10.1	8.4	6.3	5.0	4.2	3.4	2.5	0.58	0.39	0.29	0.23				
40	XC XC	0.20	26	14.9	11.9	9.9	7.4	5.9	5.0	4.0	3.0	0.68	0.45	0.34	0.27				
50	XC VC	0.22	28	16.3	13.1	10.9	8.2	6.5	5.4	4.4	3.3	0.75	0.50	0.37	0.30				
60	VC VC	0.24	31	17.8	14.3	11.9	8.9	7.1	5.9	4.8	3.6	0.82	0.54	0.41	0.33				
70	VC VC	0.26	33	19.3	15.4	12.9	9.7	7.7	6.4	5.1	3.9	0.88	0.59	0.44	0.35				
80	VC VC	0.28	36	21	16.6	13.9	10.4	8.3	6.9	5.5	4.2	0.95	0.63	0.48	0.38				
90	VC VC	0.30	38	22	17.8	14.9	11.1	8.9	7.4	5.9	4.5	1.0	0.68	0.51	0.41				
100	VC VC	0.32	41	24	19.0	15.8	11.9	9.5	7.9	6.3	4.8	1.1	0.73	0.54	0.44				
30	UC UC	0.22	28	16.3	13.1	10.9	8.2	6.5	5.4	4.4	3.3	0.75	0.50	0.37	0.30				
40	XC XC	0.25	32	18.6	14.9	12.4	9.3	7.4	6.2	5.0	3.7	0.85	0.57	0.43	0.34				
50	XC VC	0.28	36	21	16.6	13.9	10.4	8.3	6.9	5.5	4.2	0.95	0.63	0.48	0.38				
60	XC VC	0.31	40	23	18.4	15.3	11.5	9.2	7.7	6.1	4.6	1.1	0.70	0.53	0.42				
70	XC VC	0.33	42	25	19.6	16.3	12.3	9.8	8.2	6.5	4.9	1.1	0.75	0.56	0.45				
80	VC VC	0.35	45	26	21	17.3	13.0	10.4	8.7	6.9	5.2	1.2	0.79	0.60	0.48				
90	VC VC	0.38	49	28	23	18.8	14.1	11.3	9.4	7.5	5.6	1.3	0.86	0.65	0.52				
100	VC VC	0.40	51	30	24	19.8	14.9	11.9	9.9	7.9	5.9	1.4	0.91	0.68	0.54				
30	UC UC	0.26	33	19.3	15.4	12.9	9.7	7.7	6.4	5.1	3.9	0.88	0.59	0.44	0.35				
40	XC XC	0.30	38	22	17.8	14.9	11.1	8.9	7.4	5.9	4.5	1.0	0.68	0.51	0.41				
50	XC VC	0.34	44	25	20	16.8	12.6	10.1	8.4	6.7	5.0	1.2	0.77	0.58	0.46				
60	XC VC	0.37	47	27	22	18.3	13.7	11.0	9.2	7.3	5.5	1.3	0.84	0.63	0.50				
70	VC VC	0.40	51	30	24	19.8	14.9	11.9	9.9	7.9	5.9	1.4	0.91	0.68	0.54				
80	VC VC	0.42	54	31	25	21	15.6	12.5	10.4	8.3	6.2	1.4	0.95	0.71	0.57				
90	VC VC	0.45	58	33	27	22	16.7	13.4	11.1	8.9	6.7	1.5	1.0	0.77	0.61				
100	VC VC	0.47	60	35	28	23	17.4	14.0	11.6	9.3	7.0	1.6	1.1	0.80	0.64				
30	UC UC	0.35	45	26	21	17.3	13.0	10.4	8.7	6.9	5.2	1.2	0.79	0.60	0.48				
40	XC XC	0.40	51	30	24	19.8	14.9	11.9	9.9	7.9	5.9	1.4	0.91	0.68	0.54				
50	XC VC	0.45	58	33	27	22	16.7	13.4	11.1	8.9	6.7	1.5	1.0	0.77	0.61				
60	VC VC	0.49	63	36	29	24	18.2	14.6	12.1	9.7	7.3	1.7	1.1	0.83	0.67				
70	VC VC	0.53	68	39	31	26	19.7	15.7	13.1	10.5	7.9	1.8	1.2	0.90	0.72				
80	VC VC	0.57	73	42	34	28	21	16.9	14.1	11.3	8.5	1.9	1.3	0.97	0.78				
90	VC VC	0.60	77	45	36	30	22	17.8	14.9	11.9	8.9	2.0	1.4	1.0	0.82				
100	VC VC	0.63	81	47	37	31	23	18.7	15.6	12.5	9.4	2.1	1.4	1.1	0.86				
30	UC UC	0.43	55	32	26	21	16.0	12.8	10.6	8.5	6.4	1.5	0.97	0.73	0.58				
40	XC XC	0.50	64	37	30	25	18.6	14.9	12.4	9.9	7.4	1.7	1.1	0.85	0.68				
50	XC VC	0.56	72	42	33	28	21	16.6	13.9	11.1	8.3	1.9	1.3	0.95	0.76				
60	VC VC	0.61	78	45	36	30	23	18.1	15.1	12.1	9.1	2.1	1.4	1.0	0.83				
70	VC VC	0.66	84	49	39	33	25	19.6	16.3	13.1	9.8	2.2	1.5	1.1	0.90				
80	VC VC	0.71	91	53	42	35	26	21	17.6	14.1	10.5	2.4	1.6	1.2	0.97				
90	VC VC	0.75	96	56	45	37	28	22	18.6	14.9	11.1	2.6	1.7	1.3	1.0				
100	VC VC	0.79	101	59	47	39	29	23	19.6	15.6	11.7	2.7	1.8	1.3	1.1				
30	UC UC	0.52	67	39	31	26	19.3	15.4	12.9	10.3	7.7	1.8	1.2	0.88	0.71				
40	XC XC	0.60	77	45	36	30	22	17.8	14.9	11.9	8.9	2.0	1.4	1.0	0.82				
50	XC VC	0.67	86	50	40	33	25	19.9	16.6	13.3	9.9	2.3	1.5	1.1	0.91				
60	VC VC	0.73	93	54	43	36	27	22	18.1	14.5	10.8	2.5	1.7	1.2	0.99				
70	VC VC	0.79	101	59	47	39	29	23	19.6	15.6	11.7	2.7	1.8	1.3	1.1				
80	VC VC	0.85	109	63	50	42	32	25	21	16.8	12.6	2.9	1.9	1.4	1.2				
90	VC VC	0.90	115	67	53	45	33	27	22	17.8	13.4	3.1	2.0	1.5	1.2				
100	VC VC	0.95	122	71	56	47	35	28	24	18.8	14.1	3.2	2.2	1.6	1.3				
30	UC UC	0.69	88	51	41	34	26	20	17.1	13.7	10.2	2.3	1.6	1.2	0.94				
40	XC XC	0.80	102	59	48	40	30	24	19.8	15.8	11.9	2.7	1.8	1.4	1.1				
50	XC VC	0.89	114	66	53	44	33	26	22	17.6	13.2	3.0	2.0	1.5	1.2				
60	VC VC	0.98	125	73	58	49	36	29	24	19.4	14.6	3.3	2.2	1.7	1.3				
70	VC VC	1.06	136	79	63	52	39	31	26	21	15.7	3.6	2.4	1.8	1.4				
80	VC VC	1.13	145	84	67	56	42	34	28	22	16.8	3.8	2.6	1.9	1.5				
90	VC VC	1.20	154	89	71	59	45	36	30	24	17.8	4.1	2.7	2.0	1.6				
100	VC VC	1.26	161	94	75	62	47	37	31	25	18.7	4.3	2.9	2.1	1.7				



TeeJet TECHNOLOGIES

Note: Due to the pre-orifice design, this tip is not compatible with the 4193A check valve tip strainer.

CONTACT PRODUCT	SYSTEMIC PRODUCT	DRIFT MANAGEMENT
GOOD	EXCELLENT	EXCELLENT



Optimum Spray Height

Tip Angle	Optimum Spray Height
80°	30"
110°	20"

How to order:
Specify tip number.

Example:
AI11004-VS – Stainless Steel with VisiFlo color-coding

Note: Always double check your application rates. Tabulations are based on spraying water at 70°F (21°C). See pages 281–284 for drop size classification, useful formulas and other information.

SPRAY TIPS

AIC TeeJet® Air Induction Flat Spray Tips

Part #
AIC110015-VS thru AIC110010-VS

Features:

- Produces a 110° tapered edge flat spray pattern for uniform coverage in broadcast spraying applications.
- Available with a polymer insert holder with stainless steel (015-15 capacities), ceramic (025-05 capacities) or polymer (02-10 capacities) inserts.
- Larger droplets for less drift.
- Depending on the chemical, produces large air-filled drops through the use of a Venturi air aspirator.
- AI TeeJet nozzle molded into Quick TeeJet® cap provides automatic spray alignment.
- Includes tightly fitting washer that stays put and assures a good seal.
- Recommended pressure rating 30-115 PSI (2-8 bar).



Note: Due to the pre-orifice design, this tip is not compatible with the 4193A check valve tip strainer.



PSI	DROPSIZE	CAPACITY ONE NOZZLE IN GPM	CAPACITY ONE NOZZLE IN OZ./MIN.	20°										GALLONS PER 1000 SQ. FT.				
				GPA														
				4 MPH	5 MPH	6 MPH	8 MPH	10 MPH	12 MPH	15 MPH	20 MPH	2 MPH	3 MPH	4 MPH	5 MPH			
30	UC	0.13	17	9.7	7.7	6.4	4.8	3.9	3.2	2.6	1.9	0.44	0.29	0.22	0.18			
40	XC	0.15	19	11.1	8.9	7.4	5.6	4.5	3.7	3.0	2.2	0.51	0.34	0.26	0.20			
50	XC	0.17	22	12.6	10.1	8.4	6.3	5.0	4.2	3.4	2.5	0.58	0.39	0.29	0.23			
60	VC	0.18	23	13.4	10.7	8.9	6.7	5.3	4.5	3.6	2.7	0.61	0.41	0.31	0.24			
70	VC	0.20	26	14.9	11.9	9.9	7.4	5.9	5.0	4.0	3.0	0.68	0.45	0.34	0.27			
80	VC	0.21	27	15.6	12.5	10.4	7.8	6.2	5.2	4.2	3.1	0.71	0.48	0.36	0.29			
90	VC	0.23	29	17.1	13.7	11.4	8.5	6.8	5.7	4.6	3.4	0.78	0.52	0.39	0.31			
100	C	0.24	31	17.8	14.3	11.9	8.9	7.1	5.9	4.8	3.6	0.82	0.54	0.41	0.33			
30	UC	0.17	22	12.6	10.1	8.4	6.3	5.0	4.2	3.4	2.5	0.58	0.39	0.29	0.23			
40	XC	0.20	26	14.9	11.9	9.9	7.4	5.9	5.0	4.0	3.0	0.68	0.45	0.34	0.27			
50	XC	0.22	28	16.3	13.1	10.9	8.2	6.5	5.4	4.4	3.3	0.75	0.50	0.37	0.30			
60	VC	0.24	31	17.8	14.3	11.9	8.9	7.1	5.9	4.8	3.6	0.82	0.54	0.41	0.33			
70	VC	0.26	33	19.3	15.4	12.9	9.7	7.7	6.4	5.1	3.9	0.88	0.59	0.44	0.35			
80	VC	0.28	36	21	16.6	13.9	10.4	8.3	6.9	5.5	4.2	1.0	0.63	0.48	0.38			
90	VC	0.30	38	22	17.8	14.9	11.1	8.9	7.4	5.9	4.5	1.0	0.68	0.51	0.41			
100	C	0.32	41	24	19.0	15.8	11.9	9.5	7.9	6.3	4.8	1.1	0.73	0.54	0.44			
30	UC	0.22	28	16.3	13.1	10.9	8.2	6.5	5.4	4.4	3.3	0.75	0.50	0.37	0.30			
40	XC	0.25	32	18.6	14.9	12.4	9.3	7.4	6.2	5.0	3.7	0.85	0.57	0.43	0.34			
50	XC	0.28	36	21	16.6	13.9	10.4	8.3	6.9	5.5	4.2	0.95	0.63	0.48	0.38			
60	VC	0.31	40	23	18.4	15.3	11.5	9.2	7.7	6.1	4.6	1.1	0.70	0.53	0.42			
70	VC	0.33	42	25	19.6	16.3	12.3	9.8	8.2	6.5	4.9	1.1	0.75	0.56	0.45			
80	VC	0.35	45	26	21	17.3	13.0	10.4	8.7	6.9	5.2	1.2	0.79	0.60	0.48			
90	VC	0.38	49	28	23	18.8	14.1	11.3	9.4	7.5	5.6	1.3	0.86	0.65	0.52			
100	C	0.40	51	30	24	19.8	14.9	11.9	9.9	7.9	5.9	1.4	0.91	0.68	0.54			
30	UC	0.26	33	19.3	15.4	12.9	9.7	7.7	6.4	5.1	3.9	0.88	0.59	0.44	0.35			
40	XC	0.30	38	22	17.8	14.9	11.1	8.9	7.4	5.9	4.5	1.0	0.68	0.51	0.41			
50	XC	0.34	44	25	20	16.8	12.6	10.1	8.4	6.7	5.0	1.2	0.77	0.58	0.46			
60	VC	0.37	47	27	22	18.3	13.7	11.0	9.2	7.3	5.5	1.3	0.84	0.63	0.50			
70	VC	0.40	51	30	24	19.8	14.9	11.9	9.9	7.9	5.9	1.4	0.91	0.68	0.54			
80	VC	0.42	54	31	25	21	15.6	12.5	10.4	8.3	6.2	1.4	0.95	0.71	0.57			
90	VC	0.45	58	33	27	22	16.7	13.4	11.1	8.9	6.7	1.5	1.0	0.77	0.61			
100	C	0.47	60	35	28	23	17.4	14.0	11.6	9.3	7.0	1.6	1.1	0.80	0.64			
30	UC	0.35	45	26	21	17.3	13.0	10.4	8.7	6.9	5.2	1.2	0.79	0.60	0.48			
40	XC	0.40	51	30	24	19.8	14.9	11.9	9.9	7.9	5.9	1.4	0.91	0.68	0.54			
50	XC	0.45	58	33	27	22	16.7	13.4	11.1	8.9	6.7	1.5	1.0	0.77	0.61			
60	VC	0.49	63	36	29	24	18.2	14.6	12.1	9.7	7.3	1.7	1.1	0.83	0.67			
70	VC	0.53	68	39	31	26	19.7	15.7	13.1	10.5	7.9	1.8	1.2	0.90	0.72			
80	VC	0.57	73	42	34	28	21	16.9	14.1	11.3	8.5	1.9	1.3	0.97	0.78			
90	VC	0.60	77	45	36	30	22	17.8	14.9	11.9	8.9	2.0	1.4	1.0	0.82			
100	C	0.63	81	47	37	31	23	18.7	15.6	12.5	9.4	2.1	1.4	1.1	0.86			
30	UC	0.43	55	32	26	21	16.0	12.8	10.6	8.5	6.4	1.5	0.97	0.73	0.58			
40	XC	0.50	64	37	30	25	18.6	14.9	12.4	9.9	7.4	1.7	1.1	0.85	0.68			
50	XC	0.56	72	42	33	28	21	16.6	13.9	11.1	8.3	1.9	1.3	0.95	0.76			
60	VC	0.61	78	45	36	30	23	18.1	15.1	12.1	9.1	2.1	1.4	1.0	0.83			
70	VC	0.66	84	49	39	33	25	19.6	16.3	13.1	9.8	2.2	1.5	1.1	0.90			
80	VC	0.71	91	53	42	35	26	21	17.6	14.1	10.5	2.4	1.6	1.2	0.97			
90	VC	0.75	96	56	45	37	28	22	18.6	14.9	11.1	2.6	1.7	1.3	1.0			
100	VC	0.79	101	59	47	39	29	23	19.6	15.6	11.7	2.7	1.8	1.3	1.1			
30	UC	0.52	67	39	31	26	19.3	15.4	12.9	10.3	7.7	1.8	1.2	0.88	0.71			
40	UC	0.60	77	45	36	30	22	17.8	14.9	11.9	8.9	2.0	1.4	1.0	0.82			
50	XC	0.67	86	50	40	33	25	19.9	16.6	13.3	9.9	2.3	1.5	1.1	0.91			
60	XC	0.73	93	54	43	36	27	22	18.1	14.5	10.8	2.5	1.7	1.2	0.99			
70	XC	0.79	101	59	47	39	29	23	19.6	15.6	11.7	2.7	1.8	1.3	1.1			
80	VC	0.85	109	63	50	42	32	25	21	16.8	12.6	2.9	1.9	1.4	1.2			
90	VC	0.90	115	67	53	45	33	27	22	17.8	13.4	3.1	2.0	1.5	1.2			
100	VC	0.95	122	71	56	47	35	28	24	18.8	14.1	3.2	2.2	1.6	1.3			
30	UC	0.69	88	51	41	34	26	20	17.1	13.7	10.2	2.3	1.6	1.2	0.94			
40	UC	0.80	102	59	48	40	30	24	19.8	15.8	11.9	2.7	1.8	1.4	1.1			
50	XC	0.89	114	66	53	44	33	26	22	17.6	13.2	3.0	2.0	1.5	1.2			
60	XC	0.98	125	73	58	49	36	29	24	19.4	14.6	3.3	2.2	1.7	1.3			
70	XC	1.06	136	79	63	52	39	31	26	21	15.7	3.6	2.4	1.8	1.4			
80	VC	1.13	145	84	67	56	42	34	28	22	16.8	3.8	2.6	1.9	1.5			
90	VC	1.20	154	89	71	59	45	36	30	24	17.8	4.1	2.7	2.0	1.6			
100	VC	1.26	161	94	75	62	47	37	31	25	18.7	4.3	2.9	2.1	1.7			
30	UC	0.87	111	65	52	43	32	26	22	17.2	12.9	3.0	2.0	1.5	1.2			
40	UC	1.00	128	74	59	50	37	30	25	19.8	14.9	3.4	2.3	1.7	1.4			
50	XC	1.12	143	83	67	55	42	33	28	22	16.6	3.8	2.5	1.9	1.5			
60	XC	1.22	156	91	72	60	45	36	30	24	18.1	4.1	2.8	2.1	1.7			
70	XC	1.32	169	98	78	65	49	39	33	26	19.6	4.5	3.0	2.2	1.8			
80	XC	1.41	180	105	84	70	52	42	35	28	21	4.8	3.2	2.4	1.9			
90	VC	1.50	192	111	89	74	56	45	37	30	22	5.1	3.4	2.6	2.0			
100	VC	1.58	202	117	94	78	59	47	39	31	23	5.4	3.6	2.7	2.1			
30	UC	1.30	166	97	77	64	48	39	32	26	19.3	4.4	2.9	2.2				

AI3070[®] Air Induction Dual Pattern Flat Spray Tips

Typical Applications:

See selection guide for recommended typical applications for AI3070 tips.

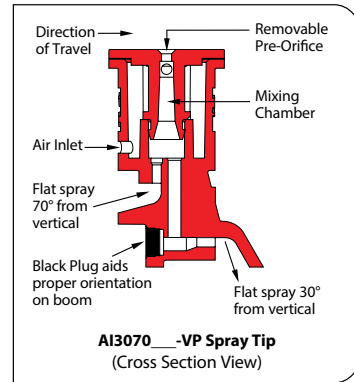
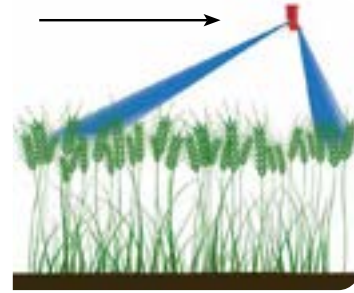
Features:

- Provides excellent penetration and seed head coverage for fungicide spraying on cereal crops.
- AI3070 produces two wide angle, flat spray patterns for uniform coverage in broadcast applications.
- 30° forward tilted spray penetrates dense crop canopies, while the backward tilted 70° spray maximizes coverage of the crop seed head.
- Drift resistant drops are produced through the use of a venturi air aspirator.
- All acetal construction for excellent chemical and wear resistance.
- Removable pre-orifice for fast and easy cleaning.
- Suggested spray pressure range of 20–90 PSI (1.5–6 bar).
- Automatic alignment with the use of 98579-1-NYR Quick TeeJet[®] cap and gasket.



Part #
AI3070-*VP

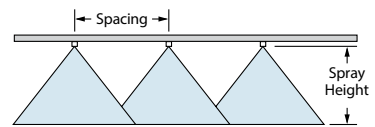
For use with the 98579-*NYR TeeJet cap



PSI	DROP SIZE	CAPACITY ONE NOZZLE IN OZ./MIN.	CAPACITY ONE NOZZLE IN OZ./MIN.	GPA										GALLONS PER 1000 SQ. FT.				
				20°														
				4 MPH	5 MPH	6 MPH	8 MPH	10 MPH	12 MPH	15 MPH	20 MPH	2 MPH	3 MPH	4 MPH	5 MPH			
AI3070-015VP (100)	20	VC	0.11	14	8.2	6.5	5.4	4.1	3.3	2.7	2.2	1.6	0.37	0.25	0.19	0.15		
	30	C	0.13	17	9.7	7.7	6.4	4.8	3.9	3.2	2.6	1.9	0.44	0.29	0.22	0.18		
	40	C	0.15	19	11.1	8.9	7.4	5.6	4.5	3.7	3.0	2.2	0.51	0.34	0.26	0.20		
	50	M	0.17	22	12.6	10.1	8.4	6.3	5.0	4.2	3.4	2.5	0.58	0.39	0.29	0.23		
	60	M	0.18	23	13.4	10.7	8.9	6.7	5.3	4.5	3.6	2.7	0.61	0.41	0.31	0.24		
AI3070-02VP (100)	70	M	0.20	26	14.9	11.9	9.9	7.4	5.9	5.0	4.0	3.0	0.68	0.45	0.34	0.27		
	80	M	0.21	27	15.6	12.5	10.4	7.8	6.2	5.2	4.2	3.1	0.71	0.48	0.36	0.29		
	90	F	0.23	29	17.1	13.7	11.4	8.5	6.8	5.7	4.6	3.4	0.78	0.52	0.39	0.31		
	20	XC	0.14	18	10.4	8.3	6.9	5.2	4.2	3.5	2.8	2.1	0.48	0.32	0.24	0.19		
	30	VC	0.17	22	12.6	10.1	8.4	6.3	5.0	4.2	3.4	2.5	0.58	0.39	0.29	0.23		
AI3070-025VP (100)	40	C	0.20	26	14.9	11.9	9.9	7.4	5.9	5.0	4.0	3.0	0.68	0.45	0.34	0.27		
	50	C	0.22	28	16.3	13.1	10.9	8.2	6.5	5.4	4.4	3.3	0.75	0.50	0.37	0.30		
	60	C	0.24	31	17.8	14.3	11.9	8.9	7.1	5.9	4.8	3.6	0.82	0.54	0.41	0.33		
	70	M	0.26	33	19.3	15.4	12.9	9.7	7.7	6.4	5.1	3.9	0.88	0.59	0.44	0.35		
	80	M	0.28	36	21	16.6	13.9	10.4	8.3	6.9	5.5	4.2	0.95	0.63	0.48	0.38		
AI3070-03VP (50)	90	M	0.30	38	22	17.8	14.9	11.1	8.9	7.4	5.9	4.5	1.0	0.68	0.51	0.41		
	20	XC	0.18	23	13.4	10.7	8.9	6.7	5.3	4.5	3.6	2.7	0.61	0.41	0.31	0.24		
	30	VC	0.22	28	16.3	13.1	10.9	8.2	6.5	5.4	4.4	3.3	0.75	0.50	0.37	0.30		
	40	C	0.25	32	18.6	14.9	12.4	9.3	7.4	6.2	5.0	3.7	0.85	0.57	0.43	0.34		
	50	C	0.28	36	21	16.6	13.9	10.4	8.3	6.9	5.5	4.2	0.95	0.63	0.48	0.38		
AI3070-04VP (50)	60	C	0.31	40	23	18.4	15.3	11.5	9.2	7.7	6.1	4.6	1.1	0.70	0.53	0.42		
	70	C	0.33	42	25	19.6	16.3	12.3	9.8	8.2	6.5	4.9	1.1	0.75	0.56	0.45		
	80	C	0.35	45	26	21	17.3	13.0	10.4	8.7	6.9	5.2	1.2	0.79	0.60	0.48		
	90	M	0.38	49	28	23	18.8	14.1	11.3	9.4	7.5	5.6	1.3	0.86	0.65	0.52		
	20	XC	0.21	27	15.6	12.5	10.4	7.8	6.2	5.2	4.2	3.1	0.71	0.48	0.36	0.29		
AI3070-05VP (50)	30	XC	0.26	33	19.3	15.4	12.9	9.7	7.7	6.4	5.1	3.9	0.88	0.59	0.44	0.35		
	40	VC	0.30	38	22	17.8	14.9	11.1	8.9	7.4	5.9	4.5	1.0	0.68	0.51	0.41		
	50	C	0.34	44	25	20	16.8	12.6	10.1	8.4	6.7	5.0	1.2	0.77	0.58	0.46		
	60	C	0.37	47	27	22	18.3	13.7	11.0	9.2	7.3	5.5	1.3	0.84	0.63	0.50		
	70	C	0.40	51	30	24	19.8	14.9	11.9	9.9	7.9	5.9	1.4	0.91	0.68	0.54		
AI3070-04VP (50)	80	C	0.42	54	31	25	21	15.6	12.5	10.4	8.3	6.2	1.4	0.95	0.71	0.57		
	90	C	0.45	58	33	27	22	16.7	13.4	11.1	8.9	6.7	1.5	1.0	0.77	0.61		
	20	UC	0.28	36	21	16.6	13.9	10.4	8.3	6.9	5.5	4.2	0.95	0.63	0.48	0.38		
	30	XC	0.35	45	26	21	17.3	13.0	10.4	8.7	6.9	5.2	1.2	0.79	0.60	0.48		
	40	VC	0.40	51	30	24	19.8	14.9	11.9	9.9	7.9	5.9	1.4	0.91	0.68	0.54		
AI3070-05VP (50)	50	VC	0.45	58	33	27	22	16.7	13.4	11.1	8.9	6.7	1.5	1.0	0.77	0.61		
	60	VC	0.49	63	36	29	24	18.2	14.6	12.1	9.7	7.3	1.7	1.1	0.83	0.67		
	70	C	0.53	68	39	31	26	19.7	15.7	13.1	10.5	7.9	1.8	1.2	0.90	0.72		
	80	C	0.57	73	42	34	28	21	16.9	14.1	11.3	8.5	1.9	1.3	0.97	0.78		
	90	C	0.60	77	45	36	30	22	17.8	14.9	11.9	8.9	2.0	1.4	1.0	0.82		
AI3070-05VP (50)	20	UC	0.35	45	26	21	17.3	13.0	10.4	8.7	6.9	5.2	1.2	0.79	0.60	0.48		
	30	XC	0.43	55	32	26	21	16.0	12.8	10.6	8.5	6.4	1.5	0.97	0.73	0.58		
	40	VC	0.50	64	37	30	25	18.6	14.9	12.4	9.9	7.4	1.7	1.1	0.85	0.68		
	50	VC	0.56	72	42	33	28	21	16.6	13.9	11.1	8.3	1.9	1.3	0.95	0.76		
	60	VC	0.61	78	45	36	30	23	18.1	15.1	12.1	9.1	2.1	1.4	1.0	0.83		
AI3070-05VP (50)	70	C	0.66	84	49	39	33	25	19.6	16.3	13.1	9.8	2.2	1.5	1.1	0.90		
	80	C	0.71	91	53	42	35	26	21	17.6	14.1	10.5	2.4	1.6	1.2	0.97		
	90	C	0.75	96	56	45	37	28	22	18.6	14.9	11.1	2.6	1.7	1.3	1.0		

Note: Always double check your application rates. Tabulations are based on spraying water at 70°F (21°C). See pages 281–284 for drop size classification, useful formulas and other information.

CONTACT PRODUCT	SYSTEMIC PRODUCT	DRIFT MANAGEMENT
EXCELLENT	VERY GOOD	EXCELLENT



Optimum Spray Height

Spacing	Spray Height
15"	9"
20"	12"
30"	18"

How to order:

Specify tip number.

Example:

AI3070-04VP – Polymer with VisiFlo[®] color-coding

AI3070-03VP-C – Polymer with VisiFlo color-coding, includes Quick TeeJet cap and gasket

SPRAY TIPS

FloodJet® Wide Angle Flat Spray Tips

Part #

TK-VS*

TK-VP*

For use with the 25600*-NYR TeeJet cap



(B)1/4K FloodJet



QCK Quick FloodJet®



TK-VP FloodJet®



TK-VS FloodJet



How to order: Specify tip number.

Examples:

- TK-VS5 – Stainless Steel with VisiFlo® color-coding
- TK-VP3 – Polymer with VisiFlo color-coding
- (B)1/4K-5 – Brass
- TK-SS5 – Stainless Steel
- (B)1/8K-SS5 – Stainless Steel
- QCK-SS100 – Stainless Steel with VisiFlo color-coding

TIPO	PSI	CAPACITY ONE NOZZLE IN GPM	GPA 40"										
			4 MPH	5 MPH	6 MPH	8 MPH	10 MPH	12 MPH	15 MPH	20 MPH			
1/8K-.50 TK-.50 (100)	10	0.050	—	—	—	—	—	—	—	—	—	—	—
	20	0.071	2.6	2.1	1.8	1.3	1.1	0.88	0.70	0.53	—	—	—
	30	0.087	3.2	2.6	2.2	1.6	1.3	1.1	0.86	0.65	—	—	—
	40	0.10	3.7	3.0	2.5	1.9	1.5	1.2	0.99	0.74	—	—	—
1/8K-.75 TK-.75 (100)	10	0.075	2.8	2.2	1.9	1.4	1.1	0.93	0.74	0.56	—	—	—
	20	0.11	4.1	3.3	2.7	2.0	1.6	1.4	1.1	0.82	—	—	—
	30	0.13	4.8	3.9	3.2	2.4	1.9	1.6	1.3	0.97	—	—	—
	40	0.15	5.6	4.5	3.7	2.8	2.2	1.9	1.5	1.1	—	—	—
1/8K-1 TK-1 (100)	10	0.10	3.7	3.0	2.5	1.9	1.5	1.2	0.99	0.74	—	—	—
	20	0.14	5.2	4.2	3.5	2.6	2.1	1.7	1.4	1.0	—	—	—
	30	0.17	6.3	5.0	4.2	3.2	2.5	2.1	1.7	1.3	—	—	—
	40	0.20	7.4	5.9	5.0	3.7	3.0	2.5	2.0	1.5	—	—	—
1/8K-1.5 TK-1.5 (50)	10	0.15	5.6	4.5	3.7	2.8	2.2	1.9	1.5	1.1	—	—	—
	20	0.21	7.8	6.2	5.2	3.9	3.1	2.6	2.1	1.6	—	—	—
	30	0.26	9.7	7.7	6.4	4.8	3.9	3.2	2.6	1.9	—	—	—
	40	0.30	11.1	8.9	7.4	5.6	4.5	3.7	3.0	2.2	—	—	—
1/8K, 1/4K, TK]-2 TK-2 (50)	10	0.20	7.4	5.9	5.0	3.7	3.0	2.5	2.0	1.5	—	—	—
	20	0.28	10.4	8.3	6.9	5.2	4.2	3.5	2.8	2.1	—	—	—
	30	0.35	13.0	10.4	8.7	6.5	5.2	4.3	3.5	2.6	—	—	—
	40	0.40	14.9	11.9	9.9	7.4	5.9	5.0	4.0	3.0	—	—	—
1/8K, 1/4K, TK]-2.5 TK-2.5 (50)	10	0.25	9.3	7.4	6.2	4.6	3.7	3.1	2.5	1.9	—	—	—
	20	0.35	13.0	10.4	8.7	6.5	5.2	4.3	3.5	2.6	—	—	—
	30	0.43	16.0	12.8	10.6	8.0	6.4	5.3	4.3	3.2	—	—	—
	40	0.50	18.6	14.9	12.4	9.3	7.4	6.2	5.0	3.7	—	—	—
1/8K, 1/4K, TK]-3 TK]-3 (50)	10	0.30	11.1	8.9	7.4	5.6	4.5	3.7	3.0	2.2	—	—	—
	20	0.42	15.6	12.5	10.4	7.8	6.2	5.2	4.2	3.1	—	—	—
	30	0.52	19.3	15.4	12.9	9.7	7.7	6.4	5.1	3.9	—	—	—
	40	0.60	22	17.8	14.9	11.1	8.9	7.4	5.9	4.5	—	—	—
1/8K, 1/4K, TK]-4 TK-4 (50)	10	0.40	14.9	11.9	9.9	7.4	5.9	5.0	4.0	3.0	—	—	—
	20	0.57	21	16.9	14.1	10.6	8.5	7.1	5.6	4.2	—	—	—
	30	0.69	26	20	17.1	12.8	10.2	8.5	6.8	5.1	—	—	—
	40	0.80	30	24	19.8	14.9	11.9	9.9	7.9	5.9	—	—	—
1/8K, 1/4K, TK]-5 TK]-5 (50)	10	0.50	18.6	14.9	12.4	9.3	7.4	6.2	5.0	3.7	—	—	—
	20	0.71	26	21	17.6	13.2	10.5	8.8	7.0	5.3	—	—	—
	30	0.87	32	26	22	16.1	12.9	10.8	8.6	6.5	—	—	—
	40	1.00	37	30	25	18.6	14.9	12.4	9.9	7.4	—	—	—
1/8K, 1/4K, TK]-7.5 TK-7.5 (50)	10	0.75	28	22	18.6	13.9	11.1	9.3	7.4	5.6	—	—	—
	20	1.06	39	31	26	19.7	15.7	13.1	10.5	7.9	—	—	—
	30	1.30	48	39	32	24	19.3	16.1	12.9	9.7	—	—	—
	40	1.50	56	45	37	28	22	18.6	14.9	11.1	—	—	—
1/8K, 1/4K, TK]-10 TK-10 (50)	10	1.00	37	30	25	18.6	14.9	12.4	9.9	7.4	—	—	—
	20	1.41	52	42	35	26	21	17.4	14.0	10.5	—	—	—
	30	1.73	64	51	43	32	26	21	17.1	12.8	—	—	—
	40	2.00	74	59	50	37	30	25	19.8	14.9	—	—	—
1/8K, 1/4K]-12 TK]-12	10	1.20	45	36	30	22	17.8	14.9	11.9	8.9	—	—	—
	20	1.70	63	50	42	32	25	21	16.8	12.6	—	—	—
	30	2.08	77	62	51	39	31	26	21	15.4	—	—	—
	40	2.40	89	71	59	45	36	30	24	17.8	—	—	—
1/8K, 1/4K]-15 TK-15	10	1.50	56	45	37	28	22	18.6	14.9	11.1	—	—	—
	20	2.12	79	63	52	39	31	26	21	15.7	—	—	—
	30	2.60	97	77	64	48	39	32	26	19.3	—	—	—
	40	3.00	111	89	74	56	45	37	30	22	—	—	—
1/8K, 1/4K]-18 TK]-18	10	1.80	67	53	45	33	27	22	17.8	13.4	—	—	—
	20	2.55	95	76	63	47	38	32	25	19	—	—	—
	30	3.12	116	93	77	58	46	39	31	23	—	—	—
	40	3.60	134	107	89	67	53	45	36	27	—	—	—
1/8K, 1/4K]-20 TK-20	10	2.00	74	59	50	37	30	25	19.8	14.9	—	—	—
	20	2.83	105	84	70	53	42	35	28	21	—	—	—
	30	3.46	128	103	86	64	51	43	34	26	—	—	—
	40	4.00	149	119	99	74	59	50	40	30	—	—	—
1/4K-22	10	2.20	82	65	54	41	33	27	22	16.3	—	—	—
	20	3.11	115	92	77	58	46	38	31	23	—	—	—
	30	3.81	141	113	94	71	57	47	38	28	—	—	—
	40	4.40	163	131	109	82	65	54	44	33	—	—	—
1/4K-24	10	2.40	89	71	59	45	36	30	24	17.8	—	—	—
	20	3.39	126	101	84	63	50	42	34	25	—	—	—
	30	4.16	154	124	103	77	62	51	41	31	—	—	—
	40	4.80	178	143	119	89	71	59	48	36	—	—	—

TIPO	PSI	CAPACITY ONE NOZZLE IN GPM	GPA 60"										
			4 MPH	5 MPH	6 MPH	8 MPH	10 MPH	12 MPH	15 MPH	20 MPH			
1/4K-27	10	2.70	67	53	45	33	27	22	17.8	13.4	—	—	—
	20	3.82	95	76	63	47	38	32	25	18.9	—	—	—
	30	4.68	116	93	77	58	46	39	31	23	—	—	—
	40	5.40	134	107	89	67	53	45	36	27	—	—	—
3/8K-30 TK-30	10	3.00	74	59	50	37	30	25	19.8	14.9	—	—	—
	20	4.24	105	84	70	52	42	35	28	21	—	—	—
	30	5.20	129	103	86	64	51	43	34	26	—	—	—
	40	6.00	149	119	99	74	59	50	40	30	—	—	—
3/8K-35	10	3.50	87	69	58	43	35	29	23	17.3	—	—	—
	20	4.95	123	98	82	61	49	41	33	25	—	—	—
	30	6.06	150	120	100	75	60	50	40	30	—	—	—
	40	7.00	173	139	116	87	69	58	46	35	—	—	—
[3/8K, 1/2K]-40 QCK-40	10	4.00	99	79	66	50	40	33	26	19.8	—	—	—
	20	5.66	140	112	93	70	56	47	37	28	—	—	—
	30	6.93	172	137	114	86	69	57	46	34	—	—	—
	40	8.00	198	158	132	99	79	66	53	40	—	—	—
3/8K-45	10	4.50	111	89	74	56	45	37	30	22	—	—	—
	20	6.36	157	126	105	79	63	52	42	31	—	—	—
	30	7.79	193	154	129								

Turbo FloodJet®

Wide Angle Flat Spray Tips

Part #
TF-VS*

TF-VP*

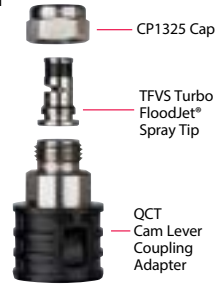
For use with the 25600-*-NYR TeeJet cap

Features:

- Excellent spray distribution for uniform coverage along the boom.
- Nozzle design incorporates a pre-orifice to produce larger droplets for less drift.
- Large, round orifice reduces clogging.
- Stainless steel or polymer with VisiFlo® color-coding band for easy size identification.
- Can be used with CP25600-*-NYR Quick TeeJet® cap and gasket for automatic alignment.

QCT Cam Lever Coupling Adapter

- Provides easy changeover from high capacity to lower capacity nozzles.
- Adapter fits standard 3/4" Cam lever coupling.
- Corrosion-resistant stainless steel and polypropylene construction.
- Rated up to 100 PSI (7 bar).
- Use QJT-NYB to retrofit to Quick TeeJet.

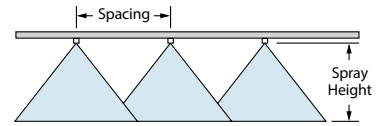


CONTACT PRODUCT	SYSTEMIC PRODUCT	DRIFT MANAGEMENT
—	VERY GOOD	EXCELLENT

PSI	DROP SIZE	CAPACITY ONE NOZZLE IN GPM	CAPACITY ONE NOZZLE IN OZ./MIN.	40°								20°			
				GPA								GALLONS PER 1000 SQ. FT.			
				4 MPH	5 MPH	6 MPH	8 MPH	10 MPH	12 MPH	15 MPH	20 MPH	2 MPH	3 MPH	4 MPH	5 MPH
TF-†2 (50)	10 UC	0.20	26	7.4	5.9	5.0	3.7	3.0	2.5	2.0	1.5	0.68	0.45	0.34	0.27
	20 XC	0.28	36	10.4	8.3	6.9	5.2	4.2	3.5	2.8	2.1	0.95	0.63	0.48	0.38
	30 XC	0.35	45	13.0	10.4	8.7	6.5	5.2	4.3	3.5	2.6	1.2	0.79	0.60	0.48
	40 VC	0.40	51	14.9	11.9	9.9	7.4	5.9	5.0	4.0	3.0	1.4	0.91	0.68	0.54
TF-†2.5 (50)	10 UC	0.25	32	9.3	7.4	6.2	4.6	3.7	3.1	2.5	1.9	0.85	0.57	0.43	0.34
	20 XC	0.35	45	13.0	10.4	8.7	6.5	5.2	4.3	3.5	2.6	1.2	0.79	0.60	0.48
	30 XC	0.43	55	16.0	12.8	10.6	8.0	6.4	5.3	4.3	3.2	1.5	0.97	0.73	0.58
TF-†3 (50)	10 UC	0.30	38	11.1	8.9	7.4	5.6	4.5	3.7	3.0	2.2	1.0	0.68	0.51	0.41
	20 XC	0.42	54	15.6	12.5	10.4	7.8	6.2	5.2	4.2	3.1	1.4	0.95	0.71	0.57
	30 XC	0.52	67	19.3	15.4	12.9	9.7	7.7	6.4	5.1	3.9	1.8	1.2	0.88	0.71
TF-†4 (50)	10 UC	0.40	51	14.9	11.9	9.9	7.4	5.9	5.0	4.0	3.0	1.4	0.91	0.68	0.54
	20 UC	0.57	73	21	16.9	14.1	10.6	8.5	7.1	5.6	4.2	1.9	1.3	0.97	0.78
	30 XC	0.69	88	26	20	17.1	12.8	10.2	8.5	6.8	5.1	2.3	1.6	1.2	0.94
	40 XC	0.80	102	30	24	19.8	14.9	11.9	9.9	7.9	5.9	2.7	1.8	1.4	1.1
TF-†5	10 UC	0.50	64	18.6	14.9	12.4	9.3	7.4	6.2	5.0	3.7	1.7	1.1	0.85	0.68
	20 UC	0.71	91	26	21	17.6	13.2	10.5	8.8	7.0	5.3	2.4	1.6	1.2	0.97
	30 UC	0.87	111	32	26	22	16.1	12.9	10.8	8.6	6.5	3.0	2.0	1.5	1.2
	40 XC	1.00	128	37	30	25	18.6	14.9	12.4	9.9	7.4	3.4	2.3	1.7	1.4
TF-†7.5	10 UC	0.75	96	28	22	18.6	13.9	11.1	9.3	7.4	5.6	2.6	1.7	1.3	1.0
	20 UC	1.06	136	39	31	26	19.7	15.7	13.1	10.5	7.9	3.6	2.4	1.8	1.4
	30 UC	1.30	166	48	39	32	24	19.3	16.1	12.9	9.7	4.4	2.9	2.2	1.8
	40 XC	1.50	192	56	45	37	28	22	18.6	14.9	11.1	5.1	3.4	2.6	2.0
TF-†10	10 UC	1.00	128	37	30	25	18.6	14.9	12.4	9.9	7.4	3.4	2.3	1.7	1.4
	20 UC	1.41	180	52	42	35	26	21	17.4	14.0	10.5	4.8	3.2	2.4	1.9
	30 UC	1.73	221	64	51	43	32	26	21	17.1	12.8	5.9	3.9	2.9	2.4
	40 XC	2.00	256	74	59	50	37	30	25	19.8	14.9	6.8	4.5	3.4	2.7

Note: Always double check your application rates. Tabulations are based on spraying water at 70°F (21°C). See pages 281–284 for drop size classification, useful formulas and other information.

†Specify material.



Optimum Spray Height

20"	24"*
30"	30"*
40"	39"*

*Wide angle spray nozzle height is influenced by nozzle orientation. The critical factor is to achieve a minimum 30% overlap.

How to order:

Specify tip number.

Examples:

TF-VS4 – Stainless Steel with VisiFlo color-coding

TF-VP4 – Polymer with VisiFlo color-coding

SPRAY TIPS

Quick Turbo FloodJet®

Wide Angle Flat Spray Tips



The revolutionary Quick Turbo FloodJet nozzle combines the precision and uniformity of a flat spray nozzle with the clog-resistance and wide angle pattern of flooding nozzles. It uses an exclusive new design to increase droplet size and distribution uniformity.

Features:

- Patented turbulence chamber creates a dramatic improvement in pattern uniformity.
- Pre-orifice design produces larger droplets for reduced drift.
- Large, round orifice reduces clogging.
- 1.26" (32 mm) diameter tip body fits into 3/4" cam lever coupling.

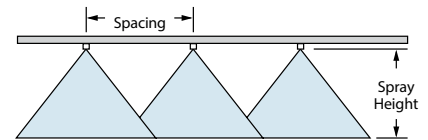
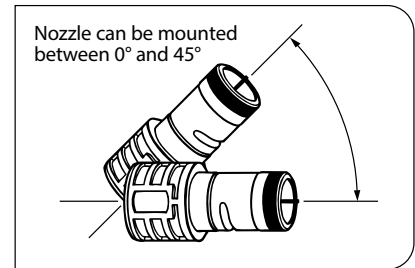
- Grooved side molding for automatic alignment.
- Stainless steel with color-coding for easy size identification.
- Available in standard sizes from 1.5 GPM up to 24.0 GPM (6.84 l/min to 94.73 l/min) at pressures of 10–40 PSI (1–3 bar).

How to order:

Specify tip number.
 Example:
 QCTF-VS40 – Stainless Steel with VisiFlo® color-coding

SOIL INCORPORATED	PRE-EMERGENCE	DRIFT MANAGEMENT
EXCELLENT	EXCELLENT	EXCELLENT

Part #
 QCTF-VS15 to 80
 QCTF-VS100 to 120



Optimum Spray Height*

40"	40"
60"	60"

*When nozzle is mounted parallel to the ground.



NOZZLE	PSI	CAPACITY ONE NOZZLE IN GPM	GPA LARGE CAPACITY QUICK FLOODJET NOZZLES TYPICAL SPACING IS 60 INCHES										
			4 MPH	5 MPH	6 MPH	7 MPH	8 MPH	9 MPH	10 MPH	12 MPH	14 MPH	16 MPH	18 MPH
QCTF-VS15	10	1.50	37	30	25	21	18.6	16.5	14.9	12.4	10.6	9.3	8.3
	20	2.12	52	42	35	30	26	23	21	17.5	15.0	13.1	11.7
	30	2.60	64	51	43	37	32	29	26	21	18.4	16.1	14.3
	40	3.00	74	59	50	42	37	33	30	25	21	18.6	16.5
QCTF-VS20	10	2.00	50	40	33	28	25	22	19.8	16.5	14.1	12.4	11.0
	20	2.83	70	56	47	40	35	31	28	23	20	17.5	15.6
	30	3.46	86	69	57	49	43	38	34	29	24	21	19.0
	40	4.00	99	79	66	57	50	44	40	33	28	25	22
QCTF-VS30	10	3.00	74	59	50	42	37	33	30	25	21	18.6	16.5
	20	4.24	105	84	70	60	52	47	42	35	30	26	23
	30	5.20	129	103	86	74	64	57	51	43	37	32	29
	40	6.00	149	119	99	85	74	66	59	50	42	37	33
QCTF-VS40	10	4.00	99	79	66	57	50	44	40	33	28	25	22
	20	5.66	140	112	93	80	70	62	56	47	40	35	31
	30	6.93	172	137	114	98	86	76	69	57	49	43	38
	40	8.00	198	158	132	113	99	88	79	66	57	50	44
QCTF-VS50	10	5.00	124	99	83	71	62	55	50	41	35	31	28
	20	7.07	175	140	117	100	87	78	70	58	50	44	39
	30	8.66	214	171	143	122	107	95	86	71	61	54	48
	40	10.00	248	198	165	141	124	110	99	83	71	62	55
QCTF-VS60	10	6.00	149	119	99	85	74	66	59	50	42	37	33
	20	8.49	210	168	140	120	105	93	84	70	60	53	47
	30	10.4	257	206	172	147	129	114	103	86	74	64	57
	40	12.0	297	238	198	170	149	132	119	99	85	74	66
QCTF-VS80	10	8.00	198	158	132	113	99	88	79	66	57	50	44
	20	11.3	280	224	186	160	140	124	112	93	80	70	62
	30	13.9	344	275	229	197	172	153	138	115	98	86	76
	40	16.0	396	317	264	226	198	176	158	132	113	99	88
QCTF-VS100	10	10.0	248	198	165	141	124	110	99	83	71	62	55
	20	14.1	349	279	233	199	174	155	140	116	100	87	78
	30	17.3	428	343	285	245	214	190	171	143	122	107	95
	40	20.0	495	396	330	283	248	220	198	165	141	124	110
QCTF-VS120	10	12.0	297	238	198	170	149	132	119	99	85	74	66
	20	17.0	421	337	281	240	210	187	168	140	120	105	94
	30	20.8	515	412	343	294	257	229	206	172	147	129	114
	40	24.0	594	475	396	339	297	264	238	198	170	149	132

Note: Always double check your application rates. Tabulations are based on spraying water at 70°F (21°C). See pages 281–284 for useful formulas and other information.

SPRAY TIPS

APPLICATORS & SPRAYERS

DRY MATERIAL HANDLING

TRAILERS

TANKS & ACCESSORIES

PUMPS

VALVES & FITTINGS

STRAINERS & HOSE

PLANTER EQUIPMENT

SPRAYER CONTROLS & GUIDANCE

NOZZLES, TIPS & SPRAY GUNS

NH3 PRODUCTS

TECHNICAL INFORMATION

INDEX

PSI	DROPSIZE	CAPACITY ONE NOZZLE IN GPM	CAPACITY ONE NOZZLE IN OZ/MIN	GPA*												GALLONS PER 1000 SQ. FT.*				
				4 MPH	5 MPH	6 MPH	8 MPH	10 MPH	12 MPH	14 MPH	16 MPH	20 MPH	2 MPH	3 MPH	4 MPH	5 MPH				
20	UC	0.115	15	8.5	6.8	5.7	4.3	3.4	2.8	2.4	2.1	1.7	0.39	0.26	0.20	0.16				
	XC	0.13	17	9.3	8.0	6.6	5.0	4.0	3.3	2.8	2.4	2.0	0.46	0.30	0.23	0.18				
	UC	0.150	19	11.1	8.9	7.4	5.6	4.5	3.7	3.2	2.8	2.2	0.51	0.34	0.26	0.20				
	XC	0.163	21	12.1	9.7	8.1	6.1	4.8	4.0	3.5	3.0	2.4	0.55	0.37	0.28	0.22				
	UC	0.175	22	13.0	10.4	8.7	6.5	5.2	4.3	3.7	3.2	2.6	0.60	0.40	0.30	0.24				
30	UC	0.185	24	13.7	11.0	9.2	6.9	5.5	4.6	3.9	3.4	2.7	0.63	0.42	0.31	0.25				
	XC	0.195	25	14.5	11.6	9.7	7.2	5.8	4.8	4.1	3.6	2.9	0.66	0.44	0.33	0.27				
	UC	0.204	26	15.1	12.1	10.1	7.6	6.1	5.0	4.3	3.8	3.0	0.7	0.46	0.35	0.28				
	XC	0.212	27	15.7	12.6	10.5	7.9	6.3	5.2	4.5	3.9	3.1	0.7	0.48	0.36	0.29				
	UC	0.22	28	16.3	13.1	10.9	8.2	6.5	5.4	4.7	4.1	3.3	0.75	0.50	0.37	0.30				
40	UC	0.23	29	17.1	13.7	11.4	8.5	6.8	5.7	4.9	4.3	3.4	0.78	0.52	0.39	0.31				
	XC	0.25	32	18.6	14.9	12.4	9.3	7.4	6.2	5.3	4.6	3.7	0.85	0.57	0.43	0.34				
	UC	0.26	33	19.3	15.4	12.9	9.7	7.7	6.4	5.5	4.8	3.9	0.88	0.59	0.44	0.35				
	XC	0.27	35	20	16.0	13.4	10.0	8.0	6.7	5.7	5.0	4.0	0.9	0.61	0.46	0.37				
	UC	0.28	36	21	16.6	13.9	10.4	8.2	6.9	5.9	5.2	4.2	1.0	0.63	0.48	0.38				
50	UC	0.19	24	14.1	11.3	9.4	7.1	5.8	4.7	4.0	3.5	2.8	0.65	0.43	0.32	0.26				
	XC	0.22	28	16.3	13.1	10.9	8.2	6.5	5.4	4.7	4.1	3.3	0.75	0.50	0.37	0.30				
	UC	0.25	32	18.6	14.9	12.4	9.3	7.4	6.2	5.3	4.6	3.7	0.85	0.57	0.43	0.34				
	XC	0.26	33	19.3	15.4	12.9	9.7	7.7	6.4	5.5	4.8	4.0	0.92	0.61	0.46	0.37				
	UC	0.29	37	22	17.2	14.4	10.8	8.6	7.2	6.2	5.4	4.3	1.0	0.66	0.49	0.39				
60	UC	0.31	40	23	18.4	15.3	11.5	9.2	7.7	6.6	5.8	4.6	1.1	0.70	0.53	0.42				
	XC	0.32	42	25	19.6	16.3	12.3	9.8	8.2	7.0	6.1	4.9	1.1	0.75	0.56	0.45				
	UC	0.34	44	25	20	16.8	12.6	10.1	8.4	7.2	6.3	5.0	1.2	0.77	0.58	0.46				
	XC	0.35	45	26	21	17.3	13.0	10.4	8.7	7.4	6.5	5.2	1.2	0.79	0.60	0.48				
	UC	0.36	46	27	22	17.8	13.4	10.7	9.0	7.6	6.7	5.3	1.3	0.82	0.61	0.49				
70	UC	0.37	47	27	22	18.3	13.7	11.0	9.2	7.8	6.9	5.5	1.3	0.84	0.63	0.50				
	XC	0.39	50	29	23	19.3	14.5	11.6	9.7	8.3	7.2	5.8	1.3	0.88	0.66	0.53				
	UC	0.41	52	30	24	20	15.2	12.2	10.1	8.7	7.6	6.1	1.4	0.9	0.70	0.56				
	XC	0.42	54	31	25	21	15.6	12.5	10.4	8.9	7.8	6.2	1.4	1.0	0.71	0.57				
	UC	0.43	55	32	26	21	16.0	12.8	10.6	9.1	8.0	6.4	1.5	1.0	0.73	0.58				
80	UC	0.44	56	33	27	21	16.4	13.1	10.9	9.3	8.2	6.6	1.5	1.0	0.75	0.60				
	XC	0.45	57	34	28	22	16.8	13.4	11.1	9.5	8.4	6.7	1.5	1.0	0.77	0.61				
	UC	0.46	58	35	29	22	17.2	13.7	11.3	9.7	8.6	7.0	1.6	1.1	0.80	0.64				
	XC	0.47	59	36	30	23	17.6	14.0	11.5	10.0	8.9	7.3	1.7	1.1	0.82	0.66				
	UC	0.48	60	37	31	24	18.0	14.3	11.7	10.2	9.1	7.5	1.7	1.1	0.84	0.68				
90	UC	0.49	63	36	29	24	18.2	14.6	12.1	10.4	9.1	7.3	1.7	1.1	0.83	0.67				
	XC	0.52	67	39	31	26	19.3	15.4	12.9	11.0	9.7	7.7	1.8	1.2	0.88	0.71				
	UC	0.54	69	40	32	27	20	16.0	13.4	11.5	10.0	8.0	1.8	1.2	0.9	0.73				
	XC	0.55	72	42	33	28	21	16.6	13.9	11.9	10.4	8.3	1.9	1.3	1.0	0.76				
	UC	0.56	74	43	34	29	22	17.2	14.4	12.3	11.1	9.1	1.9	1.3	1.0	0.78				
100	UC	0.57	75	44	35	30	22	17.8	14.9	12.7	11.1	8.9	2.0	1.4	1.0	0.82				
	XC	0.58	76	45	36	31	23	18.4	15.4	13.1	11.2	9.2	2.0	1.4	1.0	0.84				
	UC	0.59	77	46	37	32	24	19.0	15.9	13.5	11.5	9.5	2.1	1.4	1.1	0.86				
	XC	0.60	78	47	38	33	25	19.6	16.3	13.9	11.8	9.8	2.1	1.4	1.1	0.88				
	UC	0.61	79	48	39	34	26	20.2	16.8	14.3	12.1	10.1	2.2	1.5	1.1	0.90				
110	UC	0.62	80	49	40	35	26	21	17.6	15.1	13.2	10.5	2.4	1.6	1.2	0.97				
	XC	0.63	81	50	41	36	27	18.2	15.6	15.5	13.5	10.8	2.4	1.6	1.2	0.99				
	UC	0.64	82	51	42	37	28	18.8	16.1	14.1	11.3	9.1	2.5	1.7	1.3	1.0				
	XC	0.65	83	52	43	38	29	19.4	16.6	14.5	11.6	9.4	2.5	1.7	1.3	1.0				
	UC	0.66	84	49	39	33	25	19.6	16.3	14.0	12.3	9.8	2.2	1.5	1.1	0.90				
120	UC	0.67	85	50	40	34	26	20	17.1	14.6	12.8	10.2	2.3	1.6	1.2	0.9				
	XC	0.68	88	51	41	35	26	20	17.1	14.6	12.8	10.2	2.3	1.6	1.2	0.9				
	UC	0.72	92	53	43	36	27	21	17.8	15.3	13.4	10.7	2.4	1.6	1.2	1.0				
	XC	0.73	93	54	44	37	28	22	18.4	16.0	14.1	11.1	2.5	1.7	1.3	1.0				
	UC	0.74	94	55	45	38	29	23	19.0	16.7	14.8	11.5	2.5	1.7	1.3	1.0				
130	UC	0.75	95	56	46	39	30	24	19.6	17.4	15.5	12.2	2.6	1.8	1.4	1.1				
	XC	0.76	97	56	45	38	28	23	18.8	16.1	14.1	11.3	2.6	1.7	1.3	1.0				
	UC	0.80	102	59	48	40	30	24	19.8	17.0	14.9	11.9	2.7	1.8	1.4	1.1				
	XC	0.81	103	60	49	41	31	25	20.4	17.7	15.6	12.5	2.9	1.9	1.4	1.1				
	UC	0.82	104	61	50	42	32	26	21.0	18.4	16.3	13.1	3.0	2.0	1.5	1.2				
140	UC	0.83	105	62	51	43	33	27	21.6	19.1	17.0	13.7	3.1	2.1	1.5	1.2				
	XC	0.84	106	63	52	44	34	28	22.2	19.8	17.7	14.3	3.2	2.2	1.6	1.3				
	UC	0.85	107	64	53	45	35	29	23.0	20.6	18.5	15.1	3.3	2.3	1.7	1.4				
	XC	0.86	108	65	54	46	36	30	23.8	21.4	19.3	15.9	3.4	2.4	1.8	1.5				
	UC	0.88	113	65	52	44	33	26	22	18.7	16.3	13.1	3.0	2.0	1.5	1.2				
150	UC	0.60	77	45	36	30	22	17.8	14.9	12.7	11.1	8.9	2.0	1.4	1.0	0.82				
	XC	0.71	91	53	42	35	26	21	17.6	15.1	13.2	10.5	2.4	1.6	1.2	0.97				
	UC	0.80	102	59	48	40	30	24	19.8	17.0	14.9	11.9	2.7	1.8	1.4	1.1				
	XC	0.88	113	65	52	44	33	26	22	18.7	16.3	13.1	3.0	2.0	1.5	1.2				
	UC	0.95	122	71	56	46	35	28	24	20	17.6	14.1	3.2	2.2	1.6	1.3				
160	UC	1.02	131	76	61	50	38	30	25	22	18.9	15.1	3.5	2.3	1.7	1.4				
	XC	1.08	138	80	64	53	40	32	27	23	20	16.0	3.7	2.4	1.8	1.5				
	UC	1.13	145	84	67	54	42	34	28	24	21	16.2	3.8	2.6	1.9	1.5				
	XC	1.18	151	88	70	58	44	35	29	25	22	17.5	4.0	2.7	2.0	1.6				
	UC	1.25	160	95	76	63	50	40	34	30	26	19.0	4.3	3.0	2.2	1.8				

SPRAY TIPS

TXR ConeJet® Hollow Cone Spray Tips

Part #
TXR8000-*VK

For use with the 114396-1-NYR TeeJet cap

Typical Applications:

Use for broadcast application of insecticides, fungicides, defoliants and foliar fertilizers at pressures of 40 PSI (3 bar) and above.

Features:

- Produces uniform, 80° hollow cone spray pattern.
- Flow rates are matched to serve as a direct replacement for commonly used non-TeeJet hollow cone spray tips.

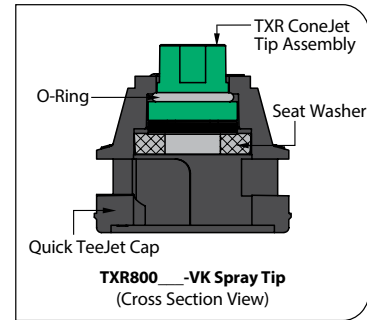
- High-quality ceramic orifice provides superior wear life, including high-pressure operation.
- Low profile acetel tip body provides minimal impact with foliage and excellent chemical resistance.
- Color-coded holder based on tip flow rate allows for easy capacity identification.

- Snap-fit backup plate provides positive retention when handled in field, but allows for tool-free removal for easy cleaning.
- Suggested spray pressure range of 30–360 PSI (2–25 bar).
- Uses 114396-1-NYR Quick TeeJet® cap, gasket and O-ring. Reference page 295 for more information.



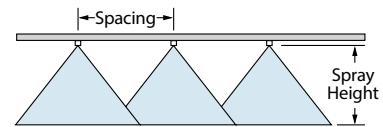
TIPO	PSI	DROP SIZE	CAPACITY ONE NOZZLE IN GPM	CAPACITY NOZZLE IN OZ./MIN.	20"															
					GPA								GALLONS PER 1000 SQ. FT.							
					4 MPH	5 MPH	6 MPH	8 MPH	10 MPH	12 MPH	15 MPH	20 MPH	2 MPH	3 MPH	4 MPH	5 MPH				
TXR800053VK (100)	40	VF	0.053	6.8	3.9	3.1	2.6	2.0	1.6	1.3	1.0	0.79	0.18	0.12	0.09	0.07				
	50	VF	0.059	7.6	4.4	3.5	2.9	2.2	1.8	1.5	1.2	0.88	0.20	0.13	0.10	0.08				
	60	VF	0.064	8.2	4.8	3.8	3.2	2.4	1.9	1.6	1.3	0.95	0.22	0.15	0.11	0.09				
	70	VF	0.069	8.8	5.1	4.1	3.4	2.6	2.0	1.7	1.4	1.0	0.23	0.16	0.12	0.09				
	80	VF	0.073	9.3	5.4	4.3	3.6	2.7	2.2	1.8	1.4	1.1	0.25	0.17	0.12	0.10				
TXR800071VK (50)	40	VF	0.071	9.1	5.3	4.2	3.5	2.6	2.1	1.8	1.4	1.1	0.24	0.16	0.12	0.10				
	50	VF	0.079	10	5.9	4.7	3.9	2.9	2.3	2.0	1.6	1.2	0.27	0.18	0.13	0.11				
	60	VF	0.086	11	6.4	5.1	4.3	3.2	2.6	2.1	1.7	1.3	0.29	0.19	0.15	0.12				
	70	VF	0.093	12	6.9	5.5	4.6	3.5	2.8	2.3	1.8	1.4	0.32	0.21	0.16	0.13				
	80	VF	0.099	13	7.4	5.9	4.9	3.7	2.9	2.5	2.0	1.5	0.34	0.22	0.17	0.13				
TXR8001VK (50)	40	F	0.10	13	7.4	5.9	5.0	3.7	3.0	2.5	2.0	1.5	0.34	0.23	0.17	0.14				
	50	VF	0.11	14	8.2	6.5	5.4	4.1	3.3	2.7	2.2	1.6	0.37	0.25	0.19	0.15				
	60	VF	0.12	15	8.9	7.1	5.9	4.5	3.6	3.0	2.4	1.8	0.41	0.27	0.20	0.16				
	70	VF	0.13	17	9.7	7.7	6.4	4.8	3.9	3.2	2.6	1.9	0.44	0.29	0.22	0.18				
	80	VF	0.14	18	10.4	8.3	6.9	5.2	4.2	3.5	2.8	2.1	0.48	0.32	0.24	0.19				
TXR80013VK (50)	40	F	0.13	17	9.7	7.7	6.4	4.8	3.9	3.2	2.6	1.9	0.44	0.29	0.22	0.18				
	50	VF	0.15	19	11.1	8.9	7.4	5.6	4.5	3.7	3.0	2.2	0.51	0.34	0.26	0.20				
	60	VF	0.16	20	11.9	9.5	7.9	5.9	4.8	4.0	3.2	2.4	0.54	0.36	0.27	0.22				
	70	VF	0.17	22	12.6	10.1	8.4	6.3	5.0	4.2	3.4	2.5	0.58	0.39	0.29	0.23				
	80	VF	0.19	24	14.1	11.3	9.4	7.1	5.6	4.7	3.8	2.8	0.65	0.43	0.32	0.26				
TXR80015VK (50)	40	F	0.15	19	11.1	8.9	7.4	5.6	4.5	3.7	3.0	2.2	0.51	0.34	0.26	0.20				
	50	F	0.17	22	12.6	10.1	8.4	6.3	5.0	4.2	3.4	2.5	0.58	0.39	0.29	0.23				
	60	F	0.18	23	13.4	10.7	8.9	6.7	5.3	4.5	3.6	2.7	0.61	0.41	0.31	0.24				
	70	F	0.20	26	14.9	11.9	9.9	7.4	5.9	5.0	4.0	3.0	0.68	0.45	0.34	0.27				
	80	VF	0.21	27	15.6	12.5	10.4	7.8	6.2	5.2	4.2	3.1	0.71	0.48	0.36	0.29				
TXR80017VK (50)	40	F	0.17	22	12.6	10.1	8.4	6.3	5.0	4.2	3.4	2.5	0.58	0.39	0.29	0.23				
	50	F	0.19	24	14.1	11.3	9.4	7.1	5.6	4.7	3.8	2.8	0.65	0.43	0.32	0.26				
	60	F	0.20	26	14.9	11.9	9.9	7.4	5.9	5.0	4.0	3.0	0.68	0.45	0.34	0.27				
	70	VF	0.22	28	16.3	13.1	10.9	8.2	6.5	5.4	4.4	3.3	0.75	0.50	0.37	0.30				
	80	VF	0.23	29	17.1	13.7	11.4	8.5	6.8	5.7	4.6	3.4	0.78	0.52	0.39	0.31				
TXR8002VK (50)	40	F	0.20	26	14.9	11.9	9.9	7.4	5.9	5.0	4.0	3.0	0.68	0.45	0.34	0.27				
	50	F	0.22	28	16.3	13.1	10.9	8.2	6.5	5.4	4.4	3.3	0.75	0.50	0.37	0.30				
	60	F	0.24	31	17.8	14.3	11.9	8.9	7.1	5.9	4.8	3.6	0.82	0.54	0.41	0.33				
	70	VF	0.26	33	19.3	15.4	12.9	9.7	7.7	6.4	5.1	3.9	0.88	0.59	0.44	0.35				
	80	VF	0.28	36	21	16.6	13.9	10.4	8.3	6.9	5.5	4.2	0.95	0.63	0.48	0.38				
TXR80028VK (50)	40	F	0.30	38	22	17.8	14.9	11.1	8.9	7.4	5.9	4.5	1.0	0.68	0.51	0.41				
	50	F	0.31	40	23	18.4	15.3	11.5	9.2	7.7	6.1	4.6	1.1	0.70	0.53	0.42				
	60	F	0.33	42	25	19.6	16.3	12.3	9.8	8.2	6.5	4.9	1.1	0.75	0.56	0.45				
	70	F	0.36	46	27	21	17.8	13.4	10.7	8.9	7.1	5.3	1.2	0.82	0.61	0.49				
	80	VF	0.38	49	28	23	18.8	14.1	11.3	9.4	7.5	5.6	1.3	0.86	0.65	0.52				
TXR8003VK (50)	40	F	0.41	52	30	24	20	15.2	12.2	10.1	8.1	6.1	1.4	0.93	0.70	0.56				
	50	F	0.30	38	22	17.8	14.9	11.1	8.9	7.4	5.9	4.5	1.0	0.68	0.51	0.41				
	60	F	0.34	44	25	20	16.8	12.6	10.1	8.4	6.7	5.0	1.2	0.77	0.58	0.46				
	70	F	0.37	47	27	22	18.3	13.7	11.0	9.2	7.3	5.5	1.3	0.84	0.63	0.50				
	80	F	0.40	51	30	24	19.8	14.9	11.9	9.9	7.9	5.9	1.4	0.91	0.68	0.54				
TXR80036VK (50)	40	F	0.42	54	31	25	21	15.6	12.5	10.4	8.3	6.2	1.4	0.95	0.71	0.57				
	50	VF	0.45	58	33	27	22	16.7	13.4	11.1	8.9	6.7	1.5	1.0	0.77	0.61				
	60	F	0.36	46	27	21	17.8	13.4	10.7	8.9	7.1	5.3	1.2	0.82	0.61	0.49				
	70	F	0.40	51	30	24	19.8	14.9	11.9	9.9	7.9	5.9	1.4	0.91	0.68	0.54				
	80	F	0.44	56	33	26	22	16.3	13.1	10.9	8.7	6.5	1.5	1.0	0.75	0.60				
TXR8004VK (50)	40	F	0.47	60	35	28	23	17.4	14.0	11.6	9.3	7.0	1.6	1.1	0.80	0.64				
	50	F	0.50	64	37	30	25	18.6	14.9	12.4	9.9	7.4	1.7	1.1	0.85	0.68				
	60	VF	0.53	68	39	31	26	19.7	15.7	13.1	10.5	7.9	1.8	1.2	0.90	0.72				
	70	F	0.40	51	30	24	19.8	14.9	11.9	9.9	7.9	5.9	1.4	0.91	0.68	0.54				
	80	F	0.45	58	33	27	22	16.7	13.4	11.1	8.9	6.7	1.5	1.0	0.77	0.61				
TXR80049VK (50)	40	F	0.49	63	36	29	24	18.2	14.6	12.1	9.7	7.3	1.7	1.1	0.83	0.67				
	50	F	0.55	70	41	33	27	20	16.3	13.6	10.9	8.2	1.9	1.2	0.94	0.75				
	60	F	0.60	77	45	36	30	22	17.8	14.9	11.9	8.9	2.0	1.4	1.0	0.82				
	70	F	0.64	82	48	38	32	24	19.0	15.8	12.7	9.5	2.2	1.5	1.1	0.87				
	80	F	0.69	88	51	41	34	26	20	17.1	13.7	10.2	2.3	1.6	1.2	0.94				
90	F	0.73	93	54	43	36	27	22	18.1	14.5	10.8	2.5	1.7	1.2	0.99					

Note: Always double check your application rates. Tabulations are based on spraying water at 70°F (21°C).

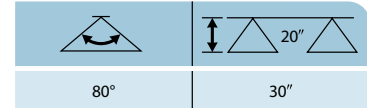


CONTACT PRODUCT	SYSTEMIC PRODUCT	DRIFT MANAGEMENT
EXCELLENT	—	—

*At pressures below 30 PSI (2.0 bar)



Optimum Spray Height



How to order:

Specify tip number.

Examples:

- TXR8003VK – Ceramic with color-coding
- TXR8003VK-100X – Ceramic with color-coding, 100 tips

FullJet® Wide Angle Full Cone Spray Tips

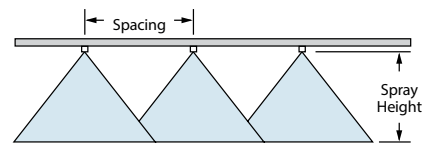
Part #
 FL-*VS
 FL-*VC
 For use with the 114445-*CELR TeeJet cap



TeeJet
 TECHNOLOGIES

Features:

- Large droplets to reduce drift.
- Excellent spray distribution over a range of pressures 15–40 PSI (1–3 bar).
- Ideal for use on rigs with sprayer controllers.
- Wide spray angle allows use on 40" (100 cm) spacings.
- Available in VisiFlo® color-coding system in all stainless steel or Celcon® with stainless steel vane.
- Can be used with 114445-*CELR for Quick TeeJet® connection.

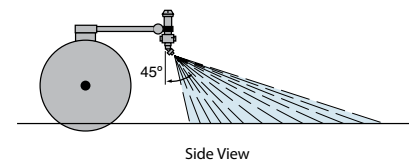


Optimum Spray Height

Tip Spacing	Optimum Spray Height
40"	20"
30"	30"
20"	39"

FullJet nozzles should be angled 30°–45° from vertical for uniform spray distribution.

*Wide angle spray nozzle height is influenced by nozzle orientation. The critical factor is to achieve a minimum 30% overlap.



Tip	PSI	CAPACITY ONE NOZZLE IN GPM	CAPACITY ONE NOZZLE IN OZ./MIN.	40" Spacing							20" Spacing				
				GPA							GALLONS PER 1000 SQ. FT.				
				3 MPH	4 MPH	5 MPH	6 MPH	7 MPH	8 MPH	10 MPH	2 MPH	3 MPH	4 MPH	5 MPH	
FL-5	15	0.34	44	16.8	12.6	10.1	8.4	7.2	6.3	5.0	1.2	0.77	0.58	0.46	
	20	0.38	49	18.8	14.1	11.3	9.4	8.1	7.1	5.6	1.3	0.86	0.65	0.52	
	30	0.46	59	23	17.1	13.7	11.4	9.8	8.5	6.8	1.6	1.0	0.78	0.63	
	40	0.50	64	25	18.6	14.9	12.4	10.6	9.3	7.4	1.7	1.1	0.85	0.68	
FL-6.5	15	0.42	54	21	15.6	12.5	10.4	8.9	7.8	6.2	1.4	0.95	0.71	0.57	
	20	0.48	61	24	17.8	14.3	11.9	10.2	8.9	7.1	1.6	1.1	0.82	0.65	
	30	0.57	73	28	21	16.9	14.1	12.1	10.6	8.5	1.9	1.3	0.97	0.78	
	40	0.65	83	32	24	19.3	16.1	13.8	12.1	9.7	2.2	1.5	1.1	0.88	
FL-8	15	0.51	65	25	18.9	15.1	12.6	10.8	9.5	7.6	1.7	1.2	0.87	0.69	
	20	0.58	74	29	22	17.2	14.4	12.3	10.8	8.6	2.0	1.3	0.99	0.79	
	30	0.70	90	35	26	21	17.3	14.9	13.0	10.4	2.4	1.6	1.2	0.95	
	40	0.80	102	40	30	24	19.8	17.0	14.9	11.9	2.7	1.8	1.4	1.1	
FL-10	15	0.67	86	33	25	19.9	16.6	14.2	12.4	9.9	2.3	1.5	1.1	0.91	
	20	0.76	97	38	28	23	18.8	16.1	14.1	11.3	2.6	1.7	1.3	1.0	
	30	0.91	116	45	34	27	23	19.3	16.9	13.5	3.1	2.1	1.5	1.2	
	40	1.00	128	50	37	30	25	21	18.6	14.9	3.4	2.3	1.7	1.4	
FL-15	15	0.97	124	48	36	29	24	21	18.0	14.4	3.3	2.2	1.6	1.3	
	20	1.11	142	55	41	33	27	24	21	16	3.8	2.5	1.9	1.5	
	30	1.32	169	65	49	39	33	28	25	20	4.5	3.0	2.2	1.8	
	40	1.50	192	74	56	45	37	32	28	22	5.1	3.4	2.6	2.0	

Note: Always double check your application rates. Tabulations are based on spraying water at 70°F (21°C). See pages 281–284 for useful formulas and other information.

SPRAY TIPS



Double Outlet Flat Spray Tips

Part #

TQ150-*

TQ150-*-SS

For use with the 114441-*-CELR TeeJet cap

150° Series Stainless Steel and Brass

Suggested for post-directed application with hose drops.

How to order:

Specify tip number and material.

Example: TQ150-03-SS –
Stainless Steel



PSI	CAPACITY ONE NOZZLE IN GPM	GPA 20°											
		4 MPH	5 MPH	6 MPH	7 MPH	8 MPH	9 MPH	10 MPH	12 MPH	14 MPH	16 MPH	18 MPH	
TQ150-01-SS (100)													
20	0.071	5.3	4.2	3.5	3.0	2.6	2.3	2.1	1.8	1.5	1.3	1.2	
25	0.079	5.9	4.7	3.9	3.4	2.9	2.6	2.3	2.0	1.7	1.5	1.3	
30	0.087	6.5	5.2	4.3	3.7	3.2	2.9	2.6	2.2	1.8	1.6	1.4	
40	0.10	7.4	5.9	5.0	4.2	3.7	3.3	3.0	2.5	2.1	1.9	1.7	
50	0.11	8.2	6.5	5.4	4.7	4.1	3.6	3.3	2.7	2.3	2.0	1.8	
TQ150-01-SS (100)													
20	0.11	8.2	6.5	5.4	4.7	4.1	3.6	3.3	2.7	2.3	2.0	1.8	
25	0.12	8.9	7.1	5.9	5.1	4.5	4.0	3.6	3.0	2.5	2.2	2.0	
30	0.13	9.7	7.7	6.4	5.5	4.8	4.3	3.9	3.2	2.8	2.4	2.1	
40	0.15	11.1	8.9	7.4	6.4	5.6	5.0	4.5	3.7	3.2	2.8	2.5	
50	0.17	12.6	10.1	8.4	7.2	6.3	5.6	5.0	4.2	3.6	3.2	2.8	
TQ150-02-SS (100)													
20	0.14	10.4	8.3	6.9	5.9	5.2	4.6	4.2	3.5	3.0	2.6	2.3	
25	0.16	11.9	9.5	7.9	6.8	5.9	5.3	4.8	4.0	3.4	3.0	2.6	
30	0.17	12.6	10.1	8.4	7.2	6.3	5.6	5.0	4.2	3.6	3.2	2.8	
40	0.20	14.9	11.9	9.9	8.5	7.4	6.6	5.9	5.0	4.2	3.7	3.3	
50	0.22	16.3	13.1	10.9	9.3	8.2	7.3	6.5	5.4	4.7	4.1	3.6	
TQ150-03-SS (100)													
20	0.21	15.6	12.5	10.4	8.9	7.8	6.9	6.2	5.2	4.5	3.9	3.5	
25	0.24	17.8	14.3	11.9	10.2	8.9	7.9	7.1	5.9	5.1	4.5	4.0	
30	0.26	19.3	15.4	12.9	11.0	9.7	8.6	7.7	6.4	5.5	4.8	4.3	
40	0.30	22	17.8	14.9	12.7	11.1	9.9	8.9	7.4	6.4	5.6	5.0	
50	0.34	25	20	16.8	14.4	12.6	11.2	10.1	8.4	7.2	6.3	5.6	
TQ150-04-SS (50)													
20	0.28	21	16.6	13.9	11.9	10.4	9.2	8.3	6.9	5.9	5.2	4.6	
25	0.32	24	19.0	15.8	13.6	11.9	10.6	9.5	7.9	6.8	5.9	5.3	
30	0.35	26	21	17.3	14.9	13.0	11.6	10.4	8.7	7.4	6.5	5.8	
40	0.40	30	24	19.8	17.0	14.9	13.2	11.9	9.9	8.5	7.4	6.6	
50	0.45	33	27	22	19.1	16.7	14.9	13.4	11.1	9.5	8.4	7.4	
TQ150-05-SS (50)													
20	0.35	26	21	17.3	14.9	13.0	11.6	10.4	8.7	7.4	6.5	5.8	
25	0.40	30	24	19.8	17.0	14.9	13.2	11.9	9.9	8.5	7.4	6.6	
30	0.43	32	26	21	18.2	16.0	14.2	12.8	10.6	9.1	8.0	7.1	
40	0.50	37	30	25	21	18.6	16.5	14.9	12.4	10.6	9.3	8.3	
50	0.56	42	33	28	24	21	18.5	16.6	13.9	11.9	10.4	9.2	
TQ150-06-SS (50)													
20	0.42	31	25	21	17.8	15.6	13.9	12.5	10.4	8.9	7.8	6.9	
25	0.47	35	28	23	19.9	17.4	15.5	14.0	11.6	10.0	8.7	7.8	
30	0.52	39	31	26	22	19.3	17.2	15.4	12.9	11.0	9.7	8.6	
40	0.60	45	36	30	25	22	19.8	17.8	14.9	12.7	11.1	9.9	
50	0.67	50	40	33	28	25	22	19.9	16.6	14.2	12.4	11.1	
TQ150-08-SS (50)													
20	0.57	42	34	28	24	21	18.8	16.9	14.1	12.1	10.6	9.4	
25	0.63	47	37	31	27	23	21	18.7	15.6	13.4	11.7	10.4	
30	0.69	51	41	34	29	26	23	20	17.1	14.6	12.8	11.4	
40	0.80	59	48	40	34	30	26	24	19.8	17.0	14.9	13.2	
50	0.89	66	53	44	38	33	29	26	22	18.9	16.5	14.7	
TQ150-09-SS (50)													
20	0.64	48	38	32	27	24	21	19.0	15.8	13.6	11.9	10.6	
25	0.71	53	42	35	30	26	23	21	17.6	15.1	13.2	11.7	
30	0.78	58	46	39	33	29	26	23	19.3	16.5	14.5	12.9	
40	0.90	67	53	45	38	33	30	27	22	19.1	16.7	14.9	
50	1.01	75	60	50	43	37	33	30	25	21	18.7	16.7	

Note: Always double check your application rates. Tabulations are based on spraying water at 70°F (21°C). See pages 281–284 for useful formulas and other information.



Off-Center Flat Spray Tips — Smaller Capacities

Part #

OC*

OC-SS02 to 16

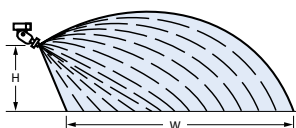
For use with the 114441-*-CELR TeeJet cap

TeeJet Off-Center spray tips are commonly installed in double and single swivel nozzle bodies. Because these bodies are adjustable for angular position, a wide spray swath is easily obtained.

How to order:

Specify tip number and material.

Example: OC-02 – Brass
OC-SS06 – Stainless Steel



PSI	CAPACITY ONE NOZZLE IN GPM	HEIGHT = 18"								HEIGHT = 24"			
		GPA				GPA							
		3 MPH	4 MPH	5 MPH	6 MPH	3 MPH	4 MPH	5 MPH	6 MPH				
OC-01 (100)													
30	0.087	58	3.0	2.2	1.8	1.5	65	2.7	2.0	1.6	1.3		
40	0.10	60	3.3	2.5	2.0	1.7	67	3.0	2.2	1.8	1.5		
60	0.12	62	3.8	2.9	2.3	1.9	69	3.4	2.6	2.1	1.7		
OC-02 (50)													
30	0.17	68	5.0	3.7	3.0	2.5	75	4.5	3.4	2.7	2.2		
40	0.20	70	5.7	4.2	3.4	2.8	77	5.1	3.9	3.1	2.6		
60	0.24	72	6.6	5.0	4.0	3.3	78	6.1	4.6	3.7	3.0		
OC-03 (50)													
30	0.26	77	6.7	5.0	4.0	3.3	80	6.4	4.8	3.9	3.2		
40	0.30	80	7.4	5.6	4.5	3.7	83	7.2	5.4	4.3	3.6		
60	0.37	82	8.9	6.7	5.4	4.5	85	8.6	6.5	5.2	4.3		
OC-04 (50)													
30	0.35	91	7.6	5.7	4.6	3.8	93	7.5	5.6	4.5	3.7		
40	0.40	93	8.5	6.4	5.1	4.3	94	8.4	6.3	5.1	4.2		
60	0.49	94	10.3	7.7	6.2	5.2	95	10.2	7.7	6.1	5.1		
OC-06 (50)													
30	0.52	99	10.4	7.8	6.2	5.2	108	9.5	7.2	5.7	4.8		
40	0.60	101	11.8	8.8	7.1	5.9	110	10.8	8.1	6.5	5.4		
60	0.73	102	14.2	10.6	8.5	7.1	111	13.0	9.8	7.8	6.5		
OC-08 (50)													
30	0.69	100	13.7	10.2	8.2	6.8	110	12.4	9.3	7.5	6.2		
40	0.80	102	15.5	11.6	9.3	7.8	112	14.1	10.6	8.5	7.1		
60	0.98	104	18.7	14.0	11.2	9.3	113	17.2	12.9	10.3	8.6		
OC-12													
30	1.04	102	20	15.1	12.1	10.1	113	18.2	13.7	10.9	9.1		
40	1.20	104	23	17.1	13.7	11.4	115	21	15.5	12.4	10.3		
60	1.47	105	28	21	16.6	13.9	116	25	18.8	15.1	12.5		
OC-16													
30	1.39	132	21	15.6	12.5	10.4	142	19.4	14.5	11.6	9.7		
40	1.60	138	23	17.2	13.8	11.5	146	22	16.3	13.0	10.8		
60	1.96	143	27	20	16.3	13.6	148	26	19.7	15.7	13.1		

Note: Always double check your application rates. Tabulations are based on spraying water at 70°F (21°C). See pages 281–284 for useful formulas and other information.

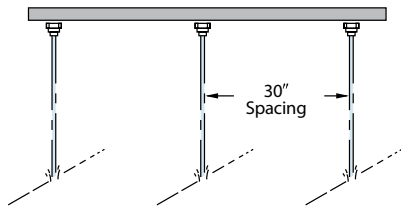
StreamJet Solid Stream Spray Nozzles

Part #	Description
H1/4U-SS00*	SS 1/4 MPT Stream Nozzle
TP00*-SS	SS Stream Tip



Stainless Steel for Banding Fertilizers

- Permits banding fluids at high rig speeds.
- Large orifices with no internal obstructions permit non-clogging suspension applications.
- Lower drift potential.
- For TP tips use Quick TeeJet cap and gasket 114445*-CEL.R.



How to order:

Specify nozzle number and material.
 Example: H1/4U-SS0010 Stainless Steel

Note: Always double check your application rates.
 Tabulations are based on spraying water at 70°F (21°C).

PSI	CAPACITY ONE NOZZLE IN GPM	GPA 30°									
		4 MPH	6 MPH	8 MPH	10 MPH	12 MPH	14 MPH	16 MPH	18 MPH	20 MPH	
TP0001-SS	10	0.050	2.5	1.7	1.2	0.99	0.83	0.71	0.62	0.55	0.50
	20	0.071	3.5	2.3	1.8	1.4	1.2	1.0	0.88	0.78	0.70
	30	0.087	4.3	2.9	2.2	1.7	1.4	1.2	1.1	0.96	0.86
TP00015-SS	10	0.075	3.7	2.5	1.9	1.5	1.2	1.1	0.93	0.83	0.74
	20	0.11	5.4	3.6	2.7	2.2	1.8	1.6	1.4	1.2	1.1
	30	0.13	6.4	4.3	3.2	2.6	2.1	1.8	1.6	1.4	1.3
H1/4U-SS0002 TP0002-SS	10	0.10	5.0	3.3	2.5	2.0	1.7	1.4	1.2	1.1	0.99
	20	0.14	6.9	4.6	3.5	2.8	2.3	2.0	1.7	1.5	1.4
	30	0.17	8.4	5.6	4.2	3.4	2.8	2.4	2.1	1.9	1.7
H1/4U-SS0003 TP0003-SS	10	0.15	7.4	5.0	3.7	3.0	2.5	2.1	1.9	1.7	1.5
	20	0.21	10.4	6.9	5.2	4.2	3.5	3.0	2.6	2.3	2.1
	30	0.26	12.9	8.6	6.4	5.1	4.3	3.7	3.2	2.9	2.6
H1/4U-SS0004 TP0004-SS	10	0.20	9.9	6.6	5.0	4.0	3.3	2.8	2.5	2.2	2.0
	20	0.28	13.9	9.2	6.9	5.5	4.6	4.0	3.5	3.1	2.8
	30	0.35	17.3	11.6	8.7	6.9	5.8	5.0	4.3	3.9	3.5
H1/4U-SS0006 TP0006-SS	10	0.30	14.9	9.9	7.4	5.9	5.0	4.2	3.7	3.3	3.0
	20	0.42	21	13.9	10.4	8.3	6.9	5.9	5.2	4.6	4.2
	30	0.52	26	17.2	12.9	10.3	8.6	7.4	6.4	5.7	5.1
H1/4U-SS0008 TP0008-SS	10	0.40	19.8	13.2	9.9	7.9	6.6	5.7	5.0	4.4	4.0
	20	0.57	28	18.8	14.1	11.3	9.4	8.1	7.1	6.3	5.6
	30	0.69	34	23	17.1	13.7	11.4	9.8	8.5	7.6	6.8
H1/4U-SS0010 TP0010-SS	10	0.50	25	16.5	12.4	9.9	8.3	7.1	6.2	5.5	5.0
	20	0.71	35	23	17.6	14.1	11.7	10.0	8.8	7.8	7.0
	30	0.87	43	29	22	17.2	14.4	12.3	10.8	9.6	8.6
H1/4U-SS0015 TP0015-SS	10	0.75	37	25	19	14.9	12.4	10.6	9.3	8.3	7.4
	20	1.06	52	35	26	21	17.5	15.0	13.1	11.7	10.5
	30	1.30	64	43	32	26	21	18.4	16.1	14.3	12.9
H1/4U-SS0020 TP0020-SS	10	1.00	50	33	25	19.8	16.5	14.1	12.4	11.0	9.9
	20	1.41	70	47	35	28	23	19.9	17.4	15.5	14.0
	30	1.73	86	57	43	34	29	24	21	19.0	17.1
H1/4U-SS0030 TP0030-SS	10	1.50	74	50	37	30	25	21	18.6	16.5	14.9
	20	2.12	105	70	52	42	35	30	26	23	21
	30	2.60	129	86	64	51	43	37	32	29	26
H1/4U-SS0040 TP0040-SS	10	2.00	99	66	50	40	33	28	25	22	20
	20	2.83	140	93	70	56	47	40	35	31	28
	30	3.46	171	114	86	69	57	49	43	38	34
H1/4U-SS0050	10	2.50	124	83	62	50	41	35	31	28	25
	20	3.54	175	117	88	70	58	50	44	39	35
	30	4.33	214	143	107	86	71	61	54	48	43
H1/4U-SS0060	10	3.00	149	99	74	59	50	42	37	33	30
	20	4.24	210	140	105	84	70	60	52	47	42
	30	5.20	257	172	129	103	86	74	64	57	51
40	6.00	297	198	149	119	99	85	74	66	59	



SPRAY TIPS

StreamJet SJ3 Fertilizer Nozzles

Part # SJ3-*-VP
For use with the 114443-*-CELR TeeJet cap

- Typical Applications:**
- Excellent for application of liquid fertilizer on bare ground or in standing crop.
 - 3-stream pattern is ideal for directed application.



- Features:**
- Three solid streams of equal velocity and capacity.
 - Removable metering orifice for easy cleaning.
 - Equally spaced distribution at 20" (50 cm) height.
 - Use with Quick TeeJet® cap 114443-*-CELR.
 - Recommended operating pressure: 20-60 PSI (1.5-4 bar).
 - Solid stream pattern minimizes leaf burn and virtually eliminates drift.



Optimum Spray Height

20"	20"
30"	30"
40"	40"

Nozzle	PSI	CAPACITY ONE NOZZLE IN GPM	GPA @ 20"											
			3 MPH	4 MPH	5 MPH	6 MPH	8 MPH	10 MPH	12 MPH	14 MPH	16 MPH	18 MPH	20 MPH	
SJ3-015-VP (100)	20	0.11	10.9	8.2	6.5	5.4	4.1	3.3	2.7	2.3	2.0	1.8	1.6	
	30	0.13	12.9	9.7	7.7	6.4	4.8	3.9	3.2	2.8	2.4	2.1	1.9	
	40	0.15	14.9	11.1	8.9	7.4	5.6	4.5	3.7	3.2	2.8	2.5	2.2	
	50	0.16	15.8	11.9	9.5	7.9	5.9	4.8	4.0	3.4	3.0	2.6	2.4	
SJ3-02-VP (50)	20	0.14	13.9	10.4	8.3	6.9	5.2	4.2	3.5	3.0	2.6	2.3	2.1	
	30	0.17	16.8	12.6	10.1	8.4	6.3	5.0	4.2	3.6	3.2	2.8	2.5	
	40	0.20	19.8	14.9	11.9	9.9	7.4	5.9	5.0	4.2	3.7	3.3	3.0	
	50	0.21	21	15.6	12.5	10.4	7.8	6.2	5.2	4.5	3.9	3.5	3.1	
SJ3-03-VP (50)	20	0.24	22	16.3	13.1	10.9	8.2	6.5	5.4	4.7	4.1	3.6	3.3	
	30	0.27	27	20	16.0	13.4	10.0	8.0	6.7	5.7	5.0	4.5	4.0	
	40	0.30	30	22	17.8	14.9	11.1	8.9	7.4	6.4	5.6	5.0	4.5	
	50	0.33	33	25	19.6	16.3	12.3	9.8	8.2	7.0	6.1	5.4	4.9	
SJ3-04-VP (50)	20	0.30	30	22	17.8	14.9	11.1	8.9	7.4	6.4	5.6	5.0	4.5	
	30	0.36	36	27	21	17.8	13.4	10.7	8.9	7.6	6.7	5.9	5.3	
	40	0.40	40	30	24	19.8	14.9	11.9	9.9	8.5	7.4	6.6	5.9	
	50	0.43	43	32	26	21	16.0	12.8	10.6	9.1	8.0	7.1	6.4	
SJ3-05-VP (50)	20	0.35	35	26	21	17.3	13.0	10.4	8.7	7.4	6.5	5.8	5.2	
	30	0.36	36	27	21	17.8	13.4	10.7	8.9	7.6	6.7	5.9	5.3	
	40	0.40	40	30	24	19.8	14.9	11.9	9.9	8.5	7.4	6.6	5.9	
	50	0.43	43	32	26	21	16.0	12.8	10.6	9.1	8.0	7.1	6.4	
SJ3-06-VP (50)	20	0.59	58	44	35	29	22	17.5	14.6	12.5	11.0	9.7	8.8	
	30	0.42	42	31	25	21	15.6	12.5	10.4	8.9	7.8	6.9	6.2	
	40	0.54	53	40	32	27	20	16.0	13.4	11.5	10.0	8.9	8.0	
	50	0.60	59	45	36	30	22	17.8	14.9	12.7	11.1	9.9	8.9	
SJ3-08-VP	20	0.66	65	49	39	33	25	19.6	16.3	14.0	12.3	10.9	9.8	
	30	0.70	69	52	42	35	26	21	17.3	14.9	13.0	11.6	10.4	
	40	0.80	79	59	48	40	30	24	19.8	17.0	14.9	13.2	11.9	
	50	0.88	87	65	52	44	33	26	22	18.7	16.3	14.5	13.1	
SJ3-10-VP	20	0.94	93	70	56	47	35	28	23	19.9	17.4	15.5	14.0	
	30	0.65	64	48	39	32	24	19.3	16.1	13.8	12.1	10.7	9.7	
	40	0.90	89	67	53	45	33	27	22	19.1	16.7	14.9	13.4	
	50	1.00	99	74	59	50	37	30	25	21	18.6	16.5	14.9	
SJ3-15-VP	20	1.11	110	82	66	55	41	33	27	24	21	18.3	16.5	
	30	1.19	118	88	71	59	44	35	29	25	22	19.6	17.7	
	40	1.28	126	96	74	59	49	37	29	25	22	18.4	16.5	
	50	1.41	140	105	84	70	52	42	35	30	26	23	21	
SJ3-20-VP	20	1.41	140	105	84	70	52	42	35	30	26	23	21	
	30	1.75	173	130	104	87	65	52	43	37	32	29	26	
	40	2.00	198	149	119	99	74	59	50	42	37	33	30	
	50	2.28	226	169	135	113	85	68	56	48	42	38	34	
60	2.49	247	185	148	123	92	74	62	53	46	41	37		

Note: Always double check your application rates. Tabulations are based on spraying water at 70°F (21°C). See pages 281-284 for useful formulas and other information.

StreamJet SJ3-VR Variable Rate Fertilizer Tips

Part # SJ3-VR-*

- Features:**
- SJ3-VR tip produces three identical fluid streams for excellent distribution quality in directed applications.
 - Solid stream pattern minimizes leaf burn and virtually eliminates drift.
 - Acetal body and deflector plate construction for good wear life and chemical resistance.
 - Simple, elastomer (EPDM) variable orifice for reliable operation.
 - Recommended operating pressure: 20-100 PSI (1.5-7.0 bar).
 - SJ3-VR are intended for use with flow meter based control systems only.
 - Multiple capacities available for a wider range of application rates.

Nozzle	Liquid Pressure in PSI	Capacity 1 Nozzle in GPM	GPA for 20" Spacing (water)											
			5 MPH	6 MPH	7 MPH	8 MPH	10 MPH	12 MPH	14 MPH	16 MPH	18 MPH	20 MPH		
SJ3-VR-X0.5	20	0.13	7.7	6.4	5.5	4.8	3.9	3.2	2.8	2.4	2.1	1.9		
	30	0.16	9.5	7.9	6.8	5.9	4.8	4.0	3.4	3.0	2.6	2.4		
	40	0.18	10.7	8.9	7.6	6.7	5.3	4.5	3.8	3.3	3.0	2.7		
	50	0.21	12.5	10.4	8.9	7.8	6.2	5.2	4.5	3.9	3.5	3.1		
	60	0.24	14.3	11.9	10.2	8.9	7.1	5.9	5.1	4.5	4.0	3.6		
	70	0.28	16.6	13.9	11.9	10.4	8.3	6.9	5.9	5.2	4.6	4.2		
	80	0.32	19.0	15.8	13.6	11.9	9.5	7.9	6.8	5.9	5.3	4.8		
SJ3-VR-X1.0	90	0.37	22	18.3	15.7	13.7	11.0	9.2	7.8	6.9	6.1	5.5		
	100	0.42	25	21	17.8	15.6	12.5	10.4	8.9	7.8	6.9	6.2		
	30	0.28	16.6	13.9	11.9	10.4	8.3	6.9	5.9	5.2	4.6	4.2		
	40	0.35	21	17.3	14.9	13.0	10.4	8.7	7.4	6.5	5.8	5.2		
	50	0.43	26	21	18.2	16.0	12.8	10.6	9.1	8.0	7.1	6.4		
	60	0.51	30	25	22	18.9	15.1	12.6	10.8	9.5	8.4	7.6		
	70	0.61	36	30	26	23	18.1	15.1	12.9	11.3	10.1	9.1		
SJ3-VR-X2.0	80	0.71	42	35	30	26	21	17.6	15.1	13.2	11.7	10.5		
	90	0.82	49	41	35	30	24	20	17.4	15.2	13.5	12.2		
	100	0.93	55	46	39	35	28	23	19.7	17.3	15.3	13.8		
	20	0.55	33	27	23	20	16.3	13.6	11.7	10.2	9.1	8.2		
	30	0.70	42	35	30	26	21	17.3	14.9	13.0	11.6	10.4		
	40	0.84	50	42	36	31	25	21	17.8	15.6	13.9	12.5		
	50	0.97	58	48	41	36	29	24	21	18.0	16.0	14.4		
60	1.11	66	55	47	41	33	27	24	21	18.3	16.5			
70	1.25	74	62	53	46	37	31	27	23	21	18.6			
80	1.38	82	68	59	51	41	34	29	26	23	20			
90	1.51	90	75	64	56	45	37	32	28	25	22			
100	1.64	97	81	70	61	49	41	35	30	27	24			

Optimum Spray Height

15"	15"
20"	20"
30"	30"



StreamJet SJ7 Fertilizer Nozzles

Part #
SJ7-*-VP

Features:

- Creates seven identical fluid streams of equal velocity and capacity.
- Excellent spray distribution quality.
- Removable metering orifice for easy cleaning.
- Offered in a variety of sizes for a wide range of application rates.
- VisiFlo® color-coding for easy capacity identification.
- Recommended operating pressure: 20–60 PSI (1.5–4 bar).
- All acetal construction for excellent chemical resistance.
- Solid stream pattern minimizes leaf burn and virtually eliminates drift.



How to order:
Specify nozzle number.
Example: SJ7-04-VP
Polymer with color-coding

PSI	CAPACITY ONE NOZZLE IN GPM	GPA Δ 20"											
		3 MPH	4 MPH	5 MPH	6 MPH	8 MPH	10 MPH	12 MPH	14 MPH	16 MPH	18 MPH	20 MPH	
SJ7-015-VP (100)	20	0.10	9.9	7.4	5.9	5.0	3.7	3.0	2.5	2.1	1.9	1.7	1.5
	30	0.12	11.9	8.9	7.1	5.9	4.5	3.6	3.0	2.5	2.2	2.0	1.8
	40	0.15	14.9	11.1	8.9	7.4	5.6	4.5	3.7	3.2	2.8	2.5	2.2
	50	0.16	15.8	11.9	9.5	7.9	5.9	4.8	4.0	3.4	3.0	2.6	2.4
SJ7-02-VP (50)	20	0.14	13.9	10.4	8.3	6.9	5.2	4.2	3.5	3.0	2.6	2.3	2.1
	30	0.17	16.8	12.6	10.1	8.4	6.3	5.0	4.2	3.6	3.2	2.8	2.5
	40	0.20	19.8	14.9	11.9	9.9	7.4	5.9	5.0	4.2	3.7	3.3	3.0
	50	0.23	23	17.1	13.7	11.4	8.5	6.8	5.7	4.9	4.3	3.8	3.4
SJ7-03-VP (50)	20	0.22	22	16.3	13.1	10.9	8.2	6.5	5.4	4.7	4.1	3.6	3.3
	30	0.27	27	20	16.0	13.4	10.0	8.0	6.7	5.7	5.0	4.5	4.0
	40	0.30	30	22	17.8	14.9	11.1	8.9	7.4	6.4	5.6	5.0	4.5
	50	0.33	33	25	19.6	16.3	12.3	9.8	8.2	7.0	6.1	5.4	4.9
SJ7-04-VP (50)	20	0.35	35	26	21	17.3	13.0	10.4	8.7	7.4	6.5	5.8	5.2
	30	0.40	40	30	24	19.8	14.9	11.9	9.9	8.5	7.4	6.6	5.9
	40	0.43	43	32	26	21	16.0	12.8	10.6	9.1	8.0	7.1	6.4
	50	0.46	46	34	27	23	17.1	13.7	11.4	9.8	8.5	7.6	6.8
SJ7-05-VP (50)	20	0.38	38	28	23	18.8	14.1	11.3	9.4	8.1	7.1	6.3	5.6
	30	0.45	45	33	27	22	16.7	13.4	11.1	9.5	8.4	7.4	6.7
	40	0.50	50	37	30	25	18.6	14.9	12.4	10.6	9.3	8.3	7.4
	50	0.54	53	40	32	27	20	16.0	13.4	11.5	10.0	8.9	8.0
SJ7-06-VP (50)	20	0.45	45	33	27	22	16.7	13.4	11.1	9.5	8.4	7.4	6.7
	30	0.54	53	40	32	27	20	16.0	13.4	11.5	10.0	8.9	8.0
	40	0.60	59	45	36	30	22	17.8	14.9	12.7	11.1	9.9	8.9
	50	0.65	64	48	39	32	24	19.3	16.1	13.8	12.1	10.7	9.7
SJ7-08-VP	20	0.57	56	42	34	28	21	16.9	14.1	12.1	10.6	9.4	8.5
	30	0.72	71	53	43	36	27	21	17.8	15.3	13.4	11.9	10.7
	40	0.80	79	59	48	40	30	24	19.8	17.0	14.9	13.2	11.9
	50	0.87	86	65	52	43	32	26	22	18.5	16.1	14.4	12.9
SJ7-10-VP	20	0.93	92	69	55	46	35	28	23	19.7	17.3	15.3	13.8
	30	1.00	99	74	59	50	37	30	25	21	18.6	16.5	14.9
	40	1.09	108	81	65	54	40	32	27	23	20	18.0	16.2
	50	1.16	115	86	69	57	43	34	29	25	22	19.1	17.2
SJ7-15-VP	20	1.03	102	76	61	51	38	31	25	22	19.1	17.0	15.3
	30	1.29	128	96	77	64	48	38	32	27	24	21	19.2
	40	1.50	149	111	89	74	56	45	37	32	28	25	22
	50	1.64	162	122	97	81	61	49	41	35	30	27	24
60	1.76	174	131	105	87	65	52	44	37	33	29	26	

Note: Always double check your application rates. Tabulations are based on spraying water at 70°F (21°C). See pages 281–284 for useful formulas and other information.



StreamJet SJ7A Variable Rate Fertilizer Nozzles

Part #
SJ7A-VR-X*
50854-NYB

Typical Application:

- Excellent for application of liquid fertilizer on bare ground or in standing crop.
- 7-stream pattern is ideal for broadcast application.
- Acetal body and deflector plate for good wear life and chemical resistance.
- Simple, elastomer (EPDM) variable orifice for long-term, reliable operation.

Features:

- Variable orifice design is like having 5 tips in one.
- Wide flow rate range offers improved productivity in fixed rate applications.
- Also ideal for variable rate prescription map applications
- Produces seven identical fluid streams for excellent distribution quality in broadcast applications.
- Solid stream pattern minimizes leaf burn and virtually eliminates drift.
- Recommended operating pressure: 30–80 PSI (2.0–5.5 bar).
- SJ7A-VR is intended for use with flow meter based control systems only.
- Multiple capacities available for a wide range of application rates and ground speeds.

How to order:

Specify nozzle number.
Example: SJ7A-VR-X1.0 – Polymer with color-coding



PSI	CAPACITY ONE NOZZLE IN GPM	GPA Δ 20"										
		5 MPH	6 MPH	7 MPH	8 MPH	10 MPH	12 MPH	14 MPH	16 MPH	18 MPH	20 MPH	
SJ7A-VR-X0.5	30	0.16	9.5	7.9	6.8	5.9	4.8	4.0	3.4	3.0	2.6	2.4
	40	0.19	11.3	9.4	8.1	7.1	5.6	4.7	3.5	3.5	3.1	2.8
	50	0.22	13.1	10.9	9.3	8.2	6.5	5.4	4.1	4.1	3.6	3.3
	60	0.26	15.4	12.9	11.0	9.7	7.7	6.4	4.8	4.8	4.3	3.9
	70	0.30	17.8	14.9	12.7	11.1	8.9	7.4	5.6	5.6	5.0	4.5
SJ7A-VR-X1.0	30	0.35	21	17.3	14.9	13.0	10.4	8.7	6.5	6.5	5.8	5.2
	40	0.42	25	20.6	17.8	15.7	12.6	10.4	7.8	7.8	6.9	6.2
	50	0.45	26	22	18.7	16.3	13.1	10.9	8.3	8.3	7.3	6.5
	60	0.55	33	27	23	20	16.3	13.6	11.7	10.2	9.1	8.2
	70	0.67	40	33	28	25	19.9	16.6	14.2	12.4	11.1	9.9
SJ7A-VR-X2.0	30	0.70	42	35	30	26	21	17.3	14.9	13.0	11.6	10.4
	40	0.85	50	42	36	32	25	21	18	15.8	14.0	12.6
	50	1.00	59	50	42	37	30	25	21	18.6	16.5	14.9
	60	1.17	69	58	50	43	35	29	25	22	19.3	17.4
	70	1.35	80	67	57	50	40	33	29	25	22	20
80	1.55	92	77	66	58	46	38	33	29	26	23	



APPLICATORS & SPRAYERS
DRY MATERIAL HANDLING
TRAILERS
TANKS & ACCESSORIES
PUMPS
VALVES & FITTINGS
STRAINERS & HOSE
PLANTER EQUIPMENT
SPRAYER CONTROLS & GUIDANCE
NOZZLES, TIPS & SPRAY GUNS
NH3 PRODUCTS
TECHNICAL INFORMATION
INDEX

SPRAY TIPS

StreamJet QJ-VR and PTC-VR Variable Rate Fertilizer Assemblies



Typical Applications:

- Excellent for metering of liquid fertilizer on planters, seeders and fertilizer applicators.
- Use in place of traditional fixed orifice metering plates.

Features:

- Variable orifice design is like having multiple flow regulators in one simple assembly.
- PTC-VR features nylon construction for excellent strength and chemical resistance.
- Intended for use with flow meter based control systems only.



PTC-VR PUSH-TO-CONNECT



QJ-VR



QJ-VR HOSE BARB

Part #	Description
PTC-VR PUSH-TO-CONNECT METERING ASSEMBLY	
PTC-VR-X0.5-1/4	X0.5 Variable Rate Assembly, 1/4 Push-To-Connect
PTC-VR-X0.5-5/16	X0.5 Variable Rate Assembly, 5/16 Push-To-Connect
PTC-VR-X0.5-3/8	X0.5 Variable Rate Assembly, 3/8 Push-To-Connect
PTC-VR-X1.0-1/4	X1.0 Variable Rate Assembly, 1/4 Push-To-Connect
PTC-VR-X1.0-5/16	X1.0 Variable Rate Assembly, 5/16 Push-To-Connect
PTC-VR-X1.0-3/8	X1.0 Variable Rate Assembly, 3/8 Push-To-Connect
PTC-VR-X2.0-5/16	X2.0 Variable Rate Assembly, 5/16 Push-To-Connect
PTC-VR-X2.0-3/8	X2.0 Variable Rate Assembly, 3/8 Push-To-Connect
QJ-VR METERING ASSEMBLY	
QJ-VR-X0.5	X0.5 Variable Rate Assembly, Quick Cap
QJ-VR-X1.0	X1.0 Variable Rate Assembly, Quick Cap
QJ-VR-X2.0	X2.0 Variable Rate Assembly, Quick Cap

SIZE OPTIONS

Model	Hose Size (I.D.)				Tubing Size (O.D.)		
	1/4"	5/16"	3/8"	1/2"	1/4"	5/16"	3/8"
QJ-VR-X0.5	X	X	X				
QJ-VR-X1.0	X	X	X				
QJ-VR-X2.0			X	X			
PTC-VR-X0.5					X	X	X
PTC-VR-X1.0					X	X	X
PTC-VR-X2.0						X	X

Note: 1/4" and 5/16" hose barb sizes offered in stainless steel only. 3/8" and 1/2" hose barbs offered in choice of stainless steel or nylon.

QJ-VR HOSE BARB METERING ASSEMBLY	
QJ-VR-X0.5-1/4-SS	X0.5 Variable Rate Assembly W/ 1/4" Ss Hose Barb
QJ-VR-X0.5-5/16-SS	X0.5 Variable Rate Assembly W/ 5/16" Ss Hose Barb
QJ-VR-X0.5-3/8-SS	X0.5 Variable Rate Assembly W/ 3/8" Ss Hose Barb
QJ-VR-X0.5-3/8-NYB	X0.5 Variable Rate Assembly W/ 3/8" Nylon Hose Barb
QJ-VR-X1.0-1/4-SS	X1.0 Variable Rate Assembly W/ 1/4" Ss Hose Barb
QJ-VR-X1.0-5/16-SS	X1.0 Variable Rate Assembly W/ 5/16" Ss Hose Barb
QJ-VR-X1.0-3/8-SS	X1.0 Variable Rate Assembly W/ 3/8" Ss Hose Barb
QJ-VR-X1.0-3/8-NYB	X1.0 Variable Rate Assembly W/ 3/8" Nylon Hose Barb
QJ-VR-X2.0-3/8-SS	X2.0 Variable Rate Assembly W/ 3/8" Ss Hose Barb
QJ-VR-X2.0-1/2-SS	X2.0 Variable Rate Assembly W/ 1/2" Ss Hose Barb
QJ-VR-X2.0-3/8-NYB	X2.0 Variable Rate Assembly W/ 3/8" Nylon Hose Barb
QJ-VR-X2.0-1/2-NYB	X2.0 Variable Rate Assembly W/ 1/2" Nylon Hose Barb

Assembly	Liquid Pressure in PSI	Capacity 1 Nozzle in GPM	GPA for 20" Spacing (water)								
			4 MPH	5 MPH	6 MPH	8 MPH	10 MPH	12 MPH	16 MPH	20 MPH	
QJ-VR-X0.5 & PTC-VR-X0.5	10	0.09	6.7	5.3	4.5	3.3	2.7	2.2	1.7	1.3	
	20	0.13	9.7	7.7	6.4	4.8	3.9	3.2	2.4	1.9	
	30	0.17	12.6	10.1	8.4	6.3	5.0	4.2	3.2	2.5	
	40	0.21	15.6	12.5	10.4	7.8	6.2	5.2	3.9	3.1	
	50	0.24	17.8	14.3	11.9	8.9	7.1	5.9	4.5	3.6	
	60	0.29	22	17.2	14.4	10.8	8.6	7.2	5.4	4.3	
	70	0.34	25	20	16.8	12.6	10.1	8.4	6.3	5.0	
	80	0.40	30	24	19.8	14.9	11.9	9.9	7.4	5.9	
	90	0.46	34	27	23	17.1	13.7	11.4	8.5	6.8	
	100	0.54	40	32	27	20	16.0	13.4	10.0	8.0	
QJ-VR-X1.0 & PTC-VR-X1.0	10	0.13	9.7	7.7	6.4	4.8	3.9	3.2	2.4	1.9	
	20	0.21	15.6	12.5	10.4	7.8	6.2	5.2	3.9	3.1	
	30	0.28	21	16.6	13.9	10.4	8.3	6.9	5.2	4.2	
	40	0.35	26	21	17.3	13.0	10.4	8.7	6.5	5.2	
	50	0.44	33	26	22	16.3	13.1	10.9	8.2	6.5	
	60	0.53	39	31	26	19.7	15.7	13.1	9.8	7.9	
	70	0.64	48	38	32	24	19.0	15.8	11.9	9.5	
	80	0.77	57	46	38	29	23	19.1	14.3	11.4	
	90	0.90	67	53	45	33	27	22	16.7	13.4	
	100	1.03	76	61	51	38	31	25	19.1	15.3	
QJ-VR-X2.0 & PTC-VR-X2.0	10	0.38	28	23	18.8	14.1	11.3	9.4	7.1	5.6	
	20	0.57	42	34	28	21	16.9	14.1	10.6	8.5	
	30	0.73	54	43	36	27	22	18.1	13.6	10.8	
	40	0.87	65	52	43	32	26	22	16.1	12.9	
	50	1.03	76	61	51	38	31	25	19.1	15.3	
	60	1.20	89	71	59	45	36	30	22	17.8	
	70	1.40	104	83	69	52	42	35	26	21	
	80	1.61	120	96	80	60	48	40	30	24	
	90	1.84	137	109	91	68	55	46	34	27	
	100	2.07	154	123	102	77	61	51	38	31	

Assembly	Liquid Pressure in PSI	Capacity 1 Nozzle in GPM	GPA for 30" Spacing (water)								
			4 MPH	5 MPH	6 MPH	8 MPH	10 MPH	12 MPH	16 MPH	20 MPH	
QJ-VR-X0.5 & PTC-VR-X0.5	10	0.09	4.5	3.6	3.0	2.2	1.8	1.5	1.1	0.9	
	20	0.13	6.4	5.1	4.3	3.2	2.6	2.1	1.6	1.3	
	30	0.17	8.4	6.7	5.6	4.2	3.4	2.8	2.1	1.7	
	40	0.21	10.4	8.3	6.9	5.2	4.2	3.5	2.6	2.1	
	50	0.24	11.9	9.5	7.9	5.9	4.8	4.0	3.0	2.4	
	60	0.29	14.4	11.5	9.6	7.2	5.7	4.8	3.6	2.9	
	70	0.34	16.8	13.5	11.2	8.4	6.7	5.6	4.2	3.4	
	80	0.40	19.8	15.8	13.2	9.9	7.9	6.6	5.0	4.0	
	90	0.46	23	18.2	15.2	11.4	9.1	7.6	5.7	4.6	
	100	0.54	27	21	17.8	13.4	10.7	8.9	6.7	5.3	
QJ-VR-X1.0 & PTC-VR-X1.0	10	0.13	6.4	5.1	4.3	3.2	2.6	2.1	1.6	1.3	
	20	0.21	10.4	8.3	6.9	5.2	4.2	3.5	2.6	2.1	
	30	0.28	13.9	11.1	9.2	6.9	5.5	4.6	3.5	2.8	
	40	0.35	17.3	13.9	11.6	8.7	6.9	5.8	4.3	3.5	
	50	0.44	22	17.4	14.5	10.9	8.7	7.3	5.4	4.4	
	60	0.53	26	21	17.5	13.1	10.5	8.7	6.6	5.2	
	70	0.64	32	25	21	15.8	12.7	10.6	7.9	6.3	
	80	0.77	38	30	25	19.1	15.2	12.7	9.5	7.6	
	90	0.90	45	36	30	22	17.8	14.9	11.1	8.9	
	100	1.03	51	41	34	25	20	17.0	12.7	10.2	
QJ-VR-X2.0 & PTC-VR-X2.0	10	0.38	18.8	15.0	12.5	9.4	7.5	6.3	4.7	3.8	
	20	0.57	28	23	18.8	14.1	11.3	9.4	7.1	5.6	
	30	0.73	36	29	24	18.1	14.5	12.0	9.0	7.2	
	40	0.87	43	34	29	22	17.2	14.4	10.8	8.6	
	50	1.03	51	41	34	25	20	17.0	12.7	10.2	
	60	1.20	59	48	40	30	24	19.8	14.9	11.9	
	70	1.40	69	55	46	35	28	23	17.3	13.9	
	80	1.61	80	64	53	40	32	27	19.9	15.9	
	90	1.84	91	73	61	46	36	30	23	18.2	
	100	2.07	102	82	68	51	41	34	26	20	

Note: Always double check your application rates. Tabulations are based on spraying water at 70°F (21°C).

WHEAT STREAMERS

One of the key elements in raising high yield wheat is fertilizer timing. The Wheat Streamers allow the grower to apply liquid nitrogen in 5 inch streams over the top of standing wheat. The nitrogen is applied at the 5th to 6th leaf stage and provides nitrogen when the plant needs it the most. Depending on the amount needed at the time of application, the nitrogen can be varied by the size of the small flow regulator. The chart below illustrates the volume with no flow regulators.

Pressure PSI	US Gals /min Water	US Gals /min Fertilizer	US GALLONS PER ACRE SPEED IN MILES PER HOUR										
			2	3	4	5	6	7	8	9	10	11	12
15	0.672	0.786	109.9	73.3	54.9	44	36.6	31.4	24.5	24.4	22	20	18.3
20	1.012	0.912	127.5	85	63.8	51	42.5	36.4	31.9	28.3	25.5	23.2	21.3
25	1.129	1.017	142.2	94.8	71.1	56.9	47.4	40.6	35.5	31.6	28.4	25.9	23.7
30	1.239	1.116	156	104	78	62.4	52	44.6	39	34.7	31.2	28.4	26
35	1.334	1.202	168.1	112	84	67.2	56	48	42	37.3	33.6	30.6	28
40	1.43	1.288	180.1	120.1	90	72	60	51.5	45	40	36	32.7	30
45	1.518	1.368	191.3	127.5	95.6	76.5	63.8	54.6	47.8	42.5	38.3	34.8	31.9
50	1.597	1.439	201.2	134.1	100.6	80.5	67.1	57.5	50.3	44.7	40.2	36.6	33.5



WHEATSTREAMER

Part #	Description
WHEATSTREAMER	20" Solid Stream Banders
WHEATSTREAMER15	Chafer 15" Multi-Rate Stream Bar
WHEATSTREAMER20	Chafer 20" Multi-Rate Stream Bar



WHEATSTREAMER20

WHEATSTREAMER15

WHEATSTREAMER 20" Solid Stream w/No Flow Regulators Chart - For Multi-Rate Stream Bar Application Charts visit www.agspray.com.

TURBO NOZZLES & NOZZLE/CHECK VALVE COMBOS

CP® FLOATER NOZZLE

Low Volume Turbo Nozzles
0.5-6.0 gpm capacity at 40 psi
8 Orifices — 3 Deflector Tips
24 Possible Combinations
Change flows or drop sizes
with a turn of the dial!



High Volume Turbo Nozzles
1.0-12.0 gpm @ 40 PSI
8 Orifices — 3 Deflector Tips
24 Possible Combinations
Change flow rates or droplet
sizes with a turn of the dial!



Part #	Description
CP-59L-S	Low Volume Turbo
CP-59HV	High Volume Turbo
CP-109HV	High Volume Turbo Combo

PULL-TYPE & ROW CROP MACHINES

Low Volume Turbo Nozzles
1.13—2.27 gpm capacity at 40 psi
6 Orifices — 3 Deflector Tips
14 Different Possible Combinations
Change flows or drop sizes
with a turn of the dial!



High Volume Turbo Nozzles
0.3-1.0 gpm capacity at 40 psi
6 Orifices — 3 Deflector Tips
18 Different Possible Combinations
Change flows or drop sizes
with a turn of the dial!



Part #	Description
CP-65T-SHP	High Volume

SPRAY TIPS

TeeJet® Disc-Core Type Cone Spray Tips

For spraying pesticides at higher pressures and flow rates. Especially suitable for wettable powders and other abrasive chemicals. Larger capacity nozzles are also used in air blast sprayers.

- Produce smaller droplets for thorough coverage with contact pesticides and foliar applications.
- Maximum spray pressure to 300 PSI (20 bar).

Orifice Discs

Available in a variety of sizes and materials. Ceramic for increased wear life, hardened stainless steel and polymer.

Ceramic Sizes Available:

DCER-2 through DCER-8, DCER-10.

Typical Assembly with Ceramic Disc and Core



CP26277-1-NY Quick TeeJet® Cap for ceramic disc and core.



SPECIALTY NOZZLES

TO ORDER ORIFICE DISC ONLY, SPECIFY DISC NUMBER MATERIAL.

Part #	Description
DCER-*	Ceramic
D*	Hardened Stainless Steel
DE*	Stainless Steel
DVP-*	Polymer

TO ORDER CORE ONLY, SPECIFY CORE NUMBER MATERIAL.

Part #	Description
DC*-CER	Ceramic
DC*-HSS	Hardened Stainless Steel
DC*	Brass
DC*-NY	Nylon



Hollow Cone Spray Pattern
Produced by Cores #13, 23, 25, 45 & 46

Cores

Standard cores are made of brass. Also available in ceramic, hardened stainless steel, aluminum and Nylon. All cores, with the exception of ceramic, are made with rear "nibs". Be sure core is always placed with the nib facing the nozzle body.

Ceramic Sizes Available:

DC13-CER, DC23-CER, DC25-CER, DC31-CER, DC33-CER, DC35-CER, DC45-CER, DC46-CER, DC56-CER.



PSI	CAPACITY ONE NOZZLE IN GPM	CAPACITY ONE NOZZLE IN OZ./MIN.	GPA									
			4 MPH	5 MPH	6 MPH	8 MPH	10 MPH	12 MPH	15 MPH	20 MPH		
40	0.08	10	5.9	4.8	4.0	3.0	2.4	2.0	1.6	1.2		
60	0.10	13	7.4	5.9	5.0	3.7	3.0	2.5	2.0	1.5		
80	0.11	14	8.2	6.5	5.4	4.1	3.3	2.7	2.2	1.6		
100	0.12	15	8.9	7.1	5.9	4.5	3.6	3.0	2.4	1.8		
150	0.14	18	10.4	8.3	6.9	5.2	4.2	3.5	2.8	2.1		
40	0.09	12	6.7	5.3	4.5	3.3	2.7	2.2	1.8	1.3		
60	0.11	14	8.2	6.5	5.4	4.1	3.3	2.7	2.2	1.6		
80	0.12	15	8.9	7.1	5.9	4.5	3.6	3.0	2.4	1.8		
100	0.13	17	9.7	7.7	6.4	4.8	3.9	3.2	2.6	1.9		
150	0.16	20	11.9	9.5	7.9	5.9	4.8	4.0	3.2	2.4		
40	0.12	15	8.9	7.1	5.9	4.5	3.6	3.0	2.4	1.8		
60	0.14	18	10.4	8.3	6.9	5.2	4.2	3.5	2.8	2.1		
80	0.16	20	11.9	9.5	7.9	5.9	4.8	4.0	3.2	2.4		
100	0.17	22	12.6	10.1	8.4	6.3	5.0	4.2	3.4	2.5		
150	0.20	26	14.9	11.9	9.9	7.4	5.9	5.0	4.0	3.0		
40	0.10	13	7.4	5.9	5.0	3.7	3.0	2.5	2.0	1.5		
60	0.13	17	9.7	7.7	6.4	4.8	3.9	3.2	2.6	1.9		
80	0.14	18	10.4	8.3	6.9	5.2	4.2	3.5	2.8	2.1		
100	0.16	20	11.9	9.5	7.9	5.9	4.8	4.0	3.2	2.4		
150	0.19	24	14.1	11.3	9.4	7.1	5.6	4.7	3.8	2.8		
40	0.12	15	8.9	7.1	5.9	4.5	3.6	3.0	2.4	1.8		
60	0.14	18	10.4	8.3	6.9	5.2	4.2	3.5	2.8	2.1		
80	0.16	20	11.9	9.5	7.9	5.9	4.8	4.0	3.2	2.4		
100	0.18	23	13.4	10.7	8.9	6.7	5.3	4.5	3.6	2.7		
150	0.21	27	15.6	12.5	10.4	7.8	6.2	5.2	4.2	3.1		
40	0.15	19	11.1	8.9	7.4	5.6	4.5	3.7	3.0	2.2		
60	0.19	24	14.1	11.3	9.4	7.1	5.6	4.7	3.8	2.8		
80	0.21	27	15.6	12.5	10.4	7.8	6.2	5.2	4.2	3.1		
100	0.23	29	17.1	13.7	11.4	8.5	6.8	5.7	4.6	3.4		
150	0.28	36	21	16.6	13.9	10.4	8.3	6.9	5.5	4.2		
40	0.18	23	13.4	10.7	8.9	6.7	5.3	4.5	3.6	2.7		
60	0.22	28	16.3	13.1	10.9	8.2	6.5	5.4	4.4	3.3		
80	0.25	32	18.6	14.9	12.4	9.3	7.4	6.2	5.0	3.7		
100	0.28	36	21	16.6	13.9	10.4	8.3	6.9	5.5	4.2		
150	0.34	44	25	20	16.8	12.6	10.1	8.4	6.7	5.0		
40	0.16	20	11.9	9.5	7.9	5.9	4.8	4.0	3.2	2.4		
60	0.19	24	14.1	11.3	9.4	7.1	5.6	4.7	3.8	2.8		
80	0.22	28	16.3	13.1	10.9	8.2	6.5	5.4	4.4	3.3		
100	0.25	32	18.6	14.9	12.4	9.3	7.4	6.2	5.0	3.7		
150	0.29	37	22	17.2	14.4	10.8	8.6	7.2	5.7	4.3		
40	0.19	24	14.1	11.3	9.4	7.1	5.6	4.7	3.8	2.8		
60	0.23	29	17.1	13.7	11.4	8.5	6.8	5.7	4.6	3.4		
80	0.26	33	19.3	15.4	12.9	9.7	7.7	6.4	5.1	3.9		
100	0.29	37	22	17.2	14.4	10.8	8.6	7.2	5.7	4.3		
150	0.35	45	26	21	17.3	13.0	10.4	8.7	6.9	5.2		
40	0.29	37	22	17.2	14.4	10.8	8.6	7.2	5.7	4.3		
60	0.35	45	26	21	17.3	13.0	10.4	8.7	6.9	5.2		
80	0.40	51	30	24	19.8	14.9	11.9	9.9	7.9	5.9		
100	0.45	58	33	27	22	16.7	13.4	11.1	8.9	6.7		
150	0.54	69	40	32	27	20	16.0	13.4	10.7	8.0		
40	0.35	45	26	21	17.3	13.0	10.4	8.7	6.9	5.2		
60	0.42	54	31	25	21	15.6	12.5	10.4	8.3	6.2		
80	0.48	61	36	29	24	17.8	14.3	11.9	9.5	7.1		
100	0.54	69	40	32	27	20	16.0	13.4	10.7	8.0		
150	0.65	83	48	39	32	24	19.3	16.1	12.9	9.7		
40	0.20	26	14.9	11.9	9.9	7.4	5.9	5.0	4.0	3.0		
60	0.25	32	18.6	14.9	12.4	9.3	7.4	6.2	5.0	3.7		
80	0.28	36	21	16.6	13.9	10.4	8.3	6.9	5.5	4.2		
100	0.32	41	24	19.0	15.8	11.9	9.5	7.9	6.3	4.8		
150	0.38	49	28	23	18.8	14.1	11.3	9.4	7.5	5.6		
40	0.23	29	17.1	13.7	11.4	8.5	6.8	5.7	4.6	3.4		
60	0.28	36	21	16.6	13.9	10.4	8.3	6.9	5.5	4.2		
80	0.33	42	25	19.6	16.3	12.3	9.8	8.2	6.5	4.9		
100	0.36	46	27	21	17.8	13.4	10.7	8.9	7.1	5.3		
150	0.44	56	33	26	22	16.3	13.1	10.9	8.7	6.5		
40	0.36	46	27	21	17.8	13.4	10.7	8.9	7.1	5.3		
60	0.43	55	32	26	21	16.0	12.8	10.6	8.5	6.4		
80	0.50	64	37	30	25	18.6	14.9	12.4	9.9	7.4		
100	0.56	72	42	33	28	21	16.6	13.9	11.1	8.3		
150	0.68	87	50	40	34	25	20	16.8	13.5	10.1		
40	0.45	58	33	27	22	16.7	13.4	11.1	8.9	6.7		
60	0.55	70	41	33	27	20	16.3	13.6	10.9	8.2		
80	0.64	82	48	38	32	24	19.0	15.8	12.7	9.5		
100	0.71	91	53	42	35	26	21	17.6	14.1	10.5		
150	0.86	110	64	51	43	32	26	21	17.0	12.8		

STRAINER NOTE: For nozzles using orifice disc numbers 1, 1.5 and 2; or core numbers 31 and 33, slotted strainer number 4514-20 equivalent to 25 mesh screen size is required. For all other larger capacity discs and cores, slotted strainer number 4514-32 equivalent to 16 mesh screen size is required.

Note: Always double check your application rates. Tabulations are based on spraying water at 70°F (21°C).

TeeJet® Flow Regulators

Flow Regulators are usually mounted behind cultivator shanks for the subsurface application of liquid fertilizers and soil fumigants. They are also used for above-ground streaming applications.



Note: Always insert Orifice Plate with side marked with number facing the outlet.

MATERIAL: Stainless Steel

Typical Assembly



Part #	Description
CP4916-*	SS Orifice Plate
CP18999-EPR	Orifice Gasket-EPDM

QJ98590-3/8-2

QJ Diaphragm Check Valve

8079-PP-50

Inline Strainer

CP18999-EPR
Orifice Gasket

CP4916-*

SS Orifice Plate

QJ98586-NYR

QJ Cap X Push-To-Connect



To determine the orifice plates you need, use the following equations:

$$\text{GPM (Per Nozzle)} = \frac{\text{GPA} \times \text{MPH} \times \text{W}}{5,940}$$

$$\text{GPA} = \frac{5,940 \times \text{GPM (Per Nozzle)}}{\text{MPH} \times \text{W}}$$

- W = Nozzle spacing (inches) for broadcast spraying.
- = Spray width (inches) for single nozzle, band spraying or boomless spraying.
- = Row spacing (inches) divided by the number of nozzles per row for directed spraying.

Weight of Solution	Specific Gravity	Conversion Factors
7.0 lbs. per gallon	0.84	0.92
8.0 lbs. per gallon	0.96	0.98
8.34 lbs. per gallon Water	1.00	1.00
9.0 lbs. per gallon	1.08	1.04
10.0 lbs. per gallon	1.20	1.10
10.65 lbs. per gallon 28% nitrogen	1.28	1.13
11.0 lbs. per gallon	1.32	1.15
12.0 lbs. per gallon	1.44	1.20
14.0 lbs. per gallon	1.68	1.30

Tabulated flow rates are for spraying water into air atmospheric pressure. If your application creates backpressure, or if spraying into a liquid, measure and calibrate to ensure proper application rates.

Orifice Size	GPM							
	5 PSI	10 PSI	20 PSI	30 PSI	40 PSI	50 PSI	60 PSI	
CP4916-008	0.003	0.004	0.006	0.007	0.008	0.009	0.010	
CP4916-10	0.005	0.007	0.009	0.011	0.013	0.015	0.016	
CP4916-12	0.007	0.010	0.013	0.016	0.019	0.021	0.023	
CP4916-14	0.009	0.013	0.018	0.022	0.025	0.028	0.031	
CP4916-15	0.010	0.015	0.021	0.025	0.029	0.032	0.036	
CP4916-16	0.012	0.017	0.023	0.029	0.033	0.037	0.040	
CP4916-18	0.015	0.021	0.030	0.036	0.042	0.047	0.051	
CP4916-20	0.018	0.026	0.037	0.045	0.052	0.058	0.064	
CP4916-22	0.022	0.031	0.043	0.053	0.061	0.068	0.075	
CP4916-24	0.026	0.037	0.052	0.064	0.074	0.083	0.091	
CP4916-25	0.028	0.040	0.056	0.068	0.079	0.088	0.097	
CP4916-26	0.030	0.043	0.061	0.074	0.086	0.096	0.105	
CP4916-27	0.032	0.046	0.064	0.079	0.091	0.102	0.111	
CP4916-28	0.035	0.049	0.069	0.085	0.098	0.110	0.120	
CP4916-29	0.038	0.054	0.076	0.094	0.108	0.121	0.132	
CP4916-30	0.040	0.057	0.081	0.099	0.114	0.127	0.140	
CP4916-31	0.043	0.062	0.087	0.107	0.123	0.138	0.151	
CP4916-32	0.048	0.068	0.095	0.117	0.135	0.151	0.165	
CP4916-34	0.052	0.074	0.104	0.127	0.147	0.164	0.180	
CP4916-35	0.056	0.079	0.111	0.136	0.157	0.176	0.192	
CP4916-37	0.061	0.086	0.122	0.149	0.172	0.192	0.211	
CP4916-39	0.068	0.096	0.135	0.165	0.191	0.214	0.234	
CP4916-40	0.072	0.102	0.144	0.177	0.204	0.228	0.250	
CP4916-41	0.075	0.106	0.149	0.183	0.211	0.236	0.258	
CP4916-43	0.082	0.116	0.163	0.200	0.231	0.258	0.283	
CP4916-45	0.088	0.125	0.177	0.217	0.250	0.280	0.306	
CP4916-46	0.095	0.135	0.191	0.234	0.270	0.302	0.331	

Orifice Size	GPM							
	5 PSI	10 PSI	20 PSI	30 PSI	40 PSI	50 PSI	60 PSI	
CP4916-47	0.097	0.138	0.194	0.238	0.275	0.307	0.337	
CP4916-48	0.101	0.143	0.202	0.248	0.286	0.320	0.350	
CP4916-49	0.104	0.148	0.209	0.255	0.295	0.330	0.361	
CP4916-51	0.116	0.165	0.233	0.285	0.329	0.368	0.403	
CP4916-52	0.118	0.168	0.237	0.290	0.335	0.375	0.410	
CP4916-54	0.127	0.180	0.255	0.312	0.360	0.402	0.441	
CP4916-55	0.133	0.189	0.267	0.326	0.377	0.421	0.462	
CP4916-57	0.141	0.200	0.283	0.346	0.400	0.447	0.490	
CP4916-59	0.153	0.217	0.306	0.375	0.433	0.484	0.530	
CP4916-61	0.165	0.233	0.330	0.404	0.466	0.521	0.571	
CP4916-63	0.174	0.246	0.347	0.425	0.491	0.549	0.601	
CP4916-65	0.185	0.261	0.369	0.452	0.522	0.584	0.639	
CP4916-67	0.196	0.278	0.392	0.481	0.555	0.621	0.680	
CP4916-68	0.203	0.287	0.405	0.496	0.573	0.641	0.702	
CP4916-70	0.216	0.306	0.433	0.530	0.612	0.684	0.750	
CP4916-72	0.226	0.320	0.453	0.554	0.640	0.716	0.784	
CP4916-73	0.233	0.330	0.467	0.572	0.660	0.738	0.808	
CP4916-75	0.245	0.347	0.491	0.601	0.694	0.776	0.850	
CP4916-78	0.272	0.385	0.544	0.667	0.770	0.861	0.943	
CP4916-80	0.280	0.397	0.561	0.687	0.793	0.887	0.971	
CP4916-81	0.290	0.411	0.581	0.711	0.821	0.918	1.01	
CP4916-83	0.317	0.449	0.634	0.777	0.897	1.00	1.10	
CP4916-86	0.332	0.470	0.664	0.813	0.939	1.05	1.15	
CP4916-89	0.346	0.490	0.693	0.849	0.980	1.10	1.20	
CP4916-91	0.369	0.523	0.739	0.905	1.05	1.17	1.28	
CP4916-93	0.387	0.547	0.774	0.947	1.09	1.22	1.34	
CP4916-95	0.404	0.572	0.808	0.990	1.14	1.28	1.40	

Orifice Size	GPM							
	5 PSI	10 PSI	20 PSI	30 PSI	40 PSI	50 PSI	60 PSI	
CP4916-98	0.442	0.625	0.884	1.08	1.25	1.40	1.53	
CP4916-103	0.461	0.653	0.923	1.13	1.31	1.46	1.60	
CP4916-107	0.518	0.733	1.04	1.27	1.47	1.64	1.79	
CP4916-110	0.548	0.775	1.10	1.34	1.55	1.73	1.90	
CP4916-115	0.605	0.855	1.21	1.48	1.71	1.91	2.09	
CP4916-120	0.629	0.890	1.26	1.54	1.78	1.99	2.18	
CP4916-125	0.693	0.980	1.39	1.70	1.96	2.19	2.40	
CP4916-128	0.721	1.02	1.44	1.77	2.04	2.28	2.50	
CP4916-132	0.774	1.10	1.55	1.90	2.19	2.45	2.68	
CP4916-136	0.840	1.19	1.68	2.06	2.38	2.66	2.91	
CP4916-140	0.894	1.27	1.79	2.19	2.53	2.83	3.10	
CP4916-144	0.926	1.31	1.85	2.27	2.62	2.93	3.21	
CP4916-147	0.953	1.35	1.91	2.33	2.70	3.01	3.30	
CP4916-151	1.04	1.47	2.08	2.55	2.94	3.29	3.60	
CP4916-156	1.10	1.55	2.20	2.69	3.11	3.47	3.80	
CP4916-161	1.15	1.63	2.31	2.83	3.27	3.65	4.00	
CP4916-166	1.21	1.72	2.43	2.97	3.43	3.84	4.20	
CP4916-170	1.30	1.84	2.61	3.19	3.69	4.12	4.51	
CP4916-172	1.36	1.92	2.71	3.32	3.84	4.29	4.70	
CP4916-177	1.41	2.00	2.83	3.46	4.00	4.47	4.90	
CP4916-182	1.47	2.08	2.95	3.61	4.17	4.66	5.10	
CP4916-187	1.56	2.21	3.12	3.82	4.41	4.93	5.40	
CP4916-196	1.73	2.45	3.46	4.24	4.90	5.47	6.00	
CP4916-205	1.88	2.65	3.75	4.59	5.31	5.93	6.50	
CP4916-218	2.11	2.98	4.21	5.16	5.96	6.66	7.30	
CP4916-234	2.45	3.47	4.91	6.01	6.94	7.76	8.50	
CP4916-250	2.83	4.00	5.66	6.93	8.00	8.94	9.80	

Note: Always double check your application rates. Tabulations are based on spraying water at 70°F (21°C).

OTHER QUICK TEEJET GASKETS & SEALS



Part #	Description
CP19438-EPR	Quick TeeJet Seat Gasket, Standard EPDM Material (for use with all spray tips except Disc-Core type)
CP19438-VI	Quick TeeJet Seat Gasket, optional VITON Material
CP18999-EPR	Quick TeeJet Seal, EPDM, for Disc-Core type spray tips
CP18999-VI	Quick TeeJet Seal, optional VITON material

APPLICATORS & SPRAYERS
 DRY MATERIAL HANDLING
 TRAILERS
 TANKS & ACCESSORIES
 PUMPS
 VALVES & FITTINGS
 STRAINERS & HOSE
 PLANTER EQUIPMENT
 SPRAYER CONTROLS & GUIDANCE
 NOZZLES, TIPS & SPRAY GUNS
 NH3 PRODUCTS
 TECHNICAL INFORMATION
 INDEX

SPRAY TIPS



ULTRA LO-DRIFT 120° SPRAY TIPS

HYPRO®

The ULD – Ultra Lo-Drift is the ideal spray nozzle for use where drift reduction is paramount. The nozzle produces large air-filled droplets, which cut drift dramatically compared with a standard fan and conventional low-drift spray nozzles. Ideal for use with pre-emergence and broad spectrum products.

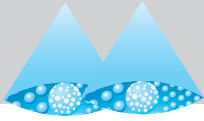


- Creates air-filled droplets which significantly reduce spray drift
- Wide spray angle (120°) enables boom height to be lowered to further decrease drift
- Small, compact size reduces the chances of accidental breakage
- FastCap complete includes nozzle, cap, gasket and integrated strainers

Part # **Description**
FC-ULD120-* Ultra Lo-Drift Spray Tips

Nozzle Size	Droplet Size	Pressure (PSI)	Flow Rate (GPM)	Gallons per Acre 20 inch nozzle spacing										GAL/1000 Ft ² 20 inch nozzle spacing				
				4	5	6	8	10	15	20	2	3	4	5				
015	UC	20	0.11	8.2	6.5	5.4	4.1	3.3	2.7	2.2	1.6	0.38	0.25	0.19	0.15			
	XC	30	0.13	9.7	7.7	6.4	4.8	3.9	3.2	2.6	1.9	0.44	0.30	0.22	0.18			
	VC	40	0.15	11.1	8.9	7.4	5.6	4.5	3.7	3.0	2.5	0.51	0.34	0.26	0.20			
	C	50	0.17	12.6	10.1	8.4	6.3	5.0	4.2	3.4	2.8	0.58	0.39	0.29	0.23			
	C	60	0.18	13.4	10.7	8.9	6.7	5.3	4.5	3.6	2.7	0.61	0.41	0.31	0.25			
	C	70	0.20	14.9	11.9	9.9	7.4	5.9	5.0	4.0	3.0	0.68	0.45	0.34	0.27			
02	M	80	0.21	15.6	12.5	10.4	7.8	6.2	5.2	4.2	3.1	0.72	0.48	0.36	0.29			
	M	90	0.23	17.1	13.7	11.4	8.5	6.8	5.7	4.6	3.4	0.78	0.52	0.39	0.31			
	M	100	0.24	17.8	14.3	11.9	8.9	7.1	5.9	4.8	3.6	0.82	0.55	0.41	0.33			
	M	115	0.25	18.6	14.9	12.4	9.3	7.4	6.2	5.0	3.7	0.85	0.57	0.43	0.34			
	UC	20	0.14	10.4	8.3	6.9	5.2	4.2	3.5	2.8	2.1	0.48	0.32	0.24	0.19			
	XC	30	0.17	12.6	10.1	8.4	6.3	5.0	4.2	3.4	2.5	0.58	0.39	0.29	0.23			
025	C	40	0.20	14.9	11.9	9.9	7.4	5.9	5.0	4.0	3.0	0.68	0.45	0.34	0.27			
	C	50	0.22	16.3	13.1	10.9	8.2	6.5	5.4	4.4	3.3	0.75	0.50	0.38	0.30			
	C	60	0.24	17.8	14.3	11.9	8.9	7.1	5.9	4.8	3.6	0.82	0.55	0.41	0.33			
	C	70	0.26	19.3	15.4	12.9	9.7	7.7	6.4	5.1	3.9	0.89	0.59	0.44	0.35			
	M	80	0.28	20.8	16.6	13.9	10.4	8.3	6.9	5.5	4.2	0.95	0.64	0.48	0.38			
	M	90	0.30	22.3	17.8	14.9	11.1	8.9	7.4	5.9	4.5	1.02	0.68	0.51	0.41			
03	M	100	0.32	23.8	19.0	15.8	11.9	9.5	7.9	6.3	4.8	1.09	0.73	0.55	0.44			
	M	115	0.34	25.2	20.2	16.8	12.6	10.1	8.4	6.7	5.0	1.16	0.77	0.58	0.46			
	UC	20	0.18	13.4	10.7	8.9	6.7	5.3	4.5	3.6	2.7	0.61	0.41	0.31	0.25			
	XC	30	0.22	16.3	13.1	10.9	8.2	6.5	5.4	4.4	3.3	0.75	0.50	0.38	0.30			
	VC	40	0.25	18.6	14.9	12.4	9.3	7.4	6.2	5.0	4.0	0.85	0.57	0.43	0.34			
	C	50	0.28	20.8	16.6	13.9	10.4	8.3	6.9	5.5	4.2	0.95	0.64	0.48	0.38			
04	C	60	0.31	23.0	18.4	15.3	11.5	9.2	7.7	6.1	4.6	1.06	0.70	0.53	0.42			
	C	70	0.33	24.5	19.4	16.3	12.3	9.8	8.2	6.5	4.9	1.13	0.75	0.56	0.45			
	M	80	0.35	26.0	20.8	17.3	13.0	10.4	8.7	6.9	5.2	1.19	0.80	0.60	0.48			
	M	90	0.38	28.2	22.6	18.8	14.1	11.3	9.4	7.5	5.6	1.30	0.86	0.65	0.52			
	M	100	0.40	29.7	23.8	19.8	14.9	11.9	9.9	7.9	5.9	1.36	0.91	0.68	0.55			
	M	115	0.42	31.2	24.9	20.8	15.6	12.5	10.4	8.3	6.2	1.43	0.95	0.72	0.57			
05	UC	20	0.21	15.6	12.5	10.4	7.8	6.2	5.2	4.2	3.1	0.72	0.48	0.36	0.29			
	XC	30	0.26	19.3	15.4	12.9	9.7	7.7	6.4	5.1	3.9	0.89	0.59	0.44	0.35			
	VC	40	0.30	22.3	17.8	14.9	11.1	8.9	7.4	5.9	4.5	1.02	0.68	0.51	0.41			
	C	50	0.34	25.2	20.2	16.8	12.6	10.1	8.4	6.7	5.0	1.16	0.77	0.58	0.46			
	C	60	0.37	27.5	22.0	18.7	13.7	11.0	9.2	7.3	5.5	1.26	0.84	0.63	0.50			
	C	70	0.40	29.7	23.8	19.8	14.9	11.9	9.9	7.9	5.9	1.36	0.91	0.68	0.55			
06	M	80	0.42	31.2	24.9	20.8	15.6	12.5	10.4	8.3	6.2	1.43	0.95	0.72	0.57			
	M	90	0.45	33.4	26.7	22.3	16.7	13.4	11.1	8.9	6.7	1.53	1.02	0.77	0.61			
	M	100	0.47	34.9	27.9	23.3	17.4	14.0	11.6	9.3	7.0	1.60	1.07	0.80	0.64			
	M	115	0.51	37.9	30.3	25.2	18.9	15.1	12.6	10.1	7.6	1.74	1.16	0.87	0.70			
	UC	20	0.28	20.8	16.6	13.9	10.4	8.3	6.9	5.5	4.2	0.95	0.64	0.48	0.38			
	XC	30	0.35	26.0	20.8	17.3	13.0	10.4	8.7	6.9	5.2	1.19	0.80	0.60	0.48			
08	VC	40	0.40	29.7	23.8	19.8	14.9	11.9	9.9	7.9	5.9	1.36	0.91	0.68	0.55			
	C	50	0.45	33.4	26.7	22.3	16.7	13.4	11.1	8.9	6.7	1.53	1.02	0.77	0.61			
	C	60	0.49	36.4	29.1	24.3	18.2	14.6	12.1	9.7	7.3	1.67	1.11	0.84	0.67			
	C	70	0.53	39.4	31.5	26.3	19.7	15.7	13.1	10.5	7.9	1.81	1.20	0.90	0.72			
	C	80	0.57	42.3	33.9	28.2	21.2	16.9	14.1	11.3	8.5	1.94	1.30	0.97	0.78			
	C	90	0.60	44.6	35.6	29.7	22.3	17.8	14.9	11.9	8.9	2.05	1.36	1.02	0.82			
05	C	100	0.63	46.8	37.4	31.2	23.4	18.7	15.6	12.5	9.4	2.15	1.43	1.07	0.86			
	C	115	0.68	50.5	40.4	33.7	25.2	20.2	16.8	13.5	10.1	2.32	1.55	1.16	0.93			
	UC	20	0.35	26.0	20.8	17.3	13.0	10.4	8.7	6.9	5.2	1.19	0.80	0.60	0.48			
	XC	30	0.43	31.9	25.5	21.3	16.0	12.8	10.6	8.5	6.4	1.47	0.98	0.73	0.59			
	VC	40	0.50	37.1	29.7	24.8	18.6	14.9	12.4	9.9	7.4	1.71	1.14	0.85	0.68			
	C	50	0.56	41.6	33.3	27.7	20.8	16.6	13.9	11.1	8.3	1.91	1.27	0.95	0.76			
06	C	60	0.61	45.3	36.2	30.2	22.6	18.1	15.1	12.1	9.1	2.08	1.39	1.04	0.83			
	C	70	0.66	49.0	39.2	32.7	24.5	19.6	16.3	13.1	9.8	2.25	1.50	1.13	0.90			
	C	80	0.71	52.7	42.2	35.1	26.4	21.1	17.6	14.1	10.5	2.42	1.61	1.21	0.97			
	C	90	0.75	55.7	44.6	37.1	27.8	22.3	18.6	14.9	11.1	2.56	1.71	1.28	1.02			
	C	100	0.79	58.7	46.9	39.1	29.3	23.5	19.6	15.6	11.7	2.69	1.80	1.35	1.08			
	C	115	0.85	63.1	50.5	42.1	31.6	25.2	21.0	16.8	12.6	2.90	1.93	1.45	1.16			
08	UC	20	0.42	31.2	24.9	20.8	15.6	12.5	10.4	8.3	6.2	1.43	0.95	0.72	0.57			
	XC	30	0.52	38.6	30.9	25.7	19.3	15.4	12.9	10.3	7.7	1.77	1.18	0.89	0.71			
	VC	40	0.60	44.6	35.6	29.7	22.3	17.8	14.9	11.9	8.9	2.05	1.36	1.02	0.82			
	C	50	0.67	49.7	39.8	33.2	24.9	19.9	16.6	13.3	9.9	2.28	1.52	1.14	0.91			
	C	60	0.73	54.2	43.4	36.1	27.1	21.7	18.1	14.5	10.8	2.49	1.66	1.24	1.00			
	C	70	0.79	58.7	46.9	39.1	29.3	23.5	19.6	15.6	11.7	2.69	1.80	1.35	1.08			
05	C	80	0.85	63.1	50.5	42.1	31.6	25.2	21.0	16.8	12.6	2.90	1.93	1.45	1.16			
	C	90	0.90	66.8	53.5	44.6	33.4	26.7	22.3	17.8	13.4	3.07	2.05	1.53	1.23			
	C	100	0.95	70.5	56.4	47.0	35.3	28.2	23.5	18.8	14.1	3.24	2.16	1.62	1.30			
	C	115	1.02	75.7	60.6	50.5	37.9	30.3	25.2	20.2	15.1	3.48	2.32	1.74	1.39			
	UC	20	0.57	42.3	33.9	28.2	21.2	16.9	14.1	11.3	8.5	1.94	1.30	0.97	0.78			
	XC	30	0.69	51.2	41.0	34.2	25.6	20.5	17.1	13.7	10.2	2.35	1.57	1.18	0.94			
08	VC	40	0.80	59.4	47.5	39.6	29.7	23.8	19.8	15.8	11.9	2.73	1.82	1.36	1.09			
	C	50	0.89	66.1	52.9													

GUARDIANAIRTWIN 110° SPRAY TIPS HYPRO®



GuardianAIR Twin spray nozzles are the best choice for high coverage applications where on-target spray delivery is important. They are ideal for low crops with complex canopies, such as vegetables, where thorough coverage of the target and protection of the surroundings are of high importance.

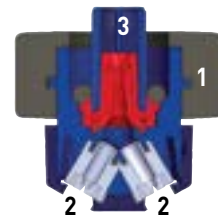
- High-coverage forward and rear facing fans help penetrate complex canopies
- Engineered to provide better coverage with more drops per gallon compared to other air-induced sprays
- Easy-to-install, patent-pending locking ring and o-ring seal design
- FastCap complete includes nozzle, cap, gasket and is available with or without a filter



Part # **Description**
GAT110-* Guardian Twin Spray Tips

Nozzle Size	Droplet Size	Pressure (PSI)	Flow Rate (GPM)	Gallons per Acre 20 inch nozzle spacing								GAL/1000 Ft ² 20 inch nozzle spacing				
				4	5	6	8	10	12	15	20	2	3	4	5	
02	C	30	0.17	12.6	10.1	8.4	6.3	5.0	4.2	3.4	2.5	0.58	0.39	0.29	0.23	
	M	40	0.20	14.9	11.9	9.9	7.4	5.9	5.0	4.0	3.0	0.68	0.45	0.34	0.27	
	M	50	0.22	16.3	13.1	10.9	8.2	6.5	5.4	4.4	3.3	0.75	0.50	0.38	0.30	
	M	60	0.24	17.8	14.3	11.9	8.9	7.1	5.9	4.8	3.6	0.82	0.55	0.41	0.33	
	M	70	0.26	19.3	15.4	12.9	9.7	7.7	6.4	5.1	3.9	0.89	0.59	0.44	0.35	
	M	80	0.28	20.8	16.6	13.9	10.4	8.3	6.9	5.5	4.2	0.95	0.64	0.48	0.38	
	M	90	0.30	22.3	17.8	14.9	11.1	8.9	7.4	5.9	4.5	1.02	0.68	0.51	0.41	
	F	100	0.32	23.8	19.0	15.8	11.9	9.5	7.9	6.3	4.8	1.09	0.73	0.55	0.44	
025	VC	30	0.22	16.3	13.1	10.9	8.2	6.5	5.4	4.4	3.3	0.75	0.50	0.38	0.30	
	C	40	0.25	18.6	14.9	12.4	9.3	7.4	6.2	5.0	3.7	0.85	0.57	0.43	0.34	
	C	50	0.28	20.8	16.6	13.9	10.4	8.3	6.9	5.5	4.2	0.95	0.64	0.48	0.38	
	M	60	0.31	23.0	18.4	15.3	11.5	9.2	7.7	6.1	4.6	1.06	0.70	0.53	0.42	
	M	70	0.33	24.5	19.6	16.3	12.3	9.8	8.2	6.5	4.9	1.13	0.75	0.56	0.45	
	M	80	0.35	26.0	20.8	17.3	13.0	10.4	8.7	6.9	5.2	1.19	0.80	0.60	0.48	
	M	90	0.38	28.2	22.6	18.8	14.1	11.3	9.4	7.5	5.6	1.30	0.86	0.65	0.52	
	M	100	0.40	29.7	23.8	19.8	14.9	11.9	9.9	7.9	5.9	1.36	0.91	0.68	0.55	
03	VC	30	0.26	19.3	15.4	12.9	9.7	7.7	6.4	5.1	3.9	0.89	0.59	0.44	0.35	
	C	40	0.30	22.3	17.8	14.9	11.1	8.9	7.4	5.9	4.5	1.02	0.68	0.51	0.41	
	C	50	0.34	25.2	20.2	16.8	12.6	10.1	8.4	6.7	5.0	1.16	0.77	0.58	0.46	
	M	60	0.37	27.5	22.0	18.3	13.7	11.0	9.2	7.3	5.5	1.26	0.84	0.63	0.50	
	M	70	0.40	29.7	23.8	19.8	14.9	11.9	9.9	7.9	5.9	1.36	0.91	0.68	0.55	
	M	80	0.42	31.2	24.9	20.8	15.6	12.5	10.4	8.3	6.2	1.43	0.95	0.72	0.57	
	M	90	0.45	33.4	26.7	22.3	16.7	13.4	11.1	8.9	6.7	1.53	1.02	0.77	0.61	
	M	100	0.47	34.9	27.9	23.3	17.4	14.0	11.6	9.3	7.0	1.60	1.07	0.80	0.64	
035	XC	30	0.30	22.3	17.8	14.9	11.1	8.9	7.4	5.9	4.5	1.02	0.68	0.51	0.41	
	C	40	0.35	26.0	20.8	17.3	13.0	10.4	8.7	6.9	5.2	1.19	0.80	0.60	0.48	
	C	50	0.39	29.0	23.2	19.3	14.5	11.6	9.7	7.7	5.8	1.33	0.89	0.66	0.53	
	M	60	0.43	31.9	25.5	21.3	16.0	12.8	10.6	8.5	6.4	1.47	0.98	0.73	0.59	
	M	70	0.46	34.2	27.3	22.8	17.1	13.7	11.4	9.1	6.8	1.57	1.05	0.78	0.63	
	M	80	0.49	36.4	29.1	24.3	18.2	14.6	12.1	9.7	7.3	1.67	1.11	0.84	0.67	
	M	90	0.53	39.4	31.5	26.2	19.7	15.7	13.1	10.5	7.9	1.81	1.20	0.90	0.72	
	M	100	0.55	40.8	32.7	27.2	20.4	16.3	13.6	10.9	8.2	1.88	1.25	0.94	0.75	
04	VC	30	0.35	26.0	20.8	17.3	13.0	10.4	8.7	6.9	5.2	1.19	0.80	0.60	0.48	
	C	40	0.40	29.7	23.8	19.8	14.9	11.9	9.9	7.9	5.9	1.36	0.91	0.68	0.55	
	C	50	0.45	33.4	26.7	22.3	16.7	13.4	11.1	8.9	6.7	1.53	1.02	0.77	0.61	
	M	60	0.49	36.4	29.1	24.3	18.2	14.6	12.1	9.7	7.3	1.67	1.11	0.84	0.67	
	M	70	0.53	39.4	31.5	26.2	19.7	15.7	13.1	10.5	7.9	1.81	1.20	0.90	0.72	
	M	80	0.57	42.3	33.9	28.2	21.2	16.9	14.1	11.3	8.5	1.94	1.30	0.97	0.78	
	M	90	0.60	44.6	35.6	29.7	22.3	17.8	14.9	11.9	8.9	2.05	1.36	1.02	0.82	
	M	100	0.63	46.8	37.4	31.2	23.4	18.7	15.6	12.5	9.4	2.15	1.43	1.07	0.86	
05	VC	30	0.43	31.9	25.5	21.3	16.0	12.8	10.6	8.5	6.4	1.47	0.98	0.73	0.59	
	C	40	0.50	37.1	29.7	24.8	18.6	14.9	12.4	9.9	7.4	1.71	1.14	0.85	0.68	
	C	50	0.56	41.6	33.3	27.7	20.8	16.6	13.9	11.1	8.3	1.91	1.27	0.95	0.76	
	M	60	0.61	45.3	36.2	30.2	22.6	18.1	15.1	12.1	9.1	2.08	1.39	1.04	0.83	
	M	70	0.66	49.0	39.2	32.7	24.5	19.6	16.3	13.1	9.8	2.25	1.50	1.13	0.90	
	M	80	0.71	52.7	42.2	35.1	26.4	21.1	17.6	14.1	10.5	2.42	1.61	1.21	0.97	
	M	90	0.75	55.7	44.6	37.1	27.8	22.3	18.6	14.9	11.1	2.56	1.71	1.28	1.02	
	M	100	0.79	58.7	46.9	39.1	29.3	23.5	19.6	15.6	11.7	2.69	1.80	1.35	1.08	
06	VC	30	0.43	31.9	25.5	21.3	16.0	12.8	10.6	8.5	6.4	1.47	0.98	0.73	0.59	
	C	40	0.52	38.6	30.9	25.7	19.3	15.4	12.9	10.3	7.7	1.77	1.18	0.89	0.71	
	C	50	0.60	44.6	35.6	29.7	22.3	17.8	14.9	11.9	8.9	2.05	1.36	1.02	0.82	
	C	60	0.67	49.7	39.8	33.2	24.9	19.9	16.6	13.3	9.9	2.28	1.52	1.14	0.91	
	M	70	0.73	54.2	43.4	36.1	27.1	21.7	18.1	14.5	10.8	2.49	1.66	1.24	1.00	
	M	80	0.79	58.7	46.9	39.1	29.3	23.5	19.6	15.6	11.7	2.69	1.80	1.35	1.08	
	M	90	0.85	63.1	50.5	42.1	31.6	25.2	21.0	16.8	12.6	2.90	1.93	1.45	1.16	
	M	100	0.90	66.8	53.5	44.6	33.4	26.7	22.3	17.8	13.4	3.07	2.05	1.53	1.23	
08	VC	30	0.69	51.2	41.0	34.2	25.6	20.5	17.1	13.7	10.2	2.35	1.57	1.18	0.94	
	C	40	0.80	59.4	47.5	39.6	29.7	23.8	19.8	15.8	11.9	2.73	1.82	1.36	1.09	
	C	50	0.89	66.1	52.9	44.1	33.0	26.4	22.0	17.6	13.2	3.03	2.02	1.52	1.21	
	C	60	0.98	72.8	58.2	48.5	36.4	29.1	24.3	19.4	14.6	3.34	2.23	1.67	1.34	
	M	70	1.06	78.7	63.0	52.5	39.4	31.5	26.2	21.0	15.7	3.61	2.41	1.81	1.45	
	M	80	1.13	83.9	67.1	55.9	42.0	33.6	28.0	22.4	16.8	3.85	2.57	1.93	1.54	
	M	90	1.20	89.1	71.3	59.4	44.6	35.6	29.7	23.8	17.8	4.09	2.73	2.05	1.64	
	M	100	1.26	93.6	74.8	62.4	46.8	37.4	31.2	24.9	18.7	4.30	2.86	2.15	1.72	
08	VC	30	0.69	51.2	41.0	34.2	25.6	20.5	17.1	13.7	10.2	2.35	1.57	1.18	0.94	
	C	40	0.80	59.4	47.5	39.6	29.7	23.8	19.8	15.8	11.9	2.73	1.82	1.36	1.09	
	C	50	0.89	66.1	52.9	44.1	33.0	26.4	22.0	17.6	13.2	3.03	2.02	1.52	1.21	
	C	60	0.98	72.8	58.2	48.5	36.4	29.1	24.3	19.4	14.6	3.34	2.23	1.67	1.34	
	M	70	1.06	78.7	63.0	52.5	39.4	31.5	26.2	21.0	15.7	3.61	2.41	1.81	1.45	
	M	80	1.13	83.9	67.1	55.9	42.0	33.6	28.0	22.4	16.8	3.85	2.57	1.93	1.54	
	M	90	1.20	89.1	71.3	59.4	44.6	35.6	29.7	23.8	17.8	4.09	2.73	2.05	1.64	
	M	100	1.26	93.6	74.8	62.4	46.8	37.4	31.2	24.9	18.7	4.30	2.86	2.15	1.72	

Droplet size based on ASABE S572.1 standard.



1. Integrated Locking Collar allows for precise and easy installation
2. Twin Air Induced spray patterns (30° offset) for superior coverage
3. Available with or without filter options

Features	
Common Use	Plant Health
Pattern	Tapered Flat Fan
Technology	Air Induction
Material	Polyacetal
Spray Angle	110°
Pressure Range	30-115 PSI (2-8 BAR)
Configuration	FastCap Complete
Optimum Boom Height	
15" (35 cm) Spacing	13" (33 cm)
20" (50 cm) Spacing	18" (46 cm)
Part Numbers	
FastCaps 110° with filter	FastCaps 110° without filter
GAT110-02	GAT110-02A
GAT110-025	GAT110-025A
GAT110-03	GAT110-03A
GAT110-035	

SPRAY TIPS

GUARDIANAIR 110° SPRAY TIPS

HYPRO®



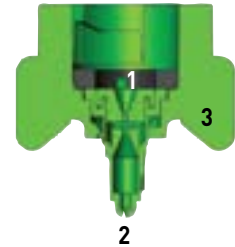
The Hypro GuardianAIR spray nozzle has a unique rearward spray incline provides more uniform coverage. Higher flow nozzles used at faster speeds have a greater spray incline.

- Air-induced sprays reduce drift while increasing droplet deposition and retention on foliage
- Provides better coverage with more drops per gallon or litre compared to other common air-induced spray nozzles
- Speed-optimized spray incline allows more uniform coverage
- Specifically engineered nozzle to maintain droplet spectrum regardless of orifice size
- FastCap includes nozzle, cap and gasket

Part # FC-GA110-* **Description** GuardianAir Spray Tips

Nozzle Size	Droplet Size	Pressure (PSI)	Flow Rate (GPM)	Gallons per Acre 20 inch nozzle spacing								GAL/1000 Ft ²				
				MPH								20 inch nozzle spacing				
				4	5	6	8	10	12	15	20	2	3	4	5	
015	UC	20	0.11	8.2	6.5	5.4	4.1	3.3	2.7	2.2	1.6	0.38	0.25	0.19	0.15	
	XC	30	0.13	9.7	7.7	6.4	4.8	3.9	3.2	2.6	1.9	0.44	0.30	0.22	0.18	
	C	40	0.15	11.1	8.9	7.4	5.6	4.5	3.7	3.0	2.2	0.51	0.34	0.26	0.20	
	C	50	0.17	12.6	10.1	8.4	6.3	5.0	4.2	3.4	2.5	0.58	0.39	0.29	0.23	
	M	60	0.18	13.4	10.7	8.9	6.7	5.3	4.5	3.6	2.7	0.61	0.41	0.31	0.25	
	M	70	0.20	14.9	11.9	9.9	7.4	5.9	5.0	4.0	3.0	0.68	0.45	0.34	0.27	
	M	80	0.21	15.6	12.5	10.4	7.8	6.2	5.2	4.2	3.1	0.72	0.48	0.36	0.29	
	M	90	0.23	17.1	13.7	11.4	8.5	6.8	5.7	4.6	3.4	0.78	0.52	0.39	0.31	
02	UC	20	0.14	10.4	8.3	6.9	5.2	4.2	3.5	2.8	2.1	0.48	0.32	0.24	0.19	
	VC	30	0.17	12.6	10.1	8.4	6.3	5.0	4.2	3.4	2.5	0.58	0.39	0.29	0.23	
	C	40	0.20	14.9	11.9	9.9	7.4	5.9	5.0	4.0	3.0	0.68	0.45	0.34	0.27	
	C	50	0.22	16.3	13.1	10.9	8.2	6.5	5.4	4.4	3.3	0.75	0.50	0.38	0.30	
	M	60	0.24	17.8	14.3	11.9	8.9	7.1	5.9	4.8	3.6	0.82	0.55	0.41	0.33	
	M	70	0.26	19.3	15.4	12.9	9.7	7.7	6.4	5.1	3.9	0.89	0.59	0.44	0.35	
	M	80	0.28	20.8	16.6	13.9	10.4	8.3	6.9	5.5	4.2	0.95	0.64	0.48	0.38	
	M	90	0.30	22.3	17.8	14.9	11.1	8.9	7.4	5.9	4.5	1.02	0.68	0.51	0.41	
025	UC	20	0.18	13.4	10.7	8.9	6.7	5.3	4.5	3.6	2.7	0.61	0.41	0.31	0.25	
	VC	30	0.22	16.3	13.1	10.9	8.2	6.5	5.4	4.4	3.3	0.75	0.50	0.38	0.30	
	C	40	0.25	18.6	14.9	12.4	9.3	7.4	6.2	5.0	3.7	0.85	0.57	0.43	0.34	
	C	50	0.28	20.8	16.6	13.9	10.4	8.3	6.9	5.5	4.2	0.95	0.64	0.48	0.38	
	M	60	0.31	23.0	18.4	15.3	11.5	9.2	7.7	6.1	4.6	1.04	0.70	0.53	0.42	
	M	70	0.33	24.5	19.4	16.3	12.3	9.8	8.2	6.5	4.9	1.13	0.75	0.56	0.45	
	M	80	0.35	26.0	20.8	17.3	13.0	10.4	8.7	6.9	5.2	1.19	0.80	0.60	0.48	
	M	90	0.38	28.2	22.4	18.8	14.1	11.3	9.4	7.5	5.6	1.30	0.86	0.65	0.52	
03	UC	20	0.21	15.6	12.5	10.4	7.8	6.2	5.2	4.2	3.1	0.72	0.48	0.36	0.29	
	XC	30	0.26	19.3	15.4	12.9	9.7	7.7	6.4	5.1	3.9	0.89	0.59	0.44	0.35	
	VC	40	0.30	22.3	17.8	14.9	11.1	8.9	7.4	5.9	4.5	1.02	0.68	0.51	0.41	
	C	50	0.34	25.2	20.2	16.8	12.6	10.1	8.4	6.7	5.0	1.16	0.77	0.58	0.46	
	C	60	0.37	27.5	22.0	18.3	13.7	11.0	9.2	7.3	5.5	1.26	0.84	0.63	0.50	
	M	70	0.40	29.7	23.8	19.8	14.9	11.9	9.9	7.9	5.9	1.36	0.91	0.68	0.55	
	M	80	0.42	31.2	24.9	20.8	15.6	12.5	10.4	8.3	6.2	1.43	0.95	0.72	0.57	
	M	90	0.45	33.4	26.7	22.3	16.7	13.4	11.1	8.9	6.7	1.53	1.02	0.77	0.61	
035	UC	20	0.25	18.6	14.9	12.4	9.3	7.4	6.2	5.0	3.7	0.85	0.57	0.43	0.34	
	VC	30	0.30	22.3	17.8	14.9	11.1	8.9	7.4	5.9	4.5	1.02	0.68	0.51	0.41	
	C	40	0.35	26.0	20.8	17.3	13.0	10.4	8.7	6.9	5.2	1.19	0.80	0.60	0.48	
	C	50	0.39	29.0	23.2	19.3	14.5	11.6	9.7	7.7	5.8	1.33	0.89	0.66	0.53	
	M	60	0.43	31.9	25.5	21.3	16.0	12.8	10.6	8.5	6.4	1.47	0.98	0.73	0.59	
	M	70	0.46	34.2	27.3	22.8	17.1	13.7	11.4	9.1	6.8	1.57	1.05	0.78	0.63	
	M	80	0.49	36.4	29.1	24.3	18.2	14.6	12.1	9.7	7.3	1.67	1.11	0.84	0.67	
	M	90	0.53	39.4	31.5	26.2	19.7	15.7	13.1	10.5	7.9	1.81	1.20	0.90	0.72	
04	UC	20	0.28	20.8	16.6	13.9	10.4	8.3	6.9	5.5	4.2	0.95	0.64	0.48	0.38	
	XC	30	0.35	26.0	20.8	17.3	13.0	10.4	8.7	6.9	5.2	1.19	0.80	0.60	0.48	
	VC	40	0.40	29.7	23.8	19.8	14.9	11.9	9.9	7.9	5.9	1.36	0.91	0.68	0.55	
	C	50	0.45	33.4	26.7	22.3	16.7	13.4	11.1	8.9	6.7	1.53	1.02	0.77	0.61	
	C	60	0.49	36.4	29.1	24.3	18.2	14.6	12.1	9.7	7.3	1.67	1.11	0.84	0.67	
	M	70	0.53	39.4	31.5	26.2	19.7	15.7	13.1	10.5	7.9	1.81	1.20	0.90	0.72	
	M	80	0.57	42.3	33.9	28.2	21.2	16.9	14.1	11.3	8.5	1.94	1.30	0.97	0.78	
	M	90	0.60	44.6	35.6	29.7	22.3	17.8	14.9	11.9	8.9	2.05	1.36	1.02	0.82	
05	UC	20	0.35	26.0	20.8	17.3	13.0	10.4	8.7	6.9	5.2	1.19	0.80	0.60	0.48	
	XC	30	0.43	31.9	25.5	21.3	16.0	12.8	10.6	8.5	6.4	1.47	0.98	0.73	0.59	
	C	40	0.50	37.1	29.7	24.8	18.6	14.9	12.4	9.9	7.4	1.71	1.14	0.85	0.68	
	C	50	0.56	41.6	33.3	27.7	20.8	16.6	13.9	11.1	8.3	1.91	1.27	0.95	0.76	
	C	60	0.61	45.3	36.2	30.2	22.6	18.1	15.1	12.1	9.1	2.08	1.39	1.04	0.83	
	M	70	0.66	49.0	39.2	32.7	24.5	19.6	16.3	13.1	9.8	2.25	1.50	1.13	0.90	
	M	80	0.71	52.7	42.2	35.1	26.4	21.1	17.6	14.1	10.5	2.42	1.61	1.21	0.97	
	M	90	0.75	55.7	44.6	37.1	27.8	22.3	18.6	14.9	11.1	2.56	1.71	1.28	1.02	
NOZZLES, TIPS & SPRAY GUNS	UC	20	0.85	63.1	50.5	42.1	31.6	25.2	21.0	16.8	12.6	2.90	1.93	1.45	1.16	

Droplet size based on ASABE S572.1 standard.



1. Single Inlet; Air Induced Technology
2. Inclined spray pattern provides more uniform coverage
3. Available in a Fastcap option for easy installation

Features	
Common Use	Plant Health
Pattern	Tapered Flat Fan
Technology	Air Induction
Material	Polyacetal
Spray Angle	110°
Pressure Range	20-115 PSI (1-8 BAR)
Configuration	Nozzles, FastCap
Optimum Boom Height	
15" [35 cm] Spacing	15" [35 cm]
20" [50 cm] Spacing	20" [50 cm]
Part Numbers	
FastCaps 110°	
FC-GA110-015	
FC-GA110-02	
FC-GA110-025	
FC-GA110-03	
FC-GA110-035	
FC-GA110-04	
FC-GA110-05	
Replacement Cap Gasket	
22W11MF64	



GUARDIAN 120° SPRAY TIPS

HYPRO®



Guardian spray nozzles are ideal for insecticide and fungicide applications especially when used with suspension based adjuvants. The Guardian's unique 20° inclined spray pattern allows users to aim the spray rearward for general spraying, forward for vertical targets, or alternate nozzles to create a twin spray.

- Pre-orifice design for courser spray availability the flat fans
- Delivers a consistent droplet and spray pattern
- A bold arrow indicates incline direction for easy installation
- FastCap complete includes nozzle, cap, gasket and integrated strainers

Part #	Description
GRD120-*	Guardian Spray Tips

Nozzle Size	Droplet Size	Pressure (PSI)	Flow Rate (GPM)	Gallons per Acre 20 inch nozzle spacing							GAL/1000 Ft ²				
				MPH							20 inch nozzle spacing				
				4	5	6	8	10	12	15	20	2	3	4	5
015	-	20	0.11	8.2	6.5	5.4	4.1	3.3	2.7	2.2	1.6	0.38	0.25	0.19	0.15
	M	30	0.13	9.7	7.7	6.4	4.8	3.9	3.2	2.6	1.9	0.44	0.30	0.22	0.18
	M	40	0.15	11.1	8.9	7.4	5.6	4.5	3.7	3.0	2.2	0.51	0.34	0.26	0.20
	M	50	0.17	12.6	10.1	8.4	6.3	5.0	4.2	3.4	2.5	0.58	0.39	0.29	0.23
	M	60	0.18	13.4	10.7	8.9	6.7	5.3	4.5	3.6	2.7	0.61	0.41	0.31	0.25
	F	70	0.20	14.9	11.9	9.9	7.4	5.9	5.0	4.0	3.0	0.68	0.45	0.34	0.27
	F	80	0.21	15.6	12.5	10.4	7.8	6.2	5.2	4.2	3.1	0.72	0.48	0.36	0.29
	F	90	0.23	17.1	13.7	11.4	8.5	6.8	5.7	4.6	3.4	0.78	0.52	0.39	0.31
	F	100	0.24	17.8	14.3	11.9	8.9	7.1	5.9	4.8	3.6	0.82	0.55	0.41	0.33
	F	115	0.25	18.6	14.9	12.4	9.3	7.4	6.2	5.0	3.7	0.85	0.57	0.43	0.34
	02	-	20	0.14	10.4	8.3	6.9	5.2	4.2	3.5	2.8	2.1	0.48	0.32	0.24
M		30	0.17	12.6	10.1	8.4	6.3	5.0	4.2	3.4	2.5	0.58	0.39	0.29	0.23
M		40	0.20	14.9	11.9	9.9	7.4	5.9	5.0	4.0	3.0	0.68	0.45	0.34	0.27
M		50	0.22	16.3	13.1	10.9	8.2	6.5	5.4	4.4	3.3	0.75	0.50	0.38	0.30
M		60	0.24	17.8	14.3	11.9	8.9	7.1	5.9	4.8	3.6	0.82	0.55	0.41	0.33
M		70	0.26	19.3	15.4	12.9	9.7	7.7	6.4	5.1	3.9	0.89	0.59	0.44	0.35
M		80	0.28	20.8	16.6	13.9	10.4	8.3	6.9	5.5	4.2	0.95	0.64	0.48	0.38
M		90	0.30	22.3	17.8	14.9	11.1	8.9	7.4	5.9	4.5	1.02	0.68	0.51	0.41
M		100	0.32	23.8	19.0	15.8	11.9	9.5	7.9	6.3	4.8	1.09	0.73	0.55	0.44
F		115	0.34	25.2	20.2	16.8	12.6	10.1	8.4	6.7	5.0	1.16	0.77	0.58	0.46
025		-	20	0.18	13.4	10.7	8.9	6.7	5.3	4.5	3.6	2.7	0.61	0.41	0.31
	M	30	0.22	16.3	13.1	10.9	8.2	6.5	5.4	4.4	3.3	0.75	0.50	0.38	0.30
	M	40	0.25	18.6	14.9	12.4	9.3	7.4	6.2	5.0	3.7	0.85	0.57	0.43	0.34
	M	50	0.28	20.8	16.6	13.9	10.4	8.3	6.9	5.5	4.2	0.95	0.64	0.48	0.38
	M	60	0.31	23.0	18.4	15.3	11.5	9.2	7.7	6.1	4.6	1.06	0.70	0.53	0.42
	M	70	0.33	24.5	19.6	16.3	12.3	9.8	8.2	6.5	4.9	1.13	0.75	0.56	0.45
	M	80	0.35	26.0	20.8	17.3	13.0	10.4	8.7	6.9	5.2	1.19	0.80	0.60	0.48
	M	90	0.38	28.2	22.6	18.8	14.1	11.3	9.4	7.5	5.6	1.30	0.86	0.65	0.52
	M	100	0.40	29.7	23.8	19.8	14.9	11.9	9.9	7.9	5.9	1.36	0.91	0.68	0.55
	M	115	0.42	31.2	24.9	20.8	15.6	12.5	10.4	8.3	6.2	1.43	0.95	0.72	0.57
	03	C	20	0.21	15.6	12.5	10.4	7.8	6.2	5.2	4.2	3.1	0.72	0.48	0.36
M		30	0.26	19.3	15.4	12.9	9.7	7.7	6.4	5.1	3.9	0.89	0.59	0.44	0.35
M		40	0.30	22.3	17.8	14.9	11.1	8.9	7.4	5.9	4.5	1.02	0.68	0.51	0.41
M		50	0.34	25.2	20.2	16.8	12.6	10.1	8.4	6.7	5.0	1.16	0.77	0.58	0.46
M		60	0.37	27.5	22.0	18.3	13.7	11.0	9.2	7.3	5.5	1.26	0.84	0.63	0.50
M		70	0.40	29.7	23.8	19.8	14.9	11.9	9.9	7.9	5.9	1.36	0.91	0.68	0.55
M		80	0.42	31.2	24.9	20.8	15.6	12.5	10.4	8.3	6.2	1.43	0.95	0.72	0.57
M		90	0.45	33.4	26.7	22.3	16.7	13.4	11.1	8.9	6.7	1.53	1.02	0.77	0.61
M		100	0.47	34.9	27.9	23.3	17.4	14.0	11.6	9.3	7.0	1.60	1.07	0.80	0.64
M		115	0.51	37.9	30.3	25.2	18.9	15.1	12.6	10.1	7.6	1.74	1.16	0.87	0.70
04		VC	20	0.28	20.8	16.6	13.9	10.4	8.3	6.9	5.5	4.2	0.95	0.64	0.48
	VC	30	0.35	26.0	20.8	17.3	13.0	10.4	8.7	6.9	5.2	1.19	0.80	0.60	0.48
	C	40	0.40	29.7	23.8	19.8	14.9	11.9	9.9	7.9	5.9	1.36	0.91	0.68	0.55
	C	50	0.45	33.4	26.7	22.3	16.7	13.4	11.1	8.9	6.7	1.53	1.02	0.77	0.61
	C	60	0.49	36.4	29.1	24.3	18.2	14.6	12.1	9.7	7.3	1.67	1.11	0.84	0.67
	M	70	0.53	39.4	31.5	26.2	19.7	15.7	13.1	10.5	7.9	1.81	1.20	0.90	0.72
	M	80	0.57	42.3	33.9	28.2	21.2	16.9	14.1	11.3	8.5	1.94	1.30	0.97	0.78
	M	90	0.60	44.6	35.6	29.7	22.3	17.8	14.9	11.9	8.9	2.05	1.36	1.02	0.82
	M	100	0.63	46.8	37.4	31.2	23.4	18.7	15.6	12.5	9.4	2.15	1.43	1.07	0.86
	M	115	0.68	50.5	40.4	33.7	25.2	20.2	16.8	13.5	10.1	2.32	1.55	1.16	0.93
	05	XC	20	0.35	26.0	20.8	17.3	13.0	10.4	8.7	6.9	5.2	1.19	0.80	0.60
XC		30	0.43	31.9	25.5	21.3	16.0	12.8	10.6	8.5	6.4	1.47	0.98	0.73	0.59
VC		40	0.50	37.1	29.7	24.8	18.6	14.9	12.4	9.9	7.4	1.71	1.14	0.85	0.68
VC		50	0.56	41.6	33.3	27.7	20.8	16.6	13.9	11.1	8.3	1.91	1.27	0.95	0.76
C		60	0.61	45.3	36.2	30.2	22.6	18.1	15.1	12.1	9.1	2.08	1.39	1.04	0.83
M		70	0.66	49.0	39.2	32.7	24.5	19.6	16.3	13.1	9.8	2.25	1.50	1.13	0.90
M		80	0.71	52.7	42.2	35.1	26.4	21.1	17.6	14.1	10.5	2.42	1.61	1.21	0.97
M		90	0.75	55.7	44.6	37.1	27.8	22.3	18.6	14.9	11.1	2.56	1.71	1.28	1.02
M		100	0.79	58.7	46.9	39.1	29.3	23.5	19.4	15.6	11.7	2.69	1.80	1.35	1.08
F		115	0.85	63.1	50.5	42.1	31.6	25.2	21.0	16.8	12.6	2.90	1.93	1.45	1.16
06		XC	20	0.42	31.2	24.9	20.8	15.6	12.5	10.4	8.3	6.2	1.43	0.95	0.72
	XC	30	0.52	38.6	30.9	25.7	19.3	15.4	12.9	10.3	7.7	1.77	1.18	0.89	0.71
	VC	40	0.60	44.6	35.6	29.7	22.3	17.8	14.9	11.9	8.9	2.05	1.36	1.02	0.82
	VC	50	0.67	49.7	39.8	33.2	24.9	19.9	16.6	13.3	9.9	2.28	1.52	1.14	0.91
	C	60	0.73	54.2	43.4	36.1	27.1	21.7	18.1	14.5	10.8	2.49	1.66	1.24	1.00
	M	70	0.79	58.7	46.9	39.1	29.3	23.5	19.6	15.6	11.7	2.69	1.80	1.35	1.08
	M	80	0.85	63.1	50.5	42.1	31.6	25.2	21.0	16.8	12.6	2.90	1.93	1.45	1.16
	M	90	0.90	66.8	53.5	44.6	33.4	26.7	22.3	17.8	13.4	3.07	2.05	1.53	1.23
	M	100	0.95	70.5	56.4	47.0	35.3	28.2	23.5	18.8	14.1	3.24	2.16	1.62	1.30
	M	115	1.02	75.7	60.6	50.5	37.9	30.3	25.2	20.2	15.1	3.48	2.32	1.74	1.39
	08	XC	20	0.57	42.3	33.9	28.2	21.2	16.9	14.1	11.3	8.5	1.94	1.30	0.97
VC		30	0.69	51.2	41.0	34.2	25.6	20.5	17.1	13.7	10.2	2.35	1.57	1.18	0.94
C		40	0.80	59.4	47.5	39.6	29.7	23.8	19.8	15.8	11.9	2.73	1.82		

SPRAY TIPS

"3-D" NOZZLE SPRAY TIPS

HYPRO®



- Proven to deliver up to a 10% increase in pre-emerge weed control compared to a conventional flat fan (Syngenta UK)
- Creates the optimum droplet size for coverage, fewer droplets bounce off or drift away
- 60-75% drift reduction compared to flat fan nozzles, achieving 2 Star LERAP rating at specific nozzle size/pressure combinations
- Inclined spray is designed to be installed alternating forward and backward on boom to provide 3-dimensional coverage on vertical targets such as grass weeds, soil clods and broad leaved canopies
- PWM compatible; Install 3D nozzles facing the same direction when using with PWM systems at less than 30 Hz
- FastCap version utilizes the SnapLock cap technology, reducing installation torque requirement by 73% (Internal testing - standard FastCap versus SnapLock cap)

Part # **Description**
FC-3D100-* 3D Nozzle Spray Tips

Nozzle Size	Droplet Size	Pressure (PSI)	Flow (GPM)	Speed (MPH) - 20 inch nozzle spacing												
				Gallons per Acre												
				5.0	7.5	10.0	12.5	15.0	17.5	20.0	22.5	25.0	27.5	30.0		
015	C	10*	0.08	4.5	3.0	2.2	1.8	1.5	1.3	1.1	1.0	0.9	0.8	0.7		
	M	15*	0.09	5.5	3.6	2.7	2.2	1.8	1.6	1.4	1.2	1.1	1.0	0.9		
	F	20	0.11	6.3	4.2	3.2	2.5	2.1	1.8	1.6	1.4	1.3	1.1	1.1		
	F	30	0.13	7.7	5.1	3.9	3.1	2.6	2.2	1.9	1.7	1.5	1.4	1.3		
	F	40	0.15	8.9	5.9	4.5	3.6	3.0	2.5	2.2	2.0	1.8	1.6	1.5		
	F	50	0.17	10.0	6.6	5.0	4.0	3.3	2.8	2.5	2.2	2.0	1.8	1.7		
	F	60	0.18	10.9	7.3	5.5	4.4	3.6	3.1	2.7	2.4	2.2	2.0	1.8		
	F	70	0.20	11.8	7.9	5.9	4.7	3.9	3.4	2.9	2.6	2.4	2.1	2.0		
	F	80	0.21	12.6	8.4	6.3	5.0	4.2	3.6	3.2	2.8	2.5	2.3	2.1		
	F	90	0.23	13.4	8.9	6.7	5.3	4.5	3.8	3.3	3.0	2.7	2.4	2.2		
02	C	10*	0.10	5.9	4.0	3.0	2.4	2.0	1.7	1.5	1.3	1.2	1.1	1.0		
	M	15*	0.12	7.3	4.8	3.6	2.9	2.4	2.1	1.8	1.6	1.5	1.3	1.2		
	M	20	0.14	8.4	5.6	4.2	3.4	2.8	2.4	2.1	1.9	1.7	1.5	1.4		
	M	30	0.17	10.3	6.9	5.1	4.1	3.4	2.9	2.6	2.3	2.1	1.9	1.7		
	F	40	0.20	11.9	7.9	5.9	4.8	4.0	3.4	3.0	2.6	2.4	2.2	2.0		
	F	50	0.22	13.3	8.9	6.6	5.3	4.4	3.8	3.3	3.0	2.7	2.4	2.2		
	F	60	0.24	14.5	9.7	7.3	5.8	4.8	4.2	3.6	3.2	2.9	2.6	2.4		
	F	70	0.26	15.7	10.5	7.9	6.3	5.2	4.5	3.9	3.5	3.1	2.9	2.6		
	F	80	0.28	16.8	11.2	8.4	6.7	5.6	4.8	4.2	3.7	3.4	3.1	2.8		
	F	90	0.30	17.8	11.9	8.9	7.1	5.9	5.1	4.5	4.0	3.6	3.2	3.0		
025	C	10*	0.13	7.4	5.0	3.7	3.0	2.5	2.1	1.9	1.7	1.5	1.4	1.2		
	M	15*	0.15	8.9	5.9	4.5	3.6	3.0	2.5	2.2	2.0	1.8	1.7	1.5		
	M	20	0.18	10.5	7.0	5.3	4.2	3.5	3.0	2.6	2.3	2.1	1.9	1.8		
	M	30	0.22	12.9	8.6	6.4	5.1	4.3	3.7	3.2	2.9	2.6	2.3	2.1		
	F	40	0.25	14.9	9.9	7.4	5.9	5.0	4.2	3.7	3.3	3.0	2.7	2.5		
	F	50	0.28	16.6	11.1	8.6	6.5	5.5	4.7	4.2	3.7	3.3	3.0	2.8		
	F	60	0.31	18.2	12.1	9.1	7.3	6.1	5.2	4.5	4.0	3.6	3.3	3.0		
	F	70	0.33	19.6	13.1	9.8	7.9	6.5	5.6	4.9	4.4	3.9	3.6	3.3		
	F	80	0.35	21.0	14.0	10.5	8.4	7.0	6.0	5.3	4.7	4.2	3.8	3.5		
	F	90	0.38	22.3	14.9	11.1	8.9	7.4	6.4	5.6	5.0	4.5	4.1	3.7		
03	VC	10*	0.15	8.9	5.9	4.5	3.6	3.0	2.5	2.2	2.0	1.8	1.6	1.5		
	C	15*	0.18	10.9	7.3	5.5	4.4	3.6	3.1	2.7	2.4	2.2	2.0	1.8		
	M	20	0.21	12.6	8.4	6.3	5.0	4.2	3.6	3.2	2.8	2.5	2.3	2.1		
	M	30	0.26	15.4	10.3	7.7	6.2	5.1	4.4	3.9	3.4	3.1	2.8	2.6		
	M	40	0.30	17.8	11.9	8.9	7.1	5.9	5.1	4.5	4.0	3.6	3.2	3.0		
	M	50	0.34	19.9	13.3	10.0	8.0	6.6	5.7	5.0	4.4	4.0	3.6	3.3		
	F	60	0.37	21.8	14.5	10.9	8.7	7.3	6.2	5.5	4.8	4.4	4.0	3.6		
	F	70	0.40	23.6	15.7	11.8	9.4	7.9	6.7	5.9	5.2	4.7	4.3	3.9		
	F	80	0.42	25.2	16.8	12.6	10.1	8.4	7.2	6.3	5.6	5.0	4.6	4.2		
	F	90	0.45	26.7	17.8	13.4	10.7	8.9	7.6	6.7	5.9	5.3	4.9	4.5		
35	VC	10*	0.18	10.6	6.9	5.2	4.2	3.5	3.0	2.6	2.3	2.1	1.9	1.7		
	C	15*	0.21	12.7	8.5	6.4	5.1	4.2	3.6	3.2	2.8	2.5	2.3	2.1		
	M	20	0.25	14.7	9.8	7.4	5.9	4.9	4.2	3.7	3.3	2.9	2.7	2.5		
	M	30	0.30	18.0	12.0	9.0	7.2	6.0	5.1	4.5	4.0	3.6	3.3	3.0		
	M	40	0.35	20.8	13.9	10.4	8.3	6.9	5.9	5.2	4.6	4.2	3.8	3.5		
	M	50	0.39	23.5	15.5	11.6	9.3	7.7	6.6	5.8	5.2	4.6	4.2	3.9		
	M	60	0.43	26.5	17.0	12.7	10.2	8.5	7.3	6.4	5.7	5.1	4.6	4.2		
	M	70	0.46	27.5	18.3	13.8	11.0	9.2	7.9	6.9	6.1	5.5	5.0	4.6		
	F	80	0.49	29.4	19.6	14.7	11.8	9.8	8.4	7.4	6.5	5.9	5.3	4.9		
	F	90	0.53	-	20.8	15.6	12.5	10.4	8.9	7.8	6.9	6.2	5.7	5.2		
04	VC	10*	0.20	11.9	7.9	5.9	4.8	4.0	3.4	3.0	2.6	2.4	2.2	2.0		
	C	15*	0.27	14.5	9.7	7.3	5.8	4.8	4.2	3.6	3.2	2.9	2.6	2.4		
	M	20	0.28	16.8	11.2	8.4	6.7	5.6	4.8	4.2	3.7	3.4	3.1	2.8		
	M	30	0.35	20.6	13.7	10.3	8.2	6.9	5.9	5.1	4.6	4.1	3.7	3.4		
	M	40	0.40	23.8	15.8	11.9	9.5	7.9	6.8	5.9	5.3	4.8	4.3	4.0		
	M	50	0.45	26.6	17.7	13.3	10.6	8.9	7.6	6.6	5.9	5.3	4.8	4.4		
	M	60	0.49	29.1	19.4	14.5	11.6	9.7	8.3	7.3	6.5	5.8	5.3	4.8		
	M	70	0.53	-	21.0	15.7	12.6	10.5	9.0	7.9	7.0	6.3	5.7	5.2		
	F	80	0.57	-	22.4	16.8	13.4	11.2	9.6	8.4	7.5	6.7	6.1	5.6		
	F	90	0.60	-	23.8	17.8	14.3	11.9	10.2	8.9	7.9	7.1	6.5	5.9		
05	VC	10*	0.25	14.9	9.9	7.4	5.9	5.0	4.2	3.7	3.3	3.0	2.7	2.5		
	C	15*	0.32	18.2	12.1	9.1	7.3	6.1	5.2	4.5	4.0	3.6	3.3	3.0		
	M	20	0.35	21.0	14.0	10.5	8.4	7.0	6.0	5.3	4.7	4.2	3.8	3.5		
	M	30	0.43	25.7	17.1	12.9	10.3	8.6	7.3	6.4	5.7	5.1	4.7	4.3		
	M	40	0.50	29.7	19.8	14.9	11.9	9.9	8.5	7.4	6.6	5.9	5.4	5.0		
	M	50	0.56	-	22.1	16.6	13.3	11.1	9.5	8.3	7.4	6.6	6.0	5.5		
	M	60	0.63	-	24.2	18.2	14.5	12.1	10.4	9.1	8.1	7.3	6.6	6.1		
	M	70	0.66	-	26.2	19.6	15.7	13.1	11.2	9.8	8.7	7.9	7.1	6.5		
	M	80	0.71	-	28.0	21.0	16.8	14.0	12.0	10.5	9.3	8.4	7.6	7.0		
	M	90	0.75	-	29.7	22.3	17.8	14.9	12.7	11.1	9.9	8.9	8.1	7.4		
06	VC	10*	0.30	17.8	11.9	8.9	7.1	5.9	5.1	4.5	4.0	3.6	3.2	3.0		
	C	15*	0.42	21.8	14.5	10.9	8.7	7.3	6.2	5.5	4.9	4.4	4.0	3.6		
	M	20	0.42	25.2	16.8	12.6	10.1	8.4	7.2	6.3	5.6	5.0	4.6	4.2		
	M	30	0.52	-	20.6	15.4	12.3	10.3	8.8	7.7	6.9	6.2	5.6	5.1		
	M	40	0.60	-	23.8	17.8	14.3	11.9	10.2	8.9	7.9	7.1	6.5	5.9		
	M	50	0.67	-	26.6	19.9	15.9	13.3	11.4	10.0	8.9	8.0	7.2	6.6		
	M	60	0.73	-	29.1	21.8	17.5	14.5	12.5	10.9	9.7	8.7	7.9	7.3		
	M	70	0.79	-	32.6	18.9	15.7	13.5	11.8	10.5	9.4	8.4	7.6	7.0		
	M	80	0.85	-	35.2	20.2	16.8	14.4	12.6	11.2	10.1	9.2	8.4	7.8		
	M	90	0.90	-	36.7	21.4	17.8	15.3	13.4	11.9	10.7	9.7	8.9	8.1		
08	VC	10*	0.40	23.8	15.8	11.9	9.5	7.9	6.8	5.9	5.3	4.8	4.3	4.0		
	C	15*	0.57	29.1	19.4	14.5	11.6	9.7	8.3	7.3	6.5	5.8	5.3	4.8		
	M	20	0.57	-	22.4	16.8	13.4	11.2	9.6							

ULTRA LO-DRIFT MAX 130°

HYPRO®



- Pentair Hypro designed one of the most effective drift reducing nozzles, providing up to 95% drift reduction based on internal droplet sizing of % droplets 141μ compared to Pentair Hypro 03 Flat fan at 3.0 bar.
- This nozzle can operate at a wide range of operating pressures while maintaining consistent droplet size for greater flexibility when applying Dicamba and 2, 4-D. The 130° spray angle allows for optimal pattern overlap and coverage at lower boom heights.
- FastCap version utilizes the SnapLock cap technology, reducing installation torque requirement by 73% (Internal testing - standard FastCap versus SnapLock cap). Compact robust footprint designed to not break easily when hitting crops or the ground.
- Ultra Lo-Drift Max is the ideal nozzle for systemic postemergence herbicide applications where drift reduction is paramount.

Part # **Description**
FC-ULDM130-* Ultra Lo-Drift Max 130°

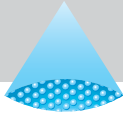
Nozzle Size	Droplet Size	Pressure (PSI)	Flow (GPM)	Speed (MPH) - 20 inch nozzle spacing												
				Gallons per Acre												
				5.0	7.5	10.0	12.5	15.0	17.5	20.0	22.5	25.0	27.5	30.0		
02	UC	30	0.17	10.1	6.7	5.0	4.0	3.4	2.9	2.5	2.2	2.0	1.8	1.7		
	UC	40	0.20	11.9	7.9	5.9	4.8	4.0	3.4	3.0	2.6	2.4	2.2	2.0		
	UC	50	0.23	13.1	8.7	6.5	5.2	4.4	3.7	3.3	2.9	2.6	2.4	2.2		
	UC	60	0.24	14.3	9.5	7.1	5.7	4.8	4.1	3.6	3.2	2.9	2.6	2.4		
	XC	70	0.28	15.4	10.3	7.7	6.2	5.1	4.4	3.9	3.4	3.1	2.8	2.6		
	XC	80	0.28	16.6	11.1	8.3	6.7	5.5	4.8	4.2	3.7	3.3	3.0	2.8		
025	UC	30	0.22	13.1	8.7	6.5	5.2	4.4	3.7	3.3	2.9	2.6	2.4	2.2		
	UC	40	0.25	14.9	9.9	7.4	5.9	5.0	4.2	3.7	3.3	3.0	2.7	2.5		
	UC	50	0.28	16.6	11.1	8.3	6.7	5.5	4.8	4.2	3.7	3.3	3.0	2.8		
	UC	60	0.31	18.4	12.3	9.2	7.4	6.1	5.3	4.6	4.1	3.7	3.3	3.1		
	XC	70	0.33	19.6	13.1	9.8	7.8	6.5	5.6	4.9	4.4	3.9	3.6	3.3		
	XC	80	0.35	20.8	13.9	10.4	8.3	6.9	5.9	5.2	4.6	4.2	3.8	3.5		
03	UC	30	0.28	15.4	10.3	7.7	6.2	5.1	4.4	3.9	3.4	3.1	2.8	2.6		
	UC	40	0.30	17.8	11.9	8.9	7.1	5.9	5.1	4.5	4.0	3.6	3.2	3.0		
	UC	50	0.34	20.2	13.5	10.1	8.1	6.7	5.8	5.0	4.5	4.0	3.7	3.4		
	UC	60	0.37	22.0	14.7	11.0	8.8	7.3	6.3	5.5	4.9	4.4	4.0	3.7		
	XC	70	0.40	23.8	15.8	11.9	9.5	7.9	6.8	5.9	5.3	4.8	4.3	4.0		
	XC	80	0.42	24.9	16.6	12.5	10.0	8.3	7.1	6.2	5.5	5.0	4.5	4.2		
04	UC	30	0.35	20.8	13.9	10.4	8.3	6.9	5.9	5.2	4.6	4.2	3.8	3.5		
	UC	40	0.40	23.8	15.8	11.9	9.5	7.9	6.8	5.9	5.3	4.8	4.3	4.0		
	UC	50	0.45	-	17.8	13.4	10.7	8.9	7.6	6.7	5.9	5.3	4.9	4.5		
	UC	60	0.49	-	19.4	14.8	11.9	9.7	8.3	7.3	6.5	5.8	5.3	4.9		
	XC	70	0.53	-	21.0	15.7	12.6	10.5	9.0	7.9	7.0	6.3	5.7	5.2		
	XC	80	0.57	-	22.6	16.8	13.5	11.3	9.7	8.5	7.5	6.8	6.2	5.8		
05	UC	30	0.43	-	17.0	12.8	10.2	8.5	7.3	6.4	5.7	5.1	4.6	4.3		
	UC	40	0.50	-	19.8	14.9	11.9	9.9	8.5	7.4	6.6	5.9	5.4	5.0		
	UC	50	0.58	-	22.2	16.6	13.3	11.1	9.5	8.3	7.4	6.7	6.0	5.5		
	UC	60	0.61	-	24.2	18.1	14.5	12.1	10.4	9.1	8.1	7.2	6.6	6.0		
	UC	70	0.68	-	-	19.8	15.7	12.1	10.2	8.8	7.7	7.0	6.3	5.8		
	XC	80	0.71	-	-	21.1	16.9	14.1	12.0	10.5	9.4	8.4	7.7	7.0		
06	UC	30	0.52	-	20.6	15.4	12.4	10.3	8.8	7.7	6.9	6.2	5.6	5.1		
	UC	40	0.60	-	23.8	17.8	14.3	11.9	10.2	8.9	7.9	7.1	6.5	5.9		
	UC	50	0.67	-	-	19.9	15.9	13.3	11.4	9.9	8.8	8.0	7.2	6.6		
	UC	60	0.73	-	-	21.7	17.3	14.5	12.4	10.8	9.6	8.7	7.9	7.2		
	UC	70	0.79	-	-	23.5	18.8	15.0	13.4	11.7	10.4	9.4	8.5	7.8		
	XC	80	0.85	-	-	-	20.2	16.8	14.4	12.5	11.2	10.1	9.2	8.4		
08	UC	30	0.69	-	-	20.5	16.4	13.7	11.7	10.2	9.1	8.2	7.5	6.8		
	UC	40	0.80	-	-	23.8	19.0	15.8	13.6	11.9	10.6	9.5	8.6	7.9		
	UC	50	0.89	-	-	-	21.1	17.6	15.1	13.2	11.7	10.5	9.6	8.8		
	UC	60	0.98	-	-	-	23.3	19.4	16.6	14.5	12.9	11.6	10.6	9.7		
	UC	70	1.06	-	-	-	-	21.0	18.0	15.7	14.0	12.6	11.4	10.5		
	XC	80	1.13	-	-	-	-	22.4	19.2	16.8	14.9	13.4	12.2	11.2		
08	XC	90	1.20	-	-	-	-	23.8	20.4	17.8	15.8	14.3	13.0	11.9		
	XC	100	1.26	-	-	-	-	24.9	21.4	18.7	16.6	15.0	13.6	12.5		

Features	
Common Use	Systemic Herbicide
Pattern	Tapered Flat Fan
Technology	Air Induction
Material	Polycrystal
Spray Angle	130°
Pressure Range	30-100 PSI (2-5.8 BAR)
Configuration	Tips, FastCaps
Optimum Boom Height	
18" (38cm) Spacing	12-25" (30-60 cm)
20" (50cm) Spacing	18-30" (45-75 cm)
Part Numbers	
Tips	FastCaps
ULDM130-02	FC-ULDM130-02
ULDM130-025	FC-ULDM130-025
ULDM130-03	FC-ULDM130-03
ULDM130-04	FC-ULDM130-04
ULDM130-05	FC-ULDM130-05
ULDM130-06	FC-ULDM130-06
ULDM130-08	FC-ULDM130-08
Replacement Tip Strainer	
TS02-100	100 Mesh Strainer (Sizes 025-03)
TS02-50	50 Mesh Strainer (Sizes 04-08)
Replacement Basket	
ID89-2270-010	
Color Code	Classification
XF	Extremely Fine
VF	Very Fine
F	Fine
M	Medium
C	Coarse
VC	Very Coarse
XC	Extremely Coarse
UC	Ultra Coarse

Droplet size classification and color coding based on ANSI/ASAE S572.3 standard. Nozzle size color coding based on ISO 10625:2005(E) standard.
 **For pressures lower than 15 PSI, nozzle spray angle may be reduced and will require a boom height of 30in to maintain spray distribution.

APPLICATORS & SPRAYERS
 DRY MATERIAL HANDLING
 TRAILERS
 TANKS & ACCESSORIES
 PUMPS
 VALVES & FITTINGS
 STRAINERS & HOSE
 PLANTER EQUIPMENT
 SPRAYER CONTROLS & GUIDANCE
 NOZZLES, TIPS & SPRAY GUNS
 NH3 PRODUCTS
 TECHNICAL INFORMATION
 INDEX

SPRAY TIPS



HI-FLOW 140° SPRAY TIPS

HYPRO®



The Hypro® Hi-Flow nozzle is the best way to outfit a sprayer to achieve wide-angle coverage plus drift control. The 140° pattern ensures unmatched uniformity across the spray boom and allows lower spray heights to reduce the risk of drift during sensitive applications.

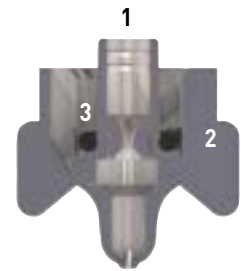
- Frequently used with fertilizer/herbicide mixtures for early season weed control
- Straight-through design to reduce clogging and drift
- Incredibly uniform application across the boom
- Lower spray heights and pre-orifice technology reduce drift
- PWM compatible

Part #
HF140-*

Description
Hi-Flow Spray Tips

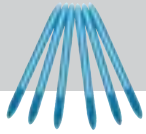
Nozzle Size	Droplet Size	Pressure (PSI)	Flow Rate (GPM)	Gallons per Acre 20 inch nozzle spacing								GAL/1000 Ft ²				
				MPH								20 inch nozzle spacing				
				4	5	6	8	10	12	15	20	2	3	4	5	
08	UC	20	0.57	42.3	33.9	28.2	21.2	16.9	14.1	11.3	8.5	1.94	1.30	0.97	0.78	
	UC	30	0.69	51.2	41.0	34.2	25.6	20.5	17.1	13.7	10.2	2.35	1.57	1.18	0.94	
	UC	40	0.80	59.4	47.5	39.6	29.7	23.8	19.8	15.8	11.9	2.73	1.82	1.36	1.09	
	UC	50	0.89	66.1	52.9	44.1	33.0	26.4	22.0	17.6	13.2	3.03	2.02	1.52	1.21	
	XC	60	0.98	72.8	58.2	48.5	36.4	29.1	24.3	19.4	14.6	3.34	2.23	1.67	1.34	
	XC	80	1.06	78.7	63.0	52.5	39.4	31.5	26.2	21.0	15.7	3.61	2.41	1.81	1.45	
10	UC	20	0.71	52.7	42.2	35.1	26.4	21.1	17.6	14.1	10.5	2.42	1.61	1.21	0.97	
	UC	30	0.87	64.6	51.7	43.1	32.3	25.8	21.5	17.2	12.9	2.97	1.98	1.48	1.19	
	UC	40	1.00	74.3	59.4	49.5	37.1	29.7	24.8	19.8	14.9	3.41	2.27	1.71	1.36	
	UC	50	1.12	83.2	66.5	55.4	41.6	33.3	27.7	22.2	16.6	3.82	2.55	1.91	1.53	
	XC	60	1.22	90.6	72.5	60.4	45.3	36.2	30.2	24.2	18.1	4.16	2.77	2.08	1.66	
	XC	80	1.32	98.0	78.4	65.3	49.0	39.2	32.7	26.1	19.6	4.50	3.00	2.25	1.80	
15	UC	20	1.06	78.7	63.0	52.5	39.4	31.5	26.2	21.0	15.7	3.61	2.41	1.81	1.45	
	UC	30	1.30	96.5	77.2	64.4	48.3	38.6	32.2	25.7	19.3	4.43	2.96	2.22	1.77	
	UC	40	1.50	111	89.1	74.3	55.7	44.6	37.1	29.7	22.3	5.12	3.41	2.56	2.05	
	UC	50	1.68	125	99.8	83.2	62.4	49.9	41.6	33.3	24.9	5.73	3.82	2.86	2.29	
	XC	60	1.84	137	109	91.1	68.3	54.6	45.5	36.4	27.3	6.27	4.18	3.14	2.51	
	XC	80	2.12	157	126	105	78.7	63.0	52.5	42.0	31.5	7.23	4.82	3.61	2.89	
20	UC	20	1.41	105	83.8	69.8	52.3	41.9	34.9	27.9	20.9	4.81	3.21	2.40	1.92	
	UC	30	1.73	128	103	85.6	64.2	51.4	42.8	34.3	25.7	5.90	3.93	2.95	2.36	
	UC	40	2.00	149	119	99.0	74.3	59.4	49.5	39.6	29.7	6.82	4.55	3.41	2.73	
	UC	50	2.24	166	133	111	83.2	66.5	55.4	44.4	33.3	7.64	5.09	3.82	3.06	
	XC	60	2.45	182	146	121	91.0	72.8	60.6	48.5	36.4	8.35	5.57	4.18	3.34	
	XC	80	2.65	197	157	131	98.4	78.7	65.6	52.5	39.4	9.04	6.02	4.52	3.61	
30	UC	20	2.12	157	126	105	78.7	63.0	52.5	42.0	31.5	7.23	4.82	3.61	2.89	
	UC	30	2.60	193	154	129	96.5	77.2	64.4	51.5	38.6	8.87	5.91	4.43	3.55	
	UC	40	3.00	223	178	149	111	89.1	74.3	59.4	44.6	10.2	6.82	5.12	4.09	
	UC	50	3.35	249	199	166	124	99.5	82.9	66.3	49.7	11.4	7.62	5.71	4.57	
	XC	60	3.67	272	218	182	136	109	90.8	72.7	54.5	12.5	8.34	6.26	5.01	
	XC	80	3.97	295	236	197	147	118	98.3	78.6	59.0	13.5	9.03	6.77	5.42	
40	UC	20	2.83	210	168	140	105	84.1	70.0	56.0	42.0	9.65	6.43	4.83	3.86	
	UC	30	3.46	257	206	171	128	103	85.6	68.5	51.4	11.8	7.87	5.90	4.72	
	UC	40	4.00	297	238	198	149	119	99.0	79.2	59.4	13.6	9.09	6.82	5.46	
	UC	50	4.47	332	266	221	166	133	111	88.5	66.4	15.2	10.2	7.62	6.10	
	XC	60	4.90	364	291	243	182	146	121	97.0	72.8	16.7	11.1	8.35	6.68	
	XC	80	5.29	393	314	262	196	157	131	105	78.6	18.0	12.0	9.02	7.22	
50	UC	20	3.54	263	210	175	131	105	87.6	70.1	52.6	12.1	8.05	6.04	4.83	
	UC	30	4.33	322	257	214	161	129	107	85.7	64.3	14.8	9.84	7.38	5.91	
	UC	40	5.00	371	297	248	186	149	124	99.0	74.3	17.1	11.4	8.53	6.82	
	UC	50	5.59	415	332	277	208	166	138	111	83.0	19.1	12.7	9.53	7.62	
	XC	60	6.12	454	364	303	227	182	151	121	90.9	20.9	13.9	10.4	8.35	
	XC	80	6.61	491	393	327	245	196	164	131	98.2	22.5	15.0	11.3	9.02	
60	UC	20	4.24	315	252	210	157	126	105	84.0	63.0	14.5	9.64	7.23	5.78	
	UC	30	5.20	386	309	257	193	154	129	103	77.2	17.7	11.8	8.87	7.09	
	UC	40	6.00	446	356	297	223	178	149	119	89.1	20.5	13.6	10.2	8.18	
	UC	50	6.71	498	399	332	249	199	166	133	99.6	22.9	15.3	11.4	9.15	
	XC	60	7.35	546	437	364	273	218	182	146	109	25.1	16.7	12.5	10.0	
	XC	80	7.94	590	472	393	295	236	197	157	118	27.1	18.1	13.5	10.8	
60	UC	20	8.49	630	504	420	315	252	210	168	126	29.0	19.3	14.5	11.6	

Droplet size based on ASABE S572.1 standard.



1. Straight flow design for superior resistance to plugging and creation of driftable droplets
2. Unitized spray nozzle design for easy single piece operation
3. Removable pre-orifice for easy cleaning

Features	
Common Use	Fertilizer
Pattern	Tapered Flat Fan
Technology	Pre-Orifice
Material	Polyacetal
Spray Angle	140°
Pressure Range	20-80 PSI (1.5-6 BAR)
Configuration	FastCap
Optimum Boom Height	
15" (35 cm) Spacing	10" (25 cm)
20" (50 cm) Spacing	12" (30 cm)
Part Numbers	
FastCaps 140°	
HF140-08	
HF140-10	
HF140-15	
HF140-20	
HF140-30	
HF140-40	
HF140-50	
HF140-60	
Replacement Cap Gasket	
65-BS205	



ESI SIX STREAM SPRAY TIPS

HYPRO®

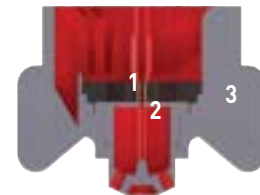


The ESI six stream nozzle is designed for applying liquid fertilizer. It creates six individual streams that distribute the fertilizer on the soil while getting less on the crop. The wear resistant metering orifice and unique low pressure distribution chamber keep the streams stable to reduce atomization and prevent leaf burn and scorching. Spacing and spray height is similar to 110° broadcast nozzles.

- Six streams distribute fertilizer more evenly than one single stream
- Wear-resistant orifice for long product life
- FastCap includes nozzle, cap and gasket

Part # **Description**
FC-ESI-110* ESI Six-Stream Spray Tips

Nozzle Size	Pressure (PSI)	Flow Rate (GPM)	Gallons per Acre 20 inch nozzle spacing								GAL/1000Ft ²				
			MPH								20 inch nozzle spacing				
			4	5	6	8	10	12	15	20	2	3	4	5	
015	15	0.09									0.31	0.20	0.15	0.12	
	20	0.11	8.2	6.5	5.4	4.1	3.3	2.7	2.2	1.6	0.38	0.25	0.19	0.15	
	30	0.13	9.7	7.7	6.4	4.8	3.9	3.2	2.6	1.9	0.44	0.30	0.22	0.18	
	40	0.15	11.1	8.9	7.4	5.6	4.5	3.7	3.0	2.2	0.51	0.34	0.26	0.20	
	50	0.17	12.6	10.1	8.4	6.3	5.0	4.2	3.4	2.5	0.58	0.39	0.29	0.23	
	60	0.18	13.4	10.7	8.9	6.7	5.3	4.5	3.6	2.7	0.61	0.41	0.31	0.25	
02	15	0.12	8.9	7.1	5.9	4.5	3.6	3.0	2.4	1.8	0.41	0.27	0.20	0.16	
	20	0.14	10.4	8.3	6.9	5.2	4.2	3.5	2.8	2.1	0.48	0.32	0.24	0.19	
	30	0.17	12.6	10.1	8.4	6.3	5.0	4.2	3.4	2.5	0.58	0.39	0.29	0.23	
	40	0.20	14.9	11.9	9.9	7.4	5.9	5.0	4.0	3.0	0.68	0.45	0.34	0.27	
	50	0.22	16.3	13.1	10.9	8.2	6.5	5.4	4.4	3.3	0.75	0.50	0.38	0.30	
	60	0.24	17.8	14.3	11.9	8.9	7.1	5.9	4.8	3.6	0.82	0.55	0.41	0.33	
025	15	0.15	11.1	8.9	7.4	5.6	4.5	3.7	3.0	2.2	0.51	0.34	0.26	0.20	
	20	0.18	13.4	10.7	8.9	6.7	5.3	4.5	3.6	2.7	0.61	0.41	0.31	0.25	
	30	0.22	16.3	13.1	10.9	8.2	6.5	5.4	4.4	3.3	0.75	0.50	0.38	0.30	
	40	0.25	18.6	14.9	12.4	9.3	7.4	6.2	5.0	3.7	0.85	0.57	0.43	0.34	
	50	0.28	20.8	16.6	13.9	10.4	8.3	6.9	5.5	4.2	0.95	0.64	0.48	0.38	
	60	0.31	23.0	18.4	15.3	11.5	9.2	7.7	6.1	4.6	1.06	0.70	0.53	0.42	
03	15	0.18	13.4	10.7	8.9	6.7	5.3	4.5	3.6	2.7	0.61	0.41	0.31	0.25	
	20	0.21	15.6	12.5	10.4	7.8	6.2	5.2	4.2	3.1	0.72	0.48	0.36	0.29	
	30	0.26	19.3	15.4	12.9	9.7	7.7	6.4	5.1	3.9	0.89	0.59	0.44	0.35	
	40	0.30	22.3	17.8	14.9	11.1	8.9	7.4	5.9	4.5	1.02	0.68	0.51	0.41	
	50	0.34	25.2	20.2	16.8	12.6	10.1	8.4	6.7	5.0	1.16	0.77	0.58	0.46	
	60	0.37	27.5	22.0	18.3	13.7	11.0	9.2	7.3	5.5	1.26	0.84	0.63	0.50	
04	15	0.24	17.8	14.3	11.9	8.9	7.1	5.9	4.8	3.6	0.82	0.55	0.41	0.33	
	20	0.28	20.8	16.6	13.9	10.4	8.3	6.9	5.5	4.2	0.95	0.64	0.48	0.38	
	30	0.35	26.0	20.8	17.3	13.0	10.4	8.7	6.9	5.2	1.19	0.80	0.60	0.48	
	40	0.40	29.7	23.8	19.8	14.9	11.9	9.9	7.9	5.9	1.36	0.91	0.68	0.55	
	50	0.45	33.4	26.7	22.3	16.7	13.4	11.1	8.9	6.7	1.53	1.02	0.77	0.61	
	60	0.49	36.4	29.1	24.3	18.2	14.6	12.1	9.7	7.3	1.67	1.11	0.84	0.67	
05	15	0.31	23.0	18.4	15.3	11.5	9.2	7.7	6.1	4.6	1.06	0.70	0.53	0.42	
	20	0.35	26.0	20.8	17.3	13.0	10.4	8.7	6.9	5.2	1.19	0.80	0.60	0.48	
	30	0.43	31.9	25.5	21.3	16.0	12.8	10.6	8.5	6.4	1.47	0.98	0.73	0.59	
	40	0.50	37.1	29.7	24.8	18.6	14.9	12.4	9.9	7.4	1.71	1.14	0.85	0.66	
	50	0.56	41.6	33.3	27.7	20.8	16.6	13.9	11.1	8.3	1.91	1.27	0.95	0.78	
	60	0.61	45.3	36.2	30.2	22.6	18.1	15.1	12.1	9.1	2.08	1.39	1.04	0.83	
06	15	0.37	27.5	22.0	18.3	13.7	11.0	9.2	7.3	5.5	1.26	0.84	0.63	0.50	
	20	0.42	31.2	24.9	20.8	15.6	12.5	10.4	8.3	6.2	1.43	0.95	0.72	0.57	
	30	0.52	38.6	30.9	25.7	19.3	15.4	12.9	10.3	7.7	1.77	1.18	0.89	0.71	
	40	0.60	44.6	35.6	29.7	22.3	17.8	14.9	11.9	8.9	2.05	1.36	1.02	0.82	
	50	0.67	49.7	39.8	33.2	24.9	19.9	16.6	13.3	9.9	2.28	1.52	1.14	0.91	
	60	0.73	54.2	43.4	36.1	27.1	21.7	18.1	14.5	10.8	2.49	1.66	1.24	1.00	
08	15	0.49	36.4	29.1	24.3	18.2	14.6	12.1	9.7	7.3	1.67	1.11	0.84	0.67	
	20	0.57	42.3	33.9	28.2	21.2	16.9	14.1	11.3	8.5	1.94	1.30	0.97	0.78	
	30	0.69	51.2	41.0	34.2	25.6	20.5	17.1	13.7	10.2	2.35	1.57	1.18	0.94	
	40	0.80	59.4	47.5	39.6	29.7	23.8	19.8	15.8	11.9	2.73	1.82	1.36	1.09	
	50	0.89	66.1	52.9	44.1	33.0	26.4	22.0	17.6	13.2	3.03	2.02	1.52	1.21	
	60	0.98	72.8	58.2	48.5	36.4	29.1	24.3	19.4	14.6	3.34	2.23	1.67	1.34	
10	15	0.61	45.3	36.2	30.2	22.6	18.1	15.1	12.1	9.1	2.08	1.39	1.04	0.83	
	20	0.71	52.7	42.2	35.1	26.4	21.1	17.6	14.1	10.5	2.42	1.61	1.21	0.97	
	30	0.87	64.6	51.7	43.1	32.3	25.8	21.5	17.2	12.9	2.97	1.98	1.48	1.19	
	40	1.00	74.3	59.4	49.5	37.1	29.7	24.8	19.8	14.9	3.41	2.27	1.71	1.36	
	50	1.12	83.2	66.5	55.4	41.6	33.3	27.7	22.2	16.6	3.82	2.55	1.91	1.53	
	60	1.22	90.6	72.5	60.4	45.3	36.2	30.2	24.2	18.1	4.16	2.77	2.08	1.66	
15	15	0.92	68.3	54.6	45.5	34.2	27.3	22.8	18.2	13.7	3.14	2.09	1.57	1.25	
	20	1.06	78.7	63.0	52.5	39.4	31.5	26.2	21.0	15.7	3.61	2.41	1.81	1.45	
	30	1.30	96.5	77.2	64.4	48.3	38.6	32.2	25.7	19.3	4.43	2.96	2.22	1.77	
	40	1.50	111	89.1	74.3	55.7	44.6	37.1	29.7	22.3	5.12	3.41	2.56	2.05	
	50	1.68	125	99.8	83.2	62.4	49.9	41.6	33.3	24.9	5.73	3.82	2.86	2.29	
	60	1.84	137	109	91.1	68.3	54.6	45.5	36.4	27.3	6.27	4.18	3.14	2.51	
20	15	1.22	90.6	72.5	60.4	45.3	36.2	30.2	24.2	18.1	4.16	2.77	2.08	1.66	
	20	1.41	105	83.8	69.8	52.3	41.9	34.9	27.9	20.9	4.81	3.21	2.40	1.92	
	30	1.73	128	103	85.6	64.2	51.4	42.8	34.3	25.7	5.90	3.93	2.95	2.36	
	40	2.00	149	119	99.0	74.3	59.4	49.5	39.6	29.7	6.82	4.55	3.41	2.73	
	50	2.24	166	133	111	83.2	66.5	55.4	44.4	33.3	7.64	5.09	3.82	3.06	
	60	2.45	182	146	121	91.0	72.8	60.6	48.5	36.4	8.35	5.57	4.18	3.34	



1. Single inlet; Six outlet design for uniform application
2. Pre-orifice; superior product life
3. Available in a FastCap option for easy installation of a streaming nozzle

Features	
Common Use	Fertilizer
Pattern	Streams
Technology	Pre-Orifice
Material	Ceramic or Polyacetal
Spray Angle	110° Equivalent
Pressure Range	15-60 PSI (1-4 BAR)
Configuration	Nozzle, FastCap
Optimum Boom Height	
15" (35 cm) Spacing	15" (35 cm)
20" (50 cm) Spacing	20" (50 cm)
FastCaps 110°	FastCaps 110°
Ceramic Orifice	Polyacetal Orifice
FC-ESI-110015*	FC-ESI-110015P
FC-ESI-11002*	FC-ESI-11002P
FC-ESI-110025*	-
FC-ESI-11003*	FC-ESI-11003P
FC-ESI-11004*	FC-ESI-11004P
FC-ESI-11005*	FC-ESI-11005P
FC-ESI-11006*	FC-ESI-11006P
FC-ESI-11008	-
FC-ESI-11010	-
FC-ESI-11015	-
-	FC-ESI-11020P
Replacement Cap Gasket	
22W11MF44	Flat seal (sizes 015-06)
65-BS205	O-ring (sizes 08-15)

* Uses flat sealing gasket.

SPRAY TIPS

APPLICATORS
& SPRAYERS

DRY MATERIAL
HANDLING

TRAILERS

TANKS &
ACCESSORIES

PUMPS

VALVES &
FITTINGS

STRAINERS
& HOSE

PLANTER
EQUIPMENT

SPRAYER
CONTROLS &
GUIDANCE

NOZZLES, TIPS
& SPRAY GUNS

NH3
PRODUCTS

TECHNICAL
INFORMATION

INDEX



Part #	Description
TDXL*	Poly Venturi w/TipCap
TDCXL*	Ceramic Venturi w/TipCap
TDXLV*	Poly Venturi

	PSI	GALLONS PER ACRE BASED ON 20" NOZZLE SPACING						GPM	GALLONS PER ACRE BASED ON 20" NOZZLE SPACING											
		AM	TDXL	TDXL-D	TADF	TADF-D	4 MPH		5 MPH	6 MPH	7 MPH	8 MPH	9 MPH	10 MPH	12 MPH	14 MPH	16 MPH	18 MPH	20 MPH	
		VC	XC	UC	C	M	F		VC	XC	UC	C	M	F	VC	XC	UC	C	M	F
AM11002 TDXL11002 TDXL11002-D TADF02 TADF02-D	15	C	VC		C	M	0.12	9.1	7.3	6.1	5.2	4.5	4.0	3.6	3.0	2.6	2.3	2.0	1.8	
	20	C	VC		C	M	0.14	10.5	8.4	7.0	6.0	5.3	4.7	4.2	3.5	3.0	2.6	2.3	2.1	
	30	C	VC	UC	C	M	0.17	12.9	10.3	8.6	7.3	6.4	5.7	5.1	4.3	3.7	3.2	2.9	2.6	
	40	M	VC	XC	C	M	0.20	14.9	11.9	9.9	8.5	7.4	6.6	5.9	5.0	4.2	3.7	3.3	3.0	
	50	M	VC	XC	C	M	0.22	16.6	13.3	11.1	9.5	8.3	7.4	6.6	5.5	4.7	4.2	3.7	3.3	
	60	F	VC	XC	C	M	0.24	18.2	14.5	12.1	10.4	9.1	8.1	7.3	6.1	5.2	4.5	4.0	3.6	
	70	F	VC	XC	C	M	0.26	19.6	15.7	13.1	11.2	9.8	8.7	7.9	6.5	5.6	4.9	4.4	3.9	
	80	F	VC	XC	C	M	0.28	21.0	16.8	14.0	12.0	10.5	9.3	8.4	7.0	6.0	5.3	4.7	4.2	
	90	F	VC	XC	C	M	0.30	22.3	17.8	14.9	12.7	11.1	9.9	8.9	7.4	6.4	5.6	5.0	4.5	
	100	F	VC	XC	C	M	0.32	23.5	18.8	15.7	13.4	11.7	10.4	9.4	7.8	6.7	5.9	5.2	4.7	
	120	F	VC	XC	C	M	0.35	25.7	20.6	17.1	14.7	12.9	11.4	10.3	8.6	7.3	6.4	5.7	5.1	
	AM110025 TDXL110025 TDXL110025-D TADF025 TADF025-D	15	VC	XC		VC	C	0.15	11.4	9.1	7.6	6.5	5.7	5.1	4.5	3.8	3.2	2.8	2.5	2.3
20		C	VC	UC	VC	C	0.18	13.1	10.5	8.8	7.5	6.6	5.8	5.3	4.4	3.8	3.3	2.9	2.6	
30		C	VC	UC	VC	C	0.22	16.1	12.9	10.7	9.2	8.0	7.1	6.4	5.4	4.6	4.0	3.6	3.2	
40		C	VC	UC	VC	C	0.25	18.6	14.9	12.4	10.6	9.3	8.3	7.4	6.2	5.3	4.6	4.1	3.7	
50		M	C	XC	C	M	0.28	20.8	16.6	13.8	11.9	10.4	9.2	8.3	6.9	5.9	5.2	4.6	4.2	
60		M	C	XC	C	M	0.31	22.7	18.2	15.2	13.0	11.4	10.1	9.1	7.6	6.5	5.7	5.1	4.5	
70		M	C	XC	C	M	0.33	24.6	19.6	16.4	14.0	12.3	10.9	9.8	8.2	7.0	6.1	5.5	4.9	
80		M	C	XC	C	M	0.35	26.3	21.0	17.5	15.0	13.1	11.7	10.5	8.8	7.5	6.6	5.8	5.3	
90		F	C	UC	C	M	0.38	27.8	22.3	18.6	15.9	13.9	12.4	11.1	9.3	8.0	7.0	6.2	5.6	
100		F	C	UC	C	M	0.40	29.3	23.5	19.6	16.8	14.7	13.0	11.7	9.8	8.4	7.3	6.5	5.9	
120		F	C	UC	C	M	0.43	32.2	25.7	21.4	18.4	16.1	14.3	12.9	10.7	9.2	8.0	7.1	6.4	
AM11003 TDXL11003 TDXL11003-D TADF03 TADF03-D		15	XC	VC		VC	C	0.18	13.6	10.9	9.1	7.8	6.8	6.1	5.5	4.5	3.9	3.4	3.0	2.7
	20	VC	XC	UC	VC	C	0.21	15.8	12.6	10.5	9.0	7.9	7.0	6.3	5.3	4.5	3.9	3.5	3.2	
	30	VC	XC	UC	VC	C	0.26	19.3	15.4	12.9	11.0	9.6	8.6	7.7	6.4	5.5	4.8	4.3	3.9	
	40	C	VC	UC	C	M	0.30	22.3	17.8	14.9	12.7	11.1	9.9	8.9	7.4	6.4	5.6	5.0	4.5	
	50	C	VC	UC	C	M	0.34	24.9	19.9	16.6	14.2	12.5	11.1	10.0	8.3	7.1	6.2	5.5	5.0	
	60	M	C	XC	C	M	0.37	27.3	21.8	18.2	15.6	13.6	12.1	10.9	9.1	7.8	6.8	6.1	5.5	
	70	M	C	XC	C	M	0.40	29.5	23.6	19.6	16.8	14.7	13.1	11.8	9.8	8.4	7.4	6.5	5.9	
	80	M	C	XC	C	M	0.42	31.5	25.2	21.0	18.0	15.8	14.0	12.6	10.5	9.0	7.9	7.0	6.3	
	90	M	C	XC	C	M	0.45	33.4	26.7	22.3	19.1	16.7	14.9	13.4	11.1	9.5	8.4	7.4	6.7	
	100	M	C	XC	C	M	0.47	35.2	28.2	23.5	20.1	17.6	15.7	14.1	11.7	10.1	8.8	7.8	7.0	
	120	M	C	XC	C	M	0.52	38.6	30.9	25.7	22.0	19.3	17.1	15.4	12.9	11.0	9.6	8.6	7.7	
	AM11004 TDXL11004 TDXL11004-D TADF04 TADF04-D	15	XC	VC		VC	C	0.24	18.2	14.5	12.1	10.4	9.1	8.1	7.3	6.1	5.2	4.5	4.0	3.6
20		VC	XC	UC	VC	C	0.28	21.0	16.8	14.0	12.0	10.5	9.3	8.4	7.0	6.0	5.3	4.7	4.2	
30		VC	XC	UC	VC	C	0.35	25.7	20.6	17.1	14.7	12.9	11.4	10.3	8.6	7.3	6.4	5.7	5.1	
40		C	VC	UC	C	M	0.40	29.7	23.8	19.8	17.0	14.9	13.2	11.9	9.9	8.5	7.4	6.6	5.9	
50		C	VC	UC	C	M	0.45	33.2	26.6	22.1	19.0	16.6	14.8	13.3	11.1	9.5	8.3	7.4	6.6	
60		M	C	XC	C	M	0.49	36.4	29.1	24.2	20.8	18.2	16.2	14.5	12.1	10.4	9.1	8.1	7.3	
70		M	C	XC	C	M	0.53	39.3	31.4	26.2	22.5	19.6	17.5	15.7	13.1	11.2	9.8	8.7	7.9	
80		M	C	XC	C	M	0.57	42.0	33.6	28.0	24.0	21.0	18.7	16.8	14.0	12.0	10.5	9.3	8.4	
90		M	C	XC	C	M	0.60	44.6	35.6	29.7	25.5	22.3	19.8	17.8	14.9	12.7	11.1	9.9	8.9	
100		M	C	XC	C	M	0.63	47.0	37.6	31.3	26.8	23.5	20.9	18.8	15.7	13.4	11.7	10.4	9.4	
120		M	C	XC	C	M	0.69	51.4	41.2	34.3	29.4	25.7	22.9	20.6	17.1	14.7	12.9	11.4	10.3	
AM11005 TDXL11005 TDXL11005-D TADF05 TADF05-D		15	XC	VC		VC	C	0.31	22.7	18.2	15.2	13.0	11.4	10.1	9.1	7.6	6.5	5.7	5.1	4.5
	20	XC	VC	UC	VC	C	0.35	26.3	21.0	17.5	15.0	13.1	11.7	10.5	8.8	7.5	6.6	5.8	5.3	
	30	VC	XC	UC	VC	C	0.43	32.2	25.7	21.4	18.4	16.1	14.3	12.9	10.7	9.2	8.0	7.1	6.4	
	40	C	VC	UC	C	M	0.50	37.1	29.7	24.8	21.2	18.6	16.5	14.9	12.4	10.6	9.3	8.3	7.4	
	50	C	VC	UC	C	M	0.56	41.5	33.2	27.7	23.7	20.8	18.4	16.6	13.8	11.9	10.4	9.2	8.3	
	60	C	VC	UC	C	M	0.61	45.5	36.4	30.3	26.0	22.7	20.2	18.2	15.2	13.0	11.4	10.1	9.1	
	70	M	C	XC	C	M	0.66	49.1	39.3	32.7	28.1	24.6	21.8	19.6	16.4	14.0	12.3	10.9	9.8	
	80	M	C	XC	C	M	0.71	52.5	42.0	35.0	30.0	26.3	23.3	21.0	17.5	15.0	13.1	11.7	10.5	
	90	M	C	XC	C	M	0.75	55.7	44.6	37.1	31.8	27.8	24.8	22.3	18.6	15.9	13.9	12.4	11.1	
	100	M	C	XC	C	M	0.79	58.7	47.0	39.1	33.5	29.3	26.1	23.5	19.6	16.8	14.7	13.0	11.7	
	120	M	C	XC	C	M	0.87	64.3	51.4	42.9	36.7	32.2	28.6	25.7	21.4	18.4	16.1	14.3	12.9	
	AM11006 TDXL11006 TDXL11006-D TADF06 TADF06-D	15	XC	VC		VC	C	0.37	27.3	21.8	18.2	15.6	13.6	12.1	10.9	9.1	7.8	6.8	6.1	5.5
20		XC	VC	UC	VC	C	0.42	31.5	25.2	21.0	18.0	15.8	14.0	12.6	10.5	9.0	7.9	7.0	6.3	
30		VC	XC	UC	VC	C	0.52	38.6	30.9	25.7	22.0	19.3	17.1	15.4	12.9	11.0	9.6	8.6	7.7	
40		C	VC	UC	C	M	0.60	44.6	35.6	29.7	25.5	22.3	19.8	17.8	14.9	12.7	11.1	9.9	8.9	
50		C	VC	UC	C	M	0.67	49.8	39.8	33.2	28.5	24.9	22.1	19.9	16.6	14.2	12.5	11.1	10.0	
60		M	VC	UC	C	M	0.73	54.6	43.6	36.4	31.2	27.3	24.2	21.8	18.2	15.6	13.6	12.1	10.9	
70		M	VC	UC	C	M	0.79	58.9	47.1	39.3	33.7	29.5	26.2	23.6	19.6	16.8	14.7	13.1	11.8	
80		M	VC	UC	C	M	0.85	63.0	50.4	42.0	36.0	31.5	28.							



TURBODROP AM, XL, TADF & D NOZZLES

Part #	Description
AM1100*	Air Mix Nozzle
TADF*	TurboDrop Dual Fan Nozzle

Part #	Description
TDXL110*	TurboDrop XL Nozzle
TDXL110*-D	TurboDrop XL-D Nozzle
TADF*-D	TurboDrop Dual Fan-D Nozzle

AirMix Nozzle - AM



The AirMix® Nozzle is a compact, economical air injection nozzle designed to provide both drift control and surface coverage at conventional spray pressures. • 110° Flat Fan • 20-60 psi Optimal Pressure Range • Two piece, polyacetal construction. No tools required for disassembling. Fits standard caps.

TurboDrop XL Nozzle - TDXL



The TurboDrop® XL Nozzle can operate between 20 and 120 psi, with an optimal pressure range of 30-90 psi. This range allows you to increase your GPA rate without changing nozzles. Target ASABE Coarse to Very Coarse droplets for pre-emerge and systemic products, and Medium droplets for coverage critical chemicals.

TurboDrop DualFan Nozzle - TADF



The TurboDrop® Asymmetrical DualFan is a revolutionary air injection nozzle design that allows spraying the target two to four times in one pass. The 10 degree forward spray pattern makes slightly smaller droplets than the 50 degree rearward spray pattern. Set up in the standard orientation on the spray boom, the forward spray covers the front side of the target and the rearward spray covers the back side. If every other nozzle is mounted "backwards" on the boom, the result is four distinct spray patterns delivered to the target. The two outer patterns (with the larger droplets) help shield the two inner patterns (with smaller droplets) from the wind. By spraying forward, backwards and down, the TurboDrop® DualFan achieves a unique balance of coverage, penetration and drift control not previously possible with any other spray nozzle.

TurboDrop D Version Nozzles



The D versions of the TurboDrop® nozzles were designed with dicamba, 2,4-D and glyphosate in mind, where a coarser spray is desirable. Between 30 and 90 psi, these nozzles deliver Ultra Coarse (UC), Extremely Coarse (XC), and Very Coarse (VC) droplets for maximum drift control.

The D version of the TurboDrop® DualFan has the ability to cover the target from two to four angles of attack to further enhance chemical performance.

The D nozzles employ proven TurboDrop® Venturi Technology to inject air and create a larger, more uniform droplet spectrum. The pattern tips are larger in comparison to those of the standard XL and DualFan nozzles, which results in a greater pressure drop and a larger overall droplet size.



TURBODROP VARIABLE RATE FERTILIZER TDVRF / TDVREX / TDVRHB NOZZLES

Part #	Description
TDVRF*	TurboDrop Variable Rate - 6 Hole Stream
TDVREX*	TurboDrop Variable Rate - Quick Connect
TDVRHB*	TurboDrop Variable Rate - Hose Barb

TURBODROP VARIABLE RATE FERTILIZER NOZZLE - TDVRF / TDVREX / TDVRHB

The TurboDrop Variable Rate Fertilizer Nozzle is designed to apply liquid fertilizer at a 4-5x flow rate range to allow for varying fertilizer requirements of the target crop. The TurboDrop Variable Rate may be operated from 10-140 psi, allowing up to a 5x rate change at a given speed. Additionally, the TDVRF, TDVREX, and TDVRHB can maintain a constant gpa rate over a 5x speed change. The TurboDrop Variable Rate check valve design keeps flow accuracy to ± 5%.

The TDVRF utilizes a six hole streaming tip in order to minimize potential leaf burn while maximizing fertilizer distribution, maintaining uniformity with varying spray heights.

The TDVRHB utilizes a 3/8" hose barb, and the TDVREX a quick connect, for ease of installation on fertilizer rigs, and acts as a variable-flow metering orifice.

Also available in sizes VRF015(approx. ISO 015-03) and VRF02(approx. ISO 02-04).



TDVRHB015	TDVRF015	Press.	Flow	GALLONS PER ACRE BASED ON 30" NOZZLE SPACING *																		
				PSI	GPM	3	4	5	6	7	8	9	10	11	12	13	14	15	16	17	18	20
				10	0.123	8.1	6.1	4.9	4.1	3.5	3.0	2.7	2.4	2.2	2.0	1.9	1.7	1.6	1.5	1.4	1.4	1.2
20	0.174	11.5	8.6	6.9	5.7	4.9	4.3	3.8	3.4	3.1	2.9	2.7	2.5	2.3	2.2	2.0	1.9	1.7				
30	0.266	17.6	13.2	10.5	8.8	7.5	6.6	5.9	5.3	4.8	4.4	4.1	3.8	3.5	3.3	3.1	2.9	2.6				
40	0.350	23.1	17.3	13.9	11.6	9.9	8.7	7.7	6.9	6.3	5.8	5.3	5.0	4.6	4.3	4.1	3.9	3.5				
50	0.391	25.8	19.4	15.5	12.9	11.1	9.7	8.6	7.7	7.0	6.5	6.0	5.5	5.2	4.8	4.6	4.3	3.9				
60	0.443	29.2	21.9	17.5	14.6	12.5	11.0	9.7	8.8	8.0	7.3	6.7	6.3	5.8	5.5	5.2	4.9	4.4				
70	0.483	31.9	23.9	19.1	15.9	13.7	12.0	10.6	9.6	8.7	8.0	7.4	6.8	6.4	6.0	5.6	5.3	4.8				
80	0.516	34.1	25.5	20.4	17.0	14.6	12.8	11.4	10.2	9.3	8.5	7.9	7.3	6.8	6.4	6.0	5.7	5.1				
100	0.566	37.4	28.0	22.4	18.7	16.0	14.0	12.5	11.2	10.2	9.3	8.6	8.0	7.5	7.0	6.6	6.2	5.6				
120	0.620	40.9	30.7	24.6	20.5	17.5	15.3	13.6	12.3	11.2	10.2	9.4	8.8	8.2	7.7	7.2	6.8	6.1				
140	0.670	44.2	33.2	26.5	22.1	19.0	16.6	14.7	13.3	12.1	11.1	10.2	9.5	8.8	8.3	7.8	7.4	6.6				

TDVRHB02	TDVRF02	Press.	Flow	GALLONS PER ACRE BASED ON 30" NOZZLE SPACING *																		
				PSI	GPM	3	4	5	6	7	8	9	10	11	12	13	14	15	16	17	18	20
				10	0.180	11.9	8.9	7.1	5.9	5.1	4.5	4.0	3.6	3.2	3.0	2.7	2.5	2.4	2.2	2.1	2.0	1.8
20	0.251	16.6	12.4	9.9	8.3	7.1	6.2	5.5	5.0	4.5	4.1	3.8	3.5	3.3	3.1	2.9	2.8	2.5				
30	0.384	25.3	19.0	15.2	12.7	10.9	9.5	8.4	7.6	6.9	6.3	5.8	5.4	5.1	4.8	4.5	4.2	3.8				
40	0.512	33.8	25.3	20.3	16.9	14.5	12.7	11.3	10.1	9.2	8.4	7.8	7.2	6.8	6.3	6.0	5.6	5.1				
50	0.575	38.0	28.5	22.8	19.0	16.3	14.2	12.7	11.4	10.4	9.5	8.8	8.1	7.6	7.1	6.7	6.3	5.7				
60	0.653	43.1	32.3	25.9	21.5	18.5	16.2	14.4	12.9	11.8	10.8	9.9	9.2	8.6	8.1	7.6	7.2	6.5				
70	0.696	45.9	34.5	27.6	23.0	19.7	17.2	15.3	13.8	12.5	11.5	10.6	9.8	9.2	8.6	8.1	7.7	6.9				
80	0.744	49.1	36.8	29.5	24.6	21.0	18.4	16.4	14.7	13.4	12.3	11.3	10.5	9.8	9.2	8.7	8.2	7.4				
100	0.821	54.2	40.6	32.5	27.1	23.2	20.3	18.1	16.3	14.8	13.5	12.5	11.6	10.8	10.2	9.6	9.0	8.1				
120	0.900	59.4	44.6	35.6	29.7	25.5	22.3	19.8	17.8	16.2	14.9	13.7	12.7	11.9	11.1	10.5	9.9	8.9				
140	0.972	64.2	48.1	38.5	32.1	27.5	24.1	21.4	19.2	17.5	16.0	14.8	13.7	12.8	12.0	11.3	10.7	9.6				

SPRAY TIPS



COMBO-JET 110 DEGREE UR & DR SERIES SPRAY TIPS

Part #	Description
UR110-04 Thru UR110-10	110 Degree Flat Fan Nozzle, Ultra Low Drift
DR110-015 Thru DR110-15	110 Degree Flat Fan Nozzle, Drift Control

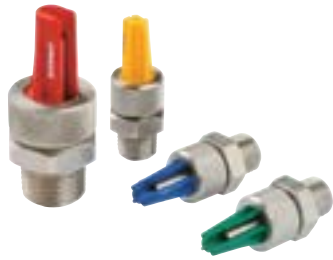
COMBO-JET® 110° Spray Tips For full detailed application information, visit www.wilger.net.

Disclaimer: These charts are published for comparative purposes to demonstrate the differences in the series of Combo-Jet® spray tips. Data used to populate this chart is extrapolated from third party testing data from a controlled conditions test with water as the testing solution. Actual spray applications with active chemical ingredients may change the spray dynamics and spray tip performance specifications. Wilger is not liable for any misuse or misrepresentation of this information, leading to (but not limited to) incorrect spray application, crop damage, or any other harm (Not limited to human, livestock or environmental).

Tip Cap Size	Flow Rate US gpm	PSI	Applied Rate - US Gal/Acre														Spray Tip & Part #										
			Sprayer Speed - Miles/Hour						SR 110° Series		MR 110° Series		DR 110° Series		UR 110° Series*		Description	Part #									
			5	7.5	10	12.5	15	20	Cla	VMD	<141	<600	Cla	VMD	<141	<600	Cla	VMD	<141	<600	Cla	VMD*	<141*	<600*			
015	0.13	30	7.7	5.1	3.9	3.1	2.6	1.9	F	215	24%	98%	C	322	11%	94%	C	366	7%	92%	-	-	-	-	SR110-015	40287-015	
	0.15	40	8.9	5.9	4.5	3.6	3.0	2.2	F	199	28%	98%	C	277	16%	97%	C	328	10%	94%	-	-	-	-	MR110-015	40291-015	
	0.17	50	10.0	6.6	5.0	4.0	3.3	2.5	F	187	32%	98%	M	247	20%	99%	C	301	12%	95%	-	-	-	-	DR110-015	40286-015	
	0.18	60	10.9	7.3	5.5	4.4	3.6	2.7	F	177	34%	98%	M	225	23%	99%	C	281	14%	96%	-	-	-	-			
02	0.17	30	10.3	6.9	5.1	4.1	3.4	2.6	M	219	23%	99%	C	315	12%	95%	VC	431	5%	82%	-	-	-	-	SR110-02	40287-02	
	0.20	40	11.9	7.9	5.9	4.8	4.0	3.0	F	206	26%	99%	C	279	15%	97%	VC	392	7%	87%	-	-	-	-	MR110-02	40291-02	
	0.22	50	13.3	8.9	6.6	5.3	4.4	3.3	F	196	29%	99%	M	254	19%	97%	C	361	8%	90%	-	-	-	-	DR110-02	40286-02	
	0.24	60	14.5	9.7	7.3	5.8	4.8	3.6	F	188	31%	99%	M	235	21%	98%	C	336	9%	92%	-	-	-	-			
025	0.22	30	12.9	8.6	6.4	5.1	4.3	3.2	M	236	20%	98%	C	350	9%	91%	VC	434	5%	80%	-	-	-	-	SR110-025	40287-025	
	0.25	40	14.9	9.9	7.4	5.9	5.0	3.7	M	222	23%	98%	C	320	11%	93%	VC	398	7%	86%	-	-	-	-	MR110-025	40291-025	
	0.28	50	16.6	11.1	8.3	6.6	5.5	4.2	F	211	25%	98%	C	296	13%	95%	C	370	8%	89%	-	-	-	-	DR110-025	40286-025	
	0.31	60	18.2	12.1	9.1	7.3	6.1	4.5	F	203	27%	98%	M	277	15%	96%	C	347	9%	92%	-	-	-	-	UR110-025	40292-025	
03	0.26	30	15.4	10.3	7.7	6.2	5.1	3.9	C	303	11%	95%	VC	394	6%	86%	XC	479	4%	74%	-	-	-	-	SR110-03	40287-03	
	0.30	40	17.8	11.9	8.9	7.1	5.9	4.5	C	279	15%	96%	C	360	9%	91%	VC	443	5%	80%	-	-	-	-	MR110-03	40291-03	
	0.34	50	19.9	13.3	10.0	8.0	6.6	5.0	M	260	17%	97%	C	333	10%	93%	VC	414	6%	84%	-	-	-	-	DR110-03	40286-03	
	0.37	60	21.8	14.5	10.9	8.7	7.3	5.5	M	244	19%	97%	C	311	12%	94%	C	391	6%	86%	-	-	-	-	UR110-03	40292-03	
04	0.35	30	20.6	13.7	10.3	8.2	6.9	5.1	C	314	11%	94%	VC	416	5%	84%	XC	510	3%	69%	UC	-	-	-	-	SR110-04	40287-04
	0.40	40	23.8	15.8	11.9	9.5	7.9	5.9	C	288	14%	95%	C	377	7%	89%	VC	469	4%	76%	UC	-	-	-	-	MR110-04	40291-04
	0.45	50	26.6	17.7	13.3	10.6	8.9	6.6	M	269	16%	96%	C	346	8%	92%	VC	438	5%	80%	UC	-	-	-	-	DR110-04	40286-04
	0.49	60	29.1	19.4	14.5	11.6	9.7	7.3	M	253	17%	96%	C	321	9%	94%	VC	412	6%	83%	UC	-	-	-	-	UR110-04	40292-04
05	0.53	70	31.4	21.0	15.7	12.6	10.5	7.9	M	239	19%	97%	C	300	10%	95%	C	391	6%	85%	UC	-	-	-	-	SR110-05	40287-05
	0.43	30	25.7	17.1	12.9	10.3	8.6	6.4	C	355	8%	91%	XC	486	3%	72%	XC	530	2%	63%	UC	-	-	-	-	MR110-05	40291-05
	0.50	40	29.7	19.8	14.9	11.9	9.9	7.4	C	322	11%	93%	VC	445	5%	78%	XC	503	3%	68%	UC	-	-	-	-	DR110-05	40286-05
	0.56	50	33.2	22.1	16.6	13.3	11.1	8.3	C	296	13%	95%	VC	412	6%	82%	XC	482	3%	72%	UC	-	-	-	-	UR110-05	40292-05
06	0.61	60	36.4	24.2	18.2	14.5	12.1	9.1	C	275	15%	96%	C	386	7%	85%	XC	465	3%	74%	UC	-	-	-	-	SR110-06	40287-06
	0.66	70	39.3	26.2	19.6	15.7	13.1	9.8	M	257	16%	96%	C	364	7%	87%	VC	451	4%	76%	UC	-	-	-	-	MR110-06	40291-06
	0.52	30	30.9	20.6	15.4	12.3	10.3	7.7	C	416	6%	84%	XC	507	3%	68%	XC	565	2%	57%	UC	-	-	-	-	DR110-06	40286-06
	0.60	40	35.6	23.8	17.8	14.3	11.9	8.9	C	371	8%	89%	XC	474	4%	74%	XC	529	2%	64%	UC	-	-	-	-	UR110-06	40292-06
08	0.67	50	39.8	26.6	19.9	15.9	13.3	10.0	C	337	10%	92%	VC	448	4%	78%	XC	501	3%	68%	UC	-	-	-	-	SR110-08	40287-08
	0.73	60	43.6	29.1	21.8	17.5	14.5	10.9	C	308	12%	93%	VC	427	5%	81%	XC	478	3%	71%	UC	-	-	-	-	MR110-08	40291-08
	0.79	70	47.1	31.4	23.6	18.9	15.7	11.8	C	284	13%	94%	VC	409	5%	83%	XC	459	3%	74%	UC	-	-	-	-	DR110-08	40286-08
	0.89	80	51.4	34.3	25.7	20.6	17.1	12.9	XC	470	6%	82%	UC	523	4%	53%	UC	609	5%	41%	UC	-	-	-	-	UR110-08	40292-08
10	0.87	30	51.4	34.3	25.7	20.6	17.1	12.9	XC	470	6%	82%	UC	523	4%	53%	UC	609	5%	41%	UC	-	-	-	-	SR110-10	40287-10
	1.00	40	59.4	39.6	29.7	23.8	19.8	14.9	XC	424	7%	70%	XC	478	5%	59%	UC	584	5%	45%	UC	-	-	-	-	MR110-10	40291-10
	1.12	50	66.4	44.3	33.2	26.6	22.1	16.6	XC	388	8%	75%	XC	442	6%	64%	UC	565	6%	49%	UC	-	-	-	-	DR110-10	40286-10
	1.22	60	72.7	48.5	36.4	29.1	24.2	18.2	VC	358	9%	79%	XC	413	6%	67%	UC	550	6%	52%	UC	-	-	-	-	UR110-10	40292-10
125	1.32	70	78.6	52.4	39.3	31.4	26.2	19.6	C	333	10%	81%	XC	388	7%	70%	UC	537	6%	54%	UC	-	-	-	-	SR110-125	40287-125
	1.08	30	64.3	42.9	32.2	25.7	21.4	16.1	XC	471	5%	62%	UC	618	4%	39%	UC	647	3%	35%	UC	-	-	-	-	MR110-125	40291-125
	1.25	40	74.3	49.5	37.1	29.7	24.8	18.6	XC	423	6%	70%	UC	571	4%	47%	UC	616	4%	39%	UC	-	-	-	-	DR110-125	40286-125
	1.40	50	83.0	55.3	41.5	33.2	27.7	20.8	XC	386	7%	74%	UC	535	5%	52%	UC	592	4%	42%	UC	-	-	-	-	SR110-15	40287-15
15	1.53	60	90.9	60.6	45.5	36.4	30.3	22.7	VC	355	7%	78%	UC	506	5%	55%	UC	572	5%	44%	UC	-	-	-	-	MR110-15	40291-15
	1.30	30	77.2	51.4	38.6	30.9	25.7	19.3	UC	538	5%	51%	UC	608	4%	40%	UC	659	3%	40%	UC	-	-	-	-	DR110-15	40286-15
	1.50	40	89.1	59.4	44.6	35.6	29.7	22.3	UC	496	6%	58%	UC	574	4%	45%	UC	624	4%	46%	UC	-	-	-	-	SR110-20	40287-20
	1.68	50	99.6	66.4	49.8	39.8	33.2	24.9	XC	463	6%	64%	UC	548	5%	49%	UC	597	4%	50%	UC	-	-	-	-	MR110-20	40291-20
20	1.84	60	109	72.7	54.6	43.6	36.4	27.3	XC	436	7%	67%	UC	527	5%	52%	UC	575	4%	53%	UC	-	-	-	-	DR110-20	40286-20
	1.73	30	103	68.6	51.4	41.2	34.3	25.7	UC	518	6%	55%	UC	593	4%	42%	-	-	-	-	-	-	-	-	SR110-25	40287-25	
	2.00	40	119	79.2	59.4	47.5	39.6	29.7	XC	479	6%	62%	UC	557	5%	48%	-	-	-	-	-	-	-	-	MR110-25	40291-25	
	2.24	50	133	88.5	66.4	53.1	44.3	33.2	XC	449	7%	67%	UC	529	6%	52%	-	-	-	-	-	-	-	-	DR110-25	40286-25	
25	2.45	60	146																								

BOOMLESS NOZZLES

HYPRO® BOOM X TENDER SERIES NOZZLES



THREADED BOOM X TENDERS

Part #	Inlet Port	Color
XT010	1/4" MNPT	GREEN
XT020	1/4" MNPT	BLUE
XT024	1/4" MNPT	YELLOW
XT043	3/8" MNPT	ORANGE
XT080	1/2" MNPT	RED
XT167	3/4" MNPT	WHITE
XT215	3/4" MNPT	GRAY

FEATURES:

- Excellent low drift option with extending spray reach
- Large droplet size reduces spray drift and promotes spray penetration
- Maintains a consistent spray swath of 15-20 feet over a pressure range of 30-60 PSI

THREADED BOOM X TENDERS REPAIR KITS

Part #	Description
XT010-GIOKIT	Pattern Generator, Stainless Steel Insert(s) & Internal O-Rings (if used)
XT020-GIOKIT	Pattern Generator, Stainless Steel Insert(s) & Internal O-Rings (if used)
XT024-GIOKIT	Pattern Generator, Stainless Steel Insert(s) & Internal O-Rings (if used)
XT167-GIOKIT	Pattern Generator, Stainless Steel Insert(s) & Internal O-Rings (if used)
XT215-GIOKIT	Pattern Generator, Stainless Steel Insert(s) & Internal O-Rings (if used)

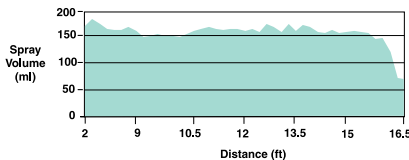


FAST CAP BOOM X TENDERS

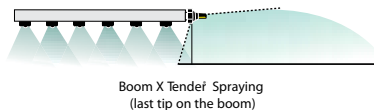
Part #	Color
FC-XT010	GREEN
FC-XT015	LITE GREEN
FC-XT020	BLUE
FC-XT024	YELLOW
FC-XT043	ORANGE

Nozzle Size (MNPT)	Pressure (PSI)	Flow Rate (GPM)	Gallons per Acre at swath shown MPH								GAL/1000Ft ²					Swath (Ft) at 40 PSI 48 in high
			4	5	6	8	10	12	15	20	2	3	4	5		
10 (1/4")	30	0.9	8.9	7.1	5.9	4.5	3.6	3.0	2.4	1.8	0.41	0.27	0.20	0.16	13	
	40	1.0	9.9	7.9	6.6	5.0	4.0	3.3	2.6	2.0	0.45	0.30	0.23	0.18		
	50	1.1	10.9	8.7	7.3	5.4	4.4	3.6	2.9	2.2	0.50	0.33	0.25	0.20		
	60	1.2	11.9	9.5	7.9	5.9	4.8	4.0	3.2	2.4	0.55	0.36	0.27	0.22		
15 (1/4")	30	1.3	10.9	8.7	7.3	5.4	4.4	3.6	2.9	2.2	0.53	0.35	0.26	0.21	14	
	40	1.5	12.5	10.0	8.3	6.3	5.0	4.2	3.4	2.5	0.61	0.41	0.30	0.24		
	50	1.7	13.7	11.0	9.2	6.9	5.5	4.6	3.7	2.8	0.67	0.45	0.33	0.27		
	60	1.8	15.0	12.0	10.0	7.5	6.0	5.0	4.0	3.0	0.73	0.49	0.37	0.29		
20 (1/4")	30	1.7	13.6	10.9	9.0	6.8	5.4	4.5	3.6	2.7	0.62	0.42	0.31	0.25	15	
	40	2.0	16.0	12.8	10.6	8.0	6.4	5.3	4.3	3.2	0.73	0.49	0.37	0.29		
	50	2.2	17.6	14.1	11.7	8.8	7.0	5.9	4.7	3.5	0.81	0.54	0.40	0.32		
	60	2.4	19.2	15.3	12.8	9.6	7.7	6.4	5.1	3.8	0.88	0.59	0.44	0.35		
24 (1/4")	30	2.1	16.2	13.0	10.8	8.1	6.5	5.4	4.3	3.2	0.75	0.50	0.37	0.30	16	
	40	2.4	18.6	14.9	12.4	9.3	7.4	6.2	5.0	3.7	0.85	0.57	0.43	0.34		
	50	2.7	20.9	16.7	13.9	10.4	8.4	7.0	5.6	4.2	0.96	0.64	0.48	0.38		
	60	2.9	22.4	17.9	15.0	11.2	9.0	7.5	6.0	4.5	1.03	0.69	0.51	0.41		
43 (3/8")	30	3.7	31.6	25.3	21.1	15.8	12.6	10.5	8.4	6.3	1.45	0.97	0.72	0.58	14	
	40	4.3	36.7	29.4	24.5	18.3	14.7	12.2	9.8	7.3	1.68	1.12	0.84	0.67		
	50	4.8	41.0	32.8	27.3	20.5	16.4	13.7	10.9	8.2	1.88	1.25	0.94	0.75		
	60	5.3	45.2	36.2	30.2	22.6	18.1	15.1	12.1	9.0	2.08	1.38	1.04	0.83		
80 (1/2")	30	6.9	68.3	54.6	45.5	34.2	27.3	22.8	18.2	13.7	3.14	2.09	1.57	1.25	13	
	40	8.0	79.2	63.4	52.8	39.6	31.7	26.4	21.1	15.8	3.64	2.42	1.82	1.45		
	50	8.9	88.1	70.5	58.7	44.1	35.2	29.4	23.5	17.6	4.04	2.70	2.02	1.62		
	60	9.8	97.0	77.6	64.7	48.5	38.8	32.3	25.9	19.4	4.45	2.97	2.23	1.78		
167 (3/4")	30	14.5	128	103	85.4	64.1	51.3	42.7	34.2	25.6	5.88	3.92	2.94	2.35	15	
	40	16.7	148	118	98.4	73.8	59.0	49.2	39.4	29.5	6.78	4.52	3.39	2.71		
	50	18.7	165	132	110	82.6	66.1	55.1	44.1	33.1	7.59	5.06	3.79	3.03		
	60	20.5	181	145	121	90.6	72.5	60.4	48.3	36.2	8.32	5.54	4.16	3.33		
215 (3/4")	30	18.6	144	115	95.9	71.9	57.5	48.0	38.4	28.8	6.60	4.40	3.30	2.64	16	
	40	21.5	166	133	111	83.1	66.5	55.4	44.3	33.3	7.63	5.09	3.82	3.05		
	50	24.0	186	149	124	92.8	74.3	61.9	49.5	37.1	8.52	5.68	4.26	3.41		
	60	26.3	203	163	136	102	81.4	67.8	54.2	40.7	9.34	6.22	4.67	3.73		

Typical Spray Pattern Produced by XT Series

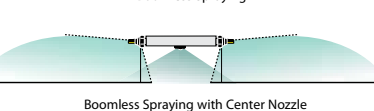
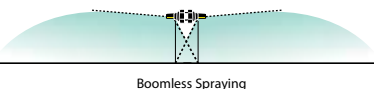
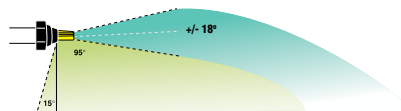


Common Uses of the Boom X Tender Spray Nozzles



Adjustable Swath Width

Swath width can be increased or decreased by adjusting the angle of the tip +/- 18°.



WETBOOM STYLE BOOMLESS NOZZLES

FEATURES:

- Easily Convert Handgun Sprayer To A Broadcast Sprayer (3 GPM Minimum)
- Nozzle Assemblies Fit 5100316 Stainless Steel Tube
- Center Nozzle Assembly Inlet 1/2" Hose
- Shut-Off Valves Built Into Nozzle Assembly
- 30 Foot Total Swath
- Nozzle Assemblies Have Built In Swivel

Part #	Description
5275122	Polyacetal Left/Right Nozzle Assembly, 13' Coverage
5275123	Polyacetal Center Nozzle Assembly, 4' Coverage
5100316	Stainless Steel Tube
5274861	X Tender Tip, Yellow



EXTEND YOUR SPRAYING POSSIBILITIES!

Left & Right Nozzles



Center Nozzle



FEATURES:

- Easily Convert Handgun Sprayer To A Broadcast Sprayer (3 GPM Min)
- Nozzle Assemblies Fit 1/2" Hose
- Shut-Off Valves Built Into Nozzle Assem.
- 30 Foot Total Swath
- Nozzle Assemblies Have Built In Swivel So That Spray Can Be Targeted To Application Zone

Part #	Description
5274751	Polyacetal Left Nozzle Assembly, 13' Coverage
5274752	Polyacetal Center Nozzle Assembly, 4' Coverage
5274861	X Tender Tip, Yellow

BOOMLESS NOZZLES

BOOM BUSTER BOOMLESS NOZZLES



Model 140 Model 375 Model 265

Part #	Thread Size	Effective Distance
BB120-5	1/4" MNPT	5 FT
BB120-5R	1/4" MNPT	5 FT ROADSIDE
BB125	1/4" MNPT	17 FT
BB125-R	1/4" MNPT	17 FT ROADSIDE
BB140	1/4" MNPT	18 FT
BB140-R	1/4" MNPT	18 FT ROADSIDE
BB180-10	3/8" MNPT	10 FT
BB180-10R	3/8" MNPT	10 FT ROADSIDE
BB187	3/8" MNPT	20 FT
BB187-R	3/8" MNPT	20 FT ROADSIDE
BB260-11	1/2" MNPT	11 FT
BB260-11R	1/2" MNPT	11 FT ROADSIDE
BB265	1/2" MNPT	21 FT
BB265-R	1/2" MNPT	21 FT ROADSIDE
BB375	3/4" MNPT	23 FT
BB375-R	3/4" MNPT	23 FT ROADSIDE
BB437	3/4" MNPT	31 FT
BB437-R	3/4" MNPT	31 FT ROADSIDE

- The nozzles shown with an "R" designation is for right of way spraying. For two nozzles mounted back to back, use standard numbers (less R) to insure center overlap.
- Effective distance shown based on 36" mounting height above target application zone.



Agricultural Application Chart. Find the Boom Buster Nozzle that is just right for your application needs.

		Gallons Per Acre (each nozzle)																					
Model	PSI (GPM)	Range (feet)	Nozzle angle	Speed (mph)																			
				1	2	3	4	5	6	7	8	9	10	11	12	13	14	15					
125 1/4" Pipe Thread	30	1.7	LEVEL	5	10	15	20	25	30	35	40	45	50	55	60	65	70	75	80	85	90	95	100
	40	2	DOWN	5	10	15	20	25	30	35	40	45	50	55	60	65	70	75	80	85	90	95	100
120-3 1/4" Pipe Thread	30	1.7	DOWN	5	10	15	20	25	30	35	40	45	50	55	60	65	70	75	80	85	90	95	100
	40	2	DOWN	5	10	15	20	25	30	35	40	45	50	55	60	65	70	75	80	85	90	95	100
120-5 1/4" Pipe Thread	30	1.7	LEVEL	5	10	15	20	25	30	35	40	45	50	55	60	65	70	75	80	85	90	95	100
	40	2	DOWN	5	10	15	20	25	30	35	40	45	50	55	60	65	70	75	80	85	90	95	100
140 1/4" Pipe Thread	30	1.7	LEVEL	5	10	15	20	25	30	35	40	45	50	55	60	65	70	75	80	85	90	95	100
	40	2.4	DOWN	5	10	15	20	25	30	35	40	45	50	55	60	65	70	75	80	85	90	95	100
180-6 1/2" Pipe Thread	30	3.6	LEVEL	5	10	15	20	25	30	35	40	45	50	55	60	65	70	75	80	85	90	95	100
	40	4.3	DOWN	5	10	15	20	25	30	35	40	45	50	55	60	65	70	75	80	85	90	95	100
180-10 1/2" Pipe Thread	30	3.6	LEVEL	5	10	15	20	25	30	35	40	45	50	55	60	65	70	75	80	85	90	95	100
	40	4.3	DOWN	5	10	15	20	25	30	35	40	45	50	55	60	65	70	75	80	85	90	95	100
187 1/2" Pipe Thread	30	3.6	LEVEL	5	10	15	20	25	30	35	40	45	50	55	60	65	70	75	80	85	90	95	100
	40	4.3	DOWN	5	10	15	20	25	30	35	40	45	50	55	60	65	70	75	80	85	90	95	100
260-5 1/2" Pipe Thread	30	6.8	LEVEL	5	10	15	20	25	30	35	40	45	50	55	60	65	70	75	80	85	90	95	100
	40	8	DOWN	5	10	15	20	25	30	35	40	45	50	55	60	65	70	75	80	85	90	95	100
260-11 1/2" Pipe Thread	30	6.8	LEVEL	5	10	15	20	25	30	35	40	45	50	55	60	65	70	75	80	85	90	95	100
	40	8	DOWN	5	10	15	20	25	30	35	40	45	50	55	60	65	70	75	80	85	90	95	100
265 1/2" Pipe Thread	30	6.8	LEVEL	5	10	15	20	25	30	35	40	45	50	55	60	65	70	75	80	85	90	95	100
	40	8	DOWN	5	10	15	20	25	30	35	40	45	50	55	60	65	70	75	80	85	90	95	100
370 3/4" Pipe Thread	30	14.4	LEVEL	5	10	15	20	25	30	35	40	45	50	55	60	65	70	75	80	85	90	95	100
	40	16.7	DOWN	5	10	15	20	25	30	35	40	45	50	55	60	65	70	75	80	85	90	95	100
375 1/4" Pipe Thread	30	14.4	LEVEL	5	10	15	20	25	30	35	40	45	50	55	60	65	70	75	80	85	90	95	100
	40	16.7	UP	5	10	15	20	25	30	35	40	45	50	55	60	65	70	75	80	85	90	95	100
437 1/4" Pipe Thread	30	18.5	LEVEL	5	10	15	20	25	30	35	40	45	50	55	60	65	70	75	80	85	90	95	100
	40	21.5	UP	5	10	15	20	25	30	35	40	45	50	55	60	65	70	75	80	85	90	95	100
500 1" Pipe Thread	30	29	LEVEL	5	10	15	20	25	30	35	40	45	50	55	60	65	70	75	80	85	90	95	100
	40	33	UP	5	10	15	20	25	30	35	40	45	50	55	60	65	70	75	80	85	90	95	100
504 1" Pipe Thread	30	29	LEVEL	5	10	15	20	25	30	35	40	45	50	55	60	65	70	75	80	85	90	95	100
	40	33	UP	5	10	15	20	25	30	35	40	45	50	55	60	65	70	75	80	85	90	95	100



PSI - Pounds Per Square Inch
GPM - Gallons Per Minute

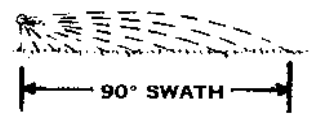
HAMILTON BOOMLESS NOZZLES



OPERATING DATA FOR 180° NOZZLES

Orifice No.	PSI	GPM 180°	SWATH 180°	GALLONS PER ACRE					
				3MPH	4MPH	5MPH	8MPH	10MPH	
1/4" #2 6560-01 FNPT	30	.85	22'	3.2	2.4	1.9	1.2	.95	
	40	1.0	23'	3.6	2.7	2.15	1.35	1.1	
	50	1.1	24'	3.8	2.85	2.25	1.45	1.15	
6570-01 MNPT	60	1.2	25'	3.95	2.95	2.4	1.5	1.2	
	1/4" #5 6561-01 FNPT	30	1.7	44'	6.4	4.8	3.8	2.4	1.9
		40	2.0	46'	7.2	5.4	4.3	2.7	2.2
50		2.2	48'	7.6	5.7	4.5	2.9	2.3	
6571-01 MNPT	60	2.4	50'	7.9	5.9	4.8	3.0	2.4	
	1/4" #10 6562-01 FNPT	30	3.7	50'	12.0	9.2	7.3	4.6	3.7
		40	4.2	50'	13.9	10.4	8.3	5.2	4.2
50		4.6	52'	14.6	10.9	8.8	5.5	4.4	
6572-01 MNPT	60	5.0	52'	15.8	11.9	9.5	5.9	4.8	
	1/4" #20 6563-01 FNPT	30	5.1	54'	15.6	11.6	9.3	5.8	4.7
		40	5.9	54'	18.0	13.5	10.8	6.8	5.4
50		6.7	56'	19.7	14.8	11.8	7.4	5.9	
6573-01 MNPT	60	7.1	58'	20.2	15.1	12.1	7.6	6.1	

NOTE: 90° nozzles have the same GPA but 1/2 GPM and swath



Part #	MFG#	Description
654001	6540-01	Hamilton 6540-01 #5 Boomless Nozzle 180°
654101	6541-01	Hamilton 6540-01 #10 Boomless Nozzle 180°
654201	6542-01	Hamilton 6540-01 #20 Boomless Nozzle 180°

CALIBRATING YOUR SPRAYER

To determine pressure & GPA with a boomless nozzle use this calibration for it is different than a boom calibration:

$$\text{GPA} = \frac{495 \times \text{GPM}}{\text{MPH} \times \text{Swath in feet}}$$

EXAMPLE: $\frac{495(\text{constant}) \times 4.2\text{gpm}}{4\text{mph} \times 50'\text{swath}} = 2079$

$$\frac{2079}{200} = 10.395 \text{ GPA}$$



BOOMLESS NOZZLES

BOOMINATOR®

SPRAY NOZZLES



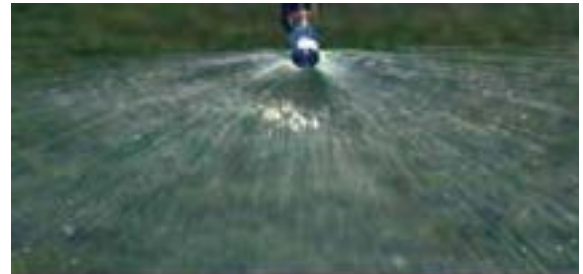
Part #	Description
1165L	Boominator LH 1.4 GPM@40PSI-5' sh-pat
1165R	Boominator RH 1.4 GPM@40PSI-5' sh-pat
1160L	Boominator LH 1.4GPM@40PSI-16' reg-pat
1160R	Boominator RH 1.4GPM@40PSI-16' reg-pat
1255L	Boominator LH 2GPM@40PSI-5' sh-pat
1255R	Boominator RH 2GPM@40PSI-5' sh-pat
1250L	Boominator LH 2GPM@40PSI-16' reg-pat
1250R	Boominator RH 2GPM@40PSI-16' reg-pat
1871L	Boominator LH 4.3GPM@40PSI-10' sh-pat
1871R	Boominator RH 4.3GPM@40PSI-10' sh-pat
1870L	Boominator LH 4.3GPM@40PSI-18' reg-pat
1870R	Boominator RH 4.3GPM@40PSI-18' reg-pat
2650L	Boominator LH 8.5GPM@40PSI-20' reg-pat
2650R	Boominator RH 8.5GPM@40PSI-20' reg-pat
1400FS	Boominator 2.5GPM@40PSI-17' full-pat
1870FS	Boominator 4.3GPM@40PSI-18' full pat
1870FL	Boominator 4.3GPM@40PSI-30' full pat
1200PS	Boominator poly 1.4GPM@40PSI-14' full-pat
1400PS	Boominator poly 2.5GPM@40PSI-14' full pat
1400PL	Boominator poly 2.8GPM@40PSI-20' full pat
1400PSR	Boominator RH poly 2.5GPM@40PSI-13' reg-pat

		1/4" MNPT		SPEED (MPH)														
		PSI	GPM	SPRAY PATTERN	1	2	3	4	5	6	7							
1250 Right or Left	20	1.5	16 R	46	23	16	12	9	8	7								
	30	1.7	16 R	53	26	18	13	11	8	8								
	40	2.0	16 R	62	31	21	16	12	10	9								
		1/4" MNPT		SPEED (MPH)														
		PSI	GPM	SPRAY PATTERN	2	3	4	5	6	7	8	9	10	11	12			
1870 Right or Left	20	3.0	18 R	41	28	21	17	14	12	10	9	8	7.5	7				
	30	3.5	18 R	48	32	24	19	16	14	12	11	10	9	8				
	40	4.3	18 R	59	39	30	24	20	17	15	13	12	11	10				
		1/2" MNPT		SPEED (MPH)														
		PSI	GPM	SPRAY PATTERN	2	3	4	5	6	7	8	9	10	11	12	13	14	15
2650 Right or Left	20	6.7	20 R	83	55	41	33	28	24	21	18	16	15	14	13	12	11	
	30	7.5	20 R	93	62	46	37	32	28	23	20	18	17	16	14	13	12	
	40	8.5	20 R	105	70	52	42	36	30	26	23	21	19	17	16	15	14	

1200 PS - ECO SERIES FULL SPRAY									
(1/4" MNPT)			SPEED (MPH)						
PSI	GPM	SPRAY PATTERN	1	2	3	4	5	6	7
			GALLONS PER ACRE						
20	1.0	14 FT	35	18	12	9	7	6	5
30	1.2	14 FT	42	21	14	10	8	7	6
40	1.4	14 FT	49.5	25	16.5	12	10	8	7

1870 PL - FULL PATTERN													
(1/4" MNPT)			SPEED (MPH)										
PSI	GPM	SPRAY PATTERN	2	3	4	5	6	7	8	9	10	11	12
			GALLONS PER ACRE										
20	3.0	30 FT	25	17	12	10	8	7	6	5.5	5	4.5	4
30	3.5	30 FT	29	19	14	12	10	8	7	6	5.5	5	4.5
40	4.3	30 FT	36	25	18	14	12	10	9	8	7	6.5	6

1870 RIGHT OR LEFT - STANDARD PATTERN													
(1/4" MNPT)			SPEED (MPH)										
PSI	GPM	SPRAY PATTERN	2	3	4	5	6	7	8	9	10	11	12
			GALLONS PER ACRE										
20	3.0	18 FT	41	28	21	17	14	12	10	9	8	7.5	7
30	3.5	18 FT	48	32	24	19	16	14	12	11	10	9	8
40	4.3	18 FT	59	39	30	24	20	17	15	13	12	11	10



BoomJet®

Part #
5880-3/4-2TOC*



Boomless Nozzles with Extra-Wide Flat Spray Projection



Type 5880 BoomJet nozzle is used for spraying areas not easily accessed with a boom sprayer. It combines two off-center tips and three VeeJet® nozzles to produce an overall wide swath flat spray. The nozzle assembly provides good distribution considering the wide pattern coverage obtained; however, the uniformity is not as good as with a properly operated boom sprayer.* Supplied with one additional 1/4 NPT pipe plug and one blank tip for setting BoomJet to one side only. Also has a 1/4 pressure gauge port.

*Uniformity can be optimized by double overlapping spray swaths on successive sprayer passes. Remember, this also doubles the application volume.

How to order:

Specify BoomJet nozzle number.
Example: 5880-3/4-2TOC-06



W = Maximum effective coverage with nozzle mounted at 36" height.

Nozzle	Pipe Connection (2)	Strainer (2)	Strainer (1)	PSI	GPM	"W" (FEET)	GPA					GALLONS PER 1000 SQ. FT.			
							4 MPH	5 MPH	7.5 MPH	10 MPH	15 MPH	2 MPH	3 MPH	4 MPH	5 MPH
5880-3/4-2TOC06	6733-OC06	H1/4V-1506	H1/4VVL-9502 with 50 mesh strainer	20	1.84	33.5	6.8	5.4	3.6	2.7	1.8	0.31	0.21	0.16	0.12
				30	2.25	34	8.2	6.6	4.4	3.3	2.2	0.38	0.25	0.19	0.15
				40	2.60	34.5	9.3	7.5	5.0	3.7	2.5	0.43	0.28	0.21	0.17
5880-3/4-2TOC10	OC10	H1/4U-0508HE	H1/4VVL-11004 with 50 mesh strainer	20	2.83	39.5	8.9	7.1	4.7	3.5	2.4	0.41	0.27	0.20	0.16
				30	3.46	40	10.7	8.6	5.7	4.3	2.9	0.49	0.33	0.25	0.20
				40	4.00	40.5	12.2	9.8	6.5	4.9	3.3	0.56	0.37	0.28	0.22
5880-3/4-2TOC20	OC20	H1/4U-0520HE	H1/4VVL-9506 with 50 mesh strainer	20	6.08	47	16.0	12.8	8.5	6.4	4.3	0.73	0.49	0.37	0.29
				30	7.45	50	18.4	14.8	9.8	7.4	4.9	0.84	0.56	0.42	0.34
				40	8.60	52	20	16.4	10.9	8.2	5.5	0.94	0.62	0.47	0.37
5880-3/4-2TOC40	OC40	H1/4U-0540HE	H1/4U-9510	20	12.0	56	27	21	14.1	10.6	7.1	1.2	0.81	0.61	0.49
				30	14.7	60	30	24	16.2	12.1	8.1	1.4	0.93	0.69	0.56
				40	17.0	63	33	27	17.8	13.4	8.9	1.5	1.0	0.76	0.61

Note: Always double check your application rates. Tabulations are based on spraying water at 70°F (21°C). See pages 281-293 for useful formulas and information.

FieldJet®

Part #
Description
1/4KLC-* Brass
1/4KLC-SS* Stainless

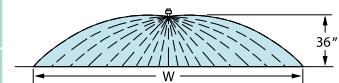
Boomless Nozzles with Extra-Wide Flat Spray Projection

The KLC FieldJet nozzle is typically used to spray areas not accessible with a boom sprayer. Its one-piece nozzle design projects spray to both sides to form a wide swath flat spray. The round orifice minimizes clogging. Uniformity across the swath is not as good as with a properly operated boom sprayer.* Available in brass or stainless steel.

*Uniformity can be optimized by double overlapping spray swaths on successive sprayer passes. Remember, this also doubles the application volume.



Type 1/4-KLC and Type 3/4-KLC
1/4" NPT male and 3/4" NPT male pipe connections




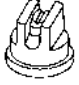



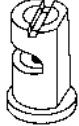
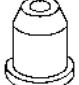

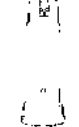


How to order:
Specify part number and material.
Example: 1/4KLC-SS18 - Stainless Steel

Nozzle	Pipe Connection	PSI	Capacity One Nozzle in GPM	"W" in Feet	GPA				GALLONS PER 1000 SQ. FT.			
					3 MPH	4 MPH	5 MPH	8 MPH	3 MPH	4 MPH	5 MPH	8 MPH
1/4 KLC-5	1/4"	20	0.71	17	6.9	5.2	4.1	2.6	.16	.12	.09	.06
		30	0.87	18	8.0	6.0	4.8	3.0	.18	.14	.11	.07
		40	1.00	21	7.9	5.9	4.7	2.9	.18	.13	.11	.07
1/4 KLC-9	1/4"	20	1.27	18	11.6	8.7	7.0	4.4	.27	.20	.16	.10
		30	1.56	19	13.5	10.2	8.1	5.1	.31	.23	.19	.12
		40	1.80	21	14.1	10.6	8.5	5.3	.32	.24	.19	.12
1/4 KLC-18	1/4"	20	2.55	20	21	15.8	12.6	7.9	.48	.36	.29	.18
		30	3.12	21	25	18.4	14.7	9.2	.56	.42	.34	.21
		40	3.60	22	27	20	16.2	10.1	.62	.46	.37	.23
1/4 KLC-36	1/4"	20	5.09	22	38	29	23	14.3	.87	.66	.52	.33
		30	6.24	24	43	32	26	16.1	.98	.74	.59	.37
		40	7.20	26	46	34	27	17.1	1.0	.78	.63	.39
3/4 KLC-50	3/4"	20	7.07	23	51	38	30	19.0	1.2	.87	.70	.44
		30	8.66	26	55	41	33	21	1.3	.94	.75	.47
		40	10.0	28	59	44	35	22	1.3	1.0	.81	.51
3/4 KLC-72	3/4"	20	10.2	25	67	50	40	25	1.5	1.2	.92	.58
		30	12.5	29	71	53	43	27	1.6	1.2	.98	.61
		40	14.4	31	77	57	46	29	1.8	1.3	1.1	.66
3/4 KLC-108	3/4"	20	15.3	28	90	68	54	34	2.1	1.5	1.2	.77
		30	18.7	33	94	70	56	35	2.1	1.6	1.3	.80
		40	21.6	36	99	74	59	37	2.3	1.7	1.4	.85

Note: Always double check your application rates. Tabulations are based on spraying water at 70°F (21°C). See pages 281-293 for useful formulas and information.

SPRAY TIPS & NOZZLES

<u>Type</u>	<u>Size</u>	<u>Orifice Insert/ Tip Body Material</u>	<u>Part #</u>
 XR TeeJet Extended Range Tips (Tapered Flat Spray)	-01 and larger	Polymer (110° Only)	XR11002-VP
	-01 and larger	Ceramic (110° Only)	XR11003-VK
 DG TeeJet Drift Guard Tips (Tapered Flat Spray)	-01 thru -05	Polymer pre-Orifice	DG11002-VP
	 TeeJet Spray Tips (Tapered Flat Spray)	-0050 or smaller	Brass
Larger than -0050		Brass	TP800067
Smaller than -01		Stainless Steel	TP800067-SS
-01 and larger		Stainless Steel	TP11001-SS
		Hard. Stainless Steel	TP11001-HSS
 TeeJet Spray Tips (Tapered Flat Spray)	015 and larger	Polymer	TP8002VP
	 TeeJet Spray Tips (Even Flat Spray)	-01 and larger	Brass
-01 and larger		Stainless Steel	TP8001E-SS
 TurfJet Spray Tips (Wide Angle Flat Spray)	-02 Thru -15	Stainless Steel/Celcon With Polymer Pre-Orifice	1/4TTJ05-VS
	-02 Thru -15	Polymer	1/4TTJ06-VP
 FloodJet Spray Tips (Wide Angle Flat Spray)	All Sizes	Polymer	TF-VP4
	 FloodJet Spray Tips (Wide Angle Flat Spray)	All Sizes	Brass
		Stainless Steel	TK-SS3
		Stainless Steel/Celcon	TK-VS3
 TG FullJet Spray Tips (Full Cone Spray)	Smaller than 1	Brass	TG-0.9
	Smaller than 1	Stainless Steel	TG-SS0.9
	Smaller than 1	Stainless Steel	TG-SS1
 TX ConeJet Spray Tips (Hollow Cone Spray)	All Sizes	Brass	TX-1
		Ceramic	TX-VK3
 AI TeeJet UB-Underleaf Banding Spray Tips	All Sizes	Stainless Steel/Celcon (85° Only)	AIUB8504VS

SPRAY TIPS & NOZZLES



FLOODJET NOZZLES



Part #	Description
1/8K-*	1/8" MPT Brass Floodjet Nozzle
3/8K-*	3/8" MPT Brass Floodjet Nozzle
1/2K-*	1/2" MPT Brass Floodjet Nozzle
3/4K-90 to 120	3/4" MPT Brass Floodjet Nozzle
1K-300	1" MPT Brass Floodjet Nozzle
1K-450	1" MPT Brass Floodjet Nozzle
1/8K-SS*	1/8" MPT Stainless Steel Floodjet Nozzle
1/4K-SS*	1/4" MPT Stainless Steel Floodjet Nozzle
3/8K-SS*	3/8" MPT Stainless Steel Floodjet Nozzle
1/2K-SS*	1/2" MPT Stainless Steel Floodjet Nozzle
3/4K-SS80 to 120	3/4" MPT Stainless Steel Floodjet Nozzle
3/4K-SS140 to 210	3/4" MPT Stainless Steel Floodjet Nozzle
1K-SS300	1" MPT Stainless Steel Floodjet Nozzle

QUICK TURBO FLOODJET NOZZLES



Part #	Description
QCTF-VS15 to 80	Stainless Steel QuickTurbo FloodJet Nozzle
QCTF-VS100 to 120	Stainless Steel QuickTurbo FloodJet Nozzle

QUICK FLOODJET NOZZLES



Part #	Description
QCK-SS20 to 40	Stainless Steel Quick Floodjet Nozzle
QCK-SS50 to 80	Stainless Steel Quick Floodjet Nozzle
QCK-SS100 and 120	Stainless Steel Quick Floodjet Nozzle
QCK-SS150 to 210	Stainless Steel Quick Floodjet Nozzle

FIELDJET NOZZLES

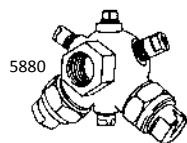


Part #	Description
1/4KLC-*	1/4" MPT Brass Fieldjet Nozzle
1/4KLC-SS*	1/4" MPT Stainless Steel Fieldjet Nozzle
3/4KLC-*	3/4" MPT Brass Fieldjet Nozzle
3/4KLC-SS*	3/4" MPT Stainless Steel Fieldjet Nozzle

BOOMJET AND OFF-CENTER NOZZLES



DDOC Doclet



DOC DocJet

Part #	Description
4418-3/4-2TOC*	Brass Boomjet Nozzle
4629-3/4-TOC*	Brass Boomjet Nozzle
5430-3/4-2TOC*	Brass Boomjet Nozzle
5880-3/4-2TOC*	Brass Boomjet Nozzle
DOC-*	Brass Docjet Tip Nozzle
DDOC-*	Brass Docjet Tip Nozzle
CP7627-R	Rubber Selector Plug for DDOC

STREAMJET NOZZLES



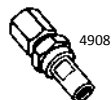
Part #	Description
H1/4U-SS*	Stainless Steel, Solid Stream Spray

WHIRLJET NOZZLES



Part #	Description
1/4B-SS*-*W	Stainless Steel Whirljet Nozzle

FLOW REGULATORS



Part #	Description
CP4928-SS	Stainless Steel Adapter
CP4916-*	Stainless Steel Orifice Plate

APPLICATORS & SPRAYERS

DRY MATERIAL HANDLING

TRAILERS

TANKS & ACCESSORIES

PUMPS

VALVES & FITTINGS

STRAINERS & HOSE

PLANTER EQUIPMENT

SPRAYER CONTROLS & GUIDANCE

NOZZLES, TIPS & SPRAY GUNS

NH3 PRODUCTS

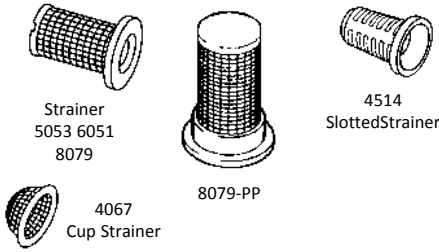
TECHNICAL INFORMATION

INDEX

BOOM COMPONENTS

APPLICATORS & SPRAYERS
 DRY MATERIAL HANDLING
 TRAILERS
 TANKS & ACCESSORIES
 PUMPS
 VALVES & FITTINGS
 STRAINERS & HOSE
 PLANTER EQUIPMENT
 SPRAYER CONTROLS & GUIDANCE
 NOZZLES, TIPS & SPRAY GUNS
 NH3 PRODUCTS
 TECHNICAL INFORMATION
 INDEX

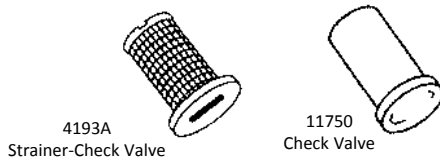
TEEJET STRAINER ASSEMBLIES



Part #	Description
5053-* SS	Brass With SS Screen (24, 50, 80, 100, 200 mesh)
6051- SS -*	Stainless Steel Throughout (24, 50, 80, 100, 110, 200 mesh)
8079- PP -*	Polypropylene With SS Screen (24, 50, 80, 100, 200 mesh)
5054-* SS	Extra-long, Brass With SS Screen (50, 100 mesh)
4514-*	Slotted Strainer, Brass (10, 20, 32, 40 mesh)
4514- NY -*	Nylon Slotted Strainer (10, 20, 32 mesh)
4067- SS -*	Cup Strainer, Stainless Steel

*Mesh Size

TEEJET CHECK VALVES



Part #	Description
4193A-#-* SS	Brass/SS Screen (24, 50, 80, 100, 110, 200 mesh)
4193A- PP -#-* SS	Polypropylene With SS & Viton Ball (24, 50, 80, 100, 200 mesh)
4193A- SS -#-* SS	Stainless Steel Throughout (24, 50, 100, 200 mesh)
11750-*	Brass (5 or 10 lb)
11750- SS -*	Stainless Steel (5 or 10 lb)
11750- PP -*	Polypropylene (5 or 10 lb)

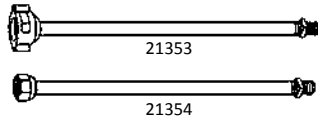
*Mesh Size - #Check Valve Size

TEEJET PLUG TIPS



Part #	Description
CP3942	Brass Plug Tip
CP3942-AL	Aluminum Plug Tip
CP3942-SS	Stainless Steel Plug Tip
CP5539	Brass Blank Plug Tip For (3/4T)

HOSE DROPS



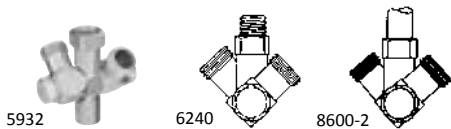
Part #	Description
21353-6-15- NYB	Quick TeeJet Hose Drop With EPDM Gasket 15"
21353-6-24- NYB	Quick TeeJet Hose Drop With EPDM Gasket 24"
21354-15- NYB	TeeJet Hose Drop, Nylon Throughout, 15"
21354-24- NYB	TeeJet Hose Drop, Nylon Throughout, 24"

SINGLE SWIVEL TEEJET NOZZLE BODY ASSEMBLIES



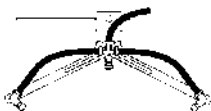
Part #	Description
5000-1/8T, 1/4T	TeeJet Swivel Body Assembly, Brass
5540-1/4TT	TeeJet Swivel Body Assembly, Brass
8600-1/4T- NYB	TeeJet Swivel Body Assembly, Nylon

DOUBLE SWIVEL TEEJET NOZZLE BODY ASSEMBLIES



Part #	Description
6240-1/4TT	TeeJet Swivel Body Assembly, Brass
5932-2-1/4T	TeeJet Swivel Body Assembly, Brass
8600-2-1/4T- NYB	TeeJet Swivel Body Assembly, Nylon

ROW APPLICATION KIT



Part #	Description
23770- SS	Row Application Kit, Less Tips, Stainless Steel

VARI-SPACING TEEJET CLAMP ASSEMBLIES



Part #	Description
AA111-1/2,-3/4,-1	Clamp Sub-assembly - 1/2", 3/4", 1" Round
AA111-1-1/4	Clamp Sub-assembly - 1 1/4" Round
AA111SQ-1	Clamp Sub-assembly - 1" Square
AA111SQ-1-1/4	Clamp Sub-assembly - 1 1/4" Square
AA111SQ-1-1/2	Clamp Sub-assembly - 1 1/2" Square

VALVES & RINSING NOZZLES



PRESSURE RELIEF/REGULATING VALVES



6815

AA110

8460

23120A

Part #	Description
AA110-1/4-*	Brass 1/4" Pressure Relief Valve
AA110-3/8-*	Brass 3/8" Pressure Relief Valve
AA110-1	Brass 1" Pressure Relief Valve
AA110-1-DI	Ductile Iron 1" Pressure Relief Valve
AA110-1-AL	Aluminum 1" Pressure Relief Valve
AA110-1-1/4	Brass 1 1/4" Pressure Relief Valve
AA110-1-1/4-AL	Aluminum 1 1/4" Pressure Relief Valve
AA110-1-1/2	Brass 1 1/2" Pressure Relief Valve
AA110-1-1/2-DI	Ductile Iron 1 1/2" Pressure Relief Valve
6815-1/2 OR 3/4-*	Brass Pressure Relief Valve
8460-1/2-50	Nylon 1/2" Pressure Relief Valve
8460-3/4	Nylon 3/4" Pressure Relief Valve
23120-1/2-PP	Polypropylene 1/2" Pressure Relief Valve
23120-3/4-PP	Polypropylene 3/4" Pressure Relief Valve

* Specify PSI

DIRECTO VALVE MANUALLY OPERATED CONTROL VALVE

Part #	Description
AA6B	3/4" Female Inlet x 1/2" Female Outlet



TEEVALVE MANUAL CONTROL VALVE

Aluminum with 1" inlet connections

Part #	Inlet Size	(3) Boom Outlets	Accessory Outlet
AA17Y	1"	3/4"	3/4"
AA17L	3/4"	3/4"	3/4"



THROTTLING VALVE

Throttling valve, polypropylene

Part #
23520-1/2-PP
23520-3/4-PP



SELF OPERATING SPRAY BALL

Includes:
2-5011164=3/4 x 4 Poly Nipple
2-5270-3/4-18-POM

Part #	Description
RINSEBALL-KIT	Self Operating Spray Ball



CONTAINER RINSING NOZZLES

Part #	Description
VSM-1/2-*	28,44,90* CAPACITY
VSM-1/2-*	140,190* CAPACITY
VSM-3/4-90	



TANK RINSING NOZZLES

Part #	Description
55270-1/2-11-POM	1/2" Tank Rinsing Nozzle
55270-3/4-18-POM	3/4" Tank Rinsing Nozzle



HYPRO[®] PROCLEAN[™] NOZZLES & VALVE

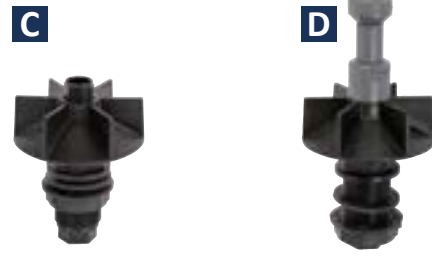
HIGH PERFORMANCE TANK & CONTAINER WASH SPRAY NOZZLES



Closed

Flushing

Open



Part #	Photo Reference	Description
PC1/2F-36075	A	ProClean [™] Container Nozzle
PC1/2F-235120	B	ProClean [™] Tank Nozzle
3400-0174	C	ProClean [™] II Valve Assembly
BG-3400-0175	A & C	ProClean [™] II Valve and Nozzle
3400-0176	D	ProClean [™] II Valve Assembly With HF Nozzle

NOZZLE BODIES

QUICK NOZZLE SYSTEMS FOR DRY BOOMS



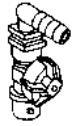
QJ373-750-1-NYB



QJ373-750-2-NYB

Part #	Size	Description
QJ373-500-1-NYB	1/2"	Multi. Nozzle Body W/ Single Hose Shank
QJ373-500-2-NYB	1/2"	Multi. Nozzle Body W/ Double Hose Shank
QJ373-750-1-NYB	3/4"	Multi. Nozzle Body W/ Single Hose Shank
QJ373-750-2-NYB	3/4"	Multi. Nozzle Body W/ Double Hose Shank
QJ373-1000-1-NYB	1"	Multi. Nozzle Body W/ Single Hose Shank
QJ373-1000-2-NYB	1"	Multi. Nozzle Body W/ Double Hose Shank
QJ375-500-1-NYB	1/2"	Multi. Nozzle Body W/ Single Hose Shank
QJ375-500-2-NYB	1/2"	Multi. Nozzle Body W/ Double Hose Shank
QJ375-750-1-NYB	3/4"	Multi. Nozzle Body W/ Single Hose Shank
QJ375-750-2-NYB	3/4"	Multi. Nozzle Body W/ Double Hose Shank
QJ375-1000-1-NYB	1"	Multi. Nozzle Body W/ Single Hose Shank
QJ375-1000-2-NYB	1"	Multi. Nozzle Body W/ Double Hose Shank

HOSE SHANK DIAPHRAGM CHECK VALVES



19349



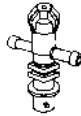
19350



19351



22251



22252



CP21953-EPR
OR
CP21953-VI



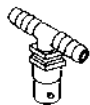
21950-8-NYB

Part #	Size	Description
19349-211-406-NYB	3/8"	Single Hose Shank Quick TeeJet Nozzle
19349-211-540-NYB	1/2"	Same As Above
19349-211-785-NYB	3/4"	Same As Above
19350-212-406-NYB	3/8"	Same As Above (Double Hose Shank)
19350-212-540-NYB	1/2"	Same As Above (Double Hose Shank)
19350-212-785-NYB	3/4"	Same As Above (Double Hose Shank)
19351-213-406-NYB	3/8"	Same As Above (Triple Hose Shank)
19351-213-540-NYB	1/2"	Same As Above (Triple Hose Shank)
19351-213-785-NYB	3/4"	Same As Above (Triple Hose Shank)
22251-311-375-NYB	3/8"	Same As Above (Single Hose Shank)
22251-311-500-NYB	1/2"	Same As Above (Single Hose Shank)
22251-311-750-NYB	3/4"	Same As Above (Single Hose Shank)
22252-312-375-NYB	3/8"	Same As Above (Double Hose Shank)
22252-312-500-NYB	1/2"	Same As Above (Double Hose Shank)
22252-312-750-NYB	3/4"	Same As Above (Double Hose Shank)
21950-2-NYB		2 lb. Chem-saver end cap
21950-5-NYB		5 lb. Chem-saver end cap
21950-8-NYB		8 lb. Chem-saver end cap
21950-10-NYB		10 lb. Chem-saver end cap
CP21953-EPR		EPDM diaphragm
CP21953-VI		VITON diaphragm

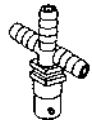
HOSE SHANK NOZZLE BODIES



18635
18638
18719



18636
18639
18720



18637
18640
18721

Part #	Size	Description
18635-111-406-NYB	3/8"	Single Hose Shank Quick Nozzle Body
18638-111-540-NYB	1/2"	Single Hose Shank Quick Nozzle Body
18719-111-785-NYB	3/4"	Single Hose Shank Quick Nozzle Body
18636-112-406-NYB	3/8"	Double Hose Shank Quick Nozzle Body
18639-112-540-NYB	1/2"	Double Hose Shank Quick Nozzle Body
18720-112-785-NYB	3/4"	Double Hose Shank Quick Nozzle Body
18637-113-406-NYB	3/8"	Triple Hose Shank Quick Nozzle Body
18640-113-540-NYB	1/2"	Triple Hose Shank Quick Nozzle Body
18721-113-785-NYB	3/4"	Triple Hose Shank Quick Nozzle Body

VARI-SPACING CLAMPS



QJ111



QJ111SQ

Part #	Description
QJ111-1/2-, 3/4 or 1	1/2", 3/4" or 1" Vari-Spacing Quick Clamp Sub-assembly
QJ111-1-1/4	1 1/4" Vari-Spacing Quick Clamp Sub-assembly
QJ111SQ-3/4, or 1	3/4" or 1" Vari-Spacing Quick Clamp Sub-assembly
QJ111SQ-1-1/4	1 1/4" Vari-Spacing Quick Clamp Sub-assembly
QJ111SQ-1-1/2	1 1/2" Vari-Spacing Quick Clamp Sub-assembly
QJ111SQ-*3045S	3/4", 1", 1 1/4", or 1 1/2" SS Vari-Spacing Quick Clamp Sub-assembly

OTHER QUICK TEEJET CAPS FOR PRESSURES UP TO 300 PSI

Part #	Type	Description
QJ4676-1/8-NYR	Adapter Cap	Quick TeeJet Outlet Adapter with EPDM Seat Gasket, Black
QJ4676-1/4-NYR	Adapter Cap	Quick TeeJet Outlet Adapter with EPDM Seat Gasket, Black
19843-NYR	Shut-Off Cap	Quick TeeJet Shut-Off Cap and Seat Gasket Set
QJ4676-90-1/4-NYR	Adapter Cap	Quick TeeJet Outlet Adapter with EPDM Seat Gasket, Black, 90°
QJ4676-45-1/4-NYR	Adapter Cap	Quick TeeJet Outlet Adapter with EPDM Seat Gasket, Black, 45°

OTHER QUICK TEEJET GASKETS & SEALS



Part #	Description
CP19438-EPR	Quick TeeJet Seat Gasket, Standard EPDM Material (for use with all spray tips except Disc-Core type)
CP19438-VI	Quick TeeJet Seat Gasket, optional VITON Material
CP18999-EPR	Quick TeeJet Seal, EPDM, for Disc-Core type spray tips
CP18999-VI	Quick TeeJet Seal, optional VITON material



QJT

ADAPTERS



QJT8360

Part #	Size	Description
QJT-NYB		Quick TeeJet Adapter x 11/16" FPT
QJT8360-NYB		Diaphragm Check Valve Quick

NOZZLE BODIES

QUICK NOZZLE SYSTEMS FOR WET BOOMS



QJ373-1-NYB

QJ375-L-1-NYB

Part #	Size	Description
QJ373-1/2-NYB	1/2"	TRIPLE NOZZLE SPLIT EYELET DIAPHRAGM CHECK VALVE
QJ373-L-1/2-NYB	1/2"	TRIPLE NOZZLE SPLIT EYELET DIAPHRAGM CHECK VALVE
QJ373-3/4-NYB	3/4"	TRIPLE NOZZLE SPLIT EYELET DIAPHRAGM CHECK VALVE
QJ373-L-3/4-NYB	3/4"	TRIPLE NOZZLE SPLIT EYELET DIAPHRAGM CHECK VALVE
QJ373-1-NYB	1"	TRIPLE NOZZLE SPLIT EYELET DIAPHRAGM CHECK VALVE
QJ373-L-1-NYB	1"	TRIPLE NOZZLE SPLIT EYELET DIAPHRAGM CHECK VALVE
QJ375-1/2-NYB	1/2"	TRIPLE NOZZLE SPLIT EYELET DIAPHRAGM CHECK VALVE
QJ375-L-1/2-NYB	1/2"	TRIPLE NOZZLE SPLIT EYELET DIAPHRAGM CHECK VALVE
QJ375-3/4-NYB	3/4"	TRIPLE NOZZLE SPLIT EYELET DIAPHRAGM CHECK VALVE
QJ375-L-3/4-NYB	3/4"	TRIPLE NOZZLE SPLIT EYELET DIAPHRAGM CHECK VALVE
QJ375-1-NYB	1"	TRIPLE NOZZLE SPLIT EYELET DIAPHRAGM CHECK VALVE
QJ375-L-1-NYB	1"	TRIPLE NOZZLE SPLIT EYELET DIAPHRAGM CHECK VALVE

MULTIPLE NOZZLE BODIES FOR WET BOOMS

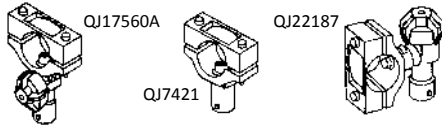


CP98488-VI
Retrofit Seal

Part #	Size	Description
QJ383-3/4-NYB	3/4"	Mult. Nozzle Split-Eyelet - 3 Spray Outlets
QJ383-1-NYB	1"	Mult. Nozzle Split-Eyelet - 3 Spray Outlets
CP98488-VI*	-	Hi-Flow Nozzle Body Adapter Insert

* Retrofit Seal - Adapts to any TeeJet QJ Wet Boom with 3/8" inlet to larger 11/16" (17mm) hole on Wet Boom.

SPLIT-EYELET DIAPHRAGM CHECK VALVES



QJ17560A

QJ7421

QJ22187

Part #	Size	Description
QJ17560A-1/2-NYB	1/2"	Split-Eyelet Quick Diaphragm Check Valve
QJ17560A-3/4-NYB	3/4"	Split-Eyelet Quick Diaphragm Check Valve
QJ17560A-1-NYB	1"	Split-Eyelet Quick Diaphragm Check Valve
+QJ7421-1/2-NYB	1/2"	Split-Eyelet Quick TeeJet Nozzle Body
+QJ7421-3/4-NYB	3/4"	Split-Eyelet Quick TeeJet Nozzle Body
+QJ7421-1-NYB	1"	Split-Eyelet Quick TeeJet Nozzle Body
QJ22187-1/2-NYB	1/2"	Split-Eyelet Quick Diaphragm Check Valve
QJ22187-3/4-NYB	3/4"	Split-Eyelet Quick Diaphragm Check Valve
QJ22187-1-NYB	1"	Split-Eyelet Quick Diaphragm Check Valve

+ = Does Not Include Chemsaver

TRIPLE NOZZLE BODIES WITH CHEMSAVER



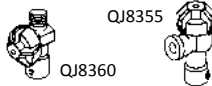
24231B-NYB



24216A

Part #	Size	Description
24231A-NYB		Diaphragm Check Valve Triple Nzl Bdy w/ 1/4" Inlet
24216A-1/2-NYB	1/2"	TeeJet Triple Nozzle Body
24216A-3/4-NYB	3/4"	TeeJet Triple Nozzle Body
24216A-1-NYB	1"	TeeJet Triple Nozzle Body

DIAPHRAGM CHECK VALVES

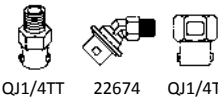


QJ8360

QJ8355

Part #	Size	Description
QJ8360-NYB	1/4" mpt	Diaphragm Check Valve Quick Nozzle Body
QJ8355-1/8-NYB	1/8" mpt	Diaphragm Check Valve Quick Nozzle Body
QJ8355-1/4-NYB	1/4" mpt	Diaphragm Check Valve Quick Nozzle Body

NOZZLE BODIES



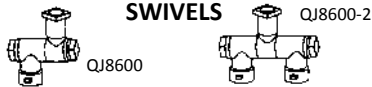
QJ1/4TT

22674

QJ1/4T

Part #	Size	Description
QJ1/4TT-NYB	1/4" mpt	Quick TeeJet Nozzle Body
QJ1/4T-NYB	1/4" fpt	Quick TeeJet Nozzle Body
22674-1/4-NYB	1/4" mpt	Quick TeeJet 45° Nozzle Body

SWIVELS



QJ8600

QJ8600-2

Part #	Size	Description
QJ8600-1/4-NYB	1/4" fpt	Single Swivel Quick TeeJet Nozzle Body
QJ8600-2-1/4-NYB	1/4" fpt	Double Swivel Quick TeeJet Nozzle Body

Diaphragm 2 lb. Check Valves



QJ38620-3/4-NYB

QJ8360

QJT8360

Part #	Size	Description
QJ38620-3/4-NYB	3/4"	Split-eyelet Quick 2 lb. Diaphragm Check Valve
QJ38621-NYB	1/4" mpt	2 lb. Diaphragm Check Valve
QJT38622-NYB	11/16" nzl	2 lb. Diaphragm Check Valve Body, 11/16" FPT

55295 E-CHEMSAVER ELECTRIC SOLENOID SHUTOFF

The 55295 e-ChemSaver is a solenoid actuated shutoff compatible with a wide range of TeeJet nozzle bodies equipped with a diaphragm check valve. It can be used for end of boom nozzles as well as individual tip shutoff and PWM controls.

Part #	Voltage	For Use With TeeJet Nozzle Body
115880-1-12	12	QJ8360, QJT8360, 8360, QJ17560A, QJP19011, QJ200 SERIES, QJ300 SERIES, QJ360E, QJ39685, 13431, 24216A, 24230A, 24231A
115880-1-12-05	12	e-ChemSaver, w/ 20" cable
115880-1-12-200	12	e-ChemSaver, w/ 65.6 Ft cable
98552-05		e-ChemSaver Cable w/ Metri-Pac Connection, 20"
98552-200	12	e-ChemSaver Cable w/ Metri-Pac Connection, 65.6 Ft



APPLICATORS & SPRAYERS
DRY MATERIAL HANDLING
TRAILERS
TANKS & ACCESSORIES
PUMPS
VALVES & FITTINGS
STRAINERS & HOSE
PLANTER EQUIPMENT
SPRAYER CONTROLS & GUIDANCE
NOZZLES, TIPS & SPRAY GUNS
NH3 PRODUCTS
TECHNICAL INFORMATION
INDEX

NOZZLE BODIES

HYPRO® PROFLO NOZZLE BODIES



- Easy change of spray nozzles: 3-way or 5-way
- Provides lowest pressure drop at any given flow in the industry
- 2.6 gpm (9.84 LPM) with a 5 psi (.345 BAR) pressure drop
- Available in wet or dry boom versions

3 And 5-Way Nozzle Bodies For Wet Boom (No Tab For Boom Clamp)

EPDM Seals /RED Cap

Part #	Pipe Size	Turret #
4223N-B323-00	3/4"	3
4223N-B523-00	3/4"	5
4223N-B324-00	1"	3
4223N-B524-00*	1"	5

* EXPRESS BOOM replacement

VITON Seals /GREEN Cap

Part #	Pipe Size	Turret #
4223N-B323V-00	3/4"	3
4223N-B523V-00	3/4"	5
4223N-B324V-00	1"	3
4223N-B524V-00	1"	5

JUMBO HIGH VOLUME 5-WAY NOZZLE BODY

For Popular Self-Propelled Sprayers With 1" Booms With 11/16" (17 mm) Diameter Boom Holes

Designed as a direct replacement for popular self-propelled sprayers with 1" booms with 11/16" (17 mm) diameter boom holes. Easy fit connection for 1" pipe, includes stainless steel screw and nut. Standard with Viton® diaphragms. High volume - 6 GPM at 5 PSI pressure drop. Check valve closes at 12 PSI. 5-nozzle lugs fit TeeJet QuickJet 90° turn caps. Rated to 145 PSI.



Part #	Description
4072CLV01	Jumbo 5-Way Nozzle Body for 1" Boom
4072000.151	Replacement Viton® Diaphragm For Above
40720002.101	Replacement 12 PSI Check Valve For Above

QUICK NUT (QN) STAINLESS STEEL TUBE (SST) WET BOOM COMPONENTS



Part #	Description
25160-02	O-Ring FKM for 1" SST Fittings
25160-03	QN 1" SST Nut
25163-01	QN 1" SST Plug
25164-01	QN 1" SST X 3/4" FPT Adapter
25165-01	QN 1" SST Sight Bulb Plug-Clear
25166-01	QN Hose Shank—1" SST X 1" Hose Barb
25167-01	QN Hose Shank—1" SST X 1" Sweep 90 Barb
25168-00	QN Sweep Tee —1" Hose Barb X 1" SST X 1" SST
25170-00	QN Female Boom End Adapter Assembly—1.315" Tube X 1" SST
25171-00	QN Male Boom End Adapter—1.315" Tube X 1" SST
25172-00	QN Sweep Tee—1 1/4" Joint Adapter X 1" SST X 1" SST
25175-V0	QN SST Boom End Flush Valve (1 1/4" FNPT Compatible)
25176-V0	QN SST Boom End Flush Valve (1" FNPT Compatible)
5282418	1" SST Wet Boom Clamp Kit—1 1/2" Square Tube Mount
5282419	1" SST Wet Boom Clamp Kit—1 1/4" Square Tube Mount
5282420	1" SST Wet Boom Clamp Kit—1" Square Tube Mount
QJ373-1-NYB	373 Wet Boom for 1" Pipe—3-Way
QJ373-L-1-NYB	373 Wet Boom for 1" Pipe—3-Way (Left Side Diaphragm)
CP98583-3-1-SS	1" Pipe Rapid Stop Nozzle Body Adapter

EXPRESS WETBOOM

APPLICATORS
& SPRAYERS

DRY MATERIAL
HANDLING

TRAILERS

TANKS &
ACCESSORIES

PUMPS

VALVES &
FITTINGS

STRAINERS
& HOSE

PLANTER
EQUIPMENT

SPRAYER
CONTROLS &
GUIDANCE

NOZZLES, TIPS
& SPRAY GUNS

NH3
PRODUCTS

TECHNICAL
INFORMATION

INDEX

HYPRO® EXPRESS WETBOOM



Performance Tested to 150 PSI Rating

- Available for the 6000/7000/8000 Series Pull-Type Sprayers
- Eliminates "dead-ends" of pipe where chemical residue can build-up
- Cleanout port for easy boom flushing
- Creates a cleaner looking plumbing system by eliminating the need for an extra fitting at the end of the boom
- Eliminates trapped air from the boom by allowing air to escape through the nozzle body, reducing nozzle turn-off time by 85%

Part #	Description
9315	3 Section x 15" Spacing Off Center
9515	5 Section x 15" Spacing Off Center
9320	3 Section x 20" Spacing Off Center
9520	5 Section x 20" Spacing Off Center

Kits available to fit most brands & models of sprayers

HYPRO® EXPRESS FLUSHING VALVE



Express End Cap
w/ Flush Valve
installed

Flush Valve for Express End Cap Retrofit

Part #	Description
BG-7433-3321	Express End Cap with Flush Valve installed
BG-7433-3319	Flush Valve for Express End Cap Retrofit

HYPRO® EXPRESS BOOM COMPONENTS



EXPRESS NOZZLE BODY END CAP

Part #	Description	Nozzle Body Type
BG-7433-3316	1" Express™ fitting with nozzle body end cap allows trapped air to escape through the nozzle body and includes removable plug for boom cleanout.	10 mm Stem



SERVICE KITS

Part #	Description
7433-2600	ProFlo Removable Plug with O-ring & Retainer Kit



EXPRESS UNIVERSAL FLANGE WET BOOM FITTINGS

Part #	Description	Reference
BG-7433-2502	Express Fitting X 1" Universal Flange Straight	1
BG-7433-2503	2 Express Fitting X 1" Universal Flange Tee (Vertical)	2
UFG0100E-A	1" EPDM Universal Flange Gasket	3



EXPRESS HOSE BARB WET BOOM FITTINGS

Part #	Description	Reference
BG-7433-2608	Express Fitting X 1" Hose Barb Straight	1
BG-7433-2610	Express Fitting X 1" Hose Barb Elbow Vertical	2
BG-7433-2601	Express Fitting X 1" Hose Barb Elbow Horizontal	3



EXPRESS CAM LOCK WET BOOM FITTINGS

Part #	Description
BG-7433-2613	Express Fitting X 1" Male Cam Lock Straight



SERVICE KITS

Part #	Description	Reference
2910-0026	Clamp Assembly	1
1721-0225	O-Ring	2

BOOM COMPONENTS



HOSE SHANK & ADAPTERS

Part #	NPT Thread Conn. Male	For Hose I.D.	Material
8400-1/4-300-NYB	1/4"	1/4"	Nylon
8400-1/4-406-NYB	1/4"	3/8"	Nylon
8400-1/4-535-NYB	1/4"	1/2"	Nylon
8400-3/8-406-NYB	3/8"	3/8"	Nylon
8400-3/8-535-NYB	3/8"	1/2"	Nylon
8400-1/2-406-NYB	1/2"	3/8"	Nylon
8400-1/2-535-NYB	1/2"	1/2"	Nylon
8400-1/2-660-NYB	1/2"	5/8"	Nylon
8400-3/4-535-NYB	3/4"	1/2"	Nylon
8400-T-406-NYB	Fits	3/8"	Nylon



Part #	NPT Thread Conn. Male	For Hose I.D.	Material
13434-406-NYB	1/4" (F)	3/8"	Nylon
13437-540-NYB	1/4" (F)	1/2"	Nylon



Part #	NPT Thread Conn. Male	For Hose I.D.	Material
6053-400	1/4"	3/8"	Brass



Part #	NPT Thread Conn. Male	For Hose I.D.	Material
13435-406-NYB	1/4" (F)	3/8"	Nylon
13438-540-NYB	1/4" (F)	1/2"	Nylon



Part #	NPT Thread Conn. Male	For Hose I.D.	Material
13436-406-NYB	1/4" (F)	3/8"	Nylon
13439-540-NYB	1/4" (F)	1/2"	Nylon



Part #	To Fit Hose I.D.	Material
15427-1-296	1/4"	Brass
12670-406TD-NYB	3/8"	Nylon



TEEJET HOSE SHANKS



Part #	Hose I.D.
8400-406-NYB	3/8"
8400-500-NYB	1/2"

HOSE SHANK NOZZLE BODIES & NOZZLE CAPS

Part #	To Fit Hose I.D.	Material
6471B-400TD	3/8"	Brass
6471-SS-C400TD	3/8"	Stainless Steel
8121-NYB-406TD	3/8"	Nylon
8121-NYB-540TD	1/2"	Nylon
9191B-531TD	1/2"	Brass
9191-SS-C531TD	1/2"	Stainless Steel
12201-CE-785TD	3/4"	Celcon Hose Shank/Stainless Steel Threaded
12201-CE-1062TD	1"	Outlet



TEEJET HOSE SHANKS



Part #	Hose I.D.
4251-250	1/4"
4251-312	5/16"
4251-400	3/8"
4251-500	1/2"

TEEJET SPLIT EYELET NOZZLE BODIES



Part #	Material	To Clamp On
7421-1/2T	Brass	1/2" Pipe
7421-1/2T-SS	SS	13/16" O.D. Tubing
7421-1/2T-NYB	Nylon	7/8" O.D. Tubing
7421-3/4T	Brass	3/4" Pipe
7421-3/4T-SS	SS	1" O.D. Tubing
7421-3/4T-NYB	Nylon	1 1/16" O.D. Tubing
7421-1T	Brass	1" Pipe
7421-1T-SS	SS	1 1/4" O.D. Tubing
7421-1T-NYB	Nylon	1 3/8" O.D. Tubing

Part #	To Fit Hose I.D.	Material
6472B-400TD	3/8"	Brass
6472-SS-C400TD	3/8"	Stainless Steel
8120-NYB-406TD	3/8"	Nylon
8120-NYB-540TD	1/2"	Nylon
9192B-531TD	1/2"	Brass
12202-CE-785TD	3/4"	Celcon Hose Shank/Stainless Steel Threaded
12202-CE-1062TD	1"	Outlet



TEEJET SPLIT EYELET NOZZLE BODIES



Part #	Material	To Clamp On
25775-1/2T-NYB	Nylon	1/2" T 13/16" O.D. Tubing 7/8" O.D. Tubing
25775-3/4T-NYB	Nylon	3/4" Pipe 1" O.D. Tubing 1 1/16" O.D. Tubing 1" Pipe
25775-1T-NYB	Nylon	1 1/4" O.D. Tubing 1 3/8" O.D. Tubing

TYPE-T NOZZLE BODIES

Female Inlet NPT or BSPT Connection

Part #	For TeeJet Nozzle Type	Male NPT Size	Material
CP1335	1/8T	1/8"	Brass
CP1321	1/4T	1/4"	Brass
CP12094-NYB	1/4T-NYB	1/4"	Nylon
CP1321	1/4T-SS	1/4"	Stainless Steel
CP1323	3/8T	3/8"	Brass
CP1339	1/2T	1/2"	Brass



TYPE-TT NOZZLE BODIES

Male Inlet NPT or BSPT Connection

Part #	For TeeJet Nozzle Type	Male NPT Size	Material
CP1336	1/8TT	1/8"	Brass
CP1322	1/4TT	1/4"	Brass
CP8028-NYB	1/4TT-NYB	1/4"	Nylon
CP1322-SS	1/4TT-SS	1/4"	Stainless Steel
CP1324	3/8TT	3/8"	Brass
CP1340	1/2TT	1/2"	Brass



TEEJET NOZZLE CAPS



Part #	Material
CP1325	Brass
CP8027-NYB	Nylon
CP8027-1-NYB	Nylon (Extra Long Size)
CP1325-AL	Aluminum
CP1325-SS	Winged Cap, Stainless Steel

TEEJET PLUG TIPS



Part #	Material
CP3942	Brass
CP3942-SS	Stainless Steel
CP5539	Blank Plug Tip for (3/4T) Brass

4676 TEEJET OUTLET ADAPTERS



Part #	Material	Outlet Conn. NPT (F)
4676-NYB.*	Nylon	1/8" or 1/4"
4676.*	Brass	1/8" or 1/4"
4676-SS.*	Stainless Steel	1/8" or 1/4"

SPRAY GUNS



22670-PP-24-X8



- Replaceable viton diaphragm
- Trigger lock permits locking valve in open position for continuous flow
- Maximum operating pressure 150 PSI
- 1/4" NPTF inlet connection



5500-PPB-X*



22650PP

Part #	Description
22650-PP-1/4	Gun less tip
22670-PP-24-*	Gun, 24" extension, 5500PPBX8 adj. tip
22670-PP-15-*	Gun, 15" extension, 5500PPBX8 adj. tip
5500-PPB-X**	Poly adjustable ConeJet tip**

*Specify Hose Barb Size **Specify Tip Size

R1ALM



- Gun has built-in strainer in handle.
- Polypropylene body with aluminum lance.
- 3/8" hose barb to connect to a hand gun hose.
- Adjustable plastic cone tip, solid stream to a fog.

Part #	Description
R1ALM	Hand Gun with positive shut-off



MODEL 50800

The 50800 TriggerJet spray gun is a lightweight spray gun designed for use with backpack canister or other low pressure sprayers. The TriggerJet is made of molded polypropylene for excellent chemical resistance and durability.

- Available with 15" polypropylene or 21" aluminum extension wand
- Available with 38720-PP-X18 adjustable ConeJet® spray tips with a 30° offset
- Trigger lock permits locking gun in an open position for continuous flow
- Maximum operating pressure of 100 PSI
- 1/4" or 3/8" hose shank connection
- Approximatel max. hose O.D. - 1/2"
- Polypropylene strainer located inside handle to prevent tip clogging

Part #	Description
50800-15-PP-300	15" polypropylene extension 1/4" hose barb inlet
50800-15-PP-406	15" polypropylene extension 3/8" hose barb inlet
50800-21-AL-300	21" aluminum extension 1/4" hose barb inlet
50800-21-AL-406	21" aluminum extension 3/8" hose barb inlet



LAWN SPRAY GUN



- High impact, corrosion resistant materials Nylon (black), Viton "O"-rings, packings and seat, with SS springs
- Interchangeable nozzle tips are color coded for easy identification of nozzle tip size
- Convenient trigger lock for continuous spraying
- Maximum recommended pressure (150 PSI)



25660-1.5

Part #	Description
25660.*	TeeJet Lawn Spray Gun (w/1 nozzle)
25660-0	TeeJet Lawn Spray Gun (less nozzle)
CP25670-* -NY	Tip for lawn spray gun(1.5, 3.0, 4.0)
25990-3/4-NYB	3/4" Hose shank swivel
25657-NYB	Lawn gun adapter
22665-15-PP	Extension assembly 15" (less tip)
22665-24-PP	Extension assembly 24" (less tip)



5500 ADJUSTABLE CONEJET TIP



5500-X



5500-PPB-X

Part #	Description
5500-X*	Brass Tip
5500-PPB-X*	Polypropylene Tip

*Specify Tip Size

5500 Adjustable ConeJet Tip Available in Brass or Poly		Performance at Pressures Indicated					
Tip No	Performance	20 PSI		30 PSI		40 PSI	
		Settings	Settings	Settings	Settings	Settings	Settings
5500-X4	Capacity-GPM	5	.18	.058	.22	.067	.25
	spray angle	61°	---	70°	---	73°	---
	max.-throw-ft.	2.5	30	2.5	33	3	34
5500-X5	Capacity-GPM	.061	.21	.076	.26	.082	.30
	spray angle	61°	---	70°	---	74°	---
	max.-throw-ft.	2.5	31	2.5	34	3	35
5500-X8	Capacity-GPM	.097	.33	.12	.40	.13	.47
	spray angle	66°	---	71°	---	74°	---
	max.-throw-ft.	3	34	3	37	3	38
5500-X18	Capacity-GPM	.21	.69	.25	.84	.30	.97
	spray angle	71°	---	75°	---	77°	---
	max.-throw-ft.	4	38.4	4	42.1	4	43.5
5500-X26	Capacity-GPM	.31	.98	.37	1.2	.43	1.4
	spray angle	72°	---	76°	---	78°	---
	max.-throw-ft.	4.5	38.1	5	43	5	45

APPLICATORS & SPRAYERS
 DRY MATERIAL HANDLING
 TRAILERS
 TANKS & ACCESSORIES
 PUMPS
 VALVES & FITTINGS
 STRAINERS & HOSE
 PLANTER EQUIPMENT
 SPRAYER CONTROLS & GUIDANCE
 NOZZLES, TIPS & SPRAY GUNS
 NH3 PRODUCTS
 TECHNICAL INFORMATION
 INDEX

SPRAY GUNS

SPRAY GUN MODELS 3381-0010 & 3381-0011



Part #	Description
5163089	3381-0010
5163102	3381-0011

HYPRO®

SPECIFICATIONS:

- **Maximum Pressure:** 870 PSI
- **Maximum Capacity:** Model 3381-0010 - 25 gpm
Model 3381-0011 - 30 gpm
- **Barrel Length:** Model 3381-0010 - 17"
Model 3381-0011 - 21"
- **Port-NPT:** 1/2" Inlet (M)
(Note: Gun comes equipped with a 1/2" hose barb inlet. Simply remove hose barb for 1/2" male inlet.)

These guns offer long-range capability, which makes them excellent for tree spraying, fire fighting and de-icing. The 3381-0010 comes standard with a 3 mm spray tip; the 3381-0011 comes standard with a 4mm spray tip

SPRAY GUN 3381-0010, 3381-0011 & 3381-0013 TIP PERFORMANCE CHART

HYPRO TIP NUMBER	ORIFICE DIAMETER (mm)	EQUIVALENT NOZZLE NUMBER	PERFORMANCE	ALUMINUM GUN													
				200 PSI		350 PSI		500 PSI		600 PSI		650 PSI		700 PSI		850 PSI	
				Cone	Straight	Cone	Straight	Cone	Straight	Cone	Straight	Cone	Straight	Cone	Straight	Cone	Straight
3385-2300	2.3	14	-10 Flow (GPM)	2.1	2.8	2.7	3.6	3.3	4.4	3.7	4.8	3.9	5	4	5.2	4.4	5.5
			-11 Flow (GPM)	2.8	2.8	3.7	3.7	4.5	4.5	4.9	4.9	5.1	5.1	5.3	5.3	5.7	5.7
			MAX THROW (FT)*	11.4	29	12.9	33.9	14.8	37.9	16.6	41.5	17	41.7	17.7	42	19	45.7
3385-3000 1*	3	23	-10 Flow (GPM)	2.9	5.3	3.8	6.8	4.7	8.1	5.2	8.9	5.4	9.2	5.6	9.6	6.2	10.6
			-11 Flow (GPM)	5.3	5.3	6.8	6.9	8	8.2	8.8	9.1	9.1	9.4	9.4	9.8	10.3	10.7
			MAX THROW (FT)*	11.7	29.2	12.9	33.9	13.8	36.2	15.6	40.8	16	40.7	16.2	42	17	44.1
3385-4000 2*	4	40	-10 Flow (GPM)	4.2	9.5	5.6	12.1	6.8	14.4	7.5	15.8	7.7	16.5	8	17.1	8.7	18.7
			-11 Flow (GPM)	8.1	9.5	10.3	12.2	12	14.6	13	16	13.4	16.7	13.7	17.3	14.5	19
			MAX THROW (FT)*	15.1	37.7	20.6	42.8	24.3	47	27.2	53	27.2	54	28.5	55	29	59
3385-5000	5	67	-10 Flow (GPM)	5.4	13.1	7	16.8	8.4	20.2	9.2	22	9.6	22.8	9.6	23.8	10.7	25.9
			-11 Flow (GPM)	10.2	13.2	12.5	17	14.6	20.4	15.9	22	16.4	23	17	23.6	18.4	25.6
			MAX THROW (FT)*	19.6	40.7	23.8	47	27.5	53.3	32.3	59	32.3	61	32.8	62	32.8	67
3385-6000	6	91	-10 Flow (GPM)	5.9	16.6	7.6	21	8.6	25.6	9.2	27.8	9.6	29	9.7	30.1	10.2	32
			-11 Flow (GPM)	11.3	17.2	14.6	21.6	16.9	25.8	18.6	28.4	19.6	29.6	20.3	30.9	21.9	34.3
			MAX THROW (FT)*	21.1	43.7	25.3	54	30.7	60	35.6	66	35.6	67	36	68	36	74

*Figures shown are guidelines for vertical throw. ** Pressures based on relief valve settings at straight throw.
1* Standard Tip on 3381-0010 & 3381-0013
2* Standard Tip on 3381-0011

TURBO 400 SPRAY GUN MODEL 3381-0013



HYPRO®








SPECIFICATIONS:

- **Maximum Pressure:** 725 PSI
- **Maximum Capacity:** 10 gpm
- **Barrel Length:** 7"
- **Port-NPT:** 1/2" Inlet (M)
(Note: Gun comes equipped with a 1/2" hose barb inlet. Simply remove hose barb for 1/2" male inlet.)

Part #	Description	Cost
5163103	3381-0013	\$ 230.61





This powerful Turbo 400 trigger gun is complete with a standard 3 mm spray tip.

TRIGGERS FOR SPRAY GUNS

	Part #	MFG Part #	Description	Conn. In	Conn. Out	Max Flow	Max Press.	WT.
	5143152	4688	Trigger Valve w/lock	1/4 FIPT	Tee Jet Cap	2 GPM	250	5 oz
	5143153	6466	Same as 4688 less Trigger lock w/ extra long Handle	1/4 FIPT	Tee Jet Cap	2 GPM	250	5 oz
	5143154	6104	Trigger Valve w/lock	1/4 FIPT	1/4 FIPT	2 GPM	250	5 oz
	5143174	6590	Trigger Valve less lock	1/4 FIPT	1/4 FIPT	2 GPM	250	5 oz
	5143155	AA36-1/4	Trigger Valve w/lock	1/4 FIPT	1/4 FIPT	7 GPM	150	13 oz
	5143216	AA36-3/8	Trigger Valve w/lock	3/8 FIPT	3/8 FIPT	7 GPM	150	13 oz

VALVE HANDLES

CHOICE OF VALVE HANDLES-for above valves
Outlet connections are 1/4" NPT(M) to fit 1/4" NPT (F) inlets of all valves shown. Choice of types for every need.

	Part #	MFG Part #	Description	Conn. In	Conn. Out	WT.
	5078102	4727	Brass Rubber Covered	1/4 MNPS	1/4 MIPT	4 1/4 oz.
	5078103	4754	Brass Rubber Covered	3/4 FGHT	1/4 MIPT	5 1/4 oz.
	5078152	4725	1/8" Brass Pipe w/Bushing Slip Hose over Pipe to form Handle	3/8" OD	1/4 MIPT	1 1/2 oz.

EXTENSIONS FOR SPRAY GUNS

4673- for pressures to 125 P.S.I.
6671- & 7715- for pressures to 250 psi Fits Models 23L, 31 GunJet spray Guns and trigger valves. Designed for use with TeeJet strainers, caps, and spray tips.

Use when spraying pressures will be greater than 250 P.S.I. Fits models 23H and 31 GunJet Spray Guns. Body designed for use with TeeJet strainers, caps and spray tips. Fixed position body, brass constructed with rubber covered handle (except in 8" length). Warning: Do not use at pressure higher than those specified for valve or spray gun.



STRAIGHT WITH FIXED BODY (PRESSURE TO 250 PSI)

Part #	Mfg. Part #	Extension Length
5065014	7715-8	8"
5065015	7715-18	18"
5065016	7715-24	24"
5065017	7715-30	30"
5065018	7715-36	36"
5065019	7715-48	48"



CURVED WITH SWIVEL BODY (PRESSURE TO 125 PSI)

Part #	Mfg. Part #	Extension Length
5065009	4673-18	18"
5065010	4673-24	24"
5065011	4673-30	30"
5065012	4673-36	36"
5065013	4673-48	48"



CURVED WITH FIXED BODY (PRESSURE TO 250 PSI)

Part #	Mfg. Part #	Extension Length
5065002	6671-8	8"
5065003	6671-18	18"
5065004	6671-24	24"
5065005	6671-30	30"
5065006	6671-36	36"
5065007	6671-48	48"



CURVED HIGH PRESSURE (PRESSURE TO 1000 PSI)

Part #	Mfg. Part #	Extension Length
5065022	9527-24	24"
5065023	9527-36	36"

SPRAY GUNS

GUNJET NO.143 SPRAY GUN

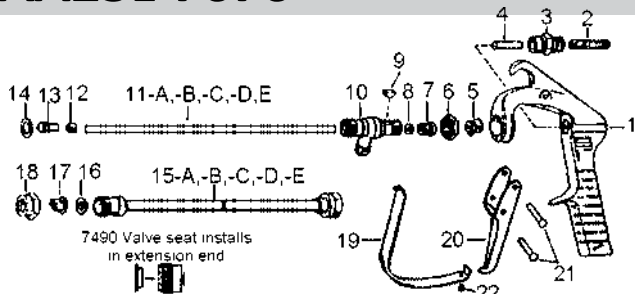


Part #	Description
AA143-AL-GH-6	Aluminum hand gun

*143 Heavy duty spray gun for livestock, orchard and field spraying. Designed for pressures up to 800 PSI. Spray adjustable from straight stream through full cone.

3/4" FGHT inlet connection.

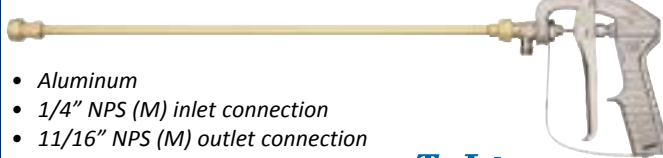
REPAIR PARTS GUNJET AA23L-7676



Similar in design to the 43H except with extension. Shut-off needle extends through extension to valve seat located immediately behind spray tip. Provides instant drip free shut-off & instant operating response.

Ref #	Part #	Description
1	CP16054-1-AL	Body, plated
*2	CP16053-1-302SS	Main spring
3	CP7480-IZP	Spring screw
4	CP7491-SS	Spring Stud
5	CP8591-IZP	Trigger guide
7	CP16071-NP	Packing screw
8	CP14255-1-BU	Packing, Buna
9	CP7892-IZP	Key
10	CP16052-NP	Inlet body
11A	CP7677-18-SS	Stem for 18" extension
11B	CP7677-24-SS	Stem for 24" extension
12	CP7679-1	Stem guide nut
13	CP7678	Stem end
14	CP4743-TEF	Gasket, Teflon
15A	7715-18	Extension, Brass - 18"
15B	7715-24	Extension, Brass - 24"
*16	CP7490-BRTF	Valve Stem
17	T I P	Spray tip, Specify
18	CP1325-NP	Cap
19	CP9539-INP	Trigger guard
	*AB23L-7676-KIT	Repair Kit

GUNJET NO. AA23L-7676 SPRAY GUN



- Aluminum
- 1/4" NPS (M) inlet connection
- 11/16" NPS (M) outlet connection
- Output to 5 GPM
- Pressures to 250 PSI

Part #	Description
AA23L-7676-18	18" Handgun with cap less tip
AA23L-7676-24	24" Handgun with cap less tip
AA23L-7676-8	8" Handgun with cap less tip
7599-1/4-ENP	1/4" NPTF Fixed Adapter, NP
11990-10	1/4" FNPS x 1/4" FNPT, Brass
5500-PPB-X*	Adjustable ConeJet tip, Poly
5500-X*	Adjustable ConeJet tip, Brass

*Specify tip size

GUNJET NO.18 SPRAY GUN



Part #	Description
AA18-AL6	Aluminum hand gun

To operate the 18-AL-6 GunJet, rotate the handle 360° from shut-off to maximum flow position.

- Aluminum Length - 20"
- 1/4" NPT (F) inlet connection
- Pressures to 800 PSI
- Output to 15 GPM



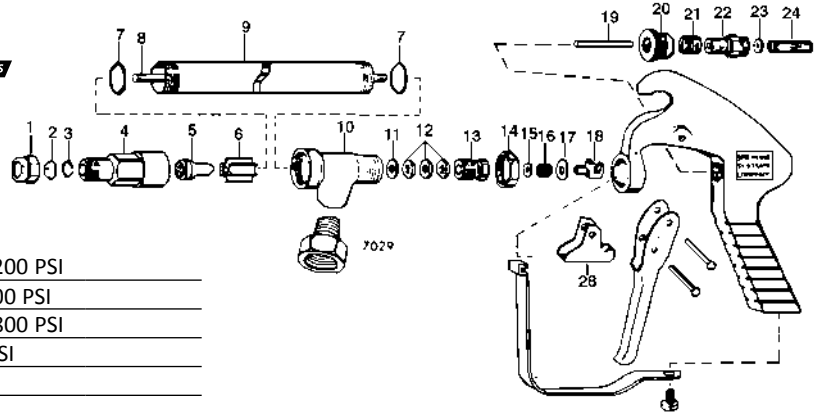
Part #	Extension Type	Length	Pressure
7715-18	Straight	18"	250 PSI
7715-24	Straight	24"	250 PSI
7715-30	Straight	30"	250 PSI

GUNJET NO.43 SPRAY GUN - HEAVY DUTY TRIGGER GUN



TeeJet
TECHNOLOGIES

Add 5960190 (901 Swivel)
For Easy Hose Maneuvering.
See Page 344 For Details.



Part #	Description
AA43L-AL6	Aluminum Hand Gun, 13" Barrel 0 – 200 PSI
AA43LA-AL6	Aluminum Hand Gun, 4" Barrel 0 – 200 PSI
AA43H-AL6	Aluminum Hand Gun, 13" Barrel 0 – 800 PSI
AA43H-6	Brass Hand Gun, 13" Barrel 0 – 800 PSI
DX-HSS*	Spray Tip
PK-AB43-AL-KIT	Repair Kit for 43-AL

BRASS GUN

ALUMINUM GUN

Item #	Description	Brass Part #
1	Cap	CP1325
2	Orifice Disc, Stainless Steel	D6
3*	Gasket Nylon	Available In Spare Parts Kit Only (Items Marked*)
4	Nozzle Housing	CP10566
5*	Seat Plug, Assembly	Available In Spare Parts Kit Only (Items Marked*)
6	Guide Vane	CP10571-2-NYB
7	Gasket, Alum (2 Req'd)	CP6943-AL
8	Stem, Stainless Steel	CP19238-416SS
9a	Tubing (13" Long)	CP6604
9b	Tubing (4" Long)	CP6871
10	Inlet Body,	CP6492
11*	Packing Washer,	Available In Spare Parts Kit Only (Items Marked*)
12*	Packing, (3 Req'd)	Available In Spare Parts Kit Only (Items Marked*)
13	Packing Screw	CP19237
14	Locknut	CP6599
15	Stem Nut, Steel-Plated	CP9641-INP
16	Trigger Stop Spring	CP6595-SS
17	Washer	CP7991-IZP
18	Trigger Guide	CP6597-INP
19	Spring Stud	CP6591-SS
20	Stop Adjusting Nut	CP6589-IZP
21	Spring	CP6594-SS
22	Spring Screw	CP6588-IZP
23	Guide Washer	CP6592-302SS
24	Main Spring (For 43H)	CP6593-2-SS
28	Trigger Stop	CP6510-INP
	Spare Parts Kit (Item *)	PK-AB43-KIT

Aluminum Part #
CP1325-AL
D6
-
CP10566-AL
-
CP10571-2-NYB
CP6943-AL
CP19238-416SS
CP6604-AL
CP6871-AL
CP6492-AL
-
-
CP19237-AL
CP6599
CP9641-INP
CP6595-SS
CP7991-IZP
CP6597-INP
CP6591-SS
CP6589-IZP
CP6594-SS
CP6588-IZP
CP6592-302SS
CP6593-2-SS
CP6510-INP
PK-AB43-AL-KIT

GUNJET NUMBER	ORIFICE DISC NUMBER	PERFORMANCE	LIQUID PRESSURE IN PSI									
			40 PSI		100 PSI		200 PSI		400 PSI		800 PSI	
			A	C	A	C	A	C	A	C	A	C
AA(B)43L-AL2 AA(B)43H-AL2	D2	Capacity – GPM	.29	.30	.45	.47	.64	.66	.90	.94	1.3	1.3
		Max. Vert. Throw – ft.	—	22	—	22	—	23	—	24	—	26
		Max. Horiz. Throw – ft.	10	32	10	33	10	34	10.5	35	11	35
AA(B)43L-AL4 AA(B)43H-AL4	D4	Capacity – GPM	.60	.61	.92	.94	1.3	1.3	1.8	1.9	2.6	2.7
		Max. Vert. Throw – ft.	—	26	—	27	—	28	—	30	—	32
		Max. Horiz. Throw – ft.	10	36	10	36	10.5	37	11	39	11	40
AA(B)43L-AL6 AA(B)43H-AL6	D6	Capacity – GPM	1.2	1.3	1.9	2.0	2.7	2.9	3.8	4.1	5.3	5.8
		Max. Vert. Throw – ft.	—	31.5	—	33	—	34.5	—	36.5	—	38
		Max. Horiz. Throw – ft.	10	44	10	45	10.5	46	11	48	11	50
AA(B)43L-AL8 AA(B)43H-AL8	D8	Capacity – GPM	2.0	2.5	3.1	3.4	4.4	4.8	6.2	6.8	8.8	9.6
		Max. Vert. Throw – ft.	—	33	—	35.5	—	38	—	40.5	—	42
		Max. Horiz. Throw – ft.	10	45	10	46	10.5	47	11	49	11	51
AA(B)43L-AL10 AA(B)43H-AL10	D10	Capacity – GPM	2.6	3.2	4.1	5.0	5.8	7.1	8.2	10	10.2	14.1
		Max. Vert. Throw – ft.	—	35	—	37.5	—	40	—	42.5	—	44.5
		Max. Horiz. Throw – ft.	10	46	10.5	49	11	50	11.5	52	12	54

APPLICATORS & SPRAYERS
 DRY MATERIAL HANDLING
 TRAILERS
 TANKS & ACCESSORIES
 PUMPS
 VALVES & FITTINGS
 STRAINERS & HOSE
 PLANTER EQUIPMENT
 SPRAYER CONTROLS & GUIDANCE
 NOZZLES, TIPS & SPRAY GUNS
 NH3 PRODUCTS
 TECHNICAL INFORMATION
 INDEX

SPRAY GUNS

HEAVY DUTY PRO SERIES HANDGUN - 13" OR 22"

5163136 - 22" Aluminum Barrel



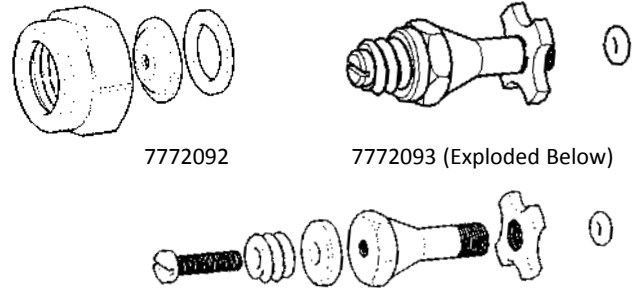
5163137 - 13" Aluminum Barrel

- Available In 13" & 22"
- 1/2" Female NPT Connection
- Max Operating Pressure 600 PSI
- High Impact, Corrosion Resistant Materials
- Adjustable Spray Pattern
- Convenient Trigger Lock

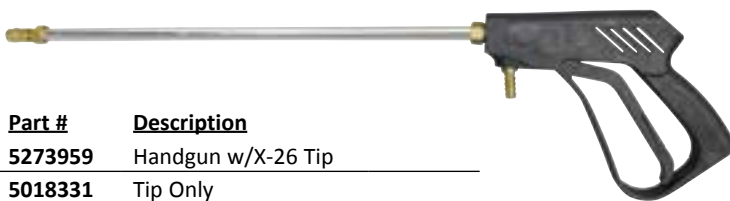


5163136 Shown With Optional 5960190 1/2" Brass Swivel

Part #	Description
5163136	22" Pro Series Handgun
5163137	13" Pro Series Handgun
7772092	End Cap Replacement Kit (End Cap, Gasket, Orifice Disc)
7772093	Repair Kit (O-Ring, Valve Core Assembly)



DELUXE HANDGUN



Part #	Description
5273959	Handgun w/X-26 Tip
5018331	Tip Only

BRASS HANDGUN SWIVEL



- The 900 Swivel promotes a compact design for 3/8 NPT fluid hose and air line applications
- The 901 Swivel promotes a compact design for 1/2 NPT fluid hose and air line applications
- The 901 Swivel promotes a compact design for 1/4 NPT fluid hose and air line applications
- Maximum Operating Pressure - 1000 psi
- Bronze Thrust Bearing for low torque with a Buna-N seal is standard

Part #	Description
5930190	3/8" SWIVEL 900-4F4M-F (Viton)
5960190	1/2" SWIVEL 901-8F8M-F (Viton)
6160190	1/4" SWIVEL 902-6F6M-F (Viton)

GUNJET NO. AA30L-22425 SPRAY GUN



Part #	Description
AA30L-22425-8	Handgun with Cap Less Tip
AA30L-22425-18"	Handgun with Cap Less Tip
AA30L-22425-24"	Handgun with Cap Less Tip
AA30L-PP	Without Extension or Tip
5500-PPB-X*	Adj. ConeJet Tip, Poly
5500-X*	Adj. ConeJet Tip, Brass

HANDGUN KITS



Part #	Description
BB-411-KIT	Handgun Kit
BB-411-KIT Includes 25' 3/8" 2 Braid Hose, Model 43-AL Aluminum Hand Gun, Brass Shutoff Valve.	

HYPRO® SPRAY GUN



- Adjustable Pattern Spray Gun
- 21" Barrel
- 3mm Nozzle
- 3/8" and 1/2" Hose Barb
- Sized for Spot Spraying
- Max PSI 60
- Max GPM 1

Part #	Description
3381-0021	Adjustable Pattern Spray Gun

HEAVY DUTY TRIGGER SPRAY GUN



HYPRO®

Part #	Description
3381-0043	7 3/4" Adjustable Pattern Spray Gun
9920-35.1703.67	18" Barrel

JD9-CT



Gauge Not Included

Easy and comfortable to use
 Crafted for comfortable use all day long. Trigger lock for continuous spraying; drip free shut-off.

Versatile
 Wide choice of tips and nozzles; heavy duty root feeder attachment; and accessory fittings that allow you to use Hudson and Spraying Systems wands and nozzles.

The JD9-CT has all the features of Model JD9-C but tapped for use with a gauge to calibrate pressure settings. More accurate than calibrating line loss from a pump gauge.

Part #	Description
JD9-CT	3/4" GHT

PS25 HEAVY DUTY SPRAY GUN



- Maximum 800 PSI
- An excellent pest control spray gun
- Aluminum, pistol grip
- #5 Nozzle 2.0mm, 2-5gpm
- Lockable trigger

Part #	Description
PS25	Pistol Grip Spray Gun with #5 Nozzle

SPRAY GUN QUICK DISCONNECT

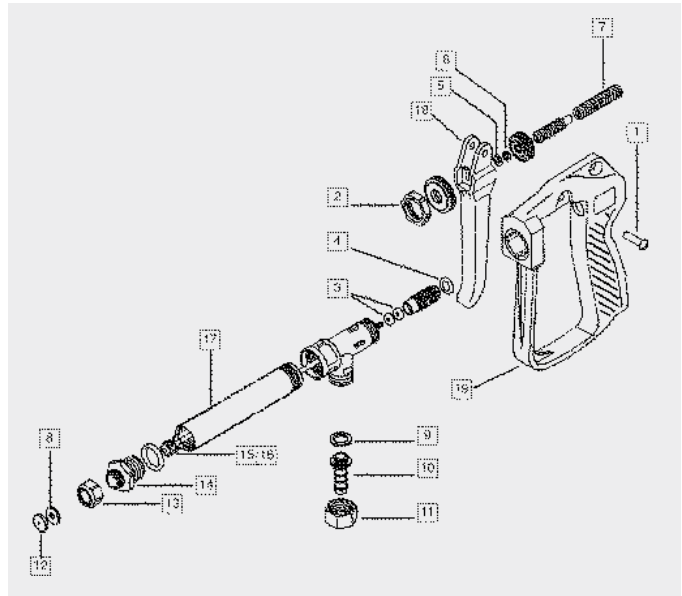


DC1045

DCP17

- 1/2" Quick disconnect
- 300 PSI Max
- Ideal for Pest Control
- Steel Construction

Part #	Description
DC1045	1/2" HB Female Disconnect
DCP17	1/2" MPT Male Threaded



Ref #	Part #	Description
1-7	3430-0435	Repair Kit
8	9920-27.601.34	Gasket
9	9920-162.601.6	Gasket
10	9920-162.1502.2	Hose Barb
11	9920-162.605.21	Ring Nut
12	9920-35.1802.56	Standard Nozzle Ceramic Tip
13	9920-27.605.48	Ring Nut
14	9920-35.1701.11	Brass Reducing Nipple
15	9920-31.204.36	Rod & Core for 7" Barrel
17	9920-35.1703.67	18" Barrel
18	9920-35.902.9	Trigger

NH3 PRODUCTS

NH3 SENIOR FLOAT GAUGES

These gauges mount in a Senior flanged coupling with a 2 1/2" [51,5] diameter bolt circle. These gauges are available in top, side or end, and angle mounting for above ground tanks. A Visible "4" Dial is available. **Note: Torque mounting bolts evenly to 30 to 60 in-lb. [3,4 to 6,8 Nm]**



Senior NH3 Standard Sizes

Part #	Tank Diameter	Mount
AA214E	1000 GAL 41"	Top-Sr
AA240A	1450 GAL 46"	Top-Sr
AC214B	1000 GAL 41"	45-Degree-Sr
AC240A	1450 GAL 46"	45-Degree-SR
AD140A	1000 GAL 41"	SIDE, END-SR

Replacement Dials

Part #	Description
130018	Drop-In Dial
130041*	Tabbed Dial
R-5323S01848	JR Dial
R-5002S00002	SR Dial

* Denotes Standard Dial

Senior Gauge Parts

Part #	Description
130119	Sr. Gauge Screw
130122	Sr. Gasket-Buna
130130	Sr. Gasket-Teflon

Junior Gauge Parts

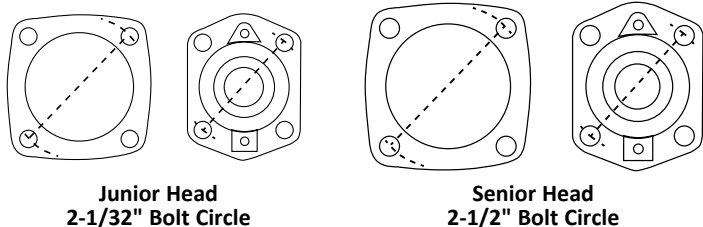
Part #	Description
130118	Jr. Gauge Screw
130121	Jr. Gasket-Buna



Drop-In Dial



Tabbed Dial



Junior Head
2-1/32" Bolt Circle

Senior Head
2-1/2" Bolt Circle

FLOW INDICATOR

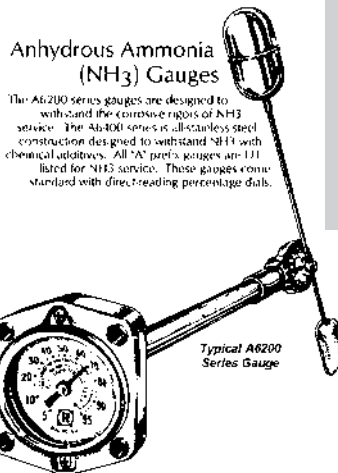


Flow Indicators

Taylor Flo Indicators are installed in liquid pipelines to give visual indication of flow direction or the absence of flow. Capable of showing flow in both directions, the indicator mounts in a standard tee fitting.

Part #	Pipe Size	Includes
130050	2"	5305 Adaptor (2" MNPT)
130055	2 1/2"	5305 Adaptor (2" MNPT)*
130060	3"	5305 Adaptor (2" MNPT)**

*Requires a 2 1/2" x 2" Hex Bushing **Requires a 3" x 2" Hex Bushing



Typical A6200 Series Gauge

4-BOLT GAUGES

Part #	Tank Diameter	Mount
A-6281-41 (JR)	1000 GAL 41"	Top
A-6281-46 (JR)	1450 GAL 46"	Top
RA-6280-41 (SR)	1000 GAL 41"	Top
RA-6280-46 (SR)	1450 GAL 46"	Top
R-0015-00004	SR GASKET	-
R-0015-00007	JR GASKET	-

ROCHESTER NH3 GAUGES



ASG AMMONIA GAUGES



ASG60

ASG160

ASG400

ASG604

ASG1604

Part #	Size	PSI
ASG60	2 1/2"	0-60
ASG160	2 1/2"	0-160
ASG400	2 1/2"	0-400
ASG604	4"	0-60
ASG1604	4"	0-160

GLOBE & ANGLE VALVES - NH3



Maximum flow efficiency makes the "Max-Flow" valves ideal for use on nurse tank and field storage tanks. Rugged ductile iron comprises the valve bodies which come with 1/4" NPT port to allow for installation of an accessory. Long, trouble-free, service is assured by a precision ground stainless steel stem, Teflon "V" packing, and a field-proven swivel poppet with nylon seat.

- Stainless Steel Stem-precision ground and polished
- Field proven nylon seat in swivel poppet retainer
- Teflon V-ring stem packing for positive seal
- All-steel excess flow check for use with NH3 and additives
- Ductile iron body-400 lb WOG
- Component parts interchangeable with all A-1200 series valves



Part #	Type	Thread Size	Repair Kit
B-1250	Angle	1"	A-2212-RK
B-1350	Globe	1"	A-2212-RK
A-2425-H	Angle	1-1/4"	A-2550H-RK
A-2525C	Globe	1-1/4"	A-25H-RK
A-2525-H	Globe	1-1/4"	A-25H-RK
A-2450-H	Angle	1-1/2"	A-2550H-RK
A-2550-H	Globe	1-1/2"	A-2550H-RK
A-2600	Angle	2"	A-26-RK
A-2700	Globe	2"	A-26-RK

Repair Kits

Part #	Description
A-2212-RK	A-2212-RK Valve Repair Kit
A-25H-RK	A-25H-RK Valve Repair Kit
A-2550H-RK	A-2550H-RK Valve Repair Kit
A-26-RK	A-26-RK Valve Repair Kit



Part #	Type	Thread Size	Repair Kit
AL310P	GLOBE	1"	310-22
AL311P	ANGLE	1"	310-22
AL312P	GLOBE	1 1/4"	312-22
AL313P	ANGLE	1 1/4"	312-22



- UL Listed for LP-Gas and Anhydrous Ammonia.
- Spring loaded chevron TFE "Vee" packing gives the most effective seal against stem leakage.
- 1/4" FNPT plugged side outlet permits installation of a bleed valve or hydrostatic relief valve.
- Self-aligning seat disc retainer rides against stainless steel ball bearings. This allows the seat disc to stop turning as soon as it reaches the valve seat, preventing disc wear and giving long service life.
- Body and handwheel made of ductile iron.
- Bonnet made of steel and ductile iron.

NH3 HOSE END VALVE ASSEMBLIES

Continental NH3 (anhydrous ammonia) hose end valve assemblies are factory assembled and tested for use in transfer hose assemblies for both liquid and vapor service and serve as a quick shutoff valve. Continental NH3's hose end valves feature bleeder valves installed.



Part #	Pipe Thread	Acme Size	Style	Features	Coupler #
B-212	1"	1 3/4"	Angle	Bleeder Valve Installed	B-521B
B-214L	1"	1 3/4"	Globe	Bleeder Valve installed 45 hand wheel	A-577-B
A-215-L	1 1/4"	1 3/4"	Globe	Bleeder Valve installed 45 hand wheel	A-577-C
A-216-L	1 1/4"	AA2 1/4"	Globe	Bleeder Valve installed 45 hand wheel	A-577-D
A-217-L	1 1/2"	2 1/4"	Globe	Bleeder Valve installed 45 hand wheel	A-576

NH3 PRODUCTS

APPLICATOR & NURSE TANK VALVES



B-1201

- *Stainless steel stem-precision ground and polished*
- *New concept "Teflon" stem packing positive seal with pressures in excess of 500 PSI*
- *Excess flow check assembly of all valves individually inspected and checked after assembly to assure accurate and dependable operation*

B-1201 is a high flow, manual shutoff valve for applicator and nurse tanks. It is designed for use as a filler, vapor or liquid withdrawal valve.

B-1204 is a manual filler or vapor valve. Its unique 45° inlet design has an extremely high capacity filling rate.

CAUTION: THESE VALVES TO BE USED ON TOP-FITTED AND END-FITTED TANKS ONLY. USE OF THESE VALVES ON BOTTOM-FITTED TANKS MAY CAUSE STEM DAMAGE.

Typical Application: Nurse Tank Fill Valve

Part #	Tank Connection	Valve Connection	Liquid Fill Rate GPM/NH3 Differential PSI	Excess Flow Check Closing GPM/NH3
B-1201	1-1/4" MPT	Top 1-3/4" Acme Male	22 35 52 64	42
B-1204	1-1/4" MPT	45 1-3/4" Acme Male	22 35 52 64	42

All valves are equipped with a 1/4" FPT plugged port to incorporate hydrostatic relief vapor vent valve.



B-1204

Repair Kits

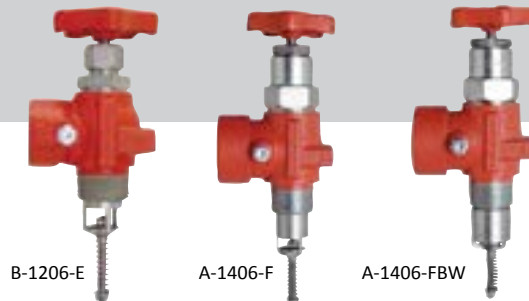
Part #	Description	Cost
A-2212-RK	A-2212-RK Valve Repair Kit	\$ 21.22



VAPOR, FILLER & LIQUID WITHDRAWAL VALVES



Withdrawal valves are available in a wide variety of connections, to meet your needs. A 1/4" FPT outlet port is also provided for the installation of a desired accessory. This particular valve can be used for vapor, filler or liquid withdrawal.



B-1206-E

A-1406-F

A-1406-FBW

Typical Application: Nurse Tank Withdrawal Valve

Part #	Tank Fitting Size	Outlet Size	Excess Flow Check Rating	Side Port Feature	Repair Kit
B-1206-E	1 1/4" MPT	1" FPT	42 GPM	1/4" Plug	A-2212-RK
B-1206-F	1 1/4" MPT	1 1/4" FPT	42 GPM	1/4" Plug	A-2212-RK
A-1406-F	1 1/4" MPT	1 1/4" FPT	45 GPM	1/4" Plug, High Flow Design 1 1/4" Seat	A-25H-RK
A-1406-FBW	1 1/4" MPT	1 1/4" FPT	45 GPM	1/4" Plug, High Flow Design Bottom Withdrawal	A-25H-RK

MINIMUM BLEEDER VALVES

Withdrawal valves are available in a wide variety of connections, to meet your needs. A 1/4" FPT outlet port is also provided for the installation of a desired accessory. This particular valve can be used for vapor, filler or liquid withdrawal.

- 1-1/4" and 1" sizes
- Stainless steel bonnet, stems and nozzle
- Rugged ductile iron body
- Large aluminum hand wheel
- Knurled coupler for better grip
- Flat rubber seat for a lasting leak proof seal



Special feature allows the coupling to be removed and repaired in the field. Special tool is required

A-QOVM-125

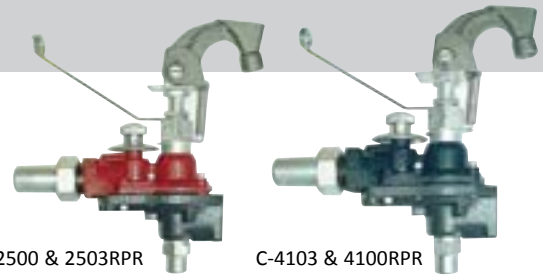
Part #	Size	ACME Size
A-QOVM-100	1"	1 3/4"
A-QOVM-125	1 1/4"	1 3/4"

NH3 PRODUCTS

NH3 METER MATICS



Part #	Inlet	Outlet	Max Flow Capacity	Shutoff Assembly
C-2500-RPR	1" MPT	14-1/8" FPT	2500# Nitrogen Per Hour at 100# Tank Pressure	Rope Pull
C-2503-RPR	1" MPT	1" FPT	100# Tank Pressure	Rope Pull
C-4100-RPR	1" MPT	14-1/8" FPT	750-4200# Nitrogen Per Hour at 100# Tank Pressure	Rope Pull
C-4103-RPR	1" MPT	1" FPT	100# Tank Pressure	Rope Pull
A-4125-RS	Repair Kit for above items			



C-2500 & 2503RPR

C-4103 & 4100RPR

B-9500 SUPER FLOW



Part #	Inlet	Outlet	Maximum Flow Capacity	Shutoff Assembly	Repair Kit
B-9500	1" FPT	1" FPT	6200# Nitrogen Per Hour at 100# Tank Pressure	Rotary Actuator With 1/4" Orificed Connectors	B-9500RS & R-9590-RK
B-9500-M	1-1/4" MPT	1" FPT	6200# Nitrogen Per Hour at 100# Tank Pressure	Rotary Actuator With 1/4" Orificed Connectors	B-9500RS & R-9590-RK
B-9500-B	1-1/4" MPT	1-1/4" FPT	6200# Nitrogen Per Hour at 100# Tank Pressure	Rotary Actuator With 1/4" Orificed Connectors	B-9500RS & R-9590-RK

HYDRAULIC ROTARY ACTUATOR



Part #	Description
R-9590	1"
R-9590-B	1 1/4"

CONTINENTAL MVD MANIFOLDS



A-MVD



A-SVD



Part #	HB Size	Rate Range
A-MVD-16A120	3/8"	20 to 150 lbs N per outlet
A-MVD-16A201	3/8"	150 & up lbs N per outlet
A-MVD-16B120	1/2"	20 to 150 lbs N per outlet
A-SVD	Splitter Assembly, choose splitter ring below	
SVD-03	1" - 3 outlet splitter ring	3600 lbs N per hour
SVD-04	1" - 4 outlet splitter ring	4800 lbs N per hour
SVD-05	1" - 5 outlet splitter ring	6000 lbs N per hour

SPLITTER DISTRIBUTION MANIFOLD

Part #	Description	Inlet	Outlet
IPS2-4	4-Port Splitter	1-1/4" NPT	1" NPT
IPS2-6	6-Port Splitter	1-1/4" NPT	1" NPT



HOSE BARB CONNECTORS

Part #	Thread Size	HB Size
A-1132	1/4" NMPT	3/8"
A-1138	1/4" NMPT	1/2"
A-6132	1/8" NMPT	3/8"
A-6138	1/8" NMPT	1/2"



SEAL COMPOUNDS

Part #	Description
25431	1 Pint #5 Yellow, Slow Dry
25790	1.75 Oz Tube #5 Sealant

CONTINENTAL LEAD-PLATE SEAL COMPOUND

Part #	Description
LP-1	1lb Lead-Plate Seal Compound



HEX HEAD PLUGS

Part #	Thread Size
A-1135	1/4" NMPT
A-6135	1/8" NMPT



FLOW DIVIDERS



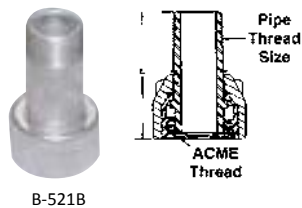
Part #	Description	# Of Outlets	Rating	Construction	Inlet	Outlet
IP-0600	NH3 Flow Divider	6			1" NPT	1/4" NPT
IP-1300	NH3 Flow Divider	13			1" NPT	1/4" NPT
IP-1800	NH3 Flow Divider	18			1" NPT	1/4" NPT
113983	NH3 Manifold w/ Flow Diffuser	12	150 PSI	304 Stainless Steel	1" FPT	1/4" FPT

APPLICATORS & SPRAYERS
 DRY MATERIAL HANDLING
 TRAILERS
 TANKS & ACCESSORIES
 PUMPS
 VALVES & FITTINGS
 STRAINERS & HOSE
 PLANTER EQUIPMENT
 SPRAYER CONTROLS & GUIDANCE
 NOZZLES, TIPS & SPRAY GUNS
 NH3 PRODUCTS
 TECHNICAL INFORMATION
 INDEX

NH3 PRODUCTS

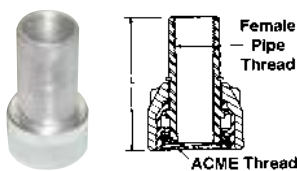
ACME COUPLINGS

TYPE I COUPLINGS



B-521B

TYPE II COUPLINGS



B-522B

Type I Couplings

Part #	Male Pipe Thread Size	ACME Thread	"L" Length
B-521-B	1"	1-3/4"-6	3-1/8"
A-527	1-1/4"	2-1/4"-6	3-3/4"
A-551	2"	3-1/4"-6	3-3/4"

Type II Couplings

Part #	Female Pipe Thread Size	ACME Thread	"L" Length
B-522	3/4"	1-3/4"-6	3-1/8"
B-522-B	1"	1-3/4"-6	3-1/8"

ACME ADAPTORS



Adapter #	ACME Thread	Male Pipe Thread Size
A-524	1-3/4"-6	3/4"
A-524-B	1-3/4"-6	1"
A-524-C	1-3/4"-6	1-1/4"
A-2060S	2-1/4"	1-1/4"

FEMALE ACME LONG COUPLINGS



A-1131FST



A-577-B



A-1132F



A-577-C

Part #	Male Pipe Thread Size	ACME Thread
A-1131F-ST	1"	1-3/4"
A-1132F	1-1/4"	2-1/4"
A-577-B	1"	1-3/4"
A-577-C	1-1/4"	1-3/4"
A-577-D	1-1/4"	2-1/4"

ACME DUST CAPS



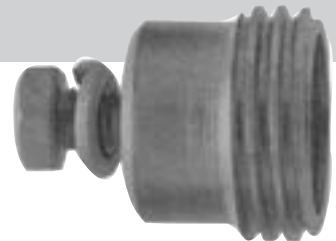
Part #	Description	ACME Thread
22-63-FC	Nylon Cap w/Chain	1-3/4"
A-529-C	Iron Cap w/Chain	1-3/4"
A-535	Iron Cap	2-1/4"
A-535-C	Iron Cap w/Chain	2-1/4"
ST-1177	Nylon Cap w/Chain	2-1/4"

SWIVEL HOSE UNIONS



Part #	Description
230153	1" MNPT; 1" FNPT
230157	1 1/4" MNPT; 1 1/4" FNPT

HOSE HANGER ADAPTOR & PLUG

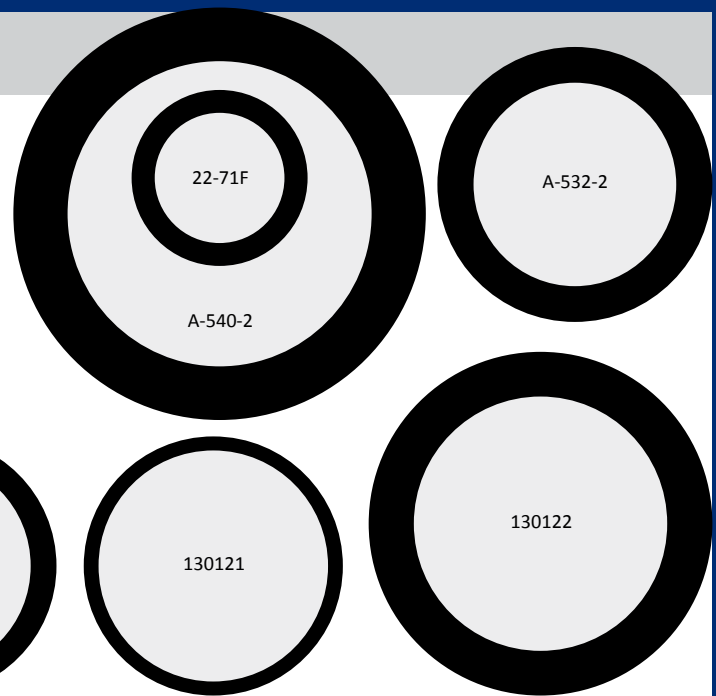


A-524WB is a 1-3/4" Acme Threaded adaptor for bolting or welding to the tank roll-over guard to provide a convenient means of securing the transfer hose during transit or storage. A 1/2" bolt and lock washer are included.

Part #	Thread
A-524-WB	1-3/4"
A-2024	2-1/4"

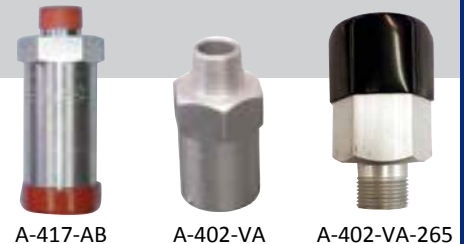
ACME & DIAL GASKETS

Part #	ACME Thread Size
22-71-F	1 3/4"
A-532-2	2 1/4"
A-540-2	3 1/4"
130122	Senior Dial Gasket
130121	Junior Dial Gasket
45-801-6	O-ring for 1" & 1-1/4" Pioneer couplers
4158001	Teflon back-up O-ring for 1" Pioneer couplers
45-802-6	For 4510-6M Acme nipple



SAFETY RELIEF VALVES

Part #	Inlet/NPT	Wrench Size	Overall Height	Set Pressure	SCFM
A-402-VA	3/4"	1-3/4"	3-1/2"	250 PSI	2057
A-402-VA-265	3/4"	1-3/4"	3-1/2"	265 PSI	2130
A-417-AB	1-1/4"	3"	8"	250 PSI	5341



HYDROSTATIC RELIEF VALVES

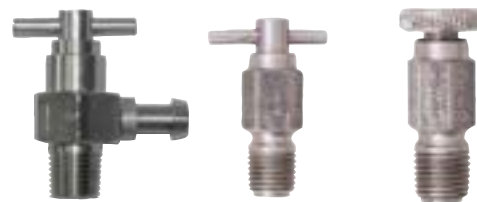
Hydrostatic Relief Valves are designed to relieve liquid pressure in valves, hoses or piping wherein liquid may be trapped.



Part #	Inlet/NPT	Wrench Size	Overall Height	Set Pressure
A-400	1/4" NPT	9/16"	1-1/8"	375# PSI

Note: All safety relief and hydrostatic relief valves must be changed five years after date of manufacture.

NH3 BLEEDER VALVES



Designed to bleed-off trapped liquid or vapor NH3 or LPG in hose valves, couplings and piping.

A-411-HB A-411 A-411-S

Part #	Size	Description
A-411-HB	1/4"	3/8" Hose Barb
A-411	1/4"	T-handle Bleed Valve
A-411-S	1/4"	Knurl Handle Bleed Valve
A-410	1/4"	12" Dip Tube Installed

RELIEF VALVE MANIFOLD



Part #	Relief Valve Set Pressure	Relief Valve SCFM/AIR	Manifold Rated Flow**	Container Connection*	Relief Valve Connections	Installation Radius
A-462	250 PSI	5341	4150	2" FPT	1-1/4" FPT	9"

*2" SCH 80 pipe nipple furnished **Rated in accordance with ANSI K 61.1. (1 relief valve installed on port with greater flow restriction).

NEEDLE VALVE



Part #
A-1000

NH3 SAFETY BREAKAWAY COUPLERS

FLO-MAX SAFETY BREAKAWAY

Part #	Description
113026	1-1/4" FPT Flo-Max Breakaway Only (FM126)
113028	1-1/4" FPT Flo-Max Breakaway with EZ Bracket (FM126)
113200	1-1/2" FPT Flo-Max Breakaway Only
113202	1-1/2" FPT Flow-Max Breakaway with EZ Bracket.



ACCESSORIES

Part #	Description
113019	1-1/4" EZ Bracket Only (FM126/FM125)
4503-7	1-1/4" Bracket Only
113201	1-1/2" EZ Bracket Only (FM150)
A-400	NH3 Hydrostatic Relief Valve for Breakaway (2 Required)
A-411-S	NH3 Bleeder Valve for Breakaway (2 Required)



113028

- No replacement date
- Swing style check valves
- All stainless steel housing

REPAIR PARTS

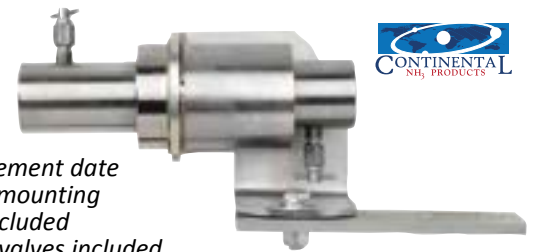
Part #	Description
113044	O-Ring Kit with Tool for 1-1/4" (FM125-0022)
113046	O-Ring Kit for 1-1/4" (FM125-0024)
113041	Plunger Kit for Rebuild of 1-1/4"
113207	O-Ring Kit with Tool for 1-1/2"
113203	O-Ring Kit for 1-1/2"
113208	Plunger Kit for Rebuild of 1-1/2"

NH3 SAFETY BREAKAWAYS

Part #	Description
A-SWV-125	1-1/4" Full Port Swing Valve Toolbar Coupler
A-HFC-114	1 1/4" High Flow Toolbar Coupler

REPAIR KIT

Part #	Description
A-HFC-RK	Repair kit for continental breakaway (HFC/SWV)



- No replacement date
- Standard mounting bracket included
- 2 bleeder valves included
- All stainless steel housing

PIONEER SAFETY BREAKAWAYS

Part #	Description
4500-6	1" Coupler W/1" Male Tip & Clamp Assembly
4500-6M	1" Coupler W/1-3/4" Acme Tip & Clamp Assembly
4500-7	1 1/4" Coupler With 1-1/4" Male Tip & Clamp



4500-7

REPLACEMENT HALVES

Part #	Description
4555-6	1" FPT Female Body Half
4510-6C	1" FPT Male Tip
4510-6MC	1-3/4" Acme Male Tip for 1" Coupler
4555-7	1-1/4" FPT Female Body Half
4510-7C	1-1/4" FPT Male Tip

REPAIR PARTS AND ACCESSORIES

Part #	Description
4503-7	Breakaway Clamp For 1" & 1-1/4" Coupler
45-801-6	O-Ring For 1" & 1-1/4" Coupler (2 Required For 1-1/4" Coupler)
4158001	Back-Up Ring For 1" Coupler
45-802-6	Seal For 4510-6M Acme Nipple

PULL AWAY COUPLING

- No Replacement Date
- 10 - 15 Percent Flow Increase
- Stainless Expansion Collet
- Standard Mounting Bracket

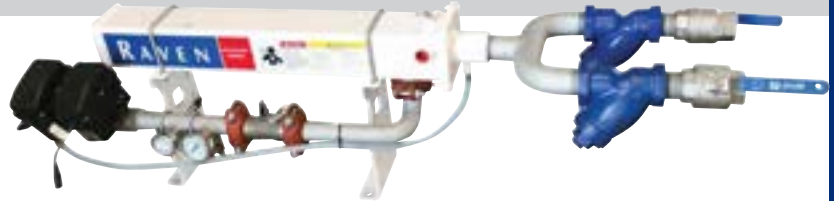
Part #	Description
IB125	1-1/4" High Flow Toolbar Coupler



RAVEN ACCUFLOW VORTEX AND HP+ COOLERS

RAVEN

- Increased capacity - 30, 50 or 80+ GPM Systems
- Stainless steel plumbing
- Reduced number of fittings
- Groove-lock couplers make maintenance easier
- Smaller footprint on the tool
- Faster bleed down with safety bleed down circuit
- Comes pre-assembled
- Less vapor used


117-0171-574 - Vortex 50 GPM NH3 Kit, Dual inlet, 2 Valve System

Part #	Description	Cost
117-0171-711	Vortex, 30 GPM NH3 Kit, Single Inlet, 2 Valve System	\$7,177.50
117-0171-612	Vortex 50 GPM NH3 Kit, Single inlet, Fast Close Valve	\$9,289.50
117-0171-613	Vortex 50 GPM NH3 Kit, Single inlet, 2 Valve System	\$9,630.50
117-0171-574	Vortex 50 GPM NH3 Kit, Dual inlet, 2 Valve System	\$10,785.50
117-0171-571	Vortex HP+ 80 GPM NH3 Kit, Dual Inlet w/Hydraulic Pump, Fast Valve	\$18,797.19

CONTINENTAL COOLERS

- Superior control accuracy with 1 ¼ full port 120 degree V-cut ball, allowing for higher rates.
- Single and dual hose supply lines for more flow options.
- Raven flow meter, KZ control motors for easy connection into existing Raven systems.
- Stainless steel internal components .



Part #	Description	Cost
A-SF-3000GH-KIT	High Capacity 1.5" 45 GPM Dual Valve, Single Inlet	\$6,046.80
A-SF-3000GHY2-KIT	NH3 Dual Inlet High Capacity 70 GPM with 1-1/2" hoses at 100 psi	\$7,051.82

MICRO-TRAK LIQUIFIER

- Super High Capacity - Highest Capacity on the Market!
- High Flow Design - Less than 1/2 PSI Pressure Drop at 62 GPM
- High Efficient Cooler - Smaller in Size but HIGHER Capacity
- COMPLETE Stainless Steel Construction
- Stainless Steel System is COMPLETELY Assembled and Pressure Tested



Part #	Description	Cost
01817	Liquifier NH3 Kit, 1500 to 12,000 lbs	\$6,183.47
01596	Raven 450 Single Section NH3 Harness Kit	\$683.55
01597	Raven 450 Five Section NH3 Harness Kit	\$940.72

COMPLETE VORTEX NH3 WITH RAVEN 450 CONTROLLER

New Style 450 Console With Full-Screen Display With Optional Pressure Reading. GPS Port Standard.

Complete Systems Include: 450 console, 10' console cable, 12' extension, 12' implement cable, Vortex NH3, 2 valve system
The following systems are for NH3 ONLY and DOES NOT INCLUDE ANY SPEED SENSOR KITS. Order Speed Sensor separately.



Part #	Description	Cost
SHP-450-NH3-30V-2-KIT	Vortex 30 GPM System w/ 450AO Console, 2-Valve, Less Speed Kit	\$13,145.80
SHP-450-NH3-50V-2-D-KIT	Vortex 50 GPM System w/ 450AO Console, 2-Valve, Dual Inlet, Less Speed Kit	\$17,232.05
01415	Astro II GPS	\$483.74

APPLICATORS & SPRAYERS
 DRY MATERIAL HANDLING
 TRAILERS
 TANKS & ACCESSORIES
 PUMPS
 VALVES & FITTINGS
 STRAINERS & HOSE
 PLANTER EQUIPMENT
 SPRAYER CONTROLS & GUIDANCE
 NOZZLES, TIPS & SPRAY GUNS
 NH3 PRODUCTS
 TECHNICAL INFORMATION
 INDEX

NH3 PRODUCTS

SLOW MOVING VEHICLE SIGN

Part #	Cost
DEC-SMV	\$22.84



SMV Kit (Slow Moving Vehicle Kit)
 Includes: metal SMV Sign and mounting hardware for Trinity or Chemi-Trol NH3 Tank

Part #	Cost
SMV-KIT	\$33.09
SMV-SPADE	\$2.74
SMV-SOCKET	\$3.86

MISCELLANEOUS DECALS



Part #	Cost
DEC-82	\$2.97



Part #	Cost
DEC-NFG	\$4.87



Part #	Cost
DEC-WYG	\$1.83



Part #	Cost
DEC-VID	\$2.89

NH3 TRAILER DECAL KIT - EACH MAY BE PURCHASED SEPARATELY

Decal Kit for NH3 Trailer Includes:

(4) DEC-1005, (1) DEC-FSD, (2) DEC-AA, (2) DEC-INH-3, (2) DEC-LIQ, (1) DEC-3PC, (2) DEC-CC

Part #	Cost
DEC-KIT	\$67.38



Part #	Cost
DEC-CC	\$5.80



Part #	Cost
DEC-3PC	\$5.33



Part #	Cost
DEC-FSD	\$5.37



Part #	Cost
DEC-1005	\$3.98



Part #	Cost
DEC-LIQ	\$3.76



Part #	Cost
DEC-INH-3	\$6.48



Part #	Description	Cost
DEC-AA	4" Letters	\$5.87
DEC-AA6	6" Letters	\$23.40

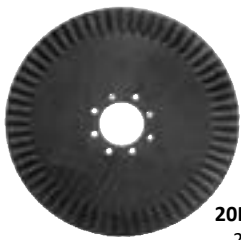
**** FOR A COMPLETE LISTING OF NH3 DECALS, SEE PAGE 252 ****

SIDE-DRESS ROW UNITS

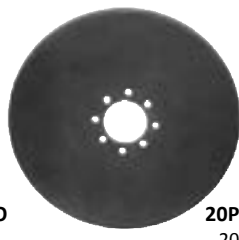


COULTER BLADES

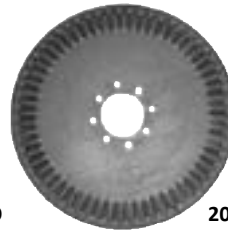
All blades are high-quality boron steel & “combo” punched to fit most fertilizer applicator hubs.



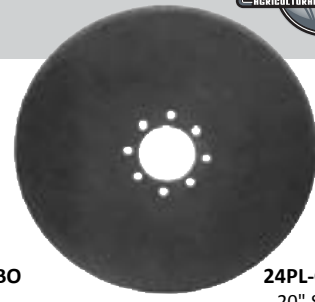
20FL-COMBO
20" Fluted



20PL-COMBO
20" Smooth



20FLC-COMBO
20" Fluted,
Smooth Edge

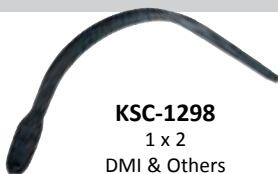


24PL-COMBO
20" Smooth

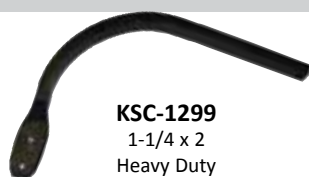
Part #	Description	Cost
20FL-COMBO	20" Fluted	\$56.89
20PL-COMBO	20" Smooth	\$65.32
20FLC-COMBO	20" Fluted, Smooth Edge	\$56.89
24PL-COMBO	24" Smooth	\$76.18

SHANKS

All shanks are high-quality 5160, Heat-Treated & Tempered for maximum toughness.



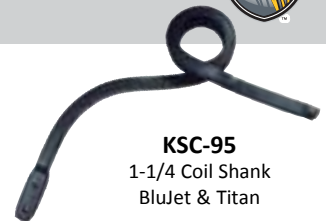
KSC-1298
1 x 2
DMI & Others



KSC-1299
1-1/4 x 2
Heavy Duty



KSC-1295
1 x 2
BlueJet & Others



KSC-95
1-1/4 Coil Shank
BlueJet & Titan

Part #	Description	Cost
KSC-1298	1 x 2 DMI & Others	\$83.36
KSC-1299	1-1/4 x 2 Heavy Duty	\$123.48
KSC-1295	1 x 2 For Bluejet & Others	\$81.51
KSC-95	1-1/4 Coil Shank Bluejet & Titan	\$132.63

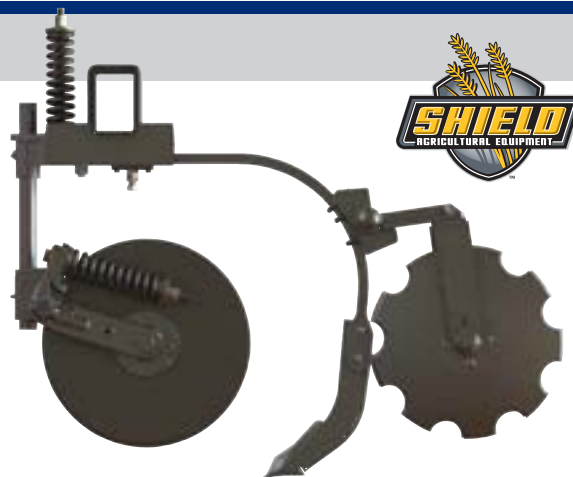
NH3 PRODUCTS

SHIELD AG ROW UNITS

Single Tool Bar System w/Spring Bundle

This System Includes:

- 1- KSC-466540 Spring Loaded Coulter Shank Mount
 - 6x4 Mount - Other Bar Mount Sizes Available
- AP-505530 U-Bolts (2 - 6x4 U-Bolts - Other Sizes Available)
- 1-KSC-466360 20" Arm & Combo Blades
- 1-KSC-1298 1 x 2 Shank (Note: Knife Not Included)
- 1-KSC-466930 Shank Hardware Kit
- **Conventional Row Unit**



(Shown with Optional Disc Sealer)

Double Tool Bar System w/Spring Bundle

Front Bar System Includes:

- 1-KSC-466340 Coulter Mount
 - 6x4 Mount - Other Bar Mount Sizes Available
- AP-505530 U-Bolts (2 - 6x4 U-Bolts - Other Sizes Available)
- 1-KSC-466360 20" Arm & Combo Blades

Rear Bar System Includes:

- 1-S-1264SLX Mount with Double Spring Bundle
- 1-KSC-1299 1-1/4" x 2" Shank
- 1-KSC-466930 Hardware Pack (Note: Knife Not Included)

Strip Till Row Unit Includes:

- AP-505530 U-Bolts (2 - 6x4 U-Bolts - Other Sizes Available)



(Shown with Optional Sealers)

ADDITIONAL OPTIONS



Part #	Description	Cost
KSC-666460	Rolling Basket Option	\$835.70

Part #	Description	Cost
KSC-544444	High Speed Packing Wheel	\$299.27

Recommended for No Till or Low lbs per acre application
 (For use with K-6S Knife or K-4TS Knife)

Part #	Description	Cost
KSC-441100	Disc Sealer Independent Style Notch 18" Blade	\$789.75

Ball Bearing Pivot Arms





FERTILIZER KNIVES & BAR PARTS



K-2T Series



K-2T/3/4DA (K-2T/O/3/4DA)



DF-1PM "Mole" Series



K-4T Series



DF-1PM/ST Series Strip Till



DF-1PMST/112DA



K-4TS "SLIM" series



K-4TSDF



CPK-1E Series



K-75

All Knives Are Available With Drilled Or Open-End Tubes. 1/2 X 2-1/2 X 15" Tall, Hole-And-Slot-Shank To Fit All Brands Of Toolbars. Upright Design For All Conventional Applicators.

Part #	Description	Cost
K-2T (K-2T/O)	Standard knife with 3/8" drilled NH3 tube (open-end)	\$52.75
K-2T/1/2A (K-2T/1/2A/O)	Knife with 1/2" drilled NH3 tube (open-end)	\$54.43
K-2T/PLSPL (K-2T/O/PLSPL)	Knife with 3/8" drilled NH3 tube and sealer "beavertail" (open-end)	\$57.02
K-2T/3/4DA (K-2T/O/3/4DA)	Knife with 3/8" drilled NH3 tube and 3/4" vapor (cooler) tube (open-end)	\$88.03
K-2T/3/4DA/PLSPL	Knife with 3/8" NH3, 3/4" vapor and sealer	\$99.25

All Knives Are Available With Drilled Or Open-End Tubes. 1/2 X 2-1/2 X 15" Tall, Hole-And-Slot-Shank To Fit All Brands Of Toolbars. Parabolic "Front-Swept" Design, DF-1PM (Mole) & K-4T Use The Same Knife Shank.

Part #	Description	Cost
DF-1PM (DF-1PM/O)	Standard knife with 3/8" drilled NH3 tube (open-end)	\$59.21
DF-1PM/1/2A	Knife with 1/2" drilled NH3 tube	\$63.85
DF-1PM/3/4DA	Knife with 3/8" drilled NH3 tube and 3/4" vapor (cooler) tube	\$89.21
DF-1PM/DA	Knife with 3/8" NH3 and 3/8" open end tubes	\$75.36
DF-1PM/112DA	Knife with 3/8" drilled NH3 tube and 1-1/2" dry tube	\$138.86
K-4T (K-4T/O)	Standard knife with 3/8" drilled NH3 tube (open-end)	\$52.71
K-4T/3/4DA	Knife with 3/8" drilled NH3 tube and 3/4" vapor (cooler) tube	\$85.56
K-4T/DA	Knife with 3/8" NH3 and 3/8" open end tubes	\$75.21
DF-1PM/ST	Knife with 3/8" back-drilled NH3 tube	\$122.09
DF-1PM/ST/3/4DA	Knife with 3/8" NH3 and 3/4" vapor (cooler) tubes	\$141.20
DF-1PM/ST/DA/TB-18	Knife with 3/8" NH3 and 3/8" open-end curved-back tube	\$140.01
DF-1PM/ST/DA/3/4	Knife with 3/8" NH3, 3/8" open-end, and 3/4" vapor tubes	\$161.36
DF-1PM/ST/112DA	Knife with 3/8" NH3 and 1-1/2" dry tubes	\$172.30

Parabolic "Slim" Design For Minimum Soil Disturbance, Great For No-Till Work. 3/8 X 2-1/2 X 15-3/4" Tall, Triple Hole Shank.

Part #	Description	Cost
K-4TS	Knife with 3/8" drilled NH3 tube	\$53.77
K-4TS/DA	Knife with 3/8" NH3 and 3/8" open-end tubes	\$81.76
K-4TS/3/4DA	Knife with 3/8" NH3 and 3/4" vapor (cooler) tubes	\$89.75
K-4TS/PLSPL	Knife with 3/8" drilled NH3 tube and sealer "beavertail"	\$60.84
K-4TSDF	Knife with 3/8" drilled NH3 tube	\$52.44
K-4TSDF/DA	Knife with 3/8" NH3 and 3/8" open-end tubes	\$67.24
K-4TSDF/3/4DA	Knife with 3/8" NH3 and 3/4" vapor (cooler) tubes	\$83.61

WATER HOSE FRICTION LOSS

Water Hose Friction Loss...

Approximate pressure loss expressed in pounds per square inch (psi) per 100 foot length of straight, smooth bore hose.

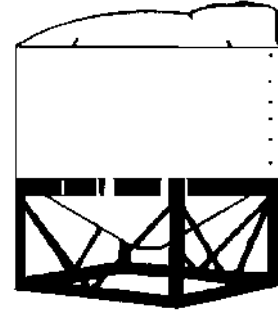
Flow of water in U.S. Gal. per min.	Hose Inside Diameter:														
	1/2	5/8	3/4	1	1 1/4	1 1/2	2	2 1/2	3	4	5	6	8	10	12
1	1.41														
2	5.09	1.72	0.71												
5	27.7	9.36	3.85	0.95	0.32	0.13									
10	100	33.7	13.9	3.42	1.15	0.47	0.12								
15		71.4	29.4	7.24	2.44	1.00	0.25	0.08							
20		122	50.0	12.3	4.16	1.71	0.42	0.14							
25			75.6	18.6	6.28	2.59	0.64	0.21							
30			106	26.1	8.80	3.62	0.89	0.30	0.12						
35			141	34.7	11.7	4.82	1.19	0.40	0.16						
40				44.4	15.0	6.17	1.52	0.51	0.21						
45				55.3	18.6	7.67	1.89	0.64	0.26						
50				67.1	22.7	9.32	2.30	0.77	0.32						
60				94.1	31.7	13.1	3.22	1.09	0.45						
70				125	42.2	17.4	4.28	1.44	0.59						
80					54.0	22.2	5.48	1.85	0.76						
90					67.2	27.7	6.81	2.30	0.95	0.23					
100					81.7	33.6	8.28	2.79	1.15	0.28					
125					123	50.8	12.5	4.22	1.74	0.43					
150						71.1	17.5	5.91	2.43	0.60	0.20				
175						94.6	23.3	7.86	3.24	0.80	0.27				
200							121	29.8	10.1	4.14	1.02	0.34			
225								37.1	12.5	5.15	1.27	0.43			
250								45.1	15.2	6.26	1.54	0.52			
275								53.8	18.1	7.47	1.84	0.62			
300								63.2	21.3	8.77	2.16	0.73	0.30		
350								84.0	28.3	11.7	2.87	0.97	0.40		
400								108	36.3	14.9	3.68	1.24	0.51		
450									45.1	18.6	4.57	1.54	0.64		
500									54.8	22.6	5.56	1.88	0.77	0.19	
600									76.8	31.6	7.79	2.63	1.08	0.27	
700									102	42.1	10.4	3.49	1.44	0.35	0.12
800									131	53.8	13.3	4.47	1.84	0.45	0.15
1000										81.4	20.0	6.76	2.78	0.69	0.23
1200										114	28.1	9.47	3.90	0.96	0.32
1400										152	37.3	12.6	5.18	1.28	0.43
1600											47.8	16.1	6.64	1.64	0.55
1800											59.5	20.0	8.25	2.03	0.69
2000											72.2	24.4	10.0	2.47	0.83
2500												36.8	15.2	3.73	1.26
3000												51.6	21.2	5.23	1.76

Figures are to be used as a guide only, since factors such as temperature and hose bends can greatly affect friction loss.

GALLONAGE MEASURE FOR 30° CONE BOTTOM TANK

CONE AREA ONLY IN THE NORWESCO CONE BOTTOM TANKS VOLUME IN GALLONS

Depth in inches	1050 tank	1550 / 1650 / 2500 / 3000 tanks
1"	5	5
2"	1.4	1.5
3"	3.1	3.0
4"	5.8	5.1
5"	9.7	7.8
6"	15.0	11.2
7"	21.8	15.3
8"	30.2	20.1
9"	40.0	25.7
10"	52.3	32.1
11"	67.0	39.4
12"	82.0	47.9
13"	-	57.6
14"	-	68.7
15"	-	81.2
16"	-	95.0
17"	-	110.3
18"	-	127.2
19"	-	146.0
20"	-	166.7
21"	-	189.4
22"	-	214.1 (last reading for 1550 tank)
23"	-	240.8
24"	-	270.0



CONVERSION FOR VOLUME & LENGTH

VOLUME

1 U.S. Gallon	231	Cubic inches
	0.137	Cubic Foot
	3.785	Litres
	0.00379	Cubic Meter
	0.833	Imperial Gallon
1 Imperial Gallon	1.2	U.S. Gallons
	277.274	Cubic Inches
1 Cubic Foot	1728	Cubic Inches
	7.481	U.S. Gallons
	0.0283	Cubic Meter
1 Litre	0.2642	U.S. Gallon
1 Cubic Meter	35.314	Cubic Feet
	264.2	U.S. Gallons
1 Acre Foot	43.560	Cubic Feet
	325.829	U.S. Gallons
1 Acre Inch	3.630	Cubic Feet
	27.100	U.S. Gallons
1 Barrel (oil)	42	U.S. Gallons

LENGTH

1 Inch	2.54	Centimeters
1 Meter	39.37	Inches
	3.28	Feet
1 Rod	16.5	Feet
1 Mile	5280	Feet
	1.61	Kilometers

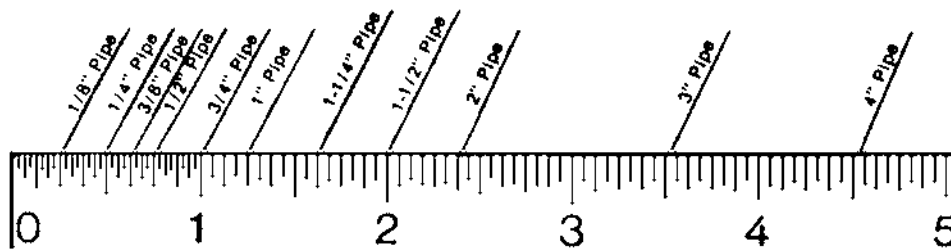
CONVERSION CHARTS

GALLONS IN ROUND TANKS—for one foot in depth
An easy method of computing the gallonage of any round, vertical or upright tank.

Dia. of Tanks		No. U.S. Gals.	Cu. Ft. and Area in Sq. Ft.	Dia. of Tanks		No. U.S. Gals.	Cu. Ft. and Area in Sq. Ft.	Dia. of Tanks		No. U.S. Gals.	Cu. Ft. and Area in Sq. Ft.
Ft.	In.			Ft.	In.			Ft.	In.		
1		5.87	785	5	8	188.66	25.22	19		2120.90	283.53
1	1	6.89	922	5	9	194.25	25.97	19	3	2177.10	291.04
1	2	8.	1069	5	10	199.92	26.73	19	6	2234.	298.65
1	3	9.18	1227	5	11	205.67	27.49	19	9	2291.70	306.35
1	4	10.44	1396	6		211.51	28.27	20		2350.10	314.16
1	5	11.79	1576	6	3	229.50	30.68	20	3	2409.20	322.06
1	6	13.22	1767	6	6	248.23	33.18	20	6	2469.10	330.06
1	7	14.73	1969	6	9	267.69	35.78	20	9	2529.60	338.16
1	8	16.32	2182	7		287.88	38.48	21		2591.	346.36
1	9	17.99	2405	7	3	308.81	41.28	21	3	2653.	354.66
1	10	19.75	2640	7	6	330.48	44.18	21	6	2715.80	363.05
1	11	21.58	2895	7	9	352.88	47.17	21	9	2779.30	371.54
2		23.50	3142	8		376.01	50.27	22		2843.60	380.13
2	1	25.50	3409	8	3	399.88	53.46	22	3	2908.60	388.82
2	2	27.58	3687	8	6	424.48	56.75	22	6	2974.30	397.61
2	3	29.74	3976	8	9	449.82	60.13	22	9	3040.80	406.49
2	4	31.99	4276	9		475.89	63.62	23		3108	415.48
2	5	34.31	4587	9	3	502.70	67.20	23	3	3175.90	424.56
2	6	36.72	4909	9	6	530.24	70.88	23	6	3244.60	433.74
2	7	39.21	5241	9	9	558.51	74.66	23	9	3314.	443.01
2	8	41.78	5585	10		587.52	78.54	24		3384.10	452.39
2	9	44.43	5940	10	3	617.26	82.52	24	3	3455.	461.86
2	10	47.16	6305	10	6	647.74	86.59	24	6	3526.60	471.44
2	11	49.98	6681	10	9	678.95	90.76	24	9	3598.90	481.11
3		52.88	7069	11		710.90	95.03	25		3672.	490.87
3	1	55.96	7467	11	3	743.58	99.40	25	3	3745.80	500.74
3	2	58.92	7876	11	6	776.99	103.87	25	6	3820.30	510.71
3	3	62.06	8296	11	9	811.14	108.43	25	9	3895.60	520.77
3	4	65.28	8727	12		846.03	113.10	26		3971.60	530.93
3	5	68.58	9168	12	3	881.65	117.86	26	3	4048.40	541.19
3	6	71.97	9621	12	6	918.	122.72	26	6	4125.90	551.55
3	7	75.44	10085	12	9	955.09	127.68	26	9	4204.10	562.
3	8	78.99	10559	13		992.91	132.73	27		4283.	572.66
3	9	82.62	11045	13	3	1031.50	137.89	27	3	4362.70	583.21
3	10	86.33	11541	13	6	1070.80	143.14	27	6	4443.10	593.96
3	11	90.13	12048	13	9	1110.80	148.49	27	9	4524.30	604.81
4		94.	12566	14		1151.50	153.94	28		4606.20	615.75
4	1	97.96	13095	14	3	1193.	159.48	28	3	4688.80	626.80
4	2	102.	13635	14	6	1235.30	165.13	28	6	4772.10	637.94
4	3	106.12	14186	14	9	1278.20	170.87	28	9	4856.20	649.18
4	4	110.32	14748	15		1321.90	176.71	29		4941.	660.52
4	5	114.61	15321	15	3	1366.40	182.65	29	3	5026.60	671.96
4	6	118.97	1590	15	6	1411.50	188.69	29	6	5112.90	683.49
4	7	123.42	1650	15	9	1457.40	194.83	29	9	5199.90	695.13
4	8	127.96	1710	16		1504.10	201.06	30		5287.70	706.86
4	9	132.56	1772	16	3	1551.40	207.39	30	3	5376.20	718.69
4	10	137.25	1835	16	6	1599.50	213.82	30	6	5465.40	730.62
4	11	142.02	1899	16	9	1648.40	220.35	30	9	5555.40	742.64
5		146.88	1963	17		1697.90	226.98	31		5646.10	754.77
5	1	151.82	2029	17	3	1748.20	233.71	31	3	5737.50	766.99
5	2	156.83	2097	17	6	1799.30	240.53	31	6	5829.70	779.31
5	3	161.93	2165	17	9	1851.10	247.45	31	9	5922.60	791.73
5	4	167.12	2234	18		1903.60	254.47	32		6016.20	804.25
5	5	172.38	2304	18	3	1956.80	261.59	32	3	6110.60	816.86
5	6	177.72	2376	18	6	2010.80	268.80	32	6	6205.70	829.58
5	7	183.15	2448	18	9	2065.50	276.12	32	9	6301.50	842.39

To find the capacity of tanks greater than the largest given in the table, look in the Table for a Tank of one-half of the given size and multiply its capacity by 4; or one of one-third its size and multiply its capacity by 9, etc.

A common error made when sizing threaded fittings occurs whenever a ruler or tape measure is used. Pipe sizes must be measured by a pipe size scale - see illustration below.



PIPE & PIPE FITTINGS

Nominal pipe size inches	Actual inside diameter	Actual outside diameter
1/4"	0.364	0.540
3/8"	0.493	0.675
1/2"	0.6222	0.840
3/4"	0.824	1.050
1"	1.049	1.315
1 1/4"	1.380	1.660
1 1/2"	1.610	1.900
2"	2.067	2.375
2 1/2"	2.469	2.875
3"	3.068	3.500

#

12 Volt Pump Rate Controller	269
12 Volt Pumps	26,243
12 Volt Skid Sprayer	26
12 Volt Sprayer Accessories and Parts	41
12 Volt Wireless Remote	41
12 Volt Wiring Harness	41
3 Point Booms	22,23,24,25
3 Point Plumbing Breakdown	70,71
3 Point Lawn and Garden Sprayers	42,43,44, 45,46,47,48,49,50,51,52,53
3 Point Toolbar	8
3D Nozzle	316
304 Stainless Steel Ball Valves	206
3M Respirator	251
3 Point Sprayers (Large Ag)	14,20,21,22,23
3-Way Electric Valves	279,280
6000 Series Sprayer	10
7000 Series Sprayer	11
744A Controller	274
8000 Series 3 Point	14
8000 Series Sprayer	12,13
844-E Sprayer Control	272

A

Accuboom	255
Accuflow Vortex	353
Ace Pumps	186-201
ACME Couplings & Adapters	350
Agitator Tee	222
AGI-Tote	116
Agri-Inject Systems	154
AI TeeJet Tips	295
AI3070 Tips	297
AIC TeeJet Tips	296
Air Actuated Valves	216
Air Hose	239
Air Inducted Tips	289
Air Induction Turbo Twinjet	294
Air Mix Nozzles	321
AIXR TeeJet Tips	289
Aluminum Fittings	225
Angle Valve	202
ANSI Flange Valves	132
Anti Vortex	124,214
Applicator & Nurse Tank Valves (NH3)	348
ASG Ammonia Gauges	346
ATV Foam Marker	255
ATV Manifold	41
Auto Lock Fittings	238,240
Autoboom Height Control	257
AVI Hypro Tips	317

B

Ball Couplers, Hitches and Mounts	96,97
Ball Trailers	91
Ball Valves	202-207
Banjo Cast Iron Pumps	136,138
Banjo Electric Valves	279,280
Banjo Line Strainers	228,229,230

Banjo Manifold Fittings	219-221
Banjo Poly Pumps	140,142
Banjo Threaded Fittings	213,214
Banjo Valves	204
Banjo Venturi	121,220
Barbed Y's	223
Belt Driven PTO Pumps	171,186
Black Iron Fittings	226
Black Iron Flange	132
Bleeder Valves	152,351
Blender Units	83
Blockage Monitor	268
Blower Ducting Hose	234
Blue-White Flow Meters	155
Blumhardt Tubeholders	237
Boom Clamps	224
Boom Components	332
Boom Height Control	15
Boombuster Nozzles	326
Boomclamps	334
Boominator Nozzles	328
Boomjet Nozzles	329
Boomless Booms, Tips and Nozzles	23,36,37, 42,334-337
Booms	22,23,24,25,37
Bottom Load Valve	205,216
Bowie Pump	136
Brass Valves	207
Briggs & Stratton	149
Brush Sprayer	34
Bucket Elevators	83
Bulk Herbicide Equipment	130
Bulldog Jacks	97
Bung Adapter	161
Burn Control	29
Butterfly Valves	132

C

Cable Ties	251
Caddy Systems	158-162
Calc-An-Acre	269
Calibration Jug	253
Cam Lever Couplings	209,211,212
Caps	212,223
Cardinal Scales	131
Celcon Gate Valve	132
Centrifugal Pump Units	138,142
Check Valve: Push Connect	239
Check Valves: Flanged	208
Check Valves: Poly	208
Check Valves: PVC	208
Chemblade	123
Chemical Gloves	251
Chemical Isolator Kit	241
Chemical Pumps	156-163
Chemical Transfer Hose	232
Chemigation Systems	156
Chemigation Trailer	67
Chemsaver	334,335
Chemwash Emergency Kit	253
Cleanload Systems	122

Clevis Hitch	96
Closed Transfer Systems	165
Clutches	166
Clutch Driven Pumps	168
Coiled Hose Sprayer	35
Combo-Jet Tips	322,323
Companion Flange	132
Cone Bottom Scale System	131
Cone Bottom Trailers	92,93
ConeJet Tips	301,302
Continental NH3 Products	346-357
Control Valves	266,268,269,271
Conversion Charts	359,360
Conveyors	83
Coulter Blades	7
Couplings	211,219
Cox Reels	235
CP Floater Nozzle	311
CR7	258,259
Crosses	214,221
CT6 Pumps	160

D

Dairy Kit	134
Diaphragm Check Valves	334
Diaphragm Sprayer Pumps	173,174
Digital Weight Display	131
DirectoValves and Fittings	275
Disc Core Cone Spray Tips	310
Dispensing Valve	203
Dosatron	244
Dostec Pumps	154
Double Cone Trailers	93
Double H Hitch Pins	97
Double Outlet Flat Spray Tips	304
Double Quick Hitch Rack	23
Drainable Trailers	86-93
DriscoPipe Components and Fittings	133
Dry Fertilizer Rate Control	262
Dry Mate Valves	208
Dry Spreaders	78,79,80,81,82
Dual Tank Chassis Trailer	94
Dust Control Sprayer and Nozzles	28

E

Eductor System	120-125
Elbows	214,219,222
Electric Motor Driver	269
Electric Ball Valves	277,279,280
Electric Cast Iron Transfer Pump	148
Electric Sprayer Controls	264-275
Engenia Tips	281
Engines	138,149
EPDM Hose	232,233
ESI Six Stream Tips	319
EVA Hose	233
Express Wetboom Components	337
EZ Inductor Jug Rinse	123
EZ Reel Pro Hose Reel	236
Fenders	96

INDEX

APPLICATORS
& SPRAYERS

DRY MATERIAL
HANDLING

TRAILERS

TANKS &
ACCESSORIES

PUMPS

VALVES &
FITTINGS

STRAINERS
& HOSE

PLANTER
EQUIPMENT

SPRAYER
CONTROLS &
GUIDANCE

NOZZLES, TIPS
& SPRAY GUNS

NH3
PRODUCTS

TECHNICAL
INFORMATION

INDEX

F

Fertilizer Blenders	83
Fertilizer Conveyors.....	83
Fertilizer Denisty Scale	80
Fertilizer Knives	357
Fertilizer Tenders	81,82
Field Computers	258
Field Loaders	83
Field Sprayer Booms.....	22,23,24,25,37
FieldJet Nozzles	329
Fill-Rite Pumps.....	157
Fire Hose Nozzle.....	28
Flange Clamps and Gaskets.....	220
Float Gauges.....	346
Float Kit	134
Floater Nozzles	309
Flo-Max Safety Coupling	352
FloodJet Tips (TeeJet).....	298
Flow Dividers/Manifolds	151,349
Flow Limiter Valve.....	189
Flow Monitors	242,243
Flow Regulators.....	311
Flowmax 221	266
Flow Meters	156-158,266,269,272
Flowserve Pumps	160
Foam	256
Foam Markers	254-256
Forcefield Wet Seal Pumps	170
Franklin Electric Pumps	145
Front Fold Boom	21
Fuel Pumps and Meters	157
Full Drain Inductor	121
FullJet Tips.....	303

G

Garden Hose Fittings.....	224
Gaskets (NH3).....	351
Gaskets for Tips.....	334
Gauge Tees.....	214,223
Gauges.....	241
Globe and Angle Valves.....	347
Gloves	251
Goggles.....	251
Golf Course Sprayer	56-57
Gooseneck Trailers.....	92
Grain Vac Hose	234
Granular Control	262
Greenleaf Tips	320,321
Guardian Air Tips.....	313,314,315
GunJet Spray Gun.....	342,343

H

Hamilton Nozzles.....	327
Handle Risers.....	204
Hannay Reels.....	235
Hardi to TeeJet Adapter Cap.....	285
Hay Sprayers.....	67
Helicopter Tanks.....	99
Herbicide Pumping Systems.....	130

Hi-Flow 140 Spray Tips.....	318
High Capacity Cart.....	95
High Flow Wet Seal Pump.....	145,146,148
High-Flo Pump.....	245
Hitch Pins and Balls	97
Honda Engines.....	138,149
Hooded Boom Sprayer.....	69
Hose	231-234
Hose Barb: 90 degrees	213,221,222
Hose Barb: Tee	213,221,223
Hose Barb: Stainless Steel.....	132
Hose Barbs	213,221,222
Hose Clamps.....	231
Hose Cutter	234
Hose Drops	332
Hose Menders	213,223
Hose Reels.....	235,236
Hose Shank and Hose Shank Nozzle Bodies.....	338
Hydraulic Sprayer Pumps	168,169,189-197
Hydrostatic Relief Valves.....	351
Hypro Boom X Tender.....	324
Hypro Clutch.....	166
Hypro Jet Agitator.....	135
Hypro Pumps.....	166-185
Hypro Sprayer Pump Repair Parts.....	175-185
Hypro Tips	319
Hypro Transfer Pumps	145
Hypro Wet Seal Sprayer Pumps	170

I

In Cab Hay Sprayer	67
Inductors	120-123
Injection Pumps.....	151
Inject-O-Meter Pumps.....	152
Insectigator Systems	156
Irrigation Injection Items.....	151-156

J

Jacks	96
Jet Agitator	135,224
Jet Rinse	251
John Blue Pumps.....	150,151
Jug Rinse.....	123
Jumbo High Volume 5-Way Nozzle Body	336

K

Kanaflex Hose.....	232
Keeton Seed Firmer.....	238
King Nipples.....	132
Knives	357

L

LA 5000.....	4
LA 7000.....	5
LA 9000.....	6
LA Toolbar	8
Lanyards	210
Lawn and Garden Booms	26,34,35,37,54,55
Lawn and Garden: 3 Points	42,43,44,45-53

Lawn and Garden: ATV Sprayers.....	37,38
Lawn and Garden: Carts.....	77
Lawn and Garden: Dry Spreaders	78,79
Lawn and Garden: Replacement Parts.....	41,54
Lawn and Garden: Skid Sprayer	27,28,,29,30,31
Lawn and Garden: Spot Sprayers.....	32-37
Lawn and Garden: Trailer Sprayers.....	54-57
Lawn and Garden: UTV Sprayers.....	38,39,40
Lay Flat Hose	234
Lay-By Wheel Units	68
Leeson Electric Motors.....	149
Lick Tanks	134
Line Strainers.....	227-230
Line Strainers: Manifold	216
Line Strainers: Threaded	227-230
Liquid Applicators.....	4,5,6
Liquid Feed Tank Setups	135
Liquid Trailers	86-93
Liquifier (NH3)	353
Lockease Hitch Pins	97
Loftness Fertilizer Equipment	81
Longhorn Boom.....	23
Low Profile Trailer Sprayer	60-65

M

Manifold Adapters	221
Manifold Fittings	219-221
Manifold Line Strainers	216
Manifold Shutoff Valves.....	277,279,280
Manifold Tubing.....	239
Manifold Valves.....	215,216
Manual Sprayer Valves.....	333
Matrix Pro	270
MC-1/MC-2 Three Point Sprayers.....	44,45,46,47
Meter Matics.....	349
Metering Barb	223
Micro Valves.....	209
Micromatic	160,165
Micro-Trak	268,269
Mineral Feeders	134
Mini Bulk Pumps	158-165
Mister Mist'r Check Valves.....	152
Mix Tanks	120-123
Monarch Pumps.....	144
Motorized Shutoff Valves.....	275,277-280
Motors.....	149
Multi-Lid	41
MVD Manifolds	349

N

Neptune Fertilizer Pumps	155
Newton Crouch	80
NH3 Coolers	353
NH3 Decals	252
NH3 Knives	357
NH3 Pre Coupled Hose.....	231
NH3 Products	346-357
Nipples	213,222
Norwesco Tanks	100-119
Norwesco Valves	202,203
Nozzle Bodies	334-336

Nozzle Cap.....	223
Nozzle Cross.....	223
Nozzle Elbow.....	223
Nozzle Nut.....	223
Nozzle Screen.....	223
Nozzle Tee.....	223
Nozzle Valves.....	205
Nurse Trailer Accessories.....	96
Nurse Trailers.....	86-93

O

Oasis Wet Seal.....	197
Off Center Spray Tips.....	304
Oklahoma Special.....	25
Orchard Spreader.....	81
Order Forms.....	368
Orifice Discs.....	311
Ozawa Metering Pumps.....	155

P

Pacer Pumps.....	143
Pasture Blaster.....	58,59
Pasture Sprayer.....	30-66
Pathfinder Cart.....	95
Patriot Equipment.....	84,85,95,99
Pest Control Skid.....	30
Petroleum Transfer Hose.....	231
PH6 Panther Pump.....	161
Pickup and Trailer Accessories.....	97
Pickup Mounted Spreader.....	79
Pipe Mount Jacks.....	96
Pipe Nipples.....	213,222
Piston Pump Mounting Drive.....	150
Planter Blades.....	238
Planter Kits.....	244
Planter Orifice Discs.....	311
Planter Tool Bar Mount.....	249
Planter Tube Holders.....	237
Planter Tubing.....	239
Policies, Terms and Conditions.....	365
Poly Swivels.....	214
Poly T Line Strainers.....	228
Poppet Couplings.....	208
Poultry House Sprayer.....	66
Praxidyn Mixmate.....	123
Pre Coupled Chemical Transfer Hose.....	161
Pressure Gauges.....	241
Pressure Relief Valves.....	333
Pressure Spike Valves.....	208
Pressure Transducer/Sensor.....	266,272
Pressure Vacuum Vent.....	130
Pro 300/500 3 Point Sprayer.....	20,21
Pro 500/750 Trailer Sprayer.....	16,17,18,19
Pro Series Handgun.....	344
ProClean Nozzles.....	333
ProFlo Nozzle Bodies.....	336
ProUTV.....	38,39
PT Coupling.....	211,212
PTO Couplers.....	167
Pull Type Sprayer.....	10,11,12,13,16,17,18,19

Pump Speed Controller.....	243
Pump System Drawings.....	72,73
Pumps: Repair Kits for Sprayer Pumps.....	166,167, 169,172-184,185,186,190,194,196
Pumps.....	136-201, 245-248
Pumps: 12 Volt.....	245
Pumps: Ace Pumps.....	186-201
Pumps: Aluminum.....	145
Pumps: ATV.....	245
Pumps: Belt Driven.....	171
Pumps: Bulk Fertilizer.....	138-148
Pumps: Chemical.....	158-164
Pumps: Def.....	160
Pumps: Diaphragm Pumps.....	173-174,182-185
Pumps: Frame Mounted Centrifugal.....	199
Pumps: Fuel.....	157
Pumps: Gas Engine Sprayer Pumps.....	172,200-201
Pumps: Gear Driven.....	136,137,168
Pumps: Ground Driven.....	150
Pumps: Hydraulic Driven.....	138,140, 168-171,189-198
Pumps: Hypro.....	166-181
Pumps: Irrigation.....	151-156
Pumps: Motor Driven.....	138,140-147 172,200-201
Pumps: Pacer.....	143
Pumps: Pedestal.....	138-139,142,148
Pumps: Planter.....	150,170,189,245
Pumps: Poly.....	140,142,145
Pumps: PTO Belt Driven.....	171,186
Pumps: Roller.....	166-167,186
Pumps: Shurflo.....	162-163,245
Pumps: Squeeze.....	140
Pumps: Stainless Steel.....	140,150,170-171 195,197
Pumps: Wet Seal.....	140,146-147 170,197
Push to Connect Fittings.....	239-240
PVC Hose.....	232,234
PWM Spray Tips.....	301,322,323

Q

QDC Adapter Couplings.....	209
Quick Connect Fittings for TeeJet.....	275
Quick Turbo Floodjet Tips.....	300

R

Radion Sprayer Control.....	270
Rapat Conveyor.....	83
Ratchet Straps.....	97
Rate Charts.....	286-329
Rate Control Module.....	260
Rate King Plus.....	268
Raven: Cables.....	265
Raven: Coolers.....	353
Raven: Flowmeters.....	264
Raven: ISO Product Control.....	262
Raven: SCS Controllers.....	262,264-265
Raven: Valves.....	266
Raven: Autoboam.....	15

Raven: Ultraglide.....	15
RCM.....	260
Rebounders.....	238
Red Weeder.....	250
Redball Flow Monitors.....	242
Reducer Bushings.....	214,222
Reducer Couplings.....	213,221
Reducing Nipples.....	213,222
Regulating Valves.....	266
Replacement Engines.....	149
Respirator.....	251
Rinse Nozzles.....	333
Rinse System.....	121
Rochester NH3 Gauges.....	346
Roller Pump Repair Parts.....	175
Roper Pump.....	137
Row Banders.....	332
Row Units.....	355,356
RS1.....	258

S

Safeguard Blockage Monitor.....	268
Safety Breakaway Couplings (NH3).....	352
Safety Decals.....	252
Safety Equipment.....	251
Safety Lock Couplers.....	211
Safety Relief Valves.....	351
Scale System.....	131
Schedule 40 Fittings.....	222-223
Scienco Pumps.....	160
Sealant.....	222
Seed Planting.....	238
Seed Tenders.....	84,85
Seed Treater Electric Motor Driven Pump.....	199
SEM-10.....	160
Semi Trailers.....	94
Sentry Tip Flow Monitor.....	271
Servo Valves.....	266,267,269
Shanks (NH3).....	355
Side Dress Row Units.....	355
Side Dressers.....	4,5,6,7,8,9
Side Load Valve.....	205,216
Side Mount Tanks.....	98,99
Sidekick Pro.....	263
Sight Gauge Hose.....	233
Simonsen Fertilizer Equipment.....	82
SJ3 Tips.....	306
Skid Sprayers.....	26-31
Slicer Jug Rinse.....	123
Smartrax.....	257
Smucker Weed Wipers.....	250
Solenoid Valves.....	273,276
Sotera Pumps and Meters.....	158,159
Specialty Fittings.....	225
Speed King Fertilizer Equipment.....	83
Speed Sensors.....	268,269
Speedy Clamps.....	231
Sphere Chemigation Trailer.....	67
Splitter Distribution Manifold.....	349
Spra-Coupe.....	74,75
Spray Guns.....	339-345

INDEX

APPLICATORS & SPRAYERS
 DRY MATERIAL HANDLING
 TRAILERS
 TANKS & ACCESSORIES
 PUMPS
 VALVES & FITTINGS
 STRAINERS & HOSE
 PLANTER EQUIPMENT
 SPRAYER CONTROLS & GUIDANCE
 NOZZLES, TIPS & SPRAY GUNS
 NH3 PRODUCTS
 TECHNICAL INFORMATION

Spray Tips 286-323
 Spray Tips and Nozzle Types 330,331
 Sprayer Calibrator 251
 Sprayer Drockdeck Trailer 94
 Sprayer Hose 233
 Spraymate 269
 Squibb Taylor NH3 Products 346-357
 Stainless Steel Fittings 226
 Stainless Steel Nipples 226
 Stainless Steel Stubby Valves 206
 Stainless Steel Tank Fittings 127
 Stainless Steel Tanks 129
 Stationary Trailers 92,93
 Stock Tanks 134
 Streamjet Tips 305,306,307,308
 Street Elbows 212
 Stubby Valves 206
 Suction Basket Strainers 214
 Suction Cup Mounts 272
 Sweeps 219
 Swivel for Spray Guns 344
 Swivel Fittings 246
 Swivel Hose Unions (NH3) 350
 Swivel Nut 221

T

Tandem Axle Sprayer 18,19
 Tank Cleaner 256
 Tank Fittings 125-127
 Tank Fittings: Flanged 219
 Tank Floats 134
 Tank Ladders 109,113
 Tank Lids 124
 Tank Mixing Eductor 121,135
 Tank Neutralizer 256
 Tank Rinse 121
 Tank Rinse Nozzles 333
 Tank Site Gauge Assemblies 135
 Tank Skids 109,111
 Tanks 99-119
 Tanks: Ace Specialty 118
 Tanks: Applicator 103,104
 Tanks: Bands 106,111
 Tanks: Box and Low Profile 117
 Tanks: Cage Tanks 116
 Tanks: Cone Bottom 114,115
 Tanks: Drainable Leg 108,109
 Tanks: Elliptical Leg 112,113
 Tanks: Fiberglass 128
 Tanks: Flat Bottom Utility 106
 Tanks: Flatbottom Transport 116
 Tanks: Free Standing Water Tanks 103
 Tanks: Hitchhiker 103,104
 Tanks: Horizontal Leg 110,111
 Tanks: Inductor 104,121
 Tanks: Leg Tanks 109-113
 Tanks: Loaf 106
 Tanks: PCO 114
 Tanks: Pickup Tanks 117
 Tanks: Rectangular 106
 Tanks: Septic/Cistern 119

Tanks: Spherical 116
 Tanks: Spot Sprayer 103
 Tanks: Stainless Steel 129
 Tanks: Stands 115
 Tanks: Steel and Saddles 105,115
 Tanks: Total Drain Square 106
 Tanks: Tractor Mounted Space Saver 103
 Tanks: Transport 107
 Tanks: Underground Water Holding 116
 Tanks: Vertical 100-102
 T-Bolt Clamps 231
 TCS Meters 130
 TDXL Tips 321
 TeeJet 744A 274
 TeeJet Caps for Tips 285
 TeeJet Electric Ball Valves 279
 TeeJet Electronics 270,271,272,274
 TeeJet Flow Meters 272
 TeeJet Line Strainers 227
 TeeJet Push Connect Fittings 239
 TeeJet Regulating Valves 274,277
 TeeJet Tips 286-308
 TeeJet to Wilger Adapter Cap 285
 Tees 214,221,223
 Texas Industrial Remcor 273
 Thread Sealant 224
 Threaded Plugs 213
 Throttling Valves 333
 Tip Adapter Coupler 223
 Tip Check Valves 332
 Tip Cleaning Brush 249
 Tip Rate Charts 286-329
 Tip Strainers 332
 Tips 286-323
 Tips Technical Information 281-284
 Tote Tank Pump Bracket 158
 TP TeeJet Tips 288
 Tractor Mounted Tanks 98-99
 Trailer Carts 77
 Trailer Lights 96
 Trailer Sprayer 56,57,58,59,60
 61,62,63,64,65
 Triple Cone Trailers 93
 Triple Nozzle Bodies 334-336
 Turbo Floodjet Tips 299
 Turbo Teejet Air Inducted Tips 293
 Turbo TeeJet Tips 290
 Turbo TwinJet Air Inducted Tips 292
 Turbo TwinJet Tips 291
 TurdoDrop Tips 290
 Turf Trailer Sprayer 56,57
 TXR ConeJet 302
 Tyvek Coveralls 251

U

U-Bolt 220
 Ultra Low Drift Tips 312
 Union Valves 202,205
 UTV Hose Reel 40
 UTV Manifold 41
 UTV Sprayers 38-40

V

Valve Handles 205
 Valve Locking Device 205
 Valve Mounting Brackets 205
 Valves: Electric 277,279,280
 Valves: Manifold 215,216
 Valves: Threaded 202-204
 Vapor, Filler and Withdrawal Valves 348
 Variable Rate Fertilizer Tips 306,307,308,321
 Venturi 121,220
 Vinyl Hose 233
 Viper 4+ 258
 V-Shot Kit 238

W

Warranty Information 365
 Water Safety Cans 251
 Weather Meter 251
 Weed Wipers 248
 Wet Boom Components and Nozzles 36,336,337
 Wet Boom System 10,11,12,13
 Wheatstreamers 309
 Wilger Flow Monitors 243
 Wilger Tips 322,323
 Wilger Adapter Caps 285,323
 Wind Meters 253

X

X-Fold Boom 20
 XR TeeJet Tips 286
 XRC TeeJet Tips 287
 Xtendimax Tips 281

Y

Y Strainers 229-230
 Yield Flex 9

Z

Zip Ties 231

THANK YOU

We at Ag Spray Equipment want to express our appreciation for the business you have given us. We are committed to a combination of high quality product lines, knowledgeable sales staff and prompt service at competitive prices. We will continue to do our very best to provide the same high standards of product and service you have come to expect from us.

LIMITED WARRANTY

All warranties are subject to the warranty of the original manufacturer. Unless otherwise noted, Ag Spray Equipment manufactured equipment carry a one year limited warranty for defects in materials or workmanship. Warranty claims will be processed by Ag Spray Equipment after the items are returned freight prepaid to the Ag Spray Equipment location where the product was purchased. Examination and determination of warranty, if applicable, will be subject to and limited by the warranty of the original manufacturer. Ag Spray Equipment assumes no liability for any unwarranted equipment. All items must be returned within 30 days of failure.

LIQUID CARRYING VESSEL WARRANTY

Liquid carrying vessels are subject to the applicable warranty only. The loss of chemicals within the vessel is not covered by warranty. Expenses, inconveniences or other damages that may occur are not subject to warranty consideration. The warranty is void if the vessel or vessel lining failed because of inadequate support of the vessel, misuse or lack of reasonable care or use of chemical formulations not recommended by the vessel manufacturer. The user shall check all labels for the information on known chemicals that are detrimental to vessel or vessel lining. The user shall determine the suitability of the product for his intended use and assumes all risks and liability in connection therewith. The entire limited warranty is embodied in this writing. Ag Spray Equipment neither assumes nor authorizes any person to assume for it any other liability in connection with its equipment.

RETURN FOR CREDIT

Merchandise may be returned for credit only upon authorization by Ag Spray Equipment. Upon authorization, merchandise must be returned freight prepaid within 30 days of purchase. All returns must specify the invoice number and the date the items were purchased. Credit will be issued for the net invoice Cost less all allowances, freight charges, a handling charge and additional charges for any items not received in saleable condition. **Special orders cannot be returned.** The final credit issued, in any event, will be subject to Ag Spray Equipment inspection to determine condition.

CHECK MERCHANDISE IMMEDIATELY UPON RECEIPT

If a shipment is received damaged or there is a shortage, note this fact on the carriers receipt. Report any problems to Ag Spray Equipment immediately.

PRICES

Prices shown are FOB Ag Spray Equipment or FOB manufacturer and are current to the best of our knowledge. However, prices may change at any time without notice or obligation as some of our suppliers implement price changes throughout the year. Prices charged will be the current pricing at the time of shipment. If you have any questions, please contact us at Ag Spray Equipment.



NOTES

APPLICATORS
& SPRAYERS

DRY MATERIAL
HANDLING

TRAILERS

TANKS &
ACCESSORIES

PUMPS

VALVES &
FITTINGS

STRAINERS
& HOSE

PLANTER
EQUIPMENT

SPRAYER
CONTROLS &
GUIDANCE

NOZZLES, TIPS
& SPRAY GUNS

NH₃
PRODUCTS

TECHNICAL
INFORMATION

INDEX



SHOP ONLINE @ AGSPRAY.COM



TIPS

PUMPS

VALVES

TANKS



INDUSTRY PARTNERS



HYPRO

