

# Housing & Accessory Information

Oct.15<sup>th</sup>, 2008

## Items Added To This Document



■ Oct.15<sup>th</sup>, 2008 added list

Part Number	Description	Page Number
SNCA-HFIXSML/24, SNCA-HFIXSML/230	Fixed Housing (Small size)	38
SNCA-HFIXSTD/24, SNCA-HFIXSTD/230	Fixed Housing (Standard size)	40

# Introduction

Purpose;	The purpose of this document is to provide information about the range of housings and accessories available from Sony.
Contents;	The document has been divided into the following sections; <ul style="list-style-type: none"> <li>•Housings (fixed and dome).</li> <li>•Mounting accessories.</li> <li>•Spare parts and accessories.</li> </ul>
Additional Information;	For detailed information, please refer to the individual Product Bulletins
Distribution;	This document can be freely distributed to your Channel.
Operating Temperatures;	<b>External dome housings;</b> -29°C to +50°C (-44°C to +50°C with optional heater/blower kit, SNCA HEATER, added)
	<b>Internal dome housings;</b> 0°C to +50°C
	<b>Fixed housings;</b> -28°C to +48°C

# Housing Suffix Definitions

---

- Internal housings (/INT)
  - Suitable for internal applications, no heater/blower.
- External housings (/EXT)
  - Suitable for external locations, IP66 rated, heater blower.
- Wireless housings (/W)
  - As above, but with provision for external antenna.
- External 'ruggedised' (/R)
  - Suitable for external locations, IP66 rated, ruggedised construction NOT vandal resistant.
- Pressurised (/PRE)
  - Suitable for external locations, IP66 rated, pressurised to prevent ingress of air/gas. Ideal for urban locations.

SONY

IPELA  
INTEGRATED VISUAL COMMUNICATION

# Camera Housings

[www.sonybiz.net/nvm](http://www.sonybiz.net/nvm)

**INTELLIGENCE**  
Sony Intelligent Video Analysis

# SNCA-HRX550/EXT



- Description;
  - Outdoor dome camera housing
- Applicable Camera Models;
  - SNC-RX550P
  - SNC-RZ25P
- Fixing Method;
  - SNCA-WM20G (wall)
  - SNCA-CEILING (ceiling)
  - SNCA-WM20FC (see note)
- Rating;
  - IP66
- Operating Temperature;
  - -29°C to +50°C
  - -44°C to +50°C with optional heater/blower kit added (SNCA-HEATER)
- Voltage;
  - 24 volts AC
- Optional accessories;
  - SNCA-CLEAR/2 (included)
  - SNCA-TINTED/2
  - SNCA-HEATER



Remove this part when using SNCA-WM20FC

# SNCA-HRX550EXT/W



- Description;
  - Outdoor wireless dome camera housing
- Applicable Camera Models;
  - SNC-RX550P
  - SNC-RZ25P
- Fixing Method;
  - SNCA-WM20G (wall)
  - SNCA-CEILING (ceiling)
  - SNCA-WM20FC (see note)
- Rating;
  - IP66
- Operating Temperature;
  - -29°C to +50°C
  - -44°C to +50°C with optional heater/blower kit added (SNCA-HEATER)
- Voltage;
  - 24 volts AC
- Optional accessories;
  - SNCA-CLEAR/2 (included)
  - SNCA-TINTED/2
  - SNCA-HEATER

Remove this part when using SNCA-WM20FC

Antenna connection



# SNCA-HRX550/INT



- Description;
  - Indoor dome camera housing
- Applicable Camera Models;
  - SNC-RX550P
  - SNC-RZ25P
- Fixing Method;
  - SNCA-WM20G (wall)
  - SNCA-CEILING (ceiling)
  - SNCA-WM20FC (see note)
- Rating;
  - IP66
- Operating Temperature;
  - 0°C to 50°C
- Voltage;
  - 24 volts AC
- Optional accessories;
  - SNCA-CLEAR/2 (included)
  - SNCA-TINTED/2



Remove this part when using SNCA-WM20FC

No heater/blower included



# SNCA-HRX550EXT/R



**Description;**

- Outdoor vandal resistant dome camera housing

- **Applicable Camera Models;**

- SNC-RX550P
- SNC-RZ25P

- **Fixing Method;**

- SNCA-WM20G (wall)
- SNCA-CEILING (ceiling)
- SNCA-WM20FC (see note)

- **Rating;**

- IP66

- **Operating Temperature;**

- -29°C to +50°C
- -44°C to +50°C with optional heater/blower kit added (SNCA-HEATER)

- **Voltage;**

- 24 volts AC

- **Optional accessories;**

- SNCA-CLEAR/2 (included)
- SNCA-TINTED/2



Remove this part when using SNCA-WM20FC

# SNCA-HRX550/PRE



- Description;
  - Outdoor Pressurized dome camera housing
- Applicable Camera Models;
  - SNC-RX550P
  - SNC-RZ25P
- Fixing Method;
  - SNCA-WM20G (wall)
  - SNCA-CEILING (ceiling)
  - SNCA-WM20FC (see note)
- Rating;
  - IP66
- Operating Temperature;
  - -29°C to +50°C
- Voltage;
  - 24 volts AC
- Optional accessories;
  - SNCA-CLEAR/2 (included)
  - SNCA-TINTED/2



Remove this part when using SNCA-WM20FC

# SNCA-HRZ50/EXT



- Description;
  - Outdoor dome camera housing
- Applicable Camera Models;
  - SNC-RZ30P
  - SNC-RZ50P
- Fixing Method;
  - SNCA-WM20G (wall)
  - SNCA-CEILING (ceiling)
  - SNCA-WM20FC (see note)
- Rating;
  - IP66
- Operating Temperature;
  - -29°C to +50°C
  - -44°C to +50°C with optional heater/blower kit added (SNCA-HEATER)
- Voltage;
  - 24 volts AC
- Optional accessories;
  - SNCA-CLEAR/2 (included)
  - SNCA-TINTED/2
  - SNCA-HEATER



Remove this part when using SNCA-WM20FC

# SNCA-HRZ50/EXT/W



- Description;
  - Outdoor Wireless dome camera housing
- Applicable Camera Models;
  - SNC-RZ30P
  - SNC-RZ50P
- Fixing Method;
  - SNCA-WM20G (wall)
  - SNCA-CEILING (ceiling)
  - SNCA-WM20FC (see note)
- Rating;
  - IP66
- Operating Temperature;
  - -29°C to +50°C
  - -44°C to +50°C with optional heater/blower kit added (SNCA-HEATER)
- Voltage;
  - 24 volts AC
- Optional accessories;
  - SNCA-CLEAR/2 (included)
  - SNCA-TINTED/2
  - SNCA-HEATER

Remove this part when using SNCA-WM20FC

Antenna connection



# SNCA-HRZ50/INT



- Description;
  - Outdoor dome camera housing
- Applicable Camera Models;
  - SNC-RZ30P
  - SNC-RZ50P
- Fixing Method;
  - SNCA-WM20G (wall)
  - SNCA-CEILING (ceiling)
  - SNCA-WM20FC (see note)
- Rating;
  - IP66
- Operating Temperature;
  - 0°C to 50°C
- Voltage;
  - 12 volts DC
- Optional accessories;
  - SNCA-CLEAR/2 (included)
  - SNCA-TINTED/2
  - SNCA-HEATER



Remove this part when using SNCA-WM20FC

Note; No heater/blower included

# SNCA-HRZ50/EXT/R



- Description;
  - Outdoor dome camera housing
- Applicable Camera Models;
  - SNC-RZ30P
  - SNC-RZ50P
- Fixing Method;
  - SNCA-WM20G (wall)
  - SNCA-CEILING (ceiling)
  - SNCA-WM20FC (see note)
- Rating;
  - IP66
- Operating Temperature;
  - -29°C to +50°C
  - -44°C to +50°C with optional heater/blower kit added (SNCA-HEATER)
- Voltage;
  - 24 volts AC
- Optional accessories;
  - SNCA-CLEAR/2 (included)
  - SNCA-TINTED/2



Remove this part when using SNCA-WM20FC

# SNCA-HFIXED

- Description;
  - Outdoor fixed camera housing
- Applicable Camera Models;
  - SNC-P1
  - SNC-CS3P
  - SNC-CS10P
  - SNC-CS11P
  - SNC-Z20P
  - SNC-CS50P
  - SSC range
- Fixing Method;
  - Wall
  - Pole (included)
- Rating;
  - IP65
- Voltage;
  - 24 volts AC
- Operating temp;
  - -28°C to 48°C
- Operating humidity;
  - Up to 100%



Fixing location for  
pole mounting strap

Fixing location for  
wall mounting



# SNCA-HFIXSML/230

- Description: Fixed camera housing (Small size)
  - 230VAC input
  - Sunshield (Included)
  - Heater (Included)
  - Wall Bracket (Included)
- Applicable Camera Model;
  - SNC-CS10
  - SNC-CS11
  - SSC-DC172P
  - SSC-DC198P
  - SSC-DC372P
  - SSC-DC378P
  - SSC-E453P
  - SSC-E458P
  - SSC-E473P
  - SSC-E478P
  - SSC-M383CE
  - SSC-M388CE



\*If you use 230V model, camera may need additional power supply to power the camera depending upon camera type. The power supply unit accessories for fitting the housing is going to be added to the price list in Dec.





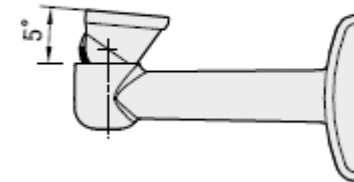
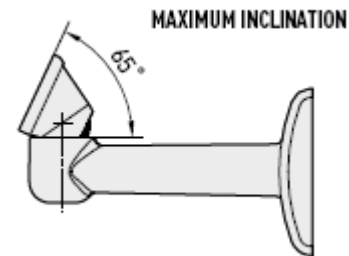
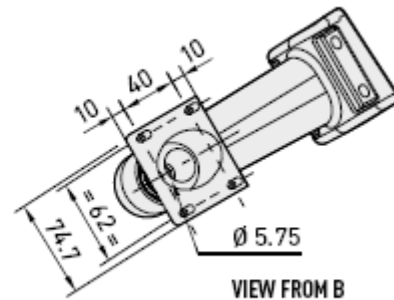
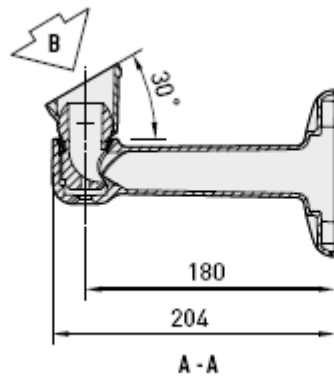
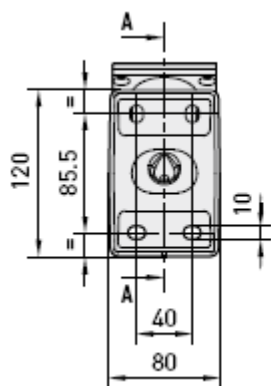
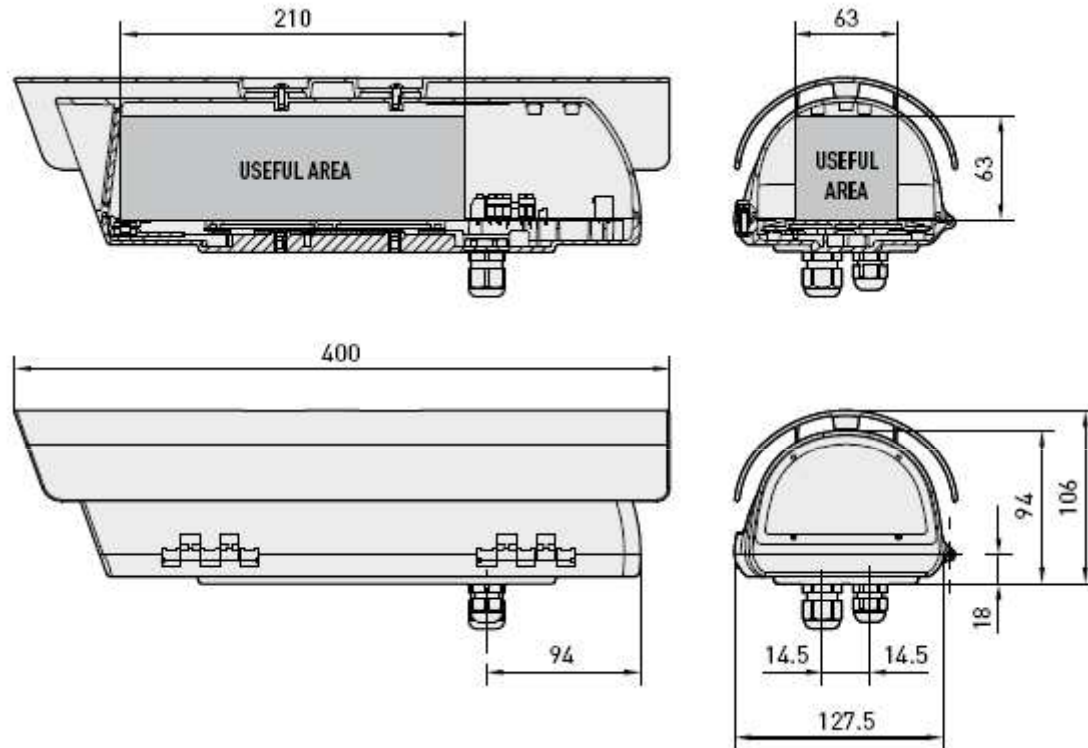
# SNCA-HFIXSML/24

- Description: Fixed camera housing (Small size)
  - 24VAC input
  - Sunshield (Included)
  - Heater (Included)
  - Wall Bracket (Included)
- Applicable Camera Model;
  - SNC-CS10
  - SNC-CS11
  - SSC-DC172P
  - SSC-DC198P
  - SSC-DC372P
  - SSC-DC378P
  - SSC-E453P
  - SSC-E458P
  - SSC-E473P
  - SSC-E478P
  - SSC-M383CE
  - SSC-M388CE





# SNCA-HFIXSML/24, SNCA-HFIXSML/230





# SNCA-HFIXSTD/230



- Description: Fixed camera housing (Standard size)
  - 230VAC input
  - Sunshield (Included)
  - Heater (Included)
  - Wall Bracket (Included)
- Applicable Camera Model;
  - SNC-CS50P
  - SNC-CM120
  - SNC-CS20
  - SNC-Z20P
  - SSC-DC593P
  - SSC-DC598P
  - SSC-DC80P
  - SSC-DC83P
  - SSC-DC88P



\*If you use 230V model, camera may need additional power supply to power the camera depending upon camera type. The power supply unit accessories for fitting the housing is going to be added to the price list in Dec.



# SNCA-HFIXSTD/24

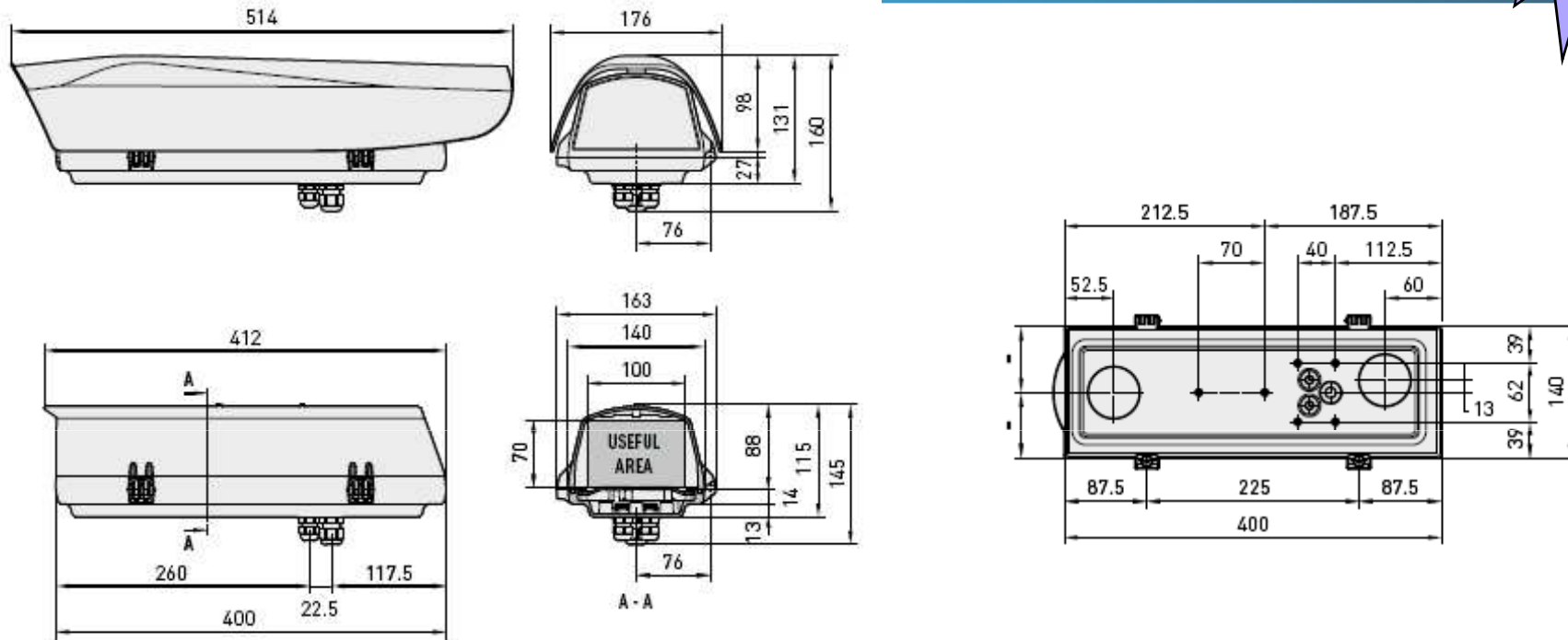


- Description: Fixed camera housing (Standard size)
  - 24VAC input
  - Sunshield (Included)
  - Heater (Included)
  - Wall Bracket (Included)
- Applicable Camera Model;
  - SNC-CS50P
  - SNC-CM120
  - SNC-CS20
  - SNC-Z20P
  - SSC-DC593P
  - SSC-DC598P
  - SSC-DC80P
  - SSC-DC83P
  - SSC-DC88P

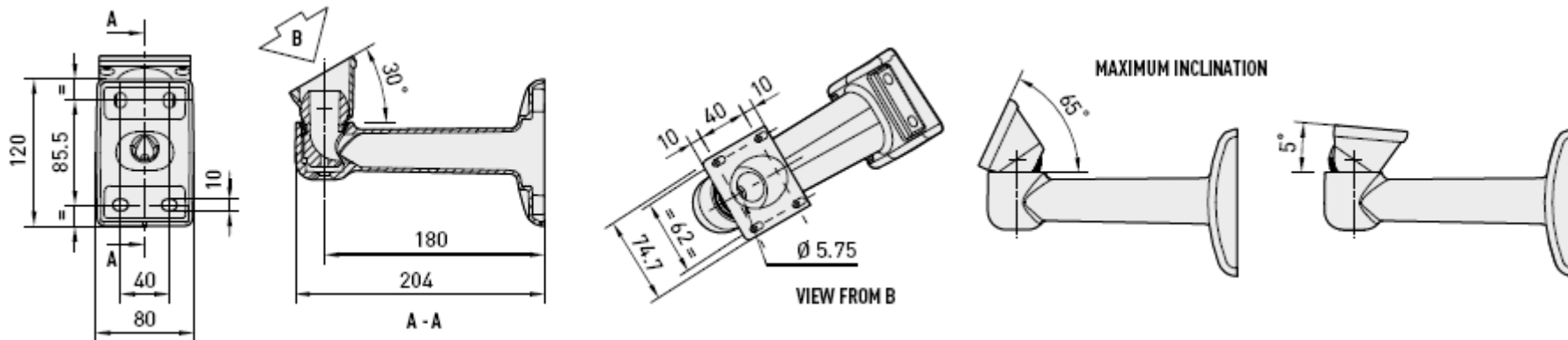




# SNCA-HFIXSTD/24, SNCA-HFIXSTD/230



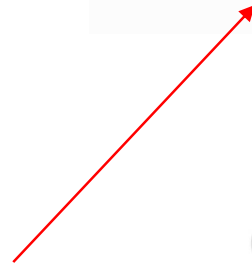
\*With sunshield removed



# Mounting Hardware

# SNCA-WMMD1

- Description;
  - Mini dome mounting kit
  - Can use internally or externally
  - Includes bracket and seal kit
- Applicable Camera Models;
  - SNC-DF70
  - SSC-CD73
- Fixing Method;
  - Wall mount bracket (included)
  - SNCA-PM3
  - SNCA-CA2
- Rating;
  - IP66



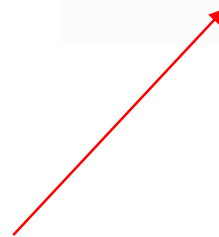
Camera fixes here



Waterproof seal kit  
(supplied)

# SNCA-WMMD2

- Description;
  - Mini dome mounting kit
  - Can use internally or externally
  - Includes bracket and seal kit
- Applicable Camera Models;
  - SNC-DF80
  - SSC-CD75
  - SSC-CD77
- Fixing Method;
  - Wall mount bracket (included)
  - SNCA-PM3
  - SNCA-CA2
- Rating;
  - IP66



Camera fixes here

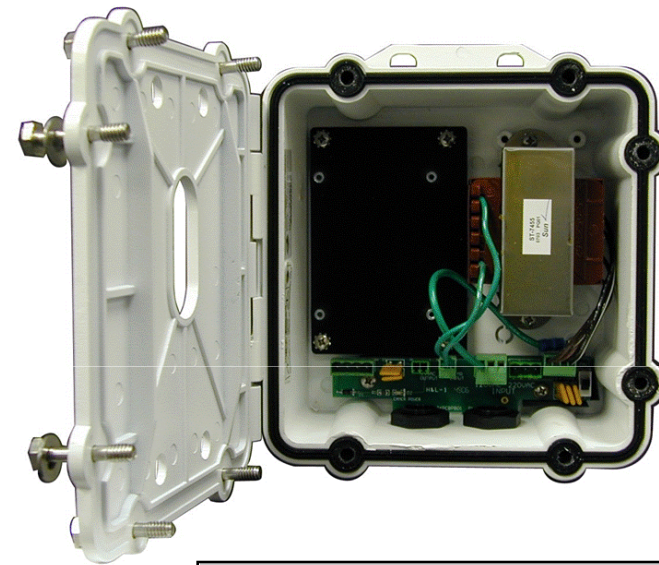


Waterproof seal kit  
(supplied)



# SNCA-POWERBOX

- Description;
  - Combined power supply and fixing bracket
- Fixing Method;
  - Wall
  - SNCA-PM3
  - SNCA-CA2
- Can be used with models;
  - SNCA-WM20G
  - SNCA-WM20FC
  - SNCA-WM40
  - SNCA-WMMD1
  - SNCA-WMMD2
- Rating;
  - IP66 (outdoor)
- Input Voltage;
  - 110/230 volts AC (selectable)
- Output Voltage;
  - 24 volts AC (4 amps max.)
- Operating temp;
  - -40°C to 50°C



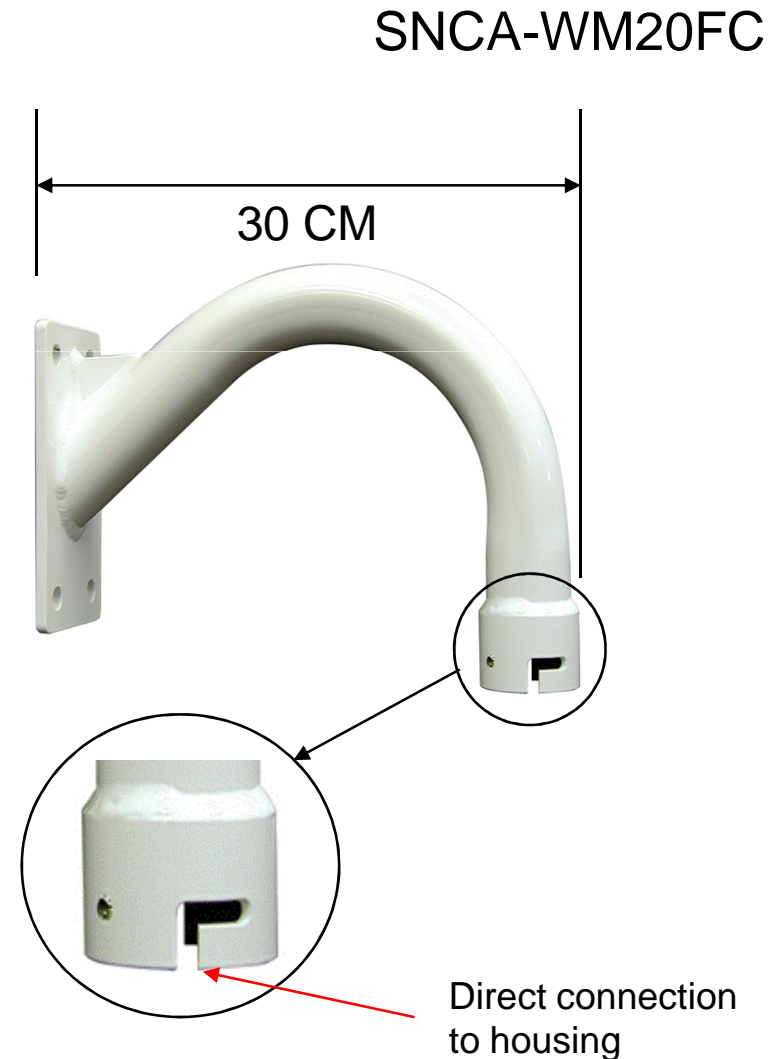
Concept



Cable entry point

# SNCA-WM20FC

- Description;
  - Wall mount for dome camera housings with fixed coupling attached
- Applicable Housing Models;
  - SNCA-HRX550/EXT
  - SNCA-HRX550/EXT/W
  - SNCA-HRX550/INT
  - SNCA-HRX550/EXT/R
  - SNCA-HRX550/EXT/PRE
  - SNCA-HRZ50/EXT
  - SNCA-HRZ50/EXT/W
  - SNCA-HRZ50/INT
  - SNCA-HRZ50/EXT/R
- Optional fixings;
  - SNCA-PM3 (Pole Mount Adapter)
  - SNCA-CA2 (Corner Mount Adapter)
  - SNCA-POWERBOX



# SNCA-WM20G



- **Description;**
  - Wall mount for dome camera housings
- **Applicable Housing Models;**
  - SNCA-HRX550/EXT
  - SNCA-HRX550/EXT/W
  - SNCA-HRX550/INT
  - SNCA-HRX550/EXT/R
  - SNCA-HRX550/EXT/PRE
  - SNCA-HRZ50/EXT
  - SNCA-HRZ50/EXT/W
  - SNCA-HRZ50/INT
  - SNCA-HRZ50/EXT/R
- **Optional fixings;**
  - SNCA-PM3 (Pole Mount Adapter)
  - SNCA-CA2 (Corner Mount Adapter)
  - SNCA-POWERBOX

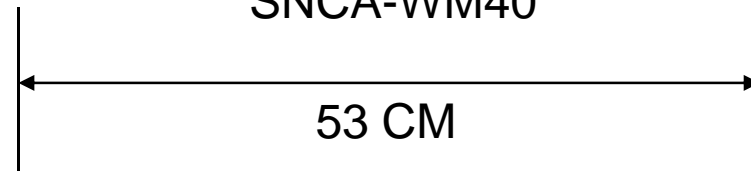


# SNCA-WM40

- Description;
  - Wall mount for dome camera housings
- Applicable Housing Models;
  - SNCA-HRX550/EXT
  - SNCA-HRX550/EXT/W
  - SNCA-HRX550/INT
  - SNCA-HRX550/EXT/R
  - SNCA-HRX550/EXT/PRE
  - SNCA-HRZ50/EXT
  - SNCA-HRZ50/EXT/W
  - SNCA-HRZ50/INT
  - SNCA-HRZ50/EXT/R
- Optional fixings;
  - SNCA-PM3 (Pole Adapter)
  - SNCA-CA2 (Corner Adapter)



SNCA-WM40



# SNCA-PM3



- Description: Pole mount adapter
  - Used to mount indoor or Outdoor housings to a Round pole (8cm-38cm, diameter)
  - 22 Kg load rating
  - Aluminium construction
- Can be used with models;
  - SNCA-WM20G
  - SNCA-WM40
  - SNCA-WMMD1
  - SNCA-WMMD2
- Banding straps not included



SNCA-PM3

# SNCA-CA2



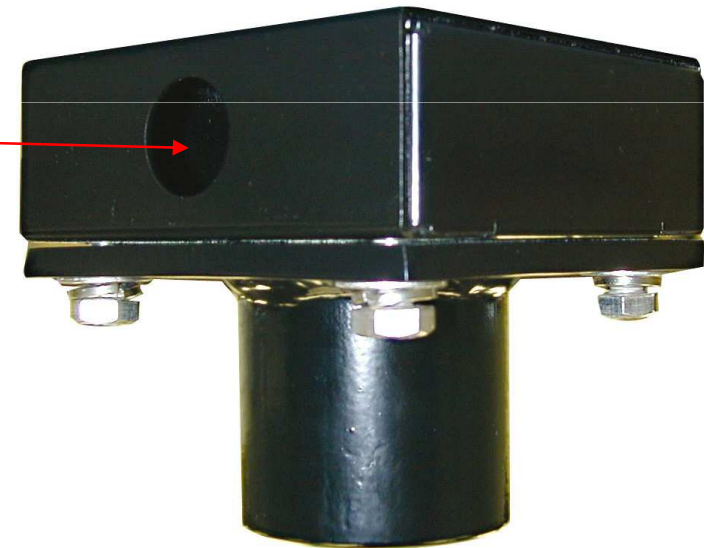
- Description: Corner mount adapter
  - Used to mount housings to an outside corner
  - 22 Kg load rating
  - Aluminium construction
  
- Can be used with models;
  - SNCA-WM20G
  - SNCA-WM40
  - SNCA-WMMD1
  - SNCA-WMMD2
  
- Fixings not included



SNCA-CA2

# SNCA-CEILING

- **Description;**
  - Mounting coupling for pendant applications
- **Features;**
  - The coupling is mounted to the ceiling. SNCA-POLE30 is thread into the coupling and the camera housing connected to the bottom of the pipe.
  - The base has an input for electrical conduit (1/2" or 12.7 mm)
- **Applicable Housing Models;**
  - SNCA-HRX550/EXT
  - SNCA-HRX550/EXT/W
  - SNCA-HRX550/INT
  - SNCA-HRX550/EXT/R
  - SNCA-HRX550/EXT/PRE
  - SNCA-HRZ50/EXT
  - SNCA-HRZ50/EXT/W
  - SNCA-HRZ50/INT
  - SNCA-HRZ50/EXT/R
- **Optional accessories;**
  - SNCA-POLE30 (Ceiling Mount Adapter)



Connection to  
SNCA-POLE30

# SNCA-POLE30

- Description;
  - Mounting pipe for pendant mount applications
- Applicable Housing Models;
  - SNCA-HRX550/EXT
  - SNCA-HRX550/EXT/W
  - SNCA-HRX550/INT
  - SNCA-HRX550/EXT/R
  - SNCA-HRX550/EXT/PRE
  - SNCA-HRZ50/EXT
  - SNCA-HRZ50/EXT/W
  - SNCA-HRZ50/INT
  - SNCA-HRZ50/EXT/R
- Features
  - Aluminium construction
  - 30cm in length
- Optional accessories;
  - SNCA-CEILING (Ceiling Mount Adapter)





SONY

IPELA  
INTEGRATED VISUAL COMMUNICATION

# Accessories

[www.sonybiz.net/nvm](http://www.sonybiz.net/nvm)

**INTELLIGENCE**  
Sony Intelligent Video Analysis

# SNCA-CFW1



- Description;
  - Wireless CF LAN card
  - 2.4 GHz
  - 11Mbps (Refer to product spec. sheet)
- Applicable Camera Models;
  - SNC-CS50P (SNCA-CFADAPT req'd)
  - SNC-RZ50P
  - SNC-RX550P (SNCA-CFADAPT req'd)
  - SNC-RZ25P
  - SNC-P5
- Rating;
  - CF Type II
  - IEEE-802.11b
- Voltage;
  - Power provided by camera
- Operating temp;
  - -20°C to 60°C
- Features;
  - Built-in antenna
  - MMCX antenna connector for SNCA-AN1 (optional)
  - Supports WEP and WPA/WPA2 (Multi codec platform with V2.0 +)
  - IEEE-802.1X authentication (Multi codec platform with V2.0 +)
  - Diversity mode (TX/RX)



# SNCA-CFW5



- Description;
  - Wireless CF LAN card
  - 2.4 GHz
  - 54Mbps (Refer to product spec. sheet)
- Applicable Camera Models;
  - SNC-CS50P (SNCA-CFADAPT req'd)
  - SNC-RZ50P
  - SNC-RX550P (SNCA-CFADAPT req'd)
- Rating;
  - CF Type II
  - IEEE-802.11b / 11g
- Voltage;
  - Power provided by camera
- Operating temp;
  - -20°C to 60°C
- Features;
  - Built-in antenna
  - MMCX antenna connector for SNCA-AN1 (optional)
  - Supports WEP/WPA/WPA2
  - IEEE-802.1X authentication
  - Diversity mode (TX)



# SNCA-AN1



- Description;
  - Outdoor antenna
- Applicable Camera Models;
  - SNCA-CFW1
  - SNCA-CFW5
- Fixing Method;
  - Pole (included)
- Rating;
  - IP66
- Operating temp;
  - -20°C to 60°C
- Impedance;
  - 50 Ohm





# SNCA-CFADAPT

- Description;
  - Card adaptor from CF to PCMCIA interface
- Applicable Models;
  - SNCA-CFW1
  - SNCA-CFW5
- Rating;
  - CF Type II shape
- Voltage;
  - Power provided by device
- Operating temp;
  - -20°C to 60°C
- Dimensions
  - 85.6mm x 54.0mm x 5.0mm



# Spare Parts & Replacement Items

# Replacement Dome Covers



- Description: Replacement capsules
  - SNCA-CLEAR
  - SNCA-TINTED
- Applicable Housing Models:
  - SNCA-HRZ25
  - SNCA-HRZ30
- Diameter;
  - 8" (20.32 cm)



SNCA-CLEAR



SNCA-TINTED

# Replacement Dome Covers



- Description: Replacement capsules
  - SNCA-CLEAR/2
  - SNCA-TINTED/2
- Applicable Housing Models;
  - SNCA-HRX550/EXT
  - SNCA-HRX550/EXT/W
  - SNCA-HRX550/INT
  - SNCA-HRX550/EXT/R
  - SNCA-HRX550/EXT/PRE
  - SNCA-HRZ50/EXT
  - SNCA-HRZ50/EXT/W
  - SNCA-HRZ50/INT
  - SNCA-HRZ50/EXT/R
- Diameter;
  - 7" (17.78 cm)



SNCA-CLEAR/2



SNCA-TINTED/2



# SNCA-HEATER

- Description: Cold weather kit
  - Includes an additional heater and blower assembly
  - Extends the lower operating temperature by 15°C
- Applicable Housing Models;
  - SNCA-HRX550/EXT
  - SNCA-HRX550/EXT/W
  - SNCA-HRX550/INT
  - SNCA-HRZ50/EXT
  - SNCA-HRZ50/EXT/W
  - SNCA-HRZ50/INT
  - SNCA-HRZ25

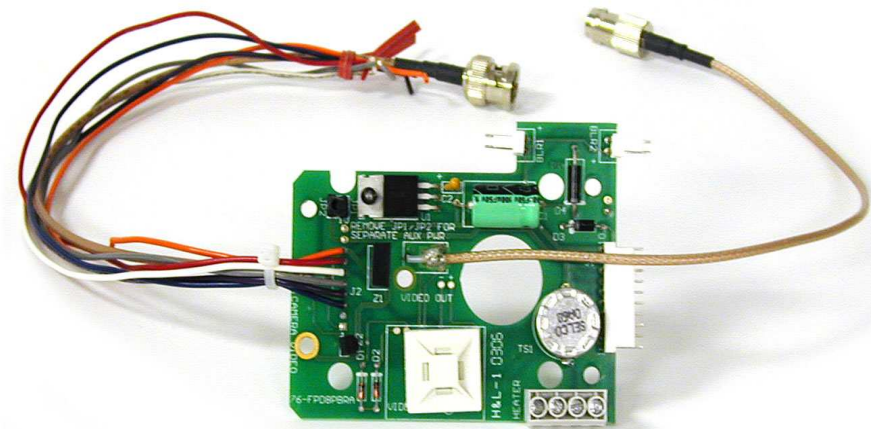


Optional Part

# SNCA-CONNECTOR/PCB



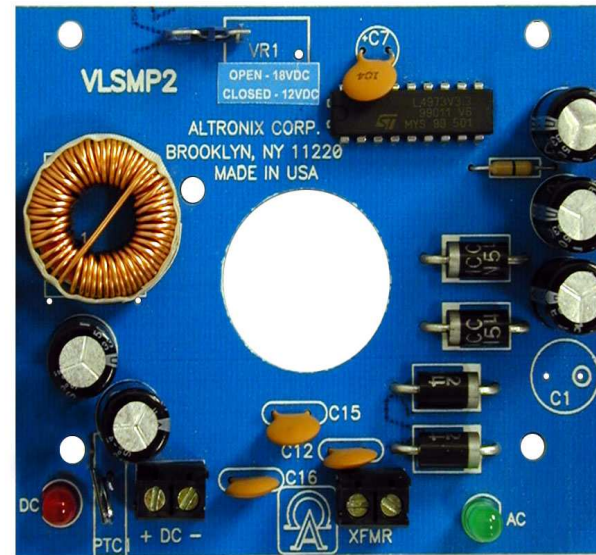
- Description: Housing control PC board
  - Controls the blower and heater
  - Replacement part
  - For outdoor models only
  
- Applicable Housing Models;
  - SNCA-HRX550/EXT
  - SNCA-HRX550/EXT/W
  - SNCA-HRX550/EXT/R
  - SNCA-HRX550/EXT/PRE
  - SNCA-HRZ50/EXT
  - SNCA-HRZ50/EXT/W
  - SNCA-HRZ50/EXT/R
  - SNCA-HRZ25
  - SNCA-HRZ30



Spare Part

# SNCA-POWER/PCB

- Description: Power board for 12v DC cameras
  - Controls the blower and heater
  - Replacement part
  - For outdoor models only
  
- Applicable Housing Models;
  - SNCA-HRZ50/EXT
  - SNCA-HRZ50/EXT/W
  - SNCA-HRZ50/EXT/R
  - SNCA-HRZ30



Spare Part