


PCN	Product Change Notification	De-23-02-0666	
Product	All ERNI Products	Date of Publication:	
		26.01.2023	

Title: Chang of IDs, redactional change of drawings and change of visible article number on products

Type of Notification: minor (B) change

Type of Change:

- Design
- Material
- Other
- Packing / Shipping / Labeling
- Product Marketing
- Product termination
- Production location
- Production process
- Specification
- Test / Testing

Effective date:

07.03.2023

Originator: Thomas Oberschelp/BEE/Technik/EE/de/ERNI , +49 7166 50-

Reason and description of change:

As part of the integration process of Company ERNI into TE Connectivity we need to change article numbers, drawings and printing / laser marking on products.

1. Change of ERNI article number (ID)

1.1 Adding "-E" / "-ER"

As sales department already had informed in 2022 all our article numbers will generally be changed by adding "-E" at the end. For some article numbers it is necessary to add "-ER" instead of "-E":

Old ID	New ID
454596	454596-ER
454600	454600-ER
454645	454645-ER
454745	454745-ER
454840	454840-ER

1.2. Original TE article number

In the past company ERNI has bought products from TE. These products are listed in our ERNI system with an ERNI article number. Due to the Integration into TE Systems these ERNI article numbers are obsolete. These article numbers will be replaced by the original ones from TE. Affected article numbers are listed in the attached excel file.

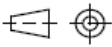

2. Change of Drawings

We will revise all our drawings in a redactional way. This includes

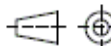

- the substitution of the ERNI Logo by the TE Logo
- change into New ID by adding the "-E" to all our article numbers
- adding the "-E" to all our drawing numbers
- adding "C-" before the drawing number (this is the identifier for a customer drawing)
- adding "ERNI-" before the name of the product in the drawing head
- generally, other texts that contain "ERNI" have been removed from the drawing or "ERNI" has been replaced by "TE"

For an example these changes are shown by the MicroBridge Drawing 504404:

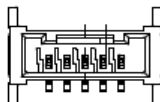
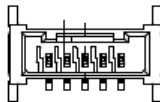
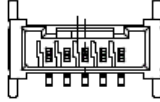
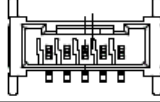
Drawing Head old:

Dimension no.		Tolerances ISO 2768-FH ISO 8015		 All Dimensions in mm	Scale 5:1	Material		
<u>Customer drawing:</u> All rights reserved. Only for Information. To ensure that this is the latest version of this drawing, please contact one of the ERNI companies before using.		Subject to modification without prior notice. Drawing will not be updated.		MicroBridge Male Straight SMT 05-pin				
e		14.09.2020		 ERNI International AG Zürichstrasse 72 8306 Brüttisellen - Zürich Switzerland		504404		I
Index		Date				Class MCBP		A2


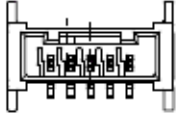
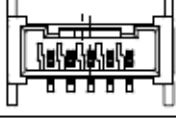
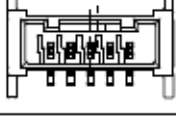
Drawing Head new:

Dimension no.		Tolerances ISO 2768-FH ISO 8015		 All Dimensions in mm	Scale 5:1	Material		
<u>Customer drawing:</u> THIS DRAWING IS A CONTROLLED DOCUMENT.		Subject to modification without prior notice. Drawing will not be updated.		ERNI-MicroBridge Male Straight SMT 05-pin				
e		14.09.2020		 TE Connectivity		C-504404-E		I
Index		Date				Class MCBP		A2

Article numbers old (old ID):

504408		rot <i>red</i>	1,5	
504407		grün <i>green</i>	1,5	
504406		blau <i>blue</i>	0,5	
504405		schwarz <i>black</i>	0,5	
Ident-Nr. <i>part-no.</i>	Codierung <i>coding</i>	Farbe <i>colour</i>	A	Bemerkung <i>remark</i>

Article numbers new (New ID):

504408-E		rot <i>red</i>	1,5	
504407-E		grün <i>green</i>	1,5	
504406-E		blau <i>blue</i>	0,5	
504405-E		schwarz <i>black</i>	0,5	
Ident-Nr. <i>part-no.</i>	Codierung <i>coding</i>	Farbe <i>colour</i>	A	Bemerkung <i>remark</i>

As these changes on the drawings do not contain any change in form fit or function, we will not change the revision of the drawings.

3. Change of printing / laser marking on products

Products, where the 6 digit article number already is visible or where it is hidden for incidence in a data matrix code by printing or laser marking, we will change into the new ID when it is technically and geometrically possible.

Laser marked or printed ERNI-Logos on products will be replaced by TE-Logo if technically possible. We will not change ERNI Logos that are produced by a geometry in a molding tool !

This change over all affected ERNI products will be processed over a longer period so after the effective date, march 7th 2023, there will still be shipments with products with old printed or laser marked article number or ERNI Logo.

This change will not affect reliability of product and has no impact on form, fit or function of these products.

Products Affected / Types

Part.-No:

Reference Documents available at :

<http://www.erni.com>

Additional information, samples etc., on request

PCN Revision History:

Date of Revision:	Revision Number:	Reason:
-------------------	------------------	---------



Legacy ERNI Material Number	Legacy ERNI Material Description	TCPN (TE SAP) = NEW PART NUMBER	Product Code Name
005070	VERSKV B SOPRANO 926560 ***** 005070	005070-E	C/A's miscellaneous
005071	VERSKV B SOPRANO 926561 ***** 005071	005071-E	C/A's miscellaneous
005219	VERHA A SIEMENS FRANKREICH 845923 J**	005219-E	C/A's miscellaneous
013970	STVF 48 F ZBD GGG 2-03 EE25 6,0* 107 E0	013970-E	DIN F
014005	CON3 TYCO 1-726388-2 FASTON** J	1-726388-2	FASTON Tabs LP
014373	VORCSI TMC-EINSETZ - LOESEWERKZEUG J 1 0	014373-E	ERNI costumer application tooling
014374	VORCSI CRIMP HANDZANGE- LOSE KONTAKTE J	014374-E	ERNI costumer application tooling
014375	VORCSI CRIMP HANDZANGE- ROLLE MIT 500 J	014375-E	ERNI costumer application tooling
014513	EPEZT * KODIERSTIFT F TMC * J*** 1 01	206509-1	AMPLIMITE Universal Cable Clamp Components
014520	SOCKETS TYCO 4-1437514-3 HOLTITE IC-SOCK	4-1437514-3	REELED HOLTITES
014539	CON3 TYCO 1-350942-0 OTHERS 2* J	1-350942-0	UMNL - Header Assembly
014540	STV SONSTIGE BUCHSENLEISTE TYCO 643226-1	643226-1	UMNL - Header Assembly
024104	STVBUG C/2 48 CSI 172 9999* J 2 484269	024104-E	DIN C
024403	SMCB 50 F AB VV 3-01** 0008 137 POS 05	024403-E	SMC BA3 IDC vertical female
024913	KSGBGR 185 VERRIEG. 20MM/M3 * J 2 24913	024913-E	KSG
033128	STVSKO H F 101 GERA 40A * M3** FD * J	033128-E	Specific High Current Contacts
033225	STVSKO H F * GERA** LP-4*** J 1 0	033225-E	Specific High Current Contacts
034132	CON3 TYCO 173924-1 OTHERS 2* J	173924-1	UMNL - Header Assembly
034133	CON3 TYCO 173925-1 OTHERS 3 OTHER J	173925-1	UMNL - Header Assembly
034441	STV STL MODU J TYCO2806101- J * M 4**	280610-1	AMPMODU Mod I Header Assembly - Vertical
044118	CON3 TYCO 207583-7 OTHERS 6* J	207583-7	Metrimate In-line Headers
044579	ERMBUG L 6 1 172 E3 * J 2 44579 BUCHSENG	044579-E	ERmet L
044581	ERMBUG N 3 1 172 E3 * J 2 44581 BUCHSENG	044581-E	ERmet N
044658	SMCB 26 F AB VV 3-01** 0008 137 POS 05	044658-E	SMC BA3 IDC vertical female
044663	SMCB 12 F AB VV 3-01** 0008 137 POS 05	044663-E	SMC BA3 IDC vertical female
044696	EPEZT * STECKER, 4POLIG 172 349-1*	172349-1	Comm MNL - Header Assembly
044697	MECH PARTS TYCO***** 1 J**	172296-1	Comm MNL - Header Assembly
053298	STVSKO H F 181 ABGE 40A * LP-4 1.00 * FE	053298-E	Specific High Current Contacts
053389	VERSKV B MESSELEKTRONIK DD VERDR.SYS. SK	053389-E	C/A's miscellaneous
053756	EPEZT * 12POL. STECKER 350713-1 MNLCK *	350713-1	UMNL - Header Assembly
053999	VERSKV B ERNI-LIMITOR 1000 MM *****	053999-E	C/A's miscellaneous
054058	VERSKV B ERNI-LIMITOR 200 MM ***** 0	054058-E	C/A's miscellaneous
054059	VERSKV B ERNI-LIMITOR 300 MM ***** 0	054059-E	C/A's miscellaneous
054530	VERSKV B ZOLLNER VERDR.SYS. SKV, 1200 MM	054530-E	C/A's miscellaneous
054546	ERMC 77 M 1 P2 * 3.70 Z-F-V-9999* 247	054546-E	ERmet C
054595	SMCB 26 M AB VV 3-03 CLHD * 0007 137 E00	054595-E	SMC BA3 SMD angled male
054596	SMCB 50 M AB VV 3-03 CLHD * 0007 137 E00	054596-E	SMC BA3 SMD angled male
054732	VERSKV * TRION * 26 135.0*** 054732 2	054732-E	C/A's miscellaneous
054733	VERSKV * TRION * 12 185.0*** 054733 2	054733-E	C/A's miscellaneous
054734	VERSKV * TRION * 12 35.0*** 054734 2	054734-E	C/A's miscellaneous
054794	ERMSH A 15.75 1.4 M 172 * J 2 54792 UEBE	054794-E	ERmet A
054795	ERMSH A 14.95 0.6 M 172 * J 2 54792 UEBE	054795-E	ERmet A
054797	ERMSH B 14.95 0.6 M 172 * J 2 54796 UEBE	054797-E	ERmet B
063011	STVH11 11 M B V 3-00 LA * B086 199 E 016	063011-E	DIN H11
063209	SMCQ 26 M AB VV 3-03 CLHD * H007 137 E00	063209-E	SMC BA3 SMD vertical male
063210	SMCQ 50 M AB VV 3-03 CLHD * H007 137 E00	063210-E	SMC BA3 SMD vertical male
063405	STVH15 15 M ZD VV 3-00 LAFD * 199 T03	063405-E	DIN H15
063487	KSG177 3T-F 1 * 1 016 049 E 0 * J 2 6348	063487-E	KSG
063521	STVH15 15 M ZD VV 3-00 LAFD * 199 E 17	063521-E	DIN miscellaneous
063602	ERMB22 194 M 1 P2 * 3.70 Z-F-V-9999 *	063602-E	ERmet B
063696	STVH15 15 M ZD VV 3-00 LAFD * A314 199 E	063696-E	DIN H15
063776	STVH15 15 M ZD VV 3-00 LAFD * A216 199 E	063776-E	DIN H15
063819	STVH15 15 F ZD VV 3-00 F001 ** 197 T03	063819-E	DIN H15
064002	SMCQ 12 M AB VV 3-04 * 2.8 0003 137 E001	064002-E	SMC BA3 EE vertical male
064003	SMCQ 26 M AB VV 3-04 * 2.8 0003 137 E001	064003-E	SMC BA3 EE vertical male
064004	SMCQ 50 M AB VV 3-04 * 2.8 0003 137 E001	064004-E	SMC BA3 EE vertical male
064125	STVSKO ***** J 1 064125	064125-E	Specific Coax Contacts
064126	STVSKO H F 207 ABGE ** LP-4 *** 9999	064126-E	Specific High Current Contacts
064171	ERMSH C 15.75 1.4 M 172 * J 2 64128 UEBE	064171-E	ERmet C
064252	STVSKO C M 181 ABGE * 75 LC04 *** J	064252-E	Specific Coax Contacts
064257	KSG177 3T-F 1 * 2 016 049 E 0 * J 2 6425	064257-E	KSG
064326	STVSKO C M 101 GERA * 75 LP-5 1.00 * FD	064326-E	Specific Coax Contacts
064429	STVSKO C M 101 ABGE * 50 LC04 *** J	064429-E	Specific Coax Contacts
064433	REDEZT FLACHBANDL. LIY18XAWG24(102MM) *	064433-E	RED Module
064622	ERMSH B19 14.95 0.6 M 172 * J 2 64621 UE	064622-E	ERmet B
064692	ERMSH B22 14.95 0.6 M 172 * J 2 64691 UE	064692-E	ERmet B
064693	ERMSH B22 15.75 1.4 M 172 * J 2 64691 UE	064693-E	ERmet B
064771	STVSKO C M 101 ABGE * 50 LC01 * * FD * J	064771-E	Specific Coax Contacts
073951	VERSKV B MANNESMANN REXROTH*****	073951-E	C/A's miscellaneous
074474	ERNDB D SMC GLOBAL ERNI 5 1 *	074474-E	ERNI miscellaneous
074518	ERNDB D PRODUKTUEBERSICHT ERNI 5 1 *	074518-E	ERNI miscellaneous
074519	ERNDB E PRODUKTUEBERSICHT ERNI 5 1 *	074519-E	ERNI miscellaneous
074520	ERNDB D MICROSTAC ERNI 5 1 *	074520-E	ERNI miscellaneous
074554	ERNDB E M8/M12 KATALOG ERNI 5 1 *	074554-E	ERNI miscellaneous
074560	ERNDB E MINIBRIDGE KATALOG ERNI 5 1 *	074560-E	ERNI miscellaneous
074561	ERNDB D MINIBRIDGE KATALOG ERNI 5 1 *	074561-E	ERNI miscellaneous
074575	ERNDB D MICRO SPEED SIGNAL STV ERNI 5 1 *	074575-E	ERNI miscellaneous
074587	ERNDB E MICRO SPEED POWER MODULE ERNI 5 1 *	074587-E	ERNI miscellaneous
074592	ERNDB D MAXIBRIDGE KATALOG ERNI 5 1 *	074592-E	ERNI miscellaneous
074607	ERNDB D MICROCON ERNI 5 1 *	074607-E	ERNI miscellaneous
074614	ERNDB D IDC PCB-TERMINAL ERNI 5 1 *	074614-E	ERNI miscellaneous
074615	ERNDB E IDC PCB-TERMINAL ERNI 5 1 *	074615-E	ERNI miscellaneous
074616	ERNDB D M12 90DEG ABGEWINKELT ERNI 5 3 *	074616-E	ERNI miscellaneous
074617	ERNDB E M12 90DEG ABGEWINKELT ERNI 5 3 *	074617-E	ERNI miscellaneous
074634	ERNDB E POWERELEMENTE KATALOG ERNI 5 1 *	074634-E	ERNI miscellaneous
074650	ERNDB E MINIBRIDGE KOSHIRI FLYER ERNI 5	074650-E	ERNI miscellaneous
074653	ERNDB D AUTOMOTIVE-LOESUNGEN VON ERNI ER	074653-E	ERNI miscellaneous
074654	ERNDB E AUTOMOTIVE SOLUTIONS BY ERNI ERN	074654-E	ERNI miscellaneous
074670	ERNDB D MICROBRIDGE ERNI 5 1 *	074670-E	ERNI miscellaneous
074671	ERNDB E MICROBRIDGE ERNI 5 1 *	074671-E	ERNI miscellaneous
074674	ERNDB D INDUSTRIEAUTOMATION BROSCHUER ER	074674-E	ERNI miscellaneous
074675	ERNDB E INDUSTRIAL AUTOMATION BROCHURE E	074675-E	ERNI miscellaneous
074681	ERNDB E COMPANY PROFILE ENGLISCH ERNI 5	074681-E	ERNI miscellaneous
074683	ERNDB E IBRIDGE PRODUKTKATALOG ERNI 5 1	074683-E	ERNI miscellaneous
074684	ERNDB C IBRIDGE PRODUKTKATALOG ERNI 5 1	074684-E	ERNI miscellaneous

074687	ERNDB D PRODUKTNEUHEITEN 2018/2019 ERNI	074687-E	ERNI miscellaneous
074688	ERNDB E PRODUKTNEUHEITEN 2018/2019 ERNI	074688-E	ERNI miscellaneous
074689	ERNDB C POWERELEMENTE KATALOG ERNI 5 1 *	074689-E	ERNI miscellaneous
074691	ERNDB E PRODUCT SELECTOR GUIDE ERNI 5 1	074691-E	ERNI miscellaneous
074692	ERNDB C PRODUCT SELECTOR GUIDE ERNI 5 1	074692-E	ERNI miscellaneous
074693	ERNDB C SMC CATALOG ERNI 5 1 *	074693-E	ERNI miscellaneous
074694	ERNDB C MINIBRIDGE CATALOG ERNI 5 1 *	074694-E	ERNI miscellaneous
074695	ERNDB C MAXIBRIDGE CATALOG ERNI 5 1 *	074695-E	ERNI miscellaneous
074696	ERNDB C INDUSTRIAL AUTOMATION BROCHURE E	074696-E	ERNI miscellaneous
074697	ERNDB E MICROBRIDGE APPLIKATION NOTE ERN	074697-E	ERNI miscellaneous
074700	ERNDB C PRODUCT NEWS 2020 ERNI 5 1 *	074700-E	ERNI miscellaneous
074701	ERNDB C MICROCON ERNI 5 1 *	074701-E	ERNI miscellaneous
074702	ERNDB C PRODUCTS & SOLUTIONS ERNI 5 3 *	074702-E	ERNI miscellaneous
074704	ERNDB D SMC IN SIGMATEK STEUERUNGEN ERNI	074704-E	ERNI miscellaneous
074705	ERNDB E SMC IN SIGMATEK PLC'S ERNI 5 3 *	074705-E	ERNI miscellaneous
074715	ERNDB E MAXIBRIDGE QT CATALOG ERNI 5 3 *	074715-E	ERNI miscellaneous
074716	ERNDB D MAXIBRIDGE QT CATALOG ERNI 5 3 *	074716-E	ERNI miscellaneous
074717	ERNDB C MAXIBRIDGE QT CATALOG ERNI 5 3 *	074717-E	ERNI miscellaneous
074722	ERNDB E APPLIC.A.PROCESS. INSTR.POWELM E	074722-E	ERNI miscellaneous
074723	ERNDB D APPLIK.U.VERARBEITUNGS. POWELM E	074723-E	ERNI miscellaneous
074732	ERNDB C IDC TERMINAL CATALOG ERNI 5 3 *	074732-E	ERNI miscellaneous
074733	ERNDB C MICROSPREAD CATALOG ERNI 5 3 *	074733-E	ERNI miscellaneous
074734	ERNDB C MICROSPREAD POWER MOD./CON.CAT. E	074734-E	ERNI miscellaneous
074735	ERNDB C MICROSTAC CATALOG ERNI 5 3 *	074735-E	ERNI miscellaneous
074736	ERNDB C POWER TAPS CATALOG ERNI 5 3 *	074736-E	ERNI miscellaneous
081431	BMSTA SMC MES B REIHE A BA7 5 1 081431	081431-E	ERNI stamping tooling
081750	BMSTA MSP BUT SMD F4 5 1 081750	081750-E	ERNI stamping tooling
083502	CODEZT STVCM COLS * 172 CODIERLEISTE M 2	083502-E	DIN miscellaneous
083764	EZTSTK F/FI 1506 B M 101 VE J 2 83764 ME	083764-E	ERNI miscellaneous
083770	EZTSTK F/FI 1506 D M 101 VE J 2 83764 ME	083770-E	ERNI miscellaneous
103459	TMCP 9 LOET * 6-EU * 207 * CLIP ****	1-1393481-2	D-Sub solder metal bracket
103460	TMCS 9 LOET * 6-EU * 207 * CLIP ****	1-1393481-1	D-Sub solder metal bracket
103503	SMCEZT VH ** VERRIEG.HEBEL NEU STG B/O	103503-E	SMC miscellaneous
103625	ERBIC BUS F BUS-SYSTEM SYS CAN VE KN CU	103625-E	ERBIC
103626	ERBIC BUS F BUS-SYSTEM SYS CAN VE AB CU	103626-E	ERBIC
103642	ERBIC BUS E BUS-SYSTEM SYS CAN HO KN CU	103642-E	ERBIC
103643	ERBIC BUS E BUS-SYSTEM SYS CAN HO AB CU	103643-E	ERBIC
103648	ERBIC BUS * BUS-SYSTEM SYS PROF HO KN CU	103648-E	ERBIC
103649	ERBIC BUS D BUS-SYSTEM SYS PROF HO AB CU	103649-E	ERBIC
103658	ERBIC BUS E BUS-SYSTEM SYS PROF VE KN CU	103658-E	ERBIC
103659	ERBIC BUS D BUS-SYSTEM SYS PROF VE AB CU	103659-E	ERBIC
103663	ERBIC BUS E BUS-SYSTEM SYS PROF HO KNSE	103663-E	ERBIC
103668	ERBIC BUS C BUS-SYSTEM SYS CAN HO KN CU	103668-E	ERBIC
103669	ERBIC BUS F BUS-SYSTEM SYS CAN VE KN CU	103669-E	ERBIC
103718	KSG200 15-S 1 * 016 M3 ST E 0 TMCP J 2 1	103718-E	KSG
103726	KSG200 15-S 1 * 016 M3 ST E 0 TMCS J 2 1	103726-E	KSG
103804	ERMET 55-3 F L1 * 3,00 A-E V-V * TRAY 247	103804-E	Ermet M
103817	KSG200 25-S 1 * 016 M3 ST E SCHU * J 2 1	103817-E	KSG
104036	HBHB MONTAGEANLEITUNG ERBIC ADTRANS **	104036-E	ERBIC miscellaneous
104054	HBHB MONTAGEANLEITUNG ERBIC SCHALTER **	104054-E	ERBIC miscellaneous
104077	DIS DISKETTE SPICE FILE SMC 1	104077-E	ERNI miscellaneous
104078	DIS DISKETTE SPICE FILE ERMET 1	104078-E	ERNI miscellaneous
104086	ERMD 176 F L1 * 3,00 A-H V-V * 247 E3	104086-E	Ermet D
104088	ERMF 88 F L1 * 3,00 A-H V-V * 247 E3 1	104088-E	Ermet F
104112	ERMA 110 FS 1 EE * 3,70 A-E V-V * TRAY 2	104112-E	Ermet A
104113	ERMB 125 FS 1 EE * 3,70 A-E V-V * 247	104113-E	Ermet B
104114	ERMC 55 FS 1 EE * 3,70 A-E V-V * TRAY 24	104114-E	Ermet C
104146	ERMSTG L 6 172 E3 HOST * 15,4 J 2 104146	104146-E	Ermet L
104320	ERBIC BUS C BUS-SYSTEM SYS CAN HO KN CU	104320-E	ERBIC
104324	FRABGR 11,4 C 1 * 9999 J 2 104324 FUEHRU	104324-E	KSG miscellaneous
104329	ERBIC BUS C BUS-SYSTEM SYS PROF HO ABSE	104329-E	ERBIC
104415	ERMD 176 F L1 * 3,00 A-H V-V * 247 E3	104415-E	Ermet D
104417	ERMF 88 F L1 * 3,00 A-H V-V * 247 E3 1	104417-E	Ermet F
104434	STL2R EE06 28 717 * 196 * 028 048	104434-E	Connector Strips / Stifteleisten
104445	ERBIC BUS H BUS-SYSTEM SYS PROF HO AB CU	104445-E	ERBIC
104477	HBHB MONTAGEANLEITUNG ERBIC NEUTRAL **	104477-E	ERBIC miscellaneous
104738	KSGEZT MONTAGEANLEIT. KSG200 NEUTRAL * 2	104738-E	KSG miscellaneous
104759	KSG200 15-S 1 * 016 M3 ST E 0 TMCS J 2 1	104759-E	KSG
104891	KSG200 37 1 * 016 M3 K E 0 * J 2 104891	104891-E	KSG
109127	MINIMEZ IO A 1 C 2 A 1 J 3 109110 MINIME	109127-E	MiniMez SMD male
109206	MINIMEZ FO A 1 D 1 A 3 J 3 109165 MINIME	109206-E	MiniMez SMD male
109215	MINIMEZ FO A 1 D 2 A 3 J 3 109165 MINIME	109215-E	MiniMez SMD male
109369	MINIMEZ BO A 3 A 1 A 1 J 3 109368 MINIME	109369-E	MiniMez SMD female
109380	MINIMEZ DO A 3 A 2 A 1 J 3 109368 MINIME	109380-E	MiniMez SMD female
109428	MINIMEZ FO A 3 E 1 J 1 J 3 109423 MINIME	109428-E	MiniMez SMD female
109464	MINIMEZ FO A 3 E 1 J 3 J 3 109423 MINIME	109464-E	MiniMez SMD female
109473	MINIMEZ FO A 3 E 2 J 3 J 3 109423 MINIME	109473-E	MiniMez SMD female
109551	MINIMEZ KO A 4 E 2 E 2 J 3 109515 MINIME	109551-E	MiniMez DIP female
109902	IBRIDGE VE 03 SMT 105 1 TO-C J 3 109900	109902-E	iBridge SRC Male vertical SMD
109903	IBRIDGE VE 04 SMT 105 1 TO-C J 3 109900	109903-E	iBridge SRC Male vertical SMD
109905	IBRIDGE VE 06 SMT 105 1 TO-C J 3 109900	109905-E	iBridge SRC Male vertical SMD
109906	IBRIDGE VE 08 SMT 105 1 TO-C J 3 109900	109906-E	iBridge SRC Male vertical SMD
109914	IBRIDGE RA 02 SMT 105 1 TOR J 3 109913 I	109914-E	iBridge SRC Male angled SMD
109915	IBRIDGE RA 03 SMT 105 1 TOR J 3 109913 I	109915-E	iBridge SRC Male angled SMD
109916	IBRIDGE RA 04 SMT 105 1 TOR J 3 109913 I	109916-E	iBridge SRC Male angled SMD
109918	IBRIDGE RA 06 SMT 105 1 TOR J 3 109913 I	109918-E	iBridge SRC Male angled SMD
109934	IBRIDGE VE 02 DIP 105 1 TUBE J 3 109933	109934-E	iBridge SRC Male vertical DIP
109935	IBRIDGE VE 03 DIP 105 1 TUBE J 3 109933	109935-E	iBridge SRC Male vertical DIP
109936	IBRIDGE VE 04 DIP 105 1 TUBE J 3 109933	109936-E	iBridge SRC Male vertical DIP
109937	IBRIDGE VE 05 DIP 105 1 TUBE J 3 109933	109937-E	iBridge SRC Male vertical DIP
109938	IBRIDGE VE 06 DIP 105 1 TUBE J 3 109933	109938-E	iBridge SRC Male vertical DIP
109941	IBRIDGE RA 02 DIP 105 1 TUBE J 3 109940	109941-E	iBridge SRC Male angled DIP
109942	IBRIDGE RA 03 DIP 105 1 TUBE J 3 109940	109942-E	iBridge SRC Male angled DIP
109943	IBRIDGE RA 04 DIP 105 1 TUBE J 3 109940	109943-E	iBridge SRC Male angled DIP
109944	IBRIDGE RA 05 DIP 105 1 TUBE J 3 109940	109944-E	iBridge SRC Male angled DIP
109945	IBRIDGE RA 06 DIP 105 1 TUBE J 3 109940	109945-E	iBridge SRC Male angled DIP
109946	IBRIDGE RA 08 DIP 105 1 TUBE J 3 109940	109946-E	iBridge SRC Male angled DIP
113385	STVBUT 0606 25,2 207 * BAND 2-00 * 15,0	113385-E	DIN miscellaneous

114007	ERMA 110 FS 1 EE * 13,00 A-E V-V * TRAY	114007-E	ERmet A
114009	ERMA 110 FS 1 EED3 * 3,70 A-E V-V * TRAY	114009-E	ERmet A
114010	ERMA 110 FS 1 EED3 * 3,70 A-E V-V * TRAY	114010-E	ERmet A
114013	ERMA 110 FS 1 EED9 * 3,70 A-E V-V * TRAY	114013-E	ERmet A
114014	ERMA 110 FS 1 EED9 * 3,70 A-E V-V * TRAY	114014-E	ERmet A
114015	ERMB 125 FS 1 EE * 13,00 A-E V-V ** 24	114015-E	ERmet B
114017	ERMB 125 FS 1 EED3 * 3,70 A-E V-V ** 24	114017-E	ERmet B
114018	ERMB 125 FS 1 EED3 * 3,70 A-E V-V ** 24	114018-E	ERmet B
114021	ERMB 125 FS 1 EED9 * 3,70 A-E V-V ** 24	114021-E	ERmet B
114022	ERMB 125 FS 1 EED9 * 3,70 A-E V-V ** 24	114022-E	ERmet B
114025	ERMC 55 FS 1 EED3 * 3,70 A-E V-V * TRAY	114025-E	ERmet C
114026	ERMC 55 FS 1 EED3 * 3,70 A-E V-V * TRAY	114026-E	ERmet C
114028	ERMC 55 FS 1 EED3 * 13,00 A-E V-V * KART	114028-E	ERmet C
114030	ERMC 55 FS 1 EED9 * 3,70 A-E V-V * TRAY	114030-E	ERmet C
114112	ERMB19 95 FS 1 EE * 3,70 A-E V-V ** 247	114112-E	ERmet B
114114	ERMB22 110 FS 1 EE * 3,70 A-E V-V ** 24	114114-E	ERmet B
114133	ERMB19 95 FS 1 EE * 3,70 A-E V-V ** 247	114133-E	ERmet B
114134	ERMB22 110 FS 1 EE * 3,70 A-E V-V ** 24	114134-E	ERmet B
114178	ERMSTG L4 172 OHNE HOST 9999 15,4 J 2 1	114178-E	ERmet L
114222	KSG178 OT * UT OHNE AS BLECH * 0 * J 2 1	114222-E	KSG
114302	ERMBUG L 4 1 172 OHNE 9999 J 2 114302 BU	114302-E	ERmet L
114382	STVSKO C F 181 ABGE * 75 LC04 * * MDME 9	114382-E	Specific Coax Contacts
114425	ERMSH AB22 14,35 * M 172 * J 2 114429 UE	114425-E	ERmet AB
114426	ERMSH AB22 14,95 0,6 M 172 * J 2 114429	114426-E	ERmet AB
114436	ERMSH A 14,35 * M 172 * J 2 54792 UEBERG	114436-E	ERmet A
114439	STVSKO H M 181 GERA 40A * EP01 3,50 * ME	114439-E	Specific High Current Contacts
114468	ERMSH D 14,95 0,6 M 172 * J 2 114466 UEB	114468-E	ERmet D
114470	ERMSH D 16,55 2,2 M 172 * J 2 114466 UEB	114470-E	ERmet D
114482	ERMSH AB 14,35 * M 172 * J 2 114481 UEBE	114482-E	ERmet AB
114483	ERMSH AB 14,95 0,6 M 172 * J 2 114481 UE	114483-E	ERmet AB
114484	ERMSH AB 15,75 1,4 M 172 * J 2 114481 UE	114484-E	ERmet AB
114488	ERMSH AB19 14,95 0,6 M 172 * J 2 114486	114488-E	ERmet AB
114489	ERMSH AB19 15,75 1,4 M 172 * J 2 114486	114489-E	ERmet AB
114576	HBHB MONTAGEANLEITUNG ERBIC PILZ * * * 1	114576-E	ERBIC miscellaneous
114711	MICROS STV 6 407 188 * 0007 J 3 114711 M	114711-E	MicroStac SRC/DRC
114712	MICROS STV 12 407 188 * 0007 J 3 114712	114712-E	MicroStac SRC/DRC
114713	MICROS STV 50 407 188 * 0007 J 3 114713	114713-E	MicroStac SRC/DRC
114724	STVSKO C F 181 GERA * 50 EP-5 1,00 * ME	114724-E	Specific Coax Contacts
114824	KSGHS MOD 3706 057 OHNE L * J 3 114823 H	114824-E	KSG
114837	KSG200 37-S 1 * 016 M3 K E SCHU TMCS J 2	114837-E	KSG
114923	ERMN 3 F LPEE * 2610 * 181 E3 172 HOST 9	114923-E	ERmet N
119005	MINIMEZ K0 B 1 C 2 B 1 J 3 119005 MINIME	119005-E	MiniMez miscellaneous
119006	MINIMEZ K0 B 3 A 2 B 1 J 3 119006 MINIME	119006-E	MiniMez miscellaneous
119007	MINIMEZ K0 B 3 A * B 1 J 3 119007 MINIME	119007-E	MiniMez miscellaneous
119008	MINIMEZ K0 B 1 D * B 1 J 3 119008 MINIME	119008-E	MiniMez miscellaneous
119010	MINIMEZ H2 B 1 * 2 A 1 J 3 119010 MINIME	119010-E	MiniMez miscellaneous
119011	MINIMEZ D2 B 3 A * A 1 J 3 119011 MINIME	119011-E	MiniMez miscellaneous
119012	MINIMEZ D2 B 1 D * A 1 J 3 119012 MINIME	119012-E	MiniMez miscellaneous
119021	MINIMEZ G8 B 3 E 1 J 1 J 3 119021 MINIME	119021-E	MiniMez miscellaneous
119024	MINIMEZ H0 B 1 * * B 1 J 3 119024 MINIME	119024-E	MiniMez miscellaneous
119025	MINIMEZ D8 B 3 A 2 A 1 J 3 119025 MINIME	119025-E	MiniMez miscellaneous
119026	MINIMEZ D8 B 1 D 2 A 1 J 3 119026 MINIME	119026-E	MiniMez miscellaneous
119027	MINIMEZ B0 B 3 A 2 B 1 J 3 119027 MINIME	119027-E	MiniMez miscellaneous
119212	MINIMEZ G0 * 2 B 1 E 2 J 3 119212 MINIME	119212-E	MiniMez miscellaneous
119655	IBRIDGE CS 02 1 AWG24 PVC SE 100 J 3 119	119655-E	iBridge Ultra std C/A's
119661	IBRIDGE CS 03 1 AWG24 PVC SE 100 J 3 119	119661-E	iBridge Ultra std C/A's
119667	IBRIDGE CS 04 1 AWG24 PVC SE 100 J 3 119	119667-E	iBridge Ultra std C/A's
119670	IBRIDGE CS 05 1 AWG24 PVC SE 100 J 3 119	119670-E	iBridge Ultra std C/A's
119673	IBRIDGE CS 05 1 AWG24 PVC SE 100 J 3 119	119673-E	iBridge Ultra std C/A's
119679	IBRIDGE CS 06 1 AWG24 PVC SE 100 J 3 119	119679-E	iBridge Ultra std C/A's
119685	IBRIDGE CS 08 1 AWG24 PVC SE 100 J 3 119	119685-E	iBridge Ultra std C/A's
119688	IBRIDGE CS 10 1 AWG22 PVC SE 100 J 3 119	119688-E	iBridge Ultra std C/A's
119691	IBRIDGE CS 10 1 AWG24 PVC SE 100 J 3 119	119691-E	iBridge Ultra std C/A's
119697	IBRIDGE CS 12 1 AWG24 PVC SE 100 J 3 119	119697-E	iBridge Ultra std C/A's
119821	IBRIDGE CS 02 1 AWG22 PVC DE 100 J 3 119	119821-E	iBridge Ultra std C/A's
119824	IBRIDGE CS 02 1 AWG24 PVC DE 100 J 3 119	119824-E	iBridge Ultra std C/A's
119827	IBRIDGE CS 03 1 AWG22 PVC DE 100 J 3 119	119827-E	iBridge Ultra std C/A's
119830	IBRIDGE CS 03 1 AWG24 PVC DE 100 J 3 119	119830-E	iBridge Ultra std C/A's
119834	IBRIDGE CS 04 1 AWG22 PVC DE 200 J 3 119	119834-E	iBridge Ultra std C/A's
119835	IBRIDGE CS 04 1 AWG22 PVC DE 300 J 3 119	119835-E	iBridge Ultra std C/A's
119836	IBRIDGE CS 04 1 AWG24 PVC DE 100 J 3 119	119836-E	iBridge Ultra std C/A's
119839	IBRIDGE CS 05 1 AWG22 PVC DE 100 J 3 119	119839-E	iBridge Ultra std C/A's
119842	IBRIDGE CS 05 1 AWG24 PVC DE 100 J 3 119	119842-E	iBridge Ultra std C/A's
119848	IBRIDGE CS 06 1 AWG24 PVC DE 100 J 3 119	119848-E	iBridge Ultra std C/A's
119854	IBRIDGE CS 08 1 AWG24 PVC DE 100 J 3 119	119854-E	iBridge Ultra std C/A's
119857	IBRIDGE CS 10 1 AWG22 PVC DE 100 J 3 119	119857-E	iBridge Ultra std C/A's
119860	IBRIDGE CS 10 1 AWG24 PVC DE 100 J 3 119	119860-E	iBridge Ultra std C/A's
119863	IBRIDGE CS 12 1 AWG22 PVC DE 100 J 3 119	119863-E	iBridge Ultra std C/A's
119866	IBRIDGE CS 12 1 AWG24 PVC DE 100 J 3 119	119866-E	iBridge Ultra std C/A's
119901	IBRIDGE RA 04 SMT 105 3 TOR J 3 109913P	119901-E	iBridge SRC Male angled SMD
119903	IBRIDGE RA 10 SMT 105 1 TOR J 3 109913 I	119903-E	iBridge SRC Male angled SMD
119908	IBRIDGE RA 12 SMT 105 1 TOR J 3 109913 I	119908-E	iBridge SRC Male angled SMD
119927	IBRIDGE VE 10 SMT 105 1 TO-C J 3 109900	119927-E	iBridge SRC Male vertical SMD
119932	IBRIDGE * 10 * * 1 J 3 * IBRIDGE MESSE	119932-E	iBridge SRC Male angled SMD
119933	IBRIDGE * 12 * * 1 J 3 * IBRIDGE MESSE	119933-E	iBridge SRC Male angled SMD
119935	IBRIDGE VE 10 DIP 105 1 TUBE J 3 109933	119935-E	iBridge SRC Male vertical DIP
119936	IBRIDGE VE 12 DIP 105 1 TUBE J 3 109933	119936-E	iBridge SRC Male vertical DIP
119938	IBRIDGE RA 10 DIP 105 1 TUBE J 3 109940	119938-E	iBridge SRC Male angled DIP
119968	IBRIDGE RA 08 SMT 094 1 TOR J 3 119968 I	119968-E	iBridge SRC Male angled SMD
119972	IBRFHG VE 03 CSI 208 BAG J 3 119979 IBRI	119972-E	iBridgeUltra Female Crimp
119973	IBRFHG VE 04 CSI 208 BAG J 3 119979 IBRI	119973-E	iBridgeUltra Female Crimp
119975	IBRFHG VE 06 CSI 208 BAG J 3 119979 IBRI	119975-E	iBridgeUltra Female Crimp
119977	IBRFHG VE 10 CSI 208 BAG J 3 119979 IBRI	119977-E	iBridgeUltra Female Crimp
119982	IBRCMP RET 03 VE 208 BAG J 3 119980 IBRI	119982-E	iBridgeUltra Female Crimp
119983	IBRCMP RET 04 VE 208 BAG J 3 119980 IBRI	119983-E	iBridgeUltra Female Crimp
119985	IBRCMP RET 06 VE 208 BAG J 3 119980 IBRI	119985-E	iBridgeUltra Female Crimp
119987	IBRCMP RET 10 VE 208 BAG J 3 119980 IBRI	119987-E	iBridgeUltra Female Crimp
123256	STVH15 15 M ZD VV 3-00 LAFD * A084 199 E	123256-E	DIN H15

123668	STVSKO H F 9999 ABGE 40A * EP03 3.50 * F	123668-E	Specific High Current Contacts
123730	STVH11 11 M B V 3-00 LA * B017 199 E 016	123730-E	DIN H11
123987	STVSKO HSP M 101 GERA ** LOE6 *** 999	123987-E	Specific High Current Contacts
123988	STVSKO HSP F 101 GERA ** LOE6 *** 999	123988-E	Specific High Current Contacts
123999	KSGHS 173 3TS 016 ERNI ** J 3 014396 HA	123999-E	KSG
124044	SMCB 26 F AB VV 6-03 CLHD * H007 137 E00	124044-E	SMC BA6 SMD vertical female
124045	SMCB 50 F AB VV 6-03 CLHD * H007 137 E00	124045-E	SMC BA6 SMD vertical female
124050	STVSKO H M 101 ABGE 40A * LP-4 1.00 VE08	124050-E	Specific High Current Contacts
124094	ERMD 176 FS EE * 3,70 A-H V-V * * 247 E-	124094-E	ERmet D
124096	ERME 200 FS EE * 3,70 A-H V-V * * 247 E-	124096-E	ERmet E
124098	ERMF 88 FS EE * 3,70 A-H V-V * * 247 E-P	124098-E	ERmet F
124329	KSGEZE STUECKLISTE F. KSG200-BAUSATZ 200	124329-E	KSG miscellaneous
124621	ERBIC BUS C BUS-SYSTEM SYS CAN HO AB CU	124621-E	ERBIC miscellaneous
124663	STV ERMZUB FUEHRUNGSBOLZEN J * M 1 ***	223956-1	Universal Power Module Hardware HM
124752	STVSKO H M 107 GERA 40A * LOE *** J	124752-E	Specific High Current Contacts
124763	DIS DISKETTE SPICE FILE ERMET DEF 1	124763-E	ERNI miscellaneous
124773	ERMB22 110 FS 1 EED3 * 3,70 A-E V-V **	124773-E	ERmet B
133041	MJ DS-LG5 ** 8 8 4 * GF9 ** 30 * J 3 1	133041-E	Modular Jacks
133044	MJ DS-LG5 ** 8 8 8 * GF5 ** 30 * J 3 133	133044-E	Modular Jacks
133054	MJ DS-LG5 ** 8 8 6 * GF9 T * 30 * J 3 1	133054-E	Modular Jacks
133080	MJ DS-LG5 ** 8 8 16 * GF9 T * 30 * J 3	133080-E	Modular Jacks
133152	MJ H R * 8 8 * * * 30 * J 3 133837 M	133152-E	Modular Jacks
133155	MJ HS R * 8 8 * * GF5 * 30 3/4 J 3 203	133155-E	Modular Jacks
133167	MJ HS R51 * 8 8 * * GF5 * 30 5 J 3 133	133167-E	Modular Jacks
133188	MJ HV * 8 10 * * * 30 * J 3 133188	133188-E	Modular Jacks
133190	MJ DS VG * 8 8 8 * * 30 * J 3 133190	133190-E	Modular Jacks
133208	MJ HS G * 8 8 2B * GF5 * 30 3/4 J 3 13	133208-E	Modular Jacks
133209	MJ HS G * 8 8 4B * GF5 * 30 * J 3 1339	133209-E	Modular Jacks
133268	MJ LS ** 8 8 * * * 30 * J 3 133854	133268-E	Modular Jacks
133271	MJ LS ** 8 8 * * GF5 * 30 * J 3 13370	133271-E	Modular Jacks
133288	MJ LSS ** 8 * * * GF5 * 30 * J 3 1332	133288-E	Modular Jacks
133414	MJ C ** 8 * * * * 30 * J 3 133807 M	133414-E	Modular Jacks
133611	MJ LSS ** 8 * * * STP * 30 * J 3 2034	133611-E	Modular Jacks
133673	MJ DS-LG5 ** 8 8 6 * * 30 * J 3 133	133673-E	Modular Jacks
133719	MJ LSS ** 6 * * * GF5 STP * 30 * J 3 13	133719-E	Modular Jacks
133919	MJ HS G5 * 8 8 4B * GF5 T * 30 * J 3 133	133919-E	Modular Jacks
133921	MJ HS G5 * 8 8 2B * GF5 * 30 5 J 3 133	133921-E	Modular Jacks
133934	MJ HS V5 * 8 8 * * * 30 * J 3 133819	133934-E	Modular Jacks
134106	STVSKO H M 202 ABGE 40A * EP03 3.50 **	134106-E	Specific High Current Contacts
134131	ERMB 175 M 1 P2 * 3,70 Z-F V-V 3 * 247 E	134131-E	ERmet B
134149	ERBIC BUS B BUS-SYSTEM SYS CAN HO KNSE C	134149-E	ERBIC miscellaneous
134521	ERBIC BUS * BUS-SYSTEM SYS DEVN HO SC CU	134521-E	ERBIC miscellaneous
134522	ERBIC BUS D BUS-SYSTEM SYS PROF HO SC CU	134522-E	ERBIC miscellaneous
134544	HBHB MONTAGEANLEITUNG ERBIC HGL * * * 1	134544-E	ERBIC miscellaneous
134570	STVSKV 2 PK AB 9999 2 0407 0707 9999 046	134570-E	DIN IDC
134580	HBHB MONTAGEANLEITUNG ERBIC DEVN * * * 1	134580-E	ERBIC miscellaneous
134662	STVSKO H F 201 GERA 20A * GM3 * * FD *	134662-E	Specific High Current Contacts
134728	ERBIC BUS B BUS-SYSTEM SYS PROF HO SC CU	134728-E	ERBIC miscellaneous
134854	HBHB MONTAGEANLEITUNG ERBIC PREX * * * 1	134854-E	ERBIC miscellaneous
134855	HBHB MONTAGEANLEITUNG ERBIC SCHALTER **	134855-E	ERBIC miscellaneous
134906	KSG200 37-S 1 * 016 M3 ST E 0 TMCOS J 2 1	134906-E	D-Sub / TMC miscellaneous
134928	ERBIC BUS D BUS-SYSTEM SYS PROF MAX SC C	134928-E	ERBIC miscellaneous
134985	HBHB MONTAGEANLEITUNG ERBIC GER & GESCHI	134985-E	ERBIC miscellaneous
143780	USB MUSB-4V-P 4 * * J 3 153899	143780-E	USB
143797	USB MIEEE-P1394-6-V-P 6 * * J 3 143797	143797-E	USB
144037	ERBIC BUS A BUS-SYSTEM SYS PROF HO SC CU	144037-E	ERBIC miscellaneous
144038	HBHB MONTAGEANLEITUNG ERBIC IDC * * * 1	144038-E	ERBIC miscellaneous
144055	TMCP 9 LOET * 6-EU * 207 * CLIP ****	144055-E	D-Sub / TMC male
144127	ERMBGR BS GSEFT * LP16 * ERMET-BAUSATZ F	144127-E	ERmet miscellaneous
144128	ERMBGR BS GSEFT * LP30 * ERMET-BAUSATZ F	144128-E	ERmet miscellaneous
144131	ERMBGR BS GSEFB * LP32 * ERMET-BAUSATZ F	144131-E	ERmet miscellaneous
144176	ERBIC BUS B BUS-SYSTEM SYS PROF HO SC CU	144176-E	ERBIC miscellaneous
144183	SMCQ 68 M AB VV 3-04 * 2,8 0003 137 E001	144183-E	SMC BA3 EE vertical male
144185	SMCQ 80 M AB VV 3-04 * 2,8 0003 137 E001	144185-E	SMC BA3 EE vertical male
144186	STVSKO H M 201 GERA 40A * EP03 3.50 * ME	144186-E	Specific High Current Contacts
144187	STVSKO H M 201 GERA 40A * EP03 3.50 * ME	144187-E	Specific High Current Contacts
144370	ERMBGR BS GSEFB * LP60 * ERMB5 FUEHRUNGS	144370-E	ERmet miscellaneous
144470	DIS DISKETTE SPICE FILE ERMZD 1	144470-E	ERNI miscellaneous
144475	ERBIC BUS C BUS-SYSTEM SYS PROF HO SCSE	144475-E	ERBIC miscellaneous
144536	ERBIC BUS A BUS-SYSTEM SYS PROF HO SCSE	144536-E	ERBIC miscellaneous
144641	ERMBGR FBK GSE * M4 * ERMET-BAUSATZ FUE	144641-E	ERmet miscellaneous
144662	MSPEED 50 F SMD F4 * AB VV 137 094 * * E	144662-E	MSP 2 row vertical female
144663	MSPEED 50 F SMDTHR F4 * AB VV 137 094 *	144663-E	MSP 2 row vertical female THR-shield
144680	MSPEED 50 M SMD M1 * AB VV 137 094 * * E	144680-E	MSP 2 row vertical male
144681	MSPEED 50 M SMDTHR M1 * AB VV 137 094 *	144681-E	MSP 2 row vertical male THR-shield
144744	ERBIC BUS B BUS-SYSTEM SYS CAN HO SC CU	144744-E	ERBIC miscellaneous
144773	ERM COD M 2346 3004 J 1 * CODIERUNG	3-100525-7	Z-PACK 2mm Hard Metric Miscellaneous
144779	ERM COD M 1678 3022 J 1 * CODIERUNG	3-100525-5	Z-PACK 2mm Hard Metric Miscellaneous
153265	USB MUSB-4V-P-HT 4 * * J 3 153899	153265-E	USB
154039	ERBIC BUS C BUS-SYSTEM SYS CAN MAX SC CU	154039-E	ERBIC miscellaneous
154071	DIS DISKETTE SPICE FILE ERM DEF+FS 1	154071-E	ERNI miscellaneous
154072	HBHB MONTAGEANLEITUNG ERBIC SCHALTER **	154072-E	ERBIC miscellaneous
154546	MESBAN PAS4 9999 1,5 9999 * 59,5 BMW N 2	154546-E	Automotive contacts
154558	ERBIC BUS * BUS-SYSTEM SYS PROF HO SCSE	154558-E	ERBIC miscellaneous
154573	HBHB MONTAGEANLEITUNG ERBIC GER & GESCH	154573-E	ERBIC miscellaneous
154639	STLKOS EE99 * 182 SCHU 717 9999 J 2 15	154639-E	Connector Strips / Stifteleiten
154658	DIS DISKETTE SPICE FILE ERMOXT 1	154658-E	ERNI miscellaneous
154717	SMCB 12 F AB VV 7-03 CL * H007 137 E002	154717-E	SMC BA7 SMD vertical female
154718	SMCB 26 F AB VV 7-03 CL * H007 137 E002	154718-E	SMC BA7 SMD vertical female
154719	SMCB 50 F AB VV 7-03 CL * H007 137 E002	154719-E	SMC BA7 SMD vertical female
154720	SMCB 68 F AB VV 7-03 CL * H007 137 E002	154720-E	SMC BA7 SMD vertical female
154721	SMCB 80 F AB VV 7-03 CL * H007 137 E002	154721-E	SMC BA7 SMD vertical female
154740	SMCQ 12 F AB VV 7-03 CL * 0007 137 E002	154740-E	SMC BA7 SMD angled female
154741	SMCQ 26 F AB VV 7-03 CL * 0007 137 E002	154741-E	SMC BA7 SMD angled female
154742	SMCQ 50 F AB VV 7-03 CL * 0007 137 E002	154742-E	SMC BA7 SMD angled female
154743	SMCQ 68 F AB VV 7-03 CL * 0007 137 E002	154743-E	SMC BA7 SMD angled female
154744	SMCQ 80 F AB VV 7-03 CL * 0007 137 E002	154744-E	SMC BA7 SMD angled female
154763	SMCB 12 M AB VV 7-03 CL * 0007 137 E004	154763-E	SMC BA7 SMD angled male

154764	SMCB 26 M AB VV 7-03 CL * 0007 137 E004	154764-E	SMC BA7 SMD angled male
154765	SMCB 50 M AB VV 7-03 CL * 0007 137 E004	154765-E	SMC BA7 SMD angled male
154766	SMCB 68 M AB VV 7-03 CL * 0007 137 E004	154766-E	SMC BA7 SMD angled male
154767	SMCB 80 M AB VV 7-03 CL * 0007 137 E004	154767-E	SMC BA7 SMD angled male
154805	SMCB 12 F AB VV 7-13 CL * H007 137 E002	154805-E	SMC BA7 SMD vertical female low profile
154806	SMCB 26 F AB VV 7-13 CL * H007 137 E002	154806-E	SMC BA7 SMD vertical female low profile
154807	SMCB 50 F AB VV 7-13 CL * H007 137 E002	154807-E	SMC BA7 SMD vertical female low profile
154808	SMCB 68 F AB VV 7-13 CL * H007 137 E002	154808-E	SMC BA7 SMD vertical female low profile
154809	SMCB 80 F AB VV 7-13 CL * H007 137 E002	154809-E	SMC BA7 SMD vertical female low profile
154824	ERBIC BUS B BUS-SYSTEM SYS CAN VE SC CU	154824-E	ERBIC miscellaneous
154826	ERBIC BUS B BUS-SYSTEM SYS CAN HO SCSE C	154826-E	ERBIC miscellaneous
154942	MESBAN PAS4 9999 1.5 9999 * 37.5 DAIM N	154942-E	Automotive contacts
154976	MPBS MOD PLUG GEHAEUSE&PLUG BAUSATZ 8 J	154976-E	Modular Jacks
154982	HBHB MONTAGEANLEITUNG ERBIC FESTO ***	154982-E	ERBIC miscellaneous
154983	MPBS MOD PLUG ABDECKUNG BAUSATZ 8 J 2 15	154983-E	Modular Jacks
163046	VERSKV B HOT-ELECTRONIC ***** 1630	163046-E	C/A's miscellaneous
163089	VERHA A SIEMENS V42256-R682-A30-2 J**	163089-E	C/A's miscellaneous
163121	VERHA B SIEMENS C50117-A18-B54-1 J** 1	163121-E	C/A's miscellaneous
163194	VERHA A POLAR MOHR 115E1070.040321 J**	163194-E	C/A's miscellaneous
163195	VERHA A POLAR MOHR 115E1070.040322 J**	163195-E	C/A's miscellaneous
163196	VERHA C POLAR MOHR 137E1070.040331 J**	163196-E	C/A's miscellaneous
163197	VERHA C POLAR MOHR 092E1070.040332 ***	163197-E	C/A's miscellaneous
163206	VERHA A SIEMENS C50165-A35-C39-1 *** 1	163206-E	C/A's miscellaneous
163231	VERHA A SIEMENS V42256-R632-A25-2 ***	163231-E	C/A's miscellaneous
163265	VERHA F FRANKL & KIRCHNER 1112982 J**	163265-E	C/A's miscellaneous
163371	IDCCS SMC 1.27 26 * AU AUI 400 PVC RD J	163371-E	SMC std C/A's
163387	IDCCS SMC 1.27 26 * AU AUI 500 PVC RD J	163387-E	SMC std C/A's
163487	VERHA C SIEMENS KABEL W0450. 3M *** 16	163487-E	C/A's miscellaneous
163537	VERLPV C *** 1302599-0014 MARCONI **	163537-E	C/A's miscellaneous
163575	VERHA A POLAR MOHR 115E1070.051108 ***	163575-E	C/A's miscellaneous
163577	VERHA B POLAR MOHR 092E1070.051358 J**	163577-E	C/A's miscellaneous
163639	VERLPV B *** 1302599-0022 MARCONI **	163639-E	C/A's miscellaneous
163705	VERHA C ERICSSON 1302883-0019/12.1702.54	163705-E	C/A's miscellaneous
163784	VERHA A *** 163784 3 * 999999 *	163784-E	C/A's miscellaneous
163807	VERHA A LYNX RACK MOUNTING PLATE RFR 300	163807-E	C/A's miscellaneous
163843	IDCCS SMC 1.27 50 * AU AUI 500 PVC RD 4	163843-E	SMC std C/A's
163909	VERHA A MARCONI 12.1702.535.00TL A001/13	163909-E	C/A's miscellaneous
163915	VERHA A ELCON NT2MKU / NT2MSKU J** 163	163915-E	C/A's miscellaneous
163916	VERHA A MARCONI 05MBH00148AAW-EHA FRONTP	163916-E	C/A's miscellaneous
163936	VERHA A FRANKL & KIRCHNER 1112124 J**	163936-E	C/A's miscellaneous
163951	VERSKV C *** 22100 MSC * * * * 16395	163951-E	C/A's miscellaneous
163952	VERSKV C *** 22101 MSC * * * * 16395	163952-E	C/A's miscellaneous
163966	VERHA C MARCONI FRONT PANEL 05MBH00226AA	163966-E	C/A's miscellaneous
164307	ERMBGR FBK GSE * M4 9999 ERMET-BAUSATZ	164307-E	ERmet miscellaneous
164309	HBHB MONTAGEANLEITUNG ERBIC WAGO *** 1	164309-E	ERBIC miscellaneous
164897	SMCB 68 M AB VV 7-03 CLV1 * 0007 137 E00	164897-E	SMC BA7 SMD angled male
164911	KSG200 15-S 1 * 016 M# ST E 0 TMC3 J 2 1	164911-E	D-Sub / TMC miscellaneous
172000	BMVOR SRC A AUFN. 2POLIG 5 3 152798	172000-E	ERNI costumer application tooling
172001	BMVOR SRC A AUFN. 3 POLIG 5 3 152798	172001-E	ERNI costumer application tooling
172002	BMVOR SRC A AUFN. 4 POLIG 5 3 152798	172002-E	ERNI costumer application tooling
172003	BMVOR SRC A AUFN. 6 POLIG 5 3 152798	172003-E	ERNI costumer application tooling
172004	BMVOR SRC A AUFN. 8 POLIG 5 3 152798	172004-E	ERNI costumer application tooling
172005	BMVOR SRC A AUFN. 10 POLIG 5 3 152798	172005-E	ERNI costumer application tooling
172006	BMVOR SRC A AUFN. 12 POLIG 5 3 152798	172006-E	ERNI costumer application tooling
172007	BMVOR SRC P AUFN. 2 POLIG 5 3 152798	172007-E	ERNI costumer application tooling
172008	BMVOR SRC P AUFN. 3 POLIG 5 3 152798	172008-E	ERNI costumer application tooling
172009	BMVOR SRC P AUFN. 4 POLIG 5 3 152798	172009-E	ERNI costumer application tooling
172010	BMVOR SRC P AUFN. 6 POLIG 5 3 152798	172010-E	ERNI costumer application tooling
172011	BMVOR SRC P AUFN. 8 POLIG 5 3 152798	172011-E	ERNI costumer application tooling
172012	BMVOR SRC P AUFN. 10 POLIG 5 3 152798	172012-E	ERNI costumer application tooling
172013	BMVOR SRC P AUFN. 12 POLIG 5 3 152798	172013-E	ERNI costumer application tooling
173462	VERSKV B ERNI CONNECTIQUE SERCEL 96 **	173462-E	C/A's miscellaneous
173738	VERKSG B SIEMENS (MASSEKABEL) V42256-R63	173738-E	KSG C/A's
173793	IDCCS SMC 1.27 50 * AU AUI 100 PVC RD J	173793-E	SMC std C/A's
173794	IDCCS SMC 1.27 50 * AU AUI 200 PVC RD J	173794-E	SMC std C/A's
173795	IDCCS SMC 1.27 50 * AU AUI 300 PVC RD J	173795-E	SMC Costumer Spec. C/A's
173797	IDCCS SMC 1.27 26 * AU AUI 200 PVC RD J	173797-E	SMC std C/A's
173798	IDCCS SMC 1.27 26 * AU AUI 300 PVC RD J	173798-E	SMC Costumer Spec. C/A's
173799	IDCCS SMC 1.27 12 * AU AUI 100 PVC RD J	173799-E	SMC std C/A's
173800	IDCCS SMC 1.27 12 * AU AUI 200 PVC RD J	173800-E	SMC std C/A's
173801	IDCCS SMC 1.27 12 * AU AUI 300 PVC RD J	173801-E	SMC std C/A's
174070	MPBS MOD PLUG ABDECKUNG BAUSATZ 8 J 2 17	174070-E	Modular Jacks
174071	HBHB MONTAGEANLEITUNG ERBIC WAGO-KLE **	174071-E	ERBIC miscellaneous
174256	ZDEZT HALT CS * * 105 * HALTERUNG KABELS	174256-E	ERmet ZD
174432	TMC3 9 THR 3 0 8-EU * 237 E2 *****	174432-E	D-Sub / TMC miscellaneous
174968	ERMC 55 FS 1 EE * 13.00 A-E V-V * TRAY 9	174968-E	ERmet C
183070	KSG183 37 1 10.5 2 GALV GALV E 0 * J 2 1	183070-E	KSG
193303	VERERM G LUCENT TECHN. 848382552 CABLE J	193303-E	C/A's miscellaneous
193335	VERKSG D SIEMENS (STROMVERSORGUNGSKABEL	193335-E	KSG C/A's
193336	VERKSG D SIEMENS (STROMVERSORGUNGSKABEL	193336-E	KSG C/A's
193337	VERKSG D SIEMENS (STROMVERSORGUNGSKABEL	193337-E	KSG C/A's
193338	VERKSG D SIEMENS (STROMVERSORGUNGSKABEL	193338-E	KSG C/A's
193339	VERKSG A *** C50117-A12-B13-1 SIEMENS	193339-E	KSG C/A's
193436	VERKSG A SIEMENS C50117-A7-B46-1 ****	193436-E	KSG C/A's
193440	VERKSG A SIEMENS V42256-R660-A10-1 L=1.0	193440-E	KSG C/A's
193441	VERKSG A SIEMENS V42256-R660-A15-1 L=1.5	193441-E	KSG C/A's
193442	VERKSG A SIEMENS V42256-R660-A20-1 L=2.0	193442-E	KSG C/A's
193443	VERKSG A SIEMENS V42256-R660-A25-1 L=2.5	193443-E	KSG C/A's
193463	VERKSG A BRITZE ***** 193463 3 * 9	193463-E	KSG C/A's
193524	VERSKV A MEN 6080-0102 ***** 193524	193524-E	C/A's miscellaneous
193568	VERKSG B SIEMENS C50117-A7-B48-1 ****	193568-E	KSG C/A's
193602	VERKSG A SIEMENS V42256-R645-A50 L=5600	193602-E	KSG C/A's
193693	VERSKV B EUREM TESTBOX AMDA ***** 19	193693-E	KSG C/A's
193694	VERSKV B EUREM TESTBOX ***** 193694	193694-E	C/A's miscellaneous
193695	IDCCS SMC 1.27 26 * AU AUI 1000 PVC RD J	193695-E	SMC std C/A's
193788	VERKSG D SIEMENS V42256-R633-A2-2 ***	193788-E	KSG C/A's
193796	VERHA A SIEMENS BERLIN C50117-A7-B37 L=7	193796-E	C/A's miscellaneous
193797	VERHA A SIEMENS BERLIN C50117-A7-B37 L=3	193797-E	C/A's miscellaneous

193798	VERHA A SIEMENS BERLIN C50117-A7-B37 L=	193798-E	C/A's miscellaneous
193847	VERERM A ARTESYN ST1 7500438-0000 J **	193847-E	C/A's miscellaneous
193871	VERHA A SIEMENS V42256-R607-A30-1 ***	193871-E	C/A's miscellaneous
193888	IDCCS SMC 1,27 68 * AU AUI 100 PVC RD J	193888-E	SMC std C/A's
193889	IDCCS SMC 1,27 68 * AU AUI 200 PVC RD J	193889-E	SMC std C/A's
193890	IDCCS SMC 1,27 68 * AU AUI 300 PVC RD J	193890-E	SMC std C/A's
193891	IDCCS SMC 1,27 80 * AU AUI 100 PVC RD J	193891-E	SMC std C/A's
193892	IDCCS SMC 1,27 80 * AU AUI 200 PVC RD J	193892-E	SMC std C/A's
193893	IDCCS SMC 1,27 80 * AU AUI 300 PVC RD J	193893-E	SMC std C/A's
193910	VERHA C SIEMENS V42256-R607-A50 L=2,7M *	193910-E	C/A's miscellaneous
193911	VERHA C SIEMENS V42256-R607-A51 L=2,15M	193911-E	C/A's miscellaneous
193912	VERHA C SIEMENS V42256-R607-A52 L=1,65M	193912-E	C/A's miscellaneous
193913	VERHA C SIEMENS V42256-R607-A53 L=1,1M	193913-E	C/A's miscellaneous
193923	VERHA A SIEMENS V42256-R633-A2-2 *** 1	193923-E	C/A's miscellaneous
193924	VERHA A SIEMENS C50117-A7-B59-2 *** 19	193924-E	C/A's miscellaneous
193925	VERERM A LUCENT 848649000 J ** 193925 2	193925-E	C/A's miscellaneous
194111	STVSKO H M 201 GERA 10A * LOE7 ** ME *	194111-E	Specific High Current Contacts
194112	STVSKO H F 201 ABGE 40A * LP-4 1,00 * FE	194112-E	Specific High Current Contacts
194123	ZDEZT HALT CS * 050 VERR HALTERUNG KAB	194123-E	ERmet ZD
194547	ERMEZT FBU GSE M5 1 ** KO99 28,5 FUEHRU	194547-E	ERmet miscellaneous
194549	ERMEZT FBU GSE M5 1 ** KO99 28,5 FUEHRU	194549-E	ERmet miscellaneous
194550	ERMEZT FBU GSE M5 1 ** KO99 28,5 FUEHRU	194550-E	ERmet miscellaneous
194551	ERMEZT FBU GSE M5 1 ** KO99 28,5 FUEHRU	194551-E	ERmet miscellaneous
194553	ERMEZT FBU GSE M5 1 ** KO99 28,5 FUEHRU	194553-E	ERmet miscellaneous
194781	M12 F 5 A H S * 207 17,0 094 *** 001	194781-E	CC M12 vertical
203185	MJIM IM 1X4 S 810 GF5 T F2 THRU ** M5B0	203185-E	Modular Jacks
203189	MJIM IM 1X1 S 810 GF5 X R THRU ** M5B01	203189-E	Modular Jacks
203191	MJIM IM 1X1 S 88 * X R THRU * L1A M3D01	203191-E	Modular Jacks
203198	MJIM IM 1X1 S 88 GF5 X R THRU * L1A M3D0	203198-E	Modular Jacks
203211	MJIM IM 1X1 S 810 GF5 X R THRU * L1A M5B	203211-E	Modular Jacks
203212	MJIM IM 1X1 S 810 GF5 X R THRU * L2A M5B	203212-E	Modular Jacks
203215	MJIM IM 1X1 S 810 GF5 X R THRU * L9A M5B	203215-E	Modular Jacks
203225	MJIM IM 1X1 S 810 GF5 X R THRU * L2 M5B0	203225-E	Modular Jacks
203290	MJIM IM 1X1 S 88 GF5 X R THRU * L3A H3D0	203290-E	Modular Jacks
203292	MJIM IM 1X1 * 88 * X * THRU * L2A M3D01	203292-E	Modular Jacks
203301	MJIM IM 1X4 S 810 GF5 T R THRU * L1A M5B	203301-E	Modular Jacks
203302	MJIM IM 1X4 S 810 GF5 T R THRU * L3A M5B	203302-E	Modular Jacks
203306	MJIM IM 1X2 S 810 GF5 * R THRU * L1A M5B	203306-E	Modular Jacks
203313	MJIM IM 1X2 S 88 GF5 * R THRU * L2A M3D0	203313-E	Modular Jacks
203318	MJIM IM 1X1 S 810 GF5 X R THRU * L1A M6A	203318-E	Modular Jacks
203319	MJIM IM 1X1 S 810 GF5 X R THRU * L2A M6A	203319-E	Modular Jacks
203323	MJIM IMV 1X1 S 88 * X R THRU * L1 M3D01	203323-E	Modular Jacks
203324	MJIM IMV 1X1 S 88 * X R THRU * L2 M3D01	203324-E	Modular Jacks
203325	MJIM IMV 1X1 S 88 * X R THRU * L3 M3D01	203325-E	Modular Jacks
203336	MJIM IM 1X1 S 88 GF5 X R THRU * L1A H3D0	203336-E	Modular Jacks
203344	MJIM IMV 1X1 S 810 * X R THRU * L3A M5B0	203344-E	Modular Jacks
203346	MJIM IMV 1X1 S 810 * X R THRU * L9A M5B0	203346-E	Modular Jacks
203349	MJIM IMR 1X1 S 810 GF5 X R THRU * L2A M5	203349-E	Modular Jacks
203352	MJIM IMR 1X1 S 810 GF5 X R THRU * L9A M5	203352-E	Modular Jacks
203355	MJIM IMR 1X1 S 88 GF5 X R THRU * L2A M3D	203355-E	Modular Jacks
203412	MJIM IMV 1X1 S 88 * X R THRU * L1 H3D01	203412-E	Modular Jacks
203416	MJIM IM 1X1 S 88 GF5 X R THRU * L2 H3D01	203416-E	Modular Jacks
203422	MJ LSS ** 8 8 ** STP GURT 30 * J 3 2	203422-E	Modular Jacks
203441	MJ LSS ** 8 8 ** GF5 STP 999999 30 * J	203441-E	Modular Jacks
203475	MJIM IM 1X1 S 810 GF5 X R THRU * L1 H5B0	203475-E	Modular Jacks
203489	MJ ES R * 8 8 ** GF5 * 999999 50 * J 3	6364288-4	Inverted RJ45 Modular Jack
203490	MJ LSS ** 8 8 ** 999999 30 * J 3 2	203490-E	Modular Jacks
203492	MJ HS G5 * 8 2A * GF5 * 50 * J 3 203	203492-E	Modular Jacks
203495	MJ LSS ** 8 8 ** 999999 30 * J 3 2	203495-E	Modular Jacks
203497	MJIM IMV 1X1 S 88 * X R THRU * L1 M3F01	203497-E	Modular Jacks
203501	MJIM IMV 1X1 S 88 * X R THRU * H3D02 *	203501-E	Modular Jacks
203530	MJ ES R * 8 8 ** GF5 R * 30 * J 3 20352	203530-E	Modular Jacks
203533	MJ ES R L2 8 8 ** GF5 R * 30 * J 3 2035	203533-E	Modular Jacks
203535	MJ ES R L8 8 8 ** GF5 R * 30 * J 3 2035	203535-E	Modular Jacks
203537	MJ ES R L5 8 8 ** GF5 R * 30 * J 3 2035	203537-E	Modular Jacks
203540	MJ HS VG * 8 8 4 * 30 3/4 J 3 2035	203540-E	Modular Jacks
203543	MJ HS VG * 8 8 4 * 999999 30 3/4 J 3	203543-E	Modular Jacks
203544	MJIM IM 1X2 S 88 GF5 T R THRU * L2 H3D01	203544-E	Modular Jacks
203546	MJIM IM 1X1 S 87 * X R THRU * H3D01 *	203546-E	Modular Jacks
204219	ERMBGR BS GSEFB * INV * ERM-BAUS. FUEHRU	204219-E	ERmet miscellaneous
204222	ERBIC BUS * BUS-SYSTEM SYS PROF MAX SC C	204222-E	ERBIC miscellaneous
204632	SMCB 40 F AB VV 7-13 CL * H007 137 E002	204632-E	SMC BA7 SMD vertical female low profile
204709	DIS DISKETTE SPICE FILE MICRO SPEED 1	204709-E	ERNI miscellaneous
204752	STVC 96 F ABC VV 7,00 EE 4,0 * 247 E007	204752-E	DIN C
204763	SMCB 26 F AB VV 7-23 CL * H007 137 E002	204763-E	SMC BA7 SMD vertical female
204815	STVSKO C M 101 ABGE * 75 CRHC *** J	204815-E	Specific Coax Contacts
214011	SRCA 1,27 2 M 1 SMD 137 E1 094 * GURT *	214011-E	MiniBridge angled male SMD
214012	SRCA 1,27 4 M 1 SMD 137 E1 094 * GURT *	214012-E	MiniBridge angled male SMD
214013	SRCA 1,27 6 M 1 SMD 137 E1 094 * GURT *	214013-E	MiniBridge angled male SMD
214014	SRCA 1,27 8 M 1 SMD 137 E1 094 * GURT *	214014-E	MiniBridge angled male SMD
214015	SRCP 1,27 2 F 1 I2426 137 * 162 1,07 TRA	214015-E	MiniBridge angled female IDC
214016	SRCP 1,27 2 M 1 SMD 137 E1 094 * GU-H KL	214016-E	MiniBridge vertical male SMD
214017	SRCP 1,27 4 M 1 SMD 137 E1 094 * GU-H KL	214017-E	MiniBridge vertical male SMD
214018	SRCP 1,27 6 M 1 SMD 137 E1 094 * GU-H KL	214018-E	MiniBridge vertical male SMD
214019	SRCP 1,27 8 M 1 SMD 137 E1 094 * GU-H KL	214019-E	MiniBridge vertical male SMD
214025	SRCP 1,27 4 F 1 I2426 137 * 162 1,07 TRA	214025-E	MiniBridge angled female IDC
214038	SRCP 1,27 6 F 1 I2426 137 * 162 1,07 TRA	214038-E	MiniBridge angled female IDC
214039	SRCP 1,27 8 F 1 I2426 137 * 162 1,07 TRA	214039-E	MiniBridge angled female IDC
214049	SRCA 1,27 4 F 1 I2426 137 E1 094 1,07 TR	214049-E	MiniBridge vertical female IDC
214157	SRCA 1,27 2 F 1 I2426 137 E1 094 1,07 TR	214157-E	MiniBridge vertical female IDC
214158	SRCA 1,27 6 F 1 I2426 137 E1 094 1,07 TR	214158-E	MiniBridge vertical female IDC
214159	SRCA 1,27 8 F 1 I2426 137 E1 094 1,07 TR	214159-E	MiniBridge vertical female IDC
214166	DIS DIN 41612 SPICE FILE 1	214166-E	ERNI miscellaneous
214193	ERMZD 3-10 MI 30 EE 2,2 2 2 * 24,9 * OHN	6469825-1	HM ZD Pin Header Signal Module Assembly 3 Pair
214194	ERMZD 4-10 MI 40 EE 2,2 2 2 * 24,9 * OHN	6469835-1	HM ZD Pin Header Signal Module Assembly 4 Pair
214345	SMCB 12 F AB VV 6-01 VH * 0008 137 E002	214345-E	SMC BA6 IDC vertical female
214346	SMCB 26 F AB VV 6-01 VH * 0008 137 E002	214346-E	SMC BA6 IDC vertical female
214347	SMCB 50 F AB VV 6-01 VH * 0008 137 E002	214347-E	SMC BA6 IDC vertical female

214348	SMCB 68 F AB VV 6-01 VH * 0008 137 E002	214348-E	SMC BA6 IDC vertical female
214349	SMCB 80 F AB VV 6-01 VH * 0008 137 E002	214349-E	SMC BA6 IDC vertical female
214352	MSPEED 133 F SMD F4 * A-G VVVV 137 094 *	214352-E	MSP 7 row vertical female
214355	MSPEED 133 M SMD M1 * A-G VVVV 137 176 *	214355-E	MSP 7 row vertical male
214356	MSPPM 5 F SMD F4 * A V 137 094 * E008 J	214356-E	MSP Power Module vertical female
214357	MSPPM 5 M SMD M1 * A V 137 094 * E008 J	214357-E	MSP Power Module angled male
214361	ERMBGR BS GSEFB * LP60 GPAU ERMB5 FUEHRU	214361-E	ERmet miscellaneous
214363	ERMBGR BS GSEFB * LP60 GPAU ERMET-BAUSAT	214363-E	ERmet miscellaneous
214369	ERMA 110 FS 1 EE * 13,00 A-E V-V * TRAY	214369-E	ERmet A
214444	ERMB08 40 F L1 * 3,00 A-E V-V * 247 E3	214444-E	ERmet B
214547	MSPPM 5 F SMD F6 * A V 137 094 * E008 J	214547-E	MSP Power Module vertical female
214548	MSPPM 5 F SMD F8 * A V 137 094 * E008 J	214548-E	MSP Power Module vertical female
214549	MSPPM 5 F SMD F10 * A V 137 094 * E008 J	214549-E	MSP Power Module vertical female
214550	MSPPM 5 M SMD M2 * A V 137 094 * E008 J	214550-E	MSP Power Module angled male
214551	MSPPM 5 M SMD M9 * A V 137 094 * E008 J	214551-E	MSP Power Module angled male
214552	MSPPM 5 M SMD M10 * A V 137 094 * E008 J	214552-E	MSP Power Module angled male
214779	EPSVA KS GD-8 EE 10 3,8 SN * STROMVERSOR	214779-E	Power Taps / SVA
214780	EPSVA KS GD-8 EE 10 3,8 SN * STROMVERSOR	214780-E	Power Taps / SVA
214781	EPSVA KS GDM3 EE 10 3,8 SN * STROMVERSOR	214781-E	Power Taps / SVA
214782	EPSVA KS GDM4 EE 10 3,8 SN * STROMVERSOR	214782-E	Power Taps / SVA
214783	EPSVA KS GD-8 TL 10 3,8 SN * STROMVERSOR	214783-E	Power Taps / SVA
214784	EPSVA KS GD-6 TL 10 3,8 SN * STROMVERSOR	214784-E	Power Taps / SVA
214785	EPSVA KS GDM3 TL 10 3,8 SN * STROMVERSOR	214785-E	Power Taps / SVA
214786	EPSVA KS GDM4 TL 10 3,8 SN * STROMVERSOR	214786-E	Power Taps / SVA
214787	EPSVA KS GDM4 EE 6 3,8 SN * STROMVERSOR	214787-E	Power Taps / SVA
214788	EPSVA KS GDM4 TL 6 3,8 SN * STROMVERSOR	214788-E	Power Taps / SVA
214796	EPSVA KS GDM3 EE 6 3,8 SN * STROMVERSOR	214796-E	Power Taps / SVA
214797	EPSVA KS GD-6 EE 6 3,8 SN * STROMVERSOR	214797-E	Power Taps / SVA
214801	EPSVA KS GDM3 TL 6 3,8 SN * STROMVERSOR	214801-E	Power Taps / SVA
214802	EPSVA KS GD-6 TL 6 3,8 SN * STROMVERSOR	214802-E	Power Taps / SVA
214803	EPSVA KS GD-8 TL 6 3,8 SN * STROMVERSOR	214803-E	Power Taps / SVA
214836	STVC 96 F ABC VVV 7-00 TL 4,0 * 247 E007	214836-E	DIN C
214892	MESBAN ESP 9999 1,5 9999 * 22,2 * J 2 19	214892-E	Automotive contacts
214912	MSPPM 5 F SMDTHR F4 * A V 137 094 * E008	214912-E	MSP Power Module vertical female THR-shield
214913	MSPPM 5 F SMDTHR F6 * A V 137 094 * E008	214913-E	MSP Power Module vertical female THR-shield
214914	MSPPM 5 F SMDTHR F8 * A V 137 094 * E008	214914-E	MSP Power Module vertical female THR-shield
214915	MSPPM 5 F SMDTHR F10 * A V 137 094 * E00	214915-E	MSP Power Module vertical female THR-shield
214916	MSPPM 5 M SMDTHR M1 * A V 137 094 * E008	214916-E	MSP Power Module vertical male THR-shield
214917	MSPPM 5 M SMDTHR M2 * A V 137 094 * E008	214917-E	MSP Power Module vertical male THR-shield
214918	MSPPM 5 M SMDTHR M9 * A V 137 094 * E008	214918-E	MSP Power Module vertical male THR-shield
214919	MSPPM 5 M SMDTHR M10 * A V 137 094 * E00	214919-E	MSP Power Module vertical male THR-shield
220001	BMEPS HALT ERM 100 * * * * * HALTER OB	220001-E	ERNI tooling miscellaneous
220002	BMEPS HALT ERM 100 * * * * * SW * HALTER O	220002-E	ERNI tooling miscellaneous
220006	BMEPS OT ERM F AB * * * * * SWSW 50 EP-OT ER	220006-E	ERNI tooling miscellaneous
220007	BMEPS OT ERM F C * * * * * SWSW 25 EP-OT ERM	220007-E	ERNI tooling miscellaneous
220011	BMEPS OT ERM MA * * * * * SWSW 50 EP-OT ERM	220011-E	ERNI tooling miscellaneous
220013	BMEPS OT ERM MC * * * * * SWSW 25 EP-OT ERM	220013-E	ERNI tooling miscellaneous
220016	BMEPS OT ERM MN * * * * * S038 SWSW 25 EP-OT	220016-E	ERNI tooling miscellaneous
220020	VOREPU UT ERM A ABGE F * 22 2,5 12,0 50,	220020-E	ERNI tooling miscellaneous
220021	BMEPS UT ERM F B * * * * * SW 50 EP-UT ERMET	220021-E	ERNI tooling miscellaneous
220022	VOREPU UT ERM C ABGE F * 11 2,5 12,0 25,	220022-E	ERNI tooling miscellaneous
220026	VOREPU UT ERM A GERA M * 22 17,0 15,0 50	220026-E	ERNI tooling miscellaneous
220028	VOREPU UT ERM C GERA M * 22 17,0 15,0 25	220028-E	ERNI tooling miscellaneous
220034	VOREPU UT UNIV * * * * * 2 30,0 * 80,0 FEP	220034-E	ERNI tooling miscellaneous
220093	BMEPS OT ERM F AB * * * * * SWSW 50 EP-OT ER	220093-E	ERNI tooling miscellaneous
220096	BMEPS OT ERM F C * * * * * SWSW 25 EP-OT ERM	220096-E	ERNI tooling miscellaneous
220101	ERNFOR ANWENDERHINWEIS FUER EP-VOR 1 *	220101-E	ERNI miscellaneous
220140	VOREPU UT SVA * GERA * 0606 2 5,0 12,0 1	220140-E	ERNI tooling miscellaneous
220148	VOREPR OT ERM * 5+2 * ABGE F * AUSPR KON	220148-E	ERNI costumer application tooling
220150	VOREPR OT ERM * * P1,P2 GERA M * AUSPR E	220150-E	ERNI costumer application tooling
220173	BMEPS OT ERM M B19 * * * * * SWSW 38 EP-OT E	220173-E	ERNI tooling miscellaneous
220174	VOREPU UT ERM B19 GERA M * 19 17,0 15,0	220174-E	ERNI tooling miscellaneous
220176	VOREPU UT ERM B19 ABGE F * 18 2,5 12,0 3	220176-E	ERNI tooling miscellaneous
220179	BMEPS OT ERM F B19 * * * * * SWSW 38 EP-OT E	220179-E	ERNI tooling miscellaneous
220181	BMEPS OT ERM M B22 * * * * * SWSW 44 EP-OT E	220181-E	ERNI tooling miscellaneous
220182	VOREPU UT ERM B22 GERA M * 22 17,0 15,0	220182-E	ERNI tooling miscellaneous
220184	VOREPU UT ERM B22 ABGE F * 22 2,5 12,0 4	220184-E	ERNI tooling miscellaneous
220187	BMEPS OT ERM F B22 * * * * * SWSW 44 EP-OT E	220187-E	ERNI tooling miscellaneous
220191	VOREPU HALT ERM 100MM * * * * * S061	220191-E	ERNI tooling miscellaneous
220204	BMEPS OT ERM FS AB * * * * * SWSW 50 EP-OT E	220204-E	ERNI tooling miscellaneous
220248	VOREPU UT ERM E GERA M * 25 17,0 21,5 50	220248-E	ERNI tooling miscellaneous
220251	VOREPU UT ERM E ABGE F * 25 2,5 14,0 50,	220251-E	ERNI tooling miscellaneous
220256	BMEPS OT ERM F DE * * * * * SWSW 50 EP-OT ER	220256-E	ERNI tooling miscellaneous
220341	BMEPS OT ERM FS C * * * * * SWSW 25 EP-OT ER	220341-E	ERNI tooling miscellaneous
220383	BMEPS OT ERM F PM * * * * * SWSW 25 EP-OT ER	220383-E	ERNI tooling miscellaneous
220384	VOREPU UT ERM PM GERA F * 3 4,0 10,5 10,	220384-E	ERNI tooling miscellaneous
220385	BMEPS OT ERM M PM * * * * * SWSW 25 EP-OT ER	220385-E	ERNI tooling miscellaneous
220386	VOREPU UT ERM PM ABGE M * 3 4,0 10,5 10,	220386-E	ERNI tooling miscellaneous
220401	BMEPS OT ERM M AB22 * * * * * SWSW 44 EP-OT	220401-E	ERNI tooling miscellaneous
220410	BMEPS OT ERM M DE * * * * * SWSW 50 EP-OT ER	220410-E	ERNI tooling miscellaneous
220627	BMEPS OT ERM M ZD * 4-10 * SWSW 25 EP-OT	220627-E	ERNI tooling miscellaneous
220628	VOREPU UT ERM ZD0XT GERA M 4-10 10 4 0 2	220628-E	ERNI tooling miscellaneous
220633	BMEPS OT ERM M ZD * 3-10 * SWSW 25 EP-OT	220633-E	ERNI tooling miscellaneous
220634	BMEPS OT ERM F ZD * 3-10 * SWSW 25 EP-OT	220634-E	ERNI tooling miscellaneous
220635	VOREPU UT ERM ZD0XT ABGE F 3-10 10 4 0 1	220635-E	ERNI tooling miscellaneous
220636	BMEPS OT ERM M ZD * 2-10 * SWSW 25 EP-OT	220636-E	ERNI tooling miscellaneous
220639	VOREPU UT ERM ZD0XT GERA M 2-10 10 4 0 1	220639-E	ERNI tooling miscellaneous
220644	BMEPS OT SMC M Q 68 * * * * * SW * EINPRESS-VO	220644-E	ERNI tooling miscellaneous
220788	BMEPS OT ERM MI A,B AB * * * * * SWSW 50 EP-OT	220788-E	ERNI tooling miscellaneous
220810	BMEPS OT ERM M B8 * * * * * SWSW 16 EP-OT ER	220810-E	ERNI tooling miscellaneous
220811	VOREPU UT ERM B8 GERA M * 8 17,0 15,0 16	220811-E	ERNI tooling miscellaneous
220849	BMEPS OT ERM M SET * * * * * PCI * SWSW 94 EP-OT	220849-E	ERNI tooling miscellaneous
220852	VOREPU UT ERM SET GERA M * 999 99,9 99,9	220852-E	ERNI tooling miscellaneous
220889	BMEPS OT M78 F EE06 * 7 S038 SWSW * EP-V	220889-E	ERNI tooling miscellaneous
220891	BMEPS OT M42 F EE06 * 7 S038 SWSW * EP-V	220891-E	ERNI tooling miscellaneous
220991	BMEPS OT R M EE06 * 4 * SW * EP-OT DIN B	220991-E	ERNI tooling miscellaneous
223021	STVSKO C F 181 GERA * 50 LOE * * * * * J 1	223021-E	Specific Coax Contacts
223135	ERMA 110 FS 1 EE * 3,70 A-E V-V * TRAY 1	223135-E	ERmet A

223363	STVH15 15 M ZD VV 3-00 LAFD * A098 199 E	223363-E	DIN H15
223366	ERMZD 4-10 M 40 EE 1,7 9999 247 050 24,9	223366-E	ERmet ZD
223410	HBHB HOLZPALETTE 1000 X 1000 MIT HUELSEN	223410-E	ERNI miscellaneous
223429	STVSKO C F 107 GERA * 50 EP-5 1,00 ***	223429-E	Specific Coax Contacts
223463	STVSKO C M 207 GERA * 50 LP-3 1,00 ***	223463-E	Specific Coax Contacts
223527	STVC 96 F ABC VVV 7-00 EE 4,0 * 247 E99	223527-E	DIN C
223529	STVSKO C F 201 ABGE ** LP-5 1,00 ***	223529-E	Specific Coax Contacts
223697	SMCB 46 M AB 0417 7-03 CL * 0007 137 E00	223697-E	SMC BA7 SMD angled male
223698	SMCB 46 F AB 0417 7-03 CL * H007 137 E00	223698-E	SMC BA7 SMD vertical female
223727	SMCQ 40 F AB 0418 7-03 CL * 0007 137 E00	223727-E	SMC BA7 SMD angled female
223729	SMCB 40 F AB 0418 7-03 CL * H007 137 E00	223729-E	SMC BA7 SMD vertical female
223772	CCCS M08 4 F-R * A X **** PUR 3000 *	223772-E	CCCS
223784	CCCS M12 4 F-S * A X **** PUR 3000 *	223784-E	CCCS
223822	STVC 87 F ABC 0422 7-00 0606 17,0 * 247	223822-E	DIN C
223839	STVC 64 F AC VV 7-00 TL 4,0 * 247 E007 1	223839-E	DIN C
223856	STVC 33 F ACE 0420 7-00 EE 2,9 * 247 E00	223856-E	DIN E
223866	CCCS M12 4 F-S * A X **** PVC 2000 *	223866-E	CCCS
223921	CCCS M12 4 M-S * D M12 4 M-S * D PUR 300	223921-E	CCCS
223923	CCCS M12 5 F-S * A X **** PVC 1500 *	223923-E	CCCS
223933	CCCS M08 4 F-S * A X **** PVC 1500 *	223933-E	CCCS
223934	STVB/3 20 F AB VV 7-00 TL 4,0 * 247 E007	223934-E	DIN B
223970	STVM 24-8 F ABC VVV 7-00 EE 5,5 * 247 E0	223970-E	DIN M
224056	ERMB08 56 M P2 * 3,70 Z-F V-V 9999 * 247	224056-E	ERmet B
224057	ERMB08 56 M P2 * 3,70 Z-F V-V 9999 * 247	224057-E	ERmet B
224064	M12 F 5 A H S * 207 17,0 094 **** 999	224064-E	CC M12 vertical
224150	M08 F 3 A H S * 207 16,3 094 **** 000	224150-E	CC M8 vertical
224151	M08 F 4 A H S * 207 16,3 094 **** 000	224151-E	CC M8 vertical
224152	M08 M 4 A H S * 201 16,3 094 **** H00	224152-E	CC M8 vertical
224209	MSPEED 91 F SMD F4 * A-G VVVV 137 094 *	224209-E	MSP 7 row vertical female
224212	MSPEED 91 M SMD M1 * A-G VVVV 137 176 *	224212-E	MSP 7 row vertical male
224348	ERMPM 3 F P2 * 3,70 ABC * 207 OHNE 172 *	224348-E	ERmet Power Module
224393	SRCP 1,27 2 F * I 2426 137 * 162 1,07 TRA	224393-E	MiniBridge angled female IDC
224394	SRCP 1,27 4 F * I 2426 137 * 162 1,07 TRA	224394-E	MiniBridge angled female IDC
224395	SRCP 1,27 6 F * I 2426 137 * 162 1,07 TRA	224395-E	MiniBridge angled female IDC
224396	SRCP 1,27 8 F * I 2426 137 * 162 1,07 TRA	224396-E	MiniBridge angled female IDC
224397	SRCA 1,27 2 F * I 2426 137 E1 094 1,07 TR	224397-E	MiniBridge vertical female IDC
224398	SRCA 1,27 4 F * I 2426 137 E1 094 1,07 TR	224398-E	MiniBridge vertical female IDC
224399	SRCA 1,27 6 F * I 2426 137 E1 094 1,07 TR	224399-E	MiniBridge vertical female IDC
224400	SRCA 1,27 8 F * I 2426 137 E1 094 1,07 TR	224400-E	MiniBridge vertical female IDC
224408	STVC 96 F ABC VVV 7-00 EE 5,5 * 247 E007	224408-E	DIN C
224411	STVC 64 F AC VV 7-00 TL 4,0 * 247 E007 1	224411-E	DIN C
224412	STVC 96 F ABC VVV 7-00 EEUE 13,0 * 241 E	224412-E	DIN C
224472	STVC 96 F ABC VVV 7-00 TL 4,0 * 247 E007	224472-E	DIN C
224512	MSPEED 50 F SMD F6 * AB VV 137 094 * * E	224512-E	MSP 2 row vertical female
224513	MSPEED 50 F SMDTHR F6 * AB VV 137 094 *	224513-E	MSP 2 row vertical female THR-shield
224514	MSPEED 50 F SMD F8 * AB VV 137 094 * * E	224514-E	MSP 2 row vertical female
224515	MSPEED 50 F SMDTHR F8 * AB VV 137 094 *	224515-E	MSP 2 row vertical female THR-shield
224516	MSPEED 50 F SMD F10 * AB VV 137 094 * * E	224516-E	MSP 2 row vertical female
224517	MSPEED 50 F SMDTHR F10 * AB VV 137 094 *	224517-E	MSP 2 row vertical female THR-shield
224557	MSPEED 50 M SMD M2 * AB VV 137 094 * * E	224557-E	MSP 2 row vertical male
224558	MSPEED 50 M SMDTHR M2 * AB VV 137 094 *	224558-E	MSP 2 row vertical male THR-shield
224559	MSPEED 50 M SMD M9 * AB VV 137 176 * * E	224559-E	MSP 2 row vertical male
224560	MSPEED 50 M SMDTHR M9 * AB VV 137 176 *	224560-E	MSP 2 row vertical male THR-shield
224561	MSPEED 50 M SMD M10 * AB VV 137 176 * * E	224561-E	MSP 2 row vertical male
224562	MSPEED 50 M SMDTHR M10 * AB VV 137 176 *	224562-E	MSP 2 row vertical male THR-shield
224714	STVSKO C M 201 GERA * 50 LC03 **** J	224714-E	Specific Coax Contacts
224920	MICRO S STV 9 407 188 * 0007 J 3 224920 M	224920-E	MicroStac SRC/DRC
225036	SMCQ 26 F AB VV 7-03 CL * 0007 137 E002	225036-E	SMC BA7 SMD angled female
225093	ERMA 110 M 1 P2 * 3,70 A-E V-V 9999 * 24	225093-E	ERmet A
225097	M08 F 4 A * T 2,7 ***** 0012 J 3	225097-E	CC M8 angled
225098	M08 M 4 A * T 2,5 ***** 0012 J 3	225098-E	CC M8 angled
225114	MRDBGR M12 F 1 4 S D 207 * J 2 225115 MR	225114-E	CC M12 vertical
225243	M12 M 4 A L90F T * 301 * 188 * Y * 000	225243-E	CC M12 angled
225247	M12 M 4 A L90F T * 301 * 188 * Y * 000	225247-E	CC M12 angled
225252	M12 M 4 A L90H T * 301 * 188 * Y * 000	225252-E	CC M12 angled
225254	M12 M 5 A L90H T * 301 * 188 * Y * 000	225254-E	CC M12 angled
225255	M12 M 4 A L90H T * 301 * 188 * Y * 000	225255-E	CC M12 angled
225256	M12 M 5 A L90H T * 301 * 188 * Y * V5 00	225256-E	CC M12 angled
225260	M12 M 5 B L90H T * 301 * 188 * Y * 000	225260-E	CC M12 angled
225266	M12 M 5 UNI L90H T * 301 * 188 * Y * 000	225266-E	CC M12 angled
225267	M12 M 4 UNI L90H T * 301 * 188 * Y * 000	225267-E	CC M12 angled
225275	M12 F 5 A L90H T * 301 * 188 * Y * 000	225275-E	CC M12 angled
225286	M12 F 5 UNI L90H T * 301 * 188 * Y * 000	225286-E	CC M12 angled
225291	M12 M 8 A L90F T * 301 * 188 * Y * 000	225291-E	CC M12 angled
225292	M12 M 8 A L90F T * 301 * 188 * Y * 000	225292-E	CC M12 angled
225294	M12 M 8 A L90H T * 301 * 188 * Y * 000	225294-E	CC M12 angled
225295	M12 M 8 A L90H T * 301 * 188 * Y * 000	225295-E	CC M12 angled
225297	M12 M 8 UNI L90H T * 301 * 188 * Y * 000	225297-E	CC M12 angled
225300	M12 F 8 A L90H T * 301 * 188 * Y * 000	225300-E	CC M12 angled
225301	M12 F 8 A L90H T * 301 * 188 * Y * 000	225301-E	CC M12 angled
225360	MRDEZT O-RING 7,2X0,8 VITON SCHWARZ **	225360-E	CC M8/M12 miscellaneous
225412	MJIM IM 1X1 S 816 GF5 ** THRU * L10 H5H	225412-E	Modular Jacks
225430	M08 M 8 A * T 2,2 301 14,2 **** 9999	225430-E	CC M8 angled
225431	M08 M 4 A * T 2,2 301 14,2 **** 9999	225431-E	CC M8 angled
225440	CCCS M12 4 M-S * D RJ45 8 M-S ** PUR 30	225440-E	CCCS
225441	CCCS M12 4 M-S * D RJ45 8 M-S ** PUR 60	225441-E	CCCS
225454	M12 M 8 A L90H T * 301 * 188 * Y * 000	225454-E	CC M12 angled
225456	M12 M 5 A L90H T * 301 * 188 * Y * 000	225456-E	CC M12 angled
225458	M12 F 4 A L90H T * 301 * 188 * Y * 000	225458-E	CC M12 angled
225463	CCCS M08 4 F-S * A X **** PVC 5000 *	225463-E	CCCS
225499	M08 M 4 A * T 2,0 201 13,0 094 **** 0	225499-E	CC M8 vertical
225516	M12 M 4 A L90F T * 301 * 188 * Y * VDS 0	225516-E	CC M12 angled
225518	M12 M 5 A L90F T * 301 * 188 * Y * VDS 0	225518-E	CC M12 angled
225521	M12 M 8 A L90F T * 301 * 188 * Y * VDS 0	225521-E	CC M12 angled
225522	M12 M 8 A L90F T * 301 * 188 * Y * VDS 0	225522-E	CC M12 angled
225614	M12 M 8 A L90H T * 301 * 188 * Y * VDS 0	225614-E	CC M12 angled
225615	M12 F 8 A L90H T * 301 * 188 * Y * VDS 0	225615-E	CC M12 angled
225616	M12 F 8 A L90H T * 301 * 188 * Y * 9999	225616-E	CC M12 angled

225676	POWELM STIFT VOLLM M4 6 2,54 * EP 3,5 *	225676-E	Power Elements
225688	POWELM BUCHSE RUNDM M4 5 2,2 54 * EP 6 C	225688-E	Power Elements
225690	POWELM BUCHSE RUNDM M6 13,5 2,54 * EP 13	225690-E	Power Elements
225691	POWELM BUCHSE RUNDM M8 13,5 2,54 * EP 13	225691-E	Power Elements
225695	POWELM BUCHSE ZWEIM M5 6 2,54 * EP 7 CUS	225695-E	Power Elements
225696	POWELM BUCHSE ZWEIM M6 9 2,54 * EP 13,5	225696-E	Power Elements
225700	POWELM GEWINK VOLLM M4 5 2,54 * EP 14 CU	225700-E	Power Elements
225702	POWELM GEWINK VOLLM M6 8 2,54 * EP 20 CU	225702-E	Power Elements
225706	POWELM GEWINK VOLLM D4 2 5 2,54 * EP 14	225706-E	Power Elements
225712	POWELM GEWINK ZWEIM M4 5 2,54 * EP 14 CU	225712-E	Power Elements
225714	POWELM GEWINK ZWEIM M6 8 2,54 * EP 20 CU	225714-E	Power Elements
225775	POWELM BUCHSE ZWEIM M4 6 2,54 * EP 7 CUS	225775-E	Power Elements
225776	POWELM GEWINK VOLLM M6 8 2,54 * EP 20 *	225776-E	Power Elements
225788	POWELM BUCHSE RUNDM D6 2 * 2,85 * EP 6,7	225788-E	Power Elements
225791	POWELM BUCHSE VOLLM M5 6,5 2,54 * EP 10,	225791-E	Power Elements
225794	POWELM VDRBR3 * M3 * ** * 9,5 * ** * J 3	225794-E	Power Elements
225800	BCS SW SIS-ATO 2 THT-LOT 2 J 3 225799	225800-E	ERNI miscellaneous
225822	POWELM GEWINK VOLLM M4 5 2,54 * EP 14 NI	225822-E	Power Elements
225852	POWELM STIFT * M5 8 * ** * SMD 4,5 SN * ** J	225852-E	Power Elements
225858	POWELM BUCHSE * M5 4 * ** * SMD 7 SN * ** J	225858-E	Power Elements
225859	POWELM BUCHSE * M6 6,5 * ** * SMD 11,5 SN *	225859-E	Power Elements
225860	POWELM BUCHSE * M8 8 * ** * SMD 13,5 SN * **	225860-E	Power Elements
225865	POWELM STIFT ZENTR M6 10 * ** * SMD 5,5 SN	225865-E	Power Elements
225876	POWELM BUCHSE THRHL M5 * ** * SMD 7 SN *	225876-E	Power Elements
225877	POWELM BUCHSE THRHL M6 * ** * SMD 11,5 S	225877-E	Power Elements
230053	BMEPS OT E F * ** 5/7 * SW * EP-OT BAUFOR	230053-E	ERNI tooling miscellaneous
230058	BMEPS OT ERM F PM * ** * SWSW 25 EP-OT ER	230058-E	ERNI tooling miscellaneous
230063	BMEPS OT ERM F PM * ** * SWSW * EP-OT ERM	230063-E	ERNI tooling miscellaneous
230064	VOREPU UT ERM PM * F * 6 4,0 999,9 999,9	230064-E	ERNI tooling miscellaneous
230068	VOREPU UT ERM PM ABGE M * 7 4,0 10,5 24,	230068-E	ERNI tooling miscellaneous
230107	BMEPS OT E160 M EE06 * 3/4 * SWFS * EP-O	230107-E	ERNI tooling miscellaneous
230129	BMEPS OT TE M EE06 * 4 * SW * EP-OT DIN	230129-E	ERNI tooling miscellaneous
230287	BMEPS OT * ** * ** * EP-OT POWERELEM	230287-E	ERNI tooling miscellaneous
230293	BMEPS UT * ** * ** * EP-UT POWERELEM	230293-E	ERNI tooling miscellaneous
230294	BMEPS UT * ** * ** * EP-UT POWERELEM	230294-E	ERNI tooling miscellaneous
230295	BMEPS UT * ** * ** * EP-UT POWERELEM	230295-E	ERNI tooling miscellaneous
230415	VOREPU UT SMC Q68 * ** * ** * J 3 23	230415-E	ERNI tooling miscellaneous
233226	STVH11 11 M B V 3-00 F001 * B047 199 E 0	233226-E	DIN H11
233230	STVH11 11 M B V 3-00 LA * B047 199 E 016	233230-E	DIN H11
233232	STVH11 11 M B V 3-00 LA * B012 199 E 016	233232-E	DIN H11
233233	STVH11 11 M B V 3-00 F001 * B012 199 E 0	233233-E	DIN H11
233235	STVH11 11 M B V 3-00 LA * B048 199 E 016	233235-E	DIN H11
234040	M12 F 4 D H S * 207 17,0 094 * ** * 001	234040-E	CC M12 vertical
234041	M12 F 4 D H S * 207 17,0 094 * ** * 999	234041-E	CC M12 vertical
234062	STVROL BUT 10TS CSI 2026 207 * AL J 2 34	234062-E	DIN miscellaneous
234063	STVROL BUT 500 CSI 2026 207 * AL J 2 340	234063-E	DIN miscellaneous
234064	STVBTL BUT 100 CSI 2026 207 * J 2 34093	234064-E	DIN CSI
234065	STVROL BUT 10TS CSI 2428 207 * AL J 2 34	234065-E	DIN miscellaneous
234066	STVROL BUT 500 CSI 2428 207 * AL J 2 340	234066-E	DIN miscellaneous
234067	STVBTL BUT 100 CSI 2428 207 * J 2 34093	234067-E	DIN CSI
234097	MSPEED 91 F SMDTHR F4 * A-G VVVV 137 094	234097-E	MSP 7 row vertical female THR-shield
234098	MSPEED 133 F SMDTHR F4 * A-G VVVV 137 09	234098-E	MSP 7 row vertical female THR-shield
234198	SMCB 12 F AB VV 7-23 CL * H007 137 E002	234198-E	SMC BA7 SMD vertical female high profile
234199	SMCB 50 F AB VV 7-23 CL * H007 137 E002	234199-E	SMC BA7 SMD vertical female high profile
234200	SMCB 68 F AB VV 7-23 CL * H007 137 E002	234200-E	SMC BA7 SMD vertical female high profile
234201	SMCB 80 F AB VV 7-23 CL * H007 137 E002	234201-E	SMC BA7 SMD vertical female high profile
234206	SMCQ 12 M AB VV 8-23 CL * H007 137 E005	234206-E	SMC BA8 SMD vertical male high profile
234207	SMCQ 26 M AB VV 8-23 CL * H007 137 E005	234207-E	SMC BA8 SMD vertical male high profile
234208	SMCQ 50 M AB VV 8-23 CL * H007 137 E005	234208-E	SMC BA8 SMD vertical male high profile
234209	SMCQ 68 M AB VV 8-23 CL * H007 137 E005	234209-E	SMC BA8 SMD vertical male high profile
234210	SMCQ 80 M AB VV 8-23 CL * H007 137 E005	234210-E	SMC BA8 SMD vertical male high profile
234233	M08 F 3 A H S * 207 16,3 094 * ** * 001	234233-E	CC M8 vertical
234234	M08 F 4 A H S * 207 16,3 094 * ** * 001	234234-E	CC M8 vertical
234235	M08 M 4 A H S * 201 16,3 094 * ** * 001	234235-E	CC M8 vertical
234405	KSGBGR KSG-185 15P BAUGRUPPE FCT * J 3 2	234405-E	KSG
234406	KSGEZR RAENDELSCHRAUBE 185 M3 F, FCT 185	234406-E	KSG
234432	STVC 48 F ABC GGG 7-00 TL 4,0 * 247 E007	234432-E	DIN C
234449	STVB/3 20 F AB VV 7-00 EE 5,5 * 247 E007	234449-E	DIN B
234450	SRCA 1,27 3 M 1 SMD 137 E1 094 * GURT *	234450-E	MiniBridge angled male SMD
234451	SRCP 1,27 3 F 1 I2426 137 * 162 1,07 TRA	234451-E	MiniBridge angled female IDC
234452	SRCP 1,27 3 F 1 I2426 137 * 162 1,07 TRA	234452-E	MiniBridge angled female IDC
234457	SRCP 1,27 3 M 1 SMD 137 E1 094 * GU-H KL	234457-E	MiniBridge vertical male SMD
234458	SRCA 1,27 3 F 1 I2426 137 * 094 1,07 TRA	234458-E	MiniBridge vertical female IDC
234459	SRCA 1,27 3 F 1 I2426 137 * 094 1,07 TRA	234459-E	MiniBridge vertical female IDC
234464	SRCA 1,27 10 M 1 SMD 137 E1 094 * GURT *	234464-E	MiniBridge angled male SMD
234465	SRCP 1,27 10 F 1 I2426 137 E1 162 1,07 T	234465-E	MiniBridge angled female IDC
234466	SRCP 1,27 10 F 1 I2426 137 E1 162 1,07 T	234466-E	MiniBridge angled female IDC
234471	SRCP 1,27 10 M 1 SMD 137 E1 094 * GU-H K	234471-E	MiniBridge vertical male SMD
234472	SRCA 1,27 10 F 1 I2426 137 E1 094 1,07 T	234472-E	MiniBridge vertical female IDC
234473	SRCA 1,27 10 F 1 I2426 137 E1 094 1,07 T	234473-E	MiniBridge vertical female IDC
234478	SRCA 1,27 12 M 1 SMD 137 E1 094 * GURT *	234478-E	MiniBridge angled male SMD
234479	SRCP 1,27 12 F 1 I2426 137 E1 162 1,07 T	234479-E	MiniBridge angled female IDC
234480	SRCP 1,27 12 F 1 I2426 137 E1 162 1,07 T	234480-E	MiniBridge angled female IDC
234485	SRCP 1,27 12 M 1 SMD 137 E1 094 * GU-H K	234485-E	MiniBridge vertical male SMD
234486	SRCA 1,27 12 F 1 I2426 137 E1 094 1,07 T	234486-E	MiniBridge vertical female IDC
234487	SRCA 1,27 12 F 1 I2426 137 E1 094 1,07 T	234487-E	MiniBridge vertical female IDC
234547	STVBUT SK 15,7 707 0407 BAND 2 IDC * ** J	234547-E	DIN miscellaneous
234647	STVC/2 48 F ABC VVV 7-00 EE 5,5 * 247 E0	234647-E	DIN C
234675	ERMBGR FBK GSE * M4 9999 ERMET-BAUSATZ	234675-E	ErMet miscellaneous
234712	STVR 96 MI ABC VVV 4-00 EE 6,0 * 247 E00	234712-E	DIN R
234714	STVR 75 MI ABC 0340 4-00 EE 6,0 * 247 E0	234714-E	DIN R
234752	MSPEED 91 M SMDTHR M1 * A-G VVVV 137 176	234752-E	MSP 7 row vertical male THR-shield
234753	MSPEED 133 M SMDTHR M1 * A-G VVVV 137 17	234753-E	MSP 7 row vertical male THR-shield
234832	SRCA 2,54 2 M 1 SMD 137 E1 094 * GURT *	234832-E	MaxiBridge SRC/DRC Male angled
234833	SRCA 2,54 2 M 1 SMD 137 E1 168 * GURT *	234833-E	MaxiBridge SRC/DRC Male angled
234834	SRCA 2,54 2 M 1 SMD 137 E1 167 * GURT *	234834-E	MaxiBridge SRC/DRC Male angled
234835	SRCA 2,54 2 M 1 SMD 137 E1 168 * GURT *	234835-E	MaxiBridge SRC/DRC Male angled
235041	CCCS M12 5 F-S * A X * ** * PVC 3000 *	235041-E	CCCS

235045	M12 M 8 A L90H T * 301 * 188 * Y Y * 000	235045-E	CC M12 angled
235164	M12 F 5 A L90H T * 301 * 188 * Y Y * 000	235164-E	CC M12 angled
235165	M12 M 5 A L90H T * 301 * 188 * Y Y * 000	235165-E	CC M12 angled
235171	M12 M 4 A L90H T * 301 * 188 * Y Y * 000	235171-E	CC M12 angled
235190	M12 F 4 D L90H T * 301 * 188 * Y Y * 000	235190-E	CC M12 angled
235215	MRDEZT MUTTER M10 X 1 2,0 SW13 ** J 3 2	235215-E	CC M8/M12 miscellaneous
235221	M12 M 4 UNI L90H T * 301 * 188 * Y Y * 9	235221-E	CC M12 angled
235230	M12 M 4 A L90H T * 301 * 188 * Y Y * 000	235230-E	CC M12 angled
235255	M08 F 4 A L90H T * 301 * 094 * Y * VDS H	235255-E	CC M8 angled
235265	M12 M 4 A L90F T * 301 * 188 * Y SNI 0	235265-E	CC M12 angled
235267	MRDEZT M12 VERRIEG.SCHRAUBE 90GR *** J	235267-E	CC M8/M12 miscellaneous
235268	M12 M 4 A L90H T * 301 * 188 * Y Y 9999	235268-E	CC M12 angled
243246	STVH11 11 F B V 3-00 F001 ** 197 E 016	243246-E	DIN H11
244052	STVSKO H M 201 GERA 20A * EP31 ** ME *	244052-E	Specific High Current Contacts
244139	STVR 96 FI ABC VVV 7-03 TL ** 247 E 187	244139-E	DIN R
244187	STVE 160 F ABCDE VVVVV 7-00 EE 13,0 * 13	244187-E	DIN E
244265	STVC 32 F AC GG 7-00 TL 4,0 * 247 E007 1	244265-E	DIN C
244268	STVC 64 F AC VV 7-00 EE 4,0 * 247 E007 1	244268-E	DIN C
244294	STVC 64 F AC VV 7-00 EE 17,0 * 247 E007	244294-E	DIN C
244301	STVC 64 F AC VV 7-00 0606 13,0 * 247 E00	244301-E	DIN C
244304	STVC 96 F ABC VVV 7-00 0606 13,0 * 247 E	244304-E	DIN C
244313	MICROS STV 50 407 188 ELPO 0007 J 3 2443	244313-E	MicroStac SRC/DRC
244336	STVC/3 30 F ABC VVV 7-00 TL 2,5 * 247 E0	244336-E	DIN C
244351	SMCB 26 M AB VV 7-03 CLVL * 0007 137 E00	244351-E	SMC BA7 SMD angled male
244352	SMCB 50 M AB VV 7-03 CLVL * 0007 137 E00	244352-E	SMC BA7 SMD angled male
244575	STVC/2 48 F ABC VVV 7-00 EE 17,0 * 247 E	244575-E	DIN C
244628	SMCIDC 12 KV AB VV 7-01 CL * H007 717 PO	244628-E	SMC BA7 Board on IDC
244629	SMCIDC 26 KV AB VV 7-01 CL * H007 717 PO	244629-E	SMC BA7 Board on IDC
244630	SMCIDC 50 KV AB VV 7-01 CL * H007 717 PO	244630-E	SMC BA7 Board on IDC
244631	SMCEZT FLKF 7-01 12POL IDC FLACHBANDKABE	244631-E	SMC BA7 Board on IDC
244632	SMCEZT FLKF 7-01 26POL IDC FLACHBANDKABE	244632-E	SMC BA7 Board on IDC
244633	SMCEZT FLKF 7-01 50POL IDC FLACHBANDKABE	244633-E	SMC BA7 Board on IDC
244637	ERMBGR FBUC GSE * M5L8 9999 ERMET-BS. FU	244637-E	ERmet miscellaneous
244676	MSPEED 50 F SMD * 90E AB VV 137 094 **	244676-E	MSP 2 row angled female
244692	MSPEED 50 M SMD * 90E AB VV 137 094 * HG	244692-E	MSP 2 row angled male
244766	ERMZD 4-10 M 40 EE 1,7 2 247 * 24,9 * E3	244766-E	ERmet ZD
244790	M12 M 5 A H S * 201 17,0 094 * 001	244790-E	CC M12 vertical
244798	M12 M 4 D H S * 201 17,0 094 * 001	244798-E	CC M12 vertical
244836	SMCQ 12 M AB VV 8-13 CL * H007 137 E005	244836-E	SMC BA8 SMD vertical male low profile
244837	SMCQ 26 M AB VV 8-13 CL * H007 137 E005	244837-E	SMC BA8 SMD vertical male low profile
244838	SMCQ 50 M AB VV 8-13 CL * H007 137 E005	244838-E	SMC BA8 SMD vertical male low profile
244839	SMCQ 68 M AB VV 8-13 CL * H007 137 E005	244839-E	SMC BA8 SMD vertical male low profile
244840	SMCQ 80 M AB VV 8-13 CL * H007 137 E005	244840-E	SMC BA8 SMD vertical male low profile
244854	SMCQ 12 M AB VV 8-03 CL * H007 137 E005	244854-E	SMC BA8 SMD vertical male
244855	SMCQ 26 M AB VV 8-03 CL * H007 137 E005	244855-E	SMC BA8 SMD vertical male
244856	SMCQ 50 M AB VV 8-03 CL * H007 137 E005	244856-E	SMC BA8 SMD vertical male
244857	SMCQ 68 M AB VV 8-03 CL * H007 137 E005	244857-E	SMC BA8 SMD vertical male
244858	SMCQ 80 M AB VV 8-03 CL * H007 137 E005	244858-E	SMC BA8 SMD vertical male
244873	STVB/3 20 F AB VV 7-00 EE 4,0 * 247 E007	244873-E	DIN B
244878	STVR/2 57 MI ABC VVV 4-00 EE 99,9 M842 2	244878-E	DIN R
244879	STVR/2 57 MI ABC VVV 4-00 EE 99,9 M843 2	244879-E	DIN R
244934	M12 M 5 A * S * 201 10,5 094 * 001	244934-E	CC M12 vertical
244999	STVCD 128 F ABCD VVVV 7-00 EE 5,5 * 247	244999-E	DIN CD
245007	STVSKO H F 9999 GERA 20A * SMD * 999	245007-E	CS Bosch eBike
245010	STVSKO H F 9999 GERA 20A * SMD * 999	245010-E	CS Bosch eBike
254006	STVE 160 F ABCDE VVVVV 7-00 EE 5,5 * 247	254006-E	DIN E
254015	STVC 96 F ABC VVV 7-00 EE 5,5 * 137 E007	254015-E	DIN C
254062	STVM 60-4 F ABC VVV 7-00 EE 5,5 * 247 E0	254062-E	DIN M
254103	MESBAN PAS55 9999 1,5 9999 * 25,4 FORD J	254103-E	Automotive contacts
254117	STVC 96 F ABC VVV 7-00 EE 2,9 * 247 E007	254117-E	DIN C
254118	STVCD 128 F ABCD VVVV 7-00 EE 4,0 * 247	254118-E	DIN CD
254120	STVC 64 F AC VV 7-00 EE 2,9 * 247 E007 1	254120-E	DIN C
254123	STVE 160 F ABCDE VVVVV 7-00 EE 4,0 * 247	254123-E	DIN E
254124	STVE 160 F ABCDE VVVVV 7-00 EE 4,0 * 247	254124-E	DIN E
254152	MRDEZT M12 GEHAUSETEIL FL ABST. 9MM **	254152-E	CC M8/M12 miscellaneous
254168	MICROS STV 12 9999 188 * 0007 J 3 254168	254168-E	MicroStac SRC/DRC
254188	M12 M 4 A H S * 201 17,0 094 * 001	254188-E	CC M12 vertical
254206	M12 F 5 B H S * 207 17,0 094 * 999	254206-E	CC M12 vertical
254262	SMCQ 12 F AB VV 7-03 CL * 0007 137 E002	254262-E	SMC BA7 SMD angled female
254273	SMCB 12 M AB VV 7-03 CL * 0007 137 E004	254273-E	SMC BA7 SMD angled male
254310	M12 F 8 A H S * 207 17,0 094 * 001	254310-E	CC M12 vertical
254317	M12 M 8 A * S * 201 10,5 094 * 001 ODV 0	254317-E	CC M12 vertical
254319	M12 M 5 B * S * 201 10,5 094 * 001 OD 00	254319-E	CC M12 vertical
254320	STVC/3 30 F ABC VVV 7-00 TL 4,0 * 247 E0	254320-E	DIN C
254321	STVC/3 30 F ABC VVV 7-00 EE 5,5 * 247 E0	254321-E	DIN C
254324	STVC/2 48 M ABC VVV 4-00 0606 * 247 E0	254324-E	DIN C
254325	STVC/3 30 M ABC VVV 4-00 0606 * 247 E0	254325-E	DIN C
254326	STVR/3 30 FI ABC VVV 7-03 TL * 247 E 1	254326-E	DIN R
254370	STVB/3 20 F AB VV 7-00 TL 4,0 * 247 E007	254370-E	DIN B
254414	SMCQ 16 M AB VV 8-23 CL * H007 137 E005	254414-E	SMC BA8 SMD vertical male high profile
254415	SMCQ 20 M AB VV 8-23 CL * H007 137 E005	254415-E	SMC BA8 SMD vertical male high profile
254416	SMCQ 32 M AB VV 8-23 CL * H007 137 E005	254416-E	SMC BA8 SMD vertical male high profile
254417	SMCQ 40 M AB VV 8-23 CL * H007 137 E005	254417-E	SMC BA8 SMD vertical male high profile
254498	STVC/2 48 F ABC VVV 7-00 TL 2,5 * 247 E0	254498-E	DIN C
254536	SMCQ 16 M AB VV 8-03 CL * H007 137 E005	254536-E	SMC BA8 SMD vertical male
254537	SMCQ 20 M AB VV 8-03 CL * H007 137 E005	254537-E	SMC BA8 SMD vertical male
254538	SMCQ 32 M AB VV 8-03 CL * H007 137 E005	254538-E	SMC BA8 SMD vertical male
254539	SMCQ 40 M AB VV 8-03 CL * H007 137 E005	254539-E	SMC BA8 SMD vertical male
254587	SMCQ 16 M AB VV 8-13 CL * H007 137 E005	254587-E	SMC BA8 SMD vertical male low profile
254588	SMCQ 20 M AB VV 8-13 CL * H007 137 E005	254588-E	SMC BA8 SMD vertical male low profile
254589	SMCQ 32 M AB VV 8-13 CL * H007 137 E005	254589-E	SMC BA8 SMD vertical male low profile
254590	SMCQ 40 M AB VV 8-13 CL * H007 137 E005	254590-E	SMC BA8 SMD vertical male low profile
254699	SRCA 2.54 6 M 1 SMD 137 E1 094 * GURT *	254699-E	MaxiBridge SRC/DRC Male angled
254700	SRCA 2.54 6 M 1 SMD 137 E1 166 * GURT *	254700-E	MaxiBridge SRC/DRC Male angled
254701	SRCA 2.54 6 M 1 SMD 137 E1 167 * GURT *	254701-E	MaxiBridge SRC/DRC Male angled
254702	SRCA 2.54 6 M 1 SMD 137 E1 168 * GURT *	254702-E	MaxiBridge SRC/DRC Male angled
254703	SRCBUG A 2.54 1 6 CSI 112 E1 ADV J 2 224	254703-E	MaxiBridge SRC/DRC Female
254707	SRCP 2.54 6 M 1 SMD 137 E1 094 * GU-H *	254707-E	MaxiBridge SRC/DRC Male vertical

254708	SRCP 2,54 6 M 1 SMD 137 E1 166 * GU-H *	254708-E	MaxiBridge SRC/DRC Male vertical
254709	SRCP 2,54 6 M 1 SMD 137 E1 167 * GU-H *	254709-E	MaxiBridge SRC/DRC Male vertical
254710	SRCP 2,54 6 M 1 SMD 137 E1 168 * GU-H *	254710-E	MaxiBridge SRC/DRC Male vertical
254737	MRDEZT M12 GEH.TEIL ML DM 8,35 A=9MM **	254737-E	CC M8/M12 miscellaneous
254780	CCA PFT M12 5 F-S A M12 5 M-S A *** J	254780-E	CC M8/M12 miscellaneous
254823	SRCA 2,54 5 M 1 SMD 137 E1 094 * GURT *	254823-E	MaxiBridge SRC/DRC Male angled
254824	SRCA 2,54 5 M 1 SMD 137 E1 166 * GURT *	254824-E	MaxiBridge SRC/DRC Male angled
254825	SRCA 2,54 5 M 1 SMD 137 E1 167 * GURT *	254825-E	MaxiBridge SRC/DRC Male angled
254826	SRCA 2,54 5 M 1 SMD 137 E1 168 * GURT *	254826-E	MaxiBridge SRC/DRC Male angled
254827	SRCBUG A 2,54 1 5 CSI 112 E1 ADV J 2 224	254827-E	MaxiBridge SRC/DRC Female
254831	SRCP 2,54 5 M 1 SMD 137 E1 094 * GU-H *	254831-E	MaxiBridge SRC/DRC Male vertical
254832	SRCP 2,54 5 M 1 SMD 137 E1 166 * GU-H *	254832-E	MaxiBridge SRC/DRC Male vertical
254833	SRCP 2,54 5 M 1 SMD 137 E1 167 * GU-H *	254833-E	MaxiBridge SRC/DRC Male vertical
254834	SRCP 2,54 5 M 1 SMD 137 E1 168 * GU-H *	254834-E	MaxiBridge SRC/DRC Male vertical
254835	STVC 96 M ABC VVV 4-00 EE * 247 E007 1	254835-E	DIN C
254836	STVC/3 30 F ABC VVV 7-00 EE 5,5 * 247 E0	254836-E	DIN C
254838	STVC/3 20 F ABC VV 7-00 EE 5,5 * 247 E007	254838-E	DIN C
254839	STVE 160 F ABCDE VVVVV 7-00 EE 5,5 * 137	254839-E	DIN E
254846	STVB 64 F AB VV 7-00 EE 5,5 * 247 E007 1	254846-E	DIN B
254849	STVC 96 F ABC VVV 7-00 EE 5,5 * 137 E007	254849-E	DIN C
254853	STVC/2 48 F ABC VVV 7-00 EE 5,5 * 247 E0	254853-E	DIN C
254859	M12 M 4 A * S * 201 10,5 094 *** 001	254859-E	CC M12 vertical
254867	STVSKO C M 107 GERA * 50 EP-5 1,00 ***	254867-E	Specific Coax Contacts
254868	STVSKO H M 101 GERA 40A * LP-4 *** J	254868-E	Specific High Current Contacts
254869	STVSKO H F 207 GERA 30A * EP-4 *** J	254869-E	Specific High Current Contacts
254876	MSPEED 50 F SMD F4 B AB VV 137 094 * * E	254876-E	MSP 2 row vertical female
254877	MSPEED 50 M SMD M1 B AB VV 137 094 * * E	254877-E	MSP 2 row vertical male
254887	STVC/2 48 F ABC VVV 7-00 EE 4,0 * 247 E0	254887-E	DIN C
254895	STVC/2 48 F ABC VVV 7-00 TL 4,0 * 137 E0	254895-E	DIN C
254897	STVC 96 F ABC VVV 7-00 TL 4,0 * 137 E007	254897-E	DIN C
254960	STVE 160 F ABCDE VVVVV 7-00 EEUE 17,0 *	254960-E	DIN E
254975	STVE 160 F ABCDE VVVVV 7-00 EEUE 13,0 *	254975-E	DIN E
254977	STVCD 128 F ABCD VVV 7-00 TL 4,0 * 247	254977-E	DIN CD
254978	STVCD 128 F ABCD VVVV 7-00 TL 4,0 * 247	254978-E	DIN CD
254979	STVCD 128 F ABCD VVVV 7-00 EEUE 13,0 * 2	254979-E	DIN CD
254995	STVC/3 30 F ABC VVV 7-00 EE 4,0 * 247 E0	254995-E	DIN C
254996	STVC 64 F AC VV 7-00 EE 4,0 * 247 E99 17	254996-E	DIN C
272021	BMEZT MICROBRIDGE AUFNAHME 2POL 180° 5 1	272021-E	ERNI tooling miscellaneous
272022	BMEZT MICROBRIDGE AUFNAHME 4POL 180° 5 1	272022-E	ERNI tooling miscellaneous
272023	BMEZT MICROBRIDGE AUFNAHME 5POL 180° 5 1	272023-E	ERNI tooling miscellaneous
272024	BMEZT MICROBRIDGE AUFNAHME 6POL 180° 5 1	272024-E	ERNI tooling miscellaneous
272025	BMEZT MICROBRIDGE AUFNAHME 8POL 180° 5 1	272025-E	ERNI tooling miscellaneous
272026	BMEZT MICROBRIDGE AUFNAHME 9POL 180° 5 1	272026-E	ERNI tooling miscellaneous
272027	BMEZT MICROBRIDGE AUFNAHME 14POL 180° 5 1	272027-E	ERNI tooling miscellaneous
272028	BMEZT MICROBRIDGE AUFNAHME 16POL 90° 5 1	272028-E	ERNI tooling miscellaneous
272271	BMEZT MICROBRIDGE AUFNAHME 2POL 90° 5 1	272271-E	ERNI tooling miscellaneous
272273	BMEZT MICROBRIDGE AUFNAHME 4POL 90° 5 1	272273-E	ERNI tooling miscellaneous
272274	BMEZT MICROBRIDGE AUFNAHME 5POL 90° 5 1	272274-E	ERNI tooling miscellaneous
272275	BMEZT MICROBRIDGE AUFNAHME 6POL 90° 5 1	272275-E	ERNI tooling miscellaneous
272277	BMEZT MICROBRIDGE AUFNAHME 8POL 90° 5 1	272277-E	ERNI tooling miscellaneous
272279	BMEZT MICROBRIDGE AUFNAHME 10POL 90° 5 1	272279-E	ERNI tooling miscellaneous
272281	BMEZT MICROBRIDGE AUFNAHME 12POL 90° 5 1	272281-E	ERNI tooling miscellaneous
272283	BMEZT MICROBRIDGE AUFNAHME 14POL 90° 5 1	272283-E	ERNI tooling miscellaneous
284039	SMCQ 68 F AB VV 7-03 CL * 0007 137 E002	284039-E	SMC BA7 SMD angled female
284044	SRCBUG A 2,54 1 2 CSI 112 E1 ADV J 2 224	284044-E	MaxiBridge SRC/DRC Female
284047	SRCBUG A 2,54 1 2 CSI 165 E1 ADV J 2 224	284047-E	MaxiBridge SRC/DRC Female
284048	SRCBUG A 2,54 1 3 CSI 112 E1 ADV J 2 224	284048-E	MaxiBridge SRC/DRC Female
284052	SRCA 2,54 3 M 1 SMD 137 E1 094 * GURT *	284052-E	MaxiBridge SRC/DRC Male angled
284053	SRCA 2,54 3 M 1 SMD 137 E1 166 * GURT *	284053-E	MaxiBridge SRC/DRC Male angled
284054	SRCA 2,54 3 M 1 SMD 137 E1 167 * GURT *	284054-E	MaxiBridge SRC/DRC Male angled
284055	SRCA 2,54 3 M 1 SMD 137 E1 168 * GURT *	284055-E	MaxiBridge SRC/DRC Male angled
284069	SRCROL A 2,54 1 C2022 10TS 137 * * J 2 2	284069-E	MaxiBridge Crimp
284070	SRCROL A 2,54 1 C2022 500 137 * * J 2 28	284070-E	MaxiBridge Crimp
284079	STVSKO H F 107 GERA * * EP-4 *** J 1	284079-E	Specific High Current Contacts
284080	STVSKO C M 187 GERA * 50 EP-5 1,00 ***	284080-E	Specific Coax Contacts
284082	STVC 48 F ABC GGG 7-00 TL 4,0 * 247 E007	284082-E	DIN C
284117	SRCBUG A 2,54 1 8 CSI 112 E1 ADV J 2 224	284117-E	MaxiBridge SRC/DRC Female
284118	SRCBUG A 2,54 1 8 CSI 163 E1 ADV J 2 224	284118-E	MaxiBridge SRC/DRC Female
284121	SRCA 2,54 8 M 1 SMD 137 E1 094 * GURT *	284121-E	MaxiBridge SRC/DRC Male angled
284122	SRCA 2,54 8 M 1 SMD 137 E1 166 * GURT *	284122-E	MaxiBridge SRC/DRC Male angled
284123	SRCA 2,54 8 M 1 SMD 137 E1 167 * GURT *	284123-E	MaxiBridge SRC/DRC Male angled
284124	SRCA 2,54 8 M 1 SMD 137 E1 168 * GURT *	284124-E	MaxiBridge SRC/DRC Male angled
284134	STVC 96 F ABC VVV 7-00 EE 17,0 * 137 E00	284134-E	DIN C
284135	STVC 96 F ABC VVV 7-00 EEUE 13,0 * 131 E	284135-E	DIN C
284136	STVC/2 48 F ABC VVV 7-00 EEUE 13,0 * 241	284136-E	DIN C
284164	STVB 32 F AB GG 7-00 TL 4,0 * 247 E007 1	284164-E	DIN B
284165	STVB 64 F AB VV 7-00 0606 13,0 * 247 E00	284165-E	DIN B
284166	STVB 64 F AB VV 7-00 TL 4,0 * 247 E007 1	284166-E	DIN B
284168	STVB/2 32 F AB VV 7-00 TL 4,0 * 247 E007	284168-E	DIN B
284170	STVC 64 F AC VV 7-00 TL 2,5 * 247 E007 1	284170-E	DIN C
284172	STVC/2 48 F ABC VVV 7-00 0606 13,0 * 247	284172-E	DIN C
284174	STVC/2 48 F ABC VVV 7-00 TL 4,0 * 247 E0	284174-E	DIN C
284175	STVC/2 48 F ABC VVV 7-00 TL 4,0 * 247 E0	284175-E	DIN C
284182	STVCD 128 F ABCD VVVV 7-00 TL 4,0 * 137	284182-E	DIN CD
284190	STVR 96 FI ABC VVV 7-03 EE * * 247 E007	284190-E	DIN R
284257	MICROS STV 14 407 188 * 0007 J 3 284257	284257-E	MicroStac SRC/DRC
284258	STVR 96 FI ABC VVV 7-03 TL * * 247 E 172	284258-E	DIN R
284259	STVR 64 FI AC VV 7-03 TL * * 247 E 172 *	284259-E	DIN R
284260	STVR 96 FI ABC VVV 7-03 EE * * 247 E007	284260-E	DIN R
284262	STVR 64 FI AC VV 7-03 EE * * 247 E 172 *	284262-E	DIN R
284264	STVR 96 FI ABC VVV 7-03 TL * * 247 E 172	284264-E	DIN R
284272	STVR/2 32 MI AC VV 4-00 EE 6,0 * 247 E00	284272-E	DIN R
284308	STVC 96 F ABC VVV 7-00 TL 4,0 * 247 E007	284308-E	DIN C
284310	MSPEED 50 F SMD * 90BE AB VV 137 094 * *	284310-E	MSP 2 row angled female
284311	DRCBTB 1,27 50 M BTB325 25,1 137 * 094 T	284311-E	SMC BTB
284313	STVE 160 F ABCDE VVVVV 7-00 TL 4,0 * 247	284313-E	DIN E
284314	STVE 160 F ABCDE VVVVV 7-00 TL 4,0 * 247	284314-E	DIN E
284322	M12 F 4 A H S * 207 17,0 094 *** 001	284322-E	CC M12 vertical

284332	MSPEED 50 M SMD * 90BE AB VV 137 094 * H	284332-E	MSP 2 row angled male
284337	SRCP 1.27 6 M 1 SMD 137 E1 105 * GU-H *	284337-E	MiniBridge vertical male SMD
284418	STVB/3 20 F AB VV 7-00 EE 5.5 * 247 E007	284418-E	DIN B
284540	STVR/2 48 FI ABC VVV 7-03 TL * 247 E 1	284540-E	DIN R
284542	STVSKO H F 101 GERA 20A * LOE 2,50 * **	284542-E	Specific High Current Contacts
284649	STVD 32 F AC GG 7-01 UE10 26,0 * 207 E 1	284649-E	DIN D
284656	SRCP 2,54 3 M 1 SMD 137 E1 094 * GU-H *	284656-E	MaxiBridge SRC/DRC Male vertical
284657	SRCP 2,54 3 M 1 SMD 137 E1 166 * GU-H *	284657-E	MaxiBridge SRC/DRC Male vertical
284658	SRCP 2,54 3 M 1 SMD 137 E1 167 * GU-H *	284658-E	MaxiBridge SRC/DRC Male vertical
284659	SRCP 2,54 3 M 1 SMD 137 E1 168 * GU-H *	284659-E	MaxiBridge SRC/DRC Male vertical
284668	STVSKO H F 181 GERA 40A * LOE 3,75 * **	284668-E	Specific High Current Contacts
284691	SRCA 1,27 6 F 1 I2426 137 E1 105 1,07 TR	284691-E	MiniBridge vertical female IDC
284695	SRCP 1,27 2 M 1 SMD 137 E1 094 * GU-H *	284695-E	MiniBridge vertical male SMD
284696	SRCP 1,27 3 M 1 SMD 137 E1 094 * GU-H *	284696-E	MiniBridge vertical male SMD
284697	SRCP 1,27 4 M 1 SMD 137 E1 094 * GU-H *	284697-E	MiniBridge vertical male SMD
284698	SRCP 1,27 6 M 1 SMD 137 E1 094 * GU-H *	284698-E	MiniBridge vertical male SMD
284699	SRCP 1,27 8 M 1 SMD 137 E1 094 * GU-H *	284699-E	MiniBridge vertical male SMD
284729	SRCP 1,27 4 M 1 SMD 137 E1 105 * GU-H KL	284729-E	MiniBridge vertical male SMD
284730	SRCA 1,27 4 F 1 I2426 137 E1 105 1,07 TR	284730-E	MiniBridge vertical female IDC
284740	M12 M 5 A * S * 201 10,5 094 * ** ODV 9	284740-E	CC M12 vertical
284741	STVE 48 F ACE GGG 7-01 UE10 26 0 * 207 E	284741-E	DIN E
284809	M12 M 4 A * S * 201 10,5 094 * ** ODV 9	284809-E	CC M12 vertical
284810	M12 M 8 A * S * 201 10,5 094 * ** ODV 9	284810-E	CC M12 vertical
284812	MSPEED 32 F SMD F10 BE AB VV 137 094 * **	284812-E	MSP 2 row vertical female
284813	MSPEED 32 M SMD M2 BE AB VV 137 094 * 2F	284813-E	MSP 2 row vertical male
284817	STVSKO H M 107 ABGE * * LP-1 * ** * J 1	284817-E	Specific High Current Contacts
284820	STVSKO H M 101 GERA 20A * LOE2 * * MDME	284820-E	Specific High Current Contacts
284880	STVB 64 F AB VV 7-00 TL 4,0 * 247 E007 1	284880-E	DIN B
284884	STVB/2 16 F AB 0374 7-00 0606 2,5 * 247	284884-E	DIN B
284893	STVB/2 32 F AB VV 7-00 TL 4,0 * 137 E007	284893-E	DIN B
284895	STVB/2 32 F AB VV 7-00 EEUE 17,0 * 241 E	284895-E	DIN B
284900	MSPEED 32 M SMD * 90BE AB VV 137 094 * H	284900-E	MSP 2 row angled male
284901	MSPEED 32 F SMD * 90BE AB VV 137 094 * **	284901-E	MSP 2 row angled female
284902	STVC/3 30 F ABC VVV 7-00 TL 4,0 * 247 E0	284902-E	DIN C
284924	STVSKO H F 101 ABGE 40A * LP-4 1,00 * FE	284924-E	Specific High Current Contacts
284940	STVC 64 F AC VV 7-04 TL 2,5 * 247 E007 1	284940-E	DIN C
284944	STVC/2 48 F ABC VVV 7-00 TL 4,0 * 247 E0	284944-E	DIN C
284948	STVC/3 30 F ABC VVV 7-00 TL 4,0 * 247 E0	284948-E	DIN C
284949	STVC/3 30 F ABC VVV 7-00 TL 2,5 * 247 E0	284949-E	DIN C
284959	STVE 160 F ABCDE VVVVV 7-00 TL 4,0 * 137	284959-E	DIN E
284962	STVE 45 F ABCDE 0412 7-00 TL 4,0 * 247 E	284962-E	DIN E
284964	STVE 53 F ABCDE 0375 7-00 EEUE 13,0 * 24	284964-E	DIN E
284971	STVC 32 F AC GG 7-00 EE 17,0 * 137 E007	284971-E	DIN C
284979	STVC 64 F AC VV 7-00 TL 4,0 * 137 E007 1	284979-E	DIN C
284984	STVC 96 F ABC VVV 7-00 0606 13,0 * 137 E	284984-E	DIN C
284991	STVC 96 F ABC VVV 7-00 TL 2,5 * 247 E007	284991-E	DIN C
294001	DRCB 0,80 16 F SMD F4 137 E009 094 GU-H	294001-E	MicroCon SMD vertical female
294003	DRCB 0,80 26 F SMD F4 137 E009 094 GU-H	294003-E	MicroCon SMD vertical female
294005	DRCB 0,80 40 F SMD F4 137 E009 094 GU-H	294005-E	MicroCon SMD vertical female
294006	DRCB 0,80 50 F SMD F4 137 E009 094 GU-H	294006-E	MicroCon SMD vertical female
294008	DRCB 0,80 80 F SMD F4 137 E009 094 GU-H	294008-E	MicroCon SMD vertical female
294009	DRCB 0,80 100 F SMD F4 137 E009 094 GU-H	294009-E	MicroCon SMD vertical female
294015	DRCB 0,80 26 F SMD F6 137 E009 094 GU-H	294015-E	MicroCon SMD vertical female
294017	DRCB 0,80 40 F SMD F6 137 E009 094 GU-H	294017-E	MicroCon SMD vertical female
294020	DRCB 0,80 80 F SMD F6 137 E009 094 GU-H	294020-E	MicroCon SMD vertical female
294027	DRCB 0,80 26 F SMD F8 137 E009 094 GU-H	294027-E	MicroCon SMD vertical female
294028	DRCB 0,80 32 F SMD F8 137 E009 094 GU-H	294028-E	MicroCon SMD vertical female
294029	DRCB 0,80 40 F SMD F8 137 E009 094 GU-H	294029-E	MicroCon SMD vertical female
294031	DRCB 0,80 68 F SMD F8 137 E009 094 GU-H	294031-E	MicroCon SMD vertical female
294032	DRCB 0,80 80 F SMD F8 137 E009 094 GU-H	294032-E	MicroCon SMD vertical female
294133	DRCQ 0,80 12 M 2 SMD M1 137 E009 176 GU-	294133-E	MicroCon SMD vertical male
294136	DRCQ 0,80 26 M 2 SMD M1 137 E009 176 GU-	294136-E	MicroCon SMD vertical male
294138	DRCQ 0,80 40 M 2 SMD M1 137 E009 176 GU-	294138-E	MicroCon SMD vertical male
294139	DRCQ 0,80 50 M 2 SMD M1 137 E009 176 GU-	294139-E	MicroCon SMD vertical male
294141	DRCQ 0,80 80 M 2 SMD M1 137 E009 176 GU-	294141-E	MicroCon SMD vertical male
294142	DRCQ 0,80 100 M 2 SMD M1 137 E009 176 GU-	294142-E	MicroCon SMD vertical male
294148	DRCQ 0,80 26 M 2 SMD M2 137 E009 176 GU-	294148-E	MicroCon SMD vertical male
294149	DRCQ 0,80 32 M 2 SMD M2 137 E009 176 GU-	294149-E	MicroCon SMD vertical male
294150	DRCQ 0,80 40 M 2 SMD M2 137 E009 176 GU-	294150-E	MicroCon SMD vertical male
294151	DRCQ 0,80 50 M 2 SMD M2 137 E009 176 GU-	294151-E	MicroCon SMD vertical male
294152	DRCQ 0,80 68 M 2 SMD M2 137 E009 176 GU-	294152-E	MicroCon SMD vertical male
294153	DRCQ 0,80 80 M 2 SMD M2 137 E009 176 GU-	294153-E	MicroCon SMD vertical male
294251	DRCQ 0,80 12 F * SMD * 137 E009 094 GURT	294251-E	MicroCon SMD angled female
294252	DRCQ 0,80 16 F * SMD * 137 E009 094 GURT	294252-E	MicroCon SMD angled female
294254	DRCQ 0,80 26 F * SMD * 137 E009 094 GURT	294254-E	MicroCon SMD angled female
294256	DRCQ 0,80 40 F * SMD * 137 E009 094 GURT	294256-E	MicroCon SMD angled female
294283	DRCB 0,80 16 M SMD * 137 E009 196 GURT *	294283-E	MicroCon SMD angled male
294285	DRCB 0,80 26 M SMD * 137 E009 196 GURT *	294285-E	MicroCon SMD angled male
294287	DRCB 0,80 40 M SMD * 137 E009 196 GURT *	294287-E	MicroCon SMD angled male
294288	DRCB 0,80 50 M SMD * 137 E009 196 GURT *	294288-E	MicroCon SMD angled male
294290	DRCB 0,80 80 M SMD * 137 E009 196 GURT *	294290-E	MicroCon SMD angled male
294291	DRCB 0,80 100 M SMD * 137 E009 196 GURT *	294291-E	MicroCon SMD angled male
294645	SRCP 2,54 2 M 1 SMD 137 E1 094 * GU-H *	294645-E	MaxiBridge SRC/DRC Male vertical
294646	SRCP 2,54 2 M 1 SMD 137 E1 166 * GU-H *	294646-E	MaxiBridge SRC/DRC Male vertical
294647	SRCP 2,54 2 M 1 SMD 137 E1 167 * GU-H *	294647-E	MaxiBridge SRC/DRC Male vertical
294648	SRCP 2,54 2 M 1 SMD 137 E1 168 * GU-H *	294648-E	MaxiBridge SRC/DRC Male vertical
294649	SRCP 2,54 8 M 1 SMD 137 E1 094 * GU-H *	294649-E	MaxiBridge SRC/DRC Male vertical
294650	SRCP 2,54 8 M 1 SMD 137 E1 166 * GU-H *	294650-E	MaxiBridge SRC/DRC Male vertical
294651	SRCP 2,54 8 M 1 SMD 137 E1 167 * GU-H *	294651-E	MaxiBridge SRC/DRC Male vertical
294652	SRCP 2,54 8 M 1 SMD 137 E1 168 * GU-H *	294652-E	MaxiBridge SRC/DRC Male vertical
294670	ERMZD 3-15 F 45 EE 1,8 * 247 050 37,5 *	294670-E	ERmet ZD
294688	STVC 96 F ABC VVV 7-00 TL 2,5 * 247 E007	294688-E	DIN C
294711	STVM 24-8 F ABC VVV 7-00 TL 4,0 * 247 E0	294711-E	DIN M
294712	STVM 6-10 F ABC VVV 7-00 TL 4,0 * 137 E0	294712-E	DIN M
294721	STVQ 64 FI AB VV 7-03 TL * * 247 E007 17	294721-E	DIN Q
294722	STVQ/2 32 FI AB VV 7-03 TL * * 247 E 172	294722-E	DIN Q
294731	STVC 32 F AC GG 7-00 EE 5,5 * 137 E007 1	294731-E	DIN C
294732	STVM 42-6 F ABC VVV 7-00 EE 17,0 * 247 E	294732-E	DIN M

294741	STVE 160 F ABCDE VVVVV 7-00 EE 4.0 * 247	294741-E	DIN E
294743	STVM 24-8 F ABC VVV 7-00 EE 5.5 * 247 E0	294743-E	DIN M
294760	STVSKO H F 101 GERA 20A * LOE2 ** FDFE	294760-E	Specific High Current Contacts
294761	STVSKO H F 101 GERA 40A * LOE4 ** FDFE	294761-E	Specific High Current Contacts
294762	STVC/2 48 F ABC VVV 7-00 EE 2.9 * 247 E0	294762-E	DIN C
294813	SMCB 16 F AB VV 6-01 VH * 0008 137 E002	294813-E	SMC BA6 IDC vertical female
294814	SMCB 20 F AB VV 6-01 VH * 0008 137 E002	294814-E	SMC BA6 IDC vertical female
294815	SMCB 32 F AB VV 6-01 VH * 0008 137 E002	294815-E	SMC BA6 IDC vertical female
294816	SMCB 40 F AB VV 6-01 VH * 0008 137 E002	294816-E	SMC BA6 IDC vertical female
294830	MESBAN ESP-HA 9999 1.5 9999 * 11.8 * J 2	294830-E	Automotive contacts
294847	STVSKO H M 201 GERA 40A * LOE ** MD * J	294847-E	Specific High Current Contacts
294856	STVSKO H M 101 ABGE 10A * LOE ** MD * J	294856-E	Specific High Current Contacts
294865	MESBAN UFS3 9999 1.5 9999 * 20.5 AUDJ J	294865-E	Automotive contacts
294890	MESBAN PPS2 9999 1.5 9999 * 33.0 VOLV J	294890-E	Automotive contacts
294919	SRCP 1.27 10 M 1 SMD 137 E1 094 * GU-H *	294919-E	MiniBridge vertical male SMD
294920	SRCP 1.27 12 M 1 SMD 137 E1 094 * GU-H *	294920-E	MiniBridge vertical male SMD
294927	STVQ/3 20 FI AB VV 7-03 TL ** 247 E 172	294927-E	DIN Q
294941	MRDBGR M08 M 1 4 S * 201 * J 2 294940 MR	294941-E	CC M8 vertical
294954	SMCQ 68 F AB VV 7-03 CL * 0007 137 E002	294954-E	SMC BA7 SMD angled female
294995	STVB/2 32 F AB VV 7-00 TL 4.0 * 247 E007	294995-E	DIN B
303491	STVF 32 M ZB GG 3-00 ZD * 207 E 016 *	303491-E	DIN F
322890	BMVOR KABELHALTER 211185-06-110-26 J 3 3	322890-E	ERNI costumer application tooling
323405	MJ * V L2 8 8 * * GF5 R 999999 30 * J 3	323405-E	Modular Jacks
323435	MJ * V * 8 8 * * GF5 R * 30 3/4 J 3 3234	323435-E	Modular Jacks
323452	MJ HS R * 8 8 * * GF5 * 50 3/4 J 3 * M	323452-E	Modular Jacks
323470	MJ H * * 8 8 * * GF5 * * 30 * J 3 323470	323470-E	Modular Jacks
323471	MJ * V L2 8 8 * * GF5 R * 30 * J 3 32347	323471-E	Modular Jacks
323485	MJ * R L1 8 8 * * GF5 R * 30 * J 3 32348	323485-E	Modular Jacks
323500	ERMEZT FBU GSE M3 * ZND * 9999 34,0 ALOG	323500-E	ERmet miscellaneous
323510	MJ D * * 8 2 * * GF5 * 999999 30 * J 3 3	323510-E	Modular Jacks
323537	MJIM IM 1X1 S 88 GF5 X R THRU * L2 * * 3	323537-E	Modular Jacks
323552	ERMB08 40 MI L1 * 3,50 A-E V-V 1 * 207 E	323552-E	ERmet B
323572	MJ * * * 8 2 * * GF5 S FR50 50 * J 3 323	323572-E	Modular Jacks
323581	MJ * V L2 8 8 * * * 30 * J 3 323581	323581-E	Modular Jacks
323582	MJ * * * 8 2 * * GF5 X 999999 50 * J 3 3	323582-E	Modular Jacks
323749	STVSKO H F 9999 ABGE 40A * LP-4 1.00 **	323749-E	Specific High Current Contacts
323750	STVSKO H M 9999 GERA 30A * LOE * * * 999	323750-E	Specific High Current Contacts
334203	STVF 48 M ZBD GGG 3-00 0606 * * 107 E 01	334203-E	DIN F
335042	SMCQ 12 F AB VV 7-03 CL * 0007 137 E002	335042-E	SMC BA7 SMD angled female
335044	SMCQ 12 M AB VV 8-03 CL * H007 137 E005	335044-E	SMC BA8 SMD vertical male
335046	SRCP 2.54 5 M 1 SMD 707 E1 094 * GU-H *	335046-E	MaxiBridge SRC/DRC Male vertical
335052	SRCA 2.54 5 M 1 SMD 707 E1 094 * GURT *	335052-E	MaxiBridge SRC/DRC Male angled
335058	SRCBUG A 2.54 2-KS 10 CSI 112 * * B500 J	335058-E	MaxiBridge SRC/DRC Female
335071	SRCEZT AD 2.54 10 A 2 CSI 112 * * B500 J	335071-E	MaxiBridge SRC/DRC Female
335084	SRCP 2.54 10 M 1-KS SMD 707 E1 094 * GU-	335084-E	MaxiBridge SRC/DRC Male vertical
335090	SRCA 2.54 10 M 1-KS SMD 707 E1 094 * GUR	335090-E	MaxiBridge SRC/DRC Male angled
335096	SRCA 2.54 10 M 1-KS SMD 707 E1 094 * GUR	335096-E	MaxiBridge SRC/DRC Male angled
335104	SRCBUG A 2.54 2 2 CSI 112 * * K-AD B500 J	335104-E	MaxiBridge SRC/DRC Female
335107	SRCBUG A 2.54 2 3 CSI 112 * * K-AD B500 J	335107-E	MaxiBridge SRC/DRC Female
335110	SRCBUG A 2.54 2 4 CSI 112 * * K-AD B500 J	335110-E	MaxiBridge SRC/DRC Female
335113	SRCBUG A 2.54 2 5 CSI 112 * * K-AD B500 J	335113-E	MaxiBridge SRC/DRC Female
335116	SRCBUG A 2.54 2 6 CSI 112 * * K-AD B500 J	335116-E	MaxiBridge SRC/DRC Female
335119	SRCBUG A 2.54 2 8 CSI 112 * * K-AD B500 J	335119-E	MaxiBridge SRC/DRC Female
335123	SRCBUG A 2.54 2-KS 10 CSI 112 * * K-AD B50	335123-E	MaxiBridge SRC/DRC Female
335127	DRCBUG B 2.54 10 * CSI 112 * * K-AD B500 J	335127-E	MaxiBridge SRC/DRC Female
335130	DRCBUG B 2.54 20 * CSI 112 * * K-AD B500 J	335130-E	MaxiBridge SRC/DRC Female
342020	BMEZT MICROBRIDGE AUFNAHME 2POL 180° 5 1	342020-E	ERNI tooling miscellaneous
342022	BMEZT MICROBRIDGE AUFNAHME 4POL 180° 5 1	342022-E	ERNI tooling miscellaneous
342023	BMEZT MICROBRIDGE AUFNAHME 5POL 180° 5 1	342023-E	ERNI tooling miscellaneous
342024	BMEZT MICROBRIDGE AUFNAHME 6POL 180° 5 1	342024-E	ERNI tooling miscellaneous
342026	BMEZT MICROBRIDGE AUFNAHME 8POL 180° 5 1	342026-E	ERNI tooling miscellaneous
342027	BMEZT MICROBRIDGE AUFNAHME 9POL 180° 5 1	342027-E	ERNI tooling miscellaneous
342032	BMEZT MICROBRIDGE AUFNAHME 14PL 180° 5 1	342032-E	ERNI tooling miscellaneous
342034	BMEZT MICROBRIDGE AUFNAHME 16PL 180° 5 1	342034-E	ERNI tooling miscellaneous
354000	MICROS STV 54 407 188 9999 0007 J 3 3540	354000-E	MicroStac SRC/DRC
354021	STVD 32 F AC GG 7-01 EEUE 26.0 * 201 E 1	354021-E	DIN D
354029	DRCBTB 1.27 68 M BTB22 20.137 * 094 TR	354029-E	SMC BTB
354030	DRCBTB 1.27 80 M BTB38 26.137 * 094 TR	354030-E	SMC BTB
354031	STVQ/3 20 FI AB VV 7-03 EE * * 247 E007	354031-E	DIN Q
354055	SMCB 16 F AB VV 7-13 CL * H007 137 E002	354055-E	SMC BA7 SMD vertical female low profile
354056	SMCB 20 F AB VV 7-13 CL * H007 137 E002	354056-E	SMC BA7 SMD vertical female low profile
354057	SMCB 32 F AB VV 7-13 CL * H007 137 E002	354057-E	SMC BA7 SMD vertical female low profile
354062	SMCB 16 F AB VV 7-03 CL * H007 137 E002	354062-E	SMC BA7 SMD vertical female
354063	SMCB 20 F AB VV 7-03 CL * H007 137 E002	354063-E	SMC BA7 SMD vertical female
354064	SMCB 32 F AB VV 7-03 CL * H007 137 E002	354064-E	SMC BA7 SMD vertical female
354065	SMCB 40 F AB VV 7-03 CL * H007 137 E002	354065-E	SMC BA7 SMD vertical female
354070	SMCB 16 F AB VV 7-23 CL * H007 137 E002	354070-E	SMC BA7 SMD vertical female high profile
354071	SMCB 20 F AB VV 7-23 CL * H007 137 E002	354071-E	SMC BA7 SMD vertical female high profile
354072	SMCB 32 F AB VV 7-23 CL * H007 137 E002	354072-E	SMC BA7 SMD vertical female high profile
354073	SMCB 40 F AB VV 7-23 CL * H007 137 E002	354073-E	SMC BA7 SMD vertical female high profile
354078	SMCQ 16 F AB VV 7-03 CL * 0007 137 E002	354078-E	SMC BA7 SMD angled female
354079	SMCQ 20 F AB VV 7-03 CL * 0007 137 E002	354079-E	SMC BA7 SMD angled female
354080	SMCQ 32 F AB VV 7-03 CL * 0007 137 E002	354080-E	SMC BA7 SMD angled female
354081	SMCQ 40 F AB VV 7-03 CL * 0007 137 E002	354081-E	SMC BA7 SMD angled female
354094	SMCB 16 M AB VV 7-03 CL * 0007 137 E004	354094-E	SMC BA7 SMD angled male
354095	SMCB 20 M AB VV 7-03 CL * 0007 137 E004	354095-E	SMC BA7 SMD angled male
354096	SMCB 32 M AB VV 7-03 CL * 0007 137 E004	354096-E	SMC BA7 SMD angled male
354097	SMCB 40 M AB VV 7-03 CL * 0007 137 E004	354097-E	SMC BA7 SMD angled male
354098	M12 F 5 A H S * 207 17.0 094 * * * 9999	354098-E	CC M12 vertical
354105	MSPPEED 26 F SMD F4 E AB VV 137 207 * * 9	354105-E	MSP 2 row vertical female
354108	STVM 42-6 F ABC VVV 7-00 TL 4.0 * 247 E0	354108-E	DIN M
354111	STVM 60-4 F ABC VVV 7-00 TL 4.0 * 247 E	354111-E	DIN M
354112	STVM 42-6 F ABC VVV 7-00 TL 4.0 * 137 E0	354112-E	DIN M
354130	M12 M 5 B * S * 201 10.5 094 * * * OD 99	354130-E	CC M12 vertical
354131	M12 F 8 A H S * 207 17.0 094 * * * 999	354131-E	CC M12 vertical
354132	M12 M 5 A * S * 201 10.5 094 * * * ODV 0	354132-E	CC M12 vertical
354149	ERMCM 55 F 2 L1 * 3.00 A-E V-V * TRAY 247	354149-E	ERmet C
354150	ERMCM 55 F 2 L1 * 3.00 A-E V-V * TRAY 247	354150-E	ERmet C

354152	STVM 6-10 F ABC VVV 7-00 0606 13.0 * 137	354152-E	DIN M
354159	STVR/2 48 FI ABC VVV 7-03 EE ** 247 E00	354159-E	DIN R
354163	STVM 24-8 F ABC VVV 7-00 TL 4.0 * 137 E0	354163-E	DIN M
354175	MSPEED 50 F SMDTHR F4 B AB VV 137 094 *	354175-E	MSP 2 row vertical female THR-shield
354176	MSPEED 50 F SMD F6 B AB VV 137 094 * * E	354176-E	MSP 2 row vertical female
354177	MSPEED 50 F SMDTHR F6 B AB VV 137 094 *	354177-E	MSP 2 row vertical female THR-shield
354178	MSPEED 50 F SMD F8 B AB VV 137 094 * * E	354178-E	MSP 2 row vertical female
354179	MSPEED 50 F SMDTHR F8 B AB VV 137 094 *	354179-E	MSP 2 row vertical female THR-shield
354180	MSPEED 50 F SMD F10 B AB VV 137 094 * * E	354180-E	MSP 2 row vertical female
354181	MSPEED 50 F SMDTHR F10 B AB VV 137 094 *	354181-E	MSP 2 row vertical female THR-shield
354182	MSPEED 50 M SMDTHR M1 B AB VV 137 094 *	354182-E	MSP 2 row vertical male THR-shield
354183	MSPEED 50 M SMD M2 B AB VV 137 094 * * E	354183-E	MSP 2 row vertical male
354184	MSPEED 50 M SMDTHR M2 B AB VV 137 094 *	354184-E	MSP 2 row vertical male THR-shield
354185	MSPEED 50 M SMD M9 B AB VV 137 094 * * E	354185-E	MSP 2 row vertical male
354186	MSPEED 50 M SMDTHR M9 B AB VV 137 094 *	354186-E	MSP 2 row vertical male THR-shield
354187	MSPEED 50 M SMD M10 B AB VV 137 094 * * E	354187-E	MSP 2 row vertical male
354188	MSPEED 50 M SMDTHR M10 B AB VV 137 094 *	354188-E	MSP 2 row vertical male THR-shield
354217	MRDEZT M12 GEH.TEIL.ML.DM.9.55.A=13MM *	354217-E	CC M8/M12 miscellaneous
354232	STVM 24-8 F ABC VVV 7-00 TL 4.0 * 137 E0	354232-E	DIN M
354233	STVR/3 30 FI ABC VVV 7-03 TL ** 247 E00	354233-E	DIN R
354262	MSPPM 5 F SMD F4 B A V 137 094 * E008 J	354262-E	MSP Power Module vertical female
354263	MSPPM 5 F SMDTHR F4 B A V 137 094 * E008	354263-E	MSP Power Module vertical female THR-shield
354264	MSPPM 5 F SMD F6 B A V 137 094 * E008 J	354264-E	MSP Power Module vertical female
354265	MSPPM 5 F SMDTHR F6 B A V 137 094 * E008	354265-E	MSP Power Module vertical female THR-shield
354266	MSPPM 5 F SMD F8 B A V 137 094 * E008 J	354266-E	MSP Power Module vertical female
354267	MSPPM 5 F SMDTHR F8 B A V 137 094 * E008	354267-E	MSP Power Module vertical female THR-shield
354269	MSPPM 5 F SMDTHR F10 B A V 137 094 * E00	354269-E	MSP Power Module vertical female THR-shield
354275	MSPPM 5 M SMD M1 B A V 137 094 * E008 J	354275-E	MSP Power Module vertical male
354276	MSPPM 5 M SMDTHR M1 B A V 137 094 * E008	354276-E	MSP Power Module vertical male THR-shield
354281	MSPPM 5 M SMD M10 B A V 137 094 * E008 J	354281-E	MSP Power Module vertical male
354282	MSPPM 5 M SMDTHR M10 B A V 137 094 * E00	354282-E	MSP Power Module vertical male THR-shield
354307	DRCBTB 1,27 50 M BTB20 18,2 137 * 094 TR	354307-E	SMC BTB
354308	DRCBTB 1,27 50 M BTB22 20,2 137 * 094 TR	354308-E	SMC BTB
354309	DRCBTB 1,27 50 M BTB24 22,2 137 * 094 TR	354309-E	SMC BTB
354310	DRCBTB 1,27 50 M BTB26 24,2 137 * 094 TR	354310-E	SMC BTB
354311	DRCBTB 1,27 50 M BTB28 26,2 137 * 094 TR	354311-E	SMC BTB
354312	DRCBTB 1,27 50 M BTB30 28,2 137 * 094 TR	354312-E	SMC BTB
354313	DRCBTB 1,27 50 M BTB32 30,2 137 * 094 TR	354313-E	SMC BTB
354314	DRCBTB 1,27 50 M BTB34 32,2 137 * 094 TR	354314-E	SMC BTB
354315	DRCBTB 1,27 50 M BTB36 34,2 137 * 094 TR	354315-E	SMC BTB
354316	DRCBTB 1,27 50 M BTB38 36,2 137 * 094 TR	354316-E	SMC BTB
354329	STVC/2 48 M ABC VVV 4-00 EE ** 247 E007	354329-E	DIN C
354341	STVE 48 F ACE GGG 7-01 1010 4.0 * 107 E	354341-E	DIN E
354382	STVR/2 48 MI ABC VVV 4-00 EE 6.0 * 247 E	354382-E	DIN R
354386	STVR 96 MI ABC VVV 4-00 EE 6.0 8292 247	354386-E	DIN R
354410	STVR 96 MI ABC VVV 4-00 EE 6.0 8292 247	354410-E	DIN R
354442	STVD 32 F AC GG 7-01 EE 6.0 * 107 E 172	354442-E	DIN D
354444	STVE 48 F ACE GGG 7-01 EE 6.0 * 207 E 17	354444-E	DIN E
354445	STVD 32 F AC GG 7-01 EE 6.0 * 207 E 172	354445-E	DIN D
354446	STVE 48 F ACE GGG 7-01 EE 6.0 * 107 E 17	354446-E	DIN E
354454	STVE 48 F ACE GGG 7-01 1010 20.0 * 207 U	354454-E	DIN E
354455	STVD 32 F AC GG 7-01 1010 20.0 * 207 U 1	354455-E	DIN D
354463	STVR/2 48 MI ABC VVV 4-00 EE 3.2 * 247 E	354463-E	DIN R
354465	STVR/3 30 MI ABC VVV 4-00 EE 4.0 * 247 E	354465-E	DIN R
354467	STVR 96 MI ABC VVV 4-00 EE 3.2 * 247 E00	354467-E	DIN R
354621	MSPEED 44 M SMD M1 BE AB VV 137 207 * 99	354621-E	MSP 2 row vertical male
354645	STVD 32 F AC GG 7-01 LOE 8.0 * 237 E 172	354645-E	DIN D
354646	STVD 32 F AC GG 7-02 EE 4.5 * 247 E 172	354646-E	DIN D
354647	STVD 32 F AC GG 7-02 0606 4.5 * 247 E 17	354647-E	DIN D
354660	STVE 48 F ACE GGG 7-02 1206 4.5 * 247 E	354660-E	DIN E
354661	STVE 48 F ACE GGG 7-02 0606 4.5 * 247 E	354661-E	DIN E
354662	STVE 48 F ACE GGG 7-01 LOE 8.0 * 237 E00	354662-E	DIN E
354664	STVE 48 F ACE GGG 7-02 EE 4.5 * 247 E 17	354664-E	DIN E
354681	MSPEED 44 F SMD * 90BE AB VV 137 094 * 9	354681-E	MSP 2 row angled female
354702	M12 F 5 A H S * 301 17.0 094 * * * V 000	354702-E	CC M12 vertical
354741	STVF 48 F ZBD GGG 7-03 0606 4.5 * 207 E0	354741-E	DIN F
354746	STVF 48 F ZBD GGG 7-03 EE 4.5 * 207 E007	354746-E	DIN F
354747	STVF 32 F ZD GG 7-03 EE 4.5 * 207 E007 1	354747-E	DIN F
354793	STVC/3 30 F ABC VVV 7-00 TL 2.5 * 247 E0	354793-E	DIN C
354838	STVSKO H F 101 ABGE 40A * EP03 3.50 * FE	354838-E	Specific High Current Contacts
354863	MICROS STV 10 407 198 * 0007 J 3 354863	354863-E	MicroStac SRC/DRC
354868	STVD 32 M AC GG 4-00 1006 * * 247 E 172	354868-E	DIN D
354871	STVE 48 M ACE GGG 4-00 1006 * * 137 E007	354871-E	DIN E
354872	STVE 48 M ACE GGG 4-00 1006 * * 247 E007	354872-E	DIN E
354939	SMCQ 12 F AB VV 7-03 CL * 0007 137 E002	354939-E	SMC BA7 SMD angled female
354949	SMCB 12 M AB VV 7-03 CL * 0007 137 E004	354949-E	SMC BA7 SMD angled male
364006	SMCB 40 F AB 0418 7-23 CL * H007 137 E00	364006-E	SMC BA7 SMD vertical female high profile
364076	MSPEED 91 F SMD F4 * A-G VVVV 187 094 *	364076-E	MSP 7 row vertical female
364077	MSPEED 91 M SMD M1 * A-G VVVV 187 176 *	364077-E	MSP 7 row vertical male
364084	DRCBTB 1,27 26 M BTB20 18,2 137 * 094 TR	364084-E	SMC BTB
364085	DRCBTB 1,27 26 M BTB22 20,2 137 * 094 TR	364085-E	SMC BTB
364086	DRCBTB 1,27 26 M BTB24 22,2 137 * 094 TR	364086-E	SMC BTB
364087	DRCBTB 1,27 26 M BTB26 24,2 137 * 094 TR	364087-E	SMC BTB
364088	DRCBTB 1,27 26 M BTB28 26,2 137 * 094 TR	364088-E	SMC BTB
364089	DRCBTB 1,27 26 M BTB30 28,2 137 * 094 TR	364089-E	SMC BTB
364090	DRCBTB 1,27 26 M BTB32 30,2 137 * 094 TR	364090-E	SMC BTB
364091	DRCBTB 1,27 26 M BTB34 32,2 137 * 094 TR	364091-E	SMC BTB
364092	DRCBTB 1,27 26 M BTB36 34,2 137 * 094 TR	364092-E	SMC BTB
364093	DRCBTB 1,27 26 M BTB38 36,2 137 * 094 TR	364093-E	SMC BTB
364094	DRCBTB 1,27 12 M BTB20 18,2 137 * 094 TR	364094-E	SMC BTB
364095	DRCBTB 1,27 12 M BTB22 20,2 137 * 094 TR	364095-E	SMC BTB
364096	DRCBTB 1,27 12 M BTB24 22,2 137 * 094 TR	364096-E	SMC BTB
364097	DRCBTB 1,27 12 M BTB26 24,2 137 * 094 TR	364097-E	SMC BTB
364098	DRCBTB 1,27 12 M BTB28 26,2 137 * 094 TR	364098-E	SMC BTB
364099	DRCBTB 1,27 12 M BTB30 28,2 137 * 094 TR	364099-E	SMC BTB
364100	DRCBTB 1,27 12 M BTB32 30,2 137 * 094 TR	364100-E	SMC BTB
364101	DRCBTB 1,27 12 M BTB34 32,2 137 * 094 TR	364101-E	SMC BTB
364102	DRCBTB 1,27 12 M BTB36 34,2 137 * 094 TR	364102-E	SMC BTB

364103	DRCBTB 1,27 12 M BTB38 36,2 137 * 094 TR	364103-E	SMC BTB
364163	SRCP 1,27 6 M 1 I2426 137 * 094 1,07 TRA	364163-E	MiniBridge vertical male IDC
364175	M12 F 4 D H S * 301 17,0 094 *** V 000	364175-E	CC M12 vertical
364198	SRCBUG A 2,54 2 2 CSI 112 E1 ADV TRAY J	364198-E	MaxiBridge SRC/DRC Female
364199	SRCBUG A 2,54 2 2 CSI 163 E1 ADV J 2 324	364199-E	MaxiBridge SRC/DRC Female
364200	SRCBUG A 2,54 2 2 CSI 164 E1 ADV J 2 324	364200-E	MaxiBridge SRC/DRC Female
364201	SRCBUG A 2,54 2 2 CSI 165 E1 ADV TRAY J	364201-E	MaxiBridge SRC/DRC Female
364212	SRCBUG A 2,54 2 3 CSI 112 E1 ADV J 2 324	364212-E	MaxiBridge SRC/DRC Female
364213	SRCBUG A 2,54 2 3 CSI 163 E1 ADV J 2 324	364213-E	MaxiBridge SRC/DRC Female
364214	SRCBUG A 2,54 2 3 CSI 164 E1 ADV J 2 324	364214-E	MaxiBridge SRC/DRC Female
364215	SRCBUG A 2,54 2 3 CSI 165 E1 ADV J 2 324	364215-E	MaxiBridge SRC/DRC Female
364226	SRCBUG A 2,54 2 5 CSI 112 E1 ADV J 2 324	364226-E	MaxiBridge SRC/DRC Female
364227	SRCBUG A 2,54 2 5 CSI 163 E1 ADV J 2 324	364227-E	MaxiBridge SRC/DRC Female
364228	SRCBUG A 2,54 2 5 CSI 164 E1 ADV J 2 324	364228-E	MaxiBridge SRC/DRC Female
364229	SRCBUG A 2,54 2 5 CSI 165 E1 ADV J 2 324	364229-E	MaxiBridge SRC/DRC Female
364240	SRCBUG A 2,54 2 6 CSI 112 E1 ADV J 2 324	364240-E	MaxiBridge SRC/DRC Female
364241	SRCBUG A 2,54 2 6 CSI 163 E1 ADV TRAY J	364241-E	MaxiBridge SRC/DRC Female
364242	SRCBUG A 2,54 2 6 CSI 164 E1 ADV J 2 324	364242-E	MaxiBridge SRC/DRC Female
364243	SRCBUG A 2,54 2 6 CSI 165 E1 ADV J 2 324	364243-E	MaxiBridge SRC/DRC Female
364254	SRCBUG A 2,54 2 8 CSI 112 E1 ADV J 2 324	364254-E	MaxiBridge SRC/DRC Female
364255	SRCBUG A 2,54 2 8 CSI 163 E1 ADV J 2 324	364255-E	MaxiBridge SRC/DRC Female
364256	SRCBUG A 2,54 2 8 CSI 164 E1 ADV J 2 324	364256-E	MaxiBridge SRC/DRC Female
364257	SRCBUG A 2,54 2 8 CSI 165 E1 ADV J 2 324	364257-E	MaxiBridge SRC/DRC Female
364297	ERMA 110 F 2 L1 * 3 00 A-E V-V * TRAY 24	364297-E	ERmet A
364298	ERMA 110 F 2 L1 * 3 00 A-E V-V * TRAY 24	364298-E	ERmet A
364364	STVC 75 F ABC 0324 7-00 EEV 5,5 * 247 E0	364364-E	DIN C
364415	CCCS M12 5 M-S * A M12 5 F-S * A PUR 150	364415-E	CCCS
364418	STVC/2 32 F AC VV 7-00 EE 4,0 * 247 E007	364418-E	DIN C
364484	SRCP 1,27 4 F 1 SMD 137 * 168 * GURT VLP	364484-E	MiniBridge angled female SMD
364485	SRCP 1,27 4 F 1 SMD 137 * 094 * GURT RLV	364485-E	MiniBridge angled female SMD
364703	MSPPM 5 M SMD * 90B A V 137 094 * E008 J	364703-E	MSP Power Module angled male
364704	MSPPM 5 M SMDTHR * 90B A V 137 094 * E00	364704-E	MSP Power Module angled male THR-shield
364705	MSPPM 5 M SMD * 90 A V 137 094 * E008 J	364705-E	MSP Power Module angled male
364706	MSPPM 5 M SMDTHR * 90 A V 137 094 * E008	364706-E	MSP Power Module angled male THR-shield
364707	MSPPM 5 F SMD * 90B A V 137 094 * E008 J	364707-E	MSP Power Module angled female
364708	MSPPM 5 F SMDTHR * 90B A V 137 094 * E00	364708-E	MSP Power Module angled female THR-shield
364709	MSPPM 5 F SMD * 90 A V 137 094 * E008 J	364709-E	MSP Power Module angled female
364710	MSPPM 5 F SMDTHR * 90 A V 137 094 * E008	364710-E	MSP Power Module angled female THR-shield
364715	DRCBTB 1,27 68 M BTB20 18,2 137 * 094 TR	364715-E	SMC BTB
364717	DRCBTB 1,27 68 M BTB24 22,2 137 * 094 TR	364717-E	SMC BTB
364718	DRCBTB 1,27 68 M BTB26 24,2 137 * 094 TR	364718-E	SMC BTB
364720	DRCBTB 1,27 68 M BTB30 28,2 137 * 094 TR	364720-E	SMC BTB
364721	DRCBTB 1,27 68 M BTB32 30,2 137 * 094 TR	364721-E	SMC BTB
364722	DRCBTB 1,27 68 M BTB34 32,2 137 * 094 TR	364722-E	SMC BTB
364723	DRCBTB 1,27 68 M BTB36 34,2 137 * 094 TR	364723-E	SMC BTB
364724	DRCBTB 1,27 68 M BTB38 36,2 137 * 094 TR	364724-E	SMC BTB
364725	DRCBTB 1,27 80 M BTB20 18,2 137 * 094 TR	364725-E	SMC BTB
364726	DRCBTB 1,27 80 M BTB22 20,2 137 * 094 TR	364726-E	SMC BTB
364727	DRCBTB 1,27 80 M BTB24 22,2 137 * 094 TR	364727-E	SMC BTB
364728	DRCBTB 1,27 80 M BTB26 24,2 137 * 094 TR	364728-E	SMC BTB
364729	DRCBTB 1,27 80 M BTB28 26,2 137 * 094 TR	364729-E	SMC BTB
364730	DRCBTB 1,27 80 M BTB30 28,2 137 * 094 TR	364730-E	SMC BTB
364731	DRCBTB 1,27 80 M BTB32 30,2 137 * 094 TR	364731-E	SMC BTB
364732	DRCBTB 1,27 80 M BTB34 32,2 137 * 094 TR	364732-E	SMC BTB
364733	DRCBTB 1,27 80 M BTB36 34,2 137 * 094 TR	364733-E	SMC BTB
364742	SMCQ 12 M AB VV 8-03 CL * H007 137 E005	364742-E	SMC BA8 SMD vertical male
364743	SMCB 12 F AB VV 7-13 CL * H007 137 E001	364743-E	SMC BA7 SMD vertical female low profile
364767	M12 M 5 A H S * 201 17,0 094 *** ODV 0	364767-E	CC M12 vertical
364777	M12 M 8 A * S * 301 10,5 094 *** OKV 0	364777-E	CC M12 vertical
364779	M12 M 5 A * T 3,1 301 10,5 094 *** 999	364779-E	CC M12 vertical
364781	M12 M 4 A * T 3,1 301 10,5 094 *** 999	364781-E	CC M12 vertical
364848	STVQ 64 MI AB VV 4-00 EE 6,0 * 247 E007	364848-E	DIN Q
364873	STVD 32 M AC GG 4-00 1006 * * 247 U 172	364873-E	DIN D
364891	STVE 48 M ACE GGG 4-00 GA16 3,8 * 247 E0	364891-E	DIN E
364899	STVE 48 M ACE GGG 4-00 1006 * 8392 247 E	364899-E	DIN E
364900	STVE 48 M ACE GGG 4-00 1006 * 8003 137 E	364900-E	DIN E
364914	STVC 64 M AC VV 4-00 0606 * * 247 E007 1	364914-E	DIN C
364915	STVC 96 M ABC VVV 4-00 0606 * * 247 E007	364915-E	DIN C
364918	STVCD 128 M ABCD VVVV 4-00 0606 * * 247	364918-E	DIN CD
364919	STVQ/3 20 MI AB VV 4-00 GA06 2,5 * 247 E	364919-E	DIN Q
364921	STVR/2 48 MI ABC VVV 4-00 GA06 4,0 * 247	364921-E	DIN R
364972	STVSKO C F 101 ABGE * 75 LC04 * * MDME 9	364972-E	Specific Coax Contacts
366305	ERBIC BUS B BUS-SYSTEM SYS CAN HO SCSE C	366305-E	ERBIC
366314	ERBIC BUS H BUS-SYSTEM BA8 SYS PROF HO S	366314-E	ERBIC
366315	ERBIC BUS F BUS-SYSTEM BA8 SYS PROF HO S	366315-E	ERBIC
366352	ERBIC BUS C BUS-SYSTEM SYS PROF HO SC CU	366352-E	ERBIC
366353	ERBIC BUS C BUS-SYSTEM SYS CAN HO KN CU	366353-E	ERBIC
366367	ERBIC BUS A BUS-SYSTEM BA8 SYS PROF HO S	366367-E	ERBIC
366377	ERBIC BUS A BUS-SYSTEM SYS CAN MAX SC CU	366377-E	ERBIC
366380	ERBIC BUS C BUS-SYSTEM BA8 SYS PROF HO S	366380-E	ERBIC
366381	ERBIC BUS C BUS-SYSTEM BA8 SYS CAN HO SC	366381-E	ERBIC
366382	ERBIC BUS A BUS-SYSTEM SYS CAN HO AB CU	366382-E	ERBIC
366384	ERBIC BUS A BUS-SYSTEM SYS CAN HO STI CU	366384-E	ERBIC
374000	STVR 96 MI ABC VVV 4-00 GA06 4,0 * 247 E	374000-E	DIN R
374001	STVR 96 MI ABC VVV 4-00 GA06 13,0 * 247	374001-E	DIN R
374002	STVR 64 MI AC VV 4-00 GA06 4,0 * 247 E00	374002-E	DIN R
374004	STVR 96 MI ABC VVV 4-00 GA06 4,0 * 247 E	374004-E	DIN R
374029	STVE 48 F ACE GGG 7-01 1010 4,0 * 207 OM	374029-E	DIN E
374032	EPSVA KS BM4 EE 10 3,8 SN 9999 STROMVERS	374032-E	Power Taps / SVA
374039	SRCROL A 2,54 1 C2426 500 137 * * J 2 37	374039-E	MaxiBridge Crimp
374043	SRCROL A 2,54 1 C1820 10TS 137 * * J 2 3	374043-E	MaxiBridge Crimp
374044	SRCROL A 2,54 1 C1820 500 137 * * J 2 37	374044-E	MaxiBridge Crimp
374144	STVM 24-8 M ABC VVV 4-00 0606 * * 137 E0	374144-E	DIN M
374162	STVM 42-6 M ABC VVV 4-00 0606 * * 247 E0	374162-E	DIN M
374169	STVM 60-4 M ABC VVV 4-00 0606 * * 137 E0	374169-E	DIN M
374171	STVM 60-4 M ABC VVV 4-00 0606 * * 247 E0	374171-E	DIN M
374178	STVM 39-2 M ABC 0415 4-00 0606 * * 137 E	374178-E	DIN M
374179	STVM 51-2 M ABC 0416 4-00 0606 * * 137 E	374179-E	DIN M

374182	STVM 6-10 M ABC VVV 4-00 0606 ** 137 E0	374182-E	DIN M
374198	STVM 78-2 F ABC VVV 7-00 EE 5,5 * 247 E0	374198-E	DIN M
374199	STVR 96 MI ABC VVV 4-00 GA06 4,0 * 137 E	374199-E	DIN R
374209	SRCP 1,27 4 F 1 IDC22 137 E1 162 1,27 TR	374209-E	MiniBridge angled female IDC
374210	SRCP 1,27 2 F 1 IDC22 137 E1 162 1,27 TR	374210-E	MiniBridge angled female IDC
374218	ERMBGR FBUK GSE * M4 9999 ERMET-BAUSATZ	374218-E	ERmet miscellaneous
374219	ERMBGR FBUK GSE * M4 9999 ERMET-BAUSATZ	374219-E	ERmet miscellaneous
374279	STVRD 128 FI ABCD VVVV 7-03 EE ** 247 E	374279-E	DIN RD
374317	DRCB 2,54 20 M SMD * 137 E012 094 GURT *	374317-E	MaxiBridge SRC/DRC Male angled
374318	DRCB 2,54 20 M SMD * 137 E012 166 GURT *	374318-E	MaxiBridge SRC/DRC Male angled
374319	DRCB 2,54 20 M SMD * 137 E012 167 GURT *	374319-E	MaxiBridge SRC/DRC Male angled
374320	DRCB 2,54 20 M SMD * 137 E012 168 GURT *	374320-E	MaxiBridge SRC/DRC Male angled
374335	DRCBUG B 2,54 20 * CSI 112 E012 ADV J 2	374335-E	MaxiBridge SRC/DRC Female
374336	DRCBUG B 2,54 20 * CSI 163 E012 ADV J 2	374336-E	MaxiBridge SRC/DRC Female
374337	DRCBUG B 2,54 20 * CSI 164 E012 ADV J 2	374337-E	MaxiBridge SRC/DRC Female
374338	DRCBUG B 2,54 20 * CSI 165 E012 ADV J 2	374338-E	MaxiBridge SRC/DRC Female
374343	CCA PC M12 * F ***** J 3 22553	374343-E	CC M8/M12 miscellaneous
374350	ERMM 55-3 M P2 * 3 70 A-E V-V 1 TRAY 247	374350-E	ERmet M
374352	M12 M 5 A H T 3,0 301 17,0 094 **** 0	374352-E	CC M12 vertical
374380	STVTE 160 FI ABCDE VVVVV 7-03 TL-S ** 2	374380-E	DIN TE
374385	STVTE 160 FI ABCDE VVVVV 7-03 TL-S ** 1	374385-E	DIN TE
374389	STVTE 48 FI ACE UUU 7-03 TL-S ** 247 E0	374389-E	DIN TE
374390	STVTE 160 FI ABCDE VVVVV 7-03 EE ** 247	374390-E	DIN TE
374394	STVR/3 30 FI ABC VVV 7-03 TL ** 247 E00	374394-E	DIN R
374460	STVRD 128 MI ABCD VVVV 4-00 GA06 2,5 * 2	374460-E	DIN RD
374463	STVRD 128 MI ABCD VVVV 4-00 GA06 4,0 * 2	374463-E	DIN RD
374466	STVRD 128 MI ABCD VVVV 4-00 EE 6,0 * 247	374466-E	DIN RD
374469	STVRD 32 MI D V 4-00 EE 4,0 * 247 E007 1	374469-E	DIN RD
374470	STVTE 160 MI ABCDE VVVVV 4-00 GA06 13,0	374470-E	DIN TE
374472	STVTE 160 MI ABCDE VVVVV 4-00 GA06 4,0 *	374472-E	DIN TE
374543	STVC 96 M ABC VVV 4-00 0606 ** 137 E007	374543-E	DIN C
374544	STVC 64 M AC VV 4-00 GA06 3,9 * 247 E007	374544-E	DIN C
374545	STVC 32 M AC GG 4-00 0606 ** 247 E007 1	374545-E	DIN C
374546	STVC 96 M ABC VVV 4-00 0606 ** 247 E007	374546-E	DIN C
374554	STVC 64 M AC VV 4-00 EE * 8302 247 E007	374554-E	DIN C
374585	STVC 96 M ABC VVV 4-00 0606 ** 247 E007	374585-E	DIN C
374587	STVC 64 M AC VV 4-00 0606 ** 247 E007 1	374587-E	DIN C
374592	SRCP 2,54 5 M 1 SMD 137 E1 094 * GURT *	374592-E	MaxiBridge SRC/DRC Male vertical
374593	SRCP 2,54 5 M 1 SMD 137 E1 166 * GURT *	374593-E	MaxiBridge SRC/DRC Male vertical
374594	SRCP 2,54 5 M 1 SMD 137 E1 167 * GURT *	374594-E	MaxiBridge SRC/DRC Male vertical
374595	SRCP 2,54 5 M 1 SMD 137 E1 168 * GURT *	374595-E	MaxiBridge SRC/DRC Male vertical
374603	STVR 96 MI ABC VVV 4-00 GA06 2,5 * 247 E	374603-E	DIN R
374604	STVR 96 MI ABC VVV 4-00 GA06 2,5 * 247 E	374604-E	DIN R
374605	STVR 64 MI AC VV 4-00 GA06 2,5 * 247 E00	374605-E	DIN R
374719	MSPEED 50 F SMDTHR * 90E AB VV 137 094 1	374719-E	MSP 2 row angled female THR-shield
374720	MSPEED 50 F SMDTHR * 90BE AB VV 137 094	374720-E	MSP 2 row angled female THR-shield
374721	MSPEED 50 M SMDTHR * 90E AB VV 137 094 1	374721-E	MSP 2 row angled male THR-shield
374722	MSPEED 50 M SMDTHR * 90BE AB VV 137 094	374722-E	MSP 2 row angled male THR-shield
374723	MSPEED 50 M SMD M1 BE AB VV 137 094 * 2F	374723-E	MSP 2 row vertical male
374725	MSPEED 50 F SMD F4 BE AB VV 137 094 **	374725-E	MSP 2 row vertical female
374730	MSPEED 50 F SMD F4 E AB VV 137 094 ** E	374730-E	MSP 2 row vertical female
374732	MSPEED 50 M SMD M1 E AB VV 137 094 * 2F	374732-E	MSP 2 row vertical male
374857	STVR/3 30 MI ABC VVV 4-00 GA06 2,5 * 247	374857-E	DIN R
374882	STVSKO H F 181 GERA 10A * CR01 ** FDFE	374882-E	Specific High Current Contacts
374902	SRCP 2,54 2 M 1 SMD 137 E1 094 * GURT *	374902-E	MaxiBridge SRC/DRC Male vertical
374903	SRCP 2,54 2 M 1 SMD 137 E1 166 * GURT *	374903-E	MaxiBridge SRC/DRC Male vertical
374904	SRCP 2,54 2 M 1 SMD 137 E1 167 * GURT *	374904-E	MaxiBridge SRC/DRC Male vertical
374905	SRCP 2,54 2 M 1 SMD 137 E1 168 * GURT *	374905-E	MaxiBridge SRC/DRC Male vertical
374906	SRCP 2,54 3 M 1 SMD 137 E1 094 * GURT *	374906-E	MaxiBridge SRC/DRC Male vertical
374907	SRCP 2,54 3 M 1 SMD 137 E1 166 * GURT *	374907-E	MaxiBridge SRC/DRC Male vertical
374908	SRCP 2,54 3 M 1 SMD 137 E1 167 * GURT *	374908-E	MaxiBridge SRC/DRC Male vertical
374909	SRCP 2,54 3 M 1 SMD 137 E1 168 * GURT *	374909-E	MaxiBridge SRC/DRC Male vertical
374910	SRCP 2,54 6 M 1 SMD 137 E1 094 * GURT *	374910-E	MaxiBridge SRC/DRC Male vertical
374911	SRCP 2,54 6 M 1 SMD 137 E1 166 * GURT *	374911-E	MaxiBridge SRC/DRC Male vertical
374912	SRCP 2,54 6 M 1 SMD 137 E1 167 * GURT *	374912-E	MaxiBridge SRC/DRC Male vertical
374913	SRCP 2,54 6 M 1 SMD 137 E1 168 * GURT *	374913-E	MaxiBridge SRC/DRC Male vertical
374914	SRCP 2,54 8 M 1 SMD 137 E1 094 * GURT *	374914-E	MaxiBridge SRC/DRC Male vertical
374915	SRCP 2,54 8 M 1 SMD 137 E1 166 * GURT *	374915-E	MaxiBridge SRC/DRC Male vertical
374916	SRCP 2,54 8 M 1 SMD 137 E1 167 * GURT *	374916-E	MaxiBridge SRC/DRC Male vertical
374917	SRCP 2,54 8 M 1 SMD 137 E1 168 * GURT *	374917-E	MaxiBridge SRC/DRC Male vertical
374932	STVQ/3 20 MI AB VV 4-00 GA06 4,0 * 247 E	374932-E	DIN Q
374947	M12 M 5 B H S * 201 17,0 094 ** ODV 0	374947-E	CC M12 vertical
374954	MSPPM 5 F THR F4 B A V 137 094 * E008 J	374954-E	MSP Power Module vertical female THR-shield
374955	MSPPM 5 M THR M1 B A V 137 094 * E008 J	374955-E	MSP Power Module vertical male THR-shield
384046	STVC 64 M AC VV 4-00 0606 ** 137 E007 1	384046-E	DIN C
384047	STVC 64 M AC VV 4-00 0606 ** 247 E007 1	384047-E	DIN C
384055	STVC 96 M ABC VVV 4-00 EE * 8054 247 E00	384055-E	DIN C
384056	STVC 96 M ABC VVV 4-00 EE * 8325 247 E00	384056-E	DIN C
384063	STVC 96 M ABC VVV 4-00 0606 ** 247 E007	384063-E	DIN C
384075	CON3 ERNI 384075 CONTACT 1 CRIMP ** J 1	384075-E	ERNI miscellaneous
384076	CON3 ERNI 384076 CONTACT 1 CRIMP ** J 1	384076-E	ERNI miscellaneous
384082	CON3 ERNI 384082 CONTACT 1 CRIMP J	384082-E	ERNI miscellaneous
384086	CON3 ERNI 384086 CONTACT 1 CRIMP ** J 1	384086-E	ERNI miscellaneous
384087	CON3 ERNI 384087 CONTACT 1 CRIMP ** J 1	384087-E	ERNI miscellaneous
384089	CON3 ERNI 384089 CONTACT 1 CRIMP ** J 1	384089-E	ERNI miscellaneous
384090	CON3 ERNI 384090 CONTACT 1 CRIMP ** J 1	384090-E	ERNI miscellaneous
384192	ERMZDPLUS 3-15 F 45 EE 1,6 * 237 050 37,	384192-E	ERmet ZD Plus
384200	STVC/2 48 M ABC VVV 4-00 0606 ** 247 E0	384200-E	DIN C
384201	STVC/2 45 M ABC 0369 4-00 0606 * N824 24	384201-E	DIN C
384202	STVC/2 41 M ABC 0387 4-00 0606 * B235 24	384202-E	DIN C
384209	STVC/2 32 M AC VV 4-00 0606 ** 247 E007	384209-E	DIN C
384210	STVC/2 32 M AC VV 4-00 0606 ** 247 E007	384210-E	DIN C
384224	STVC/3 20 M AC VV 4-00 0606 ** 247 E007	384224-E	DIN C
384226	STVC/3 20 M AC VV 4-00 0606 ** 247 E007	384226-E	DIN C
384233	STVB 64 M AB VV 4-00 0606 ** 247 E007 1	384233-E	DIN B
384241	STVB 64 M AB VV 4-00 0606 ** 247 E007 1	384241-E	DIN B
384251	STVB 18 M A 0379 4-00 0606 * 8360 247 E0	384251-E	DIN B
384265	STVB/2 32 M AB VV 4-00 0606 ** 247 E007	384265-E	DIN B

384268	STVB/2 16 M AB 0374 4-00 0606 * 8360 247	384268-E	DIN B
384270	STVB/2 32 M AB VV 4-00 EE ** 247 E007 1	384270-E	DIN B
384274	STVB/3 20 M AB VV 4-00 0606 * M834 247 E	384274-E	DIN B
384275	STVB/3 20 M AB VV 4-00 0606 ** 247 E007	384275-E	DIN B
384278	STVB/3 20 M AB VV 4-00 EE ** 247 E007 1	384278-E	DIN B
384283	STVCD 128 M ABCD VVVV 4-00 0606 ** 137	384283-E	DIN CD
384294	STVE 160 M ABCDE VVVVV 4-00 GA06 3.9 * 2	384294-E	DIN E
384295	STVE 160 M ABCDE VVVVV 4-00 0606 ** 247	384295-E	DIN E
384297	STVE 160 M ABCDE VVVVV 4-00 0606 ** 247	384297-E	DIN E
384298	STVE 160 M ABCDE VVVVV 4-00 0606 ** 137	384298-E	DIN E
384299	STVE 160 M ABCDE VVVVV 4-00 0606 ** 247	384299-E	DIN E
384307	STVE 160 M ABCDE VVVVV 4-00 EE ** 247 E	384307-E	DIN E
384339	STVE 48 F ACE GGG 7-00 EEUE 13.0 * 241 E	384339-E	DIN E
384344	STVC 96 M ABC VVV 4-00 0606 * VN17 247 E	384344-E	DIN C
384453	SRCBUG A 2.54 2.4 CSI 112 E1 ADV J 2 324	384453-E	MaxiBridge SRC/DRC Female
384454	SRCBUG A 2.54 2.4 CSI 163 E1 ADV J 2 324	384454-E	MaxiBridge SRC/DRC Female
384455	SRCBUG A 2.54 2.4 CSI 164 E1 ADV J 2 324	384455-E	MaxiBridge SRC/DRC Female
384456	SRCBUG A 2.54 2.4 CSI 165 E1 ADV J 2 324	384456-E	MaxiBridge SRC/DRC Female
384462	SRCP 2.54 4 M 1 SMD 137 E1 094 * GU-H *	384462-E	MaxiBridge SRC/DRC Male vertical
384463	SRCP 2.54 4 M 1 SMD 137 E1 168 * GU-H *	384463-E	MaxiBridge SRC/DRC Male vertical
384464	SRCP 2.54 4 M 1 SMD 137 E1 167 * GU-H *	384464-E	MaxiBridge SRC/DRC Male vertical
384465	SRCP 2.54 4 M 1 SMD 137 E1 168 * GU-H *	384465-E	MaxiBridge SRC/DRC Male vertical
384471	SRCA 2.54 4 M 1 SMD 137 E1 094 * GURT *	384471-E	MaxiBridge SRC/DRC Male angled
384472	SRCA 2.54 4 M 1 SMD 137 E1 168 * GURT *	384472-E	MaxiBridge SRC/DRC Male angled
384473	SRCA 2.54 4 M 1 SMD 137 E1 167 * GURT *	384473-E	MaxiBridge SRC/DRC Male angled
384474	SRCA 2.54 4 M 1 SMD 137 E1 168 * GURT *	384474-E	MaxiBridge SRC/DRC Male angled
384528	SRCP 1.27 4 F 1 IDC22 137 E1 162 1.27 TR	384528-E	MiniBridge angled female IDC
384529	SRCP 1.27 2 F 1 IDC22 137 E1 162 1.27 TR	384529-E	MiniBridge angled female IDC
384542	STVQ/3 20 MI AB VV 4-00 GA06 2.5 * 247 E	384542-E	DIN Q
384550	MSPEED 26 F SMD * 90E AB VV 137 094 * 01	384550-E	MSP 2 row angled female
384568	MSPEED 26 M SMD * 90E AB VV 137 094 * 99	384568-E	MSP 2 row angled male
384575	SRCP 1.27 2 M 1 I2426 137 * 094 1.07 TRA	384575-E	MiniBridge vertical male IDC
384576	STVC/2 48 M ABC VVV 4-00 0606 ** 137 E0	384576-E	DIN C
384580	STVC 96 F ABC VVV 7-00 EE 4.0 * 247 E007	384580-E	DIN C
384583	STVB 64 M AB VV 4-00 0606 * 8040 247 E00	384583-E	DIN B
384599	STVC 48 M ABC GGG 4-00 0606 ** 247 E007	384599-E	DIN C
384600	STVC 48 M ABC GGG 4-00 0606 ** 247 E007	384600-E	DIN C
384602	STVC 48 M ABC UGU 4-00 0606 ** 247 E007	384602-E	DIN C
384617	STVC 64 M AC VV 4-00 0606 ** 247 E007 1	384617-E	DIN C
384622	STVC/2 48 F ABC VVV 7-00 EE 4.0 * 247 E0	384622-E	DIN C
384644	STVC 96 M ABC VVV 4-00 0606 ** 247 E007	384644-E	DIN C
384668	STVTE 160 MI ABCDE VVVVV 4-00 EE 4.0 * 2	384668-E	DIN TE
384669	STVC/3 30 M ABC VVV 4-00 0606 * M849 247	384669-E	DIN C
384671	STVCD 128 M ABCD VVVV 4-00 EE ** 247 E0	384671-E	DIN CD
384674	STVTE 160 MI ABCDE VVVVV 4-00 EE 6.0 * 2	384674-E	DIN TE
384699	STVE 32 M ACE 0423 4-00 0606 ** 247 E00	384699-E	DIN E
384701	STVD 26 M AC 0282 4-00 1006 ** 247 E007	384701-E	DIN D
384803	SRCP 1.27 6 F 1 SMD 137 * 168 * GURT VLP	384803-E	MiniBridge angled female SMD
384804	SRCP 1.27 6 F 1 SMD 137 * 094 * GURT RLV	384804-E	MiniBridge angled female SMD
384812	M12 M 4 A * T 3.1 301 10.5 094 ** * 999	384812-E	CC M12 vertical
384814	M12 M 5 A * T 3.1 301 10.5 094 ** * 999	384814-E	CC M12 vertical
384840	SRCP 1.27 2 F 1 SMD 137 * 168 * GURT VLP	384840-E	MiniBridge angled female SMD
384841	SRCP 1.27 3 F 1 SMD 137 * 168 * GURT VLP	384841-E	MiniBridge angled female SMD
384842	SRCP 1.27 8 F 1 SMD 137 * 154 * GURT VLP	384842-E	MiniBridge angled female SMD
384845	SRCP 1.27 2 F 1 SMD 137 * 094 * GURT RLV	384845-E	MiniBridge angled female SMD
384846	SRCP 1.27 3 F 1 SMD 137 * 094 * GURT RLV	384846-E	MiniBridge angled female SMD
384847	SRCP 1.27 8 F 1 SMD 137 * 094 * GURT RLV	384847-E	MiniBridge angled female SMD
384850	STVRD 128 FI ABCD VVVV 7-03 TL-S * ** 247	384850-E	DIN RD
384856	STVC 96 M ABC VVV 4-00 0606 * VN15 247 E	384856-E	DIN C
384857	STVC 96 M ABC VVV 4-00 EE * 8024 247 E00	384857-E	DIN C
384872	SRCP 1.27 4 M 1 I2426 137 * 094 1.07 TRA	384872-E	MiniBridge vertical male SMD
384891	M12 F 5 B H S * 301 17.0 094 ** * 999	384891-E	CC M12 vertical
384909	TMCZUB SS M3 * * * * * EST * * * J 1 384	384909-E	D-Sub / TMC miscellaneous
384971	SRCP 1.27 2 F 1 I2426 137 * 050 1.07 TRA	384971-E	MiniBridge angled female IDC
384974	SRCP 1.27 2 F 1 SMD 137 * 105 * GURT RLV	384974-E	MiniBridge angled female SMD
384975	SRCP 1.27 4 F 1 SMD 137 * 105 * GURT RLV	384975-E	MiniBridge angled female SMD
384978	SRCA 1.27 2 M 1 SMD 137 E1 105 * GURT *	384978-E	MiniBridge angled male SMD
384979	SRCA 1.27 4 M 1 SMD 137 E1 105 * GURT *	384979-E	MiniBridge angled male SMD
384980	IDC TERM 1 IDC24 0.80 KA 105 707 0007 J	384980-E	IDC Terminal
394075	STVC/2 48 M ABC VVV 4-00 0606 * 8254 247	394075-E	DIN C
394087	EPSVA KS BM4 EE 10 3.8 SN 9999 STROMVERS	394087-E	Power Taps / SVA
394195	SRCP 1.27 2 F 1 I2426 137 * 162 1.27 TRA	394195-E	MiniBridge angled female IDC
394222	HBHB LAGERBOX FUER SPULEN * * * * 3 * OB	394222-E	ERNI miscellaneous
394223	HBHB ZWISCHENBODEN FUER LAGERBOX ZU LAGE	394223-E	ERNI miscellaneous
394225	MSPEED 91 F SMD F4 B A-G VVVV 187 094 *	394225-E	MSP 7 row vertical female
394256	MSPEED 133 F SMD F4 B A-G VVVV 137 094 *	394256-E	MSP 7 row vertical female
394257	MSPEED 133 M SMD M1 B A-G VVVV 137 176 *	394257-E	MSP 7 row vertical male
394305	M12 F 8 A H S * 301 17.0 094 ** * 999	394305-E	CC M12 vertical
394331	M12 M 8 A H S * 201 17.0 094 ** * ODV 0	394331-E	CC M12 vertical
394335	STVC/2 48 M ABC VVV 4-00 0606 * 8411 247	394335-E	DIN C
394337	M12 M 5 A * S * 201 10.5 094 ** * OKV 0	394337-E	CC M12 vertical
394339	M12 M 4 A * S * 201 10.5 094 ** * OKV 0	394339-E	CC M12 vertical
394343	STVD 26 F AC 0292 7-01 1010 4.0 * 207 E	394343-E	DIN D
394392	SMCB 26 F AB VV 7-13 CL * HE07 137 E002	394392-E	SMC BA7 SMD vertical female low profile
394393	SMCQ 50 M AB VV 3-03 CLHD * HE07 137 E00	394393-E	SMC BA3 SMD vertical male
394394	SMCB 50 F AB VV 7-13 CL * HE07 137 E002	394394-E	SMC BA7 SMD vertical female low profile
394395	SRCA 2.54 2 M 1 SMD 137 E1 094 * GU-B *	394395-E	MaxiBridge SRC/DRC Male angled
394396	SMCQ 50 F AB VV 7-03 CL * HE07 137 E002	394396-E	SMC BA7 SMD angled female
394425	STVH15 15 F ZD VV 3-00 F001 ** 197 OHNE	394425-E	DIN H15
394441	SRCA 1.27 2 F 1 IDC22 137 E1 094 1.27 TR	394441-E	MiniBridge vertical female IDC
394444	SRCA 1.27 2 F 1 IDC22 137 E1 094 1.27 TR	394444-E	MiniBridge vertical female IDC
394506	ERMEZT ABU A * 1 * 137 9999 * ABSCHIRMBL	394506-E	Ermet miscellaneous
394570	MSPPM 5 F THR * 90B A V 137 094 * E008 J	394570-E	MSP Power Module angled female THR-shield
394571	MSPPM 5 F THR * 90 A V 137 094 * E008 J	394571-E	MSP Power Module angled female THR-shield
394572	MSPPM 5 M THR * 90B A V 137 094 * E008 J	394572-E	MSP Power Module angled male THR-shield
394573	MSPPM 5 M THR * 90 A V 137 094 * E008 J	394573-E	MSP Power Module angled male THR-shield
394574	SRCA 1.27 6 M 1 SMD 137 E1 105 * GURT *	394574-E	MiniBridge angled male SMD
394576	MSPEED 26 M SMD M2 E AB VV 137 094 * 999	394576-E	MSP 2 row vertical male

394628	SRCP 1.27 6 F 1 I2426 137 E1 050 1.07 TR	394628-E	MiniBridge angled female IDC
394745	CCCS M12 4 M-S * D RJ45 8 M-S * * PUR 20	394745-E	CCCS
394746	CCCS M12 4 M-S * D RJ45 8 M-S * * PUR 50	394746-E	CCCS
394811	M12 F 8 X H S * 301 17.0 112 * Y * C6A P	394811-E	CC M12 vertical
394859	STVE 160 M ABCDE VVVVV 4-00 0606 * 8048	394859-E	DIN E
394863	MRDEZT M12 GEH.TEIL ML DM 9.55 A=13MM *	394863-E	CC M8/M12 miscellaneous
394895	SRCA 1.27 4 F 1 IDC22 137 E1 094 1.27 TR	394895-E	MiniBridge vertical female IDC
394897	SRCA 1.27 4 F 1 IDC22 137 E1 094 1.27 TR	394897-E	MiniBridge vertical female IDC
394905	MRDEZT MUTTER M10 X 1 FUER PL.DI 1MM * *	394905-E	CC M8/M12 miscellaneous
394909	SRCP 1.27 6 F 1 IDC22 137 E1 162 1.27 TR	394909-E	MiniBridge angled female IDC
394911	SRCP 1.27 6 F 1 IDC22 137 E1 162 1.27 TR	394911-E	MiniBridge angled female IDC
394930	MSPEED 91 F SMDTHR F4 B A-G VVVV 137 094	394930-E	MSP 7 row vertical female THR-shield
394931	MSPEED 91 M SMDTHR M1 B A-G VVVV 137 176	394931-E	MSP 7 row vertical male THR-shield
394958	SMCB 12 F AB VV 7-13 CL * H007 107 E003	394958-E	SMC BA7 SMD vertical female low profile
394959	SMCB 12 M AB VV 7-03 CL * 0007 107 E003	394959-E	SMC BA7 SMD angled male
394961	SMCB 68 M AB VV 7-03 CL * 0007 107 E003	394961-E	SMC BA7 SMD angled male
394968	SRCA 1.27 3 F 1 IDC22 137 E1 094 1.27 TR	394968-E	MiniBridge vertical female IDC
394971	SRCA 1.27 3 F 1 IDC22 137 E1 094 1.27 TR	394971-E	MiniBridge vertical female IDC
413152	CODBGR 1 3 E * CODIERUNG J 3 413152	413152-E	KSG miscellaneous
413169	STVH15 15 M ZD VV 3-00 LAFD * A039 199 E	413169-E	DIN H15
413170	STVH15 15 F ZD VV 3-00 F001 * 197 E 01	413170-E	DIN H15
413638	STVH15 15 M ZD VV 3-00 LAFD * 199 E 17	413638-E	DIN H15
414574	STVH15 15 M ZD VV 3-00 F001 * A049 199 E	414574-E	DIN H15
414575	STVH15 15 M ZD VV 3-00 LAFD * A049 199 E	414575-E	DIN H15
414898	SOCKETS TYCO 1-1437514-3 HOLTITE IC-SOCK	1-1437514-3	REELED HOLTITES
423334	KSGHS MOD 3706 016 OHNE R OC J 3 114863	423334-E	KSG
423340	KSGHS MOD 3706 016 OHNE L OC J 3 423340	423340-E	KSG
423592	EPEZT * TYCO POWER-BUG 5055557-4 POWER D	5055557-4	AMP Power Tap
424654	STVH11 11 F B V 2 TL 4.3 * 197 E 105 TZV	424654-E	DIN H11
424655	STVH11 11 F B V 2 EE25 6.0 * 197 E 105 T	424655-E	DIN H11
424707	STVBUL ZW 42 2-00 EE06 048 * * J 3 42470	424707-E	DIN ZW
433222	VORSKO AUSDRUECKHUELSE F .DIN 41612 J 1	433222-E	ERNI costumer application tooling
433543	CON3 TYCO 5-167892-3 OTHERS 2 EE J	5167892-3	AMP Power Tap
433677	STVBUT 0606 25.2 107 * BAND 2-00 * 15.0	433677-E	DIN miscellaneous
434225	CON3 TYCO 216905-1 FASTON 4 EE J	216905-1	FASTON Tabs LP
434333	CON3 AMP * BTW 40 LOET 4	825397-1	Posted M Series Block & Assembly
434526	CON3 TYCO 216843-1 FASTON 1 EE J	216843-1	FASTON Tabs LP
434831	TMCBGR GEWINDEBOLZEN MONTAGE OHNE PLATTE	434831-E	D-Sub / TMC miscellaneous
444347	IDC TERM 1 IDC24 0.80 * 105 707 0007 J 2	444347-E	IDC Terminal
444351	IDGEZT OT B4 * GRAU 9999 B4 GEHAEUSE-OBE	444351-E	IDG
444355	MSPEED 56 F SMD F4 E AB VV 137 207 * SCO	444355-E	MSP 2 row vertical female
444374	DIS DISKETTE SPICE FILE ERMZD PLUS 1	444374-E	ERNI miscellaneous
444382	STVC/2 48 M ABC VVV 4-00 0606 * * 247 E 0	444382-E	DIN C
444750	SRCP 1.27 6 F 1 SMD 137 * 105 * GURT RLV	444750-E	MiniBridge angled female SMD
444804	SRCBUG A 2.54 1.5 CSI 046 E1 ADV J 2 224	444804-E	MaxiBridge SRC/DRC Female
444807	SRCA 2.54 5 M 1 SMD 137 E1 105 * GURT *	444807-E	MaxiBridge SRC/DRC Male angled
444809	MESBAN PASS 9999 1.5 9999 * 25.4 FORD J	444809-E	Automotive contacts
444818	ERMD 176 FS EE * 3.70 A.H.V.V * 207 E	444818-E	Ermet D
444820	SRCA 1.27 2 F 1 I2426 137 E1 094 1.07 TP	444820-E	MiniBridge vertical female IDC
444821	SRCA 1.27 2 F 1 I2426 137 E1 094 1.07 TP	444821-E	MiniBridge vertical female IDC
444822	SRCA 1.27 3 F 1 I2426 137 E1 094 1.07 TP	444822-E	MiniBridge vertical female IDC
444823	SRCA 1.27 3 F 1 I2426 137 E1 094 1.07 TP	444823-E	MiniBridge vertical female IDC
444824	SRCA 1.27 4 F 1 I2426 137 E1 094 1.07 TP	444824-E	MiniBridge vertical female IDC
444825	SRCA 1.27 4 F 1 I2426 137 E1 094 1.07 TP	444825-E	MiniBridge vertical female IDC
444826	SRCA 1.27 6 F 1 I2426 137 E1 094 1.07 TP	444826-E	MiniBridge vertical female IDC
444827	SRCA 1.27 6 F 1 I2426 137 E1 094 1.07 TP	444827-E	MiniBridge vertical female IDC
444828	SRCA 1.27 8 F 1 I2426 137 E1 094 1.07 TP	444828-E	MiniBridge vertical female IDC
444829	SRCA 1.27 8 F 1 I2426 137 E1 094 1.07 TP	444829-E	MiniBridge vertical female IDC
444830	SRCA 1.27 10 F 1 I2426 137 E1 094 1.07 T	444830-E	MiniBridge vertical female IDC
444831	SRCA 1.27 10 F 1 I2426 137 E1 094 1.07 T	444831-E	MiniBridge vertical female IDC
444832	SRCA 1.27 12 F 1 I2426 137 E1 094 1.07 T	444832-E	MiniBridge vertical female IDC
444833	SRCA 1.27 12 F 1 I2426 137 E1 094 1.07 T	444833-E	MiniBridge vertical female IDC
444834	SRCA 1.27 2 F 1 IDC22 137 E1 094 1.27 TP	444834-E	MiniBridge vertical female IDC
444835	SRCA 1.27 2 F 1 IDC22 137 E1 094 1.27 TP	444835-E	MiniBridge vertical female IDC
444837	SRCA 1.27 3 F 1 IDC22 137 E1 094 1.27 TP	444837-E	MiniBridge vertical female IDC
444838	SRCA 1.27 4 F 1 IDC22 137 E1 094 1.27 TP	444838-E	MiniBridge vertical female IDC
444839	SRCA 1.27 4 F 1 IDC22 137 E1 094 1.27 TP	444839-E	MiniBridge vertical female IDC
444840	SRCA 1.27 4 F 1 I2426 137 E1 105 1.07 TP	444840-E	MiniBridge vertical female IDC
444841	SRCA 1.27 6 F 1 I2426 137 E1 105 1.07 TP	444841-E	MiniBridge vertical female IDC
444844	SRCP 1.27 2 F 1 I2426 137 E1 162 1.07 TP	444844-E	MiniBridge angled female IDC
444845	SRCP 1.27 2 F 1 I2426 137 E1 162 1.07 TP	444845-E	MiniBridge angled female IDC
444846	SRCP 1.27 3 F 1 I2426 137 E1 162 1.07 TP	444846-E	MiniBridge angled female IDC
444847	SRCP 1.27 3 F 1 I2426 137 E1 162 1.07 TP	444847-E	MiniBridge angled female IDC
444848	SRCP 1.27 4 F 1 I2426 137 E1 162 1.07 TP	444848-E	MiniBridge angled female IDC
444849	SRCP 1.27 4 F 1 I2426 137 E1 162 1.07 TP	444849-E	MiniBridge angled female IDC
444850	SRCP 1.27 6 F 1 I2426 137 E1 162 1.07 TP	444850-E	MiniBridge angled female IDC
444851	SRCP 1.27 6 F 1 I2426 137 E1 162 1.07 TP	444851-E	MiniBridge angled female IDC
444852	SRCP 1.27 8 F 1 I2426 137 E1 162 1.07 TP	444852-E	MiniBridge angled female IDC
444853	SRCP 1.27 8 F 1 I2426 137 E1 162 1.07 TP	444853-E	MiniBridge angled female IDC
444854	SRCP 1.27 10 F 1 I2426 137 E1 162 1.07 T	444854-E	MiniBridge angled female IDC
444855	SRCP 1.27 10 F 1 I2426 137 E1 162 1.07 T	444855-E	MiniBridge angled female IDC
444856	SRCP 1.27 12 F 1 I2426 137 E1 162 1.07 T	444856-E	MiniBridge angled female IDC
444857	SRCP 1.27 12 F 1 I2426 137 E1 162 1.07 T	444857-E	MiniBridge angled female IDC
444858	SRCP 1.27 2 F 1 IDC22 137 E1 162 1.27 TP	444858-E	MiniBridge angled female IDC
444859	SRCP 1.27 2 F 1 IDC22 137 E1 162 1.27 TP	444859-E	MiniBridge angled female IDC
444860	SRCP 1.27 4 F 1 IDC22 137 E1 162 1.27 TP	444860-E	MiniBridge angled female IDC
444861	SRCP 1.27 4 F 1 IDC22 137 E1 162 1.27 TP	444861-E	MiniBridge angled female IDC
444862	SRCP 1.27 6 F 1 IDC22 137 E1 162 1.27 TP	444862-E	MiniBridge angled female IDC
444863	SRCP 1.27 6 F 1 IDC22 137 E1 162 1.27 TP	444863-E	MiniBridge angled female IDC
444864	SRCP 1.27 2 F 1 I2426 137 E1 050 1.07 TP	444864-E	MiniBridge angled female IDC
444865	SRCP 1.27 6 F 1 I2426 137 E1 050 1.07 TP	444865-E	MiniBridge angled female IDC
444866	SRCP 1.27 2 F 1 I2426 137 E1 162 1.27 TP	444866-E	MiniBridge angled female IDC
454003	M12 F 4 A H S * 207 17.0 094 * * * 999	454003-E	CC M12 vertical
454066	M12 M 3 A * S * 201 10.5 094 * * * 9999	454066-E	CC M12 vertical
454189	SRCA 2.54 2 M 1 SMD 137 E1 105 * GURT *	454189-E	MaxiBridge SRC/DRC Male angled
454193	SRCA 2.54 4 M 1 SMD 137 E1 105 * GURT *	454193-E	MaxiBridge SRC/DRC Male angled
454195	SRCA 2.54 6 M 1 SMD 137 E1 105 * GURT *	454195-E	MaxiBridge SRC/DRC Male angled
454197	SRCA 2.54 8 M 1 SMD 137 E1 105 * GURT *	454197-E	MaxiBridge SRC/DRC Male angled

454199	SRCP 2,54 2 M 1 SMD 137 E1 105 * GU-H *	454199-E	MaxiBridge SRC/DRC Male vertical
454201	SRCP 2,54 3 M 1 SMD 137 E1 105 * GU-H *	454201-E	MaxiBridge SRC/DRC Male vertical
454203	SRCP 2,54 4 M 1 SMD 137 E1 105 * GU-H *	454203-E	MaxiBridge SRC/DRC Male vertical
454205	SRCP 2,54 5 M 1 SMD 137 E1 105 * GU-H *	454205-E	MaxiBridge SRC/DRC Male vertical
454209	SRCP 2,54 8 M 1 SMD 137 E1 105 * GU-H *	454209-E	MaxiBridge SRC/DRC Male vertical
454211	SRCP 2,54 2 M 1 SMD 137 E1 105 * GURT *	454211-E	MaxiBridge SRC/DRC Male vertical
454212	SRCP 2,54 3 M 1 SMD 137 E1 105 * GURT *	454212-E	MaxiBridge SRC/DRC Male vertical
454213	SRCP 2,54 4 M 1 SMD 137 E1 094 * GURT *	454213-E	MaxiBridge SRC/DRC Male vertical
454214	SRCP 2,54 4 M 1 SMD 137 E1 166 * GURT *	454214-E	MaxiBridge SRC/DRC Male vertical
454215	SRCP 2,54 4 M 1 SMD 137 E1 167 * GURT *	454215-E	MaxiBridge SRC/DRC Male vertical
454216	SRCP 2,54 4 M 1 SMD 137 E1 168 * GURT *	454216-E	MaxiBridge SRC/DRC Male vertical
454217	SRCP 2,54 4 M 1 SMD 137 E1 105 * GURT *	454217-E	MaxiBridge SRC/DRC Male vertical
454218	SRCP 2,54 5 M 1 SMD 137 E1 105 * GURT *	454218-E	MaxiBridge SRC/DRC Male vertical
454219	SRCP 2,54 6 M 1 SMD 137 E1 105 * GURT *	454219-E	MaxiBridge SRC/DRC Male vertical
454220	SRCP 2,54 8 M 1 SMD 137 E1 105 * GURT *	454220-E	MaxiBridge SRC/DRC Male vertical
454278	SRCA 1,27 3 F 1 I2426 137 E1 094 1,07 TP	454278-E	MiniBridge vertical female IDC
454302	IDC TERM 1 IDC22 1,30 * 105 707 0007 J 2	454302-E	IDC Terminal
454303	IDC TERM 1 IDC22 1,30 KA 105 707 0007 J	454303-E	IDC Terminal
454308	ERMPM 6 M L1 * 3,00 A-F LLLMSS 107 E005	454308-E	Ermet Power Module
454327	STVR 74 FI ABC 0478 7-03 EE ** 247 E007	454327-E	DIN R
454359	STVD 16 F AC 0403 7-02 EE 4,5 * 247 E 17	454359-E	DIN D
454374	VOREPR HAND SRC * MAXIBRIDGE **** F	454374-E	ERNI costumer application tooling
454464	M12 M 8 A * S * 201 10,5 094 *** ODV 0	454464-E	CC M12 vertical
454466	M12 F 4 D H S * 301 17,0 094 *** V 000	454466-E	CC M12 vertical
454587	SRCBUG A 2,54 2 2 CSI 046 E1 ADV J 2 324	454587-E	MaxiBridge SRC/DRC Female
454590	SRCBUG A 2,54 2 3 CSI 046 E1 ADV TRAY J	454590-E	MaxiBridge SRC/DRC Female
454643	M12 M 12 A * S * 301 10,5 094 * Y * 9999	454643-E	CC M12 vertical
454645	M12 M 17 A * S * 301 10,5 094 * Y * 9999	454645-ER	CC M12 vertical
454664	SRCBUG A 2,54 2 4 CSI 046 E1 ADV J 2 324	454664-E	MaxiBridge SRC/DRC Female
454667	SRCBUG A 2,54 2 5 CSI 046 E1 ADV J 2 324	454667-E	MaxiBridge SRC/DRC Female
454670	SRCBUG A 2,54 2 6 CSI 046 E1 ADV J 2 324	454670-E	MaxiBridge SRC/DRC Female
454673	SRCBUG A 2,54 2 8 CSI 046 E1 ADV J 2 324	454673-E	MaxiBridge SRC/DRC Female
454700	MSPEED 91 M SMD M1 B-A-G VVVV 137 176 *	454700-E	MSP 7 row vertical male
454701	MSPEED 91 F SMD F4 B-A-G VVVV 137 094 *	454701-E	MSP 7 row vertical female
454703	SRCP 1,27 12 F 1 IDC22 137 E1 162 1,27 T	454703-E	MiniBridge angled female IDC
454705	SRCP 1,27 12 F 1 IDC22 137 E1 162 1,27 T	454705-E	MiniBridge angled female IDC
454707	SRCA 1,27 6 F 1 IDC22 137 E1 094 1,27 TP	454707-E	MiniBridge vertical female IDC
454709	SRCA 1,27 6 F 1 IDC22 137 E1 094 1,27 TP	454709-E	MiniBridge vertical female IDC
454742	SRCA 2,54 2 M 1 SMD 207 E1 094 * GURT *	454742-E	MaxiBridge SRC/DRC Male angled
454745	SRCA 2,54 2 M 1 SMD 207 E1 168 * GURT *	454745-ER	MaxiBridge SRC/DRC Male angled
454766	SMCB 50 F AB VV 7-03 CL * H007 137 E002	454766-E	SMC BA7 SMD vertical female
454815	SRCP 2,54 4 M 1 SMD 137 E1 094 * GU-H 99	454815-E	MaxiBridge SRC/DRC Male vertical
454828	M12 M 5 A H S * 201 17,0 094 *** 000	454828-E	CC M12 vertical
454829	M12 M 4 A H S * 201 17,0 094 *** 000	454829-E	CC M12 vertical
454838	SMCB 50 F AB VV 7-03 R035 * 0001 137 999	454838-E	SMC BA7 SMD vertical female
454925	DRCB 0,80 16 F SMD F6 137 E009 094 GU-H	454925-E	MicroCon SMD vertical female
454926	DRCB 0,80 16 F SMD F8 137 E009 094 GU-H	454926-E	MicroCon SMD vertical female
454927	DRCQ 0,80 16 M 2 SMD M1 137 E009 176 GU-	454927-E	MicroCon SMD vertical male
454928	DRCQ 0,80 16 M 2 SMD M2 137 E009 176 GU-	454928-E	MicroCon SMD vertical male
454949	M12 F 4 D H S * 207 17,0 094 *** 999	454949-E	CC M12 vertical
454950	M12 F 5 A H S * 207 17,0 094 *** 999	454950-E	CC M12 vertical
454951	M12 F 5 B H S * 207 17,0 094 *** 999	454951-E	CC M12 vertical
454952	M12 F 8 A H S * 207 17,0 094 *** 999	454952-E	CC M12 vertical
454975	SRCP 1,27 8 F 1 IDC22 137 E1 162 1,27 TP	454975-E	MiniBridge angled female IDC
454977	SRCP 1,27 8 F 1 IDC22 137 E1 162 1,27 TP	454977-E	MiniBridge angled female IDC
454990	SMCQ 20 M AB VV 8-13 CL * H007 137 E005	454990-E	SMC BA8 SMD vertical male low profile
454995	MSPEED 83 M SMD M1 BE A-G 9999 137 176 *	454995-E	MSP 7 row vertical male
454996	MSPEED 83 M SMD M2 BE A-G 9999 137 176 *	454996-E	MSP 7 row vertical male
454997	MSPEED 83 F SMD F6 BE A-G 9999 137 094 *	454997-E	MSP 7 row vertical female
454998	MSPEED 83 F SMD F8 BE A-G 9999 137 094 *	454998-E	MSP 7 row vertical female
464124	SRCP 1,27 2 M 1 SMD 137 E1 105 * GU-H *	464124-E	MiniBridge vertical male SMD
464137	MSPEED 91 M SMD M2 BE A-G VVVV 137 176 *	464137-E	MSP 7 row vertical male
464139	MSPEED 91 F SMD F8 BE A-G VVVV 137 094 *	464139-E	MSP 7 row vertical female
464204	SMCB 26 F AB VV 6-01 VH99 * 9999 137 E00	464204-E	SMC BA6 IDC vertical female
464224	SRCP 1,27 3 F 1 IDC22 137 E1 162 1,27 TR	464224-E	MiniBridge angled female IDC
464225	SRCP 1,27 3 F 1 IDC22 137 E1 162 1,27 TP	464225-E	MiniBridge angled female IDC
464228	SRCP 1,27 3 F 1 IDC22 137 E1 162 1,27 TR	464228-E	MiniBridge angled female IDC
464229	SRCP 1,27 3 F 1 IDC22 137 E1 162 1,27 TP	464229-E	MiniBridge angled female IDC
464234	SRCP 1,27 8 F 1 IDC22 137 E1 162 1,27 TR	464234-E	MiniBridge angled female IDC
464235	SRCP 1,27 8 F 1 IDC22 137 E1 162 1,27 TR	464235-E	MiniBridge angled female IDC
464237	SRCP 1,27 10 F 1 IDC22 137 E1 162 1,27 T	464237-E	MiniBridge angled female IDC
464238	SRCP 1,27 10 F 1 IDC22 137 E1 162 1,27 T	464238-E	MiniBridge angled female IDC
464240	SRCP 1,27 10 F 1 IDC22 137 E1 162 1,27 T	464240-E	MiniBridge angled female IDC
464241	SRCP 1,27 10 F 1 IDC22 137 E1 162 1,27 T	464241-E	MiniBridge angled female IDC
464242	SRCP 1,27 12 F 1 IDC22 137 E1 162 1,27 T	464242-E	MiniBridge angled female IDC
464243	SRCP 1,27 12 F 1 IDC22 137 E1 162 1,27 T	464243-E	MiniBridge angled female IDC
464244	SRCA 1,27 6 F 1 IDC22 137 E1 094 1,27 TR	464244-E	MiniBridge vertical female IDC
464245	SRCA 1,27 6 F 1 IDC22 137 E1 094 1,27 TR	464245-E	MiniBridge vertical female IDC
464247	SRCA 1,27 8 F 1 IDC22 137 E1 094 1,27 TR	464247-E	MiniBridge vertical female IDC
464248	SRCA 1,27 8 F 1 IDC22 137 E1 094 1,27 TP	464248-E	MiniBridge vertical female IDC
464250	SRCA 1,27 8 F 1 IDC22 137 E1 094 1,27 TR	464250-E	MiniBridge vertical female IDC
464251	SRCA 1,27 8 F 1 IDC22 137 E1 094 1,27 TP	464251-E	MiniBridge vertical female IDC
464253	SRCA 1,27 10 F 1 IDC22 137 E1 094 1,27 T	464253-E	MiniBridge vertical female IDC
464254	SRCA 1,27 10 F 1 IDC22 137 E1 094 1,27 T	464254-E	MiniBridge vertical female IDC
464256	SRCA 1,27 10 F 1 IDC22 137 E1 094 1,27 T	464256-E	MiniBridge vertical female IDC
464257	SRCA 1,27 10 F 1 IDC22 137 E1 094 1,27 T	464257-E	MiniBridge vertical female IDC
464259	SRCA 1,27 12 F 1 IDC22 137 E1 094 1,27 T	464259-E	MiniBridge vertical female IDC
464260	SRCA 1,27 12 F 1 IDC22 137 E1 094 1,27 T	464260-E	MiniBridge vertical female IDC
464262	SRCA 1,27 12 F 1 IDC22 137 E1 094 1,27 T	464262-E	MiniBridge vertical female IDC
464263	SRCA 1,27 12 F 1 IDC22 137 E1 094 1,27 T	464263-E	MiniBridge vertical female IDC
464271	STVE 160 M ABCDE VVVVV 4-00 0606 * 8360	464271-E	DIN E
464272	MRDEZT M12 GEHAUSESETIEM ML ABST. 9MM **	464272-E	CC M8/M12 miscellaneous
464358	SRCP 1,27 6 F 1 IDC22 137 E1 050 1,27 TP	464358-E	MiniBridge angled female IDC
464359	MSPEED 50 M SMD * 90BE AB VV 137 094 * 9	464359-E	MSP 2 row angled male
464374	SRCBUG A 2,54 2SG3 6 CSI 112 E1 ADV J 2	464374-E	MaxiBridge SRC/DRC Female
464375	SRCBUG A 2,54 2SG3 6 CSI 163 E1 ADV J 2	464375-E	MaxiBridge SRC/DRC Female
464376	SRCBUG A 2,54 2SG3 6 CSI 164 E1 ADV J 2	464376-E	MaxiBridge SRC/DRC Female
464377	SRCBUG A 2,54 2SG3 6 CSI 165 E1 ADV J 2	464377-E	MaxiBridge SRC/DRC Female

464399	SRCP 1.27 2 F 1 IDC22 137 E1 162 1.27 TP	464399-E	MiniBridge angled female IDC
464400	ERMA 110 MI 1 L1 * 3.50 A-E V-V 9999 * 2	464400-E	ERmet A
464418	MSPEED 50 F SMD F4 BE AB VV 137 094 * 99	464418-E	MSP 2 row vertical female
464426	ERMDE 200 FS EE * 3.70 A-H V-V ** 247 E	464426-E	ERmet DE
464431	M08 F 3 A H S * 301 16.3 094 *** V 000	464431-E	CC M8 vertical
464432	M08 F 4 A H S * 301 16.3 094 *** V 000	464432-E	CC M8 vertical
464464	DRCQ 2.54 20 M * SMD * 107 9999 105 GU-H	464464-E	MaxiBridge SRC/DRC Male vertical
464525	MSPEED 91 M SMD M1 B A-G VVVV 187 176 *	464525-E	MSP 7 row vertical male
464561	M08 F 6 A H S * 301 16.3 094 *** V 000	464561-E	CC M8 vertical
464568	MSPEED 26 F SMD * 90E AB VV 137 094 **	464568-E	MSP 2 row angled female
464569	MSPEED 26 M SMD * 90E AB VV 137 207 * 99	464569-E	MSP 2 row angled male
464570	MSPEED 56 M SMD * 90E AB VV 137 207 * 99	464570-E	MSP 2 row angled male
464572	ERMF 88 F L1 * 3.00 A-H V-V ** 137 E3 1	464572-E	ERmet F
464636	STVC 96 F ABC VVV 7-00 EE 4.0 * 137 E007	464636-E	DIN C
464643	M08 F 3 A H S * 207 16.3 094 *** 999	464643-E	CC M8 vertical
464648	MSPEED 133 M SMD M1 * A-G VVVV 9999 176	464648-E	MSP 7 row vertical male
464653	MSPEED 133 F SMD F4 * A-G VVVV 9999 094	464653-E	MSP 7 row vertical female
464676	M12 M 8 A * S * 201 10.5 094 *** ODV 9	464676-E	CC M12 vertical
464686	DRCQ 2.54 20 M * SMD * 137 E012 094 GU-H	464686-E	MaxiBridge SRC/DRC Male vertical
464687	DRCQ 2.54 20 M * SMD * 137 E012 166 GU-H	464687-E	MaxiBridge SRC/DRC Male vertical
464688	DRCQ 2.54 20 M * SMD * 137 E012 167 GU-H	464688-E	MaxiBridge SRC/DRC Male vertical
464689	DRCQ 2.54 20 M * SMD * 137 E012 168 GU-H	464689-E	MaxiBridge SRC/DRC Male vertical
464710	SRCA 2.54 4 M 1-KS SMD 137 E1 166 * GURT	464710-E	MaxiBridge SRC/DRC Male angled
464721	SRCA 2.54 8 M 1-KS SMD 137 E1 166 * GURT	464721-E	MaxiBridge SRC/DRC Male angled
464732	SRCBUG A 2.54 2-KS 4 CSI 163 E1 ADV J 2	464732-E	MaxiBridge SRC/DRC Female
464743	SRCBUG A 2.54 2-KS 8 CSI 163 E1 ADV J 2	464743-E	MaxiBridge SRC/DRC Female
464762	SRCP A 2.54 2 C2022 101S 137 * 9999 J	464762-E	MaxiBridge Crimp
464763	SRCP A 2.54 2 C2022 500 137 * 9999 J 2	464763-E	MaxiBridge Crimp
464765	SRCP A 2.54 2 C2426 101S 137 * 9999 J	464765-E	MaxiBridge Crimp
464766	SRCP A 2.54 2 C2426 500 137 * 9999 J 2	464766-E	MaxiBridge Crimp
464771	SRCP A 2.54 2 C1820 101S 137 * 9999 J	464771-E	MaxiBridge Crimp
464772	SRCP A 2.54 2 C1820 500 137 * 9999 J 2	464772-E	MaxiBridge Crimp
464783	STVH15 15 M ZD VV 3-00 LAFD * A079 199 E	464783-E	DIN H15
464800	M12 M 8 A * S * 201 10.5 094 *** Y * 9999	464800-E	CC M12 vertical
464810	SRCA 2.54 5 M 1 SMD 137 E1 094 * GURT 99	464810-E	MaxiBridge SRC/DRC Male angled
464822	SMCB 16 F AB VV 7-03 CL * H007 137 E002	464822-E	SMC BA7 SMD vertical female
464824	SMCQ 16 M AB VV 8-13 CL * H007 137 E005	464824-E	SMC BA8 SMD vertical male low profile
464831	STV/2 21 FI ABC 0507 7-03 TL * 247 E0	464831-E	DIN R
464832	STV/2 21 M ABC 0508 4-00 0606 ** 247 E	464832-E	DIN C
464834	M12 M 5 A H T 3.0 301 17.0 094 *** ODV	464834-E	CC M12 vertical
464912	M12 M 5 A * S * 201 10.5 094 *** Y * 9999	464912-E	CC M12 vertical
464933	CCCS M12 8 M-S * A M12 8 M-S * A PUR 500	464933-E	CCCS
471555	VORCSI ENTRIEGELUNGSWERKZ. CSI-KONT. J 3	471555-E	ERNI costumer application tooling
471579	BMEPP NUTENSTEIN SCHN WECH. 80 MM ***	471579-E	ERNI tooling miscellaneous
471584	BMEPS OT F E06 * 3.5 * SWFS * EINP	471584-E	ERNI tooling miscellaneous
471592	BMEPS OT F F * 2 * SW * EINPRESS-VORRI	471592-E	ERNI tooling miscellaneous
471684	BMEPS OT C F E06 * 3.5 * SWFS * EINPRES	471684-E	ERNI tooling miscellaneous
471710	VOREPU UT DIN 1/1 ABGE M/F 0606 5.0 *	471710-E	ERNI tooling miscellaneous
471855	VOREPU UT DIN 1/1 GERA M/F 0606 32 22.0	471855-E	ERNI tooling miscellaneous
471867	VOREPU UT DIN M GERA F 0606 999 99 9 15.	471867-E	ERNI tooling miscellaneous
471913	BMEPP NUTENSTEINADAPTER SCHMIDT NR19 **	471913-E	ERNI tooling miscellaneous
473200	BMEPP PRESSE PR-KNH-11RZ-SA TYP 11 ***	473200-E	ERNI tooling miscellaneous
473270	VORCOD AUSKLINKEZANGE F.CODIERUNG STV J 1	473270-E	ERNI costumer application tooling
473447	VOREPU UT DIN 1/1 GERA M/F 0606 32 22.0	473447-E	ERNI tooling miscellaneous
474006	DRCQ 2.54 10 M * SMD * 137 E012 094 GU-H	474006-E	MaxiBridge SRC/DRC Male vertical
474007	DRCQ 2.54 10 M * SMD * 137 E012 166 GU-H	474007-E	MaxiBridge SRC/DRC Male vertical
474008	DRCQ 2.54 10 M * SMD * 137 E012 167 GU-H	474008-E	MaxiBridge SRC/DRC Male vertical
474009	DRCQ 2.54 10 M * SMD * 137 E012 168 GU-H	474009-E	MaxiBridge SRC/DRC Male vertical
474016	DRCB 2.54 10 M SMD * 137 E012 094 GURT *	474016-E	MaxiBridge SRC/DRC Male angled
474017	DRCB 2.54 10 M SMD * 137 E012 166 GURT *	474017-E	MaxiBridge SRC/DRC Male angled
474018	DRCB 2.54 10 M SMD * 137 E012 167 GURT *	474018-E	MaxiBridge SRC/DRC Male angled
474019	DRCB 2.54 10 M SMD * 137 E012 168 GURT *	474019-E	MaxiBridge SRC/DRC Male angled
474034	DRCBUG B 2.54 10 * CSI 112 E012 ADV J 2	474034-E	MaxiBridge SRC/DRC Female
474035	DRCBUG B 2.54 10 * CSI 163 E012 ADV J 2	474035-E	MaxiBridge SRC/DRC Female
474036	DRCBUG B 2.54 10 * CSI 164 E012 ADV J 2	474036-E	MaxiBridge SRC/DRC Female
474037	DRCBUG B 2.54 10 * CSI 165 E012 ADV J 2	474037-E	MaxiBridge SRC/DRC Female
474045	IDGEZT OT B4 * GRAU 9999 B4 GEHAEUSE-OBE	474045-E	IDG
474047	SRCA 1.27 2 F 1 J2426 137 E1 094 1.27 TP	474047-E	MiniBridge vertical female IDC
474053	M12 F 4 A H S * 301 17.0 094 *** V 999	474053-E	CC M12 vertical
474061	ERM C 55 MI L1 * 3.50 A-E V-V 2 * 137 E	474061-E	ERmet C
474081	STVR 57 MI ABC 0443 4-00 EE 4.0 N855 247	474081-E	DIN R
474082	STVR 96 MI ABC VVV 4-00 EE 4.0 N856 247	474082-E	DIN R
474088	ERMZDPLUS 4-10 M 40 EE 1.6 2 237 050 25.	474088-E	ERmet ZD Plus
474091	SMCQ 26 F AB VV 7-03 CL * 0007 137 E002	474091-E	SMC BA7 SMD angled female
474108	SRCA 1.27 2 M 1-KS SMD 137 E1 094 * GURT	474108-E	MiniBridge angled male SMD
474109	SRCA 1.27 3 M 1-KS SMD 137 E1 094 * GURT	474109-E	MiniBridge angled male SMD
474110	SRCA 1.27 4 M 1-KS SMD 137 E1 094 * GURT	474110-E	MiniBridge angled male SMD
474114	SRCA 1.27 12 M 1-KS SMD 137 E1 094 * GUR	474114-E	MiniBridge angled male SMD
474125	SRCP 1.27 2 M 1-KS SMD 137 E1 094 * GU-H	474125-E	MiniBridge vertical male SMD
474126	SRCP 1.27 3 M 1-KS SMD 137 E1 094 * GU-H	474126-E	MiniBridge vertical male SMD
474127	SRCP 1.27 4 M 1-KS SMD 137 E1 094 * GU-H	474127-E	MiniBridge vertical male SMD
474131	SRCP 1.27 12 M 1-KS SMD 137 E1 094 * GU-	474131-E	MiniBridge vertical male SMD
474141	SRCA 1.27 2 F 1-KS IDC22 137 E1 094 1.27	474141-E	MiniBridge vertical female IDC
474142	SRCA 1.27 3 F 1-KS IDC22 137 E1 094 1.27	474142-E	MiniBridge vertical female IDC
474143	SRCA 1.27 4 F 1-KS IDC22 137 E1 094 1.27	474143-E	MiniBridge vertical female IDC
474147	SRCA 1.27 12 F 1-KS IDC22 137 E1 094 1.2	474147-E	MiniBridge vertical female IDC
474157	SRCP 1.27 2 F 1-KS IDC22 137 E1 162 1.27	474157-E	MiniBridge angled female IDC
474158	SRCP 1.27 3 F 1-KS IDC22 137 E1 162 1.27	474158-E	MiniBridge angled female IDC
474159	SRCP 1.27 4 F 1-KS IDC22 137 E1 162 1.27	474159-E	MiniBridge angled female IDC
474163	SRCP 1.27 12 F 1-KS IDC22 137 E1 162 1.2	474163-E	MiniBridge angled female IDC
474180	STV/3 26 F ABC 0425 7-00 TL 2.5 * 247 E	474180-E	DIN C
474181	STV/3 26 M ABC 0425 4-00 0606 * N860 24	474181-E	DIN C
474186	STV/3 20 F AB VV 7-00 EE 4.0 * 247 E007	474186-E	DIN B
474191	MSPEED 91 M SMD M2 B A-G VVVV 137 176 *	474191-E	MSP 7 row vertical male
474192	MSPEED 91 F SMD F6 B A-G VVVV 137 094 *	474192-E	MSP 7 row vertical female
474204	STVF 48 F ZBD GGG 7-03 0606 4.5 * 207 E0	474204-E	DIN F
474229	STVTE 32 MI AE UJ 4-00 EE 4.0 * 247 E007	474229-E	DIN TE
474231	M08 F 4 A H T 3.0 301 16.3 094 *** V 0	474231-E	CC M8 vertical

474247	SRCBUG A 2,54 1-WH 6 CSI 112 E1 ADV J 2	474247-E	MaxiBridge SRC/DRC Female
474248	SRCBUG A 2,54 1-WH 6 CSI 163 E1 ADV J 2	474248-E	MaxiBridge SRC/DRC Female
474249	SRCBUG A 2,54 1-WH 8 CSI 164 E1 ADV J 2	474249-E	MaxiBridge SRC/DRC Female
474250	SRCBUG A 2,54 1-WH 6 CSI 165 E1 ADV J 2	474250-E	MaxiBridge SRC/DRC Female
474256	SRCBUG A 2,54 1-WH 8 CSI 112 E1 ADV J 2	474256-E	MaxiBridge SRC/DRC Female
474257	SRCBUG A 2,54 1-WH 8 CSI 163 E1 ADV J 2	474257-E	MaxiBridge SRC/DRC Female
474258	SRCBUG A 2,54 1-WH 8 CSI 164 E1 ADV J 2	474258-E	MaxiBridge SRC/DRC Female
474259	SRCBUG A 2,54 1-WH 8 CSI 165 E1 ADV J 2	474259-E	MaxiBridge SRC/DRC Female
474265	SRCBUG A 2,54 2-WH 6 CSI 112 E1 ADV J 2	474265-E	MaxiBridge SRC/DRC Female
474266	SRCBUG A 2,54 2-WH 6 CSI 163 E1 ADV J 2	474266-E	MaxiBridge SRC/DRC Female
474267	SRCBUG A 2,54 2-WH 6 CSI 164 E1 ADV J 2	474267-E	MaxiBridge SRC/DRC Female
474268	SRCBUG A 2,54 2-WH 6 CSI 165 E1 ADV J 2	474268-E	MaxiBridge SRC/DRC Female
474274	SRCBUG A 2,54 2-WH 8 CSI 112 E1 ADV J 2	474274-E	MaxiBridge SRC/DRC Female
474275	SRCBUG A 2,54 2-WH 8 CSI 163 E1 ADV J 2	474275-E	MaxiBridge SRC/DRC Female
474276	SRCBUG A 2,54 2-WH 8 CSI 164 E1 ADV J 2	474276-E	MaxiBridge SRC/DRC Female
474277	SRCBUG A 2,54 2-WH 8 CSI 165 E1 ADV J 2	474277-E	MaxiBridge SRC/DRC Female
474278	ERMA19 80 F 2 L1 * 3,00 A-E V-V * TRAY 2	474278-E	ERmet A
474320	SMCQ 12 M AB VV 8-03 CL * H007 137 E005	474320-E	SMC BA8 SMD vertical male
474321	SMCQ 16 M AB VV 8-03 CL * H007 137 E005	474321-E	SMC BA8 SMD vertical male
474322	IDC TERM 1 IDC22 1,30 * 094 707 0007 J 2	474322-E	IDC Terminal
474323	IDC TERM 1 IDC22 1,30 * 168 707 0007 J 2	474323-E	IDC Terminal
474324	IDC TERM 1 IDC22 1,30 * 167 707 0007 J 2	474324-E	IDC Terminal
474325	IDC TERM 1 IDC22 1,30 KA 094 707 0007 J	474325-E	IDC Terminal
474326	IDC TERM 1 IDC22 1,30 KA 168 707 0007 J	474326-E	IDC Terminal
474327	IDC TERM 1 IDC22 1,30 KA 167 707 0007 J	474327-E	IDC Terminal
474329	M12 M 4 A * S * 201 10,5 094 * * * OKV8	474329-E	CC M12 vertical
474331	M12 M 5 A * S * 201 10,5 094 * * * OKV8	474331-E	CC M12 vertical
474336	IDC TERM 1 12426 1,10 * 105 707 0007 J 2	474336-E	IDC Terminal
474337	IDC TERM 1 12426 1,10 * 094 707 0007 J 2	474337-E	IDC Terminal
474338	IDC TERM 1 12426 1,10 * 168 707 0007 J 2	474338-E	IDC Terminal
474339	IDC TERM 1 12426 1,10 * 167 707 0007 J 2	474339-E	IDC Terminal
474340	IDC TERM 1 12426 1,10 KA 105 707 0007 J	474340-E	IDC Terminal
474341	IDC TERM 1 12426 1,10 KA 094 707 0007 J	474341-E	IDC Terminal
474342	IDC TERM 1 12426 1,10 KA 168 707 0007 J	474342-E	IDC Terminal
474343	IDC TERM 1 12426 1,10 KA 167 707 0007 J	474343-E	IDC Terminal
474345	CON3 ERNI 474345 CONTACT 1 CRIMP * * * J 1	474345-E	ERNI miscellaneous
474354	IDC TERM 1 12426 1,30 * 105 707 0007 J 2	474354-E	IDC Terminal
474356	SMCQ 50 M AB VV 8-13 CL * H007 137 E005	474356-E	SMC BA8 SMD vertical male low profile
474357	SMCB 50 F AB VV 6-01 VHSL * 0008 137 E00	474357-E	SMC BA6 IDC vertical female SL
474359	STVSKO H M 181 ABGE 40A * EP03 * * MD *	474359-E	Specific High Current Contacts
474360	STVSKO H M 9999 ABGE 40A * EP03 * * MD *	474360-E	Specific High Current Contacts
474369	DRCQ 2,54 10 M * SMD * 137 E012 094 GU-H	474369-E	MaxiBridge SRC/DRC Male vertical
474370	DRCQ 2,54 10 M * SMD * 137 E012 166 GU-H	474370-E	MaxiBridge SRC/DRC Male vertical
474371	DRCQ 2,54 10 M * SMD * 137 E012 167 GU-H	474371-E	MaxiBridge SRC/DRC Male vertical
474372	DRCQ 2,54 10 M * SMD * 137 E012 168 GU-H	474372-E	MaxiBridge SRC/DRC Male vertical
474377	DRCB 2,54 10 M SMD * 137 E012 094 GURT O	474377-E	MaxiBridge SRC/DRC Male angled
474378	DRCB 2,54 10 M SMD * 137 E012 166 GURT O	474378-E	MaxiBridge SRC/DRC Male angled
474379	DRCB 2,54 10 M SMD * 137 E012 167 GURT O	474379-E	MaxiBridge SRC/DRC Male angled
474380	DRCB 2,54 10 M SMD * 137 E012 168 GURT O	474380-E	MaxiBridge SRC/DRC Male angled
474471	MSPEED 75 M SMD M1 BE ABC VVV 137 176 *	474471-E	MSP 3 row vertical male
474473	MSPEED 75 F SMD F4 BE ABC VVV 137 176 *	474473-E	MSP 3 row vertical female
474522	M12 F 4 D H T 3,0 301 17,0 094 * * * V P	474522-E	CC M12 vertical
474580	M12 M 4 T * S * 301 10,5 094 * * Y * ODV 9	474580-E	CC M12 vertical
474665	M12 F 4 D H S * 301 17,0 094 * * * V 999	474665-E	CC M12 vertical
474681	M12 F 8 A H T * 301 17,0 094 * * * V 999	474681-E	CC M12 vertical
474697	MSPEED 50 F SMDTHR F8 * AB VV 137 094 *	474697-E	MSP 2 row vertical female THR-shield
474698	MSPPM 5 F SMDTHR F8 * A V 137 094 KP E00	474698-E	MSP Power Module vertical female THR-shield
474699	MSPEED 50 M SMDTHR M9 * AB VV 137 176 *	474699-E	MSP 2 row vertical male THR-shield
474700	MSPPM 5 M SMDTHR M9 * A V 137 094 KP E00	474700-E	MSP Power Module vertical male THR-shield
474744	SMCB 26 M AB VV 7-03 CL * 0007 137 E004	474744-E	SMC BA7 SMD angled male
474771	M12 F 8 X H S * 301 17,0 112 * * Y * C6A 0	474771-E	CC M12 vertical
474782	STVC/2 42 M ABC 0512 4-00 0606 * * 247 E	474782-E	DIN C
474786	STVB/3 16 M AB 0514 4-00 0606 * * 247 E0	474786-E	DIN B
474788	STVC/3 12 M ABC 0515 4-00 0606 * * 247 E	474788-E	DIN C
474807	SRCA 1,27 2 M 1-VS SMD 137 E1 094 * GURT	474807-E	MiniBridge angled male SMD
474808	SRCA 1,27 3 M 1-VS SMD 137 E1 094 * GURT	474808-E	MiniBridge angled male SMD
474809	SRCA 1,27 4 M 1-VS SMD 137 E1 094 * GURT	474809-E	MiniBridge angled male SMD
474810	SRCA 1,27 6 M 1-KS SMD 137 E1 094 * GURT	474810-E	MiniBridge angled male SMD
474811	SRCA 1,27 8 M 1-KS SMD 137 E1 094 * GURT	474811-E	MiniBridge angled male SMD
474812	SRCA 1,27 10 M 1-KS SMD 137 E1 094 * GUR	474812-E	MiniBridge angled male SMD
474813	SRCA 1,27 12 M 1-KS SMD 137 E1 094 * GUR	474813-E	MiniBridge angled male SMD
474814	SRCP 1,27 2 M 1-VS SMD 137 E1 094 * GU-H	474814-E	MiniBridge vertical male SMD
474815	SRCP 1,27 3 M 1-VS SMD 137 E1 094 * GU-H	474815-E	MiniBridge vertical male SMD
474816	SRCP 1,27 4 M 1-VS SMD 137 E1 094 * GU-H	474816-E	MiniBridge vertical male SMD
474817	SRCP 1,27 6 M 1-KS SMD 137 E1 094 * GU-H	474817-E	MiniBridge vertical male SMD
474818	SRCP 1,27 8 M 1-KS SMD 137 E1 094 * GU-H	474818-E	MiniBridge vertical male SMD
474819	SRCP 1,27 10 M 1-KS SMD 137 E1 094 * GU-	474819-E	MiniBridge vertical male SMD
474820	SRCP 1,27 12 M 1-KS SMD 137 E1 094 * GU-	474820-E	MiniBridge vertical male SMD
474827	SMCB 40 F AB 0516 7-23 CL * H007 137 E00	474827-E	SMC BA7 SMD vertical female high profile
474828	SMCQ 40 M AB 0516 8-23 CL * H007 137 E00	474828-E	SMC BA8 SMD vertical male high profile
474832	SRCP 1,27 6 F 1-KS IDC22 137 E1 162 1,27	474832-E	MiniBridge angled female IDC
474833	SRCP 1,27 8 F 1-KS IDC22 137 E1 162 1,27	474833-E	MiniBridge angled female IDC
474834	SRCP 1,27 10 F 1-KS IDC22 137 E1 162 1,27	474834-E	MiniBridge angled female IDC
474835	SRCP 1,27 12 F 1-KS IDC22 137 E1 162 1,27	474835-E	MiniBridge angled female IDC
474891	DRCQ 2,54 10 M * SMD * 137 E012 094 GURT	474891-E	MaxiBridge SRC/DRC Male vertical
474892	DRCQ 2,54 10 M * SMD * 137 E012 166 GURT	474892-E	MaxiBridge SRC/DRC Male vertical
474893	DRCQ 2,54 10 M * SMD * 137 E012 167 GURT	474893-E	MaxiBridge SRC/DRC Male vertical
474894	DRCQ 2,54 10 M * SMD * 137 E012 168 GURT	474894-E	MaxiBridge SRC/DRC Male vertical
474895	SRCA 1,27 6 F 1 IDC22 137 E1 105 1,27 TR	474895-E	MiniBridge vertical female IDC
474952	ERMPM 3 F P2 * 3,70 ABC * 137 E005 172 9	474952-E	ERmet Power Module
474960	ERMZDPRO 4-10 F 40 EE 0,9 * 247 050 25,0	474960-E	ERmet ZD Pro
474982	ERMZDPRO 4-10 M 40 EE 0,9 1 247 050 25,0	474982-E	ERmet ZD Pro
484000	MESBAN SP562 9999 1,5 9999 * 22,6 * J 2	484000-E	Automotive contacts
484008	ERMZD 2-10 M 20 EE 3,7 2 247 050 24,9 *	484008-E	ERmet ZD
484023	M12 MF 4 T * F * 301 26,0 094 * * * * 99	484023-E	CC M12 vertical
484050	DRCB 0,80 16 F IDC * 137 E009 097 TPAL *	484050-E	MicroCon IDC angled female
484052	DRCB 0,80 26 F IDC * 137 E009 097 TPAL *	484052-E	MicroCon IDC angled female
484054	DRCB 0,80 40 F IDC * 137 E009 097 TPAL *	484054-E	MicroCon IDC angled female

484055	DRCB 0.80 50 F IDC * 137 E009 097 TPAL *	484055-E	MicroCon IDC angled female
484062	STVE 160 M ABCDE VVVVV 4-00 0606 * 8360	484062-E	DIN E
484074	M12 F 12 A H S * 301 17.0 094 *** V 99	484074-E	CC M12 vertical
484076	M12 F 17 A H S * 301 17.0 094 *** V 99	484076-E	CC M12 vertical
484082	SRCA 1.27 6 F 1-KS IDC22 137 E1 094 1.27	484082-E	MiniBridge vertical female IDC
484083	SRCA 1.27 8 F 1-KS IDC22 137 E1 094 1.27	484083-E	MiniBridge vertical female IDC
484084	SRCA 1.27 10 F 1-KS IDC22 137 E1 094 1.2	484084-E	MiniBridge vertical female IDC
484085	SRCA 1.27 12 F 1-KS IDC22 137 E1 094 1.2	484085-E	MiniBridge vertical female IDC
484118	M12 M 5 A H T 3.0 301 17.0 094 *** 0	484118-E	CC M12 vertical
484121	ERMB 125 FS 1 EED9 * 3.70 A-E V-V * 99	484121-E	ERmet B
484156	M12 M 8 A H T * 301 17.0 094 *** ODV 0	484156-E	CC M12 vertical
484179	STVC/30 M ABC VVV 4-00 0606 * 137 E0	484179-E	DIN C
484180	SRCP 1.27 2 F 1 I2426 137 E1 162 1.07 SC	484180-E	MiniBridge angled female IDC
484181	SRCP 1.27 4 F 1 I2426 137 E1 162 1.07 SC	484181-E	MiniBridge angled female IDC
484182	SRCA 1.27 4 F 1 I2426 137 E1 094 1.07 SC	484182-E	MiniBridge vertical female IDC
484183	SRCA 1.27 8 F 1 I2426 137 E1 094 1.07 SC	484183-E	MiniBridge vertical female IDC
484189	SRCBUG A 2.54 2-WH 2 CSI 112 E1 ADV J 2	484189-E	MaxiBridge SRC/DRC Female
484190	SRCBUG A 2.54 2-WH 2 CSI 163 E1 ADV J 2	484190-E	MaxiBridge SRC/DRC Female
484191	SRCBUG A 2.54 2-WH 4 CSI 164 E1 ADV J 2	484191-E	MaxiBridge SRC/DRC Female
484192	SRCBUG A 2.54 2-WH 2 CSI 165 E1 ADV J 2	484192-E	MaxiBridge SRC/DRC Female
484198	SRCBUG A 2.54 2-WH 3 CSI 112 E1 ADV J 2	484198-E	MaxiBridge SRC/DRC Female
484199	SRCBUG A 2.54 2-WH 3 CSI 163 E1 ADV J 2	484199-E	MaxiBridge SRC/DRC Female
484200	SRCBUG A 2.54 2-WH 3 CSI 164 E1 ADV J 2	484200-E	MaxiBridge SRC/DRC Female
484201	SRCBUG A 2.54 2-WH 3 CSI 165 E1 ADV J 2	484201-E	MaxiBridge SRC/DRC Female
484207	SRCBUG A 2.54 2-WH 4 CSI 112 E1 ADV J 2	484207-E	MaxiBridge SRC/DRC Female
484208	SRCBUG A 2.54 2-WH 4 CSI 163 E1 ADV J 2	484208-E	MaxiBridge SRC/DRC Female
484209	SRCBUG A 2.54 2-WH 4 CSI 164 E1 ADV J 2	484209-E	MaxiBridge SRC/DRC Female
484210	SRCBUG A 2.54 2-WH 4 CSI 165 E1 ADV J 2	484210-E	MaxiBridge SRC/DRC Female
484216	SRCBUG A 2.54 2-WH 5 CSI 112 E1 ADV J 2	484216-E	MaxiBridge SRC/DRC Female
484217	SRCBUG A 2.54 2-WH 5 CSI 163 E1 ADV J 2	484217-E	MaxiBridge SRC/DRC Female
484218	SRCBUG A 2.54 2-WH 5 CSI 164 E1 ADV J 2	484218-E	MaxiBridge SRC/DRC Female
484219	SRCBUG A 2.54 2-WH 5 CSI 165 E1 ADV J 2	484219-E	MaxiBridge SRC/DRC Female
484223	STVC 48 M ZBD GGG * 0606 * 9999 107 E007	484223-E	DIN F
484224	MESBAN B14299 9999 1.5 9999 * 21.1 * J 3	484224-E	Automotive contacts
484247	STVE 53 M ABCDE 0375 4-00 0606 * N864 24	484247-E	DIN E
484255	DRCB 2.54 20 M SMD * 137 E012 094 GURT O	484255-E	MaxiBridge SRC/DRC Male angled
484275	SRCA 2.54 5 M 1 SMD 137 E1 094 * GURT OZ	484275-E	MaxiBridge SRC/DRC Male angled
484283	SRCP 2.54 5 M 1 SMD 137 E1 094 * GU-H OZ	484283-E	MaxiBridge SRC/DRC Male vertical
484286	SRCP 2.54 5 M 1 SMD 137 E1 168 * GU-H OZ	484286-E	MaxiBridge SRC/DRC Male vertical
484290	MSPEED 50 M SMD M10 BE AB VV 137 094 * 2	484290-E	MSP 2 row vertical male
484351	IDGEZT OT B2 * * GSLS GEHAEUSE-OBERT. B2	484351-E	IDG
484352	IDGEZT OT B4 * * GSLS GEHAEUSE-OBERT. B4	484352-E	IDG
484353	IDGEZT OT B6 * * GSLS GEHAEUSE-OBERT. B6	484353-E	IDG
484354	IDGEZT OT B9 * * GSLS GEHAEUSE-OBERT. B9	484354-E	IDG
484419	STVM 24-8 M ABC VVV 4-00 0606 * 247 E0	484419-E	DIN M
484438	MICROS STV 54 9999 188 9999 0007 J 3 484	484438-E	MicroStac SRC/DRC
484574	M12 F 4 D H S * 207 17.0 094 *** 999	484574-E	CC M12 vertical
484579	ERMA 110 M 1 P2 * 3.70 A-E V-V 9999 * 24	484579-E	ERmet A
484588	STVH15 15 F ZD VV 2 EE25 4.2 * 197 E 177	484588-E	DIN H15
484599	M08 F 3 A H S * 207 16.3 094 *** F00	484599-E	CC M08 vertical
484618	DRCQ 0.80 40 M * SMD M10 137 E009 176 GU	484618-E	MicroCon SMD vertical male
484619	DRCQ 0.80 40 M * SMD M9 137 E009 176 GU	484619-E	MicroCon SMD vertical male
484630	ERMA 110 MI 1 L1 * 3.50 A-E V-V 2 * 137	484630-E	ERmet A
484636	SRCA 1.27 2 F 1-KS I2426 137 E1 094 1.07	484636-E	MiniBridge vertical female IDC
484637	SRCA 1.27 3 F 1-KS I2426 137 E1 094 1.07	484637-E	MiniBridge vertical female IDC
484638	SRCA 1.27 4 F 1-KS I2426 137 E1 094 1.07	484638-E	MiniBridge vertical female IDC
484639	SRCA 1.27 6 F 1-KS I2426 137 E1 094 1.07	484639-E	MiniBridge vertical female IDC
484640	SRCA 1.27 8 F 1-KS I2426 137 E1 094 1.07	484640-E	MiniBridge vertical female IDC
484641	SRCA 1.27 10 F 1-KS I2426 137 E1 094 1.0	484641-E	MiniBridge vertical female IDC
484642	SRCA 1.27 12 F 1-KS I2426 137 E1 094 1.0	484642-E	MiniBridge vertical female IDC
484643	SRCA 1.27 2 F 1-KS I2426 137 E1 094 1.07	484643-E	MiniBridge vertical female IDC
484644	SRCA 1.27 3 F 1-KS I2426 137 E1 094 1.07	484644-E	MiniBridge vertical female IDC
484645	SRCA 1.27 4 F 1-KS I2426 137 E1 094 1.07	484645-E	MiniBridge vertical female IDC
484646	SRCA 1.27 6 F 1-KS I2426 137 E1 094 1.07	484646-E	MiniBridge vertical female IDC
484647	SRCA 1.27 8 F 1-KS I2426 137 E1 094 1.07	484647-E	MiniBridge vertical female IDC
484648	SRCA 1.27 10 F 1-KS I2426 137 E1 094 1.0	484648-E	MiniBridge vertical female IDC
484649	SRCA 1.27 12 F 1-KS I2426 137 E1 094 1.0	484649-E	MiniBridge vertical female IDC
484655	SRCP 1.27 2 F 1-KS I2426 137 E1 162 1.07	484655-E	MiniBridge angled female IDC
484656	SRCP 1.27 3 F 1-KS I2426 137 E1 162 1.07	484656-E	MiniBridge angled female IDC
484657	SRCP 1.27 4 F 1-KS I2426 137 E1 162 1.07	484657-E	MiniBridge angled female IDC
484658	SRCP 1.27 6 F 1-KS I2426 137 E1 162 1.07	484658-E	MiniBridge angled female IDC
484659	SRCP 1.27 8 F 1-KS I2426 137 E1 162 1.07	484659-E	MiniBridge angled female IDC
484660	SRCP 1.27 10 F 1-KS I2426 137 E1 162 1.0	484660-E	MiniBridge angled female IDC
484661	SRCP 1.27 12 F 1-KS I2426 137 E1 162 1.0	484661-E	MiniBridge angled female IDC
484662	SRCP 1.27 2 F 1-KS I2426 137 E1 162 1.07	484662-E	MiniBridge angled female IDC
484663	SRCP 1.27 3 F 1-KS I2426 137 E1 162 1.07	484663-E	MiniBridge angled female IDC
484664	SRCP 1.27 4 F 1-KS I2426 137 E1 162 1.07	484664-E	MiniBridge angled female IDC
484665	SRCP 1.27 6 F 1-KS I2426 137 E1 162 1.07	484665-E	MiniBridge angled female IDC
484666	SRCP 1.27 8 F 1-KS I2426 137 E1 162 1.07	484666-E	MiniBridge angled female IDC
484667	SRCP 1.27 10 F 1-KS I2426 137 E1 162 1.0	484667-E	MiniBridge angled female IDC
484668	SRCP 1.27 12 F 1-KS I2426 137 E1 162 1.0	484668-E	MiniBridge angled female IDC
484680	SRCP 1.27 4 M 1-KS I2426 137 * 094 1,07	484680-E	MiniBridge vertical male SMD
484715	STVC 96 M ABC VVV 4-00 EE * 8428 247 E00	484715-E	DIN C
484717	MSPEED 26 M SMD M2 E AB VV 137 094 * H54	484717-E	MSP 2 row vertical male
484719	M12 M 5 A * S * 201 10.5 094 *** 999	484719-E	CC M12 vertical
484724	STVC/30 F ABC VVV 7-00 TL 2.5 * 137 E0	484724-E	DIN C
484742	SRCA 1.27 6 F 1 I2426 137 E1 105 1.07 TP	484742-E	MiniBridge vertical female IDC
484784	M12 M 12 A * S * 301 10.5 094 *** 9999	484784-E	CC M12 vertical
484790	M12 M 4 A * S * 201 10.5 094 *** ODV 9	484790-E	CC M12 vertical
484808	STVE 160 M ABCDE VVVVV 4-00 0606 * N866	484808-E	DIN E
484816	VORCSI ENTRIGELUNGSWERKZ. CSI-KONT. J 3	484816-E	ERNI customer application tooling
484822	STVCD 128 M ABCD VVVV 4-00 0606 * 8360 2	484822-E	DIN CD
484823	STVE/2 80 M ABCDE VVVVV 4-00 0606 * 8360	484823-E	DIN E
484824	STVC 96 M ABC VVV 4-00 0606 * 8360 207 E	484824-E	DIN C
484826	STVCD 128 F ABCD VVVV 7-00 TL 4.0 * 207	484826-E	DIN CD
484827	STVE/2 80 F ABCDE VVVVV 7-00 0606 3.7 *	484827-E	DIN E
484844	SRCA 2.54 2 M 1 SMD 137 E1 094 * GURT 99	484844-E	MaxiBridge SRC/DRC Male angled
484845	SRCA 2.54 2 M 1 SMD 137 E1 105 * GURT 99	484845-E	MaxiBridge SRC/DRC Male angled

484863	SMCB 60 F AB 0527 7-13 CL * H007 137 E00	484863-E	SMC BA7 SMD vertical female low profile
484871	STVB 48 M AB 0526 4-00 0606 * * 247 E007	484871-E	DIN B
484881	ERMF 88 M P2 * 3,70 A-H V-V 9999 * 247 E	484881-E	ERmet F
484882	ERMF 88 M P2 * 3,70 A-H V-V 9999 * 247 E	484882-E	ERmet F
484896	M12 F 5 A H S * 301 17,0 094 * * * V 999	484896-E	CC M12 vertical
484924	M12 M 5 A * S * 201 10,5 094 * * * ODV 9	484924-E	CC M12 vertical
484934	M12 F 5 B H S * 301 17,0 094 * * Y * V P00	484934-E	CC M12 vertical
484936	M12 F 4 D H S * 301 17,0 094 * * Y * V 000	484936-E	CC M12 vertical
484937	M12 F 4 D H S * 301 17,0 094 * * Y * V P00	484937-E	CC M12 vertical
484938	MSPEED 32 F SMD F4 BE AB VV 137 094 * SO	484938-E	MSP 2 row vertical female
484939	MSPEED 32 M SMD * 90BE AB VV 137 094 * S	484939-E	MSP 2 row angled male
484944	M12 F 4 D H T 1,4 301 17,0 094 * * * V 9	484944-E	CC M12 vertical
484967	M12 M 5 A H S * 201 17,0 094 * * * ODV 0	484967-E	CC M12 vertical
494013	M12 M 4 A * S * 201 10,5 094 * * Y-VG OD	494013-E	CC M12 vertical
494020	M12 M 4 A H S * 201 17,0 094 * * * ODV 0	494020-E	CC M12 vertical
494068	M12 M 5 A H S * 201 17,0 094 * * * ODV P	494068-E	CC M12 vertical
494075	SMCB 20 M AB VV 7-03 CL * 0007 137 E004	494075-E	SMC BA7 SMD angled male
494081	M12 F 5 A H T 1,4 9999 17,0 094 * * * 99	494081-E	CC M12 vertical
494083	M12 F 4 D H T 1,4 9999 17,0 094 * * * 99	494083-E	CC M12 vertical
494086	ERMPM 3 M L1 * 3,00 ABC LMS 237 E005 172	494086-E	ERmet Power Module
494094	M12 MF 4 A * F * 301 28,0 094 * * * * 99	494094-E	CC M12 vertical
494100	M12 M 5 A * T * 301 10,5 094 * * Y OKV8	494100-E	CC M12 vertical
494135	STVC/2 48 M ABC VVV 4-00 0606 * 8360 207	494135-E	DIN C
494136	STVC/2 48 F ABC VVV 7-00 TL 4,0 * 207 E0	494136-E	DIN C
494144	ERMC 56 M P2 * 3,70 Z-F 9999 9999 * 24	494144-E	ERmet C
494145	M12 F 5 A H T 1,4 301 17,0 094 * * * V 9	494145-E	CC M12 vertical
494150	ERMZDPLUS 3-10 M 6 EE 1,8 1 237 097 25,0	494150-E	ERmet ZD Plus
494153	STVR/2 48 MI ABC VVV 4-00 GA06 2,5 * 247	494153-E	DIN R
494166	M12 F 8 A H S * 301 17,0 094 * * * * V 999	494166-E	CC M12 vertical
494167	M12 M 4 A * S * 201 10,5 094 * * Y-VG OD	494167-E	CC M12 vertical
494174	SRCP 2,54 2 M 1 SMD 137 E1 094 * GU-H 99	494174-E	MaxiBridge SRC/DRC Male vertical
494175	SRCP 2,54 2 M 1 SMD 137 E1 166 * GU-H 99	494175-E	MaxiBridge SRC/DRC Male vertical
494176	SRCP 2,54 2 M 1 SMD 137 E1 167 * GU-H 99	494176-E	MaxiBridge SRC/DRC Male vertical
494177	SRCA 2,54 2 M 1 SMD 137 E1 094 * GURT 99	494177-E	MaxiBridge SRC/DRC Male angled
494178	SRCA 2,54 2 M 1 SMD 137 E1 166 * GURT 99	494178-E	MaxiBridge SRC/DRC Male angled
494179	SRCA 2,54 2 M 1 SMD 137 E1 167 * GURT 99	494179-E	MaxiBridge SRC/DRC Male angled
494193	STVE 109 F ACDE 0532 7-00 EE 4,0 * 247 E	494193-E	DIN E
494194	STVTE 109 MI ACDE 0532 4-00 GA06 4,0 * 2	494194-E	DIN TE
494195	ERMPM 5 M L1 * 3,00 A-E LMLLL 107 E005 1	494195-E	ERmet Power Module
494202	STVC/2 48 M ABC VVV 4-00 0606 * 8431 247	494202-E	DIN C
494222	SMCQ 12 F AB VV 7-03 CL * 0007 137 E002	494222-E	SMC BA7 SMD angled female
494234	STVC/3 30 M ABC VVV 4-00 0606 * 8432 247	494234-E	DIN C
494335	M12 M 5 A * S * 201 10,5 094 * * Y-VG OD	494335-E	CC M12 vertical
494338	SRCA 2,54 2 M 1 SMD 137 E1 166 * GURT 99	494338-E	MaxiBridge SRC/DRC Male angled
494339	SRCA 2,54 2 M 1 SMD 137 E1 167 * GURT 99	494339-E	MaxiBridge SRC/DRC Male angled
494340	SRCA 2,54 2 M 1 SMD 137 E1 168 * GURT 99	494340-E	MaxiBridge SRC/DRC Male angled
494341	STVE 80 M ABCDE 0533 4-00 0606 * N000 24	494341-E	DIN E
494375	M08 F 4 A H S * 207 16,3 094 * * * * P00	494375-E	CC M8 vertical
494376	M12 M 8 A H S * 201 17,0 094 * * * ODV P	494376-E	CC M12 vertical
494390	ERMPM 5 M L1 * 3,00 A-E MMLLL 107 E005 1	494390-E	ERmet Power Module
494399	SMCB 20 M AB VV 7-03 CL * 0007 107 E003	494399-E	SMC BA7 SMD angled male
494421	SRCP 1,27 8 F 1 IDC22 137 E1 162 1,27 TP	494421-E	MiniBridge angled female IDC
494474	SRCP 1,27 2 F 1-KS IDC22 137 E1 162 1,27	494474-E	MiniBridge angled female IDC
494475	SRCP 1,27 3 F 1-KS IDC22 137 E1 162 1,27	494475-E	MiniBridge angled female IDC
494477	SRCP 1,27 6 F 1-KS IDC22 137 E1 162 1,27	494477-E	MiniBridge angled female IDC
494478	SRCP 1,27 8 F 1-KS IDC22 137 E1 162 1,27	494478-E	MiniBridge angled female IDC
494479	SRCP 1,27 10 F 1-KS IDC22 137 E1 162 1,27	494479-E	MiniBridge angled female IDC
494506	SRCA 1,27 2 F 1-KS IDC22 137 E1 094 1,27	494506-E	MiniBridge vertical female IDC
494507	SRCA 1,27 3 F 1-KS IDC22 137 E1 094 1,27	494507-E	MiniBridge vertical female IDC
494508	SRCA 1,27 4 F 1-KS IDC22 137 E1 094 1,27	494508-E	MiniBridge vertical female IDC
494509	SRCA 1,27 6 F 1-KS IDC22 137 E1 094 1,27	494509-E	MiniBridge vertical female IDC
494510	SRCA 1,27 8 F 1-KS IDC22 137 E1 094 1,27	494510-E	MiniBridge vertical female IDC
494511	SRCA 1,27 10 F 1-KS IDC22 137 E1 094 1,27	494511-E	MiniBridge vertical female IDC
494512	SRCA 1,27 12 F 1-KS IDC22 137 E1 094 1,27	494512-E	MiniBridge vertical female IDC
494518	M12 M 12 A * S * 301 10,5 094 * * Y * 9999	494518-E	CC M12 vertical
494520	M12 M 4 A * S * 201 10,5 094 * * Y-VG 99	494520-E	CC M12 vertical
494524	M12 M 8 A * S * 201 10,5 094 * * Y-VG 99	494524-E	CC M12 vertical
494525	STVE 16 F AE 0356 7-01 LOE 8,0 * 237 E00	494525-E	DIN E
494543	SMCB 12 F AB VV 7-23 CL * 9999 137 E002	494543-E	SMC BA7 SMD vertical female high profile
494559	SRCA 2,54 4 M 1 SMD 137 E1 168 * GURT 99	494559-E	MaxiBridge SRC/DRC Male angled
494562	M12 F 5 B H T 1,4 9999 17,0 094 * * * 99	494562-E	CC M12 vertical
494577	M12 M 4 B H S * 201 17,0 094 * * * 9999	494577-E	CC M12 vertical
494595	SRCA 2,54 4 M 1 SMD 137 E1 166 * GURT 99	494595-E	MaxiBridge SRC/DRC Male angled
494609	DRCBTB 1,27 14 M BTB28 24,2 137 * 185 TR	494609-E	SMC BTB
494610	DRCBTB 1,27 12 M BTB40 38,2 137 * 094 TR	494610-E	SMC BTB
494613	SMCB 14 F AB 0538 7-13 CL * H007 137 E00	494613-E	SMC BA7 SMD vertical female low profile
494614	SMCB 14 F AB 0538 7-23 CL * H007 137 E00	494614-E	SMC BA7 SMD vertical female high profile
494615	SMCB 12 F AB VV 7-13 CL * H007 137 E002	494615-E	SMC BA7 SMD vertical female low profile
494616	SMCB 12 F AB VV 7-23 CL * H007 137 E002	494616-E	SMC BA7 SMD vertical female high profile
494705	M12 M 4 B H S * 201 18,8 094 * * * OD 99	494705-E	CC M12 vertical
494729	M12 M 4 T * S * 301 10,5 094 * * * ODV 9	494729-E	CC M12 vertical
494733	DRCBTB 1,27 26 M BTB38 36,2 137 * 094 TR	494733-E	SMC BTB
494826	SRCA 1,27 3 F 1-KS I2426 137 E1 105 1,07	494826-E	MiniBridge vertical female IDC
494828	STVB/3 14 M AB 0539 4-00 0606 * * 247 E0	494828-E	DIN B
494879	ERMZD 4-10 F 40 EE 1,8 * 107 050 24,9 *	494879-E	ERmet ZD
494899	SMCB 68 F AB VV 7-13 CL * H007 187 E003	494899-E	SMC BA7 SMD vertical female low profile
494900	SMCB 68 M AB VV 7-03 CL * 0007 187 E003	494900-E	SMC BA7 SMD angled male
494918	M08 F 8 A H S * 301 16,3 094 * * Y Y V 000	494918-E	CC M8 vertical
494919	M08 F 8 A H S * 301 16,3 094 * * Y Y V P00	494919-E	CC M8 vertical
494927	M12 M 3 A * S * 201 10,5 094 * * * ODV 9	494927-E	CC M12 vertical
494939	M08 M 8 A H S * 301 21,0 094 * * Y Y V H00	494939-E	CC M8 vertical
494940	M08 M 8 A H S * 301 21,0 094 * * Y Y V 000	494940-E	CC M8 vertical
494981	M12 M 5 A * S * 201 10,5 094 * * * OKV 9	494981-E	CC M12 vertical
494996	DRCBTB 1,27 26 M BTB36 35,8 137 * 094 T	494996-E	SMC BTB
501260	BMVOR SRC A+P BASISVORR. KABELKONFEK 5 3	501260-E	ERNI costumer application tooling
501316	VORSMC SMC5KV ENTRIEGELUNGSWERKZEUG J 1	501316-E	ERNI costumer application tooling
504235	MCBA 2 M * SMD 137 * 176 * GURT * J 2 50	504235-E	MCB Male SMD angled
504236	MCBA 2 M * SMD 137 * 192 * GURT * J 2 50	504236-E	MCB Male SMD angled

504237	MCBA 2 M * SMD 137 * 193 * GURT * J 2 50	504237-E	MCB Male SMD angled
504238	MCBA 2 M * SMD 137 * 194 * GURT * J 2 50	504238-E	MCB Male SMD angled
504255	MCBA 4 M * SMD 137 * 176 * GURT * J 2 50	504255-E	MCB Male SMD angled
504265	MCBA 5 M * SMD 137 * 176 * GURT * J 2 50	504265-E	MCB Male SMD angled
504275	MCBA 6 M * SMD 137 * 176 * GURT * J 2 50	504275-E	MCB Male SMD angled
504278	MCBA 6 M * SMD 137 * 194 * GURT * J 2 50	504278-E	MCB Male SMD angled
504285	MCBA 8 M * SMD 137 * 176 * GURT * J 2 50	504285-E	MCB Male SMD angled
504295	MCBA 10 M * SMD 137 * 176 * GURT * J 2 5	504295-E	MCB Male SMD angled
504305	MCBA 12 M * SMD 137 * 176 * GURT * J 2 5	504305-E	MCB Male SMD angled
504315	MCBA 14 M * SMD 137 * 176 * GURT * J 2 5	504315-E	MCB Male SMD angled
504316	MCBA 14 M * SMD 137 * 192 * GURT * J 2 5	504316-E	MCB Male SMD angled
504317	MCBA 14 M * SMD 137 * 193 * GURT * J 2 5	504317-E	MCB Male SMD angled
504318	MCBA 14 M * SMD 137 * 194 * GURT * J 2 5	504318-E	MCB Male SMD angled
504325	MCBA 16 M * SMD 137 * 176 * GURT * J 2 5	504325-E	MCB Male SMD angled
504345	MCBP 2 M * SMD 137 * 197 * GU-H * J 2 50	504345-E	MCB Male SMD vertical
504385	MCBP 4 M * SMD 137 * 197 * GU-H * J 2 50	504385-E	MCB Male SMD vertical
504405	MCBP 5 M * SMD 137 * 197 * GU-H * J 2 50	504405-E	MCB Male SMD vertical
504425	MCBP 6 M * SMD 137 * 197 * GU-H * J 2 50	504425-E	MCB Male SMD vertical
504445	MCBP 8 M * SMD 137 * 197 * GU-H * J 2 50	504445-E	MCB Male SMD vertical
504778	MCBA 2 F * 035 137 * 197 1.27 TRAY VR2 J	504778-E	MCB Female IDC vertical
504898	MCBA 4 F * 035 137 * 197 1.27 TRAY VR2 J	504898-E	MCB Female IDC vertical
504958	MCBA 5 F * 035 137 * 197 1.27 TRAY VR2 J	504958-E	MCB Female IDC vertical
505018	MCBA 6 F * 035 137 * 197 1.27 TRAY VR2 J	505018-E	MCB Female IDC vertical
505078	MCBA 8 F * 035 137 * 197 1.27 TRAY VR2 J	505078-E	MCB Female IDC vertical
505318	MCBA 16 F * 035 137 * 197 1.27 TRAY VR2	505318-E	MCB Female IDC vertical
514496	MCBA 14 M * SMD 137 * 176 * GURT C7 J 2	514496-E	MCB Male SMD angled
514502	SRCROL A 2.54 2SG3 C2022 10TS 137 * 9999	514502-E	MaxiBridge Crimp
514523	MCBA 6 M * SMD 137 * 176 * GURT C3 J 2 5	514523-E	MCB Male SMD angled
514526	MCBA 6 M * SMD 137 * 194 * GURT C3 J 2 5	514526-E	MCB Male SMD angled
514889	MCBA 9 M * SMD 137 * 176 * GURT * J 2 51	514889-E	MCB Male SMD angled
514983	MCBA 9 F * 035 137 * 197 1.27 TRAY VR2 J	514983-E	MCB Female IDC vertical
515089	MCBA 5 M * SMD 137 * 176 * GURT C3 J 2 5	515089-E	MCB Male SMD angled
515094	MCBA 8 M * SMD 137 * 176 * GURT C4 J 2 5	515094-E	MCB Male SMD angled
515099	MCBA 9 M * SMD 137 * 176 * GURT C5 J 2 5	515099-E	MCB Male SMD angled
515104	MCBA 16 M * SMD 137 * 176 * GURT C8 J 2	515104-E	MCB Male SMD angled
515109	MCBP 6 M * SMD 137 * 197 * GU-H C3 J 2 5	515109-E	MCB Male SMD vertical
515114	SRCP 2.54 4 M 1 SMD 137 E1 094 * GU-H 99	515114-E	MaxiBridge SRC/DRC Male vertical
515115	SRCP 2.54 4 M 1 SMD 137 E1 166 * GU-H 99	515115-E	MaxiBridge SRC/DRC Male vertical
515116	SRCP 2.54 4 M 1 SMD 137 E1 105 * GU-H 99	515116-E	MaxiBridge SRC/DRC Male vertical
515117	SRCP 2.54 6 M 1 SMD 137 E1 167 * GU-H 99	515117-E	MaxiBridge SRC/DRC Male vertical
515118	SRCP 2.54 6 M 1 SMD 137 E1 168 * GU-H 99	515118-E	MaxiBridge SRC/DRC Male vertical
515123	SRCA 2.54 2 M 1 SMD 137 E1 094 * GURT 99	515123-E	MaxiBridge SRC/DRC Male angled
515125	STVSKO H M 181 GERA 10A CR01 * * * MD *	515125-E	Specific High Current Contacts
515126	KDSSTG 10 BUSVERBINDER VERBINDER STIFTL	515126-E	CS PILZ BUS Connector
515129	M12 M 5 B * S * 201 10.5 094 * * Y-VG OD	515129-E	CC M12 vertical
515135	SMCB 26 M AB VV 7-03 CL * 0007 137 E004	515135-E	SMC BA7 SMD angled male
515163	DRCBTB 1.27 12 M BTB40 38.2 137 * 094 TR	515163-E	SMC BTB
515175	SRCP 2.54 8 M 1-KS SMD 137 E1 166 * GU-H	515175-E	MaxiBridge SRC/DRC Male vertical
515223	SRCBUG A 2.54 2-KS 10 CSI 112 E1 ADV TRA	515223-E	MaxiBridge SRC/DRC Female
515241	SRCP 2.54 10 M 1-KS SMD 137 E1 094 * GU-	515241-E	MaxiBridge SRC/DRC Male vertical
515253	SRCA 2.54 10 M 1-KS SMD 137 E1 094 * GUR	515253-E	MaxiBridge SRC/DRC Male angled
515299	STVR 64 FI AC VV 7-03 TL-S * * 247 E 172	515299-E	DIN R
515300	STVR 96 FI ABC VVV 7-03 TL-S * * 247 E 1	515300-E	DIN R
515406	SRCA 2.54 2 M 1 SMD 137 E1 168 * GURT 99	515406-E	MaxiBridge SRC/DRC Male angled
515407	SRCA 2.54 2 M 1 SMD 137 E1 167 * GURT 99	515407-E	MaxiBridge SRC/DRC Male angled
515436	MCBP 5 M * SMD 137 * 197 * GU-H C3 J 2 5	515436-E	MCB Male SMD vertical
515541	DRCP 2.54 8 M * SMD * 137 E012 166 GU-H	515541-E	MaxiBridge SRC/DRC Male vertical
515605	MSPEED 22 M SMD * 90E AB 9999 137 094 *	515605-E	MSP 2 row angled male
515632	M12 M 8 A * S * 301 10.5 094 * * * OKV H	515632-E	CC M12 vertical
515737	SMCB 12 F AB VV 6-01 VH * 0008 137 E002	515737-E	SMC BA6 IDC vertical female
515738	SMCB 26 F AB VV 6-01 VH * 0008 137 E002	515738-E	SMC BA6 IDC vertical female
515739	SMCB 50 F AB VV 6-01 VH * 0008 137 E002	515739-E	SMC BA6 IDC vertical female
515740	SMCB 68 F AB VV 6-01 VH * 0008 137 E002	515740-E	SMC BA6 IDC vertical female
515741	SMCB 80 F AB VV 6-01 VH * 0008 137 E002	515741-E	SMC BA6 IDC vertical female
515742	SMCB 16 F AB VV 6-01 VH * 0008 137 E002	515742-E	SMC BA6 IDC vertical female
515743	SMCB 20 F AB VV 6-01 VH * 0008 137 E002	515743-E	SMC BA6 IDC vertical female
515744	SMCB 32 F AB VV 6-01 VH * 0008 137 E002	515744-E	SMC BA6 IDC vertical female
515745	SMCB 40 F AB VV 6-01 VH * 0008 137 E002	515745-E	SMC BA6 IDC vertical female
515807	MCBA 12 M * SMD 137 * 176 * GURT C6 J 2	515807-E	MCB Male SMD angled
515814	M08 F 6 A H S * 301 16.3 094 * * * V P00	515814-E	CC M8 vertical
515898	MCBA 4 M * SMD 137 * 176 * GURT C2 J 2 5	515898-E	MCB Male SMD angled
515912	SRCA 2.54 2 M 1 SMD 137 E1 094 * GURT 99	515912-E	MaxiBridge SRC/DRC Male angled
515913	SMCB 16 M AB VV 7-03 CL * 0007 137 E004	515913-E	SMC BA7 SMD angled male
515928	M12 F 4 A H T 1.4 301 17.0 094 * * * V 9	515928-E	CC M12 vertical
515929	M12 F 4 A H S * 207 17.0 094 * * * * 9	515929-E	CC M12 vertical
515931	M12 F 4 D H S * 207 17.0 094 * * * Y * 0	515931-E	CC M12 vertical
515934	M12 F 5 A H S * 207 17.0 094 * * * Y * 0	515934-E	CC M12 vertical
515939	M12 F 4 A H S * 207 17.0 094 * * * Y * 999	515939-E	CC M12 vertical
515944	MCBA 10 M * SMD 137 * 176 * GURT C5 J 2	515944-E	MCB Male SMD angled
515949	MCBP 4 M * SMD 137 * 197 * GU-H C2 J 2 5	515949-E	MCB Male SMD vertical
515954	MCBP 8 M * SMD 137 * 197 * GU-H C4 J 2 5	515954-E	MCB Male SMD vertical
524141	MCBA 8 M * SMD 137 * 176 * GURT C8 J 2 5	524141-E	MCB Male SMD angled
524155	SMCB 26 M AB VV 7-03 CL * 0007 137 E004	524155-E	SMC BA7 SMD angled male
524160	MSPEED 26 F SMD F4 E AB VV 137 094 * 999	524160-E	MSP 2 row vertical female
524191	SRCBUG A 6.20 * 2 CSI 206 E-HD ADVCBK TR	524191-E	Voltron SRC Female
524192	SRCBUG A 6.20 * 2 CSI 206 E-HD ADVCOR TR	524192-E	Voltron SRC Female
524197	SRCBUG A 6.20 * 5 CSI 206 E-HD ADVCBK TR	524197-E	Voltron SRC Female
524198	SRCBUG A 6.20 * 5 CSI 206 E-HD ADVCOR TR	524198-E	Voltron SRC Female
524201	SRCBUG A 6.20 * 6 CSI 206 E-HD ADVCOR TR	524201-E	Voltron SRC Female
524226	SRCA 6.20 2 M * SMD 137 E-HD 197 * * * J	524226-E	Voltron SRC Male
524227	SRCA 6.20 2 M * SMD 137 E-HD 205 * * * J	524227-E	Voltron SRC Male
524232	SRCA 6.20 5 M * SMD 137 E-HD 197 * * * J	524232-E	Voltron SRC Male
524233	SRCA 6.20 5 M * SMD 137 E-HD 205 * * * J	524233-E	Voltron SRC Male
524256	SRCP 6.20 2 M * SMD 137 E-HD 205 * * * J	524256-E	Voltron SRC Male
524265	SRCP 6.20 6 M * SMD 137 E-HD 205 * * * J	524265-E	Voltron SRC Male
524299	MSPEED 26 F SMD F4 E AB VV 137 094 * 999	524299-E	MSP 2 row vertical female
524303	STVC/2 48 M ABC VVV 4-00 0606 * N000 247	524303-E	DIN C
524304	STVC/3 30 M ABC VVV 4-00 0606 * N000 247	524304-E	DIN C

524325	MSPEED 50 F SMD F4 BE AB VV 9999 094 * 9	524325-E	MSP 2 row vertical female
524326	MSPEED 50 F SMD F4 BE AB VV 9999 094 * 9	524326-E	MSP 2 row vertical female
524327	MSPEED 50 M SMD M1 BE AB VV 9999 094 * 9	524327-E	MSP 2 row vertical male
524328	MSPEED 50 M SMD M1 BE AB VV 9999 094 * 9	524328-E	MSP 2 row vertical male
524401	MCBP 2 F 2 035 137 * 197 1,27 TRAY VR2 J	524401-E	MCB Female IDC angled
524402	MCBP 2 F 2 035 137 * 201 1,27 TRAY VR2 J	524402-E	MCB Female IDC angled
524403	MCBP 2 F 2 035 137 * 197 1,27 TRAY VR2 J	524403-E	MCB Female IDC angled
524404	MCBP 2 F 2 035 137 * 203 1,27 TRAY VR2 J	524404-E	MCB Female IDC angled
524406	MCBP 2 F 2 035 137 * 197 1,27 TPAL VR2 J	524406-E	MCB Female IDC angled
524407	MCBP 2 F 2 035 137 * 201 1,27 TPAL VR2 J	524407-E	MCB Female IDC angled
524408	MCBP 2 F 2 035 137 * 202 1,27 TPAL VR2 J	524408-E	MCB Female IDC angled
524409	MCBP 2 F 2 035 137 * 203 1,27 TPAL VR2 J	524409-E	MCB Female IDC angled
524421	MCBP 4 F 2 035 137 * 197 1,27 TRAY VR2 J	524421-E	MCB Female IDC angled
524426	MCBP 4 F 2 035 137 * 197 1,27 TPAL VR2 J	524426-E	MCB Female IDC angled
524431	MCBP 5 F 2 035 137 * 197 1,27 TRAY VR2 J	524431-E	MCB Female IDC angled
524432	MCBP 5 F 2 035 137 * 201 1,27 TRAY VR2 J	524432-E	MCB Female IDC angled
524436	MCBP 5 F 2 035 137 * 197 1,27 TPAL VR2 J	524436-E	MCB Female IDC angled
524441	MCBP 6 F 2 035 137 * 197 1,27 TRAY VR2 J	524441-E	MCB Female IDC angled
524442	MCBP 6 F 2 035 137 * 201 1,27 TRAY VR2 J	524442-E	MCB Female IDC angled
524444	MCBP 6 F 2 035 137 * 203 1,27 TRAY VR2 J	524444-E	MCB Female IDC angled
524446	MCBP 6 F 2 035 137 * 197 1,27 TPAL VR2 J	524446-E	MCB Female IDC angled
524447	MCBP 6 F 2 035 137 * 201 1,27 TPAL VR2 J	524447-E	MCB Female IDC angled
524449	MCBP 6 F 2 035 137 * 203 1,27 TPAL VR2 J	524449-E	MCB Female IDC angled
524451	MCBP 8 F 2 035 137 * 197 1,27 TRAY VR2 J	524451-E	MCB Female IDC angled
524454	MCBP 8 F 2 035 137 * 203 1,27 TRAY VR2 J	524454-E	MCB Female IDC angled
524456	MCBP 8 F 2 035 137 * 197 1,27 TPAL VR2 J	524456-E	MCB Female IDC angled
524459	MCBP 8 F 2 035 137 * 203 1,27 TPAL VR2 J	524459-E	MCB Female IDC angled
524471	MCBP 10 F 2 035 137 * 197 1,27 TRAY VR2	524471-E	MCB Female IDC angled
524476	MCBP 10 F 2 035 137 * 197 1,27 TPAL VR2	524476-E	MCB Female IDC angled
524481	MCBP 12 F 2 035 137 * 197 1,27 TRAY VR2	524481-E	MCB Female IDC angled
524486	MCBP 12 F 2 035 137 * 197 1,27 TPAL VR2	524486-E	MCB Female IDC angled
524491	MCBP 14 F 2 035 137 * 197 1,27 TRAY VR2	524491-E	MCB Female IDC angled
524492	MCBP 14 F 2 035 137 * 201 1,27 TRAY VR2	524492-E	MCB Female IDC angled
524493	MCBP 14 F 2 035 137 * 202 1,27 TRAY VR2	524493-E	MCB Female IDC angled
524494	MCBP 14 F 2 035 137 * 203 1,27 TRAY VR2	524494-E	MCB Female IDC angled
524496	MCBP 14 F 2 035 137 * 197 1,27 TPAL VR2	524496-E	MCB Female IDC angled
524497	MCBP 14 F 2 035 137 * 201 1,27 TPAL VR2	524497-E	MCB Female IDC angled
524498	MCBP 14 F 2 035 137 * 202 1,27 TPAL VR2	524498-E	MCB Female IDC angled
524499	MCBP 14 F 2 035 137 * 203 1,27 TPAL VR2	524499-E	MCB Female IDC angled
524533	MSPEED 32 F SMD F10 BE AB VV 137 094 **	524533-E	MSP 2 row vertical female
524534	MSPEED 32 M SMD M2 BE AB VV 137 094 * 2F	524534-E	MSP 2 row vertical male
524535	MSPEED 32 M SMD * 90BE AB VV 137 094 * H	524535-E	MSP 2 row angled male
524536	MSPEED 32 F SMD * 90BE AB VV 137 094 **	524536-E	MSP 2 row angled female
524537	MSPEED 26 F SMD F4 E AB VV 137 207 ** E	524537-E	MSP 2 row vertical female
524538	MSPEED 44 M SMD M1 BE AB VV 137 207 * 99	524538-E	MSP 2 row vertical male
524539	MSPEED 44 F SMD * 90BE AB VV 137 207 * 9	524539-E	MSP 2 row angled female
524541	MSPEED 26 M SMD M2 E AB VV 137 094 * 999	524541-E	MSP 2 row vertical male
524542	MSPEED 26 F SMD * 90E AB VV 137 094 **	524542-E	MSP 2 row angled female
524543	MSPEED 26 M SMD * 90E AB VV 137 207 * 99	524543-E	MSP 2 row angled male
524544	STVKDS POWERSTV GLOBAL FEDERLEISTE 7 F 1	524544-E	Power Connector female
524545	STVKDS POWERSTV GLOBAL MESSERLEISTE 90 7	524545-E	Power Connector male
524546	STVKDS POWERSTV GLOBAL FEDERLEISTE 9 F 1	524546-E	Power Connector female
524549	STVKDS POWERSTV GLOBAL FEDERLEISTE 20 F	524549-E	Power Connector female
524550	STVKDS POWERSTV GLOBAL MESSERLEISTE 90 R	524550-E	Power Connector male
524551	STVKDS POWERSTV GLOBAL MESSERLEISTE 90 L	524551-E	Power Connector male
524552	STVKDS POWERSTV GLOBAL MESSERLEISTE 90 3	524552-E	Power Connector male
524553	STVKDS POWERSTV GLOBAL FEDERLEISTE 32 F	524553-E	Power Connector female
524568	SRCROL A 2,54 2 C2022 500 707 * 9999 J 2	524568-E	MaxiBridge Crimp
524576	SRCP 2,54 2 M 1 SMD 707 E1 094 * GU-H *	524576-E	MaxiBridge SRC/DRC Male vertical
524577	SRCP 2,54 2 M 1 SMD 707 E1 166 * GU-H *	524577-E	MaxiBridge SRC/DRC Male vertical
524578	SRCP 2,54 2 M 1 SMD 707 E1 167 * GU-H *	524578-E	MaxiBridge SRC/DRC Male vertical
524579	SRCP 2,54 2 M 1 SMD 707 E1 168 * GU-H *	524579-E	MaxiBridge SRC/DRC Male vertical
524582	SRCP 2,54 4 M 1 SMD 707 E1 094 * GU-H *	524582-E	MaxiBridge SRC/DRC Male vertical
524588	SRCP 2,54 8 M 1 SMD 707 E1 094 * GU-H *	524588-E	MaxiBridge SRC/DRC Male vertical
524589	SRCP 2,54 8 M 1 SMD 707 E1 166 * GU-H *	524589-E	MaxiBridge SRC/DRC Male vertical
524590	SRCP 2,54 8 M 1 SMD 707 E1 167 * GU-H *	524590-E	MaxiBridge SRC/DRC Male vertical
524591	SRCP 2,54 8 M 1 SMD 707 E1 168 * GU-H *	524591-E	MaxiBridge SRC/DRC Male vertical
524594	SRC A 2,54 2 M 1 SMD 707 E1 094 * GURT *	524594-E	MaxiBridge SRC/DRC Male angled
524595	SRC A 2,54 2 M 1 SMD 707 E1 166 * GURT *	524595-E	MaxiBridge SRC/DRC Male angled
524596	SRC A 2,54 2 M 1 SMD 707 E1 167 * GURT *	524596-E	MaxiBridge SRC/DRC Male angled
524597	SRC A 2,54 2 M 1 SMD 707 E1 168 * GURT *	524597-E	MaxiBridge SRC/DRC Male angled
524600	SRC A 2,54 4 M 1 SMD 707 E1 094 * GURT *	524600-E	MaxiBridge SRC/DRC Male angled
524606	SRC A 2,54 8 M 1 SMD 707 E1 094 * GURT *	524606-E	MaxiBridge SRC/DRC Male angled
524607	SRC A 2,54 8 M 1 SMD 707 E1 166 * GURT *	524607-E	MaxiBridge SRC/DRC Male angled
524608	SRC A 2,54 8 M 1 SMD 707 E1 167 * GURT *	524608-E	MaxiBridge SRC/DRC Male angled
524609	SRC A 2,54 8 M 1 SMD 707 E1 168 * GURT *	524609-E	MaxiBridge SRC/DRC Male angled
524612	DRCB 2,54 10 M SMD * 707 E012 094 GURT *	524612-E	MaxiBridge SRC/DRC Male angled
524617	DRCB 2,54 20 M SMD * 707 E012 094 GURT *	524617-E	MaxiBridge SRC/DRC Male angled
524622	DRCQ 2,54 20 M * SMD * 707 E012 094 GU-H	524622-E	MaxiBridge SRC/DRC Male vertical
524627	SRCP 2,54 3 M 1 SMD 707 E1 094 * GU-H *	524627-E	MaxiBridge SRC/DRC Male vertical
524633	SRC A 2,54 3 M 1 SMD 707 E1 094 * GURT *	524633-E	MaxiBridge SRC/DRC Male angled
524639	DRCQ 2,54 10 M * SMD * 707 E012 094 GU-H	524639-E	MaxiBridge SRC/DRC Male vertical
524644	SRCP 2,54 6 M 1 SMD 707 E1 094 * GU-H *	524644-E	MaxiBridge SRC/DRC Male vertical
524650	SRC A 2,54 6 M 1 SMD 707 E1 094 * GURT *	524650-E	MaxiBridge SRC/DRC Male angled
524657	SMCB 50 F AB VV 6-01 VHSL * 0008 137 E00	524657-E	SMC BA6 IDC vertical female SL
524669	SRCBUG A 2,54 2 2 CSI 112 ** B500 J 2 5	524669-E	MaxiBridge SRC/DRC Female
524670	SRCBUG A 2,54 2 2 CSI 163 ** B500 J 2 5	524670-E	MaxiBridge SRC/DRC Female
524684	SRCBUG A 2,54 2 3 CSI 112 ** B500 J 2 5	524684-E	MaxiBridge SRC/DRC Female
524699	SRCBUG A 2,54 2 4 CSI 112 ** B500 J 2 5	524699-E	MaxiBridge SRC/DRC Female
524714	SRCBUG A 2,54 2 5 CSI 112 ** B500 J 2 5	524714-E	MaxiBridge SRC/DRC Female
524729	SRCBUG A 2,54 2 6 CSI 112 ** B500 J 2 5	524729-E	MaxiBridge SRC/DRC Female
524744	SRCBUG A 2,54 2 8 CSI 112 ** B500 J 2 5	524744-E	MaxiBridge SRC/DRC Female
524760	SRCZEZT AD 2,54 2 A 2 CSI 112 ** B500 J	524760-E	MaxiBridge SRC/DRC Female
524761	SRCZEZT AD 2,54 2 A 2 CSI 163 ** B500 J	524761-E	MaxiBridge SRC/DRC Female
524775	SRCZEZT AD 2,54 3 A 2 CSI 112 ** B500 J	524775-E	MaxiBridge SRC/DRC Female
524790	SRCZEZT AD 2,54 4 A 2 CSI 112 ** B500 J	524790-E	MaxiBridge SRC/DRC Female
524805	SRCZEZT AD 2,54 5 A 2 CSI 112 ** B500 J	524805-E	MaxiBridge SRC/DRC Female
524820	SRCZEZT AD 2,54 6 A 2 CSI 112 ** B500 J	524820-E	MaxiBridge SRC/DRC Female

524835	SRCEZT AD 2,54 8 A 2 CSI 112 ** B500 J	524835-E	MaxiBridge SRC/DRC Female
524850	DRCBUG B 2,54 10 * CSI 112 ** B500 J 3	524850-E	MaxiBridge SRC/DRC Female
524862	DRCBUG B 2,54 20 * CSI 112 ** B500 J 2	524862-E	MaxiBridge SRC/DRC Female
524875	DRCEZT ADRE 2,54 10 * B 112 ** B500 J 3	524875-E	MaxiBridge SRC/DRC Female
524887	DRCEZT ADRE 2,54 20 * B 112 ** B500 J 2	524887-E	MaxiBridge SRC/DRC Female
524899	DRCEZT ADLI 2,54 10 * B 112 ** B500 J 3	524899-E	MaxiBridge SRC/DRC Female
524911	DRCEZT ADLI 2,54 20 * B 112 ** B500 J 2	524911-E	MaxiBridge SRC/DRC Female
524936	MSPEED 26 F SMD F4 E AB VV 187 094 * 999	524936-E	MSP 2 row vertical female
524944	STVKDS POWERSTV GLOBAL FEDERLEISTE 18 F	524944-E	Power Connector female
524945	STVKDS POWERSTV GLOBAL MESSERLEISTE 90 R	524945-E	Power Connector male
524946	STVKDS POWERSTV GLOBAL MESSERLEISTE 90 L	524946-E	Power Connector male
524947	STVKDS POWERSTV GLOBAL MESSERLEISTE 90 L	524947-E	Power Connector male
524948	MSPEED 32 F SMD F4 BE AB VV 137 094 * SO	524948-E	MSP 2 row vertical male
524949	MSPEED 32 M SMD * 90BE AB VV 137 094 * S	524949-E	MSP 2 row angled male
524964	SRCA 2,54 10 M 1-KS SMD 137 E1 094 * GUR	524964-E	MaxiBridge SRC/DRC Male angled
524971	MCBP 4 F 2 035 137 * 197 1,27 TUBE VR2 J	524971-E	MCB Female IDC angled
524976	MCBP 6 F 2 035 137 * 197 1,27 TUBE VR2 J	524976-E	MCB Female IDC angled
524979	MCBP 6 F 2 035 137 * 203 1,27 TUBE VR2 J	524979-E	MCB Female IDC angled
524981	MCBP 8 F 2 035 137 * 197 1,27 TUBE VR2 J	524981-E	MCB Female IDC angled
534018	MSPEED 26 M SMD * 90E AB VV 9999 094 * 9	534018-E	MSP 2 row angled male
534022	MSPEED 26 F SMD F4 E AB VV 9999 094 * 99	534022-E	MSP 2 row vertical female
534073	M12 M 4 A * S * 201 10,5 094 ** Y-VG OD	534073-E	CC M12 vertical
534075	M12 F 4 D H S * 207 17,0 094 *** 999	534075-E	CC M12 vertical
534111	MSPEED 26 M SMD * 90E AB VV 137 094 * 99	534111-E	MSP 2 row angled male
534112	MSPEED 26 F SMD * 90E AB VV 137 094 * 01	534112-E	MSP 2 row angled female
534127	SRCA 2,54 3 M 1 SMD 137 E1 094 * GURT 99	534127-E	MaxiBridge SRC/DRC Male angled
534133	EPSVA KS GD-8 EE 10 3,8 ROH * STROMVERSO	534133-E	Power Taps / SVA
534134	EPSVA KS GD-6 EE 10 3,8 ROH * STROMVERSO	534134-E	Power Taps / SVA
534135	EPSVA KS GDM3 EE 10 3,8 ROH * STROMVERSO	534135-E	Power Taps / SVA
534136	EPSVA KS GDM4 EE 10 3,8 ROH * STROMVERSO	534136-E	Power Taps / SVA
534139	EPSVA KS GD-8 TL 10 3,8 ROH * STROMVERSO	534139-E	Power Taps / SVA
534140	EPSVA KS GD-6 TL 10 3,8 ROH * STROMVERSO	534140-E	Power Taps / SVA
534141	EPSVA KS GDM3 TL 10 3,8 ROH * STROMVERSO	534141-E	Power Taps / SVA
534142	EPSVA KS GDM4 TL 10 3,8 ROH * STROMVERSO	534142-E	Power Taps / SVA
534146	EPSVA KS GD-6 EE 6 3,8 ROH * STROMVERSOR	534146-E	Power Taps / SVA
534147	EPSVA KS GDM3 EE 6 3,8 ROH * STROMVERSOR	534147-E	Power Taps / SVA
534148	EPSVA KS GDM4 EE 6 3,8 ROH * STROMVERSOR	534148-E	Power Taps / SVA
534151	EPSVA KS GD-8 TL 6 3,8 ROH * STROMVERSOR	534151-E	Power Taps / SVA
534152	EPSVA KS GD-6 TL 6 3,8 ROH * STROMVERSOR	534152-E	Power Taps / SVA
534153	EPSVA KS GDM3 TL 6 3,8 ROH * STROMVERSOR	534153-E	Power Taps / SVA
534154	EPSVA KS GDM4 TL 6 3,8 ROH * STROMVERSOR	534154-E	Power Taps / SVA
534157	SMCB 36 F AB 0546 7-23 CL * H007 137 E00	534157-E	SMC BA7 SMD vertical female high profile
534158	SMCQ 36 M AB 0546 8-23 CL * H007 137 E00	534158-E	SMC BA8 SMD vertical male high profile
534177	M12 M 17 A * S * 301 10,5 094 * Y * 9999	534177-E	CC M12 vertical
534178	M12 M 4 A L90H T * 301 * 188 ** Y 999	534178-E	CC M12 angled
534179	SRCP 1,27 6 F 1-KS IDC22 137 E1 162 1,27	534179-E	MiniBridge angled female IDC
534183	SMCQ 16 M AB VV 8-13 CL * H007 137 E005	534183-E	SMC BA5 SMD vertical male low profile
534185	M12 F 5 B H S * 301 17,0 094 *** V 999	534185-E	CC M12 vertical
534206	SRCA 2,54 4 M 1 SMD 137 E1 094 * 9999 99	534206-E	MaxiBridge SRC/DRC Male angled
534207	SRCA 2,54 4 M 1 SMD 137 E1 167 * 9999 99	534207-E	MaxiBridge SRC/DRC Male angled
534219	SMCB 12 F AB VV 7-23 CL * H007 107 E002	534219-E	SMC BA7 SMD vertical female high profile
534220	SMCQ 12 M AB VV 8-23 CL * H007 107 E005	534220-E	SMC BA8 SMD vertical male high profile
534244	SRCP 2,54 2 M 1 SMD 137 E1 168 * GU-H 99	534244-E	MaxiBridge SRC/DRC Male vertical
534343	M12 M 5 A L90H T * 301 * 188 2 * Y * 0	534343-E	CC M12 angled
534345	M12 M 8 A L90H T * 301 * 188 2 * Y * 0	534345-E	CC M12 angled
534347	M12 F 5 A L90H T * 301 * 188 2 * Y * 0	534347-E	CC M12 angled
534349	M12 F 8 A L90H T * 301 * 188 2 * Y * 0	534349-E	CC M12 angled
534353	MESBAN PPS2 9999 1,5 ROH * 25,7 DAIM J 1	534353-E	Automotive contacts
534354	MESBAN PPS2 9999 1,5 ROH * 25,7 AUDI J 1	534354-E	Automotive contacts
534355	MESBAN PPS2 9999 1,5 ROH * 25,7 DAIM J 1	534355-E	Automotive contacts
534356	MESBAN HSS 9999 1,5 ROH * 25,0 * J 1 254	534356-E	Automotive contacts
534359	MESBAN HDSCS 9999 1,5 ROH * 32,1 * J 1 4	534359-E	Automotive contacts
534362	SMCQ 12 F AB VV 7-03 CL * 0007 137 E002	534362-E	SMC BA7 SMD angled female
534422	IDCCS SMC 1,27 80 * AU AUI 115 TP GN J 3	534422-E	SMC std C/A's
534433	CON3 TYCO 2-520337-2 FASTON 1 CRIMP **	2-520337-2	Ultra-Fast Flag Loose Piece
534460	IDCCS SMC 1,27 50 * AU AUI 300 HF RD J 3	534460-E	SMC std C/A's
534468	IDCCS SRC 1,27 2 * SPX NXX 150 ** J 3 *	534468-E	MiniBridge std C/A's
534470	IDCCS SRC 1,27 2 * SPX NXX 200 ** J 3 *	534470-E	MiniBridge std C/A's
534473	IDCCS SRC 1,27 2 * SPX NXX 245 ** J 3 *	534473-E	MiniBridge std C/A's
534486	CON3 TYCO 1418758-3 CONTACT 1 CRIMP **	5-1418758-3	(MCON) 1,2mm Terminal
534489	VERMAXI A * * 01.11.2017 VERMAXI 18 AWG	534489-E	MaxiBridge C/A cs
534495	VERMAXI A * * 12.11.2015 VERMAXI BLACK	534495-E	MaxiBridge C/A cs
534504	VERMAXI A3 * * 12.01.2018 VERMAXI 330 MM	534504-E	MaxiBridge C/A cs
534532	M12 M 4 A L90F T * 301 * 188 ** SNI 0	534532-E	CC M12 angled
534538	IDCCS SRC 1,27 8 * SPX NXX 210 ** J 3 *	534538-E	MiniBridge std C/A's
534540	IDCCS SMC 1,27 12 * AU AUX 50 HT GN J 3	534540-E	SMC std C/A's
534555	CON3 TYCO 5-1418758-3 CONTACT 1 CRIMP *	5-1418758-3	(MCON) 1,2mm Terminal
534558	IDCCS SMC 1,27 26 * AU AUI 100 TP GN J 3	534558-E	SMC std C/A's
534560	IDCCS SMC 1,27 80 * AU AUI 48 PVC RD J 3	534560-E	SMC std C/A's
534643	IDCCS SMC 1,27 50 * AU AUI 675 PVC RD J	534643-E	SMC std C/A's
534644	IDCCS SMC 1,27 50 * AD AUI 250 PVC RD J	534644-E	SMC std C/A's
534645	IDCCS SMC 1,27 50 * AD AUI 921 PVC RD J	534645-E	SMC std C/A's
534647	IDCCS SMC 1,27 50 * AU AUI 100 PVC RD J	534647-E	SMC std C/A's
534648	VERMAXI B * * 20.02.2020 VERMAXIBRIDGE *	534648-E	MaxiBridge C/A cs
534670	IBRIDGE RA 04 SMT 105 3 TUBE J 3 109913P	534670-E	iBridge SRC Male angled SMD
534676	IBRIDGE VE 04 SMT 105 2 TUBE J 3 109900P	534676-E	iBridge SRC Male vertical SMD
534677	IBRIDGE VE 06 SMT 105 2 TUBE J 3 109900P	534677-E	iBridge SRC Male vertical SMD
534681	ITLKCQN 2 M 212 9999 0008 4 3 323339P 2P	534681-E	Geely Interlock Connector Male/Female
534951	STVB/3 14 F AB 0547 7-00 TL 4,0 * 247 E0	534951-E	DIN B
534989	MCBP 14 F 2 035 137 * 197 1,27 TUBE VR2	534989-E	MCB Female IDC angled
534997	MSPEED 26 M SMD * 90E AB VV 137 207 * 99	534997-E	MSP 2 row angled male
534998	MSPEED 26 F SMD * 90E AB VV 137 207 * 01	534998-E	MSP 2 row angled female
544025	CON3 TYCO 2-520193-2 FASTON 1 CRIMP **	2-520193-2	Ultra-Fast Strip
544027	CON3 TYCO 1318105-1 CONTACT 1 CRIMP **	1318105-1	Dynamic 2000 Series Connector
544066	CON3 TYCO TE 5-928999-6 CONTACT 1 CRIMP	5-928999-6	MQS 0.63
544069	TUBE RAYCHEM RNF-100 1/4 -0 * BK SCHRUMP	5053094080	RNF-100
544075	IDCCS SRC 1,27 4 * SPX SPX 3000 PVC * J	544075-E	MiniBridge std C/A's
544076	IDCCS SRC 1,27 6 * SPX NXX 1482 PVC * J	544076-E	MiniBridge std C/A's

544077	IDCCS SRC 1,27 2 * SFX SFX 100 HT * J 3	544077-E	MiniBridge std C/A's
544080	VERMAXI A * * 22.04.2016 VERMAXIBRIDGE,G	544080-E	MaxiBridge C/A cs
544083	VERMAXI A 10100142 * 11.06.2018 VERMAXIB	544083-E	MaxiBridge C/A cs
544084	VERMAXI A 10100141 * 11.06.2018 VERMAXIB	544084-E	MaxiBridge C/A cs
544085	IDCCS SMC 1,27 50 * AU AUI 26 PVC RD J 3	544085-E	SMC std C/A's
544087	IDCCS SRC 1,27 6 * SPX NXX 1012 PVC * J	544087-E	MiniBridge std C/A's
544089	IDCCS SRC 1,27 4 * SPX APD 30 PVC * J 3	544089-E	MiniBridge std C/A's
544092	VERMAXI A ECR17D002-2 * 06.06.2017 VERMA	544092-E	MaxiBridge C/A cs
544093	VERMAXI A ECR17D002-1 * 05.08.2018 VERMA	544093-E	MaxiBridge C/A cs
544095	VERMAXI B * * 27.04.2018 VERMAXI/FEMALE	544095-E	MaxiBridge C/A cs
544096	ITLKCON 2 M 212 9999 * 4 3 317-335005 IN	544096-E	Geely Interlock Connector Male/Female
544099	SMCB 70 F AB 0548 7-03 CL * H007 137 POS	544099-E	SMC BA7 SMD vertical female
544100	SMCB 70 M AB 0548 7-03 CL * 0007 137 E00	544100-E	SMC BA7 SMD angled male
544102	SRCBUG A 6,20 4 * CSI 206 E-HD ADVCOR TR	544102-E	Voltron SRC Female
544110	SRCA 6,20 4 M * SMD 137 E-HD 205 * * * J	544110-E	Voltron SRC Male
544135	VERMAXI A * * 26.07.2017 VERMAXI_BLACK	544135-E	MaxiBridge C/A cs
544136	IDCCS SRC 1,27 6 * SPX NXX 1020 HT * J 3	544136-E	MiniBridge std C/A's
544411	M12 M 4 A L90F T * 301 * 188 * * * 99 SN	544411-E	CC M12 angled
544433	IDCCS SRC 1,27 68 * AU AUI 600 PVC * J 3	544433-E	MiniBridge std C/A's
544434	IDCCS SRC 1,27 68 * AU AUI 200 PVC * J 3	544434-E	MiniBridge std C/A's
544435	IDCCS SRC 1,27 4 * SPX NXX 3000 PVC * J	544435-E	MiniBridge std C/A's
544471	SRICROL A 2,54 2 C2022 10TS 137 * IGF J 2	544471-E	MaxiBridge Crimp
544472	SRICROL A 2,54 2 C2022 500 137 * IGF J 2	544472-E	MaxiBridge Crimp
544489	IDCCS SMC 1,27 12 * AU AUI 30 PVC RD J 3	544489-E	MiniBridge Costumer Spec. C/A's
544490	IDCCS SMC 1,27 40 * AU ADI 50 TP GN J 3	544490-E	MiniBridge Costumer Spec. C/A's
544491	IDCCS SMC 1,27 50 * AU AUI 55 HT GN J 3	544491-E	MiniBridge Costumer Spec. C/A's
544492	IDCCS SMC 1,27 50 * AU NC 300 TP GN J 3	544492-E	MiniBridge Costumer Spec. C/A's
544493	IDCCS SMC 1,27 68 * AU AUI 600 PVC RD J	544493-E	MiniBridge Costumer Spec. C/A's
544494	IDCCS SMC 1,27 68 * AU NC 300 TP GN J 3	544494-E	MiniBridge Costumer Spec. C/A's
544495	IDCCS SRC 1,27 6 * SPX NXX 80 PVC * J 3	544495-E	MiniBridge Costumer Spec. C/A's
544496	IDCCS SRC 1,27 12 * SPX SPX 200 HT * J 3	544496-E	MiniBridge Costumer Spec. C/A's
544497	IDCCS SRC 1,27 12 * SPX SPX 220 HT * J 3	544497-E	MiniBridge Costumer Spec. C/A's
544498	IDCCS SRC 1,27 12 * SPX SPX 300 HT * J 3	544498-E	MiniBridge Costumer Spec. C/A's
544501	IDCCS SRC 1,27 4 * SPX SPX 1000 PVC * J	544501-E	MiniBridge Costumer Spec. C/A's
544502	VERMFx - * * * IDCCS SRC 1,27 02 KS APU	544502-E	MiniBridge Costumer Spec. C/A's
544503	VERMFx - * * * IDCCS SRC 1,27 03 KS SPX	544503-E	MiniBridge Costumer Spec. C/A's
544504	IDCCS SRC 1,27 4 * APD APD 385 PVC * J 3	544504-E	MiniBridge Costumer Spec. C/A's
544505	VERMFx - * * * IDCCS SRC 1,27 08 KS SPX	544505-E	MiniBridge Costumer Spec. C/A's
544506	VERMFx - * * * IDCCS SRC 1,27 12 KS SPX	544506-E	MiniBridge Costumer Spec. C/A's
544507	IDCCS SRC 1,27 12 * SFX NXX 500 HT * J 3	544507-E	MiniBridge Costumer Spec. C/A's
544508	VERMFx - * * * IDCCS SRC 1,27 02 KS SPX	544508-E	MiniBridge Costumer Spec. C/A's
544509	VERMFx - * * * IDCCS SRC 1,27 03 KS SPX	544509-E	MiniBridge Costumer Spec. C/A's
544510	VERMFx - * * * IDCCS SRC 1,27 12 KS SPX	544510-E	MiniBridge Costumer Spec. C/A's
544523	IDCCS SMC 1,27 12 * AU NC 300 HT GN J 3	544523-E	MiniBridge Costumer Spec. C/A's
544524	IDCCS SMC 1,27 26 * AU NC 300 HT GN J 3	544524-E	MiniBridge Costumer Spec. C/A's
544525	IDCCS SMC 1,27 26 * AU AUI 1000 PVC RD J	544525-E	MiniBridge Costumer Spec. C/A's
544526	VERSMC A * * 30.01.2018 BOOST 317-00077	544526-E	MiniBridge Costumer Spec. C/A's
544533	SMCQ 26 M AB VV 8-03 CL * H007 137 E005	544533-E	SMC BA8 SMD vertical male
544534	VERSMC A * * 10.01.2014 720-056151 REV 0	544534-E	MiniBridge Costumer Spec. C/A's
544535	VERSMC A * * 05.05.2016 720-067949 ERNI	544535-E	MiniBridge Costumer Spec. C/A's
544591	MCBP 2 F 2 022 137 * 197 1,27 TRAY VR2 J	544591-E	MCB Female IDC angled
544611	MCBP 4 F 2 022 137 * 197 1,27 TRAY VR2 J	544611-E	MCB Female IDC angled
544614	MCBP 4 F 2 022 137 * 203 1,27 TRAY VR2 J	544614-E	MCB Female IDC angled
544631	MCBP 6 F 2 022 137 * 197 1,27 TRAY VR2 J	544631-E	MCB Female IDC angled
544634	MCBP 6 F 2 022 137 * 203 1,27 TRAY VR2 J	544634-E	MCB Female IDC angled
544641	MCBP 8 F 2 022 137 * 197 1,27 TRAY VR2 J	544641-E	MCB Female IDC angled
544644	MCBP 8 F 2 022 137 * 203 1,27 TRAY VR2 J	544644-E	MCB Female IDC angled
544646	MCBP 8 F 2 022 137 * 197 1,27 TPAL VR2 J	544646-E	MCB Female IDC angled
544649	MCBP 8 F 2 022 137 * 203 1,27 TPAL VR2 J	544649-E	MCB Female IDC angled
544671	MCBP 12 F 2 022 137 * 197 1,27 TRAY VR2	544671-E	MCB Female IDC angled
544681	MCBP 14 F 2 022 137 * 197 1,27 TRAY VR2	544681-E	MCB Female IDC angled
544720	SRCBUG A 2,54 2 2 CSI 163 * K-AD B500 J	544720-E	MaxiBridge SRC/DRC Female
544797	MCBP 8 M * SMD 137 * 197 * GU-H C5 J 2 5	544797-E	MCB Male SMD vertical
544800	MCBP 8 M * SMD 137 * 203 * GU-H C5 J 2 5	544800-E	MCB Male SMD vertical
544802	MCBP 14 F 2 035 137 * 197 1,27 TR99 VR2	544802-E	MCB Female IDC angled
593990	STVF 48 F ZBD GGG 2-03 EE25 22,0 * 107 E	593990-E	DIN F
594172	STVSKO H F 181 GERA 10A * LOE1 * * FDFE	594172-E	Specific High Current Contacts
594178	STVSKO H F 181 GERA 10A * CR01 * * FDFE	594178-E	Specific High Current Contacts
594182	STVSKO H F 181 GERA 40A * CR04 * * FDFE	594182-E	Specific High Current Contacts
594209	STVSKO C F 181 ABGE * 50 LC03 * * MD * J	594209-E	Specific Coax Contacts
594219	VORSKO HANDQUETSCHZANGE F_KOAX-KONT. J	594219-E	ERNI costumer application tooling
594229	STVSKO H M 181 GERA 20A * CR02 * * MDME	594229-E	Specific High Current Contacts
594233	VORSKO AUSDRUECKWZG. FUER DIN 41612 J 3	594233-E	ERNI costumer application tooling
594750	STVH15 15 F ZD VV 2 1206 4,3 * 197 E 172	594750-E	DIN H15
594751	STVH15 15 F ZD VV 2 TL 4,3 * 197 E 172 T	594751-E	DIN H15
594752	STVH15 15 F ZD VV 2 EE25 4,2 * 197 E 172	594752-E	DIN H15
701592	BMPRUEF FK 2,0 MESSAUFNAHME VEREINZELT T	701592-E	ERNI tooling miscellaneous
805016	VERKAB A * * * 119816 IBRIDGE 2P ERNI AS	805016-E	C/A's miscellaneous
805018	VERKAB A * * * 119817 IBRIDGE 3P ERNI AS	805018-E	C/A's miscellaneous
806000	VERHA A SEIDL 21027841 J * SO 806000 3	806000-E	C/A's miscellaneous
806002	VERKAB A * * * * BOSCH 1271328160 * * * *	806002-E	C/A's miscellaneous
806003	VERKAB B * * * * TECSIS MFX + D-SUB 8 30	806003-E	C/A's miscellaneous
806004	VERHA A SEW * J * SO 806004 3 * * * *	806004-E	C/A's miscellaneous
806005	VERHA A SEW * J * SO 806005 3 * * * *	806005-E	C/A's miscellaneous
806006	VERSMC A * * * * SMC 26 SYSTECH 26 180,0	806006-E	SMC Costumer Spec. C/A's
806007	VERKAB * * * * GLP 12014 DISTRIBUTION BA	806007-E	C/A's miscellaneous
806009	VERMAXI * GLP 30001174 * * * * 6 * * * *	806009-E	MaxiBridge C/A cs
806010	VERMAXI * 30002860 * * IO CABLE RBM XN1	806010-E	MaxiBridge C/A cs
806011	VERMAXI * 30002861 * * IO CABLE RBM XN2	806011-E	MaxiBridge C/A cs
806012	VERMAXI * 30002862 * * IO CABLE RBM XN3	806012-E	MaxiBridge C/A cs
806013	VERHA * * 247E-1012-TAB REV. E J * * 806	806013-E	C/A's miscellaneous
806014	VERKAB A * * * * INSTRUMENT SYSTEMS 036-	806014-E	C/A's miscellaneous
806016	VERKAB A * * * * INSTRUMENT SYSTEMS 034-	806016-E	C/A's miscellaneous
806017	VERKAB A * * * * INSTRUMENT SYSTEMS 034-	806017-E	C/A's miscellaneous
806018	VERKAB A * * * * INSTRUMENT SYSTEMS 034-	806018-E	C/A's miscellaneous
806019	VERKAB A * * * * INSTRUMENT SYSTEMS 034-	806019-E	C/A's miscellaneous
806020	VERKAB A * * * * INSTRUMENT SYSTEMS 034-	806020-E	C/A's miscellaneous
806021	VERKAB A * * * * INSTRUMENT SYSTEMS 034-	806021-E	C/A's miscellaneous

806022	VERKAB A **** INSTRUMENT SYSTEMS 034-	806022-E	C/A's miscellaneous
806023	VERKAB A **** INSTRUMENT SYSTEMS * 4	806023-E	C/A's miscellaneous
806026	VERKAB A **** CONTINENTAL SKV-VERBIND	806026-E	C/A's miscellaneous
806028	VERKAB A 51108 *** POLAR MOHR 115E1070	806028-E	C/A's miscellaneous
814354	CON3 TYCO 173926-1 OTHERS 4 * J	173926-1	UMNL - Header Assembly
814431	STV SONSTIGE BUCHSENEINSATZ J * * * J	926893-3	UMNL - Terminals
814590	CON3 ** OTHERS 3 * J	6-1437719-6	TRIAD 01
814591	CON3 ** OTHERS 5 * J	7-1437719-2	TRIAD 01
817008	TUBE RAYCHEM NB15764001 * WH SCHRUMPF *	NB15764001	RNF-150
817016	CON3 TYCO 2141824-1 CONTACT 1 CRIMP J	2141824-1	MQS 0.63
817017	STV KONT TYCO 1544545-1 CLIP 2.8 E.D. J	1544545-1	(Others) 2.8 mm Terminal
817094	CON3 TYCO 2141826-1 CONTACT 1 CRIMP J	2141826-1	MQS 0.63
817098	CON3 TYCO 926899-6 CONTACT 1 CRIMP J	926899-6	UMNL - Terminals
817186	CON3 TYCO 5-1418758-1 CONTACT 1 CRIMP *	5-1418758-1	(MCON) 1.2mm Terminal
817210	CON3 TYCO 794939-1 HOUSING 4 OTHER J	794939-1	Mini UMNL - Plug and Cap Housing
817211	CON3 TYCO 770904-1 CONTACT 1 CRIMP J	770904-1	Mini UMNL - Terminals
817216	CON3 TYCO 794758-1 WTW 1 * J	794758-1	Mini UMNL - Accessories
817222	CON3 TYCO 1410962-1 ACCESSO 1 OTHER J	1410962-1	Multigig RT Accessories
817292	CON3 TYCO 1376109-1 CONTACT 1 CRIMP J	1376109-1	0.64 Terminal
817305	TUBE RAYCHEM RNF-150-1/4-0-SP * BK SCHR	NB15714001	RNF-150
817306	CON3 TYCO 826629-7 BTW 7 LOET J	826629-7	AMPMODU Header Thru Single Row Unshrouded
817322	TUBE RAYCHEM RNF-150-1/4-9-SP WH * WH SC	NB15724001	RNF-150
817357	CON3 TYCO 3-794121-1 CONTACT 1 CRIMP J	3-794121-1	AMP-IN Terminals
817390	GUST SUP 177557 TYCO 1-2007394-8 2X4 STA	1-2007394-8	SFP+ Stacked Cages
817395	CON3 TYCO 964269-3 CONTACT 1 CRIMP J	964269-3	(Timer) TAB 1.6mm Terminal
817399	CON3 TYCO 963530-1 CONTACT 1 CRIMP J	963530-1	3.00 - 3.99mm cavity diam.
817407	CON3 TYCO 3-60441-4 BTW 4 EE J	3-60441-4	MTA 100 - IDC Connector
817435	CON3 TYCO 106081-1 BTB 77 EE 3	106081-1	Z-PACK 2mm Hard Metric Vertical Pin Header
817454	CON3 TYCO 1658694-2 BTW 26 EE J	1658694-2	AMP-LATCH ACTION PIN Universal Header Assembly
817460	CON3 TYCO 1658694-6 BTW 10 EE J	1658694-6	AMP-LATCH ACTION PIN Universal Header Assembly
817461	CON3 TYCO 1658694-1 BTW 20 EE J	1658694-1	AMP-LATCH ACTION PIN Universal Header Assembly
817466	CON3 TYCO 1658694-8 BTW 16 EE J	1658694-8	AMP-LATCH ACTION PIN Universal Header Assembly
817467	CON3 TYCO 1658694-3 BTW 40 EE J	1658694-3	AMP-LATCH ACTION PIN Universal Header Assembly
817478	BMFES CRIMPER QUICK-CRIMP 947-06542-303-	817478-E	ERNI tooling miscellaneous
817479	BMFES CRIMPER QUICK-CRIMP 947-03774-305-	817479-E	ERNI tooling miscellaneous
817496	TUBE RAYCHEM RNF-150-3/32-0-SP * BK SCHR	NB15774001	RNF-150
817556	CON3 TYCO 5390377-7 WTB 68 IDC J	5390377-7	AMPLIMITE .050 Series .025 Centerline Products Purchased for Resale
817596	CON3 TYCO 63849-1 FASTON 1 LOET J	63849-1	Printed Circuit Board Tabs - Loose Piece
817614	CON3 TYCO 1564980-2 CONTACT 1 CRIMP J	1564980-2	(AMP MCP) 1.5mm Terminal
817615	BMFES TE 2151482-2 CRIMP WKZ FUR TE 1564	2151482-2	Atlantic TE Terminal Ocean Routine Appl
817625	BMFES TE 7-2151482-7 VERSCHL. FUR TE 215	7-2151482-7	Routine Spare Part Kit
817639	CON3 TYCO 102320-1 ACCESSO 10 OTHER J	102320-1	AMP-LATCH Universal Header Housing Component
817655	CON3 TYCO 5352521-1 BTB 154 EE J	5352521-1	Z-PACK 2mm Hard Metric Vertical Pin Header
817656	CON3 TYCO 646478-5 SHROUD 154 OTHER J	646478-5	Z-PACK 2mm Hard Metric Miscellaneous
817664	MECH PARTS TYCO * * * * * 1 4 817664 *	5207719-3	AMPLIMITE Female Screwlocks - Kit Package
817730	TUBE RAYCHEM RW-175-E-3/16-X-STK THIN WA	CY25372001	PVDF ELEC
817771	CON3 TYCO 102312-1 ACCESSO * OTHER J	102312-1	AMP-LATCH Universal Header Housing Component
817772	CON3 TYCO 1658694-4 BTW 50 EE J	1658694-4	AMP-LATCH ACTION PIN Universal Header Assembly
817783	CON3 TYCO 1658694-7 BTW 14 EE J	1658694-7	AMP-LATCH ACTION PIN Universal Header Assembly
817812	SWI * TYCO 1825006-9 DIP SWITCH GDS0604=	1825006-9	DIP GD
817889	CON3 ERNI 817889 CONTACT 1 CRIMP J	817889-E	ERNI miscellaneous
817892	CON3 TYCO 5-1418760-3 CONTACT 1 CRIMP J	5-1418760-3	(MCON) 1.2mm Terminal
817909	TUBE RAYCHEM RNF-100-3/32-0-SP * BK SCHR	5052944058	RNF-100
817918	CON3 LUMBERG 2410 11 WTB 4 LOET J	817918-E	ERNI miscellaneous
817919	CON3 PHOENIX 1843635 SOCKET 10 LOET **	817919-E	ERNI miscellaneous
817920	CON3 TYCO 5747089-2 D-SUB 9 EE ** J	5747089-2	AMPLIMITE HDP Front Load ACTION PIN Metal Shell Assembly
817921	CON3 TYCO 5747140-2 D-SUB 15 EE ** J	5747140-2	AMPLIMITE HDP Front Load ACTION PIN Metal Shell Assembly
817922	CON3 TYCO 5745922-2 D-SUB 25 EE ** J	5745922-2	AMPLIMITE HDP Front Load ACTION PIN Metal Shell Assembly
817923	CON3 TYCO 5747713-2 D-SUB 37 EE ** J	5747713-2	AMPLIMITE HDP Front Load ACTION PIN Metal Shell Assembly
817924	CON3 AUTOSPlice 203000201 CONTACT * CRIM	817924-E	ERNI miscellaneous
817925	CON3 TYCO 1658694-5 BTW 64 EE ** J 1	1658694-5	AMP-LATCH ACTION PIN Universal Header Assembly
817926	CON3 TYCO 1-1658694-1 BTW 34 EE ** J 1	1-1658694-1	AMP-LATCH ACTION PIN Universal Header Assembly
817932	CON3 * HOUSING JST PHR-6 WTB 6 ** J 1	817932-E	ERNI miscellaneous
817935	TUBE RAYCHEM SWFR X4 4.0 * BK SCHRUMPF *	EM7506-000	Commercial ZH Tubing
817936	CON3 TYCO TE 5-928999-1 CONTACT 1 CRIMP	5-928999-1	MQS 0.63
817941	TUBE RAYCHEM EL7354-000 HT-CT-50M-3/32-O	EL7354-000	HT-CT
823290	EPUBG B LEIT.KONFEKT L=350 BESCHR.Z16 *	823290-E	ERNI miscellaneous
823291	EPUBG C LEIT.KONFEKT L=340 BESCHR.D18 *	823291-E	ERNI miscellaneous
823292	EPUBG * LEIT.KONFEKT L=340 BESCHR.Z24 *	823292-E	ERNI miscellaneous
823293	EPUBG B LEIT.KONFEKT L=310 BESCHR.+24V *	823293-E	ERNI miscellaneous
823294	EPUBG B LEIT.KONFEKT L=350 BESCHR.D30 *	823294-E	ERNI miscellaneous
823295	EPUBG B LEIT.KONFEKT L=290 BESCHR.-24V *	823295-E	ERNI miscellaneous
823496	CON3 TYCO 350829-1 BTW 12 * J	350829-1	UMNL - Header Assembly
823531	CON3 TYCO 350828-1 WTB * LOET J	350828-1	UMNL - Header Assembly
823538	CON3 * 3-1761606-7 WTB 64 * J	3-1761606-7	IDC HDRS 501 W & W/O EJ'S
823903	STV STVZUB VERRIEGLUNGSKL * 8,8 * LATCH J	620729-1	Flat Consumer Cable Assy's
833004	STV SONSTIGE * N * F 68 * * * * * *	786155-7	AMPLIMITE .050 Series Vertical Receptacle Headers with ACTION PIN
833043	EPEZT * STECKHUELSE ISOLIERT 6,3 X 1,0 *	735278	PIDG & PLASTI-GRIP FASTON LP
833223	CON3 TYCO 6116202-1 BTW 8 EE J	6116202-1	High Performance Top Entry Modular Jack
833227	CON3 TYCO 280378-2 WTB 4 * J	280378-2	AMPMODU Header 3/4 Shrouded
833398	MECH PARTS TYCO * * * * * 1 J * *	926495-2	IC SOCKETS DIP DECOUP CAP
833400	CON3 TYCO 216926-1 WTB 2 EE J	216926-1	FASTON Tabs LP
833401	CON3 TYCO 350786-1 WTB 2 LOET J	350786-1	UMNL - Header Assembly
833402	CON3 TYCO 350792-1 WTB 4 LOET J	350792-1	UMNL - Header Assembly
833405	CON3 TYCO 350825-1 BTW * EE J	350825-1	UMNL - Header Assembly
833463	CON3 TYCO 350833-1 BTW 4 LOET J	350833-1	UMNL - Header Assembly
833482	CON3 TYCO 5555153-1 BTW 8 LOET * * J 1	5555153-1	Shielded Modular Jack LPF
833485	STV D-SUB * N * M 68 * * 2,54 * 99.9 LOE	749069-7	AMPLIMITE .050 Series Vertical Receptacle Headers
833533	STV D-SUB SKV * AMP 4 * M 100 * * 1,27 *	749111-8	AMPLIMITE .050 Series Cable Tab Connectors
833591	CON3 TYCO 166722-1 CONTACT 1 CRIMP J	166722-1	Tandem Spring Contact LP
833640	CON3 TYCO 350711-4 BTW 6 LOET J	350711-4	UMNL - Header Assembly
833641	CON3 TYCO 350712-4 BTW 9 LOET J	350712-4	UMNL - Header Assembly
833642	CON3 TYCO 350713-4 BTW 12 LOET J	350713-4	UMNL - Header Assembly
833718	CON3 AMP * RING 1 * 4	34148	PLASTI-GRIP Terminal Vinyl
833755	CON3 TYCO 350714-4 BTW 15 LOET J	350714-4	UMNL - Header Assembly
833830	EPUBG * DISTANZSTUECK F. STV 93X28X21 MA	833830-E	ERNI miscellaneous
833836	STV SONSTIGE MMNL N * M 2 * * * * * EE *	770166-1	Mini UMNL - Header Assembly
834136	STV STL 1 REIHIG J * M 50 * * 2,54 * 6,7	5-826629-0	AMPMODU Header Thru Single Row Unshrouded

834146	CON3 TYCO 5-102699-2 BTW 6 EE J	5-102699-2	AMPMODU ACTION PIN Shrouded Header
834227	STV SVA UNIVERSAL POWER MODUL J * F 5 *	5223995-2	UPM Vertical Receptacles
834256	STV STL 1X3C M GERADE N ** 3 ** 2,54	4-102898-0	AMPMODU ACTION PIN Unshrouded Header
834257	STV METRISCH 125 FREE BD TYPE-B ABGEWINK	106014-1	Z-PACK 2mm Hard Metric Right Angle Pin Header
834287	CON3 TYCO 350786-3 BTW 2 LOET J	350786-3	UMNL - Header Assembly
834288	CON3 TYCO 350789-3 BTW 3 LOET J	350789-3	UMNL - Header Assembly
834289	CON3 TYCO 5520260-4 BTW 8 LOET J	5520260-4	Top Entry Mod Jack
834383	CON3 TYCO 0-0786556-5 BTW 50 EE J	786556-5	AMPLIMITE .050 Series Vertical Receptacle Headers with ACTION PIN
834384	CON3 TYCO 0-0350 790-1 BTW 3 LOET J	350790-1	UMNL - Header Assembly
834416	STV STL MTA-100 J * M 2 ** 2,54 * 3,5 L	640456-2	MTA 100 - Header Assembly
834417	STV SONSTIGE MATE-N-LOK 2 J * M 6 ***	350732-1	UMNL - Header Assembly
834464	STV SONSTIGE 15U J * F 35 ** 2,54 * 2,5	5-1393704-3	Sipac female connector
834490	CON3 TYCO 640445-5 WTB 15 LOET J	640445-5	MTA 156 - Header Assembly
834492	CON3 TYCO 640445-6 WTB 16 LOET J	640445-6	MTA 156 - Header Assembly
834650	CON3 TYCO 350766-1 HOUSING 3 OTHER J	350766-1	UMNL - Plug and Cap Housing
834651	CON3 TYCO 350550-2 CONTACT 1 CRIMP J	350550-2	UMNL - Terminals
834652	CON3 TYCO 104257-3 HOUSING 4 OTHER J	104257-3	AMPMODU MTE Receptacle Housing Components
834658	CON3 TYCO 1-1338088-3 BTW 8 SMD J	1-1338088-3	Dual and Single SMT Mod Jacks
834692	VERTMC A ** SA0282 TMC 9 POL AMF BOW	834692-E	C/A's miscellaneous
834779	ERBIC EZT * ZWISCHENSTUECK 26,3X5,2 ZS *	834779-E	ERBIC miscellaneous
834866	CON3 TYCO 5520258-3 BTW 6 LOET ** J 1	5520258-3	Top Entry Mod Jack
834868	CON3 TYCO 1-316131-2 BTW 6 LOET J	1-316131-2	Dynamic 3000 Series Connector
834954	CON3 TYCO 640583-1 BTW 6 LOET J	640583-1	UMNL - Header Assembly
834990	CON3 TYCO PN350689-3 CONTACT 1 CRIMP 4	350689-3	UMNL - Terminals
834992	CON3 TYCO PN350551-1 CONTACT 1 CRIMP 4	350551-1	UMNL - Terminals
835001	EPEZT * CONNECTOR 4POLIG * J ** 1 * T	566881-2	AMPINNERGY Wire-to-Board Power Connector
835003	EPEZT * CONNECTOR 6POLIG * J ** 1 * T	566881-3	AMPINNERGY Wire-to-Board Power Connector
835004	EPEZT * TYCO 556881-4 CONNECTOR 8 POLIG	566881-4	AMPINNERGY Wire-to-Board Power Connector
835057	CON3 TYCO 5-104363-1 BTW 2 LOET J	5-104363-1	AMPMODU MTE High Temperature Header Assembly
835058	CON3 TYCO 5-104363-3 BTW 4 LOET J	5-104363-3	AMPMODU MTE High Temperature Header Assembly
835090	CON3 TYCO 5-5530843-0 BTW 10 LOET J	5-5530843-0	SEC-II .100 Centerline
835138	ERBIC EZT * KLEMNSTUECK FUER 366349 KS *	835138-E	ERBIC miscellaneous
835145	SOCKETS TYCO 4-1437514-7 IC-SOCKELLEISTE	4-1437514-7	REELED HOLTITES
835192	CON3 AMP 553444-4 BTW 50 EE J	553444-4	CHAMP ACTION PIN Connector
835289	HBHB MONTAGEANLEITUNG ERBIC PROFIFIBUS BA8	835289-E	ERBIC miscellaneous
835308	CON3 TYCO 350829-4 WTB 12 LOET J	350829-4	UMNL - Header Assembly
835312	CON3 ** BTW 8 LOET J	1586043-8	VAL-U-LOK - Header Assembly
835320	STV KOAX BNC-BUCHSE 50 OHM VERTICAL J *	5222006-1	BNC 50 Ohm Board Mount
835375	STV COD ATCA GUIDE MODULE KEY-POS 3-7 J	3-1469387-7	Advanced TCA Guide Hardware
835444	CON3 TYCO 350792-3 BTW 4 LOET J	350792-3	UMNL - Header Assembly
835492	HBHB MONTAGEANLEITUNG ERBIC CANBUS BA8 6	835492-E	ERBIC miscellaneous
835521	CON3 TYCO 553444-4 BTW 50 EE J	553444-4	CHAMP ACTION PIN Connector
835525	CON3 TYCO 5520259-4 WTB 8 OTHER J	5520259-4	Top Entry Mod Jack
835562	CON3 TYCO 5207826-3 WTB 3 LOET J	5207826-3	AMPLIMITE HDP Straight Posted Rear Load All Plastic Assy w/o Hardware
835581	CON3 TYCO 5745925-2 BTW 25 EE J	5745925-2	AMPLIMITE HDP Front Load ACTION PIN Metal Shell Assembly
835582	CON3 TYCO 5747090-2 BTW 9 EE J	5747090-2	AMPLIMITE HDP Front Load ACTION PIN Metal Shell Assembly
835587	CON3 TYCO 5747144-2 BTW 50 EE J	5747144-2	AMPLIMITE HDP Front Load ACTION PIN Metal Shell Assembly
835588	CON3 TYCO 5747141-2 BTW 15 EE J	5747141-2	AMPLIMITE HDP Front Load ACTION PIN Metal Shell Assembly
835589	CON3 TYCO 5786830-1 BTW 9 EE J	5786830-1	AMPLIMITE HDP Front Load ACTION PIN Metal Shell Assembly
835729	CON3 TYCO 6469046-1 BTB 40 EE J	6469046-1	HM Zd Pin Header Signal Module Assembly 4 Pair
835747	CON3 TYCO 770997-1 BTW 4 LOET J	770997-1	Comm MNL - Header Assembly
835753	CON3 TYCO 5520257-2 WTB 4 LOET J	5520257-2	Top Entry Mod Jack
835761	CON3 AMP 215083-6 WTB 6 OTHER J	215083-6	Micro-MaTch 1.27mm Pitch Male Wire Connector
835768	TUBE RAYCHEM CGPT 4.8/2.4 SW * BK SCHRUM	5069834023	CGPT
835891	CON3 TYCO 748364-1 CONTACT 15 CRIMP J	748364-1	AMPLIMITE HD-22 Crimp-Snap Assemblies - Tin Plated
835892	CON3 TYCO 1658670-2 CONTACT 1 CRIMP J	1658670-2	AMPLIMITE HD-22 Crimp-Snap Contacts - Plated
835916	CON3 TYCO 2-520083-2 FASTON 1 CRIMP J	2-520083-2	Ultra-Fast Strip
835917	CON3 TYCO 2-5201292 FASTON 1 CRIMP ** J	2-520129-2	Ultra-Fast Flag Loose Piece
835919	CON3 TYCO 6600393-3 BTW ** EE J	6600393-3	Multi-Beam XL Vertical Header
835929	CON3 TYCO 1600798-1 HOUSING 6 OTHER J	1600798-1	Multi-Beam XL Panel/Cable Connector
835930	CON3 TYCO 1-1600960-8 CONTACT 1 CRIMP J	1-1600960-8	Multi-Beam XL Panel/Cable Connector
835931	CON3 TYCO 1600903 ACCESSO * OTHER J	1600903-1	Multi-Beam XL Panel/Cable Connector
835942	CON3 TYCO 1123343-1 CONTACT 1 CRIMP J	1123343-1	0.64 Terminal
835943	CON3 TYCO 1473672-1 HOUSING 4 OTHER J	1473672-1	(0.64/025) Un-Sealed Connector
835947	TUBE RAYCHEM NB11802001 TYCO ATUM-8/2-0-	NB11802001	ATUM ELEC
835983	CON3 TYCO 646502-1 ACCESSO * OTHER J	646502-1	Z-PACK 2mm Hard Metric 8 Row Components
836009	SOCKETS TYCO 390261-2 DIP SOCKET 0.300 I	836009-E	ERNI miscellaneous
836035	TUBE RAYCHEM RPS-22-18/2-0-4 BESCHRIFTUN	2866050001	RPS
836077	CON3 TYCO 1-6600333-2 BTW 24 EE J	1-6600333-2	Multi-Beam XL Vertical Header
836081	TUBE RAYCHEM TMS-SCE-1.2-0.4 PRINTABLE Y	7992730001	TMS-SCE
836105	CON3 TYCO 1469920-2 BTB 72 EE J	1469920-2	Micro TCA Power Connector
836154	CON3 TYCO 1-1318116-3 HOUSING 3 CRIMP J	1-1318116-3	Dynamic 2000 Series Connector
836200	TUBE RAYCHEM 5070022021 RNF-100-1/16-X-S	5070022021	Colored RNF-100
836214	CON3 TYCO 180984-0 HOUSING 1 OTHER J	180984	FASTON Insulation Sleeve & Cover
836304	CON3 TYCO 5520425-3 BTW 6 LOET 4	5520425-3	Top Entry Mod Jack
836323	CON3 TYCO 1410135-2 BTB ** J	1410135-2	Multigig RT Tier 2 Backplane Signal Module
836335	CON3 TYCO 160173-2 FASTON 1 CRIMP J	160173-2	FASTIN-FASTON Strip
836383	CON3 ERNI 836383 CONTACT 1 CRIMP J	836383-E	ERNI miscellaneous
836397	TUBE RAYCHEM RNF-100-3/4-0-SP * BK SCHRUM	5053244040	RNF-100
836424	CON3 TYCO TE 6469001-1 BTB 40 EE J	6469001-1	HM Zd Receptacle Signal Module Assembly 4 Pair
836427	CON3 TYCO TE 1888653-2 BTW ** EE 4	1888653-2	High Performance Stacked Mod Jacks
836429	STV METRISCH ERM HMZD M 4-10 GERADE J *	6469002-2	HM Zd Pin Header Signal Module Assembly 4 Pair
836433	CON3 TYCO 5111595-6 BTW 26 EE J	5111595-6	AMP-LATCH System 50 Paddleboard Connector
836461	STV KABVERB MICRO-MATCH J * M 10 * 2 1.2	1-215083-0	Micro-MaTch 1.27mm Pitch Male Wire Connector
836474	HBHB MONTAGEANLEITUNG ERBIC PROFI BUS BA	836474-E	ERBIC miscellaneous
836475	HBHB MONTAGEANLEITUNG ERBIC CAN BUS BA8	836475-E	ERBIC miscellaneous
836528	CON3 TYCO 969028-2 CONTACT 1 CRIMP TAB A	969028-2	(Timer) TAB 1.6mm Terminal
836529	MECH PARTS TYCO 964971-1 DICHTUNG EINZEL	964971-1	3.00 - 3.99mm cavity diam.
836664	CON3 TYCO 5413969-2 BTW 5 LOET ** J 1	5413969-2	BNC 50 Ohm Board Mount
836913	WIRE HUW RAYCHEM FLHTC0311-0.35-0 BK 1 0	2079373003	AL 55 PRIMARY-JUL
836936	RESISTOR * R 1.0 0.10 * MET * VISHAY CRC	790319-3	Positive Lock Receptacles Strip
836940	CON3 AMP 215083-8 WTB 8 OTHER J	215083-8	Micro-MaTch 1.27mm Pitch Male Wire Connector
837058	CON3 TYCO 1-1318120-3 HOUSING 3 OTHER J	1-1318120-3	Dynamic 2000 Series Connector
837059	CON3 TYCO 1318106-1 CONTACT 1 CRIMP J	1318106-1	Dynamic 2000 Series Connector
837061	CON3 AMP 7-215083-4 WTB 4 OTHER ** J 1	7-215083-4	Micro-MaTch 1.27mm Pitch Male Wire Connector
837062	CON3 TYCO 963531-1 ACCESSO 1 OTHER J	963531-1	3.00 - 3.99mm cavity diam.
837089	TUBE RAYCHEM DR-25-1/4-0-SP RT-1116 BK S	5039274019	DR-25
837144	CON3 TYCO 350767-1 HOUSING * OTHER J	350767-1	UMNL - Plug and Cap Housing

837148	CON3 TYCO 926902-3 CONTACT 1 CRIMP J	926902-3	UMNL - Terminals
837174	CON3 TYCO 165566-1 FASTON 1 CRIMP ** J	165566-1	PIDG & PLASTI-GRIP FASTON LP
837206	CON3 TYCO 1-1318119-3 HOUSING 6 OTHER J	1-1318119-3	Dynamic 2000 Series Connector
837223	CON3 TYCO 7-0215079-8 BTW 8 EE J	7-215079-8	Micro-MaTch 1.27mm Pitch Female Board Connector
837224	CON3 TYCO 1-0770166-0 BTW 2 LOET J	1-770166-0	Mini UMNL - Header Assembly
837225	CON3 TYCO 1-0770170-0 BTW 3 LOET J	1-770170-0	Mini UMNL - Header Assembly
837264	SWI * TYCO V23074-A2002-A403 24VDC MICRO	6-1393292-3	Micro ISO V23074 V23075
837267	CON3 TYCO 964261-3 CONTACT 1 CRIMP J	964261-3	(Timer) 1.6mm Terminal
837294	CON3 TYCO 5-928999-5 CONTACT 1 CRIMP **	5-928999-5	MQS 0.63
837380	CON3 TYCO 1-927985-1 CONTACT 1 CRIMP J	1-927985-1	AMP Quick Telephone Connector
837381	CON3 TYCO 928205-4 HOUSING 4 OTHER J	928205-4	AMP Quick Telephone Connector
837394	CON3 TYCO 3-350819-2 FASTON 1 CRIMP **	3-350819-2	Ultra-Fast Strip
837493	CON3 TYCO 1418760-3 CONTACT 1 CRIMP **	5-1418760-3	(MCON) 1.2mm Terminal
837616	CON3 TYCO 5223955-2 BTW 3 EE J	5223955-2	UPM Vertical Receptacles
837651	CON3 TYCO 3-640442-4 BTW 4 EE J	3-640442-4	MTA 100 - IDC Connector
837690	SWI * TYCO V23074-A2001-A403 MICRO RELAI	6-1419137-4	Micro ISO V23074 V23075
837693	CON3 TYCO 165565-2 BTW 1 EE J	165565-2	PIDG & PLASTI-GRIP FASTON LP
837710	CON3 TYCO 929504-6 HOUSING 18 OTHER J	929504-6	(Timer) Un-Sealed Connector
837711	CON3 TYCO 929504-4 HOUSING 10 OTHER J	929504-4	(Timer) Un-Sealed Connector
837712	CON3 TYCO 929504-2 HOUSING 6 OTHER J	929504-2	(Timer) Un-Sealed Connector
837713	CON3 TYCO 927777-3 CONTACT 1 CRIMP J	927777-3	(Timer) 2.8 mm Terminal
837715	SWI * TYCO 4-1904124-3 MICRO RELAIS V230	4-1904124-3	Micro ISO V23074 V23075
837800	SWI * TYCO V23134-J0052-X429 CHANGE OVER	1-1414147-0	Power F V23134
837813	CON3 TYCO 1-963221-1 WTB 29 LOET J	1-963221-1	Timer - Header
837825	CON3 TYCO 1-1544545-1 CONTACT 1 CRIMP J	1-1544545-1	Service Part
837897	MECH PARTS TYCO *****1 J **	967067-2	3.00 - 3.99mm cavity diam.
837898	CON3 TYCO 5-962885-1 CONTACT 1 CRIMP J	5-962885-1	MQS 0.63
837899	CON3 TYCO 1-967640-1 HOUSING 4 OTHER J	1-967640-1	(MQS) Sealed Connector
838011	IDCCS SMC 1.27 50 * AU AUI 57 PVC RD J 2	838011-E	SMC std C/A's
838012	IDCCS SMC 1.27 26 * AU NC 50 PVC RD J 2	838012-E	SMC std C/A's
838017	IDCCS SMC 1.27 12 * AU AUI 612 HF BU J 2	838017-E	SMC std C/A's
838018	IDCCS SMC 1.27 12 * AU ADI 392 HF BU J 2	838018-E	SMC std C/A's
838022	IDCCS SMC 1.27 50 * AU AUI 80 TP GN J 2	838022-E	SMC std C/A's
838025	IDCCS SMC 1.27 50 * AU ADI 100 PVC RD J	838025-E	SMC Costumer Spec. C/A's
838026	IDCCS SMC 1.27 50 * AU ADI 200 PVC RD J	838026-E	SMC std C/A's
838027	IDCCS SMC 1.27 26 * AU AUI 100 HF BU J 2	838027-E	SMC std C/A's
838028	IDCCS SMC 1.27 26 * AU AUI 300 HF BU J 2	838028-E	SMC std C/A's
838030	IDCCS SMC 1.27 12 * AU ADI 200 PVC RD J	838030-E	SMC std C/A's
838031	IDCCS SMC 1.27 26 * AU ADI 600 PVC RD J	838031-E	SMC std C/A's
838036	IDCCS SMC 1.27 26 * AD NC 50 TP GN J 2 J	838036-E	SMC std C/A's
838037	IDCCS SMC 1.27 26 * AU AUI 60 PVC RD J 2	838037-E	SMC std C/A's
838039	IDCCS SMC 1.27 26 * AU AUI 2000 PVC RD J	838039-E	SMC std C/A's
838042	IDCCS SMC 1.27 26 * AU AUX 300 PVC RD J	838042-E	SMC Costumer Spec. C/A's
838044	IDCCS SMC 1.27 50 * AU ADI 350 PVC RD J	838044-E	SMC std C/A's
838051	IDCCS SMC 1.27 26 * AU AUI 70 PVC RD J 2	838051-E	SMC std C/A's
838052	IDCCS SMC 1.27 12 * AD NC 281 PVC RD J 2	838052-E	SMC std C/A's
838054	IDCCS SMC 1.27 26 * AU AUI 75 PVC RD J 2	838054-E	SMC std C/A's
838055	IDCCS SMC 1.27 50 * AU AUI 25 PVC RD J 2	838055-E	SMC std C/A's
838056	IDCCS SMC 1.27 50 * AU NC 50 PVC RD J 2	838056-E	SMC std C/A's
838059	IDCCS SMC 1.27 26 * AD NC 30 PVC RD J 2	838059-E	SMC std C/A's
838060	IDCCS SMC 1.27 50 * AU AUI 130 TP GN J 2	838060-E	SMC std C/A's
838066	IDCCS SMC 1.27 32 * AU AUI 20 PVC RD J 2	838066-E	SMC std C/A's
838067	IDCCS SMC 1.27 50 * AD NC 50 PVC RD J 2	838067-E	SMC std C/A's
838073	IDCCS SMC 1.27 26 * AU AUI 320 PVC RD J	838073-E	SMC std C/A's
838075	IDCCS SMC 1.27 26 * AU AUI 80 PVC RD J 2	838075-E	SMC std C/A's
838076	IDCCS SMC 1.27 50 * AU NC 600 PVC RD J 2	838076-E	SMC std C/A's
838083	IDCCS SMC 1.27 26 * AU ADI 130 PVC RD J	838083-E	SMC std C/A's
838084	IDCCS SMC 1.27 80 * AU AUI 220 PVC RD J	838084-E	SMC std C/A's
838089	IDCCS SMC 1.27 26 * AU NC 200 PVC RD J 2	838089-E	SMC Costumer Spec. C/A's
838092	IDCCS SMC 1.27 26 * AU AUI 500 HF BU J 2	838092-E	SMC std C/A's
838093	IDCCS SMC 1.27 12 * AU ADI 3000 PVC RD J	838093-E	SMC std C/A's
838103	IDCCS SMC 1.27 12 * AU AUI 1500 PVC RD J	838103-E	SMC std C/A's
838109	IDCCS SMC 1.27 26 * AU AUI 550 PVC RD J	838109-E	SMC std C/A's
838111	IDCCS SMC 1.27 68 * AU AUI 2000 PVC RD 4	838111-E	SMC std C/A's
838112	IDCCS SMC 1.27 50 * AU AUI 80 PVC RD J 2	838112-E	SMC std C/A's
838115	IDCCS SMC 1.27 26 * AU AUI 340 PVC RD J	838115-E	SMC std C/A's
838117	IDCCS SMC 1.27 26 * AU ADI 220 PVC RD J	838117-E	SMC std C/A's
838119	IDCCS SMC 1.27 68 * AU AUI 35 PVC RD J 2	838119-E	SMC std C/A's
838126	IDCCS SMC 1.27 80 * AU AUI 250 TP GN J 2	838126-E	SMC std C/A's
838127	IDCCS SMC 1.27 12 * AU AUI 60 HF BU J 2	838127-E	SMC std C/A's
838131	IDCCS SMC 1.27 26 * AU AUI 450 PVC RD J	838131-E	SMC std C/A's
838132	IDCCS SMC 1.27 50 * AU AUI 450 PVC RD J	838132-E	SMC std C/A's
838133	IDCCS SMC 1.27 68 * AU AUI 760 PVC RD J	838133-E	SMC std C/A's
838134	IDCCS SMC 1.27 26 * AD NC 150 TP GN J 2	838134-E	SMC std C/A's
838137	IDCCS SMC 1.27 16 * AU AUI 242 PVC RD J	838137-E	SMC std C/A's
838138	IDCCS SMC 1.27 26 * AU AUI 25 TP GN J 2	838138-E	SMC Costumer Spec. C/A's
838139	IDCCS SMC 1.27 68 * AU AUI 1000 PVC RD J	838139-E	SMC std C/A's
838140	IDCCS SMC 1.27 12 * AU NC 240 PVC RD J 2	838140-E	SMC Costumer Spec. C/A's
838144	IDCCS SMC 1.27 50 * AU AUI 1500 PVC RD J	838144-E	SMC std C/A's
838152	IDCCS SMC 1.27 68 * AD AUI 312 PVC RD J	838152-E	SMC std C/A's
838155	IDCCS SMC 1.27 50 * AU NC 64 PVC RD J 2	838155-E	SMC std C/A's
838158	IDCCS SMC 1.27 50 * AU NC 100 PVC RD J 2	838158-E	SMC std C/A's
838161	IDCCS SMC 1.27 12 * AU AUI 350 PVC RD J	838161-E	SMC Costumer Spec. C/A's
838162	IDCCS SMC 1.27 26 * AU AUI 120 PVC RD J	838162-E	SMC std C/A's
838163	IDCCS SMC 1.27 12 * AD AUI 250 TP GN J 2	838163-E	SMC std C/A's
838167	IDCCS SMC 1.27 12 * AD NC 150 PVC RD J 2	838167-E	SMC std C/A's
838168	IDCCS SMC 1.27 26 * AU AUI 230 PVC RD J	838168-E	SMC std C/A's
838170	IDCCS SMC 1.27 50 * AU AUI 70 PVC RD J 2	838170-E	SMC std C/A's
838171	IDCCS SMC 1.27 26 * AU AUI 250 PVC RD J	838171-E	SMC std C/A's
838173	IDCCS SMC 1.27 12 * AD NC 50 PVC RD J 2	838173-E	SMC Costumer Spec. C/A's
838175	IDCCS SMC 1.27 26 * AU ADI 120 PVC RD J	838175-E	SMC std C/A's
838177	IDCCS SMC 1.27 68 * AU AUI 30 PVC RD J 2	838177-E	SMC std C/A's
838182	IDCCS SMC 1.27 26 * AD AUI 300 HF BU J 2	838182-E	SMC std C/A's
838183	IDCCS SMC 1.27 12 * AU AUI 390 PVC RD J	838183-E	SMC std C/A's
838185	IDCCS SMC 1.27 50 * AD NC 200 PVC RD J 2	838185-E	SMC Costumer Spec. C/A's
838186	IDCCS SMC 1.27 26 * AU NC 100 PVC RD J 2	838186-E	SMC std C/A's
838187	IDCCS SMC 1.27 26 * AU AUI 750 PVC RD J	838187-E	SMC std C/A's
838188	IDCCS SMC 1.27 12 * AU ADI 592 HF BU J 2	838188-E	SMC Costumer Spec. C/A's

838189	IDCCS SMC 1,27 12 * AU NC 200 TP GN J 2	838189-E	SMC Costumer Spec. C/A's
838191	IDCCS SMC 1,27 12 * AD NC 200 TP GN J 2	838191-E	SMC std C/A's
838192	IDCCS SMC 1,27 50 * AU AUI 35 PVC RD J 2	838192-E	SMC Costumer Spec. C/A's
838193	IDCCS SMC 1,27 26 * AU AUI 160 PVC RD J	838193-E	SMC std C/A's
838194	IDCCS SMC 1,27 12 * AU NC 1000 PVC RD J	838194-E	SMC std C/A's
838195	IDCCS SMC 1,27 26 * AU ADI 350 PVC RD J	838195-E	SMC Costumer Spec. C/A's
838196	IDCCS SMC 1,27 26 * AU ADI 650 PVC RD J	838196-E	SMC std C/A's
838197	IDCCS SMC 1,27 80 * AU AUI 60 PVC RD J 2	838197-E	SMC std C/A's
838198	IDCCS SMC 1,27 80 * AU AUI 80 PVC RD J 2	838198-E	SMC std C/A's
838199	IDCCS SMC 1,27 80 * AU AUI 3000 PVC RD J	838199-E	SMC Costumer Spec. C/A's
838200	IDCCS SMC 1,27 50 * AU AUI 3000 PVC RD J	838200-E	SMC Costumer Spec. C/A's
838201	IDCCS SMC 1,27 50 * AU AUI 5000 PVC RD J	838201-E	SMC Costumer Spec. C/A's
838202	IDCCS SMC 1,27 26 * AD AUI 175 PVC RD J	838202-E	SMC Costumer Spec. C/A's
838203	IDCCS SMC 1,27 50 * AU AUI 120 PVC RD J	838203-E	SMC std C/A's
838204	IDCCS SMC 1,27 50 * AU AUI 40 HF BU J 2	838204-E	SMC std C/A's
838205	IDCCS SMC 1,27 50 * AU ADI 35 PVC RD J 2	838205-E	SMC std C/A's
838206	IDCCS SMC 1,27 50 * AD AUI 300 PVC RD J	838206-E	SMC std C/A's
838207	IDCCS SMC 1,27 50 * AU AUI 300 TP GN J 2	838207-E	SMC std C/A's
838208	IDCCS SMC 1,27 20 * AU AUI 300 TP GN J 2	838208-E	SMC std C/A's
838209	IDCCS SMC 1,27 50 * AU ADI 100 TP GN J 2	838209-E	SMC Costumer Spec. C/A's
838210	IDCCS SMC 1,27 26 * AU AUI 300 TP GN J 2	838210-E	SMC Costumer Spec. C/A's
838212	IDCCS SMC 1,27 50 * AD AUI 70 HF BU J 2	838212-E	SMC std C/A's
838213	IDCCS SMC 1,27 26 * AU ADX 250 PVC RD J	838213-E	SMC Costumer Spec. C/A's
838215	IDCCS SMC 1,27 50 * AU AUI 60 TP GN J 2	838215-E	SMC std C/A's
838216	IDCCS SMC 1,27 50 * AU AUI 90 TP GN J 2	838216-E	SMC std C/A's
838217	IDCCS SMC 1,27 12 * AU AUX 100 PVC RD J	838217-E	SMC std C/A's
838218	IDCCS SMC 1,27 16 * AD AUI 150 PVC RD J	838218-E	SMC Costumer Spec. C/A's
838219	IDCCS SMC 1,27 12 * AU AUI 650 PVC RD J	838219-E	SMC Costumer Spec. C/A's
838220	IDCCS SMC 1,27 16 * AU AUI 22 PVC RD J 2	838220-E	SMC Costumer Spec. C/A's
838221	IDCCS SMC 1,27 16 * AU AUX 292 PVC RD J	838221-E	SMC Costumer Spec. C/A's
838222	IDCCS SMC 1,27 16 * AU NC 396 PVC RD J 2	838222-E	SMC Costumer Spec. C/A's
838223	IDCCS SMC 1,27 12 * AD NC 860 PVC RD J 2	838223-E	SMC Costumer Spec. C/A's
838224	IDCCS SMC 1,27 50 * AU ADI 200 PVC RD J	838224-E	SMC Costumer Spec. C/A's
838225	IDCCS SMC 1,27 26 * AU ADI 200 PVC RD J	838225-E	SMC std C/A's
838226	IDCCS SMC 1,27 26 * AD AUI 200 PVC RD J	838226-E	SMC Costumer Spec. C/A's
838227	IDCCS SMC 1,27 26 * AU NC 2200 PVC RD J	838227-E	SMC Costumer Spec. C/A's
838228	IDCCS SMC 1,27 50 * AU NC 2200 PVC RD J	838228-E	SMC Costumer Spec. C/A's
838229	IDCCS SMC 1,27 68 * AU NC 2200 PVC RD J	838229-E	SMC Costumer Spec. C/A's
838230	IDCCS SMC 1,27 12 * AU AUI 920 PVC RD J	838230-E	SMC Costumer Spec. C/A's
838231	IDCCS SMC 1,27 16 * AU AUI 30 PVC RD J 2	838231-E	SMC Costumer Spec. C/A's
838232	IDCCS SMC 1,27 16 * AU AUX 300 PVC RD J	838232-E	SMC std C/A's
838233	IDCCS SMC 1,27 26 * AU AUI 125 HF BU J 2	838233-E	SMC std C/A's
838234	IDCCS SMC 1,27 20 * AU AUI 50 PVC RD J 2	838234-E	SMC std C/A's
838235	IDCCS SMC 1,27 80 * AU ADI 200 PVC RD J	838235-E	SMC Costumer Spec. C/A's
838236	IDCCS SMC 1,27 50 * AU ADI 390 PVC RD J	838236-E	SMC std C/A's
838237	IDCCS SMC 1,27 16 * AU AUI 220 PVC RD J	838237-E	SMC Costumer Spec. C/A's
838238	IDCCS SMC 1,27 20 * AU AUI 220 PVC RD J	838238-E	SMC std C/A's
838239	IDCCS SMC 1,27 12 * AU AUI 200 TP GN J 2	838239-E	SMC std C/A's
838240	IDCCS SMC 1,27 12 * AU AUI 300 TP GN J 2	838240-E	SMC std C/A's
838241	IDCCS SMC 1,27 20 * AU AUI 150 TP GN J 2	838241-E	SMC Costumer Spec. C/A's
838242	IDCCS SMC 1,27 68 * AU AUI 410 PVC RD J	838242-E	SMC std C/A's
838243	IDCCS SMC 1,27 68 * AU AUI 250 PVC RD J	838243-E	SMC std C/A's
838244	IDCCS SMC 1,27 68 * AU AUI 740 PVC RD J	838244-E	SMC std C/A's
838245	IDCCS SMC 1,27 26 * AU AUI 310 PVC RD J	838245-E	SMC std C/A's
838246	IDCCS SMC 1,27 50 * AU ADI 25 PVC RD J 2	838246-E	SMC Costumer Spec. C/A's
838247	IDCCS SMC 1,27 26 * AU AUI 200 HF BU J 2	838247-E	SMC std C/A's
838248	IDCCS SMC 1,27 80 * AD AUI 400 TP GN J 2	838248-E	SMC Costumer Spec. C/A's
838249	IDCCS SMC 1,27 80 * AD AUI 500 TP GN J 2	838249-E	SMC Costumer Spec. C/A's
838250	IDCCS SMC 1,27 50 * AD AUX 600 PVC RD J	838250-E	SMC Costumer Spec. C/A's
838251	IDCCS SMC 1,27 50 * AU AUI 30 TP GN J 2	838251-E	SMC std C/A's
838252	IDCCS SMC 1,27 50 * AU AUI 54 TP GN J 2	838252-E	SMC std C/A's
838253	IDCCS SMC 1,27 68 * AU AUI 110 TP GN J 2	838253-E	SMC std C/A's
838254	IDCCS SMC 1,27 80 * AU AUI 350 PVC RD J	838254-E	SMC Costumer Spec. C/A's
838255	IDCCS SMC 1,27 68 * AU AUI 130 PVC RD J	838255-E	SMC std C/A's
838256	IDCCS SMC 1,27 50 * AU AUI 45 TP GN J 2	838256-E	SMC std C/A's
838257	IDCCS SMC 1,27 12 * AD AUI 142 PVC RD J	838257-E	SMC Costumer Spec. C/A's
838258	IDCCS SMC 1,27 12 * AU AUI 60 PVC RD J 2	838258-E	SMC std C/A's
838259	IDCCS SMC 1,27 12 * AU AUI 270 PVC RD J	838259-E	SMC std C/A's
838260	IDCCS SMC 1,27 12 * AU ADI 130 PVC RD J	838260-E	SMC Costumer Spec. C/A's
838261	IDCCS SMC 1,27 16 * AU AUI 50 PVC RD J 2	838261-E	SMC std C/A's
838262	IDCCS SMC 1,27 50 * AD AUI 500 PVC RD J	838262-E	SMC Costumer Spec. C/A's
838263	IDCCS SMC 1,27 40 * AU AUI 40 TP GN J 2	838263-E	SMC Costumer Spec. C/A's
838264	IDCCS SMC 1,27 68 * AU ADI 1000 PVC RD J	838264-E	SMC Costumer Spec. C/A's
838266	IDCCS SMC 1,27 68 * AU AUI 355 PVC RD J	838266-E	SMC std C/A's
838267	IDCCS SMC 1,27 20 * AD AUI 45 PVC RD J 2	838267-E	SMC std C/A's
838268	IDCCS SMC 1,27 12 * AD AUI 150 PVC RD J	838268-E	SMC std C/A's
838269	IDCCS SMC 1,27 12 * AU AUI 530 PVC RD J	838269-E	SMC std C/A's
838270	IDCCS SMC 1,27 12 * AD ADX 60 PVC RD J 2	838270-E	SMC std C/A's
838271	IDCCS SMC 1,27 12 * AD AUI 130 PVC RD J	838271-E	SMC std C/A's
838272	IDCCS SMC 1,27 50 * AU ADI 50 PVC RD J 2	838272-E	SMC Costumer Spec. C/A's
838273	IDCCS SMC 1,27 26 * AU AUI 126 PVC RD J	838273-E	SMC std C/A's
838274	IDCCS SMC 1,27 20 * AD AUI 170 HF BU J 2	838274-E	SMC std C/A's
838276	IDCCS SMC 1,27 20 * AU AUI 400 HF BU J 2	838276-E	SMC std C/A's
838277	IDCCS SMC 1,27 68 * AU AUI 3000 PVC RD J	838277-E	SMC Costumer Spec. C/A's
838278	IDCCS SMC 1,27 68 * AU AUI 1500 TP GN J	838278-E	SMC Costumer Spec. C/A's
838279	IDCCS SMC 1,27 26 * AU NC 5000 PVC RD J	838279-E	SMC Costumer Spec. C/A's
838280	IDCCS SMC 1,27 80 * AU AUI 5000 PVC RD J	838280-E	SMC Costumer Spec. C/A's
838281	IDCCS SMC 1,27 12 * AU NC 30 PVC RD J 2	838281-E	SMC Costumer Spec. C/A's
838282	IDCCS SMC 1,27 12 * AU AUX 40 PVC RD J 2	838282-E	SMC Costumer Spec. C/A's
838283	IDCCS SMC 1,27 26 * AD AUI 400 HF BU J 2	838283-E	SMC std C/A's
838284	IDCCS SMC 1,27 80 * AU AUI 250 PVC RD J	838284-E	SMC std C/A's
838285	IDCCS SMC 1,27 50 * AU AUI 260 PVC RD J	838285-E	SMC Costumer Spec. C/A's
838286	IDCCS SMC 1,27 80 * AU AUI 180 PVC RD J	838286-E	SMC Costumer Spec. C/A's
838287	IDCCS SMC 1,27 12 * AU AUI 180 PVC RD J	838287-E	SMC Costumer Spec. C/A's
838288	IDCCS SMC 1,27 26 * AD AUX 250 PVC RD J	838288-E	SMC std C/A's
838289	IDCCS SMC 1,27 68 * AU AUI 90 PVC RD J 2	838289-E	SMC Costumer Spec. C/A's
838290	IDCCS SMC 1,27 12 * AU ADI 150 PVC RD J	838290-E	SMC std C/A's
838291	IDCCS SMC 1,27 12 * AU ADI 500 PVC RD J	838291-E	SMC std C/A's

838292	IDCCS SMC 1,27 68 * AU AUI 105 TP GN J 2	838292-E	SMC std C/A's
838293	IDCCS SMC 1,27 12 * AU AUI 210 PVC RD J	838293-E	SMC Costumer Spec. C/A's
838294	IDCCS SMC 1,27 12 * AU AUI 340 PVC RD J	838294-E	SMC Costumer Spec. C/A's
838296	IDCCS SMC 1,27 32 * AU ADI 250 PVC RD J	838296-E	SMC Costumer Spec. C/A's
838297	IDCCS SMC 1,27 50 * AU ADI 330 PVC RD J	838297-E	SMC Costumer Spec. C/A's
838298	IDCCS SMC 1,27 50 * AU AUI 130 PVC RD J	838298-E	SMC Costumer Spec. C/A's
838299	IDCCS SMC 1,27 50 * AU AUI 410 PVC RD J	838299-E	SMC std C/A's
838300	IDCCS SMC 1,27 50 * AU AUI 50 TP GN J 2	838300-E	SMC std C/A's
838302	IDCCS SMC 1,27 12 * AU NC 80 PVC RD J 2	838302-E	SMC std C/A's
838303	IDCCS SMC 1,27 50 * AU AUI 250 PVC RD J	838303-E	SMC std C/A's
838304	IDCCS SMC 1,27 80 * AU AUI 87 TP GN J 2	838304-E	SMC Costumer Spec. C/A's
838305	IDCCS SMC 1,27 80 * AD AUI 50 TP GN J 2	838305-E	SMC Costumer Spec. C/A's
838306	IDCCS SMC 1,27 80 * AU AUI 60 TP GN J 2	838306-E	SMC std C/A's
838307	IDCCS SMC 1,27 12 * AU NC 600 HF BU J 2	838307-E	SMC std C/A's
838308	IDCCS SMC 1,27 26 * AD ADX 200 PVC RD J	838308-E	SMC Costumer Spec. C/A's
838309	IDCCS SMC 1,27 12 * AU AUI 300 HF BU J 2	838309-E	SMC std C/A's
838310	IDCCS SMC 1,27 12 * AU AUI 42 PVC RD J 2	838310-E	SMC std C/A's
838311	IDCCS SMC 1,27 80 * AU AUI 90 TP GN J 2	838311-E	SMC Costumer Spec. C/A's
838312	IDCCS SMC 1,27 80 * AU AUI 600 PVC RD J	838312-E	SMC std C/A's
838313	IDCCS SMC 1,27 12 * AU NC 460 PVC RD J 2	838313-E	SMC std C/A's
838314	IDCCS SMC 1,27 20 * AU AUI 80 PVC RD J 2	838314-E	SMC std C/A's
838315	IDCCS SMC 1,27 20 * AD AUI 70 PVC RD J 2	838315-E	SMC std C/A's
838316	IDCCS SMC 1,27 16 * AU ADI 700 PVC RD J	838316-E	SMC std C/A's
838317	IDCCS SMC 1,27 16 * AU ADI 200 PVC RD J	838317-E	SMC std C/A's
838318	IDCCS SMC 1,27 16 * AU AUI 310 PVC RD J	838318-E	SMC Costumer Spec. C/A's
838319	IDCCS SMC 1,27 16 * AD AUI 400 PVC RD J	838319-E	SMC std C/A's
838320	IDCCS SMC 1,27 12 * AU NC 70 PVC RD J 2	838320-E	SMC std C/A's
838321	IDCCS SMC 1,27 26 * AU NC 70 PVC RD J 2	838321-E	SMC std C/A's
838322	IDCCS SMC 1,27 20 * AU NC 300 PVC RD J 2	838322-E	SMC Costumer Spec. C/A's
838323	IDCCS SMC 1,27 50 * AU AUI 60 PVC RD J 2	838323-E	SMC std C/A's
838324	IDCCS SMC 1,27 12 * AU NC 650 PVC RD J 2	838324-E	SMC Costumer Spec. C/A's
838325	IDCCS SMC 1,27 50 * AU ADX 100 PVC RD J	838325-E	SMC Costumer Spec. C/A's
838326	IDCCS SMC 1,27 26 * AU AUI 60 HF BU J 2	838326-E	SMC std C/A's
838329	IDCCS SMC 1,27 26 * AU AUI 160 HF BU J 2	838329-E	SMC std C/A's
838330	IDCCS SMC 1,27 26 * AU AUI 1500 PVC RD J	838330-E	SMC std C/A's
838331	IDCCS SMC 1,27 26 * AD AUI 60 PVC RD J 2	838331-E	SMC Costumer Spec. C/A's
838332	IDCCS SMC 1,27 40 * AU AUI 200 TP GN J 2	838332-E	SMC Costumer Spec. C/A's
838333	IDCCS SMC 1,27 32 * AU AUI 500 TP GN J 2	838333-E	SMC Costumer Spec. C/A's
838334	IDCCS SMC 1,27 50 * AD AUX 80 PVC RD J 2	838334-E	SMC Costumer Spec. C/A's
838335	IDCCS SMC 1,27 50 * AD AUI 80 PVC RD J 2	838335-E	SMC Costumer Spec. C/A's
838336	IDCCS SMC 1,27 16 * AU ADI 320 PVC RD J	838336-E	SMC Costumer Spec. C/A's
838337	IDCCS SMC 1,27 50 * AU ADI 71 TP GN J 2	838337-E	SMC Costumer Spec. C/A's
838338	IDCCS SMC 1,27 26 * AU ADI 150 TP GN J 2	838338-E	SMC Costumer Spec. C/A's
838339	IDCCS SMC 1,27 26 * AU AUI 30 PVC RD J 2	838339-E	SMC Costumer Spec. C/A's
838340	IDCCS SMC 1,27 40 * AU AUI 180 PVC RD J	838340-E	SMC std C/A's
838344	IDCCS SMC 1,27 50 * AU AUI 100 TP GN J 2	838344-E	SMC std C/A's
838345	IDCCS SMC 1,27 32 * AD AUI 200 PVC RD J	838345-E	SMC Costumer Spec. C/A's
838346	IDCCS SMC 1,27 32 * AD AUI 300 PVC RD J	838346-E	SMC std C/A's
838347	IDCCS SMC 1,27 16 * AU AUI 125 TP GN J 2	838347-E	SMC Costumer Spec. C/A's
838348	IDCCS SMC 1,27 68 * AU AUI 40 PVC RD J 2	838348-E	SMC std C/A's
838349	IDCCS SMC 1,27 68 * AU AUI 70 PVC RD J 2	838349-E	SMC std C/A's
838350	IDCCS SMC 1,27 32 * AU AUI 80 HF BU J 2	838350-E	SMC Costumer Spec. C/A's
838351	IDCCS SMC 1,27 12 * AU AUI 560 PVC RD J	838351-E	SMC std C/A's
838352	IDCCS SMC 1,27 26 * AU AUI 250 HF BU J 2	838352-E	SMC std C/A's
838353	IDCCS SMC 1,27 16 * AD ADX 140 HF BU J 2	838353-E	SMC Costumer Spec. C/A's
838354	IDCCS SMC 1,27 26 * AD AUI 300 PVC RD J	838354-E	SMC Costumer Spec. C/A's
838355	IDCCS SMC 1,27 26 * AU NC 120 PVC RD J 2	838355-E	SMC Costumer Spec. C/A's
838356	IDCCS SMC 1,27 26 * AD NC 120 PVC RD J 2	838356-E	SMC Costumer Spec. C/A's
838357	IDCCS SMC 1,27 12 * AD ADX 100 PVC RD J	838357-E	SMC Costumer Spec. C/A's
838358	IDCCS SMC 1,27 12 * AD ADX 200 PVC RD J	838358-E	SMC Costumer Spec. C/A's
838360	IDCCS SMC 1,27 68 * AD AUI 70 PVC RD J 2	838360-E	SMC std C/A's
838361	IDCCS SMC 1,27 32 * AU ADX 200 PVC RD J	838361-E	SMC Costumer Spec. C/A's
838362	IDCCS SMC 1,27 26 * AD NC 250 PVC RD J 2	838362-E	SMC Costumer Spec. C/A's
838363	IDCCS SMC 1,27 32 * AU AUI 130 HF BU J 2	838363-E	SMC std C/A's
838364	IDCCS SMC 1,27 40 * AU AUI 100 HF BU J 2	838364-E	SMC std C/A's
838365	IDCCS SMC 1,27 40 * AU AUI 180 HF BU J 2	838365-E	SMC std C/A's
838366	IDCCS SMC 1,27 80 * AU AUI 200 TP GN J 2	838366-E	SMC Costumer Spec. C/A's
838367	IDCCS SMC 1,27 50 * AD NC 100 PVC RD J 2	838367-E	SMC Costumer Spec. C/A's
838368	IDCCS SMC 1,27 80 * AU AUI 320 PVC RD J	838368-E	SMC std C/A's
838369	IDCCS SMC 1,27 16 * AU NC 200 TP GN J 2	838369-E	SMC Costumer Spec. C/A's
838370	IDCCS SMC 1,27 26 * AD AUI 150 TP GN J 2	838370-E	SMC Costumer Spec. C/A's
838371	IDCCS SMC 1,27 50 * AU AUI 300 HF BU J 2	838371-E	SMC std C/A's
838372	IDCCS SMC 1,27 12 * AU NC 70 HF BU J 2 J	838372-E	SMC std C/A's
838373	IDCCS SMC 1,27 16 * AU AUI 140 HF BU J 2	838373-E	SMC std C/A's
838374	IDCCS SMC 1,27 32 * AU ADI 80 HF BU J 2	838374-E	SMC Costumer Spec. C/A's
838375	IDCCS SMC 1,27 32 * AU ADI 160 HF BU J 2	838375-E	SMC Costumer Spec. C/A's
838376	IDCCS SMC 1,27 26 * AU NC 135 PVC RD J 2	838376-E	SMC Costumer Spec. C/A's
838377	IDCCS SMC 1,27 32 * AU AUI 300 TP GN J 2	838377-E	SMC Costumer Spec. C/A's
838378	IDCCS SMC 1,27 12 * AD ADX 50 PVC RD J 2	838378-E	SMC std C/A's
838379	IDCCS SMC 1,27 32 * AD AUI 80 HF BU J 2	838379-E	SMC Costumer Spec. C/A's
838380	IDCCS SMC 1,27 32 * AD AUI 160 HF BU J 2	838380-E	SMC Costumer Spec. C/A's
838381	IDCCS SMC 1,27 50 * AD AUI 50 HF BU J 2	838381-E	SMC std C/A's
838382	IDCCS SMC 1,27 50 * AD NC 30 PVC RD J 2	838382-E	SMC Costumer Spec. C/A's
838383	IDCCS SMC 1,27 26 * AU AUI 180 TP GN J 2	838383-E	SMC Costumer Spec. C/A's
838384	IDCCS SMC 1,27 68 * AD ADX 50 TP GN J 2	838384-E	SMC Costumer Spec. C/A's
838385	IDCCS SMC 1,27 50 * AU AUI 700 HF BU J 2	838385-E	SMC std C/A's
838386	IDCCS SMC 1,27 12 * AU AUI 200 HF BU J 2	838386-E	SMC std C/A's
838387	IDCCS SMC 1,27 50 * AD AUI 1200 PVC RD J	838387-E	SMC Costumer Spec. C/A's
838388	IDCCS SMC 1,27 80 * AU AUI 520 PVC RD J	838388-E	SMC std C/A's
838389	IDCCS SMC 1,27 20 * AU AUI 280 PVC RD J	838389-E	SMC std C/A's
838390	IDCCS SMC 1,27 26 * AU AUI 130 TP GN J 2	838390-E	SMC Costumer Spec. C/A's
838391	IDCCS SMC 1,27 26 * AU AUI 45 PVC RD J 2	838391-E	SMC Costumer Spec. C/A's
838392	IDCCS SMC 1,27 26 * AU AUI 480 PVC RD J	838392-E	SMC Costumer Spec. C/A's
838393	IDCCS SMC 1,27 80 * AU AUX 100 PVC RD J	838393-E	SMC Costumer Spec. C/A's
838394	IDCCS SMC 1,27 80 * AU AUX 1200 PVC RD J	838394-E	SMC Costumer Spec. C/A's
838395	IDCCS SMC 1,27 16 * AD AUI 200 PVC RD J	838395-E	SMC Costumer Spec. C/A's
838396	IDCCS SMC 1,27 50 * AD ADX 36 PVC RD J 2	838396-E	SMC std C/A's
838397	IDCCS SMC 1,27 68 * AD ADX 36 PVC RD J 2	838397-E	SMC std C/A's

838398	IDCCS SMC 1,27 68 * AU AUI 310 PVC RD J	838398-E	SMC std C/A's
838399	IDCCS SMC 1,27 16 * AU AUI 300 TP GN J 2	838399-E	SMC Costumer Spec. C/A's
838400	IDCCS SMC 1,27 50 * AU ADI 120 TP GN J 2	838400-E	SMC Costumer Spec. C/A's
838401	IDCCS SMC 1,27 12 * AU AUI 750 PVC RD J	838401-E	SMC std C/A's
838402	IDCCS SMC 1,27 12 * AU AUI 500 TP GN J 2	838402-E	SMC std C/A's
838403	IDCCS SMC 1,27 16 * AU AUI 420 PVC RD J	838403-E	SMC Costumer Spec. C/A's
838404	IDCCS SMC 1,27 20 * AD AUI 600 TP GN J 2	838404-E	SMC Costumer Spec. C/A's
838405	IDCCS SMC 1,27 12 * AU AUI 220 PVC RD J	838405-E	SMC Costumer Spec. C/A's
838406	IDCCS SMC 1,27 68 * AU AUI 50 PVC RD J 2	838406-E	SMC std C/A's
838407	IDCCS SMC 1,27 26 * AU NC 80 HF BU J 2 J	838407-E	SMC std C/A's
838408	IDCCS SMC 1,27 50 * AU NC 80 HF BU J 2 J	838408-E	SMC std C/A's
838409	IDCCS SMC 1,27 20 * AU AUX 50 TP GN J 2	838409-E	SMC Costumer Spec. C/A's
838410	IDCCS SMC 1,27 26 * AU NC 145 PVC RD J 2	838410-E	SMC Costumer Spec. C/A's
838411	IDCCS SMC 1,27 26 * AD AUI 150 PVC RD J	838411-E	SMC std C/A's
838412	IDCCS SMC 1,27 50 * AU ADI 70 TP GN J 2	838412-E	SMC std C/A's
838413	IDCCS SMC 1,27 12 * AD AUI 70 PVC RD J 2	838413-E	SMC std C/A's
838414	IDCCS SMC 1,27 26 * AU NC 142 PVC RD J 2	838414-E	SMC std C/A's
838415	IDCCS SMC 1,27 80 * AU AUI 1200 PVC RD J	838415-E	SMC Costumer Spec. C/A's
838416	IDCCS SMC 1,27 12 * AD AUI 80 PVC RD J 2	838416-E	SMC std C/A's
838417	IDCCS SMC 1,27 12 * AD AUI 200 PVC RD J	838417-E	SMC std C/A's
838418	IDCCS SMC 1,27 12 * AD AUI 90 PVC RD J 2	838418-E	SMC std C/A's
838419	IDCCS SMC 1,27 26 * AD AUI 155 PVC RD J	838419-E	SMC std C/A's
838420	IDCCS SMC 1,27 26 * AD AUI 190 PVC RD J	838420-E	SMC std C/A's
838421	IDCCS SMC 1,27 40 * AU AUI 60 PVC RD J 2	838421-E	SMC Costumer Spec. C/A's
838422	IDCCS SMC 1,27 12 * AU AUI 100 HF BU J 2	838422-E	SMC std C/A's
838423	IDCCS SMC 1,27 12 * AD NC 100 PVC RD J 2	838423-E	SMC std C/A's
838424	IDCCS SMC 1,27 26 * AU AUI 440 PVC RD J	838424-E	SMC std C/A's
838425	IDCCS SMC 1,27 20 * AD AUI 50 TP GN J 2	838425-E	SMC std C/A's
838426	IDCCS SMC 1,27 68 * AU ADI 50 TP GN J 2	838426-E	SMC Costumer Spec. C/A's
838427	IDCCS SMC 1,27 20 * AU AUI 130 PVC RD J	838427-E	SMC Costumer Spec. C/A's
838428	IDCCS SMC 1,27 32 * AU AUI 780 PVC RD J	838428-E	SMC std C/A's
838429	IDCCS SMC 1,27 40 * AU AUI 470 PVC RD J	838429-E	SMC Costumer Spec. C/A's
838430	IDCCS SMC 1,27 26 * AU AUI 620 PVC RD J	838430-E	SMC std C/A's
838431	IDCCS SMC 1,27 26 * AU AUI 40 TP GN J 2	838431-E	SMC std C/A's
838432	IDCCS SMC 1,27 26 * AU ADI 200 TP GN J 2	838432-E	SMC std C/A's
838433	IDCCS SMC 1,27 32 * AD AUI 1200 PVC RD J	838433-E	SMC Costumer Spec. C/A's
838434	IDCCS SMC 1,27 26 * AU ADI 250 HF BU J 2	838434-E	SMC Costumer Spec. C/A's
838435	IDCCS SMC 1,27 12 * AU AUI 85 PVC RD J 2	838435-E	SMC std C/A's
838436	IDCCS SMC 1,27 20 * AU AUX 100 TP GN J 2	838436-E	SMC Costumer Spec. C/A's
838437	IDCCS SMC 1,27 12 * AU AUI 160 PVC RD J	838437-E	SMC std C/A's
838438	IDCCS SMC 1,27 20 * AD ADX 50 TP GN J 2	838438-E	SMC Costumer Spec. C/A's
838439	IDCCS SMC 1,27 20 * AD ADX 100 TP GN J 2	838439-E	SMC Costumer Spec. C/A's
838440	IDCCS SMC 1,27 20 * AD ADX 40 TP GN J 2	838440-E	SMC std C/A's
838441	IDCCS SMC 1,27 12 * AU AUI 1200 PVC RD J	838441-E	SMC std C/A's
838442	IDCCS SMC 1,27 20 * AD ADX 75 TP GN J 2	838442-E	SMC std C/A's
838443	IDCCS SMC 1,27 50 * AU ADI 4000 PVC RD J	838443-E	SMC std C/A's
838444	IDCCS SMC 1,27 20 * AU ADI 170 PVC RD J	838444-E	SMC std C/A's
838445	IDCCS SMC 1,27 20 * AU ADI 28 PVC RD J 2	838445-E	SMC std C/A's
838446	IDCCS SMC 1,27 40 * AU AUI 35 TP GN J 2	838446-E	SMC std C/A's
838447	IDCCS SMC 1,27 26 * AU AUI 7000 PVC RD J	838447-E	SMC std C/A's
838448	IDCCS SMC 1,27 12 * AU AUI 620 PVC RD J	838448-E	SMC std C/A's
838449	IDCCS SMC 1,27 12 * AD NC 77 PVC RD J 2	838449-E	SMC std C/A's
838450	IDCCS SMC 1,27 50 * AU ADI 90 PVC RD J 2	838450-E	SMC std C/A's
838452	IDCCS SMC 1,27 26 * AU ADI 100 PVC RD J	838452-E	SMC Costumer Spec. C/A's
838453	IDCCS SMC 1,27 26 * AU AUI 380 TP GN J 2	838453-E	SMC Costumer Spec. C/A's
838454	IDCCS SMC 1,27 26 * AU AUI 350 TP GN J 2	838454-E	SMC std C/A's
838455	IDCCS SMC 1,27 68 * AD AUI 180 TP GN J 2	838455-E	SMC Costumer Spec. C/A's
838456	IDCCS SMC 1,27 26 * AU NC 250 TP GN J 2	838456-E	SMC std C/A's
838457	IDCCS SMC 1,27 26 * AD NC 80 HF BU J 2 J	838457-E	SMC std C/A's
838458	IDCCS SMC 1,27 50 * AD NC 80 HF BU J 2 J	838458-E	SMC std C/A's
838459	IDCCS SMC 1,27 40 * AU AUI 34 PVC RD J 2	838459-E	SMC std C/A's
838460	IDCCS SMC 1,27 50 * AU AUI 150 TP GN J 2	838460-E	SMC std C/A's
838461	IDCCS SMC 1,27 40 * AU ADI 80 TP GN J 2	838461-E	SMC std C/A's
838462	IDCCS SMC 1,27 12 * AU AUI 280 PVC RD J	838462-E	SMC Costumer Spec. C/A's
838463	IDCCS SMC 1,27 12 * AU ADI 140 PVC RD J	838463-E	SMC std C/A's
838464	IDCCS SMC 1,27 50 * AU AUI 45 HF BU J 2	838464-E	SMC std C/A's
838465	IDCCS SMC 1,27 26 * AU AUI 220 HF BU J 2	838465-E	SMC std C/A's
838466	IDCCS SMC 1,27 40 * AU AUI 30 PVC RD J 2	838466-E	SMC std C/A's
838467	IDCCS SMC 1,27 20 * AU ADI 325 PVC RD J	838467-E	SMC std C/A's
838468	IDCCS SMC 1,27 50 * AD AUI 180 TP GN J 2	838468-E	SMC Costumer Spec. C/A's
838469	IDCCS SMC 1,27 26 * AD AUI 455 PVC RD J	838469-E	SMC std C/A's
838470	IDCCS SMC 1,27 20 * AU ADI 590 PVC RD J	838470-E	SMC std C/A's
838471	IDCCS SMC 1,27 26 * AD AUI 1500 PVC RD J	838471-E	SMC std C/A's
838472	IDCCS SMC 1,27 26 * AD AUI 380 TP GN J 2	838472-E	SMC std C/A's
838473	IDCCS SMC 1,27 26 * AD AUI 100 TP GN J 2	838473-E	SMC std C/A's
838474	IDCCS SMC 1,27 50 * AU ADI 40 HF BU J 2	838474-E	SMC Costumer Spec. C/A's
838475	IDCCS SMC 1,27 12 * AU NC 65 PVC RD J 2	838475-E	SMC std C/A's
838476	IDCCS SMC 1,27 26 * AU NC 65 PVC RD J 2	838476-E	SMC std C/A's
838477	IDCCS SMC 1,27 68 * AU AUI 420 TP GN J 2	838477-E	SMC Costumer Spec. C/A's
838478	IDCCS SMC 1,27 68 * AU AUI 800 TP GN J 2	838478-E	SMC Costumer Spec. C/A's
838479	IDCCS SMC 1,27 32 * AU AUI 130 PVC RD J	838479-E	SMC std C/A's
838480	IDCCS SMC 1,27 12 * AU AUI 120 PVC RD J	838480-E	SMC std C/A's
838481	IDCCS SMC 1,27 20 * AU AUI 115 PVC RD J	838481-E	SMC Costumer Spec. C/A's
838482	IDCCS SMC 1,27 50 * AU AUI 100 HF BU J 2	838482-E	SMC std C/A's
838483	IDCCS SMC 1,27 32 * AU AUI 40 HF BU J 2	838483-E	SMC std C/A's
838484	IDCCS SMC 1,27 50 * AD AUI 300 HF BU J 2	838484-E	SMC Costumer Spec. C/A's
838485	IDCCS SMC 1,27 50 * AU ADI 40 TP GN J 2	838485-E	SMC std C/A's
838486	IDCCS SMC 1,27 20 * AU AUI 70 TP GN J 2	838486-E	SMC Costumer Spec. C/A's
838487	IDCCS SMC 1,27 12 * AU AUI 70 TP GN J 2	838487-E	SMC Costumer Spec. C/A's
838488	IDCCS SMC 1,27 26 * AU NC 500 PVC RD J 2	838488-E	SMC std C/A's
838489	IDCCS SMC 1,27 50 * AD AUI 300 TP GN J 2	838489-E	SMC std C/A's
838490	IDCCS SMC 1,27 50 * AU AUX 350 PVC RD J	838490-E	SMC Costumer Spec. C/A's
838491	IDCCS SMC 1,27 50 * AU AUX 150 PVC RD J	838491-E	SMC std C/A's
838492	IDCCS SMC 1,27 16 * AU AUI 900 TP GN J 2	838492-E	SMC std C/A's
838493	IDCCS SMC 1,27 26 * AD AUI 70 HF BU J 2	838493-E	SMC std C/A's
838494	IDCCS SMC 1,27 12 * AU AUI 1050 PVC RD J	838494-E	SMC std C/A's
838495	IDCCS SMC 1,27 20 * AU AUI 75 PVC RD J 2	838495-E	SMC std C/A's
838496	IDCCS SMC 1,27 50 * AU AUI 54 HF BU J 2	838496-E	SMC std C/A's

838497	IDCCS SMC 1,27 50 * AU ADI 3500 PVC RD J	838497-E	SMC Costumer Spec. C/A's
838498	IDCCS SMC 1,27 50 * AU AUI 4000 PVC RD J	838498-E	SMC Costumer Spec. C/A's
838499	IDCCS SMC 1,27 16 * AU AUI 400 HF BU J 2	838499-E	SMC std C/A's
838500	IDCCS SMC 1,27 16 * AU AUI 460 HF BU J 2	838500-E	SMC std C/A's
838501	IDCCS SMC 1,27 68 * AU ADI 320 HF BU J 2	838501-E	SMC std C/A's
838502	IDCCS SMC 1,27 68 * AU ADI 80 HF BU J 2	838502-E	SMC std C/A's
838503	IDCCS SMC 1,27 12 * AU AUI 40 TP GN J 2	838503-E	SMC std C/A's
838504	IDCCS SMC 1,27 20 * AU AUI 113 PVC RD J	838504-E	SMC std C/A's
838505	IDCCS SMC 1,27 20 * AD AUI 360 PVC RD J	838505-E	SMC std C/A's
838506	IDCCS SMC 1,27 26 * AU AUI 180 HF BU J 2	838506-E	SMC std C/A's
838507	IDCCS SMC 1,27 12 * AD AUI 1000 PVC RD J	838507-E	SMC std C/A's
838508	IDCCS SMC 1,27 26 * AU AUI 20 PVC RD J 2	838508-E	SMC std C/A's
838509	IDCCS SMC 1,27 12 * AU AUX 300 PVC RD J	838509-E	SMC Costumer Spec. C/A's
838510	IDCCS SMC 1,27 40 * AU AUI 100 TP GN J 2	838510-E	SMC Costumer Spec. C/A's
838511	IDCCS SMC 1,27 50 * AU AUI 20 TP GN J 2	838511-E	SMC std C/A's
838512	IDCCS SMC 1,27 68 * AU AUI 45 TP GN J 2	838512-E	SMC std C/A's
838513	IDCCS SMC 1,27 32 * AU AUI 128 PVC RD J	838513-E	SMC std C/A's
838514	IDCCS SMC 1,27 32 * AU AUI 230 PVC RD J	838514-E	SMC std C/A's
838515	IDCCS SMC 1,27 12 * AU AUX 200 HF BU J 2	838515-E	SMC Costumer Spec. C/A's
838516	IDCCS SMC 1,27 12 * AU AUI 170 HF BU J 2	838516-E	SMC std C/A's
838517	IDCCS SMC 1,27 40 * AD AUI 150 TP GN J 2	838517-E	SMC std C/A's
838518	IDCCS SMC 1,27 50 * AU AUI 90 HF BU J 2	838518-E	SMC std C/A's
838519	IDCCS SMC 1,27 20 * AU AUI 40 PVC RD J 2	838519-E	SMC std C/A's
838520	IDCCS SMC 1,27 80 * AD AUI 50 PVC RD J 2	838520-E	SMC std C/A's
838521	IDCCS SMC 1,27 26 * AU ADX 100 TP GN J 2	838521-E	SMC std C/A's
838522	IDCCS SMC 1,27 26 * AU AUI 100 TP GN J 2	838522-E	SMC std C/A's
838523	IDCCS SMC 1,27 12 * AD AUI 400 PVC RD J	838523-E	SMC std C/A's
838524	IDCCS SMC 1,27 16 * AD AUI 120 PVC RD J	838524-E	SMC std C/A's
838525	IDCCS SMC 1,27 16 * AD AUI 400 PVC RD J	838525-E	SMC std C/A's
838526	IDCCS SMC 1,27 50 * AU ADI 82 TP GN J 2	838526-E	SMC std C/A's
838527	IDCCS SMC 1,27 68 * AU AUI 100 TP GN J 2	838527-E	SMC std C/A's
838528	IDCCS SMC 1,27 80 * AU AUI 100 TP GN J 2	838528-E	SMC std C/A's
838529	IDCCS SMC 1,27 50 * AD NC 180 TP GN J 2	838529-E	SMC std C/A's
838530	IDCCS SMC 1,27 50 * AD NC 150 TP GN J 2	838530-E	SMC std C/A's
838531	IDCCS SMC 1,27 26 * AU AUI 30 HF BU J 2	838531-E	SMC std C/A's
838532	IDCCS SMC 1,27 50 * AU AUX 70 TP GN J 2	838532-E	SMC std C/A's
838533	IDCCS SMC 1,27 68 * AU ADI 150 TP GN J 2	838533-E	SMC std C/A's
838534	IDCCS SMC 1,27 40 * AU ADI 90 HT GN J 2	838534-E	SMC std C/A's
838535	IDCCS SMC 1,27 80 * AD AUX 50 HT GN J 2	838535-E	SMC std C/A's
838536	IDCCS SMC 1,27 26 * AU AUX 130 PVC RD J	838536-E	SMC std C/A's
838537	IDCCS SMC 1,27 80 * AD AUX 250 TP GN J 2	838537-E	SMC std C/A's
838538	IDCCS SMC 1,27 26 * AU AUX 70 PVC RD J 2	838538-E	SMC std C/A's
838539	IDCCS SMC 1,27 12 * AU NC 3000 PVC RD J	838539-E	SMC std C/A's
838540	IDCCS SMC 1,27 26 * AD AUI 100 PVC RD J	838540-E	SMC std C/A's
838541	IDCCS SMC 1,27 50 * AU AUX 610 PVC RD J	838541-E	SMC std C/A's
838542	IDCCS SMC 1,27 80 * AU AUI 150 TP GN J 2	838542-E	SMC std C/A's
838543	IDCCS SMC 1,27 50 * AD AUI 180 HF BU J 2	838543-E	SMC std C/A's
838544	IDCCS SMC 1,27 12 * AD AUI 750 PVC RD J	838544-E	SMC std C/A's
838545	IDCCS SMC 1,27 80 * AU AUI 450 PVC RD J	838545-E	SMC std C/A's
838546	IDCCS SMC 1,27 68 * AU AUI 810 PVC RD J	838546-E	SMC std C/A's
838547	IDCCS SMC 1,27 12 * AU NC 50 PVC RD J 2	838547-E	SMC std C/A's
838548	IDCCS SMC 1,27 50 * AU AUI 470 PVC RD J	838548-E	SMC std C/A's
838549	IDCCS SMC 1,27 50 SL AU AUI 100 PVC RD J	838549-E	SMC std C/A's
838550	IDCCS SMC 1,27 50 SL AU AUI 200 PVC RD J	838550-E	SMC std C/A's
838551	IDCCS SMC 1,27 50 SL AU AUI 300 PVC RD J	838551-E	SMC std C/A's
838553	IDCCS SMC 1,27 16 * AD AUI 120 TP GN J 2	838553-E	SMC std C/A's
838554	IDCCS SMC 1,27 12 * AD NC 145 TP GN J 2	838554-E	SMC std C/A's
838555	IDCCS SMC 1,27 12 * AD NC 135 TP GN J 2	838555-E	SMC std C/A's
838556	IDCCS SMC 1,27 50 * AD AUI 130 TP GN J 2	838556-E	SMC std C/A's
838557	IDCCS SMC 1,27 50 * AD AUI 130 HF BU J 2	838557-E	SMC std C/A's
838558	IDCCS SMC 1,27 50 * AU AUI 200 HF BU J 2	838558-E	SMC std C/A's
838559	IDCCS SMC 1,27 80 * AU AUI 200 HF BU J 2	838559-E	SMC std C/A's
838560	IDCCS SMC 1,27 32 * AU AUI 200 HF BU J 2	838560-E	SMC std C/A's
838561	IDCCS SMC 1,27 16 * AU AUI 200 HF BU J 2	838561-E	SMC std C/A's
838562	IDCCS SMC 1,27 40 * AU AUI 810 PVC RD J	838562-E	SMC std C/A's
838563	IDCCS SMC 1,27 26 * AU NC 50 TP GN J 2 J	838563-E	SMC std C/A's
838564	IDCCS SMC 1,27 40 * AU AUX 1000 TP GN J	838564-E	SMC std C/A's
838565	IDCCS SMC 1,27 16 * AU AUI 300 HF BU J 2	838565-E	SMC std C/A's
838566	IDCCS SMC 1,27 16 * AU AUI 65 HF BU J 2	838566-E	SMC std C/A's
838567	IDCCS SMC 1,27 32 * AU AUI 54 HF BU J 2	838567-E	SMC std C/A's
838568	IDCCS SMC 1,27 50 * AU AUI 24 HF BU J 2	838568-E	SMC std C/A's
838570	IDCCS SMC 1,27 80 * AU AUI 32 TP GN J 2	838570-E	SMC std C/A's
838571	IDCCS SMC 1,27 16 * AU ADI 23 TP GN J 2	838571-E	SMC std C/A's
838572	IDCCS SMC 1,27 12 * AU ADI 62 TP GN J 2	838572-E	SMC std C/A's
838573	IDCCS SMC 1,27 20 * AU ADI 70 TP GN J 2	838573-E	SMC std C/A's
838574	IDCCS SMC 1,27 12 * AU ADI 44 TP GN J 2	838574-E	SMC std C/A's
838575	IDCCS SMC 1,27 68 * AU ADI 60 TP GN J 2	838575-E	SMC std C/A's
838576	IDCCS SMC 1,27 68 * AU AUI 100 HF BU J 2	838576-E	SMC std C/A's
838577	IDCCS SMC 1,27 68 * AU AUI 200 HF BU J 2	838577-E	SMC std C/A's
838578	IDCCS SMC 1,27 20 * AU AUI 25 PVC RD J 2	838578-E	SMC std C/A's
838579	IDCCS SMC 1,27 16 * AU AUI 160 HF BU J 2	838579-E	SMC std C/A's
838580	IDCCS SMC 1,27 16 * AU AUI 340 HF BU J 2	838580-E	SMC std C/A's
838581	IDCCS SMC 1,27 80 * AD AUI 70 TP GN J 2	838581-E	SMC std C/A's
838582	IDCCS SMC 1,27 50 * AD AUI 60 TP GN J 2	838582-E	SMC std C/A's
838583	IDCCS SMC 1,27 40 * AU AUI 50 TP GN J 2	838583-E	SMC std C/A's
838584	IDCCS SMC 1,27 80 * AD AUI 100 TP GN J 2	838584-E	SMC std C/A's
838586	IDCCS SMC 1,27 68 * AU ADI 130 TP GN J 2	838586-E	SMC std C/A's
838587	IDCCS SMC 1,27 50 * AU ADI 50 TP GN J 2	838587-E	SMC std C/A's
838588	IDCCS SMC 1,27 16 * AU NC 100 TP GN J 2	838588-E	SMC std C/A's
838589	IDCCS SMC 1,27 16 * AU NC 300 TP GN J 2	838589-E	SMC std C/A's
838590	IDCCS SMC 1,27 16 * AU NC 500 TP GN J 2	838590-E	SMC std C/A's
838591	IDCCS SMC 1,27 16 * AU NC 700 TP GN J 2	838591-E	SMC std C/A's
838592	IDCCS SMC 1,27 16 * AU NC 1500 TP GN J 2	838592-E	SMC std C/A's
838593	IDCCS SMC 1,27 32 * AU ADI 25 PVC RD J 2	838593-E	SMC std C/A's
838594	IDCCS SMC 1,27 50 * AD AUI 90 TP GN J 2	838594-E	SMC std C/A's
838595	IDCCS SMC 1,27 50 * AU NC 50 TP GN J 2 J	838595-E	SMC std C/A's
839010	IDCCS SRC 1,27 2 * SFX SFX 100 PVC * J 2	839010-E	MiniBridge std C/A's
839011	IDCCS SRC 1,27 2 * SFX SFX 200 PVC * J 3	839011-E	MiniBridge std C/A's

839012	IDCCS SRC 1,27 2 * SFX SFX 300 PVC * J 2	839012-E	MiniBridge std C/A's
839013	IDCCS SRC 1,27 3 * SFX SFX 100 PVC * J 2	839013-E	MiniBridge std C/A's
839014	IDCCS SRC 1,27 3 * SFX SFX 200 PVC * J 2	839014-E	MiniBridge std C/A's
839015	IDCCS SRC 1,27 3 * SFX SFX 300 PVC * J 2	839015-E	MiniBridge std C/A's
839016	IDCCS SRC 1,27 4 * SFX SFX 100 PVC * J 2	839016-E	MiniBridge std C/A's
839017	IDCCS SRC 1,27 4 * SFX SFX 200 PVC * J 2	839017-E	MiniBridge std C/A's
839018	IDCCS SRC 1,27 4 * SFX SFX 300 PVC * J 2	839018-E	MiniBridge std C/A's
839019	IDCCS SRC 1,27 6 * SFX SFX 100 PVC * J 2	839019-E	MiniBridge std C/A's
839020	IDCCS SRC 1,27 6 * SFX SFX 200 PVC * J 2	839020-E	MiniBridge std C/A's
839021	IDCCS SRC 1,27 6 * SFX SFX 300 PVC * J 2	839021-E	MiniBridge std C/A's
839022	IDCCS SRC 1,27 8 * SFX SFX 100 PVC * J 2	839022-E	MiniBridge std C/A's
839023	IDCCS SRC 1,27 8 * SFX SFX 200 PVC * J 3	839023-E	MiniBridge std C/A's
839024	IDCCS SRC 1,27 8 * SFX SFX 300 PVC * J 2	839024-E	MiniBridge std C/A's
839025	IDCCS SRC 1,27 2 * AFU AFU 100 PVC * J 2	839025-E	MiniBridge std C/A's
839027	IDCCS SRC 1,27 2 * AFU AFU 300 PVC * J 2	839027-E	MiniBridge std C/A's
839030	IDCCS SRC 1,27 3 * AFU AFU 300 PVC * J 2	839030-E	MiniBridge std C/A's
839034	IDCCS SRC 1,27 6 * AFU AFU 100 PVC * J 2	839034-E	MiniBridge std C/A's
839035	IDCCS SRC 1,27 6 * AFU AFU 200 PVC * J 2	839035-E	MiniBridge std C/A's
839036	IDCCS SRC 1,27 6 * AFU AFU 300 PVC * J 2	839036-E	MiniBridge std C/A's
839037	IDCCS SRC 1,27 8 * AFU AFU 100 PVC * J 2	839037-E	MiniBridge std C/A's
839038	IDCCS SRC 1,27 8 * AFU AFU 200 PVC * J 2	839038-E	MiniBridge std C/A's
839039	IDCCS SRC 1,27 8 * AFU AFU 300 PVC * J 2	839039-E	MiniBridge std C/A's
839047	IDCCS SRC 1,27 4 * SFX AFU 200 PVC * J 2	839047-E	MiniBridge std C/A's
839048	IDCCS SRC 1,27 4 * SFX AFU 300 PVC * J 2	839048-E	MiniBridge std C/A's
839049	IDCCS SRC 1,27 6 * SFX AFU 100 PVC * J 2	839049-E	MiniBridge std C/A's
839050	IDCCS SRC 1,27 6 * SFX AFU 200 PVC * J 2	839050-E	MiniBridge std C/A's
839051	IDCCS SRC 1,27 6 * SFX AFU 300 PVC * J 2	839051-E	MiniBridge std C/A's
839057	IDCCS SRC 1,27 4 * SFX SFX 300 HT * J 2	839057-E	MiniBridge std C/A's
839059	IDCCS SRC 1,27 8 * SFX SFX 300 HT * J 2	839059-E	MiniBridge std C/A's
839063	IDCCS SRC 1,27 6 * AFU AFU 300 HT * J 2	839063-E	MiniBridge std C/A's
839064	IDCCS SRC 1,27 8 * AFU AFU 300 HT * J 2	839064-E	MiniBridge std C/A's
839068	IDCCS SRC 1,27 6 * SFX AFU 300 HT * J 2	839068-E	MiniBridge std C/A's
839069	IDCCS SRC 1,27 8 * SFX AFU 300 HT * J 2	839069-E	MiniBridge std C/A's
839073	IDCCS SRC 1,27 6 * SFX SFX 500 HT * J 2	839073-E	MiniBridge std C/A's
839076	IDCCS SRC 1,27 6 * SPX SPX 500 HT * J 2	839076-E	MiniBridge std C/A's
839079	IDCCS SRC 1,27 8 * APU APU 500 PVC * J 2	839079-E	MiniBridge std C/A's
839080	IDCCS SRC 1,27 8 * SPX SPX 300 HF * J 2	839080-E	MiniBridge std C/A's
839081	IDCCS SRC 1,27 4 * SPX SPX 200 PVC * J 2	839081-E	MiniBridge std C/A's
839086	IDCCS SRC 1,27 4 * AFD NXX 50 PVC * J 2	839086-E	MiniBridge std C/A's
839088	IDCCS SRC 1,27 6 * SFX SFX 500 PVC * J 2	839088-E	MiniBridge std C/A's
839089	IDCCS SRC 1,27 8 * SPX APD 50 PVC * J 2	839089-E	MiniBridge std C/A's
839095	IDCCS SRC 1,27 8 * AFU AFU 100 HT * J 2	839095-E	MiniBridge std C/A's
839097	IDCCS SRC 1,27 4 * SPX SPX 100 PVC * J 2	839097-E	MiniBridge std C/A's
839099	IDCCS SRC 1,27 8 * AFU AFU 300 HT * J 2	839099-E	MiniBridge std C/A's
839104	IDCCS SRC 1,27 4 * SFX SFX 50 HT * J 2	839104-E	MiniBridge std C/A's
839106	IDCCS SRC 1,27 6 * SFX SFX 50 PVC * J 2	839106-E	MiniBridge std C/A's
839107	IDCCS SRC 1,27 6 * SPX SPX 150 PVC * J 2	839107-E	MiniBridge std C/A's
839109	IDCCS SRC 1,27 4 * AFD NXX 100 PVC * J 2	839109-E	MiniBridge std C/A's
839113	IDCCS SRC 1,27 8 * SPX SPX 300 PVC * J 2	839113-E	MiniBridge std C/A's
839114	IDCCS SRC 1,27 6 * SPX SPX 500 PVC * J 2	839114-E	MiniBridge std C/A's
839116	IDCCS SRC 1,27 6 * SFX NXX 300 PVC * J 2	839116-E	MiniBridge std C/A's
839117	IDCCS SRC 1,27 4 * AFU AFU 400 HT * J 2	839117-E	MiniBridge std C/A's
839122	IDCCS SRC 1,27 6 * AFU NXX 500 PVC * J 2	839122-E	MiniBridge std C/A's
839123	IDCCS SRC 1,27 4 * SFX NXX 300 PVC * J 2	839123-E	MiniBridge std C/A's
839124	IDCCS SRC 1,27 8 * SPX NXX 500 PVC * J 2	839124-E	MiniBridge std C/A's
839127	IDCCS SRC 1,27 2 * SFX NXX 200 HF * J 2	839127-E	MiniBridge std C/A's
839131	IDCCS SRC 1,27 4 * AFD NXX 450 PVC * J 2	839131-E	MiniBridge std C/A's
839138	IDCCS SRC 1,27 8 * SFX NXX 200 PVC * J 2	839138-E	MiniBridge std C/A's
839141	IDCCS SRC 1,27 6 * AFD NXX 500 PVC * J 2	839141-E	MiniBridge std C/A's
839142	IDCCS SRC 1,27 4 * APU APD 200 PVC * J 2	839142-E	MiniBridge std C/A's
839147	IDCCS SRC 1,27 8 * APU APU 100 HT * J 2	839147-E	MiniBridge std C/A's
839154	IDCCS SRC 1,27 8 * APU APU 150 PVC * J 2	839154-E	MiniBridge std C/A's
839163	IDCCS SRC 1,27 10 * SFX SFX 200 PVC * J	839163-E	MiniBridge std C/A's
839164	IDCCS SRC 1,27 10 * SFX SFX 300 PVC * J	839164-E	MiniBridge std C/A's
839166	IDCCS SRC 1,27 12 * SFX SFX 200 PVC * J	839166-E	MiniBridge std C/A's
839167	IDCCS SRC 1,27 12 * SFX SFX 300 PVC * J	839167-E	MiniBridge std C/A's
839170	IDCCS SRC 1,27 10 * AFU AFU 300 PVC * J	839170-E	MiniBridge std C/A's
839171	IDCCS SRC 1,27 12 * AFU AFU 100 PVC * J	839171-E	MiniBridge std C/A's
839174	IDCCS SRC 1,27 10 * SFX AFU 100 PVC * J	839174-E	MiniBridge std C/A's
839177	IDCCS SRC 1,27 12 * SFX AFU 100 PVC * J	839177-E	MiniBridge std C/A's
839178	IDCCS SRC 1,27 12 * SFX AFU 200 PVC * J	839178-E	MiniBridge std C/A's
839180	IDCCS SRC 1,27 4 * SPX SPX 200 HT * J 2	839180-E	MiniBridge std C/A's
839181	IDCCS SRC 1,27 4 * AFU AFU 200 HT * J 2	839181-E	MiniBridge std C/A's
839182	IDCCS SRC 1,27 8 * AFU AFU 150 PVC * J 2	839182-E	MiniBridge std C/A's
839183	IDCCS SRC 1,27 6 * SFX SFX 350 PVC * J 2	839183-E	MiniBridge std C/A's
839184	IDCCS SRC 1,27 4 * AFU NXX 100 PVC * J 2	839184-E	MiniBridge std C/A's
839190	IDCCS SRC 1,27 4 * SFX NXX 100 PVC * J 2	839190-E	MiniBridge std C/A's
839196	IDCCS SRC 1,27 4 * SPX SPX 450 HT * J 2	839196-E	MiniBridge std C/A's
839197	IDCCS SRC 1,27 6 * SPX SPX 50 PVC * J 2	839197-E	MiniBridge std C/A's
839198	IDCCS SRC 1,27 8 * SPX APD 100 PVC * J 2	839198-E	MiniBridge std C/A's
839200	IDCCS SRC 1,27 8 * SFX SFX 400 PVC * J 2	839200-E	MiniBridge std C/A's
839208	IDCCS SRC 1,27 8 * SPX SPX 100 HF * J 2	839208-E	MiniBridge std C/A's
839209	IDCCS SRC 1,27 3 * SPX NXX 150 PVC * J 2	839209-E	MiniBridge std C/A's
839211	IDCCS SRC 1,27 2 * APD NXX 200 PVC * J 2	839211-E	MiniBridge std C/A's
839213	IDCCS SRC 1,27 8 * SPX SPX 150 HF * J 2	839213-E	MiniBridge std C/A's
839214	IDCCS SRC 1,27 2 * SFX NXX 300 HT * J 2	839214-E	MiniBridge std C/A's
839218	IDCCS SRC 1,27 8 * SFX SFX 200 HT * J 2	839218-E	MiniBridge std C/A's
839220	IDCCS SRC 1,27 4 * SPX SPX 150 PVC * J 2	839220-E	MiniBridge std C/A's
839225	IDCCS SRC 1,27 2 * SPX NXX 100 PVC * J 2	839225-E	MiniBridge std C/A's
839226	IDCCS SRC 1,27 2 * SPX NXX 300 HT * J 2	839226-E	MiniBridge std C/A's
839234	IDCCS SRC 1,27 3 * AFU NXX 150 PVC * J 2	839234-E	MiniBridge std C/A's
839238	IDCCS SRC 1,27 2 * SPX NXX 300 HF * J 2	839238-E	MiniBridge std C/A's
839239	IDCCS SRC 1,27 4 * SPX NXX 300 HF * J 2	839239-E	MiniBridge std C/A's
839240	IDCCS SRC 1,27 8 * SPX NXX 300 HF * J 2	839240-E	MiniBridge std C/A's
839242	IDCCS SRC 1,27 6 * APD NXX 500 HT * J 2	839242-E	MiniBridge std C/A's
839243	IDCCS SRC 1,27 6 * SPX SPX 300 HT * J 2	839243-E	MiniBridge std C/A's
839246	IDCCS SRC 1,27 6 * SPX SPX 200 HT * J 2	839246-E	MiniBridge std C/A's
839249	IDCCS SRC 1,27 8 * SFX AFU 100 HF * J 2	839249-E	MiniBridge std C/A's

839253	IDCCS SRC 1,27 2 * SFX NXX 200 PVC * J 2	839253-E	MiniBridge std C/A's
839254	IDCCS SRC 1,27 8 * SFX AFU 350 HT * J 2	839254-E	MiniBridge std C/A's
839255	IDCCS SRC 1,27 6 * SPX SPX 300 PVC * J 2	839255-E	MiniBridge std C/A's
839259	IDCCS SRC 1,27 8 * SPX APD 200 HF * J 2	839259-E	MiniBridge std C/A's
839260	IDCCS SRC 1,27 2 * SPX NXX 300 PVC * J 2	839260-E	MiniBridge std C/A's
839271	IDCCS SRC 1,27 2 * SFX NXX 300 PVC * J 2	839271-E	MiniBridge std C/A's
839290	IDCCS SRC 1,27 6 * SPX APD 50 HT * J 2	839290-E	MiniBridge std C/A's
839294	IDCCS SRC 1,27 2 * SFX SFX 100 HT * J 2	839294-E	MiniBridge std C/A's
839300	IDCCS SRC 1,27 4 * SPX SPX 700 HT * J 2	839300-E	MiniBridge std C/A's
839309	IDCCS SRC 1,27 3 * SFX NXX 100 PVC * J 2	839309-E	MiniBridge std C/A's
839310	IDCCS SRC 1,27 4 * SFX NXX 500 PVC * J 2	839310-E	MiniBridge std C/A's
839315	IDCCS SRC 1,27 4 * SFX SFX 500 HT * J 2	839315-E	MiniBridge std C/A's
839320	IDCCS SRC 1,27 6 * SPX SPX 50 HF * J 2	839320-E	MiniBridge std C/A's
839321	IDCCS SRC 1,27 6 * SPX SPX 200 HF * J 2	839321-E	MiniBridge std C/A's
839339	IDCCS SRC 1,27 6 * SFX SFX 200 HT * J 2	839339-E	MiniBridge std C/A's
839346	IDCCS SRC 1,27 3 * SPX NXX 500 HT * J 2	839346-E	MiniBridge std C/A's
839347	IDCCS SRC 1,27 3 * SPX NXX 60 HT * J 2	839347-E	MiniBridge std C/A's
839351	IDCCS SRC 1,27 4 * SPX NXX 500 HT * J 2	839351-E	MiniBridge std C/A's
839353	IDCCS SRC 1,27 4 * SPX NXX 250 HT * J 2	839353-E	MiniBridge std C/A's
839354	IDCCS SRC 1,27 4 * SPX SFX 120 HT * J 2	839354-E	MiniBridge std C/A's
839358	IDCCS SRC 1,27 6 * SPX SPX 180 HT * J 2	839358-E	MiniBridge std C/A's
839359	IDCCS SRC 1,27 4 * SPX SFX 250 HT * J 2	839359-E	MiniBridge std C/A's
839363	IDCCS SRC 1,27 12 * SPX SPX 200 PVC * J	839363-E	MiniBridge std C/A's
839368	IDCCS SRC 1,27 4 * AFU NXX 110 PVC * J 2	839368-E	MiniBridge std C/A's
839373	IDCCS SRC 1,27 3 * AFD NXX 75 PVC * J 2	839373-E	MiniBridge std C/A's
839376	IDCCS SRC 1,27 6 * APU APU 100 PVC * J 2	839376-E	MiniBridge std C/A's
839378	IDCCS SRC 1,27 6 * SPX SPX 700 HT * J 2	839378-E	MiniBridge std C/A's
839379	IDCCS SRC 1,27 4 * SPX NXX 550 HT * J 2	839379-E	MiniBridge std C/A's
839380	IDCCS SRC 1,27 6 * SPX SPX 650 HT * J 3	839380-E	MiniBridge std C/A's
839381	IDCCS SRC 1,27 4 * SFX SFX 150 HT * J 2	839381-E	MiniBridge std C/A's
839383	IDCCS SRC 1,27 2 * AFD NXX 300 HF * J 2	839383-E	MiniBridge std C/A's
839388	IDCCS SRC 1,27 10 * APU APU 300 HT * J 2	839388-E	MiniBridge std C/A's
839390	IDCCS SRC 1,27 6 * SPX APD 100 HT * J 2	839390-E	MiniBridge std C/A's
839391	IDCCS SRC 1,27 6 * SPX APD 150 HT * J 2	839391-E	MiniBridge std C/A's
839398	IDCCS SRC 1,27 2 * AFD NXX 400 PVC * J 2	839398-E	MiniBridge std C/A's
839399	IDCCS SRC 1,27 2 * SPX SPX 100 PVC * J 2	839399-E	MiniBridge std C/A's
839401	IDCCS SRC 1,27 6 * SPX SPX 100 PVC * J 2	839401-E	MiniBridge std C/A's
839410	IDCCS SRC 1,27 3 * SPX NXX 550 HT * J 3	839410-E	MiniBridge std C/A's
839415	IDCCS SRC 1,27 2 * SPX SPX 200 HT * J 2	839415-E	MiniBridge std C/A's
839416	IDCCS SRC 1,27 2 * AFU AFU 50 PVC * J 2	839416-E	MiniBridge std C/A's
839417	IDCCS SRC 1,27 6 * SFX SFX 1000 PVC * J	839417-E	MiniBridge std C/A's
839425	IDCCS SRC 1,27 4 * SPX SPX 350 HT * J 2	839425-E	MiniBridge std C/A's
839427	IDCCS SRC 1,27 10 * SFX SFX 150 HF * J 2	839427-E	MiniBridge std C/A's
839428	IDCCS SRC 1,27 3 * SPX APU 100 PVC * J 2	839428-E	MiniBridge std C/A's
839429	IDCCS SRC 1,27 2 * SPX APU 100 PVC * J 2	839429-E	MiniBridge std C/A's
839435	IDCCS SRC 1,27 3 * SFX AFD 150 HF * J 2	839435-E	MiniBridge std C/A's
839438	IDCCS SRC 1,27 8 * SFX NXX 400 PVC * J 2	839438-E	MiniBridge std C/A's
839440	IDCCS SRC 1,27 6 * SFX NXX 250 PVC * J 2	839440-E	MiniBridge std C/A's
839441	IDCCS SRC 1,27 8 * SFX SFX 900 PVC * J 2	839441-E	MiniBridge std C/A's
839443	IDCCS SRC 1,27 8 * APU APD 200 HT * J 2	839443-E	MiniBridge std C/A's
839458	IDCCS SRC 1,27 12 * APU APU 50 PVC * J 2	839458-E	MiniBridge std C/A's
839459	IDCCS SRC 1,27 10 * APU APU 60 PVC * J 2	839459-E	MiniBridge std C/A's
839461	IDCCS SRC 1,27 4 * SPX SPX 50 PVC * J 2	839461-E	MiniBridge std C/A's
839468	IDCCS SRC 1,27 4 * SFX SFX 700 PVC * J 2	839468-E	MiniBridge std C/A's
839479	IDCCS SRC 1,27 8 * SFX SFX 500 HF * J 2	839479-E	MiniBridge std C/A's
839481	IDCCS SRC 1,27 10 * AFD NXX 150 PVC * J	839481-E	MiniBridge std C/A's
839483	IDCCS SRC 1,27 12 * SPX APU 50 HT * J 2	839483-E	MiniBridge std C/A's
839489	IDCCS SRC 1,27 3 * SFX NXX 150 PVC * J 2	839489-E	MiniBridge std C/A's
839504	IDCCS SRC 1,27 4 * AFU NXX 300 HT * J 2	839504-E	MiniBridge std C/A's
839513	IDCCS SRC 1,27 6 * AFU AFU 100 HT * J 2	839513-E	MiniBridge std C/A's
839516	IDCCS SRC 1,27 3 * SFX SFX 700 PVC * J 2	839516-E	MiniBridge std C/A's
839519	IDCCS SRC 1,27 8 * SFX SFX 1000 PVC * J	839519-E	MiniBridge std C/A's
839523	IDCCS SRC 1,27 10 * SPX SFX 300 PVC * J	839523-E	MiniBridge std C/A's
839536	IDCCS SRC 1,27 3 * SFX NXX 300 PVC * J 2	839536-E	MiniBridge std C/A's
839542	IDCCS SRC 1,27 10 * SFX SFX 500 HT * J 2	839542-E	MiniBridge std C/A's
839543	IDCCS SRC 1,27 4 * AFU AFU 35 PVC * J 2	839543-E	MiniBridge std C/A's
839544	IDCCS SRC 1,27 6 * SPX SFX 200 PVC * J 2	839544-E	MiniBridge std C/A's
839545	IDCCS SRC 1,27 4 * SPX NXX 100 HT * J 2	839545-E	MiniBridge std C/A's
839547	IDCCS SRC 1,27 8 * SPX SPX 40 PVC * J 2	839547-E	MiniBridge std C/A's
839548	IDCCS SRC 1,27 8 * SFX SFX 700 PVC * J 2	839548-E	MiniBridge std C/A's
839550	IDCCS SRC 1,27 10 * SPX APU 100 PVC * J	839550-E	MiniBridge std C/A's
839551	IDCCS SRC 1,27 12 * SPX APU 100 PVC * J	839551-E	MiniBridge std C/A's
839553	IDCCS SRC 1,27 4 * SPX SPX 370 HT * J 3	839553-E	MiniBridge std C/A's
839554	IDCCS SRC 1,27 4 * SPX SFX 490 HT * J 3	839554-E	MiniBridge std C/A's
839563	IDCCS SRC 1,27 4 * SPX SPX 200 HF * J 2	839563-E	MiniBridge std C/A's
839566	IDCCS SRC 1,27 4 * SFX NXX 300 HF * J 2	839566-E	MiniBridge std C/A's
839567	IDCCS SRC 1,27 2 * SFX NXX 500 HT * J 2	839567-E	MiniBridge std C/A's
839568	IDCCS SRC 1,27 3 * SFX NXX 500 HT * J 2	839568-E	MiniBridge std C/A's
839569	IDCCS SRC 1,27 6 * SFX NXX 700 HT * J 2	839569-E	MiniBridge std C/A's
839575	IDCCS SRC 1,27 4 * SFX SFX 800 PVC * J 2	839575-E	MiniBridge std C/A's
839594	IDCCS SRC 1,27 4 * AFU AFU 1000 HT * J 2	839594-E	MiniBridge std C/A's
839599	IDCCS SRC 1,27 6 * APU APU 150 HF * J 2	839599-E	MiniBridge std C/A's
839600	IDCCS SRC 1,27 10 * SFX AFU 150 HF * J 2	839600-E	MiniBridge std C/A's
839601	IDCCS SRC 1,27 10 * SPX SPX 150 PVC * J	839601-E	MiniBridge std C/A's
839606	IDCCS SRC 1,27 6 * SPX SPX 230 HF * J 2	839606-E	MiniBridge std C/A's
839607	IDCCS SRC 1,27 6 * SPX SPX 260 HF * J 2	839607-E	MiniBridge std C/A's
839608	IDCCS SRC 1,27 12 * SPX SPX 25 PVC * J 2	839608-E	MiniBridge std C/A's
839612	IDCCS SRC 1,27 8 * SFX SFX 150 PVC * J 2	839612-E	MiniBridge std C/A's
839616	IDCCS SRC 1,27 8 * AFU AFD 730 PVC * J 2	839616-E	MiniBridge std C/A's
839618	IDCCS SRC 1,27 4 * SPX SFX 500 PVC * J 2	839618-E	MiniBridge std C/A's
839623	IDCCS SRC 1,27 3 * APU NXX 1000 HF * J 2	839623-E	MiniBridge std C/A's
839630	IDCCS SRC 1,27 3 * SFX SFX 600 PVC * J 2	839630-E	MiniBridge std C/A's
839635	IDCCS SRC 1,27 8 * APU APD 30 HT * J 2	839635-E	MiniBridge std C/A's
839639	IDCCS SRC 1,27 10 * APU NXX 300 PVC * J	839639-E	MiniBridge std C/A's
839643	IDCCS SRC 1,27 8 * SPX SPX 120 HT * J 2	839643-E	MiniBridge std C/A's
839644	IDCCS SRC 1,27 6 * SPX APU 110 PVC * J 2	839644-E	MiniBridge std C/A's
839645	IDCCS SRC 1,27 6 * APD NXX 700 PVC * J 2	839645-E	MiniBridge std C/A's
839649	IDCCS SRC 1,27 3 * SFX SFX 100 HT * J 2	839649-E	MiniBridge std C/A's

839658	IDCCS SRC 1.27 4 * SPX APU 140 HT * J 2	839658-E	MiniBridge std C/A's
839679	IDCCS SRC 1.27 10 * SFX NXX 150 PVC * J	839679-E	MiniBridge std C/A's
839680	IDCCS SRC 1.27 8 * SPX SPX 90 HF * J 2 J	839680-E	MiniBridge std C/A's
839686	IDCCS SRC 1.27 6 * SFX APU 160 PVC * J 2	839686-E	MiniBridge std C/A's
839687	IDCCS SRC 1.27 4 * AFU AFD 30 PVC * J 2	839687-E	MiniBridge std C/A's
839695	IDCCS SRC 1.27 2 * APU APU 35 PVC * J 2	839695-E	MiniBridge std C/A's
839700	IDCCS SRC 1.27 12 * APD NXX 200 HF * J 2	839700-E	MiniBridge std C/A's
839702	IDCCS SRC 1.27 4 * SFX NXX 420 PVC * J 2	839702-E	MiniBridge std C/A's
839703	IDCCS SRC 1.27 4 * APD NXX 80 HF * J 2 J	839703-E	MiniBridge std C/A's
839704	IDCCS SRC 1.27 3 * AFD NXX 80 PVC * J 2	839704-E	MiniBridge std C/A's
839705	IDCCS SRC 1.27 6 * SPX SPX 400 PVC * J 2	839705-E	MiniBridge std C/A's
839706	IDCCS SRC 1.27 4 * AFU AFU 800 HT * J 2	839706-E	MiniBridge std C/A's
839708	IDCCS SRC 1.27 4 * SPX NXX 300 PVC * J 2	839708-E	MiniBridge std C/A's
839710	IDCCS SRC 1.27 2 * SFX AFU 50 PVC * J 2	839710-E	MiniBridge std C/A's
839711	IDCCS SRC 1.27 3 * AFU NXX 60 PVC * J 2	839711-E	MiniBridge std C/A's
839713	IDCCS SRC 1.27 12 * AFU AFU 65 PVC * J 2	839713-E	MiniBridge std C/A's
839714	IDCCS SRC 1.27 4 * SPX APU 80 PVC * J 2	839714-E	MiniBridge std C/A's
839715	IDCCS SRC 1.27 6 * AFU AFU 730 PVC * J 2	839715-E	MiniBridge std C/A's
839716	IDCCS SRC 1.27 12 * APD NXX 500 HT * J 2	839716-E	MiniBridge std C/A's
839717	IDCCS SRC 1.27 4 * SFX SFX 250 HF * J 2	839717-E	MiniBridge std C/A's
839718	IDCCS SRC 1.27 10 * SFX SFX 250 HF * J 2	839718-E	MiniBridge std C/A's
839719	IDCCS SRC 1.27 10 * SFX SFX 320 HF * J 2	839719-E	MiniBridge std C/A's
839720	IDCCS SRC 1.27 4 * SFX SFX 300 HF * J 2	839720-E	MiniBridge std C/A's
839721	IDCCS SRC 1.27 10 * SPX APU 60 PVC * J 2	839721-E	MiniBridge std C/A's
839722	IDCCS SRC 1.27 10 * APD APU 55 HT * J 2	839722-E	MiniBridge std C/A's
839723	IDCCS SRC 1.27 6 * SFX SFX 400 PVC * J 2	839723-E	MiniBridge std C/A's
839724	IDCCS SRC 1.27 2 * SFX NXX 100 HF * J 2	839724-E	MiniBridge std C/A's
839731	IDCCS SRC 1.27 10 * SPX SPX 300 PVC * J	839731-E	MiniBridge std C/A's
839741	IDCCS SRC 1.27 10 * SPX APU 70 PVC * J 2	839741-E	MiniBridge std C/A's
839742	IDCCS SRC 1.27 4 * SFX SFX 120 PVC * J 2	839742-E	MiniBridge std C/A's
839744	IDCCS SRC 1.27 8 * APD APU 100 HT * J 2	839744-E	MiniBridge std C/A's
839747	IDCCS SRC 1.27 8 * SFX SFX 800 PVC * J 2	839747-E	MiniBridge std C/A's
839748	IDCCS SRC 1.27 2 * AFU AFU 150 PVC * J 2	839748-E	MiniBridge std C/A's
839750	IDCCS SRC 1.27 12 * SPX SPX 500 PVC * J	839750-E	MiniBridge std C/A's
839751	IDCCS SRC 1.27 6 * SFX SFX 800 PVC * J 2	839751-E	MiniBridge std C/A's
839752	IDCCS SRC 1.27 10 * SFX SFX 500 PVC * J	839752-E	MiniBridge std C/A's
839753	IDCCS SRC 1.27 10 * SFX SFX 240 PVC * J	839753-E	MiniBridge std C/A's
839756	IDCCS SRC 1.27 12 * SFX NXX 650 PVC * J	839756-E	MiniBridge std C/A's
839758	IDCCS SRC 1.27 4 * SPX NXX 100 PVC * J 2	839758-E	MiniBridge std C/A's
839759	IDCCS SRC 1.27 4 * SPX APD 70 PVC * J 2	839759-E	MiniBridge std C/A's
839761	IDCCS SRC 1.27 2 * SFX NXX 300 HF * J 2	839761-E	MiniBridge std C/A's
839762	IDCCS SRC 1.27 2 * SPX NXX 150 PVC * J 2	839762-E	MiniBridge std C/A's
839763	IDCCS SRC 1.27 4 * AFD NXX 250 HT * J 2	839763-E	MiniBridge std C/A's
839764	IDCCS SRC 1.27 4 * AFU AFU 180 PVC * J 2	839764-E	MiniBridge std C/A's
839765	IDCCS SRC 1.27 6 * AFD AFU 270 PVC * J 2	839765-E	MiniBridge std C/A's
839766	IDCCS SRC 1.27 6 * AFD AFU 380 PVC * J 2	839766-E	MiniBridge std C/A's
839767	IDCCS SRC 1.27 4 * AFD AFU 350 PVC * J 2	839767-E	MiniBridge std C/A's
839768	IDCCS SRC 1.27 6 * AFD AFU 320 PVC * J 2	839768-E	MiniBridge std C/A's
839769	IDCCS SRC 1.27 4 * SPX SPX 300 HF * J 2	839769-E	MiniBridge std C/A's
839770	IDCCS SRC 1.27 4 * SPX SPX 450 HF * J 2	839770-E	MiniBridge std C/A's
839771	IDCCS SRC 1.27 4 * SPX NXX 450 HF * J 2	839771-E	MiniBridge std C/A's
839774	IDCCS SRC 1.27 12 * SPX APD 90 HT * J 2	839774-E	MiniBridge std C/A's
839777	IDCCS SRC 1.27 4 * SFX SFX 200 HF * J 2	839777-E	MiniBridge std C/A's
839778	IDCCS SRC 1.27 6 * AFU AFU 120 PVC * J 2	839778-E	MiniBridge std C/A's
839781	IDCCS SRC 1.27 6 * AFD AFU 300 PVC * J 2	839781-E	MiniBridge std C/A's
839782	IDCCS SRC 1.27 2 * AFU NXX 100 PVC * J 2	839782-E	MiniBridge std C/A's
839783	IDCCS SRC 1.27 4 * SFX SFX 65 PVC * J 2	839783-E	MiniBridge std C/A's
839786	IDCCS SRC 1.27 2 * SPX SPX 60 PVC * J 2	839786-E	MiniBridge std C/A's
839789	IDCCS SRC 1.27 8 * SFX SFX 340 PVC * J 2	839789-E	MiniBridge std C/A's
839792	IDCCS SRC 1.27 10 * SFX SFX 130 PVC * J	839792-E	MiniBridge std C/A's
839793	IDCCS SRC 1.27 10 * SPX SPX 170 PVC * J	839793-E	MiniBridge std C/A's
839794	IDCCS SRC 1.27 10 * SPX SPX 70 PVC * J 2	839794-E	MiniBridge std C/A's
839795	IDCCS SRC 1.27 6 * SPX SPX 70 PVC * J 2	839795-E	MiniBridge std C/A's
839799	IDCCS SRC 1.27 3 * APU APU 120 PVC * J 2	839799-E	MiniBridge std C/A's
839800	IDCCS SRC 1.27 3 * SPX NXX 80 PVC * J 2	839800-E	MiniBridge std C/A's
839801	IDCCS SRC 1.27 4 * AFU AFD 150 PVC * J 2	839801-E	MiniBridge std C/A's
839802	IDCCS SRC 1.27 10 * AFD NXX 450 HF * J 2	839802-E	MiniBridge std C/A's
839803	IDCCS SRC 1.27 8 * AFD NXX 35 PVC * J 2	839803-E	MiniBridge std C/A's
839804	IDCCS SRC 1.27 8 * SFX AFU 440 PVC * J 2	839804-E	MiniBridge std C/A's
839805	IDCCS SRC 1.27 6 * SPX SPX 570 PVC * J 2	839805-E	MiniBridge std C/A's
839806	IDCCS SRC 1.27 6 * SPX SPX 775 PVC * J 2	839806-E	MiniBridge std C/A's
839807	IDCCS SRC 1.27 6 * SFX SFX 220 HT * J 2	839807-E	MiniBridge std C/A's
839808	IDCCS SRC 1.27 12 * APU APU 75 HT * J 2	839808-E	MiniBridge std C/A's
839809	IDCCS SRC 1.27 12 * APU APU 80 HT * J 2	839809-E	MiniBridge std C/A's
839810	IDCCS SRC 1.27 2 * AFU AFD 330 PVC * J 2	839810-E	MiniBridge std C/A's
839811	IDCCS SRC 1.27 2 * AFU AFD 250 PVC * J 2	839811-E	MiniBridge std C/A's
839812	IDCCS SRC 1.27 2 * APU APU 150 HF * J 2	839812-E	MiniBridge std C/A's
839816	IDCCS SRC 1.27 10 * SFX SFX 700 PVC * J	839816-E	MiniBridge std C/A's
839817	IDCCS SRC 1.27 12 * APU APU 600 PVC * J	839817-E	MiniBridge std C/A's
839818	IDCCS SRC 1.27 8 * SPX SPX 140 PVC * J 2	839818-E	MiniBridge std C/A's
839819	IDCCS SRC 1.27 3 * SPX SPX 960 PVC * J 2	839819-E	MiniBridge std C/A's
839820	IDCCS SRC 1.27 4 * SPX SPX 960 PVC * J 2	839820-E	MiniBridge std C/A's
839821	IDCCS SRC 1.27 4 * SPX SPX 800 PVC * J 2	839821-E	MiniBridge std C/A's
839822	IDCCS SRC 1.27 6 * SFX AFU 250 PVC * J 2	839822-E	MiniBridge std C/A's
839823	IDCCS SRC 1.27 3 * APD NXX 200 PVC * J 2	839823-E	MiniBridge std C/A's
839824	IDCCS SRC 1.27 4 * SPX SPX 500 PVC * J 2	839824-E	MiniBridge std C/A's
839825	IDCCS SRC 1.27 12 * SFX NXX 150 PVC * J	839825-E	MiniBridge std C/A's
839826	IDCCS SRC 1.27 2 * SFX NXX 150 PVC * J 2	839826-E	MiniBridge std C/A's
839827	IDCCS SRC 1.27 6 * AFU AFU 130 HT * J 2	839827-E	MiniBridge std C/A's
839828	IDCCS SRC 1.27 6 * SPX SPX 310 PVC * J 2	839828-E	MiniBridge std C/A's
839829	IDCCS SRC 1.27 6 * SFX AFU 200 HT * J 2	839829-E	MiniBridge std C/A's
839830	IDCCS SRC 1.27 10 * SPX APD 145 HT * J 2	839830-E	MiniBridge std C/A's
839831	IDCCS SRC 1.27 10 * SFX SFX 150 HT * J 2	839831-E	MiniBridge std C/A's
839832	IDCCS SRC 1.27 3 * SFX SFX 150 HT * J 2	839832-E	MiniBridge std C/A's
839833	IDCCS SRC 1.27 4 * SFX SFX 150 HT * J 2	839833-E	MiniBridge std C/A's
839834	IDCCS SRC 1.27 8 * SPX APU 200 PVC * J 2	839834-E	MiniBridge std C/A's
839835	IDCCS SRC 1.27 3 * SPX SPX 300 PVC * J 2	839835-E	MiniBridge std C/A's
839836	IDCCS SRC 1.27 3 * SPX SPX 700 PVC * J 2	839836-E	MiniBridge std C/A's

839837	IDCCS SRC 1,27 4 * SPX SPX 700 PVC * J 2	839837-E	MiniBridge std C/A/s
839838	IDCCS SRC 1,27 8 * SPX APU 650 PVC * J 2	839838-E	MiniBridge std C/A/s
839839	IDCCS SRC 1,27 10 * SPX APU 650 PVC * J	839839-E	MiniBridge std C/A/s
839840	IDCCS SRC 1,27 2 * SPX SFX 250 PVC * J 2	839840-E	MiniBridge std C/A/s
839841	IDCCS SRC 1,27 3 * SPX SFX 250 PVC * J 2	839841-E	MiniBridge std C/A/s
839842	IDCCS SRC 1,27 4 * SPX SFX 300 PVC * J 2	839842-E	MiniBridge std C/A/s
839843	IDCCS SRC 1,27 8 * SPX SFX 250 PVC * J 2	839843-E	MiniBridge std C/A/s
839844	IDCCS SRC 1,27 6 * SPX SFX 250 PVC * J 2	839844-E	MiniBridge std C/A/s
839845	IDCCS SRC 1,27 8 * AFU AFU 100 HF * J 2	839845-E	MiniBridge std C/A/s
839846	IDCCS SRC 1,27 4 * SFX SFX 55 PVC * J 2	839846-E	MiniBridge std C/A/s
839848	IDCCS SRC 1,27 2 * APU APU 60 PVC * J 2	839848-E	MiniBridge std C/A/s
839849	IDCCS SRC 1,27 10 * SPX SPX 120 PVC * J	839849-E	MiniBridge std C/A/s
839850	IDCCS SRC 1,27 12 * SFX SFX 500 PVC * J	839850-E	MiniBridge std C/A/s
839851	IDCCS SRC 1,27 6 * APU APU 200 HF * J 2	839851-E	MiniBridge std C/A/s
839852	IDCCS SRC 1,27 3 * SPX APU 150 HF * J 2	839852-E	MiniBridge std C/A/s
839856	IDCCS SRC 1,27 2 * SPX NXX 50 HF * J 2 J	839856-E	MiniBridge std C/A/s
839858	IDCCS SRC 1,27 6 * SPX SPX 420 HT * J 2	839858-E	MiniBridge std C/A/s
839859	IDCCS SRC 1,27 4 * SFX NXX 60 PVC * J 2	839859-E	MiniBridge std C/A/s
839861	IDCCS SRC 1,27 4 * SPX SPX 995 PVC * J 2	839861-E	MiniBridge std C/A/s
839862	IDCCS SRC 1,27 10 * SFX SFX 350 HF * J 2	839862-E	MiniBridge std C/A/s
839864	IDCCS SRC 1,27 6 * SFX AFD 40 PVC * J 2	839864-E	MiniBridge std C/A/s
839865	IDCCS SRC 1,27 6 * AFU AFD 100 PVC * J 2	839865-E	MiniBridge std C/A/s
839866	IDCCS SRC 1,27 4 * SFX NXX 250 PVC * J 2	839866-E	MiniBridge std C/A/s
839867	IDCCS SRC 1,27 2 * SFX SFX 300 HF * J 2	839867-E	MiniBridge std C/A/s
839868	IDCCS SRC 1,27 10 * SPX APD 250 HF * J 2	839868-E	MiniBridge std C/A/s
839869	IDCCS SRC 1,27 10 * APU APD 80 HF * J 2	839869-E	MiniBridge std C/A/s
839870	IDCCS SRC 1,27 2 * SPX APU 200 HF * J 2	839870-E	MiniBridge std C/A/s
839871	IDCCS SRC 1,27 4 * SPX SPX 60 HT * J 2 J	839871-E	MiniBridge std C/A/s
839872	IDCCS SRC 1,27 12 * SFX SFX 450 PVC * J	839872-E	MiniBridge std C/A/s
839873	IDCCS SRC 1,27 8 * APD NXX 200 PVC * J 2	839873-E	MiniBridge std C/A/s
839874	IDCCS SRC 1,27 10 * SPX NXX 200 PVC * J	839874-E	MiniBridge std C/A/s
839875	IDCCS SRC 1,27 6 * AFD NXX 190 HT * J 2	839875-E	MiniBridge std C/A/s
839876	IDCCS SRC 1,27 12 * SPX SPX 450 PVC * J	839876-E	MiniBridge std C/A/s
839877	IDCCS SRC 1,27 12 * SPX SPX 600 PVC * J	839877-E	MiniBridge std C/A/s
839878	IDCCS SRC 1,27 8 * SFX SFX 640 PVC * J 2	839878-E	MiniBridge std C/A/s
839879	IDCCS SRC 1,27 6 * SFX AFU 40 HF * J 2 J	839879-E	MiniBridge std C/A/s
839880	IDCCS SRC 1,27 8 * SFX AFU 80 HF * J 2 J	839880-E	MiniBridge std C/A/s
839881	IDCCS SRC 1,27 8 * SFX AFU 190 HF * J 2	839881-E	MiniBridge std C/A/s
839882	IDCCS SRC 1,27 8 * SFX AFU 500 HF * J 2	839882-E	MiniBridge std C/A/s
839883	IDCCS SRC 1,27 6 * SFX SFX 80 HF * J 2 J	839883-E	MiniBridge std C/A/s
839884	IDCCS SRC 1,27 6 * SFX SFX 180 HF * J 2	839884-E	MiniBridge std C/A/s
839885	IDCCS SRC 1,27 6 * SFX SFX 500 HF * J 2	839885-E	MiniBridge std C/A/s
839886	IDCCS SRC 1,27 4 * SPX SPX 35 HT * J 2 J	839886-E	MiniBridge std C/A/s
839887	IDCCS SRC 1,27 4 * SPX SPX 45 HT * J 2 J	839887-E	MiniBridge std C/A/s
839888	IDCCS SRC 1,27 2 * SPX SPX 30 HT * J 2 J	839888-E	MiniBridge std C/A/s
839889	IDCCS SRC 1,27 8 * SPX SPX 65 HT * J 2 J	839889-E	MiniBridge std C/A/s
839890	IDCCS SRC 1,27 2 * AFD NXX 300 PVC * J 2	839890-E	MiniBridge std C/A/s
839891	IDCCS SRC 1,27 6 * AFU AFU 70 HF * J 2 J	839891-E	MiniBridge std C/A/s
839892	IDCCS SRC 1,27 2 * APU APD 50 HT * J 2 J	839892-E	MiniBridge std C/A/s
839893	IDCCS SRC 1,27 3 * SFX NXX 125 PVC * J 2	839893-E	MiniBridge std C/A/s
839894	IDCCS SRC 1,27 6 * SFX AFD 250 PVC * J 2	839894-E	MiniBridge std C/A/s
839895	IDCCS SRC 1,27 10 * APU APD 280 PVC * J	839895-E	MiniBridge std C/A/s
839896	IDCCS SRC 1,27 3 * SFX NXX 550 PVC * J 2	839896-E	MiniBridge std C/A/s
839897	IDCCS SRC 1,27 10 * APU NXX 125 PVC * J	839897-E	MiniBridge std C/A/s
839898	IDCCS SRC 1,27 10 * APU NXX 210 PVC * J	839898-E	MiniBridge std C/A/s
839899	IDCCS SRC 1,27 10 * APU NXX 590 PVC * J	839899-E	MiniBridge std C/A/s
839900	IDCCS SRC 1,27 2 * SFX SFX 450 PVC * J 2	839900-E	MiniBridge std C/A/s
839901	IDCCS SRC 1,27 8 * SPX SPX 400 PVC * J 2	839901-E	MiniBridge std C/A/s
839902	IDCCS SRC 1,27 12 * SPX SPX 300 HF * J 2	839902-E	MiniBridge std C/A/s
839903	IDCCS SRC 1,27 10 * APD NXX 125 PVC * J	839903-E	MiniBridge std C/A/s
839904	IDCCS SRC 1,27 10 * APD NXX 210 PVC * J	839904-E	MiniBridge std C/A/s
839905	IDCCS SRC 1,27 12 * SPX SPX 280 PVC * J	839905-E	MiniBridge std C/A/s
839906	IDCCS SRC 1,27 6 * AFU AFU 185 HF * J 2	839906-E	MiniBridge std C/A/s
839907	IDCCS SRC 1,27 6 * AFU AFU 220 HF * J 2	839907-E	MiniBridge std C/A/s
839908	IDCCS SRC 1,27 6 * AFU AFU 275 HF * J 2	839908-E	MiniBridge std C/A/s
839909	IDCCS SRC 1,27 6 * AFU AFU 335 HF * J 2	839909-E	MiniBridge std C/A/s
839910	IDCCS SRC 1,27 6 * AFU AFU 415 HF * J 2	839910-E	MiniBridge std C/A/s
839911	IDCCS SRC 1,27 6 * AFU AFU 520 HF * J 2	839911-E	MiniBridge std C/A/s
839914	IDCCS SRC 1,27 6 * AFD AFU 60 HF * J 2 J	839914-E	MiniBridge std C/A/s
839915	IDCCS SRC 1,27 10 * AFU AFU 25 HF * J 2	839915-E	MiniBridge std C/A/s
839916	IDCCS SRC 1,27 10 * AFU AFU 110 HF * J 2	839916-E	MiniBridge std C/A/s
839917	IDCCS SRC 1,27 12 * SFX SFX 480 PVC * J	839917-E	MiniBridge std C/A/s
839918	IDCCS SRC 1,27 8 * SFX SFX 590 PVC * J 2	839918-E	MiniBridge std C/A/s
839919	IDCCS SRC 1,27 10 * AFD NXX 60 PVC * J 2	839919-E	MiniBridge std C/A/s
839920	IDCCS SRC 1,27 10 * AFD NXX 75 PVC * J 2	839920-E	MiniBridge std C/A/s
839921	IDCCS SRC 1,27 2 * SPX NXX 25 HT * J 2 J	839921-E	MiniBridge std C/A/s
839922	IDCCS SRC 1,27 3 * AFU NXX 300 HT * J 2	839922-E	MiniBridge std C/A/s
839923	IDCCS SRC 1,27 6 * AFU NXX 300 HT * J 2	839923-E	MiniBridge std C/A/s
839924	IDCCS SRC 1,27 4 * SPX AFU 120 HF * J 2	839924-E	MiniBridge std C/A/s
839925	IDCCS SRC 1,27 6 * AFU AFD 30 PVC * J 2	839925-E	MiniBridge std C/A/s
839926	IDCCS SRC 1,27 6 * AFU AFD 60 PVC * J 2	839926-E	MiniBridge std C/A/s
839927	IDCCS SRC 1,27 6 * SPX SPX 250 HF * J 2	839927-E	MiniBridge std C/A/s
839928	IDCCS SRC 1,27 8 * AFD NXX 650 PVC * J 2	839928-E	MiniBridge std C/A/s
839929	IDCCS SRC 1,27 2 * AFD AFU 250 HT * J 2	839929-E	MiniBridge std C/A/s
839930	IDCCS SRC 1,27 12 * SPX SPX 250 PVC * J	839930-E	MiniBridge std C/A/s
839931	IDCCS SRC 1,27 10 * SPX SPX 60 PVC * J 2	839931-E	MiniBridge std C/A/s
839932	IDCCS SRC 1,27 10 * AFD AFU 100 PVC * J	839932-E	MiniBridge std C/A/s
839933	IDCCS SRC 1,27 8 * AFD AFU 200 HF * J 2	839933-E	MiniBridge std C/A/s
839934	IDCCS SRC 1,27 10 * SFX AFU 270 HT * J 2	839934-E	MiniBridge std C/A/s
839935	IDCCS SRC 1,27 10 * SPX SPX 40 PVC * J 2	839935-E	MiniBridge std C/A/s
839936	IDCCS SRC 1,27 6 * SPX APD 45 PVC * J 2	839936-E	MiniBridge std C/A/s
839937	IDCCS SRC 1,27 6 * SPX APD 45 HT * J 2 J	839937-E	MiniBridge std C/A/s
839938	IDCCS SRC 1,27 4 * APD NXX 400 HT * J 2	839938-E	MiniBridge std C/A/s
839939	IDCCS SRC 1,27 8 * APD NXX 450 HT * J 2	839939-E	MiniBridge std C/A/s
839940	IDCCS SRC 1,27 12 * APD NXX 200 HT * J 2	839940-E	MiniBridge std C/A/s
839941	IDCCS SRC 1,27 10 * SFX AFD 55 HT * J 2	839941-E	MiniBridge std C/A/s
839942	IDCCS SRC 1,27 6 * AFD NXX 240 HT * J 2	839942-E	MiniBridge std C/A/s
839943	IDCCS SRC 1,27 8 * APD NXX 200 HT * J 2	839943-E	MiniBridge std C/A/s

839944	IDCCS SRC 1,27 8 * APU APD 50 PVC * J 2	839944-E	MiniBridge std C/A's
839946	IDCCS SRC 1,27 6 * AFU NXX 350 PVC * J 2	839946-E	MiniBridge std C/A's
839947	IDCCS SRC 1,27 10 * SFX APU 150 PVC * J	839947-E	MiniBridge std C/A's
839948	IDCCS SRC 1,27 10 * SFX SFX 400 PVC * J	839948-E	MiniBridge std C/A's
839949	IDCCS SRC 1,27 12 * SPX NXX 200 HF * J 2	839949-E	MiniBridge std C/A's
839950	IDCCS SRC 1,27 10 * SFX AFU 270 HF * J 2	839950-E	MiniBridge std C/A's
839953	IDCCS SRC 1,27 3 * SPX SPX 130 HT * J 2	839953-E	MiniBridge std C/A's
839954	IDCCS SRC 1,27 12 * SPX SPX 700 PVC * J	839954-E	MiniBridge std C/A's
839955	IDCCS SRC 1,27 10 * SPX SPX 90 HT * J 2	839955-E	MiniBridge std C/A's
839956	IDCCS SRC 1,27 4 * SPX APD 135 HT * J 2	839956-E	MiniBridge std C/A's
839957	IDCCS SRC 1,27 4 * SPX SPX 230 HT * J 2	839957-E	MiniBridge std C/A's
839958	IDCCS SRC 1,27 8 * SPX APD 200 HT * J 2	839958-E	MiniBridge std C/A's
839959	IDCCS SRC 1,27 8 * AFD AFU 600 PVC * J 2	839959-E	MiniBridge std C/A's
839961	IDCCS SRC 1,27 12 * SPX SPX 150 HT * J 2	839961-E	MiniBridge std C/A's
839962	IDCCS SRC 1,27 8 * SPX SPX 170 HT * J 2	839962-E	MiniBridge std C/A's
839964	IDCCS SRC 1,27 8 * SPX SPX 50 HT * J 2 J	839964-E	MiniBridge std C/A's
839965	IDCCS SRC 1,27 8 * SPX APU 200 HT * J 2	839965-E	MiniBridge std C/A's
839966	IDCCS SRC 1,27 10 * AFU AFU 400 HF * J 2	839966-E	MiniBridge std C/A's
839967	IDCCS SRC 1,27 4 * AFU AFU 150 PVC * J 2	839967-E	MiniBridge std C/A's
839968	IDCCS SRC 1,27 8 * SFX SFX 50 PVC * J 2	839968-E	MiniBridge std C/A's
839970	IDCCS SRC 1,27 6 * SFX SFX 150 HF * J 2	839970-E	MiniBridge std C/A's
843195	EPUBG C UNTERBAUGRUPPE F. SIMATIC CONTRO	843195-E	ERNI miscellaneous
843436	EPUBG A LUEFTERBAUSATZ LYNX J *** 2 *	843436-E	ERNI miscellaneous
843533	EPUBG B KABELBAUSATZ F. SYST. 168584 MAMM	843533-E	ERNI miscellaneous
843534	EPUBG B KABELBAUSATZ F. SYST. 168584 MAMM	843534-E	ERNI miscellaneous
843535	EPUBG B KABELBAUSATZ F. SYST. 168584 MAMM	843535-E	ERNI miscellaneous
844100	EPUBG A SPLEISSTEST F. SYST. 178463 * J	844100-E	ERNI miscellaneous
845001	KABMICON A *** MICROCON 0.80 50 AU AUI	845001-E	MicroCon C/A
845002	KABMICON A *** MICROCON 0.80 50 AU AUI	845002-E	MicroCon C/A
845003	KABMICON A *** MICROCON 0.80 50 AU AUI	845003-E	MicroCon C/A
845006	KABMICON A *** MICROCON 0.80 50 AU AUI	845006-E	MicroCon C/A
845007	KABMICON A *** MICROCON 0.80 50 AU ADI	845007-E	MicroCon C/A
845009	KABMICON A *** MICROCON 0.80 50 AU AUI	845009-E	MicroCon C/A
845010	KABMICON A *** MICROCON 0.80 50 AU ADI	845010-E	MicroCon C/A
845011	KABMICON A *** MICROCON 0.80 50 AU NC	845011-E	MicroCon C/A
845012	KABMICON A *** MICROCON 0.80 50 AU AUI	845012-E	MicroCon C/A
845013	KABMICON A *** MICROCON 0.80 16 AU ADI	845013-E	MicroCon C/A
846001	IDCCS SRC 1,27 2 * SPX NXX 100 HF * J 2	846001-E	MiniBridge std C/A's
846002	IDCCS SRC 1,27 2 * APU NXX 300 HF * J 2	846002-E	MiniBridge std C/A's
846003	IDCCS SRC 1,27 4 * AFU AFU 995 HF * J 2	846003-E	MiniBridge std C/A's
846004	IDCCS SRC 1,27 4 * SPX NXX 650 HF * J 2	846004-E	MiniBridge std C/A's
846005	IDCCS SRC 1,27 3 * SPX SPX 450 HT * J 2	846005-E	MiniBridge std C/A's
846006	IDCCS SRC 1,27 8 * APD APU 300 HT * J 2	846006-E	MiniBridge std C/A's
846007	IDCCS SRC 1,27 8 * SPX SPX 300 HT * J 2	846007-E	MiniBridge std C/A's
846008	IDCCS SRC 1,27 8 * APU APD 300 HT * J 2	846008-E	MiniBridge std C/A's
846009	IDCCS SRC 1,27 6 * APD APU 300 HT * J 2	846009-E	MiniBridge std C/A's
846010	IDCCS SRC 1,27 6 * APU APD 300 HT * J 2	846010-E	MiniBridge std C/A's
846011	IDCCS SRC 1,27 12 * SPX APU 70 HT * J 2	846011-E	MiniBridge std C/A's
846012	IDCCS SRC 1,27 2 * AFD NXX 200 HF * J 2	846012-E	MiniBridge std C/A's
846013	IDCCS SRC 1,27 2 * SPX NXX 260 PVC * J 2	846013-E	MiniBridge std C/A's
846014	IDCCS SRC 1,27 3 * SPX APU 100 HT * J 2	846014-E	MiniBridge std C/A's
846015	IDCCS SRC 1,27 10 * SPX APU 25 HT * J 2	846015-E	MiniBridge std C/A's
846016	IDCCS SRC 1,27 8 * SPX NXX 150 PVC * J 2	846016-E	MiniBridge std C/A's
846017	IDCCS SRC 1,27 4 * AFD NXX 120 HT * J 2	846017-E	MiniBridge std C/A's
846018	IDCCS SRC 1,27 8 * SPX SPX 80 PVC * J 2	846018-E	MiniBridge std C/A's
846019	IDCCS SRC 1,27 6 * APD NXX 300 PVC * J 2	846019-E	MiniBridge std C/A's
846020	IDCCS SRC 1,27 8 * AFD NXX 620 PVC * J 2	846020-E	MiniBridge std C/A's
846021	IDCCS SRC 1,27 10 * SPX NXX 100 PVC * J	846021-E	MiniBridge std C/A's
846023	IDCCS SRC 1,27 10 * AFU AFU 25 HT * J 2	846023-E	MiniBridge std C/A's
846024	IDCCS SRC 1,27 4 * SFX SFX 80 HT * J 2 J	846024-E	MiniBridge std C/A's
846025	IDCCS SRC 1,27 4 * AFU AFU 260 PVC * J 2	846025-E	MiniBridge std C/A's
846026	IDCCS SRC 1,27 12 * SPX SPX 120 PVC * J	846026-E	MiniBridge std C/A's
846027	IDCCS SRC 1,27 8 * APU APD 300 PVC * J 2	846027-E	MiniBridge std C/A's
846029	IDCCS SRC 1,27 8 * SFX SFX 815 PVC * J 2	846029-E	MiniBridge std C/A's
846030	IDCCS SRC 1,27 8 * AFU AFU 50 HT * J 2 J	846030-E	MiniBridge std C/A's
846032	IDCCS SRC 1,27 3 * SPX SPX 220 PVC * J 2	846032-E	MiniBridge std C/A's
846033	IDCCS SRC 1,27 8 * SPX SPX 220 PVC * J 2	846033-E	MiniBridge std C/A's
846034	IDCCS SRC 1,27 4 * SPX APU 200 HT * J 2	846034-E	MiniBridge std C/A's
846035	IDCCS SRC 1,27 2 * SPX NXX 500 HT * J 2	846035-E	MiniBridge std C/A's
846036	IDCCS SRC 1,27 10 * SFX SFX 50 PVC * J 2	846036-E	MiniBridge std C/A's
846037	IDCCS SRC 1,27 10 * SFX SFX 150 PVC * J	846037-E	MiniBridge std C/A's
846040	IDCCS SRC 1,27 6 * SFX SFX 150 PVC * J 2	846040-E	MiniBridge std C/A's
846041	IDCCS SRC 1,27 8 * SPX SPX 700 HT * J 2	846041-E	MiniBridge std C/A's
846042	IDCCS SRC 1,27 12 * SPX SPX 700 HT * J 2	846042-E	MiniBridge std C/A's
846043	IDCCS SRC 1,27 2 * SPX NXX 150 HT * J 2	846043-E	MiniBridge std C/A's
846044	IDCCS SRC 1,27 10 * SFX AFD 270 HF * J 2	846044-E	MiniBridge std C/A's
846045	IDCCS SRC 1,27 6 * SFX SFX 200 HF * J 2	846045-E	MiniBridge std C/A's
846046	IDCCS SRC 1,27 12 * SFX SFX 405 HT * J 2	846046-E	MiniBridge std C/A's
846047	IDCCS SRC 1,27 6 * APU APD 60 PVC * J 2	846047-E	MiniBridge std C/A's
846048	IDCCS SRC 1,27 6 * SPX APD 270 HT * J 2	846048-E	MiniBridge std C/A's
846049	IDCCS SRC 1,27 10 * SFX SFX 30 HT * J 2	846049-E	MiniBridge std C/A's
846050	IDCCS SRC 1,27 4 * SPX APD 120 HT * J 2	846050-E	MiniBridge std C/A's
846054	IDCCS SRC 1,27 10 * SFX SFX 350 HT * J 2	846054-E	MiniBridge std C/A's
846055	IDCCS SRC 1,27 12 * AFD AFU 110 HF * J 2	846055-E	MiniBridge std C/A's
846056	IDCCS SRC 1,27 3 * SPX APD 85 HT * J 2 J	846056-E	MiniBridge std C/A's
846057	IDCCS SRC 1,27 4 * SFX SFX 125 PVC * J 2	846057-E	MiniBridge std C/A's
846060	IDCCS SRC 1,27 4 * SFX SFX 940 PVC * J 2	846060-E	MiniBridge std C/A's
846061	IDCCS SRC 1,27 12 * SFX AFD 670 PVC * J	846061-E	MiniBridge std C/A's
846063	IDCCS SRC 1,27 4 * APU APU 100 PVC * J 2	846063-E	MiniBridge std C/A's
846064	IDCCS SRC 1,27 12 * SFX AFD 670 PVC * J	846064-E	MiniBridge std C/A's
846066	IDCCS SRC 1,27 3 * SFX SFX 150 PVC * J 2	846066-E	MiniBridge std C/A's
846067	IDCCS SRC 1,27 2 * SFX SFX 250 PVC * J 2	846067-E	MiniBridge std C/A's
846068	IDCCS SRC 1,27 10 * SFX SFX 410 PVC * J	846068-E	MiniBridge std C/A's
846069	IDCCS SRC 1,27 4 * APD NXX 100 HF * J 2	846069-E	MiniBridge std C/A's
846070	IDCCS SRC 1,27 8 * APU APU 100 HF * J 2	846070-E	MiniBridge std C/A's
846072	IDCCS SRC 1,27 10 * APU APU 75 HT * J 2	846072-E	MiniBridge std C/A's
846073	IDCCS SRC 1,27 6 * SPX NXX 350 HT * J 2	846073-E	MiniBridge std C/A's
846074	IDCCS SRC 1,27 4 * AFU AFD 650 HT GY J 2	846074-E	MiniBridge std C/A's

846075	IDCCS SRC 1.27 10 * AFU AFU 470 PVC RD J	846075-E	MiniBridge std C/A's
846076	IDCCS SRC 1.27 8 * SPX APU 160 HT GN J 2	846076-E	MiniBridge std C/A's
846077	IDCCS SRC 1.27 6 * APU APU 360 HT GN J 2	846077-E	MiniBridge std C/A's
846078	IDCCS SRC 1.27 3 * SFX SFX 400 PVC RD J	846078-E	MiniBridge std C/A's
846079	IDCCS SRC 1.27 8 * SFX SFX 215 PVC RD J	846079-E	MiniBridge std C/A's
846080	IDCCS SRC 1.27 4 * APU APD 250 HT GN J 2	846080-E	MiniBridge std C/A's
846081	IDCCS SRC 1.27 10 * SPX NXX 160 HT GN J	846081-E	MiniBridge std C/A's
846082	IDCCS SRC 1.27 4 * SPX SPX 1520 HT GN J	846082-E	MiniBridge std C/A's
846083	IDCCS SRC 1.27 4 * SPX SPX 1220 HT GN J	846083-E	MiniBridge std C/A's
846084	IDCCS SRC 1.27 4 * SPX SPX 1820 HT GN J	846084-E	MiniBridge std C/A's
846085	IDCCS SRC 1.27 4 * SPX SPX 2120 HT GN J	846085-E	MiniBridge std C/A's
846086	IDCCS SRC 1.27 3 * SPX SPX 200 HF BU J 2	846086-E	MiniBridge std C/A's
846087	IDCCS SRC 1.27 12 * APD APU 310 PVC RD J	846087-E	MiniBridge std C/A's
846088	IDCCS SRC 1.27 3 * SFX SFX 1000 PVC RD J	846088-E	MiniBridge std C/A's
846094	IDCCS SRC 1.27 12 * SPX SPX 130 TP * J 3	846094-E	MiniBridge std C/A's
846095	IDCCS SRC 1.27 12 * APU APD 35 HT GN J 2	846095-E	MiniBridge Costumer Spec. C/A's
846096	IDCCS SRC 1.27 4 * SFX SFX 430 PVC RD J	846096-E	MiniBridge std C/A's
846097	IDCCS SRC 1.27 8 * SPX SPX 330 PVC * J 3	846097-E	MiniBridge std C/A's
848020	IDCCS MCB 1.27 8 BK AD NC 1000 7Y BK J 2	848020-E	MicroBridge C/A
848021	IDCCS MCB 1.27 10 BK AD NC 1000 7Y BK J	848021-E	MicroBridge C/A
848022	IDCCS MCB 1.27 6 BK SX SX 300 7Y BK J 2	848022-E	MicroBridge C/A
848023	IDCCS MCB 1.27 8 BK SX SX 300 7Y BK J 2	848023-E	MicroBridge C/A
848024	IDCCS MCB 1.27 4 BK SX NC 100 7Y BK J 2	848024-E	MicroBridge C/A
848025	IDCCS MCB 1.27 6 BK AU NC 100 7Y BK J 2	848025-E	MicroBridge C/A
848026	IDCCS MCB 1.27 12 BK AD NC 1000 7Y BK J	848026-E	MicroBridge C/A
848027	IDCCS MCB 1.27 14 BK AD NC 200 7Y BK J 2	848027-E	MicroBridge C/A
849020	IDCCS SRC 1.27 4 KS AU NC 130 7Y BK J 2	849020-E	MiniBridge std C/A's
849021	IDCCS SRC 1.27 4 KS SX NC 136 7Y BK J 2	849021-E	MiniBridge std C/A's
849022	IDCCS SRC 1.27 6 KS SX NC 110 7Y BK J 2	849022-E	MiniBridge std C/A's
853016	ERMA 110 M 1 P2 * 3,70 A-E V-V 9999 * 24	853016-E	ERmet A
853098	ERMC 55 FS 1 EED3 * 3,70 A-E V-V * TRAY	853098-E	ERmet C
854025	CFGCA SMC 30R 12 LL AU ADI TPE 100 ANN *	854025-E	SMC std C/A's
854033	CFGCA SMC 30R 26 LL AU ADI PVC 500 ANN *	854033-E	SMC std C/A's
903012	ERNGUT ALLGEMEIN 2 *	903012-E	ERNI miscellaneous
903013	ERNGUT BANDSTILLSTANDSKOSTEN 2 *	903013-E	ERNI miscellaneous
903015	ERNHAN ERNI - HANDELSWARE J 3 *	903015-E	ERNI miscellaneous
903016	FRAGUT FRACHT+VERPACKUNG 2	903016-E	ERNI miscellaneous
903017	ERNAU ERNI-GOLD 2	903017-E	ERNI miscellaneous
903018	ERNLEI LEIHGEBUEHR EPP / EPC 2 *	903018-E	ERNI miscellaneous
903103	ERNBEA EINMALKOSTEN-WERKZEUGE * 1	903103-E	ERNI miscellaneous
903104	ERNBEA EINMALKOSTEN-EILZUSCHLAG * 1	903104-E	ERNI miscellaneous
903107	ERNBEA KOSTEN EPP/EPC WARTUNG * 2	903107-E	ERNI miscellaneous
903108	ERNBEA KOSTEN EPC JAHRES-WARTUNG * 2	903108-E	ERNI miscellaneous
903116	ERNBEA ERSATZTEILKOSTEN-WERKZEUGE * 2	903116-E	ERNI miscellaneous
903117	ERNBEA ERSATZTEILKOSTEN-PESSEN * 2	903117-E	ERNI miscellaneous
903118	ERNBEA SCHULUNGSKOSTEN WV/SO/BNMK * 2	903118-E	ERNI miscellaneous
903120	ERNBEA REPARATURKOSTEN-WERKZEUGE * 2	903120-E	ERNI miscellaneous
903121	ERNBEA ZUSATZKOSTEN-PRODUKTIONSMITTEL *	903121-E	ERNI miscellaneous
903300	ERNHAN LOCAL PARTS ASIA & USA 5 3 *	903300-E	ERNI miscellaneous
903301	ERNBEA SERVICE - DIENSTLEISTUNG * 1	903301-E	ERNI miscellaneous
903302	ERNGUT ALLGEMEIN 2 *	903302-E	ERNI miscellaneous
903303	ERNGUT BANDSTILLSTANDSKOSTEN 2 *	903303-E	ERNI miscellaneous
903304	ERNBEA BEARBEITUNGSGEBUEHR * 1	903304-E	ERNI miscellaneous
903305	ERNBEA EINMALKOSTEN-LEITERPLATTE * 1	903305-E	ERNI miscellaneous
903306	ERNBEA EINMALKOSTEN-TESTADAPTER * 1	903306-E	ERNI miscellaneous
903307	ERNBEA EINMALKOSTEN-WERKZEUGE * 1	903307-E	ERNI miscellaneous
903308	ERNBEA EINMALKOSTEN-DESIGN * 1	903308-E	ERNI miscellaneous
903309	ERNBEA ZUSATZKOSTEN-WERKZEUGE * 1	903309-E	ERNI miscellaneous
903310	ERNBEA ERSATZTEILKOSTEN-WERKZEUGE * 1	903310-E	ERNI miscellaneous
903311	ERNBEA BEARB. GEB. SPULEN AUTOMOTIVE * 1	903311-E	ERNI miscellaneous
903312	ERNBEA AUFWAND KUNDENBEMUSTERUNG/PPAP *	903312-E	ERNI miscellaneous
903313	ERNBEA SCRAP / AUSSCHUSS * 1	903313-E	ERNI miscellaneous
903314	ERNBEA ASSET / ANLAGEGUTER * 1	903314-E	ERNI miscellaneous
903315	ERNBEA REFUND / RUECKERSTATTUNG * 1	903315-E	ERNI miscellaneous
906307	HIERARCHIE	906307-E	ERNI miscellaneous
913637	STVSKO H F 201 GERA ***** FD * J-6C	913637-E	Specific High Current Contacts
913715	STVSKO H F 181 GERA 20A * LOE 2,50 ***	913715-E	Specific High Current Contacts
913738	STVH11 11 F B V 2 EE20 4,0 * 197 E 105 T	913738-E	DIN H11
913779	FRAEZT 11,6 TE * 172 9999 J 2 913779 FUJ	913779-E	DIN miscellaneous
914488	STVSKO H M 181 ABGE 10A * LOE ** MD * J	914488-E	Specific High Current Contacts
923104	ERMA19 112 M 1 P2 * 3,70 Z-F V-V 9999 *	923104-E	ERmet A
923113	ERMA19 80 F 2 L1 * 3,00 A-E V-V * TRAY 2	923113-E	ERmet A
923141	ERMB22 154 M 1 P2 * 3,70 Z-F V-V 9999 *	923141-E	ERmet B
923342	ERMA 154 M 1 R1 * 16,00 Z-F V-V 9999 * 2	923342-E	ERmet A
923657	ERMA19 112 M 1 P2 * 3,70 Z-F V-V 9999 *	923657-E	ERmet A
923762	ERMA 132 MI 1 L1 * 3,50 A-F V-V 9999 * 2	923762-E	ERmet A
923764	ERMB 125 MI 1 L1 * 3,50 A-F V-V 2 * 207	923764-E	ERmet B
923765	ERMB 150 MI 1 L1 * 3,50 A-F V-V 9999 * 2	923765-E	ERmet B
923813	ERMB22 110 MI 1 L1 * 3,50 A-E V-V 1 * 20	352131-1	Z-PACK 2mm Hard Metric Right Angle Pin Header
923825	ERMEZT ADH ABC 9999 1 144 *** ABDECKHA	923825-E	ERmet miscellaneous
923830	ERMC 55 MI 1 L1 * 3,50 A-E V-V 2 * 207 E	923830-E	ERmet C
923831	ERMC 66 MI 1 L1 * 3,50 A-F V-V 9999 * 20	923831-E	ERmet C
923835	ERMAB 169 M 1 P2 * 3,70 Z-F V-V 9999 * 2	923835-E	ERmet AB
952050	VORCSI SRC CRIMP ZANGE- ROLLE 284070 J 3	952050-E	ERNI costumer application tooling
992215	VORCSI SRC CRIMP ZANGE- ROLLE 464772 J 3	992215-E	ERNI costumer application tooling
992216	VORCSI SRC CRIMP ZANGE- ROLLE 374039 J 3	992216-E	ERNI costumer application tooling