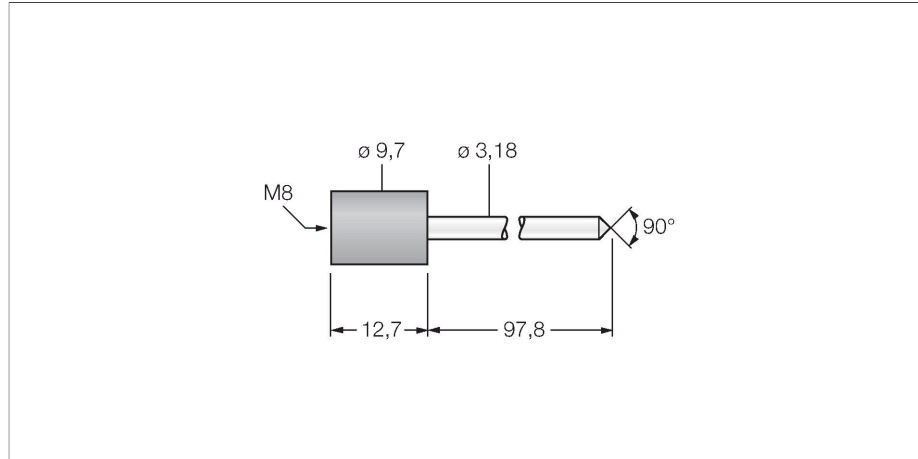


TGRM8MM

Sensing Tip – Glass



Features

- For level measurements with fork plastic optical fibers of the type BT2..SM8 or BAT2..UM8
- Stainless steel housing with M8 female thread
- Probe made of quartz glass

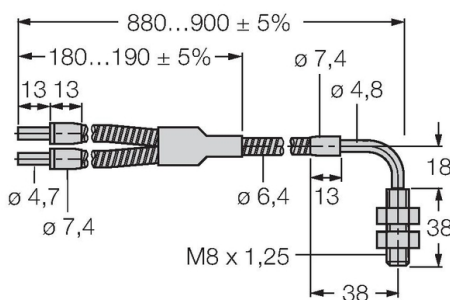
Technical data

Type	TGRM8MM
ID	3023561
Optical data	
Function	End tip for optical fibers
Fiber-optic type	Glass
Mechanical data	
Design	Smooth barrel, TGRM8MM
Dimensions	Ø 9.5 x 113 mm
Housing material	Glass Stainless steel
Bending cycles	0
Ambient temperature	-140...+249 °C
Protection class	IP67

Accessories

Dimension drawing	Type	ID
	BAT23SM8	3023160

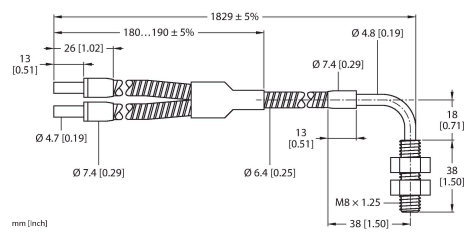
Glass fiber, sensing mode: Diffuse mode sensor, stainless steel cable; for ambient temperatures of -140 °C... +250 °C, length: 914 mm



Dimension drawing

Type

ID



BAT26SM8

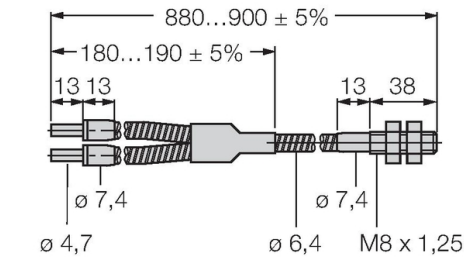
3073127

Glass fiber, sensing mode: Diffuse mode sensor, stainless steel cable; for ambient temperatures of -140 °C... +250 °C, length 1829 mm

BT23SM8

3017277

Glass fiber, sensing mode: Diffuse mode sensor, threaded sleeve (brass) M8 x 1.25, bundle diameter 3.2 mm, flexible stainless steel jacket, ambient temperatures of -140 °C ... +250 °C, length: 914 mm



BT26SM8

3020009

Glass fiber, sensing mode: Diffuse mode sensor, threaded sleeve (brass) M8 x 1.25, bundle diameter 3.2 mm, flexible stainless steel jacket, ambient temperatures of -140 °C ... +250 °C, length: 1829 mm

