

Thermoplastic Tapped Base



SUCTTB 200 Silver Series

Stainless Steel Normal Duty Bearing

PBT Thermoplastic Housing

Set Screw Lock, Solid Base

Metric and Inch Bores



Housing:

Material: Reinforced PBT (polybutylene terephthalate)

Working Temperatures: -10°F to 210°F

Interchanges with standard housing dimensions

Sleeves and bushings are stainless steel

Solid base, smooth housing designed for washdown

Excellent chemical resistance

Grease Fitting: AISI 304

Bearing Insert:

Inner & Outer Race: AISI 440C Stainless

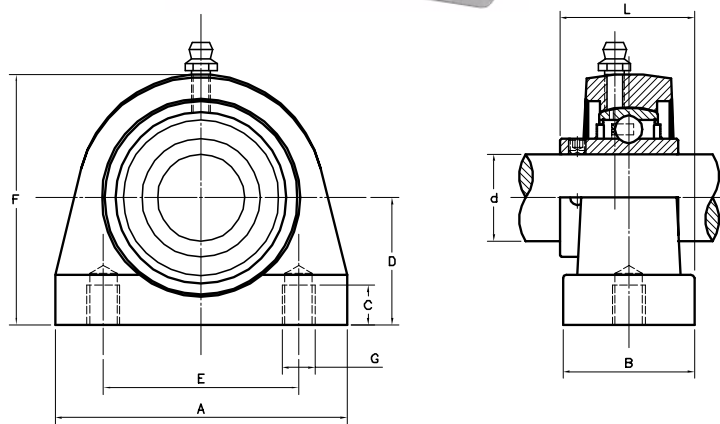
Cage & Set Screw: AISI 302 Stainless

Balls: AISI 440C Stainless

Seals: Rubber & AISI 302 Stainless

Grease: Mobil FM222 USDA H-1

End covers available from stock



Part No.	Shaft Size d		Dimensions (mm) (in)								Bearing No.	Housing No.	Wt. kg
	mm	in	A	B	C	D	E	F	G	L			
SUCTTB201-8		1/2	72.8	34.5	10	33.3	50.8	66	-	35.6	SUC201-8	TTB204*	0.3
SUCTTB202-10		5/8	2.87	1.36	0.39	1.312	2.0	2.60	3/8-16	1.40	SUC202-10		
SUCTTB204-20MM	20		72.8	34.5	10	33.3	50.8	66	-	35.6	SUC204-20MM	TTB204*	0.3
SUCTTB204-12		3/4	2.87	1.36	0.39	1.132	2.0	2.60	3/8-16	1.40	SUC204-12		
SUCTTB205-25MM	25		76.2	39.5	13	36.5	50.8*	73.5	-	39.6	SUC205-25MM	TTB205*■	0.4
SUCTTB205-14		7/8	3.0	1.56	0.51	1.437	2.0	2.89	3/8-16	1.56	SUC205-14		
SUCTTB205-15		15/16									SUC205-15		
SUCTTB205-16		1									SUC205-16		
SUCTTB206-30MM	30		101	42.5	13	42.9	76.2	84	-	43.5	SUC206-30MM	TTB206*	0.7
SUCTTB206-18		1-1/8	3.98	1.67	0.51	1.687	3.00	3.31	7/16-14	1.71	SUC206-18		
SUCTTB206-19		1-3/16									SUC206-19		
SUCTTB206-20		1-1/4									SUC206-20		
SUCTTB207-35MM	35		110	47.5	13	47.6	82.6	95	-	49.2	SUC207-35MM	TTB207*	0.9
SUCTTB207-20		1-1/4	4.33	1.87	0.51	1.875	3.25	3.74	1/2-13	1.94	SUC207-20		
SUCTTB207-22		1-3/8									SUC207-22		
SUCTTB207-23		1-7/16									SUC207-23		
SUCTTB208-40MM	40		120	48	15	49.2	88.9	100.5	-	54.2	SUC208-40MM	TTB208*	1.1
SUCTTB208-24		1-1/2	4.72	1.89	0.59	1.937	3.50	3.96	1/2-13	2.13	SUC208-24		
SUCTTB209-45MM	45		124	50	19	54	95.3	108.5	-	55.2	SUC209-45MM	TTB209*	1.3
SUCTTB209-27		1-11/16	4.89	1.97	0.75	2.125	3.75	4.27	1/2-13	2.17	SUC209-27		
SUCTTB209-28		1-3/4									SUC209-28		
SUCTTB210-50MM	50		135	54	22	57.2	101.6	115	-	59.6	SUC210-50MM	TTB210*	1.5
SUCTTB210-31		1-15/16	5.31	2.13	0.87	2.250	4.00	4.53	5/8-11	2.35	SUC210-31		
SUCTTB210-32		2									SUC210-32		

Note: ■TPA205X Housing size with 56mm or 2-13/64" bolt centers also stocked. *Black Housing also available on request.

Thermoplastic Tapped Base



SHCTTB 200 Silver Series

Stainless Steel Normal Duty Bearing

PBT Thermoplastic Housing

Eccentric Lock Collar, Solid Base

Metric and Inch Bores



Housing:

Material: Reinforced PBT (polybutylene terephthalate)

Working Temperatures: -10°F to 210°F

Interchanges with standard housing dimensions

Sleeves and bushings are stainless steel

Solid base, smooth housing designed for washdown

Excellent chemical resistance

Grease Fitting: AISI 304

Bearing Insert:

Inner & Outer Race: AISI 440C Stainless

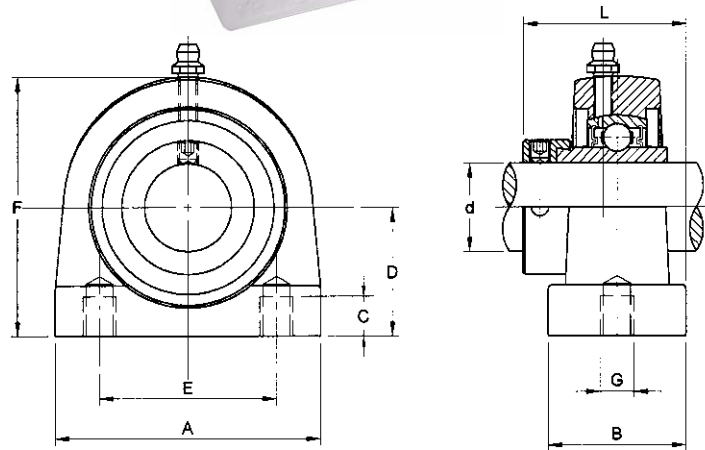
Cage & Set Screw: AISI 302 Stainless

Collar: AISI 304 Stainless

Balls: AISI 440C Stainless

Seals: Rubber & AISI 302 Stainless

Grease: Mobil FM222 USDA H-1



Part No.	Shaft Size d		Dimensions (mm) (in)								Bearing No.	Housing No.	Wt. kg
	mm	in	A	B	C	D	E	F	G**	L			
SHCTTB201-8		1/2	72.8	34.5	10	33.3	50.8	66	—	43.85	SHC201-8	TTB204*	0.3
SHCTTB202-10		5/8	2.87	1.36	0.39	1.312	2.0	2.60	3/8-16	1.73	SHC202-10	TTB204*	0.3
SHCTTB204-20MM	20		72.8	34.5	10	33.3	50.8	66	—	43.85	SHC204-20MM	TTB204*	0.3
SHCTTB204-12		3/4	2.87	1.36	0.39	1.132	2.0	2.60	3/8-16	1.73	SHC204-12	TTB204*	0.3
SHCTTB205-25MM	25		76.2	39.5	13	36.5	50.8*	73.5	—	46.65	SHC205-25MM	TTB205*■	0.4
SHCTTB205-14		7/8	3.0	1.56	0.51	1.437	2.0	2.89	3/8-16	1.84	SHC205-14		
SHCTTB205-15		15/16									SHC205-15		
SHCTTB205-16		1									SHC205-16		
SHCTTB206-30MM	30		101	42.5	13	42.9	76.2	84	—	51.35	SHC206-30MM	TTB206*	0.7
SHCTTB206-18		1-1/8	3.98	1.67	0.51	1.687	3.00	3.31	7/16-14	2.02	SHC206-18		
SHCTTB206-19		1-3/16									SHC206-19		
SHCTTB206-20		1-1/4									SHC206-20		
SHCTTB207-35MM	35		110	47.5	13	47.6	82.6	95	—	56.05	SHC207-35MM	TTB207*	0.9
SHCTTB207-20		1-1/4	4.33	1.87	0.51	1.875	3.25	3.74	1/2-13	2.21	SHC207-20		
SHCTTB207-22		1-3/8									SHC207-22		
SHCTTB207-23		1-7/16									SHC207-23		
SHCTTB208-40MM	40		120	48	15	49.2	88.9	100.5	—	58.9	SHC208-40MM	TTB208*	1.1
SHCTTB208-24		1-1/2	4.72	1.89	0.59	1.937	3.50	3.96	1/2-13	2.32	SHC208-24		
SHCTTB209-45MM	45		124	50	19	54	95.3	108.5	—	59.9	SHC209-45MM	TTB209*	1.3
SHCTTB209-27		1-11/16	4.89	1.97	0.75	2.125	3.75	4.27	1/2-13	2.36	SHC209-27		
SHCTTB209-28		1-3/4									SHC209-28		
SHCTTB210-50MM	50		135	54	22	57.2	101.6	115	—	65.1	SHC210-50MM	TTB210*	1.5
SHCTTB210-31		1-15/16	5.31	2.13	0.87	2.250	4.00	4.53	5/8-11	2.56	SHC210-31		
SHCTTB210-32		2									SHC210-32		

Note: ■TPA205X Housing size with 56mm or 2-13/64" bolt centers also stocked. *Black Housing also available on request.

** Metric threads available upon request.

Stainless Steel 4-Bolt Flange

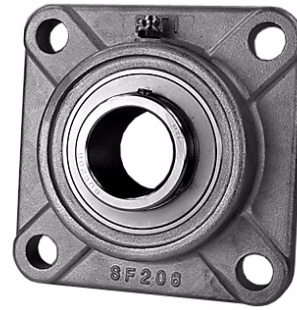


SUCSF 200 Silver Series

Stainless Steel Normal Duty Bearing

Set Screw Lock, Solid Flange

Metric and Inch Bores



Housing:

AISI 304 Stainless, Solid Base

Grease Fitting: AISI 304

Bearing Insert:

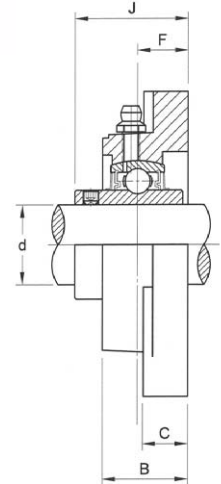
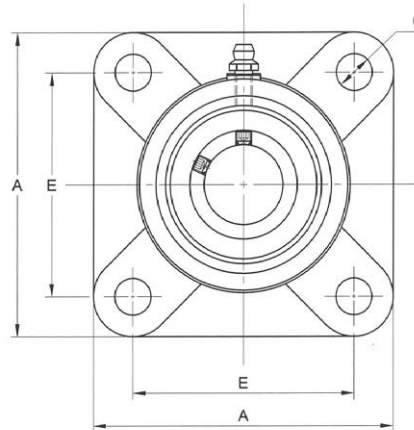
Inner & Outer Race: AISI 440C Stainless

Cage & Set Screw: AISI 302 Stainless

Balls: AISI 440C Stainless

Seals: Rubber & AISI 302 Stainless

Grease: Mobil FM222, USDA H-1



Part No.	Shaft Size d		Dimensions (mm) (in)							Bearing No.	Housing No.	Wt. kg
	mm	in	A	B	C	E	F	G	L			
SUCSF201-8		1/2	86	25.4	12.0	63.5	15.1	11	33.4	SUC201-8	SF204	0.8
SUCSF202-10		5/8	3.38	1.00	0.47	2.50	0.59	0.43	1.31	SUC202-10		
SUCSF204-20MM	20		86	25.4	12.0	63.5	15.1	11	33.4	SUC204-20MM	SF204	0.8
SUCSF204-12		3/4	3.38	1.00	0.47	2.50	0.59	0.43	1.31	SUC204-12		
SUCSF205-25MM	25		95	27	14.0	70	15.9	11.5	35.7	SUC205-25MM		
SUCSF205-14		7/8	3.75	1.06	0.55	2.75	0.63	0.45	1.40	SUC205-14	SF205	1.0
SUCSF205-15		15/16								SUC205-15		
SUCSF205-16		1								SUC205-16		
SUCSF206-30MM	30		108	30	14.0	82.5	17.9	13.1	40.1	SUC206-30MM		
SUCSF206-18		1-1/8	4.25	1.18	0.55	3.25	0.7	0.51	1.57	SUC206-18	SF206	1.6
SUCSF206-19		1-3/16								SUC206-19		
SUCSF206-20		1-1/4								SUC206-20		
SUCSF207-35MM	35		117.5	33	14.3	92	19.1	13.1	44.5	SUC207-35MM		
SUCSF207-20		1-1/4	4.62	1.3	0.56	3.63	0.75	0.51	1.75	SUC207-20	SF207	2.0
SUCSF207-22		1-3/8								SUC207-22		
SUCSF207-23		1-7/16								SUC207-23		
SUCSF208-40MM	40		130	36	14.3	101.6	21	14	51.2	SUC208-40MM	SF208	2.5
SUCSF208-24		1-1/2	5.12	1.47	0.56	4.00	0.83	0.55	2.01	SUC208-24		
SUCSF209-45MM	45		137	38	14.3	104.8	21.8	16	52	SUC209-45MM		
SUCSF209-27		1-11/16	5.39	1.50	0.56	4.13	0.86	0.63	2.05	SUC209-27	SF209	2.8
SUCSF209-28		1-3/4								SUC209-28		
SUCSF210-50MM	50		143	39	15.1	111	21.8	16	54.3	SUC210-50MM		
SUCSF210-31		1-15/16	5.63	1.54	0.59	4.37	0.86	0.63	2.14	SUC210-31	SF210	3.5
SUCSF210-32		2								SUC210-32		
SUCSF211-55MM	55		162	43	20.5	130	25	16.0	58.4	SUC211-55MM		
SUCSF211-35		2-3/16	6.38	1.69	0.81	5.12	0.98	0.63	2.30	SUC211-35	SF211	4.5
SUCSF212-60MM	60		175	48	20	143	29	19.0	68.7	SUC212-60MM		
SUCSF212-39		2-7/16	6.89	1.89	0.79	5.63	1.14	0.75	2.70	SUC212-39	SF212	5.4

Note: Larger sizes with Nickel Plated Housings available upon request. Larger Bearing inserts to 3 inches are stock.

Stainless Steel 4-Bolt Flange



SHCSF 200 Silver Series

Stainless Steel Normal Duty Bearing
Eccentric Lock Collar, Solid Flange
Metric and Inch Bores

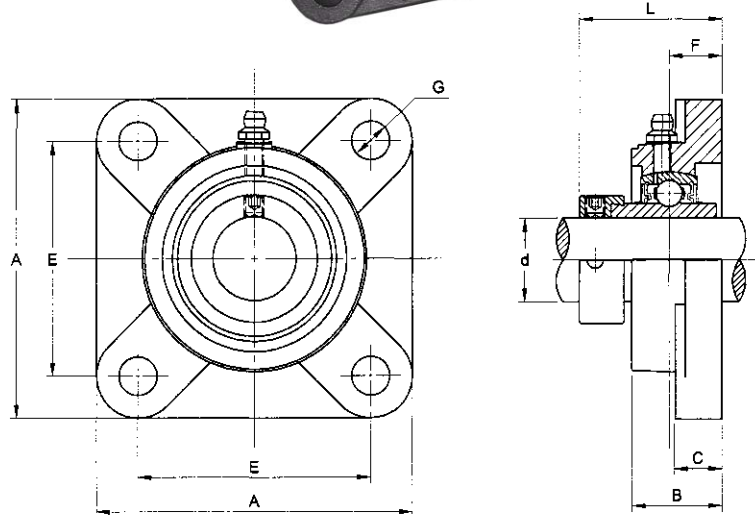


Housing:

AISI 304 Stainless, Solid Base
 Grease Fitting: AISI 304

Bearing Insert:

Inner & Outer Race: AISI 440C Stainless
 Cage & Set Screw: AISI 302 Stainless
 Collar: AISI 304 Stainless
 Balls: AISI 440C Stainless
 Seals: Rubber & AISI 302 Stainless
 Grease: Mobil FM222, USDA H-1



Part No.	Shaft Size d		Dimensions (mm) (in)							Bearing No.	Housing No.	Wt. kg
	mm	in	A	B	C	E	F	G	L			
SHCSF201-8		1/2	86	25.4	12.0	63.5	15.1	11	41.7	SHC201-8	SF204	0.8
SHCSF202-10		5/8	3.38	1.00	0.47	2.50	0.59	0.43	1.64	SHC202-10		
SHCSF204-20MM	20		86	25.4	12.0	63.5	15.1	11	41.7	SHC204-20MM	SF204	0.8
SHCSF204-12		3/4	3.38	1.00	0.47	2.50	0.59	0.43	1.64	SHC204-12		
SHCSF205-25MM	25		95	27	14.0	70	15.9	11.5	42.8	SHC205-25MM	SF205	1.0
SHCSF205-14		7/8	3.75	1.06	0.55	2.75	0.63	0.45	1.69	SHC205-14		
SHCSF205-15		15/16								SHC205-15		
SHCSF205-16		1								SHC205-16		
SHCSF206-30MM	30		108	30	14.0	82.5	17.9	13.1	48.0	SHC206-30MM	SF206	1.6
SHCSF206-18		1-1/8	4.25	1.18	0.55	3.25	0.70	0.51	1.89	SHC206-18		
SHCSF206-19		1-3/16								SHC206-19		
SHCSF206-20		1-1/4								SHC206-20		
SHCSF207-35MM	35		117.5	33	14.3	92	19.1	13.1	51.4	SHC207-35MM	SF207	2.0
SHCSF207-20		1-1/4	4.62	1.3	0.56	3.63	0.75	0.51	2.02	SHC207-20		
SHCSF207-22		1-3/8								SHC207-22		
SHCSF207-23		1-7/16								SHC207-23		
SHCSF208-40MM	40		130	36	14.3	101.6	21	14	55.9	SHC208-40MM	SF208	2.5
SHCSF208-24		1-1/2	5.12	1.47	0.56	4.00	0.83	0.55	2.20	SHC208-24		
SHCSF209-45MM	45		137	38	14.3	104.8	21.8	16	56.7	SHC209-45MM	SF209	2.8
SHCSF209-27		1-11/16	5.39	1.50	0.56	4.13	0.86	0.63	2.23	SHC209-27		
SHCSF209-28		1-3/4								SHC209-28		
SHCSF210-50MM	50		143	39	15.1	111	21.8	16	59.9	SHC210-50MM	SF210	3.5
SHCSF210-31		1-15/16	5.63	1.54	0.59	4.37	0.86	0.63	2.36	SHC210-31		
SHCSF210-32		2								SHC210-32		
SHCSF211-55MM	55		162	43	20.5	130	25	16	68.6	SHC211-55MM	SF211	4.5
SHCSF211-35		2-3/16	6.38	1.69	0.81	5.12	0.98	0.63	2.70	SHC211-35		
SHCSF212-60MM	60		175	48	20	143	29	19	75.8	SHC212-60MM	SF212	5.4
SHCSF212-39		2-7/16	6.89	1.89	0.79	5.63	1.14	0.75	2.98	SHC212-39		

Thermoplastic 4-Bolt Flange Units



SUCTF 200 Silver Series

- Stainless Steel Normal Duty Bearing**
- PBT Thermoplastic Housing**
- Set Screw Lock, Solid Base**
- Metric and Inch Bores**



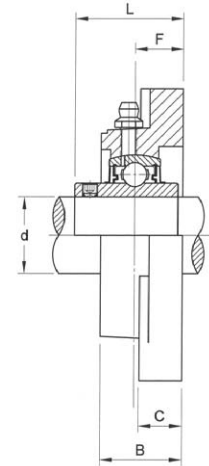
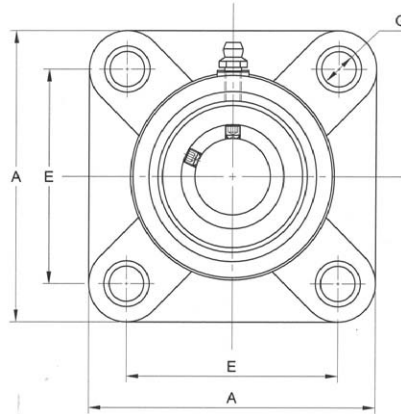
Black Housing Option

Housing:

- Material: Reinforced PBT (polybutylene terephthalate)
- Working Temperatures: -10°F to 210°F
- Interchanges with standard housing dimensions
- Sleeves and bushings are stainless steel
- Solid base, smooth housing designed for washdown
- Excellent chemical resistance
- Grease Fitting: AISI 304

Bearing Insert:

- Inner & Outer Race: AISI 440C Stainless
- Cage & Set Screw: AISI 302 Stainless
- Balls: AISI 440C Stainless
- Seals: Rubber & AISI 302 Stainless
- Grease: Mobil FM222 USDA H-1
- End covers and Back covers are available from stock



Part No.	Shaft Size d		Dimensions (mm) (in)							Bearing No.	Housing No	Wt. kg
	mm	in	A	B	C	E	F	G	L			
SUCTF201-8		1/2	86	27	13.4	63.5	15	11	33.4	SUC201-8	TF204	0.3
SUCTF202-10		5/8	3.38	1.06	0.50	2.50	0.59	0.47	1.31	SUC202-10	(TF204BLK)	
SUCTF204-20MM	20		86	27	13.4	63.5	15	11	33.4	SUC204-20MM	TF204	0.3
SUCTF204-12		3/4	3.38	1.06	0.50	2.50	0.59	0.47	1.31	SUC204-12	(TF204BLK)	
SUCTF205-25MM	25		95	28	14.0	70	16	11	35.8	SUC205-25MM		0.4
SUCTF205-14		7/8	3.75	1.10	0.55	2.75	0.62	0.47	1.41	SUC205-14	TF205	
SUCTF205-15		15/16								SUC205-15	(TF205BLK)	
SUCTF205-16		1								SUC205-16		
SUCTF206-30MM	30		107	31	14.3	83	19.0	11	41.2	SUC206-30MM		0.7
SUCTF206-18		1-1/8	4.21	1.22	0.56	3.25	0.74	0.47	1.62	SUC206-18	TF206	
SUCTF206-19		1-3/16								SUC206-19	(TF206BLK)	
SUCTF206-20		1-1/4								SUC206-20		
SUCTF207-35MM	35		117	34	16.0	92	19.0	13	44.4	SUC207-35MM		0.9
SUCTF207-20		1-1/4	4.60	1.33	0.62	3.63	0.74	0.55	1.75	SUC207-20	TF207	
SUCTF207-22		1-3/8								SUC207-22	(TF207BLK)	
SUCTF207-23		1-7/16								SUC207-23		
SUCTF208-40MM	40		130	37.5	20.0	102	21	14	51.2	SUC208-40MM	TF208	1.1
SUCTF208-24		1-1/2	5.12	1.47	0.78	4.00	0.82	0.63	2.02	SUC208-24	(TF208BLK)	
SUCTF209-45MM	45		137	41	19	105	22	17	52.2	SUC209-45MM		1.3
SUCTF209-27		1-11/16	5.39	1.61	0.75	4.13	0.87	0.63	2.06	SUC209-27	TF209	
SUCTF209-28		1-3/4								SUC209-28	(TF209BLK)	
SUCTF210-50MM	50		143	43	21	111	22	17	54.6	SUC210-50MM		1.5
SUCTF210-31		1-15/16	5.63	1.69	0.83	4.37	0.87	0.63	2.15	SUC210-31	TF210	
SUCTF210-32		2								SUC210-32	(TF210BLK)	
SUCTF211-55MM	55		162	58.4	23	130	26	19	59.4	SUC211-55MM		2.1
SUCTF211-32		2	6.30	2.30	0.91	5.12	1.02	0.75	2.34	SUC211-32	TF211	
SUCTF211-35		2-3/16								SUC211-35	(TF211BLK)	
SUCTF212-60MM	60		175	68.7	25	143	29	23	68.7	SUC212-60MM		2.5
SUCTF212-39		2-7/16	6.89	2.70	0.98	5.63	1.14	0.91	2.70	SUC212-39	TF212	
											(TF212BLK)	

Note: Black Housing also available on request.

Thermoplastic 4-Bolt Flange Units



SHCTF 200 Silver Series

- Stainless Steel Normal Duty Bearing
- PBT Thermoplastic Housing
- Eccentric Lock Collar, Solid Base
- Metric and Inch Bores



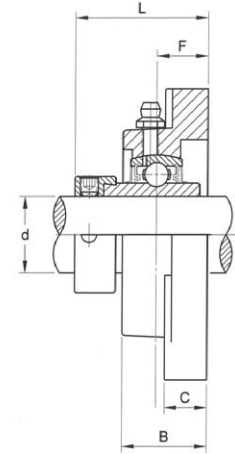
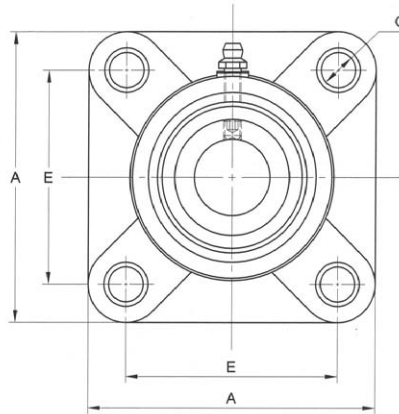
Black Housing Option

Housing:

- Material: Reinforced PBT (polybutylene terephthalate)
- Working Temperatures: -10°F to 210°F
- Interchanges with standard housing dimensions
- Sleeves and bushings are stainless steel
- Solid base, smooth housing designed for washdown
- Excellent chemical resistance
- Grease Fitting: AISI 304

Bearing Insert:

- Inner & Outer Race: AISI 440C Stainless
- Cage & Set Screw: AISI 302 Stainless
- Collar: AISI 304 Stainless
- Balls: AISI 440C Stainless
- Seals: Rubber & AISI 302 Stainless
- Grease: Mobil FM222 USDA H-1



Part No.	Shaft Size d		Dimensions (mm) (in)							Bearing No.	Housing No	Wt. kg
	mm	in	A	B	C	E	F	G	L			
SHCTF201-8		1/2	86	27	13.4	63.5	15	11	41.6	SHC201-8	TF204 (TF204BLK)	0.3
SHCTF202-10		5/8	3.38	1.06	0.50	2.50	0.59	0.47	1.64	SHC202-10		
SHCTF204-20MM	20		86	27	13.4	63.5	15	11	41.6	SHC204-20MM	TF204 (TF204BLK)	0.3
SHCTF204-12		3/4	3.38	1.06	0.50	2.50	0.59	0.47	1.64	SHC204-12		
SHCTF205-25MM	25		95	28	14.0	70	16	11	42.9	SHC205-25MM	TF205 (TF205BLK)	0.4
SHCTF205-14		7/8	3.75	1.10	0.55	2.75	0.62	0.47	1.69	SHC205-14		
SHCTF205-15		15/16								SHC205-15		
SHCTF205-16		1								SHC205-16		
SHCTF206-30MM	30		107	31	14.3	83	19.0	11	49.1	SHC206-30MM	TF206 (TF206BLK)	0.7
SHCTF206-18		1-1/8	4.21	1.22	0.56	3.25	0.74	0.47	1.93	SHC206-18		
SHCTF206-19		1-3/16								SHC206-19		
SHCTF206-20		1-1/4								SHC206-20		
SHCTF207-35MM	35		117	34	16.0	92	19.0	13	51.3	SHC207-35MM	TF207 (TF207BLK)	0.9
SHCTF207-20		1-1/4	4.60	1.33	0.62	3.63	0.74	0.55	2.02	SHC207-20		
SHCTF207-22		1-3/8								SHC207-22		
SHCTF207-23		1-7/16								SHC207-23		
SHCTF208-40MM	40		130	37.5	20.0	102	21	14	55.9	SHC208-40MM	TF208 (TF208BLK)	1.1
SHCTF208-24		1-1/2	5.12	1.47	0.78	4.00	0.82	0.63	2.20	SHC208-24		
SHCTF209-45MM	45		137	41	19	105	22	17	56.9	SHC209-45MM	TF209 (TF209BLK)	1.3
SHCTF209-27		1-11/16	5.39	1.61	0.75	4.13	0.87	0.63	2.24	SHC209-27		
SHCTF209-28		1-3/4								SHC209-28		
SHCTF210-50MM	50		143	43	21	111	22	17	60.1	SHC210-50MM	TF210 (TF210BLK)	1.5
SHCTF210-31		1-15/16	5.63	1.69	0.83	4.37	0.87	0.63	2.37	SHC210-31		
SHCTF210-32		2								SHC210-32		
SHCTF211-55MM	55		162	58.4	23	130	26	19	69.6	SHC211-55MM	TF211 (TF211BLK)	2.2
SHCTF211-32		2	6.30	2.30	0.91	5.12	1.02	0.75	2.74	SHC211-32		
SHCTF211-35		2-3/16								SHC211-35		
SHCTF212-60MM	60		175	68.7	25	143	29	23	75.8	SHC212-60MM	TF212 (TF212BLK)	2.7
SHCTF212-39		2-7/16	6.89	2.70	0.98	5.63	1.14	0.91	2.98	SHC212-39		

Note: Black Housing also available on request.

Stainless Steel Piloted 4-Bolt Flange



SUCSFCS 200 Silver Series

**Stainless Steel Normal Duty Bearing
Set Screw Lock, Solid Flange
Metric and Inch Bores**

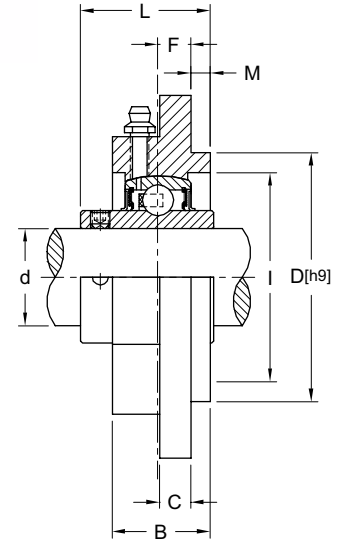
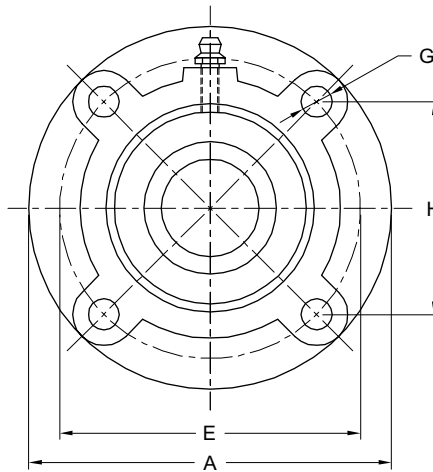


Housing:

AISI 304 Stainless, Solid Flange
Grease Fitting: AISI 304

Bearing Insert:

Inner & Outer Race: AISI 440C Stainless
Cage: AISI 302 Stainless
Balls: AISI 440C Stainless
Seals: Rubber & AISI 302 Stainless
Set Screw: AISI 302 Stainless
Grease: Mobil FM222, USDA H-1,



Part No.	Shaft Size d		Dimensions (mm) (in)											Bearing No.	Housing No.	Wt. kg
	mm	in	A	B	C	D (h9)	E	F	G	H	I	L	M			
SUCSFCS207-35MM	35		127	31.7	9.5	85.7	104.8	8	12	74.2	76	33.4	9.5	SUC207-35MM	SFCS207	2.0
SUCSFCS207-20		1-1/4	5.00	1.25	0.37	3.375	4.13	0.31	0.47	2.92	2.99	1.31	0.37	SUC207-20		
SUCSFCS207-22		1-3/8												SUC207-22		
SUCSFCS207-23		1-7/16												SUC207-23		
SUCSFCS208-40MM	40		133	37.3	11	92	111.1	9	12	78.5	84	39.2	11.1	SUC208-40MM	SFCS208	2.5
SUCSFCS208-24		1-1/2	5.24	1.47	0.43	3.625	4.37	0.35	0.47	3.09	3.31	1.54	0.44	SUC208-24		
SUCSFCS209-45MM	45		145	33.3	11.5	101.6	120.7	9	14	78.5	89	39.2	11.1	SUC209-45MM	SFCS209	2.8
SUCSFCS209-28		1-3/4	5.711	1.31	0.45	4.000	4.75	0.35	0.55	3.09	3.50	1.54	0.44	SUC209-28		
SUCSFCS210-50MM	50		155.6	37.3	11	108	130.2	8	14	92	97.6	40.6	11.9	SUC210-50MM	SFCS210	3.5
SUCSFCS210-31		1-15/16	6.13	1.47	0.43	4.250	5.12	0.31	0.55	3.62	3.84	1.6	0.47	SUC210-31		
SUCSFCS210-32		2												SUC210-32		
SUCSFCS211-55MM	55		165	43	15	125	150	13	19	106.1	105	58.3	12	SUC211-55MM	SFCS211	4.2
SUCSFCS211-32		2	6.5	1.69	0.59	4.92	5.90	0.51	0.75	4.18	4.13	2.29	0.47	SUC211-32		
SUCSFCS211-35		2-3/16												SUC211-35		
—	—		222	57	16	162	190.5	12	19	134.3	148	61.3	22	—	SFCS216	5.4
SUCSFCS216-47		2-15/16	8.74	2.24	0.63	6.375	7.48	0.47	0.75	5.29	5.83	2.41	0.87	SUCX216-47		

Stainless Steel Piloted 4-Bolt Flange



SHCSFCS 200 Silver Series

**Stainless Steel Normal Duty Bearing
Eccentric Lock Collar, Solid Flange
Metric and Inch Bores**

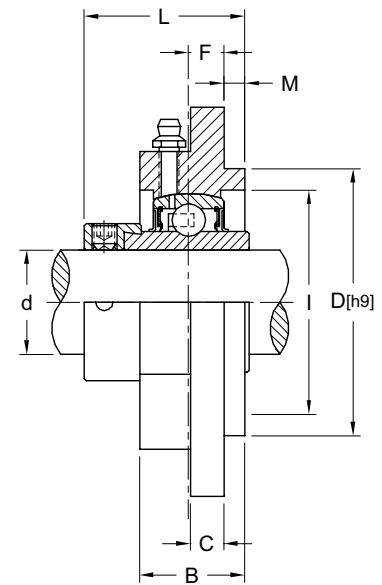
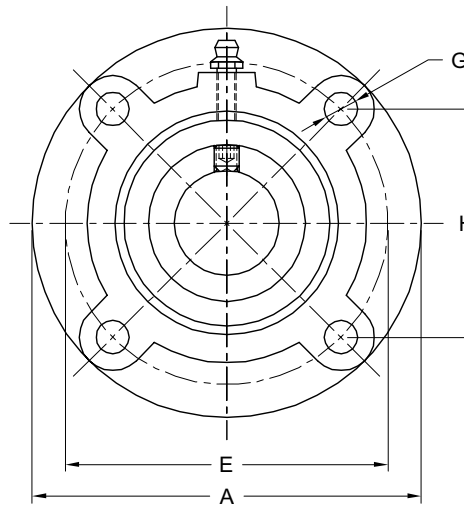


Housing:

AISI 304 Stainless, Solid Flange
Grease Fitting: AISI 304

Bearing Insert:

Inner & Outer Race: AISI 440C Stainless
Cage: AISI 302 Stainless
Collar: AISI 304 Stainless
Balls: AISI 440C Stainless
Seals: Rubber & AISI 302 Stainless
Set Screw: AISI 302 Stainless
Grease: Mobil FM222, USDA H-1



Part No.	Shaft Size d		Dimensions (mm) (in)											Bearing No.	Housing No.	Wt. kg
	mm	in	A	B	C	D (hg)	E	F	G	H	I	L	M			
SHCSFCS207-35MM	35		127	31.7	9.5	85.7	105	8	12	74.2	76	49.8	9.5	SHC207-35MM	SFCS207	2.0
SHCSFCS207-20		1-1/4	5.00	1.25	0.37	3.375	4.13	0.31	0.47	2.92	2.99	1.96	0.37	SHC207-20		
SHCSFCS207-22		1-3/8												SHC207-22		
SHCSFCS207-23		1-7/16												SHC207-23		
SHCSFCS208-40MM	40		133	37.3	11	92	111	9	12	78.5	84	55	11.1	SHC208-40MM	SFCS208	2.5
SHCSFCS208-24		1-1/2	5.24	1.47	0.43	3.625	4.37	0.35	0.47	3.09	3.31	2.17	0.44	SHC208-24		
SHCSFCS209-45MM	45		133	37.3	11.5	101.6	120.7	9	14.0	78.5	89	55	11.1	SHC209-45MM	SFCS209	2.8
SHCSFCS209-28		1-3/4	5.24	1.47	0.45	4.000	4.75	0.35	0.55	3.09	3.50	2.17	0.44	SHC209-28		
SHCSFCS210-50MM	50		155.6	37.3	11	108	130	8	14	92	97.6	58	11.9	SHC210-50MM	SFCS210	3.5
SHCSFCS210-31		1-15/16	6.13	1.47	0.43	4.250	5.12	0.31	0.55	3.62	3.84	2.28	0.47	SHC210-31		
SHCSFCS210-32		2												SHC210-32		

Stainless Steel 2-Bolt Flange

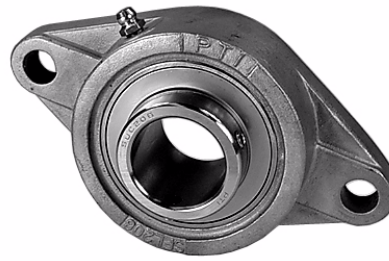


SUCSFL 200 Silver Series

Stainless Steel Normal Duty Bearing

Set Screw Lock, Solid Base

Metric and Inch Bores



Housing:

AISI 304 Stainless, Solid Base

Grease Fitting: AISI 304

Bearing Insert:

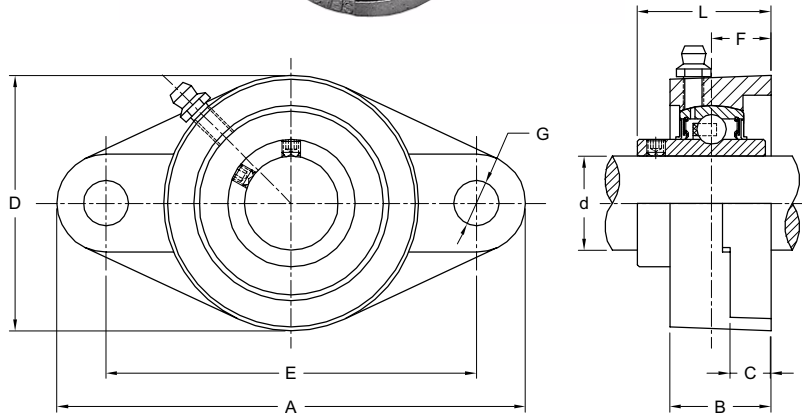
Inner & Outer Race: AISI 440C Stainless

Cage & Set Screw: AISI 302 Stainless

Balls: AISI 440C Stainless

Seals: Rubber & AISI 302 Stainless

Grease: Mobil FM222, USDA H-1



Part No.	Shaft Size d		Dimensions (mm) (in)								Bearing No.	Housing No.	Wt. kg
	mm	in	A	B	C	D	E	F	G	L			
SUCSFL201-8		1/2	112	25.4	11.5	60	89.7	15.1	10	33.4	SUC201-8	SFL204	0.8
SUCSFL202-10		5/8	4.40	1.00	0.45	2.36	3.53	0.59	0.39	1.31	SUC202-10		
SUCSFL204-20MM	20		112	25.4	11.5	60	89.7	15.1	10	33.4	SUC204-20MM	SFL204	0.8
SUCSFL204-12		3/4	4.40	1.00	0.45	2.36	3.53	0.59	0.39	1.31	SUC204-12		
SUCSFL205-25MM	25		125	27	13	68	98.8	15.9	12	35.7	SUC205-25MM	SFL205	1.0
SUCSFL205-14		7/8	4.92	1.06	0.51	2.67	3.89	0.63	0.47	1.41	SUC205-14		
SUCSFL205-15		15/16									SUC205-15		
SUCSFL205-16		1									SUC205-16		
SUCSFL206-30MM	30		141	30	13	80	116.7	17.9	12	40.1	SUC206-30MM	SFL206	1.6
SUCSFL206-18		1-1/8	5.55	1.18	0.51	3.15	4.59	0.70	0.47	1.58	SUC206-18		
SUCSFL206-19		1-3/16									SUC206-19		
SUCSFL206-20		1-1/4									SUC206-20		
SUCSFL207-35MM	35		155.5	33	14.3	90	130.2	19.1	13	44.5	SUC207-35MM	SFL207	2.0
SUCSFL207-20		1-1/4	6.12	1.30	0.56	3.54	5.12	0.75	0.50	1.75	SUC207-20		
SUCSFL207-22		1-3/8									SUC207-22		
SUCSFL207-23		1-7/16									SUC207-23		
SUCSFL208-40MM	40		171.5	36	14.3	100	143.7	21	13	51.2	SUC208-40MM	SFL208	2.5
SUCSFL208-24		1-1/2	6.75	1.42	0.56	3.94	5.66	0.83	0.51	2.01	SUC208-24		
SUCSFL209-45MM	45		179	38	14.3	108	148.4	21.8	15	52	SUC209-45MM	SFL209	2.8
SUCSFL209-27		1-11/16	7.05	1.50	0.56	4.25	5.84	0.86	0.59	2.05	SUC209-27		
SUCSFL209-28		1-3/4									SUC209-28		
SUCSFL210-50MM	50		179	39	15.1	115	157	21.8	15	54.4	SUC210-50MM	SFL210	3.5
SUCSFL210-31		1-15/16	7.05	1.54	0.59	4.53	6.18	0.86	0.59	2.14	SUC210-31		
SUCSFL210-32		2									SUC210-32		
SUCSFL211-55MM	55		223	43	18	129	184	25	19	58.4	SUC211-55MM	SFL211	4.0
SUCSFL211-32		2	8.78	1.69	0.71	5.08	7.25	0.98	0.75	2.30	SUC211-32		
SUCSFL211-35		2-3/16									SUC211-35		
SUCSFL212-60MM	60		248	48	17	138	202	29	23	68.7	SUC212-60MM	SFL212	5.8
SUCSFL212-39		2-7/16	9.76	1.89	0.67	5.43	7.95	1.14	0.90	2.70	SUC212-39		

Note: Larger sizes available upon request. Larger Bearing inserts in stock.

Stainless Steel 2-Bolt Flange

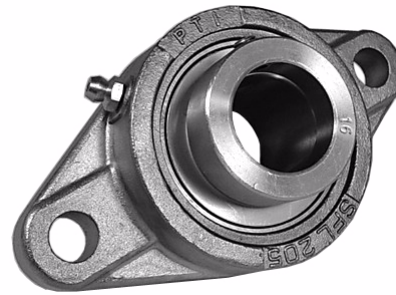


SHCSFL 200 Silver Series

Stainless Steel Normal Duty Bearing

Eccentric Lock, Solid Base

Metric and Inch Bores



Housing:

AISI 304 Stainless, Solid Base

Grease Fitting: AISI 304

Bearing Insert:

Inner & Outer Race: AISI 440C Stainless

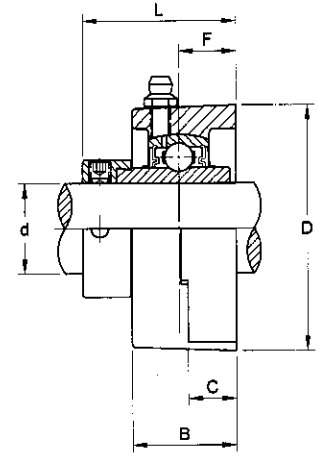
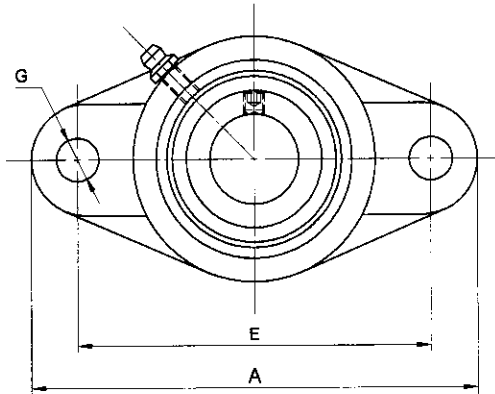
Cage & Set Screw: AISI 302 Stainless

Balls: AISI 440C Stainless

Seals: Rubber & AISI 302 Stainless

Grease: Mobil FM222, USDA H-1

Collar: AISI 304 Stainless



Part No.	Shaft Size d		Dimensions (mm) (in)								Bearing No.	Housing No.	Wt. kg
	mm	in	A	B	C	D	E	F	G	L			
SHCSFL201-8		1/2	112	25.4	11.5	60	89.7	15.1	10	41.7	SHC201-8	SFL204	0.8
SHCSFL202-10		5/8	4.40	1.00	0.45	2.36	3.53	0.59	0.39	1.64	SHC202-10		
SHCSFL204-20MM	20		112	25.4	11.5	60	89.7	15.1	10	41.7	SHC204-20MM	SFL205	1.0
SHCSFL204-12		3/4	4.40	1.00	0.45	2.36	3.53	0.59	0.39	1.64	SHC204-12		
SHCSFL205-25MM	25		125	27	13	68	98.8	15.9	12	42.8	SHC205-25MM	SFL206	1.6
SHCSFL205-14		7/8	4.92	1.06	0.51	2.67	3.89	0.63	0.47	1.69	SHC205-14		
SHCSFL205-15		15/16									SHC205-15		
SHCSFL205-16		1									SHC205-16		
SHCSFL206-30MM	30		141	30	13	80	116.7	17.9	12	48	SHC206-30MM	SFL207	2.0
SHCSFL206-18		1-1/8	5.55	1.18	0.51	3.15	4.59	0.70	0.47	1.89	SHC206-18		
SHCSFL206-19		1-3/16									SHC206-19		
SHCSFL206-20		1-1/4									SHC206-20		
SHCSFL207-35MM	35		155.5	33	14.3	90	130.2	19.1	13	51.4	SHC207-35MM	SFL208	2.5
SHCSFL207-20		1-1/4	6.12	1.30	0.56	3.54	5.12	0.75	0.50	2.02	SHC207-20		
SHCSFL207-22		1-3/8									SHC207-22		
SHCSFL207-23		1-7/16									SHC207-23		
SHCSFL208-40MM	40		171.5	36	14.3	100	143.7	21	13	55.9	SHC208-40MM	SFL209	2.8
SHCSFL208-24		1-1/2	6.75	1.42	0.56	3.94	5.66	0.83	0.51	2.20	SHC208-24		
SHCSFL209-45MM	45		179	38	14.3	108	148.4	21.8	15	56.7	SHC209-45MM	SFL210	3.5
SHCSFL209-27		1-11/16	7.05	1.50	0.56	4.25	5.84	0.86	0.59	2.23	SHC209-27		
SHCSFL209-28		1-3/4									SHC209-28		
SHCSFL210-50MM	50		179	39	15.1	115	157	21.8	15	59.9	SHC210-50MM	SFL211	4.0
SHCSFL210-31		1-15/16	7.05	1.54	0.59	4.53	6.18	0.86	0.59	2.36	SHC210-31		
SHCSFL210-32		2									SHC210-32		
SHCSFL211-55MM	55		223	43	18	129	184	25	19	68.6	SHC211-55MM	SFL212	5.8
SHCSFL211-32		2	8.78	1.69	0.71	5.08	7.25	0.98	0.75	2.70	SHC211-32		
SHCSFL211-35		2-3/16									SHC211-35		
SHCSFL212-60MM	60		248	48	17	138	202	29	23	75.8	SHC212-60MM		
SHCSFL212-39		2-7/16	9.76	1.89	0.67	5.43	7.95	1.14	0.90	2.98	SHC212-39		

Thermoplastic 2-Bolt Flange



SUCTFL 200 Silver Series

Stainless Steel Normal Duty Bearing

PBT Thermoplastic Housing

Set Screw Lock, Solid Flange

Metric and Inch Bores



Black Housing Option

Housing:

Material: Reinforced PBT (polybutylene terephthalate)

Working Temperatures: -10°F to 210°F

Interchanges with standard housing dimensions

Sleeves and bushings are stainless steel

Smooth housing designed for washdown

Excellent chemical resistance

Grease Fitting: AISI 304

Bearing Insert:

Inner & Outer Race: AISI 440C Stainless

Cage & Set Screw: AISI 302 Stainless

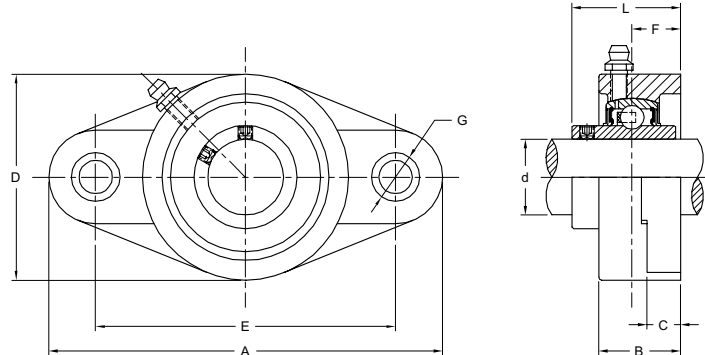
Balls: AISI 440C Stainless

Seals: Rubber & AISI 302 Stainless

Grease: Mobil FM222 USDA H-1

End covers and back covers are available from stock

Use SSB Insert with Back Cover



Part No.	Shaft Size d		Dimensions (mm) (in)								Bearing No.	Housing No.	Wt. kg
	mm	in	A	B	C	D	E	F	G	L			
SUCTFL201-8		1/2	113	27	13.4	64	90	15	11	33.3	SUC201-8	TFL204	0.3
SUCTFL202-10		5/8	4.44	1.06	0.52	2.51	3.54	0.59	0.43	1.31	SUC202-10	(TFL204BLK)	
SUCTFL204-20MM	20		113	27	13.4	64	90	15	11	33.3	SUC204-20MM	TFL204	0.3
SUCTFL204-12		3/4	4.44	1.06	0.52	2.51	3.54	0.59	0.43	1.31	SUC204-12	(TFL204BLK)	
SUCTFL205-25MM	25		130	29.1	13.5	68	99	16	11	35.8	SUC205-25MM	TFL205	0.4
SUCTFL205-14		7/8	5.11	1.14	0.53	2.67	3.90	0.62	0.43	1.40	SUC205-14	(TFL205BLK)	
SUCTFL205-15		15/16									SUC205-15		
SUCTFL205-16		1									SUC205-16		
SUCTFL206-30MM	30		148.0	31	14.3	80	117	18	11	40.2	SUC206-30MM	TFL206	0.7
SUCTFL206-18		1-1/8	5.83	1.22	0.56	3.15	4.60	0.70	0.43	1.58	SUC206-18	(TFL206BLK)	
SUCTFL206-19		1-3/16									SUC206-19		
SUCTFL206-20		1-1/4									SUC206-20		
SUCTFL207-35MM	35		161	34	16	90	130	19	13	44.4	SUC207-35MM	TFL207	0.9
SUCTFL207-20		1-1/4	6.33	1.33	0.62	3.54	5.12	0.74	0.50	1.74	SUC207-20	(TFL207BLK)	
SUCTFL207-22		1-3/8									SUC207-22		
SUCTFL207-23		1-7/16									SUC207-23		
SUCTFL208-40MM	40		175	37.5	20	100	144	21	14	51.2	SUC208-40MM	TFL208	1.1
SUCTFL208-24		1-1/2	6.88	1.48	0.79	3.94	5.67	0.82	0.55	2.01	SUC208-24	(TFL208BLK)	
SUCTFL209-45MM	45		189	41	21	108	149	24	17	54.2	SUC209-45MM	TFL209	1.3
SUCTFL209-27		1-11/16	7.44	1.61	0.83	4.25	5.87	0.94	0.67	2.13	SUCTFL209-27	(TFL209BLK)	
SUCTFL209-28		1-3/4									SUC209-28		
SUCTFL210-50MM	50		197	43	21	115	157	25	17	57.6	SUC210-50MM	TFL210	1.5
SUCTFL210-31		1-15/16	7.76	1.69	0.83	4.53	6.18	0.94	0.67	2.27	SUC210-31	(TFL210BLK)	
SUCTFL210-32		2									SUC210-32		
SUCTFL211-55MM	55		224	58.4	23	129	184	26	19	59.4	SUC211-55MM	TFL211	2.0
SUCTFL211-32		2	8.81	2.30	0.91	5.08	7.24	1.02	0.75	2.34	SUC211-32	(TFL211BLK)	
SUCTFL211-35		2-3/16									SUC211-35		
SUCTFL212-60MM	60		250	68.7	25	138	212	29	23	68.7	SUC212-60MM	TFL212	2.5
SUCTFL212-39		2-7/16	9.84	2.70	0.98	5.43	8.35	1.14	0.91	2.70	SUC212-39	(TFL212BLK)	

Note: Black Housing also available.

Thermoplastic 2-Bolt Flange



SHCTFL 200 Silver Series

- Stainless Steel Normal Duty Bearing
- PBT Thermoplastic Housing
- Eccentric Lock Collar, Solid Base
- Metric and Inch Bores



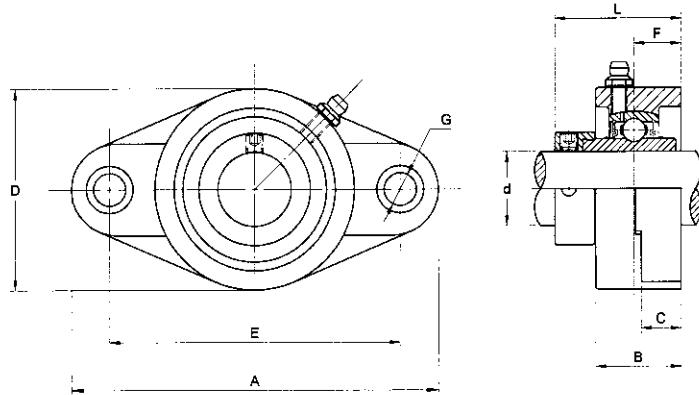
Black Housing Option

Housing:

- Material: Reinforced PBT (polybutylene terephthalate)
- Working Temperatures: -10°F to 210°F
- Interchanges with standard housing dimensions
- Sleeves and bushings are stainless steel
- Solid base, smooth housing designed for washdown
- Excellent chemical resistance
- Grease Fitting: AISI 304

Bearing Insert:

- Inner & Outer Race: AISI 440C Stainless
- Cage & Set Screw: AISI 302 Stainless
- Collar: AISI 304 Stainless
- Balls: AISI 440C Stainless
- Seals: Rubber & AISI 302 Stainless
- Grease: Mobil FM222 USDA H-1



Part No.	Shaft Size d		Dimensions (mm) (in)								Bearing No.	Housing No.	Wt. kg
	mm	in	A	B	C	D	E	F	G	L			
SHCTFL201-8		1/2	113	27	13.4	64	90	15	11	44.9	SHC201-8	TFL204	0.3
SHCTFL202-10		5/8	4.44	1.06	0.52	2.51	3.54	0.59	0.43	1.77	SHC202-10	(TFL204BLK)	
SHCTFL204-20MM	20		113	27	13.4	64	90	15	11	44.9	SHC204-20MM	TFL204	0.3
SHCTFL204-12		3/4	4.44	1.06	0.52	2.51	3.54	0.59	0.43	1.77	SHC204-12	(TFL204BLK)	
SHCTFL205-25MM	25		130	29.1	13.5	68	99	16	11	46.7	SHC205-25MM	TFL205	0.4
SHCTFL205-14		7/8	5.11	1.14	0.53	2.67	3.90	0.62	0.43	1.84	SHC205-14	(TFL205BLK)	
SHCTFL205-15		15/16									SHC205-15		
SHCTFL205-16		1									SHC205-16		
SHCTFL206-30MM	30		148.0	31	14.3	80	117	18	11	52.3	SHC206-30MM	TFL206	0.7
SHCTFL206-18		1-1/8	5.83	1.22	0.56	3.15	4.60	0.70	1.43	2.06	SHC206-18	(TFL206BLK)	
SHCTFL206-19		1-3/16									SHC206-19		
SHCTFL206-20		1-1/4									SHC206-20		
SHCTFL207-35MM	35		161	34	16	90	130	19	13	57.7	SHC207-35MM	TFL207	0.9
SHCTFL207-20		1-1/4	6.33	1.33	0.62	3.54	5.12	0.74	0.50	2.27	SHC207-20	(TFL207BLK)	
SHCTFL207-22		1-3/8									SHC207-22		
SHCTFL207-23		1-7/16									SHC207-23		
SHCTFL208-40MM	40		175	37.5	20	100	144	21	14	65.1	SHC208-40MM	TFL208	1.1
SHCTFL208-24		1-1/2	6.88	1.48	0.79	3.94	5.67	0.82	0.55	2.56	SHC208-24	(TFL208BLK)	
SHCTFL209-45MM	45		189	41	21	108	149	24	17	65.1	SHC209-45MM	TFL209	1.3
SHCTFL209-27		1-11/16	7.44	1.61	0.83	4.25	5.87	0.94	0.67	2.56	SHC209-27	(TFL209BLK)	
SHCTFL209-28		1-3/4									SHC209-28		
SHCTFL210-50MM	50		197	43	21	115	157	25	17	70.7	SHC210-50MM	TFL210	1.5
SHCTFL210-31		1-15/16	7.76	1.69	0.83	4.53	6.18	0.94	0.67	2.78	SHC210-31	(TFL210BLK)	
SHCTFL210-32		2									SHC210-32		
SHCTFL211-55MM	55		2.24	58.4	23	129	184	26	19	69.6	SHC211-55MM	TFL211	2.1
SHCTFL211-32		2	8.81	2.30	0.91	5.08	7.24	1.02	0.75	2.34	SHC211-32	(TFL211BLK)	
SHCTFL211-35		2-3/16									SHC211-35		
SHCTFL212-60MM	60		250	68.7	25	138	212	29	23	75.8	SHC212-60MM	TFL212	2.6
SHCTFL212-39		2-7/16	9.84	2.70	0.98	5.43	8.35	1.14	0.91	2.70	SHC212-39	(TFL212BLK)	

Note: Black Housing also available from stock.

Stainless Steel 3-Bolt Flanged Bracket



SUCSFB 200 Silver Series

Stainless Steel Normal Duty Bearing

Set Screw Lock, Solid Base

Metric and Inch Bores



Housing:

AISI 304 Stainless, Solid Base

Grease Fitting: AISI 304

Bearing Insert:

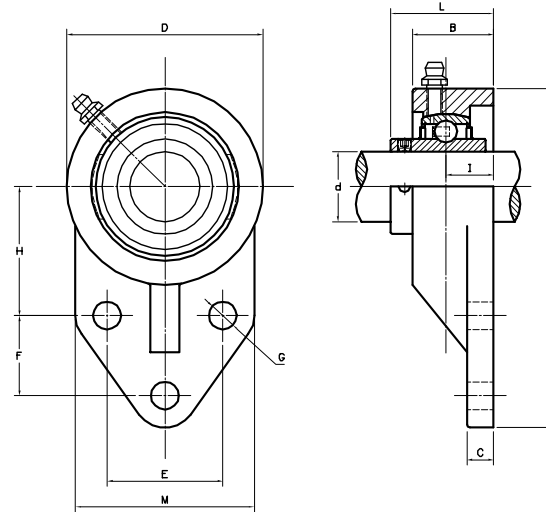
Inner & Outer Race: AISI 440C Stainless

Cage & Set Screw: AISI 302 Stainless

Balls: AISI 440C Stainless

Seals: Rubber & AISI 302 Stainless

Grease: Mobil FM222, USDA H-1



Part No.	Shaft Size d		Dimensions (mm) (in)											Bearing No.	Housing No.	Wt. kg
	mm	in	A	B	C	D	E	F	G	H	I	L	M			
SUCSFB201-8		1/2	108.0	25.4	8	63	38.1	22.2	9.9	42.9	16	34.3	60	SUC201-8	SFB204	0.8
SUCSFB202-10		5/8	4.25	1.00	0.31	2.48	1.50	0.87	0.39	1.69	0.63	1.35	2.36	SUC202-10		
SUCSFB204-20MM	20		108.0	25.4	8	63	38.1	22.2	9.9	42.9	16	34.3	60	SUC204-20MM	SFB204	0.8
SUCSFB204-12		3/4	4.25	1.00	0.31	2.48	1.50	0.87	0.39	1.69	0.63	1.35	2.36	SUC204-12		
SUCSFB205-25MM	25		121	29	9.5	70.0	41.3	28.6	9.9	46	17	36.8	64	SUC205-25MM	SFB205	1.0
SUCSFB205-14		7/8	4.76	1.14	0.37	2.75	1.63	1.13	0.40	1.81	0.67	1.45	2.51	SUC205-14		
SUCSFB205-15		15/16												SUC205-15		
SUCSFB205-16		1												SUC205-16		
SUCSFB206-30MM	30		137	32	9.5	83.0	47.6	31.8	9.9	52.4	19	41.2	70	SUC206-30MM	SFB206	1.6
SUCSFB206-18		1-1/8	5.39	1.25	0.37	3.27	1.87	1.25	0.39	2.06	0.75	1.62	2.75	SUC206-18		
SUCSFB206-19		1-3/16												SUC206-19		
SUCSFB206-20		1-1/4												SUC206-20		
SUCSFB207-35MM	35		156	37	13.5	95.0	50.8	31.8	13.1	60.3	21	46.4	82.5	SUC207-35MM	SFB207	2.0
SUCSFB207-20		1-1/4	6.12	1.45	0.53	3.74	2.00	1.25	0.52	2.37	0.83	1.83	3.24	SUC207-20		
SUCSFB207-22		1-3/8												SUC207-22		
SUCSFB207-23		1-7/16												SUC207-23		
SUCSFB208-40MM	40		164	34	16	100	50.8	41	11.1	60	21	51.2	78	SUC208-40MM	SFB208	2.5
SUCSFB208-24		1-1/2	6.46	1.34	0.63	3.94	2.0	1.61	0.44	2.36	0.83	2.02	3.07	SUC208-24		
SUCSFB209-45MM	45		174	34	18	106	54	42.9	11.1	65	21	51.2	80	SUC209-45MM	SFB209	2.8
SUCSFB209-27		1-11/16	6.85	1.34	0.71	4.17	2.13	1.69	0.44	2.56	0.83	2.02	3.15	SUC209-27		
SUCSFB209-28		1-3/4												SUC209-28		
SUCSFB210-50MM	50		191	38	13	118	69.9	41.3	13.1	74.6	21	53.6	102	SUC210-50MM	SFB210	3.5
SUCSFB210-31		1-15/16	7.52	1.50	0.51	4.65	2.75	1.63	0.52	2.94	0.83	2.11	4.02	SUC210-31		
SUCSFB210-32		2												SUC210-32		

Stainless Steel 3-Bolt Flanged Bracket



SHCSFB 200 Silver Series

Stainless Steel Normal Duty Bearing

Eccentric Lock, Solid Base

Metric and Inch Bores



Housing:

AISI 304 Stainless, Solid Base

Grease Fitting: AISI 304

Bearing Insert:

Inner & Outer Race: AISI 440C Stainless

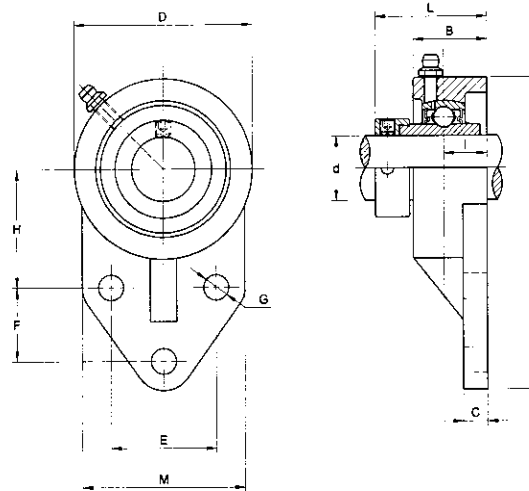
Cage & Set Screw: AISI 302 Stainless

Balls: AISI 440C Stainless

Seals: Rubber & AISI 302 Stainless

Grease: Mobil FM222, USDA H-1

Collar: AISI 304 Stainless



Part No.	Shaft Size d		Dimensions (mm) (in)											Bearing No.	Housing No.	Wt. kg
	mm	in	A	B	C	D	E	F	G	H	I	L	M			
SHCSFB201-8		1/2	108	25.4	8	63	38.1	22.2	9.9	42.9	16	42.6	60	SHC201-8	SFB204	0.8
SHCSFB202-10		5/8	4.25	1.00	0.31	2.48	1.50	0.87	0.39	1.69	0.63	1.68	2.36	SHC202-10		
SHCSFB204-20MM	20		108.0	25.4	8	63	38.1	22.2	9.9	42.9	16	42.6	60	SHC204-20MM	SFB204	0.8
SHCSFB204-12		3/4	4.25	1.00	0.31	2.48	1.50	0.87	0.39	1.69	0.63	1.68	2.36	SHC204-12		
SHCSFB205-25MM	25		121	29	9.5	70.0	41.3	28.6	9.9	46	17	43.9	64	SHC205-25MM	SFB205	1.0
SHCSFB205-14		7/8	4.76	1.14	0.37	2.75	1.63	1.13	0.40	1.81	0.67	1.73	2.51	SHC205-14		
SHCSFB205-15		15/16												SHC205-15		
SHCSFB205-16		1												SHC205-16		
SHCSFB206-30MM	30		137	32	9.5	83.0	47.6	31.8	9.9	52.4	19	49.1	70	SHC206-30MM	SFB206	1.6
SHCSFB206-18		1-1/8	5.39	1.25	0.37	3.27	1.87	1.25	0.39	2.06	0.75	1.93	2.75	SHC206-18		
SHCSFB206-19		1-3/16												SHC206-19		
SHCSFB206-20		1-1/4												SHC206-20		
SHCSFB207-35MM	35		156	37	13.5	95.0	50.8	31.8	13.1	60.3	21	53.3	82.5	SHC207-35MM	SFB207	2.0
SHCSFB207-20		1-1/4	6.12	1.45	0.53	3.74	2.00	1.25	0.52	2.37	0.83	2.10	3.24	SHC207-20		
SHCSFB207-22		1-3/8												SHC207-22		
SHCSFB207-23		1-7/16												SHC207-23		
SHCSFB208-40MM	40		164	34	16	100	50.8	41	11.1	60	21	55.9	78	SHC208-40MM	SFB208	2.5
SHCSFB208-24		1-1/2	6.46	1.34	0.63	3.94	2.0	1.61	0.44	2.36	0.83	2.20	3.07	SHC208-24		
SHCSFB209-45MM	45		174	34	18	106	54	42.9	11.1	65	21	55.9	80	SHC209-45MM	SFB209	2.8
SHCSFB209-27		1-11/16	6.85	1.34	0.71	4.17	2.13	1.69	0.44	2.56	0.83	2.20	3.15	SHC209-27		
SHCSFB209-28		1-3/4												SHC209-28		
SHCSFB210-50MM	50		191	38	13	118	69.9	41.3	13.1	74.6	21	59.1	102	SHC210-50MM	SFB210	3.5
SHCSFB210-31		1-15/16	7.52	1.50	0.51	4.65	2.75	1.63	0.52	2.94	0.83	2.33	4.02	SHC210-31		
SHCSFB210-32		2												SHC210-32		

Thermoplastic 3-Bolt Flange Bracket



SUCTFB 200 Silver Series

Stainless Steel Normal Duty Bearing

PBT Thermoplastic Housing

Set Screw Lock, Solid Flange

Metric and Inch Bores



Housing:

Material: Reinforced PBT (polybutylene terephthalate)

Working Temperatures: -10°F to 210°F

Interchanges with standard housing dimensions

Sleeves and bushings are stainless steel

Smooth housing designed for washdown

Excellent chemical resistance

Grease Fitting: AISI 304

Bearing Insert:

Inner & Outer Race: AISI 440C Stainless

Cage & Set Screw: AISI 302 Stainless

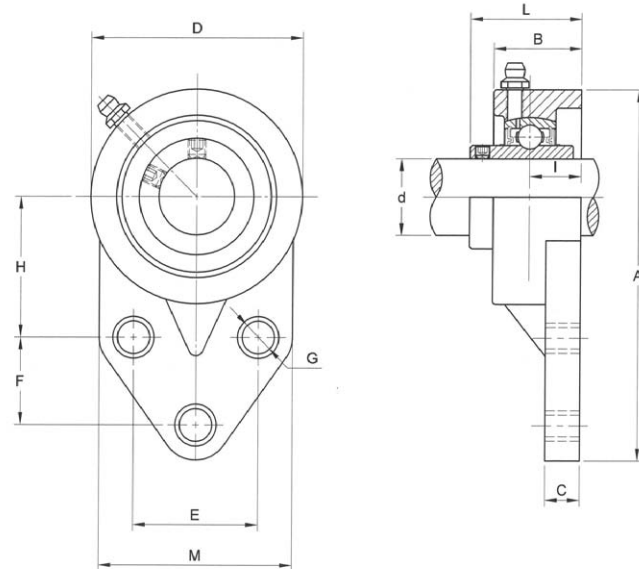
Balls: AISI 440C Stainless

Seals: Rubber & AISI 302 Stainless

Grease: Mobil FM222, USDA H-1

End covers and back covers are available from stock

Use SSB Insert with back cover



Part No.	Shaft Size d		Dimensions (mm) (in)											Bearing No.	Housing No.	Wt. kg
	mm	in	A	B	C	D	E	F	G	H	I	L	M			
SUCTFB201-8		1/2	108.0	26.5	11.4	63.5	38.1	22.2	10.7	42.9	16	34.3	62.0	SUC201-8	TFB204*	0.3
SUCTFB202-10		5/8	4.25	1.04	0.45	2.50	1.50	0.87	0.42	1.69	0.63	1.35	2.44	SUC202-10		
SUCTFB204-20MM	20		108.0	26.5	11.4	63.5	38.1	22.2	10.7	42.9	16	34.3	62.0	SUC204-20MM	TFB204*	0.3
SUCTFB204-12		3/4	4.25	1.04	0.45	2.50	1.50	0.87	0.42	1.69	0.63	1.35	2.44	SUC204-12		
SUCTFB205-25MM	25		121	28	11.4	70.0	41.3	28.6	10.7	46	17	36.8	63.5	SUC205-25MM	TFB205*	0.4
SUCTFB205-14		7/8	4.76	1.10	0.45	2.75	1.63	1.13	0.42	1.81	0.67	1.45	2.50	SUC205-14		
SUCTFB205-15		15/16												SUC205-15		
SUCTFB205-16		1												SUC205-16		
SUCTFB206-30MM	30		138	30.5	13.3	83.0	47.6	31.8	10.7	52.4	19	41.2	76.0	SUC206-30MM	TFB206*	0.7
SUCTFB206-18		1-1/8	5.43	1.20	0.51	3.25	1.870	1.25	0.42	2.06	0.75	1.62	3.00	SUC206-18		
SUCTFB206-19		1-3/16												SUC206-19		
SUCTFB206-20		1-1/4												SUC206-20		
SUCTFB207-35MM	35		156	32.0	15	95.0	50.8	31.8	13.1	60.3	21	46.4	89.0	SUC207-35MM	TFB207*	0.9
SUCTFB207-20		1-1/4	6.14	1.25	0.59	3.75	2.00	1.25	0.52	2.37	0.83	1.83	3.50	SUC207-20		
SUCTFB207-22		1-3/8												SUC207-22		
SUCTFB207-23		1-7/16												SUC207-23		
SUCTFB208-40MM	40		164	35	16	100	50	41.3	13.1	66.3	21	51.2	78	SUC208-40MM	TFB208*	1.1
SUCTFB208-24		1-1/2	6.46	1.48	0.63	3.94	1.97	1.63	0.52	2.73	0.83	2.02	3.07	SUC208-24		

Note: * Black Housing also available on request.

Thermoplastic 3-Bolt Flange Bracket



SHCTFB 200 Silver Series

Stainless Steel Normal Duty Bearing

PBT Thermoplastic Housing

Eccentric Lock, Solid Base

Metric and Inch Bores



Housing:

Material: Reinforced PBT (polybutylene terephthalate)

Working Temperatures: -10°F to 210°F

Interchanges with standard housing dimensions

Sleeves and bushings are stainless steel

Solid base, smooth housing designed for washdown

Excellent chemical resistance

Grease Fitting: AISI 304

Bearing Insert:

Inner & Outer Race: AISI 440C Stainless

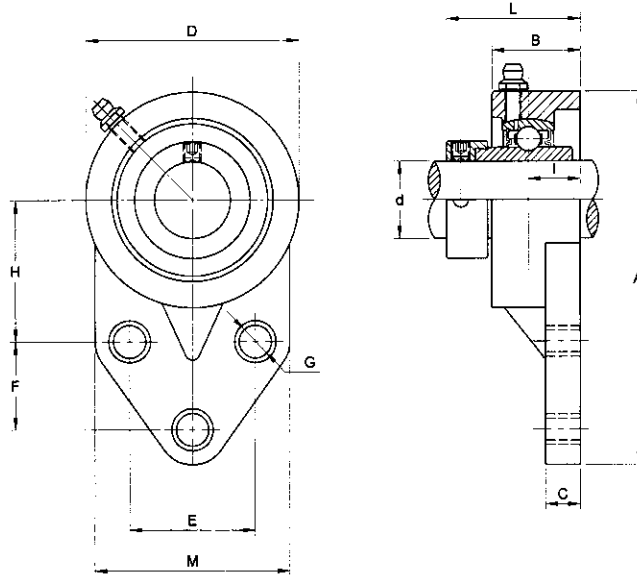
Cage & Set Screw: AISI 302 Stainless

Collar: AISI 304 Stainless

Balls: AISI 440C Stainless

Seals: Rubber & AISI 302 Stainless

Grease: Mobil FM222, USDA H-1



Part No.	Shaft Size d		Dimensions (mm) (in)											Bearing No.	Housing No.	Wt. kg
	mm	in	A	B	C	D	E	F	G	H	I	L	M			
SHCTFB201-8		1/2	108.0	26.5	11.4	63.5	38.1	22.2	10.7	42.9	16	42.6	62.0	SHC201-8	TFB204*	0.3
SHCTFB202-10		5/8	4.25	1.04	0.45	2.50	1.50	0.87	0.42	1.69	0.63	1.68	2.44	SHC202-10		
SHCTFB204-20MM	20		108.0	26.5	11.4	63.5	38.1	22.2	10.7	42.9	16	42.6	62.0	SHC204-20MM	TFB204*	0.3
SHCTFB204-12		3/4	4.25	1.04	0.45	2.50	1.50	0.87	0.42	1.69	0.63	1.68	2.44	SHC204-142		
SHCTFB205-25MM	25		121	28	11.4	70.0	41.3	28.6	10.7	46	17	43.9	63.5	SHC205-25MM	TFB205*	0.4
SHCTFB205-14		7/8	4.76	1.10	0.45	2.75	1.63	1.13	0.42	1.81	0.67	1.73	2.50	SHC205-14		
SHCTFB205-15		15/16												SHC205-15		
SHCTFB205-16		1												SHC205-16		
SHCTFB206-30MM	30		138	30.5	13.3	83.0	47.6	31.8	10.7	52.4	19	49.1	76.0	SHC206-30MM	TFB206*	0.7
SHCTFB206-18		1-1/8	5.43	1.20	0.51	3.25	1.870	1.25	0.42	2.06	0.75	1.93	3.00	SHC206-18		
SHCTFB206-19		1-3/16												SHC206-19		
SHCTFB206-20		1-1/4												SHC206-20		
SHCTFB207-35MM	35		156	32.0	15	95.0	50.8	31.8	13.1	60.3	21	53.3	89.0	SHC207-35MM	TFB207*	0.9
SHCTFB207-20		1-1/4	6.14	1.25	0.59	3.75	2.00	1.25	0.52	2.37	0.83	2.10	3.50	SHC207-20		
SHCTFB207-22		1-3/8												SHC207-22		
SHCTFB207-23		1-7/16												SHC207-23		
SHCTFB208-40MM	40		164	35	16	100	50	41.3	13.1	66.3	21	55.9	78	SHC208-40MM	TFB208*	1.1
SHCTFB208-24		1-1/2	6.46	1.48	0.63	3.94	1.97	1.63	0.52	2.73	0.83	2.20	3.07	SHC208-24		

Note: * Black housing also available on request.

Stainless Steel Take-Up



SUCST 200 Silver Series

**Stainless Steel Normal Duty Bearing
Set Screw Lock
Metric and Inch Bores**

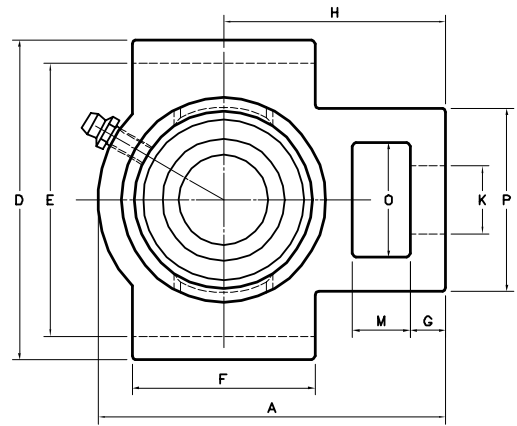
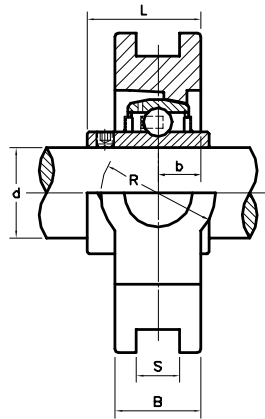


Housing:

AISI 304 Stainless
Grease Fitting: AISI 304

Bearing Insert:

Inner & Outer Race: AISI 440C Stainless
Cage & Set Screws: AISI 302 Stainless
Balls: AISI 440C Stainless
Seals: Rubber & AISI 302 Stainless
Grease: Mobil FM222, USDA H-1



Part No.	Shaft Size d		Dimensions (mm) (in)														Bearing No.	Housing No.	Wt. kg	
	mm	in	A	B	b	D	E	F	G	H	K	L	M	O	P	R				S
SUCST201-8		1/2	94	21	10.5	89	76	51	10	61	19	28.7	16	32	51	32	12	SUC201-8	ST204	1.0
SUCST202-10		5/8	3.70	0.88	0.41	3.50	2.99	2.01	0.39	2.40	0.75	1.46	0.63	1.26	2.01	1.26	0.47	SUC202-10		
SUCST204-20MM	20		94	21	10.5	89	76	51	10	61	19	28.75	16	32	51	32	12	SUC204-20MM	ST205	1.2
SUCST204-12		3/4	3.70	0.83	0.41	3.50	2.99	2.01	0.39	2.40	0.75	1.13	0.63	1.26	2.01	1.26	0.47	SUC204-12		
SUCST205-25MM	25		97	24	12	89	76	51	10	62	19	31.78	16	32	51	32	12	SUC205-25MM	ST206	1.8
SUCST205-14		7/8	3.82	0.94	0.47	3.50	2.99	2.01	0.39	2.44	0.75	1.25	0.63	1.26	2.01	1.26	0.47	SUC205-14		
SUCST205-15		15/16																SUC205-15		
SUCST205-16		1																SUC205-16		
SUCST206-30MM	30		113	28	14	102	89	57	10	70	22	36.17	16	37	56	37	12	SUC206-30MM	ST207 (ST207-WS)	2.2
SUCST206-18		1-1/8	4.45	1.10	0.55	4.02	3.50	2.24	0.39	2.76	0.87	1.42	0.63	1.46	2.20	1.46	0.47	SUC206-18		
SUCST206-19		1-3/16																SUC206-19		
SUCST206-20		1-1/4																SUC206-20		
SUCST207-35MM	35		129	30	15	102	89	64	13	78	22	40.37	16	37	64	37	12	SUC207-35MM	ST208	2.7
SUCST207-20		1-1/4	5.08	1.18	0.59	4.02	3.50	2.52	0.51	3.07	0.87	1.59	0.63	1.46	2.52	1.46	0.47	SUC207-20		
SUCST207-22		1-3/8																SUC207-22		
SUCST207-23		1-7/16																SUC207-23		
SUCST208-40MM	40		144	33	16.5	114	102	83	16	88	29	46.6	19	49	83	49	16	SUC208-40MM		
SUCST208-24		1-1/2	5.67	1.30	0.65	4.49	4.02	3.27	0.63	3.46	1.14	1.83	0.75	1.93	3.27	1.93	0.63	SUC208-24		

Note: Wide Slot unit also available from stock for size 207, sloth width 13.5.

Stainless Steel Take-Up



SHCST 200 Silver Series

Stainless Steel Normal Duty Bearing

Eccentric Lock

Metric and Inch Bores



Housing:

AISI 304 Stainless

Grease Fitting: AISI 304

Bearing Insert:

Inner & Outer Race: AISI 440C Stainless

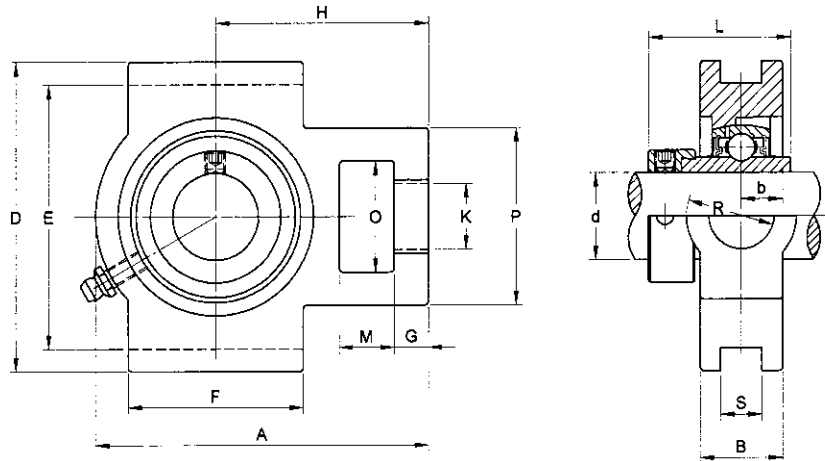
Cage & Set Screw: AISI 302 Stainless

Balls: AISI 440C Stainless

Seals: Rubber & AISI 302 Stainless

Grease: Mobil FM222, USDA H-1

Collar: AISI 304 Stainless



Part No.	Shaft Size d		Dimensions (mm) (in)														Bearing No.	Housing No.	Wt. kg	
	mm	in	A	B	b	D	E	F	G	H	K	L	M	O	P	R				S
SHCST201-8		1/2	94	21	10.5	89	76	51	10	61	19	37.1	16	32	51	32	12	SHC201-8	ST204	1.0
SHCST202-10		5/8	3.70	0.88	0.41	3.50	2.99	2.01	0.39	2.40	0.75	1.46	0.63	1.26	2.01	1.26	0.47	SHC202-10		
SHCST204-20MM	20		94	21	10.5	89	76	51	10	61	19	37.1	16	32	51	32	12	SHC204-20MM	ST204	1.0
SHCST204-12		3/4	3.70	0.83	0.41	3.50	2.99	2.01	0.39	2.40	0.75	1.46	0.63	1.26	2.01	1.26	0.47	SHC204-12		
SHCST205-25MM	25		97	24	12	89	76	51	10	62	19	3.89	16	32	51	32	12	SHC205-25MM	ST205	1.2
SHCST205-14		7/8	3.82	0.94	0.47	3.50	2.99	2.01	0.39	2.44	0.75	1.53	0.63	1.26	2.01	1.26	0.47	SHC205-14		
SHCST205-15		15/16																SHC205-15		
SHCST205-16		1																SHC205-16		
SHCST206-30MM	30		113	28	14	102	89	57	10	70	22	44.1	16	37	56	37	12	SHC206-30MM	ST206	1.8
SHCST206-18		1-1/8	4.45	1.10	0.55	4.02	3.50	2.24	0.39	2.76	0.87	1.74	0.63	1.46	2.20	1.46	0.47	SHC206-18		
SHCST206-19		1-3/16																SHC206-19		
SHCST206-20		1-1/4																SHC206-20		
SHCST207-35MM	35		129	30	15	102	89	64	13	78	22	47.3	16	37	64	37	12	SHC207-35MM	ST207 (ST207-WS)	2.2
SHCST207-20		1-1/4	5.08	1.18	0.59	4.02	3.50	2.52	0.51	3.07	0.87	1.86	0.63	1.46	2.52	1.46	0.47	SHC207-20		
SHCST207-22		1-3/8																SHC207-22		
SHCST207-23		1-7/16																SHC207-23		
SHCST208-40MM	40		144	33	16.5	114	102	83	16	88	29	51.4	19	49	83	49	16	SHC208-40MM	ST208	2.7
SHCST208-24		1-1/2	5.67	1.30	0.65	4.49	4.02	3.27	0.63	3.46	1.14	2.02	0.75	1.93	3.27	1.93	0.63	SHC208-24		

Note: Wide Slot unit also available from stock for size 207, with slot width of 13.5MM.

Thermoplastic Take-Up Units



SUCTT 200 Silver Series

Stainless Steel Normal Duty Bearing

PBT Thermoplastic Housing

Set Screw Lock

Metric and Inch Bores

Narrow Slot



Housing:

Material: Reinforced PBT (polybutylene terephthalate)

Working Temperatures: -10°F to 210°F

Interchanges with standard housing dimensions

Sleeves and bushings are stainless steel

Smooth housing designed for washdown

Excellent chemical resistance

Grease Fitting: AISI 304

Bearing Insert:

Inner & Outer Race: AISI 440C Stainless

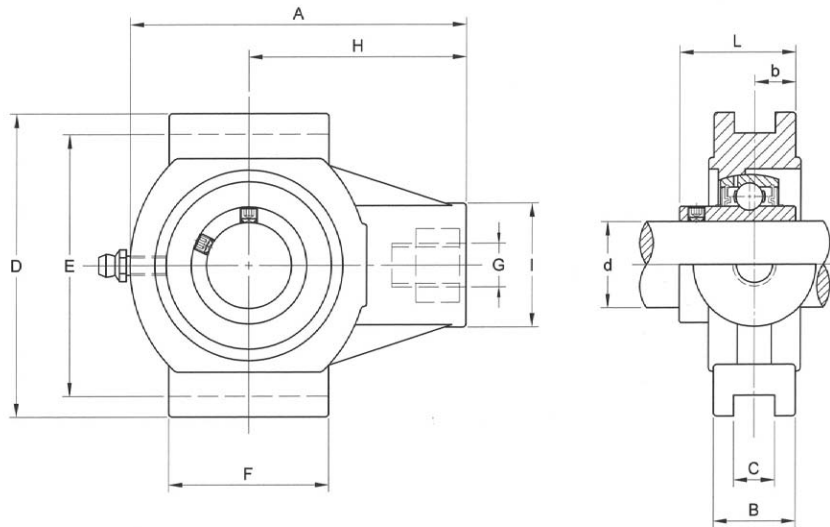
Cage & Set Screw: AISI 302 Stainless

Balls: AISI 440C Stainless

Seals: Rubber & AISI 302 Stainless

Grease: Mobil FM222 USDA H-1

End covers available from stock



Part No.	Shaft Size d		Dimensions (mm) (in)											Bearing No.	Housing No. **	Wt. kg
	mm	in	A	B	b	C**	D	E	F	G*	H	I	L			
SUCTT201-8		1/2	99	24	12.7	12	88	76	47	—	64	36	31	SUC201-8	TT204	0.3
SUCTT202-10		5/8	3.90	0.94	0.50	0.47	3.46	2.99	1.85	1/2-13	2.52	1.42	1.22	SUC202-10		
SUCTT204-20MM	20		99	24	12.7	12	88	76	47	—	64	36	31	SUC204-20MM	TT204	0.3
SUCTT204-12		3/4	3.90	0.94	0.50	0.47	3.46	2.99	1.85	1/2-13	2.52	1.42	1.22	SUC204-12		
SUCTT205-25MM	25		99	24	14.3	12	88	76	47	—	64	36	34.1	SUC205-25MM	TT205	0.4
SUCTT205-14		7/8	3.90	0.94	0.56	0.47	3.46	2.99	1.85	1/2-13	2.52	1.42	1.34	SUC205-14		
SUCTT205-15		15/16												SUC205-15		
SUCTT205-16		1												SUC205-16		
SUCTT206-30MM	30		125	28	15.9	12	102	89	63	—	76	40	38.1	SUC206-30MM	TT206	0.7
SUCTT206-18		1-1/8	4.92	1.10	0.63	0.47	4.02	3.50	2.48	5/8-11	2.99	1.57	1.50	SUC206-18		
SUCTT206-19		1-3/16												SUC206-19		
SUCTT206-20		1-1/4												SUC206-20		
SUCTT207-35MM	35		125	28	17.5	12	102	89	63	—	76	40	42.9	SUC207-35MM	TT207	0.9
SUCTT207-20		1-1/4	4.92	1.10	0.69	0.47	4.02	3.50	2.48	5/8-11	2.99	1.57	1.69	SUC207-20		
SUCTT207-22		1-3/8												SUC207-22		
SUCTT207-23		1-7/16												SUC207-23		

Note: * Threaded Insert (G dimension) stocked only in inch threads. ** Wide Slot optional. Larger sizes on request.

Thermoplastic Take-Up Units



SHCTT 200 Silver Series

- Stainless Steel Normal Duty Bearing**
- PBT Thermoplastic Housing**
- Eccentric Lock Collar**
- Metric and Inch Bores**
- Narrow Slot**

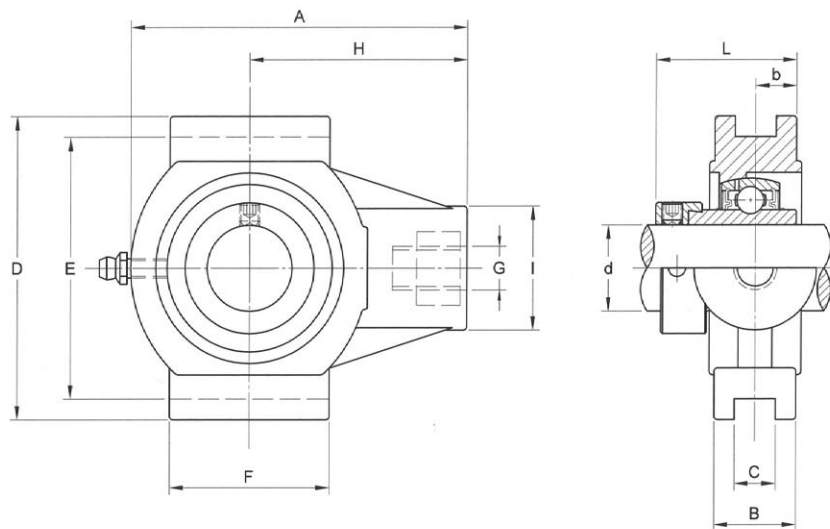


Housing:

- Material: Reinforced PBT (polybutylene terephthalate)
- Working Temperatures: -10°F to 210°F
- Interchanges with standard housing dimensions
- Sleeves and bushings are stainless steel
- Solid base, smooth housing designed for washdown
- Excellent chemical resistance
- Grease Fitting: AISI 304

Bearing Insert:

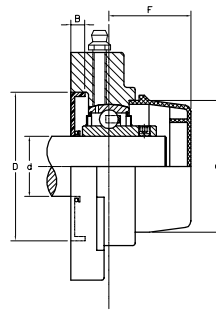
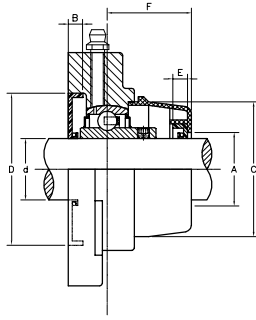
- Inner & Outer Race: AISI 440C Stainless
- Cage: AISI 302 Stainless
- Collar: AISI 304 Stainless
- Balls: AISI 440C Stainless
- Seals: Rubber & AISI 302 Stainless
- Set Screw: AISI 302 Stainless
- Grease: Mobil FM222 USDA H-1



Part No.	Shaft Size d		Dimensions (mm) (in)											Bearing No.	Housing No.	Wt. kg
	mm	in	A	B	b	C**	D	E	F	G*	H	I	L			
SHCTT201-8		1/2	3.90	24	12	0.47	3.46	2.99	1.85	—	2.52	1.42	39.3	SHC201-8	TT204	0.3
SHCTT202-10		5/8	3.90	0.94	0.47	0.47	3.46	2.99	1.85	1/2-13	2.52	1.42	1.55	SHC202-10		
SHCTT204-20MM	20		99	24	12	12	88	76	47	—	64	36	39.3	SHC204-20MM	TT204	0.2
SHCTT204-12		3/4	3.90	0.94	0.47	0.47	3.46	2.99	1.85	1/2-13	2.52	1.42	1.55	SHC204-12		
SHCTT205-25MM	25		99	24	12	12	88	76	47	—	64	36	41.2	SHC205-25MM	TT205	0.4
SHCTT205-15		15/16	3.90	0.94	0.47	0.47	3.46	2.99	1.85	1/2-13	2.52	1.42	1.62	SHC205-15		
SHCTT205-16		1												SHC205-16		
SHCTT206-30MM	30		125	28	14	12	102	89	63	—	76	40	46.0	SHC206-30MM	TT206	0.7
SHCTT206-19		1-3/16	4.92	1.10	0.55	0.47	4.02	3.50	2.48	5/8-11	2.99	1.57	1.81	SHC206-19		
SHCTT206-20		1-1/4												SHC206-20		
SHCTT207-35MM	35		125	28	14	12	102	89	63	—	76	40	49.8	SHC207-35MM	TT207	0.9
SHCTT207-20		1-1/4	4.92	1.10	0.55	0.47	4.02	3.50	2.48	5/8-11	2.99	1.57	1.96	SHC207-20		
SHCTT207-22		1-3/8												SHC207-22		
SHCTT207-23		1-7/16												SHC207-23		

Note: * Threaded Insert (G dimension) stocked only in inch threads. Metric threads available on request. ** Wide Slot optional.

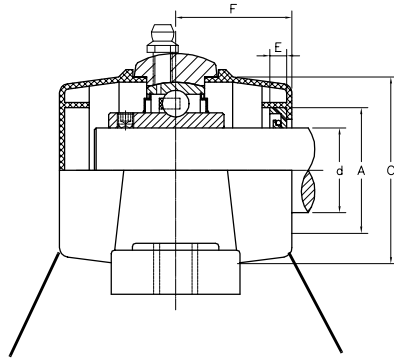
PBT Covers for Thermoplastic Housings



Flange with Open Cover OP
and Back Cover BK

Flange with Closed Cover CL
and Back Cover BK

Use SSB Insert
when Back Cover
is required

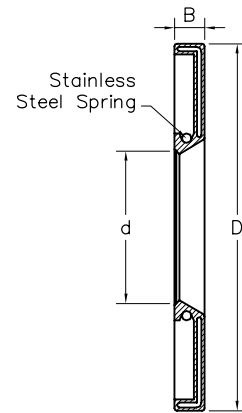


Closed Cover CL

Open Cover OP



Flange Back Cover BK



Pillow Block

Part No.	Shaft Size d		Dimensions (mm) (in)						
	mm	in	A	B	C	D	E	F (PB)	F (Flg)
PBT 204 OP PBT 204 BK PBT 204 CL	20	3/4	32 1.26	6 0.24	50 1.97	52 2.05	7 0.28	32 1.26	31 1.22
PBT 205 OP PBT 205 BK PBT 205 CL	25	7/8, 15/16, 1	37 1.46	6 0.24	55 2.17	62 2.44	7 0.28	36 1.42	33 1.30
PBT 206 OP PBT 206 BK PBT 206 CL	30	1-1/8, 1-3/16, 1-1/4	42 1.65	6 0.24	64 2.52	72 2.83	7 0.28	43 1.69	39 1.54
PBT 207 OP PBT 207 BK PBT 207 CL	35	1-1/4, 1-3/8, 1-7/16	47 1.85	6 0.24	74.5 2.93	82 3.23	7 0.28	46 1.81	42 1.65
PBT 208 OP PBT 208 BK PBT 208 CL	40	1-1/2	52 2.05	6 0.24	84 3.31	88 3.46	7 0.28	53 2.09	47 1.85
PBT 209 OP PBT 209 BK PBT 209 CL	45	1-5/8, 1-11/16, 1-3/4	57 2.24	6 0.24	89 3.50	93 3.66	7 0.28	68 2.67	63 2.48
PBT 210 OP PBT 210 BK PBT 210 CL	50	1-7/8, 1-15/16, 2	62 2.44	6 0.24	94 3.70	98 3.86	7 0.28	72 2.83	67 2.64

Note: Back cover requires using a SSB Stainless insert (narrow inner ring). Pry Tab on covers allows easy removal.

Stainless Steel Ball Bearing Inserts



SSB 200 Silver Series

Stainless Steel Normal Duty

Set Screw Lock

Metric and Inch Bores

Narrow Inner Ring

Steel Retainer

Bearing Insert:

Inner & Outer Race: AISI 440C Stainless

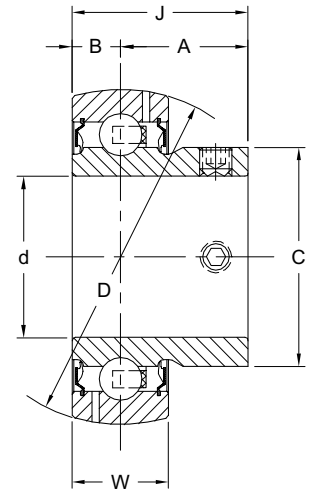
Cage: AISI 302 Stainless

Balls: AISI 400C Stainless

Seals: Rubber & AISI 302 Stainless

Set Screw: AISI 302 Stainless

Grease: Mobil FM222, USDA H-1



Beveled

Part No.	Shaft Size d		Dimensions (mm) (in)						Basic Load Rating C N lbf	Basic Static Load Rating C ₀ N lbf	Max rpm	Wt. kg
	mm	in	A	B	C	D	J	W				
SSB204-20MM	20		18	7.0	28.50	47	25.0	14	10560	5190	7450	0.1
SSB204-12		3/4	0.71	0.28	1.12	1.850	0.98	0.551	2400	1180		
SSB205-25MM	25		19.5	7.5	34.01	52	27.0	15	11440	6290	6250	0.1
SSB205-14		7/8	0.77	0.30	1.34	2.047	1.06	0.591	2600	1430		
SSB205-16		1										
SSB206-30MM	30		22	8.0	40.00	62	30.0	16	16280	8900	5300	0.3
SSB206-18		1-1/8	0.87	0.32	1.57	2.441	1.18	0.630	3700	2030		
SSB206-19		1-3/16										
SSB206-20		1-1/4										
SSB207-35MM	35		23.5	8.5	46.69	72	32.0	17	21340	12320	4500	0.4
SSB207-20		1-1/4	0.93	0.33	1.84	2.835	1.26	0.669	4850	2800		
SSB207-22		1-3/8										
SSB207-23		1-7/16										
SSB208-40MM	40		25	9.0	52.70	80	34.0	18	24640	14081	4000	0.5
SSB208-24		1-1/2	0.98	0.35	2.07	3.150	1.34	0.709	5600	3200		

Stainless Steel Ball Bearing Inserts



SUC 200 Silver Series

Stainless Steel Normal Duty Bearing

Set Screw Lock

Metric and Inch Bores

Wide Inner Ring

Bearing Insert:

Inner & Outer Race: AISI 440C Stainless

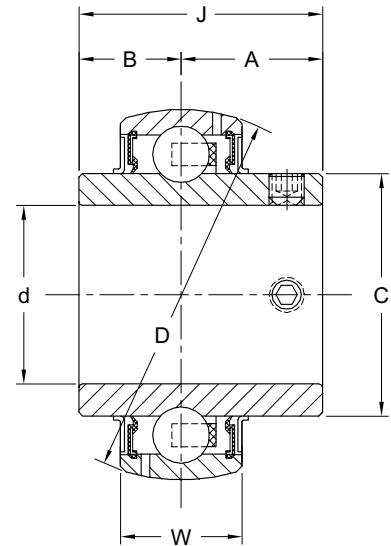
Cage: AISI 302 Stainless

Balls: AISI 400C Stainless

Seals: Rubber & AISI 302 Stainless

Set Screws: AISI 302 Stainless

Grease: Mobil FM222, USDA H-1



Part No.	Shaft Size d		Dimensions (mm) (in)						Basic Load Rating CN lbf	Basic Static Load Rating C ₀ lbf	Max rpm	Wt. kg
	mm	in	A	B	C	D	J	W				
SUC204-20MM	20		18.3	12.7	28.5	47	31	17	10560	5190		
SUC201-8		1/2	0.72	0.5	1.12	1.8504	1.22	0.669	2400	1180	7450	0.2
SUC202-10		5/8										
SUC204-12		3/4										
SUC205-25MM	25		19.8	14.3	34	52	34.1	17	11440	6290		
SUC205-14		7/8	0.78	0.56	1.34	2.0472	1.34	0.669	2600	1430	6250	0.2
SUC205-15		15/16										
SUC205-16		1										
SUC206-30MM	30		22.2	15.9	40	62	38.1	19	16280	8900		
SUC206-18		1-1/8	0.87	0.63	1.57	2.4409	1.5	0.748	3700	2030	5300	0.3
SUC206-19		1-3/16										
SUC206-20		1-1/4										
SUC207-35MM	35		25.4	17.5	46.7	72	42.9	20	21340	12320		
SUC207-20		1-1/4	1.0	0.69	1.84	2.8346	1.69	0.787	4850	2800	4500	0.5
SUC207-22		1-3/8										
SUC207-23		1-7/16										
SUC208-40MM	40		30.2	19	52.7	80	49.2	21	24640	14080		
SUC208-24		1-1/2	1.19	0.75	2.07	3.1496	1.94	0.827	5600	3200	4000	0.7
SUC209-45MM	45		30.2	19	57.3	85	49.2	22	27280	15840		
SUC209-27		1-11/16	1.19	0.75	2.26	3.3465	1.94	0.866	6200	3600	3700	0.7
SUC209-28		1-3/4										
SUC210-50MM	50		32.6	19	62.2	90	51.6	24	29920	18500		
SUC210-31		1-15/16	1.28	0.75	2.45	3.5433	2.03	0.945	6800	4200	3400	0.8
SUC210-32		2										
SUC211-55MM	55		33.4	22.2	68.8	100	55.6	25	32560	24640		
SUC211-32		2	1.31	0.87	2.71	3.93	2.19	0.984	7400	5600	3100	1.1
SUC211-35		2-3/16										
SUC212-60MM	60		39.7	25.4	75.4	110	65.1	27	39600	30360		
SUC212-39		2-7/16	1.56	1.00	2.97	4.3307	2.56	1.063	9000	6900	2800	1.5
SUC215-47	—	2-15/16	1.75	1.31	3.62	5.1181	3.06	1.26	48400	40700	2300	2.2
SUC215-48	—	3							11000	9250		

Note: Larger sizes possible. Consult PTI.

Stainless Steel Ball Bearing Inserts



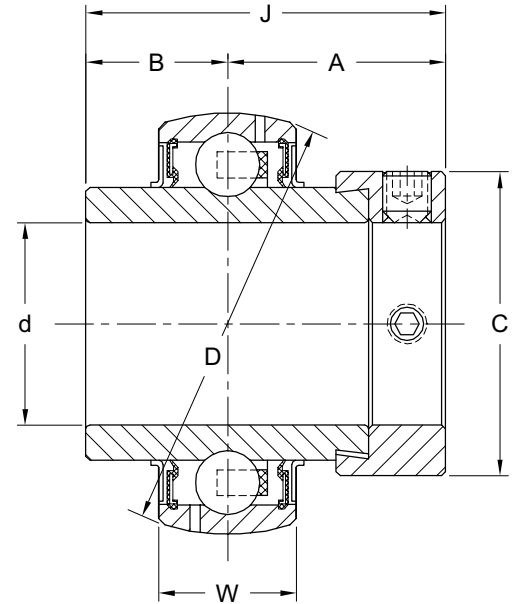
SHC 200 Silver Series

Stainless Steel, Normal Duty

Eccentric Collar Lock

Metric and Inch Bores

Wide Inner Ring



Bearing Insert:

Inner & Outer Race: AISI 440C Stainless

Cage & Set Screw: AISI 302 Stainless

Balls: AISI 400C Stainless

Seals: Rubber & AISI 302 Stainless

Collar: AISI 304 Stainless

Grease: Mobil FM222, USDA H-1

Part No.	Shaft Size d		Dimensions (mm) (in)						Basic Load Rating C N lbf	Basic Static Load Rating C ₀ N lbf	Max rpm	Wt. kg
	mm	in	A	B	C	D	J	W				
SHC201-8		1/2	26.6	12.7	33.3	47	39.3	17	10560	5190	7450	0.2
SHC202-10		5/8	1.05	0.50	1.31	1.850	1.55	0.67	2400	1180		
SHC204-20MM	20		26.6	12.7	33.3	47	39.3	17	10560	5190	7450	0.2
SHC204-12		3/4	1.05	0.50	1.31	1.850	1.55	0.67	2400	1180		
SHC205-25MM	25		26.9	14.3	38.1	52	41.2	17	11440	6290	6250	0.3
SHC205-14		7/8	1.06	0.56	1.50	2.047	1.62	0.67	2600	1430		
SHC205-15		15/16										
SHC205-16		1										
SHC206-30MM	30		30.1	15.9	44.5	62	46.1	19	16280	8900	5300	0.5
SHC206-18		1-1/8	1.19	0.63	1.75	2.441	1.82	0.75	3700	2030		
SHC206-19		1-3/16										
SHC206-20		1-1/4										
SHC207-35MM	35		32.3	17.5	55.6	72	49.8	20	21340	14080	4500	0.7
SHC207-20		1-1/4	1.27	0.69	2.19	2.835	1.96	0.79	4850	2800		
SHC207-22		1-3/8										
SHC207-23		1-7/16										
SHC208-40MM	40		34.9	19.0	60.3	80	53.9	21	24640	14080	4000	0.8
SHC208-24		1-1/2	1.38	0.75	2.37	3.150	2.12	0.83	5600	3200		
SHC209-45MM	45		34.9	19.0	63.5	85	53.9	22	27280	15840	3700	1.1
SHC209-26		1-5/8	1.38	0.75	2.50	3.347	2.12	0.87	6200	3600		
SHC209-27		1-11/16										
SHC209-28		1-3/4										
SHC210-50MM	50		38.1	19.0	69.9	90	57.0	24	29920	18500	3400	1.2
SHC210-30		1-7/8	1.50	0.75	2.75	3.543	2.24	0.94	6800	4200		
SHC210-31		1-15/16										
SHC210-32		2										
SHC211-55MM	55		43.6	22.2	76.2	100	65.8	25	43030	28950	3100	1.4
SHC211-32		2	1.71	.87	3.00	3.937	2.59	0.98	9780	6580		
SHC211-34		2-1/8										
SHC211-35		2-3/16										
SHC212-60MM	60		46.8	25.4	84.2	110	72.2	27	52000	35590	2800	1.8
SHC212-36		2-1/4	1.84	1.00	3.31	4.331	2.84	1.06	11800	8090		
SHC212-38		2-3/8										
SHC212-39		2-7/16										

Note: Larger sizes on request.

Stainless Steel Ball Bearing Inserts



SSER 200 Silver Series

Set Screw Lock

Normal Duty

Metric and Inch Bores

OD Snap Ring

Wide Inner Ring

Bearing Materials:

Inner & Outer Race: AISI 440C Stainless

Cage: AISI 302 Stainless

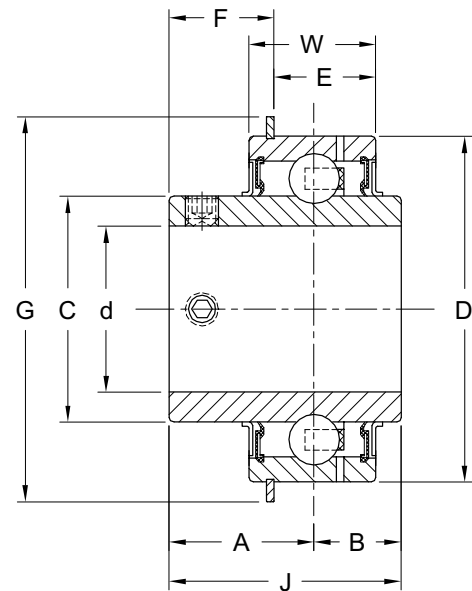
Balls: AISI 400C Stainless

Seals: Rubber & AISI 302 Stainless

Set Screws: AISI 302 Stainless

Snap Ring: AISI 304 Stainless

Grease: Mobil FM222, USDA H-1

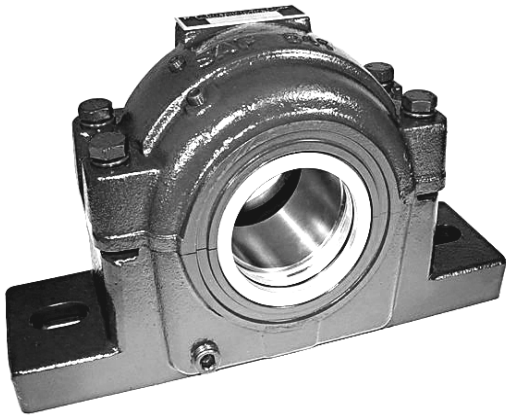


Part No.	Shaft Size d		Dimensions (mm) (in)									Load Ratings		Max rpm	Wt. kg
	mm	in	A	B	C	D	E	F	G	J	W	Dynamic C N lbf	Static C ₀ N lbf		
SSER204-20MM	20		19.5	11.5	28.3	47	12.06	15.08	52.7	31	15.9	10560	5190	7450	0.3
SSER204-12		3/4	0.77	0.45	1.11	1.850	0.47	0.59	2.07	1.22	0.62	2400	1180		
SSER205-25MM	25		21.8	13.1	34.0	52	15.29	15.78	57.9	34.9	19.1	11440	6290	6250	0.3
SSER205-15		15/16	0.86	0.52	1.33	2.047	0.60	0.62	2.28	1.37	0.75	2600	1430		
SSER205-16		1													
SSER206-30MM	30		22.2	15.9	40.3	62	17.02	15.93	67.7	38.1	22.2	16280	8900	5300	0.4
SSER206-18		1-1/8	0.87	0.63	1.58	2.441	0.67	0.63	2.67	1.50	0.87	3700	2030		
SSER206-19		1-3/16													
SSER206-20		1-1/4													
SSER207-35MM	35		25.4	17.5	46.9	72	18.62	18.32	78.6	42.9	23.8	21340	12320	4500	0.5
SSER207-20		1-1/4	1.0	0.69	1.85	2.835	0.73	0.72	3.09	1.69	0.94	4850	2800		
SSER207-23		1-7/16													
SSER208-40MM	40		30.2	19	52.4	80	22.62	21.1	86.6	49.2	27.8	24640	14080	4000	0.7
SSER208-24		1-1/2	1.19	0.75	2.06	3.150	0.89	0.83	3.41	1.94	1.09	5600	3200		
SSER209-45MM	45		30.2	19	57.4	85	22.62	21.1	91.6	49.2	27.8	27280	15840	3700	0.8
SSER209-27		1-11/16	1.19	0.75	2.26	3.347	0.89	0.83	3.61	1.94	1.09	6200	3600		
SSER209-28		1-3/4													
SSER210-50MM	50		32.6	19	61.8	90	22.62	23.84	96.5	51.6	28.6	29920	18500	3400	0.9
SSER210-31		1-15/16	1.28	0.75	2.43	3.543	0.89	0.94	3.80	2.03	1.12	6800	4200		
SSER210-32		2													

SAF Split Pillow Blocks



Features and Seal Options



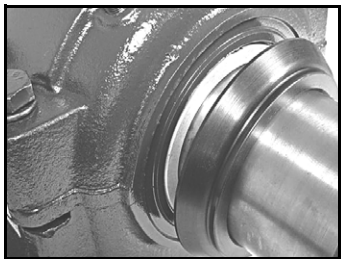
LER Seals PER Seals LER-DC EPR Cover

The new PTI SAF Series Pillow Blocks include unique features, multiple seal options and are stocked in 3 different housing materials: Cast Iron, Ductile Iron and Cast Steel. These units can handle a variety of application conditions including heavy loads, high and low speeds, grease or oil lube and offer seal options for the most challenging environments. This block is extremely versatile and economical. The SAF Block has industry standard mounting and shaft center height dimensions.

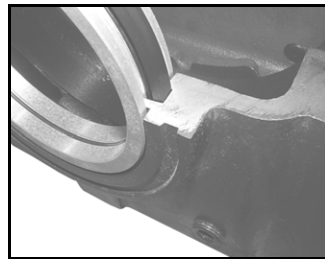
The new solid base housing is one of the most robust blocks available. The design includes an internal oil cross-port channel to ensure balanced oil levels for both sets of rollers of the spherical bearing. If high speed is a requirement, double row ball bearings can also be used. For circulation oil systems, large drain holes are standard on each side of the block. The drains accept standard oil site glasses.

Housing caps and bases are paired to ensure a controlled bearing fit; housing match marks are standard. Large pry slots help make access to the bearing easy.

The LER is a popular standard labyrinth seal for SAF blocks. The PER interchanges completely and includes an o-ring shaft seal for a snug fit on the shaft. The O-ring will cause the PER to generally spin with the shaft. The EPR end cover seals one end of the housing.



LER-DC Dust Cover/Wiper Seal can be used with both LER or PER seals. They provide an additional barrier and flinger for contaminants. The housings machined face provides for an ideal contact for the wiper seal to shroud seal area and create an additional labyrinth.

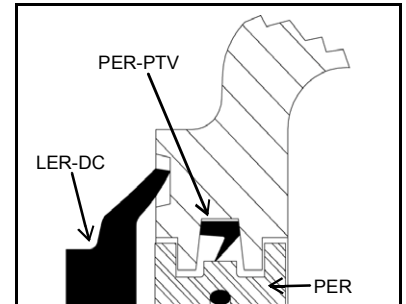


PER-PTV-ring is a lip contact seal installed over the PER and within the housing seal grooves. The PTV-ring seal allows the grease to slowly purge creating a barrier for contaminants. The lip contact seal can be reversed to also retain the grease for applications where contamination is of less concern or access for re-lube is difficult.

Seal Options:

1. LER Standard Labyrinth Seal
2. LER-DC Dust Cover/Wiper Seal for LER or PER Seals
3. PER Labyrinth with O-ring
4. PER-PTV-ring Seal for use with PER Labyrinth
5. TER Taconite with V-ring face seal
6. TER-OS Taconite Seal with Oil Seal.
7. EPR End Covers

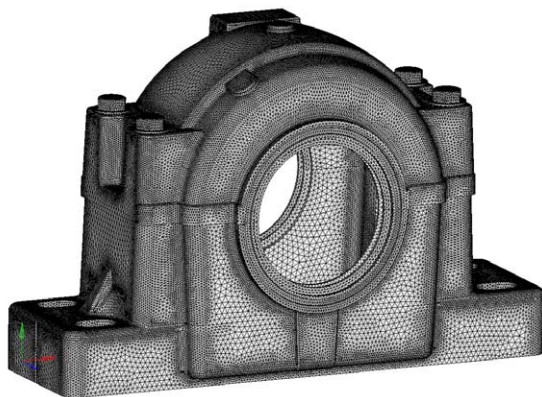
The LER-DC in combination with the PER and PER-PTV Seal, provides optimum protection for low speed application in harsh environments.



TER-OS Seal

The TER taconite seal is available in two versions...one with a V-ring face seal and the other with an oil seal as a shaft contact seal. Both include a felt shaft seal and an o-ring seal for the housing side to provide a tight yet flexible fit.

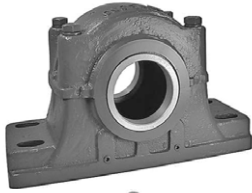
The Design



Finite Element Analysis "mesh" construction (shown on left) provides the model for analyzing static loads. The loading model is shown on the right.



More Split Pillow Blocks & Special Purpose Units



SAF and SDAF blocks for 222, 230, 231 and 232 series spherical roller bearings thru 18" shaft diameter are stock and larger sizes are available on request. Smaller sizes will accommodate double row ball bearings for high speed applications. Ductile Iron and Cast steel housing are also available, with stock typical on the popular sizes. Each have taconite seals and end cover options.



SDAF Asymmetric Series Split Blocks allow the spherical bearing to be positioned closer to the shaft locking device which reduces the resultant bending moment. Typically these split blocks are used on shaft sizes that exceed 18" diameter. However smaller units of this asymmetric design are also possible. Housings can be provided in Cast Iron, Ductile Iron or Cast Steel and for 231 and 232 large bore spherical roller bearings. The SE vertical labyrinth sealed units include an internal contact lip seal.



The new SNG Metric Plummer blocks interchange with the PTI SNHF series. Some additional seals are available for both the SNG 500 and SNG 600 series (for 222 and 223 series spherical bearings). Like the SAF series, the SNG will accommodate double row ball bearings for high speed applications. With the SNG unit, it will also accommodate 200 Series block requirements (direct mount) using felt seals and straight bore spherical bearings. FSSNG 4-Bolt Base units also available. SN 500, 600, 200 and 300 Series Metric Blocks are also available from stock.



The S3000 and SD3100 Series are both large bore adapter mounted Metric Plummer Blocks, designed for 230 and 231 Series Spherical Bearings. The SD units are available in cast iron, ductile and cast steel to 380mm shaft diameter. The S3000 Blocks are typically cast iron and available in ductile on request and thru 260mm Shaft diameter. These blocks are industry standard European Metric designs. Taconite seals and End Covers also available.



HSPA Take-Up Units are generally made to order and can be provided in shaft sizes thru 360 mm. Standard units accommodate 230, 222, 231 or 232 series tapered bore spherical bearings. These are normally used in pairs to tension large overland conveyor belt systems. Custom dimensions are possible to accommodate existing guides.



HFO & HFOE units are specifically designed for high speed fans intended for oil lubrication. Internal slingers distribute the oil lubricant evenly. Oil sight glasses are included for monitoring lubrication levels. These units will also accommodate oil circulation systems. Direct mount (straight bore) spherical bearings are the standard units. Housings for taper bore (adapter mount) bearings are available on request. Standard units are normal stock thru 170mm shaft diameters. Larger sizes on request. Housings are typically cast iron; ductile iron is available on request.

Custom Housings

PTI will modify existing housings to accommodate special mounting or application requirements. Customized cast housing shapes and features are also possible.



Oil Sight Glass



Optional Thermal Sensors on the name plate allow a quick visual of the operating temperatures. Sensors can be fitted to the name plate.



PTI can provide housings prepared to receive vibration and thermal sensors.



Split Block Bearings & Accessories



Spherical Roller & Double Row Ball Bearings



Spherical Roller



Double Row Ball

Spherical Roller Bearings are typically used for heavy loads and lower speeds, while Double Row Ball Bearings are primarily used for lighter loads and higher speeds. PTI offers both for our range of inch Split Pillow Blocks and metric Plummer Blocks. Stock Spherical Roller Bearing sizes include 230, 231, 232 & 223 series. Ball Bearing sizes include 1200, 1300, 2200 and 2300 Series. Both types are normally lubricated with grease, however oil is typically used for higher speeds. Split Block Housings can also accommodate both lubrication methods depending on seal options. For selection assistance consult PTI.

Adapter Sleeves - Standard & Hydraulic



Standard Adapter



Hydraulic Adapter

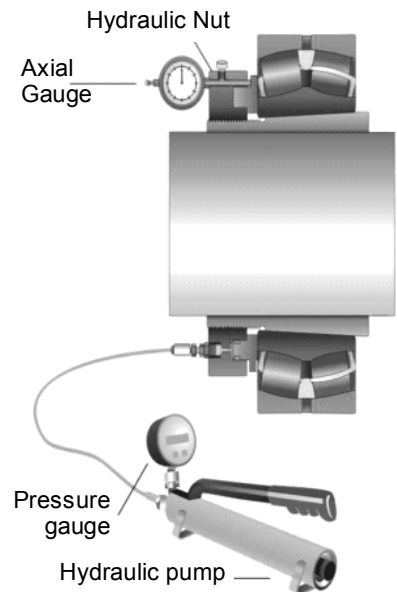
PTI stocks all of the standard inch and metric bore adapters for both tapered bore Spherical Roller Bearings and Double Row Ball Bearings used with standard split pillow blocks and plummer blocks.

Therefore both H-Series (with inch and metric bores) and SNW Adapters (with inch shaft) sizes are stock. Adapters 7-3/16" and larger will typically be offered as the hydraulic type which includes a provision for the bearing to be removed or adjusted during installation with hydraulic pressure. The hydraulic feature is especially helpful during installation should the initial position of the bearing be incorrect. Hydraulic pressure from a portable pump will loosen the bearing for repositioning.

Hydraulic Mounting Nuts



HMV.C Hydraulic Mounting Nuts are a re-usable tool to assist bearing installation. The face of the nut is a piston that will push on the bearing inner ring as hydraulic pressure develops from a hand pump. This pressure gently pushes the tapered bore bearing onto the tapered adapter, to a final recommend position. The process removes internal clearance from the bearing as the inner ring expands slightly effectively creating a press fit of the bearing onto the shaft. Mounting large units with spanner wrenches can be very difficult and the Hydraulic Nuts makes installation easy. Sizes thru 96 are normal stock. Larger sizes are also possible.



Spanner Wrenches

Spanner Wrenches thru size 44 (8" shaft diameter) are stock. For larger bearings, a hydraulic nut should be used to simplify bearing mounting on a tapered adapter.



Lock-nuts and Lock-washers

Locknuts and Lock-washers are available separately for use to secure direct mount straight bore bearings. Locknuts can also be customized with jack screws and will press on the bearing inner ring to assist bearing mounting. For infrequent mounting, this is an economical tool that will simplify installation.



Withdrawal Sleeves - Standard & Hydraulic



Standard Withdrawal Sleeve



Hydraulic Withdrawal Sleeve

Withdrawal sleeves are typically available for metric shaft diameters and include threads on the large end of the taper for a locknut to dismount the bearing. The Hydraulic removal feature, consists of oil grooves on the sleeve OD and ID to assist both mounting and removal. This feature is suggested for bearings above 200mm bore. Withdrawal sleeves for inch shaft diameters are also available on request.

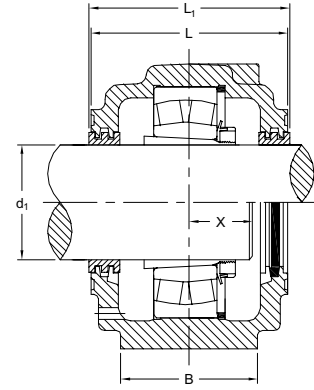
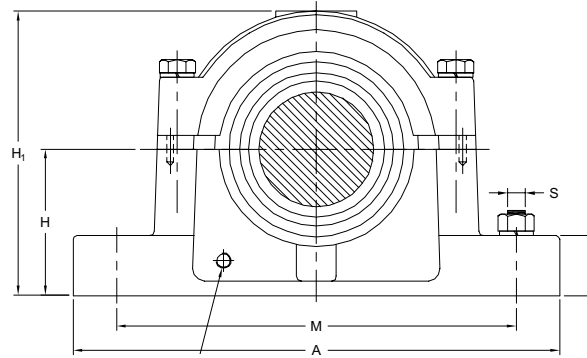
Pillow Block Housings



SAF 500 Series

These Pillow Block Housings accept self-aligning ball or spherical roller bearings with adapter sleeves. They are available in cast iron (SAF), Ductile (SAFD) or cast steel (SAFS). SAF = 2-bolt base, FSAF = 4-bolt base, SAF 522 through SAF 544 only with 4-bolt base. SAF housings are

supplied standard with triple labyrinth LER seals. PER, LER-DC and TER Taconite seals are also available as an option. End covers and taconite seals also available. For fixed bearings use the fixing ring included. For expansion units, remove fixing ring(s).



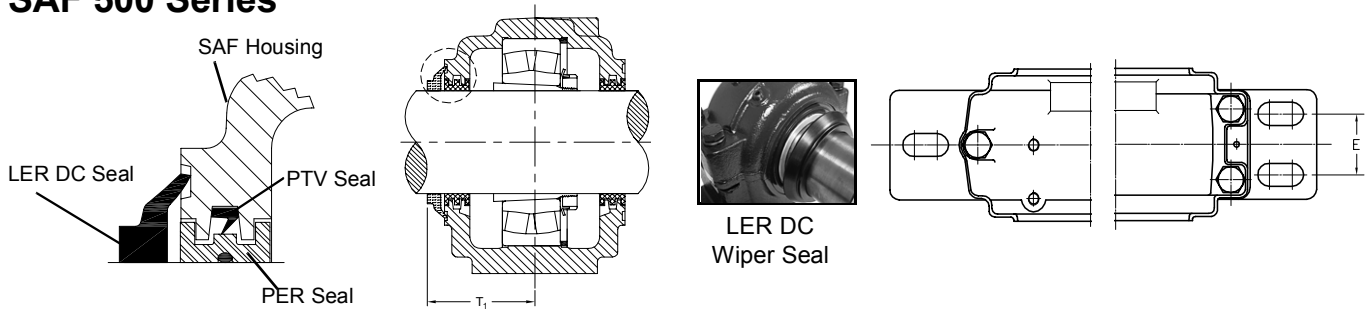
Dimensions in inches

Cast Iron Part No.	Ductile Part No.	Steel Part No.	Shaft Size d_1	H	H ₁	L	L ₁	A	B	C	M max	M min	E	T ₁	S Bolt	X	Wt. lb
SAF 505	—	—	3/4	1.500	2.94	2.75	2.88	6.50	1.75	0.69	5.50	4.63	—	—	(2) 1/2	0.81	4.0
SAF 506	—	—	15/16	1.750	3.38	3.06	3.25	7.50	2.00	0.69	6.13	5.25	—	—	(2) 1/2	0.94	6.0
SAF 507	—	—	1-3/16	2.000	3.81	3.19	3.25	7.50	2.00	0.81	6.13	5.63	—	1.59	(2) 1/2	1.00	8.0
SAF 509	SAFD 509	SAFS 509	1-7/16	2.250	4.38	3.44	3.63	8.25	2.38	0.81	7.00	6.25	—	3.03	(2) 1/2	1.00	9.3
SAF 510	SAFD 510	SAFS 510	1-11/16	2.500	4.75	3.44	3.88	8.25	2.38	0.94	7.00	6.50	—	3.25	(2) 1/2	1.06	10.1
SAF 511	SAFD 511	SAFS 511	1-15/16	2.750	5.25	3.75	4.50	9.63	2.75	0.94	7.88	7.38	—	3.38	(2) 5/8	1.09	12.5
SAF 513	SAFD 513	SAFS 513	2-3/16	3.000	5.94	4.25	4.50	11.00	3.13	1.00	9.50	8.13	—	3.63	(2) 5/8	1.28	19.0
FSAF 513	FSAFD 513	FSAFS 513	2-3/16	3.000	5.94	4.25	4.50	11.00	3.13	1.00	9.50	8.13	1.88	3.63	(4) 1/2	1.28	18.3
SAF 515	SAFD 515	SAFS 515	2-7/16	3.250	6.38	4.63	4.75	11.25	3.13	1.13	9.63	8.63	—	3.81	(2) 5/8	1.38	18.3
FSAF 515	FSAFD 515	FSAFS 515	2-7/16	3.250	6.38	4.63	4.75	11.25	3.13	1.13	9.63	8.63	1.88	3.81	(4) 1/2	1.38	17.9
SAF 516	SAFD 516	SAFS 516	2-11/16	3.500	6.88	4.75	4.88	13.00	3.50	1.19	11.00	9.63	—	4.13	(2) 3/4	1.44	27.3
FSAF 516	FSAFD 516	FSAFS 516	2-11/16	3.500	6.88	4.75	4.88	13.00	3.50	1.19	11.00	9.63	2.13	4.13	(4) 5/8	1.44	26.9
SAF 517	SAFD 517	SAFS 517	2-15/16	3.750	7.31	4.81	5.00	13.00	3.50	1.25	11.00	9.88	—	3.91	(2) 3/4	1.53	31.8
FSAF 517	FSAFD 517	FSAFS 517	2-15/16	3.750	7.31	4.81	5.00	13.00	3.50	1.25	11.00	9.88	2.13	3.91	(4) 5/8	1.53	29.8
SAF 518	SAFD 518	SAFS 518	3-3/16	4.000	7.75	5.50	5.75	13.75	3.88	1.31	11.63	10.38	—	4.06	(2) 3/4	1.69	36.6
FSAF 518	FSAFD 518	FSAFS 518	3-3/16	4.000	7.75	5.50	5.75	13.75	3.88	1.31	11.63	10.38	2.13	4.06	(4) 5/8	1.69	37.5
SAF 520	SAFD 520	SAFS 520	3-7/16	4.500	8.75	5.81	6.00	15.25	4.38	1.75	13.13	11.63	—	4.38	(2) 7/8	2.00	52.5
FSAF 520	FSAFD 520	FSAFS 520	3-7/16	4.500	8.75	5.81	6.00	15.25	4.38	1.75	13.13	11.63	2.38	4.38	(4) 3/4	2.00	50.3
SAF 522	SAFD 522	SAFS 522	3-15/16	4.938	9.63	6.44	6.50	16.50	4.75	2.00	14.50	12.63	2.75	4.56	(4) 3/4	2.06	69.2
SAF 524	SAFD 524	SAFS 524	4-3/16	5.250	10.25	7.13	7.38	16.50	4.75	2.13	14.50	13.25	2.75	5.00	(4) 3/4	2.22	71.2
SAF 526	SAFD 526	SAFS 526	4-7/16	6.000	11.50	7.75	8.00	18.38	5.13	2.38	16.00	14.63	3.25	5.31	(4) 7/8	2.38	94.8
SAF 528	SAFD 528	SAFS 528	4-15/16	6.000	11.75	7.38	7.63	20.13	5.88	2.38	17.13	16.00	3.38	5.13	(4) 1	2.50	110.0
SAF 530	SAFD 530	SAFS 530	5-3/16	6.313	12.50	8.13	8.38	21.25	6.25	2.50	18.25	17.00	3.75	5.50	(4) 1	2.72	138.0
SAF 532	SAFD 532	SAFS 532	5-7/16	6.688	13.31	8.50	8.75	22.00	6.25	2.63	19.25	17.38	3.75	5.69	(4) 1	2.94	158.0
SAF 534	SAFD 534	SAFS 534	5-15/16	7.063	14.19	9.25	9.63	24.75	6.75	2.75	21.63	19.38	4.25	5.06	(4) 1	3.09	185.0
SAF 536	SAFD 536	SAFS 536	6-7/16	7.500	14.88	9.63	10.00	26.75	7.13	3.00	23.63	20.88	4.63	5.25	(4) 1	3.13	217.0
SAF 538	SAFD 538	SAFS 538	6-15/16	7.875	15.69	10.50	10.75	28.00	7.50	3.13	24.38	21.63	4.50	5.69	(4) 1-1/4	3.28	285.0
SAF 540	SAFD 540	SAFS 540	7-3/16	8.250	16.50	11.00	11.25	29.50	8.00	3.38	25.00	22.50	5.00	7.06	(4) 1-1/4	3.44	331.0
SAF 544	SAFD 544	SAFS 544	7-15/16	9.500	18.63	11.75	12.00	32.75	8.75	3.75	27.88	24.75	5.25	7.25	(4) 1-1/2	3.81	391.0

Pillow Block Housing Accessories



SAF 500 Series



Shaft Size * in	Housing Part No.	Bearing Part No.	Adapter		Seals					Fixing Rings		End Cover Part No.
			SNW Type Part No.	H Type Part No.	LER Part No.	LER DC Part No.	PER Part No.	PER-PTV V-Ring	TER Part No.	Part No.	Qty.	
3/4	SAF 505	1205K	SNW05 x 3/4	H205 x 3/4	LER6	—	—	—	—	FR52 x 5	2	—
		2205K	SNW05 x 3/4	H305 x 3/4						FR52 x 7	1	
15/16	SAF 506	1206K	SNW06 x 15/16	H306 x 15/16	LER10	—	—	—	—	FR62 x 7	2	—
		2206K	SNW06 x 15/16	H306 x 15/16						FR62 x 10	1	
1-3/16	SAF 507	1207K	SNW07 x 1-3/16	H207 x 1-3/16	LER14	—	—	—	—	FR72 x 8	2	—
		2207K	SNW07 x 1-3/16	H307 x 1-3/16						FR72 x 10	1	
1-7/16	SAF 509	1209K	SNW09 x 1-7/16	H209 x 1-7/16	LER17	—	PER17	PER17-PTV	TER17	FR85 x 10	1	EPR03
		2209K	SNW09 x 1-7/16	H309 x 1-7/16						FR85 x 6	1	
		22209K	SNW09 x 1-7/16	H309 x 1-7/16						FR85 x 6	1	
1-11/16	SAF 510	1210K	SNW10 x 1-11/16	H210 x 1-11/16	LER20	—	PER20	PER20-PTV	TER20	FR90 x 10	1	EPR04
		2210K	SNW10 x 1-11/16	H310 x 1-11/16						FR90 x 7	1	
		22210K	SNW10 x 1-11/16	H310 x 1-11/16						FR90 x 7	1	
1-15/16	SAF 511	1211K	SNW11 x 1-15/16	H211 x 1-15/16	LER24	—	PER24	PER24-PTV	TER24	FR100 x 10	2	EPR05
		2211K	SNW11 x 1-15/16	H311 x 1-15/16						FR100 x 6	1	
		22211K	SNW11 x 1-15/16	H311 x 1-15/16						FR100 x 6	1	
2-3/16	SAF 513 FSAF 513	1213K	SNW13 x 2-3/16	H213 x 2-3/16	LER29	—	PER29	PER29-PTV	TER29	FR120 x 8	2	EPR06
		2213K	SNW13 x 2-3/16	H313 x 2-3/16						FR120 x 8	1	
		22213K	SNW13 x 2-3/16	H313 x 2-3/16						FR120 x 8	1	
2-7/16	SAF 515 FSAF 515	1215K	SNW15 x 2-7/16	H215 x 2-7/16	LER37	—	PER37	PER37-PTV	TER37	FR130 x 6	2	EPR07
		2215K	SNW15 x 2-7/16	H315 x 2-7/16						FR130 x 10	1	
		22215K	SNW15 x 2-7/16	H315 x 2-7/16						FR130 x 10	1	
2-11/16	SAF 516 FSAF 516	1216K	SNW16 x 2-11/16	H216 x 2-11/16	LER44	—	PER44	PER44-PTV	TER44	FR140 x 8.5	2	EPR08
		2216K	SNW16 x 2-11/16	H316 x 2-11/16						FR140 x 10	1	
		22216K	SNW16 x 2-11/16	H316 x 2-11/16						FR140 x 10	1	
2-15/16	SAF 517 FSAF 517	1217K	SNW17 x 2-15/16	H217 x 2-15/16	LER53	LER53 DC	PER53	PER53-PTV	TER53	FR150 x 9	2	EPR09
		2217K	SNW17 x 2-15/16	H317 x 2-15/16						FR150 x 10	1	
		22217K	SNW17 x 2-15/16	H317 x 2-15/16						FR150 x 10	1	
3-3/16	SAF 518 FSAF 518	1218K	SNW18 x 3-3/16	H218 x 3-3/16	LER188	LER188 DC	PER188	PER188-PTV	TER188	FR160 x 10	2	EPR11
		2218K	SNW18 x 3-3/16	H318 x 3-3/16						FR160 x 10	1	
		22218K	SNW18 x 3-3/16	H318 x 3-3/16						FR160 x 10	1	
3-7/16	SAF 520 FSAF 520	1220K	SNW20 x 3-7/16	H220 x 3-7/16	LER102	LER102 DC	PER102	PER102-PTV	TER102	FR180 x 11	2	EPR12
		2220K	SNW20 x 3-7/16	H320 x 3-7/16						FR180 x 10	1	
		22220K	SNW20 x 3-7/16	H320 x 3-7/16						FR180 x 10	1	
3-15/16	SAF 522	1222K	SNW22 x 3-15/16	H222 x 3-15/16	LER109	LER109 DC	PER109	PER109-PTV	TER109	FR200 x 12.5	2	EPR13
		2222K	SNW22 x 3-15/16	H322 x 3-15/16						FR200 x 10	1	
		22222K	SNW22 x 3-15/16	H322 x 3-15/16						FR200 x 10	1	
4-3/16	SAF 524	22224K	SNW24 x 4-3/16	H3124 x 4-3/16	LER113	LER113 DC	PER113	PER113-PTV	TER113	FR215 x 10	1	EPR14
4-7/16	SAF 526	22226K	SNW26 x 4-7/16	H3126 x 4-7/16	LER117	LER117 DC	PER117	PER117-PTV	TER117	FR230 x 10	1	EPR15
4-15/16	SAF 528	22228K	SNW28 x 4-15/16	H3128 x 4-15/16	LER122	LER122 DC	PER122	PER122-PTV	TER122	FR250 x 10	1	EPR27
5-3/16	SAF 530	22230K	SNW30 x 5-3/16	H3130 x 5-3/16	LER125	LER125 DC	PER125	PER125-PTV	TER125	FR270 x 10	1	EPR16
5-7/16	SAF 532	22232K	SNW32 x 5-7/16	H3132 x 5-7/16	LER130	LER130 DC	PER130	PER130-PTV	TER130	FR290 x 10	1	EPR16
5-15/16	SAF 534	22234K	SNW34 x 5-15/16	H3134 x 5-15/16	LER140	LER140 DC	PER140	PER140-PTV	TER140	FR310 x 10	1	EPR18
6-7/16	SAF 536	22236K	SNW36 x 6-7/16	H3136 x 6-7/16	LER148	LER148 DC	PER148	PER148-PTV	TER148	FR320 x 10	1	EPR19
6-15/16	SAF 538	22238K	SNW38 x 6-15/16	H3138 x 6-15/16	LER155	LER155 DC	PER155	PER155-PTV	TER155	FR340 x 10	1	EPR20
7-3/16	SAF 540	22240K	SNW40 x 7-3/16	H3140 x 7-3/16	LER159	LER159 DC	PER159	PER159-PTV	TER159	FR360 x 10	1	EPR21
7-15/16	SAF 544	22244K	SNW44 x 7-15/16	H3144 x 7-15/16	LER167	LER167 DC	PER167	PER167-PTV	TER167	FR400 x 10	1	EPR23

Note: Bearing part Number in bold face is a double row taper bore spherical and most popular. Typical suffix to the bearing part number is C3W33 where C3 is the internal clearance and W33 indicates a lube groove on the bearing O.D. For example specify 22220K C3W33. * For other shaft sizes possible see following pages.

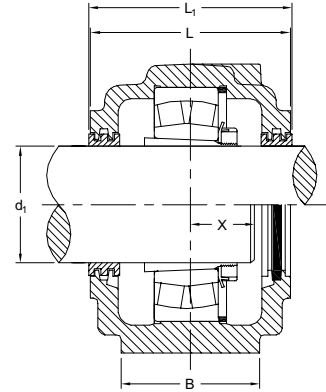
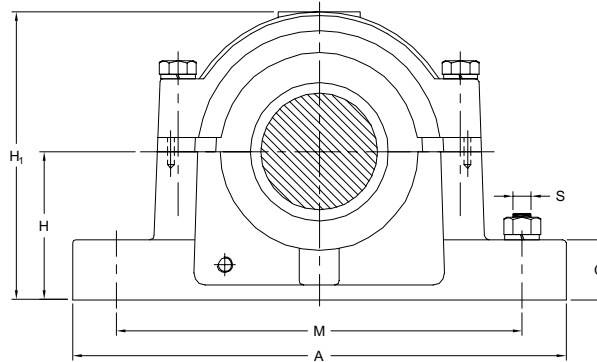
Pillow Block Housings



SAF 600 Series

These Pillow Block Housings will accept self-aligning ball (for high speed) or spherical roller bearings with adapter sleeves (for heavy load applications). They are available in cast iron (SAF) or cast steel (SAFS). SAF = 2 bolt base, FSAF = 4 bolt base, SAF 618 through SAF

638 only with 4 bolt base. SAF housings are supplied standard with triple labyrinth seals. End covers and taconite seals available on request. Each housing includes fixing rings(s). When removed, the units will accommodate shaft expansion.



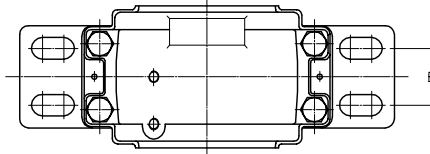
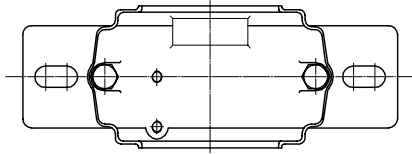
Dimensions in inches

Cast Part No. *	Shaft Size d ₁	A	B	C	E	H	H ₁	L	L ₁	M max	M min	S Bolt	X	Wt. lb
SAF 609	1-7/16	9.63	2.75	1.00	—	2.750	5.31	4.13	4.25	7.88	7.38	(2) 5/8	1.06	13.6
SAF 610	1-11/16	10.63	2.75	1.13	—	3.000	5.81	4.50	4.63	9.00	7.75	(2) 5/8	1.13	17.8
SAF 611	1-15/16	11.00	3.13	1.19	—	3.250	6.19	4.75	4.88	9.50	8.13	(2) 5/8	1.19	21.3
FSAF 611	1-15/16	11.00	3.13	1.19	2.00	3.250	6.19	4.75	4.88	9.50	8.13	(4) 1/2	1.19	21.3
SAF 613	2-3/16	13.00	3.50	1.25	—	3.500	6.94	5.25	5.38	11.00	9.63	(2) 3/4	1.38	30.2
FSAF 613	2-3/16	13.00	3.50	1.25	2.13	3.500	6.94	5.25	5.38	11.00	9.63	(4) 5/8	1.38	30.2
SAF 615	2-7/16	13.75	3.88	1.31	—	4.000	7.81	5.88	6.25	11.63	10.38	(2) 3/4	1.38	41.3
FSAF 615	2-7/16	13.75	3.88	1.31	2.13	4.000	7.81	5.88	6.25	11.63	10.38	(4) 5/8	1.38	41.3
SAF 616	2-11/16	14.25	3.88	1.31	—	4.250	8.25	6.13	6.50	12.63	10.63	(2) 3/4	1.38	48.0
FSAF 616	2-11/16	14.25	3.88	1.31	2.13	4.250	8.25	6.13	6.50	12.63	10.63	(4) 5/8	1.38	48.0
SAF 617	2-15/16	15.25	4.38	1.75	—	4.500	8.75	6.50	6.75	13.13	11.63	(2) 7/8	1.56	71.0
FSAF 617	2-15/16	15.25	4.38	1.75	2.38	4.500	8.75	6.50	6.75	13.13	11.63	(4) 3/4	1.56	71.0
SAF 618	3-3/16	15.50	4.38	2.00	2.25	4.750	9.19	6.63	6.88	13.50	12.00	(4) 3/4	2.16	76.0
SAF 620	3-7/16	16.50	4.75	2.13	2.75	5.250	10.25	7.13	7.38	14.50	13.25	(4) 3/4	2.44	98.0
SAF 622	3-15/16	18.38	5.13	2.38	3.25	6.000	11.50	7.75	8.00	16.00	14.63	(4) 7/8	2.59	125.0
SAF 624	4-3/16	21.25	6.25	2.50	3.75	6.313	12.50	8.13	8.38	18.25	17.00	(4) 1	2.75	166.0
SAF 626	4-7/16	22.00	6.25	2.63	3.75	6.689	13.31	8.50	8.75	19.25	17.38	(4) 1	2.94	193.0
SAF 628	4-15/16	24.75	6.75	2.75	4.25	7.063	14.19	9.25	9.38	21.63	19.38	(4) 1	3.16	244.0
SAF 630	5-3/16	26.75	7.13	3.00	4.63	7.500	14.88	9.63	9.75	23.63	20.88	(4) 1	3.41	271.0
SAF 632	5-7/16	28.00	7.50	3.13	4.50	7.875	15.69	10.50	10.63	24.38	21.63	(4) 1-1/4	3.59	280.0
SAF 634	5-15/16	29.50	8.00	3.38	5.00	8.250	16.50	11.00	11.25	25.00	22.50	(4) 1-1/4	3.75	345.0
SAF 636	6-7/16	31.25	8.25	3.50	5.25	8.875	17.75	11.25	11.38	26.63	24.00	(4) 1-1/4	3.90	375.0
SAF 638	6-15/16	32.75	8.75	3.75	5.25	9.500	18.63	11.75	12.00	27.88	24.75	(4) 1-1/2	4.06	480.0
SAF 640	7-3/16	34.25	9.00	4.00	5.50	9.875	20	11.87	12.06	29.50	26.25	(4) 1-1/2	4.25	500.0

Note: * Ductile SAFD and Steel SAFS housings available on request.

Pillow Block Housing Accessories

SAF 600 Series



TER-OS Seal
Option

Shaft Size *	Housing Part No.	Bearing Part No.*	Basic Dynamic Rating C kN	Adapter Sleeves**		Seals		Fixing Rings		End Covers Part No.
				SNW Type Part No.	H Type Part No.	Standard Part No.	Optional Taconite Part No.	Part No.	Qty.	
1-7/16	SAF 609	1309K	38	SNW 09 x 1-7/16	H 309 x 1-7/16	LER 17	TER 17	FR100 x 10.5	2	EPR 03
		2309K	54	SNW 09 x 1-7/16	H 2309 x 1-7/16			FR100 x 10	1	
		21309K	100	SNW 09 x 1-7/16	H 309 x 1-7/16			FR100 x 10.5	2	
		22309K	135	SNW 109 x 1-7/16	H 2309 x 1-7/16			FR100 x 10	1	
1-11/16	SAF 610	1310K	41	SNW 10 x 1-11/16	H 310 x 1-11/16	LER 20	TER 20	FR110 x 11.5	2	EPR 04
		2310K	64.0	SNW 10 x 1-11/16	H 2310 x 1-11/16			FR110 x 10	1	
		21310K	120	SNW 10 x 1-11/16	H 310 x 1-11/16			FR110 x 11.5	2	
		22310K	175	SNW 110 x 1-11/16	H 2310 x 1-11/16			FR110 x 10	1	
1-15/16	SAF 611 FSAF 611	1311K	51	SNW 11 x 1-15/16	H 311 x 1-15/16	LER 24	TER 24	FR120 x 12	2	EPR 05
		2311K	75	SNW 11 x 1-15/16	H 2311 x 1-15/16			FR120 x 10	1	
		21311K	138	SNW 11 x 1-15/16	H 311 x 1-15/16			FR120 x 12	2	
		22311K	195	SNW 111 x 1-15/16	H 2311 x 1-15/16			FR120 x 10	1	
2-3/16	SAF 613 FSAF 613	1313K	62	SNW 13 x 2-3/16	H 313 x 2-3/16	LER 32	TER 32	FR140 x 12.5	2	EPR 06
		2313K	95	SNW 13 x 2-3/16	H 2313 x 2-3/16			FR140 x 10	1	
		21313K	184	SNW 13 x 2-3/16	H 313 x 2-3/16			FR140 x 12.5	2	
		22313K	250	SNW 113 x 2-3/16	H 2313 x 2-3/16			FR140 x 10	1	
2-7/16	SAF 615 FSAF 615	1315K	80	SNW 15 x 2-7/16	H 315 x 2-7/16	LER 37	TER 37	FR160 x 14	2	EPR 07
		2315K	122	SNW 15 x 2-7/16	H 2315 x 2-7/16			FR160 x 10	1	
		21315K	234	SNW 15 x 2-7/16	H 315 x 2-7/16			FR160 x 14	2	
		22315K	340	SNW 115 x 2-7/16	H 2315 x 2-7/16			FR160 x 10	1	
2-11/16	SAF 616 FSAF 616	1316K	88	SNW 16 x 2-11/16	H 316 x 2-11/16	LER 44	TER 44	FR170 x 14.5	2	EPR 08
		2316K	137	SNW 16 x 2-11/16	H 2316 x 2-11/16			FR170 x 10	1	
		21316K	255	SNW 16 x 2-11/16	H 316 x 2-11/16			FR170 x 14.5	2	
		22316K	370	SNW 116 x 2-11/16	H 2316 x 2-11/16			FR170 x 10	1	
2-15/16	SAF 617 FSAF 617	1317K	98	SNW 17 x 2-15/16	H 317 x 2-15/16	LER 184	TER 184	FR180 x 14.5	2	EPR 10
		2317K	140	SNW 17 x 2-15/16	H 2317 x 2-15/16			FR180 x 10	1	
		21317K	290	SNW 17 x 2-15/16	H 317 x 2-15/16			FR180 x 14.5	2	
		22317K	420	SNW 117 x 2-15/16	H 2317 x 2-15/16			FR180 x 10	1	
3-3/16	SAF 618	1318K	180	SNW 18 x 3-3/16	H 318 x 3-3/16	LER 188	TER 188	FR190 x 11.5	2	EPR 11
		2318K	153	SNW 18 x 3-3/16	H 2318 x 3-3/16			FR190 x 10	1	
		21318K	320	SNW 18 x 3-3/16	H 318 x 3/16			FR190 x 11.5	2	
		22318K	475	SNW 118 x 3-3/16	H 2318 x 3-3/16			FR190 x 10	1	
3-7/16	SAF 620	1320K	143	SNW 20 x 3-7/16	H 320 x 3-7/16	LER 102	TER 102	FR215 x 18	2	EPR 12
		2320K	190	SNW 20 x 3-7/16	H 2320 x 3-7/16			FR215 x 10	1	
		21320K	380	SNW 20 x 3-7/16	H 320 x 3-7/16			FR215 x 18	2	
		22320K	600	SNW 120 x 37/16	H 2320 x 3-7/16			FR215 x 10	1	
3-15/16	SAF 622	1322K	160	SNW 22 x 3-15/16	H 322 x 3-15/16	LER109	TER 109	FR240 x 20	2	EPR 13
		21322K	460	SNW 22 x 3-15/16	H 322 x 3-15/16			FR240 x 20	2	
		22322K	720	SNW 122 x 3-15/16	H 2322 x 3-15/16			FR240 x 10	1	
		SAF 624	22324K	840	SNW 124 x 4-3/16			H 2324 x 4-3/16	LER 113	
4-7/16	SAF 626	22326K	970	SNW 126 x 4-7/16	H 2326 x 4-7/16	LER 117	TER 117	FR280 x 10	1	EPR 15
4-15/16	SAF 628	22328K	1120	SNW 128 x 4-15/16	H 2328 x 4-15/16	LER 122	TER 122	FR300 x 10	1	EPR 27
5-3/16	SAF 630	22330K	1250	SNW 130 x 5-3/16	H 2330 x 5-3/16	LER 125	TER 125	FR320 x 10	1	EPR 16
5-7/16	SAF 632	22332K	1375	SNW 132 x 5-7/16	H 2332 x 5-7/16	LER 130	TER 130	FR340 x 10	1	EPR 16
5-15/16	SAF 634	22334K	1540	SNW 134 x 5-15/16	H 2334 x 5-15/16	LER 140	TER 140	FR360 x 10	1	EPR 18
6-7/16	SAF 636	22336K	1725	SNW 136 x 6-7/16	H 2336 x 6-7/16	LER 148	TER 148	FR380 x 10	1	EPR 19
6-15/16	SAF 638	22338K	1860	SNW 138 x 6-15/16	H 2338 x 6-15/16	LER 155	TER 155	FR400 x 10	1	EPR 20
7-3/16	SAF 640	22340K	2010	SNW 140 x 7-3/16	H 2340 x 7-3/16	LER 159	—	FR420 x 10	1	EPR 21

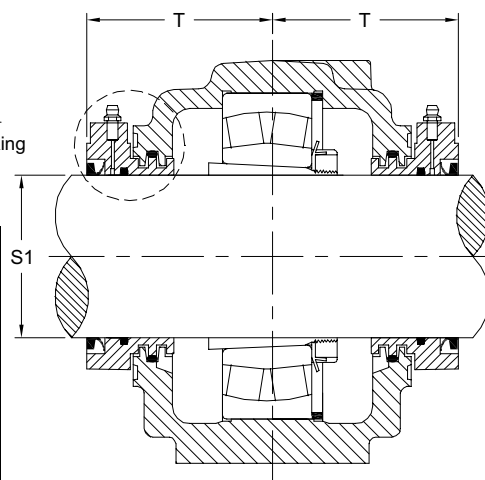
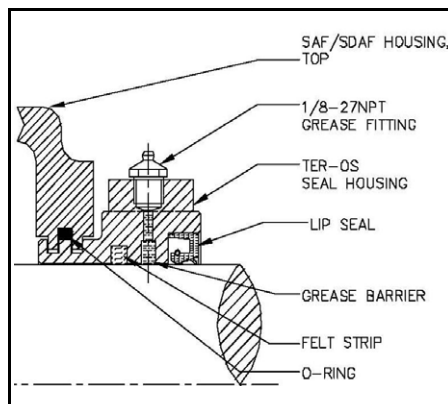
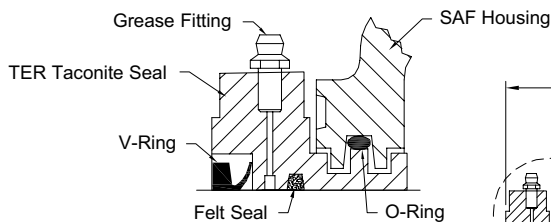
Note: * Popular bearing in bold. ** Select either adapter. Complete bearing part no. will be 22220K C3 W33 where K indicates a taper bore (for adapters), C3 is the internal clearance and W33 is the lube groove on the O.D.

SAF Split Block Accessories



Tac Seals

- Taconite Seal options for SAF Housings.
- Fits Industry Standard Housing Grooves.



Shaft Size S1	SAF 500 Housing Part No.	SAF 600 Housing Part No.	TAC Seal Part No.	TER-OS Part No.	Length T
1-3/16	SAF 507	—	TER 14	TER 14-OS	1.59
1-7/16	SAF 509	SAF 609	TER 17	TER 17-OS	3.03
1-11/16	SAF 510	SAF 610	TER 20	TER 20-OS	3.25
1-5/16	SAF 511	SAF 611	TER 24	TER 24-OS	3.38
2-3/16	SAF 513	SAF 613	TER 29	TER 29-OS	3.63
2-7/16	SAF 515	SAF 615	TER 37	TER 37-OS	3.81
2-11/16	SAF 516	SAF 616	TER 44	TER 44-OS	4.13
2-13/16	SAF 517	SAF 617	TER 53	TER 53-OS	3.91
3-3/16	SAF 518	SAF 618	TER 188	TER 188-OS	4.06
3-7/16	SAF 520	SAF 620	TER 102	TER 102-OS	4.38
3-15/16	SAF 522	SAF 622	TER 109	TER 109-OS	4.56
4-3/16	SAF 524	SAF 624	TER 113	TER 113-OS	5.00
4-7/16	SAF 526	SAF 626	TER 117	TER 117-OS	5.31
4-15/16	SAF 528	SAF 628	TER 122	TER 122-OS	5.13
5-3/16	SAF 530	SAF 630	TER 125	TER 125-OS	5.50
5-7/16	SAF 532	SAF 632	TER 130	TER 130-OS	5.69
5-15/16	SAF 534	SAF 634	TER 140	TER 140-OS	5.06
6-7/16	SAF 536	SAF 636	TER 148	TER 148-OS	5.25
6-15/16	SAF 538	SAF 638	TER 155	TER 155-OS	6.69
7-3/16	SAF 540	—	TER 159	TER 159-OS	7.06
7-15/16	SAF 544	—	TER 167	TER 167-OS	7.25

Pillow Block Housings

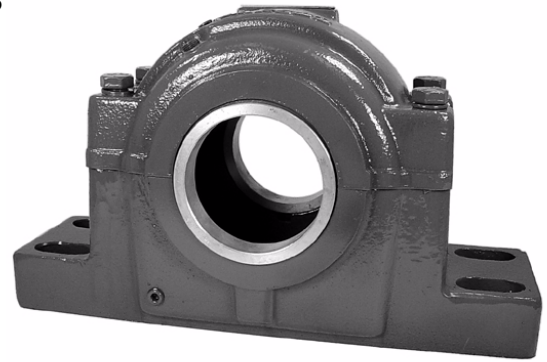


Optional Shaft Sizes for SAF 500 & 600 Series

SAF Series Pillow Blocks can accept different shaft sizes by changing Seals and Adapters.

Shown below are the other, less popular, but stock parts that accommodate other standard shaft sizes.

Part numbers listed below are Cast Iron. Ductile and Steel housings are stock for the SAF 500 Series and are available on request for the SAF 600 Series.



SAF 500 Series

Shaft Size	Housing Part No. *	Bearing Part No.	Adapter		Seal Part No.
			SNW Type Part No.	H Type Part No.	
11/16 3/4	SAF 505	2205K	SNW05 x 11/16	H305 x 11/16	LER 7
		2205K	SNW05 x 3/4	H305 x 3/4	LER 6
15/16 1	SAF 506	2206K	SNW06 x 15/16	H306 x 15/16	LER 10
		2206K	SNW06 x 1	H306 x 1	LER 11
1-3/16	SAF 507	22207K	SNW07 x 1-3/16	H307 x 1-3/16	LER 14
1-1/2	SAF 509	22209K	SNW09 x 1-1/2	H309 x 1-1/2	LER 18
1-3/4	SAF 510	22210K	SNW10 x 1-3/4	H310 x 1-3/4	LER 21
2	SAF 511	22211K	SNW11 x 2	H311 x 2	LER 25
2-1/4	SAF 513 FSAF 513	22213K	SNW13 x 2-1/4	H313 x 2-1/4	LER 30
		22215K	SNW15 x 2-1/2	H315 x 2-1/2	LER 38
2-1/2	SAF 515 FSAF 515	22215K	SNW15 x 2-1/2	H315 x 2-1/2	LER 38
		22216K	SNW16 x 2-3/4	H316 x 2-3/4	LER 45
2-3/4	SAF 516 FSAF 516	22216K	SNW16 x 2-3/4	H316 x 2-3/4	LER 45
		22217K	SNW17 x 3	H317 x 3	LER 54
3	SAF 517 FSAF 517	22217K	SNW17 x 3	H317 x 3	LER 54
		22218K	SNW18 x 3-1/4	H318 x 3-1/4	LER 70
3-1/4	SAF 518 FSAF 518	22218K	SNW18 x 3-1/4	H318 x 3-1/4	LER 70
		22220K	SNW20 x 3-1/2	H320 x 3-1/2	LER 103
3-1/2	SAF 520 FSAF 520	22220K	SNW20 x 3-1/2	H320 x 3-1/2	LER 103
		22222K	SNW22 x 4	H322 x 4	LER 110
4	SAF 522	22222K	SNW22 x 4	H322 x 4	LER 110
4-1/4	SAF 524	22224K	SNW24 x 4-1/4	H3124 x 4-1/4	LER 114
4-1/2	SAF 526	22226K	SNW26 x 4-1/2	H3126 x 4-1/2	LER 118
5	SAF 528	22228K	SNW28 x 5	H3128 x 5	LER 123
5-1/4	SAF 530	22230K	SNW30 x 5-1/4	H3130 x 5-1/4	LER 126
5-1/2	SAF 532	22232K	SNW32 x 5-1/2	H3132 x 5-1/2	LER 131
6	SAF 534	22234K	SNW34 x 6	H3134 x 6	LER 141
6-1/2	SAF 536	22236K	SNW36 x 6-1/2	H3136 x 6-1/2	LER 149
7	SAF 538	22238K	SNW38 x 7	H3138 x 7	LER 156
8	SAF 544	22244K	SNW44 x 8	H3144 x 8	LER 168

Note: * Ductile and Steel housings are also stock.

SAF 600 Series

Shaft Size	Housing Part No.	Bearing Part No.	Adapter		Seal Part No.
			SNW Type Part No.	H Type Part No.	
1-1/2	SAF 609	22309K	SNW109 x 1-1/2	H2309 x 1-1/2	LER 18
1-3/4	SAF 610	22310K	SNW110 x 1-3/4	H2310 x 1-3/4	LER 21
2	SAF 611 FSAF 611	22311K	SNW111 x 2	H2311 x 2	LER 25
		22313K	SNW113 x 2-1/4	H2313 x 2-1/4	LER 33
2-1/4	SAF 613 FSAF 613	22313K	SNW113 x 2-1/4	H2313 x 2-1/4	LER 33
		22315K	SNW115 x 2-1/2	H2315 x 2-1/2	LER 38
2-1/2	SAF 615 FSAF 615	22315K	SNW115 x 2-1/2	H2315 x 2-1/2	LER 38
		22316K	SNW116 x 2-3/4	H2316 x 2-3/4	LER 45
2-3/4	SAF 616 FSAF 616	22316K	SNW116 x 2-3/4	H2316 x 2-3/4	LER 45
		22317K	SNW117 x 3	H2317 x 3	LER 185
3	SAF 617 FSAF 617	22317K	SNW117 x 3	H2317 x 3	LER 185
3-1/4	SAF 618	22318K	SNW118 x 3-1/4	H2318 x 3-1/4	LER 189
3-1/2	SAF 620	22320K	SNW120 x 3-1/2	H2320 x 3-1/2	LER 103
4	SAF 622	22322K	SNW122 x 4	H2322 x 4	LER 110
4-1/4	SAF 624	22324K	SNW124 x 4-1/4	H2324 x 4-1/4	LER 114
4-1/2	SAF 626	22326K	SNW126 x 4-1/2	H2326 x 4-1/2	LER 118
5	SAF 628	22328K	SNW128 x 5	H2328 x 5	LER 123
5-1/4	SAF 630	22330K	SNW130 x 5-1/4	H2330 x 5-1/4	LER 126
6	SAF 634	22334K	SNW134 x 6	H2334 x 6	LER 141
6-1/2	SAF 636	22336K	SNW136 x 6-1/2	H2336 x 6-1/2	LER 149
7	SAF 638	22338K	SNW138 x 7	H2338 x 7	LER 156

Pillow Block Housings

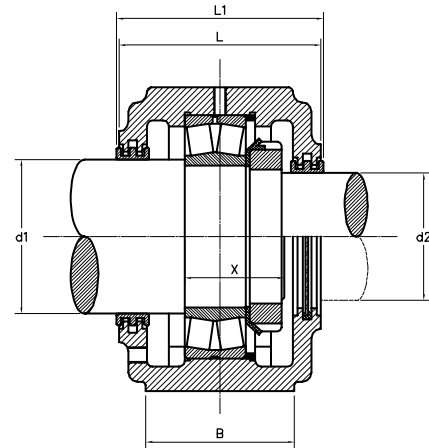
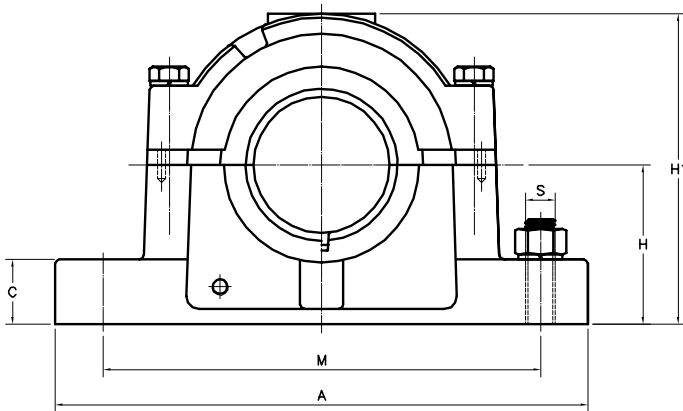


SAF 200 Series



These Pillow Block Housings accept self-aligning ball or spherical roller bearings with straight bore. They are available in cast iron (SAF), Ductile (SAFD) or cast steel (SAFS). SAF = 2-bolt base, FSAF = 4-bolt base, SAF 222 through SAF 244 only with 4-bolt base. SAF housings

are supplied standard with triple labyrinth seals. End covers and Taconite seals available on request. Each housing includes a fixing ring for non-expansion. Removing the ring allows the bearing to float as the expansion bearing.



Dimensions in inches

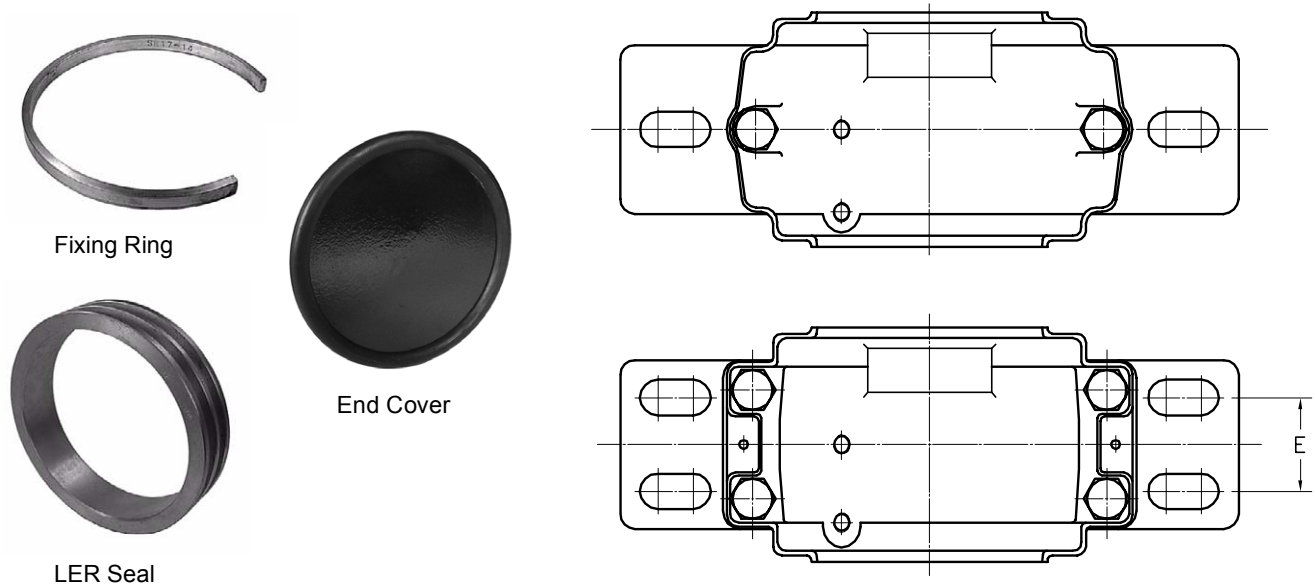
Cast Part No. *	Shaft Size		A	B	C	E	H	H ₁	L	L ₁	M max	M min	S Bolt	X	Wt. lb
	d ₁	d ₂													
SAF 216	3-5/8	3	13.00	3.50	1.19	—	3.500	6.88	4.75	4.88	11.00	9.63	(2) 3/4	1.44	30
FSAF 216	3-5/8	3	13.00	3.50	1.19	2.13	3.500	6.88	4.75	4.88	11.00	9.63	(4) 5/8	1.44	30
SAF 217	3-15/16	3-3/16	13.00	3.50	1.25	—	3.750	7.31	4.81	5.00	11.00	9.88	(2) 3/4	1.53	32
FSAF 217	3-15/16	3-3/16	13.00	3.50	1.25	2.13	3.750	7.31	4.81	5.00	11.00	9.88	(4) 5/8	1.53	32
SAF 218	4-1/8	3-3/8	13.75	3.88	1.31	—	4.000	7.75	5.50	5.75	11.63	10.38	(4) 5/8	1.69	38
FSAF 218	4-1/8	3-3/8	13.75	3.88	1.31	2.13	4.000	7.75	5.50	5.75	11.63	10.38	(4) 5/8	1.69	38
SAF 220	4-1/2	3-13/16	15.25	4.38	1.75	—	4.500	8.75	5.81	6.00	13.13	11.63	(4) 3/4	2.00	60
FSAF 220	4-1/2	3-13/16	15.25	4.38	1.75	2.38	4.500	8.75	5.81	6.00	13.13	11.63	(4) 3/4	2.00	60
SAF 222	4-7/8	4-3/16	16.50	4.75	2.00	2.75	4.934	9.63	6.44	6.50	14.50	12.63	(4) 3/4	2.06	78
SAF 224	5-5/16	4-9/16	16.50	4.75	2.13	2.75	5.250	10.25	7.13	7.38	14.50	13.25	(4) 3/4	2.22	91
SAF 226	5-7/8	4-15/16	18.38	5.13	2.38	3.25	6.000	11.50	7.75	8.00	16.00	14.63	(4) 7/8	2.38	125
SAF 228	6-1/4	5-5/16	20.13	5.88	2.38	3.38	6.000	11.75	7.38	7.63	17.13	16.00	(4) 1	2.50	129
SAF 230	6-5/8	5-3/4	21.25	6.25	2.50	3.75	6.313	12.50	8.13	8.38	18.25	17.00	(4) 1	2.72	165
SAF 232	7	6-1/16	22.00	6.25	2.63	3.75	6.688	13.31	8.50	8.75	19.25	17.38	(4) 1	2.94	179
SAF 234	7-7/16	6-7/16	24.75	6.75	2.75	4.25	7.063	14.19	9.25	9.63	21.63	19.38	(4) 1	3.09	228
SAF 236	7-13/16	6-7/8	26.75	7.13	3.00	4.63	7.500	14.88	9.63	10.00	23.63	20.88	(4) 1	3.13	258
SAF 238	8-3/8	7-1/4	28.00	7.50	3.13	4.50	7.875	15.69	10.50	10.75	24.38	21.63	(4) 1-1/4	3.28	305
SAF 240	8-3/4	7-5/8	29.50	8.00	3.38	5.00	8.250	16.50	11.00	11.25	25.00	22.50	(4) 1-1/4	3.44	364
SAF 244	9-9/16	8-5/16	32.75	8.75	3.75	5.25	9.500	18.63	11.75	12.00	27.88	24.75	(4) 1-1/2	3.81	500

Note: * Ductile and Steel housings are available on request.

Pillow Block Housings



SAF 200 Series



Housing Part No.	Bearing Part No.	Basic Dynamic Rating C kN	Shaft Size		Locknut Part No.	Lockwasher Part No.	Seals - Part No.		Fixing Rings		End Cover Part No.
			d ₁	d ₂			d ₁	d ₂	Part No.	Qty.	
SAF 216 FSAF 216	1216	40	3-5/8	3	AN 16	W 16	LER 82	LER 54	FR140 x 8.5	2	EPR 09
	2216	51							FR140 x 10	1	
	22216	175							FR140 x 10	1	
SAF 217 FSAF 217	1217	49	3-15/16	3-3/16	AN 17	W 17	LER 89	LER 63	FR150 x 9	2	EPR 09
	2217	58.5							FR150 x 10	1	
	22217	210							FR150 x 10	1	
SAF 218 FSAF 218	1218	57	4-1/8	3-3/8	AN 18	W 18	LER 112	LER 191	FR160 x 10	2	EPR 11
	2218	71							FR160 x 10	1	
	22218	250							FR160 x 10	1	
SAF 220 FSAF 220	1220	69.5	4-1/2	3-13/16	AN 20	W 20	LER 118	LER 106	FR180 x 11	2	EPR 12
	2220	98							FR180 x 10	1	
	22220	310							FR180 x 10	1	
SAF 222	1222	88	4-7/8	4-3/16	AN 22	W 22	LER 121	LER 113	FR200 x 12.5	2	EPR 14
	2222	124							FR200 x 10	1	
	22222	405							FR200 x 10	1	
SAF 224	22224	465	5-5/16	4-9/16	AN 24	W 24	LER 127	LER 119	FR215 x 10	1	EPR 15
SAF 226	22226	545	5-7/8	4-15/16	AN 26	W 26	LER 136	LER 122	FR230 x 10	1	EPR 27
SAF 228	22228	605	6-1/4	5-5/16	AN 28	W 28	LER 144	LER 127	FR250 x 10	1	EPR 16
SAF 230	22230	730	6-5/8	5-3/4	AN 30	W 30	LER 151	LER 134	FR270 x 10	1	EPR 17
SAF 232	22232	860	7	6-1/16	AN 32	W 32	LER 156	LER 142	FR290 x 10	1	EPR 18
SAF 234	22234	975	7-7/16	6-7/16	AN 34	W 34	LER 161	LER 148	FR310 x 10	1	EPR 19
SAF 236	22236	1000	7-13/16	6-7/8	AN 36	W 36	LER 165	LER 154	FR320 x 10	1	EPR 20
SAF 238	22238	1100	8-3/8	7-1/4	AN 38	W 38	LER 171	LER 160	FR340 x 10	1	EPR 21
SAF 240	22240	1250	8-3/4	7-5/8	AN 40	W 40	LER 175	LER 164	FR360 x 10	1	EPR 22
SAF 244	22244	1500	9-9/16	8-5/16	N 44	W 44	LER 179	LER 170	FR400 x 10	1	EPR 24

Note: Bearing part number in bold face is a double row straight bore spherical and the most popular. Typical suffix to the bearing part number is C3W33 where C3 is the internal clearance and W33 indicates a lube groove on the bearing O.D.
Example: 22220C3W33.

Pillow Block Housings

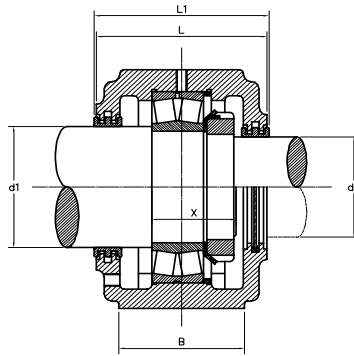
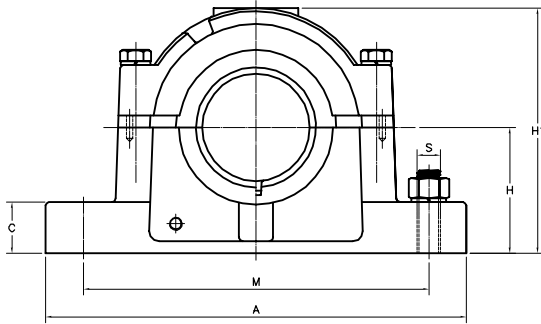


SAF 300 Series



These Pillow Block Housings accept self-aligning ball or spherical roller bearings with straight bores. They are available in cast iron (SAF) or cast steel (SAFS). SAF = 2-bolt base, FSAF = 4-bolt base, SAF 318 through SAF 338

only with 4-bolt base. SAF housings are supplied standard with triple labyrinth seals. FSAF 311 through FSAF 317 are made to order. Each housing includes a fixing ring for non-expansion. Removing the ring allows bearing expansion.



LER Seal



Fixing Ring



End Cover

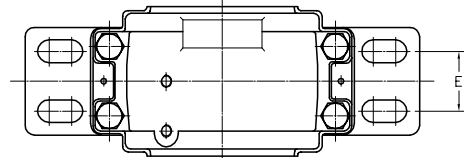
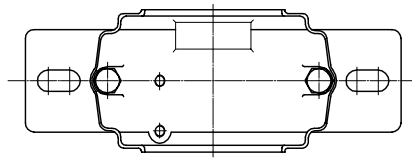
Dimensions in inches

Part No.	Shaft Size		A	B	C	E	H	H ₁	L	L ₁	M min	M max	S Bolt	X	Wt. lb
	d ₁	d ₂													
SAF 308	1-15/16	1-7/16	8.25	2.38	1.00	—	2.500	4.81	3.88	4.00	6.25	7.00	(2) 1/2	1.06	10
SAF 309	2-1/8	1-11/16	9.63	2.75	1.00	—	2.750	5.31	4.13	4.25	7.38	7.88	(2) 5/8	1.06	13
SAF 310	2-3/8	1-7/8	10.63	2.75	1.13	—	3.000	5.81	4.50	4.63	7.75	9.00	(2) 5/8	1.13	17
SAF 311	2-9/16	2-1/16	11.00	3.13	1.19	—	3.250	6.19	4.75	4.88	8.13	9.50	(2) 5/8	1.19	21
FSAF 311	2-9/16	2-1/16	11.00	3.13	1.19	2.00	3.250	6.19	4.75	4.88	8.13	9.50	(4) 1/2	1.19	21
SAF 312	2-7/8	2-1/4	11.25	3.13	1.19	—	3.250	6.38	5.13	5.25	8.63	9.38	(2) 5/8	1.19	25
FSAF 312	2-7/8	2-1/4	11.25	3.13	1.19	1.88	3.250	6.38	5.13	5.25	8.63	9.38	(4) 1/2	1.19	25
SAF 313	3-1/16	2-7/16	13.00	3.50	1.25	—	3.500	6.94	5.25	5.38	9.63	11.00	(2) 3/4	1.38	30
FSAF 313	3-1/16	2-7/16	13.00	3.50	1.25	2.13	3.500	6.94	5.25	5.38	9.63	11.00	(4) 5/8	1.38	30
SAF 314	3-1/4	2-5/8	13.00	3.50	1.25	—	3.750	7.38	5.25	5.38	9.88	11.00	(2) 3/4	1.38	32
FSAF 314	3-1/4	2-5/8	13.00	3.50	1.25	2.13	3.750	7.38	5.25	5.38	9.88	11.00	(4) 5/8	1.38	32
SAF 315	3-7/16	2-13/16	13.75	3.88	1.31	—	4.000	7.81	5.88	6.25	10.38	11.63	(2) 3/4	1.38	41
FSAF 315	3-7/16	2-13/16	13.75	3.88	1.31	2.13	4.000	7.81	5.88	6.25	10.38	11.63	(4) 5/8	1.38	41
SAF 316	3-5/8	3	14.25	3.88	1.31	—	4.250	8.25	6.13	6.50	10.63	12.63	(2) 3/4	1.38	49
FSAF 316	3-5/8	3	14.25	3.88	1.31	2.13	4.250	8.25	6.13	6.50	10.63	12.63	(4) 5/8	1.38	49
SAF 317	3-15/16	3-3/16	15.25	4.38	1.75	—	4.500	8.75	6.50	6.75	11.63	13.13	(2) 7/8	1.56	65
FSAF 317	3-15/16	3-3/16	15.25	4.38	1.75	2.38	4.500	8.75	6.50	6.75	11.63	13.13	(4) 3/4	1.56	65
SAF 318	4-1/8	3-3/8	15.50	4.38	2.00	2.25	4.750	9.19	6.63	6.88	12.00	13.50	(4) 3/4	2.16	75
SAF 320	4-1/2	3-13/16	16.50	4.75	2.13	2.75	5.000	10.25	7.13	7.38	13.25	14.50	(4) 3/4	2.44	91
SAF 322	4-7/8	4-3/16	18.38	5.13	2.38	3.25	6.000	11.50	7.75	8.00	14.63	16.00	(4) 7/8	2.59	120
SAF 324	5-5/16	4-9/16	21.25	6.25	2.50	3.75	6.313	12.50	8.13	8.38	17.00	18.25	(4) 1	2.75	166
SAF 326	5-7/8	4-15/16	22.00	6.25	2.63	3.75	6.688	13.31	8.50	8.75	17.38	19.25	(4) 1	2.94	184
SAF 328	6-1/4	5-5/16	24.75	6.75	2.75	4.25	7.063	14.19	9.25	9.38	19.38	21.63	(4) 1	3.16	243
SAF 330	6-5/8	5-3/4	26.75	7.13	3.00	4.63	7.500	14.88	9.63	9.75	20.88	23.63	(4) 1	3.41	259
SAF 332	7	6-1/16	28.00	7.50	3.13	4.50	7.875	15.69	10.50	10.63	21.63	24.38	(4) 1-1/4	3.59	299
SAF 334	7-7/16	6-7/16	29.50	8.00	3.38	5.00	8.250	16.50	11.00	11.25	22.50	25.00	(4) 1-1/4	3.75	355
SAF 336	7-13/16	6-7/8	31.25	8.25	3.50	5.25	8.875	17.75	11.25	11.38	24.00	26.63	(4) 1-1/4	3.90	360
SAF 338	8-3/8	7-1/4	32.75	8.75	3.75	5.25	9.500	18.63	11.75	12.00	24.75	27.88	(4) 1-1/2	4.06	477
SAF 340	8-3/4	7-5/8	34.25	9.00	4.00	5.50	9.875	20.0	11.87	12.06	26.25	29.50	(4) 1-1/2	4.25	480

Pillow Block Housings



SAF 300 Series



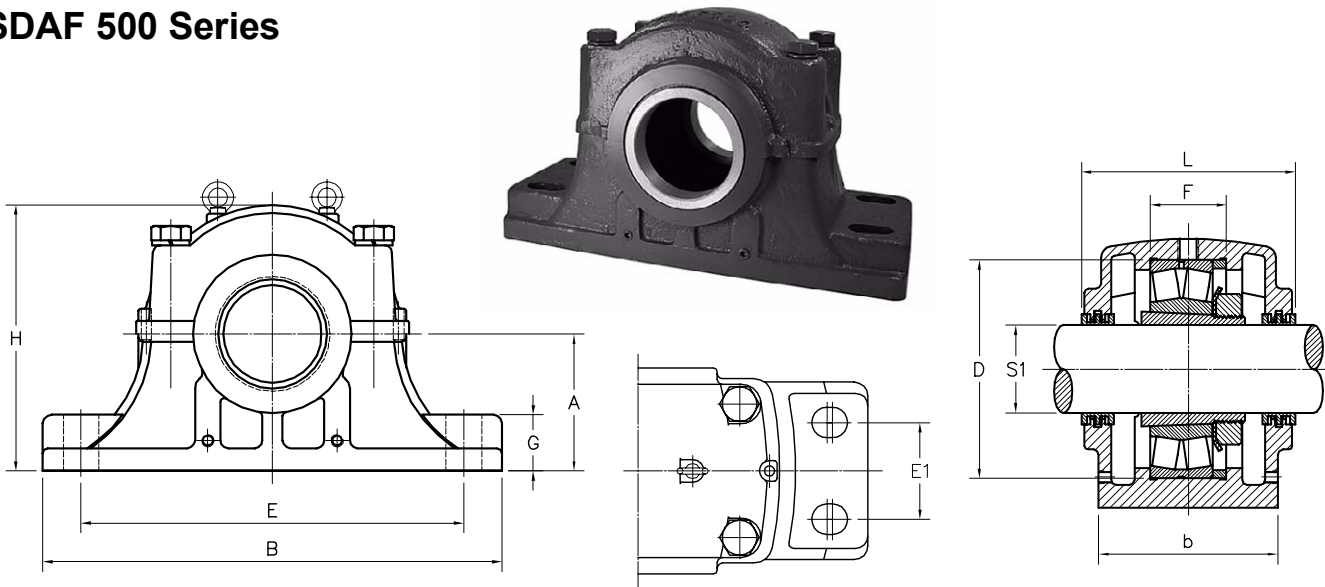
Housing Part No.	Bearing Part No.	Basic Dynamic Rating C kN	Shaft Size		Locknut Part No.	Lock-washer Part No.	Seals		Fixing Rings		End Cover Part No.
			d1	d2			d1	d2	Part No.	Qty.	
SAF 308	1308	29	1-15/16	1-7/16	N08	W08	LER 24	LER 17	FR90 x 10	2	EPR03
	2308	45							FR90 x 10	1	
	21308	82							FR90 x 10	2	
	22308	112							FR90 x 10	1	
SAF 309	1309	38	2-1/8	1-11/16	N09	W09	LER 28	LER 20	FR100 x 10.5	2	EPR04
	2309	54							FR100 x 10	1	
	21309	100							FR100 x 10.5	2	
	22309	135							FR100 x 10	1	
SAF 310	1310	41.5	2-3/8	1-7/8	N10	W10	LER 35	LER 23	FR110 x 11.5	2	EPR05
	2310	64							FR110 x 10	1	
	21310	120							FR110 x 11.5	2	
	22310	175							FR110 x 10	1	
SAF 311 FSAF 311	1311	51	2-9/16	2-1/16	N11	W11	LER 40	LER 27	FR120 x 12	2	EPR06
	2311	75							FR120 x 10	1	
	21311	138							FR120 x 12	2	
	22311	195							FR120 x 10	1	
SAF 313 FSAF 313	1313	62	3-1/16	2-7/16	N13	W13	LER 55	LER 37	FR140 x 12.5	2	EPR07
	2313	95							FR140 x 10	1	
	21313	184							FR140 x 12.5	2	
	22313	250							FR140 x 10	1	
SAF 314 FSAF 314	1314	75	3-1/4	2-5/8	N14	W14	LER 64	LER 43	FR150 x 12.5	2	-
	2314	110							FR150 x 10	1	
	21314	207							FR150 x 12.5	2	
	22314	310							FR150 x 10	1	
SAF 315 FSAF 315	1315	80	3-7/16	2-13/16	AN15	W15	LER 79	LER 46	FR160 x 14	2	EPR08
	2315	122							FR160 x 10	1	
	21315	234							FR160 x 14	2	
	22315	340							FR160 x 10	1	
SAF 316 FSAF 316	1316	88	3-5/8	3	AN16	W16	LER 84	LER 60	FR170 x 14.5	2	EPR10
	2316	137							FR170 x 10	1	
	21316	255							FR170 x 14.5	2	
	22316	370							FR170 x 10	1	
SAF 317 FSAF 317	1317	98	3-15/16	3-3/16	AN17	W17	LER 109	LER 188	FR180 x 14.5	2	EPR11
	2317	140							FR180 x 10	1	
	21317	290							FR180 x 14.5	2	
	22317	420							FR180 x 10	1	
SAF 318 FSAF 318	1318	108	4-1/8	3-3/8	AN18	W18	LER 112	LER 191	FR190 x 15.5	2	EPR11
	2318	153							FR190 x 10	1	
	21318	320							FR190 x 15.5	2	
	22318	475							FR190 x 10	1	
SAF 320	1320	143	4-1/2	3-13/16	AN20	W20	LER 118	LER 106	FR215 x 18	2	EPR12
	2320	190							FR215 x 10	1	
	21320	380							FR215 x 18	2	
	22320	600							FR215 x 10	1	
SAF 322	1322	160	4-7/8	4-3/16	AN22	W22	LER121	LER 113	FR240 x 20	2	EPR14
	21322	460							FR240 x 20	2	
	22322	720							FR240 x 10	1	
	SAF 324	22324							840	5-5/16	
SAF 326	22326	970	5-7/8	4-15/16	AN26	W26	LER 136	LER 122	FR280 x 10	1	EPR27
SAF 328	22328	1120	6-1/4	5-5/16	AN28	W28	LER 144	LER 127	FR300 x 10	1	EPR16
SAF 330	22330	1250	6-5/8	5-3/4	AN30	W30	LER 151	LER 134	FR320 x 10	1	EPR17
SAF 332	22332	1375	7	6-1/16	AN32	W32	LER 156	LER 142	FR340 x 10	1	EPR18
SAF 334	22334	1540	7-7/16	6-7/16	AN34	W34	LER 161	LER 148	FR360 x 10	1	EPR19
SAF 336	22336	1725	7-13/16	6-7/8	AN36	W36	LER 165	LER 154	FR380 x 10	1	EPR 20
SAF 338	22338	1860	8-3/8	7-1/4	AN38	W38	LER 171	LER 160	FR400 x 10	1	EPR21
SAF 340	22340	2010	8-3/4	7-5/8	AN40	W40	LER 175	LER 164	FR420 x 10	1	EPR 22

Note: Bearing part number in bold face is a double row straight bore spherical and the most popular. Typical suffix to the bearing part number is C3W33 where C3 is the internal clearance and W33 indicates a lube groove on the bearing O.D. Example: 22320C3W33.

Pillow Block Housings



SDAF 500 Series



SDAF 500 - Housing Dimensions

Dimensions in inches

Housing No.	A	B	b	D		E		E1	F	G	H	L	Bolts (No. Req'd)	Wt. lb
				mm	Max	Min	mm							
SDAF 520	4.500	15.25	6.00	180	13.12	11.63	3.38	55.8	1.88	8.94	6.75	(4) 3/4	65	
SDAF 522	4.937	16.50	6.75	200	14.50	12.63	4.00	62.8	2.12	9.88	7.25	(4) 7/8	96	
SDAF 524	5.250	16.50	6.88	215	14.50	13.25	4.12	67.8	2.50	10.50	7.38	(4) 7/8	107	
SDAF 526	6.000	18.38	7.50	230	16.00	14.63	4.50	73.8	2.38	11.88	8.00	(4) 1	147	
SDAF 528	6.000	20.12	7.50	250	17.12	16.00	4.50	77.8	2.38	12.06	7.94	(4) 1-1/8	131	
SDAF 530	6.312	21.25	7.88	270	18.25	17.00	4.75	82.8	2.50	12.81	8.38	(4) 1-1/8	157	
SDAF 532	6.687	22.00	8.25	290	19.25	17.38	5.00	89.8	2.50	13.69	8.75	(4) 1/8	187	
SDAF 534	7.062	24.75	9.00	310	21.63	19.38	5.50	95.8	2.50	14.25	9.63	(4) 1/4	212	
SDAF 536	7.500	26.75	9.38	320	23.63	20.88	5.88	95.8	2.75	15.50	10.00	(4) 1/4	292	
SDAF 538	7.875	27.63	10.00	340	23.50	21.50	6.25	101.8	3.00	16.25	10.63	(4) 1-3/8	338	
SDAF 540	8.250	28.75	10.50	360	25.00	23.00	6.75	107.8	3.25	17.12	11.12	(4) 1-3/8	344	
SDAF 544	9.500	32.00	11.25	400	27.88	25.63	7.25	117.8	3.50	19.25	11.88	(4) 1-1/2	513	

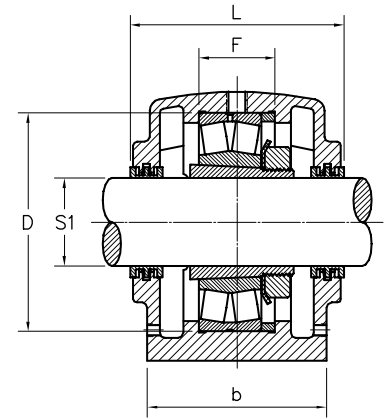
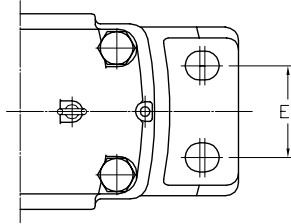
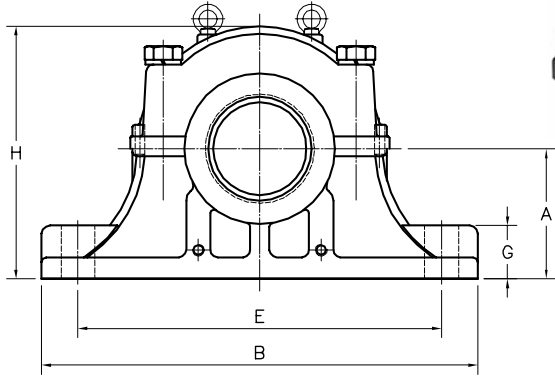
SDAF 225 - Pillow Block Part Number

Shaft Diameter S-1 in	Complete Pillow Block Part No.	Pillow Block Housing Only Part No.	Bearing Part No. *	Basic Dynamic Load Rating C kN	Adapter Locknut and Lockwasher Part No.	Labyrinth Seal (2 required) Part No.	Fixing Ring (1 required) Part No.	End Cover (optional) Part No.
3-7/16	SDAF 22520	SDAF 520	22220 K	310	SNW 20 x 3-7/16	LER 75	FR180 x 10	EPR 11
3-15/16	SDAF 22522	SDAF 522	22222 K	405	SNW 22 x 3-15/16	LER 93	FR200 x 10	EPR 13
4-3/16	SDAF 22524	SDAF 524	22224 K	465	SNW 24 x 4-3/16	LER 113	FR215 x 10	EPR 14
4-7/16	SDAF 22526	SDAF 526	22226 K	545	SNW 26 x 4-7/16	LER 117	FR230 x 10	EPR 15
4-15/16	SDAF 22528	SDAF 528	22228 K	605	SNW 28 x 4-15/16	LER 122	FR250 x 10	EPR 27
5-3/16	SDAF 22530	SDAF 530	22230 K	730	SNW 30 x 5-3/16	LER 125	FR270 x 10	EPR 16
5-7/16	SDAF 22532	SDAF 532	22232 K	860	SNW 32 x 5-7/16	LER 130	FR290 x 10	EPR 16
5-15/16	SDAF 22534	SDAF 534	22234 K	975	SNW 34 x 5-15/16	LER 140	FR310 x 10	EPR 18
6-7/16	SDAF 22536	SDAF 536	22236 K	1000	SNW 36 x 6-7/16	LER 148	FR310 x 10	EPR 19
6-15/16	SDAF 22538	SDAF 538	22238 K	1100	SNW 38 x 6-15/16	LER 224	FR340 x 10	EPR 21
7-3/16	SDAF 22540	SDAF 540	22240 K	1250	SNW 40 x 7-3/16	LER 228	FR360 x 10	EPR 22
7-15/16	SDAF 22544	SDAF 544	22244 K	1500	SNW 44 x 7-15/16	LER 236	FR400 x 10	EPR 24

Note: * Typical suffix to the bearing part number is C3W33 where C3 is the internal clearance and W33 indicates a lube groove on the bearing O.D. K indicates a taper bore bearing. For example specify 22220 K C3W33. Other clearances available upon request. Seals and Fixing Ring included with Pillow Block Housing. Taconite seals also available.

Pillow Block Housings

SDAF 600 Series



SDAF 600 - Housing Dimensions

Dimensions in inches

Housing No.	A	B	b	D	E		E1	F	G	H	L	Bolts (No. Req'd)	Wt. lb
					mm	Min in							
SDAF 616	4.250	14.25	5.50	170	10.63	12.63	3.25	67.8	1.75	8.25	6.38	(4) 5/8	49
SDAF 617	4.500	15.25	6.00	180	11.63	12.13	3.38	69.8	1.88	8.94	6.75	(4) 3/4	67
SDAF 618	4.750	15.50	6.12	190	12.00	13.50	3.63	73.8	2.00	9.44	6.88	(4) 3/4	72
SDAF 620	5.250	16.50	6.88	215	13.25	14.50	4.12	82.8	2.25	10.50	7.38	(4) 7/8	110
SDAF 622	6.000	18.38	7.50	240	14.63	16.00	4.50	89.8	2.38	11.88	8.00	(4) 1	147
SDAF 624	6.312	21.25	7.88	260	17.00	18.25	4.75	95.8	2.50	12.81	8.38	(4) 1-1/8	172
SDAF 626	6.687	22.00	8.25	280	17.38	19.25	5.00	102.8	2.50	13.69	8.75	(4) 1-1/8	194
SDAF 628	7.062	24.75	9.00	300	19.38	21.63	5.50	111.8	2.50	14.25	9.38	(4) 1-1/4	228
SDAF 630	7.500	26.75	9.38	320	20.88	23.63	5.88	117.8	2.75	15.19	9.75	(4) 1-1/4	300
SDAF 632	7.875	27.63	10.00	340	21.50	23.50	6.25	123.8	3.00	16.25	10.63	(4) 1-3/8	355
SDAF 634	8.250	28.75	10.50	360	23.00	25.00	6.75	129.8	3.25	17.12	11.12	(4) 1-3/8	392
SDAF 636	8.875	30.50	10.75	380	24.12	26.63	6.88	135.8	3.25	17.94	11.38	(4) 1-1/2	405
SDAF 638	9.500	32.00	11.25	400	25.63	27.88	7.25	141.8	3.50	19.25	11.88	(4) 1-1/2	484
SDAF 640	9.875	33.50	11.75	420	26.63	29.25	7.63	147.8	3.50	19.94	12.38	(4) 1-5/8	564

SDAF 226 - Pillow Block Part Number

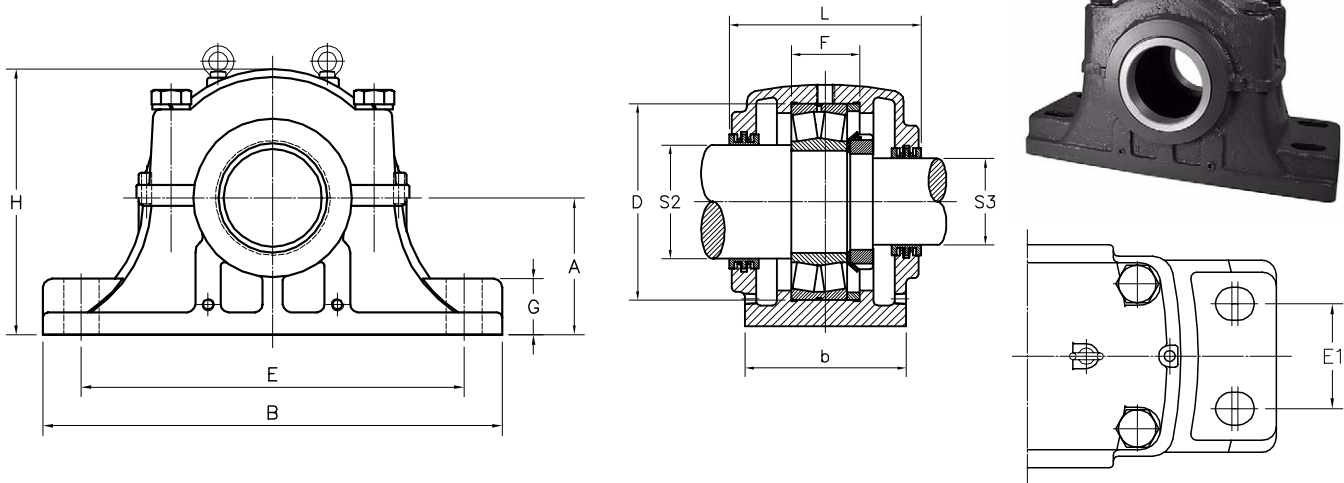
Shaft Diameter S-1 in	Complete Pillow Block Part No.	Pillow Block Housing Only Part No.	Bearing Part No. *	Basic Dynamic Load Rating C kN	Adapter Locknut and Lockwasher Part No.	Labyrinth Seal (2 required) Part No.	Fixing Ring (1 required) Part No.	End Cover (optional) Part No.
2-11/16	SDAF 22616	SDAF 616	22316 K	370	SNW 116 x 2-11/16	LER 44	FR170 x 10	EPR 8
2-15/16	SDAF 22617	SDAF 617	22317 K	420	SNW 117 x 2-15/16	LER 59	FR180 x 10	EPR 10
3-3/16	SDAF 22618	SDAF 618	22318 K	475	SNW 118 x 3-3/16	LER 69	FR190 x 10	EPR 11
3-7/16	SDAF 22620	SDAF 620	22320 K	600	SNW 120 x 3-7/16	LER 75	FR215 x 10	EPR 11
3-15/16	SDAF 22622	SDAF 622	22322 K	720	SNW 122 x 3-15/16	LER 93	FR240 x 10	EPR 13
4-3/16	SDAF 22624	SDAF 624	22324 K	840	SNW 124 x 4-3/16	LER 113	FR260 x 10	EPR 14
4-7/16	SDAF 22626	SDAF 626	22326 K	970	SNW 126 x 4-7/16	LER 117	FR280 x 10	EPR 15
4-15/16	SDAF 22628	SDAF 628	22328 K	1120	SNW 128 x 4-15/16	LER 122	FR300 x 10	EPR 27
5-3/16	SDAF 22630	SDAF 630	22330 K	1250	SNW 130 x 5-3/16	LER 125	FR310 x 10	EPR 16
5-7/16	SDAF 22632	SDAF 632	22332 K	1375	SNW 132 x 5-7/16	LER 211	FR340 x 10	EPR 17
5-15/16	SDAF 22634	SDAF 634	22334 K	1540	SNW 134 x 5-15/16	LER 215	FR360 x 10	EPR 19
6-7/16	SDAF 22636	SDAF 636	22336 K	1725	SNW 136 x 6-7/16	LER 220	FR380 x 10	EPR 26
6-15/16	SDAF 22638	SDAF 638	22338 K	1860	SNW 138 x 6-15/16	LER 224	FR400 x 10	EPR 21
7-3/16	SDAF 22640	SDAF 640	22340 K	2010	SNW 140 x 7-3/16	LER 228	FR420 x 10	EPR 22

Note: * Typical suffix to the bearing part number is C3W33 where C3 is the internal clearance and W33 indicates a lube groove on the bearing O.D. K indicates a taper bore bearing. For example specify 22322 K C3W33. Other clearances available upon request. Seals and Fixing Ring included with Pillow Block Housing. Taconite Seals also available.

Pillow Block Housings



SDAF 200 Series



SDAF 200 - Housing Dimensions

Dimensions in inches

Housing No.	A	B	b	D		E		E1	F	G	H	L	Bolts (No. Req'd)	Wt. lb
				mm	Min	Max	mm							
SDAF 220	4.500	15.25	6.00	180	11.63	13.12	3.38	55.8	1.88	8.94	6.75	(4) 3/4	69	
SDAF 222	4.937	16.50	6.75	200	12.63	14.50	4.00	62.8	2.12	9.88	7.25	(4) 1-7/8	100	
SDAF 224	5.250	16.50	6.88	215	13.25	14.50	4.12	67.8	2.25	10.50	7.38	(4) 7/8	106	
SDAF 226	6.000	18.38	7.50	230	14.63	16.00	4.50	73.8	2.38	11.88	8.00	(4) 1	147	
SDAF 228	6.000	20.12	7.50	250	16.00	17.12	4.50	77.8	2.38	12.06	7.94	(4) 1	141	
SDAF 230	6.312	21.25	7.88	270	17.00	18.25	4.75	82.8	2.50	12.81	8.38	(4) 1-1/8	157	
SDAF 232	6.687	22.00	8.25	290	17.38	19.25	5.00	89.8	2.50	13.69	8.75	(4) 1-1/8	188	
SDAF 234	7.062	24.75	9.00	310	19.38	21.63	5.50	95.8	2.50	14.25	9.63	(4) 1-1/4	212	
SDAF 236	7.500	26.75	9.38	320	20.88	23.63	5.88	95.8	2.75	15.19	10.00	(4) 1-1/4	276	
SDAF 238	7.875	27.63	10.00	340	21.50	23.50	6.25	101.8	3.00	16.25	10.63	(4) 1-3/8	338	
SDAF 240	8.250	28.75	10.50	360	23.00	25.00	5.75	107.8	3.25	17.12	11.12	(4) 1-3/8	344	
SDAF 244	9.500	32.00	11.25	400	25.63	27.88	7.25	117.8	3.50	19.25	11.88	(4) 1-1/2	520	

SDAF 222 - Pillow Block Part Number

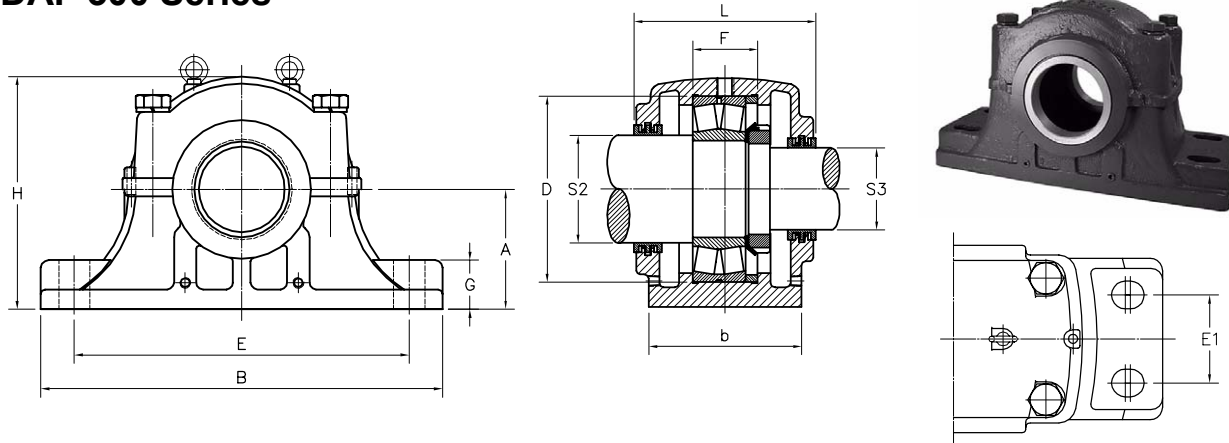
Shaft Dia.		Complete Pillow Block Part No.	Pillow Block Housing Only Part No.	Bearing Part No. *	Basic Dynamic Load Rating C kN	Locknut Part No.	Lockwasher Part No.	Labyrinth Seal Ring Part No.		Fixing Ring (1 Required) Part No.	End Cover (optional) Part No.
S-2 in	S-3 in							S-2 in	S-3 in		
4-1/2	3-13/16	SDAF 22220	SDAF 220	22220	310	AN 20	W 20	LER 205	LER 87	FR180 x 10	EPR 12
4-7/8	4-3/16	SDAF 22222	SDAF 222	22222	405	AN 22	W 22	LER 121	LER 113	FR200 x 10	EPR 14
5-5/16	4-9/16	SDAF 22224	SDAF 224	22224	465	AN 24	W 24	LER 127	LER 119	FR215 x 10	EPR 15
5-7/8	4-15/16	SDAF 22226	SDAF 226	22226	545	AN 26	W 26	LER 136	LER 122	FR230 x 10	EPR 27
6-1/4	5-5/16	SDAF 22228	SDAF 228	22228	605	AN 28	W 28	LER 144	LER 127	FR250 x 10	EPR 16
6-5/8	5-3/4	SDAF 22230	SDAF 230	22230	730	AN 30	W 30	LER 151	LER 134	FR270 x 10	EPR 17
7	6-1/16	SDAF 22232	SDAF 232	22232	860	AN 32	W 32	LER 156	LER 142	FR290 x 10	EPR 18
7-7/16	6-7/16	SDAF 22234	SDAF 234	22234	975	AN 34	W 34	LER 161	LER 148	FR310 x 10	EPR 19
7-13/16	6-7/8	SDAF 22236	SDAF 236	22236	1000	AN 36	W 36	LER 165	LER 154	FR310 x 10	EPR 20
8-3/8	7-1/4	SDAF 22238	SDAF 238	22238	1100	AN 38	W 38	LER 240	LER 229	FR340 x 10	EPR 22
8-3/4	7-5/8	SDAF 22240	SDAF 240	22240	1250	AN 40	W 40	LER 244	LER 233	FR360 x 10	EPR 23
9-9/16	8-5/16	SDAF 22244	SDAF 244	22244	1500	AN 44	W 44	LER 248	LER 239	FR400 x 10	EPR 25

Note: * Typical suffix to the bearing part number is C3W33 where C3 is the internal clearance and W33 indicates a lube groove on the bearing O.D. For example specify 22220 C3W33. Other bearing clearance available upon request. Seals and Fixing Ring included with Pillow Block Housing.

Pillow Block Housings



SDAF 300 Series



SDAF 300 K - Housing Dimensions

Dimensions in inches

Housing No.	A	B	b	D	E		E1	F	G	H	L	Bolts (No. Req'd)	Wt. lb
					mm	Min							
SDAF 316	4.250	14.25	5.50	170	10.63	12.63	3.25	67.8	1.75	8.25	6.38	(4) 5/8	53
SDAF 317	4.500	15.25	6.00	180	11.63	13.12	3.38	69.8	1.88	8.94	6.75	(4) 3/4	67
SDAF 318	4.750	15.50	6.12	190	12.00	13.50	3.63	73.8	2.00	9.44	6.88	(4) 3/4	72
SDAF 320	5.250	16.50	6.88	215	13.25	14.50	4.12	82.8	2.25	10.50	7.38	(4) 7/8	106
SDAF 322	6.000	18.38	7.50	240	14.63	16.00	4.50	89.8	2.38	11.88	8.00	(4) 1	149
SDAF 324	6.312	21.25	7.88	260	17.00	18.25	4.75	95.8	2.50	12.81	8.38	(4) 1-1/8	172
SDAF 326	6.687	22.00	8.25	280	17.38	19.25	5.00	102.8	2.50	13.69	8.75	(4) 1-1/8	195
SDAF 328	7.437	24.75	9.00	300	19.38	21.63	5.50	111.8	2.50	14.25	9.38	(4) 1-1/4	228
SDAF 330	7.500	26.75	9.38	320	20.88	23.63	5.88	117.8	2.75	15.19	9.75	(4) 1-1/4	302
SDAF 332	7.875	27.63	10.00	340	21.50	23.50	6.25	123.8	3.00	16.25	10.63	(4) 1-3/8	355
SDAF 334	8.250	28.75	10.50	360	23.00	25.00	6.75	129.8	3.25	17.12	11.12	(4) 1-3/8	380
SDAF 336	8.875	30.50	10.75	380	24.12	26.38	6.88	135.8	3.25	17.94	11.38	(4) 1-1/2	405
SDAF 338	9.500	32.00	11.25	400	25.63	27.88	7.25	141.8	3.50	19.25	11.88	(4) 1-1/2	522
SDAF 340	9.875	33.50	11.75	420	26.63	29.25	7.63	147.8	3.50	19.94	12.38	(4) 1-5/8	564

SDAF 223 - Pillow Block Part Number

Shaft Dia.		Complete Pillow Block. Part No.	Pillow Block Housing Only Part No.	Bearing Part No. *	Basic Dynamic Load Rating C kN	Locknut Part No.	Lockwasher Part No.	Labyrinth Seal Part No.		Fixing Ring (1 Req'd) Part No.	End Cover (optional) Part No.
S-2 in	S-3 in							S-2 in	S-3 in		
3-5/8	3	SDAF 22316	SDAF 316	22316	370	AN 16	W 16	LER 84	LER 60	FR170 x 10	EPR 10
3-15/16	3-3/16	SDAF 22317	SDAF 317	22317	420	AN 17	W 17	LER 93	LER 69	FR180 x 10	EPR 11
4-1/8	3-3/8	SDAF 22318	SDAF 318	22318	475	AN 18	W 18	LER 96	LER 72	FR190 x 10	EPR 11
4-1/2	3-13/16	SDAF 22320	SDAF 320	22320	600	AN 20	W 20	LER 205	LER 87	FR215 x 10	EPR 12
4-7/8	4-3/16	SDAF 22322	SDAF 322	22322	720	AN 22	W 22	LER 121	LER 113	FR240 x 10	EPR 14
5-5/16	4-9/16	SDAF 22324	SDAF 324	22324	840	AN 24	W 24	LER 127	LER 119	FR260 x 10	EPR 15
5-7/8	4-15/16	SDAF 22326	SDAF 326	22326	970	AN 26	W 26	LER 136	LER 122	FR280 x 10	EPR 27
6-1/4	5-5/16	SDAF 22328	SDAF 328	22328	1120	AN 28	W 28	LER 144	LER 127	FR300 x 10	EPR 16
6-5/8	5-3/4	SDAF 22330	SDAF 330	22330	1250	AN 30	W 30	LER 151	LER 134	FR310 x 10	EPR 17
7	6-1/16	SDAF 22332	SDAF 332	22332	1375	AN 32	W 32	LER 225	LER 217	FR340 x 10	EPR 19
7-7/16	6-7/16	SDAF 22334	SDAF 334	22334	1540	AN 34	W 34	LER 230	LER 220	FR360 x 10	EPR 26
7-13/16	6-7/8	SDAF 22336	SDAF 336	22336	1725	AN 36	W 36	LER 234	LER 223	FR380 x 10	EPR 21
8-3/8	7-1/4	SDAF 22338	SDAF 338	22338	1860	AN 38	W 38	LER 240	LER 229	FR400 x 10	EPR 22
8-3/4	7-5/8	SDAF 22340	SDAF 340	22340	2010	AN 40	W 40	LER 244	LER 233	FR420 x 10	EPR 23

Note: * Typical suffix to the bearing part number is C3W33 where C3 is the internal clearance and W33 indicates a lube groove on the bearing O.D. For example specify 22316 C3W33. Other bearing clearance available upon request.

Seals and Fixing Ring included with Pillow Block Housing.

Pillow Block Housings

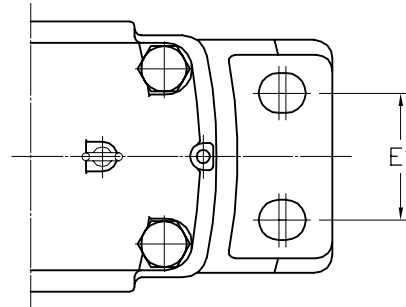
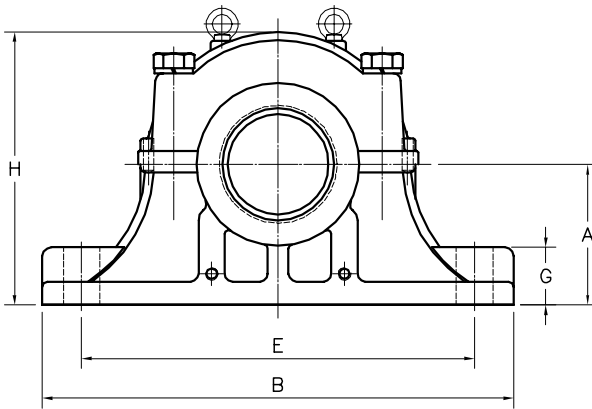
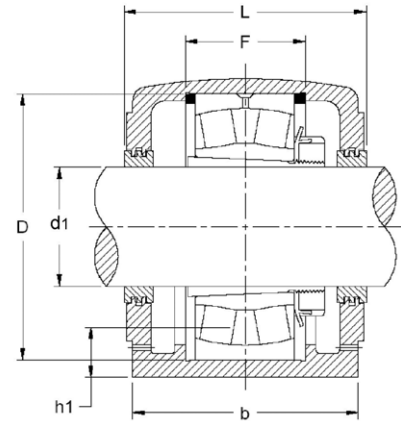


SAF 000 Series (Cast Iron)

SAFS 000 Series (Steel)



SAF 000 Series Split Blocks are heavy duty units and available in Cast Iron and Steel. Ductile units available on request. These housings utilize the 230 Series Spherical Roller Bearing and can be fitted with Taconite Seals for harsh environments. Other housing modifications for RTD or Vibration Sensors are available on request.



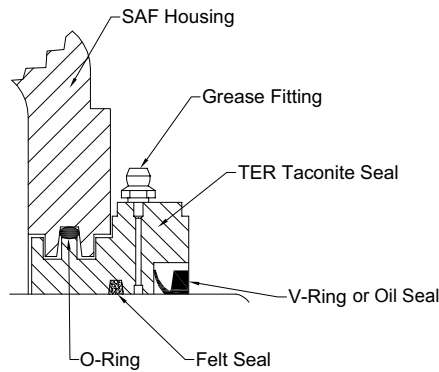
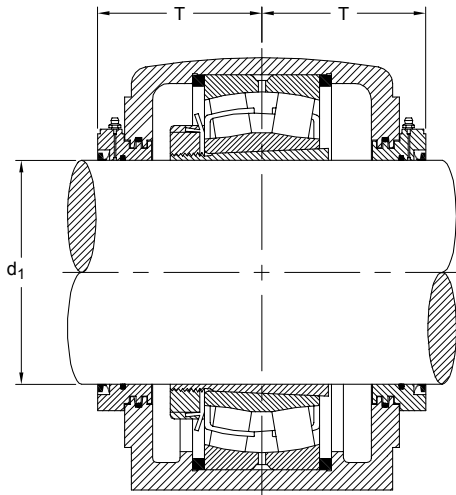
SAF & SAFS 000 K - Housing Dimensions

Dimensions in inches

Cast Iron Housing No.	Steel Housing No.	A	B	b	D		E	E1	F	G	H	Static oil level h ₁	L	T	Base Bolts (No. Req'd)	Wt. lb (Cast)
					mm	Max Min										
SAF024 K x 4-3/16	SAFS024 K x 4-3/16	4.500	15.25	4.38	180	13.12 11.63	2.38	65.6	1.75	8.75	1.6	6.00	4.50	(4) 3/4	48	
SAF026 K x 4-7/16	SAFS026 K x 4-7/16	4.937	16.50	4.75	200	14.50 12.63	2.75	71.6	2.00	9.63	1.7	6.50	4.62	(4) 3/4	56	
SAF028 K x 4-15/16	SAFS028 K x 4-15/16	5.250	16.50	4.75	210	14.50 13.25	2.75	72.6	2.12	10.25	1.8	7.38	5.06	(4) 3/4	69	
SAF030 K x 5-3/16	SAFS030 K x 5-3/16	6.000	18.38	5.12	225	16.00 14.63	3.25	75.6	2.38	11.56	2.2	8.00	5.40	(4) 7/8	107	
SAF032 K x 5-7/16	SAFS032 K x 5-7/16	6.000	18.38	5.12	240	16.00 14.63	3.25	79.6	2.38	11.56	2.1	8.00	5.47	(4) 7/8	125	
SAF034 K x 5-15/16	SAFS034 K x 5-15/16	6.000	20.12	5.88	260	17.12 16.00	3.38	86.6	2.38	11.75	1.7	7.63	5.16	(4) 1	120	
SAF036 K x 6-7/16	SAFS036 K x 6-7/16	6.687	22.00	6.25	280	19.25 17.38	3.75	93.6	2.63	13.50	—	8.75	—	(4) 1	172	
SAF038 K x 6-15/16	SAFS038 K x 6-15/16	6.687	22.00	6.25	290	19.25 17.38	3.75	94.6	2.63	13.50	2.1	8.75	5.72	(4) 1	167	
SAF040 K x 7-3/16	SAFS040 K x 7-3/16	7.062	24.75	6.75	310	21.63 19.38	4.25	101.6	2.75	14.38	2.0	9.63	5.72	(4) 1	193	
SAF044 K x 7-15/16	SAFS044 K x 7-15/16	7.875	28.00	7.50	340	24.38 21.63	4.50	109.6	3.12	15.88	2.3	10.63	6.30	(4) 1-1/4	304	
SAF048 K x 8-7/16	SAFS048 K x 8-7/16	8.250	29.50	8.00	360	25.00 22.50	5.00	111.6	3.38	16.50	2.3	11.25	6.72	(4) 1-1/4	270	
SAF048 K x 8-1/2	SAFS048 K x 8-1/2	8.250	29.50	8.00	360	25.00 22.50	5.00	111.6	3.38	16.50	2.3	11.25	6.72	(4) 1-1/4	270	
SAF048 K x 8-15/16	SAFS048 K x 8-15/16	8.250	29.50	8.00	360	25.00 22.50	5.00	111.6	3.38	16.50	2.3	11.25	6.72	(4) 1-1/4	270	
SAF048 K x 9	SAFS048 K x 9	8.250	29.50	8.00	360	25.00 22.50	5.00	111.6	3.38	16.50	2.3	11.25	6.72	(4) 1-1/4	270	
SAF052 K x 9-7/16	SAFS052 K x 9-7/16	9.500	32.75	8.75	400	27.88 24.75	5.25	123.6	3.75	18.63	3.0	12.00	8.07	(4) 1-1/2	450	
SAF052 K x 9-1/2	SAFS052 K x 9-1/2	9.500	32.75	8.75	400	27.88 24.75	5.25	123.6	3.75	18.63	3.0	12.00	8.07	(4) 1-1/2	450	
SAF056 K x 9-15/16	SAFS056 K x 9-15/16	9.875	34.75	9.00	420	29.50 26.25	5.50	125.6	4.00	20.19	3.0	12.25	7.32	(4) 1-1/2	507	
SAF056 K x 10	SAFS056 K x 10	9.875	34.75	9.00	420	29.50 26.25	5.50	125.6	4.00	20.19	3.0	12.25	7.32	(4) 1-1/2	507	
SAF056 K x 10-7/16	SAFS056 K x 10-7/16	9.875	34.75	9.00	420	29.50 26.25	5.50	125.6	4.00	20.19	3.0	12.25	7.32	(4) 1-1/2	507	
SAF056 K x 10-1/2	SAFS056 K x 10-1/2	9.875	34.75	9.00	420	29.50 26.25	5.50	125.6	4.00	20.19	3.0	12.25	7.32	(4) 1-1/2	507	

Pillow Block Housing Accessories

SAF & SAFS 000 Series



LER & ER Seal



Fixing Ring



TER Seal (optional)



PER Seal and PTV Lip Seal (optional)

- The SAF 000 Housing includes LER or ER Seals and fixing rings.
- For a complete assembly order a Spherical Bearing and Adapter.
- The adapter includes a locknut and lockwasher or locking clip.
- Adapters above 8" are recommended with a Hydraulic removal feature.
- Hydraulic mounting nuts are also available as an installation tool. See HMV Nuts.

SAF & SAFS 230K - Pillow Block Part Numbers

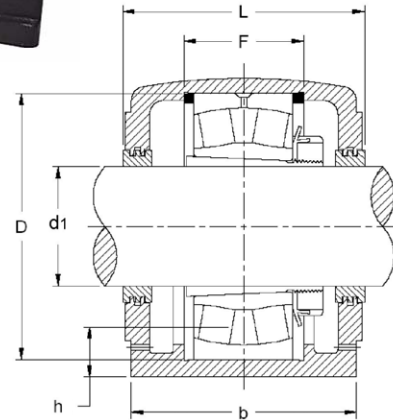
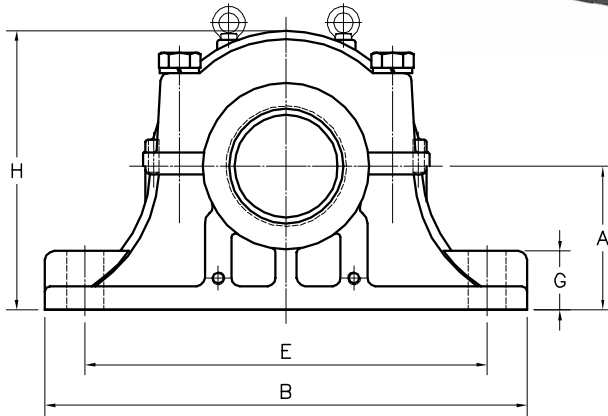
Shaft Size d ₁ in	Complete Pillow Block Part No. **	Pillow Block Housing Only Part No. **	Bearing Part No.	Basic Dynamic Load Rating C kN	Adapter Part No.	Labyrinth Seal Ring (2 Req'd) Part No.	Fixing Ring (2 Req'd) Part No.	End Cover (optional) Part No.	Taconite Seal Part No.
4-3/16	SAF23024 K x 4-3/16	SAF024 K x 4-3/16	23024 K C3W33	300	H 3024 x 4-3/16	LER 113*	FR180 x 10	EPR 14	TER113
4-7/16	SAF23026 K x 4-7/16	SAF026 K x 4-7/16	23026 K C3W33	370	H 3026 x 4-7/16	LER 117*	FR200 x 10	EPR 15	TER117
4-15/16	SAF23028 K x 4-15/16	SAF028 K x 4-15/16	23028 K C3W33	395	H 3028 x 4-15/16	LER 122*	FR210 x 10	EPR 27	TER122
5-3/16	SAF23030 K x 5-3/16	SAF030 K x 5-3/16	23030 K C3W33	435	H 3030 x 5-3/16	LER 125*	FR225 x 10	EPR 16	TER125
5-7/16	SAF23032 K x 5-7/16	SAF032 K x 5-7/16	23032 K C3W33	500	H 3032 x 5-7/16	LER 130*	FR240 x 10	EPR 16	TER130
5-15/16	SAF23034 K x 5-15/16	SAF034 K x 5-15/16	23034 K C3W33	620	H 3034 x 5-15/16	LER 140*	FR260 x 10	EPR 18	TER140
6-7/16	SAF23036 K x 6-7/16	SAF036 K x 6-7/16	23036 K C3W33	720	H 3036 x 6-7/16	LER 148*	FR280 x 10	EPR 19	TER148
6-15/16	SAF23038 K x 6-15/16	SAF038 K x 6-15/16	23038 K C3W33	750	H 3038 x 6-15/16	LER 155*	FR290 x 10	EPR 20	TER155
7-3/16	SAF23040 K x 7-3/16	SAF040 K x 7-3/16	23040 K C3W33	875	H 3040 x 7-3/16	LER 159*	FR310 x 10	EPR 21	TER159
7-15/16	SAF23044 K x 7-15/16	SAF044 K x 7-15/16	23044 K C3W33	1040	H 3044 x 7-15/16	LER 167*	FR340 x 10	EPR 23	TER167
8-7/16	SAF23048 K x 8-7/16	SAF048 K x 8-7/16	23048 K C3W33	1125	OH 3048 x 8-7/16	LER 550	FR360 x 10	—	TER550
8-1/2	SAF23048 K x 8-1/2	SAF048 K x 8-1/2	23048 K C3W33	1125	OH 3048 x 8-1/2	LER 551	FR360 x 10	—	TER551
8-15/16	SAF23048 K x 8-15/16	SAF048 K x 8-15/16	23048 K C3W33	1125	OH 3048 x 8-15/16	LER 552	FR360 x 10	—	TER552
9	SAF23048 K x 9	SAF048 K x 9	23048 K C3W33	1125	OH 3048 x 9	LER 513	FR360 x 10	—	TER513
9-7/16	SAF23052 K x 9-7/16	SAF052 K x 9-7/16	23052 K C3W33	1400	OH 3052 x 9-7/16	LER 553	FR400 x 10	—	TER553
9-1/2	SAF23052 K x 9-1/2	SAF052 K x 9-1/2	23052 K C3W33	1400	OH 3052 x 9-1/2	LER 178	FR400 x 10	—	TER178
9-15/16	SAF23056 K x 9-15/16	SAF056 K x 9-15/16	23056 K C3W33	1500	OH 3056 x 9-15/16	ER 751	FR420 x 10	—	TER751
10	SAF23056 K x 10	SAF056 K x 10	23056 K C3W33	1500	OH 3056 x 10	ER 705	FR420 x 10	—	TER705
10-7/16	SAF23056 K x 10-7/16	SAF056 K x 10-7/16	23056 K C3W33	1500	OH 3056 x 10-7/16	ER 745	FR420 x 10	—	TER745
10-1/2	SAF23056 K x 10-1/2	SAF056 K x 10-1/2	23056 K C3W33	1500	OH 3056 x 10-1/2	ER 710	FR420 x 10	—	TER710

Note: * PER Seals also stock. ** For Steel Housings change part number to SAFS.

Pillow Block Housings



SDAF 230 Series



SDAF 230 K - Housing Dimensions

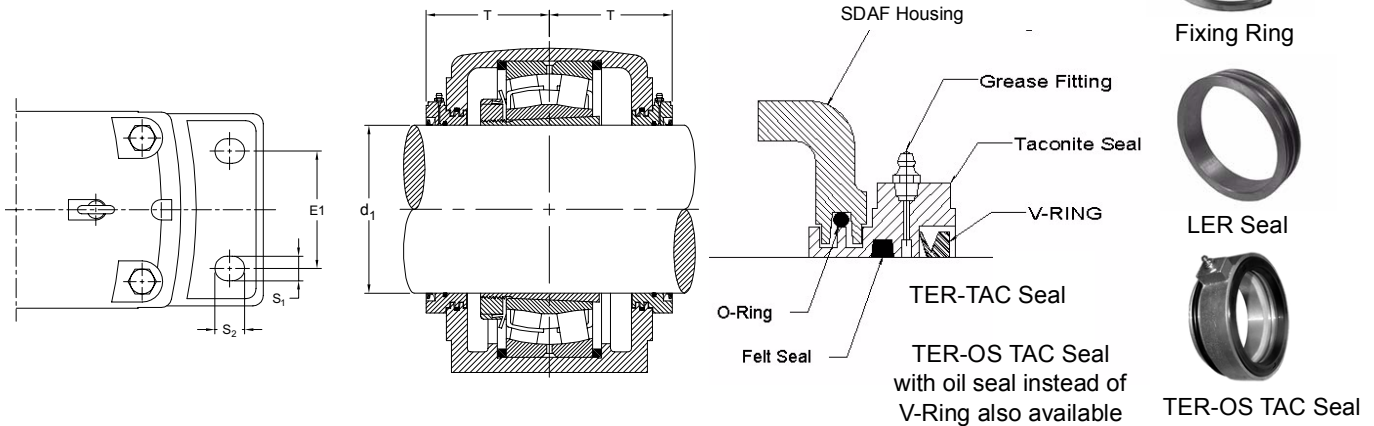
Dimensions in inches

Housing No. *	A	B	b	D mm	E		E1	F mm	G	H	Static Oil Level h	L	Cap Bolts (No. Required)	Base Bolts	S ₁	S ₂	T	Wt. lb
					Max	Min												
SDAF 3060 K x 10-15/16 SDAF 3060 K x 11	12	38-1/4	14-3/4	500	33-1/2	32-3/4	9	180	3-3/8	23-7/16	4.40	15-1/2	(4)1-1/4	(4)1-5/8	1-7/8	2-1/4	9-7/16	1150
SDAF 3064 K x 11-7/16 SDAF 3064 K x 11-1/2 SDAF 3064 K x 11-15/16 SDAF 3064 K x 12	12-13/16	41-3/4	15-3/4	540	35	38-1/2	10-1/2	196	4-1/4	25-3/4	4.00	16-1/4	(4)1-1/2	(4)1-5/8	2-1/4	3	9-7/16	1275
SDAF 3068 K x 12-7/16 SDAF 3068 K x 12-1/2	14	43-3/4	17-5/8	580	36-3/4	38-1/4	10-3/4	210	5	27-3/4	3.38	18-1/4	(4)1-1/2	(4)1-7/8	2-3/8	3-1/8	10-1/8	1600
SDAF 3072 K x 12-15/16 SDAF 3072 K x 13 SDAF 3072 K x 13-7/16 SDAF 3072 K x 13-1/2	14-1/2	46	17-1/8	600	39-1/4	40-3/4	11	212	5-1/4	29	3.72	17-1/4	(4)1-1/2	(4)1-7/8	2-7/16	3-3/16	10-3/16	1650
SDAF 3076 K x 13-15/16 SDAF 3076 K x 14	14-1/2	46	17-1/8	620	39-1/4	40-3/4	11	214	5-1/4	28-7/8	3.38	17-5/8	(4)1-1/2	(4)1-7/8	2-7/16	3-3/16	10-1/4	1700
SDAF 3080 K x 14-15/16 SDAF 3080 K x 15	14-1/2	46	17-1/8	600	39-1/4	40-3/4	11	168	5-1/4	29	4.44	17-1/4	(4)1-1/2	(4)2	2-7/16	3-1/8	10-15/16	2300
SDAF 3084 K x 15-3/4	14-1/2	46	17-1/8	620	39-1/4	40-3/4	11	170	5-1/4	29	4.10	17-1/4	(4)1-1/2	(4)2	2-7/16	3-1/8	10-15/16	2300
SDAF 3088 K x 16-1/2	15-1/2	48-3/4	18-3/4	650	41-7/8	43-3/8	12-1/4	177	5-1/2	30-1/2"	4.50	19-1/4	(4)1-1/2	(4)2-1/4	2-3/8	3-1/4	11-15/16	2500
SDAF 3092 K x 17	15-1/2	48-3/4	18-3/4	680	41-7/8	43-3/8	12-1/4	183	5-1/2	30-1/2"	4.00	19-1/4	(4)1-1/2	(4)2-1/4	2-3/8	3-1/4	11-15/16	2800
SDAF 3096 K x 18	17	53	21	700	44-3/8	46-1/8	14-1/2	185	5-1/2	33-3/4	5-13	21-3/4	(4)1-1/2	(4)2-1/4	2-3/8	3-1/4	13-3/16	4300
SDAF 30/500 K x 18-1/2	17	53	21	720	44-3/8	46-1/8	14-1/2	187	5-1/2	33-3/4	4.75	21-3/4	(4)1-1/2	(4)2-1/4	2-3/8	3-1/4	13-3/16	4400
SDAF 30/530 K x 19-1/2	18	54-1/4	21-5/8	780	47-1/8	48-7/8	15	205	5-3/4	35-3/4	4.81	22-1/4	(4)1-1/2	(4)2-1/2	2-5/8	3-1/2	—	5200
SDAF 30/560 K x 21	18	54-1/4	21-5/8	820	47-1/8	48-7/8	15	225	5-3/4	35-3/4	—	22-1/4	(4)1-1/2	(4)2-1/2	2-5/8	3-1/2	—	5400
SDAF 30/600 K x 22	20	60	22	870	54-1/8	58-7/8	15	220	6	40	—	24-5/8	(4)2	(4)3	3-1/4	3-3/4	—	5800
SDAF 30/630 K x 24	20	60	22	920	54-1/8	58-7/8	15	232	6	40	—	24-5/8	(4)2	(4)3	3-1/4	3-3/4	—	5800

Note: * SDAFD (Ductile) and SDAFS (Steel) housings available on request.

Pillow Block Housing Accessories

SDAF 230 Series



SDAF 230K - Pillow Block Part Numbers

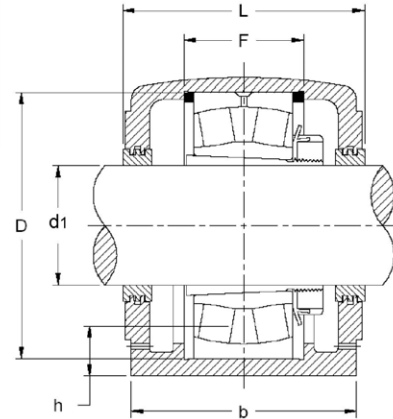
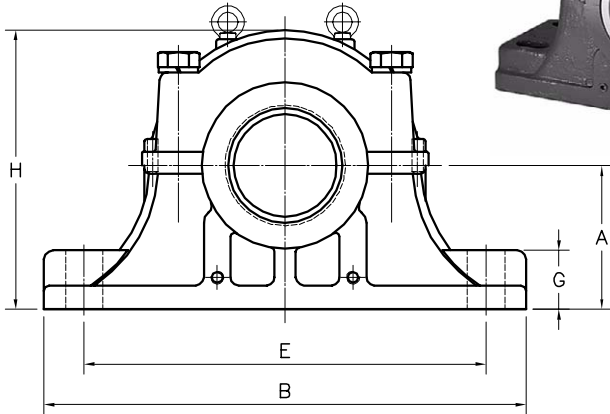
Shaft Size d ₁ in	Complete Pillow Block Part No.	Pillow Block Housing Only Part No. **	Bearing Part No. *	Basic Dynamic Load Rating C kN	Adapter Part No.	Labyrinth Seal Ring (2 Req'd) Part No.	Fixing Ring (1 Req'd) Part No.	End Cover Part No.	Taconite Seal Part No.
9-7/16	SDAF 23052 K x 9-7/16	SDAF 3052 K x 9-7/16	23052KC3W33	2200	OH3052 x 9-7/16	LER553	FR400 x 10	EPR5217-2	TER553
9-1/2	SDAF 23052 K x 9-1/2	SDAF 3052 K x 9-1/2			OH3052 x 9-1/2	LER178			TER178
9-15/16	SDAF 23056 K x 9-15/16	SDAF 3056 K x 9-15/16	23056KC3W33	2250	OH3056 x 9-15/16	ER751	FR420 x 10	EPR5217-1	TER751
10	SDAF 23056 K x 10	SDAF 3056 K x 10			OH3056 x 10	ER705			TER705
10-7/16	SDAF 23056 K x 10-7/16	SDAF 3056 K x 10-7/16			OH3056 x 10-7/16	ER745			TER745
10-1/2	SDAF 23056 K x 10-1/2	SDAF 3056 K x 10-1/2			OH3056 x 10-1/2	ER710			TER710
10-15/16	SDAF 23060 K x 10-15/16	SDAF 3060 K x 10-15/16	23060KC3W33	2800	OH3060 x 10-15/16	ER858	FR460 x 10	EPR5217-9	TER858
11	SDAF 23060 K x 11	SDAF 3060 K x 11			OH3060 x 11	ER825			TER825
11-7/16	SDAF 23064 K x 11-7/16	SDAF 3064 K x 11-7/16	23064KC3W33	3200	OH3064 x 11-7/16	ER861	FR480 x 10	EPR5217-16	TER861
11-1/2	SDAF 23064 K x 11-1/2	SDAF 3064 K x 11-1/2			OH3064 x 11-1/2	ER832			TER832
11-15/16	SDAF 23064 K x 11-15/16	SDAF 3064 K x 11-15/16			OH3064 x 11-15/16	ER859			TER859
12	SDAF 23064 K x 12	SDAF 3064 K x 12			OH3064 x 12	ER818			TER818
12-7/16	SDAF 23068 K x 12-7/16	SDAF 3068 K x 12-7/16	23068KC3W33	3600	OH3068 x 12-7/16	ER865	FR520 x 10	EPR5217-29	TER865
12-1/2	SDAF 23068 K x 12-1/2	SDAF 3068 K x 12-1/2			OH3068 x 12-1/2	ER866			TER866
12-15/16	SDAF 23072 K x 12-15/16	SDAF 3072 K x 12-15/16	23072KC3W33	2750	OH3072 x 12-15/16	ER869	FR540 x 10	EPR5217-27	TER869
13	SDAF 23072 K x 13	SDAF 3072 K x 13			OH3072 x 13	ER846			TER846
13-7/16	SDAF 23072 K x 13-7/16	SDAF 3072 K x 13-7/16			OH3072 x 13-7/16	ER872			TER872
13-1/2	SDAF 23072 K x 13-1/2	SDAF 3072 K x 13-1/2			OH3072 x 13-1/2	ER823			TER823
13-15/16	SDAF 23076 K x 13-15/16	SDAF 3076 K x 13-15/16	23076KC3W33	3900	OH3076 x 13-15/16	ER875	FR560 x 10	EPR5217-12	TER875
14	SDAF 23076 K x 14	SDAF 3076 K x 14			OH3076 x 14	ER876			TER876
14-15/16	SDAF 23080 K x 14-15/16	SDAF 3080 K x 14-15/16	23080KC3W33	4200	OH3080 x 14-15/16	ER847R	FR600 x 10	EPR5217-21	TER847R
15	SDAF 23080 K x 15	SDAF 3080 K x 15			OH3080 x 15	ER847			TER847
15-3/4	SDAF 23084 K x 15-3/4	SDAF 3084 K x 15-3/4	23084KC3W33	5200	OH3084 x 15-3/4	ER969	FR620 x 10	EPR5217-23	TER969
16-1/2	SDAF 23088 K x 16-1/2	SDAF 3088 K x 16-1/2	23088KC3W33	5200	OH3088 x 16-1/2	ER958	FR650 x 10	EPR5217-25	TER958
17	SDAF 23092 K x 17	SDAF 3092 K x 17	23092KC3W33	5700	OH3092 x 17	ER838	FR680 x 10	EPR838	TER838
18	SDAF 23096 K x 18	SDAF 3096 K x 18	23096KC3W33	6200	OH3096 x 18	ER888	FR700 x 10	EPR888	TER888
18-1/2	SDAF 230/500 K x 18-1/2	SDAF 30/500 x 18-1/2	230/500KC3W33	3677	OH30/500 x 18-1/2	ER978	FR720 x 10	EPR978	TER978
19-1/2	SDAF 230/530 K x 19-1/2	SDAF 30/530 x 19-1/2	230/530KC3W33	4360	OH30/530 x 19-1/2	ER926	FR780x 10	EPR926	TER926
21	SDAF 230/560 K x 21	SDAF 30/560 x 21	230/560KC3W33	5100	OH30/560 x 21	ER933	FR820 x 10	EPR933	TER933
22	SDAF 230/600 K x 22	SDAF 30/600 x 22	230/600KC3W33	5200	OH30/600 x 22	ER986	FR870 x 10	EPR986	TER986
24	SDAF 230/630 K x 24	SDAF 30/630 x 24	230/630KC3W33	5700	OH30/630 x 24	ER987	FR920 x 10	EPR987	TER987

Note: * Typical suffix to the bearing part number is KC3W33 where K indicates taper bore, C3 is the internal clearance and W33 indicates a lube groove on the bearing O.D. For example specify 23064 K C3W33. Other bearing clearances available upon request. ** Pillow Block housing includes Fixing Rings and ER or LER Seals.

Pillow Block Housings



SDAF 231 Series



SDAF 231 K - Housing Dimensions

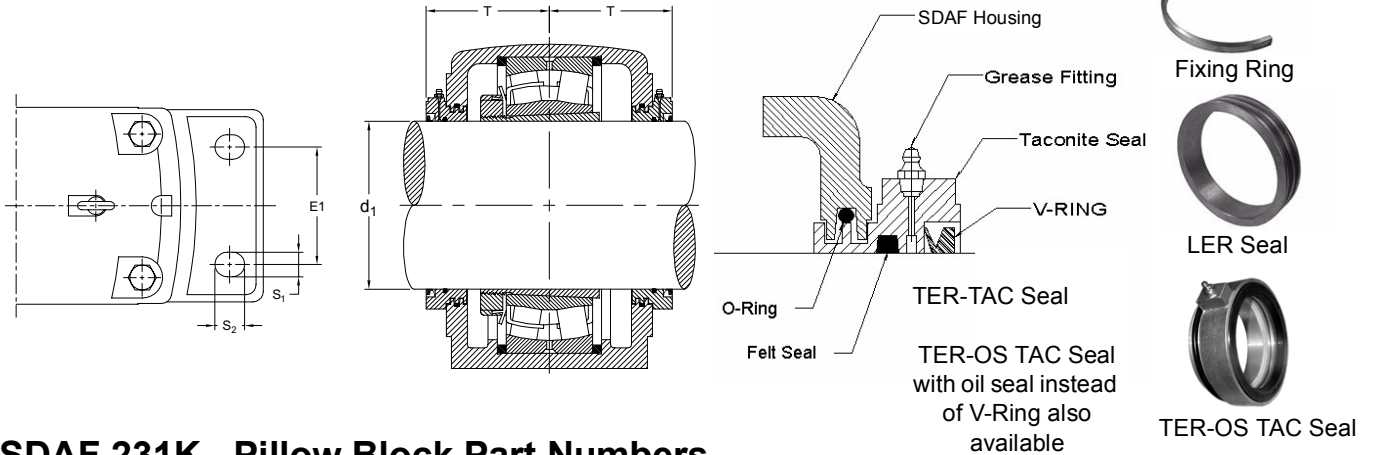
Dimensions in inches

Housing No. *	A	B	b	D		E		E1	F	G	H	Static Oil Level h	L	Cap Bolts (No. Required)	Base Bolts	S ₁	S ₂	T	Wt. lb
				mm	Max	Min	mm												
SDAF 3152 K x 9-7/16 SDAF 3152 K x 9-1/2	10-1/4	38-1/4	13-1/8	440	30-1/2	29	8-3/4	164	3-3/4	20-3/4	3.13	14-1/4	(4)1-1/4	(4)1-5/8	1-3/4	2-1/2	8-3/8	1050	
SDAF 3156 K x 9-15/16 SDAF 3156 K x 10 SDAF 3156 K x 10-7/16 SDAF 3156 K x 10-1/2	12	38-1/4	14-3/4	460	33-1/2	32-3/4	9	166	3-3/8	23-7/16	3.50	15-1/2	(4)1-1/4	(4)1-5/8	1-7/8	2-1/4	9-1/2	1250	
SDAF 3160 K x 10-15/16 SDAF 3160 K x 11	12	38-1/4	14-3/4	500	33-1/2	32-3/4	9	180	3-3/8	23-7/16	3.80	15-1/2	(4)1-1/4	(4)1-5/8	1-7/8	2-1/4	9-1/2	1350	
SDAF 3164 K x 11-7/16 SDAF 3164 K x 11-1/2 SDAF 3164 K x 11-15/16 SDAF 3164 K x 12	12-13/16	41-3/4	15-3/4	540	35	38-1/2	10-1/2	196	4-1/4	25-3/4	4.00	16-1/4	(4)1-1/2	(4)1-7/8	2-1/4	3	10-3/8	1830	
SDAF 3168 K x 12-7/16 SDAF 3168 K x 12-1/2	14	43-3/4	17-5/8	580	36-3/4	38-1/4	10-3/4	210	5	27-3/4	4.63	18-1/4	(4)1-1/2	(4)2	2-3/8	3-1/8	11-1/4	2450	
SDAF 3172 K x 12-15/16 SDAF 3172 K x 13 SDAF 3172 K x 13-7/16 SDAF 3172 K x 13-1/2	14-1/2	46	17-1/8	600	39-1/4	40-3/4	11	212	5-1/4	29	4.63	17-1/4	(4)1-1/2	(4)2	2-7/16	3-3/16	10-7/8	2500	
SDAF 3176 K x 13-15/16 SDAF 3176 K x 14	14-1/2	46	17-1/8	620	39-1/4	40-3/4	11	214	5-1/4	28-7/8	4.30	17-5/8	(4)1-1/2	(4)2	2-7/16	3-3/16	10-7/8	2500	
SDAF 3180 K x 14-15/16 SDAF 3180 K x 15	15-1/2	48-3/4	18-3/4	650	41-3/4	43-1/2	12-1/4	220	5-1/2	30-1/2	4.81	19-1/4	(4)1-1/2	(4)2-1/4	2-3/8	3-1/4	12	2800	
SDAF 3184 K x 15-3/4	17	53	21	700	44-3/8	46-1/8	14-1/2	224	5-1/2	33-3/4	5.60	21-3/4	(4)1-1/2	(4)2-1/4	2-11/16	3-9/16	13-1/4	4300	
SDAF 3188 K x 16-1/2	17	53	21	720	44-3/8	46-1/8	14-1/2	246	5-1/2	33-3/4	5.30	21-3/4	(4)1-1/2	(4)2-1/4	2-11/16	3-9/16	13-1/4	4300	
SDAF 3192 K x 17	18	54-1/4	21-5/8	760	47-1/8	48-7/8	15	260	5-3/4	35-3/4	5.50	21-5/8	(4)1-1/2	(4)2-1/2	2-13/16	3-5/8	13-1/4	5000	
SDAF 3196 K x 18	18	54-1/4	21-5/8	790	47-1/8	48-7/8	15	268	5-3/4	35-3/4	5.20	21-5/8	(4)1-1/2	(4)2-1/2	2-13/16	3-5/8	13-1/2	5200	
SDAF 31/500 K x 18-1/2	18	54-1/4	21-5/8	830	47-1/8	48-7/8	15	284	5-3/4	35-3/4	—	21-5/8	(4)1-1/2	(4)2-1/2	2-7/8	3-5/8	—	5200	
SDAF 31/530 K x 19-1/2	20	60	22	870	52-3/8	54-1/8	15	292	6	40	—	24-5/8	(4)2	(4)3	3-1/4	3-3/4	—	5600	
SDAF 31/560 K x 21	20	60	22	920	52-3/8	54-1/8	15	300	6	40	—	24-5/8	(4)2	(4)3	3-1/4	3-3/4	—	5600	
SDAF 31/600 K x 22	23-1/4	64-1/4	26-5/8	980	57-1/8	58-7/8	19-5/8	320	6-1/4	47-1/4	—	27-3/4	(4)2-1/2	(4)3	3-1/4	3-3/4	—	6000	
SDAF 31/630 K x 24	23-1/4	64-1/4	26-5/8	1030	57-1/8	58-7/8	19-5/8	335	6-1/4	47-1/4	—	27-3/4	(4)2-1/2	(4)3	3-1/4	3-3/4	—	6000	

Note: * SDAFD (Ductile) and SDAFS (Steel) housings available on request.

Pillow Block Housing Accessories

SDAF 231 Series



SDAF 231K - Pillow Block Part Numbers

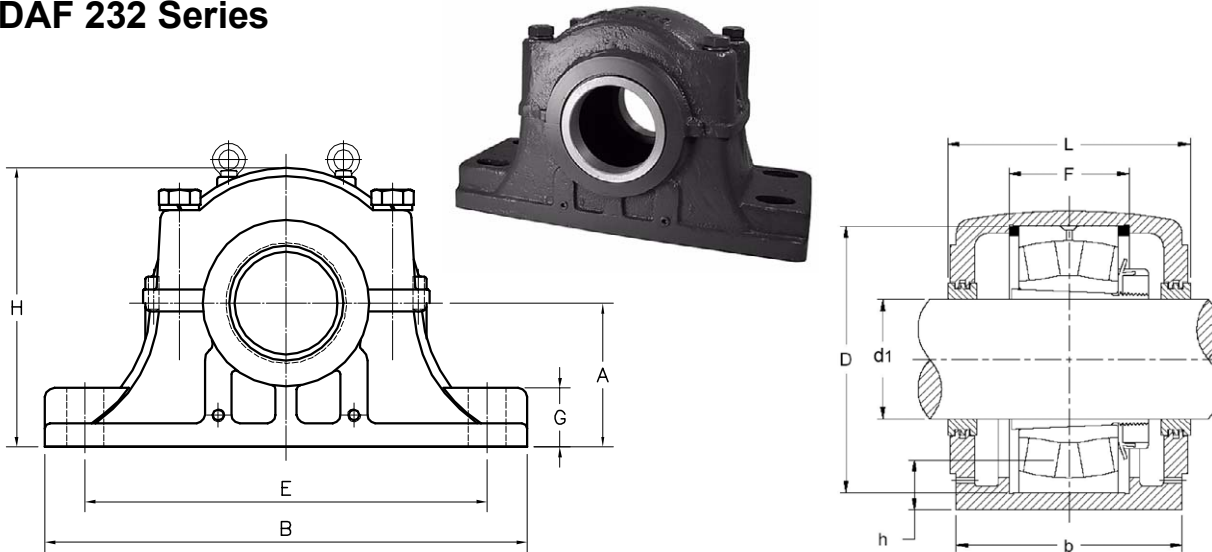
Shaft Size d ₁ in	Complete Pillow Block Part No.	Pillow Block Housing Only Part No. **	Bearing Part No. *	Basic Dynamic Load Rating C kN	Adapter Part No.	Labyrinth Seal Ring (2 Req'd) Part No.	Fixing Ring (2 Req'd) Part No.	End Cover Part No.	Taconite Seal Part No.
9-7/16	SDAF 23152 K x 9-7/16	SDAF 3152 K x 9-7/16	23152KC3W33	2200	OH 3152 x 9-7/16	LER 553	FR440 x 10	EPR 5217-2	TER 553
9-1/2	SDAF 23152 K x 9-1/2	SDAF 3152 K x 9-1/2			OH 3152 x 9-1/2	LER 178			TER 178
9-15/16	SDAF 23156 K x 9-15/16	SDAF 3156 K x 9-15/16	23156KC3W33	2250	OH 3156 x 9-15/16	ER 751	FR460 x 10	EPR 5217-1	TER 751
10	SDAF 23156 K x 10	SDAF 3156 K x 10			OH 3156 x 10	ER 705			TER 705
10-7/16	SDAF 23156 K x 10-7/16	SDAF 3156 K x 10-7/16			OH 3156 x 10-7/16	ER 745			TER 745
10-1/2	SDAF 23156 K x 10-1/2	SDAF 3156 K x 10-1/2			OH 3156 x 10-1/2	ER 710			TER 710
10-15/16	SDAF 23160 K x 10-15/16	SDAF 3160 K x 10-15/16	23160KC3W33	2800	OH 3160 x 10-15/16	ER 858	FR5000 x 10	EPR 5217-9	TER 858
11	SDAF 23160 K x 11	SDAF 3160 K x 11			OH 3160 x 11	ER 825			TER 825
11-7/16	SDAF 23164 K x 11-7/16	SDAF 3164 K x 11-7/16	23164KC3W33	3200	OH 3164 x 11-7/16	ER 861	FR540 x 10	EPR 5217-16	TER 861
11-1/2	SDAF 23164 K x 11-1/2	SDAF 3164 K x 11-1/2			OH 3164 x 11-1/2	ER 832			TER 832
11-15/16	SDAF 23164 K x 11-15/16	SDAF 3164 K x 11-15/16			OH 3164 x 11-15/16	ER 859			TER 859
12	SDAF 23164 K x 12	SDAF 3164 K x 12			OH 3164 x 12	ER 818			TER 818
12-7/16	SDAF 23168 K x 12-7/16	SDAF 3168 K x 12-7/16	23168KC3W33	3600	OH 3168 x 12-7/16	ER 865	FR580 x 10	EPR 5217-29	TER 865
12-1/2	SDAF 23168 K x 12-1/2	SDAF 3168 K x 12-1/2			OH 3168 x 12-1/2	ER 866			TER 866
12-15/16	SDAF 23172 K x 12-15/16	SDAF 3172 K x 12-15/16	23172KC3W33	2750	OH 3172 x 12-15/16	ER 869	FR600 x 10	EPR 5217-27	TER 869
13	SDAF 23172 K x 13	SDAF 3172 K x 13			OH 3172 x 13	ER 846			TER 846
13-7/16	SDAF 23172 K x 13-7/16	SDAF 3172 K x 13-7/16			OH 3172 x 13-7/16	ER 872			TER 872
13-1/2	SDAF 23172 K x 13-1/2	SDAF 3172 K x 13-1/2			OH 3172 x 13-1/2	ER 823			TER 823
13-15/16	SDAF 23176 K x 13-15/16	SDAF 3176 K x 13-15/16	23176KC3W33	3900	OH 3176 x 13-15/16	ER 875	FR620 x 10	EPR 5217-12	TER 875
14	SDAF 23176 K x 14	SDAF 3176 K x 14			OH 3176 x 14	ER 876			TER 876
14-15/16	SDAF 23180 K x 14-15/16	SDAF 3180 K x 14-15/16	23180KC3W33	4200	OH 3180 x 14-15/16	ER 847R	FR650 x 10	EPR 5217-21	TER 847R
15	SDAF 23180 K x 15	SDAF 3180 K x 15			OH 3180 x 15	ER 847			TER 847
15-3/4	SDAF 23184 K x 15-3/4	SDAF 3184 K x 15-3/4	23184KC3W33	5200	OH 3184 x 15-3/4	ER 969	FR700 x 10	EPR 5217-23	TER 969
16-1/2	SDAF 23188 K x 16-1/2	SDAF 3188 K x 16-1/2	23188KC3W33	5200	OH 3188 x 16-1/2	ER 958	FR720 x 10	EPR 5217-25	TER 958
17	SDAF 23192 K x 17	SDAF 3192 K x 17	23192KC3W33	5700	OH 3192 x 17	ER 838	FR760 x 10	EPR 838	TER 838
18	SDAF 23196 K x 18	SDAF 3196 K x 18	23196KC3W33	6200	OH 3196 x 18	ER 888	FR790 x 10	EPR 888	TER 888
18-1/2	SDAF 231/500K x 18-1/2	SDAF 31/500 x 18-1/2	231/500KC3W33	6700	OH 31/500 x 18-1/2	ER 978	FR830 x 10	EPR 978	TER 978
19-1/2	SDAF 231/530K x 19-1/2	SDAF 31/530 x 19-1/2	231/530KC3W33	7100	OH 31/530 x 19-1/2	ER 926	FR870x 10	EPR 926	TER 926
21	SDAF 231/560K x 21	SDAF 31/560 x 21	231/560KC3W33	7900	OH 31/560 x 21	ER 933	FR920 x 10	EPR 933	TER 933
22	SDAF 231/600K x 22	SDAF 31/600 x 22	231/600KC3W33	8900	OH 31/600 x 22	ER 986	FR980 x 10	EPR 986	TER 986
24	SDAF 231/630K x 24	SDAF 31/630 x 24	231/630KC3W33	10000	OH 31/630 x 24	ER 987	FR1030 x 10	EPR 987	TER 987

Note: *Typical suffix to the bearing part number is KC3W33 where K indicates taper bore, C3 is the internal clearance and W33 indicates a lube groove on the bearing O.D. For example specify 23164KC3W33. Other bearing clearances available upon request. ** Pillow Block housing includes Fixing Rings and ER or LER Seals.

Pillow Block Housings



SDAF 232 Series



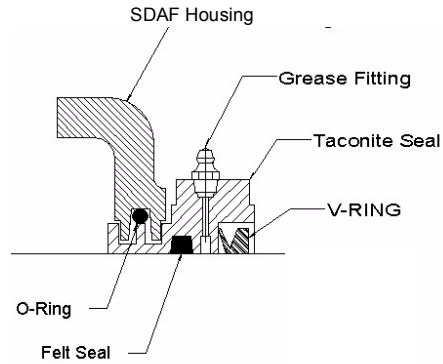
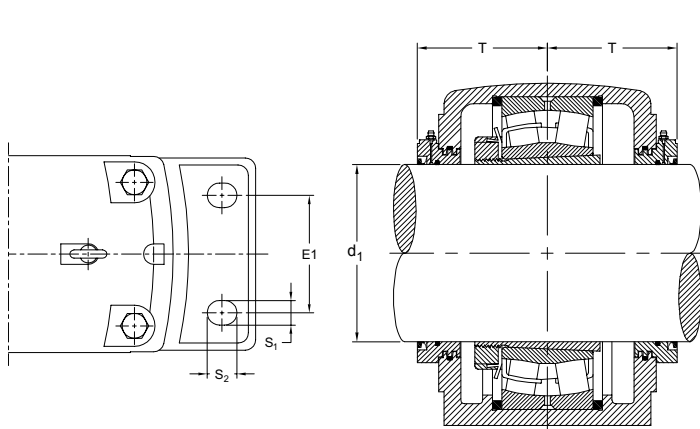
SDAF 232 K - Housing Dimensions

Dimensions in inches

Housing No.	A	B	b	D		E		E1	F	G	H	Static Oil Level h	L	T	Cap Bolts (No. Required)	Base Bolts	S ₁	S ₂	Wt. lb
				mm	Max	Min	mm												
SDAF 3248 K x 8-15/16	10-1/4	35	13-1/8	440	30-1/2	29	8-3/4	180	3-3/4	20-7/8	3.2	14-1/4	17-1/2	(4) 1-1/4	(4) 1-5/8	1-3/4	2-1/8	1100	
SDAF 3252 K x 9-7/16	12	38-1/4	14-3/4	480	33-3/8	32-7/8	9	194	4	23-7/16	3.1	15-1/2	19	(4) 1-1/4	(4) 1-5/8	1-3/4	2-1/8	1350	
SDAF 3252 K x 9-1/2																			
SDAF 3256 K x 9-15/16	12	38-1/4	14-3/4	500	33-3/8	32-7/8	9	196	4	23-7/16	3.5	15-1/2	19	(4) 1-1/4	(4) 1-5/8	1-3/4	2-1/8	1400	
SDAF 3256 K x 10																			
SDAF 3256 K x 10-7/16																			
SDAF 3256 K x 10-1/2																			
SDAF 3260 K x 10-15/16	12-13/16	41-3/4	15-3/4	540	36-3/8	35-1/8	10-1/2	212	4-1/2	25-3/4	3.8	16	20-3/4	(4) 1-1/4	(4) 1-7/8	1-3/4	2-1/8	1900	
SDAF 3260 K x 11																			
SDAF 3264 K x 11-7/16	14	43-3/4	17-3/4	580	38-1/4	36-3/4	10-3/4	228	5	27-7/8	4.0	18-3/4	22-1/2	(4) 1-1/2	(4) 2	2-1/8	2-7/8	2500	
SDAF 3264 K x 11-1/2																			
SDAF 3264 K x 11-15/16																			
SDAF 3264 K x 12																			
SDAF 3268 K x 12-7/16	14-1/2	46	17-1/8	620	40-3/4	39-1/4	11	244	5-1/4	29	4.6	17-1/4	21-3/4	(4) 1-1/2	(4) 2	2-3/8	3-1/8	2600	
SDAF 3268 K x 12-1/2																			
SDAF 3272 K x 12-15/16	15-1/2	48-3/4	18-3/4	650	43-1/2	41-3/4	12-1/4	252	5-1/2	30-1/2	4.6	19-1/4	24	(4) 1-1/2	(4) 2-1/4	2-3/8	3-1/4	2900	
SDAF 3272 K x 13																			
SDAF 3272 K x 13-7/16																			
SDAF 3272 K x 13-1/2																			
SDAF 3276 K x 13-15/16	15-1/2	48-3/4	18-3/4	680	43-1/2	41-3/4	12-1/4	260	5-1/2	30-1/2	4.3	19-1/4	24	(4) 1-1/2	(4) 2-1/4	2-3/8	3-1/4	3000	
SDAF 3276 K x 14																			
SDAF 3280 K x 14-15/16	17	53	21	720	46-1/8	41-3/4	14-1/2	276	5-1/2	33-3/4	4.8	19-1/4	26-1/2	(4) 1-1/2	(4) 2-1/4	2-3/8	3-1/4	4500	
SDAF 3280 K x 15																			
SDAF 3284 K x 15-3/4	18	54-1/4	21-5/8	760	49-7/8	47-1/8	15	292	5-3/4	35-3/4	5.6	21-5/8	—	(4) 1-1/2	(4) 2-1/2	2-5/8	3-1/2	5000	
SDAF 3288 K x 16-1/2	18	54-1/4	21-5/8	790	48-7/8	47-1/8	15	300	5-3/4	35-3/4	5.3	21-5/8	27	(4) 1-1/2	(4) 2-1/2	2-5/8	3-1/2	5000	
SDAF 3292 K x 17	18	54-1/4	21-5/8	830	48-7/8	47-1/8	15	316	5-3/4	35-3/4	5.5	21-5/8	—	(4) 1-1/2	(4) 2-1/2	2-5/8	3-1/2	5000	
SDAF 3296 K x 18	20	60	22	870	54-1/8	52-3/8	16	330	6	40	5.2	21-5/8	27	(4) 2	(4) 3	2-5/8	3-1/2	5300	
SDAF32/500 K x 18-1/2	20	60	22	920	54-1/8	52-3/8	16	356	6	40	—	24-5/8	—	(4) 2	(4) 3	3-1/4	3-3/4	5300	
SDAF32/530 K x 19-1/2	23-1/4	64-1/8	26-5/8	980	65-1/8	63-3/8	19-5/8	375	6-1/4	47-1/4	—	27-3/4	—	(4) 2-1/2	(4) 3	3-1/4	3-3/4	5600	
SDAF32/600 K x 22	24-1/5	69	28-1/4	1090	61-3/8	59-5/8	20	408	7	48	—	29-1/2	—	(4) 2-1/2	(4) 3	3-1/8	3-7/8	5600	

Pillow Block Housing Accessories

SDAF 232 Series



Fixing Ring



LER Seal



TER-OS TAC Seal

SDAF 232K - Pillow Block Part Numbers

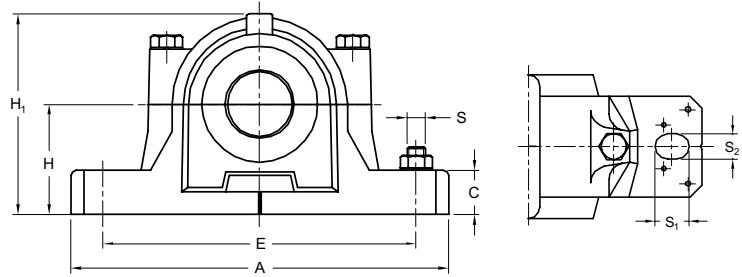
Shaft Size d ₁ in	Complete Pillow Part No.	Pillow Block Housing Only Part No.	Bearing Part No.	Basic Dynamic Load Rating C kN	Adapter Part No.	Labyrinth Seal Ring 2 Req'd Part No.	Fixing Ring 2 Req'd Part No.	End Cover Part No.	Tacomite Seal Part No.
9-7/16 9-1/2	SDAF23252 K x 9-7/16 SDAF23252 K x 9-1/2	SDAF3252 K x 9-7/16 SDAF3252 K x 9-1/2	23252KC3W33	2760	OH3252 x 9-7/16 OH3252 x 9-1/2	LER553 LER178	FR480 x 10	EPR5217-2	TER553 TER178
9-15/16 10 10-7/16 10-1/2	SDAF23256 K x 9-15/16 SDAF23256 K x 10 SDAF23256 K x 10-7/16 SDAF23256 K x 10-1/2	SDAF3256 K x 9-15/16 SDAF3256 K x 10 SDAF3256 K x 10-7/16 SDAF3256 K x 10-1/2	23256KC3W33	2930	OH3256 x 9-15/16 OH3256 x 10 OH3256 x 10-7/16 OH3256 x 10-1/2	LER751 ER705 ER745 ER710	FR500 x 10	EPR5217-1	TER751 TER705 TER745 TER710
10-15/16 11	SDAF23260 K x 10-15/16 SDAF23260 K x 11	SDAF3260 K x 10-15/16 SDAF3260 K x 11	23260KC3W33	3450	OH3260 x 10-15/16 OH3260 x 11	ER858 ER825	FR540 x 10	EPR5217-9	TER858 TER825
11-7/16 11-1/2 11-15/16 12	SDAF23264 K x 11-7/16 SDAF23264 K x 11-1/2 SDAF23264 K x 11-15/16 SDAF23264 K x 12	SDAF3264 K x 11-7/16 SDAF3264 K x 11-1/2 SDAF3264 K x 11-15/16 SDAF3264 K x 12	23264KC3W33	4000	OH3264 x 11-7/16 OH3264 x 11-1/2 OH3264 x 11-15/16 OH3264 x 12	ER861 ER832 ER859 ER818	FR580 x 10	EPR5217-16	TER861 TER832 TER859 TER818
12-7/16 12-1/2	SDAF23268 K x 12-7/16 SDAF23268 K x 12-1/2	SDAF3268 K x 12-7/16 SDAF3268 K x 12-1/2	23268KC3W33	4450	OH3268 x 12-7/16 OH3268 x 12-1/2	ER865 ER866	FR620 x 10	EPR5217-29	TER865 TER866
12-15/16 13 13-7/16 13-1/2	SDAF23272 K x 12-15/16 SDAF23272 K x 13 SDAF23272 K x 13-7/16 SDAF23272 K x 13-1/2	SDAF3272 K x 12-15/16 SDAF3272 K x 13 SDAF3272 K x 13-7/16 SDAF3272 K x 13-1/2	23272KC3W33	4850	OH3272 x 12-15/16 OH3272 x 13 OH3272 x 13-7/16 OH3272 x 13-1/2	ER869 ER846 ER872 ER823	FR650 x 10	EPR5217-27	TER869 TER846 TER872 TER823
13-15/16 14	SDAF23276 K x 13-15/16 SDAF23276 K x 14	SDAF3276 K x 13-15/16 SDAF3276 K x 14	23276KC3W33	5200	OH3276 x 13-15/16 OH3276 x 14	ER875 ER876	FR680 x 10	EPR5217-12	TER875 TER876
14-15/16 15	SDAF23280 K x 14-15/16 SDAF23280 K x 15	SDAF3280 K x 14-15/16 SDAF3280 K x 15	23280KC3W33	5850	OH3280 x 14-15/16 OH3280 x 15	ER847R ER847	FR720 x 10	EPR5217-21	TER847R TER847
15-3/4	SDAF23284 K x 15-3/4	SDAF3284 K x 15-3/4	23284KC3W33	6550	OH3284 x 15-3/4	ER969	FR760 x 10	EPR5217-23	TER969
16-1/2	SDAF23288 K x 16-1/2	SDAF3288 K x 16-1/2	23288KC3W33	6900	OH3288 x 16-1/2	ER958	FR790 x 10	EPR5217-25	TER958
17	SDAF23292 K x 17	SDAF3292 K x 17	23292KC3W33	7750	OH3292 x 17	ER838	FR830 x 10	EPR838	TER838
18	SDAF23296 K x 18	SDAF3296 K x 18	23296KC3W33	8300	OH3296 x 18	ER888	FR870 x 10	EPR888	TER888
18-1/2	SDAF232/500 K x 18-1/2	SDAF32/500 K x 18-1/2	232/500K C3W33	9300	OH32/500 x 18-1/2	ER978	FR920 x 10	EPR978	TER978
19-1/2	SDAF232/530 K x 19-1/2	SDAF32/530 K x 19-1/2	232/530K C3W33	11000	OH32/530 x 19-1/2	ER926	FR980 x 10	EPR926	TER926
22	SDAF232/600 K x 22**	SDAF32/600 K x 22	232/600K C3W33	13000	OH32/600 x 22	ER921	FR1090 x 10	EPR921	TER921

Note: Typical suffix to the bearing part number is KC3W33 where K indicates taper bore, C3 is the internal clearance and W33 indicates a lube groove on the bearing O.D. For example specify 23256 K C3W33. Other bearing clearances available upon request. ** Available in an Asymmetric Housing Design.

Plummer Block Housings



SNG 500 Series (Formerly SNHF Series)



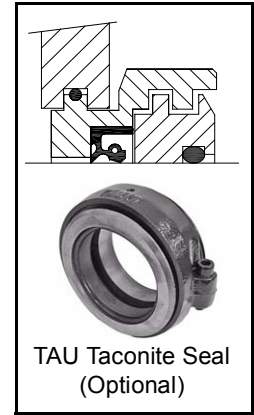
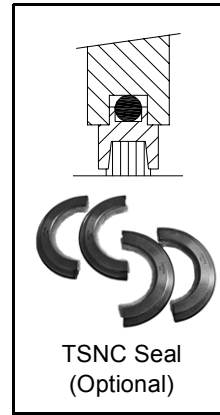
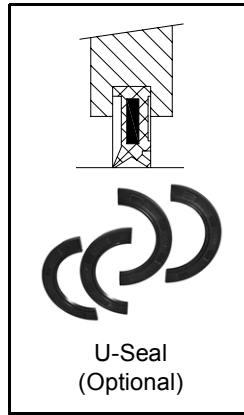
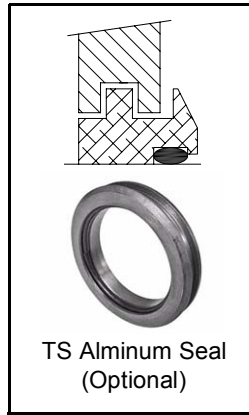
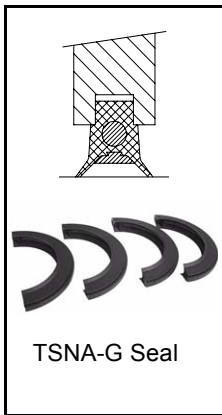
Industry Standard Metric Block Dimensions
Interchangeable with Competitive Units

Seal Options:

- TSNA-G Seal - Split Rubber
- TS-Seal - Aluminum with O-Ring (optional)
- U-Seal - Split Rubber Steel Reinforced (optional)
- TSNC - Split Steel and Felt Seal (optional)
- TAU - Taconite Seal (optional)

Housings: Cast Iron, Ductile (optional)
Adapter Mounted Ball or Spherical Bearing
End Covers and Taconite Seals Available
Interchanges with PTI's SNHF type
4-Bolt Base optional, see FSSNG-D Series (Ductile)

Seal Options



Housing Part No.	Dimensions (mm)															Wt. kg
	d ₁	A	B	C	D	d ₂	E	F	H	H ₁	L	T	S	S ₁	S ₂	
SNG506-605	25	185	52	22	62	36.5	150	32	50	87	77	—	M10	13	22	2
SNG507-606	30	185	52	22	72	46.5	150	34	50	92	82	—	M10	13	20	2
SNG508-607	35	205	60	25	80	51.5	170	39	60	106	85	—	M12	15	20	3
SNG509	40	205	60	25	85	56.5	170	30	60	109	85	70	M12	15	20	3
SNG510-608	45	205	60	25	90	62	170	41	60	112	90	72	M12	15	20	4
SNG511-609	50	255	70	28	100	67	210	44	70	127	95	75	M16	18	23	5
SNG512-610	55	255	70	30	110	72	210	48	70	133	105	80	M16	18	23	6
SNG513-611	60	275	80	30	120	77	230	51	80	148	110	82	M16	18	24	6
SNG515-612	65	280	80	30	130	87	230	56	80	154	115	87	M16	18	26	7
SNG516-613	70	315	90	32	140	92.5	260	58	95	175	120	89	M20	22	29	9
SNG517	75	320	90	32	150	97.5	260	61	95	181	125	95	M20	22	30	10
SNG518-615	80	345	100	35	160	102.5	290	65	100	192	140	102	M20	22	27	12
SNG519-616	85	345	100	35	170	131	290	68	112	209	145	102	M20	22	27	15
SNG520-617	90	380	110	40	180	137.5	320	70	112	215	160	109	M24	26	32	19
SNG522-619	100	410	120	45	200	147.5	350	80	125	239	175	117	M24	26	32	23
SNG524-620	110	410	120	45	215	157.5	350	86	140	271	185	122	M24	26	32	32
SNG526	115	445	130	50	230	167.5	380	90	150	290	190	125	M24	28	35	36
SNG528	125	500	150	50	250	177.5	420	98	150	302	205	133	M30	35	42	47
SNG530	135	530	160	60	270	192.5	450	106	160	323	220	142	M30	35	42	59
SNG532	140	550	160	60	290	202.5	470	114	170	344	235	150	M30	35	42	65

Note: SNG 500 Series housings can be used as SNG 200 housings by using felt seals.

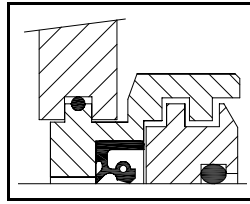
Plummer Block Housing Accessories



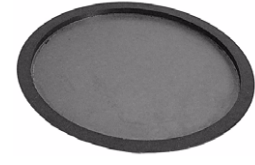
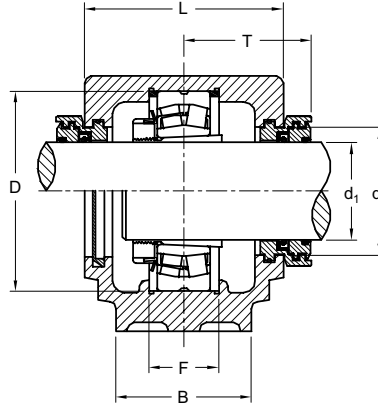
SNG 500 Series (Formerly SNHF Series)



TAC Seal



TAU Taconite Seal



End Cover

Housing Part No.	Bearing Options				Adapter Part No.	Fixing Rings		TSNAG Seal (standard)	TSNC Seal (optional)	TS Seal Part No. (optional)	U-Seal Part No. (optional)	TAU Taconite Seal Part No.	End Cover Part No. (optional)
	Ball Bearing		Spherical Bearings			Part No.	Qty.						
	Part No.	Basic Dynamic Load Rating C Kn	Part No.	Basic Dynamic Load Rating C Kn									
SNG506	1206 K 2206 K	15.6 31.0	— 22206 K	— 48	H206 H306	FR62/8 FR62/6	2 2	TSNA506G	—	U506TS	U506	—	—
SNG507	1207 K 2207 K	16.0 35.0	— 22207 K	— 67	H207 H307	FR72/8.5 FR72/5.5	2 2	TSNA507G	TSNC507	U507TS	U507	—	EC 507A
SNG508	1208 K 2208 K	19.3 36.0	— 22208 K	— 73	H208 H308	FR80/10.5 FR80/8	2 2	TSNA508G	TSNC508	U508TS	U508	TAU508	EC 508A
SNG509	1209 K 2209 K	22.0 39.0	— 22209 K	— 77	H209 H309	FR85/5.5 FR85/7	2 1	TSNA509G	TSNC509	U509TS	U509	TAU509	EC 509A
SNG510	1210 K 2210 K	22.8 42.0	— 22210 K	— 84	H210 H310	FR90/10.5 FR90/9	2 2	TSNA510G	TSNC510	U510TS	U510	TAU510	EC 510A
SNG511	1211 K 2211 K	27.0 45.0	— 22211 K	— 115	H211 H311	FR100/11.5 FR100/9.5	2 2	TSNA511G	TSNC511	U511TS	U511	TAU511	EC 511A
SNG512	1212 K 2212 K	30.0 47.0	— 22212 K	— 122	H212 H312	FR110/13 FR110/10	2 2	TSNA512G	TSNC512	U512TS	U512	TAU512	EC 512A
SNG513	1213 K 2213 K	31.0 50.0	— 22213 K	— 148	H213 H313	FR120/14 FR120/10	2 2	TSNA513G	TSNC513	U513TS	U513	TAU513	EC 513A
SNG515	1215 K 2215 K	39.0 55.0	— 22215 K	— 156	H215 H315	FR130/15.5 FR130/12.5	2 2	TSNA515G	TSNC515	U515TS	U515	TAU515	EC 515A
SNG516	1216 K 2216 K	40.0 59.0	— 22216 K	— 175	H216 H316	FR140/16 FR140/12.5	2 2	TSNA516G	TSNC516	U516TS	U516	TAU516	EC 516A
SNG517	1217 K 2217 K	49.0 63.0	— 22217 K	— 210	H217 H317	FR150/16.5 FR150/12.5	2 2	TSNA517G	TSNC517	U517TS	U517	TAU517	EC 517A
SNG518	1218 K 2218 K —	57.0 65.0 —	— 22218 K 23218 K	— 250 311	H218 H318 H2318	FR160/17.5 FR160/12.5 FR160/12.6	2 2 1	TSNA518G	TSNC518	U518TS	U518	TAU518	EC 518A
SNG519	1219 K 2219 K —	64.0 68.0 —	— 22219 K 23220 K	— 280 310	H219 H319 H320	FR170/18 FR170/12.5 FR180/12	2 2 2	TSNA519G	TSNC519	U519TS	U519	TAU519	EC 519A
SNG520	2220 K — —	71.0 — —	22220 K 23220 K 414	310 414	H320 H2320	FR180/12 FR180/9.7	2 1	TSNA520G	TSNC520	U520TS	U520	TAU520	EC 520A
SNG522	2222 K — —	77.0 — —	22222 K 23222 K 518	405 518	H322 H2322	FR200/13.5 FR200/10.2	2 1	TSNA522G	TSNC522	U522TS	U522	TAU522	EC 522A
SNG524	— — —	— — —	22224 K 23224 K 610	465 610	H3124 H2324	FR215/14 FR215/10	2 1	TSNA524G	TSNC524	U524TS	U524	TAU524	EC 524A
SNG526	— — —	— — —	22226 K 23226 K 690	545 690	H3126 H2326	FR230/13 FR230/10	2 1	TSNA526G	TSNC526	U526TS	U526	TAU526	EC 526A
SNG528	— — —	— — —	22228 K 23228 K 799	605 799	H3128 H2328	FR250/15 FR250/10	2 1	TSNA528G	TSNC528	U528TS	U528	TAU528	EC 528A
SNG530	— — —	— — —	22230 K 23230 K 937	730 937	H3130 H2330	FR270/16.5 FR270/10	2 1	TSNA530G	TSNC530	U530TS	U530	TAU530	EC 530A

Note: Bearing Part Number in **bold face** is a double row spherical and most popular. Typical suffix to the bearing part number is C3W33 where C3 is the internal clearance and W33 indicates a lube groove on the bearing O.D. K indicates taper bore bearing. For example specify 22220 K C3W33. Other clearances available upon request.

Metric Plummer Block



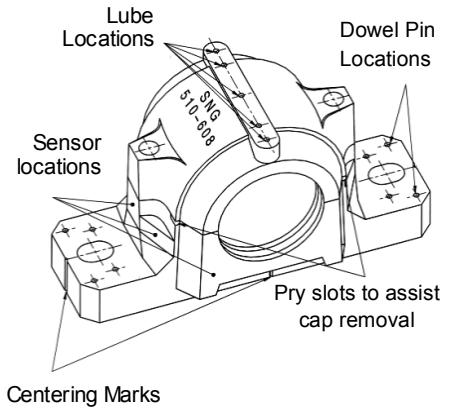
SNG 500-600 Series



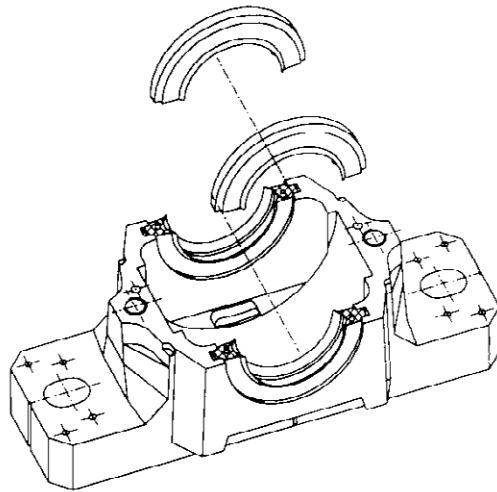
SNG 500-600 Series



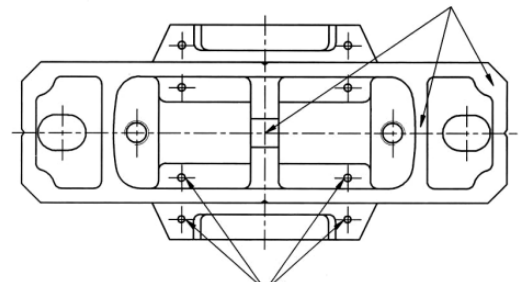
The SNG Series can be provided with 4-Bolt mounting (FSSNG Series). Cast Iron material is standard, and Ductile is also available from production.



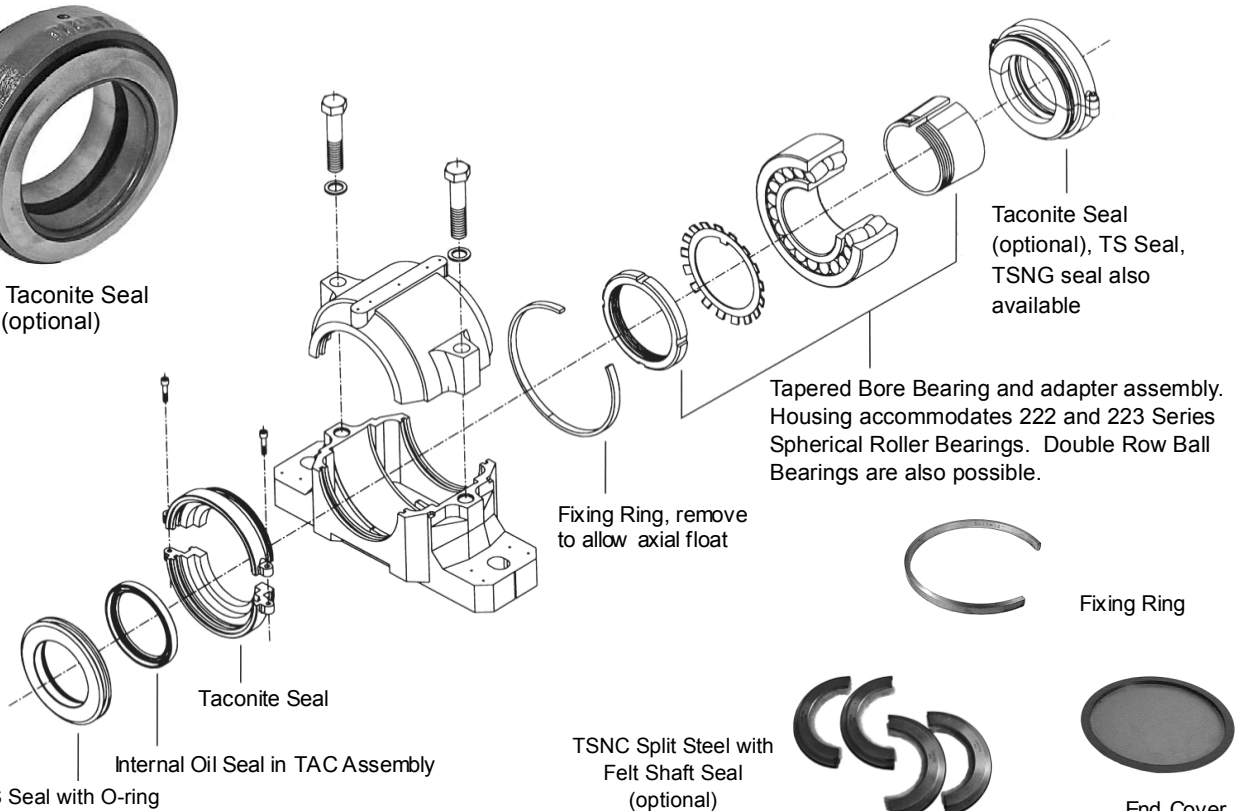
Split TNSG Seals for 500 and 600 Series shafts sizes—accommodates metric and inch shaft sizes. Can be replaced without removing shaft.



TS Seal with O-ring (optional)



TAU Taconite Seal (optional)



Taconite Seal (optional), TS Seal, TNSG seal also available

Tapered Bore Bearing and adapter assembly. Housing accommodates 222 and 223 Series Spherical Roller Bearings. Double Row Ball Bearings are also possible.

Fixing Ring, remove to allow axial float



Fixing Ring

Internal Oil Seal in TAC Assembly
TS Seal with O-ring

TSNC Split Steel with Felt Shaft Seal (optional)



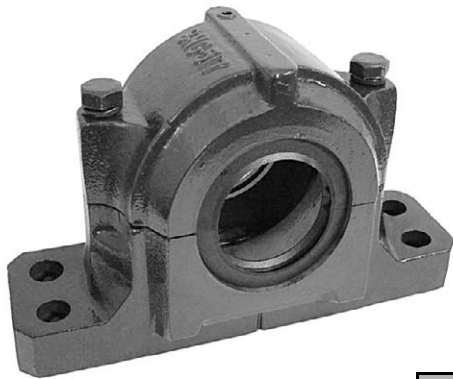
End Cover

Metric Plummer Blocks



FSSNG-D 500-600 Series

4-Bolt Ductile Iron Housing



TS Seal with O-ring (optional)

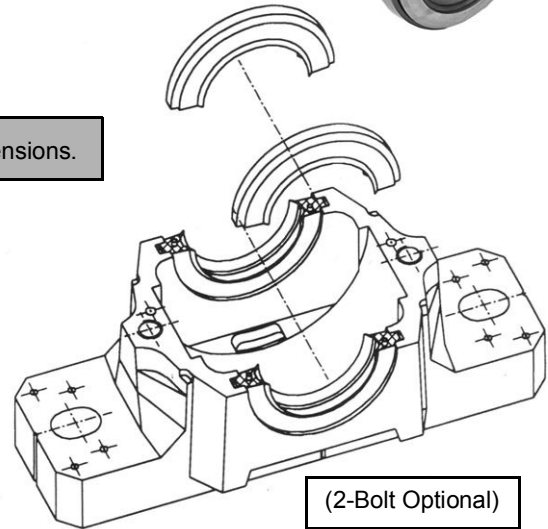
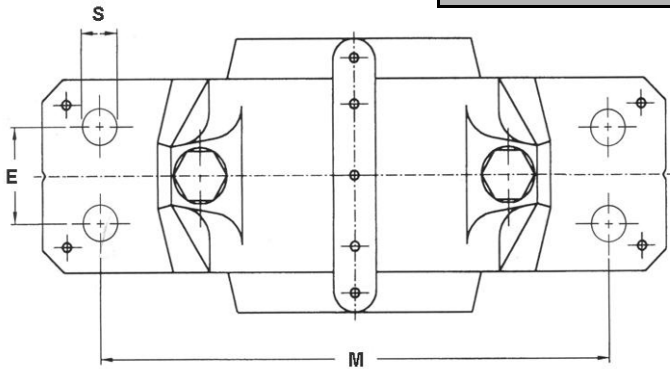
Split TSNG Seals for 500 or 600 Series will accommodate both metric and inch shaft sizes. The TSNG Seal can be replaced without moving the shaft.



TAU Taconite Seal (optional)



See SNG page for other dimensions.



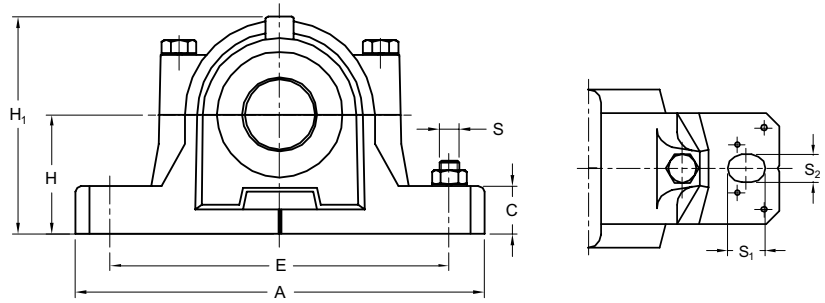
Housing Part No.	E	M	S	Bolt	SNG 500 Seal				SNG 600 Seal		
					Rubber Seal Part No.	Optional Felt Seal Part No.	Shaft (mm)	Shaft (in)	Part No.	Shaft (mm)	Shaft (in)
FSSNG508-607D	34	160	11	M10	TSNA508G	TSNC508	35	1-3/8	TSNA607G	30	1-3/16
FSSNG509D	34	160	11	M10	TSNA509G	TSNC509	40	1-1/2	—	—	—
FSSNG510-608D	34	160	11	M10	TSNA510G	TSNC510	45	1-11/16, 1-3/4	TSNA608G	35	1-3/8
FSSNG511-609D	40	200	14	M12	TSNA511G	TSNC511	50	1-15/16, 2	TSNA609G	40	1-1/2
FSSNG512-610D	40	200	14	M12	TSNA512G	TSNC512	55	2-3/16	TSNA610G	45	1-11/16, 1-3/4
FSSNG513-611D	48	220	14	M12	TSNA513G	TSNC513	60	2-1/4	TSNA611G	50	1-15/16, 2
FSSNG515-612D	48	220	14	M12	TSNA515G	TSNC515	65	2-7/16, 2-1/2	TSNA612G	55	2-3/16
FSSNG516-613D	52	252	18	M16	TSNA516G	TSNC516	70	2-11/16, 2-3/4	TSNA613G	60	2-1/4
FSSNG517D	52	252	18	M16	TSNA517G	TSNC517	75	2-15/16, 3	—	—	—
FSSNG518-615D	58	280	18	M16	TSNA518G	TSNC518	80	3-3/16	TSNA615G	65	2-3/16, 2-1/2
FSSNG519-616D	58	280	18	M16	TSNA519G	TSNC519	85	3-3/8	TSNA616G	70	2-11/16, 2-3/4
FSSNG520-617D	66	300	18	M16	TSNA520G	TSNC520	90	3-7/16, 3-1/2	TSNA617G	75	2-15/16, 3
FSSNG522-619D	74	320	18	M16	TSNA522G	TSNC522	100	3-15/16, 4	TSNA619G	85	3-3/8
FSSNG524-620D	74	330	18	M16	TSNA524G	TSNC524	110	4-3/16, 4-1/4	TSNA620G	90	3-7/16, 3-1/2
FSSNG526D	80	370	22	M20	TSNA526G	TSNC526	115	4-7/16, 4-1/2			
FSSNG528D	92	400	26	M24	TSNA528G	TSNC528	125	4-15/16, 5			
FSSNG530D	100	430	26	M24	TSNA530G	TSNC530	135	5-3/16, 5-1/4			
FSSNG532D	100	450	26	M24	TSNA532G	TSNC532	140	5-7/16, 5-1/2			

Note: The TSNG is an all rubber premium design seal and will accommodate a variety of shaft sizes - both inch and metric. 4-halves are required for 1 block and are included in each seal kit. The design allows seal replacement without removing the shaft.

Plummer Block Housings



SNG 600 Series (Formerly SNHF Series)

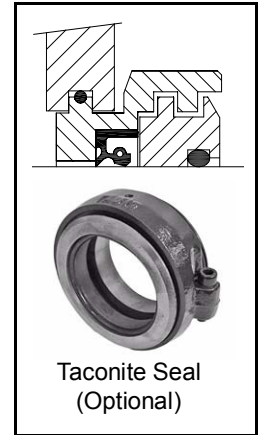
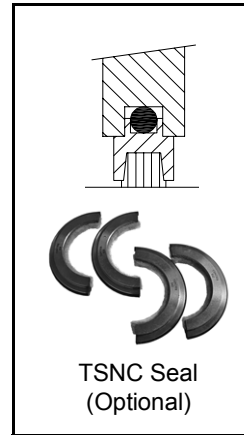
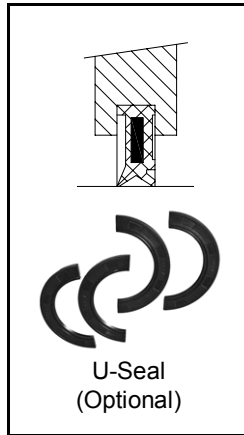
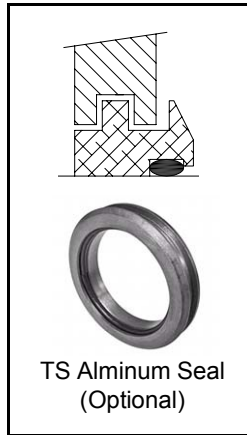
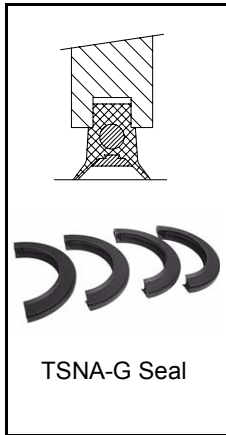


Industry Standard Metric Block Dimensions
Interchangeable with Competitive Units
Seal Options:

- TSNA-G Seal - Split Rubber
- TS-Seal - Aluminum with O-Ring (optional)
- U-Seal - Split Rubber Steel Reinforced (optional)
- TSNC - Split Steel and Felt Seal (optional)
- TAU - Taconite Seal (optional)

Housings: Cast Iron, Ductile (optional)
Adapter Mounted Ball or Spherical Bearing
End Covers and Taconite Seals Available
Interchanges with PTI's SNHF type
4-Bolt Base optional, see FSSNG-D Series (Ductile)

Seal Options



Housing Part No.	Dimensions (mm)															Wt. kg
	d ₁	A	B	C	D	d ₂	E	F	H	H ₁	L	T	S	S ₁	S ₂	
SNG508-607	30	205	60	25	80	51.5	170	39	60	106	85	70	M12	15	20	2.8
SNG510-608	35	205	60	25	90	62	170	41	60	112	90	72	M12	15	20	3.1
SNG511-609	40	255	70	28	100	67	210	44	70	127	95	75	M16	18	23	4.5
SNG512-610	45	255	70	30	110	72	210	48	70	133	105	80	M16	18	23	5.0
SNG513-611	50	275	80	30	120	77	230	51	80	148	110	82	M16	18	24	6.1
SNG515-612	55	280	80	30	130	87	230	56	80	154	115	87	M16	18	26	6.5
SNG516-613	60	315	90	32	140	92.5	260	58	95	175	120	89	M20	22	29	9.0
SNG518-615	65	345	100	35	160	102.5	290	65	100	192	140	102	M20	22	27	12.4
SNG519-616	70	345	100	35	170	131	290	68	112	209	145	102	M20	22	27	13.5
SNG520-617	75	380	110	40	180	137.5	320	70	112	215	160	109	M24	26	32	17.5
SNG522-619	85	410	120	45	200	147.5	350	80	125	239	175	117	M24	26	32	20.5
SNG524-620	90	410	120	45	215	157.5	350	86	140	271	185	122	M24	26	32	25.5

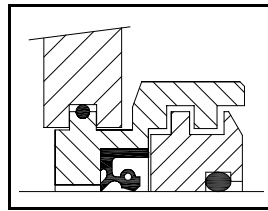
Plummer Block Housing Accessories



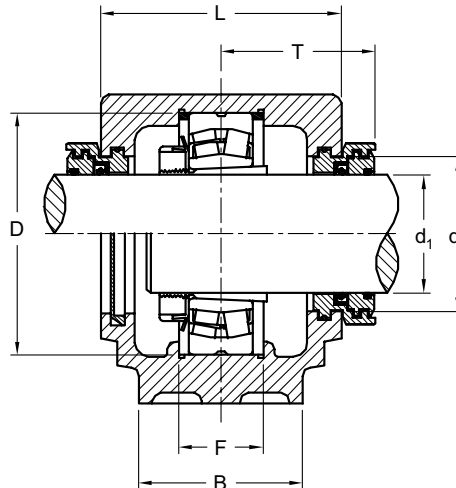
SNG 600 Series (Formerly SNHF Series)



TAC Seal



TAU Taconite Seal



End Cover

Housing Part No.	Bearing Options				Adapter Part No.	Fixing Rings		Seals					End Cover (optional)
	Ball Bearing		Spherical Bearings			Part No.	Qty.	TSNA Seal Part No. (standard)	TSNC Seal Part No. (optional)	TS Seal Part No. (optional)	U-Seal Part No. (optional)	TAU Taconite Seal Part No. (optional)	
	Part No.	Basic Dynamic Load Rating C kN	Part No.	Basic Dynamic Load Rating C kN									
SNG508-607	1307 K	25.0	—	—	H307	FR80/9	2	TSNA607G	TSNC607	U607TS	U607	—	EC 508A
	2307 K	39.0	—	—	H2307	FR80/8	1						
SNG510-608	1308 K	29.0	21308 K	82	H308	FR90/9	2	TSNA608G	TSNC608	U608TS	U608	TAU608	EC 510A
	2308 K	15.0	22308 K	112	H2308	FR90/8	1						
SNG511-609	1309 K	38.0	21309 K	100	H309	FR100/9.5	2	TSNA609G	TSNC609	U609TS	U609	TAU609	EC 511A
	2309 K	54.0	22309 K	135	H2309	FR100/8	1						
SNG512-610	1310 K	41.5	21310 K	120	H310	FR110/10.5	2	TSNA610G	TSNC610	U610TS	U610	TAU610	EC 512A
	2310 K	64.0	22310 K	175	H2310	FR110/8	1						
SNG513-611	1311 K	51.0	21311 K	138	H311	FR120/11	2	TSNA611G	TSNC611	U611TS	U611	TAU611	EC 513A
	2311 K	75.0	22311 K	195	H2311	FR120/8	1						
SNG515-612	1312 K	57.0	21312 K	161	H312	FR130/12.5	2	TSNA612G	TSNC612	U612TS	U612	TAU612	EC 515A
	2312 K	86.5	22312 K	230	H2312	FR130/10	1						
SNG516-613	1313 K	62.0	21313 K	184	H313	FR140/12.5	2	TSNA613G	TSNC613	U613TS	U613	TAU613	EC 516A
	2313 K	95.0	22313 K	250	H2313	FR140/10	1						
SNG518-615	1315 K	80.0	21315 K	235	H315	FR160/14	2	TSNA615G	TSNC615	U615TS	U615	TAU615	EC 518A
	2315 K	122.0	22315 K	340	H2315	FR160/10	1						
SNG519-616	1316 K	88.0	21316 K	258	H316	FR170/14.5	2	TSNA616G	TSNC616	U616TS	U616	TAU616	EC 519A
	2316 K	137.0	22316 K	370	H2316	FR170/10	1						
SNG520-617	1317 K	98.0	21317 K	290	H317	FR180/14.5	2	TSNA617G	TSNC617	U617TS	U617	TAU617	EC 520A
	2317 K	140.0	22317 K	420	H2317	FR180/10	1						
SNG522-619	1319 K	130.0	—	—	H319	FR200/17.5	2	TSNA619G	TSNC619	U619TS	U619	TAU619	EC 522A
	3219 K	160.0	22319 K	515	H2319	FR200/13	1						
SNG524-620	—	—	21320 K	385	H320	FR215/19.5	2	TSNA620G	TSNC620	U620TS	U620	TAU620	EC 524A
	2320 K	190.0	22320 K	600	H2320	FR215/13	1						

Note: Typical suffix to the bearing part number is C3W33 where C3 is the internal clearance and W33 indicates a lube groove on the bearing O.D. K indicates taper bore bearing. For example specify 22310 K C3W33. Other clearances available upon request.

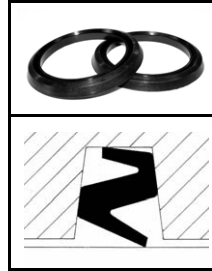
Plummer Block Housings



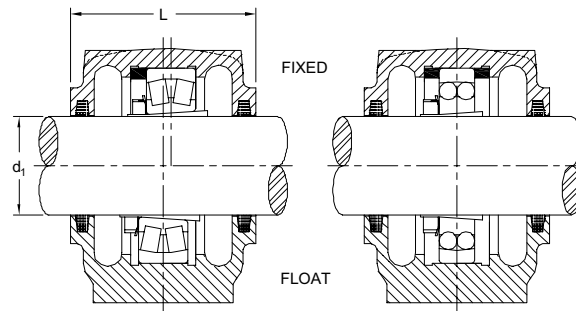
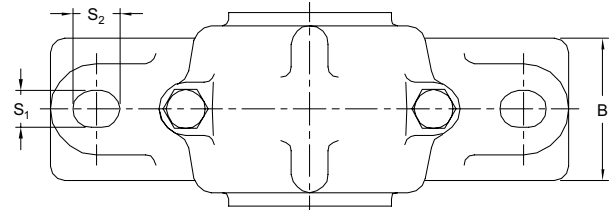
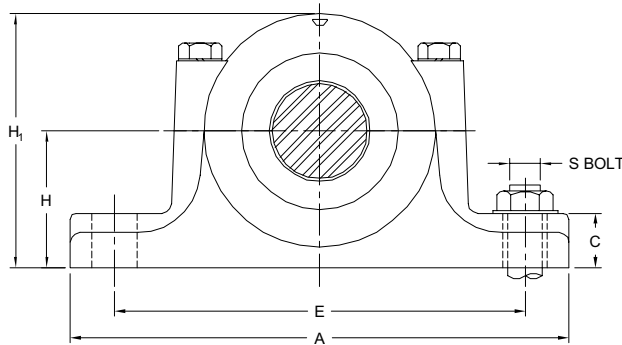
SN 500 Series SSN 500 Series

The SN Housing will accept the self-aligning ball or spherical roller bearing with adapter sleeves. The SN is designed according to DIN 736. Each size is supplied with standard felt seals and fixing rings. Double lip ZF seals are also stocked as an option. SN Housings are cast iron

and SSN Housings are ductile. SSN blocks have solid feet (no bolt holes) and allow base bolt holes to be drilled per request. Dimensions are the same as basic size. Specify SSN, size and bolt hole needs. Drawing can be provided. Bearing and adapter sleeves sold separately.



Optional ZF Rubber Seal



Dimensions in mm

SN Series Housing Part No.	SSN Series Housing Part No.	Shaft Size d_1	A	B	C	E	H	H_1	L	S	S_1	S_2	Wt. kg
SN 505	—	20	165	46	19	130	40	71	67	M 12	15	20	1.4
SN 506	—	25	185	52	22	150	50	87	77	M 12	15	20	1.9
SN 507	—	30	185	52	22	150	50	92	82	M 12	15	20	2.2
SN 508	SSN 508	35	205	60	25	170	60	106	85	M 12	15	20	2.9
SN 509	SSN 509	40	205	60	25	170	60	109	85	M 12	15	20	3.0
SN 510	SSN 510	45	205	60	25	170	60	112	90	M 12	15	20	3.2
SN 511	SSN 511	50	255	70	28	210	70	127	95	M 16	18	24	4.4
SN 512	SSN 512	55	255	70	30	210	70	133	105	M 16	18	24	5.1
SN 513	SSN 513	60	275	80	30	230	80	148	110	M 16	18	24	6.4
SN 515	SSN 515	65	280	80	30	230	80	154	115	M 16	18	24	7.1
SN 516	SSN 516	70	315	90	32	260	95	175	120	M 20	22	28	9.7
SN 517	SSN 517	75	320	90	32	260	95	181	125	M 20	22	28	10.3
SN 518	SSN 518	80	345	100	35	290	100	192	140	M 20	22	28	12.6
SN 519	—	85	345	100	35	290	112	209	145	M 20	22	28	14
SN 520	SSN 520	90	380	110	40	320	112	215	160	M 24	26	32	17
SN 522	SSN 522	100	410	120	45	350	125	239	175	M 24	26	32	22
SN 524	SSN 524	110	410	120	45	350	140	271	185	M 24	26	32	26
SN 526	SSN 526	115	445	130	50	380	150	290	190	M 24	28	35	32
SN 528	SSN 528	125	500	150	50	420	150	302	205	M 30	35	42	42
SN 530	SSN 530	135	530	160	60	450	160	323	220	M 30	35	42	51
SN 532	SSN 532	140	550	160	60	470	170	344	235	M 30	35	42	57

Plummer Block Housing Accessories



Bearings, Adapter Sleeves, Seal Kits and Fixing Rings

Shaft Size mm	Housing Part No.	Bearing Part No.	Basic Dynamic Rating C kN	Sleeve Part No.	Seal Kits		Fixing Rings		End Cover Part No.	Initial Grease Quantity g
					Felt Seals Standard (2 Required)	ZF Seals Optional (2 Required)	Part No.	Qty		
20	SN505 SSN505	1205 K	12	H 205	FS100 x 5 x 6	ZF05	FR 52 x 5	2	—	25
		2205 K	17	H 305			FR 52 x 7	1		
		22205 K	35	H 305			FR 52 x 7	1		
25	SN506 SSN506	1206 K	16	H 206	FS100 x 5 x 6	ZF06	FR 62 x 7	2	—	40
		2206 K	26	H 306			FR 62 x 10	1		
		22206 K	48	H 306			FR 62 x 10	1		
30	SN507 SSN507	1207 K	16	H 207	FS120 x 5 x 6	ZF07	FR 72 x 8	2	—	50
		2207 K	32	H 307			FR 72 x 10	1		
		22207 K	62	H 307			FR 72 x 10	1		
35	SN508 SSN508	1208 K	19	H 208	FS130 x 5 x 6	ZF08	FR 80 x 7.5	2	—	60
		2208 K	32	H 308			FR 80 x 10	1		
		22208 K	73	H 308			FR 80 x 10	1		
40	SN509 SSN509	1209 K	22	H 209	FS150 x 5 x 6	ZF09	FR 85 x 6	2	—	65
		2209 K	28	H 309			FR 85x x8	1		
		22209 K	77	H 309			FR 85 x 8	1		
45	SN510 SSN510	1210 K	23	H 210	FS165 x 5 x 6	ZF10	FR 90 x 6.5	2	EC 510	75
		2210 K	28	H 310			FR 90 x 10	1		
		22210 K	84	H 310			FR 90 x 10	1		
50	SN511 SSN511	1211 K	27	H 211	FS200 x 6.5 x 8	ZF11	FR 100 x 6	2	EC 511	100
		2211 K	39	H 311			FR 100 x 8	1		
		22211 K	115	H 311			FR 100 x 8	1		
55	SN512 SSN512	1212 K	30	H 212	FS200 x 6.5 x 8	ZF12	FR 110 x 8	2	—	150
		2212 K	48	H 312			FR 110 x 10	1		
		22212 K	122	H 312			FR 110 x 10	1		
60	SN513 SSN513	1213 K	31	H 213	FS210 x 6.5 x 8	ZF13	FR 120 x 10	2	EC 513	180
		2213 K	57	H 313			FR 120 x 12	1		
		22213 K	148	H 313			FR 120 x 12	1		
65	SN515 SSN515	1215 K	39	H 215	FS230 x 6.5 x 8	ZF15	FR 130 x 8	2	EC 515	230
		2215 K	44	H 315			FR 130 x 10	1		
		22215 K	156	H 315			FR 130 x 10	1		
70	SN516 SSN516	1216 K	40	H 216	FS260 x 7.5 x 9	ZF16	FR 140 x 8.5	2	EC 516	280
		2216 K	51	H 316			FR 140 x 10	1		
		22216 K	175	H 316			FR 140 x 10	1		
75	SN517 SSN517	1217 K	49	H 217	FS260 x 7.5 x 9	ZF17	FR 150 x 9	2	EC 517	330
		2217 K	59	H 317			FR 150 x 10	1		
		22217 K	250	H 317			FR 150 x 10	1		
80	SN518 SSN518	1218 K	57	H 218	FS150 x 7.5 x 9	ZF18	FR 160 x 16.5	2	EC 518	430
		2218 K	71	H 318			FR 160 x 11.2	2		
		22218 K	250	H 318			FR 160 x 11.2	2		
		23218 K	311	H 2318			FR 1601 x 10	1		
85	SN519 SSN519	1219 K	64	H 219	FS155 x 7.5 x 9	ZF19	FR 170 x 10.5	2	—	480
		2219 K	83	H 319			FR 170 x 10	1		
		22219 K	280	H 319			FR 170 x 10	1		
90	SN520 SSN520	1220 K	70	H 220	FS165 x 8.5 x 10	ZF20	FR 180 x 18.1	2	EC 520	630
		2220 K	98	H 320			FR 180 x 12.1	2		
		22220 K	310	H 320			FR 180 x 12.1	2		
		23220 K	410	H 2320			FR 180 x 10	1		
100	SN522 SSN522	1222 K	88	H 222	FS185 x 10 x 12	ZF22	FR 200 x 21	2	EC 522	850
		2222 K	124	H 322			FR 200 x 13.5	2		
		22222 K	405	H 322			FR 200 x 13.5	2		
		23222 K	510	H 2322			FR 200 x 10	1		
110	SN524 SSN524	22224 K	465	H 3124	FS200 x 10 x 12	ZF24	FR 215 x 14	2	EC 524	1000
		23224 K	605	H 2324			FR 215 x 10	1		
115	SN526 SSN526	22226 K	545	H 3126	FS210 x 10 x 12	ZF26	FR 230 x 13	2	EC 526	1100
		23226 K	680	H 2326			FR 230 x 10	1		
125	SN528 SSN528	22228 K	605	H 3128	FS230 x 10 x 12	ZF28	FR 250 x 15	2	EC 528	1400
		23228 K	790	H 2328			FR 250 x 10	1		
135	SN530 SSN530	22230 K	730	H 3130	FS245 x 10 x 12	ZF30	FR 270 x 16.5	2	EC 530	1700
		23230 K	930	H 2330			FR 270 x 10	1		
140	SN532 SSN532	22232 K	860	H 3132	FS260 x 10 x 12	ZF32	FR 290 x 17	2	EC 532	2000
		23232 K	1060	H 2332			FR 290 x 10	1		

Note: The SN Housing accepts Ball or Spherical Roller Bearings. Typical suffix to the bearing part number is C3W33 where C3 is the internal clearance and W33 indicates a lube groove on the bearing O.D. K indicates taper bore bearing. For example specify 22220KC3W33.

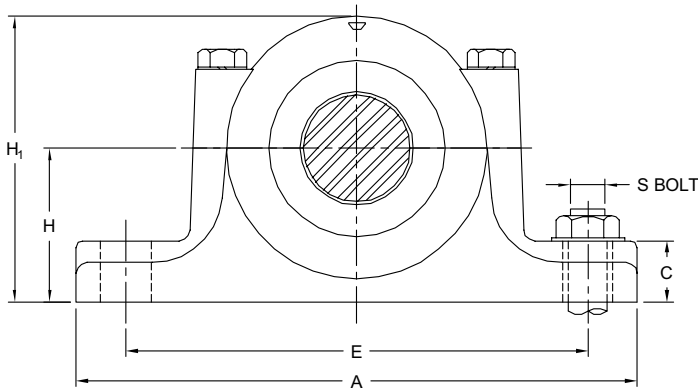
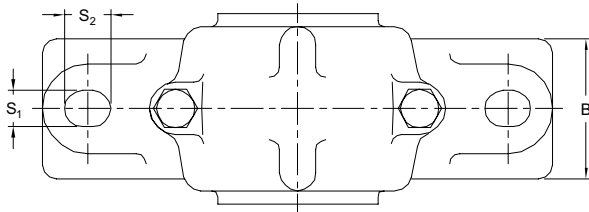
Plummer Block Housings



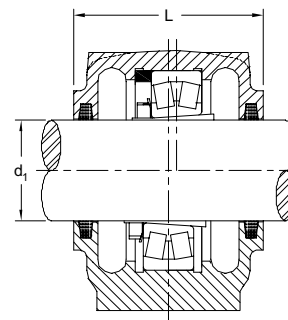
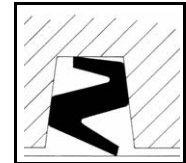
SN 600 Series

The SN Housing accept self-aligning ball or spherical roller bearing with adapter sleeve. They are designed according to DIN 736. Each is supplied with standard felt seals and fixing rings. Double lip

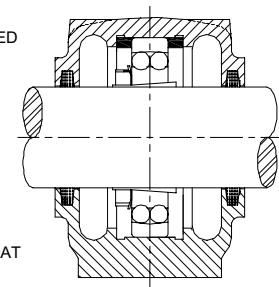
ZF rubber type seals are also stocked as an option. Housings are cast iron. Bearings and adapter sleeves sold separately.



Optional ZF Rubber Seal



FIXED



FLOAT

Dimensions in mm

Part No.	Shaft Size d_1	A	B	C	E	H	H_1	L	S	S_1	S_2	Wt. kg
SN 605	20	185	45	22	150	50	71	77	M 10	13	22	1.8
SN 606	25	185	45	22	150	50	92	82	M 10	13	20	2.0
SN 607	30	205	50	25	170	60	106	85	M 12	15	20	2.6
SN 608	35	205	50	25	170	60	112	90	M 12	15	20	3.0
SN 609	40	225	58	28	210	70	127	95	M 12	18	23	4.2
SN 610	45	255	60	30	210	70	133	105	M 16	18	23	4.8
SN 611	50	275	65	30	230	80	148	110	M 16	18	24	6.1
SN 612	55	280	65	30	230	80	154	115	M 16	18	26	6.5
SN 613	60	315	75	32	260	95	175	120	M 20	22	29	8.9
SN 615	65	345	85	35	290	100	192	140	M 20	22	27	13
SN 616	70	345	85	35	290	112	209	145	M 20	22	27	15
SN 617	75	380	95	40	320	112	215	160	M 24	26	32	17
SN 618	80	380	110	40	320	112	220	160	M 24	26	32	18
SN 619	85	410	100	45	350	125	239	175	M 24	26	32	19
SN 620	90	410	100	45	350	140	271	185	M 24	26	32	25
SN 622	100	450	115	50	390	150	295	190	M 24	28	35	35
SN 624	110	530	160	60	450	160	320	200	M 30	35	42	53
SN 626	115	550	160	60	470	170	340	210	M 30	35	42	62
SN 628	125	620	170	65	520	180	367	235	M 30	35	42	85
SN 630	135	650	180	65	560	190	385	245	M 30	35	42	96
SN 632	140	680	190	70	580	200	405	255	M 36	42	50	115

Plummer Block Housing Accessories

Bearings, Adapter Sleeves, Seal Kits and Fixing Rings



Shaft Size mm	Housing Part No.	Bearing Part No.	Basic Dynamic Rating C kN	Sleeve Part No.	Seal Kits - Part No.		Fixing Rings		Initial Grease Quantity g
					Felt Seals Standard (2 Required)	ZF Rubber Seals Optional (2 Required)	Size Part No.	Qty	
20	SN 605	1305 K	18	H 305	FS100 x 5 x 6	ZF 05	FR 62 x 8.5	2	40
		2305 K	24	H 2305			FR 62 x 10	1	
25	SN 606	1306 K	21	H 306	FS100 x 5 x 6	ZF 06	FR 72 x 9	2	50
		2306 K	31	H 2306			FR 72 x 10	1	
30	SN 607	1307 K	25	H 307	FS120 x 5 x 6	ZF 07	FR 80 x 10	2	60
		2307 K	39	H 2307			FR 80 x 10	1	
35	SN 608	1308 K	29	H 308	FS130 x 5 x 6	ZF 08	FR 90 x 10	2	75
		2308 K	45	H 2308			FR 90 x 10	1	
		22308 K	112	H 2308			FR 90 x 10	1	
40	SN 609	1309 K	38	H 309	FS150 x 5 x 6	ZF 09	FR 100 x 10.5	2	100
		2309 K	54	H 2309			FR 100 x 10	1	
		22309 K	135	H 2309			FR 100 x 10	1	
45	SN 610	1310 K	41	H 310	FS165 x 5 x 6	ZF 10	FR 110 x 11.5	2	150
		2310 K	64	H 2310			FR 110 x 10	1	
		22310 K	175	H 2310			FR 110x x10	1	
50	SN 611	1311 K	51	H 311	FS200 x 6.5 x 8	ZF 11	FR 120 x 12	2	180
		2311 K	75	H 2311			FR 120 x 10	1	
		22311 K	195	H 2311			FR 120 x 10	1	
55	SN 612	1312 K	57	H 312	FS200 x 6.5 x 8	ZF 12	FR 130 x 12.5	2	230
		2312 K	86	H 2312			FR 130 x 10	1	
		22312 K	230	H 2312			FR 130 x 10	1	
60	SN 613	1313 K	62	H 313	FS210 x 6.5 x 8	ZF 13	FR 140 x 12.5	2	280
		2313 K	95	H 2313			FR 140 x 10	1	
		22313 K	250	H 2313			FR 140 x 10	1	
65	SN 615	1315 K	80	H 315	FS230 x 6.5 x 8	ZF 15	FR 160 x 14	2	430
		2315 K	122	H 2315			FR 160 x 10	1	
		22315 K	340	H 2315			FR 160 x 10	1	
70	SN 616	1316 K	88	H 316	FS260 x 7.5 x 9	ZF 16	FR 170 x 14.5	2	480
		2316 K	137	H 2316			FR 170 x 10	1	
		22316 K	370	H 2316			FR 170 x 10	1	
75	SN 617	1317 K	98	H 317	FS260 x 7.5 x 9	ZF 17	FR 180 x 14.5	2	630
		2317 K	140	H 2317			FR 180 x 10	1	
		22317 K	420	H 2317			FR 180 x 10	1	
80	SN 618	1318 K	108	H 318	FS150 x 7.5 x 9	ZF 18	FR 190 x 15.5	2	750
		2318 K	153	H 2318			FR 190 x 10	1	
		22318 K	475	H 2318			FR 190 x 10	1	
85	SN 619	1319 K	133	H 319	FS155 x 7.5 x 9	ZF 19	FR 200 x 16	2	850
		2319 K	165	H 2319			FR 200 x 10	1	
		20319 K	317	H 319			FR 200 x 16	2	
		22319 K	515	H 2319			FR 200 x 10	1	
90	SN 620	1320 K	143	H 320	FS 165 x 8.5 x 10	ZF 20	FR 215 x 18	2	1000
		2320 K	190	H 2320			FR 215 x 10	1	
		20320 K	336	H 320			FR 215 x 18	2	
		22320 K	600	H 2320			FR 215 x 10	1	
100	SN 622	20322 K	400	H 322	FS 185 x 10 x 12	ZF 22	FR 240 x 20	2	1100
		22322 K	720	H 2322			FR 240 x 10	1	
110	SN 624	20324 K	466	H 3124	FS 200 x 10 x 12	ZF 24	FR 260 x 20.5	2	1300
		22324 K	840	H 2324			FR 260 x 10	1	
115	SN 626	20326 K	528	H 3126	FS 210 x 10 x 12	ZF 26	FR 280 x 22.5	2	1600
		22326 K	970	H 2326			FR 280 x 10	1	
125	SN 628	20328 K	616	H 3128	FS 230 x 10 x 12	ZF 28	FR 300 x 25	2	2000
		22328 K	1120	H 2328			FR 300 x 10	1	
135	SN 630	20330 K	686	H 3130	FS 245 x 10 x 12	ZF 30	FR 320 x 26.5	2	2200
		22330 K	1250	H 2330			FR 320 x 10	1	
140	SN 632	20332 K	760	H 3132	FS 260 x 10 x 12	ZF 32	FR 340 x 28	2	2400
		22332 K	1375	H 2332			FR 340 x 10	1	

Note: The SN Housing accepts Ball or Spherical Roller Bearings. Typical suffix to the bearing part number is C3W33 where C3 is the internal clearance and W33 indicates a lube groove on the bearing O.D. K indicates taper bore bearing. For example specify 22311KC3W33. 213 Series Bearing also possible for above housings with H300 Series Adapter.

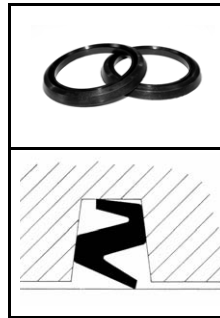
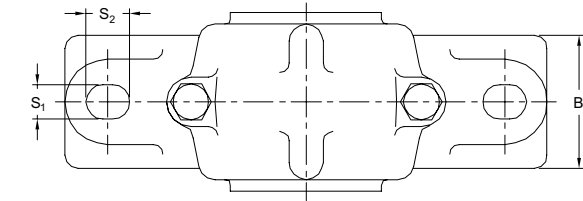
Plummer Block Housings



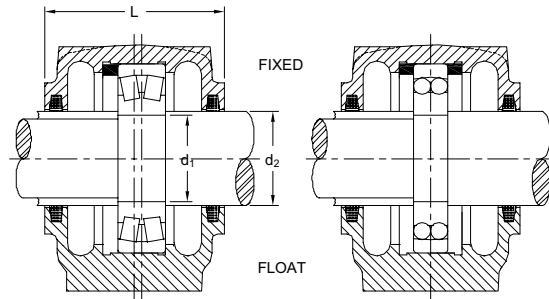
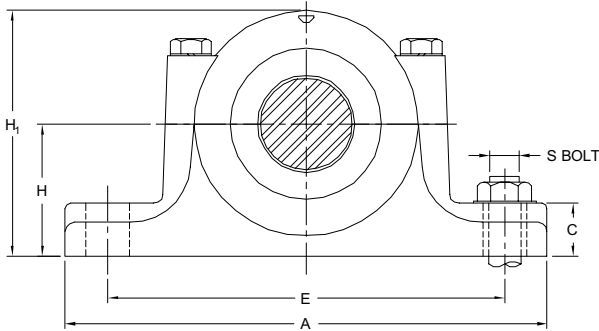
SN 200 Series

The SN Housings are an industry standard and are designed according to DIN 738. Each housing includes felt seals. V-ring Buna ZF Seals are also stocked as an option. See ZF option on next page. Fixing rings are furnished with the housing. Identify bearing choice when ordering for appropriate quantity of fixing rings.

Fixing ring removal creates an expansion bearing. SSN series blocks allow base bolt holes drilled per need. They are also available on request and have same basic dimensions for size listed. Specify SSN, size and bolt hole needs. **Note: Spacer sleeve if required for d_2 seal to be supplied by user.**



Optional ZF Rubber Seal



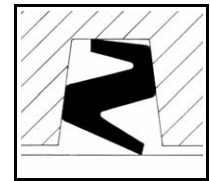
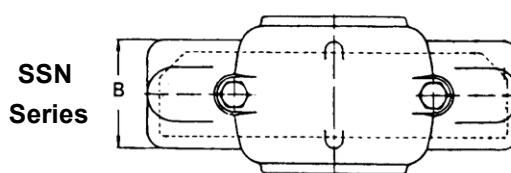
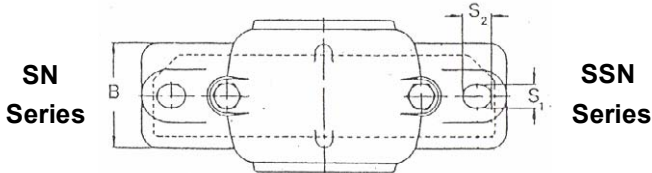
Dimensions in mm

Part No.	d_1	d_2	H	H_1	L	A	B	C	E	S_1	S_2	S	Weight kg
SN 205	25	30	40	71	67	165	42	19	130	13	20	M 10	1.2
SN 206	30	35	50	87	77	185	45	22	150	13	22	M 10	1.8
SN 207	35	45	50	92	82	185	45	22	150	13	20	M 10	2.0
SN 208	40	50	60	106	85	205	50	25	170	15	20	M 12	2.5
SN 209	45	55	60	109	85	205	50	25	170	15	20	M 12	2.9
SN 210	50	60	60	112	90	205	50	25	170	15	20	M 12	3.0
SN 211	55	65	70	127	95	255	58	28	210	18	23	M 16	4.2
SN 212	60	70	70	133	105	255	60	30	210	18	23	M 16	4.8
SN 213	65	75	80	148	110	275	65	30	230	18	24	M 16	6.1
SN 214	70	80	80	150	115	275	80	30	230	18	23	M 16	6.5
SN 215	75	85	80	154	120	280	65	32	230	22	29	M 16	8.8
SN 216	80	90	95	181	125	320	75	32	260	22	30	M 20	10.0
SN 217	85	95	95	192	140	345	85	35	260	22	27	M 20	12.5
SN 218	90	100	100	209	145	345	85	35	290	22	27	M 20	14.5
SN 219	95	110	112	210	140	345	100	35	290	22	27	M 20	15.0
SN 220	100	115	112	215	160	380	95	40	320	26	32	M 24	16.5
SN 222	110	125	125	239	175	410	100	45	350	26	32	M 24	18.5
SN 224	120	135	140	271	185	410	100	45	350	26	32	M 24	24.5
SN 226	130	145	150	290	190	445	110	50	380	28	35	M 24	33.5
SN 228	140	155	150	302	205	500	130	50	420	35	42	M 30	43.5
SN 230	150	165	160	323	220	530	140	60	450	35	42	M 30	51.5
SN 232	160	175	170	344	235	550	140	60	470	35	42	M 30	57.5

Plummer Block Housing Accessories



Bearings, Seal Kits and Fixing Rings



ZF Seal Option

Shaft Size d_2 mm	Housing Part No.	Bearing Part No.	Basic Dynamic Rating C kN	Seal Kits		Fixing Rings	
				Felt Seals Standard (2 Required)	ZF Rubber Seals Optional (2 Required)	Size	Qty
30	SN 205	1205	12	FS120 x 5 x 6	ZF07	FR 52 x 5	2
		2205	17			FR 52 x 7	1
		22205	35			FR 52 x 7	1
35	SN 206	1206	16	FS130 x 5 x 6	ZF08	FR 62 x 7	2
		2206	26			FR 62 x 10	1
		22206	48			FR 62 x 10	1
45	SN 207	1207	16	FS165 x 5 x 6	ZF10	FR 72 x 8	2
		2207	32			FR 72 x 10	1
		22207	62			FR 72 x 10	1
50	SN 208	1208	19	FS200 x 6.5 x 8	ZF11	FR 80 x 7.5	2
		2208	32			FR 80 x 10	1
		22208	73			FR 80 x 10	1
55	SN 209	1209	22	FS200 x 6.5 x 6	ZF12	FR 85 x 6	2
		2209	28			FR 85 x 8	1
		22209	77			FR 85 x 8	1
60	SN 210	1210	23	FS210 x 6.5 x 8	ZF13	FR 90 x 6.5	2
		2210	28			FR 90 x 10	1
		22210	84			FR 90 x 10	1
65	SN 211	1211	27	FS230 x 6.5 x 8	ZF15	FR 100 x 6	2
		2211	39			FR 100 x 8	1
		22211	115			FR 100 x 8	1
70	SN 212	1212	30	FS260 x 7.5 x 9	ZF16	FR 110 x 8	2
		2212	48			FR 110 x 10	1
		22212	122			FR 110 x 10	1
75	SN 213	1213	31	FS260 x 7.5 x 9	ZF17	FR 120 x 10	2
		2213	57			FR 120 x 12	1
		22213	148			FR 120 x 12	1
80	SN 214	1214	34.5	FS150 x 7.5 x 9	ZF18	FR 125 x 10	2
		2214	44			FR 125 x 13	1
		22214	148			FR 125 x 13	1
85	SN 215	1215	39	FS155 x 7.5 x 9	ZF19	FR 130 x 8	2
		2215	44			FR 130 x 10	1
		22215	156			FR 130 x 10	1
90	SN 216	1216	40	FS165 x 8.5 x 10	ZF20	FR 140 x 8.5	2
		2216	51			FR 140 x 10	1
		22216	175			FR 140 x 10	1
95	SN 217	1217	49	FS175 x 8.5 x 10	ZF21	FR 150 x 9	2
		2217	59			FR 150 x 10	1
		22217	250			FR 150 x 10	1
100	SN 218	1218	57	FS185 x 10 x 12	ZF22	FR 160 x 16.2	2
		2218	71			FR 160 x 11.2	2
		22218	250			FR 160 x 11.2	2
		23218	311			FR 160 x 10	1
110	SN 219	22219	280	FS210 x 10 x 12	ZF24	FR 170 x 10.5	2
115	SN 220	1220	70	FS210 x 10 x 12	ZF26	FR 180 x 18.1	2
		2220	98			FR 180 x 12.1	2
		22220	310			FR 180 x 12.1	2
		23220	410			FR 180 x 10	1
125	SN 222	1222	88	FS230 x 10 x 12	ZF28	FR 200 x 21	2
		2222	124			FR 200 x 13.5	2
		22222	405			FR 200 x 13.5	2
		23222	510			FR 200 x 10	1
135	SN 224	22224	465	FS245 x 10 x 12	ZF30	FR 215 x 14	2
		23224	605			FR 215 x 10	1
145	SN 226	22226	545	FS265 x 10 x 12	ZF33	FR 230 x 13	2
		23226	680			FR 230 x 10	1
155	SN 228	22228	605	FS280 x 10 x 12	ZF35	FR 250 x 15	2
		23228	790			FR 250 x 10	1
165	SN 230	22230	730	FS300 x 10 x 12	ZF37	FR 270 x 16.5	2
		23230	930			FR 270 x 10	1
175	SN 232	22232	860	FS300 x 10 x 12	ZF39	FR 290 x 17	2
		23232	1060			FR 290 x 10	1

Note: Optional ZF seal fits Shaft Size d_2 . Optional lockwasher and lock nut also available.

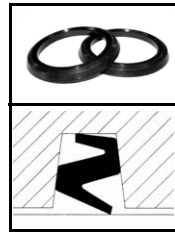
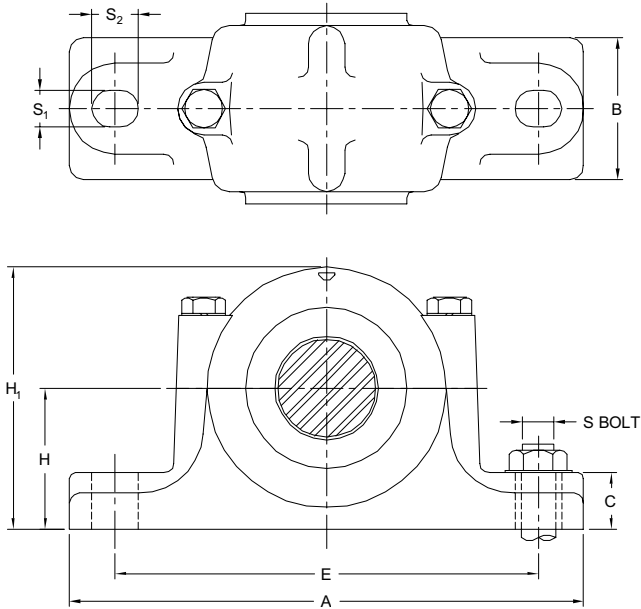
Plummer Block Housings



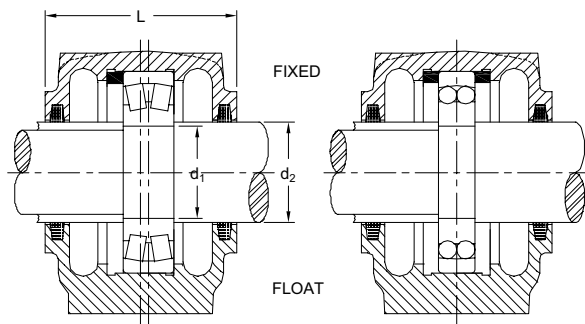
SN 300 Series

The SN Housings are fully interchangeable and are designed according to DIN 739. Each housing includes felt seals. V-ring Buna seals are also stocked as an option. See ZF type option next page. Fixing rings are

furnished with the housing. Identify bearing choice when ordering for appropriate quantity of fixing rings. Fixing ring removal creates expansion bearing. **Note: Spacer sleeve for d_2 seal to be supplied by user.**



Optional ZF Rubber Seal



Dimensions in mm

Part No.	d_1	d_2	H	H_1	L	A	B	C	E	S_1	S_2	S	Weight kg
SN305	25	30	50	90	77	185	45	22	150	13	22	M 10	1.8
SN306	30	35	50	92	82	185	45	22	150	13	20	M 10	2.0
SN307	35	45	60	106	85	205	50	25	170	15	20	M 12	2.6
SN308	40	50	60	112	90	205	50	25	170	15	20	M 12	3.0
SN309	45	55	70	127	95	255	58	28	210	18	23	M 12	4.2
SN310	50	60	70	133	105	255	60	30	210	18	23	M 16	4.8
SN311	55	65	80	148	110	275	65	30	230	18	24	M 16	6.1
SN312	60	70	80	154	115	280	65	30	230	18	26	M 16	6.5
SN313	65	75	95	175	120	315	75	32	260	22	29	M 20	8.9
SN314	70	80	95	185	130	320	90	32	260	22	31	M 20	10.0
SN315	75	85	100	192	140	345	85	35	290	22	27	M 20	12.5
SN316	80	90	112	209	145	345	85	35	290	22	27	M 20	14.5
SN317	85	95	112	215	160	380	95	40	320	26	32	M 24	16.5
SN318	90	105	112	220	160	380	110	40	320	26	32	M 24	18.0
SN319	95	110	125	239	175	410	100	45	350	26	32	M 24	18.5
SN320	100	115	140	271	185	410	100	45	350	26	32	M 24	24.5
SN322	110	125	150	295	190	450	115	50	390	28	35	M 24	34.5
SN324	120	135	160	320	200	530	160	60	450	35	42	M 30	51.9
SN326	130	150	170	340	210	550	160	60	470	35	42	M 30	60.5
SN328	140	160	180	367	235	620	170	65	520	35	42	M 30	82.0
SN330	150	170	190	385	245	650	180	65	560	35	42	M 30	92.0
SN332	160	180	200	405	255	680	190	70	580	42	50	M 36	112.0

Plummer Block Housing Accessories



Bearings, Seal Kits and Fixing Rings

Shaft Size d ₂ mm	Housing Part No.	Bearing Part No.	Basic Dynamic Rating C kN	Seal Kits		Fixing Rings	
				Felt Seals Standard (2 Required)	ZF Rubber Seals Optional (2 Required)	Size	Qty
30	SN 305	1305	18	FS120 x 5 x 6	ZF07	FR 62 x 9	2
		2305	24			FR 62 x 10	1
		21305	41			FR 62 x 9	2
35	SN 306	1306	21	FS130 x 5 x 6	ZF08	FR 72 x 8.5	2
		2306	31			FR 72 x 10	1
		21306	55			FR 72 x 8.5	2
45	SN 307	1307	25	FS165 x 5 x 6	ZF10	FR 80 x 10	2
		2307	39			FR 80 x 10	1
		21307	65			FR 80 x 10	2
50	SN 308	1308	29	FS200 x 6.5 x 8	ZF11	FR 90 x 10	2
		2308	45			FR 90 x 10	1
		21308	82			FR 90 x 10	2
		22308	112			FR 90 x 10	1
55	SN 309	1309	38	FS200 x 6.5 x 6	ZF12	FR 100 x 10.5	2
		2309	54			FR 100 x 10	1
		21309	100			FR 100 x 10.5	2
		22309	135			FR 100 x 10	1
60	SN 310	1310	41	FS210 x 6.5 x 8	ZF13	FR 110 x 11.5	2
		2310	64			FR 110 x 10	1
		21310	120			FR 110 x 11.5	2
		22310	175			FR 100 x 10	1
65	SN 311	1311	51	FS230 x 6.5 x 8	ZF15	FR 120 x 12	2
		2311	75			FR 120 x 10	1
		21311	138			FR 120 x 12	2
		22311	195			FR 120 x 10	2
70	SN 312	1312	57	FS260 x 7.5 x 9	ZF16	FR 130 x 12.5	2
		2312	86			FR 130 x 10	1
		21312	160			FR 130 x 12.5	2
		22312	230			FR 130 x 10	1
75	SN 313	1313	62	FS260 x 7.5 x 9	ZF17	FR 140 x 12.5	2
		2313	95			FR 140 x 10	1
		21313	184			FR 140 x 12.5	2
		22313	250			FR 140 x 10	1
80	SN 314	1314	75	FS150 x 7.5 x 9	ZF18	FR 150 x 13	2
		2314	110			FR 150 x 10	1
		21314	207			FR 150 x 13	2
		22314	310			FR 150 x 10	1
85	SN 315	1315	80	FS155 x 7.5 x 9	ZF19	FR 160 x 14	2
		2315	122			FR 160 x 10	1
		21315	235			FR 160 x 14	2
		22315	340			FR 160 x 10	1
90	SN 316	1316	88	FS165 x 8.5 x 10	ZF20	FR 170 x 14.5	2
		2316	137			FR 170 x 10	1
		21316	258			FR 170 x 14.5	2
		22316	370			FR 170 x 10	1
95	SN 317	1317	98	FS175 x 8.5 x 10	ZF21	FR 180 x 14.5	2
		2317	140			FR 180 x 10	1
		21317	292			FR 180 x 14.5	2
		22317	420			FR 180 x 10	1
105	SN 318	1318	108	FS185 x 10 x 12	-	FR 190 x 15.5	2
		2318	153			FR 190 x 10	1
		21318	320			FR 190 x 15.5	2
		22318	475			FR 190 x 10	1
110	SN 319	1319	133	FS210 x 10 x 12	ZF24	FR 200 x 16	2
		2319	165			FR 200 x 10	1
		21319	350			FR 200 x 16	2
		22319	515			FR 200 x 10	1
115	SN 320	1320	143	FS210 x 10 x 12	ZF26	FR 215 x 18	2
		2320	190			FR 215 x 10	1
		21320	385			FR 215 x 18	2
		22320	600			FR 215 x 10	1
125	SN 322	20322	400	FS230 x 10 x 12	ZF28	FR 240 x 20	2
		21322	460			FR 240 x 20	2
		22322	720			FR 240 x 10	1
135	SN 324	20324	466	FS230 x 10 x 12	ZF30	FR 260 x 20.5	2
		22324	840			FR 260 x 10	1
150	SN 326	20326	528	FS260 x 10 x 12	ZF34	FR 280 x 22.5	2
		22326	970			FR 280 x 10	1
160	SN 328	20328	616	FS265 x 10 x 12	ZF36	FR 300 x 25	2
		22328	1120			FR 300 x 10	1
170	SN 330	20330	686	FS280 x 10 x 12	ZF38	FR 320 x 26.5	2
		22330	1250			FR 320 x 10	1
180	SN 332	20332	760	FS300 x 10 x 12	ZF40	FR 340 x 28	2
		22332	1375			FR 340 x 10	1

Bronze Journal Bearings



DIN 505 Series

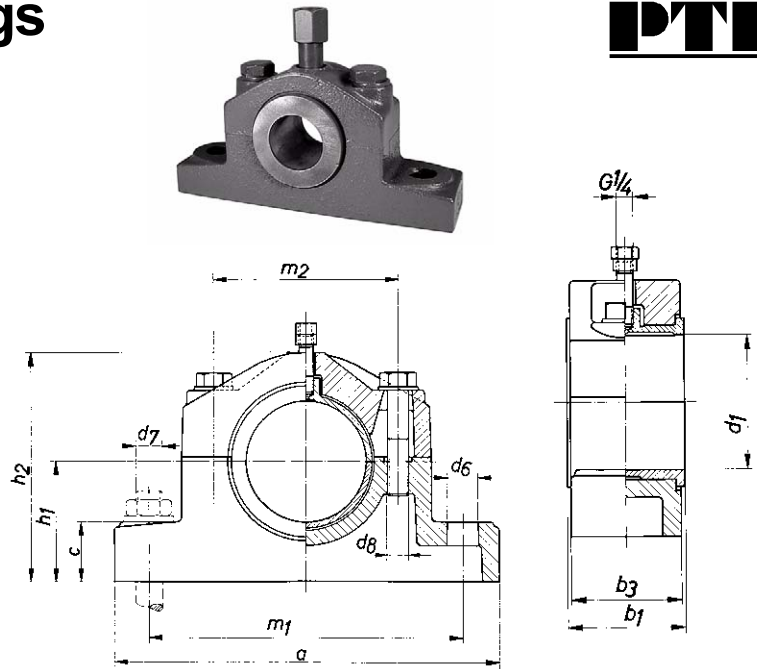
DIN 505 Bronze bearings are designed for applications in lumber, steel, chemical, waste treatment and food industries. They will operate at sliding speeds up to 1.5 m/sec (300 ft/min). Housings are cast iron, journals are bronze. These bearings are suitable for high temperature applications: standard greases to approximately 110°C (230°F), synthetic or solid lubricants to approximately 450°C (840°F). Lube is channeled into the unloaded zone of the bearing cap through a groove. Other journal types on request, see other types below. Allowable loading: up to 450 N/cm² and sliding loads up to 250 (N·m)/(cm²·s) where:

N = bearing load (Newtons)

s = seconds

cm = surface area (centimeters)

m = meters

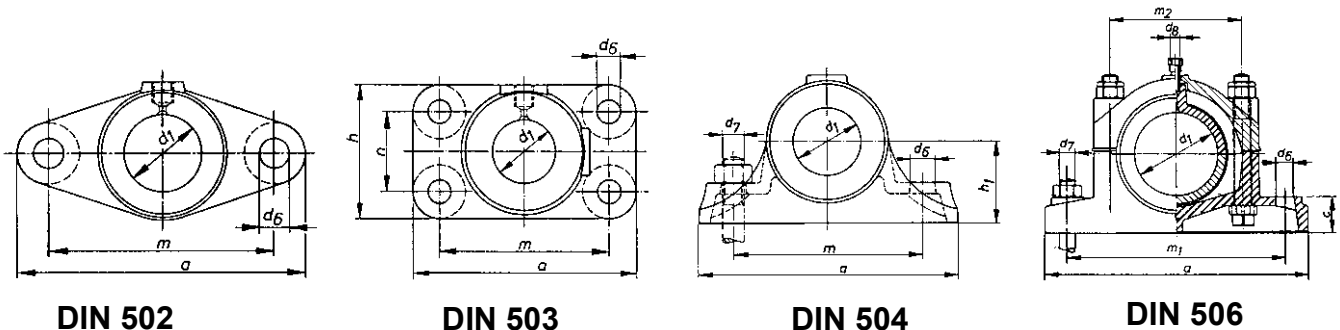


Part No.	Shaft d ₁	a	b ₁	b ₃	c	d ₆	d ₇	d ₈	h ₁	h ₂	m ₁	m ₂	Wt. kg
DIN505-25	25	165	45	40	22	15	M12	M10	40	78	125	65	1.6
DIN505-30	30												
DIN505-35	35	180	50	45	25	15	M12	M10	50	95	140	75	2.3
DIN505-40	40												
DIN505-45	45	210	55	50	30	19	M16	M12	60	114	160	90	3.3
DIN505-50	50												
DIN505-55	55	225	60	55	35	19	M16	M12	70	132	175	100	4.4
DIN505-60	60												
DIN505-70	70	270	65	60	40	24	M20	M16	80	154	210	120	7.1
DIN505-80	80	290	75	70	45	24	M20	M16	90	170	230	130	10.2
DIN505-90	90	330	85	80	50	28	M24	M20	100	188	265	150	13.4
DIN505-100	100	355	95	90	55	28	M24	M20	110	210	290	170	19.0
DIN505-110	110												
DIN505-125	125	420	110	100	60	35	M30	M24	130	250	340	200	29.2
DIN505-140	140	440	125	120	65	35	M30	M24	150	280	360	220	39.0

Dimensions in mm.

Other DIN 500 Series Units

(Request Dimension Sheets)



DIN 502

DIN 503

DIN 504

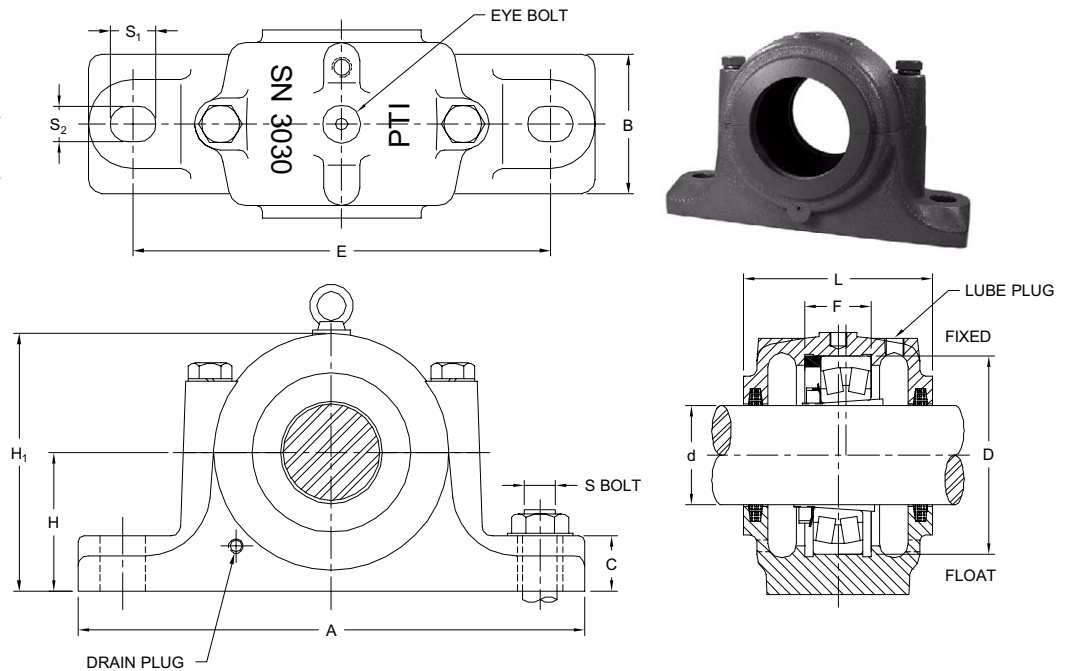
DIN 506

Plummer Block Housings



S 3000K Series

The S 3000 K Series is a heavy duty metric block which uses the 230 Bearing Series. Cast iron blocks include Felt Seals and Fixing Rings. Adapters and Bearings sold separately.



Housing Part No.	Dimensions (mm)													Wt. kg
	d	A	B	C	D	E	F	H	H ₁	L	S	S ₁	S ₂	
S3024K	110	390	110	40	180	320	56	112	215	150	M 24	30	36	17
S3026K	115	420	120	45	200	350	62	125	239	160	M 24	30	36	20
S3028K	125	420	120	45	210	350	63	140	259	170	M 24	30	36	25
S3030K	135	460	130	45	225	380	66	150	278	175	M 24	30	36	29
S3032K	140	470	130	50	240	390	70	150	288	190	M 24	30	36	37
S3034K	150	540	160	55	260	450	77	160	365	200	M 30	36	48	45
S3036K	160	560	160	55	280	470	84	170	385	210	M 30	36	48	65
S3038K	170	560	160	55	290	470	85	170	405	210	M 30	36	48	67
S3040K	180	615	170	60	310	515	92	180	425	235	M 30	36	48	72
S3044K	200	690	190	70	340	580	100	200	460	255	M 36	42	50	98
S3048K	220	720	200	75	360	610	102	210	495	265	M 36	42	50	110
S3052K	240	820	220	80	400	680	114	240	547	285	M 45	52	70	148
S3056K	260	860	230	80	420	720	116	250	567	295	M 45	52	70	165

Housing Part No.	Bearing Part No.	Basic Dynamic Rating C kN	Adapter Sleeves Part No.	Fixing Rings		Felt Seals		End Cover Part No.	Initial Grease Quantity g
				Part No.	Qty	Part No.	Qty		
S3024K	23024KC3W33	300	H3024	FR 180/10	1	10 x 8.5 x 195	4	DK 128	0.50
S3026K	23026KC3W33	370	H3026	FR 200/10	1	10 x 8.5 x 200	4	DK 133	0.80
S3028K	23028KC3W33	395	H3028	FR 210/10	1	14 x 11 x 225	4	DK 151	0.90
S3030K	23030KC3W33	435	H3030	FR 225/10	1	14 x 11 x 240	4	DK 161	1.10
S3032K	23032KC3W33	500	H3032	FR 240/10	1	14 x 11 x 250	4	DK 166	1.20
S3034K	23034KC3W33	620	H3034	FR 260/10	1	16 x 12 x 270	4	DK 180	1.50
S3036K	23036KC3W33	720	H3036	FR 280/10	1	16 x 12 x 285	4	DK 190	1.70
S3038K	23038KC3W33	750	H3038	FR 290/10	1	16 x 12 x 300	4	DK 200	1.90
S3040K	23040KC3W33	875	H3040	FR 310/10	1	16 x 12 x 315	4	DK 210	2.20
S3044K	23044KC3W33	1040	H3044	FR 340/10	1	16 x 12 x 350	4	DK 230	2.90
S3048K	23048KC3W33	1125	H3048	FR 360/10	1	16 x 12 x 380	4	DK 250	4.00
S3052K	23052KC3W33	1400	H3052	FR 400/10	1	16 x 12 x 410	4	DK 270	4.50
S3056K	23056KC3W33	1500	H3056	FR 420/10	1	16 x 12 x 445	4	DK 290	5.20

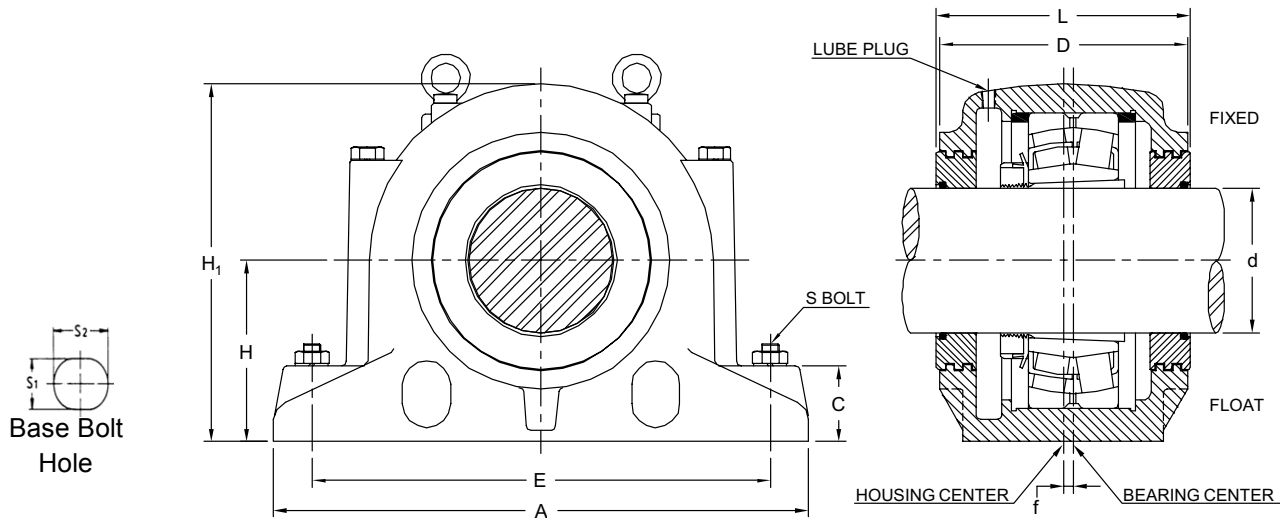
Plummer Block Housings



SD 3100 TS Series

The SD 3100 Series is an extra heavy duty housing that uses an adapter mounted bearing. The unit includes fixing rings and labyrinth seal rings. Standard housing is cast iron. Ductile and steel housings are also stocked, end covers on request.

SD 3000 & SD 3200 Series available on request.



Dimensions in mm

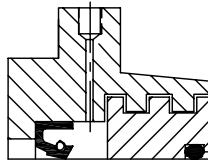
Housing Part No.	d	A	b	C	D	e	E	f	H	H ₁	L	S	S ₁	S ₂	T	x	Wt. kg
SD 3134TS	150	510	180	70	230	100	430	14	170	335	240	M24	28	34	154	65	65
SD 3136TS	160	530	190	75	240	110	450	15	180	355	250	M24	28	34	159	68	75
SD 3138TS	170	560	210	80	260	120	480	10	190	375	270	M24	28	34	168	80	95
SD 3140TS	180	610	230	85	280	130	510	10	210	410	290	M30	35	42	178	82	120
SD 3144TS	200	640	240	90	290	140	540	12	220	435	300	M30	35	42	184	90	135
SD 3148TS	220	700	260	95	310	150	600	12	240	475	320	M30	35	42	194	100	180
SD 3152TS	240	770	280	100	320	160	650	13	260	515	330	M36	42	50	200	105	215
SD 3156TS	260	790	280	105	320	160	670	16	280	550	330	M36	42	50	200	105	250
SD 3160TS	280	830	310	110	350	190	710	22	300	590	360	M36	42	50	213	110	300
SD 3164TS	300	880	330	115	370	200	750	23	320	630	380	M36	42	50	224	120	330
SD 3168 NTS	320	950	360	120	400	220	810	24	340	675	410	M36	42	50	—	155	380
SD 3172 NTS	340	1000	360	120	400	220	840	30	350	695	410	M36	42	50	—	160	420
SD 3176 NTS	360	1040	360	120	400	220	870	30	360	715	410	M36	42	50	247	165	490
SD 3180 NTS	380	1120	390	125	430	240	950	30	380	755	440	M42	50	70	—	170	570
SD 3184 NTS	400	1170	420	130	460	260	1000	35	410	810	470	M42	50	70	—	190	610

Housing Part No.	d	A	b	C	D	e	E	f	H	H ₁	L	S	S ₁	S ₂	T	x	Wt. kg
SD 3168TS	320	965	380	120	390	240	840	25	340	670	400	M45	54	72	244	135	430
SD 3172TS	340	1040	390	130	390	255	890	22	360	720	400	M50	60	80	249	145	560
SD 3176TS	360	1120	400	135	405	255	980	22	380	950	415	M55	68	90	260	145	770
SD 3180TS	380	1245	420	140	425	270	1050	22	400	790	435	M60	76	96	272	150	870

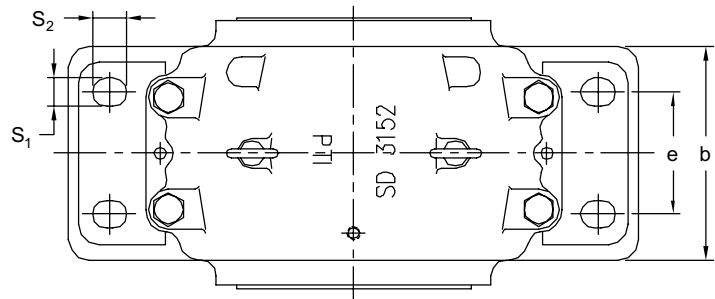
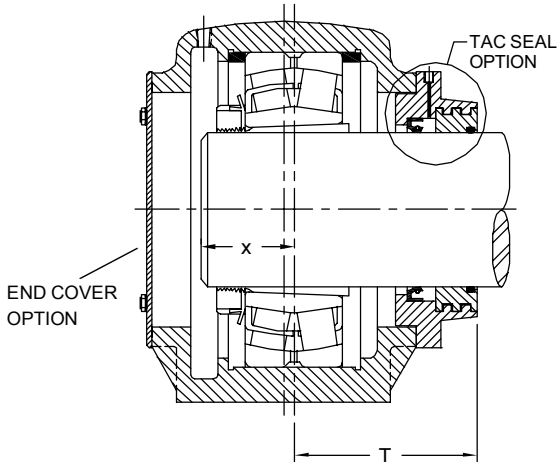
Plummer Block Housings



SD 3100 TS Series



TAC SEAL OPTION



Size Part No.	Labyrinth Seals Part No.	Bearings Part No.	Sleeves Part No.	Basic Dynamic Load Rating C kN	Fixing Rings		O Ring Dia. x Length	Grease Qty. First Application in kg
					Part No.	Qty.		
SD 3134TS	TS 34	23134 K	H3134	890	FR 280/10	2	4 x 530	1.8
SD 3136TS	TS 36	23136 K	H3136	1040	FR 300/10	2	4 x 560	2.2
SD 3138TS	TS 38	23138 K	H3138	1200	FR 320/10	2	4 x 590	2.9
SD 3140TS	TS 40	23140 K	H3140	1350	FR 340/10	2	4 x 620	3.8
SD 3144TS	TS 44	23144 K	H3144	1550	FR 370/10	2	4 x 680	4.4
SD 3148TS	TS 48	23148 K	H3148	1750	FR 400/10	2	4 x 750	5.5
SD 3152TS	TS 52	23152 K	H3152	2200	FR 440/10	2	4 x 810	7.0
SD 3156TS	TS 56	23156 K	H3156	2250	FR 460/10	2	4 x 870	7.4
SD 3160TS	TS 60	23160 K	H3160	2800	FR 500/10	2	4 x 940	10.5
SD 3164TS	TS 64	23164 K	H3164	3200	FR 540/10	2	4 x 1000	13.0
SD 3168 NTS	TS 68	23168 K	H3168	3600	FR 580/10	2	4 x 1100	20.0
SD 3172 NTS	TS 72	23172 K	H3172	3750	FR 600/10	2	4 x 1100	20.0
SD 3176 NTS	TS 76	23176 K	H3176	3900	FR 620/10	2	4 x 1200	25.0
SD 3180 NTS	TS 80	23180 K	H3180	4200	FR 650/10	2	4 x 1200	25.0
SD 3184 NTS	TS 84	23184 K	H3184	5200	FR 700/10	2	4 x 1300	35.0

Size Part No.	Labyrinth Seals Part No.	Bearings Part No.	Sleeves Part No.	Basic Dynamic Load Rating C kN	Fixing Rings		O Ring Dia. x Length	Grease Qty. First Application in kg
					Part No.	Qty.		
SD 3168TS	TS 68	23168 K	H3168	3600	FR 580/10	2	4 x 1100	20.0
SD 3172TS	TS 72	23172 K	H3172	3750	FR 600/10	2	4 x 1100	20.0
SD 3176TS	TS 76	23176 K	H3176	3900	FR 620/10	2	4 x 1200	25.0
SD 3180TS	TS 80	23180 K	H3140	4200	FR 650/10	2	4 x 1200	25.0

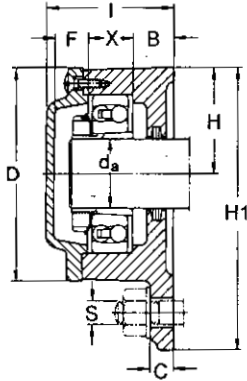
Flanged Housings



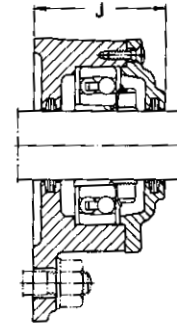
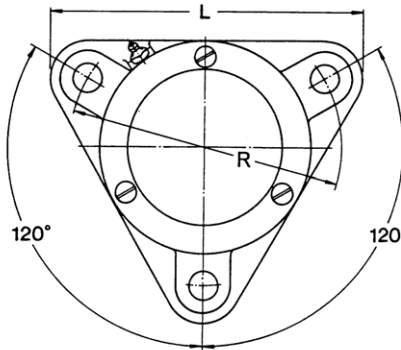
722500 Series - 3 Bolt Triangular

For 1200, 2200 & 222 Series Bearings

These Flanged Housings accommodate 1220, 2200 series Ball and 222 series Spherical Bearings. Type A housings are closed one end, and Type B are open on both ends. Both are supplied with seals and fixing rings. For expansion units omit the fixing ring. Specify Type A or B when ordering. Units are normal stock.



Type A - Closed End



Type B - Open End

Part No. Closed End	Part No. Open End	Dimensions (mm)													Wt. kg
		Bore d _a	B	C	D	F	H	H ₁	I	J	L	R	S	X	
722505DA	722505DB	20	15	10	75	12.5	38.0	100	51.5	56.5	110	96	10	20	1.1
722506DA	722506DB	25	16	12	86	15.0	44.0	117	57.0	59.5	130	116	10	22	1.5
722507DA	722507DB	30	16	12	97	14.5	48.5	130	59.5	63.5	145	130	12	25	1.8
722508DA	722508DB	35	17	12	108	18.0	54.0	143	64.0	65.5	160	140	12	25	2.3
722509DA	722509DB	40	19	12	113	16.5	60.0	160	64.5	69.5	180	160	12	25	3.0
722510DA	722510DB	45	22	15	118	17.5	60.0	160	68.5	73.0	180	160	12	25	3.5
722511DA	722511DB	50	24	15	128	19.5	65.0	172	75.5	81.5	192	170	12	27	4.1
722512DA	722512DB	55	23	15	142	19.0	72.0	189	77.0	82.0	210	180	12	30	4.8
722513DA	722513DB	60	22	15	152	20.0	78.0	203	80.0	86.0	225	190	12	33	5.9

Bearings, Sleeves and Accessories

Size Part No.	Bearing Part No.	Basic Dynamic Rating C kN	Sleeve Part No.	Fixing Ring Part No.	Seals Part No.
722505D	1205K	12.2	H205	FR5 x 52	FS120
	2205K	17.0	H305	ZW42 x 52	
	22205K	35.0	H305	ZW42 x 52	
722506D	1206K	15.6	H206	FR6 x 62	FS120
	2206K	25.5	H306	ZW50 x 62	
	22206K	48.0	H306	ZW50 x 62	
722507D	1207K	16.0	H207	FR8 x 72	FS130
	2207K	32.0	H307	ZW65 x 72	
	22207K	67.0	H307	ZW65 x 72	
722508D	1208K	19.3	H208	FR7 x 80	FS130
	2208K	31.5	H308	ZW70 x 80	
	22208K	73.0	H308	ZW70 x 80	
722509D	1209K	22.0	H209	FR6 x 85	FS150
	2209K	28.0	H309	ZW75 x 85	
	22209K	77.0	H309	ZW75 x 85	

Size Part No.	Bearing Part No.	Basic Dynamic Rating C kN	Sleeve Part No.	Fixing Ring Part No.	Seals Part No.
722510D	1210K	22.8	H210	FR5 x 90	FS165
	2210K	28.0	H310	ZW80 x 90	
	22210K	84.0	H310	ZW80 x 90	
722511D	1211K	27.0	H211	FR6 x 100	FS200
	2211K	39.0	H311	ZW85 x 100	
	22211K	115.0	H311	ZW85 x 100	
722512D	1212K	30.0	H212	FR8 x 110	FS200
	2212K	47.5	H312	ZW90 x 110	
	22212K	122.0	H312	ZW90 x 110	
722513D	1213K	31.0	H213	FR10 x 120	FS210
	2213K	57.0	H313	ZW100 x 120	
	22213K	148.0	H313	ZW100 x 120	

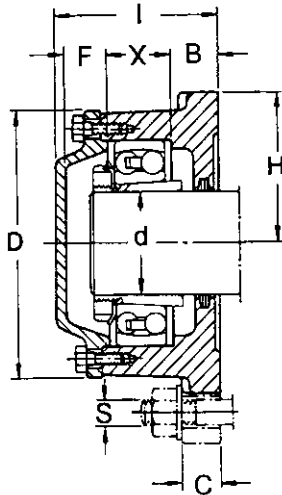
Flanged Housings



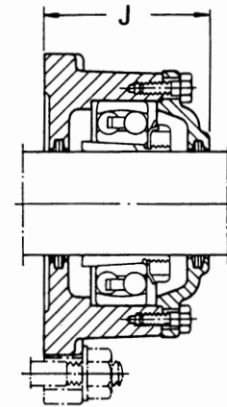
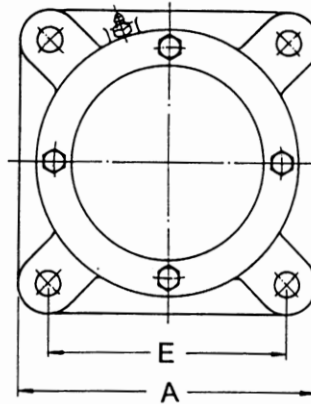
722500 Series - 4 Bolt Flange

For 1200, 2200, & 222 Series Bearings

These 722500 Series Flange Housings utilize self aligning Ball or Spherical Roller Bearings. Type A housings are closed end, Type B are open on both ends. Seals and fixing rings are included. For expansion units omit the fixing ring. Specify Type A or B when ordering. Units are normal stock.



Type A - Closed End



Type B - Open End

Part No. Closed End	Part No. Open End	Bore d	Dimensions (mm)											Wt. kg
			A	B	C	D	E	F	H	I	J	S	X	
722515A	722515B	65	190	30	25	168	152	27	95	104	104	16	41	9.4
722516A	722516B	70	196	31	25	176	152	30	98	110	110	16	43	10.0
722517A	722517B	75	210	31	25	188	170	30	105	114	114	16	46	11.5
722518A	722518B	80	210	30	25	198	170	31	105	118	118	16	50	12.5
722520A	722520B	90	250	30	30	224	198	33	125	127	127	20	56	18.0
722522A	722522B	100	270	30	30	246	219	38	135	137	137	20	63	22.0

Bearings, Sleeves and Accessories

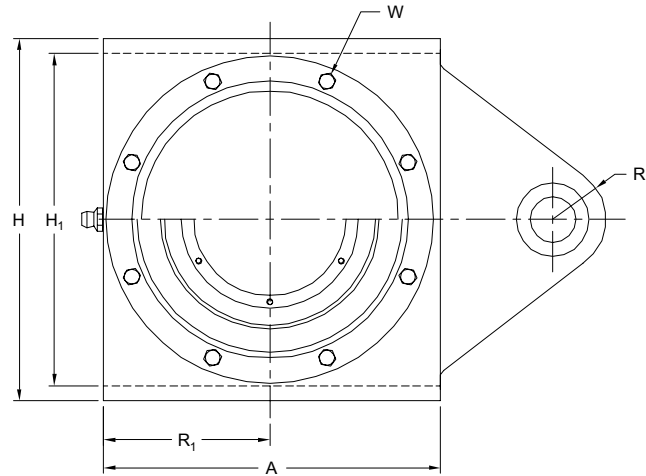
Size Part No.	Bearing Part No.	Basic Dynamic Rating C kN	Sleeve Part No.	Fixing Ring		Seals Part No.
				Qty	Part No.	
722515	1215K	39.0	H215	2	FR 8 x 130	FS260
	2215K	44.0	H315	1	FR 10 x 130	
	22215K	156.0	H315	1	FR 10 x 130	
722516	1216K	40.0	H216	2	FR 8.5 x 10	FS330
	2216K	51.0	H316	1	FR 10 x 140	
	22216K	175.0	H316	1	FR 10 x 140	
722517	1217K	48.0	H217	2	FR 9 x 150	FS330
	2217K	58.5	H317	1	FR 10 x 150	
	22217K	210.0	H317	1	FR 10 x 150	

Size Part No.	Bearing Part No.	Basic Dynamic Rating C kN	Sleeve Part No.	Fixing Ring		Seals Part No.
				Qty	Part No.	
722518	1218K	57.0	H218	2	FR 10 x 160	FS350
	2218K	71.0	H318	1	FR 10 x 160	
	22218K	250.0	H318	1	FR 10 x 160	
722520	1220K	69.5	H220	1	FR 10 x 180 and FR 12 x 180	FS370
				1	FR 10 x 180	
	22220K	310.0	H320	1	FR 10 x 180	
722522	1222K	88.0	H222	2	FR 12.5 x 200	FS460
	2222K	124.0	H322	1	FR 10 x 200	
	22222K	405.0	H322	1	FR 10 x 200	

HSPA Take-Up Units



HSPA Take-Up Units mount on customer supplied frames. When used in pairs, they provide adjustment for conveyor systems. Housings can be provided with bearing and adapter. Custom units are also possible.

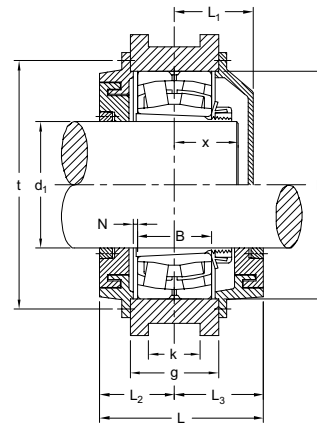
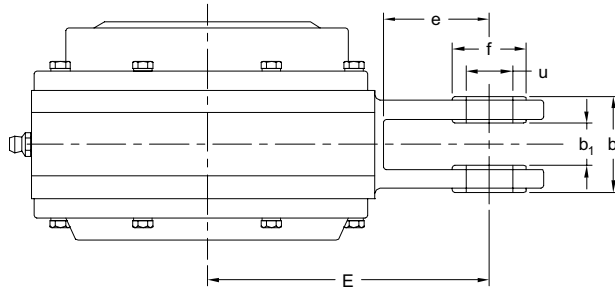


Dimensions in mm

Part No.	Shaft d_1	A	R_1	H	H_1	E	e	f	u	b	b_1	L	L_1	L_2	L_3	g	k
HSPA2211 K	50	150	75	150	135	105	30	60	20	42	22	109	35	49	60	50	34
HSPA2212 K	55	165	82.5	165	150	120	37	60	25	50	26	120	40	54	66	60	43
HSPA2213 K	60	160	80	180	155	145	65	60	30	66	30	135	53	62	73	78	53
HSPA2216 K	70	180	90	200	175	155	65	60	30	66	30	145	58	67	78	78	53
HSPA2218 K	80	210	105	230	200	170	65	60	30	66	30	168	63	78	90	78	53
HSPA2220K	90	235	117.5	250	220	185	67	65	35	70	36	170	65	80	90	69	40
HSPA2222K	100	255	125	270	240	200	70	70	40	76	40	199	68	94	105	78	53
HSPA2224K	110	275	135	290	260	210	70	70	40	76	40	180	69	85	95	78	53
HSPA2226K	115	295	147.5	310	290	220	70	70	40	76	40	194	78	87	110	82	53
HSPA2228K	125	315	155	330	300	230	70	70	40	76	40	226	78	113	113	83	53
HSPA3028K	125	260	130	300	270	225	90	90	50	150	60	156	68	68	88	70	45
HSPA3030K	135	280	140	320	290	235	90	90	50	150	60	194	82	82	112	85	45
HSPA3132K	140	370	185	370	340	350	160	100	61	132	62	229	108	108	121	116	65
HSPA3034K	150	325	162.5	360	330	260	90	90	50	150	60	201	88	88	113	102	65
HSPA3134K	150	375	187.5	400	370	395	180	100	60	132	62	249	113	113	136	120	65
HSPA2236K	160	420	210	440	410	380	170	140	80	135	65	255	95	120	135	114	60
HSPA3036K	160	350	175	390	360	275	90	90	50	150	60	201	88	88	113	110	65
HSPA3136K	160	400	200	440	410	360	158	140	80	135	65	248	105	113	135	120	60
HSPA3236K	160	420	210	450	410	300	90	140	80	140	70	285	110	135	150	140	93
HSPA3038K	170	375	180	440	400	290	90	90	50	150	60	211	88	93	118	105	65
HSPA3040K	180	390	200	430	400	275	85	120	70	125	62	240	108	107	133	125	83
HSPA3140K	180	420	210	440	410	360	140	100	60	140	70	270	115	120	150	140	100
HSPA3044K	200	430	210	480	440	325	100	100	60	200	70	241	103	103	138	120	65
HSPA3144K	200	470	235	510	480	530	260	140	100	144	74	276	128	128	148	150	65
HSPA3148K	220	520	260	540	500	515	250	250	100	215	123	328	129	149	179	152	65
HSPA3052K	240	500	245	540	500	515	250	250	100	215	123	261	113	113	148	135	65
HSPA3152K	240	550	275	570	540	565	270	250	100	225	135	336	140.5	150.5	185.5	175	80
HSPA3252K	240	596	298	610	570	615	300	240	100	240	173	375	157.5	167.5	207.5	205	103
HSPA3156K	260	600	300	610	570	615	300	200	100	240	173	351	148	158	193	175	103
HSPA3160K	280	630	315	650	610	650	310	200	100	270	170	385	155	170	215	190	130
HSPA2260K	280	660	330	680	640	630	280	200	105	220	150	370	160.5	174.5	195.5	177	80
HSPA3260K	280	680	340	690	650	680	310	260	100	270	190	404	187	182	222	230	115
HSPA3164K	300	680	340	700	660	680	340	240	110	300	180	395	192	180	215	210	140
HSPA3168K	320	740	370	740	700	720	310	240	120	300	180	445	200	200	245	220	150
HSPA3268K	320	735	385	740	700	750	310	240	110	300	213	475	238	203	272	265	123
HSPA3272K	340	800	400	830	790	765	310	280	130	330	213	509	222	227	282	275	123
HSPA3176K	360	750	375	790	740	750	320	230	110	300	200	459	202	202	257	230	120
HSPA3276K	360	810	405	820	780	780	305	240	110	300	213	529	257	232	297	295	123

Note: Housing can be supplied as fixed (F) or floating (L). Housing also supplied for thru shafts (B) or closed (A). Specify at the time of order. Material = Cast Steel

HSPA Take-Up Units



Dimensions in mm

Part No.		Basic Dynamic Load Rating C kN	Bearing Dimensions		Cover Plate			Mounting Dimensions			Housing Weight kg
Bearing	Sleeve		D	B	W	t	Qty	X	N	R	
22211K	H311	115	100	25	M 8	115	12	27	2	30	9.5
22212K	H312	122	110	28	M 8	125	12	30	2	35	10
22213K	H313	148	120	31	M 8	135	16	35	2	40	12
22216K	H316	175	140	33	M 8	155	16	40	2	40	17
22218K	H318	250	160	40	M 8	180	16	45	2	40	24
22220K	H320	310	180	46	M 8	205	12	46	2.5	40	27
22222K	H322	405	200	53	M 8	220	16	55	2.5	45	29
22224K	H3124	465	215	58	M 8	240	16	58	2.5	45	30
22226K	H3126	545	230	64	M 12	260	12	61	3	45	38
22228K	H3128	605	250	68	M 10	275	16	65	3	45	43
23028K	H3028	395	210	53	M 10	235	16	55	3	70	50
23030K	H3030	435	225	56	M 12	250	16	60	2	70	60
23132K	H3132	840	270	86	M 12	300	16	78	3	90	125
23034K	OH3034	620	260	67	M 12	285	16	68	2	70	105
23134K	OH3134	890	280	88	M 12	330	16	80	3	90	180
22236K	OH3136	1000	320	86	M 16	360	16	80	3	100	230
23036K	OH3036	720	280	74	M 12	310	16	72	3	70	132
23038K	OH3038	750	290	75	M 16	325	16	72	3	70	135
23040K	OH3040	875	310	82	M 16	340	16	78	3	80	160
23140K	OH3140	1350	340	112	M 16	380	16	95	2	80	175
23044K	OH3044	1040	340	90	M 16	375	16	80	3	80	185
23144K	OH3144	1550	370	120	M 16	410	16	95	4	120	265
23148K	OH3148	1750	400	128	M 20	455	16	110	4	150	310
23052K	OH3052	1400	400	104	M 16	440	16	94	4	150	240
23152K	OH3152	2200	440	144	M 24	490	16	115	4	150	330
23252K	OH2352	2760	480	174	M 20	535	16	130	3	150	420
23156K	OH3156	2250	460	146	M 24	510	16	120	4	150	360
23160K	OH3160	2800	500	160	M 24	550	16	130	4	150	440
22260K	OH3160	1890	540	140	M 20	600	16	120	4	170	530
23260K	OH3260	3450	540	192	M 24	600	16	145	4	180	625
23164K	OH3164	3200	540	176	M 24	590	16	135	4	180	580
23168K	OH3168	3600	580	190	M 24	630	16	160	4	200	640
23268K	OH3268	4450	620	224	M 24	680	16	210	5	200	650
23272K	OH3272	4850	650	232	M 24	890	16	190	5	225	890
23176K	OH3176	3900	620	194	M 24	700	16	170	5	200	720
23276K	OH3276	5200	680	240	M 30	730	16	220	5	200	910

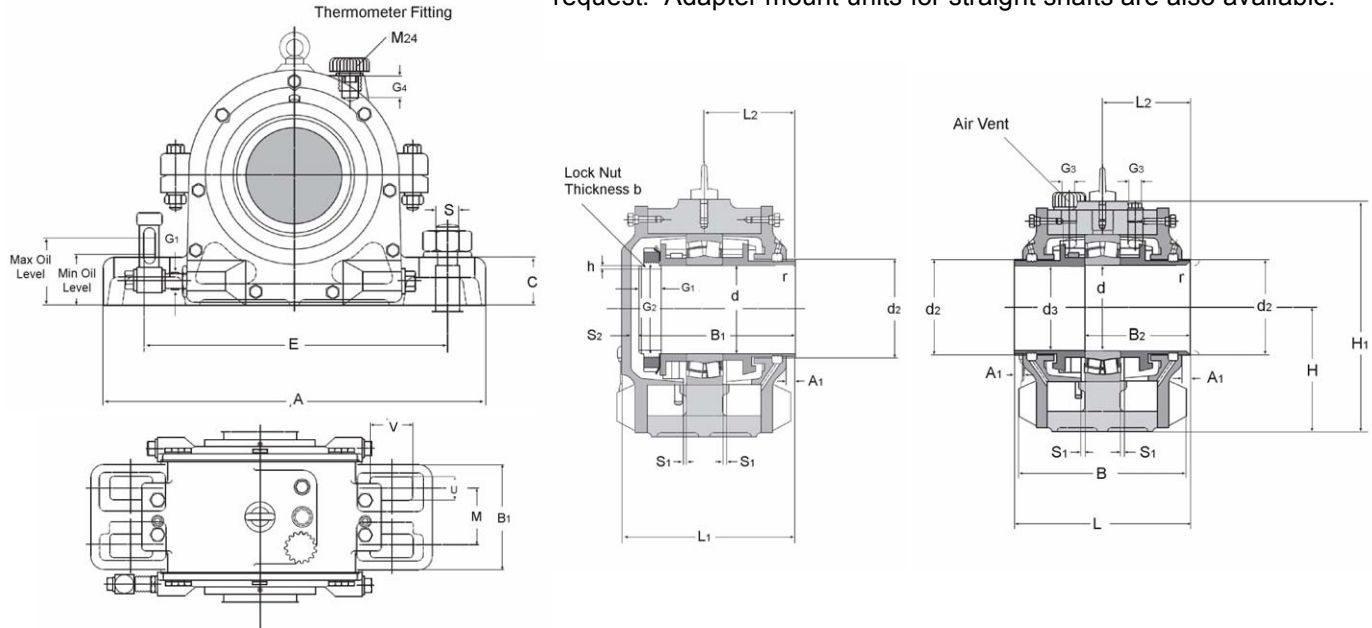
Plummer Block Housings



HFO 200 Series - Oil Lubrication



The HFO/HFOE housings are suitable for high speeds and / or temperatures. These housings include Oil Splash Rings for assisting lubrication of the bearing in high speed applications, such as fans. Housings are Cast Iron. Ductile housings are also available on request. Labyrinth seals are standard and housing can be supplied with open or closed ends. Air vents and oil level gauges are included with each housing. Circulating oil provisions can also be included on request. Adapter mount units for straight shafts are also available.



Part No.	d	A	B	B ₁	B ₂	C	d ₂	d ₃	E	H	H ₁	L	L ₁	M	S	S ₁	U	V	Wt. kg
HFO 217	85	330	182	110	105	35	96	83	260	125	230	180	165	60	M20	5	24	40	33
HFO 218	90	360	190	120	112	45	100	88	290	135	245	190	170	70	M20	5	24	40	42
HFO 219	95	360	210	120	118	40	105	93	290	140	255	200	184	80	M20	5	24	40	45
HFO 220	100	400	205	130	123	50	110	98	320	145	270	206	186	75	M24	5	28	45	55
HFO 222	110	420	216	145	138	50	120	108	347	160	290	229	203	75	M24	5	28	45	70
HFO 224	120	420	245	170	164	55	135	118	347	170	315	276	240	90	M24	8	28	45	95
HFO 226	130	450	260	180	164	60	145	128	377	180	335	270	240	100	M24	8	28	45	100
HFO 228	140	500	265	180	170	65	160	138	415	190	355	280	250	100	M30	8	35	45	125
HFO 230	150	540	265	190	173	65	170	148	450	200	375	280	250	115	M30	8	35	50	140
HFO 232	160	560	280	205	193	65	178	158	470	215	405	316	280	120	M30	10	35	50	165

Part No.	Part Code	A1	G1	G3	GA	G4	h	L2	r	Bearing Part No.	Basic Dynamic Load Rating C kN	Locknut Part No.	Lock-washer Part No.	Oil Quantity in Liters
HFO 217	GOS 217	7.5	R 1/2	R 3/8	M85 x 2	27	4	90	1.6	22217	210	KM 17	MB 17	0.7
HFO 218	GOS 218	10		R 3/8	M90 x 2	27	4	95	1.6	22218	250	KM 18	MB 18	0.8
HFO 219	GOS 219	8		R 3/8	M95 x 2	27	4	100	1.6	22219	280	KM 19	MB 19	0.9
HFO 220	GOS 220	10		R 1/2	M100 x 2	27	4	103	1.6	22220	310	KM 20	MB 20	1.0
HFO 222	GOS 222	13		R 1/2	M110 x 2	27	5	114.5	1.6	22222	405	KM 22	MB 22	1.5
HFO 224	GOS 224	18		R 1/2	M120 x 2	27	6	138	1.6	22224	465	KM 24	MB 24	1.9
HFO 226	GOS 226	15		R 1/2	M130 x 2	32	6	135	2.5	22226	545	KM 26	MB 26	2.5
HFO 228	GOS 228	15		R 3/4	M140 x 2	33	6	140	2.5	22228	605	KM 28	MB 28	2.7
HFO 230	GOS 230	15		R 3/4	M150 x 2	44	6	140	2.5	22230	730	KM 30	MB 30	3.0
HFO 232	GOS 232	18		R 3/4	M160 x 3	38	7	158	2.5	22232	860	KM 32	MB 32	3.3

Dimensions in mm

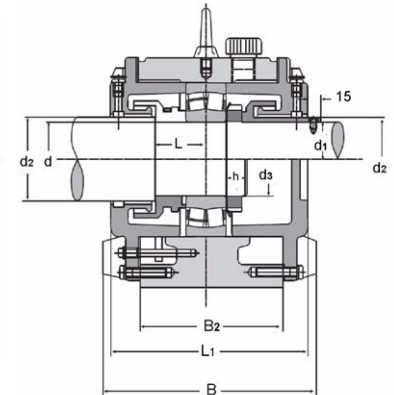
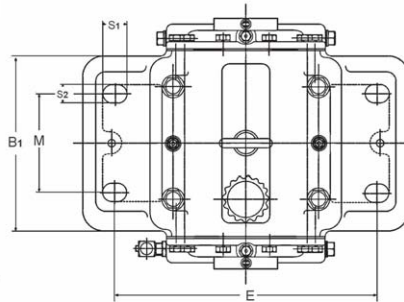
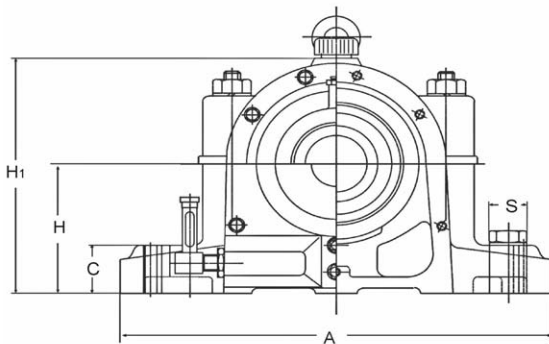
Plummer Block Housings



HFOE 200 Series - Oil Lubrication



The HFO/HFOE housings are suitable for high speeds and/or high temperatures. These housings include Oil Splash Rings for assisting lubrication of the bearing in high speed applications such as fans. Housings are Cast Iron. Ductile housings are also available on request. Labyrinth seals are standard and housings can be supplied with open or closed ends. Air vents and oil level gauges are included with each housing. Circulating oil provisions can also be included on request. Adapter mount units for straight shafts are also available.



Part No.	d	A	B	B ₁	B ₂	C	d ₁	d ₂	d ₃	E	G	H	H ₁	L	L ₁	M	S	S ₁	S ₂	Wt. kg
HFOE 217	85	410	225	150	160	48	82	90	M 85x2	340	235	135	250	61.5	19	80	M 20	25	35	45
HFOE 218	90	410	225	150	160	48	87	95	M 90x2	340	235	135	250	61	20	80	M 20	25	35	50
HFOE 219	95	490	250	160	170	50	92	100	M 92x2	400	260	150	275	67	20	80	M 24	30	45	62
HFOE 220	100	490	250	160	170	50	97	110	M 100x2	400	265	150	280	60	22	80	M 24	30	45	68
HFOE 222	110	510	250	165	175	50	107	116	M 110x2	420	265	165	305	70	22	80	M 24	30	45	75
HFOE 224	120	550	250	165	175	55	117	126	M 120x2	440	265	175	325	72	23	80	M 30	36	50	80
HFOE 226	130	570	260	175	185	65	127	136	M 130x2	460	275	190	350	77	24	90	M 30	36	50	90
HFOE 228	140	570	260	175	180	65	137	150	M 140x2	460	275	190	365	73	24	100	M 30	36	50	100
HFOE 230	150	660	275	190	200	70	147	156	M 150x2	530	290	220	400	82	27	100	M 36	42	60	120
HFOE 232	160	660	290	200	210	70	155	170	M 160x3	530	305	220	410	80	30	110	M 36	42	60	135
HFOE 234	170	710	300	200	210	85	165	176	M 170x3	580	315	260	465	90	30	110	M 36	42	60	160
HFOE 236	180	710	300	200	210	85	175	190	M 180x3	580	315	260	465	90	32	110	M 36	42	60	165
HFOE 238	190	820	350	240	250	90	185	196	M 190x3	670	365	270	485	95	32	130	M 42	48	70	240
HFOE 240	200	830	360	240	260	90	195	210	M 200x3	670	375	280	510	100	34	130	M 42	48	70	250
HFOE 244	220	880	380	240	280	105	212	230	Tr220x4	720	395	310	565	108	36	130	M 42	48	70	310

Size Part No.	Part Code	Bearing Part No.	Basic Dynamic Load Rating C kN	Locknut Part No.	Lockwasher Part No.	Oil Quantity in Liters
HFOE 217	GOF 217	22217	210	KM 17	MB 17	1.2
HFOE 218	GOF 218	22218	250	KM 18	MB 18	1.3
HFOE 219	GOF 219	22219	280	KM 19	MB 19	1.4
HFOE 220	GOF 220	22220	310	KM 20	MB 20	1.5
HFOE 222	GOF 222	22222	405	KM 22	MB 22	1.9
HFOE 224	GOF 224	22224	465	KM 24	MB 24	2.1
HFOE 226	GOF 226	22226	545	KM 26	MB 26	2.1
HFOE 228	GOF 228	22228	605	KM 28	MB 28	3.5
HFOE 230	GOF 230	22230	730	KM 30	MB 30	4.0
HFOE 232	GOF 232	22232	860	KM 32	MB 32	4.0
HFOE 234	GOF 234	22234	975	KM 34	MB 34	5.7
HFOE 236	GOF 236	22236	1000	KM 36	MB 36	5.7
HFOE 238	GOF 238	22238	1100	KM 38	MB 38	7.0
HFOE 240	GOF 240	22240	1250	KM 40	MB 40	8.0
HFOE 244	GOF 244	22244	1500	KM 44	MB 44	10.0

Dimensions in mm

Double Bearing Housings

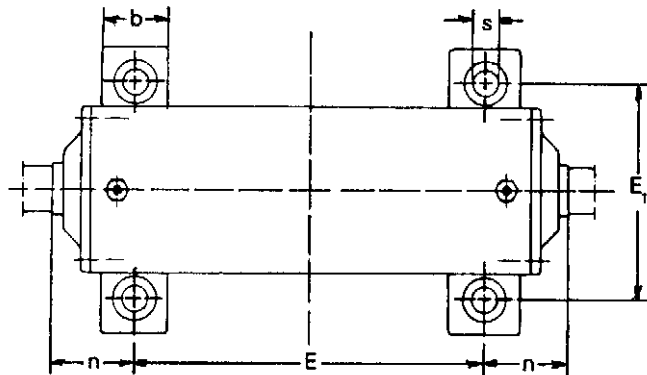
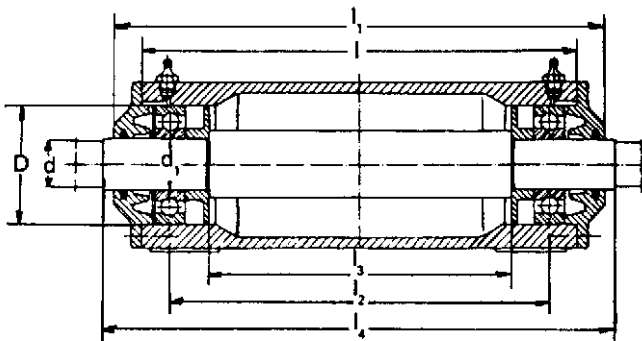
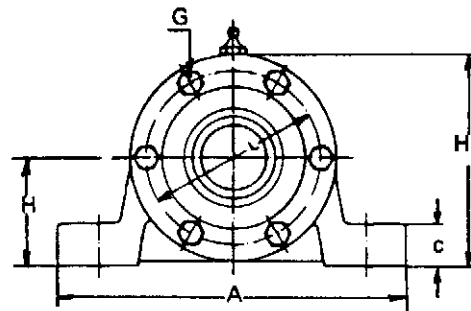


PDFN Series

Grease Lube for Fan Applications

PDFN units are an alternative to pillow block housings for high speed fan applications. Alignment error is virtually eliminated. Deep groove ball bearings allow high speed operation. Maintenance is simplified as excess grease will be centrifuged into the middle

housing area. Housings normally supplied without bearings and shaft. If shaft and bearings are desired, specify shaft length and note bearings when ordering. Shaft can be supplied to suit need.



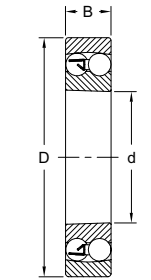
Part No.	d	d ₁	H	H ₁	l	l ₁	l ₂	l ₃	l ₄	A	b	c	E	E ₁	n	s	D	L	G	Bearing Part No.
PDFN306	24	30	50	100	210	226	171.5	140.0	240	160	40	18	150	130	45.0	15	72	84	4 x M 6	6306C3
PDFN307	28	35	60	116	239	260	195.5	160.0	275	190	45	18	175	150	49.5	15	80	95	4 x M 6	6307C3
PDFN308	32	40	60	121	298	315	255.5	214.0	331	190	52	20	225	150	53.0	15	90	104	4 x M 6	6308C3
PDFN309	38	45	70	137	340	360	279.5	236.0	376	210	52	22	250	170	63.0	15	100	115	4 x M 6	6309C3
PDFN310	42	50	70	142	360	377	311.5	266.0	393	210	60	25	275	170	59.0	15	110	125	6 x M 6	6310C3
PDFN311	48	55	80	158	400	422	335.5	288.0	438	260	60	25	300	210	69.0	19	120	136	4 x M 8	6311C3
PDFN312	48	60	80	165	437	460	383.5	334.0	476	260	70	25	340	210	68.0	19	130	148	6 x M 8	6312C3
PDFN313	55	65	95	185	470	492	402.5	349.0	508	280	70	25	360	230	74.0	19	140	158	6 x M 8	6313C3
PDFN314	60	70	95	190	490	512	420.5	365.0	532	290	70	25	380	230	76.0	19	150	168	6 x M 8	6314C3
PDFN315	65	75	100	200	508	547	448.5	389.0	567	320	80	30	400	260	83.5	19	160	176	6 x M 8	6315C3
PDFN316	70	80	112	220	525	556	466.5	405.0	576	320	80	30	420	260	78.0	19	170	190	6 x M 10	6316C3
PDFN317	75	85	112	225	559	590	486.0	422.5	610	350	80	30	440	290	85.0	19	180	200	6 x M 10	6317C3
PDFN318	80	90	112	230	575	605	510.0	446.5	625	350	85	30	460	290	82.5	19	190	210	6 x M 10	6318C3
PDFN319	85	95	125	253	605	648	540.0	470.5	668	400	90	36	480	320	94.0	24	200	220	6 x M 10	6319C3

Dimensions in mm.

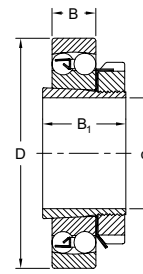
Self-Aligning Ball Bearings



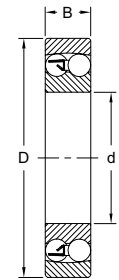
Tapered & Straight Bores 1200 & 1300 Series



Tapered Bore



Tapered Bore Adapter Mounted
Uses H200 Adapters
or SNW Series



Straight Bore

1200 and 1200 K Series

Straight Bore Bearing Part No. *	Taper Bore Bearing Part No. *	Dimensions (mm)							Basic Load Ratings in kN		Max. rpm		Weight kg	
		d	D	B	r	d ₁ *		B ₁	Dynamic	Static	Grease	Oil	Bearing	Sleeve
						mm	in		C	C ₀				
1205	1205K	25	52	15	1.0	20	5/8, 3/4	26	12.2	3.35	13000	16000	0.1	0.1
1206	1206K	30	62	16	1.0	25	7/8, 1	27	15.6	4.65	11000	14000	0.2	0.1
1207	1207K	35	72	17	1.1	30	1-1/8, 1-3/16	29	16.0	5.20	9500	12000	0.3	0.1
1208	1208K	40	80	18	1.1	35	1-1/4, 1-3/8	31	19.3	6.55	8500	10000	0.4	0.2
1209	1209K	45	85	19	1.1	40	1-1/2	33	22.0	7.35	7500	9000	0.5	0.2
1210	1210K	50	90	20	1.1	45	1-11/16, 1-3/4	35	22.8	8.15	7000	8500	0.5	0.3
1211	1211K	55	100	21	1.5	50	1-15/16, 2	37	27.0	10.0	6300	7500	0.7	0.3
1212	1212K	60	110	22	1.5	55	2-1/8, 2-3/16	38	30.0	11.6	5600	6700	0.9	0.3
1213	1213K	65	120	23	1.5	60	2-1/4	40	31.0	12.5	5300	6300	1.2	0.4
1214	1214K	70	125	24	1.5	—	—	—	34.5	13.7	5000	6000	1.3	—
1215	1215K	75	130	25	1.5	65	2-7/16, 2-1/2	43	39.0	15.6	4800	5600	1.4	0.7
1216	1216K	80	140	26	2.0	70	2-11/16, 2-3/4	46	40.0	17.0	4300	5000	1.7	0.9
1217	1217K	85	150	28	2.0	75	2-15/16, 3	50	49.0	20.4	4000	4800	2.1	1.0
1218	1218K	90	160	30	2.0	80	3-3/16, 3-1/4	52	57.0	23.6	3800	4500	2.6	1.2
1219	1219K	95	170	32	2.1	85	3-3/8	55	64.0	27.0	3400	4000	3.2	1.4
1220	1220K	100	180	34	2.1	90	3-7/16, 3-1/2	58	69.5	30.0	3200	3800	3.8	1.5
1222	1222K	110	200	38	2.1	100	3-15/16, 4	63	88.0	38.0	2800	3400	5.2	1.9

1300 Series (for Taper Bore see H300 Series Adapters)

1305	1305K	25	62	17	1.1	20	5/8, 3/4	29	18.0	5.0	11000	14000	0.3	0.1
1306	1306K	30	72	19	1.1	25	7/8, 1	31	21.2	6.3	9000	11000	0.4	0.1
1307	1307K	35	80	21	1.5	30	1-1/8, 1-3/16	35	25.0	8.0	8000	9500	0.5	0.1
1308	1308K	40	90	23	1.5	35	1-1/4	36	29.0	9.6	7000	8500	0.7	0.2
1309	1309K	45	100	25	1.5	40	1-1/2	39	38.0	12.9	6300	7500	1.0	0.2
1310	1310K	50	110	27	2.0	45	1-11/16, 1-3/4	42	41.5	14.3	5600	6700	1.3	0.3
1311	1311K	55	120	29	2.0	50	1-15/16, 2	45	51.0	18.0	5000	6000	1.6	0.3
1312	1312K	60	130	31	2.1	55	2-1/8, 2-3/8	47	57.0	20.8	4500	5300	2.0	0.4
1313	1313K	65	140	33	2.1	60	2-1/4	50	62.0	22.8	4300	5000	2.5	0.5
1314	—	70	150	35	2.1	—	—	—	75.0	27.5	4000	4800	3.1	—
1315	1315K	75	160	37	2.1	65	2-7/16, 2-1/2	55	80.0	30.0	3600	4300	3.7	0.8
1316	1316K	80	170	39	2.1	70	2-11/16, 2-3/4	59	88.0	32.5	3400	4000	4.3	1.0
1317	1317K	85	180	41	3.0	75	2-15/16, 3	63	98.0	38.0	3200	3800	5.1	1.2
1318	1318K	90	190	43	3.0	80	3-3/16, 3-1/4	65	108.0	43.0	3000	3600	6.0	1.4

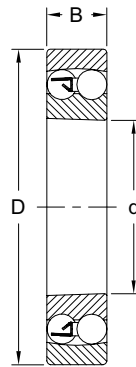
*Note: Part No. Suffix C3W33 (C3 = Internal Clearance, W33 = Lube Groove) will be provided unless otherwise specified.
K = Taper Bore, without K = straight bore. For Taper Bore (K) bearings, use the H200 Series adapters.

Self-Aligning Ball Bearings

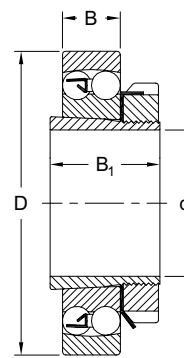


2200 & 2300 Series

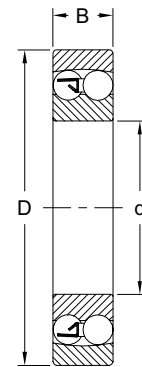
Tapered & Straight Bores



Tapered Bore



Tapered Bore Adapter Mounted
Uses H200 Adapters
or SNW Series



Straight Bore

2200 Series (for Taper Bore see H300 Series Adapters)

Straight Bore Bearing Part No. *	Taper Bore Bearing Part No. *	Dimensions (mm)							Basic Load Ratings in kN		Max. rpm		Weight kg	
		d	D	B	r	d ₁ *		B ₁	C	C ₀	Grease	Oil	Bearing	Sleeve
						mm	in							
2205	2205K	25	52	18	1.0	20	5/8, 3/4	29	17.0	4.4	12000	15000	0.2	0.1
2206	2206K	30	62	20	1.0	25	7/8, 1	31	25.5	6.9	9500	12000	0.3	0.1
2207	2207K	35	72	23	1.1	30	1-1/8, 1-3/16	35	32.0	9.0	8000	9500	0.4	0.1
2208	2208K	40	80	23	1.1	35	1-1/4	36	31.5	9.5	7500	9000	0.5	0.2
2209	2209K	45	85	23	1.1	40	1-1/2	39	28.0	9.0	7000	8500	0.5	0.2
2210	2210K	50	90	23	1.1	45	1-11/16, 1-3/4	42	28.0	9.5	6700	8000	0.6	0.3
2211	2211K	55	100	25	1.5	50	1-15/16, 2	45	39.0	12.7	5600	6700	0.8	0.3
2212	2212K	60	110	28	1.5	55	2-1/8, 2-3/8	47	47.5	16.6	5300	6300	1.1	0.4
2213	2213K	65	120	31	1.5	60	2-1/4	50	57.0	19.3	4500	5300	1.4	0.5
2214	—	70	125	31	1.5	—	—	—	44.0	17.0	4800	5600	1.6	—
2215	2215K	75	130	31	1.5	65	2-7/16, 2-1/2	55	44.0	18.0	4500	5300	1.7	0.9
2216	2216K	80	140	33	2.0	70	2-11/16, 2-3/4	59	51.0	21.2	4300	5000	2.1	1.0
2217	2217K	85	150	36	2.0	75	2-15/16, 3	63	58.5	23.6	4000	4800	2.6	1.2
2218	2218K	90	160	40	2.0	80	3-3/16, 3-1/4	65	71.0	28.5	3600	4300	3.3	1.4
2220	2220K	100	180	46	2.1	90	—	71	98.0	40.5	3200	3800	5.2	1.7
2222	2222K	110	200	53	2.1	100	—	77	124.0	52.0	2800	3400	7.1	2.2

2300 Series (for Taper Bore see H2300 Series Adapters)

2305	2305K	25	62	24	1.1	20	5/8, 3/4	35	24.5	6.5	10000	13000	0.4	0.1
2306	2306K	30	72	27	1.1	25	7/8, 1	38	31.5	8.6	8500	10000	0.6	0.1
2307	2307K	35	80	31	1.5	30	1-1/8, 1-3/16	43	39.0	11.2	7500	9000	0.7	0.2
2308	2308K	40	90	33	1.5	35	1-1/4	46	45.0	13.4	6700	8000	1.0	0.2
2309	2309K	45	100	36	1.5	40	1-1/2	50	54.0	16.3	6000	7000	1.3	0.3
2310	2310K	50	110	40	2.0	45	1-11/16, 1-3/4	55	64.0	20.0	5300	6300	1.8	0.4
2311	2311K	55	120	43	2.0	50	1-15/16, 2	59	75.0	23.6	4800	5600	2.3	0.4
2312	2312K	60	130	46	2.1	55	2-1/8, 2-3/8	62	86.5	28.0	4300	5000	2.8	0.5
2313	2313K	65	140	48	2.1	60	2-1/4	65	95.0	32.5	4000	4800	3.4	0.6
2314	—	70	150	51	2.1	—	—	—	110.0	37.5	3600	4300	4.2	—
2315	2315K	75	160	55	2.1	65	2-7/16, 2-1/2	73	122.0	42.5	3400	4000	5.2	1.1
2316	2316K	80	170	58	2.1	70	2-11/16, 2-3/4	78	137.0	48.0	3200	3800	6.4	1.3
2317	2317K	85	180	60	3.0	75	2-15/16, 3	82	140.0	51.0	3000	3600	7.5	1.5
2318	2318K	90	190	64	3.0	80	3-3/16, 3-1/4	86	153.0	57.0	2800	3400	8.9	1.7

*Note: Part No. Suffix C3W33 (C3 = Internal Clearance, W33 = Lube Groove) will be provided unless otherwise specified.

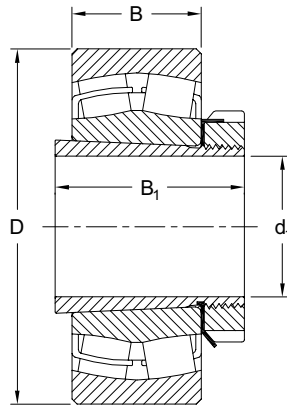
K = Taper Bore, without K = straight bore. For Taper Bore (K) bearings, use the H300 or H2300 Series adapters.

Spherical Roller Bearings

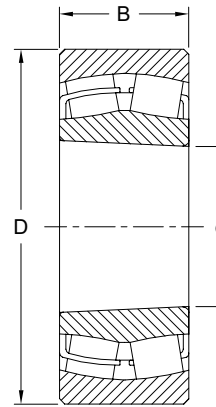


222 Series

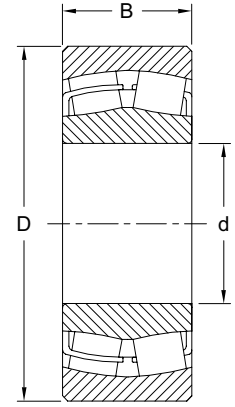
Tapered & Straight Bores



Tapered Bore
Adapter Mounted
Uses H300 & H3100 Adapters
or SNW



Tapered Bore



Straight Bore

Taper Bore Bearing Part No. *	Straight Bore Bearing Part No. *	Dimensions (mm)							Basic Load Ratings in kN		Max. rpm		Weight kg	
		d	D	B	r	d ₁ *		B ₁	C	C ₀	Grease	Oil	Bearing	Sleeve
						mm	in							
22205K	22205	25	52	18	1.0	20	3/4	29	35	35	9000	12000	0.2	0.1
22206K	22206	30	62	20	1.0	25	15/16, 1	31	48	52	7500	9500	0.2	0.1
22207K	22207	35	72	23	1.1	30	1-3/16	35	67	73	6300	8000	0.4	0.1
22208K	22208	40	80	23	1.1	35	—	36	73	81	6000	7500	0.5	0.2
22209K	22209	45	85	23	1.1	40	1-7/16, 1-1/2	39	77	88	5600	7000	0.5	0.2
22210K	22210	50	90	23	1.1	45	1-11/16, 1-3/4	42	84	100	5300	6700	0.6	0.3
22211K	22211	55	100	25	1.5	50	1-15/16, 2	45	115	137	4500	5600	0.8	0.3
22212K	22212	60	110	28	1.5	55	—	47	122	146	4000	5000	1.1	0.4
22213K	22213	65	120	31	1.5	60	2-3/16, 2-1/4	50	148	183	3600	4500	1.4	0.5
22214K	22214	70	125	31	1.5	60	—	52	148	185	3600	4500	1.5	0.7
22215K	22215	75	130	31	1.5	65	2-7/16, 2-1/2	55	156	205	3400	4300	1.6	0.9
22216K	22216	80	140	33	2.0	70	2-11/16, 2-3/4	59	175	225	3200	4000	2.0	1.0
22217K	22217	85	150	36	2.0	75	2-15/16, 3	63	210	270	3000	3800	2.5	1.2
22218K	22218	90	160	40	2.0	80	3-3/16, 3-1/4	65	250	340	2600	3400	3.2	1.4
22219K	22219	95	170	43	2.1	85	—	68	280	370	2400	3200	3.9	1.6
22220K	22220	100	180	46	2.1	90	3-7/16, 3-1/2	71	310	410	2200	3000	4.7	1.7
22222K	22222	110	200	53	2.1	100	3-15/16, 4	77	405	550	2000	2800	6.7	2.2
22224K	22224	120	215	58	2.1	110	4-3/16, 4-1/4	88	465	665	1800	2400	8.4	2.7
22226K	22226	130	230	64	3.0	115	4-7/16, 4-1/2	92	545	800	1700	2200	10.5	3.7
22228K	22228	140	250	68	3.0	125	4-15/16, 5	97	605	900	1600	2000	13.4	4.4
22230K	22230	150	270	73	3.0	135	5-3/16, 5-1/4	111	730	1075	1500	1900	16.9	5.5
22232K	22232	160	290	80	3.0	140	5-7/16, 5-1/2	119	860	1285	1400	1800	21.7	7.7
22234K	22234	170	310	86	4.0	150	5-15/16, 6	122	975	1450	1300	1700	28.5	8.4
22236K	22236	180	320	86	4.0	160	6-7/16, 6-1/2	131	1000	1550	1300	1700	29.5	9.5
22238K	22238	190	340	92	4.0	170	6-15/16, 7	141	1100	1700	1200	1600	36.5	11.0
22240K	22240	200	360	98	4.0	180	7-3/16	150	1250	1900	1100	1500	43.5	12.0
22244K	22244	220	400	108	4.0	200	7-15/16, 8	161	1500	2300	950	1300	60.0	14.7

*Note: Part No. Suffix C3W33 (C3 = Internal Clearance, W33 = Lube Groove) will be provided unless otherwise specified.

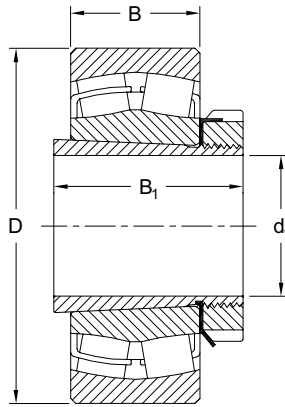
K = Taper Bore, without K = straight bore. For Taper Bore (K) bearings, use the H300 or H3100 Series adapters or SNW.

Spherical Roller Bearings

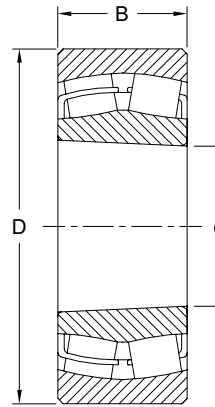


223 Series

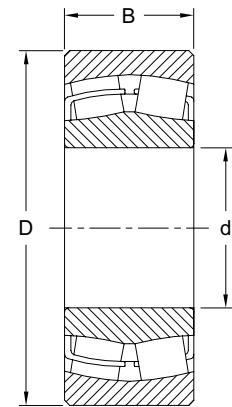
Tapered & Straight Bores



Tapered Bore
Adapter Mounted
Uses H2300 Adapters



Tapered Bore



Straight Bore

Taper Bore Bearing Part No. *	Straight Bore Bearing Part No. *	Dimensions (mm)							Basic Load Ratings in kN		Max. rpm		Weight kg	
		d	D	B	r	d ₁ *		B ₁	C	C ₀				
						mm	in				Grease	Oil	Bearing	Sleeve
22308K	22308	40	90	33	1.5	35	1-1/4, 1-3/8	46	112	120	4500	5600	1.0	0.2
22309K	22309	45	100	36	1.5	40	1-1/2	50	135	155	3800	4800	1.4	0.3
22310K	22310	50	110	40	2	45	1-11/16, 1-3/4	55	175	200	3400	4300	1.9	0.4
22311K	22311	55	120	43	2	50	1-15/16, 2	59	195	230	3200	4000	2.4	0.4
22312K	22312	60	130	46	2.1	55	2-1/8, 2-3/16	62	230	280	3000	3800	3.0	0.5
22313K	22313	65	140	48	2.1	60	2-1/4	65	250	300	2600	3400	3.6	0.6
22314K	22314	70	150	51	2.1	60	—	86	310	380	2400	3200	4.3	0.9
22315K	22315	75	160	55	2.1	65	2-7/16, 2-1/2	73	340	430	2200	3000	5.3	1.1
22316K	22316	80	170	58	2.1	70	2-11/16, 2-3/4	78	370	450	2000	2800	6.2	1.3
22317K	22317	85	180	60	3	75	2-15/16, 3	82	420	515	1900	2600	7.3	1.5
22318K	22318	90	190	64	3	80	3-3/16, 3-1/4	86	475	600	1800	2400	8.6	1.7
22319K	22319	95	200	67	3	85	3-3/8	90	515	670	1800	2400	10.0	1.9
22320K	22320	100	215	73	3	90	3-7/16, 3-1/2	97	600	800	1700	2200	13.0	2.2
22322K	22322	110	240	80	3	100	3-15/16, 4	105	720	960	1600	2000	18.0	2.8
22324K	22324	120	260	86	3	110	4-3/16	112	840	1110	1400	1800	22.0	3.2
22326K	22326	130	280	93	4	115	4-7/16, 4-1/2	121	970	1300	1300	1700	28.5	4.6
22328K	22328	140	300	102	4	125	4-15/16, 5	131	1120	1550	1100	1500	34.5	5.5
22330K	22330	150	320	108	4	135	5-3/16	139	1250	1750	1000	1400	41.5	6.6
22332K	22332	160	340	114	4	140	5-7/16, 5-1/2	147	1375	1950	950	1300	50.0	9.2
22334K	22334	170	360	120	4	150	5-15/16, 6	157	1540	2150	950	1300	58.5	10.0
22336K	22336	180	380	126	4	160	6-7/16, 6-1/2	161	1725	2440	900	1200	69.0	11.0
22338K	22338	190	400	132	5	170	6-15/16, 7	169	1860	2640	850	1100	8.0	12.5
22340K	22340	200	420	138	5	180	7-3/16	176	2010	2900	850	1100	92.5	14.0

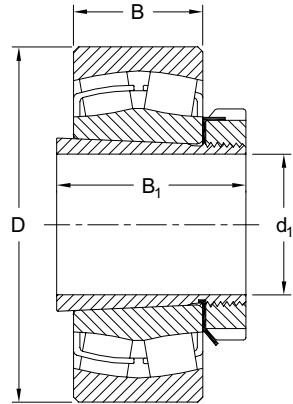
*Note: Part No. Suffix C3W33 (C3 = Internal Clearance, W33 = Lube Groove) will be provided unless otherwise specified.
K = Taper Bore, without K = straight bore. For Taper Bore (K) bearings, use the H2300 Series adapters.

Spherical Roller Bearings

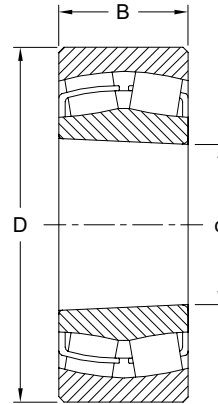


230 Series

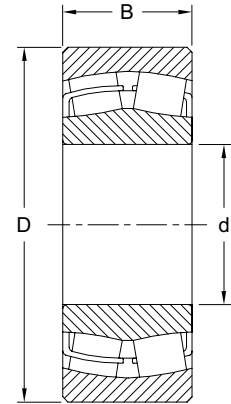
Tapered and Straight Bores



Tapered Bore
Adapter Mounted
Uses H3000 Adapters



Tapered Bore



Straight Bore

Taper Bore Bearing Part No. *	Straight Bore Bearing Part No. *	Dimensions (mm)						Basic Load Ratings in kN		Max. rpm		Weight kg	
		d	D	B	d ₁ *		B ₁	C	C ₀	Grease	Oil	Bearing	Sleeve
					mm	in							
23024K	23024	120	180	46	110	4-3/16, 4-1/4	72	300	500	2000	2800	3.9	2.0
23026K	23026	130	200	52	115	4-7/16, 4-1/2	80	370	600	1900	2600	5.6	2.9
23028K	23028	140	210	53	125	4-15/16, 5	82	395	675	1800	2400	6.0	3.2
23030K	23030	150	225	56	135	5-3/16, 5-1/4	87	435	745	1700	2200	7.3	3.9
23032K	23032	160	240	60	140	5-7/16, 5-1/2	93	500	870	1700	2200	8.9	5.2
23034K	23034	170	260	67	150	5-15/16, 6	101	620	1050	1600	2000	12.1	6.0
23036K	23036	180	280	74	160	6-7/16, 6-1/2	109	720	1240	1400	1800	15.8	6.9
23038K	23038	190	290	75	170	6-15/16, 7	112	750	1340	1300	1700	16.8	7.5
23040K	23040	200	310	82	180	7-3/16	120	875	1525	1200	1600	21.5	9.2
23044K	23044	220	340	90	200	7-15/16, 8	126	1040	1850	1100	1400	31.0	10.5
23048K	23048	240	360	92	220	8-7/16, 9	133	1125	2075	1000	1300	33.9	13.0
23052K	23052	260	400	104	240	9-7/16, 9-1/2	145	1400	2500	800	1100	49.0	16.0
23056K	23056	280	420	106	260	9-15/16, 10-1/2	152	1500	2800	800	1000	52.5	17.7
23060K	23060	300	460	118	280	10-15/16, 11	168	1890	3500	720	940	70.0	22.8
23064K	23064	320	480	121	300	11-7/16, 12	171	1960	3850	680	880	77	24.6
23068K	23068	340	520	133	320	12-7/16, 12-1/2	187	2310	4550	630	820	100	28.7
23072K	23072	360	540	134	340	12-15/16, 13-1/2	188	2370	4700	590	770	110	30.5
23076K	23076	380	560	135	360	13-15/16, 14	193	2500	5150	550	720	115	35.8
23080K	23080	400	600	148	380	15	210	2980	6050	520	680	140	41.3
23084K	23084	420	620	150	400	15-3/4	212	3100	6400	490	640	150	43.7
23088K	23088	440	650	157	410	16-1/2	228	3300	6850	470	610	175	65.2
23092K	23092	460	680	163	430	17	234	3600	7450	450	580	200	69.5
23096K	23096	480	700	165	450	18	237	3650	770	420	550	210	73.3

*Note: Part No. Suffix C3W33 (C3 = Internal Clearance, W33 = Lube Groove) will be provided unless otherwise specified.

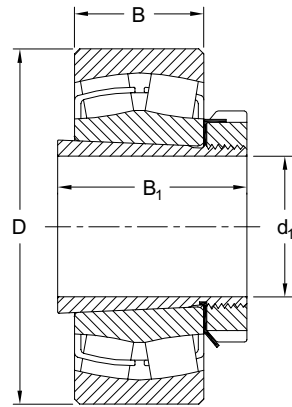
K = Taper Bore, without K = straight bore. For Taper Bore (K) bearings, use the H3000 Series adapters.

Spherical Roller Bearings

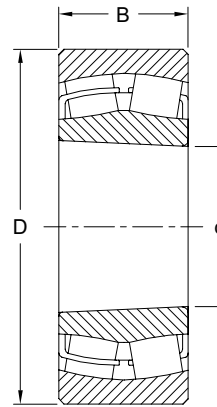


231 Series

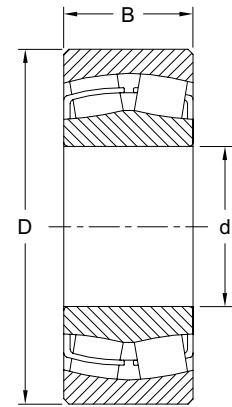
Tapered and Straight Bores



Tapered Bore
Adapter Mounted
Uses OH or H3100 Adapters



Tapered Bore



Straight Bore

Taper Bore Bearing Part No. *	Straight Bore Bearing Part No. *	Dimensions (mm)						Basic Load Ratings in kN		Max. rpm		Weight kg	
		d	D	B	d ₁ *		B ₁	C	C ₀	Grease	Oil	Bearing	Sleeve
					mm	in							
23134K	23134	170	280	88	150	5-15/16, 6	122	890	1490	1200	1600	20.6	8.4
23136K	23136	180	300	96	160	6-7/16, 6-1/2	131	1040	1750	1100	1500	25.9	9.5
23138K	23138	190	320	104	170	6-15/16, 7	141	1200	2050	1000	1400	32.6	11.0
23140K	23140	200	340	112	180	7-3/16	150	1350	2350	900	1200	42.7	12.0
23144K	23144	220	370	120	200	7-15/16, 8	161	1550	2700	850	1100	54.4	15.0
23148K	23148	240	400	128	220	8-7/16, 9	172	1750	3100	800	1050	66.4	18.0
23152K	23152	260	440	144	240	9-7/16, 9-1/2	190	2200	3800	730	800	92.9	22.5
23156K	23156	280	460	146	260	9-15/16, 10-1/2	195	2250	4200	650	700	99.5	25.0
23160K	23160	300	500	160	280	10-15/16, 11	208	2800	5000	600	750	130.0	30.0
23164K	23164	320	540	176	300	11-7/16, 12	226	3200	5900	550	700	171.0	35.0
23168K	23168	340	580	190	320	12-7/16, 12-1/2	254	3600	6600	520	680	210	49.5
23172K	23172	360	600	192	340	12-15/16, 13-1/2	259	3750	7050	490	630	215	54.2
23176K	23176	380	620	194	360	13-15/16, 14	264	3900	7500	450	590	230	61.7
23180K	23180	400	650	200	380	15	272	4200	8050	430	560	265	70.6
23184K	23184	420	700	224	400	15-3/4	304	5200	9950	410	530	350	84.2
23188K	23188	440	720	226	410	16-1/2	307	5200	10000	390	500	355	104.0
23192K	23192	460	760	240	430	17	326	5700	11400	360	470	435	116.0
23196K	23196	480	790	248	450	18	335	6200	12300	350	450	480	133.0

*Note: Part No. Suffix C3W33 (C3 = Internal Clearance, W33 = Lube Groove) will be provided unless otherwise specified.

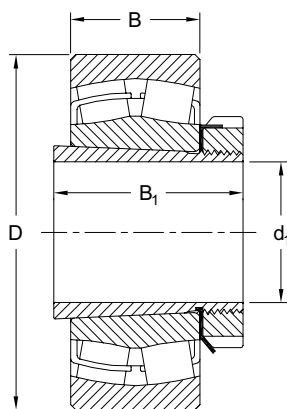
K = Taper Bore, without K = straight bore. For Taper Bore (K) bearings, use the H3100 Series adapters.

Spherical Roller Bearings

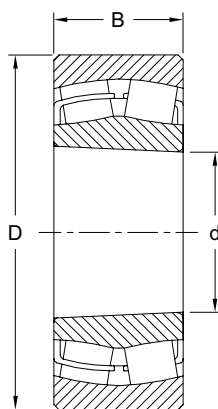


232 Series

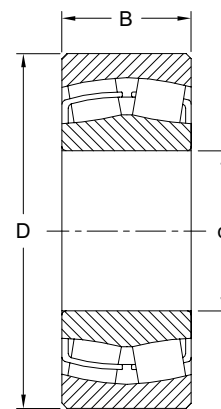
Tapered and Straight Bores



Tapered Bore
Adapter Mounted
Uses OH3200 Adapters



Tapered Bore



Straight Bore

Taper Bore Bearing Part No. *	Straight Bore Bearing Part No. *	Dimensions (mm)						Basic Load Ratings in kN		Max. rpm		Weight kg	
		d	D	B	d ₁ *		B ₁	Dynamic	Static	Grease	Oil	Bearing	Sleeve
					mm	in		C	C ₀				
23252K	23252	260	480	174	240	9-7/16, 9-1/2	208	2760	4700	660	860	140	21.0
23256K	23256	280	500	176	260	9-15/16, 10-1/2	221	2930	5150	610	790	150	27.0
23260K	23260	300	540	192	280	10-15/16, 11	240	3450	6000	560	730	190	34.1
23264K	23264	320	580	208	300	11-7/16, 12	258	4000	7050	520	680	240	39.3
23268K	23268	340	620	224	320	12-7/16, 12-1/2	288	4450	8000	490	630	295	54.6
23272K	23272	360	650	232	340	12-15/16, 13-1/2	299	4850	8700	450	590	335	60.6
23276K	23276	380	680	240	360	13-15/16, 14	310	5200	9650	430	550	375	69.6
23280K	23280	400	720	256	380	15	328	5850	10600	400	520	450	75.2
23284K	23284	420	760	272	400	15-3/4	352	6550	12000	380	490	535	94.0
23288K	23288	440	790	280	410	16-1/2	361	6900	12800	360	470	590	118.0
23292K	23292	460	830	296	430	17	382	7750	14500	340	440	690	132.0
23296K	23296	480	870	310	450	18	397	8300	15500	320	420	790	152.0

*Note: Part No. Suffix C3W33 (C3 = Internal Clearance, W33 = Lube Groove) will be provided unless otherwise specified.

K = Taper Bore, without K = straight bore. For Taper Bore (K) bearings, use the OH3200 Series adapters.

Adapter Interchange



H-Type		SNW Type
H204 x 17MM	H204	—
H205 x 3/4	HE205	—
H205 x 20MM	H205	—
H206 x 1	HE206	—
H206 x 25MM	H206	—
H207 x 30MM	H207	—
H208 x 1-1/4	HE208	—
H208 x 35MM	H208	—
H209 x 1-1/2	HE209	—
H209 x 40MM	H209	—
H210 x 1-3/4	HE210	—
H210 x 45MM	H210	—
H211 x 2	HE211	—
H211 x 50MM	H211	—
H212 x 55MM	H212	—
H213 x 2-1/4	HE213	—
H213 x 60MM	H213	—
H215 x 2-1/2	HE215	—
H215 x 65MM	H215	—
H216 x 2-3/4	HE216	—
H216 x 70MM	H216	—
H217 x 3	HE217	—
H217 x 75MM	H217	—
H218 x 3-1/4	HE218	—
H218 x 80MM	H218	—
H219 x 85MM	H219	—
H220 x 3-1/2	HE220	—
H220 x 90MM	H220	—
H222 x 4	HE222	—
H222 x 100MM	H222	—
H304 x 5/8	HS304	—
H304 x 17MM	H304	—
H305 x 1-1/16	HA305	—
H305 x 3/4	HE305	SNW05 x 3/4
H305 x 20MM	H305	—
H306 x 15/16	HA306	SNW06 x 15/16
H306 x 1	HE306	SNW06 x 1
H306 x 25MM	H306	—
H307 x 1-1/16	HA307	SNW07 x 1-1/16
H307 x 1-1/8	HS307	SNW07 x 1-1/8
H307 x 1-3/16	HA307	SNW07 x 1-3/16
H307 x 1-1/4	HE307	SNW07 x 1-1/4
H307 x 30MM	H307	—
H308 x 1-1/4	HE308	SNW08 x 1-1/4
H308 x 1-5/16	HA208	SNW08 x 1-5/16
H308 x 1-3/8	HS308	SNW08 x 1-3/8
H308 x 35MM	H308	—
H309 x 1-3/8	—	SNW09 x 1-3/8
H309 x 1-7/16	HA309	SNW09 x 1-7/16
H309 x 1-1/2	HE309	SNW09 x 1-1/2
H309 x 40MM	H309	—
H310 x 1-5/8	HS310	SNW10 x 1-5/8
H310 x 1-11/16	HA310	SNW10 x 1-11/16
H310 x 1-3/4	HE310	SNW10 x 1-3/4
H310 x 45MM	H310	—
H311 x 1-3/4	HE311	SNW11 x 1-3/4
H311 x 1-7/8	HS311	SNW11 x 1-7/8
H311 x 1-15/16	HA311	SNW11 x 1-15/16
H311 x 2	HE311	SNW11 x 2
H311 x 50MM	H311	—

H-Type		SNW Type
H312 x 2	HE312	SNW12 x 2
H312 x 2-1/16	HA312	SNW12 x 2-1/16
H312 x 2-1/8	HS312	SNW12 x 2-1/8
H312 x 55MM	H312	—
H313 x 2	HE313	SNW13 x 2
H313 x 2-1/8	HS313	SNW13 x 2-1/8
H313 x 2-3/16	HA313	SNW13 x 2-3/16
H313 x 2-1/4	HE313	SNW13 x 2-1/4
H313 x 2-5/16	HA313	SNW13 x 2-5/16
H313 x 60MM	H313	—
H314 x 2-5/16	HA314	SNW14 x 2-5/16
H314 x 60MM	H314	—
H315 x 2-3/8	HS315	SNW15 x 2-3/8
H315 x 2-7/16	HA315	SNW15 x 2-7/16
H315 x 2-1/2	HE315	SNW15 x 2-1/2
H315 x 65MM	H315	—
H316 x 2-11/16	HA316	SNW16 x 2-11/16
H316 x 2-3/4	HE316	SNW16 x 2-3/4
H316 x 70MM	H316	—
H317 x 2-15/16	HA317	SNW17 x 2-15/16
H317 x 3	HE317	SNW17 x 3
H317 x 75MM	H317	—
H318 x 3-1/8	HS318	SNW18 x 3-1/8
H318 x 3-3/16	HA318	SNW18 x 3-3/16
H318 x 3-1/4	HE318	SNW18 x 3-1/4
H318 x 80MM	H318	—
H319 x 3-3/16	HA319	SNW19 x 3-3/16
H319 x 3-1/4	HE319	SNW19 x 3-1/4
H319 x 3-3/8	HS319	SNW19 x 3-3/8
H319 x 85MM	H319	—
H320 x 3-7/16	HA320	SNW20 x 3-7/16
H320 x 3-1/2	HE320	SNW20 x 3-1/2
H320 x 90MM	H320	—
H321 x 3-11/16	HA321	SNW21 x 3-11/16
H321 x 3-3/4	HE321	SNW21 x 3-3/4
H321 x 95MM	H321	—
H322 x 3-15/16	HA322	SNW22 x 3-15/16
H322 x 4	HE322	SNW22 x 4
H322 x 100MM	H322	—
H2305 x 3/4	HE2305	—
H2305 x 20MM	H2305	—
H2306 x 7/8	—	—
H2306 x 1-5/16	HA2306	—
H2306 x 1	HE2306	—
H2306 x 25MM	H2306	—
H2307 x 1-1/8	HS2307	—
H2307 x 1-3/16	HA2307	—
H2307 x 30MM	H2307	—
H2308 x 1-1/4	HE2308	SNW108 x 1-1/4
H2308 x 1-5/16	HA2308	SNW108 x 1-5/16
H2308 x 35MM	H2308	—
H2309 x 1-7/16	HA2309	SNW109 x 1-7/16
H2309 x 1-1/2	HE2309	SNW109 x 1-1/2
H2309 x 40MM	H2309	—
H2310 x 1-5/8	HS2310	SNW110 x 1-5/8
H2310 x 1-11/16	HA2310	SNW110 x 1-11/16
H2310 x 1-3/4	HE2310	SNW110 x 1-3/4
H2310 x 45MM	H2310	—
H2311 x 1-7/8	HS2311	SNW111 x 1-7/8
H2311 x 1-15/16	HA2311	SNW111 x 1-15/16

H-Type		SNW Type
H2311 x 2	HE2311	SNW111 x 2
H2311 x 50MM	H2311	—
H2312 x 2-1/8	HS2312	SNW112 x 2-1/8
H2312 x 55MM	H2312	—
H2313 x 2-3/16	HA2313	SNW113 x 2-3/16
H2313 x 2-1/4	HE2313	SNW113 x 2-1/4
H2313 x 2-3/8	HS2313	SNW113 x 2-3/8
H2313 x 60MM	H2313	—
H2314 x 60MM	H2314	—
H2315 x 2-7/16	HA2315	SNW115 x 2-7/16
H2315 x 2-1/2	HE2315	SNW115 x 2-1/2
H2315 x 2-5/8	HS2315	SNW115 x 2-5/8
H2315 x 65MM	H2315	—
H2316 x 2-11/16	HA2316	SNW116 x 2-11/16
H2316 x 2-3/4	HE2316	SNW116 x 2-3/4
H2316 x 70MM	H2316	—
H2317 x 2-15/16	HA2317	SNW117 x 2-15/16
H2317 x 3	HE2317	SNW117 x 3
H2317 x 75MM	H2317	—
H2318 x 3-1/8	HS2318	SNW118 x 3-1/8
H2318 x 3-3/16	HA2318	SNW118 x 3-3/16
H2318 x 3-1/4	HE2318	SNW118 x 3-1/4
H2318 x 80MM	H2318	—
H2319 x 3-1/4	HE2319	SNW119 x 3-1/4
H2319 x 85MM	H2319	—
H2320 x 3-7/16	HA2320	SNW120 x 3-7/16
H2320 x 3-1/2	HE2320	SNW120 x 3-1/2
H2320 x 90MM	H2320	—
H2321 x 95MM	H2321	—
H2322 x 3-15/16	HA2322	SNW122 x 3-15/16
H2322 x 4	HE2322	SNW122 x 4
H2322 x 100MM	H2322	—
H2324 x 4-3/16	HA2324	SNW124 x 4-3/16
H2324 x 4-1/4	HE2324	SNW124 x 4-1/4
H2324 x 110MM	H2324	—
H2326 x 4-7/16	HA2326	SNW126 x 4-7/16
H2326 x 4-1/2	HE2326	SNW126 x 4-1/2
H2326 x 115MM	H2326	—
H2328 x 4-15/16	HA2328	SNW128 x 4-15/16
H2328 x 5	HE2328	SNW128 x 5
H2328 x 125MM	H2328	—
H2330 x 5-3/16	HA2330	SNW130 x 5-3/16
H2330 x 5-1/4	HE2330	SNW130 x 5-1/4
H2330 x 135MM	H2330	—
H2332 x 5-7/16	HA2332	SNW132 x 5-7/16
H2332 x 5-1/2	HE2332	SNW132 x 5-1/2
H2332 x 140MM	H2332	—
H2334 x 5-15/16	HA2334	SNW134 x 5-15/16
H2334 x 6	HE2334	SNW134 x 6
H2334 x 150MM	H2334	—
H2336 x 6-7/16	HA2336	SNW136 x 6-7/16
H2336 x 6-1/2	HE2336	SNW136 x 6-1/2
H2336 x 160MM	H2336	—
H2338 x 6-3/4	HE2338	—
H2338 x 6-15/16	HA2338	SNW138 x 6-15/16
H2338 x 7	—	SNW138 x 7
H2338 x 170MM	H2338	—
H2340 x 7	HE2340	SNW140 x 7
H2340 x 7-3/16	HA2340	SNW140 x 7-3/16
H2340 x 180MM	H2340	—

Adapter Interchange



H-Type		SNW, SNP Type
H2344 x 7-15/16	—	SNW144 x 7-15/16
H2344 x 200MM	H2344	—
H2348 x 8-15/16	—	SNP148 x 8-15/16
H2348 x 220MM	H2348	—
H2352 x 9-7/16	—	SNP152 x 9-7/16
H2352 x 240MM	H2352	—
H2356 x 260MM	H2356	—
H3024 x 4-3/16	HA3024 x 4-3/16	SNW3024 x 4-3/16
H3024 x 4-1/4	HE3024 x 4-1/4	SNW3024 x 4-1/4
H3024 x 110MM	H3024	—
H3026 x 4-7/16	HA3026 x 4-7/16	SNW3026 x 4-7/16
H3026 x 4-1/2	HE3026 x 4-1/2	SNW3026 x 4-1/2
H3026 x 115MM	H3026	—
H3028 x 4-15/16	HA3028 x 4-15/16	SNW3028 x 4-15/16
H3028 x 5	HE3028 x 5	SNW3028 x 5
H3028 x 125MM	H3028	—
H3030 x 5-3/16	HA3030 x 5-3/16	SNW3030 x 5-3/16
H3030 x 5-1/4	HE3030 x 5-1/4	SNW3030 x 5-1/4
H3030 x 135MM	H3030	—
H3032 x 5-7/16	HA3032 x 5-7/16	SNW3032 x 5-7/16
H3032 x 5-1/2	HE3032 x 5-1/2	SNW3032 x 5-1/2
H3032 x 140MM	H3032	—
H3034 x 5-15/16	HA3034 x 5-15/16	SNW3034 x 5-15/16
H3034 x 6	HE3034 x 6	SNW3034 x 6
H3034 x 150MM	H3034	—
H3036 x 6-7/16	HA3036 x 6-7/16	SNW3036 x 6-7/16
H3036 x 6-1/2	HE3036 x 6-1/2	SNW3036 x 6-1/2
H3036 x 160MM	H3036	—
H3038 x 6-15/16	HA3038	SNW3038 x 6-15/16
H3038 x 170MM	H3038	—
H3040 x 7-3/16	HA3040 x 7-3/16	SNW3040 x 7-3/16
H3040 x 180MM	H3040	—
H3044 x 200MM	H3044	—
H3044 x 7-15/16	HA3044 x 7-15/16	SNP3044 x 7-15/16
H3044 x 8	HE3044 x 8	SNP3044 x 8
H3048 x 220MM	H3048	—
H3048 x 8-7/16	HA3048 x 8-7/16	SNP3048 x 8-7/16
H3048 x 8-1/2	HE3048 x 8-1/2	SNP3048 x 8-1/2
H3048 x 8-15/16	HA3048 x 8-15/16	SNP3048 x 8-15/16
H3048 x 9	HE3048 x 9	SNP3048 x 9
H3052 x 240MM	H3052	—
H3052 x 9-7/16	HA3052 x 9-7/16	SNP3052 x 9-7/16
H3052 x 9-1/2	HE3052 x 9-1/2	SNP3052 x 9-1/2
H3056 x 260MM	H3056	—
H3056 x 9-15/16	HA3056 x 9-15/16	SNP3056 x 9-15/16
H3056 x 10	HE3056 x 10	SNP3056 x 10
H3056 x 10-7/16	HA3056 x 10-7/16	SNP3056 x 10-7/16
H3056 x 10-1/2	HE3056 x 10-1/2	SNP3056 x 10-1/2
H3060 x 250MM	H3060	—
H3060 x 10-15/16	HA3060 x 10-15/16	SNP3060 x 10-15/16
H3060 x 11	HE3060 x 11	SNP3060 x 11
H3064 x 300MM	H3064	—
H3064 x 11-7/16	HA3064 x 11-7/16	SNP3064 x 11-7/16
H3064 x 11-1/2	HE3064 x 11-1/2	SNP3064 x 11-1/2
H3064 x 11-15/16	HA3064 x 11-15/16	SNP3064 x 11-15/16
H3064 x 12	HE3064 x 12	SNP3064 x 12
H3068 x 320MM	H3064	—
H3068 x 12-7/16	HA3068 x 12-7/16	SNP3068 x 12-7/16
H3068 x 12-1/2	HE3068 x 12-1/2	SNP3068 x 12-1/2
H3072 x 340MM	H3072	—
H3072 x 12-15/16	HA3072 x 12-15/16	SNP3072 x 12-15/16
H3072 x 13	HE3072 x 13	SNP3072 x 13
H3072 x 13-7/16	HA3072 x 13-7/16	SNP3072 x 13-7/16

H-Type		SNW, SNP Type
H3072 x 13-1/2	HE3072 x 13-1/2	SNP3072 x 13-1/2
H3076 x 360MM	H3076	—
H3076 x 13-15/16	HA3076 x 13-15/16	SNP3076 x 13-15/16
H3076 x 14	HE3076 x 14	SNP3076 x 14
H3080 x 380MM	H3080	—
H3080 x 14-15/16	HA3080 x 14-15/16	SNP3080 x 14-15/16
H3080 x 15	HE3080 x 15	SNP3080 x 15
H3084 x 400MM	H3084	—
H3084 x 15-3/4	HE3084 x 15-3/4	SNP3084 x 15-3/4
H3088 x 16-1/2	HE3088 x 16-1/2	SNP3088 x 16-1/2
H3092 x 17	HE3092 x 17	SNP3092 x 17
H3096 x 18	HE3096 x 18	SNP3096 x 18
H3120 x 3-7/16	HA3120 x 3-7/16	SNW3120 x 3-7/16
H3120 x 3-1/2	HE3120 x 3-1/2	SNW3120 x 3-1/2
H3120 x 90MM	H3120	—
H3122 x 3-11/16	—	SNW3122 x 3-11/16
H3122 x 3-15/16	HA3122 x 3-15/16	SNW3122 x 3-15/16
H3122 x 4	HE3122 x 4	SNW3122 x 4
H3122 x 100MM	H3122	—
H3124 x 4-3/16	HA3124 x 4-3/16	SNW3124 x 4-3/16
H3124 x 4-1/4	HE3124 x 4-1/4	SNW3124 x 4-1/4
H3124 x 110MM	H3124	—
H3126 x 4-7/16	HA3126 x 4-7/16	SNW3126 x 4-7/16
H3126 x 4-1/2	HE3126 x 4-1/2	SNW3126 x 4-1/2
H3126 x 115MM	H3126	—
H3128 x 4-15/16	HA3128 x 4-15/16	SNW3128 x 4-15/16
H3128 x 5	HE3128 x 5	SNW3128 x 5
H3128 x 125MM	H3128	—
H3130 x 5-3/16	HA3130 x 5-3/16	SNW3130 x 5-3/16
H3130 x 5-1/4	HE3130 x 5-1/4	SNW3130 x 5-1/4
H3130 x 135MM	H3130	—
H3132 x 5-7/16	HA3132 x 5-7/16	SNW3132 x 5-7/16
H3132 x 5-1/2	HE3132 x 5-1/2	SNW3132 x 5-1/2
H3132 x 140MM	H3132	—
H3134 x 5-15/16	HA3134 x 5-15/16	SNW3134 x 5-15/16
H3134 x 6	HE3134 x 6	SNW3134 x 6
H3134 x 150MM	H3134	—
H3136 x 6-7/16	HA3136 x 6-7/16	SNW3136 x 6-7/16
H3136 x 6-1/2	HE3136	—
H3136 x 160MM	H3136	—
H3138 x 6-15/16	HA3138 x 6-15/16	SNW3138 x 6-15/16
H3138 x 170MM	H3138	—
H3140 x 7-3/16	HA3140 x 7-3/16	SNW3140 x 7-3/16
H3140 x 180MM	H3140	—
H3144 x 7-15/16	HA3144 x 7-15/16	SNW3144 x 7-15/16
H3144 x 8	HE3144 x 8	SNW3144 x 8
H3144 x 200MM	H3144	—
H3148 x 8-1/2	HE3148 x 8-1/2	SNP3148 x 8-1/2
H3148 x 220MM	H3148	—
H3152 x 240MM	H3152	—
H3152 x 9-7/16	H3152 x 9-7/16	SNP3152 x 9-7/16
H3152 x 9-1/2	HE3152 x 9-1/2	SNP3152 x 9-1/2
H3156 x 260MM	H3156	—
H3156 x 9-15/16	HA3156 x 9-15/16	SNP3156 x 9-15/16
H3156 x 10	HE3156 x 10	SNP3156 x 10
H3156 x 10-7/16	HA3156 x 10-7/16	SNP3156 x 10-7/16
H3156 x 10-1/2	HE3156 x 10-1/2	SNP3156 x 10-1/2
H3160 x 280MM	H3160	—
H3160 x 10-15/16	HA3160 x 10-15/16	SNP3160 x 10-15/16
H3160 x 11	HE3160 x 11	SNP3160 x 11

H-Type		SNW, SNP Type
H3164 x 300MM	H3164	—
H3164 x 11-7/16	HA3164 x 11-7/16	SNP3164 x 11-7/16
H3164 x 11-1/2	HE3164 x 11-1/2	SNP3164 x 11-1/2
H3164 x 11-15/16	H3164 x 11-15/16	SNP3164 x 11-15/16
H3164 x 12	HE3164 x 12	SNP3164 x 12
H3168 x 320MM	H3168	—
H3168 x 12-7/16	HA3168 x 12-7/16	SNP3168 x 12-7/16
H3168 x 12-1/2	HE3168 x 12-1/2	SNP3168 x 12-1/2
H3172 x 340MM	H3172	—
H3172 x 12-15/16	HA3172 x 12-15/16	SNP3172 x 12-15/16
H3172 x 13	HE3172 x 13	SNP3172 x 13
H3172 x 13-7/16	HA3172 x 13-7/16	SNP3172 x 13-7/16
H3172 x 13-1/2	HE3172 x 13-1/2	SNP3172 x 13-1/2
H3176 x 360MM	H3176	—
H3176 x 13-15/16	HA3176 x 13-15/16	SNP3176 x 13-15/16
H3176 x 14	HE3176 x 14	SNP3176 x 14
H3180 x 380MM	H3180	—
H3180 x 14-15/16	HA3180 x 14-15/16	SNP3180 x 14-15/16
H3180 x 15	HE3180 x 15	SNP3180 x 15
H3184 x 400MM	H3184	—
H3184 x 15-3/4	HE3184 x 15-3/4	SNP3184 x 15-3/4
H3188 x 16-1/2	HE3188 x 16-1/2	SNP3188 x 16-1/2
H3192 x 17	HE3192 x 17	SNP3192 x 17
H3196 x 18	HE3196 x 18	SNP3196 x 18
H3252 x 240MM	H3252	—
H3252 x 9-7/16	HA3252 x 9-7/16	SNP3252 x 9-7/16
H3252 x 9-1/2	HE3252 x 9-1/2	SNP3252 x 9-1/2
H3256 x 260MM	H3256	—
H3256 x 9-15/16	HA3256 x 9-15/16	SNP3256 x 9-15/16
H3256 x 10	HE3256 x 10	SNP3256 x 10
H3256 x 10-7/16	HA3256 x 10-7/16	SNP3256 x 10-7/16
H3256 x 10-1/2	HE3256 x 10-1/2	SNP3256 x 10-1/2
H3260 x 280MM	H3260	—
H3260 x 10-15/16	HA3260 x 10-15/16	SNP3260 x 10-15/16
H3260 x 11	HE3260 x 11	SNP3260 x 11
H3264 x 300MM	H3264	—
H3264 x 11-7/16	HA3264 x 11-7/16	SNP3264 x 11-7/16
H3264 x 11-1/2	HE3264 x 11-1/2	SNP3264 x 11-1/2
H3264 x 11-15/16	HA3264 x 11-15/16	SNP3264 x 11-15/16
H3264 x 12	HE3264 x 12	SNP3264 x 12
H3268 x 320MM	H3268	—
H3268 x 12-7/16	HA3268 x 12-7/16	SNP3268 x 12-7/16
H3268 x 12-1/2	HE3268 x 12-1/2	SNP3268 x 12-1/2
H3272 x 340MM	H3272	—
H3272 x 12-15/16	HA3272 x 12-15/16	SNP3272 x 12-15/16
H3272 x 13	HE3272 x 13	SNP3272 x 13
H3272 x 13-7/16	HA3272 x 13-7/16	SNP3272 x 13-7/16
H3272 x 13-1/2	HE3272 x 13-1/2	SNP3272 x 13-1/2
H3276 x 360MM	H3276	—
H3276 x 13-15/16	HA3276 x 13-15/16	SNP3276 x 13-15/16
H3276 x 14	HA3276 x 14	SNP3276 x 14
H3280 x 380MM	H3280	—
H3280 x 14-15/16	HA3280 x 14-15/16	SNP3280 x 14-15/16
H3280 x 15	HE3280 x 15	SNP3280 x 15
H3284 x 400MM	H3284	—
H3284 x 15-3/4	HE3284 x 15-3/4	SNP3284 x 15-3/4
H3288 x 16-1/2	HE3288 x 16-1/2	SNP3288 x 16-1/2
H3292 x 17	HE3292 x 17	SNP3292 x 17
H3296 x 18	HE3296 x 18	SNP3296 x 18

Note: SNW-Type adapters use N or AN nuts with inch threads, H-Type adapters are interchangeable and use standard KM nuts with metric threads. Both are industry standard.

Adapter Sleeves

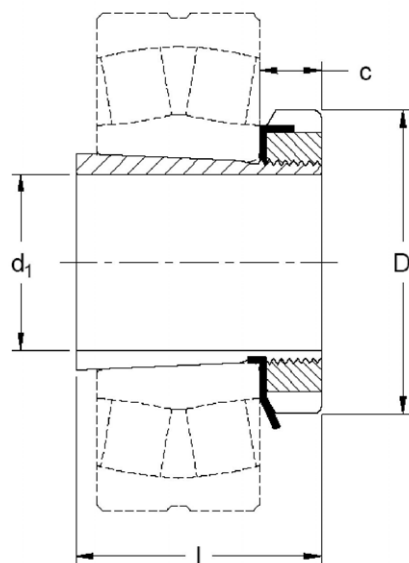


SNW 00 Series

Inch Bores

With Nut and Washer

For 222 Series Spherical Bearings
(also used with 1200, 1300, and
2200 Series Ball Bearings).



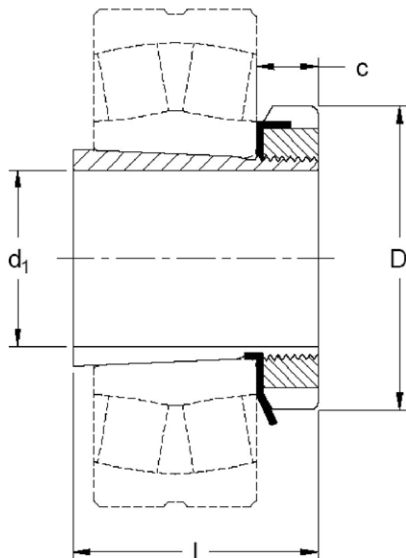
Part No.	Dimension (in)				Nut	Lock Washer	Weight lb
	d ₁	L	D	c			
SNW05 x 3/4	3/4	1.27	1.56	0.46	N05	W05	0.2
SNW05 x 11/16	11/16	1.27	1.56	0.46	N05	W05	0.3
SNW06 x 15/16	15/16	1.35	1.75	0.46	N06	W06	0.2
SNW06 x 1	1	1.35	1.75	0.46	N06	W06	0.2
SNW07 x 1-1/16	1-1/16	1.46	2.06	0.48	N07	W07	0.4
SNW07 x 1-1/8	1-1/8	1.46	2.06	0.48	N07	W07	0.3
SNW07 x 1-1/4	1-1/4	1.46	2.06	0.48	N07	W07	0.3
SNW07 x 1-3/16	1-3/16	1.46	2.06	0.48	N07	W07	0.3
SNW08 x 1-1/4	1-1/4	1.50	2.25	0.50	N08	W08	0.4
SNW08 x 1-3/8	1-3/8	1.50	2.25	0.50	N08	W08	0.4
SNW08 x 1-5/16	1-5/16	1.50	2.25	0.50	N08	W08	0.4
SNW09 x 1-3/8	1-3/8	1.58	2.53	0.50	N09	W09	0.6
SNW09 x 1-7/16	1-7/16	1.58	2.53	0.50	N09	W09	0.6
SNW09 x 1-1/2	1-1/2	1.58	2.53	0.50	N09	W09	0.6
SNW10 x 1-11/16	1-11/16	1.77	2.69	0.56	N10	W10	0.7
SNW10 x 1-5/8	1-5/8	1.77	2.69	0.56	N10	W10	0.7
SNW10 x 1-3/4	1-3/4	1.77	2.69	0.56	N10	W10	0.7
SNW11 x 1-13/16	1-13/16	1.85	2.97	0.56	N11	W11	0.8
SNW11 x 1-3/4	1-3/4	1.85	2.97	0.56	N11	W11	0.8
SNW11 x 1-7/8	1-7/8	1.85	2.97	0.56	N11	W11	0.8
SNW11 x 1-15/16	1-15/16	1.85	2.97	0.56	N11	W11	0.9
SNW11 x 2	2	1.85	2.97	0.56	N11	W11	0.9
SNW13 x 2	2	2.10	3.38	0.63	N13	W13	1.0
SNW13 x 2-3/16	2-3/16	2.10	3.38	0.63	N13	W13	1.4
SNW13 x 2-1/4	2-1/4	2.10	3.38	0.63	N13	W13	1.4
SNW13 x 2-5/16	2-5/16	2.10	3.38	0.63	N13	W13	1.3
SNW15 x 2-3/8	2-3/8	2.30	3.88	0.67	AN15	W15	2.4
SNW15 x 2-1/2	2-1/2	2.30	3.88	0.67	AN15	W15	2.3
SNW15 x 2-7/16	2-7/16	2.30	3.88	0.67	AN15	W15	2.2
SNW15 x 2-5/8	2-5/8	2.30	3.88	0.67	AN15	W15	2.2
SNW16 x 2-11/16	2-11/16	2.38	4.16	0.67	AN16	W16	2.4
SNW16 x 2-3/4	2-3/4	2.38	4.16	0.67	AN16	W16	2.4
SNW17 x 2-15/16	2-15/16	2.49	4.41	0.70	AN17	W17	2.9
SNW17 x 3	3	2.49	4.41	0.70	AN17	W17	2.9
SNW18 x 3-3/16	3-3/16	2.65	4.66	0.78	AN18	W18	4.0
SNW18 x 3-1/4	3-1/4	2.49	4.66	0.78	AN18	W18	4.0
SNW20 x 3-7/16	3-7/16	2.87	5.19	0.84	AN20	W20	4.0
SNW20 x 3-1/2	3-1/2	2.87	5.19	0.84	AN20	W20	4.0
SNW22 x 3-11/16	3-11/16	3.21	5.72	0.91	AN22	W22	4.9
SNW22 x 3-15/16	3-15/16	3.21	5.72	0.91	AN22	W22	4.8
SNW22 x 4	4	3.21	5.72	0.91	AN22	W22	4.8
SNW24 x 4-3/16	4-3/16	3.47	6.13	0.94	AN24	W24	6.2
SNW24 x 4-1/4	4-1/4	3.47	6.13	0.94	AN24	W24	6.2
SNW26 x 4-7/16	4-7/16	3.76	6.75	1.00	AN26	W26	9.7
SNW26 x 4-1/2	4-1/2	3.76	6.75	1.00	AN26	W26	9.7
SNW28 x 4-7/8	4 7/8	3.98	7.09	1.06	AN28	W28	10.5
SNW28 x 4-15/16	4-15/16	3.98	7.09	1.06	AN28	W28	10.5
SNW28 x 5	5	3.98	7.09	1.06	AN28	W28	10.5
SNW30 x 5-3/16	5-3/16	4.24	7.69	1.13	AN30	W30	16.0
SNW30 x 5-1/4	5-1/4	4.24	7.69	1.13	AN30	W30	16.0
SNW32 x 5-7/16	5-7/16	4.58	8.06	1.19	AN32	W32	16.0
SNW32 x 5-1/2	5-1/2	4.58	8.06	1.19	AN32	W32	16.0
SNW32 x 5-3/4	5-3/4	4.58	8.06	1.19	AN32	W32	16.0
SNW34 x 5-15/16	5-15/16	4.85	8.66	1.22	AN34	W34	19.5
SNW34 x 6	6	4.85	8.66	1.22	AN34	W34	19.5
SNW36 x 6-7/16	6-7/16	5.04	9.06	1.25	AN36	W36	20.5
SNW36 x 6-1/2	6-1/2	5.04	9.06	1.25	AN36	W36	20.5
SNW38 x 6-15/16	6-15/16	5.26	9.47	1.28	AN38	W38	23.5
SNW38 x 7	7	5.26	9.47	1.28	AN38	W38	23.5
SNW40 x 7-3/16	7-3/16	5.48	9.84	1.34	AN40	W40	30.5
SNW40 x 7-3/8	7-3/8	5.48	9.84	1.34	AN40	W40	30.5
SNW44 x 7-1/2	7-1/2	5.90	11.00	1.41	AN44	W44	32.5
SNW44 x 7-7/8	7-7/8	5.90	11.00	1.41	AN44	W44	32.5
SNW44 x 7-15/16	7-15/16	5.90	11.00	1.41	AN44	W44	32.5
SNW44 x 8	8	5.90	11.00	1.41	AN44	W44	32.5

Adapter Sleeves

SNW100 Series SNW3000 Series Inch Bores

With Nut and Washer

For 223 and 232 Series
Spherical Bearings



For 230 Series Spherical
Bearings



Part No.	Dimension (in)				Nut	Lock Washer	Weight lb
	d ₁	l	D	c			
SNW109 x 1-7/16	1-7/16	2.13	2.53	0.50	N09	W09	0.7
SNW109 x 1-1/2	1-1/2	2.13	2.53	0.50	N09	W09	0.7
SNW110 x 1-11/16	1-11/16	2.39	2.69	0.56	N10	W10	0.9
SNW110 x 1-3/4	1-3/4	2.39	2.69	0.56	N10	W10	0.9
SNW111 x 1-7/8	1-7/8	2.52	2.97	0.56	N11	W11	0.9
SNW111 x 1-15/16	1-15/16	2.52	2.97	0.56	N11	W11	0.9
SNW111 x 2	2	2.52	2.97	0.56	N11	W11	0.9
SNW113 x 2-1/4	2-1/4	2.77	3.38	0.63	N13	W13	1.8
SNW113 x 2-3/16	2-3/16	2.77	3.38	0.63	N13	W13	1.8
SNW115 x 2-3/8	2-3/8	3.08	3.88	0.70	AN15	W15	3.0
SNW115 x 2-7/16	2-7/16	3.08	3.88	0.70	AN15	W15	3.0
SNW115 x 2-1/2	2-1/2	3.08	3.88	0.70	AN15	W15	3.0
SNW116 x 2-11/16	2-11/16	3.20	4.16	0.67	AN16	W16	3.2
SNW116 x 2-3/4	2-3/4	3.20	4.16	0.67	AN16	W16	3.2
SNW117 x 2-15/16	2-15/16	3.31	4.41	0.70	AN17	W17	3.4
SNW117 x 3	3	3.31	4.41	0.70	AN17	W17	3.4
SNW118 x 3-3/16	3-3/16	3.55	4.66	0.78	AN18	W18	4.0
SNW118 x 3-1/4	3-1/4	3.55	4.66	0.78	AN18	W18	4.0
SNW120 x 3-7/16	3-7/16	3.97	5.19	0.84	AN20	W20	6.3
SNW120 x 3-1/2	3-1/2	3.97	5.19	0.84	AN20	W20	6.3
SNW122 x 3-11/16	3-11/16	4.35	5.72	0.91	AN22	W22	6.5
SNW122 x 3-15/16	3-15/16	4.35	5.72	0.91	AN22	W22	6.5
SNW122 x 4	4	4.35	5.72	0.91	AN22	W22	6.5
SNW124 x 4-3/16	4-3/16	4.65	6.13	0.94	AN24	W24	7.8
SNW124 x 4-1/4	4-1/4	4.65	6.13	0.94	AN24	W24	7.8
SNW126 x 4-7/16	4-7/16	4.98	6.75	1.00	AN26	W26	12.5
SNW126 x 4-1/2	4-1/2	4.98	6.75	1.00	AN26	W26	12.5
SNW128 x 4-15/16	4-15/16	5.32	7.09	1.06	AN28	W28	13.0
SNW128 x 5	5	5.32	7.09	1.06	AN28	W28	13.0
SNW130 x 5-3/16	5-3/16	5.62	7.69	1.13	AN30	W30	18.0
SNW130 x 5-1/4	5-1/4	5.62	7.69	1.13	AN30	W30	18.0
SNW132 x 5-7/16	5-7/16	5.92	8.06	1.19	AN32	W32	18.0
SNW134 x 5-15/16	5-15/16	6.19	8.66	1.22	AN34	W34	21.0
SNW134 x 6	6	6.19	8.66	1.22	AN34	W34	21.0
SNW136 x 6-7/16	6-7/16	6.46	9.06	1.25	AN36	W36	20.5
SNW136 x 6-1/2	6-1/2	6.46	9.06	1.25	AN36	W36	20.5
SNW138 x 6-15/16	6-15/16	6.76	9.47	1.28	AN38	W38	28.0
SNW138 x 7	7	6.76	9.47	1.28	AN38	W38	28.0
SNW140 x 7-3/16	7-3/16	7.10	9.84	1.34	AN40	W40	35.5
SNW144 x 7-15/16	7-15/16	7.29	11.00	1.41	AN44	W44	46.5
SNW144 x 8	8	7.29	11.00	1.41	AN44	W44	46.5

SNW3024 x 4-3/16	4-3/16	2.95	5.69	0.94	N024	W024	6.2
SNW3026 x 4-7/16	4-7/16	3.24	6.13	1.00	N026	W026	7.5
SNW3026 x 4-1/2	4-1/2	3.24	6.13	1.00	N026	W026	7.5
SNW3028 x 4-15/16	4-15/16	3.34	6.50	1.06	N028	W028	8.5
SNW3028 x 5	5	3.34	6.50	1.06	N028	W028	8.5
SNW3030 x 5-3/16	5-3/16	3.49	7.13	1.13	N030	W030	9.8
SNW3030 x 5-1/4	5-1/4	3.49	7.13	1.13	N030	W030	9.8
SNW3032 x 5-7/16	5-7/16	3.71	7.50	1.19	N032	W032	12.0
SNW3034 x 5-15/16	5-15/16	4.02	7.88	1.22	N034	W034	13.5
SNW3034 x 6	6	4.02	7.88	1.22	N034	W034	13.5
SNW3036 x 6-7/16	6-7/16	4.34	8.25	1.25	N036	W036	15.0
SNW3036 x 6-1/2	6-1/2	4.34	8.25	1.25	N036	W036	15.0
SNW3038 x 6-15/16	6-15/16	4.41	8.69	1.28	N038	W038	17.0
SNW3038 x 7	7	4.41	8.69	1.28	N038	W038	17.0
SNW3040 x 7-3/16	7-3/16	4.75	9.44	1.34	N040	W040	19.5
SNW3044 x 7-15/16	7-15/16	5.13	10.25	1.38	N044	W044	24.5
SNW3044 x 8	8	5.13	10.25	1.38	N044	W044	24.5

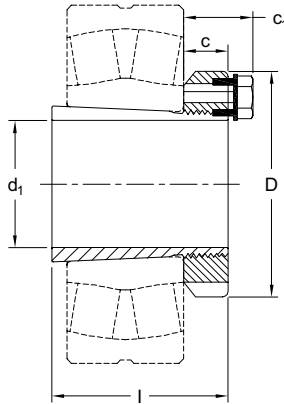
Adapter Sleeves

SNP 3000 Series Inch Bores



With Nut and Washer

For 230 Series Spherical Bearings

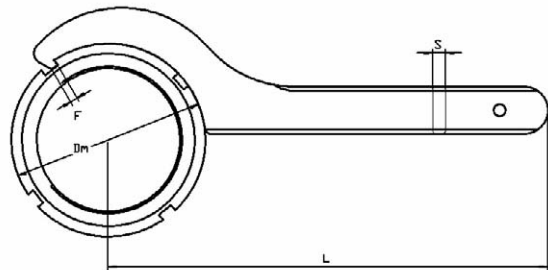


Part No.	Dimension (in)					Nut	Lock Washer	Weight. lb
	d ₁	l	D	c	C ₁			
SNP3048 x 8-7/16	8-7/16	5.43	11.44	1.70	2.17	N048	P48	31.0
SNP3048 x 8-1/2	8-1/2	5.43	11.44	1.70	2.17	N048	P48	31.0
SNP3048 x 8-15/16	8-15/16	5.43	11.44	1.70	2.17	N048	P48	32.0
SNP3048 x 9	9	5.43	11.44	1.70	2.17	N048	P48	32.0
SNP3052 x 9-7/16	9-7/16	6.02	12.19	1.77	2.17	N052	P52	41.0
SNP3052 x 9-1/2	9-1/2	6.02	12.19	1.77	2.17	N052	P52	40.0
SNP3056 x 9-15/16	9-15/16	6.19	13.00	1.86	2.33	N056	P56	47.0
SNP3056 x 10	10	6.19	13.00	1.86	2.33	N056	P56	46.0
SNP3056 x 10-7/16	10-7/16	6.19	13.00	1.86	2.33	N056	P56	45.0
SNP3056 x 10-1/2	10-1/2	6.19	13.00	1.86	2.33	N056	P56	45.0
SNP3060 x 10-15/16	10-15/16	6.73	14.19	1.97	2.44	N060	P60	59.0
SNP3060 x 11	11	6.73	14.19	1.97	2.44	N060	P60	59.0
SNP3064 x 11-1/2	11-1/2	6.95	15.00	2.06	2.57	N064	P64	66.0
SNP3064 x 12	12	6.95	15.00	2.06	2.57	N064	P64	66.0
SNP3068 x 12-7/16	12-7/16	7.54	15.75	2.19	2.70	N068	P68	78.0
SNP3068 x 12-1/2	12-1/2	7.54	15.75	2.19	2.70	N068	P68	78.0
SNP3072 x 13-7/16	13-7/16	7.58	16.50	2.19	2.70	N072	P72	86.0
SNP3076 x 13-15/16	13-15/16	7.74	17.75	2.41	2.96	N076	P76	95.0
SNP3076 x 14	14	7.74	17.75	2.41	2.96	N076	P76	95.0
SNP3080 x 15	15	8.41	18.50	2.56	3.11	N080	P80	100.0
SNP3084 x 15-3/4	15-3/4	8.50	19.31	2.56	3.11	N084	P84	105.0
SNP3088 x 16	16	8.98	20.47	2.36	3.03	N088	P88	143.0
SNP3088 x 16-1/2	16-1/2	8.98	20.47	2.36	3.03	N088	P88	143.0
SNP3092 x 17	17	9.21	21.26	2.36	3.03	N092	P92	153.0
SNP3096 x 18	18	9.33	22.05	2.36	3.03	N096	P96	161.0
SNP3500 x 18-1/2	18-1/2	9.72	22.83	2.68	3.21	N500	P500	180.0

Note: C₁ dimension is approximate.

Spanner Wrenches

22-248mm Diameter Nuts



Part No.	Fits Metric Locknut	Fits Inch Locknut	Dm mm	F mm	L mm	S mm
HN1	KM1	N01	22	2	100	4.7
HN2	KM2	N02	25	2.5	100	4.7
HN3	KM3	N03	28	2.5	100	4.7
HN4	KM4	N04	32	2.5	120	4.7
HN5	KM5	N05	38	3	150	4.7
HN6	KM6	N06	45	3.5	180	6.3
HN7	KM7	N07	52	3.5	180	6.3
HN8	KM8	N08	58	4	210	8
HN9	KM9	N09	65	4	210	8
HN10	KM10	N10	70	4	210	8
HN11	KM11	N11	75	4	210	8
HN12	KM12	N12	80	5	240	8
HN13	KM13	N13	85	5	240	8
HN14	KM14	N14	92	5	240	8
HN15	KM15	AN15	98	5	240	8
HN16	KM16	AN16	105	5	240	8
HN17	KM17	AN17	110	5	280	12.7
HN18	KM18	AN18	120	5	280	12.7

Part No.	Fits Metric Locknut	Fits Inch Locknut	Dm mm	F mm	L mm	S mm
HN19	KM19	AN19	125	5	280	12.7
HN20	KM20	AN20	130	5	280	12.7
HN21	KM21	AN21	140	6	320	12.7
HN22	KM22	N022 / AN22	145	6	320	12.7
HN23	KM23	—	148	11	394	12.7
HN24	KM24	N024 / AN24	153	11	417	12.7
HN25	KM25	—	158	11	429	12.7
HN26	KM26	N026 / AN26	163	11	437	12.7
HN27	KM27	—	173	13	452	15.8
HN28	KM28	N028 / AN28	178	13	464	15.8
HN29	KM29	—	188	13	484	15.8
HN30	KM30	N030 / AN30	193	13	497	15.8
HN31	KM31	—	198	15	509	15.8
HN32/33	KM32/33	N032 / AN32	208	15	519	15.8
HN34	KM34	N034 / AN34	218	15	544	15.8
HN36	KM36	N036 / AN36	228	17	564	15.8
HN38	KM38	N038 / AN38	238	17	584	15.8
HN40	KM40	N040 / AN40	248	17	604	15.8

Adapter Sleeves

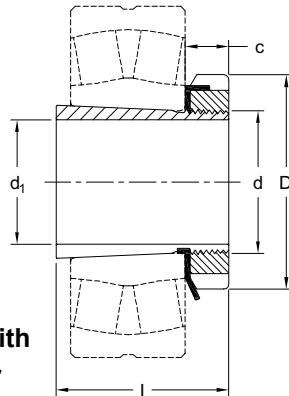
H200 Series

H3000 Series

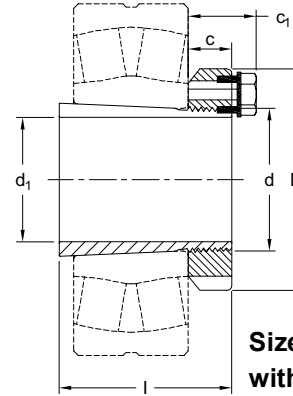
Metric & Inch Bores

For 200 and 230 Series

Spherical Bearings



Sizes thru 40 with nut and washer



Sizes 44 and up with locking clip

H 200 Series

Metric Bore		Inch Bore		Other Stock Bores	Dimensions (mm)					Nut	Lock Washer	Weight kg
Part No.	d ₁	Part No.	d ₁		d	l	D	c	c ₁			
H204	17	—	—	—	20	24	32	7	—	KM4	MB4	0.1
H205	20	H205 x 3/4	3/4	—	25	26	38	8	—	KM5	MB5	0.1
H206	25	H206 x 1	1	—	30	27	45	8	—	KM6	MB6	0.1
H207	30	H207 x 1-3/16	1-3/16	—	35	29	52	9	—	KM7	MB7	0.1
H208	35	H208 x 1-1/4	1-1/4	—	40	31	58	10	—	KM8	MB8	0.2
H209	40	H209 x 1-7/16	1-7/16	1-1/2	45	33	65	11	—	KM9	MB9	0.2
H210	45	H210 x 1-11/16	1-11/16	1-3/4	50	35	70	12	—	KM10	MB10	0.3
H211	50	H211 x 1-15/16	1-15/16	2	55	37	75	12	—	KM11	MB22	0.3
H212	55	—	—	—	60	38	80	13	—	KM12	MB12	0.4
H213	60	H213 x 2-3/16	2-3/16	2-1/4	65	40	85	14	—	KM13	MB13	0.4
H214	60	—	—	—	70	41	92	14	—	KM14	MB14	0.6
H215	65	H215 x 2-7/16	2-7/16	2-1/2	75	43	98	15	—	KM15	MB15	0.7
H216	70	H216 x 2-11/16	2-11/16	2-3/4	80	46	105	17	—	KM16	MB16	0.9
H217	75	H217 x 2-15/16	2-15/16	3	85	50	110	18	—	KM17	MB17	1.0
H218	80	H218 x 3-3/16	3-3/16	—	90	52	120	18	—	KM18	MB18	1.2
H219	85	H219 x 3-1/4	3-1/4	—	95	55	125	19	—	KM19	MB19	1.3
H220	90	H220 x 3-7/16	3-7/16	3-1/2	100	58	130	20	—	KM20	MB20	1.5
H221	95	—	—	—	105	60	140	20	—	KM21	MB21	1.7
H222	100	H222 x 4	4	—	110	63	145	21	—	KM22	MB22	1.9

H3000 Series

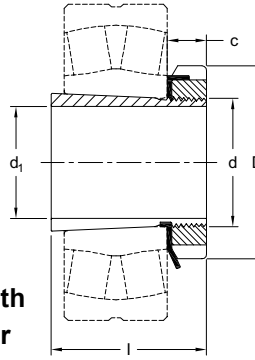
Metric Bore		InchBore		Other Stock Bores	Dimensions (mm)					Nut	Lock Washer	Weight kg
Part No.	d ₁	Part No.	d ₁		d	l	D	c	c ₁			
H3024	110	H3024 x 4-3/16	4-3/16	4-1/4	120	72	145	22	—	KML24	MBL24	2.0
H3026	115	H3026 x 4-7/16	4-7/16	4-1/2	130	80	155	23	—	KML26	MBL26	2.9
H3028	125	H3028 x 4-15/16	4-15/16	5	140	82	165	24	—	KML28	MBL28	3.2
H3030	135	H3030 x 5-3/16	5-3/16	5-1/4	150	87	180	26	—	KML30	MBL30	3.9
H3032	140	H3032 x 5-7/16	5-7/16	5-1/2	160	93	190	27.5	—	KML32	MBL32	5.2
H3034	150	H3034 x 5-15/16	5-15/16	6	170	101	200	28.5	—	KML34	MBL34	6.0
H3036	160	H3036 x 6-7/16	6-7/16	6-1/2	180	109	210	29.5	—	KML36	MBL36	6.9
H3038	170	H3038 x 6-15/16	6-15/16	7	190	112	220	30.5	—	KML38	MBL38	7.5
H3040	180	H3040 x 7-3/16	7-3/16	—	200	120	240	31.5	—	KML40	MBL40	9.2
H3044	200	H3044 x 7-15/16	7-15/16	8	220	128	260	30	41	HM3044	MS3044	10.3
H3048	220	H3048 x 8-7/16	8-7/16	8-1/2, 8-15/16, 9	240	133	290	34	46	HM3048	MS3048	13.2
H3052	240	H3052 x 9-7/16	9-7/16	9-1/2	260	147	310	34	46	HM3052	MS3052	15.3
H3056	260	H3056 x 9-15/16	9-15/16	10, 10-7/16, 10-1/2	280	152	330	38	50	HM3056	MS3056	17.7
H3060	280	H3060 x 10-15/16	10-15/16	11	300	168	360	42	54	HM3060	MS3060	22.8
H3064	300	H3064 x 11-15/16	11-15/16	11-1/2, 12	320	171	380	42	55	HM3064	MS3064	24.6
H3068	320	H3068 x 12-1/2	12-1/2	12-7/16	340	187	400	45	58	HM3068	MS3068	28.7
H3072	340	H3072 x 12-15/16	12-15/16	13, 13-7/16	360	188	420	45	58	HM3072	MS3072	30.5
H3076	360	H3076 x 13-15/16	13-15/16	14	380	193	450	48	62	HM3076	MS3076	35.8
H3080	380	H3080 x 15	15	14-15/16	400	210	470	52	66	HM3080	MS3080	41.3
H3084	400	H3084 x 15-3/4	15-3/4	—	420	212	490	52	66	HM3084	MS3084	43.7
H3088	410	H3088 x 16-1/2	16-1/2	—	440	228	520	60	77	HM3088	MS3088	65.2
H3092	430	H3092 x 17	17	—	460	234	540	60	77	HM3092	MS3092	69.5
H3096	450	H3096 x 18	18	—	480	237	560	60	77	HM3096	MS3096	73.3

Note: Hydraulic Adapter sleeves are also available with oil ducts for hydraulic removal.

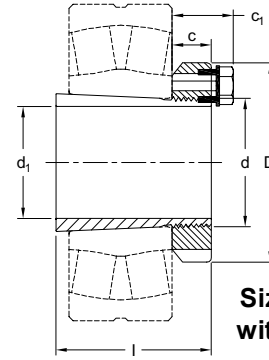
Adapter Sleeves



H300 Series (for 222 Series Bearings)
H3100 Series (for 231 Series Bearings)
Metric & Inch Bores



Sizes thru 40 with
nut and washer



Sizes 44 and up
with locking clip

H300 Series

Part No.	Metric Bore	Inch Bore		Other Stock Bores	Dimensions (mm)					Nut	Lock Washer	Weight kg
	d ₁	Part No.	d ₁		d	l	D	c	c ₁			
H304	17	—	—	—	20	28	32	7	—	KM4	MB4	0.1
H305	20	H305 x 3/4	3/4	11/16	25	29	38	8	—	KM5	MB5	0.1
H306	25	H306 x 15/16	15/16	1	30	31	45	8	—	KM6	MB6	0.1
H307	30	H307 x 1-3/16	1-3/16	1-1/8, 1-1/4	35	35	52	9	—	KM7	MB7	0.1
H308	35	H308 x 1-1/4	1-1/4	—	40	36	58	10	—	KM8	MB8	0.2
H309	40	H309 x 1-7/16	1-7/16	1-1/2	45	39	65	11	—	KM9	MB9	0.3
H310	45	H310 x 1-11/16	1-11/16	1-3/4	50	42	70	12	—	KM10	MB10	0.3
H311	50	H311 x 1-15/16	1-15/16	2	55	45	75	12	—	KM11	MB11	0.3
H312	55	H312 x 2-1/8	2-1/8	—	60	47	80	13	—	KM12	MB12	0.4
H313	60	H313 x 2-3/16	2-3/16	2-1/4	65	50	85	14	—	KM13	MB13	0.5
H314	60	H314 x 2-5/16	2-5/16	—	70	52	92	14	—	KM14	MB14	0.7
H315	65	H315 x 2-7/16	2-7/16	2-1/2	75	55	98	15	—	KM15	MB15	0.8
H316	70	H316 x 2-11/16	2-11/16	2-3/4	80	59	105	17	—	KM16	MB16	1.0
H317	75	H317 x 2-15/16	2-15/16	3	85	63	110	18	—	KM17	MB17	1.2
H318	80	H318 x 3-3/16	3-3/16	3-1/4	90	65	120	18	—	KM18	MB18	1.4
H319	85	H319 x 3-5/16	3-5/16	3-3/8	95	68	125	19	—	KM19	MB19	1.6
H320	90	H320 x 3-7/16	3-7/16	3-1/2	100	71	130	20	—	KM20	MB20	1.7
H321	95	H321 x 3-11/16	3-11/16	3-3/4	105	74	140	20	—	KM21	MB21	2.0
H322	100	H322 x 3-15/16	3-15/16	4	110	77	145	21	—	KM22	MB22	2.2

H3100 Series

Part No.	Metric Bore	Inch Bore		Other Stock Bores	Dimensions (mm)					Nut	Lock Washer	Weight kg
	d ₁	Part No.	d ₁		d	l	D	c	c ₁			
H3120	90	H3120 x 3-7/16	3-7/16	3-1/2	100	76	130	20	—	KM20	MB20	1.8
H3122	100	H3122 x 3-15/16	3-15/16	4	110	81	145	21	—	KM22	MB22	2.3
H3124	110	H3124 x 4-3/16	4-3/16	4-1/4	120	88	155	22	—	KM24	MB24	2.7
H3126	115	H3126 x 4-7/16	4-7/16	4-1/2	130	92	165	23	—	KM26	MB26	3.7
H3128	125	H3128 x 4-15/16	4-15/16	5	140	97	180	24	—	KM28	MB28	4.4
H3130	135	H3130 x 5-3/16	5-3/16	5-1/4	150	111	195	26	—	KM30	MB30	5.5
H3132	140	H3132 x 5-7/16	5-7/16	5-1/2	160	119	210	28	—	KM32	MB32	7.7
H3134	150	H3134 x 5-15/16	5-15/16	6	170	122	220	29	—	KM34	MB34	8.4
H3136	160	H3136 x 6-7/16	6-7/16	6-1/2	180	131	230	30	—	KM36	MB36	9.5
H3138	170	H3138 x 6-15/16	6-15/16	7	190	141	240	31	—	KM38	MB38	11.0
H3140	180	H3140 x 7-3/16	7-3/16	—	200	150	250	32	—	KM40	MB40	12.0
H3144	200	H3144 x 7-15/16	7-15/16	8	220	161	280	32	44	HM3144	MS3144	14.7
H3148	220	H3148 x 8-1/2	8-1/2	—	240	172	300	34	46	HM3148	MS3148	17.3
H3152	240	H3152 x 9-1/2	9-1/2	9-7/16	260	190	330	36	49	HM3152	MS3152	22.0
H3156	260	H3156 x 10-7/16	10-7/16	10-1/2	280	195	350	38	51	HM3156	MS3156	24.5
H3160	280	H3160 x 11	11	10-15/16	300	208	380	40	53	HM3160	MS3160	30.2
H3164	300	H3164 x 11-1/2	11-1/2	11-7/16, 11-15/16, 12	320	226	400	42	56	HM3164	MS3164	34.9
H3168	320	H3168 x 12-1/2	12-1/2	12-7/16	340	254	440	55	72	HM3168	MS3168	49.5
H3172	340	H3172 x 13	13	12-15/16, 13-7/16, 13-1/2	360	259	460	58	75	HM3172	MS3172	54.2
H3176	360	H3176 x 14	14	13-15/16	380	264	490	60	77	HM3176	MS3176	61.7
H3180	380	H3180 x 15	15	14-15/16	400	272	520	62	82	HM3180	MS3180	70.6
H3184	400	H3184 x 15-3/4	15-3/4	—	420	304	540	70	90	HM3184	MS3184	84.2
H3188	410	H3188 x 16-1/2	16-1/2	—	440	307	560	70	90	HM3188	MS3188	104.0
H3192	430	H3192 x 17	17	—	460	326	580	75	95	HM3192	MS3192	116.0
H3196	450	H3196 x 18	18	—	480	335	620	75	95	HM3196	MS3196	133.0

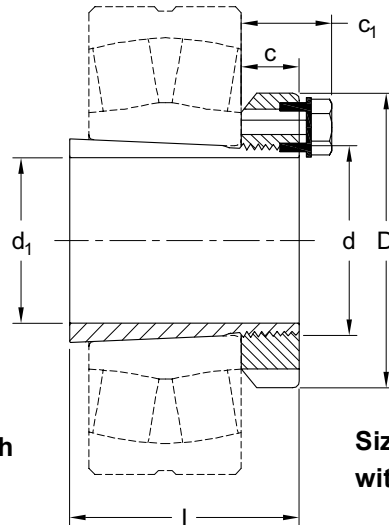
Note: Hydraulic Adapter sleeves, from size OH3132 are also available with oil ducts for hydraulic removal.

Adapter Sleeves

H 2300 Series

For 223 Series Spherical Bearings

Metric & Inch Bores



Sizes thru 40 with
nut and washer

Sizes 44 and up
with locking clip

H2300 Series

Metric Bore		Inch Bore	Other Stock Bores	Dimensions in mm					Nut	Lock Washer	Weight kg
Part No.	d ₁	Part No.		d	l	D	c	c ₁			
H2304	17	—	—	20	31	32	7	—	KM4	MB4	0.1
H2305	20	H2305 x 3/4	—	25	35	38	8	—	KM5	MB5	0.1
H2306	25	H2306 x 7/8	15/16, 1	30	38	45	8	—	KM6	MB6	0.1
H2307	30	H2307 x 1-3/16	1-1/8	35	43	52	9	—	KM7	MB7	0.2
H2308	35	H2308 x 1-1/4	1-3/8, 1-5/16	40	46	58	10	—	KM8	MB8	0.2
H2309	40	H2309 x 1-7/16	1-1/2	45	50	65	11	—	KM9	MB9	0.3
H2310	45	H2310 x 1-11/16	1-3/4	50	55	70	12	—	KM10	MB10	0.4
H2311	50	H2311 x 1-7/8	1-15/16, 2	55	59	75	12	—	KM11	MB11	0.4
H2312	55	H2312 x 2-1/8	—	60	62	80	13	—	KM12	MB12	0.5
H2313	60	H2313 x 2-3/16	2-1/4, 2-3/8	65	65	85	14	—	KM13	MB13	0.6
H2314	60	—	—	70	68	92	14	—	KM14	MB14	0.9
H2315	65	H2315 x 2-7/16	2-1/2, 2-5/8	75	73	98	15	—	KM15	MB15	1.1
H2316	70	H2316 x 2-11/16	2-3/4	80	78	105	17	—	KM16	MB16	1.3
H2317	75	H2317 x 2-15/16	3	85	82	110	18	—	KM17	MB17	1.5
H2318	80	H2318 x 3-3/16	3-1/4	90	86	120	18	—	KM18	MB18	1.7
H2319	85	H2319 x 3-1/4	—	95	90	125	19	—	KM19	MB19	1.9
H2320	90	H2320 x 3-7/16	3-1/2	100	97	130	20	—	KM20	MB20	2.2
H2321	95	—	-	105	101	140	20	—	KM21	MB21	2.5
H2322	100	H2322 x 3-15/16	4	110	105	145	21	—	KM22	MB22	2.8
H2324	110	H2324 x 4-3/16	4-1/4	120	112	155	22	—	KM24	MB24	3.2
H2326	115	H2326 x 4-7/16	4-1/2	130	121	165	23	—	KM26	MB26	4.6
H2328	125	H2328 x 4-15/16	5	140	131	180	24	—	KM28	MB28	5.5
H2330	135	H2330 x 5-3/16	5-1/4	150	139	195	26	—	KM30	MB30	6.6
H2332	140	H2332 x 5-7/16	5-1/2	160	147	210	28	—	KM32	MB32	9.2
H2334	150	H2334 x 5-15/16	6	170	154	220	29	—	KM34	MB34	10.0
H2336	160	H2336 x 6-7/16	6-1/2	180	161	230	30	—	KM36	MB36	11.0
H2338	170	H2338 x 6-15/16	6-3/4	190	169	240	31	—	KM38	MB38	12.5
H2340	180	H2340 x 7-3/16	7	200	176	250	32	—	KM40	MB40	14.0
H2344	200	H2344 x 7-15/16	—	220	186	280	32	44	HM3144	MS3144	16.7
H2348	220	H2348 x 8-15/16	—	240	199	300	34	46	HM3148	MS3148	19.7
H2352	240	H2352 x 9-7/16	—	260	211	330	36	49	HM3152	MS3152	24.2
H2356	260	—	—	280	224	350	38	51	HM3156	MS3156	27.8

Note: Hydraulic Adapter sleeves, from size OH2332 are also available with oil ducts on the outer and inner diameter for hydraulic removal.

Adapter Sleeves

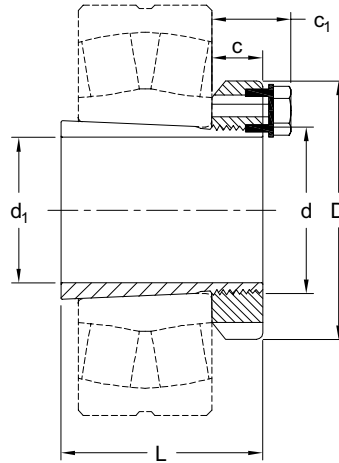


H3200 Series

Metric & Inch Bores
With Nut and Lock Plate



Use with 232 Series
Spherical Bearings



H3200 Series

Dimensions in mm

Part No.	Metric Bore	Inch Bore		Other Stock Bores	Dimensions (mm)					Standard Nut	Lock Plate	Lock Plate Bolt	Weight kg
	d ₁	Part No.	d ₁		d	L	D	c	c ₁				
H3252	240	H3252 x 9-1/2	9-1/2	9-7/16	260	221	330	36	51	HM3152	MS3152	M8 x 16	21
H3256	260	H3256 x 10	10	9-15/16, 10-7/16, 10-1/2	280	223	350	38	53	HM3156	MS3156	M8 x 16	23
H3260	280	H3260 x 11	11	10-15/16	300	240	380	40	54	HM3160	MS3160	M10 x 30	34
H3264	300	H3264 x 12	12	11-7/16, 11-1/2, 11-15/16	320	258	400	42	55	HM3164	MS3164	M10 x 30	40
H3268	320	H3268 x 12-1/2	12-1/2	12-7/16	340	288	440	55	70	HM3168	MS3168	M12 x 25	55
H3272	340	H3272 x 13	13	12-15/16, 13-7/16, 13-1/2	360	299	460	58	73	HM3172	MS3172	M12 x 25	61
H3276	360	H3276 x 14	14	13-15/16	380	310	490	60	75	HM3176	MS3176	M12 x 25	70
H3280	380	H3280 x 15	15	14-15/16	400	328	520	62	77	HM3180	MS3180	M16 x 30	76
H3284	400	H3284 x 15-3/4	15-3/4	—	420	352	540	70	85	HM3184	MS3184	M16 x 30	94
H3288	410	H3288 x 16-1/2	16-1/2	—	440	361	560	70	85	HM3188	MS3188	M16 x 30	118
H3292	430	H3292 x 17	17	—	460	382	580	75	90	HM3192	MS3192	M16 x 30	132
H3296	450	H3296 x 18	18	—	480	397	620	75	90	HM3196	MS3196	M16 x 30	152

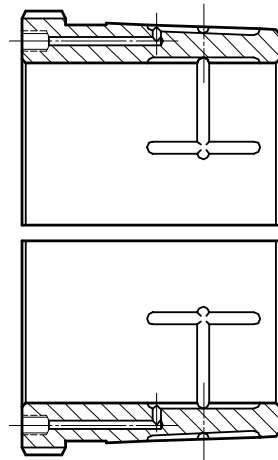
Note: Larger Adapters on request. Sizes to H32/1000 possible. Hydraulic Nuts - - E are also available to assist in bearing mounting. See Hydraulic Nut page. Sleeves also available as Hydraulic OH Series Adapters.

Hydraulic Adapter Sleeves

Nuts and Withdrawal Sleeves

Hydraulic Adapter Sleeves and Withdrawal Sleeves are available on bores that exceed 200mm (8" inch). Adding this feature to smaller units is possible when requested.

The oil channels allow hydraulic fluid to expand the bearing inner ring slightly to assist installation and removal. Hydraulic nuts to assist installation are also available.



Hydraulic Adapter Sleeve



Hydraulic Withdrawal Sleeve



Hydraulic Nut

Hydraulic Adapter Sleeves



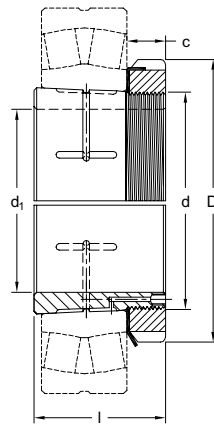
OH3000 Series

OH3100 Series

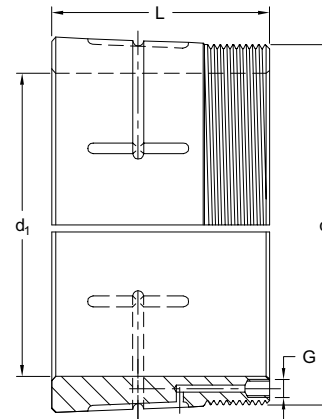
Metric & Inch Bores

For 230 and 231 Series

Spherical Bearings



Sizes 44 and up with locking plate



Oil grooves for Hydraulic removal

OH 3000 Series

Metric Bore		Inch Bore		Other Stock Bores	Dimensions (mm)					Nut	Lock Washer	G	Weight kg
Part No.	d ₁	Part No.	d ₁		d	l	D	c	c ₁				
OH3032	140	OH3032 x 5-7/16	5-7/16	5-1/2	160	93	190	27.5	—	KML32	MBL32	M6	5.2
OH3034	150	OH3034 x 5-15/16	5-15/16	6	170	101	200	28.5	—	KML34	MBL34	M6	6.0
OH3036	160	OH3036 x 6-7/16	6-7/16	6-1/2	180	109	210	29.5	—	KML36	MBL36	M6	6.9
OH3038	170	OH3038 x 6-15/16	6-15/16	7	190	112	220	30.5	—	KML38	MBL38	M6	7.5
OH3040	180	OH3040 x 7-3/16	7-3/16	—	200	120	240	31.5	—	KML40	MBL40	M6	9.2
OH3044	200	OH3044 x 7-15/16	7-15/16	8	220	128	260	30	41	HM3044	MS3044	M6	10.3
OH3048	220	OH3048 x 8-7/16	8-7/16	8-1/2, 8-15/16, 9	240	133	290	34	46	HM3048	MS3048	M6	13.2
OH3052	240	OH3052 x 9-7/16	9-7/16	9-1/2	260	147	310	34	46	HM3052	MS3052	M6	15.3
OH3056	260	OH3056 x 9-15/16	9-15/16	10, 10-7/16, 10-1/2	280	152	330	38	50	HM3056	MS3056	M6	17.7
OH3060	280	OH3060 x 10-15/16	10-15/16	11	300	168	360	42	54	HM3060	MS3060	M6	22.8
OH3064	300	OH3064 x 11-15/16	11-15/16	11-1/2, 12	320	171	380	42	55	HM3064	MS3064	M6	24.6
OH3068	320	OH3068 x 12-1/2	12-1/2	12-7/16	340	187	400	45	58	HM3068	MS3068	M6	28.7
OH3072	340	OH3072 x 12-15/16	12-15/16	13, 13-7/16	360	188	420	45	58	HM3072	MS3072	M6	30.5
OH3076	360	OH3076 x 13-15/16	13-15/16	14	380	193	450	48	62	HM3076	MS3076	M6	35.8
OH3080	380	OH3080 x 15	15	14-15/16	400	210	470	52	66	HM3080	MS3080	M6	41.3
OH3084	400	OH3084 x 15-3/4	15-3/4	—	420	212	490	52	66	HM3084	MS3084	M6	43.7
OH3088	410	OH3088 x 16-1/2	16-1/2	—	440	228	520	60	77	HM3088	MS3088	M8	65.2
OH3092	430	OH3092 x 17	17	—	460	234	540	60	77	HM3092	MS3092	M8	69.5
OH3096	450	OH3096 x 18	18	—	480	237	560	60	77	HM3096	MS3096	M8	73.3

OH 3100 Series

Metric Bore		InchBore		Other Stock Bores	Dimensions (mm)					Nut	Lock Washer	G	Weight kg
Part No.	d ₁	Part No.	d ₁		d	l	D	c	c ₁				
OH3132	140	OH3132 x 5-7/16	5-7/16	5-1/2	160	119	210	28	—	KM32	MB32	M6	7.7
OH3134	150	OH3134 x 5-15/16	5-15/16	6	170	122	220	29	—	KM34	MB34	M6	8.4
OH3136	160	OH3136 x 6-7/16	6-7/16	6-1/2	180	131	230	30	—	KM36	MB36	M6	9.5
OH3138	170	OH3138 x 6-15/16	6-15/16	7	190	141	240	31	—	KM38	MB38	M6	11.0
OH3140	180	OH3140 x 7-3/16	7-3/16	—	200	150	250	32	—	KM40	MB40	M6	12.0
OH3144	200	OH3144 x 7-15/16	7-15/16	8	220	161	280	32	44	HM3144	MS3144	M6	14.7
OH3148	220	OH3148 x 8-1/2	8-1/2	—	240	172	300	34	46	HM3148	MS3148	M6	17.3
OH3152	240	OH3152 x 9-1/2	9-1/2	9-7/16	260	190	330	36	49	HM3152	MS3152	M6	22.0
OH3156	260	OH3156 x 10-7/16	10-7/16	10-1/2	280	195	350	38	51	HM3156	MS3156	M6	24.5
OH3160	280	OH3160 x 11	11	10-15/16	300	208	380	40	53	HM3160	MS3160	M6	30.2
OH3164	300	OH3164 x 11-1/2	11-1/2	11-7/16, 11-15/16, 12	320	226	400	42	56	HM3164	MS3164	M6	34.9
OH3168	320	OH3168 x 12-1/2	12-1/2	12-7/16	340	254	440	55	72	HM3168	MS3168	M6	49.5
OH3172	340	OH3172 x 13	13	12-15/16, 13-7/16, 13-1/2	360	259	460	58	75	HM3172	MS3172	M6	54.2
OH3176	360	OH3176 x 14	14	13-15/16	380	264	490	60	77	HM3176	MS3176	M6	61.7
OH3180	380	OH3180 x 15	15	14-15/16	400	272	520	62	82	HM3180	MS3180	M6	70.6
OH3184	400	OH3184 x 15-3/4	15-3/4	—	420	304	540	70	90	HM3184	MS3184	M6	84.2
OH3188	410	OH3188 x 16-1/2	16-1/2	—	440	307	560	70	90	HM3188	MS3188	M8	104.0
OH3192	430	OH3192 x 17	17	—	460	326	580	75	95	HM3192	MS3192	M8	116.0
OH3196	450	OH3196 x 18	18	—	480	335	620	75	95	HM3196	MS3196	M8	133.0

Hydraulic Adapter Sleeves

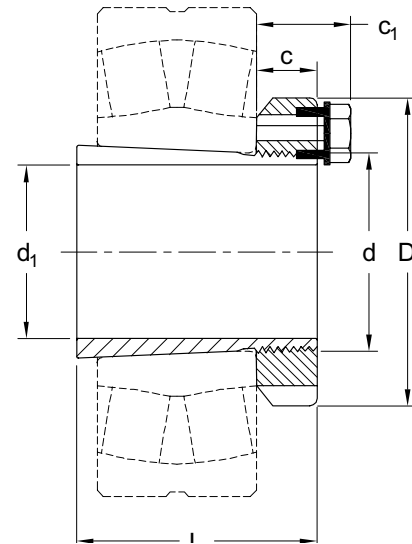
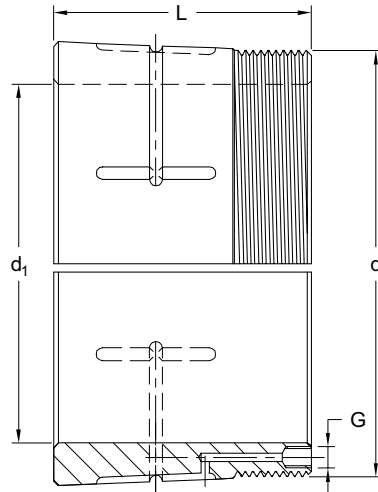


OH3200 Series

Metric and Inch Bores



Use with 232 Series Spherical Bearings



Sizes with locking clip

OH3200 Series

Dimensions in mm

Metric Bore		Inch Bore		Other Stock Bores	Dimensions (mm)					Standard Nut	Lock Clip	Lock Clip Threads	G	Wt. kg
Part No.	d ₁	Part No.	d ₁		d	L	D	c	c ₁					
OH3252	240	OH3252 x 9-1/2	9-1/2	9-7/16	260	221	330	36	51	HM3152	MS3152	M8 x 16	M6	21
OH3256	260	OH3256 x 10	10	9-15/16, 10-7/16, 10-1/2	280	223	350	38	53	HM3156	MS3156	M8 x 16	M6	23
OH3260	280	OH3260 x 11	11	10-15/16	300	240	380	40	54	HM3160	MS3160	M10 x 30	M6	34
OH3264	300	OH3264 x 12	12	11-7/16, 11-1/2, 11-15/16	320	258	400	42	55	HM3164	MS3164	M10 x 30	M6	40
OH3268	320	OH3268 x 12-1/2	12-1/2	12-7/16	340	288	440	55	70	HM3168	MS3168	M12 x 25	M6	55
OH3272	340	OH3272 x 13	13	12-15/16, 13-7/16, 13-1/2	360	299	460	58	73	HM3172	MS3172	M12 x 25	M6	61
OH3276	360	OH3276 x 14	14	13-15/16	380	310	490	60	75	HM3176	MS3176	M12 x 25	M6	70
OH3280	380	OH3280 x 15	15	14-15/16	400	328	520	62	77	HM3180	MS3180	M16 x 30	M6	76
OH3284	400	OH3284 x 15-3/4	15-3/4	—	420	352	540	70	85	HM3184	MS3184	M16 x 30	M6	94
OH3288	410	OH3288 x 16-1/2	16-1/2	—	440	361	560	70	85	HM3188	MS3188	M16 x 30	M8	118
OH3292	430	OH3292 x 17	17	—	460	382	580	75	90	HM3192	MS3192	M16 x 30	M8	132
OH3296	450	OH3296 x 18	18	—	480	397	620	75	90	HM3196	MS3196	M16 x 30	M8	152

Note: Other sizes available on request. Hydraulic Nuts HMV-E are stock. Shaft side oil groove optional.

Hydraulic Nuts

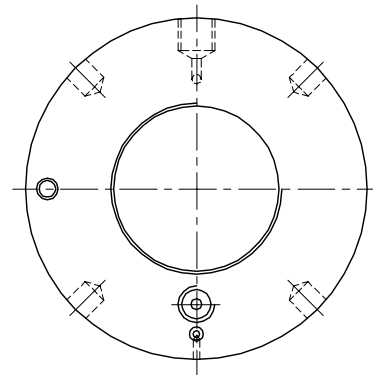
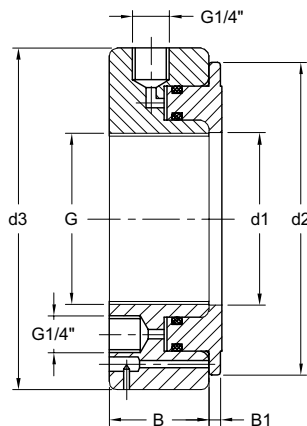


HMV..E Series

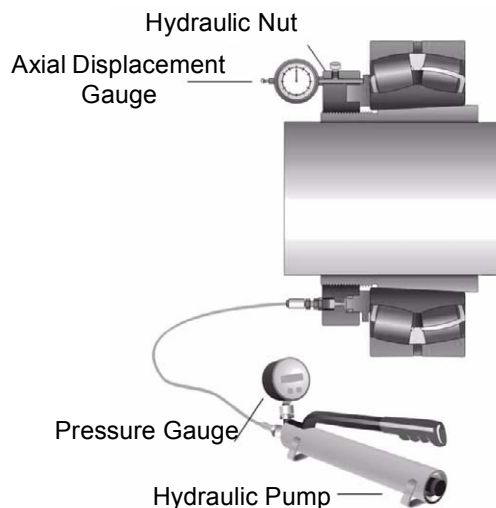
Metric Threads



Accessories Included



HMV..E Hydraulic Nuts are bearing mounting tools and fit on standard H-Series adapters or OH-Series hydraulic adapter sleeves with metric threads. Hydraulic pressure from a pump allows the piston in the face of the HMV Nut to push the bearing inner ring. As the hydraulic pressure increases, the force of the piston gently pushes the tapered bearing up the adapter taper, slightly expanding the bearing inner bore, causing internal clearance to be removed from the bearing, therefore creating a press fit of the inner ring to the shaft. During mounting, the bearing clearance should be measured until the recommended mounted running clearance for the bearing size is achieved. Once the bearing is properly mounted, the HMV nut can be replaced with the standard KM nut and washer or lock clip. Smaller and larger hydraulic nuts are available on request. A gauge mounting hole accommodates an axial gauge (gauge not included) for monitoring of axial movement. Hydraulic Nuts with Inch threads are also available on request. A spanner wrench, extra o-ring seals, nylon screw for gauge retention and hydraulic plugs are included with each nut.



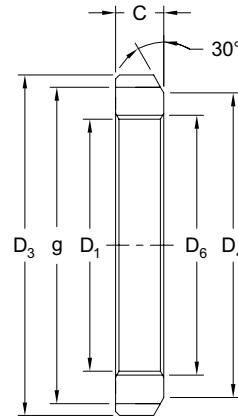
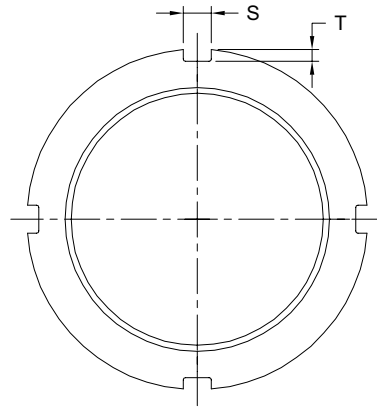
Part No.	G mm	d1 mm	d2 mm	d3 mm	B	B1	Max. Axial Displacement mm	Injection Hole Thread BSP
HMV 28E	M 140x2	140.5	200	208	37	7	5	G1/4"
HMV 30E	M 150x2	150.5	211	220	39	7	5	G1/4"
HMV 32E	M 160x3	160.5	224	232	40	7	6	G1/4"
HMV 34E	M 170x3	170.5	235	244	41	7	6	G1/4"
HMV 36E	M 180x3	180.5	247	256	41	7	6	G1/4"
HMV 38E	M 190x3	191	259	270	42	8	7	G1/4"
HMV 40E	M 200x3	201	271	282	43	8	8	G1/4"
HMV 44E	TR 220x4	222	293	306	43	8	9	G1/4"
HMV 48E	TR 240x4	242	316	330	46	9	10	G1/4"
HMV 52E	TR 260x4	262	341	356	47	9	11	G1/4"
HMV 56E	TR 280x4	282	363	380	49	9	12	G1/4"
HMV 60E	TR 300x4	302	386	404	50	10	14	G1/4"
HMV 64E	TR 320x5	322	409	428	53	10	14	G1/4"
HMV 68E	TR 340x5	342	430	450	54	10	14	G1/4"
HMV 72E	TR 360x5	362	455	472	56	10	15	G1/4"
HMV 76E	TR 380x5	382	476	498	58	11	16	G1/4"
HMV 80E	TR 400x5	402	499	522	60	11	17	G1/4"
HMV 84E	TR 420x5	422	522	546	61	11	17	G1/4"
HMV 88E	TR 440x5	442	543	566	62	12	17	G1/4"
HMV 92E	TR 460x5	462	565	590	64	12	17	G1/4"
HMV 96E	TR 280x5	482	587	612	65	12	19	G1/4"

Larger sizes available on request. Hydraulic nuts with inch threads available on request.

Metric Lock Nuts



KM Series KML Series



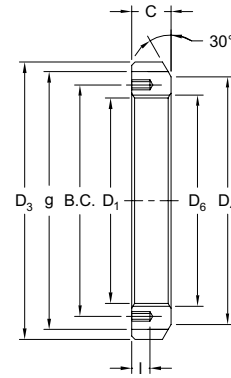
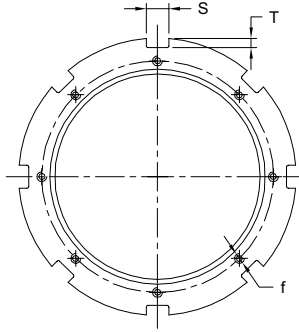
Dimensions in mm

Lock Nut Part No.	KM Series			KML Series				Dimensions					
	D ₃	D ₄	g	Lock Nut Part No.	D ₃	D ₄	g	D ₁	C	S	T	D ₆	Wt. kg
KM00	18	13	14	—	—	—	—	M10 x 0.75	4	3	2	10.5	0.005
KM01	22	17	18	—	—	—	—	M12 x 1.00	4	3	2	12.5	0.007
KM02	25	21	21	—	—	—	—	M15 x 1.00	5	4	2	15.5	0.01
KM03	28	24	24	—	—	—	—	M17 x 1.00	5	4	2	17.5	0.01
KM04	32	26	26	—	—	—	—	M20 x 1.00	6	4	2	20.5	0.02
KM05	38	32	34	—	—	—	—	M25 x 1.50	7	5	2	25.8	0.03
KM06	45	38	41	—	—	—	—	M30 x 1.50	7	5	2	30.8	0.04
KM07	52	44	48	—	—	—	—	M35 x 1.50	8	5	2	35.8	0.05
KM08	58	50	53	—	—	—	—	M40 x 1.50	9	6	2.5	40.8	0.09
KM09	65	56	60	—	—	—	—	M45 x 1.50	10	6	2.5	45.8	0.12
KM10	70	61	65	—	—	—	—	M50 x 1.50	11	6	2.5	50.8	0.15
KM11	75	67	69	—	—	—	—	M55 x 2.00	11	7	3	56.0	0.16
KM12	80	73	74	—	—	—	—	M60 x 2.00	11	7	3	61.0	0.17
KM13	85	79	79	—	—	—	—	M65 x 2.00	12	7	3	66.0	0.20
KM14	95	85	85	—	—	—	—	M70 x 2.00	12	8	3.5	71.0	0.24
KM15	98	90	91	—	—	—	—	M75 x 2.00	13	8	3.5	76.0	0.29
KM16	105	95	98	—	—	—	—	M80 x 2.00	15	8	3.5	81.0	0.40
KM17	110	102	103	—	—	—	—	M85 x 2.00	16	8	3.5	86.0	0.45
KM18	120	108	112	—	—	—	—	M90 x 2.00	16	10	4	91.0	0.56
KM19	125	113	117	—	—	—	—	M95 x 2.00	17	10	4	96.0	0.66
KM20	130	120	122	—	—	—	—	M100 x 2.00	18	10	4	101.0	0.70
KM21	140	126	130	—	—	—	—	M105 x 2.00	18	12	5	106.0	0.85
KM22	145	133	135	—	—	—	—	M110 x 2.00	19	12	5	111.0	0.97
KM23	150	137	140	—	—	—	—	M115 x 2.00	19	12	5	116.0	1.01
KM24	155	138	145	KML24	145	135	135	M120 x 2.00	20	12	5	121.0	1.08
KM25	160	148	150	—	—	—	—	M125 x 2.00	21	12	5	126.0	1.19
KM26	165	149	155	KML26	155	145	145	M130 x 2.00	21	12	5	131.0	1.25
KM27	175	160	163	—	—	—	—	M135 x 2.00	22	14	6	136.0	1.55
KM28	180	160	168	KML28	165	155	153	M140 x 2.00	22	14	6	141.0	1.56
KM29	190	171	178	—	—	—	—	M145 x 2.00	24	14	6	146.0	2.00
KM30	195	172	183	KML30	180	170	168	M150 x 2.00	24	14	6	151.0	2.03
KM31	200	182	186	—	—	—	—	M155 x 3.00	25	16	7	156.5	2.21
KM32	210	182	196	KML32	190	180	176	M160 x 3.00	25	16	7	161.5	2.59
KM33	210	193	196	—	—	—	—	M165 x 3.00	26	16	7	166.5	2.43
KM34	220	193	206	KML34	200	190	186	M170 x 3.00	26	16	7	171.5	2.80
KM36	230	203	214	KML36	210	200	194	M180 x 3.00	27	18	8	181.5	3.07
KM38	240	214	224	KML38	220	210	204	M190 x 3.00	28	18	8	191.5	3.39
KM40	250	226	234	KML40	240	222	224	M200 x 3.00	29	18	8	201.5	3.69

Metric Lock Nuts



HM3100 Series HM3000 Series



HM3100 Series

Dimensions in mm

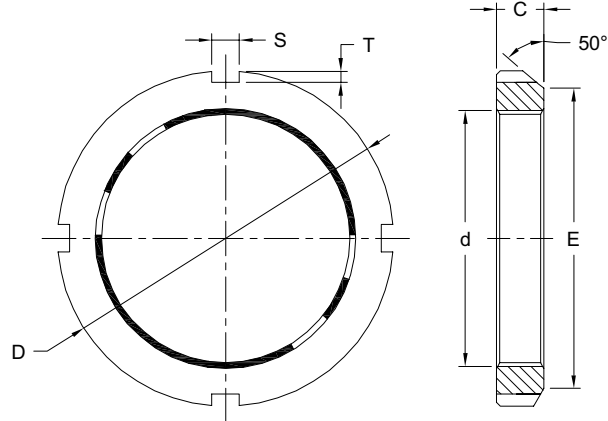
Part No.	D1 Thread	D3	D4	g	S	T	D6	C	l	f	B.C.	Lock Clip Part No.	Wt. kg
HM3144	TR220 x 4	280	250	260	20	10	222.0	32	15	M8 x 1.25	238	MS3144 / MS3148	5.20
HM3148	TR240 x 4	300	270	280	20	10	242.0	34	15	M8 x 1.25	258	MS3144 / MS3148	5.95
HM3152	TR260 x 4	330	300	306	24	12	262.0	36	18	M10 x 1.50	281	MS3152 / MS3156	8.05
HM3156	TR280 x 4	350	320	326	24	12	282.0	38	18	M10 x 1.50	301	MS3152 / MS3156	9.05
HM3160	TR300 x 4	380	340	356	24	12	302.0	40	18	M10 x 1.50	326	MS3160	11.80
HM3164	TR320 x 5	400	360	376	24	12	322.5	42	18	M10 x 1.50	345	MS3164	13.10
HM3168	TR340 x 5	440	400	410	28	15	342.5	55	21	M12 x 1.75	372	MS3168 / MS3172	23.10
HM3172	TR360 x 5	460	420	430	28	15	362.5	58	21	M12 x 1.75	392	MS3168 / MS3172	25.10
HM3176	TR380 x 5	490	450	454	32	18	382.5	60	21	M12 x 1.75	414	MS3176	30.90
HM3180	TR400 x 5	520	470	484	32	18	402.5	62	27	M16 x 2.00	439	MS3180 / MS3184	36.90
HM3184	TR420 x 5	540	490	504	32	18	422.5	70	27	M16 x 2.00	459	MS3180 / MS3184	43.50
HM3188	TR440 x 5	560	510	520	36	20	442.5	70	27	M16 x 2.00	477	MS3188 / MS3192	45.30
HM3192	TR460 x 5	580	540	540	36	20	462.5	75	27	M16 x 2.00	497	MS3188 / MS3192	50.4
HM3196	TR480 x 5	620	560	580	36	20	482.5	75	27	M16 x 2.00	527	MS3196	62.2

HM3000 Series

Part No.	D1 Thread	D3	D4	g	S	T	D6	C	l	f	B.C.	Lock Clip Part No.	Wt. kg
HM3044	TR220 x 4	260	242	242	20	9	222.0	30	12	M6 x 1.00	229	MS3044	3.09
HM3048	TR240 x 4	290	270	270	20	10	242.0	34	15	M8 x 1.25	253	MS3048 / MS3052	5.16
HM3052	TR260 x 4	310	290	290	20	10	262.0	34	15	M8 x 1.25	273	MS3048 / MS3052	5.67
HM3056	TR280 x 4	330	310	310	24	10	282.0	38	15	M8 x 1.25	293	MS3056	6.78
HM3060	TR300 x 4	360	336	336	24	12	302.0	42	15	M8 x 1.25	316	MS3060	9.62
HM3064	TR320 x 5	380	356	356	24	12	322.5	42	15	M8 x 1.25	335	MS3064 / MS3068	9.94
HM3068	TR340 x 5	400	376	376	24	12	342.5	45	15	M8 x 1.25	355	MS3064 / MS3068	11.70
HM3072	TR360 x 5	420	394	394	28	13	362.5	45	15	M8 x 1.25	374	MS3072	12.0
HM3076	TR380 x 5	450	422	422	28	14	382.5	48	18	M10 x 1.50	398	MS3076 / MS3080	14.9
HM3080	TR400 x 5	470	442	442	28	14	402.5	52	18	M10 x 1.50	418	MS3076 / MS3080	16.9
HM3084	TR420 x 5	490	462	462	32	14	422.5	52	18	M10 x 1.50	438	MS3084	17.4
HM3088	TR440 x 5	520	490	490	32	15	442.5	60	21	M12 x 1.75	462	MS3088 / MS3092	26.2
HM3092	TR460 x 5	540	510	510	32	15	462.5	60	21	M12 x 1.75	482	MS3088 / MS3092	29.6
HM3096	TR480 x 5	560	530	530	36	15	482.5	60	21	M12 x 1.75	502	MS3096	28.3

Inch Lock Nuts

N00 Series
AN00 Series



Dimensions in inches

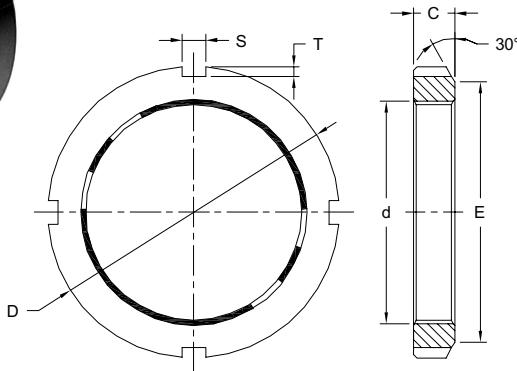
Part No.	Threads		D	E	C	S min.	T max.	Wt. lb
	Major Dia. d	No. per Inch						
N00	0.391	32	0.755	0.625	0.229	0.120	0.073	0.01
N01	0.469	32	0.880	0.719	0.323	0.120	0.073	0.02
N02	0.586	32	1.005	0.813	0.323	0.120	0.104	0.02
N03	0.664	32	1.130	0.938	0.354	0.120	0.104	0.03
N04	0.781	32	1.380	1.125	0.385	0.178	0.104	0.04
N05	0.969	32	1.568	1.281	0.416	0.178	0.104	0.05
N06	1.173	18	1.755	1.500	0.416	0.178	0.104	0.10
N07	1.376	18	2.068	1.813	0.448	0.178	0.104	0.11
N08	1.563	18	2.255	2.000	0.448	0.240	0.104	0.19
N09	1.767	18	2.536	2.281	0.448	0.240	0.104	0.36
N10	1.967	18	2.693	2.438	0.510	0.240	0.104	0.33
N11	2.157	18	2.974	2.656	0.510	0.240	0.135	0.35
N12	2.360	18	3.161	2.844	0.541	0.240	0.135	0.38
N13	2.548	18	3.380	3.063	0.573	0.240	0.135	0.45
N14	2.751	18	3.630	3.313	0.573	0.240	0.135	0.53
AN15	2.933	12	3.880	3.563	0.604	0.360	0.135	0.63
AN16	3.137	12	4.161	3.844	0.604	0.360	0.135	0.88
AN17	3.340	12	4.411	4.031	0.635	0.360	0.166	0.99
AN18	3.527	12	4.661	4.281	0.698	0.360	0.166	1.23
AN19	3.730	12	4.943	4.563	0.729	0.360	0.166	1.45
AN20	3.918	12	5.193	4.813	0.760	0.360	0.166	1.54
AN21	4.122	12	5.443	5.000	0.760	0.485	0.198	1.86
AN22	4.325	12	5.724	5.281	0.791	0.485	0.198	2.13
AN24	4.716	12	6.130	5.688	0.823	0.485	0.198	2.38
AN26	5.106	12	6.755	6.188	0.885	0.610	0.260	2.76
AN28	5.497	12	7.099	6.531	0.948	0.610	0.360	3.44
AN30	5.888	12	7.693	7.063	0.979	0.610	0.391	4.48
AN32	6.284	8	8.068	7.438	1.041	0.610	0.291	5.71
AN34	6.659	8	8.661	8.031	1.073	0.610	0.291	6.17
AN36	7.066	8	9.068	8.375	1.104	0.735	0.323	6.77
AN38	7.472	8	9.474	8.781	1.135	0.735	0.323	7.47
AN40	7.847	8	9.849	9.156	1.198	0.735	0.323	8.14
AN44	8.628	8	11.005	9.843	1.260	0.980	0.510	11.5

Inch Lock Nuts

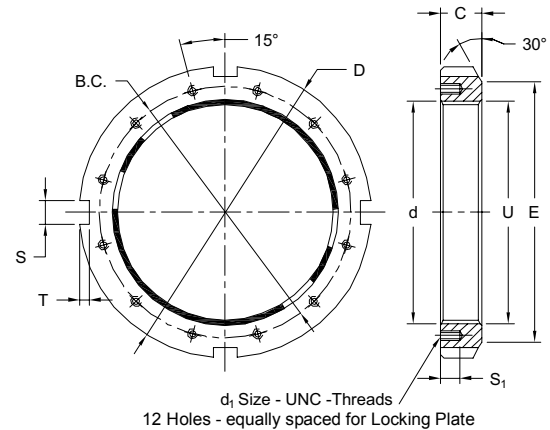
N000 Series



Size 022 to 044



Size 048 and up



Dimensions in inches

Part No.	Threads		D	E	C	S	T	B.C.	d ₁	S ₁	Wt. lb
	Major Dia. d	No. per Inch									
N022	4.325	12	5.318	4.901	0.791	0.485	0.198	—	—	—	1.6
N024	4.716	12	5.693	5.313	0.823	0.485	0.198	—	—	—	1.7
N026	5.106	12	6.130	5.703	0.885	0.485	0.198	—	—	—	2.0
N028	5.497	12	6.505	6.109	0.948	0.485	0.198	—	—	—	2.2
N030	5.888	12	7.130	2.288	0.979	0.610	0.229	—	—	—	3.0
N032	6.284	8	7.505	7.094	1.041	0.610	0.229	—	—	—	3.4
N034	6.659	8	7.880	7.484	1.073	0.610	0.229	—	—	—	3.8
N036	7.066	8	8.255	7.875	1.104	0.610	0.229	—	—	—	4.3
N038	7.472	8	8.693	8.266	1.135	0.610	0.229	—	—	—	4.6
N040	7.847	8	9.443	8.750	1.198	0.735	0.323	—	—	—	6.6
N044	8.628	8	10.255	9.531	1.260	0.860	0.385	—	—	—	6.8
N048	9.442	6	11.443	10.625	1.354	0.860	0.385	10.423	5/16-18	0.625	11.4
N052	10.192	6	12.193	11.406	1.416	0.860	0.385	11.298	5/16-18	0.625	12.5
N056	11.004	6	13.005	12.219	1.510	0.980	0.385	12.110	5/16-18	0.625	14.9
N060	11.785	6	14.193	13.219	1.573	0.980	0.510	13.110	3/8-16	0.750	21.2
N064	12.562	6	15.005	14.031	1.666	0.980	0.510	13.860	3/8-16	0.750	21.9
N068	13.339	5	15.755	14.813	1.791	0.980	0.510	14.735	3/8-16	0.750	25.8
N072	14.170	5	16.505	15.500	1.791	1.230	0.510	15.485	3/8-16	0.750	26.5
N076	14.957	5	17.755	16.625	1.916	1.230	0.604	16.485	1/2-13	0.875	32.8
N080	15.745	5	18.505	17.438	2.073	1.230	0.604	17.235	1/2-13	0.875	37.3
N084	16.532	5	19.318	18.188	2.073	1.355	0.604	18.110	1/2-13	0.875	38.4
N088	17.319	5	20.505	19.250	2.385	1.355	0.604	19.110	5/8-11	1.250	57.5
N092	18.107	5	21.255	20.688	2.385	1.355	0.604	19.985	5/8-11	1.250	65.3
N096	18.894	5	22.068	20.750	2.385	1.480	0.604	20.673	5/8-11	1.250	62.4

GUK Type Lock Nuts



Self-Locking nut

Polyamide insert

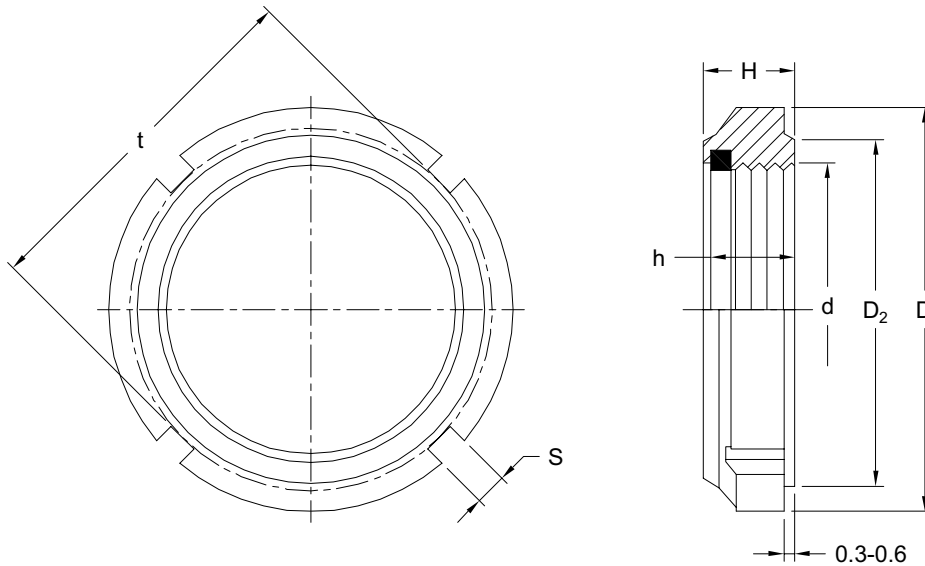
Metric ISO fine thread

Self-locking by the polyamide insert - temperature max: 100°C / 212°F

The bore of the threadless polyamide insert is slightly smaller than the inner diameter of the nut.

Therefore increased friction between nut and shaft for locking.

Zinc plated and passivated finish.

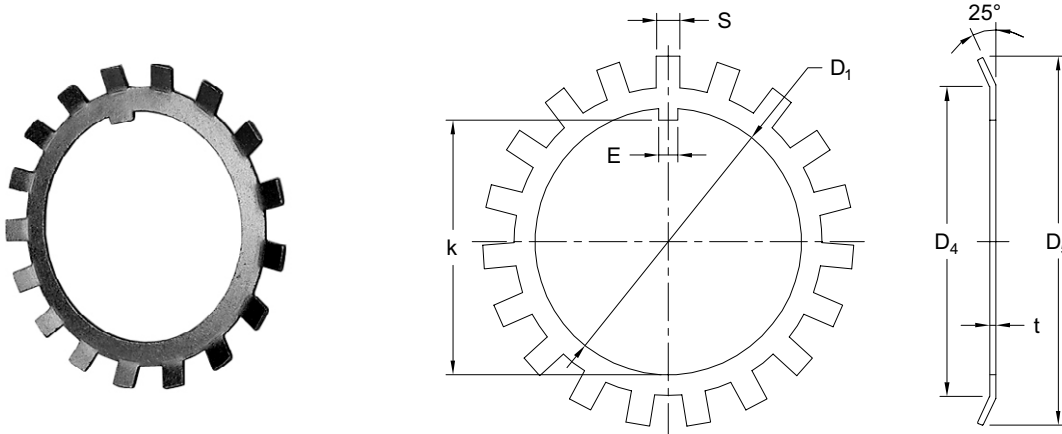


Dimensions in mm

Type	Thread d_1	d_2	d_3	h	m	b	t	Nut Grooves	Wt. kg/100
GUK0	M10x0.75	18	15	7.6	4.5	3	1.5	4	0.6
GUK1	M12x1	21	18	7.6	4.5	3	1.5	4	0.9
GUK2	M15x1	24	21	8.6	5.5	4	1.5	4	1.4
GUK3	M17x1	28	24	8.7	5.5	4	2.0	4	1.7
GUK4	M20x1	32	27	9.6	6.0	4	2.5	4	2.3
GUK5	M25x1.5	38	33	10.5	6.5	5	2.5	4	3.1
GUK6	M30x1.5	44	38	10.7	6.6	5	3.0	4	4.6
GUK7	M35x1.5	50	44	11.3	7.0	5	3.0	4	6.0
GUK8	M40x1.5	56	50	12.3	7.7	6	3.0	4	7.5
GUK9	M45x1.5	62	55	12.3	7.8	6	3.5	4	9.3
GUK10	M50x1.5	68	61	12.9	8.1	6	3.5	4	11.3
GUK11	M55x2	75	68	13.4	8.2	7	3.5	6	14.6
GUK12	M60x2	80	73	13.4	8.2	7	3.5	6	15.9
GUK13	M65x2	85	77	14.5	9.0	7	4.0	6	19.0
GUK14	M70x2	92	84	14.5	9.2	8	4.0	6	22.1
GUK15	M75x2	98	89	15.5	10.0	8	4.5	6	26.1
GUK16	M80x2	105	96	16.5	11.2	10	4.0	8	32.1
GUK17	M85x2	110	100	17.5	12.1	10	5.0	8	37.1
GUK18	M90x2	120	110	17.7	12.5	10	5.0	8	46.6
GUK19	M95x2	125	115	18.7	13.5	10	5.0	8	51.6
GUK20	M100x2	130	120	19.7	14.5	10	5.0	8	59.6

Metric Lock Washers

MB Series



Dimensions in mm

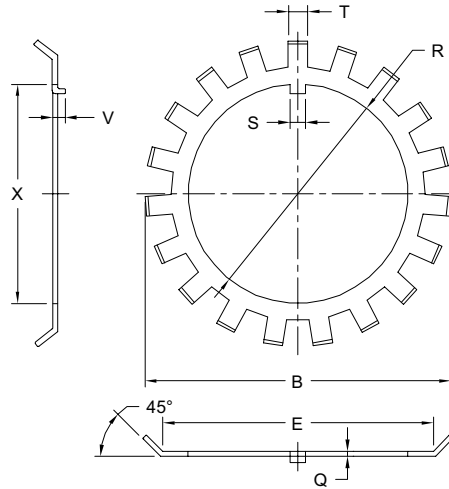
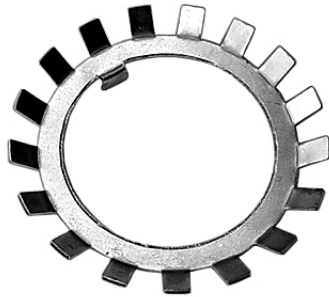
Part No.	D ₁	k	E	t	S	D ₄	D ₅	Tangs	Use with Lock Nut	Wt. kg/1000 Pcs
MB00	10	8.5	3	1	3	13	21	9	KM00	0.13
MB01	12	10.5	3	1	3	17	25	9	KM01	0.20
MB02	15	13.5	4	1	4	21	28	13	KM02	0.26
MB03	17	15.5	4	1	4	24	32	13	KM03	0.32
MB04	20	18.5	4	1	4	26	36	13	KM04	0.35
MB05	25	23	5	1.2	5	32	42	13	KM05	0.64
MB06	30	27.5	5	1.2	5	38	49	13	KM06	0.78
MB07	35	32.5	6	1.2	5	44	57	15	KM07	1.04
MB08	40	37.5	6	1.2	6	50	62	15	KM08	1.23
MB09	45	42.5	6	1.2	6	56	69	17	KM09	1.52
MB10	50	47.5	6	1.2	6	61	74	17	KM10	1.60
MB11	55	52.5	8	1.2	7	67	81	17	KM11	1.96
MB12	60	57.5	8	1.5	7	73	86	17	KM12	2.53
MB13	65	62.5	8	1.5	7	79	92	19	KM13	2.90
MB14	70	66.5	8	1.5	8	85	98	19	KM14	3.34
MB15	75	71.5	8	1.5	8	90	104	19	KM15	3.56
MB16	80	76.5	10	1.8	8	95	112	19	KM16	4.64
MB17	85	81.5	10	1.8	8	102	119	19	KM17	5.24
MB18	90	86.5	10	1.8	10	108	126	19	KM18	6.23
MB19	95	91.5	10	1.8	10	113	133	19	KM19	6.70
MB20	100	96.5	12	1.8	10	120	142	19	KM20	7.65
MB21	105	100.5	12	1.8	12	126	145	19	KM21	8.26
MB22	110	105.5	12	1.8	12	133	154	19	KM22	9.40
MB23	115	110.5	12	2	12	137	159	19	KM23	10.80
MB24	120	115	14	2	12	138	164	19	KM24	10.50
MB25	125	120	14	2	12	148	170	19	KM25	11.80
MB26	130	125	14	2	12	149	175	19	KM26	11.30
MB27	135	130	14	2	14	160	185	19	KM27	14.40
MB28	140	135	16	2	14	160	192	19	KM28	14.20
MB29	145	140	16	2	14	172	202	19	KM29	16.80
MB30	150	145	16	2	14	171	205	19	KM30	15.50
MB31	155	147.5	16	2.5	16	182	212	19	KM31	20.90
MB32	160	154	18	2.5	16	182	217	19	KM32	22.20
MB33	165	157.5	18	2.5	16	193	222	19	KM33	24.10
MB34	170	164	18	2.5	16	193	232	19	KM34	24.70
MB36	180	174	20	2.5	18	203	242	19	KM36	26.80
MB38	190	184	20	2.5	18	214	252	19	KM38	27.80
MB40	200	194	20	2.5	18	226	262	19	KM40	29.30

Inch Lock Washers

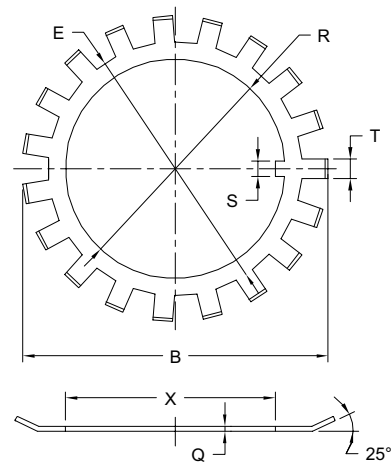


W00 Series

W000 Series



W00 Series



W000 Series

Dimensions in inches

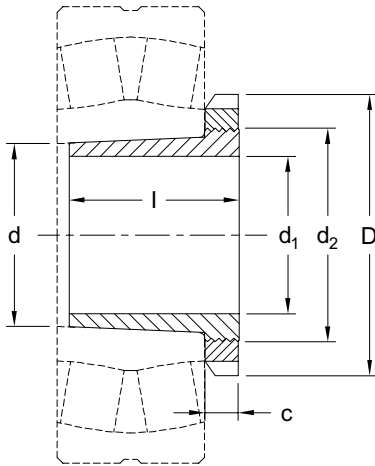
Part No.	Bore R	E		B		S		X min.		No. of Tangs	V	T		Q	
		W00	W000	W00	W000	W00	W000	W00	W000			W00	W000	W00	W000
W00	—	0.406	0.625	—	0.875	—	0.120	—	0.334	9	0.062	0.120	—	0.032	—
W01	—	0.484	0.719	—	1.016	—	0.120	—	0.412	9	0.062	0.120	—	0.032	—
W02	—	0.601	0.813	—	1.156	—	0.120	—	0.529	11	0.062	0.120	—	0.032	—
W03	—	0.679	0.938	—	1.328	—	0.120	—	0.607	11	0.062	0.120	—	0.032	—
W04	—	0.801	1.125	—	1.531	—	0.176	—	0.729	11	0.062	0.166	—	0.032	—
W05	—	0.989	1.281	—	1.719	—	0.176	—	0.909	13	0.094	0.166	—	0.040	—
W06	—	1.193	1.500	—	1.922	—	0.176	—	1.093	13	0.094	0.166	—	0.040	—
W07	—	1.396	1.813	—	2.250	—	0.176	—	1.296	15	0.094	0.166	—	0.040	—
W08	—	1.583	2.000	—	2.469	—	0.290	—	1.475	15	0.094	0.234	—	0.048	—
W09	—	1.792	2.281	—	2.734	—	0.290	—	1.684	17	0.125	0.234	—	0.048	—
W10	—	1.992	2.438	—	2.922	—	0.290	—	1.884	17	0.125	0.234	—	0.048	—
W11	—	2.182	2.656	—	3.109	—	0.290	—	2.069	17	0.125	0.234	—	0.053	—
W12	—	2.400	2.844	—	3.344	—	0.290	—	2.267	17	0.125	0.234	—	0.053	—
W13	—	2.588	3.063	—	3.578	—	0.290	—	2.455	19	0.125	0.234	—	0.053	—
W14	—	2.791	3.313	—	3.828	—	0.290	—	2.658	19	0.188	0.234	—	0.053	—
W15	—	2.973	3.563	—	4.109	—	0.290	—	2.831	19	0.188	0.328	—	0.062	—
W16	—	3.177	3.844	—	4.375	—	0.353	—	3.035	19	0.188	0.328	—	0.062	—
W17	—	3.395	4.031	—	4.625	—	0.353	—	3.253	19	0.188	0.328	—	0.062	—
W18	—	3.582	4.281	—	4.938	—	0.353	—	3.418	19	0.188	0.328	—	0.084	—
W19	—	3.800	4.563	—	5.219	—	0.353	—	3.636	19	0.188	0.328	—	0.084	—
W20	—	3.988	4.813	—	5.500	—	0.353	—	3.809	19	0.250	0.328	—	0.084	—
W21	—	4.192	5.000	—	5.703	—	0.353	—	4.013	19	0.250	0.390	—	0.084	—
W22	W022	4.395	5.281	4.921	6.063	5.688	0.353	0.350	4.185	19	0.250	0.390	0.390	0.115	0.115
W24	W024	4.801	5.688	5.333	6.469	6.188	0.353	0.350	4.591	19	0.250	0.390	0.390	0.115	0.115
W26	W026	5.191	6.188	5.723	7.031	6.625	0.435	0.469	4.961	19	0.250	0.520	0.390	0.115	0.115
W28	W028	5.582	6.531	6.129	7.438	7.094	0.590	0.594	5.352	19	0.250	0.520	0.390	0.115	0.115
W30	W030	5.983	7.063	6.708	8.063	7.719	0.590	0.594	5.722	19	0.313	0.520	0.520	0.146	0.115
W32	W032	6.389	7.438	7.114	8.438	8.156	0.590	0.594	6.128	19	0.313	0.520	0.520	0.146	0.115
W34	W034	6.764	8.031	7.508	9.063	8.594	0.715	0.719	6.503	19	0.313	0.520	0.520	0.146	0.115
W36	W036	7.171	8.375	7.899	9.438	9.000	0.715	0.719	6.910	19	0.313	0.645	0.520	0.146	0.115
W38	W038	7.577	8.781	8.290	9.875	9.438	0.715	0.719	7.316	19	0.313	0.645	0.520	0.146	0.115
W40	W040	7.982	9.156	8.774	10.313	9.969	0.840	0.844	7.721	19	0.313	0.645	0.645	0.146	0.115
W44	W044	8.701	9.875	9.570	11.438	10.406	0.940	0.945	8.327	19	—	0.878	0.770	0.146	0.115

Withdrawal Sleeves



Metric Bores

AH 30, 31 and 32 Series



The removal nut must be ordered separately.

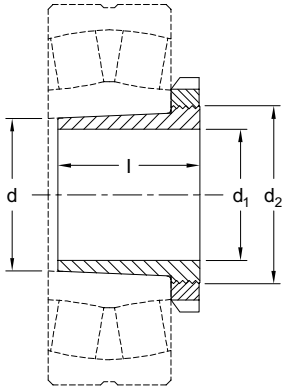
Withdrawal Sleeves, from size AH 2236 and AH 2340 are also available with oil ducts on the outer and inner diameter for hydraulic mounting.

Part No.	Dimensions (mm)				Thread	Removal Nut	C	D	Weight kg
	d	d ₁	d ₂	l					
AH3024	120	110	130	60	M130x2	KM26	21	165	1.2
AH3124	120	110	140	75	M140x2	KM28	22	180	1.7
AH3026	130	120	140	67	M140x2	KM28	22	180	1.4
AH3126	130	120	150	78	M150x2	KM30	24	195	1.9
AH3028	140	130	150	68	M150x2	KM30	24	195	1.6
AH3128	140	130	160	83	M160x3	KM32	25	210	2.2
AH3030	150	140	160	72	M160x3	KM32	25	210	1.8
AH3130	150	140	170	96	M170x3	KM34	26	220	2.7
AH3032	160	150	170	77	M170x3	KM34	26	220	2.1
AH3132	160	150	180	103	M180x3	KM36	27	230	3.2
AH3232	160	150	180	124	M180x3	KM36	27	230	4.1
AH3034	170	160	180	85	M180x3	KM36	27	230	2.4
AH3134	170	160	190	104	M190x3	KM38	28	240	3.4
AH3234	170	160	190	134	M190x3	KM38	28	240	4.8
AH3036	180	170	190	92	M190x3	KM38	28	240	2.8
AH3136	180	170	200	116	M200x3	KM40	29	250	4.2
AH3236	180	170	200	140	M200x3	KM40	29	250	5.3
AH3038	190	180	205	96	Tr205x4	HML41T	30	250	3.4
AH3138	190	180	210	125	Tr210x4	HM42T	30	270	4.9
AH3238	190	180	210	145	Tr210x4	HM42T	30	270	5.9
AH3040	200	190	215	102	Tr215x4	HML43T	30	260	3.8
AH3140	200	190	220	134	Tr220x4	HM44T	32	280	5.5
AH3240	200	190	220	153	Tr220x4	HM44T	32	280	6.7
AH3044	220	200	235	111	Tr235x4	HML47T	30	280	7.4
AH3144	220	200	240	145	Tr240x4	HM48T	34	300	10.4
AH3048	240	220	260	116	Tr260x4	HML52T	36	310	8.8
AH3148	240	220	260	154	Tr260x4	HM52T	36	330	12.0
AH3052	260	240	280	128	Tr280x4	HML56T	30	330	10.7
AH3152	260	240	290	172	Tr290x4	HM58T	36	365	16.2
AH3056	280	260	300	131	Tr300x4	HML60T	31	360	12.0
AH3156	280	260	310	175	Tr310x5	HM62T	36	380	17.5
AH3060	300	280	320	145	Tr320x5	HML64T	32	380	14.4
AH3160	300	280	330	192	Tr330x5	HM66T	40	410	20.8
AH3260	300	280	330	228	Tr330x5	HM66T	40	410	26.0
AH3064	320	300	345	149	Tr345x5	HML69T	33	410	16.0
AH3164	320	300	350	209	Tr350x5	HM70T	42	430	24.5
AH3264	320	300	350	246	Tr350x5	HM70T	42	430	30.6
AH3068	340	320	365	162	Tr365x5	HML73T	35	430	19.5
AH3168	340	320	370	225	Tr370x5	HM74T	45	450	29.0
AH3268	340	320	370	264	Tr370x5	HM74T	45	450	35.4
AH3072	360	340	385	167	Tr385x5	HML77T	37	450	21.0
AH3172	360	340	400	229	Tr400x5	HM80T	46	500	33.0
AH3272	360	340	400	274	Tr400x5	HM80T	46	500	41.5
AH3076	380	360	410	170	Tr410x5	HML82T	39	480	23.2
AH3176	380	360	420	232	Tr420x5	HM84T	49	520	35.7
AH3276	380	360	420	284	Tr420x5	HM84T	49	520	45.6
AH3080	400	380	430	183	Tr430x5	HML86T	41	500	27.3
AH3180	400	380	440	240	Tr440x5	HM88T	51	540	39.5
AH3280	400	380	440	302	Tr440x5	HM88T	51	540	51.7
AH3084	420	400	450	186	Tr450x5	HML90T	41	520	29.0
AH3184	420	400	460	266	Tr460x5	HM92T	53	550	46.5
AH3284	420	400	460	321	Tr460x5	HM92T	53	550	58.9

Withdrawal Sleeves



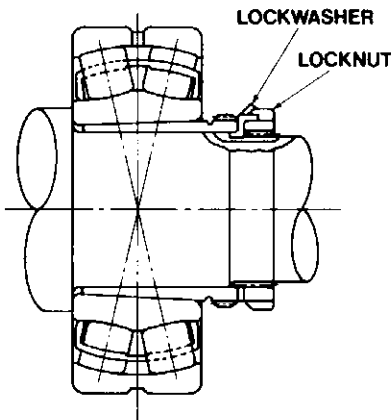
Metric Bores



The removal nut has to be ordered separately.

Withdrawal Sleeves offer a convenient mounting alternative for straight bore or adapter mounted applications.

The locknut on the shaft mounts the bearing while a locknut on the sleeve will dismount the bearing without shaft damage.



Withdrawal Sleeves, from size AH 2236 and AH 2340 are also available with oil ducts on the outer and inner diameter for hydraulic mounting.

AH22 and 23 Series

Part No.	Dimensions (mm)				Thread	Nut	Weight kg
	d	d ₁	d ₂	l			
AH2308	40	35	45	40	M45x1.5	KM9	0.1
AH2309	45	40	50	44	M50x1.5	KM10	0.2
AH2310	50	45	60	50	M60x2	KM12	0.2
AH2311	55	50	65	54	M65x2	KM13	0.3
AH2312	60	55	70	57	M70x2	KM14	0.3
AH2313	65	60	75	61	M75x2	KM15	0.4
AH2314	70	65	85	65	M85x2	KM17	0.5
AH2315	75	70	90	69	M90x2	KM18	0.6
AH2316	80	75	95	72	M95x2	KM19	0.7
AH2317	85	80	100	75	M100x2	KM20	0.7
AH2318	90	85	105	80	M105x2	KM21	0.9
AH2319	95	90	110	85	M110x2	KM22	1.0
AH2320	100	95	120	90	M120x2	KM24	1.2
AH2322	110	100	130	98	M130x2	KM26	2.1
AH2324	120	110	140	105	M140x2	KM28	2.5
AH2326	130	120	150	115	M150x2	KM30	3.0
AH2328	140	130	160	125	M160x3	KM32	3.6
AH2330	150	140	170	135	M170x3	KM34	4.2
AH2332	160	150	180	140	M180x3	KM36	4.8
AH2334	170	160	190	146	M190x3	KM38	5.3
AH2236	180	170	200	105	M200x3	KM40	3.8
AH2336	180	170	200	154	M200x3	KM40	5.8
AH2238	190	180	210	112	Tr 210x4	HM42T	4.3
AH2338	190	180	210	160	Tr 210x4	HM42T	6.6
AH2240	200	190	220	118	Tr 220x4	HM44T	4.7
AH2340	200	190	220	170	Tr 220x4	HM44T	7.6
AH2244	220	200	240	130	Tr 240x4	HM48T	9.1
AH2344	220	200	240	181	Tr 240x4	HM48T	13.5
AH2248	240	220	260	144	Tr 260x4	HM52T	11.1
AH2348	240	220	260	189	Tr 260x4	HM52T	15.5
AH2252	260	240	290	155	Tr 290x4	HM58T	14.0
AH2352	260	240	290	205	Tr 290x4	HM58T	19.6
AH2256	280	260	310	155	Tr 310x5	HM62T	15.2
AH2356	280	260	310	212	Tr 310x5	HM62T	21.6
AH2260	300	280	330	170	Tr 330x5	HM66T	18.1
AH2264	320	300	350	180	Tr 350x5	HM70T	20.2

AH30, 31 and 32 Series

AH308	40	35	45	29	M45x1.5	KM9	0.1
AH309	45	40	50	31	M50x1.5	KM10	0.1
AH310	50	45	60	35	M60x2	KM12	0.2
AH311	55	50	65	37	M65x2	KM13	0.2
AH312	60	55	70	40	M70x2	KM14	0.2
AH313	65	60	75	42	M75x2	KM15	0.3
AH314	70	65	80	43	M80x2	KM16	0.3
AH315	75	70	85	45	M85x2	KM17	0.3
AH316	80	75	90	48	M90x2	KM18	0.4
AH317	85	80	100	52	M100x2	KM20	0.5
AH318	90	85	105	53	M105x2	KM21	0.5
AH319	95	90	110	57	M110x2	KM22	0.6
AH320	100	95	115	59	M115x2	KM23	0.7
AH322	110	100	130	63	M130x2	KM26	1.3
AH3122	110	100	125	68	M125x2	KM25	1.3

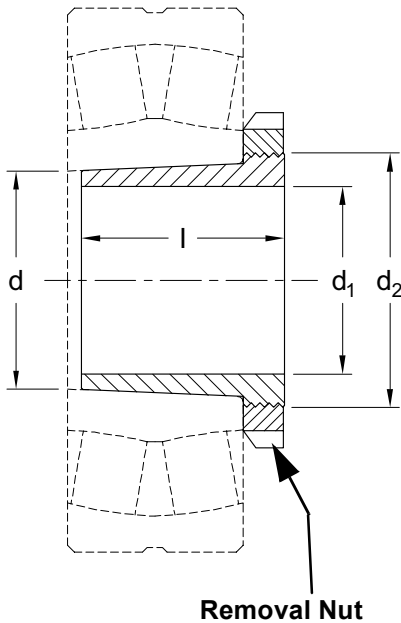
Withdrawal Sleeves

AHX30, 31 and 32 Series

Metric Bores

For 230 and 231 & 232 Series

Spherical Bearings



For 223 Series Spherical Bearings

The removal nut must be ordered separately.

Inch Bores available on request

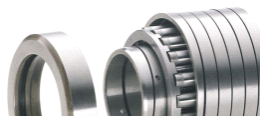
AHX30, 31 and 32 Series

Part No.	Dimensions (mm)				Thread	Nut	Weight kg
	d	d ₁	d ₂	l			
AHX310	50	45	55	35	M55x2	KM11	0.1
AHX311	55	50	60	37	M60x2	KM12	0.2
AHX312	60	55	65	40	M65x2	KM13	0.2
AHX317	85	80	95	52	M95x2	KM19	0.4
AHX318	90	85	100	53	M100x2	KM20	0.5
AHX3218	90	85	100	63	M100x2	KM20	0.6
AHX319	95	90	105	57	M105x2	KM21	0.5
AHX320	100	95	110	59	M110x2	KM22	0.6
AHX3120	100	95	110	64	M110x2	KM22	0.6
AHX3220	100	95	110	73	M110 x2	KM22	0.8
AHX322	110	105	120	63	M120x2	KM24	0.7
AHX3122	110	105	120	68	M120x2	KM24	0.8
AHX3222	110	105	125	82	M125x2	KM25	1.0
AHX3024	120	115	130	60	M130x2	KM26	0.8
AHX3124	120	115	130	75	M130x2	KM26	0.9
AHX3224	120	115	135	90	M135x2	KM27	1.3
AHX3026	130	125	140	67	M140x2	KM28	0.9
AHX3126	130	125	140	78	M140x2	KM28	1.1
AHX3226	130	125	145	98	M145x2	KM29	1.6
AHX3028	140	135	150	68	M150x2	KM30	1.0
AHX3128	140	135	150	83	M150x2	KM30	1.3
AHX3228	140	135	155	104	M155x3	KM31	1.8
AHX3030	150	145	160	72	M160x3	KM32	1.1
AHX3130	150	145	165	96	M165x3	KM33	1.8
AHX3230	150	145	165	114	M165x3	KM33	2.2

AHX23 Series

Part No.	Dimensions (mm)				Thread	Nut	Weight kg
	d	d ₁	d ₂	l			
AHX2310	50	45	55	50	M55x2	KM11	0.21
AHX2311	55	50	60	54	M60x2	KM12	0.25
AHX2312	60	55	65	58	M65x2	KM13	0.30
AHX2314	70	65	80	64	M80x2	KM16	0.47
AHX2315	75	70	85	68	M85x2	KM17	0.53
AHX2316	80	75	90	71	M90x2	KM18	0.60
AHX2317	85	80	95	74	M95x2	KM19	0.67
AHX2318	90	85	100	79	M100x2	KM20	0.78
AHX2319	95	90	105	85	M105x2	KM21	0.88
AHX2320	100	95	110	90	M110x2	KM22	1.0
AHX2322	110	105	125	98	M125x2	KM25	1.4
AHX2324	120	115	135	105	M135x2	KM27	1.6
AHX2326	130	125	145	115	M145x2	KM29	2.0
AHX2328	140	135	155	125	M155x3	KM31	2.3
AHX2330	150	145	165	135	M165x3	KM33	2.8

Eich Roller Bearings, manufactured in Germany, are well respected for their ability to function in elevated temperatures while under heavy loads and severe environments. The **BR Series** spring wound, high load, high-impact solid roller design is ideally suited for foot rolls (upper segment) of continuous casters for steel mills. They are generally used on billet, slab, bloom or beam blank casters. The basic design consists of an inner spring-wound race, a set of cylindrical rollers capable of heavy radial loads and an outer spring wound race. Thrust rings on each end help contain and handle thrust. No other bearing offers these features with such load carrying flexibility. The spring wound races expand and contract naturally over a wide temperature range, yet stay tight on the shaft and within the roll on which they are assembled. The BR Series is designed to accommodate 350°C (600°F) temperatures. The wound coil provides a pathway for contaminants to escape. The compact design and simple installation make them ideally suited for such high temp applications and harsh environments.



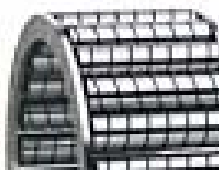
BR Series—Solid Roller



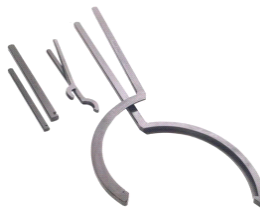
The **B Series** Bearings with spiral wound rollers and flexible wound races allow the most extreme operating temperatures 600°C (1000°F). One version used in Tunnel Furnaces is manufactured exclusively from spring strip steel. They can withstand temperatures in excess of 450°C and absorb impacts that occur from billets or slabs contacting the rolls. A second variation has been adopted for the furnace car wheel, for example, and capable of temperatures that exceeding 500°C. These are essentially cylindrical roller bearings made of high-temperature roller bearing steel. The design of the bearings will adapt to these extreme ambient conditions to eliminate the need for frequent bearing replacement as is often the case with bronze bushed designs. So both the solid or flexible roller designs with spring wound bearing races are capable compact designs with a low sensitivity to contaminants. They are easy to install and require no heating of components.



B Series—Flexible Roller



Installation: Spanner wrenches of different shapes for inner and outer races, allow the installer to expand (unwind) the inner race or tighten (wind-up) the outer race, to slip inner ring onto shafts or slide outer races into housing rolls. Bearings are installed at room temperatures, so no cooling of shafts or handling hot bearings. Wrenches are provided with new orders to make installation/training simple.



Spanner Wrenches for B & BR Series Installation

Additionally, an installation/training CD is also provided to demonstrate the simple procedures for both installation and removal, for inspection or for replacement procedures. Often times, B and BR Series bearings can be re-furbished and re-used, proper inspection and evaluation techniques are demonstrated, saving costly down time.



Eich Guide Rollers use the solid BR-Series roller design and allow re-lubrication from the shaft ends and easy installation and removal. Guide rolls specifications are generally provided by the customer. Standards do not exist. So custom units are normally designed from customer requirements and close dialogue on application requirements.



Water-Cooled Split Bearings are designed to handle extreme loads at elevated temperatures. The races are horizontally split and allow simple roller and race replacement without moving the equipment or rolls on which they are mounted. A classic application is a driven strand guide rollers on a continuous caster.



Water Cooled Split Bearings are manufactured like standard bearings, i.e. turned, heat treated and ground. The final step is the splitting of the race by wire-cut EDM, which is a non-abrasive, precise operation. Each unit undergoes a full assembly and test fit prior to release. The full complement of rollers (no cage = allows the maximum number of rollers) which provides the highest rating possible. The water cooling feature will maintain a safe bearing operating temperature while providing maximum support to the rolls. The cooling water flows around the exterior jacket of the housing allowing the bearing to function in the most severe ambient temperatures. Water inlets and outlets are provided in the base of the housing. Water cooled units are available for shaft sizes from 65mm thru 265mm.

SACRB Bearings: Eich also manufactures SACRB type bearings (Self Aligning Cylindrical Roller Bearing). This unit combines the load carrying ability of a cylindrical bearing and the misalignment features of a spherical bearings. Together with expansion (float) capability, this bearing is one of the most versatile and capable units available. The floating unit consists of an inner race, a set of rollers and two outer races. The fixed bearing is supplied with two thrust rings. SACRB units are fully interchangeable with the toroidal roller (CARB) bearings. SACRB bearings include a full complement of cylindrical rollers in a spherical shell with a cylindrical OD. This bearing will allow axial expansion and angular alignment all in one compact unit. The load capability of this bearing is extremely high, well beyond a comparable spherical roller bearings, due to the full complement (maximum number possible) and extra wide rollers for the maximum load rating. SACRB Bearings are available for driven or non driven rolls. They allow higher loads than equivalent CARB Bearings. **SACRB are typically have a 10 to 25% higher rating than a comparable CARB bearing and typically 20 to 30% above the similarly sized Spherical bearings.**



Size Range: Eich bearings are available for 25mm shaft sizes and up to outer diameters of 600mm and anything between. Eich Bearings are well respected in the industry for being a leader in these customized, uniquely featured and highly capable spring wound bearings.

Eich BR Series with Solid Rollers

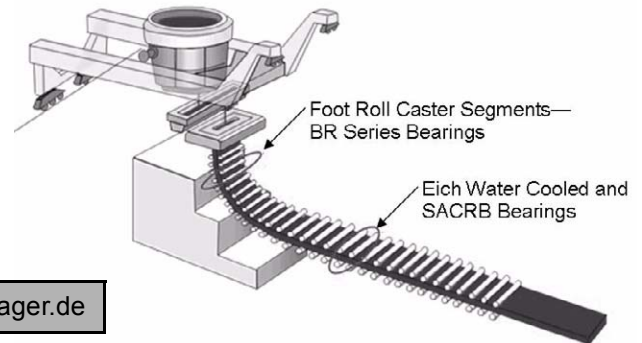


Typical caster foot roll (Uses 2 BR Series Bearings) and re-lube via shaft center

Eich B Series with Flexible Rollers

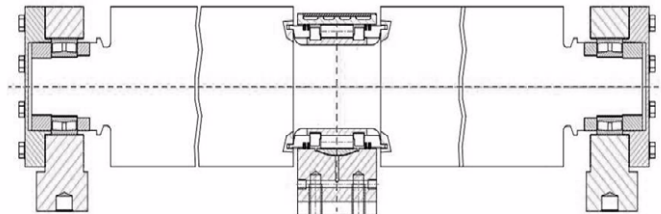


- Bearings for Extreme Conditions
- Spring Steel Coil Design - Expands with Temperature Changes and Improves Bearing Life
- Low Maintenance Costs
- Reduced Down Time



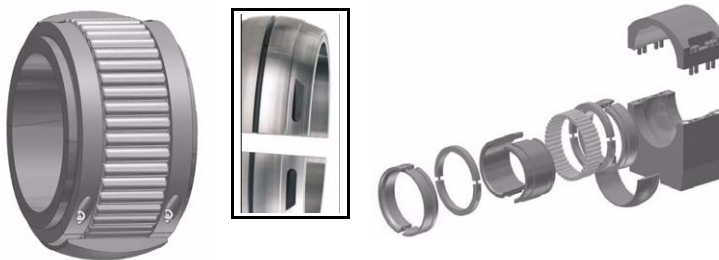
www.eichrollerlager.de

Water Cooled Split Bearings



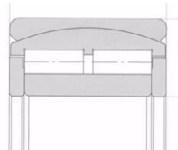
Eich Split Water Cooled Bearing on center Guide Roll

Split Bearing Components

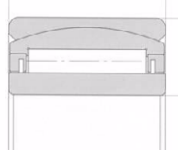


SACRB Bearings:

SACRB Bearings are applied in pairs, one fixed and one float unit per shaft. The fixed Bearing can handle thrust, fixing the roll position, while the float bearing allows for expansion from the thermal growth of the shaft. Consult PTI for additional information on SACRB Units.



Fixed Construction



Float Construction

Flexible Roller Chain Bearing is a flexible bearing cage and not a drive chain. This product was developed to assist in easy installation in furnaces or waste incineration plants.



The bearing is used in elevated positions where its easy installation proves to be a crucial advantage as the flexible roller chain can be easily fitted around the journals or races then joined.

Metric Rod Ends



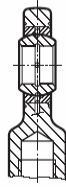
Rod ends are available in a variety of types, sizes, materials and features. PTI stocks the popular versions for immediate delivery. Stock types at PTI are indicated on the following pages. Non-stock items are normally readily available from our warehouse in Europe. Therefore most types and sizes are readily available. Custom types including high performance and hydraulic types are also available on request.

Metric Rod Ends

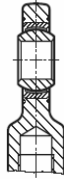


Internal Threads DIN ISO 12240-4

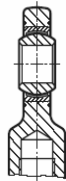
EI..(-2RS) Type
Steel on Steel
Regreasable
Zinc Plated
6-80mm Bores
Compact
Hi Multi-directional Loads



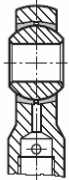
EI..D Type
Maintenance Free
Zinc Plated
6-80mm Bores
Compact
Hi Unidirectional Loads



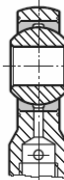
EI..D SS Type
Stainless Steel (Niro)
Maintenance Free
6-80mm Bores
Compact
Hi Unidirectional Loads



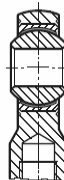
GI Type
Standard
Regreasable
Zinc Plated
5-25mm Bores
Suited For Axial Loads



GIS...GIXS...GIRS... Type
Heavy Duty
Regreasable
Zinc Plated
2-50mm Bores
High Speed



**GISW... GIXSW...
GIRSW...Type**
Heavy Duty
Maintenance Free
5-50mm Bores
OK for Dynamic Loads



External Threads DIN ISO 12240-4

EA..(-2RS) Type
Steel on Steel
Regreasable
Zinc Plated
6-80mm Bores
Compact
Hi Multi-directional Loads



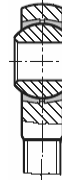
EA..D Type
Maintenance Free
Zinc Plated
6-80mm Bores
Compact
Hi Unidirectional Loads



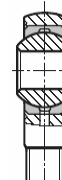
EA..D SS Type
Stainless Steel (Niro)
Maintenance Free
6-80mm Bores
Compact
Hi Unidirectional Loads



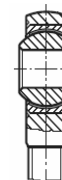
GA Type
Standard
Regreasable
Zinc Plated
5-25mm Bores
Suited For Axial Loads



GAS...GAXS...GARS...Type
Heavy Duty
Regreasable
Zinc Plated
2-50mm Bores
High Speed



**GASW... GAXSW...
GARSW...Type**
Heavy Duty
Maintenance Free
5-50mm Bores
OK for Dynamic Loads



Spherical Plain Bearings DIN ISO 12240-1 with / without outer ring

GE..EC Type
Maintenance Free
Steel on PTFE Liner
6-300mm Bores
Hi Unidirectional Loads



Hydraulic Rod End DIN 812-8.8

FPR..U Type
Regreasable
Steel on Steel, GE..E
20-120mm Bores
For Short Relay Distances
and Maximum Stroke.



Corrosion Protection Accessories

RERS & RELS Type
Neoprene Protector Caps
Protects against Dust &
Chemicals



Shaded units = indicates most sizes are stock. All others available from European warehouse.

Rod Ends



Technical / Selection Information

Shaft and Housing Fit

Type	Bore Tolerance	Shaft Tolerance	Bearing OD Tolerance	Housing Fit Tolerance
G..Type	H7	g6	h6	J7
E..Type	H7	g7	h5	J57

Threads: Standard Metric ISO, DIN 13, Tolerance h6.

Misalignment Capability: See individual Products.

Internal Clearance

Type	Size	Radial Internal Clearance in mm (min/max)
El..D / EA..D	06 - 12	0.000 - 0.030
El..D - NIRO	15 - 20	0.000 - 0.040
EA..D - NIRO	25 - 35	0.000 - 0.050
	40 - 60	0.000 - 0.055
	70 - 80	0.000 - 0.060
GISW / GASW	05 - 10	0.005 - 0.030
GIXSW / GAXSW	12 - 18	0.005 - 0.035
GIRSW / GARSW	20 - 25	0.005 - 0.045
	30 - 40	0.005 - 0.055
GE..EC	06 - 12	0.032 - 0.068
	15 - 20	0.040 - 0.082
	25 - 35	0.050 - 0.100
	40 - 60	0.060 - 0.120
	70 - 80	0.072 - 0.142
GL	02 - 10	0.005 - 0.040
	12 - 18	0.010 - 0.050
	20 - 25	0.015 - 0.060
	30 - 40	0.015 - 1.075
GI / GA	02 - 10	0.005 - 0.035
GIS / GAS	12 - 20	0.010 - 0.040
GIRS / GARS	22 - 44	0.010 - 0.050

Lubrication

Maintenance Free Rod Ends and Spherical Plain Bearings do not require lubrication. The Ball is supported by a PTFE Liner in the housing. Rod Ends are available with regreasable options on request. For GE Type Bearings that can be lubricated we recommend Re-Greasing with a Lithium Grease with a Moly Disulfide Additive.

Temperature Range

SERIES	SURFACES	T (°C)	T (°F)
G..Type GISW / GASW GIRSW / GARSW	Steel on PTFE	-50° TO 200°	-58° TO 392°
E..Type EA..D / El..D EA..D-NIRO / El..D-NIRO	Steel on PTFE	-50° TO 200°	-58° TO 392°
G..Type GE..EC	Steel on PTFE	-50° TO 200°	-58° TO 392°

Static Load Ratings C₀

C₀ is the max permissible Static Load that a Rod End can withstand without causing permanent distortion or damage. The Static Load is also used to establish the maximum axial (thrust) load during misalignment where: F_r = Radial Load, F_a = Axial or Thrust Load.

$$F_a (\text{max}) = a \cdot C_0 \quad \text{where:} \quad \begin{array}{l} a = 0.5 \text{ for GI or GA Types} \\ a = 0.3 \text{ for All Others} \end{array}$$

Dynamic Load Ratings C_n

Dynamic Load Ratings are used to establish the working life of spherical plain bearings or rod ends under Dynamic Load conditions. Use equivalent load features below.

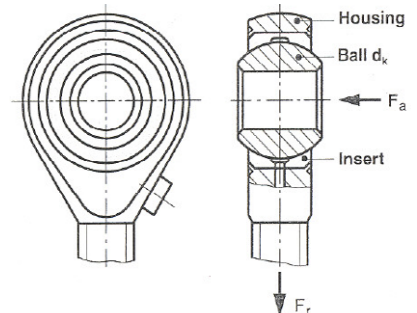
y factor

$\frac{F_a}{F_r}$.1	.2	.3	.4	.5
y	.8	1	1.5	2.5	3

$$F_{eq} = F_r + y \cdot F_a$$

F_r = Radial Load

F_a = Axial Load



For Variable Loads, PTI recommends using the max load for sizing / selection purposes.

Thermal & Load Type Service Factors

Rod Ends or Spherical Bearings that must operate in elevated temperatures or in load conditions that could be harsh, a service factor must be applied to insure proper sizing or selection. Use the factors and formula below to determine the max loads suggested.

Temperature Factor (f_T)

Temperature	80C (175°F)	100C(212°F)	150C (300°F)	200C (392°F)	250C (480°F)
Maintenance Free	1	1	1	0.8	0.5
Re-Lube Type	1	1	0.8	0.5	0.3

Load Type Service Factor (f_B)

Load Type	f _B
Steady / Uniform	1.0
Light Shock / Variable	0.5

Use the following formula to determine the max allowable load.

$$F_r (\text{max}) = C_0 \cdot f_T \cdot f_B$$

$$\text{also } F_a (\text{max}) = a \cdot F_r (\text{max})$$

If no bearing load is known in the application, the required Static Load Rating can be determined using the same formula re-written for the Static Load:

$$C_0 (\text{req}) \geq \frac{F_r}{f_B \cdot f_T}$$

For an expected Life Calculation, many factors contribute and an approximation is the general result, experience is also a good reference. For more details contact PTI.

Metric Rod Ends

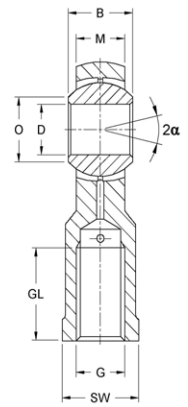
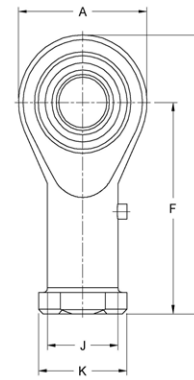
GI Type

Standard Duty, Zinc Plated
Grease Fitting for Re-Lube
Right & Left Hand - Internal Threads
Suited for Axial Loads

Housing: Sizes 5-12 turned from free-cutting steel to 9SMnPb28K, 12L13, sizes 14 and up are forged from heat-treated steel to C22, M1023

Insert: Special brass to CuZn40Al1

Ball: Bearing steel 100Cr6 (Aisi 52100), hardened, ground, polished



Right Hand Part No.	Left Hand Part No.	Size D	Dimensions (mm)											Static Load C _o kN	Dynamic Load C kN	Max Speed RPM	Wt. g
			B	M	A	F	L	K	J	O	SW	G	GL				
GI 5	GIL 5	5	8	6.00	18	27	36	11	9.0	7.7	9	M5 x 0.8	10	9.9	2.5	900	18
GI 6	GIL 6	6	9	6.75	20	30	40	13	10.0	8.9	11	M6 x 1	12	11.9	3.2	760	27
GI 8	GIL 8	8	12	9.00	24	36	48	16	12.5	10.4	13	M8 x 1.25	16	17.1	5.4	620	46
GI 10	GIL 10	10	14	10.50	28	43	57	19	15.0	12.9	17	M10 x 1.5	20	21.4	7.5	500	76
GI 12	GIL 12	12	16	12.00	32	50	66	22	17.5	15.4	19	M12 x 1.75	22	27.0	10.0	450	115
GI 14	GIL 14	14	19	13.50	36	57	75	25	20.0	16.8	22	M14 x 2	25	24.5	13.0	360	170
GI 16	GIL 16	16	21	15.00	42	64	85	27	22.0	19.3	22	M16 x 2	28	37.0	16.0	350	230
GI 18	GIL 18	18	23	16.50	46	71	94	31	25.0	21.8	27	M18 x 1.5	32	43.0	19.5	320	320
GI 20	GIL 20	20	25	18.00	50	77	102	34	27.5	24.3	32	M20 x 1.5	33	49.5	23.5	280	415
GI 22	GIL 22	22	28	20.00	54	84	111	37	30.0	25.8	32	M22 x 1.5	37	57.0	29.0	250	540
GI 25	GIL 25	25	31	22.00	60	94	124	42	33.5	29.6	36	M24 x 2	42	68.0	35.0	230	750

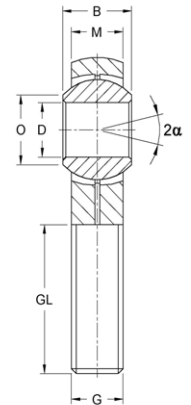
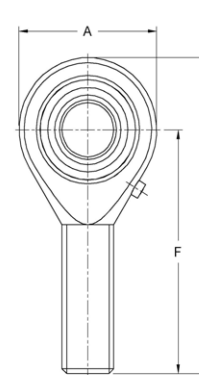
GA Type

Standard Duty, Zinc Plated
Grease Fitting for Re-Lube
Right & Left Hand - External Threads
Suited for Axial Loads

Housing: Sizes 5-12 turned from free-cutting steel to 9SMnPb28K, 12L13
Sizes 14 and up are forged from heat-treated steel to C22, M1023

Insert: Special brass to CuZn40Al1

Ball: Bearing steel 100Cr6 (Aisi 52100), hardened, ground, polished



Right Hand Part No.	Left Hand Part No.	Size D	Dimensions (mm)								Static Load C _o kN	Dynamic Load C kN	Max Speed RPM	Wt. g
			B	M	A	F	L	O	G	GL				
GA 5*	GAL 5*	5	8	6.00	18	33	42	7.7	M5 x .08	20	4.3	2.5	900	13
GA 6	GAL 6	6	9	6.75	20	36	46	8.9	M6 x 1	22	6.0	3.2	760	20
GA 8	GAL 8	8	12	9.00	24	42	54	10.4	M8 x 1.25	25	11.0	5.4	620	33
GA 10	GAL 10	10	14	10.50	28	48	62	12.9	M10 x 1.5	29	17.4	7.5	500	56
GA 12	GAL 12	12	16	12.00	32	54	70	15.4	M12 x 1.75	33	25.5	10.0	450	87
GA 14	GAL 14	14	19	13.50	36	60	78	16.8	M14 x 2	36	24.5	13.0	360	129
GA 16	GAL 16	16	21	15.00	42	66	87	19.3	M16 x 2	40	36.5	16.0	350	189
GA 18	GAL 18	18	23	16.50	46	72	95	21.8	M18 x 1.5	44	43.0	19.5	320	267
GA 20	GAL 20	20	25	18.00	50	78	103	24.3	M20 x 1.5	47	49.5	23.5	280	348
GA 22	GAL 22	22	28	20.00	54	84	111	25.8	M22 x 1.5	51	57.0	29.0	250	443
GA 25	GAL 25	25	31	22.00	60	94	124	29.6	M24 x 2	57	68.0	35.0	230	600

Note: * Without grease fitting.

Metric Rod Ends



GIS Type

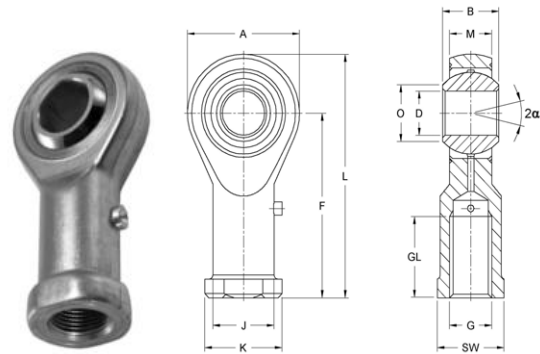
Heavy Duty, Zinc Plated
Grease Fitting for Re-Lube
Right & Left Hand - Internal Threads
Suited for High Speed Applications

Housing: Sizes 2-12 turned from free-cutting steel to 9SMnPb28K, 12L13
 Sizes 14-40 are forged from heat-treated steel to C22, M1023
 Size 50 is turned from heat-treated steel to C45, Aisi 1045

Insert: Special high strength bronze to CuSn8

Ball: Bearing steel to 100Cr6 Aisi 52100, hardened, ground, polished

This series is also available sealed and with CETOP dimensions for Hydraulic Cylinders



Right Hand Part No.	Left Hand Part No.	Size D	Dimensions (mm)											Static Load C ₀ kN	Dynamic Load C kN	Max Speed RPM	Wt. g
			B	M	A	F	L	K	J	O	SW	G	GL				
GIS 2*	GILS 2*	2	4.5	3.60	9	16	20.5	4.5	3.8	2.6	4.0	M2 x 0.4	7	3.0	1.1	—	3
GIS 3	GILS 3	3	6.0	4.50	14	21	27.0	6.5	5.0	5.1	5.5	M3 x 0.5	10	4.1	1.8	—	6
GIS 5	GILS 5	5	8.0	6.00	18	27	36.0	11.0	9.0	7.7	9.0	M5 x 0.8	10	8.0	3.3	—	18
GIS 6	GILS 6	6	9.0	6.75	20	30	40.0	13.0	10.0	8.9	11.0	M6 x 1	12	8.9	4.3	1500	27
GIS 8	GILS 8	8	12.0	9.00	24	36	48.0	16.0	12.5	10.4	13.0	M8 x 1.25	16	14.1	7.1	1200	46
GIS 10	GILS 10	10	14.0	10.50	28	43	57.0	19.0	15.0	12.9	17.0	M10 x 1.5	20	19.3	10.0	1000	76
GIS 12	GILS 12	12	16.0	12.00	32	50	66.0	22.0	17.5	15.4	19.0	M12 x 1.75	22	23.5	13.5	860	115
GIS 14	GILS 14	14	19.0	13.50	36	57	75.0	25.0	20.0	16.8	22.0	M14 x 2	25	21.0	17.0	750	170
GIS 16	GILS 16	16	21.0	15.00	42	64	85.0	27.0	22.0	19.3	22.0	M16 x 2	28	32.0	21.5	660	230
GIS 18	GILS 18	18	23.0	16.50	46	71	94.0	31.0	25.0	21.8	27.0	M18 x 1.5	32	38.5	26.0	600	320
GIS 20	GILS 20	20	25.0	18.00	50	77	102.0	34.0	27.5	24.3	32.0	M20 x 1.5	33	44.0	31.5	540	415
GIS 22	GILS 22	22	28.0	20.00	54	84	111.0	37.0	30.0	25.8	32.0	M22 x 1.5	37	53.0	38.0	500	540
GIS 25	GILS 25	25	31.0	22.00	60	94	124.0	42.0	33.5	29.6	36.0	M24 x 2	42	62.0	47.0	440	750
GIS 30	GILS 30	30	37.0	25.0	70	110	145.0	51.0	40.0	34.8	41.0	M30 x 2	51	82.0	64.0	370	1130
GIS 35	GILS 35	35	43.0	28.0	80	125	165.0	58.0	46.0	37.7	50.0	M36 x 2	56	101.0	80.0	330	1600
GIS 40	GILS 40	40	49.0	35.0	90	142	187.0	69.0	57.0	44.2	60.0	M42 x 2	60	124.0	116.0	290	2770

Note: * Without Grease Fitting. Size 50 available on request.

GAS Type

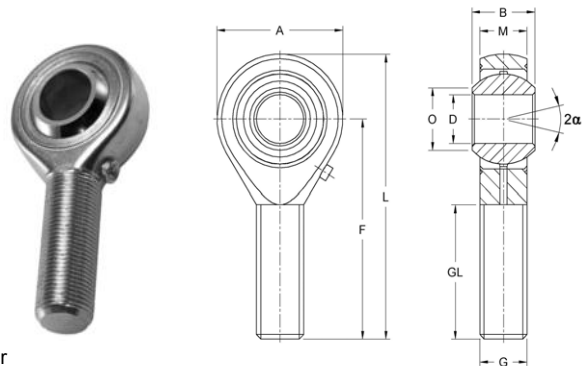
Heavy Duty, Zinc Plated
Grease Fitting for Re-Lube
Right & Left Hand - External Threads
Suited for High Speed Applications

Housing: Sizes 2-12 turned from free-cutting steel to 9SMnPb28K, 12L13
 Sizes 14-40 are forged from heat-treated steel to C22, M1023
 Size 50 is turned from heat-treated steel to C45, Aisi 1045

Insert: Special high strength bronze to CuSn8

Ball: Bearing steel to 100Cr6, Aisi 52100, hardened, ground, polished

This series is also available sealed and with CETOP dimensions for Hydraulic Cylinder



Right Hand Part No.	Left Hand Part No.	Size D	Dimensions (mm)								Static Load C ₀ kN	Dynamic Load C kN	Max Speed RPM	Wt. g
			B	M	A	F	L	O	G	GL				
GAS 2*	GALS 2*	2	4.5	3.60	9	20	24.5	2.6	M2 x 0.4	12	0.6	1.1	—	3
GAS 3*	GALS 3*	3	6.0	4.50	14	26	33.0	5.1	M3 x 0.5	15	1.5	1.8	—	6
GAS 5*	GALS 5*	5	8.0	6.00	18	33	42.0	7.7	M5 x 0.8	20	4.3	3.3	—	13
GAS 6	GALS 6	6	9.0	6.75	20	36	46.0	8.9	M6 x 1	22	6.0	4.3	1500	20
GAS 8	GALS 8	8	12.0	9.00	24	42	54.0	10.4	M8 x 1.25	25	11.0	7.0	1200	33
GAS 10	GALS 10	10	14.0	10.50	28	48	62.0	12.9	M10 x 1.5	29	17.4	10.0	1000	56
GAS 12	GALS 12	12	16.0	12.00	32	54	70.0	15.4	M12 x 1.75	33	23.5	13.5	860	87
GAS 14	GALS 14	14	19.0	13.50	36	60	78.0	16.8	M14 x 2	36	21.0	17.0	750	129
GAS 16	GALS 16	16	21.0	15.00	42	66	87.0	19.3	M16 x 2	40	32.0	21.5	660	189
GAS 18	GALS 18	18	23.0	16.50	46	72	95.0	21.8	M18 x 1.5	44	38.5	26.0	600	267
GAS 20	GALS 20	20	25.0	18.00	50	78	103.0	24.3	M20 x 1.5	47	44.0	31.5	540	348
GAS 22	GALS 22	22	28.0	20.00	54	84	111.0	25.8	M22 x 1.5	51	53.0	38.0	500	443
GAS 25	GALS 25	25	31.0	22.00	60	94	124.0	29.6	M24 x 2	58	62.0	47.0	440	600
GAS 30	GALS 30	30	37.0	25.00	70	110	145.0	34.8	M30 x 2	71	82.0	64.0	370	1030
GAS 35	GALS 35	35	43.0	28.00	80	125	165.0	37.7	M36 x 2	73	101.0	80.0	330	1600
GAS 40	GALS 40	40	49.0	35.00	90	142	187.0	44.2	M42 x 2	78	124.0	116.0	290	2550

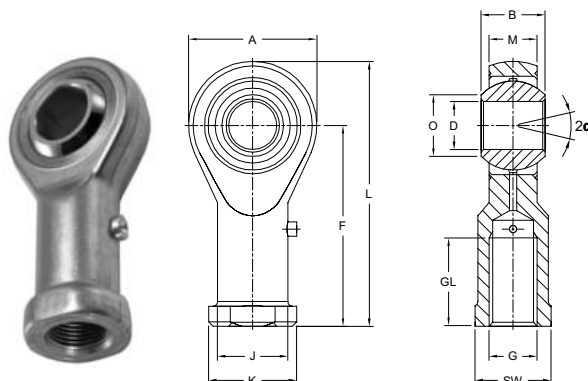
Note: * Without Grease Fitting. Size 50 available on request.

Metric Rod Ends

GIXS Type

- Extra Heavy Duty, Zinc Plated
- Grease Fitting for Re-Lube
- Right & Left Hand- Internal Threads
- Suited for High Pressure and Tension Loads

Housing: Heat-treated 42CrMo4 steel, Aisi 4140, forged
Insert: Special high strength bronze to CuSn8
Ball: Bearing steel 100Cr6 (Aisi 52100), hardened, ground, polished
 This series is also available sealed and with CETOP
 (European Fluid Power Committee) dimensions for Hydraulic Cylinders

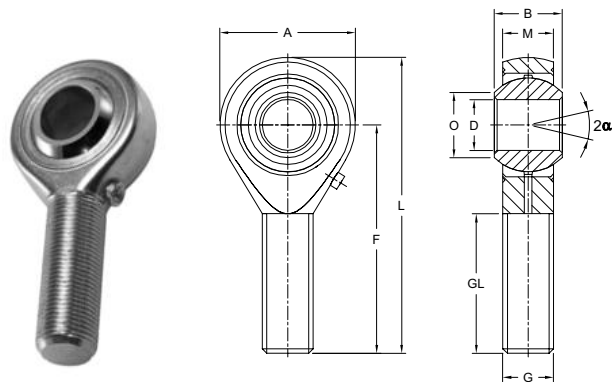


Right Hand Part No.	Left Hand Part No.	Size D	Dimensions (mm)											Static Load C ₀ kN	Dynamic Load C kN	Max Speed RPM	Wt. g
			B	M	A	F	L	K	J	O	SW	G	GL				
GIXS 6	GILXS 6	6	9	6.75	20	30	40	13	10.0	8.9	11	M6 x 1	12	16.7	4.3	1500	27
GIXS 8	GILXS 8	8	12	9.00	24	36	48	16	12.5	10.4	13	M8 x 1.25	16	25.5	7.1	1200	46
GIXS 10	GILXS 10	10	14	10.50	28	43	57	19	15.0	12.9	17	M10 x 1.5	20	34.8	10.0	1000	76
GIXS 12	GILXS 12	12	16	12.00	32	50	66	22	17.5	15.4	19	M12 x 1.75	22	42.0	13.3	860	115
GIXS 14	GILXS 14	14	19	13.50	36	57	75	25	20.0	16.8	22	M14 x 2	25	57.0	17.0	750	170
GIXS 16	GILXS 16	16	21	15.00	42	64	85	27	22.0	19.3	22	M16 x 2	28	67.5	21.5	660	230
GIXS 18	GILXS 18	18	23	16.50	46	71	94	31	25.0	21.8	27	M18 x 1.5	32	81.5	26.0	600	320
GIXS 20	GILXS 20	20	25	18.00	50	77	102	34	27.5	24.3	32	M20 x 1.5	33	93.5	31.5	540	415
GIXS 22	GILXS 22	22	28	20.00	54	84	111	37	30.0	25.8	32	M22 x 1.5	37	114.0	38.0	500	540
GIXS 25	GILXS 25	25	31	22.00	60	94	124	42	33.5	29.6	36	M24 x 2	42	135.0	47.0	440	750
GIXS 30	GILXS 30	30	37	25.00	70	110	145	51	40.0	34.8	41	M30 x 2	51	184.0	64.0	370	1130

GAXS Type

- Extra Heavy Duty, Zinc Plated
- Grease Fitting for Re-Lube
- Right & Left Hand-External Threads
- Suited for High Pressure and Tension Loads

Housing: Heat-treated 42CrMo4 steel, Aisi 4140, forged
Insert: Special high strength bronze to CuSn8
Ball: Bearing steel 100Cr6 (Aisi 52100), hardened, ground, polished
 This series is also available sealed and with CETOP
 (European Fluid Power Committee) dimensions for Hydraulic Cylinders



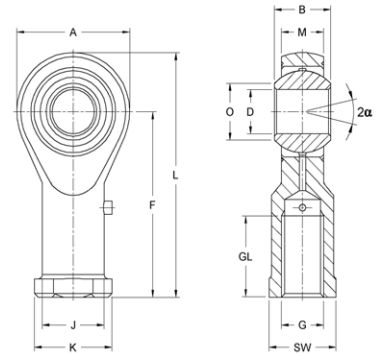
Right Hand Part No.	Left Hand Part No.	Size D	Dimensions (mm)								Static Load C ₀ kN	Dynamic Load C kN	Max Speed RPM	Wt. g
			B	M	A	F	L	O	G	GL				
GAXS 6	GALXS 6	6	9	6.75	20	36	46	8.9	M6 x 1	22	9.8	4.3	1500	20
GAXS 8	GALXS 8	8	12	9.00	24	42	54	10.4	M8 x 1.25	25	19.5	7.1	1200	33
GAXS 10	GALXS 10	10	14	10.50	28	48	62	12.9	M10 x 1.5	29	31.4	10.0	1000	56
GAXS 12	GALXS 12	12	16	12.00	32	54	70	15.4	M12 x 1.75	33	42.0	13.5	860	87
GAXS 14	GALXS 14	14	19	13.50	36	60	78	16.8	M14 x 2	36	57.0	17.0	750	129
GAXS 16	GALXS 16	16	21	15.00	42	66	87	19.3	M16 x 2	40	67.5	21.5	660	189
GAXS 18	GALXS 18	18	23	16.50	46	72	95	21.8	M18 x 1.5	44	81.5	26.0	600	267
GAXS 20	GALXS 20	20	25	18.00	50	78	103	24.3	M20 x 1.5	47	93.5	31.5	540	348
GAXS 22	GALXS 22	22	28	20.00	54	84	111	25.8	M22 x 1.5	51	114.0	38.0	500	443
GAXS 25	GALXS 25	25	31	22.00	60	94	124	29.6	M24 x 2	57	135.0	47.0	440	600
GAXS 30	GALXS 30	30	37	25.00	70	110	145	34.8	M30 x 2	71	184.0	64.0	370	1030

Metric Rod Ends



GIRS Type

- Stainless Steel
- Grease Fitting for Re-Lube
- Right & Left Hand - Internal Threads
- Suited for Corrosive Environments



Housing: Stainless Steel 1.4057, Aisi 431, forged, polished
 Sizes 40 made from stainless steel to 1.4057, Aisi 431, turned

Insert: Special high strength bronze to CuSn8

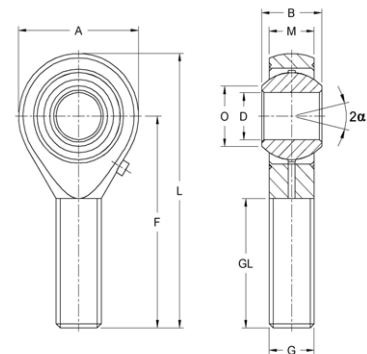
Ball: Bearing steel 100Cr6, Aisi 52100, hardened, ground, polished, hard chrome plated
 This series is also available sealed on request

Right Hand Part No.	Left Hand Part No.	Size D	Dimensions (mm)											Static Load C ₀ kN	Dynamic Load C kN	Max Speed RPM	Wt. g
			B	M	A	F	L	K	J	O	SW	G	GL				
GIRS 3*	GILRS 3*	3	6.0	4.50	14	21	27	6.5	5.0	5.1	5.5	M3 x 0.5	10	8.0	1.8	—	6
GIRS 5	GILRS 5	5	8.0	6.00	18	27	36	11.0	9.0	7.7	9.0	M5 x 0.8	10	11.8	3.3	1200	18
GIRS 6	GILRS 6	6	9.0	6.75	20	30	40	13.0	10.0	8.9	11.0	M6 x 1.0	12	13.1	4.3	1500	27
GIRS 8	GILRS 8	8	12.0	9.00	24	36	48	16.0	12.5	10.4	13.0	M8 x 1.25	16	20.7	7.1	1200	46
GIRS 10	GILRS 10	10	14.0	10.50	28	43	57	19.0	15.0	12.9	17.0	M10 x 1.50	20	28.3	10.0	1000	76
GIRS 12	GILRS 12	12	16.0	12.00	32	50	66	22.0	17.5	15.4	19.0	M12 x 1.75	22	34.5	13.5	860	115
GIRS 14	GILRS 14	14	19.0	13.50	36	57	75	25.0	20.0	16.8	22.0	M14 x 2	25	39.5	17.0	750	170
GIRS 16	GILRS 16	16	21.0	15.00	42	64	85	27.0	22.0	19.3	22.0	M16 x 2	28	60.5	21.5	660	230
GIRS 18	GILRS 18	18	23.0	16.50	46	71	94	31.0	25.0	21.8	27.0	M18 x 1.5	32	73.0	26.0	600	320
GIRS 20	GILRS 20	20	25.0	18.00	50	77	102	34.0	27.5	24.3	32.0	M20 x 1.5	33	83.0	31.5	540	415
GIRS 22	GILRS 22	22	28.0	20.00	54	84	111	37.0	30.0	25.8	32.0	M22 x 1.5	37	100.0	38.0	500	540
GIRS 25	GILRS 25	25	31.0	22.00	60	94	124	42.0	33.5	29.6	36.0	M24 x 2	42	118.0	47.0	440	750
GIRS 30	GILRS 30	30	37.0	25.00	70	110	145	51.0	40.0	34.8	41.0	M30 x 2	51	155.0	64.0	370	1130
GIRS 35	GILRS 35	35	43.0	28.00	80	125	165	58.0	46.0	37.7	50.0	M36 x 2	56	191.0	80.0	330	1600
GIRS 40	GILRS 40	40	49.0	35.00	90	142	187	69.0	57.0	44.2	60.0	M42 x 2	60	235.0	116.0	290	2770

Note: * Without Lube Fitting

GARS Type

- Stainless Steel
- Grease Fitting for Re-Lube
- Right & Left Hand - External Threads
- Suited for Corrosive Environments



Housing: Stainless Steel 1.4057, Aisi 431, forged, polished
 Sizes 40 made from stainless steel to 1.4057, Aisi 431, turned

Insert: Special high strength bronze to CuSn8

Ball: Bearing steel 100Cr6, Aisi 52100, hardened, ground, polished, hard chrome plated
 This series is also available sealed on request

Right Hand Part No.	Left Hand Part No.	Size D	Dimensions (mm)								Static Load C ₀ kN	Dynamic Load C kN	Max Speed RPM	Wt. g
			B	M	A	F	L	O	G	GL				
GARS 3*	GALRS 3*	3	6.0	4.50	14	26	33.0	5.1	M3 x 0.5	15	7.0	1.8	—	6
GARS 5*	GALRS 5*	5	8.0	6.00	18	33	42.0	7.7	M5 x 0.8	20	6.2	3.3	—	13
GARS 6	GALRS 6	6	9.0	6.75	20	36	46.0	8.9	M6 x 1.0	22	8.8	4.3	1500	20
GARS 8	GALRS 8	8	12.0	9.00	24	42	54.0	10.4	M8 x 1.25	25	16.1	7.0	1200	33
GARS 10	GALRS 10	10	14.0	10.50	28	48	62.0	12.9	M10 x 1.5	29	25.5	10.0	1000	56
GARS 12	GALRS 12	12	16.0	12.00	32	54	70.0	15.4	M12 x 1.75	33	34.5	13.5	860	87
GARS 14	GALRS 14	14	19.0	13.50	36	60	78.0	16.8	M14 x 2	36	39.5	17.0	750	129
GARS 16	GALRS 16	16	21.0	15.00	42	66	87.0	19.3	M16 x 2	40	60.5	21.5	660	189
GARS 18	GALRS 18	18	23.0	16.50	46	72	95.0	21.8	M18 x 1.5	44	73.0	26.0	600	267
GARS 20	GALRS 20	20	25.0	18.00	50	78	103.0	24.3	M20 x 1.5	47	83.0	31.5	540	348
GARS 22	GALRS 22	22	28.0	20.00	54	84	111.0	25.8	M22 x 1.5	51	100.0	38.0	500	443
GARS 25	GALRS 25	25	31.0	22.00	60	94	124.0	29.6	M24 x 2	58	118.0	47.0	440	600
GARS 30	GALRS 30	30	37.0	25.00	70	110	145.0	34.8	M30 x 2	71	155.0	64.0	370	1030
GARS 35	GALRS 35	35	43.0	28.00	80	125	165.0	37.7	M36 x 2	73	191.0	80.0	330	1600
GARS 40	GALRS 40	40	49.0	35.00	90	142	187.0	44.2	M42 x 2	78	235.0	116.0	290	2570

Note: * Without Lube Fitting

Metric Rod Ends



GISW Type

- Maintenance Free
- PTFE Teflon Liner
- Zinc Plated
- Right & Left Hand - Internal Threads
- Suited for Dynamic Loads

Housing: Sizes 5-12 turned from free-cutting steel to 9SMnPb28K, 12L13

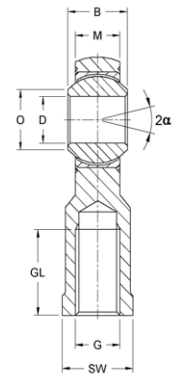
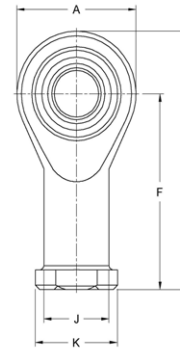
Sizes 14-40 are forged from heat-treated steel to C22, M1023

Size 50 turned from C45, Aisi 1045, heat-treated steel

Insert: Free-cutting steel to 9SMnPb28K, 12L13, with PTFE Teflon liner bonded to the inner surface

Ball: Bearing steel 100Cr6 (Aisi 52100), hardened, ground, polished

Sizes 8-20 available as a sealed version on request



Right Hand Part No.	Left Hand Part No.	Size D	Dimensions (mm)											Static Load C _o kN	Dynamic Load C kN	Max Speed RPM *	Wt. g
			B	M	A	F	L	K	J	O	SW	G	GL				
GISW 5	GILSW 5	5	8	6.00	18	27	36	11	9.0	7.7	9	M5 x 0.8	10	8.0	7.5	600	18
GISW 6	GILSW 6	6	9	6.75	20	30	40	13	10.0	8.9	11	M6 x 1.0	12	8.9	9.3	530	27
GISW 8	GILSW 8	8	12	9.00	24	36	48	16	12.5	10.4	13	M8 x 1.25	16	14.1	16.7	420	46
GISW 10	GILSW 10	10	14	10.50	28	43	57	19	15.0	12.9	17	M10 x 1.5	20	19.3	23.4	350	76
GISW 12	GILSW 12	12	16	12.00	32	50	66	22	17.5	15.4	19	M12 x 1.75	22	23.5	32.0	300	115
GISW 14	GILSW 14	14	19	13.50	36	57	75	25	20.0	16.8	22	M14 x 2	25	21.0	42.0	260	170
GISW 16	GILSW 16	16	21	15.00	42	64	85	27	22.0	19.3	22	M16 x 2	28	32.0	52.5	230	230
GISW 18	GILSW 18	18	23	16.50	46	71	94	31	25.0	21.8	27	M18 x 1.5	32	38.5	64.0	210	320
GISW 20	GILSW 20	20	25	18.00	50	77	102	34	27.5	24.3	32	M20 x 1.5	33	44.0	78.0	190	415
GISW 22	GILSW 22	22	28	20.00	54	84	111	37	30.0	25.8	32	M22 x 1.5	37	53.0	97.0	170	540
GISW 25	GILSW 25	25	31	22.00	60	94	124	42	33.5	29.6	36	M24 x 2	42	62.0	122.0	150	750
GISW 30	GILSW 30	30	37	25.00	70	110	145	51	40.0	34.8	41	M30 x 2	51	82.0	168.0	130	1130
GISW 35	GILSW 35	35	43	28.00	80	125	165	58	46.0	37.7	50	M36 x 2	56	101.0	206.0	110	1600
GISW 40	GILSW 40	40	49	35.00	90	142	187	69	57.0	44.2	60	M42 x 2	60	124.0	286.0	100	2770

Note: * Only recommended for short term revolutions. Size 50 available on request.

GASW Type

- Maintenance Free
- PTFE Teflon Liner
- Zinc Plated
- Right & Left Hand - External Threads
- Suited for Dynamic Loads

Housing: Sizes 5-12 turned from free-cutting steel to 9SMnPb28K, 12L13

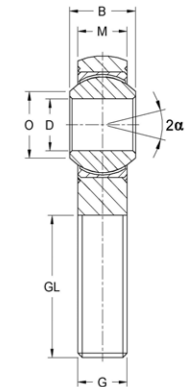
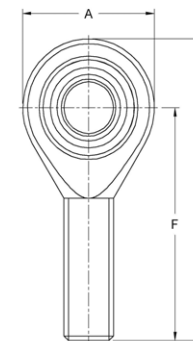
Sizes 14-40 are forged from heat-treated steel to C22, M1023

Size 50 turned from C45, Aisi 1045, heat-treated steel

Insert: Free-cutting steel to 9SMnPb28K, 12L13, with PTFE Teflon liner bonded to the inner surface

Ball: Bearing steel 100Cr6 (Aisi 52100), hardened, ground, polished

Sizes 8-20 available as a sealed version on request



Right Hand Part No.	Left Hand Part No.	Size D	Dimensions (mm)								Static Load C _o kN	Dynamic Load C kN	Max Speed RPM *	Wt. g
			B	M	A	F	L	O	G	GL				
GASW 5	GALSW 5	5	8	6.00	18	33	42	7.7	M5 x 0.8	20	4.3	7.5	600	13
GASW 6	GALSW 6	6	9	6.75	20	36	46	8.9	M6 x 1.0	22	6.0	9.3	530	20
GASW 8	GALSW 8	8	12	9.00	24	42	54	10.4	M8 x 1.25	25	11.0	16.7	420	33
GASW 10	GALSW 10	10	14	10.50	28	48	62	12.9	M10 x 1.5	29	17.4	23.4	350	56
GASW 12	GALSW 12	12	16	12.00	32	54	70	15.4	M12 x 1.75	33	23.5	32.0	300	87
GASW 14	GALSW 14	14	19	13.50	36	60	78	16.8	M14 x 2	36	21.0	42.0	260	129
GASW 16	GALSW 16	16	21	15.00	42	66	87	19.3	M16 x 2	40	32.0	52.5	230	189
GASW 18	GALSW 18	18	23	16.50	46	72	95	21.8	M18 x 1.5	44	38.5	64.0	210	267
GASW 20	GALSW 20	20	25	18.00	50	78	103	24.3	M20 x 1.5	47	44.0	78.0	190	348
GASW 22	GALSW 22	22	28	20.00	54	84	111	25.8	M22 x 1.5	51	53.0	97.0	170	443
GASW 25	GALSW 25	25	31	22.00	60	94	124	29.6	M24 x 2	58	62.0	122.0	150	600
GASW 30	GALSW 30	30	37	25.00	70	110	145	34.8	M30 x 2	71	82.0	168.0	130	1030
GASW 35	GALSW 35	35	43	28.00	80	125	165	37.7	M36 x 2	73	101.0	206.0	110	1600
GASW 40	GALSW 40	40	49	35.00	90	142	187	44.2	M42 x 2	78	124.0	286.0	100	2570

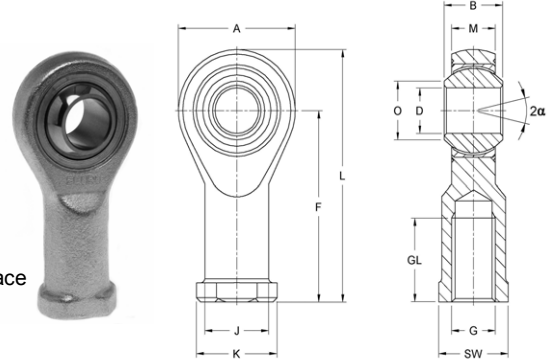
Note: * Only recommended for short term revolutions. Size 50 available on request.

Metric Rod Ends



GIXSW Type

- Heat Treated Steel
- Maintenance Free
- PTFE Teflon Liner
- Right & Left Hand - Internal Threads
- Suited for High Pressure and Tension Loads



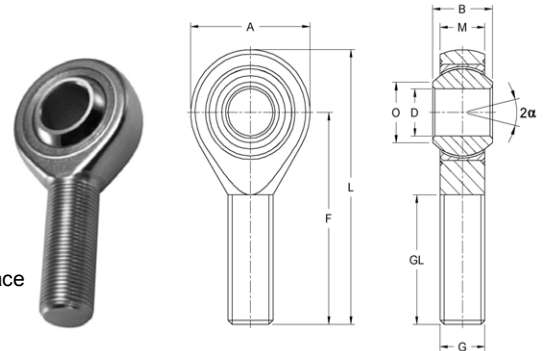
Housing: Heat -treated 42CrMo4, Aisi 4140, forged
Insert: Free-cutting steel 9SMnPb28K, 12L13, with PTFE liner bonded to the inner surface
Ball: Bearing steel 100Cr6, Aisi 52100, hardened, ground, polished
 Sealed version available on request

Right Hand Part No.	Left Hand Part No.	Size D	Dimensions (mm)											Static Load C ₀ kN	Dynamic Load C kN	Max Speed RPM *	Wt. g
			B	M	A	F	L	K	J	O	SW	G	GL				
GIXSW 6	GILXSW 6	6	9	6.75	20	30	40	13	10.0	8.9	11	M6 x 1.0	12	16.7	9.3	530	27
GIXSW 8	GILXSW 8	8	12	9.00	24	36	48	16	12.5	10.4	13	M8 x 1.25	16	25.5	16.7	420	46
GIXSW 10	GILXSW 10	10	14	10.50	28	43	57	19	15.0	12.9	17	M10 x 1.5	20	34.8	23.4	350	76
GIXSW 12	GILXSW 12	12	16	12.00	32	50	66	22	17.5	15.4	19	M12 x 1.75	22	42.0	32.0	300	115
GIXSW 14	GILXSW 14	14	19	13.50	36	57	75	25	20.0	16.8	22	M14 x 2	25	57.0	42.0	260	170
GIXSW 16	GILXSW 16	16	21	15.00	42	64	85	27	22.0	19.3	22	M16 x 2	28	67.5	52.5	230	230
GIXSW 18	GILXSW 18	18	23	16.50	46	71	94	31	25.0	21.8	27	M18 x 1.5	32	81.5	64.0	210	320
GIXSW 20	GILXSW 20	20	25	18.00	50	77	102	34	27.5	24.3	32	M20 x 1.5	33	93.5	78.0	190	415
GIXSW 22	GILXSW 22	22	28	20.00	54	84	111	37	30.0	25.8	32	M22 x 1.5	37	114.0	97.0	170	540
GIXSW 25	GILXSW 25	25	31	22.00	60	94	124	42	33.5	29.6	36	M24 x 2	42	135.0	122.0	150	750
GIXSW 30	GILXSW 30	30	37	25.00	70	110	145	51	40.0	34.8	41	M30 x 2	51	184.0	168.0	130	1130

Note: *Only recommended for short term revolutions. Size 35 available on request.

GAXSW Type

- Heat Treated Steel
- Maintenance Free
- PTFE Teflon Liner
- Right & Left Hand - External Threads
- Suited for High Pressure and Tension Loads



Housing: Heat -treated 42CrMo4, Aisi 4140, forged
Insert: Free-cutting steel 9SMnPb28K, 12L13, with PTFE liner bonded to the inner surface
Ball: Bearing steel 100Cr6, Aisi 52100, hardened, ground, polished
 Sealed version available on request

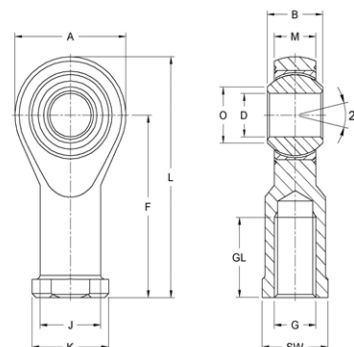
Right Hand Part No.	Left Hand Part No.	Size D	Dimensions (mm)								Static Load C ₀ kN	Dynamic Load C kN	Max Speed RPM *	Wt. g
			B	M	A	F	L	O	G	GL				
GAXSW 6	GALXSW 6	6	9	6.75	20	36	46	8.9	M6 x 1.0	22	9.8	9.3	530	20
GAXSW 8	GALXSW 8	8	12	9.00	24	42	54	10.4	M8 x 1.25	25	19.5	16.7	420	33
GAXSW 10	GALXSW 10	10	14	10.50	28	48	62	12.9	M10 x 1.5	29	31.4	23.4	350	56
GAXSW 12	GALXSW 12	12	16	12.00	32	54	70	15.4	M12 x 1.75	33	42.0	32.0	300	87
GAXSW 14	GALXSW 14	14	19	13.50	36	60	78	16.8	M14 x 2	36	57.0	42.0	260	129
GAXSW 16	GALXSW 16	16	21	15.00	42	66	87	19.3	M16 x 2	40	67.5	52.5	230	189
GAXSW 18	GALXSW 18	18	23	16.50	46	72	95	21.8	M18 x 1.5	44	81.5	64.0	210	267
GAXSW 20	GALXSW 20	20	25	18.00	50	78	103	24.3	M20 x 1.5	47	93.5	78.0	190	348
GAXSW 22	GALXSW 22	22	28	20.00	54	84	111	25.8	M22 x 1.5	51	114.0	97.0	170	443
GAXSW 25	GALXSW 25	25	31	22.00	60	94	124	29.6	M24 x 2	57	135.0	122.0	150	600
GAXSW 30	GALXSW 30	30	37	25.00	70	110	145	34.8	M30 x 2	71	184.0	168.0	130	1030

Note: *Only recommended for short term revolutions. Size 35 available on request.

Metric Rod Ends

GIRSW Type

- Stainless Steel**
- Maintenance Free**
- PTFE Teflon Liner**
- Right & Left Hand - Internal Threads**
- Suited for High Dynamic Pressure and Tension Loads in Corrosive Environment**



Housing: Stainless Steel 1.4057, Aisi 431, forged, polished

Size 40 turned from stainless steel 1.4057, Aisi 431

Insert: Special high strength bronze CuSn8 with PTFE teflon liner bonded to the inner surface

Ball: Bearing steel 100Cr6, Aisi 52100, hardened, ground, polished, hard chrome plated

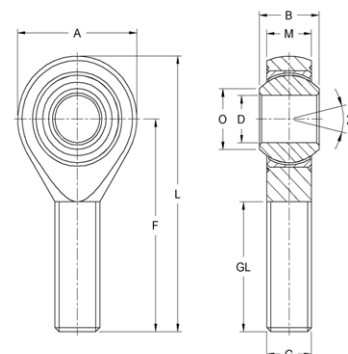
On request: Insert: Stainless steel 1.4571, aisi 316Ti Ball: Stainless steel 1.4034, Aisi 420C hardened, ground, polished or in stainless steel 1.4401, Aisi 316 ground, polished

Right Hand Part No.	Left Hand Part No.	Size D	Dimensions (mm)											Static Load C _o kN	Dynamic Load C kN	Max Speed RPM **	Wt. g
			B	M	A	F	L	K	J	O	SW	G	GL				
GIRSW 4*	GILRSW 4*	4	7	5.25	14	24	31	9.5	7.8	6.5	8	M4 x 0.7	12	7.0	5.3	—	11
GIRSW 5	GILRSW 5	5	8	6.00	18	27	36	11.0	9.0	7.7	9	M5 x 0.8	10	8.0	6.0	600	18
GIRSW 6	GILRSW 6	6	9	6.75	20	30	40	13.0	10.0	8.9	11	M6 x 1	12	9.0	6.8	530	27
GIRSW 8	GILRSW 8	8	12	9.00	24	36	48	16.0	12.5	10.4	13	M8 x 1.25	16	12.0	9.0	420	46
GIRSW 10	GILRSW 10	10	14	10.50	28	43	57	19.0	15.0	12.9	17	M10 x 1.5	20	28.3	23.4	350	76
GIRSW 12	GILRSW 12	12	16	12.00	32	50	66	22.0	17.5	15.4	19	M12 x 1.75	22	34.5	32.0	300	115
GIRSW 14	GILRSW 14	14	19	13.50	36	57	75	25.0	20.0	16.8	22	M14 x 2	25	39.5	42.0	260	170
GIRSW 16	GILRSW 16	16	21	15.00	42	64	85	27.0	22.0	19.3	22	M16 x 2	28	60.5	52.5	230	230
GIRSW 18	GILRSW 18	18	23	16.50	46	71	94	31.0	25.0	21.8	27	M18 x 1.5	32	73.0	64.0	210	320
GIRSW 20	GILRSW 20	20	25	18.00	50	77	102	34.0	27.5	24.3	32	M20 x 1.5	33	83.0	78.0	190	415
GIRSW 22	GILRSW 22	22	28	20.00	54	84	111	37.0	30.0	25.8	32	M22 x 1.5	37	100.0	97.0	170	540
GIRSW 25	GILRSW 25	25	31	22.00	60	94	124	42.0	33.5	29.6	36	M24 x 2	42	118.0	122.0	150	750
GIRSW 30	GILRSW 30	30	37	25.00	70	110	145	51.0	40.0	34.8	41	M30 x 2	51	155.0	168.0	130	1130
GIRSW 35	GILRSW 35	35	43	28.00	80	125	165	58.0	46.0	37.7	50	M36 x 2	56	191.0	206.0	110	1600
GIRSW 40	GILRSW 40	40	49	35.00	90	142	187	69.0	57.0	44.2	60	M42 x 2	60	235.0	286.0	100	2770

Note: * Size 4 on request and housing from Aisi 303. **Only recommended for short term revolutions.

GARSW Type

- Stainless Steel**
- Maintenance Free**
- PTFE Teflon Liner**
- Right & Left Hand - External Threads**
- Suited for High Dynamic Pressure and Tension Loads in Corrosive Environment**



Housing: Stainless Steel 1.4057, Aisi 431, forged, polished

Size 40 turned from stainless steel 1.4057, Aisi 431

Insert: Special high strength bronze CuSn8 with PTFE teflon liner bonded to the inner surface

Ball: Bearing steel 100Cr6, Aisi 52100, hardened, ground, polished, hard chrome plated

On request: Insert: Stainless steel 1.4571, aisi 316Ti Ball: Stainless steel 1.4034, Aisi 420C hardened, ground, polished or in stainless steel 1.4401, Aisi 316 ground, polished

Right Hand Part No.	Left Hand Part No.	Size D	Dimensions (mm)								Static Load C _o kN	Dynamic Load C kN	Max Speed RPM **	Wt. g
			B	M	A	F	L	O	G	GL				
GARSW 4*	GALRSW 4*	4	7	5.25	14	30	37	6.5	M4 x 0.7	19	1.3	0.8	—	9
GARSW 5	GALRSW 5	5	8	6.00	18	33	42	7.7	M5 x 0.8	20	6.2	7.5	600	13
GARSW 6	GALRSW 6	6	9	6.75	20	36	46	8.9	M6 x 1	22	8.8	9.3	530	20
GARSW 8	GALRSW 8	8	12	9.00	24	42	54	10.4	M8 x 1.25	25	16.1	16.7	420	33
GARSW 10	GALRSW 10	10	14	10.50	28	48	62	12.9	M10 x 1.5	29	25.5	23.4	350	56
GARSW 12	GALRSW 12	12	16	12.00	32	54	70	15.4	M12 x 1.75	33	34.5	32.0	300	87
GARSW 14	GALRSW 14	14	19	13.50	36	60	78	16.8	M14 x 2	36	39.5	42.0	260	129
GARSW 16	GALRSW 16	16	21	15.00	42	66	87	19.3	M16 x 2	40	60.5	52.5	230	189
GARSW 18	GALRSW 18	18	23	16.50	46	72	95	21.8	M18 x 1.5	44	73.0	64.0	210	267
GARSW 20	GALRSW 20	20	25	18.00	50	78	103	24.3	M20 x 1.5	47	83.0	78.0	190	348
GARSW 22	GALRSW 22	22	28	20.00	54	84	111	25.8	M22 x 1.5	51	100.0	97.0	170	443
GARSW 25	GALRSW 25	25	31	22.00	60	94	124	29.6	M24 x 2	58	118.0	122.0	150	600
GARSW 30	GALRSW 30	30	37	25.00	70	110	145	34.8	M30 x 2	71	155.0	168.0	130	1030
GARSW 35	GALRSW 35	35	43	28.00	80	125	165	37.7	M36 x 2	73	191.0	206.0	110	1600
GARSW 40	GALRSW 40	40	49	35.00	90	142	187	44.2	M42 x 2	78	235.0	286.0	100	2570

Note: * Size 4 on request and housing from Aisi 303. **Only recommended for short term revolutions.

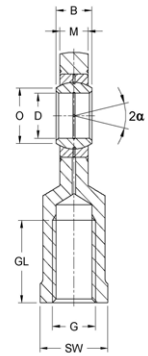
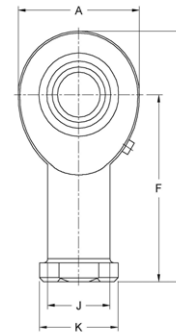
Metric Rod Ends

EI Type

- Steel on Steel
- Grease Fitting for Re-Lube
- Right & Left Hand-Internal Threads
- Suited for High Multi-directional Loads and Narrow Width

Housing: Sizes 6-10 turned from free-cutting steel to 9SMnPb28K, 12L13
 Sizes 12 and up forged from heat-treated steel to C45, Aisi1045

- Bearing:** Steel on steel bearing GE...E, requiring lubrication
- Size 20 and up available sealed from both sides (-2RS)
- Size 6-17 without grease fitting
- Size 20 and up with grease fitting
- Size 20,25 & 30 available with or without 2RS Seals
- Size 35 and larger all with 2RS Seals



Right Hand Part No.	Left Hand Part No.	Size D	Dimensions (mm)											Static Load C ₀ kN	Dynamic Load C kN	Max Speed RPM	Wt. g
			B	M	A	F	L	K	J	O	SW	G	GL				
EI 6	EIL 6	6	6	4.4	20	30	40.0	13	10.0	8.0	11	M6 x 1	12	10.3	3.4	13	21
EI 8	EIL 8	8	8	6.0	24	36	48.0	16	12.5	10.2	14	M8 x 1.25	16	15.8	5.5	15	38
EI 10	EIL 10	10	9	7.0	28	43	57.0	19	15.0	13.2	17	M10 x 1.5	20	23.4	8.1	12	60
EI 12	EIL 12	12	10	8.0	34	50	67.0	22	17.5	14.9	19	M12 x 1.75	23	31.0	10.8	11	96
EI 15	EIL 15	15	12	10.0	40	61	81.0	26	21.0	18.4	22	M14 x 2	29	42.5	17.0	8	180
EI 16	EIL 16	16	14	11.0	46	67	90.0	30	24.0	20.7	27	M16 x 2	33	54.5	21.2	10	220
EI 17	EIL 17	17	14	11.0	46	67	90.0	30	24.0	20.7	27	M16 x 2	33	54.5	21.2	10	220
EI 20 (-2RS)*	EIL 20 (-2RS)*	20	16	13.0	53	77	103.5	35	27.5	24.2	32	M20 x 1.5	40	62.5	30.0	9	350
EI 25 (-2RS)*	EIL 25 (-2RS)*	25	20	17.0	64	94	126.0	42	33.5	29.3	36	M24 x 2	48	92.0	48.0	7	640
EI 30 (-2RS)*	EIL 30 (-2RS)*	30	22	19.0	73	110	146.5	50	40.0	34.2	41	M30 x 2	56	124.0	62.0	6	930
EI 35 -2RS	EIL 35 -2RS	35	25	21.0	82	125	166.0	58	47.0	39.8	50	M36 x 3	60	144.0	80.0	6	1300
EI 40 -2RS	EIL 40 -2RS	40	28	23.0	92	142	188.0	65	52.0	45.0	55	M39 x 3	65	178.0	100.0	7	2000

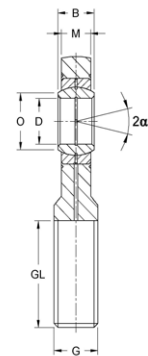
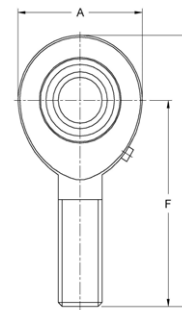
Note: Size 45,50,60,70 and 80mm units available on request. * Available with or without seals.

EA Type

- Steel on Steel
- Grease Fitting for Re-Lube
- Right & Left Hand-External Threads
- Suited for High Multi-directional Loads and Narrow Width

Housing: Sizes 6-10 turned from free-cutting steel to 9SMnPb28K, 12L13
 Sizes 12 and up forged from heat-treated steel to C45, Aisi1045

- Bearing:** Steel on steel bearing GE...E, requiring lubrication
- Size 20 and up available sealed from both sides (-2RS)
- Size 6-17 without grease fitting
- Size 20 and up with grease fitting
- Size 20,25 & 30 available with or without 2RS Seals
- Size 35 and larger all with 2RS Seals



Right Hand Part No.	Left Hand Part No.	Size D	Dimensions (mm)								Static Load C ₀ kN	Dynamic Load C kN	Max Speed RPM	Wt. g
			B	M	A	F	L	O	G	GL				
EA 6	EAL 6	6	6	4.4	20	36	46.0	8.0	M6 x 1	18	6.9	3.4	13	16
EA 8	EAL 8	8	8	6.0	24	42	54.0	10.2	M8 x 1.25	22	12.7	5.5	15	28
EA 10	EAL 10	10	9	7.0	28	48	62.0	13.2	M10 x 1.5	26	19.9	8.1	12	50
EA 12	EAL 12	12	10	8.0	34	54	71.0	14.9	M12 x 1.75	28	29.0	10.8	11	86
EA 15	EAL 15	15	12	10.0	40	63	83.0	18.4	M14 x 2	34	39.5	17.0	8	140
EA 16	EAL 16	16	14	11.0	46	69	92.0	20.7	M16 x 2	36	54.0	21.2	10	190
EA 17	EAL 17	17	14	11.0	46	69	92.0	20.7	M16 x 2	36	54.0	21.2	10	190
EA 20 (-2RS)*	EAL 20 (-2RS)*	20	16	13.0	53	78	104.5	24.2	M20 x 1.5	43	62.5	30.0	9	320
EA 25 (-2RS)*	EAL 25 (-2RS)*	25	20	17.0	64	94	126.0	29.3	M24 x 2	43	92.0	48.0	7	560
EA 30 (-2RS)*	EAL 30 (-2RS)*	30	22	19.0	73	110	146.5	34.2	M30 x 2	65	124.0	62.0	6	890
EA 35 -2RS	EAL 35 -2RS	35	25	21.0	82	140	181.0	39.8	M36 x 3	82	144.0	80.0	6	1400
EA 40 -2RS	EAL 40 -2RS	40	28	23.0	92	150	196.0	45.0	M39 x 3	86	178.0	100.0	7	1800

Note: Size 45,50,60,70 and 80mm units available on request. * Available with or without seals.

Metric Rod Ends

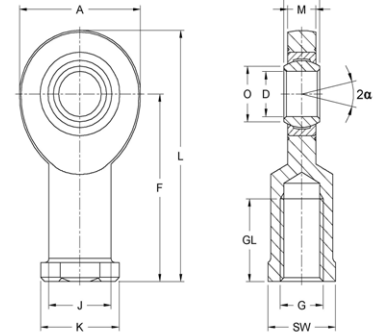
EI..D Type



- Steel-Zinc Plated
- Maintenance Free
- Right & Left Hand-Internal Threads
- Suited for High Uni-directional Loads and Narrow Width

Housing: Up to size 10 turned, from free-cutting steel to 9SMnPb28K, 12L13
From size 12 forged, from heat-treated steel to C45, Aisi 1045

Bearing: maintenance free steel / PTFE bearing GE...EC
From size 20 available sealed from both sides (-2RS)
From size 35 only available sealed from both sides (-2RS)
Size 20,25 & 30 available with or without 2RS Seals
Size 35 and larger all with 2RS Seals



Right Hand Part No.	Left Hand Part No.	Size D	Dimensions (mm)											Static Load C ₀ kN	Dynamic Load C kN	Max Speed RPM	Wt. g
			B	M	A	F	L	K	J	O	SW	G	GL				
EI 6 D	EIL 6 D	6	6	4.4	20	30	40.0	13	10.0	8.0	11	M6 x 1	12	10.3	3.6	13	21
EI 8 D	EIL 8 D	8	8	6.0	24	36	48.0	16	12.5	10.2	14	M8 x 1.25	16	15.8	5.8	15	38
EI 10 D	EIL 10 D	10	9	7.0	28	43	57.0	19	15.0	13.2	17	M10 x 1.5	20	23.4	8.6	12	60
EI 12 D	EIL 12 D	12	10	8.0	34	50	67.0	22	17.5	14.9	19	M12 x 1.75	23	31.0	11.5	11	96
EI 15 D	EIL 15 D	15	12	10.0	40	61	81.0	26	21.0	18.4	22	M14 x 2	29	42.5	17.5	8	180
EI 16 D	EIL 16 D	16	14	11.0	46	67	90.0	30	24.0	20.7	27	M16 x 2	33	54.5	22.5	10	220
EI 17 D	EIL 17 D	17	14	11.0	46	67	90.0	30	24.0	20.7	27	M16 x 2	33	54.5	22.5	10	220
EI 20 D (-2RS)*	EIL 20 D (-2RS)*	20	16	13.0	53	77	103.5	35	27.5	24.2	32	M20 x 1.5	40	62.5	31.5	9	350
EI 25 D (-2RS)*	EIL 25 D (-2RS)*	25	20	17.0	64	94	126.0	42	33.5	29.3	36	M24 x 2	48	92.0	51.0	7	640
EI 30 D (-2RS)*	EIL 30 D (-2RS)*	30	22	19.0	73	110	146.5	50	40.0	34.2	41	M30 x 2	56	124.0	66.0	6	930
EI 35 D	EIL 35 D	35	25	21.0	82	125	166.0	58	47.0	39.8	50	M36 x 3	60	144.0	140.0	6	1300
EI 40 D	EIL 40 D	40	28	23.0	92	142	188.0	65	52.0	45.0	55	M39 x 3	65	178.0	185.0	7	2000

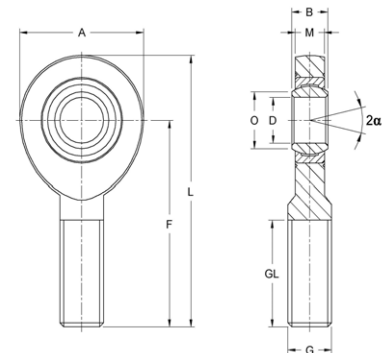
Note: Size 45,50,60,70 and 80mm units available on request. *Available with and without 2RS Seals

EA..D Type

- Steel-Zinc Plated
- Maintenance Free
- Right & Left Hand-External Threads
- Suited for High Uni-directional Loads and Narrow Width

Housing: Up to size 10 turned, from free-cutting steel to 9SMnPb28K, 12L13
From size 12 forged, from heat-treated steel to C45, Aisi 1045

Bearing: maintenance free steel / PTFE bearing GE...EC
From size 20 available sealed from both sides (-2RS)
From size 35 only available sealed from both sides (-2RS)
Size 20,25 & 30 available with or without 2RS Seals
Size 35 and larger all with 2RS Seals



Right Hand Part No.	Left Hand Part No.	Size D	Dimensions (mm)								Static Load C ₀ kN	Dynamic Load C kN	Max Speed RPM	Wt. g
			B	M	A	F	L	O	G	GL				
EA 6 D	EAL 6 D	6	6	4.4	20	36	46.0	8.0	M6	18	6.9	3.6	13	16
EA 8 D	EAL 8 D	8	8	6.0	24	42	54.0	10.2	M8 x 1.25	22	12.7	5.8	15	28
EA 10 D	EAL 10 D	10	9	7.0	28	48	62.0	13.2	M10 x 1.5	26	19.9	8.6	12	50
EA 12 D	EAL 12 D	12	10	8.0	34	54	71.0	14.9	M12 x 1.75	28	29.0	11.5	11	86
EA 15 D	EAL 15 D	15	12	10.0	40	63	83.0	18.4	M14 x 2	34	39.5	17.5	8	140
EA 16 D	EAL 16 D	16	14	11.0	46	69	92.0	20.7	M16 x 2	36	54.0	22.5	10	190
EA 17 D	EAL 17 D	17	14	11.0	46	69	92.0	20.7	M16 x 2	36	54.0	22.5	10	190
EA 20 D (-2RS)*	EAL 20 D (-2RS)*	20	16	13.0	53	78	104.5	24.2	M20 x 1.5	43	62.5	31.5	9	320
EA 25 D (-2RS)*	EAL 25 D (-2RS)*	25	20	17.0	64	94	126.0	29.3	M24 x 2	43	92.0	51.0	7	560
EA 30 D (-2RS)*	EAL 30 D (-2RS)*	30	22	19.0	73	110	146.5	34.2	M30 x 2	65	124.0	66.0	6	890
EA 35 D	EAL 35 D	35	25	21.0	82	140	181.0	39.8	M36 x 3	82	144.0	140.0	6	1400
EA 40 D	EAL 40 D	40	28	23.0	92	150	196.0	45.0	M39 x 3	86	178.0	185.0	7	1800

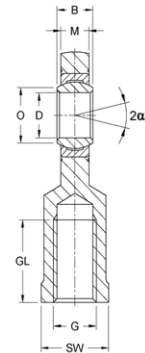
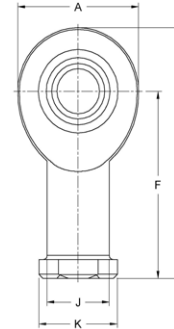
Note: Size 45,50,60,70 and 80mm units available on request. *Available with and without 2RS Seals.

Metric Rod Ends

EI..D SS Type



Stainless Steel
Maintenance Free
Right & Left Hand - Internal Threads
Suited for High Uni-directional Loads,
Corrosive Environments, Narrow Widths



Housing: Size 6 to 40 stainless steel to 1.4301, Aisi 304, forged, polished

Size 45 stainless steel to 1.4301, Aisi 304, turned

Size 50 stainless steel to 1.4571, Aisi 316Ti, turned

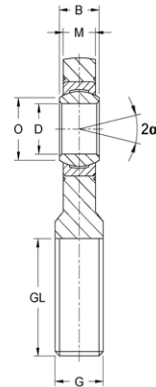
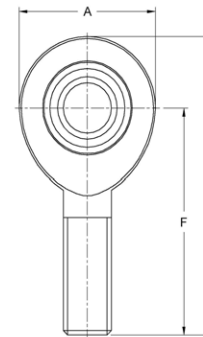
Bearing: Maintenance free stainless steel Spherical Plain Bearing GE..EC-NIRO

Right Hand Part No.	Left Hand Part No.	Size D	Dimensions (mm)											Static Load C _o kN	Dynamic Load C kN	Max Speed RPM	Wt. g
			B	M	A	F	L	K	J	O	SW	G	GL				
EI 6 D-SS	EIL 6 D-SS	6	6	4.4	20	30	40.0	13	10.0	8.0	11	M6 x 1	12	6.0	4	13	21
EI 8 D-SS	EIL 8 D-SS	8	8	6.0	24	36	48.0	16	12.5	10.2	14	M8 x 1.25	16	9.2	7	15	38
EI 10 D-SS	EIL 10 D-SS	10	9	7.0	28	43	57.0	19	15.0	13.2	17	M10 x 1.5	20	13.6	10	12	60
EI 12 D-SS	EIL 12 D-SS	12	10	8.0	34	50	67.0	22	17.5	14.9	19	M12 x 1.75	23	18.0	14	11	96
EI 15 D-SS	EIL 15 D-SS	15	12	10.0	40	61	81.0	26	21.0	18.4	22	M14 x 2	29	26.5	30	8	180
EI 16 D-SS	EIL 16 D-SS	16	14	11.0	46	67	90.0	30	24.0	20.7	27	M16 x 2	33	34.0	39	10	220
EI 17 D-SS	EIL 17 D-SS	17	14	11.0	46	67	90.0	30	24.0	20.7	27	M16 x 2	33	34.0	39	10	220
EI 20 D-SS	EIL 20 D-SS	20	16	13.0	53	77	103.5	35	27.5	24.2	32	M20 x 1.5	40	45.0	54	9	350
EI 25 D-SS	EIL 25 D-SS	25	20	17.0	64	94	126.0	42	33.5	29.3	36	M24 x 2	48	73.0	96	7	640
EI 30 D-SS	EIL 30 D-SS	30	22	19.0	73	110	146.5	50	40.0	34.2	41	M30 x 2	56	97.0	118	6	930
EI 35 D-SS	EIL 35 D-SS	35	25	21.0	82	125	166.0	58	47.0	39.8	50	M36 x 3	60	111.0	153	6	1300
EI 40 D-SS	EIL 40 D-SS	40	28	23.0	92	142	188.0	65	52.0	45.0	55	M39 x 3	65	135.0	190	7	2000

Note: Sizes 45, 50, 60, 70 and 80 available on request

EA..D SS Type

Stainless Steel
Maintenance Free
Right & Left Hand - External Threads
Suited for High Uni-directional Loads,
Corrosive Environments, Narrow Widths



Housing: Size 6 to 40 stainless steel to 1.4301, Aisi 304, forged, polished

Size 45 stainless steel to 1.4301, Aisi 304, turned

Size 50 stainless steel to 1.4571, Aisi 316Ti, turned

Bearing: Maintenance free stainless steel Spherical Plain Bearing GE..EC-NIRO

Right Hand Part No.	Left Hand Part No.	Size D	Dimensions (mm)								Static Load C _o kN	Dynamic Load C kN	Max Speed RPM	Wt. g
			B	M	A	F	L	O	G	GL				
EA 6 D-SS	EAL 6 D-SS	6	6	4.4	20	36	46.0	8.0	M6 x 1	18	4.0	4	13	16
EA 8 D-SS	EAL 8 D-SS	8	8	6.0	24	42	54.0	10.2	M8 x 1.25	22	7.4	7	15	28
EA 10 D-SS	EAL 10 D-SS	10	9	7.0	28	48	62.0	13.2	M10 x 1.5	26	11.6	10	12	50
EA 12 D-SS	EAL 12 D-SS	12	10	8.0	34	54	71.0	14.9	M12 x 1.75	28	17.0	14	11	86
EA 15 D-SS	EAL 15 D-SS	15	12	10.0	40	63	83.0	18.4	M14 x 2	34	23.0	30	8	140
EA 16 D-SS	EAL 16 D-SS	16	14	11.0	46	69	92.0	20.7	M16 x 2	36	31.5	39	10	190
EA 17 D-SS	EAL 17 D-SS	17	14	11.0	46	69	92.0	20.7	M16 x 2	36	31.5	39	10	190
EA 20 D-SS	EAL 20 D-SS	20	16	13.0	53	78	104.5	24.2	M20 x 1.5	43	45.0	54	9	320
EA 25 D-SS	EAL 25 D-SS	25	20	17.0	64	94	126.0	29.3	M24 x 2	43	73.0	96	7	560
EA 30 D-SS	EAL 30 D-SS	30	22	19.0	73	110	146.5	34.2	M30 x 2	65	97.0	118	6	890
EA 35 D-SS	EAL 35 D-SS	35	25	21.0	82	140	181.0	39.8	M36 x 3	82	111.0	153	6	1400
EA 40 D-SS	EAL 40 D-SS	40	28	23.0	92	150	196.0	45.0	M39 x 3	86	135.0	190	7	1800

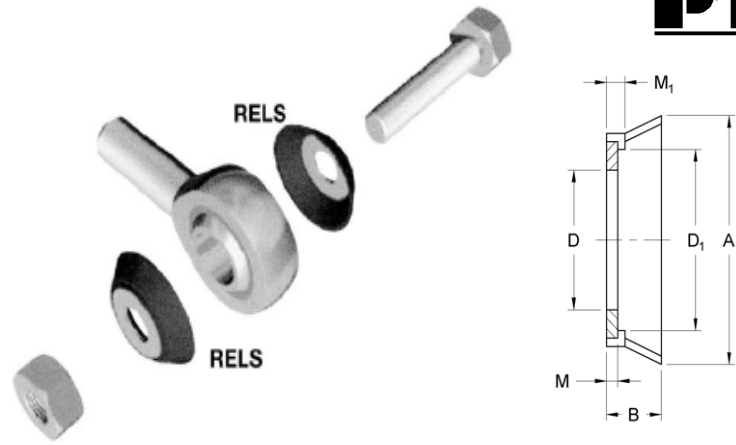
Note: Sizes 45, 50, 60, 70 and 80 available on request

Rod End Seals

RELS Series

Rubber Seals Vulcanized
to Stainless Steel Washer

Helps to prevent contamination of the bearing
Max temp 230°F (110°C)



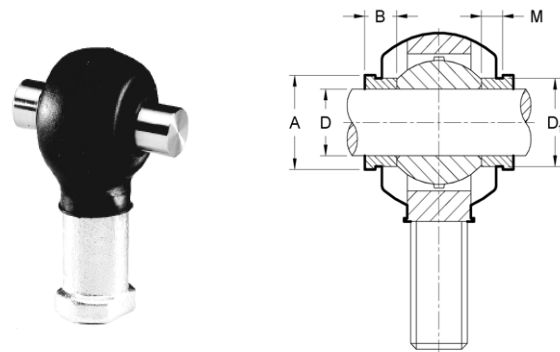
Washer Seal Part No.	Shaft Size mm	D	D1	B	M	M1	A
RELS 5	5	5.25	8.3	2.4	0.5	0.8	11.2
RELS 6	6	6.25	9.5	3.1	0.7	0.9	12.7
RELS 8	8	8.25	12.4	5.1	1.2	1.4	17.8
RELS 10	10	10.25	13.5	5.6	1.2	1.4	20.3
RELS 12	12	12.25	18.5	6.4	1.2	1.7	28.6
RELS 14	14	14.25	18.5	6.4	1.2	1.7	28.6
RELS 16	16	16.25	22.4	6.8	1.2	1.7	31.7
RELS 18	18	18.25	22.6	8.3	1.2	1.7	32.7
RELS 20	20	20.25	25.2	10.2	1.2	1.7	38.1
RELS 25	25	25.25	33.8	12.7	1.5	2.3	53.3
RELS 30	30	30.25	55.9	14.0	1.5	2.3	56.7

Note: Part number includes a pair, one for each side.

Rod End Protector Caps

RERS Series

Neoprene Protector Caps
Protects Against Dust & Chemicals
Temp Range -4°F to +248°F (-20°C to 120°C)
Easy Mounting with Retaining Ring Pliers



Rubber Protector Cap Part No.	Spacer Part No.	Rod End Size	D	D1	B	M	A
RERS 1	DR 6	6	6	8.7	6	4	11
RERS 1	DR 8	8	8	10.3	6	4	12
RERS 2	DR 10	10	10	12.5	6	4	14
RERS 2	DR 12	12	12	15.0	8	6	17
RERS 3	DR 14	14	14	16.8	8	6	19
RERS 3	DR 16	16	16	19.0	8	6	21
RERS 3	DR 18	18	18	21.8	8	6	25
RERS 4	DR 20	20	20	24.3	10	8	28
RERS 4	DR 22	22	22	25.7	10	8	29
RERS 4	DR 25	25	25	29.7	10	8	33
RERS 5	—	30	—	—	—	—	—
RERS 5	—	35	—	—	—	—	—

Metric Hydraulic Rod Ends



FPR..U Type

Steel-Zinc Plated

Regreasable

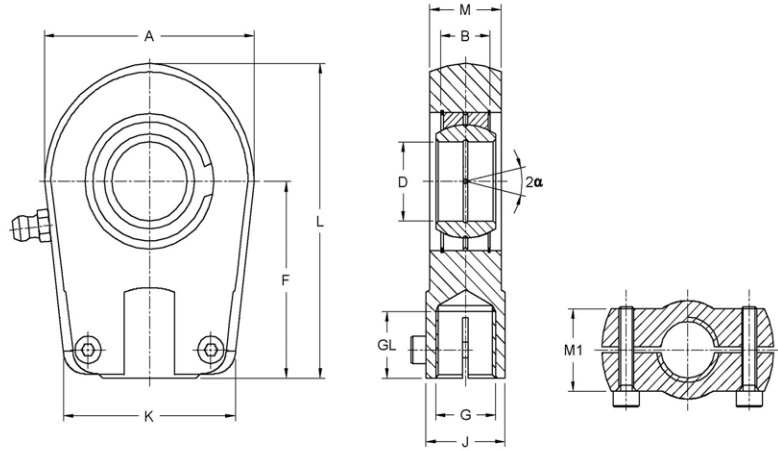
Right & Left Hand - Internal Threads

Suited for Short Relay Distance and Maximum Stroke

Housing: up to size 80 forged, C45, Aisi 1045

Housings 90 up from nodular cast iron GS 400

Bearing: steel on steel GE...E, requires lubrication



Dimensions in mm

Right Hand Part No.	Left Hand Part No.	Shaft Size D	Dimensions (mm)										Cap Screw Size	Cap Screw Torque Nm	Static Load C ₀ kN	Dynamic Load C kN	Pivoting Angle α°	Wt. kg
			B	M	M1	A	F	L	K	J	G	GL						
FPR20U	FPL20U	20	16	19	21	56	50	80.0	46	25	M16 x 1.5	17	M8 x 20	25	81.1	30	9	0.40
FPR25U	FPL25U	25	20	23	21	56	50	80.0	46	25	M16 x 1.5	17	M8 x 20	25	72.0	48	7	0.48
FPR30U	FPL30U	30	22	28	26	64	60	94.0	50	32	M22 x 1.5	23	M8 x 25	25	106.0	62	6	0.70
FPR35U	FPL35U	35	25	30	28	78	70	112.0	66	40	M28 x 1.5	29	M10 x 30	49	153.0	80	6	1.15
FPR40U	FPL40U	40	28	35	33	94	85	135.0	76	49	M35 x 1.5	36	M10 x 30	49	250.0	100	7	2.08
FPR50U	FPL50U	50	35	40	37	116	105	168.0	90	61	M45 x 1.5	46	M12 x 40	86	365.0	156	6	3.58
FPR60U	FPL60U	60	44	50	46	130	130	200.0	120	75	M58 x 1.5	59	M16 x 45	210	400.0	245	6	6.20
FPR70U	FPL70U	70	49	55	51	154	150	232.0	130	86	M65 x 1.5	66	M16 x 45	210	540.0	315	6	9.20
FPR80U	FPL80U	80	55	60	55	176	170	265.0	160	105	M80 x 2	81	M20 x 55	410	670.0	400	6	13.20
FPR90U	FPL90U	90	60	65	60	206	210	322.0	180	124	M100 x 2	101	M20 x 55	410	980.0	490	5	19.60
FPR100U	FPL100U	100	70	70	65	231	235	360.0	200	138	M110 x 2	111	M24 x 75	710	1120.0	610	7	26.31
FPR110U	FPL110U	110	70	80	74	265	265	407.5	220	152	M120 x 3	125	M24 x 75	710	1700.0	655	6	39.20
FPR120U	FPL120U	120	85	90	84	340	310	490.0	257	172	M130 x 3	135	M24 x 75	710	2900.0	950	6	78.00

Other Custom Types



FPR..N Type
(Hydraulic)



FS..C Type
(Weld-On)



FS..N Type
(Weld-On)



GXSW Type
(with Custom Link)

Spherical Plain Bearing

GE..EC (2RS) Type



Steel on PTFE Teflon Liner

Normal Duty

Maintenance Free

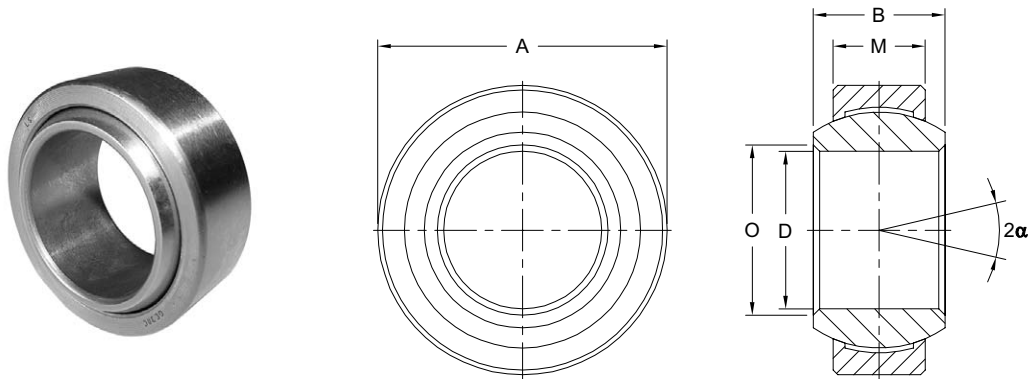
Suited for High Uni-directional Loads

Insert: Bearing steel 100Cr6, Aisi 52100, PTFE Teflon liner, bonded to the inner surface

Size 15 and up available sealed from both sides (-2RS)

from size 55 only sealed from both sides (-2RS)

Ball: Bearing steel to 100Cr6, Aisi 52100, hardened, ground, polished, hard chrome plated



Part No.	Dimensions (mm)							Static Load C ₀ kN	Static Load C ₀ kN (2RS)	Dynamic Load C kN	Dynamic Load C kN (2RS)	Misalignment Angle	Wt. g	
	Size (D)	B	M	A		O	dK							
GE 4 EC	4	0-0.008	5	3	12	0-0.008	6.0	8.0	5.4	—	2.1	—	16	3
GE 5 EC	5	0-0.008	6	4	14	0-0.008	8.0	10.0	9.1	—	3.6	—	13	4
GE 6 EC	6	0-0.008	6	4	14	0-0.008	8.0	10.0	9.1	—	3.6	—	13	4
GE 8 EC	8	0-0.008	8	5	16	0-0.008	10.2	13.0	14.0	—	5.8	—	15	7
GE 10 EC	10	0-0.008	9	6	19	0-0.009	13.2	16.0	21.0	—	8.6	—	12	11
GE 12 EC	12	0-0.008	10	7	22	0-0.009	14.9	18.0	28.0	—	11.0	—	11	17
GE 15 EC	15	0-0.008	12	9	26	0-0.009	18.4	22.0	45.0	59	18.0	17.5	8	26
GE 16 EC	16	0-0.008	14	10	30	0-0.009	20.7	25.0	56.0	56	22.0	22.5	10	40
GE 17 EC	17	0-0.008	14	10	30	0-0.009	20.7	25.0	56.0	75	22.0	22.5	10	40
GE 20 EC	20	0-0.010	16	12	35	0-0.011	24.1	29.0	78.0	104	31.0	31.5	9	64
GE 25 EC	25	0-0.010	20	16	42	0-0.011	29.3	35.5	127.0	204	51.0	51.0	7	115
GE 30 EC	30	0-0.010	22	18	47	0-0.011	34.2	40.7	166.0	263	65.0	66.0	6	149
GE 35 EC	35	0-0.012	25	20	55	0-0.013	39.7	47.0	211.0	338	84.0	140.0	6	228
GE 40 EC	40	0-0.012	28	22	62	0-0.013	45.0	53.0	262.0	419	104.0	185.0	7	318
GE 45 EC	45	0-0.012	32	25	68	0-0.013	50.7	60.0	337.0	540	135.0	240.0	7	421
GE 50 EC	50	0-0.012	35	28	75	0-0.013	55.9	66.0	415.0	665	166.0	295.0	6	562
GE 60 EC	60	0-0.015	44	36	90	0-0.015	66.8	80.0	—	1030	—	460.0	6	1030
GE 70 EC	70	0-0.015	49	40	105	0-0.015	77.8	92.0	—	1320	—	590.0	6	1570
GE 80 EC	80	0-0.015	55	45	120	0-0.015	89.4	105.0	—	1700	—	750.0	6	2320
GE 90 EC	90	0-0.020	60	50	130	0-0.018	98.1	115.0	—	2070	—	920.0	5	2790

Note: Larger sizes available on request.

Metric Rod Ends

Inquiry Template



Fax to:

704-588-5738

P.T. International Corp.

Attn: _____

From: _____

Company: _____

Phone: _____

Comments: _____

	<p>Please indicate: <input type="checkbox"/> Form A <input type="checkbox"/> Form B</p>		
	<table style="width: 100%; border: none;"> <tr> <td style="width: 50%; border: none;"> <p>with incorporated Spherical Type: _____ Head Width M = _____ mm, Ball Width B = _____ mm Thread Length GL = _____ mm, Thread G = _____</p> </td> <td style="width: 50%; border: none;"> <p>Material Ball: _____ Material Outer Ring: _____ Maintenance free: Yes <input type="checkbox"/> No <input type="checkbox"/></p> </td> </tr> </table>	<p>with incorporated Spherical Type: _____ Head Width M = _____ mm, Ball Width B = _____ mm Thread Length GL = _____ mm, Thread G = _____</p>	<p>Material Ball: _____ Material Outer Ring: _____ Maintenance free: Yes <input type="checkbox"/> No <input type="checkbox"/></p>
<p>with incorporated Spherical Type: _____ Head Width M = _____ mm, Ball Width B = _____ mm Thread Length GL = _____ mm, Thread G = _____</p>	<p>Material Ball: _____ Material Outer Ring: _____ Maintenance free: Yes <input type="checkbox"/> No <input type="checkbox"/></p>		

Nomenclature:

Female Thread: The letter **I** is the second letter in the product reference e.g. GI or EI

Male Thread: The letter **A** is the second letter in the product reference e.g. GA or EA

Left Hand Thread: The letter **L** is the third place in the product reference e.g. GAL or EAL

Non-Standard Thread: Bearing reference with additional thread specification e.g. GISW 30, **M 27x2**

Stainless Steel Ball: The letter **R** will be added after size reference e.g. GIRSW 10 **R**, GXSW 10 **R**, stainless version

Completely Stainless: The letters **SS** will be added after size reference e.g. GE 10 EC-**SS** or EI 16 D-**SS**

Ball Hard Chrome Plated: **ICR** will be added after size reference e.g. GASW 10 **ICR**

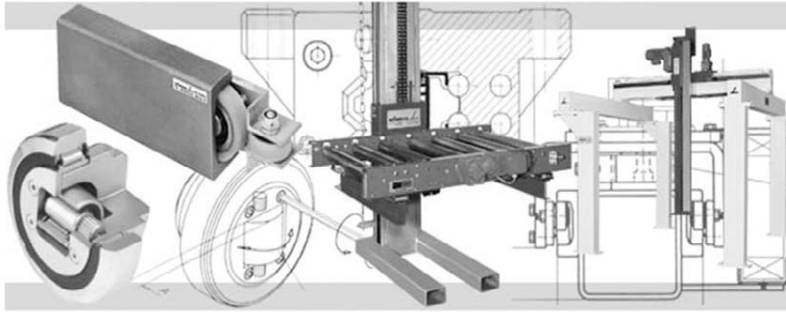
Seals: **-2RS** will be added after size reference e.g. GISW 10-**2RS**

Threaded Bolt: **Bo** will be added after size reference e.g. GISW 10 **Bo**

Nickel Plated Housing: **NI** will be added after size reference e.g. GISW 14 **NI** (improved corrosion resistance for the housing)

Left Hand Thread for Hydraulic Rod Ends: The letter **L** will be added at the third place replacing the letter R e.g. **FPL...N**

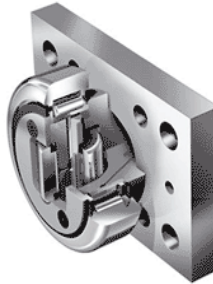
Winkel Profile Rail & Combined Bearings for Heavy Duty Linear Control of Systems



C-Channel and I-Beam Profiles including stainless steel available in custom lengths.



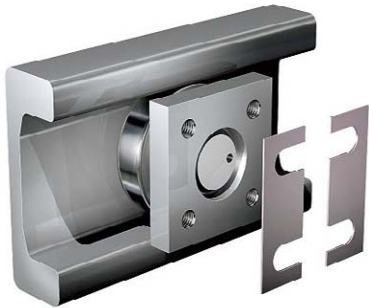
Combined Bearings - Fixed, Adjustable & High Temperature versions standard.



Flange plates standard for all Combined Bearings for easy mounting.



Heavy Duty Combined Bearings for harsh environments, sealed.



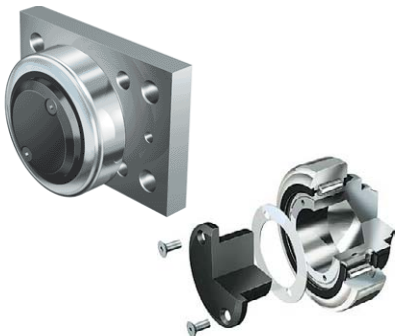
Square Flange Plates and axial adjustment shims are standard.



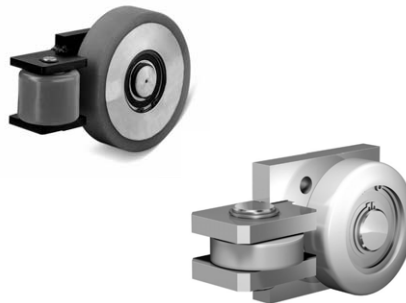
Linear motion-multi axis options.



Gears and Racks for system drive control of linear motion.



Oilamide Combined Bearings for high axial thrust loads & Shim adjustable.



Vulkollan, Polyamide and Stainless Steel units for high speed, quiet and corrosion resistance.



Jumbo Combined Bearings (large diameter) and radial adjusting units.

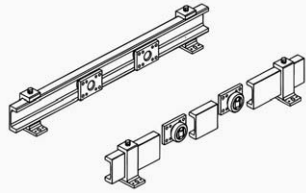
WINKEL Combined Bearings & Profiles



Winkel Combined Bearings and Profiles control linear motion. They are heavy duty units and can be used for precision control as well. Combined Bearings fit precisely into channels, minimize components, guide linear movement and handle both radial and thrust loads at the same time. Only four bearings



are normally required for a typical single stage linear system. Multiple bearings and profiles can be used for more sophisticated movement in multiple axis or for telescoping designs. A diverse range of bearings will cover a wide load range capability. Different bearing types and features accommodate design or system requirements including varying radial or axial loads, temperature ranges, preciseness or control aspects, speed changes, quietness, and corrosion resistance. Special Profiles (channels) can also be fabricated or machined for specialized control or even thru curves.



The Profile size is an important design consideration in the selection process. Once the system loads are known, the appropriate Profile size can be determined and then the proper bearing can be selected. The selection process is described in the following pages. PTI stocks 14 standard Profile sizes typically in 6 meter lengths. Longer lengths can be provided on request.

The Profile size is an important design consideration in the selection process. Once the system loads are known, the appropriate Profile size can be determined and then the proper bearing can be selected. The selection process is described in the following pages. PTI stocks 14 standard Profile sizes typically in 6 meter lengths. Longer lengths can be provided on request.

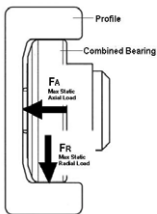


Bearings with Vulkollan or Polyamide coated steel or stainless bearings can allow quiet high speed solutions. All are offered as bearing only or with mounting flanges for easy installation and removal.

Jumbo Combined bearings and fabricated Profiles take load capabilities to new levels. The large units with OD's to 280mm have static ratings of 625kN (140,000 Lbs) and are very capable in tough environments. Fabricated Profiles can be provided to suit the desired length.



Precision control is accomplished by machining the Profiles and installing a slightly larger bearing outer race (PR Combined Bearings) to fit the profile more precisely (reduced clearance between the bearing and profile) than standard units. PR Profiles and custom length profiles can be offered machined up to 50 feet long in one set up. This precision machining of the profile (machined bearing surfaces and mounting surfaces) without multiple set ups provides the precise control.

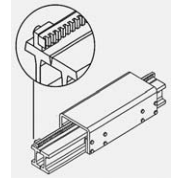


The Combined Bearings generally have more load capacity than the standard profiles. A single Combined Bearing can handle both radial and axial thrust loads as indicated in the schematic.

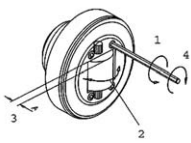
Bearings are stocked with and without flanges. Flanges provide a simple mounting means, a consideration for assembly and maintenance. Bearings can also be welded directly into the equipment for a consolidated fit. Several flange options are standard and include clearance and threaded mounting holes. High Temp Combined Bearings are also available.



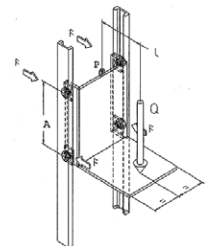
Combined Bearings and Profiles can be integrated with existing systems and control can be assisted with our gear and rack products. PTI stocks a wide variety of inch and metric PT products to support and control the system.



Bearing versions that offer adjustment means can provide both radial and axial adjustment to accommodate variations within the channel alignment. Therefore fixed bearings and adjustable bearings may be utilized on the same system. Shims behind flange plates provide even more adjustment capability. The following pages will describe the different choices.



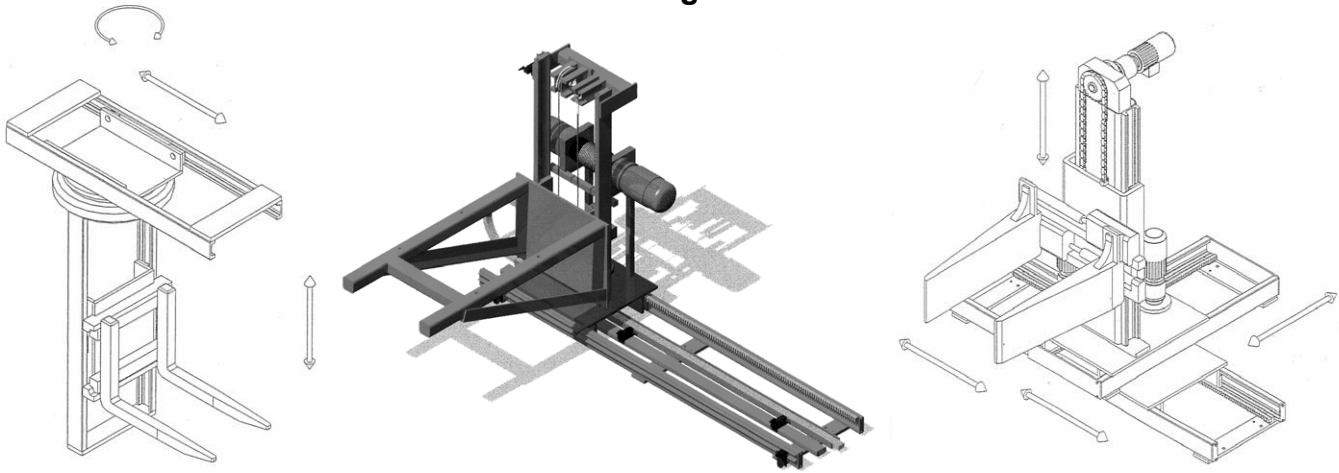
PTI can assist with recommendations or suggestions, and review product choices to optimize your system. The Winkel Combined Bearing and Profile system utilizes fewer components and is easier to install than the typical cam follower arrangements. This simple to install system yields a low cost solution to heavy duty linear motion.



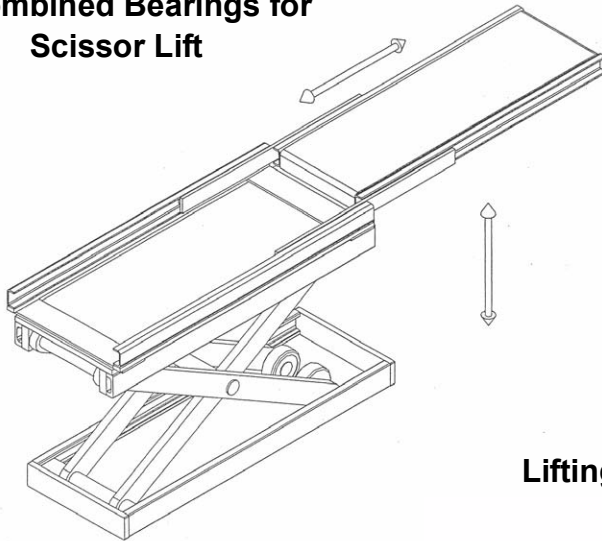
CAD drawings are readily available and can be down loaded at www.winkel.de.

Typical Applications

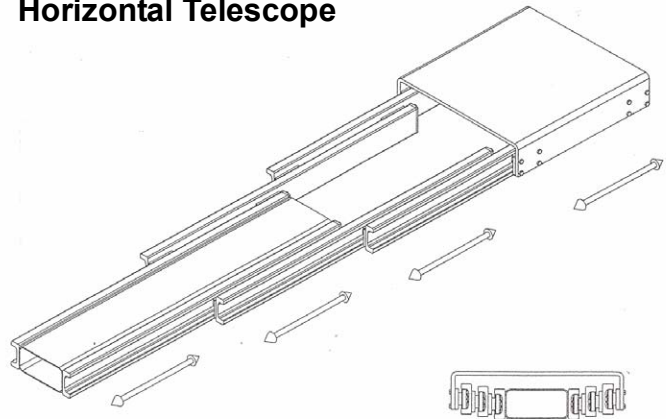
Multiaxis Handling Unit



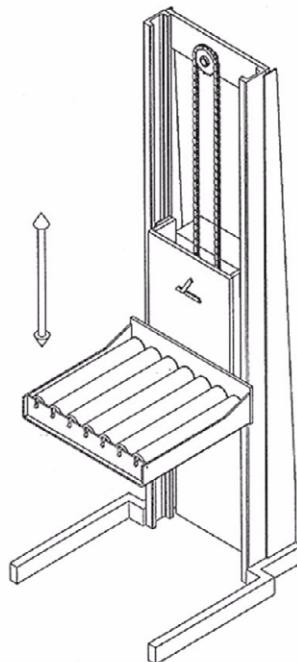
Combined Bearings for Scissor Lift



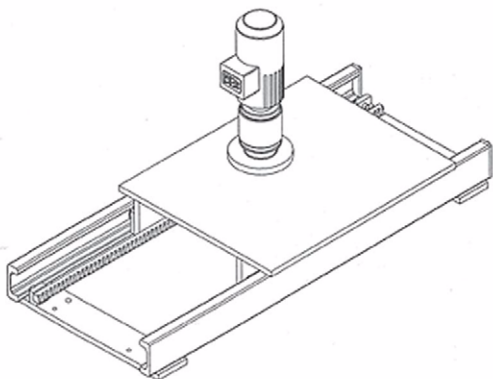
Horizontal Telescope



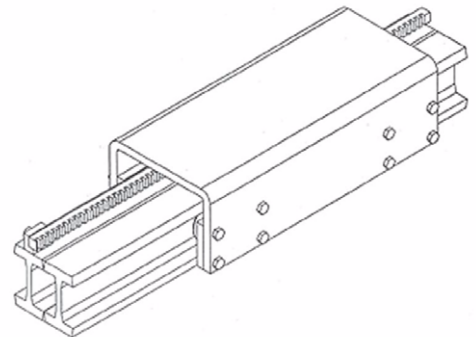
Lifting Mechanism



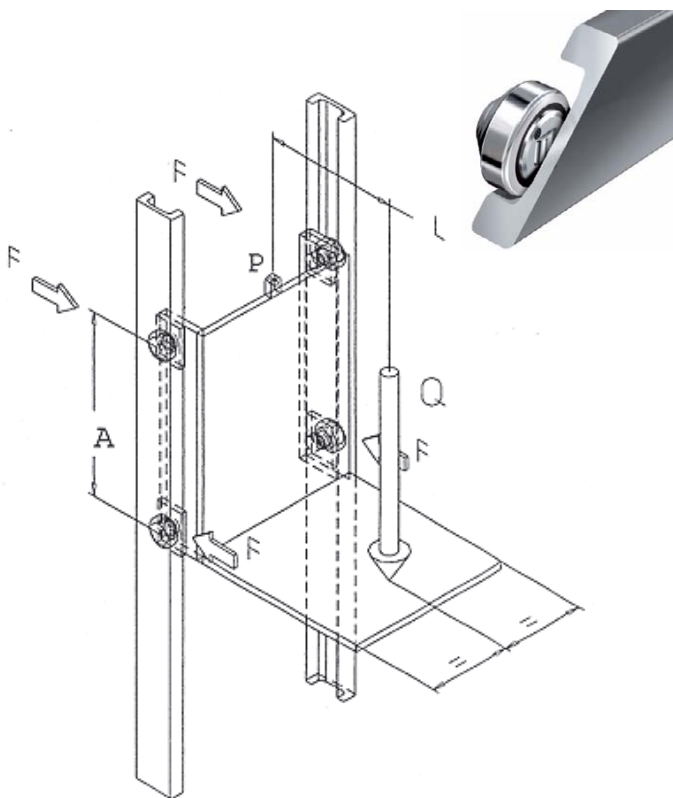
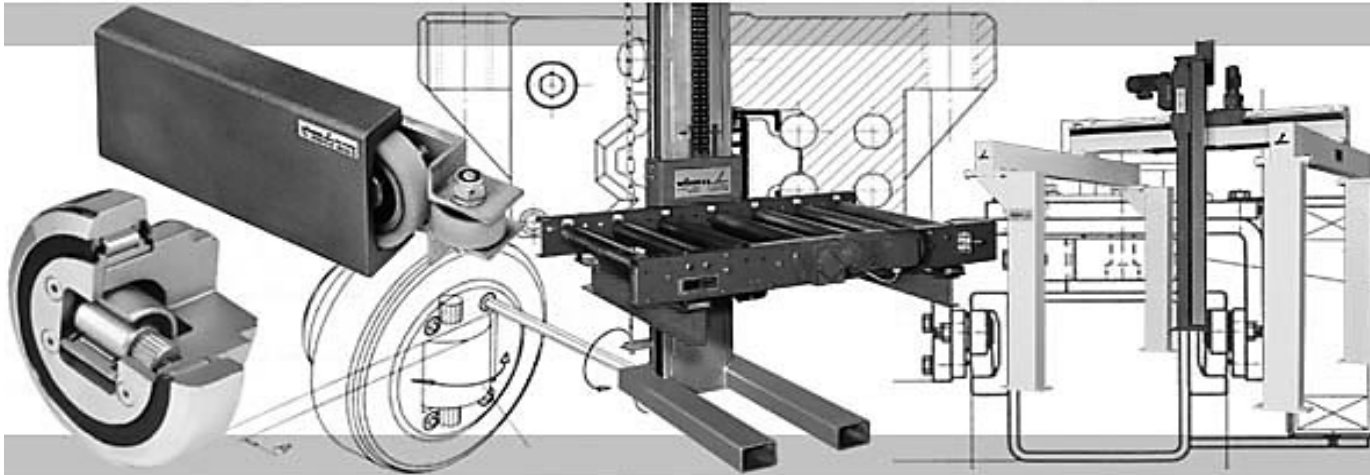
Rack and Pinion Drive



Gear Rack Mechanism



The Economical Solution for Vertical and Horizontal Linear Motion



Advantages of Combined Bearing Systems

- Combined Bearings simplify the system design
- Accomodates radial and axial loads within a single bearing
- Strong profiles for heavy static and dynamic loads
- Economical assembly
- Cylindrical Roller Bearings for heavy load, long life
- Bearings can be easily replaced

Technical Characteristics

- Outer rings are case-hardened steel
UNI 16 CrNi 4 hardened to 62 + 2HRC
- Inner rings are SAE 52100 bearing steel
hardened to 62-2 HRC
- Cylindrical rollers with flat ground heads, from
SAE 52100 steel, hardened at 59-64 HRC
- Bearing Stud Extension is made from C22E
- Bearing sizes W-4.054 thru W-4.063 can be relubed
- Bearings are lubricated with #3 NLGI grease
(e.g. Shell Alvania 3, Esso Beacon 3)

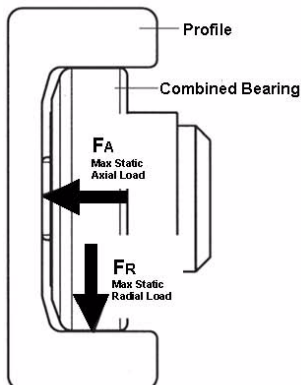
Calculation of the Bearing Forces (F)

$$F_{\text{max}} [\text{N}] = \frac{Q \cdot L}{2 \cdot A}$$

Q = Load Capacity (N)
 L = Load Distance to Suspension Point (mm)
 P = Suspension Point
 A = Bearing Distance (mm)
 Recommended 500-1000mm

Selection Procedure

Profiles (Channels) and Combined Bearings are typically used together. The Profile size must be selected first, based on the max Static Radial or Axial load limits of the profile as indicated in the sketch at the left. The bearing ratings are also listed for each type on the following pages. The bearing ratings are higher than the matching profile. The bearing ratings can be used to determine bearing life via the normal bearing formulas. Consult PTI for bearing choice if using fabricated steel or hardened surfaces.



Please take any application shock loads into consideration as additional load factors when selecting profiles. As an example, without shock loads, use a Service Factor of 1.0 x the load. For moderate shock, multiply the calculated load by 2.0, and for heavy shock loads, multiply the calculated load by 3.0. These Service Factors are intended as a guide. Once the profile size is determined based on the Profile load capacity in the shaded area of the chart to the right, the bearing can be chosen to fit the profile.

Selection Procedure (continued)

Bearings shown below are for a general guide. All are available with and without flange plates for easy mounting. Bearings with rectangular and square welded flange plates are both standard stock assemblies. Details are listed on each bearing page.

Mounting accessories are also available including shims or washers for axial adjustment of the bearing system. Clamp flanges can provide simple mounting of the profiles. Profiles can be cut to length and are clean (sand blasted) and ready to install and/or paint. It is not recommended to paint load bearing surfaces, but rather lightly coat with grease or oil.



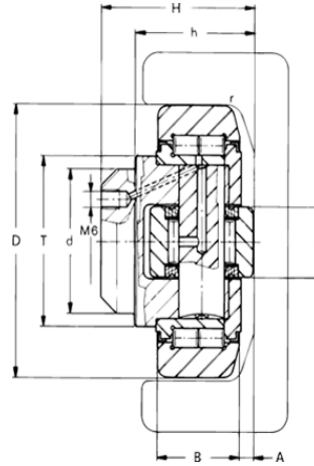
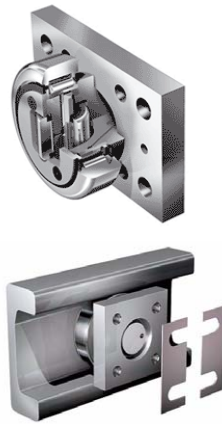
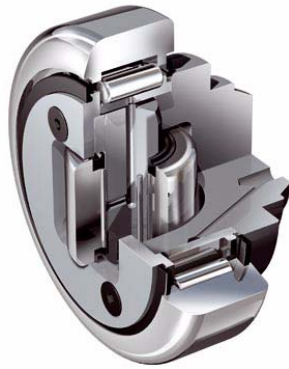
Standard Profile & Bearings

Profile – Load Ratings						Standard Bearings for Profiles							
Profile Size		F _R kN Max Static Radial		F _A kN Max Static Axial		Combined Brg with Fixed Axial	Combined Brg Eccentric Adjustable Axial	Combined Brg Adjustable with Shims	Radial Brg	Combined Brg with Oilamide Insert	Heavy Duty Combined Brg Unit	Adjustable Combined Brg Unit	Combined Brg with Threaded Stud
C-Profile	I-Profile	C-Profile	I-Profile	C-Profile	I-Profile								
A	—	0.80	—	0.40	—	—	—	—	—	W-4.052 P	—	—	—
S	—	5.23	—	1.68	—	W-4.053	—	—	—	—	—	—	—
0 Nb	—	9.40	—	3.10	—	W-4.054	W-4.454	W-4.072	W-2.054	W-4.072P	W-3.054	W-JC4.054	W-KB 4.072
1 Nb	3018	11.30	11.30	3.73	3.73	W-4.055	W-4.455	W-4.073	W-2.055	W-4.073P	W-3.055	W-JC4.055	W-KB 4.073
2 Nb	—	11.72	—	3.87	—	W-4.056	W-4.456	W-4.074	W-2.056	W-4.074P	W-3.056	W-JC4.056	W-KB 4.074
—	3019	—	11.72	—	3.87	W-4.057	W-4.457	W-4.075	—	—	—	—	—
3 Nb	3020	20.47	20.47	6.76	6.76	W-4.058	W-4.458	W-4.076	W-2.058	W-4.076P	W-3.058	W-JC4.058	W-KB 4.076
—	2912	—	20.11	—	6.70	W-4.059	W-4.459	W-4.077	—	—	—	—	—
—	3100	—	21.68	—	7.16	W-4.060	W-4.460	W-4.078	—	—	—	—	—
4 Nb	—	21.68	—	7.16	—	W-4.061	W-4.461	W-4.0784	W-2.061	W-4.0784P	W-3.061	W-JC4.061	W-KB 4.0784
5 Nb	3353	30.92	24.7	10.20	10.2	W-4.062	W-4.462	W-4.079	W-2.062	W-4.079P	W-3.062	W-JC4.062	W-KB 4.079
6 Nb	—	54.02	—	17.80	—	W-4.063	W-4.463	—	W-2.063	W-4.080P	W-3.063	W-JC4.063	—
6 Nb	—	37.81	—	17.80	—	—	—	W-4.080	—	—	—	—	W-KB4.080
8 Nb	—	64.70	—	19.40	—	—	W-4.085	—	—	W-4.085P	—	—	—
—	10	—	41.71	—	13.91	—	W-4.089	—	—	—	—	—	—
—	16	—	58.00	—	19.40	—	W-4.090	—	—	—	—	—	—
—	18	—	84.00	—	28.00	—	W-4.091	—	—	—	—	—	—
—	28	—	101.50	—	33.90	—	W-4.092	—	—	—	—	—	—
—	36	—	139.40	—	46.50	—	W-4.093	—	—	—	—	—	—

Profile vs. Bearing Ratings – Example

Profile Size		Max Radial Load Capacity of Profile F _R kN		Combined Fixed Axial Part No.	Radial Load Ratings of Fixed Bearing		Axial Load Ratings of Fixed Bearing		RPM max	Welded Flange Plates for Bearings
C-Profile	I-Profile	C-Profile	I-Profile		Dynamic Load Capacity of Radial Brg C kN	Static Load Capacity of Radial Brg C _O kN	Dynamic Load Capacity of Axial Brg C _A kN	Static Load Capacity of Axial Brg C _{AO} kN		
A	—	0.80	—	W-4.052P	10	5.7	—	—	800	
S	—	5.23	—	W-4.053	24	32	7	7	800	
0 Nb	—	9.40	—	W-4.054	31	35.5	11	11	900	
1 Nb	3018	11.30	11.30	W-4.055	45.5	51	13	14	900	
2 Nb	—	11.72	—	W-4.056	48	56.8	18	18	800	
—	3019	—	11.72	W-4.057	48	56.8	18	18	800	
3 Nb	3020	20.47	20.47	W-4.058	68	72	23	23	750	
—	2912	—	20.11	W-4.059	73	82	25	27	700	
—	3100	—	21.68	W-4.060	81	95	31	36	650	
4 Nb	—	21.68	—	W-4.061	81	95	31	36	650	
5 Nb	3353	30.92	24.7	W-4.062	110	132	43	50	550	
6 Nb	—	54.02	—	W-4.063	151	192	68	71	450	
8 Nb	—	76.0	—	W-4.085	207	243	73	83	100	

Fixed Axial Bearing



High Temp Units Available on Request

Standard Fixed Axial Bearing

Relubrication for sizes 4.055 thru 4.063

Bearing only Part No.	Bearing with Rectangular Flange Plate Part No.	Bearing with Square Flange Plate Part No.	Dimensions										Brg Wt. kg	Profile Part No.
			A mm	B mm	d (-0.05mm)	D* mm	h mm	H mm	r mm	S mm	T mm	RPM max		
W-4.053	W-4.053/APS	W-4.053/APS-Q	5	17	30	52.5	27	33	2	15	40	800	0.46	W-S
W-4.054	W-4.054/AP0	W-4.054/AP0-Q	2.5	20	30	62.5	30.5	37.5	3	20	42	900	0.53	W-0 Nb
W-4.055	W-4.055/AP1	W-4.055/AP1-Q	2.5	23	35	70.1	36	44	4	22	48	900	0.80	W-1 Nb W-3018
W-4.056	W-4.056/AP2	W-4.056/AP2-Q	3	23	40	77.7	36.5	48	4	26	54	800	1.00	W-2 Nb
W-4.057	**	**	3	23	40	77.7	29	40	4	26	53	800	0.87	W-3019
W-4.058	W-4.058/AP3.1	W-4.058/AP3-Q	3.5	30	45	88.4	44	57	3	26	59	750	1.62	W-3 Nb W-3020
W-4.059	**	**	3	28	50	101.2	33	46	3	30	67	700	1.74	W-2912
W-4.060	**	**	3	31	55	107.7	39	53	5	34	71	650	2.27	W-3100
W-4.061	W-4.061/AP4	W-4.061/AP4-Q	4	31	60	107.7	55	69	5	34	71	650	2.82	W-4 Nb
W-4.062	W-4.062/AP4	W-4.062/AP4-Q	5	37	60	123	56	72.3	5	40	80	550	3.89	W-5 Nb W-3353
W-4.063	W-4.063/AP6	W-4.063/AP6-Q	5.5	43	60	149	58.5	78.5	3	50	103	450	6.52	W-6 Nb

Profile & Bearing Load Ratings

CAD Drawing Download: www.winkel.de

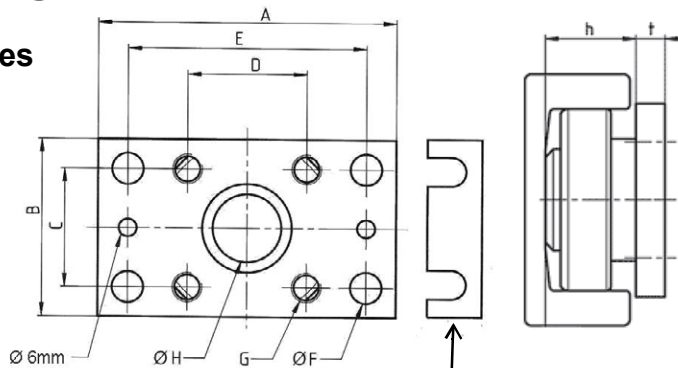
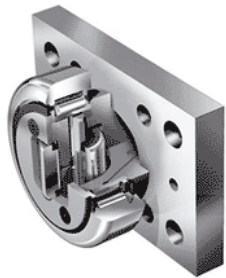
Bearing only Part No.	Profile		Max Static Radial Load on Profile F_R kN		Max Static Axial Load on Profile F_A kN		Dynamic Load Capacity of Radial Brg C kN	Static Load Capacity of Radial Brg C_0 kN	Dynamic Load Capacity of Axial Brg C_A kN	Static Load Capacity of Axial Brg C_{0A} kN
	C-Profile	I-Profile	C-Profile	I-Profile	C-Profile	I-Profile				
W-4.053	S	—	5.23	—	1.68	—	24.0	32.0	7	7
W-4.054	0 Nb	—	9.40	—	3.10	—	31.0	35.5	11	11
W-4.055	1 Nb	3018	11.30	11.30	3.73	3.73	45.5	51.0	13	14
W-4.056	2 Nb	—	11.72	—	3.87	—	48.0	56.8	18	18
W-4.057	—	3019	—	11.72	—	3.87	48.0	56.8	18	18
W-4.058	3 Nb	3020	20.47	20.47	6.76	6.76	68.0	72.0	23	23
W-4.059	—	2912	—	20.11	—	6.70	73.0	82.0	25	27
W-4.060	—	3100	—	21.68	—	7.16	81.0	95.0	31	36
W-4.061	4 Nb	—	21.68	—	7.16	—	81.0	95.0	31	36
W-4.062	5 Nb	3353	30.92	24.70	10.20	10.20	110.0	132.0	43	50
W-4.063	6 Nb	—	54.02	—	17.80	—	151.0	192.0	68	71

Note: * OD has a slight crown to accommodate misalignments. ** Flange Plates available on request. Bearings with 2RS Seals.

■ These sizes available in stainless (INOX), ratings will be lower.

Fixed Axial Bearing

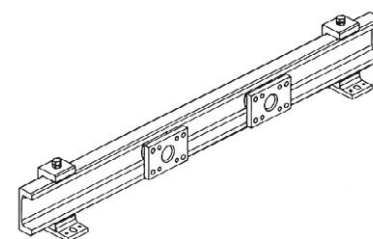
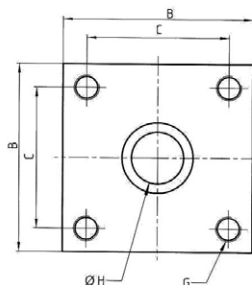
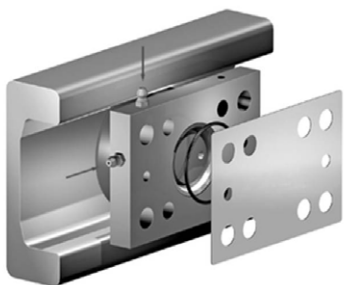
Rectangular Flange Plates



Square Flange Plates

Adjustment Shim

Clamp Flange



Optional Flange Plates with Re-Lube Feature

Flange Plate Detail

Bearing with Rectangular Flange Plate Part No.	Bearing with Square Flange Plate Part No.	Dimensions										Flange Plate Only	
		A mm	B mm	C mm	D mm	E mm	ØF mm	G	ØH mm	h mm	t mm	Rectangular Part No.	Square Part No.
W-4.053/APS	W-4.053/APS-Q	90	50	30	40	70	8.5	M8	30	27.0	10	W-APS	W-APS-Q
W-4.054/AP0	W-4.054/AP0-Q	100	60	40	40	80	10.5	M10	30	30.5	10	W-AP0	W-AP0-Q
W-4.055/AP1	W-4.055/AP1-Q	120	80	50	50	90	12.5	M12	35	36.0	15	W-AP1	W-AP1-Q
W-4.056/AP2	W-4.056/AP2-Q	120	80	50	50	90	12.5	M12	40	36.5	15	W-AP2	W-AP2-Q
W-4.058/AP3.1	—	160	100	60	60	120	17.0	M16	45	44.0	20	W-AP3.1	—
—	W-4.058/AP3-Q	—	120	90	—	—	—	M16	45	44.0	20	—	W-AP3-Q
W-4.061/AP4	W-4.061/AP4-Q	180	120	80	80	140	17.0	M16	60	55.0	20	W-AP4	W-AP4-Q
W-4.062/AP4	W-4.062/AP4-Q	180	120	80	80	140	17.0	M16	60	56.0	20	W-AP4	W-AP4-Q
W-4.063/AP6	W-4.063/AP6-Q	200	150	100	100	160	17.0	M16	60	58.5	20	W-AP6	W-AP6-Q

Adjustment Shims for Flange Bearings

Bearing Size	0.5 mm Shim Part No.	1.0 mm Shim Part No.
W-4.053	W-DS-S-0.5	W-DS-S-1.0
W-4.054	W-DS-0-0.5	W-DS-0-1.0
W-4.055	W-DS-1-0.5	W-DS-1-1.0
W-4.056	W-DS-2-0.5	W-DS-2-1.0
W-4.058	W-DS-3-0.5	W-DS-3-1.0
W-4.061	W-DS-4-0.5	W-DS-4-1.0
W-4.062	W-DS-4-0.5	W-DS-4-1.0
W-4.063	W-DS-6-0.5	W-DS-6-1.0

Clamp Flanges for Mounting Profile

Part No.	Profile Size
W-KF S	S
W-KF 0	0Nb
W-KF 1	1Nb
W-KF 2	2Nb
W-KF 3	3Nb
W-KF 4	4Nb

See Clamp Flange Section for Dimensions

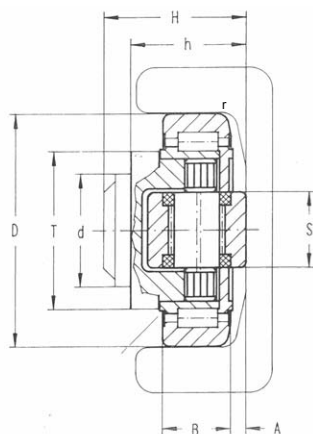
Precision Fixed Axial Bearings for Precision Profile

Bearing Only Part No. *	Bearing with Rectangular Flange Part No.	Bearing with Square Flange Part No.	D Bearing OD	Profile Size
W-PR4.054	W-PR4.054/AP0	W-PR4.054/AP0-Q	64.8	W-PR0Nb
W-PR4.055	W-PR4.055/AP1	W-PR4.055/AP1-Q	73.8	W-PR1Nb
W-PR4.056	W-PR4.056/AP2	W-PR4.056/AP2-Q	81.8	W-PR2Nb
W-PR4.058	W-PR4.058/AP3.1	W-PR4.058/AP3-Q	92.8	W-PR3Nb
W-PR4.061	W-PR4.061/AP4	W-PR4.061/AP4-Q	111.8	W-PR4Nb
W-PR4.062	W-PR4.062/AP4	W-PR4.062/AP4-Q	127.8	W-PR5Nb
W-PR4.063	W-PR4.063/AP6	W-PR4.063/AP6-Q	153.8	W-PR6Nb

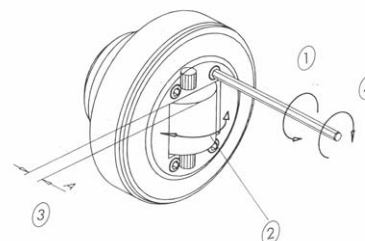
Note: * PR Bearing Load Ratings & Profile Ratings are the same as standard units.

WINKEL Combined Bearings

Adjustable Eccentric Axial Bearing



Adjusting The Eccentric Axial Bearing
Size W-4.455 thru W-4.463. All with 2RS Seals.



1. Loosen screws.
2. Turn axial bearing (eccentric axial will be turned).
3. Check distance A and Repeat Step 2 as needed.
4. Retighten screws.

Special Stud Extensions available on request.
Bearings are lubricated for life

Standard Adjustable Eccentric Axial Bearing

Bearing only Part No.	Bearing with Rectangular Flange Part No.	Bearing with Square Flange Part No.	Dimensions										Wt. kg	Profile Part No.
			A mm	B mm	d (-0.05mm)	D* mm	h mm	H mm	r mm	S mm	T mm	RPM max		
W-4.454	W-4.454/AP0	W-4.454/AP0-Q	4-5.5	20.0	30	62.5	30.5-32	37.5-39	3	20	42	900	0.53	W-0Nb
W-4.455	W-4.455/AP1	W-4.455/AP1-Q	4-5.5	23.0	35	70.1	36-37.5	44-45.5	4	20	48	800	0.80	W-1Nb W-3018
W-4.456	W-4.456/AP2	W-4.456/AP2-Q	3.5-5	23.0	40	78.0	37-38.5	48-49.5	4	26	54	800	1.00	W-2Nb
W-4.457	**	**	3.5-5	23.0	40	78.3	29-30.5	40-41.5	4	26	54	800	0.87	W-3019
W-4.458	W-4.458/AP3.1	W-4.458/AP3-Q	4-5.5	30.0	45	88.4	44-45.5	57-58.5	4	26	59	750	1.62	W-3Nb W-3020
W-4.459	**	**	4.5-6.5	26.0	50	101.6	33-35	46-48	3	30	69	700	1.74	W-2912
W-4.460	**	**	4-6	31.0	55	108.5	40-42	54-56	5	30	69	650	2.27	W-3100
W-4.461	W-4.461/AP4	W-4.461/AP4-Q	4-6	31.0	60	107.7	55-57	69-71	5	30	69	650	2.82	W-4Nb
W-4.462	W-4.462/AP4	W-4.462/AP4-Q	5-9	37.0	60	123.0	56-60	72.3-76.3	5	34	80	550	3.60	W-5Nb W-3353
W-4.463	W-4.463/AP6	W-4.463/AP6-Q	6-10	45.0	60	149.4	58.5-62.5	78.5-82.5	3	34	108	450	6.30	W-6Nb
W-4.085	—	W-4.085/AP90-Q	6.5-9.5	57.3	100	180.0	76.3-79.3	95.7-98.7	3	60	124	100	11.50	W-8Nb

Profile & Bearing Load Ratings

CAD Drawing Download: www.winkel.de

Bearing only Part No.	Profile		Max Static Radial Load on Profile F_R kN		Max Static Axial Load on Profile F_A kN		Dynamic Load Capacity of Radial Brg C kN	Static Load Capacity of Radial Brg C_0 kN	Dynamic Load Capacity of Axial Brg C_A kN	Static Load Capacity of Axial Brg C_{0A} kN
	C-Profile	I-Profile	C-Profile	I-Profile	C-Profile	I-Profile				
W-4.454	0 Nb	—	9.40	—	3.10	—	31.0	35.5	11	11
W-4.455	1 Nb	3018	11.30	11.30	3.73	3.73	45.5	51.0	11	11
W-4.456	2 Nb	—	11.72	—	3.87	—	48.0	56.8	18	18
W-4.457	—	3019	—	11.72	3.87	3.87	48.0	56.8	18	18
W-4.458	3 Nb	3020	20.47	20.47	6.76	6.76	68.0	72.0	23	23
W-4.459	—	2912	—	20.11	—	6.70	73.0	82.0	25	27
W-4.460	—	3100	—	21.68	—	7.16	81.0	95.0	31	36
W-4.461	4 Nb	—	21.68	—	7.16	—	81.0	95.0	31	36
W-4.462	5 Nb	3353	30.92	24.70	10.20	10.20	110.0	132.0	43	50
W-4.463	6 Nb	—	54.02	—	17.80	—	151.0	192.0	68	71
W-4.085	8 Nb	—	76.00	—	22.80	—	207.0	243.0	73	83

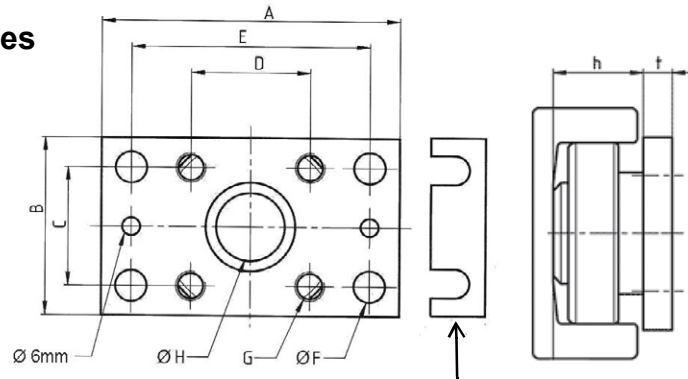
Note: * OD has a slight crown to accommodate misalignments. ** Flange Plates available on request.

WINKEL Combined Bearings

Adjustable Eccentric Axial Bearing



Rectangular Flange Plates



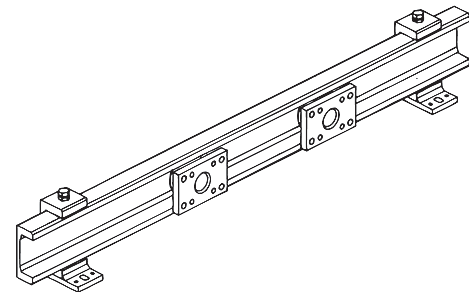
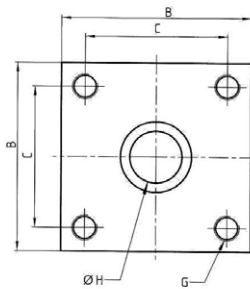
Square Flange Plates



Adjustment Shim

Clamp Flange

Flange Plate Detail



Bearing with Rectangular Flange Plate Part No.	Bearing with Square Flange Plate Part No.	Dimensions										Flange Plate Only	
		A mm	B mm	C mm	D mm	E mm	ØF mm	G	ØH mm	h mm	t mm	Rectangular Part No.	Square Part No.
W-4.454/AP0	W-4.454/AP0-Q	100	60	40	40	80	10.5	M10	30	30.5	10	W-AP0	W-AP0-Q
W-4.455/AP1	W-4.455/AP1-Q	120	80	50	50	90	12.5	M12	35	36.0	15	W-AP1	W-AP1-Q
W-4.456/AP2	W-4.456/AP2-Q	120	80	50	50	90	12.5	M12	40	36.5	15	W-AP2	W-AP2-Q
W-4.458/AP3.1	—	160	100	60	60	120	17.0	M16	45	44.0	20	W-AP3.1	—
—	W-4.058/AP3-Q	—	120	90	—	—	—	M16	45	44.0	20	—	W-AP3-Q
W-4.461/AP4	W-4.461/AP4-Q	180	120	80	80	140	17.0	M16	60	55.0	20	W-AP4	W-AP4-Q
W-4.462/AP4	W-4.462/AP4-Q	180	120	80	80	140	17.0	M16	60	56.0	20	W-AP4	W-AP4-Q
W-4.463/AP6	W-4.463/AP6-Q	200	150	100	100	160	17.0	M16	60	58.5	20	W-AP6	W-AP6-Q
—	W-4.085/AP90-Q	—	190	150	—	—	—	M20	100	64.5-67.5	28	—	W-AP90-Q

Adjustment Shims for Flange Bearings

Bearing Size	0.5 mm Shim Part No.	1.0 mm Shim Part No.
W-4.454	W-DS-0-0.5	W-DS-0-1.0
W-4.455	W-DS-1-0.5	W-DS-1-1.0
W-4.456	W-DS-2-0.5	W-DS-2-1.0
W-4.458	W-DS-3-0.5	W-DS-3-1.0
W-4.461	W-DS-4-0.5	W-DS-4-1.0
W-4.462	W-DS-4-0.5	W-DS-4-1.0
W-4.463	W-DS-6-0.5	W-DS-6-1.0
W-4.085	W-DS-90-0.5	W-DS-90-1.0

Clamp Flanges for Mounting Profile

Part No.	Profile Size
W-KF 0	0 Nb
W-KF 1	1 Nb
W-KF 2	2 Nb
W-KF 3	3 Nb
W-KF 4	4 Nb

See Clamp Flange Section for Dimensions

Precision Adjustable Eccentric Axial Bearings for Precision Profile

Bearing Only Part No. *	Bearing with Rectangular Flange Part No.	Bearing with Square Flange Part No.	D Bearing OD	Profile Size
W-PR4.454	W-PR4.454/AP0	W-PR4.454/AP0-Q	64.8	W-PR0Nb
W-PR4.455	W-PR4.455/AP1	W-PR4.455/AP1-Q	73.8	W-PR1Nb
W-PR4.456	W-PR4.456/AP2	W-PR4.456/AP2-Q	81.8	W-PR2Nb
W-PR4.458	W-PR4.458/AP3.1	W-PR4.458/AP3-Q	92.8	W-PR3Nb
W-PR4.461	W-PR4.461/AP4	W-PR4.461/AP4-Q	111.8	W-PR4Nb
W-PR4.462	W-PR4.462/AP4	W-PR4.462/AP4-Q	127.8	W-PR5Nb
W-PR4.463	W-PR4.463/AP6	W-PR4.463/AP6-Q	153.8	W-PR6Nb
W-PR4.085	—	W-PR4.085/AP90-Q	184.8	W-PR8Nb

Note: *PR Bearing Load Ratings & Profile Ratings are the same as standard units.

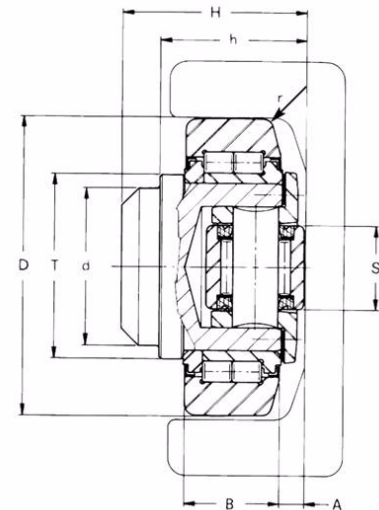
Shim Adjustable Axial Bearing



The adjustment of dimension A is obtained by means of a face washer (spacer) between the main body of the bearing and the back face of the thrust bearing surface. Face Washers 0.5mm and 1mm thick are available.

For Face Washers specify size and thickness.

Part No. W-S4.072-xx. Where xx is the Face Washer thickness of 0.5 or 1.0. Bearings are lubricated for life.





Shim Adjustable Axial Bearing

CAD Drawing Download: www.winkel.de

Bearing only Part No.	Bearing with Rectangular Flange Plate Part No.	Bearing with Square Flange Plate Part No.	Dimensions										Brg Wt. kg	Profile Part No.
			A mm	B mm	d (-0.05mm)	D* mm	h mm	H mm	r mm	S mm	T mm	RPM max		
W-4.072	W-4.072/AP0	W-4.072/AP0-Q	5.5	20	30	62.5	33	43	3	16	42	900	0.56	W-0Nb
W-4.073	W-4.073/AP1	W-4.073/AP1-Q	6.5	23	35	70.1	40	48	4	16	48	800	0.85	W-1Nb W-3018
W-4.074	W-4.074/AP2	W-4.074/AP2-Q	7	23	40	78.1	39.5	50.5	4	21	54	700	1.02	W-2Nb
W-4.075	**	**	7	23	40	77.7	34	45	4	21	54	700	0.92	W-3019
W-4.076	W-4.076/AP3.1	W-4.076/AP3-Q	7	30	45	88.4	48	61	3	21	59	600	1.69	W-3Nb
W-4.077	**	**	7	28	50	101.2	37.5	50.5	3	21	67	600	1.85	W-2912
W-4.078	**	**	8	31	55	107.7	44.5	58.5	5	33	71	500	2.38	W-3100
W-4.0784	W-4.0784/AP4	W-4.0784/AP4-Q	8	31	60	107.7	55	69	5	33	71	500	2.80	W-4Nb
W-4.079	W-4.079/AP4	W-4.079/AP4-Q	8	37	60	123	59.5	75.5	5	33	80	500	4.08	W-5Nb W-3353
W-4.080	W-4.080/AP6	W-4.080/AP6-Q	15.0	45	60	149	69	89	5	50	103	400	6.70	W-6Nb

Note: * OD has a slight crown to accommodate misalignments. ** Flange Plates available on request.

Profile & Bearing Load Ratings

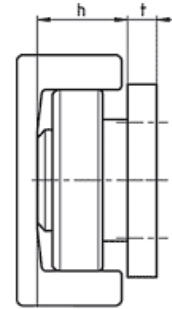
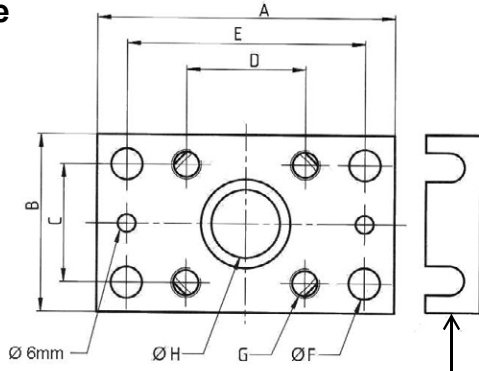
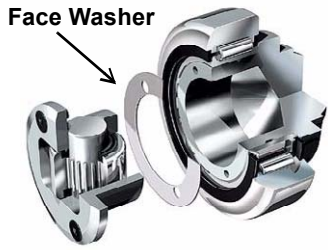
Bearing only Part No.	Profile		Dynamic Load Capacity of Radial Brg C kN	Static Load Capacity of Radial Brg C ₀ kN	Dynamic Load Capacity of Axial Brg C _A kN	Static Load Capacity of Axial Brg C _{0A} kN
	C-Profile	I-Profile				
						
W-4.072	0 Nb	—	31.0	35.5	8	8
W-4.073	1 Nb	3018	45.5	51.0	14	14
W-4.074	2 Nb	—	48.0	56.8	14	14
W-4.075	—	3019	48.0	56.8	14	14
W-4.076	3 Nb	3020	68.0	72.0	15	15
W-4.077	—	2912	73.0	82.0	18	19
W-4.078	—	3100	81.0	95.0	31	36
W-4.0784	4 Nb	—	81.0	95.0	31	36
W-4.079	5 Nb	3353	110.0	132.0	35	38
W-4.080	6 Nb	—	151.0	192.0	68	71

WINKEL Combined Bearings

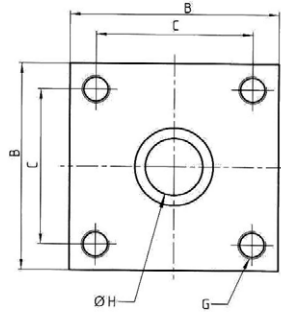
Shim Adjustable Axial Bearing



Rectangular Flange Plate



Square Flange Plate



Adjustment Shim

Clamp Flange



Flange Plate Detail

Bearing with Rectangular Flange Plate Part No.	Bearing with Square Flange Plate Part No.	Dimensions										Flange Plate Only	
		A mm	B mm	C mm	D mm	E mm	ØF mm	G	ØH mm	h mm	t mm	Rectangular Part No.	Square Part No.
W-4.072/AP0	W-4.072/AP0-Q	100	60	40	40	80	10.5	M10	30	30.5	10	W-AP0	W-AP0-Q
W-4.073/AP1	W-4.073/AP1-Q	120	80	50	50	90	12.5	M12	35	36.0	15	W-AP1	W-AP1-Q
W-4.074/AP2	W-4.074/AP2-Q	120	80	50	50	90	12.5	M12	40	36.5	15	W-AP2	W-AP2-Q
W-4.076/AP3.1	—	160	100	60	60	120	17.0	M16	45	44.0	20	W-AP3.1	—
—	W-4.076/AP3-Q	—	120	90	—	—	—	M16	45	44.0	20	—	W-AP3-Q
W-4.0784/AP4	W-4.0784/AP4-Q	180	120	80	80	140	17.0	M16	60	55.0	20	W-AP4	W-AP4-Q
W-4.079/AP4	W-4.079/AP4-Q	180	120	80	80	140	17.0	M16	60	56.0	20	W-AP4	W-AP4-Q
W-4.080/AP6	W-4.080/AP6-Q	200	150	100	100	160	17.0	M16	60	58.5	20	W-AP6	W-AP6-Q

Adjustment Shims for Flange Bearings

Bearing Size	0.5 mm Shim Part No.	1.0 mm Shim Part No.	Face Washer 0.5 mm Part No.	Face Washer 1.0 mm Part No.
W-4.072	W-DS-0-0.5	W-DS-0-1.0	W-S-4.072-0.5	W-S-4.072-1.0
W-4.073	W-DS-1-0.5	W-DS-1-1.0	W-S-4.073-0.5	W-S-4.073-1.0
W-4.074	W-DS-2-0.5	W-DS-2-1.0	W-S-4.074-0.5	W-S-4.074-1.0
W-4.076	W-DS-3-0.5	W-DS-3-1.0	W-S-4.076-0.5	W-S-4.076-1.0
W-4.0784	W-DS-4-0.5	W-DS-4-1.0	W-S-4.0784-0.5	W-S-4.0784-1.0
W-4.079	W-DS-4-0.5	W-DS-4-1.0	W-S-4.079-0.5	W-S-4.079-1.0
W-4.080	W-DS-6-0.5	W-DS-6-1.0	W-S-4.080-0.5	W-S-4.080-1.0

Clamp Flanges for Mounting Profile

Part No.	Profile Size
W-KF 0	0Nb
W-KF 1	1Nb
W-KF 2	2Nb
W-KF 3	3Nb
W-KF 4	4Nb

See Clamp Flange page for Dimensions.

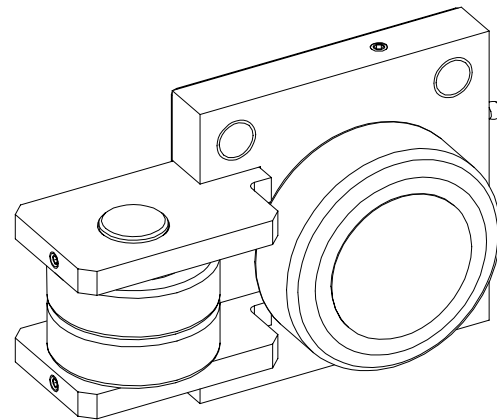
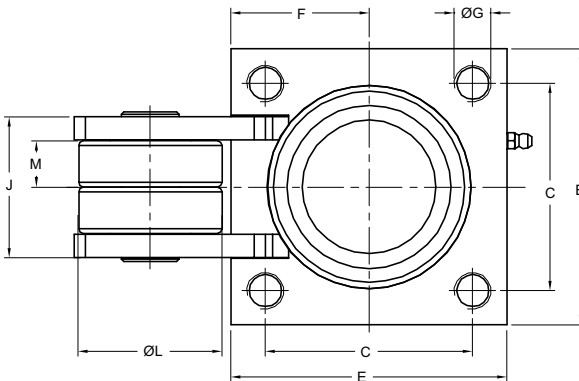
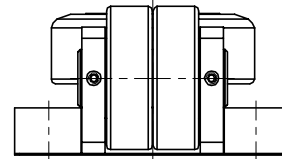
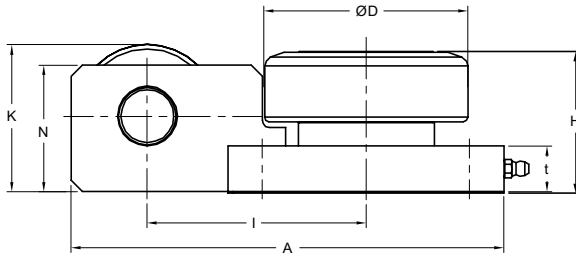
Heavy Duty

Type 3.054-3.063



Features:

- Maximum resistance against dirt for heavy duty applications in the building material industry, foundry and steel industry.
- Radial bearings relubricater on flange.
- Axial bearings are shock resistant ball bearings with -2RS seals, lubricated for life.
- Axial adjustment with washers.
- For high speed application up to 2 m/sec.
- Included is a M6 grease nipple, O-ring and 2 pcs. of 0.5mm washer.



For selection, determine the profile size first based on allowable loads, then determine the bearing size from what fits within the profile.

See Profile Selection page and Criteria.

CAD Drawing Download: www.winkel.de

Part No.	Dimensions (mm)														Profile	F _R kN	F _A kN	RPM Max	Wt. kg
	A	B	C	D	E	F	G	H	I	J	K	L	M	N					
W-3.054	118	60	40	62.5	75	45	M10	38.5	66	37.2	40.5	40.0	16 (1)	35	W-0Nb	9.40	3.10	900	1.4
W-3.055	135	80	50	70.1	95	55	M12	49.0	73	53.2	52.0	40.0	16 (2)	45	W-1Nb	11.30	3.73	900	2.3
W-3.056	135	80	50	77.7	95	55	M12	49.0	73	53.2	52.0	40.0	16 (2)	45	W-2Nb	11.72	3.87	800	2.6
W-3.058	188	120	90	88.4	120	60	M16	61.0	95	61.2	64.0	62.4	20 (2)	55	W-3Nb	20.47	7.00	750	5.5
W-3.061	193	120	90	107.7	125	65	M16	71.5	100	61.2	75.0	62.4	20 (2)	63	W-4Nb	21.86	7.16	650	6.8
W-3.062	240	120	80	123.0	165	105	M16	71.5	143	69.2	76.0	70.0	22 (2)	70	W-5Nb	30.92	18.00	550	9.6
W-3.063	265	150	100	149.0	190	115	M16	73.5	153	69.2	78.4	70.0	22 (2)	70	W-6Nb	54.02	18.00	450	13.6

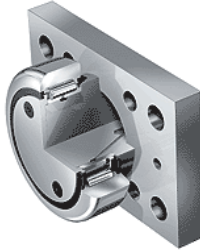
Note: F_R = Max Load capacity of Radial Bearing allowed on profile, F_A = Max Axial load capacity of Thrust Bearing allowed on profile. Units to fit Precision Profile available on request.

WINKEL Combined Bearings

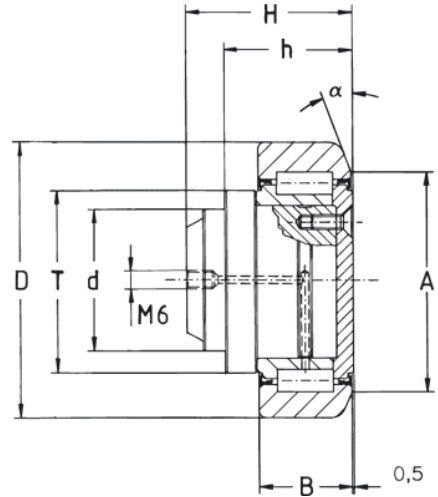
Radial Bearing



With Square Flange



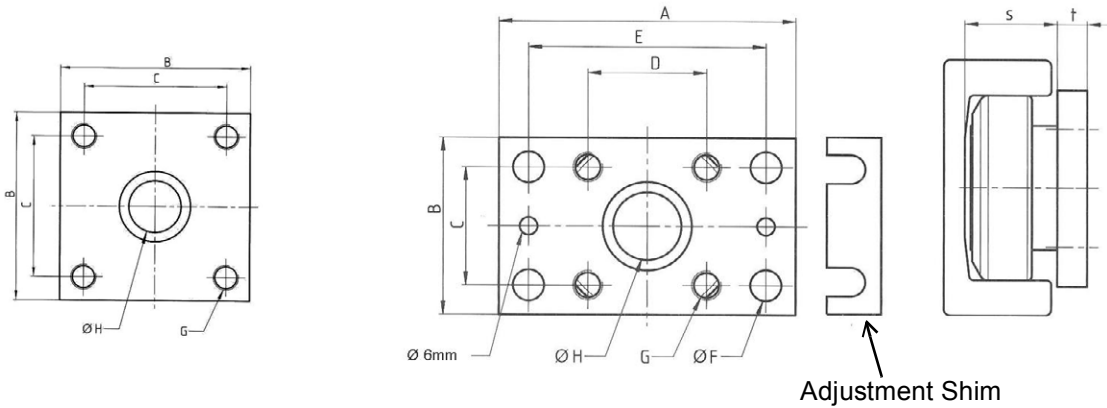
With Rectangular Flange



W-2.054 thru W-2.063 can be relubricated

Bearing only Part No.	Bearing with Rectangular Flange Part No.	Bearing with Square Flange Part No.	Dimensions								Ratings				Wt. kg	Flange Plates Part No. *	Profile Part No.
			A mm	α deg	B mm	D mm	d (-0.05mm)	H mm	h mm	T mm	C kN	C ₀ kN	F _R kN	RPM max			
W-2.054	W-2.054/AP0	W-2.054/AP0-Q	50	20°	20	62.5	30	36.5	28.5	42	31	35.5	9.4	900	0.55	W-AP0	W-0Nb
W-2.055	W-2.055/AP1	W-2.055/AP1-Q	57	20°	23	70.1	35	42	34	48	45.5	51	11.3	900	0.80	W-AP1	W-1Nb
W-2.056	W-2.056/AP2	W-2.056/AP2-Q	61	20°	23	77.7	40	45.5	34	53	48	56.8	11.7	800	1.05	W-AP2	W-2Nb
W-2.058	W-2.058/AP3.1	W-2.058/AP3-Q	68	20°	30	88.4	45	54	41	59	68	72	20.5	750	1.70	W-AP3.1	W-3Nb
W-2.061	W-2.061/AP4	W-2.061/AP4-Q	82	20°	31	107.7	60	65.5	51.5	71	81	95	21.7	650	2.90	W-AP4	W-4Nb
W-2.062	W-2.062/AP4	W-2.062/AP4-Q	92	20°	37	123	60	67.8	51.5	80	110	132	30.9	550	4.00	W-AP4	W-5Nb
W-2.063	W-2.063/AP6	W-2.063/AP6-Q	116	15°	45	149	60	74	54	103	151	192	54.0	450	6.70	W-AP6	W-6Nb

Note: *For Square Flange Plate, add -Q to the part no.

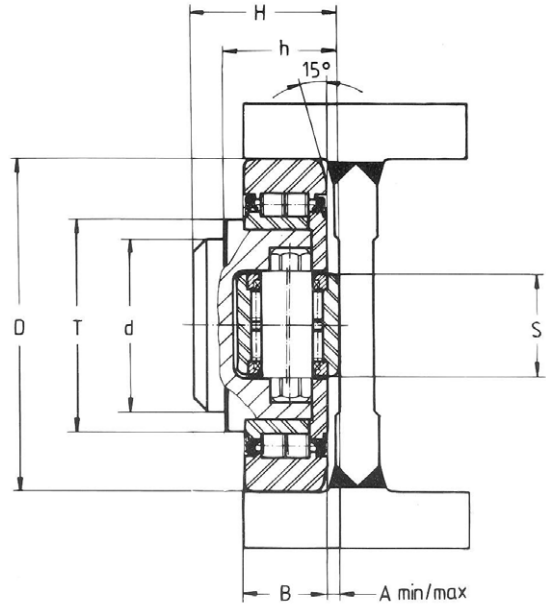
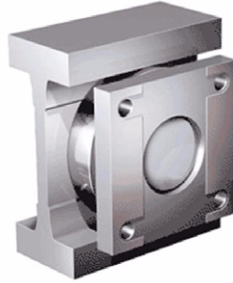


Adjustment Shim

Part No. with Rectangular Flange Plate	Part No. with Square Flange Plate	Dimensions (mm)										Shim t = 0.5mm	Shim t = 1.0mm
		A	B	C	D	E	ØF	G	ØH	s	t		
W-2.054/AP0	W-2.054/AP0-Q	100	60	40	40	80	10.5	M10	30	30.5	10	W-DS-0-0.5	W-DS-0-1.0
W-2.055/AP1	W-2.055/AP1-Q	120	80	50	50	90	12.5	M12	35	36	15	W-DS-1-0.5	W-DS-1-1.0
W-2.056/AP2	W-2.056/AP2-Q	120	80	50	50	90	12.5	M12	40	36.5	15	W-DS-2-0.5	W-DS-2-1.0
W-2.058/AP3.1	—	160	100	60	60	120	17.0	M16	45	44	20	W-DS-3-1-0.5	W-DS-3-1-1.0
—	W-4.058/AP3-Q	—	120	90	—	—	—	M16	45	44	20	W-DS-3-0.5	W-DS-3-1.0
W-2.061/AP4	W-2.061/AP4-Q	180	120	80	80	140	17.0	M16	60	56	20	W-DS-4-0.5	W-DS-4-1.0
W-2.062/AP6	W-2.062/AP6-Q	200	150	100	100	160	17.0	M16	60	58.5	20	W-DS-6-0.5	W-DS-6-1.0
W-2.063/AP4	W-2.063/AP4-Q	180	120	80	80	140	17.00	M16	60	56	20	W-DS-4-0.5	W-DS-4-1.0

CAD Drawing Download: www.winkel.de

Axial Bearing Adjustable



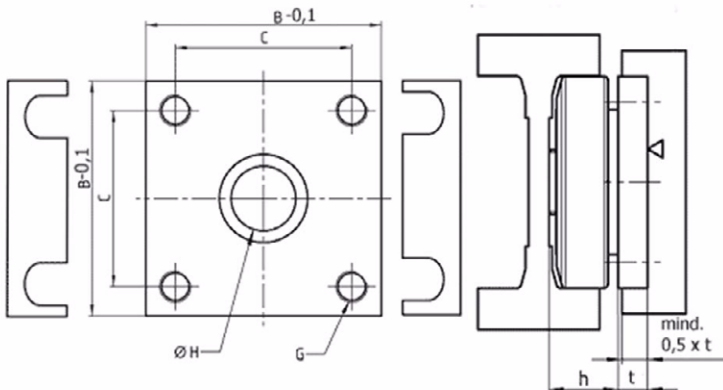
The adjustment of dimension A is obtained by removing the face plate and turning the eccentric shaft of the thrust bearing. The shaft contains an offset and has 5 adjustment positions. The radial bearing can be relubricated.

CAD Drawing Download: www.winkel.de

Bearing Only Part No.	Dimensions								Profile Ratings		Bearing Ratings					Wt. kg	Flange Plate Part No.	Profile Part No. *
	A mm	B mm	D mm	d (-0.05mm)	H mm	h mm	S mm	T mm	F _R kN	F _A kN	C kN	C _O kN	C _A kN	C _{OA} kN	RPM max			
W-4.085	6.5-9.5	57.3	180	100	95.7-98.7	76.3-79.3	60	124	76.0	22.8	207	243	73	83	100	11.5	W-AP 90-Q	W-8NB
W-4.089	5.0-8.0	40	165	80	69.0-72.0	53.0-56.0	50	113	41.71	13.91	213	388	85	133	120	9.2	W-AP 89-Q	W-10NB
W-4.090	6.5-9.5	48	190	100	84.5-87.5	64.5-67.5	60	124	58.00	19.40	266	500	100	180	100	10.6	W-AP 90-Q	W-16NB
W-4.091	6.5-9.5	58	220	110	94.5-97.5	74.5-77.5	75	146	84.00	28.00	326	681	138	257	90	17.3	W-AP 91-Q	W-18NB
W-4.092	7.0-10.0	60	250	120	102.0-105.0	77.0-80.0	75	168	101.50	33.90	369	748	138	257	75	23.9	W-AP 92-Q	W-28NB
W-4.093	7.5-11.5	72	280	150	119.5-123.5	89.5-93.5	90	188	139.40	46.50	489	1066	182	488	50	36.0	W-AP 93-Q	W-36NB W-42NB

Note: *Profiles W-10Nb and larger are fabricated.

Flange Plates



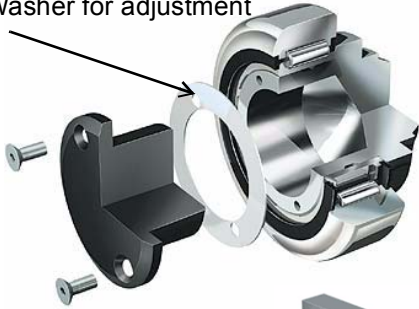
Flange Plate Part No.	Dimensions (mm)					
	B	C	G	ØH	h	t
W-AP 89-Q	165	125	M20	80	53.0-56.0	23
W-AP 90-Q (4.085 + W-AP 90-Q)	190	150	M20	100	64.5-67.5 (76.0-79-3)	28
W-AP 91-Q	220	176	M24	110	74.5-77.5	33
W-AP 92-Q	250	206	M24	120	77.0-80.0	37
W-AP 93-Q	280	220	M30	150	89.5-93.5	37

WINKEL Combined Bearings

with Oilamide Thrust Bearing with Washer

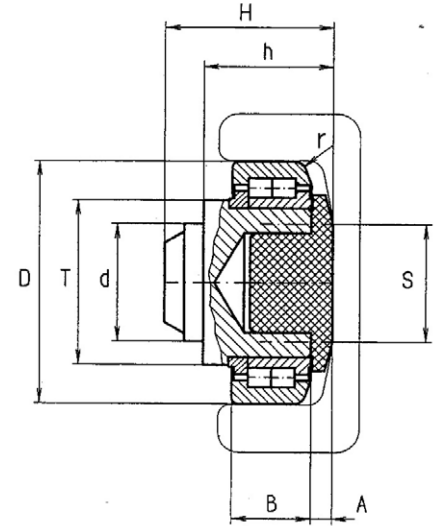


Face Washer for adjustment



The Oilamide Thrust Bearing is a high resistant self-lubricant Polyamide within a standard Cylindrical Roller bearing, ideal for thrust loads.

The adjustment of dimension (A) is obtained by means of a Face Washer positioned between the main body of the bearing and the polyamide insert. Face Washers (0.5mm and 1.0mm thickness) are available if adjustment is required.

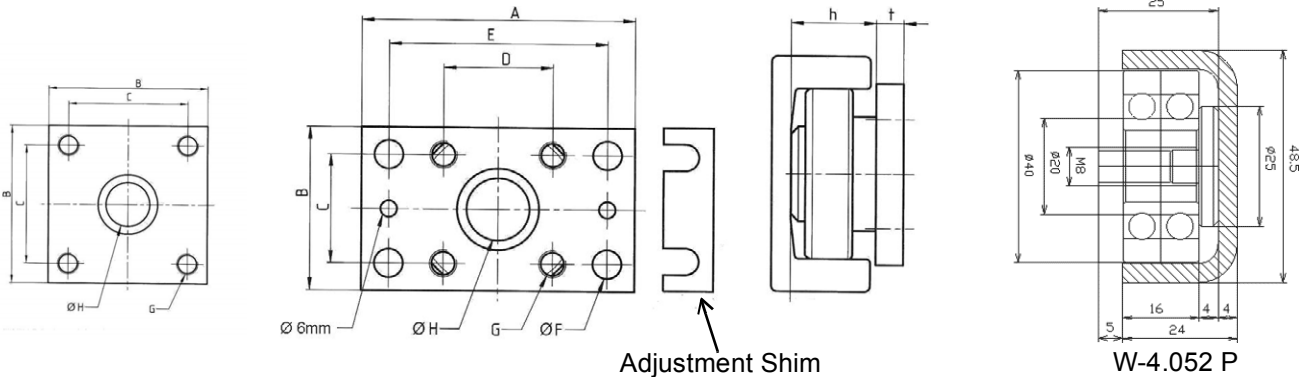


With Square Flange

With Rectangular Flange

CAD Drawing Download: www.winkel.de

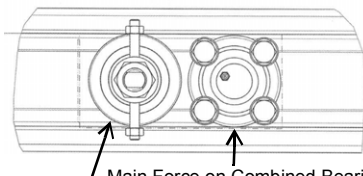
Bearing only Part No.	Dimensions									Ratings					Wt. kg	Rectangular Flange Plates Part No.	Profile Part No.
	A mm	B mm	D mm	d (-0.05mm)	H mm	h mm	r mm	S mm	T mm	C kN	C ₀ kN	F _R kN	F _A kN	RPM max			
W-4.052 P	4.0	16	40	20	25	—	—	20	—	10	5.7	0.8	3.1	800	0.15	W-APA	W-A
W-4.072 P	5.5	20	62.5	30	43	33	3	25	42	31	35.5	9.4	4.0	900	0.49	W-AP0	W-0Nb
W-4.073 P	6.5	23	70.1	35	48	40	4	33	48	45.5	51	11.3	6.7	800	0.74	W-AP1	W-1Nb
W-4.074 P	7	23	78.1	40	50.5	39.5	4	40	54	48	56.8	11.7	7.2	700	0.94	W-AP2	W-2Nb
W-4.076 P	7	30	88.4	45	61	48	3	45	59	68	72	20.5	8.9	600	1.57	W-AP3	W-3Nb
W-4.0784 P	8	31	107.7	60	69	55	5	60	71	81	95	21.7	14.4	500	2.63	W-AP4	W-4Nb
W-4.079 P	8	37	123	60	75.5	59.5	5	70	80	110	132	30.9	38.4	500	3.90	W-AP4	W-5Nb
W-4.080 P	8	45	149	60	82	62	5	100	103	151	192	54.0	41.6	400	6.5	W-AP6	W-6Nb
W-4.085 P	10	57.3	180	100	99.2	79.8	5	112	124	207	243	76.0	41.6	200	11.5	W-AP90-Q	W-8Nb



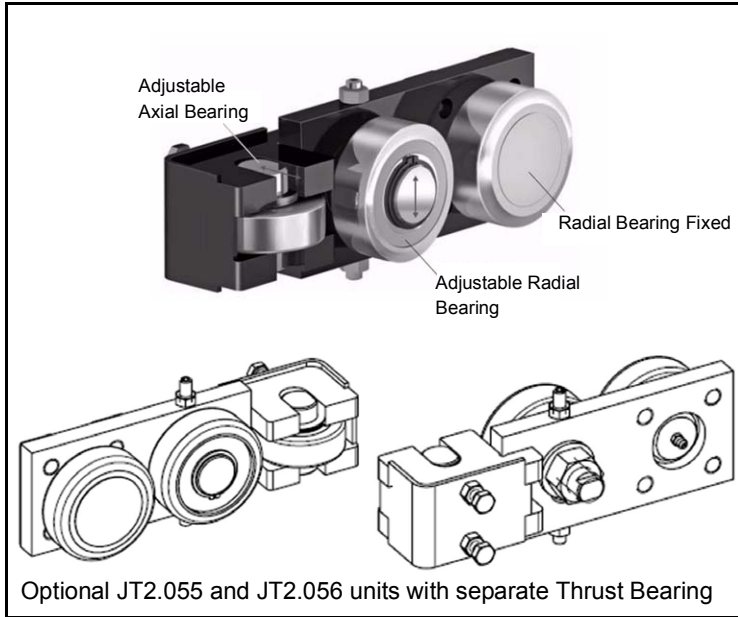
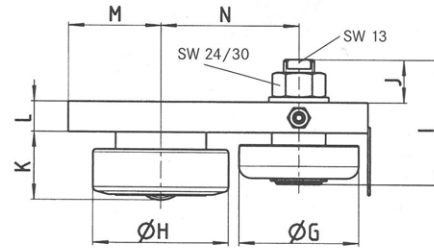
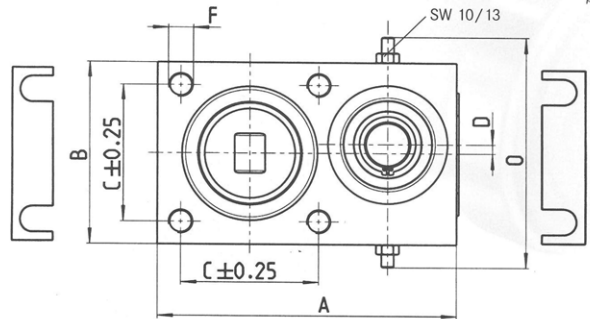
Part No. with Square Flange Plate	Part No. with Rectangular Flange Plate	Dimensions (mm)										Shim	
		A	B	C	D	E	ØF	G	ØH	h	t	t = 0.5mm	t = 1.0mm
W-4.072P/AP 0	W-4.072P/AP0-Q	100	60	40	40	80	10.50	M10	30	33	10	W-DS-0-0.5	W-DS-0-1.0
W-4.073P/AP 1	W-4.073P/AP1-Q	120	80	50	50	90	12.50	M12	35	40	15	W-DS-1-0.5	W-DS-1-1.0
W-4.074P/AP 2	W-4.074P/AP2-Q	120	80	50	50	90	12.50	M12	40	39.5	15	W-DS-2-0.5	W-DS-2-1.0
W-4.076P/AP 3.1	—	160	100	60	60	120	17.00	M16	45	48	20	W-DS-3.1-0.5	W-DS-3.1-1.0
—	W-4.076P/AP3-Q	—	120	90	—	—	—	M16	45	44.0	20	W-DS-3-0.5	W-DS-3-1.0
W-2.0784P/AP 4	W-4.0784P/AP4-Q	180	120	80	80	140	17.00	M16	60	55	20	W-DS-4-0.5	W-DS-4-1.0
W-2.079P/AP 4	W-4.079P/AP4-Q	180	120	80	80	140	17.00	M16	60	59.5	20	W-DS-4-0.5	W-DS-4-1.0
W-2.080P/AP6	W-4.080P/AP6-Q	200	150	100	100	160	17.00	M16	60	62	20	W-DS-6-0.5	W-DS-6-1.0

WINKEL Combined Bearings

Type JC Adjusting Unit For Standard Profiles



Main Force on Combined Bearing
Adjustable Radial Bearing
Removes System Clearance



Assembly / Adjusting

- Secure the unit by the flange plate and within the profile.
- The position of the adjustable bearing must be at the opposite direction from the load.
- The main forces should be on the radial bearing of the Combined Bearing.
- The adjustable bearing can be adjusted and finally secured.
- Set adjustable bearing to the top raceway with a clearance of 0.05 to 0.10mm.

CAD Drawing Download: www.winkel.de

Bearing Part No.	Dimensions													
	A mm	B mm	C mm	+/- D mm	F mm	G mm	H mm	I mm	J mm	K mm	L mm	M mm	N mm	O mm
W-JC 4.054	140	60	40	8	M10	62.4	62.5	64	24	30.5	10	30	72.0	80
W-JC 4.055	170	80	50	10	M12	70.0	70.1	82	33	36.0	15	40	83.5	102
W-JC 4.056	170	80	50	10	M12	78.0	77.7	82	33	36.5	15	40	83.5	102
W-JC 4.058	195	120	90	20	M16	78.0	88.4	82	28	44.0	20	60	90.0	152
W-JC 4.061	240	120	80	20	M16	101.6	107.7	98	29	55.0	20	60	120.0	150
W-JC 4.062	240	120	80	20	M16	101.6	123.0	98	29	56.0	20	60	120.0	150
W-JC 4.063	265	150	100	35	M16	101.6	149.0	98	29	58.5	20	75	130.0	170

Bearing Part No.	Profile Max Static Radial Load F_{RkN}	Profile Max Static Axial Load F_{AkN}	Dynamic Load Capacity of Radial Brg C kN	Static Load Capacity of Radial Brg C_{0kN}	Dynamic Load Capacity of Axial Brg C_{AkN}	Static Load Capacity of Axial Brg C_{0AkN}	RPM max	Wt. kg	Profiles
W-JC 4.054	9.4	3.1	31.0	35.5	11	11	900	1.65	W-0Nb
W-JC 4.055	11.3	3.73	45.5	51.0	13	14	900	2.95	W-1Nb
W-JC 4.056	11.72	3.87	48.0	56.8	18	18	800	3.30	W-2Nb
W-JC 4.058	20.47	6.76	68.0	72.0	23	23	750	5.80	W-3Nb
W-JC 4.061	21.68	7.16	81.0	95.0	31	36	650	8.75	W-4Nb
W-JC 4.062	30.92	10.2	110.0	132.0	43	50	550	9.75	W-5Nb
W-JC 4.063	54.02	17.8	151.0	192.0	68	71	450	13.90	W-6Nb

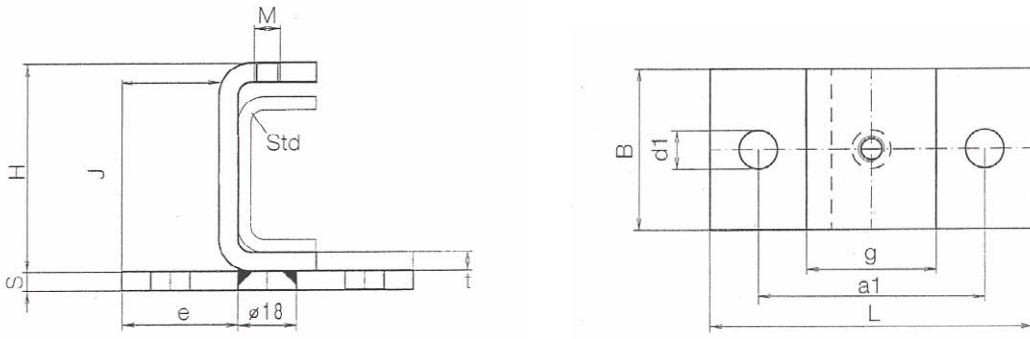
Profile Clamp Flanges



Adjustable Clamp System
 Quick Assembly, No Welding
 Parallelism Easy To Adjust
 Allows Easy Profile Change

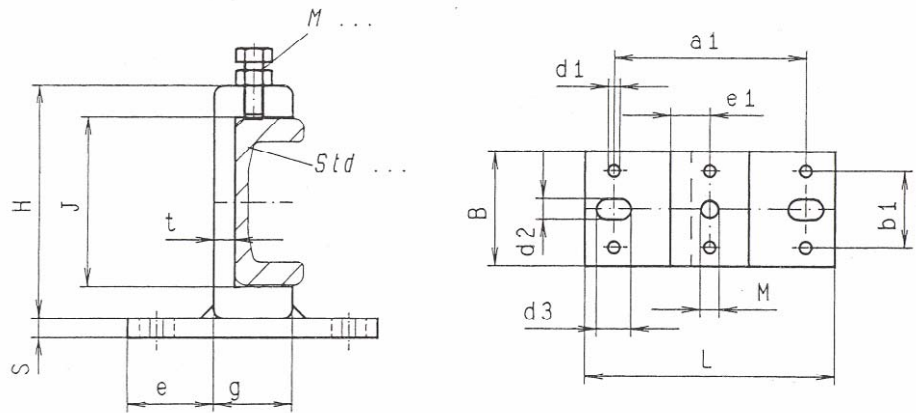


Sizes
 W-KF A
 W-KF S



Part No.	Profile	Dimensions (mm)											Wt. kg
		H	B	L	S	J	e	g	t	a1	d1	M	
W-KF A	W-A	65	50	90	6	53	30	30	6	60	12	M8	0.40
W-KF S	W-S	83	50	100	8	67	30	40	8	70	12	M8	0.50

Sizes
 W-KF 0 thru W-KF 4



Part No.	Profile	Dimensions (mm)															Wt. kg
		H	B	L	S	J	e	g	t	a1	b1	d1	d2	d3	e1	M	
W-KF 0	W-0 Nb	121.3	60	130	10	88.5	44.5	41.0	10.8	100	40	6	11	18	20.5	M10 x 30	1.60
W-KF 1	W-1 Nb	135.4	60	130	10	105.0	38.5	53.0	12.7	100	40	6	11	18	26.5	M10 x 30	1.95
W-KF 2	W-2 Nb	157.2	80	160	15	123.0	49.5	61.2	14	130	60	6	13	18	30.6	M12 x 35	3.85
W-KF 3	W-3 Nb	175.0	80	160	15	137.5	46.9	66.2	16.2	130	60	6	13	18	33.1	M12 x 35	4.30
W-KF 4	W-4 Nb	201.5	80	160	15	159.0	44.4	71.2	19.4	130	60	6	13	18	35.6	M12 x 35	5.20

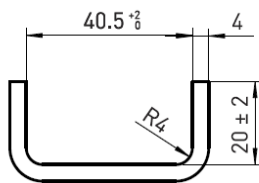
Single Profiles

Standard Series



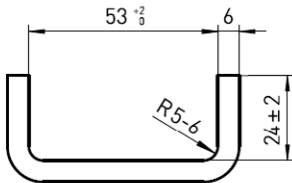
All profiles from 0Nb thru 8Nb are from S450 J2 Modified in lengths to 12 meters. Longer lengths are available on request. PTI typically stocks 6 meter lengths for the ease of handling and will provide cut to length on request.

The Nb Series offers higher load capacities. The radial clearance between the bearing and profile is approximately 1mm for the standard profile. For reduced radial clearance, see Precision Bearings and Profiles.



Part No.: W-A Standard Profile. Wt. 2.6 kg/m

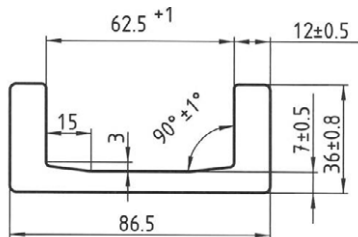
Area: 3.3cm² ey: 0.8cm
 Wx: 4.4cm³ lx: 10.6cm⁴
 Wy: 1.0cm³ ly: 1.7cm⁴



Part No.: W-S Standard Profile. Wt. 5.3 kg/m

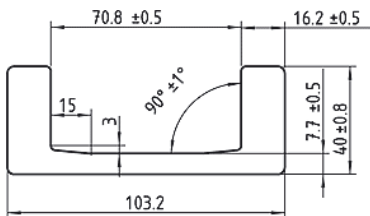
Area: 6.4cm² ey: 1.0cm
 Wx: 11.9cm³ lx: 35.4cm⁴
 Wy: 2.5cm³ ly: 5.0cm⁴

Also available in Stainless



Part No.: W-0Nb Standard Profile. Wt. 10.5 kg/m

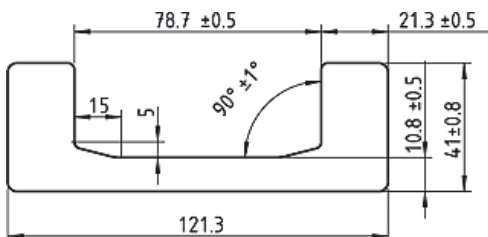
Area: 13.4cm² ey: 1.3cm
 Wx: 32cm³ lx: 137cm⁴
 Wy: 6.7cm³ ly: 15.4cm⁴



Part No.: W-1Nb Standard Profile. Wt. 14.8 kg/m

Area: 18.8cm² ey: 1.5cm
 Wx: 53cm³ lx: 273cm⁴
 Wy: 11cm³ ly: 27cm⁴

Also available in Stainless



Part No.: W-2Nb Standard Profile. Wt. 20.9 kg/m

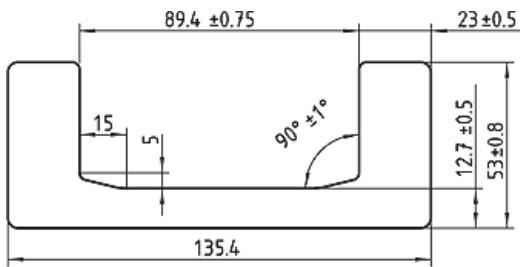
Area: 26.6cm² ey: 1.5cm
 Wx: 81cm³ lx: 493cm⁴
 Wy: 15cm³ ly: 38cm⁴

Also available in Stainless

Single Profiles

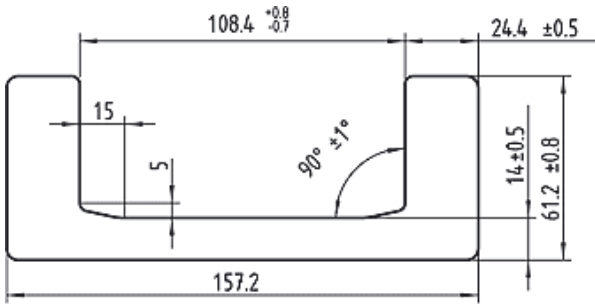


Standard Series



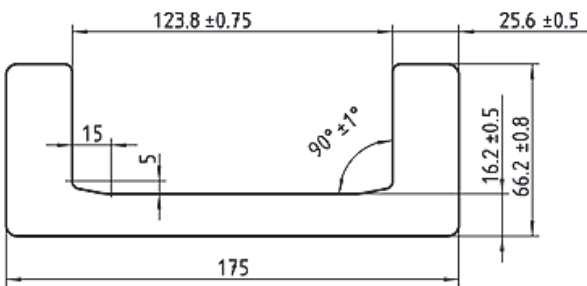
Part No.: W-3Nb Standard Profile. Wt. 28.6 kg/m

Area: 36.4cm² ey: 2.0cm
 Wx: 128cm³ lx: 865cm⁴
 Wy: 27cm³ ly: 89cm⁴



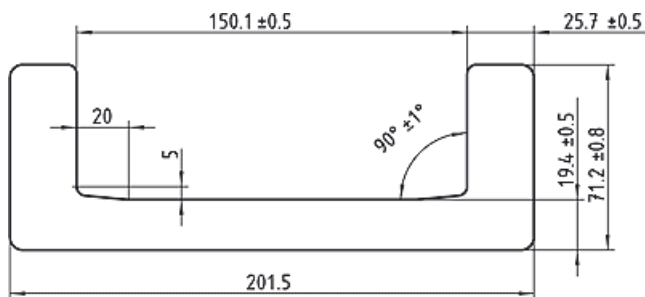
Part No.: W-4Nb Standard Profile. Wt. 36.0 kg/m

Area: 45.7cm² ey: 2.2cm
 Wx: 190cm³ lx: 1494cm⁴
 Wy: 39cm³ ly: 150cm⁴



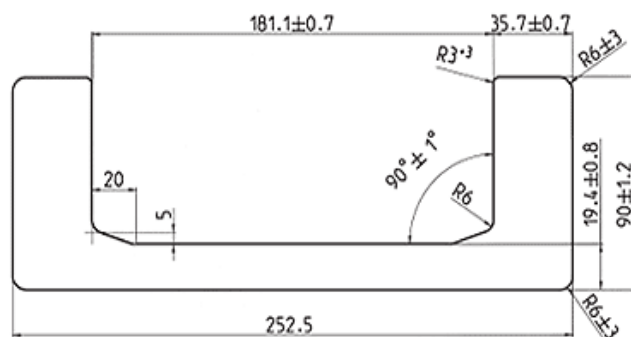
Part No.: W-5Nb Standard Profile. Wt. 42.8 kg/m

Area: 54.6cm² ey: 1.9cm
 Wx: 250cm³ lx: 2185cm⁴
 Wy: 48cm³ ly: 205cm⁴



Part No.: W-6Nb Standard Profile. Wt. 52.3 kg/m

Area: 66.6cm² ey: 2.0cm
 Wx: 340cm³ lx: 3423cm⁴
 Wy: 57cm³ ly: 270cm⁴



Part No.: W-8Nb Standard Profile. Wt. 78.7 kg/m

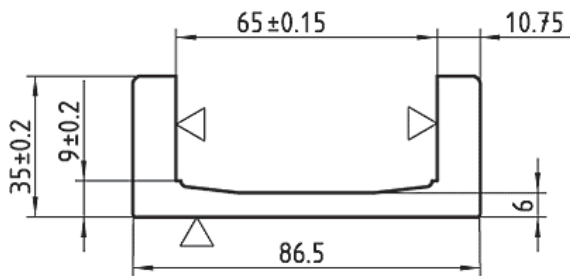
Area: 100.1cm² ey: 2.68cm
 Wx: 681.6cm³ lx: 8605.4cm⁴
 Wy: 125.1cm³ ly: 721cm⁴

Single Profiles

Precision Series

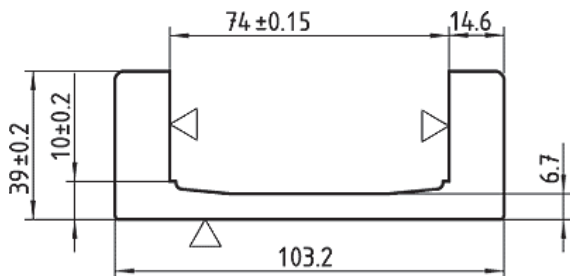


All Precision profiles are made from high-quality steel S450 J2 Modified. They are fine straightened and sand blasted, ready to install. Typical stock production length is 12 meters. Longer lengths are available on request. The bearing contact surfaces are machined in one continuous machine operation for accuracy. Profiles can be machined according to customer drawings as well, and include mounting holes as shown. Lengths as requested to 50ft are possible.



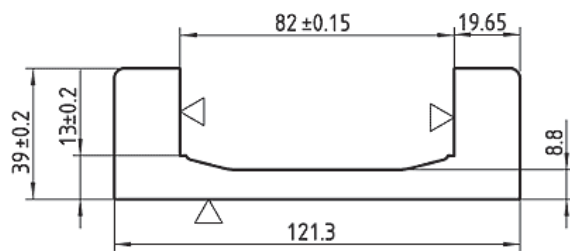
Part No.: W-PR 0Nb Precision Profile. Wt. 9.4 kg/m

Area: 11.8cm² ey: 1.2cm
 Wx: 28.3cm³ lx: 122.6cm⁴
 Wy: 5.2cm³ ly: 12.5cm⁴



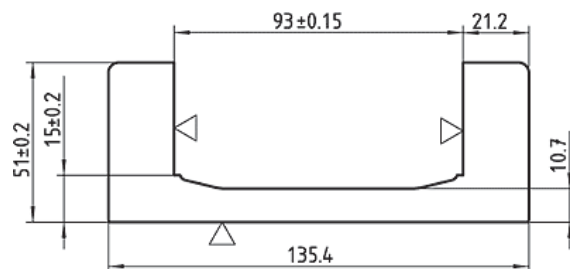
Part No.: W-PR 1Nb Precision Profile. Wt. 13.4 kg/m

Area: 16.8cm² ey: 1.43cm
 Wx: 48cm³ lx: 249cm⁴
 Wy: 8.9cm³ ly: 22.9cm⁴



Part No.: W-PR 2Nb Precision Profile. Wt. 18.3 kg/m

Area: 23.3cm² ey: 1.4cm
 Wx: 73.5cm³ lx: 446cm⁴
 Wy: 11.4cm³ ly: 30.3cm⁴

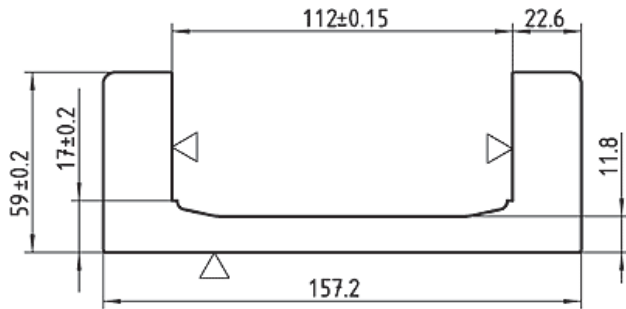


Part No.: W-PR 3Nb Precision Profile. Wt. 25.4 kg/m

Area: 32.4cm² ey: 1.92cm
 Wx: 117.3cm³ lx: 795cm⁴
 Wy: 21.8cm³ ly: 74.4cm⁴

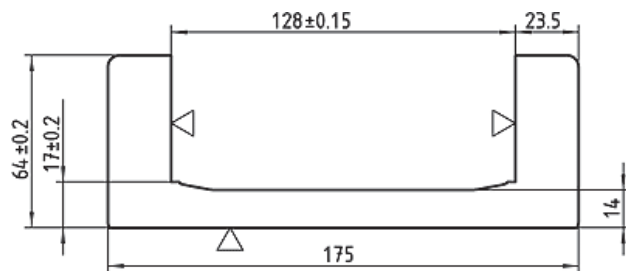
Single Profiles

Precision Series



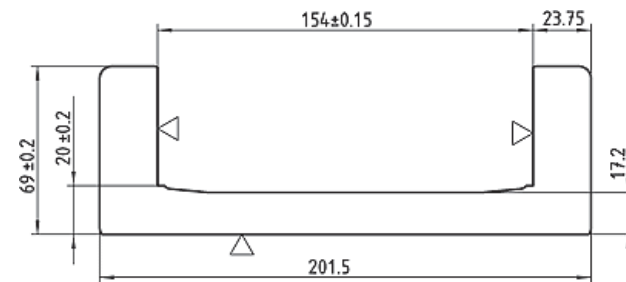
Part No.: W-PR 4Nb Precision Profile. Wt. 32.1 kg/m

Area: 40.7cm² ey: 2.1cm
 Wx: 174.6cm³ lx: 1373cm⁴
 Wy: 31.8cm³ ly: 126.6cm⁴



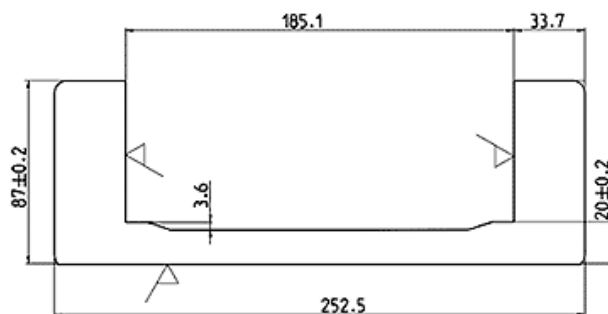
Part No.: W-PR 5Nb Precision Profile. Wt. 38.1 kg/m

Area: 48.6cm² ey: 2.2cm
 Wx: 228cm³ lx: 1996cm⁴
 Wy: 39.7cm³ ly: 174cm⁴



Part No.: W-PR 6Nb Precision Profile. Wt. 47.1 kg/m

Area: 60.0cm² ey: 2.3cm
 Wx: 312cm³ lx: 3148cm⁴
 Wy: 47.8cm³ ly: 232cm⁴



Part No.: W-PR 8Nb precision Profile. Wt. 70.6 kg/m

Area: 89.9cm² ey: 3.1cm
 Wx: 634cm³ lx: 8000cm⁴
 Wy: 112cm³ ly: 623cm⁴

Duplex Profiles

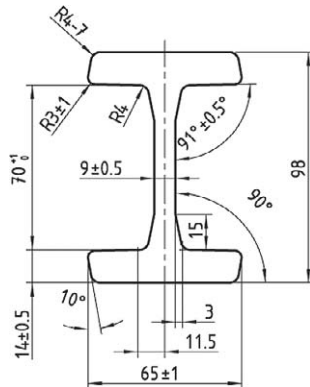
Standard Series



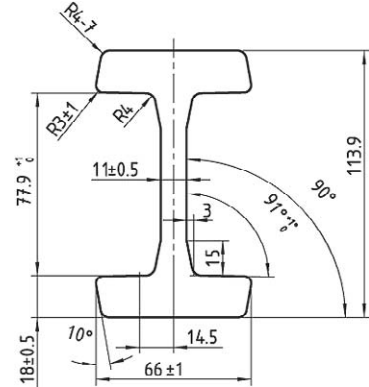
Material: S450 J2 Modified. Can be provided cut to length up to 6 meters long, longer on request.



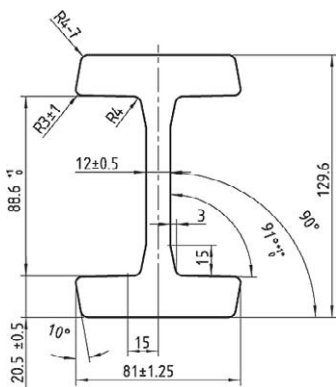
CAD Drawing Download: www.winkel.de



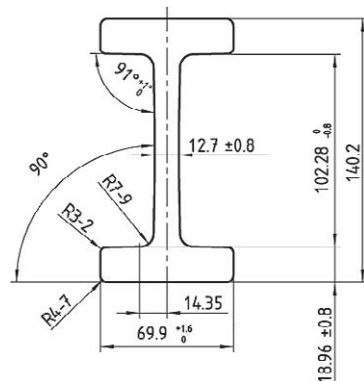
Part No.: W-3018 Wt. 19.4 kg/m
 Area: 24.8cm² Wy: 18.00cm³
 Wx: 70.6cm³ ly: 58.3cm⁴
 lx: 345.9cm⁴



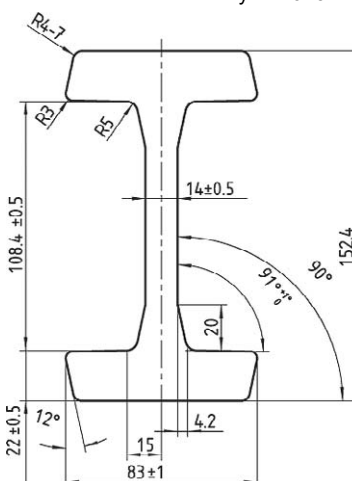
Part No.: W-3019 Wt. 25.3 kg/m
 Area: 32.2cm² lx: 597.5cm⁴
 Wx: 104.9cm³ Wy: 23.2cm³
 ly: 76.8cm⁴



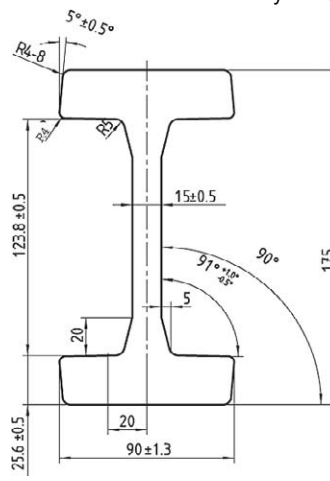
Part No.: W-3020 Wt. 34.0 kg/m
 Area: 43.4cm² lx: 1037cm⁴
 Wx: 160cm³ Wy: 40cm³
 ly: 162cm⁴



Part No.: W-2912 Wt. 31.17 kg/m
 Area: 39.5cm² lx: 1089cm⁴
 Wx: 156cm³ Wy: 30cm³
 ly: 105cm⁴



Part No.: W-3100 Wt. 40.8 kg/m
 Area: 51.1cm² lx: 1657cm⁴
 Wx: 217cm³ Wy: 44cm³
 ly: 184cm⁴



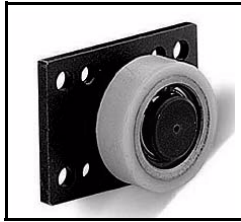
Part No.: W-3353 Wt. 51.4 kg/m
 Area: 65.5cm² lx: 2826cm⁴
 Wx: 323cm³ Wy: 65.2cm³
 ly: 293cm⁴

Note: See selection page for load ratings of profiles. Larger fabricated sizes available on request.

WINKEL Vulkollan Combined Bearings



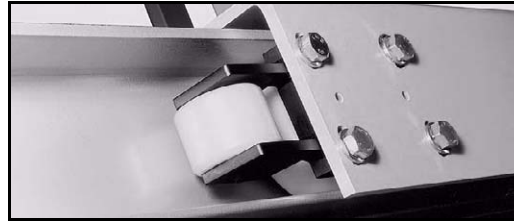
With & without Flanges



W-V4000AP



W-V1250AP



Vulkollan System



W-V4000



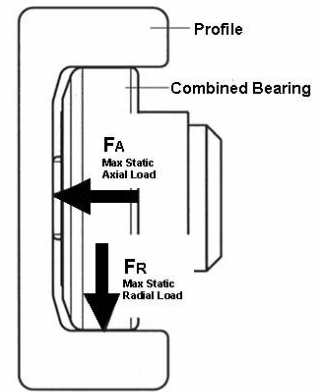
W-VE6250

Features of Vulkollan Units

- Silent operation
- Travel Speed up to 16ft/sec
- Low Friction from 2RS Sealed Ball Bearings
- Wear Resistant
- Max Working Temperature 80° C
- 93° Shore Hardness

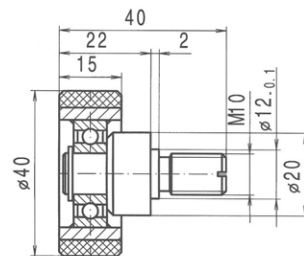
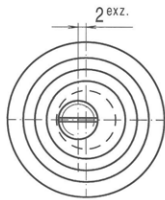
CAD Drawing Download: www.winkel.de

Part No. without Flange	Part No. with Flange	F _R [N] max stat radial	F _A [N] max stat axial	Reduction of load capacity at			Wt. kg	Profile
				1 m/sec	2m/sec	3m/sec		
W-V 4000	W-V 4000 AP	600	400	0%	-20%	-30%	0.20	W-A
W-V 5250	W-V 5250 AP	800	400	0%	-20%	-30%	0.28	W-S
W-V 6250 P	W-V 6250 AP	1100	600	0%	-20%	-30%	0.80	W-O
—	W-V 1012 AP	1900	600	0%	-20%	-30%	1.60	W-V
—	W-V 1250 AP	4500	1000	0%	-20%	-30%	4.00	W-R
—	W-V 1432 AP	6000	3000	0%	-20%	-30%	9.20	W-W
—	W-V 1792 AP	10000	3000	0%	-20%	-30%	12.20	W-X
—	W-VE 4000*	600	—	0%	-20%	-30%	0.25	—
—	W-VE 6250*	1100	—	0%	-20%	-30%	0.25	—

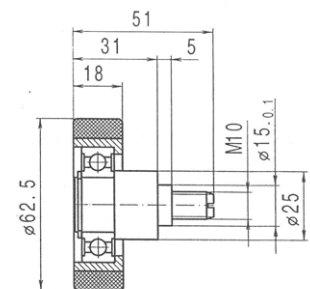
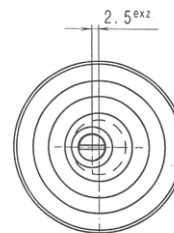


Note: * VE Units available with M10 threaded stud. These are mounted on an eccentric stud and used to tension or remove clearance of the bearing system.

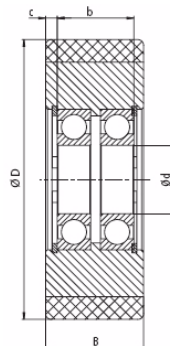
Part No: W-VE4000



Part No: W-VE6250

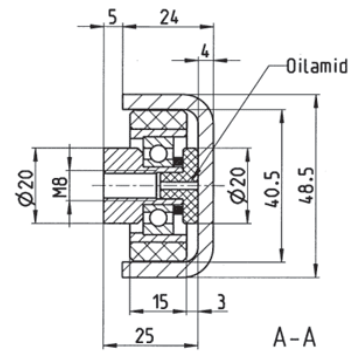
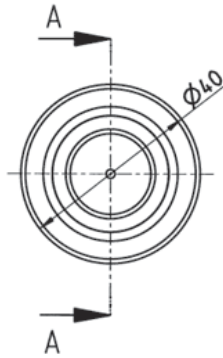


Vulkollan Roller

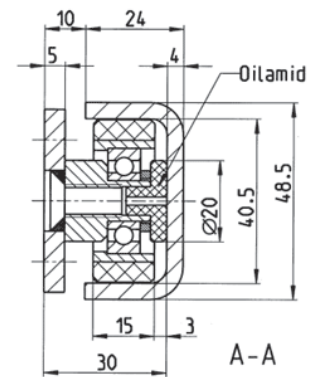
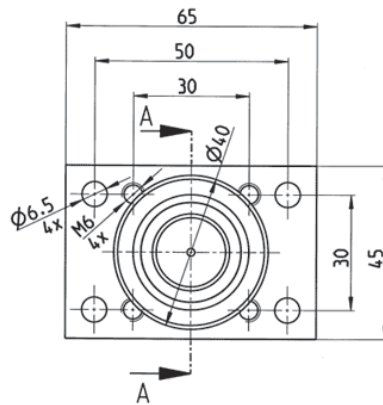


Part No.	Bearing Size	b mm	B mm	c mm	d mm	D mm	Load Capacity [N]
W-V 50/30	50.0 x 30	30	30	—	12	50	1000
W-V 80/57	80.0 x 57	61	57	—	20	80	3000
W-V 101/25	101.2 x 25	16	25	4.5	45	101.2	1900
W-V 125/40	125.0 x 40	35	40	5	30	125	4500
W-V 143/50	143.2 x 50	38	50	5	35	143.2	6000
W-V 179/50	179.0 x 50	40	50	5	40	179.2	10000

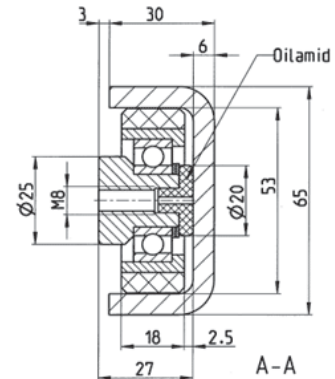
Part No.: W-V4000 Wt. 0.10kg



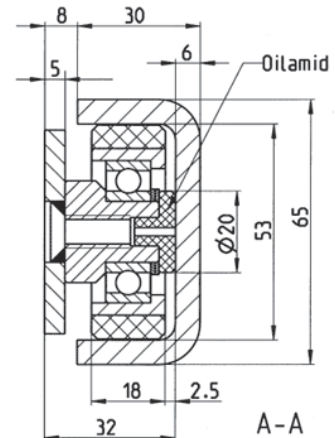
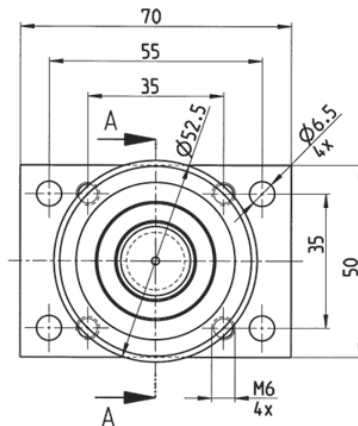
Part No: W-V4000 AP Wt. 0.20kg with Flange Plate



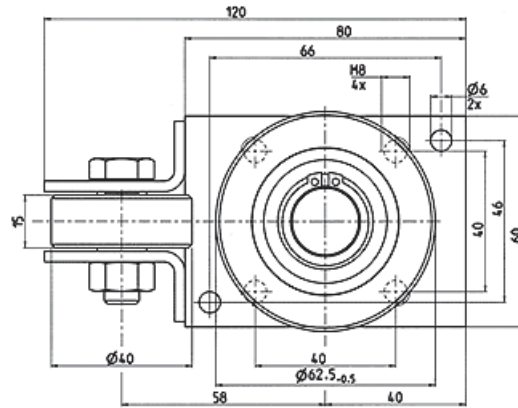
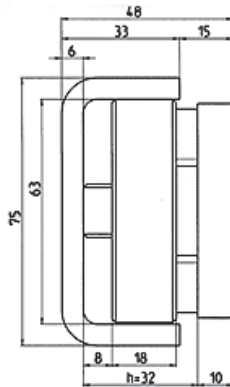
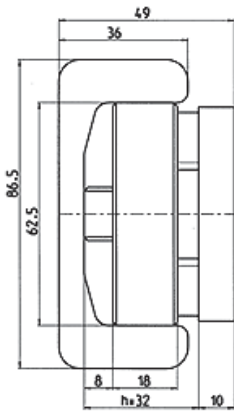
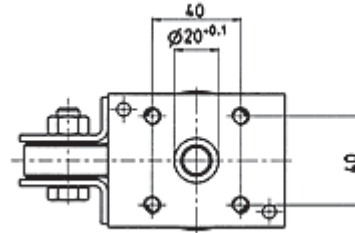
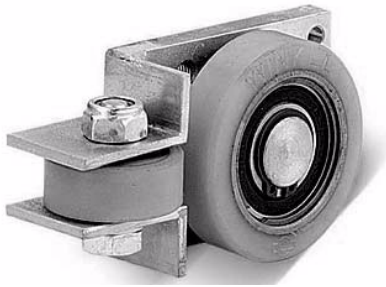
Part No.: W-V5250 Wt. 0.18kg



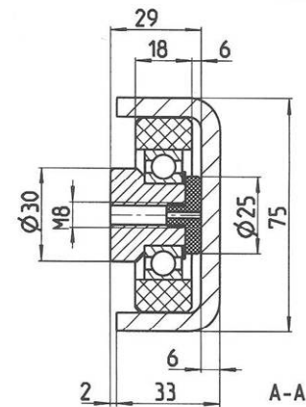
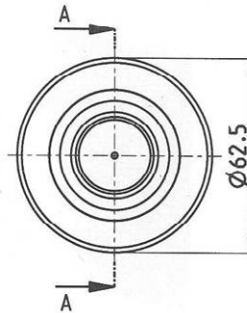
Part No.: W-V5250 AP Wt. 0.28kg with Flange Plate



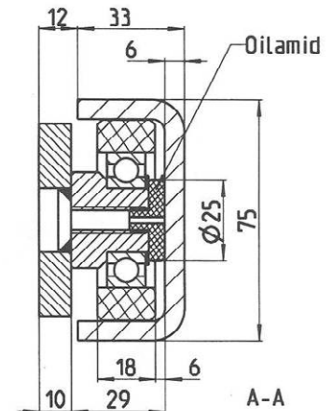
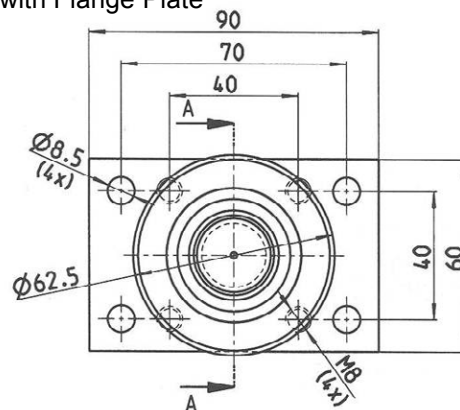
Part No.: W-V6250 AP Wt. 0.80kg with Flange Plate



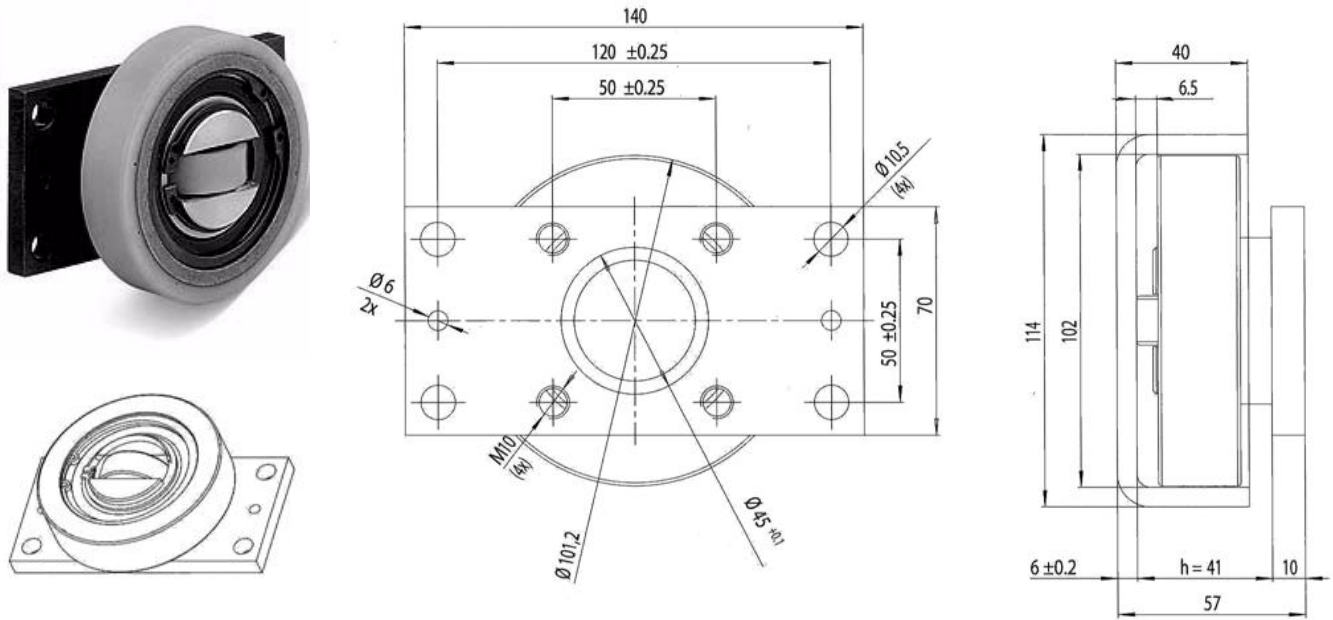
Part No.: W-V6250 P Wt. 0.30kg



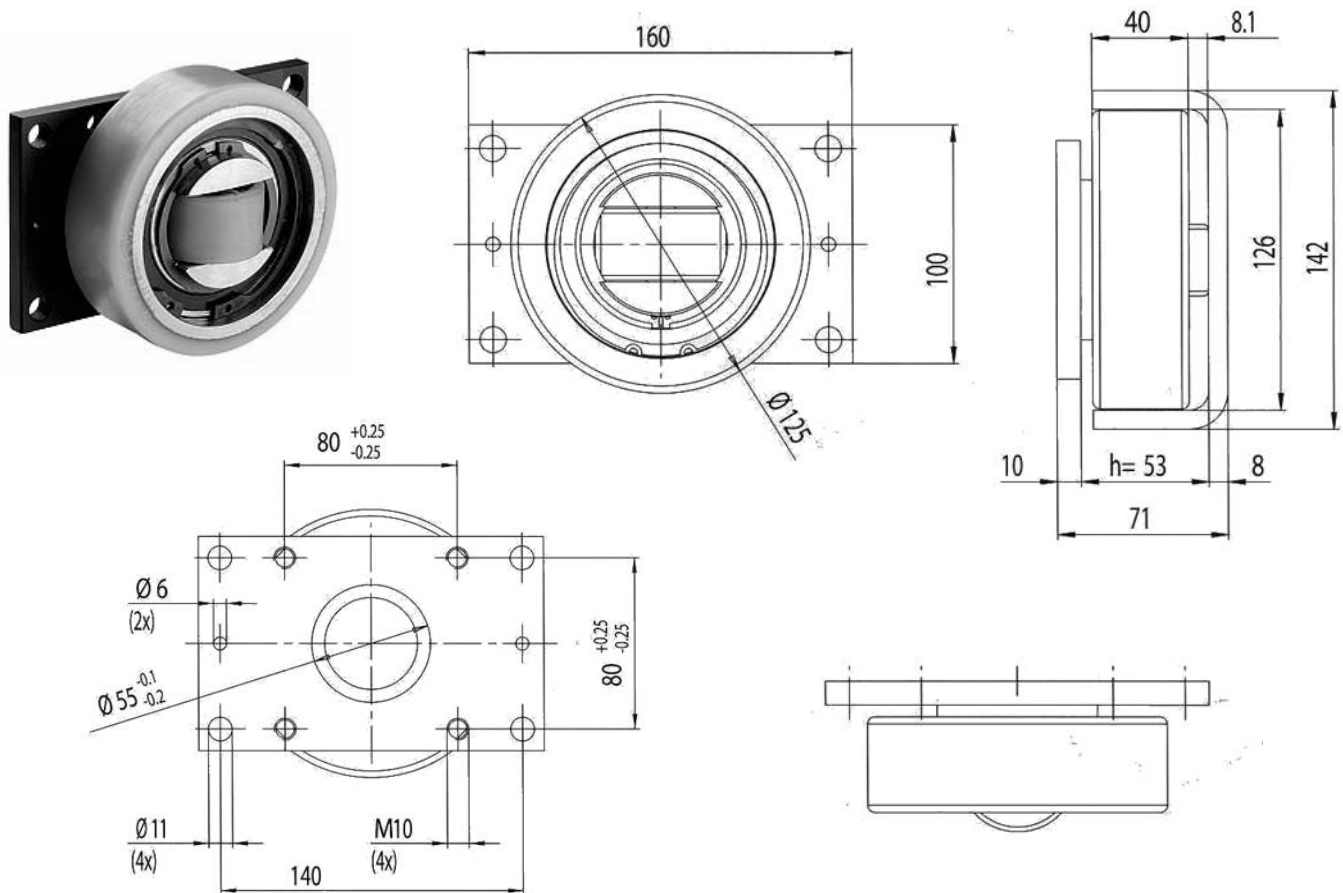
Part No.: W-V6250 P AP Wt. 0.65kg with Flange Plate



Part No.: W-V1012 AP Wt. 1.60kg with Flange Plate

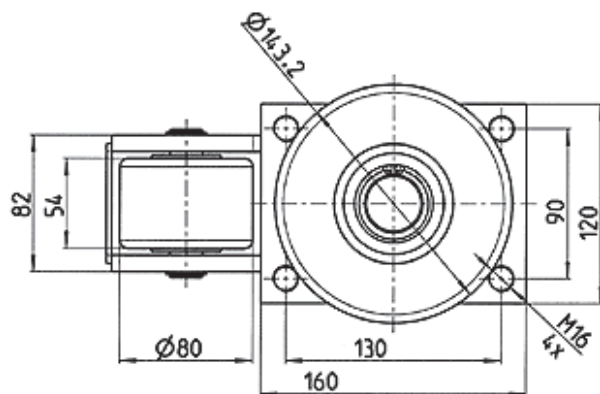
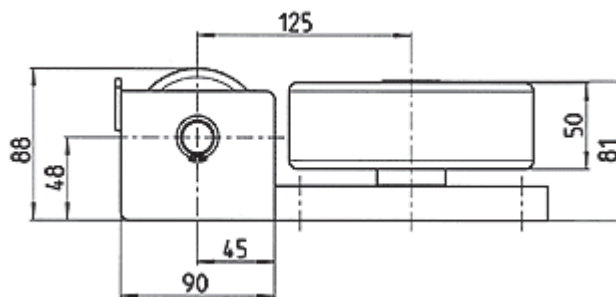
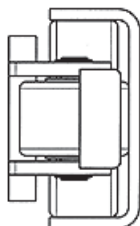
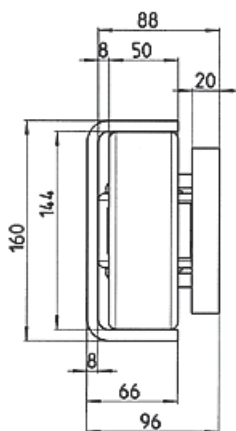


Part No.: W-V1250 AP Wt. 4.0kg with Flange Plate



CAD Drawing Download: www.winkel.de

Part No.: W-V1432 AP Wt. 9.2kg with Flange Plate



Part No.: W-V1792 AP Wt. 12.2kg with Flange Plate

