



atmoMAG

atmoMAG mini 11-O/O XI

■ ■ ■ ■ ■ INT, MT

For the owner

Operating manual

atmoMAG

Gas fired instantaneous water heater for open flue operation

atmoMAG mini 11-0/0 XI

Contents

Contents

1	Notes on the documentation	3
1.1	Storage of the documents	3
1.2	Symbols used.....	3
1.3	Applicability of the instructions.....	3
1.4	CE labelling.....	3
1.5	Appliance type.....	3
2	Safety	4
2.1	Safety and warning information.....	4
2.2	Intended use	4
2.3	General safety instructions.....	4
3	Product description	6
3.1	General information.....	6
3.2	Special product features	6
4	Information on installation and operation	7
4.1	Requirements for the installation site	7
4.2	Care.....	7
4.3	Recycling and disposal	7
4.3.1	The appliance	7
4.3.2	Battery.....	7
4.3.3	Packaging	7
4.4	Energy saving tips.....	7
5	Operation	8
5.1	Overview of controls	8
5.2	Preparations before initial operation.....	8
5.3	Initial operation.....	8
5.4	Hot water generation	9
5.4.1	Drawing hot water.....	9
5.4.2	Adjusting the water temperature.....	9
5.5	Adjusting the performance	10
5.5.1	Performance preselection.....	10
5.5.2	Regulation	10
5.6	Troubleshooting.....	10
5.7	Removal from service	12
5.8	Frost protection	12
5.9	Maintenance.....	12
5.9.1	Changing the battery.....	12
6	Manufacturer's warranty	13

1 Notes on the documentation

The following information is intended to help you throughout the entire documentation. Further documents apply in combination with this operating and installation manual.

We assume no liability for any damage caused by non-observance of these manuals.

Other applicable documents

When operating the atmoMAG, you must observe all the operating manuals supplied with the other components of your system.

These operating manuals are included with the individual components of the system.

1.1 Storage of the documents

- Pass this Operating and Installation Manual and all other applicable documents and, if necessary, any required auxiliary materials to the system operator.

The system operator will be responsible for storing them so that the instructions and auxiliary materials are available when required.

1.2 Symbols used

The symbols used in the instructions are explained below:



Symbol that denotes danger:

- imminent danger to life
- Risk of severe personal injury
- Risk of minor personal injury



Symbol that denotes danger:

- Risk of death from electric shock



Symbol that denotes danger:

- Risk of material damage
- Risk of damage to the environment



Symbol that denotes useful tips and information

- Symbol for a required action

1.3 Applicability of the instructions

This operating manual applies exclusively to units with the following article numbers:

Unit	Type	Article no.
MAG mini INT 11-0/0 XI	B11, B11 BS	311222, 311223

Tab. 1.1 Unit and type names

To find out the article number of your unit, refer to the identification plate.

1.4 CE labelling

CE labelling shows that the appliances comply with the basic requirements of the following directives:

- Gas appliances directive (90/396/EEC)
- Electromagnetic compatibility directive with threshold class B (2004/108/EG)
- Low voltage directive (2006/95/EG)

1.5 Appliance type

You can identify the type of appliance installed by the entry made by the heating engineer in the technical data section of the installation manual.





2 Safety

2.1 Safety and warning information

When installing the atmoMAG, observe the general safety instructions and the warning notes which appear before each of the actions.

2.1.1 Classification of warnings


The warnings are classified in accordance with the severity of the possible danger using the following warning signs and signal words:

Warning signs	Signal word	Explanation
	Danger!	Immediate danger to life or risk of severe personal injury
	Danger!	Risk of death from electric shock
	Warning!	Risk of minor personal injury
	Caution!	Risk of material or environmental damage

Tab. 2.1 Meaning of warning signs and signal words

2.1.2 Structure of warnings

Warning signs are identified by an upper and lower separating line, and are laid out according to the following basic principle:

	Signal word!
	Type and source of danger! Explanation on the type and source of danger ➤ Measures for averting the danger

2.2 Intended use

The Vaillant MAG series of gas fired instantaneous water heaters are state-of-the-art units which have been constructed in accordance with recognised safety regulations. Nevertheless, there is still a risk of injury or death to the operator or others or of damage to the unit and other property in the event of improper use or use for which the unit is not intended.

Vaillant MAG series gas fired instantaneous water heaters are not intended for use by persons (including children) with physical, sensory or mental impairments or who have inadequate experience and/or knowledge, unless they are supervised by a person responsible for their safety or have been given instructions by this person regarding the operation of the unit.

Children must be supervised to ensure they do not play with the unit.

The gas fired instantaneous water heaters are specifically intended for the production of hot water by means of gas.

Using Vaillant MAG series gas fired instantaneous water heaters in vehicles is regarded as improper use. Units that are not classed as vehicles are those that are installed in a fixed and permanent location (known as "fixed installation").

Any other use, or use beyond that specified, shall be considered as improper use. Any direct commercial or industrial use is also deemed to be improper. The manufacturer/supplier is not liable for any claims or damage resulting from improper use. The user alone bears the risk.

Intended use includes the observance of the Operating and Installation Manual and all other applicable documents, as well as adherence to the maintenance and inspection conditions.

The gas fired instantaneous water heater must be installed by a qualified specialist tradesman. He will be held responsible for observing compliance with all current rules, regulations and directives.

2.3 General safety instructions

- Observe the following safety instructions at all times.

What to do in an emergency if you smell gas

A malfunction may mean that gas is leaking and there may be a risk of poisoning or explosion. If there is a smell of gas in the building, proceed as follows:

- Avoid rooms that smell of gas.
- If possible, open doors and windows fully and ensure adequate ventilation.
- Avoid the use of naked flames (e.g. lighters, matches).
- Do not smoke.
- Do not use any electrical switches, mains plugs, doorbells, telephones or other intercommunication systems in the building.

- Close the gas meter isolator device or the main isolator device.
- If possible, close the gas stop cock on the unit.
- Warn other occupants in the building by yelling or banging on doors or walls.
- Leave the building.
- If you can actually hear gas leaking, leave the building immediately and ensure that other persons do not enter the building.
- Alert the fire brigade and police when you are outside the building.
- Use a telephone outside the building to inform the emergency service department of the gas supply company.

Preventing the risk of explosion

- Do not use or store explosive or easily flammable substances such as petrol or paint in the same room as the unit.
- Do not shut down any safety devices
- Do not carry out any alterations as they may affect correct operation.

Material damage caused by corrosion

To prevent corrosion in the unit and in the flue gas installation, note the following:

- Do not use sprays, solvents, chlorinated cleaning agents, paint, adhesives or similar substances in the vicinity of the unit.

Under unfavourable conditions, these substances may lead to corrosion.

Installation and adjustment

Installation of the unit can only be carried out by a qualified specialist tradesman. The existing regulations, rules and guidelines must be observed when doing so. He is also responsible for inspection, maintenance and repairs to the unit and for alterations to the gas volume setting.

Do not carry out any modifications

- Never modify
 - the unit,
 - the area surrounding the unit
 - the gas, air and water pipes
 - the flue gas pipes.

This also applies to alterations to structural elements in the vicinity of the unit which might affect its operational safety.

For example:

- Do not obstruct the air inlets and outlets in doors, ceilings, windows and walls, even temporarily. For example, never cover any ventilation openings with items of clothing or similar objects. When installing floor coverings, the ventilation openings on the

undersides of the doors must not be closed off or reduced in size.

- The supply of air to the unit must not be impaired. Pay particular attention to this when positioning any cupboards, shelves or similar items underneath the unit. Enclosing the unit in a cabinet requires observance of special implementation regulations. Ask your heating specialist company if you want to enclose the unit in this way.
- Keep all openings for air and flue gas free. Make sure, for example, that any temporary covers used when performing work are removed.
- The units must not be installed in rooms from which ventilation systems or warm-air heating systems extract air by means of fans (e.g. extractor hoods, tumble dryers). The exception is where safety devices are installed which automatically shuts off the fans when the gas fired instantaneous water heater is in operation. For this purpose, we recommend installing our accessory Solomatik for MAG (order no. 304821).
- If installing windows with sealed joints, ensure, in consultation with a recognised specialist company, that a sufficient supply of combustion air to the unit is maintained.

To make alterations to the unit or to its environment, you must refer to the company operating a recognised competent persons scheme who is qualified to do this work.

Preventing the risk of scalding

In certain circumstances, the water coming out of the hot water tap may be hot enough to cause scalding. The temperature threshold at which scalding can occur is lower for children than for adults.

- Adjust the hot water temperature so that it is just sufficient for your needs.
- Do not use sprays, solvents, chlorinated cleaning agents, paint, adhesives or similar substances in the vicinity of the unit. These substances may cause corrosion, including in the flue gas system.

3 Product description

3 Product description

3.1 General information

The atmoMAG mini appliances are delivered ready for connection. They only need to be connected to the pipes and the flue system. They are designed to supply one or more extraction points, such as wash basins, showers and bathtubs, with hot water.

The appliances must be fitted to a flue system with a natural draught (chimney).

They have an automatic ignition and monitoring system for the main burner, which means that gas is saved, due to the lack of a constantly burning pilot flame.

A battery provides the power supply for the electronic ignition of the gas instantaneous water heater.

The appliances are designed for installation outside or in suitably ventilated rooms which are separated from the living area. In these cases, suitable precautions must be taken against rain and frost.

The gas instantaneous water heaters have a flue gas sensor which stops the gas supply to the burner in the event of a problem.

The gas instantaneous water heaters have a safety thermostat which prevents further use of the appliance if the heater element overheats.

The appliances can be adapted to the type of gas available. To convert your appliance to a different type of gas, please consult your heating engineer.

After installing the appliance, your heating engineer noted its exact designation in the installation manual, in table 9.2 with reference to the gas type used.

3.2 Special product features

You can preselect the maximum performance of the appliance according to your needs on ten levels between 50 % and 100 %. At around the preselected performance level, the gas quantity is smoothly adapted to the quantity of water flowing.

This feature provides the following benefits:

- The appliance only consumes as much gas as is currently required. This maintains a constant temperature in the entire extraction area of the appliance.
- Any thermostat mixers and single-lever mixers can be used.
- The appliances can also be used to supply consumers with low extraction volumes, such as bidets, because hot water can be drawn at a constant temperature in volumes as little as 2.2 litres per minute.
- The appliances can also be used without any problems in areas where the water pressure is low (from 0,02 MPa (0,2 bar)).
- There is no manual ignition.

4 Information on installation and operation

4.1 Requirements for the installation site

The gas instantaneous water heaters are installed against a wall, preferably near the regular extraction points and the flue chimney.

They can be installed in flats, basements, storage rooms or multi-purpose rooms. Ask your heating engineer which national regulations must be observed.

The installation and use of gas fired instantaneous water heaters in vehicles such as mobile homes or caravans is prohibited. Units that are not classed as vehicles are those that are installed in a fixed and permanent location.

The entire installation site should be frost-proof.

Observe the specified frost protection measures if you are unable to ensure this requirement.



It is not necessary to keep a clearance between the appliance and combustible materials or components, since at the rated heating power of the appliance the temperature at the surface of the housing is always lower than the maximum allowed temperature of 85 °C.



To enable the regular maintenance work to be carried out, ensure that there is a minimum clearance of 30 mm at the sides of the unit.

4.2 Care

- Clean the exterior your appliance with a damp cloth and a little soap.



Do not use scouring or cleaning agent, which might damage the exterior or plastic controls.

4.3 Recycling and disposal

Both the gas instantaneous water heater and its packaging consist mainly of recyclable raw materials.

4.3.1 The appliance

Neither the gas instantaneous water heater or any of its accessories belong in the household waste. Make sure the old appliance and any existing accessories are disposed of properly.

4.3.2 Battery

When the battery is flat, dispose of it properly at an official collection point (not with the household waste).

4.3.3 Packaging

Please leave the disposal of the transport packaging to the expert company which installed the appliance.



Observe the applicable national legal regulations.

4.4 Energy saving tips

Appropriate hot water temperature

The water should only be heated up to the extent that is necessary for use. Any further heating is a waste of energy. Also, water temperatures above 60 °C lead to increased lime scale.

Conscious handling of water

Energy-conscious use of water can reduce your bills considerably. For example taking a shower instead of a bath: whereas about 150 litres of water are required for a bath, a modern shower equipped with water saving fittings only requires a third of this water quantity. By the way, a dripping water tap wastes up to 2000 litre of water and a leaking toilet flush up to 4000 litres of water each year. On the other hand, a new seal only costs a few cents.

5 Operation

5.1 Overview of controls

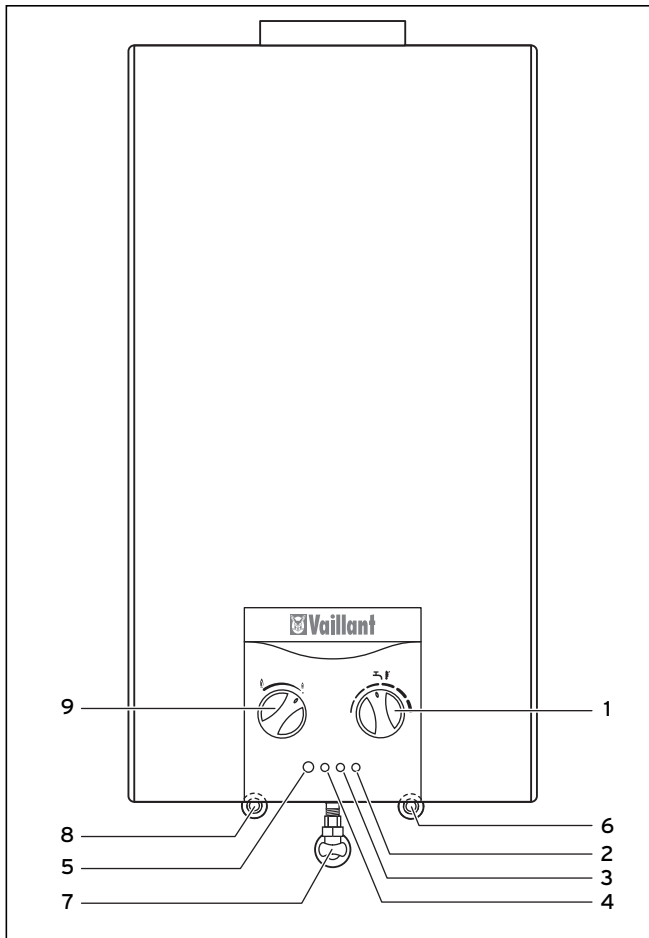


Fig. 5.1 Controls

Key

- 1 Temperature selector
- 2 Ignition voltage LED (yellow)
- 3 Error LED (red)
- 4 Operation LED (green)
- 5 Main on/off switch
- 6 Cold water connection
- 7 Gas connection
- 8 Hot water connection
- 9 Power switch (10 levels from 50 to 100 %)

Control	Meaning
Operation LED (green)	Lights up when the burner is in operation.
Error LED (red)	Flashes when there is an error.
Ignition voltage LED (yellow)	Lights when the voltage in the battery drops so much that safe operation can no longer be guaranteed.

Table 5.1 LED controls

5.2 Preparations before initial operation

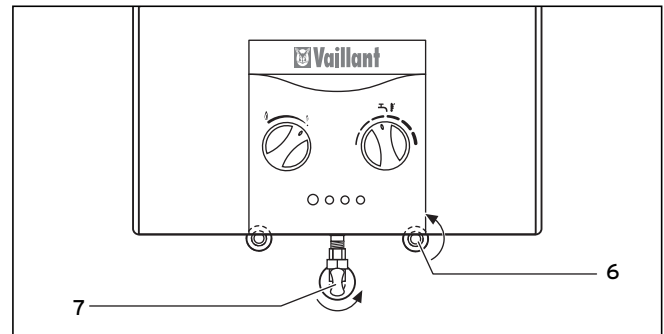


Fig. 5.2 Shut-off valves

- Open the gas stop cock (7) of the appliance by pushing it and turning the handle anticlockwise as far as it will go (a quarter turn).
- Open the shut-off valve on the cold water connection (6) of the appliance.
- Open the shut-off valve on the cold water connection (6) of the appliance by turning the handle anticlockwise as far as it will go (a quarter turn).

5.3 Initial operation

If the unit's mains connection cable is damaged, it must be replaced by the manufacturer or its customer services department or a qualified specialist tradesman in order to prevent any hazards.

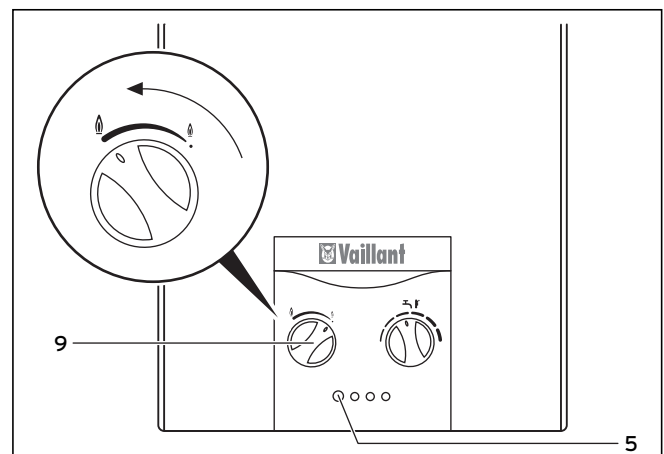


Fig. 5.3 Start-up

- Press the main switch (5) in until it catches.
- Turn the power switch (9) to the required level. The gas instantaneous water heater goes into standby mode.



If there is a leak in the hot water pipe between the appliance and the extraction points, close the cold water shut-off valve on the appliance using a slot head screwdriver, see section 5.6. Have the leaks repaired by your recognised handicraft business.

5.4 Hot water generation

5.4.1 Drawing hot water



Danger!
Risk of scalding!

Hot water temperatures above 60 °C can cause scalding.

- Adjust the temperature of the hot water so that it is just sufficient for your needs.

- If you open the hot water tap at the extraction point, such as the wash basin or sink, the gas instantaneous water heater starts up automatically and provides hot water.

The green operating LED lights up as long as the burner is in operation.



If the gas instantaneous water heater does not start when you turn on the tap, check that the shut-off valve fitted in front of the tap is completely open or the main switch is in the on position (I).



Also, the strainer in the tap fitting may be clogged. You can take out the rose to clean it. If it is clogged with lime scale, we recommend descaling the rose with a decalcifier such as vinegar.

The gas instantaneous water heater stops automatically when you turn off the hot water tap.

5.4.2 Adjusting the water temperature

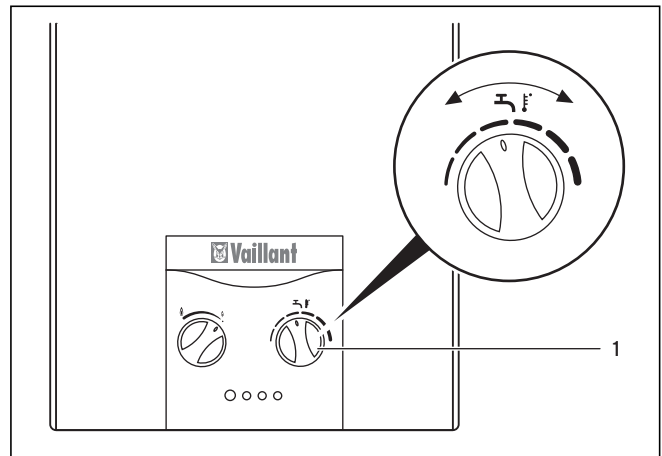


Fig. 5.4 Setting the water temperature

The appliance provides water at a constant temperature, regardless of the quantity drawn and the cold water intake temperature.

Use the temperature selector (1) to vary the water temperature:

- Turn the temperature selector clockwise to increase the temperature.
- Turn the temperature selector anticlockwise to reduce the temperature.



The temperature at the individual draw-off points may differ slightly from the displayed temperature.

You can also alter the water temperature when drawing hot water.

5 Operation

5.5 Adjusting the performance

5.5.1 Performance preselection

The power switch can be used to preselect the performance in ten levels between 50 % and 100 % of the rated heating output.

By reducing the performance of the appliance and adapting it to the level you actually require, you can reduce the exit temperature and save energy.

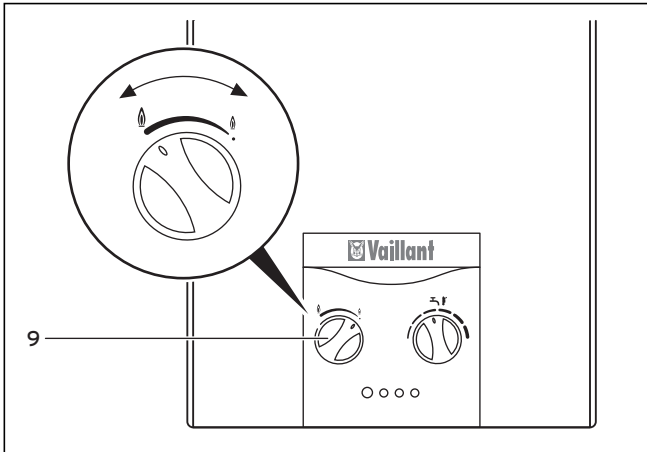




Fig. 5.5 Performance preselection

- ▶ Turn the power switch (9) clockwise  to reduce the performance.
- ▶ Turn the power switch (9) anticlockwise  to increase the performance.

5.5.2 Regulation

In the range between the preselected performance and the minimum possible appliance performance (around 40 %), the quantity of gas is automatically, continuously adjusted to the water flow volume (in other words, the actual amount drawn off at the taps), thus keeping the exit temperature constant.

5.6 Troubleshooting

The error display flashes red to indicate any malfunctions. As the user, you may only attempt to rectify the following problems. If error messages appear other than the ones listed here, you must notify your heating engineer.

Problem	Cause	Remedy
No function No LED lights up.	Flat batteries.	Replace the batteries with new ones. Ensure the gas supply. Make sure the cold water shut-off valve is open. If the problem persists, notify your heating engineer.
The yellow LED flashes. Loud sparking.	Low batteries.	Replace the batteries with new ones.
The appliance will not start and the red LED flashes.	Gas supply interrupted. Air in the gas supply pipe.	Ensure the gas supply. For liquid gas: Replace an empty gas bottle with a full one. Make sure that the cut-off valve on the gas connection is open. Open and close the water tap several times to get rid of air in the gas supply. If the problem persists, notify your heating engineer.
The red LED flashes during operation.	Low water pressure. Gas supply interrupted. Air in the gas supply pipe.	Ensure the gas supply. For liquid gas: Replace an empty gas bottle with a full one. Open and close the water tap several times to get rid of air in the gas supply. If the problem persists, notify your heating engineer.
The appliance stops and the red LED lights up.	Low batteries. Defective safety device.	Make sure the cold water shut-off valve is open. Replace flat batteries with new ones. Contact your heating engineer.

Table 5.2 Troubleshooting

If the appliance was blocked by its safety systems, it can only automatically ignite again once you have "reset" it. To "reset" the appliance, either:

- Close the water tap and open it again without pressing the main switch, or
- Leave the water tap open and switch the appliance off and on again by pressing the main switch (5) twice.

Depending on the installation conditions, the unit may have to be "reset" several times before it ignites automatically; this is particularly true when commissioning the unit and if it has been out of operation for some time. Please follow the instructions in Section 5.3 Start-up.

When the fault is eliminated, the gas instantaneous water heater starts up automatically. If the malfunction recurs, have an engineer come to inspect the appliance.



Danger!

Inappropriate alterations may cause damage!

Inappropriate alterations may lead to hazardous situations.

- Under no circumstances should you ever attempt to make alterations to the gas fired instantaneous water heater or other parts of the system by yourself.
- Never try to carry out maintenance work or repairs on the unit yourself.
- Always employ a qualified specialist tradesman.

Only use the gas instantaneous water heater again once the malfunction has been rectified by an engineer.



Danger!

Risk of carbon monoxide poisoning!

If air flow conditions in the chimney are permanently poor, flue gases may flow back unchecked from the chimney into the installation room if the atmospheric sensing device is not operating.

- Under no circumstances should you switch off the atmospheric sensing device (flue gas sensor).
- Never tamper with this device as this may prevent it from operating correctly.

5 Operation

5.7 Removal from service

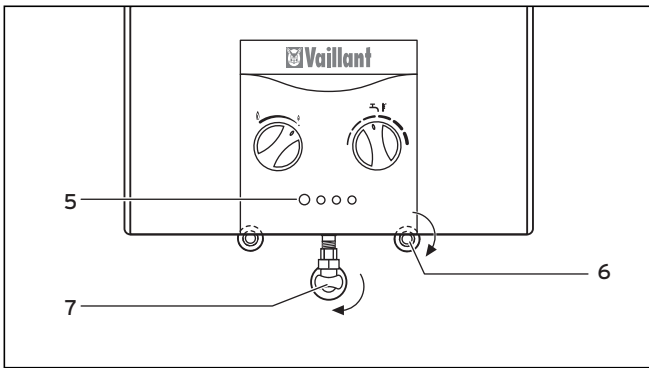


Fig. 5.6 Removal from service

- Press the main switch (5) once, so that it springs out to the off position.
- Close the gas stop cock (7) of the appliance by turning it clockwise as far as it will go (a quarter turn). The gas supply to the burner of the gas instantaneous water heater is cut off.
- Close the stop cock on the cold water connection (6) of the appliance by turning it clockwise as far as it will go (a quarter turn).

5.8 Frost protection

If there is a risk of frost, you must drain the gas instantaneous water heater. This is the case if your water pipes threaten to freeze. This is how to do it (see 5.7):

- Close the stop cock on the cold water connection (6) of the appliance by turning it clockwise as far as it will go (a quarter turn).

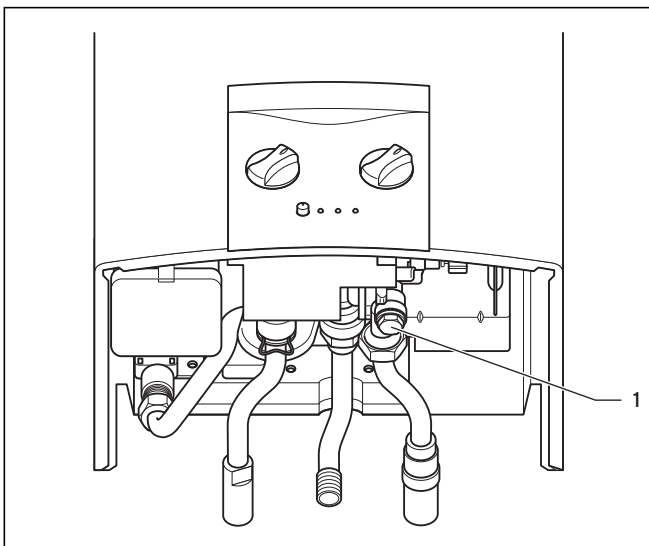


Fig. 5.7 Draining

- Undo the hexagonal drain plug (1).

- Open all hot water taps connected to the gas instantaneous water heater so that the appliance and pipes are fully drained.
- Leave the hot water taps and the drain plug open until refilling the heater after the danger of frost is over.



When subsequently filling the gas instantaneous water heater, only start it up when water comes out of the open hot water taps after you open the shut-off valve on the cold water connection of the appliance. This ensures that the gas instantaneous water heater is completely filled with water.

5.9 Maintenance

Permanent operational readiness, reliability and a long service life require inspections and maintenance work to regularly carried out by a heating engineer.



Danger!

Risk of injury and material damage due to incorrect maintenance and repairs!

If you fail to carry out maintenance, or if you carry this out incorrectly, this may adversely affect the operating reliability of the unit.

- Never attempt to perform maintenance work or repairs on your units by yourself.
- Always employ a qualified specialist tradesman.

5.9.1 Changing the battery

When the batteries (monocell type A) come to the end of their service life, they must be replaced. This is shown by the ignition voltage LED lighting up.

The battery compartment (1) is at the bottom of the appliance on the left, and can be accessed without removing the housing.

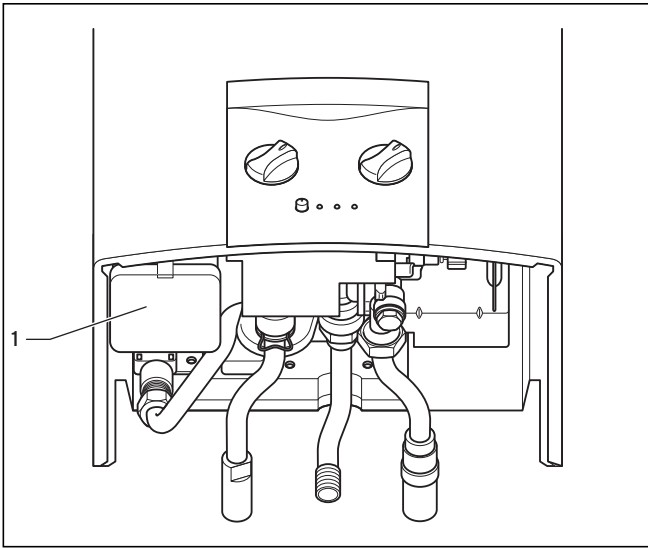


Fig. 5.8 Changing the batteries

- Open the battery compartment lid (1).
- Take out the old batteries and replace them with new ones, observing the polarity marked on the battery compartment lid.



Danger!

Risk of explosions!

Incorrect handling of batteries may cause explosions.

- Never re-charge flat batteries.
- Do not heat up the batteries and never throw them into the fire.

6 Manufacturer's warranty

We provide the owner of the appliance with a manufacturer's warranty with the conditions listed on the warranty card.

All work covered by the warranty is performed by our customer service.

We can therefore only reimburse any costs you incur for work on the appliance during the warranty period if we have issued the order for the work and if it is covered by the warranty.

For the qualified technician
Installation manual

atmoMAG

Gas fired instantaneous water heater for open flue operation
atmoMAG mini 11-0/0 XI

Contents

Contents

1	Notes on the documentation	3	7	Inspection and maintenance	18
1.1	Storage of the documents	3	7.1	Preparing for maintenance.....	18
1.2	Symbols used.....	3	7.2	Cleaning the burner	18
1.3	Applicability of the instructions.....	3	7.3	Cleaning and decalcifying the heating element	19
1.4	Appliance type.....	3	7.4	Checking the function of the water circuit breaker	20
2	Safety	4	7.5	Checking the flue gas sensor	20
2.1	Safety and warning information.....	4	7.6	Test operation and restarting.....	21
2.2	Intended use	4	7.7	Spare parts.....	21
2.3	General safety instructions.....	4	8	Troubleshooting	22
2.4	Regulations	6	9	Manufacturer's warranty	23
3	Description of the appliance	6	10	Technical data	24
3.1	Type plate.....	6			
3.2	CE labelling.....	7			
3.3	Connections	7			
3.4	Assemblies.....	7			
4	Fitting	8			
4.1	Scope of delivery	8			
4.2	Requirements for the installation site	8			
4.3	Dimensions	9			
4.4	Preparing for wall installation.....	10			
4.5	Fitting the appliance.....	10			
4.5.1	Taking off the housing	10			
4.5.2	Fitting the appliance.....	11			
5	Installation	11			
5.1	Connecting to the gas supply.....	11			
5.2	Connecting to the water supply	11			
5.3	Connecting to the flue system.....	12			
5.3.1	Checking the flue gas sensor	12			
5.3.2	Fitting the flue pipe.....	12			
5.4	Electrical wiring diagram.....	13			
6	Initial operation	14			
6.1	Checking the gas setting	14			
6.1.1	Comparing the gas setting with the gas supply.....	14			
6.1.2	Checking the gas connection pressure.....	14			
6.1.3	Checking the thermal load	14			
6.2	Gas setting tables.....	16			
6.3	Checking the function of the appliance.....	16			
6.4	Handing over to the owner	17			
6.5	Adapting to a different type of gas	17			

1 Notes on the documentation

The following information is intended to help you throughout the entire documentation. Further documents apply in combination with this operating and installation manual.

We assume no liability for any damage caused by non-observance of these manuals.

Other applicable documents

When installing the atmoMAG, you must observe all of the installation instructions supplied with the other components of your system.

These installation instructions are included with the individual components of the system.

1.1 Storage of the documents

- Pass this Operating and Installation Manual and all other applicable documents and, if necessary, any required auxiliary materials to the system operator.

The system operator will be responsible for storing them so that the instructions and auxiliary materials are available when required.

1.2 Symbols used

The symbols used in the instructions are explained below:



Symbol that denotes danger:

- imminent danger to life
- Risk of severe personal injury
- Risk of minor personal injury



Symbol that denotes danger:

- Risk of death from electric shock



Symbol that denotes danger:

- Risk of material damage
- Risk of damage to the environment



Symbol that denotes useful tips and information

- Symbol for a required action

1.3 Applicability of the instructions

These installation instructions are valid exclusively for units with the following article numbers:

Unit	Type	Article no.
MAG mini INT 11-0/0 XI	B11, B11 BS	311222, 311223

Tab. 1.1 Unit and type names

To find out the article number of your unit, refer to the identification plate.

1.4 Appliance type

You can identify the type of appliance installed by the entry made by the heating engineer in the technical data section of the installation manual.





2 Safety

2.1 Safety and warning information

When installing the atmoMAG, observe the general safety instructions and the warning notes which appear before each of the actions.

2.1.1 Classification of warnings


The warnings are classified in accordance with the severity of the possible danger using the following warning signs and signal words:

Warning signs	Signal word	Explanation
	Danger!	Immediate danger to life or risk of severe personal injury
	Danger!	Risk of death from electric shock
	Warning!	Risk of minor personal injury
	Caution!	Risk of material or environmental damage

Tab. 2.1 Meaning of warning signs and signal words

2.1.2 Structure of warnings

Warning signs are identified by an upper and lower separating line, and are laid out according to the following basic principle:

	Signal word!
	Type and source of danger! Explanation on the type and source of danger ➤ Measures for averting the danger

2.2 Intended use

The Vaillant MAG series of gas fired instantaneous water heaters are state-of-the-art units which have been constructed in accordance with recognised safety regulations. Nevertheless, there is still a risk of injury or death to the operator or others or of damage to the unit and other property in the event of improper use or use for which the unit is not intended.

Vaillant MAG series gas fired instantaneous water heaters are not intended for use by persons (including children) with physical, sensory or mental impairments or who have inadequate experience and/or knowledge, unless they are supervised by a person responsible for their safety or have been given instructions by this person regarding the operation of the unit.

Children must be supervised to ensure they do not play with the unit.

The gas fired instantaneous water heaters are specifically intended for the production of hot water by means of gas.

Using Vaillant MAG series gas fired instantaneous water heaters in vehicles is regarded as improper use. Units that are not classed as vehicles are those that are installed in a fixed and permanent location (known as "fixed installation").

Any other use, or use beyond that specified, shall be considered as improper use. Any direct commercial or industrial use is also deemed to be improper. The manufacturer/supplier is not liable for any claims or damage resulting from improper use. The user alone bears the risk.

Intended use includes the observance of the Operating and Installation Manual and all other applicable documents, as well as adherence to the maintenance and inspection conditions.

The gas fired instantaneous water heater must be installed by a qualified specialist tradesman. He will be held responsible for observing compliance with all current rules, regulations and directives.

2.3 General safety instructions

- Observe the following safety instructions at all times.

What to do in an emergency if you smell gas

A malfunction may mean that gas is leaking and there may be a risk of poisoning or explosion. If there is a smell of gas in the building, proceed as follows:

- Avoid rooms that smell of gas.
- If possible, open doors and windows fully and ensure adequate ventilation.
- Avoid the use of naked flames (e.g. lighters, matches).
- Do not smoke.
- Do not use any electrical switches, mains plugs, doorbells, telephones or other intercommunication systems in the building.

- Close the gas meter isolator device or the main isolator device.
- If possible, close the gas stop cock on the unit.
- Warn other occupants in the building by yelling or banging on doors or walls.
- Leave the building.
- If you can actually hear gas leaking, leave the building immediately and ensure that other persons do not enter the building.
- Alert the fire brigade and police when you are outside the building.
- Use a telephone outside the building to inform the emergency service department of the gas supply company.

Preventing the risk of explosion

- Do not use or store explosive or easily flammable substances such as petrol or paint in the same room as the unit.
- Do not shut down any safety devices
- Under no circumstances should you switch off the atmospheric sensing device (flue gas sensor).
- Do not carry out any alterations as they may affect correct operation.

Material damage caused by corrosion

To prevent corrosion in the unit and in the flue gas installation, note the following:

- Do not use sprays, solvents, chlorinated cleaning agents, paint, adhesives or similar substances in the vicinity of the unit.

Under unfavourable conditions, these substances may lead to corrosion.

Installation and adjustment

Installation of the unit can be only carried out by a qualified specialist tradesman. The existing regulations, rules and guidelines must be observed when doing so. He is also responsible for inspection, maintenance and repairs to the unit and for alterations to the gas volume setting.

Avoiding a risk of explosion and poisoning

The wrong type of gas may lead to hazardous situations. High levels of carbon monoxide due to improper combustion present a danger to life.

- Before start-up of the unit compare the details concerning the set type of gas on the identification plate with the type of gas supply at the installation site.
- Only convert the unit to a different type of gas using the conversion kits available from the manufacturer.

Do not carry out any modifications

- Never modify
 - the unit
 - the area surrounding the unit
 - the gas, air and water pipes
 - the flue gas pipes.

This also applies to alterations to structural elements in the vicinity of the unit which might affect its operational safety.

For example:

- Do not obstruct the air inlets and outlets in doors, ceilings, windows and walls, even temporarily. For example, never cover any ventilation openings with items of clothing or similar objects. When installing floor coverings, the ventilation openings on the undersides of the doors must not be closed off or reduced in size.

- The supply of air to the unit must not be impaired. Pay particular attention to this when positioning any cupboards, shelves or similar items underneath the unit. Enclosing the unit in a cabinet requires observance of special implementation regulations. Ask your heating specialist company if you wish to enclose the unit in this way.

Keep all openings for air and flue gas free. Make sure, for example, that any temporary covers used when performing work are removed.

- The units must not be installed in rooms from which ventilation systems or warm-air heating systems extract air by means of fans (e.g. extractor hoods, tumble dryers).

The exception is where safety devices are installed which automatically shuts off the fans when the gas fired instantaneous water heater is in operation. For this purpose, we recommend installing our accessory Solomatik for MAG (order no. 304 821).

- If installing windows with sealed joints, ensure, in consultation with a company operating a recognised competent persons scheme, that a sufficient supply of combustion air to the unit is maintained.

To make alterations to the unit or to its environment, you must refer to the company operating a recognised competent persons scheme who is qualified to do this work.

Preventing the risk of scalding

In certain circumstances, the water coming out of the hot water tap may be hot enough to cause scalding. The temperature threshold at which scalding can occur is lower for children than for adults.

- Adjust the hot water temperature so that it is just sufficient for your needs.
- Do not use sprays, solvents, chlorinated cleaning agents, paint, adhesives or similar substances in the vicinity of the unit. These substances may cause corrosion, including in the flue gas system.

2 Safety

3 Description of the appliance

Use of tools

Unsuitable tools and/or improper use of tools may cause damage, such as gas or water leaks.

- Always use a suitable open-ended spanner to tighten or loosen threaded connections.
- Do not use pipe wrenches, extensions, etc.

2.4 Regulations

The gas fired instantaneous water heater must only be installed by a qualified specialist tradesman

who also assumes the responsibility for installing the unit properly and commissioning it for the first time.

The electrical installation may only be performed by a qualified specialist tradesman.

Before the gas fired instantaneous water heater is installed, the comments of the gas supply company and the district chimney sweep must be obtained.

3 Description of the appliance

3.1 Type plate

You will find the type plate on the front, on the flow cut-out. To see it, you must take off the housing, see 4.5.1.

The type plate contains the following information:

Symbol	Meaning
MAG	Product category
INT; MT; ES; ...	Country code
mini 11-0/0	Performance: XX in l/min; type: chimney connection; appliance generation
I	With electronic ignition and battery
X	With flue gas sensor
atmoMAG	Series
Typ	Type of flue gassystem and combustion air supply
B11	Gas appliance using room air with flow cutout in flue path without fan
B11 BS	With flue gas monitoring system
INT: cat. II _{2H3B/P} MT: cat. I _{3B/P} ...	Gas type code (depending on the country of destination): Suitable for natural gas and liquid gas
2H	Natural gas types
G 20 - 0,002 MPa (20 mbar)	Natural gases with permissible gas pressures
3 B/P	Liquid gas types
G 30/G 31 - 0,0028 - 0,003/ 0,0037 MPa (28 - 30/37 mbar) 3B/P - G30/G31 - 0,003 MPa (30 mbar)	Liquid gases with permissible gas pressures
P _{nom.}	Maximum heating power
P _{min.}	Minimum heating power
Q _{nom.}	Maximum thermal load
Q _{min.}	Minimum thermal load
pW _{max.}	Maximum permissible water pressure
CE 0099	Certifying authority
CE-99BP821	Product certification number
xxXXxxXXXXXX<<<<xxxx xxxxxxNx	Digits 3 and 4 are the year of production, 7 to 12 are the item number, and the other digits are for production control.
XXxx	Quality code, e.g. AC15

Table 3.1 Type plate

**Danger!****Risk of explosion due to wrong type of gas!**

The wrong type of gas may lead to hazardous situations.

- Before start-up of the unit compare the details concerning the set type of gas on the identification plate with the type of gas supply at the installation site.

- Always note the appliance type and the gas type used in Table 10.2, with reference to the set gas type in section 10, Technical data.
- Put the housing back on the appliance.

3.2 CE labelling

CE labelling shows that the appliances comply with the basic requirements of the following directives:

- Gas appliances directive (2009/142/EG)
- Electromagnetic compatibility directive with threshold class B (2004/108/EG)
- Low voltage directive (2006/95/EG)

3.3 Connections**Danger!****Risk of scalding and damage from escaping hot or cold water!**

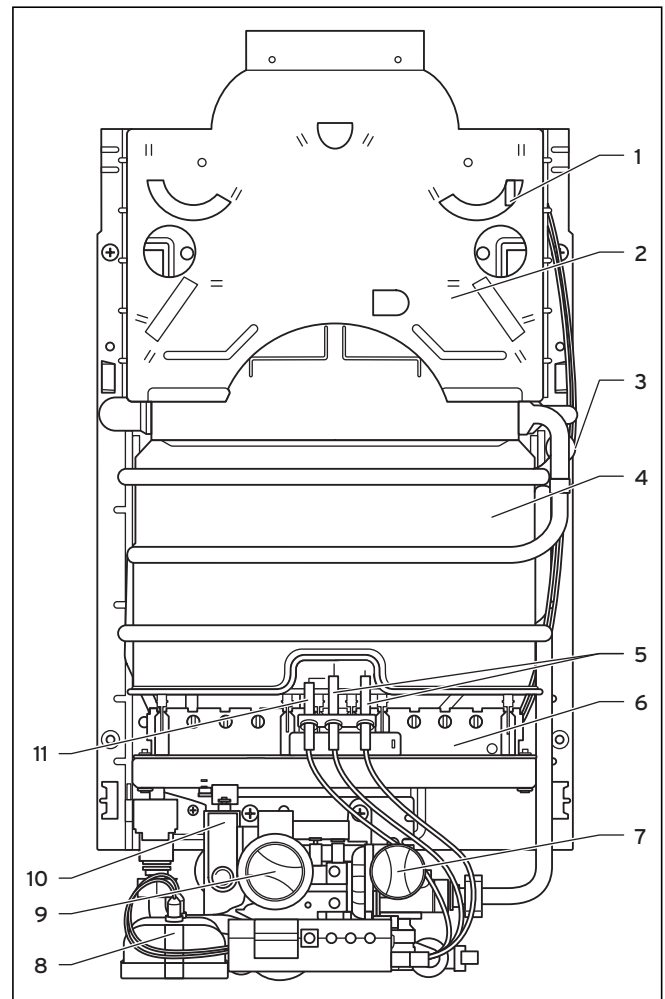
Incorrect installation may cause leaks. Plastic pipes for the hot and/or cold water connection must be resistant to temperatures up to 95 °C and resistant to pressures up to 1 MPa (10 bar).

- In order to prevent leaks, ensure that no mechanical stresses arise in the pipework.
- Ensure that there are no stresses in the hot and cold water connections when installing them.

Appliance connections:

- Water 3/4"
- Gas 1/2"

- Determine where the unit is to be installed.
- Route the gas and water pipes to the connecting points on the unit.

3.4 Assemblies**Fig. 3.1 Assemblies****Key**

- 1 Flue gas sensor
- 2 Flow cutout
- 3 Safety thermostat
- 4 Heating element
- 5 Ignition electrodes
- 6 Burner
- 7 Temperature selector
- 8 Battery compartment
- 9 Power switch
- 10 Gas fitting
- 11 Monitoring electrode

3 Description of the appliance

4 Fitting



Danger!

Risk of carbon monoxide poisoning!

If air flow conditions in the chimney are permanently poor, flue gases may flow back unchecked from the chimney into the installation room if the atmospheric sensing device is not operating.

- Under no circumstances should you switch off the atmospheric sensing device (flue gas sensor).
- Never tamper with this device as this may prevent it from operating correctly.

If the flue pipe is partially or completely blocked or the air pressure conditions inside the building prevent sufficient flue gas extraction, the flue gas sensor detects a rise in temperature and stops the gas supply.

4 Fitting

4.1 Scope of delivery

- Connection kit consisting of:
 - Natural gas connecting piece
 - Seals, plugs, screws
 - Two type A batteries

4.2 Requirements for the installation site

Please note the following instructions before choosing where to install the heater:

- The gas instantaneous water heater may only be installed in a sufficiently ventilated room.
- The wall must be strong enough to bear the weight of the gas instantaneous water heater during operation.
- The fixings supplied might not meet the requirements for the wall. In this case, you must obtain the necessary fixings yourself.
- The entire installation site should be frost-proof. Observe the specified frost protection measures if you are unable to ensure this requirement. (See Section 5.7 of the operating manual.)
- Choose an installation location where the pipes (gas supply, water intake and water outlet) can be easily laid.
- The use of gas fired instantaneous water heaters in vehicles such as mobile homes or caravans is prohibited. Units that are not classed as vehicles are those that are installed in a fixed and permanent location.



Caution!

Risk of damage to the unit.

Aggressive vapours and grease vapours may damage the unit.

- Do not install the unit in rooms where there are aggressive vapours or grease vapours.

- The gas instantaneous water heater must be connected via a pipe of the specified diameter (see section 10, Technical data) to a flue system with a natural draught (chimney).



It is not necessary to keep a clearance between the appliance and combustible materials or components, since at the rated heating power of the appliance the temperature at the surface of the housing is always lower than the maximum allowed temperature of 85 °C.

- Explain these requirements to the customer.

4.3 Dimensions

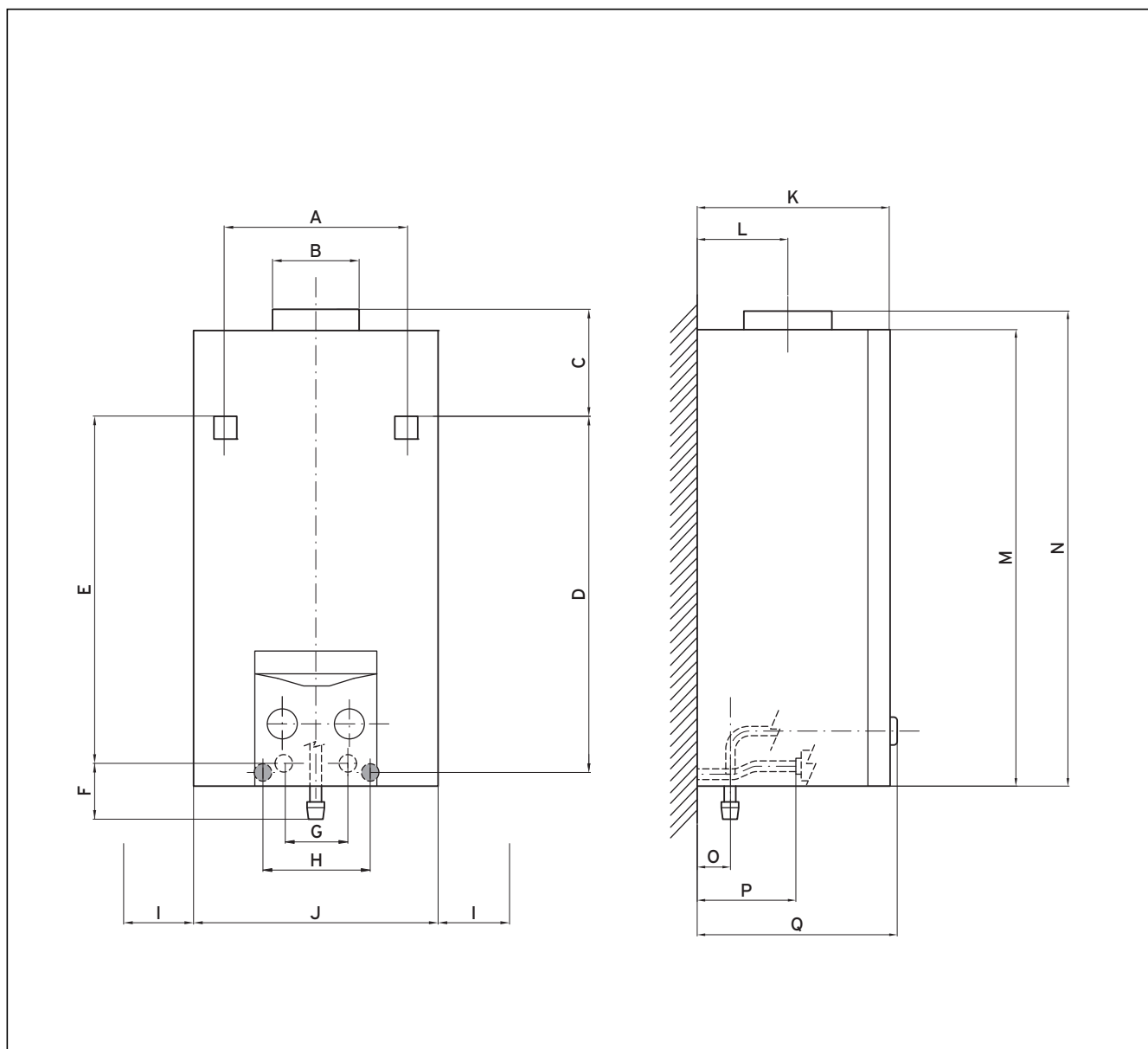


Fig. 4.1 Scale drawing of mini XI

Dimension	mm	Dimension	mm
A	235	J	310
B	∅ 110	K	243
C	139	L	115
D	451	M	580
E	441	N	605
F	52	O	50
G	70	P	125
H	120	Q	253
I	min. 20		

Table 4.1 Dimensions

4 Fitting

4.4 Preparing for wall installation

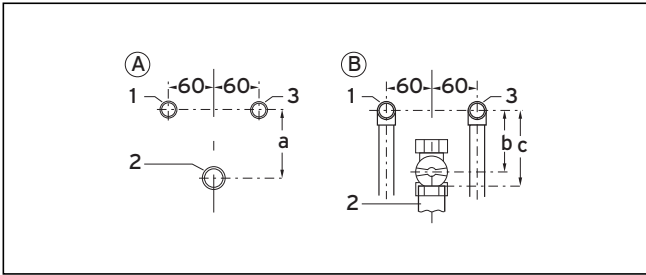


Fig. 4.2 Preparing for wall installation

Key

- 1 R 1/2 hot water connection
- 2 Gas connection
- 3 R 1/2 cold water connection

The illustration shows the position of the connections for:

- A Flush installation
- B Surface installation

When using Vaillant accessories, existing wall installations can be retained or prepared as shown.

The recommended spacings for all types of appliance:

- a = 92 mm
- b = 85 mm
- c ≈ 100 mm

4.5 Fitting the appliance

To fit or service the gas instantaneous water heater you must take off the appliance housing and put it on again after finishing the work.

4.5.1 Taking off the housing

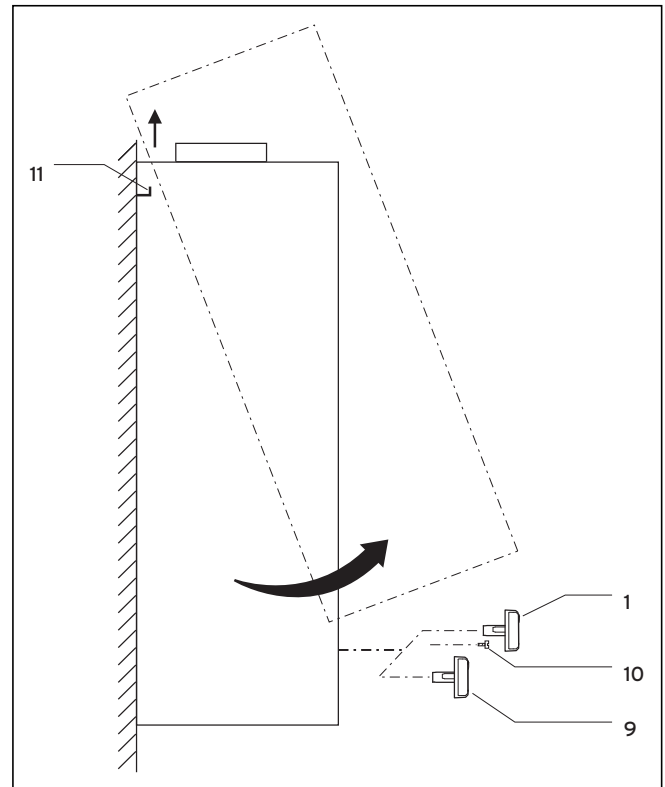


Fig. 4.3 Taking off the housing

- Pull the temperature selector (1) off its spindle and take off the power switch (9).
- Remove the screw (10) below the temperature selector spindle.
- Pull the housing towards you and lift it out of the two brackets (11).

Putting on the housing

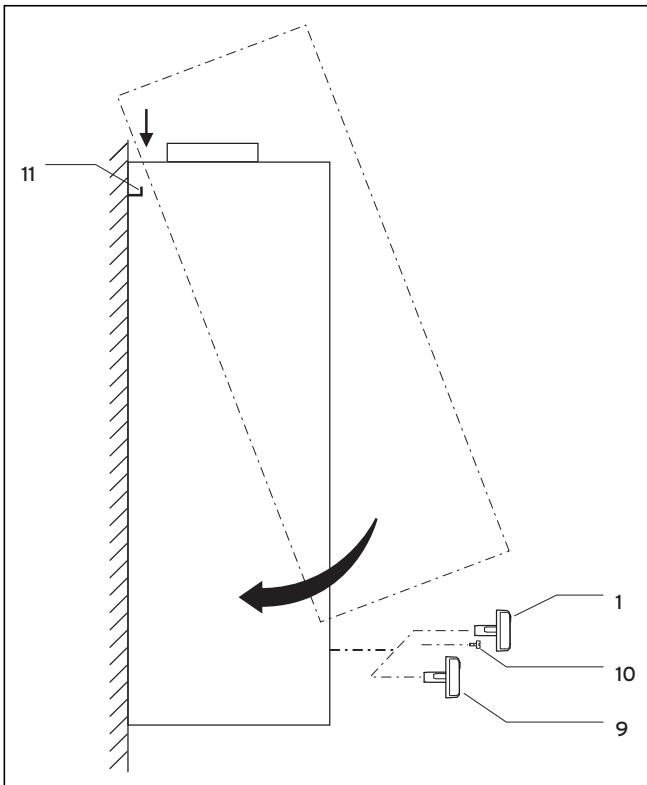


Fig. 4.4 Putting on the housing

- Lower the housing onto the two brackets (11) and push it against the rear wall. Make sure the two lugs are in the recesses.
- Tighten the screw (10) below the temperature selector spindle.
- Put the power switch (9) and the temperature selector (1) on again.

4.5.2 Fitting the appliance

- Decide where to fit the appliance, see 4.2.
- To mount the appliance, use the recesses and holes in its rear wall as required.
- Drill holes for the fastening screws according to the dimensions shown on the drawing in section 4.3.
- Depending on the location, use anchor bolts, hooks, screws or threaded pins.
- Firmly mount the rear wall of the appliance to the wall using suitable fixings.

5 Installation



Danger!

Risk of poisoning and explosion!

Incorrect installation may lead to hazardous situations.

- When installing the connections, ensure that all seals are inserted correctly to prevent any risk of gas leaks.



Danger!

Risk of scalding!

Incorrect installation may lead to hazardous situations.

- When installing the connections, ensure that all seals are inserted correctly to prevent any risk of water leaks.

5.1 Connecting to the gas supply

- Connect the wall outlet and the appliance inlet with a gas shut-off valve, making sure the connection is gas-tight and not under strain.



Caution!

Risk of damaging the gas valve!

The gas valve may be damaged by high pressures. The operating pressure must not exceed 0.006 MPa (60 mbar).

- Check the tightness of the gas valve using a maximum pressure of 0.011 MPa (110 mbar).

- Check the appliance for leaks and seal them.

5.2 Connecting to the water supply



Danger!

Risk of scalding and damage from escaping hot or cold water!

Incorrect installation may cause leaks. Plastic pipes for the hot and/or cold water connection must be resistant to temperatures up to 95 °C and resistant to pressures up to 1 MPa (10 bar).

- In order to prevent leaks, ensure that no mechanical stresses arise in the pipework. Make sure there are no stresses in the hot and cold water connections when installing them.

- Make the hot and cold water connections, making sure they are not under strain.
- Check the appliance for leaks and seal them.

5 Installation

5.3 Connecting to the flue system

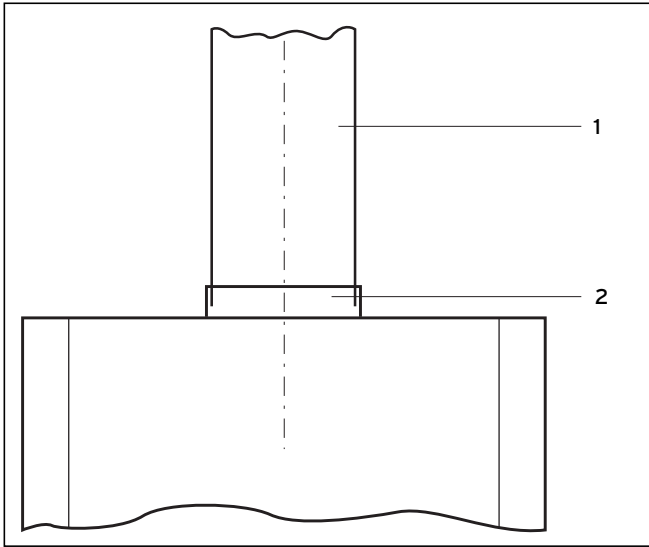


Fig. 5.1 Flue connection

Key

- 1 Flue pipe
- 2 Flow cutout pipe opening

5.3.1 Checking the flue gas sensor

Check that the flue gas sensor is working before you fit the flue pipe. This is how to do it:

- Block the flue exit.

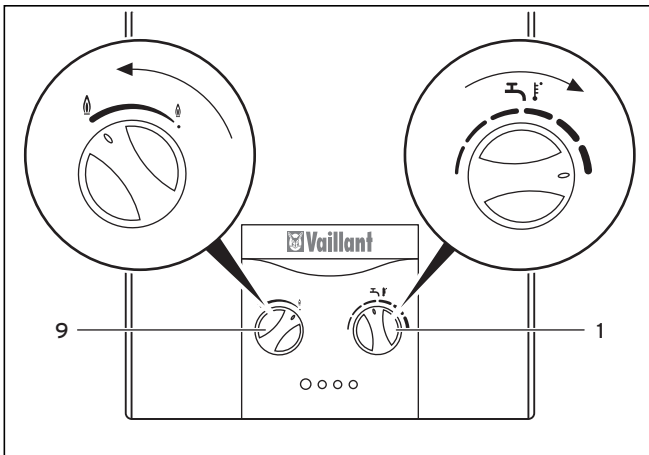


Abb. Setting the maximum temperature and performance

- Turn the power switch (1) clockwise to the maximum temperature.
- Turn the power switch (9) anticlockwise to maximum performance.
- Open the hot water tap.

The flue gas sensor must cut off the gas supply within two minutes and shut off the appliance. You can start the appliance again after the flue gas sensor cools down (at least 15 minutes).

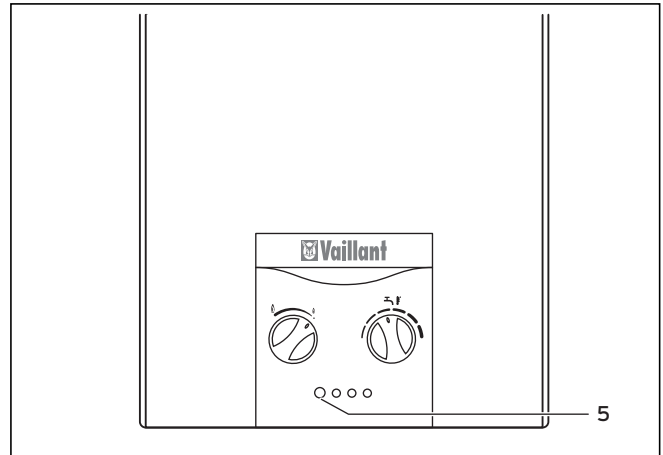


Fig. 5.3 Resetting the appliance

To reset the appliance, either:

- Close the water tap and open it again without pressing the main switch, or
- Leave the water tap open and switch the appliance off and on again by pressing the main switch (5) twice.

If the flue gas sensor does not act in this time:

- Contact customer service.
- Put the appliance out of operation.

5.3.2 Fitting the flue pipe

- Fit the flue pipe (1) in the flue pipe connection (2) on the flow cutout, see fig. 5.1.

5.4 Electrical wiring diagram

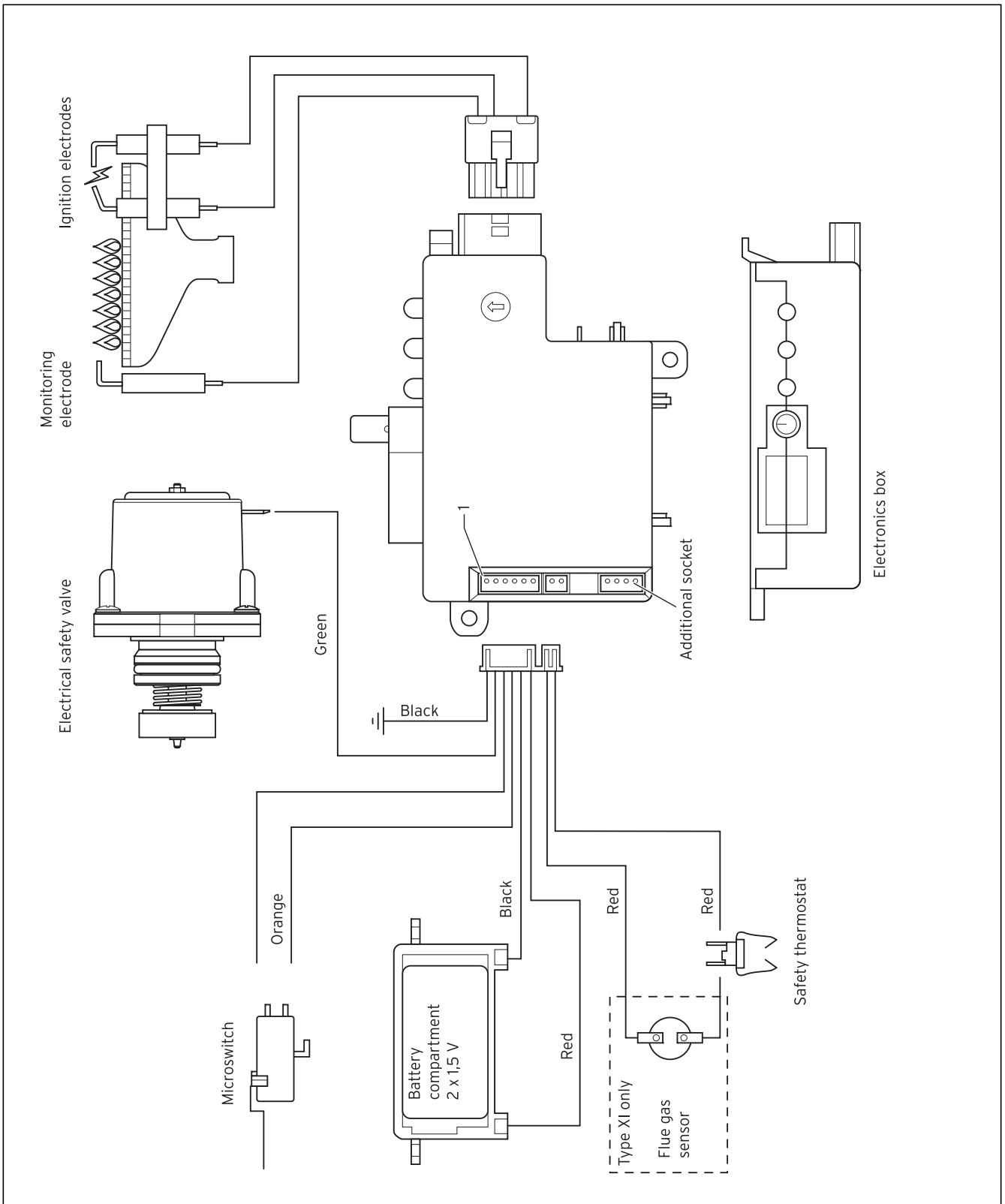


Fig. 5.4 Wiring diagram

5 Initial operation

6 Initial operation

Initial start-up and operation of the appliance, and instruction for the user, must be performed by a qualified technician.

You must check the gas setting and put in the batteries before initial operation.

For subsequent operation, see section 5.3 of the operating manual.

6.1 Checking the gas setting

- Use the gas setting tables in section 6.2 for comparison.

6.1.1 Comparing the gas setting with the gas supply

- Compare the information on the appliance design (category and set gas type) on the type plate with the type of gas available on site. You can obtain information from the local gas supply company.

If they do not match:

- Convert the appliance to the available gas type, see 6.5.

6.1.2 Checking the gas connection pressure

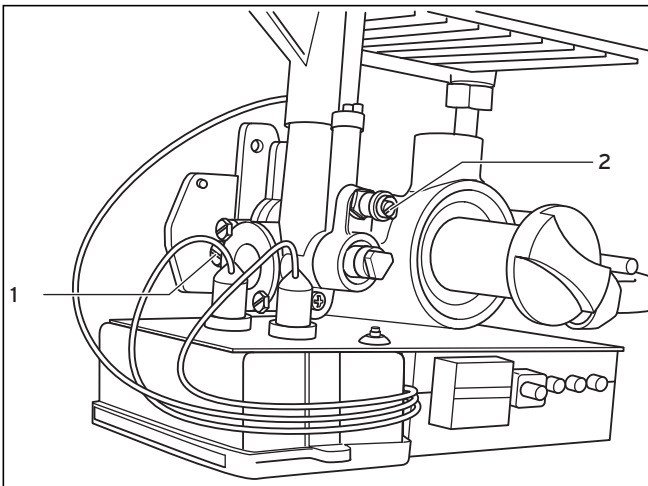


Fig. 6.1 Measuring port for gas connection pressure

You can check the gas connection pressure using a fluid pressure gauge (resolution at least 0.00001 MPa (0.1 mbar)). This is how to do it:

- Close the gas shut-off cock.
- Remove the plug screw of the connection pressure measuring port (1) (see Fig. 6.1 Measuring port for gas connection pressure).
- Connect a U-pipe pressure gauge.
- Open the gas shut-off cock.
- Start up the appliance according to the operating manual and draw off hot water.

- Measure the connection pressure (gas flow pressure).

Gas types	Permissible gas connection pressure MPa (mbar)
Natural gas 2H G 20	0,0017 - 0,0025 (17 - 25)
Liquid gas 3B/P G 30/G 31	0,002 - 0,0035 (20 - 35)
Liquid gas 3+ G 30 G 31	0,002 - 0,0035 (20 - 35) 0,0025 - 0,0045 (25 - 45)

Table 6.1 Gas connection pressure range



Caution!

Risk of damage due to incorrect gas pressure!

Incorrect gas pressures may damage the gas valve and lead to further damage.

- Only operate the unit at the permitted connection pressure.
- Inform your gas supply company if you cannot rectify the cause of this fault.

- Put the appliance out of operation.
- Close the gas shut-off cock.
- Take off the U-pipe pressure gauge.
- Screw the plug screw of the connection pressure measuring port back in.
- Open the gas shut-off cock.
- Check the measuring port for leaks.

6.1.3 Checking the thermal load

There are two ways to check the thermal load:

- Reading the gas flow rate on the meter (volumetric method)
- Checking the burner pressure (burner pressure method)

Volumetric method

Make sure that no other gases (such as liquid gas and air mixtures) are supplied to meet peak consumption during the test. You can obtain information from the local gas supply company.

Make sure no other appliances are operated during the test.

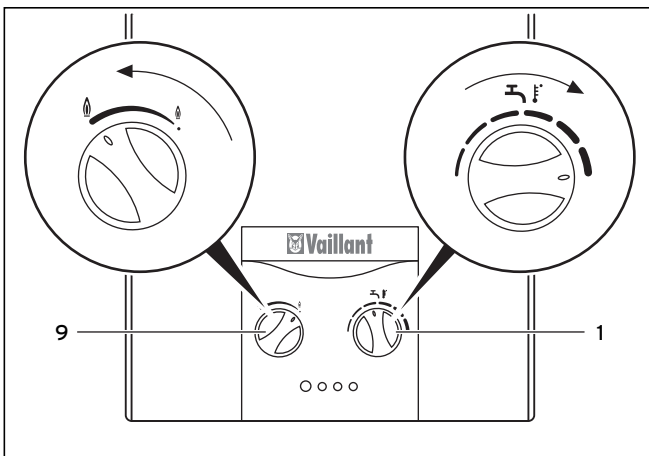


Fig. 6.2 Setting the maximum temperature and performance

- Start up the appliance according to the operating manual and turn the temperature selector (1) clockwise to the maximum temperature.
- Turn the power switch (9) anticlockwise to maximum performance.
- Find the necessary gas flow in table 6.3 (table value...l/min, see section 6.2).
- Note the reading on the gas meter.
- Draw off hot water with the tap fully open, if possible from the bath or shower. The water must flow out at the nominal flow rate, see Section 10 Technical data.
- After five minutes' continuous operation, read the gas flow volume on the meter and compare it with the value in the table.

Deviations of $\pm 5\%$ are permitted.

If the deviation is beyond the stated limits:

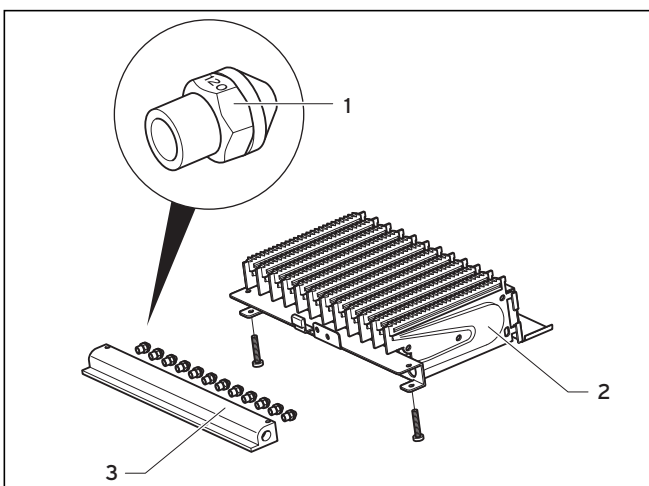


Fig. 6.3 Nozzle designation

Key

- 1 Burner nozzle
- 2 Burner
- 3 Nozzle fitting

- Check that the correct nozzles are fitted. Check the designation on the fitted nozzles with those listed in the table in section 10, Technical data. You may have to remove the burner, see 7.2.
- If the nozzles are not the cause of the deviation, notify customer service.
- Put the appliance out of operation.

Burner pressure method

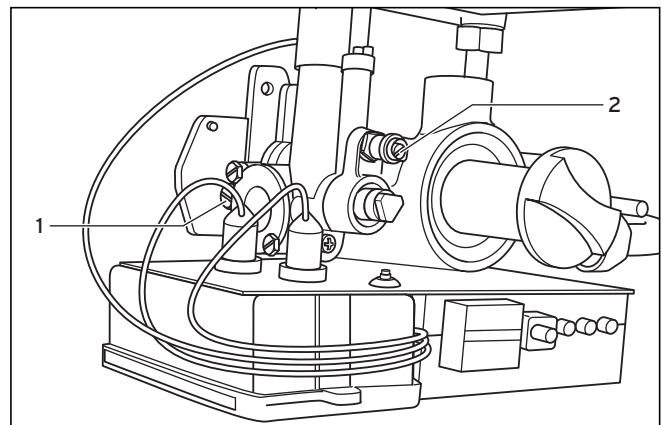


Fig. 6.4 Measuring port for burner pressure

- Remove the plug screw of the burner pressure measuring port (2).
- Connect a U-pipe pressure gauge (resolution at least 0.00001 MPa (0.1 mbar)).

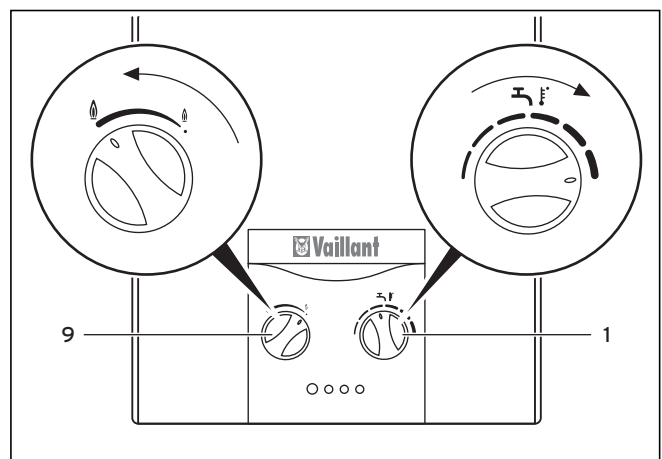


Fig. 6.5 Setting the maximum temperature and performance

- Start up the appliance according to the operating manual and turn the temperature selector (1) clockwise to the maximum temperature.
- Draw off hot water with the tap fully open, if possible from the bath or shower. The rated water volume must flow, see section 10, Technical data.
- Find the required burner pressure in MPa (mbar) in table 6.4.
-

6 Initial operation

Compare the measured pressure with the value in the table.

Deviations of $\pm 10\%$ are permitted.

- Put the appliance out of operation.
- Take off the U-pipe pressure gauge.
- Screw the plug screw of the burner pressure measuring port back in.
- Check the plug screw for leaks.

If the differences exceed the stated limits:

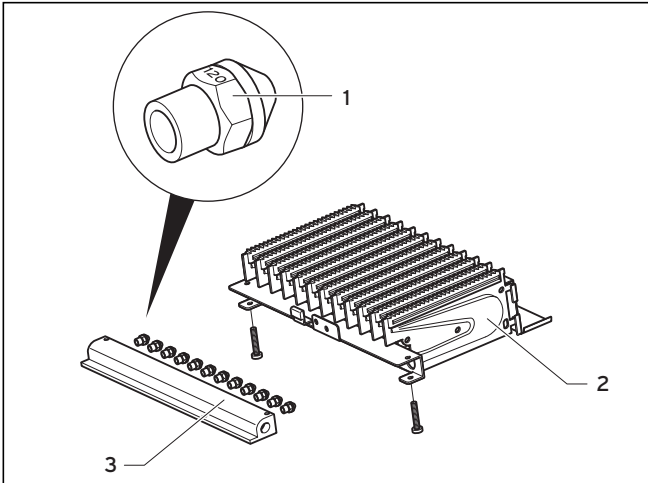


Fig. 6.6 Nozzle designation

Key

- 1 Burner nozzle
- 2 Burner
- 3 Nozzle fitting

- Check whether the correct nozzles have been used, see Section 6.6 Nozzle markings. Check the designation on the fitted nozzles with those listed in the table in section 10, Technical data. You may have to remove the burner, see 7.2.
- If the nozzles are not the cause of the deviation, notify customer service. Do not start up the appliance.
- Put the appliance out of operation.

6.2 Gas setting tables

Appliance version for	Natural gas	Liquid gas
Designation on the type plate:	2H G 20 - 0,002 MPa (20 mbar)	3B/P G 30 - 0,003 MPa (20 mbar) 3+ G 30/G 31 - 0,0028-0,003/ 0,0037 MPa (28-30/ 37 mbar)
Factory setting	G 20	G 30
Burner nozzle designation	118	072

Tab. 6.2 Factory gas setting

Gas types	Gas flow at rated thermal load l/min
Natural gas 2H G 20	39
Liquid gas 3B/P G 30/G 31	11.4
Liquid gas 3+ G 30 G 31	11.4 15

Tab. 6.3 Gas flow rate

Gas types	Burner pressure at rated thermal load MPa (mbar)
Natural gas 2H G 20	0.00109 (10.9)
Liquid gas 3B/P G 30/G 31	0.0024 (24)
Liquid gas 3+ G 30 G 31	0.0024 MPa (24) 0.0031 MPa (31 mbar)

Tab. 6.4 Burner pressure

6.3 Checking the function of the appliance

- Check that the appliance functions during operation as described in the operating manual.
- Check the appliance for leaking water or gas.
- Check that the flue exits properly at the flow cutout, for example using a hygrometer.
- Check that the flue gas sensor is working properly, see 5.3.
- Always note the appliance type and the gas type used in Table 10.2, with reference to the set gas type in section 10, Technical data.
- Put the housing back on the appliance.

6.4 Handing over to the owner



When you have finished the installation, attach the sticker supplied (835593) to the appliance in the user's language.

The owner of the appliance must be instructed on the function and operation of his gas instantaneous water heater.

- Show the customer how to use the appliance. Go through the operating manual with him and answer any questions he has.
- Hand over any instruction manuals meant for him, as well as the appliance documents.
- Tell the owner that you have noted the appliance type and the gas type used in table 10.2, with reference to the set gas type in section 10, Technical data.
- Tell the owner about any measures taken to ensure the combustion air supply and flue gas extraction, making it very clear that they may not be altered.
- Draw special attention to the safety instructions which the owner must follow.
- Instruct the owner on the need for regular inspection and maintenance of the system. Recommend that he signs an inspection and maintenance contract.
- Tell the owner to keep the instruction manuals near the gas instantaneous water heater.
- Make it very clear to the owner that any changes to the room where the appliance is installed may only be made after consulting a specialist company.

6.5 Adapting to a different type of gas



Danger!

Risk of poisoning due to wrong type of gas!

Incomplete combustion may result in carbon monoxide poisoning. Using incorrect burner nozzles may allow gas to escape into the installation room, resulting in poisoning.

- Operate the unit with the permitted type of gas.
- Only use genuine Vaillant conversion kits to convert the unit to a different type of gas.



Danger!

Risk of death!

If unsuitable burner nozzles are used, any malfunctions that occur may cause gas to escape, thereby presenting a risk of death.

- The unit must only be converted to a different type of gas using the conversion kits available from the manufacturer.

If the type of gas changes, the appliance must be converted to the available gas type. Certain parts of the appliance must be modified or replaced. These modifications and the new settings they require may only be carried out by a qualified engineer in accordance with the applicable national standards. You can easily perform the modification if you follow the instructions and use the gas conversion kits supplied by Vaillant.

7 Inspection and maintenance

**Caution!****Unit wear due to improper cleaning!**

Damage incurred during cleaning may lead to premature wear in the unit.

- Never use wire brushes or other similar hard brushes to clean the unit's heating element.

**Caution!****Measuring errors due to cleaning agents!**

When checking the ionisation current, the measuring lines and measuring terminals must be clean.

- Make sure that the measuring lines and measuring terminals are not covered with soap solution (leak detection spray).

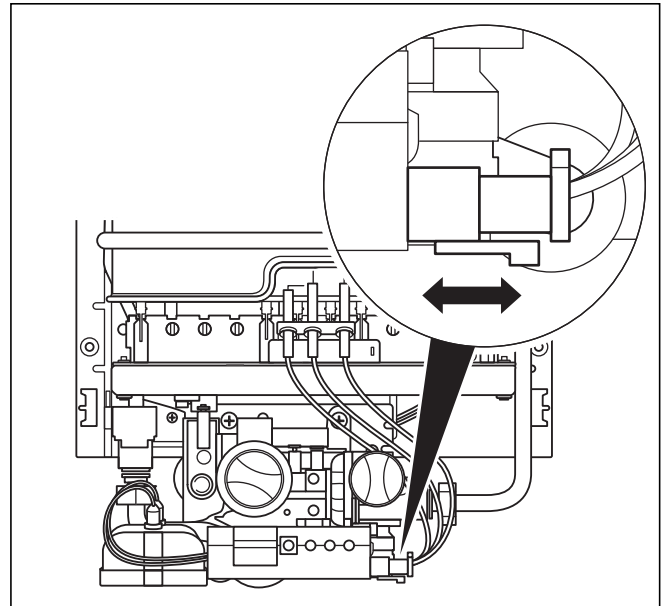


Abb. 7.1 Ignition electrode plug contact

- Pull out the plug contact of the ignition electrodes on the electronics board.

7.1 Preparing for maintenance

Before servicing the appliance you must remove the housing, see 4.5.

Before performing the maintenance tasks described below, first drain the appliance, see section 5.8 on frost protection in the operating manual.

To clean the appliance you must first remove the burner and then the heating element. After finishing the work, put all the parts back on in the reverse order.

Always clean the burners and the heating element.



Always replace any seals you remove with new ones (for seal sets, see section 7.7, Spare parts)

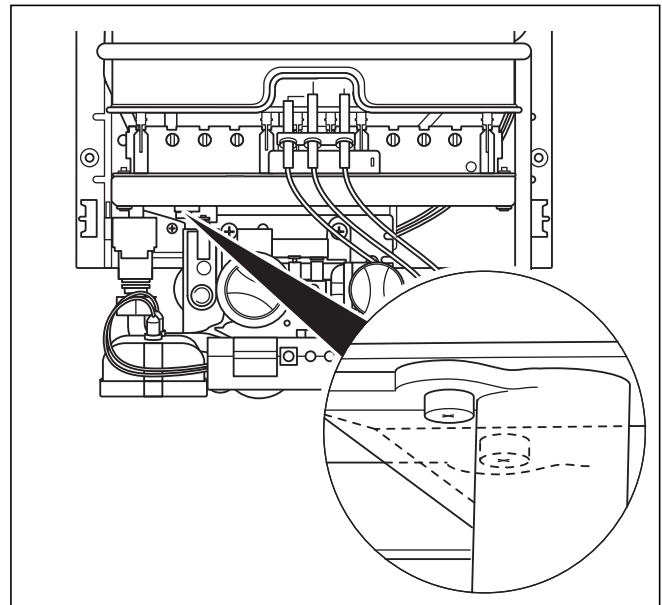


Abb. 7.2 Burner fixing on the gas fitting

- Undo the two screws which fasten the burner to the gas fitting.
- Lift the burner slightly and pull it out towards you.
- Undo the two screws to remove the nozzle fitting.

7.2 Cleaning the burner

To clean the burner you must first remove it, as well as possibly the nozzle fitting, if there is too much dust.

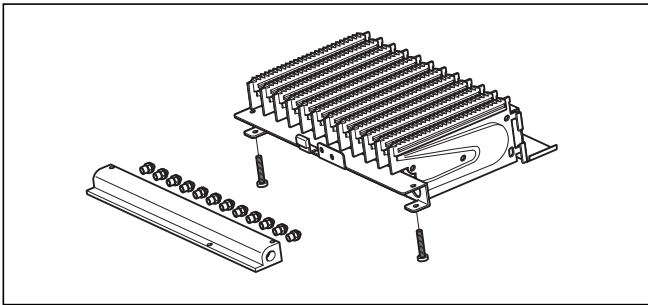


Abb. 7.3 Burner structure

- Remove any combustion residue using a brass wire brush. You may have to clean the nozzles, injectors and burner rails using a soft brush and blow the dirt and dust out with compressed air. If the burner is very dirty, wash it out with soapy water and rinse it with clean water.
- Put the nozzle fitting back on the burner.

7.3 Cleaning and decalcifying the heating element

To clean the heating element you must first remove the burner and then the heating element.



Caution!
Unit damage!

Bending the heating element will cause premature wear in the unit.

- Do not bend the unit's heating element when removing and installing it.

- Disconnect the safety thermostat.

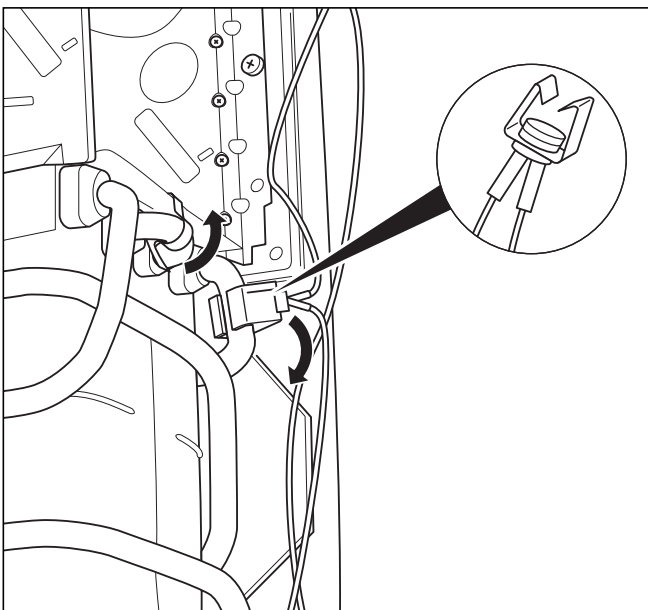


Abb. 7.4 Removing the safety thermostat and temperature sensor

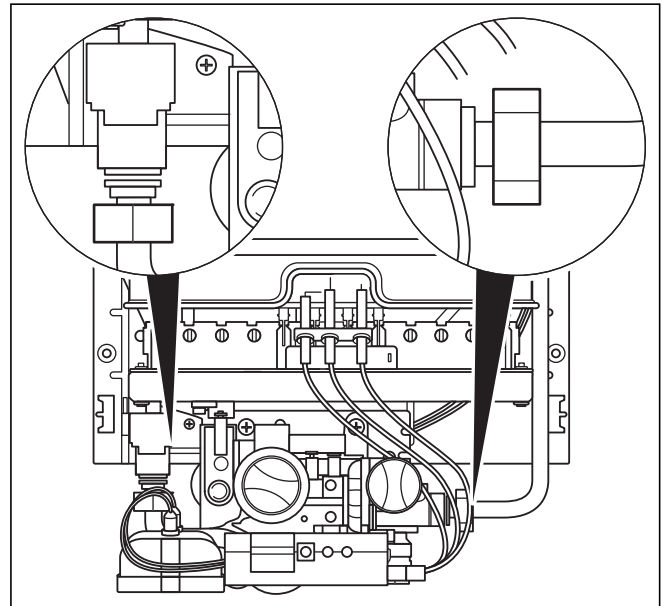


Abb. 7.5 Heating element rear wall fixing

- Undo the cap nuts on the cold water inlet and on the hot water outlet.
- Undo the screws on the clips which fasten the hot and cold water pipes to the rear wall.
- Undo the two clips which fasten the heating element to the flow cut-out.
- Pull out the heating element down towards you.

7 Inspection and maintenance

If it is not very dirty:

- Flush out the fins of the heating element using a water jet.



Caution! Material damage caused by improper installation!

Installation and maintenance work that is not carried out properly may cause material damage.

- When carrying out installation and maintenance work, make sure that no components are damaged or bent.

If it is very dirty:

- Use a soft household brush to clean the fin block. If possible, clean the fin block from the top down in a basin of water to remove any grease and dust.
- Then rinse the heating element under flowing water.

If the dirt contains oil or grease:

- Clean the heating element using detergent in a tub of hot water.

If there is lime scale:

- Use a standard decalcifier. Follow the instructions supplied.



Caution! Risk of damage due to wrong tools!

Wire brushes or other similar hard brushes may damage the unit.

- Never use wire brushes or other similar hard brushes to clean the unit's heating element.



Depending on the water hardness, we recommend decalcifying the water used by the heating element.



Cleaning can lead to slight wear on the coating. This does not impair the function of the heating element.



When fitting the heating element, make sure the burner chambers are aligned centrally below the heating shaft.



Do not forget to plug the safety thermostat back in.

Repairing damaged coating

Small scratches or chips on the coating of the heating element can be easily touched up with the Supral pen (spare part no. 990310).

The damaged area must be dry and free of dust and grease.

- Shake the Supral pen vigorously before use and then apply the coating material in a thin and even layer.



The coating dries in the air and requires no further treatment. You can operate the appliance immediately after coating.

7.4 Checking the function of the water circuit breaker

Regularly check the water circuit breaker for dirt or lime scale.

- If there are accumulations on the membrane disc pin or if the stuffing box leaks: Use the suitable repair kit.

7.5 Checking the flue gas sensor

The gas instantaneous water heater is equipped with a flue gas sensor. If there is a problem with the flue system and flue gas enters the room, it switches off and seals the appliance.

Always check whether the flue gas sensor is working properly after any inspection or maintenance work. We recommend using the Vaillant flue gas fan, which is available as a spare part (no. 990301). The operating manual supplied describes how to use it.

This is how to do it:

- Block the flue exit.

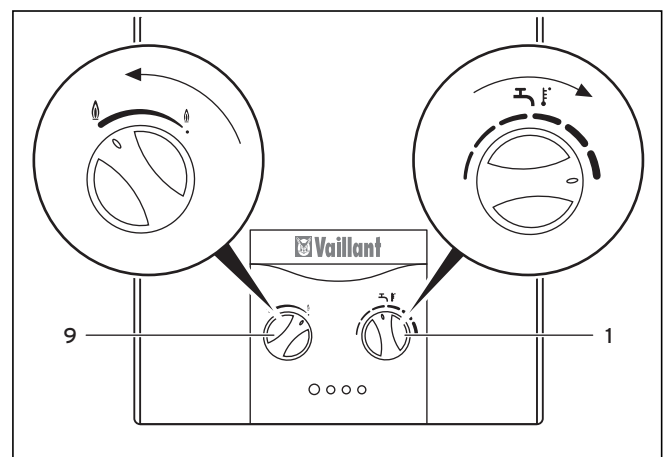


Abb. 7.6 Setting the maximum temperature and performance

- Turn the power switch (1) clockwise to the maximum temperature.
- Turn the power switch (9) anticlockwise to maximum performance.
- Open a hot water tap.

The flue gas sensor must cut off the gas supply within two minutes and shut off the appliance. You can start the appliance again after the flue gas sensor cools down (at least 15 minutes).

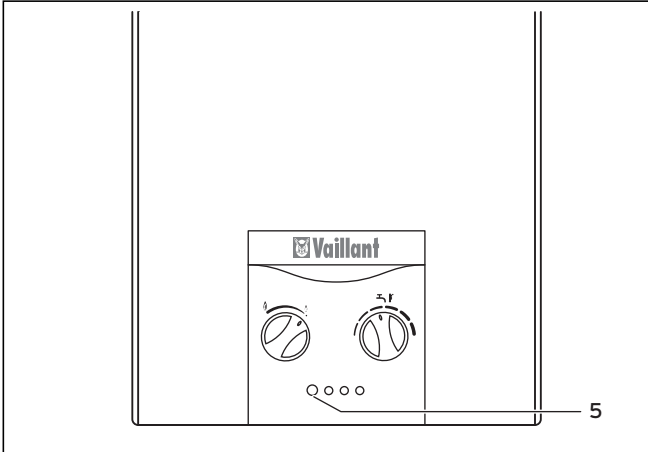


Abb. 7.7 Resetting the appliance

To reset the appliance, either:

- Close the water tap and open it again without pressing the main switch (5), or
- Leave the water tap open and switch the appliance off and on again by pressing the main switch (5) twice.

If the flue gas sensor does not act in this time:

- Contact customer service.
- Put the appliance out of operation.

7.6 Test operation and restarting

Always check whether the appliance is working properly after any inspection or maintenance work.

- Start up the appliance.
- Check the appliance for gas and water leaks and seal them.
- Check for ignition and an even flame on the main burner.
- Check that control and monitoring devices are correctly adjusted and working properly.
- Check that the flue system is working properly (hygrometer).



Danger!

Risk of poisoning and explosion due to an error function!

Any maintenance or repair work that is carried out incorrectly may affect the safety of the unit and lead to hazardous situations.

- Never shut down the safety devices.
- Never tamper with any of the safety devices.



Before checking the ionisation current, make sure the test wires and terminals are clean, and not still wet with soapy water used for finding leaks.

7.7 Spare parts

Only genuine Vaillant spare parts may be used for inspections, maintenance and repair work to ensure the perfect long-term working order of all functions of your Vaillant appliance and to prevent the allowed series condition from being changed.

Any spare parts which might be required are contained in the current Vaillant spare parts catalogues. Vaillant sales offices will provide information.

8 Troubleshooting

8 Troubleshooting



Danger!

Risk of death due to malfunctions!

Faulty or malfunctioning safety devices may lead to life-threatening situations.

- Check the unit's safety cut-out.



Danger!

Risk of carbon monoxide poisoning!

If air flow conditions in the chimney are permanently poor, flue gases may flow back unchecked from the chimney into the installation room if the atmospheric sensing device is not operating.

- Under no circumstances should you switch off the atmospheric sensing device (flue gas sensor).
- Never tamper with this device as this may prevent it from operating correctly.

The faults listed below may only be rectified by a qualified engineer.

- Only use genuine spare parts for repairs.
- Make sure the parts are correctly fitted and that their original position and alignment are retained.

Problem	Cause	Remedy
No function, no LED lights up.	Flat batteries.	Replace the batteries with new ones. Make sure the cold water shut-off valve is open. Clean the strainer in the cold water supply pipe. If the problem persists, notify customer service.
The yellow LED flashes. Loud sparking.	Low batteries.	Replace the batteries with new ones.
The appliance will not start and the red LED flashes.	Gas supply interrupted. Air in the gas supply pipe.	Ensure the gas supply. For liquid gas: Replace an empty gas bottle with a full one. Make sure that the cut-off valve on the gas connection is open. Open and close the water tap several times to get rid of air in the gas supply. Check the cable connection to the plug contact. Replace the electrodes. Replace the servo valve. If the problem persists, notify customer service.
The red LED flashes during operation.	Gas supply interrupted. Air in the gas supply pipe. The ionisation current is too low. Flame detector defective.	Ensure the gas supply. For liquid gas: Replace an empty gas bottle with a full one. Open and close the water tap several times to get rid of air in the gas supply. Check the ionisation current. Check the cable connection. Replace the ionisation electrode if necessary. If the problem persists, notify customer service.
The appliance stops.	Low batteries. Incorrectly installed flue system (flue pipe too short). Flue pipe partially blocked. The safety thermostat or flue gas sensor is defective. Ruptured cable or short circuit in the cable of the safety thermostat and flue gas sensor.	Replace the batteries with new ones. Check that the flue system is correctly installed and is long enough. Make sure that the flue gas exit is unrestricted. Replace the safety thermostat or the flue gas sensor along with their cables. If the problem persists, notify customer service. Contact your heating engineer.

Tab. 8.1 Troubleshooting

9 Manufacturer's warranty

We provide the owner of the appliance with a manufacturer's warranty with the conditions listed on the warranty card.

All work covered by the warranty is performed by our customer service.

We can therefore only reimburse any costs you incur for work on the appliance during the warranty period if we have issued the order for the work and if it is covered by the warranty.

10 Technical data

Gas instantaneous water heater, Type B11, B11 BS

- Please tick off the installed appliance type and set gas type in table 10.2.

Feature	Unit	MAG mini INT 11-0/O XI
Gas category		II _{2H3B/P'} I _{3B/P'} II _{2HS3B/P} II _{2H3P} II _{2ELL3P} II _{2H3+} II _{2F+3+}
Hot water volume at		
Hot temperature selector setting	l/min.	2,2 - 5,5
Warm temperature selector setting	l/min.	4 - 11
Maximum thermal load ($Q_{max.}$) (with reference to thermal value H_i) ¹⁾	kW	22,1
Minimum thermal load ($Q_{min.}$)	kW	9,3
Maximum heating power ($P_{max.}$)	kW	19,2
Minimum heating power ($P_{min.}$)	kW	7,7
Modulation range	kW	7,7 - 19,2
Maximum water pressure $p_{w max.}$	MPa (bar)	1,3 (13)
Minimum water pressure $p_{w min.}$	MPa (bar)	0,015 (0,15)
Flue gas temperature at maximum heating power	°C	160
Flue gas temperature at minimum heating power	°C	110
Maximum flue gas mass flow	g/s	14,4
Minimum flue gas mass flow	g/s	13,3
Dimensions		
Height	mm	580
Width	mm	310
Depth (incl. switches)	mm	243 (253)
∅ Flue pipe connection	mm	110
Weight (approx.)	kg	12
CE number (PIN)		99BP821

Tab. 10.1 Specific technical data of appliance

¹⁾ 15 °C, 0,101325 MPa (1013,25 mbar), dry

Gas value with reference to set gas type	Unit	MAG mini INT 11-0/O XI
← (tick as appropriate)		
Natural gas G 20		
Gas connection value at maximum heating power	m ³ /h	2,3
Connection pressure (gas flow pressure) p_w in front of the appliance	MPa (mbar)	0,002 (20)
Burner nozzle ¹⁾	mm	1,18
Burner pressure at maximum heating power	MPa (mbar)	0,00109 (10,9)
Air quantity required for combustion	m ³ /h	23,3
← (tick as appropriate)		
Natural gas G 25		
Gas connection value at maximum heating power	m ³ /h	2,7
Connection pressure (gas flow pressure) p_w in front of the appliance	MPa (mbar)	0,002 (20)
Burner nozzle ¹⁾	mm	1,35
Burner pressure at maximum heating power	MPa (mbar)	0,00092 (9,2)
Air quantity required for combustion	m ³ /h	23,3
← (tick as appropriate)		
Natural gas G 25 ($H_i = 10.5 \text{ kWh/m}^3$)		
Gas connection value at maximum heating power	m ³ /h	2,1
Connection pressure (gas flow pressure) p_w in front of the appliance	MPa (mbar)	0,0025 (25)
Burner nozzle ¹⁾	mm	1,18
Burner pressure at maximum heating power	MPa (mbar)	0,00117 (11,7)
Air quantity required for combustion	m ³ /h	23,3
← (tick as appropriate)		
Natural gas G 25.1 ($H_i = 8.8 \text{ kWh/m}^3$)		
Gas connection value at maximum heating power	m ³ /h	2,5
Connection pressure (gas flow pressure) p_w in front of the appliance	MPa (mbar)	0,0025 (25)
Burner nozzle ¹⁾	mm	1,35
Burner pressure at maximum heating power	MPa (mbar)	0,00107 (10,7)
Air quantity required for combustion	m ³ /h	23,3
← (tick as appropriate)		
Liquid gas G 30		
Gas connection value at maximum heating power	kg/h	1,7
Connection pressure (gas flow pressure) p_w in front of the appliance	MPa (mbar)	0,003 (30)
Burner nozzle ¹⁾	mm	0,72
Burner pressure at maximum heating power	MPa (mbar)	0,0024 (24)
Air quantity required for combustion	m ³ /h	20,3

Gas value with reference to set gas type	Unit	MAG mini INT 11-0/0 XI
← (tick as appropriate)		
Liquid gas G 31		
Gas connection value at maximum heating power	kg/h	1,7
Connection pressure (gas flow pressure) p_w in front of the appliance	MPa (mbar)	0,0037 (37)
Burner nozzle ¹⁾	mm	0,72
Burner pressure at maximum heating power	MPa (mbar)	0,0024 (24)
Air quantity required for combustion	m ³ /h	20,6
← (tick as appropriate)		
Liquid gas G 31		
Gas connection value at maximum heating power	kg/h	1,7
Connection pressure (gas flow pressure) p_w in front of the appliance	MPa (mbar)	0,005 (50)
Burner nozzle ¹⁾	mm	0,72
Burner pressure at maximum heating power	MPa (mbar)	0,0031 (31)
Air quantity required for combustion	m ³ /h	20,6

Tab. 10.2 Gas values with reference to set gas type

- 1) The nozzle designation corresponds to the bore diameter multiplied by 100.

Pour l'utilisateur

Notice d'emploi

atmoMAG

Chauffe-bain instantané à gaz pour fonctionnement dépendant de l'air ambiant

atmoMAG mini 11-0/0 XI

Table des matières

Table des matières

1	Remarques relatives à la documentation	3
1.1	Rangement des documents	3
1.2	Symboles utilisés	3
1.3	Validité de la notice	3
1.4	Marquage CE.....	3
1.5	Type d'appareil.....	3
2	Sécurité	4
2.1	Consignes de sécurité et d'avertissement.....	4
2.2	Utilisation conforme de l'appareil	4
2.3	Consignes de sécurité générales.....	4
3	Description du produit	6
3.1	Informations générales.....	6
3.2	Caractéristiques particulières du produit	6
4	Remarques relatives à l'installation et au fonctionnement	7
4.1	Choix de l'emplacement.....	7
4.2	Entretien.....	7
4.3	Recyclage et élimination des déchets.....	7
4.3.1	Appareil.....	7
4.3.2	Pile.....	7
4.3.3	Emballage	7
4.4	Conseils d'économie d'énergie.....	7
5	Utilisation	8
5.1	Vue d'ensemble des commandes	8
5.2	Mesures à prendre avant la mise en fonctionnement.....	8
5.3	Mise en fonctionnement	8
5.4	Préparation d'eau chaude	9
5.4.1	Puisage d'eau chaude.....	9
5.4.2	Réglage de la température de l'eau	9
5.5	Réglage de la puissance de l'appareil	10
5.5.1	Sélection de la puissance	10
5.5.2	Modulation.....	10
5.6	Détection des pannes	10
5.7	Mise hors fonctionnement	11
5.8	Protection contre le gel	11
5.9	Maintenance.....	12
5.9.1	Remplacement de pile.....	12
6	Garantie d'usine	13

1 Remarques relatives à la documentation

Les indications suivantes sont valables pour l'ensemble de la documentation.

D'autres documents sont valables en complément de cette notice d'emploi et d'installation.

Nous déclinons toute responsabilité en cas de dommages imputables au non-respect de ces instructions.

Documents d'accompagnement applicables

Lors de l'utilisation du chauffe-bain atmoMAG, respectez impérativement toutes les notices d'emploi fournies avec les autres composants de votre installation.

Ces notices sont jointes aux composants respectifs de l'installation.

1.1 Rangement des documents

- Transmettez cette notice d'emploi et d'installation, ainsi que tous les autres documents applicables et le cas échéant les moyens d'aide nécessaires à l'utilisateur de l'installation.

Celui-ci est tenu de les conserver, afin que les notices et les moyens d'aide soient disponibles en cas de besoin.

1.2 Symboles utilisés

Les différents symboles utilisés dans le texte sont expliqués ci-dessous :



Symbole signalant un risque :
 - Danger de mort immédiat
 - Risque de blessures graves
 - Risque de blessures légères



Symbole signalant un risque :
 - Danger de mort par électrocution



Symbole signalant un risque :
 - Risque de dommages matériels
 - Risque de menace pour l'environnement



Symbole signalant une consigne et des informations utiles

- Ce symbole indique une action nécessaire

1.3 Validité de la notice

La présente notice d'utilisation est uniquement valable pour les appareils avec les références suivantes :

Appareil	Type	Réf.
MAG mini INT 11-0/0 XI	B11, B11 BS	311222, 311223

Tab. 1.1 Désignations d'appareils et de types

La référence de l'appareil est indiquée sur la plaque signalétique.

1.4 Marquage CE

Le marquage CE permet d'attester que les appareils sont conformes aux directives suivantes :

- directive sur les appareils à gaz (2009/142/EG)
- directive sur la compatibilité électromagnétique avec valeur limite de classe B (2004/108/EG)
- directive sur la basse tension (2006/95/EG)

1.5 Type d'appareil

Vous pouvez identifier le type de l'appareil en fonction des parties cochées par l'installateur - une fois l'installation terminée - dans la section Caractéristiques techniques de la notice d'installation.





2 Sécurité

2.1 Consignes de sécurité et d'avertissement

Lors de l'installation du chauffe-bain atmoMAG, respectez les consignes générales de sécurité et les mises en garde précédant chacune des actions.

2.1.1 Classification des consignes de mise en garde


Les consignes de mise en garde sont classifiées à l'aide des symboles de mise en garde et des mots-indicateurs suivants en fonction de la gravité du danger potentiel :

Symbole de mise en garde	Mot-indicateur	Explication
	Danger !	Danger de mort immédiat ou risque de blessures graves
	Danger !	Danger de mort par électrocution
	Avertissement !	Risques de blessures légères
	Attention !	Risque de dommages matériels ou de menace pour l'environnement

Tab. 2.1 Signification des symboles de mise en garde et mots-indicateurs

2.1.2 Structure des consignes de mise en garde

Les consignes de mise en garde se distinguent par des lignes de séparation supérieure et inférieure. Elles sont structurées suivant les principes de base suivants :

	<p>Mot-indicateur !</p> <p>Type et source du danger !</p> <p>Explication du type et de la source du danger</p> <p>➤ Mesures de prévention du danger.</p>
---	--

2.2 Utilisation conforme de l'appareil

Les chauffe-bains instantanés à gaz Vaillant de la série MAG ont été conçus selon l'état actuel de la technique et des règles reconnues en matière de sécurité. Toutefois, il peut en résulter des risques de blessures graves voire mortelles pour l'utilisateur ou des tierces person-

nes, ou des détériorations de l'appareil et d'autres biens matériels, en cas d'utilisation inappropriée ou non conforme aux prescriptions.

Les chauffe-bains instantanés à gaz Vaillant de la série MAG ne sont pas prévus pour une utilisation par des personnes (y compris enfants) dont les capacités physiques, sensorielles ou intellectuelles sont limitées, ou ne disposant pas de l'expérience et/ou des connaissances nécessaires, à moins qu'elles l'utilisent sous la surveillance d'une personne responsable pour leur sécurité, ou qu'elles aient reçu des instructions de sa part pour utiliser l'appareil.

Les enfants doivent être surveillés pour s'assurer qu'ils ne jouent pas avec l'appareil.

Les chauffe-bains instantanés à gaz sont spécialement conçus pour la production d'eau chaude avec du gaz. L'utilisation des chauffe-bains instantanés à gaz Vaillant de la série MAG dans des véhicules est considérée comme étant non conforme à l'usage prévu. Des unités installées en permanence à des emplacements fixes (appelées installations fixes) ne sont pas considérées comme étant des "véhicules".

Toute autre utilisation est considérée comme étant non conforme à l'usage prévu. Toute utilisation directement commerciale et industrielle est également considérée comme étant non conforme à l'usage prévu. Le fabricant / fournisseur décline toute responsabilité pour des dommages résultant d'une utilisation non conforme aux prescriptions. L'utilisateur en assume alors l'entière responsabilité.

LL'utilisation conforme aux prescriptions comprend également l'observation de la notice d'emploi et d'installation, ainsi que de tous les autres documents associés, et le respect des conditions d'inspection et de maintenance.

Le chauffe-bain instantané à gaz doit être installé par un installateur spécialisé qualifié, qui est responsable du respect des règlements, des normes et des directives.

2.3 Consignes de sécurité générales

- Respectez impérativement les consignes de sécurité suivantes.

Comportement à adopter en situation d'urgence en cas d'odeur de gaz

Du fait d'un dysfonctionnement, du gaz peut s'échapper et provoquer un risque d'intoxication et d'explosion. En présence d'une odeur de gaz à l'intérieur de bâtiments, veuillez observer la procédure suivante :

- Evitez les pièces où règne une odeur de gaz.
- Si possible, ouvrez largement les portes et les fenêtres pour générer des courants d'air.
- Evitez les flammes nues (p. ex. briquet, allumettes).
- Ne fumez pas.
- N'utilisez aucun interrupteur électrique, aucune prise de secteur, aucune sonnette, aucun téléphone ou autre interphone dans la maison.

- Fermez le dispositif d'arrêt principal ou celui du compteur de gaz.
- Si possible, fermez le robinet d'arrêt de gaz sur l'appareil.
- Prévenez les autres habitants en les appelant ou en frappant à leur porte.
- Quittez le bâtiment.
- En cas de fuite de gaz audible, quittez immédiatement le bâtiment et empêchez toute personne d'entrer.
- Prévenez les pompiers et la police depuis l'extérieur du bâtiment.
- Prévenez le fournisseur de gaz depuis un téléphone situé à l'extérieur de la maison.

Eviter les risques d'explosion ou de déflagration

- Ne stockez / n'utilisez pas de substances explosives ou facilement inflammables (par ex. essence, peinture, etc.) dans la pièce où l'appareil est installé.
- Ne mettez aucun dispositif de sécurité hors fonction
- Ne procédez à aucune manipulation qui pourrait compromettre le fonctionnement réglementaire de l'appareil.

Domages matériels dus à la corrosion

Pour éviter une corrosion de l'appareil et également de l'installation des gaz d'échappement, observez les points suivants :

- N'utilisez pas de bombes aérosols, solvants, produits de nettoyage chlorés, encres, colles, etc. dans l'environnement de l'appareil.

Dans des conditions défavorables, ces substances peuvent occasionner des dommages par corrosion.

Installation et réglage

Seul un installateur spécialisé agréé est habilité à installer l'appareil. Cet installateur doit respecter les prescriptions, les règles et les directives en vigueur.

Il est également responsable pour l'inspection / la maintenance et la réfection de l'appareil, ainsi que pour les modifications de la quantité de gaz réglée.

Ne procédez à aucune modification

- Ne modifiez en aucun cas
 - l'appareil,
 - l'environnement de l'appareil,
 - les conduites d'alimentation du gaz, de l'air frais et de l'eau,
 - les conduites d'évacuation des gaz d'échappement.

Cette interdiction de modification concerne le cas échéant également les éléments du bâtiment autour de l'appareil, dans la mesure où ces modifications pourraient compromettre la sécurité de fonctionnement de l'appareil.

Quelques exemples :

- Vous ne devez pas obturer les ouvertures de ventilation dans les portes, les plafonds, les fenêtres et les murs, même temporairement. Ne recouvrez par exemple pas d'ouvertures d'aération avec des vêtements, etc. Lors de la pose de revêtements de sols, les ouvertures d'aération au bas des portes ne doivent pas être obturées ou réduites.
- Vous ne devez pas gêner la libre alimentation de l'air frais vers l'appareil. Tenez particulièrement compte de ce point lors de l'installation éventuelle d'armoires, de rayonnages, etc. sous l'appareil. La mise en place d'un revêtement de type armoire autour de votre appareil est soumise à des prescriptions d'exécution particulières. Renseignez-vous auprès de votre société d'installation si vous envisagez le montage d'un tel revêtement.
- N'obturez pas les ouvertures pour l'air frais et les gaz d'échappement. Veillez à retirer les protections placées le cas échéant sur ces ouvertures lors de l'exécution de travaux .
- Les appareils ne doivent pas être installés dans des pièces à partir desquelles des installations de ventilation ou des installations de chauffage à air chaud aspirent de l'air au moyen de ventilateurs (p. ex. hottes d'évacuation des fumées, sèche-linges), à moins d'utiliser des dispositifs de sécurité qui coupent automatiquement les ventilateurs lors du fonctionnement du chauffe-bain instantané à gaz. Pour de tels cas, nous recommandons l'utilisation de nos accessoires Solomatik pour chauffe-bains de la série MAG (n° de commande 304821).
- En cas de montage de fenêtres à joints étanches, vous devez garantir, en accord avec votre société d'installation agréée, une alimentation suffisante de l'air de combustion vers l'appareil.

Faites systématiquement appel à un professionnel pour effectuer des modifications sur l'appareil ou dans la zone alentour.

Eviter le risque d'ébouillement

L'eau s'écoulant au niveau du robinet d'eau chaude peut atteindre une telle température que, dans certaines circonstances, elle peut occasionner des brûlures par ébouillement. Pour les enfants, le seuil de température pouvant provoquer des brûlures est inférieur à celui des adultes.

- Réglez uniquement la température d'eau chaude de sorte qu'elle soit suffisante pour vos besoins.
- N'utilisez pas de bombes aérosols, solvants, produits de nettoyage chlorés, encres, colles, etc. dans l'environnement de l'appareil. Dans certaines conditions défavorables, ces substances peuvent entraîner une corrosion, y compris au niveau de l'installation des gaz d'échappement.

3 Description du produit

3 Description du produit

3.1 Informations générales

Les appareils atmoMAG mini sont prêts à être connectés ; ils n'ont plus qu'à être raccordés aux conduits et au circuit d'évacuation des produits de combustion. Ils ont pour fonction de fournir de l'eau chaude à un ou plusieurs robinets, qu'il s'agisse de lavabos, de douches ou de baignoires.

Le raccordement des appareils à un circuit d'évacuation des produits de combustion avec tirage naturel (cheminée) est impératif.

Leur dispositif de contrôle et d'allumage automatiques du brûleur principal permet d'éviter la consommation de gaz occasionnée par une veilleuse.

Le chauffe-bain instantané à gaz dispose d'une pile qui garantit l'alimentation en courant de l'allumage électronique.

Les appareils sont conçus pour être installés à l'extérieur ou dans un endroit aéré et séparé des pièces habitées. Ces cas de figure impliquent une protection conséquente contre le gel et la pluie.

Les chauffe-bains instantanés à gaz disposent d'une sécurité de refoulement pour la cheminée qui, en cas de dérangement au niveau de l'évacuation des produits de combustion, coupe l'arrivée de gaz en direction du brûleur.

Les appareils disposent d'une sécurité de surchauffe qui protège l'échangeur en arrêtant l'appareil.

Nos appareils ont la faculté de s'adapter à la catégorie de gaz dont vous disposez. Demandez conseil à votre installateur au cas où une conversion de l'équipement à un autre catégorie de gaz s'avère nécessaire.

Une fois l'installation terminée, l'installateur coche dans la notice d'installation la désignation exacte de votre appareil dans le tableau 9.2, Valeurs relatives à la catégorie de gaz.

3.2 Caractéristiques particulières du produit

Une sélection de puissance sur 10 niveaux de réglage allant de 50 % à 100 % permet en fonction des besoins de régler la capacité maximale de l'appareil. La quantité de gaz s'adaptera en continu au débit d'eau dans le cadre de cette plage de niveau de puissance sélectionné.

Ces caractéristiques au niveau de l'équipement vous offrent les avantages suivants :

- L'appareil ne consomme que le gaz nécessaire. Ce qui permet d'obtenir une température constante de sortie de l'eau à tous les points de puisage de l'appareil.
- Vous pouvez utiliser des mitigeurs thermostatiques ou monocommandes sans aucune restriction.
- Les appareils peuvent aussi alimenter les points de puisage de récipients de petite capacité comme les bidets car ils peuvent assumer des débits de 2,2 l/min d'eau chaude, et cela en gardant une température de sortie constante.
- Des pressions basses d'alimentation (à partir de 0,02 MPa (0,2 bar) ne posent aucun problème à nos appareils.
- La procédure d'allumage manuel est supprimée.

4 Remarques relatives à l'installation et au fonctionnement

4.1 Choix de l'emplacement

L'installation sera effectuée sur un mur, de préférence à proximité d'un point de puisage régulier et d'une cheminée pour l'évacuation des produits de combustion.

Vous pouvez par exemple installer votre appareil dans un appartement, une cave, une remise, une pièce à usages multiples... Demandez à votre installateur quelles les réglementations nationales doivent être observées.

L'installation et l'utilisation du chauffe-bain instantané à gaz dans des véhicules, comme p. ex. des mobil-homes ou des caravanes, est interdite. Des unités installées en permanence à des emplacements fixes ne sont pas considérées comme étant des "véhicules".

Le lieu de montage doit être complètement protégé contre le gel. Si vous ne pouvez garantir cette protection, respectez les indications concernant les mesures de protection contre le gel.



Un espace séparant l'appareil d'éléments combustibles/composés de matières combustibles n'est pas nécessaire, dans la mesure où, à la puissance utile nominale de l'appareil, aucune température ne peut dépasser les 85 ° C admissibles sur la surface du boîtier.



Respectez une distance minimale latérale de 30 mm par rapport à l'appareil, afin de permettre l'exécution des travaux de maintenance réguliers.

4.2 Entretien

- Nettoyez le carénage de votre appareil avec un chiffon humide et un peu de savon.



N'employez pas de produits de nettoyage récurants/abrasifs qui pourraient endommager le carénage ou les commandes en plastique.

4.3 Recyclage et élimination des déchets

Votre chauffe-bain instantané à gaz tout comme son emballage est majoritairement composé de matériaux recyclables.

4.3.1 Appareil

Votre chauffe-bain instantané à gaz comme tous ses accessoires ne peut être jeté en tant qu'ordure ménagère. Veillez à ce que l'appareil usagé et les éventuels accessoires soient recyclés conformément aux prescriptions en vigueur.

4.3.2 Pile

Faites recycler la pile dans un centre de collecte des déchets après expiration de sa durée de vie et en respectant les réglementations (les piles ne sont pas des ordures ménagères).

4.3.3 Emballage

Veillez confier le recyclage de l'emballage de transport au spécialiste qui a installé l'appareil.



Veillez respecter les prescriptions légales en vigueur dans votre pays.

4.4 Conseils d'économie d'énergie

Une température d'eau chaude appropriée

Ne chauffez que l'eau strictement nécessaire à votre consommation. Tout chauffage supplémentaire entraîne une consommation inutile d'énergie. De plus, des températures d'eau dépassant 60 °C renforcent l'entartrage.

Une consommation responsable de l'eau

Une consommation modérée de l'eau peut contribuer à une réduction considérable des coûts de consommation. Par exemple : douchez-vous au lieu de prendre des bains. Avec une douche moderne, équipée d'une robinetterie économisant l'eau, vous ne consommerez qu'un tiers des 150 litres d'eau nécessaires au remplissage d'une baignoire. En outre : un robinet qui goutte se traduit par un gaspillage pouvant atteindre 2000 litres d'eau par an, une chasse d'eau qui fuit, 4000 litres ; en revanche, un nouveau joint ne coûte que quelques centimes.

5 Utilisation

5.1 Vue d'ensemble des commandes

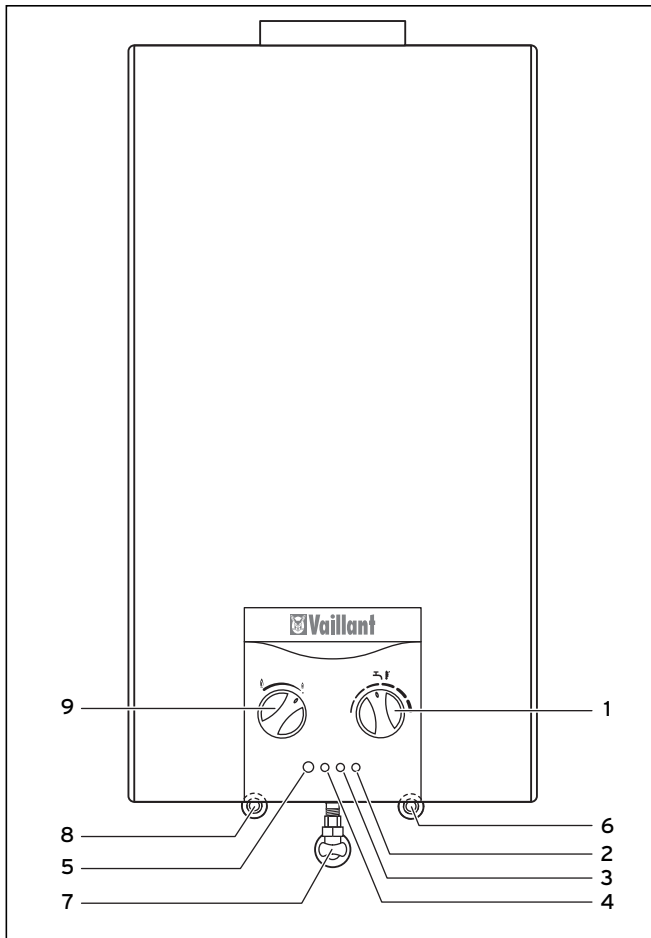


Fig. 5.1 Commandes

Légende

- 1 Sélecteur de température
- 2 DEL génération de tension d'allumage (jaune)
- 3 DEL panne (rouge)
- 4 DEL fonctionnement (vert)
- 5 Commutateur principal MARCHE/ARRET
- 6 Raccordement eau froide
- 7 Raccordement gaz
- 8 Raccordement eau chaude
- 9 Sélecteur de puissance (10 niveaux de réglage de 50 à 100 %)

Commande	Signification
DEL fonctionnement (vert)	luit quand le brûleur est en activité
DEL panne (rouge)	clignote en cas de panne
DEL génération-tension allumage (jaune)	s'allume quand la tension de la pile diminue au point de ne plus pouvoir assurer une mise en fonctionnement rapide

Tab. 5.1 Commandes appareil DEL

5.2 Mesures à prendre avant la mise en fonctionnement

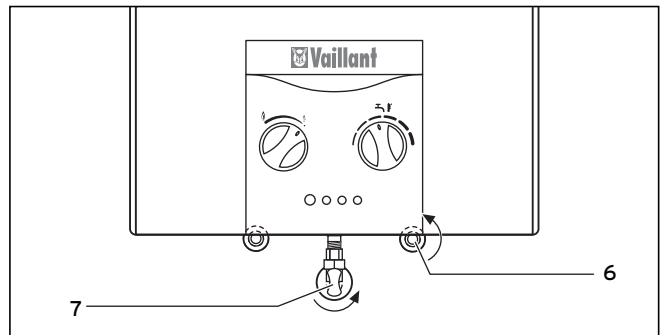


Fig. 5.2 Dispositifs d'arrêt

- Ouvrez le robinet d'arrêt du gaz (7) de l'appareil en appuyant sur la poignée et en tournant celle-ci vers la gauche jusqu'à la butée (quart de tour).
- Ouvrez le robinet d'arrêt du raccordement à l'eau froide (6) de l'appareil.
- Ouvrez le robinet d'arrêt du raccordement eau froide (6) de l'appareil en tournant la poignée vers la gauche jusqu'à la butée (quart de tour).

5.3 Mise en fonctionnement

Si le câble secteur de cet appareil est endommagé, celui-ci doit être remplacé par le constructeur ou son service après-vente, ou par un installateur spécialisé qualifié, afin d'éviter tout danger.

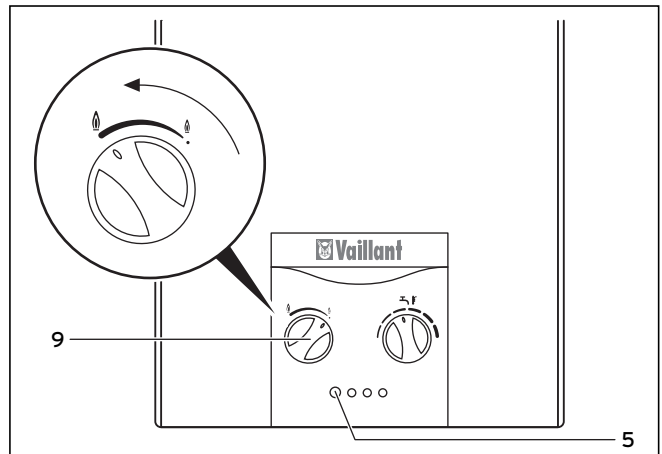


Fig. 5.3 Mise en fonctionnement

- Appuyez sur le commutateur principal (5) pour qu'il reste enfoncé.
- Tournez le sélecteur de puissance (9) sur le niveau de réglage souhaité. Le chauffe-bain instantané à gaz se met en position d'attente de fonctionnement.



En cas de fuites au niveau des conduites d'eau froide situées entre l'appareil et les points de puisage, fermez immédiatement avec un tournevis le robinet d'arrêt d'eau froide de l'appareil ; voir section 5.7, Mise hors fonctionnement. Faites colmater les fuites par votre spécialiste agréé.

5.4 Préparation d'eau chaude

5.4.1 Puisage d'eau chaude



Danger ! Risque de brûlures !

Les températures d'eau chaude supérieures à 60 °C peuvent occasionner des brûlures par ébullition.

- Réglez uniquement la température d'eau chaude de sorte qu'elle soit suffisante pour vos besoins.

- Ouvrez le robinet d'eau chaude ; qu'il s'agisse par exemple d'un lavabo ou d'un évier, le chauffe-bain instantané à gaz se met automatiquement en marche et vous fournit de l'eau chaude. La DEL de fonctionnement luit en vert tant que le brûleur est en activité.



Si votre chauffe-bain instantané à gaz ne se met pas en marche avec le puisage d'eau chaude, vérifiez que le robinet d'arrêt monté en amont du robinet de puisage est complètement ouvert ou que le commutateur principal est bien en position MARCHE (I).



Il se peut aussi que le filtre intégré au robinet soit encrassé. Vous avez la possibilité de le démonter pour le nettoyer. En cas d'entartrage nous vous conseillons de le traiter avec un produit attaquant le calcaire (par ex. le vinaigre).

Le chauffe-bain se met automatiquement hors fonctionnement quand vous fermez le robinet d'eau chaude.

5.4.2 Réglage de la température de l'eau

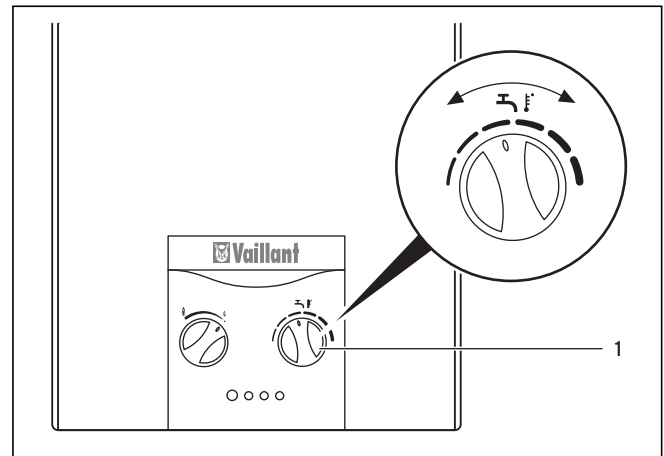




Fig. 5.4 Réglage de la température de l'eau

L'appareil fournit une température d'eau constante, quelle que soit la quantité puisée ou la température de l'eau à son admission.

Le sélecteur de température (1) vous permet de la modifier :

- tournez le sélecteur de température vers la droite  : la température augmente ;
- tournez le sélecteur de température vers la gauche  : la température baisse.



La température effective au niveau des différents points de puisage peut être légèrement différente de la température affichée.

Vous pouvez aussi modifier la température pendant le puisage d'eau chaude.

5 Utilisation

5.5 Réglage de la puissance de l'appareil

5.5.1 Sélection de la puissance

Le sélecteur de puissance de l'appareil permet de sélectionner dix niveaux de réglage allant de 50 % à 100 % de la puissance utile nominale.

Vous pouvez, en réduisant la puissance de l'appareil ou en l'adaptant aux besoins effectifs, obtenir une température de sortie plus basse et ainsi économiser de l'énergie.

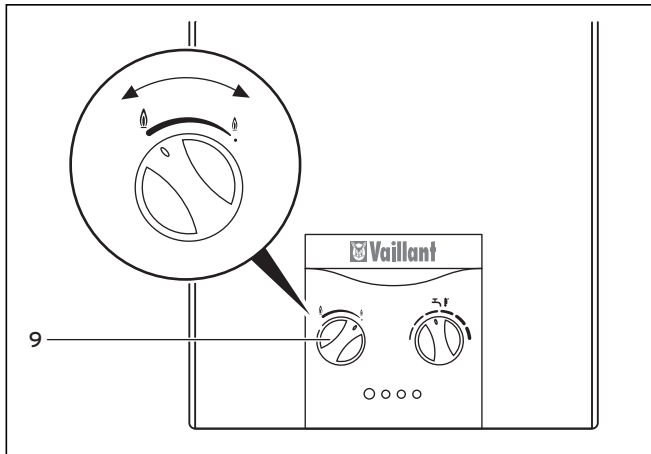


Fig. 5.5 Sélection de la puissance

- Tournez le sélecteur de puissance (9) vers la droite : la puissance baisse.
- Tournez le sélecteur de puissance (9) vers la gauche : la puissance augmente.

5.5.2 Modulation

Dans la plage située entre le niveau de réglage sélectionné et la plus basse puissance possible de l'appareil (env. 40 %), la quantité de gaz s'adapte en continu au débit de l'eau (c'est à dire à la quantité d'eau qui s'écoule effectivement au point de puisage), la température de sortie restant ainsi constante.

5.6 Détection des pannes

La DEL de panne signale visuellement (par un clignotement en rouge) les « pannes ». Vous n'êtes autorisé en tant qu'utilisateur qu'à traiter les pannes suivantes. Appelez votre spécialiste si les pannes affichées sont d'une autre nature que celles mentionnées plus bas.

Panne	Cause	Solution
Pas de fonctionnement, aucune DEL ne s'allume.	Les piles sont déchargées.	Remplacez les piles. Assurez-vous du bon fonctionnement de l'arrivée gaz. Assurez-vous que le robinet arrêt eau froide est ouvert. Informez votre installateur s'il est impossible d'éliminer la panne.
DEL jaune clignote. Allumage bruyant.	Piles faiblement chargées.	Remplacez les piles.
Appareil ne se met pas en marche, DEL rouge clignote.	Arrivée gaz coupée. Air dans le conduit d'arrivée de gaz.	Assurez-vous du bon fonctionnement de l'arrivée gaz. Gaz liquide : remplacez si besoin est la bouteille vide par un pleine. Assurez-vous que le robinet d'arrêt du raccordement gaz est ouvert. Ouvrez et fermez plusieurs fois le robinet d'eau pour évacuer l'air dans le conduit d'arrivée de gaz. Informez votre installateur s'il est impossible d'éliminer la panne.
DEL rouge clignote pendant le fonctionnement.	Faible pression d'eau. Arrivée gaz coupée. Air dans le conduit d'arrivée de gaz.	Assurez-vous du bon fonctionnement de l'arrivée gaz. Gaz liquide : remplacez si besoin est la bouteille vide par une bouteille pleine. Ouvrez et fermez plusieurs fois le robinet d'eau pour évacuer l'air dans le conduit d'arrivée de gaz. Informez votre installateur s'il est impossible d'éliminer la panne.
Appareil se met hors fonctionnement et la DEL rouge est allumée.	Piles faiblement chargées. Dispositif de sécurité défectueux.	Assurez-vous que le robinet arrêt eau froide est ouvert. Remplacez éventuellement les piles. Prévenez votre installateur.

Tab. 5.2 Aide à l'élimination des pannes

Si les dispositifs de sécurité bloquent l'appareil, l'allumage automatique ne redeviendra opérationnel qu'à la condition que vous ayez préalablement « éliminé la panne ». L'« élimination de la panne » consiste à

- fermer et rouvrir le robinet d'eau sans actionner le commutateur principal ou bien à
- laisser ouvert le robinet d'eau et à appuyer deux fois sur le commutateur principal (5) pour arrêter et remettre en marche l'appareil.

En particulier lors de la première mise en fonctionnement ou après une longue période sans service, vous devrez probablement « éliminer la panne » plusieurs fois pour que l'allumage refonctionne automatiquement. Observez à cet égard le chapitre 5.3 "Mise en fonctionnement".

Une fois la panne éliminée, le chauffe-bain instantané à gaz se remet automatiquement en marche.

Si l'appareil commute de façon répétée en mode dérangement, demandez conseil à un installateur spécialisé à des fins de contrôle.



Danger !
Risque d'endommagement dû à des modifications non conformes !

Des modifications non conformes peuvent conduire à des situations dangereuses.

- N'effectuez en aucun cas vous-même des interventions ou des manipulations sur le chauffe-bain instantané à gaz ou sur d'autres composants de l'installation.
- N'essayez jamais d'effectuer vous-même des réparations ou des travaux de maintenance sur l'appareil.
- Confiez ces tâches à un installateur spécialisé agréé.

Remettez l'appareil en fonctionnement seulement après qu'un spécialiste ait éliminé la panne.



Danger !
Risque d'intoxication par monoxyde de carbone !

Sans le dispositif de surveillance des gaz d'échappement, dans le cas de conditions de tirage défavorables en permanence, des gaz d'échappement peuvent retourner de façon incontrôlée de la cheminée vers la pièce d'installation de l'appareil.

- Ne mettez en aucun cas le dispositif de surveillance des gaz d'échappement (capteur des gaz d'échappement) hors fonction.
- N'essayez en aucun cas de procéder à des manipulations de ce dispositif, qui pourraient entraver son fonctionnement correct.

5.7 Mise hors fonctionnement

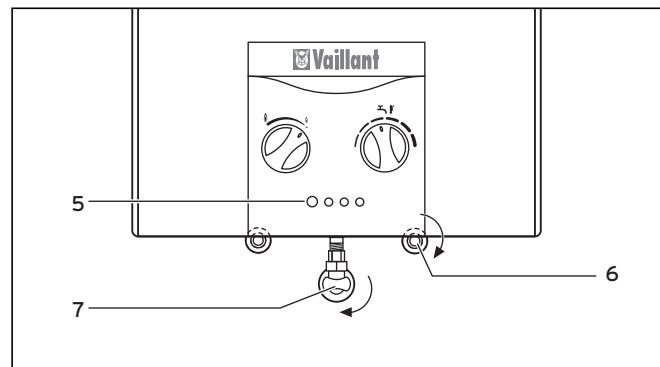


Fig. 5.6 Mise hors fonctionnement

- Appuyez une fois sur le commutateur principal (5) pour qu'il se mette en position ARRET.
- Fermez le robinet d'arrêt du gaz (7) de l'appareil par rotation vers la droite jusqu'à la butée (quart de tour).

Vous coupez ainsi l'arrivée gaz du brûleur du chauffe-bain.

- Fermez le robinet d'arrêt du raccordement eau froide (6) de l'appareil en le tournant vers la droite jusqu'à la butée (quart de tour).

5.8 Protection contre le gel

Si un risque de gel se présente, la vidange du chauffe-bain est indispensable. C'est par exemple le cas quand vos conduites d'eau menacent de geler. Procédez de la manière suivante ; voir fig. 5.7, Vidange.

- Fermez le robinet d'arrêt du raccordement eau froide (6) de l'appareil en le tournant vers la droite jusqu'à la butée (quart de tour).

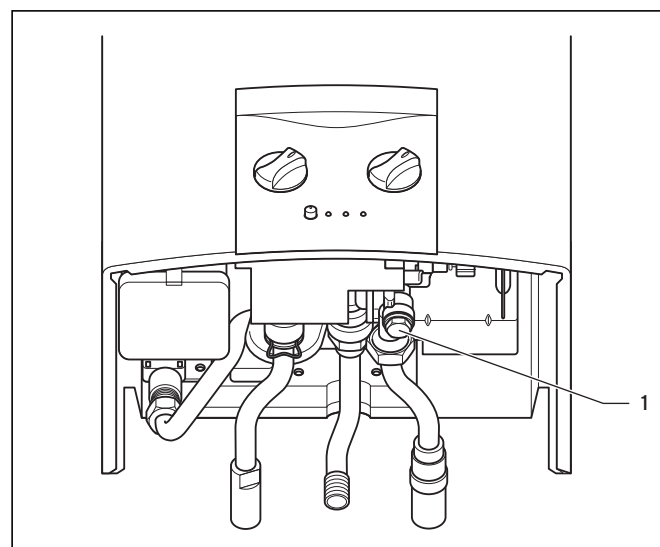


Fig. 5.7 Vidange

5 Utilisation

- Dévissez le boulon six-pans (1) de vidange.
- Ouvrez tous les robinets d'eau chaude raccordés au chauffe-bain instantané à gaz afin de purger complètement l'appareil et les conduites.
- Laissez les robinets d'eau chaude ouverts et le boulon de vidange dévissé pour remplir l'appareil après la fin de la période de gel.



Remettez l'appareil en service après l'avoir rempli seulement si, après ouverture du robinet d'arrêt du raccordement eau froide de l'appareil, de l'eau s'écoule des robinets d'eau chaude ouverts. Cela garantit le remplissage en eau complet du chauffe-bain instantané à gaz.

5.9 Maintenance

Une inspection/un entretien annuel(le) effectué(e) par un professionnel est la condition des facteurs suivants : fonctionnement et sécurité durables, fiabilité et longévité véritables.



Danger !
Risque de blessures et de dommages matériels en cas de maintenance ou de réparation non conforme !

Une maintenance négligée ou non conforme peut altérer la sécurité d'exploitation des appareils.

- N'essayez en aucun cas d'effectuer vous-même des travaux de maintenance ou des réparations sur vos appareils.
- Confiez ces tâches à un installateur spécialisé agréé.

5.9.1 Remplacement de pile

Le remplacement des piles (type A) est impératif après expiration de leur durée de vie. La DEL jaune s'allumera pour vous indiquer la nécessité de cette opération.

Le boîtier à piles (1) est en bas à gauche de l'appareil ; vous pouvez y accéder sans démonter le carénage.

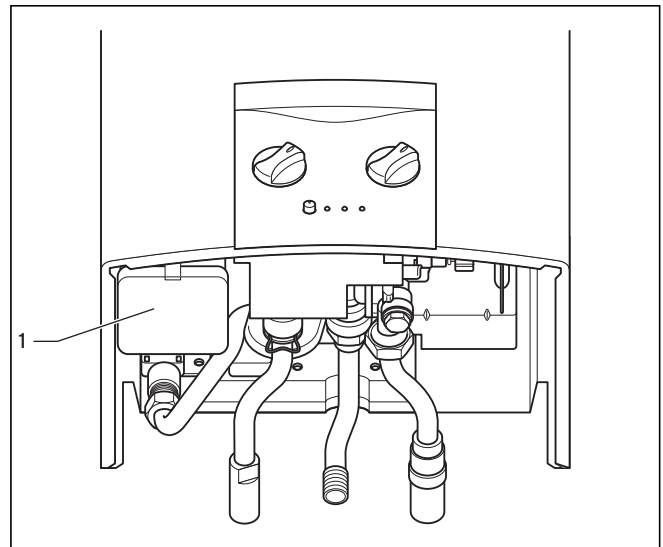


Fig. 5.8 Remplacement de pile

- Ouvrez le couvercle du boîtier (1).
- Retirez les anciennes piles puis placez les neuves en respectant les indications du couvercle du boîtier.



Danger !
Risque d'explosion !

Une manipulation inappropriée des piles peut conduire à des explosions.

- Ne rechargez en aucun cas des piles déchargées.
- N'échauffez en aucun cas les piles et ne les jetez pas au feu.

6 Garantie d'usine

Nous octroyons au propriétaire de l'appareil une garantie d'usine dans le cadre des conditions mentionnées dans la carte de garantie.

Seul notre service après-vente est habilité à procéder à des travaux s'inscrivant dans le cadre de la garantie.

Nous remboursons de ce fait les coûts éventuels liés aux travaux sur l'appareil pendant la période de garantie à condition que nous ayons transmis l'ordre correspondant et qu'il s'agisse d'un cas couvert par la garantie.

Pour l'installateur

Notice d'installation

atmoMAG

Chauffe-bain instantané à gaz pour fonctionnement dépendant de
l'air ambiant

atmoMAG mini 11-0/0 XI

Table des matières

Table des matières

1	Remarques relatives à la documentation	3	7.5	Contrôle du fonctionnement de la sécurité de refoulement cheminée	22
1.1	Rangement des documents	3	7.6	Test de fonctionnement et remise en fonctionnement.....	23
1.2	Symboles utilisés	3	7.7	Pièces de rechange	23
1.3	Validité de la notice	3			
1.4	Type d'appareil.....	3			
2	Sécurité	4	8	Détection des pannes	24
2.1	Consignes de sécurité et d'avertissement.....	4	9	Garantie d'usine	25
2.2	Utilisation conforme de l'appareil	4	10	Caractéristiques techniques	25
2.3	Consignes de sécurité générales.....	5			
2.4	Prescriptions.....	6			
3	Description de l'appareil	6			
3.1	Plaque signalétique.....	6			
3.2	Marquage CE.....	7			
3.3	Raccordements	7			
3.4	Modules	7			
4	Montage	8			
4.1	Colisage.....	8			
4.2	Choix de l'emplacement.....	8			
4.3	Dimensions	10			
4.4	Pré-installation murale.....	11			
4.5	Montage de l'appareil.....	11			
4.5.1	Retrait du carénage	11			
4.5.2	Montage de l'appareil	12			
5	Installation	12			
5.1	Raccordement à l'alimentation en gaz	12			
5.2	Raccordement à l'alimentation en eau	13			
5.3.1	Contrôle du fonctionnement de la sécurité de refoulement cheminée	13			
5.3.2	Montage du conduit d'évacuation des produits de combustion	14			
5.4	Plan de câblage électrique.....	15			
6	Mise en fonctionnement	16			
6.1	Contrôle du réglage gaz	16			
6.1.1	Comparaison réglage gaz et alimentation gaz	16			
6.1.2	Contrôle de la pression d'alimentation en gaz	16			
6.1.3	Contrôle du débit calorifique.....	16			
6.2	Tableaux de réglage gaz.....	18			
6.3	Contrôle du fonctionnement de l'appareil.....	18			
6.4	Remise à l'utilisateur	19			
6.5	Conversion à une autre catégorie de gaz.....	19			
7	Inspection et entretien	20			
7.1	Préparatifs d'entretien.....	20			
7.2	Nettoyage du brûleur	20			
7.3	Nettoyage et détartrage de l'échangeur.....	21			
7.4	Contrôle du fonctionnement du contacteur d'eau	22			

1 Remarques relatives à la documentation

Les consignes suivantes vous permettront de vous orienter dans l'ensemble de la documentation. D'autres documents sont valables en complément de cette notice d'emploi et d'installation.

Nous déclinons toute responsabilité pour des dommages imputables au non-respect de ces notices.

Documents d'accompagnement applicables

Lors de l'installation du chauffe-bain atmoMAG, respectez impérativement toutes les notices d'installation fournies avec les autres composants de votre installation.

Ces notices d'installation sont jointes aux composants respectifs de l'installation.

1.1 Rangement des documents

- Transmettez cette notice d'emploi et d'installation, ainsi que tous les autres documents applicables et le cas échéant les moyens d'aide nécessaires à l'utilisateur de l'installation.

Celui-ci est tenu de les conserver, afin que les notices et les moyens d'aide soient disponibles en cas de besoin.

1.2 Symboles utilisés

Les différents symboles utilisés dans le texte sont expliqués ci-dessous :



Symbole signalant un risque :
 - Danger de mort immédiat
 - Risque de blessures graves
 - Risque de blessures légères



Symbole signalant un risque :
 - Danger de mort par électrocution



Symbole signalant un risque :
 - Risque de dommages matériels
 - Risque de menace pour l'environnement



Symbole signalant une consigne et des informations utiles

- Ce symbole indique une action nécessaire

1.3 Validité de la notice

La présente notice d'installation est uniquement valable pour les appareils avec les références d'article suivantes :

Gerät	Typ	Art.-Nr.
MAG mini INT 11-0/O XI	B11, B11 BS	311222, 311223

Tab. 1.1 Désignations d'appareils et de types

La référence de l'appareil est indiquée sur la plaque signalétique.

1.4 Type d'appareil

Vous pouvez identifier le type de l'appareil en fonction des parties cochées par l'installateur - une fois l'installation terminée - dans la section Caractéristiques techniques de la notice d'installation.





2 Sécurité

2.1 Consignes de sécurité et d'avertissement

Lors de l'installation du chauffe-bain atmoMAG, respectez les consignes générales de sécurité et les mises en garde précédant chacune des actions.

2.1.1 Classification des consignes de mise en garde


Les consignes de mise en garde sont classifiées à l'aide des symboles de mise en garde et des mots-indicateurs suivants en fonction de la gravité du danger potentiel :

Symbole de mise en garde	Mot-indicateur	Explication
	Danger !	Danger de mort immédiat ou risque de blessures graves
	Danger !	Danger de mort par électrocution
	Avertissement !	Risques de blessures légères
	Attention !	Risque de dommages matériels ou de menace pour l'environnement

Tab. 2.1 Signification des symboles de mise en garde et mots-indicateurs

2.1.2 Structure des consignes de mise en garde

Les consignes de mise en garde se distinguent par des lignes de séparation supérieure et inférieure. Elles sont structurées suivant les principes de base suivants :

	<p>Mot-indicateur ! Type et source du danger ! Explication du type et de la source du danger > Mesures de prévention du danger.</p>
<p>></p>	

2.2 Utilisation conforme de l'appareil

Les chauffe-bains instantanés à gaz Vaillant de la série MAG ont été conçus selon l'état actuel de la technique et des règles reconnues en matière de sécurité. Toutefois, il peut en résulter des risques de blessures graves voire mortelles pour l'utilisateur ou des tierces personnes, ou des détériorations de l'appareil et d'autres biens matériels, en cas d'utilisation inappropriée ou non conforme aux prescriptions.

Les chauffe-bains instantanés à gaz Vaillant de la série MAG ne sont pas prévus pour une utilisation par des personnes (y compris enfants) dont les capacités physiques, sensorielles ou intellectuelles sont limitées, ou ne disposant pas de l'expérience et/ou des connaissances nécessaires, à moins qu'elles l'utilisent sous la surveillance d'une personne responsable pour leur sécurité, ou qu'elles aient reçu des instructions de sa part pour utiliser l'appareil.

Les enfants doivent être surveillés pour s'assurer qu'ils ne jouent pas avec l'appareil.

Les chauffe-bains instantanés à gaz sont spécialement conçus pour la production d'eau chaude avec du gaz. L'utilisation des chauffe-bains instantanés à gaz Vaillant de la série MAG dans des véhicules est considérée comme étant non conforme à l'usage prévu. Des unités installées en permanence à des emplacements fixes (appelées installations fixes) ne sont pas considérées comme étant des "véhicules".

Toute autre utilisation est considérée comme étant non conforme à l'usage prévu. Toute utilisation directement commerciale et industrielle est également considérée comme étant non conforme à l'usage prévu. Le fabricant / fournisseur décline toute responsabilité pour des dommages résultant d'une utilisation non conforme aux prescriptions. L'utilisateur en assume alors l'entière responsabilité.

LL'utilisation conforme aux prescriptions comprend également l'observation de la notice d'emploi et d'installation, ainsi que de tous les autres documents associés, et le respect des conditions d'inspection et de maintenance.

Le chauffe-bain instantané à gaz doit être installé par un installateur spécialisé qualifié, qui est responsable du respect des règlements, des normes et des directives.

2.3 Consignes de sécurité générales

- Respectez impérativement les consignes de sécurité suivantes.

Comportement à adopter en situation d'urgence en cas d'odeur de gaz

Du fait d'un dysfonctionnement, du gaz peut s'échapper et provoquer un risque d'intoxication et d'explosion. En présence d'une odeur de gaz à l'intérieur de bâtiments, veuillez observer la procédure suivante :

- Evitez les pièces où règne une odeur de gaz.
- Si possible, ouvrez largement les portes et les fenêtres pour générer des courants d'air.
- Evitez les flammes nues (p. ex. briquet, allumettes).
- Ne fumez pas.
- N'utilisez aucun interrupteur électrique, aucune prise de secteur, aucune sonnette, aucun téléphone ou autre interphone dans la maison.
- Fermez le dispositif d'arrêt principal ou celui du compteur de gaz.
- Si possible, fermez le robinet d'arrêt de gaz sur l'appareil.
- Prévenez les autres habitants en les appelant ou en frappant à leur porte.
- Quittez le bâtiment.
- En cas de fuite de gaz audible, quittez immédiatement le bâtiment et empêchez toute personne d'entrer.
- Prévenez les pompiers et la police depuis l'extérieur du bâtiment.
- Prévenez le fournisseur de gaz depuis un téléphone situé à l'extérieur de la maison.

Eviter les risques d'explosion ou de déflagration

- Ne stockez / n'utilisez pas de substances explosives ou facilement inflammables (par ex. essence, peinture, etc.) dans la pièce où l'appareil est installé.
- Ne mettez aucun dispositif de sécurité hors fonction
- Ne mettez en aucun cas le dispositif de surveillance des gaz d'échappement (capteur des gaz d'échappement) hors fonction.
- Ne procédez à aucune manipulation qui pourrait compromettre le fonctionnement réglementaire de l'appareil.

Domages matériels dus à la corrosion

Pour éviter une corrosion de l'appareil et également de l'installation des gaz d'échappement, observez les points suivants :

- N'utilisez pas de bombes aérosols, solvants, produits de nettoyage chlorés, encres, colles, etc. dans l'environnement de l'appareil.

Dans des conditions défavorables, ces substances peuvent occasionner des dommages par corrosion.

Installation et réglage

Seul un installateur spécialisé agréé est habilité à installer l'appareil. Cet installateur doit respecter les prescriptions, les règles et les directives en vigueur.

Il est également responsable pour l'inspection / la maintenance et la réparation de l'appareil, ainsi que pour les modifications de la quantité de gaz réglée.

Eviter les risques d'explosion et d'intoxication

Un type de gaz incorrect peut conduire à des situations dangereuses. Des taux de monoxyde de carbone élevés dus à une combustion incorrecte peuvent occasionner un risque de danger de mort.

- Avant la mise en fonctionnement, comparez les indications relatives au type de gaz réglé figurant sur la plaque signalétique par rapport au type de gaz disponible sur le lieu d'installation.
- Effectuez uniquement la transformation de l'appareil vers un autre type de gaz en employant les kits de transformation disponibles auprès de l'usine.

Ne procédez à aucune modification

- Ne modifiez en aucun cas
 - l'appareil,
 - l'environnement de l'appareil,
 - les conduites d'alimentation du gaz, de l'air frais et de l'eau,
 - les conduites d'évacuation des gaz d'échappement.

Cette interdiction de modification concerne le cas échéant également les éléments du bâtiment autour de l'appareil, dans la mesure où ces modifications pourraient compromettre la sécurité de fonctionnement de l'appareil.

Quelques exemples :

- Vous ne devez pas obturer les ouvertures de ventilation dans les portes, les plafonds, les fenêtres et les murs, même temporairement. Ne recouvrez par exemple pas d'ouvertures d'aération avec des vêtements, etc. Lors de la pose de revêtements de sols, les ouvertures d'aération au bas des portes ne doivent pas être obturées ou réduites.
- Vous ne devez pas gêner la libre alimentation de l'air frais vers l'appareil. Tenez particulièrement compte de ce point lors de l'installation éventuelle d'armoires, de rayonnages, etc. sous l'appareil. La mise en place d'un revêtement de type armoire autour de votre appareil est soumise à des prescriptions d'exécution particulières. Renseignez-vous auprès de votre société d'installation si vous envisagez le montage d'un tel revêtement.
- N'obturez pas les ouvertures pour l'air frais et les gaz d'échappement. Veillez à retirer les protections placées le cas échéant sur ces ouvertures lors de l'exécution de travaux .
- Les appareils ne doivent pas être installés dans des pièces à partir desquelles des installations de ventilation ou des installations de chauffage à air chaud aspirent de l'air au moyen de ventilateurs (p. ex. hottes

2 Sécurité

3 Description de l'appareil

d'évacuation des fumées, sèche-linges), à moins d'utiliser des dispositifs de sécurité qui coupent automatiquement les ventilateurs lors du fonctionnement du chauffe-bain instantané à gaz. Pour de tels cas, nous recommandons l'utilisation de nos accessoires Solomatik pour chauffe-bains de la série MAG (n° de commande 304 821).

- En cas de montage de fenêtres à joints étanches, vous devez garantir, en accord avec votre société d'installation agréée, une alimentation suffisante de l'air de combustion vers l'appareil.

Faites systématiquement appel à un professionnel pour effectuer des modifications sur l'appareil ou dans la zone alentour.

Eviter le risque d'ébullition

L'eau s'écoulant au niveau du robinet d'eau chaude peut atteindre une telle température que, dans certaines circonstances, elle peut occasionner des brûlures par ébullition. Pour les enfants, le seuil de température pouvant provoquer des brûlures est inférieur à celui des adultes.

- Réglez uniquement la température d'eau chaude de sorte qu'elle soit suffisante pour vos besoins.
- N'utilisez pas de bombes aérosols, solvants, produits de nettoyage chlorés, encres, colles, etc. dans l'environnement de l'appareil. Dans certaines conditions défavorables, ces substances peuvent entraîner une corrosion, y compris au niveau de l'installation des gaz d'échappement.

Utilisation des outils

Un outil inapproprié et/ou une utilisation incorrecte d'outils peut conduire à des dommages (p. ex. fuite de gaz ou d'eau).

- Utilisez systématiquement des clés à fourche adaptées pour le serrage ou le desserrage des raccords vissés.
- N'utilisez pas de clés serre-tube, de prolongateurs ou des éléments similaires.

2.4 Prescriptions

Seul un installateur spécialisé agréé est habilité à installer le chauffe-bain instantané à gaz.

Celui-ci se porte également garant de la conformité de l'installation et de la première mise en fonctionnement. Seul un installateur spécialisé formé est habilité à exécuter l'installation électrique.

Avant de procéder à l'installation du chauffe-bain instantané à gaz, demandez l'avis de l'entreprise de distribution de gaz et du ramoneur local.

3 Description de l'appareil

3.1 Plaque signalétique

La plaque signalétique se situe à l'avant, sur la coupe tirage. Le démontage du carénage de l'appareil est pour cela nécessaire ; voir section 4.5.1, Retrait et pose du carénage de l'appareil.

Signification des indications sur la plaque signalétique de l'appareil :

Symbole	Signification
MAG	catégorie produit
INT; MT; ES; ...	code pays
mini 11-0/0	puissance appareil XX en l/min ; type raccord cheminée ; génération appareil
I	avec allumage électronique et pile
X	avec sécurité de refolement cheminée
atmoMAG	ligne produits
Type	type de conduit d'évacuation des produits de combustion et arrivée air de combustion
B11	appareil à gaz en liaison avec air ambiant avec coupe tirage dans conduit d'évacuation des produits de combustion sans extracteur
B11 BS	avec dispositif de surveillance des produits de combustion
INT: cat. II _{2H3B/P} MT: cat. I _{3B/P} ...	identification catégorie gaz (en fonction du pays de destination) : appareil multigaz pour gaz naturel et liquide
2H	famille des gaz naturels
G 20 - 0,002 MPa (20 mbars)	gaz naturels avec pressions de gaz admissibles
3 B/P	famille des gaz liquides
G 30/G 31 - 0,0028 - 0,003/ 0,0037 MPa (28 - 30/37 mbars) 3B/P - G30/G31 - 0,003 MPa (30 mbars)	gaz liquides avec pressions de gaz admissibles
P _{nom.}	puissance utile maximale
P _{min.}	puissance utile minimale
Q _{nom.}	débit calorifique maximal
Q _{min.}	débit calorifique minimal
p _{w max.}	pression d'alimentation en eau maximale admissible
CE 0099	organe de certification
CE-99BP821	numéro certification produit
xxxxxxXXXXX<<<<xxxx xxxxxxNx	Troisième et quatrième chiffres : année de production ; chiffres 7 à 12: n° d'article ; chiffres restants : planification de production
XXxx	code qualité, ex. : AC15

Tab. 3.1 Plaque signalétique



Danger !
Risque d'explosion dû au type de gaz incorrect !

Un type de gaz incorrect peut conduire à des situations dangereuses.

- Avant la mise en fonctionnement, comparez les indications relatives au type de gaz réglé figurant sur la plaque signalétique par rapport au type de gaz disponible sur le lieu d'installation.

- Cochez impérativement le type d'appareil et la catégorie de gaz avec lequel l'appareil fonctionne dans le tableau 10.2, Valeurs relatives à la catégorie de gaz, et cela dans la section 10, Caractéristiques techniques.
- Remontez le carénage de l'appareil.

3.2 Marquage CE

Le marquage CE permet d'attester que les appareils

sont conformes aux directives suivantes :

- directive sur les appareils à gaz (2009/142/EG)
- directive sur la compatibilité électromagnétique avec valeur limite de classe B (2004/108/EG)
- directive sur la basse tension (2006/95/EG)

3.3 Raccordements



Danger !
Risque d'ébouillement et d'endommagement dû à l'eau chaude / froide qui s'écoule !

Une installation incorrecte peut conduire à des défauts d'étanchéité. Les tubes plastiques pour le raccordement de l'eau chaude et/ou froide doivent résister à des températures jusqu'à 95 °C et à une pression jusqu'à 1 MPa (10 bar).

- Afin d'éviter les fuites, veillez à ce que les canalisations ne subissent aucune tension mécanique.
- Établissez les raccordements d'eau froide et d'eau chaude sans tension.

Raccordements à l'appareil :

- eau 3/4"
- gaz 1/2"

- Définissez l'emplacement de montage de l'appareil.
- Posez les conduites de gaz et les conduites d'eau jusqu'aux points de raccordement sur l'appareil.

3.4 Modules

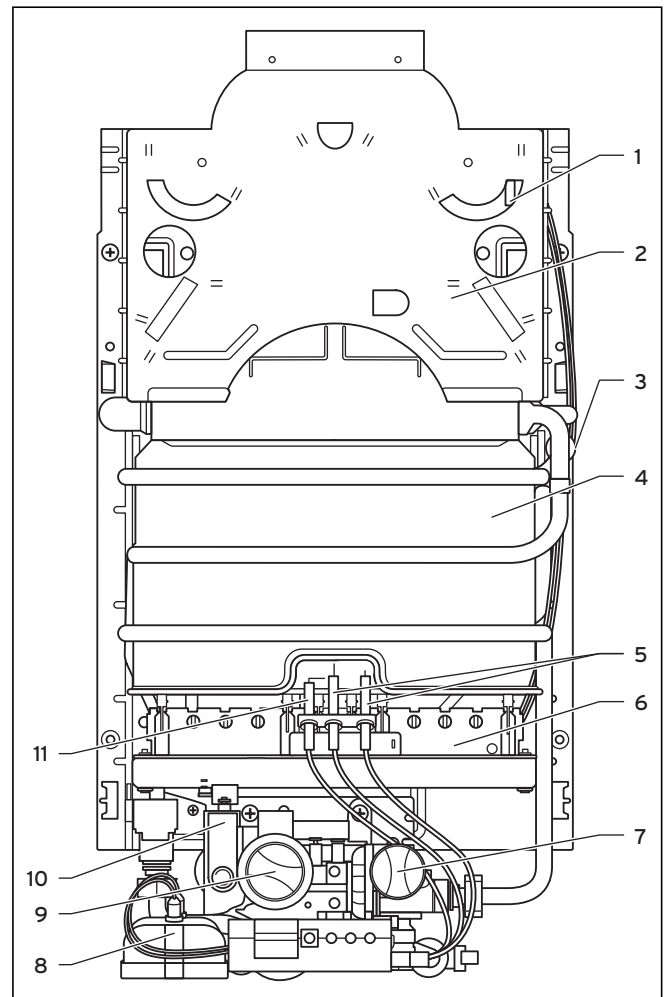


Fig. 3.1 Modules

Légende

- 1 Sécurité de refoulement cheminée
- 2 Coupe tirage
- 3 Sécurité de surchauffe
- 4 Échangeur
- 5 Electrodes d'allumage
- 6 Brûleur
- 7 Sélecteur de température
- 8 Boîtier piles
- 9 Sélecteur de puissance
- 10 Mécanisme gaz
- 11 Électrode de contrôle de flamme

3 Description de l'appareil

4 Montage



Danger ! **Risque d'intoxication par monoxyde de carbone !**

Sans le dispositif de surveillance des gaz d'échappement, dans le cas de conditions de tirage défavorables en permanence, des gaz d'échappement peuvent retourner de façon incontrôlée de la cheminée vers la pièce d'installation de l'appareil.

- Ne mettez en aucun cas le dispositif de surveillance des gaz d'échappement (capteur des gaz d'échappement) hors fonction.
- N'essayez en aucun cas de procéder à des manipulations de ce dispositif, qui pourraient entraver son fonctionnement correct.

Si par exemple le conduit d'évacuation des produits de combustion est complètement bouché ou partiellement obstrué ou bien si les conditions de pression atmosphérique au niveau du bâtiment restreignent l'évacuation des produits de combustion, la sécurité de refoulement cheminée enregistre une augmentation de la température et coupe l'arrivée de gaz.

4 Montage

4.1 Colisage

- Kit de raccordement constitué de :
 - douille gaz naturel
 - joints, chevilles, vis
 - deux piles type A

4.2 Choix de l'emplacement

Veillez respecter les consignes suivantes lors du choix du lieu d'installation :

- Installez le chauffe-bain exclusivement dans une pièce qui est suffisamment aérée.
- Le mur sur lequel sera installé le chauffe-bain instantané à gaz devra disposer d'une force portante suffisante lui permettant de supporter le poids d'un appareil prêt à fonctionner.
- Les éléments de fixation du colisage ne conviennent pas nécessairement pour le mur d'installation. L'utilisateur devra donc fournir les éléments de fixation adéquats.
- Le lieu de montage doit être complètement protégé contre le gel. Si vous ne pouvez garantir cette protection, respectez les indications concernant les mesures de protection contre le gel. (voir chapitre 5.7 de la notice d'emploi).
- Choisissez un lieu de montage permettant une pose correcte des conduites (arrivée gaz, arrivée eau, évacuation eau).
- L'utilisation du chauffe-bain instantané à gaz dans des véhicules, comme p. ex. des mobil-homes ou des caravanes, est interdite. Des unités installées en permanence à des emplacements fixes ne sont pas considérées comme étant des "véhicules".



Attention ! **Risque d'endommagement de l'appareil.**

Les vapeurs agressives ou les vapeurs de graisse peuvent endommager l'appareil.

- Ne montez pas l'appareil dans des pièces avec des vapeurs agressives ou des vapeurs de graisse.

- Raccordez impérativement le chauffe-bain au moyen d'un conduit d'évacuation des produits de combustion - dont le diamètre est réglementaire (voir section 10, Caractéristiques techniques) - à un circuit d'évacuation des produits de combustion à tirage naturel (cheminée).



Un espace séparant l'appareil d'éléments combustibles/composés de matières combustibles n'est pas nécessaire, dans la mesure où, à la puissance utile nominale de l'appareil, aucune température ne peut dépasser les 85 °C admissibles sur la surface du boîtier.

- Expliquez au client le sens de ces exigences.

4 Montage

4.3 Dimensions

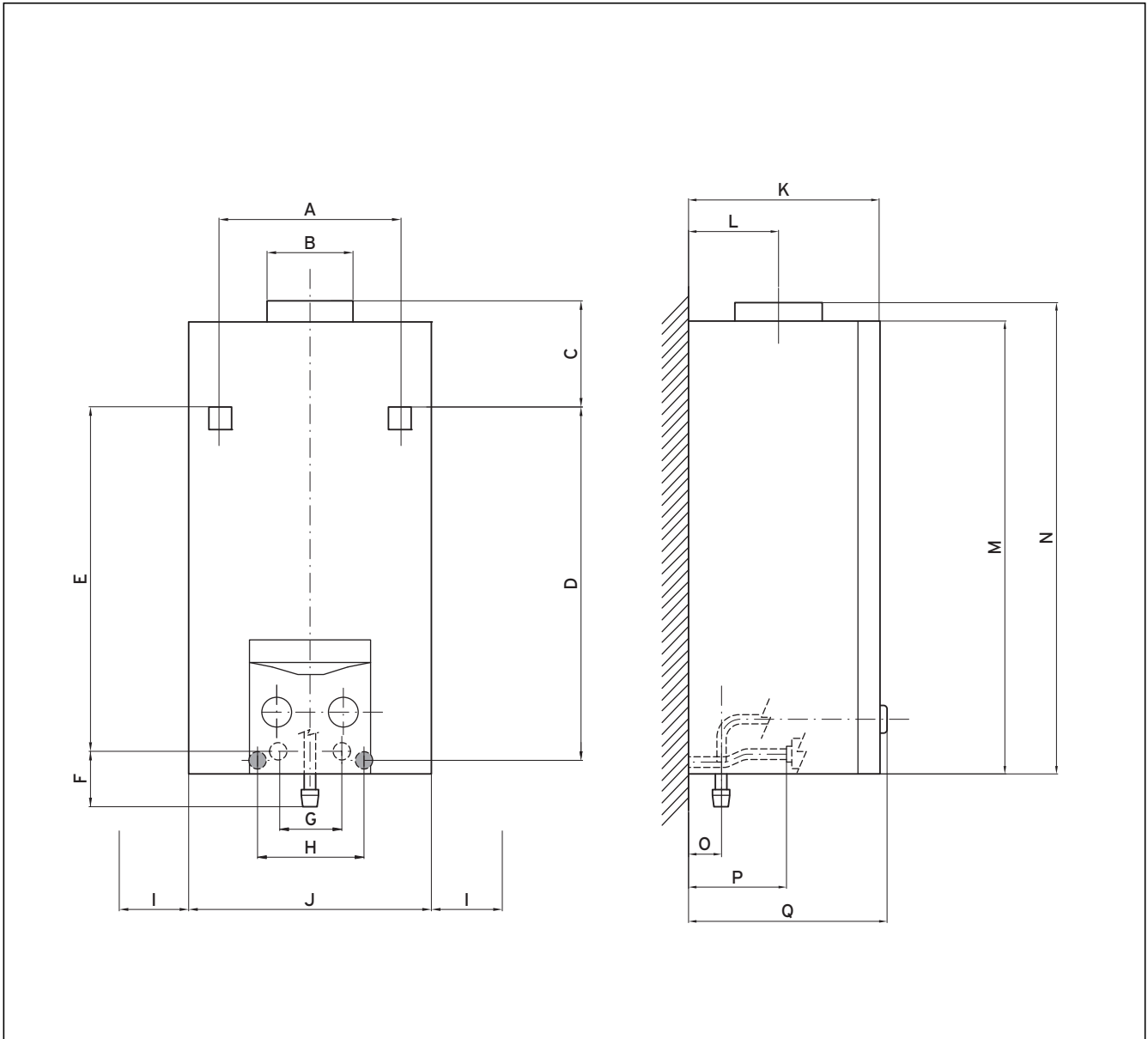


Fig. 4.1 Plan coté mini XI

Mesure	mm	Mesure	mm
A	235	J	310
B	∅ 110	K	243
C	139	L	115
D	451	M	580
E	441	N	605
F	52	O	50
G	70	P	125
H	120	Q	253
I	min. 20		

Tab. 4.1 Dimensions

4.4 Pré-installation murale

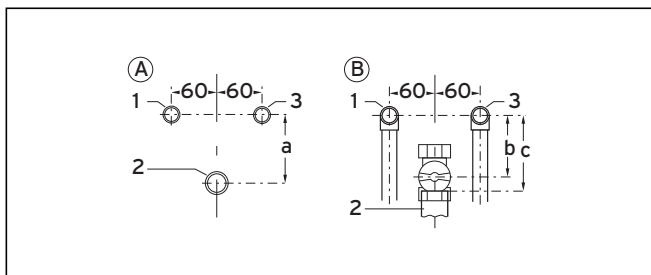


Fig. 4.2 Pré-installation murale

Légende

- 1 Raccord eau chaude R 1/2
- 2 Raccord gaz
- 3 Raccord eau froide R 1/2

Cette figure montre la position des raccords suivants :

- A Installation encastrée
- B Installation apparente

Utiliser l'accessoire Vaillant permet de conserver les pré-installations murales en place ou bien de les configurer comme sur l'illustration.

Les distances conseillées pour tous les types d'appareil sont les suivantes :

- a = 92 mm
- b = 85 mm
- c ≈ 100 mm

4.5 Montage de l'appareil

Démontez impérativement le carénage de l'appareil avant de procéder au montage ou à l'entretien du chauffe-bain ; remontez le carénage une fois ces opérations terminées.

4.5.1 Retrait du carénage

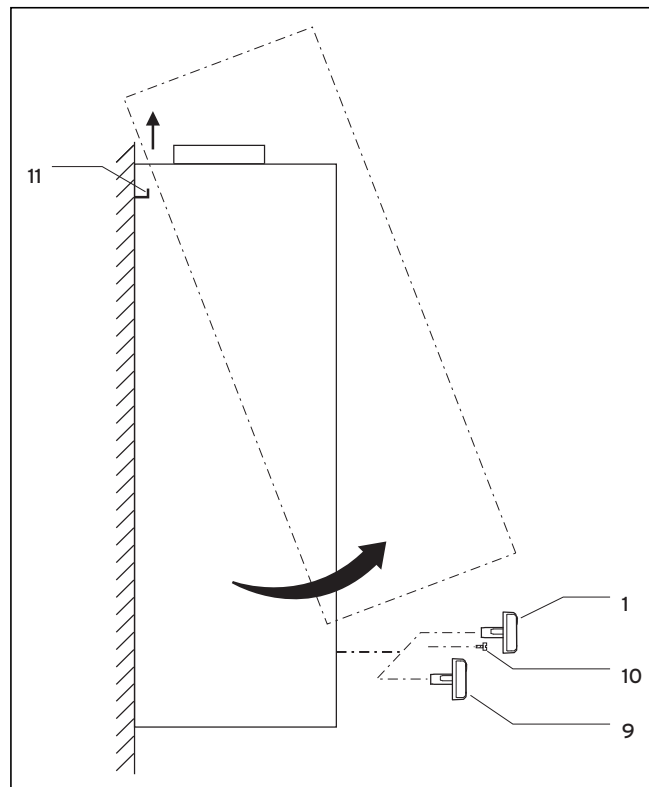


Fig. 4.3 Retrait du carénage

- Retirez le bouton du sélecteur de température (1) de son axe et le bouton du sélecteur de puissance (9).
- Retirez la vis (10) sous l'axe du sélecteur de température.
- Tirez le boîtier frontal vers l'avant puis soulevez-le en l'extrayant des deux crochets (11).

4 Montage

5 Installation

Pose du carénage

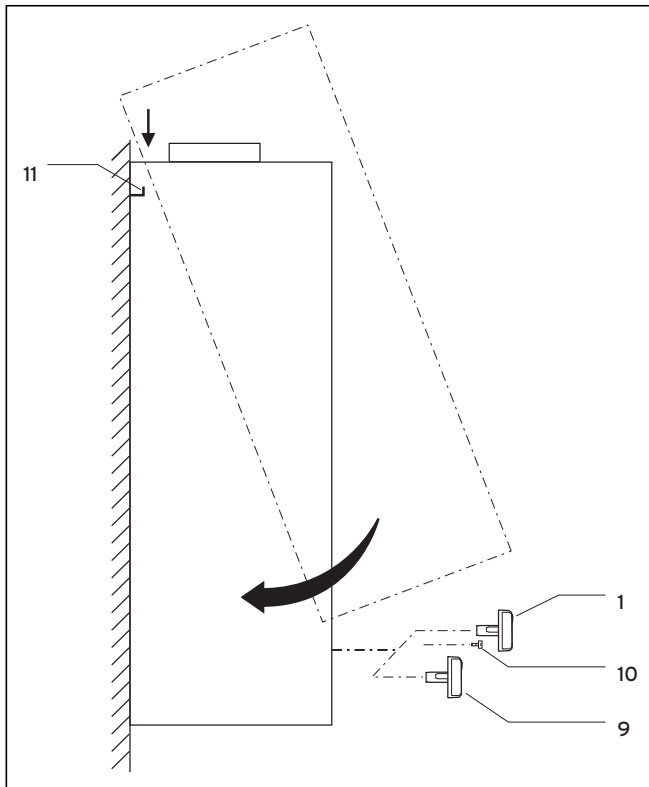


Fig. 4.4 Pose du carénage

- Posez le carénage par le haut sur les deux crochets (11) et placez-le par pression sur la paroi arrière. Veillez à ce que les deux languettes soient bien emboîtées dans les évidements.
- Revissez la vis (10) sous l'axe du sélecteur de température.
- Remboîtez le bouton du sélecteur de puissance (9) et le bouton du sélecteur de température (1).

4.5.2 Montage de l'appareil

- Choisissez le lieu de montage ; voir section 4.2, Choix de l'emplacement.
- Utilisez pour accrocher l'appareil - et en fonction des conditions d'accrochage - les évidements et forages de sa paroi arrière.
- Forez les trous pour les vis de fixation en conformité avec les dimensions de l'illustration de la section 4.3, Dimensions.
- Utilisez en fonction de l'emplacement un ancrage mural, des crochets ou des goujons filetés pour fixer l'appareil.
- Vissez la paroi arrière de l'appareil au mur avec du matériel de fixation adéquat.

5 Installation



Danger ! **Risque d'intoxication et d'explosion !**

Une installation non conforme peut conduire à des situations dangereuses.

- Lors de la fixation des raccords, veillez à la mise en place correcte de tous les joints, afin d'exclure de façon fiable tout défaut d'étanchéité côté gaz.



Danger ! **Risque de brûlures !**

Une installation non conforme peut conduire à des situations dangereuses.

- Lors de la fixation des raccords, veillez à la mise en place correcte de tous les joints, afin d'exclure de façon fiable tout défaut d'étanchéité côté eau.

5.1 Raccordement à l'alimentation en gaz

- Effectuez la jonction - sans tension et de manière étanche au gaz - entre le raccord mural et le raccord appareil à l'aide d'un robinet d'arrêt de gaz.



Attention ! **Risque d'endommagement de la robinetterie de gaz !**

La robinetterie de gaz peut être endommagée par des pressions élevées. La pression de service ne doit pas dépasser 0,006 MPa (60 mbar).

- Contrôlez l'étanchéité de la robinetterie de gaz avec une pression maximale de 0,011 MPa (110 mbar).

- Colmatez les fuites de l'appareil que vous auriez éventuellement constatées.

5.2 Raccordement à l'alimentation en eau



Danger !
Risque d'ébullition et d'endommagement dû à l'eau chaude / froide qui s'écoule !

Une installation incorrecte peut conduire à des défauts d'étanchéité. Les tubes plastiques pour le raccordement de l'eau chaude et/ou froide doivent résister à des températures jusqu'à 95 °C et à une pression jusqu'à 1 MPa (10 bar).

- Veillez à ce qu'il n'en résulte pas de tensions mécaniques au niveau des canalisations, afin d'éviter tout défaut d'étanchéité ! Réalisez les raccordements d'eau froide et d'eau chaude sans tension.

- Effectuez sans tension les raccordements à l'eau chaude et à l'eau froide.
- Colmatez les fuites de l'appareil que vous auriez éventuellement constatées.

5.3 Raccordement au système d'évacuation des produits de combustion

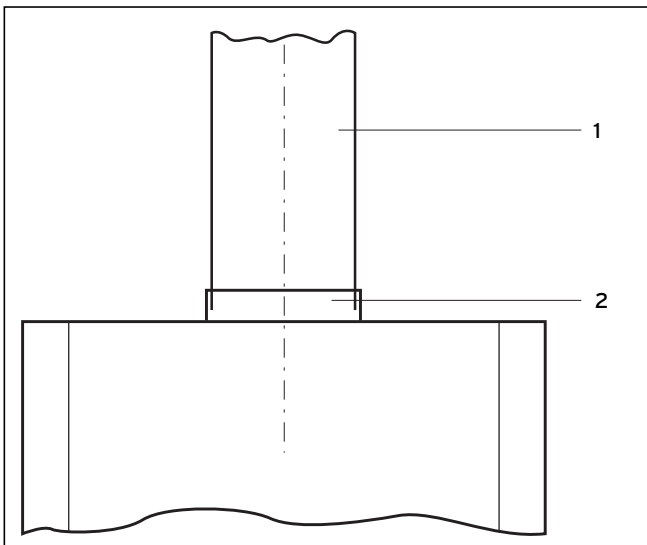


Fig. 5.1 Raccordement du conduit d'évacuation des produits de combustion

Légende

- 1 Conduit évacuation produits combustion
- 2 Orifice coupe tirage

5.3.1 Contrôle du fonctionnement de la sécurité de refoulement cheminée

Vérifiez avant le montage du conduit d'évacuation des produits de combustion que la sécurité de refoulement cheminée fonctionne correctement. Procédez de la manière suivante :

- bloquez le conduit d'évacuation des produits de combustion ;

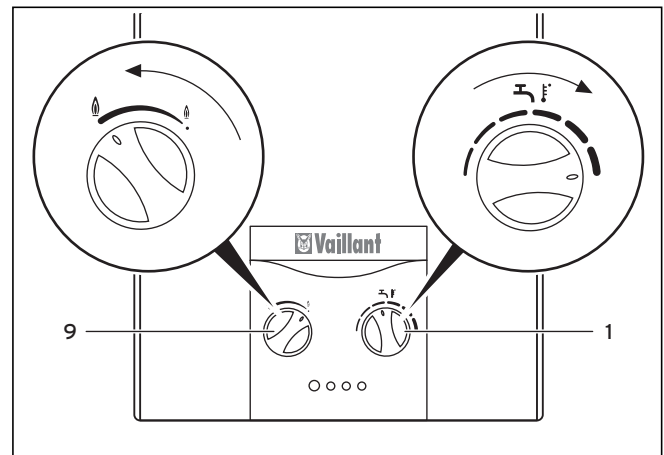


Fig. 5.2 Réglage température et puissance maximales

- tournez le sélecteur de température (1) vers la droite sur température maximale ;
- Tournez le sélecteur de puissance (9) vers la gauche sur puissance maximale.
- ouvrez un robinet d'eau chaude.

La sécurité de refoulement cheminée procède automatiquement et en moins de deux minutes aux deux opérations suivantes : la coupure de l'arrivée de gaz et le verrouillage de l'appareil.

Vous pouvez remettre l'appareil en service après que la sécurité de refoulement ait refroidi (un minimum de 15 minutes est nécessaire).

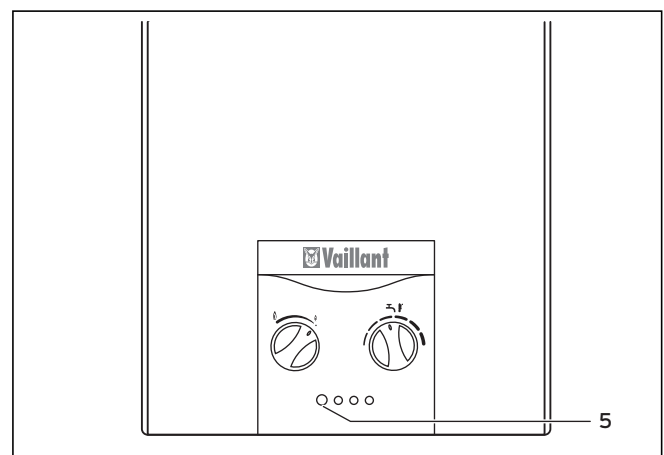


Fig. 5.3 Déverrouillage

5 Installation

Le déverrouillage consiste à

- fermer et rouvrir le robinet d'eau sans actionner le commutateur principal ou bien à
- laisser ouvert le robinet d'eau et à appuyer deux fois sur le commutateur principal **(5)** pour arrêter et remettre en marche l'appareil.

Si la sécurité de refoulement cheminée ne procède pas au verrouillage dans le laps de temps indiqué :

- informez le service après vente ;
- mettez l'appareil hors fonctionnement.

5.3.2 Montage du conduit d'évacuation des produits de combustion

- Insérez le conduit d'évacuation des produits de combustion **(1)** dans son raccord **(2)** au niveau de la coupe tirage ; voir fig. 5.1, Raccordement du conduit d'évacuation des produits de combustion.
-

5.4 Plan de câblage électrique

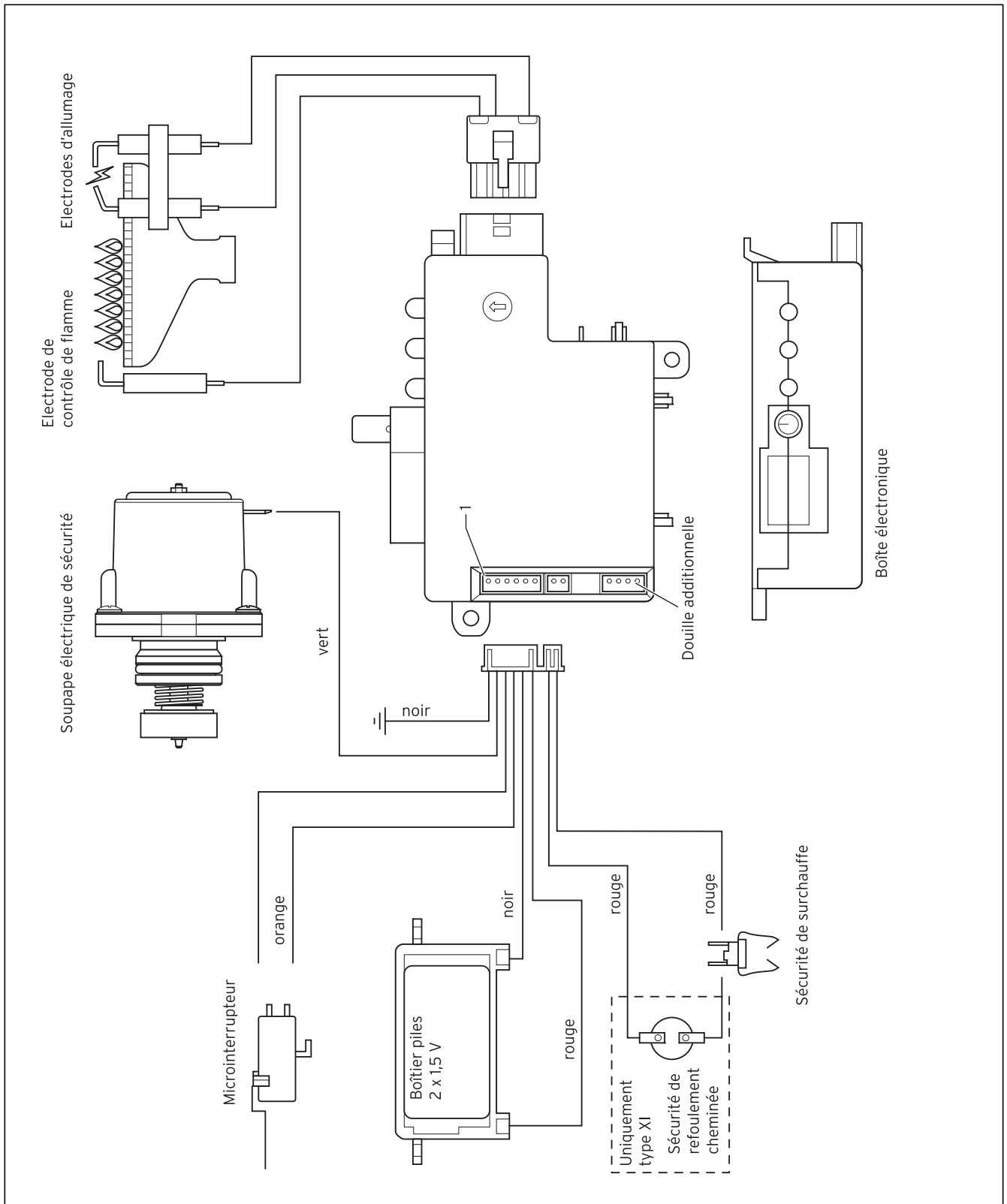


Fig. 5.4 Plan de câblage

6 Mise en fonctionnement

6 Mise en fonctionnement

La première mise en fonctionnement comme la première utilisation de l'appareil ainsi que l'initiation de l'utilisateur ressortent du domaine exclusif d'un professionnel.

Procédez impérativement lors de la première mise en fonctionnement au contrôle des réglages gaz et à l'insertion des piles.

La section 5.3 contient toutes les instructions nécessaires à l'utilisation et à la mise en fonctionnement.

6.1 Contrôle du réglage gaz

- Utilisez à des fins de comparaison les tableaux de la section 6.2, Tableaux de réglage gaz.

6.1.1 Comparaison réglage gaz et alimentation gaz

- Comparez les indications de la plaque signalétique relatives au modèle de l'appareil (catégorie et réglage gaz) avec la catégorie de gaz local. Contactez le fournisseur de gaz local pour de plus amples informations.

Si les données ne concordent pas :

- réglez l'appareil sur la catégorie de gaz disponible (voir section 6.5, Conversion à une autre catégorie de gaz).

6.1.2 Contrôle de la pression d'alimentation en gaz

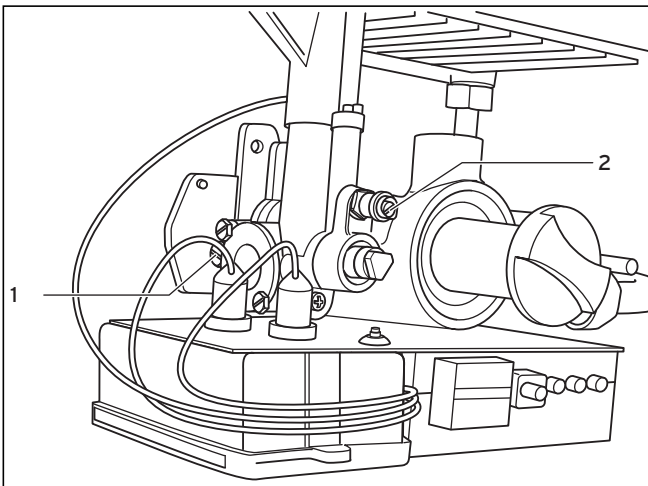


Fig. 6.1 Point de prise de la pression d'alimentation gaz

Vous pouvez mesurer la pression d'alimentation en gaz avec un manomètre (résolution minimale : 0,00001 MPa (0,1 mbar)). Procédez de la manière suivante :

- fermez le robinet d'arrêt de gaz ;
- dévissez la vis d'étanchéité du point de prise de la pression gaz (1) ; (voir fig. 6.1 Point de prise de la pression d'alimentation gaz).
- raccordez un manomètre à tube en U ;
- ouvrez le robinet d'arrêt de gaz ;

- mettez l'appareil en service selon la notice d'emploi et puisez de l'eau chaude ;
- mesurez la pression d'alimentation.

Famille de gaz	Plage admissible de pression d'alimentation gaz en MPa (mbar)
gaz naturel 2H G 20	0,0017 - 0,0025 (17 - 25)
gaz liquide 3B/P G 30/G 31	0,002 - 0,0035 (20 - 35)
gaz liquide 3+ G 30 G 31	0,002 - 0,0035 (20 - 35) 0,0025 - 0,0045 (25 - 45)

Tab. 6.1 Plage de pression d'alimentation gaz



Attention !

Risque d'endommagement dû à une pression de gaz incorrecte !

Une pression de gaz incorrecte peut endommager le robinetterie de gaz et conduire à d'autres dommages.

- Exploitez uniquement l'appareil avec la pression de raccordement admissible.
- Contactez l'entreprise de distribution de gaz si vous ne pouvez pas éliminer la cause de ce défaut.

- mettez l'appareil hors fonctionnement ;
- fermez le robinet d'arrêt de gaz ;
- démontez le manomètre à tube en U ;
- revissez la vis d'étanchéité du point de prise de la pression gaz ;
- ouvrez le robinet d'arrêt de gaz ;
- contrôlez l'étanchéité du point de prise.

6.1.3 Contrôle du débit calorifique

Vous disposez de deux méthodes de contrôle du débit calorifique :

- lecture sur le compteur de la valeur de débit de gaz (méthode volumétrique)
- contrôle de la pression du brûleur (méthode de la pression brûleur)

Méthode volumétrique

Vérifiez qu'il n'y a pas, lors du contrôle, d'alimentation supplémentaire en gaz (par ex. : mélanges gaz liquide/air) servant à couvrir les pointes de consommation. Le fournisseur de gaz vous fournira des informations complémentaires.

Assurez-vous qu'aucun autre appareil est en service pendant le contrôle.

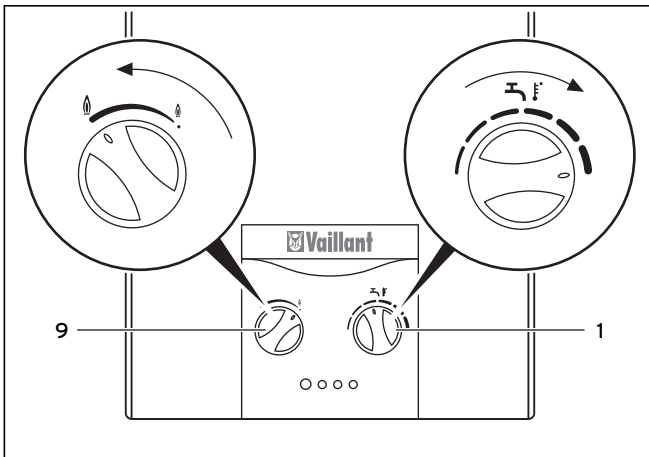


Fig. 6.2 Réglage température et puissance maximales

- Mettez l'appareil en service selon la notice d'emploi et positionnez le sélecteur (1) sur température maximale en le tournant vers la droite.
- Tournez le sélecteur de puissance (9) vers la gauche sur puissance maximale.
- Recherchez la valeur de débit du gaz requise en fonction du tableau 6.3, Débit gaz (valeur tableau l/min) ; voir section 6.2, Tableaux de réglage gaz.
- Relevez le compteur de gaz.
- Puisez de l'eau chaude en ouvrant complètement le robinet. Il s'agit que la quantité d'eau nominale s'écoule ; voir section 10, Caractéristiques techniques.
- Lisez sur le compteur la valeur de débit de gaz après 5 minutes d'activité continue ; comparez la valeur avec le tableau.

Des écarts de $\pm 5\%$ sont autorisés.

Si les écarts dépassent les limites indiquées :

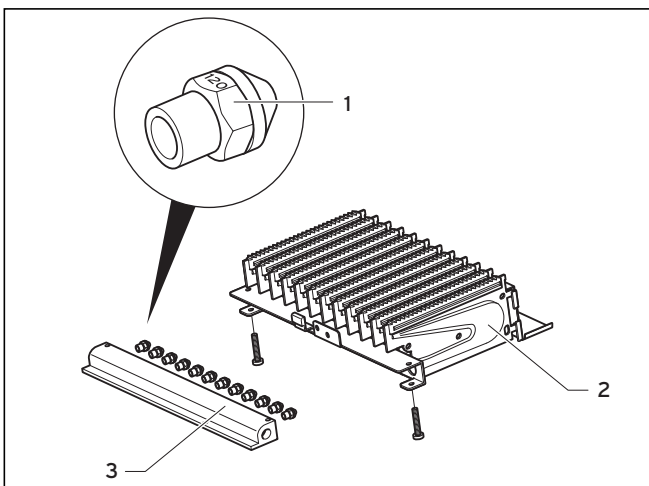


Fig. 6.3 Identification des injecteurs

Légende

- 1 Injecteur brûleur
- 2 Brûleur
- 3 Rampe

- Vérifiez que les injecteurs sont appropriés. Comparez à cet effet les données inscrites sur les injecteurs

avec les indications du tableau de la section 10, Caractéristiques techniques. Vous devrez pour cela démonter éventuellement le brûleur ; voir section 7.2, Nettoyage du brûleur.

- Si les injecteurs ne sont pas à l'origine de l'écart, contactez le service après-vente.
- Mettez l'appareil hors fonctionnement.

Méthode de la pression brûleur

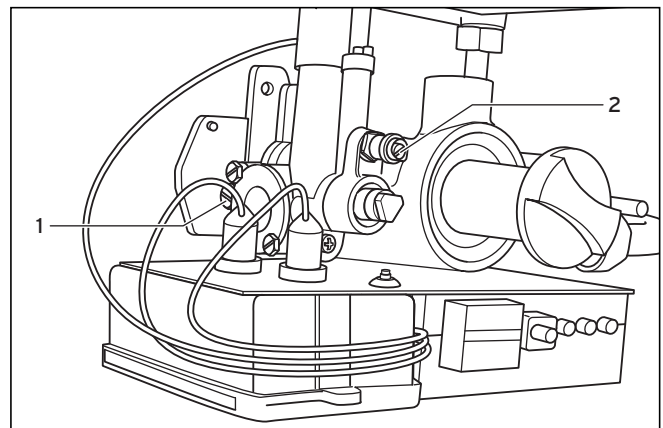


Fig. 6.4 Point de prise pression brûleur

- Dévissez la vis d'étanchéité du point de prise de pression du brûleur (2).
- Raccordez un manomètre à tube en U (résolution minimale : 0,00001 MPa (0,1 mbar)).

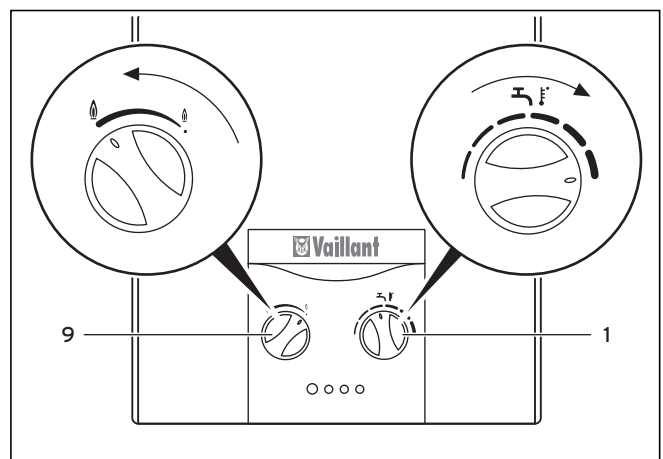


Fig. 6.5 Réglage température et puissance maximales

- Mettez l'appareil en service selon la notice d'emploi et positionnez le sélecteur (6) sur température maximale en le tournant vers la droite.
- Puisez de l'eau chaude en ouvrant complètement le robinet. Il s'agit que la quantité d'eau nominale s'écoule ; voir section 9, Caractéristiques techniques.
- Le tableau 6.4, Pression brûleur, vous indique en mbars la pression de brûleur requise.
- Comparez la pression que vous venez de mesurer avec les valeurs du tableau.

Des écarts de $\pm 10\%$ sont autorisés.

6 Mise en fonctionnement

- Mettez l'appareil hors fonctionnement.
 - Démontez le manomètre à tube en U.
 - Revissez la vis d'étanchéité du point de prise de la pression brûleur.
 - Contrôlez l'étanchéité de la vis d'étanchéité.
- En cas de dépassement des limites indiquées :

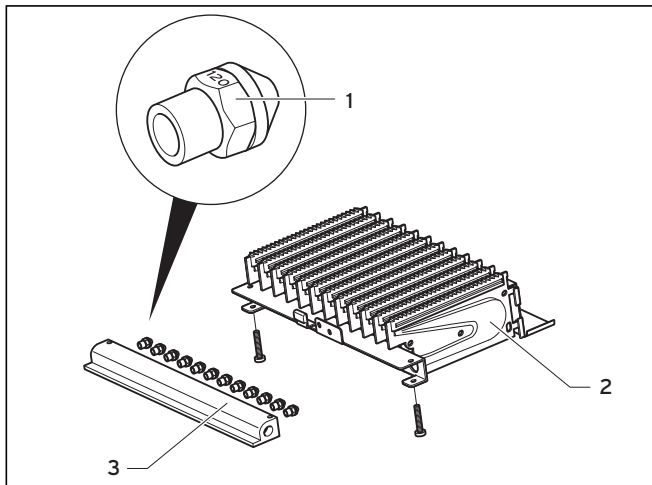


Fig. 6.6 Identification des injecteurs

Légende

- 1 Injecteur brûleur
- 2 Brûleur
- 3 Rampe

- Contrôlez si les buses correctes sont installées, voir fig. 6.6 "Identification des injecteurs". Vérifiez que les injecteurs sont appropriés ; voir tab. 10.2, Valeurs relatives à la catégorie de gaz. Comparez à cet effet les données inscrites sur les injecteurs avec les indications du tableau de la section 10, Caractéristiques techniques. Vous devrez pour cela démonter éventuellement le brûleur ; voir section 7.2, Nettoyage du brûleur.
- Si les injecteurs ne sont pas à l'origine de l'écart, contactez le service après-vente. Ne remettez sous aucun prétexte l'appareil en service.
- Mettez l'appareil hors fonctionnement.

6.2 Tableaux de réglage gaz

Modèle d'appareil pour	gaz naturels	gaz liquides
inscription sur la plaque signalétique	2H G 20 - 0,002 MPa (20 mbars)	3B/P G 30 - 0,003 MPa (20 mbars) 3+ G 30/G 31 - 0,0028-0,003/ 0,0037 MPa (28-30/ 37 mbars)
réglage usine	G 20	G 30
identification injecteurs brûleur	118	072

Tab. 6.2 Réglage d'usine du gaz

Famille de gaz	Débit gaz avec débit calorifique nominal en l/min
gaz naturel 2H G 20	39
gaz liquide 3B/P G 30/G 31	11,4
gaz liquide 3+ G 30 G 31	11,4 15

Tab. 6.3 Débit gaz

Gasfamille	Pression brûleur avec débit calorifique nominal en MPa (mbars)
gaz naturel 2H G 20	0,00109 (10,9)
gaz liquide 3B/P G 30/G 31	0,0024 (24)
gaz liquide 3+ G 30 G 31	0,0024 MPa (24) 0,0031 MPa (31 mbar)

Tab. 6.4 Pression brûleur

6.3 Contrôle du fonctionnement de l'appareil

- Contrôlez le fonctionnement de l'appareil selon la notice d'emploi.
- Vérifiez que l'appareil est étanche à l'eau et au gaz.
- Vérifiez que le conduit d'évacuation des produits de combustion au niveau de la coupe tirage est sans défaut ; utilisez par ex. une plaque de rosée.
- Contrôlez le fonctionnement de la sécurité de refoulement cheminée ; voir section 5.3, Raccordement au système d'évacuation des produits de combustion.
- Cochez impérativement le type d'appareil et la catégorie de gaz avec lequel l'appareil fonctionne dans le tableau 10.2, Valeurs relatives à la catégorie de gaz, et cela dans la section 10, Caractéristiques techniques.
- Remontez le carénage de l'appareil.

6.4 Remise à l'utilisateur



Attention ! Une fois l'installation terminée, veuillez apposer sur la face avant de l'appareil l'autocollant 835593 dans la langue de l'utilisateur fourni avec cet appareil.

Informez impérativement l'utilisateur sur la manipulation et le fonctionnement de son chauffe-bain instantané à gaz.

- Familiarisez-le avec son utilisation. Parcourez avec lui la notice d'emploi et répondez à ses éventuelles questions.
- Remettez-lui toutes les instructions le concernant ainsi que les documents de l'appareil qui devront être conservés.
- Signalez-lui que vous avez coché le type d'appareil et la catégorie de gaz avec lequel l'appareil fonctionne dans le tableau 9.2, Valeurs relatives à la catégorie de gaz, et cela dans la section 9, Caractéristiques techniques de la notice d'installation.
- Informez-le sur les mesures prises en ce qui concerne l'alimentation en air de combustion et l'évacuation des produits de combustion ; insistez sur le fait que ces mesures ne peuvent pas être modifiées.
- Attirez son attention sur les consignes de sécurité qu'il doit respecter.
- Rappelez-lui qu'il est nécessaire d'effectuer régulièrement une inspection/un entretien de l'installation. Conseillez-lui de conclure un contrat d'inspection/d'entretien.
- Attirez son attention sur le fait qu'il est nécessaire que les notices restent à proximité du chauffe-bain instantané à gaz.
- Attirez particulièrement son attention sur le fait qu'il ne peut modifier la disposition qu'en concertation avec un professionnel agréé.

6.5 Conversion à une autre catégorie de gaz



Danger !
Risque d'intoxication dû au type de gaz incorrect !

Une combustion incomplète peut conduire à des intoxications par le monoxyde de carbone. En cas de tuyères du brûleur incorrectes, du gaz peut s'écouler dans la pièce d'installation et provoquer des intoxications.

- Exploitez l'appareil avec le type de gaz admissible.
- En cas de transformation vers un autre type de gaz, utilisez uniquement des kits de transformation Vaillant d'origine.



Danger !
Danger de mort !

En cas d'utilisation de tuyères du brûleur inappropriées, il peut en résulter un risque de danger de mort par écoulement de gaz en cas de dysfonctionnements.

- Vous devez uniquement effectuer la transformation de l'appareil vers un autre type de gaz en utilisant les kits de transformation disponibles auprès de l'usine.

Si la catégorie de gaz a changé, une conversion de l'appareil est nécessaire. Dans cet objectif s'inscrit la modification ou le remplacement de certaines pièces de l'appareil à gaz.

Seul un professionnel est habilité à effectuer ces changements ainsi que les réglages en conséquence, et cela en conformité avec les réglementations nationales en vigueur.

Vous faciliterez la conversion de votre appareil en suivant les directives fournies avec les kits de conversion livrés par Vaillant.

7 Inspection et entretien



**Attention !
Usure de l'appareil due à un nettoyage inapproprié !**

Des endommagements lors du nettoyage peuvent conduire à une usure prématurée de l'appareil.

- N'utilisez en aucun cas des brosses métalliques ou d'autres brosses dures similaires pour le nettoyage du corps chauffant de l'appareil.



**Attention !
Erreur de mesure due au produit de nettoyage !**

Lors du contrôle du courant d'ionisation, les lignes de mesure et les bornes de mesure doivent être propres.

- Assurez-vous que les lignes de mesure et les bornes de mesure ne soient pas imprégnées de solution savonneuse (aérosol pour détection de fuites).

7.1 Préparatifs d'entretien

Démontez le boîtier pour procéder à l'entretien ; voir section 4.5, Montage de l'appareil.

Vidangez d'abord l'appareil pour pouvoir effectuer les travaux suivants d'entretien ; voir dans la notice d'emploi la section 5.8, Protection contre le gel.

Le nettoyage de l'appareil commence par le démontage du brûleur, suivi de l'échangeur. Remontez, une fois l'entretien terminé, tous les éléments dans l'ordre inverse.

Nettoyez toujours le brûleur et l'échangeur.



Remplacez systématiquement tous les joints démontés par de nouveaux (jeux de joints : voir section 7.7, Pièces de rechange).

7.2 Nettoyage du brûleur

Le nettoyage du brûleur implique son démontage ainsi que le démontage éventuel de la rampe, si l'épaisseur du dépôt de poussière l'exige.

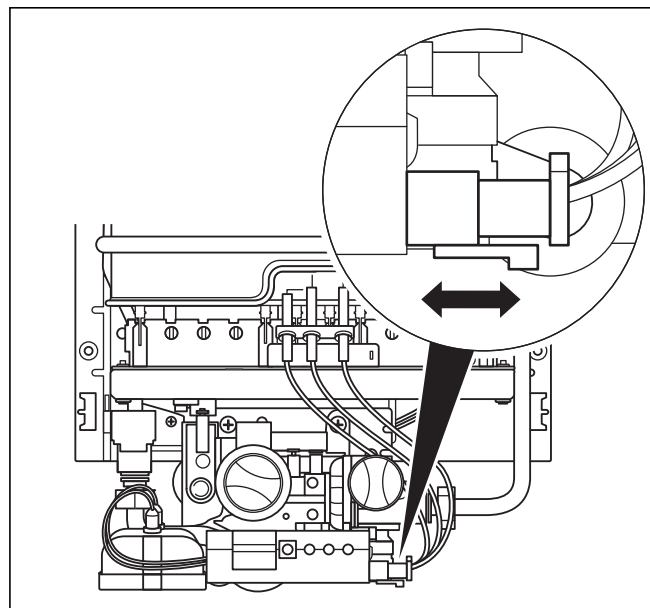


Fig. 7.1 Prise des électrodes d'allumage

- Débranchez la prise des électrodes d'allumage au niveau du système électronique.

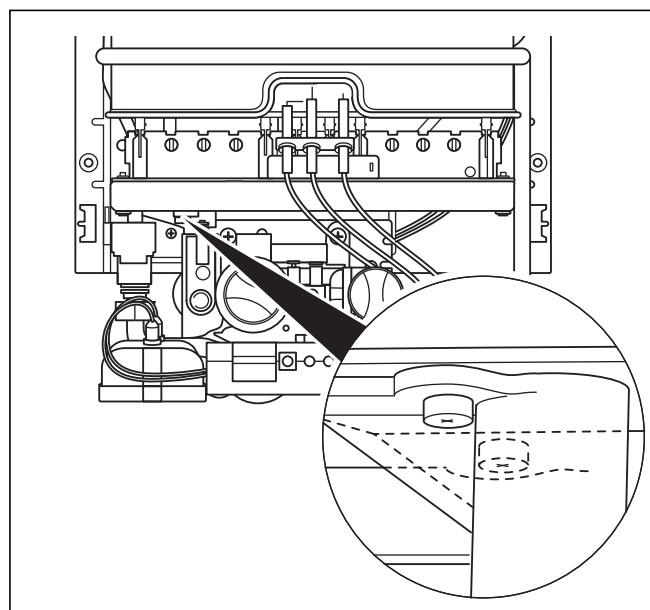


Fig. 7.2 Fixation brûleur sur mécanisme gaz

- Dévissez les deux vis à filet servant à la fixation du brûleur sur le mécanisme gaz.
- Soulevez légèrement le brûleur et tirez-le vers l'avant.
- Dévissez deux vis à filet pour démonter la rampe.

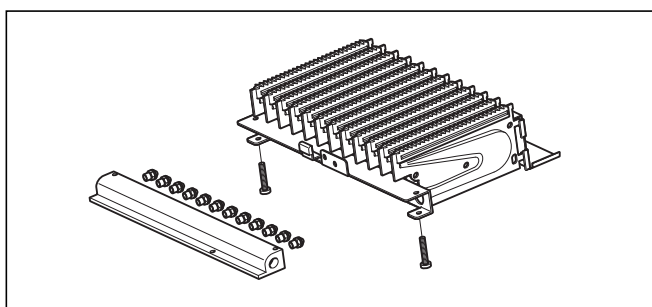


Fig. 7.3 Structure brûleur

- Eliminez d'éventuels résidus de combustion avec une brosse de laiton. Nettoyez le cas échéant les injecteurs et les rampes du brûleur avec un pinceau doux ainsi qu'à l'air comprimé (poussière et crasse). En cas d'encrassement important, lavez le brûleur avec de la lessive puis rincez-le à l'eau claire.
- Remontez la rampe sur le brûleur.

7.3 Nettoyage et détartrage de l'échangeur

Le nettoyage de l'échangeur commence par le démontage du brûleur, suivi de l'échangeur.



Attention ! Endommagements de l'appareil !

Une déformation du corps chauffant conduit à une usure prématurée de l'appareil.

- Assurez-vous de ne pas déformer le corps chauffant lors du démontage et du montage de celui-ci.

- Retirez la sécurité de surchauffe.

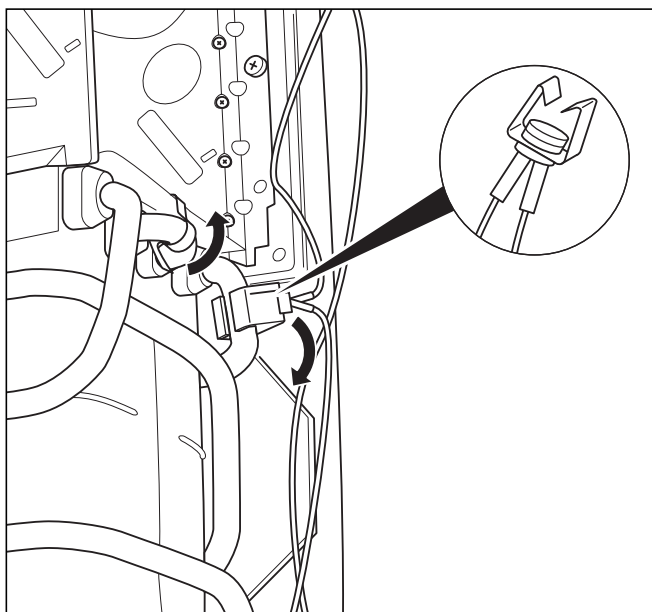


Fig. 7.4 Démontage de la sécurité de surchauffe et du capteur de température

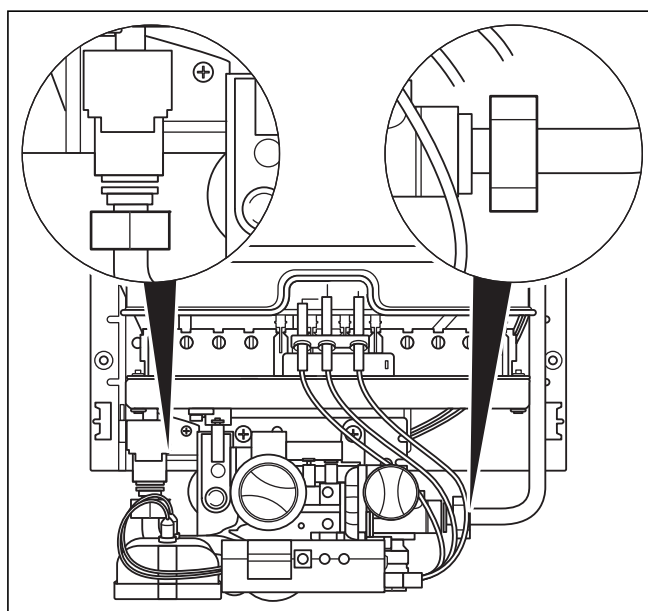


Fig. 7.5 Fixation de l'échangeur sur la paroi arrière

- Dévissez respectivement les écrous-raccords des conduites d'arrivée d'eau froide et de départ d'eau chaude.
- Desserrez les vis à tôle des colliers servant à la fixation des conduites d'eau froide et d'eau chaude sur la paroi arrière.
- Desserrez les pinces servant à la fixation de l'échangeur sur la coupe tirage.
- Tirez l'échangeur vers l'avant et vers le bas.

7 Inspection et entretien

En cas d'encrassement minime :

- Nettoyez les lamelles de l'échangeur avec un jet d'eau puissant.



Attention ! Dommages matériels dus à un montage incorrect !

Des travaux de montage ou de maintenance incorrects peuvent conduire à des dommages matériels.

- Assurez-vous de ne pas endommager ou déformer de composants lors des travaux de montage et de maintenance.

En cas d'encrassement important :

- Nettoyez les lamelles avec une brosse douce d'usage ménager, autant que possible à partir du haut et du bas dans un récipient d'eau chaude pour éliminer les particules de poussière et de graisse.
- Rincez ensuite l'échangeur à l'eau courante.

En cas d'encrassement dû à des composants huileux/ gras :

- Nettoyez l'échangeur en le faisant baigner dans de l'eau chaude à laquelle vous aurez rajouté un détergent.

En cas d'entartrage :

- Utilisez les détartrants du commerce ; suivez leurs modes d'emploi.



Attention ! Risque d'endommagement dû à un outil incorrect !

Les brosses métalliques ou les brosses dures similaires peuvent endommager l'appareil.

- N'utilisez en aucun cas des brosses métalliques ou d'autres brosses dures similaires pour le nettoyage du corps chauffant de l'appareil.



Nous conseillons - en tenant compte de la qualité de l'eau - de procéder à un détartrage régulier, côté eau sanitaire, de l'échangeur.



Le processus de nettoyage peut occasionner une légère usure du revêtement. Cela n'a aucune influence sur le fonctionnement de l'échangeur.



Veillez lors du remontage à ce que l'ensemble brûleur soit aligné avec la chambre de combustion.



N'oubliez pas de remboîter la sécurité de surchauffe.

Réparation des détériorations du revêtement

Le stylo Supral (n° pièce de rechange : 990310) vous permet de remédier facilement à des détériorations minimes du revêtement de l'échangeur.

Laissez ensuite sécher la zone détériorée en s'assurant que tous les dépôts ou résidus gras ont été éliminés.

- Secouez le stylo Supral avant usage puis appliquez une couche fine et régulière.



La couche de revêtement sèche à l'air et ne nécessite aucun traitement ultérieur particulier. L'appareil est parfaitement opérationnel après application de la couche.

7.4 Contrôle du fonctionnement du contacteur d'eau

Le contrôle régulier de l'état d'encrassement et d'entartrage du contacteur d'eau est impératif.

- Si des dépôts se sont formés au niveau de l'axe de la valve à eau ou si les joints d'étanchéité fuient : utilisez le kit de réparation correspondant.

7.5 Contrôle du fonctionnement de la sécurité de refoulement cheminée

Les chauffe-bains instantané à gaz sont équipés d'une sécurité de refoulement cheminée. Celle-ci arrête l'appareil en le verrouillant dans le cas d'une pénétration des produits de combustion dans la pièce d'installation si le circuit d'évacuation de ces produits n'est pas réglementaire.

Assurez-vous, une fois l'inspection/l'entretien terminé, du fonctionnement réglementaire de la sécurité de refoulement cheminée. Nous conseillons l'emploi de l'éventail Vaillant, disponible en tant que pièce de rechange (n° 990301). La notice d'emploi fournit les instructions nécessaires à sa manipulation.

Procédez de la manière suivante :

- bloquez le conduit d'évacuation des produits de combustion ;

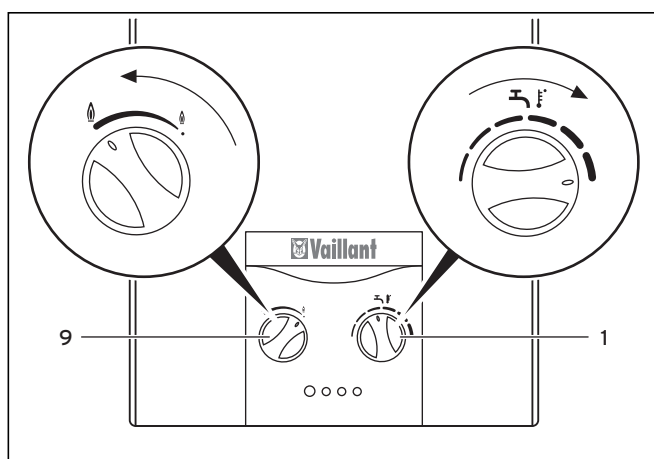


Fig. 7.6 Réglage température et puissance maximales

- tournez le sélecteur de température (1) vers la droite sur température maximale ;
- tournez le sélecteur de puissance (9) vers la gauche sur puissance maximale ;
- ouvrez un robinet d'eau chaude.

La sécurité de refoulement cheminée procède automatiquement et en moins de deux minutes aux deux opérations suivantes : la coupure de l'arrivée de gaz et le verrouillage de l'appareil.

Vous pouvez remettre l'appareil en service après que la sécurité de refoulement ait refroidi (un minimum de 15 minutes est nécessaire).

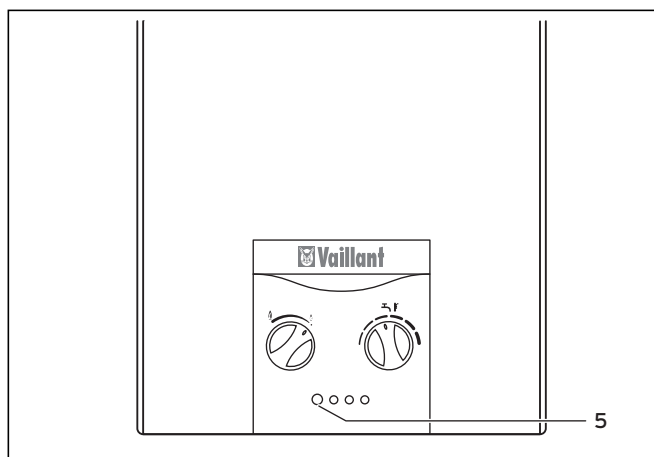


Fig. 7.7 Déverrouillage

Le déverrouillage consiste à

- fermer et rouvrir le robinet d'eau sans actionner le commutateur principal (5) ou bien à
- laisser ouvert le robinet d'eau et à appuyer deux fois sur le commutateur principal (5) pour arrêter et remettre en marche l'appareil.

Si la sécurité de refoulement cheminée ne procède pas au verrouillage dans le laps de temps indiqué :

- informez le service après vente ;
- mettez l'appareil hors fonctionnement.

7.6 Test de fonctionnement et remise en fonctionnement

Assurez-vous, après l'inspection/l'entretien, du fonctionnement réglementaire de l'appareil de la manière suivante :

- mettez l'appareil en marche ;
- colmatez les fuites de gaz ou d'eau que vous auriez éventuellement constatées au niveau de l'appareil ;
- contrôlez l'allumage et la régularité de la flamme du brûleur principal ;
- assurez-vous du réglage adéquat comme du bon fonctionnement de tous les dispositifs de commande et de contrôle ;
- vérifiez que l'évacuation des produits de combustion est réglementaire (plaque de rosée).



Danger !

Risque d'intoxication ou d'explosion en cas de dysfonctionnement !

Des travaux de maintenance ou de réparation incorrects peuvent entraver la sécurité de l'appareil et conduire à des situations dangereuses.

- Ne mettez en aucun cas des dispositifs de sécurité hors fonction.
- Ne manipulez en aucun cas les dispositifs de sécurité.



Lors du contrôle du courant d'ionisation, veillez à la propreté des cordons et bornes de mesure ; veillez aussi impérativement à ne pas les asperger de solution savonneuse (aérosol détecteur de fuites).

7.7 Pièces de rechange

Afin de garantir la longévité de toutes les fonctions de l'appareil Vaillant et de ne pas modifier l'état de série certifié, seules les véritables pièces de rechange Vaillant sont autorisées pour l'entretien et/ou la remise en état.

Les catalogues Vaillant en vigueur contiennent les pièces de rechange éventuellement requises. Les bureaux de vente Vaillant vous fourniront les renseignements nécessaires.

8 Détection des pannes



Danger !
Danger de mort dû à un dysfonctionnement !

Des dispositifs de sécurité défectueux peuvent conduire à des situations très dangereuses (danger de mort).

- Contrôlez l'arrêt de sécurité de l'appareil.



Danger !
Risque d'intoxication par monoxyde de carbone !

Sans le dispositif de surveillance des gaz d'échappement, dans le cas de conditions de tirage défavorables en permanence, des gaz d'échappement peuvent retourner de façon incontrôlée de la cheminée vers la pièce d'installation de l'appareil.

- Ne mettez en aucun cas le dispositif de surveillance des gaz d'échappement (capteur des gaz d'échappement) hors fonction.
- N'essayez en aucun cas de procéder à des manipulations de ce dispositif, qui pourraient entraver son fonctionnement correct.

Seul un professionnel est habilité à remédier aux pannes suivantes.

- Employez exclusivement pour les réparations des pièces détachées originales.
- Vérifiez qu'elles ont été correctement montées et qu'elles sont dans la même position que les pièces initiales.

Panne	Cause	Solution
Appareil ne fonctionne pas ; aucune DEL ne luit.	La pile est déchargée.	Remplacez les piles. Assurez-vous que le robinet arrêt eau froide est ouvert. Nettoyez le filtre dans l'arrivée eau froide. Informez le service après-vente s'il est impossible d'éliminer la panne.
DEL jaune clignote. Allumage bruyant.	Piles faiblement chargées.	Remplacez les piles.

Tab. 8.1 Aide à l'élimination des pannes

Panne	Cause	Solution
Appareil ne se met pas en marche, DEL rouge clignote.	Arrivée gaz coupée. Air dans le conduit d'arrivée de gaz.	Assurez-vous du bon fonctionnement de l'arrivée gaz. Gaz liquide : remplacez si besoin est la bouteille vide par une bouteille pleine. Assurez-vous que le robinet d'arrêt du raccordement gaz est ouvert. Ouvrez et fermez plusieurs fois le robinet d'eau pour évacuer l'air dans le conduit d'arrivée de gaz. Contrôlez le câblage et la connexion. Remplacez les électrodes. Remplacez la servosoupape. Informez le service après-vente s'il est impossible d'éliminer la panne.
DEL rouge clignote pendant le fonctionnement.	Arrivée gaz coupée. Air dans le conduit d'arrivée de gaz. Courant d'ionisation trop faible. Détecteur de flamme défectueux.	Assurez-vous du bon fonctionnement de l'arrivée gaz. Gaz liquide : remplacez si besoin est la bouteille vide par une bouteille pleine. Ouvrez et fermez plusieurs fois le robinet d'eau pour évacuer l'air dans le conduit d'arrivée de gaz. Contrôlez le courant d'ionisation. Contrôlez les câblages. Remplacez éventuellement l'électrode d'ionisation. Informez le service après-vente s'il est impossible d'éliminer la panne.
Appareil se met hors fonctionnement.	Piles faiblement chargées. Installation éventuellement incorrecte du conduit d'évacuation des produits de combustion (conduit trop court). Conduit d'évacuation des produits de combustion partiellement bouché. Sécurité de surchauffe ou sécurité de refoulement cheminée défectueuse. Rupture ou court-circuit du câble de la sécurité de surchauffe et de la sécurité de refoulement cheminée.	Remplacez les piles. Vérifiez que l'installation du conduit d'évacuation des produits de combustion respecte les dimensions minimales de conduit. Assurez-vous du bon fonctionnement du conduit d'évacuation des produits de combustion. Remplacez sécurité de surchauffe et/ou sécurité de refoulement cheminée, câble inclus. Informez le service après-vente s'il est impossible d'éliminer la panne. Prévenez votre installateur.

Tab. 8.1 Aide à l'élimination des pannes (suite)

9 Garantie d'usine

Nous octroyons au propriétaire de l'appareil une garantie d'usine dans le cadre des conditions mentionnées dans la carte de garantie.

Seul notre service après-vente est habilité à procéder à des travaux s'inscrivant dans le cadre de la garantie.

Nous remboursons de ce fait les coûts éventuels liés aux travaux sur l'appareil pendant la période de garantie à condition que nous ayons transmis l'ordre correspondant et qu'il s'agisse d'un cas couvert par la garantie.

10 Caractéristiques techniques

Chauffe-bain instantané à gaz, Type B11, B11 BS

- Cochez impérativement le type d'appareil installé et la catégorie de gaz de réglage dans le tableau 10.2, Valeurs relatives à la catégorie de gaz.

Merkmal	Einheit	MAG mini INT 11-0/O XI
Catégorie de gaz		<input type="checkbox"/> 2H3B/P' <input type="checkbox"/> 3B/P' <input type="checkbox"/> 2HS3B/P <input type="checkbox"/> 2H3P <input type="checkbox"/> 2ELL3P <input type="checkbox"/> 2H3+ <input type="checkbox"/> 2F+3+
Débit d'allumage avec		
position sélecteur température sur « très chaud »	l/min.	2,2 - 5,5
position sélecteur température sur « chaud »	l/min.	4 - 11
Débit calorifique maximal (Q_{max}) relatif à valeur calorifique H_i^{max}	kW	22,1
Débit calorifique minimal (Q_{min})	kW	9,3
Puissance utile maximale (P_{max})	kW	19,2
Puissance utile minimale (P_{min})	kW	7,7
Plage de modulation	kW	7,7 - 19,2
Pression d'alimentation en eau maximale admissible $p_{w, \text{max}}$	MPa (bar)	1,3 (13)
Pression d'alimentation en eau minimale admissible $p_{w, \text{min}}$	MPa (bar)	0,015 (0,15)
Température des fumées à puissance utile maximale	°C	160
Température des fumées à puissance utile minimale	°C	110
Débit maximal d'évacuation fumées	g/s	14,4
Débit minimal d'évacuation fumées	g/s	13,3
Dimensions		
hauteur	mm	580
largeur	mm	310
profondeur (sélecteur inclus)	mm	243 (253)
Ø raccord conduit évacuation produits combustion	mm	110
Poids net	kg	12
N° CE (PIN)		99BP821

Tab. 10.1 Caractéristiques techniques spécifiques à l'appareil

¹⁾ 15 °C, 0,101325 MPa (1013,25 mbar), sec

10 Caractéristiques techniques

Valeur relative à la catégorie de gaz	Unité	MAG mini INT 11-0/0 XI
← (cochez la mention exacte)		
Gaz naturel G 20		
Débit à puissance maximale	m ³ /h	2,3
Pression d'alimentation en gaz p _w	MPa (mbar)	0,002 (20)
Injecteur brûleur ¹⁾	mm	1,18
Pression brûleur à puissance maximale	MPa (mbar)	0,00109 (10,9)
Débit d'air nécessaire à la combustion	m ³ /h	23,3
← (cochez la mention exacte)		
Gaz naturel G 25		
Débit à puissance maximale	m ³ /h	2,7
Pression d'alimentation en gaz p _w	MPa (mbar)	0,002 (20)
Injecteur brûleur ¹⁾	mm	1,35
Pression brûleur à puissance maximale	MPa (mbar)	0,00092 (9,2)
Débit d'air nécessaire à la combustion	m ³ /h	23,3
← (cochez la mention exacte)		
Gaz naturel G 25 (H _i = 10,5 kWh/m ³)		
Débit à puissance maximale	m ³ /h	2,1
Pression d'alimentation en gaz p _w	MPa (mbar)	0,0025 (25)
Injecteur brûleur ¹⁾	mm	1,18
Pression brûleur à puissance maximale	MPa (mbar)	0,00117 (11,7)
Débit d'air nécessaire à la combustion	m ³ /h	23,3
← (cochez la mention exacte)		
Gaz naturel G 25.1 (H _i = 8,8 kWh/m ³)		
Débit à puissance maximale	m ³ /h	2,5
Pression d'alimentation en gaz p _w	MPa (mbar)	0,0025 (25)
Injecteur brûleur ¹⁾	mm	1,35
Pression brûleur à puissance maximale	MPa (mbar)	0,00107 (10,7)
Débit d'air nécessaire à la combustion	m ³ /h	23,3
← (cochez la mention exacte)		
Gaz liquide G 30		
Débit à puissance maximale	kg/h	1,7
Pression d'alimentation en gaz p _w	MPa (mbar)	0,003 (30)
Injecteur brûleur ¹⁾	mm	0,72
Pression brûleur à puissance maximale	MPa (mbar)	0,0024 (24)
Débit d'air nécessaire à la combustion	m ³ /h	20,3

Valeur relative à la catégorie de gaz	Unité	MAG mini INT 11-0/0 XI
← (cochez la mention exacte)		
Gaz liquide G 31		
Débit à puissance maximale	kg/h	1,7
Pression d'alimentation en gaz p _w	MPa (mbar)	0,0037 (37)
Injecteur brûleur ¹⁾	mm	0,72
Pression brûleur à puissance maximale	MPa (mbar)	0,0024 (24)
Débit d'air nécessaire à la combustion	m ³ /h	20,6
← (cochez la mention exacte)		
Gaz liquide G 31		
Débit à puissance maximale	kg/h	1,7
Pression d'alimentation en gaz p _w	MPa (mbar)	0,005 (50)
Injecteur brûleur ¹⁾	mm	0,72
Pression brûleur à puissance maximale	MPa (mbar)	0,0031 (31)
Débit d'air nécessaire à la combustion	m ³ /h	20,6

Tab. 10.2 Valeurs relatives à la catégorie de gaz

- 1) L'identification de l'injecteur correspond au diamètre de forage multiplié par 100.

Para el usuario

Instrucciones de uso

atmoMAG

Calentador instantáneo a gas para un funcionamiento sujeto al aire ambiente

atmoMAG mini 11-0/0 XI

Índice

1	Observaciones sobre la documentación	3
1.1	Conservación de la documentación.....	3
1.2	Símbolos utilizados	3
1.3	Validez de las instrucciones	3
1.3	Distintivo CE.....	3
1.4	Modelo del aparato	3
2	Seguridad	4
2.1	Indicaciones de seguridad y advertencias	4
2.2	Uso adecuado	4
2.3	Indicaciones generales de seguridad	4
3	Descripción del producto	6
3.1	Información general.....	6
3.2	Características especiales del producto.....	6
4	Observaciones sobre la instalación y el funcionamiento	7
4.1	Requisitos del lugar de instalación	7
4.2	Conservación	7
4.3	Reciclaje y eliminación de residuos	7
4.3.1	Aparato	7
4.3.2	Batería	7
4.3.3	Embalaje	7
4.4	Consejos de ahorro energético.....	7
5	Uso	8
5.1	Vista general de los elementos de mando.....	8
5.2	Medidas previas a la puesta en marcha	8
5.3	Puesta en marcha.....	8
5.4	Preparación de agua caliente.....	9
5.4.1	Apertura del grifo de agua caliente.....	9
5.4.2	Ajuste de la temperatura del agua	9
5.5	Ajuste de la potencia del aparato	9
5.5.1	Preselección de potencia.....	9
5.5.2	Modulación	10
5.6	eliminación de averías	10
5.7	Puesta fuera de funcionamiento	12
5.8	Protección contra heladas	12
5.9	Mantenimiento	12
5.9.1	Cambio de la batería.....	12
6	Garantía del Fabricante	13

1 Observaciones sobre la documentación

Las siguientes indicaciones sirven de guía para toda la documentación.

Estas instrucciones de uso e instalación se complementan con otros documentos vigentes.

No nos hacemos responsables de ningún daño causado por ignorar estas instrucciones.

Documentación complementaria vigente

Durante el manejo del atmoMAG es imprescindible que también tenga en cuenta todas las instrucciones de uso que se adjuntan a los demás componentes de su instalación.

Dichas instrucciones de uso acompañan a los correspondientes componentes de la instalación.

1.1 Conservación de la documentación

- Entregue al usuario de la instalación estas instrucciones de uso y de instalación, el resto de la documentación vigente y, dado el caso, las herramientas necesarias.

Éste asumirá la custodia, de tal manera que las instrucciones y los medios auxiliares estén disponibles en caso de necesidad.

1.2 Símbolos utilizados

A continuación se describen los símbolos utilizados en el texto:



Símbolo de peligro:

- Peligro directo de muerte
- Peligro de daños personales graves
- Peligro de daños personales leves



Símbolo de peligro:

- Peligro de muerte por electrocución



Símbolo de peligro:

- Riesgo de daños materiales
- Riesgo de daños para el medioambiente



Símbolo de una indicación e información útil

- Símbolo de acción necesaria

1.3 Validez de las instrucciones

Estas instrucciones de uso sólo tienen validez para los aparatos con las siguientes referencias de artículo:

Aparato	Tipo	Ref. del art.
MAG mini INT 11-0/0 XI	B11, B11 BS	311222, 311223

Tab. 1.1 Denominaciones de tipo y de los aparatos

La referencia de su aparato se encuentra en la placa de características.

1.3 Distintivo CE

Con el distintivo CE se certifica que los aparatos cumplen los requisitos básicos de las siguientes directivas según el esquema general de tipos:

- Directiva sobre aparatos a gas (Directiva 90/396/CEE del Consejo)
- Directiva sobre la compatibilidad electromagnética con la clase de valor límite B (Directiva 89/336/CEE del Consejo)
- Directiva sobre baja tensión (Directiva 73/23/CEE del Consejo)

1.4 Modelo del aparato

Puede averiguar el tipo de aparato instalado a través de los datos introducidos en el apartado Datos Técnicos en las instrucciones de instalación; el instalador habrá anotado el tipo de aparato del que se trata después de la instalación.

2 Seguridad

2.1 Indicaciones de seguridad y advertencias

Durante la instalación del atmoMAG, observe las indicaciones generales de seguridad y las advertencias que preceden a cualquier trabajo.

2.1.1 Clasificación de las advertencias

Las advertencias se encuentran graduadas, tal como sigue, con señales de aviso y palabras clave relativas a la gravedad del posible peligro:

Señal de aviso	Palabra clave	Explicación
	¡Peligro!	Peligro inminente de muerte o riesgo de graves daños personales
	¡Peligro!	Peligro de muerte por electrocución
	¡Advertencia!	¡Peligro de leves lesiones físicas!
	¡Atención!	Riesgo de daños materiales o daños para el medioambiente

Tab. 2.1 Significado de las señales de aviso y las palabras clave

2.1.2 Estructura de las advertencias

Las advertencias se identifican por una línea de separación en la parte superior y otra en la inferior. Tienen la siguiente estructura:

	¡Palabra clave!
	¡Tipo y fuente de peligro! Explicación del tipo y fuente de peligro ➤ Medidas para la prevención del peligro.

2.2 Uso adecuado

Los calentadores instantáneos a gas Vaillant de la serie MAG han sido fabricados según las normas de seguridad técnica y los últimos avances técnicos. Sin embargo, una utilización inadecuada puede poner en peligro la integridad corporal y la vida del usuario o de terceros, así como producir daños en el aparato y otros daños materiales.

El calentador instantáneo a gas de la serie MAG no está destinado a ser utilizado por personas (incluidos niños) con capacidades físicas, sensoriales o psíquicas reducidas o carentes de experiencia o conocimientos, a no ser que la persona responsable de su seguridad las supervise o las instruya en su uso.

Debe vigilarse a los niños para asegurarse de que no juegan con el aparato.

Los calentadores instantáneos a gas están concebidos para calentar agua mediante la utilización de gas.

La utilización del calentador instantáneo a gas de Vaillant de la serie MAG en vehículos se considera no conforme al uso previsto. Las unidades que se instalan permanentemente de forma fija (denominada instalación estacionaria) no se consideran vehículos.

Cualquier otro uso se considera inadecuado. También se considera inadecuado el uso directo comercial o industrial. El fabricante/distribuidor no se responsabilizará de los daños causados por usos inadecuados. El usuario asume todo el riesgo.

Para una utilización adecuada deberá tener en cuenta las instrucciones de uso y de instalación, así como toda la demás documentación de validez paralela y deberá respetar las condiciones de inspección y de mantenimiento.

El calentador instantáneo a gas deberá instalarse por parte de un instalador especializado, que será el responsable de que se respeten y tengan en cuenta las disposiciones, regulaciones y directrices vigentes.

2.3 Indicaciones generales de seguridad

- Es imprescindible que respete las siguientes indicaciones de seguridad.

Modo de proceder en caso de emergencia si huele a gas

Una función errónea puede provocar un escape de gas y conllevar peligro de intoxicación y de explosión. En el caso de que se presente olor a gas en un edificio, actúe como se indica a continuación:

- Evite los espacios en los que huelen a gas.
- Si es posible, abra de todo las puertas y ventanas y procure que se genere corriente.
- Evite llamas abiertas (p. ej. mecheros o cerillas).
- No fume.
- No accione interruptores eléctricos, enchufes, timbres, teléfonos ni interfonos.

- Cierre el dispositivo de bloqueo del contador de gas o el dispositivo de bloqueo principal.
- Si es posible, cierre la llave de paso del gas del aparato.
- Advierta al resto de inquilinos del edificio llamándoles o golpeando la puerta.
- Salga del edificio.
- Si puede oírse la salida del gas, abandone inmediatamente el edificio y evite que terceras personas entren en él.
- Avise a la policía y los bomberos desde fuera del edificio.
- Avise al servicio de guardia de la empresa suministradora de gas desde un teléfono situado fuera del edificio.

Cómo evitar el riesgo de explosión o de deflagración

- No utilice ni almacene materiales explosivos o fácilmente inflamables (p. ej. gasolina, pintura, etc.) en el lugar en que esté instalado el aparato.
- No ponga ningún dispositivo de seguridad fuera de servicio.
- No realice ninguna manipulación que pueda afectar al correcto funcionamiento del aparato.

Daños materiales debido a la corrosión

Para evitar la formación de corrosión en el aparato y también en la instalación de evacuación de gases, tenga en cuenta lo siguiente:

- No utilice sprays, disolventes, detergentes con cloro, pintura, colas, etc. cerca del aparato.

Bajo condiciones desfavorables, estos materiales pueden provocar la aparición de corrosión.

Instalación y ajuste

La instalación del aparato la debe llevar a cabo exclusivamente un instalador especializado. Durante el proceso, el instalador debe respetar las disposiciones, normativas y directrices vigentes.

Asimismo, deberá ocuparse de la inspección/el mantenimiento y la reparación del aparato, así como de las modificaciones en la regulación de la cantidad de gas.

No realizar ninguna modificación

- Bajo ninguna circunstancia modifique lo siguiente
 - El aparato
 - El entorno del aparato
 - Los conductos de suministro de gas, aire de admisión y agua
 - Los conductos de evacuación para la evacuación de gases.

La prohibición de realizar modificaciones también se extiende a las condiciones arquitectónicas del entorno del aparato, en tanto que estas pueden influir en la seguridad de funcionamiento del mismo.

Varios ejemplos de ello son:

- No se deben cerrar los orificios de ventilación y purga en puertas, techos, ventanas y paredes, ni siquiera de forma provisional. No cubra, por ejemplo, ningún orificio de ventilación con prendas de vestir o similares. Si coloca revestimientos en el suelo, no debe taponar ni reducir el tamaño de los orificios de ventilación que se encuentran en la parte inferior de las puertas.
- No interfiera en la libre entrada de aire en el aparato. En este sentido, ponga especial cuidado en la eventual colocación de armarios, estanterías o similares bajo el aparato. La opción de revestir el aparato está sometida a la normativa de ejecución correspondiente. Consulte al respecto a su S.A.T. oficial si desea colocar un revestimiento de ese tipo.
- Debe mantener libres los orificios de entrada de aire y evacuación de gases. Asegúrese, p. ej., de que se retiren después las cubiertas de los orificios al realizar trabajos.
- Los aparatos no deben instalarse en estancias donde se aspire aire mediante ventiladores para equipos de ventilación o equipos de calefacción por aire caliente (p. ej. campanas extractoras de humo, secadoras). Una excepción a lo anterior sería que se utilicen dispositivos de seguridad que desconecten automáticamente los ventiladores durante el funcionamiento del calentador instantáneo a gas. Para estos casos, recomendamos nuestros accesorios Solomatik para MAG (n.º ref. 304821).
- Si se instalan ventanas selladas con juntas, asegúrese de que siga entrando suficiente aire de combustión en el aparato tras consultarlo con su S.A.T. oficial.

Para realizar cualquier modificación en el aparato o en su entorno, debe consultar siempre a su S.A.T. oficial, que es el responsable de llevar a cabo estas tareas.

Cómo evitar el riesgo de escaldaduras

El agua que sale de la llave de agua caliente puede estar tan caliente que, en determinadas condiciones, puede provocar escaldaduras. En el caso de los niños, el umbral de temperatura a partir del cual pueden aparecer escaldaduras es más bajo que en el caso de los adultos.

- La temperatura del agua caliente sólo debe ser tan elevada como sea necesario para cubrir sus necesidades.
- No utilice sprays, disolventes, detergentes con cloro, pintura, colas, etc. cerca del aparato. Estas sustancias pueden causar corrosión en condiciones desfavorables (también en la instalación de evacuación de gases).

3 Descripción del producto

3 Descripción del producto

3.1 Información general

Los aparatos atmoMAG mini están provistos de un cableado listo para su conexión, sólo deben instalarse las conexiones y el circuito de evacuación de gases. Sirven para suministrar agua caliente a uno o varios puntos de distribución, p. ej. lavabos, duchas y bañeras. Los aparatos deben conectarse a un circuito de evacuación de gases con tiro natural (chimenea).

Disponen de un dispositivo automático de encendido y vigilancia del quemador principal; de ese modo se elimina el consumo de gas que ocasionaría una llama de combustión continua.

En los calentadores instantáneos de agua a gas, el suministro de corriente necesario para el encendido electrónico procede de una pila.

Los aparatos están pensados para una instalación al aire libre o en un recinto convenientemente ventilado y separado del espacio destinado a la vivienda. En estos casos se debe proporcionar la protección suficiente contra lluvia y heladas.

Los calentadores instantáneos de agua a gas disponen de un sensor de salida de gases, que interrumpe el suministro de gas al quemador en caso de avería en el conducto de evacuación de gases.

Los calentadores instantáneos de agua a gas están equipados con un limitador de temperatura de seguridad que impide que el aparato siga funcionando en caso de sobrecalentamiento del serpentín.

Los aparatos pueden adaptarse al tipo de gas disponible. Para la transformación del aparato a otros tipos de gas, consulte a su instalador.

Después de la instalación, el instalador ha anotado la denominación exacta de su aparato en las instrucciones de instalación en la tab. 10.2 Valores del gas referidos al tipo de gas ajustado.

3.2 Características especiales del producto

La potencia máxima de los aparatos puede preseleccionarse en función de las necesidades mediante el selector de potencia del 50 % al 100 % en 10 pasos. Dentro del margen de potencia preseleccionada se adapta la cantidad de gas de forma continua a la cantidad de agua.

Mediante estas características de equipamiento se consiguen las siguientes ventajas en la aplicación:

- El aparato consume únicamente la cantidad de gas necesaria en el momento. De ese modo se alcanza una temperatura constante de salida en todo el ámbito de la toma de agua del aparato.
- Se pueden utilizar griferías termostáticas y grifos monomando sin ningún tipo de limitación (dependiendo del caudal/presión de agua de la vivienda).
- Los aparatos pueden utilizarse también para el suministro de agua en pequeñas cantidades, p. ej. en bidets, ya que se pueden distribuir cantidades de agua caliente a partir de 2,2 l/min con una temperatura constante de salida.
- Los aparatos pueden utilizarse también sin problemas en sitios con baja presión de suministro (a partir de 0,02 MPa (0,2 bares)).
- La operación manual de encendido no es necesaria.

4 Observaciones sobre la instalación y el funcionamiento

4.1 Requisitos del lugar de instalación

Los calentadores de agua a gas se instalan en una pared, preferentemente cerca de los puntos de distribución regulares y de la chimenea de la salida de gas.

Se pueden instalar, p. ej. en viviendas, sótanos, habitaciones de almacenamiento o habitaciones para finalidades múltiples. Consulte a su instalador especializado sobre las normativas nacionales vigentes que debe cumplir.

No está autorizada la instalación y utilización del calentador instantáneo a gas en vehículos, como p. ej. en caravanas o autocaravanas. No se consideran vehículos las unidades que se instalan permanentemente de forma fija.

El lugar de instalación debe estar protegido, por regla general, contra heladas. En caso de que no pueda asegurarse este punto, tenga en cuenta las medidas de protección contra heladas.



No se necesita distancia entre el aparato y los componentes o piezas inflamables, ya que, si el aparato funciona con la potencia calorífica nominal, en la superficie de la carcasa existe una temperatura inferior a la máx. permitida de 85 °C.



Para facilitar los trabajos regulares de mantenimiento, mantenga una distancia lateral mínima de 30 mm hacia el aparato.

4.2 Conservación

- Limpie los revestimientos de su aparato con un paño húmedo y un poco de jabón.



No utilice productos abrasivos ni de limpieza que puedan dañar el revestimiento o los elementos de mando sintéticos.

4.3 Reciclaje y eliminación de residuos

Tanto el calentador instantáneo de agua a gas como el embalaje, están compuestos en su mayor parte por materiales reciclables.

4.3.1 Aparato

Su calentador instantáneo de agua a gas, así como todos los accesorios, no deben arrojarse a la basura doméstica. Encárguese de que el aparato antiguo y, dado el caso, los accesorios existentes, se eliminen adecuadamente.

4.3.2 Batería

Deseche las baterías gastadas de forma adecuada; llévelas a lugares de recolecta y no las arroje a la basura doméstica.

4.3.3 Embalaje

La eliminación del embalaje de transporte la llevará a cabo el instalador especializado que haya realizado la instalación.



Tenga en cuenta las prescripciones legales nacionales vigentes.

4.4 Consejos de ahorro energético

Temperatura proporcional de agua caliente

El agua debería calentarse sólo hasta la temperatura necesaria para su utilización. Toda temperatura superior a la requerida conlleva un consumo de energía innecesario. Temperaturas de agua superiores a 60 °C ocasionan además, una precipitación excesiva de cal.

Manipulación adecuada del agua

Una manipulación adecuada del agua puede reducir considerablemente los gastos. Por ejemplo, ducharse en vez de bañarse: mientras que para llenar una bañera se necesitan aprox. 150 litros de agua, una ducha equipada con griferías modernas con ahorro de agua, necesitará un tercio de esta cantidad. Además: un grifo que gotea, gasta hasta 2000 litros de agua, una instalación de descarga del inodoro no estanca, gasta hasta 4000 litros de agua al año. En cambio, una nueva junta sólo cuesta unos céntimos.

5 Uso

5.1 Vista general de los elementos de mando

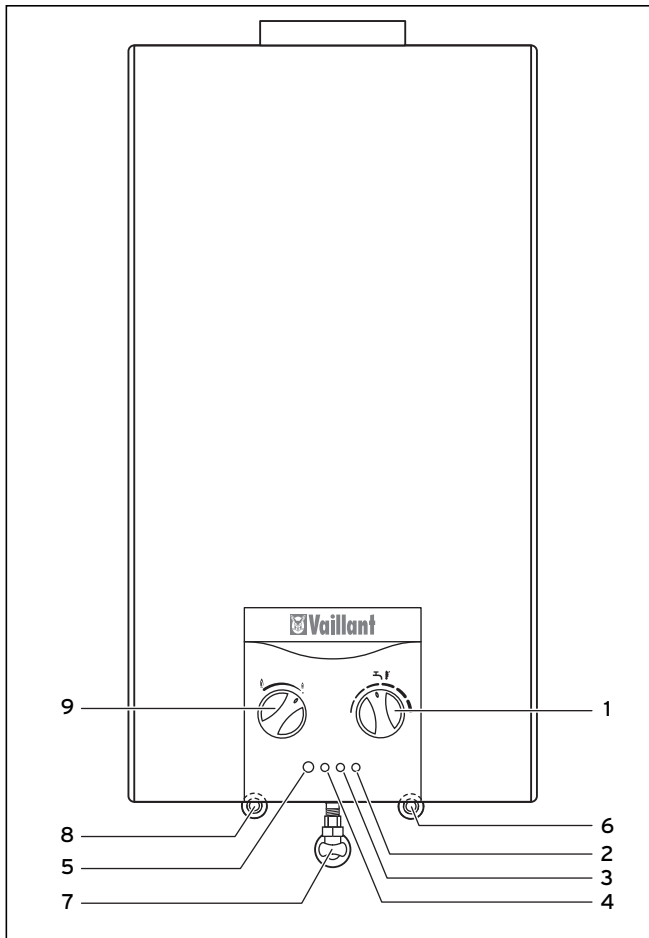


Fig. 5.1 Bedienelemente

Leyenda

- 1 Selector de temperatura
- 2 LED de generación de tensión de encendido (amarillo)
- 3 LED de avería (rojo)
- 4 LED de funcionamiento (verde)
- 5 Interruptor principal CON./DESCON.
- 6 Conexión del agua fría
- 7 Conexión de gas
- 8 Conexión del agua caliente
- 9 Mando de potencia (de 10 pasos desde 50 - 100 %)

Elemento de mando	Significado
LED de funcionamiento (verde)	Se enciende cuando está funcionando el quemador
LED de avería (rojo)	Parpadea cuando se produce una avería.
LED de generación de tensión de encendido (amarillo)	Se enciende cuando la tensión de la batería es tan baja, que no se asegura una puesta en marcha a corto plazo de un modo seguro.

Tab. 5.1 Elementos de mando del aparato LED

5.2 Medidas previas a la puesta en marcha

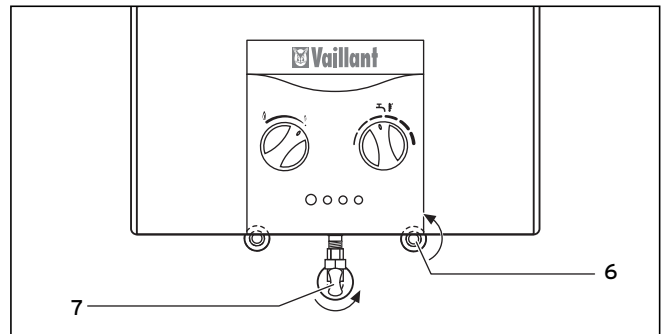


Fig. 5.2 Absperreinrichtungen

- Abra la llave de paso del gas (7) del aparato presionando y girando el mango hacia la izquierda hasta el tope (un cuarto de vuelta).
- Abra la llave de paso del agua fría (6) del aparato.
- Abra la llave de paso en la conexión de agua fría (6) del aparato girando el mango hacia la izquierda hasta el tope (un cuarto de vuelta).

5.3 Puesta en marcha

En el caso de que se dañe el conducto de conexión de red de este aparato, debe ser sustituido por el fabricante, el servicio de atención al cliente, o bien por un instalador especializado para evitar riesgos.

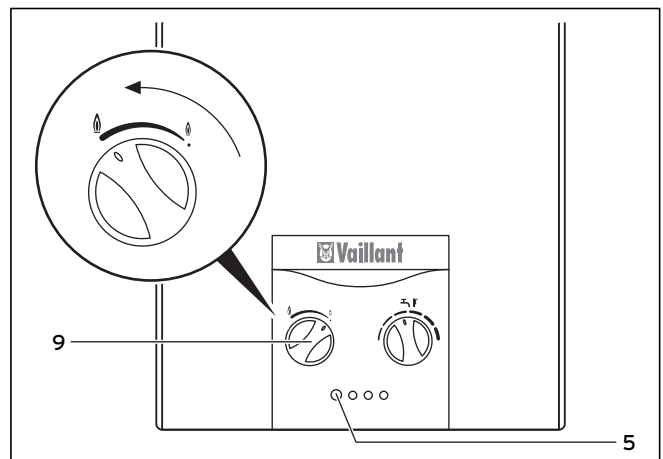


Fig. 5.3 Puesta en marcha

- Presione el interruptor principal (5).
- Gire el mando de potencia (9) hasta la potencia deseada. El calentador instantáneo de agua a gas está preparado para funcionar.



En caso de que haya fugas en el área de la tubería de agua caliente entre el aparato y los puntos de toma, cierre inmediatamente con un destornillador la llave de paso de agua fría del aparato, véase apartado 5.7, Puesta fuera de funcionamiento. Deje que su instalador especializado y autorizado elimine las fugas.

5.4 Preparación de agua caliente

5.4.1 Apertura del grifo de agua caliente



¡Peligro! **¡Peligro de escaldadura!**

Una temperatura de agua caliente superior a 60 °C puede causar quemaduras.

- La temperatura del agua caliente sólo debe ser tan elevada como sea necesario para cubrir sus necesidades.

- Abra el grifo de agua caliente en el punto de distribución, p. ej. lavadero, fregadero, para que el calentador instantáneo de agua caliente se ponga en marcha automáticamente para suministrar agua caliente. Mientras el quemador está en funcionamiento, el LED de funcionamiento brilla en color verde.



En caso de que no se encendiera su calentador instantáneo de agua a gas al abrir el agua caliente, asegúrese de que la llave de paso instalada antes del grifo esté totalmente abierta o el interruptor principal se encuentre en la posición de CONEXIÓN (I).



También puede estar sucio el filtro del grifo de agua. Puede desmontarlo para limpiarlo. En caso de que esté cubierto de cal, recomendamos su tratamiento con un producto que disuelva la cal (p. ej. vinagre).

El calentador instantáneo de agua a gas se apaga automáticamente, cuando cierra el grifo de agua.

5.4.2 Ajuste de la temperatura del agua

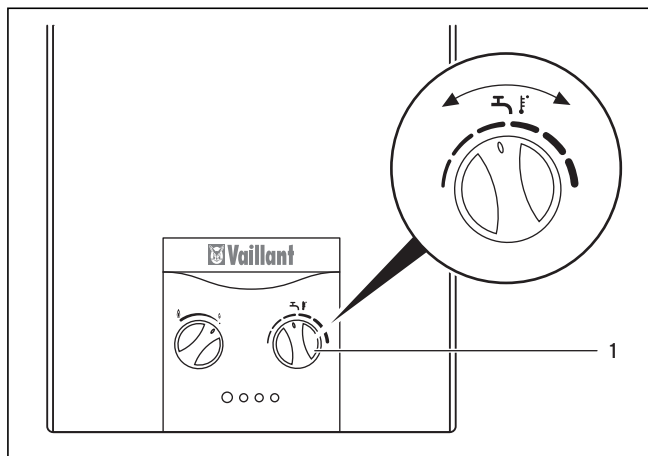




Fig. 5.4 Ajuste de la temperatura del agua

El aparato suministra una temperatura constante del agua, independientemente del volumen de salida y de la temperatura del agua fría de entrada.

Con el selector de temperatura (1) podrá variar la temperatura del agua:

- Si gira el selector de temperatura hacia la derecha : aumento de la temperatura.
- Si gira el selector de temperatura hacia la izquierda : descenso de la temperatura.



Es posible que la temperatura de los diferentes puntos de toma de agua varíe ligeramente con respecto a la temperatura indicada.

También puede modificar la temperatura del agua cuando ya ha abierto el grifo.

5.5 Ajuste de la potencia del aparato

5.5.1 Preselección de potencia

La potencia del aparato se puede preseleccionar mediante el mando de potencia en diez pasos entre aprox. 50 % y 100 % de la potencia calorífica nominal. Reduciendo la potencia del aparato o adaptando el consumo real de potencia, puede alcanzar una temperatura inferior de temperatura de salida para lograr un ahorro energético.

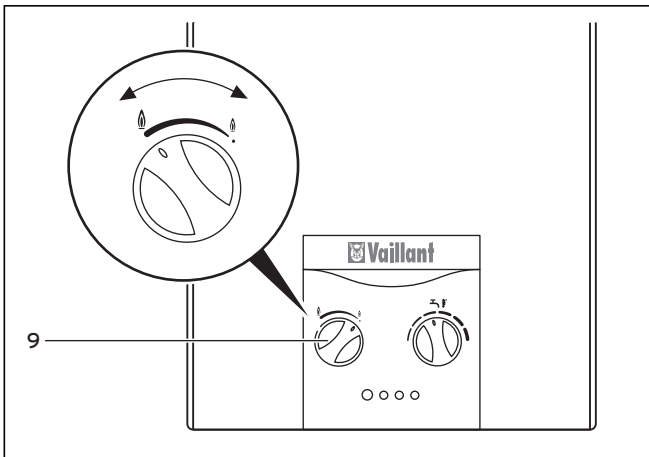


Fig. 5.5 Preselección de potencia

- Gire el mando de potencia (9) hacia la derecha:
↻ la potencia disminuye.
- Gire el mando de potencia (9) hacia la izquierda:
↺ la potencia aumenta.

5.5.2 Modulación

En el margen de la potencia seleccionada y de la potencia mínima posible del aparato (aprox. 40 %), la cantidad de gas variará automáticamente y de forma continua, de acuerdo con la cantidad de agua que fluye (es decir, la cantidad de agua real en la salida), por lo que la temperatura de salida es constante.

5.6 Eliminación de averías

Eine „Störung“ wird optisch durch die LED Störung (blinkt rot) signalisiert.

Als Betreiber dürfen Sie nur folgende Störungen versuchen zu beheben. Wenn andere Störungsmeldungen als die im Folgenden genannten angezeigt werden, dann müssen Sie Ihren Fachhandwerker benachrichtigen.

Avería	Causa	Reparación
Sin funcionamiento, No se enciende ningún indicador LED.	Batería vacía.	Sustituya las baterías por otras nuevas. Asegure el suministro de gas. Asegúrese de que está abierta la llave de paso del gas. Si la avería continúa, póngase en contacto con su instalador especializado.
El indicador LED amarillo parpadea. Encendido ruidoso.	Las baterías están bajas de carga.	Sustituya las baterías por otras nuevas.
El aparato no se pone en marcha, el indicador LED rojo parpadea.	Se ha interrumpido el suministro de gas. Aire en el conducto de suministro de gas.	Asegure el suministro de gas. En el caso de gas licuado: Sustituya la bombona de gas vacía por una llena, en caso necesario. Asegúrese de que está abierta la llave de paso del gas. Abra y cierre varias veces el grifo de agua para purgar el aire de los conductos de gas. Si la avería continúa, póngase en contacto con su instalador especializado.
Durante el funcionamiento, el indicador LED rojo parpadea.	La presión del agua es baja. Se ha interrumpido el suministro de gas. Aire en el conducto de suministro de gas.	Asegure el suministro de gas. En el caso de gas licuado: Sustituya, en caso necesario, la bombona de gas vacía por una llena. Abra y cierre varias veces el grifo de agua para purgar el aire de los conductos de gas. Si la avería continúa, póngase en contacto con su instalador especializado.
El aparato se pone fuera de funcionamiento, el indicador LED rojo se enciende.	Las baterías están bajas de carga. El dispositivo de seguridad está averiado.	Asegúrese de que está abierta la llave de paso del gas. Sustituya las baterías por otras nuevas, en caso necesario. Póngase en contacto con su instalador especializado.

Tab. 5.2 Ayuda en caso de averías

Si el aparato ha sido bloqueado por el dispositivo de seguridad, sólo podrá volver a encender automáticamente, cuando haya “eliminado la avería”. Para la “eliminación de averías”, deberá bien

- cerrar el grifo de agua y volverlo a abrir sin accionar el interruptor principal, o bien
- dejar abierto el grifo de agua, y apagar y volver a encender el aparato pulsando dos veces el interruptor principal (5).

Especialmente en la primera puesta en marcha y tras un periodo prolongado de inactividad deberá “rearmar” el aparato varias veces antes de que se vuelva a encender automáticamente. Observe el cap. 5.3. Puesta en marcha.

Cuando se haya eliminado la avería, el calentador instantáneo de agua a gas se vuelve a encender automáticamente.



¡Peligro!

¡Riesgo de daños provocados por modificaciones inadecuadas!

Las modificaciones inadecuadas pueden provocar situaciones peligrosas.

- En ningún caso acceda al interior del calentador instantáneo a gas ni de otros componentes del equipo y tampoco los manipule usted mismo.
- No intente nunca llevar a cabo usted mismo los trabajos de mantenimiento o reparación del aparato.
- Encárguelo a un instalador especializado.

Vuelva a poner en marcha el calentador instantáneo de agua a gas, sólo cuando un instalador especializado haya eliminado la avería.



¡Peligro!

¡Peligro de intoxicación por monóxido de carbono!

Sin el dispositivo de control de gases de evacuación, si el tiro en la chimenea no es correcto, los gases quemados podrían retroceder de una manera incontrolada desde la chimenea al lugar donde se encuentra instalado el aparato.

- Bajo ninguna circunstancia ponga el dispositivo de control de gases de evacuación (sensor de la evacuación de gases) fuera de servicio.
- En ningún caso realice manipulaciones en este equipo que puedan afectar a su correcto funcionamiento.

5.7 Puesta fuera de funcionamiento

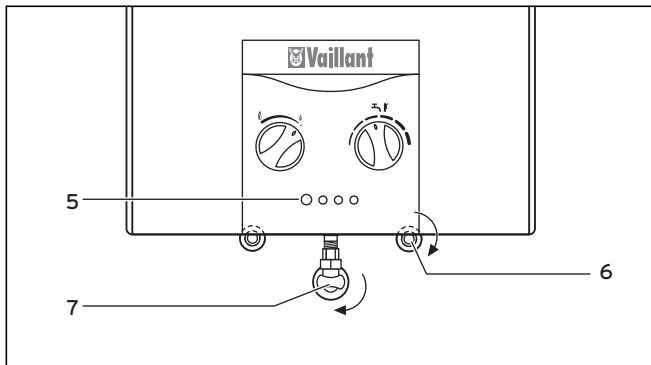


Fig. 5.6 Puesta fuera de funcionamiento

- Desconecte el calentador pulsando el interruptor general (5), de forma que salga de la posición de DESCONEXIÓN.
- Cierre la llave de paso del gas (7) del aparato girándola hacia la derecha hasta el tope (un cuarto de vuelta).

Ahora se ha cerrado el suministro de gas hacia el quemador del calentador instantáneo de agua a gas.

- Cierre la llave de paso que se encuentra en la conexión de agua fría (6) del aparato girando el mango hacia la derecha hasta el tope (un cuarto de vuelta).

5.8 Protección contra heladas

Si existe peligro de heladas deberá vaciar su calentador instantáneo de agua a gas. Ese es el caso, p. ej., cuando sus tuberías de agua amenazan con congelarse. Para ello proceda como se indica a continuación, véase la fig. 5.7, Vaciado.

- Cierre la llave de paso que se encuentra en la conexión de agua fría (6) del aparato girando el mango hacia la derecha hasta el tope (un cuarto de vuelta).

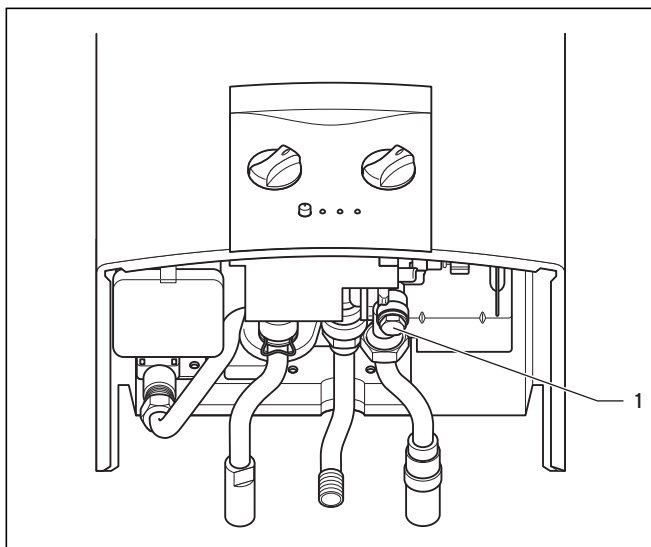


Fig. 5.7 Vaciado

- Suelte el tornillo hexagonal (1) para realizar el vaciado.
- Abra todos los grifos de agua caliente conectados al calentador instantáneo de agua a gas, para que se vacíen completamente tanto el aparato como las tuberías.
- Deje los grifos de agua caliente abiertos y el tornillo de vaciado abierto hasta que vuelva a poner el aparato en funcionamiento después de que haya pasado el peligro de helada.



Al realizar el llenado posterior del calentador instantáneo de agua a gas, póngalo en funcionamiento, cuando salga agua por los grifos de agua caliente después de abrir la llave de paso en la conexión de agua fría del aparato. De esta forma se garantizará que el calentador instantáneo de agua a gas esté lleno de agua.

5.9 Mantenimiento

El requisito para una seguridad, una disposición para el servicio y una fiabilidad duraderas, además de una larga vida útil del aparato, es la inspección/el mantenimiento anual que realiza un técnico especializado.



¡Peligro!

¡Peligro de lesiones y daños materiales debido a mantenimientos y reparaciones indebidas!

Si no se lleva a cabo un mantenimiento o si éste se efectúa de forma indebida, esto puede influir en la seguridad del funcionamiento de los aparatos.

- Nunca intente realizar usted mismo trabajos de mantenimiento o reparaciones en sus aparatos.
- Encárguelos a un instalador especializado.

5.9.1 Cambio de la batería

Cuando las baterías (redondas tipo A) se hayan agotado, deberá sustituirlas. Se indicará mediante el encendido del LED amarillo de tensión de encendido.

El compartimento de la batería (1) se encuentra en la parte inferior izquierda del aparato y es accesible sin necesidad de desmontar la carcasa del aparato.

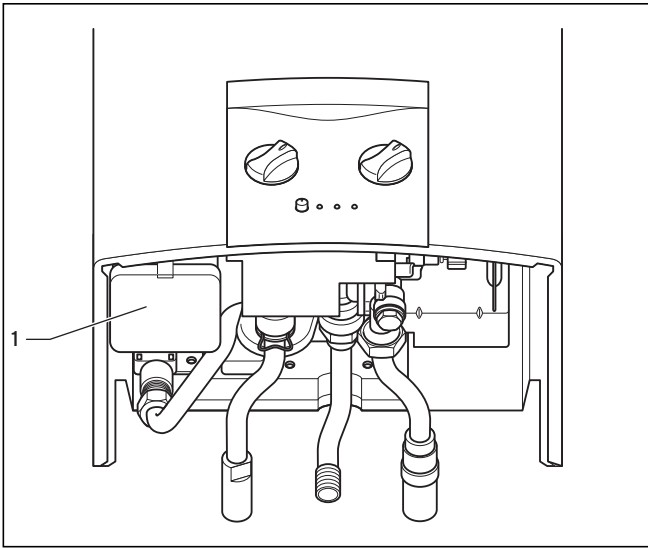


Fig. 5.8 Cambio de la batería

- Abra la tapa del compartimento de la batería (1).
- Retire las baterías gastadas e inserte las nuevas, según la señalización de la tapa del compartimento.



¡Peligro!

¡Peligro de explosión!

El manejo inadecuado de las baterías puede provocar explosiones.

- No recargue en ningún caso las baterías descargadas.
- No caliente las baterías ni las tire bajo ninguna circunstancia al fuego.

6 Garantía del Fabricante

De acuerdo con lo establecido en el R.D. Leg.1/2007, de 16 de noviembre, Vaillant responde de las faltas de conformidad que se manifiesten en los equipos en los términos que se describen a continuación:

Vaillant responderá de las faltas de conformidad que se manifiesten dentro de los seis meses siguientes a la entrega del equipo, salvo que acredite que no existían cuando el bien se entregó. Si la falta de conformidad se manifiesta transcurridos seis meses desde la entrega deberá el usuario probar que la falta de conformidad ya existía cuando el equipo se entregó, es decir, que se trata de una no conformidad de origen, de fabricación. La garantía sobre las piezas del aparato, como garantía comercial y voluntaria de Vaillant, tendrá una duración de dos años desde la entrega del aparato.

Esta garantía es válida exclusivamente dentro del territorio español.

Para el instalador

Instrucciones de instalación

atmoMAG

Calentador instantáneo a gas para un funcionamiento sujeto al aire ambiente

atmoMAG mini 11-0/0 XI

Índice

1	Observaciones sobre la documentación	3	7	Inspección y mantenimiento	19
1.1	Conservación de la documentación.....	3	7.1	Preparación para el mantenimiento.....	19
1.2	Símbolos utilizados	3	7.2	Limpieza del quemador.....	19
1.3	Validez de las instrucciones	3	7.3	Limpieza y eliminación de la cal de los serpentines del aparato.....	20
1.4	Modelo del aparato	3	7.4	Comprobación del funcionamiento del interruptor de agua.....	21
2	Seguridad	4	7.5	Comprobación del funcionamiento del sensor de salida de gases.....	21
2.1	Indicaciones de seguridad y advertencias	4	7.6	Servicio de prueba y nueva puesta en marcha	22
2.2	Uso adecuado	4	7.7	Piezas de repuesto.....	22
2.3	Indicaciones generales de seguridad	4	8	Reparación de las averías	23
2.4	Normativas	6	9	Garantía de fábrica	24
3	Descripción del aparato	6	10	Datos técnicos	24
3.1	Placa de características.....	6			
3.2	Distintivo CE.....	7			
3.3	Conexiones.....	7			
3.4	Grupos constructivos.....	7			
4	Montaje	8			
4.1	Volumen de suministro	8			
4.2	Requisitos del lugar de instalación	8			
4.3	Dimensiones.....	9			
4.4	Preinstalación en la pared.....	10			
4.5	Retirar o colocar la carcasa.....	10			
4.5.1	Gerätewartel abnehmen	10			
4.5.2	Colocar la carcasa	11			
4.5.2	Montar el aparato.....	11			
5	Instalación	11			
5.1	Conexión al suministro de gas	11			
5.2	Conexión con el suministro de agua.....	12			
5.3.1	Comprobación del funcionamiento del sensor de salida de gases.....	12			
5.3.2	Montaje del conducto de evacuación	13			
5.4	Esquema de cableado eléctrico	14			
6	Puesta en marcha	15			
6.1	Comprobación de la configuración de los gases	15			
6.1.1	Comparación de la configuración de los gases con el suministro de gas.....	15			
6.1.2	Comprobación de la presión de conexión del gas	15			
6.1.3	Comprobación de la carga calorífica.....	15			
6.2	Tablas de ajuste del gas	17			
6.3	Comprobación del funcionamiento del aparato.....	17			
6.4	Entrega al usuario	18			
6.5	Adaptación a otro tipo de gas.....	18			

1 Observaciones sobre la documentación

Las siguientes indicaciones sirven de guía para toda la documentación.

Estas instrucciones de uso e instalación se complementan con otros documentos vigentes.

No nos hacemos responsables de ningún daño causado por ignorar estas instrucciones.

Documentación complementaria vigente

Durante la instalación del atmoMAG es imprescindible que también tenga en cuenta todas las instrucciones de instalación que se adjuntan a los demás componentes de su instalación.

Dichas instrucciones acompañan a los correspondientes componentes de la instalación.

1.1 Conservación de la documentación

- Entregue al usuario de la instalación estas instrucciones de uso y de instalación, el resto de la documentación vigente y, dado el caso, las herramientas necesarias.

Éste asumirá la custodia, de tal manera que las instrucciones y los medios auxiliares estén disponibles en caso de necesidad.

1.2 Símbolos utilizados

A continuación se describen los símbolos utilizados en el texto:



Símbolo de peligro:

- Peligro directo de muerte
- Peligro de daños personales graves
- Peligro de daños personales leves



Símbolo de peligro:

- Peligro de muerte por electrocución



Símbolo de peligro:

- Riesgo de daños materiales
- Riesgo de daños para el medioambiente



Símbolo de una indicación e información útil

- Símbolo de acción necesaria

1.3 Validez de las instrucciones

Estas instrucciones de instalación sólo tienen validez para los aparatos con las siguientes referencias:

Aparato	Tipo	Ref. del art.
MAG mini INT 11-0/0 XI	B11, B11 BS	311222, 311223

Tab. 1.1 Denominaciones de tipo y de los aparatos

La referencia de su aparato se encuentra en la placa de características.

1.4 Modelo del aparato

Puede averiguar el tipo de aparato instalado a través de los datos introducidos en el apartado Datos Técnicos en las instrucciones de instalación; el instalador habrá anotado el tipo de aparato del que se trata después de la instalación.

2 Seguridad

2.1 Indicaciones de seguridad y advertencias

Durante la instalación del atmoMAG, observe las indicaciones generales de seguridad y las advertencias que preceden a cualquier trabajo.

2.1.1 Clasificación de las advertencias

Las advertencias se encuentran graduadas, tal como sigue, con señales de aviso y palabras clave relativas a la gravedad del posible peligro:

Señal de aviso	Palabra clave	Explicación
	¡Peligro!	Peligro inminente de muerte o riesgo de graves daños personales
	¡Peligro!	Peligro de muerte por electrocución
	¡Advertencia!	¡Peligro de leves lesiones físicas!
	¡Atención!	Riesgo de daños materiales o daños para el medioambiente

Tab. 2.1 Significado de las señales de aviso y las palabras clave

2.1.2 Estructura de las advertencias

Las advertencias se identifican por una línea de separación en la parte superior y otra en la inferior. Tienen la siguiente estructura:

	<p>¡Palabra clave!</p> <p>¡Tipo y fuente de peligro!</p> <p>Explicación del tipo y fuente de peligro</p> <p>➤ Medidas para la prevención del peligro.</p>
--	---

2.2 Uso adecuado

Los calentadores instantáneos a gas Vaillant de la serie MAG han sido fabricados según las normas de seguridad técnica y los últimos avances técnicos. Sin embargo, una utilización inadecuada puede poner en peligro la integridad corporal y la vida del usuario o de terceros, así como producir daños en el aparato y otros daños materiales.

El calentador instantáneo a gas de la serie MAG no está destinado a ser utilizado por personas (incluidos niños) con capacidades físicas, sensoriales o psíquicas reducidas o carentes de experiencia o conocimientos, a no ser que la persona responsable de su seguridad las supervise o las instruya en su uso.

Debe vigilarse a los niños para asegurarse de que no juegan con el aparato.

Los calentadores instantáneos a gas están concebidos para calentar agua mediante la utilización de gas.

La utilización del calentador instantáneo a gas de Vaillant de la serie MAG en vehículos se considera no conforme al uso previsto. Las unidades que se instalan permanentemente de forma fija (denominada instalación estacionaria) no se consideran vehículos.

Cualquier otro uso se considera inadecuado. También se considera inadecuado el uso directo comercial o industrial. El fabricante/distribuidor no se responsabilizará de los daños causados por usos inadecuados. El usuario asume todo el riesgo.

Para una utilización adecuada deberá tener en cuenta las instrucciones de uso y de instalación, así como toda la demás documentación de validez paralela y deberá respetar las condiciones de inspección y de mantenimiento.

El calentador instantáneo a gas deberá instalarse por parte de un instalador especializado, que será el responsable de que se respeten y tengan en cuenta las disposiciones, regulaciones y directrices vigentes.

2.3 Indicaciones generales de seguridad

- Es imprescindible que respete las siguientes indicaciones de seguridad.

Modo de proceder en caso de emergencia si huele a gas

Una función errónea puede provocar un escape de gas y conllevar peligro de intoxicación y de explosión. En el caso de que se presente olor a gas en un edificio, actúe como se indica a continuación:

- Evite los espacios en los que huelen a gas.
- Si es posible, abra de todo las puertas y ventanas y procure que se genere corriente.
- Evite llamas abiertas (p. ej. mecheros o cerillas).
- No fume.
- No accione interruptores eléctricos, enchufes, timbres, teléfonos ni interfonos.
- Cierre el dispositivo de bloqueo del contador de gas o el dispositivo de bloqueo principal.

- Si es posible, cierre la llave de paso del gas del aparato.
- Advierta al resto de inquilinos del edificio llamándoles o golpeando la puerta.
- Salga del edificio.
- Si puede oírse la salida del gas, abandone inmediatamente el edificio y evite que terceras personas entren en él.
- Avise a la policía y los bomberos desde fuera del edificio.
- Avise al servicio de guardia de la empresa suministradora de gas desde un teléfono situado fuera del edificio.

Cómo evitar el riesgo de explosión o de deflagración

- No utilice ni almacene materiales explosivos o fácilmente inflamables (p. ej. gasolina, pintura, etc.) en el lugar en que esté instalado el aparato.
- No ponga ningún dispositivo de seguridad fuera de servicio.
- Bajo ninguna circunstancia ponga el dispositivo de control de gases de evacuación (sensor de la evacuación de gases) fuera de servicio.
- No realice ninguna manipulación que pueda afectar al correcto funcionamiento del aparato.

Daños materiales debido a la corrosión

Para evitar la formación de corrosión en el aparato y también en la instalación de evacuación de gases, tenga en cuenta lo siguiente:

- No utilice sprays, disolventes, detergentes con cloro, pintura, colas, etc. cerca del aparato.

Bajo condiciones desfavorables, estos materiales pueden provocar la aparición de corrosión.

Instalación y ajuste

La instalación del aparato la debe llevar a cabo exclusivamente un instalador especializado. Durante el proceso, el instalador debe respetar las disposiciones, normativas y directrices vigentes.

Asimismo, deberá ocuparse de la inspección/el mantenimiento y la reparación del aparato, así como de las modificaciones en la regulación de la cantidad de gas.

Cómo evitar el riesgo de explosión o de intoxicación

Un tipo de gas incorrecto puede provocar la aparición de situaciones peligrosas. Los altos porcentajes de monóxido de carbono debidos a una combustión incorrecta representan un peligro mortal.

- Antes de la puesta en marcha del aparato, compare las indicaciones del tipo de gas ajustado marcado en la placa de características con el tipo de gas local.
- Realice la adaptación del aparato a otro tipo de gas sólo con los juegos de conversión disponibles de fábrica.
-

No realizar ninguna modificación

- Bajo ninguna circunstancia modifique lo siguiente
 - El aparato
 - El entorno del aparato
 - Los conductos de suministro de gas, aire de admisión y agua
 - Los conductos de evacuación para la evacuación de gases.

La prohibición de realizar modificaciones también se extiende a las condiciones arquitectónicas del entorno del aparato, en tanto que estas pueden influir en la seguridad de funcionamiento del mismo.

Varios ejemplos de ello son:

- No se deben cerrar los orificios de ventilación y purga en puertas, techos, ventanas y paredes, ni siquiera de forma provisional. No cubra, por ejemplo, ningún orificio de ventilación con prendas de vestir o similares. Si coloca revestimientos en el suelo, no debe taponar ni reducir el tamaño de los orificios de ventilación que se encuentran en la parte inferior de las puertas.
 - No interfiera en la libre entrada de aire en el aparato. En este sentido, ponga especial cuidado en la eventual colocación de armarios, estanterías o similares bajo el aparato. La opción de revestir el aparato está sometida a la normativa de ejecución correspondiente. Consulte al respecto a su S.A.T. oficial si desea colocar un revestimiento de ese tipo.
 - Debe mantener libres los orificios de entrada de aire y evacuación de gases. Asegúrese, p. ej., de que se retiren después las cubiertas de los orificios al realizar trabajos.
 - Los aparatos no deben instalarse en estancias donde se aspire aire mediante ventiladores para equipos de ventilación o equipos de calefacción por aire caliente (p. ej. campanas extractoras de humo, secadoras). Una excepción a lo anterior sería que se utilicen dispositivos de seguridad que desconecten automáticamente los ventiladores durante el funcionamiento del calentador instantáneo a gas. Para estos casos, recomendamos nuestros accesorios Solomatik para MAG (n.º ref. 304 821).
 - Si se instalan ventanas selladas con juntas, asegúrese de que siga entrando suficiente aire de combustión en el aparato tras consultarlo con su S.A.T. oficial.
- Para realizar cualquier modificación en el aparato o en su entorno, debe consultar siempre a su S.A.T. oficial, que es el responsable de llevar a cabo estas tareas.

Cómo evitar el riesgo de escaldaduras

El agua que sale de la llave de agua caliente puede estar tan caliente que, en determinadas condiciones, puede provocar escaldaduras. En el caso de los niños, el umbral de temperatura a partir del cual pueden aparecer escaldaduras es más bajo que en el caso de los adultos.

- La temperatura del agua caliente sólo debe ser tan elevada como sea necesario para cubrir sus necesidades.

2 Seguridad

3 Descripción del aparato

- No utilice sprays, disolventes, detergentes con cloro, pintura, colas, etc. cerca del aparato. Estas sustancias pueden causar corrosión en condiciones desfavorables (también en la instalación de evacuación de gases).

Utilización de herramientas

Las herramientas inadecuadas y/o la utilización inapropiada de herramientas puede provocar daños (por ej. escape de gas o agua).

- Al apretar o aflojar uniones roscadas, use siempre las llaves de boca adecuadas.
- No utilice tenazas, prolongaciones o similares.

2.4 Normativas

La instalación del calentador instantáneo a gas debe llevarla a cabo exclusivamente un instalador especializado. Este asumirá la responsabilidad de una correcta instalación y puesta en servicio.

La instalación eléctrica sólo podrá realizarla un instalador especializado.

Antes de la instalación del calentador instantáneo a gas se debe consultar a la compañía de gas y al limpiador de chimeneas de la zona.

3 Descripción del aparato

3.1 Placa de características

La placa de características se encuentra en la parte delantera sobre el cortatiro. Para ello deberá desmontar la carcasa del aparato, véase apartado 4.5.1 Retirar o colocar la carcasa.

Los datos que contiene la placa de características del aparato tienen el siguiente significado:

Símbolo	Significado
MAG	Categoría del producto
INT; MT; ES: ...	Identificación del país
mini 11-0/0	Potencia del aparato XX en l/min; tipos de conexión de chimenea; generación de aparatos
I	con batería y encendido electrónico
X	con sensor de salida de gases
atmoMAG	Serie del producto
Tipo	Tipo de la salida de gases y del suministro de aire de combustión
B11	aparato de gas que depende del aire en la estancia y que dispone de un cortatiro en el recorrido de los gases quemados sin ventilador
B11 BS	con dispositivo de vigilancia de los gases quemados
INT: cat. II _{2H3B/P} MT: cat. I _{3B/P} ...	Identificación del tipo de gas (dependiendo del país de destino): aparato multigas para gas natural y gas licuado
2H	Familia de gases naturales
G 20 - 0,002 MPa (20 mbares)	Gases naturales con presiones de gas admitidas
3B/P	Familia de gases licuados
G 30/G 31 - 0,0028 - 0,003/ 0,0037 MPa (28 - 30/37 mbares) 3B/P - G30/G31 - 0,003 MPa (30 mbares)	Gases licuados con presiones de gas admitidas
P _{nom.}	Potencia calorífica máxima
P _{min.}	Potencia calorífica mínima
Q _{nom.}	Carga calorífica máxima
Q _{min.}	Carga calorífica mínima
pW _{máx.}	Presión de agua máxima autorizada
CE 0099	Administración que certifica
CE-99BP821	Número de certificación del producto
xxXXxxXXXXX<<<<xxxx xxxxxxNx	Tercera y cuarta cifra año de producción, cifras 7 a 12 número de artículo, las demás cifras son útiles para el control de la producción.
XXxx	Código de calidad, p. ej. AC15

Tabla 3.1 Placa de características



¡Peligro!
¡Riesgo de explosión debido al tipo de gas incorrecto!

Un tipo de gas incorrecto puede provocar la aparición de situaciones peligrosas.

- Antes de la puesta en marcha del aparato, compare las indicaciones del tipo de gas ajustado marcado en la placa de características con el tipo de gas local.

- Marque necesariamente el modelo de aparato y el tipo de gas con el que vaya a funcionar el mismo en la tab. 10.2 Valores del gas referidos al tipo del gas ajustado, en el apartado 10 Datos Técnicos.
- Vuelva a montar la carcasa del aparato.

3.2 Distintivo CE

Con el distintivo CE se certifica que los aparatos cumplen los requisitos básicos de las siguientes directivas según el esquema general de tipos:

- Directiva sobre aparatos a gas (Directiva 90/396/CEE del Consejo)
- Directiva sobre la compatibilidad electromagnética con la clase de valor límite B (Directiva 89/336/CEE del Consejo)
- Directiva sobre baja tensión (Directiva 73/23/CEE del Consejo)

3.3 Conexiones



¡Peligro!
¡El agua caliente o fría que sale del aparato puede causar escaldaduras u otros daños!

Una instalación inadecuada puede producir fugas. Las tuberías de plástico para la conexión de agua caliente y/o fría deben ser resistentes a una temperatura de hasta 95 °C y a una presión de hasta 1 MPa (10 bar).

- Para evitar fugas, observe que en las tuberías no existan tensiones mecánicas.
- Establezca las conexiones de agua fría y caliente sin tensión.

Conexiones del aparato:

- agua 3/4"
- gas 1/2"

- Determine el lugar de instalación del aparato.
- Tienda los conductos para gas y para agua en los puntos de conexión del aparato.

3.4 Grupos constructivos

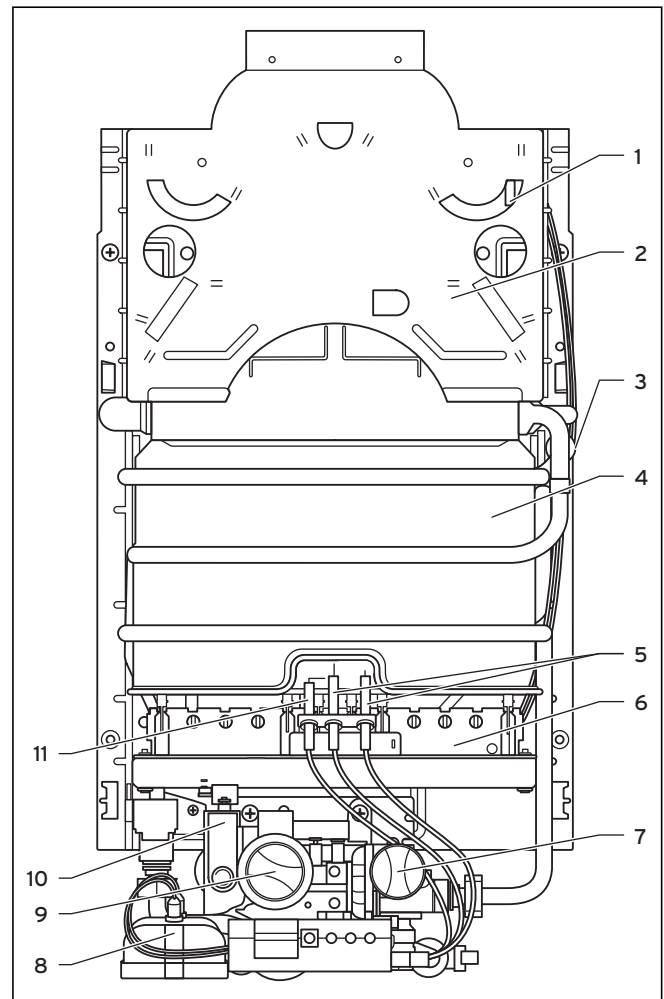


Abb. 3.1 Baugruppen

Leyenda

- 1 Sensor de salida de gases
- 2 Cortatiro
- 3 Limitador de temperatura de seguridad
- 4 Serpentín del aparato
- 5 Electrodo de encendido
- 6 Quemador
- 7 Selector de temperatura
- 8 Compartimento de la batería
- 9 Mando giratorio de potencia
- 10 Válvula de gas
- 11 Electrodo de vigilancia

3 Descripción del aparato

4 Montaje



¡Peligro!

¡Peligro de intoxicación por monóxido de carbono!

Sin el dispositivo de control de gases de evacuación, si el tiro en la chimenea no es correcto, los gases quemados podrían retroceder de una manera incontrolada desde la chimenea al lugar donde se encuentra instalado el aparato.

- Bajo ninguna circunstancia ponga el dispositivo de control de gases de evacuación (sensor de la evacuación de gases) fuera de servicio.
- En ningún caso realice manipulaciones en este equipo que puedan afectar a su correcto funcionamiento.

En caso de que, p. ej., la evacuación de gases está total o parcialmente obstruida o la proporción de presión de aire del edificio influye sobre las fugas de gas, el sensor de salida de gases fija un aumento de la temperatura e interrumpe el suministro de gas.

4 Montaje

4.1 Volumen de suministro

Juego de conexión consistente en:

- Pieza de empalme de gas natural
- Juntas, tacos, tornillos
- dos baterías tipo A

4.2 Requisitos del lugar de instalación

Al elegir el lugar de instalación, tenga en cuenta las siguientes indicaciones:

- El calentador sólo puede instalarse en un recinto suficientemente ventilado.
- La pared en la que se monta el calentador instantáneo de agua a gas debe tener la suficiente capacidad de carga para aguantar el peso del calentador listo para el servicio.
- Los elementos de fijación incluidos en el suministro pueden no ser los adecuados para las condiciones de la pared de instalación. Los elementos de fijación necesarios en este caso, deben ser proporcionados por el propietario.
- El lugar de instalación debe estar protegido, por regla general, contra heladas. En caso de que no pueda asegurarse este punto, tenga en cuenta las medidas de protección contra heladas.
(véase el Cap. 5.7 de las Instrucciones de uso)
- Elija el lugar de la instalación de modo que resulte práctico para la colocación de los conductos (suministro de gas, entrada y salida de agua).

- No está autorizada la utilización del calentador instantáneo a gas en vehículos, como p. ej. en caravanas o autocaravanas. No se consideran vehículos las unidades que se instalan permanentemente de forma fija.



¡Atención!

Peligro de daños en el aparato.

Los vapores agresivos o los vapores grasos pueden dañar el aparato.

- No monte el aparato en espacios con vapores agresivos o vapores grasos.

- El calentador instantáneo de agua a gas debe conectarse con un tubo de evacuación de gases del diámetro indicado (véase el apartado 10, Datos técnicos) a un circuito de evacuación de gases con tiro natural (chimenea).



No se necesita distancia entre el aparato y los componentes o piezas inflamables, ya que, si el aparato funciona con la potencia calorífica nominal, en la superficie de la carcasa existe una temperatura inferior a la máx. permitida de 85 °C.

- Explique al cliente estos requisitos.

4.3 Dimensiones

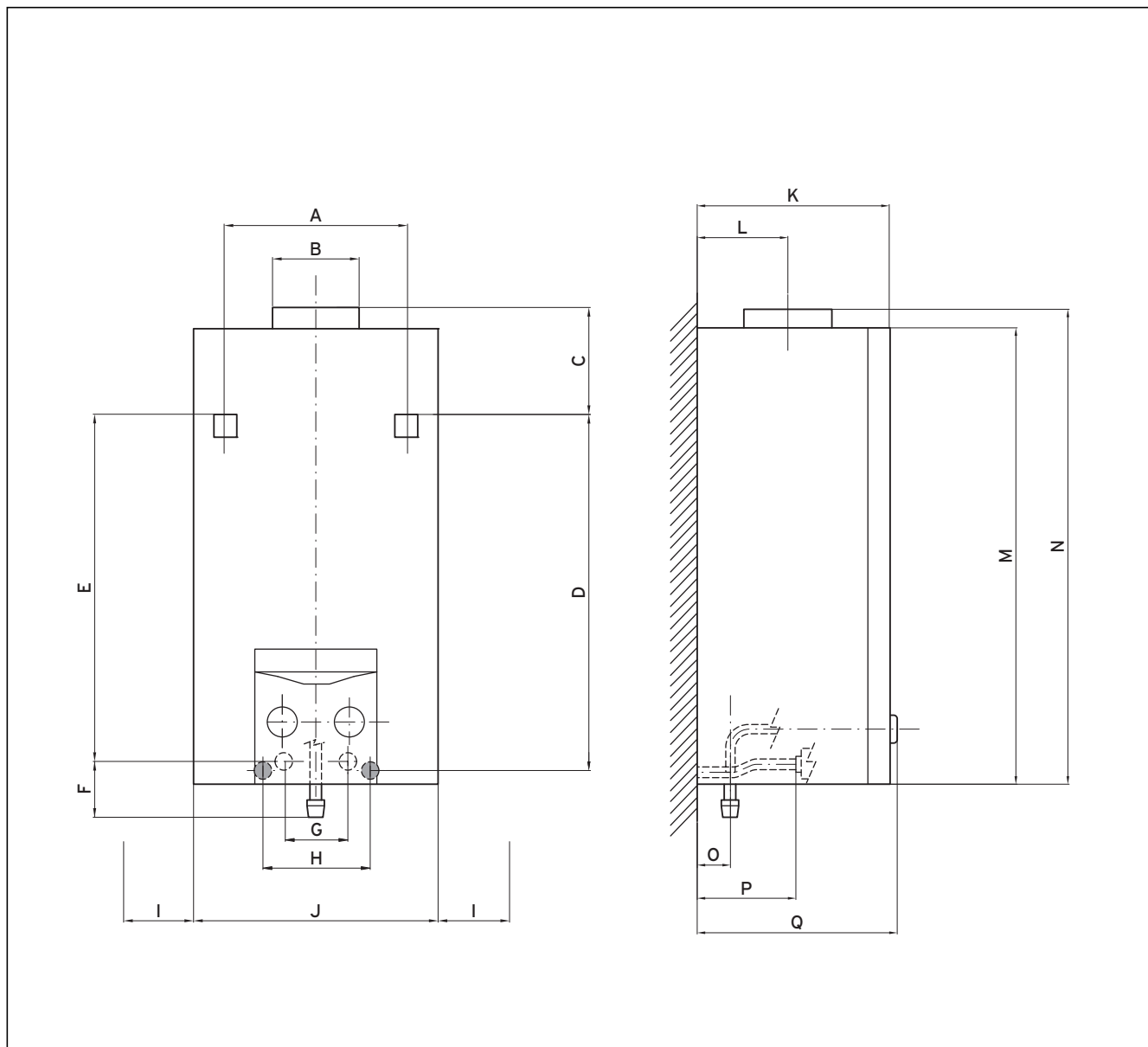


Fig. 4.1 Dibujo acotado, mini XI

Maß	mm		Maß	mm
A	235		J	310
B	∅ 110		K	243
C	139		L	115
D	451		M	580
E	441		N	605
F	52		O	50
G	70		P	125
H	120		Q	253
I	min. 20			

Tab. 4.1 Dimensiones

4 Montaje

4.4 Preinstalación en la pared

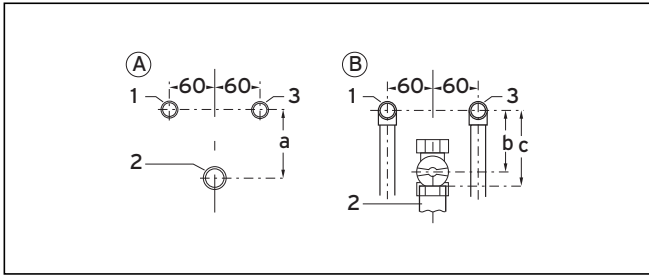


Abb. 4.2 Preinstalaciones en la pared

Leyenda

- 1 Conexión de agua caliente R 1/2
- 2 Conexión de gas
- 3 Conexión de agua fría R 1/2

La figura muestra la situación de las conexiones en:

- A Instalación bajo revoque
- B Instalación sobre revoque

Al utilizar los accesorios Vaillant, las preinstalaciones en la pared existentes se pueden mantener o efectuarse como se muestra.

Las distancias recomendadas para todos los modelos de aparatos son:

- a = 92 mm
- b = 85 mm
- c ≈ 100 mm

4.5 Retirar o colocar la carcasa

Para efectuar el montaje y el mantenimiento del calentador debe retirar la carcasa y volver a colocarla una vez concluidos los trabajos.

4.5.1 Gerätemantel abnehmen

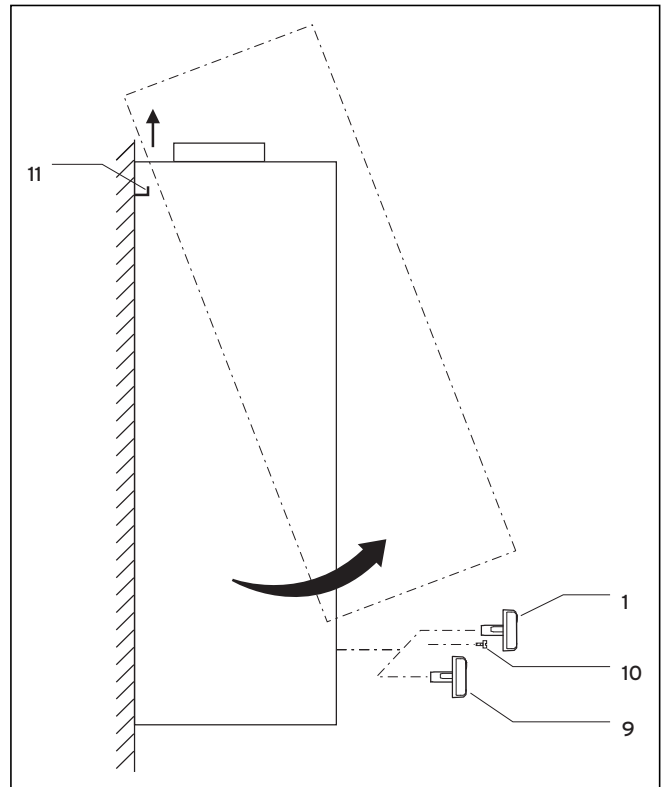


Fig. 4.3 Desmontaje de la carcasa del aparato

- Retire el mando selector de temperatura (1) y el mando selector de potencia (9).
- Retire el tornillo (10) debajo del selector de temperatura.
- Estire la carcasa hacia delante extrayéndola y levántela de los dos soportes (11).

4.5.2 Colocar la carcasa

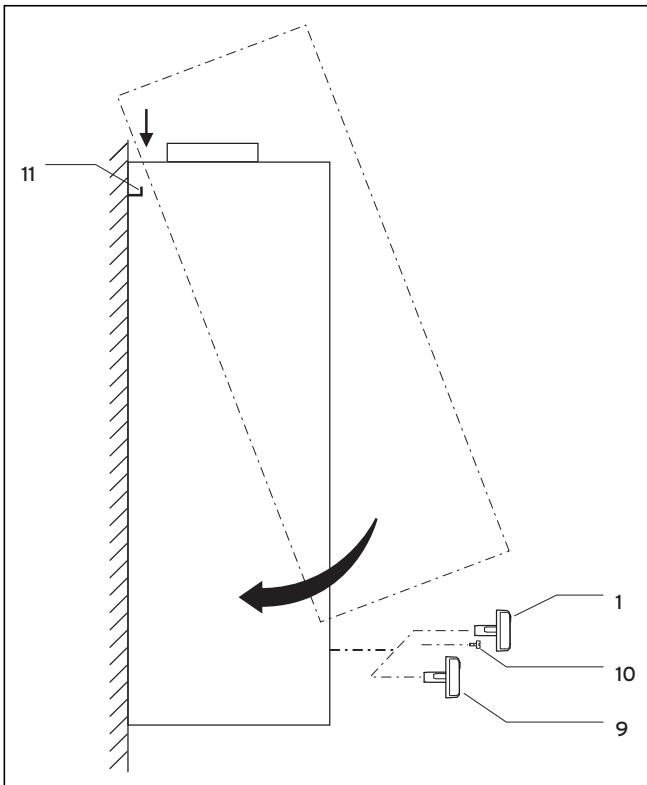


Fig. 4.4 Montaje de la carcasa del aparato

- Coloque la carcasa desde arriba sobre ambos soportes (11) e insértela en la parte posterior presionando. Asegúrese de que las dos pestañas se encuentran colocadas en los alojamientos.
- Vuelva a insertar el tornillo (10) debajo del selector de temperatura.
- Vuelva a colocar el mando selector de potencia (9) y el mando selector de temperatura (1).

4.5.2 Montar el aparato

- Determine el lugar de colocación, véase apartado 4.2 Requisitos del lugar de instalación.
- Para la sujeción del aparato, utilice los alojamientos u orificios de la parte posterior del aparato, en función de las condiciones del lugar.
- Realice las perforaciones para los tornillos de sujeción de acuerdo con las indicaciones de medidas de la figura en el apartado 5.4 Dimensiones.
- Para fijar el aparato, utilice, en función de los puntos elegidos para la suspensión, anclajes, ganchos, tornillos o pernos roscados.
- Atornille la parte posterior del aparato firmemente a la pared con el material de sujeción adecuado.

5 Instalación



¡Peligro!

¡Peligro de envenenamiento y de explosión!

Una instalación inadecuada puede provocar situaciones peligrosas.

- Durante la instalación de las conexiones, compruebe que ha colocado correctamente todas las juntas para evitar de forma fiable que se produzcan fugas del lado del gas.



¡Peligro!

¡Peligro de escaldadura!

Una instalación inadecuada puede provocar situaciones peligrosas.

- Durante la instalación de las conexiones, compruebe que ha colocado correctamente todas las juntas para evitar de forma fiable que se produzcan fugas del lado del agua.

5.1 Conexión al suministro de gas

- Establezca la conexión sin tensión y hermética entre la pared y el aparato con ayuda de la pieza de empalme de gas natural suministrada.



¡Atención!

¡Peligro de daños en la valvulería del gas!

La valvulería del gas puede resultar dañada debido a altas presiones. No está permitido que la presión de servicio sobrepase los 0,006 MPa (60 mbar).

- Compruebe la estanqueidad de la valvulería del gas con una presión máxima de 0,011 MPa (110 mbar).

- Compruebe la estanqueidad del aparato y repare las fugas en caso necesario.

5 Instalación

5.2 Conexión con el suministro de agua



¡Peligro!
¡El agua caliente o fría que sale del aparato puede causar escaldaduras u otros daños!

Una instalación inadecuada puede producir fugas. Las tuberías de plástico para la conexión de agua caliente y/o fría deben ser resistentes a una temperatura de hasta 95 °C y a una presión de hasta 1 MPa (10 bar).

- Para evitar fugas, observe que en las tuberías no existan tensiones mecánicas. Establezca las conexiones de agua fría y caliente sin tensión.

- Establezca las conexiones de agua fría y caliente sin tensión.
- Compruebe la estanqueidad del aparato y repare las fugas en caso necesario.

5.3 Conexión con el sistema de evacuación de gases

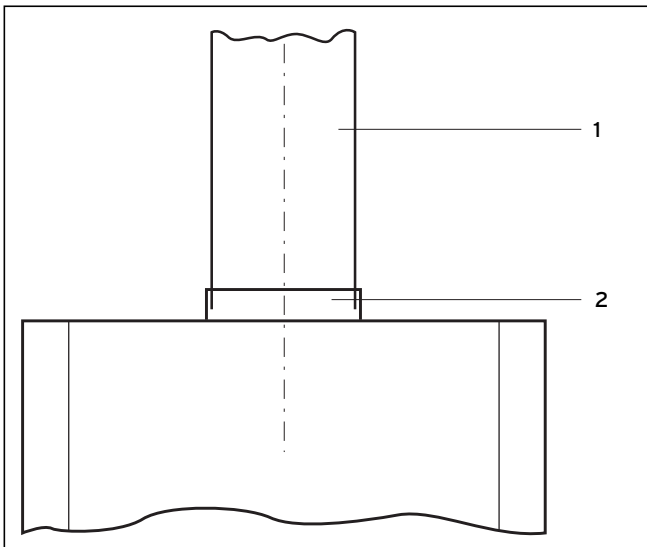


Fig. 5.1 Conexión de evacuación de gases

Leyenda

- 1 Conducto de evacuación de gas
- 2 Abertura del conducto del cortatiro

5.3.1 Comprobación del funcionamiento del sensor de salida de gases

Antes del montaje del conducto de evacuación, compruebe que el sensor de gases funcione correctamente. Proceda del siguiente modo:

- Bloquee el trayecto de evacuación.

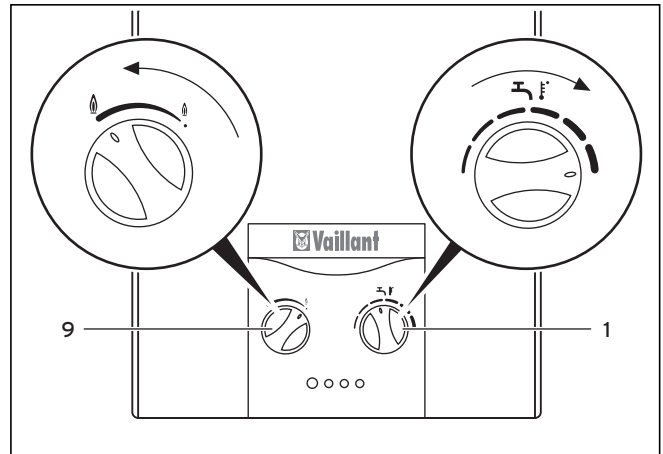


Fig. 5.2 Ajuste de temperatura y potencia máximas

- Gire el selector de temperatura (1) hacia la derecha hasta alcanzar la temperatura máxima.
- Gire el mando de potencia (9) hacia la izquierda para seleccionar la máxima potencia.
- Abra el grifo de agua caliente.

El sensor de gases deberá interrumpir automáticamente el suministro de gas en un periodo de 2 minutos y deberá bloquear el aparato.

Tras dejar que se enfríe el sensor de gases, el aparato puede ponerse en marcha (tras 15 minutos como mínimo).

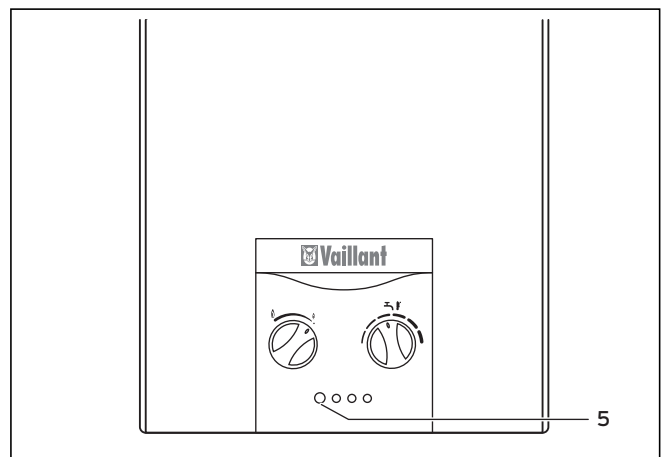


Fig. 5.3 Desbloqueo

Para desbloquear el aparato deberá, bien

- cerrar el grifo de agua y volverlo a abrir sin accionar el interruptor principal, o bien

- dejar abierto el grifo de agua, y apagar y volver a encender el aparato pulsando dos veces el interruptor principal (5).

En caso de que el sensor de gases no cierre en el tiempo previsto:

- Informe al S.A.T.
- Apague el aparato.

5.3.2 Montaje del conducto de evacuación

- Coloque el conducto de salida de gases (1) en la conexión del conducto de salida de gases (2) en el cortatiro, véase fig. 5.1 Conexión de evacuación de gases.

5 Instalación

5.4 Esquema de cableado

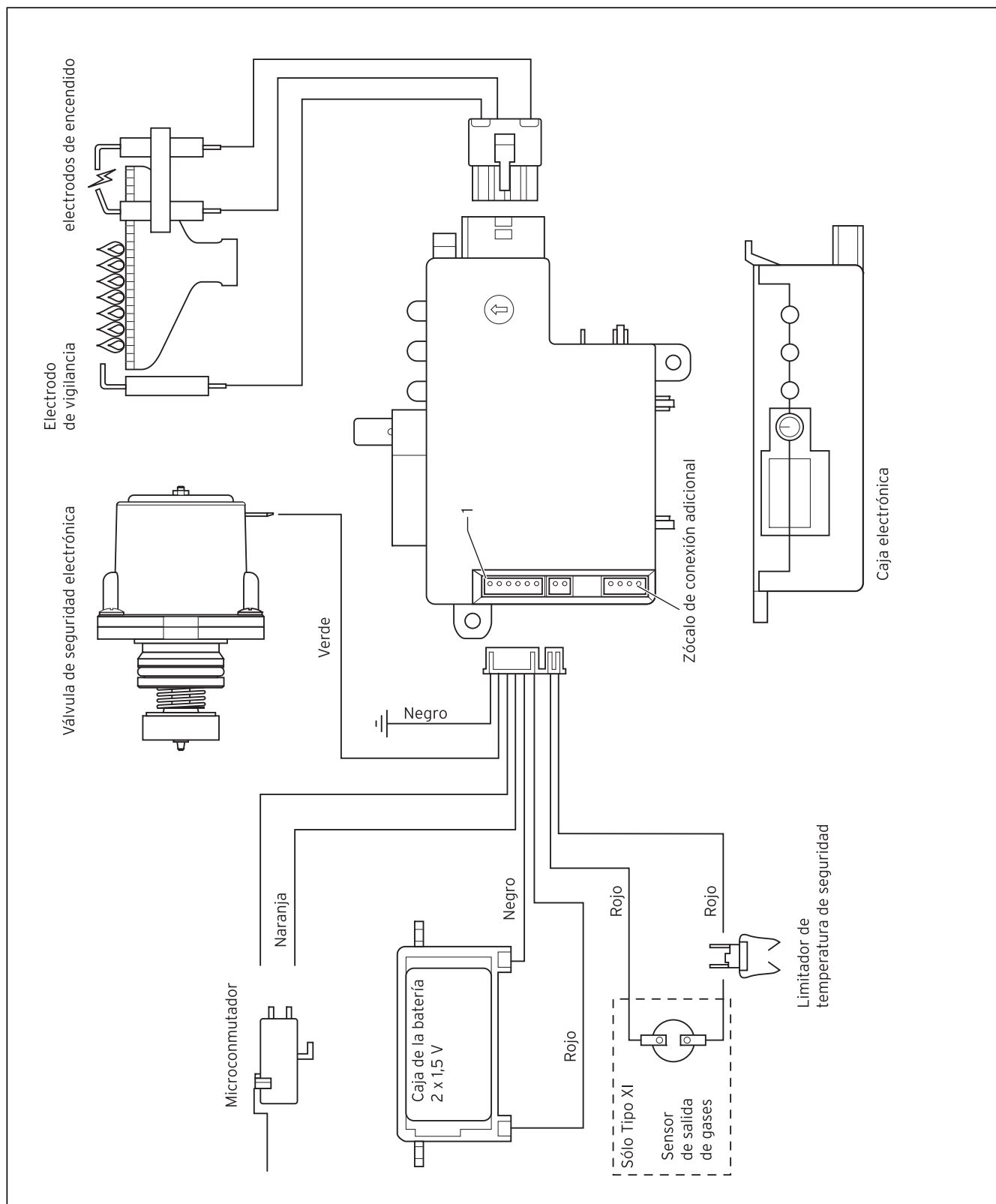


Fig. 5.4 Esquema de cableado

6 Puesta en marcha

La primera puesta en marcha y el primer uso del aparato, así como las instrucciones inicial del usuario, deben llevarse a cabo por personal cualificado.

En la primera puesta en marcha deberá comprobar el ajuste de gas existente y deberá colocar las baterías. Las restantes puestas en marcha y el uso se realizan tal y como se describe en las instrucciones de uso, en el apartado 5.3.

6.1 Comprobación de la configuración de los gases

- Para ello, compare las tablas del apartado 6.2, Tablas de ajuste del gas.

6.1.1 Comparación de la configuración de los gases con el suministro de gas

- Compare los datos de la placa de características referentes al modelo de los aparatos (categoría y tipo de gas configurado) con el tipo de gas disponible localmente. Podrá obtener información en compañía local de suministro de gas.

No hay coincidencia:

- ajuste el aparato al tipo de gas disponible (véase el apartado 6.5, Adaptación a otro tipo de gas).

6.1.2 Comprobación de la presión de conexión del gas

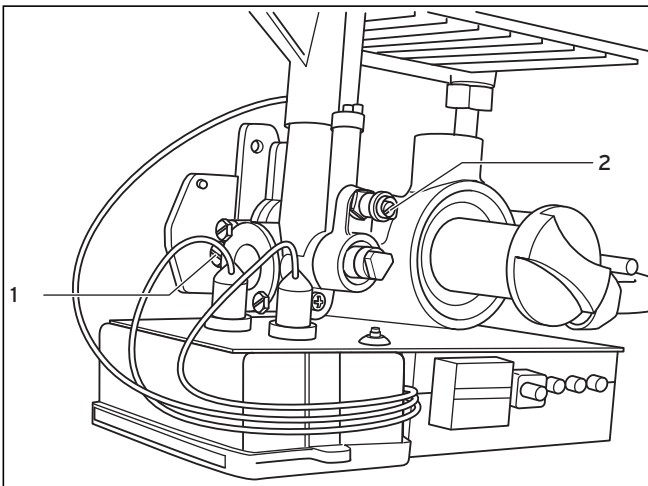


Fig. 6.1 Tobera de medición para la presión de conexión del gas

Podrá medir la presión de conexión del gas con un manómetro o columna de agua para líquidos (disolución mínima de 0,00001 MPa 0,1 mbares). Proceda del siguiente modo:

- Cierre la llave del gas.
- Desatornille el tornillo de obturación del tubo de medición de la presión de conexión (1) (véase Fig. 6.1 Tobera de medición para la presión de conexión del gas).

- Conecte un manómetro de tubo en U.
- Abra la llave del gas.
- Ponga el aparato en marcha según las instrucciones de uso y abra el agua caliente.
- Mida la presión de conexión (presión del caudal de gas).

Familia de gas	Margen de presión de conexión del gas permitido en MPa (mbares)
Gas natural 2H G 20	0,0017 - 0,0025 (17 - 25)
Gas licuado 3B/P G 30/G 31	0,002 - 0,0035 (20 - 35)
Gas licuado 3+ G 30 G 31	0,002 - 0,0035 (20 - 35) 0,0025 - 0,0045 (25 - 45)

Tabla 6.1 Margen de presión de conexión del gas



¡Atención!

¡Peligro de daños causados por una presión de gas incorrecta!

Una presión de gas incorrecta puede dañar la valvulería del gas y provocar otros daños.

- Utilice el aparato sólo cuando tenga una presión de conexión permitida.
- Informe a la compañía de suministro de gas si no puede solucionar la causa de este fallo por sí mismo.

- Apague el aparato.
- Cierre la llave del gas.
- Retire el manómetro o columna de tubo en U.
- Vuelva a atornillar el tornillo de obturación del tubo de medición para la presión de conexión.
- Abra la llave del gas.
- Compruebe la estanqueidad de la tobera de medición.

6.1.3 Comprobación de la carga calorífica

Podrá comprobar la carga calorífica mediante dos procedimientos:

- Comprobando el valor del flujo de gas en el contador (método volumétrico).
- Compruebe la presión del quemador (método de presión del quemador).

Método volumétrico

Asegúrese de que durante la comprobación no se suministran gases agregados (p. ej. mezclas de aire y gas licuado) a la cobertura de consumo máximo. Podrá solicitar información al respecto en la compañía de suministro de gas correspondiente.

Asegúrese de que durante la revisión no se encuentre en marcha ningún otro aparato.

6 Puesta en marcha

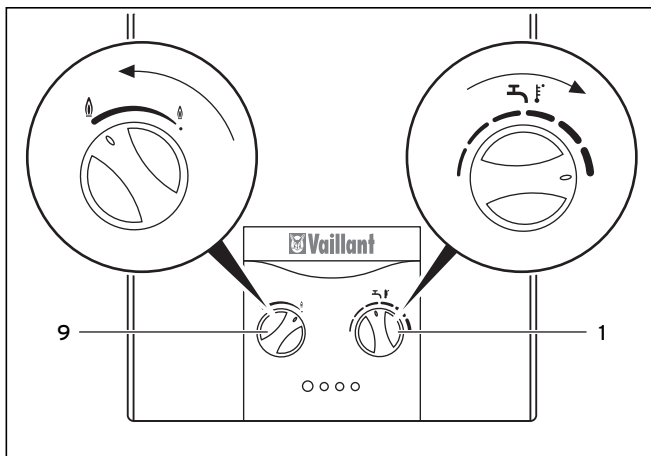


Fig. 6.2 Ajuste de temperatura y potencia máxima.

- Ponga el aparato en marcha según las instrucciones de uso ajuste el selector de temperatura (1) a la máxima temperatura girando la rueda hacia la derecha.
- Gire el mando de potencia (9) hacia la izquierda para seleccionar la máxima potencia.
- Localice el valor necesario de flujo de gas seleccionándolo de la tab. 6.3 Flujo de gas (valor de la tabla l/min), véase apartado 6.2 Tablas de ajuste del gas.
- Anote el estado del contador de gas.
- Abra completamente el grifo de agua caliente, preferiblemente de la bañera o ducha. Durante este procedimiento debe fluir el caudal nominal de agua, véase apartado 10, Datos Técnicos.
- Tras aprox. 5 minutos de funcionamiento continuo del aparato, lea el valor de flujo del gas en el contador y compárelo con el valor de la tabla.

Se permiten diferencias de \pm un 5 %.

Si las diferencias sobrepasan los límites indicados:

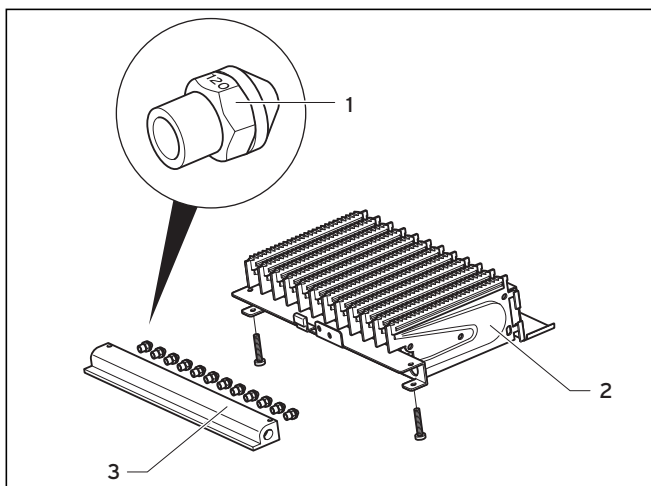


Abb. 6.3 Düsenkennzeichnung

Leyenda

- 1 Tobera del quemador
- 2 Quemador
- 3 Distribuidor de tobera

- Compruebe si se encuentran instaladas las toberas correctas. Compruebe la identificación de las toberas montadas con los datos de la tabla en el apartado 9, Datos Técnicos. Para ello, deberá desmontar el quemador si es necesario, véase el apartado 7.2, Limpieza del quemador.
- Si las toberas no son la causa de la diferencia, notifíquelo al S.A.T oficial.
- Apague el aparato.

Método de presión del quemador

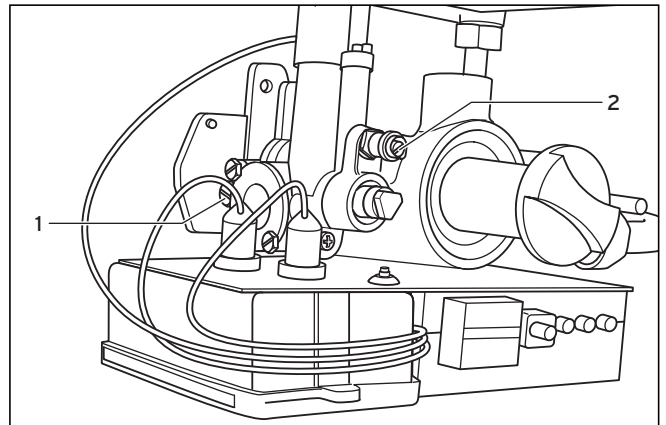


Fig. 6.4 Tobera de medición para la presión del quemador

- Desatornille el tornillo de obturación del tubo de medición de la presión del quemador (2).
- Conecte un manómetro de tubo en U (solución mínima de 0,00001 MPa (0,1 mbares).

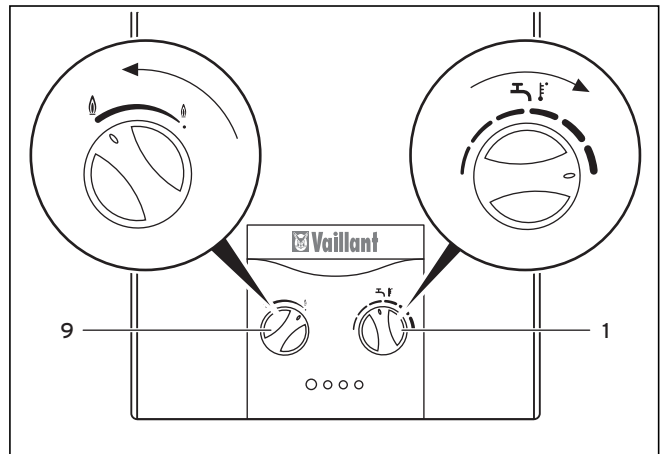


Fig. 6.5 Ajuste de temperatura y potencia máximas

- Ponga el aparato en marcha según las instrucciones de uso ajuste el selector de temperatura (6) a la máxima temperatura girando la rueda hacia la derecha.
- Abra completamente el grifo de agua caliente, preferiblemente de la bañera o ducha. Durante este procedimiento debe fluir el caudal nominal de agua, véase apartado 10, Datos Técnicos .

- Consulte la presión necesaria del quemador en MPa (mbares) en la tab. 6.4 Presión del quemador.
- Compare la presión medida con el valor de la tabla.
- Se permiten diferencias de \pm un 10 %.
- Apague el aparato.
- Retire el manómetro o columna de tubo en U.
- Vuelva a atornillar el tornillo de obturación de la tobera de medición de la presión del quemador.
- Compruebe la estanqueidad del tornillo de obturación.

Si las diferencias sobrepasan los límites indicados:

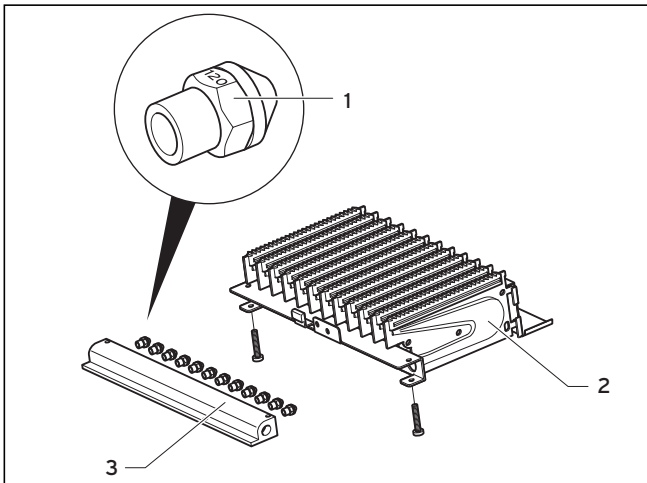


Abb. 6.6 Düsenkennzeichnung

Leyenda

- 1 Tobera del quemador
- 2 Quemador
- 3 Distribuidor de tobera

- Compruebe si se encuentran instaladas las toberas correctas, véase fig. 6.4, Identificación de toberas. Compruebe si se encuentran instaladas las toberas correctas, véase tab. 9.2 Valores del gas referidos al tipo de gas ajustado. Compruebe la identificación de las toberas montadas con los datos de la tabla en el apartado 9, Datos Técnicos. Para ello, deberá desmontar el quemador si es necesario, véase el apartado 7.2, Limpieza del quemador.
- Si las toberas no son la causa de la diferencia, notifíquelo al S.A.T oficial. No deberá poner el aparato en funcionamiento.
- Apague el aparato.

6.2 Tablas de ajuste del gas

Versión del aparato para	Gases naturales	Gases licuados
Identificación en la placa de características	2H G 20 - 0,002 MPa (20 mbar)	3B/P G 30 - 0,003 MPa (20 mbar) 3+ G 30/G 31 - 0,0028-0,003/ 0,0037 MPa (28-30/ 37 mbar)
Ajuste de fábrica	G 20	G 30
Identificación toberas del quemador	118	072

Tabla 6.2 Ajuste del gas de fábrica

Familia de gas	Flujo de gas con carga térmica nominal en l/min
Gas natural 2H G 20	39
Gas licuado 3B/P G 30/G 31	11,4
Gas licuado 3+ G 30 G 31	11,4 15

Tabla 6.3 Flujo de gas

Familia de gas	Presión del quemador con carga térmica nominal en MPa (mbares)
Gas natural 2H G 20	0,00109 (10,9)
Gas licuado 3B/P G 30/G 31	0,0024 (24)
Gas licuado 3+ G 30 G 31	0,0024 MPa (24) 0,0031 MPa (31)

Tabla 6.4 Presión del quemador

6.3 Comprobación del funcionamiento del aparato

- Compruebe el funcionamiento del aparato siguiendo las instrucciones de uso.
- Compruebe la estanqueidad del aparato con respecto al gas y al agua.
- Compruebe la correcta evacuación de gases en el cortatiro, p. ej. con el nivel de rocío.
- Compruebe el funcionamiento del sensor de salida de gases, véase el apartado 5.3, Conexión con el sistema de evacuación de gases.
- Deberá marcar necesariamente el tipo de aparato y el tipo de gas utilizado con el mismo, en la Tabla 10.2 Valores del gas referidos al tipo de gas ajustado, en el apartado 10 Datos técnicos.
- Vuelva a montar el revestimiento en el aparato.

6 Puesta en marcha

6.4 Entrega al usuario



Tras finalizar la instalación, pegue por favor en la parte delantera del aparato el adhesivo 835593 adjunto en el idioma del usuario.

Se debe explicar al usuario del aparato el uso y funcionamiento de su calentador instantáneo de agua a gas.

- Haga que el cliente se familiarice con el uso del aparato. Revise con el usuario las instrucciones de uso y conteste a sus preguntas dado el caso.
- Entregue al usuario todas las instrucciones que le correspondan y la documentación del aparato para que las guarde.
- Indique al propietario, que ha marcado el tipo de aparato y el tipo de gas utilizado con el mismo, en las instrucciones de instalación, en la Tabla 10.2 Valores del gas referidos al tipo de gas ajustado, en el apartado 10 Datos técnicos.
- Explique al usuario las medidas tomadas sobre el suministro de aire de combustión poniendo especial énfasis en que no se deben variar dichas condiciones.
- Indíquele especialmente qué medidas de seguridad debe tener en cuenta.
- Explique al usuario la necesidad de una inspección y un mantenimiento periódicos del equipo. Recomiéndele un contrato de inspección/mantenimiento.
- Advértale que las instrucciones deben guardarse cerca del calentador instantáneo de agua a gas.
- Insista especialmente en que sólo se deben modificar las condiciones del recinto tras consultarlo con la empresa instaladora autorizada.

6.5 Adaptación a otro tipo de gas



¡Peligro!
¡Riesgo de intoxicación debido al tipo de gas incorrecto!

Una combustión incompleta puede provocar intoxicaciones por monóxido de carbono. Debido a la utilización de toberas del quemador incorrectas puede salir gas al lugar de instalación y provocar una intoxicación.

- Utilice el aparato con el tipo de gas permitido.
- Para la adaptación para otro tipo de gas, utilice sólo el juego de reequipamiento original de Vaillant.



¡Peligro!
¡Peligro de muerte!

Si se utilizan toberas de quemador inapropiadas, en el caso de una función errónea puede producirse peligro de muerte debido a la salida de gas.

- La adaptación del aparato a otro tipo de gas sólo puede llevarse a cabo con los juegos de conversión disponibles de fábrica.

Si desea cambiar el tipo de gas, debe realizar la transformación del aparato al tipo de gas disponible. Para ello es necesario modificar o cambiar determinadas piezas del aparato.

Estos cambios, y los nuevos ajustes que estos suponen, sólo pueden ser llevados a cabo por el S.A.T. oficial de acuerdo con la normativa nacional vigente.

Puede llevar a cabo la adaptación fácilmente si sigue las instrucciones que se adjuntan a los juegos de transformación para otro tipo de gas suministrados por Vaillant.

7 Inspección y mantenimiento



¡Atención!
¡Desgaste del aparato debido a una limpieza inadecuada!

Los daños durante la limpieza pueden dar lugar a un desgaste prematuro del aparato.

- No utilice bajo ningún concepto cepillos de alambre o de una dureza similar para la limpieza del serpentín del aparato.



¡Atención!
¡Error de medición debido a los productos de limpieza!

Durante la comprobación de la corriente de ionización deben estar limpias las líneas de medición de los bornes de medición.

- Verifique que las líneas y los bornes de medición no se humedecen con solución jabonosa (detector de fugas).

7.1 Preparación para el mantenimiento

Para el mantenimiento del aparato deberá desmontar la carcasa, véase el apartado 4.5, Montaje del aparato. Para realizar las tareas de mantenimiento aquí descritas vacíe el aparato y consulte el apartado 4.8, Protección contra heladas, de las instrucciones de uso. Para limpiar el aparato debe desmontar primero el quemador y después el serpentín del aparato. Vuelva a montar todas las piezas en sentido inverso después de realizar los trabajos de mantenimiento. Limpie siempre tanto el quemador como los serpentines del aparato.



Sustituya todas las juntas desmontadas por juntas nuevas (comprobación de juntas, véase el apartado 7.7, Piezas de repuesto).

7.2 Limpieza del quemador

Para limpiar el quemador deberá desmontarlo y, en caso necesario, desmontar la barra de toberas cuando sea necesario para el depósito de polvo.

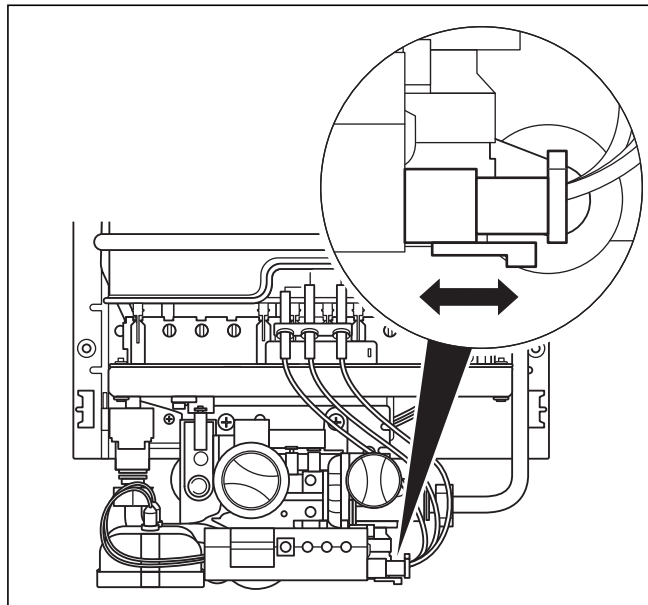


Abb. 7.1 Contacto de enchufe de los electrodos de encendido

- Suelte el contacto de enchufe de los electrodos de encendido en el panel electrónico.

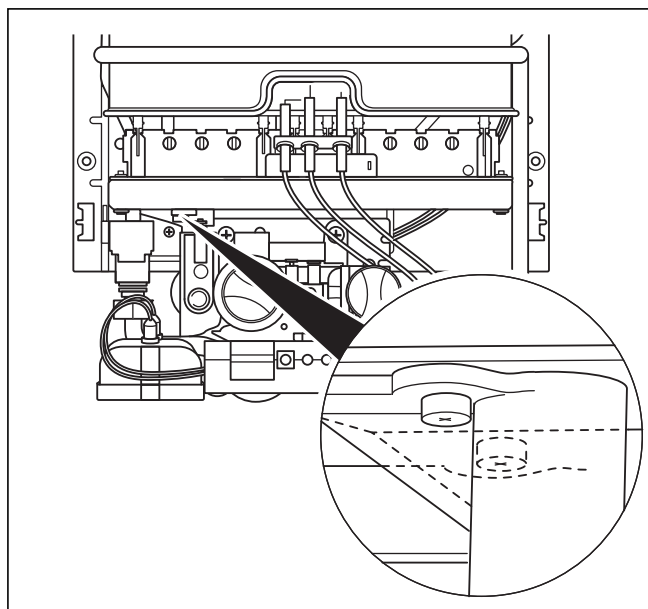


Abb. 7.2 Fijación del quemador en la válvula de gas

- Extraiga dos tornillos roscados con los que el quemador se fija a la válvula del gas.
- Levante un poco el quemador y extráigalo tirando hacia adelante.
- Extraiga dos tornillos roscados para desmontar la barra de toberas.

7 Inspección y mantenimiento

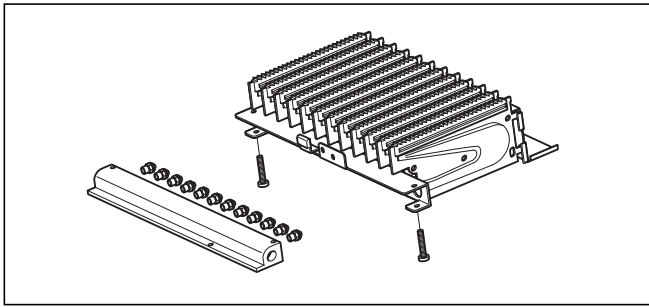


Abb. 7.3 Aufbau Brenner

- Retire los posibles restos calcinados con un cepillo de cerdas de latón. Los inyectores y rieles del quemador deberán en caso necesario limpiarse con un pincel suave y con aire comprimido (polvo y suciedad). Si la suciedad es persistente, lave el quemador con lejía jabonosa y enjuáguelo con agua limpia.
- Monte la barra de toberas otra vez en el quemador.

7.3 Limpieza y eliminación de la cal de los serpentines del aparato

Para limpiar el serpentín del aparato debe primero desmontar el quemador y después el serpentín del aparato.



¡Atención!
¡Daños en el aparato!

La deformación del serpentín provoca un desgaste prematuro del aparato.

- Al montar y desmontar el serpentín del aparato, tenga cuidado de que éste no se doble.

- Retire el limitador de temperatura de seguridad.

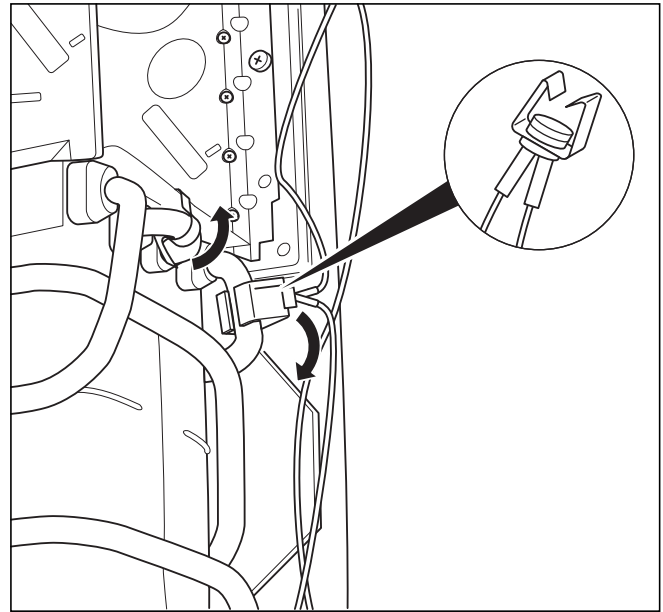


Fig. 7.4 Desmontaje del limitador de temperatura de seguridad y del sensor de temperatura

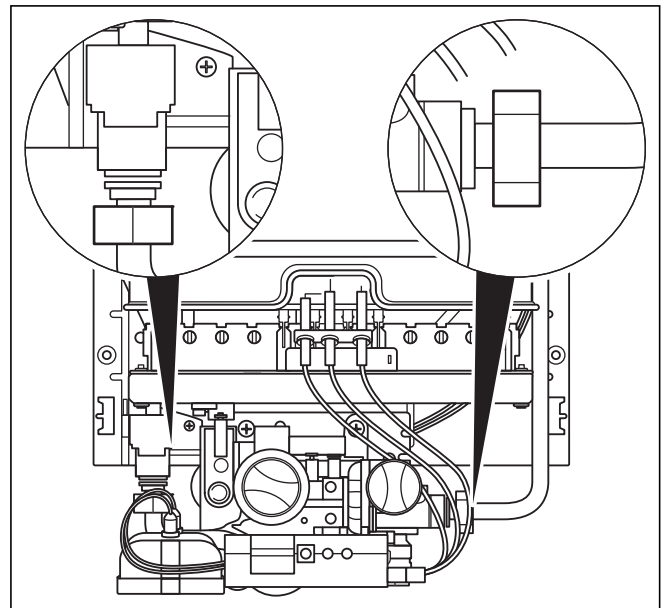


Fig. 7.5 Fijación pared trasera del serpentín del aparato

- Afloje las tuercas de racor de los conductos de agua caliente y fría.
- Afloje los tornillos de chapa de las abrazaderas con las que los conductos de agua caliente y fría se fijan a la pared trasera.
- Afloje las sujeciones con las que el serpentín del aparato se fija al cortatiro.
- Extraiga el serpentín del aparato hacia adelante y abajo.

Con poca suciedad:

- Limpie las láminas del serpentín con un fuerte chorro de agua.

Con mucha suciedad:

- Utilice un cepillo suave común para limpiar el bloque de láminas. Limpie el bloque de láminas si es posible de arriba hacia abajo y en un recipiente con agua caliente para retirar la grasa y el polvo de las piezas.



¡Atención!

¡Peligro de daños materiales debido a un montaje inadecuado!

Un montaje o unos trabajos de mantenimiento inadecuados pueden provocar daños materiales.

- Durante el montaje y la realización de los trabajos de mantenimiento, preste atención para evitar dañar o doblar alguno de los componentes.

- A continuación limpie los serpentines del aparato con agua en circulación.

En caso de suciedad de componentes aceitosos o que contengan grasa:

- Limpie el serpentín añadiendo detergente que disuelva las grasas y sumergiéndolo en agua caliente.

En caso de aparición de depósitos de cal:

- Utilice productos disolventes de cal de uso habitual. Tenga en cuenta el manual de instrucciones correspondiente.



¡Atención!

¡Peligro de daños debido a una herramienta incorrecta!

Los cepillos de alambre u otros cepillos de dureza similar pueden dañar el aparato.

- Bajo ninguna circunstancia utilice cepillos de alambre u otros de dureza similar para la limpieza del serpentín del aparato.



Según sea la calidad del agua, recomendamos una eliminación periódica de la cal del agua de servicio del serpentín caliente del aparato.



Durante la limpieza puede que se desprenda algo de la pintura de revestimiento. Esto no afectará al funcionamiento del serpentín del aparato.



Para el montaje tenga cuidado a que la cámara de combustión queda colocada en la parte central bajo la cámara de combustión.



No olvide volver a enchufar el limitador de temperatura de seguridad.

Repare los daños de la pintura

Los daños más pequeños en la pintura del serpentín pueden eliminarse sin esfuerzo con un spray Supral previsto para tal efecto (nº de repuesto 990 310). El lugar dañado debe estar seco, libre de depósitos y residuos de grasa.

- Agite con fuerza el spray Supral antes de usarlo y a continuación aplique la pintura en una capa fina y uniforme.



La pintura se seca al aire y no exige ningún tipo de trabajo posterior. El aparato se puede volver a utilizar inmediatamente después de aplicar la pintura.

7.4 Comprobación del funcionamiento del interruptor de agua

Debe comprobarse periódicamente que el interruptor de agua esté limpio y sin incrustaciones de cal.

- En caso de que existan depósitos en un perno de disco de membrana o prensaestopas no hermética: Utilice el juego de reparación correspondiente.

7.5 Comprobación del funcionamiento del sensor de salida de gases

Los calentadores de agua a gas están equipados con un sensor de gases. En caso de un circuito de evacuación de gases que no cumpla con las normas, al llegar el aire al lugar donde está instalado el aparato, éste se desconecta boqueándose.

Tras realizar las tareas de inspección y mantenimiento debe comprobarse que el sensor de salida de gases funciona de forma correcta. Le recomendamos que utilice el compartimento de gases Vaillant que puede obtenerse como repuesto (nº 990301). Su uso se describe en las instrucciones de uso suministradas.

Proceda del siguiente modo:

- Bloquee el trayecto de evacuación.

7 Inspección y mantenimiento

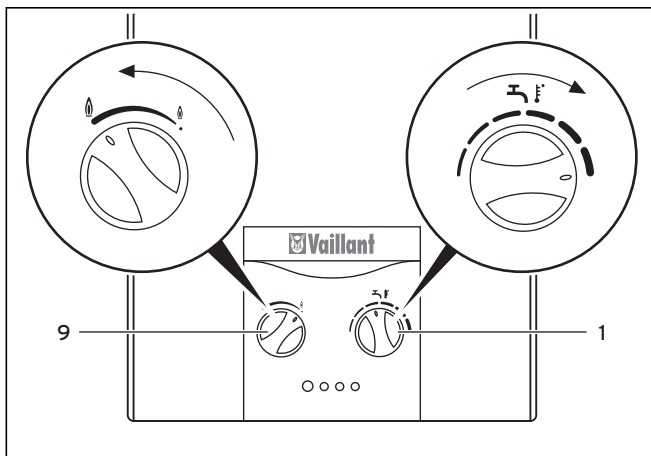


Fig. 7.6 Ajuste de temperatura y potencia máximas

- Gire el selector de temperatura (1) hacia la derecha hasta alcanzar la temperatura máxima.
- Gire el mando de potencia (9) hacia la izquierda, hasta alcanzar la potencia máxima.
- Abra un grifo de agua caliente.

El sensor de gases deberá interrumpir automáticamente el suministro de gas en un periodo de 2 minutos y deberá bloquear el aparato.

Tras dejar que se enfríe el sensor de gases, el aparato puede ponerse en marcha (tras 15 minutos como mínimo).

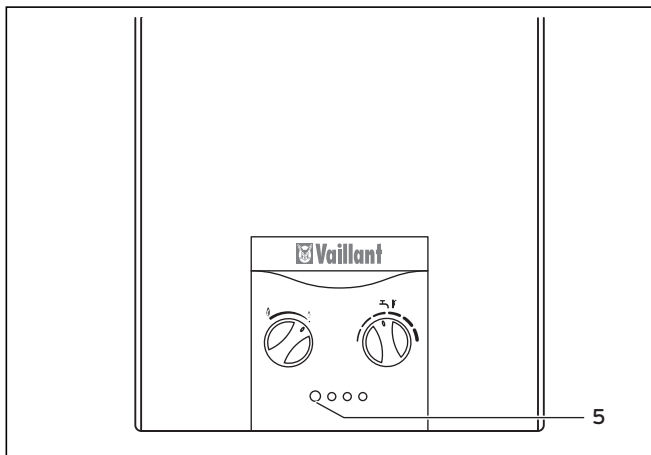


Fig. 7.7 Desbloqueo

Para desbloquear el aparato deberá, bien

- cerrar el grifo de agua y volverlo a abrir sin accionar el interruptor principal (5), o bien
- dejar abierto el grifo de agua, y apagar y volver a encender el aparato pulsando dos veces el interruptor principal (5).

En caso de que el sensor de gases no cierre en el tiempo previsto:

- Informe al S.A.T.
- Apague el aparato.

7.6 Servicio de prueba y nueva puesta en marcha

Tras realizar las tareas de inspección y mantenimiento debe comprobarse que el aparato funciona de forma correcta:

- Ponga el aparato en marcha.
- Compruebe la estanqueidad del aparato y repare las fugas en caso necesario.
- Compruebe el encendido y si la llama es correcta en el quemador principal.
- Compruebe el correcto ajuste de todos los dispositivos de control y vigilancia, así como su perfecto funcionamiento.
- Compruebe la salida correcta de los gases (espejo de rocío).



¡Peligro!

¡Peligro de intoxicación y explosión debido a una función errónea!

Los trabajos de mantenimiento o de reparación inapropiados pueden reducir la seguridad del aparato y provocar situaciones peligrosas.

- No ponga fuera de servicio bajo ninguna circunstancia los dispositivos de seguridad.
- En ningún caso manipule los dispositivos de seguridad.



Tenga en cuenta que al realizar la comprobación de la corriente de ionización, los conductos y las sujeciones de medición deben estar limpias y sin jabonaduras (spray detector de fugas).

7.7 Piezas de repuesto

Para asegurar la durabilidad de todos los aparatos de Vaillant, y para no modificar la serie, sólo pueden utilizarse piezas originales de repuesto Vaillant en los trabajos de mantenimiento y reparación.

La instalación de piezas que pueda necesitar podrá consultarse en el catálogo vigente Vaillant de repuestos. Para más información póngase en contacto con el S.A.T. de Vaillant.

8 Reparación de las averías



¡Peligro!
¡Peligro de muerte debido a una función errónea!

Los dispositivos de seguridad defectuosos o inapropiados pueden provocar situaciones de peligro mortal.

- Compruebe la desconexión de seguridad del aparato.



¡Peligro!
¡Peligro de intoxicación por monóxido de carbono!

Sin el dispositivo de control de gases de evacuación, si el tiro en la chimenea no es correcto, los gases quemados podrían retroceder de una manera incontrolada desde la chimenea al lugar donde se encuentra instalado el aparato.

- Bajo ninguna circunstancia ponga el dispositivo de control de gases de evacuación (sensor de la evacuación de gases) fuera de servicio.
- En ningún caso realice manipulaciones en este equipo que puedan afectar a su correcto funcionamiento.

Las siguientes averías sólo pueden repararse por el S. A.T. oficial.

- Para las reparaciones utilice tan sólo piezas de repuesto originales.
- Asegúrese de que el montaje de las piezas ha sido correcto, así como el mantenimiento de su situación inicial y la orientación.

Avería	Causa	Reparación
Sin funcionamiento, no se enciende ningún indicador LED.	Batería vacía.	Sustituya las baterías por otras nuevas. Asegúrese de que está abierta la llave de paso del gas. Limpie el filtro del suministro del agua fría. Si la avería continúa, póngase en contacto con el S.A.T. oficial.
El indicador LED amarillo parpadea. Encendido ruidoso.	Las baterías están bajas de carga.	Sustituya las baterías por otras nuevas.

Tabla 8.1 Ayuda en caso de averías

Avería	Causa	Reparación
El aparato no se pone en marcha, el indicador LED rojo parpadea.	Se ha interrumpido el suministro de gas. Aire en el conducto de suministro de gas.	Asegure el suministro de gas. En el caso de gas licuado: Sustituya, en caso necesario, la bombona de gas vacía por una llena. Asegúrese de que está abierta la llave de paso del gas. Abra y cierre varias veces el grifo de agua para purgar el aire de los conductos de gas. Compruebe la conexión de cables al contacto de enchufe. Sustituya el electrodo. Sustituya la servoválvula. Si la avería continúa, póngase en contacto con el S.A.T. oficial.
Durante el funcionamiento, el indicador LED rojo parpadea.	Se ha interrumpido el suministro de gas. Aire en el conducto de suministro de gas. La corriente de ionización es demasiado baja. El detector de llamas está averiado.	Asegure el suministro de gas. En el caso de gas licuado: Sustituya, en caso necesario, la bombona de gas vacía por una llena. Abra y cierre varias veces el grifo de agua para purgar el aire de los conductos de gas. Compruebe la corriente de ionización. Compruebe el empalme de cables. Sustituya el electrodo de ionización en caso necesario. Si la avería continúa, póngase en contacto con el S.A.T. oficial.
El aparato se pone fuera de funcionamiento.	Las baterías están bajas de carga. Es posible que la instalación del conducto de evacuación de gases no se haya realizado correctamente. (Tubo de salida de gases demasiado corto.) El tubo de salida de gases está parcialmente obstruido. El limitador de temperatura de seguridad o el sensor de salida de gases está averiado. Se ha producido una ruptura en el cable del limitador de temperatura de seguridad y del sensor de salida de gases.	Sustituya las baterías por otras nuevas. Compruebe que la instalación del conducto de evacuación de gases se ha llevado a cabo teniendo en cuenta la longitud mínima del tubo. Asegúrese de que el suministro de gas no está obstruido. Sustituya el limitador de temperatura de seguridad y/o el sensor de salida de gases incl. el cable. Si la avería continúa, póngase en contacto con el S.A.T. oficial. Póngase en contacto con su instalador especializado.

Tabla 8.1 Ayuda en caso de averías, continuación

9 Garantía de fábrica

10 Datos técnicos

9 Garantía de fábrica

Concedemos al propietario del aparato una garantía de fábrica según las condiciones indicadas en la tarjeta de garantía.

Los trabajos relacionados con la garantía los realizará exclusivamente el personal de nuestro servicio de atención al cliente.

Les reembolsaremos los eventuales gastos surgidos de la realización de trabajos en el aparato durante el periodo de garantía únicamente cuando hayamos recibido la petición correspondiente y se trate de una reparación incluida en la garantía.

10 Datos técnicos

Calentadores de agua a gas, modelo B11, B11 BS

- ▶ Marque con una cruz el tipo de aparato instalado y de gas ajustado en la tab. 10.2 Valores del gas referidos al tipo de gas ajustado.

Característica	Unidad	MAG mini INT 11-0/O XI
Categoría del gas		<input type="checkbox"/> 2H3B/P' <input type="checkbox"/> 3B/P' <input type="checkbox"/> 2HS3B/P <input type="checkbox"/> 2H3P <input type="checkbox"/> 2ELL3P <input type="checkbox"/> 2H3+ <input type="checkbox"/> 2F+3+
Caudal de agua caliente con el selector de temperatura en la posición de caliente	l/min.	2,2 - 5,5
el selector de temperatura en la posición de templado	l/min.	4 - 11
Carga calorífica máxima ($Q_{máx.}$) (referida al valor calorífico H_u) ¹⁾	kW	22,1
Carga calorífica mínima ($Q_{mín.}$)	kW	9,3
Potencia calorífica máxima ($P_{máx.}$)	kW	19,2
Potencia calorífica mínima ($P_{mín.}$)	kW	7,7
Ámbito de modulación	kW	7,7 - 19,2
Presión máxima admisible del agua $p_w máx.$	MPa (bar)	1,3 (13)
Presión mínima admisible del agua $p_w mín.$	MPa (bar)	0,015 (0,15)
Temperatura de la salida de gas con una potencia calorífica máxima	°C	160
Temperatura de la salida de gas con una potencia calorífica mínima	°C	110
Caudal de masa de evacuación de gas máximo	g/s	14,4
Caudal de masa de evacuación de gas mínimo	g/s	13,3
Dimensiones		
Altura	mm	580
Anchura	mm	310
Profundidad (incl. mando)	mm	243 (253)
Ø Conexión del tubo de salida de gases	mm	110
Peso aprox.	kg	12
Número CE (PIN)		99BP821

Tabla 10.1 Datos Técnicos específicos del aparato

¹⁾ 15 °C, 0,101325 MPa (1013,25 mbar), seco

Valor del gas referido al tipo de gas ajustado	Unidad	MAG mini INT 11-O/O XI
← (Marque con una cruz el lugar correspondiente)		
Gas natural G 20		
Valor de la conexión de gas con una potencia calorífica máxima	m ³ /h	2,3
Presión de conexión (presión del caudal de gas) p _w antes del aparato	MPa (mbar)	0,002 (20)
Tobera del quemador ¹⁾	mm	1,18
Presión del quemador con una potencia calorífica máxima	MPa (mbar)	0,00109 (10,9)
Cantidad de aire necesario para la combustión	m ³ /h	23,3
← (Marque con una cruz el lugar correspondiente)		
Gas natural G 25		
Valor de la conexión de gas con una potencia calorífica máxima	m ³ /h	2,7
Presión de conexión (presión del caudal de gas) p _w antes del aparato	MPa (mbar)	0,002 (20)
Tobera del quemador ¹⁾	mm	1,35
Presión del quemador con una potencia calorífica máxima	MPa (mbar)	0,00092 (9,2)
Cantidad de aire necesario para la combustión	m ³ /h	23,3
← (Marque con una cruz el lugar correspondiente)		
Gas natural G 25 (H _i = 10,5 kWh/m ³)		
Valor de la conexión de gas con una potencia calorífica máxima	m ³ /h	2,1
Presión de conexión (presión del caudal de gas) p _w antes del aparato	MPa (mbar)	0,0025 (25)
Tobera del quemador ¹⁾	mm	1,18
Presión del quemador con una potencia calorífica máxima	MPa (mbar)	0,00117 (11,7)
Cantidad de aire necesario para la combustión	m ³ /h	23,3
← (Marque con una cruz el lugar correspondiente)		
Gas natural G 25.1 (H _i = 8,8 kWh/m ³)		
Valor de la conexión de gas con una potencia calorífica máxima	m ³ /h	2,5
Presión de conexión (presión del caudal de gas) p _w antes del aparato	MPa (mbar)	0,0025 (25)
Tobera del quemador ¹⁾	mm	1,35
Presión del quemador con una potencia calorífica máxima	MPa (mbar)	0,00107 (10,7)
Cantidad de aire necesario para la combustión	m ³ /h	23,3
← (Marque con una cruz el lugar correspondiente)		
Gas licuado G 30		
Valor de la conexión de gas con una potencia calorífica máxima	kg/h	1,7
Presión de conexión (presión del caudal de gas) p _w antes del aparato	MPa (mbar)	0,003 (30)
Tobera del quemador ¹⁾	mm	0,72
Presión del quemador con una potencia calorífica máxima	MPa (mbar)	0,0024 (24)
Cantidad de aire necesario para la combustión	m ³ /h	20,3

Valor del gas referido al tipo de gas ajustado	Unidad	MAG mini INT 11-O/O XI
← (Marque con una cruz el lugar correspondiente)		
Gas licuado G 31		
Valor de la conexión de gas con una potencia calorífica máxima	kg/h	1,7
Presión de conexión (presión del caudal de gas) p _w antes del aparato	MPa (mbar)	0,0037 (37)
Tobera del quemador ¹⁾	mm	0,72
Presión del quemador con una potencia calorífica máxima	MPa (mbar)	0,0024 (24)
Cantidad de aire necesario para la combustión	m ³ /h	20,6
← (Marque con una cruz el lugar correspondiente)		
Gas licuado G 31		
Valor de la conexión de gas con una potencia calorífica máxima	kg/h	1,7
Presión de conexión (presión del caudal de gas) p _w antes del aparato	MPa (mbar)	0,005 (50)
Tobera del quemador ¹⁾	mm	0,72
Presión del quemador con una potencia calorífica máxima	MPa (mbar)	0,0031 (31)
Cantidad de aire necesario para la combustión	m ³ /h	20,6

Tabla 10.2 Valores del gas referidos al tipo de gas ajustado

1) La identificación de toberas se corresponde con el diámetro del orificio multiplicado por 100.

Vaillant Deutschland GmbH & Co.KG

Berghauser Str. 40 ■ D-42859 Remscheid ■ Telefon 0 21 91/18-0

Telefax 0 21 91/18-28 10 ■ www.vaillant.de ■ info@vaillant.de

Vaillant GmbH

Berghauser Str. 40 ■ 42859 Remscheid ■ Telefon 0 21 91/18-0

Telefax 0 21 91/18-28 10 ■ www.vaillant.de ■ info@vaillant.de

10.005.635 INT05

838291_05 INTMT 072011 - Reservado el derecho a introducir modificaciones - Sous réserve de modifications

- Subject to alterations