



P-55KIT/P-55

DISC LABEL PRINTER

INSTRUCTION MANUAL

REV:C

IMPORTANT SAFETY INSTRUCTIONS

- 1) Read these instructions.
- 2) Keep these instructions.
- 3) Heed all warnings.
- 4) Follow all instructions.
- 5) Do not use this apparatus near water.
- 6) Clean only with dry cloth.
- 7) Do not block any ventilation openings. Install in accordance with the manufacturer's instructions.
- 8) Do not install near any heat sources such as radiators, heat registers, stoves, or other apparatus (including amplifiers) that produce heat.
- 9) Do not defeat the safety purpose of the polarized or grounding-type plug. A polarized plug has two blades with one wider than the other. A grounding type plug has two blades and a third grounding prong. The wide blade or the third prong are provided for your safety. If the provided plug does not fit into your outlet, consult an electrician for replacement of the obsolete outlet.
- 10) Protect the power cord from being walked on or pinched particularly at plugs, convenience receptacles, and the point where they exit from the apparatus.
- 11) Only use attachments/accessories specified by the manufacturer.
- 12) Use only with the cart, stand, tripod, bracket, or table specified by the manufacturer, or sold with the apparatus. When a cart is used, use caution

when moving the cart/apparatus combination to avoid injury from tip-over.



13) Unplug this apparatus during lightning storms or when unused for long periods of time.

14) Refer all servicing to qualified service personnel. Servicing is required when the apparatus has been damaged in any way, such as power-supply cord or plug is damaged, liquid has been spilled or objects have fallen into the apparatus, the apparatus has been exposed to rain or moisture, does not operate normally, or has been dropped.

- Do not expose this apparatus to drips or splashes.
- Do not place any objects filled with liquids, such as vases, on the apparatus.
- Do not install this apparatus in a confined space such as a book case or similar unit.
- The apparatus draws nominal non-operating power from the AC outlet with its POWER switch in the off position.



The exclamation point within an equilateral triangle is intended to alert the user to the presence of important operating and maintenance (servicing) instructions in the literature accompanying the appliance.

This appliance has a serial number located on the bottom. Please record the model number and serial number and retain them for your records.

Model number _____
Serial number _____

WARNING: TO PREVENT FIRE OR SHOCK HAZARD, DO NOT EXPOSE THIS APPLIANCE TO RAIN OR MOISTURE.

IMPORTANT SAFETY INSTRUCTIONS

For U.S.A

TO THE USER

This equipment has been tested and found to comply with the limits for a Class A digital device, pursuant to Part 15 of the FCC Rules. These limits are designed to provide reasonable protection against harmful interference when the equipment is operated in a commercial environment. This equipment generates, uses, and can radiate radio frequency energy and, if not installed and used in accordance with the instruction manual, may cause harmful interference to radio communications.

Operation of this equipment in a residential area is likely to cause harmful interference in which case the user will be required to correct the interference at his own expense.

CAUTION

Changes or modifications to this equipment not expressly approved by TEAC CORPORATION for compliance could void the user's authority to operate this equipment.

For the consumers in Europe

WARNING

This is a Class A product. In a domestic environment, this product may cause radio interference in which case the user may be required to take adequate measures.

Pour les utilisateurs en Europe

AVERTISSEMENT

Il s'agit d'un appareil de Classe A. Dans un environnement domestique, cet appareil peut provoquer des interférences radio. Dans ce cas, l'utilisateur peut être amené à prendre des mesures appropriées.

Für Kunden in Europa

Warnung

Dies ist eine Einrichtung, welche die Funk-Entstörung nach Klasse A besitzt. Diese Einrichtung kann im Wohnbereich Funkstörungen verursachen ; in diesem Fall kann vom Betreiber verlangt werden, angemessene Maßnahmen durchzuführen und dafür aufzukommen.

Table of Contents

IMPORTANT SAFETY INSTRUCTIONS	2
Section 1: Introduction.....	5
Section 2: Unpacking and Inspection	7
Section 3: Identifying the Parts	8
Section 4: Choosing an Adequate Location.....	11
Section 5: Removing Shipping Materials.....	13
Section 6: Setting the Parallel Interface Mode on the PC	14
Section 7: Installing the Label Editor	15
Section 8: Connections.....	17
Section 9: Installing the Printer Driver	19
Section 10: Control Panel Features.....	20
Section 11: Error Messages Explained.....	23
Section 12: Loading Ribbons.....	26
Section 13: Loading Print Media.....	33
Section 14: Getting Label Print Job Started.....	34
Section 15: Maintenance	43
Section 16: Packing.....	45
Section 17: Specifications.....	46
Section 18: Options	48
Section 19: Contact Information	49

Section 1 : Introduction

Thank you for purchasing the TEAC P-55.

The P-55 is a label printer suited to printing a high quality of label on a moderate amount of CD or DVD.

This manual provides information on installing the P-55, connecting it to your PC, loading ribbons, etc. When necessary, please refer to your PC's manual, too.

Please read this manual in full before using your P-55 to take a maximum advantage of its capabilities.

P-55 Features

Thermal re-transfer printer capable of generating photo-quality full color output at 24 bits and 256 gradation levels per color.

Variable dot technology implemented, enabling the high output resolution of 400 dpi.

Overcoating prevents scratch, moisture and UV damage, and thus keeps glossy prints free from blurriness and color fade-out with the years.

PC Requirements:

PC: One running Windows 2000 or Windows XP
Memory: 256MB; 100MB or more space on your hard disk drive
(plus, an appropriate space for storing image data)
Operating System: Windows 2000/Windows XP
Your PC has to have a parallel port.

Comparative Table of Photo and Color Ribbons

Understanding the characteristics of both types of ribbon will be helpful in determining which is best suited to your print work.

Type	Photo Ribbon (wound on white shaft)		Color Ribbon (wound on black shaft)	
Price	Higher than color ribbon	A	Economical than photo ribbon	G
Quality of Photos	Equivalent to photo	E	Good for illustration	G
Quality of Letters	Inferior to color ribbon	G	Crisp thin lines (bar code capable)	E
Single Color Print	None	G	Any color available (bar code capable)	E
Fade-Out with Time	UV-resistant overcoating	G	UV-resistant ink and overcoating	E
Durability	Scratch-resistant overcoating	E	Scratch-resistant overcoating	E
Media Accommodation	Specified media	G	Specified media	E

Where:

E stands for Excellent;

G for Good;

A for Average; and

B for Bad.

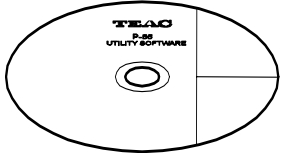
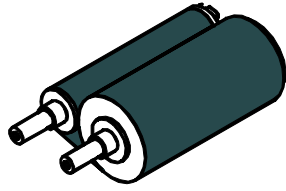
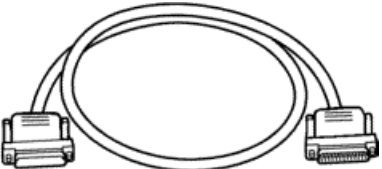
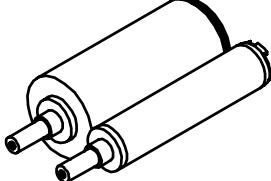
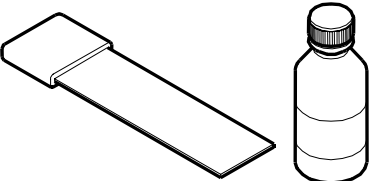
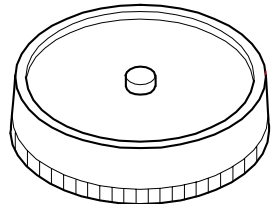

NOTE

Keep in mind the following when storing ribbons.

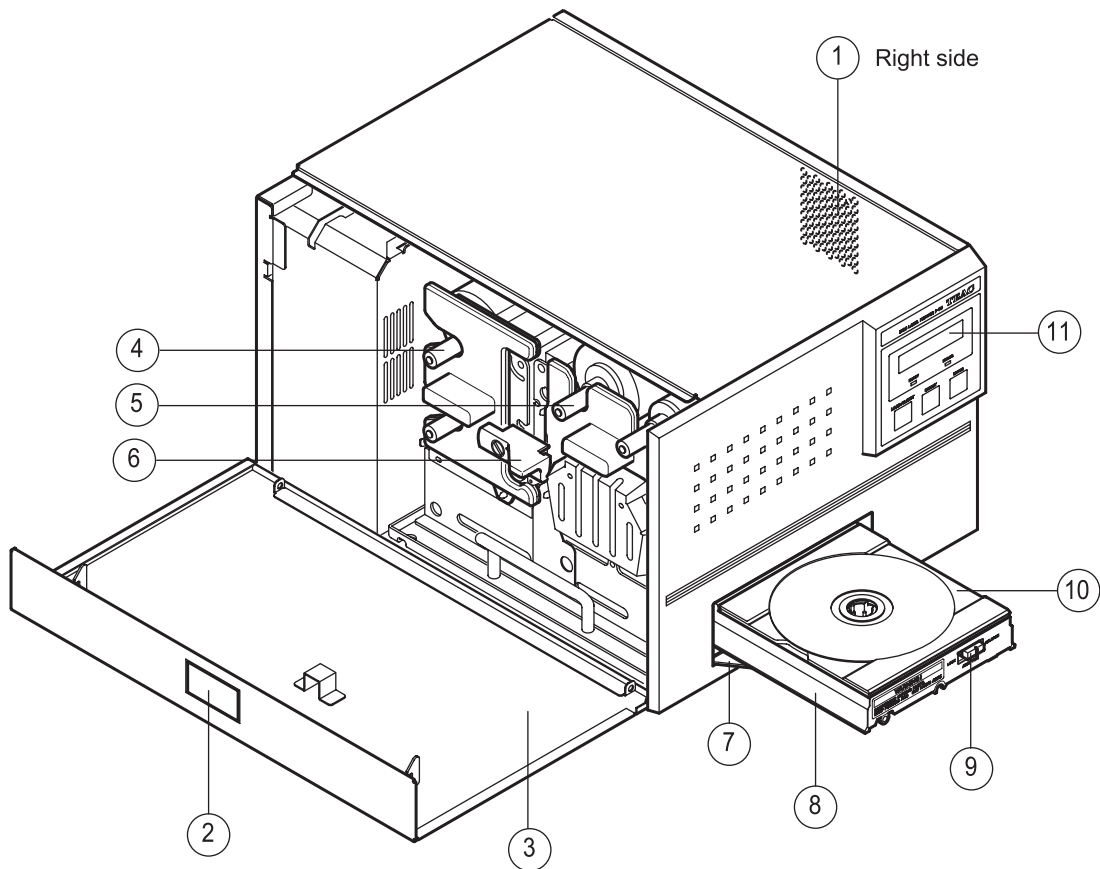
- 1) Store ribbons as they were packed.
- 2) Avoid high temperature, high humidity and direct sunlight. (Ambient temperature between 5°C and 30°C; Atmospheric humidity between 10% and 80%)
- 3) No condensation is allowed.
- 4) For high print quality, it is recommended ribbons be used within 6 months of first opening the packs.
- 5) Avoid dust after opening the package.

Section 2 : Unpacking and Inspection

The packing-case contains the following items, as well as the P-55 itself. Please make certain that all the items are present. If anything is missing or damaged, contact your dealer.

Accessories for P-55 and P-55KIT	Accessories for P-55KIT ONLY
<p>Utility Software CD-ROM x1 (including Operation Manual, Printer Driver and Disc Label Editor)</p> <div style="text-align: center; margin-top: 20px;">  </div>	<p>Photo ribbon (colored, white shaft) x1</p> <div style="text-align: center; margin-top: 20px;">  </div>
<p>Printer cable x1</p> <div style="text-align: center; margin-top: 20px;">  </div>	<p>Re-transfer photo ribbon (transparent, white shaft) x1</p> <div style="text-align: center; margin-top: 20px;">  </div>
<p>Cleaning kit x1</p> <div style="text-align: center; margin-top: 20px;">  </div>	<p>Blank media (CD-R) 10-pack of discs x1</p> <div style="text-align: center; margin-top: 20px;">  </div>
<p>"Before Getting Started" x1</p> <div style="text-align: center; margin-top: 20px;">  </div>	

Section 3 : Identifying the Parts



① Exhaust Fan (on the right side)

This is an air outlet for dropping the temperature inside the unit. Do not let foreign objects get in through this opening, or the results may be damage to the unit and could hazardous to the operator. Place the unit in an adequate location.

② Side Door Unlocking Button

Pressing this button opens the side door. The side door is locked when the unit is turned on (for how to unlock the lock when the unit is turned on, see Section 12, Loading Ribbons).

③ Side Door (for ribbon replacement)

You need to open this door when changing ink cartridges.
Keep this door closed when the unit is functioning.

④ Ink Ribbon Cartridge

This is a cartridge for ink ribbon. (As shipped from the factory, the cartridge does not contain ink ribbon.)

⑤ Re-transfer Ribbon Cartridge

This is a cartridge for re-transfer ribbon. (As shipped from the factory, the cartridge does not contain re-transfer ribbon.)

⑥ Lock Lever

This is for locking the ribbon cartridge in place.

⑦ Tray Door

The tray slides out. Do not place any objects in front of this door.

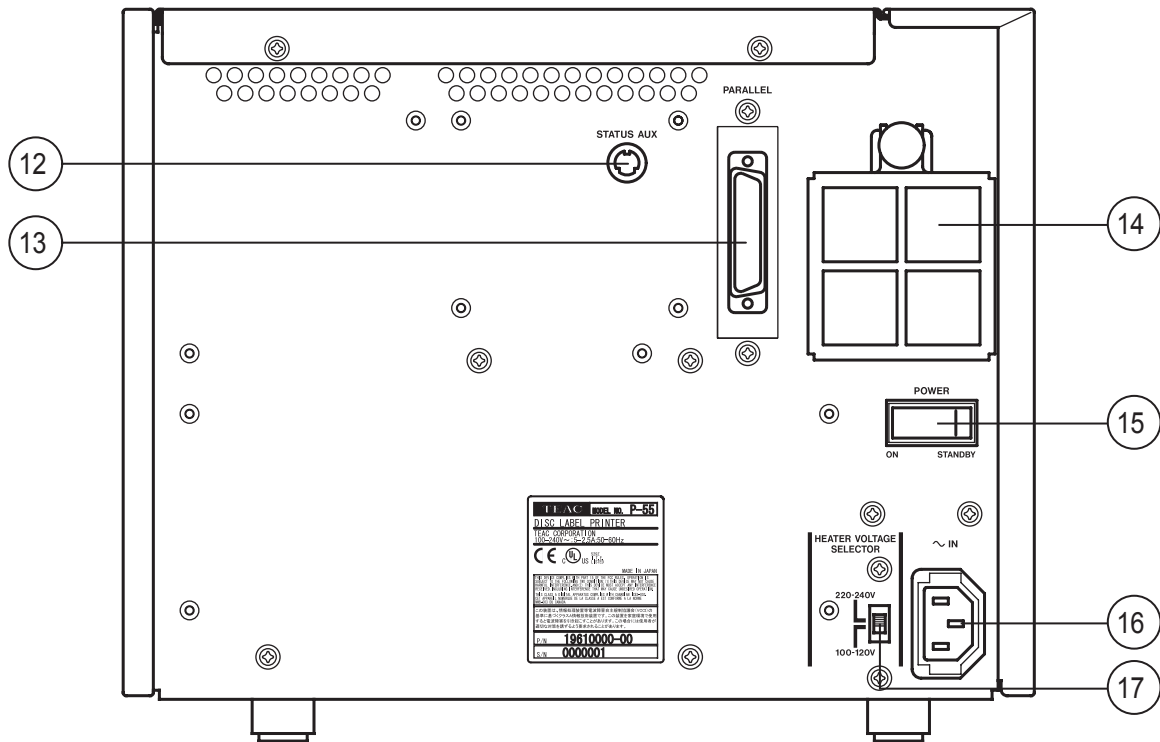
⑧ Tray

⑨ Tray Adapter Lock Switch

⑩ Tray Adapter

⑪ Control Panel

(LCD Display, Indicators and Buttons explained in Section 10, Control Panel Features.)



- ⑫ STATUS AUX Connector (optional)
This connector is not used when using the P-55 alone.
- ⑬ Parallel Port Multi-connector
This provides a parallel interface between your PC's printer port and the P-55 over the supplied printer cable.
- ⑭ Intake Fan (with filter)
This opening is for dropping the temperature inside the unit. Obstructing this opening may result in failures. Place the unit in an adequate location. (See Section 4, Choosing an Adequate Location.)
- ⑮ Power Switch
This rocker switch turns power to the unit on and off. The unit powers up when pressing the ON end of the switch, and powers down when pressing the STANDBY end. (The internal cooling fan stops only in about 10-20 minutes after the unit switches into the Standby mode.)
- ⑯ AC Power Input Socket
Plug in here the power cable. (To drop the temperature inside the unit, the fan continues to rotate for about 10 to 20 minutes after switching off the power. For this interval of time, do not unplug the power cable.)

NOTE

The product for U.S.A., Canada and Europe does not include a power cable. See Section 8, Connections.

- ⑰ Heater Voltage Selector Switch
This selects the voltage to supply to the internal heater. As shipped from the factory, this switch is set to "100-120V". Change the setting depending on your local line voltage. If this switch is not set correctly, failures may result.

Section 4 : Choosing an Adequate Location

The P-55 has been shipped with some internal parts fixed in place with special materials to prevent the unit from being damaged during transportation. Be sure to remove all shipping materials before use by referring to Section 5, Removing Shipping Materials.

Avoid placing objects in front of the disc tray, or they might cause damage to the tray driving mechanism.

Ambient temperatures should be between 15 and 30 degrees centigrade and atmospheric humidity should be between 30 and 70%.

Inside the P-55 there are components that cause heat buildup (such as thermal print head and heat roller). So you should be concerned with air circulation.

CAUTION



Do not block the lateral exhaust opening and the rear intake opening by walls or other obstacles (a free space of more than 10cm/4 inches is a must). Heat trapped inside the unit might result in fire or other hazards, as well as malfunctioning and/or deterioration in print quality.

Place the P-55 on a stable, horizontal surface free from mechanical vibration or shock.

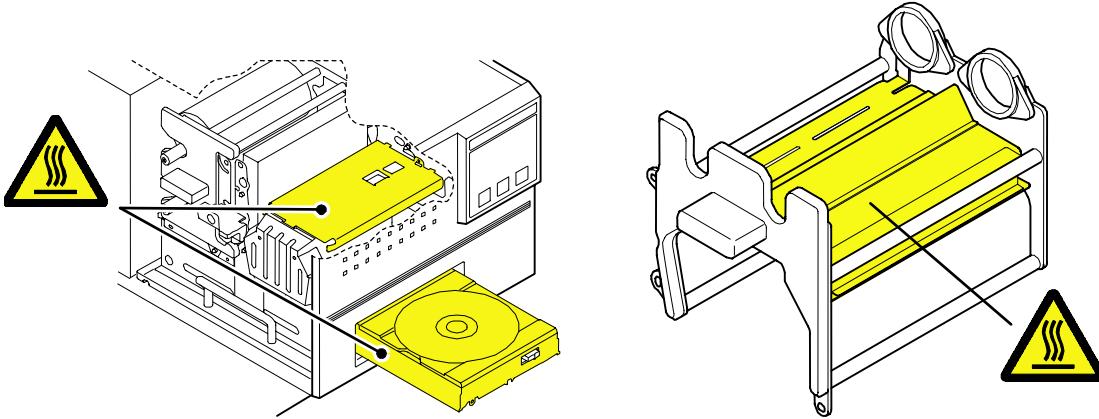
To maintain consistent print quality, avoid places where temperatures sharply change because of the direct sunlight or nearby heating apparatuses.

Avoid dusty places, or the print quality might deteriorate or the printer might suffer failures.

Never install the P-55 close to windows through which rain droplets can sneak in, which might cause malfunctioning.

WARNING

Areas indicated by the hazardous heat warning label are very hot while the power is turned on or just after turning off the power.

**WARNING**

Do not put your fingers or sleeves close to the tray sliding in or out. They can be got in, possibly causing injuries.

CAUTION

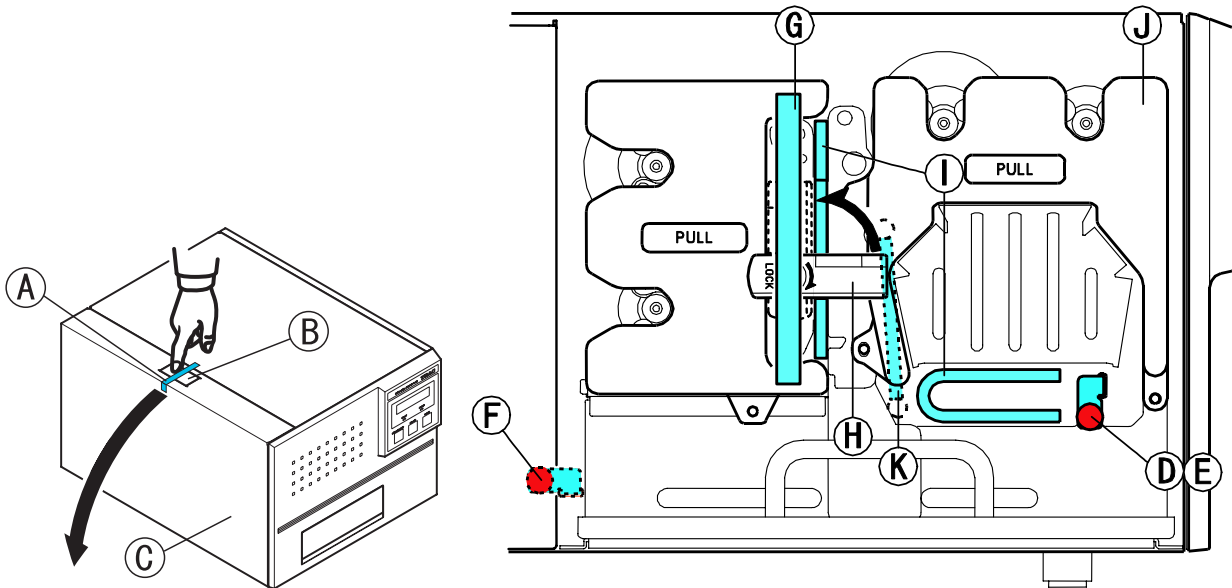
Never switch on power to the P-55 without removing shipping materials. Otherwise, failures may result.

Section 5 : Removing Shipping Materials

The P-55 has been shipped with some internal parts fixed in place with special materials to prevent the unit from being damaged during transportation. Be sure to remove all shipping materials before use.

NOTE

The P-55 is a precision machine. Be careful not to drop or subject the unit to severe impact (it weighs more than 22 kg).



1. Peel off adhesive tape (A) from the top left of the unit and press unlock button (B) to open side door (C).
2. Remove screw (D) and pull out metallic bar (E) that fixes the heat roller in place. (Store the bar for future use by attaching it to where marked (F).)
3. Peel off adhesive tape (G), flip up lock lever (H) to unlock the ribbon cartridge and remove two cushions (by pulling them toward you).

IMPORTANT

Store the packing-case together with the cushions in case you need to transport the unit.

4. Pull out ribbon cartridge (J), remove cushion (K) and then put back the ribbon cartridge to its place for the moment. (You may want to keep the cartridge removed to load ribbons as discussed later, in Section 12.)
5. Flip down lock lever (H) to lock the ribbon cartridge in place and lift up the side door until it locks.

NOTE

Do not try to forcibly close the side door without flipping down the lock lever, or the side door may be damaged.

Section 6 : Setting the Parallel Interface Mode on the PC

To use the P-55, you need to set your PC's parallel port to ECP mode.

This setting is made in the BIOS setup. For how to do this, refer to your PC's manual.

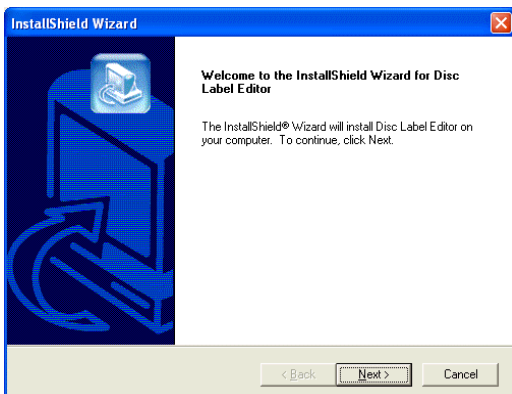
Section 7: Installing the Label Editor

Insert the supplied Utility Software CD-ROM into your PC's DVD/CD-ROM drive and an installation wizard will automatically start.

If the installation wizard does not start automatically, click Start Menu → My Computer → CD-ROM → SETUP.



"Choose Setup Language" window comes up. Select ENGLISH and click OK.

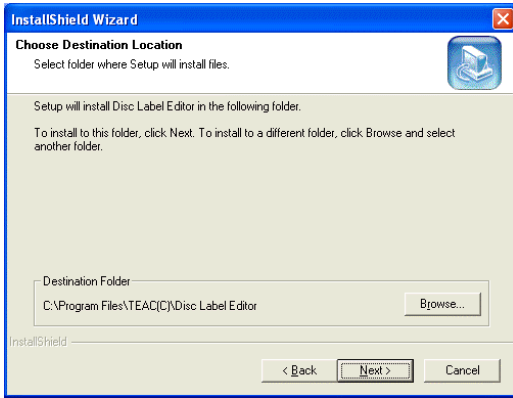


"InstallShield Wizard" window comes up. Click Next.

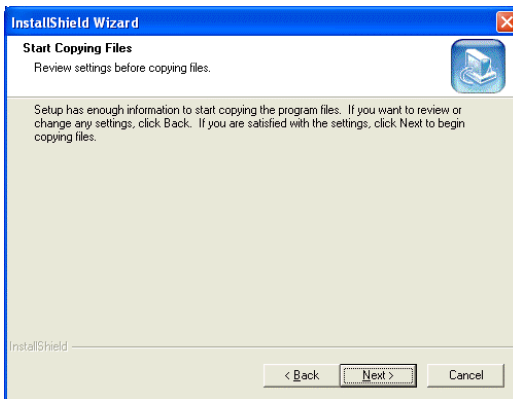


"License Agreement" window comes up. Click Yes.

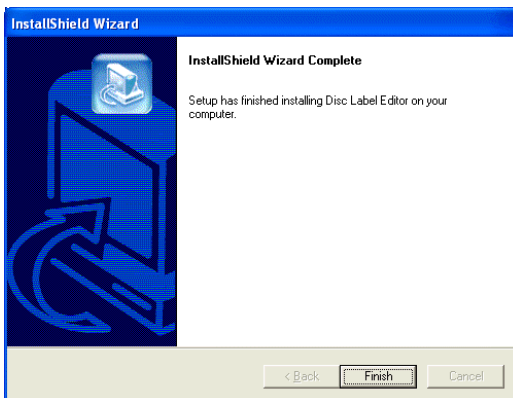




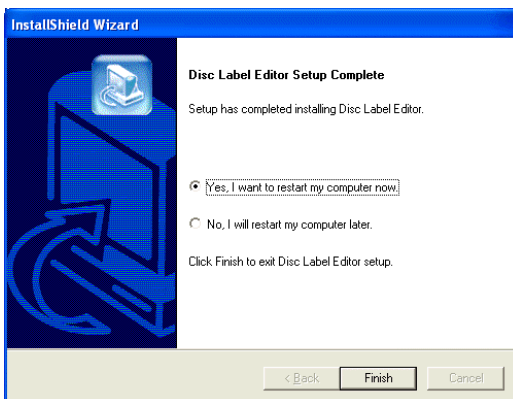
"Choose Destination Location" window comes up. Click Next.



"Start Copying Files" window comes up. Click Next.



"InstallShield Wizard Complete" window comes up. Click Finish.

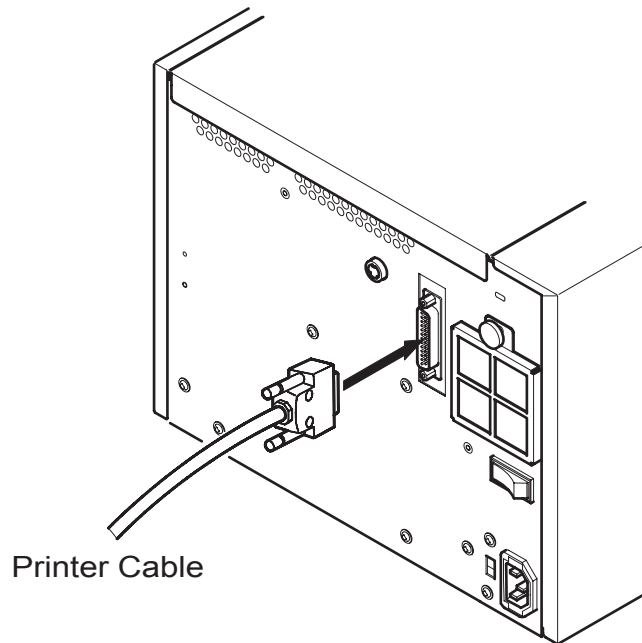


"Disc Label Editor Setup Complete" comes up. Place a check beside "Yes, I want to restart my computer now" and click Finish.

The P-55 is now ready to be used after once restarted.

When you install the Label Editor, the printer driver also is copied to the hard disk drive.

Section 8 : Connections



CAUTION



For U.S.A. and Canada

The P-55 does not come standard with a power cable.

Use a UL or CSA approved cable, type SJT or SVT, No.18AmG. For cable connector, use one rated at more than 7A and 125V.

For Europe

The P-55 does not come standard with a mains plug/connector and mains cable.

Use a mains plug conforming to CEE7, a connector conforming to EN60320-1, and a mains cable conforming to CEE13. The connector must be rated at more than 10A and 250V.

As shipped from the factory, the heater voltage selector switch is set to "100-120V".

Making sure that the shipping materials (three cushions and one heat roller fixing bar) have been removed, plug the end of the power-supply cable into a wall outlet.

CAUTION



Never switch on power to the P-55 without removing three cushions and the heat roller fixing bar, or failures may result.

Press the power switch on the rear panel of the P-55 to turn it on.

The LCD display on the front control panel will change as follows:

I n i t i a l R A M



T E A C P - 5 5
 R e v X X . X X



I n i t i a l
W a r m i n g u p

It takes a few minutes for the warming up process to complete.



R e a d y

o r

E R R O R
N o X X X R i b b o n

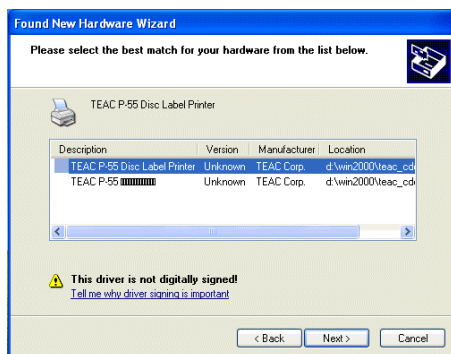
This message appears when the ribbon cartridge is not loaded.

Section 9 : Installing the Printer Driver

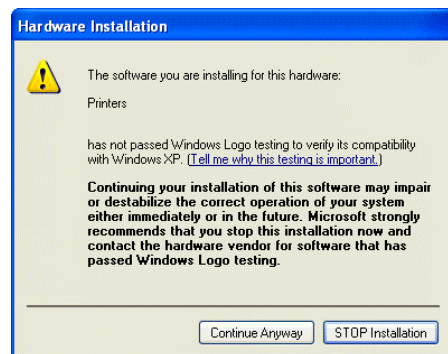
If your PC and the P-55 printer are both turned on, turn off the PC, followed by the P-55. Switch on power to the P-55, followed by your PC.



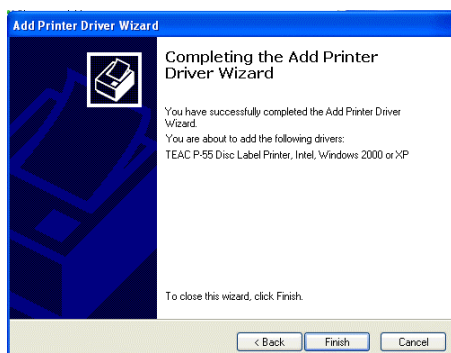
"Found New Hardware Wizard" window comes up. Place a check beside "Install the software automatically (Recommended)" and click Next.



"Please select the best match for (...)" window comes up. Choose "TEAC P-55 Disc Label Printer" and click Next.



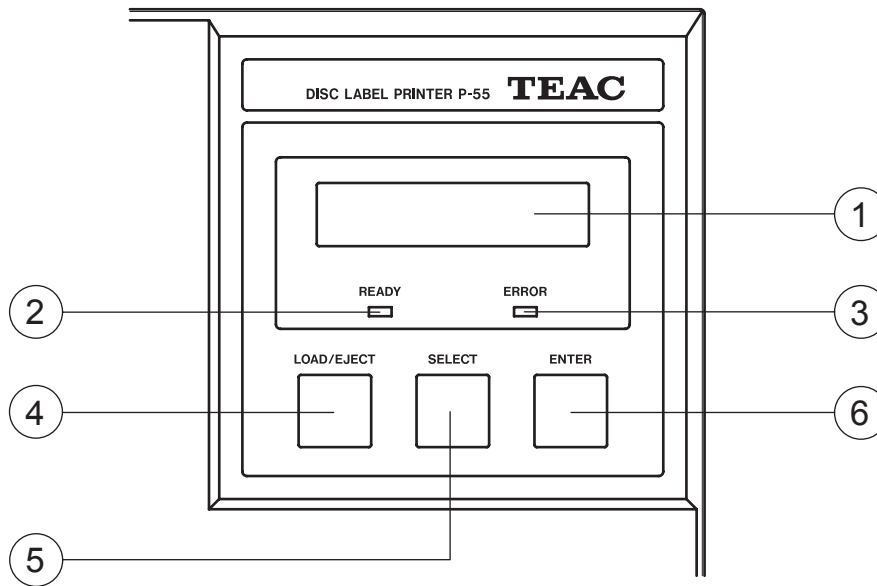
"Hardware Installation" window comes up. Click "Continue Anyway"



"Completing the Add Printer Driver Wizard" window comes up. Click Finish.

Re-boot the computer by selecting Start Turn Off Computer Restart.

Section 10 : Control Panel Features



- ① **LCD display:** reports status information, etc.
- ② **READY lamp:** lights up to show that the printer is ready and can start printing.
A circle (o) is displayed in the upper right corner of the LCD to indicate that the disc tray holds a print medium.
- ③ **ERROR lamp:** lights up when an error develops.
A brief error message is displayed on the LCD. For details on error messages, refer to the next section, Error Messages Explained.
- ④ **LOAD/EJECT button:** lets the tray slide out and in. This button is not available in the process of printing (that is, when "Busy" is shown on the LCD).
- ⑤ **SELECT button:** rotates the function through the following:
 - 1 **Data Clear:** clears all image data read from the PC.
 - 2 **Unlock Door:** unlocks the side door.
 - 3 **Ink Remain:** shows the ink ribbon's and the re-transfer ribbon's remaining amounts.
 - 4 **Printed No.:** shows the total amount of discs printed on so far. When the indication exceeds 10,000, this is a time to replace the thermal print head (and the halogen lamp), so contact our customer service representative.

5 Test Print: runs the printer in test print mode.

When "Test Print" is selected and you press the ENTER button, the display reads "Set Up Disc" and the tray slides out. Then you can put one of the supplied blank disc (CD-R) on the tray and press the ENTER button again. The tray will slide in and the printing process will start.

For how to set up a medium on the tray, refer to Section 13, Loading Print Media.

When the disc tray slides out and you press the ENTER button, the tray slides in and the P-55 switches back into the Ready mode.

⑥ **ENTER button:** initiates a function selected with the SELECT button.

After a function is completed, you can wait for several seconds or press the ENTER button again to get back to "Ready".

NOTE

The SELECT button is not available in the process of printing (that is, when the LCD display reads "Busy").

Status indications in the process of printing

Busy: indicates that the printer is doing a print job.

The LCD shows the following when dyes are being transferred from the ink ribbon to the re-transfer ribbon. (The following is in the case of photo ink. In the case of color ink, the sequence changes to Black Cyan Magenta Yellow.)

B U S Y	○
P r i n t i n g B l a c k	



B U S Y	○
P r i n t i n g Y e l l o w	



B U S Y	○
P r i n t i n g M a g e n t a	



B U S Y	○
P r i n t i n g C y a n	

The LCD shows the following when dyes are being transferred from the re-transfer ribbon to the print medium:

B U S Y	○
D i s c T r a n s f e r	

The following indications are also displayed when the printer is "Busy".

B U S Y	○
I m a g e C a l c u l a t e	

(the printer is preprocessing the image to be printed)

B U S Y	○
H e a d C o o l D o w n	

(an internal cooling fan starts functioning because the thermal print head has reached a certain degree of temperature)

Section 11 : Error Messages Explained

When an error develops, the ERROR lamp on the control panel lights up and the LCD shows an error message.

Error Message	Description	Corrective Action
ERROR Door Open	The side door is open.	Shut the side door.
ERROR No INK Ribbon	No ink ribbon cartridge is loaded.	Load an ink ribbon cartridge by referring to Section 12.
ERROR INK Ribbon End	The ink ribbon is fully consumed or no ink ribbon is loaded (see Note 1).	Change the ink ribbon by referring to Section 12 or load a usable ink ribbon.
ERROR INK Ribbon Jam	The ink ribbon is stuck.	Open the side door and rotate the lower take-up shaft clockwise to recover from jam. If the take-up shaft will not rotate, try rotating the upper supply shaft a bit counterclockwise then rotating the take-up shaft clockwise.
ERROR No TFR Ribbon	No re-transfer ribbon cartridge is loaded.	Load a re-transfer ribbon cartridge by referring to Section 12.
ERROR TFR Ribbon End	The re-transfer ribbon is fully consumed or no re-transfer ribbon is loaded (see Notes 1, 2, and 3).	Change the re-transfer ribbon by referring to Section 12 or load a usable re-transfer ribbon.
ERROR TFR Ribbon Jam	The re-transfer ribbon is stuck.	Open the side door and rotate the right-hand take-up shaft counterclockwise. If the take-up shaft will not rotate, try rotating the left-hand supply shaft a bit clockwise then rotating the take-up shaft counterclockwise.
ERROR Wrong Ribbon Set	An inappropriate ribbon is loaded.	The photo ink ribbon is wound on a white shaft, and the color ink ribbon is wound on a black shaft. Load an ink ribbon of the same color as the re-transfer ribbon.
ERROR No Disc Adapter	The disc adapter has been removed.	Put the disc adapter back to its original place. Be sure to set the slide switch on the front of the tray drawer to the LOCK position (see Note 4).
ERROR Emergency Stop	A command from the PC forcibly stopped the printer.	You need to reset the printer. To do this, open the side door then close it again.
ERROR Hardware	-	Write down the number displayed on the LCD and contact us for support.

When a print medium is loaded, a circle () is displayed in the upper right corner of the LCD display.

NOTE 1

When "No INK Ribbon" or "No TFR Ribbon" is displayed and you find the corresponding ribbon is fully consumed, be sure to change it.

(Attention: Do not close the side door without changing a fully consumed ribbon, or a tape that holds the ribbon shaft and the ribbon itself in place would be peeled off and thus the ribbon might get stuck in the mechanism, likely causing the printer to go out of order.)

NOTE 2

If you load a re-transfer ribbon rewound by the length of more than one disc (Figure 1), "ERROR TFR Ribbon End" is displayed even not at the end of the ribbon.

If this is the case, perform the following (refer to Section 12 when necessary):

- Step 1.** Open the side door.
- Step 2.** Unlock the ribbon cartridge by flipping up the lock lever and take out the re-transfer ribbon.
- Step 3.** Wind forwards the ribbon to get the dyes transferred portion passed by, as shown in Figure 2. (If there is no unused portion remained, replace the ribbon.)
- Step 4.** Put the re-transfer ribbon cartridge back to its place and flip down the lock lever.
- Step 5.** Close the side door.

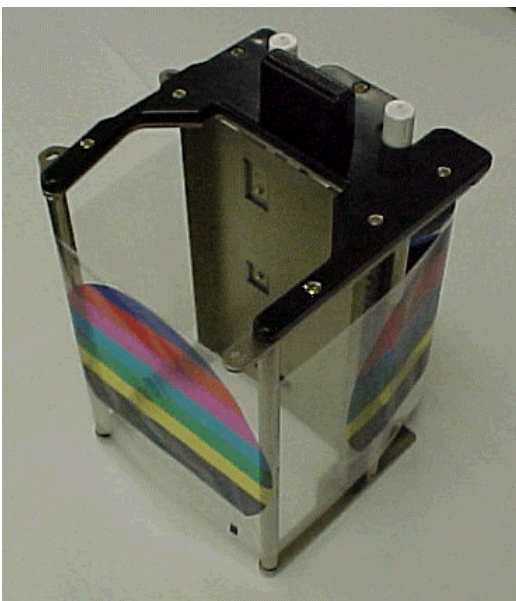


Figure 1



Figure 2

NOTE 3

"ERROR No TFR Ribbon" is also displayed when you load an ink ribbon in the re-transfer ribbon cartridge. Load a re-transfer ribbon by referring to Section 12.

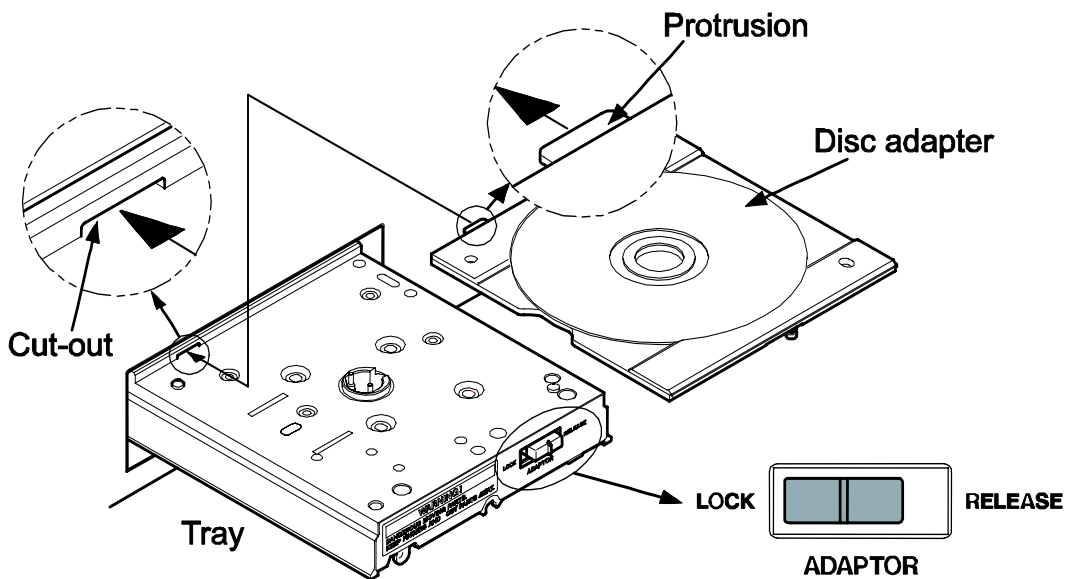
NOTE 4

How to mount the disc adapter

- 1) Set the slide switch on the front of the tray drawer to the RELEASE position.
- 2) Snap the protrusion of the adapter into the cut-out in the tray, as shown below.
- 3) Make sure that the adapter firmly sits on the table and then lock the adapter in place by setting the slide switch to the LOCK position.



Mounting Disc Adapter-1



Mounting Disc Adapter-2

Section 12 : Loading Ribbons

NOTES

- Use genuine TEAC ribbons.
- Carefully handle the ribbons to prevent them from being scratched or broken.
- Be sure to take out the ribbon cartridge from the P-55 itself when replacing the ribbon.
The ribbon and components involved may be damaged if you attempt to replace the ribbon with the cartridge inserted in the printer.
- The Photo ink ribbon is wound on a white shaft, and the Color ink ribbon is wound on a black shaft. Don't confuse the two ribbons.
- The ink ribbon is identifiable by its colored film roll and the re-transfer ribbon by its transparent film roll.
- To use a single color ribbon, you need an optional purpose-designed cartridge.
- Store ribbons as they were originally packaged.
- Don't leave the ribbon in a high-temperature and high-humidity environment or place subject to direct sunlight (allowable temperature: 5-30 °C; humidity: 10-80%).
- Prevent condensation from forming on ribbons while they are stored.
- For high print quality, it is recommended ribbons be used within 6 months of first opening the packs.
- Store ribbons away from dust once opening the packs.

1. How to Load a Ribbon

If the P-55 is not turned on, skip to step 3.

2 U n l o c k D o o r ○



2 R e a d y t o O p e n ○
P r i n t i n g Y e l l o w

1) Press the SELECT button as many times as necessary for "Unlock Door" to show on the LCD.

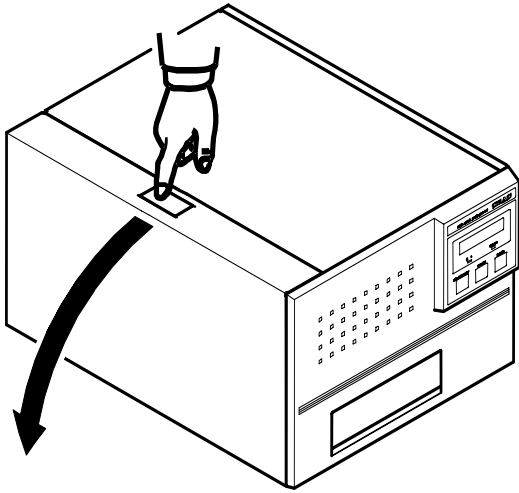
2) Press the ENTER button. The display will change to read "Ready to Open".

(If you leave the P-55 alone for 20 seconds or so, the side door will automatically lock again and the display will get back to "Ready".)

WARNING

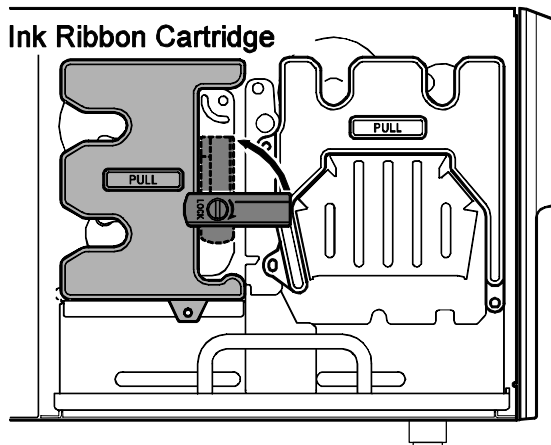


If you are going to complete the following steps with the P-55 turned on, never touch anywhere indicated by the hazardous heat warning label. There is a risk of burn.

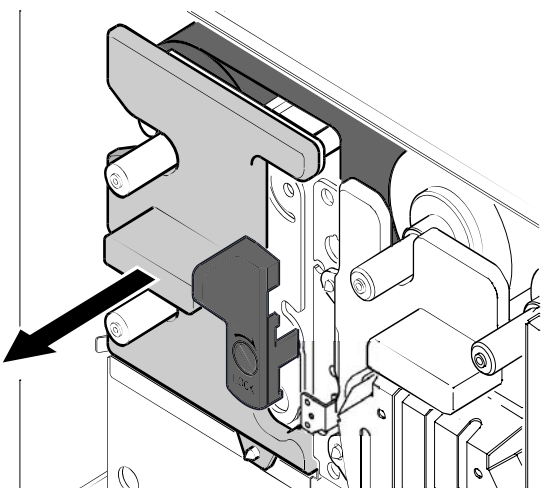


- 3) Press the button on the top left of the unit and slowly open the hinged door down.

2. Loading Ink Ribbon

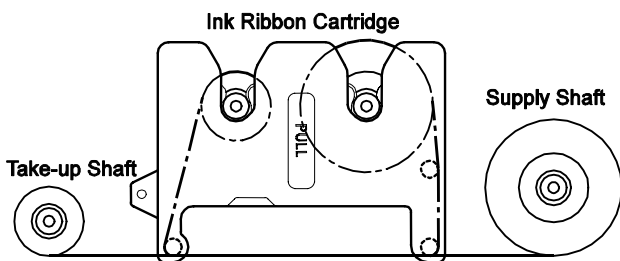
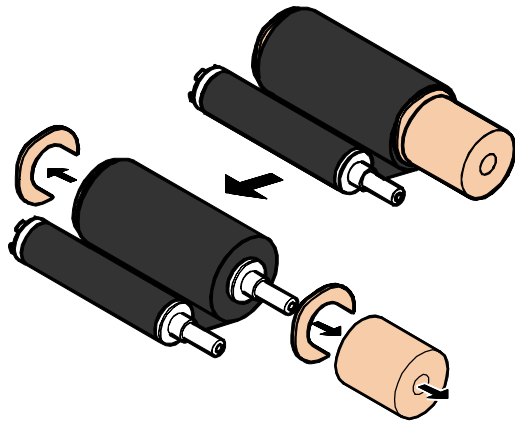


- 1) Flip up the lock lever that holds the ink ribbon cartridge in place.

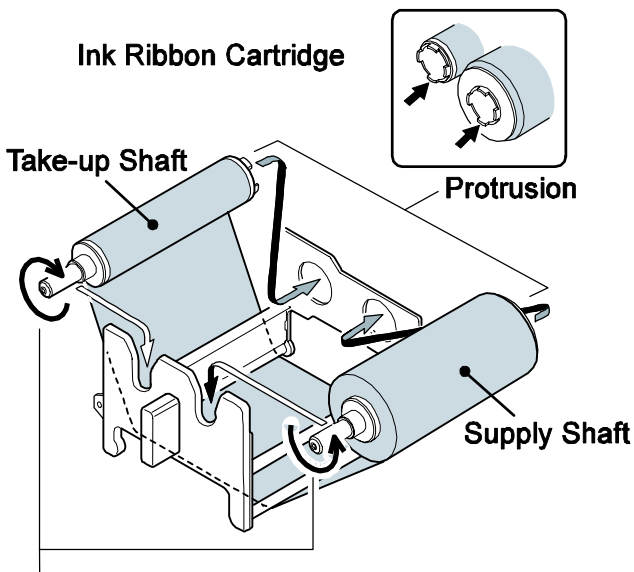


- 2) Take out the ink ribbon cartridge by pulling it toward you.

- 6) Take out an ink ribbon from its package and remove three pads.



- 4) Place the ink ribbon with the take-up shaft on the left and the supply shaft on the right, and their protrusions facing you and their openings facing away from you.



- 5) Insert the open end of the take-up shaft into the hole provided in the cartridge (for ease of work, we recommend holding the shaft by inserting your index finger into its open end), and snap the protrusion at the other end of the shaft into the cut-off in the cartridge.

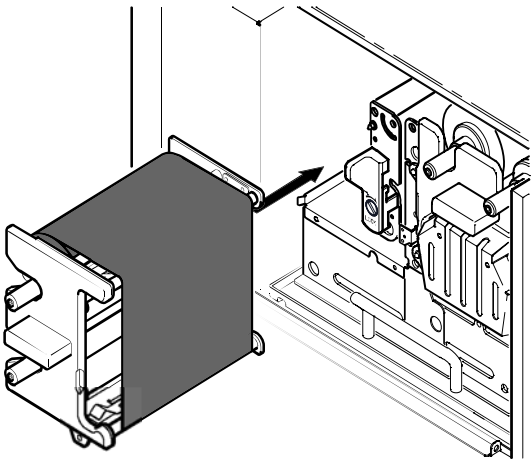
- 6) In a similar way, put the supply shaft into the ink ribbon cartridge.

- 7) Turn the take-up shaft clockwise to take up ribbon slack.

Take up ribbon slack by turning the shaft on which the ribbon is wound.

NOTE

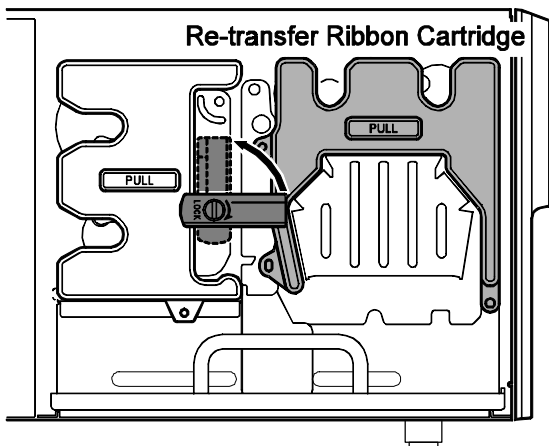
If you perform the next step without taking up ribbon slack, there is a chance that the ribbon might be broken.



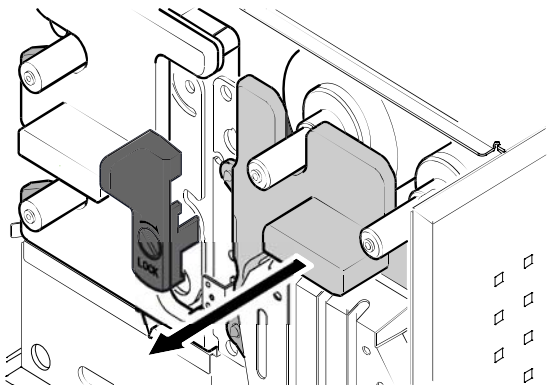
8) Mount the ink ribbon cartridge in the P-55 itself.

When mounting the ribbon cartridge, push it directly and slowly. If you try to force it in slantwise, there is a chance that the ribbon might be broken. If the ribbon clogs somewhere, take out the cartridge, take up ribbon slack again, and slowly re-insert the cartridge.

3. Loading Re-transfer Ribbon

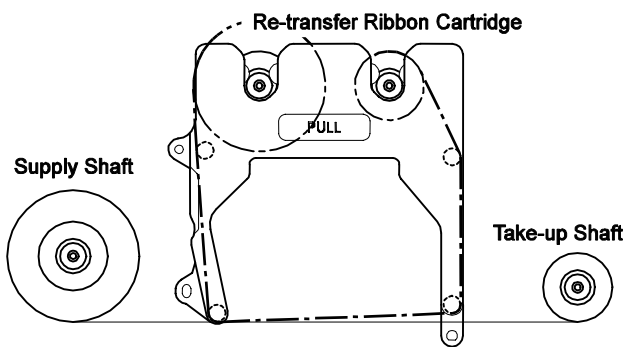
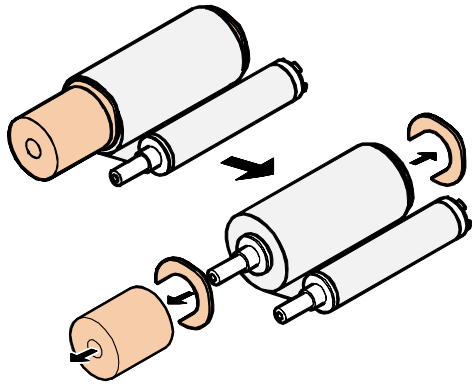


1) Flip up the lock lever that holds the re-transfer ribbon cartridge in place.

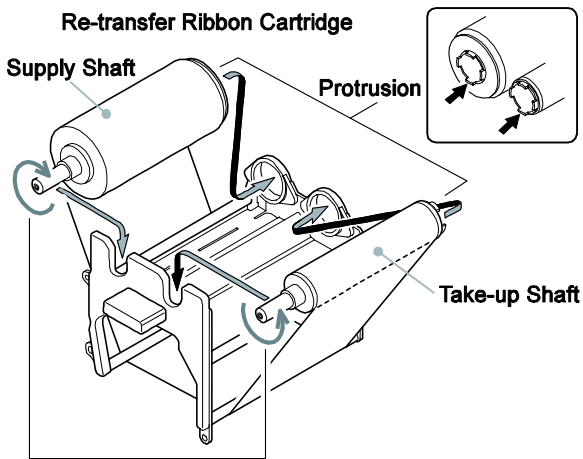


2) Take out the re-transfer ribbon cartridge by pulling it toward you

- 3) Take out a re-transfer ribbon from its package and remove three pads.



- 4) Place the re-transfer ribbon with the supply shaft on the left and the take-up shaft on the right, and their protrusions facing you and their openings facing away from you.



- 5) Insert the open end of the take-up shaft into the hole provided in the cartridge (for ease of work, we recommend holding the shaft by inserting your index finger into its open end), and snap the protrusion at the other end of the shaft into the cut-off in the cartridge.

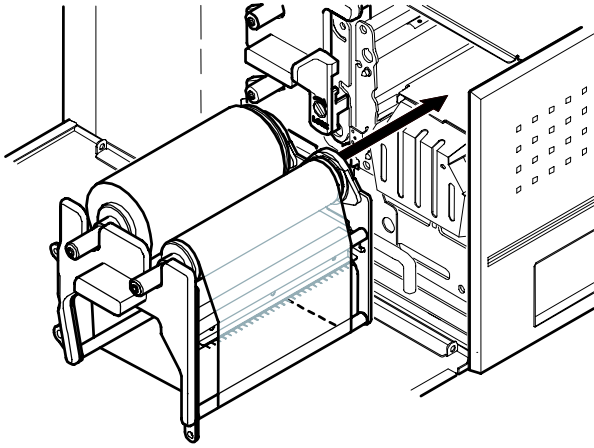
- 6) In a similar way, put the supply shaft into the re-transfer ribbon cartridge.

- 7) Turn the take-up shaft clockwise to take up ribbon slack.

Take up ribbon slack by turning the shaft on which the ribbon is wound.

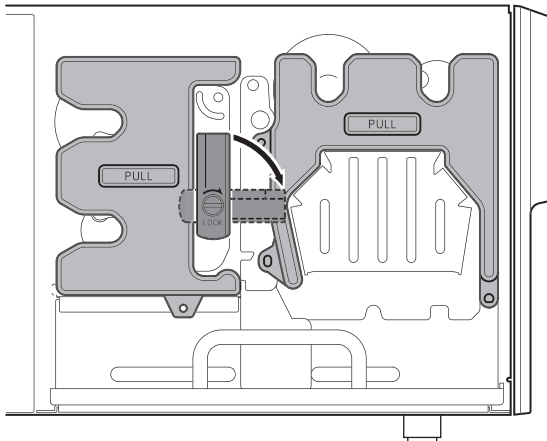
NOTE

If you perform the next step without taking up ribbon slack, there is a chance that the ribbon might be broken.

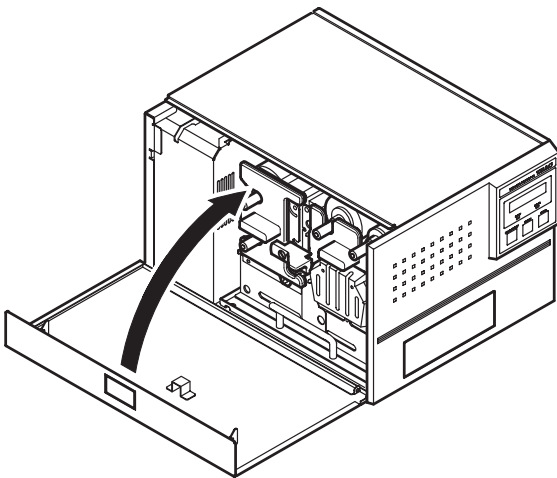


8) Mount the re-transfer ribbon cartridge in the P-55 itself.

When mounting the ribbon cartridge, push it directly and slowly. If you try to force it in slantwise, there is a chance that the ribbon might be broken. If the ribbon clogs somewhere, take out the cartridge, take up ribbon slack again, and slowly re-insert the cartridge.



9) Once both the ink ribbon cartridge and the re-transfer ribbon cartridge have been mounted, lock them in place by flipping down the lock lever.



10) After locking the ribbon cartridge in place, make sure that ribbon slack has been removed before closing the side door.

NOTES

- The side door is designed so as not to close unless you lock the ribbon cartridges in place with the lock lever. If you try to forcibly close the side door, there is a chance that the side door might be damaged.
- Caution in ribbon replacement: It is imperative to take out the cartridge from the P-55. If you try to force the ribbon replacement with the cartridge mounted, there is a chance that the ribbon or components involved might be damaged.
- Be sure to change the ink ribbon when it is fully consumed, which yields the error message "No INK Ribbon" or "No TFR Ribbon". (If you open and close the side door without changing a fully consumed ribbon, a tape that holds the ribbon shaft and the ribbon itself in place may be peeled off and thus the ribbon may get stuck in the mechanism, likely causing the printer to go out of order).
- Avoid dust to store the ribbon installed in the ribbon cartridge.

4. Checking the Remaining Ribbon Amount

3 I n k R e m a i n	○
---------------------	---



3 T R F	9 9 %	○
I N K	9 9 %	

When the P-55 is Ready as the LCD indicates, press the SELECT button as many times as necessary for "Ink Remain" to appear on the LCD, and then press the ENTER button.

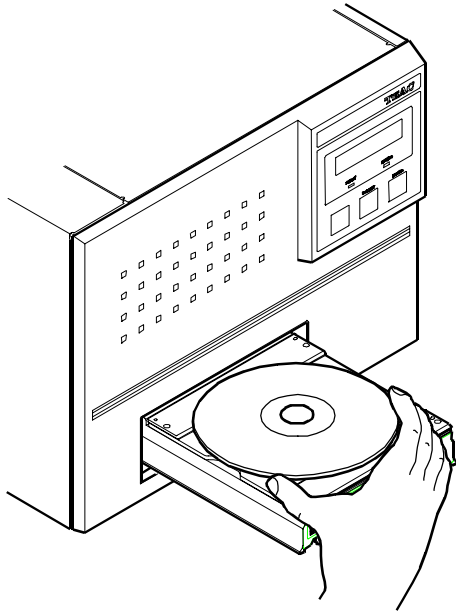
The re-transfer ribbon's remaining amount is indicated on the upper line and the ink ribbon's remaining amount on the lower line, expressed as a percentage.

(The remaining ribbon amount shown on the LCD is not absolute but just a rough "barometer".)

Section 13 : Loading Print Media

NOTES

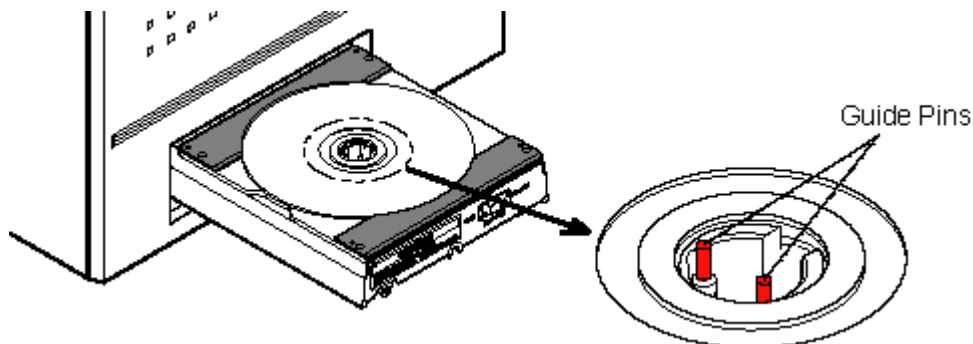
- The P-55 supports a standard medium (12-cm diameter) only. Mini media (8-cm diameter) and odd-shaped media are not supported.
- With the P-55 you need to use the TEAC-specified media exclusively. Use of commercially available media for inkjet printers might inevitably result in poor quality output.



- 1) Press the LOAD/EJECT button to let the disc tray slide out.
- 2) Place a medium on the tray, label print side up, data committing side down.
- 3) Making sure that the medium is correctly placed on the tray, press the LOAD/EJECT button to let the tray slide in.
- 4) When the tray has fully slid in, the READY lamp will light up. Then, let the printing process start through graphics software in use.

NOTES

- Do not place any objects other than the right print media.
- Load only one medium. Loading multiple media might produce trouble.
- Load a medium only when the tray fully slides out and stops.
- Make sure that the medium does not sit on the guide pins.



- Clean dust off the medium surface before printing.
(Printing on the medium with dust attached on the surface may deteriorate the original print quality.)

WARNING



- Do not touch the die-cast alloy part of the tray, which causes heat buildup.
- Do not put your fingers or sleeves close to the tray that is sliding in or out. They can be got in, possibly causing injuries.

Section 14 : Getting Label Print Job Started

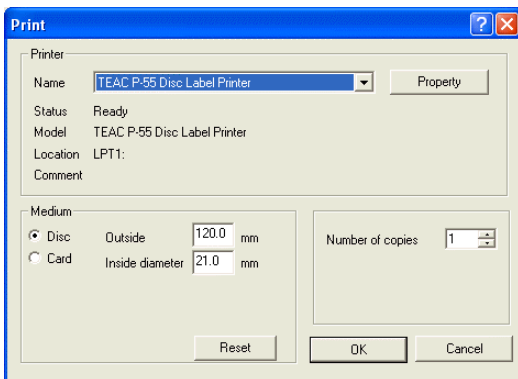
1. Getting Label Print Job Started

Load a medium on the P-55 printer. (To do this, refer to Section 13, Loading Print Media.)

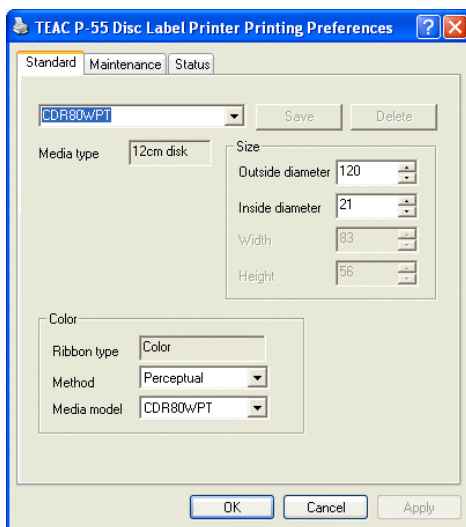


1) Click "Open" in the File menu of the Label Editor and select and load an image into the P-55.

2) Click File Print.



3) Get "TEAC P-55 Disc Label Printer" shown in the label editor NAME box and click Properties.

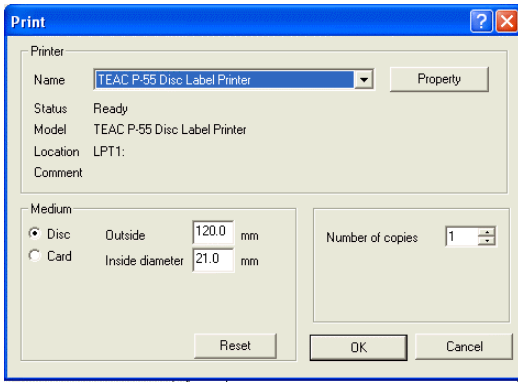


4) Perform the following for the best possible output quality:

4)-1 In the Color field select a Method suited to the image you use.

4)-2 Select a Media model.

(The outer diameter can be defined up to 120mm, and the inner diameter can be defined up to 50mm. When you have set either or both of these parameters, you can enter an appropriate name into the upper left box and click Save, so that you can choose your settings as a basic setup.)



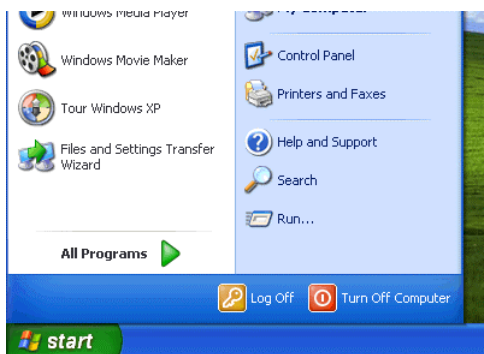
- 5) Click OK.
- 6) Enter the necessary "Number of copies".
- 7) Enter the "Outside" and "Inside diameter" to define the print area.
(The outside diameter defaults to 120mm and the inside diameter to 21mm.)
- 8) Click OK and the printing process starts.
As the printing process proceeds the LCD display reads "Processing data" "Transferring data" "Printing". When the process is completed, the tray slides out.

To print on multiple media, take out the medium from the tray, load another medium and click OK.

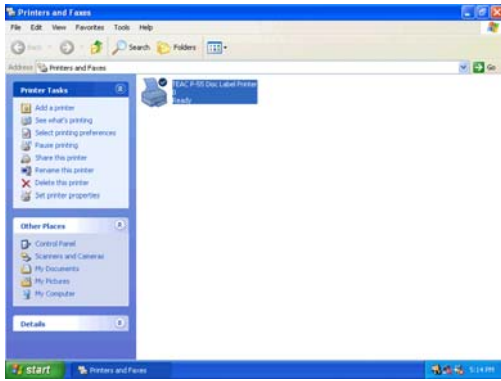
2. Correcting for displacement and hue shift between colors

With the P-55 you can correct for displacement of boundaries and hue shift between colors. These corrections are made by first printing test patterns and then reading and entering necessary corrective values from the printed patterns.

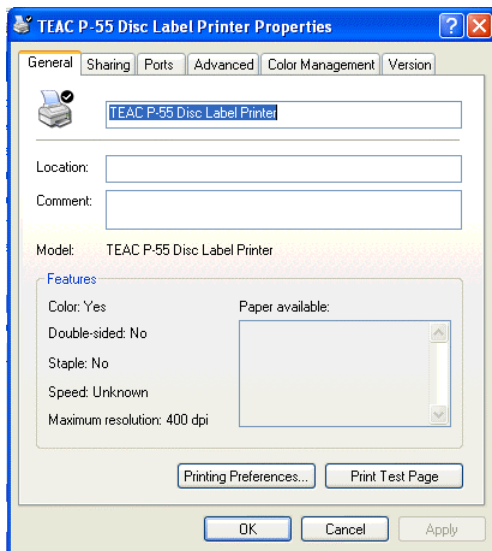
1) Correcting for displacement



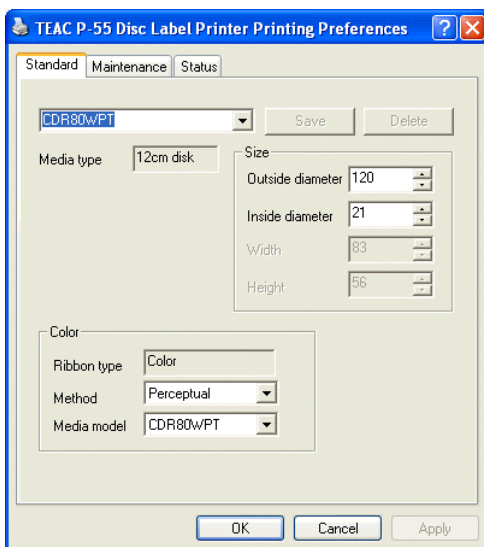
- 1) Select "Printers & Faxes" from the start menu. (With Windows 2000, select Start menu Settings Printers.)



2) Select "TEAC P-55 Disc Label Printer" and click "Set printer properties".

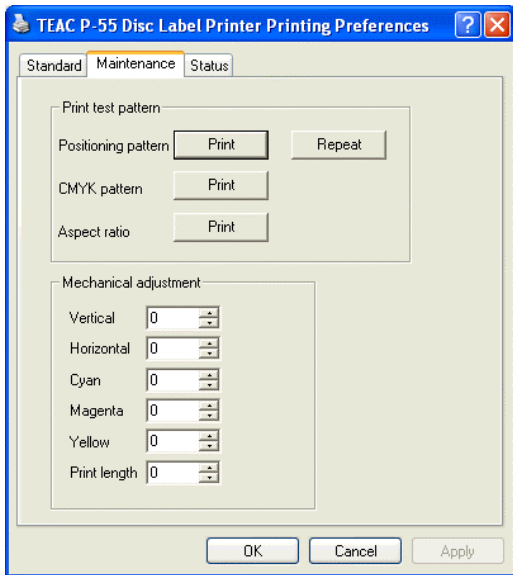


3) Click "Printing Preferences..."

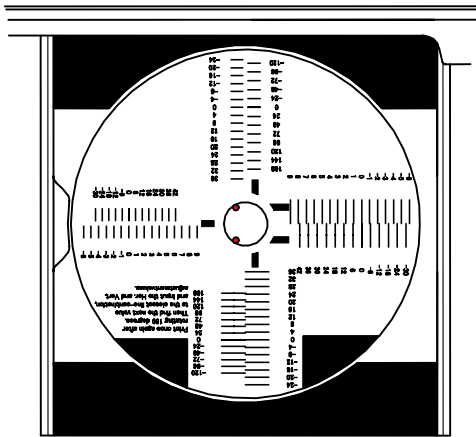


4) Click the Maintenance tab.

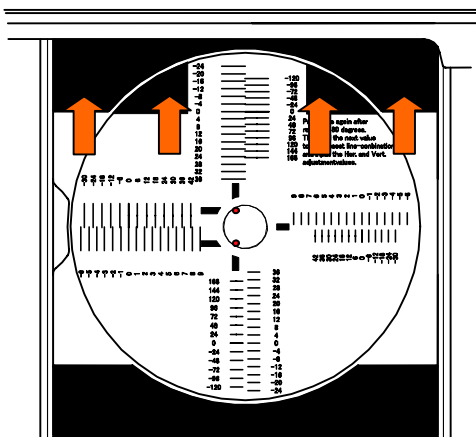




5) Load a print medium and click "Print" next to "Positioning pattern" on the Maintenance dialog.



6) The first test pattern print process will start.

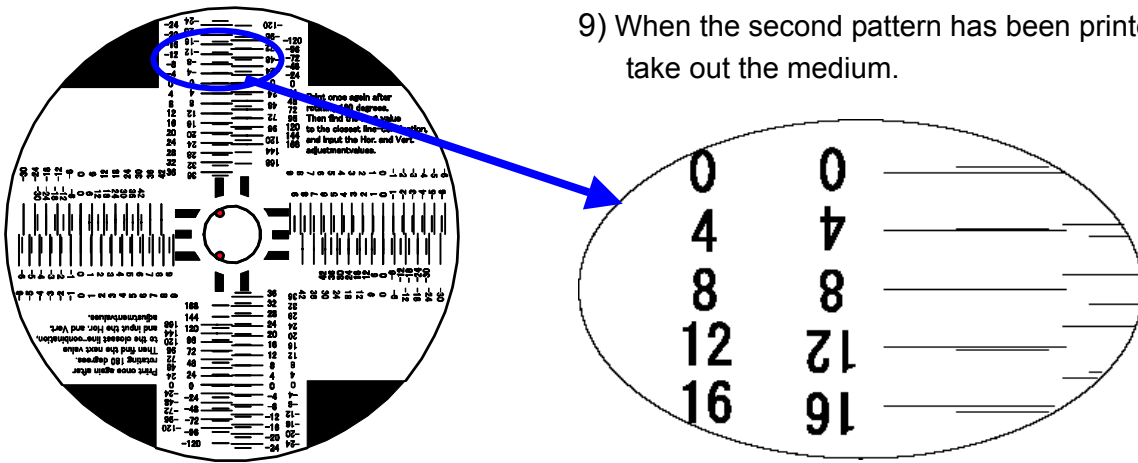


7) When the first test pattern has been printed, take out the medium from the disc tray, and rotate the medium by 180 degrees and place it on the tray so that the arrow marked length is horizontal.

8) Click the Repeat button on the Maintenance tab.

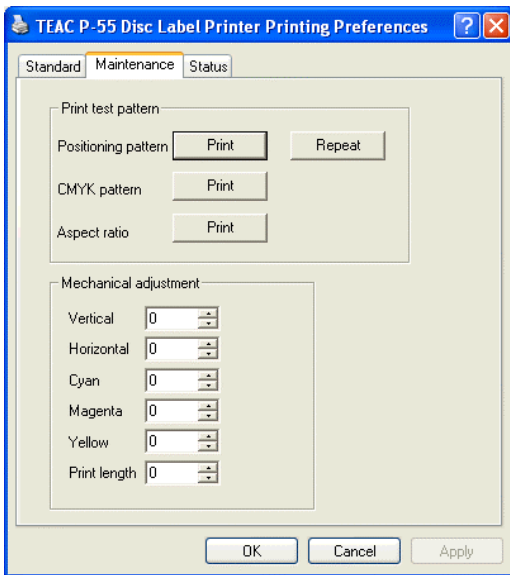


9) When the second pattern has been printed, take out the medium.



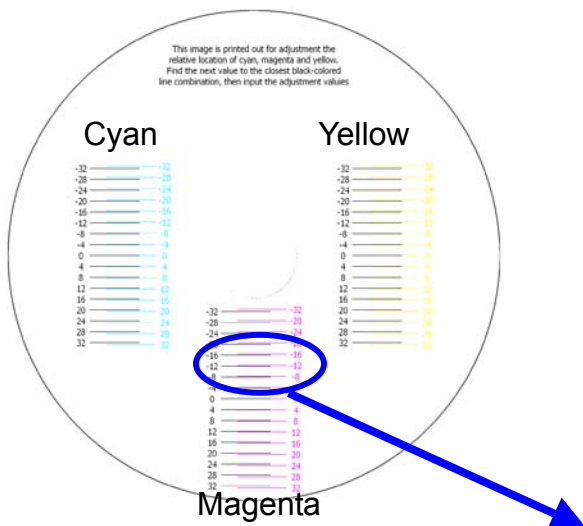
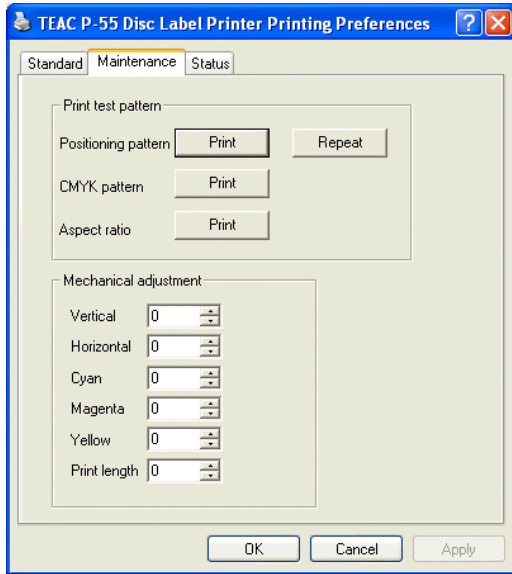
NOTES

- The upper and lower test patterns relative to the center hole are the same, and ditto for the left and right test patterns.
- The upper and lower scales relate to vertical adjustment and the left and right scales relate to horizontal adjustment.



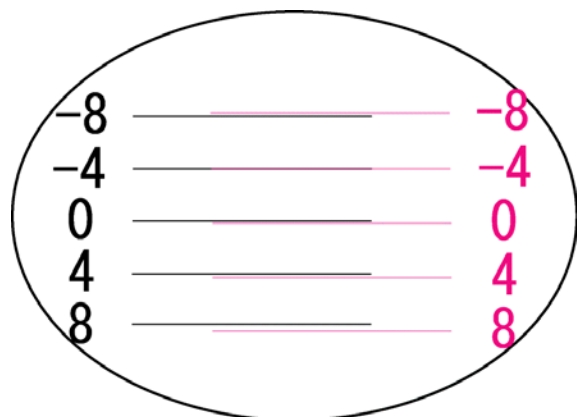
10) A pair of longer and shorter lines are printed along the vertical and horizontal scales. Determine which pair of longer and shorter lines are aligned (or which pair of lines have the slightest displacement between), enter the corresponding values in the Horizontal and Vertical boxes on the Maintenance dialog, and click the OK button. (In our example, you need to enter 8 in the Vertical box.)

2) Correcting for hue shift between colors

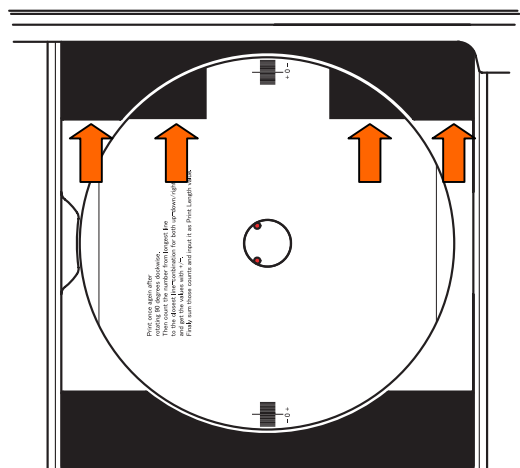
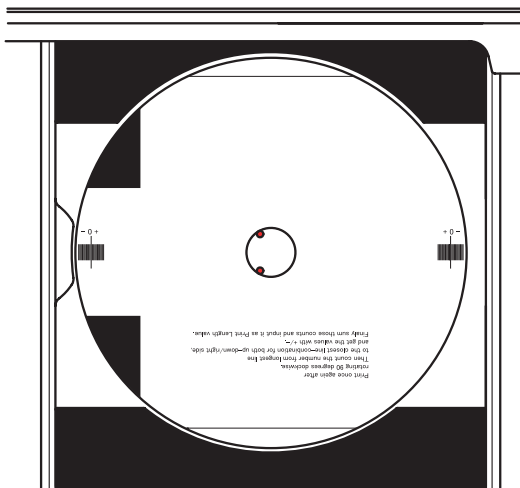
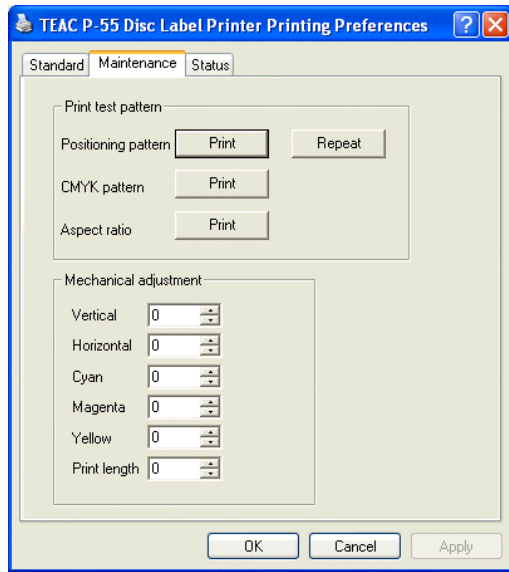


- 1) Place a new medium on the tray and click Print next to "CMYK pattern".

- 2) When the test pattern has been printed, take out the medium from the tray, and determine which pair of black and colored lines are aligned (or which pair of lines have the slightest displacement between) per Cyan, Magenta, and Yellow, and enter the corrective values in the Cyan, Magenta, and Yellow boxes on the Maintenance dialog, and click the OK button. (In our example, you need to enter -4 in the Magenta box.).



3) Correcting for aspect ratio

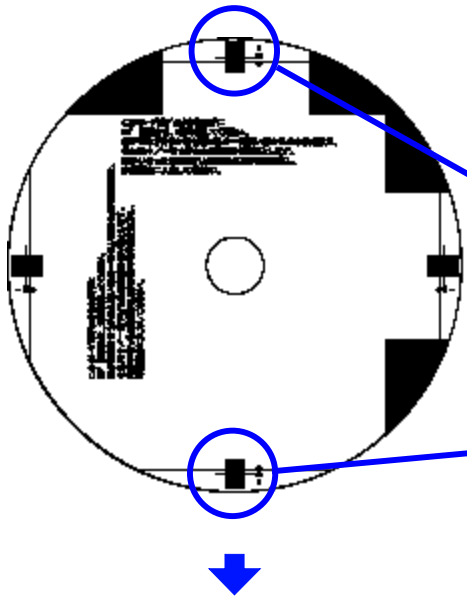


1) Place a medium on the tray and click Print next to "Aspect ratio" on the Maintenance dialog.

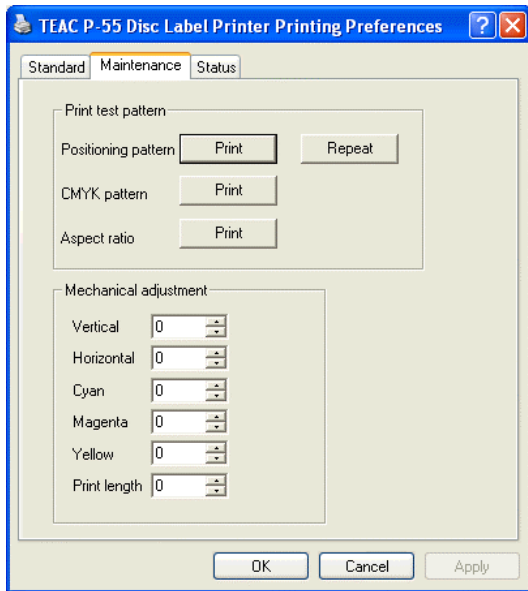
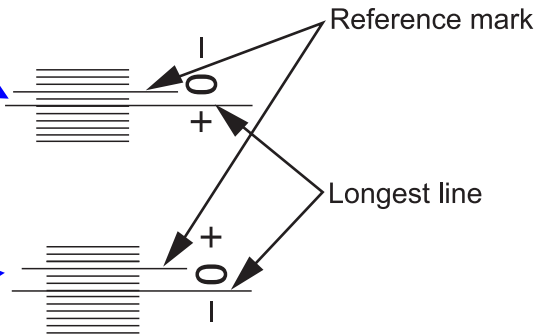
2) The first test pattern is printed.

3) Take out the medium, rotate it by 90 degrees and place the medium again on the tray so that the arrow marked length is horizontal, as shown.

4) Click Print next to "Aspect ratio".



5) When the second test pattern has been printed, take out the medium from the disc tray.



6) Find out the longest line that is aligned with, or is least displaced with respect to, a scale mark. (You can use either the upper and lower scales or the left and right scales.) In the above example, you can get a value of +2 on the upper scale and a value of -3 on the lower scale. Add the two numbers and you get -1. Enter this -1 in the Print Length box on the Maintenance dialog and click the OK button.

3. Beware

When you successively print on multiple media an image in which linear elements are dominant and they run horizontally relative to the direction in which the disc tray slides out (see Figure 1), there are occasions where the print head retains these linear image elements after completing the print session and, when you start the next print session using an another image, this residual image also is output. (This is because localized energy is applied to the print head over and over again and this causes its uniformity in resistivity to lose and thus producing a residual image. This is due to the inherent characteristics of the print heads available and inevitable.)

To lessen the residual image effect, we recommend setting the image direction in graphics software so that the linear elements run vertically relative to the direction in which the disc tray slides out, as shown in Figure 2.

Also, when you use an image in which crossed linear elements are dominant as shown in Figure 3, we recommend setting the image direction in graphics software so that these elements run at an angle of 45 degrees relative to the direction in which the disc tray slides out, as shown in Figure 4.

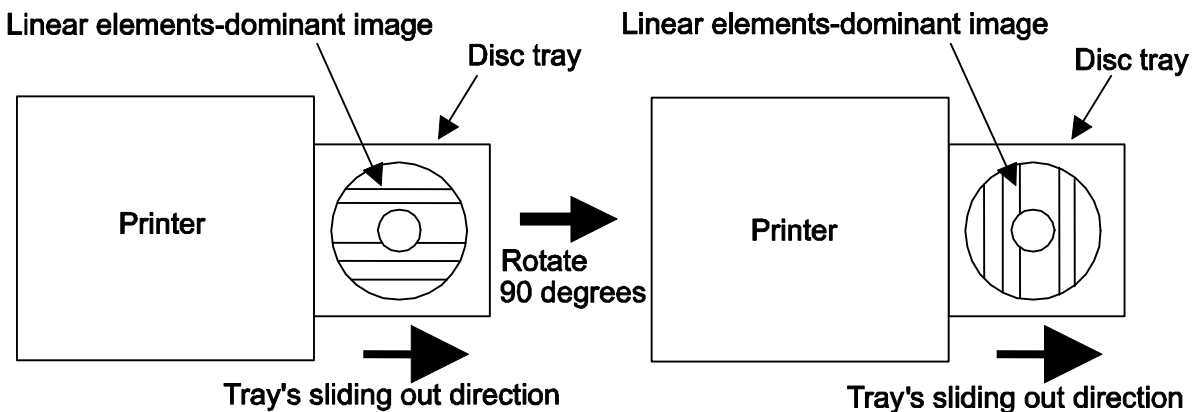


Figure 1

Figure 2

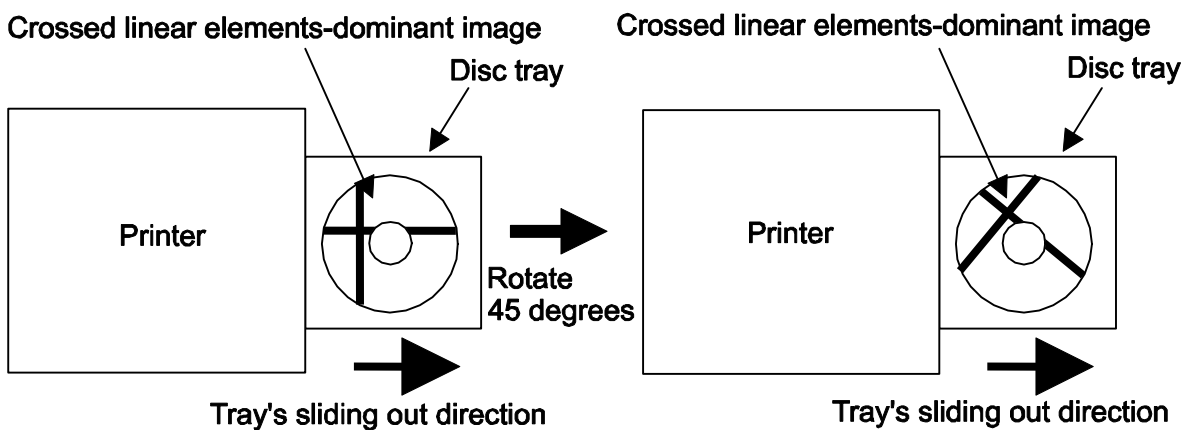


Figure 3

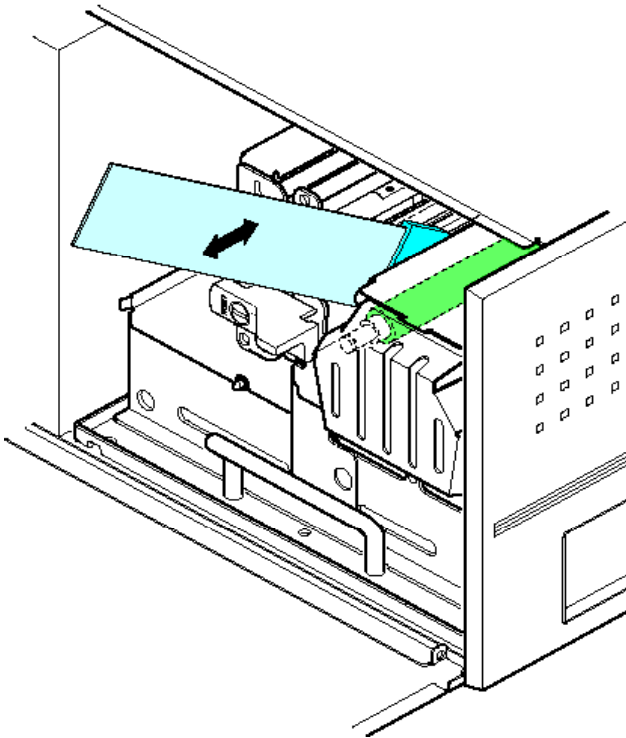
Figure 4

Section 15 : Maintenance

It is important for you to clean the following parts in order to maintain print quality:

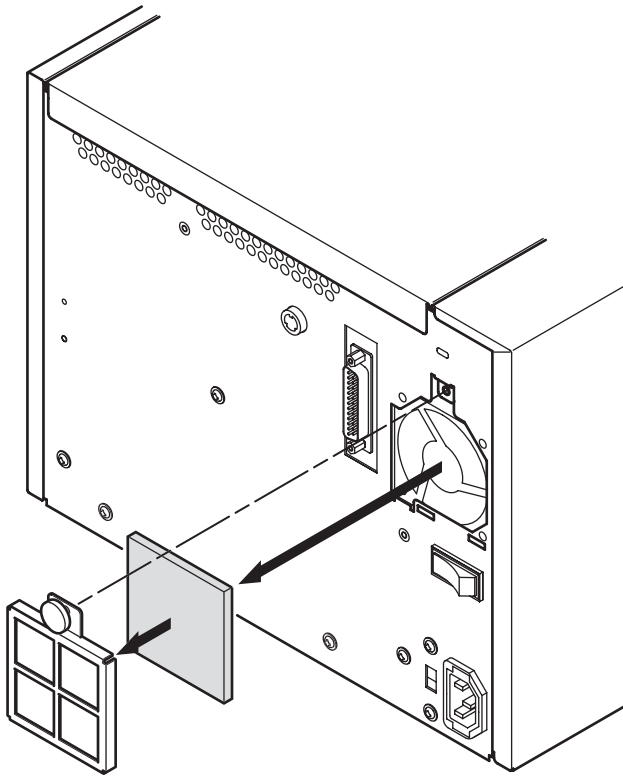
- (1) Platen roller (at ink ribbon replacement time)
- (2) Cooling Fan Filter (every half year)

1. Cleaning the platen roller (when replacing the ink ribbon, perform the following with the power on)



- 1) Press the SELECT button on the control panel as many times as necessary for "Unlock Door" to show in the LCD display and press the ENTER button.
- 2) Open the side door by pressing the button on the top left of the printer.
- 3) Release the lock on the ribbon cartridge by flipping up the lock lever.
- 4) Pull out the ribbon cartridge.
- 5) With the ribbon cartridge removed, flip down the lock lever.
- 6) Press the SELECT button on the control panel to get "Clean Up Mode" shown in the LCD display.
- 7) Now if you hold down the ENTER button, the platen roller will rotate and when you release the button it will stop.
- 8) Apply the cleaning plate moistened in the cleaner to the rotating platen roller and slide in and out the cleaning plate several times.

2. Cleaning the cooling fan filter (every half year)



Remove a large screw that holds the grid in place, remove the grid, take out the filter from the grid, wash the filter with water, let it fully dry, and then replace the grid and filter.

Cleaning the tray
Use an appropriate brush or toothbrush to sweep the tray clean.

CAUTION



Before you attempt to clean the filter, it is imperative to shut down the P-55, wait for the cooling fan to stop and unplug the power cord. (To drop the temperature inside the unit, the fan continues to rotate for about 10 to 20 minutes after switching off the power.)

WARNING



Areas indicated by the hazardous heat warning label are very hot while the power is turned on or just after turning the power off. (Refer to Section 4, Choosing an Adequate Location.)

3. Periodic Checks and Maintenance by Service Personnel

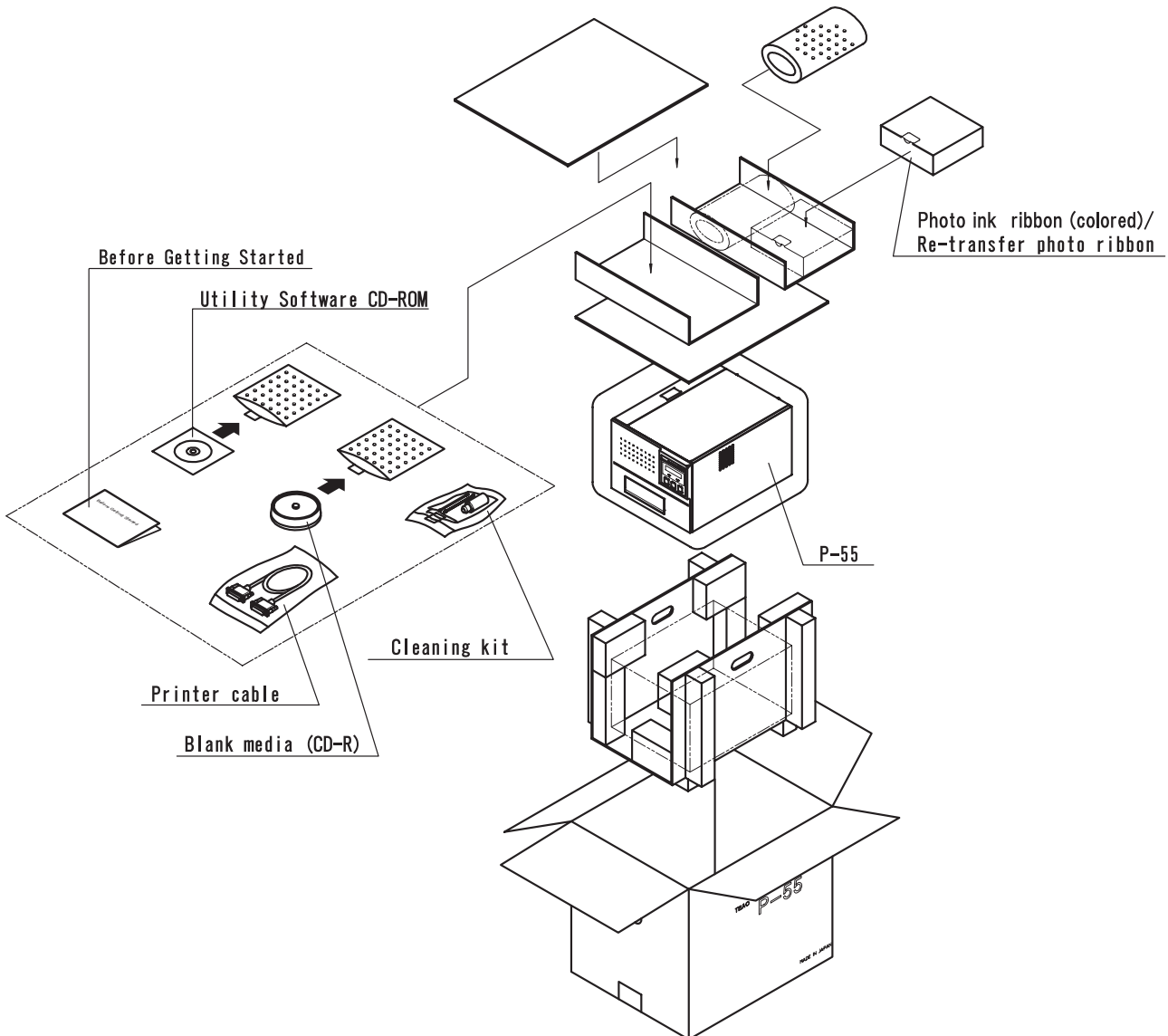
It is recommended that the inside the unit is checked and consumable parts are replaced on a regular basis to maintain print quality consistency. For information about maintenance or repairs, contact our customer representative.

Section 16 : Packing

When you need to ship the P-55, first replace the shipping materials in reverse order of removal by referring to Section 5, Removing Shipping Materials. Thereafter, pack the printer by referring to the illustration below.

NOTE

Shipping the P-55 without shipping materials replaced in place might result in damage to internal parts.



Section 17 : Specifications

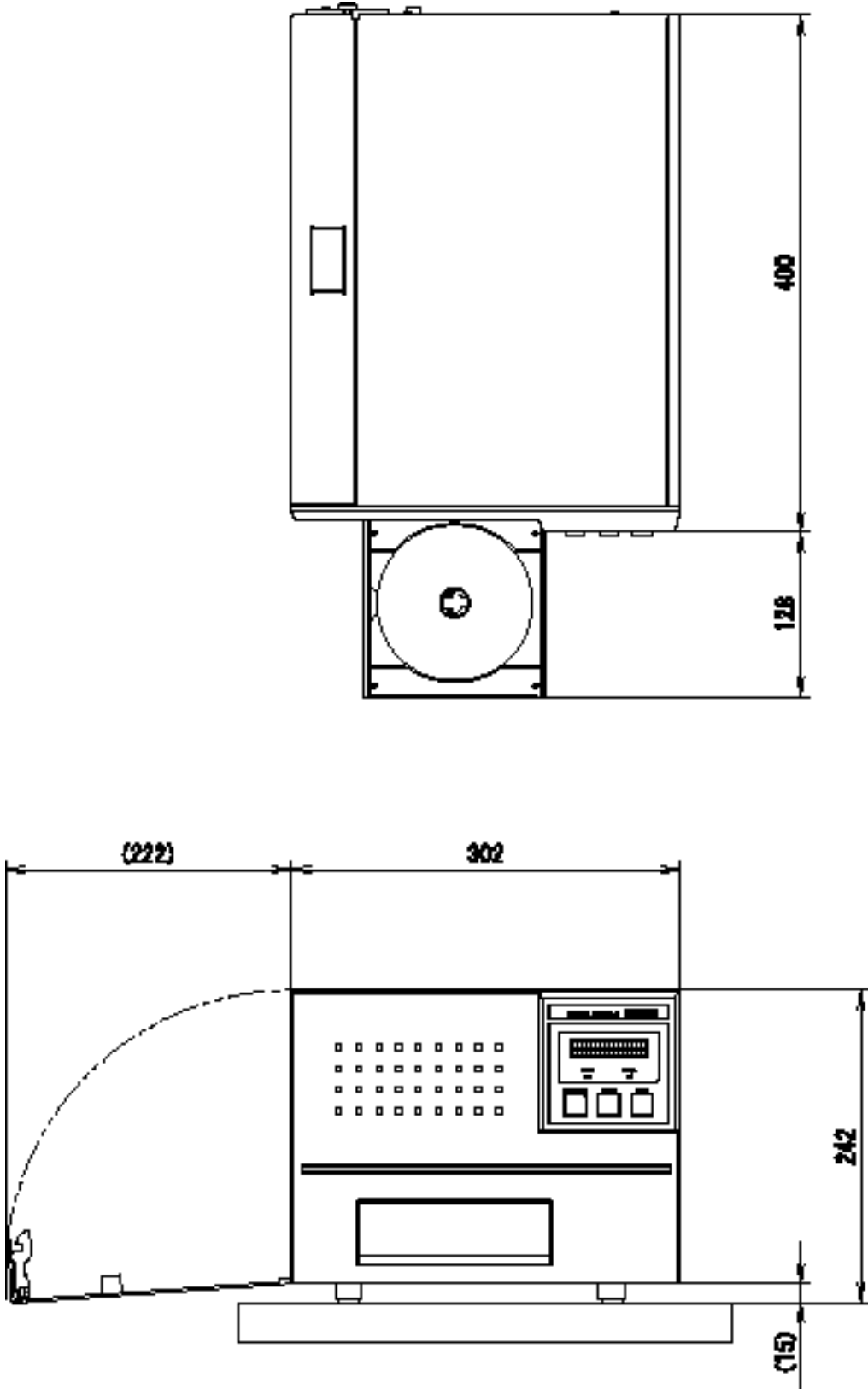
1) Printer

Printing Method:	Thermal re-transfer printing
Print Resolution:	400 dpi
Minimum Dot Diameter:	15-25 microns (variable dot technology)
Tone:	24-bit full color 256 gradation levels per color, CMY Photo ribbon: Continuous-tone method Color ribbon: Halftone-dot method (Auto switch between photo ribbon and color ribbon tonal processing)
Ribbon Capacity:	Photo ink ribbon (CMY): 500 discs/ribbon (Re-transfer photo ribbon: 500 discs/ribbon) Color ink ribbon (CMY): 500 discs/ribbon Single color (black) ink ribbon: 1000 discs/ribbon (Re-transfer color ribbon: 500 discs/ribbon)
Compatible Media:	TEAC-specified thermal printable discs
Printable Image Size:	12-cm CD (2048 pixels by 2048 pixels)
Image Loading Capacity:	One (1) image
Image Format:	TEAC-exclusive format
Media Loading:	Tray Driving
Interface:	ECP (Extended Capabilities Port) mode Parallel interface (ECP-ready) conforming to IEEE1284

2) General

Power Requirements:	AC100-120V/220-240V, 50/60 Hz
Power Consumption:	About 500 Watts (max.) at operating time
External Dimensions (excluding protrusions):	302mm (W) x 242 mm(H including feet) x 400mm (D)
Weight:	About 22 kg (including ribbons)
Operating Environment:	Temperature: 15-30 °C Humidity: 30-70% (no condensation)

3) External Dimensions



Section 18 : Options

■ Ink Ribbon

Photo Ribbon Set Part No.: 19610050-10
(including ink ribbon and re-transfer ribbon, one each)

Color Ribbon Set Part No.: 19610050-00
(including ink ribbon and re-transfer ribbon, one each)

Single Color (Black) Ribbon (1 pc.) Part No.: 19610010-20
* Purpose-designed cartridge additionally required

Color Re-transfer Ribbon Set Part No.: 19610050-30
(including 2 re-transfer ribbons)

■ Ribbon Cartridge

Single Color Ink Ribbon Cartridge Part No.: 19610060-20

Color Ink Ribbon Cartridge Part No.: 19610060-00

Re-transfer Ribbon Cartridge Part No.: 19610060-10

■ Authorized Media

CD-R Media (set of 100 discs) Part No.: 19610020-00

DVD-R Media (set of 50 discs) Part No.: 19610030-20

■ Miscellaneous

Cleaning Kit Part No.: 19610090-00

Section 19 : Contact Information

■ Product Information

TEAC America, Inc.

7733 Telegraph Rd. Montebello, CA. 90640.USA

URL: <http://www.teac.com/DSPD/>

e-mail: webmaster@teac.com

TEAC Europe GmbH

ICPD Department

Bahnstrasse 12, D-65205 Wiesbaden-Erbenheim, Germany

Phone: +49 (611) 7158 675

Fax: +49 (611) 7158 666

e-mail: info@teac-roboflex.de

sales@teac-roboflex.de

URL: www.teac-roboflex.de

■ Technical Support

TEAC America, Inc.

DSPD Technical Support

Phone: (323) 727-4860

Fax: (323) 869-8751

e-mail: dspdtsg@teac.com

TEAC Deutschland GmbH

Bahnstrasse 12, D-65205 Wiesbaden-Erbenheim, Germany

e-mail: support@teac-roboflex.de