



waypoint[®]
living spaces

specification guide
MARCH 2024

waypoint[®]
living spaces

where the remodel begins

Waypoint Living Spaces[®] authorized dealers/designers are the lifeblood of the remodel business and we're proud to provide more than quality products and accessories. We also provide an easier process, tools and support to help your business grow as we expand upon the Waypoint[®] line of styles, finishes and accessories.

Exactly what you had in mind[®]



waypoint[®]
living spaces

Specification Guide

MARCH 2024

waypoint[®]
living spaces

Waypoint® Contact Information

Partner Team

Phone: 877-WLS-PART (877-957-7278)

Fax: 877-957-7277

Email: partners@woodmark.com

Partner Team Hours of Operation

Monday – Friday 8:00 AM – 7:00 PM EST

Waypoint Website

www.waypointlivingspaces.com

New, Improved and Discontinued Items

New Door Styles

- 580S mitered slim shaker with a recessed panel and slab drawer front available for all Cherry, Maple and Painted finishes
- 580F mitered slim shaker with a recessed panel and 5-piece drawer front available for all Cherry, Maple and Painted finishes

Door Style Rename

- 460F renames to 460R

Sink Base Multi-Storage Cabinet Redesign and Rename

- SBMSC30 BUTT STO
- SBMSC36 BUTT STO

New Finishes

- Cherry Clove finish available on all Cherry door styles
- Maple Almond finish available on all Maple door styles

Wall Cabinet Expansion

- 24" High: W3724 X 24DP BUTT, W3724 X 24DP BUTT SD
- 21" High: W3721 X 24DP BUTT, W3721 X 24DP BUTT SD
- 18" High: W3718 X 24DP BUTT, W3718 X 24DP BUTT SD
- 15" High: W1215, W1215 SD, W1515, W1515 SD, W1815, W1815 SD, W2115, W2115 SD, W2415 BUTT, W2415 BUTT SD, W2715 BUTT, W2715 BUTT SD, W3715 X 24DP BUTT, W3715 X 24DP BUTT SD
- 12" High: W1212, W1212 SD, W1512, W1512 SD, W1812, W1812 SD, W2112, W2112 SD, W2412 BUTT, W2412 BUTT SD, W2712 BUTT, W2712 BUTT SD, W3712 X 24DP BUTT, W3712 X 24DP BUTT SD

Corner Wall Cabinet Expansion

- 15": High: CW2415, CW2415 SD, CW2715, CW2715 SD
- 12": High: CW2412, CW2412 SD, CW2712, CW2712 SD

Base Cabinet Expansion

- Full-Height Blind Base Cabinet: BLB36/39 FH, BLB39/42 FH, BLB42/45 FH
- Built-in Base Microwave Cabinet: BBMC24, BBMC27, BBMC30

Discontinued

- 644S
- Cherry Java
- Maple Spice
- B15 PBDSU
- B18 PBDSU
- B18 CBDR
- SB18 STO
- BR2B15
- WBU15
- CBDRK18
- PBDSU15
- PBDSU18
- CUSH CLOSE DR BUFFER
- STB

Ordering

Waypoint Living Spaces® Service Policy

Waypoint stands behind a solid Service Policy that supports our goal to deliver a superior customer experience. Waypoint is with you every step of the way, starting with easy 24/7 order placement, enhanced customer delivery and Rapid Resolution; *exactly what you had in mind*®.

Order Placement Procedure

Online Ordering is available 24 hours a day, 7 days a week for order placement, quoting and tracking and can be accessed by logging in to the Waypoint Living Spaces® website (www.waypointlivingspaces.com). To ensure accuracy and maintain delivery schedules please include, and even double check, the following information with every order.

- ✓ Delivery address (P.O. Boxes not accepted)
 - ✓ PO, job name and contact information
 - ✓ Contact information should include two phone numbers (home, cell, work, etc) and an email address
 - ✓ Door style, wood species and finish
 - ✓ All quantities, product descriptions and applicable options
 - ✓ Any special delivery services or additional customer needs (if applicable)
 - ✓ Designer name
-
- All orders received will be processed and an order confirmation sent via email within 1-2 business days of receipt of your order.
 - Upon receipt of the acknowledgement, Waypoint strongly encourages that the order be proofed for accuracy.
 - Once an order is processed, it is placed on our 28 day delivery lead time. Deliveries are made to the address designated on the order.
 - A final delivery confirmation will be sent via email approximately 10 days prior to delivery.
 - Orders can be modified until the final confirmation notice has been sent. Changes to an order may result in a delay in shipment.

Delivery

Delivery Services

Waypoint ensures client satisfaction with tightly scheduled, pre-arranged deliveries. Our proprietary Delivery Services utilize extra care to the consumer's home assisting in a smooth and rewarding remodel.

Home and Store Delivery:

- Deliveries are made from 8:00 am to 5:00 pm, Monday through Friday, unless otherwise agreed upon when the appointment is scheduled.
- Deliveries are made to a dry, secure location on the ground level or 1 level up or down from the delivery truck.
- The delivery agent will use the contact information submitted with the order when scheduling.
- Approximately 10 days prior to delivery, an email confirmation will be sent to the email address submitted with the order, providing the first available delivery date.
- Shortly before or after the order leaves our facility, the carrier will call to schedule a delivery date.
- The day before the order delivers, the delivery agent will call to provide a 4 hour delivery window.
- Approximately 1 hour prior to delivery, the driver will call to provide an estimated delivery time.
- If there is evidence of damage to the packaging, the driver may unpack and inspect the cabinets.
- The Partner Team should be contacted immediately in the event of any problems, shortages or damages.
- Waypoint may offer special delivery services on a requested basis. Please contact the Partner Team for additional information.

Replacement

Replacement Policy for Damaged, Defective, Mis-shipped or Product Shortage

Replacement items needed as a result of mishandling by Waypoint will be shipped utilizing our Rapid Resolution Process. In the event that a replacement is needed, contact your Partner Team for assistance.

- Replacements will ship on the first possible date based upon product and logistical availability.
- Replacement items will be furnished under the following conditions:
 - ✓ Covered under Waypoint Limited Lifetime Warranty
 - ✓ Product is damaged during delivery and Waypoint is notified within 60 days from delivery date
 - ✓ Product is shorted during delivery and Waypoint is notified within 30 days from delivery date
 - ✓ Incorrect product is received due to Waypoint error
- Replacement orders do not require a new purchase order. Waypoint may request the return of the original part or inspection by a Waypoint representative.
- Orders for replacement parts must include the original order confirmation number and a detailed description of the problem.
- Photos of the problem may be requested.

No Return Policy:

- Waypoint product is built to order and ships directly to our customers without the use of distribution centers or finished goods inventory warehouses. As a result of this special order process we do not accept customer returns.
- Waypoint does not take responsibility for incorrect measurements, dimensions or mis-ordered product.
- Waypoint strongly advises to check all order confirmations to verify all products, sizes and options ordered.

Warranty

Waypoint Living Spaces® Consumer Lifetime Limited Warranty

The manufacturer of Waypoint Living Spaces cabinetry hereby warrants to the original purchaser, for residential applications only, that all Waypoint® cabinetry, cabinets and accessories, are free from defects in materials and workmanship. This warranty runs for as long as you own your home and begins upon the date of delivery to you. This warranty is expressly limited to repair or replacement of the defective part at the discretion of the manufacturer of Waypoint cabinetry, and does not include labor for removal or replacement. This warranty does not extend to defects caused by improper handling, storage, installation, assembly or disassembly, intentional damage, product modifications, exposure to the elements including humidity which may result in warping or splitting, accidental misuse, abuse or negligence.

Natural woods may vary in texture, color and wood grain, and exhibit subtle changes as they age. For example, wood joints may eventually have visible cracking around the joint area and cabinet colors may darken or lighten over time. Sunlight, smoke, moisture, household cleaners and other environmental conditions may cause materials to vary from their original color and/or to warp, split or crack. These variations are considered to be the nature of the material in relation to its environmental exposure and are not covered under this warranty.

Additional Limitations and Disclaimers

THE MANUFACTURER OF WAYPOINT CABINETRY MAKES NO OTHER WARRANTIES OTHER THAN THOSE SET FORTH HEREIN AND ALL OTHER WARRANTIES ARE HEREBY DISCLAIMED. THE IMPLIED WARRANTIES OF MERCHANTABILITY AND FITNESS FOR A PARTICULAR PURPOSE ARE LIMITED IN DURATION TO THE LENGTH OF THE LIMITED WARRANTY PERIOD. THE LIMITED WARRANTIES SET FORTH HEREIN ARE LIMITED TO THE FIRST AND ORIGINAL BUYER AND ARE NOT TRANSFERABLE THEREAFTER. IN NO EVENT SHALL THE MANUFACTURER OF WAYPOINT CABINETRY BE LIABLE FOR INCIDENTAL OR CONSEQUENTIAL DAMAGES TO THE PURCHASER OR TO ANY THIRD PARTY, INCLUDING, WITHOUT LIMITATION, DAMAGES ARISING FROM PERSONAL INJURY, LOST PROFITS, LOSS OF BUSINESS OPPORTUNITY, LOSS OF PROPERTY, ECONOMIC LOSSES, OR STATUTORY OR EXEMPLARY DAMAGES, WHETHER FROM NEGLIGENCE, WARRANTY, STRICT LIABILITY OR OTHERWISE. Some states do not allow the exclusion or limitation of incidental or consequential damages, or limitations on how long an implied warranty lasts, so the above limitations and exclusions may not apply to you. This warranty gives you specific legal rights, and you may also have other rights, which vary from state to state.

Claims

All claims for defective cabinets and accessories must be submitted to the manufacturer in writing and must specify the defects present in the cabinets and accessories. After the manufacturer has had an opportunity to inspect the cabinets and accessories, it will, at their discretion, either replace defective cabinets and accessories or repair any defects in the cabinets and accessories. All claims must be submitted to the following address: Waypoint Living Spaces Claims Department, Post Office Box 1980, Winchester, Virginia 22604.

Continuous Improvement

In keeping with our policy of continuous product refinement, Waypoint reserves the right to change specifications in design and materials as conditions require.

Environmental Stewardship Program

As a leading U.S. manufacturer of fine cabinetry, Waypoint Living Spaces® is committed to conducting business in a manner that both protects the environment and safeguards public health and safety. To achieve this end, the Company has implemented a Corporate Environmentally Responsible Stewardship Program that proactively identifies potential environmental risks and monitors compliance with appropriate federal, state, local and internal standards.

Waypoint has received certification by the Kitchen Cabinet Manufacturers Association (KCMA) Environmental Stewardship Program. The certification was awarded based on compliance across a broad range of activity including air quality, product resource management, process resource management, environmental stewardship and community relations.

Waypoint works with all suppliers to encourage sustainable forestry practices. Particle board and plywood are purchased from suppliers that meet the Composite Panel Association requirements for Environmentally Preferable Products including formaldehyde emissions that comply with ANSI Standards.

Waypoint uses leading edge technologies to limit both hazardous and non-hazardous emissions, byproducts and waste. On-going, formal programs identify opportunities for recycling and reusing materials. When waste ultimately requires disposal, steps are taken to minimize the environmental impact.



KITCHEN CABINET MANUFACTURERS ASSOCIATION
ENVIRONMENTAL STEWARDSHIP PROGRAM (ESP)
ALL PRODUCTS IMPACT THE ENVIRONMENT
FOR ESP PROGRAM DETAILS, VISIT KCMA.ORG



ANSI/KCMA A161.1

Notes

NEW! Cherry Clove

Our new medium brown stain adds depth and character to any space.



Cherry Clove

Cherry Clove is a mid-toned wood stain with a subtle cool undertone, suggesting sophistication and muted richness, reminiscent of its namesake, the clove. Use it to warm up and add character to any living space.

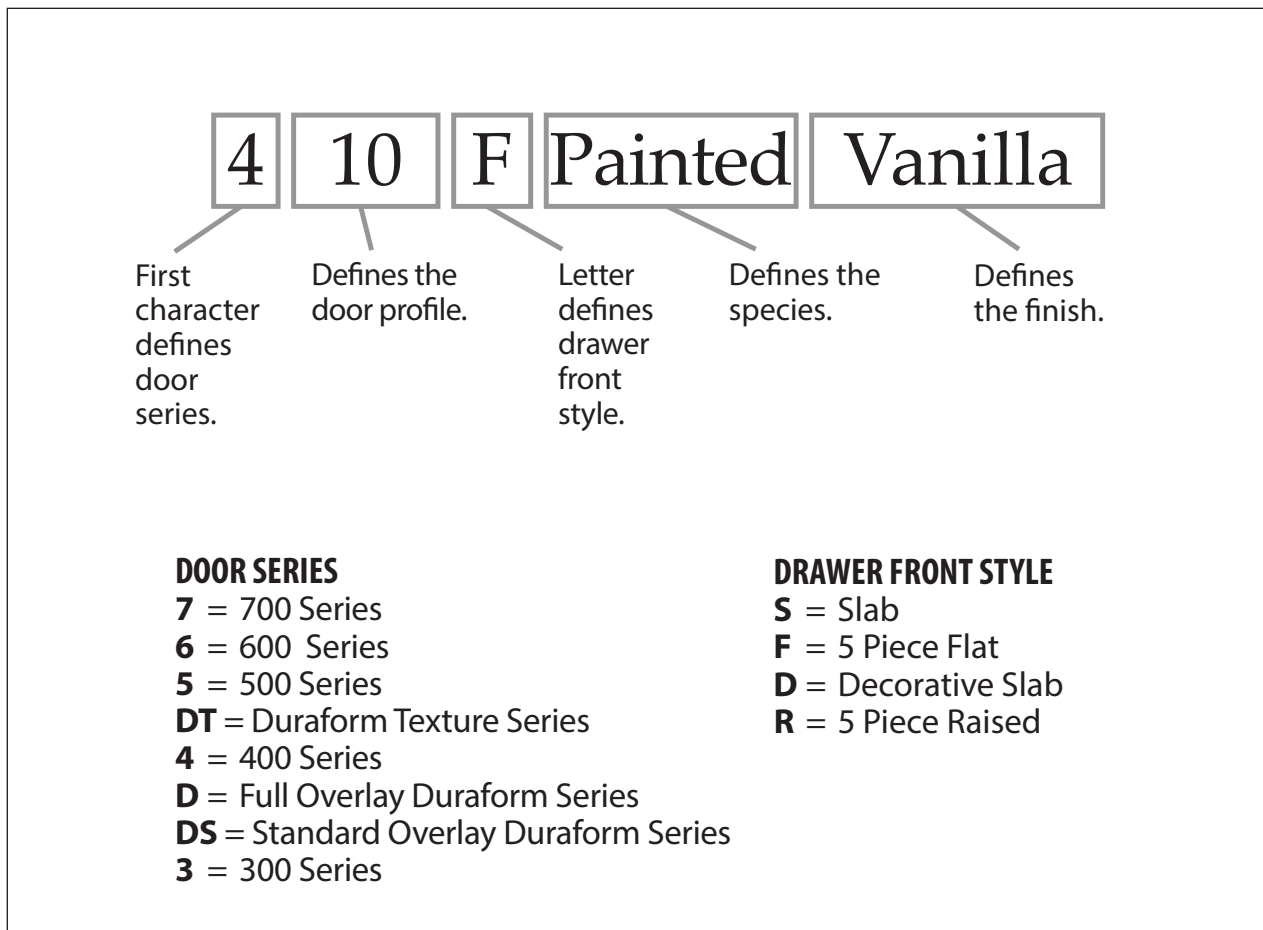


NEW! Cherry Clove

About the Waypoint® Series System

Welcome to an easier way to understand and order cabinetry. The Waypoint system simplifies product identification and adds clarity and consistency into ordering.

The key here is a simple system that's easy to learn and use. See the chart below.



Waypoint Series and Finishes

DOOR STYLE		CHERRY			MAPLE						DURAFORM					
SERIES	OVERLAY	AMBER	CLOVE	SLATE	ALMOND	COGNAC	LATTE	RYE	SLATE	TRUFFLE	BREEZE	DRIFT	ESPRESSO	HARBOR	LINEN	STONE
750F	FOL	●	●	●	●	●	●	●	●	●						
720R	FOL	●	●	●	●	●	●	●	●	●						
660D	FOL	●	●	●	●	●	●	●	●	●						
660R	FOL	●	●	●	●	●	●	●	●	●						
650S	FOL	●	●	●	●	●	●	●	●	●						
650F	FOL	●	●	●	●	●	●	●	●	●						
580S	FOL	●	●	●	●	●	●	●	●	●						
580F	FOL	●	●	●	●	●	●	●	●	●						
570S	FOL				●	●	●	●	●	●						
570F	FOL				●	●	●	●	●	●						
540F	FOL	●	●	●	●	●	●	●	●	●						
530S	FOL	●	●	●	●	●	●	●	●	●						
DT24F	FOL										●	●				
DT22S	FOL										●	●				
470S	FOL				●	●	●	●	●	●						
470F	FOL				●	●	●	●	●	●						
460S	FOL				●	●	●	●	●	●						
460R	FOL				●	●	●	●	●	●						
410S	FOL	●	●	●	●	●	●	●	●	●						
410F	FOL	●	●	●	●	●	●	●	●	●						
D18F	FOL												●	●	●	●
D16S	FOL												●	●	●	●
D16F	FOL												●	●	●	●
D12S	FOL												●			
DS04F	SOL												●	●	●	●
DS02S	SOL												●	●	●	●
330S	SOL				●	●	●	●	●	●						

Waypoint Series and Finishes

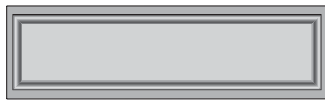
DOOR STYLE		PAINTED											
SERIES	OVERLAY	BISCOTTI	BLACK	BOULDER	EMBER	HARBOR	LINEN	MIST	NAVY	PEWTER	SAGE	STONE	VANILLA
750F	FOL	●	●	●	●	●	●	●	●	●	●	●	●
720R	FOL	●	●	●	●	●	●	●	●	●	●	●	●
660D	FOL	●	●	●	●	●	●	●	●	●	●	●	●
660R	FOL	●	●	●	●	●	●	●	●	●	●	●	●
650S	FOL		●	●		●	●	●	●		●	●	●
650F	FOL		●	●		●	●	●	●		●	●	●
580S	FOL		●	●		●	●	●	●		●	●	●
580F	FOL		●	●		●	●	●	●		●	●	●
570S	FOL	●	●	●	●	●	●	●	●	●	●	●	●
570F	FOL	●	●	●	●	●	●	●	●	●	●	●	●
540F	FOL	●	●	●	●	●	●	●	●	●	●	●	●
530S	FOL		●	●		●	●	●	●		●	●	●
DT24F	FOL												
DT22S	FOL												
470S	FOL	●	●	●	●	●	●	●	●	●	●	●	●
470F	FOL	●	●	●	●	●	●	●	●	●	●	●	●
460S	FOL	●	●	●	●	●	●	●	●	●	●	●	●
460R	FOL	●	●	●	●	●	●	●	●	●	●	●	●
410S	FOL		●	●		●	●	●	●		●	●	●
410F	FOL		●	●		●	●	●	●		●	●	●
D18F	FOL												
D16S	FOL												
D16F	FOL												
D12S	FOL												
DS04F	SOL												
DS02S	SOL												
330S	SOL		●	●		●	●	●	●		●	●	●



Door



Door Cross Section



Kneehole Drawer Front



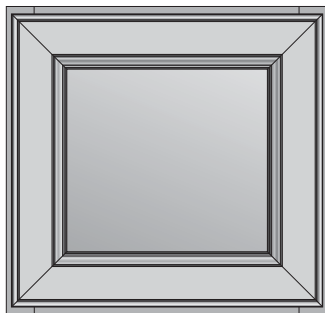
Kneehole Drawer Cross Section



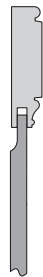
Standard Drawer Front



Standard Drawer Cross Section



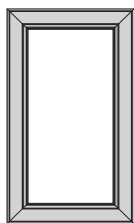
Large Drawer Front



Large Drawer Cross Section

SPECIALTY DOORS (SD) AVAILABLE

See page 71 for details and restrictions



OFD

Waypoint Series 750F

NEW! FINISHES

DOOR STYLE DETAILS

Door Description:	Mitered Recessed Panel
Small Drawer Front:	5 Piece Mitered Flat Panel
Large Drawer Front:	5 Piece Mitered Flat Panel
Overlay:	Full Overlay
Door Stile & Rail Width:	3"
Tall Door Details:	No Horizontal Center Rail on 50" High Doors
Hardware:	Requires Decorative Door & Drawer Hardware (Refer to Decorative Hardware section of this guide for restrictions)

FINISH

STYLE CODES

Cherry

Cherry Amber	54CFS
Cherry Clove	54CTS
Cherry Slate	54CES

Maple

Maple Almond	54GGS
Maple Cognac	54MRS
Maple Latte	54GAS
Maple Rye	54MTS
Maple Slate	54GES
Maple Truffle	54MBS

Painted

Painted Biscotti Glaze	54FVF
Painted Black	54FDS
Painted Boulder	54MIS
Painted Ember Glaze	54MKO
Painted Harbor	54MKS
Painted Linen	54MPS
Painted Mist	54FHS
Painted Navy	54FBS
Painted Pewter Glaze	54MPQ
Painted Sage	54FCS
Painted Stone	54MYS
Painted Vanilla	54FVS

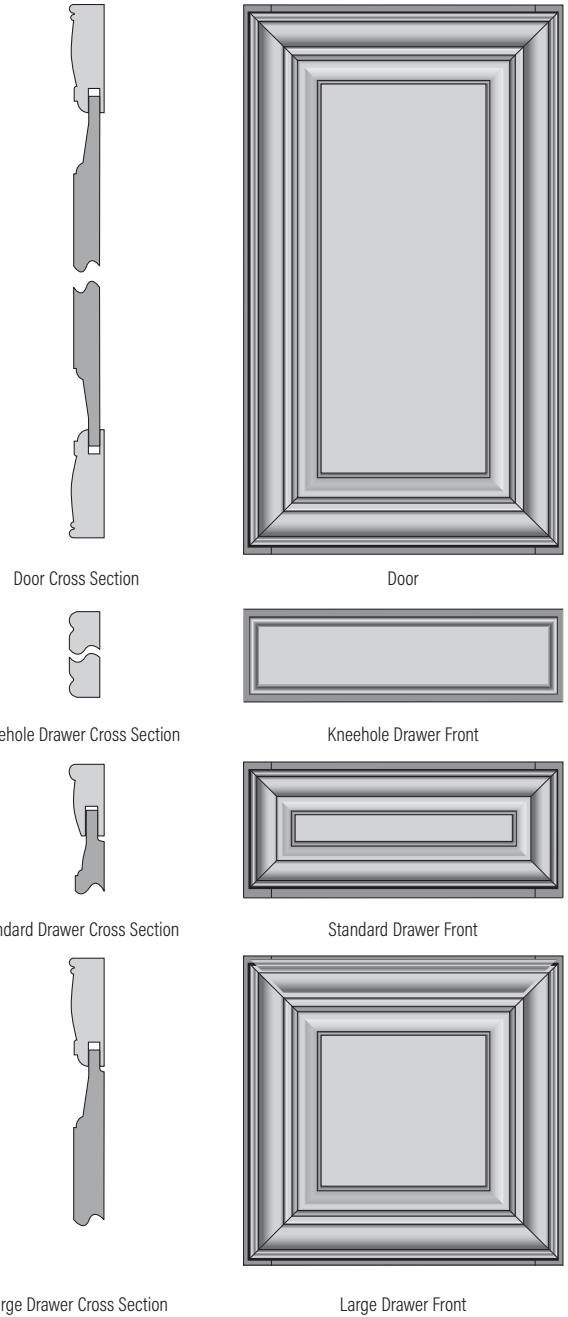
Waypoint Series 720R

NEW! FINISHES

DOOR STYLE DETAILS

Door Description:	Mitered Raised Panel
Small Drawer Front:	5 Piece Mitered Raised Panel
Large Drawer Front:	5 Piece Mitered Raised Panel
Overlay:	Full Overlay
Door Stile & Rail Width:	3"
Tall Door Details:	Horizontal Center Rail on 50" High Doors
Hardware:	Requires Decorative Door & Drawer Hardware (Refer to Decorative Hardware section of this guide for restrictions)

FINISH	STYLE CODES
Cherry	
Cherry Amber	35CFS
Cherry Clove	35CTS
Cherry Slate	35CES
Maple	
Maple Almond	35GGS
Maple Cognac	35MRS
Maple Latte	35GAS
Maple Rye	35MTS
Maple Slate	35GES
Maple Truffle	35MBS
Painted	
Painted Biscotti Glaze	35FVF
Painted Black	35FDS
Painted Boulder	35MIS
Painted Ember Glaze	35MKO
Painted Harbor	35MKS
Painted Linen	35MPS
Painted Mist	35FHS
Painted Navy	35FBS
Painted Pewter Glaze	35MPQ
Painted Sage	35FCS
Painted Stone	35MYS
Painted Vanilla	35FVS



Door Cross Section

Door

Kneehole Drawer Cross Section

Kneehole Drawer Front

Standard Drawer Cross Section

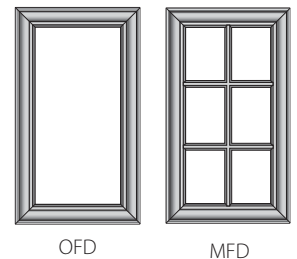
Standard Drawer Front

Large Drawer Cross Section

Large Drawer Front

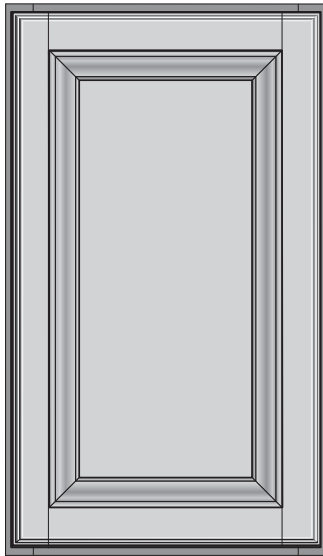
SPECIALTY DOORS (SD) AVAILABLE

See page 71 for details and restrictions



OFD

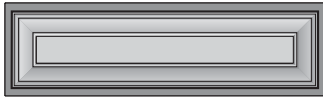
MFD



Door



Door Cross Section



Kneehole Drawer Front



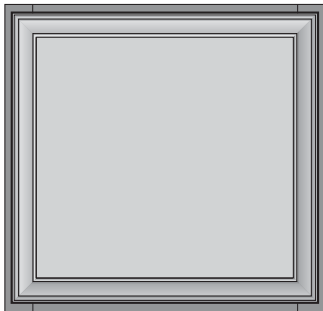
Kneehole Drawer Cross Section



Standard Drawer Front



Standard Drawer Cross Section



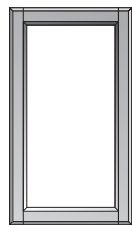
Large Drawer Front



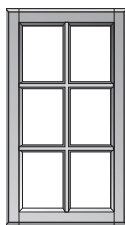
Large Drawer Cross Section

SPECIALTY DOORS (SD) AVAILABLE

See page 71 for details and restrictions



OFD



MFD

Waypoint Series 660D

NEW! FINISHES

DOOR STYLE DETAILS

Door Description:	Raised Panel
Drawer Front:	Decorative Slab
Overlay:	Full Overlay
Door Stile & Rail Width:	2 1/4"
Tall Door Details:	Horizontal Center Rail on 50" High Doors
Hardware:	Requires Decorative Door & Drawer Hardware (Refer to Decorative Hardware section of this guide for restrictions)

FINISH

STYLE CODES

Cherry

Cherry Amber	44CFS
Cherry Clove	44CTS
Cherry Slate	44CES

Maple

Maple Almond	44GGS
Maple Cognac	44MRS
Maple Latte	44GAS
Maple Rye	44MTS
Maple Slate	44GES
Maple Truffle	44MBS

Painted

Painted Biscotti Glaze	44FVF
Painted Black	44FDS
Painted Boulder	44MIS
Painted Ember Glaze	44MKO
Painted Harbor	44MKS
Painted Linen	44MPS
Painted Mist	44FHS
Painted Navy	44FBS
Painted Pewter Glaze	44MPQ
Painted Sage	44FCS
Painted Stone	44MYS
Painted Vanilla	44FVS

Waypoint Series 660R

NEW! FINISHES

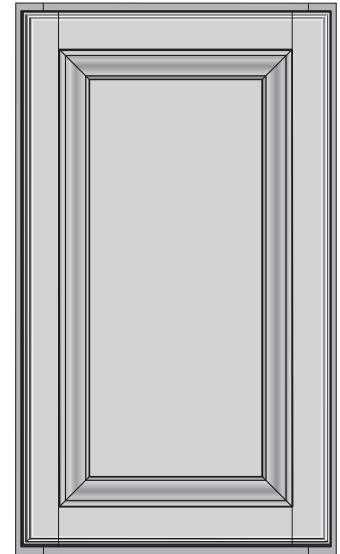
DOOR STYLE DETAILS

Door Description:	Raised Panel
Small Drawer Front:	5 Piece Raised Panel
Large Drawer Front:	5 Piece Raised Panel
Overlay:	Full Overlay
Door Stile & Rail Width:	2 1/4"
Tall Door Details:	Horizontal Center Rail on 50" High Doors
Hardware:	Requires Decorative Door & Drawer Hardware (Refer to Decorative Hardware section of this guide for restrictions)

FINISH	STYLE CODES
Cherry	
Cherry Amber	47CFS
Cherry Clove	47CTS
Cherry Slate	47CES
Maple	
Maple Almond	47GGS
Maple Cognac	47MRS
Maple Latte	47GAS
Maple Rye	47MTS
Maple Slate	47GES
Maple Truffle	47MBS
Painted	
Painted Biscotti Glaze	47FVF
Painted Black	47FDS
Painted Boulder	47MIS
Painted Ember Glaze	47MKO
Painted Harbor	47MKS
Painted Linen	47MPS
Painted Mist	47FHS
Painted Navy	47FBS
Painted Pewter Glaze	47MPQ
Painted Sage	47FCS
Painted Stone	47MYS
Painted Vanilla	47FVS



Door Cross Section



Door



Kneehole Drawer Cross Section



Kneehole Drawer Front



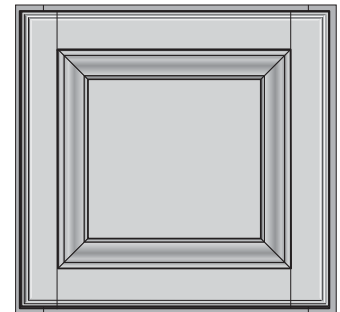
Standard Drawer Cross Section



Standard Drawer Front



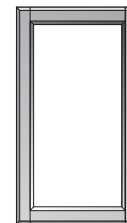
Large Drawer Cross Section



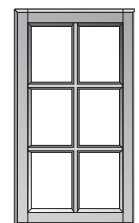
Large Drawer Front

SPECIALTY DOORS (SD) AVAILABLE

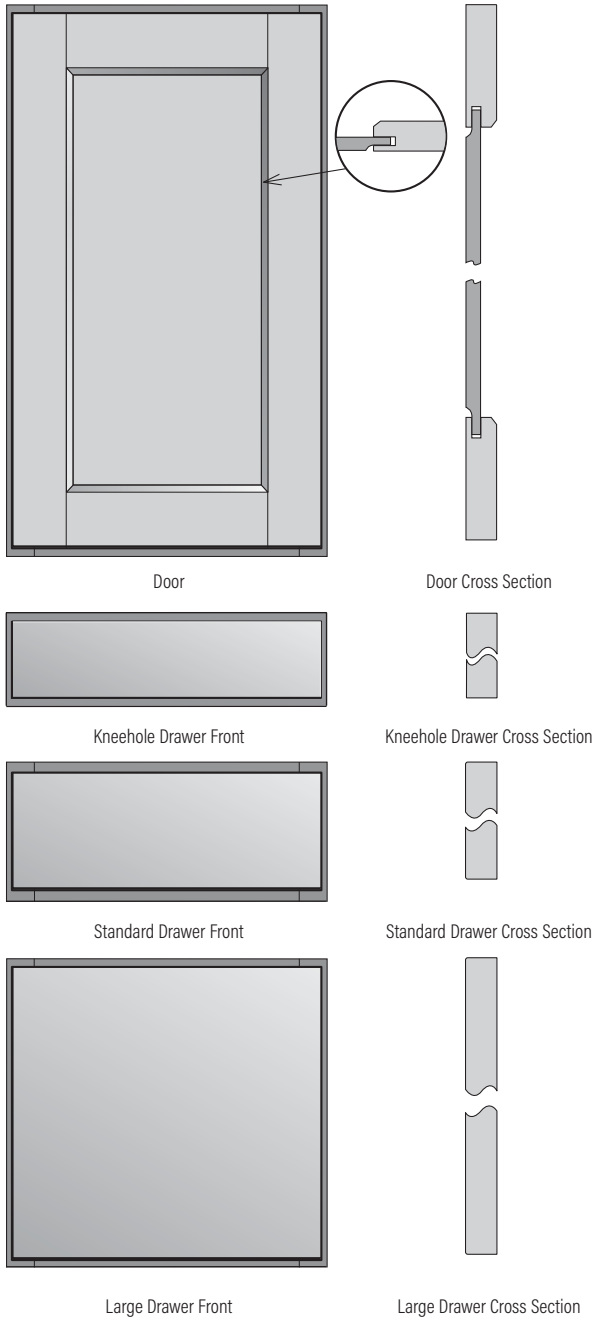
See page 71 for details and restrictions



OFD



MFD



Waypoint Series 650S

NEW! FINISHES

DOOR STYLE DETAILS

Door Description:	Recessed Shaker Panel
Drawer Front:	Slab
Overlay:	Full Overlay
Door Stile & Rail Width:	3"
Tall Door Details:	Horizontal Center Rail on 50" High Doors
Hardware:	Requires Decorative Door & Drawer Hardware (Refer to Decorative Hardware section of this guide for restrictions)

FINISH

STYLE CODES

Cherry

Cherry Amber	40CFS
Cherry Clove	40CTS
Cherry Slate	40CES

Maple

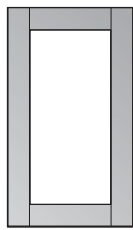
Maple Almond	40GGS
Maple Cognac	40MRS
Maple Latte	40GAS
Maple Rye	40MTS
Maple Slate	40GES
Maple Truffle	40MBS

Painted

Painted Black	40FDS
Painted Boulder	40MIS
Painted Harbor	40MKS
Painted Linen	40MPS
Painted Mist	40FHS
Painted Navy	40FBS
Painted Sage	40FCS
Painted Stone	40MYS
Painted Vanilla	40FVS

SPECIALTY DOORS (SD) AVAILABLE

See page 71 for details and restrictions



OFD

Waypoint Series 650F

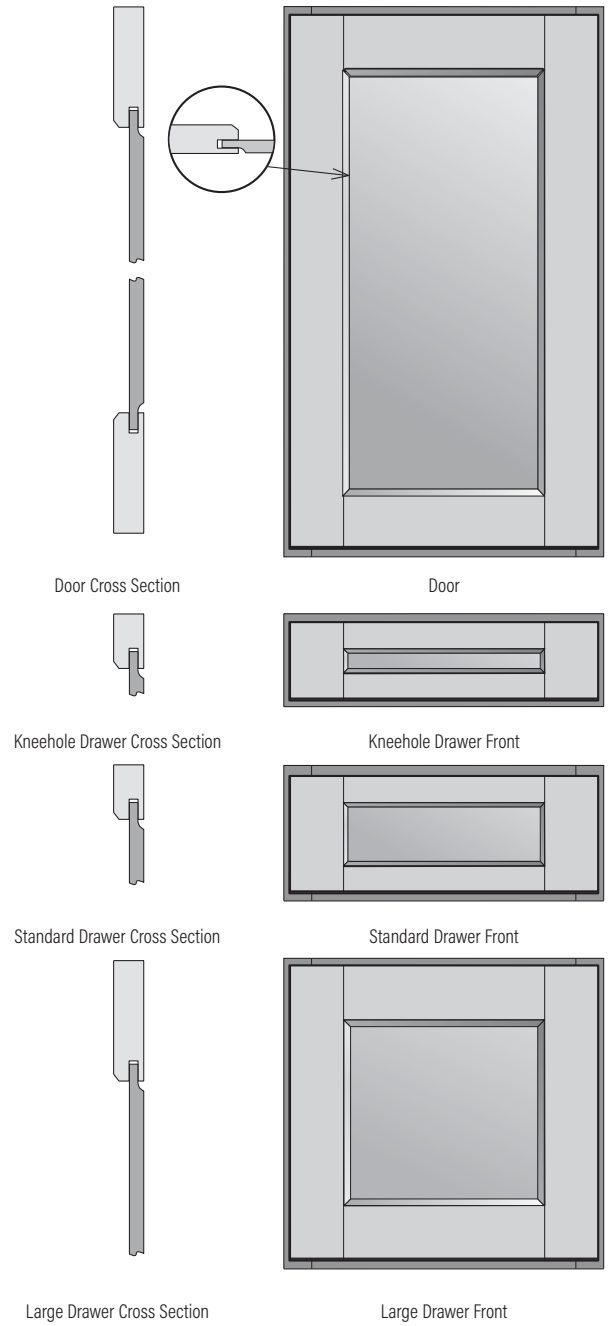
NEW! FINISHES

DOOR STYLE DETAILS

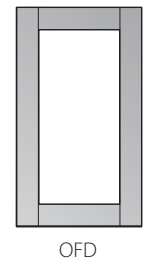
Door Description:	Recessed Shaker Panel
Small Drawer Front:	5 Piece Flat Panel
Large Drawer Front:	5 Piece Flat Panel
Overlay:	Full Overlay
Door Stile & Rail Width:	3"
Tall Door Details:	Horizontal Center Rail on 50" High Doors
Hardware:	Requires Decorative Door & Drawer Hardware (Refer to Decorative Hardware section of this guide for restrictions)

FINISH	STYLE CODES
Cherry	
Cherry Amber	42CFS
Cherry Clove	42CTS
Cherry Slate	42CES
Maple	
Maple Almond	42GGS
Maple Cognac	42MRS
Maple Latte	42GAS
Maple Rye	42MTS
Maple Slate	42GES
Maple Truffle	42MBS
Painted	
Painted Black	42FDS
Painted Boulder	42MIS
Painted Harbor	42MKS
Painted Linen	42MPS
Painted Mist	42FHS
Painted Navy	42FBS
Painted Sage	42FCS
Painted Stone	42MYS
Painted Vanilla	42FVS

DOOR STYLES



SPECIALTY DOORS (SD) AVAILABLE
See page 71 for details and restrictions

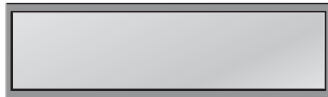




Door



Door Cross Section



Kneehole Drawer Front



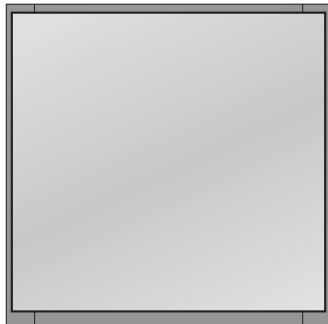
Kneehole Drawer Cross Section



Standard Drawer Front



Standard Drawer Cross Section



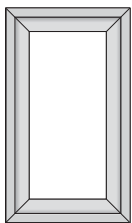
Large Drawer Front



Large Drawer Cross Section

SPECIALTY DOORS (SD) AVAILABLE

See page 71 for details and restrictions



OFD

Waypoint Series 580S NEW! DOOR STYLE

DOOR STYLE DETAILS

Door Description:	Mitered Recessed Panel
Drawer Front:	Slab
Overlay:	Full Overlay
Door Stile & Rail Width:	3/4"
Tall Door Details:	No Horizontal Center Rail on 50" High Doors
Hardware:	Requires Decorative Door & Drawer Hardware* (Refer to Decorative Hardware section of this guide for restrictions)

**Cannot drill more than 1 1/2" from all edges of door/drawer front*

FINISH

STYLE CODES

Cherry

Cherry Amber	78CFS
Cherry Clove	78CTS
Cherry Slate	78CES

Maple

Maple Almond	78GGS
Maple Cognac	78MRS
Maple Latte	78GAS
Maple Rye	78MTS
Maple Slate	78GES
Maple Truffle	78MBS

Painted

Painted Black	78FDS
Painted Boulder	78MIS
Painted Harbor	78MKS
Painted Linen	78MPS
Painted Mist	78FHS
Painted Navy	78FBS
Painted Sage	78FCS
Painted Stone	78MYS
Painted Vanilla	78FVS

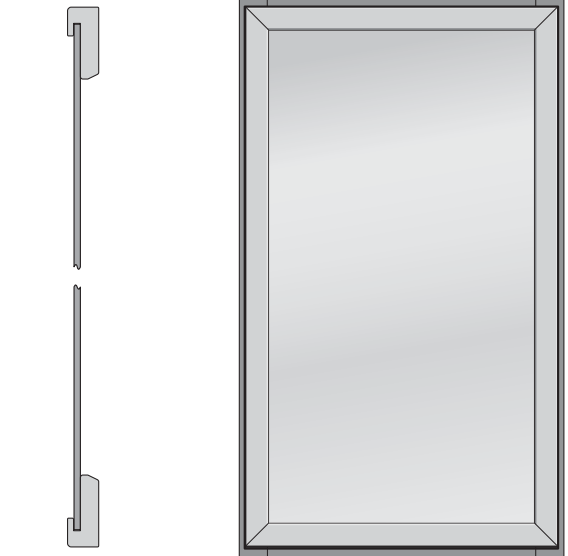
Waypoint Series 580F NEW! DOOR STYLE

DOOR STYLE DETAILS

Door Description:	Mitered Recessed Panel
Small Drawer Front:	5 Piece Mitered Flat Panel
Large Drawer Front:	5 Piece Mitered Flat Panel
Overlay:	Full Overlay
Door Stile & Rail Width:	3/4"
Tall Door Details:	No Horizontal Center Rail on 50" High Doors
Hardware:	Requires Decorative Door & Drawer Hardware* (Refer to Decorative Hardware section of this guide for restrictions)

*Cannot drill more than 1 1/2" from all edges of door/drawer front

FINISH	STYLE CODES
Cherry	
Cherry Amber	79CF5
Cherry Clove	79CTS
Cherry Slate	79CES
Maple	
Maple Almond	79GGS
Maple Cognac	79MRS
Maple Latte	79GAS
Maple Rye	79MTS
Maple Slate	79GES
Maple Truffle	79MBS
Painted	
Painted Black	79FDS
Painted Boulder	79MIS
Painted Harbor	79MKS
Painted Linen	79MPS
Painted Mist	79FHS
Painted Navy	79FBS
Painted Sage	79FCS
Painted Stone	79MYS
Painted Vanilla	79FVS



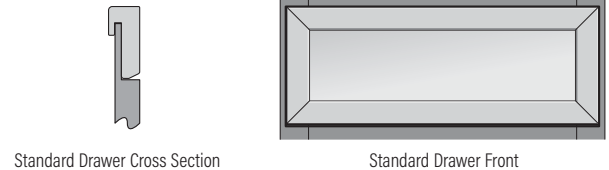
Door Cross Section

Door



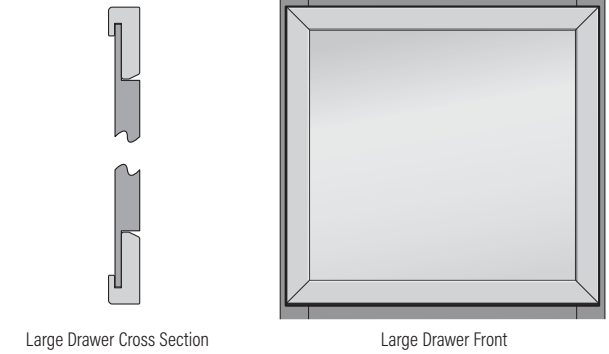
Kneehole Drawer Cross Section

Kneehole Drawer Front



Standard Drawer Cross Section

Standard Drawer Front

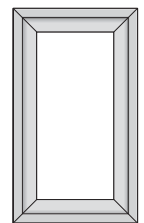


Large Drawer Cross Section

Large Drawer Front

SPECIALTY DOORS (SD) AVAILABLE

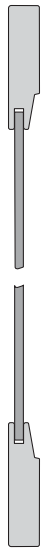
See page 71 for details and restrictions



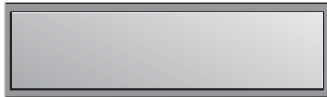
OFD



Door



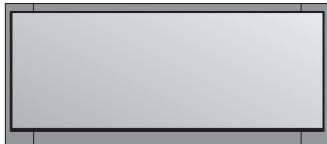
Door Cross Section



Kneehole Drawer Front



Kneehole Drawer Cross Section



Standard Drawer Front



Standard Drawer Cross Section



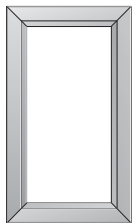
Large Drawer Front



Large Drawer Cross Section

SPECIALTY DOORS (SD) AVAILABLE

See page 71 for details and restrictions



OFD

Waypoint Series 570S

NEW! FINISH

DOOR STYLE DETAILS

Door Description:	Mitered Recessed Panel
Drawer Front:	Slab
Overlay:	Full Overlay
Door Stile & Rail Width:	3"
Tall Door Details:	No Horizontal Center Rail on 50" High Doors
Hardware:	Requires Decorative Door & Drawer Hardware (Refer to Decorative Hardware section of this guide for restrictions)

FINISH

STYLE CODES

Maple

Maple Almond	57GGS
Maple Cognac	57MRS
Maple Latte	57GAS
Maple Rye	57MTS
Maple Slate	57GES
Maple Truffle	57MBS

Painted

Painted Biscotti Glaze	57FVF
Painted Black	57FDS
Painted Boulder	57MIS
Painted Ember Glaze	57MKO
Painted Harbor	57MKS
Painted Linen	57MPS
Painted Mist	57FHS
Painted Navy	57FBS
Painted Pewter Glaze	57MPQ
Painted Sage	57FCS
Painted Stone	57MYS
Painted Vanilla	57FVS

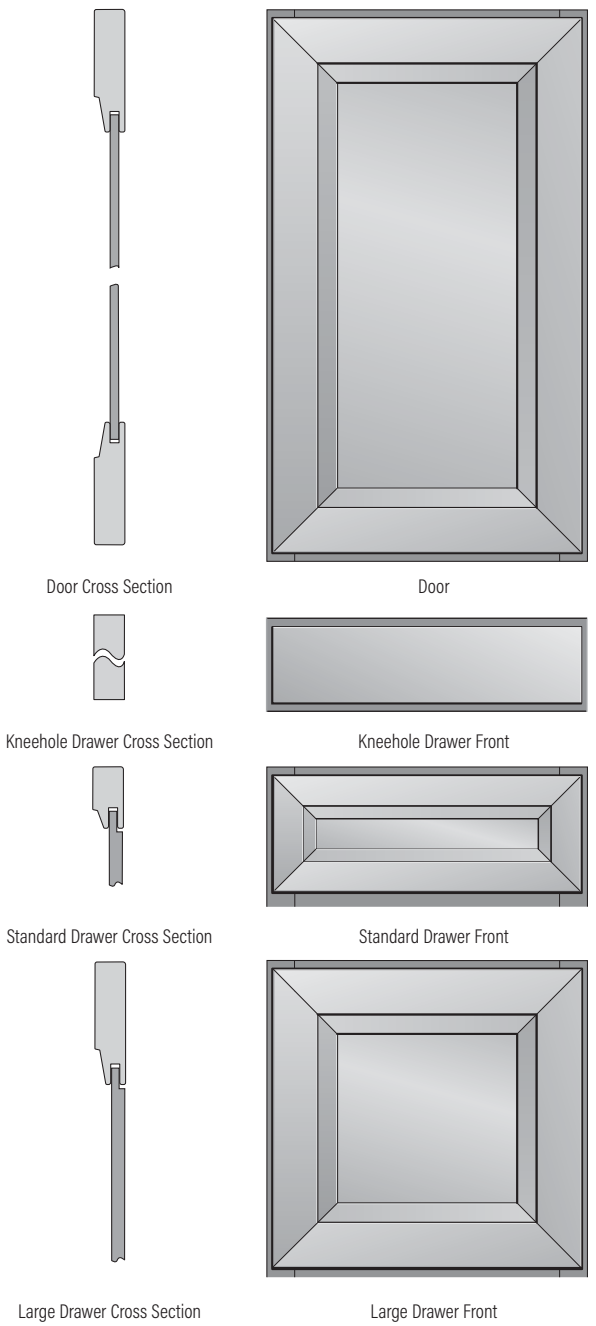
Waypoint Series 570F

NEW! FINISH

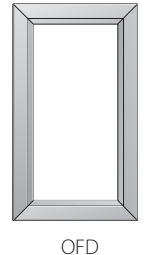
DOOR STYLE DETAILS

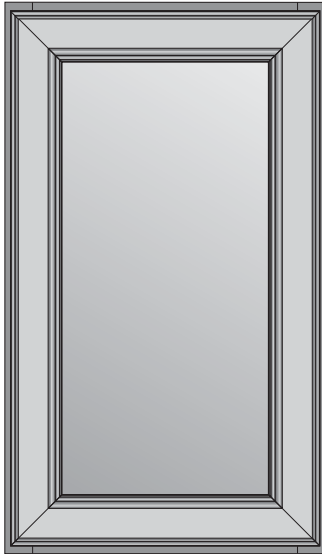
Door Description:	Mitered Recessed Panel
Small Drawer Front:	5 Piece Mitered Flat Panel
Large Drawer Front:	5 Piece Mitered Flat Panel
Overlay:	Full Overlay
Door Stile & Rail Width:	3"
Tall Door Details:	No Horizontal Center Rail on 50" High Doors
Hardware:	Requires Decorative Door & Drawer Hardware (Refer to Decorative Hardware section of this guide for restrictions)

FINISH	STYLE CODES
Maple	
Maple Almond	58GGS
Maple Cognac	58MRS
Maple Latte	58GAS
Maple Rye	58MTS
Maple Slate	58GES
Maple Truffle	58MBS
Painted	
Painted Biscotti Glaze	58FVF
Painted Black	58FDS
Painted Boulder	58MIS
Painted Ember Glaze	58MKO
Painted Harbor	58MKS
Painted Linen	58MPS
Painted Mist	58FHS
Painted Navy	58FBS
Painted Pewter Glaze	58MPQ
Painted Sage	58FCS
Painted Stone	58MYS
Painted Vanilla	58FVS

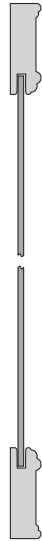


SPECIALTY DOORS (SD) AVAILABLE
See page 71 for details and restrictions





Door



Door Cross Section



Kneehole Drawer Front



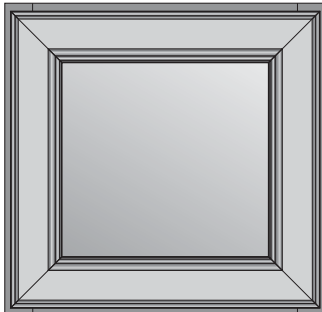
Kneehole Drawer Cross Section



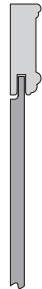
Standard Drawer Front



Standard Drawer Cross Section



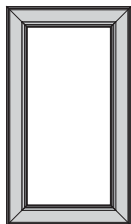
Large Drawer Front



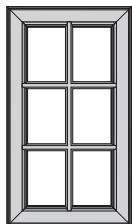
Large Drawer Cross Section

SPECIALTY DOORS (SD) AVAILABLE

See page 71 for details and restrictions



OFD



MFD

Waypoint Series 540F

NEW! FINISHES

DOOR STYLE DETAILS

Door Description:	Mitered Recessed Panel
Small Drawer Front:	5 Piece Mitered Flat Panel
Large Drawer Front:	5 Piece Mitered Flat Panel
Overlay:	Full Overlay
Door Stile & Rail Width:	2 1/4"
Tall Door Details:	No Horizontal Center Rail on 50" High Doors
Hardware:	Requires Decorative Door & Drawer Hardware (Refer to Decorative Hardware section of this guide for restrictions)

FINISH

STYLE CODES

Cherry

Cherry Amber	30CFS
Cherry Clove	30CTS
Cherry Slate	30CES

Maple

Maple Almond	30GGS
Maple Cognac	30MRS
Maple Latte	30GAS
Maple Rye	30MTS
Maple Slate	30GES
Maple Truffle	30MBS

Painted

Painted Biscotti Glaze	30FVF
Painted Black	30FDS
Painted Boulder	30MIS
Painted Ember Glaze	30MKO
Painted Harbor	30MKS
Painted Linen	30MPS
Painted Mist	30FHS
Painted Navy	30FBS
Painted Pewter Glaze	30MPQ
Painted Sage	30FCS
Painted Stone	30MYS
Painted Vanilla	30FVS

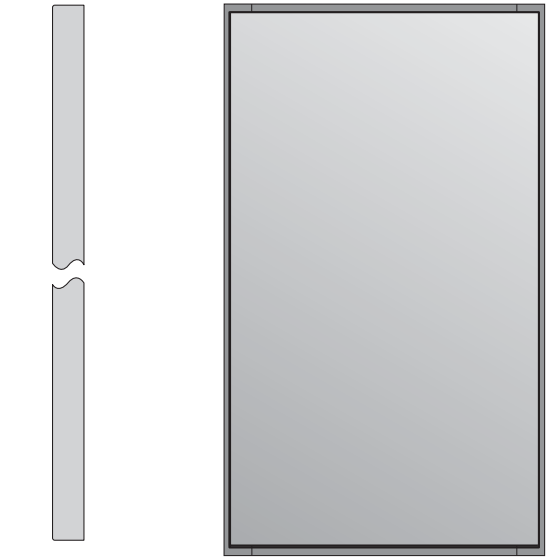
Waypoint Series 530S

NEW! FINISHES

DOOR STYLE DETAILS

Door Description:	Slab
Drawer Front:	Slab
Overlay:	Full Overlay
Door Stile & Rail Width:	3" (on OFD Doors)
Tall Door Details:	No Horizontal Center Rail on 50" High Doors
Hardware:	Requires Decorative Door & Drawer Hardware (Refer to Decorative Hardware section of this guide for restrictions)

FINISH	STYLE CODES
Cherry (with Edge Banding)	
Cherry Amber	39CFS
Cherry Clove	39CTS
Cherry Slate	39CES
Maple (with Edge Banding)	
Maple Almond	39GGS
Maple Cognac	39MRS
Maple Latte	39GAS
Maple Rye	39MTS
Maple Slate	39GES
Maple Truffle	39MBS
Painted	
Painted Black	39FDS
Painted Boulder	39MIS
Painted Harbor	39MKS
Painted Linen	39MPS
Painted Mist	39FHS
Painted Navy	39FBS
Painted Sage	39FCS
Painted Stone	39MYS
Painted Vanilla	39FVS



Door Cross Section

Door



Kneehole Drawer Cross Section

Kneehole Drawer Front



Standard Drawer Cross Section

Standard Drawer Front

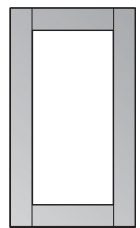


Large Drawer Cross Section

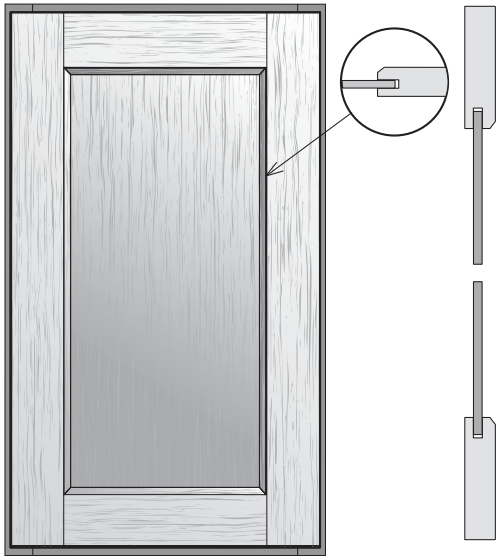
Large Drawer Front

SPECIALTY DOORS (SD) AVAILABLE

See page 71 for details and restrictions



OFD



Door

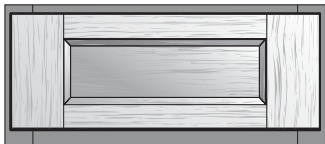
Door Cross Section



Kneehole Drawer Front



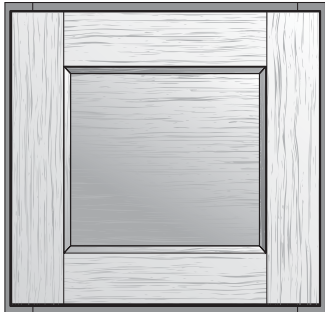
Kneehole Drawer Cross Section



Standard Drawer Front



Standard Drawer Cross Section



Large Drawer Front



Large Drawer Cross Section

Waypoint Series DT24F

DOOR STYLE DETAILS

Door Description: Recessed Shaker Panel

Small Drawer Front: 5 Piece Flat Panel

Large Drawer Front: 5 Piece Flat Panel

Overlay: Full Overlay

Door Stile & Rail Width: 3"

Tall Door Details: No Horizontal Center Rail on
50" High Doors

Hardware: Requires Decorative Door & Drawer
Hardware (Refer to Decorative Hardware
section of this guide for restrictions)

FINISH

BOX FINISH*

STYLE CODES

Duraform (Textured PVC)

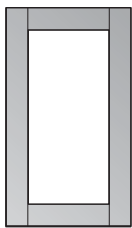
Duraform Breeze Linen 42EPA

Duraform Drift Harbor 42EKB

* Doors, Drawer Fronts and select SKUs (___DT) will be Duraform
Texture. All other finished cabinet and accessory surfaces will be
in the indicated box finish above.

SPECIALTY DOORS (SD) AVAILABLE

See page 71 for details and restrictions



OFD

Waypoint Series DT22S

DOOR STYLE DETAILS

Door Description:	Slab with Edge Banding
Drawer Front:	Slab with Edge Banding
Overlay:	Full Overlay
Door Stile & Rail Width:	3" (on OFD Doors)
Tall Door Details:	No Horizontal Center Rail on 50" High Doors
Hardware:	Requires Decorative Door & Drawer Hardware (Refer to Decorative Hardware section of this guide for restrictions)

FINISH	BOX FINISH*	STYLE CODES
Duraform (Textured PVC)		
Duraform Breeze	Linen	39EPA
Duraform Drift	Harbor	39EKB

* Doors, Drawer Fronts and select SKUs (___DT) will be Duraform Texture. All other finished cabinet and accessory surfaces will be in the indicated box finish above.



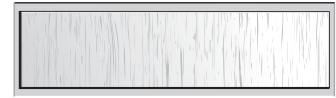
Door Cross Section



Door



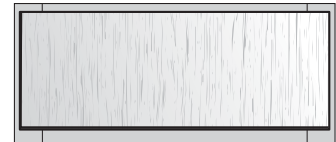
Kneehole Drawer Cross Section



Kneehole Drawer Front



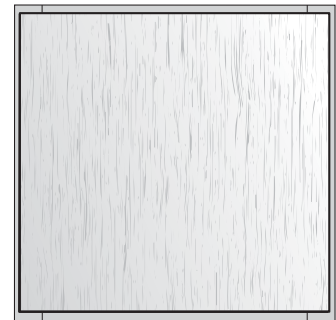
Standard Drawer Cross Section



Standard Drawer Front



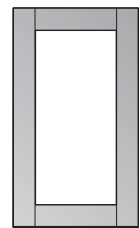
Large Drawer Cross Section



Large Drawer Front

SPECIALTY DOORS (SD) AVAILABLE

See page 71 for details and restrictions



OFD



Door



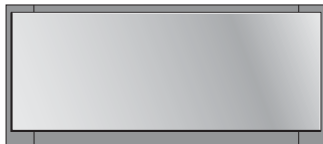
Door Cross Section



Kneehole Drawer Front



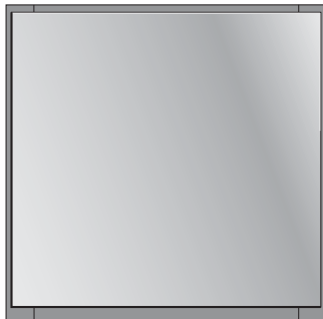
Kneehole Drawer Cross Section



Standard Drawer Front



Standard Drawer Cross Section



Large Drawer Front



Large Drawer Cross Section

Waypoint Series 470S

NEW! FINISH

DOOR STYLE DETAILS

Door Description:	Recessed Panel
Drawer Front:	Slab
Overlay:	Full Overlay
Door Stile & Rail Width:	2 1/4"
Tall Door Details:	Horizontal Center Rail on 50" High Doors
Hardware:	Requires Decorative Door & Drawer Hardware (Refer to Decorative Hardware section of this guide for restrictions)

FINISH

STYLE CODES

Maple

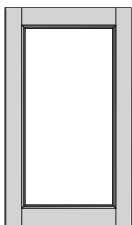
Maple Almond	74GGS
Maple Cognac	74MRS
Maple Latte	74GAS
Maple Rye	74MTS
Maple Slate	74GES
Maple Truffle	74MBS

Painted

Painted Biscotti Glaze	74FVF
Painted Black	74FDS
Painted Boulder	74MIS
Painted Ember Glaze	74MKO
Painted Harbor	74MKS
Painted Linen	74MPS
Painted Mist	74FHS
Painted Navy	74FBS
Painted Pewter Glaze	74MPQ
Painted Sage	74FCS
Painted Stone	74MYS
Painted Vanilla	74FVS

SPECIALTY DOORS (SD) AVAILABLE

See page 71 for details and restrictions



OFD

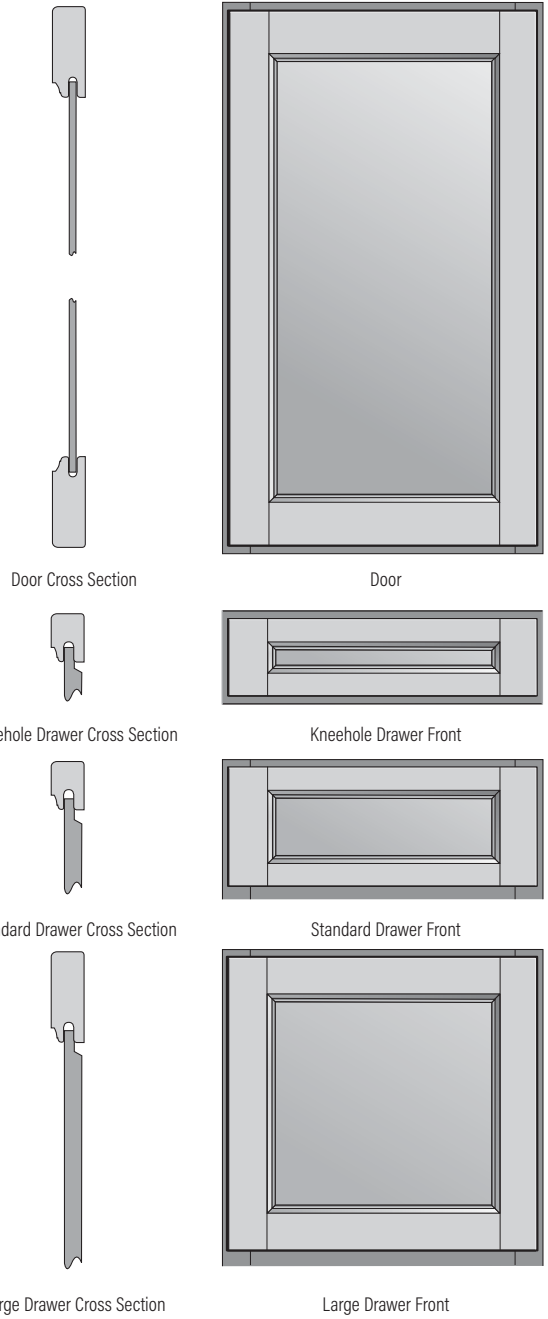
Waypoint Series 470F

NEW! FINISH

DOOR STYLE DETAILS

Door Description:	Recessed Panel
Small Drawer Front:	5 Piece Flat Panel
Large Drawer Front:	5 Piece Flat Panel
Overlay:	Full Overlay
Door Stile & Rail Width:	2 1/4"
Tall Door Details:	Horizontal Center Rail on 50" High Doors
Hardware:	Requires Decorative Door & Drawer Hardware (Refer to Decorative Hardware section of this guide for restrictions)

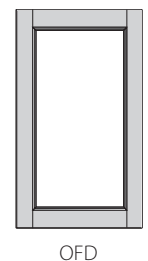
FINISH	STYLE CODES
Maple	
Maple Almond	75GGS
Maple Cognac	75MRS
Maple Latte	75GAS
Maple Rye	75MTS
Maple Slate	75GES
Maple Truffle	75MBS
Painted	
Painted Biscotti Glaze	75FVF
Painted Black	75FDS
Painted Boulder	75MIS
Painted Ember Glaze	75MKO
Painted Harbor	75MKS
Painted Linen	75MPS
Painted Mist	75FHS
Painted Navy	75FBS
Painted Pewter Glaze	75MPQ
Painted Sage	75FCS
Painted Stone	75MYS
Painted Vanilla	75FVS

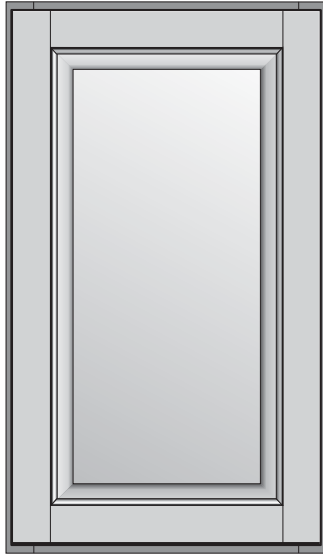


DOOR STYLES

SPECIALTY DOORS (SD) AVAILABLE

See page 71 for details and restrictions





Door



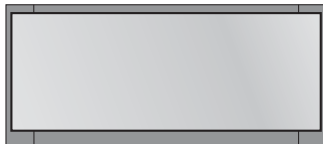
Door Cross Section



Kneehole Drawer Front



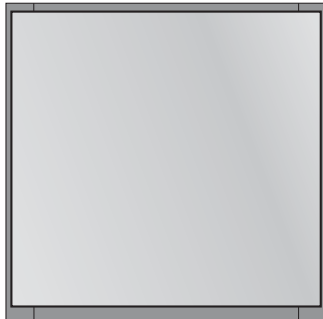
Kneehole Drawer Cross Section



Standard Drawer Front



Standard Drawer Cross Section



Large Drawer Front



Large Drawer Cross Section

Waypoint Series 460S

NEW! FINISH

DOOR STYLE DETAILS

Door Description:	Raised Panel
Drawer Front:	Slab
Overlay:	Full Overlay
Door Stile & Rail Width:	2 1/4"
Tall Door Details:	Horizontal Center Rail on 50" High Doors
Hardware:	Requires Decorative Door & Drawer Hardware (Refer to Decorative Hardware section of this guide for restrictions)

FINISH

STYLE CODES

Maple

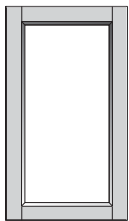
Maple Almond	69GGS
Maple Cognac	69MRS
Maple Latte	69GAS
Maple Rye	69MTS
Maple Slate	69GES
Maple Truffle	69MBS

Painted

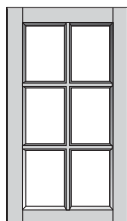
Painted Biscotti Glaze	69FVF
Painted Black	69FDS
Painted Boulder	69MIS
Painted Ember Glaze	69MKO
Painted Harbor	69MKS
Painted Linen	69MPS
Painted Mist	69FHS
Painted Navy	69FBS
Painted Pewter Glaze	69MPQ
Painted Sage	69FCS
Painted Stone	69MYS
Painted Vanilla	69FVS

SPECIALTY DOORS (SD) AVAILABLE

See page 71 for details and restrictions



OFD



MFD

Waypoint Series 460R

NEW! FINISH

NEW! RENAME

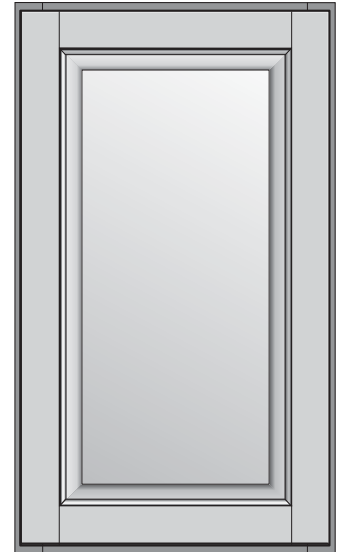
DOOR STYLE DETAILS

Door Description:	Raised Panel
Drawer Front:	5 Piece Raised Panel
Overlay:	Full Overlay
Door Stile & Rail Width:	2 1/4"
Tall Door Details:	Horizontal Center Rail on 50" High Doors
Hardware:	Requires Decorative Door & Drawer Hardware (Refer to Decorative Hardware section of this guide for restrictions)

FINISH	STYLE CODES
Maple	
Maple Almond	70GGS
Maple Cognac	70MRS
Maple Latte	70GAS
Maple Rye	70MTS
Maple Slate	70GES
Maple Truffle	70MBS
Painted	
Painted Biscotti Glaze	70FVF
Painted Black	70FDS
Painted Boulder	70MIS
Painted Ember Glaze	70MKO
Painted Harbor	70MKS
Painted Linen	70MPS
Painted Mist	70FHS
Painted Navy	70FBS
Painted Pewter Glaze	70MPQ
Painted Sage	70FCS
Painted Stone	70MYS
Painted Vanilla	70FVS



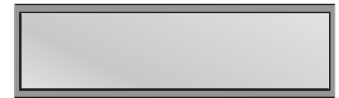
Door Cross Section



Door



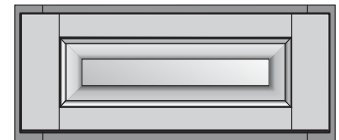
Kneehole Drawer Cross Section



Kneehole Drawer Front



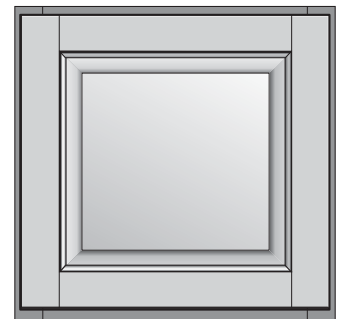
Standard Drawer Cross Section



Standard Drawer Front



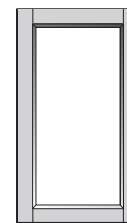
Large Drawer Cross Section



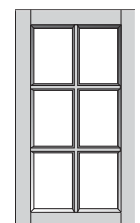
Large Drawer Front

SPECIALTY DOORS (SD) AVAILABLE

See page 71 for details and restrictions



OFD



MFD



Door



Door Cross Section



Kneehole Drawer Front



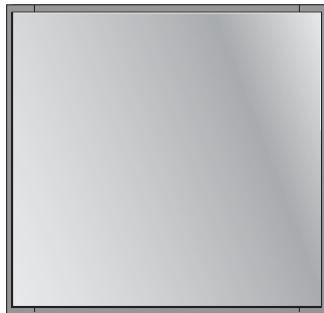
Kneehole Drawer Cross Section



Standard Drawer Front



Standard Drawer Cross Section



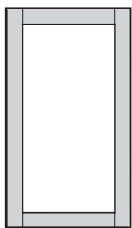
Large Drawer Front



Large Drawer Cross Section

SPECIALTY DOORS (SD) AVAILABLE

See page 71 for details and restrictions



OFD

Waypoint Series 410S

NEW! FINISHES

DOOR STYLE DETAILS

Door Description:	Recessed Panel
Drawer Front:	Slab
Overlay:	Full Overlay
Door Stile & Rail Width:	2 1/4"
Tall Door Details:	Horizontal Center Rail on 50" High Doors
Hardware:	Requires Decorative Door & Drawer Hardware (Refer to Decorative Hardware section of this guide for restrictions)

FINISH

STYLE CODES

Cherry

Cherry Amber	28CF5
Cherry Clove	28CTS
Cherry Slate	28CES

Maple

Maple Almond	28GGS
Maple Cognac	28MRS
Maple Latte	28GAS
Maple Rye	28MTS
Maple Slate	28GES
Maple Truffle	28MBS

Painted

Painted Black	28FDS
Painted Boulder	28MIS
Painted Harbor	28MKS
Painted Linen	28MPS
Painted Navy	28FBS
Painted Sage	28FCS
Painted Stone	28MYS
Painted Mist	28FHS
Painted Vanilla	28FVS

Waypoint Series 410F

NEW! FINISHES

DOOR STYLE DETAILS

Door Description:	Recessed Panel
Small Drawer Front:	5 Piece Flat Panel
Large Drawer Front:	5 Piece Flat Panel
Overlay:	Full Overlay
Door Stile & Rail Width:	2 1/4"
Tall Door Details:	Horizontal Center Rail on 50" High Doors
Hardware:	Requires Decorative Door & Drawer Hardware (Refer to Decorative Hardware section of this guide for restrictions)

FINISH	STYLE CODES
Cherry	
Cherry Amber	29CFS
Cherry Clove	29CTS
Cherry Slate	29CES
Maple	
Maple Almond	29GGS
Maple Cognac	29MRS
Maple Latte	29GAS
Maple Rye	29MTS
Maple Slate	29GES
Maple Truffle	29MBS
Painted	
Painted Black	29FDS
Painted Boulder	29MIS
Painted Harbor	29MKS
Painted Linen	29MPS
Painted Mist	29FHS
Painted Navy	29FBS
Painted Sage	29FCS
Painted Stone	29MYS
Painted Vanilla	29FVS

DOOR STYLES



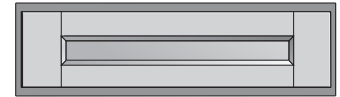
Door Cross Section



Door



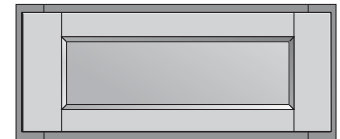
Kneehole Drawer Cross Section



Kneehole Drawer Front



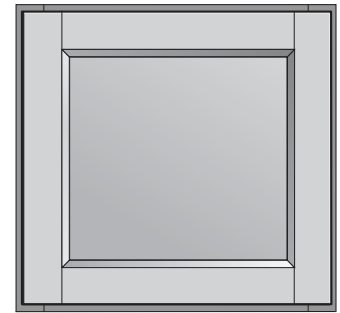
Standard Drawer Cross Section



Standard Drawer Front



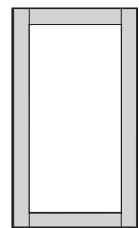
Large Drawer Cross Section



Large Drawer Front

SPECIALTY DOORS (SD) AVAILABLE

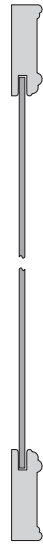
See page 71 for details and restrictions



OFD



Door



Door Cross Section



Kneehole Drawer Front



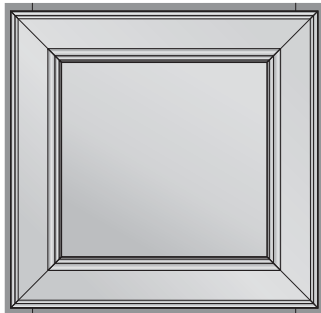
Kneehole Drawer Cross Section



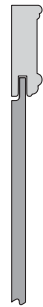
Standard Drawer Front



Standard Drawer Cross Section



Large Drawer Front



Large Drawer Cross Section

Waypoint Series D18F

DOOR STYLE DETAILS

Door Description: Mitered Recessed Panel

Small Drawer Front: 5 Piece Mitered Flat Panel

Large Drawer Front: 5 Piece Mitered Flat Panel

Overlay: Full Overlay

Door Stile & Rail Width: 2 1/4"

Tall Door Details: No Horizontal Center Rail on 50" High Doors

Hardware: Requires Decorative Door & Drawer Hardware (Refer to Decorative Hardware section of this guide for restrictions)

FINISH

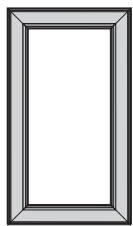
STYLE CODES

Duraform (Polypropylene)

Duraform Espresso	30EJS
Duraform Harbor	30EKS
Duraform Linen	30EPS
Duraform Stone	30EYS

SPECIALTY DOORS (SD) AVAILABLE

See page 71 for details and restrictions



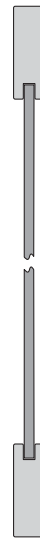
OFD

Waypoint Series D16S

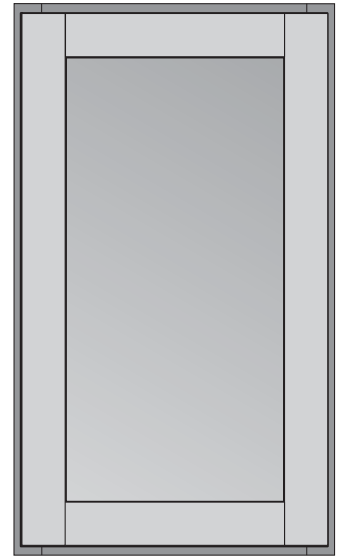
DOOR STYLE DETAILS

Door Description:	Recessed Panel
Drawer Front:	Slab
Overlay:	Full Overlay
Door Stile & Rail Width:	2 1/4"
Tall Door Details:	No Horizontal Center Rail on 50" High Doors
Hardware:	Requires Decorative Door & Drawer Hardware (Refer to Decorative Hardware section of this guide for restrictions)

FINISH	STYLE CODES
Duraform (Polypropylene)	
Duraform Espresso	28EJS
Duraform Harbor	28EKS
Duraform Linen	28EPS
Duraform Stone	28EYS



Door Cross Section



Door



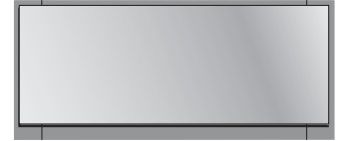
Kneehole Drawer Cross Section



Kneehole Drawer Front



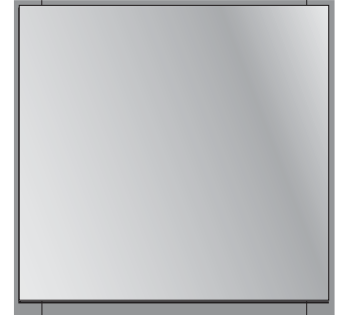
Standard Drawer Cross Section



Standard Drawer Front



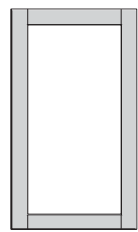
Large Drawer Cross Section



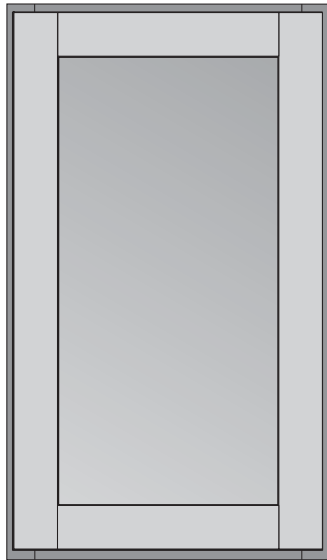
Large Drawer Front

SPECIALTY DOORS (SD) AVAILABLE

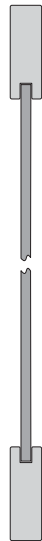
See page 71 for details and restrictions



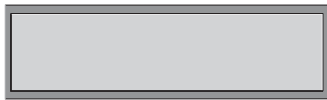
OFD



Door



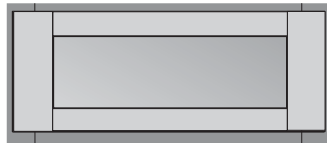
Door Cross Section



Kneehole Drawer Front



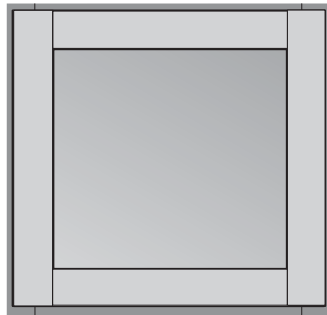
Kneehole Drawer Cross Section



Standard Drawer Front



Standard Drawer Cross Section



Large Drawer Front



Large Drawer Cross Section

Waypoint Series D16F

DOOR STYLE DETAILS

Door Description:	Recessed Panel
Small Drawer Front:	5 Piece Flat Panel
Large Drawer Front:	5 Piece Flat Panel
Overlay:	Full Overlay
Door Stile & Rail Width:	2 1/4"
Tall Door Details:	No Horizontal Center Rail on 50" High Doors
Hardware:	Requires Decorative Door & Drawer Hardware (Refer to Decorative Hardware section of this guide for restrictions)

FINISH

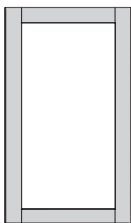
STYLE CODE

Duraform (Polypropylene)

Duraform Espresso	29EJS
Duraform Harbor	29EKS
Duraform Linen	29EPS
Duraform Stone	29EYS

SPECIALTY DOORS (SD) AVAILABLE

See page 71 for details and restrictions



OFD

Waypoint Series D12S

DOOR STYLE DETAILS

Door Description:	Slab
Drawer Front:	Slab
Overlay:	Full Overlay
Door Stile & Rail Width:	3" (on OFD Doors)
Tall Door Details:	No Horizontal Center Rail on 50" High Doors
Hardware:	Requires Decorative Door & Drawer Hardware (Refer to Decorative Door & Drawer section of this guide for restrictions)

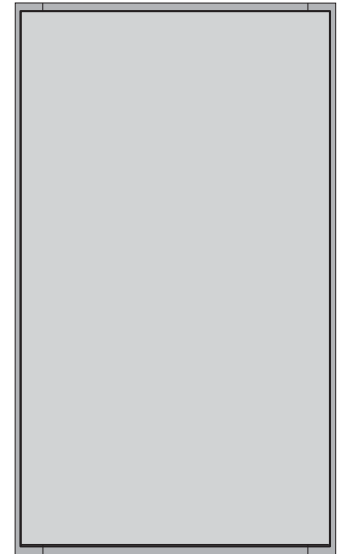
FINISH

STYLE CODE

Duraform (Polypropylene with Edge Banding)	
Duraform Espresso	39EJS



Door Cross Section



Door



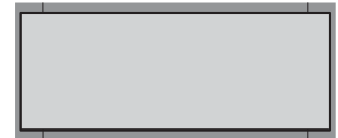
Kneehole Drawer Cross Section



Kneehole Drawer Front



Standard Drawer Cross Section



Standard Drawer Front



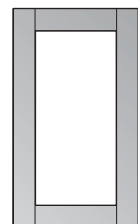
Large Drawer Cross Section



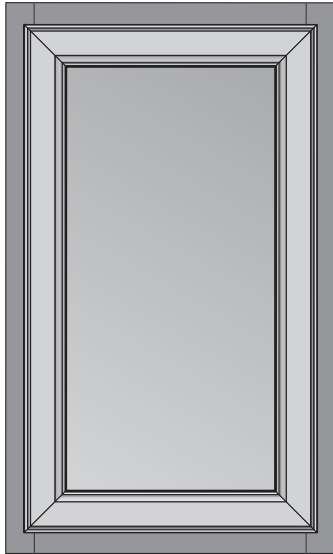
Large Drawer Front

SPECIALTY DOORS (SD) AVAILABLE

See page 71 for details and restrictions



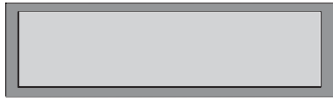
OFD



Door



Door Cross Section



Kneehole Drawer Front



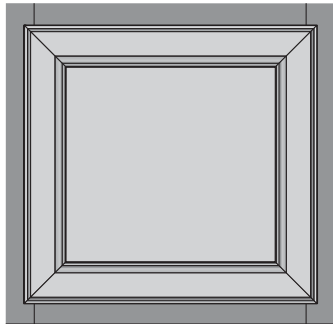
Kneehole Drawer Cross Section



Standard Drawer Front



Standard Drawer Cross Section



Large Drawer Front



Large Drawer Cross Section

Waypoint Series DS04F

DOOR STYLE DETAILS

Door Description:	Mitered Recessed Panel
Small Drawer Front:	5 Piece Mitered Flat Panel
Large Drawer Front:	5 Piece Mitered Flat Panel
Overlay:	Standard Overlay
Door Stile & Rail Width:	2 1/4"
Tall Door Details:	No Horizontal Center Rail on 50" High Doors
Hardware:	Requires Decorative Door & Drawer Hardware (Refer to Decorative Door & Drawer section of this guide for restrictions)

FINISH

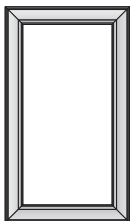
STYLE CODE

Duraform (Polypropylene)

Duraform Espresso	18EJS
Duraform Harbor	18EKS
Duraform Linen	18EPS
Duraform Stone	18EYS

SPECIALTY DOORS (SD) AVAILABLE

See page 71 for details and restrictions



OFD

Waypoint Series DS02S

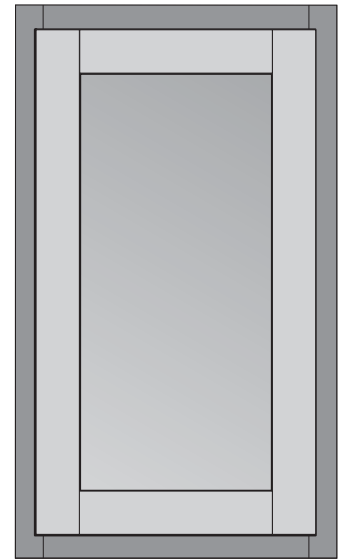
DOOR STYLE DETAILS

Door Description:	Recessed Panel
Drawer Front:	Slab
Overlay:	Standard Overlay
Door Stile & Rail Width:	2 1/4"
Tall Door Details:	No Horizontal Center Rail on 50" High Doors
Hardware:	Requires Decorative Door & Drawer Hardware (Refer to Decorative Door & Drawer section of this guide for restrictions)

FINISH	STYLE CODE
Duraform (Polypropylene)	
Duraform Espresso	19EJS
Duraform Harbor	19EKS
Duraform Linen	19EPS
Duraform Stone	19EYS



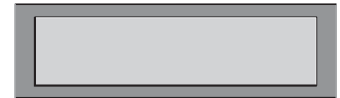
Door



Door Cross Section



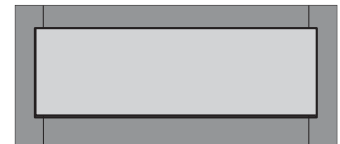
Kneehole Drawer Front



Kneehole Drawer Cross Section



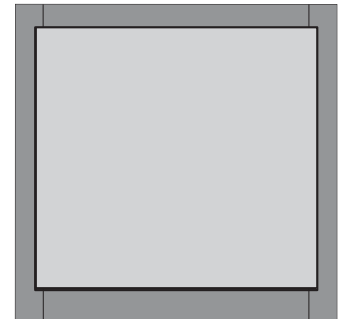
Standard Drawer Front



Standard Drawer Cross Section



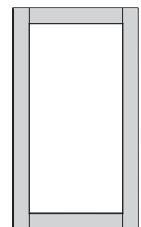
Large Drawer Front



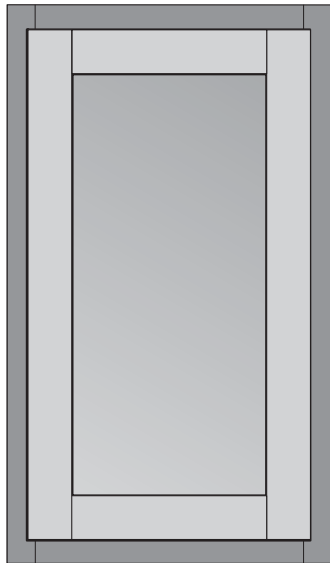
Large Drawer Cross Section

SPECIALTY DOORS (SD) AVAILABLE

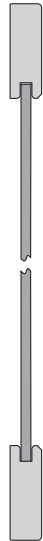
See page 71 for details and restrictions



OFD



Door



Door Cross Section



Kneehole Drawer Front



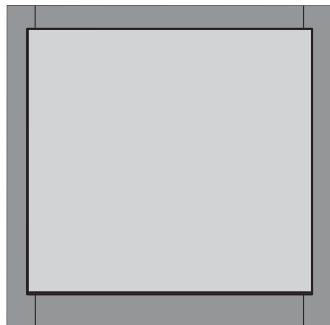
Kneehole Drawer Cross Section



Standard Drawer Front



Standard Drawer Cross Section



Large Drawer Front



Large Drawer Cross Section

Waypoint Series 330S

NEW! FINISH

DOOR STYLE DETAILS

Door Description:	Recessed Panel
Drawer Front:	Slab
Overlay:	Standard Overlay
Door Stile & Rail Width:	2 1/4"
Tall Door Details:	No Horizontal Center Rail on 50" High Doors
Hardware:	Requires Decorative Door & Drawer Hardware (Refer to Decorative Door & Drawer section of this guide for restrictions)

FINISH

STYLE CODES

Maple

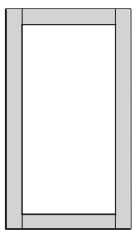
Maple Almond	19GGS
Maple Cognac	19MRS
Maple Latte	19GAS
Maple Rye	19MTS
Maple Slate	19GES
Maple Truffle	19MBS

Painted

Painted Black	19FDS
Painted Boulder	19MIS
Painted Harbor	19MKS
Painted Linen	19MPS
Painted Mist	19FHS
Painted Navy	19FBS
Painted Sage	19FCS
Painted Stone	19MYS
Painted Vanilla	19FVS

SPECIALTY DOORS (SD) AVAILABLE

See page 71 for details and restrictions



OFD

NEW!

580 Slim Shaker Door

Available in all of our Painted, Maple and Cherry finishes.



Slim Shaker Door Style

Our Slim Shaker door boasts one of the thinnest frames in our collection. Its recessed panel and minimalist detailing seamlessly combine modern aesthetics with timeless craftsmanship. Available in all of our Painted, Maple and Cherry finishes, our 580 door style can be used to create many looks.



NEW! Slim Shaker Door

Standard Cabinet Specifications

Cabinet Front Face Frames

Cabinet front face frames are made from $\frac{3}{4}$ " x $1\frac{1}{8}$ " kiln dried solid wood and/or engineered materials to prevent warping and provide superior strength, durability and finished appearance. Face frame joints are precision fixtured, pressure fitted and mechanically fastened.

Cabinet Side Panels

Cabinet side panels are $\frac{1}{2}$ " thick plywood. The exterior sides match cabinet finish and interior sides are finished with a natural woodgrain look. They are captured into a grooved front face frame and secured using high-strength fasteners and glue.

Cabinet Tops, Bottoms, and Floors

Tops, bottoms, and floors are $\frac{1}{2}$ " thick engineered wood. The exterior and interiors are finished with a natural woodgrain look. They are fitted and glued into the cabinet front face frame grooves, then captured in the grooves of the cabinet side panels.

Cabinet Back

The cabinet back is made from $\frac{1}{8}$ " thick hardboard substrate. The inside cabinet surface is finished with a natural woodgrain look.

Hanging Rails

The base and vanity top hanging rail is $\frac{3}{4}$ " thick solid wood, mortise and tenon joined, and glued to the cabinet side panels. The wall cabinet hanging rails are $\frac{1}{2}$ " thick engineered wood, glued and pinned into the cabinet back, cabinet side panels and top/bottom.

Cabinet Shelves

Cabinet shelves are $\frac{3}{4}$ " thick engineered wood. The shelves are finished with a natural woodgrain look. Shelves are banded on one side with edge banding. All shelves are adjustable and meet KCMA load standards of 15 pounds per square foot.

Cabinet Drawers

Cabinet drawers utilize natural finish $\frac{5}{8}$ " hardwood drawer body with full captured drawer bottoms and full-extension CushionClose glides. This full-extension glide provides complete access to drawer contents. The integrated slow-close mechanism helps reduce slams and noise and utilizes unique air damper technology for whisper-quiet luxury. All drawers meet KCMA load standards of 15 pounds per square foot.

Deep Roll Out Trays

Deep Roll Out Trays utilize natural finish $\frac{5}{8}$ " dovetail hardwood drawer body with $\frac{7}{32}$ " printed engineered wood bottom. Deep Roll Out Trays feature Full-Extension CushionClose® Glides. All Deep Roll Out Trays meet KCMA standards of 15 pounds per square foot.

Corner Blocks

Corner blocks are attached to help ensure cabinet squareness and allow for proper countertop installation.

Hinges

Fully concealed, self-closing CushionClose hinges are standard on all door styles. Hinges are 6-way adjustable, allowing in/out, up/down, and side-to-side adjustments. Hinges permit doors to open to approximately 105 degrees and have a self-closing feature that allows door to close unassisted when open approximately 20-30 degrees. Hinges are all steel construction with nickel-plated finish and exceed industry standard for durability.

Inset Toe Kick

Inset toe kicks are constructed of $\frac{1}{2}$ " thick unfinished engineered wood. Standard toe kick dimensions are 4" high and recessed $3\frac{1}{2}$ ". **BTK8 or BTK8 DT (matching toe kick) required for installation.**

Plywood can consist of a combination of veneer and engineered wood layers to achieve superior product stability and finish quality. Plywood components meet the ANSI/Decorative Hardwoods Association and decorative plywood standards (www.decorativehardwoods.org).

Continuous Improvement

In keeping with our policy of continuous product refinement, Waypoint reserves the right to change specifications in design and materials as conditions require.

Finishing Systems and Cabinet Care

Finishing Systems

The finishing systems used on our products are designed to ensure the beauty and durability of our cabinetry. State-of-the-art equipment allows precise sanding, filling, and finish coverage of each of our products.

Environmentally Responsible Finishing

Our panel finishing system uses only water-based paints and fillers, yielding neither hazardous waste nor water contamination. Our acrylic and urethane materials are 100% solids, dried using high intensity lights, yielding no atmospheric emissions. Our products are extremely resistant to stains and surface damage that can be caused by common household chemicals. Our products exceed KCMA and ANSI standards for resistance to stains like coffee, grape juice, and moisture.

Cabinet Care

Remove dust from cabinets frequently with a soft lint-free cloth. The cloth may be slightly dampened with water. Do not use a paste wax type material. Wax build-up is difficult to remove and will leave a residue that attracts dust and moisture. Polishes containing silicon should not be used. Clean spills immediately. Use a clean cloth and mild soap if necessary. Wipe dry with a clean soft cloth. Do not use detergents, citrus cleaners or ammonia-based cleaners, chlorine-based cleaners, steel wool, soap pads, or abrasive cleaners on cabinets.

Extra care should be taken that cabinet finishes are not exposed to heat in excess of 200° Fahrenheit. Do not place or mount small appliances beneath wall cabinets. These appliances (such as coffee makers and toasters) can produce excessive heat, which can damage the finish of cabinets. Do not expose doors or drawer fronts to heat created from self-cleaning ovens or ranges.

Allow Cabinets To Age Beautifully

Our cabinets showcase the careful selection of natural and engineered materials to achieve the best possible look. While every effort is made to match wood grain as closely as possible, no two pieces of wood are exactly alike, even from the same tree. These differences in natural color and grain mean that each piece will respond differently to the finishing materials used. For example, close-grained woods absorb less and will vary in color from more open-grained pieces from the very same tree. It's these variations that contribute to the beauty and distinction of quality wood products. However, exposure to sunlight, smoke, and chemicals may cause some materials to fade or vary from their original color over time.

Cabinets, doors, drawer fronts, and accessories added at a later date may not exactly match cabinets installed now. For the same reasons, door samples or displays may not represent the exact color of cabinets received at the time of shipment. Consumers should also read all cleaning agent instructions carefully before application.

Due to changes that occur from natural and environmental factors a cabinet is exposed to over its lifetime, we cannot be responsible for variations that occur in the finish of natural and engineered materials as they age.

Door Species & Characteristics

Waypoint incorporates solid hardwoods and hardwood veneers into our doors. These are natural materials with inherent variations. As such, our quality standards establish tolerance ranges for matching the hardwood pieces. Consumers should review actual samples in our selection centers and cabinet displays to help them establish realistic expectations of variations involving wood grain, color tones, presence of knots, and so forth.

These variations are at the heart of the unique natural beauty of finished hardwood. In addition, exposure of wood products to sunlight, some chemical agents, and smoke can cause wood colors to change over time.

Cherry

Cherry is a close-grained, multicolored hardwood with occasional pin knots and fine grain variations appearing as curls and waves. Natural characteristics of Cherry include:

- Small sap pockets, pin knots, and streaks
- Color ranges from pale yellow sapwood to deep reddish brown heartwood, with occasional shades of white, green, pink, or even grey
- Staining reveals subtle variations and colors that typically darken over time
- Variations within a single door

Duraform

Duraform uses highly-technological manufacturing processes to bond foils, vinyl films, and coatings to medium density fiberboard (MDF), high density fiberboard (HDF), and similar materials to achieve a product with exceptional stability, consistency and durability.

- The finish, color, and texture are consistent throughout the surface
- The surface is highly durable and easy to clean
- Materials are resistant to humidity and fading
- Refer to page 47 for standard cabinet box construction

Maple

Maple is an exceptionally hard, finely grained wood species with a fine, even texture. Darker stains will moderate the color variance, lighter stains mellow with golden hues over time. Natural characteristics of Maple include:

- Light blonde tones to dark reddish brown tones
- Small mineral streaks of light blonde or reddish brown that darken with stain
- Wavy, curly bird's-eye, or burl graining as well as worm tracking across the grain that will darken when stained
- Variations within a single door

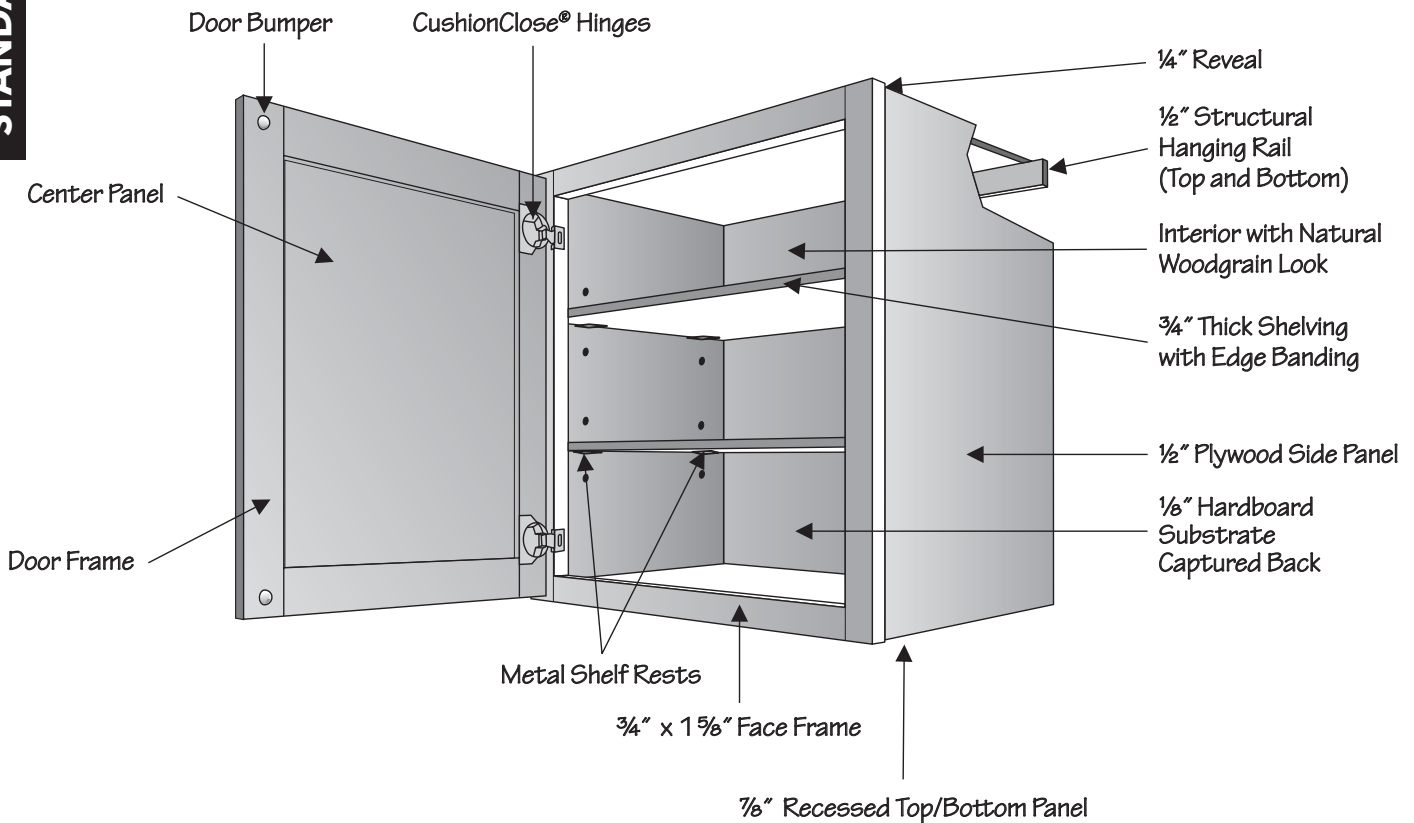
Painted

Painted items combine hardwoods and engineered materials including solid wood, medium density fiberboard (MDF), high density fiberboard (HDF), and similar materials to achieve a product with superior stability, consistency, coverage, and durability. Painted door features include:

- Visible joint lines may appear due to the natural expansion and contraction of wood
- A natural aging process that may change the tone of paint colors over time

Wall Cabinet Construction

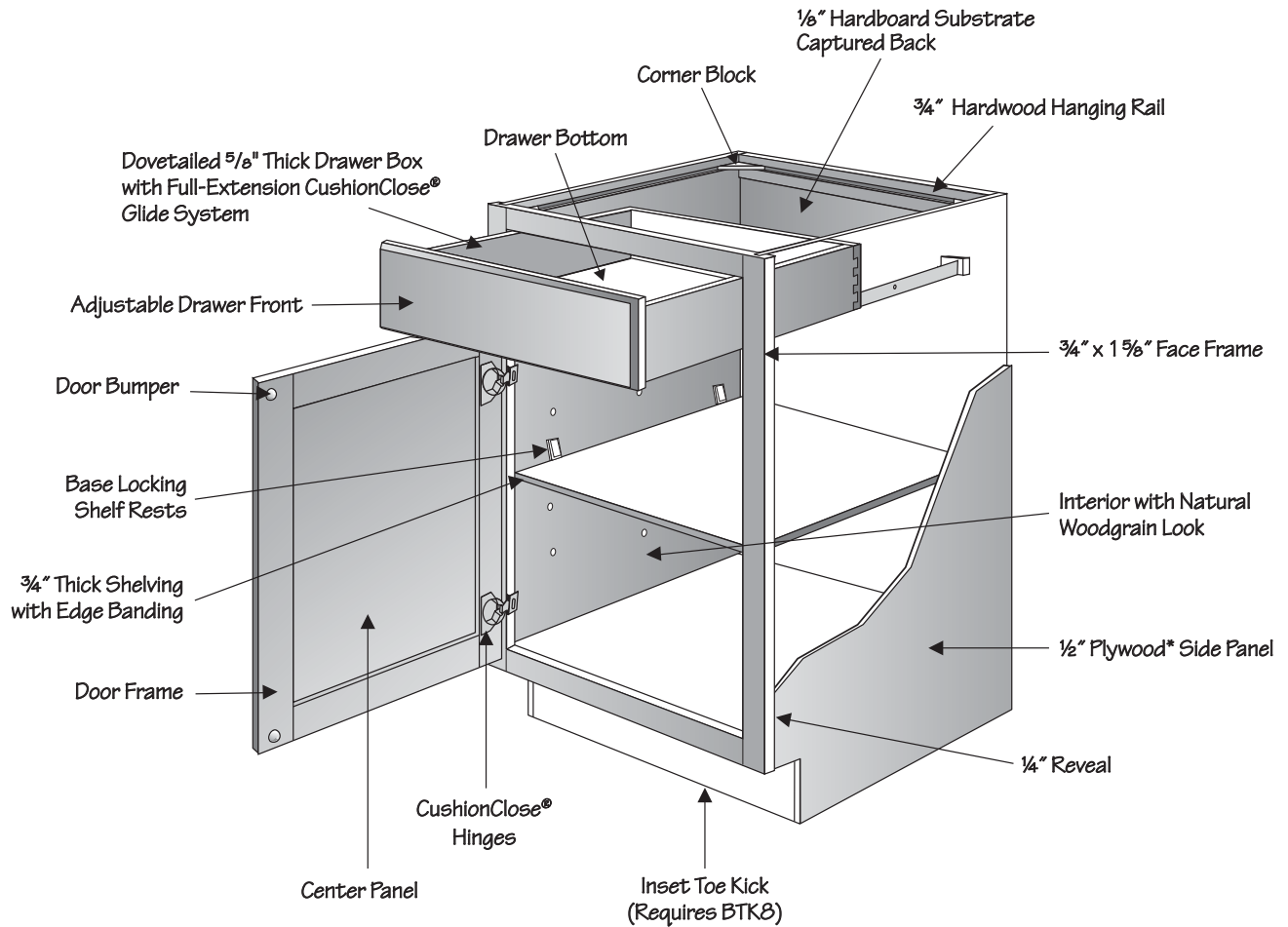
Waypoint wall cabinets are constructed using high quality materials and hardware. The drawing below illustrates and identifies the parts of a standard Waypoint wall cabinet.



*Plywood can consist of a combination of veneer and engineered wood layers to achieve superior product stability and finish quality. Plywood components meet the ANSI/Decorative Hardwoods Association hardwood and decorative plywood standards (www.decorativehardwoods.org).

Base Cabinet Construction

Waypoint base cabinets are constructed using high quality materials and hardware. The drawing below illustrates and identifies the parts of a standard Waypoint base cabinet.



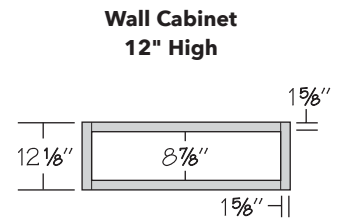
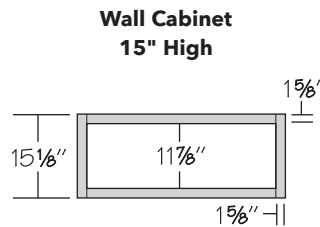
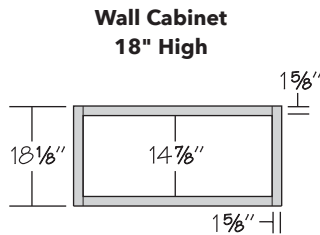
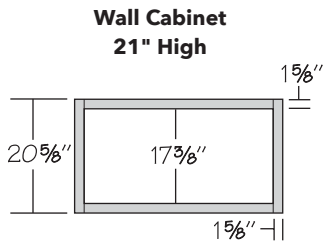
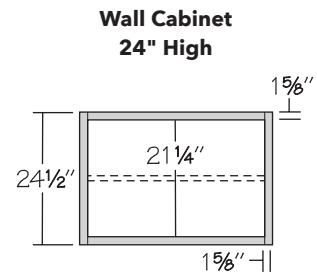
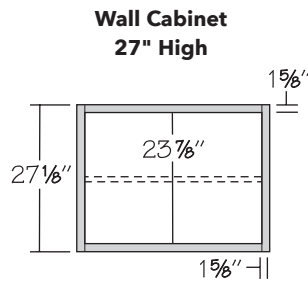
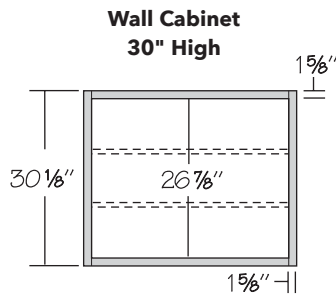
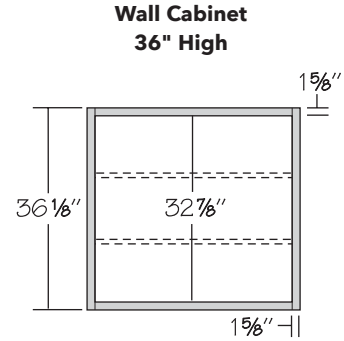
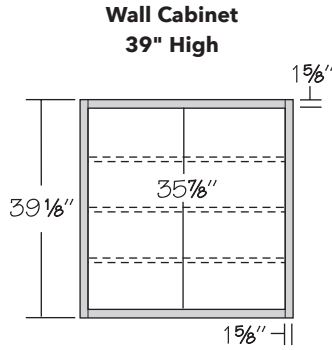
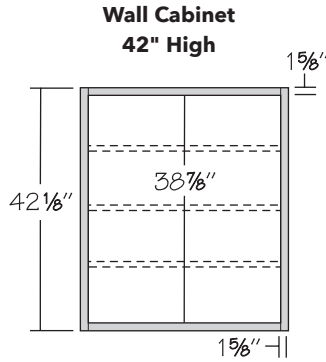
NOTE: Base single door cabinets are hinged left and may be reversed in the field.

*Plywood can consist of a combination of veneer and engineered wood layers to achieve superior product stability and finish quality. Plywood components meet the ANSI/Decorative Hardwoods Association hardwood and decorative plywood standards (www.decorativehardwoods.org).

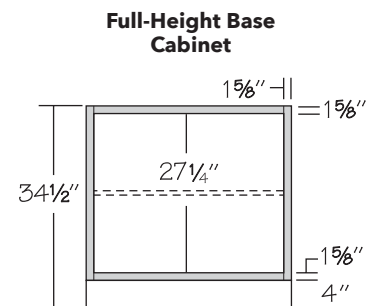
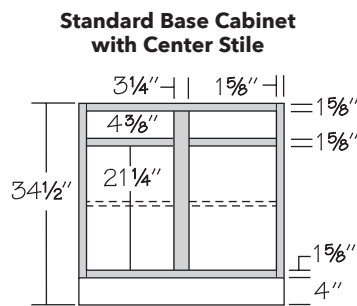
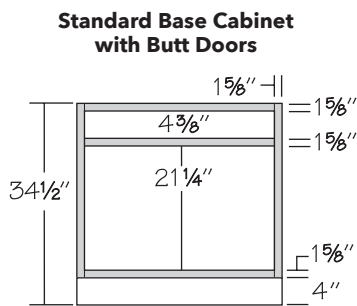
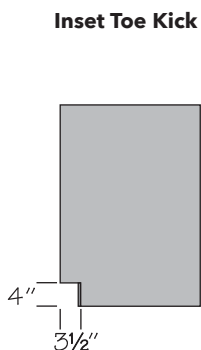
Cabinet Dimensions

These illustrations specify dimensions of vertical stiles and horizontal rails, inset toe kick, cabinet heights, and standard interior opening heights. Wall Top Hinge and all Butt door cabinets do not have a center stile. Wall Top Hinge and all Butt door cabinets do not have a center stile.

Wall Cabinets

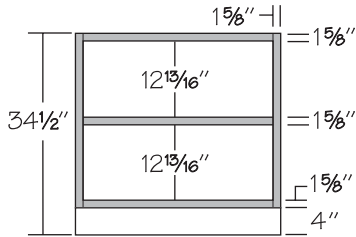


Base Cabinets

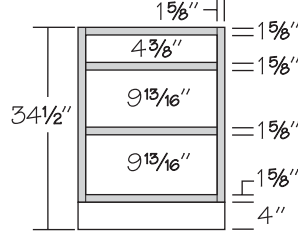


Drawer Base Cabinets

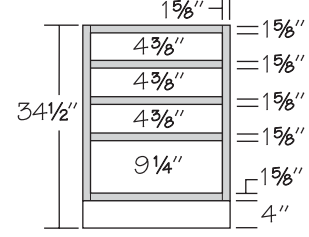
2-Drawer Base Cabinet



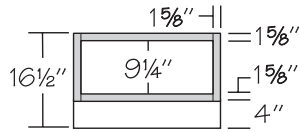
3-Drawer Base Cabinet



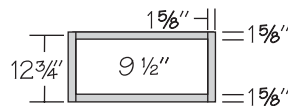
4-Drawer Base Cabinet



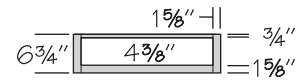
Pedestal Drawer Cabinet



12" High Furniture Drawer Cabinet

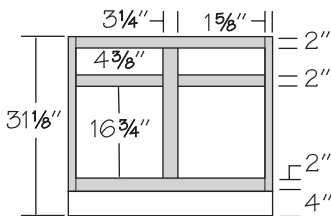


6" High Furniture Drawer Cabinet

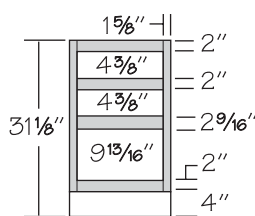


Vanity Cabinets

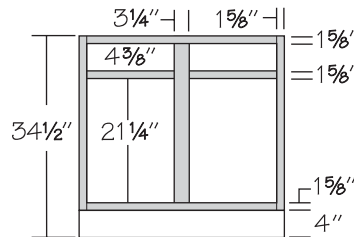
Vanity Base Cabinet Standard Height



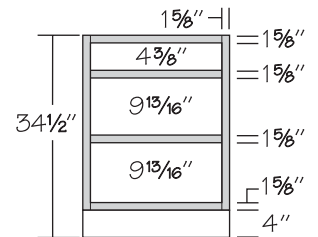
Vanity Drawer Base Standard Height



Vanity Base Cabinet Base Height

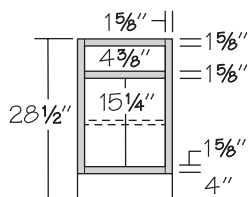


Vanity Drawer Base Base Height

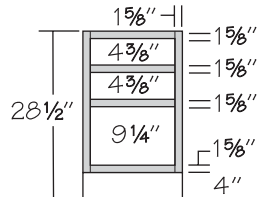


Desk Cabinets

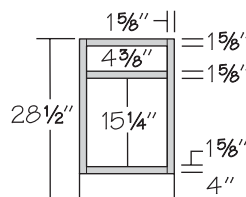
Desk Base Cabinet



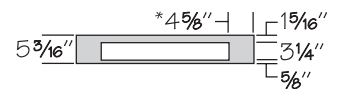
Desk Drawer Cabinet



Desk File Pull-Out



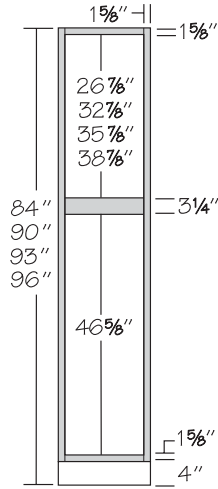
Kneehole Drawer



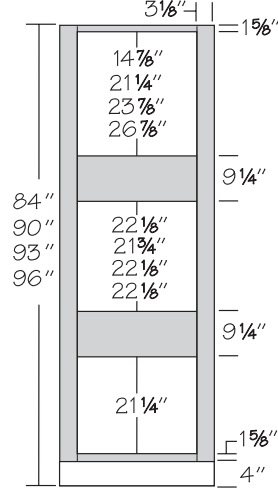
Trimable in height to 4 3/4"
*Dimension for KDC36/33 is 3 1/4"

Tall Cabinets

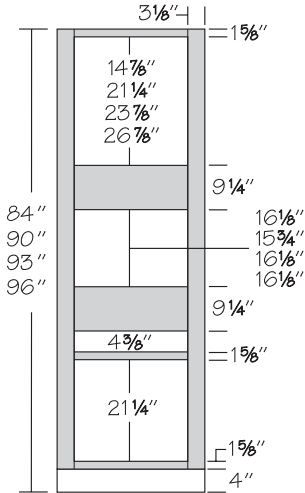
Vanity Linen & Utility Cabinets



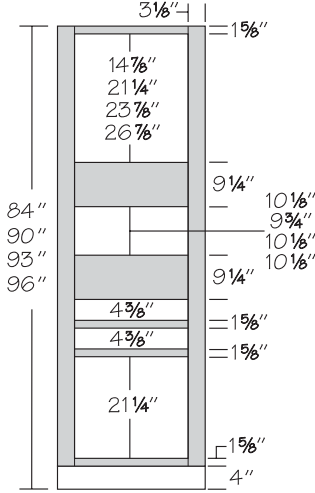
**Single Oven Cabinet
4 Butt Doors***



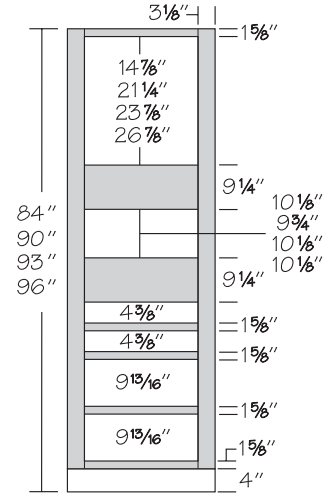
**Single Oven Cabinet
4 Butt Doors, 1 Drawer***



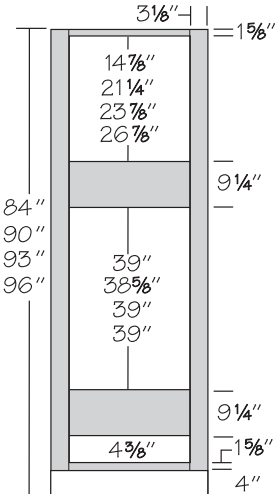
**Single Oven Cabinet
4 Butt Doors, 2 Drawers***



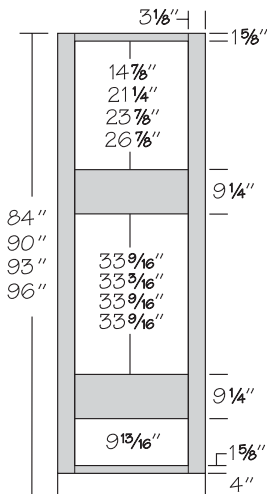
**Single Oven Cabinet
2 Butt Doors, 4 Drawers***



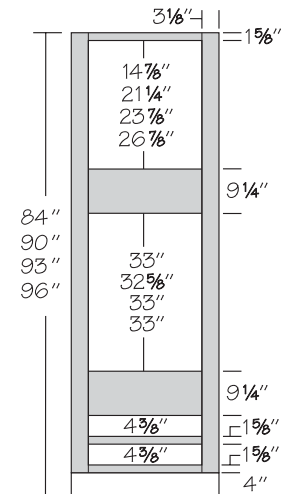
**Double Oven Cabinet
1 Drawer***



**Double Oven Cabinet
1 Large Drawer***

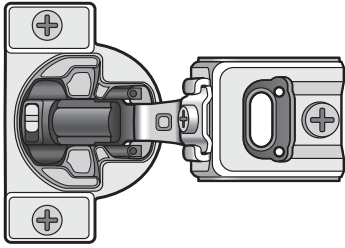


**Double Oven Cabinet
2 Drawers***



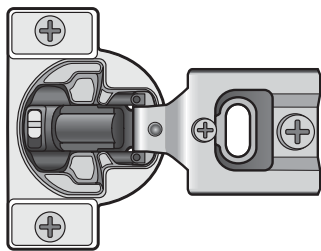
*Actual height of oven opening shown. For actual width, maximum width and maximum height dimensions, please refer to Cut Out Dimensions Chart in specific cabinet SKU box.

6-Way Adjustable Full Overlay (FOL) Door Hinge



All steel construction with nickel-plated finish, Full Overlay hinge with self-closing feature that allows door to close unassisted when approximately 20-30 degrees open. Hinges permit doors to open to approximately 105 degrees. Six-way adjustability allows in/out, up/down, and side-to-side adjustments. Exceeds industry standard for durability. Standard feature on all Full Overlay (FOL) door styles. Hinge restrictors are available to order separately to limit doors to opening more than 86 degrees.

6-Way Adjustable Standard Overlay (SOL) Door Hinge



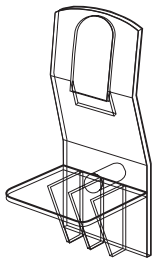
All steel construction with nickel-plated finish, Standard Overlay hinge with self-closing feature that allows door to close unassisted when approximately 20-30 degrees open. Hinges permit doors to open to approximately 105 degrees. Six-way adjustability allows in/out, up/down, and side-to-side adjustments. Exceeds industry standard for durability. Standard feature on all Standard Overlay (SOL) door styles. Hinge restrictors are available to order separately to limit doors to opening more than 86 degrees.

Metal Shelf Rest



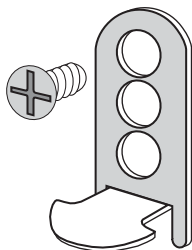
1/4" steel, nickel plated. Standard feature on all wall cabinets, bookshelves and Open Frame Door cabinets.

Base Locking Shelf Rest



Locks shelves in place and prevents shelves from sliding. Designed to allow easy shelf removal. Molded from clear high-strength polycarbonate. Standard feature on all base and tall cabinets.

Mullion Shelf Rest

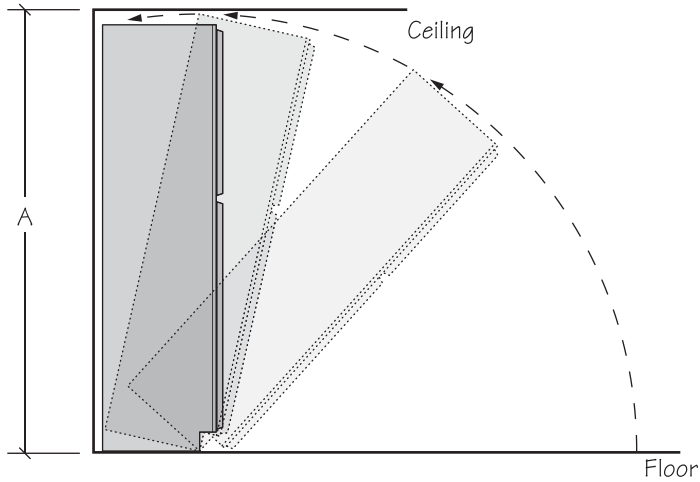


Allows for superior alignment of shelf with mullion. Metal construction. Six position adjustable. Standard feature on Mullion Frame Door cabinets.

Ceiling Height Requirements

This illustration specifies the ceiling height requirements for tall cabinets (linen, utility, and oven).

Requirements for Tall Cabinets



Height	Cabinet Depth	Minimum Ceiling Height A
84"	12"	84 ⁹ / ₁₆ "
84"	18"	85 ¹ / ₄ "
84"	20 ³ / ₄ "	85 ¹³ / ₁₆ "
84"	24"	86 ¹ / ₂ "
90"	12"	90 ¹ / ₂ "
90"	18"	91 ⁵ / ₁₆ "
90"	24"	92 ⁵ / ₁₆ "
93"	12"	93"
93"	18"	93"
93"	24"	93"
96"	12"	96"
96"	18"	96"
96"	24"	96"

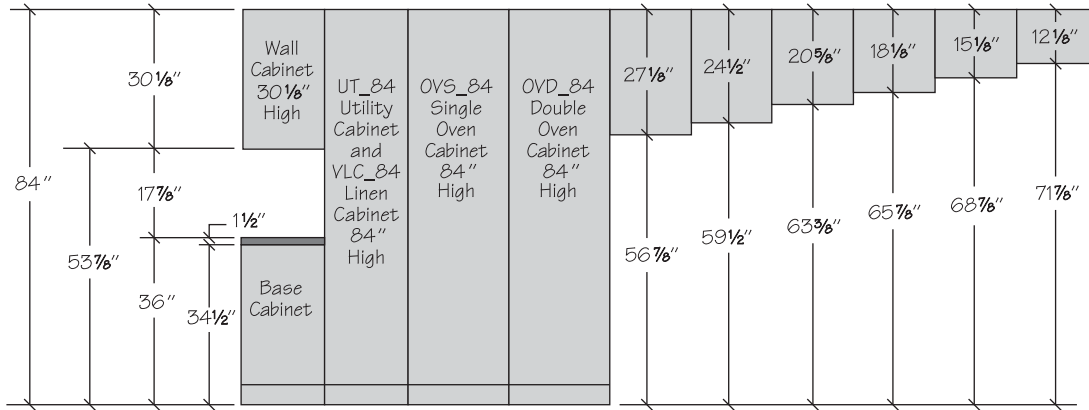
Notes:

- 93" and 96" high tall cabinets have 4" toe kick assembly shipped inside the cabinet

Installation Height Guidelines

These illustrations specify dimensions of the height guidelines for top alignment of wall and tall cabinets (linen, utility, and oven) installation.

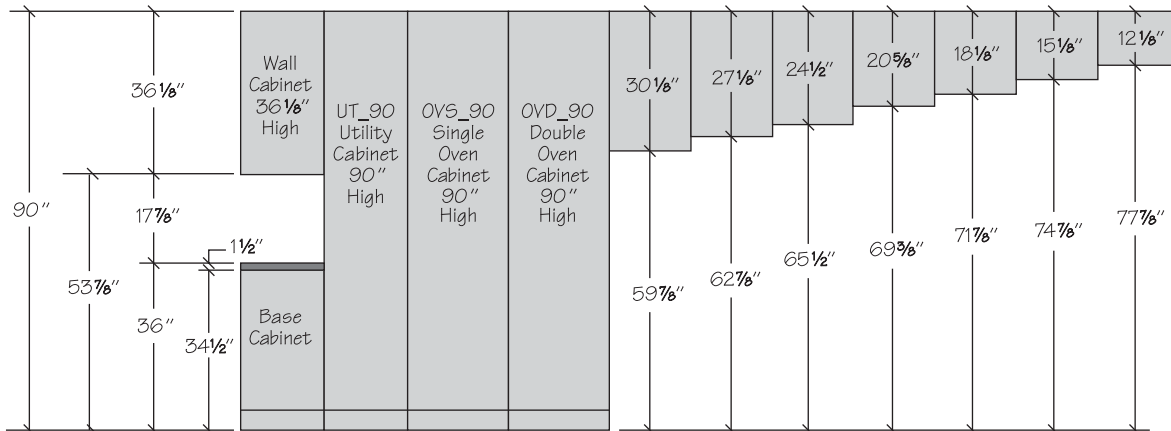
84" Top Alignment Cabinet Installation



Notes:

- 84" top alignment cabinet installation includes wall cabinets (30 1/8" high) installed 53 7/8" above the finished floor, allowing 17 7/8" clearance between the wall cabinets and a standard countertop height of 36"
- Tall cabinetry (linen, utility, and oven) is 84" high
- **When selecting cabinetry for installation above or near any appliance, refer to the appliance manufacturer's specifications for clearance and venting requirements**

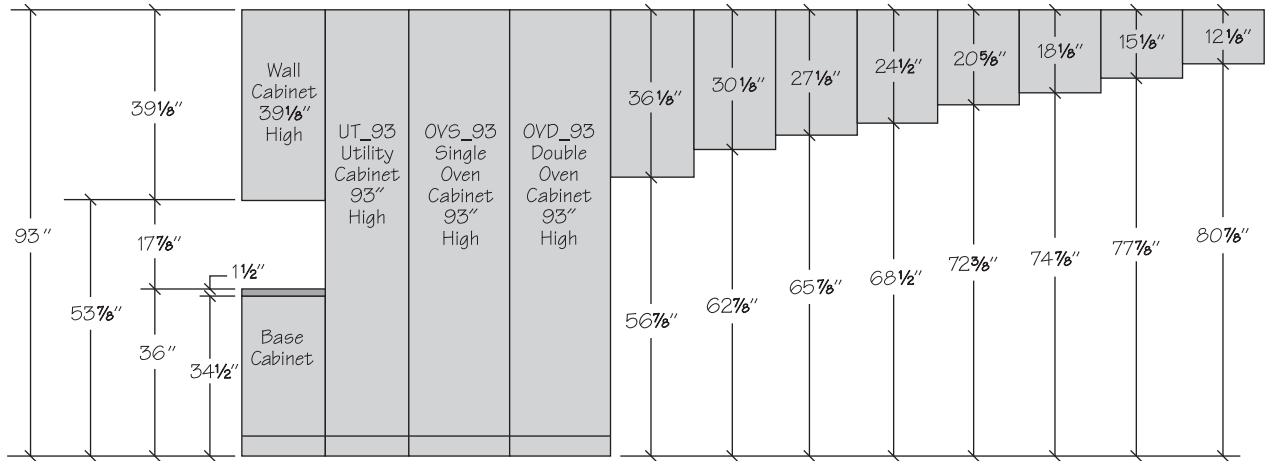
90" Top Alignment Cabinet Installation



Notes:

- 90" top alignment cabinet installation includes wall cabinets (36 1/8" high) installed 53 7/8" above the finished floor, allowing 17 7/8" clearance between the wall cabinets and a standard countertop height of 36"
- Tall cabinetry (utility and oven) is 90" high
- **When selecting cabinetry for installation above or near any appliance, refer to the appliance manufacturer's specifications for clearance and venting requirements**

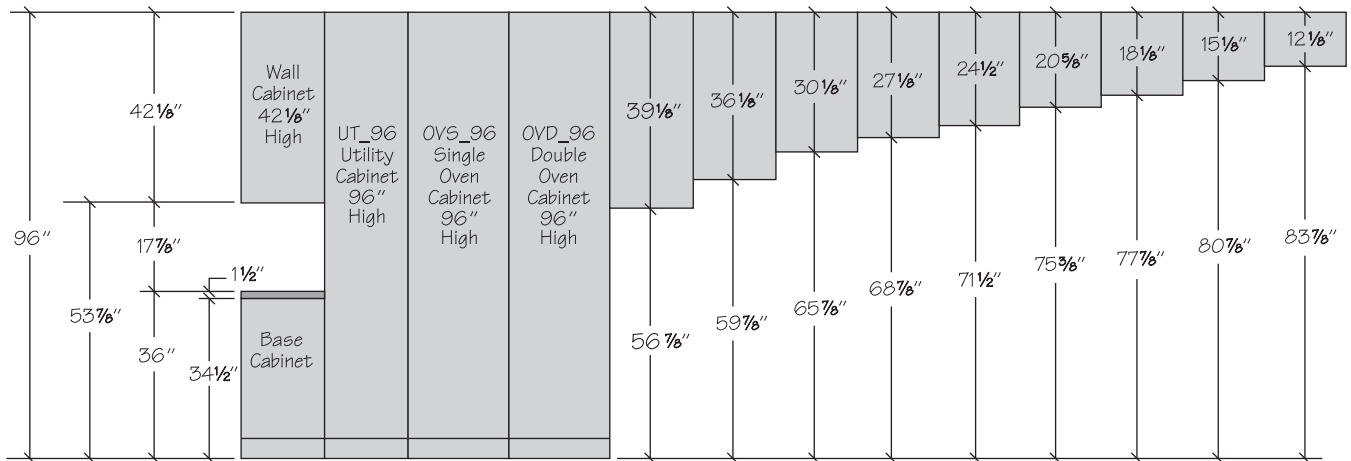
93" Top Alignment Cabinet Installation



Notes:

- 93" top alignment cabinet installation includes wall cabinets (39 1/8" high) installed 53 7/8" above the finished floor, allowing 17 7/8" clearance between the wall cabinets and a standard countertop height of 36"
- Tall cabinetry (utility and oven) is 93" high
- **When selecting cabinetry for installation above or near any appliance, refer to the appliance manufacturer's specifications for clearance and venting requirements**

96" Top Alignment Cabinet Installation



Notes:

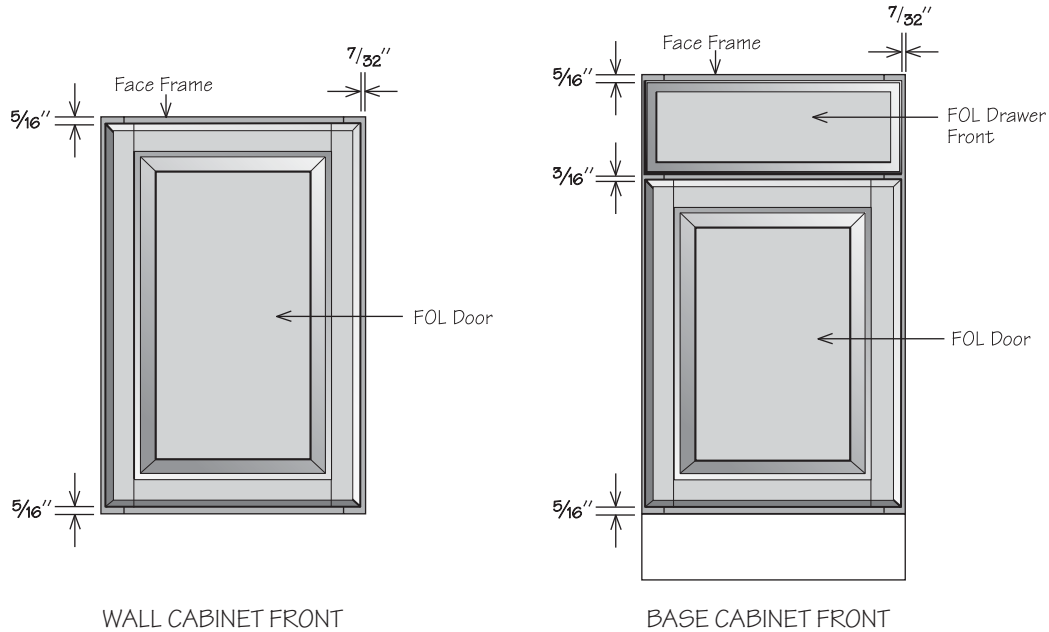
- 96" top alignment cabinet installation includes wall cabinets (42 1/8" high) installed 53 7/8" above the finished floor, allowing 17 7/8" clearance between the wall cabinets and a standard countertop height of 36"
- Tall cabinetry (utility and oven) is 96" high
- **When selecting cabinetry for installation above or near any appliance, refer to the appliance manufacturer's specifications for clearance and venting requirements**

Overlay Dimensions

The drawings shown below illustrate the relationship between the cabinet face frame and Standard Overlay (SOL) and Full Overlay (FOL) doors. They show the amount of the cabinet face frame that is visible when Standard Overlay doors or Full Overlay doors are selected.

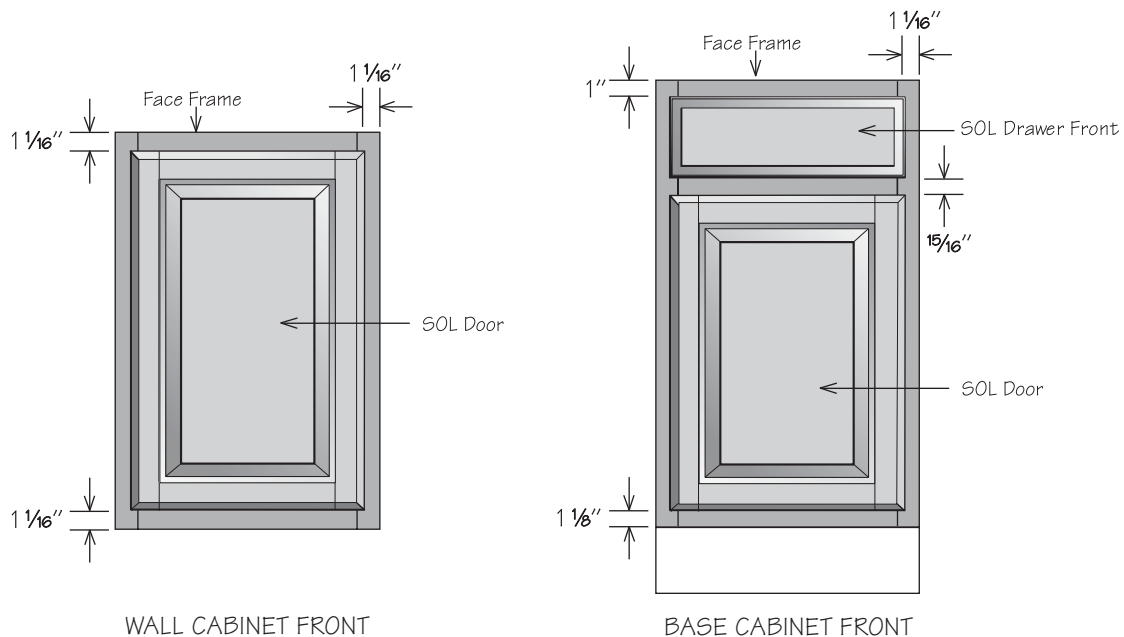
Full Overlay

Full overlay (FOL) doors are sized to cover nearly all of the cabinet face frame. Full overlay door styles require decorative hardware. **To facilitate proper door operation, include at least a 1" filler between the hinged side of full overlay door styles and deeper adjacent objects including cabinets, walls, appliances, and countertops. Blind corners may require more space from the adjacent cabinet to accommodate decorative hardware clearance.**



Standard Overlay

Standard overlay (SOL) doors are sized to show about an inch of the cabinet face frame, giving the door some visual depth. Some door styles do not require decorative hardware.

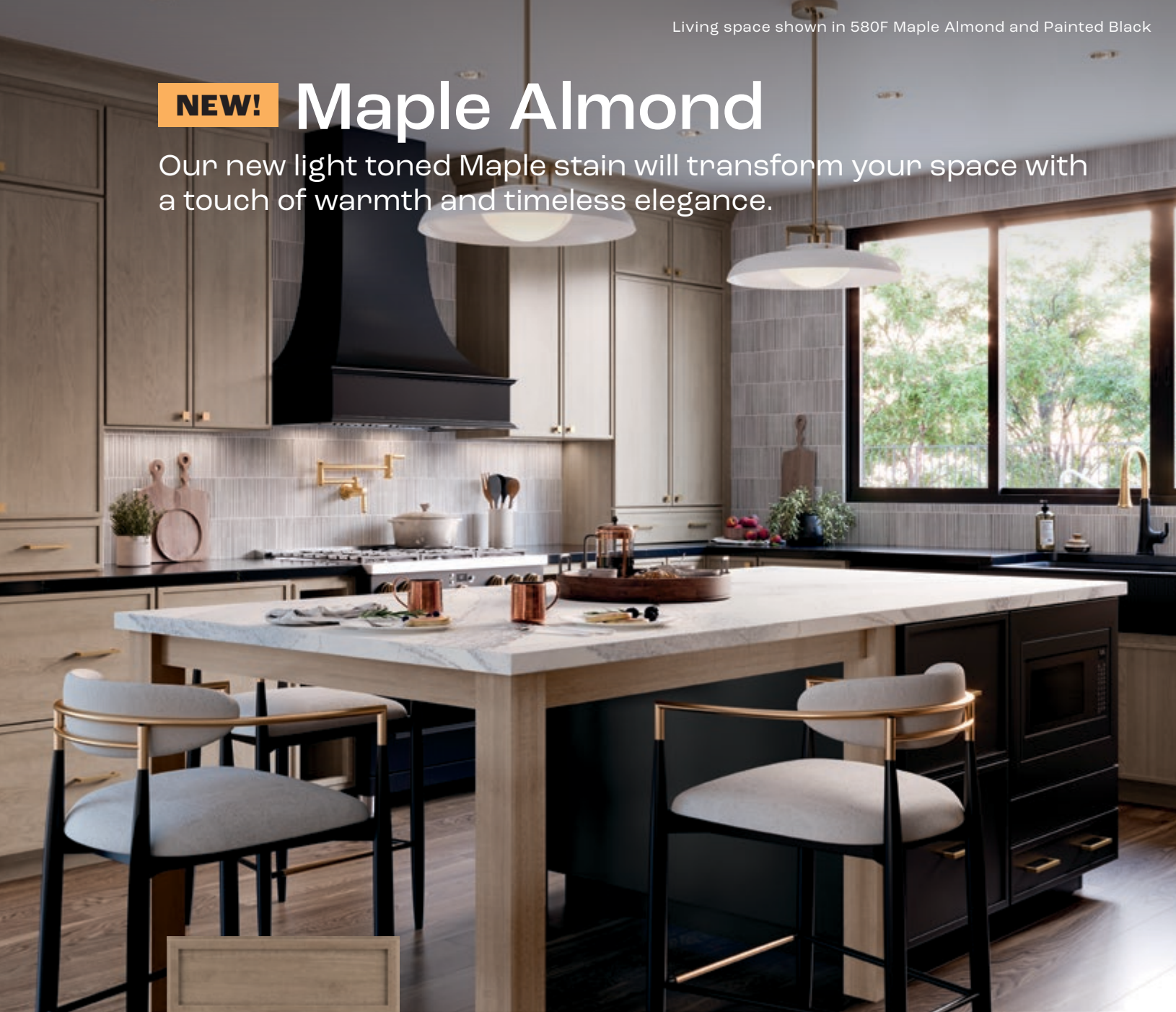


Notes

NEW!

Maple Almond

Our new light toned Maple stain will transform your space with a touch of warmth and timeless elegance.



Maple Almond

Maple Almond is a light-toned wood with cool undertones that artfully highlights its delicate grain, evoking the charm of aged lumber. Pairing well with both light and dark painted finishes, Maple Almond is sure to please.

NEW! Maple Almond

Construction Options Legend

Icons used in this guide are shown below and indicate which construction options are available for a particular product.

AH	Accessible Height Option
APC	All Plywood Construction Option
CFO	Cabinet Front Only Option
FE	Furniture Ends Option
ID	Increased Depth Option
IF	Inverted Frame Option
MI	Matching Interior Option
RD	Reduced Depth Option
RTK	Recessed Toe Kick Option
VTD	Void Top Drawer Option
VDO	Void Door Option

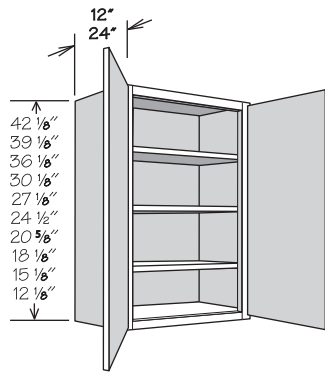
Example:

When a square ■ or diamond ◆ symbol is in an option box, it indicates that the construction option is ONLY available for SKUs listed with that symbol.

All options without a symbol are available for all SKUs.

In this example, the ◆ diamond indicates that only W3015 BUTT and W3015 BUTT SD are available with Increased Depth (ID), while the ■ square indicates that only the non-SD cabinets are available with Matching Interior (MI) and Void Door (VDO) options.

Wall Cabinets • 2 Butt Doors



CFO
FE
ID ◆
MI ■
RD
VDO ■

12" DEEP

W3015 BUTT ■ ◆
W3015 BUTT SD ◆

24" DEEP

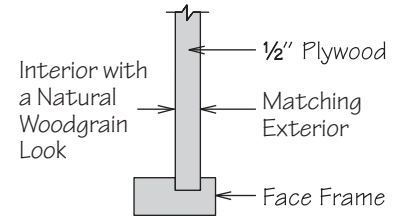
W3015 X 24DP BUTT ■
W3015 X 24DP BUTT SD

All Plywood Construction Option

APC

All Plywood Construction Option includes:

- ½" plywood sides, floors, and cabinet tops
- ¾" plywood shelves with edge banding
- ⅛" plywood captured back
- ½" plywood inset toe kick
- ½" plywood corner blocks (excluding BEA/BPP/BPPUS/BTDP cabinets or cabinets with a solid top)



Notes:

- Exterior sides finished to match specific cabinet box exterior
- Plywood will be visible from top and bottom of side panels
- Available for individual cabinets or entire kitchen
- All door styles feature standard interior sides with a natural woodgrain look and matching exterior sides
- May be combined with all construction options excluding the Cabinet Front Only Option
- Toe kick support blocks are not plywood
- Roll out accessories and drawer inserts will not feature All Plywood Construction
- All Plywood Construction refers to the cabinet box components and shelving as detailed above (certain parts and accessories are not available with this construction option)
- Plywood can consist of a combination of veneer and medium density fiberboard (MDF) layers to achieve superior product stability and finish quality. Plywood components meet the ANSI/HPVA hardwood and decorative plywood standards (www.decorativehardwoods.org)

Furniture Ends Option

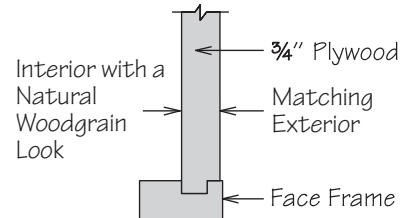
FE

Furniture Ends Option includes:

- ¾" plywood cabinet sides

Notes:

- Exterior sides feature plywood finished to match specific cabinet box exterior
- Plywood is visible on top and bottom of side panels
- All door styles feature standard interior sides with a natural woodgrain look and matching exterior sides
- Available for individual cabinets except (BEA24 FH) Base End Angle and (WEA12) Wall End Angle cabinets
- Both side panels convert to ¾" plywood sides except Base End Angle (BEA12 FH) cabinets which converts the 12" side panel only
- May be combined with all other construction options excluding the Cabinet Front Only Option
- End panels are not required for installation of decorator matching doors or the exposed ends of cabinets with the Furniture Ends Option
- Cabinet Angle Molding (CAM8) cannot be used with cabinets with the Furniture Ends Option
- Sink Front Return (SFR R/L) with the Furniture Ends Option will include a rabbetted front edge
- A seam will be visible between stacked cabinets and on 93" and 96" tall cabinets between the toe kick box and the cabinet. Recommendations to conceal this seam:
 - » Use decorative molding (e.g., Batten Molding or Ogee Pilaster Molding)
 - » Use a Column Filler or Wood Tall End Panel
- Plywood can consist of a combination of veneer and MDF layers to achieve superior product stability and finish quality. Plywood components meet the ANSI/HPVA hardwood and decorative plywood standards (decorativehardwoodsassociation.org).



CONSTRUCTION OPTION	Standard Construction	All Plywood Construction Option (APC)
Cabinet Sides	1/2" Plywood	1/2" Plywood
Cabinet Floor	1/2" Engineered Wood	1/2" Plywood
Cabinet Top (Wall Cabinets Only)	1/2" Engineered Wood	1/2" Plywood
Cabinet Back	1/8" Hardboard Substrate Captured	1/8" Plywood Captured
Inset Toe Kick	1/2" Engineered Wood	1/2" Plywood
Corner Blocks (excluding BER/BSS/CAR/CBS/CSB cabinets)	1/2" Engineered Wood	1/2" Plywood
Shelves	3/4" Engineered Wood with Edge Banding	3/4" Plywood with Edge Banding
Wall Cabinet Hanging Rails	1/2" Engineered Wood Top and Bottom Rails	1/2" Plywood Top and Bottom Rails
Base Cabinet Hanging Rails	3/4" Hardwood Top Rail 1/2" Engineered Wood Bottom Rail	3/4" Hardwood Top Rail 1/2" Plywood Bottom Rail

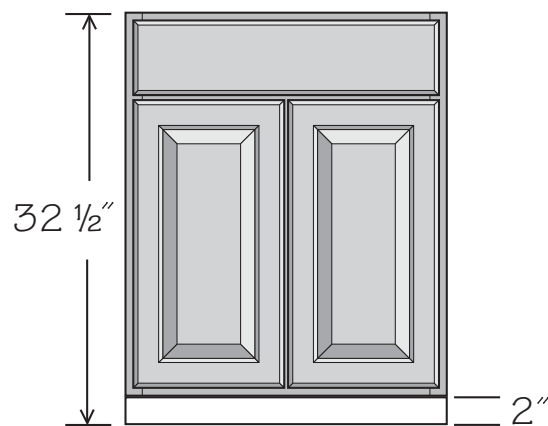
Accessible Height Option AH

The Accessible Height Option is available for most cabinets that feature a toe kick.

Notes:

- This option reduces cabinet height by 2" off the toe kick area
 - » Toe kick boxes that are shipped separately on 93" & 96" high tall cabinets will also be reduced by 2" with this option
- May be combined with all construction options excluding Recessed Toe Kick or Cabinet Front Only Option
- Any cabinet part above toe kick (face frames, doors, internal cabinet accessories, etc.) will not be altered by this modification

	34 1/2" Base/Vanity	84" Tall	90" Tall	93" Tall	96" Tall
Modified Height	32 1/2"	82"	88"	91"	94"



Reduced Depth Option

RD

The Reduced Depth Option should be used when ordering less than standard depth cabinets. The Reduced Depth Option is available in 1" increments; minimum depth is 4". Vanity and desk cabinets will reduce to standard reduced depth increments (e.g. vanity cabinets with RD-20 will measure 20" in depth).

Orders specifying Reduced Depth Option must show the total cabinet depth.

Example: Cabinet: B24

Option: RD-17 (reduced to 17" deep)

Notes:

- There is a potential tipping hazard for reduced depth cabinets until they are mounted to a wall
- Peninsula Base cabinets reduced to 11" or less will not have an inset toe kick
- Adjustable shelves are reduced in 1" increments to match Reduced Depth Option selected on cabinet(s)
- Adding the Reduced Depth Option does not remove adjustable shelves (where applicable)
- May be combined with all construction options excluding Increased Depth, Cabinet Front Only Option or the Recessed Toe Kick Option when cabinets are reduced to 8" or less
- All cabinets reduced to 5" or less will not have an inset toe kick
- Reduced depth restrictions:
 - » Cabinets with factory installed Deep Roll Out Trays (DROTCC) are only available with RD-23 through RD-12
 - » 24" Deep Wall Top Hinge cabinets are only available with RD-23 through RD-8
 - » 12" Deep Wall Top Hinge cabinets are only available with RD-11 through RD-8
 - » Base End Angle (BEA12FH) cabinets are only available with RD-23 through RD-18
 - » Kneehole Drawer cabinets are only available with RD-20 through RD-12
 - » Two-Drawer Base cabinets are only available with RD-23 through RD-21
 - » 24" Deep Furniture Drawer cabinets are only available with RD-23 through RD-13
- When ordering reduced depth accessories, specify the depth of the cabinet for which the accessory is intended (e.g., SK3624 RD-21 would be ordered for a UT3624 X 84 RD-21)

Reduced Depth	Drawer Depth Base and 24" Desk Cabinets	Drawer Depth All Vanity and 21" Desk Cabinets	Deep Roll Out Tray Depth	Toe Kick	Shelf
RD-23	18"	—	18"	YES	YES
RD-22	18"	—	18"	YES	YES
RD-21	18"	—	18"	YES	YES
RD-20	15"	15"	15"	YES	YES
RD-19	15"	15"	15"	YES	YES
RD-18	15"	15"	15"	YES	YES
RD-17	12"	12"	12"	YES	YES
RD-16	12"	12"	12"	YES	YES
RD-15	12"	12"	12"	YES	YES
RD-14	9 ⁷ / ₁₆ "	9 ⁷ / ₁₆ "	9"	YES	YES
RD-13	9 ⁷ / ₁₆ "	9 ⁷ / ₁₆ "	9"	YES	YES
RD-12	9 ⁷ / ₁₆ "	9 ⁷ / ₁₆ "	9"	YES	YES
RD-11 to RD-6	NO DRAWER	NO DRAWER	NOT AVAILABLE	YES	YES
RD-5 or RD-4	NO DRAWER	NO DRAWER	NOT AVAILABLE	NO TOE KICK	YES

Increased Depth Option

ID

The Increased Depth Option is available for most Wall cabinets up to 36" wide and all Bookshelves. The Increased Depth Option is available in 1" increments; maximum depth is 24".

Orders specifying Increased Depth Option must show the total cabinet depth.

Example: Cabinet: W1530

Option: ID-14 (increased to 14" deep)

Notes:

- May be combined with all construction options excluding Reduced Depth and Cabinet Front Only Option
- Adjustable shelves are increased in 1" increments to match Increased Depth Option selected on cabinet(s)
- Wall cabinets and bookshelves increased up to and including 18" deep can be mounted using standard installation procedures
- Wall cabinets and bookshelves increased to 19" deep and over must be stacked, floor mounted, or installed over a refrigerator
- All increased depth cabinets must be securely attached in one of the following combinations: to studs in back wall and both sides OR to studs in back wall, one side and top (e.g. two adjacent cabinets or one adjacent cabinet and a wall)

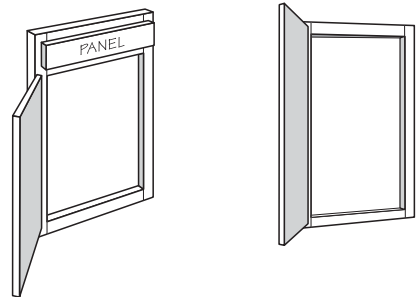
Cabinet Front Only Option

CFO

The Cabinet Front Only Option is available for most cabinets with a frame.

Notes:

- Cannot be combined with any construction options
- This option consists of the cabinet frame, door(s), drawer front(s) and hinges
- Toe kicks are not included
- This option is only available for cabinets without accessories



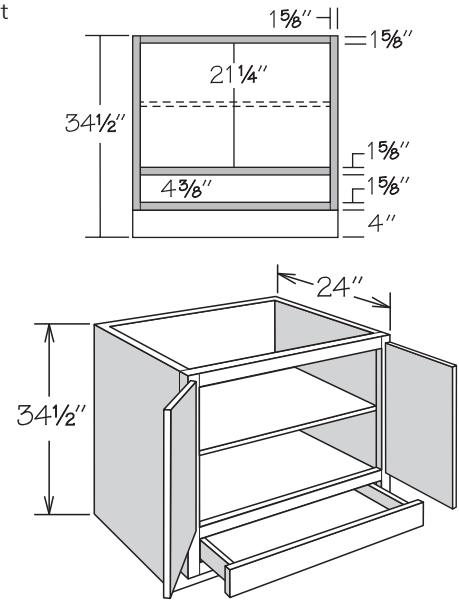
Inverted Frame Option

IF

The Inverted Frame Option is available for most standard base cabinets and base cabinets with accessories.

Notes:

- May be combined with all construction options excluding Cabinet Front Only and Void Top Drawer Option
- Drawer(s) below full cabinet floor
- Adjustable shelf is included
- Back is not predrilled for Deep Roll Out Trays (DROT's)



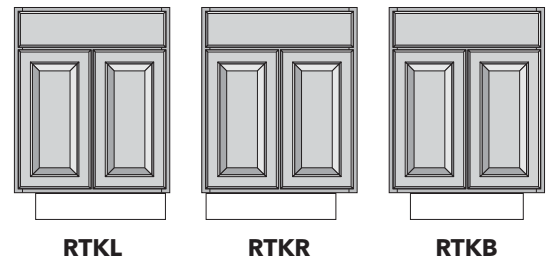
Recessed Toe Kick Option

RTK

The Recessed Toe Kick Option is available on most Base, Desk and Vanity base cabinetry. When the Recessed Toe Kick Option is selected, left, right or both must be specified.

Notes:

- May be combined with all construction options excluding Accessible Height Option, Cabinet Front Only and the Reduced Depth Option when cabinets are reduced to 8" or less
- Recommended for cabinets at the end of a run, especially in island and peninsula designs
- Recessed side(s) are constructed of 1/2" thick unfinished plywood and are recessed 3 1/2" to match front of cabinet
- Recessed Toe Kick box is not flush on non-recessed side
- Blind Corner Base cabinets are only available with the Recessed Toe Kick Both (RTKB) Option
- (BEA24 FH) and (BEA12 FH) Base End Angle, (BPP9) Base Pantry Pull Out, (BPPUS9) Base Pantry Pull Out Utensil Storage, (BTDP9) Base Tray Divider Pull Out, (TB9) and (TB9 TDS) Tray Base cabinets are not available with the Recessed Toe Kick Both Option (RTKB)
- Not available for Peninsula Base cabinets with the Reduced Depth Option of RD-11 and lower
- For Peninsula Base cabinets, the working drawer side indicates the front of the cabinet in order to correctly select Recessed Toe Kick Right (RTKR) or Left (RTKL)
- Peninsula Base cabinets ordered with Recessed Toe Kick Option must be secured to the floor through the cabinet bottom into bracing secured to the floor
- Base toe kick (BTK8) required for front and any exposed side(s)



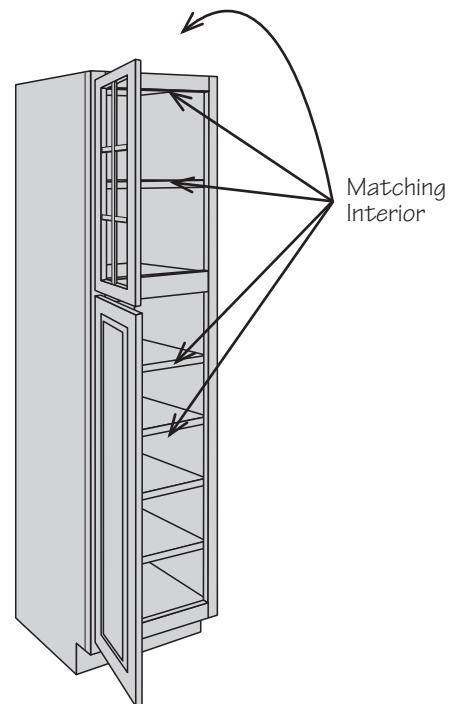
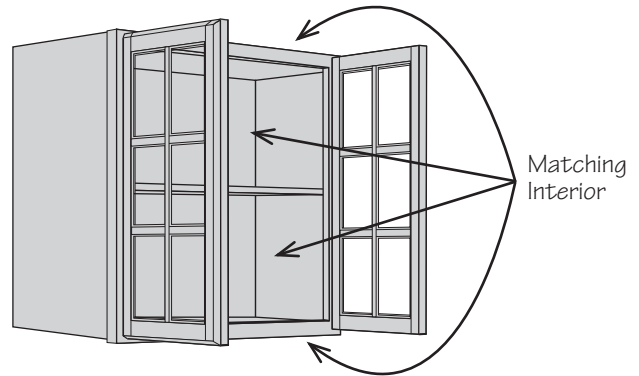
Matching Interior Option

MI

The Matching Interior Option is available for Wall cabinets (with the exceptions noted below), Utility cabinets, Vanity Linen cabinets, and Refrigerator Return Panels. This option matches the cabinet's interior, top and bottom to that of the cabinet's box exterior. For textured-wrapped Duraform, refer to door style page for box finish.

Notes:

- May be combined with all construction options excluding Cabinet Front Only
- Not available for wall cabinets with a standard matching interior (including all Specialty Door cabinets)
- All Plywood Construction Option (APC) or Furniture End Option (FE) is recommended when Matching Interior (MI) is selected
- Cabinetry with the Matching Interior Option features two-sided plywood side panels finished to match cabinet box exterior
- Matching Interior cabinetry with the All Plywood Construction Option (APC) features $\frac{3}{4}$ " plywood shelves finished to match cabinet box exterior
- Recommended for wall cabinets with the Void Door Option (VDO)
- All finished surfaces of the Wall, Utility, and Vanity Linen cabinets will be color matched including shelves, back, interior and exterior of returns, top and bottom
- Surfaces that are not finished (including hanging rails, tops/bottoms of side panels, cabinet backs, etc.) will remain unfinished
- Interior accessories in Matching Interior cabinets will remain natural finish (e.g., spice rack kit, deep roll out trays, pantry swing-out kit)
- When Matching Interior (MI) is ordered for Breeze and Drift finishes, cabinet interior will match cabinet box exterior.



Void Door Option

VDO

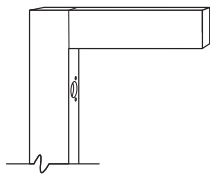
The Void Door Option is available for most wall cabinets. All void door cabinets ship without doors or hinges - center stiles and adjustable shelves will remain. Cabinet frames are pre-drilled for door hinges. Wall Top Hinge Cabinets will ship without door, lid stays, and hinges.

Refer to the descriptions below to select the correct option for your layout:

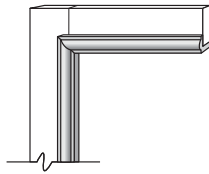
- VDO-DFH (Drilled For Hinges)
- VDO-SBAM (Single Bead Accent Molding)
- VDO-SAM (Shaker Accent Molding)

Notes:

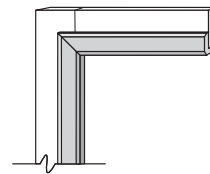
- May be combined with all construction options excluding Cabinet Front Only
- Can be used to create decorative open cabinets
- Decorative accent moldings will conceal hinge holes
- Molding is to be cut and field installed at the job site
- When matching interior is desired, the Matching Interior Option must be selected separately



VDO-DFH
Drilled For Hinges



VDO-SBAM
Single Bead Accent Molding



VDO-SAM
Shaker Accent Molding

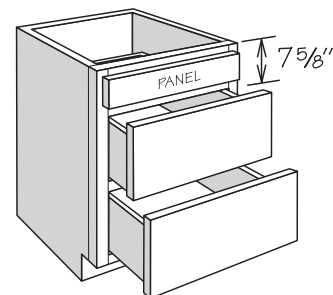
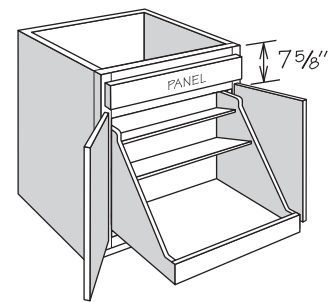
Void Top Drawer Option

VTD

The Void Top Drawer Option is available for most 3 Drawer Base, 4 Drawer Base, Base with Deep Roll Out Trays, Base with Pot & Pan Organizer and Peninsula Base cabinets.

Notes:

- May be combined with all construction options excluding Cabinet Front Only and Inverted Frame Options
- This option removes the drawer body and glide system and replaces it with a false panel on any top drawer(s)
- On cabinets with multiple top drawers, all top drawers will be voided
- When using an appliance, the interior height clearance is 7 $\frac{5}{8}$ " from the top of the cabinet to the top of the door/drawer opening below the voided drawer
- Subtract 1 $\frac{1}{2}$ " from width and depth for available top opening - removal of corner blocks may be required
- Removal of the top rail is not recommended
- Refer to appliance manufacturer's specifications for adequate clearances and required installation materials



Specialty Door Option cabinets are available for most wall, utility and vanity linen cabinet sizes. All Specialty Door Option cabinets include Matching Interior as standard and require one of the specialty door options below. Specialty door options for utility and vanity linen cabinets apply to top door(s) only.

Open Frame Door (OFD) notes:

- Features door frame only with no mullions or center panel
- Decorative glass inserts and appropriate glass clips are shipped separately from the cabinet for field installation - see pages 76-77 for available glass inserts
- See page 73 for door style profiles

Mullion Frame Door (MFD) notes:

- Features grid-style mullions
- Not available for Wall Top Hinge cabinets
- Decorative glass inserts and appropriate glass clips are shipped separately from the cabinet for field installation - see pages 76-77 for available glass inserts
- See pages 74-75 for door style profiles

SPECIALTY DOOR AVAILABILITY BY SIZE										
Door Width	Door Height									
	12" High Wall	15" High Wall	18" High Wall	21" High Wall	24" High Wall	27" High Wall	30" High Wall	36" High Wall	39" High Wall	42" High Wall
12" Wide	●	●	●		●		●	●	●	●
13" Wide	●	●	●		●		●	●	●	●
15" Wide	●	●	●	●	●	●	●	●	●	●
16" Wide	●	●	●	●	●		●	●	●	●
18" Wide	●	●	●	●	●		●	●	●	●
18 ½" Wide	●	●	●	●	●					
19" Wide	●	●	●	●	●		●	●		●
21" Wide	●	●	●		●		●	●	●	●
30" Wide		■	■							
36" Wide		■	■							

- Available with all Specialty Door Options
- Wall Top Hinge cabinets only - not available with MFD Option

Specialty Door Offering by Style

DOOR STYLE	OFD	MFD
750F	●	
720R	●	●
660R	●	●
660D	●	●
650S	●	
650F	●	
580S	●	
580F	●	
570S	●	
570F	●	
540F	●	●
530S	●	
DT24F	●	
DT22S	●	
470S	●	
470F	●	
460S	●	●
460R	●	●
410S	●	
410F	●	
D18F	●	
D16S	●	
D16F	●	
D12S	●	
DS04F	●	
DS02S	●	
330S	●	

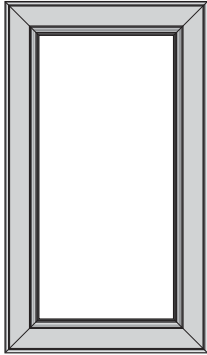
Open Frame Door Profiles

OFD

CONSTRUCTION OPTIONS

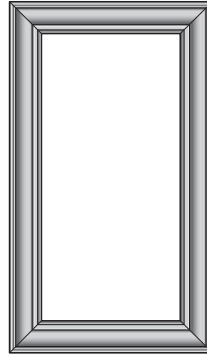
PROFILE FOR:

750



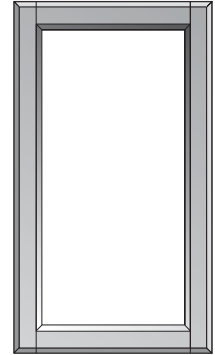
PROFILE FOR:

720



PROFILE FOR:

660



PROFILE FOR:

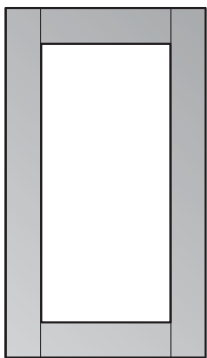
650

530

DT24

DT22

D12



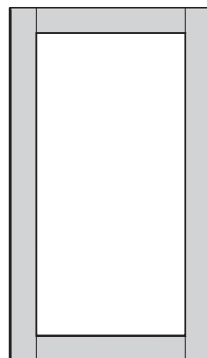
PROFILE FOR:

410

330

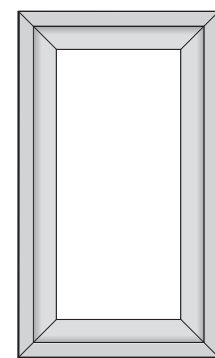
D16

DS02



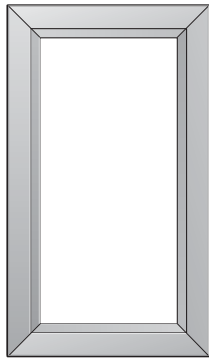
PROFILE FOR:

580



PROFILE FOR:

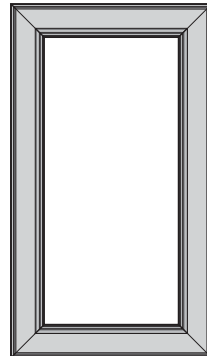
570



PROFILE FOR:

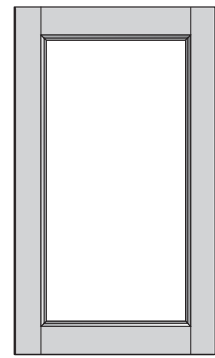
540

D18



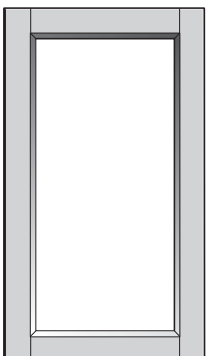
PROFILE FOR:

470



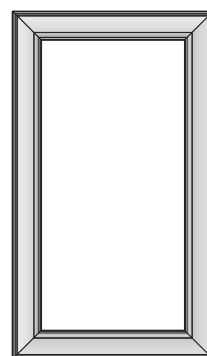
PROFILE FOR:

460



PROFILE FOR:

DS04

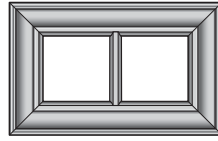


Mullion Frame Door Profiles

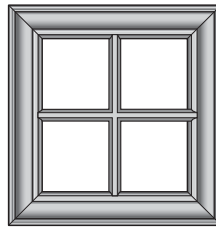
MFD

PROFILE FOR:

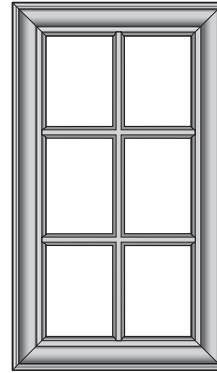
720



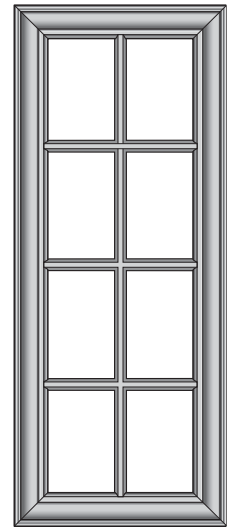
12" High Cabinet



15", 18", 21", 24" or 27"
High Cabinet



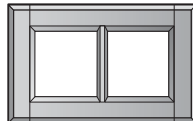
30" or 36" High Cabinet
84" or 90" High Utility Cabinet
Vanity Linen Cabinet



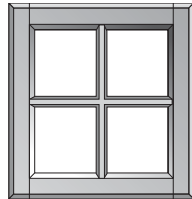
39" or 42" High Cabinet
93" or 96" High Utility Cabinet

PROFILE FOR:

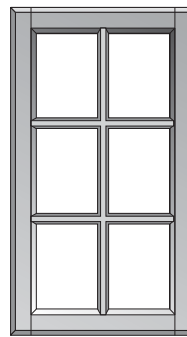
660



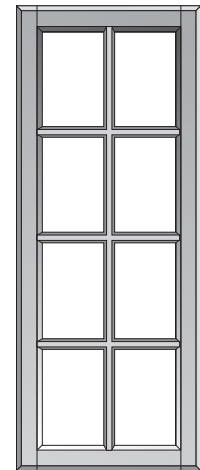
12" High Cabinet



15", 18", 21", 24" or 27"
High Cabinet



30" or 36" High Cabinet
84" or 90" High Utility Cabinet
Vanity Linen Cabinet



39" or 42" High Cabinet
93" or 96" High Utility Cabinet

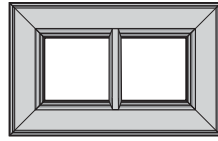
Mullion Frame Door Profiles

MFD

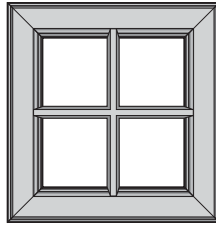
CONSTRUCTION OPTIONS

PROFILE FOR:

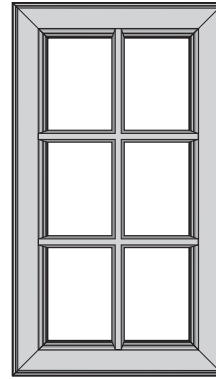
540



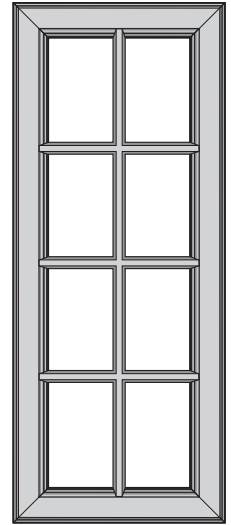
12" High Cabinet



15", 18", 21", 24" or 27"
High Cabinet



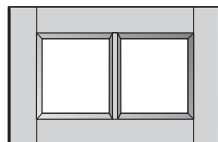
30" or 36" High Cabinet
84" or 90" High Utility Cabinet
Vanity Linen Cabinet



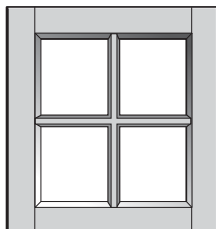
39" or 42" High Cabinet
93" or 96" High Utility Cabinet

PROFILE FOR:

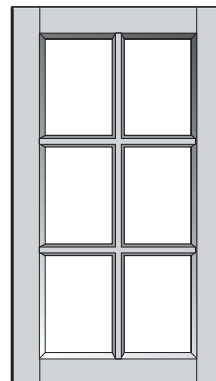
460



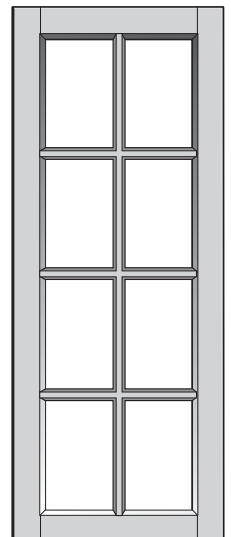
12" High Cabinet



15", 18", 21", 24" or 27"
High Cabinet



30" or 36" High Cabinet
84" or 90" High Utility Cabinet
Vanity Linen Cabinet



39" or 42" High Cabinet
93" or 96" High Utility Cabinet

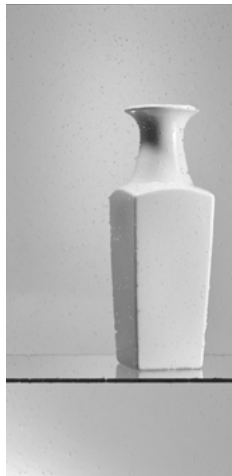
Clear Glass



OFD
MFD

- 1/8" thick panel
- Clear glass
- Tempered safety glass
- Includes appropriate Decorative Glass Clips
- Order as DGI-___ CLEAR, refer to Parts Directory for nomenclature and dimensions

Derbyshire Seeded Glass



OFD
MFD

- 5/16" thick panel
- Clear seeded glass
- Laminated safety glass
- Includes appropriate Decorative Glass Clips
- Order as DGI-___ DERBYSHIRE, refer to Parts Directory for nomenclature and dimensions

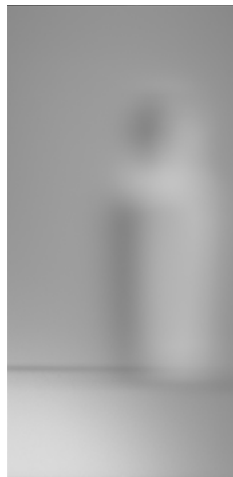
Frosted Glass



OFD
MFD

- 1/8" thick panel
- Frosted glass with etched finish
- Tempered safety glass
- Includes appropriate Decorative Glass Clips
- Order as DGI-___ FROSTED, refer to Parts Directory for nomenclature and dimensions

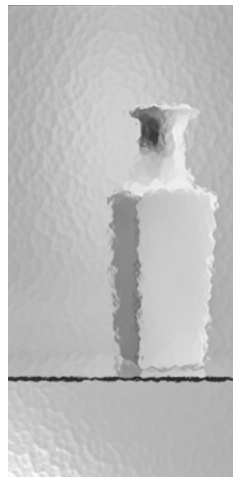
Frosted Ash Glass



OFD
MFD

- 1/8" thick panel
- Gray tinted glass
- Tint is manufactured in material - not a film
- Tempered safety glass
- Includes appropriate Decorative Glass Clips
- Order as DGI-___ FROSTED ASH, refer to Parts Directory for nomenclature and dimensions

Impression Glass



OFD
MFD

- 1/8" thick panel
- Sculptural glass
- Tempered safety glass
- Includes appropriate Decorative Glass Clips
- Order as DGI-___ IMPRESSION, refer to Parts Directory for nomenclature and dimensions

Meredith Glass



OFD

- 1/4" overall thickness (1/8" beveled edge thickness)
- Clear glass design with 1 1/4" wide beveled edges
- Tempered safety glass
- Includes appropriate Decorative Glass Clips
- Order as DGI-___ MEREDITH, refer to Parts Directory for nomenclature and dimensions

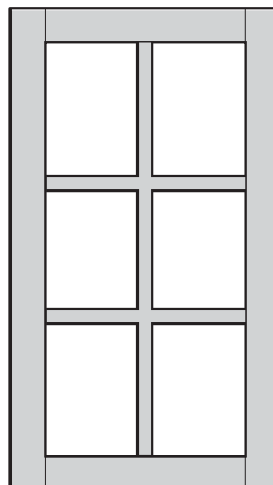
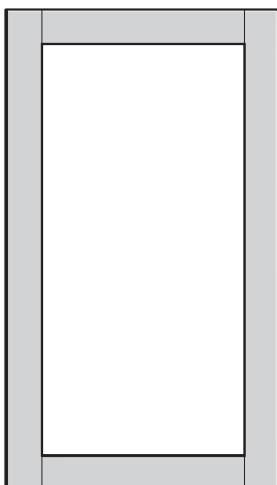
Ribbed Glass



OFD
MFD

- 1/8" thick panel
- Clear ribbed glass
- Tempered safety glass
- Includes appropriate Decorative Glass Clips
- Not available for Wall Top Hinge Cabinets
- Order as DGI-___ RIBBED, refer to Parts Directory for nomenclature and dimensions

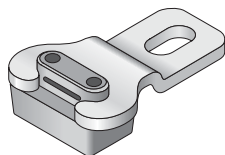
Prepped for Glass



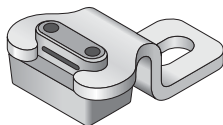
OFD
MFD

- For customer installed inserts up to 5/16" thick
- Refer to pages 73-75 for standard profiles
- Decorative Glass Clips not included—order separately

Decorative Glass Clips



CLIP DGI 1/8



CLIP DGI 5/16

Glass Insert	CLIP DGI 1/8	CLIP DGI 5/16
Clear	•	
Derbyshire		•
Frosted	•	
Frosted Ash	•	
Impression	•	
Meredith	•	
Ribbed	•	

- For installation of decorative glass insert
- Order one bag (six clips) per door

CLIP DGI 1/8
CLIP DGI 5/16

Notes

NEW! Expanded SKUs for Wall Cabinets

Wall Cabinets • 2 Butt Doors:

12" DEEP

15"H • No Shelf

W2415 BUTT
W2715 BUTT
W3015 BUTT
W3315 BUTT
W3615 BUTT
W2415 BUTT SD
W2715 BUTT SD
W3015 BUTT SD
W3315 BUTT SD
W3615 BUTT SD

12"H • No Shelf

W2412 BUTT
W2712 BUTT
W3012 BUTT
W3312 BUTT
W3612 BUTT
W2412 BUTT SD
W2712 BUTT SD
W3012 BUTT SD
W3312 BUTT SD
W3612 BUTT SD

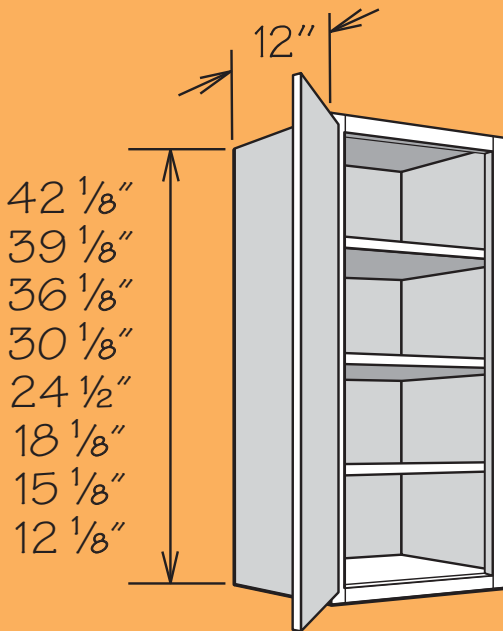
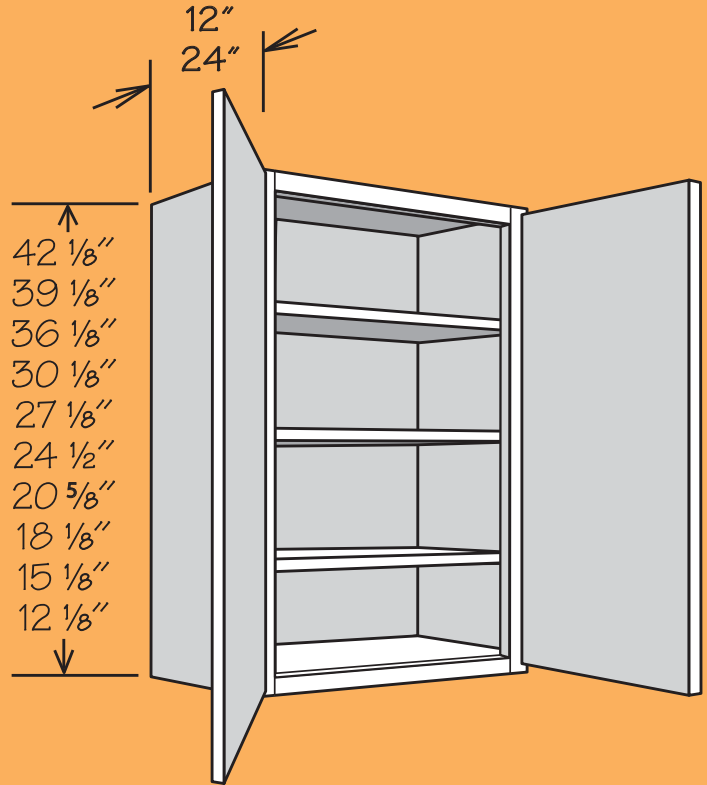
24" DEEP

15"H • No Shelf

W3715 X 24 DP BUTT
W3715 X 24 DP BUTT SD

12"H • No Shelf

W3712 X 24 DP BUTT
W3712 X 24 DP BUTT SD



Wall Cabinets • 1 Door:

12" DEEP

15"H • No Shelf

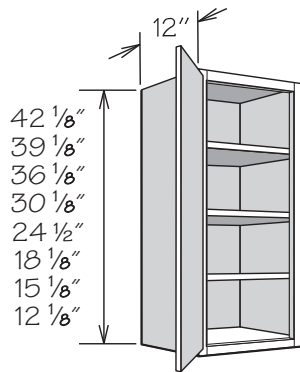
W1215
W1515
W1815
W2115
W1215 SD
W1515 SD
W1815 SD
W2115 SD

12"H • No Shelf

W1212
W1512
W1812
W2112
W1212 SD
W1512 SD
W1812 SD
W2112 SD

Wall Cabinets • 1 Door

NEW! SIZES



42" High Shown

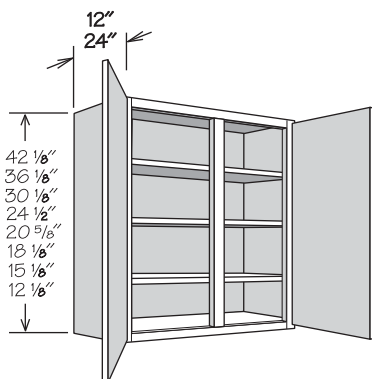
- Specialty Door cabinets (SD) feature Matching Interior standard and require a specialty door selection
- Must be ordered as hinged left or right
- 18", 15" and 12" high wall cabinets are not drilled for adjustable shelf

APC
CFO
FE
ID
MI ■
RD
VDO ■

12" DEEP

42"H • 3 Shelves	39"H • 3 Shelves	36"H • 2 Shelves	30"H • 2 Shelves	24"H • 1 Shelf	18"H • No Shelf	15"H • No Shelf	12"H • No Shelf
W942 ■	W939 ■	W936 ■	W930 ■	W1224 ■	W1218 ■	W1215 ■	W1212 ■
W1242 ■	W1239 ■	W1236 ■	W1230 ■	W1524 ■	W1518 ■	W1515 ■	W1512 ■
W1542 ■	W1539 ■	W1536 ■	W1530 ■	W1824 ■	W1818 ■	W1815 ■	W1812 ■
W1842 ■	W1839 ■	W1836 ■	W1830 ■	W2124 ■	W2118 ■	W2115 ■	W2112 ■
W2142 ■	W2139 ■	W2136 ■	W2130 ■	W1224 SD	W1218 SD	W1215 SD	W1212 SD
W1242 SD	W1239 SD	W1236 SD	W2430 ■	W1524 SD	W1518 SD	W1515 SD	W1512 SD
W1542 SD	W1539 SD	W1536 SD	W1230 SD	W1824 SD	W1818 SD	W1815 SD	W1812 SD
W1842 SD	W1839 SD	W1836 SD	W1530 SD	W2124 SD	W2118 SD	W2115 SD	W2112 SD
W2142 SD	W2139 SD	W2136 SD	W1830 SD				
			W2130 SD				

Wall Cabinets • 2 Doors



42" High Shown

- Specialty Door cabinets (SD) feature Matching Interior standard and require a specialty door selection
- 24" deep cabinets feature full-depth shelf where applicable
- 24" deep cabinets must be installed by:
 - » Securely attaching to studs in back wall and both sides or to studs in back wall, one side and top (e.g. two adjacent cabinets or one adjacent cabinet and a wall)
 - » And must be either stacked, floor mounted or installed over a refrigerator
- 21", 18", 15" and 12" high wall cabinets are not drilled for adjustable shelf
- Center shelf support provided (where applicable)

APC
CFO
FE
MI ■
RD
VDO ■

12" DEEP

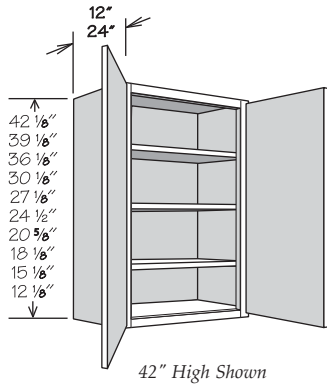
42"H • 3 Shelves	36"H • 2 Shelves	30"H • 2 Shelves	24"H • 1 Shelf	21"H • No Shelf	18"H • No Shelf	15"H • No Shelf	12"H • No Shelf
W3942 ■	W3936 ■	W3930 ■	W3924 ■	W3921 ■	W3918 ■	W3915 ■	W3912 ■
W4242 ■	W4236 ■	W4230 ■	W4224 ■	W3921 SD	W4218 ■	W3915 SD	W3912 SD
W3942 SD	W3936 SD	W3930 SD	W3924 SD		W3918 SD		
W4242 SD	W4236 SD	W4230 SD	W4224 SD		W4218 SD		

24" DEEP

24"H • 1 Shelf	21"H • No Shelf	18"H • No Shelf	15"H • No Shelf	12"H • No Shelf
W3924 X 24 DP ■	W3921 X 24 DP ■	W3918 X 24 DP ■	W3915 X 24 DP ■	W3912 X 24 DP ■
W3924 X 24 DP SD	W3921 X 24 DP SD	W3918 X 24 DP SD	W3915 X 24 DP SD	W3912 X 24 DP SD

Wall Cabinets • 2 Butt Doors

NEW! SIZES



42" High Shown

- Specialty Door cabinets (SD) feature Matching Interior standard and require a specialty door selection
- 24" deep cabinets feature full-depth shelf where applicable
- 24" deep cabinets must be installed by:
 - » Securely attaching to studs in back wall and both sides or to studs in back wall, one side and top (e.g. two adjacent cabinets or one adjacent cabinet and a wall)
 - » And must be either stacked, floor mounted or installed over a refrigerator
- 21", 18", 15" and 12" high wall cabinets are not drilled for adjustable shelf
- Center shelf support provided for cabinets 30" or wider (where applicable)

APC
CFO
FE
ID ◆
MI ■
RD
VDO ■

12" DEEP

42"H • 3 Shelves

W2442 BUTT ■◆
W2742 BUTT ■◆
W3042 BUTT ■◆
W3342 BUTT ■◆
W3642 BUTT ■◆
W2442 BUTT SD ◆
W2742 BUTT SD ◆
W3042 BUTT SD ◆
W3342 BUTT SD ◆
W3642 BUTT SD ◆

39"H • 3 Shelves

W2439 BUTT ■◆
W2739 BUTT ■◆
W3039 BUTT ■◆
W3339 BUTT ■◆
W3639 BUTT ■◆
W2439 BUTT SD ◆
W2739 BUTT SD ◆
W3039 BUTT SD ◆
W3339 BUTT SD ◆
W3639 BUTT SD ◆

36"H • 2 Shelves

W2436 BUTT ■◆
W2736 BUTT ■◆
W3036 BUTT ■◆
W3336 BUTT ■◆
W3636 BUTT ■◆
W2436 BUTT SD ◆
W2736 BUTT SD ◆
W3036 BUTT SD ◆
W3336 BUTT SD ◆
W3636 BUTT SD ◆

30"H • 2 Shelves

W2430 BUTT ■◆
W2730 BUTT ■◆
W3030 BUTT ■◆
W3330 BUTT ■◆
W3630 BUTT ■◆
W2430 BUTT SD ◆
W2730 BUTT SD ◆
W3030 BUTT SD ◆
W3330 BUTT SD ◆
W3630 BUTT SD ◆

27"H • 1 Shelf

W3027 BUTT ■◆
W3027 BUTT SD ◆

24"H • 1 Shelf

W2424 BUTT ■◆
W2724 BUTT ■◆
W3024 BUTT ■◆
W3324 BUTT ■◆
W3624 BUTT ■◆
W2424 BUTT SD ◆
W2724 BUTT SD ◆
W3024 BUTT SD ◆
W3324 BUTT SD ◆
W3624 BUTT SD ◆

21"H • No Shelf

W3021 BUTT ■◆
W3321 BUTT ■◆
W3621 BUTT ■◆
W3021 BUTT SD ◆
W3321 BUTT SD ◆
W3621 BUTT SD ◆

18"H • No Shelf

W2418 BUTT ■◆
W2718 BUTT ■◆
W3018 BUTT ■◆
W3318 BUTT ■◆
W3618 BUTT ■◆
W2418 BUTT SD ◆
W2718 BUTT SD ◆
W3018 BUTT SD ◆
W3318 BUTT SD ◆
W3618 BUTT SD ◆

15"H • No Shelf

W2415 BUTT ■◆
W2715 BUTT ■◆
W3015 BUTT ■◆
W3315 BUTT ■◆
W3615 BUTT ■◆
W2415 BUTT SD ◆
W2715 BUTT SD ◆
W3015 BUTT SD ◆
W3315 BUTT SD ◆
W3615 BUTT SD ◆

12"H • No Shelf

W2412 BUTT ■◆
W2712 BUTT ■◆
W3012 BUTT ■◆
W3312 BUTT ■◆
W3612 BUTT ■◆
W2412 BUTT SD ◆
W2712 BUTT SD ◆
W3012 BUTT SD ◆
W3312 BUTT SD ◆
W3612 BUTT SD ◆

24" DEEP

27"H • 1 Shelf

W3027 X 24 DP BUTT ■
W3027 X 24 DP BUTT SD

24"H • 1 Shelf

W3024 X 24 DP BUTT ■
W3324 X 24 DP BUTT ■
W3624 X 24 DP BUTT ■
W3724 X 24 DP BUTT ■
W3024 X 24 DP BUTT SD
W3324 X 24 DP BUTT SD
W3624 X 24 DP BUTT SD
W3724 X 24 DP BUTT SD

21"H • No Shelf

W3021 X 24 DP BUTT ■
W3321 X 24 DP BUTT ■
W3621 X 24 DP BUTT ■
W3721 X 24 DP BUTT ■
W3021 X 24 DP BUTT SD
W3321 X 24 DP BUTT SD
W3621 X 24 DP BUTT SD
W3721 X 24 DP BUTT SD

18"H • No Shelf

W3018 X 24 DP BUTT ■
W3318 X 24 DP BUTT ■
W3618 X 24 DP BUTT ■
W3718 X 24 DP BUTT ■
W3018 X 24 DP BUTT SD
W3318 X 24 DP BUTT SD
W3618 X 24 DP BUTT SD
W3718 X 24 DP BUTT SD

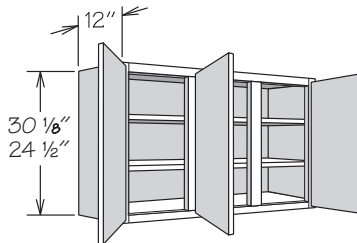
15"H • No Shelf

W3015 X 24 DP BUTT ■
W3315 X 24 DP BUTT ■
W3615 X 24 DP BUTT ■
W3715 X 24 DP BUTT ■
W3015 X 24 DP BUTT SD
W3315 X 24 DP BUTT SD
W3615 X 24 DP BUTT SD
W3715 X 24 DP BUTT SD

12"H • No Shelf

W3012 X 24 DP BUTT ■
W3312 X 24 DP BUTT ■
W3612 X 24 DP BUTT ■
W3712 X 24 DP BUTT ■
W3012 X 24 DP BUTT SD
W3312 X 24 DP BUTT SD
W3612 X 24 DP BUTT SD
W3712 X 24 DP BUTT SD

Wall Cabinets • 3 Doors



30" High Shown

- Specialty Door cabinets (SD) feature Matching Interior standard and require a specialty door selection
- Hinged as shown
- 12" high wall cabinets are not drilled for adjustable shelf
- Center shelf support provided (where applicable)

APC
CFO
FE
MI ■
RD
VDO ■

12" DEEP

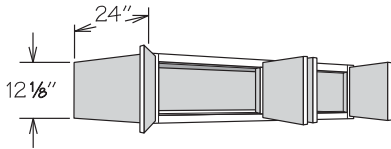
30"H • 2 Shelves

W4530 ■
W4530 SD

24"H • 1 Shelf

W4524 ■
W4524 SD

Wall Cabinets • 4 Butt Doors



- Not drilled for adjustable shelf
- 24" deep cabinets must be installed by:
 - » Securely attaching to studs in back wall and both sides or to studs in back wall, one side and top (e.g. two adjacent cabinets or one adjacent cabinet and a wall)
 - » And must be either stacked, floor mounted or installed over a refrigerator

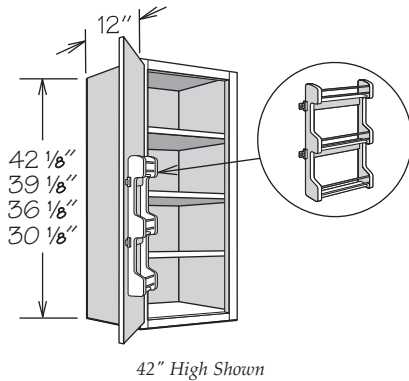
APC
CFO
FE
MI
RD
VDO

24" DEEP

12"H • No Shelf

W4812 X 24 DP BUTT

Wall Cabinet with Spice Rack • 1 Door



- Spice Rack Kit packaged separately for field installation
- Position adjustable shelves prior to installation
- Kit in natural finish solid wood features chrome rails and three fixed shelves
- Must be ordered as hinged left or right

APC
FE
ID
MI

12" DEEP

42"H • 3 Shelves

W1542 SR
W1842 SR
W2142 SR

36"H • 2 Shelves

W1536 SR
W1836 SR
W2136 SR

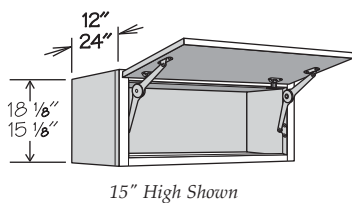
39"H • 3 Shelves

W1539 SR
W1839 SR
W2139 SR

30"H • 2 Shelves

W1530 SR
W1830 SR
W2130 SR

Wall Top Hinge • 1 Door



- Features one pair of factory installed, field adjustable lid stays that supports door securely at any angle up to 105°
- Cabinet can be flipped to open downwards and lid stay can be adjusted to support door
- Door rail and stile configuration and insert panel grain direction will differ from standard wall cabinets, except DT22S
- DT22S features a door with vertical grain direction to match standard wall cabinets
- Specialty Door cabinets (SD) feature Matching Interior standard and require a specialty door selection
- MFD not available on Wall Top Hinge Specialty Door cabinets
- 24" deep cabinets must be installed by:
 - » Securely attaching to studs in back wall and both sides or to studs in back wall, one side and top (e.g. two adjacent cabinets or one adjacent cabinet and a wall)
 - » And must be either stacked, floor mounted or installed over a refrigerator

APC
FE
ID ◆
MI ■
RD
VDO ■

12" DEEP

18"H • No Shelf

WTH3018 ■ ◆
WTH3618 ■ ◆
WTH3018 SD ◆
WTH3618 SD ◆

15"H • No Shelf

WTH3015 ■ ◆
WTH3615 ■ ◆
WTH3015 SD ◆
WTH3615 SD ◆

24" DEEP

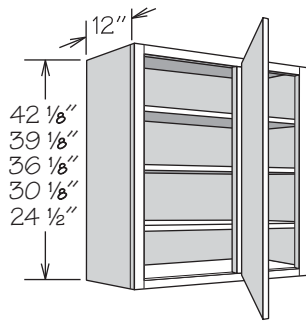
18"H • No Shelf

WTH3018 X 24 DP ■
WTH3618 X 24 DP ■
WTH3018 X 24 DP SD
WTH3618 X 24 DP SD

15"H • No Shelf

WTH3015 X 24 DP ■
WTH3615 X 24 DP ■
WTH3015 X 24 DP SD
WTH3615 X 24 DP SD

Blind Wall Cabinet • 1 Door



42" High Shown

- Cabinet shown as right indicating blind opening is on the right side of cabinet (must be ordered as left or right)
- Includes 1/8" panel to cover blind opening (field trim and install)
- Refer to Blind Wall Cabinet Installation Chart for specifications
- Must order Universal Filler separately
- Specialty Door cabinets (SD) feature Matching Interior standard and require a specialty door selection
- Center shelf support provided for cabinets 30" or wider

APC
CFO
FE
ID
MI ■
RD
VDO ■

12" DEEP

42"H • 3 Shelves

- BLW24/2742 ■
- BLW30/3342 ■
- BLW33/3642 ■
- BLW24/2742 SD
- BLW30/3342 SD
- BLW33/3642 SD

39"H • 3 Shelves

- BLW24/2739 ■
- BLW30/3339 ■
- BLW33/3639 ■
- BLW24/2739 SD
- BLW30/3339 SD
- BLW33/3639 SD

36"H • 2 Shelves

- BLW24/2736 ■
- BLW30/3336 ■
- BLW33/3636 ■
- BLW24/2736 SD
- BLW30/3336 SD
- BLW33/3636 SD

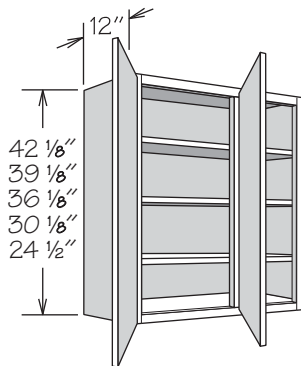
30"H • 2 Shelves

- BLW24/2730 ■
- BLW27/3030 ■
- BLW30/3330 ■
- BLW33/3630 ■
- BLW36/3930 ■
- BLW24/2730 SD
- BLW27/3030 SD
- BLW30/3330 SD
- BLW33/3630 SD

24"H • 1 Shelf

- BLW24/2724 ■
- BLW27/3024 ■
- BLW30/3324 ■
- BLW33/3624 ■
- BLW24/2724 SD
- BLW27/3024 SD
- BLW30/3324 SD
- BLW33/3624 SD

Blind Wall Cabinet • 2 Butt Doors



42" High Shown

- Cabinet shown as right indicating blind opening is on the right side of cabinet (can be reversed in the field)
- Includes 1/8" panel to cover blind opening (field trim and install)
- Refer to Blind Wall Cabinet Installation Chart for specifications
- Must order Universal Filler separately
- Specialty Door cabinets (SD) feature Matching Interior standard and require a specialty door selection
- Center shelf support provided

APC
CFO
FE
ID ◆
MI ■
RD
VDO ■

12" DEEP

42"H • 3 Shelves

- BLW36/3942 BUTT ■ ◆
- BLW39/4242 BUTT ■
- BLW42/4542 BUTT ■
- BLW36/3942 BUTT SD ◆
- BLW39/4242 BUTT SD
- BLW42/4542 BUTT SD

39"H • 3 Shelves

- BLW36/3939 BUTT ■ ◆
- BLW39/4239 BUTT ■
- BLW42/4539 BUTT ■
- BLW36/3939 BUTT SD ◆
- BLW39/4239 BUTT SD
- BLW42/4539 BUTT SD

36"H • 2 Shelves

- BLW36/3936 BUTT ■ ◆
- BLW39/4236 BUTT ■
- BLW42/4536 BUTT ■
- BLW36/3936 BUTT SD ◆
- BLW39/4236 BUTT SD
- BLW42/4536 BUTT SD

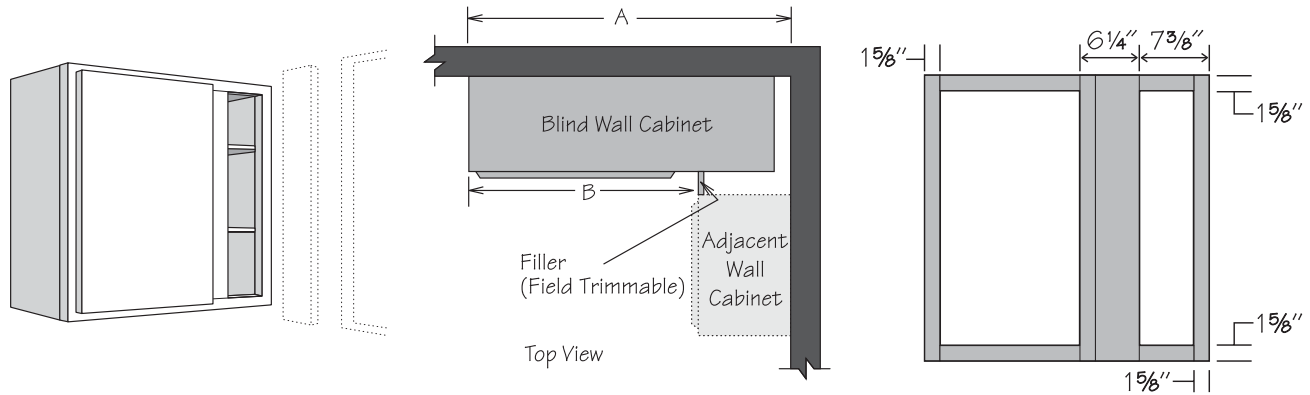
30"H • 2 Shelves

- BLW36/3930 BUTT ■ ◆
- BLW39/4230 BUTT ■
- BLW42/4530 BUTT ■
- BLW45/4830 BUTT ■
- BLW48/5130 BUTT ■
- BLW36/3930 BUTT SD ◆
- BLW39/4230 BUTT SD
- BLW42/4530 BUTT SD
- BLW45/4830 BUTT SD
- BLW48/5130 BUTT SD

24"H • 1 Shelf

- BLW36/3924 BUTT ■ ◆
- BLW36/3924 BUTT SD ◆

BLIND WALL CABINET INSTALLATION CHART



WALL CABINETS

Full Overlay Door Styles

Full Overlay door styles require decorative hardware, which has been calculated into dimensions.

CABINET	ACTUAL CABINET WIDTH	DOOR OPENING	DOOR(S)	WALL SPACE A			EXPOSED FRAME B	
				MINIMUM SPACE*	MAXIMUM PULL	MAXIMUM SPACE	MINIMUM SPACE*	MAXIMUM SPACE
BLW24/27_	24"	8 3/4"	DR12__	26 1/4"	1 3/4"	28"	14 1/4"	16"
BLW27/30_	27"	11 3/4"	DR15__	29 1/4"	1 3/4"	31"	17 1/4"	19"
BLW30/33_	30"	14 3/4"	DR18__	32 1/4"	1 3/4"	34"	20 1/4"	22"
BLW33/36_	33"	17 3/4"	DR21__	35 1/4"	1 3/4"	37"	23 1/4"	25"
BLW36/3930	36"	20 3/4"	DR2430	38 1/4"	1 3/4"	40"	26 1/4"	28"
BLW36/39_ BUTT	36"	20 3/4"	DR12__ BUTT (2)	38 1/4"	1 3/4"	40"	26 1/4"	28"
BLW39/42_ BUTT	39"	23 3/4"	DR13__ BUTT (2)	41 1/4"	1 3/4"	43"	29 1/4"	31"
BLW42/45_ BUTT	42"	26 3/4"	DR15__ BUTT (2)	44 1/4"	1 3/4"	46"	32 1/4"	34"
BLW45/48_ BUTT	45"	29 3/4"	DR16__ BUTT (2)	47 1/4"	1 3/4"	49"	35 1/4"	37"
BLW48/51_ BUTT	48"	32 3/4"	DR18__ BUTT (2)	50 1/4"	1 3/4"	52"	38 1/4"	40"

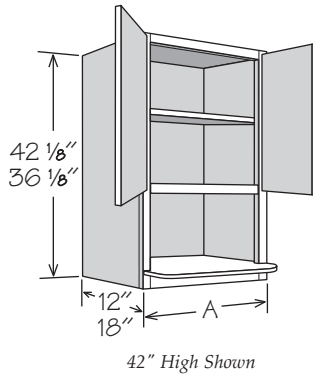
*Dimension requirements do not include optional Overlay Fillers - add 7/8" if Overlay Fillers will be used.

Standard Overlay Door Styles

Wall Space A requirements include optional decorative hardware clearance. 1/4" may be deducted if decorative hardware is not used.

CABINET	ACTUAL CABINET WIDTH	DOOR OPENING	DOOR(S)	WALL SPACE A			EXPOSED FRAME B	
				MINIMUM SPACE	MAXIMUM PULL	MAXIMUM SPACE	MINIMUM SPACE	MAXIMUM SPACE
BLW24/27_	24"	8 3/4"	DR12__	25 3/8"	2 5/8"	28"	13 3/8"	16"
BLW27/30_	27"	11 3/4"	DR15__	28 3/8"	2 5/8"	31"	16 3/8"	19"
BLW30/33_	30"	14 3/4"	DR18__	31 3/8"	2 5/8"	34"	19 3/8"	22"
BLW33/36_	33"	17 3/4"	DR21__	34 3/8"	2 5/8"	37"	22 3/8"	25"
BLW36/3930	36"	20 3/4"	DR2430	37 3/8"	2 5/8"	40"	25 3/8"	28"
BLW36/39_ BUTT	36"	20 3/4"	DR12__ BUTT (2)	37 3/8"	2 5/8"	40"	25 3/8"	28"
BLW39/42_ BUTT	39"	23 3/4"	DR13__ BUTT (2)	40 3/8"	2 5/8"	43"	28 3/8"	31"
BLW42/45_ BUTT	42"	26 3/4"	DR15__ BUTT (2)	43 3/8"	2 5/8"	46"	31 3/8"	34"
BLW45/48_ BUTT	45"	29 3/4"	DR16__ BUTT (2)	46 3/8"	2 5/8"	49"	34 3/8"	37"
BLW48/51_ BUTT	48"	32 3/4"	DR18__ BUTT (2)	49 3/8"	2 5/8"	52"	37 3/8"	40"

Wall Microwave Cabinets • 2 Butt Doors

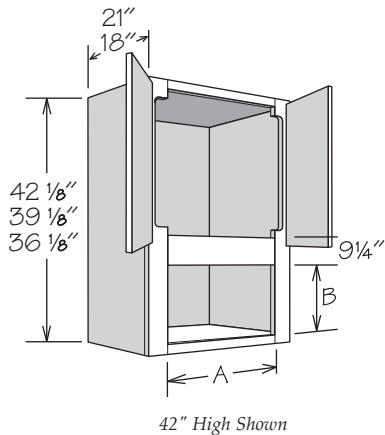


- Must be installed between two adjacent cabinets or a cabinet and a wall
- Cabinet interior and microwave shelf is finished to match cabinet box exterior
- 3/4" plywood microwave shelf included
- Designed to accommodate countertop style microwave
- Refer to appliance manufacturer's specifications for adequate clearances
- 36" high wall cabinets are not drilled for adjustable shelf

APC
FE
RD
VDO

12" DEEP	A	LOWER FRAME OPENING		
		WIDTH	HEIGHT	DEPTH
36"H • No Shelf				
WMSC271236 BUTT	27"	23 3/4"	18 5/8"	17 3/4"
WMSC301236 BUTT	30"	26 3/4"	18 5/8"	17 3/4"
WCMSC241236 BUTT	24"	20 3/4"	15 5/8"	17 3/4"
WCMSC271236 BUTT	27"	23 3/4"	15 5/8"	17 3/4"
18" DEEP				
42"H • 1 Shelf				
WMSC271842 BUTT	27"	23 3/4"	15 1/4"	23 3/4"
36"H • No Shelf				
WMSC271836 BUTT	27"	23 3/4"	18 5/8"	23 3/4"

Microwave Wall Cabinets • 2 Butt Doors



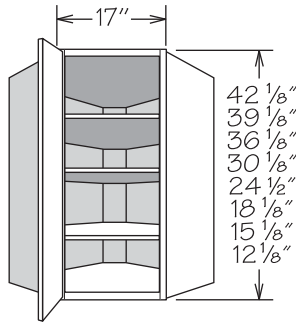
- Must be installed between two cabinets or a cabinet and a wall
- Designed to accommodate microwaves with trim kit
- A cutout exists in the door area where the 3/8" stiles are routed to 1 5/8"
- Refer to appliance manufacturers specifications for adequate clearances
- Not drilled for adjustable shelf

APC
FE
ID
MI
RD

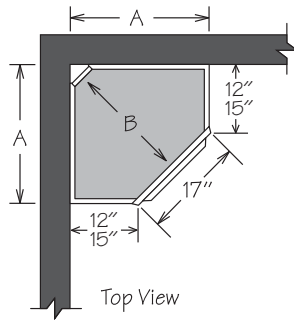
18" DEEP	A	A	B	B
	ACTUAL	MAX.	ACTUAL	MAX.
42"H • No Shelf				
WMC301842 BUTT	23 3/4"	28"	12 1/4"	20"
39"H • No Shelf				
WMC271839 BUTT	20 3/4"	25"	11 3/4"	19 1/2"
WMC301839 BUTT	23 3/4"	28"	11 3/4"	19 1/2"
36"H • No Shelf				
WMC271836 BUTT	20 3/4"	25"	11 3/4"	19 1/2"
WMC301836 BUTT	23 3/4"	28"	11 3/4"	19 1/2"
21" DEEP				
42"H • No Shelf				
WMC302142 BUTT	23 3/4"	28"	12 1/4"	20"
39"H • No Shelf				
WMC272139 BUTT	20 3/4"	25"	11 3/4"	19 1/2"
WMC302139 BUTT	23 3/4"	28"	11 3/4"	19 1/2"
36"H • No Shelf				
WMC272136 BUTT	20 3/4"	25"	11 3/4"	19 1/2"
WMC302136 BUTT	23 3/4"	28"	11 3/4"	19 1/2"

Corner Wall Cabinets

NEW! SIZES



42" High Shown



Top View

- Must be ordered as hinged left or right
- Door opening is 11 3/4" wide
- Features a DR15_ door
- Specialty Door cabinets (SD) feature Matching Interior standard and require a specialty door selection
- 24" high cabinet's shelf is adjustable, not removable
- Glass Shelf Kit is not available for 12", 15", 18" or 24" high cabinets

APC
FE
MI
VDO

	A	B
12" Deep	24"	21 1/2"
15" Deep	27"	25 3/4"

12" DEEP

42"H • 3 Shelves

CW2442 ■
CW2442 SD

39"H • 3 Shelves

CW2439 ■
CW2439 SD

36"H • 2 Shelves

CW2436 ■
CW2436 SD

30"H • 2 Shelves

CW2430 ■
CW2430 SD

24"H • 1 Shelf

CW2424 ■
CW2424 SD

18"H • No Shelf

CW2418 ■
CW2418 SD

15"H • No Shelf

CW2415 ■
CW2415 SD

12"H • No Shelf

CW2412 ■
CW2412 SD

15" DEEP

42"H • 3 Shelves

CW2742 ■
CW2742 SD

39"H • 3 Shelves

CW2739 ■
CW2739 SD

36"H • 2 Shelves

CW2736 ■
CW2736 SD

30"H • 2 Shelves

CW2730 ■
CW2730 SD

24"H • 1 Shelf

CW2724 ■
CW2724 SD

18"H • No Shelf

CW2718 ■
CW2718 SD

15"H • No Shelf

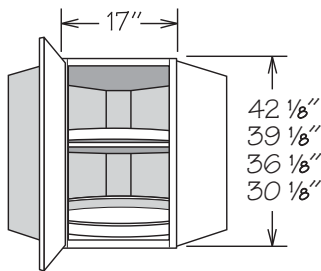
CW2715 ■
CW2715 SD

12"H • No Shelf

CW2712 ■
CW2712 SD

WALL CABINETS

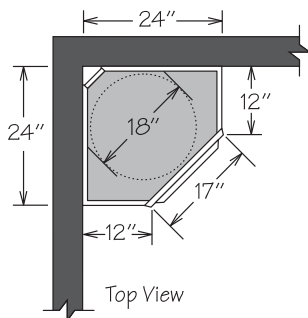
Corner Wall Cabinets • Wood Spin Units



30" High Shown

- Must be ordered as hinged left or right
- Door opening is 11 3/4" wide
- Features a DR15_ door
- Wood Spin Units feature:
 - » One fixed spin unit mounted on cabinet floor and all other spin units are attached to 3/4" adjustable shelf
 - » Natural wood finish with 1" lip
- Specialty Door cabinets (SD) feature Matching Interior standard and require a specialty door selection

APC
FE
MI
VDO



Top View

WOOD SPIN UNIT

42"H • 3 Spin Units

CWS2442 WD ■
CWS2442 WD SD

39"H • 3 Spin Units

CWS2439 WD ■
CWS2439 WD SD

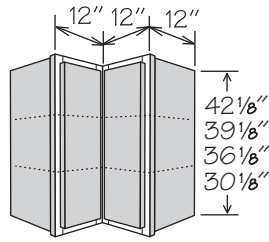
36"H • 2 Spin Units

CWS2436 WD ■
CWS2436 WD SD

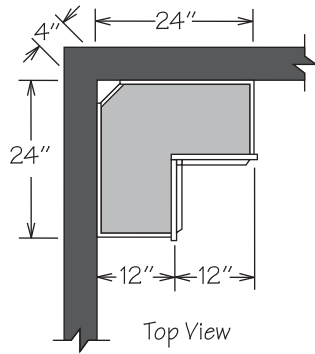
30"H • 2 Spin Units

CWS2430 WD ■
CWS2430 WD SD

Wall Easy Reach



30" High Shown



Top View

- Must be ordered as hinged left or right
- Doors open 170°
- Features non-CushionClose hinges

APC
FE
MI

12" DEEP

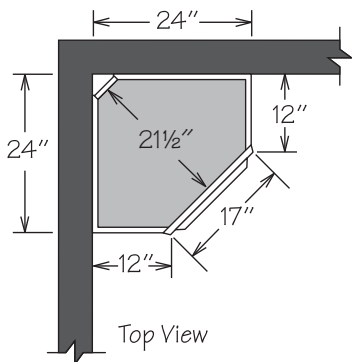
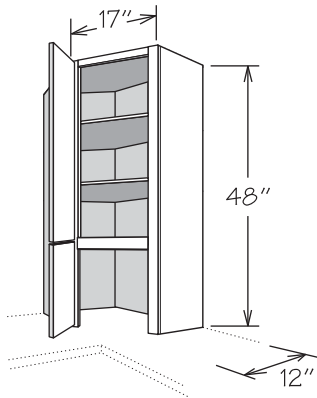
42"H • 3 Shelves
WER2442

39"H • 3 Shelves
WER2439

36"H • 2 Shelves
WER2436

30"H • 2 Shelves
WER2430

Corner Wall Cabinet • Appliance Garage



Top View

- Features two doors:
 - » (1) DR1530
 - » (1) DR1518
- 11 3/4" wide x 26 7/8" high top door opening
- 11 3/4" wide x 16 1/4" high appliance garage opening
- Specialty Door option only applies to top door - DR1518 SD can be ordered separately for appliance garage
- Specialty Door cabinets (SD) feature Matching Interior standard and require a specialty door selection

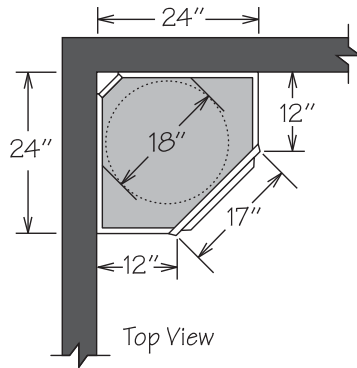
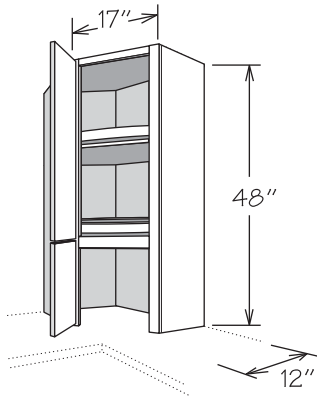
APC
FE
MI ■
VDO ■

12" DEEP

48"H • 2 Shelves

CWD2448 ■
CWD2448 SD

Corner Wall Cabinets • Appliance Garage and Wood Spin Units



- Features two doors:
 - » (1) DR1530
 - » (1) DR1518
- Wood Spin Units feature:
 - » One fixed spin unit mounted on cabinet floor
 - » One spin unit attached to 3/4" adjustable shelf
 - » Natural wood finish with 1" lip
- 11 3/4" wide x 26 7/8" high top door opening
- 11 3/4" wide x 16 1/4" high appliance garage opening
- Specialty Door option only applies to top door - DR1518 SD can be ordered separately for appliance garage
- Specialty Door cabinets (SD) feature Matching Interior standard and require a specialty door selection

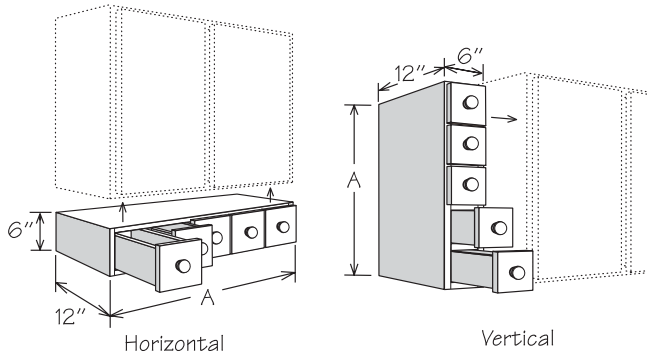
APC
FE
MI ■
VDO ■

12" DEEP

48"H • 2 Spin Units

- CWDS2448 WD ■
- CWDS2448 WD SD

Spice Drawer Cabinet



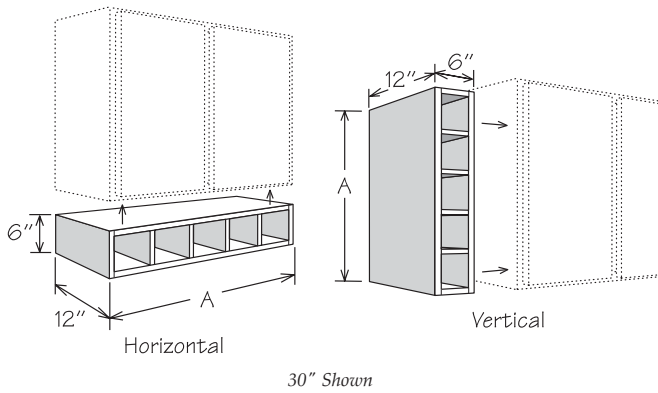
30" Shown

- Designed for horizontal or vertical installation
- Vertical installation may require the use of fillers and/or molding which must be ordered separately
- All door styles feature veneered engineered wood with 1/2" thick slab drawer fronts
- Flush sides with no face frame or 1/4" reveals
- All wood drawer body with dovetail construction
- Wood door styles feature matching wood knobs
- Breeze, Linen and Pewter door styles feature white porcelain knobs, all other finishes feature matching wood knobs
- Duraform door styles feature drawer fronts finished to match cabinet box exterior

12" DEEP

	A	NUMBER OF DRAWERS
SDC18	18"	3
SDC24	24"	4
SDC30	30"	5
SDC36	36"	6

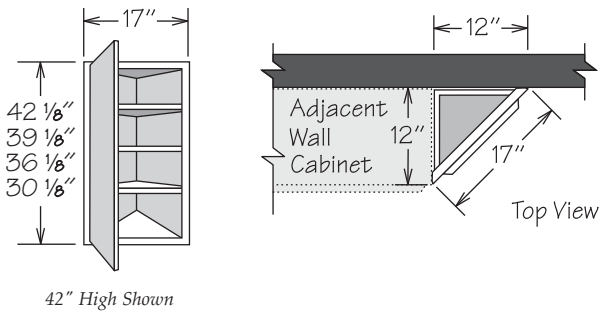
Storage Cube



- Designed for horizontal or vertical installation
- Vertical installation may require the use of fillers and/or molding which must be ordered separately
- Opening size is 5" wide x 4 1/2" high (horizontal) which will accommodate most wine bottles and various other storage needs
- All door styles feature 3/4" veneered engineered wood finished to match cabinet box exterior
- Flush sides with no face frame or 1/4" reveals
- Interior finished to match cabinet box exterior
- Cannot be retrofitted with Spice Drawer Cabinet drawers

12" DEEP	A	NUMBER OF OPENINGS
SC30	30"	5
SC36	36"	6
SC42	42"	7

Wall End Angle • 1 Door



- Requires 12" x 12" space
- Features a DR15_ door
- Must be ordered as hinged left or right
- Specialty Door cabinets (SD) feature Matching Interior standard and require a specialty door selection

APC
MI ■
VDO ■

12" DEEP

42"H • 3 Shelves

WEA1242 ■
WEA1242 SD

39"H • 3 Shelves

WEA1239 ■
WEA1239 SD

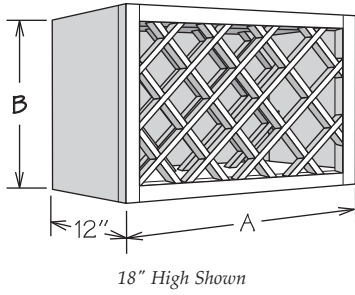
36"H • 2 Shelves

WEA1236 ■
WEA1236 SD

30"H • 2 Shelves

WEA1230 ■
WEA1230 SD

Wine Rack Cabinet

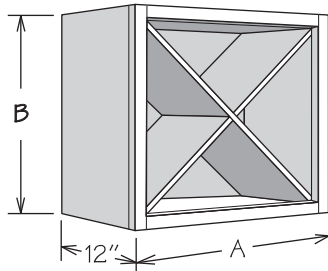


- Interior finished to match cabinet box exterior
- Wine bottle opening is 4" x 4"
- Cabinet must be installed between two adjacent cabinets, one cabinet and a wall, or secured to a cabinet directly above or below

APC
FE

12" DEEP	A	B	NUMBER OF BOTTLES
18"H			
WRC3018	30"	18½"	11
15"H			
WRC3015	30"	15½"	10
WRC3615	36"	15½"	13

Wine Storage Cabinet

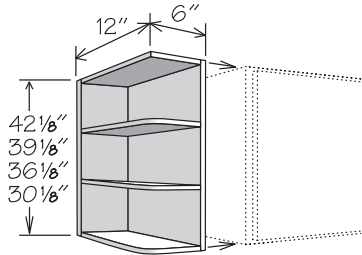


- Interior finished to match cabinet box exterior
- All door styles feature ¾" plywood partitions
- Accent molding recommended - order separately
- Cabinet must be installed between two adjacent cabinets, one cabinet and a wall, or secured to a cabinet directly above or below

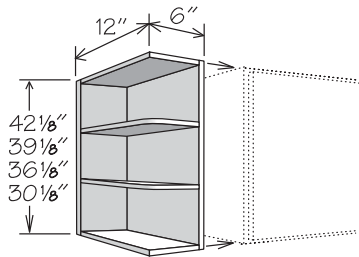
APC
FE

12" DEEP	A	B	NUMBER OF BOTTLES
24"H			
WSC2424	24"	24½"	30
18"H			
WSC1818	18"	18½"	12

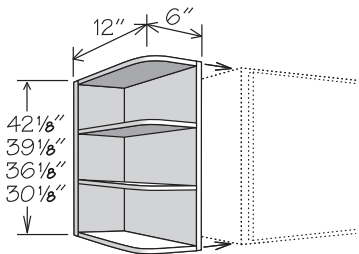
Shelf End Wall



SQUARE TOP, ROUND BOTTOM (SQT)



SQUARE TOP & BOTTOM (SQTB)



ROUND TOP & BOTTOM (SEW)

30" High Shown

- Interior finished to match cabinet box exterior
- Features 1/2" veneered engineered wood back and side
- Top, bottom, and shelves are 3/4" veneered engineered wood
- Rounded shelves feature a 3" radius
- 1/8" screw recommended from inside of adjacent cabinet for installation
- Rounded bottom on SEW_SQT does not allow cabinet to be reversed in the field or installation of bottom molding

12" DEEP

42"H • 3 Shelves

SEW42L SQT
SEW42R SQT
SEW42 SQT
SEW42

39"H • 3 Shelves

SEW39L SQT
SEW39R SQT
SEW39 SQT
SEW39

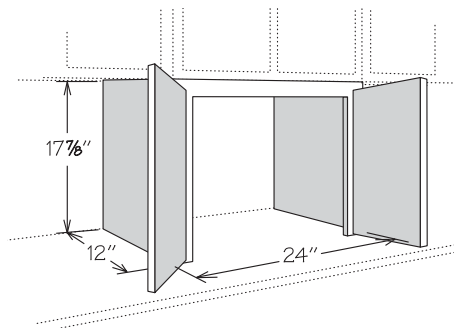
36"H • 2 Shelves

SEW36L SQT
SEW36R SQT
SEW36 SQT
SEW36

30"H • 2 Shelves

SEW30L SQT
SEW30R SQT
SEW30 SQT
SEW30

Straight Appliance Garage



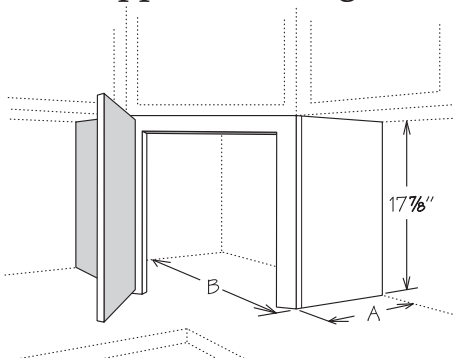
- Installs below minimum 24" wide wall cabinet
- 20 3/4" wide x 15 5/8" high opening
- Shipped with end panels unattached
- No bottom rail

APC
FE
ID
MI ■
RD
VDO ■

12" DEEP

AGSD24 BUTT ■
AGSD24 BUTT SD

Corner Appliance Garage

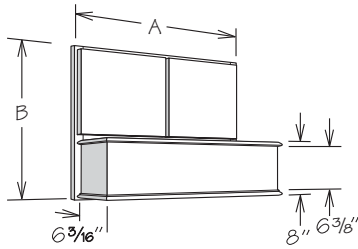


- Installs below CW and CWS Corner Wall cabinets
- 11 3/4" wide x 15 5/8" high opening
- Shipped with end panels unattached
- No bottom rail

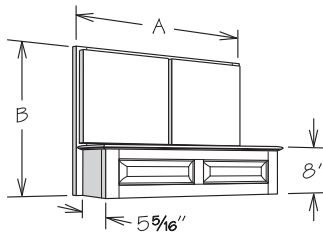
APC
FE
MI ■
VDO ■

12" DEEP	A	B	15" DEEP	A	B
AGD2418 ■	12"	24"	AGD2718 ■	15"	27"
AGD2418 SD	12"	24"	AGD2718 SD	15"	27"

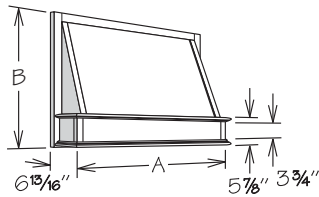
Wall Range Hood



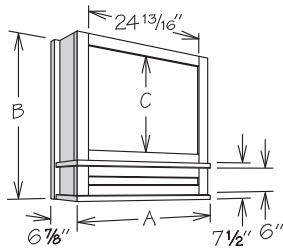
STRAIGHT VALANCE



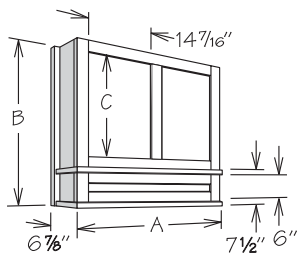
RAISED PANEL



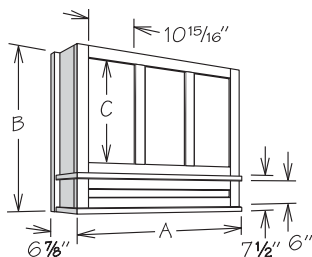
CLASSIC TAPERED



DECORATIVE MANTLE, 1 PANEL



DECORATIVE MANTLE, 2 PANEL

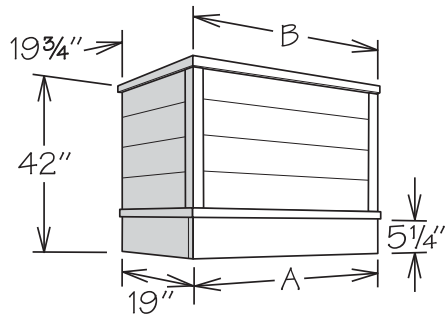


DECORATIVE MANTLE, 3 PANEL

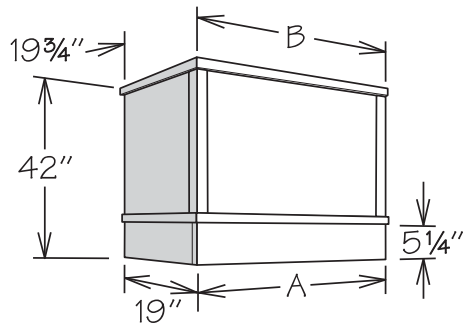
- Must be installed between two wall cabinets
- Silver metallic liner included
- Order range hood blower separately - not for use with RHVENT 960
- All finished surfaces will match cabinet box exterior - glazed finishes will be glazed
- Straight Valance and Raised Panel Range Hoods feature:
 - » Center stile and functioning BUTT doors allow for duct work installation and wiring
 - » Doors will match door style ordered
 - » For Duraform door styles, only the doors will be wrapped

	A	B	C	DOORS
Straight Valance				
WRH3024 SV	30"	24"	-	(2) DR1515 BUTT
WRH3624 SV	36"	24"	-	(2) DR1815 BUTT
WRH3027 SV	30"	27"	-	(2) DR1518 BUTT
WRH3627 SV	36"	27"	-	(2) DR1818 BUTT
WRH3030 SV	30"	30"	-	(2) DR1521 BUTT
WRH3630 SV	36"	30"	-	(2) DR1821 BUTT
Raised Panel				
WRH3024 RP	30"	24"	-	(2) DR1515 BUTT
WRH3624 RP	36"	24"	-	(2) DR1815 BUTT
WRH3027 RP	30"	27"	-	(2) DR1518 BUTT
WRH3627 RP	36"	27"	-	(2) DR1818 BUTT
WRH3030 RP	30"	30"	-	(2) DR1521 BUTT
WRH3630 RP	36"	30"	-	(2) DR1821 BUTT
Classic Tapered				
WRH3024 CT	30"	24"	-	-
WRH3624 CT	36"	24"	-	-
Decorative Mantle • 1 Panel				
WRH3024 DM	30"	24"	12 5/16"	-
WRH3030 DM	30"	30"	18 5/16"	-
WRH3036 DM	30"	36"	24 5/16"	-
Decorative Mantle • 2 Panel				
WRH3624 DM	36"	24"	12 5/16"	-
WRH3630 DM	36"	30"	18 5/16"	-
WRH3636 DM	36"	36"	24 5/16"	-
Decorative Mantle • 3 Panel				
WRH4236 DM	42"	36"	24 5/16"	-

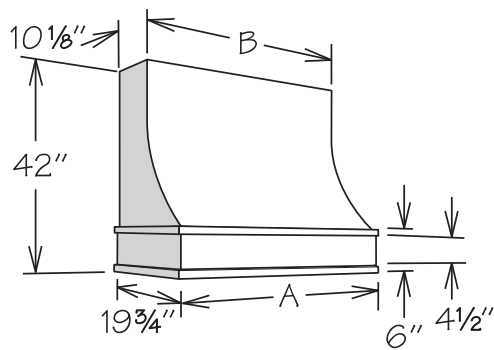
Range Hood · Integrated Chimney



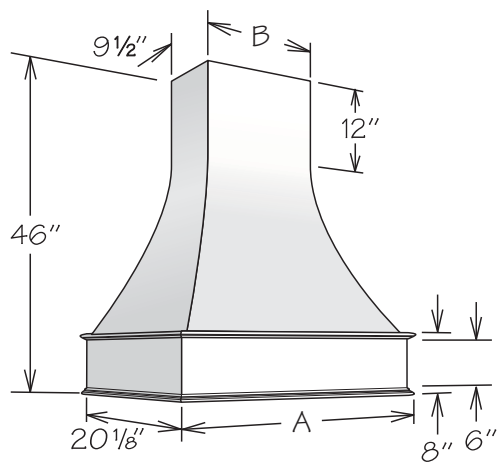
SHIPLAP BOX



MODERN BOX



SLOPED

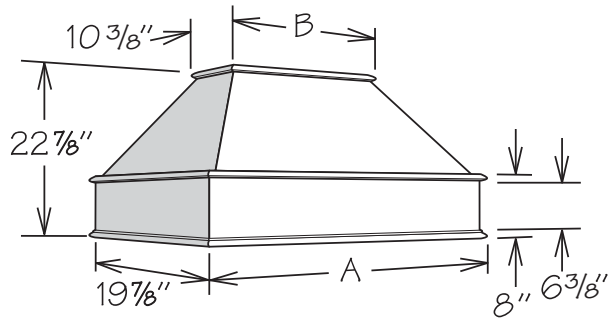


ARTISAN

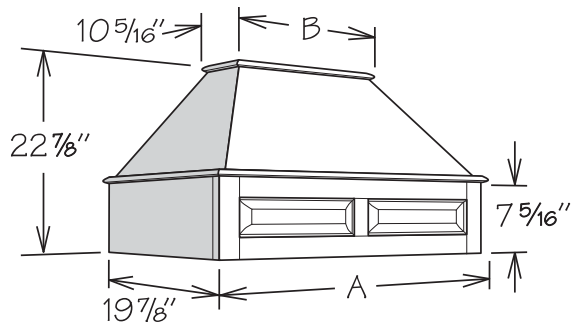
- All door styles are finished to match cabinet box exterior - glazed finishes will be glazed
- Wall mounted installation only
- Silver metallic liner included - liner specific to range hood and blower ordered
 - » If no blower ordered, RHLNER_S will be included
- Order range hood blower separately
- RH__SB and RH__MB include field installed corner molding and removable top molding
- Features a french cleat install system which requires 1" gap between hood and ceiling - molding recommended to cover the gap
- Field trimmable in height to 24"

	A	B
Shiplap Box		
RH3642 SB	36"	37 1/2"
RH4242 SB	42"	43 1/2"
RH4842 SB	48"	49 1/2"
Modern Box		
RH3642 MB	36"	37 1/2"
RH4242 MB	42"	43 1/2"
RH4842 MB	48"	49 1/2"
Sloped		
RH3642 SL	37 9/16"	34 1/2"
RH4242 SL	43 9/16"	40 1/2"
Artisan		
RH3646 A	38 5/16"	17"
RH4246 A	44 5/16"	23"

Range Hood



STRAIGHT VALANCE

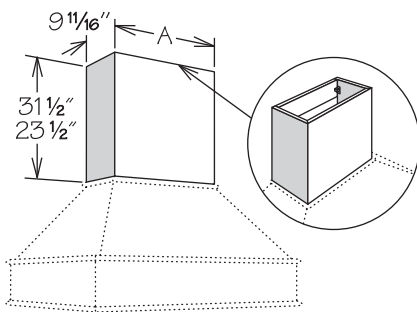


RAISED PANEL

- Wall mounted installation only
- Order range hood blower separately
- Silver metallic liner included - liner is specific to range hood and blower ordered
 - » If no blower is ordered, RHLINER_A or RHLINER_S will be included
- May be accessorized with Range Hood Chimney - order separately
- All door styles are finished to match cabinet box exterior - glazed finishes will be glazed

	A	B
Straight Valance		
RH3624 SV	37 3/4"	18 3/4"
RH4224 SV	43 3/4"	24 3/4"
RH4824 SV	49 3/4"	30 3/4"
Raised Panel		
RH3624 RP	37 3/4"	18 5/16"
RH4224 RP	43 3/4"	24 5/16"
RH4824 RP	49 3/4"	30 5/16"

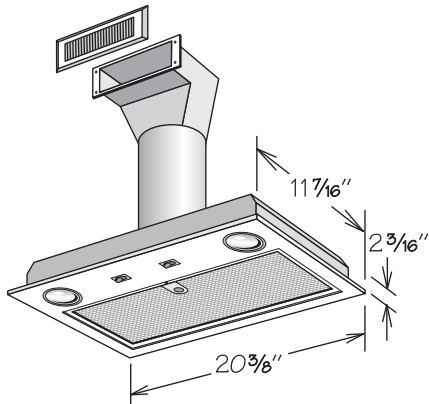
Range Hood Chimney



- Field trimmable in height
- All door styles feature 3/4" solid wood finished to match cabinet box exterior
- Features two chimney mounting blocks with metal fasteners
- For use with Straight Valance and Raised Panel Range Hoods

23 1/2" HIGH	31 1/2" HIGH	A
RHC3623	RHC3631	17 3/8"
RHC4223	RHC4231	23 3/8"
RHC4823	RHC4831	29 3/8"

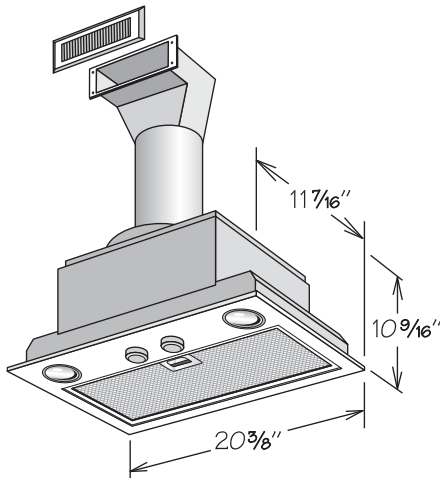
Range Hood Blower • 260 CFM Recirculating



- Designed for recirculating installation where exhaust is vented back into kitchen
- Includes duct work, metal grille and clips -- field assembly required
- Stainless steel finish
- 2-speed fan provides 260 CFM on high
- Sound level of 7.0 sones on high
- Features quick-release dishwasher safe aluminum mesh filter
- Includes two 2.8W bright LED lights
- Metal grille measures 11 1/4" x 5 5/16"
- 10" x 3" cutout required for metal grille
- Installation and care instructions included
- Liner not included

RHVENT 260R

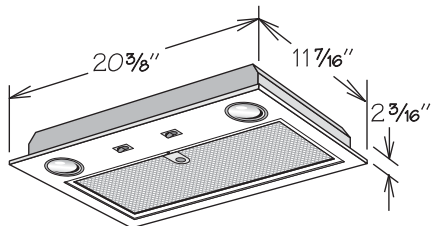
Range Hood Blower • 400 CFM Recirculating



- Designed for recirculating installation where exhaust is vented back into kitchen
- Includes duct work, metal grille and clips -- field assembly required
- Stainless steel finish
- Energy Star rated
- Features 3-speed rotary switch
- Fan provides 400 CFM on high
- Sound level of 6 sones on high
- Features quick-release dishwasher safe aluminum mesh filter
- Includes two 2.8W bright LED lights
- Unit has master on-off switch and heat sentry will automatically turn unit on when excessive heat is detected
- Metal grille measures 11 1/4" x 5 5/16"
- 10" x 3" cutout required for metal grille
- Installation and care instructions included
- Liner not included

RHVENT 400R

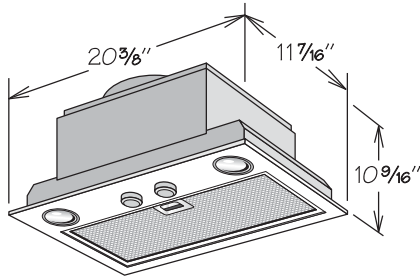
Range Hood Blower • 260 CFM Vented



- Designed for vented installation where exhaust is vented to exterior of home
- Stainless steel finish
- Requires 7" round duct for venting to exterior (not included)
- 2-speed fan provides 260 CFM on high
- Sound level of 7 sones on high
- Features quick-release dishwasher safe aluminum mesh filter
- Includes two 2.8W bright LED lights
- Installation and care instructions included
- Liner not included

RHVENT 260

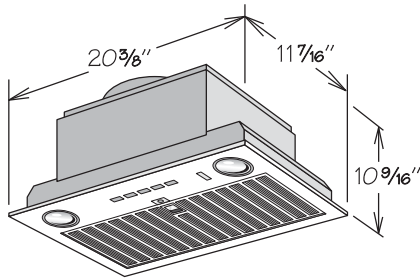
Range Hood Blower • 400 CFM Vented



- Designed for vented installation where exhaust is vented to exterior of home
- Stainless steel finish
- Energy Star rated
- Features 3-speed rotary switch
- Fan provides 400 CFM on high with rectangular duct and 390 CFM on high with round duct
- Requires 6" vertical round or rectangular 3 1/4" x 10" duct for venting to exterior (not included)
- Sound level of 6 sones on high
- Features quick-release dishwasher safe aluminum mesh filter
- Includes two 2.8W bright LED lights
- Unit has master on-off switch and heat sentry will automatically turn unit on when excessive heat is detected
- Installation and care instructions included
- Liner not included

RHVENT 400

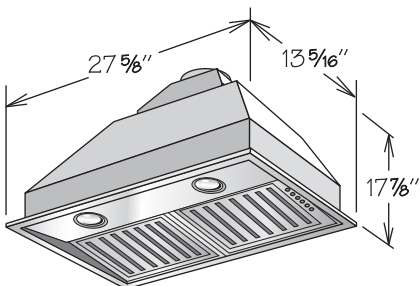
Range Hood Blower • 600 CFM Vented



- Designed for vented installation where exhaust is vented to exterior of home
- Stainless steel finish
- Features 4-speed back-lit Electronic Soft Touch controls
- Requires 8" round, 6" round or 3 1/4" x 10" venting to exterior (not included)
- Fan provides 600 CFM on high with round duct or 580 CFM on high with rectangular duct
- Sound level of 9.5 sones on high
- Features quick-release dishwasher safe baffle-style filter with clean filter reminder
- Includes two 3W bright LED lights with 3 lighting levels
- Unit has master on-off switch and heat sentry will automatically turn unit on when excessive heat is detected
- Auto-Sensing option sets CFM to correct level automatically
- Wifi enabled option allows for voice control
- Installation and care instructions included
- Liner not included

RHVENT 600

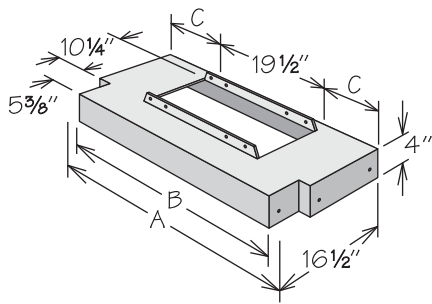
Range Hood Blower • 960 CFM Vented



- Designed for vented installation where exhaust is vented to exterior of home
- Durable stainless steel with brushed finish
- Requires 7" round duct for venting to exterior (not included)
- Features a 4-speed push-button control to offer greater CFM flexibility; 960 CFM, 660 CFM, 480 CFM and 300 CFM
- Centrifugal blower provides 960 CFM air delivery and sound level of 5.1 sones on high
- Features quick-release dishwasher safe baffle-style filter
- Includes two 4-watt 12v MR16 LED bulbs - daylight
- 10 minute delay off timer
- Installation and care instructions included
- Not designed for use with the following:
 - » Straight Valance Wall Range Hoods
 - » Raised Panel Wall Range Hoods
 - » Classic Tapered Wall Range Hoods
 - » Decorative Mantle Wall Range Hoods
- Liner not included

RHVENT 960

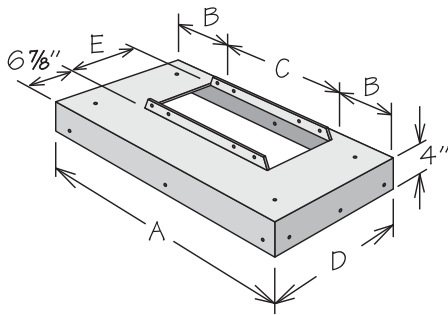
Wall Range Hood Liner



- Liner is silver metallic powder coated metal
- For use with the following Wall Range Hoods:
 - » Straight Valance (WRH__SV)
 - » Raised Panel (WRH__RP)
 - » Classic Tapered (WRH__CT)
 - » Decorative Mantle (WRH__DM)
- One liner included with range hood

	A	B	C
RHLINER 30	29 15/16"	26 3/16"	5 7/32"
RHLINER 36	35 15/16"	32 3/16"	8 7/32"
RHLINER 42	41 15/16"	38 11/16"	11 7/32"

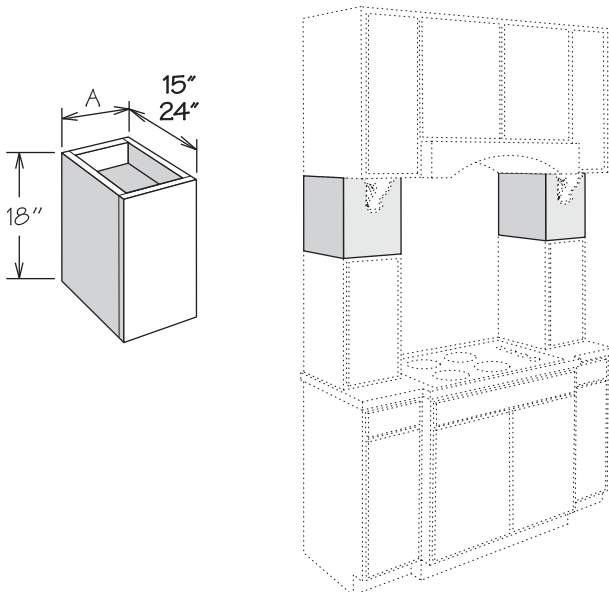
Range Hood Liner



- Liner finish is silver metallic powder-coated material
- For use with the following Range Hoods:
 - » Straight Valance (RH__SV)
 - » Raised Panel (RH__RP)
 - » Modern Box (RH__MB)
 - » Shiplap Box (RH__SB)
 - » Sloped (RH__SL)
 - » Artisan (RH__A)
- RHLINER_S SL1 must be used with RHVENT 960 blower
- RHLINER_S for use with all blowers except RHVENT 960
- One liner included with range hood (liner is specific to range hood and blower ordered)

	A	B	C	D	E
RHLINER 36S	34 11/32"	7 7/16"	19 1/2"	18 1/4"	10 1/4"
RHLINER 42S	40 11/32"	10 7/16"	19 1/2"	18 1/4"	10 1/4"
RHLINER 48S	46 11/32"	13 7/16"	19 1/2"	18 1/4"	10 1/4"
RHLINER 36S SL1	34 11/32"	3 3/4"	26 13/16"	18 3/16"	12 7/16"
RHLINER 42S SL1	40 11/32"	6 3/4"	26 13/16"	18 3/16"	12 7/16"
RHLINER 48S SL1	46 11/32"	9 3/4"	26 13/16"	18 3/16"	12 7/16"

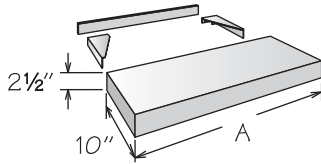
Plain Box Filler



- Veneered engineered wood
- Features 1/4" reveal
- Trimmable in height to 14 1/8" tall
- Reversible for left or right installation

	15" DEEP		24" DEEP	
	A		A	
WPB91815	9"	WPB91824	9"	
WPB121815	12"	WPB121824	12"	

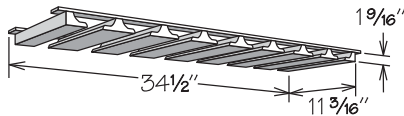
Floating Shelf



- Not trimmable
- Finished on all sides to match cabinet box exterior
- Features veneered engineered wood top and bottom and solid wood front and sides
- When installed between two cabinets, Furniture Ends (FE) is recommended for adjacent cabinets
- Must be secured to studs in wall or to bracing added between studs
- Installation instructions, mounting brackets and screws included

10" DEEP	A	MAX. LOAD
FLSH2410	24"	30 lbs.
FLSH3010	30"	37 lbs.
FLSH3610	36"	45 lbs.
FLSH4210	42"	52 lbs.
FLSH4810	48"	60 lbs.

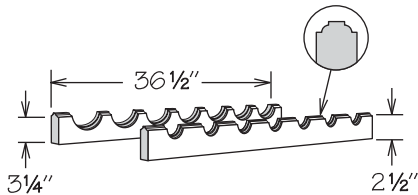
Stem Glass Holder



- Field trimmable to install below 18", 24", 30", or 36" wide wall cabinet
- All door styles feature solid wood finished to match cabinet box exterior
- Maximum stem glass base is 3 1/2" in diameter
- Not sized to fit modified depth cabinets

SGH36U

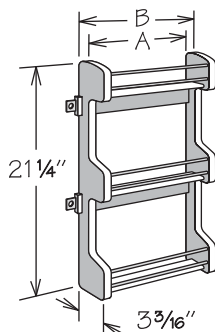
Wine Rack



- Accommodates seven bottles
- Field trimmable to 24" (five bottles) or 30" (six bottles)
- All door styles feature solid wood finished to match cabinet box exterior

WR36

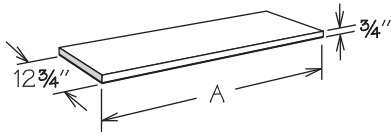
Spice Rack Kit



- Field installation accessory
- For wall cabinets 30" or higher
- Position cabinet adjustable shelves prior to installation
- Natural finish solid wood with chrome rails
- Three fixed shelves
- SRK15 mounts to 15" wide door
- SRK18 mounts to 18" wide door
- SRK21 mounts to 21" wide door

	A	B
SRK15	9 1/2"	10 1/2"
SRK18	12 1/2"	13 1/2"
SRK21	15 1/2"	16 1/2"

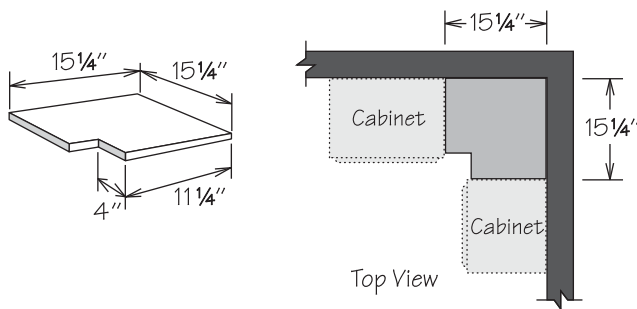
Finished Shelf



- Standard finished shelves feature veneered engineered wood, edge banded on all sides with top and bottom finished to match cabinet box exterior
- Textured finished shelves feature engineered wood, edge banded on all sides with top and bottom textured-wrapped to match cabinet door - available for Breeze and Drift finishes only
- Field trimmable

STANDARD	TEXTURED	A
FS4812	FS4812 DT	48 1/4"
FS6012	FS6012 DT	60 1/4"
FS7212	FS7212 DT	72 1/4"

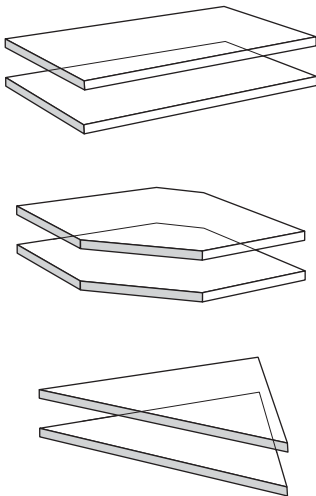
Blind Corner Closure



- Features 1/2" engineered wood finished with natural woodgrain finish both sides
- Field trimmable

BLC1515

Glass Shelf Kit



- Glass Shelf Kit includes two 1/4" high-strength tempered glass shelves
- Can be used with existing shelf rests or order SHELF REST MFD PK separately
- Refer to individual SKU box for number of shelves required and/or available
- GSK12 - GSK36 is 10 1/4" deep
- GSK12-15 - GSK36-15 is 13 1/4" deep
- Tempered glass cannot be field trimmed
- Glass Shelf Kits 12" - 24" wide have a 15 lb. per square foot load rating
- Glass Shelf Kits 27" - 36" wide have a 5 lb. per square foot load rating

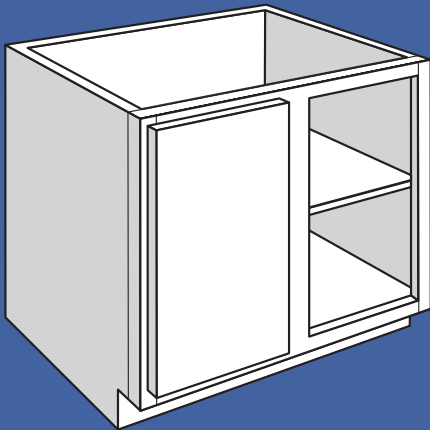
12" DEEP

GSK12
GSK15
GSK18
GSK21
GSK24
GSK27
GSK30
GSK33
GSK36
GSKCW24
GSKWEA12

15" DEEP

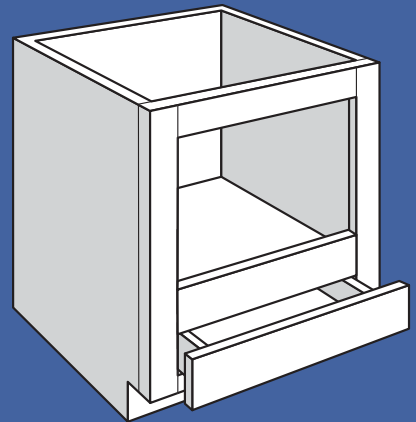
GSK12-15
GSK15-15
GSK18-15
GSK21-15
GSK24-15
GSK27-15
GSK30-15
GSK33-15
GSK36-15
GSKCW27

NEW! Base Cabinet Options



Full Height Blind Corner Base:

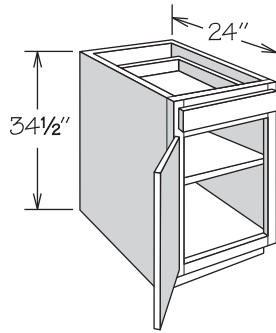
BLB36/39 FH, BLB39/42 FH,
BLB42/45 FH



Built-in Base Microwave Cabinet:

BBMC24, BBMC27, BBMC30

Base Cabinet • 1 Door and 1 Drawer



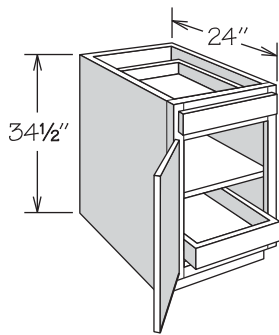
- Full-depth adjustable shelf
- Hinged left and can be reversed in the field

AH
APC
CFO
FE
IF
RD
RTK

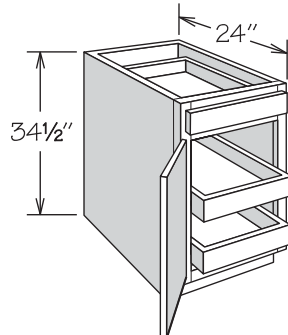
1 SHELF

B12
B15
B18
B21
B24

Base Cabinet • 1 Door, 1 Drawer and Deep Roll Out Trays



1 ROLL OUT TRAY



2 ROLL OUT TRAYS

- Full-depth adjustable shelf in center position where applicable
- Deep Roll Out Trays are not adjustable
- Hinged left and can be reversed in the field

AH
APC
FE
RD
RTK
VTD

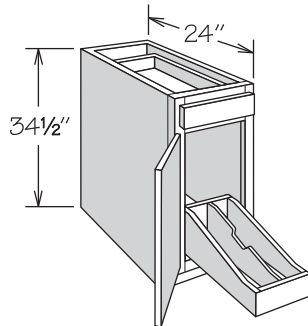
1 ROLL OUT TRAY

B12 CCFWT
B15 CCFWT
B18 CCFWT
B21 CCFWT
B24 CCFWT

2 ROLL OUT TRAYS

B12 CC2FWT
B15 CC2FWT
B18 CC2FWT
B21 CC2FWT
B24 CC2FWT

Base Cabinet • 1 Door, 1 Drawer and Roll-Out Tray Divider



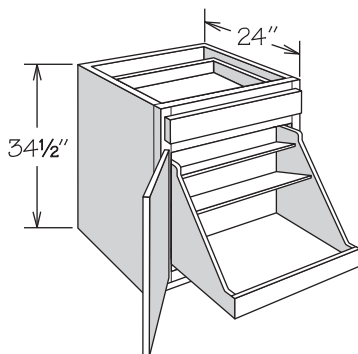
- Roll-Out Tray Divider in natural finish solid wood and wood veneer and dovetail (front only) construction with engineered wood bottom
- B12 CCROTD features two compartments (one partition)
- B15 CCROTD features three compartments (two partitions)
- Partitions are field installed
- No shelf
- Hinged left and can be reversed in the field

AH
APC
FE
RTK

ROLL-OUT TRAY DIVIDER

B12 CCROTD
B15 CCROTD

Base Cabinet • 1 Door, 1 Drawer and Pot & Pan Organizer



- Organizer features natural finish solid wood, wood veneer and dovetail (front only) construction with engineered wood bottom
- Top shelf of organizer measures 6 3/16" deep
- Middle shelf of organizer measures 9 3/4" deep
- Hinged left and can be reversed in the field

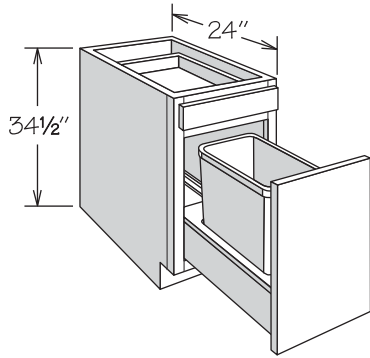
AH
APC
FE
IF
RTK
VTD

BASE POT & PAN ORGANIZER

B24 CCBPPO

Base Cabinet • 1 Drawer and Door with Wastebasket Pull-Out

AH
APC
FE
IF
RTK



1 WASTEBASKET

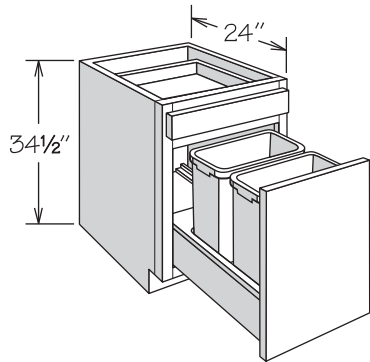
- Wastebasket rests in a natural finish wood frame
- Wastebasket pull-out features CushioClose heavy-duty, 100-pound rated glides
- BWBB15 CC features one silver plastic 35-quart capacity bin
- BWBB15-2 CC features two silver plastic 27-quart capacity bins
- BWBB18-2 CC and BWBB21-2 CC feature two silver plastic 35-quart capacity bins
- Decorative hardware strongly recommended

1 WASTEBASKET

BWBB15 CC

2 WASTEBASKETS

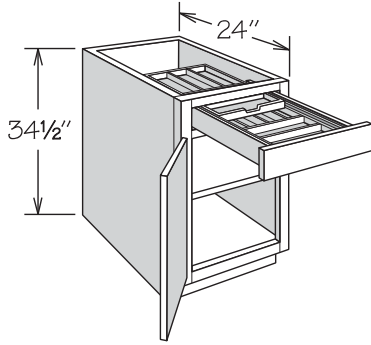
BWBB15-2 CC
 BWBB18-2 CC
 BWBB21-2 CC



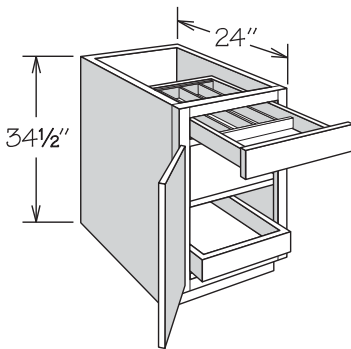
2 WASTEBASKETS

Base Cabinet • Drawer Accessories • 1 Door

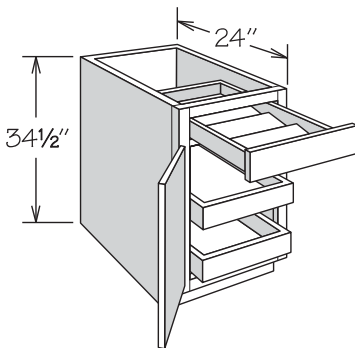
APC
FE
RTK



1 SHELF
18" Wood Tiered Cutlery Divider Shown



1 ROLL OUT TRAY
18" Cutlery Divider Shown



2 ROLL OUT TRAYS
18" Spice Drawer Insert Shown

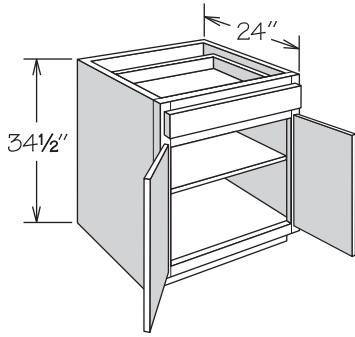
- Cutlery Divider features solid hardwood and plywood in natural finish
- Spice Drawer Insert features solid hardwood and plywood in natural finish and accommodates most spice containers (not included)
- Wood Tiered Cutlery Divider features:
 - » Solid hardwood and plywood in natural finish
 - » Upper section slides independently from drawer
- Refer to specifications on individual cabinets and accessories for more details

WOOD TIERED CUTLERY DIVIDER	UPPER SECTION	LOWER SECTION
15"	5	5
18"	5	6
21"	6	7
24"	7	7

CUTLERY DIVIDER	SECTIONS
15"	4
18"	5
21"	6
24"	6

1 SHELF	1 ROLL OUT TRAY	2 ROLL OUT TRAYS
Wood Tiered Cutlery Divider	Wood Tiered Cutlery Divider	Wood Tiered Cutlery Divider
B15 WTCD	B15 CCFWT WTCD	B15 CC2FWT WTCD
B18 WTCD	B18 CCFWT WTCD	B18 CC2FWT WTCD
B21 WTCD	B21 CCFWT WTCD	B21 CC2FWT WTCD
B24 WTCD	B24 CCFWT WTCD	B24 CC2FWT WTCD
Cutlery Divider	Cutlery Divider	Cutlery Divider
B15 CD	B15 CCFWT CD	B15 CC2FWT CD
B18 CD	B18 CCFWT CD	B18 CC2FWT CD
B21 CD	B21 CCFWT CD	B21 CC2FWT CD
B24 CD	B24 CCFWT CD	B24 CC2FWT CD
Spice Drawer Insert	Spice Drawer Insert	Spice Drawer Insert
B15 SDI	B15 CCFWT SDI	B15 CC2FWT SDI
B18 SDI	B18 CCFWT SDI	B18 CC2FWT SDI
B21 SDI	B21 CCFWT SDI	B21 CC2FWT SDI
B24 SDI	B24 CCFWT SDI	B24 CC2FWT SDI

Base Cabinet • 2 Butt Doors and 1 Drawer



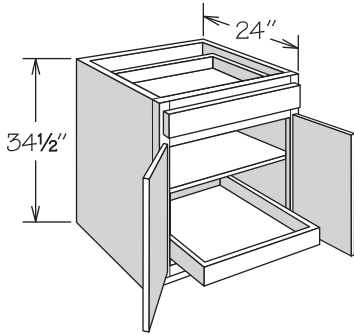
- Full-depth adjustable shelf
- Center support for shelf provided for cabinets 27" or wider

AH
APC
CFO
FE
IF
RD
RTK

1 SHELF

- B24 BUTT
- B27 BUTT
- B30 BUTT
- B33 BUTT
- B36 1TD BUTT

Base Cabinet • 2 Butt Doors, 1 Drawer and Deep Roll Out Trays



1 ROLL OUT TRAY

- Full-depth adjustable shelf in center position where applicable
- Center support for shelf provided for cabinets 27" or wider
- Deep Roll Out Trays are not adjustable

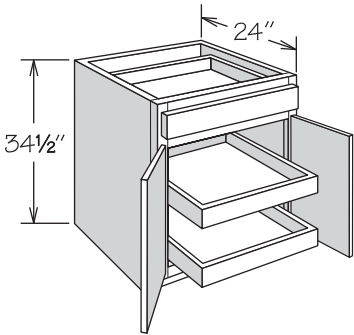
AH
APC
FE
RD
RTK
VTD

1 ROLL OUT TRAY

- B24 CCFWT BUTT
- B27 CCFWT BUTT
- B30 CCFWT BUTT
- B33 CCFWT BUTT
- B36 1TD CCFWT BUTT

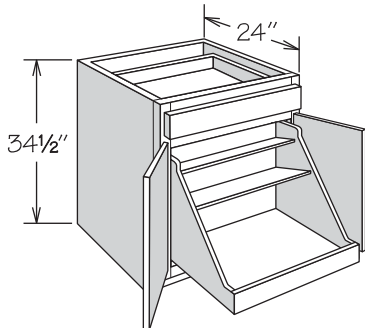
2 ROLL OUT TRAYS

- B24 CC2FWT BUTT
- B27 CC2FWT BUTT
- B30 CC2FWT BUTT
- B33 CC2FWT BUTT
- B36 1TD CC2FWT BUTT



2 ROLL OUT TRAYS

Base Cabinet • 2 Butt Doors, 1 Drawer and Pot & Pan Organizer



- Organizer features natural finish solid wood, wood veneer and dovetail (front only) construction with engineered wood bottom
- Top shelf of organizer measures 6 3/16" deep
- Middle shelf of organizer measures 9 3/4" deep

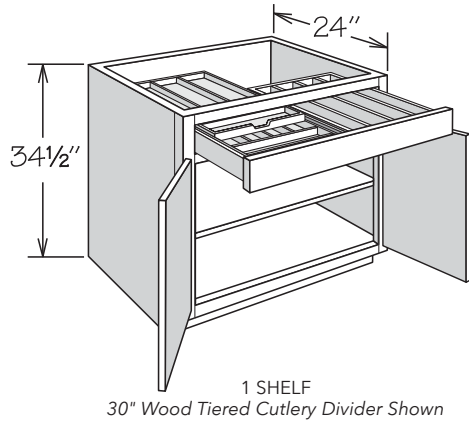
AH
APC
FE
IF
RTK
VTD

BASE POT & PAN ORGANIZER

- B24 BUTT CCBPPO
- B27 BUTT CCBPPO
- B30 BUTT CCBPPO
- B33 BUTT CCBPPO
- B36 1TD BUTT CCBPPO

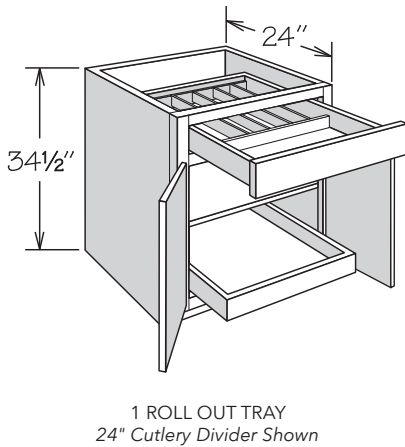
Base Cabinet • Drawer Accessories • 2 Doors

APC
FE
RTK



- Cutlery Divider features solid hardwood and plywood in natural finish
- Spice Drawer Insert features solid hardwood and plywood in natural finish and accommodates most spice containers (not included)
- Wood Tiered Cutlery Divider features:
 - » Solid hardwood and plywood in natural finish
 - » Upper section slides independently from drawer
 - » Additional cooking utensil section on 30" or wider
- Refer to specifications on individual cabinets and accessories for more details

WOOD TIERED CUTLERY DIVIDER	UPPER SECTIONS	LOWER SECTIONS	COOKING UTENSIL SECTIONS
24"	7	7	-
30"	5	5	4
36"	5	5	5



CUTLERY DIVIDER	SECTIONS
24"	6
30"	7
36"	8

1 SHELF

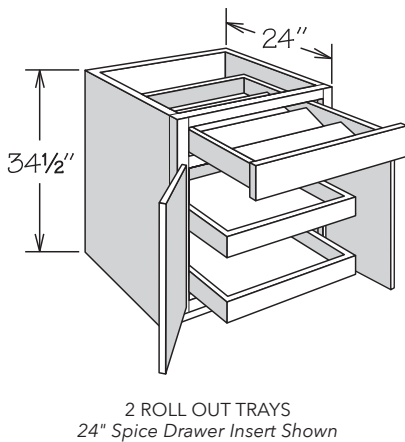
- Wood Tiered Cutlery Divider**
 B24 BUTT WTCD
 B30 BUTT WTCD
 B36 1TD BUTT WTCD
- Cutlery Divider**
 B24 BUTT CD
 B30 BUTT CD
 B36 1TD BUTT CD
- Spice Drawer Insert**
 B24 BUTT SDI

1 ROLL OUT TRAY

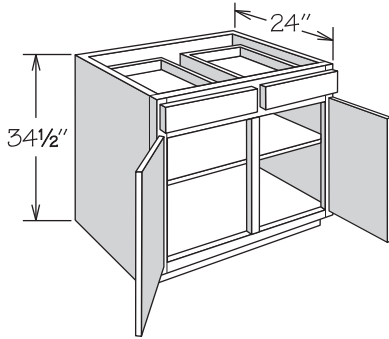
- Wood Tiered Cutlery Divider**
 B24 CCFWT BUTT WTCD
 B30 CCFWT BUTT WTCD
 B36 1TD CCFWT BUTT WTCD
- Cutlery Divider**
 B24 CCFWT BUTT CD
 B30 CCFWT BUTT CD
 B36 1TD CCFWT BUTT CD
- Spice Drawer Insert**
 B24 CCFWT BUTT SDI

2 ROLL OUT TRAYS

- Wood Tiered Cutlery Divider**
 B24 CC2FWT BUTT WTCD
 B30 CC2FWT BUTT WTCD
 B36 1TD CC2FWT BUTT WTCD
- Cutlery Divider**
 B24 CC2FWT BUTT CD
 B30 CC2FWT BUTT CD
 B36 1TD CC2FWT BUTT CD
- Spice Drawer Insert**
 B24 CC2FWT BUTT SDI



Base Cabinet • 2 Doors and 2 Drawers



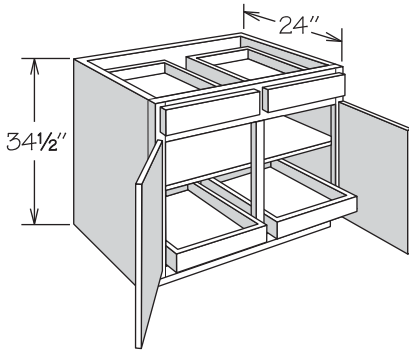
- Full-depth adjustable shelf
- Center support for shelf provided

AH
APC
CFO
FE
IF
RD
RTK

1 SHELF

- B39
- B42
- B48

Base Cabinet • 2 Doors, 2 Drawers and Deep Roll Out Trays



2 ROLL OUT TRAYS

- Full-depth adjustable shelf in center position where applicable
- Center support for shelf provided
- Deep Roll Out Trays are not adjustable

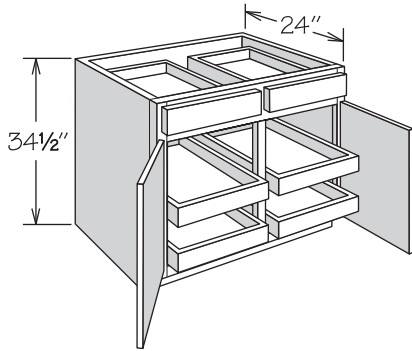
AH
APC
FE
RD
RTK
VTD

2 ROLL OUT TRAYS

- B39 CC2T
- B42 CC2T
- B48 CC2T

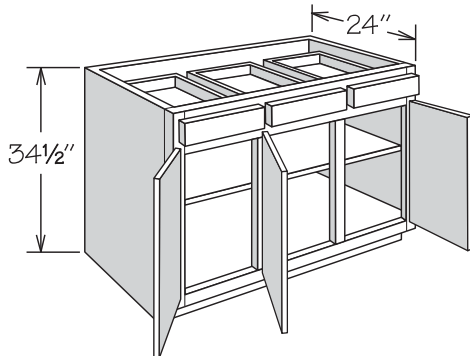
4 ROLL OUT TRAYS

- B39 CC4T
- B42 CC4T
- B48 CC4T



4 ROLL OUT TRAYS

Base Cabinet • 3 Doors and 3 Drawers



- Full-depth adjustable shelf
- Center support for shelf provided
- Hinged as shown - can be reversed in the field

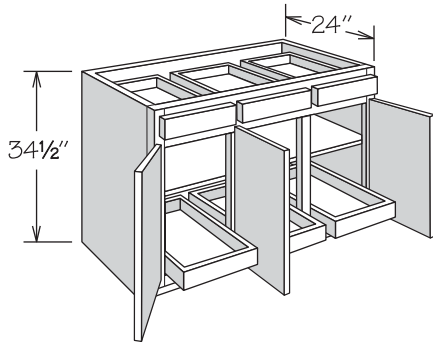
AH
APC
CFO
FE
IF
RD
RTK

1 SHELF

- B45

Base Cabinet • 3 Doors, 3 Drawers and Deep Roll Out Trays

AH
APC
FE
RD
RTK
VTD

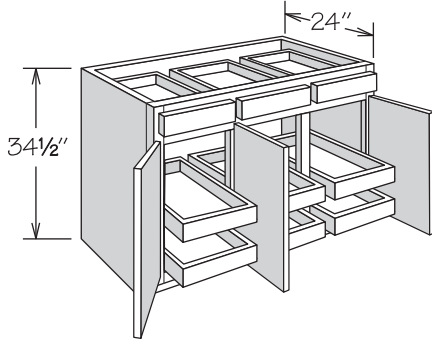


3 ROLL OUT TRAYS

- Full-depth adjustable shelf in center position where applicable
- Center support for shelf provided
- Deep Roll Out Trays are not adjustable
- Hinged as shown - can be reversed in the field

3 ROLL OUT TRAYS
B45 CC3T

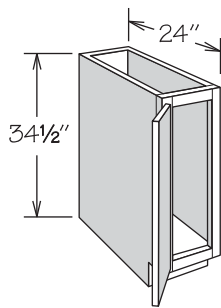
6 ROLL OUT TRAYS
B45 CC6T



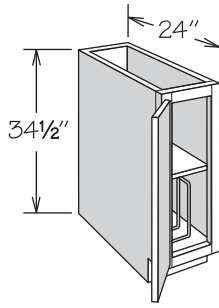
6 ROLL OUT TRAYS

Full-Height Base Cabinet • 1 Door

AH
APC
CFO ■
FE
RD
RTK



NO SHELF



1 SHELF & TRAY DIVIDER

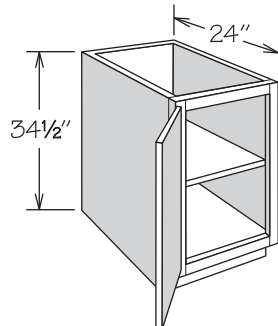
- Full-height door
- Recessed Toe Kick Option available left (RTKL) or right (RTKR) only
- TB9 TDS is only available with RD-23 though RD-14
- TB9 TDS features full-depth adjustable shelf (S924) and Tray Divider (TD3) packaged separately for field installation
- Hinged left and can be reversed in the field

NO SHELF
TB9 ■

1 SHELF & TRAY DIVIDER
TB9 TDS

Full-Height Base Cabinet • 1 Door

AH
APC
CFO
FE
RD
RTK

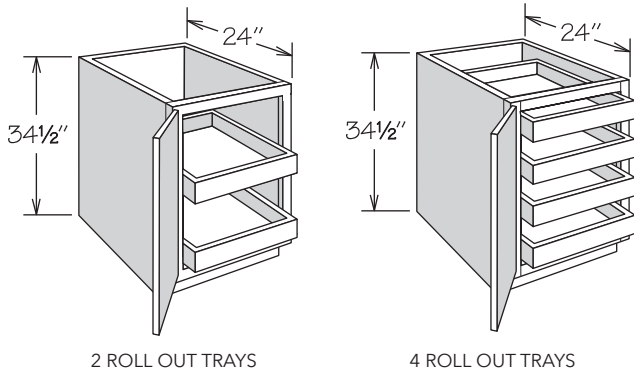


- Full-depth adjustable shelf
- Full-height door
- Hinged left and can be reversed in the field

1 SHELF
B12 FH
B15 FH
B18 FH
B21 FH
B24 FH

Full-Height Base Cabinet • 1 Door and Deep Roll Out Trays

AH
APC
FE
RD
RTK



- Full-height door
- Deep Roll Out Trays are not adjustable
- Distance between two roll out trays is 10 13/16"
- Distance between four roll out trays is 4 7/16"
- Hinged left and can be reversed in the field

2 ROLL OUT TRAYS

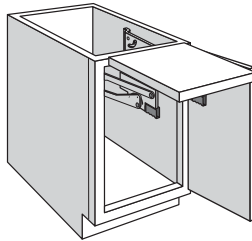
B12 FH CC2FWT
 B15 FH CC2FWT
 B18 FH CC2FWT
 B21 FH CC2FWT
 B24 FH CC2FWT

4 ROLL OUT TRAYS

B12 FH CC4FWT
 B15 FH CC4FWT
 B18 FH CC4FWT
 B21 FH CC4FWT
 B24 FH CC4FWT

Full-Height Base Cabinet • 1 Door and Base Mixer Lift

AH
APC
RTK



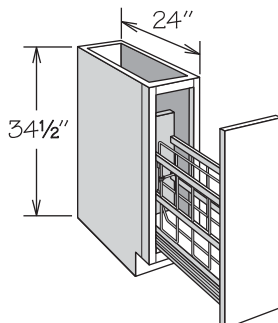
- Full-height door
- Features Furniture Ends standard
- Includes 1 3/8" thick natural finish solid wood shelf and one pair of shock dampening, adjustable tension lifts
- Supports up to 60 pounds
- Cannot be used with Deep Roll Out Tray or adjustable shelf
- Kit packaged separately for field installation

BASE MIXER LIFT

B18 FH MLK

Full-Height Base Cabinet • 1 Door with Tray Divider Pull-Out

AH
APC
FE
RTK



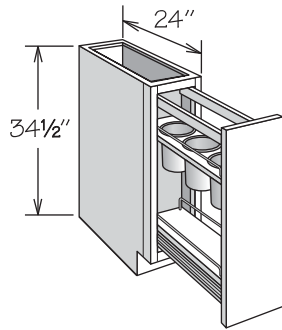
- Full-height door
- Features CushionClose glides
- Tray divider is adjustable to accommodate various storage solutions
- Decorative hardware strongly recommended
- Recessed Toe Kick Option available left (RTKL) or right (RTKR) only

TRAY DIVIDER PULL-OUT

BTDP9 CC

Full-Height Base Cabinet • 1 Door with Utensil Storage Pull-Out

AH
APC
FE
RTK



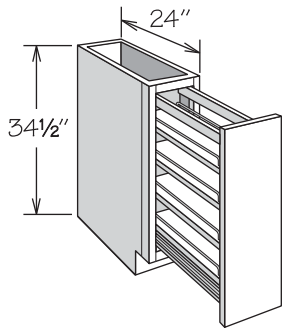
- Full-height door
- Features CushionClose glides
- One fixed bottom and one adjustable lower shelf in a natural finish with chrome rails
- One fixed upper shelf in a natural finish with chrome rails and three stainless steel removable storage bins
- Stainless steel bins measure 5 1/4" wide x 6 5/8" deep
- Decorative hardware strongly recommended
- BPPUS9 not available with Recessed Toe Kick Both Option (RTKB)

UTENSIL STORAGE PULL-OUT

BPPUS9 CC
BPPUS12 CC

Full-Height Base Cabinet • 1 Door with Base Pantry Pull-Out

AH
APC
FE
RTK



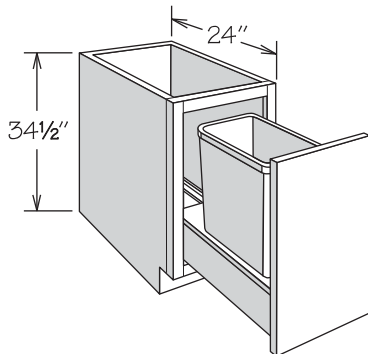
- Full-height door
- Features three individual CushionClose glides
- One fixed and three adjustable shelves with chrome rails
- Decorative hardware strongly recommended
- BPP9 not available with Recessed Toe Kick Both Option (RTKB)

BASE PANTRY PULL-OUT

BPP9 CC
BPP12 CC

Full-Height Base Cabinet • 1 Door with Wastebasket Pull-Out

AH
APC
FE
RTK



1 WASTEBASKET

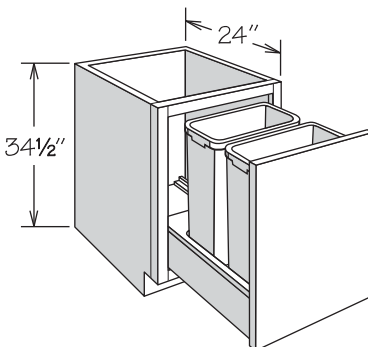
- Full-height door
- Wastebasket rests in a natural finish wood frame
- Wastebasket pull-out features CushionClose heavy-duty, 100-pound rated glides
- BWBB15 FH CC and BWBB18 FH CC feature one silver plastic 50-quart capacity bin
- BWBB21-2 FH CC features two silver plastic 50-quart capacity bins
- Decorative hardware strongly recommended

1 WASTEBASKET

BWBB15 FH CC
BWBB18 FH CC

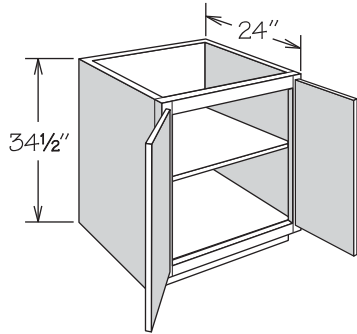
2 WASTEBASKETS

BWBB21-2 FH CC



2 WASTEBASKETS

Full-Height Base Cabinet • 2 Butt Doors



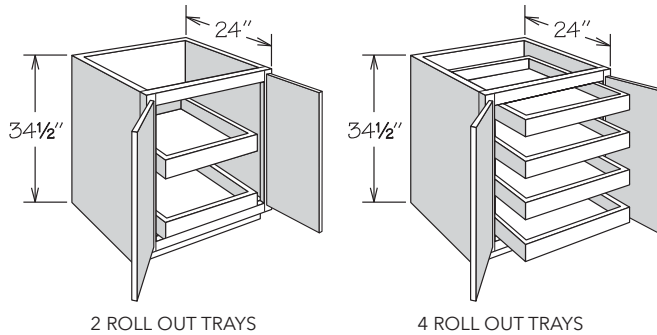
- Full-depth adjustable shelf
- Full-height butt doors
- Center support for shelf provided for cabinets 27" or wider

AH
APC
CFO
FE
RD
RTK

1 SHELF

B24 BUTT FH
B27 BUTT FH
B30 BUTT FH
B33 BUTT FH
B36 BUTT FH

Full-Height Base Cabinet • 2 Butt Doors and Deep Roll Out Trays



- Full-height doors
- Deep Roll Out Trays are not adjustable
- Distance between two roll out trays is 10 ¹³/₁₆"
- Distance between four roll out trays is 4 ⁷/₁₆"

AH
APC
FE
RD
RTK

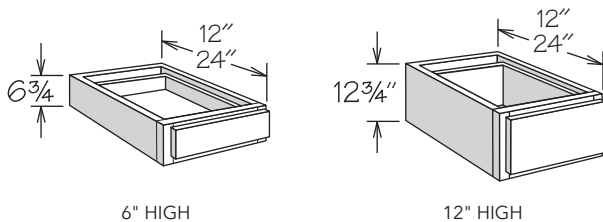
2 ROLL OUT TRAYS

B24 BUTT FH CC2FWT
B27 BUTT FH CC2FWT
B30 BUTT FH CC2FWT
B33 BUTT FH CC2FWT
B36 BUTT FH CC2FWT

4 ROLL OUT TRAYS

B24 BUTT FH CC4FWT
B27 BUTT FH CC4FWT
B30 BUTT FH CC4FWT
B33 BUTT FH CC4FWT
B36 BUTT FH CC4FWT

Furniture Drawer Cabinet • 1 Drawer



- 6" high features one standard drawer and 12" high features one large drawer
- 24" deep Furniture Drawer cabinets are only available with RD-23 through RD-13
- Bottom of cabinet frame must be fully supported

APC
CFO
FE
RD ■

6" HIGH • 1 DRAWER

12" Deep

FD121206
FD151206
FD181206
FD211206
FD241206
FD271206
FD301206
FD331206
FD361206

24" Deep

FD122406 ■
FD152406 ■
FD182406 ■
FD212406 ■
FD242406 ■
FD272406 ■
FD302406 ■
FD332406 ■
FD362406 ■

12" HIGH • 1 DRAWER

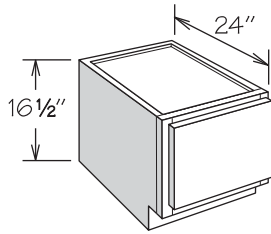
12" Deep

FD121212
FD151212
FD181212
FD211212
FD241212
FD271212
FD301212
FD331212
FD361212

24" Deep

FD122412 ■
FD152412 ■
FD182412 ■
FD212412 ■
FD242412 ■
FD272412 ■
FD302412 ■
FD332412 ■
FD362412 ■

Pedestal Drawer Cabinet • 1 Drawer



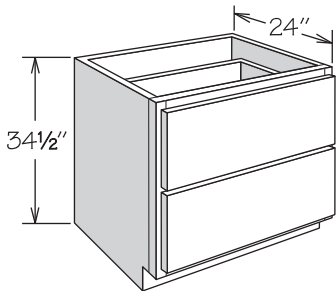
- One large drawer
- Features solid top

APC
CFO
FE
RD
RTK

1 DRAWER

PD1217 1DWR
 PD1517 1DWR
 PD1817 1DWR
 PD2117 1DWR
 PD2417 1DWR
 PD2717 1DWR
 PD3017 1DWR
 PD3317 1DWR
 PD3617 1DWR

Drawer Base Cabinet • 2 Large Drawers



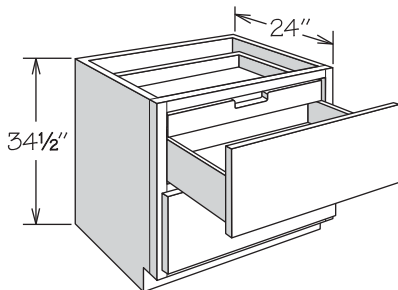
- Two large drawers with extra large drawer fronts
- Drawer body measures 6¹⁵/₁₆" deep
- Only available with RD-23 through RD-21
- Drawers feature Full-Extension CushionClose heavy-duty 132 pound rated glides

AH
APC
CFO
FE
RD
RTK

2 DRAWERS

DB21 2DWR
 DB24 2DWR
 DB27 2DWR
 DB30 2DWR
 DB33 2DWR
 DB36 2DWR

Drawer Base Cabinet • 2 Drawers and Scalloped Roll Out Tray



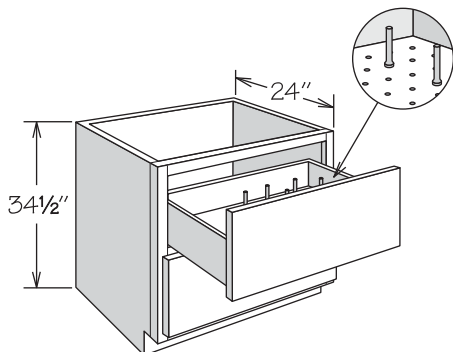
- Two large drawers with extra large drawer fronts
- Drawer body measures 6¹⁵/₁₆" deep
- Only available with RD-23 through RD-21
- Scalloped Deep Roll Out Tray with Full-Access CushionClose Glides in top opening
- Drawers feature Full-Extension CushionClose heavy-duty 132 pound rated glides

AH
APC
FE
RD
RTK

2 DRAWERS

DB21 2DWR SFWT
 DB24 2DWR SFWT
 DB27 2DWR SFWT
 DB30 2DWR SFWT
 DB33 2DWR SFWT
 DB36 2DWR SFWT

Drawer Base Cabinet • 2 Drawers and Peg Dish Organizer



- Two large drawers with extra large drawer fronts
- Drawer body measures 6¹⁵/₁₆" deep
- One Peg Dish Organizer Kit (organizer and adjustable pegs) in natural finish, packaged separately for field installation
- Additional pegs (PEG KIT 4 PK) and Peg Dish Organizer Kits (PDO_) can be ordered separately
- Drawers feature Full-Extension CushionClose heavy-duty 132 pound rated glides

AH
APC
FE
RTK

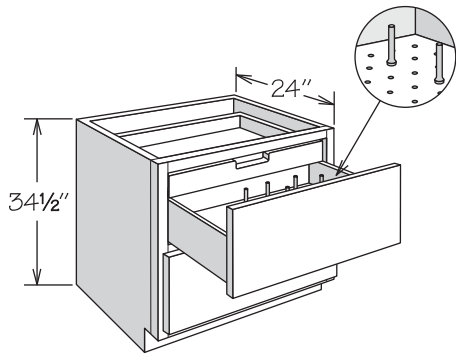
2 DRAWERS

DB21 2DWR PDO
 DB24 2DWR PDO
 DB27 2DWR PDO
 DB30 2DWR PDO
 DB33 2DWR PDO
 DB36 2DWR PDO

PEG COUNT

8
 12
 12
 12
 12
 12

Drawer Base Cabinet • 2 Drawers and Scalloped Roll Out Tray and Peg Dish Organizer



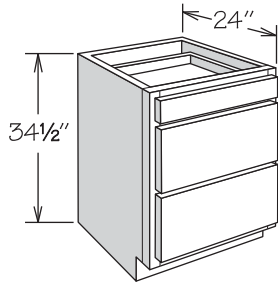
- Two large drawers with extra large drawer fronts
- Drawer body measures 6¹⁵/₁₆" deep
- Scalloped Deep Roll Out Tray with Full-Access CushionClose Glides in top opening
- One Peg Dish Organizer Kit (organizer and adjustable pegs) in natural finish, packaged separately for field installation
- Additional pegs (PEG KIT 4 PK) and Peg Dish Organizer Kits (PDO_) can be ordered separately
- Drawers feature Full-Extension CushionClose heavy-duty 132 pound rated glides

AH
APC
FE
RTK

2 DRAWERS **PEG COUNT**

DB21 2DWR SFWT PDO	8
DB24 2DWR SFWT PDO	12
DB27 2DWR SFWT PDO	12
DB30 2DWR SFWT PDO	12
DB33 2DWR SFWT PDO	12
DB36 2DWR SFWT PDO	12

Drawer Base Cabinet • 3 Drawers



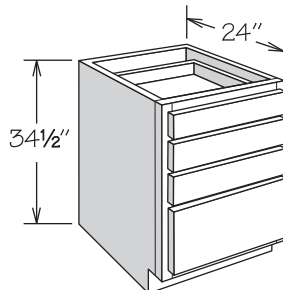
- One standard and two large drawers

AH
APC
CFO
FE
RD
RTK
VTD

3 DRAWERS

DB12
DB15
DB18
DB21
DB24
DB27
DB30
DB33
DB36 1TD

Drawer Base Cabinet • 4 Drawers



- One large and three standard drawers

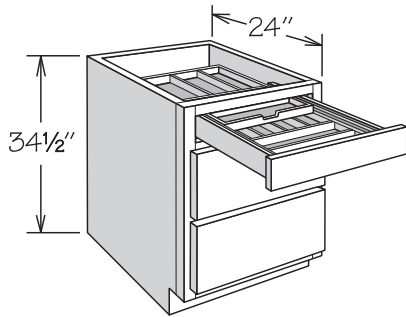
AH
APC
CFO
FE
RD
RTK
VTD

4 DRAWERS

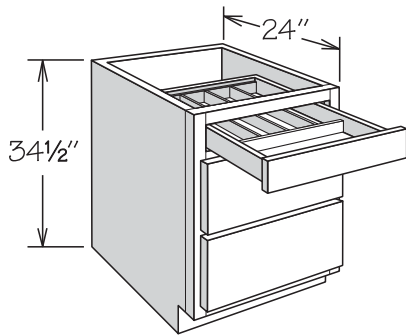
DB12 4DWR
DB15 4DWR
DB18 4DWR
DB21 4DWR
DB24 4DWR

Drawer Base Cabinet • Drawer Accessories

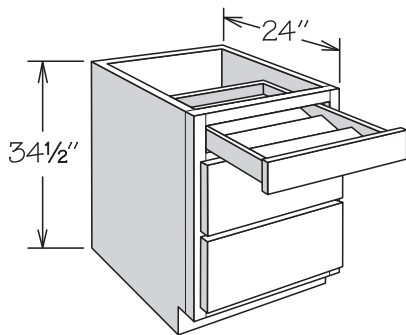
APC
FE
RTK



3 DRAWER
18" Wood Tiered Cutlery Divider Shown



3 DRAWER
18" Cutlery Divider Shown



3 DRAWER
18" Spice Drawer Insert Shown

- Cutlery Divider features solid hardwood and plywood in natural finish
- Spice Drawer Insert features solid hardwood and plywood in natural finish and accommodates most spice containers (not included)
- Wood Tiered Cutlery Divider features:
 - » Solid hardwood and plywood in natural finish
 - » Upper section slides independently from drawer
 - » Additional cooking utensil section on 30" or wider
- Refer to specifications on individual cabinets and accessories for more details

WOOD TIERED CUTLERY DIVIDER	UPPER SECTION	LOWER SECTION	COOKING UTENSIL SECTION
15"	5	5	-
18"	5	6	-
21"	6	7	-
24"	7	7	-
30"	5	5	4
36"	5	5	5

CUTLERY DIVIDER	SECTIONS
15"	4
18"	5
21"	6
24"	6
30"	7
36"	8

3 DRAWER Wood Tiered Cutlery Divider

- DB15 WTCD
- DB18 WTCD
- DB21 WTCD
- DB24 WTCD
- DB30 WTCD
- DB36 1TD WTCD

Cutlery Divider

- DB15 CD
- DB18 CD
- DB21 CD
- DB24 CD
- DB30 CD
- DB36 1TD CD

Spice Drawer Insert

- DB15 SDI
- DB18 SDI
- DB21 SDI
- DB24 SDI

4 DRAWER Wood Tiered Cutlery Divider

- DB15 4DWR WTCD
- DB18 4DWR WTCD
- DB21 4DWR WTCD
- DB24 4DWR WTCD

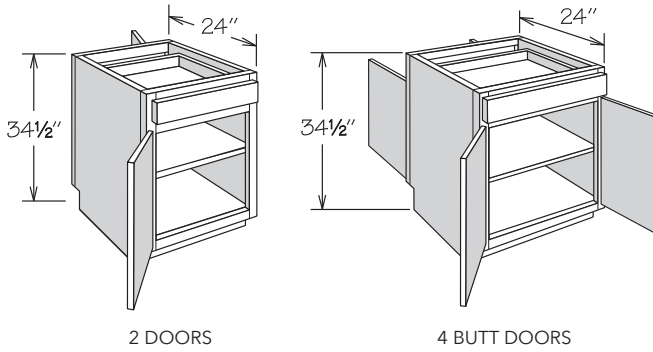
Cutlery Divider

- DB15 4DWR CD
- DB18 4DWR CD
- DB21 4DWR CD
- DB24 4DWR CD

Spice Drawer Insert

- DB15 4DWR SDI
- DB18 4DWR SDI
- DB21 4DWR SDI
- DB24 4DWR SDI

Peninsula Base • 1 Drawer



- Full-depth adjustable shelf
- Drawer accessible on one side only
- Panel on opposite side of drawer
- When selecting the Recessed Toe Kick Option, the drawer side indicates the front of the cabinet
- Single door cabinets are hinged left and can be reversed in the field

APC
FE
RD
RTK
VTD

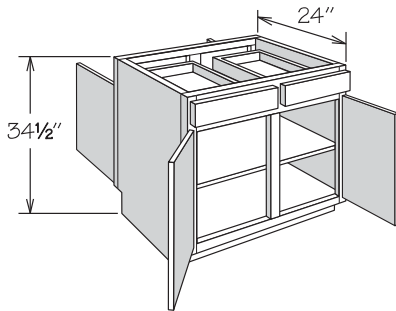
2 DOORS

PB12
PB18
PB24

4 BUTT DOORS

PB24 BUTT
PB30 BUTT
PB36 1TD BUTT

Peninsula Base • 2 Drawers



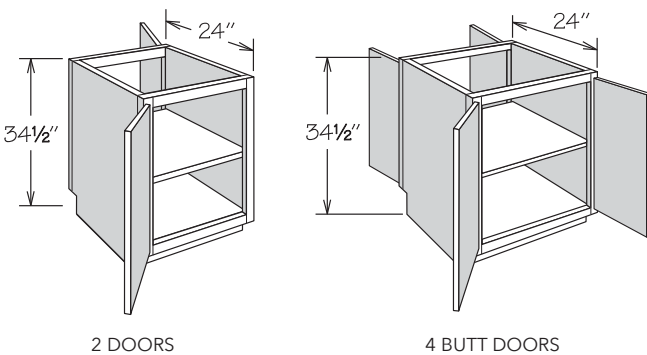
- Full-depth adjustable shelf
- Drawers accessible on one side only
- Features two panels on opposite side of drawers
- When selecting the Recessed Toe Kick Option, the drawer side indicates the front of the cabinet

APC
FE
RD
RTK
VTD

4 DOORS

PB42

Full-Height Peninsula Base



- Full-height doors
- Full-depth adjustable shelf
- Single door cabinets are hinged left and can be reversed in the field

APC
FE
RD
RTK

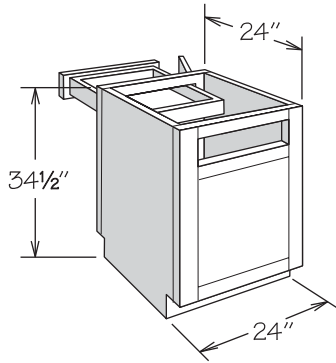
2 DOORS

PB12 FH
PB18 FH

4 BUTT DOORS

PB24 BUTT FH
PB30 BUTT FH
PB36 BUTT FH

Blind Peninsula Corner Base



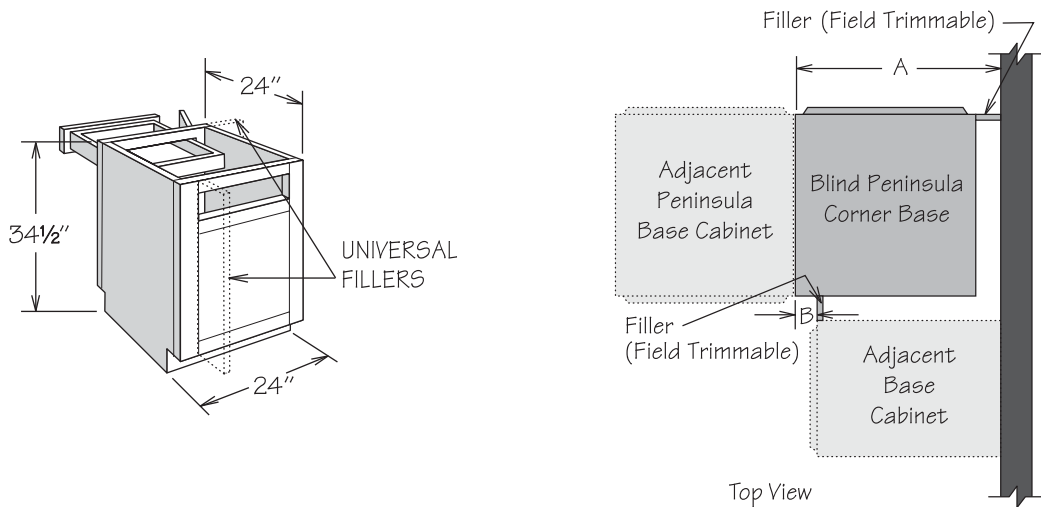
- Full-depth adjustable shelf
- Can be installed left or right
- Universal Fillers are recommended for use between PBC24 and wall and adjoining base cabinet or appliance for hardware clearance and proper door operation
- Cabinet may require pulling from wall - refer to the chart below for specifications
- Roll-out accessories are not recommended
- Must order Universal Fillers separately
- PBC24 is hinged left and can be reversed in the field

APC
FE
RD

1 DOOR
PBC24

2 DOORS
PBC24 BUTT

BLIND PENINSULA CORNER BASE INSTALLATION CHART



Full Overlay Door Styles

Full overlay door styles require decorative hardware, which has been calculated into dimensions.
*Must use these dimensions if optional Overlay Fillers will be used.

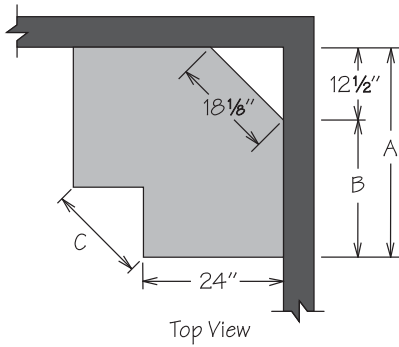
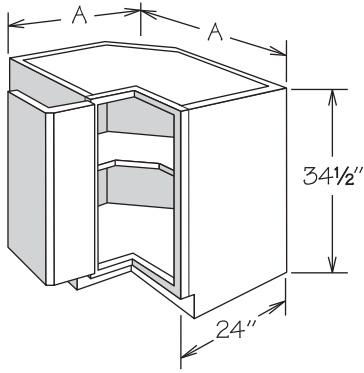
Cabinet	Actual Cabinet Width	Door Opening	Door(s)	Wall Space A			Exposed Frame B		Filler (at wall)	
				Min. Space	Max. Pull	Max. Space*	Min. Space	Max. Space*	Min.	Max.*
PBC24	24"	20 3/4"	DR2424	26 1/4"	3/4"	27"	2 1/4"	3"	2 1/4"	3"
PBC24 BUTT	24"	20 3/4"	DR1224 BUTT (2)	26 1/4"	3/4"	27"	2 1/4"	3"	2 1/4"	3"

Standard Overlay Door Styles

Wall Space A requirements include optional decorative hardware clearance.
1/4" may be deducted if decorative hardware is not used.

Cabinet	Actual Cabinet Width	Door Opening	Door(s)	Wall Space A			Exposed Frame B		Filler (at wall)	
				Min. Space	Max. Pull	Max. Space	Min. Space	Max. Space	Min.	Max.
PBC24	24"	20 3/4"	DR2424	25 3/8"	1 1/8"	27"	1 1/8"	3"	1 1/8"	3"
PBC24 BUTT	24"	20 3/4"	DR1224 BUTT (2)	25 3/8"	1 1/8"	27"	1 1/8"	3"	1 1/8"	3"

Base Easy Reach

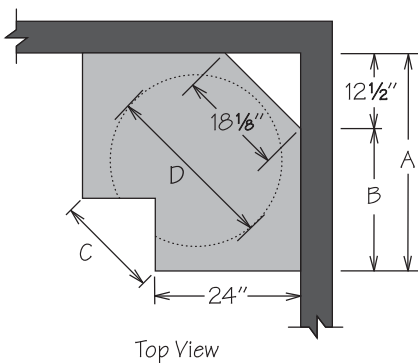
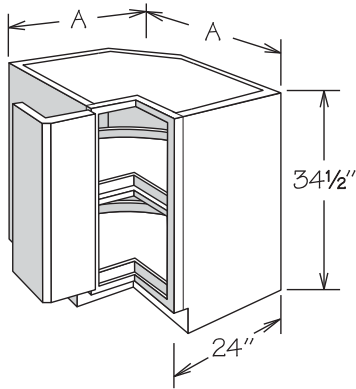


- Cabinet now features a solid top
- One adjustable half-depth shelf (non-removable)
- All door styles must be ordered hinged left or right
- BER33 features two solid recessed panel doors for 720 door style
- Sides are finished
- Doors open 170°
- Features non-CushionClose hinges
- Cabinet requires a minimum of 29" to fit through doorway
- Additional space recommended if appliance is installed on the hinge side of this cabinet for proper door operation - decorative hardware should be taken into consideration for the overall depth of appliance

AH
APC
FE

SHELF	A	B	C
BER33	33"	20 1/2"	10 7/16"
BER36	36"	23 1/2"	14 5/8"

Base Super Susan • Wood Spin Unit

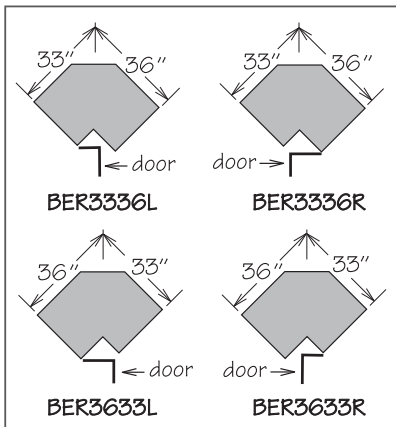
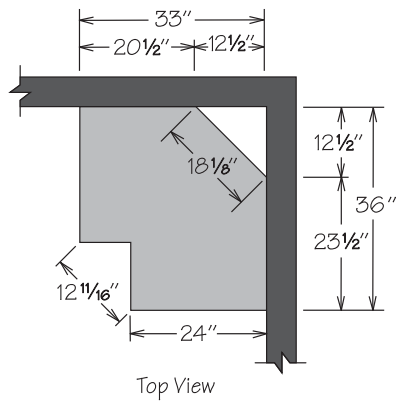


- Cabinet now features a solid top
- All door styles must be ordered hinged left or right
- BSS33 features two solid recessed panel doors for 720 door style
- Sides are finished
- Doors open 170°
- Features non-CushionClose hinges
- Cabinet requires a minimum of 29" to fit through doorway
- Additional space recommended if appliance is installed on the hinge side of this cabinet for proper door operation - decorative hardware should be taken into consideration for the overall depth of appliance
- Wood Spin Units feature:
 - » One fixed spin unit mounted on cabinet floor
 - » One spin unit attached to 3/4" adjustable shelf
 - » Natural wood finish with 1" lip

AH
APC
FE

WOOD SPIN UNIT	A	B	C	D
BSS33 WD	33"	20 1/2"	10 7/16"	28"
BSS36 WD	36"	23 1/2"	14 5/8"	32"

Asymmetrical Base Easy Reach



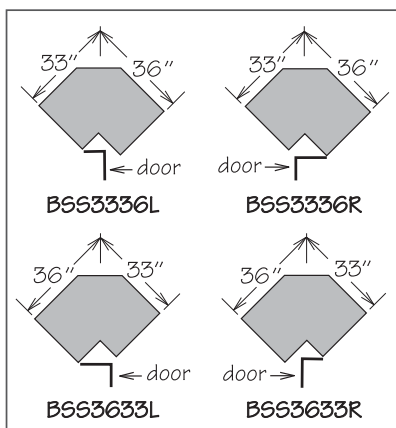
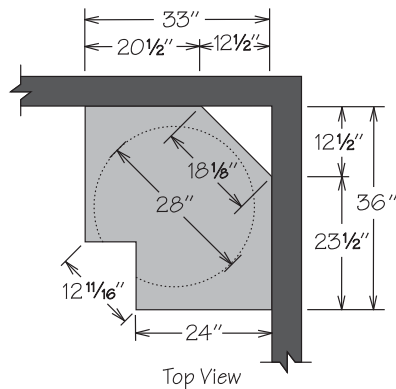
- Cabinet now features a solid top
- One adjustable half-depth shelf (non-removable)
- All door styles must be ordered hinged left or right
- 720 door style features one solid recessed panel door (33" side) and one solid raised panel door (36" side)
- Sides are finished
- Doors open 170°
- Features non-CushionClose hinges
- Cabinet requires a minimum of 29" to fit through doorway
- Additional space recommended if appliance is installed on the hinge side of this cabinet for proper door operation - decorative hardware should be taken into consideration for the overall depth of appliance

AH
APC
FE

SHELF

BER3336
BER3633

Asymmetrical Base Super Susan • Wood Spin Unit



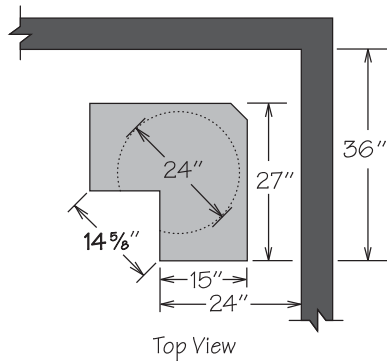
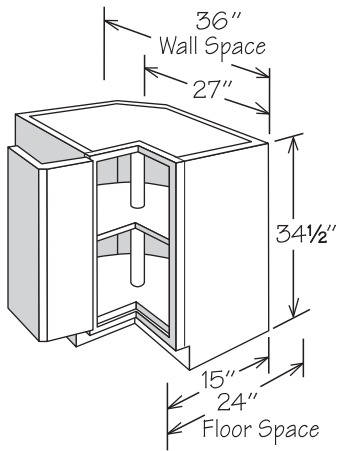
- Cabinet now features a solid top
- All door styles must be ordered hinged left or right
- 720 door style features one solid recessed panel door (33" side) and one solid raised panel door (36" side)
- Sides are finished
- Doors open 170°
- Features non-CushionClose hinges
- Cabinet requires a minimum of 29" to fit through doorway
- Additional space recommended if appliance is installed on the hinge side of this cabinet - decorative hardware should be taken into consideration for the overall depth of appliance
- Wood Spin Units feature:
 - » One fixed spin unit mounted on cabinet floor
 - » One spin unit attached to 3/4" adjustable shelf
 - » Natural wood finish with 1" lip

AH
APC
FE

WOOD SPIN UNIT

BSS3336 WD
BSS3633 WD

Corner Base Carousel • Wood Spin Unit



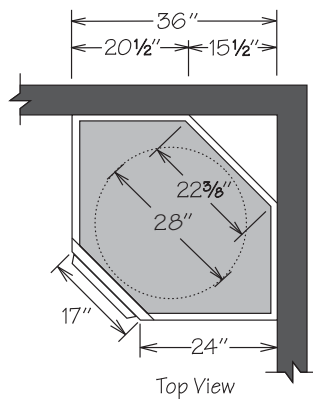
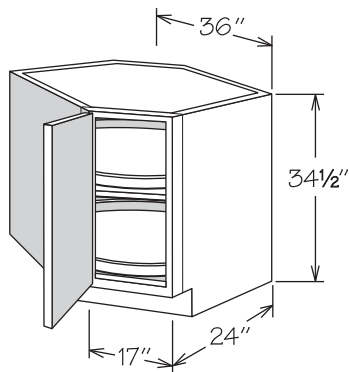
- Cabinet now features a solid top
- All door styles must be ordered hinged left or right
- Sides are unfinished
- Doors open 170°
- Features non-CushionClose hinges
- If unit has an exposed side, order end panel separately
- Additional support for countertop in back is necessary
- Additional space recommended if appliance is installed on the hinge side of this cabinet for proper door operation- decorative hardware should be taken into consideration for the overall depth of appliance
- Unit must be pulled to install in a 36" x 36" space
- Wood Spin Units feature:
 - » Two natural finish solid hardwood spin shelves with pole (top shelf adjustable)

AH

WOOD SPIN UNIT

CAR36 WD

Corner Base • Wood Spin Unit



- Hinged left and can be reversed in the field
- Sides are finished
- Cabinet requires a minimum of 34" to fit through doorway
- Additional space recommended if appliance is installed on the hinge side of this cabinet for proper door operation
- Cabinet features solid top
- Wood Spin Units feature:
 - » One fixed spin unit mounted on cabinet floor
 - » One spin unit attached to 3/4" adjustable shelf
 - » Natural wood finish with 1" lip

AH

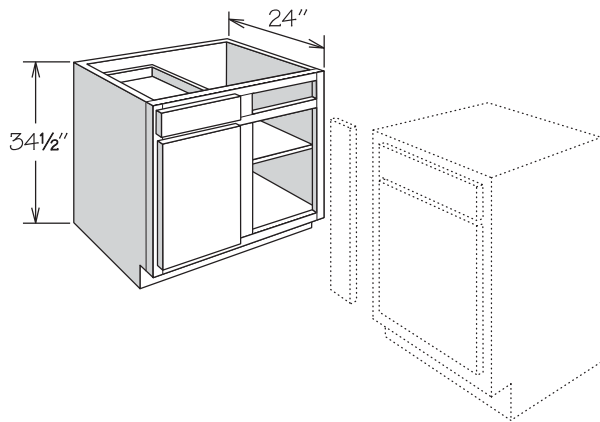
APC

FE

WOOD SPIN UNIT

CBS36 WD

Blind Corner Base



- Full-depth adjustable shelf
- Center support for shelf provided (excluding BLB36/39)
- Blind base door and drawer are installed in the left section
- Door and drawer can be reversed in the field as blind sections are identical
- Includes 1/8" panel to cover blind opening (field trim and install)
- Refer to the Blind Corner Base Installation Chart for specifications on page 123
- Recessed Toe Kick Both Option (RTKB) available only
- Must order Universal Filler separately

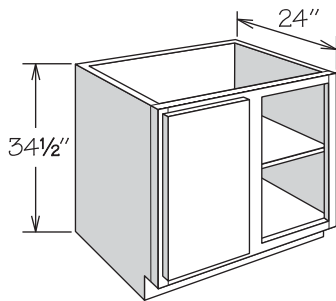
AH
APC
CFO
FE
RD
RTK

1 SHELF

BLB36/39
BLB39/42
BLB42/45
BLB45/48
BLB48/51

Full Height Blind Corner Base

NEW! SIZES



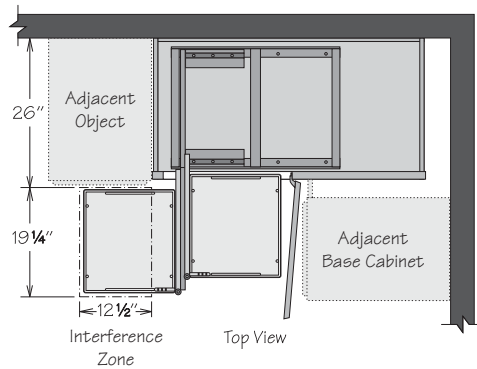
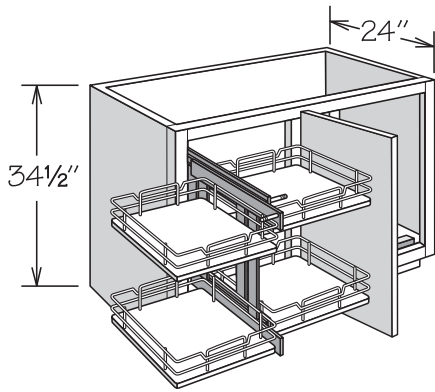
- Full-depth adjustable shelf
- Center support for shelf provided (excluding BLB36/39 FH)
- Blind base door is installed in the left section
- Door can be reversed in the field as blind sections are identical
- Includes 1/8" panel to cover blind opening (field trim and install)
- Refer to the chart for specifications on page 123
- Recessed Toe Kick Both Option (RTKB) available only
- Must order Universal Filler separately

AH
APC
CFO
FE
RD
RTK

1 SHELF

BLB36/39 FH
BLB39/42 FH
BLB42/45 FH
BLB45/58 FH
BLB48/51 FH

Blind Corner Base • Pull Out Kit



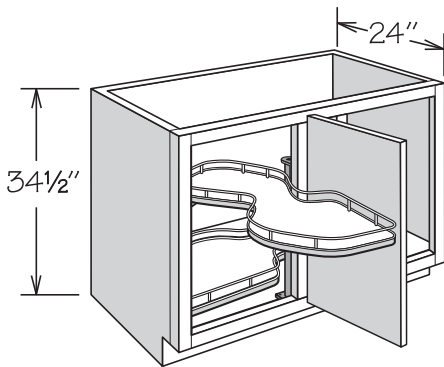
- Full-height door
- Blind base door is installed in the left section
- Door and Pull Out Kit can be reversed in the field as blind sections are identical
- Includes 1/8" panel to cover blind opening (field trim and install)
- Refer to the Blind Corner Base Installation Chart for specifications
- Recessed Toe Kick Both Option (RTKB) available only
- Pull out kit:
 - » Features two-tiered organizer with four chrome finish wire shelves and engineered wood bottoms with woodgrain look
 - » Features full-extension 100-pound rated glides
 - » Packaged separately for field installation
 - » Mounts to cabinet floor
- Unit requires 19 1/4" of clearance in front of cabinet to pull the unit out, and 12 1/2" of side clearance to slide the unit over
- Baskets are able to be repositioned to allow clearance of deeper adjacent objects up to 26"

AH
APC
FE
RTK

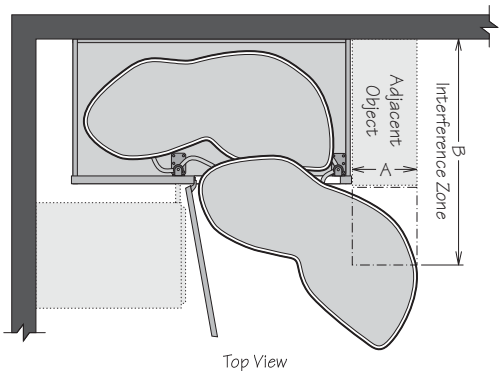
PULL OUT KIT

BLB45/48 FH POK
BLB48/51 FH POK

Blind Corner Base • Swing Out Kit



BLB45/48 FH SOKL shown



BLB45/48 FH SOKR shown

- Full-height door
- Features Furniture Ends standard
- Blind base door is installed in the left section
- Door can be reversed in the field as blind sections are identical, kit is not reversible and must be ordered as left or right
- Includes 1/8" panel to cover blind opening (field trim and install)
- Refer to the Blind Corner Base Installation Chart for specifications
- Recessed Toe Kick Both Option (RTKB) available only
- Pull out kit:
 - » Must be ordered left or right
 - » Features two-tiered organizer with two chrome finish wire shelves and engineered wood bottoms with woodgrain look
 - » Supports up to 45 pounds per shelf
 - » Packaged separately for field installation
 - » Mounts to cabinet side panel and telescopic pole (included)

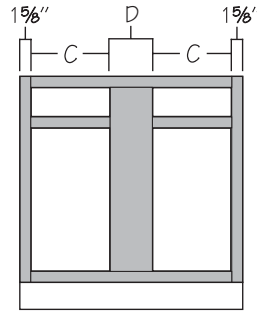
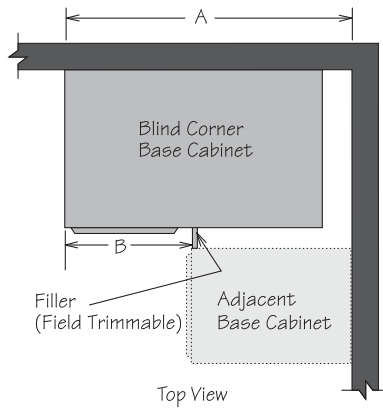
AH
APC
RTK

A (Distance from edge of BLB frame)	0"	3"	6"	9"	12"	13"
B (Maximum Depth of Adjacent Object)	24 7/8"	25 1/2"	27 1/2"	28 5/8"	32 1/4"	no interference

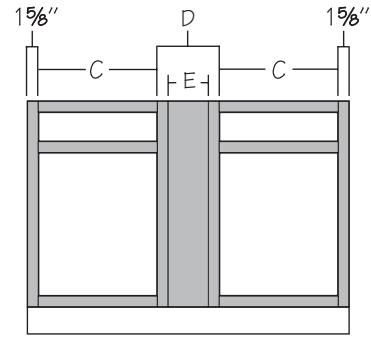
SWING OUT KIT

BLB45/48 FH SOKL
BLB45/48 FH SOKR
BLB48/51 FH SOKL
BLB48/51 FH SOKR

BLIND CORNER BASE INSTALLATION CHART



BLB36/39 - BLB45/48



BLB45/48 FH, BLB48/51, BLB48/51 FH

Full Overlay Door Styles

Full Overlay door styles require decorative hardware, which has been calculated into dimensions.

*Dimension requirements do not include optional Overlay Fillers - add 3/8" if Overlay Fillers will be used, except for BLB48/51 add 1/8".

Cabinet	Actual Cabinet Width	Wall Space A			Exposed Frame B		C Door Opening	Door(s)	D	E
		Minimum Space*	Maximum Pull	Maximum Space	Minimum Space*	Maximum Space				
BLB36/39	27"	38 1/4"	1 3/4"	40"	14 1/4"	16"	8 3/4"	DR1224	6 1/4"	-
BLB36/39 FH	27"	38 1/4"	1 3/4"	40"	14 1/4"	16"	8 3/4"	DR12FH	6 1/4"	-
BLB39/42	33"	41 1/4"	1 3/4"	43"	17 1/4"	19"	11 3/4"	DR1524	6 1/4"	-
BLB39/42 FH	33"	41 1/4"	1 3/4"	43"	17 1/4"	19"	11 3/4"	DR15FH	6 1/4"	-
BLB42/45	39"	44 1/4"	1 3/4"	46"	20 1/4"	22"	14 3/4"	DR1824	6 1/4"	-
BLB42/45 FH	39"	44 1/4"	1 3/4"	46"	20 1/4"	22"	14 3/4"	DR18FH	6 1/4"	-
BLB45/48	45"	47 1/4"	1 3/4"	49"	23 1/4"	25"	17 3/4"	DR2124	6 1/4"	-
BLB45/48 FH	45"	47 1/4"	1 3/4"	49"	23 1/4"	25"	17 3/4"	DR21FH	6 1/4"	3"
BLB48/51	48"	48"	4"	52"	24"	28"	17 3/4"	DR2124	9 1/4"	6"
BLB48/51 FH	48"	48"	4"	52"	24"	28"	17 3/4"	DR21FH	9 1/4"	6"

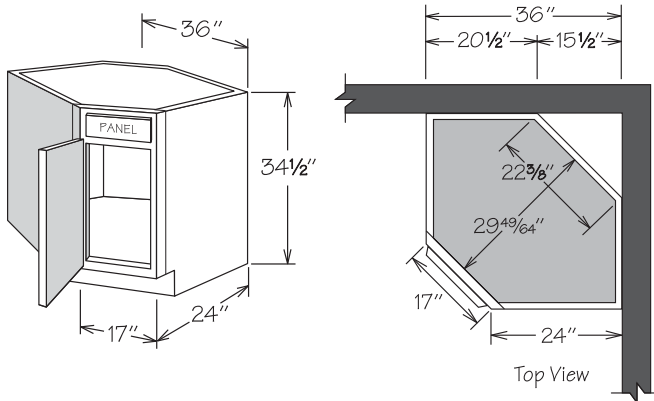
Standard Overlay Door Styles

Wall Space A requirements include optional decorative hardware clearance.

1 1/4" may be deducted if decorative hardware is not used.

Cabinet	Actual Cabinet Width	Wall Space A			Exposed Frame B		C Door Opening	Door(s)	D	E
		Minimum Space	Maximum Pull	Maximum Space	Minimum Space	Maximum Space				
BLB36/39	27"	37 3/8"	2 5/8"	40"	13 3/8"	16"	8 3/4"	DR1224	6 1/4"	-
BLB36/39 FH	27"	37 3/8"	2 5/8"	40"	13 3/8"	16"	8 3/4"	DR1230	6 1/4"	-
BLB39/42	33"	40 3/8"	2 5/8"	43"	16 3/8"	19"	11 3/4"	DR1524	6 1/4"	-
BLB39/42 FH	33"	40 3/8"	2 5/8"	43"	16 3/8"	19"	11 3/4"	DR1530	6 1/4"	-
BLB42/45	39"	43 3/8"	2 5/8"	46"	19 3/8"	22"	14 3/4"	DR1824	6 1/4"	-
BLB42/45 FH	39"	43 3/8"	2 5/8"	46"	19 3/8"	22"	14 3/4"	DR1830	6 1/4"	-
BLB45/48	45"	46 3/8"	2 5/8"	49"	22 3/8"	25"	17 3/4"	DR2124	6 1/4"	-
BLB45/48 FH	45"	46 3/8"	2 5/8"	49"	22 3/8"	25"	17 3/4"	DR2130	6 1/4"	3"
BLB48/51	48"	48"	4"	52"	24"	28"	17 3/4"	DR2124	9 1/4"	6"
BLB48/51 FH	48"	48"	4"	52"	24"	28"	17 3/4"	DR2130	9 1/4"	6"

Corner Sink Base + 1 Door

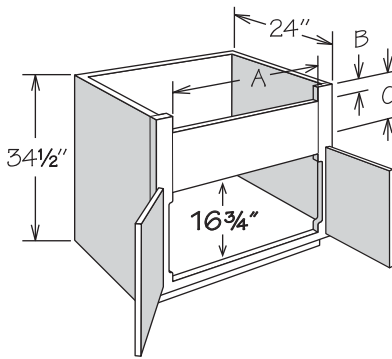


- No shelf
- Sides are finished
- Cabinet requires a minimum of 34" to fit through doorway
- Additional space recommended if appliance is installed on either side of this cabinet for proper appliance door operation
- Cabinet features solid top which must be field cut for sink installation as per manufacturer's specifications
- Maximum sink width is 22 3/8" if cut out is 4" back from face of front frame
- Refer to sink manufacturer's specifications for adequate clearance and required installation materials
- Touch Up Kit included

AH
APC
FE

CSB36

Deep Sink/Range Base + 2 Butt Doors

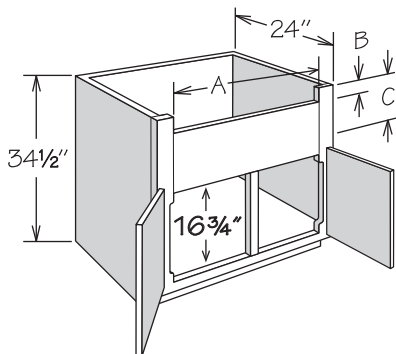


- No shelf
- Accommodates farm sinks
- Apron stiles are 3/8" wide and trimmable
- A cutout exists in the door area where the 3/8" stiles are routed to 1 3/8"
- Refer to sink or appliance manufacturer's specifications for adequate clearance and required installation materials
- Touch Up Kit included

AH
APC
FE
RD
RTK

	A-MIN.	A-MAX.	B	C-FOL	C-SOL
DSB30 BUTT	23 3/4"	28"	2 7/8"	10"	10 1/2"
DSB33 BUTT	26 3/4"	31"	2 7/8"	10"	10 1/2"
DSB36 BUTT	29 3/4"	34"	2 7/8"	10"	10 1/2"

Deep Sink/Range Base + 2 Doors

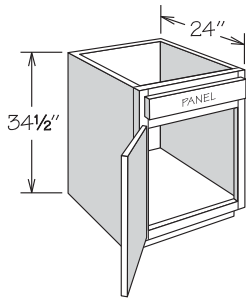


- No shelf
- Accommodates farm sinks
- Apron stiles are 3/8" wide and trimmable
- A cutout exists in the door area where the 3/8" stiles are routed to 1 3/8"
- Refer to sink or appliance manufacturer's specifications for adequate clearance and required installation materials
- Touch Up Kit included

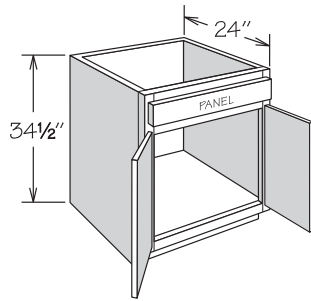
AH
APC
FE
RD
RTK

	A-MIN.	A-MAX.	B	C-FOL	C-SOL
DSB39	32 3/4"	37"	2 7/8"	10"	10 1/2"

Sink/Cooktop Base



1 DOOR



2 BUTT DOORS

- No shelf
- Full-height back
- Subtract 1 1/2" from width and depth for available sink bowl opening
- Refer to sink or appliance manufacturer's specifications for adequate clearance and required installation materials
- Touch Up Kit included
- Single door cabinets are hinged left and can be reversed in the field

AH
APC
FE
RD
RTK

1 DOOR

SB18
SB21
SB24

2 BUTT DOORS

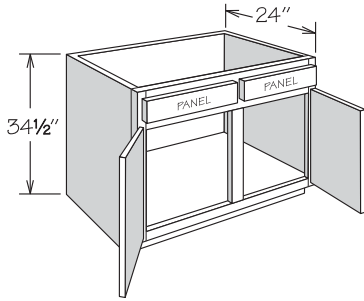
SB24 BUTT
SB27 BUTT
SB30 BUTT
SB33 BUTT
SB36 BUTT

2 DOORS

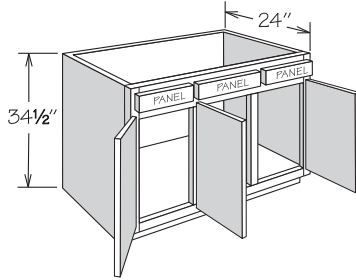
SB39
SB42
SB48

3 DOORS

SB45

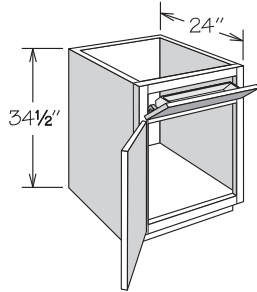


2 DOORS

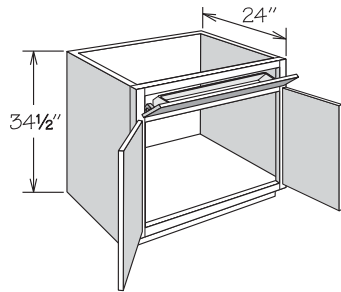


3 DOORS

Sink Base • 1 Stainless Tilt-Out Tray



1 DOOR



2 BUTT DOORS

- No shelf
- Full-height back
- Subtract 1 1/2" from width and 3 3/4" from depth for available sink bowl opening
- Tilt-Out Trays are NOT dishwasher safe
- Refer to sink manufacturer's specifications for adequate clearance and required installation materials
- Touch Up Kit included
- Single door cabinets are hinged left and can be reversed in the field

AH
APC
FE
RD
RTK

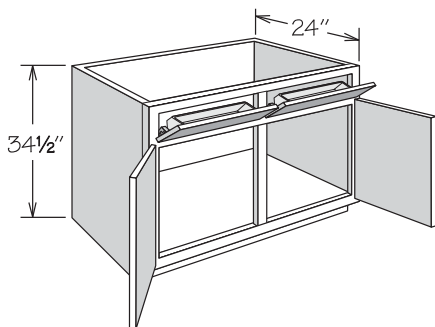
1 DOOR

SB21 STO
SB24 STO

2 BUTT DOORS

SB24 BUTT STO
SB27 BUTT STO
SB30 BUTT STO
SB33 BUTT STO
SB36 BUTT STO

Sink Base • 2 Stainless Tilt-Out Trays



2 DOORS

- No shelf
- Full-height back
- Subtract 1 1/2" from width and 3 3/4" from depth for available sink bowl opening
- Tilt-Out Trays are NOT dishwasher safe
- Refer to sink manufacturer's specifications for adequate clearance and required installation materials
- Touch Up Kit included

AH
APC
FE
RD
RTK

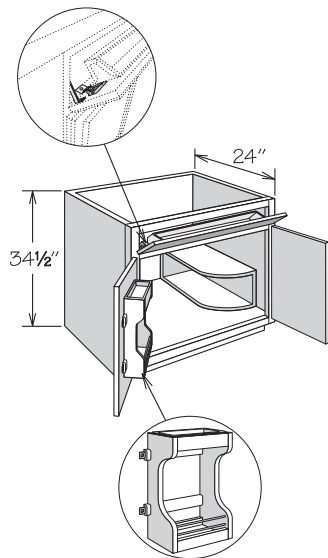
2 DOORS

SB39 STO
SB42 STO
SB48 STO

Sink Base Multi-Storage Cabinet

NEW! UPDATE

NEW! NOMENCLATURE



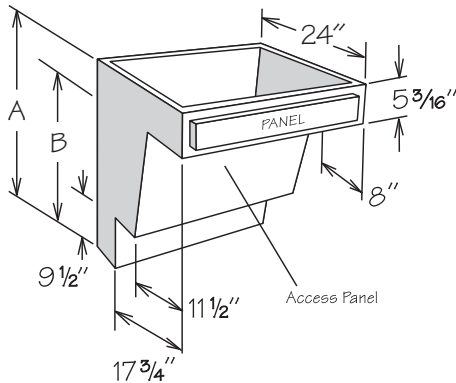
- **UPDATE:** Cabinet now features:
 - » Factory installed Sink Base Door Storage Unit
 - » One Stainless Tilt-Out Tray
 - » Sink Base Multi-Storage Shelf (SBMSS) shipped separately for field installation left or right
- Full-height back
- Sink Base Multi-Storage Shelf measures 8 5/16" wide x 8" high x 17 1/2" deep
- Subtract 1 1/2" from width and 3 3/4" from depth for available sink bowl opening
- Tilt-Out Trays and Door Storage Unit trays are NOT dishwasher safe
- Refer to sink manufacturer's specifications for adequate clearance and required installation materials
- Touch Up Kit included

AH
APC
FE
RTK

2 BUTT DOORS

SBMSC30 BUTT STO
SBMSC36 BUTT STO

Sink Base • Base Plumbing Skirt

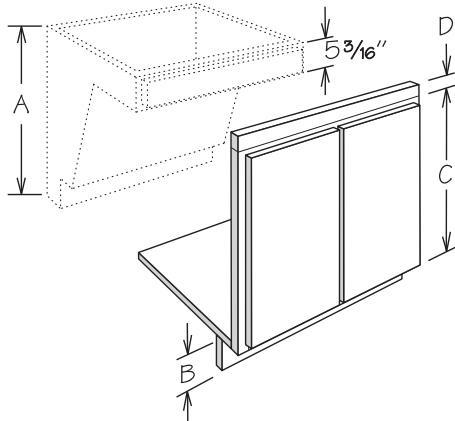


- Removable front access panel
- Subtract 1 1/2" from width and depth for available sink bowl opening
- Maximum available height inside cabinet for sink bowl is 5"
- Water lines, drains, and P-Trap must be installed at 6" maximum from wall
- Refer to sink manufacturer's specifications for adequate clearance and required installation materials
- Matching toe kick included
- Must be installed between two cabinets or a cabinet and a wall
- May be used with Adaptable Sink Base Kit (ASB) - order separately

APC
FE

	A	B
32 1/2" High		
BPS30 UD	32 1/2"	27 5/16"
BPS36 UD	32 1/2"	27 5/16"
34 1/2" High		
BPS3034 UD	34 1/2"	29 5/16"
BPS3634 UD	34 1/2"	29 5/16"

Adaptable Sink Base Kit



- For use with Base Plumbing Skirt (BPS) - MUST be ordered separately
- Kit contains:
 - » Face frame with hinged butt doors
 - » One Tall Filler (S3S396)
 - » Two Drawer Fasteners (DDF FASTENER)
 - » One Sink Floor (FL36)
 - » One Hardwood Cleat (HWC 2X4X96)
 - » Installation instructions
- Kit must be assembled in the field

A BPS	B DESIRED TOE KICK HEIGHT	C FACE FRAME HEIGHT	D TRIMMED S3S	KIT
32 1/2"	2"	24 1/2"	13/16"	ASB_34 KIT
32 1/2"	4"	20 5/8"	2 1/16"	ASB_32 KIT
34 1/2"	4"	24 1/2"	13/16"	ASB_34 KIT

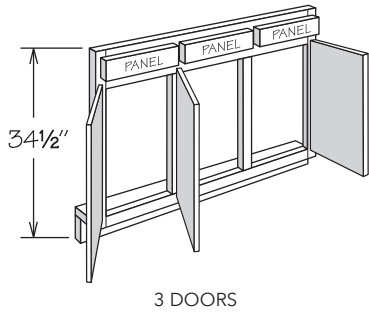
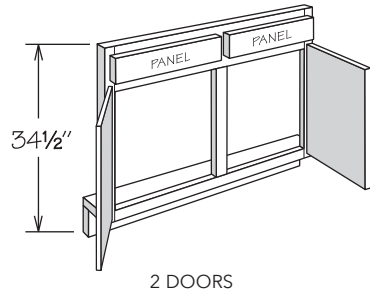
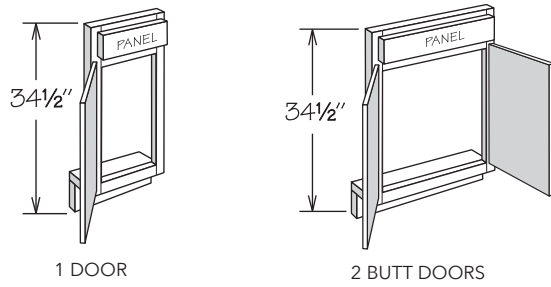
20 5/8" Frame

ASB3032 KIT
ASB3632 KIT

24 1/2" Frame

ASB3034 KIT
ASB3634 KIT

Sink/Cooktop Front



- SF45 is hinged as shown - can be reversed in the field
- Order floor and returns separately (field trimming may be required) - refer to Panel Section for availability (page 193-194)

1 DOOR

SF12
SF15
SF18
SF21
SF24

2 BUTT DOORS

SF24 BUTT
SF27 BUTT
SF30 BUTT
SF33 BUTT
SF36 BUTT

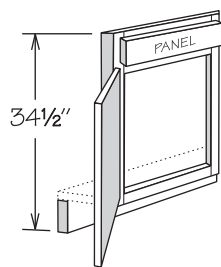
2 DOORS

SF39
SF42
SF48

3 DOORS

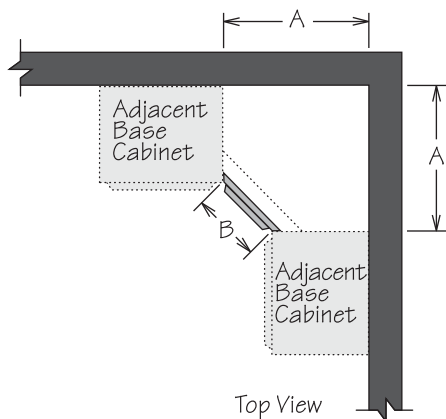
SF45

Corner Sink Front

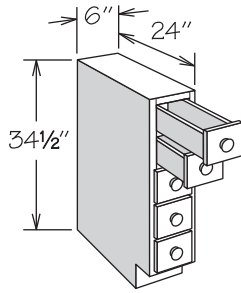


- Vertical edges of frame are mitered to attach to adjacent cabinet frames
- Order floor and returns separately (field trimming may be required) - refer to Panel Section for availability (page 193-194)

	A	B
CSF36	35 3/32"	16 1/16"
CSF42	42 1/32"	25 1/16"



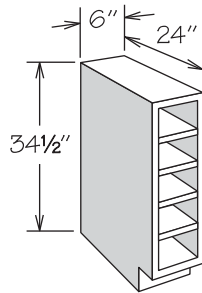
Base Spice Drawer Cabinet



- All door styles feature veneered engineered wood with exterior only finished to match cabinet box exterior
- Five individual full-depth drawers without glides
- Flush sides with no face frame or 1/4" reveals
- All wood drawer body with dovetail construction
- Wood door styles feature matching wood knobs
- Breeze, Linen and Pewter door styles feature white porcelain knobs
- Features 1/2" thick slab drawer fronts for all door styles

BSDC6

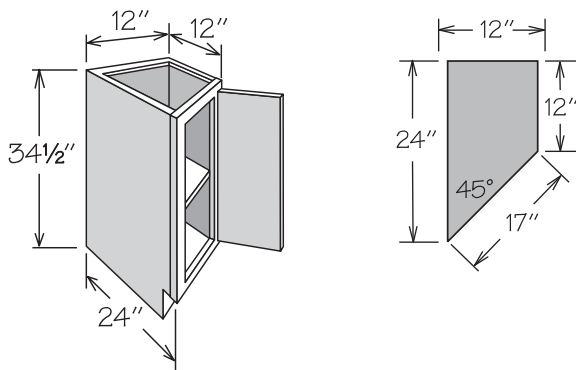
Base Wine Rack Cabinet



- All door styles feature veneered engineered wood finished to match cabinet box exterior
- Interior finished to match cabinet box exterior
- Accommodates five wine bottles (each opening measures: 5" high x 4 1/2" wide)
- 3/4" sides and shelves
- Flush sides with no face frame or 1/4" reveals
- Cannot be retrofitted with Base Spice drawers

BWRC6

Base End Angle + 1 Door



BEA12R FH is shown

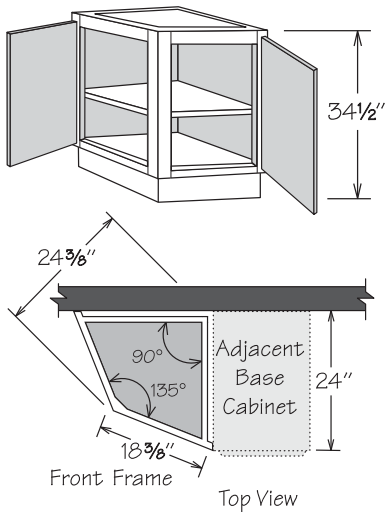
- Full-height door
- One adjustable shelf
- Only available with RD-23 through RD-18
- Recessed Toe Kick Option (RTK) only available on 12" side
- Cabinet dimensions are for reference purposes ONLY - countertop must be measured and fabricated after cabinet installation

APC
FE
RD
RTK

1 SHELF

BEA12L FH
BEA12R FH

Base End Angle + 2 Doors

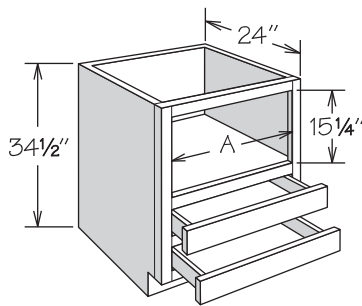


- Cabinet now features a solid top
- One adjustable shelf
- Requires 24" x 24" space
- Cabinet dimensions are for reference purposes
ONLY - countertop must be measured and fabricated after cabinet installation

APC

1 SHELF BEA24 FH

Base Microwave Cabinet + 2 Drawers

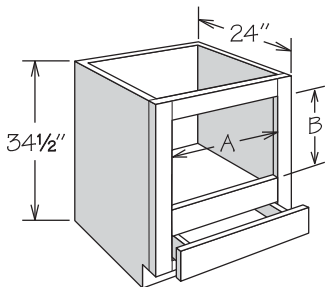


- Microwave opening finished to match cabinet box exterior
- Designed to accommodate countertop style microwave
- Features two standard depth drawers
- Accent molding recommended (order separately)
- Refer to appliance manufacturer's specifications for adequate clearances

AH
APC
FE
RD
RTK

	A
BMC24	20 3/4"
BMC27	23 3/4"
BMC30	26 3/4"

Built-in Base Microwave Cabinet NEW! PRODUCT

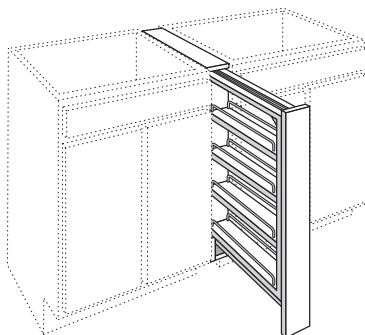


- Designed to accommodate built-in style microwaves with trim kit
- Features one standard depth drawer
- 3 1/4" top rail is field trimmable
- 3 1/8" stiles
- Refer to appliance manufacturer's specifications for adequate clearances and required installation materials

AH
APC
FE
RD
RTK

	A-MIN.	A-MAX	B-MIN.	B-MAX
BBMC24	17 3/4"	22"	15 5/8"	21 1/8"
BBMC27	20 3/4"	25"	15 5/8"	21 1/8"
BBMC30	23 3/4"	28"	15 5/8"	21 1/8"

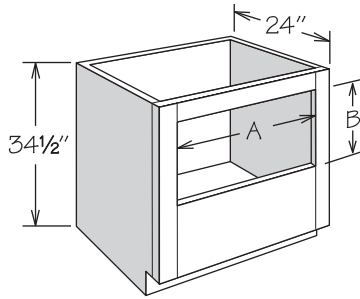
Base Filler Pull-Out



- Must be installed between two base cabinets behind the face frames in 3" (BFP3 CC) or 6" (BFP6 CC) of floor space
- Cannot be installed next to an appliance or at the end of a run
- No side panels or toe kick
- Filler shipped unattached for field installation
- An overlay filler is recommended for full overlay door styles (order separately)
- Two fixed and two adjustable wood shelves with chrome rails
- Decorative hardware strongly recommended

	SHELF WIDTH
BFP3 CC	2 1/8"
BFP6 CC	4 3/4"

Base Oven Cabinet Universal



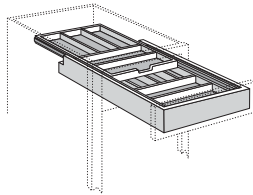
- Designed for mounting single oven below countertop
- 3" top rail is field removable and field trimmable
- 3 1/8" stiles
- Will accommodate certain cooktops (in conjunction with under-counter oven) or drop-in ranges
- Most ovens require a top rail of varying heights to create a finished look and clear the countertop overhang
- Refer to appliance manufacturer's specifications for adequate clearances and required installation materials

AH
APC
FE
RD
RTK

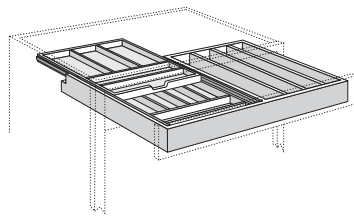
	A-MIN.	A-MAX.	B-MIN.	B-MAX.*
BOCU27	20 3/4"	24 15/16"	18 1/4"	29"
BOCU30	23 3/4"	27 15/16"	18 1/4"	29"
BOCU33	26 3/4"	30 15/16"	18 1/4"	29"

*Trimming/removal of top rail required

Wood Tiered Cutlery Divider Kit



18" Wide Shown

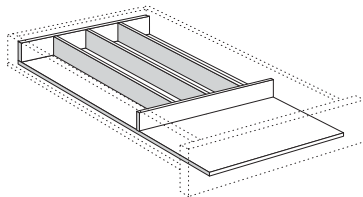
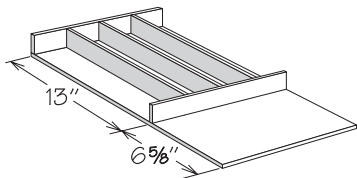


30" Wide Shown

- Available as factory installed for all door styles
- Field installed accessory replaces existing drawer box
- Glides are NOT included: reuse existing drawer glides
- Solid hardwood and plywood in natural finish
- Double-tiered cutlery divider slides independently from drawer
- Can be installed in cabinets with single drawer or side-by-side drawer configurations
- Not sized to fit cabinets with Reduced Depth Option

WIDTH	UPPER SECTIONS	LOWER SECTIONS	COOKING UTENSIL SECTIONS
WTCDAK15	5	5	-
WTCDAK18	5	6	-
WTCDAK21	6	7	-
WTCDAK24	7	7	-
WTCDAK30	5	5	4
WTCDAK36	5	5	5

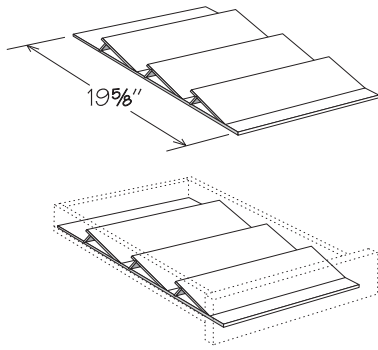
Cutlery Divider Kit



- Available as factory installed for all door styles
- Field installation accessory
- Solid hardwood and plywood in natural finish
- Not sized to fit cabinets with Reduced Depth Option

	NUMBER OF SECTIONS	WIDTH
CDAK15	4	9 3/4"
CDAK18	5	12 3/4"
CDAK21	6	15 3/4"
CDAK24	6	18 3/4"
CDAK30	7	24 3/4"
CDAK36	8	30 3/4"

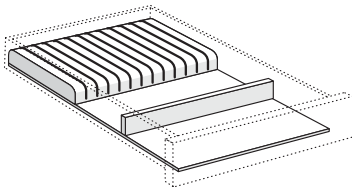
Spice Drawer Insert Kit



- Available as factory installed for all door styles
- Field installation accessory
- Solid hardwood and plywood in natural finish
- Accommodates most spice containers (not included)
- Not sized to fit cabinets with Reduced Depth Option

	WIDTH
S DIAK15	9 3/4"
S DIAK18	12 3/4"
S DIAK21	15 3/4"
S DIAK24	18 3/4"

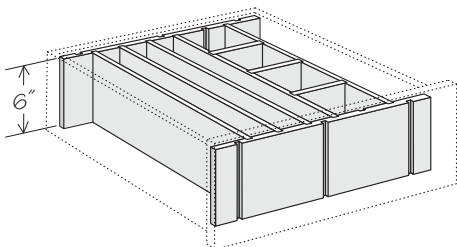
Knife Block Drawer Insert Kit



- Field installation accessory
- Solid hardwood in natural finish
- Features knife slots with hilt rest for easy knife removal
- Not sized to fit cabinets with Reduced Depth Option

	NUMBER OF KNIFE SLOTS	WIDTH
KBDIK15	10	9 3/4"
KBDIK18	13	12 3/4"
KBDIK21	16	15 3/4"
KBDIK24	19	18 3/4"

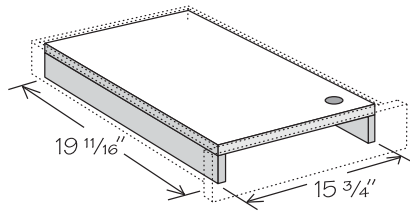
Adjustable Drawer Divider Kit



- For use in large drawers only
- Can be field trimmed in width and depth to accommodate 21" - 36" wide drawers and cabinets with the Reduced Depth Option
- Kit includes:
 - » Front and back panels with grooves
 - » Vertical dividers - two are grooved to accept horizontal dividers
 - » Horizontal dividers
 - » Installation screws

	NUMBER OF VERTICAL DIVIDERS	NUMBER OF HORIZONTAL DIVIDERS
ADDIK21/24	3	3
ADDIK27/30	5	3
ADDIK33/36	6	3

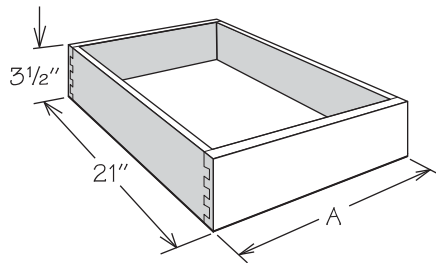
Drawer Work Surface



- Sized to fit in a 21" wide drawer box
- Field installation accessory
- Work surface only - not to be used as a cutting board
- Workboard sits on wooden supports to flush out top of drawer
- Not sized to fit cabinets with Reduced Depth Option

DWS21

Deep Roll Out Tray Kit

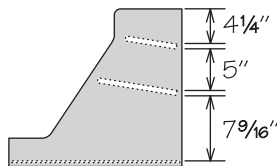
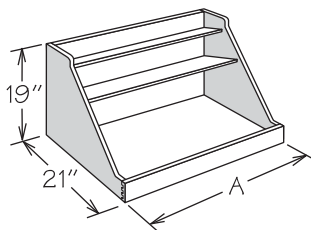


- Field installation accessory
- Natural finish dovetail drawer with engineered wood bottom
- Includes tray, all glide hardware and installation instructions
- DROT drill template is required for all two door cabinets that have a center stile - contact the Partner Team for drill template

RD

SINGLE	4 PACK	A
DROTCC12	DROTCC12-4K	7 3/4"
DROTCC15	DROTCC15-4K	10 3/4"
DROTCC18	DROTCC18-4K	13 3/4"
DROTCC19	-	15 1/4"
DROTCC21	DROTCC21-4K	16 3/4"
DROTCC24	DROTCC24-4K	19 3/4"
DROTCC27	DROTCC27-4K	22 3/4"
DROTCC30	DROTCC30-4K	25 3/4"
DROTCC33	DROTCC33-4K	28 3/4"
DROTCC36	DROTCC36-4K	31 3/4"

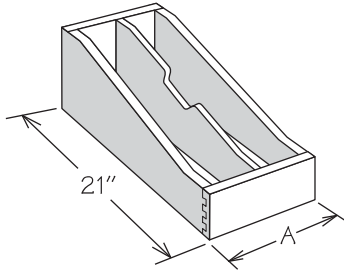
Base Pot & Pan Organizer Kit



- Field installation accessory
- Organizer features natural finish solid wood, wood veneer and dovetail (front only) construction with engineered wood bottom and full-extension CushionClose glides
- Top shelf of organizer measures 6 3/8" deep
- Middle shelf of organizer measures 9 3/4" deep
- Not sized to fit reduced depth cabinets

	A	BASE CABINET SIZE	OVEN CABINET SIZE
BPPOKCC24	19 3/4"	24"	27"
BPPOKCC27	22 3/4"	27"	30"
BPPOKCC30	25 3/4"	30"	33"
BPPOKCC33	28 3/4"	33"	-
BPPOKCC36	31 3/4"	36"	-

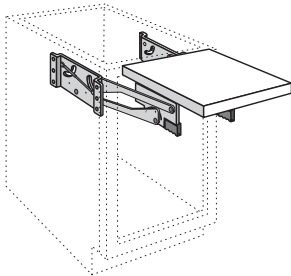
Roll-Out Tray Divider Kit



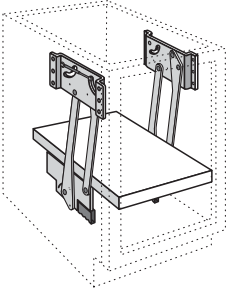
- Field installation accessory
- Natural finish solid wood and wood veneer and dovetail (front only) construction with engineered wood bottom
- ROTDKCC12 features two compartments (one partition)
- ROTDKCC15 features three compartments (two partitions)
- Partition(s) are field installed
- Not sized to fit reduced depth cabinets

	A	CABINET SIZE
ROTDKCC12	7 3/4"	12"
ROTDKCC15	10 3/4"	15"

Base Mixer Lift Kit

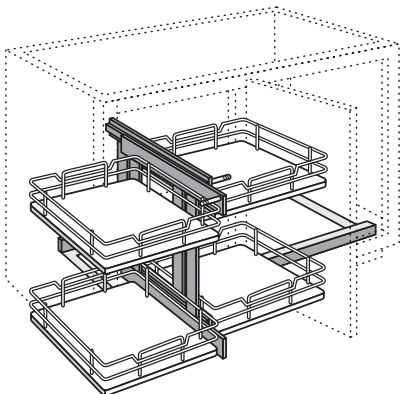


- Field installation accessory
- Includes 1 3/8" thick natural finish solid wood shelf and one pair of shock dampening, adjustable tension lifts
- Cannot be used with Deep Roll Out Trays or adjustable shelf
- Supports up to 60 pounds
- For use with B18 FH with Furniture Ends Option
- Mounts to cabinet side panels
- Not sized to fit cabinets with Reduced Depth Option



BMLK18

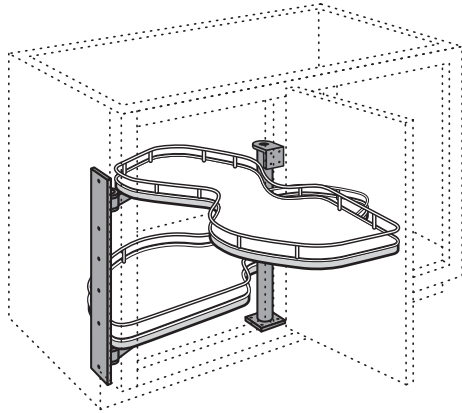
Blind Base Pull Out Kit



- Field installation accessory
- Can be reversed for left or right installation
- Two-tiered organizer features four chrome finish wire shelves with engineered wood bottoms with woodgrain look
- Features full-extension 100-pound rated glides
- Recommended for use with BLB45/48 FH or BLB48/51 FH, can be used with BLB45/48 or BLB48/51
- Mounts to cabinet floor
- Unit requires 19 1/4" of clearance in front of cabinet to pull the unit out, and 12 1/2" of side clearance to slide unit over (see page 127 for more details)
- Baskets are able to repositioned to allow clearance of deeper adjacent objects up to 26"

BLBPOK45

Blind Base Swing Out Kit

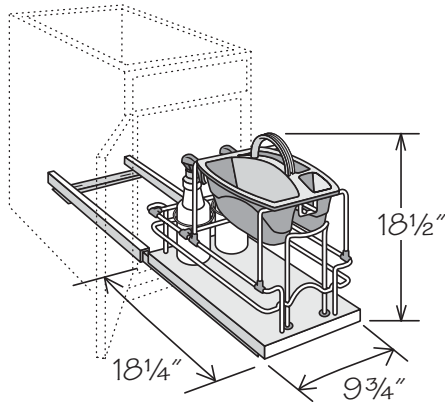


BLBSOK45L Shown

- Field installation accessory
- Kit is not reversible and must be ordered as left or right
- Two-tiered organizer features two chrome finish wire shelves with engineered wood bottoms with woodgrain look
- Supports up to 45 pounds per shelf
- Recommended for use with BLB45/48 FH or BLB48/51 FH , can also be used with BLB45/48 or BLB48/51 - Furniture End Option required
- Mounts to cabinet side panel and telescopic pole (included)
- Not sized to fit cabinets with Reduced Depth Option
- Refer to page 127 for shelf clearances

BLBSOK45L
BLBSOK45R

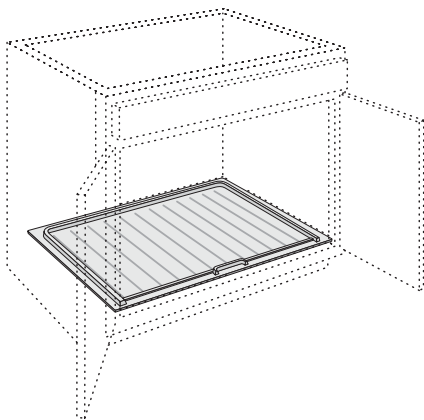
Cleaning Caddy Pullout Kit



- Field installation accessory
- Features metal and wire CushionClose pull-out organizer with two 1L spray bottles and one removable gray cleaning caddy
- Supports up to 75 pounds
- Unit is configurable so that spray bottles can be installed at the front or back
- For use with 15" or wider base cabinet
- Mounts to cabinet floor
- For use in 24" deep cabinets or cabinets with RD-23 through RD-21

CCPOK

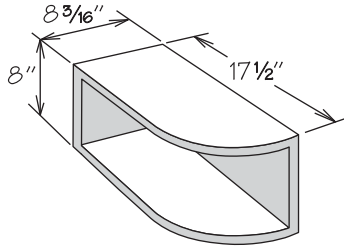
Sink Base Mat



- Field installation accessory
- Designed to funnel any leaks or spills out the front of the cabinet while protecting the cabinet floor
- Features flexible material in gray finish - easily trimmable
- Minor field trimming required for use in Deep Sink Base cabinets
- Not sized or trimmable to fit cabinets with Reduced Depth Option
- SBMAT39 is notched for center stile

SBMAT30
SBMAT33
SBMAT36
SBMAT39

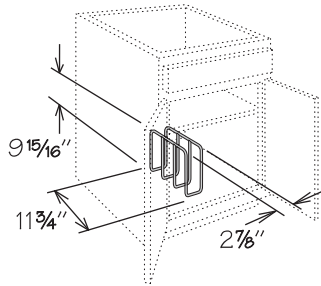
Sink Base Multi-Storage Shelf



- Field installation accessory
- 3/4" plywood with natural finish
- Invert for left or right installation

SBMSS

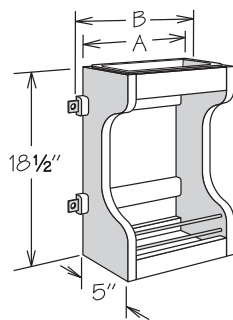
Cabinet Tray Divider



- Field installation accessory
- Chrome finish
- For use in 24" deep cabinets or cabinets with RD-23 through RD-14
- Mounting hardware included

TD3

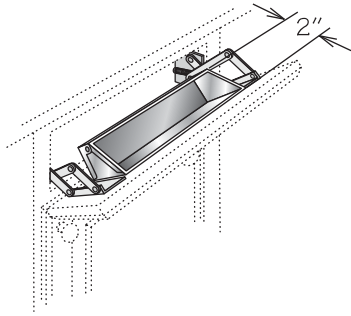
Sink Base Door Storage Unit



- Field installation accessory
- Natural finish solid wood
- Two fixed shelves
- Cannot be used with Deep Roll Out Trays
- Full-depth shelf must be field trimmed to half-depth
- Removable white plastic tray is NOT dishwasher safe
- SBDSU15 mounts to 15" or 16" wide base door
- SBDSU18 mounts to 18" or 19" wide base door
- Not sized to fit Deep Sink Base (DSB) cabinet doors

	A	B
SBDSU15	9"	10 1/2"
SBDSU18	10 1/2"	13 1/2"

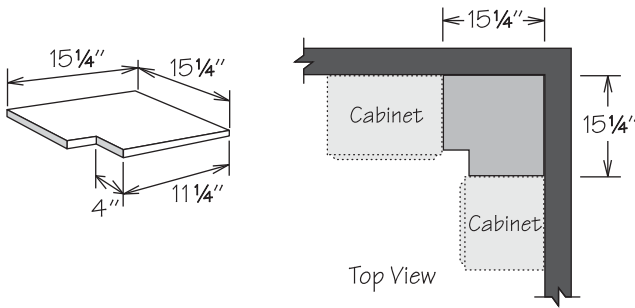
Stainless Tilt-Out Tray Kit



- Field installation accessory
- Kit features stainless tray and one pair of scissor hinges
- Order units individually
- STO TRAY 11:
 - » Order one unit for SB18
- STO TRAY 14:
 - » Order one unit for SB21, SB24, SB27 or CSF42
 - » Order two units for SB39, SB42 or SB48
- STO TRAY 22:
 - » Order one unit for SB30, SB33 or SB36
- Sink front units match sink base sizes as noted above
- Tilt-Out Trays are NOT dishwasher safe

STO TRAY 11
 STO TRAY 14
 STO TRAY 22

Blind Corner Closure



- Features 1/2" engineered wood with natural woodgrain finish on both sides
- Field trimmable

BLC1515



Living space shown in
470F Painted Linen, Stone & Black

KDC By Gramophone

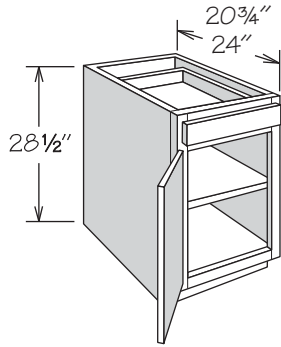
KDC by Gramophone Design Team
Hunt Valley, MD

“We chose Waypoint for the Chef’s kitchen because it was a great fit in regard to the criteria of the project: lead times, style, and painted color options.”

We love the fact Waypoint has been really good at being consistent in its quality, even throughout the uncertain times of COVID19. There are also some really great, core, door styles available that work for a multitude of different looks and styles.”



Desk Cabinet • 1 Door and 1 Drawer



- One full-depth adjustable shelf
- May be accessorized with one Deep Roll Out Tray
- Deep Roll Out Tray must be mounted on cabinet floor

APC
CFO
FE
RD
RTK

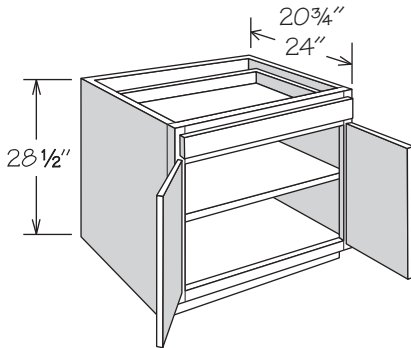
24" DEEP

DDO1224
DDO1524
DDO1824
DDO2124

21" DEEP

DDO1221
DDO1521
DDO1821
DDO2121

Desk Cabinet • 2 Butt Doors and 1 Drawer



- One full-depth adjustable shelf
- May be accessorized with one Deep Roll Out Tray
- Deep Roll Out Tray must be mounted on cabinet floor

APC
CFO
FE
RD
RTK

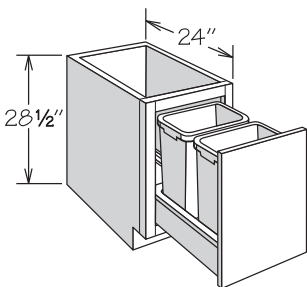
24" DEEP

DDO2424 BUTT

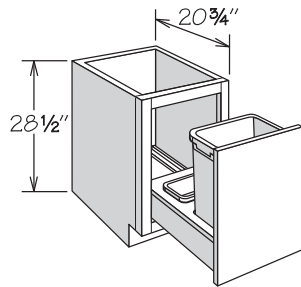
21" DEEP

DDO2421 BUTT

Desk Cabinet • 1 Door with Wastebasket Pull-Out



2 WASTEBASKETS



1 WASTEBASKET

- Full-height door
- Wastebasket rests in a natural finish wood frame
- Wastebasket pull-out features CushionClose heavy-duty 100-pound rated glides
- DWBB1824 CC features two silver plastic 35-quart capacity bins
- DWBB1821 CC features one silver plastic 35-quart capacity bin and bag storage tray at rear (not dishwasher safe)
- Decorative hardware strongly recommended

APC
FE
RTK

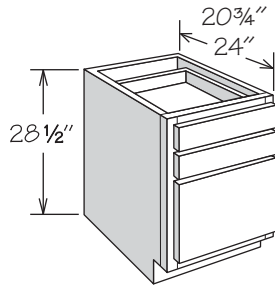
24" DEEP • 2 WASTEBASKETS

DWBB1824 CC

21" DEEP • 1 WASTEBASKET

DWBB1821 CC

Desk Drawer Cabinet • 3 Drawers



- One large and two standard drawers
- Large drawer cannot be used as a file drawer

APC
CFO
FE
RD
RTK

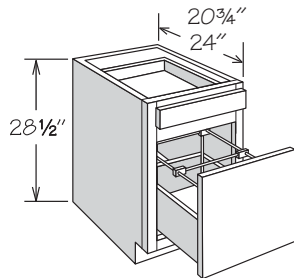
24" DEEP

DDR1224
DDR1524
DDR1824
DDR2124
DDR2424

21" DEEP

DDR1221
DDR1521
DDR1821
DDR2121
DDR2421

Desk Cabinet • 1 Drawer and Door with File Pull-Out



- One standard top drawer
- Features one natural finish wood drawer body attached to door pull-out
- File unit packaged separately for field installation
- Will accept letter or legal-size hanging files

APC
FE
RTK

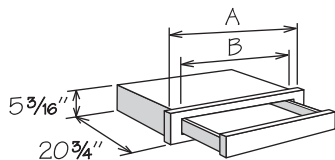
24" DEEP

DFDC1824 CC

21" DEEP

DFDC1821 CC

Kneehole Drawer Cabinet

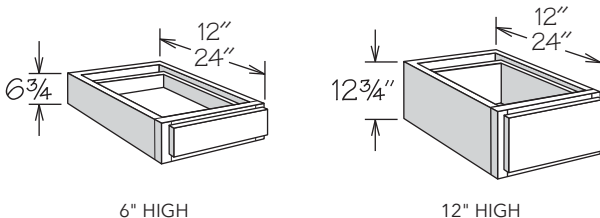


- Designed for desk or vanity application
- Field trimmable in height to 4 3/4"
- Field trimmable in depth to 18" or available with RD-20 through RD-12
- Drawer front complements door style - refer to door style section

RD

	A	B	MAX. TRIM
KDC27/21	27"	17 3/4"	21" (3" each side)
KDC33/27	33"	23 3/4"	27" (3" each side)
KDC36/33	36"	29 3/4"	33" (1 1/2" each side)

Furniture Drawer Cabinet • 1 Drawer



- 6" high features one standard drawer and 12" high features one large drawer
- 24" deep Furniture Drawer cabinets are only available with RD-23 through RD-13
- Bottom of cabinet frame must be fully supported

APC
CFO
FE
RD ■

6" HIGH • 1 DRAWER

12" Deep

FD121206
FD151206
FD181206
FD211206
FD241206
FD271206
FD301206
FD331206
FD361206

24" Deep

FD122406 ■
FD152406 ■
FD182406 ■
FD212406 ■
FD242406 ■
FD272406 ■
FD302406 ■
FD332406 ■
FD362406 ■

12" HIGH • 1 DRAWER

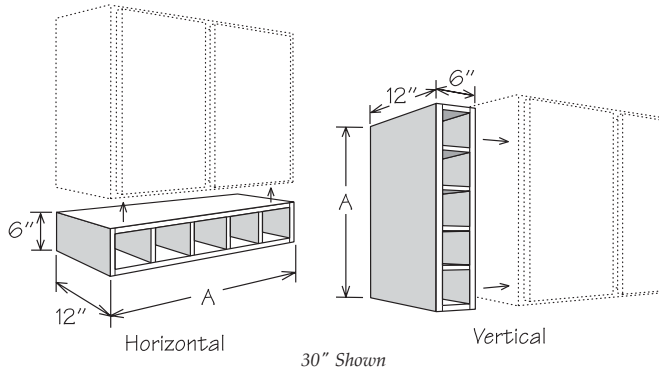
12" Deep

FD121212
FD151212
FD181212
FD211212
FD241212
FD271212
FD301212
FD331212
FD361212

24" Deep

FD122412 ■
FD152412 ■
FD182412 ■
FD212412 ■
FD242412 ■
FD272412 ■
FD302412 ■
FD332412 ■
FD362412 ■

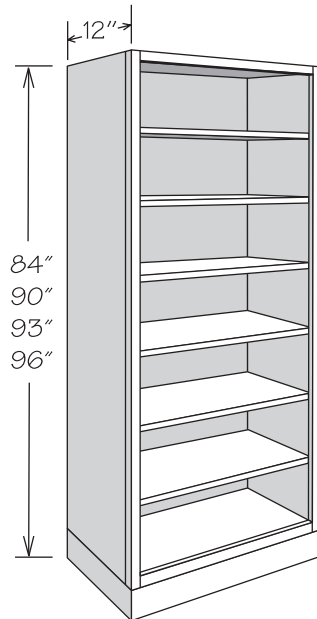
Storage Cube



- Vertical installation may require the use of fillers and/or molding which must be ordered separately
- Opening size is 5" wide x 4 1/2" high (horizontal) which will accommodate most envelopes and various other office supplies
- All door styles feature 3/4" veneered engineered wood finished to match cabinet box exterior
- Flush sides with no face frame or 1/4" reveals
- Interior finished to match cabinet box exterior
- Cannot be retrofitted with Spice Drawer Cabinet drawers

	A	NUMBER OF OPENINGS
SC30	30"	5
SC36	36"	6
SC42	42"	7

Tall Bookshelf



- Interior finished to match cabinet box exterior
- Flush furniture toe kick
- Toe kick shipped unattached for 93" and 96" high bookshelves
- Adjustable 23/32" plywood shelves finished to match cabinet box exterior included for all construction types
- All shelving packaged separately for field installation

APC
FE
ID
RD

12" DEEP

96"H • 6 Shelves

BS1896
BS2496
BS3096
BS3696

90"H • 6 Shelves

BS1890
BS2490
BS3090
BS3690

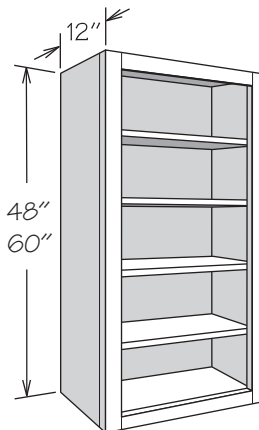
93"H • 6 Shelves

BS1893
BS2493
BS3093
BS3693

84"H • 5 Shelves

BS1884
BS2484
BS3084
BS3684

Wall Bookshelf



- Interior finished to match cabinet box exterior
- Adjustable 23/32" plywood shelves finished to match cabinet box exterior included for all construction types
- All shelving packaged separately for field installation

APC
FE
ID
RD

12" DEEP

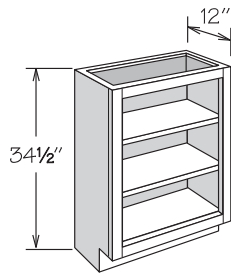
60"H • 4 Shelves

BS1860
BS2460
BS3060
BS3660

48"H • 3 Shelves

BS1848
BS2448
BS3048
BS3648

Base Bookshelf



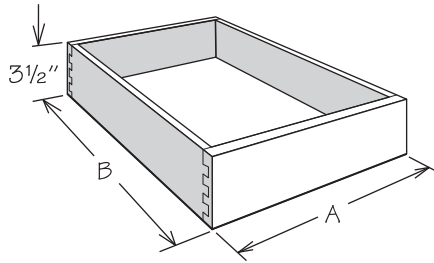
- Interior finished to match cabinet box exterior
- Two adjustable 2³/₂" plywood shelves finished to match cabinet box exterior included for all construction types
- All shelving packaged separately for field installation

APC
FE
ID
RD
RTK

12" DEEP

BS2434

Deep Roll Out Tray Kit



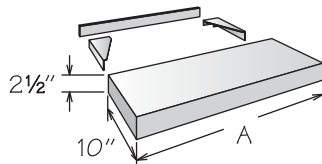
- Field installation accessory
- Natural finish dovetail drawer with engineered wood bottom
- Includes tray, all glide hardware and installation instructions
- Contact Partner Team for drill template

RD

DEEP ROLL OUT TRAY KIT

	A	B
DROTCC12	7 3/4"	21"
DROTCC15	10 3/4"	21"
DROTCC18	13 3/4"	21"
DROTCC21	16 3/4"	21"
DROTCC24	19 3/4"	21"
DROTCC1221	7 3/4"	18"
DROTCC1521	10 3/4"	18"
DROTCC1821	13 3/4"	18"
DROTCC2421	19 3/4"	18"

Floating Shelf

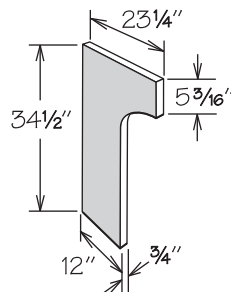


- Not trimmable
- Finished on all sides to match cabinet box exterior
- Constructed of engineered wood top and bottom and solid wood front and sides
- When installed between two cabinets, Furniture Ends (FE) are recommended for adjacent cabinets
- Must be secured to studs in wall or to bracing added between studs
- Installation instructions, mounting brackets, and screws included

10" DEEP

	A	MAX. LOAD
FLSH2410	24"	30 lbs.
FLSH3010	30"	37 lbs.
FLSH3610	36"	45 lbs.
FLSH4210	42"	52 lbs.
FLSH4810	48"	60 lbs.

Desk End Panel



- All door styles feature 3/4" veneered engineered wood finished to match cabinet box exterior on both sides
- Recommend QM8 be ordered for installation to ensure proper attachment to wall
- Edge banded on front

34 1/2" HIGH

DEP

The Perfect Pair

Two-tone kitchens have grown in popularity the last few years and continue to be a big trend in 2024. Multiple finishes help create zones and add visual interest to your customer's space. Our finishes are developed to blend and complement each other to make creating multi-tone spaces easy for you and your customer.

The Painted Duo

When it comes to the two-tone trend, painted cabinetry is often used. Our Painted Boulder finish creates contrast when paired with a classic white, like our Painted Linen finish, for a pop of color. Incorporating a warmer wood tone in flooring and shelves adds coziness to the space.

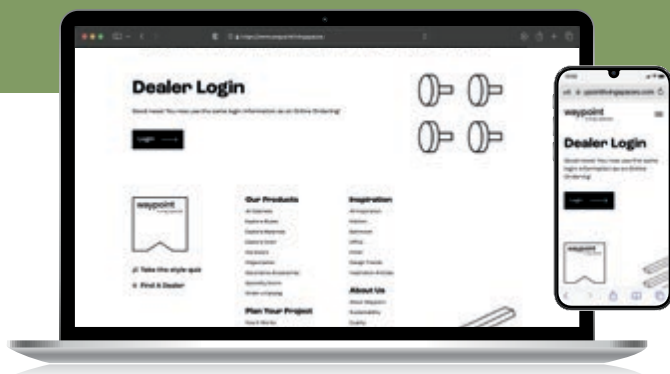


Mixing Materials

Two-tone spaces aren't for painted cabinetry only. Mixing materials can also add interest to the space. Here, Painted Mist provides an airy, fun backdrop that allows Maple Rye to shine. This unexpected combination creates a modern look when paired with lighter countertops, flooring, and stainless steel appliances.

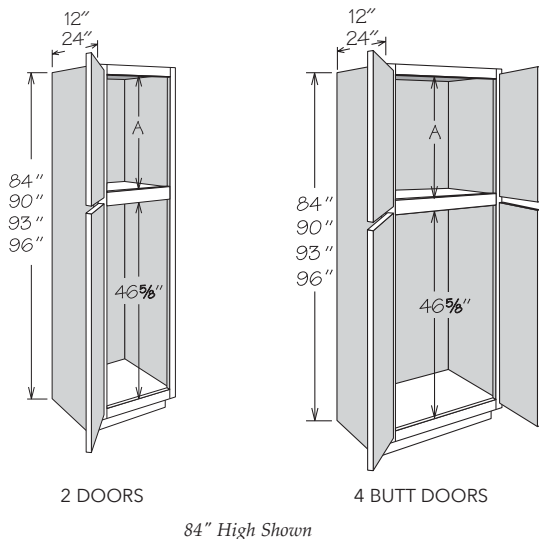
A Stain and Paint Pair

We've all heard of the naturalistic design that's taking interiors by storm. Our Maple Almond paired with Painted Navy creates a modern, open feel. These finishes paired with lighter floors and countertops invite light and brightness in. Complement these finishes with stainless steel appliances and gold hardware and fixtures to tie the space together.



View our Curated Finishes Guide under Design Guides on the Dealer Portal at [WaypointLivingSpaces.com](https://www.waypointlivingspaces.com)

Utility Cabinet



- Shelving and optional interior accessories may be ordered separately (refer to Utility Cabinet Accessories for details)
- Cabinet backs are pre-drilled to accept up to four Deep Roll Out Trays in lower section
- 4" inset toe kick assembly shipped inside 93" and 96" high cabinets - 33" wide x 93" high toe kicks ship as two pieces - seam will be visible between toe kick box and side of cabinet
- Two door cabinets must be ordered hinged left or right
- Specialty Door cabinets (SD) feature Matching Interior standard and require a specialty door selection
- Bottom doors will have a center rail for select door styles - refer to door style section

AH
APC
CFO
FE
MI ■
RD

	A
84" High	26 7/8"
90" High	32 7/8"
93" High	35 7/8"
96" High	38 7/8"

2 DOORS • 12" DEEP

96" H

- UT1212 X 96 ■
- UT1512 X 96 ■
- UT1812 X 96 ■
- UT2112 X 96 ■
- UT1212 X 96 SD
- UT1512 X 96 SD
- UT1812 X 96 SD
- UT2112 X 96 SD

93" H

- UT1212 X 93 ■
- UT1512 X 93 ■
- UT1812 X 93 ■
- UT2112 X 93 ■
- UT1212 X 93 SD
- UT1512 X 93 SD
- UT1812 X 93 SD
- UT2112 X 93 SD

90" H

- UT1212 X 90 ■
- UT1512 X 90 ■
- UT1812 X 90 ■
- UT2112 X 90 ■
- UT1212 X 90 SD
- UT1512 X 90 SD
- UT1812 X 90 SD
- UT2112 X 90 SD

84" H

- UT1212 X 84 ■
- UT1512 X 84 ■
- UT1812 X 84 ■
- UT2112 X 84 ■
- UT1812 X 84 SD
- UT1212 X 84 SD
- UT1512 X 84 SD
- UT2112 X 84 SD

2 BUTT DOORS • 24" DEEP

96" H

- UT1224 X 96 ■
- UT1524 X 96 ■
- UT1824 X 96 ■
- UT2124 X 96 ■
- UT1224 X 96 SD
- UT1524 X 96 SD
- UT1824 X 96 SD
- UT2124 X 96 SD

93" H

- UT1224 X 93 ■
- UT1524 X 93 ■
- UT1824 X 93 ■
- UT2124 X 93 ■
- UT1224 X 93 SD
- UT1524 X 93 SD
- UT1824 X 93 SD
- UT2124 X 93 SD

90" H

- UT1224 X 90 ■
- UT1524 X 90 ■
- UT1824 X 90 ■
- UT2124 X 90 ■
- UT1224 X 90 SD
- UT1524 X 90 SD
- UT1824 X 90 SD
- UT2124 X 90 SD

84" H

- UT1224 X 84 ■
- UT1524 X 84 ■
- UT1824 X 84 ■
- UT2124 X 84 ■
- UT1224 X 84 SD
- UT1524 X 84 SD
- UT1824 X 84 SD
- UT2124 X 84 SD

4 BUTT DOORS • 12" DEEP

96" H

- UT2412 X 96 BUTT ■
- UT2412 X 96 BUTT SD

93" H

- UT2412 X 93 BUTT ■
- UT2412 X 93 BUTT SD

90" H

- UT2412 X 90 BUTT ■
- UT2412 X 90 BUTT SD

84" H

- UT2412 X 84 BUTT ■
- UT2412 X 84 BUTT SD

4 BUTT DOORS • 24" DEEP

96" H

- UT2424 X 96 BUTT ■
- UT2724 X 96 BUTT ■
- UT3024 X 96 BUTT ■
- UT3324 X 96 BUTT ■
- UT3624 X 96 BUTT ■
- UT2424 X 96 BUTT SD
- UT2724 X 96 BUTT SD
- UT3024 X 96 BUTT SD
- UT3324 X 96 BUTT SD
- UT3624 X 96 BUTT SD

93" H

- UT2424 X 93 BUTT ■
- UT2724 X 93 BUTT ■
- UT3024 X 93 BUTT ■
- UT3324 X 93 BUTT ■
- UT3624 X 93 BUTT ■
- UT2424 X 93 BUTT SD
- UT2724 X 93 BUTT SD
- UT3024 X 93 BUTT SD
- UT3324 X 93 BUTT SD
- UT3624 X 93 BUTT SD

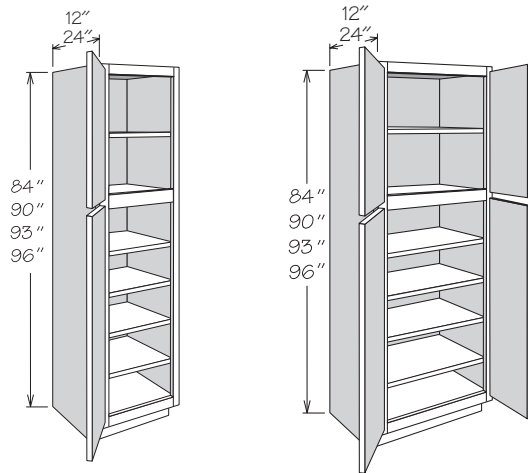
90" H

- UT2424 X 90 BUTT ■
- UT2724 X 90 BUTT ■
- UT3024 X 90 BUTT ■
- UT3324 X 90 BUTT ■
- UT3624 X 90 BUTT ■
- UT2424 X 90 BUTT SD
- UT2724 X 90 BUTT SD
- UT3024 X 90 BUTT SD
- UT3324 X 90 BUTT SD
- UT3624 X 90 BUTT SD

84" H

- UT2424 X 84 BUTT ■
- UT2724 X 84 BUTT ■
- UT3024 X 84 BUTT ■
- UT3324 X 84 BUTT ■
- UT3624 X 84 BUTT ■
- UT2424 X 84 BUTT SD
- UT2724 X 84 BUTT SD
- UT3024 X 84 BUTT SD
- UT3324 X 84 BUTT SD
- UT3624 X 84 BUTT SD

Utility Cabinet • Adjustable Shelves



2 DOORS 84" High Shown 4 BUTT DOORS

- Full-depth adjustable shelves are 3/4" engineered wood and edge banded on front edge only
- Bottom section features four adjustable shelves
- All shelving packaged separately for field installation
- 4" inset toe kick assembly shipped inside 93" and 96" high cabinets - 33" wide x 93" high toe kicks ship as two pieces - seam will be visible between toe kick box and side of cabinet
- Two door cabinets must be ordered hinged left or right
- Specialty Door cabinets (SD) feature Matching Interior standard and require a specialty door selection
- Bottom doors will have a center rail for select door styles - refer to door style section

AH
APC
FE
MI
RD

2 DOORS • 12" DEEP

96" H • 3 Top Shelves

- UT1212 X 96 AS ■
- UT1512 X 96 AS ■
- UT1812 X 96 AS ■
- UT2112 X 96 AS ■
- UT1212 X 96 AS SD
- UT1512 X 96 AS SD
- UT1812 X 96 AS SD
- UT2112 X 96 AS SD

93" H • 3 Top Shelves

- UT1212 X 93 AS ■
- UT1512 X 93 AS ■
- UT1812 X 93 AS ■
- UT2112 X 93 AS ■
- UT1212 X 93 AS SD
- UT1512 X 93 AS SD
- UT1812 X 93 AS SD
- UT2112 X 93 AS SD

2 DOORS • 24" DEEP

96" H • 3 Top Shelves

- UT1224 X 96 AS ■
- UT1524 X 96 AS ■
- UT1824 X 96 AS ■
- UT2124 X 96 AS ■
- UT1224 X 96 AS SD
- UT1524 X 96 AS SD
- UT1824 X 96 AS SD
- UT2124 X 96 AS SD

93" H • 3 Top Shelves

- UT1224 X 93 AS ■
- UT1524 X 93 AS ■
- UT1824 X 93 AS ■
- UT2124 X 93 AS ■
- UT1224 X 93 AS SD
- UT1524 X 93 AS SD
- UT1824 X 93 AS SD
- UT2124 X 93 AS SD

90" H • 2 Top Shelves

- UT1212 X 90 AS ■
- UT1512 X 90 AS ■
- UT1812 X 90 AS ■
- UT2112 X 90 AS ■
- UT1212 X 90 AS SD
- UT1512 X 90 AS SD
- UT1812 X 90 AS SD
- UT2112 X 90 AS SD

84" H • 1 Top Shelf

- UT1212 X 84 AS ■
- UT1512 X 84 AS ■
- UT1812 X 84 AS ■
- UT2112 X 84 AS ■
- UT1212 X 84 AS SD
- UT1512 X 84 AS SD
- UT1812 X 84 AS SD
- UT2112 X 84 AS SD

90" H • 2 Top Shelves

- UT1224 X 90 AS ■
- UT1524 X 90 AS ■
- UT1824 X 90 AS ■
- UT2124 X 90 AS ■
- UT1224 X 90 AS SD
- UT1524 X 90 AS SD
- UT1824 X 90 AS SD
- UT2124 X 90 AS SD

84" H • 1 Top Shelf

- UT1224 X 84 AS ■
- UT1524 X 84 AS ■
- UT1824 X 84 AS ■
- UT2124 X 84 AS ■
- UT1224 X 84 AS SD
- UT1524 X 84 AS SD
- UT1824 X 84 AS SD
- UT2124 X 84 AS SD

4 BUTT DOORS • 12" DEEP

96" H • 3 Top Shelves

- UT2412 X 96 AS BUTT ■
- UT2412 X 96 AS BUTT SD

93" H • 3 Top Shelves

- UT2412 X 93 AS BUTT ■
- UT2412 X 93 AS BUTT SD

4 BUTT DOORS • 24" DEEP

96" H • 3 Top Shelves

- UT2424 X 96 AS BUTT ■
- UT2724 X 96 AS BUTT ■
- UT3024 X 96 AS BUTT ■
- UT3324 X 96 AS BUTT ■
- UT3624 X 96 AS BUTT ■
- UT2424 X 96 AS BUTT SD
- UT2724 X 96 AS BUTT SD
- UT3024 X 96 AS BUTT SD
- UT3324 X 96 AS BUTT SD
- UT3624 X 96 AS BUTT SD

93" H • 3 Top Shelves

- UT2424 X 93 AS BUTT ■
- UT2724 X 93 AS BUTT ■
- UT3024 X 93 AS BUTT ■
- UT3324 X 93 AS BUTT ■
- UT3624 X 93 AS BUTT ■
- UT2424 X 93 AS BUTT SD
- UT2724 X 93 AS BUTT SD
- UT3024 X 93 AS BUTT SD
- UT3324 X 93 AS BUTT SD
- UT3624 X 93 AS BUTT SD

90" H • 2 Top Shelves

- UT2412 X 90 AS BUTT ■
- UT2412 X 90 AS BUTT SD

84" H • 1 Top Shelf

- UT2412 X 84 AS BUTT ■
- UT2412 X 84 AS BUTT SD

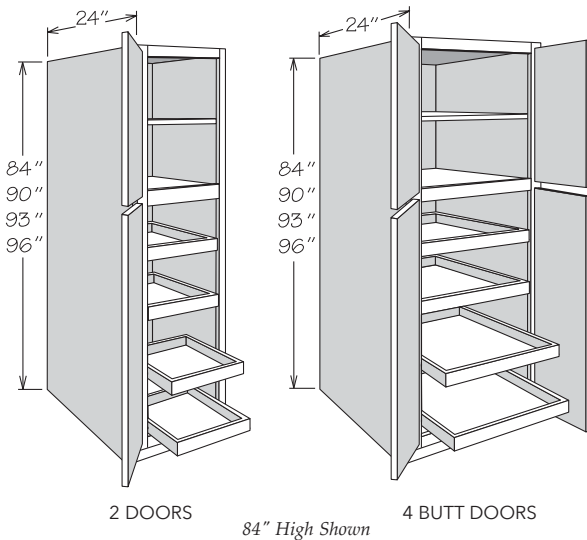
90" H • 2 Top Shelves

- UT2424 X 90 AS BUTT ■
- UT2724 X 90 AS BUTT ■
- UT3024 X 90 AS BUTT ■
- UT3324 X 90 AS BUTT ■
- UT3624 X 90 AS BUTT ■
- UT2424 X 90 AS BUTT SD
- UT2724 X 90 AS BUTT SD
- UT3024 X 90 AS BUTT SD
- UT3324 X 90 AS BUTT SD
- UT3624 X 90 AS BUTT SD

84" H • 1 Top Shelf

- UT2424 X 84 AS BUTT ■
- UT2724 X 84 AS BUTT ■
- UT3024 X 84 AS BUTT ■
- UT3324 X 84 AS BUTT ■
- UT3624 X 84 AS BUTT ■
- UT2424 X 84 AS BUTT SD
- UT2724 X 84 AS BUTT SD
- UT3024 X 84 AS BUTT SD
- UT3324 X 84 AS BUTT SD
- UT3624 X 84 AS BUTT SD

Utility Cabinet • Deep Roll Out Trays



- Full-depth adjustable shelves are ¾" engineered wood and edge banded on front edge only
- Bottom section features four Deep Roll Out Trays
- All shelving and Deep Roll Out Trays packaged separately for field installation
- 4" inset toe kick assembly shipped inside 93" and 96" high cabinets - 33" wide x 93" high toe kicks ship as two pieces - seam will be visible between toe kick box and side of cabinet
- Two door cabinets must be ordered hinged left or right
- Specialty Door cabinets (SD) feature Matching Interior standard and require a specialty door selection
- Bottom doors will have a center rail for select door styles - refer to door style section

AH
APC
FE
MI ■
RD

2 DOORS

96" H • 3 Top Shelves

- UT1224 X 96 CC4ROT ■
- UT1524 X 96 CC4ROT ■
- UT1824 X 96 CC4ROT ■
- UT2124 X 96 CC4ROT ■
- UT1224 X 96 CC4ROT SD
- UT1524 X 96 CC4ROT SD
- UT1824 X 96 CC4ROT SD
- UT2124 X 96 CC4ROT SD

93" H • 3 Top Shelves

- UT1224 X 93 CC4ROT ■
- UT1524 X 93 CC4ROT ■
- UT1824 X 93 CC4ROT ■
- UT2124 X 93 CC4ROT ■
- UT1224 X 93 CC4ROT SD
- UT1524 X 93 CC4ROT SD
- UT1824 X 93 CC4ROT SD
- UT2124 X 93 CC4ROT SD

90" H • 2 Top Shelves

- UT1224 X 90 CC4ROT ■
- UT1524 X 90 CC4ROT ■
- UT1824 X 90 CC4ROT ■
- UT2124 X 90 CC4ROT ■
- UT1224 X 90 CC4ROT SD
- UT1524 X 90 CC4ROT SD
- UT1824 X 90 CC4ROT SD
- UT2124 X 90 CC4ROT SD

84" H • 1 Top Shelf

- UT1224 X 84 CC4ROT ■
- UT1524 X 84 CC4ROT ■
- UT1824 X 84 CC4ROT ■
- UT2124 X 84 CC4ROT ■
- UT1224 X 84 CC4ROT SD
- UT1524 X 84 CC4ROT SD
- UT1824 X 84 CC4ROT SD
- UT2124 X 84 CC4ROT SD

4 BUTT DOORS

96" H • 3 Top Shelves

- UT2424 X 96 CC4ROT BUTT ■
- UT2724 X 96 CC4ROT BUTT ■
- UT3024 X 96 CC4ROT BUTT ■
- UT3324 X 96 CC4ROT BUTT ■
- UT3624 X 96 CC4ROT BUTT ■
- UT2424 X 96 CC4ROT BUTT SD
- UT2724 X 96 CC4ROT BUTT SD
- UT3024 X 96 CC4ROT BUTT SD
- UT3324 X 96 CC4ROT BUTT SD
- UT3624 X 96 CC4ROT BUTT SD

93" H • 3 Top Shelves

- UT2424 X 93 CC4ROT BUTT ■
- UT2724 X 93 CC4ROT BUTT ■
- UT3024 X 93 CC4ROT BUTT ■
- UT3324 X 93 CC4ROT BUTT ■
- UT3624 X 93 CC4ROT BUTT ■
- UT2424 X 93 CC4ROT BUTT SD
- UT2724 X 93 CC4ROT BUTT SD
- UT3024 X 93 CC4ROT BUTT SD
- UT3324 X 93 CC4ROT BUTT SD
- UT3624 X 93 CC4ROT BUTT SD

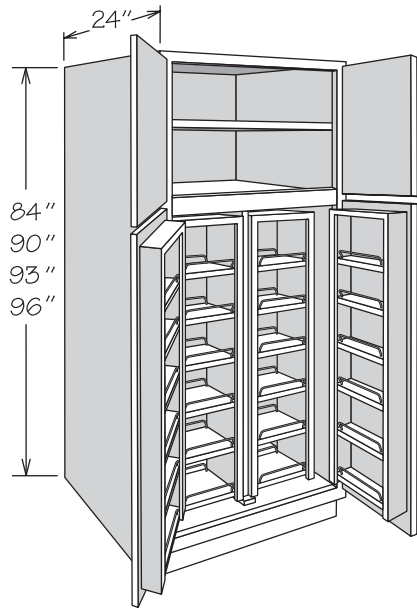
90" H • 2 Top Shelves

- UT2424 X 90 CC4ROT BUTT ■
- UT2724 X 90 CC4ROT BUTT ■
- UT3024 X 90 CC4ROT BUTT ■
- UT3324 X 90 CC4ROT BUTT ■
- UT3624 X 90 CC4ROT BUTT ■
- UT2424 X 90 CC4ROT BUTT SD
- UT2724 X 90 CC4ROT BUTT SD
- UT3024 X 90 CC4ROT BUTT SD
- UT3324 X 90 CC4ROT BUTT SD
- UT3624 X 90 CC4ROT BUTT SD

84" H • 1 Top Shelf

- UT2424 X 84 CC4ROT BUTT ■
- UT2724 X 84 CC4ROT BUTT ■
- UT3024 X 84 CC4ROT BUTT ■
- UT3324 X 84 CC4ROT BUTT ■
- UT3624 X 84 CC4ROT BUTT ■
- UT2424 X 84 CC4ROT BUTT SD
- UT2724 X 84 CC4ROT BUTT SD
- UT3024 X 84 CC4ROT BUTT SD
- UT3324 X 84 CC4ROT BUTT SD
- UT3624 X 84 CC4ROT BUTT SD

Utility Cabinet • 4 Butt Doors with Pantry Storage



84" High Shown

- Accessories and shelving packaged separately for field installation and include:
 - » Pantry Swing-Out Kit (PCSK36)
 - » Two Pantry Door Shelf Kits (PDSK18)
 - » Utility Cabinet Shelf and Pilaster Kit (PSK36)
- Full-depth adjustable shelves are $\frac{3}{4}$ " engineered wood and edge banded on front edge only
- 4" inset toe kick assembly shipped inside 93" and 96" high cabinets - 33" wide x 93" high toe kicks ship as two pieces - seam will be visible between toe kick box and side of cabinet
- Minimum filler width of $4\frac{1}{2}$ " recommended for installation of this cabinet next to deeper adjacent objects including cabinets, walls, appliances, and countertops
- Specialty Door cabinets (SD) feature Matching Interior standard and require a specialty door selection
- Bottom doors have a center rail for select door styles - refer to door style section

AH
APC
FE
MI ■

24" DEEP

96" H • 3 Top Shelves

UT3624 X 96 PCDS BUTT ■
UT3624 X 96 PCDS BUTT SD

93" H • 3 Top Shelves

UT3624 X 93 PCDS BUTT ■
UT3624 X 93 PCDS BUTT SD

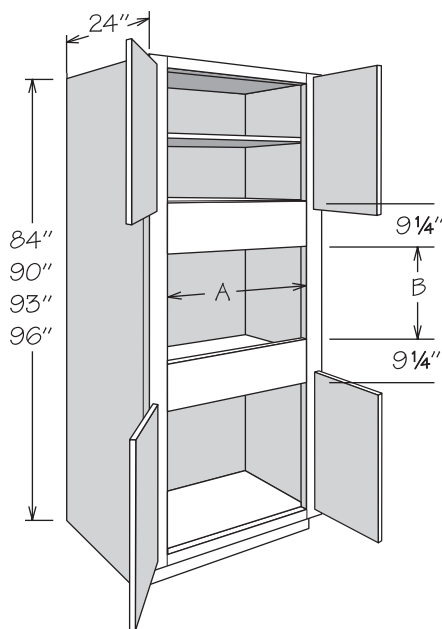
90" H • 2 Top Shelves

UT3624 X 90 PCDS BUTT ■
UT3624 X 90 PCDS BUTT SD

84" H • 1 Top Shelf

UT3624 X 84 PCDS BUTT ■
UT3624 X 84 PCDS BUTT SD

Single Oven Cabinet • 4 Butt Doors



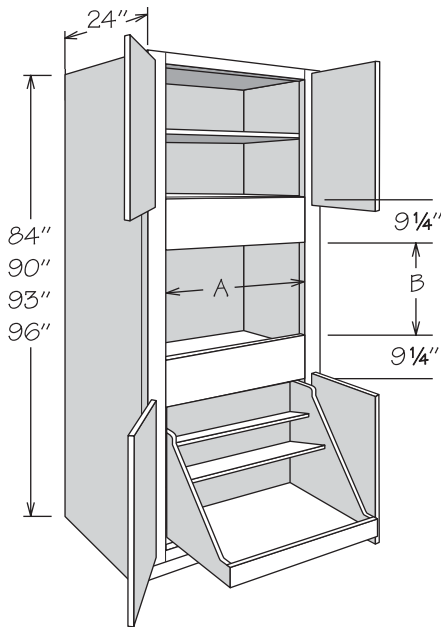
90" High Shown

- Features a solid back
- $3\frac{1}{8}$ " stiles
- All door styles feature face-mount hinges
- Full-depth adjustable shelves and $\frac{3}{4}$ " engineered wood and edge banded on front edge only
- Shelf packaged separately for field installation
- 4" inset toe kick assembly shipped inside 93" and 96" high cabinets - 33" wide x 93" high toe kicks ship as two pieces - seam will be visible between toe kick box and side of cabinet
- Refer to appliance manufacturer's specifications for adequate clearances and required installation materials

AH
APC
CFO
FE
RD

	A ACTUAL	A MAX.	B ACTUAL	B MAX.
96" H • 2 Top Shelves				
OVS2796 AS BUTT	20 $\frac{3}{4}$ "	25"	22 $\frac{1}{8}$ "	37 $\frac{3}{8}$ "
OVS3096 AS BUTT	23 $\frac{3}{4}$ "	28"	22 $\frac{1}{8}$ "	37 $\frac{3}{8}$ "
OVS3396 AS BUTT	26 $\frac{3}{4}$ "	31"	22 $\frac{1}{8}$ "	37 $\frac{3}{8}$ "
93" H • 2 Top Shelves				
OVS2793 AS BUTT	20 $\frac{3}{4}$ "	25"	22 $\frac{1}{8}$ "	37 $\frac{3}{8}$ "
OVS3093 AS BUTT	23 $\frac{3}{4}$ "	28"	22 $\frac{1}{8}$ "	37 $\frac{3}{8}$ "
OVS3393 AS BUTT	26 $\frac{3}{4}$ "	31"	22 $\frac{1}{8}$ "	37 $\frac{3}{8}$ "
90" H • 1 Top Shelf				
OVS2790 AS BUTT	20 $\frac{3}{4}$ "	25"	21 $\frac{3}{4}$ "	37"
OVS3090 AS BUTT	23 $\frac{3}{4}$ "	28"	21 $\frac{3}{4}$ "	37"
OVS3390 AS BUTT	26 $\frac{3}{4}$ "	31"	21 $\frac{3}{4}$ "	37"
84" H • No Shelf				
OVS2784 BUTT	20 $\frac{3}{4}$ "	25"	22 $\frac{1}{8}$ "	37 $\frac{3}{8}$ "
OVS3084 BUTT	23 $\frac{3}{4}$ "	28"	22 $\frac{1}{8}$ "	37 $\frac{3}{8}$ "
OVS3384 BUTT	26 $\frac{3}{4}$ "	31"	22 $\frac{1}{8}$ "	37 $\frac{3}{8}$ "

Single Oven Cabinet • 4 Butt Doors and Pot & Pan Organizer



90" High Shown

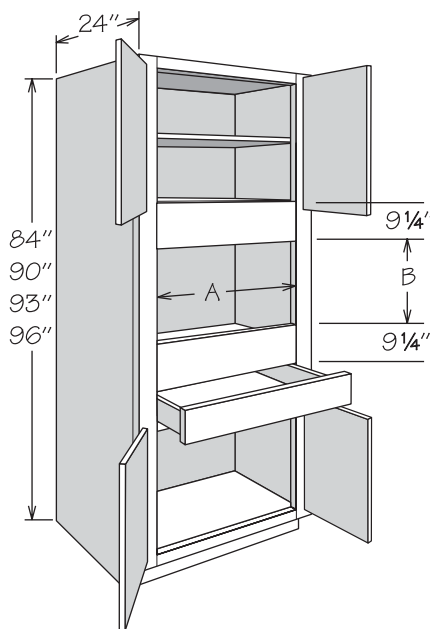
- Features a solid back
- 3 1/8" stiles
- All doors styles feature face-mount hinges
- Shelving and Pot & Pan Organizer packaged separately for field installation
- Organizer features natural finish solid wood, wood veneer and dovetail (front only) construction with engineered wood bottom
- Organizer top shelf measures 6 3/16" deep
- Organizer middle shelf measures 9 3/4" deep
- 4" inset toe kick assembly shipped inside 93" and 96" high cabinets - 33" wide x 93" high toe kicks ship as two pieces - seam will be visible between toe kick box and side of cabinet
- Refer to appliance manufacturer's specifications for adequate clearances and required installation materials

APC
FE

	A ACTUAL	A MAX.	B ACTUAL	B MAX.
96"H • 2 Top Shelves				
OVS2796 BUTT CCBPPO	20 3/4"	25"	22 1/8"	37 3/8"
OVS3096 BUTT CCBPPO	23 3/4"	28"	22 1/8"	37 3/8"
OVS3396 BUTT CCBPPO	26 3/4"	31"	22 1/8"	37 3/8"
93"H • 2 Top Shelves				
OVS2793 BUTT CCBPPO	20 3/4"	25"	22 1/8"	37 3/8"
OVS3093 BUTT CCBPPO	23 3/4"	28"	22 1/8"	37 3/8"
OVS3393 BUTT CCBPPO	26 3/4"	31"	22 1/8"	37 3/8"
90"H • 1 Top Shelf				
OVS2790 BUTT CCBPPO	20 3/4"	25"	21 3/4"	37"
OVS3090 BUTT CCBPPO	23 3/4"	28"	21 3/4"	37"
OVS3390 BUTT CCBPPO	26 3/4"	31"	21 3/4"	37"
84"H • No Shelf				
OVS2784 BUTT CCBPPO	20 3/4"	25"	22 1/8"	37 3/8"
OVS3084 BUTT CCBPPO	23 3/4"	28"	22 1/8"	37 3/8"
OVS3384 BUTT CCBPPO	26 3/4"	31"	22 1/8"	37 3/8"

TALL CABINETS

Single Oven Cabinet • 4 Butt Doors and 1 Drawer



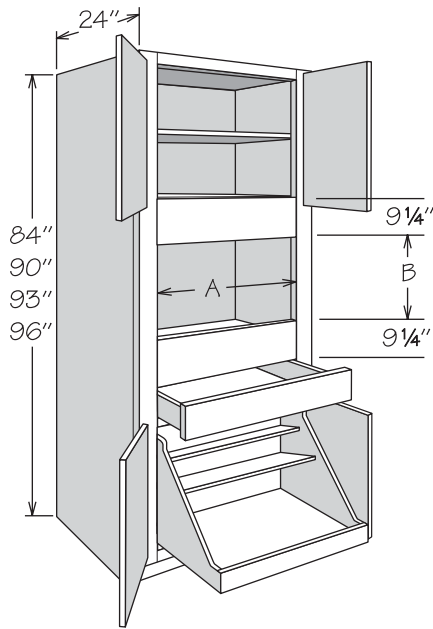
90" High Shown

- Features a solid back
- 3 1/8" stiles
- All door styles feature face-mount hinges
- One standard drawer
- Full-depth adjustable shelves and 3/4" engineered wood and edge banded on front edge only
- Shelf packaged separately for field installation
- 4" inset toe kick assembly shipped inside 93" and 96" high cabinets - 33" wide x 93" high toe kicks ship as two pieces - seam will be visible between toe kick box and side of cabinet
- Refer to appliance manufacturer's specifications for adequate clearances and required installation materials

AH
APC
CFO
FE
RD

	A ACTUAL	A MAX.	B ACTUAL	B MAX.
96"H • 2 Top Shelves				
OVS2796 AS BUTT 1DWR	20 3/4"	25"	16 1/8"	31 3/8"
OVS3096 AS BUTT 1DWR	23 3/4"	28"	16 1/8"	31 3/8"
OVS3396 AS BUTT 1DWR	26 3/4"	31"	16 1/8"	31 3/8"
93"H • 2 Top Shelves				
OVS2793 AS BUTT 1DWR	20 3/4"	25"	16 1/8"	31 3/8"
OVS3093 AS BUTT 1DWR	23 3/4"	28"	16 1/8"	31 3/8"
OVS3393 AS BUTT 1DWR	26 3/4"	31"	16 1/8"	31 3/8"
90"H • 1 Top Shelf				
OVS2790 AS BUTT 1DWR	20 3/4"	25"	15 3/4"	31"
OVS3090 AS BUTT 1DWR	23 3/4"	28"	15 3/4"	31"
OVS3390 AS BUTT 1DWR	26 3/4"	31"	15 3/4"	31"
84"H • No Shelf				
OVS2784 BUTT 1DWR	20 3/4"	25"	16 1/8"	31 3/8"
OVS3084 BUTT 1DWR	23 3/4"	28"	16 1/8"	31 3/8"
OVS3384 BUTT 1DWR	26 3/4"	31"	16 1/8"	31 3/8"

Single Oven Cabinet • 4 Butt Doors, 1 Drawer and Pot & Pan Organizer



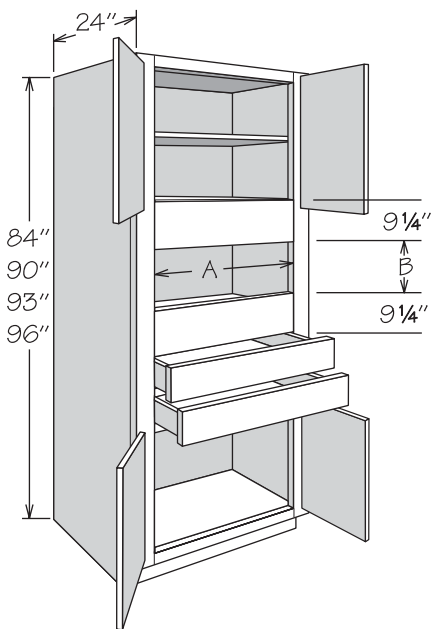
90" High Shown

- Features a solid back
- 3/8" stiles
- All door styles feature face-mount hinges
- Full-depth adjustable shelves and 3/4" engineered wood and edge banded on front edge only
- Shelving and Pot & Pan Organizer packaged separately for field installation
- Organizer features natural finish solid wood, wood veneer and dovetail (front only) construction with engineered wood bottom
- Organizer top shelf measures 6 3/8" deep
- Organizer middle shelf measures 9 3/4" deep
- 4" inset toe kick assembly shipped inside 93" and 96" high cabinets - 33" wide x 93" high toe kicks ship as two pieces - seam will be visible between toe kick box and side of cabinet
- Refer to appliance manufacturer's specifications for adequate clearances and required installation materials

APC
FE

	A ACTUAL	A MAX.	B ACTUAL	B MAX.
96"H • 2 Top Shelves				
OVS2796 BUTT 1DWR CCBPPO	20 3/4"	25"	16 1/8"	31 3/8"
OVS3096 BUTT 1DWR CCBPPO	23 3/4"	28"	16 1/8"	31 3/8"
OVS3396 BUTT 1DWR CCBPPO	26 3/4"	31"	16 1/8"	31 3/8"
93"H • 2 Top Shelves				
OVS2793 BUTT 1DWR CCBPPO	20 3/4"	25"	16 1/8"	31 3/8"
OVS3093 BUTT 1DWR CCBPPO	23 3/4"	28"	16 1/8"	31 3/8"
OVS3393 BUTT 1DWR CCBPPO	26 3/4"	31"	16 1/8"	31 3/8"
90"H • 1 Top Shelf				
OVS2790 BUTT 1DWR CCBPPO	20 3/4"	25"	15 3/4"	31"
OVS3090 BUTT 1DWR CCBPPO	23 3/4"	28"	15 3/4"	31"
OVS3390 BUTT 1DWR CCBPPO	26 3/4"	31"	15 3/4"	31"
84"H • No Shelf				
OVS2784 BUTT 1DWR CCBPPO	20 3/4"	25"	16 1/8"	31 3/8"
OVS3084 BUTT 1DWR CCBPPO	23 3/4"	28"	16 1/8"	31 3/8"
OVS3384 BUTT 1DWR CCBPPO	26 3/4"	31"	16 1/8"	31 3/8"

Single Oven Cabinet • 4 Butt Doors and 2 Drawers



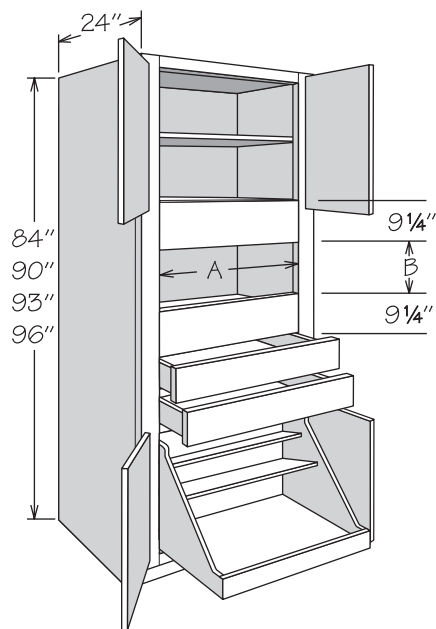
90" High Shown

- Features a solid back
- 3/8" stiles
- All door styles feature face-mount hinges
- Two standard drawers
- Full-depth adjustable shelves and 3/4" engineered wood and edge banded on front edge only
- Shelf packaged separately for field installation
- 4" inset toe kick assembly shipped inside 93" and 96" high cabinets - 33" wide x 93" high toe kicks ship as two pieces - seam will be visible between toe kick box and side of cabinet
- Refer to appliance manufacturer's specifications for adequate clearances and required installation materials

AH
APC
CFO
FE
RD

	A ACTUAL	A MAX.	B ACTUAL	B MAX.
96"H • 2 Top Shelves				
OVS2796 AS BUTT 2DWR	20 3/4"	25"	10 1/8"	25 3/8"
OVS3096 AS BUTT 2DWR	23 3/4"	28"	10 1/8"	25 3/8"
OVS3396 AS BUTT 2DWR	26 3/4"	31"	10 1/8"	25 3/8"
93"H • 2 Top Shelves				
OVS2793 AS BUTT 2DWR	20 3/4"	25"	10 1/8"	25 3/8"
OVS3093 AS BUTT 2DWR	23 3/4"	28"	10 1/8"	25 3/8"
OVS3393 AS BUTT 2DWR	26 3/4"	31"	10 1/8"	25 3/8"
90"H • 1 Top Shelf				
OVS2790 AS BUTT 2DWR	20 3/4"	25"	9 3/4"	25"
OVS3090 AS BUTT 2DWR	23 3/4"	28"	9 3/4"	25"
OVS3390 AS BUTT 2DWR	26 3/4"	31"	9 3/4"	25"
84"H • No Shelf				
OVS2784 BUTT 2DWR	20 3/4"	25"	10 1/8"	25 3/8"
OVS3084 BUTT 2DWR	23 3/4"	28"	10 1/8"	25 3/8"
OVS3384 BUTT 2DWR	26 3/4"	31"	10 1/8"	25 3/8"

Single Oven Cabinet • 4 Butt Doors, 2 Drawers and Pot & Pan Organizer



90" High Shown

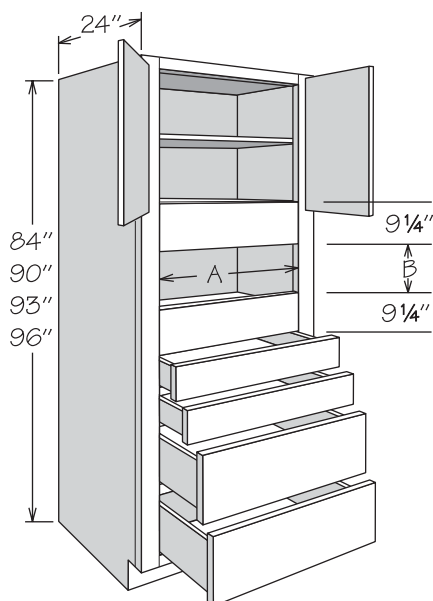
- Features a solid back
- 3/8" stiles
- All door styles feature face-mount hinges
- Two standard drawers
- Shelving and Pot & Pan Organizer packaged separately for field installation
- Organizer features natural finish solid wood, wood veneer and dovetail (front only) construction with engineered wood bottom
- Organizer top shelf measures 6 3/16" deep
- Organizer middle shelf measures 9 3/4" deep
- Full-depth adjustable shelves and 3/4" engineered wood and edge banded on front edge only
- 4" inset toe kick assembly shipped inside 93" and 96" high cabinets - 33" wide x 93" high toe kicks ship as two pieces - seam will be visible between toe kick box and side of cabinet
- Refer to appliance manufacturer's specifications for adequate clearances and required installation materials

APC
FE

	A ACTUAL	A MAX.	B ACTUAL	B MAX.
96"H • 2 Top Shelves				
OVS2796 BUTT 2DWR CCBPPO	20 3/4"	25"	10 1/8"	25 3/8"
OVS3096 BUTT 2DWR CCBPPO	23 3/4"	28"	10 1/8"	25 3/8"
OVS3396 BUTT 2DWR CCBPPO	26 3/4"	31"	10 1/8"	25 3/8"
93"H • 2 Top Shelves				
OVS2793 BUTT 2DWR CCBPPO	20 3/4"	25"	10 1/8"	25 3/8"
OVS3093 BUTT 2DWR CCBPPO	23 3/4"	28"	10 1/8"	25 3/8"
OVS3393 BUTT 2DWR CCBPPO	26 3/4"	31"	10 1/8"	25 3/8"
90"H • 1 Top Shelf				
OVS2790 BUTT 2DWR CCBPPO	20 3/4"	25"	9 3/4"	25"
OVS3090 BUTT 2DWR CCBPPO	23 3/4"	28"	9 3/4"	25"
OVS3390 BUTT 2DWR CCBPPO	26 3/4"	31"	9 3/4"	25"
84"H • No Shelf				
OVS2784 BUTT 2DWR CCBPPO	20 3/4"	25"	10 1/8"	25 3/8"
OVS3084 BUTT 2DWR CCBPPO	23 3/4"	28"	10 1/8"	25 3/8"
OVS3384 BUTT 2DWR CCBPPO	26 3/4"	31"	10 1/8"	25 3/8"

TALL CABINETS

Single Oven Cabinet • 2 Butt Doors and 4 Drawers



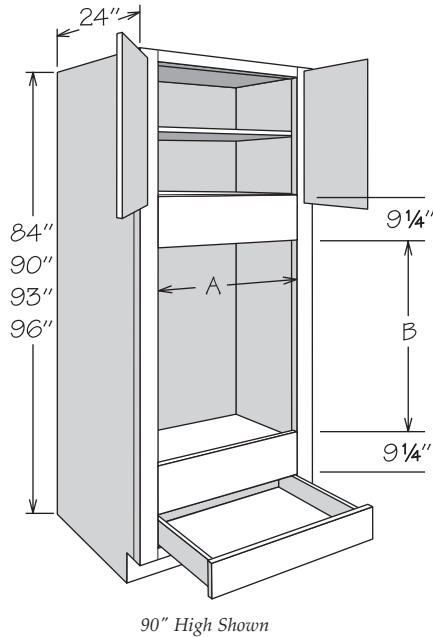
90" High Shown

- Features a solid back
- 3/8" stiles
- All door styles feature face-mount hinges
- Two standard and two large drawers
- Shelf packaged separately for field installation
- Full-depth adjustable shelves and 3/4" engineered wood and edge banded on front edge only
- 4" inset toe kick assembly shipped inside 93" and 96" high cabinets - 33" wide x 93" high toe kicks ship as two pieces - seam will be visible between toe kick box and side of cabinet
- Refer to appliance manufacturer's specifications for adequate clearances and required installation materials

AH
APC
CFO
FE
RD

	A ACTUAL	A MAX.	B ACTUAL	B MAX.
96"H • 2 Top Shelves				
OVS2796 AS BUTT 4DWR	20 3/4"	25"	10 1/8"	25 3/8"
OVS3096 AS BUTT 4DWR	23 3/4"	28"	10 1/8"	25 3/8"
OVS3396 AS BUTT 4DWR	26 3/4"	31"	10 1/8"	25 3/8"
93"H • 2 Top Shelves				
OVS2793 AS BUTT 4DWR	20 3/4"	25"	10 1/8"	25 3/8"
OVS3093 AS BUTT 4DWR	23 3/4"	28"	10 1/8"	25 3/8"
OVS3393 AS BUTT 4DWR	26 3/4"	31"	10 1/8"	25 3/8"
90"H • 1 Top Shelf				
OVS2790 AS BUTT 4DWR	20 3/4"	25"	9 3/4"	25"
OVS3090 AS BUTT 4DWR	23 3/4"	28"	9 3/4"	25"
OVS3390 AS BUTT 4DWR	26 3/4"	31"	9 3/4"	25"
84"H • No Shelf				
OVS2784 BUTT 4DWR	20 3/4"	25"	10 1/8"	25 3/8"
OVS3084 BUTT 4DWR	23 3/4"	28"	10 1/8"	25 3/8"
OVS3384 BUTT 4DWR	26 3/4"	31"	10 1/8"	25 3/8"

Double Oven Cabinet • 2 Butt Doors and 1 Drawer

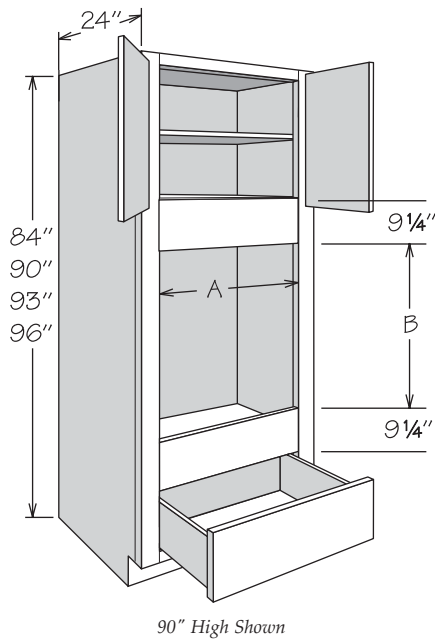


- Features a solid back
- 3/8" stiles
- One standard drawer
- All door styles feature face-mount hinges
- Shelf packaged separately for field installation
- Full-depth adjustable shelves and 3/4" engineered wood and edge banded on front edge only
- 4" inset toe kick assembly shipped inside 93" and 96" high cabinets - 33" wide x 93" high toe kicks ship as two pieces - seam will be visible between toe kick box and side of cabinet
- Refer to appliance manufacturer's specifications for adequate clearances and required installation materials

AH
APC
CFO
FE
RD

	A ACTUAL	A MAX.	B ACTUAL	B MAX.
96"H • 2 Top Shelves				
OVD2796 AS BUTT	20 3/4"	25"	39"	54 1/4"
OVD3096 AS BUTT	23 3/4"	28"	39"	54 1/4"
OVD3396 AS BUTT	26 3/4"	31"	39"	54 1/4"
93"H • 2 Top Shelves				
OVD2793 AS BUTT	20 3/4"	25"	39"	54 1/4"
OVD3093 AS BUTT	23 3/4"	28"	39"	54 1/4"
OVD3393 AS BUTT	26 3/4"	31"	39"	54 1/4"
90"H • 1 Top Shelf				
OVD2790 AS BUTT	20 3/4"	25"	38 5/8"	53 7/8"
OVD3090 AS BUTT	23 3/4"	28"	38 5/8"	53 7/8"
OVD3390 AS BUTT	26 3/4"	31"	38 5/8"	53 7/8"
84"H • No Shelf				
OVD2784 BUTT	20 3/4"	25"	39"	54 1/4"
OVD3084 BUTT	23 3/4"	28"	39"	54 1/4"
OVD3384 BUTT	26 3/4"	31"	39"	54 1/4"

Double Oven Cabinet • 2 Butt Doors and 1 Large Drawer

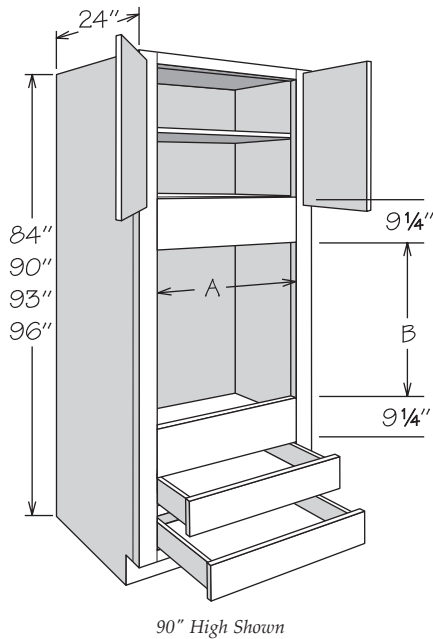


- Features a solid back
- 3/8" stiles
- All door styles feature face-mount hinges
- One large drawer
- Shelf packaged separately for field installation
- Full-depth adjustable shelves and 3/4" engineered wood and edge banded on front edge only
- 4" inset toe kick assembly shipped inside 93" and 96" high cabinets - 33" wide x 93" high toe kicks ship as two pieces - seam will be visible between toe kick box and side of cabinet
- Refer to appliance manufacturer's specifications for adequate clearances and required installation materials

AH
APC
CFO
FE
RD

	A ACTUAL	A MAX.	B ACTUAL	B MAX.
96"H • 2 Top Shelves				
OVD2796 AS BUTT 1DDWR	20 3/4"	25"	33 5/8"	48 13/16"
OVD3096 AS BUTT 1DDWR	23 3/4"	28"	33 5/8"	48 13/16"
OVD3396 AS BUTT 1DDWR	26 3/4"	31"	33 5/8"	48 13/16"
93"H • 2 Top Shelves				
OVD2793 AS BUTT 1DDWR	20 3/4"	25"	33 5/8"	48 13/16"
OVD3093 AS BUTT 1DDWR	23 3/4"	28"	33 5/8"	48 13/16"
OVD3393 AS BUTT 1DDWR	26 3/4"	31"	33 5/8"	48 13/16"
90"H • 1 Top Shelf				
OVD2790 AS BUTT 1DDWR	20 3/4"	25"	33 5/8"	48 7/8"
OVD3090 AS BUTT 1DDWR	23 3/4"	28"	33 5/8"	48 7/8"
OVD3390 AS BUTT 1DDWR	26 3/4"	31"	33 5/8"	48 7/8"
84"H • No Shelf				
OVD2784 BUTT 1DDWR	20 3/4"	25"	33 5/8"	48 13/16"
OVD3084 BUTT 1DDWR	23 3/4"	28"	33 5/8"	48 13/16"
OVD3384 BUTT 1DDWR	26 3/4"	31"	33 5/8"	48 13/16"

Double Oven Cabinet • 2 Butt Doors and 2 Drawers

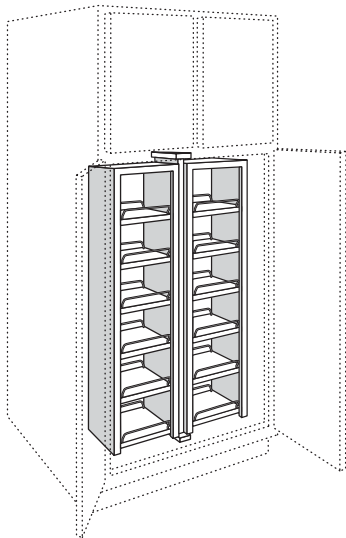


- Features a solid back
- 3/8" stiles
- All door styles feature face-mount hinges
- Two standard drawers
- Shelf packaged separately for field installation
- Full-depth adjustable shelves and 3/4" engineered wood and edge banded on front edge only
- 4" inset toe kick assembly shipped inside 93" and 96" high cabinets - 33" wide x 93" high toe kicks ship as two pieces - seam will be visible between toe kick box and side of cabinet
- Refer to appliance manufacturer's specifications for adequate clearances and required installation materials

APC
CFO
FE
RD

	A ACTUAL	A MAX.	B ACTUAL	B MAX.
96"H • 2 Top Shelves				
OVD2796 AS BUTT 2DWR	20 3/4"	25"	33"	48 1/4"
OVD3096 AS BUTT 2DWR	23 3/4"	28"	33"	48 1/4"
OVD3396 AS BUTT 2DWR	26 3/4"	31"	33"	48 1/4"
93"H • 2 Top Shelves				
OVD2793 AS BUTT 2DWR	20 3/4"	25"	33"	48 1/4"
OVD3093 AS BUTT 2DWR	23 3/4"	28"	33"	48 1/4"
OVD3393 AS BUTT 2DWR	26 3/4"	31"	33"	48 1/4"
90"H • 1 Top Shelf				
OVD2790 AS BUTT 2DWR	20 3/4"	25"	32 5/8"	47 7/8"
OVD3090 AS BUTT 2DWR	23 3/4"	28"	32 5/8"	47 7/8"
OVD3390 AS BUTT 2DWR	26 3/4"	31"	32 5/8"	47 7/8"
84"H • No Shelf				
OVD2784 BUTT 2DWR	20 3/4"	25"	33"	48 1/4"
OVD3084 BUTT 2DWR	23 3/4"	28"	33"	48 1/4"
OVD3384 BUTT 2DWR	26 3/4"	31"	33"	48 1/4"

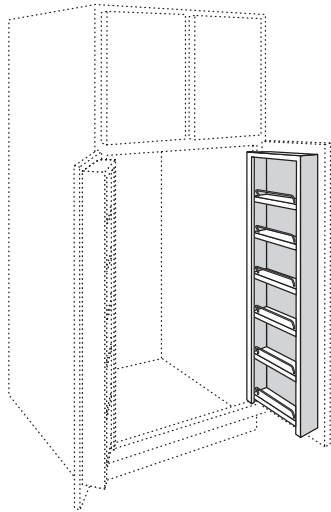
Pantry Swing-Out Kit



- Field installation accessory
- For use inside UT3624
- Can be used with PDSK18 and/or PSK36
- Natural finish unit features two fixed and ten adjustable shelves with chrome rails
- Overall dimensions: 25 5/8" wide x 45" high x 7 1/2" deep
- Not sized to fit reduced depth cabinets
- Minimum filler width of 4 1/2" recommended for installation of this accessory next to deeper adjacent objects including cabinets, walls, appliances, and countertops

PCSK36

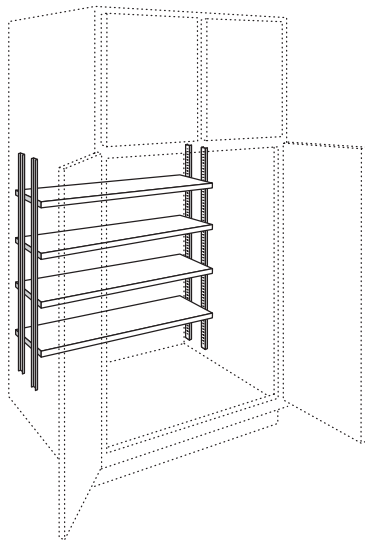
Pantry Door Shelf Kit



- Field installation accessory
- For use inside UT1824 or UT3624
- Order each door unit separately
- Can be used with PCSK36 and/or PSK36
- Natural finish unit features one fixed and five adjustable shelves with chrome rails
- Overall dimensions: 12" wide x 45" high x 4" deep
- Not sized to fit reduced depth cabinets
- Minimum filler width of 4½" recommended for installation of this accessory next to deeper adjacent objects including cabinets, walls, appliances, and countertops

PDSK18

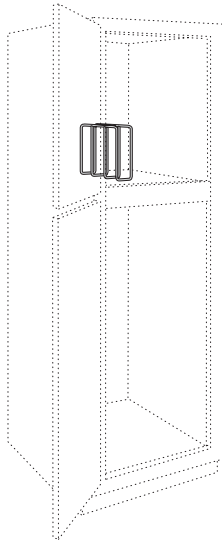
Shelf & Pilaster Kit



- Field installation accessory
- Kit includes four 9" deep shelves edge banded on front edge only, four 36" zinc pilasters, screws, and installation instructions
- For use inside UT3624
- Field trimmable for use inside UT1824
- Can be used with PCSK36 and/or PDSK18

PSK36

Cabinet Tray Divider

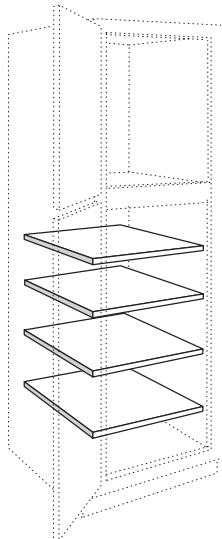


- Field installation accessory
- Chrome finish
- Mounting hardware included
- Overall dimensions: 2 $\frac{7}{8}$ " wide x 9 $\frac{15}{16}$ " high x 11 $\frac{3}{4}$ " deep
- Order Cabinet Tray Dividers individually
- For use in 24" deep cabinets or cabinets with RD-23 through RD-14

APC
RD

TD3

Adjustable Shelves



- Field installation accessory
- $\frac{3}{4}$ " engineered wood
- Edge banded on front edge only
- CLIP LOCK shelf rests included

APC
MI
RD

ADJUSTABLE SHELF

12" Deep

S1212
S1512
S1812
S2112
S2412
S3612

24" Deep

S1224
S1524
S1824
S2124
S2424
S2724
S3024
S3324
S3624

4 PACK SHELF KIT

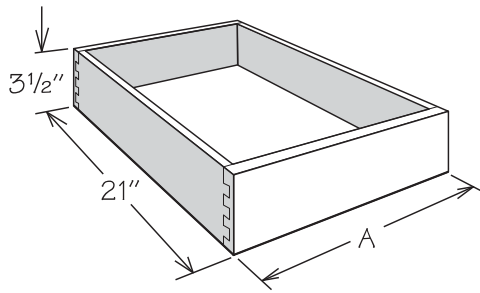
12" Deep

SK1212
SK1512
SK1812
SK2112
SK2412
SK3612

24" Deep

SK1224
SK1524
SK1824
SK2124
SK2424
SK2724
SK3024
SK3324
SK3624

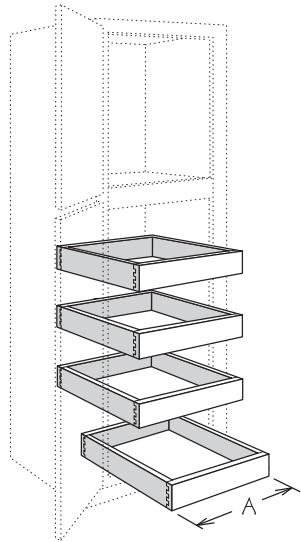
Deep Roll Out Tray Kit



- Field installation accessory
- Natural finish dovetail drawer with engineered wood bottom
- Includes tray, all glide hardware and installation instructions
- DROT drill template is required for all two door cabinets that have a center stile - contact the Partner Team for drill template

OVEN SIZE

DROTCC	OVS27
DROTCC	OVS30
DROTCC	OVS33



SINGLE	4 PACK	A
DROTCC12	DROTCC12-4K	7 3/4"
DROTCC15	DROTCC15-4K	10 3/4"
DROTCC18	DROTCC18-4K	13 3/4"
DROTCC21	DROTCC21-4K	16 3/4"
DROTCC24	DROTCC24-4K	19 3/4"
DROTCC27	DROTCC27-4K	22 3/4"
DROTCC30	DROTCC30-4K	25 3/4"
DROTCC33	DROTCC33-4K	28 3/4"
DROTCC36	DROTCC36-4K	31 3/4"



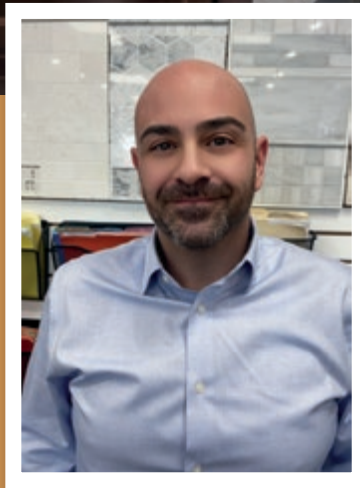
Living space shown in
470F Painted Linen & Maple Truffle

Brooklyn Tile & Design

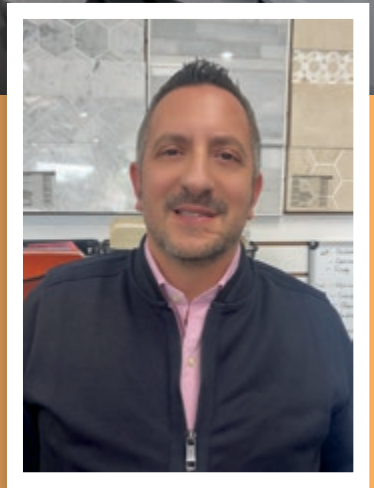
By Luigi Greco
South Ozone Park, NY

“This project was loads of fun designing. We selected Waypoint because the homeowner wanted semi-custom and a lifetime warranty.

The home is a traditional 1930’s Tudor style. The design keeps in line with the home’s personality and character.”

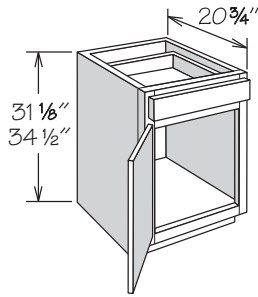


Carlo Venzia
Partner



Luigi Greco
Designer

Vanity Base • 1 Door



- No shelf
- Door is hinged left and can be reversed in the field
- Not drilled for adjustable shelf

AH ■
APC
CFO
FE
RD
RTK

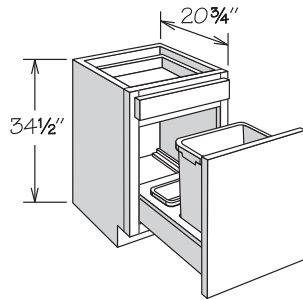
34 1/2" HIGH

VB1234H ■
 VB1534H ■
 VB1834H ■
 VB2134H ■

31 1/8" HIGH

VB12
 VB15
 VB18
 VB21

Vanity Base Cabinet • 1 Drawer and 1 Door with Wastebasket Pull-Out



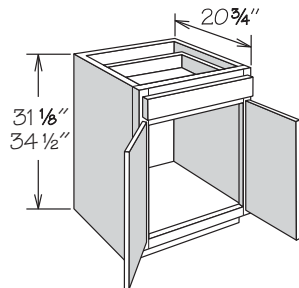
- Wastebasket rests in a natural finish wood frame
- Wastebasket pull-out features CushionClose heavy-duty, 100-pound rated glides
- Features one silver plastic 35-quart capacity bin and bag storage tray at rear (not dishwasher safe)
- Decorative hardware strongly recommended

AH
APC
FE
RTK

34 1/2" HIGH

VWBB1834H CC

Vanity Base • 2 Butt Doors and 1 Drawer



- No shelf
- Not drilled for adjustable shelf

AH ■
APC
CFO
FE
RD
RTK

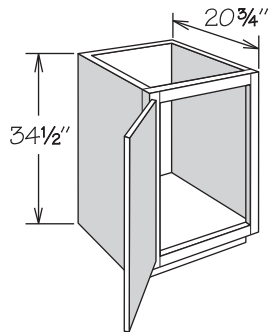
34 1/2" HIGH

VB2434H BUTT ■
 VB2734H BUTT ■
 VB3034H BUTT ■
 VB3334H BUTT ■
 VB3634H BUTT ■

31 1/8" HIGH

VB24 BUTT
 VB27 BUTT
 VB30 BUTT
 VB33 BUTT
 VB36 BUTT

Vanity Full-Height Base • 1 Door



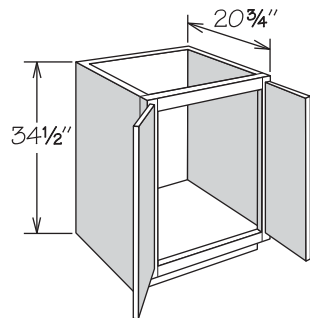
- Full-height door
- No shelf
- Not drilled for adjustable shelf
- Door is hinged left and can be reversed in the field

AH
APC
CFO
FE
RD
RTK

34 1/2" HIGH

VB1234H FH
 VB1534H FH
 VB1834H FH
 VB2134H FH

Vanity Full-Height Base • 2 Butt Doors



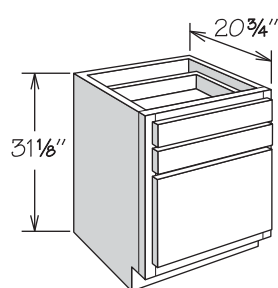
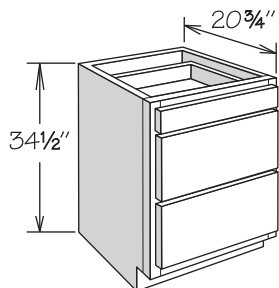
- Full-height doors
- No shelf
- Not drilled for adjustable shelf

AH
APC
CFO
FE
RD
RTK

34 1/2" HIGH

VB2434H BUTT FH
 VB3034H BUTT FH
 VB3634H BUTT FH

Vanity Drawer Base



- VDB_34H features one standard and two large drawers
- VDB_ features one large and two standard drawers

AH ■
APC
CFO
FE
RD
RTK

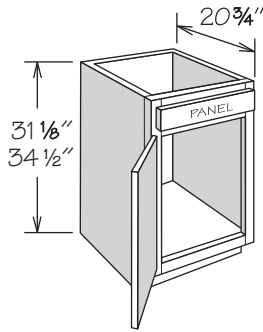
34 1/2" HIGH

VDB1234H ■
 VDB1534H ■
 VDB1834H ■
 VDB2134H ■
 VDB2434H ■

31 1/8" HIGH

VDB12
 VDB15
 VDB18
 VDB21
 VDB24

Vanity Sink Base • 1 Door



- No shelf
- Subtract 1 1/2" from depth and width for available sink bowl opening
- Door is hinged left and can be reversed in the field

AH ■
APC
CFO
FE
RD
RTK

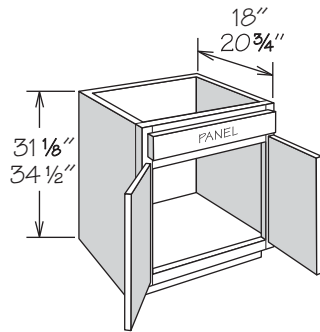
34 1/2" HIGH

VSB1534H ■
VSB1834H ■
VSB2134H ■

31 1/8" HIGH

VSB15
VSB18
VSB21

Vanity Sink Base • 2 Butt Doors



- No shelf
- Subtract 1 1/2" from depth and width for available sink bowl opening

AH ■
APC
CFO
FE
RD
RTK

34 1/2" HIGH

20 3/4" Deep

VSB2434H BUTT ■
VSB2734H BUTT ■
VSB3034H BUTT ■
VSB3334H BUTT ■
VSB3634H BUTT ■

18" Deep

VSB241834H BUTT
VSB301834H BUTT
VSB361834H BUTT

31 1/8" HIGH

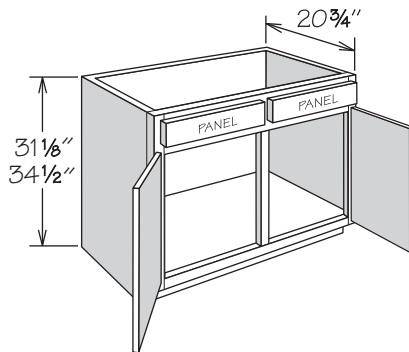
20 3/4" Deep

VSB24 BUTT
VSB27 BUTT
VSB30 BUTT
VSB33 BUTT
VSB36 BUTT

18" Deep

VSB2418 BUTT
VSB3018 BUTT
VSB3618 BUTT

Vanity Sink Base • 2 Doors



- No shelf
- Subtract 1 1/2" from depth and width for available sink bowl opening

AH ■
APC
CFO
FE
RD
RTK

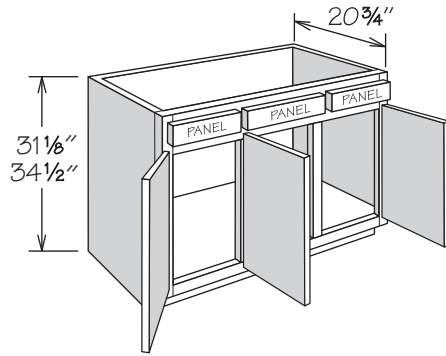
34 1/2" HIGH

VSB3934H ■
VSB4234H ■

31 1/8" HIGH

VSB39
VSB42

Vanity Sink Base • 3 Doors



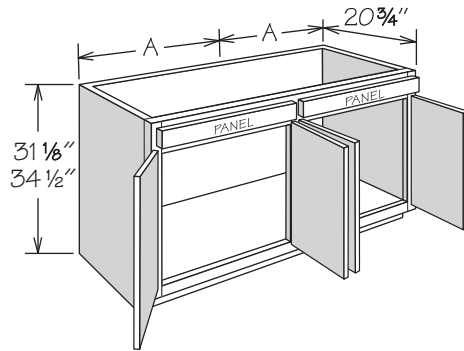
- No shelf
- Subtract 1 1/2" from depth and width for available sink bowl opening
- Hinged as shown - can be reversed in the field

AH ■
APC
CFO
FE
RD
RTK

34 1/2" HIGH
VSB4834H ■

31 1/8" HIGH
VSB48

Vanity Sink Base • 4 Butt Doors



- No shelf
- Subtract 1 1/2" from depth and each dimension A for available sink bowl openings

AH ■
APC
CFO
FE
RD
RTK

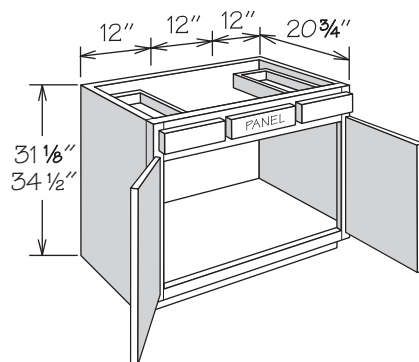
34 1/2" HIGH
VSB5434H BUTT ■
VSB6034H BUTT ■

A
27"
30"

31 1/8" HIGH
VSB54 BUTT
VSB60 BUTT

A
27"
30"

Vanity Sink Base • 2 Butt Doors and 2 Drawers



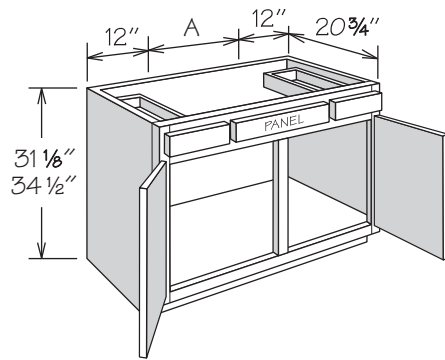
- No shelf
- Top drawer on each side of sink bowl opening
- Subtract 1 1/2" from depth for available sink bowl opening
- Features two DRB9_ to accommodate sink bowl opening up to 18"

AH ■
APC
CFO
FE
RD
RTK

34 1/2" HIGH
VAN3634H BUTT ■

31 1/8" HIGH
VAN36 BUTT

Vanity Sink Base • 2 Doors and 2 Drawers

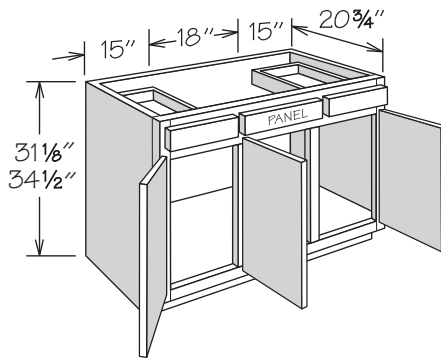


- No shelf
- Top drawer on each side of sink bowl opening
- Subtract 1/2" from depth for available sink bowl opening

AH ■
APC
CFO
FE
RD
RTK

	34 1/2" HIGH	A	MAX. SINK OPENING	31 1/8" HIGH	A	MAX. SINK OPENING
VAN3934H ■	15"	18"	18"	VAN39	15"	18"
VAN4234H ■	18"	21"	21"	VAN42	18"	21"

Vanity Sink Base • 3 Doors and 2 Drawers



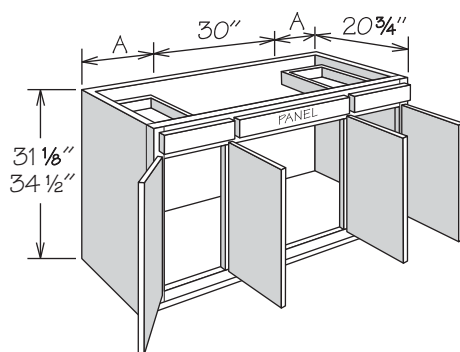
- No shelf
- Top drawer on each side of sink bowl opening
- Subtract 1/2" from depth for available sink bowl opening
- Hinged as shown - can be reversed in the field
- Maximum sink bowl opening is 21" wide

AH ■
APC
CFO
FE
RD
RTK

34 1/2" HIGH
VAN4834H ■

31 1/8" HIGH
VAN48

Vanity Sink Base • 4 Butt Doors and 2 Drawers



- No shelf
- Top drawer on each side of sink bowl opening
- Subtract 1/2" from depth for available sink bowl opening
- Maximum sink bowl opening is 33" wide

AH ■
APC
CFO
FE
RD
RTK

34 1/2" HIGH

VAN5434H BK BUTT ■

A

12"

31 1/8" HIGH

VAN54 BK BUTT

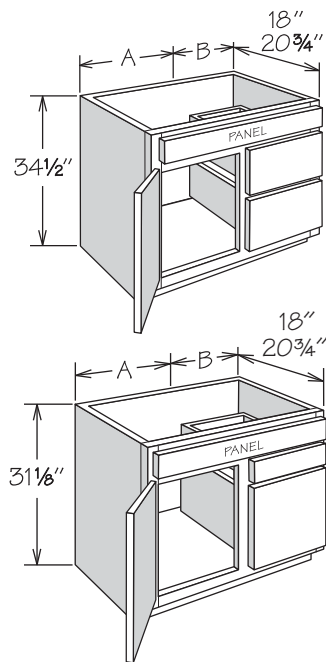
A

12"

VAN60 BK BUTT

15"

Vanity Combo Sink Base • 1 Door and 2 Drawers

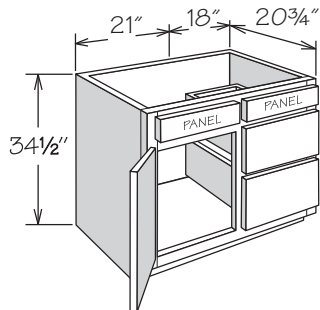


- Now features one top panel
- No shelf
- Allow for plumbing placement to clear drawers
- Drawers available on right or left side (please specify)
- Cabinet shown is right indicating drawers on the right side of the cabinet
- Subtract 1 1/2" from depth and overall cabinet width for available sink bowl opening

AH ■
APC
CFO
FE
RD
RTK

34 1/2" HIGH	A	B	31 1/8" HIGH	A	B
20 3/4" Deep			20 3/4" Deep		
VSDB2434H BK ■	12"	12"	VSDB24 BK	12"	12"
VSDB2734H BK ■	15"	12"	VSDB27 BK	15"	12"
VSDB3034H BK ■	18"	12"	VSDB30 BK	18"	12"
VSDB3334H BK ■	21"	12"	VSDB33 BK	21"	12"
VSDB3634H BK ■	21"	15"	VSDB36 BK	21"	15"
18" Deep			18" Deep		
VSDB241834H BK	12"	12"	VSDB2418 BK	12"	12"
VSDB271834H BK	15"	12"	VSDB2718 BK	15"	12"
VSDB301834H BK	18"	12"	VSDB3018 BK	18"	12"
VSDB331834H BK	21"	12"	VSDB3318 BK	21"	12"
VSDB361834H BK	21"	15"	VSDB3618 BK	21"	15"

Vanity Combo Sink Base • 1 Door and 2 Drawers

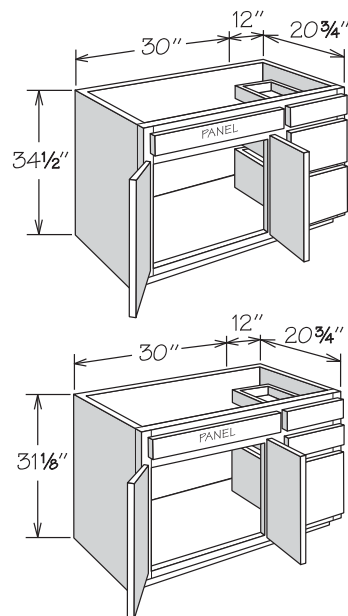


- No shelf
- Allow for plumbing placement to clear drawers
- Drawers available on right or left side (please specify)
- Cabinet shown is right indicating drawers on the right side of the cabinet
- Subtract 1 1/2" from depth and overall cabinet width for available sink bowl opening

AH
APC
CFO
FE
RD
RTK

34 1/2" HIGH
VSDB3934H BK

Vanity Combo Sink Base • 2 Butt Doors and 3 Drawers



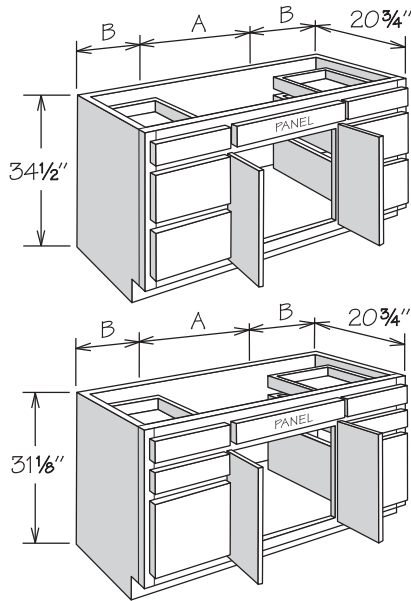
- No shelf
- Drawers available on right or left side (please specify)
- Cabinet shown is right indicating drawers on the right side of the cabinet
- Maximum sink bowl opening is 28 1/2" wide
- Requires off center sink bowl opening

AH ■
APC
CFO
FE
RD
RTK

34 1/2" HIGH
VSDB4234H BK BUTT ■

31 1/8" HIGH
VSDB42 BK BUTT

Vanity Combo Sink Base • 2 Butt Doors and 6 Drawers

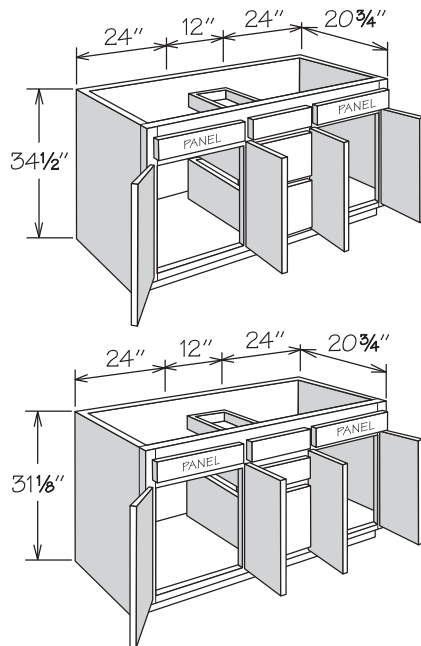


- No shelf
- Subtract 1/2" from depth and dimension A for available sink bowl opening

AH ■
APC
CFO
FE
RD
RTK

34 1/2" HIGH	A	B	31 1/8" HIGH	A	B
VSDB4834HD BK BUTT ■	24"	12"	VSDB48D BK BUTT	24"	12"
VSDB5434HD BK BUTT ■	24"	15"	VSDB54D BK BUTT	24"	15"
VSDB6034HD BK BUTT ■	30"	15"	VSDB60D BK BUTT	30"	15"

Vanity Combo Sink Base • 4 Butt Doors and 3 Drawers

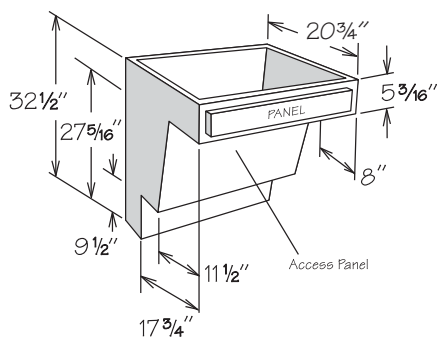


- No shelf
- Subtract 1/2" from depth and each 24" dimension for available sink bowl openings

AH ■
APC
CFO
FE
RD
RTK

34 1/2" HIGH	31 1/8" HIGH
VSDB6034HC BK BUTT ■	VSDB60C BK BUTT

Vanity Sink Base • Vanity Plumbing Skirt

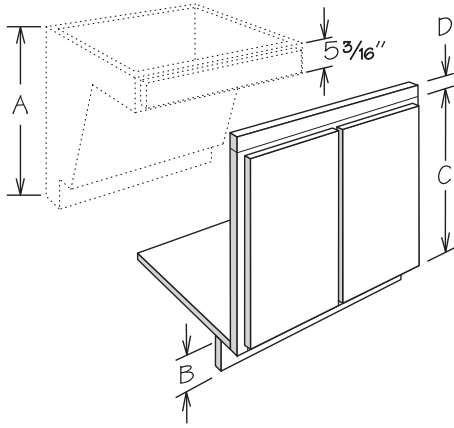


- Removable front access panel
- Subtract 1/2" from width and depth for available sink bowl opening
- Maximum available height inside cabinet for sink bowl is 5"
- Water lines, drains, and P-Trap must be installed at 6" maximum from wall
- Refer to sink manufacturer's specifications for adequate clearance and required installation materials
- Matching toe kick included
- Must be installed between two cabinets or a cabinet and a wall
- May be used with Vanity Adaptable Sink Base Kit (ASB) - order separately

APC
FE

32 1/2" HIGH
VPS30 UD
VPS36 UD

Vanity Adaptable Sink Base Kit



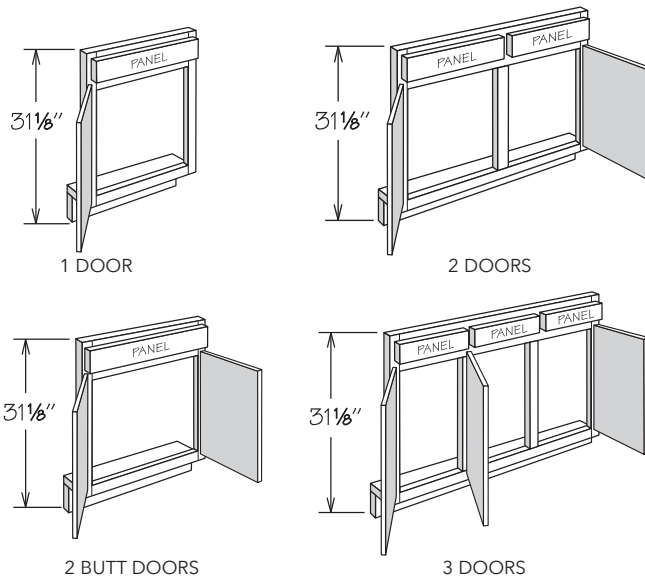
- For use with Vanity Plumbing Skirt (VPS) - MUST be ordered separately
- Kit contains:
 - » Face frame with hinged butt doors
 - » One Tall Filler (S3S396)
 - » Two Drawer Fasteners (DDF FASTENER)
 - » One Sink Floor (FL36)
 - » One Hardwood Cleat (HWC 2X4X96)
 - » Installation instructions
- Kit must be assembled in the field

A VPS	B DESIRED TOE KICK HEIGHT	C FACE FRAME HEIGHT	D TRIMMED S3S	KIT
32 1/2"	2"	24 1/2"	1 3/16"	ASB_34 KIT
32 1/2"	4"	20 5/8"	2 1 1/16"	ASB_32 KIT

20 5/8" Frame
ASB3032 KIT
ASB3632 KIT

24 1/2" Frame
ASB3034 KIT
ASB3634 KIT

Vanity Sink Front



- Not trimmable
- Order floor and returns separately (field trimming may be required) - refer to Panel Section for availability (pages 193-194)
- VSF48 hinged as shown, can be reversed in field

31 1/8" HIGH

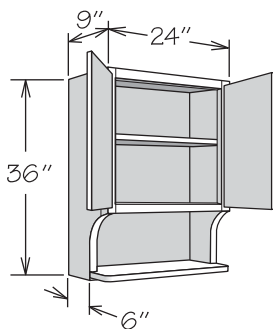
1 Door
VSF21

2 Butt Doors
VSF24 BUTT
VSF30 BUTT
VSF36 BUTT

2 Doors
VSF39
VSF42

3 Doors
VSF48

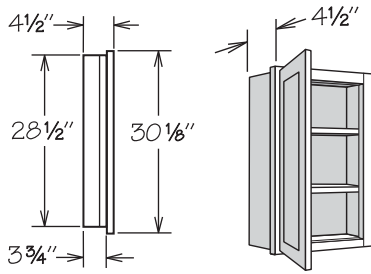
Valet Cabinet • 2 Butt Doors



- Matching interior standard
- Flush sides with no face frame or 1/4" reveals
- Bottom opening: 22 1/2" x 10 1/8"
- Features a fixed shelf
- Sides and bottom shelf feature 3/4" engineered wood veneered on both sides

36" HIGH
VC2436 BUTT

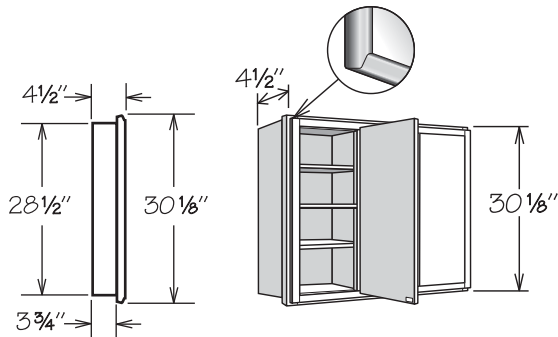
Medicine Cabinet • 1 Door



- Two adjustable engineered wood shelves
- Surface or recess mount
- MCM1530 features a mirrored door
- For surface mount installation, trim and apply WEP30 (order separately) to match finish on exterior sides to cabinet frame
- Breeze, Pewter and Linen (Painted and Duraform) door styles feature Matching Interior standard
- Not available with CushionClose Hinges

28 1/2" HIGH	RECESS MOUNT CUTOUT WIDTH	RECESS MOUNT CUTOUT HEIGHT
MC1530	14 1/2"	28 1/2"
MCM1530	14 1/2"	28 1/2"

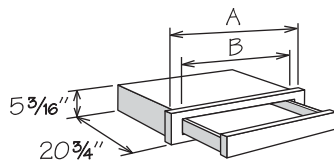
Tri-View Mirror • 3 Doors



- Features one large opening with two left hinged doors and one small opening with a right hinged door - can be flipped in the field
- Six adjustable shelves (3 per section)
- Surface or recess mount
- For surface mount installation, trim and apply WEP30 (order separately) to match finish on exterior sides to cabinet frame
- Chrome hardware
- Breeze, Pewter and Linen (Painted and Duraform) door styles feature Matching Interior standard
- Not available with CushionClose Hinges

	OVERALL WIDTH	OVERALL HEIGHT	RECESS MOUNT CUTOUT WIDTH	RECESS MOUNT CUTOUT HEIGHT
TV3030	30"	30 1/8"	28 1/2"	28 1/2"
TV3630	36"	30 1/8"	34 1/2"	28 1/2"

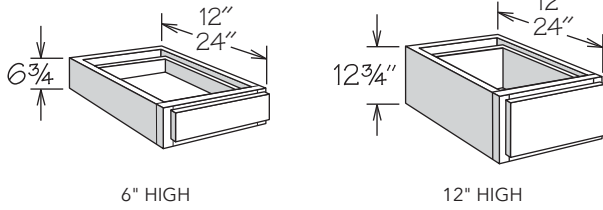
Kneehole Drawer Cabinet



- Designed for desk or vanity application RD
- Field trimmable in height to 4 3/4"
- Field trimmable in depth to 18" or available with RD-20 through RD-12
- Drawer front complements door style - refer to door style section

	A	B	MAX. TRIM
KDC27/21	27"	17 3/4"	21" (3" each side)
KDC33/27	33"	23 3/4"	27" (3" each side)
KDC36/33	36"	29 3/4"	33" (1 1/2" each side)

Furniture Drawer Cabinet • 1 Drawer



- 6" high features one standard drawer and 12" high features one large drawer
- 24" deep Furniture Drawer cabinets are only available with RD-23 through RD-13
- Bottom of cabinet frame must be fully supported

APC
CFO
FE
RD ■

6" HIGH • 1 DRAWER

12" Deep

FD121206
FD151206
FD181206
FD211206
FD241206
FD271206
FD301206
FD331206
FD361206

24" Deep

FD122406 ■
FD152406 ■
FD182406 ■
FD212406 ■
FD242406 ■
FD272406 ■
FD302406 ■
FD332406 ■
FD362406 ■

12" HIGH • 1 DRAWER

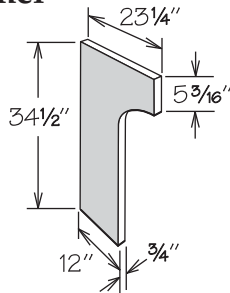
12" Deep

FD121212
FD151212
FD181212
FD211212
FD241212
FD271212
FD301212
FD331212
FD361212

24" Deep

FD122412 ■
FD152412 ■
FD182412 ■
FD212412 ■
FD242412 ■
FD272412 ■
FD302412 ■
FD332412 ■
FD362412 ■

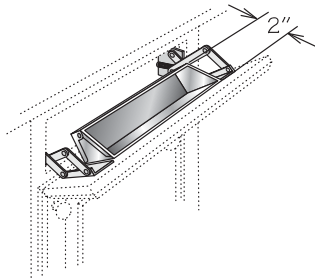
Desk End Panel



- All door styles feature 3/4" veneered engineered wood finished to match cabinet box exterior on both sides
- Recommend QM8 be ordered for installation to ensure proper attachment to wall
- Field trimmable
- Edge banded on front

DEP

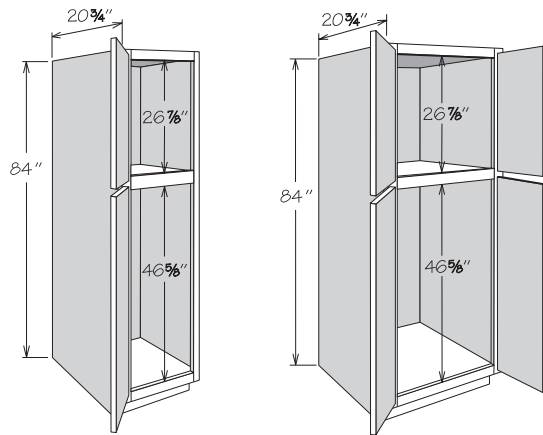
Stainless Tilt-Out Tray Kit



- Field installation accessory
- Kit features stainless tray and one pair of scissor hinges
- For use on existing drawer panels for 20 3/4" or 18" deep vanity cabinets
- STO TRAY 11:
 - » Order one unit for VSB18, VSB48 (center only), VAN48 or VSDB30 (above door only)
- STO TRAY 14:
 - » Order one unit for VSB21, VSB24, VSB27, VSDB33 (above door only), VSDB36 (above door only), VSDB48D or VSDB54D
 - » Order two units for VSB42, VSB54 or VSDB60C
- STO TRAY 22:
 - » Order one unit for VSB30, VSB33, VSB36, VAN54, VAN60, VSDB42 or VSDB60D
 - » Order two units for VSB60
- Sink front, base height, and 18" deep units match vanity sink base sizes as noted above
- Tilt-Out Trays are NOT dishwasher safe

STO TRAY 11
STO TRAY 14
STO TRAY 22

Vanity Linen Cabinet



2 DOORS

4 BUTT DOORS

- Shelving and optional interior accessories may be ordered separately (refer to vanity linen cabinet accessories for details)
- Cabinet backs are pre-drilled to accept up to four Deep Roll Out Trays in lower section
- Two door cabinets must be ordered hinged left or right
- Specialty Door cabinets (SD) feature Matching Interior standard and require a specialty door selection
- Bottom doors will have a center rail for select door styles - refer to door style section

APC
CFO
FE
MI ■
RD

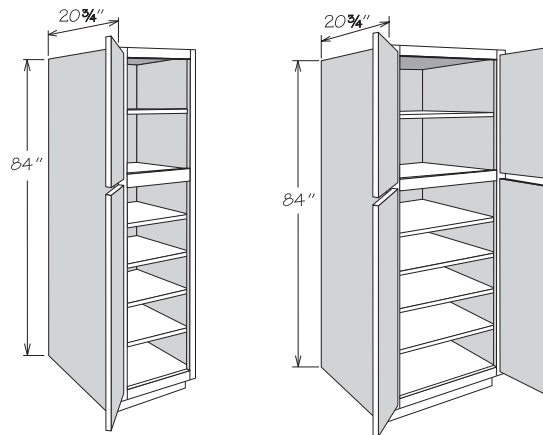
2 DOORS

VLC122184 ■
 VLC152184 ■
 VLC182184 ■
 VLC122184 SD
 VLC152184 SD
 VLC182184 SD

4 BUTT DOORS

VLC242184 BUTT ■
 VLC242184 BUTT SD

Vanity Linen Cabinet • Adjustable Shelves



2 DOORS

4 BUTT DOORS

- Features one full-depth adjustable shelf in top section and four full-depth adjustable shelves in lower section
- Full-depth adjustable shelves are 3/4" engineered wood and edge banded on front edge only
- All shelving packaged separately
- Two door cabinets must be ordered hinged left or right
- Specialty Door cabinets (SD) feature Matching Interior standard and require a specialty door selection
- Bottom doors will have a center rail for select door styles - refer to door style section

APC
FE
MI ■
RD

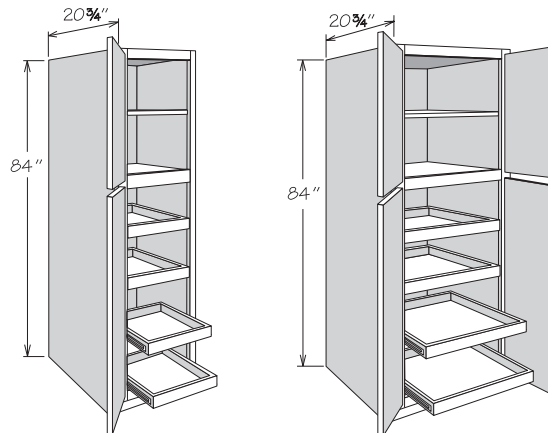
2 DOORS

VLC122184 AS ■
 VLC152184 AS ■
 VLC182184 AS ■
 VLC122184 AS SD
 VLC152184 AS SD
 VLC182184 AS SD

4 BUTT DOORS

VLC242184 AS BUTT ■
 VLC242184 AS BUTT SD

Vanity Linen Cabinet • Deep Roll Out Trays



2 DOORS

4 BUTT DOORS

- Features one full-depth adjustable shelf in top section and four Deep Roll Out Trays in lower section
- Full-depth adjustable shelf is 3/4" engineered wood and edge banded on front edge only
- Adjustable shelf and Deep Roll Out Trays packaged separately
- Two door cabinets must be ordered hinged left or right
- Specialty Door cabinets (SD) feature Matching Interior standard and require a specialty door selection
- Bottom doors will have a center rail for select door styles - refer to door style section

APC
FE
MI ■
RD

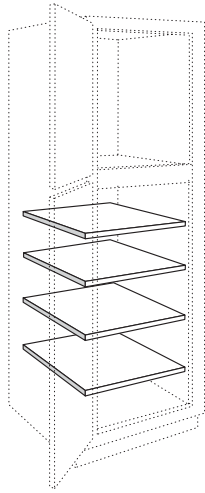
2 DOORS

VLC122184 CC4ROT ■
 VLC152184 CC4ROT ■
 VLC182184 CC4ROT ■
 VLC122184 CC4ROT SD
 VLC152184 CC4ROT SD
 VLC182184 CC4ROT SD

4 BUTT DOORS

VLC242184 CC4ROT BUTT ■
 VLC242184 CC4ROT BUTT SD

Vanity Linen Cabinet • Adjustable Shelves



- Field installation accessory
- 3/4" engineered wood
- Edge banded on front edge only
- CLIP LOCK shelf rests included

APC
MI
RD

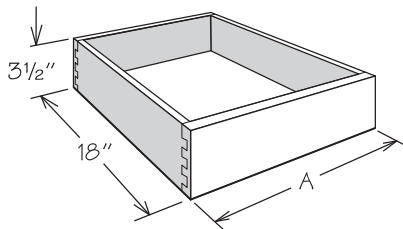
ADJUSTABLE SHELF

S1221
S1521
S1821
S2421

4 PACK SHELF KIT

SK1221
SK1521
SK1821
SK2421

Deep Roll Out Trays



- Field installation accessory
- Natural finish dovetail drawer with engineered wood bottom
- Includes tray, all glide hardware and installation instructions
- DROT drill template is required for all two door cabinets that have a center stile - contact the Partner Team for drill template

RD

SINGLE

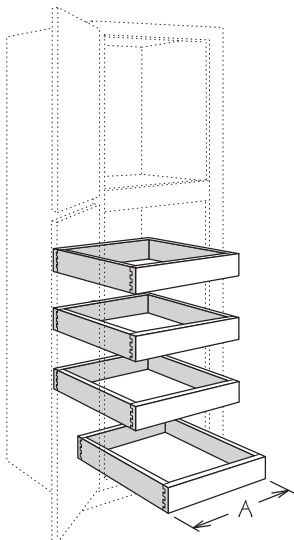
DROTCC1221
DROTCC1521
DROTCC1821
DROTCC2421

4 PACK

DROTCC1221-4K
DROTCC1521-4K
DROTCC1821-4K
DROTCC2421-4K

A

7 3/4"
10 3/4"
13 3/4"
19 3/4"



Island Paradise

Islands have become an essential feature for most remodel customers and they are not just for meal prep anymore. They now serve as the dinner table, extra storage, home office, a place to manage homework, and a social gathering spot while entertaining guests. It's easy to see why the kitchen island is seen as the command center of any home.

LARGE ISLAND, LOTS OF STORAGE

According to a recent Houzz survey, kitchen islands are growing in size with almost half the islands installed today measuring over 7 feet! This island's size is hard to ignore, it has plenty of seating and plenty of storage in the back. The contrasting Maple Rye finish adds warmth and a naturalistic element to this contemporary space.



FUNCTIONALITY AT EVERY ANGLE

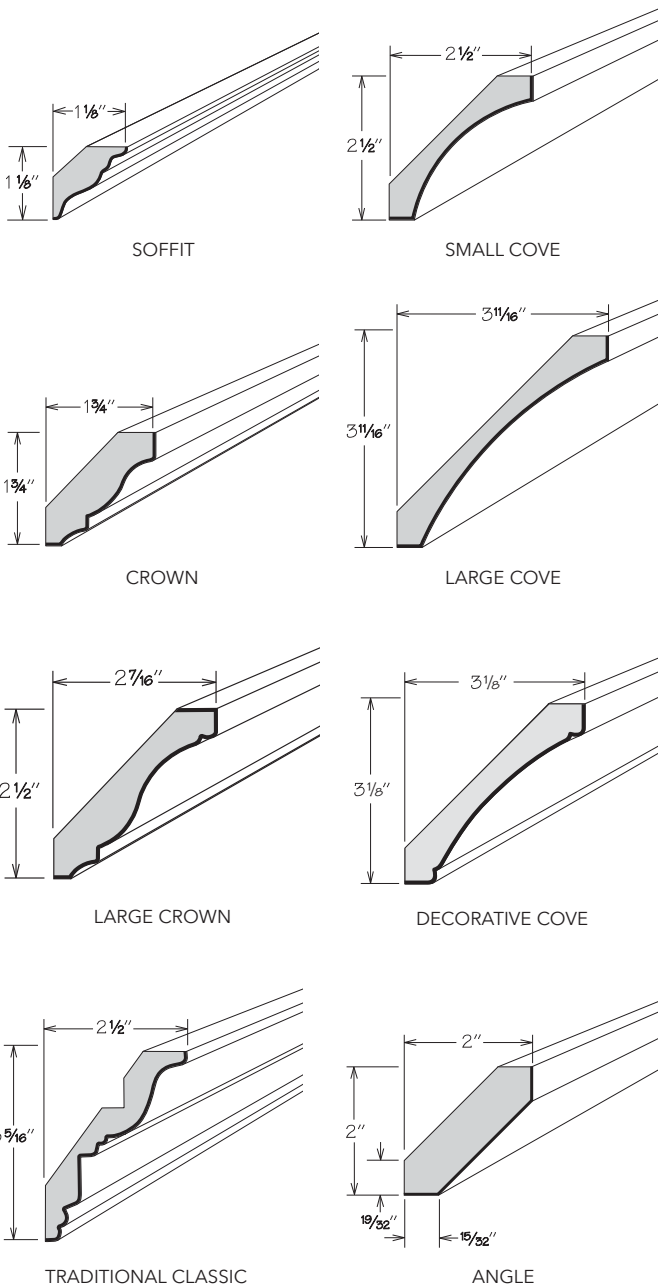
This island takes multi-tasking to a whole new level. Not only does it have plenty of space for meal prep, the many drawer bases provide ample room for storage. Decorative Legs make the built in seating extra stylish. The latest NKBA annual trend report states that 60% of homeowners now eat at their kitchen island!



SEEING DOUBLE

The double island trend is growing in popularity and isn't just for those with large kitchens. Double islands allow you to create zones for meal prep and dining/work areas, break up monotony in the layout, and add visual interest to open layouts. Think about suggesting a double island for your customer's remodel, in some floor plans you'll find that two small islands work better than one large island.

Crown Molding



- 94" long
- Wood and Painted finishes feature solid wood finished to match cabinet box exterior - glazed finishes on CM8, DSCVM8, LCM8, SCM8 and TCCM8 will be glazed
- Duraform Breeze and Drift finishes:
 - » Feature Duraform textured wrapped MDF to match cabinet door for ACM8 DT, SCVM8 DT, and LCV8 DT
 - » Feature solid wood finished to match cabinet box exterior for SCM8, CM8, LCM8, TCCM8, ACM8, SCVM8, LCV8, and DCVM8
- Duraform Espresso, Harbor, Linen and Stone finishes:
 - » Feature Duraform wrapped MDF for SCM8, CM8, TCCM8, and ACM8
 - » Feature solid wood finished to match cabinet box exterior for SCVM8, LCV8, and DCVM8
- TCCM8 may use OGE8, SBIM8, or SIM8 as accent
- Bold line indicates finished surfaces

SOFFIT

SCM8

SMALL COVE

SCVM8
SCVM8 DT

CROWN

CM8

LARGE COVE

LCVM8
LCVM8 DT

LARGE CROWN

LCM8

DECORATIVE COVE

DCVM8

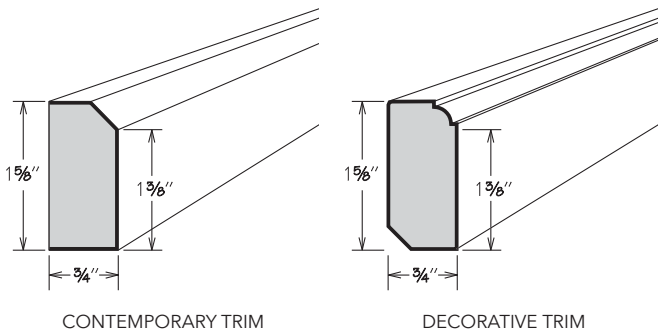
TRADITIONAL CLASSIC

TCCM8

ANGLE

ACM8
ACM8 DT

Edge Molding



- 94" long
- All finishes feature solid wood finished to match cabinet box exterior for CTM8 and DCTM8 - glazed finishes on DTCM8 will be glazed
- Duraform Breeze and Drift finishes feature Duraform textured wrapped MDF to match cabinet door for CTM8 DT
- Can be used as light rail molding (cleating may be required)
- Bold line indicates finished surfaces

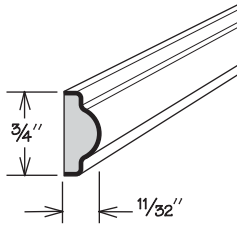
CONTEMPORARY TRIM

CTM8
CTM8 DT

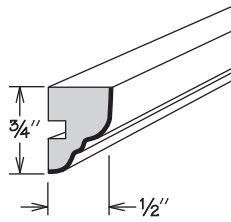
DECORATIVE TRIM

DCTM8

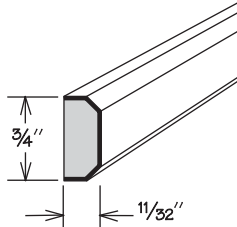
Inset Molding



SINGLE BEAD



OGEE



SHAKER

- 94" long
- All finishes feature solid wood finished to match cabinet box exterior - glazed finishes on OGE8 and SBIM8 will be glazed
- OGE8, SBIM8, and SIM8 may be used as accent on TCCM8 and ILR8
- Bold line indicates finished surfaces

SINGLE BEAD

SBIM8

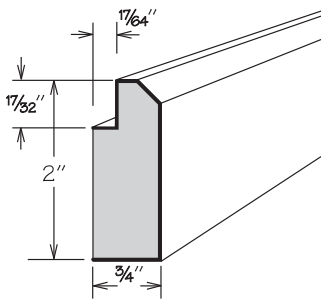
OGEE

OGE8

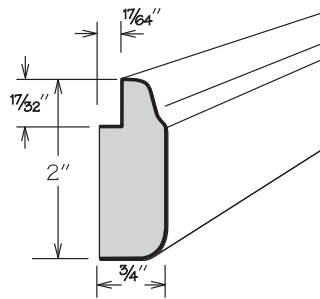
SHAKER

SIM8

Mirror Molding



SHAKER



MIRROR

- 94" long
- All finishes feature solid wood finished to match cabinet box exterior - glazed finishes on MM8 will be glazed
- Bold line indicates finished surfaces

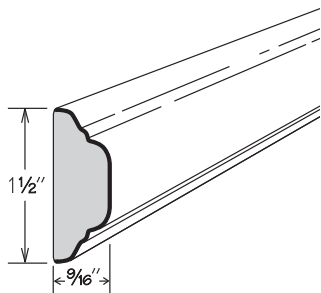
SHAKER

SMM8

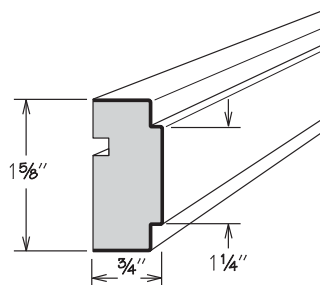
MIRROR

MM8

Chair Rail and Specialty Molding



CHAIR RAIL



SQUARE CHAIR RAIL

- 94" long
- All finishes feature solid wood finished to match cabinet box exterior - glazed finishes will be glazed
- May be used as vertical decorative molding (i.e. seams between bookshelves or in lieu of an overlay filler)
- Bold line indicates finished surfaces

CHAIR RAIL

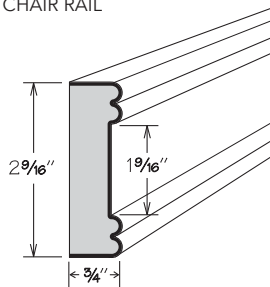
CR8

SQUARE CHAIR RAIL

SQCR8

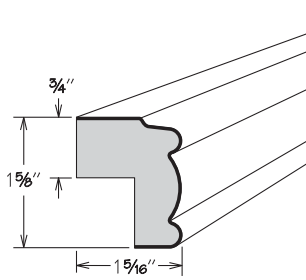
LIBRARY

LBM8

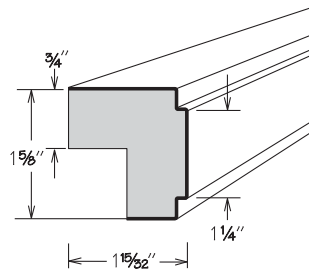


LIBRARY

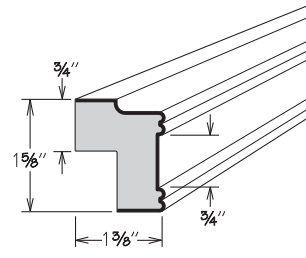
Light Rail Molding



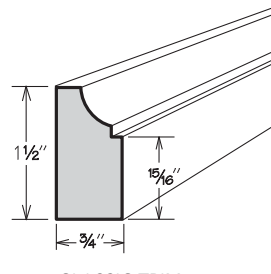
SMALL TRADITIONAL



SQUARE



INSET



CLASSIC TRIM

- 94" long
- All finishes feature solid wood finished to match cabinet box exterior - glazed finishes on ILR8, STLR8 and SQLR8 will be glazed
- ILR8 and LBM8 may use SBIM8 or SIM8 as accent
- CLTM8 can be used as light rail or edge molding (cleating may be required when used as light rail)
- Bold line indicates finished surfaces

SMALL TRADITIONAL

STLR8

SQUARE

SQLR8

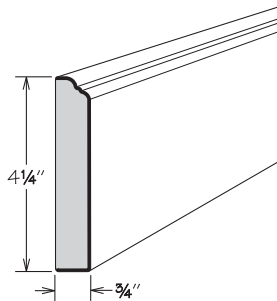
INSET

ILR8

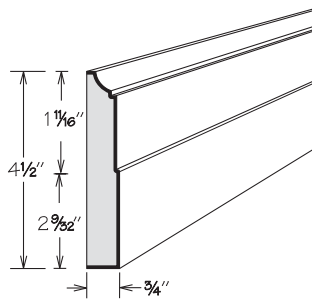
CLASSIC TRIM

CLTM8

Base Molding



OGEE PILASTER



CLASSIC BASEBOARD

- 94" long
- Wood, Painted, and Duraform Breeze and Drift finishes feature solid wood finished to match cabinet box exterior - glazed finishes will be glazed
- Duraform Espresso, Harbor, Linen and Stone door styles:
 - » Feature Duraform textured wrapped MDF finished to match cabinet box exterior for OGP8
 - » Feature solid wood finished to match cabinet box exterior for CLBM8
- For use with furniture toe or top molding applications
- Bold line indicates finished surfaces

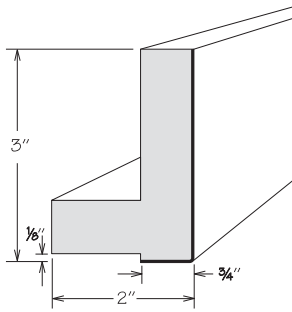
OGEE PILASTER

OGP8

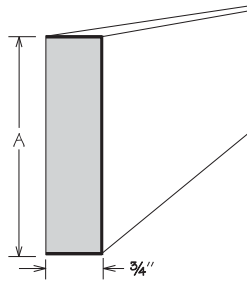
CLASSIC BASEBOARD

CLBM8

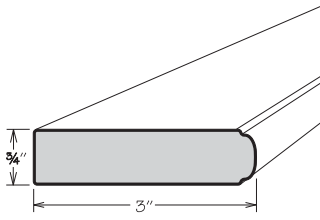
Molding Stock



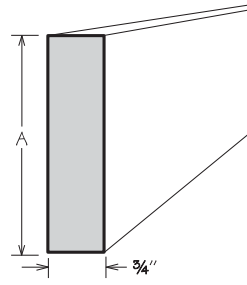
STARTER



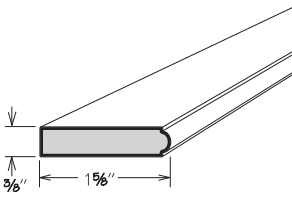
3-SIDED



SINGLE BEAD



4-SIDED

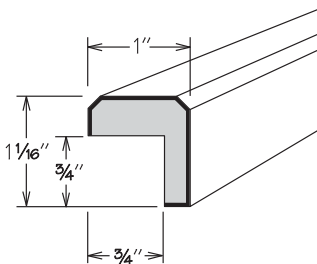


SMALL SINGLE BEAD

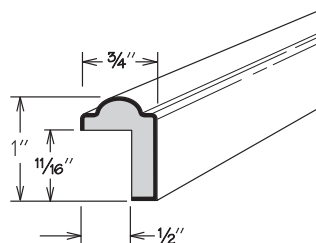
- All finishes feature solid wood finished to match cabinet box exterior for STRM8, S4S396, S4S696, MSS3S394, MSS3S694, SBM8, and SSBM8 - glazed finishes on SBM8 and SSBM8 will be glazed
- Duraform Breeze and Drift finishes feature Duraform textured wrapped MDF to match cabinet door for S3S396 DT and S3S696 DT
- 3-Sided and 4-Sided Stock may also be used in vertical applications (as a filler) or horizontal applications (as furniture toe)
- Bold line indicates finished surfaces

	LENGTH		LENGTH
STARTER		3-SIDED	
STRM8	94"	MSS3S394	94"
SINGLE BEAD		S3S396 DT	96"
SBM8	94"	MSS3S694	94"
SMALL SINGLE BEAD		S3S696 DT	96"
SSBM8	94"	4-SIDED	
		S4S396	96"
		S4S696	96"

Accent Molding



SHAKER



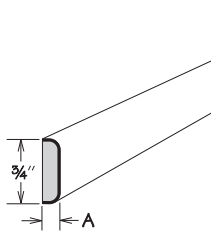
SINGLE BEAD

- 94" long
- All finishes feature solid wood finished to match cabinet box exterior - glazed finishes on SBAM8 will be glazed
- May be used as accent on Wall China, Wine Storage and Base Microwave cabinets
- Bold line indicates finished surfaces

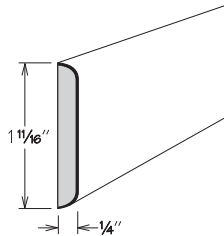
SHAKER
SAM8

SINGLE BEAD
SBAM8

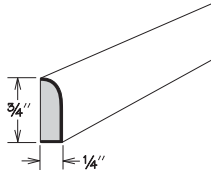
Trim Molding



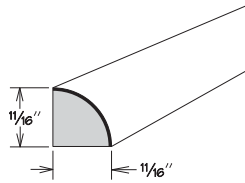
BATTEN



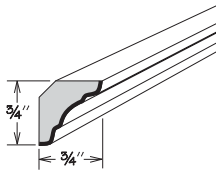
WIDE BATTEN



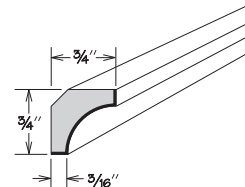
SCRIBE



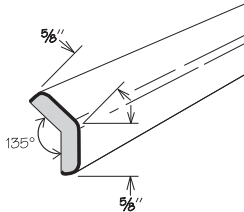
QUARTER ROUND



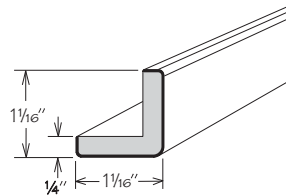
DECORATIVE INSIDE CORNER



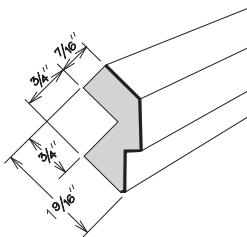
INSIDE CORNER



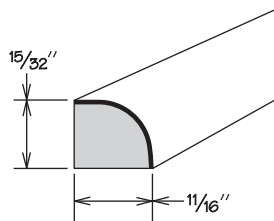
ANGLED OUTSIDE CORNER



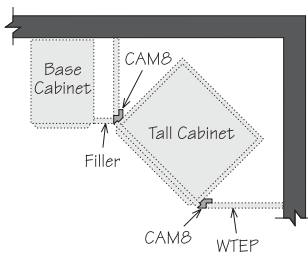
OUTSIDE CORNER



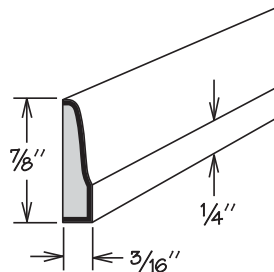
CABINET ANGLE



SHOE



Top View

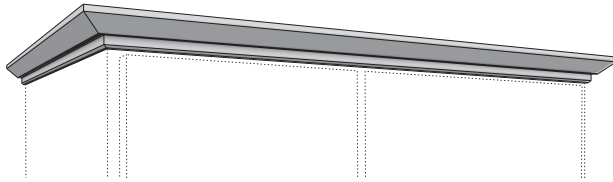
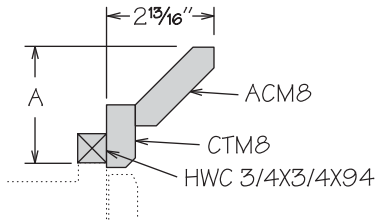


STRAIGHT TRIM MOLDING

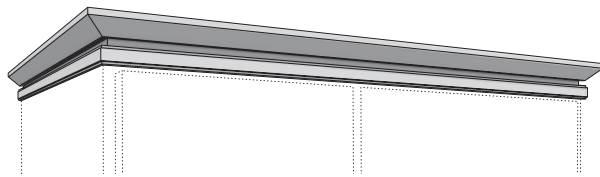
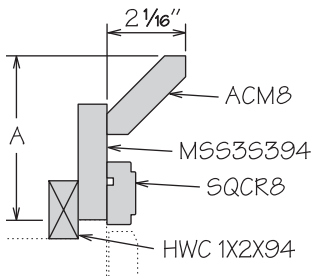
- All finishes feature solid wood finished to match cabinet box exterior for BM8, SM8, SM10, ICM8, AOSC8, CAM8, WBM8, QR8, QM8, OTCM8, SHM8 and UM8 - glazed finishes on ICM8 will be glazed
- Duraform Breeze and Drift finishes feature Duraform textured wrapped MDF to match cabinet door for SM8 DT, QM8 DT, OTCM8 DT, BM8 DT, and SHM8 DT
- Cabinet Angle Molding (CAM8)
 - » Can be used in corner application to place cabinet at 45° angle
 - » Cannot be installed on cabinets with the Furniture Ends Option (FE)
- Bold line indicates finished surfaces

	A	LENGTH		LENGTH
BATTEN			WIDE BATTEN	
BM8	3/16"	94"	WBM8	94"
BM8 DT	1/4"	94"		
			QUARTER ROUND	
SCRIBE			QR8	94"
SM8	-	94"		
SM8 DT	-	94"	INSIDE CORNER	
SM10	-	120"	QM8	94"
			QM8 DT	94"
DECORATIVE INSIDE CORNER			OUTSIDE CORNER	
ICM8	-	94"	OTCM8	94"
			OTCM8 DT	94"
ANGLED OUTSIDE CORNER			SHOE	
AOSC8	-	94"	SHM8	94"
			SHM8 DT	94"
CABINET ANGLE			STRAIGHT TRIM MOLDING	
CAM8	-	94"	UM8	94"

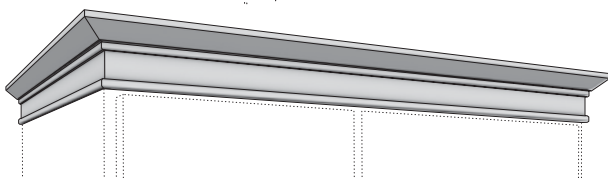
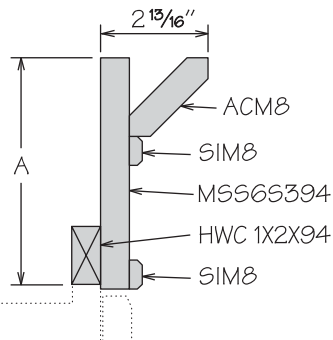
Molding Stack • Modern



MODERN 100



MODERN 200

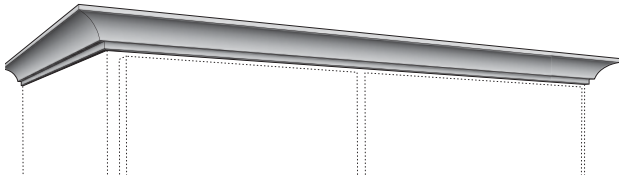
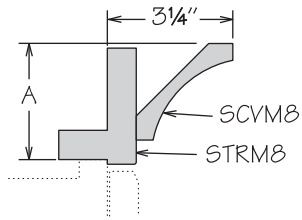


MODERN 300

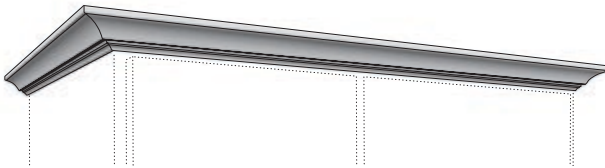
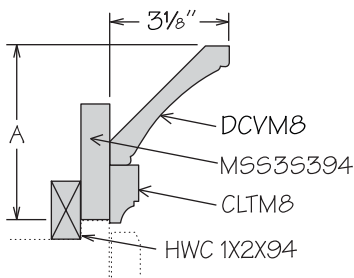
- 94" long
- All door styles feature solid wood finished to match cabinet box exterior
- Height dimensions are above the face-frame height when used as shown
- Modern 100 pre-packaged molding kit includes:
 - » ACM8
 - » CTM8
 - » HWC 3/4X3/4X94
- Modern 200 pre-packaged molding kit includes:
 - » ACM8
 - » MSS3S394
 - » SQCR8
 - » HWC 1X2X94
- Modern 300 pre-packaged molding kit includes:
 - » ACM8
 - » SIM8 (2)
 - » MSS3S694
 - » HWC 1X2X94
- Molding Stacks shipped unassembled
- Molding Stacks to be cut, assembled and field installed at job site
- Only one finish can be specified per Molding Stack
- Molding Stack diagram included
- Refer to specifications on individual molding included in molding stack

MODERN	HEIGHT SHOWN	A MIN.	A MAX.
MS MODERN 100	3"	2 3/16"	3"
MS MODERN 200	4 1/4"	3 9/16"	4 1/2"
MS MODERN 300	5 7/8"	5 7/8"	7 3/8"

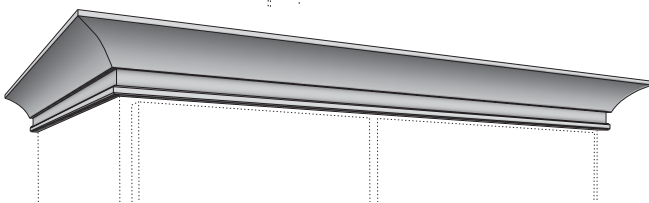
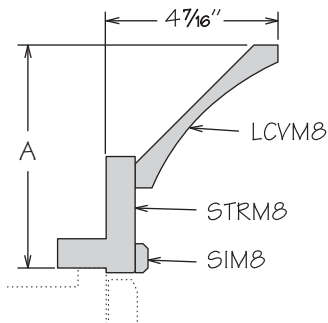
Molding Stack • Transitional



TRANSITIONAL 100



TRANSITIONAL 200

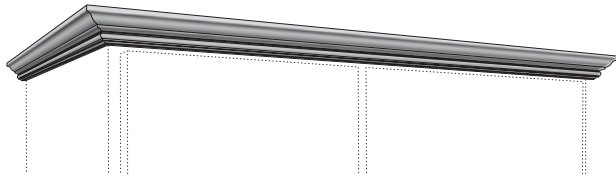
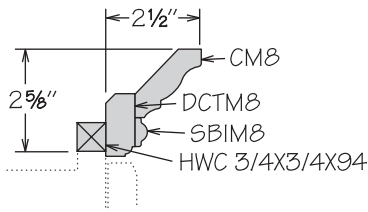


TRANSITIONAL 300

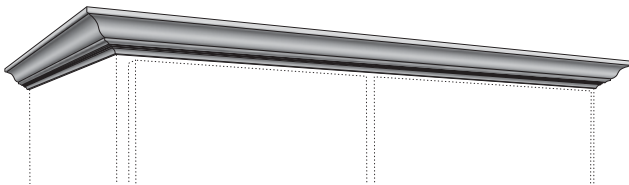
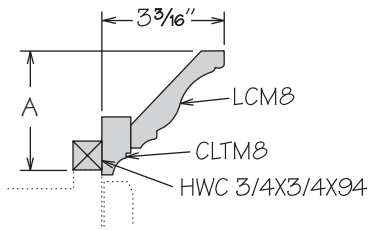
- 94" long
- All door styles feature solid wood finished to match cabinet box exterior
- Height dimensions are the above-face-frame height when used as shown
- Transitional 100 pre-packaged molding kit includes:
 - » SCVM8
 - » STRM8
- Transitional 200 pre-packaged molding kit includes:
 - » DCVM8
 - » MSS3S394
 - » CLTM8
 - » HWC 1X2X94
- Transitional 300 pre-packaged molding kit includes:
 - » LCVMB
 - » STRMB
 - » SIMB
- Molding Stacks shipped unassembled
- Molding Stacks to be cut, assembled and field installed at job site
- Only one finish can be specified per Molding Stack
- Molding Stack diagram included
- Refer to specifications on individual molding included in molding stack

TRANSITIONAL	HEIGHT SHOWN	A MIN.	A MAX.
MS TRANSITIONAL 100	3"	2 7/8"	4 3/4"
MS TRANSITIONAL 200	4 1/2"	4 1/2"	5 1/2"
MS TRANSITIONAL 300	5 3/4"	4 5/16"	5 15/16"

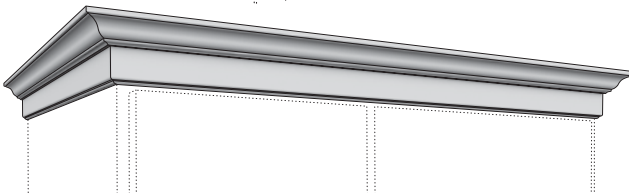
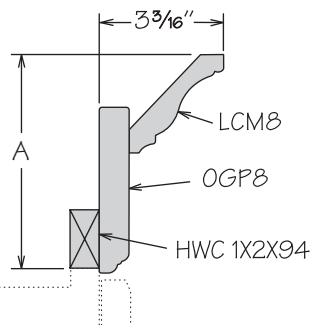
Molding Stack • Classic



CLASSIC 100



CLASSIC 200

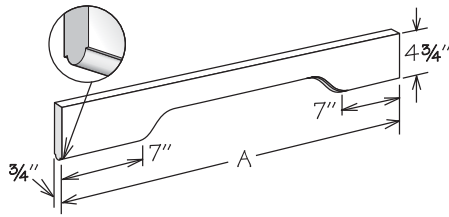


CLASSIC 300

- 94" long
- All door styles feature solid wood finished to match cabinet box exterior
- Height dimensions are the above-face-frame height when used as shown
- Classic 100 pre-packaged molding kit includes:
 - » CM8
 - » DCTM8
 - » SBIM8
 - » HWC 3/4X3/4X94
- Classic 200 pre-packaged molding kit includes:
 - » LCM8
 - » CLTM8
 - » HWC 3/4X3/4X94
- Classic 300 pre-packaged molding kit includes:
 - » LCM8
 - » OGP8
 - » HWC 1X2X94
- Molding Stacks shipped unassembled
- Molding Stacks to be cut, assembled and field installed at job site
- Only one finish can be specified per Molding Stack
- Molding Stack diagram included
- Refer to specifications on individual molding included in molding stack

CLASSIC	HEIGHT SHOWN	A MIN.	A MAX.
MS CLASSIC 100	2 5/8"	-	-
MS CLASSIC 200	3 1/8"	2 15/16"	3 5/16"
MS CLASSIC 300	5 1/2"	4 1/8"	6"

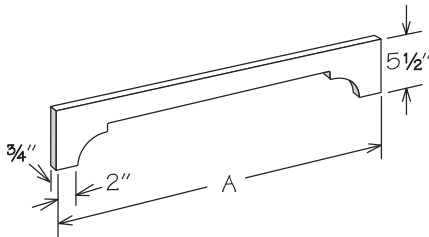
Arched Valance



- Field trimmable
- All door styles feature solid wood finished to match cabinet box exterior
- Dimension from height of arch to top of valance is 2 1/8"

	A	MAX. TRIM (6 5/8" each end)
V36 AR	36 1/4"	24"
V48 AR	48 1/4"	36"
V60 AR	60 1/4"	48"
V72 AR	72 1/4"	60"

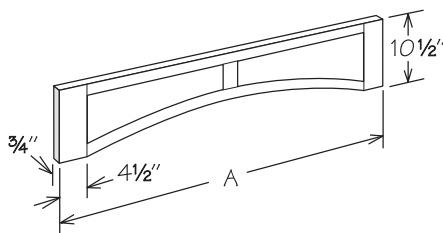
Crown Valance



- Field trimmable
- All door styles feature solid wood finished to match cabinet box exterior
- Dimension from height of arch to top of valance is 2 1/4"

	A	MAX. TRIM (1 1/2" each end)
V30 CR	30 1/4"	27 1/4"
V36 CR	36 1/4"	33 1/4"
V42 CR	42 1/4"	39 1/4"
V48 CR	48 1/4"	45 1/4"
V60 CR	60 1/4"	57 1/4"
V72 CR	72 1/4"	69 1/4"

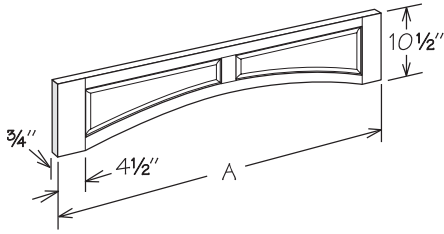
Flat Panel Arched Valance



- Field trimmable
- All door styles feature solid wood finished to match cabinet box exterior
- Dimension from height of arch to top of valance is 8 1/2"

	A	MAX. TRIM (3" each end)	NUMBER OF PANELS
V36 FP	36"	30"	2
V42 FP	42"	36"	2
V48 FP	48"	42"	2
V54 FP	54"	48"	3
V60 FP	60"	54"	3
V66 FP	66"	60"	3
V72 FP	72"	66"	3

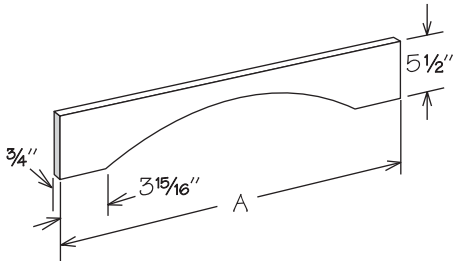
Raised Panel Arched Valance



- Field trimmable
- All door styles feature solid wood finished to match cabinet box exterior - glazed finishes will be glazed
- Dimension from height of arch to top of valance is 8 1/2"

	A	MAX. TRIM (3" each end)	NUMBER OF PANELS
V36 RP	36"	30"	2
V42 RP	42"	36"	2
V48 RP	48"	42"	2
V54 RP	54"	48"	3
V60 RP	60"	54"	3
V66 RP	66"	60"	3
V72 RP	72"	66"	3

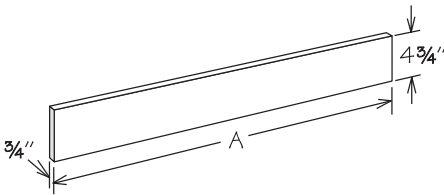
Shaker Valance



- Field trimmable
- All door styles feature solid wood finished to match cabinet box exterior
- Dimension from height of arch to top of valance is 2 1/4"

	A	MAX. TRIM (3 1/8" each end)
V30 SH	30 1/4"	24"
V36 SH	36 1/4"	30"
V42 SH	42 1/4"	36"
V48 SH	48 1/4"	42"
V60 SH	60 1/4"	54"
V72 SH	72 1/4"	66"

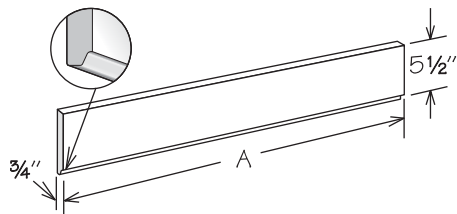
Straight Valance



- Field trimmable
- All door styles feature solid wood finished to match cabinet box exterior

	A
V48 S	48 1/4"
V72 S	72 1/4"

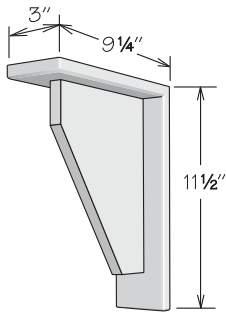
Traditional Valance



- Field trimmable
- All door styles feature solid wood finished to match cabinet box exterior - glazed finishes will be glazed

	A
V36 T	36 1/4"
V72 T	72 1/4"
V96 T	96 1/4"

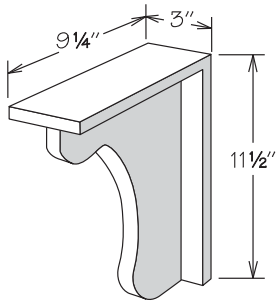
Angled Corbel



- All door styles feature 5/8" solid wood finished to match cabinet box exterior - glazed finishes will be glazed
- For decorative use only

AS12

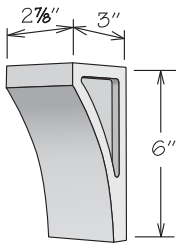
Curved Corbel



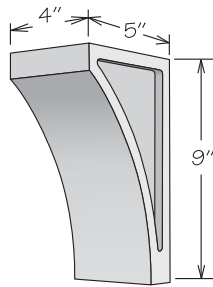
- All door styles feature 5/8" solid wood finished to match cabinet box exterior - glazed finishes will be glazed
- For decorative use only

CS12

Cove Corbels



SMALL



MEDIUM

- All door styles feature solid wood finished to match cabinet box exterior - glazed finishes will be glazed
- Recessed mounting clips included
- For decorative use only

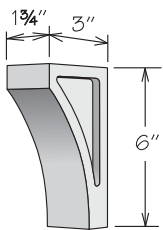
SMALL
CC36

SMALL NARROW
CC26

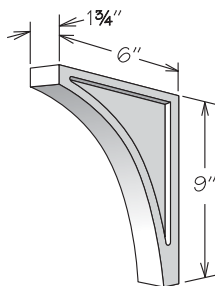
MEDIUM
CC49

MEDIUM NARROW
CC29

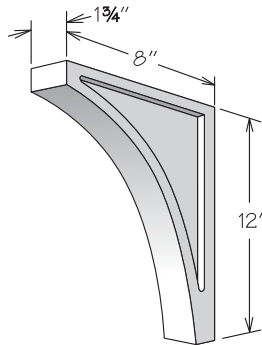
LARGE NARROW
CC212



SMALL NARROW

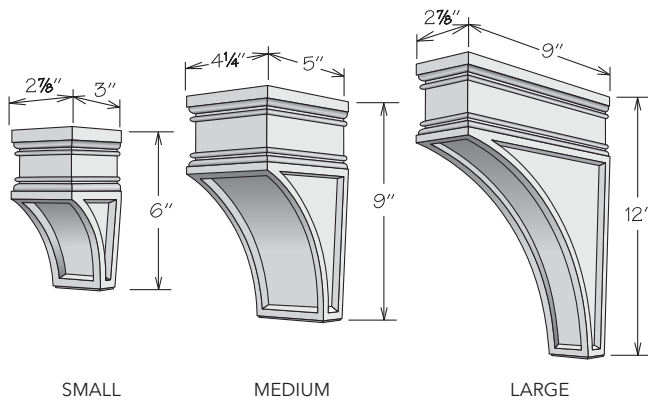


MEDIUM NARROW



LARGE NARROW

Valencia Corbels



- All door styles feature solid wood finished to match cabinet box exterior - glazed finishes will be glazed
- Recessed mounting clips included
- For decorative use only

SMALL

VC36

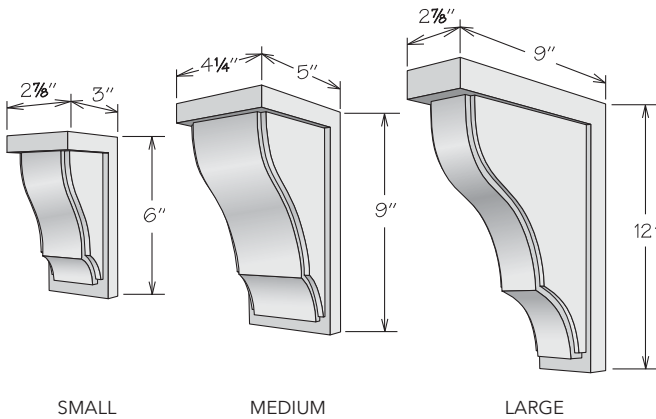
LARGE

VC312

MEDIUM

VC49

Finley Corbels



- All door styles feature solid wood finished to match cabinet box exterior - glazed finishes will be glazed
- Recessed mounting clips included
- For decorative use only

SMALL

FC36

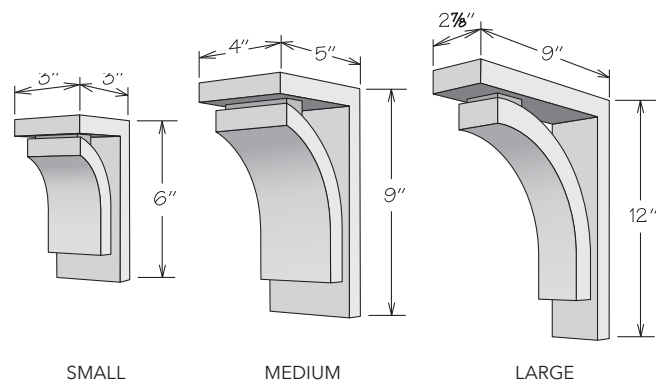
LARGE

FC312

MEDIUM

FC49

Prairie Corbels



- All door styles feature solid wood finished to match cabinet box exterior
- Recessed mounting clips included
- For decorative use only

SMALL

PC36

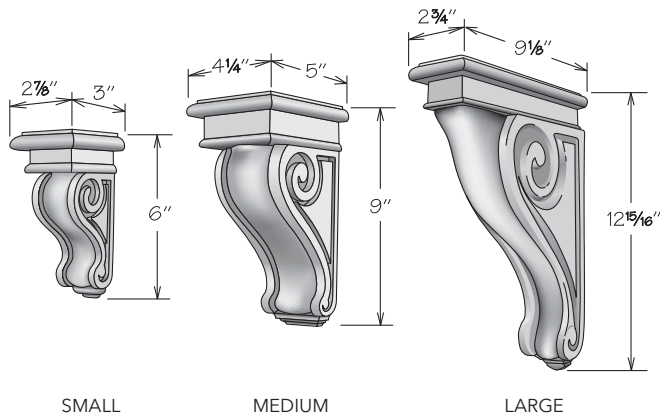
LARGE

PC312

MEDIUM

PC49

Rosette Corbels



- All door styles feature solid wood finished to match cabinet box exterior - glazed finishes will be glazed
- Recessed mounting clips included
- For decorative use only

SMALL

RC36

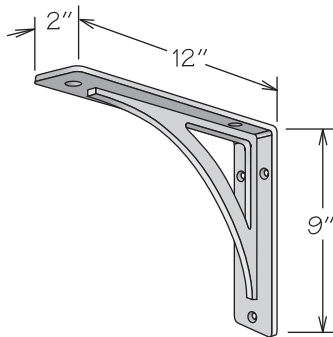
LARGE

RC313

MEDIUM

RC49

Metal Cove Corbel



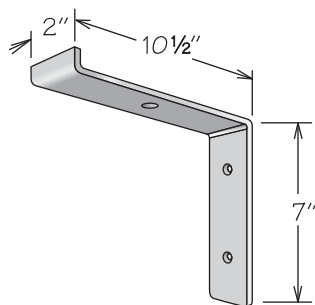
- Mounting clips included
- Can be installed using either height orientation
- Installation instructions included
- Will support up to 100 lbs. when installed per included installation instructions

FINISH

METAL COVE 212 VB
 METAL COVE 212 MB
 METAL COVE 212 SN
 METAL COVE 212 PC

Verona Bronze
 Matte Black
 Satin Nickel
 Polished Chrome

Metal Emerson Corbel



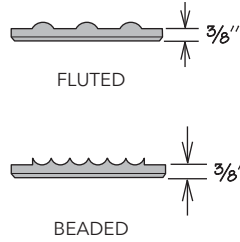
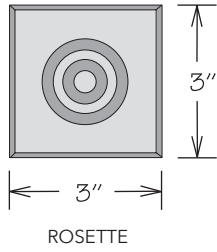
- Mounting clips included
- Installation instructions included
- Will support up to 100 lbs. when installed per included installation instructions

FINISH

METAL EMERSON 27 VB
 METAL EMERSON 27 MB
 METAL EMERSON 27 SN
 METAL EMERSON 27 PC

Verona Bronze
 Matte Black
 Satin Nickel
 Polished Chrome

Decorative Blocks



- All door styles feature solid wood finished to match cabinet box exterior - glazed finishes will be glazed
- For use with Fluted Beaded Fillers

FLUTED

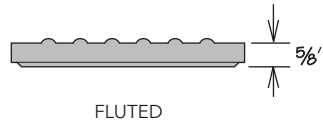
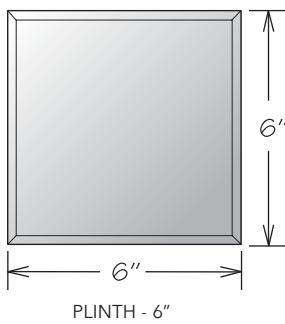
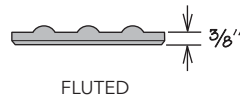
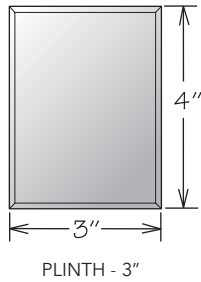
Rosette
FB3X3 ROSETTE

Plinth - 3"
FB3X4 PLINTH

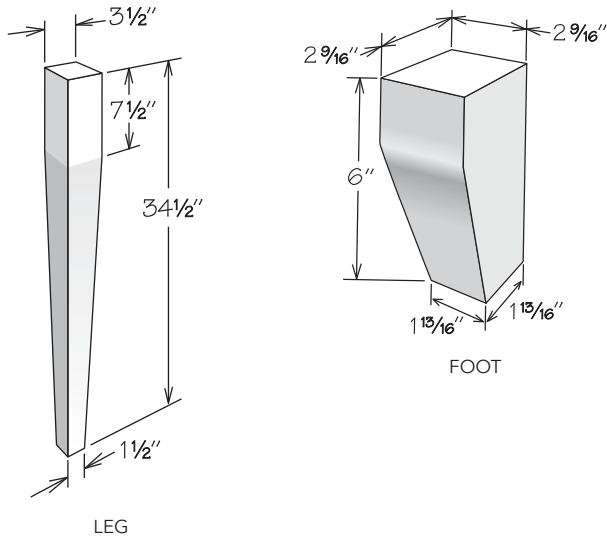
Plinth - 6"
FB6X6 PLINTH

BEADED

Rosette
BB3X3 ROSETTE



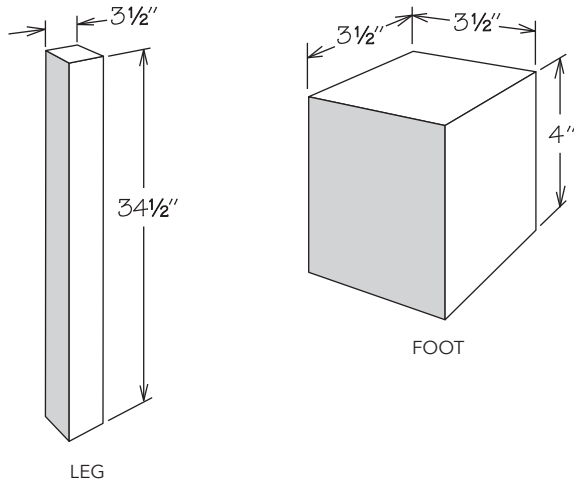
Base Tapered Leg and Foot



- All door styles feature solid wood finished to match cabinet box exterior
- Base Tapered Leg is tapered on all sides and is field trimmable
- Base Tapered Foot is tapered on two sides and is field trimmable to 4" high
- Complements the Cove corbels

LEG _____ **FOOT** _____
 BTPL _____ TPF _____

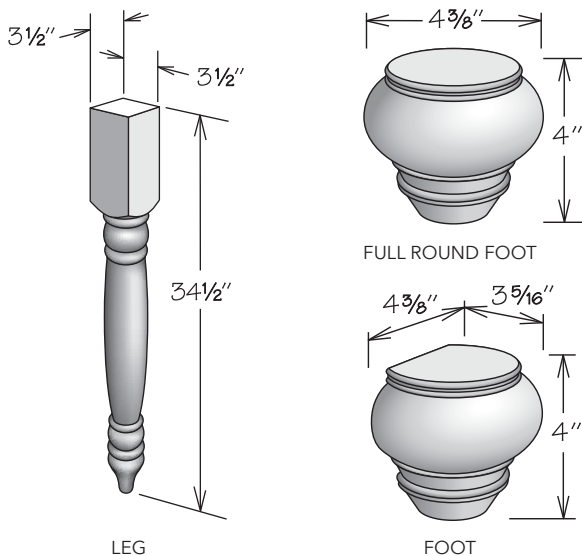
Base Square Leg and Foot



- All door styles feature solid wood finished to match cabinet box exterior
- Base Square Leg is field trimmable
- Complements the Cove corbels

LEG _____ **FOOT** _____
 BSQF _____ BSQF _____

Base Turned Leg and Feet

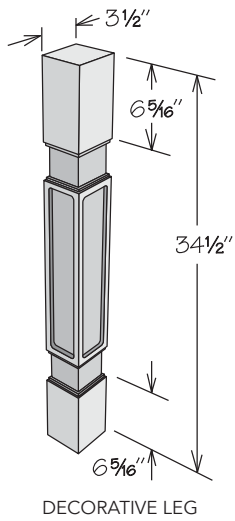


- All door styles feature solid wood finished to match cabinet box exterior - glazed finishes will be glazed
- Base Turned Leg is field trimmable to 28 1/2" high
- Complements the Rosette corbels

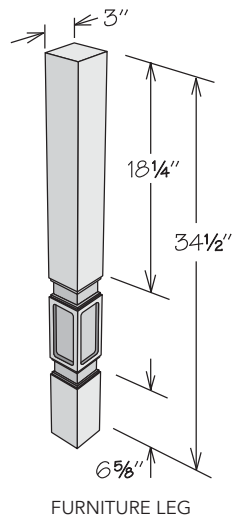
LEG _____ **FULL ROUND FOOT** _____
 BTL _____ ATF-FR _____

FOOT _____
 ATF _____

Parker Legs and Foot



DECORATIVE LEG



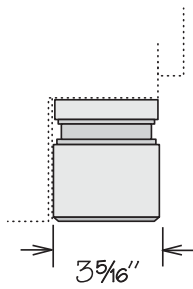
FURNITURE LEG

- All door styles feature solid wood finished to match cabinet box exterior - glazed finishes will be glazed
- Legs are field trimmable
- Complements the Prairie and Cove corbels

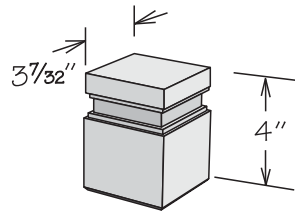
DECORATIVE LEG
PDL

FURNITURE LEG
PFL

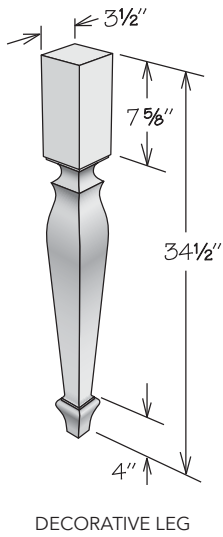
FOOT
PDF



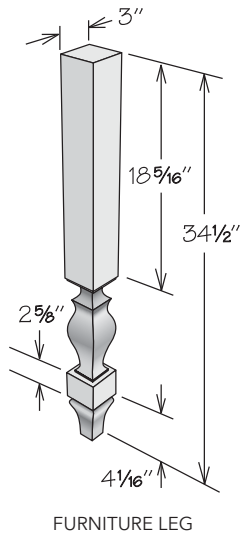
FOOT



Chantilly Legs and Foot



DECORATIVE LEG



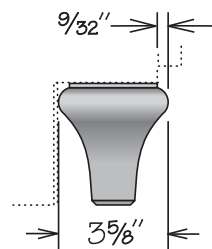
FURNITURE LEG

- All door styles feature solid wood finished to match cabinet box exterior - glazed finishes will be glazed
- Legs are field trimmable
- Complements the Rosette corbels

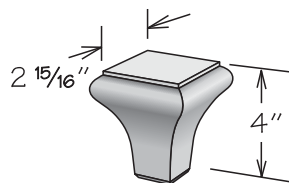
DECORATIVE LEG
CDL

FURNITURE LEG
CFL

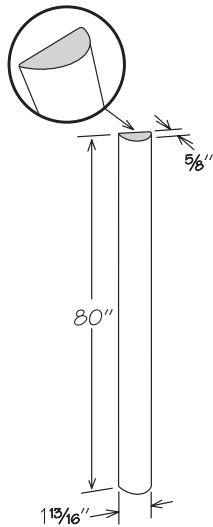
FOOT
CDF



FOOT



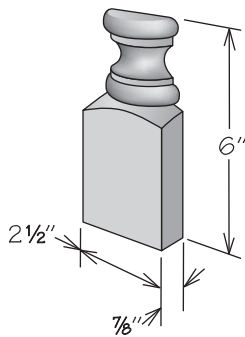
Split Post



- All door styles feature solid wood finished to match cabinet box exterior
- Field trimmable
- Use with Traditional Split Block to create design element
- Must be mounted to a Universal Filler (order separately)

SPLIT POST
SPLT POST80 P

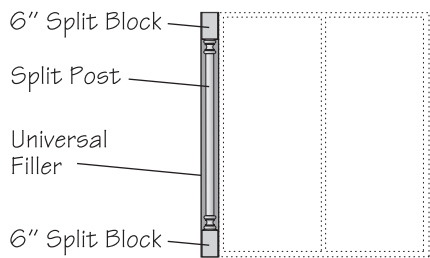
Traditional Split Block



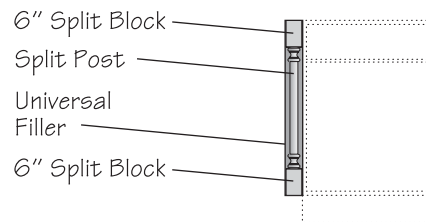
- All door styles feature solid wood finished to match cabinet box exterior - glazed finishes will be glazed
- For floor or wall application
- Use with Split Post to create design element
- Must be mounted to a Universal Filler (order separately)

SPLIT BLOCK
SPLT BLOCK26 T

SUGGESTED DESIGN APPLICATIONS



Wall Cabinet



Base Cabinet

Notes



Living space shown in
470F Painted Harbor & Boulder



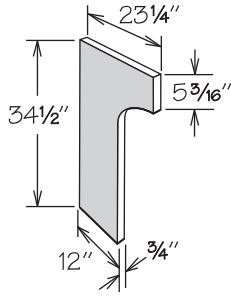
Cypress Design Co

By Cypress Design Co. Team
Rhode Island

“Waypoint was selected for this project because the clients renovated a primary bathroom with us prior to this renovation and found that they like the quality and price point of Waypoint cabinetry. They also really liked the new 470F door style.”

“Our favorite part of this project was using Wallpaper at the drybar. It was installed on the backsplash and on the backs of the wall cabinets with glass inserts to create a beautiful accent. It looks like the wall cabinets have no backs and are just hung on the wall for an elevated aesthetic.”

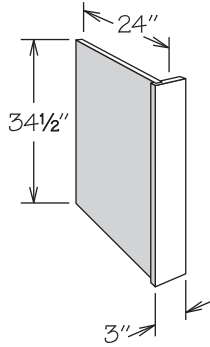
Desk End Panel



- All door styles feature 3/4" veneered engineered wood finished to match cabinet box exterior on both sides
- Recommend QM8 be ordered for installation to ensure proper attachment to wall
- Field trimmable
- Edge banded on front

DEP

Dishwasher Return

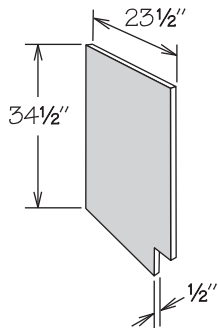


- Reversible for left or right installation
- Solid wood front
- All door styles feature 1/2" plywood with outside finished to match cabinet exterior and inside with a natural woodgrain look
- Wall attachment block included
- Field trimmable to 1" in width
- Can be notched for toe kick in the field

FE

DWR3

Sink/Vanity Front Return

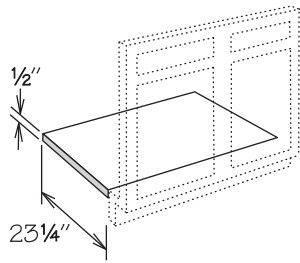


- All door styles feature 1/2" plywood with outside to match cabinet exterior and inside with a natural woodgrain look
- Specify left or right
- Attaching blocks included
- SFR (R/L) with the Furniture Ends Option (FE) will include a rabbeted front edge
- Field trimmable

FE

SFRR
SFRL

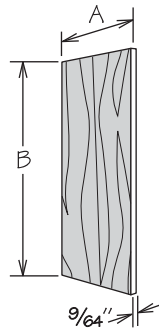
Sink/Vanity Front Floor



- All door styles feature 1/2" engineered wood with one side finished with a natural woodgrain look
- 1/2" oversize in width
- FL36X36 to be used for CSF36 (field trim to fit)
- FL48X48 to be used for CSF42 (field trim to fit)
- Field trimmable

FL24
FL36
FL36X36
FL48
FL48X48
FL60
FL72

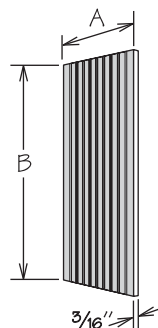
Paneling



- Wood and Duraform Espresso door styles feature plywood, with vertical grain, finished on one side to match cabinet box exterior
- Duraform (excluding Duraform Espresso) and Painted door styles feature engineered wood finished on one side to match cabinet box exterior
- TEP120 will feature plywood with vertical grain - finished on one side to match cabinet box exterior for all door styles
- Textured panels feature textured-wrapped engineered wood finished on one side to match cabinet door - available for Breeze and Drift finishes only
- FP9634 DT is shipped as two 48" wide x 34 1/2" high panels
- Field trimmable, can be notched for toe kick

WOOD	TEXTURED	A	B
WEP30	WEP30 DT	11 1/4"	30 1/8"
WEP42	WEP42 DT	11 1/4"	42 1/8"
WEP48	WEP48 DT	11 1/4"	48"
WEP1542	WEP1542 DT	14 1/4"	42 1/8"
BEP34	BEP34 DT	23 1/4"	34 1/2"
TEP84	TEP84 DT	23 1/4"	84"
TEP96	TEP96 DT	23 1/4"	96"
TEP120	TEP120 DT	23 1/4"	120"
FP4834	FP4834 DT	48"	34 1/2"
FP4896	FP4896 DT	48"	96"
FP9634	FP9634 DT	96"	34 1/2"
FP9648	-	96"	48"

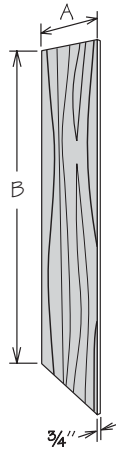
Grooved Paneling



- Grooved every 1 1/2" on one side
- All door styles feature 3/8" plywood finished on one side to match cabinet box exterior - glazed finishes will be glazed
- FP9634 Grooved Paneling is shipped as two 48" wide x 34 1/2" high panels
- Field trimmable, can be notched for toe kick

	A	B
WEP30 GROOVED	11 1/4"	30 1/8"
WEP42 GROOVED	11 1/4"	42 1/8"
WEP48 GROOVED	11 1/4"	48"
WEP1542 GROOVED	14 1/4"	42 1/8"
BEP34 GROOVED	23 1/4"	34 1/2"
TEP84 GROOVED	23 1/4"	84"
TEP96 GROOVED	23 1/4"	96"
FP4834 GROOVED	48"	34 1/2"
FP4896 GROOVED	48"	96"
FP9634 GROOVED	96"	34 1/2"

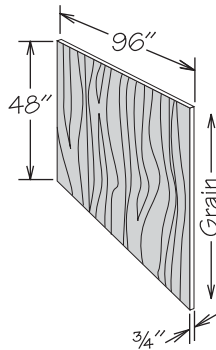
Wood End Panel



- Wood panels feature engineered wood finished on both sides to match cabinet box exterior for all door styles
 - » Edge banded on both long edges
- Textured panels feature textured-wrapped engineered wood finished on both sides to match cabinet door - available for Breeze and Drift finishes only
 - » WWEP_DT are edge banded on all four edges
 - » WBEP_DT and DWTEP_DT are edge banded on both long edges
- Field trimmable, can be notched for toe kick

WOOD	A	B
WBEP	24"	34 1/2"
WTEP84	24"	84"
WTEP96	24"	96"
WTEP120	24"	120"
DWTEP84	32"	84"
DWTEP96	32"	96"
TEXTURED		
WWEP1330 DT	13"	30 1/8"
WWEP1336 DT	13"	36 1/8"
WWEP1339 DT	13"	39 1/8"
WWEP1342 DT	13"	42 1/8"
WBEP2534 DT	25"	34 1/2"
DWTEP84 DT	32"	84"
DWTEP96 DT	32"	96"
DWTEP120 DT	32"	120"

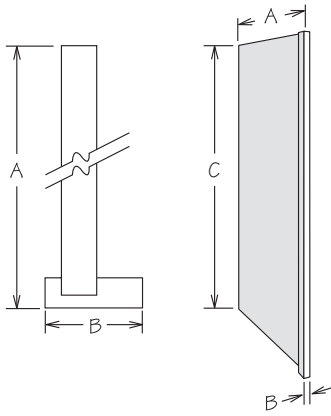
3/4" Panel



- Wood panels feature plywood finished on both sides to match cabinet box exterior for all door styles
- Textured panels feature textured-wrapped engineered wood finished on both side to match cabinet door - available for Breeze and Drift finishes only
- WP9648 DT is shipped as two 48" wide x 48" high panels
- Edge banded on all edges
- Field trimmable, can be notched for toe kick

WOOD	TEXTURED
WP9648	WP9648 DT

Refrigerator Return • 1/2" Panel

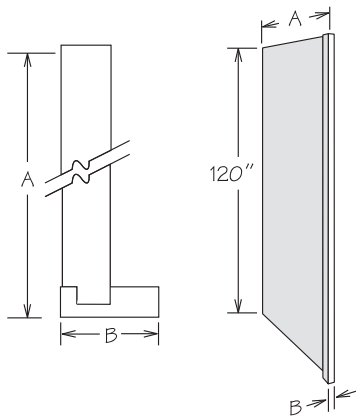


- Reversible for left or right installation
- Solid wood front
- Features 1/2" plywood with outside finished to match cabinet exterior and inside with a natural woodgrain look
- Front filler can be trimmed to a minimum of 1" wide
- Field trimmable in height, can be notched for toe kick

FE
MI
RD ■

	A	B	C
RR84	24"	1 5/8"	84"
RR384	24"	3"	84"
RR96	24"	1 5/8"	96"
RR396	24"	3"	96"
RR84 X 32DP ■	32"	1 5/8"	84"
RR384 X 32DP ■	32"	3"	84"
RR96 X 32DP ■	32"	1 5/8"	96"
RR396 X 32DP ■	32"	3"	96"

Refrigerator Return • 3/4" Panel

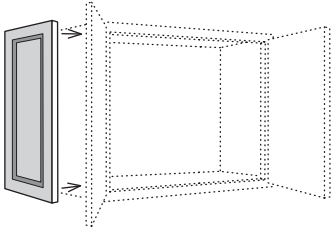


- Reversible for left or right installation
- Solid wood front
- Features 3/4" plywood finished on both sides to match cabinet box exterior
- Front filler can be trimmed to a minimum of 1" wide
- Field trimmable in height, can be notched for toe kick

RD ■

	A	B
RR120FL	24"	1 5/8"
RR3120FL	24"	3"
RR120FL X 32DP ■	32"	1 5/8"
RR3120FL X 32DP ■	32"	3"

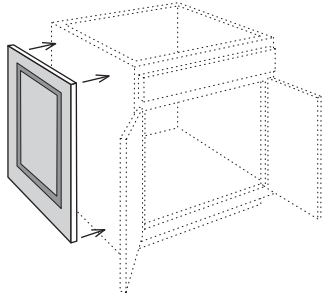
Decorator Matching Doors • Wall Cabinets



- Furniture Ends Option (FE) or WEP30/WEP42 panel is recommended for installation
- Attaches to side of wall cabinet
- Matches style and finish of cabinet doors
- Panel thickness is ¾"
- Refer to Parts Directory for dimensions
- Not drilled for hinges

DMDW18
 DMDW24
 DMDW30
 DMDW36
 DMDW39
 DMDW42

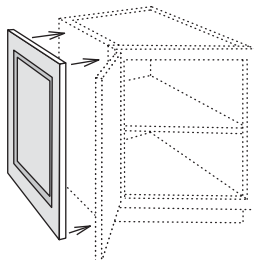
Decorator Matching Doors • Base Cabinets



- Furniture Ends Option (FE) or BEP34 panel is recommended for installation
- Attaches to side of 24" deep base cabinet
- Matches style and finish of cabinet doors
- Panel thickness is ¾"
- Refer to Parts Directory for dimensions
- Not drilled for hinges

DMDB

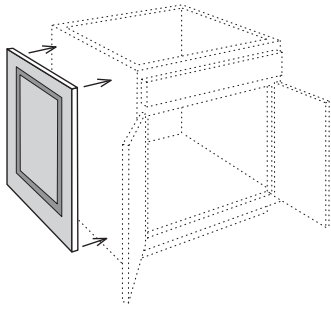
Decorator Matching Doors • Base End Angle Cabinets



- Furniture Ends Option (FE) or WEP42 panel is recommended for installation
- Attaches to side of BEA12 or BS2434
- Matches style and finish of cabinet doors
- Panel thickness is ¾"
- Refer to Parts Directory for dimensions
- Not drilled for hinges

DMDBEA12

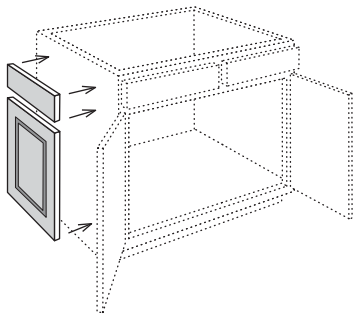
Decorator Matching Doors • Desk Cabinets



- Furniture Ends Option (FE) or BEP34 panel is recommended for installation
- Attaches to side of 21" or 24" deep desk cabinet
- Matches style and finish of cabinet doors
- Panel thickness is 3/4"
- Refer to Parts Directory for dimensions
- Not drilled for hinges

DMDD21
DMDD24

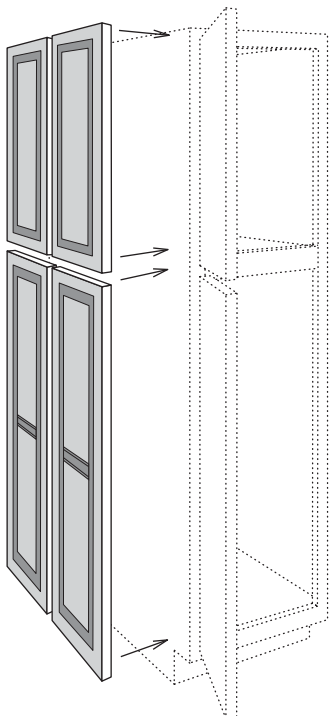
Decorator Matching Doors • Vanity Cabinet



- Furniture Ends Option (FE) or BEP34 panel is recommended for installation
- Attaches to side of 20 3/4" deep x 31 1/8" high vanity cabinet
 - » For 18" deep x 31 1/8" high vanity cabinets order DR1821 ND and DDF18
 - » For 20 3/4" deep x 34 1/2" high vanity cabinets order DR21FH ND (FOL) or DR2130 (SOL)
 - » For 18" deep x 34 1/2" high vanity cabinets order DR18FH ND (FOL) or DR1830 (SOL)
- Matches style and finish of cabinet doors
- Panel thickness is 3/4"
- Refer to Parts Directory for dimensions
- Not drilled for hinges

DMDV

Decorator Matching Doors • Tall Cabinets



- Furniture Ends Option (FE) or TEP84/TEP96 panel is recommended for installation
- Attaches to side of utility or oven cabinet
- Matches style and finish of cabinet doors
- Panel thickness is 3/4"
- 24" deep features four doors (as shown)
- 12" deep features two doors
- Bottom doors on DMDT will have a center for select door styles - refer to door style section
- Refer to Parts Directory for dimensions
- Not drilled for hinges

12" DEEP

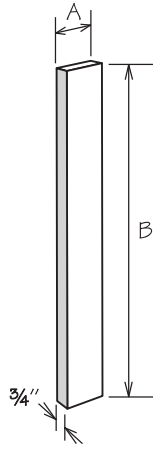
DMDT8412
DMDT9012
DMDT9312
DMDT9612

24" DEEP

DMDT8424
DMDT9024
DMDT9324
DMDT9624

24" Deep Shown

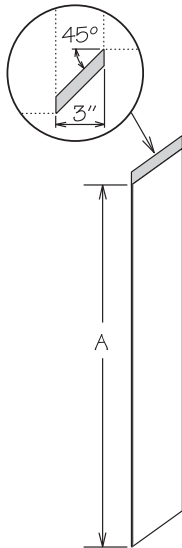
Universal Filler



- Wood fillers:
 - » 3/4" solid wood
 - » UF and S3S__ are finished on front and all four edges to match cabinet box exterior
 - » S4S__ are finished on front, back, and all four edges to match cabinet box exterior
- Textured fillers:
 - » 3/4" engineered wood textured-wrapped on front and all four edges to match cabinet door
 - » Available in Breeze and Drift finishes only
- Field trimmable

WOOD	A	B	TEXTURED	A	B
UF3	3"	30 1/2"	S3S396 DT	3"	96"
UF6	6"	30 1/2"	S3S696 DT	6"	96"
UF342	3"	42 1/8"			
UF642	6"	42 1/8"			
UF380	3"	80"			
UF680	6"	80"			
UF392	3"	92"			
UF692	6"	92"			
S3S396	3"	96"			
S3S696	6"	96"			
S4S396	3"	96"			
S4S696	6"	96"			
UF3120	3"	120"			

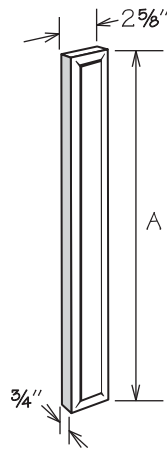
Universal Filler Extension



- 3/4" solid wood
- Finished on front and all four edges to match cabinet box exterior
- Field trimmable

	A
UF E3	30 1/2"
UF E342	42 1/8"

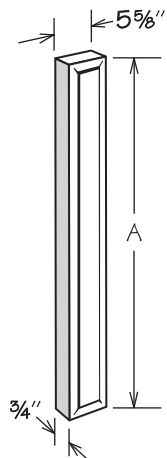
3" Overlay Filler



- For use with full overlay door styles only
- Outside profile matches outside profile of door - see next page for details
- Wood overlay fillers feature:
 - » Solid wood finished to match cabinet box exterior for Wood, Painted and Duraform Breeze and Drift door styles - glazed finishes will be glazed, excluding slab overlay profile
 - » Duraform wrapped MDF for Duraform Espresso, Harbor, Linen and Stone door styles
- Textured overlay fillers feature textured wrapped engineered wood finished to match cabinet door - available for Breeze and Drift finishes only
- Finished on all edges
- Indicate door style when ordering
- Not field trimmable
- Must be mounted to a Universal Filler (order separately)

WOOD	TEXTURED	A
WOF312	WOF312 DT	11 1/8"
WOF315	WOF315 DT	14 1/8"
WOF318	WOF318 DT	17 1/8"
WOF321	WOF321 DT	20"
WOF324	WOF324 DT	23 7/8"
WOF327	WOF327 DT	26 1/2"
WOF330	WOF330 DT	29 1/2"
WOF336	WOF336 DT	35 1/2"
WOF339	WOF339 DT	38 1/2"
WOF342	WOF342 DT	41 1/2"
BOF3	BOF3 DT	29 7/8"
DOF3	DOF3 DT	23 7/8"
VOF3	VOF3 DT	26 1/2"
TOF384	TOF384 DT	79 3/8"
TOF390	TOF390 DT	85 3/8"
TOF393	TOF393 DT	88 3/8"
TOF396	TOF396 DT	91 3/8"

6" Overlay Filler



- WOF6_ available for full overlay D Series door styles only
- BOF6_ available for full overlay door styles only
- Outside profile matches outside profile of door - see next page for details
- Duraform/wood overlay fillers feature:
 - » Solid wood finished to match cabinet box exterior for Wood, Painted and Duraform Breeze and Drift door styles - glazed finishes will be glazed, excluding slab overlay profile
 - » Duraform wrapped MDF for Duraform Espresso, Harbor, Linen and Stone door styles
- Textured overlay fillers feature textured wrapped engineered wood finished to match cabinet door - available for Breeze and Drift finishes only
- Finished on all edges
- Indicate door style when ordering
- Not field trimmable
- Must be mounted to a Universal Filler (order separately)

DURAFORM	WOOD	TEXTURED	A
WOF630	-	-	29 1/2"
WOF636	-	-	35 1/2"
WOF639	-	-	38 1/2"
WOF642	-	-	41 1/2"
BOF6	BOF6	BOF6 DT	29 7/8"

OVERLAY FILLER PROFILES

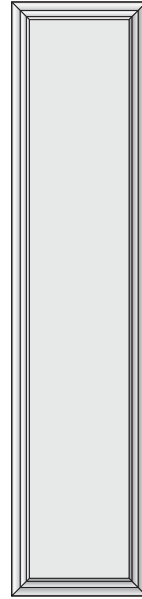
PROFILE FOR:

750
.....
720
.....



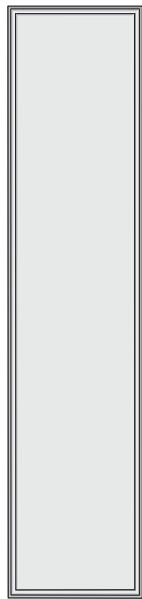
PROFILE FOR:

540
.....
D18
.....



PROFILE FOR:

660
.....

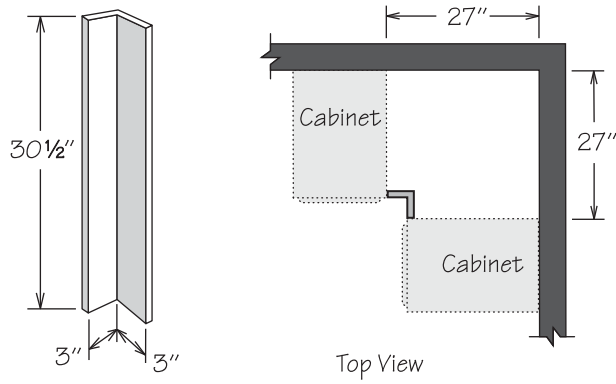


PROFILE FOR:

650
.....
580
.....
570
.....
530
.....
460
.....
410
.....
DT24
.....
DT22
.....
D16
.....
D12
.....



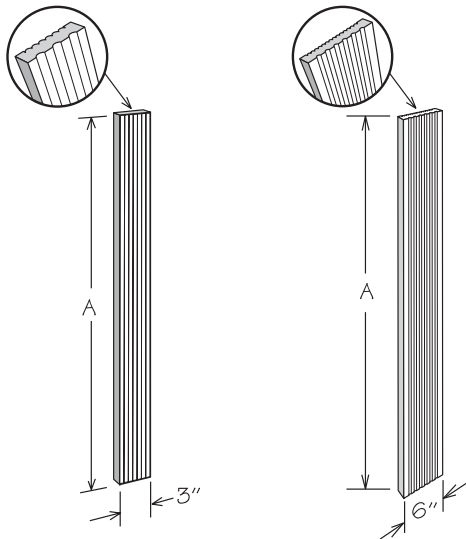
Base Corner Filler



- 3/4" solid wood
- Finished on front and all four edges to match cabinet box exterior
- Field trimmable

BCF27

Fluted Beaded Filler • Reversible



- Filler is fluted on one side and beaded on reverse side
- Finished on all sides to match cabinet box exterior - glazed finishes will be glazed
- 3/4" solid wood
- Apply decorative blocks for accent
- Field trimmable
- Ensure correct side is exposed when installed

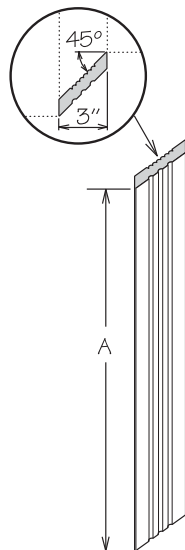
3" WIDE

	A
FBF3	30 1/2"
FBF342	42 1/8"
FBF384	84"
FBF396	96"

6" WIDE

FBF6	30 1/2"
FBF642	42 1/8"
FBF684	84"
FBF696	96"

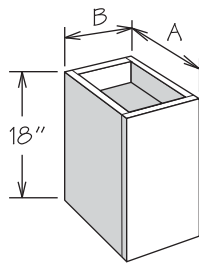
Fluted Beaded Filler Extension • Reversible



- For wall or base application
- Filler is fluted on one side and beaded on reverse side
- Finished all sides to match cabinet box exterior - glazed finishes will be glazed
- 3/4" solid wood
- Apply 3" wide decorative blocks for accent
- Field trimmable
- Ensure correct side is exposed when installed

	A
FBF E3	30 1/2"
FBF E342	42 1/8"

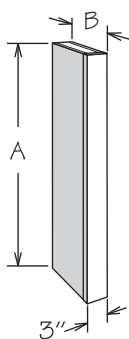
Plain Box Filler



- Veneered engineered wood finished to match cabinet box exterior
- Features 1/4" reveal
- Trimmable in height to 14 1/8" tall
- Reversible for left or right installation
- Finished to match cabinet box exterior

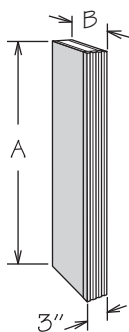
	A	B
WPB91815	15"	9"
WPB121815	15"	12"

Column Filler

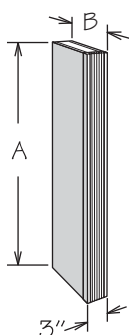


PLAIN (_PC)

- Veneered engineered wood finished to match cabinet box exterior - glazed finishes will be glazed, excluding Plain Column Fillers
- 3" wide x 3/4" thick solid wood front
- Finished veneered sides are flush with face
- Reversible for left or right installation
- Top and bottom edges of returns are edge banded
- Apply overlay filer or 3" wide decorative blocks for accent
- Field trimmable to any depth
- Field trimmable in height noted below:
 - » W_C31530 field trimmable to 27 1/8", 24 1/2", 20 5/8", 18 1/8", 15 1/8", or 12 1/8"
 - » W_C31542 field trimmable to 39 1/8" or 36 1/8"
 - » W_C31560 field trimmable to 54" or 48"
 - » B_C32734 field trimmable to 31 1/8" or 28 1/2"
 - » T_C32796 field trimmable to 93" or 90"
 - » T_C32784 not trimmable in height



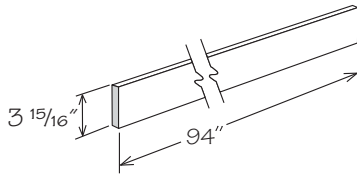
FLUTED (_FC)



BEADED (_BC)

PLAIN	A	B
Wall		
WPC31530	30 1/8"	15"
WPC31542	42 1/8"	15"
WPC31560	60"	15"
Base		
BPC32734	34 1/2"	27"
Tall		
TPC32784	84"	27"
TPC32796	96"	27"
FLUTED		
Wall		
WFC31530	30 1/8"	15"
WFC31542	42 1/8"	15"
WFC31560	60"	15"
Base		
BFC32734	34 1/2"	27"
Tall		
TFC32784	84"	27"
TFC32796	96"	27"
BEADED		
Wall		
WBC31530	30 1/8"	15"
WBC31542	42 1/8"	15"
WBC31560	60"	15"
Base		
BBC32734	34 1/2"	27"
Tall		
TBC32784	84"	27"
TBC32796	96"	27"

Base Toe Kick



- Wood and Duraform Espresso door styles feature 3/4" plywood, with vertical grain, finished on one side to match cabinet box exterior
- Duraform (excluding Duraform Espresso) and Painted door styles feature 3/4" engineered wood finished on one side to match cabinet box exterior
- Textured toe kicks feature textured-wrapped 3/4" engineered wood finished on one side to match cabinet door - available for Breeze and Drift finishes only
- Putty Stick and Touch Up Marker are recommended for exposed ends

WOOD

BTK8

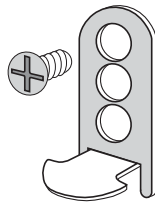
TEXTURED

BTK8 DT

Shelf Rests



Metal



MFD

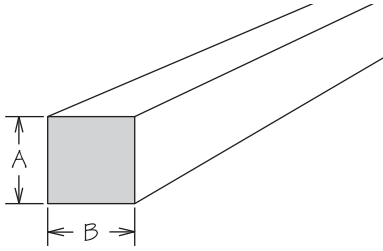


Clip Lock

- Metal and MFD shelf rests are nickel plated steel
- MFD shelf rests are six position adjustable for alignment of shelf with mullion
- Clip Lock shelf rests are molded clear high-strength polycarbonate

	QTY.
Bookshelves & Wall Shelves	
SHELF REST METAL 4PK	4
SHELF REST METAL 12	12
Mullion Frame Cabinet Shelves	
SHELF REST MFD PK	8
3/4" Base & Tall Shelves	
CLIP LOCK SHELF 3/4 4 PK	4

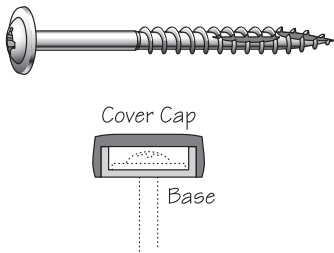
Cleat



- HWC 1/2X1/2X94 and HWC 3/4X3/4X94 are shipped in two 47" long pieces
- Unfinished

	A	B	LENGTH
HWC 1/2X1/2X94	1/2"	1/2"	94"
HWC 3/4X3/4X94	3/4"	3/4"	94"
HWC 1X2X94	3/4"	1 1/2"	94"
HWC 2X4X96	1 1/2"	3 1/2"	96"

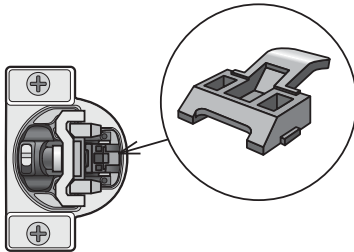
Screws & Screw Cover Caps



- Installation screws are Phillips panhead 2 1/2" long
- COVER CAP ___ used to conceal head of installation screw
- COVER CAP 10MM ___ used to conceal predrilled holes in cabinet backs

	QTY.
SCREW INST 2.5 BX100	100
COVER CAP TAN	50
COVER CAP WHT	50
COVER CAP 10MM TAN	4
COVER CAP 10MM WHT	4

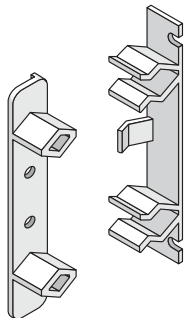
Hinge Restriction Clip



- Limits door opening to 86° to avoid contact with adjacent objects
- For use on CushionClose hinges only
- Package includes 10 per bag (1 required per hinge)
- Cannot be used on cabinets with roll out accessories

HINGE CC ANG RES CLP

Dummy Drawer Front Fastener



- For installation of one dummy drawer front
- Kit contents:
 - » Two sets of DDF Fasteners
 - » Eight screws
 - » One instruction sheet
- Please refer to cabinet specifications as some cabinets will require more than one kit

DDF FASTENER

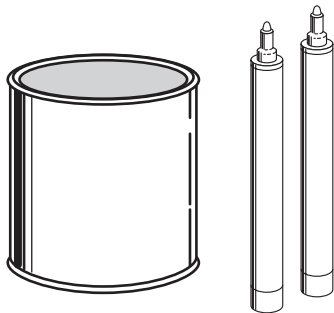
Spray Stain



- SPRAY STAIN TINTED available for all finishes
- SPRAY STAIN CLEAR for use as top coat for all door styles
- Spray Stain Tinted for Duraform Breeze and Drift will match the cabinet box exterior
- Indicate species and finish when ordering
- 11 ounce aerosol spray can

SPRAY STAIN CLEAR
SPRAY STAIN TINTED

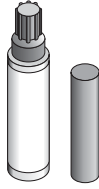
Stain



- STAIN PINT (QUART) used for all non-glazed stains and non-glazed painted finishes
- STAIN GLAZED PINT (QUART) used for all glazed painted finishes
- STAIN TOP COAT strongly recommended for application over ALL finishes (order separately)
- STAIN GLAZED includes STAIN PINT and two STAIN GLAZED PENS per pint
- STAIN GLAZED PENS available for order separately (quantity of two)
- Stains for Duraform Breeze and Drift will match the cabinet box exterior
- Indicate species and finish when ordering
- PINT covers approximately 40 square feet
- QUART covers approximately 80 square feet
- Instructions included

STAIN PINT
STAIN QUART
STAIN GLAZED PINT
STAIN GLAZED QUART
STAIN GLAZED PENS
STAIN TOP COAT PINT
STAIN TOP COAT QUART

Putty Stick & Marker



- Indicate species and finish when ordering
- Touch Up Markers & Putty Sticks for Duraform Breeze and Drift will match the cabinet box exterior
- Refer to chart to order correct QTY
- Putty Stick - for filling minor dents, gouges, and scratches made during or after installation
- Touch Up Marker - adds color to minor surface scratches

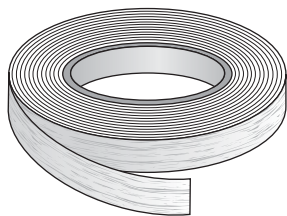
PUTTY STICK EXT QTY1
 PUTTY STICK EXT QTY2
 PUTTY STICK INTERIOR
 TU MARKER EXT QTY1
 TU MARKER EXT QTY2
 TU MARKER INTERIOR
 TU MARKER DURAFORM

Finish Color	Putty Stick	TU Marker
Cherry Amber	PUTTY STICK EXT QTY1	TU MARKER EXT QTY1
Cherry Clove	PUTTY STICK EXT QTY1	TU MARKER EXT QTY1
Cherry Slate	PUTTY STICK EXT QTY1	TU MARKER EXT QTY1
Duraform Breeze	PUTTY STICK EXT QTY1	TU MARKER EXT QTY2
Duraform Drift	PUTTY STICK EXT QTY1	TU MARKER EXT QTY1
Duraform Espresso	PUTTY STICK EXT QTY1	TU MARKER DURAFORM
Duraform Harbor	PUTTY STICK EXT QTY1	TU MARKER DURAFORM
Duraform Linen	PUTTY STICK EXT QTY2	TU MARKER DURAFORM
Duraform Stone	PUTTY STICK EXT QTY1	TU MARKER DURAFORM
Maple Almond	PUTTY STICK EXT QTY1	TU MARKER EXT QTY1
Maple Cognac	PUTTY STICK EXT QTY1	TU MARKER EXT QTY1
Maple Latte	PUTTY STICK EXT QTY1	TU MARKER EXT QTY1
Maple Rye	PUTTY STICK EXT QTY1	TU MARKER EXT QTY1
Maple Slate	PUTTY STICK EXT QTY1	TU MARKER EXT QTY1
Maple Truffle	PUTTY STICK EXT QTY1	TU MARKER EXT QTY2

Finish Color	Putty Stick	TU Marker
Painted Black	PUTTY STICK EXT QTY1	TU MARKER EXT QTY1
Painted Biscotti	PUTTY STICK EXT QTY1	TU MARKER EXT QTY2
Painted Boulder	PUTTY STICK EXT QTY1	TU MARKER EXT QTY1
Painted Ember	PUTTY STICK EXT QTY1	TU MARKER EXT QTY2
Painted Harbor	PUTTY STICK EXT QTY1	TU MARKER EXT QTY1
Painted Linen	PUTTY STICK EXT QTY2	TU MARKER EXT QTY2
Painted Mist	PUTTY STICK EXT QTY1	TU MARKER EXT QTY1
Painted Navy	PUTTY STICK EXT QTY1	TU MARKER EXT QTY1
Painted Pewter	PUTTY STICK EXT QTY2	TU MARKER EXT QTY2
Painted Sage	PUTTY STICK EXT QTY1	TU MARKER EXT QTY1
Painted Stone	PUTTY STICK EXT QTY1	TU MARKER EXT QTY1
Painted Vanilla	PUTTY STICK EXT QTY1	TU MARKER EXT QTY1
Interior	PUTTY STICK INTERIOR	TU MARKER INTERIOR

PANELS, FILLERS & INSTALLATION ITEMS

Edge Banding • Textured



- Available for Breeze and Drift finishes only
- Tape is required for edge band installation
- Trimmable

	HEIGHT	LENGTH
EDGE BAND 25 DT	7/8"	25'
EDGE BAND TAPE 50	1"	50'

Designing for Entertainment

The spaces you create for your customers are the center of every holiday party, family gathering, and memory. When you have a customer who loves to entertain, we have the products to create a space that will have their guests ready to start a remodel of their own.



Ultimate Entertainment Space

This open floor plan checks all the entertainment boxes. The perfect built-in sideboard for food set-up, large island for guests to gather around, plenty of storage for platters, and a wet bar for mixing cocktails.



BEVERAGE STATIONS

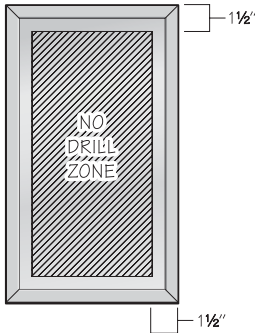
Small space? A beverage station can be just as functional for entertaining and doesn't require a lot of room. This beverage station has floating shelves to showcase your customers' glassware along with wine storage and full height cabinets for storing mixers and spirits.

NO RESERVATIONS REQUIRED

Turn your customers' basement into their very own private bar. Utilize tall cabinets, wine storage cubes, and stem glass holders to create a personalized bar for your customer. Add cozy seating, a wine and drink refrigerator and your customer will have the perfect spot to host guests throughout the year.

Decorative Hardware Notes:

- Waypoint® does not recommend drilling through any door/drawer joint for installation of decorative hardware.
- Door and drawer fronts must be adjusted before installing decorative hardware
- 580 door styles cannot be drilled more than 1 ½" from all edges of doors and drawer fronts (excluding 580S drawer fronts)



Some decorative hardware has restrictions for use on certain door styles which will be indicated with restriction specific icons followed by the door style(s) that have the restriction. Restrictions may differ on regular and large drawer fronts based on center panel dimensions for each door style.

- | | |
|--|---|
| NR12 Not recommended on regular 12" drawers | NR18LG Not recommended on large 18", 15" or 12" drawers |
| NR15 Not recommended on regular drawers 15" or 12" | NR21LG Not recommended on large 21", 18", 15" or 12" drawers |
| NR18 Not recommended on regular drawers 18", 15" or 12" | NR Not recommended for any size drawer |
| NR12LG Not recommended on large 12" drawers | NRKDC Not recommended for any size drawer |
| NR15LG Not recommended on large 15" or 12" drawers | |

Example:

Restriction:	NR12	720, 660R, 650F, 470F, 460R, 410F, DT24, DS04
	NR12LG	750, 660R, 650F, 460R, DS04
	NR15LG	720

- Explanation:
- Not recommended for 12" regular drawer fronts for the 720, 660R, 650F, 470F, 460R, 410F, DT24 and DS04 door styles
 - Not recommended for 12" large drawer fronts for the 750, 660R, 650F, 460R and DS04 door styles
 - Not recommended for 15" or 12" large drawer fronts for the 720 door style

Antic



**Tier 3
Antic Pull**
Polished Chrome
PULL 6797PC

128mm Center • Overall Length: 5 13/16"



**Tier 3
Antic Pull**
Satin Nickel
PULL 6797SN

128mm Center • Overall Length: 5 13/16"



**Tier 3
Antic Pull**
Vintage Nickel
PULL 6797VN

128mm Center • Overall Length: 5 13/16"



**Tier 3
Antic Pull**
Modern Brushed Gold
PULL 6797MG

128mm Center • Overall Length: 5 13/16"



**Tier 3
Antic Pull**
Matte Black
PULL 6797MB

128mm Center • Overall Length: 5 13/16"

NR	580F
NR12	660R, 650F, DT24
NR12LG	750, 720, 660R, 650F, 570F, 460R, DS04, DT24



**Tier 3
Antic Knob**
Polished Chrome
KNOB 6798PC



**Tier 3
Antic Knob**
Satin Nickel
KNOB 6798SN



**Tier 3
Antic Knob**
Vintage Nickel
KNOB 6798VN



**Tier 3
Antic Knob**
Modern Brushed Gold
KNOB 6798MG



**Tier 3
Antic Knob**
Matte Black
KNOB 6798MB

Briolette



**Tier 3
Briolette Pull**
Polished Chrome
PULL 2272PC

128mm Center • Overall Length: 5 3/4"



**Tier 3
Briolette Pull**
Satin Nickel
PULL 2272SN

128mm Center • Overall Length: 5 3/4"



**Tier 3
Briolette Pull**
Modern Brushed Gold
PULL 2272MG

128mm Center • Overall Length: 5 3/4"



**Tier 3
Briolette Pull**
Brushed Copper
PULL 2272CP

128mm Center • Overall Length: 5 3/4"



**Tier 3
Briolette Pull**
Matte Black
PULL 2272MB

128mm Center • Overall Length: 5 3/4"

NR12	660R, 650F, DT24
NR12LG	750, 720, 660R, 650F, 570F, 460R, DS04, DT24



**Tier 3
Briolette Knob**
Polished Chrome
KNOB 2271PC



**Tier 3
Briolette Knob**
Satin Nickel
KNOB 2271SN



**Tier 3
Briolette Knob**
Modern Brushed Gold
KNOB 2271MG



**Tier 3
Briolette Knob**
Brushed Copper
KNOB 2271CP



**Tier 3
Briolette Knob**
Matte Black
KNOB 2271MB

Radiant



**Tier 3
Radiant Pull
Satin Nickel**
PULL 0318SN

128mm Center • Overall Length: 5 3/4"



**Tier 3
Radiant Pull
Weathered Nickel**
PULL 0318WN

128mm Center • Overall Length: 5 3/4"



**Tier 3
Radiant Pull
Modern Brushed Gold**
PULL 0318MG

128mm Center • Overall Length: 5 3/4"



**Tier 3
Radiant Pull
Verona Bronze**
PULL 0318VB

128mm Center • Overall Length: 5 3/4"



**Tier 3
Radiant Pull
Matte Black**
PULL 0318MB

128mm Center • Overall Length: 5 3/4"

NR12 660R, 650F, DT24

NR12LG 750, 720, 660R, 650F, 570F, 460R, DS04, DT24



**Tier 3
Radiant Knob
Satin Nickel**
KNOB 0319SN



**Tier 3
Radiant Knob
Weathered Nickel**
KNOB 0319WN



**Tier 3
Radiant Knob
Modern Brushed Gold**
KNOB 0319MG



**Tier 3
Radiant Knob
Verona Bronze**
KNOB 0319VB



**Tier 3
Radiant Knob
Matte Black**
KNOB 0319MB

Trillion



**Tier 3
Trillion Pull
Polished Chrome**
PULL 0875PC

128mm Center • Overall Length: 5 1/2"



**Tier 3
Trillion Pull
Satin Nickel**
PULL 0875SN

128mm Center • Overall Length: 5 1/2"



**Tier 3
Trillion Pull
Vintage Nickel**
PULL 0875VN

128mm Center • Overall Length: 5 1/2"



**Tier 3
Trillion Pull
Modern Brushed Gold**
PULL 0875MG

128mm Center • Overall Length: 5 1/2"



**Tier 3
Trillion Pull
Matte Black**
PULL 0875MB

128mm Center • Overall Length: 5 1/2"

NR12 650F, DT24

NR12LG 720, 650F, 460R, DT24, DS04



**Tier 3
Trillion Knob
Polished Chrome**
KNOB 0876PC



**Tier 3
Trillion Knob
Satin Nickel**
KNOB 0876SN



**Tier 3
Trillion Knob
Vintage Nickel**
KNOB 0876VN



**Tier 3
Trillion Knob
Modern Brushed Gold**
KNOB 0876MG



**Tier 3
Trillion Knob
Matte Black**
KNOB 0876MB

Marquise



Tier 3
Marquise Pull - 6 7/8"
Polished Chrome
 PULL 4213PC

160mm Center • Overall Length: 6 7/8"



Tier 3
Marquise Pull - 6 7/8"
Satin Nickel
 PULL 4213SN

160mm Center • Overall Length: 6 7/8"



Tier 3
Marquise Pull - 6 7/8"
Modern Brushed Gold
 PULL 4213MG

160mm Center • Overall Length: 6 7/8"



Tier 3
Marquise Pull - 6 7/8"
Brushed Copper
 PULL 4213CP

160mm Center • Overall Length: 6 7/8"



Tier 3
Marquise Pull - 6 7/8"
Matte Black
 PULL 4213MB

160mm Center • Overall Length: 6 7/8"

NR12 720, 660R, 650F, 470F, 460R, 410F, DT24, DS04

NR12LG 750, 720, 660R, 650F, 570F, 470F, 460R, 410F, DT24, DS04

NR15LG 720



Tier 3
Marquise Pull - 5 9/16"
Polished Chrome
 PULL 4212PC

128mm Center • Overall Length: 5 9/16"



Tier 3
Marquise Pull - 5 9/16"
Satin Nickel
 PULL 4212SN

128mm Center • Overall Length: 5 9/16"



Tier 3
Marquise Pull - 5 9/16"
Modern Brushed Gold
 PULL 4212MG

128mm Center • Overall Length: 5 9/16"



Tier 3
Marquise Pull - 5 9/16"
Brushed Copper
 PULL 4212CP

128mm Center • Overall Length: 5 9/16"



Tier 3
Marquise Pull - 5 9/16"
Matte Black
 PULL 4212MB

128mm Center • Overall Length: 5 9/16"

NR12 660R, 650F, DT24

NR12LG 750, 720, 660R, 650F, 570F, 460R, DT24, DS04

Halo



Tier 2
Halo Knob
Polished Chrome
 KNOB 3106PC



Tier 2
Halo Knob
Satin Nickel
 KNOB 3106SN



Tier 2
Halo Knob
Modern Brushed Gold
 KNOB 3106MG



Tier 2
Halo Knob
Brushed Copper
 KNOB 3106CP



Tier 2
Halo Knob
Matte Black
 KNOB 3106MB

Rectangular



Tier 2
Rectangular Pull
Polished Chrome
PULL 3502PC

96mm Center • Overall Length: 4 1/8"



Tier 2
Rectangular Pull
Satin Nickel
PULL 3502SN

96mm Center • Overall Length: 4 1/8"



Tier 2
Rectangular Pull
Vintage Nickel
PULL 3502VN

96mm Center • Overall Length: 4 1/8"



Tier 2
Rectangular Pull
Modern Brushed Gold
PULL 3502MG

96mm Center • Overall Length: 4 1/8"



Tier 2
Rectangular Pull
Matte Black
PULL 3502MB

96mm Center • Overall Length: 4 1/8"

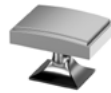
NR12LG 720, 660R



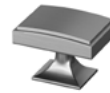
Tier 2
Rectangular Knob
Polished Chrome
KNOB 3503PC



Tier 2
Rectangular Knob
Satin Nickel
KNOB 3503SN



Tier 2
Rectangular Knob
Vintage Nickel
KNOB 3503VN



Tier 2
Rectangular Knob
Modern Brushed Gold
KNOB 3503MG



Tier 2
Rectangular Knob
Matte Black
KNOB 3503MB

Beaded



Tier 2
Beaded Pull
Satin Nickel
PULL 3562SN

96mm Center • Overall Length: 4 1/2"



Tier 2
Beaded Pull
Weathered Nickel
PULL 3562WN

96mm Center • Overall Length: 4 1/2"



Tier 2
Beaded Pull
Modern Brushed Gold
PULL 3562MG

96mm Center • Overall Length: 4 1/2"



Tier 2
Beaded Pull
Verona Bronze
PULL 3562VB

96mm Center • Overall Length: 4 1/2"



Tier 2
Beaded Pull
Matte Black
PULL 3562MB

96mm Center • Overall Length: 4 1/2"

NR12LG 720

Stamped



Tier 2
Stamped Knob
Satin Nickel
KNOB 3563SN



Tier 2
Stamped Knob
Weathered Nickel
KNOB 3563WN



Tier 2
Stamped Knob
Modern Brushed Gold
KNOB 3563MG



Tier 2
Stamped Knob
Verona Bronze
KNOB 3563VB



Tier 2
Stamped Knob
Matte Black
KNOB 3563MB

Bow



Tier 2
Bow Pull - 7 3/16"
Polished Chrome
PULL 3129PC
5" Center • Overall Length: 7 3/16" 720,

Tier 2
Bow Pull - 7 3/16"
Satin Nickel
PULL 3129SN
5" Center • Overall Length: 7 3/16"

Tier 2
Bow Pull - 7 3/16"
Modern Brushed Gold
PULL 3129MG
5" Center • Overall Length: 7 3/16"

Tier 2
Bow Pull - 7 3/16"
Brushed Copper
PULL 3129CP
5" Center • Overall Length: 7 3/16"

Tier 2
Bow Pull - 7 3/16"
Matte Black
PULL 3129MB
5" Center • Overall Length: 7 3/16"

NR12	750, 720, 660R, 650F, 470F, 460R, 410F, DT24, D16F, DS04
NR12LG	750, 720, 660R, 650F, 570F, 470F, 460R, 410F, DT24, D16F, DS04
NR15LG	720



Tier 1
Bow Pull - 6 13/16"
Polished Chrome
PULL 3128PC
96mm Center • Overall Length: 6 13/16"

Tier 1
Bow Pull - 6 13/16"
Satin Nickel
PULL 3128SN
96mm Center • Overall Length: 6 13/16"

Tier 1
Bow Pull - 6 13/16"
Modern Brushed Gold
PULL 3128MG
96mm Center • Overall Length: 6 13/16"

Tier 1
Bow Pull - 6 13/16"
Brushed Copper
PULL 3128CP
96mm Center • Overall Length: 6 13/16"

Tier 1
Bow Pull - 6 13/16"
Matte Black
PULL 3128MB
96mm Center • Overall Length: 6 13/16"

NR12	660R, 650F, 460R, DT24
NR12LG	750, 720, 650F, 570F, 460R, DT24, DS04
NR15LG	720

Tempo



Tier 2
Tempo Pull
Polished Chrome
PULL 0323PC
128mm Center • Overall Length: 5 7/16"

Tier 2
Tempo Pull
Satin Nickel
PULL 0323SN
128mm Center • Overall Length: 5 7/16"

Tier 2
Tempo Pull
Modern Brushed Gold
PULL 0323MG
128mm Center • Overall Length: 5 7/16"

Tier 2
Tempo Pull
Brushed Copper
PULL 0323CP
128mm Center • Overall Length: 5 7/16"

Tier 2
Tempo Pull
Matte Black
PULL 0323MB
128mm Center • Overall Length: 5 7/16"

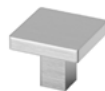
NR12	650F, DT24
NR12LG	720, 460R, DS04



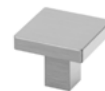
Tier 2
Tempo Knob
Polished Chrome
KNOB 0322PC



Tier 2
Tempo Knob
Satin Nickel
KNOB 0322SN



Tier 2
Tempo Knob
Modern Brushed Gold
KNOB 0322MG



Tier 2
Tempo Knob
Brushed Copper
KNOB 0322CP



Tier 2
Tempo Knob
Matte Black
KNOB 0322MB

Cup



**Tier 2
Cup Pull**
Satin Nickel
PULL 3105SN
3" Center • Overall Length: 4 5/8"



**Tier 2
Cup Pull**
Weathered Nickel
PULL 3105WN
3" Center • Overall Length: 4 5/8"



**Tier 2
Cup Pull**
Modern Brushed Gold
PULL 3105MG
3" Center • Overall Length: 4 5/8"



**Tier 2
Cup Pull**
Verona Bronze
PULL 3105VB
3" Center • Overall Length: 4 5/8"



**Tier 2
Cup Pull**
Matte Black
PULL 3105MB
3" Center • Overall Length: 4 5/8"

NR 720, 660R, 580F, 460R

NRKDC 650F, 470F, 410F, D16F

Classic



**Tier 1
Classic Pull**
Satin Nickel
PULL 3172SN
3" Center • Overall Length: 5 5/8"



**Tier 1
Classic Pull**
Verona Bronze
PULL 3172VB
3" Center • Overall Length: 5 5/8"



**Tier 1
Classic Pull**
Matte Black
PULL 3172MB
3" Center • Overall Length: 5 5/8"

NR12LG 720, 460R



**Tier 1
Classic Knob**
Satin Nickel
KNOB 3173SN



**Tier 1
Classic Knob**
Weathered Nickel
KNOB 3173WN



**Tier 1
Classic Knob**
Modern Brushed Gold
KNOB 3173MG



**Tier 1
Classic Knob**
Verona Bronze
KNOB 3173VB



**Tier 1
Classic Knob**
Matte Black
KNOB 3173MB

Toggle



**Tier 1
Toggle Knob**
Satin Nickel
KNOB 3239SN



**Tier 1
Toggle Knob**
Verona Bronze
KNOB 3239VB



**Tier 1
Toggle Knob**
Matte Black
KNOB 3239MB

Twisted Crescent



Tier 1
Twisted Crescent Pull
Satin Nickel
 PULL 3122SN

96mm Center • Overall Length: 5 1/16"



Tier 1
Twisted Crescent Pull
Verona Bronze
 PULL 3122VB

96mm Center • Overall Length: 5 1/16"



Tier 1
Twisted Crescent Pull
Matte Black
 PULL 3122MB

96mm Center • Overall Length: 5 1/16"

NR12LG 720, 460R

Button



Tier 1
Button Knob
Satin Nickel
 KNOB 3213SN



Tier 1
Button Knob
Verona Bronze
 KNOB 3213VB



Tier 1
Button Knob
Matte Black
 KNOB 3213MB

Ringed



Tier 1
Ringed Arch Pull
Satin Nickel
 PULL 3672SN

3" Center • Overall Length: 5 1/2"



Tier 1
Ringed Arch Pull
Verona Bronze
 PULL 3672VB

3" Center • Overall Length: 5 1/2"



Tier 1
Ringed Arch Pull
Matte Black
 PULL 3672MB

3" Center • Overall Length: 5 1/2"

NR12 650F, DT24

NR12LG 720, 650F, 460R, DS04



Tier 1
Ringed Knob
Satin Nickel
 KNOB 3673SN

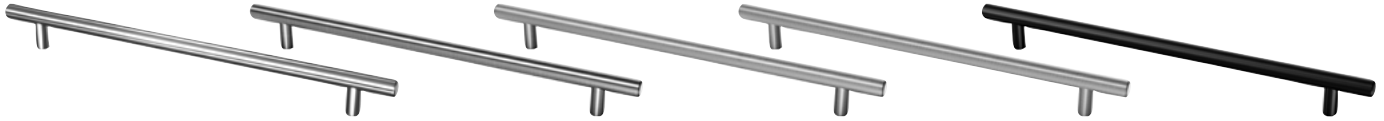


Tier 1
Ringed Knob
Verona Bronze
 KNOB 3673VB



Tier 1
Ringed Knob
Matte Black
 KNOB 3673MB

T-Bar



Tier 3
T-Bar Pull - 12 7/16"
Polished Chrome
 PULL 4730PC
 256mm Center
 Overall Length: 12 7/16"

Tier 3
T-Bar Pull - 12 7/16"
Satin Nickel
 PULL 4730SN
 256mm Center
 Overall Length: 12 7/16"

Tier 3
T-Bar Pull - 12 7/16"
Modern Brushed Gold
 PULL 4730MG
 256mm Center
 Overall Length: 12 7/16"

Tier 3
T-Bar Pull - 12 7/16"
Brushed Copper
 PULL 4730CP
 256mm Center
 Overall Length: 12 7/16"

Tier 3
T-Bar Pull - 12 7/16"
Matte Black
 PULL 4730MB
 256mm Center
 Overall Length: 12 7/16"

NR12	ANY DOOR STYLE
NR15	750, 720, 660R, 650F, 570F, 540, 470F, 410F, DT24, D18, D16F, DS04
NR18	750, 720, 460R
NR12LG	ANY DOOR STYLE
NR15LG	750, 720, 660R, 650F, 570F, 540F, 470F, 410F, DT24, D18F, D16F, DS04
NR18LG	720, 460R, DS04
NR21LG	720



Tier 2
T-Bar Pull - 8 5/8"
Polished Chrome
 PULL 4712PC
 160mm Center • Overall Length: 8 5/8"

Tier 2
T-Bar Pull - 8 5/8"
Satin Nickel
 PULL 4712SN
 160mm Center • Overall Length: 8 5/8"

Tier 2
T-Bar Pull - 8 5/8"
Modern Brushed Gold
 PULL 4712MG
 160mm Center • Overall Length: 8 5/8"

Tier 2
T-Bar Pull - 8 5/8"
Brushed Copper
 PULL 4712CP
 160mm Center • Overall Length: 8 5/8"

Tier 2
T-Bar Pull - 8 5/8"
Matte Black
 PULL 4712MB
 160mm Center • Overall Length: 8 5/8"

NR12	750, 720, 660R, 650F, 570F, 540, 470F, 460R, 410F, DT24, D18, D16F, DS04
NR12LG	750, 720, 660R, 650F, 570F, DS04
NR15LG	720, 460R, DT24, DS04



Tier 1
T-Bar Pull - 5 5/16"
Polished Chrome
 PULL 4701PC
 3" Center • Overall Length: 5 5/16"



Tier 1
T-Bar Pull - 5 5/16"
Satin Nickel
 PULL 4701SN
 3" Center • Overall Length: 5 5/16"



Tier 1
T-Bar Pull - 5 5/16"
Modern Brushed Gold
 PULL 4701MG
 3" Center • Overall Length: 5 5/16"



Tier 1
T-Bar Pull - 5 5/16"
Brushed Copper
 PULL 4701CP
 3" Center • Overall Length: 5 5/16"



Tier 1
T-Bar Pull - 5 5/16"
Matte Black
 PULL 4701MB
 3" Center • Overall Length: 5 5/16"

NR12LG	720
---------------	-----



Tier 1
T-Bar Knob
Polished Chrome
 KNOB 4703PC



Tier 1
T-Bar Knob
Satin Nickel
 KNOB 4703SN



Tier 1
T-Bar Knob
Modern Brushed Gold
 KNOB 4703MG

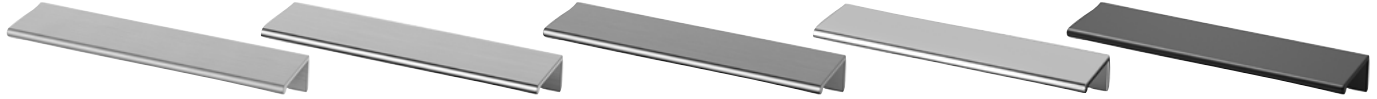


Tier 1
T-Bar Knob
Brushed Copper
 KNOB 4703CP



Tier 1
T-Bar Knob
Matte Black
 KNOB 4703MB

Tab



Tier 3
Tab Pull - 6"
Polished Chrome
 PULL 1060PC
 Overall Length: 6"

Tier 3
Tab Pull - 6"
Satin Nickel
 PULL 1060SN
 Overall Length: 6"

Tier 3
Tab Pull - 6"
Modern Brushed Gold
 PULL 1060MG
 Overall Length: 6"

Tier 3
Tab Pull - 6"
Brushed Copper
 PULL 1060CP
 Overall Length: 6"

Tier 3
Tab Pull - 6"
Matte Black
 PULL 1060MB
 Overall Length: 6"



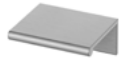
Tier 2
Tab Pull - 3"
Polished Chrome
 PULL 1055PC
 Overall Length: 3"

Tier 2
Tab Pull - 3"
Satin Nickel
 PULL 1055SN
 Overall Length: 3"

Tier 2
Tab Pull - 3"
Modern Brushed Gold
 PULL 1055MG
 Overall Length: 3"

Tier 2
Tab Pull - 3"
Brushed Copper
 PULL 1055CP
 Overall Length: 3"

Tier 2
Tab Pull - 3"
Matte Black
 PULL 1055MB
 Overall Length: 3"



Tier 1
Tab Pull - 1 3/4"
Polished Chrome
 PULL 1050PC
 Overall Length: 1 3/4"

Tier 1
Tab Pull - 1 3/4"
Satin Nickel
 PULL 1050SN
 Overall Length: 1 3/4"

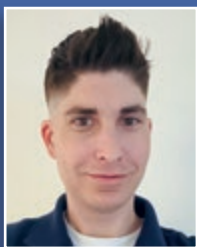
Tier 1
Tab Pull - 1 3/4"
Modern Brushed Gold
 PULL 1050MG
 Overall Length: 1 3/4"

Tier 1
Tab Pull - 1 3/4"
Brushed Copper
 PULL 1050CP
 Overall Length: 1 3/4"

Tier 1
Tab Pull - 1 3/4"
Matte Black
 PULL 1050MB
 Overall Length: 1 3/4"



Living space shown in
410F Maple Latte



Sawmill Cabinets

By Joey Giancola
Mesa, AZ

*“We choose Waypoint
because of their extensive catalog, quality of
cabinetry and excellent customer service!”*

*My favorite part of this project was how the
final design came together with ease using
Waypoint Cabinets and the homeowners
reaction to the finished product!”*



Living space shown in
410F Maple Latte & Painted Linen

Parts Directory Contents

Wall & Wall Corner Cabinets

Standard	225
With Spice Rack, Wall Top Hinge	227
Corner Wall	227
Corner Wall With Appliance Garage, Blind Wall	228
Wall End Angle, Refrigerator Wall, Appliance Garages	229
Wall Easy Reach, Wall Range Hood, Microwave	230

Base & Base Corner Cabinets

Furniture Drawers, Pedestal Drawers	231
With Adjustable Shelf, With Deep Roll Out Tray(s)	232
Pot and Pan Organizer Cabinet	233
With Bottom Mounted Wastebasket(s), Roll Out Tray Divider Cabinet	233
Factory Installed Cutlery Divider	233
Factory Installed Spice Drawer Insert	234
Factory Installed Wood Tiered Cutlery Divider	235
Peninsula Base Cabinet	236
Blind Corner Base, Blind Peninsula Corner Base	236
Two Drawer Base	238
Three Drawer Base Cabinet, Three Drawer Base With Factory Installed Drawer Accessory	239
Four Drawer Base Cabinet	245
Four Drawer Base With Factory Installed Drawer Accessory	240
Base Microwave, Built-In Microwave	241
Base Spice Drawer, Spice Drawer Cabinet	241
Full-Height Base, Full-Height Base Pull-Out	242
Full-Height Base With Deep Roll Out Tray(s)	242
Full-Height Base With Base Mixer Lift	242
Full-Height Blind Base	242
Full-Height Blind Base With Pull Out Kit	243
Full-Height Blind Base With Swing Out Kit	243
Full-Height Base With Bottom Mounted Wastebasket(s)	243
Base End Angle Cabinet, Full-Height Peninsula Base	243
Sink Base Cabinets, Base Plumbing Skirt, Adaptable Sink Base Kit	244
Corner Base Cabinets	245

Tall Cabinets

With Adjustable Shelves	246
With Deep Roll Out Trays	249
With Pantry Storage	250
Double Oven	251
Single Oven	252

Vanity & Bath Cabinets

Vanity Drawer Base, Vanity Full-Height Base	256
Vanity Sink Base, Vanity Sink Front, Vanity Plumbing Skirt	257
31 1/8" High Vanity Base, 31 1/8" High X 18" Deep Vanity Combo Sink Base	258
31 1/8" High Vanity Combo Sink Base, 34 1/2" High Vanity Base	259
Vanity Base With Wastebasket	259
34 1/2" 18" Deep High Vanity Combo Sink Base	260
34 1/2" High Vanity Combo Sink Base	260
Vanity Linen, Medicine Cabinet, Tri-View Mirror, Valet	261

Home Office & Desk Cabinets

Desk File Pullout Cabinet, Desk Drawer Base, Kneehole Drawer	262
Desk With Wastebasket	262
Desk Door	263

Accessories

Decorator Matching Doors	264
--------------------------	-----

Dimensions

Door Dimensions	265
Drawer Body Dimensions	267
Drawer Front Dimensions	268
Roll-Out Accessory Dimensions	268
Decorative Glass Insert Dimensions	269
Shelf Dimensions	271

Miscellaneous Parts & Accessories

	271
--	-----

Parts Directory Legend

DOOR NOMENCLATURE LEGEND	
DR__	Doors must be ordered as hinged left (invert for right hinging) or as no drill Example: SKU: DR1230 Option: Left Hinge
DR_ND	Non-drilled doors are ordered as an option Example: SKU: DR1230 Option: No Drill
DR_SD	Specialty Doors are used for Mullion Frame or Open Frame Door options Example: SKU: DR1230 SD Option: OFD - Open Frame Door Option: Left Hinge
DR_FH	Full-Height Door for Full-Height Base, Full-Height Peninsula Base and Full-Height Vanity Base Example: SKU: DR15 FH Option: Left Hinge
DR__V	Standard height Vanity door Example: SKU: DR1821V Option: Right Hinge

DRAWER/PANEL FRONT NOMENCLATURE LEGEND	
DDF__	Drawer/Panel Front for Base, Desk, Vanity cabinet or Standard Overlay Double Oven cabinet
DDFOV__	Drawer front for Full Overlay OVD__(AS) BUTT
DDF_M	Large Drawer Front for Full Overlay Base, Desk or Vanity cabinet
DDF_D	Large Drawer Front for Standard Overlay Base, Desk or Vanity cabinet
DDF_VD	Large Drawer Front for Full Overlay Standard Height Vanity cabinet
DDFKDC__	Drawer Front for Kneehole Drawer cabinet

ADJUSTABLE SHELVING NOMENCLATURE LEGEND	
Adjustable Shelving Notes: Microwave Wall Cabinet replacement shelves feature Matching Interior standard - MI and MI PLY Shelving NOT available Bookshelves replacement shelves feature Matching Interior standard - MI Shelving NOT available Specialty Door cabinets feature Matching Interior standard, replacement shelves must be ordered as __" SHELF MI or __" SHELF MI PLY	
__" SHELF 3/4	Adjustable Shelf - Standard Construction 3/4" Example: 12" SHELF 3/4
__" SHELF MI	For Matching Interior 3/4" Adjustable Shelving, replace 3/4" with MI Example: 12" SHELF MI
__" SHELF PLY	For All Plywood Construction 3/4" Adjustable Shelving, replace 3/4" with PLY Example: 12" SHELF PLY
__" SHELF MI PLY	For Matching Interior All Plywood Construction 3/4" Adjustable Shelving, replace 3/4" with MI PLY Example: 12" SHELF MI PLY

SKU	QTY	DOOR	SPECIALTY DOOR	DECORATIVE GLASS INSERT	QTY	ADJUSTABLE SHELF
		PART NAME	PART NAME	PART NAME		* For All Plywood Construction and/or Matching Interior Adjustable Shelf, refer to Parts Directory legend
						*PART NAME
WALL CABINET • 12" HIGH						
W1212	1	DR1212	DR1212 SD	DGI-1212	-	N/A
W1512	1	DR1512	DR1512 SD	DGI-1512	-	N/A
W1812	1	DR1812	DR1812 SD	DGI-1812	-	N/A
W2112	1	DR2112	DR2112 SD	DGI-2112	-	N/A
W2412 BUTT	2	DR1212 BUTT	DR1212 BUTT SD	DGI-1212 BUTT	-	N/A
W2712 BUTT	2	DR1312 BUTT	DR1312 BUTT SD	DGI-1312 BUTT	-	N/A
W3012 BUTT	2	DR1512 BUTT	DR1512 BUTT SD	DGI-1512 BUTT	-	N/A
W3312 BUTT	2	DR1612 BUTT	DR1612 BUTT SD	DGI-1612 BUTT	-	N/A
W3612 BUTT	2	DR1812 BUTT	DR1812 BUTT SD	DGI-1812 BUTT	-	N/A
W3912	2	DR1912	DR1912 SD	DGI-1912	-	N/A
WALL CABINET • 15" HIGH						
W1215	1	DR1215	DR1215 SD	DGI-1215	-	N/A
W1515	1	DR1515	DR1515 SD	DGI-1515	-	N/A
W1815	1	DR1815	DR1815 SD	DGI-1815	-	N/A
W2115	1	DR2115	DR2115 SD	DGI-2115	-	N/A
W2415 BUTT	2	DR1215 BUTT	DR1215 BUTT SD	DGI-1215 BUTT	-	N/A
W2715 BUTT	2	DR1315 BUTT	DR1315 BUTT SD	DGI-1315 BUTT	-	N/A
W3015 BUTT	2	DR1515 BUTT	DR1515 BUTT SD	DGI-1515 BUTT	-	N/A
W3315 BUTT	2	DR1615 BUTT	DR1615 BUTT SD	DGI-1615 BUTT	-	N/A
W3615 BUTT	2	DR1815 BUTT	DR1815 BUTT SD	DGI-1815 BUTT	-	N/A
W3915	2	DR1915	DR1915 SD	DGI-1915	-	N/A
WALL CABINET • 18" HIGH						
W1218	1	DR1218	DR1218 SD	DGI-1218	-	N/A
W1518	1	DR1518	DR1518 SD	DGI-1518	-	N/A
W1818	1	DR1818	DR1818 SD	DGI-1818	-	N/A
W2118	1	DR2118	DR2118 SD	DGI-2118	-	N/A
W2418 BUTT	2	DR1218 BUTT	DR1218 BUTT SD	DGI-1218 BUTT	-	N/A
W2718 BUTT	2	DR1318 BUTT	DR1318 BUTT SD	DGI-1318 BUTT	-	N/A
W3018 BUTT	2	DR1518 BUTT	DR1518 BUTT SD	DGI-1518 BUTT	-	N/A
W3318 BUTT	2	DR1618 BUTT	DR1618 BUTT SD	DGI-1618 BUTT	-	N/A
W3618 BUTT	2	DR1818 BUTT	DR1818 BUTT SD	DGI-1818 BUTT	-	N/A
W3918	2	DR1918	DR1918 SD	DGI-1918	-	N/A
W4218	2	DR2118	DR2118 SD	DGI-2118	-	N/A
WALL CABINET • 21" HIGH						
W3021 BUTT	2	DR1521 BUTT	DR1521 BUTT SD	DGI-1521 BUTT	-	N/A
W3321 BUTT	2	DR1621 BUTT	DR1621 BUTT SD	DGI-1621 BUTT	-	N/A
W3621 BUTT	2	DR1821 BUTT	DR1821 BUTT SD	DGI-1821 BUTT	-	N/A
W3921	2	DR1921	DR1921 SD	DGI-1921	-	N/A
WALL CABINET • 24" HIGH						
W1224	1	DR1224	DR1224 SD	DGI-1224	1	12" SHELF 3/4
W1524	1	DR1524	DR1524 SD	DGI-1524	1	15" SHELF 3/4
W1824	1	DR1824	DR1824 SD	DGI-1824	1	18" SHELF 3/4
W2124	1	DR2124	DR2124 SD	DGI-2124	1	21" SHELF 3/4
W2424 BUTT	2	DR1224 BUTT	DR1224 BUTT SD	DGI-1224 BUTT	1	24" SHELF 3/4
W2724 BUTT	2	DR1324 BUTT	DR1324 BUTT SD	DGI-1324 BUTT	1	27" SHELF 3/4
W3024 BUTT	2	DR1524 BUTT	DR1524 BUTT SD	DGI-1524 BUTT	1	30" SHELF 3/4
W3324 BUTT	2	DR1624 BUTT	DR1624 BUTT SD	DGI-1624 BUTT	1	33" SHELF 3/4
W3624 BUTT	2	DR1824 BUTT	DR1824 BUTT SD	DGI-1824 BUTT	1	36" SHELF 3/4
W3924	2	DR1924	DR1924 SD	DGI-1924	1	39" SHELF 3/4
W4224	2	DR2124	DR2124 SD	DGI-2124	1	42" SHELF 3/4
W4524	3	DR1524	DR1524 SD	DGI-1524	1	45" SHELF 3/4

SKU	QTY	DOOR	SPECIALTY DOOR	DECORATIVE GLASS INSERT	QTY	ADJUSTABLE SHELF
		PART NAME	PART NAME	PART NAME		* For All Plywood Construction and/or Matching Interior Adjustable Shelf, refer to Parts Directory legend
						*PART NAME
WALL CABINET - 27" HIGH						
W3027 BUTT	2	DR1527 BUTT	DR1527 BUTT SD	DGI-1527 BUTT	1	30" SHELF 3/4
WALL CABINET - 30" HIGH						
W930	1	DR930	-	-	2	9" SHELF 3/4
W1230	1	DR1230	DR1230 SD	DGI-1230	2	12" SHELF 3/4
W1530	1	DR1530	DR1530 SD	DGI-1530	2	15" SHELF 3/4
W1830	1	DR1830	DR1830 SD	DGI-1830	2	18" SHELF 3/4
W2130	1	DR2130	DR2130 SD	DGI-2130	2	21" SHELF 3/4
W2430	1	DR2430	-	-	2	24" SHELF 3/4
W2430 BUTT	2	DR1230 BUTT	DR1230 BUTT SD	DGI-1230 BUTT	2	24" SHELF 3/4
W2730 BUTT	2	DR1330 BUTT	DR1330 BUTT SD	DGI-1330 BUTT	2	27" SHELF 3/4
W3030 BUTT	2	DR1530 BUTT	DR1530 BUTT SD	DGI-1530 BUTT	2	30" SHELF 3/4
W3330 BUTT	2	DR1630 BUTT	DR1630 BUTT SD	DGI-1630 BUTT	2	33" SHELF 3/4
W3630 BUTT	2	DR1830 BUTT	DR1830 BUTT SD	DGI-1830 BUTT	2	36" SHELF 3/4
W3930	2	DR1930	DR1930 SD	DGI-1930	2	39" SHELF 3/4
W4230	2	DR2130	DR2130 SD	DGI-2130	2	42" SHELF 3/4
W4530	3	DR1530	DR1530 SD	DGI-1530	2	45" SHELF 3/4
W4830	2	DR2430	-	-	2	48" SHELF 3/4
WALL CABINET - 36" HIGH						
W936	1	DR936	-	-	2	9" SHELF 3/4
W1236	1	DR1236	DR1236 SD	DGI-1236	2	12" SHELF 3/4
W1536	1	DR1536	DR1536 SD	DGI-1536	2	15" SHELF 3/4
W1836	1	DR1836	DR1836 SD	DGI-1836	2	18" SHELF 3/4
W2136	1	DR2136	DR2136 SD	DGI-2136	2	21" SHELF 3/4
W2436 BUTT	2	DR1236 BUTT	DR1236 BUTT SD	DGI-1236 BUTT	2	24" SHELF 3/4
W2736 BUTT	2	DR1336 BUTT	DR1336 BUTT SD	DGI-1336 BUTT	2	27" SHELF 3/4
W3036 BUTT	2	DR1536 BUTT	DR1536 BUTT SD	DGI-1536 BUTT	2	30" SHELF 3/4
W3336 BUTT	2	DR1636 BUTT	DR1636 BUTT SD	DGI-1636 BUTT	2	33" SHELF 3/4
W3636 BUTT	2	DR1836 BUTT	DR1836 BUTT SD	DGI-1836 BUTT	2	36" SHELF 3/4
W3936	2	DR1936	DR1936 SD	DGI-1936	2	39" SHELF 3/4
W4236	2	DR2136	DR2136 SD	DGI-2136	2	42" SHELF 3/4
WALL CABINET - 39" HIGH						
W939	1	DR939	-	-	3	9" SHELF 3/4
W1239	1	DR1239	DR1239 SD	DGI-1239	3	12" SHELF 3/4
W1539	1	DR1539	DR1539 SD	DGI-1539	3	15" SHELF 3/4
W1839	1	DR1839	DR1839 SD	DGI-1839	3	18" SHELF 3/4
W2139	1	DR2139	DR2139 SD	DGI-2139	3	21" SHELF 3/4
W2439 BUTT	2	DR1239 BUTT	DR1239 BUTT SD	DGI-1239 BUTT	3	24" SHELF 3/4
W2739 BUTT	2	DR1339 BUTT	DR1339 BUTT SD	DGI-1339 BUTT	3	27" SHELF 3/4
W3039 BUTT	2	DR1539 BUTT	DR1539 BUTT SD	DGI-1539 BUTT	3	30" SHELF 3/4
W3339 BUTT	2	DR1639 BUTT	DR1639 BUTT SD	DGI-1639 BUTT	3	33" SHELF 3/4
W3639 BUTT	2	DR1839 BUTT	DR1839 BUTT SD	DGI-1839 BUTT	3	36" SHELF 3/4

SKU	QTY	DOOR	SPECIALTY DOOR	DECORATIVE GLASS INSERT	QTY	ADJUSTABLE SHELF
		PART NAME	PART NAME	PART NAME		* For All Plywood Construction and/or Matching Interior Adjustable Shelf, refer to Parts Directory legend
						*PART NAME
WALL CABINET • 42" HIGH						
W942	1	DR942	-	-	3	9" SHELF 3/4
W1242	1	DR1242	DR1242 SD	DGI-1242	3	12" SHELF 3/4
W1542	1	DR1542	DR1542 SD	DGI-1542	3	15" SHELF 3/4
W1842	1	DR1842	DR1842 SD	DGI-1842	3	18" SHELF 3/4
W2142	1	DR2142	DR2142 SD	DGI-2142	3	21" SHELF 3/4
W2442 BUTT	2	DR1242 BUTT	DR1242 BUTT SD	DGI-1242 BUTT	3	24" SHELF 3/4
W2742 BUTT	2	DR1342 BUTT	DR1342 BUTT SD	DGI-1342 BUTT	3	27" SHELF 3/4
W3042 BUTT	2	DR1542 BUTT	DR1542 BUTT SD	DGI-1542 BUTT	3	30" SHELF 3/4
W3342 BUTT	2	DR1642 BUTT	DR1642 BUTT SD	DGI-1642 BUTT	3	33" SHELF 3/4
W3642 BUTT	2	DR1842 BUTT	DR1842 BUTT SD	DGI-1842 BUTT	3	36" SHELF 3/4
W3942	2	DR1942	DR1942 SD	DGI-1942	3	39" SHELF 3/4
W4242	2	DR2142	DR2142 SD	DGI-2142	3	42" SHELF 3/4
WALL CABINET • SPICE RACK • 30" HIGH						
W1530 SR	1	DR1530	-	-	2	15" SHELF 3/4
W1830 SR	1	DR1830	-	-	2	18" SHELF 3/4
W2130 SR	1	DR2130	-	-	2	21" SHELF 3/4
WALL CABINET • SPICE RACK • 36" HIGH						
W1536 SR	1	DR1536	-	-	2	15" SHELF 3/4
W1836 SR	1	DR1836	-	-	2	18" SHELF 3/4
W2136 SR	1	DR2136	-	-	2	21" SHELF 3/4
WALL CABINET • SPICE RACK • 39" HIGH						
W1539 SR	1	DR1539	-	-	3	15" SHELF 3/4
W1839 SR	1	DR1839	-	-	3	18" SHELF 3/4
W2139 SR	1	DR2139	-	-	3	21" SHELF 3/4
WALL CABINET • SPICE RACK • 42" HIGH						
W1542 SR	1	DR1542	-	-	3	15" SHELF 3/4
W1842 SR	1	DR1842	-	-	3	18" SHELF 3/4
W2142 SR	1	DR2142	-	-	3	21" SHELF 3/4
WALL TOP HINGE • 15" HIGH						
WTH3015	1	DR3015 WTH	DR3015 WTH SD	DGI-1530	-	N/A
WTH3615	1	DR3615 WTH	DR3615 WTH SD	DGI-1536	-	N/A
WALL TOP HINGE • 15" HIGH X 24" DEEP						
WTH3015 X 24DP	1	DR3015 WTH	DR3015 WTH SD	DGI-1530	-	N/A
WTH3615 X 24DP	1	DR3615 WTH	DR3615 WTH SD	DGI-1536	-	N/A
WALL TOP HINGE • 18" HIGH						
WTH3018	1	DR3018 WTH	DR3018 WTH SD	DGI-1830	-	N/A
WTH3618	1	DR3618 WTH	DR3618 WTH SD	DGI-1836	-	N/A
WALL TOP HINGE • 18" HIGH X 24" DEEP						
WTH3018 X 24DP	1	DR3018 WTH	DR3018 WTH SD	DGI-1830	-	N/A
WTH3618 X 24DP	1	DR3618 WTH	DR3618 WTH SD	DGI-1836	-	N/A
CORNER WALL • 12" HIGH						
CW2412	1	DR1512	DR1512 SD	DGI-1512	-	N/A
CW2712	1	DR1512	DR1512 SD	DGI-1512	-	N/A
CORNER WALL • 15" HIGH						
CW2415	1	DR1515	DR1515 SD	DGI-1515	-	N/A
CW2715	1	DR1515	DR1515 SD	DGI-1515	-	N/A
CORNER WALL • 18" HIGH						
CW2418	1	DR1518	DR1518 SD	DGI-1518	-	N/A
CW2718	1	DR1518	DR1518 SD	DGI-1518	-	N/A
CORNER WALL CABINET • 24" HIGH						
CW2424	1	DR1524	DR1524 SD	DGI-1524	-	N/A
CW2724	1	DR1524	DR1524 SD	DGI-1524	-	N/A

SKU	QTY	DOOR	SPECIALTY DOOR	DECORATIVE GLASS INSERT	QTY	ADJUSTABLE SHELF
		PART NAME	PART NAME	PART NAME		* For All Plywood Construction and/or Matching Interior Adjustable Shelf, refer to Parts Directory legend
						*PART NAME
CORNER WALL CABINET - 30" HIGH						
CW2430	1	DR1530	DR1530 SD	DGI-1530	2	CW SHELF ADJ 3/4
CW2730	1	DR1530	DR1530 SD	DGI-1530	2	CW27 SHELF ADJ 3/4
CWS2430 WD	1	DR1530	DR1530 SD	DGI-1530	2	CWS24 SHELF WD NP
CORNER WALL CABINET - 36" HIGH						
CW2436	1	DR1536	DR1536 SD	DGI-1536	2	CW SHELF ADJ 3/4
CW2736	1	DR1536	DR1536 SD	DGI-1536	2	CW27 SHELF ADJ 3/4
CWS2436 WD	1	DR1536	DR1536 SD	DGI-1536	2	CWS24 SHELF WD NP
CORNER WALL CABINET - 39" HIGH						
CW2439	1	DR1539	DR1539 SD	DGI-1539	3	CW SHELF ADJ 3/4
CW2739	1	DR1539	DR1539 SD	DGI-1539	3	CW27 SHELF ADJ 3/4
CWS2439 WD	1	DR1539	DR1539 SD	DGI-1539	3	CWS24 SHELF WD NP
CORNER WALL CABINET - 42" HIGH						
CW2442	1	DR1542	DR1542 SD	DGI-1542	3	CW SHELF ADJ 3/4
CW2742	1	DR1542	DR1542 SD	DGI-1542	3	CW27 SHELF ADJ 3/4
CWS2442 WD	1	DR1542	DR1542 SD	DGI-1542	3	CWS24 SHELF WD NP
CORNER WALL CABINET - APPLIANCE GARAGE - 48" HIGH						
CWD2448	1	DR1530	DR1530 SD	DGI-1530	2	CW SHELF ADJ 3/4
	1	DR1518	-	-		
CWDS2448 WD	1	DR1530	DR1530 SD	DGI-1530	2	CWS24 SHELF WD NP
	1	DR1518	-	-		
BLIND WALL CABINET - 24" HIGH						
BLW24/2724	1	DR1224	DR1224 SD	DGI-1224	1	24" SHELF 3/4
BLW27/3024	1	DR1524	DR1524 SD	DGI-1524	1	27" SHELF 3/4
BLW30/3324	1	DR1824	DR1824 SD	DGI-1824	1	30" SHELF 3/4
BLW33/3624	1	DR2124	DR2124 SD	DGI-2124	1	33" SHELF 3/4
BLW36/3924 BUTT	2	DR1224 BUTT	DR1224 BUTT SD	DGI-1224 BUTT	1	36" SHELF 3/4
BLIND WALL CABINET - 30" HIGH						
BLW24/2730	1	DR1230	DR1230 SD	DGI-1230	2	24" SHELF 3/4
BLW27/3030	1	DR1530	DR1530 SD	DGI-1530	2	27" SHELF 3/4
BLW30/3330	1	DR1830	DR1830 SD	DGI-1830	2	30" SHELF 3/4
BLW33/3630	1	DR2130	DR2130 SD	DGI-2130	2	33" SHELF 3/4
BLW36/3930	1	DR2430	-	-	2	36" SHELF 3/4
BLW36/3930 BUTT	2	DR1230 BUTT	DR1230 BUTT SD	DGI-1230 BUTT	2	36" SHELF 3/4
BLW39/4230 BUTT	2	DR1330 BUTT	DR1330 BUTT SD	DGI-1330 BUTT	2	39" SHELF 3/4
BLW42/4530 BUTT	2	DR1530 BUTT	DR1530 BUTT SD	DGI-1530 BUTT	2	42" SHELF 3/4
BLW45/4830 BUTT	2	DR1630 BUTT	DR1630 BUTT SD	DGI-1630 BUTT	2	45" SHELF 3/4
BLW48/5130 BUTT	2	DR1830 BUTT	DR1830 BUTT SD	DGI-1830 BUTT	2	48" SHELF 3/4
BLIND WALL CABINET - 36" HIGH						
BLW24/2736	1	DR1236	DR1236 SD	DGI-1236	2	24" SHELF 3/4
BLW30/3336	1	DR1836	DR1836 SD	DGI-1836	2	30" SHELF 3/4
BLW33/3636	1	DR2136	DR2136 SD	DGI-2136	2	33" SHELF 3/4
BLW36/3936 BUTT	2	DR1236 BUTT	DR1236 BUTT SD	DGI-1236 BUTT	2	36" SHELF 3/4
BLW39/4236 BUTT	2	DR1336 BUTT	DR1336 BUTT SD	DGI-1336 BUTT	2	39" SHELF 3/4
BLW42/4536 BUTT	2	DR1536 BUTT	DR1530 BUTT SD	DGI-1530 BUTT	2	42" SHELF 3/4
BLIND WALL CABINET - 39" HIGH						
BLW24/2739	1	DR1239	DR1239 SD	DGI-1239	3	24" SHELF 3/4
BLW30/3339	1	DR1839	DR1839 SD	DGI-1839	3	30" SHELF 3/4
BLW33/3639	1	DR2139	DR2139 SD	DGI-2139	3	33" SHELF 3/4
BLW36/3939 BUTT	2	DR1239 BUTT	DR1239 BUTT SD	DGI-1239 BUTT	3	36" SHELF 3/4
BLW39/4239 BUTT	2	DR1339 BUTT	DR1339 BUTT SD	DGI-1339 BUTT	3	39" SHELF 3/4
BLW42/4539 BUTT	2	DR1539 BUTT	DR1539 BUTT SD	DGI-1539 BUTT	3	42" SHELF 3/4

SKU	QTY	DOOR	SPECIALTY DOOR	DECORATIVE GLASS INSERT	QTY	ADJUSTABLE SHELF
		PART NAME	PART NAME	PART NAME		* For All Plywood Construction and/or Matching Interior Adjustable Shelf, refer to Parts Directory legend
						*PART NAME
BLIND WALL CABINET - 42" HIGH						
BLW24/2742	1	DR1242	DR1242 SD	DGI-1242	3	24" SHELF 3/4
BLW30/3342	1	DR1842	DR1842 SD	DGI-1842	3	30" SHELF 3/4
BLW33/3642	1	DR2142	DR2142 SD	DGI-2142	3	33" SHELF 3/4
BLW36/3942 BUTT	2	DR1242 BUTT	DR1242 BUTT SD	DGI-1242 BUTT	3	36" SHELF 3/4
BLW39/4242 BUTT	2	DR1342 BUTT	DR1342 BUTT SD	DGI-1342 BUTT	3	39" SHELF 3/4
BLW42/4542 BUTT	2	DR1542 BUTT	DR1542 BUTT SD	DGI-1542 BUTT	3	42" SHELF 3/4
REFRIGERATOR WALL CABINET - 12" HIGH X 24" DEEP						
W3012 X 24 DP BUTT	2	DR1512 BUTT	DR1512 BUTT SD	DGI-1512 BUTT	-	N/A
W3312 X 24 DP BUTT	2	DR1612 BUTT	DR1612 BUTT SD	DGI-1612 BUTT	-	N/A
W3612 X 24 DP BUTT	2	DR1812 BUTT	DR1812 BUTT SD	DGI-1812 BUTT	-	N/A
W3712 X 24 DP BUTT	2	DR18.512 BUTT	DR18.512 BUTT SD	DGI-18.512 BUTT	-	N/A
W3912 X 24 DP	2	DR1912	DR1912 SD	DGI-1912	-	N/A
W4212 X 24 DP	2	DR2112	-	-	-	N/A
W4812 X 24 DP BUTT	4	DR1212 BUTT	-	-	-	N/A
REFRIGERATOR WALL CABINET - 15" HIGH X 24" DEEP						
W3015 X 24 DP BUTT	2	DR1515 BUTT	DR1515 BUTT SD	DGI-1515 BUTT	-	N/A
W3315 X 24 DP BUTT	2	DR1615 BUTT	DR1615 BUTT SD	DGI-1615 BUTT	-	N/A
W3615 X 24 DP BUTT	2	DR1815 BUTT	DR1815 BUTT SD	DGI-1815 BUTT	-	N/A
W3715 X 24 DP BUTT	2	DR18.515 BUTT	DR18.515 BUTT SD	DGI-18.515 BUTT	-	N/A
W3915 X 24 DP	2	DR1915	DR1915 SD	DGI-1915	-	N/A
REFRIGERATOR WALL CABINET - 18" HIGH X 24" DEEP						
W3018 X 24 DP BUTT	2	DR1518 BUTT	DR1518 BUTT SD	DGI-1518 BUTT	-	N/A
W3318 X 24 DP BUTT	2	DR1618 BUTT	DR1618 BUTT SD	DGI-1618 BUTT	-	N/A
W3618 X 24 DP BUTT	2	DR1818 BUTT	DR1818 BUTT SD	DGI-1818 BUTT	-	N/A
W3718 X 24 DP BUTT	2	DR18.518 BUTT	DR18.518 BUTT SD	DGI-18.518 BUTT	-	N/A
W3918 X 24 DP	2	DR1918	DR1918 SD	DGI-1918	-	N/A
REFRIGERATOR WALL CABINET - 21" HIGH X 24" DEEP						
W3021 X 24 DP BUTT	2	DR1521 BUTT	DR1521 BUTT SD	DGI-1521 BUTT	-	N/A
W3321 X 24 DP BUTT	2	DR1621 BUTT	DR1621 BUTT SD	DGI-1621 BUTT	-	N/A
W3621 X 24 DP BUTT	2	DR1821 BUTT	DR1821 BUTT SD	DGI-1821 BUTT	-	N/A
W3721 X 24 DP BUTT	2	DR18.521 BUTT	DR18.521 BUTT SD	DGI-18.521 BUTT	-	N/A
W3921 X 24 DP	2	DR1921	DR1921 SD	DGI-1921	-	N/A
REFRIGERATOR WALL CABINET - 24" HIGH X 24" DEEP						
W3024 X 24 DP BUTT	2	DR1524 BUTT	DR1524 BUTT SD	DGI-1524 BUTT	1	30" SHELF 24DP 3/4
W3324 X 24 DP BUTT	2	DR1624 BUTT	DR1624 BUTT SD	DGI-1624 BUTT	1	33" SHELF 24DP 3/4
W3624 X 24 DP BUTT	2	DR1824 BUTT	DR1824 BUTT SD	DGI-1824 BUTT	1	36" SHELF 24DP 3/4
W3724 X 24 DP BUTT	2	DR18.524 BUTT	DR18.524 BUTT SD	DGI-18.524 BUTT	1	37" SHELF 24DP 3/4
W3924X 24 DP	2	DR1924	DR1924 SD	DGI-1924	1	39" SHELF 24DP 3/4
REFRIGERATOR WALL CABINET - 27" HIGH X 24" DEEP						
W3027 X 24 DP BUTT	2	DR1527 BUTT	DR1527 BUTT SD	DGI-1527 BUTT	1	30" SHELF 24DP 3/4
WALL END ANGLE CABINET						
WEA1230	1	DR1530	DR1530 SD	DGI-1530	2	WEA SHELF 3/4
WEA1236	1	DR1536	DR1536 SD	DGI-1536	2	WEA SHELF 3/4
WEA1239	1	DR1539	DR1539 SD	DGI-1539	3	WEA SHELF 3/4
WEA1242	1	DR1542	DR1542 SD	DGI-1542	3	WEA SHELF 3/4
STRAIGHT APPLIANCE GARAGE						
AGSD24 BUTT	2	DR1218 BUTT	DR1218 BUTT SD	DGI-1218 BUTT	-	N/A
CORNER APPLIANCE GARAGE						
AGD2418	1	DR1518	DR1518 SD	DGI-1518	-	N/A
AGD2718	1	DR1518	DR1518 SD	DGI-1518	-	N/A

SKU	QTY	DOOR		ADJUSTABLE SHELF	
		PART NAME	QTY	* For All Plywood Construction and/or Matching Interior Adjustable Shelf, refer to Parts Directory legend	
				*PART NAME	
WALL EASY REACH CABINET					
WER2430	1	DR1230 WER DRILL	2	WER SHELF 3/4	
	1	DR1230 WER ND			
WER2436	1	DR1236 WER DRILL	2	WER SHELF 3/4	
	1	DR1236 WER ND			
WER2439	1	DR1239 WER DRILL	3	WER SHELF 3/4	
	1	DR1239 WER ND			
WER2442	1	DR1242 WER DRILL	3	WER SHELF 3/4	
	1	DR1242 WER ND			
WALL RANGE HOOD - 24" HIGH					
WRH3024 RP	2	DR1515 BUTT	-	N/A	
WRH3624 RP	2	DR1815 BUTT	-	N/A	
WRH3024 SV	2	DR1515 BUTT	-	N/A	
WRH3624 SV	2	DR1815 BUTT	-	N/A	
WALL RANGE HOOD - 27" HIGH					
WRH3027 RP	2	DR1518 BUTT	-	N/A	
WRH3627 RP	2	DR1818 BUTT	-	N/A	
WRH3027 SV	2	DR1518 BUTT	-	N/A	
WRH3627 SV	2	DR1818 BUTT	-	N/A	
WALL RANGE HOOD - 30" HIGH					
WRH3030 RP	2	DR1521 BUTT	-	N/A	
WRH3630 RP	2	DR1821 BUTT	-	N/A	
WRH3030 SV	2	DR1521 BUTT	-	N/A	
WRH3630 SV	2	DR1821 BUTT	-	N/A	
BUILT-IN MICROWAVE WALL - 36" HIGH					
WMC271836 BUTT	2	DR1315 BUTT	-	N/A	
WMC272136 BUTT	2	DR1315 BUTT	-	N/A	
WMC301836 BUTT	2	DR1515 BUTT	-	N/A	
WMC302136 BUTT	2	DR1515 BUTT	-	N/A	
MICROWAVE WALL CABINET - 36" HIGH					
WMSC271236 BUTT	2	DR1315 BUTT	-	N/A	
WMSC271836 BUTT	2	DR1315 BUTT	-	N/A	
WMSC301236 BUTT	2	DR1515 BUTT	-	N/A	
COMPACT MICROWAVE WALL CABINET					
WCMSC241236 BUTT	2	DR1218 BUTT	-	N/A	
WCMSC271236 BUTT	2	DR1318 BUTT	-	N/A	
BUILT-IN MICROWAVE WALL - 39" HIGH					
WMC271839 BUTT	2	DR1318 BUTT	-	N/A	
WMC272139 BUTT	2	DR1318 BUTT	-	N/A	
WMC301839 BUTT	2	DR1518 BUTT	-	N/A	
WMC302139 BUTT	2	DR1518 BUTT	-	N/A	
BUILT-IN MICROWAVE WALL - 42" HIGH					
WMC301842 BUTT	2	DR1521 BUTT	-	N/A	
WMC302142 BUTT	2	DR1521 BUTT	-	N/A	
MICROWAVE WALL CABINET - 42" HIGH					
WMSC271842 BUTT	2	DR1324 BUTT	1	WMSC2718	

SKU	QTY	DRAWER FRONT		DRAWER BODY
		FULL OVERLAY	STANDARD OVERLAY	PART NAME
		PART NAME	PART NAME	
FURNITURE DRAWER - 12" DEEP - 6" HIGH				
FD121206	1	DDF12	DDF12	DRB12 X 9DP DT FG
FD151206	1	DDF15	DDF15	DRB15 X 9DP DT FG
FD181206	1	DDF18	DDF18	DRB18 X 9DP DT FG
FD211206	1	DDF21	DDF21	DRB21 X 9DP DT FG
FD241206	1	DDF24	DDF24	DRB24 X 9DP DT FG
FD271206	1	DDF27	DDF27	DRB27 X 9DP DT FG
FD301206	1	DDF30	DDF30	DRB30 X 9DP DT FG
FD331206	1	DDF33	DDF33	DRB33 X 9DP DT FG
FD361206	1	DDF36	DDF36	DRB36 X 9DP DT FG
FURNITURE DRAWER - 24" DEEP - 6" HIGH				
FD122406	1	DDF12	DDF12	DRB12 X 21DP DT FG
FD152406	1	DDF15	DDF15	DRB15 X 21DP DT FG
FD182406	1	DDF18	DDF18	DRB18 X 21DP DT FG
FD212406	1	DDF21	DDF21	DRB21 X 21DP DT FG
FD242406	1	DDF24	DDF24	DRB24 X 21DP DT FG
FD272406	1	DDF27	DDF27	DRB27 X 21DP DT FG
FD302406	1	DDF30	DDF30	DRB30 X 21DP DT FG
FD332406	1	DDF33	DDF33	DRB33 X 21DP DT FG
FD362406	1	DDF36	DDF36	DRB36 X 21DP DT FG
FURNITURE DRAWER - 12" DEEP - 12" HIGH				
FD121212	1	DDF12M	DDF12D	DRB12M X 9DP DT FG
FD151212	1	DDF15M	DDF15D	DRB15M X 9DP DT FG
FD181212	1	DDF18M	DDF18D	DRB18M X 9DP DT FG
FD211212	1	DDF21M	DDF21D	DRB21M X 9DP DT FG
FD241212	1	DDF24M	DDF24D	DRB24M X 9DP DT FG
FD271212	1	DDF27M	DDF27D	DRB27M X 9DP DT FG
FD301212	1	DDF30M	DDF30D	DRB30M X 9DP DT FG
FD331212	1	DDF33M	DDF33D	DRB33M X 9DP DT FG
FD361212	1	DDF36M	DDF36D	DRB36M X 9DP DT FG
FURNITURE DRAWER - 24" DEEP - 12" HIGH				
FD122412	1	DDF12M	DDF12D	DRB12M X 21DP DT FG
FD152412	1	DDF15M	DDF15D	DRB15M X 21DP DT FG
FD182412	1	DDF18M	DDF18D	DRB18M X 21DP DT FG
FD212412	1	DDF21M	DDF21D	DRB21M X 21DP DT FG
FD242412	1	DDF24M	DDF24D	DRB24M X 21DP DT FG
FD272412	1	DDF27M	DDF27D	DRB27M X 21DP DT FG
FD302412	1	DDF30M	DDF30D	DRB30M X 21DP DT FG
FD332412	1	DDF33M	DDF33D	DRB33M X 21DP DT FG
FD362412	1	DDF36M	DDF36D	DRB36M X 21DP DT FG
PEDESTAL DRAWER				
PD1217 1DWR	1	DDF12M	DDF12D	DRB12M X 21DP DT FG
PD1517 1DWR	1	DDF15M	DDF15D	DRB15M X 21DP DT FG
PD1817 1DWR	1	DDF18M	DDF18D	DRB18M X 21DP DT FG
PD2117 1DWR	1	DDF21M	DDF21D	DRB21M X 21DP DT FG
PD2417 1DWR	1	DDF24M	DDF24D	DRB24M X 21DP DT FG
PD2717 1DWR	1	DDF27M	DDF27D	DRB27M X 21DP DT FG
PD3017 1DWR	1	DDF30M	DDF30D	DRB30M X 21DP DT FG
PD3317 1DWR	1	DDF33M	DDF33D	DRB33M X 21DP DT FG
PD3617 1DWR	1	DDF36M	DDF36D	DRB36M X 21DP DT FG

SKU	QTY	DOOR		ADJUSTABLE SHELF/ACCESSORY		DRAWER/PANEL FRONT		DRAWER BODY
		PART NAME	QTY	*For All Plywood Construction Adjustable Shelf, refer to Parts Directory legend		PART NAME	QTY	PART NAME
				*PART NAME	QTY			
BASE CABINET - ADJUSTABLE SHELF								
B12	1	DR1224	1	12" SHELF 24DP 3/4	1	DDF12	1	DRB12 X 21DP DT FG
B15	1	DR1524	1	15" SHELF 24DP 3/4	1	DDF15	1	DRB15 X 21DP DT FG
B18	1	DR1824	1	18" SHELF 24DP 3/4	1	DDF18	1	DRB18 X 21DP DT FG
B21	1	DR2124	1	21" SHELF 24DP 3/4	1	DDF21	1	DRB21 X 21DP DT FG
B24	1	DR2424	1	24" SHELF 24DP 3/4	1	DDF24	1	DRB24 X 21DP DT FG
B24 BUTT	2	DR1224 BUTT	1	24" SHELF 24DP 3/4	1	DDF24	1	DRB24 X 21DP DT FG
B27 BUTT	2	DR1324 BUTT	1	27" SHELF 24DP 3/4	1	DDF27	1	DRB27 X 21DP DT FG
B30 BUTT	2	DR1524 BUTT	1	30" SHELF 24DP 3/4	1	DDF30	1	DRB30 X 21DP DT FG
B33 BUTT	2	DR1624 BUTT	1	33" SHELF 24DP 3/4	1	DDF33	1	DRB33 X 21DP DT FG
B36 1TD BUTT	2	DR1824 BUTT	1	36" SHELF 24DP 3/4	1	DDF36	1	DRB36 X 21DP DT FG
B39	2	DR1924	1	39" SHELF 24DP 3/4	2	DDF19	2	DRB19 X 21DP DT FG
B42	2	DR2124	1	42" SHELF 24DP 3/4	2	DDF21	2	DRB21 X 21DP DT FG
B45	3	DR1524	1	45" SHELF 24DP 3/4	3	DDF15	3	DRB15 X 21DP DT FG
B48	2	DR2424	1	48" SHELF 24DP 3/4	2	DDF24	2	DRB24 X 21DP DT FG
BASE CABINET - ONE DEEP ROLL OUT TRAY AND ONE ADJUSTABLE SHELF								
B12 CCFWT	1	DR1224	1	12" SHELF 24DP 3/4 DROTCC12	1	DDF12	1	DRB12 X 21DP DT FG
B15 CCFWT	1	DR1524	1	15" SHELF 24DP 3/4 DROTCC15	1	DDF15	1	DRB15 X 21DP DT FG
B18 CCFWT	1	DR1824	1	18" SHELF 24DP 3/4 DROTCC18	1	DDF18	1	DRB18 X 21DP DT FG
B21 CCFWT	1	DR2124	1	21" SHELF 24DP 3/4 DROTCC21	1	DDF21	1	DRB21 X 21DP DT FG
B24 CCFWT	1	DR2424	1	24" SHELF 24DP 3/4 DROTCC24	1	DDF24	1	DRB24 X 21DP DT FG
B24 CCFWT BUTT	2	DR1224 BUTT	1	24" SHELF 24DP 3/4 DROTCC24	1	DDF24	1	DRB24 X 21DP DT FG
B27 CCFWT BUTT	2	DR1324 BUTT	1	27" SHELF 24DP 3/4 DROTCC27	1	DDF27	1	DRB27 X 21DP DT FG
B30 CCFWT BUTT	2	DR1524 BUTT	1	30" SHELF 24DP 3/4 DROTCC30	1	DDF30	1	DRB30 X 21DP DT FG
B33 CCFWT BUTT	2	DR1624 BUTT	1	33" SHELF 24DP 3/4 DROTCC33	1	DDF33	1	DRB33 X 21DP DT FG
B36 1TD CCFWT BUTT	2	DR1824 BUTT	1	36" SHELF 24DP 3/4 DROTCC36	1	DDF36	1	DRB36 X 21DP DT FG
BASE CABINET - TWO DEEP ROLL OUT TRAYS								
B12 CC2FWT	1	DR1224	2	DROTCC12	1	DDF12	1	DRB12 X 21DP DT FG
B15 CC2FWT	1	DR1524	2	DROTCC15	1	DDF15	1	DRB15 X 21DP DT FG
B18 CC2FWT	1	DR1824	2	DROTCC18	1	DDF18	1	DRB18 X 21DP DT FG
B21 CC2FWT	1	DR2124	2	DROTCC21	1	DDF21	1	DRB21 X 21DP DT FG
B24 CC2FWT	1	DR2424	2	DROTCC24	1	DDF24	1	DRB24 X 21DP DT FG
B24 CC2FWT BUTT	2	DR1224 BUTT	2	DROTCC24	1	DDF24	1	DRB24 X 21DP DT FG
B27 CC2FWT BUTT	2	DR1324 BUTT	2	DROTCC27	1	DDF27	1	DRB27 X 21DP DT FG
B30 CC2FWT BUTT	2	DR1524 BUTT	2	DROTCC30	1	DDF30	1	DRB30 X 21DP DT FG
B33 CC2FWT BUTT	2	DR1624 BUTT	2	DROTCC33	1	DDF33	1	DRB33 X 21DP DT FG
B36 1TD CC2FWT BUTT	2	DR1824 BUTT	2	DROTCC36	1	DDF36	1	DRB36 X 21DP DT FG

SKU	QTY	DOOR		ADJUSTABLE SHELF/ACCESSORY		DRAWER/PANEL FRONT		DRAWER BODY	
		PART NAME	QTY	*For All Plywood Construction Adjustable Shelf, refer to Parts Directory legend		PART NAME	QTY	PART NAME	PART NAME
				*PART NAME	QTY				
BASE CABINET - TWO DEEP ROLL OUT TRAYS AND ONE ADJUSTABLE SHELF									
B39 CC2T	2	DR1924	1	39" SHELF 24DP 3/4	2	DDF19	2	DRB19 X 21DP DT FG	
			2	DROTCC19					
B42 CC2T	2	DR2124	1	42" SHELF 24DP 3/4	2	DDF21	2	DRB21 X 21DP DT FG	
			2	DROTCC21					
B48 CC2T	2	DR2424	1	48" SHELF 24DP 3/4	2	DDF24	2	DRB24 X 21DP DT FG	
			2	DROTCC24					
BASE CABINET - THREE DEEP ROLL OUT TRAYS AND ONE ADJUSTABLE SHELF									
B45 CC3T	3	DR1524	1	45" SHELF 24DP 3/4	3	DDF15	3	DRB15 X 21DP DT FG	
			3	DROTCC15					
BASE CABINET - FOUR DEEP ROLL OUT TRAYS									
B39 CC4T	2	DR1924	4	DROTCC19	2	DDF19	2	DRB19 X 21DP DT FG	
B42 CC4T	2	DR2124	4	DROTCC21	2	DDF21	2	DRB21 X 21DP DT FG	
B48 CC4T	2	DR2424	4	DROTCC24	2	DDF24	2	DRB24 X 21DP DT FG	
BASE CABINET - SIX DEEP ROLL OUT TRAYS									
B45 CC6T	3	DR1524	6	DROTCC15	3	DDF15	3	DRB15 X 21DP DT FG	
BASE CABINET - POT AND PAN ORGANIZER									
B24 CCBPPO	1	DR2424	1	BPPOKCC24	1	DDF24	1	DRB24 X 21DP DT FG	
B24 BUTT CCBPPO	2	DR1224 BUTT	1	BPPOKCC24	1	DDF24	1	DRB24 X 21DP DT FG	
B27 BUTT CCBPPO	2	DR1324 BUTT	1	BPPOKCC27	1	DDF27	1	DRB27 X 21DP DT FG	
B30 BUTT CCBPPO	2	DR1524 BUTT	1	BPPOKCC30	1	DDF30	1	DRB30 X 21DP DT FG	
B33 BUTT CCBPPO	2	DR1624 BUTT	1	BPPOKCC33	1	DDF33	1	DRB33 X 21DP DT FG	
B36 1TD BUTT CCBPPO	2	DR1824 BUTT	1	BPPOKCC36	1	DDF36	1	DRB36 X 21DP DT FG	
BASE CABINET - BOTTOM MOUNT WASTEBASKET(S)									
BWBB15 CC	1	DR1524 ND	1	BWBB15 _OL KIT CC	1	DDF15	1	DRB15 X 21DP DT FG	
BWBB15-2 CC	1	DR1524 ND	1	BWBB15-2 _OL KIT CC	1	DDF15	1	DRB15 X 21DP DT FG	
BWBB18-2 CC	1	DR1824 ND	1	BWBB18-2 _OL KIT CC	1	DDF18	1	DRB18 X 21DP DT FG	
BWBB21-2 CC	1	DR2124 ND	1	BWBB21-2 _OL KIT CC	1	DDF21	1	DRB21 X 21DP DT FG	
BASE CABINET - FACTORY INSTALLED ROLL OUT TRAY DIVIDER									
B12 CCR0TD	1	DR1224	1	ROTDKCC12	1	DDF12	1	DRB12 X 21DP DT FG	
B15 CCR0TD	1	DR1524	1	ROTDKCC15	1	DDF15	1	DRB15 X 21DP DT FG	
BASE CABINET - ADJUSTABLE SHELF - FACTORY INSTALLED CUTLERY DIVIDER									
B15 CD	1	DR1524	1	15" SHELF 24DP 3/4	1	DDF15	1	DRB15 X 21DP DT FG	
			1	CDAK15					
B18 CD	1	DR1824	1	18" SHELF 24DP 3/4	1	DDF18	1	DRB18 X 21DP DT FG	
			1	CDAK18					
B21 CD	1	DR2124	1	21" SHELF 24DP 3/4	1	DDF21	1	DRB21 X 21DP DT FG	
			1	CDAK21					
B24 CD	1	DR2424	1	24" SHELF 24DP 3/4	1	DDF24	1	DRB24 X 21DP DT FG	
			1	CDAK24					
B24 BUTT CD	2	DR1224 BUTT	1	24" SHELF 24DP 3/4	1	DDF24	1	DRB24 X 21DP DT FG	
			1	CDAK24					
B30 BUTT CD	2	DR1524 BUTT	1	30" SHELF 24DP 3/4	1	DDF30	1	DRB30 X 21DP DT FG	
			1	CDAK30					
B36 1TD BUTT CD	2	DR1824 BUTT	1	36" SHELF 24DP 3/4	1	DDF36	1	DRB36 X 21DP DT FG	
			1	CDAK36					

SKU	QTY	DOOR		ADJUSTABLE SHELF/ACCESSORY		DRAWER/PANEL FRONT		DRAWER BODY
		PART NAME	QTY	*For All Plywood Construction Adjustable Shelf, refer to Parts Directory Legend		PART NAME	QTY	PART NAME
				*PART NAME				
BASE CABINET - ONE DEEP ROLL OUT TRAY - FACTORY INSTALLED CUTLERY DIVIDER								
B15 CCFWT CD	1	DR1524	1	15" SHELF 24DP 3/4	1	DDF15	1	DRB15 X 21DP DT FG
			1	DROTCC15				
			1	CDAK15				
B18 CCFWT CD	1	DR1824	1	18" SHELF 24DP 3/4	1	DDF18	1	DRB18 X 21DP DT FG
			1	DROTCC18				
			1	CDAK18				
B21 CCFWT CD	1	DR2124	1	21" SHELF 24DP 3/4	1	DDF21	1	DRB21 X 21DP DT FG
			1	DROTCC21				
			1	CDAK21				
B24 CCFWT CD	1	DR2424	1	24" SHELF 24DP 3/4	1	DDF24	1	DRB24 X 21DP DT FG
			1	DROTCC24				
			1	CDAK24				
B24 CCFWT BUTT CD	2	DR1224 BUTT	1	24" SHELF 24DP 3/4	1	DDF24	1	DRB24 X 21DP DT FG
			1	DROTCC24				
			1	CDAK24				
B30 CCFWT BUTT CD	2	DR1524 BUTT	1	30" SHELF 24DP 3/4	1	DDF30	1	DRB30 X 21DP DT FG
			1	DROTCC30				
			1	CDAK30				
B36 1TD CCFWT BUTT CD	2	DR1824 BUTT	1	36" SHELF 24DP 3/4	1	DDF36	1	DRB36 X 21DP DT FG
			1	DROTCC36				
			1	CDAK36				
BASE CABINET - TWO DEEP ROLL OUT TRAYS - FACTORY INSTALLED CUTLERY DIVIDER								
B15 CC2FWT CD	1	DR1524	2	DROTCC15	1	DDF15	1	DRB15 X 21DP DT FG
			1	CDAK15				
B18 CC2FWT CD	1	DR1824	2	DROTCC18	1	DDF18	1	DRB18 X 21DP DT FG
			1	CDAK18				
B21 CC2FWT CD	1	DR2124	2	DROTCC21	1	DDF21	1	DRB21 X 21DP DT FG
			1	CDAK21				
B24 CC2FWT CD	1	DR2424	2	DROTCC24	1	DDF24	1	DRB24 X 21DP DT FG
			1	CDAK24				
B24 CC2FWT BUTT CD	2	DR1224 BUTT	2	DROTCC24	1	DDF24	1	DRB24 X 21DP DT FG
			1	CDAK24				
B30 CC2FWT BUTT CD	2	DR1524 BUTT	2	DROTCC30	1	DDF30	1	DRB30 X 21DP DT FG
			1	CDAK30				
B36 1TD CC2FWT BUTT CD	2	DR1824 BUTT	2	DROTCC36	1	DDF36	1	DRB36 X 21DP DT FG
			1	CDAK36				
BASE CABINET - ADJUSTABLE SHELF - FACTORY INSTALLED SPICE DRAWER INSERT								
B15 SDI	1	DR1524	1	15" SHELF 24DP 3/4	1	DDF15	1	DRB15 X 21DP DT FG
			1	SDIAK15				
B18 SDI	1	DR1824	1	18" SHELF 24DP 3/4	1	DDF18	1	DRB18 X 21DP DT FG
			1	SDIAK18				
B21 SDI	1	DR2124	1	21" SHELF 24DP 3/4	1	DDF21	1	DRB21 X 21DP DT FG
			1	SDIAK21				
B24 SDI	1	DR2424	1	24" SHELF 24DP 3/4	1	DDF24	1	DRB24 X 21DP DT FG
			1	SDIAK24				
B24 BUTT SDI	2	DR1224 BUTT	1	24" SHELF 24DP 3/4	1	DDF24	1	DRB24 X 21DP DT FG
			1	SDIAK24				

SKU	QTY	DOOR		ADJUSTABLE SHELF/ACCESSORY		DRAWER/PANEL FRONT		DRAWER BODY
		PART NAME	QTY	*For All Plywood Construction Adjustable Shelf, refer to Parts Directory legend		PART NAME	QTY	PART NAME
				*PART NAME				
BASE CABINET - ONE DEEP ROLL OUT TRAY - FACTORY INSTALLED SPICE DRAWER INSERT								
B15 CCFWT SDI	1	DR1524	1	15" SHELF 24DP 3/4	1	DDF15	1	DRB15 X 21DP DT FG
			1	DROTCC15				
			1	SDIAK15				
B18 CCFWT SDI	1	DR1824	1	18" SHELF 24DP 3/4	1	DDF18	1	DRB18 X 21DP DT FG
			1	DROTCC18				
			1	SDIAK18				
B21 CCFWT SDI	1	DR2124	1	21" SHELF 24DP 3/4	1	DDF21	1	DRB21 X 21DP DT FG
			1	DROTCC21				
			1	SDIAK21				
B24 CCFWT SDI	1	DR2424	1	24" SHELF 24DP 3/4	1	DDF24	1	DRB24 X 21DP DT FG
			1	DROTCC24				
			1	SDIAK24				
B24 CCFWT BUTT SDI	2	DR1224 BUTT	1	24" SHELF 24DP 3/4	1	DDF24	1	DRB24 X 21DP DT FG
			1	DROTCC24				
			1	SDIAK24				
BASE CABINET - TWO DEEP ROLL OUT TRAYS - FACTORY INSTALLED SPICE DRAWER INSERT								
B15 CC2FWT SDI	1	DR1524	2	DROTCC15	1	DDF15	1	DRB15 X 21DP DT FG
			1	SDIAK15				
B18 CC2FWT SDI	1	DR1824	2	DROTCC18	1	DDF18	1	DRB18 X 21DP DT FG
			1	SDIAK18				
B21 CC2FWT SDI	1	DR2124	2	DROTCC21	1	DDF21	1	DRB21 X 21DP DT FG
			1	SDIAK21				
B24 CC2FWT SDI	1	DR2424	2	DROTCC24	1	DDF24	1	DRB24 X 21DP DT FG
			1	SDIAK24				
B24 CC2FWT BUTT SDI	2	DR1224 BUTT	2	DROTCC24	1	DDF24	1	DRB24 X 21DP DT FG
			1	SDIAK24				
BASE CABINET - ADJUSTABLE SHELF - FACTORY INSTALLED WOOD TIERED CUTLERY DIVIDER								
B15 WTCD	1	DR1524	1	15" SHELF 24DP 3/4	1	DDF15	1	WTCDAK15
B18 WTCD	1	DR1824	1	18" SHELF 24DP 3/4	1	DDF18	1	WTCDAK18
B21 WTCD	1	DR2124	1	21" SHELF 24DP 3/4	1	DDF21	1	WTCDAK21
B24 WTCD	1	DR2424	1	24" SHELF 24DP 3/4	1	DDF24	1	WTCDAK24
B24 BUTT WTCD	2	DR1224 BUTT	1	24" SHELF 24DP 3/4	1	DDF24	1	WTCDAK24
B30 BUTT WTCD	2	DR1524 BUTT	1	30" SHELF 24DP 3/4	1	DDF30	1	WTCDAK30
B36 1TD BUTT WTCD	2	DR1824 BUTT	1	36" SHELF 24DP 3/4	1	DDF36	1	WT DAK36

PARTS: BASE CABINETS

SKU	QTY	DOOR		ADJUSTABLE SHELF/ACCESSORY		DRAWER/PANEL FRONT		DRAWER BODY
		PART NAME	QTY	*For All Plywood Construction Adjustable Shelf, refer to Parts Directory legend		PART NAME	QTY	PART NAME
				*PART NAME	QTY			
BASE CABINET - ONE DEEP ROLL OUT TRAY - FACTORY INSTALLED WOOD TIERED CUTLERY DIVIDER								
B15 CCFWT WTCD	1	DR1524	1	15" SHELF 24DP 3/4 DROTCC15	1	DDF15	1	WTCDAK15
B18 CCFWT WTCD	1	DR1824	1	18" SHELF 24DP 3/4 DROTCC18	1	DDF18	1	WTCDAK18
B21 CCFWT WTCD	1	DR2124	1	21" SHELF 24DP 3/4 DROTCC21	1	DDF21	1	WTCDAK21
B24 CCFWT WTCD	1	DR2424	1	24" SHELF 24DP 3/4 DROTCC24	1	DDF24	1	WTCDAK24
B24 CCFWT BUTT WTCD	2	DR1224 BUTT	1	24" SHELF 24DP 3/4 DROTCC24	1	DDF24	1	WTCDAK24
B30 CCFWT BUTT WTCD	2	DR1524 BUTT	1	30" SHELF 24DP 3/4 DROTCC30	1	DDF30	1	WTCDAK30
B36 1TD CCFWT BUTT WTCD	2	DR1824 BUTT	1	36" SHELF 24DP 3/4 DROTCC36	1	DDF36	1	WTCDAK36
BASE CABINET - TWO DEEP ROLL OUT TRAYS - FACTORY INSTALLED WOOD TIERED CUTLERY DIVIDER								
B15 CC2FWT WTCD	1	DR1524	2	DROTCC15	1	DDF15	1	WTCDAK15
B18 CC2FWT WTCD	1	DR1824	2	DROTCC18	1	DDF18	1	WTCDAK18
B21 CC2FWT WTCD	1	DR2124	2	DROTCC21	1	DDF21	1	WTCDAK21
B24 CC2FWT WTCD	1	DR2424	2	DROTCC24	1	DDF24	1	WTCDAK24
B24 CC2FWT BUTT WTCD	2	DR1224 BUTT	2	DROTCC24	1	DDF24	1	WTCDAK24
B30 CC2FWT BUTT WTCD	2	DR1524 BUTT	2	DROTCC30	1	DDF30	1	WTCDAK30
B36 1TD CC2FWT BUTT WTCD	2	DR1824 BUTT	2	DROTCC36	1	DDF36	1	WTCDAK36
PENINSULA BASE CABINET								
PB12	2	DR1224	1	12" SHELF PB 3/4	2	DDF12	1	DRB12 X 21DP DT FG
PB18	2	DR1824	1	18" SHELF PB 3/4	2	DDF18	1	DRB18 X 21DP DT FG
PB24	2	DR2424	1	24" SHELF PB 3/4	2	DDF24	1	DRB24 X 21DP DT FG
PB24 BUTT	4	DR1224 BUTT	1	24" SHELF PB 3/4	2	DDF24	1	DRB24 X 21DP DT FG
PB30 BUTT	4	DR1524 BUTT	1	30" SHELF PB 3/4	2	DDF30	1	DRB30 X 21DP DT FG
PB36 1TD BUTT	4	DR1824 BUTT	1	36" SHELF PB 3/4	2	DDF36	1	DRB36 X 21DP DT FG
PB42	4	DR2124	1	42" SHELF PB 3/4	4	DDF21	2	DRB21 X 21DP DT FG
BLIND CORNER BASE CABINET								
BLB36/39	1	DR1224	1	27" SHELF 24DP 3/4	1	DDF12	1	DRB12 X 21DP DT FG
BLB39/42	1	DR1524	1	33" SHELF 24DP 3/4	1	DDF15	1	DRB15 X 21DP DT FG
BLB42/45	1	DR1824	1	39" SHELF 24DP 3/4	1	DDF18	1	DRB18 X 21DP DT FG
BLB45/48	1	DR2124	1	45" SHELF 24DP 3/4	1	DDF21	1	DRB21 X 21DP DT FG
BLB48/51	1	DR2124	1	48" SHELF 24DP 3/4	1	DDF21	1	DRB21 X 21DP DT FG
BLIND PENINSULA CORNER BASE CABINET								
PBC24	1	DR2424	1	24" SHELF PB 3/4	1	DDF24	1	DRB24 X 21DP DT FG
PBC24 BUTT	2	DR1224 BUTT	1	24" SHELF PB 3/4	1	DDF24	1	DRB24 X 21DP DT FG

Notes

SKU	QTY	DRAWER/PANEL FRONT		DRAWER BODY
		FULL OVERLAY	STANDARD OVERLAY	PART NAME
		PART NAME	PART NAME	
2 DRAWER BASE CABINET				
DB21 2DWR	2	DDF21 2DB	DDF21 2DB	DRB21 HD X 21DPDTFG
DB24 2DWR	2	DDF24 2DB	DDF24 2DB	DRB24 HD X 21DPDTFG
DB27 2DWR	2	DDF27 2DB	DDF27 2DB	DRB27 HD X 21DPDTFG
DB30 2DWR	2	DDF30 2DB	DDF30 2DB	DRB30 HD X 21DPDTFG
DB33 2DWR	2	DDF33 2DB	DDF33 2DB	DRB33 HD X 21DPDTFG
DB36 2DWR	2	DDF36 2DB	DDF36 2DB	DRB36 HD X 21DPDTFG
2 DRAWER BASE CABINET - PEG DISH ORGANIZER				
DB21 2DWR PDO	2	DDF21 2DB	DDF21 2DB	DRB21 HD X 21DPDTFG
DB24 2DWR PDO	2	DDF24 2DB	DDF24 2DB	DRB24 HD X 21DPDTFG
DB27 2DWR PDO	2	DDF27 2DB	DDF27 2DB	DRB27 HD X 21DPDTFG
DB30 2DWR PDO	2	DDF30 2DB	DDF30 2DB	DRB30 HD X 21DPDTFG
DB33 2DWR PDO	2	DDF33 2DB	DDF33 2DB	DRB33 HD X 21DPDTFG
DB36 2DWR PDO	2	DDF36 2DB	DDF36 2DB	DRB36 HDX 21DPDTFG
2 DRAWER BASE CABINET - SCALLOPED FULL WIDTH TRAY				
DB21 2DWR SFWT	2	DDF21 2DB	DDF21 2DB	DRB21 HD X 21DPDTFG
	1			SDROT21
DB24 2DWR SFWT	2	DDF24 2DB	DDF24 2DB	DRB24 HD X 21DPDTFG
	1			SDROT24
DB27 2DWR SFWT	2	DDF27 2DB	DDF27 2DB	DRB27 HD X 21DPDTFG
	1			SDROT27
DB30 2DWR SFWT	2	DDF30 2DB	DDF30 2DB	DRB30 HD X 21DPDTFG
	1			SDROT30
DB33 2DWR SFWT	2	DDF33 2DB	DDF33 2DB	DRB33 HD X 21DPDTFG
	1			SDROT33
DB36 2DWR SFWT	2	DDF36 2DB	DDF36 2DB	DRB36 HD X 21DPDTFG
	1			SDROT36
2 DRAWER BASE CABINET - SCALLOPED FULL WIDTH TRAY & PEG DISH ORGANIZER				
DB21 2DWR SFWT PDO	2	DDF21 2DB	DDF21 2DB	DRB21 HD X 21DPDTFG
	1			SDROT21
DB24 2DWR SFWT PDO	2	DDF24 2DB	DDF24 2DB	DRB24 HD X 21DPDTFG
	1			SDROT24
DB27 2DWR SFWT PDO	2	DDF27 2DB	DDF27 2DB	DRB27 HD X 21DPDTFG
	1			SDROT27
DB30 2DWR SFWT PDO	2	DDF30 2DB	DDF30 2DB	DRB30 HD X 21DPDTFG
	1			SDROT30
DB33 2DWR SFWT PDO	2	DDF33 2DB	DDF33 2DB	DRB33 HD X 21DPDTFG
	1			SDROT33
DB36 2DWR SFWT PDO	2	DDF36 2DB	DDF36 2DB	DRB36 HD X 21DPDTFG
	1			SDROT366

SKU	QTY	DRAWER/PANEL FRONT		DRAWER BODY
		FULL OVERLAY	STANDARD OVERLAY	PART NAME
		PART NAME	PART NAME	
3 DRAWER BASE CABINET				
DB12	1	DDF12	DDF12	DRB12 X 21DP DT FG
	2	DDF12M	DDF12D	DRB12M X 21DP DT FG
DB15	1	DDF15	DDF15	DRB15 X 21DP DT FG
	2	DDF15M	DDF15D	DRB15M X 21DP DT FG
DB18	1	DDF18	DDF18	DRB18 X 21DP DT FG
	2	DDF18M	DDF18D	DRB18M X 21DP DT FG
DB21	1	DDF21	DDF21	DRB21 X 21DP DT FG
	2	DDF21M	DDF21D	DRB21M X 21DP DT FG
DB24	1	DDF24	DDF24	DRB24 X 21DP DT FG
	2	DDF24M	DDF24D	DRB24M X 21DP DT FG
DB27	1	DDF27	DDF27	DRB27 X 21DP DT FG
	2	DDF27M	DDF27D	DRB27M X 21DP DT FG
DB30	1	DDF30	DDF30	DRB30 X 21DP DT FG
	2	DDF30M	DDF30D	DRB30M X 21DP DT FG
DB33	1	DDF33	DDF33	DRB33 X 21DP DT FG
	2	DDF33M	DDF33D	DRB33M X 21DP DT FG
DB36 1TD	1	DDF36	DDF36	DRB36 X 21DP DT FG
	2	DDF36M	DDF36D	DRB36M X 21DP DT FG
3 DRAWER BASE CABINET - FACTORY INSTALLED CUTLERY DIVIDER				
DB15 CD	1	DDF15	DDF15	DRB15 X 21DP DT FG
	2	DDF15M	DDF15D	DRB15M X 21DP DT FG
DB18 CD	1	DDF18	DDF18	DRB18 X 21DP DT FG
	2	DDF18M	DDF18D	DRB18M X 21DP DT FG
DB21 CD	1	DDF21	DDF21	DRB21 X 21DP DT FG
	2	DDF21M	DDF21D	DRB21M X 21DP DT FG
DB24 CD	1	DDF24	DDF24	DRB24 X 21DP DT FG
	2	DDF24M	DDF24D	DRB24M X 21DP DT FG
DB30 CD	1	DDF30	DDF30	DRB30 X 21DP DT FG
	2	DDF30M	DDF30D	DRB30M X 21DP DT FG
DB36 CD	1	DDF36	DDF36	DRB36 X 21DP DT FG
	2	DDF36M	DDF36D	DRB36M X 21DP DT FG
3 DRAWER BASE CABINET - FACTORY INSTALLED SPICE DRAWER INSERT				
DB15 SDI	1	DDF15	DDF15	DRB15 X 21DP DT FG
	2	DDF15M	DDF15D	DRB15M X 21DP DT FG
DB18 SDI	1	DDF18	DDF18	DRB18 X 21DP DT FG
	2	DDF18M	DDF18D	DRB18M X 21DP DT FG
DB21 SDI	1	DDF21	DDF21	DRB21 X 21DP DT FG
	2	DDF21M	DDF21D	DRB21M X 21DP DT FG
DB24 SDI	1	DDF24	DDF24	DRB24 X 21DP DT FG
	2	DDF24M	DDF24D	DRB24M X 21DP DT FG

SKU	QTY	DRAWER/PANEL FRONT		DRAWER BODY
		FULL OVERLAY	STANDARD OVERLAY	PART NAME
		PART NAME	PART NAME	
3 DRAWER BASE CABINET - FACTORY INSTALLED WOOD TIERED CUTLERY DIVIDER				
DB15 WTCO	1	DDF15	DDF15	WTCDAK15
	2	DDF15M	DDF15D	DRB15M X 21DP DT FG
DB18 WTCO	1	DDF18	DDF18	WTCDAK18
	2	DDF18M	DDF18D	DRB18M X 21DP DT FG
DB21 WTCO	1	DDF21	DDF21	WTCDAK21
	2	DDF21M	DDF21D	DRB21M X 21DP DT FG
DB24 WTCO	1	DDF24	DDF24	WTCDAK24
	2	DDF24M	DDF24D	DRB24M X 21DP DT FG
DB30 WTCO	1	DDF30	DDF30	WTCDAK30
	2	DDF30M	DDF30D	DRB30M X 21DP DT FG
DB36 WTCO	1	DDF36	DDF36	WTCDAK36
	2	DDF36M	DDF36D	DRB36M X 21DP DT FG
4 DRAWER BASE CABINET				
DB12 4DWR	3	DDF12	DDF12	DRB12 X 21DP DT FG
	1	DDF12M	DDF12D	DRB12M X 21DP DT FG
DB15 4DWR	3	DDF15	DDF15	DRB15 X 21DP DT FG
	1	DDF15M	DDF15D	DRB15M X 21DP DT FG
DB18 4DWR	3	DDF18	DDF18	DRB18 X 21DP DT FG
	1	DDF18M	DDF18D	DRB18M X 21DP DT FG
DB21 4DWR	3	DDF21	DDF21	DRB21 X 21DP DT FG
	1	DDF21M	DDF21D	DRB21M X 21DP DT FG
DB24 4DWR	3	DDF24	DDF24	DRB24 X 21DP DT FG
	1	DDF24M	DDF24D	DRB24M X 21DP DT FG
4 DRAWER BASE CABINET - FACTORY INSTALLED CUTLERY DIVIDER				
DB15 4DWR CD	3	DDF15	DDF15	DRB15 X 21DP DT FG
	1	DDF15M	DDF15D	DRB15M X 21DP DT FG
DB18 4DWR CD	3	DDF18	DDF18	DRB18 X 21DP DT FG
	1	DDF18M	DDF18D	DRB18M X 21DP DT FG
DB21 4DWR CD	3	DDF21	DDF21	DRB21 X 21DP DT FG
	1	DDF21M	DDF21D	DRB21M X 21DP DT FG
DB24 4DWR CD	3	DDF24	DDF24	DRB24 X 21DP DT FG
	1	DDF24M	DDF24D	DRB24M X 21DP DT FG
4 DRAWER BASE CABINET - FACTORY INSTALLED SPICE DRAWER INSERT				
DB15 4DWR SDI	3	DDF15	DDF15	DRB15 X 21DP DT FG
	1	DDF15M	DDF15D	DRB15M X 21DP DT FG
DB18 4DWR SDI	3	DDF18	DDF18	DRB18 X 21DP DT FG
	1	DDF18M	DDF18D	DRB18M X 21DP DT FG
DB21 4DWR SDI	3	DDF21	DDF21	DRB21 X 21DP DT FG
	1	DDF21M	DDF21D	DRB21M X 21DP DT FG
DB24 4DWR SDI	3	DDF24	DDF24	DRB24 X 21DP DT FG
	1	DDF24M	DDF24D	DRB24M X 21DP DT FG

SKU	QTY	DRAWER/PANEL FRONT		DRAWER BODY
		FULL OVERLAY	STANDARD OVERLAY	PART NAME
		PART NAME	PART NAME	
4 DRAWER BASE CABINET - FACTORY INSTALLED WOOD TIERED CUTLERY DIVIDER				
DB15 4DWR WTCD	1	DDF15	DDF15	WTCDAK15
	2	DDF15	DDF15	DRB15 X 21DP DT FG
	1	DDF15M	DDF15D	DRB15M X 21DP DT FG
DB18 4DWR WTCD	1	DDF18	DDF18	WTCDAK18
	2	DDF18	DDF18	DRB18 X 21DP DT FG
	1	DDF18M	DDF18D	DRB18M X 21DP DT FG
DB21 4DWR WTCD	1	DDF21	DDF21	WTCDAK21
	2	DDF21	DDF21	DRB21 X 21DP DT FG
	1	DDF21M	DDF21D	DRB21M X 21DP DT FG
DB24 4DWR WTCD	1	DDF24	DDF24	WTCDAK24
	2	DDF24	DDF24	DRB24 X 21DP DT FG
	1	DDF24M	DDF24D	DRB24M X 21DP DT FG
BASE MICROWAVE CABINET				
BMC24	2	DDF24	DDF24	DRB24 X 21DP DT FG
BMC27	2	DDF27	DDF27	DRB27 X 21DP DT FG
BMC30	2	DDF30	DDF30	DRB30 X 21DP DT FG
BUILT-IN BASE MICROWAVE CABINET				
BBMC24	1	DDF24	DDF24	DRB21 X 21DP DT FG
BBMC27	1	DDF27	DDF27	DRB24 X 21DP DT FG
BBMC30	1	DDF30	DDF30	DRB27 X 21DP DT FG
BASE SPICE DRAWER CABINET				
BSDC6	5	DDF SDC	DDF SDC	DRB6 BSDC6
WALL SPICE DRAWER CABINET				
SDC18	3	DDF SDC	DDF SDC	DRB6 SDC30
SDC24	4	DDF SDC	DDF SDC	DRB6 SDC30
SDC30	5	DDF SDC	DDF SDC	DRB6 SDC30
SDC36	6	DDF SDC	DDF SDC	DRB6 SDC30

SKU	QTY	DOOR		QTY	ADJUSTABLE SHELF/ACCESSORY
		FULL OVERLAY	STANDARD OVERLAY		*For All Plywood Construction Adjustable Shelf, refer to Parts Directory legend
		PART NAME	PART NAME		*PART NAME
FULL-HEIGHT BASE					
TB9	1	DR9FH	DR930	-	N/A
TB9 TDS	1	DR9FH	DR930	1	9" SHELF 24DP 3/4 TD3
B12 FH	1	DR12FH	DR1230	1	12" SHELF 24DP 3/4
B15 FH	1	DR15FH	DR1530	1	15" SHELF 24DP 3/4
B18 FH	1	DR18FH	DR1830	1	18" SHELF 24DP 3/4
B21 FH	1	DR21FH	DR2130	1	21" SHELF 24DP 3/4
B24 FH	1	DR24FH	DR2430	1	24" SHELF 24DP 3/4
B24 BUTT FH	2	DR12BUTT FH	DR1230 BUTT	1	24" SHELF 24DP 3/4
B27 BUTT FH	2	DR13BUTT FH	DR1330 BUTT	1	27" SHELF 24DP 3/4
B30 BUTT FH	2	DR15BUTT FH	DR1530 BUTT	1	30" SHELF 24DP 3/4
B33 BUTT FH	2	DR16BUTT FH	DR1630 BUTT	1	33" SHELF 24DP 3/4
B36 BUTT FH	2	DR18BUTT FH	DR1830 BUTT	1	36" SHELF 24DP 3/4
FULL-HEIGHT PULL-OUT					
BTDP9 CC	1	DR9FH ND	DR930 ND	1	BTDP9 KIT CC
BPP9 CC	1	DR9FH ND	DR930 ND	1	BPP9 KIT CC
BPP12 CC	1	DR12FH ND	DR1230 ND	1	BPP12 KIT CC
BPPUS9 CC	1	DR9FH ND	DR930 ND	1	BPPUS9 KIT CC
BPPUS12 CC	1	DR12FH ND	DR1230 ND	1	BPPUS12 KIT CC
FULL-HEIGHT BASE - TWO DEEP ROLL OUT TRAYS					
B12 FH CC2FWT	1	DR12FH	DR1230	2	DROTCC12
B15 FH CC2FWT	1	DR15FH	DR1530	2	DROTCC15
B18 FH CC2FWT	1	DR18FH	DR1830	2	DROTCC18
B21 FH CC2FWT	1	DR21FH	DR2130	2	DROTCC21
B24 FH CC2FWT	1	DR24FH	DR2430	2	DROTCC24
B24 BUTT FH CC2FWT	2	DR12BUTT FH	DR1230 BUTT	2	DROTCC24
B27 BUTT FH CC2FWT	2	DR13BUTT FH	DR1330 BUTT	2	DROTCC27
B30 BUTT FH CC2FWT	2	DR15BUTT FH	DR1530 BUTT	2	DROTCC30
B33 BUTT FH CC2FWT	2	DR16BUTT FH	DR1630 BUTT	2	DROTCC33
B36 BUTT FH CC2FWT	2	DR18BUTT FH	DR1830 BUTT	2	DROTCC36
FULL-HEIGHT BASE - FOUR DEEP ROLL OUT TRAYS					
B12 FH CC4FWT	1	DR12FH	DR1230	4	DROTCC12
B15 FH CC4FWT	1	DR15FH	DR1530	4	DROTCC15
B18 FH CC4FWT	1	DR18FH	DR1830	4	DROTCC18
B21 FH CC4FWT	1	DR21FH	DR2130	4	DROTCC21
B24 FH CC4FWT	1	DR24FH	DR2430	4	DROTCC24
B24 BUTT FH CC4FWT	2	DR12BUTT FH	DR1230 BUTT	4	DROTCC24
B27 BUTT FH CC4FWT	2	DR13BUTT FH	DR1330 BUTT	4	DROTCC27
B30 BUTT FH CC4FWT	2	DR15BUTT FH	DR1530 BUTT	4	DROTCC30
B33 BUTT FH CC4FWT	2	DR16BUTT FH	DR1630 BUTT	4	DROTCC33
B36 BUTT FH CC4FWT	2	DR18BUTT FH	DR1830 BUTT	4	DROTCC36
FULL-HEIGHT BASE MIXER LIFT					
B18 FH MLK	1	DR21FH	DR2130	1	BMLK18
FULL-HEIGHT BLIND BASE					
BLB36/39 FH	1	DR12FH	DR1230	1	27" SHELF 24DP 3/4
BLB39/42 FH	1	DR15FH	DR1530	1	33" SHELF 24DP 3/4
BLB42/45 FH	1	DR18FH	DR1830	1	39" SHELF 24DP 3/4
BLB45/48 FH	1	DR21FH	DR2130	1	45" SHELF 24DP 3/4
BLB48/51 FH	1	DR21FH	DR2130	1	48" SHELF 24DP 3/4

SKU	QTY	DOOR		QTY	ADJUSTABLE SHELF/ACCESSORY
		FULL OVERLAY	STANDARD OVERLAY		*For All Plywood Construction Adjustable Shelf, refer to Parts Directory legend
		PART NAME	PART NAME		*PART NAME
FULL-HEIGHT BLIND BASE - PULL OUT KIT					
BLB45/48 FH POK	1	DR21FH	DR2130	1	BLBP0K45
BLB48/51 FH POK	1	DR21FH	DR2130	1	BLBP0K45
FULL-HEIGHT BLIND BASE - SWING OUT KIT					
BLB45/48 FH SOKL	1	DR21FH	DR2130	1	BLBSOK45L
BLB45/48 FH SOKR	1	DR21FH	DR2130	1	BLBSOK45R
BLB48/51 FH SOKL	1	DR21FH	DR2130	1	BLBSOK45L
BLB48/51 FH SOKR	1	DR21FH	DR2130	1	BLBSOK45R
FULL-HEIGHT BOTTOM MOUNT WASTEBASKET(S)					
BWBB15 FH CC	1	DR15FH ND	DR1530 ND	1	BWBB15 FH _OL KIT CC
BWBB18 FH CC	1	DR18FH ND	DR1830 ND	1	BWBB18 FH _OL KIT CC
BWBB21-2 FH CC	1	DR21FH ND	DR2130 ND	1	BWBB21-2 FH _OL KIT CC
BASE END ANGLE					
BEA12 FH	1	DR15FH	DR1530	1	BEA12 SHELF 3/4
BEA24 FH	2	DR18FH	DR1830	1	BEA SHELF 3/4
FULL-HEIGHT PENINSULA BASE					
PB12 FH	2	DR12FH	DR1230	1	12" SHELF PB 3/4
PB18 FH	2	DR18FH	DR1830	1	18" SHELF PB 3/4
PB24 BUTT FH	4	DR12BUTT FH	DR1230 BUTT	1	24" SHELF PB 3/4
PB30 BUTT FH	4	DR15BUTT FH	DR1530 BUTT	1	30" SHELF PB 3/4
PB36 BUTT FH	4	DR18BUTT FH	DR1830 BUTT	1	36" SHELF PB 3/4

SKU	QTY	DOOR		DRAWER/PANEL FRONT	
		PART NAME	QTY	PART NAME	QTY
CORNER SINK BASE CABINET					
CSB36	1	DR1524	1	DDF15	
CORNER SINK FRONT					
CSF36	1	DR1524	1	DDF15	
CSF42	1	DR2424	1	DDF24	
DEEP SINK BASE CABINET					
DSB30 BUTT	2	DR1521V BUTT	-	N/A	
DSB33 BUTT	2	DR1621V BUTT	-	N/A	
DSB36 BUTT	2	DR1821V BUTT	-	N/A	
DSB39	2	DR1921V	-	N/A	
SINK/RANGE BASE CABINET AND FRONT					
SF15	1	DR1524	1	DDF15	
SB21 / SF21	1	DR2124	1	DDF21	
SB24	1	DR2424	2	DDF24	
SB24 BUTT / SF24 BUTT	2	DR1224 BUTT	1	DDF24	
SB27 BUTT / SF27 BUTT	2	DR1324 BUTT	1	DDF27	
SB30 BUTT / SF30 BUTT	2	DR1524 BUTT	1	DDF30	
SB33 BUTT / SF33 BUTT	2	DR1624 BUTT	1	DDF33	
SB36 BUTT / SF36 BUTT	2	DR1824 BUTT	1	DDF36	
SB39 / SF39	2	DR1924	2	DDF19	
SB42 / SF42	2	DR2124	2	DDF21	
SB45 / SF45	3	DR1524	3	DDF15	
SB48 / SF48	2	DR2424	2	DDF24	
SINK/RANGE BASE FACTORY INSTALLED TILT OUT TRAY					
SB24 STO	1	DR2424	1	DDF24 DRILL	
SB24 BUTT STO	2	DR1224 BUTT	1	DDF24 DRILL	
SB27 BUTT STO	2	DR1324 BUTT	1	DDF27 DRILL	
SB30 BUTT STO	2	DR1524 BUTT	1	DDF30 DRILL	
SB33 BUTT STO	2	DR1624 BUTT	1	DDF33 DRILL	
SB36 BUTT STO	2	DR1824 BUTT	1	DDF36 DRILL	
SB39 STO	2	DR1924	2	DDF19 DRILL	
SB42 STO	2	DR2124	2	DDF21 DRILL	
SB48 STO	2	DR2424	2	DDF24 DRILL	
SINK BASE MULTI-STORAGE CABINET					
SBMSC30 BUTT STO	2	DR1524 BUTT	1	DDF30 DRILL	
SBMSC36 BUTT STO	2	DR1824 BUTT	1	DDF36 DRILL	
BASE PLUMBING SKIRT					
BPS30 UD	-	N/A	1	DDFKDC33/27	
BPS36 UD	-	N/A	1	DDFKDC36/33	
BPS3034 UD	-	N/A	1	DDFKDC33/27	
BPS3634 UD	-	N/A	1	DDFKDC36/33	
ADAPTABLE SINK BASE KIT					
ASB3032 KIT	2	DR1521 BUTT	-	N/A	
ASB3632 KIT	2	DR1821 BUTT	-	N/A	
ASB3034 KIT	2	DR1524 BUTT	-	N/A	
ASB3634 KIT	2	DR1824 BUTT	-	N/A	

SKU	QTY	DOOR		ADJUSTABLE SHELF/ACCESSORY	
		QTY	PART NAME	QTY	PART NAME
BASE SUPER SUSAN CABINET					
BSS33 (L/R) WD	1		DR930 BER DRILL	2	BSS33 SHELF WD NP
	1		DR930 BER ND		
BSS36 (L/R) WD	1		DR1230 BER DRILL	2	BSS36 SHELF WD NP
	1		DR1230 BER ND		
ASYMMETRICAL BASE SUPER SUSAN CABINET					
BSS3336L WD	1		DR930 BER DRILL	2	BSS3336 SHELF WD NP
	1		DR1230 BER ND		
BSS3336R WD	1		DR930 BER ND	2	BSS3336 SHELF WD NP
	1		DR1230 BER DRILL		
BSS3633L WD	1		DR1230 BER DRILL	2	BSS3633 SHELF WD NP
	1		DR930 BER ND		
BSS3633R WD	1		DR1230 BER ND	2	BSS3633 SHELF WD NP
	1		DR930 BER DRILL		
BASE EASY REACH CABINET					
BER33 (L/R)	1		DR930 BER DRILL	-	N/A
	1		DR930 BER ND		
BER36 (L/R)	1		DR1230 BER DRILL	-	N/A
	1		DR1230 BER ND		
ASYMMETRICAL BASE EASY REACH CABINET					
BER3336L	1		DR930 BER DRILL	-	N/A
	1		DR1230 BER ND		
BER3336R	1		DR930 BER ND	-	N/A
	1		DR1230 BER DRILL		
BER3633L	1		DR1230 BER DRILL	-	N/A
	1		DR930 BER ND		
BER3633R	1		DR1230 BER ND	-	N/A
	1		DR930 BER DRILL		
CORNER BASE CABINET					
CBS36 WD	1		DRCBS36	2	CBS36 SHELF WD NP
CORNER BASE CAROUSEL CABINET					
CAR36 (L/R) WD	1		DR1230 BER DRILL	2	CAR36 SHELF WD
	1		DR1230 BER ND	1	BSSCWSCART-SHAFT RA
				1	WOOD SPIN SHELF HDW

SKU	QTY	DOOR	SPECIALTY DOOR	DECORATIVE GLASS INSERT	QTY	ADJUSTABLE SHELF
		PART NAME	PART NAME	PART NAME		*For All Plywood Construction or Matching Interior Adjustable Shelf, upgrade through construction options
						*PART NAME
UTILITY CABINET - WITH ADJUSTABLE SHELVES - 12" DEEP X 84" HIGH						
UT1212 X 84 AS	1	DR1230	DR1230 SD	DGI-1230	5	S1212
	1	DR1250				
UT1512 X 84 AS	1	DR1530	DR1530 SD	DGI-1530	5	S1512
	1	DR1550				
UT1812 X 84 AS	1	DR1830	DR1830 SD	DGI-1830	5	S1812
	1	DR1850				
UT2112 X 84 AS	1	DR2130	DR2130 SD	DGI-2130	5	S2112
	1	DR2150				
UT2412 X 84 AS BUTT	2	DR1230 BUTT	DR1230 BUTT SD	DGI-1230 BUTT	5	S2412
	2	DR1250 BUTT				
UTILITY CABINET - WITH ADJUSTABLE SHELVES - 12" DEEP X 90" HIGH						
UT1212 X 90 AS	1	DR1236	DR1236 SD	DGI-1236	6	S1212
	1	DR1250				
UT1512 X 90 AS	1	DR1536	DR1536 SD	DGI-1536	6	S1512
	1	DR1550				
UT1812 X 90 AS	1	DR1836	DR1836 SD	DGI-1836	6	S1812
	1	DR1850				
UT2112 X 90 AS	1	DR2136	DR2136 SD	DGI-2136	6	S2112
	1	DR2150				
UT2412 X 90 AS BUTT	2	DR1236 BUTT	DR1236 BUTT SD	DGI-1236 BUTT	6	S2412
	2	DR1250 BUTT				
UTILITY CABINET - WITH ADJUSTABLE SHELVES - 12" DEEP X 93" HIGH						
UT1212 X 93 AS	1	DR1239	DR1239 SD	DGI-1239	7	S1212
	1	DR1250				
UT1512 X 93 AS	1	DR1539	DR1539 SD	DGI-1539	7	S1512
	1	DR1550				
UT1812 X 93 AS	1	DR1839	DR1839 SD	DGI-1839	7	S1812
	1	DR1850				
UT2112 X 93 AS	1	DR2139	DR2139 SD	DGI-2139	7	S2112
	1	DR2150				
UT2412 X 93 AS BUTT	2	DR1239 BUTT	DR1239 BUTT SD	DGI-1239 BUTT	7	S2412
	2	DR1250 BUTT				
UTILITY CABINET - WITH ADJUSTABLE SHELVES - 12" DEEP X 96" HIGH						
UT1212 X 96 AS	1	DR1242	DR1242 SD	DGI-1242	7	S1212
	1	DR1250				
UT1512 X 96 AS	1	DR1542	DR1542 SD	DGI-1542	7	S1512
	1	DR1550				
UT1812 X 96 AS	1	DR1842	DR1842 SD	DGI-1842	7	S1812
	1	DR1850				
UT2112 X 96 AS	1	DR2142	DR2142 SD	DGI-2142	7	S2112
	1	DR2150				
UT2412 X 96 AS BUTT	2	DR1242 BUTT	DR1242 BUTT SD	DGI-1242 BUTT	7	S2412
	2	DR1250 BUTT				

SKU	QTY	DOOR	SPECIALTY DOOR	DECORATIVE GLASS INSERT	QTY	ADJUSTABLE SHELF
		PART NAME	PART NAME	PART NAME		*For All Plywood Construction or Matching Interior Adjustable Shelf, upgrade through construction options
						*PART NAME
UTILITY CABINET - WITH ADJUSTABLE SHELVES - 24" DEEP X 84" HIGH						
UT1224 X 84 AS	1	DR1230	DR1230 SD	DGI-1230	5	S1224
	1	DR1250				
UT1524 X 84 AS	1	DR1530	DR1530 SD	DGI-1530	5	S1524
	1	DR1550				
UT1824 X 84 AS	1	DR1830	DR1830 SD	DGI-1830	5	S1824
	1	DR1850				
UT2124 X 84 AS	1	DR2130	DR2130 SD	DGI-2130	5	S2124
	1	DR2150				
UT2424 X 84 AS BUTT	2	DR1230 BUTT	DR1230 BUTT SD	DGI-1230 BUTT	5	S2424
	2	DR1250 BUTT				
UT2724 X 84 AS BUTT	2	DR1330 BUTT	DR1330 BUTT SD	DGI-1330 BUTT	5	S2724
	2	DR1350 BUTT				
UT3024 X 84 AS BUTT	2	DR1530 BUTT	DR1530 BUTT SD	DGI-1530 BUTT	5	S3024
	2	DR1550 BUTT				
UT3324 X 84 AS BUTT	2	DR1630 BUTT	DR1630 BUTT SD	DGI-1630 BUTT	5	S3324
	2	DR1650 BUTT				
UT3624 X 84 AS BUTT	2	DR1830 BUTT	DR1830 BUTT SD	DGI-1830 BUTT	5	S3624
	2	DR1850 BUTT				
UTILITY CABINET - WITH ADJUSTABLE SHELVES - 24" DEEP X 90" HIGH						
UT1224 X 90 AS	1	DR1236	DR1236 SD	DGI-1236	6	S1224
	1	DR1250				
UT1524 X 90 AS	1	DR1536	DR1536 SD	DGI-1536	6	S1524
	1	DR1550				
UT1824 X 90 AS	1	DR1836	DR1836 SD	DGI-1836	6	S1824
	1	DR1850				
UT2124 X 90 AS	1	DR2136	DR2136 SD	DGI-2136	6	S2124
	1	DR2150				
UT2424 X 90 AS BUTT	2	DR1236 BUTT	DR1236 BUTT SD	DGI-1236 BUTT	6	S2424
	2	DR1250 BUTT				
UT2724 X 90 AS BUTT	2	DR1336 BUTT	DR1336 BUTT SD	DGI-1336 BUTT	6	S2724
	2	DR1350 BUTT				
UT3024 X 90 AS BUTT	2	DR1536 BUTT	DR1536 BUTT SD	DGI-1536 BUTT	6	S3024
	2	DR1550 BUTT				
UT3324 X 90 AS BUTT	2	DR1636 BUTT	DR1636 BUTT SD	DGI-1636 BUTT	6	S3324
	2	DR1650 BUTT				
UT3624 X 90 AS BUTT	2	DR1836 BUTT	DR1836 BUTT SD	DGI-1836 BUTT	6	S3624
	2	DR1850 BUTT				

SKU	QTY	DOOR	SPECIALTY DOOR	DECORATIVE GLASS INSERT	QTY	ADJUSTABLE SHELF
		PART NAME	PART NAME	PART NAME		*For All Plywood Construction or Matching Interior Adjustable Shelf, upgrade through construction options
						*PART NAME
UTILITY CABINET • WITH ADJUSTABLE SHELVES • 24" DEEP X 93" HIGH						
UT1224 X 93 AS	1	DR1239	DR1239 SD	DGI-1239	7	S1224
	1	DR1250				
UT1524 X 93 AS	1	DR1539	DR1539 SD	DGI-1539	7	S1524
	1	DR1550				
UT1824 X 93 AS	1	DR1839	DR1839 SD	DGI-1839	7	S1824
	1	DR1850				
UT2124 X 93 AS	1	DR2139	DR2139 SD	DGI-2139	7	S2124
	1	DR2150				
UT2424 X 93 AS BUTT	2	DR1239 BUTT	DR1239 BUTT SD	DGI-1239 BUTT	7	S2424
	2	DR1250 BUTT				
UT2724 X 93 AS BUTT	2	DR1339 BUTT	DR1339 BUTT SD	DGI-1339 BUTT	7	S2724
	2	DR1350 BUTT				
UT3024 X 93 AS BUTT	2	DR1539 BUTT	DR1539 BUTT SD	DGI-1539 BUTT	7	S3024
	2	DR1550 BUTT				
UT3324 X 93 AS BUTT	2	DR1639 BUTT	DR1639 BUTT SD	DGI-1639 BUTT	7	S3324
	2	DR1650 BUTT				
UT3624 X 93 AS BUTT	2	DR1839 BUTT	DR1839 BUTT SD	DGI-1839 BUTT	7	S3624
	2	DR1850 BUTT				
UTILITY CABINET • WITH ADJUSTABLE SHELVES • 24" DEEP X 96" HIGH						
UT1224 X 96 AS	1	DR1242	DR1242 SD	DGI-1242	7	S1224
	1	DR1250				
UT1524 X 96 AS	1	DR1542	DR1542 SD	DGI-1542	7	S1524
	1	DR1550				
UT1824 X 96 AS	1	DR1842	DR1842 SD	DGI-1842	7	S1824
	1	DR1850				
UT2124 X 96 AS	1	DR2142	DR2142 SD	DGI-2142	7	S2124
	1	DR2150				
UT2424 X 96 AS BUTT	2	DR1242 BUTT	DR1242 BUTT SD	DGI-1242 BUTT	7	S2424
	2	DR1250 BUTT				
UT2724 X 96 AS BUTT	2	DR1342 BUTT	DR1342 BUTT SD	DGI-1342 BUTT	7	S2724
	2	DR1350 BUTT				
UT3024 X 96 AS BUTT	2	DR1542 BUTT	DR1542 BUTT SD	DGI-1542 BUTT	7	S3024
	2	DR1550 BUTT				
UT3324 X 96 AS BUTT	2	DR1642 BUTT	DR1642 BUTT SD	DGI-1642 BUTT	7	S3324
	2	DR1650 BUTT				
UT3624 X 96 AS BUTT	2	DR1842 BUTT	DR1842 BUTT SD	DGI-1842 BUTT	7	S3624
	2	DR1850 BUTT				

SKU	QTY	DOOR	SPECIALTY DOOR	DECORATIVE GLASS INSERT	QTY	ADJUSTABLE SHELF
		PART NAME	PART NAME	PART NAME		*For All Plywood Construction or Matching Interior Adjustable Shelf, upgrade through construction options
						*PART NAME
UTILITY CABINET - WITH DEEP ROLL OUT TRAYS - 84" HIGH						
UT1224 X 84 CC4ROT	1	DR1230	DR1230 SD	DGI-1230	1	S1224
	1	DR1250			4	DROTCC12
UT1524 X 84 CC4ROT	1	DR1530	DR1530 SD	DGI-1530	1	S1524
	1	DR1550			4	DROTCC15
UT1824 X 84 CC4ROT	1	DR1830	DR1830 SD	DGI-1830	1	S1824
	1	DR1850			4	DROTCC18
UT2124 X 84 CC4ROT	1	DR2130	DR2130 SD	DGI-2130	1	S2124
	1	DR2150			4	DROTCC21
UT2424 X 84 CC4ROT BUTT	2	DR1230 BUTT	DR1230 BUTT SD	DGI-1230 BUTT	1	S2424
	2	DR1250 BUTT			4	DROTCC24
UT2724 X 84 CC4ROT BUTT	2	DR1330 BUTT	DR1330 BUTT SD	DGI-1330 BUTT	1	S2724
	2	DR1350 BUTT			4	DROTCC27
UT3024 X 84 CC4ROT BUTT	2	DR1530 BUTT	DR1530 BUTT SD	DGI-1530 BUTT	1	S3024
	2	DR1550 BUTT			4	DROTCC30
UT3324 X 84 CC4ROT BUTT	2	DR1630 BUTT	DR1630 BUTT SD	DGI-1630 BUTT	1	S3324
	2	DR1650 BUTT			4	DROTCC33
UT3624 X 84 CC4ROT BUTT	2	DR1830 BUTT	DR1830 BUTT SD	DGI-1830 BUTT	1	S3624
	2	DR1850 BUTT			4	DROTCC36
UTILITY CABINET - WITH DEEP ROLL OUT TRAYS - 90" HIGH						
UT1224 X 90 CC4ROT	1	DR1236	DR1236 SD	DGI-1236	2	S1224
	1	DR1250			4	DROTCC12
UT1524 X 90 CC4ROT	1	DR1536	DR1536 SD	DGI-1536	2	S1524
	1	DR1550			4	DROTCC15
UT1824 X 90 CC4ROT	1	DR1836	DR1836 SD	DGI-1836	2	S1824
	1	DR1850			4	DROTCC18
UT2124 X 90 CC4ROT	1	DR2136	DR2136 SD	DGI-2136	2	S2124
	1	DR2150			4	DROTCC21
UT2424 X 90 CC4ROT BUTT	2	DR1236 BUTT	DR1236 BUTT SD	DGI-1236 BUTT	2	S2424
	2	DR1250 BUTT			4	DROTCC24
UT2724 X 90 CC4ROT BUTT	2	DR1336 BUTT	DR1336 BUTT SD	DGI-1336 BUTT	2	S2724
	2	DR1350 BUTT			4	DROTCC27
UT3024 X 90 CC4ROT BUTT	2	DR1536 BUTT	DR1536 BUTT SD	DGI-1536 BUTT	2	S3024
	2	DR1550 BUTT			4	DROTCC30
UT3324 X 90 CC4ROT BUTT	2	DR1636 BUTT	DR1636 BUTT SD	DGI-1636 BUTT	2	S3324
	2	DR1650 BUTT			4	DROTCC33
UT3624 X 90 CC4ROT BUTT	2	DR1836 BUTT	DR1836 BUTT SD	DGI-1836 BUTT	2	S3624
	2	DR1850 BUTT			4	DROTCC36

SKU	QTY	DOOR	SPECIALTY DOOR	DECORATIVE GLASS INSERT	QTY	ADJUSTABLE SHELF
		PART NAME	PART NAME	PART NAME		*For All Plywood Construction or Matching Interior Adjustable Shelf, upgrade through construction options
						*PART NAME
UTILITY CABINET - WITH DEEP ROLL OUT TRAYS - 93" HIGH						
UT1224 X 93 CC4ROT	1	DR1239	DR1239 SD	DGI-1239	3	S1224
	1	DR1250			4	DROTCC12
UT1524 X 93 CC4ROT	1	DR1539	DR1539 SD	DGI-1539	3	S1524
	1	DR1550			4	DROTCC15
UT1824 X 93 CC4ROT	1	DR1839	DR1839 SD	DGI-1839	3	S1824
	1	DR1850			4	DROTCC18
UT2124 X 93 CC4ROT	1	DR2139	DR2139 SD	DGI-2139	3	S2124
	1	DR2150			4	DROTCC21
UT2424 X 93 CC4ROT BUTT	2	DR1239 BUTT	DR1239 BUTT SD	DGI-1239 BUTT	3	S2424
	2	DR1250 BUTT			4	DROTCC24
UT2724 X 93 CC4ROT BUTT	2	DR1339 BUTT	DR1339 BUTT SD	DGI-1339 BUTT	3	S2724
	2	DR1350 BUTT			4	DROTCC27
UT3024 X 93 CC4ROT BUTT	2	DR1539 BUTT	DR1539 BUTT SD	DGI-1539 BUTT	3	S3024
	2	DR1550 BUTT			4	DROTCC30
UT3324 X 93 CC4ROT BUTT	2	DR1639 BUTT	DR1639 BUTT SD	DGI-1639 BUTT	3	S3324
	2	DR1650 BUTT			4	DROTCC33
UT3624 X 93 CC4ROT BUTT	2	DR1839 BUTT	DR1839 BUTT SD	DGI-1839 BUTT	3	S3624
	2	DR1850 BUTT			4	DROTCC36
UTILITY CABINET - WITH DEEP ROLL OUT TRAYS - 96" HIGH						
UT1224 X 96 CC4ROT	1	DR1242	DR1242 SD	DGI-1242	3	S1224
	1	DR1250			4	DROTCC12
UT1524 X 96 CC4ROT	1	DR1542	DR1542 SD	DGI-1542	3	S1524
	1	DR1550			4	DROTCC15
UT1824 X 96 CC4ROT	1	DR1842	DR1842 SD	DGI-1842	3	S1824
	1	DR1850			4	DROTCC18
UT2124 X 96 CC4ROT	1	DR2142	DR2142 SD	DGI-2142	3	S2124
	1	DR2150			4	DROTCC21
UT2424 X 96 CC4ROT BUTT	2	DR1242 BUTT	DR1242 BUTT SD	DGI-1242 BUTT	3	S2424
	2	DR1250 BUTT			4	DROTCC24
UT2724 X 96 CC4ROT BUTT	2	DR1342 BUTT	DR1342 BUTT SD	DGI-1342 BUTT	3	S2724
	2	DR1350 BUTT			4	DROTCC27
UT3024 X 96 CC4ROT BUTT	2	DR1542 BUTT	DR1542 BUTT SD	DGI-1542 BUTT	3	S3024
	2	DR1550 BUTT			4	DROTCC30
UT3324 X 96 CC4ROT BUTT	2	DR1642 BUTT	DR1642 BUTT SD	DGI-1642 BUTT	3	S3324
	2	DR1650 BUTT			4	DROTCC33
UT3624 X 96 CC4ROT BUTT	2	DR1842 BUTT	DR1842 BUTT SD	DGI-1842 BUTT	3	S3624
	2	DR1850 BUTT			4	DROTCC36
UTILITY CABINET - WITH PANTRY STORAGE						
UT3624 X 84 PCDS BUTT	2	DR1830 BUTT	DR1830 BUTT SD	DGI-1830 BUTT	1	S3624
	2	DR1850 BUTT			1	PCSK36
					2	PDSK18
					1	PSK36
UT3624 X 90 PCDS BUTT	2	DR1836 BUTT	DR1836 BUTT SD	DGI-1836 BUTT	2	S3624
	2	DR1850 BUTT			1	PCSK36
					2	PDSK18
					1	PSK36
UT3624 X 93 PCDS BUTT	2	DR1839 BUTT	DR1839 BUTT SD	DGI-1839 BUTT	3	S3624
	2	DR1850 BUTT			1	PCSK36
					2	PDSK18
					1	PSK36
UT3624 X 96 PCDS BUTT	2	DR1842 BUTT	DR1842 BUTT SD	DGI-1842 BUTT	3	S3624
	2	DR1850 BUTT			1	PCSK36
					2	PDSK18
					1	PSK36

SKU	QTY	DOOR		ADJUSTABLE SHELF		DRAWER FRONT/PANEL		DRAWER BODY
		PART NAME	QTY	*For All Plywood Construction Adjustable Shelf, upgrade through construction options		FULL OVERLAY	STANDARD OVERLAY	PART NAME
				*PART NAME	QTY	PART NAME	PART NAME	
DOUBLE OVEN CABINET - 84" HIGH								
OVD2784 BUTT	2	DR1318 BUTT	-	N/A	1	DDFOV27	DDF27	DRB24 X 21DP DT FG
OVD3084 BUTT	2	DR1518 BUTT	-	N/A	1	DDFOV30	DDF30	DRB27 X 21DP DT FG
OVD3384 BUTT	2	DR1618 BUTT	-	N/A	1	DDFOV33	DDF33	DRB30 X 21DP DT FG
DOUBLE OVEN CABINET - 90" HIGH								
OVD2790 AS BUTT	2	DR1324 BUTT	1	S2724	1	DDFOV27	DDF27	DRB24 X 21DP DT FG
OVD3090 AS BUTT	2	DR1524 BUTT	1	S3024	1	DDFOV30	DDF30	DRB27 X 21DP DT FG
OVD3390 AS BUTT	2	DR1624 BUTT	1	S3324	1	DDFOV33	DDF33	DRB30 X 21DP DT FG
DOUBLE OVEN CABINET - 93" HIGH								
OVD2793 AS BUTT	2	DR1327 BUTT	2	S2724	1	DDFOV27	DDF27	DRB24 X 21DP DT FG
OVD3093 AS BUTT	2	DR1527 BUTT	2	S3024	1	DDFOV30	DDF30	DRB27 X 21DP DT FG
OVD3393 AS BUTT	2	DR1627 BUTT	2	S3324	1	DDFOV33	DDF33	DRB30 X 21DP DT FG
DOUBLE OVEN CABINET - 96" HIGH								
OVD2796 AS BUTT	2	DR1330 BUTT	2	S2724	1	DDFOV27	DDF27	DRB24 X 21DP DT FG
OVD3096 AS BUTT	2	DR1530 BUTT	2	S3024	1	DDFOV30	DDF30	DRB27 X 21DP DT FG
OVD3396 AS BUTT	2	DR1630 BUTT	2	S3324	1	DDFOV33	DDF33	DRB30 X 21DP DT FG
DOUBLE OVEN CABINETS - 2 BUTT DOORS AND 1 LARGE DRAWER - 84" HIGH								
OVD2784 BUTT 1DDWR	2	DR1318 BUTT	-	N/A	1	DDF27M	DDF27D	DRB24M X 21DP DT FG
OVD3084 BUTT 1DDWR	2	DR1518 BUTT	-	N/A	1	DDF30M	DDF30D	DRB27M X 21DP DT FG
OVD3384 BUTT 1DDWR	2	DR1618 BUTT	-	N/A	1	DDF33M	DDF33D	DRB30M X 21DP DT FG
DOUBLE OVEN CABINETS - 2 BUTT DOORS AND 1 LARGE DRAWER - 90" HIGH								
OVD2790 AS BUTT 1DDWR	2	DR1324 BUTT	1	S2724	1	DDF27M	DDF27D	DRB24M X 21DP DT FG
OVD3090 AS BUTT 1DDWR	2	DR1524 BUTT	1	S3024	1	DDF30M	DDF30D	DRB27M X 21DP DT FG
OVD3390 AS BUTT 1DDWR	2	DR1624 BUTT	1	S3324	1	DDF33M	DDF33D	DRB30M X 21DP DT FG
DOUBLE OVEN CABINETS - 2 BUTT DOORS AND 1 LARGE DRAWER - 93" HIGH								
OVD2793 AS BUTT 1DDWR	2	DR1327 BUTT	2	S2724	1	DDF27M	DDF27D	DRB24M X 21DP DT FG
OVD3093 AS BUTT 1DDWR	2	DR1527 BUTT	2	S3024	1	DDF30M	DDF30D	DRB27M X 21DP DT FG
OVD3393 AS BUTT 1DDWR	2	DR1627 BUTT	2	S3324	1	DDF33M	DDF33D	DRB30M X 21DP DT FG
DOUBLE OVEN CABINETS - 2 BUTT DOORS AND 1 LARGE DRAWER - 96" HIGH								
OVD2796 AS BUTT 1DDWR	2	DR1330 BUTT	2	S2724	1	DDF27M	DDF27D	DRB24M X 21DP DT FG
OVD3096 AS BUTT 1DDWR	2	DR1530 BUTT	2	S3024	1	DDF30M	DDF30D	DRB27M X 21DP DT FG
OVD3396 AS BUTT 1DDWR	2	DR1630 BUTT	2	S3324	1	DDF33M	DDF33D	DRB30M X 21DP DT FG
DOUBLE OVEN CABINETS - 2 BUTT DOORS AND 2 DRAWERS - 84" HIGH								
OVD2784 BUTT 2DWR	2	DR1318 BUTT	-	N/A	2	DDF27	DDF27	DRB24M X 21DP DT FG
OVD3084 BUTT 2DWR	2	DR1518 BUTT	-	N/A	2	DDF30	DDF30	DRB27M X 21DP DT FG
OVD3384 BUTT 2DWR	2	DR1618 BUTT	-	N/A	2	DDF33	DDF33	DRB30M X 21DP DT FG
DOUBLE OVEN CABINETS - 2 BUTT DOORS AND 2 DRAWERS - 90" HIGH								
OVD2790 AS BUTT 2DWR	2	DR1324 BUTT	1	S2724	2	DDF27	DDF27	DRB24 X 21DP DT FG
OVD3090 AS BUTT 2DWR	2	DR1524 BUTT	1	S3024	2	DDF30	DDF30	DRB27 X 21DP DT FG
OVD3390 AS BUTT 2DWR	2	DR1624 BUTT	1	S3324	2	DDF33	DDF33	DRB30 X 21DP DT FG
DOUBLE OVEN CABINETS - 2 BUTT DOORS AND 2 DRAWERS - 93" HIGH								
OVD2793 AS BUTT 2DWR	2	DR1327 BUTT	2	S2724	2	DDF27	DDF27	DRB24 X 21DP DT FG
OVD3093 AS BUTT 2DWR	2	DR1527 BUTT	2	S3024	2	DDF30	DDF30	DRB27 X 21DP DT FG
OVD3393 AS BUTT 2DWR	2	DR1627 BUTT	2	S3324	2	DDF33	DDF33	DRB30 X 21DP DT FG
DOUBLE OVEN CABINETS - 2 BUTT DOORS AND 2 DRAWERS - 96" HIGH								
OVD2796 AS BUTT 2DWR	2	DR1330 BUTT	2	S2724	2	DDF27	DDF27	DRB24 X 21DP DT FG
OVD3096 AS BUTT 2DWR	2	DR1530 BUTT	2	S3024	2	DDF30	DDF30	DRB27 X 21DP DT FG
OVD3396 AS BUTT 2DWR	2	DR1630 BUTT	2	S3324	2	DDF33	DDF33	DRB30 X 21DP DT FG

SKU	QTY	DOOR		ADJUSTABLE SHELF		DRAWER FRONT/PANEL		DRAWER BODY
		PART NAME	QTY	*For All Plywood Construction Adjustable Shelf, upgrade through construction options		FULL OVERLAY	STANDARD OVERLAY	PART NAME
				*PART NAME	QTY	PART NAME	PART NAME	
SINGLE OVEN CABINETS - 2 BUTT DOORS AND 4 DRAWERS - 84" HIGH								
OVS2784 BUTT 4DWR	2	DR1318 BUTT	-	N/A	2	DDF27	DDF27	DRB24 X 21DP DT FG
					2	DDF27M	DDF27D	DRB24M X 21DP DT FG
OVS3084 BUTT 4DWR	2	DR1518 BUTT	-	N/A	2	DDF30	DDF30	DRB27 X 21DP DT FG
					2	DDF30M	DDF30D	DRB27M X 21DP DT FG
OVS3384 BUTT 4DWR	2	DR1618 BUTT	-	N/A	2	DDF33	DDF33	DRB30 X 21DP DT FG
					2	DDF33M	DDF33D	DRB30M X 21DP DT FG
SINGLE OVEN CABINETS - 2 BUTT DOORS AND 4 DRAWERS - 90" HIGH								
OVS2790 AS BUTT 4DWR	2	DR1324 BUTT	1	S2724	2	DDF27	DDF27	DRB24 X 21DP DT FG
					2	DDF27M	DDF27D	DRB24M X 21DP DT FG
OVS3090 AS BUTT 4DWR	2	DR1524 BUTT	1	S3024	2	DDF30	DDF30	DRB27 X 21DP DT FG
					2	DDF30M	DDF30D	DRB27M X 21DP DT FG
OVS3390 AS BUTT 4DWR	2	DR1624 BUTT	1	S3324	2	DDF33	DDF33	DRB30 X 21DP DT FG
					2	DDF33M	DDF33D	DRB30M X 21DP DT FG
SINGLE OVEN CABINETS - 2 BUTT DOORS AND 4 DRAWERS - 93" HIGH								
OVS2793 AS BUTT 4DWR	2	DR1327 BUTT	2	S2724	2	DDF27	DDF27	DRB24 X 21DP DT FG
					2	DDF27M	DDF27D	DRB24M X 21DP DT FG
OVS3093 AS BUTT 4DWR	2	DR1527 BUTT	2	S3024	2	DDF30	DDF30	DRB27 X 21DP DT FG
					2	DDF30M	DDF30D	DRB27M X 21DP DT FG
OVS3393 AS BUTT 4DWR	2	DR1627 BUTT	2	S3324	2	DDF33	DDF33	DRB30 X 21DP DT FG
					2	DDF33M	DDF33D	DRB30M X 21DP DT FG
SINGLE OVEN CABINETS - 2 BUTT DOORS AND 4 DRAWERS - 96" HIGH								
OVS2796 AS BUTT 4DWR	2	DR1330 BUTT	2	S2724	2	DDF27	DDF27	DRB24 X 21DP DT FG
					2	DDF27M	DDF27D	DRB24M X 21DP DT FG
OVS3096 AS BUTT 4DWR	2	DR1530 BUTT	2	S3024	2	DDF30	DDF30	DRB27 X 21DP DT FG
					2	DDF30M	DDF30D	DRB27M X 21DP DT FG
OVS3396 AS BUTT 4DWR	2	DR1630 BUTT	2	S3324	2	DDF33	DDF33	DRB30 X 21DP DT FG
					2	DDF33M	DDF33D	DRB30M X 21DP DT FG
SINGLE OVEN CABINETS - 4 BUTT DOORS AND 1 DRAWER - 84" HIGH								
OVS2784 BUTT 1DWR	2	DR1318 BUTT	-	N/A	1	DDF27	DDF27	DRB24 X 21DP DT FG
	2	DR1324 BUTT						
OVS3084 BUTT 1DWR	2	DR1518 BUTT	-	N/A	1	DDF30	DDF30	DRB27 X 21DP DT FG
	2	DR1524 BUTT						
OVS3384 BUTT 1DWR	2	DR1618 BUTT	-	N/A	1	DDF33	DDF33	DRB30 X 21DP DT FG
	2	DR1624 BUTT						
SINGLE OVEN CABINETS - 4 BUTT DOORS AND 1 DRAWER - 90" HIGH								
OVS2790 AS BUTT 1DWR	4	DR1324 BUTT	1	S2724	1	DDF27	DDF27	DRB24 X 21DP DT FG
OVS3090 AS BUTT 1DWR	4	DR1524 BUTT	1	S3024	1	DDF30	DDF30	DRB27 X 21DP DT FG
OVS3390 AS BUTT 1DWR	4	DR1624 BUTT	1	S3324	1	DDF33	DDF33	DRB30 X 21DP DT FG
SINGLE OVEN CABINETS - 4 BUTT DOORS AND 1 DRAWER - 93" HIGH								
OVS2793 AS BUTT 1DWR	2	DR1327 BUTT	2	S2724	1	DDF27	DDF27	DRB24 X 21DP DT FG
	2	DR1324 BUTT						
OVS3093 AS BUTT 1DWR	2	DR1527 BUTT	2	S3024	1	DDF30	DDF30	DRB27 X 21DP DT FG
	2	DR1524 BUTT						
OVS3393 AS BUTT 1DWR	2	DR1627 BUTT	2	S3324	1	DDF33	DDF33	DRB30 X 21DP DT FG
	2	DR1624 BUTT						

SKU	QTY	DOOR		ADJUSTABLE SHELF		DRAWER FRONT/PANEL		DRAWER BODY
		PART NAME	QTY	*For All Plywood Construction Adjustable Shelf, upgrade through construction options		FULL OVERLAY	STANDARD OVERLAY	PART NAME
				*PART NAME	QTY	PART NAME	PART NAME	
SINGLE OVEN CABINETS - 4 BUTT DOORS AND 1 DRAWER - 96" HIGH								
OVS2796 AS BUTT 1DWR	2	DR1330 BUTT	2	S2724	1	DDF27	DDF27	DRB24 X 21DP DT FG
	2	DR1324 BUTT						
OVS3096 AS BUTT 1DWR	2	DR1530 BUTT	2	S3024	1	DDF30	DDF30	DRB27 X 21DP DT FG
	2	DR1524 BUTT						
OVS3396 AS BUTT 1DWR	2	DR1630 BUTT	2	S3324	1	DDF33	DDF33	DRB30 X 21DP DT FG
	2	DR1624 BUTT						
SINGLE OVEN CABINETS WITH 4 BUTT DOORS, 1 DRAWER, 1 POT & PAN ORGANIZER - 84" HIGH								
OVS2784 BUTT 1DWR CCBPPO	2	DR1318 BUTT	-	N/A	1	DDF27	DDF27	DRB24 X 21DP DT FG
	2	DR1324 BUTT	1	BPPOKCC24				
OVS3084 BUTT 1DWR CCBPPO	2	DR1518 BUTT	-	N/A	1	DDF30	DDF30	DRB27 X 21DP DT FG
	2	DR1524 BUTT	1	BPPOKCC27				
OVS3384 BUTT 1DWR CCBPPO	2	DR1618 BUTT	-	N/A	1	DDF33	DDF33	DRB30 X 21DP DT FG
	2	DR1624 BUTT	1	BPPOKCC30				
SINGLE OVEN CABINETS WITH 4 BUTT DOORS, 1 DRAWER, 1 POT & PAN ORGANIZER - 90" HIGH								
OVS2790 BUTT 1DWR CCBPPO	4	DR1324 BUTT	1	S2724	1	DDF27	DDF27	DRB24 X 21DP DT FG
			1	BPPOKCC24				
OVS3090 BUTT 1DWR CCBPPO	4	DR1524 BUTT	1	S3024	1	DDF30	DDF30	DRB27 X 21DP DT FG
			1	BPPOKCC27				
OVS3390 BUTT 1DWR CCBPPO	4	DR1624 BUTT	1	S3324	1	DDF33	DDF33	DRB30 X 21DP DT FG
			1	BPPOKCC30				
SINGLE OVEN CABINETS WITH 4 BUTT DOORS, 1 DRAWER, 1 POT & PAN ORGANIZER - 93" HIGH								
OVS2793 BUTT 1DWR CCBPPO	2	DR1327 BUTT	2	S2724	1	DDF27	DDF27	DRB24 X 21DP DT FG
	2	DR1324 BUTT	1	BPPOKCC24				
OVS3093 BUTT 1DWR CCBPPO	2	DR1527 BUTT	2	S3024	1	DDF30	DDF30	DRB27 X 21DP DT FG
	2	DR1524 BUTT	1	BPPOKCC27				
OVS3393 BUTT 1DWR CCBPPO	2	DR1627 BUTT	2	S3324	1	DDF33	DDF33	DRB30 X 21DP DT FG
	2	DR1624 BUTT	1	BPPOKCC30				
SINGLE OVEN CABINETS WITH 4 BUTT DOORS, 1 DRAWER, 1 ORGANIZER - 96" HIGH								
OVS2796 BUTT 1DWR CCBPPO	2	DR1330 BUTT	2	S2724	1	DDF27	DDF27	DRB24 X 21DP DT FG
	2	DR1324 BUTT	1	BPPOKCC24				
OVS3096 BUTT 1DWR CCBPPO	2	DR1530 BUTT	2	S3024	1	DDF30	DDF30	DRB27 X 21DP DT FG
	2	DR1524 BUTT	1	BPPOKCC27				
OVS3396 BUTT 1DWR CCBPPO	2	DR1630 BUTT	2	S3324	1	DDF33	DDF33	DRB30 X 21DP DT FG
	2	DR1624 BUTT	1	BPPOKCC30				
SINGLE OVEN CABINETS - 4 BUTT DOORS AND 2 DRAWERS - 84" HIGH								
OVS2784 BUTT 2DWR	2	DR1318 BUTT	-	N/A	2	DDF27	DDF27	DRB24 X 21DP DT FG
	2	DR1324 BUTT						
OVS3084 BUTT 2DWR	2	DR1518 BUTT	-	N/A	2	DDF30	DDF30	DRB27 X 21DP DT FG
	2	DR1524 BUTT						
OVS3384 BUTT 2DWR	2	DR1618 BUTT	-	N/A	2	DDF33	DDF33	DRB30 X 21DP DT FG
	2	DR1624 BUTT						
SINGLE OVEN CABINETS - 4 BUTT DOORS AND 2 DRAWERS - 90" HIGH								
OVS2790 AS BUTT 2DWR	4	DR1324 BUTT	1	S2724	2	DDF27	DDF27	DRB24 X 21DP DT FG
OVS3090 AS BUTT 2DWR	4	DR1524 BUTT	1	S3024	2	DDF30	DDF30	DRB27 X 21DP DT FG
OVS3390 AS BUTT 2DWR	4	DR1624 BUTT	1	S3324	2	DDF33	DDF33	DRB30 X 21DP DT FG

SKU	QTY	DOOR		ADJUSTABLE SHELF		DRAWER FRONT/PANEL		DRAWER BODY
		PART NAME	QTY	*For All Plywood Construction Adjustable Shelf, upgrade through construction options		FULL OVERLAY	STANDARD OVERLAY	PART NAME
				*PART NAME	QTY	PART NAME	PART NAME	
SINGLE OVEN CABINETS - 4 BUTT DOORS AND 2 DRAWERS - 93" HIGH								
OVS2793 AS BUTT 2DWR	2	DR1327 BUTT	2	S2724	2	DDF27	DDF27	DRB24 X 21DP DT FG
	2	DR1324 BUTT						
OVS3093 AS BUTT 2DWR	2	DR1527 BUTT	2	S3024	2	DDF30	DDF30	DRB27 X 21DP DT FG
	2	DR1524 BUTT						
OVS3393 AS BUTT 2DWR	2	DR1627 BUTT	2	S3324	2	DDF33	DDF33	DRB30 X 21DP DT FG
	2	DR1624 BUTT						
SINGLE OVEN CABINETS - 4 BUTT DOORS AND 2 DRAWERS - 96" HIGH								
OVS2796 AS BUTT 2DWR	2	DR1330 BUTT	2	S2724	2	DDF27	DDF27	DRB24 X 21DP DT FG
	2	DR1324 BUTT						
OVS3096 AS BUTT 2DWR	2	DR1530 BUTT	2	S3024	2	DDF30	DDF30	DRB27 X 21DP DT FG
	2	DR1524 BUTT						
OVS3396 AS BUTT 2DWR	2	DR1630 BUTT	2	S3324	2	DDF33	DDF33	DRB30 X 21DP DT FG
	2	DR1624 BUTT						
SINGLE OVEN CABINETS - 4 BUTT DOORS, 2 DRAWERS AND 1 POT & PAN ORGANIZER - 84" HIGH								
OVS2784 BUTT 2DWR CCBPPO	2	DR1318 BUTT	-	N/A	2	DDF27	DDF27	DRB24 X 21DP DT FG
	2	DR1324 BUTT	1	BPPOKCC24				
OVS3084 BUTT 2DWR CCBPPO	2	DR1518 BUTT	-	N/A	2	DDF30	DDF30	DRB27 X 21DP DT FG
	2	DR1524 BUTT	1	BPPOKCC27				
OVS3384 BUTT 2DWR CCBPPO	2	DR1618 BUTT	-	N/A	2	DDF33	DDF33	DRB30 X 21DP DT FG
	2	DR1624 BUTT	1	BPPOKCC30				
SINGLE OVEN CABINETS - 4 BUTT DOORS, 2 DRAWERS AND 1 POT & PAN ORGANIZER - 90" HIGH								
OVS2790 BUTT 2DWR CCBPPO	4	DR1324 BUTT	1	S2724	2	DDF27	DDF27	DRB24 X 21DP DT FG
			1	BPPOKCC24				
OVS3090 BUTT 2DWR CCBPPO	4	DR1524 BUTT	1	S3024	2	DDF30	DDF30	DRB27 X 21DP DT FG
			1	BPPOKCC27				
OVS3390 BUTT 2DWR CCBPPO	4	DR1624 BUTT	1	S3324	2	DDF33	DDF33	DRB30 X 21DP DT FG
			1	BPPOKCC30				
SINGLE OVEN CABINETS - 4 BUTT DOORS, 2 DRAWERS AND 1 POT & PAN ORGANIZER - 93" HIGH								
OVS2793 BUTT 2DWR CCBPPO	2	DR1327 BUTT	2	S2724	2	DDF27	DDF27	DRB24 X 21DP DT FG
	2	DR1324 BUTT	1	BPPOKCC24				
OVS3093 BUTT 2DWR CCBPPO	2	DR1527 BUTT	2	S3024	2	DDF30	DDF30	DRB27 X 21DP DT FG
	2	DR1524 BUTT	1	BPPOKCC27				
OVS3393 BUTT 2DWR CCBPPO	2	DR1627 BUTT	2	S3324	2	DDF33	DDF33	DRB30 X 21DP DT FG
	2	DR1624 BUTT	1	BPPOKCC30				
SINGLE OVEN CABINETS - 4 BUTT DOORS, 2 DRAWERS AND 1 POT & PAN ORGANIZER - 96" HIGH								
OVS2796 BUTT 2DWR CCBPPO	2	DR1330 BUTT	2	S2724	2	DDF27	DDF27	DRB24 X 21DP DT FG
	2	DR1324 BUTT	1	BPPOKCC24				
OVS3096 BUTT 2DWR CCBPPO	2	DR1530 BUTT	2	S3024	2	DDF30	DDF30	DRB27 X 21DP DT FG
	2	DR1524 BUTT	1	BPPOKCC27				
OVS3396 BUTT 2DWR CCBPPO	2	DR1630 BUTT	2	S3324	2	DDF33	DDF33	DRB30 X 21DP DT FG
	2	DR1624 BUTT	1	BPPOKCC30				

SKU	QTY	DOOR		ADJUSTABLE SHELF/ACCESSORY	
		PART NAME	QTY	*For All Plywood Construction Adjustable Shelf, upgrade through construction options	
				*PART NAME	
SINGLE OVEN CABINET - 84" HIGH					
OVS2784 BUTT	2	DR1318 BUTT	-	N/A	
	2	DR1324 BUTT			
OVS3084 BUTT	2	DR1518 BUTT	-	N/A	
	2	DR1524 BUTT			
OVS3384 BUTT	2	DR1618 BUTT	-	N/A	
	2	DR1624 BUTT			
SINGLE OVEN CABINET - 1 ADJUSTABLE SHELF - 90" HIGH					
OVS2790 AS BUTT	4	DR1324 BUTT	1	S2724	
OVS3090 AS BUTT	4	DR1524 BUTT	1	S3024	
OVS3390 AS BUTT	4	DR1624 BUTT	1	S3324	
SINGLE OVEN CABINET - 2 ADJUSTABLE SHELVES - 93" HIGH					
OVS2793 AS BUTT	2	DR1327 BUTT	2	S2724	
	2	DR1324 BUTT			
OVS3093 AS BUTT	2	DR1527 BUTT	2	S3024	
	2	DR1524 BUTT			
OVS3393 AS BUTT	2	DR1627 BUTT	2	S3324	
	2	DR1624 BUTT			
SINGLE OVEN CABINET - 2 ADJUSTABLE SHELVES - 96" HIGH					
OVS2796 AS BUTT	2	DR1330 BUTT	2	S2724	
	2	DR1324 BUTT			
OVS3096 AS BUTT	2	DR1530 BUTT	2	S3024	
	2	DR1524 BUTT			
OVS3396 AS BUTT	2	DR1630 BUTT	2	S3324	
	2	DR1624 BUTT			
SINGLE OVEN CABINET - POT AND PAN ORGANIZER - 84" HIGH					
OVS2784 BUTT CCBPPO	2	DR1318 BUTT	-	N/A	
	2	DR1324 BUTT	1	BPPOKCC24	
OVS3084 BUTT CCBPPO	2	DR1518 BUTT	-	N/A	
	2	DR1524 BUTT	1	BPPOKCC27	
OVS3384 BUTT CCBPPO	2	DR1618 BUTT	-	N/A	
	2	DR1624 BUTT	1	BPPOKCC30	
SINGLE OVEN CABINET - POT AND PAN ORGANIZER - 90" HIGH					
OVS2790 BUTT CCBPPO	4	DR1324 BUTT	1	S2724	
			1	BPPOKCC24	
OVS3090 BUTT CCBPPO	4	DR1524 BUTT	1	S3024	
			1	BPPOKCC27	
OVS3390 BUTT CCBPPO	4	DR1624 BUTT	1	S3324	
			1	BPPOKCC30	
SINGLE OVEN CABINET - POT AND PAN ORGANIZER - 93" HIGH					
OVS2793 BUTT CCBPPO	2	DR1327 BUTT	2	S2724	
	2	DR1324 BUTT	1	BPPOKCC24	
OVS3093 BUTT CCBPPO	2	DR1527 BUTT	2	S3024	
	2	DR1524 BUTT	1	BPPOKCC27	
OVS3393 BUTT CCBPPO	2	DR1627 BUTT	2	S3324	
	2	DR1624 BUTT	1	BPPOKCC30	
SINGLE OVEN CABINET - POT AND PAN ORGANIZER - 96" HIGH					
OVS2796 BUTT CCBPPO	2	DR1330 BUTT	2	S2724	
	2	DR1324 BUTT	1	BPPOKCC24	
OVS3096 BUTT CCBPPO	2	DR1530 BUTT	2	S3024	
	2	DR1524 BUTT	1	BPPOKCC27	
OVS3396 BUTT CCBPPO	2	DR1630 BUTT	2	S3324	
	2	DR1624 BUTT	1	BPPOKCC30	

SKU	QTY	DRAWER/PANEL FRONT		DRAWER BODY
		FULL OVERLAY	STANDARD OVERLAY	PART NAME
		PART NAME	PART NAME	
VANITY DRAWER BASE - 31 1/8" HIGH				
VDB12	2	DDF12	DDF12	DRB12 X 18DP DT FG
	1	DDF12VD	DDF12D	DRB12M X 18DP DT FG
VDB15	2	DDF15	DDF15	DRB15 X 18DP DT FG
	1	DDF15VD	DDF15D	DRB15M X 18DP DT FG
VDB18	2	DDF18	DDF18	DRB18 X 18DP DT FG
	1	DDF18VD	DDF18D	DRB18M X 18DP DT FG
VDB21	2	DDF21	DDF21	DRB21 X 18DP DT FG
	1	DDF21VD	DDF21D	DRB21M X 18DP DT FG
VDB24	2	DDF24	DDF24	DRB24 X 18DP DT FG
	1	DDF24VD	DDF24D	DRB24M X 18DP DT FG
VANITY DRAWER BASE - 34 1/2" HIGH				
VDB1234H	1	DDF12	DDF12	DRB12 X 18DP DT FG
	2	DDF12M	DDF12D	DRB12M X 18DP DT FG
VDB1534H	1	DDF15	DDF15	DRB15 X 18DP DT FG
	2	DDF15M	DDF15D	DRB15M X 18DP DT FG
VDB1834H	1	DDF18	DDF18	DRB18 X 18DP DT FG
	2	DDF18M	DDF18D	DRB18M X 18DP DT FG
VDB2134H	1	DDF21	DDF21	DRB21 X 18DP DT FG
	2	DDF21M	DDF21D	DRB21M X 18DP DT FG
VDB2434H	1	DDF24	DDF24	DRB24 X 18DP DT FG
	2	DDF24M	DDF24D	DRB24M X 18DP DT FG

SKU	QTY	DOOR	
		FULL OVERLAY	STANDARD OVERLAY
		PART NAME	PART NAME
VANITY FULL-HEIGHT BASE - 34 1/2" HIGH			
VB1234H FH	1	DR12FH	DR1230
VB1534H FH	1	DR15FH	DR1530
VB1834H FH	1	DR18FH	DR1830
VB2134H FH	1	DR21FH	DR2130
VB2434H BUTT FH	2	DR12BUTT FH	DR1230 BUTT
VB3034H BUTT FH	2	DR15BUTT FH	DR1530 BUTT
VB3634H BUTT FH	2	DR18BUTT FH	DR1830 BUTT

SKU	QTY	DOOR		DRAWER/PANEL FRONT	
		PART NAME	QTY	PART NAME	QTY
VANITY SINK BASE - 31 1/8" HIGH					
VSB15	1	DR1521V	1	DDF15	
VSB18	1	DR1821V	1	DDF18	
VSB21	1	DR2121V	1	DDF21	
VSB24 BUTT	2	DR1221V BUTT	1	DDF24	
VSB2418 BUTT	2	DR1221V BUTT	1	DDF24	
VSB27 BUTT	2	DR1321V BUTT	1	DDF27	
VSB30 BUTT	2	DR1521V BUTT	1	DDF30	
VSB3018 BUTT	2	DR1521V BUTT	1	DDF30	
VSB33 BUTT	2	DR1621V BUTT	1	DDF33	
VSB36 BUTT	2	DR1821V BUTT	1	DDF36	
VSB3618 BUTT	2	DR1821V BUTT	1	DDF36	
VSB39	2	DR1921V	2	DDF19	
VSB42	2	DR2121V	2	DDF21	
VSB48	2	DR1521V	2	DDF15	
	1	DR1821V	1	DDF18	
VSB54 BUTT	4	DR1321V BUTT	2	DDF27	
VSB60 BUTT	4	DR1521V BUTT	2	DDF30	
VANITY SINK FRONT - 31 1/8" HIGH					
VSF21	1	DR2121V	1	DDF21	
VSF24 BUTT	2	DR1221V BUTT	1	DDF24	
VSF30 BUTT	2	DR1521V BUTT	1	DDF30	
VSF36 BUTT	2	DR1821V BUTT	1	DDF36	
VSF39	2	DR1921V	2	DDF19	
VSF42	2	DR2121V	2	DDF21	
VSF48	2	DR1521V	2	DDF15	
	1	DR1821V	1	DDF18	
VANITY SINK BASE - 34 1/2" HIGH					
VSB1534H	1	DR1524	1	DDF15	
VSB1834H	1	DR1824	1	DDF18	
VSB2134H	1	DR2124	1	DDF21	
VSB2434H BUTT	2	DR1224 BUTT	1	DDF24	
VSB241834H BUTT	2	DR1224 BUTT	1	DDF24	
VSB2734H BUTT	2	DR1324 BUTT	1	DDF27	
VSB3034H BUTT	2	DR1524 BUTT	1	DDF30	
VSB301834H BUTT	2	DR1524 BUTT	1	DDF30	
VSB3334H BUTT	2	DR1624 BUTT	1	DDF33	
VSB3634H BUTT	2	DR1824 BUTT	1	DDF36	
VSB361834H BUTT	2	DR1824 BUTT	1	DDF36	
VSB3934H	2	DR1924	2	DDF19	
VSB4234H	2	DR2124	2	DDF21	
VSB4834H	2	DR1524	2	DDF15	
	1	DR1824	1	DDF18	
VSB5434H BUTT	4	DR1324 BUTT	2	DDF27	
VSB6034H BUTT	4	DR1524	2	DDF30	
VANITY PLUMBING SKIRT					
VPS30 UD	-	N/A	1	DDFKDC33/27	
VPS36 UD	-	N/A	1	DDFKDC36/33	

SKU	QTY	DOOR		DRAWER BODY		DRAWER FRONT/PANEL	
		PART NAME	QTY	PART NAME	QTY	FULL OVERLAY	STANDARD OVERLAY
						PART NAME	PART NAME
VANITY BASE - 31 1/8" HIGH							
VB12	1	DR1221V	1	DRB12 X 18DP DT FG	1	DDF12	DDF12
VB15	1	DR1521V	1	DRB15 X 18DP DT FG	1	DDF15	DDF15
VB18	1	DR1821V	1	DRB18 X 18DP DT FG	1	DDF18	DDF18
VB21	1	DR2121V	1	DRB21 X 18DP DT FG	1	DDF21	DDF21
VB24 BUTT	2	DR1221V BUTT	1	DRB24 X 18DP DT FG	1	DDF24	DDF24
VB27 BUTT	2	DR1321V BUTT	1	DRB27 X 18DP DT FG	1	DDF27	DDF27
VB30 BUTT	2	DR1521V BUTT	1	DRB30 X 18DP DT FG	1	DDF30	DDF30
VB33 BUTT	2	DR1621V BUTT	1	DRB33 X 18DP DT FG	1	DDF33	DDF33
VB36 BUTT	2	DR1821V BUTT	1	DRB36 X 18DP DT FG	1	DDF36	DDF36
VAN36 BUTT	2	DR1821V BUTT	2	DRB10 X 18DP DT FG	3	DDF12	DDF12
VAN39	2	DR1921V		DRB12 X 18DP DT FG	2	DDF12	DDF12
					1	DDF15	DDF15
VAN42	2	DR2121V	2	DRB12 X 18DP DT FG	2	DDF12	DDF12
					1	DDF18	DDF18
VAN48	2	DR1521V	2	DRB15 X 18DP DT FG	2	DDF15	DDF15
	1	DR1821V			1	DDF18	DDF18
VAN54 BK BUTT	2	DR1221V	2	DRB12 X 18DP DT FG	2	DDF12	DDF12
	2	DR1521V BUTT			1	DDF30	DDF30
VAN60 BK BUTT	2	DR1521V	2	DRB15 X 18DP DT FG	2	DDF15	DDF15
	2	DR1521V BUTT			1	DDF30	DDF30
VANITY COMBO SINK BASE - 18" DEEP X 31 1/8" HIGH							
VSDB2418 BK	1	DR1221V	1	DRB12 X 15DP DT FG	1	DDF12	DDF12
			1	DRB12M X 15DP DT FG	1	DDF12VD	DDF12D
					1	DDF24	DDF24
VSDB2718 BK	1	DR1521V	1	DRB12 X 15DP DT FG	1	DDF12	DDF12
			1	DRB12M X 15DP DT FG	1	DDF12VD	DDF12D
					1	DDF27	DDF27
VSDB3018 BK	1	DR1821V	1	DRB12 X 15DP DT FG	1	DDF12	DDF12
			1	DRB12M X 15DP DT FG	1	DDF12VD	DDF12D
					1	DDF30	DDF30
VSDB3318 BK	1	DR2121V	1	DRB12 X 15DP DT FG	1	DDF12	DDF12
			1	DRB12M X 15DP DT FG	1	DDF12VD	DDF12D
					1	DDF33	DDF33
VSDB3618 BK	1	DR2121V	1	DRB15 X 15DP DT FG	1	DDF15	DDF15
			1	DRB15M X 15DP DT FG	1	DDF15VD	DDF15D
					1	DDF36	DDF36

SKU	QTY	DOOR		DRAWER BODY		DRAWER FRONT/PANEL	
		PART NAME	QTY	PART NAME	QTY	FULL OVERLAY	STANDARD OVERLAY
						PART NAME	PART NAME
VANITY COMBO SINK BASE - 31 1/8" HIGH							
VSDB24 BK	1	DR1221V	1	DRB12 X 18DP DT FG	1	DDF12	DDF12
			1	DRB12M X 18DP DT FG	1	DDF12VD	DDF12D
					1	DDF24	DDF24
VSDB27 BK	1	DR1521V	1	DRB12 X 18DP DT FG	1	DDF12	DDF12
			1	DRB12M X 18DP DT FG	1	DDF12VD	DDF12D
					1	DDF27	DDF27
VSDB30 BK	1	DR1821V	1	DRB12 X 18DP DT FG	1	DDF12	DDF12
			1	DRB12M X 18DP DT FG	1	DDF12VD	DDF12D
					1	DDF30	DDF30
VSDB33 BK	1	DR2121V	1	DRB12 X 18DP DT FG	1	DDF12	DDF12
			1	DRB12M X 18DP DT FG	1	DDF12VD	DDF12D
					1	DDF33	DDF33
VSDB36 BK	1	DR2121V	1	DRB15 X 18DP DT FG	1	DDF15	DDF15
			1	DRB15M X 18DP DT FG	1	DDF15VD	DDF15D
					1	DDF36	DDF36
VSDB42 BK BUTT	2	DR1521V BUTT	2	DRB12 X 18DP DT FG	1	DDF30	DDF30
			1	DRB12M X 18DP DT FG	2	DDF12	DDF12
					1	DDF12VD	DDF12D
VSDB48D BK BUTT	2	DR1221V BUTT	4	DRB12 X 18DP DT FG	1	DDF24	DDF24
			2	DRB12M X 18DP DT FG	4	DDF12	DDF12
					2	DDF12VD	DDF12D
VSDB54D BK BUTT	2	DR1221V BUTT	4	DRB15 X 18DP DT FG	1	DDF24	DDF24
			2	DRB15M X 18DP DT FG	4	DDF15	DDF15
					2	DDF15VD	DDF15D
VSDB60C BK BUTT	4	DR1221V BUTT	2	DRB12 X 18DP DT FG	2	DDF24	DDF24
			1	DRB12M X 18DP DT FG	2	DDF12	DDF12
					1	DDF12VD	DDF12D
VSDB60D BK BUTT	2	DR1521V BUTT	4	DRB15 X 18DP DT FG	1	DDF30	DDF30
			2	DRB15M X 18DP DT FG	4	DDF15	DDF15
					2	DDF15VD	DDF15D
VANITY BASE - 34 1/2" HIGH							
VB1234H	1	DR1224	1	DRB12 X 18DP DT FG	1	DDF12	DDF12
VB1534H	1	DR1524	1	DRB15 X 18DP DT FG	1	DDF15	DDF15
VB1834H	1	DR1824	1	DRB18 X 18DP DT FG	1	DDF18	DDF18
VB2134H	1	DR2124	1	DRB21 X 18DP DT FG	1	DDF21	DDF21
VB2434H BUTT	2	DR1224 BUTT	1	DRB24 X 18DP DT FG	1	DDF24	DDF24
VB2734H BUTT	2	DR1324 BUTT	1	DRB27 X 18DP DT FG	1	DDF27	DDF27
VB3034H BUTT	2	DR1524 BUTT	1	DRB30 X 18DP DT FG	1	DDF30	DDF30
VB3334H BUTT	2	DR1624 BUTT	1	DRB33 X 18DP DT FG	1	DDF33	DDF33
VB3634H BUTT	2	DR1824 BUTT	1	DRB36 X 18DP DT FG	1	DDF36	DDF36
VANITY BASE - WASTEBASKET - 34 1/2" HIGH							
VWBB1834H CC	1	DR1824 ND	1	DRB18 X 18DP DT FG	1	DDF18	DDF18
			1	VWBB1834H_OL KIT CC			

PARTS: VANITY CABINETS

SKU	QTY	DOOR		DRAWER BODY		DRAWER FRONT/PANEL	
		PART NAME	QTY	PART NAME	QTY	FULL OVERLAY	STANDARD OVERLAY
						PART NAME	PART NAME
VANITY SINK BASE - TOP DRAWERS - 34 1/2" HIGH							
VAN3634H BUTT	2	DR1824 BUTT	2	DRB10 X 18DP DT FG	3	DDF12	DDF12
VAN3934H	2	DR1924	2	DRB12 X 18DP DT FG	2	DDF12	DDF12
					1	DDF15	DDF15
VAN4234H	2	DR2124	2	DRB12 X 18DP DT FG	2	DDF12	DDF12
					1	DDF18	DDF18
VAN4834H	2	DR1524	2	DRB15 X 18DP DT FG	2	DDF15	DDF15
	1	DR1824			1	DDF18	DDF18
VAN5434H BK BUTT	2	DR1224	2	DRB12 X 18DP DT FG	2	DDF12	DDF12
	2	DR1524 BUTT			1	DDF30	DDF30
VAN6034H BK BUTT	2	DR1524	2	DRB15 X 18DP DT FG	2	DDF15	DDF15
	2	DR1524 BUTT			1	DDF30	DDF30
VANITY COMBO SINK BASE - 18" DEEP X 34 1/2" HIGH							
VSDB241834H BK	1	DR1224	2	DRB12M X 15DP DT FG	2	DDF12M	DDF12D
					1	DDF24	DDF24
VSDB271834H BK	1	DR1524	2	DRB12M X 15DP DT FG	2	DDF12M	DDF12D
					1	DDF27	DDF27
VSDB301834H BK	1	DR1824	2	DRB12M X 15DP DT FG	2	DDF12M	DDF12D
					1	DDF30	DDF30
VSDB331834H BK	1	DR2124	2	DRB12M X 15DP DT FG	2	DDF12M	DDF12D
					1	DDF33	DDF33
VSDB361834H BK	1	DR2124	2	DRB15M X 15DP DT FG	2	DDF15M	DDF15D
					1	DDF36	DDF36
VANITY COMBO SINK BASE - 34 1/2" HIGH							
VVSD82434H BK	1	DR1224	2	DRB12M X 18DP DT FG	2	DDF12M	DDF12D
					1	DDF24	DDF24
VSDB2734H BK	1	DR1524	2	DRB12M X 18DP DT FG	2	DDF12M	DDF12D
					1	DDF27	DDF27
VSDB3034H BK	1	DR1824	2	DRB12M X 18DP DT FG	2	DDF12M	DDF12D
					1	DDF30	DDF30
VSDB3334H BK	1	DR2124	2	DRB12M X 18DP DT FG	2	DDF12M	DDF12D
					1	DDF33	DDF33
VSDB3634H BK	1	DR2124	2	DRB15M X 18DP DT FG	2	DDF15M	DDF15D
					1	DDF36	DDF36
VSDB3934H BK	1	DR2124	2	DRB18M X 18DP DT FG	1	DDF21	DDF21
					1	DDF18	DDF18
					2	DDF18M	DDF18D
VSDB4234H BK BUTT	2	DR1524 BUTT	1	DRB12 X 18DP DT FG	1	DDF30	DDF30
			2	DRB12M X 18DP DT FG	1	DDF12	DDF12
					2	DDF12M	DDF12D
VSDB4834HD BK BUTT	2	DR1224 BUTT	2	DRB12 X 18DP DT FG	1	DDF24	DDF24
			4	DRB12M X 18DP DT FG	2	DDF12	DDF12
					4	DDF12M	DDF12D
VSDB5434HD BK BUTT	2	DR1224 BUTT	2	DRB15 X 18DP DT FG	1	DDF24	DDF24
			4	DRB15M X 18DP DT FG	2	DDF15	DDF15
					4	DDF15M	DDF15D
VSDB6034HC BK BUTT	4	DR1224 BUTT	1	DRB12 X 18DP DT FG	2	DDF24	DDF24
			2	DRB12M X 18DP DT FG	1	DDF12	DDF12
					2	DDF12M	DDF12D
VSDB6034HD BK BUTT	2	DR1524 BUTT	2	DRB15 X 18DP DT FG	1	DDF30	DDF30
			4	DRB15M X 18DP DT FG	2	DDF15	DDF15
					4	DDF15M	DDF15D

SKU	QTY	DOOR	SPECIALTY DOOR	DECORATIVE GLASS INSERT	QTY	ADJUSTABLE SHELF
		PART NAME	PART NAME	PART NAME		*For All Plywood Construction and/or Matching Interior Adjustable Shelf, upgrade through construction options
						*PART NAME
VANITY LINEN CABINET - ADJUSTABLE SHELVES						
VLC122184 AS	1	DR1230	DR1230 SD	DGI-1230	5	S1221
	1	DR1250				
VLC152184 AS	1	DR1530	DR1530 SD	DGI-1530	5	S1521
	1	DR1550				
VLC182184 AS	1	DR1830	DR1830 SD	DGI-1830	5	S1821
	1	DR1850				
VLC242184 AS BUTT	2	DR1230 BUTT	DR1230 BUTT SD	DGI-1230 BUTT	5	S2421
	2	DR1250 BUTT				
VANITY LINEN CABINET - WITH DEEP ROLL OUT TRAYS						
VLC122184 CC4ROT	1	DR1230	DR1230 SD	DGI-1230	1	S1221
	1	DR1250			4	DROTCC1221
VLC152184 CC4ROT	1	DR1530	DR1530 SD	DGI-1530	1	S1521
	1	DR1550			4	DROTCC1521
VLC182184 CC4ROT	1	DR1830	DR1830 SD	DGI-1830	1	S1821
	1	DR1850			4	DROTCC1821
VLC242184 CC4ROT BUTT	2	DR1230 BUTT	DR1230 BUTT SD	DGI-1230 BUTT	1	S2421
	2	DR1250 BUTT			4	DROTCC2421
MEDICINE CABINET						
MC1530	1	DR1530	-	-	2	MC SHELF
MCM1530	1	DRMCM1530	-	-	2	MC SHELF
TRI-VIEW MIRROR						
TV3030	3	MIRROR TV3030	-	-	3	TV30 SHELF 9
					3	TV30 SHELF 18
TV3630	3	MIRROR TV3630	-	-	3	TV36 SHELF 11
					3	TV36 SHELF 22
VALET CABINET						
VC2436 BUTT	2	DR1224 BUTT	-	-	-	N/A

PARTS: VANITY LINEN & VANITY WALL CABINETS

SKU	QTY	DOOR/DRAWER/PANEL FRONT		DRAWER BODY OR ACCESSORY
		FULL OVERLAY	STANDARD OVERLAY	PART NAME
		PART NAME	PART NAME	
DESK FILE PULL OUT CABINET - 21" DEEP				
DFDC1821 CC	1	DDF18	DDF18	DRB18 X 18DP DT FG
	1	DR1818 ND	DR1818 ND	DRB18M X 18DP DT FG
	1			DFDC FILE UNIT 21
DESK FILE PULL OUT CABINET - 24" DEEP				
DFDC1824 CC	1	DDF18	DDF18	DRB18 X 21DP DT FG
	1	DR1818 ND	DR1818 ND	DRB18M X 21DP DT FG
	1			DFDC FILE UNIT 24
DESK DRAWER BASE CABINET - 21" DEEP				
DDR1221	2	DDF12	DDF12	DRB12 X 18DP DT FG
	1	DDF12M	DDF12D	DRB12M X 18DP DT FG
DDR1521	2	DDF15	DDF15	DRB15 X 18DP DT FG
	1	DDF15M	DDF15D	DRB15M X 18DP DT FG
DDR1821	2	DDF18	DDF18	DRB18 X 18DP DT FG
	1	DDF18M	DDF18D	DRB18M X 18DP DT FG
DDR2121	2	DDF21	DDF21	DRB21 X 18DP DT FG
	1	DDF21M	DDF21D	DRB21M X 18DP DT FG
DDR2421	2	DDF24	DDF24	DRB24 X 18DP DT FG
	1	DDF24M	DDF24D	DRB24M X 18DP DT FG
DESK DRAWER BASE CABINET - 24" DEEP				
DDR1224	2	DDF12	DDF12	DRB12 X 21DP DT FG
	1	DDF12M	DDF12D	DRB12M X 21DP DT FG
DDR1524	2	DDF15	DDF15	DRB15 X 21DP DT FG
	1	DDF15M	DDF15D	DRB15M X 21DP DT FG
DDR1824	2	DDF18	DDF18	DRB18 X 21DP DT FG
	1	DDF18M	DDF18D	DRB18M X 21DP DT FG
DDR2124	2	DDF21	DDF21	DRB21 X 21DP DT FG
	1	DDF21M	DDF21D	DRB21M X 21DP DT FG
DDR2424	2	DDF24	DDF24	DRB24 X 21DP DT FG
	1	DDF24M	DDF24D	DRB24M X 21DP DT FG
KNEEHOLE DRAWER CABINET				
KDC27/21	1	DDFKDC27/21	DDFKDC27/21	DRBKDC27X 15DP DT FG
KDC33/27	1	DDFKDC33/27	DDFKDC33/27	DRBKDC33X 15DP DT FG
KDC36/33	1	DDFKDC36/33	DDFKDC36/33	DRBKDC36X 15DP DT FG
FULL-HEIGHT DESK WITH BOTTOM MOUNT WASTEBASKET(S)				
DWBB1821 CC	1	DR1824 ND	DR1824 ND	DWBB1821_OL KIT CC
DWBB1824 CC	1	DR1824 ND	DR1824 ND	DWBB1824_OL KIT CC

SKU	QTY	DOOR	QTY	ADJUSTABLE SHELF/ACCESSORY	QTY	DRAWER/PANEL FRONT	QTY	DRAWER BODY
		PART NAME		*For All Plywood Construction Adjustable Shelf, upgrade through construction options		PART NAME		PART NAME
				*PART NAME				
DESK DOOR CABINET - 21" DEEP								
DD01221	1	DR1218	1	12" SHELF 21DP 3/4	1	DDF12	1	DRB12 X 18DP DT FG
DD01521	1	DR1518	1	15" SHELF 21DP 3/4	1	DDF15	1	DRB15 X 18DP DT FG
DD01821	1	DR1818	1	18" SHELF 21DP 3/4	1	DDF18	1	DRB18 X 18DP DT FG
DD02121	1	DR2118	1	21" SHELF 21DP 3/4	1	DDF21	1	DRB21 X 18DP DT FG
DD02421 BUTT	2	DR1218 BUTT	1	24" SHELF 21DP 3/4	1	DDF24	1	DRB24 X 18DP DT FG
DESK DOOR CABINET - 24" DEEP								
DD01224	1	DR1218	1	12" SHELF 24DP 3/4	1	DDF12	1	DRB12 X 21DP DT FG
DD01524	1	DR1518	1	15" SHELF 24DP 3/4	1	DDF15	1	DRB15 X 21DP DT FG
DD01824	1	DR1818	1	18" SHELF 24DP 3/4	1	DDF18	1	DRB18 X 21DP DT FG
DD02124	1	DR2118	1	21" SHELF 24DP 3/4	1	DDF21	1	DRB21 X 21DP DT FG
DD02424 BUTT	2	DR1218 BUTT	1	24" SHELF 24DP 3/4	1	DDF24	1	DRB24 X 21DP DT FG

SKU	QTY	DOOR	
		FULL OVERLAY	STANDARD OVERLAY
		PART NAME	PART NAME
DECORATOR MATCHING BASE DOORS			
DMDB	1	DR24FH ND	DR2430 ND
DMDBEA12	1	DR12FH ND	DR1230 ND
DECORATOR MATCHING DESK DOORS			
DMDD21	1	DR2124 ND	DR2124 ND
DMDD24	1	DR2424 ND	DR2424 ND
DECORATOR MATCHING TALL DOORS			
DMDT8412	1	DR1230 ND	DR1230 ND
	1	DR1250 ND	DR1250 ND
DMDT8424	2	DR1230 ND	DR1230 ND
	2	DR1250 ND	DR1250 ND
DMDT9012	1	DR1236 ND	DR1236 ND
	1	DR1250 ND	DR1250 ND
DMDT9024	2	DR1236 ND	DR1236 ND
	2	DR1250 ND	DR1250 ND
DMDT9312	1	DR1239 ND	DR1239 ND
	1	DR1250 ND	DR1250 ND
DMDT9324	2	DR1239 ND	DR1239 ND
	2	DR1250 ND	DR1250 ND
DMDT9612	1	DR1242 ND	DR1242 ND
	1	DR1250 ND	DR1250 ND
DMDT9624	2	DR1242 ND	DR1242 ND
	2	DR1250 ND	DR1250 ND
DECORATOR MATCHING WALL DOORS			
DMDW18	1	DR1218 ND	DR1218 ND
DMDW24	1	DR1224 ND	DR1224 ND
DMDW30	1	DR1230 ND	DR1230 ND
DMDW36	1	DR1236 ND	DR1236 ND
DMDW39	1	DR1239 ND	DR1239 ND
DMDW42	1	DR1242 ND	DR1242 ND
DECORATOR MATCHING VANITY DOORS			
DMDV	1	DR2121 ND	DR2121 ND
	1	DDF21	DDF21

DOOR DIMENSIONS		
Standard, Specialty (SD) & No-Drill (ND) Doors are the same dimension		
PART NAME	FULL OVERLAY	STANDARD OVERLAY
50" HIGH		
DR1250	11 9/16" x 49 1/4"	9 7/8" x 47 3/4"
DR1250 BUTT	11 23/32" x 49 1/4"	10 15/16" x 47 3/4"
DR1350 BUTT	13 7/32" x 49 1/4"	12 7/16" x 47 3/4"
DR1550	14 9/16" x 49 1/4"	12 7/8" x 47 3/4"
DR1550 BUTT	14 23/32" x 49 1/4"	13 15/16" x 47 3/4"
DR1650 BUTT	16 7/32" x 49 1/4"	15 7/16" x 47 3/4"
DR1850	17 9/16" x 49 1/4"	15 7/8" x 47 3/4"
DR1850 BUTT	17 23/32" x 49 1/4"	16 15/16" x 47 3/4"
DR2150	20 9/16" x 49 1/4"	18 7/8" x 47 3/4"
42" HIGH		
DR942	8 9/16" x 41 1/2"	6 7/8" x 40"
DR1242	11 9/16" x 41 1/2"	9 7/8" x 40"
DR1242 BUTT	11 23/32" x 41 1/2"	10 15/16" x 40"
DR1242 WER DRILL	10 3/4" x 41 1/2"	10" x 40"
DR1242 WER ND	10 3/4" x 41 1/2"	10" x 40"
DR1342 BUTT	13 7/32" x 41 1/2"	12 7/16" x 40"
DR1542	14 9/16" x 41 1/2"	12 7/8" x 40"
DR1542 BUTT	14 23/32" x 41 1/2"	13 15/16" x 40"
DR1642 BUTT	16 7/32" x 41 1/2"	15 7/16" x 40"
DR1842	17 9/16" x 41 1/2"	15 7/8" x 40"
DR1842 BUTT	17 23/32" x 41 1/2"	16 15/16" x 40"
DR1942	19 1/16" x 41 1/2"	17 3/8" x 40"
DR2142	20 9/16" x 41 1/2"	18 7/8" x 40"
39" HIGH		
DR939	8 9/16" x 38 1/2"	6 7/8" x 37"
DR1239	11 9/16" x 38 1/2"	9 7/8" x 37"
DR1239 BUTT	11 23/32" x 38 1/2"	10 15/16" x 37"
DR1239 WER DRILL	10 3/4" x 38 1/2"	10" x 37"
DR1239 WER ND	10 3/4" x 38 1/2"	10" x 37"
DR1339 BUTT	13 7/32" x 38 1/2"	12 7/16" x 37"
DR1539	14 9/16" x 38 1/2"	12 7/8" x 37"
DR1539 BUTT	14 23/32" x 38 1/2"	13 15/16" x 37"
DR1639 BUTT	16 7/32" x 38 1/2"	15 7/16" x 37"
DR1839	17 9/16" x 38 1/2"	15 7/8" x 37"
DR1839 BUTT	17 23/32" x 38 1/2"	16 15/16" x 37"
DR2139	20 9/16" x 38 1/2"	18 7/8" x 37"
36" HIGH		
DR936	8 9/16" x 35 1/2"	6 7/8" x 34"
DR1236	11 9/16" x 35 1/2"	9 7/8" x 34"
DR1236 BUTT	11 23/32" x 35 1/2"	10 15/16" x 34"
DR1236 WER DRILL	10 3/4" x 35 1/2"	10" x 34"
DR1236 WER ND	10 3/4" x 35 1/2"	10" x 34"
DR1336 BUTT	13 7/32" x 35 1/2"	12 7/16" x 34"
DR1536	14 9/16" x 35 1/2"	12 7/8" x 34"
DR1536 BUTT	14 23/32" x 35 1/2"	13 15/16" x 34"
DR1636 BUTT	16 7/32" x 35 1/2"	15 7/16" x 34"
DR1836	17 9/16" x 35 1/2"	15 7/8" x 34"
DR1836 BUTT	17 23/32" x 35 1/2"	16 15/16" x 34"
DR1936	19 1/16" x 35 1/2"	17 3/8" x 34"
DR2136	20 9/16" x 35 1/2"	18 7/8" x 34"

DOOR DIMENSIONS		
Standard, Specialty (SD) & No-Drill (ND) Doors are the same dimension		
PART NAME	FULL OVERLAY	STANDARD OVERLAY
30" HIGH		
DR930	8 9/16" x 29 1/2"	6 7/8" x 28"
DR930 BER DRILL	7 3/4" x 29 7/8"	7" x 28"
DR930 BER ND	7 3/4" x 29 7/8"	7" x 28"
DR1230	11 9/16" x 29 1/2"	9 7/8" x 28"
DR1230 BER DRILL	10 3/4" x 29 7/8"	10" x 28"
DR1230 BER ND	10 3/4" x 29 7/8"	10" x 28"
DR1230 BUTT	11 23/32" x 29 1/2"	10 15/16" x 28"
DR1230 WER DRILL	10 3/4" x 29 1/2"	10" x 28"
DR1230 WER ND	10 3/4" x 29 1/2"	10" x 28"
DR1330 BUTT	13 7/32" x 29 1/2"	12 7/16" x 28"
DR1530	14 9/16" x 29 1/2"	12 7/8" x 28"
DR1530 BUTT	14 23/32" x 29 1/2"	13 15/16" x 28"
DR1630 BUTT	16 7/32" x 29 1/2"	15 7/16" x 28"
DR1830	17 9/16" x 29 1/2"	15 7/8" x 28"
DR1830 BUTT	17 23/32" x 29 1/2"	16 15/16" x 28"
DR1930	19 1/16" x 29 1/2"	17 3/8" x 28"
DR2130	20 9/16" x 29 1/2"	18 7/8" x 28"
DR2430	23 9/16" x 29 1/2"	21 7/8" x 28"
27" HIGH		
DR1327 BUTT	13 7/32" x 26 1/2"	13 7/32" x 25"
DR1527 BUTT	14 23/32" x 26 1/2"	13 15/16" x 25"
DR1627 BUTT	16 7/32" x 26 1/2"	16 7/32" x 25"
24" HIGH		
DR1224	11 9/16" x 23 7/8"	9 7/8" x 22 3/8"
DR1224 BUTT	11 23/32" x 23 7/8"	10 15/16" x 22 3/8"
DR1324 BUTT	13 7/32" x 23 7/8"	12 7/16" x 22 3/8"
DR1524	14 9/16" x 23 7/8"	12 7/8" x 22 3/8"
DR1524 BUTT	14 23/32" x 23 7/8"	13 15/16" x 22 3/8"
DR1624 BUTT	16 7/32" x 23 7/8"	15 7/16" x 22 3/8"
DR1824	17 9/16" x 23 7/8"	15 7/8" x 22 3/8"
DR1824 BUTT	17 23/32" x 23 7/8"	16 15/16" x 22 3/8"
DR18.524 BUTT	18 7/32" x 23 7/8"	17 3/8" x 22 3/8"
DR1924	19 1/16" x 23 7/8"	17 3/8" x 22 3/8"
DR2124	20 9/16" x 23 7/8"	18 7/8" x 22 3/8"
DR2424	23 9/16" x 23 7/8"	21 7/8" x 22 3/8"
21" HIGH		
DR1221V	11 9/16" x 20"	9 7/8" x 18 1/2"
DR1221V BUTT	11 23/32" x 20"	10 15/16" x 18 1/2"
DR1321V BUTT	13 7/32" x 20"	12 7/16" x 18 1/2"
DR1521V	14 9/16" x 20"	12 7/8" x 18 1/2"
DR1521 BUTT	14 23/32" x 20"	13 15/16" x 18 1/2"
DR1521V BUTT	14 23/32" x 20"	13 15/16" x 18 1/2"
DR1621 BUTT	16 7/32" x 20"	15 7/16" x 18 1/2"
DR1621V BUTT	16 7/32" x 20"	15 7/16" x 18 1/2"
DR1821V	17 9/16" x 20"	15 7/8" x 18 1/2"
DR1821 BUTT	17 23/32" x 20"	16 15/16" x 18 1/2"
DR1821V BUTT	17 23/32" x 20"	16 15/16" x 18 1/2"
DR18.521 BUTT	18 7/32" x 20"	17 3/8" x 18 1/2"
DR1921	19 1/16" x 20"	17 3/8" x 18 1/2"
DR1921V	19 1/16" x 20"	17 3/8" x 18 1/2"
DR2121	20 9/16" x 20"	18 7/8" x 18 1/2"
DR2121V	20 9/16" x 20"	18 7/8" x 18 1/2"

DOOR DIMENSIONS		
Standard, Specialty (SD) & No-Drill (ND) Doors are the same dimension		
PART NAME	FULL OVERLAY	STANDARD OVERLAY
18" HIGH		
DR1218	11 9/16" x 17 1/2"	9 7/8" x 16"
DR1218 BUTT	11 23/32" x 17 1/2"	10 15/16" x 16"
DR1318 BUTT	13 7/32" x 17 1/2"	12 7/16" x 16"
DR1518	14 9/16" x 17 1/2"	12 7/8" x 16"
DR1518 BUTT	14 23/32" x 17 1/2"	13 15/16" x 16"
DR1618 BUTT	16 7/32" x 17 1/2"	15 7/16" x 16"
DR1818	17 9/16" x 17 1/2"	15 7/8" x 16"
DR1818 BUTT	17 23/32" x 17 1/2"	16 15/16" x 16"
DR18.518 BUTT	18 7/32" x 17 1/2"	17 3/8" x 16"
DR1918	19 1/16" x 17 1/2"	17 3/8" x 16"
DR2118	20 9/16" x 17 1/2"	18 7/8" x 16"
15" HIGH		
DR1215	11 9/16" x 14 1/2"	9 7/8" x 13"
DR1215 BUTT	11 23/32" x 14 1/2"	10 15/16" x 13"
DR1315 BUTT	13 7/32" x 14 1/2"	12 7/16" x 13"
DR1515	14 9/16" x 14 1/2"	12 7/8" x 13"
DR1515 BUTT	14 23/32" x 14 1/2"	13 15/16" x 13"
DR1615 BUTT	16 7/32" x 14 1/2"	15 7/16" x 13"
DR1815	17 9/16" x 14 1/2"	15 7/8" x 13"
DR1815 BUTT	17 23/32" x 14 1/2"	16 15/16" x 13"
DR18.515 BUTT	18 7/32" x 14 1/2"	17 3/8" x 13"
DR1915	19 1/16" x 14 1/2"	17 3/8" x 13"
DR2115	20 9/16" x 14 1/2"	18 7/8" x 13"
12" HIGH		
DR1212	11 9/16" x 11 1/2"	9 7/8" x 10"
DR1212 BUTT	11 23/32" x 11 1/2"	10 15/16" x 10"
DR1312 BUTT	13 7/32" x 11 1/2"	12 7/16" x 10"
DR1512	14 9/16" x 11 1/2"	12 7/8" x 10"
DR1512 BUTT	14 23/32" x 11 1/2"	13 15/16" x 10"
DR1612 BUTT	16 7/32" x 11 1/2"	15 7/16" x 10"
DR1812	17 9/16" x 11 1/2"	15 7/8" x 10"
DR1812 BUTT	17 23/32" x 11 1/2"	16 15/16" x 10"
DR18.512 BUTT	18 7/32" x 11 1/2"	17 3/8" x 10"
DR1912	19 1/16" x 11 1/2"	17 3/8" x 10"
DR2112	20 9/16" x 11 1/2"	18 7/8" x 10"
WALL TOP HINGE DOORS		
DR3015 WTH	29 1/2" x 14 9/16"	28" x 12 7/8"
DR3018 WTH	29 1/2" x 17 9/16"	28" x 15 7/8"
DR3615 WTH	35 1/2" x 14 9/16"	34" x 12 7/8"
DR3618 WTH	35 1/2" x 17 9/16"	34" x 15 7/8"
FULL-HEIGHT DOORS		
DR9FH	8 9/16" x 29 7/8"	-
DR12BUTT FH	11 23/32" x 29 7/8"	-
DR12FH	11 9/16" x 29 7/8"	-
DR13BUTT FH	13 7/32" x 29 7/8"	-
DR15BUTT FH	14 23/32" x 29 7/8"	-
DR15FH	14 9/16" x 29 7/8"	-
DR16BUTT FH	16 7/32" x 29 7/8"	-
DR18BUTT FH	17 23/32" x 29 7/8"	-
DR18FH	17 9/16" x 29 7/8"	-
DR21FH	20 9/16" x 29 7/8"	-
DR24FH	23 9/16" x 29 7/8"	-
DRCBS36	14 9/16" x 29 7/8"	12 7/8" x 28"

DOOR DIMENSIONS		
Standard, Specialty (SD) & No-Drill (ND) Doors are the same dimension		
PART NAME	FULL OVERLAY	STANDARD OVERLAY
MEDICINE CABINET DOORS		
DRMCM1530	14 9/16" x 29 1/2"	12 7/8" x 28"
MIRROR TV3030	8 13/16" x 26 1/2"	8 13/16" x 26 1/2"
MIRROR TV3630	10 13/16" x 26 1/2"	10 13/16" x 26 1/2"
DECORATOR DOORS		
DMDB	23 9/16" x 29 7/8"	21 7/8" x 28"
DMDBEA12	11 9/16" x 29 7/8"	9 7/8" x 28"
DMDD21	20 9/16" x 23 7/8"	18 7/8" x 22 3/8"
DMDD24	23 9/16" x 23 7/8"	21 7/8" x 22 3/8"
DMDW18	11 9/16" x 17 1/2"	9 7/8" x 16"
DMDW24	11 9/16" x 23 7/8"	9 7/8" x 22 3/8"
DMDW30	11 9/16" x 29 1/2"	9 7/8" x 28"
DMDW36	11 9/16" x 35 1/2"	9 7/8" x 34"
DMDW39	11 9/16" x 38 1/2"	9 7/8" x 37"
DMDW42	11 9/16" x 41 1/2"	9 7/8" x 40"
DMDV	20 9/16" x 20" 20 9/16" x 5 13/16"	18 7/8" x 17 7/8" 18 7/8" x 5 1/8"
DMDT8412	11 9/16" x 29 1/2" 11 9/16" x 49 1/4"	9 7/8" x 28" 9 7/8" x 47 3/4"
DMDT8424	11 9/16" x 29 1/2" 11 9/16" x 49 1/4"	9 7/8" x 28" 9 7/8" x 47 3/4"
DMDT9012	11 9/16" x 35 1/2" 11 9/16" x 49 1/4"	9 7/8" x 34" 9 7/8" x 47 3/4"
DMDT9024	11 9/16" x 35 1/2" 11 9/16" x 49 1/4"	9 7/8" x 34" 9 7/8" x 47 3/4"
DMDT9312	11 9/16" x 38 1/2" 11 9/16" x 49 1/4"	9 7/8" x 37" 9 7/8" x 47 3/4"
DMDT9324	11 9/16" x 38 1/2" 11 9/16" x 49 1/4"	9 7/8" x 37" 9 7/8" x 47 3/4"
DMDT9612	11 9/16" x 41 1/2" 11 9/16" x 49 1/4"	9 7/8" x 40" 9 7/8" x 47 3/4"
DMDT9624	11 9/16" x 41 1/2" 11 9/16" x 49 1/4"	9 7/8" x 40" 9 7/8" x 47 3/4"

DRAWER BODY DIMENSIONS	
PART NAME	DIMENSION (W X H X D)
STANDARD DRAWERS	
21" DEEP	
DRB12 X 21DP DT FG	8 1/16" x 3 1/2" x 21"
DRB15 X 21DP DT FG	11 1/16" x 3 1/2" x 21"
DRB18 X 21DP DT FG	14 1/16" x 3 1/2" x 21"
DRB19 X 21DP DT FG	15 9/16" x 3 1/2" x 21"
DRB21 X 21DP DT FG	17 1/16" x 3 1/2" x 21"
DRB24 X 21DP DT FG	20 1/16" x 3 1/2" x 21"
DRB27 X 21DP DT FG	23 1/16" x 3 1/2" x 21"
DRB30 X 21DP DT FG	26 1/16" x 3 1/2" x 21"
DRB33 X 21DP DT FG	29 1/16" x 3 1/2" x 21"
DRB36 X 21DP DT FG	32 1/16" x 3 1/2" x 21"
18" DEEP	
DRB10 X 18DP DT FG	7 1/16" x 3 1/2" x 18"
DRB12 X 18DP DT FG	8 1/16" x 3 1/2" x 18"
DRB15 X 18DP DT FG	11 1/16" x 3 1/2" x 18"
DRB18 X 18DP DT FG	14 1/16" x 3 1/2" x 18"
DRB19 X 18DP DT FG	15 9/16" x 3 1/2" x 18"
DRB21 X 18DP DT FG	17 1/16" x 3 1/2" x 18"
DRB24 X 18DP DT FG	20 1/16" x 3 1/2" x 18"
DRB27 X 18DP DT FG	23 1/16" x 3 1/2" x 18"
DRB30 X 18DP DT FG	26 1/16" x 3 1/2" x 18"
DRB33 X 18DP DT FG	29 1/16" x 3 1/2" x 18"
DRB36 X 18DP DT FG	32 1/16" x 3 1/2" x 18"
15" DEEP	
DRB10 X 15DP DT FG	7 1/16" x 3 1/2" x 15"
DRB12 X 15DP DT FG	8 1/16" x 3 1/2" x 15"
DRB15 X 15DP DT FG	11 1/16" x 3 1/2" x 15"
DRB18 X 15DP DT FG	14 1/16" x 3 1/2" x 15"
DRB19 X 15DP DT FG	15 9/16" x 3 1/2" x 15"
DRB21 X 15DP DT FG	17 1/16" x 3 1/2" x 15"
DRB24 X 15DP DT FG	20 1/16" x 3 1/2" x 15"
DRB27 X 15DP DT FG	23 1/16" x 3 1/2" x 15"
DRB30 X 15DP DT FG	26 1/16" x 3 1/2" x 15"
DRB33 X 15DP DT FG	29 1/16" x 3 1/2" x 15"
DRB36 X 15DP DT FG	32 1/16" x 3 1/2" x 15"
9" DEEP	
DRB10 X 9DP DT FG	7 1/16" x 3 1/2" x 9 7/16"
DRB12 X 9DP DT FG	8 1/16" x 3 1/2" x 9 7/16"
DRB15 X 9DP DT FG	11 1/16" x 3 1/2" x 9 7/16"
DRB18 X 9DP DT FG	14 1/16" x 3 1/2" x 9 7/16"
DRB19 X 9DP DT FG	15 9/16" x 3 1/2" x 9 7/16"
DRB21 X 9DP DT FG	17 1/16" x 3 1/2" x 9 7/16"
DRB24 X 9DP DT FG	20 1/16" x 3 1/2" x 9 7/16"
DRB27 X 9DP DT FG	23 1/16" x 3 1/2" x 9 7/16"
DRB30 X 9DP DT FG	26 1/16" x 3 1/2" x 9 7/16"
DRB33 X 9DP DT FG	29 1/16" x 3 1/2" x 9 7/16"
DRB36 X 9DP DT FG	32 1/16" x 3 1/2" x 9 7/16"

DRAWER BODY DIMENSIONS	
PART NAME	DIMENSION (W X H X D)
LARGE DRAWERS	
21" DEEP	
DRB12M X 21DP DT FG	8 1/16" x 7" x 21"
DRB15M X 21DP DT FG	11 1/16" x 7" x 21"
DRB18M X 21DP DT FG	14 1/16" x 7" x 21"
DRB21M X 21DP DT FG	17 1/16" x 7" x 21"
DRB24M X 21DP DT FG	20 1/16" x 7" x 21"
DRB27M X 21DP DT FG	23 1/16" x 7" x 21"
DRB30M X 21DP DT FG	26 1/16" x 7" x 21"
DRB33M X 21DP DT FG	29 1/16" x 7" x 21"
DRB36M X 21DP DT FG	32 1/16" x 7" x 21"
18" DEEP	
DRB12M X 18DP DT FG	8 1/16" x 7" x 18"
DRB15M X 18DP DT FG	11 1/16" x 7" x 18"
DRB18M X 18DP DT FG	14 1/16" x 7" x 18"
DRB21M X 18DP DT FG	17 1/16" x 7" x 18"
DRB24M X 18DP DT FG	20 1/16" x 7" x 18"
DRB27M X 18DP DT FG	23 1/16" x 7" x 18"
DRB30M X 18DP DT FG	26 1/16" x 7" x 18"
DRB33M X 18DP DT FG	29 1/16" x 7" x 18"
DRB36M X 18DP DT FG	32 1/16" x 7" x 18"
15" DEEP	
DRB12M X 15DP DT FG	8 1/16" x 7" x 15"
DRB15M X 15DP DT FG	11 1/16" x 7" x 15"
DRB18M X 15DP DT FG	14 1/16" x 7" x 15"
DRB21M X 15DP DT FG	17 1/16" x 7" x 15"
DRB24M X 15DP DT FG	20 1/16" x 7" x 15"
DRB27M X 15DP DT FG	23 1/16" x 7" x 15"
DRB30M X 15DP DT FG	26 1/16" x 7" x 15"
DRB33M X 15DP DT FG	29 1/16" x 7" x 15"
DRB36M X 15DP DT FG	32 1/16" x 7" x 15"
9" DEEP	
DRB12M X 9DP DT FG	8 1/16" x 7" x 9 7/16"
DRB15M X 9DP DT FG	11 1/16" x 7" x 9 7/16"
DRB18M X 9DP DT FG	14 1/16" x 7" x 9 7/16"
DRB21M X 9DP DT FG	17 1/16" x 7" x 9 7/16"
DRB24M X 9DP DT FG	20 1/16" x 7" x 9 7/16"
DRB27M X 9DP DT FG	23 1/16" x 7" x 9 7/16"
DRB30M X 9DP DT FG	26 1/16" x 7" x 9 7/16"
DRB33M X 9DP DT FG	29 1/16" x 7" x 9 7/16"
DRB36M X 9DP DT FG	32 1/16" x 7" x 9 7/16"

DRAWER BODY DIMENSIONS	
PART NAME	DIMENSION (W X H X D)
MISCELLANEOUS DRAWERS	
2 DRAWER BASE	
DRB21 HD X 21DPDTFG	17 1/32" x 7" x 21"
DRB24 HD X 21DPDTFG	20 1/32" x 7" x 21"
DRB27 HD X 21DPDTFG	23 1/32" x 7" x 21"
DRB30 HD X 21DPDTFG	26 1/32" x 7" x 21"
DRB33 HD X 21DPDTFG	29 1/32" x 7" x 21"
DRB36 HD X 21DPDTFG	32 1/32" x 7" x 21"
KNEEHOLE DRAWERS	
DRBKDC27X 15DP DT FG	16 23/32" x 2 11/32" x 15"
DRBKDC33X 15DP DT FG	22 23/32" x 2 11/32" x 15"
DRBKDC36X 15DP DT FG	28 23/32" x 2 11/32" x 15"
SPICE DRAWERS	
DRB6 BSDC6	4 29/32" x 4 3/4" x 22 15/16"
DRB6 SDC30	4 29/32" x 4 3/4" x 10 15/16"

DRAWER FRONT DIMENSIONS		
PART NAME	FULL OVERLAY	STANDARD OVERLAY
STANDARD DRAWER FRONT		
DDF12	11 9/16" x 5 13/16"	9 7/8" x 5 1/8"
DDF15	14 9/16" x 5 13/16"	12 7/8" x 5 1/8"
DDF18	17 9/16" x 5 13/16"	15 7/8" x 5 1/8"
DDF19	19 1/16" x 5 13/16"	17 3/8" x 5 1/8"
DDF21	20 9/16" x 5 13/16"	18 7/8" x 5 1/8"
DDF24	23 9/16" x 5 13/16"	21 7/8" x 5 1/8"
DDF27	26 9/16" x 5 13/16"	24 7/8" x 5 1/8"
DDF30	29 9/16" x 5 13/16"	27 7/8" x 5 1/8"
DDF33	32 9/16" x 5 13/16"	30 7/8" x 5 1/8"
DDF36	35 9/16" x 5 13/16"	33 7/8" x 5 1/8"
DDF18 DRILL	17 9/16" x 5 13/16"	15 7/8" x 5 1/8"
DDF19 DRILL	19 1/16" x 5 13/16"	17 3/8" x 5 1/8"
DDF21 DRILL	20 9/16" x 5 13/16"	18 7/8" x 5 1/8"
DDF24 DRILL	23 9/16" x 5 13/16"	21 7/8" x 5 1/8"
DDF27 DRILL	26 9/16" x 5 13/16"	24 7/8" x 5 1/8"
DDF30 DRILL	29 9/16" x 5 13/16"	27 7/8" x 5 1/8"
DDF33 DRILL	32 9/16" x 5 13/16"	30 7/8" x 5 1/8"
DDF36 DRILL	35 9/16" x 5 13/16"	33 7/8" x 5 1/8"
DDFOV27	26 9/16" x 7 7/16"	-
DDFOV30	29 9/16" x 7 7/16"	-
DDFOV33	32 9/16" x 7 7/16"	-
LARGE DRAWER FRONT		
DDF12D	-	9 7/8" x 10 13/16"
DDF12M	11 9/16" x 11 27/32"	-
DDF12VD	11 9/16" x 13 3/8"	-
DDF15D	-	12 7/8" x 10 13/16"
DDF15M	14 9/16" x 11 27/32"	-
DDF15VD	14 9/16" x 13 3/8"	-
DDF18D	-	15 7/8" x 10 13/16"
DDF18M	17 9/16" x 11 27/32"	-
DDF18VD	17 9/16" x 13 3/8"	-
DDF21D	-	18 7/8" x 10 13/16"
DDF21M	20 9/16" x 11 27/32"	-
DDF21VD	20 9/16" x 13 3/8"	-
DDF24D	-	21 7/8" x 10 13/16"
DDF24M	23 9/16" x 11 27/32"	-
DDF24VD	23 9/16" x 13 3/8"	-
DDF27D	-	24 7/8" x 10 13/16"
DDF27M	26 9/16" x 11 27/32"	-
DDF30D	-	27 7/8" x 10 13/16"
DDF30M	29 9/16" x 11 27/32"	-
DDF33D	-	30 7/8" x 10 13/16"
DDF33M	32 9/16" x 11 27/32"	-
DDF36D	-	33 7/8" x 10 13/16"
DDF36M	35 9/16" x 11 27/32"	-
2DB DRAWER FRONT		
DDF21 2DB	20 9/16" x 14 27/32"	18 7/8" x 13 3/16"
DDF24 2DB	23 9/16" x 14 27/32"	21 7/8" x 13 3/16"
DDF27 2DB	26 9/16" x 14 27/32"	24 7/8" x 13 3/16"
DDF30 2DB	29 9/16" x 14 27/32"	27 7/8" x 13 3/16"
DDF33 2DB	32 9/16" x 14 27/32"	30 7/8" x 13 3/16"
DDF36 2DB	35 9/16" x 14 27/32"	33 7/8" x 13 3/16"
MISCELLANEOUS DRAWER FRONT		
DDFKDC27/21	20 9/16" x 4 7/16"	18 7/8" x 3 3/4"
DDFKDC33/27	26 9/16" x 4 7/16"	24 7/8" x 3 3/4"
DDFKDC36/33	32 9/16" x 4 7/16"	30 7/8" x 3 3/4"
DDF SDC	5 11/16" x 5 1/2" x 1/2"	5 11/16" x 5 1/2" x 1/2"

ROLL-OUT ACCESSORY DIMENSIONS	
PART NAME	DIMENSION
DEEP ROLL-OUT TRAYS	
DROTCC12	7 3/4" x 21" x 3 1/2"
DROTCC15	10 3/4" x 21" x 3 1/2"
DROTCC18	13 3/4" x 21" x 3 1/2"
DROTCC21	16 3/4" x 21" x 3 1/2"
DROTCC24	19 3/4" x 21" x 3 1/2"
DROTCC27	22 3/4" x 21" x 3 1/2"
DROTCC30	25 3/4" x 21" x 3 1/2"
DROTCC33	28 3/4" x 21" x 3 1/2"
DROTCC36	31 3/4" x 21" x 3 1/2"
DROTCC1221	7 3/4" x 18" x 3 1/2"
DROTCC1521	10 3/4" x 18" x 3 1/2"
DROTCC1821	13 3/4" x 18" x 3 1/2"
DROTCC2421	19 3/4" x 18" x 3 1/2"
BASE POT & PAN ORGANIZERS	
BPPOKCC24	19 3/4" x 19" x 21"
BPPOKCC27	22 3/4" x 19" x 21"
BPPOKCC30	25 3/4" x 19" x 21"
BPPOKCC33	28 3/4" x 19" x 21"
BPPOKCC36	31 3/4" x 19" x 21"
ROLL-OUT TRAY DIVIDERS	
ROTDKCC12	7 3/4" x 21"
ROTDKCC15	10 3/4" x 21"

DECORATIVE GLASS INSERT DIMENSIONS

PART NAME	660, 580, 540, 470, 460, 410, D18, D16	750, 720, 570	650, 530, DT24, DT22, D12	330, DS04, DS02
12" WIDE				
DGI-1212	8" x 7 15/16"	6 5/16" x 6 3/8"	6 5/16" x 6 3/8"	6 5/16" x 6 3/8"
DGI-1212 BUTT	8" x 7 15/16"	6 9/16" x 6 3/8"	6 5/16" x 6 3/8"	7 3/8" x 6 3/8"
DGI-1215	8" x 10 15/16"	6 5/16" x 9 3/8"	6 5/16" x 9 3/8"	6 5/16" x 9 3/8"
DGI-1215 BUTT	8" x 10 15/16"	6 9/16" x 9 3/8"	6 5/16" x 9 3/8"	7 3/8" x 9 3/8"
DGI-1218	8" x 13 15/16"	6 5/16" x 12 3/8"	6 5/16" x 12 3/8"	6 5/16" x 12 3/8"
DGI-1218 BUTT	8" x 13 15/16"	6 9/16" x 12 3/8"	6 5/16" x 12 3/8"	7 3/8" x 12 3/8"
DGI-1224	8" x 20 5/16"	6 5/16" x 18 3/4"	6 5/16" x 18 3/4"	6 5/16" x 18 3/4"
DGI-1224 BUTT	8" x 20 5/16"	6 9/16" x 18 3/4"	6 5/16" x 18 3/4"	7 3/8" x 18 3/4"
DGI-1230	8" x 25 15/16"	6 5/16" x 24 3/8"	6 5/16" x 24 3/8"	6 5/16" x 24 3/8"
DGI-1230 BUTT	8" x 25 15/16"	6 9/16" x 24 3/8"	6 5/16" x 24 3/8"	7 3/8" x 24 3/8"
DGI-1236	8" x 31 15/16"	6 5/16" x 30 3/8"	6 5/16" x 30 3/8"	6 5/16" x 30 3/8"
DGI-1236 BUTT	8" x 31 15/16"	6 9/16" x 30 3/8"	6 5/16" x 30 3/8"	7 3/8" x 30 3/8"
DGI-1239	8" x 34 15/16"	6 5/16" x 33 3/8"	6 5/16" x 33 3/8"	6 5/16" x 33 3/8"
DGI-1239 BUTT	8" x 34 15/16"	6 9/16" x 33 3/8"	6 5/16" x 33 3/8"	7 3/8" x 33 3/8"
DGI-1242	8" x 37 15/16"	6 5/16" x 36 3/8"	6 5/16" x 36 3/8"	6 5/16" x 36 3/8"
DGI-1242 BUTT	8" x 37 15/16"	6 9/16" x 36 3/8"	6 5/16" x 36 3/8"	7 3/8" x 36 3/8"
13" WIDE				
DGI-1312 BUTT	9 1/2" x 7 15/16"	8 1/16" x 6 3/8"	7 13/16" x 6 3/8"	8 7/8" x 6 3/8"
DGI-1315 BUTT	9 1/2" x 10 15/16"	8 1/16" x 9 3/8"	7 13/16" x 9 3/8"	8 7/8" x 9 3/8"
DGI-1318 BUTT	9 1/2" x 13 15/16"	8 1/16" x 12 3/8"	7 13/16" x 12 3/8"	8 7/8" x 12 3/8"
DGI-1324 BUTT	9 1/2" x 20 5/16"	8 1/16" x 18 3/4"	7 13/16" x 18 3/4"	8 7/8" x 18 3/4"
DGI-1330 BUTT	9 1/2" x 25 15/16"	8 1/16" x 24 3/8"	7 13/16" x 24 3/8"	8 7/8" x 24 3/8"
DGI-1336 BUTT	9 1/2" x 31 15/16"	8 1/16" x 30 3/8"	7 13/16" x 30 3/8"	8 7/8" x 30 3/8"
DGI-1339 BUTT	9 1/2" x 34 15/16"	8 1/16" x 33 3/8"	7 13/16" x 33 3/8"	8 7/8" x 33 3/8"
DGI-1342 BUTT	9 1/2" x 37 15/16"	8 1/16" x 36 3/8"	7 13/16" x 36 3/8"	8 7/8" x 36 3/8"
15" WIDE				
DGI-1512	11" x 7 15/16"	9 5/16" x 6 3/8"	9 5/16" x 6 3/8"	9 5/16" x 6 3/8"
DGI-1512 BUTT	11" x 7 15/16"	9 9/16" x 6 3/8"	9 5/16" x 6 3/8"	10 3/8" x 6 3/8"
DGI-1515	11" x 10 15/16"	9 5/16" x 9 3/8"	9 5/16" x 9 3/8"	9 5/16" x 9 3/8"
DGI-1515 BUTT	11" x 10 15/16"	9 9/16" x 9 3/8"	9 5/16" x 9 3/8"	10 3/8" x 9 3/8"
DGI-1518	11" x 13 15/16"	9 5/16" x 12 3/8"	9 5/16" x 12 3/8"	9 5/16" x 12 3/8"
DGI-1518 BUTT	11" x 13 15/16"	9 9/16" x 12 3/8"	9 5/16" x 12 3/8"	10 3/8" x 12 3/8"
DGI-1521 BUTT	11" x 16 7/16"	9 9/16" x 14 7/8"	9 5/16" x 14 7/8"	10 3/8" x 14 7/8"
DGI-1524	11" x 20 5/16"	9 5/16" x 18 3/4"	9 5/16" x 18 3/4"	9 5/16" x 18 3/4"
DGI-1524 BUTT	11" x 20 5/16"	9 9/16" x 18 3/4"	9 5/16" x 18 3/4"	10 3/8" x 18 3/4"
DGI-1527 BUTT	11" x 22 15/16"	9 9/16" x 21 3/8"	9 5/16" x 21 3/8"	10 3/8" x 21 3/8"
DGI-1530	11" x 25 15/16"	9 5/16" x 24 3/8"	9 5/16" x 24 3/8"	9 5/16" x 24 3/8"
DGI-1530 BUTT	11" x 25 15/16"	9 9/16" x 24 3/8"	9 5/16" x 24 3/8"	10 3/8" x 24 3/8"
DGI-1536	11" x 31 15/16"	9 5/16" x 30 3/8"	9 5/16" x 30 3/8"	9 5/16" x 30 3/8"
DGI-1536 BUTT	11" x 31 15/16"	9 9/16" x 30 3/8"	9 5/16" x 30 3/8"	10 3/8" x 30 3/8"
DGI-1539	11" x 34 15/16"	9 5/16" x 33 3/8"	9 5/16" x 33 3/8"	9 5/16" x 33 3/8"
DGI-1539 BUTT	11" x 34 15/16"	9 9/16" x 33 3/8"	9 5/16" x 33 3/8"	10 3/8" x 33 3/8"
DGI-1542	11" x 37 15/16"	9 5/16" x 36 3/8"	9 5/16" x 36 3/8"	9 5/16" x 36 3/8"
DGI-1542 BUTT	11" x 37 15/16"	9 9/16" x 36 3/8"	9 5/16" x 36 3/8"	10 3/8" x 36 3/8"
16" WIDE				
DGI-1612 BUTT	12 1/2" x 7 15/16"	11 1/16" x 6 3/8"	10 13/16" x 6 3/8"	11 7/8" x 6 3/8"
DGI-1615 BUTT	12 1/2" x 10 15/16"	11 1/16" x 9 3/8"	10 13/16" x 9 3/8"	11 7/8" x 9 3/8"
DGI-1618 BUTT	12 1/2" x 13 15/16"	11 1/16" x 12 3/8"	10 13/16" x 12 3/8"	11 7/8" x 12 3/8"
DGI-1621 BUTT	12 1/2" x 16 7/16"	11 1/16" x 14 7/8"	10 13/16" x 14 7/8"	11 7/8" x 14 7/8"
DGI-1624 BUTT	12 1/2" x 20 5/16"	11 1/16" x 18 3/4"	10 13/16" x 18 3/4"	11 7/8" x 18 3/4"
DGI-1630 BUTT	12 1/2" x 25 15/16"	11 1/16" x 24 3/8"	10 13/16" x 24 3/8"	11 7/8" x 24 3/8"
DGI-1636 BUTT	12 1/2" x 31 15/16"	11 1/16" x 30 3/8"	10 13/16" x 30 3/8"	11 7/8" x 30 3/8"
DGI-1639 BUTT	12 1/2" x 34 15/16"	11 1/16" x 33 3/8"	10 13/16" x 33 3/8"	11 7/8" x 33 3/8"
DGI-1642 BUTT	12 1/2" x 37 15/16"	11 1/16" x 36 3/8"	10 13/16" x 36 3/8"	11 7/8" x 36 3/8"

DECORATIVE GLASS INSERT DIMENSIONS

PART NAME	660, 580, 540, 470, 460, 410, D18, D16	750, 720, 570	650, 530, DT24, DT22, D12	330, DS04, DS02
18" WIDE				
DGI-1812	14" x 7 15/16"	12 5/16" x 6 3/8"	12 5/16" x 6 3/8"	12 5/16" x 6 3/8"
DGI-1812 BUTT	14" x 7 15/16"	12 9/16" x 6 3/8"	12 5/16" x 6 3/8"	13 3/8" x 6 3/8"
DGI-1815	14" x 10 15/16"	12 5/16" x 9 3/8"	12 5/16" x 9 3/8"	12 5/16" x 9 3/8"
DGI-1815 BUTT	14" x 10 15/16"	12 9/16" x 9 3/8"	12 5/16" x 9 3/8"	13 3/8" x 9 3/8"
DGI-1818	14" x 13 15/16"	12 5/16" x 12 3/8"	12 5/16" x 12 3/8"	12 5/16" x 12 3/8"
DGI-1818 BUTT	14" x 13 15/16"	12 9/16" x 12 3/8"	12 5/16" x 12 3/8"	13 3/8" x 12 3/8"
DGI-1821 BUTT	14" x 16 7/16"	12 9/16" x 14 7/8"	12 5/16" x 14 7/8"	13 3/8" x 14 7/8"
DGI-1824	14" x 20 5/16"	12 5/16" x 18 3/4"	12 5/16" x 18 3/4"	12 5/16" x 18 3/4"
DGI-1824 BUTT	14" x 20 5/16"	12 9/16" x 18 3/4"	12 5/16" x 18 3/4"	13 3/8" x 18 3/4"
DGI-1830	14" x 25 15/16"	12 5/16" x 24 3/8"	12 5/16" x 24 3/8"	12 5/16" x 24 3/8"
DGI-1830 BUTT	14" x 25 15/16"	12 9/16" x 24 3/8"	12 5/16" x 24 3/8"	13 3/8" x 24 3/8"
DGI-1836	14" x 31 15/16"	12 5/16" x 30 3/8"	12 5/16" x 30 3/8"	12 5/16" x 30 3/8"
DGI-1836 BUTT	14" x 31 15/16"	12 9/16" x 30 3/8"	12 5/16" x 30 3/8"	13 3/8" x 30 3/8"
DGI-1839	14" x 34 15/16"	12 5/16" x 33 3/8"	12 5/16" x 33 3/8"	12 5/16" x 33 3/8"
DGI-1839 BUTT	14" x 34 15/16"	12 9/16" x 33 3/8"	12 5/16" x 33 3/8"	13 3/8" x 33 3/8"
DGI-1842	14" x 37 15/16"	12 5/16" x 36 3/8"	12 5/16" x 36 3/8"	12 5/16" x 36 3/8"
DGI-1842 BUTT	14" x 37 15/16"	12 9/16" x 36 3/8"	12 5/16" x 36 3/8"	13 3/8" x 36 3/8"
18 1/2" WIDE				
DGI-18.512 BUTT	14 1/2" x 7 15/16"	13 1/16" x 6 3/8"	13 1/16" x 6 3/8"	13 13/16" x 6 3/8"
DGI-18.515 BUTT	14 1/2" x 10 15/16"	13 1/16" x 9 3/8"	13 1/16" x 9 3/8"	13 13/16" x 9 3/8"
DGI-18.518 BUTT	14 1/2" x 13 15/16"	13 1/16" x 12 3/8"	13 1/16" x 12 3/8"	13 13/16" x 12 3/8"
DGI-18.521 BUTT	14 1/2" x 16 7/16"	13 1/16" x 14 7/8"	13 1/16" x 14 7/8"	13 13/16" x 14 7/8"
DGI-18.524 BUTT	14 1/2" x 20 5/16"	13 1/16" x 18 3/4"	13 1/16" x 18 3/4"	13 13/16" x 18 3/4"
19" WIDE				
DGI-1912	15 1/2" x 7 15/16"	13 13/16" x 6 3/8"	13 13/16" x 6 3/8"	13 13/16" x 6 3/8"
DGI-1915	15 1/2" x 10 15/16"	13 13/16" x 9 3/8"	13 13/16" x 9 3/8"	13 13/16" x 9 3/8"
DGI-1918	15 1/2" x 13 15/16"	13 13/16" x 12 3/8"	13 13/16" x 12 3/8"	13 13/16" x 12 3/8"
DGI-1921	15 1/2" x 16 7/16"	13 13/16" x 14 7/8"	13 13/16" x 14 7/8"	13 13/16" x 14 7/8"
DGI-1924	15 1/2" x 20 5/16"	13 13/16" x 18 3/4"	13 13/16" x 18 3/4"	13 13/16" x 18 3/4"
DGI-1930	15 1/2" x 25 15/16"	13 13/16" x 24 3/8"	13 13/16" x 24 3/8"	13 13/16" x 24 3/8"
DGI-1936	15 1/2" x 31 15/16"	13 13/16" x 30 3/8"	13 13/16" x 30 3/8"	13 13/16" x 30 3/8"
DGI-1942	15 1/2" x 37 15/16"	13 13/16" x 36 3/8"	13 13/16" x 36 3/8"	13 13/16" x 36 3/8"
21" WIDE				
DGI-2112	17" x 7 15/16"	15 5/16" x 6 3/8"	15 5/16" x 6 3/8"	15 5/16" x 6 3/8"
DGI-2115	17" x 10 15/16"	15 5/16" x 9 3/8"	15 5/16" x 9 3/8"	15 5/16" x 9 3/8"
DGI-2118	17" x 13 15/16"	15 5/16" x 12 3/8"	15 5/16" x 12 3/8"	15 5/16" x 12 3/8"
DGI-2124	17" x 20 5/16"	15 5/16" x 18 3/4"	15 5/16" x 18 3/4"	15 5/16" x 18 3/4"
DGI-2130	17" x 25 15/16"	15 5/16" x 24 3/8"	15 5/16" x 24 3/8"	15 5/16" x 24 3/8"
DGI-2136	17" x 31 15/16"	15 5/16" x 30 3/8"	15 5/16" x 30 3/8"	15 5/16" x 30 3/8"
DGI-2139	17" x 34 15/16"	15 5/16" x 33 3/8"	15 5/16" x 33 3/8"	15 5/16" x 33 3/8"
DGI-2142	17" x 37 15/16"	15 5/16" x 36 3/8"	15 5/16" x 36 3/8"	15 5/16" x 36 3/8"

SHELF DIMENSIONS	
PART NAME	DIMENSION
12" DEEP	
9" SHELF 3/4	7 1/4" x 10 1/4" x 3/4"
12" SHELF 3/4	10 1/4" x 10 1/4" x 3/4"
15" SHELF 3/4	13 1/4" x 10 1/4" x 3/4"
18" SHELF 3/4	16 1/4" x 10 1/4" x 3/4"
21" SHELF 3/4	19 1/4" x 10 1/4" x 3/4"
24" SHELF 3/4	22 1/4" x 10 1/4" x 3/4"
27" SHELF 3/4	25 1/4" x 10 1/4" x 3/4"
30" SHELF 3/4	28 1/4" x 10 1/4" x 3/4"
33" SHELF 3/4	31 1/4" x 10 1/4" x 3/4"
36" SHELF 3/4	34 1/4" x 10 1/4" x 3/4"
39" SHELF 3/4	37 1/4" x 10 1/4" x 3/4"
42" SHELF 3/4	40 1/4" x 10 1/4" x 3/4"
45" SHELF 3/4	43 1/4" x 10 1/4" x 3/4"
48" SHELF 3/4	46 1/4" x 10 1/4" x 3/4"
21" DEEP	
12" SHELF 21DP 3/4	10 3/16" x 18 7/8" x 3/4"
15" SHELF 21DP 3/4	13 3/16" x 18 7/8" x 3/4"
18" SHELF 21DP 3/4	16 3/16" x 18 7/8" x 3/4"
21" SHELF 21DP 3/4	19 3/16" x 18 7/8" x 3/4"
24" SHELF 21DP 3/4	22 3/16" x 18 7/8" x 3/4"
24" DEEP	
9" SHELF 24DP 3/4	7 3/16" x 22 1/8" x 3/4"
12" SHELF 24DP 3/4	10 3/16" x 22 1/8" x 3/4"
15" SHELF 24DP 3/4	13 3/16" x 22 1/8" x 3/4"
18" SHELF 24DP 3/4	16 3/16" x 22 1/8" x 3/4"
21" SHELF 24DP 3/4	19 3/16" x 22 1/8" x 3/4"
24" SHELF 24DP 3/4	22 3/16" x 22 1/8" x 3/4"
27" SHELF 24DP 3/4	25 3/16" x 22 1/8" x 3/4"
30" SHELF 24DP 3/4	28 3/16" x 22 1/8" x 3/4"
33" SHELF 24DP 3/4	31 3/16" x 22 1/8" x 3/4"
36" SHELF 24DP 3/4	34 3/16" x 22 1/8" x 3/4"
39" SHELF 24DP 3/4	35 3/16" x 22 1/8" x 3/4"
37" SHELF 24DP 3/4	37 3/16" x 22 1/8" x 3/4"
42" SHELF 24DP 3/4	40 3/16" x 22 1/8" x 3/4"
45" SHELF 24DP 3/4	43 3/16" x 22 1/8" x 3/4"
48" SHELF 24DP 3/4	46 3/16" x 22 1/8" x 3/4"

SHELF DIMENSIONS	
PART NAME	DIMENSION
PENINSULA BASE SHELVES	
12" SHELF PB 3/4	10 3/16" x 22 1/8" x 3/4"
18" SHELF PB 3/4	16 3/16" x 22 1/8" x 3/4"
24" SHELF PB 3/4	22 3/16" x 22 1/8" x 3/4"
24" SHELF PB 3/4	22 3/16" x 22 1/8" x 3/4"
30" SHELF PB 3/4	28 3/16" x 22 1/8" x 3/4"
36" SHELF PB 3/4	34 3/16" x 22 1/8" x 3/4"
42" SHELF PB 3/4	40 3/16" x 22 1/8" x 3/4"
TALL CABINET SHELVES	
S1212	10 1/4" x 10 1/4" x 3/4"
S1512	13 1/4" x 10 1/4" x 3/4"
S1812	16 1/4" x 10 1/4" x 3/4"
S2112	19 1/4" x 10 1/4" x 3/4"
S2412	22 1/4" x 10 1/4" x 3/4"
S3612	34 1/4" x 10 1/4" x 3/4"
S1221	10 3/16" x 18 7/8" x 3/4"
S1521	13 3/16" x 18 7/8" x 3/4"
S1821	16 3/16" x 18 7/8" x 3/4"
S2421	22 3/16" x 18 7/8" x 3/4"
S1224	10 3/16" x 22 1/8" x 3/4"
S1524	13 3/16" x 22 1/8" x 3/4"
S1824	16 3/16" x 22 1/8" x 3/4"
S2124	19 3/16" x 22 1/8" x 3/4"
S2424	22 3/16" x 22 1/8" x 3/4"
S2724	25 3/16" x 22 1/8" x 3/4"
S3024	28 3/16" x 22 1/8" x 3/4"
S3324	31 3/16" x 22 1/8" x 3/4"
S3624	34 3/16" x 22 1/8" x 3/4"
MISCELLANEOUS SHELVES	
BS18 SHELF_PK	16 1/4" x 10 1/4" x 23/32"
BS24 SHELF_PK	22 1/4" x 10 1/4" x 23/32"
BS30 SHELF_PK	28 1/4" x 10 1/4" x 23/32"
BS36 SHELF_PK	34 1/4" x 10 1/4" x 23/32"
TV30 SHELF 9	8 7/8" x 3" x 1/2"
TV30 SHELF 18	17 9/32" x 3" x 1/2"
TV36 SHELF 11	10 7/8" x 3" x 1/2"
TV36 SHELF 22	21 9/32" x 3" x 1/2"
WMSC2718 TOP SHELF	25 1/4" x 16 1/4" x 3/4"

HINGES	
PART NAME	DESCRIPTION
HINGE TILT OUT 45	Hinge for factory installed tilt out tray
HINGE FOL CC6WY 45	6-Way Adjustable CushionClose Hinge for 750 and 660 door styles
HINGE FOL CC6WY 45DP	6-Way Adjustable CushionClose Hinge for 720, 650, 570, 540, 530, DT24, DT22, 470, 460, 410, D16 and D12 door styles
HINGE FOL CC6WY SAL	6-Way Adjustable CushionClose Hinge for 580 and D18 door styles
HINGE SOL CC6WY 45	6-Way Adjustable CushionClose Hinge for DS04, DS02 and 330 door styles
HINGE CCFACEMOUNT 45	Hinge with CushionClose for full and standard overlay facemount oven applications
HINGE CC ANG RES CLP	Door Opening Angle Restriction Clip to 86 Degrees - for use on all Integrated CushionClose Hinges, excluding HINGE FOL CC6WY SAL (10 per pack)
HINGE CC RES CLP SAL	Door Opening Angle Restriction Clip to 86 Degrees - for use on HINGE FOL CC6WY SAL Hinges Only (10 per pack)
HINGE SPACER SHIM	Spacer shim installed between the hinge and face frame, adds inward left/right adjustment
HINGE 170 FRAMED	Door-to-Frame hinge for BER, BSS, CAR and WER cabinet
HINGE ER	Door-to-Door hinge for BER, BSS, CAR or WER cabinet
HINGE KIT TRI-VIEW	Hinge Kit for Tri-View Mirror

GLIDES FOR 24" DEEP BASE, 24" DEEP DESK OR DEEP ROLL OUT TRAYS	
PART NAME	DESCRIPTION
GLIDE FX CCL24	Left Full-Extension CushionClose® Drawer Glide
GLIDE FX CCR24	Right Full-Extension CushionClose® Drawer Glide
GLIDE HD CCL24	Left Full-Extension CushionClose® Glide for 2 Drawer Base
GLIDE HD CCR24	Right Full-Extension CushionClose® Glide for 2 Drawer Base
GLIDE WB CCL24	Left Full-Extension CushionClose® Glide for Wastebasket Cabinets
GLIDE WB CCR24	Right Full-Extension CushionClose® Glide for Wastebasket Cabinets
GLIDE DROTCCCL24	Left Full-Access CushionClose® Deep Roll Out Tray Glide
GLIDE DROTCCR24	Right Full-Access CushionClose® Deep Roll Out Tray Glide

GLIDES FOR 21" DEEP VANITY, 21" DEEP DESK OR VANITY LINEN	
PART NAME	DESCRIPTION
GLIDE HD CCL21	Left Full-Extension CushionClose® Glide for RD 2DB's
GLIDE HD CCR21	Right Full-Extension CushionClose® Glide for RD 2DB's
GLIDE WB CCL21	Left Full-Extension CushionClose® Glide for 21" Deep Desk/Vanity Wastebasket Cabinets
GLIDE WB CCR21	Right Full-Extension CushionClose® Glide for 21" Deep Desk/Vanity Wastebasket Cabinets
GLIDE FX CCL21	Left Full-Extension CushionClose® Drawer Glide for 21" Deep Vanity/Desk
GLIDE FX CCR21	Right Full-Extension CushionClose® Drawer Glide for 21" Deep Vanity/Desk
GLIDE DROTCCCLVLC	Left Full-Access CushionClose® Vanity Linen Deep Roll Out Tray Glide
GLIDE DROTCCRVLC	Right Full-Access CushionClose® Vanity Linen Deep Roll Out Tray Glide

GLIDES FOR 18" DEEP VANITY OR KNEEHOLE DRAWER CABINET	
PART NAME	DESCRIPTION
GLIDE FX CCL18	Left Full-Extension CushionClose® Drawer Glide for 18" Deep Vanity/Kneehole Drawer
GLIDE FX CCR18	Right Full-Extension CushionClose® Drawer Glide for 18" Deep Vanity/Kneeholde Drawer

SCREWS	
PART NAME	DESCRIPTION
SCREW BRACKET DDF	Screw to attach DDF BRACKET _OL L Bracket to drawer fronts (2 per bracket)
SCREW BRACKET DRB	Screw to attach DDF BRACKET _OL L Bracket to drawer bodies (2 per bracket)
SCREW DDF	Drawer front installation screw
SCREW DDF 5PC	Screw for 5-piece drawer fronts
SCREW DDF SDC	SDC drawer front installation screw
SCREW KDC FG	Screw for KDC spacer
SCREW BOLT EXT RD FG	Bolt for RD extender
SCREW NUT EXT RD FG	Nut for RD extender
SCREW HINGE/DR	Hinge-to-door screw
SCREW HINGE/FR	Hinge-to-frame screw
SCREW GLIDE CC	Attach glide to front frame (1 per glide)

RANGE HOOD LINERS	
PART NAME	DESCRIPTION
RHLINER 36S	36" Liner for Straight Valance, Raised Panel, Artisan, Shiplap Box, Modern Box and Sloped Range Hoods
RHLINER 42S	42" Liner for Straight Valance, Raised Panel, Artisan, Shiplap Box, Modern Box and Sloped Range Hoods
RHLINER 48S	48" Liner for Straight Valance, Raised Panel, Shiplap Box and Modern Box Range Hoods
RHLINER 30	30" Liner for Classic Tapered, Decorative Mantel, Straight Valance and Raised Panel Wall Range Hoods
RHLINER 36	36" Liner for Classic Tapered, Decorative Mantel, Straight Valance and Raised Panel Wall Range Hoods
RHLINER 42	42" Liner for Decorative Mantel Wall Range Hood
RHLINER 36S SL1	36" Liner for Straight Valance, Raised Panel, Artisan, Shiplap Box, Modern Box and Sloped Range Hoods (for use with RHVENT 960)
RHLINER 42S SL1	42" Liner for Straight Valance, Raised Panel, Artisan, Shiplap Box, Modern Box and Sloped Range Hoods (for use with RHVENT 960)
RHLINER 48S SL1	48" Liner for Straight Valance, Raised Panel, Shiplap Box and Modern Box Range Hoods (for use with RHVENT 960)

CLIPS / BRACKETS	
PART NAME	DESCRIPTION
BRACKET GL B DROTUNI	Back bracket for GLIDE DROTCC__24
BRACKETDROT FRT MTL	Front glide bracket for DROTCC, BPPOKCC or ROTDKCC
BRACKET GL UD RDL FG	Left back bracket for any upper drawer(s) that uses the GLIDE FX CCL__ W/EXT (excluding PB, PBC, 2DB)
BRACKET GL UD RDR FG	Right back bracket for any upper drawer(s) that uses the GLIDE FX CCR__ W/EXT (excluding PB, PBC, 2DB)
BRACKET GL BD RDL FG	Left back bracket for any bottom drawer that uses the GLIDE FX CCL__ W/EXT (excluding PB, PBC, 2DB)
BRACKET GL BD RDR FG	Right back bracket for any bottom drawer that uses the GLIDE FX CCR__ W/EXT (excluding PB, PBC, 2DB)
BRACKET GL BD UNI FG	Left/Right back bracket for any bottom drawer that use the GLIDE FX CC__ (excluding PB, PBC, 2DB)
BRACKET GL UD UNI FG	Left/Right back bracket for any upper drawer(s) that use the GLIDE FX CC__ (excluding PB, PBC, 2DB)
BRACKET GL HD BOT	Back bracket for 2 Drawer Base
BRACKET GLIDE WB BOT	Back bracket for Wastebasket cabinets
BRACKET GL PB L FG	Left back bracket for Peninsula Base cabinets for all depths
BRACKET GL PB R FG	Right back bracket for Peninsula Base cabinets for all depths
BRACKET GL PBC L FG	Left back bracket for Peninsula Base Corner cabinets for all depths
BRACKET GL PBC R FG	Right back bracket for Peninsula Base Corner cabinets for all depths
CLIP DDF	Clip for DDF FASTENER
CLIP LOCK 3/4 4 PK	Package of four locking shelf rests for Base and Tall cabinet shelves
CLIP MIRROR MCM FOL	Clip for Full Overlay MCM1530 mirror
CLIP MIRROR MCM SOL	Clip for Standard Overlay MCM1530 mirror
CLIP MIRROR TRIVIEW	Clip for TV3030/TV3630 Tri-View mirror
CLIP PILASTER	Shelf Rest for PSK36 Shelf and Pilaster Kit
CLIP REAR SHELF	Middle shelf rest for 30" or wider Wall cabinet shelf
CLIP SHELF NP SPIN	Locking shelf clip for NP Spin Units - Base (4 required) - Wall (5 required)
CLIP HD DRB BACK L	Left drawer body back bracket for 2 Drawer Base
CLIP HD DRB BACK R	Right drawer body back bracket for 2 Drawer Base
DDF BRACKET FOL	Drawer front attachment bracket for 570F, 540, DT24, D18, D16 and all FOL Wastebasket and Desk File Pull-Out cabinet doors
DDF BRACKET CCAP FOL	Cover cap for DDF attachment bracket for 570F, 540, DT24, D18, D16 and all FOL Wastebasket and Desk File Pull-Out cabinet doors
DDF BRACKET SOL	Drawer front attachment bracket for DS04 and all SOL Wastebasket and Desk File Pull-Out cabinet doors
DDF BRACKET CCAP SOL	Cover cap DDF attachment bracket for DS04 and all SOL Wastebasket and Desk File Pull-Out cabinet doors
DRB MOUNT CLIP L FG	Left release clip for DROT's and drawers (excluding 2 Drawer Base drawers)
DRB MOUNT CLIP R FG	Right release clip for DROT's and drawers (excluding 2 Drawer Base drawers)
DRB WB MOUNT CLIP L	Left drawer release clip for Wastebasket Cabinets
DRB WB MOUNT CLIP R	Right drawer release clip for Wastebasket Cabinets
DRB HD MOUNT CLIP L	Left drawer release clip for 2 Drawer Base
DRB HD MOUNT CLIP R	Right drawer release clip for 2 Drawer Base
SHELF REST METAL 4PK	Package of four metal Wall/Bookcase shelf rests
SHELF REST METAL 12	Package of twelve metal Wall/Bookcase shelf rests
SHELF REST MFD PK	Package of eight shelf rest for Mullion Frame Door cabinets
SHELF REST OSS 6PK	Package of six clips for Oven Support Shelf Kit
SHELF SUPT ADJ BASE	Middle shelf rest for 30" or wider Base cabinet shelf
SPACER GL KDC FRT FG	Left/Right drawer clip for front of KDC glide
SPACER GL BD FRT FG	Left/Right front drawer clip for bottom drawer on VDB__34H & DB__ cabinets (excluding 2DB)

WOOD SPIN UNITS - ALL PLYWOOD CONSTRUCTION

PART NAME	DESCRIPTION
BSS33 SHLF WD NP PLY	Wood spin unit and plywood shelf for BSS33 WD
BSS3336 SHLFWDNP PLY	Wood spin unit and plywood shelf for BSS3336 WD
BSS36 SHLF WD NP PLY	Wood spin unit and plywood shelf for BSS36 WD
BSS3633 SHLFWDNP PLY	Wood spin unit and plywood shelf for BSS3633 WD
CBS36 SHLF WD NP PLY	Wood spin unit and plywood shelf for CBS36 WD
CWS24 SHELF WD NP MI	Wood spin unit and matching interior shelf for CWS__WD and CWDS2448 WD
CWS24 SHLF WD NP PLY	Wood spin unit and plywood shelf for CWS__WD and CWDS2448 WD
CWS24 SHELFWDNPMPLY	Wood spin unit and matching interior plywood shelf for CWS__WD and CWDS2448 WD

MISCELLANEOUS SHELVING

PART NAME	DESCRIPTION
BS18 SHELF 1PK	Shelf for BS18
BS18 SHELF 4PK	4 Pack shelves for BS18
BS24 SHELF 1PK	Shelf for BS24
BS24 SHELF 4PK	4 Pack shelves for BS24
BS30 SHELF 1PK	Shelf for BS30
BS30 SHELF 4PK	4 Pack shelves for BS30
BS36 SHELF 1PK	Shelf for BS36
BS36 SHELF 4PK	4 Pack shelves for BS36
S369	Shelf for PSK36 Utility Cabinet Shelf & Pilaster Kit
WCMSC2412 SHELF	Microwave shelf for WCMSC241236 BUTT
WCMSC2712 SHELF	Microwave shelf for WCMSC271236 BUTT
WMSC2712 SHELF	Microwave shelf for WMSC271236 BUTT
WMSC2718 SHELF	Microwave shelf for WMSC271836 BUTT
WMSC3012 SHELF	Microwave shelf for WMSC301236

MISCELLANEOUS PARTS

PART NAME	DESCRIPTION
BASE CORNER BLOCK WD	Plywood corner block
BFP3 FRONT FILLER	Replacement filler for BFP3 Base Filler Pull Out
BFP6 FRONT FILLER	Replacement filler for BFP6 Base Filler Pull Out
BPP12 KIT CC	Kit for BPP12 CC Base Pull Out
BPP9 KIT CC	Kit for BPP9 CC Base Pull Out
BPPUS12 KIT CC	Kit for BPPUS12 CC Base Pull Out
BPPUS9 KIT CC	Kit for BPPUS9 CC Base Pull Out
BTDP9 KIT CC	Kit for BTDP9 CC Base Tray Divider Pull Out
BUMPER CLEAR	Door bumper - Sheet of 4
BUMPER CLEAR 55	Door bumper - Sheet of 55
BUMPER CLEAR DT	Door bumper for DT series door styles - Sheet of 4
BUMPER CLEAR DT 55	Door bumper for DT series door styles - Sheet of 55
BWBB15 FH FOL KIT CC	Wastebasket kit for FOL BWBB15 FH CC
BWBB15 FH SOL KIT CC	Wastebasket kit for SOL BWBB15 FH CC
BWBB15 FOL KIT CC	Wastebasket kit for FOL BWBB15 CC
BWBB15 SOL KIT CC	Wastebasket kit for SOL BWBB15 CC
BWBB18 FH FOL KIT CC	Wastebasket kit for FOL BWBB18 FH CC
BWBB18 FH SOL KIT CC	Wastebasket kit for SOL BWBB18 FH CC

MISCELLANEOUS PARTS	
PART NAME	DESCRIPTION
BWBB15-2 FOL KIT CC	Wastebasket kit for FOL BWBB15-2 CC
BWBB15-2 SOL KIT CC	Wastebasket kit for SOL BWBB15-2 CC
BWBB18-2 FOL KIT CC	Wastebasket kit for FOL BWBB18-2 CC
BWBB18-2 SOL KIT CC	Wastebasket kit for SOL BWBB18-2 CC
BWBB21-2 FH FOL KIT CC	Wastebasket kit for FOL BWBB21-2 FH CC
BWBB21-2 FH SOL KIT CC	Wastebasket kit for SOL BWBB21-2 FH CC
BWBB21-2 FOL KIT CC	Wastebasket kit for FOL BWBB21-2 CC
BWBB21-2 SOL KIT CC	Wastebasket kit for SOL BWBB21-2 CC
COVER CAP 10MM TAN	Tan cover cap for cabinet backs
COVER CAP 10MM WHT	White cover cap for cabinet backs
DFDC FILE UNIT 21	File unit for DFDC1821
DFDC FILE UNIT 24	File unit for DFDC1824
DWBB1821 FOL KIT CC	Wastebasket kit for FOL DWBB1821 CC
DWBB1821 SOL KIT CC	Wastebasket kit for SOL DWBB1821 CC
DWBB1824 FOL KIT CC	Wastebasket kit for FOL DWBB1824 CC
DWBB1824 SOL KIT CC	Wastebasket kit for SOL DWBB1824 CC
FRAME SPACER BPP9	Unit stabilizer and frame spacer for BPP9, BPP12 & BTDP9
KNOB SDC	Wooden knob for SDC/BSDC6
LATCH TILT OUT TRAY	Latch for Factory Installed Tilt-Out Tray
MAG CATCH TV BLK	Magnetic catch for TV3030/TV3630
MC SHELF HDW	Package of 4 shelf clips for MC/MCM cabinet
MIRROR TV3030	Mirror for TV3030
MIRROR TV3630	Mirror for TV3630
PDO21	Peg Dish Organizer for 21" 2 Drawer Base
PDO24	Peg Dish Organizer for 24" 2 Drawer Base
PDO27	Peg Dish Organizer for 27" 2 Drawer Base
PDO30	Peg Dish Organizer for 30" 2 Drawer Base
PDO33	Peg Dish Organizer for 33" 2 Drawer Base
PDO36	Peg Dish Organizer for 36" 2 Drawer Base
PEG KIT 4 PK	Package of 4 pegs for Peg Dish Organizer
PK36	Pilaster for PSK36 Shelf and Pilaster Kit
PULL TRIVIEW	Chrome pull for Tri-View Mirror
ROT DIVIDER KIT	Divider for ROTDK12/ROTDK15
ROT PROTECTOR	End plastic protector on Deep Roll Out Trays
SDROT21	Scalloped Deep Roll Out Tray for DB21 2DWR
SDROT24	Scalloped Deep Roll Out Tray for DB24 2DWR
SDROT27	Scalloped Deep Roll Out Tray for DB27 2DWR
SDROT30	Scalloped Deep Roll Out Tray for DB30 2DWR
SDROT33	Scalloped Deep Roll Out Tray for DB33 2DWR
SDROT36	Scalloped Deep Roll Out Tray for DB36 2DWR
TRAY ST TILT OUT 14	Stainless Tray ONLY for Factory Installed Tilt-Out
VWBB1834H FOL KIT CC	Wastebasket kit for FOL VWBB1834H CC
VWBB1834H SOL KIT CC	Wastebasket kit for SOL VWBB1834H CC
WASTEBASKET 27QT SLV	Silver 27-Quart trashcan
WASTEBASKET 35QT SLV	Silver 35-Quart trashcan
WASTEBASKET 50QT SLV	Silver 50-Quart trashcan
WOOD SPIN HOLE PLUG	Access Plug for Wood Spin Units
WTH DOOR STAY	One Door Stay for Wall Top Hinge cabinet
WTH DR STAY DR BRK	One Door Bracket for WTH DOOR STAY
WTH DR STAY FR BRK	One Frame bracket for WTH DOOR STAY
WTH HEX KEY BAG	One Hex Key for WTH DOOR STAY

Notes

Designing Offices

Whether a dedicated room or a tiny nook, a home office is essential. Show off your creativity by incorporating a work area into any design. Your customer will thank you when everything has a place and can be tucked away at the end of the day.



Room For Two... Or Three... Or Four

For those working and learning remotely, this space has ample seating and plenty of storage. When space is no issue it's easy to build everyone their very own workstation. Your consumer can tuck away printers, cables, batteries, and extra reams of paper easily with this stacked storage.

Small Workspace, Big Impact

Small workspaces can have a big impact on your consumer's remodel. Turn a small nook into a place for your consumer to keep an eye on homework time while they make dinner. This multi-purpose space can seamlessly transition into a quiet place for your consumer to pay bills and plan their day.



Turn Dead Space Into A Productivity Haven

Does your consumer need a home office but has limited space? Think outside the box and utilize dead space at the top of the stairs or on an empty wall in the guest room to make the perfect workspace for your consumer. You'll be met with rave reviews when you make every square inch of your consumer's home function to fit their lifestyle.

Construction Options

OPTION	CODE	PRICING	
Accessible Height Option	AH	10% Over List Price	
All Plywood Construction Option	APC	10% Over List Price	
Cabinet Front Only Option	CFO	No Upcharge	
Furniture Ends Option	FE	20% Over List Price	
Increased Depth Option	ID	20% Over List Price	
Inverted Frame Option	IF	20% Over List Price	
Matching Interior Option	MI	20% Over List Price	
Recessed Toe Kick Option	RTKL (Recessed Toe Kick Left) RTKR (Recessed Toe Kick Right) RTKB (Recessed Toe Kick Both)	10% Over List Price	
Reduced Depth Option	RD	20% Over List Price	
Void Door Option – NO Molding	VDO-DFH (Drilled For Hinges)	No Upcharge	
Void Door Option – INCLUDING Molding	VDO-SAM (Shaker Accent Molding) VDO-SBAM (Single Bead Accent Molding)	10% Over List Price	
Void Top Drawer Option	VTD	10% Over List Price	

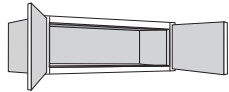
SPECIALTY DOOR OPTION	CODE	LIST PRICE PER DOOR*	
		12" – 30" HIGH	36" – 42" HIGH
Open Frame Door	OFD	\$0	\$0
Mullion Frame Door	MFD	\$44	\$108

DECORATIVE GLASS INSERTS	CODE	LIST PRICE PER DOOR*	
		12" – 30" HIGH	36" – 42" HIGH
Prepped for Glass	DGI-__PREPPED	\$0	\$0
Clear Glass	DGI-__CLEAR	\$142	\$178
Derbyshire Seeded Glass	DGI-__DERBYSHIRE	\$372	\$457
Frosted Glass	DGI-__FROSTED	\$273	\$365
Frosted Ash Glass	DGI-__FROSTED ASH	\$456	\$547
Impression Glass	DGI-__IMPRESSION	\$325	\$390
Meredith Glass	DGI-__MEREDITH	\$297	\$366
Ribbed Glass	DGI-__RIBBED	\$551	\$703

* For cabinets with more than one door, multiply the above price by the total number of cabinet doors.

SKU

WALL CABINET • 2 BUTT DOORS • 12" HIGH



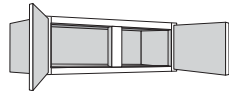
STANDARD DOOR

	700 SERIES - CHERRY	700 SERIES - MAPLE	700 SERIES - PAINTED	600 SERIES - CHERRY	600 SERIES - MAPLE	600 SERIES - PAINTED	500 SERIES - CHERRY	500 SERIES - MAPLE	500 SERIES - PAINTED	400 SERIES - CHERRY	400 SERIES - MAPLE	400 SERIES - PAINTED	D SERIES - DURAFORM	300 SERIES - MAPLE	300 SERIES - PAINTED	DS SERIES - DURAFORM
W1212	447	407	370				334			302				271		
W1512	468	426	387				349			315				284		
W1812	475	432	393				354			320				288		
W2112	495	450	410				369			334				300		
W2412 BUTT	570	518	471				425			384				345		
W2712 BUTT	617	561	511				460			416				374		
W3012 BUTT	678	617	561				506			457				411		
W3312 BUTT	688	625	569				514			464				417		
W3612 BUTT	709	645	587				529			478				431		

SPECIALTY DOOR

W1212 SD	635	587	543				500			461				424		
W1512 SD	661	610	563				518			477				440		
W1812 SD	669	617	571				524			483				445		
W2112 SD	693	639	591				542			500				459		
W2412 BUTT SD	882	820	763				708			659				612		
W2712 BUTT SD	938	871	811				750			697				647		
W3012 BUTT SD	1012	938	871				806			746				691		
W3312 BUTT SD	1024	948	881				815			755				700		
W3612 BUTT SD	1049	972	902				833			772				714		

WALL CABINET • 2 DOORS • 12" HIGH



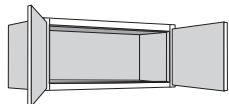
STANDARD DOOR

W3912	833	757	689				622			561				505		
-------	-----	-----	-----	--	--	--	-----	--	--	-----	--	--	--	-----	--	--

SPECIALTY DOOR

W3912 SD	1198	1106	1025				944			871				804		
----------	------	------	------	--	--	--	-----	--	--	-----	--	--	--	-----	--	--

WALL CABINET • 2 BUTT DOORS • 15" HIGH



STANDARD DOOR

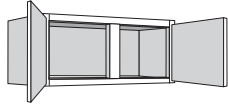
W1215	455	414	376				340			307				276		
W1515	476	433	393				355			321				288		
W1815	483	439	399				361			326				293		
W2115	504	458	416				376			339				305		
W2415 BUTT	580	527	479				433			391				351		
W2715 BUTT	628	571	519				469			423				380		
W3015 BUTT	690	627	570				515			465				418		
W3315 BUTT	709	645	587				529			478				431		
W3615 BUTT	729	662	602				544			491				442		

SPECIALTY DOOR

W1215 SD	645	596	550				507			467				430		
W1515 SD	670	619	571				525			484				445		
W1815 SD	679	626	578				532			490				451		
W2115 SD	704	649	598				550			506				465		
W2415 BUTT SD	894	830	773				718			667				619		
W2715 BUTT SD	952	883	821				761			706				654		
W3015 BUTT SD	1026	950	882				816			756				701		
W3315 BUTT SD	1049	972	902				833			772				714		
W3615 BUTT SD	1073	993	921				851			787				728		

SKU

WALL CABINET • 2 DOORS • 15" HIGH



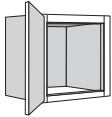
STANDARD DOOR

W3915	788	717	651	588	531	478
-------	-----	-----	-----	-----	-----	-----

SPECIALTY DOOR

W3915 SD	1144	1058	979	904	835	772

WALL CABINET • 1 DOOR • 18" HIGH



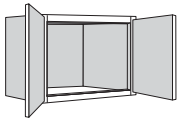
STANDARD DOOR

W1218	515	469	426	385	347	313
W1518	543	494	449	405	366	330
W1818	546	496	451	407	368	331
W2118	572	520	473	427	385	347

SPECIALTY DOOR

W1218 SD	718	661	610	561	516	473
W1518 SD	751	692	638	586	538	494
W1818 SD	754	694	640	587	541	496
W2118 SD	785	723	667	611	561	515

WALL CABINET • 2 BUTT DOORS • 18" HIGH



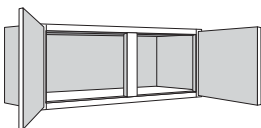
STANDARD DOOR

W2418 BUTT	660	600	546	493	445	401
W2718 BUTT	717	652	593	535	483	435
W3018 BUTT	785	714	649	587	529	476
W3318 BUTT	820	746	677	612	552	497
W3618 BUTT	852	775	704	636	574	517

SPECIALTY DOOR

W2418 BUTT SD	990	918	853	790	732	679
W2718 BUTT SD	1058	980	910	840	778	720
W3018 BUTT SD	1140	1055	977	902	833	769
W3318 BUTT SD	1181	1093	1010	932	861	794
W3618 BUTT SD	1220	1128	1043	962	887	818

WALL CABINET • 2 DOORS • 18" HIGH



STANDARD DOOR

W3918	840	764	694	627	566	509
W4218	855	777	707	638	576	518

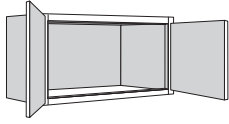
SPECIALTY DOOR

W3918 SD	1206	1115	1031	950	877	809
W4218 SD	1224	1130	1046	964	889	820

Illustrations are for reference only. Refer to Specification Guide for actual specifications.

SKU

WALL CABINET • 2 BUTT DOORS • 21" HIGH



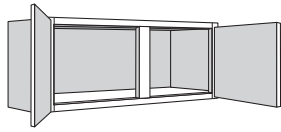
STANDARD DOOR

W3021 BUTT	841	764	695	627	567	510
W3321 BUTT	878	798	726	655	592	533
W3621 BUTT	912	829	754	680	615	553

SPECIALTY DOOR

W3021 BUTT SD	1207	1115	1032	950	878	810
W3321 BUTT SD	1252	1156	1069	984	908	838
W3621 BUTT SD	1292	1193	1103	1014	936	863

WALL CABINET • 2 DOORS • 21" HIGH



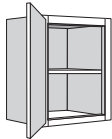
STANDARD DOOR

W3921	946	860	782	705	638	574
-------	-----	-----	-----	-----	-----	-----

SPECIALTY DOOR

W3921 SD	1332	1230	1137	1044	964	891
----------	------	------	------	------	-----	-----

WALL CABINET • 1 DOOR • 24" HIGH



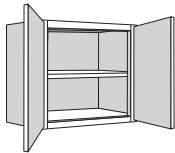
STANDARD DOOR

W1224	546	496	451	407	368	331
W1524	572	520	473	427	385	347
W1824	619	563	512	462	417	375
W2124	662	601	547	494	446	401

SPECIALTY DOOR

W1224 SD	754	694	640	587	541	496
W1524 SD	785	723	667	611	561	515
W1824 SD	842	775	713	653	599	549
W2124 SD	893	820	755	692	634	580

WALL CABINET • 2 BUTT DOORS • 24" HIGH



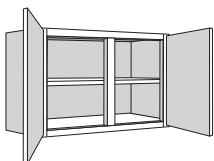
STANDARD DOOR

W2424 BUTT	741	673	612	553	499	449
W2724 BUTT	826	751	683	617	557	501
W3024 BUTT	903	822	747	674	608	547
W3324 BUTT	939	855	777	701	632	569
W3624 BUTT	979	889	808	730	659	593

SPECIALTY DOOR

W2424 BUTT SD	1087	1006	932	862	797	737
W2724 BUTT SD	1189	1099	1018	938	866	799
W3024 BUTT SD	1282	1184	1094	1007	928	854
W3324 BUTT SD	1325	1224	1130	1039	957	881
W3624 BUTT SD	1373	1265	1168	1074	989	910

WALL CABINET • 2 DOORS • 24" HIGH



STANDARD DOOR

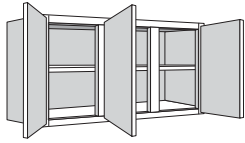
W3924	988	898	817	738	666	599
W4224	1043	948	862	778	703	633

SPECIALTY DOOR

W3924 SD	1384	1276	1178	1084	997	917
W4224 SD	1450	1336	1232	1132	1042	958

SKU

WALL CABINET • 3 DOORS • 24" HIGH



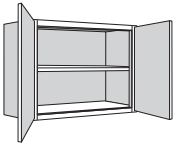
STANDARD DOOR

W4524	1179	1072	974	880	794	715
-------	------	------	-----	-----	-----	-----

SPECIALTY DOOR

W4524 SD	1712	1583	1466	1353	1250	1155
----------	------	------	------	------	------	------

WALL CABINET • 2 BUTT DOORS • 27" HIGH



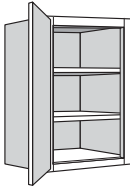
STANDARD DOOR

W3027 BUTT	948	862	784	708	640	576
------------	-----	-----	-----	-----	-----	-----

SPECIALTY DOOR

W3027 BUTT SD	1336	1232	1139	1048	966	889
---------------	------	------	------	------	-----	-----

WALL CABINET • 1 DOOR • 30" HIGH



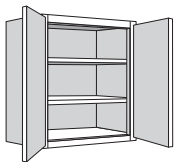
STANDARD DOOR

W930	554	504	458	413	373	336
W1230	589	536	487	440	397	357
W1530	619	563	512	462	417	375
W1830	662	601	547	494	446	401
W2130	717	652	593	535	483	435
W2430	776	705	641	579	523	471

SPECIALTY DOOR

W1230 SD	806	742	683	627	575	527
W1530 SD	842	775	713	653	599	549
W1830 SD	893	820	755	692	634	580
W2130 SD	959	881	811	741	679	621

WALL CABINET • 2 BUTT DOORS • 30" HIGH



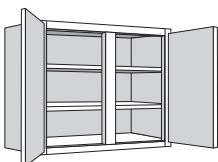
STANDARD DOOR

W2430 BUTT	811	738	671	605	547	492
W2730 BUTT	888	807	734	662	598	538
W3030 BUTT	979	889	808	730	659	593
W3330 BUTT	1018	925	840	759	685	617
W3630 BUTT	1066	969	881	796	719	647

SPECIALTY DOOR

W2430 BUTT SD	1171	1084	1003	924	854	788
W2730 BUTT SD	1264	1166	1079	992	916	844
W3030 BUTT SD	1373	1265	1168	1074	989	910
W3330 BUTT SD	1420	1307	1206	1109	1020	938
W3630 BUTT SD	1477	1361	1255	1153	1061	974

WALL CABINET • 2 DOORS • 30" HIGH



STANDARD DOOR

W3930	1075	978	889	803	725	653
W4230	1127	1025	932	841	760	684
W4830	1262	1147	1043	942	850	765

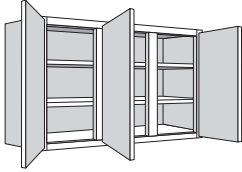
SPECIALTY DOOR

W3930 SD	1488	1372	1265	1162	1068	982
W4230 SD	1550	1428	1316	1207	1110	1019

Illustrations are for reference only. Refer to Specification Guide for actual specifications.

SKU

WALL CABINET • 3 DOORS • 30" HIGH



STANDARD DOOR

W4530	1259	1145	1041	940	849	764
-------	------	------	------	-----	-----	-----

SPECIALTY DOOR

W4530 SD	1808	1671	1546	1425	1316	1214

700 SERIES - CHERRY

700 SERIES - MAPLE
700 SERIES - PAINTED
600 SERIES - CHERRY

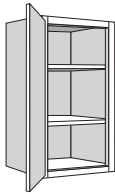
600 SERIES - MAPLE
600 SERIES - PAINTED
500 SERIES - CHERRY
DT SERIES - DURAFORM

500 SERIES - MAPLE
500 SERIES - PAINTED
400 SERIES - CHERRY

400 SERIES - MAPLE
400 SERIES - PAINTED
D SERIES - DURAFORM

300 SERIES - MAPLE
300 SERIES - PAINTED
DS SERIES - DURAFORM

WALL CABINET • 1 DOOR • 36" HIGH



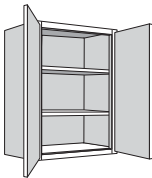
STANDARD DOOR

W936	652	593	539	487	439	395
W1236	675	614	558	504	455	410
W1536	717	652	593	535	483	435
W1836	769	699	636	574	518	466
W2136	826	751	683	617	557	501

SPECIALTY DOOR

W1236 SD	911	838	771	706	647	593
W1536 SD	961	883	813	743	681	623
W1836 SD	1024	940	864	790	723	660
W2136 SD	1092	1002	921	841	769	702

WALL CABINET • 2 BUTT DOORS • 36" HIGH



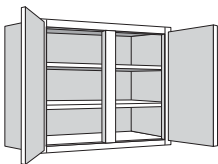
STANDARD DOOR

W2436 BUTT	929	844	768	693	626	563
W2736 BUTT	1065	968	880	795	718	646
W3036 BUTT	1122	1020	928	838	756	680
W3336 BUTT	1168	1062	965	872	787	708
W3636 BUTT	1273	1158	1052	951	858	772

SPECIALTY DOOR

W2436 BUTT SD	1316	1215	1123	1033	953	878
W2736 BUTT SD	1480	1364	1258	1155	1063	977
W3036 BUTT SD	1548	1426	1316	1208	1109	1018
W3336 BUTT SD	1602	1475	1360	1248	1145	1050
W3636 BUTT SD	1730	1591	1465	1343	1232	1128

WALL CABINET • 2 DOORS • 36" HIGH



STANDARD DOOR

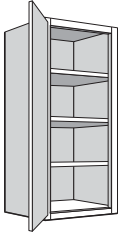
W3936	1477	1343	1221	1103	995	896
W4236	1698	1544	1404	1268	1145	1030

SPECIALTY DOOR

W3936 SD	1974	1813	1667	1525	1396	1277
W4236 SD	2240	2055	1887	1724	1575	1438

SKU

WALL CABINET • 1 DOOR • 39" HIGH



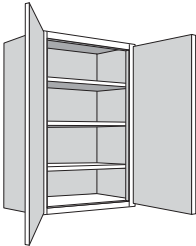
STANDARD DOOR

	700 SERIES - CHERRY	700 SERIES - MAPLE	700 SERIES - PAINTED	600 SERIES - CHERRY	600 SERIES - MAPLE	600 SERIES - PAINTED	500 SERIES - CHERRY	500 SERIES - MAPLE	500 SERIES - PAINTED	400 SERIES - CHERRY	400 SERIES - MAPLE	400 SERIES - PAINTED	D SERIES - DURAFORM	300 SERIES - MAPLE	300 SERIES - PAINTED	DS SERIES - DURAFORM
W939	678	616	560	506	456	410										
W1239	707	643	584	527	476	428										
W1539	748	680	619	558	504	454										
W1839	805	732	665	601	542	488										
W2139	860	782	711	642	580	522										

SPECIALTY DOOR

W1239 SD	949	873	802	733	672	615										
W1539 SD	999	917	844	771	706	646										
W1839 SD	1067	979	899	822	751	687										
W2139 SD	1133	1039	954	871	797	727										

WALL CABINET • 2 BUTT DOORS • 39" HIGH



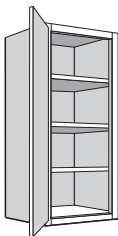
STANDARD DOOR

W2439 BUTT	930	845	769	694	627	564										
W2739 BUTT	1065	969	881	796	718	646										
W3039 BUTT	1178	1071	974	878	793	714										
W3339 BUTT	1213	1104	1003	905	824	742										
W3639 BUTT	1285	1169	1062	959	867	780										

SPECIALTY DOOR

W2439 BUTT SD	1318	1216	1125	1035	954	879										
W2739 BUTT SD	1480	1365	1259	1157	1064	977										
W3039 BUTT SD	1616	1487	1371	1256	1154	1060										
W3339 BUTT SD	1658	1527	1406	1288	1191	1092										
W3639 BUTT SD	1744	1605	1476	1353	1242	1138										

WALL CABINET • 1 DOOR • 42" HIGH



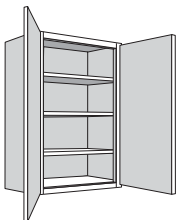
STANDARD DOOR

W942	686	624	567	512	462	416										
W1242	717	652	593	535	483	435										
W1542	758	689	627	566	511	460										
W1842	817	743	675	610	550	495										
W2142	871	792	720	650	587	528										

SPECIALTY DOOR

W1242 SD	961	883	813	743	681	623										
W1542 SD	1011	928	853	780	714	653										
W1842 SD	1081	993	911	833	761	695										
W2142 SD	1146	1051	965	881	805	735										

WALL CABINET • 2 BUTT DOORS • 42" HIGH



STANDARD DOOR

W2442 BUTT	942	856	779	703	635	572										
W2742 BUTT	1079	981	892	806	727	654										
W3042 BUTT	1196	1088	989	892	806	725										
W3342 BUTT	1244	1132	1029	928	838	754										
W3642 BUTT	1305	1187	1078	974	880	792										

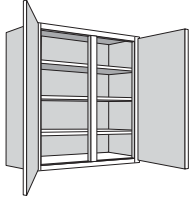
SPECIALTY DOOR

W2442 BUTT SD	1332	1229	1137	1046	964	888										
W2742 BUTT SD	1497	1379	1272	1169	1074	987										
W3042 BUTT SD	1637	1508	1389	1272	1169	1072										
W3342 BUTT SD	1695	1560	1432	1313	1208	1107										
W3642 BUTT SD	1768	1626	1496	1371	1258	1152										

Illustrations are for reference only. Refer to Specification Guide for actual specifications.

SKU

WALL CABINET - 2 DOORS - 42" HIGH



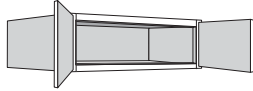
STANDARD DOOR

W3942	1514	1377	1250	1130	1021	919
W4242	1741	1583	1438	1299	1174	1057

SPECIALTY DOOR

W3942 SD	2019	1854	1703	1558	1427	1304
W4242 SD	2291	2102	1928	1761	1611	1470

REFRIGERATOR WALL CABINET - 2 BUTT DOORS - 12" HIGH X 24" DEEP



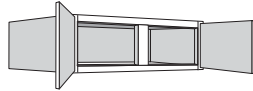
STANDARD DOOR

W3012 X 24 DP BUTT	814	740	673	607	548	493
W3312 X 24 DP BUTT	827	752	683	617	557	502
W3612 X 24 DP BUTT	851	774	703	635	573	516
W3712 X 24 DP BUTT	923	846	775	707	645	588

SPECIALTY DOOR

W3012 X 24 DP BUTT SD	1175	1087	1005	927	856	790
W3312 X 24 DP BUTT SD	1190	1100	1018	938	866	799
W3612 X 24 DP BUTT SD	1219	1127	1042	960	886	817
W3712 X 24 DP BUTT SD	1306	1213	1128	1046	972	904

REFRIGERATOR WALL CABINET - 2 DOORS - 12" HIGH X 24" DEEP



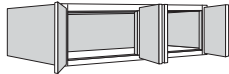
STANDARD DOOR

W3912 X 24 DP	1002	911	828	748	675	608
W4212 X 24 DP	1062	966	878	793	716	644

SPECIALTY DOOR

W3912 X 24 DP SD	1400	1291	1192	1096	1008	928
------------------	------	------	------	------	------	-----

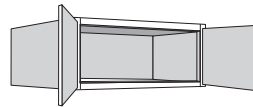
REFRIGERATOR WALL CABINET - 4 BUTT DOORS - 12" HIGH X 24" DEEP



STANDARD DOOR

W4812 X 24 DP BUTT	1221	1111	1009	912	823	741
--------------------	------	------	------	-----	-----	-----

REFRIGERATOR WALL CABINET - 2 BUTT DOORS - 15" HIGH X 24" DEEP



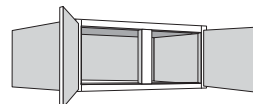
STANDARD DOOR

W3015 X 24 DP BUTT	861	782	711	642	580	522
W3315 X 24 DP BUTT	852	775	704	636	574	517
W3615 X 24 DP BUTT	883	803	730	659	595	535
W3715 X 24 DP BUTT	955	875	802	731	667	607

SPECIALTY DOOR

W3015 X 24 DP BUTT SD	1231	1136	1051	968	894	824
W3315 X 24 DP BUTT SD	1220	1128	1043	962	887	818
W3615 X 24 DP BUTT SD	1258	1161	1074	989	912	841
W3715 X 24 DP BUTT SD	1344	1248	1160	1075	998	926

REFRIGERATOR WALL CABINET - 2 DOORS - 15" HIGH X 24" DEEP



STANDARD DOOR

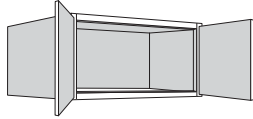
W3915 X 24 DP	946	860	782	706	638	574
---------------	-----	-----	-----	-----	-----	-----

SPECIALTY DOOR

W3915 X 24 DP SD	1333	1230	1136	1045	964	887
------------------	------	------	------	------	-----	-----

SKU

REFRIGERATOR WALL CABINET - 2 BUTT DOORS - 18" HIGH X 24" DEEP



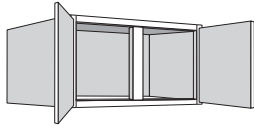
STANDARD DOOR

W3018 X 24 DP BUTT	943	857	779	704	635	572
W3318 X 24 DP BUTT	984	894	813	734	664	597
W3618 X 24 DP BUTT	1008	916	833	752	679	611
W3718 X 24 DP BUTT	1080	988	905	824	751	683

SPECIALTY DOOR

W3018 X 24 DP BUTT SD	1330	1226	1133	1043	961	884
W3318 X 24 DP BUTT SD	1379	1271	1174	1079	994	916
W3618 X 24 DP BUTT SD	1407	1297	1198	1100	1013	931
W3718 X 24 DP BUTT SD	1494	1384	1284	1187	1099	1018

REFRIGERATOR WALL CABINET - 2 DOORS - 18" HIGH X 24" DEEP



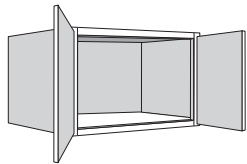
STANDARD DOOR

W3918 X 24 DP	1000	909	826	744	799	719

SPECIALTY DOOR

W3918 X 24 DP SD	1398	1289	1189	1091	1157	1061

REFRIGERATOR WALL CABINET - 2 BUTT DOORS - 21" HIGH X 24" DEEP



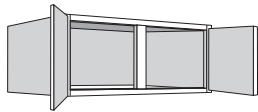
STANDARD DOOR

W3021 X 24 DP BUTT	1010	917	834	753	680	612
W3321 X 24 DP BUTT	1054	958	870	786	709	638
W3621 X 24 DP BUTT	1078	981	891	805	727	654
W3721 X 24 DP BUTT	1150	1053	963	877	799	726

SPECIALTY DOOR

W3021 X 24 DP BUTT SD	1410	1298	1199	1102	1014	932
W3321 X 24 DP BUTT SD	1463	1348	1242	1141	1049	964
W3621 X 24 DP BUTT SD	1492	1375	1267	1164	1070	983
W3721 X 24 DP BUTT SD	1578	1462	1354	1250	1157	1069

REFRIGERATOR WALL CABINET - 2 DOORS - 21" HIGH X 24" DEEP



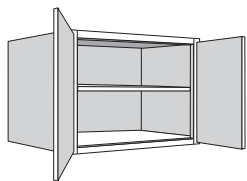
STANDARD DOOR

W3921 X 24 DP	1103	1004	912	824	745	670

SPECIALTY DOOR

W3921 X 24 DP SD	1521	1402	1292	1187	1091	1002

REFRIGERATOR WALL CABINET - 2 BUTT DOORS - 24" HIGH X 24" DEEP



STANDARD DOOR

W3024 X 24 DP BUTT	903	822	747	674	608	547
W3324 X 24 DP BUTT	1132	1029	935	844	762	686
W3624 X 24 DP BUTT	1172	1066	969	875	790	711
W3724 X 24 DP BUTT	1244	1138	1041	947	862	783

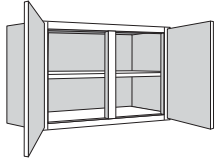
SPECIALTY DOOR

W3024 X 24 DP BUTT SD	1282	1184	1094	1007	928	845
W3324 X 24 DP BUTT SD	1556	1433	1320	1211	1112	1021
W3624 X 24 DP BUTT SD	1604	1477	1361	1248	1146	1051
W3724 X 24 DP BUTT SD	1691	1564	1447	1334	1232	1138

Illustrations are for reference only. Refer to Specification Guide for actual specifications.

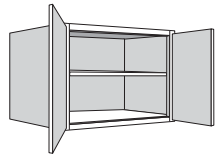
SKU

REFRIGERATOR WALL CABINET - 2 DOORS - 24" HIGH X 24" DEEP



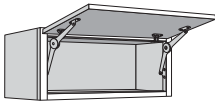
STANDARD DOOR		700 SERIES - CHERRY	700 SERIES - MAPLE	700 SERIES - PAINTED	600 SERIES - CHERRY	600 SERIES - MAPLE	600 SERIES - PAINTED	500 SERIES - CHERRY	500 SERIES - MAPLE	500 SERIES - PAINTED	400 SERIES - CHERRY	400 SERIES - MAPLE	400 SERIES - PAINTED	D SERIES - DURAFORM	300 SERIES - MAPLE	300 SERIES - PAINTED	DS SERIES - DURAFORM
W3924 X 24 DP		1324	1205	1095				989			893				803		
SPECIALTY DOOR																	
W3924 X 24 DP SD		1787	1643	1512				1385			1269				1162		

REFRIGERATOR WALL CABINET - 2 BUTT DOORS - 27" HIGH X 24" DEEP



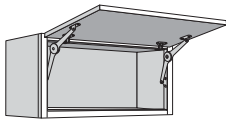
STANDARD DOOR		700 SERIES - CHERRY	700 SERIES - MAPLE	700 SERIES - PAINTED	600 SERIES - CHERRY	600 SERIES - MAPLE	600 SERIES - PAINTED	500 SERIES - CHERRY	500 SERIES - MAPLE	500 SERIES - PAINTED	400 SERIES - CHERRY	400 SERIES - MAPLE	400 SERIES - PAINTED	D SERIES - DURAFORM	300 SERIES - MAPLE	300 SERIES - PAINTED	DS SERIES - DURAFORM
W3027 X 24 DP BUTT		1132	1029	935				844			762				686		
SPECIALTY DOOR																	
W3027 X 24 DP BUTT SD		1556	1433	1320				1211			1112				1021		

WALL TOP HINGE CABINET - 15" HIGH



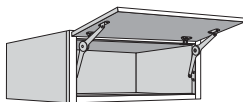
STANDARD DOOR		700 SERIES - CHERRY	700 SERIES - MAPLE	700 SERIES - PAINTED	600 SERIES - CHERRY	600 SERIES - MAPLE	600 SERIES - PAINTED	500 SERIES - CHERRY	500 SERIES - MAPLE	500 SERIES - PAINTED	400 SERIES - CHERRY	400 SERIES - MAPLE	400 SERIES - PAINTED	D SERIES - DURAFORM	300 SERIES - MAPLE	300 SERIES - PAINTED	DS SERIES - DURAFORM
WTH3015		1071	974	886				799			721				649		
WTH3615		1240	1128	1026				926			836				752		
SPECIALTY DOOR																	
WTH3015 SD		1384	1268	1162				1058			964				878		
WTH3615 SD		1386	1270	1164				1060			966				1001		

WALL TOP HINGE CABINET - 18" HIGH



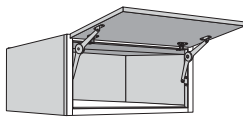
STANDARD DOOR		700 SERIES - CHERRY	700 SERIES - MAPLE	700 SERIES - PAINTED	600 SERIES - CHERRY	600 SERIES - MAPLE	600 SERIES - PAINTED	500 SERIES - CHERRY	500 SERIES - MAPLE	500 SERIES - PAINTED	400 SERIES - CHERRY	400 SERIES - MAPLE	400 SERIES - PAINTED	D SERIES - DURAFORM	300 SERIES - MAPLE	300 SERIES - PAINTED	DS SERIES - DURAFORM
WTH3018		1145	1040	946				855			772				695		
WTH3618		1330	1209	1100				993			896				806		
SPECIALTY DOOR																	
WTH3018 SD		1473	1347	1234				1125			1025				933		
WTH3618 SD		1697	1552	1421				1293			1176				1066		

WALL TOP HINGE CABINET - 15" HIGH X 24" DEEP

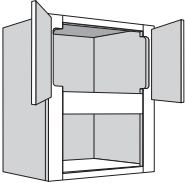
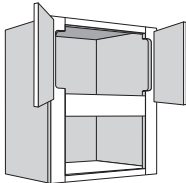
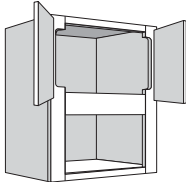
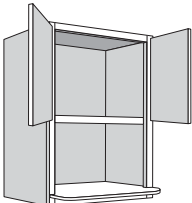
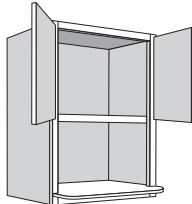


STANDARD DOOR		700 SERIES - CHERRY	700 SERIES - MAPLE	700 SERIES - PAINTED	600 SERIES - CHERRY	600 SERIES - MAPLE	600 SERIES - PAINTED	500 SERIES - CHERRY	500 SERIES - MAPLE	500 SERIES - PAINTED	400 SERIES - CHERRY	400 SERIES - MAPLE	400 SERIES - PAINTED	D SERIES - DURAFORM	300 SERIES - MAPLE	300 SERIES - PAINTED	DS SERIES - DURAFORM
WTH3015 X 24 DP		1288	1172	1066				961			867				780		
WTH3615 X 24 DP		1492	1357	1234				1114			1006				905		
SPECIALTY DOOR																	
WTH3015 X 24 DP SD		1645	1505	1378				1252			1139				1035		
WTH3615 X 24 DP SD		1891	1729	1582				1438			1308				1185		

WALL TOP HINGE CABINET - 18" HIGH X 24" DEEP



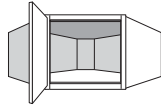
STANDARD DOOR		700 SERIES - CHERRY	700 SERIES - MAPLE	700 SERIES - PAINTED	600 SERIES - CHERRY	600 SERIES - MAPLE	600 SERIES - PAINTED	500 SERIES - CHERRY	500 SERIES - MAPLE	500 SERIES - PAINTED	400 SERIES - CHERRY	400 SERIES - MAPLE	400 SERIES - PAINTED	D SERIES - DURAFORM	300 SERIES - MAPLE	300 SERIES - PAINTED	DS SERIES - DURAFORM
WTH3018 X 24 DP		1374	1248	1135				1026			925				833		
WTH3618 X 24 DP		1596	1451	1320				1192			1075				968		
SPECIALTY DOOR																	
WTH3018 X 24 DP SD		1748	1597	1461				1330			1209				1099		
WTH3618 X 24 DP SD		2016	1842	1685				1531			1391				1261		

SKU		700 SERIES - CHERRY	700 SERIES - MAPLE	700 SERIES - PAINTED	600 SERIES - CHERRY	600 SERIES - MAPLE	600 SERIES - PAINTED	500 SERIES - CHERRY	500 SERIES - MAPLE	500 SERIES - PAINTED	400 SERIES - CHERRY	400 SERIES - MAPLE	400 SERIES - PAINTED	D SERIES - DURAFORM	300 SERIES - MAPLE	300 SERIES - PAINTED	DS SERIES - DURAFORM
WALL MICROWAVE CABINET • 2 BUTT DOORS • 36" HIGH																	
	WMC271836 BUTT	1178	1071	974	879	794	715										
	WMC272136 BUTT	1178	1071	974	879	794	715										
	WMC301836 BUTT	1252	1138	1034	934	844	760										
	WMC302136 BUTT	1252	1138	1034	934	844	760										
WALL MICROWAVE CABINET • 2 BUTT DOORS • 39" HIGH																	
	WMC271839 BUTT	1249	1135	1032	932	842	758										
	WMC272139 BUTT	1249	1135	1032	932	842	758										
	WMC301839 BUTT	1473	1339	1217	1099	993	894										
	WMC302139 BUTT	1473	1339	1217	1099	993	894										
WALL MICROWAVE CABINET • 2 BUTT DOORS • 42" HIGH																	
	WMC301842 BUTT	1547	1406	1278	1154	1043	938										
	WMC302142 BUTT	1547	1406	1278	1154	1043	938										
WALL COMPACT MICROWAVE SHELF CABINET • 2 BUTT DOORS • 36" HIGH																	
	WCMSC241236 BUTT	1133	1030	936	845	763	687										
	WCMSC271236 BUTT	1133	1030	936	845	763	687										
WALL MICROWAVE SHELF CABINET • 2 BUTT DOORS • 36" HIGH																	
	WMSC271236 BUTT	1133	1030	936	845	763	687										
	WMSC271836 BUTT	1473	1339	1217	1099	993	894										
	WMSC301236 BUTT	1133	1030	936	845	763	687										
WALL MICROWAVE SHELF CABINET • 2 BUTT DOORS • 42" HIGH																	
	WMSC271842 BUTT	1546	1406	1278	1154	1042	938										

Illustrations are for reference only. Refer to Specification Guide for actual specifications.

SKU

CORNER WALL CABINET - 12" HIGH



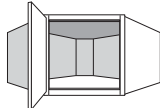
STANDARD DOOR

CW2412	692	629	572	516	466	419
CW2712	827	753	684	617	558	501

SPECIALTY DOOR

CW2412 SD	929	854	785	718	658	602
CW2712 SD	1091	1003	920	839	769	700

CORNER WALL CABINET - 15" HIGH



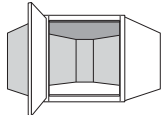
STANDARD DOOR

CW2415	704	640	581	525	474	426
CW2715	842	765	695	628	567	510

SPECIALTY DOOR

CW2415 SD	944	867	796	729	668	610
CW2715 SD	1109	1017	933	853	779	711

CORNER WALL CABINET - 18" HIGH



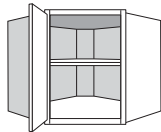
STANDARD DOOR

CW2418	796	724	658	594	537	483
CW2718	957	870	791	714	645	580

SPECIALTY DOOR

CW2418 SD	1054	968	889	812	743	677
CW2718 SD	1248	1143	1048	956	873	795

CORNER WALL CABINET - 24" HIGH



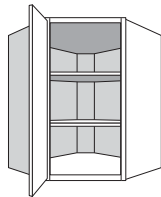
STANDARD DOOR

CW2424	937	851	774	699	631	568
CW2724	1126	1023	930	840	759	683

SPECIALTY DOOR

CW2424 SD	1223	1120	1028	938	856	781
CW2724 SD	1450	1120	1215	1107	1010	919

CORNER WALL CABINET - 30" HIGH



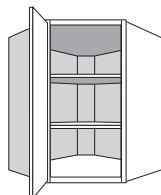
STANDARD DOOR

CW2430	1070	973	884	798	721	649
CW2730	1229	1117	1016	917	828	745

SPECIALTY DOOR

CW2430 SD	1383	1267	1160	1057	964	878
CW2730 SD	1574	1439	1318	1199	1093	993

CORNER WALL CABINET - 36" HIGH



STANDARD DOOR

CW2436	1236	1124	1022	922	833	750
CW2736	1484	1349	1226	1107	1000	900

SPECIALTY DOOR

CW2436 SD	1584	1450	1327	1207	1101	1001
CW2736 SD	1882	1720	1572	1429	1301	1181

700 SERIES - CHERRY

700 SERIES - MAPLE

700 SERIES - PAINTED

600 SERIES - CHERRY

600 SERIES - MAPLE

600 SERIES - PAINTED

500 SERIES - CHERRY

DT SERIES - DURAFORM

500 SERIES - MAPLE

500 SERIES - PAINTED

400 SERIES - CHERRY

400 SERIES - MAPLE

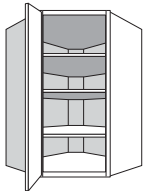
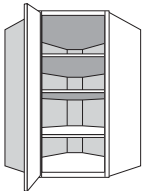
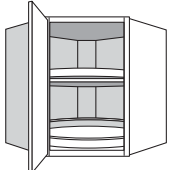
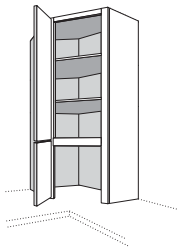
400 SERIES - PAINTED

D SERIES - DURAFORM

300 SERIES - MAPLE

300 SERIES - PAINTED

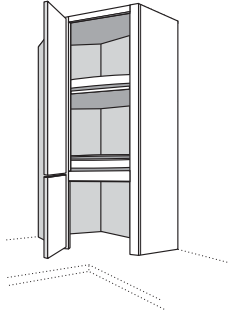
DS SERIES - DURAFORM

SKU		700 SERIES - CHERRY	700 SERIES - MAPLE	700 SERIES - PAINTED	600 SERIES - CHERRY	600 SERIES - MAPLE	600 SERIES - PAINTED	500 SERIES - CHERRY	500 SERIES - MAPLE	500 SERIES - PAINTED	400 SERIES - CHERRY	400 SERIES - MAPLE	400 SERIES - PAINTED	D SERIES - DURAFORM	300 SERIES - MAPLE	300 SERIES - PAINTED	DS SERIES - DURAFORM	
CORNER WALL CABINET - 39" HIGH																		
	STANDARD DOOR																	
	CW2439	1293	1175	1068	964	871	784											
	CW2739	1552	1411	1282	1157	1045	941											
	SPECIALTY DOOR																	
	CW2439 SD	1653	1511	1383	1258	1146	1042											
CW2739 SD	1963	1794	1641	1491	1355	1230												
CORNER WALL CABINET - 42" HIGH																		
	STANDARD DOOR																	
	CW2442	1311	1192	1083	978	883	795											
	CW2742	1574	1431	1301	1174	1060	954											
	SPECIALTY DOOR																	
	CW2442 SD	1674	1531	1401	1275	1161	1055											
CW2742 SD	1990	1818	1662	1510	1373	1246												
CORNER WALL CABINET - WOOD SPIN																		
	STANDARD DOOR																	
	CWS2430 WD	1757	1598	1452	1311	1184	1066											
	CWS2436 WD	1923	1749	1590	1435	1296	1166											
	CWS2439 WD	1980	1800	1637	1477	1334	1201											
	CWS2442 WD	1998	1817	1652	1491	1347	1212											
	SPECIALTY DOOR																	
	CWS2430 WD SD	2108	1918	1742	1573	1421	1279											
	CWS2436 WD SD	2308	2099	1908	1722	1555	1399											
CWS2439 WD SD	2376	2160	1964	1772	1602	1442												
CWS2442 WD SD	2398	2180	1982	1789	1616	1454												
WALL EASY REACH CABINET																		
	WER2430	1322	1202	1092	986	891	802											
	WER2436	1519	1381	1256	1134	1024	922											
	WER2439	1594	1449	1318	1190	1075	968											
	WER2442	1619	1471	1338	1208	1091	982											
CORNER WALL CABINET WITH APPLIANCE GARAGE - 48" HIGH																		
	STANDARD DOOR																	
	CWD2448	1591	1448	1318	1192	1079	971											
	SPECIALTY DOOR																	
CWD2448 SD	2008	1837	1681	1529	1394	1264												

Illustrations are for reference only. Refer to Specification Guide for actual specifications.

SKU

CORNER WALL CABINET WITH APPLIANCE GARAGE • WOOD SPIN • 48" HIGH



STANDARD DOOR

CWDS2448 WD	2300	2093	1904	1722	1557	1401
-------------	------	------	------	------	------	------

SPECIALTY DOOR

CWDS2448 WD SD	2859	2611	2384	2165	1967	1780
----------------	------	------	------	------	------	------

700 SERIES - CHERRY

700 SERIES - MAPLE

700 SERIES - PAINTED

600 SERIES - CHERRY

600 SERIES - MAPLE

600 SERIES - PAINTED

500 SERIES - CHERRY

DT SERIES - DURAFORM

500 SERIES - MAPLE

500 SERIES - PAINTED

400 SERIES - CHERRY

400 SERIES - MAPLE

400 SERIES - PAINTED

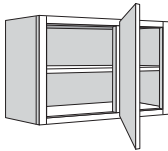
D SERIES - DURAFORM

300 SERIES - MAPLE

300 SERIES - PAINTED

DS SERIES - DURAFORM

BLIND WALL CABINET • 1 DOOR • 24" HIGH



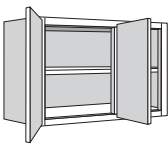
STANDARD DOOR

BLW24/2724	682	620	564	509	460	414
BLW27/3024	790	718	653	589	532	479
BLW30/3324	834	759	690	623	562	506
BLW33/3624	888	807	734	662	598	538

SPECIALTY DOOR

BLW24/2724 SD	917	843	776	710	651	596
BLW27/3024 SD	1047	961	883	806	737	674
BLW30/3324 SD	1100	1010	927	847	773	706
BLW33/3624 SD	1165	1067	980	893	817	745

BLIND WALL CABINET • 2 BUTT DOORS • 24" HIGH



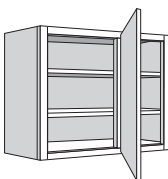
STANDARD DOOR

BLW36/3924 BUTT	966	879	799	721	651	586
-----------------	-----	-----	-----	-----	-----	-----

SPECIALTY DOOR

BLW36/3924 BUTT SD	1357	1253	1157	1063	979	901
--------------------	------	------	------	------	-----	-----

BLIND WALL CABINET • 1 DOOR • 30" HIGH



STANDARD DOOR

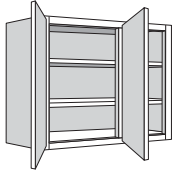
BLW24/2730	735	668	608	549	495	446
BLW27/3030	834	759	690	623	562	506
BLW30/3330	907	824	749	677	611	550
BLW33/3630	943	858	780	704	636	572
BLW36/3930	1018	926	842	760	686	617

SPECIALTY DOOR

BLW24/2730 SD	981	901	829	758	693	634
BLW27/3030 SD	1100	1010	927	847	773	706
BLW30/3330 SD	1187	1088	998	911	832	759
BLW33/3630 SD	1231	1129	1035	944	862	785

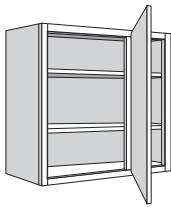
SKU

BLIND WALL CABINET • 2 BUTT DOORS • 30" HIGH



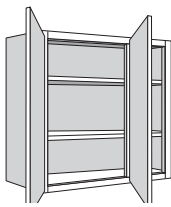
	700 SERIES - CHERRY	700 SERIES - MAPLE	700 SERIES - PAINTED	600 SERIES - CHERRY	600 SERIES - MAPLE	600 SERIES - PAINTED	500 SERIES - CHERRY	500 SERIES - MAPLE	500 SERIES - PAINTED	400 SERIES - CHERRY	400 SERIES - MAPLE	400 SERIES - PAINTED	D SERIES - DURAFORM	300 SERIES - MAPLE	300 SERIES - PAINTED	DS SERIES - DURAFORM
STANDARD DOOR																
BLW36/3930 BUTT	1082	984	894	808	729	656										
BLW39/4230 BUTT	1116	1015	923	833	752	677										
BLW42/4530 BUTT	1223	1112	1011	913	825	743										
BLW45/4830 BUTT	1272	1156	1051	950	857	771										
BLW48/5130 BUTT	1322	1202	1093	987	891	802										
SPECIALTY DOOR																
BLW36/3930 BUTT SD	1496	1379	1271	1168	1073	985										
BLW39/4230 BUTT SD	1537	1416	1306	1198	1100	1010										
BLW42/4530 BUTT SD	1666	1532	1411	1294	1188	1088										
BLW45/4830 BUTT SD	1724	1586	1460	1337	1226	1129										
BLW48/5130 BUTT SD	1784	1640	1510	1382	1267	1160										

BLIND WALL CABINET • 1 DOOR • 36" HIGH



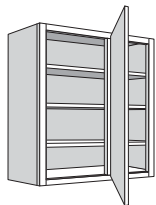
	700 SERIES - CHERRY	700 SERIES - MAPLE	700 SERIES - PAINTED	600 SERIES - CHERRY	600 SERIES - MAPLE	600 SERIES - PAINTED	500 SERIES - CHERRY	500 SERIES - MAPLE	500 SERIES - PAINTED	400 SERIES - CHERRY	400 SERIES - MAPLE	400 SERIES - PAINTED	D SERIES - DURAFORM	300 SERIES - MAPLE	300 SERIES - PAINTED	DS SERIES - DURAFORM
STANDARD DOOR																
BLW24/2736	855	777	707	638	576	518										
BLW30/3336	1041	947	861	777	702	632										
BLW33/3636	1085	986	897	810	731	658										
SPECIALTY DOOR																
BLW24/2736 SD	1127	1033	949	867	792	721										
BLW30/3336 SD	1350	1237	1134	1033	943	859										
BLW33/3636 SD	1403	1284	1177	1073	978	891										

BLIND WALL CABINET • 2 BUTT DOORS • 36" HIGH



	700 SERIES - CHERRY	700 SERIES - MAPLE	700 SERIES - PAINTED	600 SERIES - CHERRY	600 SERIES - MAPLE	600 SERIES - PAINTED	500 SERIES - CHERRY	500 SERIES - MAPLE	500 SERIES - PAINTED	400 SERIES - CHERRY	400 SERIES - MAPLE	400 SERIES - PAINTED	D SERIES - DURAFORM	300 SERIES - MAPLE	300 SERIES - PAINTED	DS SERIES - DURAFORM
STANDARD DOOR																
BLW36/3936 BUTT	1192	1084	986	890	804	724										
BLW39/4236 BUTT	1284	1167	1061	958	865	779										
BLW42/4536 BUTT	1415	1286	1170	1056	954	859										
SPECIALTY DOOR																
BLW36/3936 BUTT SD	1632	1503	1385	1270	1167	1071										
BLW39/4236 BUTT SD	1743	1602	1475	1352	1240	1136										
BLW42/4536 BUTT SD	1900	1745	1606	1469	1347	1233										

BLIND WALL CABINET • 1 DOOR • 39" HIGH



	700 SERIES - CHERRY	700 SERIES - MAPLE	700 SERIES - PAINTED	600 SERIES - CHERRY	600 SERIES - MAPLE	600 SERIES - PAINTED	500 SERIES - CHERRY	500 SERIES - MAPLE	500 SERIES - PAINTED	400 SERIES - CHERRY	400 SERIES - MAPLE	400 SERIES - PAINTED	D SERIES - DURAFORM	300 SERIES - MAPLE	300 SERIES - PAINTED	DS SERIES - DURAFORM
STANDARD DOOR																
BLW24/2739	894	812	739	667	603	543										
BLW30/3339	1112	1011	919	830	749	674										
BLW33/3639	1159	1053	958	865	781	703										
SPECIALTY DOOR																
BLW24/2739 SD	1174	1075	988	901	825	753										
BLW30/3339 SD	1435	1314	1204	1097	1000	911										
BLW33/3639 SD	1492	1365	1251	1139	1038	945										

Illustrations are for reference only. Refer to Specification Guide for actual specifications.

SKU

700 SERIES - CHERRY

700 SERIES - MAPLE
700 SERIES - PAINTED
600 SERIES - CHERRY

600 SERIES - MAPLE
600 SERIES - PAINTED
500 SERIES - CHERRY
DT SERIES - DURAFORM

500 SERIES - MAPLE
500 SERIES - PAINTED
400 SERIES - CHERRY

400 SERIES - MAPLE
400 SERIES - PAINTED
D SERIES - DURAFORM

300 SERIES - MAPLE
300 SERIES - PAINTED
DS SERIES - DURAFORM

BLIND WALL CABINET • 2 BUTT DOORS • 39" HIGH



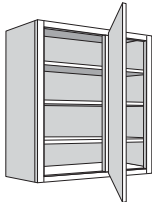
STANDARD DOOR

BLW36/3939 BUTT	1254	1140	1036	936	845	761
BLW39/4239 BUTT	1370	1245	1132	1022	923	831
BLW42/4539 BUTT	1510	1372	1247	1127	1018	916

SPECIALTY DOOR

BLW36/3939 BUTT SD	1707	1570	1445	1325	1216	1115
BLW39/4239 BUTT SD	1846	1696	1560	1428	1310	1199
BLW42/4539 BUTT SD	2014	1848	1698	1554	1424	1301

BLIND WALL CABINET • 1 DOOR • 42" HIGH



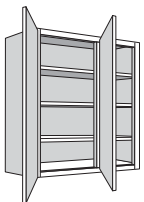
STANDARD DOOR

BLW24/2742	907	824	749	677	611	550
BLW30/3342	1135	1032	938	847	765	689
BLW33/3642	1183	1075	978	883	797	717

SPECIALTY DOOR

BLW24/2742 SD	1189	1090	1000	913	834	761
BLW30/3342 SD	1463	1339	1227	1117	1019	927
BLW33/3642 SD	1521	1391	1275	1161	1057	961

BLIND WALL CABINET • 2 BUTT DOORS • 42" HIGH



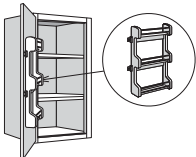
STANDARD DOOR

BLW36/3942 BUTT	1274	1158	1053	951	859	773
BLW39/4242 BUTT	1398	1271	1155	1043	942	848
BLW42/4542 BUTT	1541	1401	1273	1150	1039	935

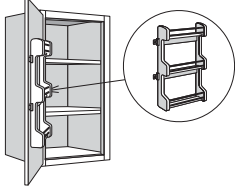
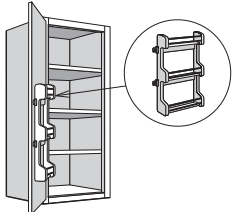
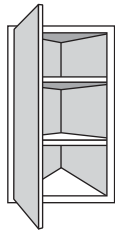
SPECIALTY DOOR

BLW36/3942 BUTT SD	1731	1592	1466	1343	1233	1130
BLW39/4242 BUTT SD	1880	1727	1588	1454	1332	1220
BLW42/4542 BUTT SD	2051	1883	1730	1582	1449	1324

WALL CABINET WITH SPICE RACK • 30" HIGH



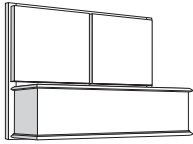
W1530 SR	718	662	611	561	516	474
W1830 SR	776	715	661	608	560	515
W2130 SR	852	787	728	670	618	570

SKU		700 SERIES - CHERRY	700 SERIES - MAPLE	700 SERIES - PAINTED	600 SERIES - CHERRY	600 SERIES - MAPLE	600 SERIES - PAINTED	500 SERIES - CHERRY	DT SERIES - DURAFORM	500 SERIES - MAPLE	500 SERIES - PAINTED	400 SERIES - CHERRY	400 SERIES - MAPLE	400 SERIES - PAINTED	D SERIES - DURAFORM	300 SERIES - MAPLE	300 SERIES - PAINTED	DS SERIES - DURAFORM		
WALL CABINET WITH SPICE RACK • 36" HIGH																				
	W1536 SR	816	751	692	634	582	534													
	W1836 SR	883	813	750	688	632	580													
	W2136 SR	961	886	818	752	692	636													
WALL CABINET WITH SPICE RACK • 39" HIGH																				
	W1539 SR	847	779	718	657	603	553													
	W1839 SR	919	846	779	715	656	602													
	W2139 SR	995	917	846	777	715	657													
WALL CABINET WITH SPICE RACK • 42" HIGH																				
	W1542 SR	857	788	726	665	610	559													
	W1842 SR	931	857	789	724	664	609													
	W2142 SR	1006	927	855	785	722	663													
WALL END ANGLE CABINET																				
	STANDARD DOOR																			
	WEA1230	686	624	567	512	462	416													
	WEA1236	790	718	653	589	532	479													
	WEA1239	827	751	683	617	557	501													
	WEA1242	839	762	693	626	565	509													
	SPECIALTY DOOR																			
	WEA1230 SD	922	848	779	713	653	598													
	WEA1236 SD	1049	963	885	808	739	676													
	WEA1239 SD	1093	1002	921	841	769	702													
WEA1242 SD	1108	1015	933	852	779	711														

Illustrations are for reference only. Refer to Specification Guide for actual specifications.

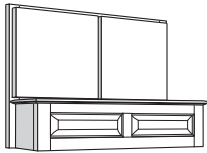
SKU

WALL RANGE HOOD - STRAIGHT VALANCE



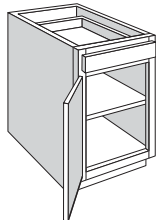
	700 SERIES - CHERRY	700 SERIES - MAPLE	700 SERIES - PAINTED	600 SERIES - CHERRY	600 SERIES - MAPLE	600 SERIES - PAINTED	500 SERIES - CHERRY	500 SERIES - MAPLE	500 SERIES - PAINTED	400 SERIES - CHERRY	400 SERIES - MAPLE	400 SERIES - PAINTED	D SERIES - DURAFORM	300 SERIES - MAPLE	300 SERIES - PAINTED	DS SERIES - DURAFORM
WRH3024 SV	2121	2097	2075	2053	2033	2015										
WRH3027 SV	2239	2211	2185	2159	2135	2113										
WRH3030 SV	2270	2238	2208	2180	2154	2130										
WRH3624 SV	2348	2318	2292	2266	2242	2220										
WRH3627 SV	2455	2423	2393	2365	2339	2315										
WRH3630 SV	2469	2433	2401	2369	2341	2315										

WALL RANGE HOOD - RAISED PANEL



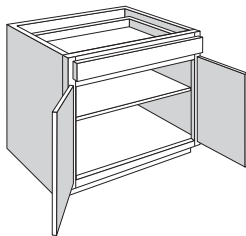
WRH3024 RP	2284	2260	2238	2216	2196	2178										
WRH3027 RP	3294	2366	2340	2314	2290	2268										
WRH3030 RP	2527	2495	2465	2437	2411	2387										
WRH3624 RP	2622	2592	2566	2540	2516	2494										
WRH3627 RP	2709	2677	2647	2619	2593	2569										
WRH3630 RP	2828	2792	2760	2728	2700	2674										

BASE CABINET - 1 DOOR - 1 DRAWER



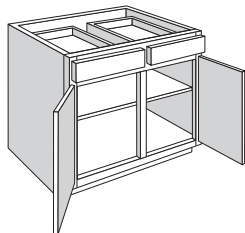
B12	840	769	705	643	587	528										
B15	881	807	739	674	614	553										
B18	918	840	769	701	639	575										
B21	954	873	800	728	664	598										
B24	1043	954	873	794	724	652										

BASE CABINET - 2 BUTT DOORS - 1 DRAWER

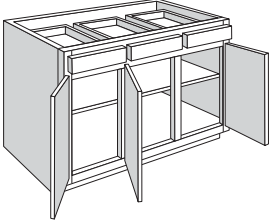
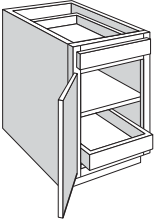
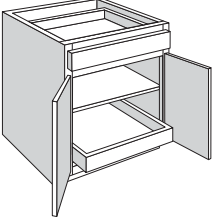
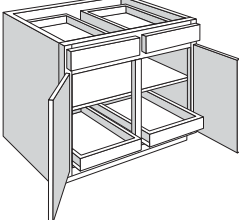
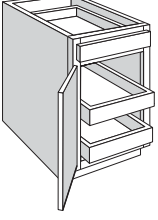


B24 BUTT	1128	1032	944	858	781	703										
B27 BUTT	1163	1063	972	884	804	724										
B30 BUTT	1287	1176	1075	977	889	800										
B33 BUTT	1344	1228	1122	1019	926	833										
B36 1TD BUTT	1503	1373	1254	1138	1034	931										

BASE CABINET - 2 DOORS - 2 DRAWERS



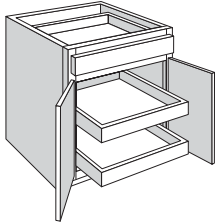
B39	1555	1425	1307	1193	1089	980										
B42	1595	1462	1341	1223	1117	1005										
B48	1734	1588	1456	1327	1210	1089										

SKU		700 SERIES - CHERRY	700 SERIES - MAPLE	700 SERIES - PAINTED	600 SERIES - CHERRY	600 SERIES - MAPLE	600 SERIES - PAINTED	500 SERIES - CHERRY	DT SERIES - DURAFORM	500 SERIES - MAPLE	500 SERIES - PAINTED	400 SERIES - CHERRY	400 SERIES - MAPLE	400 SERIES - PAINTED	D SERIES - DURAFORM	300 SERIES - MAPLE	300 SERIES - PAINTED	DS SERIES - DURAFORM						
BASE CABINET • 3 DOORS • 3 DRAWERS																								
	B45	1889	1735	1595	1459	1336	1202																	
BASE CABINET • 1 DOOR • 1 DRAWER • 1 DEEP ROLL OUT TRAY																								
	B12 CCFWT	1177	1075	984	894	814	733																	
	B15 CCFWT	1219	1114	1018	926	842	758																	
	B18 CCFWT	1256	1147	1049	953	867	780																	
	B21 CCFWT	1294	1182	1080	982	893	804																	
	B24 CCFWT	1381	1261	1152	1047	951	856																	
BASE CABINET • 2 BUTT DOORS • 1 DRAWER • 1 DEEP ROLL OUT TRAY																								
	B24 CCFWT BUTT	1467	1339	1223	1111	1009	908																	
	B27 CCFWT BUTT	1535	1401	1279	1161	1055	950																	
	B30 CCFWT BUTT	1674	1527	1395	1265	1149	1034																	
	B33 CCFWT BUTT	1732	1580	1443	1309	1188	1069																	
	B36 1TD CCFWT BUTT	1892	1726	1575	1428	1296	1166																	
BASE CABINET • 2 DOORS • 2 DRAWERS • 2 DEEP ROLL OUT TRAYS																								
	B39 CC2T	2232	2041	1867	1698	1546	1391																	
	B42 CC2T	2273	2078	1901	1729	1573	1416																	
	B48 CC2T	2410	2203	2014	1831	1666	1499																	
BASE CABINET • 1 DOOR • 1 DRAWER • 2 DEEP ROLL OUT TRAYS																								
	B12 CC2FWT	1515	1383	1263	1147	1042	938																	
	B15 CC2FWT	1557	1421	1298	1178	1070	963																	
	B18 CC2FWT	1594	1455	1328	1206	1095	986																	
	B21 CC2FWT	1632	1489	1360	1234	1120	1008																	
	B24 CC2FWT	1720	1570	1433	1300	1180	1062																	

Illustrations are for reference only. Refer to Specification Guide for actual specifications.

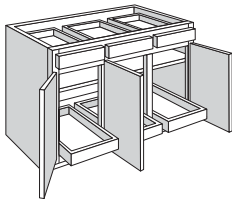
SKU

BASE CABINET • 2 BUTT DOORS • 1 DRAWER • 2 DEEP ROLL OUT TRAYS



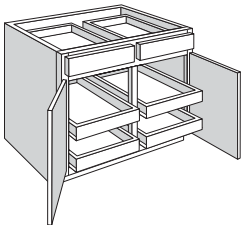
	700 SERIES - CHERRY	700 SERIES - MAPLE	700 SERIES - PAINTED	600 SERIES - CHERRY	600 SERIES - MAPLE	600 SERIES - PAINTED	500 SERIES - CHERRY	DT SERIES - DURAFORM	500 SERIES - MAPLE	500 SERIES - PAINTED	400 SERIES - CHERRY	400 SERIES - MAPLE	400 SERIES - PAINTED	D SERIES - DURAFORM	300 SERIES - MAPLE	300 SERIES - PAINTED	DS SERIES - DURAFORM
B24 CC2FWT BUTT	1805	1646	1503	1363	1237	1113											
B27 CC2FWT BUTT	1907	1739	1587	1439	1306	1175											
B30 CC2FWT BUTT	2063	1881	1716	1555	1411	1270											
B33 CC2FWT BUTT	2119	1932	1762	1598	1449	1304											
B36 1TD CC2FWT BUTT	2279	2077	1894	1718	1556	1400											

BASE CABINET • 3 DOORS • 3 DRAWERS • 3 DEEP ROLL OUT TRAYS



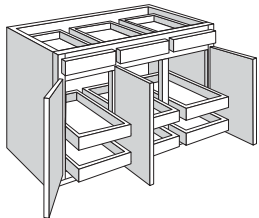
B45 CC3T	2748	2516	2305	2100	1915	1724											

BASE CABINET • 2 DOORS • 2 DRAWERS • 4 DEEP ROLL OUT TRAYS



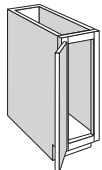
B39 CC4T	2908	2655	2426	2203	2002	1802											
B42 CC4T	2949	2693	2459	2233	2029	1826											
B48 CC4T	3088	2819	2574	2337	2123	1911											

BASE CABINET • 3 DOORS • 3 DRAWERS • 6 DEEP ROLL OUT TRAYS

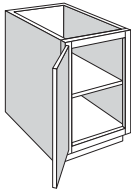
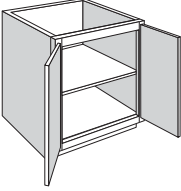
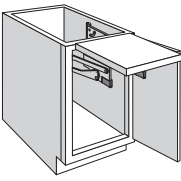
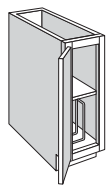
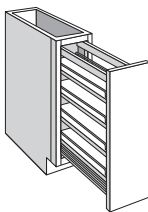


B45 CC6T	3607	3297	3015	2741	2494	2245											

BASE CABINET • FULL-HEIGHT DOOR • NO SHELF



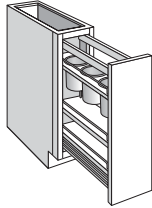
TB9	698	635	577	521	471	424											

SKU		700 SERIES - CHERRY	700 SERIES - MAPLE	700 SERIES - PAINTED	600 SERIES - CHERRY	600 SERIES - MAPLE	600 SERIES - PAINTED	500 SERIES - CHERRY	DT SERIES - DURAFORM	500 SERIES - MAPLE	500 SERIES - PAINTED	400 SERIES - CHERRY	400 SERIES - MAPLE	400 SERIES - PAINTED	D SERIES - DURAFORM	300 SERIES - MAPLE	300 SERIES - PAINTED	DS SERIES - DURAFORM	
BASE CABINET • FULL-HEIGHT DOOR AND SHELF																			
	B12 FH	745	677	615	556	502	452												
	B15 FH	784	713	648	586	528	475												
	B18 FH	820	745	677	612	552	497												
	B21 FH	854	777	707	637	576	518												
	B24 FH	918	840	768	699	637	573												
BASE CABINET • FULL-HEIGHT BUTT DOORS AND SHELF																			
	B24 BUTT FH	1021	929	845	762	688	619												
	B27 BUTT FH	1047	957	875	796	724	651												
	B30 BUTT FH	1174	1068	971	876	792	713												
	B33 BUTT FH	1210	1105	1010	917	833	750												
	B36 BUTT FH	1381	1257	1142	1031	931	838												
BASE CABINET • FULL-HEIGHT • BASE MIXER LIFT																			
	B18 FH MLK	2117	2027	1945	1867	1795	1729												
BASE CABINET • FULL-HEIGHT DOOR WITH TRAY DIVIDER AND SHELF																			
	TB9 TDS	798	725	659	595	538	484												
BASE PANTRY PULL OUT																			
	BPP9 CC	1399	1278	1167	1060	963	867												
	BPP12 CC	1533	1400	1278	1160	1053	948												

Illustrations are for reference only. Refer to Specification Guide for actual specifications.

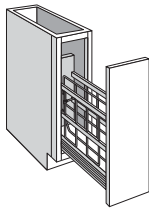
SKU

BASE PANTRY PULL OUT UTENSIL STORAGE



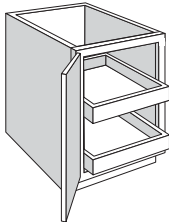
	700 SERIES - CHERRY	700 SERIES - MAPLE	700 SERIES - PAINTED	600 SERIES - CHERRY	600 SERIES - MAPLE	600 SERIES - PAINTED	500 SERIES - CHERRY	500 SERIES - MAPLE	500 SERIES - PAINTED	400 SERIES - CHERRY	400 SERIES - MAPLE	400 SERIES - PAINTED	D SERIES - DURAFORM	300 SERIES - MAPLE	300 SERIES - PAINTED	DS SERIES - DURAFORM
BPPUS9 CC	2336	2131	1942	1760	1595	1436										
BPPUS12 CC	2417	2204	2008	1820	1649	1484										

BASE TRAY DIVIDER PULL OUT



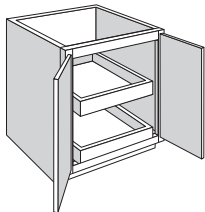
	700 SERIES - CHERRY	700 SERIES - MAPLE	700 SERIES - PAINTED	600 SERIES - CHERRY	600 SERIES - MAPLE	600 SERIES - PAINTED	500 SERIES - CHERRY	500 SERIES - MAPLE	500 SERIES - PAINTED	400 SERIES - CHERRY	400 SERIES - MAPLE	400 SERIES - PAINTED	D SERIES - DURAFORM	300 SERIES - MAPLE	300 SERIES - PAINTED	DS SERIES - DURAFORM
BTDP9 CC	1399	1278	1167	1060	963	867										

BASE CABINET - FULL-HEIGHT DOOR - 2 DEEP ROLL OUT TRAYS



	700 SERIES - CHERRY	700 SERIES - MAPLE	700 SERIES - PAINTED	600 SERIES - CHERRY	600 SERIES - MAPLE	600 SERIES - PAINTED	500 SERIES - CHERRY	500 SERIES - MAPLE	500 SERIES - PAINTED	400 SERIES - CHERRY	400 SERIES - MAPLE	400 SERIES - PAINTED	D SERIES - DURAFORM	300 SERIES - MAPLE	300 SERIES - PAINTED	DS SERIES - DURAFORM
B12 FH CC2FWT	1379	1259	1149	1044	948	853										
B15 FH CC2FWT	1417	1293	1181	1072	974	876										
B18 FH CC2FWT	1469	1335	1213	1096	990	891										
B21 FH CC2FWT	1485	1355	1238	1123	1019	917										
B24 FH CC2FWT	1565	1429	1304	1183	1074	966										

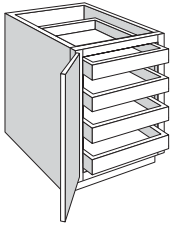
BASE CABINET - FULL-HEIGHT BUTT DOORS - 2 DEEP ROLL OUT TRAYS



	700 SERIES - CHERRY	700 SERIES - MAPLE	700 SERIES - PAINTED	600 SERIES - CHERRY	600 SERIES - MAPLE	600 SERIES - PAINTED	500 SERIES - CHERRY	500 SERIES - MAPLE	500 SERIES - PAINTED	400 SERIES - CHERRY	400 SERIES - MAPLE	400 SERIES - PAINTED	D SERIES - DURAFORM	300 SERIES - MAPLE	300 SERIES - PAINTED	DS SERIES - DURAFORM
B24 BUTT FH CC2FWT	1671	1519	1381	1247	1126	1013										
B27 BUTT FH CC2FWT	1754	1600	1460	1324	1202	1081										
B30 BUTT FH CC2FWT	1919	1744	1586	1431	1293	1164										
B33 BUTT FH CC2FWT	1950	1777	1621	1470	1333	1200										
B36 BUTT FH CC2FWT	2097	1911	1742	1581	1432	1288										

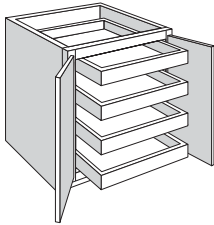
SKU

BASE CABINET • FULL-HEIGHT DOOR • 4 DEEP ROLL OUT TRAYS



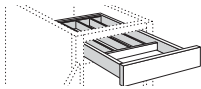
	700 SERIES - CHERRY	700 SERIES - MAPLE	700 SERIES - PAINTED	600 SERIES - CHERRY	600 SERIES - MAPLE	600 SERIES - PAINTED	500 SERIES - CHERRY	DT SERIES - DURAFORM	500 SERIES - MAPLE	500 SERIES - PAINTED	400 SERIES - CHERRY	400 SERIES - MAPLE	400 SERIES - PAINTED	D SERIES - DURAFORM	300 SERIES - MAPLE	300 SERIES - PAINTED	DS SERIES - DURAFORM
B12 FH CC4FWT	2068	1880	1709	1543	1394	1254											
B15 FH CC4FWT	2107	1915	1741	1572	1420	1278											
B18 FH CC4FWT	2146	1951	1773	1601	1446	1301											
B21 FH CC4FWT	2176	1978	1798	1624	1466	1319											
B24 FH CC4FWT	2255	2050	1864	1683	1520	1368											

BASE CABINET • FULL-HEIGHT BUTT DOORS • 4 DEEP ROLL OUT TRAYS

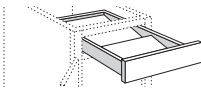


B24 BUTT FH CC4FWT	2349	2135	1941	1753	1583	1425											
B27 BUTT FH CC4FWT	2444	2222	2020	1824	1647	1482											
B30 BUTT FH CC4FWT	2597	2361	2146	1938	1750	1575											
B33 BUTT FH CC4FWT	2668	2426	2205	1991	1798	1618											
B36 BUTT FH CC4FWT	2814	2559	2326	2100	1897	1707											

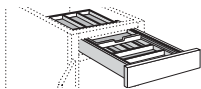
BASE CABINET • ADJUSTABLE SHELF • FACTORY INSTALLED ACCESSORIES



BASE CABINET • ADJUSTABLE SHELF • FACTORY INSTALLED CUTLERY DIVIDER							
B15 CD	956	875	801	729	665	599	
B18 CD	992	908	831	757	690	621	
B21 CD	1036	948	867	789	719	647	
B24 CD	1127	1030	943	857	780	702	
B24 BUTT CD	1212	1107	1012	920	837	753	
B30 BUTT CD	1374	1263	1162	1064	976	887	
B36 1TD BUTT CD	1602	1472	1353	1237	1133	1030	



BASE CABINET • ADJUSTABLE SHELF • FACTORY INSTALLED SPICE DRAWER INSERT							
B15 SDI	1020	933	854	777	708	637	
B18 SDI	1069	977	894	814	741	667	
B21 SDI	1111	1016	929	845	769	692	
B24 SDI	1199	1096	1002	911	829	746	
B36 1TD BUTT CD	1285	1174	1073	975	887	798	

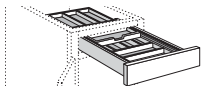
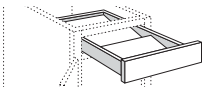
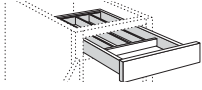


BASE CABINET • ADJUSTABLE SHELF • FACTORY INSTALLED WOOD TIERED CUTLERY DIVIDER							
B15 WTCD	1442	1316	1203	1092	992	893	
B18 WTCD	1506	1375	1255	1140	1035	932	
B21 WTCD	1590	1451	1325	1203	1092	983	
B24 WTCD	1733	1581	1443	1309	1189	1070	
B24 BUTT WTCD	1817	1658	1513	1372	1246	1121	
B30 BUTT WTCD	1772	1661	1560	1462	1374	1285	
B36 1TD BUTT WTCD	2028	1898	1779	1663	1559	1456	

Illustrations are for reference only. Refer to Specification Guide for actual specifications.

SKU

BASE CABINET - ONE DEEP ROLL OUT TRAY - FACTORY INSTALLED ACCESSORIES



700 SERIES - CHERRY

700 SERIES - MAPLE
700 SERIES - PAINTED
600 SERIES - CHERRY

600 SERIES - MAPLE
600 SERIES - PAINTED
500 SERIES - CHERRY
DT SERIES - DURAFORM

500 SERIES - MAPLE
500 SERIES - PAINTED
400 SERIES - CHERRY

400 SERIES - MAPLE
400 SERIES - PAINTED
D SERIES - DURAFORM

300 SERIES - MAPLE
300 SERIES - PAINTED
DS SERIES - DURAFORM

BASE CABINET - ONE DEEP ROLL OUT TRAY - FACTORY INSTALLED CUTLERY DIVIDER

B15 CCFWT CD	1294	1182	1080	982	893	804
B18 CCFWT CAD	1330	1215	1111	1009	917	825
B21 CCFWT CD	1375	1256	1148	1043	948	853
B24 CCFWT CD	1465	1338	1222	1110	1008	907
B24 CCFWT BUTT CD	1550	1415	1292	1173	1065	959
B30 CCFWT BUTT CD	1761	1614	1482	1352	1236	1121
B36 1TD CCFWT BUTT CD	1991	1825	1674	1527	1395	1265

BASE CABINET - ONE DEEP ROLL OUT TRAY - FACTORY INSTALLED SPICE DRAWER INSERT

B15 CCFWT SDI	1358	1240	1133	1029	936	842
B18 CCFWT SDI	1407	1285	1174	1066	969	872
B21 CCFWT SDI	1450	1324	1210	1099	998	898
B24 CCFWT SDI	1537	1403	1282	1164	1057	951
B24 CCFWT BUTT SDI	1623	1481	1353	1228	1115	1004

BASE CABINET - ONE DEEP ROLL OUT TRAY - FACTORY INSTALLED WOOD TIERED CUTLERY DIVIDER

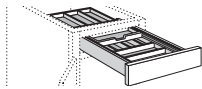
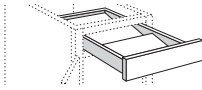
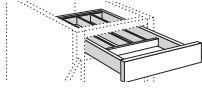
B15 CCFWT WTCD	1780	1624	1482	1344	1220	1098
B18 CCFWT WTCD	1844	1682	1535	1392	1263	1137
B21 CCFWT WTCD	1929	1760	1606	1456	1321	1189
B24 CCFWT WTCD	2071	1888	1723	1562	1416	1274
B24 CCFWT BUTT WTCD	2155	1965	1792	1625	1473	1326
B30 CCFWT BUTT WTCD	2159	2012	1880	1750	1634	1519
B36 1TD CCFWT BUTT WTCD	2417	2251	2100	1953	1821	1691

BASE CABINET - ONE DEEP ROLL OUT TRAY - FACTORY INSTALLED WOOD TIERED CUTLERY DIVIDER

B15 CCFWT WTCD	1780	1624	1482	1344	1220	1098
B18 CCFWT WTCD	1844	1682	1535	1392	1263	1137
B21 CCFWT WTCD	1929	1760	1606	1456	1321	1189
B24 CCFWT BUTT WTCD	2155	1965	1792	1625	1473	1326
B24 CCFWT WTCD	2071	1888	1723	1562	1416	1274

SKU

BASE CABINET - TWO DEEP ROLL OUT TRAYS - FACTORY INSTALLED ACCESSORIES



700 SERIES - CHERRY

700 SERIES - MAPLE

700 SERIES - PAINTED

600 SERIES - CHERRY

600 SERIES - MAPLE

600 SERIES - PAINTED

500 SERIES - CHERRY

DT SERIES - DURAFORM

500 SERIES - MAPLE

500 SERIES - PAINTED

400 SERIES - CHERRY

400 SERIES - MAPLE

400 SERIES - PAINTED

D SERIES - DURAFORM

300 SERIES - MAPLE

300 SERIES - PAINTED

DS SERIES - DURAFORM

BASE CABINET - TWO DEEP ROLL OUT TRAYS - FACTORY INSTALLED CUTLERY DIVIDER

B15 CC2FWT CD	1632	1489	1360	1234	1120	1008
B18 CC2FWT CD	1668	1523	1390	1261	1145	1031
B21 CC2FWT CD	1713	1563	1427	1295	1176	1058
B24 CC2FWT CD	1805	1646	1503	1363	1237	1113
B24 CC2FWT BUTT CD	1888	1722	1571	1425	1293	1164
B30 CC2FWT BUTT CD	2150	1968	1803	1642	1498	1357
B36 1TD CC2FWT BUTT CD	2378	2176	1993	1817	1655	1499

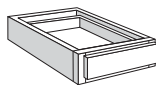
BASE CABINET - TWO DEEP ROLL OUT TRAYS - FACTORY INSTALLED SPICE DRAWER INSERT T

B15 CC2FWT SDI	1696	1547	1413	1282	1164	1048
B18 CC2FWT SDI	1745	1592	1453	1318	1197	1077
B21 CC2FWT SDI	1788	1632	1489	1351	1226	1103
B24 CC2FWT SDI	1877	1712	1562	1417	1286	1157
B24 CC2FWT BUTT SDI	1961	1789	1632	1480	1342	1208

BASE CABINET - TWO DEEP ROLL OUT TRAYS - FACTORY INSTALLED WOOD TIERED CUTLERY DIVIDER

B15 CC2FWT WTCD	2116	1930	1760	1596	1447	1302
B18 CC2FWT WTCD	2180	1988	1813	1643	1490	1341
B21 CC2FWT WTCD	2267	2067	1885	1708	1549	1394
B24 CC2FWT WTCD	2410	2197	2003	1815	1645	1481
B24 CC2FWT BUTT WTCD	2493	2273	2072	1877	1701	1531
B30 CC2FWT BUTT WTCD	2548	2366	2201	2040	1896	1755
B36 1TD CC2FWT BUTT WTCD	2804	2602	2419	2243	2081	1925

FURNITURE DRAWER CABINET - 6" HIGH



12" DEEP

FD121206	450	414	383	352	324	291
FD151206	465	428	395	363	334	301
FD181206	481	443	408	375	345	310
FD211206	497	458	422	387	356	320
FD241206	518	477	440	403	370	333
FD271206	537	494	455	417	383	344
FD301206	558	512	471	430	394	354
FD331206	577	530	487	445	407	366
FD361206	597	548	503	459	420	378

24" DEEP

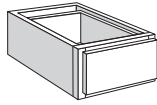
FD122406	473	436	403	370	341	307
FD152406	489	451	416	382	352	317
FD182406	506	466	430	395	363	327
FD212406	523	482	444	407	375	337
FD242406	546	502	463	424	390	351
FD272406	565	520	479	439	403	363
FD302406	587	539	495	453	415	373
FD332406	608	558	512	468	428	386
FD362406	629	577	530	484	442	398

Illustrations are for reference only. Refer to Specification Guide for actual specifications.

PRICING

SKU

FURNITURE DRAWER CABINET - 12" HIGH



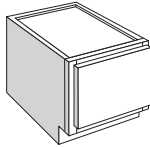
12" DEEP

	700 SERIES - CHERRY	700 SERIES - MAPLE	700 SERIES - PAINTED	600 SERIES - CHERRY	600 SERIES - MAPLE	600 SERIES - PAINTED	500 SERIES - CHERRY	500 SERIES - MAPLE	500 SERIES - PAINTED	400 SERIES - CHERRY	400 SERIES - MAPLE	400 SERIES - PAINTED	D SERIES - DURAFORM	300 SERIES - MAPLE	300 SERIES - PAINTED	DS SERIES - DURAFORM
FD121212	578	533	492				452			416				375		
FD151212	598	551	508				467			430				387		
FD181212	618	569	525				482			443				399		
FD211212	639	588	542				498			457				412		
FD241212	666	613	565				518			476				428		
FD271212	690	635	585				536			492				443		
FD301212	744	683	627				574			525				473		
FD331212	770	706	649				593			543				488		
FD361212	796	730	671				613			560				504		

24" DEEP

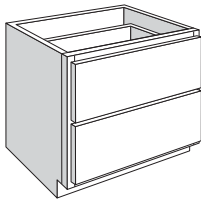
FD122412	608	561	518				476			438				394		
FD152412	629	580	535				491			452				407		
FD182412	651	599	553				508			467				420		
FD212412	673	619	571				524			482				433		
FD242412	702	645	595				545			501				451		
FD272412	727	668	616				564			518				466		
FD302412	783	719	660				604			553				498		
FD332412	810	744	683				624			571				514		
FD362412	838	769	706				645			590				531		

PEDESTAL DRAWER



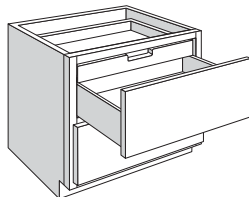
PD1217 1DWR	744	685	633				582			536				482		
PD1517 1DWR	769	708	654				601			553				497		
PD1817 1DWR	795	733	675				620			570				513		
PD2117 1DWR	822	757	698				640			589				530		
PD2417 1DWR	857	789	727				667			612				551		
PD2717 1DWR	888	817	752				690			633				570		
PD3017 1DWR	979	899	826				755			691				622		
PD3317 1DWR	1013	930	854				781			714				643		
PD3617 1DWR	1048	961	883				806			737				663		

DRAWER BASE CABINET - 2 DRAWERS

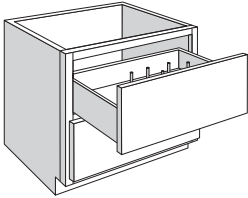
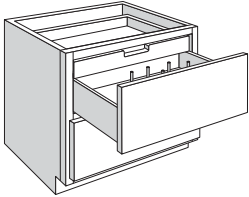
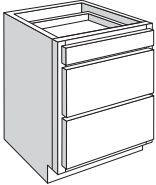
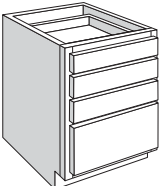


DB21 2DWR	1674	1522	1384				1250			1128				1015		
DB24 2DWR	1758	1599	1453				1312			1184				1066		
DB27 2DWR	1842	1675	1522				1375			1241				1117		
DB30 2DWR	1943	1766	1605				1450			1309				1178		
DB33 2DWR	2009	1827	1661				1500			1354				1218		
DB36 2DWR	2093	1903	1730				1562			1410				1269		

DRAWER BASE CABINET - 2 DRAWERS - 1 SCALLOPED DEEP ROLL OUT TRAY



DB21 2DWR SFWT	1944	1792	1654				1520			1398				1285		
DB24 2DWR SFWT	2028	1869	1723				1582			1454				1336		
DB27 2DWR SFWT	2112	1945	1792				1645			1511				1387		
DB30 2DWR SFWT	2227	2050	1889				1734			1593				1462		
DB33 2DWR SFWT	2293	2111	1945				1784			1638				1502		
DB36 2DWR SFWT	2377	2187	2014				1846			1694				1553		

SKU		700 SERIES - CHERRY	700 SERIES - MAPLE	700 SERIES - PAINTED	600 SERIES - CHERRY	600 SERIES - MAPLE	600 SERIES - PAINTED	500 SERIES - CHERRY	DT SERIES - DURAFORM	500 SERIES - MAPLE	500 SERIES - PAINTED	400 SERIES - CHERRY	400 SERIES - MAPLE	400 SERIES - PAINTED	D SERIES - DURAFORM	300 SERIES - MAPLE	300 SERIES - PAINTED	DS SERIES - DURAFORM	
DRAWER BASE CABINET - 2 DRAWERS - 1 PEG DISH ORGANIZER																			
	DB21 2DWR PDO	1947	1795	1657	1523	1401	1288												
	DB24 2DWR PDO	2031	1872	1726	1585	1457	1339												
	DB27 2DWR PDO	2115	1948	1795	1648	1514	1390												
	DB30 2DWR PDO	2230	2053	1892	1737	1596	1465												
	DB33 2DWR PDO	2296	2114	1948	1787	1641	1505												
	DB36 2DWR PDO	2380	2190	2017	1849	1697	1556												
DRAWER BASE CABINET - 2 DRAWERS - 1 SCALLOPED DEEP ROLL OUT TRAY - 1 PEG DISH ORGANIZER																			
	DB21 2DWR SFWT PDO	2217	2065	1927	1793	1671	1558												
	DB24 2DWR SFWT PDO	2301	2142	1996	1855	1727	1609												
	DB27 2DWR SFWT PDO	2385	2218	2065	1918	1784	1660												
	DB30 2DWR SFWT PDO	2514	2337	2176	2021	1880	1749												
	DB33 2DWR SFWT PDO	2580	2398	2232	2071	1925	1789												
	DB36 2DWR SFWT PDO	2664	2474	2301	2133	1981	1840												
DRAWER BASE CABINET - 3 DRAWERS																			
	DB12	1352	1246	1151	1058	974	877												
	DB15	1398	1288	1189	1092	1005	905												
	DB18	1446	1332	1228	1128	1037	933												
	DB21	1495	1376	1269	1164	1070	963												
	DB24	1559	1434	1322	1212	1113	1002												
	DB27	1615	1485	1368	1254	1151	1036												
	DB30	1958	1797	1651	1510	1382	1244												
	DB33	2026	1859	1708	1561	1428	1285												
	DB36 1TD	2095	1922	1765	1612	1474	1327												
DRAWER BASE CABINET - 4 DRAWERS																			
	DB12 4DWR	1590	1469	1359	1252	1155	1040												
	DB15 4DWR	1640	1515	1400	1289	1189	1070												
	DB18 4DWR	1691	1560	1442	1327	1223	1101												
	DB21 4DWR	1745	1610	1487	1367	1260	1134												
	DB24 4DWR	1764	1627	1503	1382	1272	1145												

Illustrations are for reference only. Refer to Specification Guide for actual specifications.

SKU

700 SERIES - CHERRY

700 SERIES - MAPLE
700 SERIES - PAINTED
600 SERIES - CHERRY

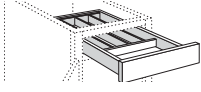
600 SERIES - MAPLE
600 SERIES - PAINTED
500 SERIES - CHERRY
DT SERIES - DURAFORM

500 SERIES - MAPLE
500 SERIES - PAINTED
400 SERIES - CHERRY

400 SERIES - MAPLE
400 SERIES - PAINTED
D SERIES - DURAFORM

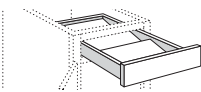
300 SERIES - MAPLE
300 SERIES - PAINTED
DS SERIES - DURAFORM

DRAWER BASE CABINET • 3 DRAWERS • FACTORY INSTALLED ACCESSORIES



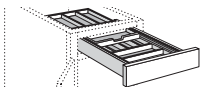
DRAWER BASE CABINET • 3 DRAWERS • FACTORY INSTALLED CUTLERY DIVIDER

DB15 CD	1474	1358	1252	1149	1056	950
DB18 CD	1521	1400	1290	1183	1087	978
DB21 CD	1576	1451	1336	1225	1125	1013
DB24 CD	1643	1511	1391	1275	1170	1053
DB30 CD	2045	1884	1738	1597	1469	1331
DB36 1TD CD	2194	2021	1864	1711	1573	1426



DRAWER BASE CABINET • 3 DRAWERS • FACTORY INSTALLED SPICE DRAWER INSERT

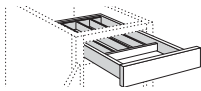
DB15 SDI	1538	1416	1305	1197	1099	989
DB18 SDI	1595	1468	1352	1239	1138	1024
DB21 SDI	1651	1519	1398	1281	1175	1058
DB24 SDI	1715	1577	1451	1329	1218	1096



DRAWER BASE CABINET • 3 DRAWERS • FACTORY INSTALLED WOOD TIERED CUTLERY DIVIDER

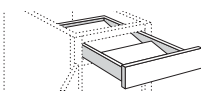
DB15 WTCD	1959	1798	1652	1511	1383	1245
DB18 WTCD	2032	1865	1713	1565	1432	1289
DB21 WTCD	2130	1954	1794	1639	1498	1348
DB24 WTCD	2249	2062	1892	1727	1578	1420
DB30 WTCD	2443	2282	2136	1995	1867	1729
DB36 1TD WTCD	2620	2447	2290	2137	1999	1852

DRAWER BASE CABINET • 4 DRAWERS • FACTORY INSTALLED ACCESSORIES



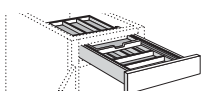
DRAWER BASE CABINET • 4 DRAWERS • FACTORY INSTALLED CUTLERY DIVIDER

DB15 4DWR CD	1715	1583	1462	1345	1239	1115
DB18 4DWR CD	1767	1630	1505	1384	1274	1147
DB21 4DWR CD	1827	1684	1554	1428	1315	1184
DB24 4DWR CD	1847	1703	1571	1444	1328	1195



DRAWER BASE CABINET • 4 DRAWERS • FACTORY INSTALLED SPICE DRAWER INSERT

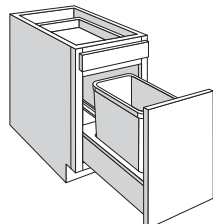
DB15 4DWR SDI	1779	1641	1515	1393	1282	1154
DB18 4DWR SDI	1842	1698	1567	1439	1325	1193
DB21 4DWR SDI	1902	1752	1616	1484	1365	1229
DB24 4DWR SDI	1921	1769	1632	1498	1378	1240



DRAWER BASE CABINET • 4 DRAWERS • FACTORY INSTALLED WOOD TIERED CUTLERY DIVIDER

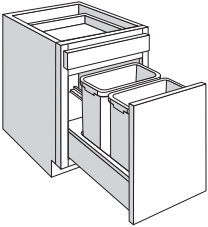
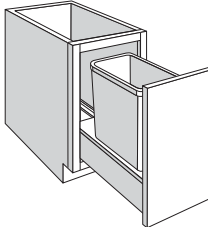
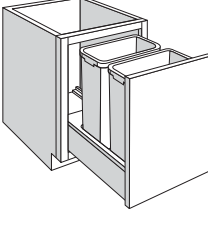
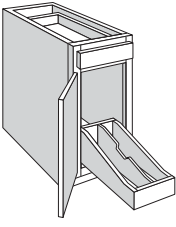
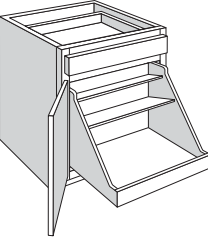
DB15 4DWR WTCD	2201	2024	1864	1708	1567	1410
DB18 4DWR WTCD	2279	2095	1928	1766	1619	1457
DB21 4DWR WTCD	2381	2188	2012	1842	1688	1519
DB24 4DWR WTCD	2454	2255	2073	1897	1737	1563

BASE CABINET • 1 BOTTOM MOUNT WASTEBASKET



BWBB15 CC	1508	1383	1268	1157	1057	951

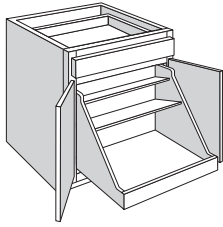
PRICING

SKU		700 SERIES - CHERRY	700 SERIES - MAPLE	700 SERIES - PAINTED	600 SERIES - CHERRY	600 SERIES - MAPLE	600 SERIES - PAINTED	500 SERIES - CHERRY	500 SERIES - MAPLE	500 SERIES - PAINTED	400 SERIES - CHERRY	400 SERIES - MAPLE	400 SERIES - PAINTED	D SERIES - DURAFORM	300 SERIES - MAPLE	300 SERIES - PAINTED	DS SERIES - DURAFORM	
BASE CABINET - 2 BOTTOM MOUNT WASTEBASKETS																		
	BWBB15-2 CC	1662	1522	1395	1272	1161	1045											
	BWBB18-2 CC	1658	1519	1392	1269	1158	1042											
	BWBB21-2 CC	1646	1509	1382	1260	1150	1035											
BASE CABINET - FULL-HEIGHT DOOR - 1 BOTTOM MOUNT WASTEBASKET																		
	BWBB15 FH CC	1444	1319	1204	1093	993	894											
	BWBB18 FH CC	1658	1519	1392	1269	1158	1042											
BASE CABINET - FULL-HEIGHT DOOR - 2 BOTTOM MOUNT WASTEBASKETS																		
	BWBB21-2 FH CC	1582	1445	1318	1196	1086	978											
BASE CABINET - FACTORY INSTALLED ROLL OUT TRAY DIVIDER																		
	B12 CCR0TD	1325	1210	1106	1005	914	823											
	B15 CCR0TD	1415	1292	1180	1072	974	877											
BASE CABINET - 1 DOOR - POT AND PAN ORGANIZER																		
	B24 CCBPPO	1612	1471	1344	1219	1107	996											

Illustrations are for reference only. Refer to Specification Guide for actual specifications.

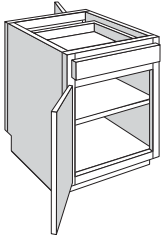
SKU

BASE CABINET • 2 BUTT DOORS • POT AND PAN ORGANIZER



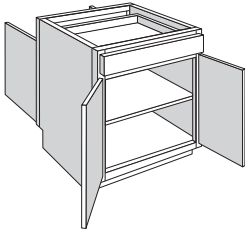
	700 SERIES - CHERRY	700 SERIES - MAPLE	700 SERIES - PAINTED	600 SERIES - CHERRY	600 SERIES - MAPLE	600 SERIES - PAINTED	500 SERIES - CHERRY	500 SERIES - MAPLE	500 SERIES - PAINTED	400 SERIES - CHERRY	400 SERIES - MAPLE	400 SERIES - PAINTED	D SERIES - DURAFORM	300 SERIES - MAPLE	300 SERIES - PAINTED	DS SERIES - DURAFORM
B24 BUTT CCBPPO	1698	1549	1414	1283	1165	1049										
B27 BUTT CCBPPO	1756	1603	1463	1327	1205	1085										
B30 BUTT CCBPPO	1928	1758	1604	1454	1320	1188										
B33 BUTT CCBPPO	2057	1876	1710	1551	1407	1266										
B36 1TD BUTT CCBPPO	2195	2002	1826	1654	1500	1350										

PENINSULA BASE CABINET • 2 DOORS



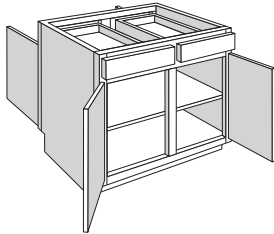
PB12	1228	1122	1026	933	848	763										
PB18	1360	1242	1135	1031	937	843										
PB24	1578	1440	1315	1194	1084	976										

PENINSULA BASE CABINET • 4 BUTT DOORS



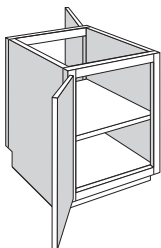
PB24 BUTT	1719	1569	1432	1299	1179	1061										
PB30 BUTT	1848	1685	1539	1395	1266	1139										
PB36 1TD BUTT	2070	1888	1722	1561	1416	1274										

PENINSULA BASE CABINET • 4 DOORS

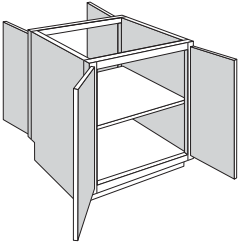
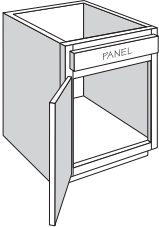
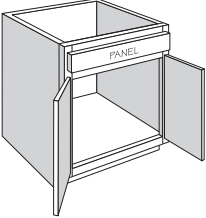
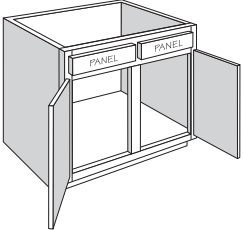
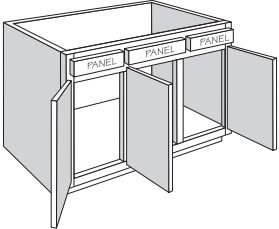


PB42	2243	2051	1876	1707	1554	1399										
------	------	------	------	------	------	------	--	--	--	--	--	--	--	--	--	--

PENINSULA BASE CABINET • 2 FULL-HEIGHT DOORS



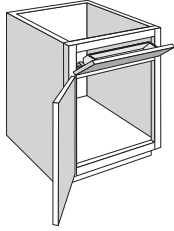
PB12 FH	1117	1016	924	834	753	677										
PB18 FH	1244	1131	1028	928	838	754										

SKU		700 SERIES - CHERRY	700 SERIES - MAPLE	700 SERIES - PAINTED	600 SERIES - CHERRY	600 SERIES - MAPLE	600 SERIES - PAINTED	500 SERIES - CHERRY	DT SERIES - DURAFORM	500 SERIES - MAPLE	500 SERIES - PAINTED	400 SERIES - CHERRY	400 SERIES - MAPLE	400 SERIES - PAINTED	D SERIES - DURAFORM	300 SERIES - MAPLE	300 SERIES - PAINTED	DS SERIES - DURAFORM		
PENINSULA BASE CABINET • 4 FULL-HEIGHT BUTT DOORS																				
	PB24 BUTT FH	1589	1445	1313	1186	1070	963													
	PB30 BUTT FH	1713	1556	1416	1278	1154	1039													
	PB36 BUTT FH	1926	1751	1592	1437	1298	1168													
SINK/COOKTOP BASE CABINET • 1 DOOR																				
	SB18	770	700	637	575	519	467													
	SB21	832	756	687	621	560	504													
	SB24	898	817	743	670	605	545													
SINK/COOKTOP BASE CABINET • 2 BUTT DOORS																				
	SB24 BUTT	942	856	779	703	635	572													
	SB27 BUTT	980	891	810	731	660	594													
	SB30 BUTT	1055	959	872	787	710	639													
	SB33 BUTT	1082	983	894	807	729	656													
	SB36 BUTT	1121	1019	927	837	756	680													
SINK/COOKTOP BASE CABINET • 2 DOORS																				
	SB39	1105	1005	914	825	745	671													
	SB42	1152	1047	952	859	776	698													
	SB48	1323	1203	1094	987	892	803													
SINK/COOKTOP BASE CABINET • 3 DOORS																				
	SB45	1310	1190	1082	977	882	794													

Illustrations are for reference only. Refer to Specification Guide for actual specifications.

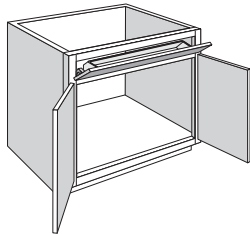
SKU

SINK BASE CABINET • 1 DOOR • FACTORY INSTALLED STAINLESS TILT-OUT TRAY



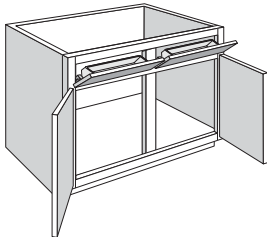
	700 SERIES - CHERRY	700 SERIES - MAPLE	700 SERIES - PAINTED	600 SERIES - CHERRY	600 SERIES - MAPLE	600 SERIES - PAINTED	500 SERIES - CHERRY	500 SERIES - MAPLE	500 SERIES - PAINTED	400 SERIES - CHERRY	400 SERIES - MAPLE	400 SERIES - PAINTED	D SERIES - DURAFORM	300 SERIES - MAPLE	300 SERIES - PAINTED	DS SERIES - DURAFORM
SB21 STO	1111	1010	918	829	749	674										
SB24 STO	1177	1070	973	879	793	714										

SINK BASE CABINET • 2 BUTT DOORS • 1 FACTORY INSTALLED STAINLESS TILT-OUT TRAY



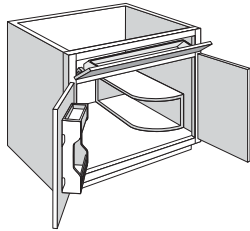
SB24 BUTT STO	1221	1110	1009	911	823	741										
SB27 BUTT STO	1259	1145	1041	940	849	764										
SB30 BUTT STO	1345	1223	1112	1004	906	815										
SB33 BUTT STO	1662	1511	1374	1241	1120	1008										
SB36 BUTT STO	1701	1546	1406	1270	1147	1032										

SINK BASE CABINET • 2 DOORS • 2 FACTORY INSTALLED STAINLESS TILT-OUT TRAYS

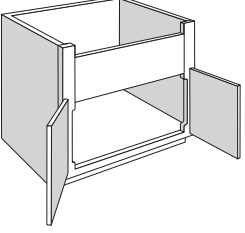
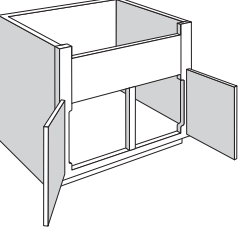
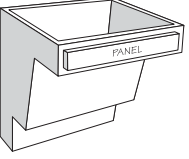
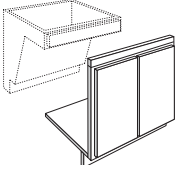
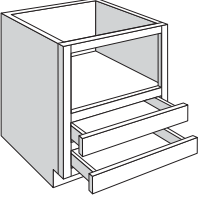
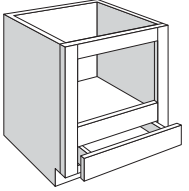


SB39 STO	1663	1512	1375	1241	1121	1009										
SB42 STO	1710	1554	1413	1276	1152	1037										
SB48 STO	1880	1709	1554	1403	1267	1140										

SINK BASE MULTI-STORAGE CABINET



SBMSC30 BUTT STO	1686	1590	1503	1418	1341	1270										
SBMSC36 BUTT STO	1767	1665	1573	1483	1402	1326										

SKU		700 SERIES - CHERRY	700 SERIES - MAPLE	700 SERIES - PAINTED	600 SERIES - CHERRY	600 SERIES - MAPLE	600 SERIES - PAINTED	500 SERIES - CHERRY	DT SERIES - DURAFORM	500 SERIES - MAPLE	500 SERIES - PAINTED	400 SERIES - CHERRY	400 SERIES - MAPLE	400 SERIES - PAINTED	D SERIES - DURAFORM	300 SERIES - MAPLE	300 SERIES - PAINTED	DS SERIES - DURAFORM		
DEEP SINK/RANGE BASE CABINET • 2 BUTT DOORS																				
	DSB30 BUTT	1113	1012	919	830	750	675													
	DSB33 BUTT	1146	1042	947	855	773	695													
	DSB36 BUTT	1179	1072	974	880	795	716													
DEEP SINK/RANGE BASE CABINET • 2 DOORS																				
	DSB39	1212	1102	1002	905	818	736													
SINK BASE • BASE PLUMBING SKIRT																				
	BPS30 UD	892	811	737	664	597	537													
	BPS36 UD	940	854	776	699	629	566													
	BPS3034 UD	991	900	818	737	663	596													
	BPS3634 UD	1043	948	862	776	698	628													
ADAPTABLE SINK BASE																				
	ASB3032 KIT	1082	1005	936	868	808	751													
	ASB3632 KIT	1153	1070	995	921	856	794													
	ASB3034 KIT	1144	1063	988	915	849	788													
	ASB3634 KIT	1220	1130	1049	971	900	834													
BASE MICROWAVE CABINET																				
	BMC24	1378	1264	1161	1061	970	873													
	BMC27	1417	1300	1193	1090	997	897													
	BMC30	1510	1384	1270	1159	1059	953													
BUILT-IN BASE MICROWAVE CABINET																				
	BBMC24	1426	1312	1209	1109	1018	921													
	BBMC27	1465	1348	1241	1138	1045	945													
	BBMC30	1558	1432	1318	1207	1107	1001													

Illustrations are for reference only. Refer to Specification Guide for actual specifications.

SKU

700 SERIES - CHERRY

700 SERIES - MAPLE
700 SERIES - PAINTED
600 SERIES - CHERRY

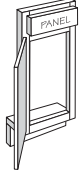
600 SERIES - MAPLE
600 SERIES - PAINTED
500 SERIES - CHERRY
DT SERIES - DURAFORM

500 SERIES - MAPLE
500 SERIES - PAINTED
400 SERIES - CHERRY

400 SERIES - MAPLE
400 SERIES - PAINTED
D SERIES - DURAFORM

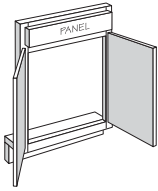
300 SERIES - MAPLE
300 SERIES - PAINTED
DS SERIES - DURAFORM

SINK/COOKTOP FRONT • 1 DOOR • 1 PANEL



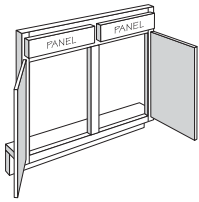
SF12	434	395	359	324	293	264
SF15	456	415	377	340	307	276
SF18	501	455	414	374	338	304
SF21	540	491	447	403	364	328
SF24	584	531	483	436	394	355

SINK/COOKTOP FRONT • 2 BUTT DOORS • 1 PANEL



SF24 BUTT	619	563	512	462	417	375
SF27 BUTT	636	578	525	474	428	385
SF30 BUTT	685	623	567	512	462	416
SF33 BUTT	704	640	581	525	474	427
SF36 BUTT	729	662	602	544	491	442

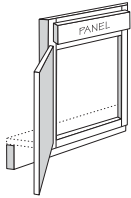
SINK/COOKTOP FRONT



2 DOORS • 2 PANELS						
SF39	720	655	595	537	485	437
SF42	749	681	619	559	505	455
SF48	860	782	711	642	580	522

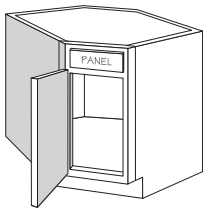
3 DOORS • 3 PANELS						
SF45	851	773	703	635	573	516

CORNER SINK FRONT



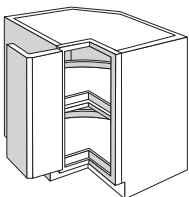
CSF36	523	475	432	390	352	317
CSF42	662	601	547	494	446	401

CORNER SINK BASE CABINET

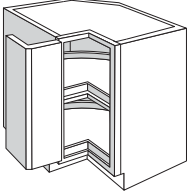
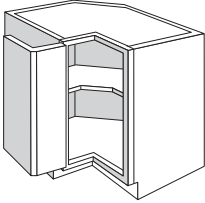
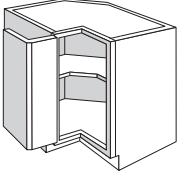
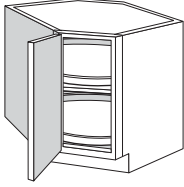
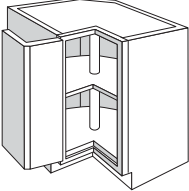
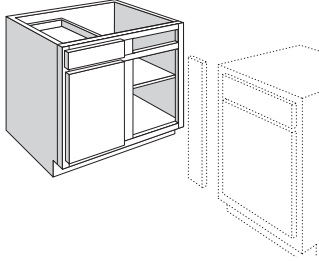


CSB36	1506	1369	1244	1124	1015	914
-------	------	------	------	------	------	-----

BASE SUPER SUSAN CABINET



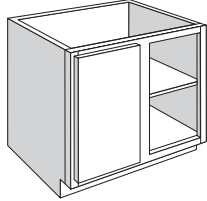
BSS33 WD	2128	1934	1758	1588	1434	1291
BSS36 WD	2204	2004	1821	1645	1485	1337

SKU		700 SERIES - CHERRY	700 SERIES - MAPLE	700 SERIES - PAINTED	600 SERIES - CHERRY	600 SERIES - MAPLE	600 SERIES - PAINTED	500 SERIES - CHERRY	500 SERIES - MAPLE	500 SERIES - PAINTED	400 SERIES - CHERRY	400 SERIES - MAPLE	400 SERIES - PAINTED	D SERIES - DURAFORM	300 SERIES - MAPLE	300 SERIES - PAINTED	DS SERIES - DURAFORM
ASYMMETRICAL BASE SUPER SUSAN CABINET																	
	BSS3336 WD	2204	2004	1821	1645	1485	1337										
	BSS3633 WD	2204	2004	1821	1645	1485	1337										
BASE EASY REACH CABINET																	
	BER33	1561	1419	1290	1165	1052	947										
	BER36	1623	1475	1341	1211	1093	984										
ASYMMETRICAL BASE EASY REACH CABINET																	
	BER3336	1623	1475	1341	1211	1093	984										
	BER3633	1623	1475	1341	1211	1093	984										
CORNER BASE CABINET																	
	CBS36 WD	2140	1945	1769	1597	1442	1298										
CORNER BASE CAROUSEL CABINET																	
	CAR36 WD	1834	1667	1515	1368	1236	1112										
BLIND CORNER BASE CABINET																	
	BLB36/39	1097	1003	918	835	760	684										
	BLB39/42	1142	1044	955	869	791	712										
	BLB42/45	1184	1082	990	900	819	737										
	BLB45/48	1266	1157	1057	961	874	787										
	BLB48/51	1333	1217	1113	1011	919	827										

Illustrations are for reference only. Refer to Specification Guide for actual specifications.

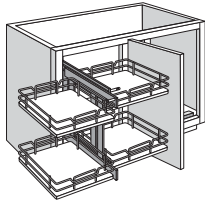
SKU

FULL-HEIGHT BLIND CORNER BASE CABINET



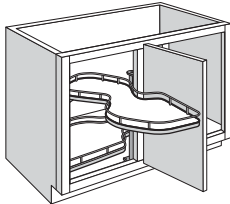
	700 SERIES - CHERRY	700 SERIES - MAPLE	700 SERIES - PAINTED CHERRY	600 SERIES - MAPLE	600 SERIES - PAINTED CHERRY	500 SERIES - CHERRY	500 SERIES - PAINTED CHERRY	400 SERIES - MAPLE	400 SERIES - PAINTED DURAFORM	300 SERIES - MAPLE	300 SERIES - PAINTED DS SERIES - DURAFORM
BLB36/39 FH	965	883	808	735	669	602					
BLB39/42 FH	1005	919	840	765	696	626					
BLB42/45 FH	1042	952	871	792	721	649					
BLB45/48 FH	1114	1018	930	846	769	693					
BLB48/51 FH	1173	1071	979	890	809	728					

FULL-HEIGHT BLIND CORNER BASE CABINET - PULL OUT KIT



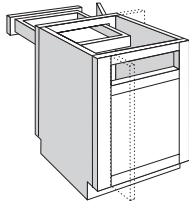
BLB45/48 FH POK	2867	2771	2683	2599	2522	2446					
BLB48/51 FH POK	2926	2824	2732	2643	2562	2481					

FULL-HEIGHT BLIND CORNER BASE CABINET - SWING OUT KIT



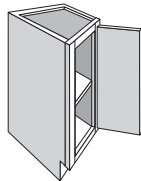
BLB45/48 FH SOKL	2738	2623	2517	2416	2324	2232					
BLB45/48 FH SOKR	2738	2623	2517	2416	2324	2232					
BLB48/51 FH SOKL	2809	2686	2576	2469	2371	2274					
BLB48/51 FH SOKR	2809	2686	2576	2469	2371	2274					

BLIND PENINSULA CORNER BASE CABINET



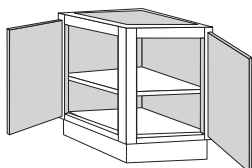
PBC24	1448	1323	1208	1097	997	897					
PBC24 BUTT	1576	1439	1314	1193	1083	975					

BASE END ANGLE CABINET • 1 FULL-HEIGHT DOOR



BEA12 FH	798	725	659	595	538	484					
----------	-----	-----	-----	-----	-----	-----	--	--	--	--	--

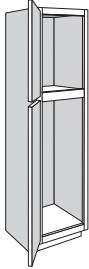
BASE END ANGLE CABINET • 2 FULL-HEIGHT DOORS



BEA24 FH	1360	1236	1124	1015	916	824					
----------	------	------	------	------	-----	-----	--	--	--	--	--

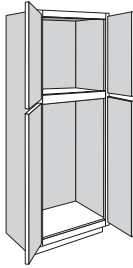
SKU

UTILITY CABINET • 2 DOORS • NO SHELVES • 12" DEEP X 84" HIGH



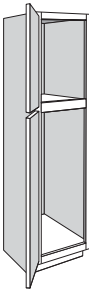
	700 SERIES - CHERRY	700 SERIES - MAPLE	700 SERIES - PAINTED	600 SERIES - CHERRY	600 SERIES - MAPLE	600 SERIES - PAINTED	500 SERIES - CHERRY	500 SERIES - MAPLE	500 SERIES - PAINTED	400 SERIES - CHERRY	400 SERIES - MAPLE	400 SERIES - PAINTED	D SERIES - DURAFORM	300 SERIES - MAPLE	300 SERIES - PAINTED	DS SERIES - DURAFORM
STANDARD DOOR																
UT1212 X 84	1334	1213	1103	996	899	809										
UT1512 X 84	1476	1341	1220	1101	994	895										
UT1812 X 84	1627	1479	1344	1214	1096	986										
UT2112 X 84	1806	1642	1492	1348	1217	1094										
SPECIALTY DOOR																
UT1212 X 84 SD	1700	1555	1423	1294	1178	1070										
UT1512 X 84 SD	1870	1708	1563	1420	1292	1173										
UT1812 X 84 SD	2051	1874	1712	1556	1414	1282										
UT2112 X 84 SD	2266	2069	1889	1717	1559	1412										

UTILITY CABINET • 4 BUTT DOORS • NO SHELVES • 12" DEEP X 84" HIGH



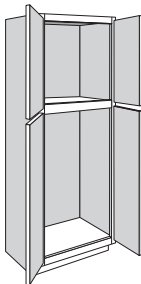
	700 SERIES - CHERRY	700 SERIES - MAPLE	700 SERIES - PAINTED	600 SERIES - CHERRY	600 SERIES - MAPLE	600 SERIES - PAINTED	500 SERIES - CHERRY	500 SERIES - MAPLE	500 SERIES - PAINTED	400 SERIES - CHERRY	400 SERIES - MAPLE	400 SERIES - PAINTED	D SERIES - DURAFORM	300 SERIES - MAPLE	300 SERIES - PAINTED	DS SERIES - DURAFORM
STANDARD DOOR																
UT2412 X 84 BUTT	2188	1989	1808	1633	1474	1327										
SPECIALTY DOOR																
UT2412 X 84 BUTT SD	2824	2585	2368	2158	1967	1790										

UTILITY CABINET • 2 DOORS • NO SHELVES • 12" DEEP X 90" HIGH



	700 SERIES - CHERRY	700 SERIES - MAPLE	700 SERIES - PAINTED	600 SERIES - CHERRY	600 SERIES - MAPLE	600 SERIES - PAINTED	500 SERIES - CHERRY	500 SERIES - MAPLE	500 SERIES - PAINTED	400 SERIES - CHERRY	400 SERIES - MAPLE	400 SERIES - PAINTED	D SERIES - DURAFORM	300 SERIES - MAPLE	300 SERIES - PAINTED	DS SERIES - DURAFORM
STANDARD DOOR																
UT1212 X 90	1501	1364	1240	1120	1012	911										
UT1512 X 90	1668	1516	1378	1244	1124	1012										
UT1812 X 90	1880	1709	1554	1403	1267	1140										
UT2112 X 90	2087	1897	1725	1557	1406	1266										
SPECIALTY DOOR																
UT1212 X 90 SD	1902	1738	1589	1445	1315	1194										
UT1512 X 90 SD	2103	1920	1755	1594	1450	1315										
UT1812 X 90 SD	2357	2152	1966	1785	1621	1469										
UT2112 X 90 SD	2605	2377	2171	1969	1788	1619										

UTILITY CABINET • 4 BUTT DOORS • NO SHELVES • 12" DEEP X 90" HIGH

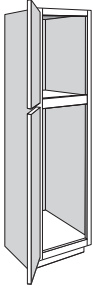


	700 SERIES - CHERRY	700 SERIES - MAPLE	700 SERIES - PAINTED	600 SERIES - CHERRY	600 SERIES - MAPLE	600 SERIES - PAINTED	500 SERIES - CHERRY	500 SERIES - MAPLE	500 SERIES - PAINTED	400 SERIES - CHERRY	400 SERIES - MAPLE	400 SERIES - PAINTED	D SERIES - DURAFORM	300 SERIES - MAPLE	300 SERIES - PAINTED	DS SERIES - DURAFORM
STANDARD DOOR																
UT2412 X 90 BUTT	2521	2292	2084	1881	1699	1529										
SPECIALTY DOOR																
UT2412 X 90 BUTT SD	3227	2952	2703	2459	2241	2037										

Illustrations are for reference only. Refer to Specification Guide for actual specifications.

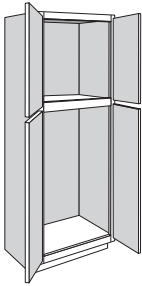
SKU

UTILITY CABINET • 2 DOORS • NO SHELVES • 12" DEEP X 93" HIGH



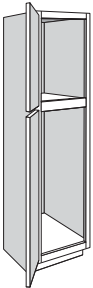
STANDARD DOOR		700 SERIES - CHERRY	700 SERIES - MAPLE	700 SERIES - PAINTED	600 SERIES - CHERRY	600 SERIES - MAPLE	600 SERIES - PAINTED	500 SERIES - CHERRY	500 SERIES - MAPLE	500 SERIES - PAINTED	400 SERIES - CHERRY	400 SERIES - MAPLE	400 SERIES - PAINTED	D SERIES - DURAFORM	300 SERIES - MAPLE	300 SERIES - PAINTED	DS SERIES - DURAFORM
UT1212 X 93		1565	1423	1293	1168	1055	950										
UT1512 X 93		1739	1581	1437	1298	1172	1055										
UT1812 X 93		1957	1780	1618	1461	1320	1188										
UT2112 X 93		2173	1976	1796	1622	1465	1319										
SPECIALTY DOOR																	
UT1212 X 93 SD		1980	1810	1654	1503	1367	1241										
UT1512 X 93 SD		2189	1999	1827	1659	1507	1367										
UT1812 X 93 SD		2451	2237	2043	1854	1685	1527										
UT2112 X 93 SD		2709	2472	2256	2047	1859	1684										

UTILITY CABINET • 4 BUTT DOORS • NO SHELVES • 12" DEEP X 93" HIGH



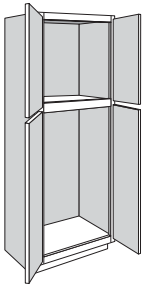
STANDARD DOOR		700 SERIES - CHERRY	700 SERIES - MAPLE	700 SERIES - PAINTED	600 SERIES - CHERRY	600 SERIES - MAPLE	600 SERIES - PAINTED	500 SERIES - CHERRY	500 SERIES - MAPLE	500 SERIES - PAINTED	400 SERIES - CHERRY	400 SERIES - MAPLE	400 SERIES - PAINTED	D SERIES - DURAFORM	300 SERIES - MAPLE	300 SERIES - PAINTED	DS SERIES - DURAFORM
UT2412 X 93 BUTT		2631	2391	2174	1963	1773	1596										
SPECIALTY DOOR																	
UT2412 X 93 BUTT SD		3359	3071	2811	2558	2330	2117										

UTILITY CABINET • 2 DOORS • NO SHELVES • 12" DEEP X 96" HIGH



STANDARD DOOR		700 SERIES - CHERRY	700 SERIES - MAPLE	700 SERIES - PAINTED	600 SERIES - CHERRY	600 SERIES - MAPLE	600 SERIES - PAINTED	500 SERIES - CHERRY	500 SERIES - MAPLE	500 SERIES - PAINTED	400 SERIES - CHERRY	400 SERIES - MAPLE	400 SERIES - PAINTED	D SERIES - DURAFORM	300 SERIES - MAPLE	300 SERIES - PAINTED	DS SERIES - DURAFORM
UT1212 X 96		1587	1443	1311	1184	1069	962										
UT1512 X 96		1763	1603	1457	1316	1188	1069										
UT1812 X 96		1983	1803	1639	1480	1337	1203										
UT2112 X 96		2201	2001	1819	1643	1484	1336										
SPECIALTY DOOR																	
UT1212 X 96 SD		2005	1833	1674	1522	1384	1255										
UT1512 X 96 SD		2217	2025	1849	1680	1527	1384										
UT1812 X 96 SD		2481	2265	2068	1877	1705	1545										
UT2112 X 96 SD		2742	2502	2284	2073	1882	1703										

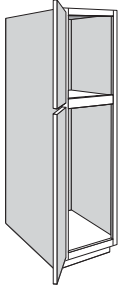
UTILITY CABINET • 4 BUTT DOORS • NO SHELVES • 12" DEEP X 96" HIGH



STANDARD DOOR		700 SERIES - CHERRY	700 SERIES - MAPLE	700 SERIES - PAINTED	600 SERIES - CHERRY	600 SERIES - MAPLE	600 SERIES - PAINTED	500 SERIES - CHERRY	500 SERIES - MAPLE	500 SERIES - PAINTED	400 SERIES - CHERRY	400 SERIES - MAPLE	400 SERIES - PAINTED	D SERIES - DURAFORM	300 SERIES - MAPLE	300 SERIES - PAINTED	DS SERIES - DURAFORM
UT2412 X 96 BUTT		2667	2424	2204	1990	1797	1617										
SPECIALTY DOOR																	
UT2412 X 96 BUTT SD		3402	3111	2847	2590	2358	2142										

SKU

UTILITY CABINET • 2 DOORS • NO SHELVES • 24" DEEP X 84" HIGH



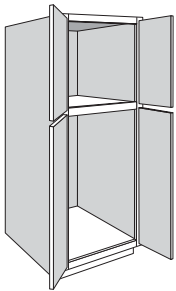
STANDARD DOOR

UT1224 X 84	1625	1478	1343	1213	1095	986
UT1524 X 84	1757	1598	1452	1311	1184	1066
UT1824 X 84	1899	1726	1569	1417	1280	1152
UT2124 X 84	2108	1916	1742	1573	1421	1279

SPECIALTY DOOR

UT1224 X 84 SD	2049	1873	1711	1555	1413	1282
UT1524 X 84 SD	2207	2017	1841	1672	1520	1378
UT1824 X 84 SD	2378	2170	1982	1799	1635	1481
UT2124 X 84 SD	2629	2398	2189	1987	1804	1634

UTILITY CABINET • 4 BUTT DOORS • NO SHELVES • 24" DEEP X 84" HIGH



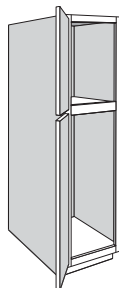
STANDARD DOOR

UT2424 X 84 BUTT	2495	2268	2062	1862	1681	1513
UT2724 X 84 BUTT	2645	2404	2186	1974	1782	1604
UT3024 X 84 BUTT	2854	2595	2359	2130	1923	1731
UT3324 X 84 BUTT	3025	2751	2501	2258	2038	1835
UT3624 X 84 BUTT	3189	2898	2635	2380	2149	1934

SPECIALTY DOOR

UT2424 X 84 BUTT SD	3192	2920	2672	2432	2215	2014
UT2724 X 84 BUTT SD	3372	3083	2821	2567	2336	2123
UT3024 X 84 BUTT SD	3623	3312	3029	2754	2506	2275
UT3324 X 84 BUTT SD	3828	3499	3199	2908	2644	2400
UT3624 X 84 BUTT SD	4025	3676	3360	3054	2777	2519

UTILITY CABINET • 2 DOORS • NO SHELVES • 24" DEEP X 90" HIGH



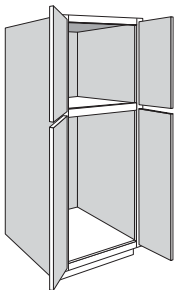
STANDARD DOOR

UT1224 X 90	1794	1631	1482	1338	1209	1088
UT1524 X 90	1993	1812	1647	1487	1343	1209
UT1824 X 90	2189	1990	1809	1634	1475	1328
UT2124 X 90	2430	2209	2008	1814	1637	1474

SPECIALTY DOOR

UT1224 X 90 SD	2254	2058	1879	1707	1552	1407
UT1524 X 90 SD	2493	2275	2077	1885	1713	1552
UT1824 X 90 SD	2728	2489	2272	2062	1871	1695
UT2124 X 90 SD	3017	2752	2511	2278	2065	1870

UTILITY CABINET • 4 BUTT DOORS • NO SHELVES • 24" DEEP X 90" HIGH



STANDARD DOOR

UT2424 X 90 BUTT	2863	2602	2366	2136	1929	1736
UT2724 X 90 BUTT	3035	2758	2508	2264	2045	1840
UT3024 X 90 BUTT	3277	2980	2708	2446	2209	1988
UT3324 X 90 BUTT	3474	3159	2870	2593	2342	2107
UT3624 X 90 BUTT	3637	3306	3006	2714	2451	2206

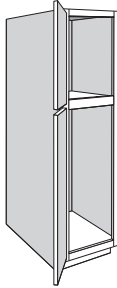
SPECIALTY DOOR

UT2424 X 90 BUTT SD	3638	3324	3041	2765	2517	2285
UT2724 X 90 BUTT SD	3844	3512	3212	2919	2656	2410
UT3024 X 90 BUTT SD	4134	3778	3452	3137	2853	2588
UT3324 X 90 BUTT SD	4371	3993	3646	3314	3012	2730
UT3624 X 90 BUTT SD	4566	4169	3809	3459	3143	2849

Illustrations are for reference only. Refer to Specification Guide for actual specifications.

SKU

UTILITY CABINET • 2 DOORS • NO SHELVES • 24" DEEP X 93" HIGH



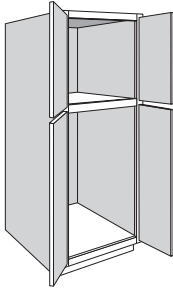
STANDARD DOOR

UT1224 X 93	1855	1686	1533	1384	1250	1125
UT1524 X 93	2061	1873	1703	1537	1389	1250
UT1824 X 93	2291	2083	1894	1710	1544	1390
UT2124 X 93	2543	2312	2102	1898	1714	1543

SPECIALTY DOOR

UT1224 X 93 SD	2327	2124	1941	1762	1601	1451
UT1524 X 93 SD	2574	2349	2145	1947	1768	1601
UT1824 X 93 SD	2850	2601	2374	2153	1954	1769
UT2124 X 93 SD	3153	2875	2623	2379	2158	1953

UTILITY CABINET • 4 BUTT DOORS • NO SHELVES • 24" DEEP X 93" HIGH



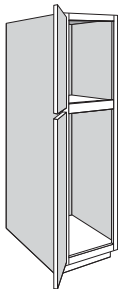
STANDARD DOOR

UT2424 X 93 BUTT	3008	2734	2486	2245	2027	1824
UT2724 X 93 BUTT	3188	2898	2635	2380	2149	1933
UT3024 X 93 BUTT	3441	3128	2844	2568	2319	2087
UT3324 X 93 BUTT	3647	3316	3015	2722	2459	2213
UT3624 X 93 BUTT	3910	3554	3230	2917	2634	2371

SPECIALTY DOOR

UT2424 X 93 BUTT SD	3812	3483	3185	2896	2634	2391
UT2724 X 93 BUTT SD	4028	3680	3364	3058	2781	2522
UT3024 X 93 BUTT SD	4331	3956	3615	3284	2986	2708
UT3324 X 93 BUTT SD	4578	4181	3820	3468	3153	2858
UT3624 X 93 BUTT SD	4894	4467	4079	3702	3363	3047

UTILITY CABINET • 2 DOORS • NO SHELVES • 24" DEEP X 96" HIGH



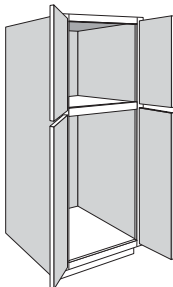
STANDARD DOOR

UT1224 X 96	1875	1704	1549	1399	1264	1138
UT1524 X 96	2083	1893	1721	1554	1404	1264
UT1824 X 96	2325	2114	1922	1735	1567	1410
UT2124 X 96	2581	2347	2133	1926	1739	1565

SPECIALTY DOOR

UT1224 X 96 SD	2351	2146	1960	1780	1618	1467
UT1524 X 96 SD	2601	2373	2166	1966	1786	1618
UT1824 X 96 SD	2891	2638	2407	2183	1981	1793
UT2124 X 96 SD	3198	2917	2661	2412	2188	1979

UTILITY CABINET • 4 BUTT DOORS • NO SHELVES • 24" DEEP X 96" HIGH



STANDARD DOOR

UT2424 X 96 BUTT	3056	2778	2526	2281	2059	1853
UT2724 X 96 BUTT	3239	2945	2678	2418	2183	1964
UT3024 X 96 BUTT	3495	3177	2889	2608	2356	2120
UT3324 X 96 BUTT	3705	3368	3062	2764	2497	2247
UT3624 X 96 BUTT	4000	3636	3305	2985	2695	2426

SPECIALTY DOOR

UT2424 X 96 BUTT SD	3869	3536	3233	2939	2673	2426
UT2724 X 96 BUTT SD	4089	3736	3416	3104	2822	2559
UT3024 X 96 BUTT SD	4396	4014	3669	3332	3029	2746
UT3324 X 96 BUTT SD	4648	4244	3876	3519	3198	2898
UT3624 X 96 BUTT SD	5002	4565	4168	3784	3436	3113

700 SERIES - CHERRY

700 SERIES - MAPLE
700 SERIES - PAINTED
600 SERIES - CHERRY

600 SERIES - MAPLE
600 SERIES - PAINTED
500 SERIES - CHERRY
DT SERIES - DURAFORM

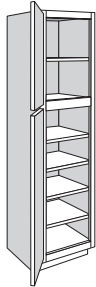
500 SERIES - MAPLE
500 SERIES - PAINTED
400 SERIES - CHERRY

400 SERIES - MAPLE
400 SERIES - PAINTED
D SERIES - DURAFORM

300 SERIES - MAPLE
300 SERIES - PAINTED
DS SERIES - DURAFORM

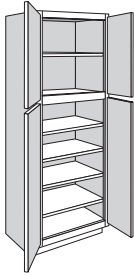
SKU

UTILITY CABINET - 2 DOORS - ADJUSTABLE SHELVES - 12" DEEP X 84" HIGH



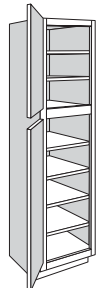
	700 SERIES - CHERRY	700 SERIES - MAPLE	700 SERIES - PAINTED	600 SERIES - CHERRY	600 SERIES - MAPLE	600 SERIES - PAINTED	500 SERIES - CHERRY	500 SERIES - MAPLE	500 SERIES - PAINTED	400 SERIES - CHERRY	400 SERIES - MAPLE	400 SERIES - PAINTED	D SERIES - DURAFORM	300 SERIES - MAPLE	300 SERIES - PAINTED	DS SERIES - DURAFORM
STANDARD DOOR																
UT1212 X 84 AS	1479	1358	1248	1141	1044	954										
UT1512 X 84 AS	1621	1486	1365	1246	1139	1040										
UT1812 X 84 AS	1772	1624	1489	1359	1241	1131										
UT2112 X 84 AS	1951	1787	1637	1493	1362	1239										
SPECIALTY DOOR																
UT1212 X 84 AS SD	1874	1729	1597	1468	1352	1244										
UT1512 X 84 AS SD	2044	1882	1737	1594	1466	1347										
UT1812 X 84 AS SD	2225	2048	1886	1730	1588	1456										
UT2112 X 84 AS SD	2440	2243	2063	1891	1733	1586										

UTILITY CABINET - 4 BUTT DOORS - ADJUSTABLE SHELVES - 12" DEEP X 84" HIGH



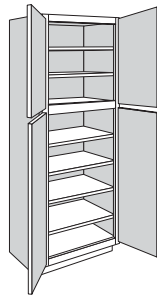
	700 SERIES - CHERRY	700 SERIES - MAPLE	700 SERIES - PAINTED	600 SERIES - CHERRY	600 SERIES - MAPLE	600 SERIES - PAINTED	500 SERIES - CHERRY	500 SERIES - MAPLE	500 SERIES - PAINTED	400 SERIES - CHERRY	400 SERIES - MAPLE	400 SERIES - PAINTED	D SERIES - DURAFORM	300 SERIES - MAPLE	300 SERIES - PAINTED	DS SERIES - DURAFORM
STANDARD DOOR																
UT2412 X 84 AS BUTT	2333	2134	1953	1778	1619	1472										
SPECIALTY DOOR																
UT2412 X 84 AS BUTT SD	2998	2759	2542	2332	2141	1964										

UTILITY CABINET - 2 DOORS - ADJUSTABLE SHELVES - 12" DEEP X 90" HIGH



	700 SERIES - CHERRY	700 SERIES - MAPLE	700 SERIES - PAINTED	600 SERIES - CHERRY	600 SERIES - MAPLE	600 SERIES - PAINTED	500 SERIES - CHERRY	500 SERIES - MAPLE	500 SERIES - PAINTED	400 SERIES - CHERRY	400 SERIES - MAPLE	400 SERIES - PAINTED	D SERIES - DURAFORM	300 SERIES - MAPLE	300 SERIES - PAINTED	DS SERIES - DURAFORM
STANDARD DOOR																
UT1212 X 90 AS	1675	1538	1414	1294	1186	1085										
UT1512 X 90 AS	1842	1690	1552	1418	1298	1186										
UT1812 X 90 AS	2054	1883	1728	1577	1441	1314										
UT2112 X 90 AS	2261	2071	1899	1731	1580	1439										
SPECIALTY DOOR																
UT1212 X 90 AS SD	2111	1947	1798	1654	1524	1403										
UT1512 X 90 AS SD	2312	2129	1964	1803	1659	1514										
UT1812 X 90 AS SD	2566	2361	2175	1994	1830	1678										
UT2112 X 90 AS SD	2814	2586	2380	2178	1997	1828										

UTILITY CABINET - 4 BUTT DOORS - ADJUSTABLE SHELVES - 12" DEEP X 90" HIGH

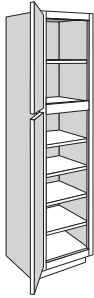


	700 SERIES - CHERRY	700 SERIES - MAPLE	700 SERIES - PAINTED	600 SERIES - CHERRY	600 SERIES - MAPLE	600 SERIES - PAINTED	500 SERIES - CHERRY	500 SERIES - MAPLE	500 SERIES - PAINTED	400 SERIES - CHERRY	400 SERIES - MAPLE	400 SERIES - PAINTED	D SERIES - DURAFORM	300 SERIES - MAPLE	300 SERIES - PAINTED	DS SERIES - DURAFORM
STANDARD DOOR																
UT2412 X 90 AS BUTT	2695	2466	2258	2055	1873	1703										
SPECIALTY DOOR																
UT2412 X 90 AS BUTT SD	3436	3161	2912	2668	2450	2246										

Illustrations are for reference only. Refer to Specification Guide for actual specifications.

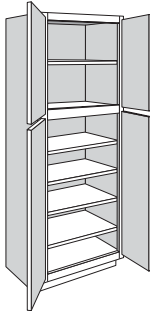
SKU

UTILITY CABINET • 2 DOORS • ADJUSTABLE SHELVES • 12" DEEP X 93" HIGH



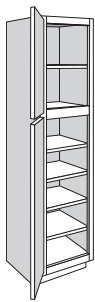
	700 SERIES - CHERRY	700 SERIES - MAPLE	700 SERIES - PAINTED	600 SERIES - CHERRY	600 SERIES - MAPLE	600 SERIES - PAINTED	500 SERIES - CHERRY	DT SERIES - DURAFORM	500 SERIES - MAPLE	500 SERIES - PAINTED	400 SERIES - CHERRY	400 SERIES - MAPLE	400 SERIES - PAINTED	D SERIES - DURAFORM	300 SERIES - MAPLE	300 SERIES - PAINTED	DS SERIES - DURAFORM
STANDARD DOOR																	
UT1212 X 93 AS	1769	1627	1497	1371	1258	1153											
UT1512 X 93 AS	1942	1784	1640	1501	1375	1258											
UT1812 X 93 AS	2160	1983	1821	1664	1523	1391											
UT2112 X 93 AS	2376	2179	1999	1825	1668	1522											
SPECIALTY DOOR																	
UT1212 X 93 AS SD	2224	2054	1898	1747	1611	1485											
UT1512 X 93 AS SD	2433	2243	2071	1903	1751	1611											
UT1812 X 93 AS SD	2695	2481	2287	2098	1929	1771											
UT2112 X 93 AS SD	2953	2716	2500	2291	2103	1928											

UTILITY CABINET • 4 BUTT DOORS • ADJUSTABLE SHELVES • 12" DEEP X 93" HIGH



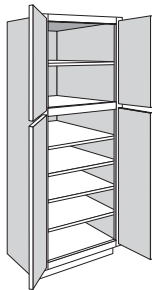
	700 SERIES - CHERRY	700 SERIES - MAPLE	700 SERIES - PAINTED	600 SERIES - CHERRY	600 SERIES - MAPLE	600 SERIES - PAINTED	500 SERIES - CHERRY	DT SERIES - DURAFORM	500 SERIES - MAPLE	500 SERIES - PAINTED	400 SERIES - CHERRY	400 SERIES - MAPLE	400 SERIES - PAINTED	D SERIES - DURAFORM	300 SERIES - MAPLE	300 SERIES - PAINTED	DS SERIES - DURAFORM
STANDARD DOOR																	
UT2412 X 93 AS BUTT	2834	2594	2377	2166	1976	1799											
SPECIALTY DOOR																	
UT2412 X 93 AS BUTT SD	3603	3315	3055	2802	2574	2361											

UTILITY CABINET • 2 DOORS • ADJUSTABLE SHELVES • 12" DEEP X 96" HIGH



	700 SERIES - CHERRY	700 SERIES - MAPLE	700 SERIES - PAINTED	600 SERIES - CHERRY	600 SERIES - MAPLE	600 SERIES - PAINTED	500 SERIES - CHERRY	DT SERIES - DURAFORM	500 SERIES - MAPLE	500 SERIES - PAINTED	400 SERIES - CHERRY	400 SERIES - MAPLE	400 SERIES - PAINTED	D SERIES - DURAFORM	300 SERIES - MAPLE	300 SERIES - PAINTED	DS SERIES - DURAFORM
STANDARD DOOR																	
UT1212 X 96 AS	1790	1646	1514	1387	1272	1165											
UT1512 X 96 AS	1966	1806	1660	1519	1391	1272											
UT1812 X 96 AS	2186	2006	1842	1683	1540	1406											
UT2112 X 96 AS	2404	2204	2022	1846	1687	1538											
SPECIALTY DOOR																	
UT1212 X 96 AS SD	2249	2077	1918	1766	1628	1499											
UT1512 X 96 AS SD	2461	2269	2093	1924	1771	1628											
UT1812 X 96 AS SD	2724	2509	2312	2121	1949	1789											
UT2112 X 96 AS SD	2986	2746	2528	2317	2126	1947											

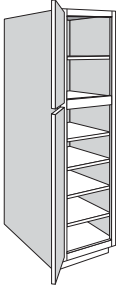
UTILITY CABINET • 4 BUTT DOORS • ADJUSTABLE SHELVES • 12" DEEP X 96" HIGH



	700 SERIES - CHERRY	700 SERIES - MAPLE	700 SERIES - PAINTED	600 SERIES - CHERRY	600 SERIES - MAPLE	600 SERIES - PAINTED	500 SERIES - CHERRY	DT SERIES - DURAFORM	500 SERIES - MAPLE	500 SERIES - PAINTED	400 SERIES - CHERRY	400 SERIES - MAPLE	400 SERIES - PAINTED	D SERIES - DURAFORM	300 SERIES - MAPLE	300 SERIES - PAINTED	DS SERIES - DURAFORM
STANDARD DOOR																	
UT2412 X 96 AS BUTT	2870	2627	2407	2193	2000	1820											
SPECIALTY DOOR																	
UT2412 X 96 AS BUTT SD	3646	3355	3091	2834	2602	2386											

SKU

UTILITY CABINET • 2 DOORS • ADJUSTABLE SHELVES • 24" DEEP X 84" HIGH



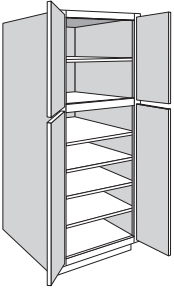
STANDARD DOOR

UT1224 X 84 AS	1815	1668	1533	1403	1285	1176
UT1524 X 84 AS	1947	1788	1642	1501	1374	1256
UT1824 X 84 AS	2089	1916	1759	1607	1470	1342
UT2124 X 84 AS	2298	2106	1932	1763	1611	1469

SPECIALTY DOOR

UT1224 X 84 AS SD	2277	2101	1939	1783	1641	1510
UT1524 X 84 AS SD	2435	2245	2069	1900	1748	1606
UT1824 X 84 AS SD	2606	2398	2210	2027	1863	1709
UT2124 X 84 AS SD	2857	2626	2417	2215	2032	1862

UTILITY CABINET • 4 BUTT DOORS • ADJUSTABLE SHELVES • 24" DEEP X 84" HIGH



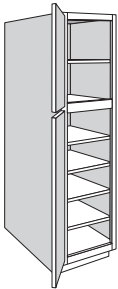
STANDARD DOOR

UT2424 X 84 AS BUTT	2685	2458	2252	2052	1871	1703
UT2724 X 84 AS BUTT	2915	2674	2456	2244	2052	1874
UT3024 X 84 AS BUTT	3124	2865	2629	2400	2193	2001
UT3324 X 84 AS BUTT	3295	3021	2771	2528	2308	2105
UT3624 X 84 AS BUTT	3459	3168	2905	2650	2419	2204

SPECIALTY DOOR

UT2424 X 84 AS BUTT SD	3420	3148	2900	2660	2443	2242
UT2724 X 84 AS BUTT SD	3696	3407	3145	2891	2660	2447
UT3024 X 84 AS BUTT SD	3947	3636	3353	3078	2830	2599
UT3324 X 84 AS BUTT SD	4152	3823	3523	3232	2968	2724
UT3624 X 84 AS BUTT SD	4349	4000	3684	3378	3101	2843

UTILITY CABINET • 2 DOORS • ADJUSTABLE SHELVES • 24" DEEP X 90" HIGH



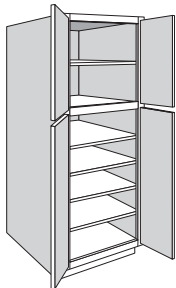
STANDARD DOOR

UT1224 X 90 AS	2022	1859	1710	1566	1437	1316
UT1524 X 90 AS	2221	2040	1875	1715	1571	1437
UT1824 X 90 AS	2417	2218	2037	1862	1703	1556
UT2124 X 90 AS	2658	2437	2236	2042	1865	1702

SPECIALTY DOOR

UT1224 X 90 AS SD	2528	2332	2153	1981	1826	1681
UT1524 X 90 AS SD	2766	2549	2351	2159	1986	1826
UT1824 X 90 AS SD	3002	2763	2546	2336	2145	1969
UT2124 X 90 AS SD	3291	3026	2785	2552	2339	2144

UTILITY CABINET • 4 BUTT DOORS • ADJUSTABLE SHELVES • 24" DEEP X 90" HIGH



STANDARD DOOR

UT2424 X 90 AS BUTT	3091	2830	2594	2364	2157	1964
UT2724 X 90 AS BUTT	3359	3082	2832	2588	2369	2164
UT3024 X 90 AS BUTT	3601	3304	3032	2761	2525	2312
UT3324 X 90 AS BUTT	3798	3483	3194	2917	2666	2431
UT3624 X 90 AS BUTT	3961	3630	3330	3029	2767	2530

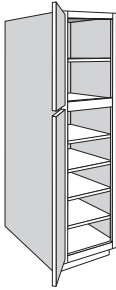
SPECIALTY DOOR

UT2424 X 90 AS BUTT SD	3912	3598	3315	3039	2791	2559
UT2724 X 90 AS BUTT SD	4233	3901	3601	3308	3045	2799
UT3024 X 90 AS BUTT SD	4523	4167	3841	3526	3242	2977
UT3324 X 90 AS BUTT SD	4760	4382	4035	3703	3401	3119
UT3624 X 90 AS BUTT SD	4955	4558	4198	3848	3532	3238

Illustrations are for reference only. Refer to Specification Guide for actual specifications.

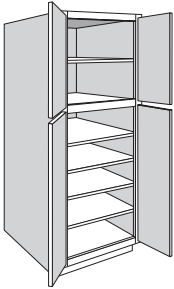
SKU

UTILITY CABINET • 2 DOORS • ADJUSTABLE SHELVES • 24" DEEP X 93" HIGH



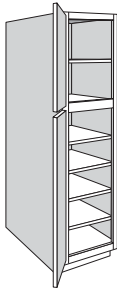
	700 SERIES - CHERRY	700 SERIES - MAPLE	700 SERIES - PAINTED	600 SERIES - CHERRY	600 SERIES - MAPLE	600 SERIES - PAINTED	500 SERIES - CHERRY	DT SERIES - DURAFORM	500 SERIES - MAPLE	500 SERIES - PAINTED	400 SERIES - CHERRY	400 SERIES - MAPLE	400 SERIES - PAINTED	D SERIES - DURAFORM	300 SERIES - MAPLE	300 SERIES - PAINTED	DS SERIES - DURAFORM
STANDARD DOOR																	
UT1224 X 93 AS	2121	1952	1799	1650	1516	1391											
UT1524 X 93 AS	2327	2139	1969	1803	1655	1516											
UT1824 X 93 AS	2557	2349	2160	1976	1810	1656											
UT2124 X 93 AS	2809	2578	2368	2164	1980	1809											
SPECIALTY DOOR																	
UT1224 X 93 AS SD	2646	2443	2260	2081	1920	1770											
UT1524 X 93 AS SD	2893	2668	2464	2265	2087	1920											
UT1824 X 93 AS SD	3169	2920	2693	2472	2273	2088											
UT2124 X 93 AS SD	3472	3194	2942	2698	2477	2272											

UTILITY CABINET • 4 BUTT DOORS • ADJUSTABLE SHELVES • 24" DEEP X 93" HIGH



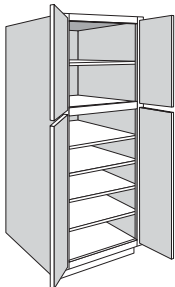
	700 SERIES - CHERRY	700 SERIES - MAPLE	700 SERIES - PAINTED	600 SERIES - CHERRY	600 SERIES - MAPLE	600 SERIES - PAINTED	500 SERIES - CHERRY	DT SERIES - DURAFORM	500 SERIES - MAPLE	500 SERIES - PAINTED	400 SERIES - CHERRY	400 SERIES - MAPLE	400 SERIES - PAINTED	D SERIES - DURAFORM	300 SERIES - MAPLE	300 SERIES - PAINTED	DS SERIES - DURAFORM
STANDARD DOOR																	
UT2424 X 93 AS BUTT	3274	3000	2752	2511	2293	2090											
UT2724 X 93 AS BUTT	3566	3276	3013	2758	2527	2311											
UT3024 X 93 AS BUTT	3819	3506	3222	2946	2697	2466											
UT3324 X 93 AS BUTT	4025	3694	3393	3100	2837	2591											
UT3624 X 93 AS BUTT	4287	3932	3608	3295	3012	2749											
SPECIALTY DOOR																	
UT2424 X 93 AS BUTT SD	4131	3802	3504	3215	2953	2710											
UT2724 X 93 AS BUTT SD	4482	4134	3818	3512	3235	2976											
UT3024 X 93 AS BUTT SD	4785	4410	4069	3738	3440	3162											
UT3324 X 93 AS BUTT SD	5032	4635	4274	3922	3607	3312											
UT3624 X 93 AS BUTT SD	5348	4921	4533	4158	3817	3501											

UTILITY CABINET • 2 DOORS • ADJUSTABLE SHELVES • 24" DEEP X 96" HIGH



	700 SERIES - CHERRY	700 SERIES - MAPLE	700 SERIES - PAINTED	600 SERIES - CHERRY	600 SERIES - MAPLE	600 SERIES - PAINTED	500 SERIES - CHERRY	DT SERIES - DURAFORM	500 SERIES - MAPLE	500 SERIES - PAINTED	400 SERIES - CHERRY	400 SERIES - MAPLE	400 SERIES - PAINTED	D SERIES - DURAFORM	300 SERIES - MAPLE	300 SERIES - PAINTED	DS SERIES - DURAFORM
STANDARD DOOR																	
UT1224 X 96 AS	2141	1970	1815	1665	1530	1404											
UT1524 X 96 AS	2349	2159	1987	1820	1670	1530											
UT1824 X 96 AS	2591	2380	2188	2001	1833	1676											
UT2124 X 96 AS	2847	2613	2399	2192	2005	1831											
SPECIALTY DOOR																	
UT1224 X 96 AS SD	2670	2465	2279	2099	1937	1786											
UT1524 X 96 AS SD	2920	2692	2485	2285	2105	1937											
UT1824 X 96 AS SD	3210	2957	2726	2502	2300	2112											
UT2124 X 96 AS SD	3517	3236	2980	2731	2507	2298											

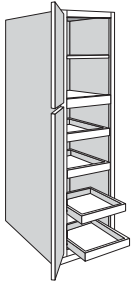
UTILITY CABINET • 4 BUTT DOORS • ADJUSTABLE SHELVES • 24" DEEP X 96" HIGH



	700 SERIES - CHERRY	700 SERIES - MAPLE	700 SERIES - PAINTED	600 SERIES - CHERRY	600 SERIES - MAPLE	600 SERIES - PAINTED	500 SERIES - CHERRY	DT SERIES - DURAFORM	500 SERIES - MAPLE	500 SERIES - PAINTED	400 SERIES - CHERRY	400 SERIES - MAPLE	400 SERIES - PAINTED	D SERIES - DURAFORM	300 SERIES - MAPLE	300 SERIES - PAINTED	DS SERIES - DURAFORM
STANDARD DOOR																	
UT2424 X 96 AS BUTT	3322	3044	2792	2547	2325	2119											
UT2724 X 96 AS BUTT	3617	3323	3056	2796	2561	2342											
UT3024 X 96 AS BUTT	3873	3555	3267	2986	2734	2498											
UT3324 X 96 AS BUTT	4083	3746	3440	3142	2875	2625											
UT3624 X 96 AS BUTT	4378	4014	3683	3363	3073	2804											
SPECIALTY DOOR																	
UT2424 X 96 AS BUTT SD	4188	3855	3552	3258	2992	2725											
UT2724 X 96 AS BUTT SD	4543	4190	3870	3558	3276	3013											
UT3024 X 96 AS BUTT SD	4850	4468	4123	3786	3483	3200											
UT3324 X 96 AS BUTT SD	5102	4698	4330	3973	3652	3352											
UT3624 X 96 AS BUTT SD	5456	5019	4622	4238	3890	3567											

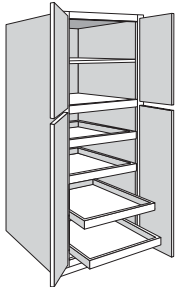
SKU

UTILITY CABINET • 2 DOORS • DEEP ROLL OUT TRAYS • 84" HIGH



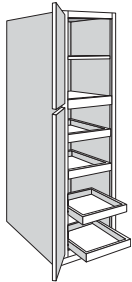
	700 SERIES - CHERRY	700 SERIES - MAPLE	700 SERIES - PAINTED	600 SERIES - CHERRY	600 SERIES - MAPLE	600 SERIES - PAINTED	500 SERIES - CHERRY	DT SERIES - DURAFORM	500 SERIES - MAPLE	500 SERIES - PAINTED	400 SERIES - CHERRY	400 SERIES - MAPLE	400 SERIES - PAINTED	D SERIES - DURAFORM	300 SERIES - MAPLE	300 SERIES - PAINTED	DS SERIES - DURAFORM
STANDARD DOOR																	
UT1224 X 84 CC4ROT	2751	2604	2469	2339	2221	2112											
UT1524 X 84 CC4ROT	2883	2724	2578	2437	2310	2192											
UT1824 X 84 CC4ROT	3025	2852	2695	2543	2406	2278											
UT2124 X 84 CC4ROT	3234	3042	2868	2699	2547	2405											
SPECIALTY DOOR																	
UT1224 X 84 CC4ROT SD	3400	3224	3062	2906	2764	2633											
UT1524 X 84 CC4ROT SD	3558	3368	3192	3023	2871	2729											
UT1824 X 84 CC4ROT SD	3729	3521	3333	3150	2986	2832											
UT2124 X 84 CC4ROT SD	3980	3749	3540	3338	3155	2985											

UTILITY CABINET • 4 BUTT DOORS • DEEP ROLL OUT TRAYS • 84" HIGH



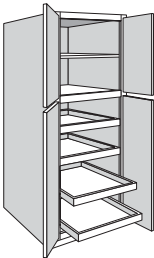
	700 SERIES - CHERRY	700 SERIES - MAPLE	700 SERIES - PAINTED	600 SERIES - CHERRY	600 SERIES - MAPLE	600 SERIES - PAINTED	500 SERIES - CHERRY	DT SERIES - DURAFORM	500 SERIES - MAPLE	500 SERIES - PAINTED	400 SERIES - CHERRY	400 SERIES - MAPLE	400 SERIES - PAINTED	D SERIES - DURAFORM	300 SERIES - MAPLE	300 SERIES - PAINTED	DS SERIES - DURAFORM
STANDARD DOOR																	
UT2424 X 84 CC4ROT BUTT	3621	3394	3188	2988	2807	2639											
UT2724 X 84 CC4ROT BUTT	3787	3546	3328	3116	2924	2746											
UT3024 X 84 CC4ROT BUTT	4044	3785	3549	3320	3113	2921											
UT3324 X 84 CC4ROT BUTT	4215	3941	3691	3448	3228	3025											
UT3624 X 84 CC4ROT BUTT	4379	4088	3825	3570	3339	3124											
SPECIALTY DOOR																	
UT2424 X 84 CC4ROT BUTT SD	4543	4271	4023	3783	3566	3365											
UT2724 X 84 CC4ROT BUTT SD	4742	4453	4191	3937	3706	3493											
UT3024 X 84 CC4ROT BUTT SD	5051	4740	4457	4182	3934	3703											
UT3324 X 84 CC4ROT BUTT SD	5256	4927	4627	4336	4072	3828											
UT3624 X 84 CC4ROT BUTT SD	5453	5104	4788	4482	4205	3927											

UTILITY CABINET • 2 DOORS • DEEP ROLL OUT TRAYS • 90" HIGH



	700 SERIES - CHERRY	700 SERIES - MAPLE	700 SERIES - PAINTED	600 SERIES - CHERRY	600 SERIES - MAPLE	600 SERIES - PAINTED	500 SERIES - CHERRY	DT SERIES - DURAFORM	500 SERIES - MAPLE	500 SERIES - PAINTED	400 SERIES - CHERRY	400 SERIES - MAPLE	400 SERIES - PAINTED	D SERIES - DURAFORM	300 SERIES - MAPLE	300 SERIES - PAINTED	DS SERIES - DURAFORM
STANDARD DOOR																	
UT1224 X 90 CC4ROT	2958	2795	2646	2502	2373	2252											
UT1524 X 90 CC4ROT	3157	2976	2811	2651	2507	2373											
UT1824 X 90 CC4ROT	3353	3154	2973	2798	2639	2492											
UT2124 X 90 CC4ROT	3594	3373	3172	2978	2801	2638											
SPECIALTY DOOR																	
UT1224 X 90 CC4ROT SD	3651	3455	3276	3104	2949	2804											
UT1524 X 90 CC4ROT SD	3890	3672	3474	3282	3110	2949											
UT1824 X 90 CC4ROT SD	4125	3886	3669	3459	3268	3092											
UT2124 X 90 CC4ROT SD	4414	4149	3908	3675	3462	3267											

UTILITY CABINET • 4 BUTT DOORS • DEEP ROLL OUT TRAYS • 90" HIGH

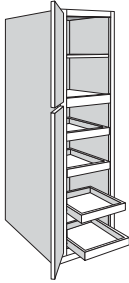


	700 SERIES - CHERRY	700 SERIES - MAPLE	700 SERIES - PAINTED	600 SERIES - CHERRY	600 SERIES - MAPLE	600 SERIES - PAINTED	500 SERIES - CHERRY	DT SERIES - DURAFORM	500 SERIES - MAPLE	500 SERIES - PAINTED	400 SERIES - CHERRY	400 SERIES - MAPLE	400 SERIES - PAINTED	D SERIES - DURAFORM	300 SERIES - MAPLE	300 SERIES - PAINTED	DS SERIES - DURAFORM
STANDARD DOOR																	
UT2424 X 90 CC4ROT BUTT	4027	3766	3530	3300	3093	2900											
UT2724 X 90 CC4ROT BUTT	4231	3954	3704	3460	3241	3036											
UT3024 X 90 CC4ROT BUTT	4521	4224	3952	3690	3453	3232											
UT3324 X 90 CC4ROT BUTT	4718	4403	4114	3837	3586	3351											
UT3624 X 90 CC4ROT BUTT	4881	4550	4250	3958	3695	3450											
SPECIALTY DOOR																	
UT2424 X 90 CC4ROT BUTT SD	5035	4721	4438	4162	3914	3682											
UT2724 X 90 CC4ROT BUTT SD	5279	4947	4647	4354	4091	3845											
UT3024 X 90 CC4ROT BUTT SD	5627	5271	4945	4630	4346	4081											
UT3324 X 90 CC4ROT BUTT SD	5864	5486	5139	4807	4505	4223											
UT3624 X 90 CC4ROT BUTT SD	6059	5662	5302	4952	4636	4342											

Illustrations are for reference only. Refer to Specification Guide for actual specifications.

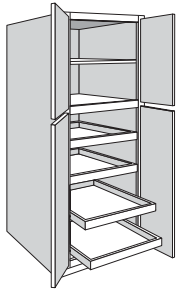
SKU

UTILITY CABINET • 2 DOORS • DEEP ROLL OUT TRAYS • 93" HIGH



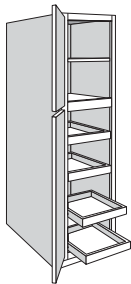
	700 SERIES - CHERRY	700 SERIES - MAPLE	700 SERIES - PAINTED	600 SERIES - CHERRY	600 SERIES - MAPLE	600 SERIES - PAINTED	500 SERIES - CHERRY	DT SERIES - DURAFORM	500 SERIES - MAPLE	500 SERIES - PAINTED	400 SERIES - CHERRY	400 SERIES - MAPLE	400 SERIES - PAINTED	D SERIES - DURAFORM	300 SERIES - MAPLE	300 SERIES - PAINTED	DS SERIES - DURAFORM
STANDARD DOOR																	
UT1224 X 93 CC4ROT	3057	2888	2735	2586	2452	2327											
UT1524 X 93 CC4ROT	3263	3075	2905	2740	2591	2452											
UT1824 X 93 CC4ROT	3493	3285	3096	2912	2746	2592											
UT2124 X 93 CC4ROT	3745	3415	3304	3100	2916	2745											
SPECIALTY DOOR																	
UT1224 X 93 CC4ROT SD	3769	3566	3383	3204	3043	2893											
UT1524 X 93 CC4ROT SD	4016	3791	3587	3389	3210	3043											
UT1824 X 93 CC4ROT SD	4292	4043	3816	3595	3396	3211											
UT2124 X 93 CC4ROT SD	4595	4317	4065	3821	3600	3395											

UTILITY CABINET • 4 BUTT DOORS • DEEP ROLL OUT TRAYS • 93" HIGH



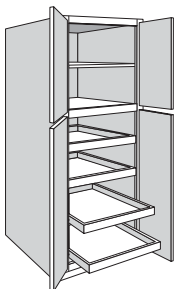
	700 SERIES - CHERRY	700 SERIES - MAPLE	700 SERIES - PAINTED	600 SERIES - CHERRY	600 SERIES - MAPLE	600 SERIES - PAINTED	500 SERIES - CHERRY	DT SERIES - DURAFORM	500 SERIES - MAPLE	500 SERIES - PAINTED	400 SERIES - CHERRY	400 SERIES - MAPLE	400 SERIES - PAINTED	D SERIES - DURAFORM	300 SERIES - MAPLE	300 SERIES - PAINTED	DS SERIES - DURAFORM
STANDARD DOOR																	
UT2424 X 93 CC4ROT BUTT	4210	3936	3688	3447	3229	3026											
UT2724 X 93 CC4ROT BUTT	4438	4148	3885	3630	3399	3183											
UT3024 X 93 CC4ROT BUTT	4739	4426	4142	3866	3618	3386											
UT3324 X 93 CC4ROT BUTT	4945	4614	4313	4020	3757	3511											
UT3624 X 93 CC4ROT BUTT	5208	4852	4529	4216	3932	3669											
SPECIALTY DOOR																	
UT2424 X 93 CC4ROT BUTT SD	5254	4925	4627	4338	4076	3833											
UT2724 X 93 CC4ROT BUTT SD	5528	5180	4864	4558	4281	4022											
UT3024 X 93 CC4ROT BUTT SD	5889	5514	5173	4842	4544	4266											
UT3324 X 93 CC4ROT BUTT SD	6136	5739	5378	5026	4711	4416											
UT3624 X 93 CC4ROT BUTT SD	6452	6025	5637	5262	4921	4605											

UTILITY CABINET • 2 DOORS • DEEP ROLL OUT TRAYS • 96" HIGH



	700 SERIES - CHERRY	700 SERIES - MAPLE	700 SERIES - PAINTED	600 SERIES - CHERRY	600 SERIES - MAPLE	600 SERIES - PAINTED	500 SERIES - CHERRY	DT SERIES - DURAFORM	500 SERIES - MAPLE	500 SERIES - PAINTED	400 SERIES - CHERRY	400 SERIES - MAPLE	400 SERIES - PAINTED	D SERIES - DURAFORM	300 SERIES - MAPLE	300 SERIES - PAINTED	DS SERIES - DURAFORM
STANDARD DOOR																	
UT1224 X 96 CC4ROT	3077	2906	2751	2601	2466	2340											
UT1524 X 96 CC4ROT	3285	3095	2923	2756	2606	2466											
UT1824 X 96 CC4ROT	3527	3316	3124	2937	2769	2612											
UT2124 X 96 CC4ROT	3783	3549	3335	3128	2941	2767											
SPECIALTY DOOR																	
UT1224 X 96 CC4ROT SD	3793	3588	3402	3222	3060	2909											
UT1524 X 96 CC4ROT SD	4043	3815	3608	3408	3228	3060											
UT1824 X 96 CC4ROT SD	4333	4080	3849	3625	3423	3235											
UT2124 X 96 CC4ROT SD	4640	4359	4103	3854	3630	3421											

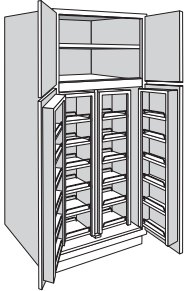
UTILITY CABINET • 4 BUTT DOORS • DEEP ROLL OUT TRAYS • 96" HIGH



	700 SERIES - CHERRY	700 SERIES - MAPLE	700 SERIES - PAINTED	600 SERIES - CHERRY	600 SERIES - MAPLE	600 SERIES - PAINTED	500 SERIES - CHERRY	DT SERIES - DURAFORM	500 SERIES - MAPLE	500 SERIES - PAINTED	400 SERIES - CHERRY	400 SERIES - MAPLE	400 SERIES - PAINTED	D SERIES - DURAFORM	300 SERIES - MAPLE	300 SERIES - PAINTED	DS SERIES - DURAFORM
STANDARD DOOR																	
UT2424 X 96 CC4ROT BUTT	4258	3980	3728	3483	3261	3055											
UT2724 X 96 CC4ROT BUTT	4489	4195	3928	3668	3433	3214											
UT3024 X 96 CC4ROT BUTT	4793	4475	4187	3906	3654	3418											
UT3324 X 96 CC4ROT BUTT	5003	4666	4360	4062	3795	3545											
UT3624 X 96 CC4ROT BUTT	5298	4934	4603	4283	3993	3724											
SPECIALTY DOOR																	
UT2424 X 96 CC4ROT BUTT SD	5311	4978	4675	4381	4115	3868											
UT2724 X 96 CC4ROT BUTT SD	5589	5236	4916	4604	4322	4059											
UT3024 X 96 CC4ROT BUTT SD	5954	5572	5227	4890	4587	4304											
UT3324 X 96 CC4ROT BUTT SD	6206	5802	5434	5077	4756	4456											
UT3624 X 96 CC4ROT BUTT SD	6560	6123	5726	5342	4994	4671											

SKU

UTILITY CABINET • WITH PANTRY STORAGE



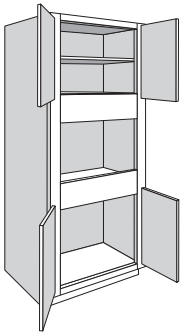
STANDARD DOOR

UT3624 X 84 PCDS BUTT	5160	4869	4606	4351	4120	3905
UT3624 X 90 PCDS BUTT	5662	5331	5031	4739	4476	4231
UT3624 X 93 PCDS BUTT	5989	4633	5310	4997	4713	4450
UT3624 X 96 PCDS BUTT	6079	5715	5384	5064	4774	4505

SPECIALTY DOOR

UT3624 X 84 PCDS BUTT SD	6390	6041	5725	5419	5142	4884
UT3624 X 90 PCDS BUTT SD	6996	6599	6239	5889	5573	5279
UT3624 X 93 PCDS BUTT SD	7389	6962	6574	6199	5858	5542
UT3624 X 96 PCDS BUTT SD	7497	7060	6663	6279	5931	5608

SINGLE OVEN CABINET • 4 BUTT DOORS



84" HIGH

OVS2784 BUTT	2645	2404	2186	1974	1782	1604
OVS3084 BUTT	3350	3045	2768	2500	2257	2031
OVS3384 BUTT	3350	3045	2768	2500	2257	2031

90" HIGH

OVS2790 AS BUTT	3042	2766	2514	2270	2050	1845
OVS3090 AS BUTT	3851	3501	3182	2874	2595	2336
OVS3390 AS BUTT	3851	3501	3182	2874	2595	2336

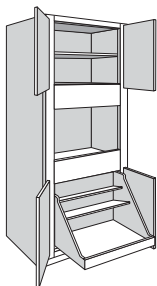
93" HIGH

OVS2793 AS BUTT	3180	2891	2628	2374	2143	1929
OVS3093 AS BUTT	4026	3660	3328	3004	2714	2443
OVS3393 AS BUTT	4026	3660	3328	3004	2714	2443

96" HIGH

OVS2796 AS BUTT	3226	2933	2666	2408	2174	1957
OVS3096 AS BUTT	4084	3713	3376	3048	2753	2478
OVS3396 AS BUTT	4084	3713	3376	3048	2753	2478

SINGLE OVEN CABINET • 4 BUTT DOORS • 1 POT AND PAN ORGANIZER



84" HIGH

OVS2784 BUTT CCBPPO	3117	2876	2658	2446	2254	2029
OVS3084 BUTT CCBPPO	3843	3538	3261	2993	2750	2475
OVS3384 BUTT CCBPPO	3862	3557	3280	3012	2769	2492

90" HIGH

OVS2790 BUTT CCBPPO	3514	3238	2986	2742	2522	2270
OVS3090 BUTT CCBPPO	4344	3994	3675	3367	3088	2779
OVS3390 BUTT CCBPPO	4363	4013	3694	3386	3107	2796

93" HIGH

OVS2793 BUTT CCBPPO	3652	3363	3100	2846	2615	2354
OVS3093 BUTT CCBPPO	4519	4153	3821	3497	3207	2886
OVS3393 BUTT CCBPPO	4538	4172	3840	3516	3226	2903

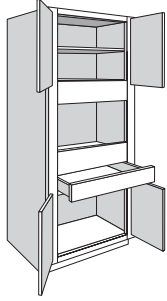
96" HIGH

OVS2796 BUTT CCBPPO	3698	3405	3138	2880	2646	2381
OVS3096 BUTT CCBPPO	4577	4206	3869	3541	3246	2921
OVS3396 BUTT CCBPPO	4596	4225	3888	3560	3265	2939

Illustrations are for reference only. Refer to Specification Guide for actual specifications.

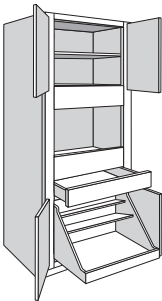
SKU

SINGLE OVEN CABINET • 4 BUTT DOORS • 1 DRAWER



	700 SERIES - CHERRY	700 SERIES - MAPLE	700 SERIES - PAINTED	600 SERIES - CHERRY	600 SERIES - MAPLE	600 SERIES - PAINTED	500 SERIES - CHERRY	DT SERIES - DURAFORM	500 SERIES - MAPLE	500 SERIES - PAINTED	400 SERIES - CHERRY	400 SERIES - MAPLE	400 SERIES - PAINTED	D SERIES - DURAFORM	300 SERIES - MAPLE	300 SERIES - PAINTED	DS SERIES - DURAFORM
84" HIGH																	
OVS2784 BUTT 1DWR	3043	2802	2584	2372	2180	1962											
OVS3084 BUTT 1DWR	3748	3443	3166	2898	2655	2389											
OVS3384 BUTT 1DWR	3748	3443	3166	2898	2655	2389											
90" HIGH																	
OVS2790 AS BUTT 1DWR	3440	3164	2912	2668	2448	2203											
OVS3090 AS BUTT 1DWR	4249	3899	3580	3272	2993	2694											
OVS3390 AS BUTT 1DWR	4249	3899	3580	3272	2993	2694											
93" HIGH																	
OVS2793 AS BUTT 1DWR	3578	3289	3026	2772	2541	2287											
OVS3093 AS BUTT 1DWR	4424	4058	3726	3402	3112	2801											
OVS3393 AS BUTT 1DWR	4424	4058	3726	3402	3112	2801											
96" HIGH																	
OVS2796 AS BUTT 1DWR	3624	3331	3064	2806	2572	2315											
OVS3096 AS BUTT 1DWR	4482	4111	3774	3446	3151	2836											
OVS3396 AS BUTT 1DWR	4482	4111	3774	3446	3151	2836											

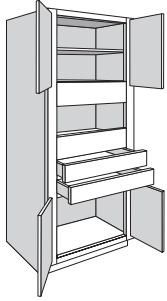
SINGLE OVEN CABINET • 4 BUTT DOORS • 1 DRAWER • 1 POT AND PAN ORGANIZER



	700 SERIES - CHERRY	700 SERIES - MAPLE	700 SERIES - PAINTED	600 SERIES - CHERRY	600 SERIES - MAPLE	600 SERIES - PAINTED	500 SERIES - CHERRY	DT SERIES - DURAFORM	500 SERIES - MAPLE	500 SERIES - PAINTED	400 SERIES - CHERRY	400 SERIES - MAPLE	400 SERIES - PAINTED	D SERIES - DURAFORM	300 SERIES - MAPLE	300 SERIES - PAINTED	DS SERIES - DURAFORM
84" HIGH																	
OVS2784 BUTT 1DWR CCBPPO	3515	3274	3056	2844	2652	2387											
OVS3084 BUTT 1DWR CCBPPO	4241	3936	3659	3391	3148	2833											
OVS3384 BUTT 1DWR CCBPPO	4260	3955	3678	3410	3167	2850											
90" HIGH																	
OVS2790 BUTT 1DWR CCBPPO	3912	3636	3384	3140	2920	2628											
OVS3090 BUTT 1DWR CCBPPO	4742	4392	4073	3765	3486	3137											
OVS3390 BUTT 1DWR CCBPPO	4761	4411	4092	3784	3505	3155											
93" HIGH																	
OVS2793 BUTT 1DWR CCBPPO	4050	3761	3498	3244	3013	2712											
OVS3093 BUTT 1DWR CCBPPO	4917	4551	4219	3895	3605	3245											
OVS3393 BUTT 1DWR CCBPPO	4936	4570	4238	3914	3624	3262											
96" HIGH																	
OVS2796 BUTT 1DWR CCBPPO	4096	3803	3536	3278	3044	2740											
OVS3096 BUTT 1DWR CCBPPO	4975	4604	4267	3939	3644	3280											
OVS3396 BUTT 1DWR CCBPPO	4994	4623	4286	3958	3663	3297											

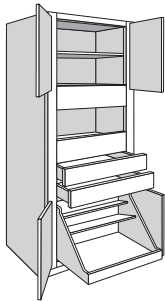
SKU

SINGLE OVEN CABINET • 4 BUTT DOORS • 2 DRAWERS



	700 SERIES - CHERRY	700 SERIES - MAPLE	700 SERIES - PAINTED	600 SERIES - CHERRY	600 SERIES - MAPLE	600 SERIES - PAINTED	500 SERIES - CHERRY	500 SERIES - MAPLE	500 SERIES - PAINTED	400 SERIES - CHERRY	400 SERIES - MAPLE	400 SERIES - PAINTED	D SERIES - DURAFORM	300 SERIES - MAPLE	300 SERIES - PAINTED	DS SERIES - DURAFORM
84" HIGH																
OVS2784 BUTT 2DWR	3791	3578	3385	3198	3029	2726										
OVS3084 BUTT 2DWR	4452	4180	3932	3692	3475	3128										
OVS3384 BUTT 2DWR	4452	4180	3932	3692	3475	3128										
90" HIGH																
OVS2790 AS BUTT 2DWR	4169	3922	3698	3481	3284	2956										
OVS3090 AS BUTT 2DWR	4929	4613	4326	4048	3796	3416										
OVS3390 AS BUTT 2DWR	4929	4613	4326	4048	3796	3416										
93" HIGH																
OVS2793 AS BUTT 2DWR	4300	4041	3806	3579	3373	3036										
OVS3093 AS BUTT 2DWR	5099	4768	4467	4174	3911	3520										
OVS3393 AS BUTT 2DWR	5099	4768	4467	4174	3911	3520										
96" HIGH																
OVS2796 AS BUTT 2DWR	4343	4081	3842	3611	3402	3062										
OVS3096 AS BUTT 2DWR	5155	4819	4514	4216	3949	3554										
OVS3396 AS BUTT 2DWR	5155	4819	4514	4216	3949	3554										

SINGLE OVEN CABINET • 4 BUTT DOORS • 2 DRAWERS • 1 POT AND PAN ORGANIZER

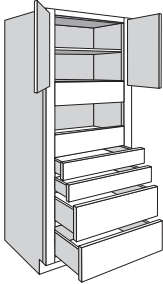


	700 SERIES - CHERRY	700 SERIES - MAPLE	700 SERIES - PAINTED	600 SERIES - CHERRY	600 SERIES - MAPLE	600 SERIES - PAINTED	500 SERIES - CHERRY	500 SERIES - MAPLE	500 SERIES - PAINTED	400 SERIES - CHERRY	400 SERIES - MAPLE	400 SERIES - PAINTED	D SERIES - DURAFORM	300 SERIES - MAPLE	300 SERIES - PAINTED	DS SERIES - DURAFORM
84" HIGH																
OVS2784 BUTT 2DWR CCBPPO	4263	4050	3857	3670	3501	3151										
OVS3084 BUTT 2DWR CCBPPO	4945	4673	4425	4185	3968	3571										
OVS3384 BUTT 2DWR CCBPPO	4964	4692	4444	4204	3987	3588										
90" HIGH																
OVS2790 BUTT 2DWR CCBPPO	4641	4394	4170	3953	3756	3380										
OVS3090 BUTT 2DWR CCBPPO	5422	5106	4819	4541	4289	3860										
OVS3390 BUTT 2DWR CCBPPO	5441	5125	4838	4560	4308	3877										
93" HIGH																
OVS2793 BUTT 2DWR CCBPPO	4772	4513	4278	4051	3845	3461										
OVS3093 BUTT 2DWR CCBPPO	5592	5261	4960	4667	4404	3964										
OVS3393 BUTT 2DWR CCBPPO	5611	5280	4979	4686	4423	3981										
96" HIGH																
OVS2796 BUTT 2DWR CCBPPO	4815	4553	4314	4083	3874	3487										
OVS3096 BUTT 2DWR CCBPPO	5648	5312	5007	4709	4442	3998										
OVS3396 BUTT 2DWR CCBPPO	5667	5331	5026	4728	4461	4015										

Illustrations are for reference only. Refer to Specification Guide for actual specifications.

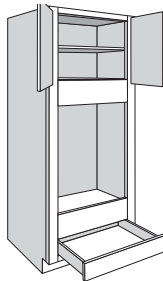
SKU

SINGLE OVEN CABINET • 2 BUTT DOORS • 4 DRAWERS



	700 SERIES - CHERRY	700 SERIES - MAPLE	700 SERIES - PAINTED	600 SERIES - CHERRY	600 SERIES - MAPLE	600 SERIES - PAINTED	500 SERIES - CHERRY	DT SERIES - DURAFORM	500 SERIES - MAPLE	500 SERIES - PAINTED	400 SERIES - CHERRY	400 SERIES - MAPLE	400 SERIES - PAINTED	D SERIES - DURAFORM	300 SERIES - MAPLE	300 SERIES - PAINTED	DS SERIES - DURAFORM
84" HIGH																	
OVS2784 BUTT 4DWR	3440	3199	2981	2769	2577	2319											
OVS3084 BUTT 4DWR	4145	3840	3563	3295	3052	2747											
OVS3384 BUTT 4DWR	4145	3840	3563	3295	3052	2747											
90" HIGH																	
OVS2790 AS BUTT 4DWR	3837	3561	3309	3065	2845	2561											
OVS3090 AS BUTT 4DWR	4646	4296	3977	3669	3390	3051											
OVS3390 AS BUTT 4DWR	4646	4296	3977	3669	3390	3051											
93" HIGH																	
OVS2793 AS BUTT 4DWR	3975	3686	3423	3169	2938	2644											
OVS3093 AS BUTT 4DWR	4821	4455	4123	3799	3509	3158											
OVS3393 AS BUTT 4DWR	4821	4455	4123	3799	3509	3158											
96" HIGH																	
OVS2796 AS BUTT 4DWR	4021	3728	3461	3203	2969	2672											
OVS3096 AS BUTT 4DWR	4879	4508	4171	3843	3548	3193											
OVS3396 AS BUTT 4DWR	4879	4508	4171	3843	3548	3193											

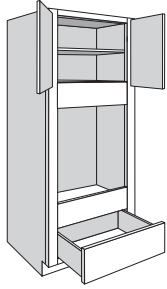
DOUBLE OVEN CABINET • 2 BUTT DOORS • 1 DRAWER



	700 SERIES - CHERRY	700 SERIES - MAPLE	700 SERIES - PAINTED	600 SERIES - CHERRY	600 SERIES - MAPLE	600 SERIES - PAINTED	500 SERIES - CHERRY	DT SERIES - DURAFORM	500 SERIES - MAPLE	500 SERIES - PAINTED	400 SERIES - CHERRY	400 SERIES - MAPLE	400 SERIES - PAINTED	D SERIES - DURAFORM	300 SERIES - MAPLE	300 SERIES - PAINTED	DS SERIES - DURAFORM
84" HIGH																	
OVD2784 BUTT	2399	2186	1993	1806	1637	1473											
OVD3084 BUTT	3060	2788	2540	2300	2083	1875											
OVD3384 BUTT	3060	2788	2540	2300	2083	1875											
90" HIGH																	
OVD2790 AS BUTT	2777	2530	2306	2089	1892	1703											
OVD3090 AS BUTT	3537	3221	2934	2656	2404	2164											
OVD3390 AS BUTT	3537	3221	2934	2656	2404	2164											
93" HIGH																	
OVD2793 AS BUTT	2908	2649	2414	2187	1981	1783											
OVD3093 AS BUTT	3707	3376	3075	2782	2519	2267											
OVD3393 AS BUTT	3707	3376	3075	2782	2519	2267											
96" HIGH																	
OVD2796 AS BUTT	2951	2689	2450	2219	2010	1809											
OVD3096 AS BUTT	3763	3427	3122	2824	2557	2301											
OVD3396 AS BUTT	3763	3427	3122	2824	2557	2301											

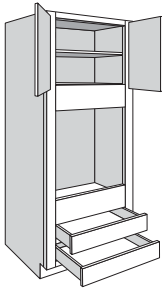
SKU

DOUBLE OVEN CABINET - 2 BUTT DOORS - 1 LARGE DRAWER



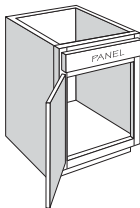
	700 SERIES - CHERRY	700 SERIES - MAPLE	700 SERIES - PAINTED	600 SERIES - CHERRY	600 SERIES - MAPLE	600 SERIES - PAINTED	500 SERIES - CHERRY	500 SERIES - MAPLE	500 SERIES - PAINTED	400 SERIES - CHERRY	400 SERIES - MAPLE	400 SERIES - PAINTED	D SERIES - DURAFORM	300 SERIES - MAPLE	300 SERIES - PAINTED	DS SERIES - DURAFORM
84" HIGH																
OVD2784 BUTT 1DDWR	2598	2385	2192	2005	1836	1652										
OVD3084 BUTT 1DDWR	3259	2987	2739	2499	2282	2054										
OVD3384 BUTT 1DDWR	3259	2987	2739	2499	2282	2054										
90" HIGH																
OVD2790 AS BUTT 1DDWR	2976	2729	2505	2288	2091	1882										
OVD3090 AS BUTT 1DDWR	3736	3420	3133	2855	2603	2343										
OVD3390 AS BUTT 1DDWR	3736	3420	3133	2855	2603	2343										
93" HIGH																
OVD2793 AS BUTT 1DDWR	3107	2848	2613	2386	2180	1962										
OVD3093 AS BUTT 1DDWR	3906	3575	3274	2981	2718	2446										
OVD3393 AS BUTT 1DDWR	3906	3575	3274	2981	2718	2446										
96" HIGH																
OVD2796 AS BUTT 1DDWR	3150	2888	2649	2418	2209	1988										
OVD3096 AS BUTT 1DDWR	3962	3626	3321	3023	2756	2480										
OVD3396 AS BUTT 1DDWR	3962	3626	3321	3023	2756	2480										

DOUBLE OVEN CABINET - 2 BUTT DOORS - 2 DRAWERS



	700 SERIES - CHERRY	700 SERIES - MAPLE	700 SERIES - PAINTED	600 SERIES - CHERRY	600 SERIES - MAPLE	600 SERIES - PAINTED	500 SERIES - CHERRY	500 SERIES - MAPLE	500 SERIES - PAINTED	400 SERIES - CHERRY	400 SERIES - MAPLE	400 SERIES - PAINTED	D SERIES - DURAFORM	300 SERIES - MAPLE	300 SERIES - PAINTED	DS SERIES - DURAFORM
84" HIGH																
OVD2784 BUTT 2DWR	2797	2584	2391	2204	2035	1832										
OVD3084 BUTT 2DWR	3458	3186	2938	2698	2481	2233										
OVD3384 BUTT 2DWR	3458	3186	2938	2698	2481	2233										
90" HIGH																
OVD2790 AS BUTT 2DWR	3175	2928	2704	2487	2290	2061										
OVD3090 AS BUTT 2DWR	3935	3619	3332	3054	2802	2522										
OVD3390 AS BUTT 2DWR	3935	3619	3332	3054	2802	2522										
93" HIGH																
OVD2793 AS BUTT 2DWR	3306	3047	2812	2585	2379	2141										
OVD3093 AS BUTT 2DWR	4105	3774	3473	3180	2917	2625										
OVD3393 AS BUTT 2DWR	4105	3774	3473	3180	2917	2625										
96" HIGH																
OVD2796 AS BUTT 2DWR	3349	3087	2848	2617	2408	2167										
OVD3096 AS BUTT 2DWR	4161	3825	3520	3222	2955	2660										
OVD3396 AS BUTT 2DWR	4161	3825	3520	3222	2955	2660										

VANITY SINK BASE CABINET - 1 DOOR - 1 PANEL

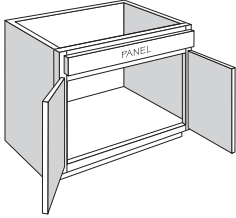


	700 SERIES - CHERRY	700 SERIES - MAPLE	700 SERIES - PAINTED	600 SERIES - CHERRY	600 SERIES - MAPLE	600 SERIES - PAINTED	500 SERIES - CHERRY	500 SERIES - MAPLE	500 SERIES - PAINTED	400 SERIES - CHERRY	400 SERIES - MAPLE	400 SERIES - PAINTED	D SERIES - DURAFORM	300 SERIES - MAPLE	300 SERIES - PAINTED	DS SERIES - DURAFORM
31 1/8" HIGH																
VSB15	628	570	519	468	423	381										
VSB18	649	590	537	485	438	394										
VSB21	683	621	565	510	461	415										
34 1/2" HIGH																
VSB1534H	628	570	519	468	423	381										
VSB1834H	649	590	537	485	438	394										
VSB2134H	683	621	565	510	461	415										

Illustrations are for reference only. Refer to Specification Guide for actual specifications.

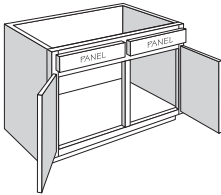
SKU

VANITY SINK BASE CABINET • 2 BUTT DOORS • 1 PANEL



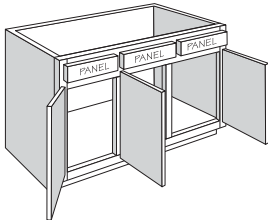
	700 SERIES - CHERRY	700 SERIES - MAPLE	700 SERIES - PAINTED	600 SERIES - CHERRY	600 SERIES - MAPLE	600 SERIES - PAINTED	500 SERIES - CHERRY	DT SERIES - DURAFORM	500 SERIES - MAPLE	500 SERIES - PAINTED	400 SERIES - CHERRY	400 SERIES - MAPLE	400 SERIES - PAINTED	D SERIES - DURAFORM	300 SERIES - MAPLE	300 SERIES - PAINTED	DS SERIES - DURAFORM
31 1/8" HIGH • 21" DEEP																	
VSB24 BUTT	804	731	665	600	542	488											
VSB27 BUTT	815	741	674	609	549	494											
VSB30 BUTT	877	797	724	654	591	532											
VSB33 BUTT	917	834	758	684	618	556											
VSB36 BUTT	954	867	788	712	643	579											
31 1/8" HIGH • 18" DEEP																	
VSB2418 BUTT	804	731	665	600	542	488											
VSB3018 BUTT	877	797	724	654	591	532											
VSB3618 BUTT	954	867	788	712	643	579											
34 1/2" HIGH • 18" DEEP																	
VSB241834H BUTT	804	731	665	600	542	488											
VSB301834H BUTT	877	797	724	654	591	532											
VSB361834H BUTT	954	867	788	712	643	579											
34 1/2" HIGH • 21" DEEP																	
VSB2434H BUTT	804	731	665	600	542	488											
VSB2734H BUTT	815	741	674	609	549	494											
VSB3034H BUTT	877	797	724	654	591	532											
VSB3334H BUTT	917	834	758	684	618	556											
VSB3634H BUTT	954	867	788	712	643	579											

VANITY SINK BASE CABINET • 2 DOORS • 2 PANELS



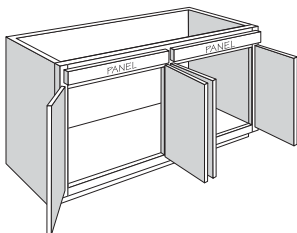
	700 SERIES - CHERRY	700 SERIES - MAPLE	700 SERIES - PAINTED	600 SERIES - CHERRY	600 SERIES - MAPLE	600 SERIES - PAINTED	500 SERIES - CHERRY	DT SERIES - DURAFORM	500 SERIES - MAPLE	500 SERIES - PAINTED	400 SERIES - CHERRY	400 SERIES - MAPLE	400 SERIES - PAINTED	D SERIES - DURAFORM	300 SERIES - MAPLE	300 SERIES - PAINTED	DS SERIES - DURAFORM
31 1/8" HIGH																	
VSB39	991	900	818	740	668	601											
VSB42	1017	924	840	759	685	617											
34 1/2" HIGH																	
VSB3934H	991	900	818	740	668	601											
VSB4234H	1017	924	840	759	685	617											

VANITY SINK BASE CABINET • 3 DOORS • 3 PANELS



	700 SERIES - CHERRY	700 SERIES - MAPLE	700 SERIES - PAINTED	600 SERIES - CHERRY	600 SERIES - MAPLE	600 SERIES - PAINTED	500 SERIES - CHERRY	DT SERIES - DURAFORM	500 SERIES - MAPLE	500 SERIES - PAINTED	400 SERIES - CHERRY	400 SERIES - MAPLE	400 SERIES - PAINTED	D SERIES - DURAFORM	300 SERIES - MAPLE	300 SERIES - PAINTED	DS SERIES - DURAFORM
31 1/8" HIGH																	
VSB48	1164	1058	962	869	784	706											
34 1/2" HIGH																	
VSB4834H	1164	1058	962	869	784	706											

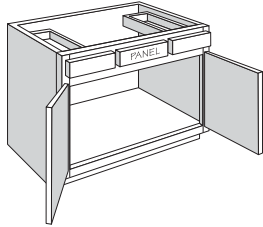
VANITY SINK BASE CABINET • 4 BUTT DOORS • 2 PANELS



	700 SERIES - CHERRY	700 SERIES - MAPLE	700 SERIES - PAINTED	600 SERIES - CHERRY	600 SERIES - MAPLE	600 SERIES - PAINTED	500 SERIES - CHERRY	DT SERIES - DURAFORM	500 SERIES - MAPLE	500 SERIES - PAINTED	400 SERIES - CHERRY	400 SERIES - MAPLE	400 SERIES - PAINTED	D SERIES - DURAFORM	300 SERIES - MAPLE	300 SERIES - PAINTED	DS SERIES - DURAFORM
31 1/8" HIGH																	
VSB54 BUTT	1040	945	860	776	701	631											
VSB60 BUTT	1203	1094	994	898	811	730											
34 1/2" HIGH																	
VSB5434H BUTT	1040	945	860	776	701	631											
VSB6034H BUTT	1203	1094	994	898	811	730											

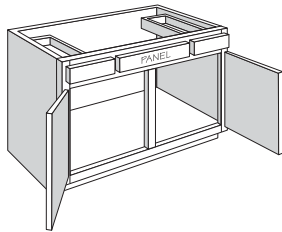
SKU

VANITY SINK BASE WITH TOP DRAWERS - 2 BUTT DOORS - 2 DRAWERS



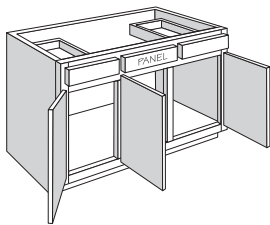
	700 SERIES - CHERRY	700 SERIES - MAPLE	700 SERIES - PAINTED	600 SERIES - CHERRY	600 SERIES - MAPLE	600 SERIES - PAINTED	500 SERIES - CHERRY	500 SERIES - MAPLE	500 SERIES - PAINTED	400 SERIES - CHERRY	400 SERIES - MAPLE	400 SERIES - PAINTED	D SERIES - DURAFORM	300 SERIES - MAPLE	300 SERIES - PAINTED	DS SERIES - DURAFORM
31 1/8" HIGH																
VAN36 BUTT	1437	1319	1211					1106			1010					909
34 1/2" HIGH																
VAN3634H BUTT	1437	1319	1211					1106			1010					909

VANITY SINK BASE WITH TOP DRAWERS - 2 DOORS - 2 DRAWERS



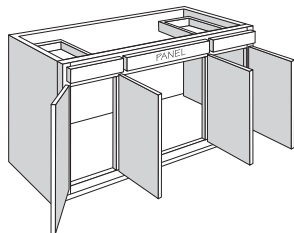
	700 SERIES - CHERRY	700 SERIES - MAPLE	700 SERIES - PAINTED	600 SERIES - CHERRY	600 SERIES - MAPLE	600 SERIES - PAINTED	500 SERIES - CHERRY	500 SERIES - MAPLE	500 SERIES - PAINTED	400 SERIES - CHERRY	400 SERIES - MAPLE	400 SERIES - PAINTED	D SERIES - DURAFORM	300 SERIES - MAPLE	300 SERIES - PAINTED	DS SERIES - DURAFORM
31 1/8" HIGH																
VAN39	1474	1352	1241					1133			1035					932
VAN42	1510	1385	1270					1160			1060					954
34 1/2" HIGH																
VAN3934H	1474	1352	1241					1133			1035					932
VAN4234H	1510	1385	1270					1160			1060					954

VANITY SINK BASE WITH TOP DRAWERS - 3 DOORS - 2 DRAWERS



	700 SERIES - CHERRY	700 SERIES - MAPLE	700 SERIES - PAINTED	600 SERIES - CHERRY	600 SERIES - MAPLE	600 SERIES - PAINTED	500 SERIES - CHERRY	500 SERIES - MAPLE	500 SERIES - PAINTED	400 SERIES - CHERRY	400 SERIES - MAPLE	400 SERIES - PAINTED	D SERIES - DURAFORM	300 SERIES - MAPLE	300 SERIES - PAINTED	DS SERIES - DURAFORM
31 1/8" HIGH																
VAN48	1686	1544	1415					1290			1178					1060
34 1/2" HIGH																
VAN4834H	1686	1544	1415					1290			1178					1060

VANITY SINK BASE WITH TOP DRAWERS - 4 BUTT DOORS - 2 DRAWERS

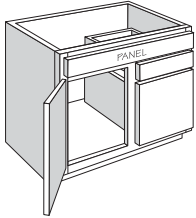


	700 SERIES - CHERRY	700 SERIES - MAPLE	700 SERIES - PAINTED	600 SERIES - CHERRY	600 SERIES - MAPLE	600 SERIES - PAINTED	500 SERIES - CHERRY	500 SERIES - MAPLE	500 SERIES - PAINTED	400 SERIES - CHERRY	400 SERIES - MAPLE	400 SERIES - PAINTED	D SERIES - DURAFORM	300 SERIES - MAPLE	300 SERIES - PAINTED	DS SERIES - DURAFORM
31 1/8" HIGH																
VAN54 BK BUTT	1702	1559	1429					1302			1189					1070
VAN60 BK BUTT	1848	1692	1550					1411			1288					1159
34 1/2" HIGH																
VAN5434H BK BUTT	1702	1559	1429					1302			1189					1070
VAN6034H BK BUTT	1848	1692	1550					1411			1288					1159

Illustrations are for reference only. Refer to Specification Guide for actual specifications.

SKU

VANITY COMBO SINK BASE • 1 DOOR • 2 DRAWERS • 31 1/8" HIGH



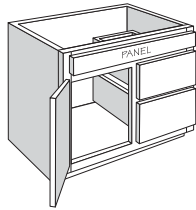
21" DEEP

VSDB24 BK	1407	1291	1185	1083	990	891
VSDB27 BK	1444	1325	1216	1110	1015	914
VSDB30 BK	1481	1358	1246	1138	1040	936
VSDB33 BK	1520	1393	1278	1166	1066	959
VSDB36 BK	1559	1429	1310	1196	1092	983

18" DEEP

VSDB2418 BK	1407	1291	1185	1083	990	891
VSDB2718 BK	1444	1325	1216	1110	1015	914
VSDB3018 BK	1481	1358	1246	1138	1040	936
VSDB3318 BK	1520	1393	1278	1166	1066	959
VSDB3618 BK	1559	1429	1310	1196	1092	983

VANITY COMBO SINK BASE • 1 DOOR • 2 DRAWERS • 34 1/2" HIGH



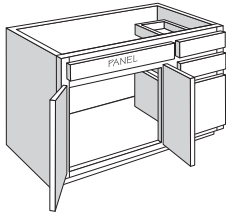
21" DEEP

VSDB2434H BK	1407	1291	1185	1083	990	891
VSDB2734H BK	1444	1325	1216	1110	1015	914
VSDB3034H BK	1481	1358	1246	1138	1040	936
VSDB3334H BK	1520	1393	1278	1166	1066	959
VSDB3634H BK	1559	1429	1310	1196	1092	983
VSDB3934H BK	1725	1582	1453	1328	1214	1093

18" DEEP

VSDB241834H BK	1407	1291	1185	1083	990	891
VSDB271834H BK	1444	1325	1216	1110	1015	914
VSDB301834H BK	1481	1358	1246	1138	1040	936
VSDB331834H BK	1520	1393	1278	1166	1066	959
VSDB361834H BK	1559	1429	1310	1196	1092	983

VANITY COMBO SINK BASE • 2 BUTT DOORS • 3 DRAWERS



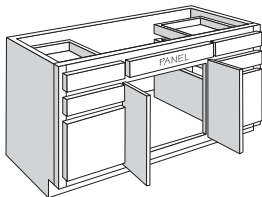
31 1/8" HIGH

VSDB42 BK BUTT	1890	1735	1595	1459	1336	1202
----------------	------	------	------	------	------	------

34 1/2" HIGH

VSDB4234H BK BUTT	1890	1735	1595	1459	1336	1202
-------------------	------	------	------	------	------	------

VANITY COMBO SINK BASE • 2 BUTT DOORS • 6 DRAWERS



31 1/8" HIGH

VSDB48D BK BUTT	2919	2688	2479	2276	2092	1883
VSDB54D BK BUTT	2992	2755	2540	2331	2142	1928
VSDB60D BK BUTT	3152	2901	2672	2449	2250	2025

34 1/2" HIGH

VSDB4834HD BK BUTT	2919	2688	2479	2276	2092	1883
VSDB5434HD BK BUTT	2992	2755	2540	2331	2142	1928
VSDB6034HD BK BUTT	3152	2901	2672	2449	2250	2025

700 SERIES - CHERRY

700 SERIES - MAPLE

700 SERIES - PAINTED

600 SERIES - CHERRY

600 SERIES - MAPLE

600 SERIES - PAINTED

500 SERIES - CHERRY

DT SERIES - DURAFORM

500 SERIES - MAPLE

500 SERIES - PAINTED

400 SERIES - CHERRY

400 SERIES - MAPLE

400 SERIES - PAINTED

D SERIES - DURAFORM

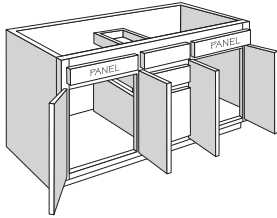
300 SERIES - MAPLE

300 SERIES - PAINTED

DS SERIES - DURAFORM

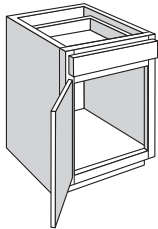
SKU

VANITY COMBO SINK BASE • 4 BUTT DOORS • 3 DRAWERS



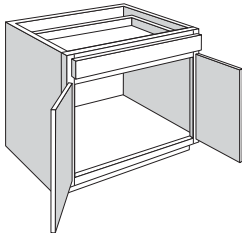
	700 SERIES - CHERRY	700 SERIES - MAPLE	700 SERIES - PAINTED	600 SERIES - CHERRY	600 SERIES - MAPLE	600 SERIES - PAINTED	500 SERIES - CHERRY	500 SERIES - MAPLE	500 SERIES - PAINTED	400 SERIES - CHERRY	400 SERIES - MAPLE	400 SERIES - PAINTED	D SERIES - DURAFORM	300 SERIES - MAPLE	300 SERIES - PAINTED	DS SERIES - DURAFORM
31 1/8" HIGH																
VSDB60C BK BUTT	2686	2459	2253	2053	1873	1686										
34 1/2" HIGH																
VSDB6034HC BK BUTT	2686	2459	2253	2053	1873	1686										

VANITY BASE CABINET • 1 DOOR • 1 DRAWER



	700 SERIES - CHERRY	700 SERIES - MAPLE	700 SERIES - PAINTED	600 SERIES - CHERRY	600 SERIES - MAPLE	600 SERIES - PAINTED	500 SERIES - CHERRY	500 SERIES - MAPLE	500 SERIES - PAINTED	400 SERIES - CHERRY	400 SERIES - MAPLE	400 SERIES - PAINTED	D SERIES - DURAFORM	300 SERIES - MAPLE	300 SERIES - PAINTED	DS SERIES - DURAFORM
31 1/8" HIGH																
VB12	816	748	686	625	571	514										
VB15	843	772	708	645	589	530										
VB18	891	816	748	681	621	559										
VB21	962	880	806	734	669	602										
34 1/2" HIGH																
VB1234H	816	748	686	625	571	514										
VB1534H	843	772	708	645	589	530										
VB1834H	891	816	748	681	621	559										
VB2134H	962	880	806	734	669	602										
34 1/2" HIGH • FULL-HEIGHT DOOR																
VB1234H FH	722	657	597	539	487	438										
VB1534H FH	748	680	618	558	504	454										
VB1834H FH	794	722	657	592	535	481										
VB2134H FH	862	783	712	643	581	523										

VANITY BASE CABINET • 2 BUTT DOORS • 1 DRAWER

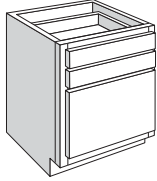


	700 SERIES - CHERRY	700 SERIES - MAPLE	700 SERIES - PAINTED	600 SERIES - CHERRY	600 SERIES - MAPLE	600 SERIES - PAINTED	500 SERIES - CHERRY	500 SERIES - MAPLE	500 SERIES - PAINTED	400 SERIES - CHERRY	400 SERIES - MAPLE	400 SERIES - PAINTED	D SERIES - DURAFORM	300 SERIES - MAPLE	300 SERIES - PAINTED	DS SERIES - DURAFORM
31 1/8" HIGH																
VB24 BUTT	1059	968	886	806	734	661										
VB27 BUTT	1158	1059	968	880	801	721										
VB30 BUTT	1293	1181	1079	980	892	803										
VB33 BUTT	1392	1270	1160	1053	958	863										
VB36 BUTT	1498	1367	1248	1132	1030	927										
34 1/2" HIGH																
VB2434H BUTT	1059	968	886	806	734	661										
VB2734H BUTT	1158	1059	968	880	801	721										
VB3034H BUTT	1293	1181	1079	980	892	803										
VB3334H BUTT	1392	1270	1160	1053	958	863										
VB3634H BUTT	1498	1367	1248	1132	1030	927										
34 1/2" HIGH • 2 FULL-HEIGHT BUTT DOORS																
VB2434H BUTT FH	955	868	789	712	643	579										
VB3034H BUTT FH	1180	1072	974	879	795	715										
VB3634H BUTT FH	1377	1251	1137	1025	927	835										

Illustrations are for reference only. Refer to Specification Guide for actual specifications.

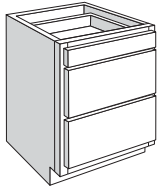
SKU

VANITY DRAWER BASE - 31 1/8" HIGH



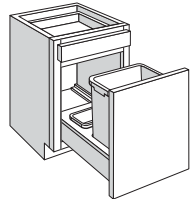
	700 SERIES - CHERRY	700 SERIES - MAPLE	700 SERIES - PAINTED	600 SERIES - CHERRY	600 SERIES - MAPLE	600 SERIES - PAINTED	500 SERIES - CHERRY	500 SERIES - MAPLE	500 SERIES - PAINTED	400 SERIES - CHERRY	400 SERIES - MAPLE	400 SERIES - PAINTED	D SERIES - DURAFORM	300 SERIES - MAPLE	300 SERIES - PAINTED	DS SERIES - DURAFORM
VDB12	1327	1224	1130	1039	957	861										
VDB15	1366	1259	1162	1068	983	885										
VDB18	1424	1312	1211	1112	1022	920										
VDB21	1508	1389	1280	1174	1079	971										
VDB24	1591	1464	1348	1236	1135	1022										

VANITY DRAWER BASE - 34 1/2" HIGH



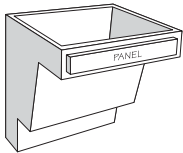
VDB1234H	1327	1224	1130	1039	957	861										
VDB1534H	1366	1259	1162	1068	983	885										
VDB1834H	1424	1312	1211	1112	1022	920										
VDB2134H	1508	1389	1280	1174	1079	971										
VDB2434H	1591	1464	1348	1236	1135	1022										

VANITY BASE - 1 BOTTOM MOUNT WASTEBASKET - 34 1/2" HIGH



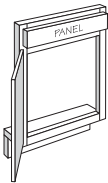
VWBB1834H CC	1506	1381	1266	1156	1056	950										
--------------	------	------	------	------	------	-----	--	--	--	--	--	--	--	--	--	--

VANITY SINK BASE - VANITY PLUMBING SKIRT



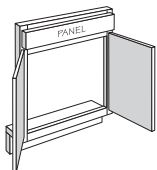
VPS30 UD	1271	1156	1051	945	851	766										
VPS36 UD	1325	1204	1095	986	887	798										

VANITY SINK BASE - VANITY PLUMBING SKIRT

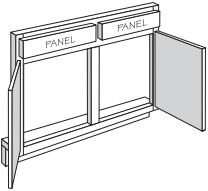
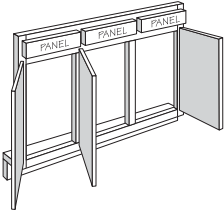
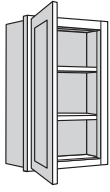
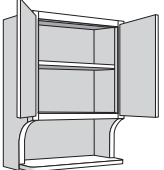
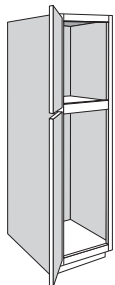


VSF21	474	431	392	354	319	287										
-------	-----	-----	-----	-----	-----	-----	--	--	--	--	--	--	--	--	--	--

VANITY SINK FRONT - 2 BUTT DOORS - 1 PANEL



VSF24 BUTT	525	478	434	392	354	319										
VSF30 BUTT	607	552	502	453	410	369										
VSF36 BUTT	662	602	548	494	446	401										

SKU		700 SERIES - CHERRY	700 SERIES - MAPLE	700 SERIES - PAINTED	600 SERIES - CHERRY	600 SERIES - MAPLE	600 SERIES - PAINTED	500 SERIES - CHERRY	DT SERIES - DURAFORM	500 SERIES - MAPLE	500 SERIES - PAINTED	400 SERIES - CHERRY	400 SERIES - MAPLE	400 SERIES - PAINTED	D SERIES - DURAFORM	300 SERIES - MAPLE	300 SERIES - PAINTED	DS SERIES - DURAFORM			
VANITY SINK FRONT - 2 DOORS - 2 PANELS																					
	VSF39	684	622	566	511	461	415														
	VSF42	706	642	584	527	476	428														
VANITY SINK FRONT - 3 DOORS - 3 PANELS																					
	VSF48	809	735	668	603	545	491														
MEDICINE CABINET																					
	MC1530	523	475	432	390	352	317														
	MCM1530	662	601	547	494	446	401														
VALET CABINET																					
	VC2436 BUTT	1305	1187	1079	974	880	792														
VANITY LINEN CABINET - 2 DOORS - NO SHELVES																					
	STANDARD DOOR																				
	VLC122184	1625	1478	1343	1213	1095	986														
	VLC152184	1757	1598	1452	1311	1184	1066														
	VLC182184	1899	1726	1569	1417	1280	1152														
	SPECIALTY DOOR																				
	VLC122184 SD	2049	1873	1711	1555	1413	1282														
	VLC152184 SD	2207	2017	1841	1672	1520	1378														
	VLC182184 SD	2378	2170	1982	1799	1635	1481														

Illustrations are for reference only. Refer to Specification Guide for actual specifications.

SKU

700 SERIES - CHERRY

700 SERIES - MAPLE
700 SERIES - PAINTED
600 SERIES - CHERRY

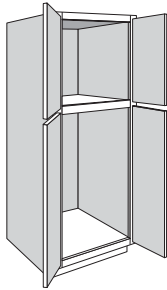
600 SERIES - MAPLE
600 SERIES - PAINTED
500 SERIES - CHERRY
DT SERIES - DURAFORM

500 SERIES - MAPLE
500 SERIES - PAINTED
400 SERIES - CHERRY

400 SERIES - MAPLE
400 SERIES - PAINTED
D SERIES - DURAFORM

300 SERIES - MAPLE
300 SERIES - PAINTED
DS SERIES - DURAFORM

VANITY LINEN CABINET • 4 BUTT DOORS • NO SHELVES



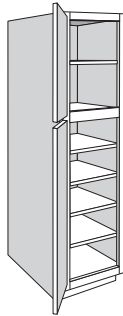
STANDARD DOOR

VLC242184 BUTT	2495	2268	2062	1862	1681	1513
----------------	------	------	------	------	------	------

SPECIALTY DOOR

VLC242184 BUTT SD	3192	2920	2672	2432	2215	2014
-------------------	------	------	------	------	------	------

VANITY LINEN CABINET • 2 DOORS • ADJUSTABLE SHELVES



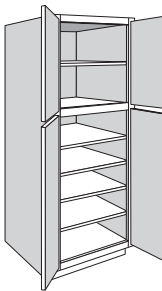
STANDARD DOOR

VLC122184 AS	1815	1668	1533	1403	1285	1157
VLC152184 AS	1947	1788	1642	1501	1374	1237
VLC182184 AS	2089	1916	1759	1607	1470	1323

SPECIALTY DOOR

VLC122184 AS SD	2277	2101	1939	1783	1641	1510
VLC152184 AS SD	2435	2245	2069	1900	1748	1606
VLC182184 AS SD	2606	2398	2210	2027	1863	1709

VANITY LINEN CABINET • 4 BUTT DOORS • ADJUSTABLE SHELVES



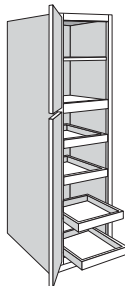
STANDARD DOOR

VLC242184 AS BUTT	2685	2458	2252	2052	1871	1684
-------------------	------	------	------	------	------	------

SPECIALTY DOOR

VLC242184 AS BUTT SD	3420	3148	2900	2660	2443	2242
----------------------	------	------	------	------	------	------

VANITY LINEN CABINET • 2 DOORS • DEEP ROLL OUT TRAYS

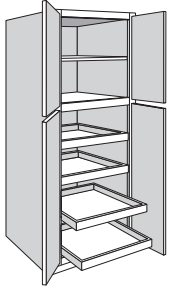
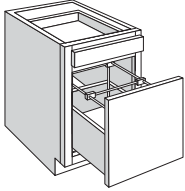
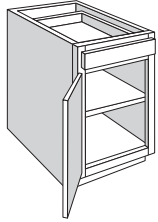
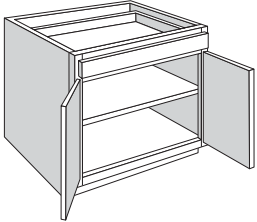
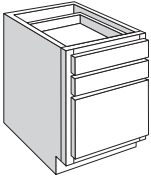


STANDARD DOOR

VLC122184 CC4ROT	2751	2604	2469	2339	2221	1999
VLC152184 CC4ROT	2883	2724	2578	2437	2310	2079
VLC182184 CC4ROT	3025	2852	2695	2543	2406	2165

SPECIALTY DOOR

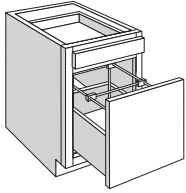
VLC122184 CC4ROT SD	3400	3224	3062	2906	2764	2633
VLC152184 CC4ROT SD	3559	3368	3193	3023	2871	2729
VLC182184 CC4ROT SD	3729	3521	3333	3151	2986	2832

SKU		700 SERIES - CHERRY	700 SERIES - MAPLE	700 SERIES - PAINTED	600 SERIES - CHERRY	600 SERIES - MAPLE	600 SERIES - PAINTED	500 SERIES - CHERRY	DT SERIES - DURAFORM	500 SERIES - MAPLE	500 SERIES - PAINTED	400 SERIES - CHERRY	400 SERIES - MAPLE	400 SERIES - PAINTED	D SERIES - DURAFORM	300 SERIES - MAPLE	300 SERIES - PAINTED	DS SERIES - DURAFORM		
VANITY LINEN CABINET - 4 BUTT DOORS - DEEP ROLL OUT TRAYS																				
	STANDARD DOOR																			
	VLC242184 CC4ROT BUTT	3621	3394	3188	2988	2807	2526													
	SPECIALTY DOOR																			
	VLC242184 CC4ROT BUTT SD	4543	4271	4024	3784	3566	3365													
DESK FILE PULL OUT CABINET - 21" DEEP																				
	DFDC1821 CC	1127	1030	942	856	779	701													
DESK DOOR BASE CABINET - 1 DOOR - 1 DRAWER - 21" DEEP																				
	DDO1221	782	716	657	600	548	493													
	DDO1521	819	750	688	627	573	516													
	DDO1821	852	780	715	652	595	536													
	DDO2121	887	812	744	678	619	557													
DESK DOOR BASE CABINET - 2 BUTT DOORS - 1 DRAWER - 21" DEEP																				
	DDO2421 BUTT	969	886	812	739	674	607													
DESK DRAWER BASE CABINET - 21" DEEP																				
	DDR1221	1263	1166	1077	991	914	823													
	DDR1521	1308	1206	1114	1024	944	850													
	DDR1821	1349	1244	1149	1056	972	875													
	DDR2121	1395	1286	1186	1090	1003	903													
	DDR2421	1456	1341	1237	1135	1044	940													

Illustrations are for reference only. Refer to Specification Guide for actual specifications.

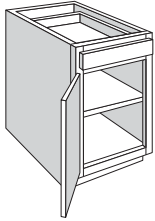
SKU

DESK FILE PULL OUT CABINET • 24" DEEP



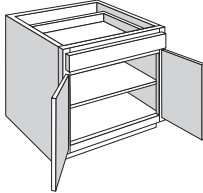
	700 SERIES - CHERRY	700 SERIES - MAPLE	700 SERIES - PAINTED	600 SERIES - CHERRY	600 SERIES - MAPLE	600 SERIES - PAINTED	500 SERIES - CHERRY	500 SERIES - MAPLE	500 SERIES - PAINTED	400 SERIES - CHERRY	400 SERIES - MAPLE	400 SERIES - PAINTED	D SERIES - DURAFORM	300 SERIES - MAPLE	300 SERIES - PAINTED	DS SERIES - DURAFORM
DFDC1824 CC	1127	1030	942	856	779	701										

DESK DOOR BASE CABINET • 1 DOOR • 1 DRAWER • 24" DEEP



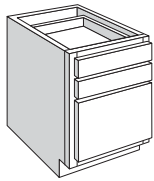
DDO1224	782	716	657	600	548	493
DDO1524	819	750	688	627	573	516
DDO1824	852	780	715	652	595	536
DDO2124	887	812	744	678	619	557

DESK DOOR BASE CABINET • 2 BUTT DOORS • 1 DRAWER • 24" DEEP



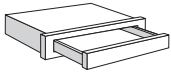
DDO2424 BUTT	969	886	812	739	674	607

DESK DRAWER BASE CABINET • 24" DEEP



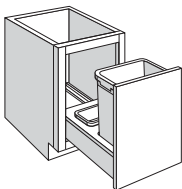
DDR1224	1263	1166	1077	991	914	823
DDR1524	1308	1206	1114	1024	944	850
DDR1824	1349	1244	1149	1056	972	875
DDR2124	1395	1286	1186	1090	1003	903
DDR2424	1456	1341	1237	1135	1044	940

KNEEHOLE DRAWER CABINET

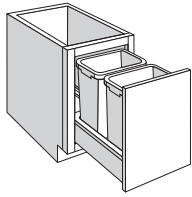
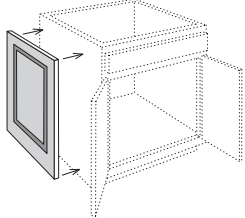
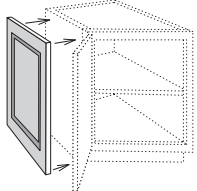
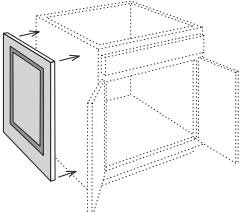
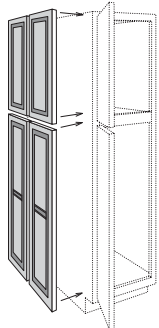


KDC27/21	412	381	352	324	299	269
KDC33/27	501	461	425	390	358	322
KDC36/33	640	588	540	494	452	407

DESK BASE • 1 BOTTOM MOUNT WASTEBASKET • 21" DEEP



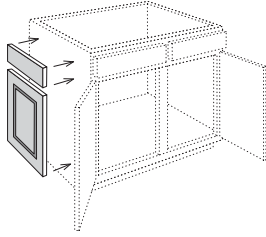
DWBB1821 CC	1338	1222	1116	1014	921	829

SKU		700 SERIES - CHERRY	700 SERIES - MAPLE	700 SERIES - PAINTED	600 SERIES - CHERRY	600 SERIES - MAPLE	600 SERIES - PAINTED	500 SERIES - CHERRY	DT SERIES - DURAFORM	500 SERIES - MAPLE	500 SERIES - PAINTED	400 SERIES - CHERRY	400 SERIES - MAPLE	400 SERIES - PAINTED	D SERIES - DURAFORM	300 SERIES - MAPLE	300 SERIES - PAINTED	DS SERIES - DURAFORM		
DESK BASE • 2 BOTTOM MOUNT WASTEBASKETS • 24" DEEP																				
	DWBB1824 CC	1338	1222	1116	1014	921	829													
DECORATOR MATCHING DOOR • BASE CABINETS																				
	DMDB	334	303	276	249	225	203													
DECORATOR MATCHING DOOR • BASE END ANGLE CABINETS																				
	DMDBEA12	215	196	178	161	145	131													
DECORATOR MATCHING DOOR • DESK CABINETS																				
	DMDD21	252	229	208	188	170	153													
	DMDD24	282	256	233	210	190	171													
DECORATOR MATCHING DOOR • TALL CABINETS																				
	DMDT8412	547	497	452	408	369	332													
	DMDT8424	1085	986	897	810	731	658													
	DMDT9012	572	520	473	427	385	347													
	DMDT9024	1150	1046	951	858	775	698													
	DMDT9312	595	540	491	444	400	360													
	DMDT9324	1192	1084	986	890	804	724													
	DMDT9612	602	547	497	449	405	365													
	DMDT9624	1206	1096	997	900	813	732													

Illustrations are for reference only. Refer to Specification Guide for actual specifications.

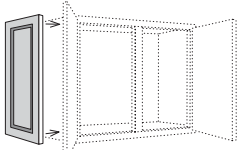
SKU

DECORATOR MATCHING DOOR • VANITY CABINETS



	700 SERIES - CHERRY	700 SERIES - MAPLE	700 SERIES - PAINTED	600 SERIES - CHERRY	600 SERIES - MAPLE	600 SERIES - PAINTED	500 SERIES - CHERRY	DT SERIES - DURAFORM	500 SERIES - MAPLE	500 SERIES - PAINTED	400 SERIES - CHERRY	400 SERIES - MAPLE	400 SERIES - PAINTED	D SERIES - DURAFORM	300 SERIES - MAPLE	300 SERIES - PAINTED	DS SERIES - DURAFORM
DMDV	263	239	217	196	177	159											

DECORATOR MATCHING DOOR • WALL CABINETS



DMDW18	143	130	118	107	96	86											
DMDW24	193	176	160	144	130	117											
DMDW30	215	196	178	161	145	131											
DMDW36	248	225	205	185	167	150											
DMDW39	269	245	222	201	181	163											
DMDW42	276	251	228	206	186	167											

DOORS

DR930	169	153	140	126	114	103											
DR930 BER DRILL	173	157	143	129	117	105											
DR930 BER ND	173	157	143	129	117	105											
DR936	191	173	158	142	128	115											
DR939	207	188	172	154	139	125											
DR942	212	193	176	158	143	129											
DR9FH	169	153	140	126	114	103											
DR1212	102	93	84	76	68	62											
DR1212 BUTT	102	93	84	76	68	62											
DR1215	111	101	92	83	75	68											
DR1215 BUTT	111	101	92	83	75	68											
DR1218	129	118	107	97	87	78											
DR1218 BUTT	129	118	107	97	87	78											
DR1221V	153	140	127	115	103	93											
DR1221V BUTT	153	140	127	115	103	93											
DR1224	177	161	146	132	119	107											
DR1224 BUTT	177	161	146	132	119	107											
DR1230	197	179	163	147	133	120											
DR1230 BER DRILL	204	186	169	152	138	124											
DR1230 BER ND	204	186	169	152	138	124											
DR1230 BUTT	197	179	163	147	133	120											
DR1230 WER DRILL	204	186	169	152	138	124											
DR1230 WER ND	204	186	169	152	138	124											
DR1236	225	204	186	168	151	136											
DR1236 BUTT	225	204	186	168	151	136											
DR1236 WER DRILL	233	212	192	174	157	141											
DR1236 WER ND	233	212	192	174	157	141											
DR1239	244	222	202	182	165	149											
DR1239 BUTT	244	222	202	182	165	149											
DR1239 WER DRILL	253	230	209	189	171	154											
DR1239 WER ND	253	230	209	189	171	154											

SKU

DOORS

	700 SERIES - CHERRY	700 SERIES - MAPLE	700 SERIES - PAINTED	600 SERIES - CHERRY	600 SERIES - MAPLE	600 SERIES - PAINTED	500 SERIES - CHERRY	DT SERIES - DURAFORM	500 SERIES - MAPLE	500 SERIES - PAINTED	400 SERIES - CHERRY	400 SERIES - MAPLE	400 SERIES - PAINTED	D SERIES - DURAFORM	300 SERIES - MAPLE	300 SERIES - PAINTED	DS SERIES - DURAFORM
DR1242	250	228	207				187		169					152			
DR1242 BUTT	250	228	207				187		169					152			
DR1242 WER DRILL	260	236	215				194		175					158			
DR1242 WER ND	260	236	215				194		175					158			
DR1250	261	238	216				195		176					158			
DR1250 BUTT	261	238	216				195		176					158			
DR12FH	197	179	163				147		133					120			
DR12BUTT FH	197	179	163				147		133					120			
DR1312 BUTT	104	95	86				77		70					63			
DR1315 BUTT	135	123	111				101		91					82			
DR1318 BUTT	146	132	120				109		98					88			
DR1321V BUTT	165	150	136				123		111					100			
DR1324 BUTT	184	167	152				137		124					112			
DR1327 BUTT	199	181	165				148		135					122			
DR1330 BUTT	204	186	169				152		138					124			
DR1336 BUTT	240	218	198				179		161					145			
DR1339 BUTT	264	241	218				197		178					160			
DR1342 BUTT	272	248	225				203		183					165			
DR1350 BUTT	277	252	229				207		187					168			
DR13BUTT FH	204	186	169				152		138					124			
DR1512	113	103	93				84		76					68			
DR1512 BUTT	113	103	93				84		76					68			
DR1515	137	125	114				103		93					84			
DR1515 BUTT	137	125	114				103		93					84			
DR1518	159	145	132				119		107					96			
DR1518 BUTT	159	145	132				119		107					96			
DR1521V	177	161	146				132		119					107			
DR1521 BUTT	177	161	146				132		119					107			
DR1521V BUTT	177	161	146				132		119					107			
DR1524	196	178	162				146		132					119			
DR1524 BUTT	196	178	162				146		132					119			
DR1527 BUTT	208	189	172				155		140					126			
DR1530	222	202	183				166		150					135			
DR1530 BUTT	222	202	183				166		150					135			
DR1536	252	229	208				188		170					153			
DR1536 BUTT	252	229	208				188		170					153			
DR1539	298	271	246				223		201					181			
DR1539 BUTT	298	271	246				223		201					181			
DR1542	313	285	259				234		211					190			
DR1542 BUTT	313	285	259				234		211					190			
DR1550	347	316	287				259		234					211			
DR1550 BUTT	347	316	287				259		234					211			
DR15FH	222	202	183				166		150					135			
DR15BUTT FH	222	202	183				166		150					135			
DRCBS36	222	202	183				166		150					135			
DRMCM1530	208	189	172				155		140					126			
DR1612 BUTT	127	115	105				94		85					77			
DR1615 BUTT	152	139	126				114		103					93			
DR1618 BUTT	162	147	134				121		109					98			

Illustrations are for reference only. Refer to Specification Guide for actual specifications.

SKU

DOORS

	700 SERIES - CHERRY	700 SERIES - MAPLE	700 SERIES - PAINTED	600 SERIES - CHERRY	600 SERIES - MAPLE	600 SERIES - PAINTED	500 SERIES - CHERRY	DT SERIES - DURAFORM	500 SERIES - MAPLE	500 SERIES - PAINTED	400 SERIES - CHERRY	400 SERIES - MAPLE	400 SERIES - PAINTED	D SERIES - DURAFORM	300 SERIES - MAPLE	300 SERIES - PAINTED	DS SERIES - DURAFORM
DR1621 BUTT	182	166	151		151		136		136		123		123		111		111
DR1621V BUTT	182	166	151		151		136		136		123		123		111		111
DR1624 BUTT	203	184	168		168		151		151		137		137		123		123
DR1627 BUTT	223	202	184		184		166		166		150		150		135		135
DR1630 BUTT	229	208	189		189		171		171		154		154		139		139
DR1636 BUTT	280	255	232		232		209		209		189		189		170		170
DR1639 BUTT	321	291	265		265		239		239		216		216		194		194
DR1642 BUTT	334	303	276		276		249		249		225		225		203		203
DR1650 BUTT	368	335	304		304		275		275		248		248		223		223
DR16BUTT FH	229	208	189		189		171		171		154		154		139		139
DR1812	131	119	108		108		98		98		88		88		79		79
DR1812 BUTT	131	119	108		108		98		98		88		88		79		79
DR1815	162	147	134		134		121		121		109		109		98		98
DR1815 BUTT	162	147	134		134		121		121		109		109		98		98
DR1818	177	161	146		146		132		132		119		119		107		107
DR1818 BUTT	177	161	146		146		132		132		119		119		107		107
DR1821V	197	179	163		163		147		147		133		133		120		120
DR1821 BUTT	197	179	163		163		147		147		133		133		120		120
DR1821V BUTT	197	179	163		163		147		147		133		133		120		120
DR1824	216	197	179		179		162		162		146		146		131		131
DR1824 BUTT	216	197	179		179		162		162		146		146		131		131
DR1830	244	222	201		201		182		182		164		164		148		148
DR1830 BUTT	244	222	201		201		182		182		164		164		148		148
DR1836	297	270	245		245		221		221		200		200		180		180
DR1836 BUTT	297	270	245		245		221		221		200		200		180		180
DR1839	337	306	278		278		251		251		227		227		204		204
DR1839 BUTT	337	306	278		278		251		251		227		227		204		204
DR1842	350	318	289		289		261		261		236		236		212		212
DR1842 BUTT	350	318	289		289		261		261		236		236		212		212
DR1850	393	358	325		325		294		294		265		265		239		239
DR1850 BUTT	393	358	325		325		294		294		265		265		239		239
DR18FH	244	222	201		201		182		182		164		164		148		148
DR18BUTT FH	244	222	201		201		182		182		164		164		148		148
DR18.512 BUTT	134	121	110		110		100		100		90		90		81		81
DR18.515 BUTT	165	150	137		137		123		123		111		111		100		100
DR18.518 BUTT	181	164	149		149		135		135		121		121		109		109
DR18.521 BUTT	201	183	166		166		150		150		136		136		122		122
DR18.524 BUTT	220	201	183		183		165		165		149		149		134		134
DR1912	135	123	111		111		101		101		91		91		82		82
DR1915	167	151	138		138		125		125		112		112		101		101
DR1918	182	166	150		150		136		136		123		123		110		110
DR1921	204	185	168		168		152		152		137		137		123		123
DR1921V	204	185	168		168		152		152		137		137		123		123
DR1924	225	204	186		186		168		168		151		151		136		136
DR1930	250	228	207		207		187		187		169		169		152		152
DR1936	312	284	257		257		232		232		210		210		189		189
DR1942	368	334	303		303		274		274		247		247		222		222
DR2112	151	137	124		124		113		113		101		101		91		91
DR2115	172	156	142		142		128		128		115		115		104		104

SKU		700 SERIES - CHERRY	700 SERIES - MAPLE	700 SERIES - PAINTED	600 SERIES - CHERRY	600 SERIES - MAPLE	600 SERIES - PAINTED	500 SERIES - CHERRY	DT SERIES - DURAFORM	500 SERIES - MAPLE	500 SERIES - PAINTED	400 SERIES - CHERRY	400 SERIES - MAPLE	400 SERIES - PAINTED	D SERIES - DURAFORM	300 SERIES - MAPLE	300 SERIES - PAINTED	DS SERIES - DURAFORM	
DOORS																			
	DR2118	192	174	159				143				129							116
	DR2121	213	194	177				159				144							129
	DR2121V	213	194	177				159				144							129
	DR2124	234	213	194				175				158							142
	DR2130	267	243	221				199				180							162
	DR2136	339	308	280				253				228							205
	DR2139	391	355	324				292				263							237
	DR2142	408	371	338				305				275							248
	DR2150	436	397	361				326				294							265
	DR21FH	267	243	221				199				180							162
	DR2424	274	249	226				204				184							166
	DR2430	302	275	250				226				204							184
	DR24FH	302	275	250				226				204							184
	DR3018 WTH	244	222	201				182				164							148
	DR3618 WTH	297	270	245				221				200							180
	DR3015 WTH	222	202	183				166				150							135
	DR3615 WTH	252	229	208				188				170							153
SPECIALTY DOORS																			
	DR1212 SD	201	192	183				175				167							161
	DR1212 BUTT SD	201	192	183				175				167							161
	DR1215 SD	210	200	191				182				174							167
	DR1215 BUTT SD	210	200	191				182				174							167
	DR1218 SD	228	217	206				196				186							177
	DR1218 BUTT SD	228	217	206				196				186							177
	DR1224 SD	276	260	245				231				218							206
	DR1224 BUTT SD	276	260	245				231				218							206
	DR1230 SD	296	278	262				246				232							219
	DR1230 BUTT SD	296	278	262				246				232							219
	DR1236 SD	326	305	287				269				252							237
	DR1236 BUTT SD	326	305	287				269				252							237
	DR1239 SD	345	323	303				283				266							250
	DR1239 BUTT SD	345	323	303				283				266							250
	DR1242 SD	351	329	308				288				270							253
	DR1242 BUTT SD	351	329	308				288				270							253
	DR1312 BUTT SD	203	194	185				176				169							162
	DR1315 BUTT SD	234	222	210				200				190							181
	DR1318 BUTT SD	245	231	219				208				197							187
	DR1324 BUTT SD	283	266	251				236				223							211
	DR1330 BUTT SD	303	285	268				251				237							223
	DR1336 BUTT SD	341	319	299				280				262							246
	DR1339 BUTT SD	365	342	319				298				279							261
	DR1342 BUTT SD	373	349	326				304				284							266
	DR1512 SD	212	202	192				183				175							167
	DR1512 BUTT SD	212	202	192				183				175							167
	DR1515 SD	236	224	213				202				192							183
	DR1515 BUTT SD	236	224	213				202				192							183
	DR1518 SD	258	244	231				218				206							195
	DR1518 BUTT SD	258	244	231				218				206							195
	DR1521 BUTT SD	276	260	245				231				218							206

Illustrations are for reference only. Refer to Specification Guide for actual specifications.

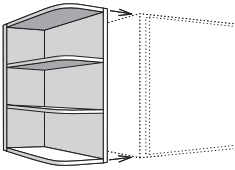
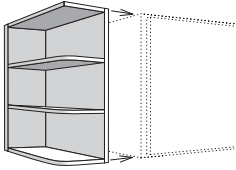
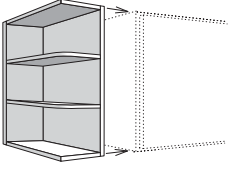
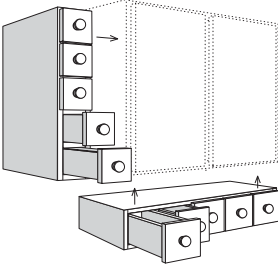
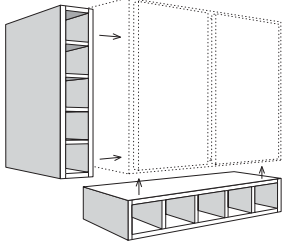
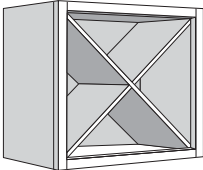
SKU

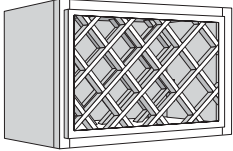
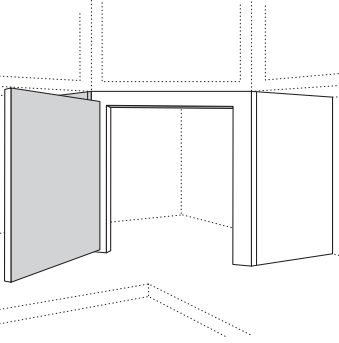
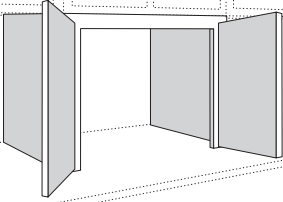
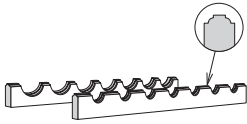
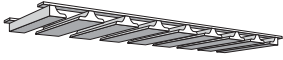
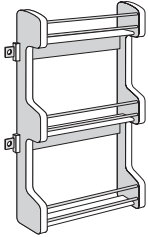
SPECIALTY DOORS


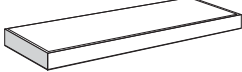


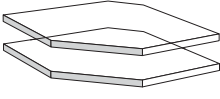
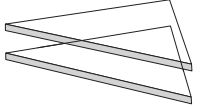
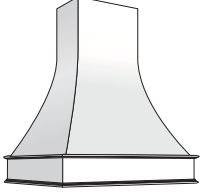
	700 SERIES - CHERRY	700 SERIES - MAPLE	700 SERIES - PAINTED	600 SERIES - CHERRY	600 SERIES - MAPLE	600 SERIES - PAINTED	500 SERIES - CHERRY	DT SERIES - DURAFORM	500 SERIES - MAPLE	500 SERIES - PAINTED	400 SERIES - CHERRY	400 SERIES - MAPLE	400 SERIES - PAINTED	D SERIES - DURAFORM	300 SERIES - MAPLE	300 SERIES - PAINTED	DS SERIES - DURAFORM
DR1524 SD	295	277	261	245	231	218											
DR1524 BUTT SD	295	277	261	245	231	218											
DR1527 BUTT SD	307	288	271	254	239	225											
DR1530 SD	321	301	282	265	249	234											
DR1530 BUTT SD	321	301	282	265	249	234											
DR1536 SD	353	330	309	289	271	254											
DR1536 BUTT SD	353	330	309	289	271	254											
DR1539 SD	399	372	347	324	302	282											
DR1539 BUTT SD	399	372	347	324	302	282											
DR1542 SD	414	386	360	335	312	291											
DR1542 BUTT SD	414	386	360	335	312	291											
DR1612 BUTT SD	226	214	204	193	184	176											
DR1615 BUTT SD	251	238	225	213	202	192											
DR1618 BUTT SD	261	246	233	220	208	197											
DR1621 BUTT SD	281	265	250	235	222	210											
DR1624 BUTT SD	302	283	267	250	236	222											
DR1630 BUTT SD	328	307	288	270	253	238											
DR1636 BUTT SD	381	356	333	310	290	271											
DR1639 BUTT SD	422	392	366	340	317	295											
DR1642 BUTT SD	435	404	377	350	326	304											
DR1812 SD	230	218	207	197	187	178											
DR1812 BUTT SD	230	218	207	197	187	178											
DR1815 SD	261	246	233	220	208	197											
DR1815 BUTT SD	261	246	233	220	208	197											
DR1818 SD	276	260	245	231	218	206											
DR1818 BUTT SD	276	260	245	231	218	206											
DR1821 BUTT SD	296	278	262	246	232	219											
DR1824 SD	315	296	278	261	245	230											
DR1824 BUTT SD	315	296	278	261	245	230											
DR1830 SD	343	321	300	281	263	247											
DR1830 BUTT SD	343	321	300	281	263	247											
DR1836 SD	398	371	346	322	301	281											
DR1836 BUTT SD	398	371	346	322	301	281											
DR1839 SD	438	407	379	352	328	305											
DR1839 BUTT SD	438	407	379	352	328	305											
DR1842 SD	451	419	390	362	337	313											
DR1842 BUTT SD	451	419	390	362	337	313											
DR18.512 BUTT SD	233	220	209	199	189	180											
DR18.515 BUTT SD	264	249	236	222	210	199											
DR18.518 BUTT SD	280	263	248	234	220	208											
DR18.521 BUTT SD	300	282	265	249	235	221											
DR18.524 BUTT SD	319	300	282	264	248	233											
DR1912 SD	234	222	210	200	190	181											
DR1915 SD	266	250	237	224	211	200											
DR1918 SD	281	265	249	235	222	209											
DR1921 SD	303	284	267	251	236	222											
DR1924 SD	324	303	285	267	250	235											
DR1930 SD	349	327	306	286	268	251											
DR1936 SD	413	385	358	333	311	290											
DR1942 SD	469	435	404	375	349	323											

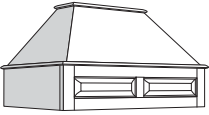
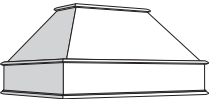
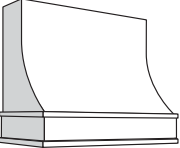
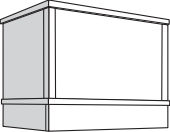
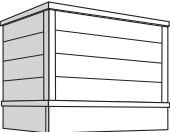

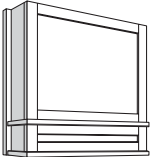
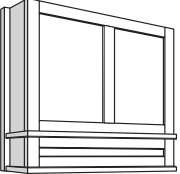
SKU		700 SERIES - CHERRY	700 SERIES - MAPLE	700 SERIES - PAINTED	600 SERIES - CHERRY	600 SERIES - MAPLE	600 SERIES - PAINTED	500 SERIES - CHERRY	DT SERIES - DURAFORM	500 SERIES - MAPLE	500 SERIES - PAINTED	400 SERIES - CHERRY	400 SERIES - MAPLE	400 SERIES - PAINTED	D SERIES - DURAFORM	300 SERIES - MAPLE	300 SERIES - PAINTED	DS SERIES - DURAFORM	
SPECIALTY DOORS																			
	DR2112 SD	250	236	223				212				200						190	
	DR2115 SD	271	255	241				227				214						203	
	DR2118 SD	291	273	258				242				228						215	
	DR2124 SD	333	312	293				274				257						241	
	DR2130 SD	366	342	320				298				279						261	
	DR2136 SD	440	409	381				354				329						306	
	DR2139 SD	492	456	425				393				364						338	
	DR2142 SD	509	472	439				406				376						349	
	DR3018 WTH SD	343	321	300				281				263						247	
	DR3618 WTH SD	398	371	346				322				301						281	
	DR3015 WTH SD	321	301	282				265				249						236	
	DR3615 WTH SD	353	330	309				289				271						254	
DRAWER FRONTS																			
	DDF12	51	46	42				38				34						31	
	DDF12D	---	---	---				---				58						52	
	DDF12M	86	78	71				64				58						---	
	DDF12VD	86	78	71				64				58						52	
	DDF15	55	50	45				41				37						33	
	DDF15D	---	---	---				---				64						58	
	DDF15M	96	87	79				71				64						---	
	DDF15VD	96	87	79				71				64						58	
	DDF18	65	59	54				49				44						40	
	DDF18 DRILL	65	59	54				49				44						40	
	DDF18D	---	---	---				---				71						64	
	DDF18M	107	97	88				79				71						---	
	DDF18VD	107	97	88				79				71						64	
	DDF19	73	66	60				54				49						44	
	DDF19 DRILL	73	66	60				54				49						44	
	DDF21	77	70	64				58				52						47	
	DDF21 DRILL	77	70	64				58				52						47	
	DDF21D	---	---	---				---				79						71	
	DDF21M	117	106	96				87				79						---	
	DDF21VD	117	106	96				87				79						71	
	DDF21 2DB	146	133	120				109				99						89	
	DDF24	84	76	69				62				56						50	
	DDF24 DRILL	84	76	69				62				56						50	
	DDF24D	---	---	---				---				87						78	
	DDF24M	129	117	106				96				87						---	
	DDF24 2DB	161	146	133				120				109						98	
	DDF24VD	129	117	106				96				87						78	
	DDF27	88	80	73				66				60						54	
	DDF27 DRILL	88	80	73				66				60						54	
	DDF27D	---	---	---				---				94						85	
	DDF27M	140	127	115				104				94						---	
	DDF27 2DB	175	159	144				130				118						106	
	DDFKDC27/21	53	48	44				40				36						32	
	DDFOV27	74	67	61				55				50						---	
	DDF30	95	86	78				70				63						57	
	DDF30 DRILL	95	86	78				70				63						57	

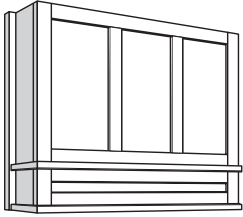
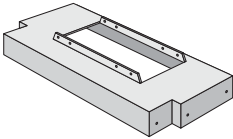
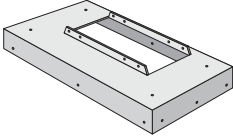
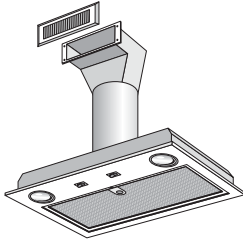
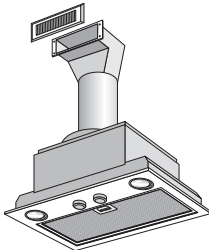
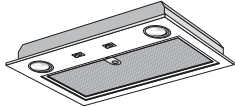
Illustrations are for reference only. Refer to Specification Guide for actual specifications.

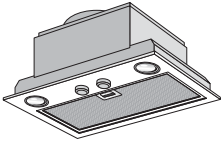
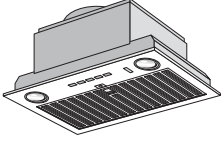
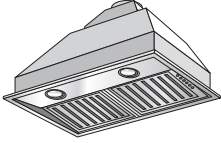
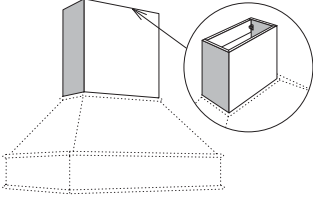
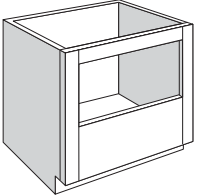
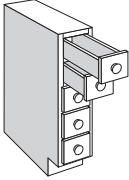
SKU		CHERRY	MAPLE PAINTED	DURAFORM
SHELF END WALL - ROUND TOP AND BOTTOM				
	SEW30	334	304	304
	SEW36	417	380	380
	SEW39	464	422	422
	SEW42	479	436	436
SHELF END WALL - SQUARE TOP AND ROUND BOTTOM				
	SEW30L SQT	334	304	304
	SEW30R SQT	334	304	304
	SEW36L SQT	417	380	380
	SEW36R SQT	417	380	380
	SEW39L SQT	464	422	422
	SEW39R SQT	464	422	422
	SEW42L SQT	479	436	436
	SEW42R SQT	479	436	436
SHELF END WALL - SQUARE TOP AND BOTTOM				
	SEW30 SQT	334	304	304
	SEW36 SQT	417	380	380
	SEW39 SQT	464	422	422
	SEW42 SQT	479	436	436
SPICE DRAWER CABINET				
	SDC18	826	751	751
	SDC24	880	800	800
	SDC30	935	850	850
	SDC36	1010	918	918
STORAGE CUBE				
	SC30	517	470	470
	SC36	563	512	512
	SC42	615	559	559
WINE STORAGE CABINET				
	WSC1818	588	535	535
	WSC2424	743	675	675

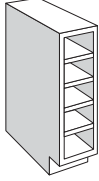
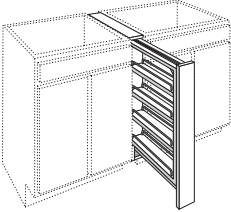
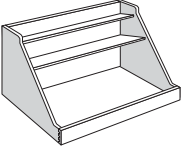
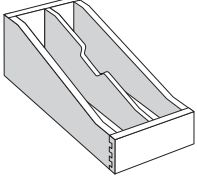
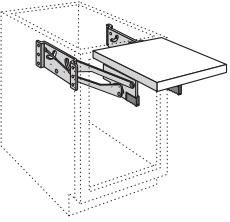
SKU		CHERRY	MAPLE PAINTED	DURAFORM
WINE RACK CABINET				
	WRC3015	801	728	728
	WRC3018	801	728	728
	WRC3615	820	746	746
CORNER APPLIANCE GARAGE				
	STANDARD DOOR			
	AGD2418	390	357	357
	AGD2718	463	423	423
	SPECIALTY DOOR			
	AGD2418 SD	567	527	527
	AGD2718 SD	655	607	607
STRAIGHT APPLIANCE GARAGE				
	STANDARD DOOR			
	AGSD24 BUTT	451	414	414
	SPECIALTY DOOR			
	AGSD24 BUTT SD	739	695	695
WINE RACK				
	WR36	159	144	144
STEM GLASS HOLDER				
	SGH36U	351	319	319
SPICE RACK KIT				
	SRK15	99	99	99
	SRK18	114	114	114
	SRK21	135	135	135

SKU		CHERRY	MAPLE PAINTED	DURAFORM
FINISHED SHELF				
	FS4812	236	214	214
	FS6012	278	253	253
	FS7212	332	301	301
FLOATING SHELF				
	FLSH2410	567	515	515
	FLSH3010	618	562	562
	FLSH3610	674	612	612
	FLSH4210	734	667	667
	FLSH4810	800	727	727
GLASS SHELF KIT - 15" DEEP				
	GSK12-15	138	138	138
	GSK15-15	138	138	138
	GSK18-15	138	138	138
	GSK21-15	138	138	138
	GSK24-15	138	138	138
	GSK27-15	138	138	138
	GSK30-15	294	294	294
	GSK33-15	294	294	294
	GSK36-15	294	294	294
GLASS SHELF KIT - 12" DEEP				
  	GSK12	125	125	125
	GSK15	125	125	125
	GSK18	125	125	125
	GSK21	125	125	125
	GSK24	125	125	125
	GSK27	125	125	125
	GSK30	267	267	267
	GSK33	267	267	267
	GSK36	267	267	267
	GSKCW24	222	222	222
	GSKCW27	222	222	222
	GSKWEA12	125	125	125
RANGE HOOD - ARTISAN				
	RH3646 A	6075	5523	5523
	RH4246 A	6236	5669	5669

SKU		CHERRY	MAPLE PAINTED	DURAFORM
RANGE HOOD - RAISED PANEL				
	RH3624 RP	4324	3931	3931
	RH4224 RP	4625	4205	4205
	RH4824 RP	4927	4479	4479
RANGE HOOD - STRAIGHT VALANCE				
	RH3624 SV	3764	3422	3422
	RH4224 SV	4002	3638	3638
	RH4824 SV	4122	3748	3748
RANGE HOOD - SLOPED				
	RH3642 SL	5699	5181	5181
	RH4242 SL	5795	5268	5268
RANGE HOOD - MODERN BOX				
	RH3642 MB	4694	4267	4267
	RH4242 MB	4970	4518	4518
	RH4842 MB	5034	4576	4576
RANGE HOOD - SHIPLAP BOX				
	RH3642 SB	4853	4412	4412
	RH4242 SB	5185	4714	4714
	RH4842 SB	5245	4768	4768
WALL RANGE HOOD - CLASSIC TAPERED				
	WRH3024 CT	2242	2038	2038
	WRH3624 CT	2333	2121	2121
DECORATIVE MANTEL RANGE HOOD - ONE PANEL				
	WRH3024 DM	3192	2902	2902
	WRH3030 DM	3828	3480	3480
	WRH3036 DM	4040	3672	3672
DECORATIVE MANTEL RANGE HOOD - TWO PANEL				
	WRH3624 DM	3589	3263	3263
	WRH3630 DM	4278	3889	3889
	WRH3636 DM	4556	4142	4142

SKU		CHERRY	MAPLE PAINTED	DURAFORM
DECORATIVE MANTEL RANGE HOOD - THREE PANEL				
	WRH4236 DM	5167	4698	4698
WALL RANGE HOOD LINER				
	RHLINER 30	319	319	319
	RHLINER 36	365	365	365
	RHLINER 42	395	395	395
RANGE HOOD LINER				
	RHLINER 36S	319	319	319
	RHLINER 36S SL1	351	351	351
	RHLINER 42S	395	395	395
	RHLINER 42S SL1	434	434	434
	RHLINER 48S	456	456	456
	RHLINER 48S SL1	501	501	501
RANGE HOOD BLOWER - 260 CFM RECIRCULATING				
	RHVENT 260R	1321	1321	1321
RANGE HOOD BLOWER - 400 CFM RECIRCULATING				
	RHVENT 400R	1953	1953	1953
RANGE HOOD BLOWER - 260 CFM VENTED				
	RHVENT 260	940	940	940

SKU		CHERRY	MAPLE PAINTED	DURAFORM
RANGE HOOD BLOWER - 400 CFM VENTED				
	RHVENT 400	1572	1572	1572
RANGE HOOD BLOWER - 600 CFM VENTED				
	RHVENT 600	4503	4503	4503
RANGE HOOD BLOWER - 960 CFM VENTED				
	RHVENT 960	4925	4925	4925
RANGE HOOD CHIMNEY - PLAIN				
	RHC3623	1012	920	920
	RHC4223	1028	935	935
	RHC4823	1286	1169	1169
	RHC3631	1200	1091	1091
	RHC4231	1218	1108	1108
	RHC4831	1594	1449	1449
BASE OVEN CABINET UNIVERSAL				
	BOCU27	542	493	493
	BOCU30	593	539	539
	BOCU33	653	594	594
BASE SPICE DRAWER CABINET				
	BSDC6	1336	1214	1214

SKU		CHERRY	MAPLE PAINTED	DURAFORM
BASE WINE RACK CABINET				
	BWRC6	765	695	695
BASE FILLER PULL OUT				
	BFP3 CC	1207	1103	1103
	BFP6 CC	1908	1743	1743
BASE POT AND PAN ORGANIZER KIT				
	BPPOKCC24	472	472	472
	BPPOKCC27	493	493	493
	BPPOKCC30	512	512	512
	BPPOKCC33	536	536	536
	BPPOKCC36	556	556	556
ROLL OUT TRAY DIVIDER KIT				
	ROTDKCC12	351	351	351
	ROTDKCC15	386	386	386
BASE MIXER LIFT KIT				
	BMLK18	1133	1133	1133

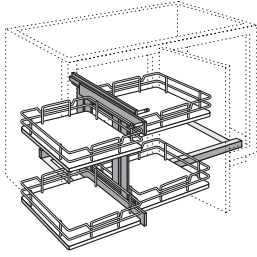
SKU

CHERRY

**MAPLE
PAINTED**

DURAFORM

BLIND BASE PULL OUT KIT



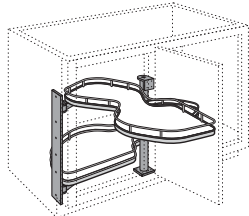
BLBP0K45

1753

1753

1753

BLIND BASE SWING OUT KIT



BLBSOK45L

1401

1401

1401

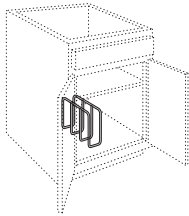
BLBSOK45R

1401

1401

1401

CABINET TRAY DIVIDER



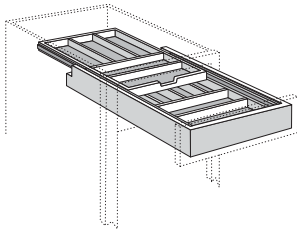
TD3

51

51

51

WOOD TIERED CUTLERY DIVIDER KIT



WTCDAK15

365

365

365

WTCDAK18

382

382

382

WTCDAK21

414

414

414

WTCDAK24

449

449

449

WTCDAK30

485

485

485

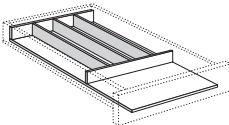
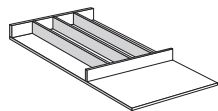
WTCDAK36

525

525

525

CUTLERY DIVIDER KIT



CDAK15

54

54

54

CDAK18

54

54

54

CDAK21

58

58

58

CDAK24

60

60

60

CDAK30

87

87

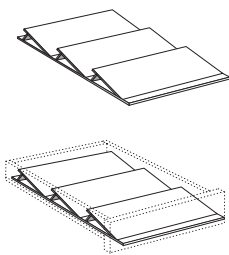
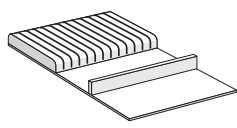
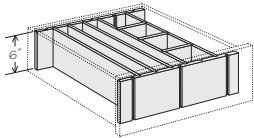
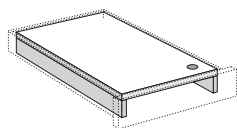
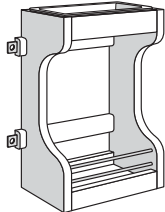
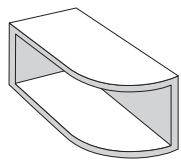
87

CDAK36

99

99

99

SKU		CHERRY	MAPLE PAINTED	DURAFORM
SPICE DRAWER INSERT KIT				
	S DIAK15	100	100	100
	S DIAK18	108	108	108
	S DIAK21	112	112	112
	S DIAK24	112	112	112
KNIFE BLOCK DRAWER INSERT KIT				
	KBDIK15	227	227	227
	KBDIK18	232	232	232
	KBDIK21	237	237	237
	KBDIK24	242	242	242
ADJUSTABLE DRAWER DIVIDER INSERT KIT				
	ADDIK21/24	275	275	275
	ADDIK27/30	326	326	326
	ADDIK33/36	326	326	326
DRAWER WORK SURFACE KIT				
	DWS21	146	146	146
SINK BASE DOOR STORAGE UNIT				
	SBDSU15	162	162	162
	SBDSU18	177	177	177
SINK BASE MULTI-STORAGE SHELF				
	SBMSS	288	288	288

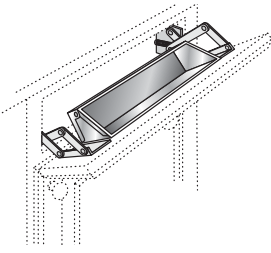
SKU

CHERRY

**MAPLE
PAINTED**

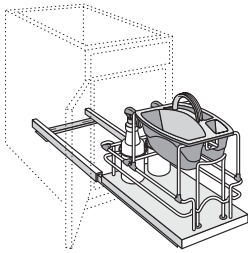
DURAFORM

STAINLESS TILT-OUT TRAY KIT



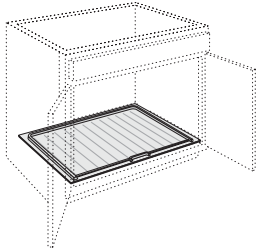
STO TRAY 11	181	181	181
STO TRAY 14	181	181	181
STO TRAY 22	181	181	181

CLEANING CADDY PULLOUT KIT



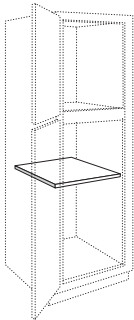
CCPOK	306	306	306
-------	-----	-----	-----

SINK BASE MAT ACCESSORY



SBMAT30	124	124	124
SBMAT33	139	139	139
SBMAT36	143	143	143
SBMAT39	149	149	149

TALL CABINET ADJUSTABLE SHELF - 12" DEEP



S1212	29	29	29
S1512	29	29	29
S1812	29	29	29
S2112	29	29	29
S2412	29	29	29
S3612	41	41	41

SKU		CHERRY	MAPLE PAINTED	DURAFORM
TALL CABINET ADJUSTABLE SHELF KIT - 12" DEEP				
	SK1212	110	110	110
	SK1512	110	110	110
	SK1812	110	110	110
	SK2112	110	110	110
	SK2412	110	110	110
	SK3612	162	162	162
VANITY LINEN ADJUSTABLE SHELF - 21" DEEP				
	S1221	38	38	38
	S1521	38	38	38
	S1821	38	38	38
	S2421	38	38	38
VANITY LINEN ADJUSTABLE SHELF KIT - 21" DEEP				
	SK1221	147	147	147
	SK1521	147	147	147
	SK1821	147	147	147
	SK2421	147	147	147
TALL CABINET ADJUSTABLE SHELF - 24" DEEP				
	S1224	38	38	38
	S1524	38	38	38
	S1824	38	38	38
	S2124	38	38	38
	S2424	38	38	38
	S2724	54	54	54
	S3024	54	54	54
	S3324	54	54	54
	S3624	54	54	54

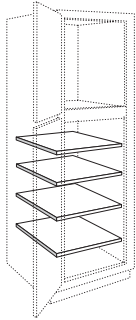
SKU

CHERRY

MAPLE
PAINTED

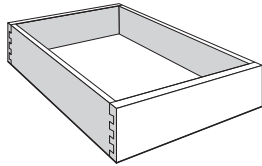
DURAFORM

TALL CABINET ADJUSTABLE SHELF KIT - 24" DEEP



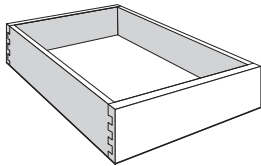
SK1224	147	147	147
SK1524	147	147	147
SK1824	147	147	147
SK2124	147	147	147
SK2424	147	147	147
SK2724	218	218	218
SK3024	218	218	218
SK3324	218	218	218
SK3624	218	218	218

DEEP ROLL OUT TRAY KIT



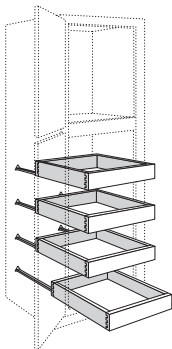
DROTCC12	272	272	272
DROTCC15	272	272	272
DROTCC18	272	272	272
DROTCC19	272	272	272
DROTCC21	272	272	272
DROTCC24	272	272	272
DROTCC27	272	272	272
DROTCC30	284	284	284
DROTCC33	284	284	284
DROTCC36	284	284	284

VANITY DEEP ROLL OUT TRAY KIT

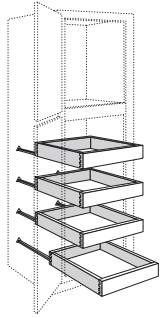
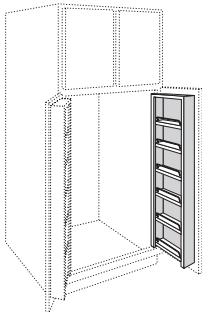
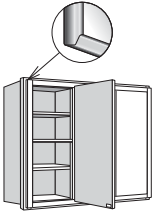
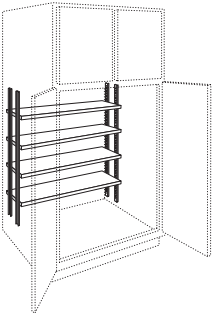


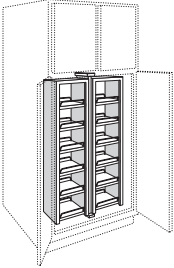
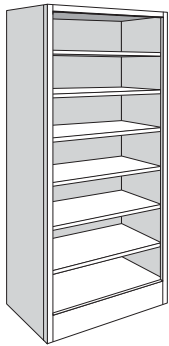
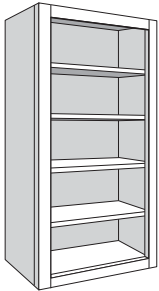
DROTCC1221	272	272	272
DROTCC1521	272	272	272
DROTCC1821	272	272	272
DROTCC2421	272	272	272

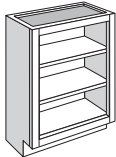

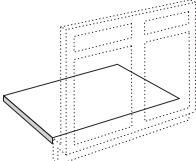
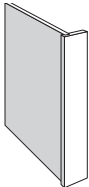

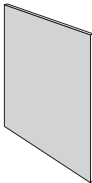
DEEP ROLL OUT TRAY - 4 PACK KIT

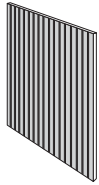
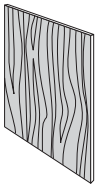
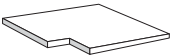
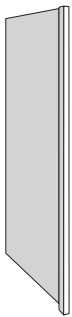





DROTCC12-4K	1086	1086	1086
DROTCC15-4K	1086	1086	1086
DROTCC18-4K	1086	1086	1086
DROTCC21-4K	1086	1086	1086
DROTCC24-4K	1086	1086	1086
DROTCC27-4K	1086	1086	1086
DROTCC30-4K	1135	1135	1135
DROTCC33-4K	1135	1135	1135
DROTCC36-4K	1135	1135	1135

SKU	CHERRY	MAPLE PAINTED	DURAFORM
VANITY DEEP ROLL OUT TRAY - 4 PACK KIT			
	DROTCC1221-4K	1086	1086
	DROTCC1521-4K	1086	1086
	DROTCC1821-4K	1086	1086
	DROTCC2421-4K	1086	1086
PANTRY DOOR SHELF KIT			
	PDSK18	314	314
TRI-VIEW MIRROR			
	TV3030	761	692
	TV3630	897	815
UTILITY CABINET SHELF AND PILASTER KIT			
	PSK36	173	173

SKU		CHERRY	MAPLE PAINTED	DURAFORM	
PANTRY SWING OUT KIT					
	PCSK36	1116	1116	1116	
TALL BOOKSHELVES					
	84" HIGH				
	BS1884	989	899	899	
	BS2484	1091	991	991	
	BS3084	1214	1103	1103	
	BS3684	1344	1222	1222	
	90" HIGH				
	BS1890	1171	1064	1064	
	BS2490	1302	1184	1184	
	BS3090	1436	1306	1306	
	BS3690	1592	1447	1447	
	93" HIGH				
	BS1893	1212	1102	1102	
	BS2493	1348	1225	1225	
	BS3093	1488	1353	1353	
	BS3693	1647	1497	1497	
	96" HIGH				
	BS1896	1225	1114	1114	
	BS2496	1363	1239	1239	
	BS3096	1505	1368	1368	
	BS3696	1665	1514	1514	
	WALL BOOKSHELVES				
		48" HIGH			
		BS1848	642	583	583
		BS2448	713	648	648
BS3048		789	717	717	
BS3648		873	793	793	
60" HIGH					
BS1860		832	756	756	
BS2460		927	843	843	
BS3060		1024	931	931	
BS3660		1135	1031	1031	

SKU		CHERRY	MAPLE PAINTED	DURAFORM
BASE BOOKSHELF				
	BS2434	714	649	649
SINK/VANITY FRONT RETURN				
	SFR	106	96	96
SINK/VANITY FRONT FLOOR				
	FL24	37	37	37
	FL36	57	57	57
	FL36X36	87	87	87
	FL48	70	70	70
	FL48X48	125	125	125
	FL60	89	89	89
	FL72	96	96	96
DISHWASHER RETURN				
	DWR3	175	158	158
DESK END PANEL				
	DEP	294	267	267
END PANEL				
	BEP34	108	98	98
	FP4834	238	217	217
	FP4896	514	468	468
	FP9634	514	468	468
	FP9648	719	653	653
	TEP84	255	232	232
	TEP96	287	261	261
	TEP120	373	339	339
	WEP1542	142	129	129
	WEP30	56	51	51
	WEP42	70	64	64
	WEP48	79	72	72

SKU		CHERRY	MAPLE PAINTED	DURAFORM
GROOVED PANEL				
	BEP34 GROOVED	213	194	194
	FP4834 GROOVED	478	434	434
	FP4896 GROOVED	1030	936	936
	FP9634 GROOVED	1030	936	936
	TEP84 GROOVED	508	462	462
	TEP96 GROOVED	575	522	522
	WEP1542 GROOVED	286	260	260
	WEP30 GROOVED	111	101	101
	WEP42 GROOVED	143	130	130
	WEP48 GROOVED	160	145	145
WOOD PANEL - 3/4"				
	DWTEP84	627	570	570
	DWTEP96	802	729	729
	WBEP	266	242	242
	WP9648	1604	1458	1458
	WTEP84	439	399	399
	WTEP96	584	531	531
	WTEP120	770	700	700
BLIND CORNER CLOSURE				
	BLC1515	36	36	36
REFRIGERATOR RETURN				
	RR84	381	346	346
	RR384	381	346	346
	RR84 X 32DP	457	415	415
	RR384 X 32DP	457	415	415
	RR96	481	437	437
	RR396	481	437	437
	RR96 X 32DP	577	524	524
	RR396 X 32DP	577	524	524
	RR120FL	481	437	437
	RR3120FL	481	437	437
	RR120FL X 32DP	577	524	524
	RR3120FL X 32DP	577	524	524

SKU		CHERRY	MAPLE PAINTED	DURAFORM
UNIVERSAL FILLER				
	FINISHED SOLID STOCK			
	S3S396	152	144	144
	S3S696	218	198	198
	S4S396	187	170	170
	S4S696	416	378	378
	3" UNIVERSAL FILLER			
	UF3	53	48	48
	UF342	68	62	62
	UF380	109	99	99
	UF392	151	138	138
	UF3120	212	193	193
	6" UNIVERSAL FILLER			
	UF6	108	98	98
	UF642	111	101	101
	UF680	151	138	138
	UF692	208	189	189
UNIVERSAL FILLER EXTENSION				
	UF E3	131	119	119
	UF E342	152	139	139
OVERLAY FILLER - 3"				
	BASE OVERLAY FILLER			
	BOF3	60	55	55
	DESK OVERLAY FILLER			
	DOF3	60	55	55
	TALL OVERLAY FILLER			
	TOF384	133	121	121
	TOF390	200	182	182
	TOF393	200	182	182
	TOF396	200	182	182
	VANITY OVERLAY FILLER			
	VOF3	60	55	55
	WALL OVERLAY FILLER			
	WOF312	56	51	51
	WOF315	56	51	51
	WOF318	56	51	51
	WOF321	60	55	55
	WOF324	60	55	55
	WOF327	60	55	55
	WOF330	60	55	55
	WOF336	88	80	80
	WOF339	88	80	80
WOF342	88	80	80	

SKU

CHERRY

**MAPLE
PAINTED**

DURAFORM

OVERLAY FILLER - 6"



BASE OVERLAY FILLER

BOF6	123	113	113
------	-----	-----	-----

WALL OVERLAY FILLER

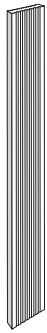
WOF630	---	---	60
WOF636	---	---	70
WOF639	---	---	81
WOF642	---	---	84

BASE CORNER FILLER



BCF27	96	87	87
-------	----	----	----

FLUTED/BEADED REVERSIBLE FILLER



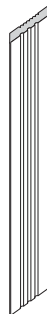
3" FILLERS

FBF3	122	111	111
FBF342	142	129	129
FBF384	235	213	213
FBF396	247	224	224

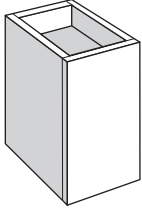
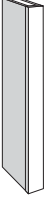


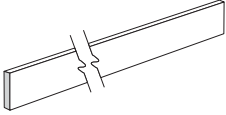
6" FILLERS

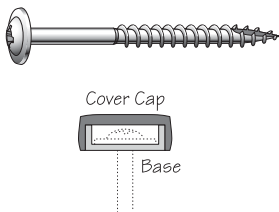
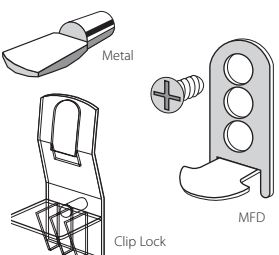
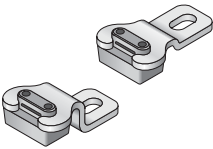
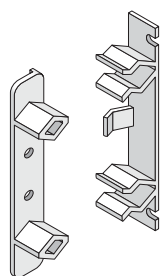
FBF6	175	160	160
FBF642	196	178	178
FBF684	401	364	364
FBF696	424	385	385

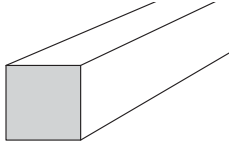
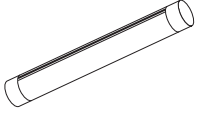
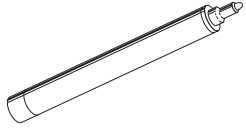
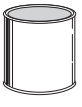

FLUTED/BEADED REVERSIBLE FILLER EXTENSION



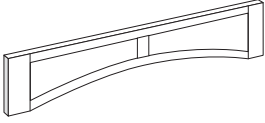

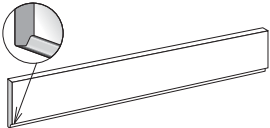
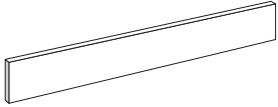

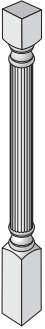
FBF E3	148	134	134
FBF E342	178	162	162

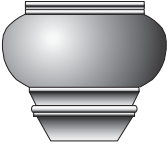
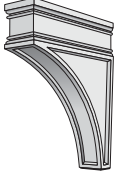

SKU		CHERRY	MAPLE PAINTED	DURAFORM
WALL PLAIN BOX FILLER				
	WPB91815	520	473	345
	WPB121815	543	494	360
PLAIN COLUMN FILLER				
	BPC32734	673	612	612
	TPC32784	1350	1228	1228
	TPC32796	1367	1243	1243
	WPC31530	394	359	359
	WPC31542	428	389	389
	WPC31560	605	550	550
FLUTED COLUMN FILLER				
	BFC32734	709	645	645
	TFC32784	1422	1292	1292
	TFC32796	1440	1309	1309
	WFC31530	415	377	377
	WFC31542	449	408	408
	WFC31560	636	579	579
BEADED COLUMN FILLER				
	BBC32734	709	645	645
	TBC32784	1422	1292	1292
	TBC32796	1440	1309	1309
	WBC31530	415	377	377
	WBC31542	449	408	408
	WBC31560	636	579	579
BASE TOE KICK				
	BTK8	47	43	43

SKU		CHERRY	MAPLE PAINTED	DURAFORM
INSTALLATION SCREWS & SCREW COVER CAPS				
	SCREW INST 2.5 BX100	30	30	30
	COVER CAP TAN	20	20	20
	COVER CAP WHT	---	20	20
SHELF REST				
	CLIP LOCK 3/4 4 PK	6.10	6.10	6.10
	SHELF REST METAL 12	5.10	5.10	5.10
	SHELF REST METAL 4PK	3.05	3.05	3.05
	SHELF REST MFD PK	10.20	10.20	10.20
GLASS INSERT CLIPS				
	CLIP DGI 1/8	12.25	12.25	12.25
	CLIP DGI 5/16	12.25	12.25	12.25
DUMMY DRAWER FRONT FASTENER				
	DDF FASTENER	7.15	7.15	7.15

SKU		CHERRY	MAPLE PAINTED	DURA FORM
CLEATS				
	HWC 1/2X1/2X94	2	2	2
	HWC 3/4X3/4X94	19	19	19
	HWC 1X2X94	14	13	13
	HWC 2X4X96	23	21	21
PUTTY STICK				
	PUTTY STICK EXT QTY1	10	10	10
	PUTTY STICK EXT QTY2	20	20	20
	PUTTY STICK INTERIOR	10	10	10
TOUCH UP MARKER				
	TU MARKER DURA FORM	---	---	36
	TU MARKER EXT QTY1	18	18	18
	TU MARKER EXT QTY2	36	36	36
	TU MARKER INTERIOR	18	18	18
STAIN				
	STAIN PINT	77	77	77
	STAIN QUART	112	112	112
	STAIN GLAZED PINT	119	119	---
	STAIN GLAZED QUART	173	173	---
	STAIN GLAZED PENS	31	31	---
	STAIN TOP COAT PINT	50	50	50
	STAIN TOP COAT QUART	99	99	99
SPRAY STAIN				
	SPRAY STAIN CLEAR	28	28	28
	SPRAY STAIN TINTED	31	31	31

SKU		CHERRY	MAPLE PAINTED	DURAFORM
MOLDING STACKS - STANDARD FINISH				
	CLASSIC MOLDING STACKS			
	MS CLASSIC 100	370	336	336
	MS CLASSIC 200	375	341	341
	MS CLASSIC 300	486	442	442
	MODERN MOLDING STACKS			
	MS MODERN 100	343	312	312
	MS MODERN 200	475	432	432
	MS MODERN 300	481	437	437
	TRANSITIONAL MOLDING STACKS			
	MS TRANSITIONAL 100	530	482	482
	MS TRANSITIONAL 200	560	509	509
	MS TRANSITIONAL 300	590	536	536
VALANCE - ARCHED				
	V36 AR	204	186	186
	V48 AR	229	208	208
	V60 AR	259	235	235
	V72 AR	293	266	266
VALANCE - CROWN				
	V30 CR	203	185	185
	V36 CR	217	197	197
	V42 CR	236	214	214
	V48 CR	243	221	221
	V60 CR	270	245	245
	V72 CR	301	274	274
VALANCE - RAISED PANEL ARCHED				
	V36 RP	893	812	812
	V42 RP	937	852	852
	V48 RP	1048	953	953
	V54 RP	1210	1100	1100
	V60 RP	1264	1149	1149
	V66 RP	1384	1258	1258
	V72 RP	1504	1367	1367

SKU		CHERRY	MAPLE PAINTED	DURAFORM
VALANCE • FLAT PANEL ARCHED				
	V36 FP	893	812	812
	V42 FP	937	852	852
	V48 FP	1048	953	953
	V54 FP	1210	1100	1100
	V60 FP	1264	1149	1149
	V66 FP	1384	1258	1258
	V72 FP	1504	1367	1367
VALANCE • SHAKER				
	V30 SH	203	185	185
	V36 SH	217	197	197
	V42 SH	236	214	214
	V48 SH	243	221	221
	V60 SH	270	245	245
	V72 SH	301	274	274
VALANCE • TRADITIONAL				
	V36 T	116	106	106
	V72 T	174	158	158
	V96 T	212	192	192
VALANCE • STRAIGHT				
	V48 S	70	64	64
	V72 S	106	97	97
DECORATIVE BLOCKS				
	FB3X4 PLINTH	36	33	33
	FB6X6 PLINTH	105	96	96
	BB3X3 ROSETTE	25	23	23
	FB3X3 ROSETTE	25	23	23
POSTS & ACCESSORIES				
	SPLT BLOCK26 T	196	178	178
	SPLT POST80 P	248	226	226

SKU		CHERRY	MAPLE PAINTED	DURAFORM
DECORATIVE LEGS & FEET				
	ATF	143	130	130
	ATF-FR	187	170	170
	BSQF	327	297	297
	BSQL	596	542	542
	BTL	734	668	668
	BTPL	662	602	602
	CDF	277	252	252
	CDL	1045	950	950
	CFL	693	630	630
	PDF	262	238	238
	PDL	1768	1607	1607
	PFL	1197	1088	1088
	TPF	206	187	187
CORBELS				
	AS12	140	127	127
	CS12	189	172	172
	CC26	245	223	223
	CC29	373	339	339
	CC212	424	385	385
	CC36	605	550	550
	CC49	516	469	469
	RC36	451	410	410
	RC49	564	513	513
	RC313	839	762	762
	VC36	821	746	746
	VC49	1013	921	921
	VC312	2308	2098	2098
	PC36	375	341	341
	PC49	853	775	775
	PC312	943	857	857
	FC36	399	363	363
	FC49	803	730	730
	FC312	1126	1024	1024
METAL CORBELS				
	METAL COVE 212 VB	113	113	113
	METAL COVE 212 MB	113	113	113
	METAL COVE 212 SN	113	113	113
	METAL COVE 212 PC	113	113	113
	METAL EMERSON 27 VB	54	54	54
	METAL EMERSON 27 MB	54	54	54
	METAL EMERSON 27 SN	54	54	54
	METAL EMERSON 27 PC	54	54	54

SKU

DT SERIES ACCESSORIES



END PANELS - DURAFORM TEXTURES

	CHERRY	MAPLE PAINTED	DURAFORM
BEP34 DT	---	---	143
FP4834 DT	---	---	358
FP4896 DT	---	---	659
FP9634 DT	---	---	521
TEP84 DT	---	---	385
TEP96 DT	---	---	414
TEP120 DT	---	---	724
WEP1542 DT	---	---	122
WEP30 DT	---	---	96
WEP42 DT	---	---	109
WEP48 DT	---	---	116

FINISHED SHELF - DURAFORM TEXTURES

FS4812 DT	---	---	186
FS6012 DT	---	---	214
FS7212 DT	---	---	247

3/4" PANEL - DURAFORM TEXTURES

DWTEP84 DT	---	---	784
DWTEP96 DT	---	---	866
DWTEP120 DT	---	---	784
WP9648 DT	---	---	659
WBEP2534 DT	---	---	232
WWEP1330 DT	---	---	131
WWEP1336 DT	---	---	148
WWEP1339 DT	---	---	156
WWEP1342 DT	---	---	165

DT SERIES ACCESSORIES



BASE OVERLAY FILLER - DURAFORM TEXTURES

BOF3 DT	---	---	79
BOF6 DT	---	---	162

DESK OVERLAY FILLER - DURAFORM TEXTURES

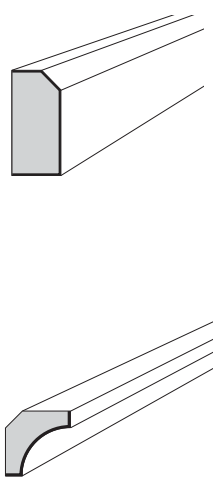

DOF3 DT	---	---	100
---------	-----	-----	-----

TALL OVERLAY FILLER - DURAFORM TEXTURES

TOF384 DT	---	---	144
TOF390 DT	---	---	275
TOF393 DT	---	---	223
TOF396 DT	---	---	283


WALL OVERLAY FILLER - DURAFORM TEXTURES

WOF312 DT	---	---	55
WOF315 DT	---	---	59
WOF318 DT	---	---	63
WOF321 DT	---	---	66
WOF324 DT	---	---	71
WOF327 DT	---	---	75
WOF330 DT	---	---	79
WOF336 DT	---	---	86
WOF339 DT	---	---	90
WOF342 DT	---	---	94


SKU		CHERRY	MAPLE PAINTED	DURAFORM
DT SERIES ACCESSORIES				
	VANITY OVERLAY FILLER - DURAFORM TEXTURES			
	VOF3 DT	----	----	75
	BASE TOE KICK - DURAFORM TEXTURES			
	BTK8 DT	----	----	97
	EDGE BANDING - DURAFORM TEXTURES			
	EDGE BAND 25 DT	----	----	77
	EDGE BAND TAPE 50	----	----	54
	MOLDING - DURAFORM TEXTURES			
	ACM8 DT	----	----	93
	BM8 DT	----	----	67
	CTM8 DT	----	----	81
	LCVM8 DT	----	----	133
	OTCM8 DT	----	----	90
	QM8 DT	----	----	86
	S3S396 DT	----	----	86
	S3S696 DT	----	----	119
	SCVM8 DT	----	----	115
SHM8 DT	----	----	65	
SM8 DT	----	----	67	
DECORATIVE HARDWARE - KNOBS				
	KNOB 0319MB	20	20	20
	KNOB 0319MG	20	20	20
	KNOB 0319SN	20	20	20
	KNOB 0319VB	20	20	20
	KNOB 0319WN	20	20	20
	KNOB 0322CP	12	12	12
	KNOB 0322MB	12	12	12
	KNOB 0322MG	12	12	12
	KNOB 0322PC	12	12	12
	KNOB 0322SN	12	12	12
	KNOB 0876MB	20	20	20
	KNOB 0876MG	20	20	20
	KNOB 0876PC	20	20	20
	KNOB 0876SN	20	20	20
	KNOB 0876VN	20	20	20
	KNOB 2271CP	20	20	20
	KNOB 2271MB	20	20	20
	KNOB 2271MG	20	20	20
	KNOB 2271PC	20	20	20
	KNOB 2271SN	20	20	20
	KNOB 3106CP	12	12	12
	KNOB 3106MB	12	12	12
	KNOB 3106MG	12	12	12
	KNOB 3106PC	12	12	12
	KNOB 3106SN	12	12	12
	KNOB 3173MB	10	10	10
	KNOB 3173MG	10	10	10
	KNOB 3173SN	10	10	10
	KNOB 3173VB	10	10	10
	KNOB 3173WN	10	10	10
	KNOB 3213SN	10	10	10
	KNOB 3213MB	10	10	10


SKU

DECORATIVE HARDWARE - KNOBS

		CHERRY	MAPLE PAINTED	DURAFORM
	KNOB 3213VB	10	10	10
	KNOB 3239MB	10	10	10
	KNOB 3239SN	10	10	10
	KNOB 3239VB	10	10	10
	KNOB 3503PC	12	12	12
	KNOB 3503VN	12	12	12
	KNOB 3503SN	12	12	12
	KNOB 3503MB	12	12	12
	KNOB 3503MG	12	12	12
	KNOB 3563MB	12	12	12
	KNOB 3563MG	12	12	12
	KNOB 3563SN	12	12	12
	KNOB 3563VB	12	12	12
	KNOB 3563WN	12	12	12
	KNOB 3673VB	10	10	10
	KNOB 3673MB	10	10	10
	KNOB 4703CP	10	10	10
	KNOB 4703SN	10	10	10
	KNOB 4703PC	10	10	10
	KNOB 4703MB	10	10	10
	KNOB 4703MG	10	10	10
	KNOB 6798MB	20	20	20
	KNOB 6798MG	20	20	20
	KNOB 6798PC	20	20	20
	KNOB 6798SN	20	20	20
KNOB 6798VN	20	20	20	

DECORATIVE HARDWARE - PULLS

	PULL 0318MB	25	25	25
	PULL 0318MG	25	25	25
	PULL 0318SN	25	25	25
	PULL 0318VB	25	25	25
	PULL 0318WN	25	25	25
	PULL 0323CP	15	15	15
	PULL 0323MB	15	15	15
	PULL 0323MG	15	15	15
	PULL 0323PC	15	15	15
	PULL 0323SN	15	15	15
	PULL 0875MB	25	25	25
	PULL 0875MG	25	25	25
	PULL 0875PC	25	25	25
	PULL 0875SN	25	25	25
	PULL 0875VN	25	25	25
	PULL 1050CP	12	12	12
	PULL 1050MB	12	12	12
	PULL 1050MG	12	12	12
	PULL 1050PC	12	12	12
	PULL 1050SN	12	12	12
	PULL 1055CP	15	15	15
	PULL 1055MB	15	15	15
	PULL 1055MG	15	15	15
	PULL 1055PC	15	15	15
	PULL 1055SN	15	15	15

SKU		CHERRY	MAPLE PAINTED	DURAFORM
DECORATIVE HARDWARE - PULLS				
	PULL 1060CP	25	25	25
	PULL 1060MB	25	25	25
	PULL 1060MG	25	25	25
	PULL 1060PC	25	25	25
	PULL 1060SN	25	25	25
	PULL 2272CP	25	25	25
	PULL 2272MB	25	25	25
	PULL 2272MG	25	25	25
	PULL 2272PC	25	25	25
	PULL 2272SN	25	25	25
	PULL 3105MB	15	15	15
	PULL 3105MG	15	15	15
	PULL 3105SN	15	15	15
	PULL 3105VB	15	15	15
	PULL 3105WN	15	15	15
	PULL 3122MB	12	12	12
	PULL 3122VB	12	12	12
	PULL 3122SN	12	12	12
	PULL 3128CP	12	12	12
	PULL 3128MB	12	12	12
	PULL 3128MG	12	12	12
	PULL 3128PC	12	12	12
	PULL 3128SN	12	12	12
	PULL 3129CP	15	15	15
	PULL 3129MB	15	15	15
	PULL 3129MG	15	15	15
	PULL 3129PC	15	15	15
	PULL 3129SN	15	15	15
	PULL 3172MB	12	12	12
	PULL 3172SN	12	12	12
	PULL 3172VB	12	12	12
	PULL 3502PC	15	15	15
	PULL 3502VN	15	15	15
	PULL 3502SN	15	15	15
	PULL 3502MB	15	15	15
	PULL 3502MG	15	15	15
	PULL 3562MB	15	15	15
	PULL 3562MG	15	15	15
	PULL 3562SN	15	15	15
	PULL 3562VB	15	15	15
	PULL 3562WN	15	15	15
	PULL 3672SN	12	12	12
	PULL 3672VB	12	12	12
	PULL 3672MB	12	12	12
	PULL 4212CP	25	25	25
	PULL 4212MB	25	25	25
	PULL 4212MG	25	25	25
	PULL 4212PC	25	25	25
	PULL 4212SN	25	25	25
	PULL 4213CP	25	25	25
PULL 4213MB	25	25	25	
PULL 4213MG	25	25	25	

SKU		CHERRY	MAPLE PAINTED	DURAFORM
DECORATIVE HARDWARE - PULLS				
	PULL 4213PC	25	25	25
	PULL 4213SN	25	25	25
	PULL 4701CP	12	12	12
	PULL 4701SN	12	12	12
	PULL 4701PC	12	12	12
	PULL 4701MB	12	12	12
	PULL 4701MG	12	12	12
	PULL 4712CP	15	15	15
	PULL 4712SN	15	15	15
	PULL 4712PC	15	15	15
	PULL 4712MB	15	15	15
	PULL 4712MG	15	15	15
	PULL 4730CP	25	25	25
	PULL 4730SN	25	25	25
	PULL 4730PC	25	25	25
	PULL 4730MB	25	25	25
	PULL 4730MG	25	25	25
	PULL 6797MB	25	25	25
	PULL 6797MG	25	25	25
	PULL 6797PC	25	25	25
	PULL 6797SN	25	25	25
	PULL 6797VN	25	25	25
DRAWER BODY				
	DRB10 X 18DP DT FG	74.60	74.60	74.60
	DRB12 X 15DP DT FG	74.60	74.60	74.60
	DRB12 X 18DP DT FG	74.60	74.60	74.60
	DRB12 X 21DP DT FG	99.90	99.90	99.90
	DRB12M X 15DP DT FG	117.75	117.75	117.75
	DRB12M X 18DP DT FG	117.75	117.75	117.75
	DRB12M X 21DP DT FG	157.85	157.855	157.85
	DRB15 X 15DP DT FG	77.05	77.05	77.05
	DRB15 X 18DP DT FG	77.05	77.05	77.05
	DRB15 X 21DP DT FG	103.35	103.3	103.35
	DRB15M X 15DP DT FG	123.35	123.35	123.35
	DRB15M X 18DP DT FG	123.35	123.35	123.35
	DRB15M X 21DP DT FG	165.50	165.50	165.50
	DRB18 X 18DP DT FG	81.40	81.40	81.40
	DRB18 X 21DP DT FG	109.15	109.15	109.15
	DRB18M X 18DP DT FG	130.80	130.80	130.80
	DRB18M X 21DP DT FG	175.20	175.20	175.20
	DRB19 X 21DP DT FG	112.20	112.20	112.20
	DRB21 X 18DP DT FG	87.45	87.45	87.45
	DRB21 X 21DP DT FG	117.15	117.15	117.15
	DRB21M X 18DP DT FG	142.75	142.75	142.75
	DRB21M X 21DP DT FG	191.25	191.25	191.25
	DRB21 HD X 18DPDTFG	147.05	147.05	147.05
	DRB21 HD X 21DPDTFG	197.00	197.00	197.00
	DRB24 X 18DP DT FG	90.15	90.15	90.15
	DRB24 X 21DP DT FG	120.65	120.65	120.65
	DRB24M X 18DP DT FG	145.75	145.75	145.75
	DRB24M X 21DP DT FG	195.40	195.40	195.40
	DRB24 HD X 18DPDTFG	150.10	150.10	150.10

SKU		CHERRY	MAPLE PAINTED	DURAFORM
DRAWER BODY				
	DRB24 HD X 21DPDTFG	201.25	201.25	201.25
	DRB27 X 21DP DT FG	128.00	128.00	128.00
	DRB27M X 21DP DT FG	213.65	213.65	213.65
	DRB27 HD X 18DPDTFG	159.95	159.95	159.95
	DRB27 HD X 21DPDTFG	220.05	220.05	220.05
	DRB30 X 21DP DT FG	136.20	136.20	136.20
	DRB30M X 21DP DT FG	220.85	220.85	220.85
	DRB30 HD X 18DPDTFG	169.70	169.70	169.70
	DRB30 HD X 21DPDTFG	227.45	227.45	227.45
	DRB33 X 21DP DT FG	144.35	144.35	144.35
	DRB33M X 21DP DT FG	234.00	234.00	234.00
	DRB33 HD X 18DPDTFG	169.70	169.70	169.70
	DRB33 HD X 21DPDTFG	241.00	241.00	241.00
	DRB36 X 21DP DT FG	153.05	153.05	153.05
	DRB36M X 21DP DT FG	247.00	247.00	247.00
	DRB36 HD X 18DPDTFG	189.90	189.90	189.90
	DRB36 HD X 21DPDTFG	254.40	254.40	254.40
	DRBKDC27X 15DP DT FG	59.65	59.65	59.65
	DRBKDC33X 15DP DT FG	74.60	74.60	74.60
	DRBKDC36X 15DP DT FG	82.05	82.05	82.05
	DRB30 HD X 18DPDTFG	169.70	169.70	169.70
	DRB30 HD X 21DPDTFG	227.45	227.45	227.45
	DRB30 X 21DP DT FG	136.20	136.20	136.20
	DRB30M X 21DP DT FG	220.85	220.85	220.85
	DRB33 X 21DP DT FG	144.35	144.35	144.35
	DRB33M X 21DP DT FG	234.00	234.00	234.00
	DRB36 X 21DP DT FG	153.05	153.05	153.05
	DRB36M X 21DP DT FG	247.00	247.00	247.00
	DRB36 HD X 18DPDTFG	189.90	189.90	189.90
	DRB36 HD X 21DPDTFG	254.40	254.40	254.40
	DRBKDC27X 15DP DT FG	59.65	59.65	59.65
	DRBKDC33X 15DP DT FG	74.60	74.60	74.60
	DRBKDC36X 15DP DT FG	82.05	82.05	82.05
SHELVING - STANDARD CONSTRUCTION				
	9" SHELF 24DP 3/4	14.25	14.25	14.25
	9" SHELF 3/4	12.20	12.20	12.20
	12" SHELF 21DP 3/4	16.35	16.35	16.35
	12" SHELF 24DP 3/4	16.35	16.35	16.35
	12" SHELF 3/4	14.35	14.35	14.35
	12" SHELF PB 3/4	29.15	29.15	29.15
	15" SHELF 21DP 3/4	18.15	18.15	18.15
	15" SHELF 24DP 3/4	18.15	18.15	18.15
	15" SHELF 3/4	15.25	15.25	15.25
	18" SHELF 21DP 3/4	20.50	20.50	20.50
	18" SHELF 24DP 3/4	20.50	20.50	20.50
	18" SHELF 3/4	16.55	16.55	16.55
	18" SHELF PB 3/4	33.45	33.45	33.45
	21" SHELF 21DP 3/4	22.60	22.60	22.60
	21" SHELF 24DP 3/4	22.60	22.60	22.60
	21" SHELF 3/4	18.05	18.05	18.05
	24" SHELF 21DP 3/4	24.35	24.35	24.35
	24" SHELF 24DP 3/4	24.35	24.35	24.35

SKU		CHERRY	MAPLE PAINTED	DURAFORM
SHELVING - STANDARD CONSTRUCTION				
	24" SHELF 3/4	19.05	19.05	19.05
	24" SHELF PB 3/4	37.80	37.80	37.80
	27" SHELF 24DP 3/4	25.80	25.80	25.80
	27" SHELF 3/4	20.25	20.25	20.25
	30" SHELF 24DP 3/4	30.90	30.90	30.90
	30" SHELF 3/4	21.20	21.20	21.20
	30" SHELF PB 3/4	41.60	41.60	41.60
	33" SHELF 24DP 3/4	23.50	23.50	23.50
	33" SHELF 3/4	22.50	22.50	22.50
	36" SHELF 24DP 3/4	37.65	37.65	37.65
	36" SHELF 3/4	23.55	23.55	23.55
	36" SHELF PB 3/4	47.25	47.25	47.25
	37" SHELF 24DP 3/4	38.60	38.60	38.60
	39" SHELF 24DP 3/4	39.40	39.40	39.40
	39" SHELF 3/4	24.60	24.60	24.60
	42" SHELF 24DP 3/4	41.15	41.15	41.15
	42" SHELF 3/4	26.60	26.60	26.60
	42" SHELF PB 3/4	52.35	52.35	52.35
	45" SHELF 24DP 3/4	43.00	43.00	43.00
	45" SHELF 3/4	27.30	27.30	27.30
	48" SHELF 24DP 3/4	44.90	44.90	44.90
	48" SHELF 3/4	28.80	28.80	28.80
	BEA SHELF 3/4	24.65	24.65	24.65
	BEA12 SHELF 3/4	20.50	20.50	20.50
	CW SHELF ADJ 3/4	24.60	24.60	24.60
	CW27 SHELF ADJ 3/4	28.30	28.30	28.30
	WEA SHELF 3/4	15.25	15.25	15.25
	WER SHELF 3/4	27.30	27.30	27.30
SHELVING - STANDARD CONSTRUCTION MATCHING INTERIOR / SPECIALTY DOOR CABINETS				
	9" SHELF MI	24.40	24.40	24.40
	12" SHELF MI	28.80	28.80	28.80
	15" SHELF MI	30.45	30.45	30.45
	18" SHELF MI	33.15	33.15	33.15
	21" SHELF MI	36.05	36.05	36.05
	24" SHELF MI	38.15	38.15	38.15
	27" SHELF MI	40.40	40.40	40.40
	30" SHELF MI	42.40	42.40	42.40
	33" SHELF MI	45.00	45.00	45.00
	36" SHELF MI	47.10	47.10	47.10
	39" SHELF MI	49.25	49.25	49.25
	42" SHELF MI	53.20	53.20	53.20
	45" SHELF MI	54.65	54.65	54.65
	48" SHELF MI	57.55	57.55	57.55
	CW24 SHELF MI	49.25	49.25	49.25
	CW27 SHELF MI	54.65	54.65	54.65
	WCMSC2412 SHELF	319.00	319.00	319.00
	WCMSC2712 SHELF	366.85	366.85	366.85
	WMSC2712 SHELF	366.85	366.85	366.85
	WMSC2718 SHELF	256.30	256.30	256.30
	WMSC3012 SHELF	372.15	372.15	372.15
	WMSC2718 TOP SHELF	69.20	69.20	69.20
	WEA SHELF MI	30.45	30.45	30.45

SKU		CHERRY	MAPLE PAINTED	DURAFORM
SHELVING - PLYWOOD CONSTRUCTION				
	WER SHELF MI	54.65	54.65	54.65
	9" SHELF 24DP PLY	16.80	16.80	16.80
	9" SHELF PLY	14.60	14.60	14.60
	12" SHELF 21DP PLY	19.60	19.60	19.60
	12" SHELF 24DP PLY	19.60	19.60	19.60
	12" SHELF PB PLY	34.80	34.80	34.80
	12" SHELF PLY	17.20	17.20	17.20
	15" SHELF 21DP PLY	21.75	21.75	21.75
	15" SHELF 24DP PLY	21.70	21.70	21.70
	15" SHELF PLY	18.30	18.30	18.30
	18" SHELF 21DP PLY	24.55	24.55	24.55
	18" SHELF 24DP PLY	24.55	24.55	24.55
	18" SHELF PB PLY	40.15	40.15	40.15
	18" SHELF PLY	19.85	19.85	19.85
	21" SHELF 21DP PLY	27.15	27.15	27.15
	21" SHELF 24DP PLY	27.15	27.15	27.15
	21" SHELF PLY	21.65	21.65	21.65
	24" SHELF 21DP PLY	29.25	29.25	29.25
	24" SHELF 24DP PLY	29.25	29.25	29.25
	24" SHELF PB PLY	45.35	45.35	45.35
	24" SHELF PLY	22.90	22.90	22.90
	27" SHELF 24DP PLY	30.95	30.95	30.95
	27" SHELF PLY	24.25	24.25	24.25
	30" SHELF 24DP PLY	37.05	37.05	37.05
	30" SHELF PB PLY	49.90	49.90	49.90
	30" SHELF PLY	25.40	25.40	25.40
	33" SHELF 24DP PLY	28.20	28.20	28.20
	33" SHELF PLY	27.00	27.00	27.00
	36" SHELF 24DP PLY	45.20	45.20	45.20
	36" SHELF PB PLY	56.65	56.65	56.65
	36" SHELF PLY	28.25	28.25	28.25
	37" SHELF 24DP PLY	46.35	46.35	46.35
	39" SHELF 24DP PLY	47.30	47.30	47.30
	39" SHELF PLY	29.55	29.55	29.55
	42" SHELF 24DP PLY	49.20	49.20	49.20
	42" SHELF PB PLY	62.75	62.75	62.75
	42" SHELF PLY	31.90	31.90	31.90
	45" SHELF 24DP PLY	51.60	51.60	51.60
	45" SHELF PLY	32.75	32.75	32.75
	48" SHELF 24DP PLY	53.85	53.85	53.85
	48" SHELF PLY	34.55	34.55	34.55
	BEA SHELF PLY	29.60	29.60	29.60
	BEA12 SHELF PLY	24.55	24.55	24.55
	CW SHELF ADJ PLY	29.55	29.55	29.55
	CW27 SHELF ADJ PLY	33.95	33.95	33.95
	WEA SHELF PLY	18.30	18.30	18.30
	WER SHELF PLY	32.75	32.75	32.75
	9" SHELF MI PLY	29.30	29.30	29.30
	12" SHELF MI PLY	34.55	34.55	34.55
	15" SHELF MI PLY	36.60	36.60	36.60
	18" SHELF MI PLY	39.80	39.80	39.80
	21" SHELF MI PLY	43.30	43.30	43.30

SKU		CHERRY	MAPLE PAINTED	DURAFORM
SHELVING - PLYWOOD CONSTRUCTION MATCHING INTERIOR				
	24" SHELF MI PLY	45.80	45.80	45.80
	27" SHELF MI PLY	48.50	48.50	48.50
	30" SHELF MI PLY	50.85	50.85	50.85
	33" SHELF MI PLY	54.00	54.00	54.00
	36" SHELF MI PLY	56.65	56.65	56.65
	39" SHELF MI PLY	59.10	59.10	59.10
	42" SHELF MI PLY	63.85	63.85	63.85
	45" SHELF MI PLY	65.60	65.60	65.60
	48" SHELF MI PLY	69.10	69.10	69.10
	CW24 SHELF MI PLY	59.10	59.10	59.10
	CW27 SHELF MI PLY	65.60	65.60	65.60
	WEA SHELF MI PLY	36.60	36.60	36.60
	WER SHELF MI PLY	65.60	65.60	65.60
MISCELLANEOUS SHELVING				
	BS18 SHELF 1PK	55.00	50.00	50.00
	BS18 SHELF 4PK	220.00	200.00	200.00
	BS24 SHELF 1PK	72.00	65.00	65.00
	BS24 SHELF 4PK	286.00	260.00	260.00
	BS30 SHELF 1PK	77.00	70.00	70.00
	BS30 SHELF 4PK	308.00	280.00	280.00
	BS36 SHELF 1PK	83.00	75.00	75.00
	BS36 SHELF 4PK	330.00	300.00	300.00
	MC SHELF	2.35	2.35	2.35
	S369	41.00	41.00	41.00
	S924	38.00	38.00	38.00
	TV30 SHELF 18	2.55	2.55	2.55
	TV30 SHELF 9	1.40	1.40	1.40
	TV36 SHELF 11	1.70	1.70	1.70
	TV36 SHELF 22	3.15	3.15	3.15
WOOD SPIN SHELVES				
	BSS33 SHELF WD NP	162.10	162.10	162.10
	BSS33 SHLF WD NP PLY	194.50	194.50	194.50
	BSS3336 SHELF WD NP	162.10	162.10	162.10
	BSS3336 SHLFWDNP PLY	194.50	194.50	194.50
	BSS36 SHELF WD NP	190.65	190.65	190.65
	BSS36 SHLF WD NP PLY	228.80	228.80	228.80
	BSS3633 SHELF WD NP	162.10	162.10	162.10
	BSS3633 SHLFWDNP PLY	194.50	194.50	194.50
	CAR36 SHELF WD	141.40	141.40	141.40
	CBS36 SHELF WD NP	166.95	166.95	166.95
	CBS36 SHLF WD NP PLY	200.35	200.35	200.35
	CWS24 SHELF WD NP	133.55	133.55	133.55
	CWS24 SHELF WD NP MI	160.25	160.25	160.25
	CWS24 SHELFWDNPMPPLY	192.30	192.30	192.30
	CWS24 SHLF WD NP PLY	160.25	160.25	160.25
MISCELLANEOUS PARTS				
	BASE CORNER BLOCK WD	0.20	0.20	0.20
	BFP3 FRONT FILLER	15.70	14.30	14.30
	BFP6 FRONT FILLER	32.20	29.30	29.30
	BPP9 KIT CC	60	60	60
	BPP12 KIT CC	60	60	60
	BPPUS9 KIT CC	718	718	718

SKU		CHERRY	MAPLE PAINTED	DURAFORM
MISCELLANEOUS PARTS				
	BPPUS12 KIT CC	895	895	895
	BRACKET GL 2 DB BOT	12.00	12.00	12.00
	BRACKET GLIDE WB BOT	12.00	12.00	12.00
	BRACKET GL B DROT FAL	8.00	8.00	8.00
	BRACKET GL B DROT FAR	8.00	8.00	8.00
	BRACKET DROT FRT MTL	8.00	8.00	8.00
	BRACKET GL BD RDL FG	8.00	8.00	8.00
	BRACKET GL BD RDR FG	8.00	8.00	8.00
	BRACKET GL LD RDL FG	8.00	8.00	8.00
	BRACKET GL LD RDR FG	8.00	8.00	8.00
	BRACKET GL BD UNI FG	8.00	8.00	8.00
	BRACKET GL UD UNI FG	8.00	8.00	8.00
	BRACKET GL PB L FG	8.00	8.00	8.00
	BRACKET GL PB R FG	8.00	8.00	8.00
	BRACKET GL PBC L FG	8.00	8.00	8.00
	BRACKET GL PBC R FG	8.00	8.00	8.00
	BRACKET GL UD RDL FG	8.00	8.00	8.00
	BRACKET GL UD RDR FG	8.00	8.00	8.00
	BRACKET GL UNI FG	8.00	8.00	8.00
	BRACKET CH RDDPL PB	8.00	8.00	8.00
	BRACKET CH RDDPR PB	8.00	8.00	8.00
	BRACKET CH RDDPL PBC	8.00	8.00	8.00
	BRACKET CH RDDPR PBC	8.00	8.00	8.00
	BSSCWSCAR T-SHAFT RA	26.40	26.40	26.40
	BTDP9 KIT CC	60.00	60.00	60.00
	BUMPER CLEAR	0.10	0.10	0.10
	BUMPER CLEAR 55	10.00	10.00	10.00
	BWBB15 FOL KIT CC	544.00	544.00	544.00
	BWBB15 SOL KIT CC	544.00	544.00	544.00
	BWBB15 FH FOL KIT CC	544.00	544.00	544.00
	BWBB15 FH SOL KIT CC	544.00	544.00	544.00
	BWBB18 FH FOL KIT CC	544.00	544.00	544.00
	BWBB18 FH SOL KIT CC	544.00	544.00	544.00
	BWBB15-2 FOL KIT CC	544.00	544.00	544.00
	BWBB15-2 SOL KIT CC	544.00	544.00	544.00
	BWBB18-2 FOL KIT CC	544.00	544.00	544.00
	BWBB18-2 SOL KIT CC	544.00	544.00	544.00
	BWBB21-2 FOL KIT CC	592.00	592.00	592.00
	BWBB21-2 SOL KIT CC	592.00	592.00	592.00
	BWBB21-2 FH FOL KIT CC	592.00	592.00	592.00
	BWBB21-2 FH SOL KIT CC	592.00	592.00	592.00
	CLIP HD DRB BACK L	10.00	10.00	10.00
	CLIP HD DRB BACK R	10.00	10.00	10.00
	CLIP DDF	0.20	0.20	0.20
	CLIP MIRROR MCM FOL	5.25	5.25	5.25
	CLIP MIRROR MCM SOL	5.25	5.25	5.25
	CLIP MIRROR TRIVIEW	19.10	19.10	19.10
	CLIP PILASTER	0.20	0.20	0.20
	CLIP REAR SHELF	0.35	0.35	0.35
	CLIP SHELF NP SPIN	1.00	1.00	1.00
	CORNER BRACKET	0.55	0.55	0.55
	COVER CAP 10MM TAN	1.70	1.70	1.70

SKU	CHERRY	MAPLE PAINTED	DURAFORM
MISCELLANEOUS PARTS			
COVER CAP 10MM WHT	---	1.70	1.70
DDF SDC	117.00	117.00	117.00
DRB HD MOUNT CLIP L	15.00	15.00	15.00
DRB HD MOUNT CLIP R	15.00	15.00	15.00
DRB MOUNT CLIP L	8.00	8.00	8.00
DRB MOUNT CLIP R	8.00	8.00	8.00
DRB6 BSDC6	159.45	159.45	159.45
DRB6 SDC30	159.45	159.45	159.45
DRB MOUNT CLIP L FG	8.00	8.00	8.00
DRB MOUNT CLIP R FG	8.00	8.00	8.00
DRB WB MOUNT CLIP L	8.00	8.00	8.00
DRB WB MOUNT CLIP L	8.00	8.00	8.00
DWBB1821 FOL KIT CC	60.00	60.00	60.00
DWBB1821 SOL KIT CC	60.00	60.00	60.00
DWBB1824 FOL KIT CC	60.00	60.00	60.00
DWBB1824 SOL KIT CC	60.00	60.00	60.00
DFDC FILE UNIT 21	25.00	25.00	25.00
DFDC FILE UNIT 24	25.00	25.00	25.00
FRAME SPACER BPP9	0.60	0.60	0.60
GLIDE HD CCL21	97.00	97.00	97.00
GLIDE HD CCL24	97.00	97.00	97.00
GLIDE HD CCR21	97.00	97.00	97.00
GLIDE HD CCR24	97.00	97.00	97.00
GLIDE WB CCL21	97.00	97.00	97.00
GLIDE WB CCL24	97.00	97.00	97.00
GLIDE WB CCR21	97.00	97.00	97.00
GLIDE WB CCR24	97.00	97.00	97.00
GLIDE FX CCL18	85.00	85.00	85.00
GLIDE FX CCL21	85.00	85.00	85.00
GLIDE FX CCL24	85.00	85.00	85.00
GLIDE FX CCR18	85.00	85.00	85.00
GLIDE FX CCR21	85.00	85.00	85.00
GLIDE FX CCR24	85.00	85.00	85.00
GLIDE CLIPHET UNI	0.20	0.20	0.20
GLIDE DROTCL24	96.00	96.00	96.00
GLIDE DROTCLVLC	96.00	96.00	96.00
GLIDE DROTCCR24	96.00	96.00	96.00
GLIDE DROTCCRVLC	96.00	96.00	96.00
HINGE 170 FRAMED	28.65	28.65	28.65
HINGE ER	17.55	17.55	17.55
HINGE FOL 6WAY 45	10.00	10.00	10.00
HINGE FOL CC6WY 45	20.00	20.00	20.00
HINGE FOL CC6WY 45DP	20.00	20.00	20.00
HINGE FOL CCOVEN 45	20.00	20.00	20.00
HINGE FOL OVEN 45	10.00	10.00	10.00
HINGE KIT TRIVIEW	19.10	19.10	19.10
HINGE SOL 6WAY 45	10.00	10.00	10.00
HINGE SOL CC6WAY 45	20.00	20.00	20.00
HINGE CC ANG RES CLP	58.00	58.00	58.00
HINGE TILT OUT 45	10.00	10.00	10.00
HWC 3/4X3/4X96	19.00	19.00	19.00
KNOB SDC	37.20	37.20	37.20

SKU		CHERRY	MAPLE PAINTED	DURAFORM
MISCELLANEOUS PARTS				
	LATCH TILT OUT TRAY	15.00	15.00	15.00
	MAG CATCH TV BLK	19.10	19.10	---
	MAG CATCH TV WHT	---	19.10	19.10
	MC SHELF HDW	5.65	5.65	5.65
	MIRROR TV3030	124.40	124.40	124.40
	MIRROR TV3630	140.35	140.35	140.35
	PCSK HINGE	18.35	18.35	18.35
	PDO21	273.00	273.00	273.00
	PDO24	273.00	273.00	273.00
	PDO27	273.00	273.00	273.00
	PDO30	287.00	287.00	287.00
	PDO33	287.00	287.00	287.00
	PDO36	287.00	287.00	287.00
	PEG KIT 4 PK	97.00	97.00	97.00
	PK36	9.00	9.00	9.00
	PULL TRIVIEW	17.00	17.00	17.00
	RHLINER 30	385.00	385.00	385.00
	RHLINER 36	388.00	388.00	388.00
	RHLINER 36A	388.00	388.00	388.00
	RHLINER 36S	371.00	371.00	371.00
	RHLINER 42A	423.00	423.00	423.00
	RHLINER 42S	400.00	400.00	400.00
	RHLINER 48A	461.00	461.00	461.00
	RHLINER 48S	426.00	426.00	426.00
	RHLINER 36A SL1	431.00	431.00	431.00
	RHLINER 42A SL1	470.00	470.00	470.00
	RHLINER 48A SL1	512.00	512.00	512.00
	RHLINER 36S SL1	412.00	412.00	412.00
	RHLINER 42S SL1	444.00	444.00	444.00
	RHLINER 48S SL1	474.00	474.00	474.00
	ROT DIVIDER KIT	66.25	66.25	66.25
	ROT PROTECTOR	1.00	1.00	1.00
	SCREW BOLT EXT RD FG	0.20	0.20	0.20
	SCREW CH BACK BRACK	0.20	0.20	0.20
	SCREW GLIDEHG PBC BK	0.20	0.20	0.20
	SCREW KDC FG	0.20	0.20	0.20
	SCREW NUT EXT RD FG	0.20	0.20	0.20
	SCREW T-NUT BOLT	0.20	0.20	0.20
	SCREW T-NUT SCREW	0.20	0.20	0.20
	SCREW GLIDE HG	0.20	0.20	0.20
	SCREW CHANNEL	0.20	0.20	0.20
	SCREW BATTEN/DDF 1"	0.20	0.20	0.20
	SCREW DDF	0.20	0.20	0.20
	SCREW DDF 5PC	0.20	0.20	0.20
	SCREW EXTENDER RD	0.05	0.05	0.05
	SCREW HINGE ALUM DR	0.20	0.20	0.20
	SCREW HINGE/DR	0.20	0.20	0.20
	SCREW HINGE/FR	0.20	0.20	0.20
	SCREW BOLT EXT RD FG	0.20	0.20	0.20
	SCREW NUT EXT RD FG	0.20	0.20	0.20
	SDROT21	270.00	270.00	270.00
	SDROT24	270.00	270.00	270.00



Living space shown in
650 Painted Linen and Stone



Elmhurst Cabinetry

By Phil Hurst
Mesa, AZ

*“We love designing
with Waypoint
because the order entry and product
selection are appealing. I absolutely love how this space feels so
open and cozy, with its simple yet charming lines and colors.”*



DESCRIPTION	SKU	SPECIFICATION	PRICING
A			
Accent Turned Foot	ATF	187	93
Accent Turned Foot, Full Round	ATF-FR	187	93
Accessible Height Option	AH	65	1
Adaptable Sink Base Kit	ASB__KIT	126	33
Adjustable Drawer Divider Insert Kit	ADDIK__	131	77
Adjustable Shelf Kit	S/SK__	155, 170	80
All Plywood Construction Option	APC	64	1
Angle Crown Molding	ACM8	173	90
Angle Crown Molding Duraform Textured	ACM8 DT	173	95
Angled Corbel	AS12__	183	93
Angled Outside Corner Molding	AOSC8	177	90
Arched Valance	V__	181	91
Asymmetrical Base Easy Reach	BER__	119	35
Asymmetrical Base Super Susan with Wood Spin Units	BSS__WD	119	35
B			
Base Bookshelf	BS2434	142	83
Base Cabinet Construction	-	51	-
Base Cabinet Decorator Matching Doors	DMDB	197	61
Base Cabinet Dimensions	-	52	-
Base Cabinet Four Deep Roll Out Trays	B__CC4T	108	20
Base Cabinet Mixer Lift	FH MLK	110	21
Base Cabinet No Drawer	TB9	109	20
Base Cabinet One Deep Roll Out Tray	B__CCFWT	103	19
Base Cabinet Six Deep Roll Out Trays	B__CC6T	109	20
Base Cabinet Three Deep Roll Out Trays	B__CC3T	109	20
Base Cabinet Tray Divider Pull-Out	BTDP9 CC	110	22
Base Cabinet Two Horizontal Deep Roll Out Trays	B__CC2T	108	19
Base Cabinet Two Vertical Deep Roll Out Trays	B__CC2FWT	103	19
Base Cabinet with 1 Door and Factory Installed Drawer Organizers	B__	105	23
Base Cabinet with 2 Doors and Factory Installed Drawer Organizers	B__BUTT__	107	23
Base Cabinet with Factory Installed Roll-Out Tray Divider	B__ROTD	103	29
Base Cabinet, 1 Factory Installed Wastebasket	BWB15 CC	104	28
Base Cabinet, 2 Butt Doors Two Vertical Deep Roll Out Trays	B__CC2FWT BUTT	106	20
Base Cabinet, 2 Butt Doors with One Deep Roll Out Tray	B__CCFWT BUTT	106	19
Base Cabinet, 2 Factory Installed Wastebaskets	BWB__2 CC	104	29
Base Cabinet, Standard with 2 Butt Doors	B__BUTT	106	18
Base Cabinet, Standard with Center Stile	B__	108	18
Base Cabinet, Standard with One Door	B__	103	18
Base Column Filler	B__C__	203	87
Base Corner Filler	BCF27	202	86
Base Easy Reach	BER__	118	35
Base End Angle	BEA__FH	128	36
Base End Angle Decorator Matching Door	DMDBEA12	197	61
Base Filler Pull-Out	BFP__CC	129	75
Base Locking Shelf Rest	-	55	88
Base Microwave Cabinet	BMC__	129	33
Base Mixer Lift Kit	BMLK18	133	75
Base Oven Cabinet Universal	BOCU__	130	74
Base Pantry Pull-Out	BPP__CC	111	21
Base Plumbing Skirt	BPS__UD	126	33
Base Pot & Pan Organizer Kit	BPOKCC__	132	75
Base Pot and Pan Organizer Cabinet	B__CCBPPPO	103	29
Base Pot and Pan Organizer Cabinet, 2 Butt Doors	B__BUTT CCBPPPO	106	30
Base Spice Drawer Cabinet	BSDC6	128	74
Base Square Foot	BSQF	187	93
Base Square Leg	BSQL	187	93
Base Super Susan with Wood Spin Units	BSS__WD	118	34
Base Tapered Leg	BTPL	187	93
Base Toe Kick	BTk8	204	87
Base Turned Leg	BTL	187	93

DESCRIPTION	SKU	SPECIFICATION	PRICING
Base Utensil Storage Pull-Out	BPPU__CC	111	22
Base Wine Rack Cabinet	BWR6	128	75
Batten Molding	BM8	177	95
Batten Molding Duraform Textured	BM8 DT	177	95
Blind Base Pull Out Kit	BLBPOK45	133	76
Blind Base Swing Out Kit	BLBSOK45__	134	76
Blind Corner Base	BLB__	121	35
Blind Corner Base Installation Chart	-	123	-
Blind Corner Closure	BLC1515	100, 136	84
Blind Peninsula Corner Base	PBC__	117	36
Blind Wall Cabinet	BLW__	84	14
Blind Wall Cabinet Dimensions	-	85	-
Blind Wall Cabinet Installation Chart	-	85	-
Built-In Base Microwave	BPMC__	129	33
C			
Cabinet Angle Molding	CAM8	177	90
Cabinet Care	-	48	-
Cabinet Front Only Option	CFO	67	1
Cabinet Specifications	-	47	-
Cabinet Tray Divider	TD3	135, 155	76
Ceiling Height Requirements	-	56	-
Chair Rail Molding	CR8	174	90
Chantilly Decorative Foot	CDF	188	93
Chantilly Decorative Leg	CDL	188	93
Chantilly Furniture Leg	CFL	188	93
Classic Baseboard Molding	CLBMB	175	90
Classic Molding Stack	MS CLASSIC__	180	91
Classic Trim Molding	CLTM8	175	90
Cleaning Caddy Pullout Kit	CCPOK	134	78
Cleat	HWC__	205	89
Construction Comparison Chart	-	65	-
Construction Option Examples	-	63	-
Construction Option Legend	-	63	-
Contemporary Trim Molding	CTM8	173	90
Contemporary Trim Molding Duraform Textured	CTM8 DT	173	95
Corner Appliance Garage	AG__	92	70
Corner Base Carousel	CAR	120	35
Corner Base with Wood Spin Units	CBS36 WD	120	35
Corner Sink Base	CSB36	124	34
Corner Sink Front	CSF__	127	34
Corner Wall Cabinets	CW__	87	12
Cover Caps	COVER CAP	205	88
Crown Molding	CM8	173	90
Crown Valance	V__CR	181	91
Curved Corbel	CS12__	183	93
Cutlery Divider Kit	CDAK__	130	76
D			
Decorative Cove Molding	DCVM8	173	90
Decorative Glass Clips	CLIP DGI__	77	88
Decorative Inside Corner Molding	ICM8	177	90
Decorative Trim Molding	DCTM8	173	90
Deep Roll Out Tray 4 Pack Kit, Utility	DROTCC-4K	156	80
Deep Roll Out Tray 4 Pack Kit, Vanity Linen	DROTCC__21-4K	170	81
Deep Roll Out Tray Kit	DROTCC__	132, 156, 170	80
Deep Sink Base Cabinet	DSB	124	33
Deep Sink/Range Base Cabinet	DSB__	124	-
Desk Cabinet Decorator Matching Doors	DMDD__	198	61
Desk Cabinet Dimensions	-	53	-
Desk Cabinet with Wastebasket Pull-Out, 21" Deep	DWBB1821 CC	139	60
Desk Cabinet with Wastebasket Pull-Out, 24" Deep	DWBB1824 CC	139	61
Desk Door Cabinet, 21" Deep	DDO__21	139	59
Desk Door Cabinet, 24" Deep	DDO__24	139	60
Desk Drawer Cabinet, 21" Deep	DDR__21	140	59
Desk Drawer Cabinet, 24" Deep	DDR__24	140	60

Index

DESCRIPTION	SKU	SPECIFICATION	PRICING
Desk End Panel	DEP	168, 193	83
Desk File Pull-Out Cabinet, 21" Deep	DFDC1821CC	140	59
Desk File Pull-Out Cabinet, 24" Deep	DFDC1824CC	140	60
Dishwasher Return	DWR3	193	83
Door Styles	SERIES	15	-
Double Oven Cabinet, 1 Drawer	OVD__ BUTT	152	50
Double Oven Cabinet, 1 Large Drawer	OVD__ BUTT 1DDWR	152	51
Double Oven Cabinet, 2 Drawers	OVD__ BUTT 2DWR	153	51
Drawer Base Cabinet Dimensions	-	53	-
Drawer Base Cabinet w/ Peg Dish Organizer and Scalloped Tray	DB__ 2DWR SFWT PDO	114	27
Drawer Base Cabinet w/ Scalloped Tray	DB__ 2DWR SFWT	113	26
Drawer Base Cabinet w/Peg Dish Organizer	DB__ 2DWR PDO	113	27
Drawer Base Cabinet with Factory Installed Drawer Accessory	DB__	115	28
Drawer Base Cabinet, 2 Drawers	DB__ 2DWR	113	26
Drawer Base Cabinet, 3 Drawers	DB__	114	27
Drawer Base Cabinet, 4 Drawers	DB__ 4DWR	114	27
Drawer Work Surface	DWS21	132	71
Dummy Drawer Front Fastener	DDF FASTENER	205	88

E

Edge Banding	EDGE BAND__	207	95
--------------	-------------	-----	----

F

Filler, Plain Box	WPB__	98	87
Finished Shelf	FS__	100	71
Finishing System Specifications	-	48	-
Flat Panel Arched Valance	V__ FP	181	92
Floating Shelf	FLSH__	99, 142	71
Fluted Beaded Filler	FBF__	202	86
Fluted Beaded Filler Extension	FBF E3__	202	86
Full-Height Base Cabinet	B__ FH	109	21
Full-Height Base Cabinet with Tray Divider and Shelf	TB9 TDS	109	21
Full-Height Base Cabinet, 1 Factory Installed Wastebasket	BWBB__ FH CC	111	29
Full-Height Base Cabinet, 2 Butt Doors	B__ FH	112	21
Full-Height Base Cabinet, 2 Factory Installed Wastebaskets	BWBB21-2 FH CC	111	29
Full-Height Base w/Four Deep Roll Out Trays	B__ FH CC4FWT	110	23
Full-Height Base w/Two Deep Roll Out Trays	B__ FH CC2FWT	110	22
Full-Height Base, 2 Butt Doors w/Four Deep Roll Out Trays	B__ BUTT FH CC4FWT	112	23
Full-Height Base, 2 Butt Doors w/Two Deep Roll Out Trays	B__ BUTT FH CC2FWT	112	22
Full-Height Peninsula Base	PB__ FH	116	30
Furniture Drawer Cabinet	FD__	112, 140, 168	25
Furniture Ends Option	FE	64	1

G

Glass Insert	DGI__	76	1
Glass Shelf Kit	GSK__	100	71
Grooved End Panel	_EP__ GROOVED	194	84

H

Hardware Specifications	-	55	-
Hinge Restriction Clip	HINGE CC ANG RES CLP	205	104
Hinges	-	55	1

I

Increased Depth Option	ID	67	1
Inset Light Rail Molding	ILR8	175	90
Inside Corner Molding	QM8	177	95
Inside Corner Molding Duraform Textured	QM8 DT	177	95
Installation Guidelines	-	57	-
Inverted Frame Option	IF	68	1

DESCRIPTION	SKU	SPECIFICATION	PRICING
K			
Kneehole Drawer Cabinet	KDC__	140, 167	60
Knife Block Drawer Insert Kit	KBDIK__	131	77

L

Large Cove Molding	LCVM8	173	90
Large Cove Molding Duraform Textured	LCVM8 DT	173	95
Large Finley Corbel	FC312	184	93
Large Narrow Cove Corbel	CC212	183	93
Large Prairie Corbel	PC312	184	93
Large Rosette Corbel	RC313	185	93
Large Valencia Corbel	VC312	184	93
Library Light Rail Molding	LBM8	175	90

M

Matching Interior Option	MI	69	1
Medicine Cabinet	MC/MCM__	167	57
Medium Cove Corbel	CC49	183	93
Medium Finley Corbel	FC49	184	93
Medium Narrow Cove Corbel	CC29	183	93
Medium Prairie Corbel	PC49	184	93
Medium Rosette Corbel	RC49	185	93
Medium Valencia Corbel	VC49	184	93
Metal Cove Corbel	METAL COVE 212__	185	93
Metal Emerson Corbel	METAL EMERSON 27__	185	93
Metal Shelf Rest	-	55	88
Microwave Wall	WMC__	86	11
Mirror Molding	MM8	174	90
Modern Molding Stack	MS MODERN __	178	91
Mullion Frame Door Profiles	MFD	74	1
Mullion Shelf Rest	-	55	88

O

Ogee Molding	OGE8	174	90
Ogee Plaster Molding	OGP8	175	90
Open Frame Door Profiles	OFD	73	1
Outside Corner Molding	OTCM8	177	90
Outside Corner Molding Duraform Textured	OTCM8 DT	177	95
Oven Cabinet, Single	OVS__	148	47
Overlay Dimensions	-	59	-
Overlay Filler	_OF__	200	85

P

Pantry Door Shelf Kit	PDSK18	154	81
Pantry Swing Out Kit	PCSK36	153	82
Parker Decorative	PDL	188	93
Parker Decorative Foot	PDF	188	93
Parker Furniture Leg	PFL	188	93
Pedestal Drawer Cabinet	PD__	113	26
Peninsula Base Cabinet	PB__	116	-
Plain Box Filler	WPB__	203	87
Plinth Block - 3"	_B3X4 PLINTH	186	92
Plinth Block - 6"	_B6X6 PLINTH	186	92
Putty Stick	PUNITY STICK	207	89

Q

Quarter Round Molding	QR8	177	90
-----------------------	-----	-----	----

R

Raised Panel Arched Valance	V__ RP	182	91
Range Hood Blower	RHVENT__	98	73
Range Hood Chimney	RHC__	95	74
Range Hood, Artisan	RH__ A	94	71
Range Hood, Raised Panel	RH__ RT	95	72
Range Hood, Straight Valance	RH__ SV	95	72
Recessed Toe Kick Option	RTK	68	1

DESCRIPTION	SKU	SPECIFICATION	PRICING
Reduced Depth Option	RD	66	1
Refrigerator Return Panel	RR__	196	84
Roll-Out Tray Divider Kit	ROTDKCC__	133	75
Rosette Block - 3"	_B3X3 ROSETTE	186	92
S			
Screws, Installation	SCREW	205	88
Scribe Molding Duraform Textured	SM8 DT	177	95
Scribe Molding SM10	SM10	177	90
Scribe Molding SM8	SM8	177	90
Shaker Accent Molding	SAM	176	1
Shaker Chair Rail Molding	SQCR8	174	90
Shaker Insert Molding	SIM8	174	90
Shaker Mirror Molding	SMM8	174	90
Shaker Valance	V__SH	182	92
Shelf End Wall, Round Top and Bottom	SEW__	92	69
Shelf End Wall, Square Top and Bottom	SEW__ SQTB	92	69
Shelf End Wall, Square Top and Round Bottom	SEW__ SQT	92	69
Shelf Rests	SHELF REST	204	88
Shelf Under Cabinet Organizer	SUCO	90	84
Shelf, Adjustable	S/SK__	155, 170	79
Shelf, Floating	FLSH__	99, 142	71
Shoe Molding	SHM8	177	90
Shoe Molding DT	SHM8 DT	177	95
Single Bead Accent Molding	SBAM8	176	1
Single Bead Insert Molding	SBIM8	174	90
Single Bead Molding	SBM8	176	90
Single Oven Cabinet, with 2 Butt Doors, 4 Drawers	OVS__ BUTT 4DWR	151	50
Single Oven Cabinet, with 4 Butt Doors, 1 Drawer	OVS__ BUTT 1DWR	149	48
Single Oven Cabinet, with 4 Butt Doors, 1 Drawer & Pot & Pan Organizer	OVS__ BUTT 1DWR CCBPPO	150	48
Single Oven Cabinet, with 4 Butt Doors, 2 Drawers	OVS__ BUTT 2DWR	150	49
Single Oven Cabinet, with 4 Butt Doors, 2 Drawers, Pot & Pan Organizer	OVS__ BUTT 2DWR CCBPPO	151	49
Single Oven Cabinet, with Base Pot & Pan Organizer	OVS__ BUTT CCBPPO	149	47
Sink Base Door Storage Unit	SBDSU__	135	77
Sink Base Mat	SBMAT__	134	78
Sink Base Multi-Storage Cabinet	SBMSC__ BUTT STO	126	32
Sink Base Multi-Storage Shelf	SBMSS	135	77
Sink Base with One Factory Installed Tilt-Out Tray(s)	SB__ STO	125	32
Sink Base with Two Factory Installed Tilt-Out Tray(s)	SB__ STO	125	32
Sink/Cooktop Base Cabinet	SB__	125	31
Sink/Cooktop Front	SF__	127	34
Sink/Vanity Front Floor	FL__	194	83
Sink/Vanity Front Return	SFR	193	83
Small Cove Corbel	CC36	183	93
Small Cove Molding	SCVM8	173	90
Small Cove Molding DT	SCVM8 DT	173	95
Small Finley Corbel	FC36	184	93
Small Narrow Cove Corbel	CC26	183	93
Small Prairie Corbel	PC36	184	93
Small Rosette Corbel	RC36	185	93
Small Single Bead Molding	SSBM8	176	90
Small Traditional Light Rail Molding	STLR8	175	90
Small Valencia Corbel	VC36	184	93
Soffit Crown Molding	SCM8	173	90
Specialty Door Options	-	71	1
Spice Drawer Cabinet	SDC__	89	69
Spice Drawer Insert Kit	SDIAK__	131	77
Spice Rack Kit	SRK__	99	70
Split Post	SPLT POST80 P	189	92
Spray Stain	SPRAY STAIN	206	89
Square Inset Light Rail Molding	SQILR8	175	90
Stain	STAIN	206	89

DESCRIPTION	SKU	SPECIFICATION	PRICING
Stainless Tilt-Out Tray Kit	STO TRAY	136	78
Starter Molding	STRM8	176	90
Stem Glass Holder	SGH36U	99	70
Stock, 3-Sided	S3S__ DT	176	95
Stock, 3-Sided Molding	MSS3S__	176	90
Stock, 4-Sided	S4S__	176	90
Storage Cube	SC__	90, 141	69
Straight Appliance Garage	AGS__	92	70
Straight Valance	V__S	182	72
T			
Tall Bookshelves	BS__	141	82
Tall Cabinet Decorator Matching Doors	DMDT__	198	61
Tall Cabinet Dimensions	-	54	-
Tall Column Filler	T_C__	203	87
Tapered Foot	TPF	187	93
Textured Duraform Base Toe Kick	BTK8 DT	204	95
Textured Duraform End Panel	_EP_DT	194	94
Textured Finished Shelf	FS__	100	94
Textured Overlay Filler	_OF_DT	200	94
Textured Universal Filler	S3S__ DT	199	95
Textured Wood Panel	WP__ DT	195	94
Textured Wood Tall End Panel	WWEP__ DT, WBEP__ DT, DWTEP__ DT	195	94
Tilt-Out Tray Kit	STO TRAY__	168	78
Touchup Marker	TU MARKER	207	89
Traditional Classic Crown Molding	TCCM8	173	90
Traditional Split Block	SPLIT BLOCK26	189	92
Traditional Valance	V__T	182	92
Transitional Molding Stack	MS TRANSITIONAL __	179	91
Tri-View Mirror	TV__	167	81
U			
Universal Filler	UF__	199	85
Universal Filler Extension	UF E3__	199	85
Utility Cabinet	UT__	145	37
Utility Cabinet Shelf & Pilaster Kit	PSK36	154	81
Utility Cabinet with Deep Roll Out Trays	UT__ CC4ROT	147	45
Utility Cabinet, 12" Deep, with Adjustable Shelves	UT__ 12 X __ AS	146	41
Utility Cabinet, 24" Deep	UT__ 24 X __	145	39
Utility Cabinet, 24" Deep, with Adjustable Shelves	UT__ 24 X __ AS	146	43
Utility Cabinet, 24" Deep, with Pantry Storage	UT3624 X __ PCDS BUTT	148	47
V			
Valet Cabinet	VC2436 BUTT	166	57
Vanity Adaptable Sink Base Kit	ASB__32 KIT	166	33
Vanity Base Cabinet with Wastebasket Pull-Out, 34 1/2" High	VWBB1834H__	159	56
Vanity Base with Full-Height Door, 34 1/2" High	VB__ 34H FH	160	55
Vanity Base, One Door	VB__	159	55
Vanity Base, Two Butt Doors	VB__ BUTT	159	55
Vanity Cabinet Decorator Matching Doors	DMDV	198	62
Vanity Cabinet Dimensions	-	53	-
Vanity Combo Sink Base, 31 1/8" High	VSDB__	164	54
Vanity Combo Sink Base, 34 1/2" High	VSDB__ 34H	164	54
Vanity Drawer Base, 31 1/8" High	VDB__	160	56
Vanity Drawer Base, 34 1/2" High	VDB__ 34H	160	56
Vanity Linen Cabinet	VLC__	169	57
Vanity Linen Cabinet, with Adjustable Shelves	VLC__ AS	169	58
Vanity Linen Cabinet, with Deep Roll Out Trays	VLC__ CC4ROT	169	58
Vanity Plumbing Skirt	VPS__ UD	165	56
Vanity Sink Base, 31 1/8" High	VSB/VAN__	161	51
Vanity Sink Base, 34 1/2" High	VSB/VAN__ 34H	161	51
Vanity Sink Front, 31 1/8" High	VSF__	166	56
Void Door Option	VDO__	70	1
Void Top Drawer Option	VTD	70	1

Index

DESCRIPTION	SKU	SPECIFICATION	PRICING
W			
Wall Bookshelves	BS__	141	82
Wall Cabinet Construction	-	50	-
Wall Cabinet Decorator Matching Doors	DMDW__	197	62
Wall Cabinet Dimensions	-	52	-
Wall Cabinet with Spice Rack	W__SR	83	16
Wall Cabinet, 24" Deep	W__ X 24 DP BUTT	82	8
Wall Cabinet, Standard	W__	81	2
Wall Column Filler	W_C__	203	87
Wall Easy Reach	WER__	88	13
Wall End Angle Cabinet	WEA12__	90	17
Wall Microwave Cabinet, with Shelf	WMSC__	86	11
Wall Range Hood, Classic Tapered	WRH__CT	93	72
Wall Range Hood, Decorative Mantle	WRH__DM	93	72
Wall Range Hood, Raised Panel	WRH__RP	93	18
Wall Range Hood, Straight Valance	WRH__SV	93	18
Wall Top Hinge Cabinet	WTH__	83	10
Wide Batten Molding	WBM8	177	90
Wine Rack	WR36	99	70
Wine Rack Cabinet	WRC__	91	70
Wine Storage Cabinet	WSC__	91	69
Wood End Panel	_EP__	194	83
Wood Panel	WP__	195	84

waypoint[®]
living spaces