

# waypoint<sup>®</sup>

living spaces



specification guide  
JUNE 2022

**waypoint**<sup>®</sup>  
living spaces

where the remodel begins

Waypoint Living Spaces<sup>®</sup> authorized dealers/designers are the lifeblood of the remodel business and we're proud to provide more than quality products and accessories. We also provide an easier process, tools and support to help your business grow as we expand upon the Waypoint<sup>®</sup> line of styles, finishes and accessories.

**Exactly what you had in mind<sup>®</sup>**



**waypoint**<sup>®</sup>  
living spaces

Specification Guide

JUNE 2022

---

# waypoint<sup>®</sup>

living spaces



---

## Waypoint® Contact Information

### Partner Team

**Phone:** 877-WLS-PART (877-957-7278)

**Fax:** 877-957-7277

**Email:** [partners@woodmark.com](mailto:partners@woodmark.com)

### Partner Team Hours of Operation

Monday – Friday 8:00 AM – 8:00 PM EST

### Waypoint Website

[www.waypointlivingspaces.com](http://www.waypointlivingspaces.com)

## New, Improved and Discontinued Items

### Expanded Wood Species

- 530 now available with select Painted finishes

### New Finishes

- Maple Latte finish available on all Maple door styles
- Painted Biscotti Glaze finish available on 750, 720, 660, 570, 540, 470, 460 and 310
- Painted Black finish available on all Painted door styles
- Painted Vanilla finish available on all Painted door styles

### Wall Cabinet Expansion

- 42" High: W3942, W3942 SD, W4242, W4242 SD
- 36" High: W3936, W3936 SD, W4236, W4236 SD
- 24" High: W3924 X 24DP, W3924 X 24DP SD
- 12" High: W4212 X 24 DP, W4812 X 24 DP BUTT

### New Range Hoods

- Classic Tapered Wall Range Hood: WRH\_\_ CT
- Decorative Mantel Range Hood: WRH\_\_ DM
- Raised Panel Wall Range Hood: WRH\_\_ RP
- Raised Panel Range Hood: RH\_\_ RP
- Shiplap Box Range Hood: RH\_\_ SB
- Modern Box Range Hood: RH\_\_ MB
- Sloped Range Hood: RH\_\_ SL

### New Liner and Blowers

- Wall Range Hood Liner: RHLINER42
- Blowers: RHVENT 260, RHVENT 260R, RHVENT 400, RHVENT 400R, RHVENT 600

### Base Cabinet Expansion

- Full-Height: B24 FH, B27 BUTT FH, B33 BUTT FH
- Full-Height with Two Roll Out Trays: B12 FH \_2FWT, B15 FH \_2FWT, B21 FH \_2FWT, B24 FH \_2FWT, B27 BUTT FH \_2FWT, B33 BUTT FH \_2FWT, B36 BUTT FH \_2FWT
- Full-Height with Four Roll Out Trays: B12 FH \_4FWT, B15 FH \_4FWT, B21 FH \_4FWT, B24 FH \_4FWT, B27 BUTT FH \_4FWT, B33 BUTT FH \_4FWT, B36 BUTT FH \_4FWT
- Base Filler Pullout: BFP6 \_\_

### Utility Cabinet Expansion

- 12" Deep: UT1212 X \_\_, UT1212 X \_\_ SD, UT2112 X \_\_, UT2112 X \_\_ SD
- 12" Deep with Adjustable Shelves: UT1212 X \_\_ AS, UT1212 X \_\_ AS SD, UT2112 X \_\_ AS, UT2112 X \_\_ AS SD
- 24" Deep: UT1224 X \_\_, UT1224 X \_\_ SD, UT2124 X \_\_, UT2124 X \_\_ SD, UT2724 X \_\_ BUTT, UT2724 X \_\_ BUTT SD, UT3324 X \_\_ BUTT, UT3324 X \_\_ BUTT SD
- 24" Deep with Adjustable Shelves: UT1224 X \_\_ AS, UT1224 X \_\_ AS SD, UT2124 X \_\_ AS, UT2124 X \_\_ AS SD, UT2724 X \_\_ AS BUTT, UT2724 X \_\_ AS BUTT SD, UT3324 X \_\_ AS BUTT, UT3324 X \_\_ AS BUTT SD
- 24" Deep with Roll Out Trays: UT1224 X \_\_ \_4ROT, UT1224 X \_\_ \_4ROT SD, UT2124 X \_\_ \_4ROT, UT2124 X \_\_ \_4ROT SD, UT2724 X \_\_ \_4ROT BUTT, UT2724 X \_\_ \_4ROT BUTT SD, UT3324 X \_\_ \_4ROT BUTT, UT3324 X \_\_ \_4ROT BUTT SD

### New Overlay Filler

- 6" Base Overlay Filler: BOF6, BOF6 DT

### Open Frame Door (OFD) Redesign

- Open Frame Door profile for the 470 door style has been redesigned to match solid doors

### Product Redesign

- DMDB features a DR24FH for Full Overlay door styles for better alignment

### New Decorative Hardware

- Introducing 114 new hardware pieces - refer to pages 221–230 for complete offering

### Discontinuances

- Duraform Cascade
- Painted Hazelnut Glaze
- Painted Silk
- D12S Duraform Linen: 39EPS
- D12S Duraform Stone: 39EYS
- Aluminum Frame Door Option (AFBA)
- Mullion Frame Door (MFD) Option for the 470 door style
- Raised Panel Arched Valance Range Hood: RH\_24 AV
- Flat Panel Arched Valance Range Hood: RH\_24 FV
- Wall Range Hood Raised Panel Arched Valance: WRH\_\_ AV
- Tapered Range Hood: RH\_24 T
- Range Hood Liners: RHLINER \_A, RHLINER \_A SL1
- Range Hood Blowers: RHVENT 250, RHVENT 250R, RHVENT 390, RHVENT 390R, RHVENT 500
- Heat Shield Kit: HSK
- Decorative Hardware: KNOB 3213P, KNOB 3231SN, KNOB 3173P, PULL 3337RB, KNOB 3336RB, PULL 3129VB, PULL 3101VB, KNOB 3102VB, KNOB 3231WN, KNOB 3231OB, PULL 3230WN, PULL 3230OB, KNOB 3103VB, PULL 3079VB, PULL 3078VB, KNOB 3327BT, PULL 3328BT, KNOB 3330VB, PULL 3332VB, PULL 3331VB, PULL 1061SN, PULL 1057SN, PULL 1061SN, PULL 1065SN, PULL 1052SN, PULL 1057BN, PULL 1062BN, PULL 1065BN, PULL 3172P, PULL 4112SN, PULL 4112PC, PULL 4112MB, KNOB 4113SN, KNOB 4113PC, KNOB 4113MB, PULL 3230SN, PULL 4112MG, KNOB 4113MG, PULL 3123SN, KNOB 3102FN, PULL 3101FN, PULL 3502PN, KNOB 3503PN

## Ordering

### Waypoint Living Spaces® Service Policy

Waypoint stands behind a solid Service Policy that supports our goal to deliver a superior customer experience. Waypoint is with you every step of the way, starting with easy 24/7 order placement, enhanced customer delivery and Rapid Resolution; *exactly what you had in mind*®.

### Order Placement Procedure

Online Ordering is available 24 hours a day, 7 days a week for order placement, quoting and tracking and can be accessed by logging in to the Waypoint Living Spaces® website ([www.waypointlivingspaces.com](http://www.waypointlivingspaces.com)). To ensure accuracy and maintain delivery schedules please include, and even double check, the following information with every order.

- ✓ Delivery address (P.O. Boxes not accepted)
  - ✓ PO, job name and contact information
  - ✓ Contact information should include two phone numbers (home, cell, work, etc) and an email address
  - ✓ Door style, wood species and finish
  - ✓ All quantities, product descriptions and applicable options
  - ✓ Any special delivery services or additional customer needs (if applicable)
  - ✓ Designer name
- 
- All orders received will be processed and an order confirmation sent via email within 1-2 business days of receipt of your order.
  - Upon receipt of the acknowledgement, Waypoint strongly encourages that the order be proofed for accuracy.
  - Once an order is processed, it is placed on our 28 day delivery lead time. Deliveries are made to the address designated on the order.
  - A final delivery confirmation will be sent via email approximately 10 days prior to delivery.
  - Orders can be modified until the final confirmation notice has been sent. Changes to an order may result in a delay in shipment.

## Delivery

### Delivery Services

Waypoint ensures client satisfaction with tightly scheduled, pre-arranged deliveries. Our proprietary Delivery Service utilizes floor protection and extra care to the consumer's home assisting in a smooth and rewarding remodel.

#### Home and Store Delivery:

- Deliveries are made from 8:00 am to 5:00 pm, Monday through Friday, unless otherwise agreed upon when the appointment is scheduled.
- Deliveries are made to a dry, secure location on the ground level or 1 level up or down from the delivery truck.
- The delivery agent will use the contact information submitted with the order when scheduling.
- Approximately 10 days prior to delivery, an email confirmation will be sent to the email address submitted with the order, providing the first available delivery date.
- Shortly before or after the order leaves our facility, the carrier will call to schedule a delivery date.
- The day before the order delivers, the delivery agent will call to provide a 4 hour delivery window.
- Approximately 1 hour prior to delivery, the driver will call to provide an estimated delivery time.
- If there is evidence of damage to the packaging, the driver may unpack and inspect the cabinets.
- The Partner Team should be contacted immediately in the event of any problems, shortages or damages.
- Waypoint may offer special delivery services on a requested basis. Please contact the Partner Team for additional information.

## Replacement

### Replacement Policy for Damaged, Defective, Mis-shipped or Product Shortage

Replacement items needed as a result of mishandling by Waypoint will be shipped utilizing our Rapid Resolution Process. In the event that a replacement is needed, contact your Partner Team for assistance.

- Replacements due to Waypoint mishandling will ship within 3 business days.
- Replacement items will be furnished under the following conditions:
  - ✓ Covered under Waypoint Limited Lifetime Warranty
  - ✓ Product is damaged during delivery and Waypoint is notified within 60 days from delivery date
  - ✓ Product is shorted during delivery and Waypoint is notified within 30 days from delivery date
  - ✓ Incorrect product is received due to Waypoint error
- Replacement orders do not require a new purchase order. Waypoint may request the return of the original part or inspection by a Waypoint representative.
- Orders for replacement parts must include the original order confirmation number and a detailed description of the problem.
- Photos of the problem may be requested.

### No Return Policy:

- Waypoint product is built to order and ships directly to our customers without the use of distribution centers or finished goods inventory warehouses. As a result of this special order process we do not accept customer returns.
- Waypoint does not take responsibility for incorrect measurements, dimensions or mis-ordered product.
- Waypoint strongly advises to check all order confirmations to verify all products, sizes and options ordered.



## Warranty

### Waypoint Living Spaces® Consumer Lifetime Limited Warranty

The manufacturer of Waypoint Living Spaces cabinetry hereby warrants to the original purchaser, for residential applications only, that all Waypoint® cabinetry, cabinets and accessories, are free from defects in materials and workmanship. This warranty runs for as long as you own your home and begins upon the date of delivery to you. This warranty is expressly limited to repair or replacement of the defective part at the discretion of the manufacturer of Waypoint cabinetry, and does not include labor for removal or replacement. This warranty does not extend to defects caused by improper handling, storage, installation, assembly or disassembly, intentional damage, product modifications, exposure to the elements including humidity which may result in warping or splitting, accidental misuse, abuse or negligence.

Natural woods may vary in texture, color and wood grain, and exhibit subtle changes as they age. For example, wood joints may eventually have visible cracking around the joint area and cabinet colors may darken or lighten over time. Sunlight, smoke, moisture, household cleaners and other environmental conditions may cause materials to vary from their original color and/or to warp, split or crack. These variations are considered to be the nature of the material in relation to its environmental exposure and are not covered under this warranty.

#### Additional Limitations and Disclaimers

THE MANUFACTURER OF WAYPOINT CABINETRY MAKES NO OTHER WARRANTIES OTHER THAN THOSE SET FORTH HEREIN AND ALL OTHER WARRANTIES ARE HEREBY DISCLAIMED. THE IMPLIED WARRANTIES OF MERCHANTABILITY AND FITNESS FOR A PARTICULAR PURPOSE ARE LIMITED IN DURATION TO THE LENGTH OF THE LIMITED WARRANTY PERIOD. THE LIMITED WARRANTIES SET FORTH HEREIN ARE LIMITED TO THE FIRST AND ORIGINAL BUYER AND ARE NOT TRANSFERABLE THEREAFTER. IN NO EVENT SHALL THE MANUFACTURER OF WAYPOINT CABINETRY BE LIABLE FOR INCIDENTAL OR CONSEQUENTIAL DAMAGES TO THE PURCHASER OR TO ANY THIRD PARTY, INCLUDING, WITHOUT LIMITATION, DAMAGES ARISING FROM PERSONAL INJURY, LOST PROFITS, LOSS OF BUSINESS OPPORTUNITY, LOSS OF PROPERTY, ECONOMIC LOSSES, OR STATUTORY OR EXEMPLARY DAMAGES, WHETHER FROM NEGLIGENCE, WARRANTY, STRICT LIABILITY OR OTHERWISE. Some states do not allow the exclusion or limitation of incidental or consequential damages, or limitations on how long an implied warranty lasts, so the above limitations and exclusions may not apply to you. This warranty gives you specific legal rights, and you may also have other rights, which vary from state to state.

#### Claims

All claims for defective cabinets and accessories must be submitted to the manufacturer in writing and must specify the defects present in the cabinets and accessories. After the manufacturer has had an opportunity to inspect the cabinets and accessories, it will, at their discretion, either replace defective cabinets and accessories or repair any defects in the cabinets and accessories. All claims must be submitted to the following address: Waypoint Living Spaces Claims Department, Post Office Box 1980, Winchester, Virginia 22604.

## Continuous Improvement

In keeping with our policy of continuous product refinement, Waypoint reserves the right to change specifications in design and materials as conditions require.

## Environmental Stewardship Program

As a leading U.S. manufacturer of fine cabinetry, Waypoint Living Spaces® is committed to conducting business in a manner that both protects the environment and safeguards public health and safety. To achieve this end, the Company has implemented a Corporate Environmentally Responsible Stewardship Program that proactively identifies potential environmental risks and monitors compliance with appropriate federal, state, local and internal standards.

Waypoint has received certification by the Kitchen Cabinet Manufacturers Association (KCMA) Environmental Stewardship Program. The certification was awarded based on compliance across a broad range of activity including air quality, product resource management, process resource management, environmental stewardship and community relations.

Waypoint works with all suppliers to encourage sustainable forestry practices. Particle board and plywood are purchased from suppliers that meet the Composite Panel Association requirements for Environmentally Preferable Products including formaldehyde emissions that comply with ANSI Standards.

Waypoint uses leading edge technologies to limit both hazardous and non-hazardous emissions, byproducts and waste. On-going, formal programs identify opportunities for recycling and reusing materials. When waste ultimately requires disposal, steps are taken to minimize the environmental impact.



KITCHEN CABINET MANUFACTURERS ASSOCIATION  
ENVIRONMENTAL STEWARDSHIP PROGRAM  
ALL PRODUCTS IMPACT THE ENVIRONMENT  
FOR EEP PROGRAM CONTACT: NEEF.A@KCMA.ORG

ANSI/KCMA A151.1

Notes



# Meet your new neutrals.

Mix and match for the latest multi-tone trend.



**NEW!** Painted Vanilla

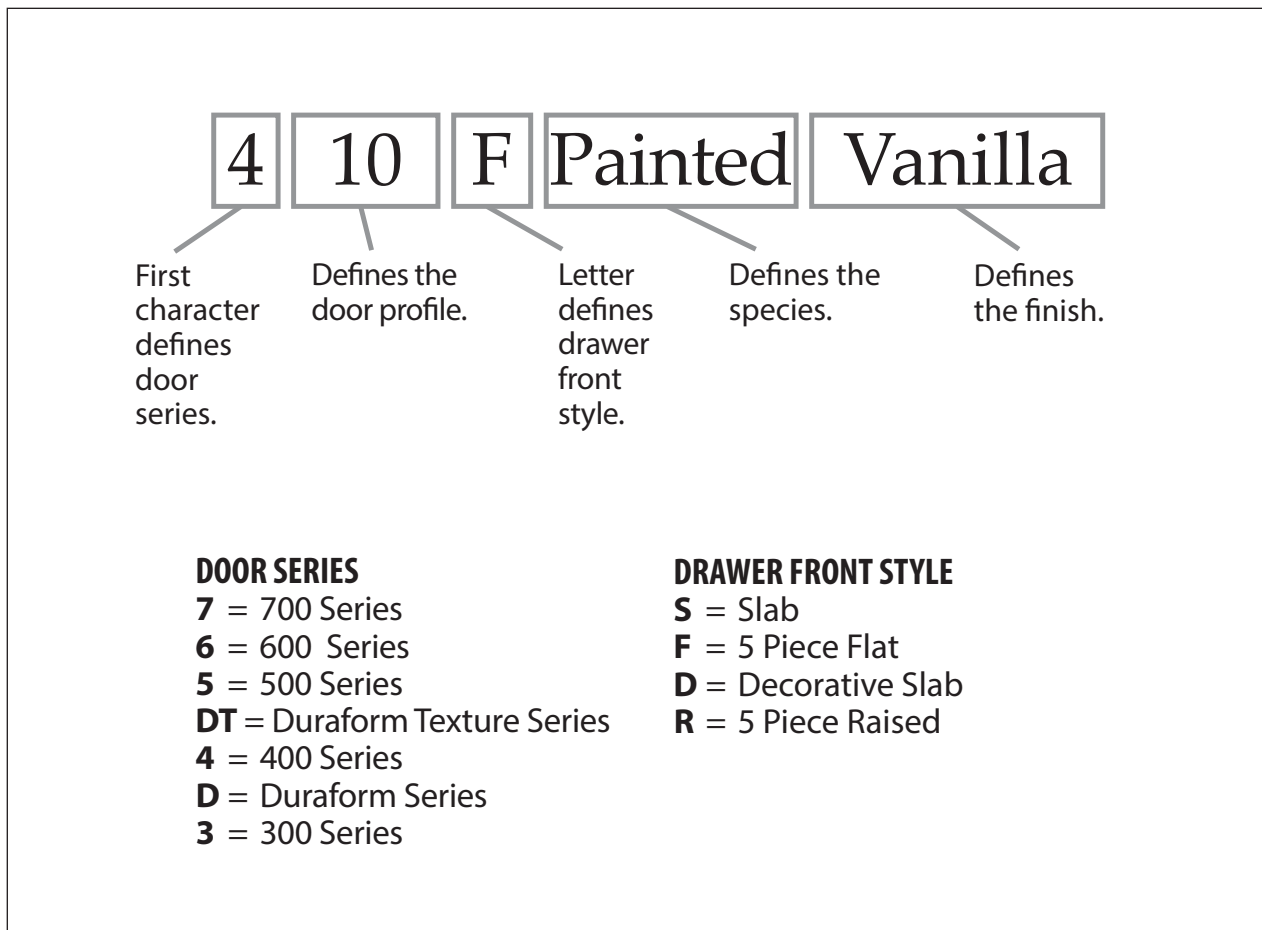
**NEW!** Painted Biscotti Glaze

**NEW!** Maple Latte

## About the Waypoint® Series System

Welcome to an easier way to understand and order cabinetry. The Waypoint system simplifies product identification and adds clarity and consistency into ordering.

The key here is a simple system that's easy to learn and use. See the chart below.





## Waypoint Series and Finishes

DOOR STYLE		CHERRY		MAPLE						DURAFORM					
SERIES	OVERLAY	JAVA	SLATE	COGNAC	LATTE	RYE	SLATE	SPICE	TRUFFLE	BREEZE	DRIFT	ESPRESSO	HARBOR	LINEN	STONE
750F	FOL	●	●	●	●	●	●	●	●						
720R	FOL	●	●	●	●	●	●	●	●						
660D	FOL	●	●	●	●	●	●	●	●						
660R	FOL	●	●	●	●	●	●	●	●						
650S	FOL	●	●	●	●	●	●	●	●						
650F	FOL	●	●	●	●	●	●	●	●						
644S	FOL			●	●	●	●	●	●						
570S	FOL			●	●	●	●	●	●						
570F	FOL			●	●	●	●	●	●						
540F	FOL	●	●	●	●	●	●	●	●						
530S	FOL	●	●	●	●	●	●	●	●						
DT24F	FOL									●	●				
DT22S	FOL									●	●				
470S	FOL			●	●	●	●	●	●						
470F	FOL			●	●	●	●	●	●						
460S	FOL			●	●	●	●	●	●						
410S	FOL	●	●	●	●	●	●	●	●						
410F	FOL	●	●	●	●	●	●	●	●						
D18F	FOL											●	●	●	●
D16S	FOL											●	●	●	●
D16F	FOL											●	●	●	●
D12S	FOL											●			
D04F	SOL											●	●	●	●
D02S	SOL											●	●	●	●
310S	SOL	●	●	●	●	●	●	●	●						

# Waypoint Series and Finishes

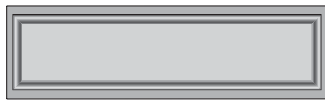
DOOR STYLE		PAINTED										
SERIES	OVERLAY	BISCOTTI	BLACK	BOULDER	EMBER	HARBOR	LINEN	NAVY	PEWTER	SAGE	STONE	VANILLA
750F	FOL	●	●	●	●	●	●	●	●	●	●	●
720R	FOL	●	●	●	●	●	●	●	●	●	●	●
660D	FOL	●	●	●	●	●	●	●	●	●	●	●
660R	FOL	●	●	●	●	●	●	●	●	●	●	●
650S	FOL		●	●		●	●	●		●	●	●
650F	FOL		●	●		●	●	●		●	●	●
644S	FOL		●	●		●	●	●		●	●	●
570S	FOL	●	●	●	●	●	●	●	●	●	●	●
570F	FOL	●	●	●	●	●	●	●	●	●	●	●
540F	FOL	●	●	●	●	●	●	●	●	●	●	●
530S	FOL		●	●		●	●	●		●	●	●
DT24F	FOL											
DT22S	FOL											
470S	FOL	●	●	●	●	●	●	●	●	●	●	●
470F	FOL	●	●	●	●	●	●	●	●	●	●	●
460S	FOL	●	●	●	●	●	●	●	●	●	●	●
410S	FOL		●	●		●	●	●		●	●	●
410F	FOL		●	●		●	●	●		●	●	●
D18F	FOL											
D16S	FOL											
D16F	FOL											
D12S	FOL											
D04F	SOL											
D02S	SOL											
310S	SOL	●	●	●	●	●	●	●	●	●	●	●



Door



Door Cross Section



Kneehole Drawer Front



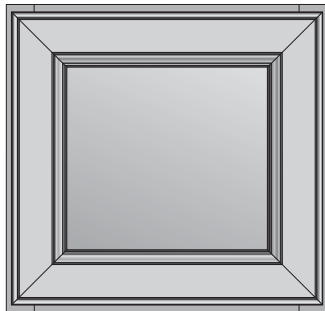
Kneehole Drawer Cross Section



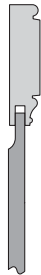
Small Drawer Front



Small Drawer Cross Section



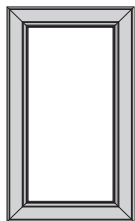
Large Drawer Front



Large Drawer Cross Section

**SPECIALTY DOORS (SD) AVAILABLE**

See page 69 for details and restrictions



OFD

**Waypoint Series 750F** NEW! FINISHES

**DOOR STYLE DETAILS**

Door Description:	Mitered Recessed Panel
Small Drawer Front:	5 Piece Mitered Flat Panel
Large Drawer Front:	5 Piece Mitered Flat Panel
Overlay:	Full Overlay
Door Stile & Rail Width:	3"
Tall Door Details:	No Horizontal Center Rail on 50" High Doors
Hinge:	Full Overlay
Hardware:	Requires Decorative Door & Drawer Hardware (Refer to Decorative Hardware section of this guide for restrictions)

**FINISH**

**STYLE CODES**

**Cherry**

Cherry Java	54CKS
Cherry Slate	54CES

**Maple**

Maple Cognac	54MRS
Maple Latte	54GAS
Maple Rye	54MTS
Maple Slate	54GES
Maple Spice	54MSS
Maple Truffle	54MBS

**Painted**

Painted Biscotti Glaze	54FVF
Painted Black	54FDS
Painted Boulder	54MIS
Painted Ember Glaze	54MKO
Painted Harbor	54MKS
Painted Linen	54MPS
Painted Navy	54FBS
Painted Pewter Glaze	54MPQ
Painted Sage	54FCS
Painted Stone	54MYS
Painted Vanilla	54FVS

# Waypoint Series 720R NEW! FINISHES

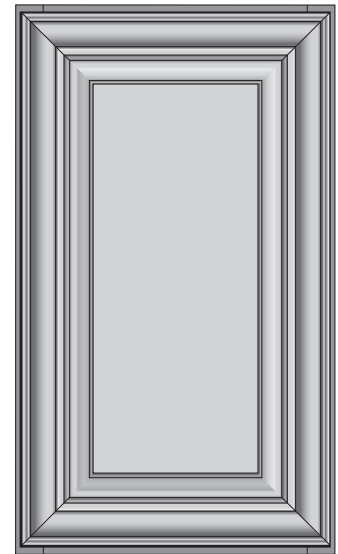
## DOOR STYLE DETAILS

Door Description:	Mitered Raised Panel
Small Drawer Front:	5 Piece Mitered Raised Panel
Large Drawer Front:	5 Piece Mitered Raised Panel
Overlay:	Full Overlay
Door Stile & Rail Width:	3"
Tall Door Details:	Horizontal Center Rail on 50" High Doors
Hinge:	Deep Full Overlay
Hardware:	Requires Decorative Door & Drawer Hardware (Refer to Decorative Hardware section of this guide for restrictions)

FINISH	STYLE CODES
<b>Cherry</b>	
Cherry Java	35CKS
Cherry Slate	35CES
<b>Maple</b>	
Maple Cognac	35MRS
Maple Latte	35GAS
Maple Rye	35MTS
Maple Slate	35GES
Maple Spice	35MSS
Maple Truffle	35MBS
<b>Painted</b>	
Painted Biscotti Glaze	35FVF
Painted Black	35FDS
Painted Boulder	35MIS
Painted Ember Glaze	35MKO
Painted Harbor	35MKS
Painted Linen	35MPS
Painted Navy	35FBS
Painted Pewter Glaze	35MPQ
Painted Sage	35FCS
Painted Stone	35MYS
Painted Vanilla	35FVS



Door Cross Section



Door



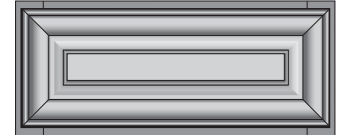
Kneehole Drawer Cross Section



Kneehole Drawer Front



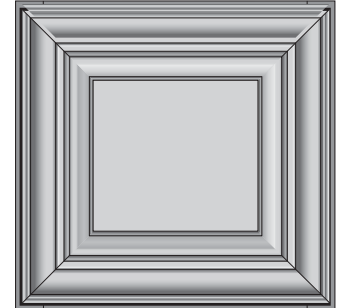
Small Drawer Cross Section



Small Drawer Front



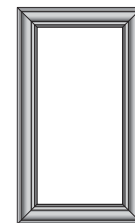
Large Drawer Cross Section



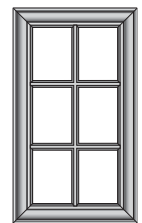
Large Drawer Front

## SPECIALTY DOORS (SD) AVAILABLE

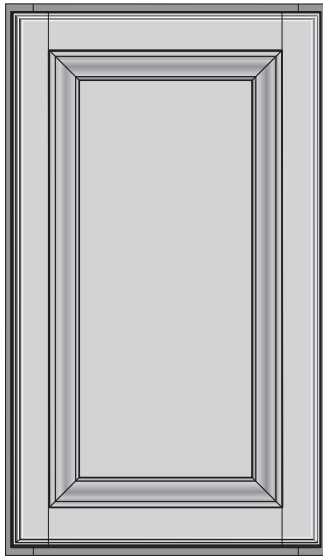
See page 69 for details and restrictions



OFD



MFD



Door



Door Cross Section



Kneehole Drawer Front



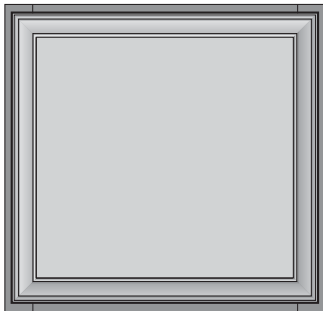
Kneehole Drawer Cross Section



Small Drawer Front



Small Drawer Cross Section



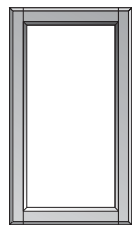
Large Drawer Front



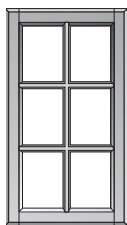
Large Drawer Cross Section

**SPECIALTY DOORS (SD) AVAILABLE**

See page 69 for details and restrictions



OFD



MFD

**Waypoint Series 660D** NEW! FINISHES

**DOOR STYLE DETAILS**

Door Description:	Raised Panel
Drawer Front:	Decorative Slab
Overlay:	Full Overlay
Door Stile & Rail Width:	2 1/4"
Tall Door Details:	Horizontal Center Rail on 50" High Doors
Hinge:	Full Overlay
Hardware:	Requires Decorative Door & Drawer Hardware (Refer to Decorative Hardware section of this guide for restrictions)

FINISH	STYLE CODES
<b>Cherry</b>	
Cherry Java	44CKS
Cherry Slate	44CES
<b>Maple</b>	
Maple Cognac	44MRS
Maple Latte	44GAS
Maple Rye	44MTS
Maple Slate	44GES
Maple Spice	44MSS
Maple Truffle	44MBS
<b>Painted</b>	
Painted Biscotti Glaze	44FVF
Painted Black	44FDS
Painted Boulder	44MIS
Painted Ember Glaze	44MKO
Painted Harbor	44MKS
Painted Linen	44MPS
Painted Navy	44FBS
Painted Pewter Glaze	44MPQ
Painted Sage	44FCS
Painted Stone	44MYS
Painted Vanilla	44FVS



# Waypoint Series 660R NEW! FINISHES

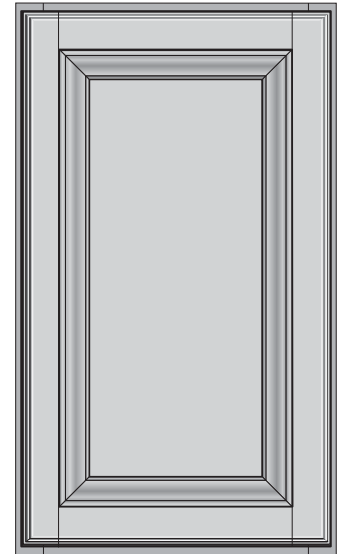
## DOOR STYLE DETAILS

Door Description:	Raised Panel
Small Drawer Front:	5 Piece Raised Panel
Large Drawer Front:	5 Piece Raised Panel
Overlay:	Full Overlay
Door Stile & Rail Width:	2 1/4"
Tall Door Details:	Horizontal Center Rail on 50" High Doors
Hinge:	Full Overlay
Hardware:	Requires Decorative Door & Drawer Hardware (Refer to Decorative Hardware section of this guide for restrictions)

FINISH	STYLE CODES
<b>Cherry</b>	
Cherry Java	47CKS
Cherry Slate	47CES
<b>Maple</b>	
Maple Cognac	47MRS
Maple Latte	47GAS
Maple Rye	47MTS
Maple Slate	47GES
Maple Spice	47MSS
Maple Truffle	47MBS
<b>Painted</b>	
Painted Biscotti Glaze	47FVF
Painted Black	47FDS
Painted Boulder	47MIS
Painted Ember Glaze	47MKO
Painted Harbor	47MKS
Painted Linen	47MPS
Painted Navy	47FBS
Painted Pewter Glaze	47MPQ
Painted Sage	47FCS
Painted Stone	47MYS
Painted Vanilla	47FVS



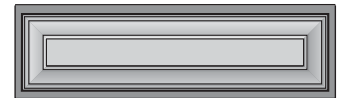
Door Cross Section



Door



Kneehole Drawer Cross Section



Kneehole Drawer Front



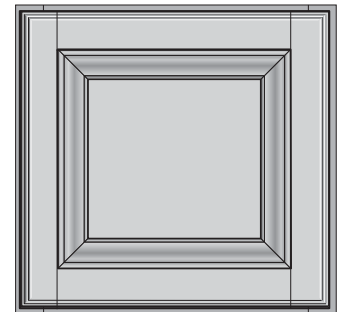
Small Drawer Cross Section



Small Drawer Front



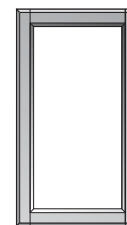
Large Drawer Cross Section



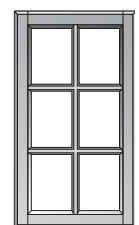
Large Drawer Front

### SPECIALTY DOORS (SD) AVAILABLE

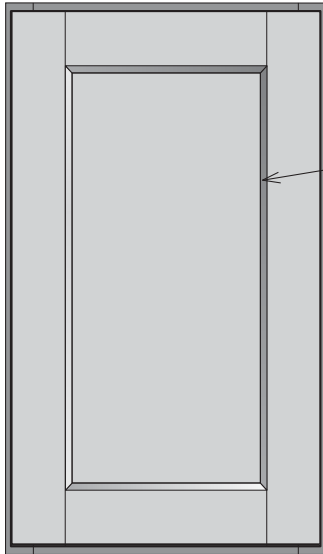
See page 69 for details and restrictions



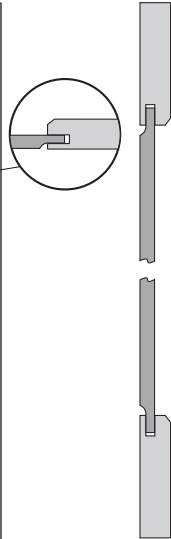
OFD



MFD



Door



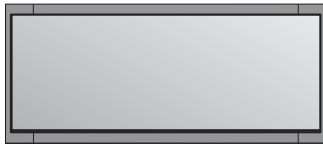
Door Cross Section



Kneehole Drawer Front



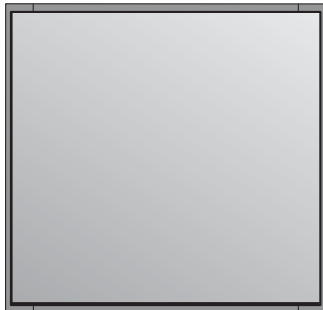
Kneehole Drawer Cross Section



Small Drawer Front



Small Drawer Cross Section



Large Drawer Front



Large Drawer Cross Section

## Waypoint Series 650S NEW! FINISHES

### DOOR STYLE DETAILS

Door Description:	Recessed Shaker Panel
Drawer Front:	Slab
Overlay:	Full Overlay
Door Stile & Rail Width:	3"
Tall Door Details:	Horizontal Center Rail on 50" High Doors
Hinge:	Deep Full Overlay
Hardware:	Requires Decorative Door & Drawer Hardware (Refer to Decorative Hardware section of this guide for restrictions)

### FINISH

### STYLE CODES

#### Cherry

Cherry Java	40CKS
Cherry Slate	40CES

#### Maple

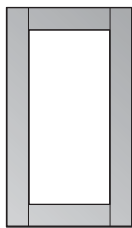
Maple Cognac	40MRS
Maple Latte	40GAS
Maple Rye	40MTS
Maple Slate	40GES
Maple Spice	40MSS
Maple Truffle	40MBS

#### Painted

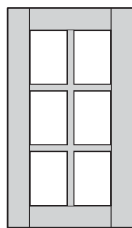
Painted Black	40FDS
Painted Boulder	40MIS
Painted Harbor	40MKS
Painted Linen	40MPS
Painted Navy	40FBS
Painted Sage	40FCS
Painted Stone	40MYS
Painted Vanilla	40FVS

### SPECIALTY DOORS (SD) AVAILABLE

See page 69 for details and restrictions



OFD



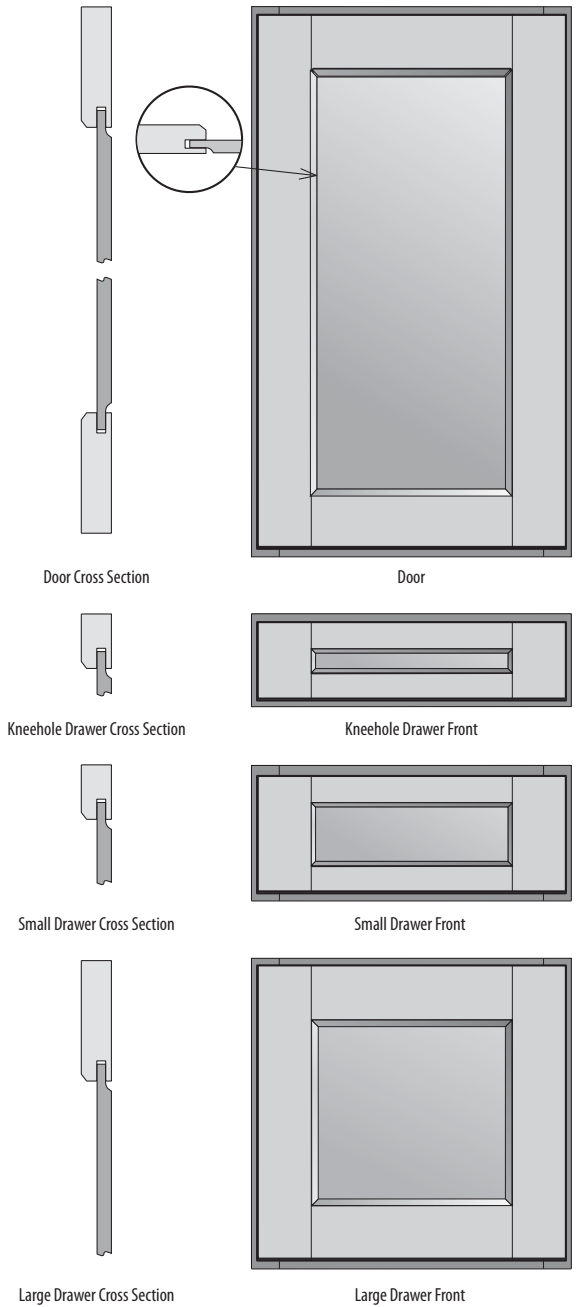
MFD

# Waypoint Series 650F NEW! FINISHES

## DOOR STYLE DETAILS

Door Description:	Recessed Shaker Panel
Small Drawer Front:	5 Piece Flat Panel
Large Drawer Front:	5 Piece Flat Panel
Overlay:	Full Overlay
Door Stile & Rail Width:	3"
Tall Door Details:	Horizontal Center Rail on 50" High Doors
Hinge:	Deep Full Overlay
Hardware:	Requires Decorative Door & Drawer Hardware (Refer to Decorative Hardware section of this guide for restrictions)

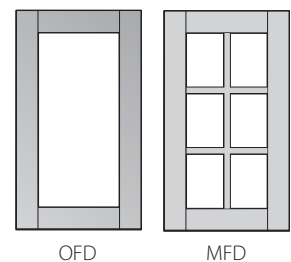
FINISH	STYLE CODES
<b>Cherry</b>	
Cherry Java	42CKS
Cherry Slate	42CES
<b>Maple</b>	
Maple Cognac	42MRS
Maple Latte	42GAS
Maple Rye	42MTS
Maple Slate	42GES
Maple Spice	42MSS
Maple Truffle	42MBS
<b>Painted</b>	
Painted Black	42FDS
Painted Boulder	42MIS
Painted Harbor	42MKS
Painted Linen	42MPS
Painted Navy	42FBS
Painted Sage	42FCS
Painted Stone	42MYS
Painted Vanilla	42FVS

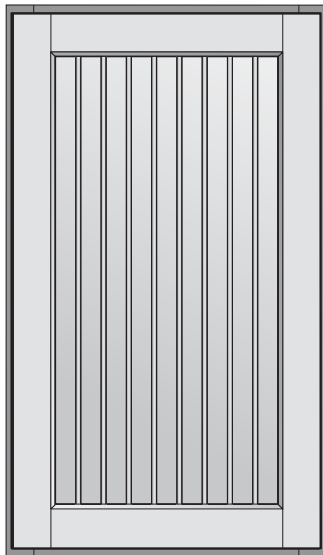


DOOR STYLES

### SPECIALTY DOORS (SD) AVAILABLE

See page 69 for details and restrictions

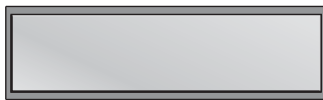




Door



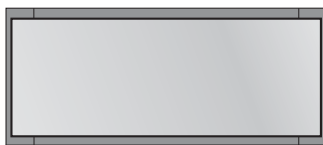
Door Cross Section



Kneehole Drawer Front



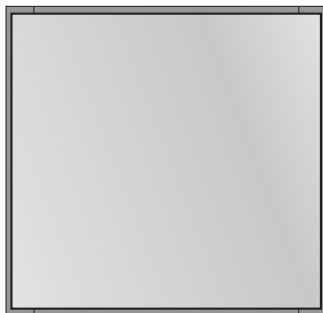
Kneehole Drawer Cross Section



Small Drawer Front



Small Drawer Cross Section



Large Drawer Front



Large Drawer Cross Section

## Waypoint Series 644S NEW! FINISHES

### DOOR STYLE DETAILS

Door Description:	Beadboard Panel
Drawer Front:	Slab
Overlay:	Full Overlay
Door Stile & Rail Width:	2 1/4"
Tall Door Details:	Horizontal Center Rail on 50" High Doors
Hinge:	Deep Full Overlay
Hardware:	Requires Decorative Door & Drawer Hardware (Refer to Decorative Hardware section of this guide for restrictions)

### FINISH

### STYLE CODES

#### Maple

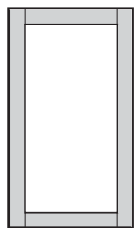
Maple Cognac	48MRS
Maple Latte	48GAS
Maple Rye	48MTS
Maple Slate	48GES
Maple Spice	48MSS
Maple Truffle	48MBS

#### Painted

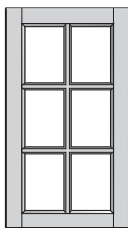
Painted Black	48FDS
Painted Boulder	48MIS
Painted Harbor	48MKS
Painted Linen	48MPS
Painted Navy	48FBS
Painted Sage	48FCS
Painted Stone	48MYS
Painted Vanilla	48FVS

### SPECIALTY DOORS (SD) AVAILABLE

See page 69 for details and restrictions



OFD



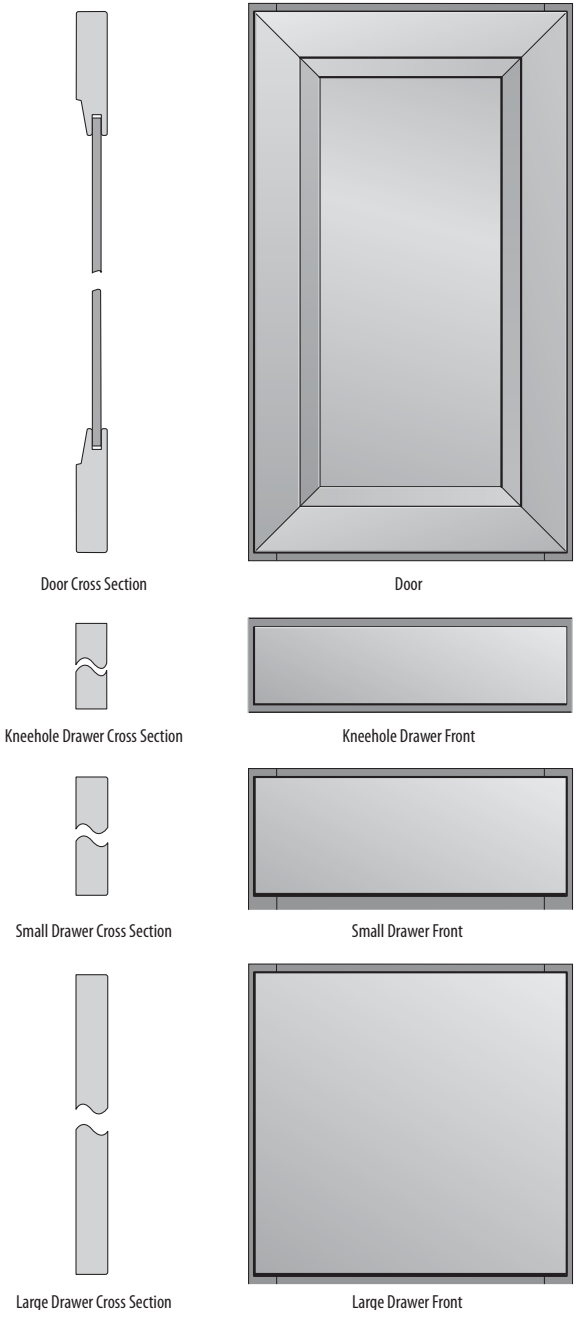
MFD

# Waypoint Series 570S NEW! FINISHES

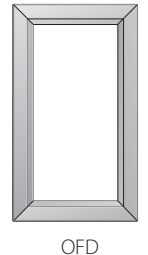
## DOOR STYLE DETAILS

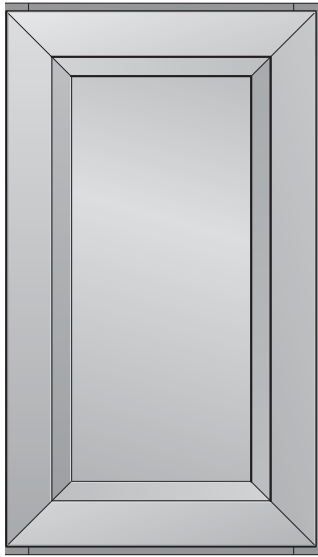
Door Description:	Mitered Recessed Panel
Drawer Front:	Slab
Overlay:	Full Overlay
Door Stile & Rail Width:	3"
Tall Door Details:	Horizontal Center Rail on 50" High Doors
Hinge:	Deep Full Overlay
Hardware:	Requires Decorative Door & Drawer Hardware (Refer to Decorative Hardware section of this guide for restrictions)

FINISH	STYLE CODES
<b>Maple</b>	
Maple Cognac	57MRS
Maple Latte	57GAS
Maple Rye	57MTS
Maple Slate	57GES
Maple Spice	57MSS
Maple Truffle	57MBS
<b>Painted</b>	
Painted Biscotti Glaze	57FVE
Painted Black	57FDS
Painted Boulder	57MIS
Painted Ember Glaze	57MKO
Painted Harbor	57MKS
Painted Linen	57MPS
Painted Navy	57FBS
Painted Pewter Glaze	57MPQ
Painted Sage	57FCS
Painted Stone	57MYS
Painted Vanilla	57EVS

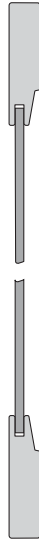


**SPECIALTY DOORS (SD) AVAILABLE**  
See page 69 for details and restrictions

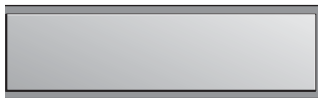




Door



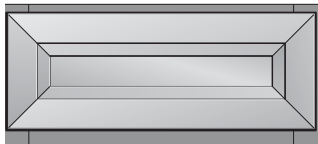
Door Cross Section



Kneehole Drawer Front



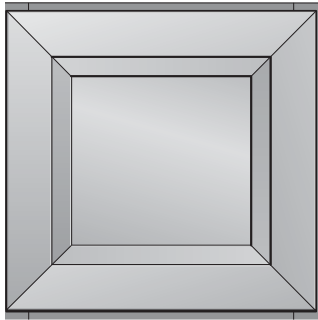
Kneehole Drawer Cross Section



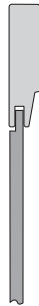
Small Drawer Front



Small Drawer Cross Section



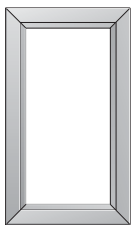
Large Drawer Front



Large Drawer Cross Section

**SPECIALTY DOORS (SD) AVAILABLE**

See page 69 for details and restrictions



OFD

**Waypoint Series 570F**

**NEW! FINISHES**

**DOOR STYLE DETAILS**

Door Description:	Mitered Recessed Panel
Small Drawer Front:	5 Piece Mitered Flat Panel
Large Drawer Front:	5 Piece Mitered Flat Panel
Overlay:	Full Overlay
Door Stile & Rail Width:	3"
Tall Door Details:	No Horizontal Center Rail on 50" High Doors
Hinge:	Deep Full Overlay
Hardware:	Requires Decorative Door & Drawer Hardware (Refer to Decorative Hardware section of this guide for restrictions)

**FINISH**

**STYLE CODES**

**Maple**

Maple Cognac	58MRS
Maple Latte	58GAS
Maple Rye	58MTS
Maple Slate	58GES
Maple Spice	58MSS
Maple Truffle	58MBS

**Painted**

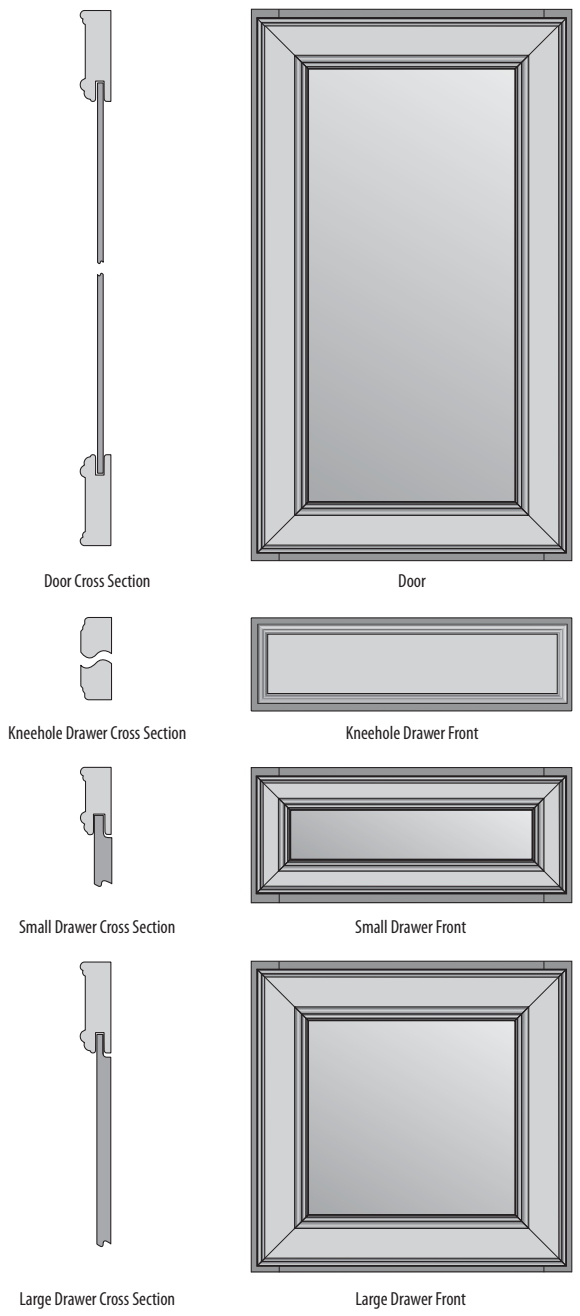
Painted Biscotti Glaze	58FVF
Painted Black	58FDS
Painted Boulder	58MIS
Painted Ember Glaze	58MKO
Painted Harbor	58MKS
Painted Linen	58MPS
Painted Navy	58FBS
Painted Pewter Glaze	58MPQ
Painted Sage	58FCS
Painted Stone	58MYS
Painted Vanilla	58FVS

# Waypoint Series 540F NEW! FINISHES

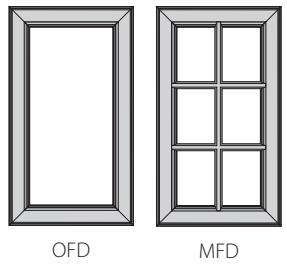
## DOOR STYLE DETAILS

Door Description:	Mitered Recessed Panel
Small Drawer Front:	5 Piece Mitered Flat Panel
Large Drawer Front:	5 Piece Mitered Flat Panel
Overlay:	Full Overlay
Door Stile & Rail Width:	2 1/4"
Tall Door Details:	No Horizontal Center Rail on 50" High Doors
Hinge:	Deep Full Overlay
Hardware:	Requires Decorative Door & Drawer Hardware (Refer to Decorative Hardware section of this guide for restrictions)

FINISH	STYLE CODES
<b>Cherry</b>	
Cherry Java	30CKS
Cherry Slate	30CES
<b>Maple</b>	
Maple Cognac	30MRS
Maple Latte	30GAS
Maple Rye	30MTS
Maple Slate	30GES
Maple Spice	30MSS
Maple Truffle	30MBS
<b>Painted</b>	
Painted Biscotti Glaze	30FVF
Painted Black	30FDS
Painted Boulder	30MIS
Painted Ember Glaze	30MKO
Painted Harbor	30MKS
Painted Linen	30MPS
Painted Navy	30FBS
Painted Pewter Glaze	30MPQ
Painted Sage	30FCS
Painted Stone	30MYS
Painted Vanilla	30FVS



**SPECIALTY DOORS (SD) AVAILABLE**  
See page 69 for details and restrictions





Door



Door Cross Section



Kneehole Drawer Front



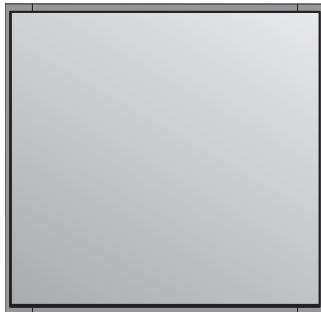
Kneehole Drawer Cross Section



Small Drawer Front



Small Drawer Cross Section



Large Drawer Front



Large Drawer Cross Section

## Waypoint Series 530S

NEW! SPECIES

### DOOR STYLE DETAILS

Door Description:	Slab
Drawer Front:	Slab
Overlay:	Full Overlay
Door Stile & Rail Width:	3" (on OFD Doors)
Tall Door Details:	No Horizontal Center Rail on 50" High Doors
Hinge:	Deep Full Overlay
Hardware:	Requires Decorative Door & Drawer Hardware (Refer to Decorative Hardware section of this guide for restrictions)

### FINISH

### STYLE CODES

#### Cherry (with Edge Banding)

Cherry Java	39CKS
Cherry Slate	39CES

#### Maple (with Edge Banding)

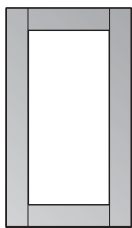
Maple Cognac	39MRS
Maple Latte	39GAS
Maple Rye	39MTS
Maple Slate	39GES
Maple Spice	39MSS
Maple Truffle	39MBS

#### Painted

Painted Black	39FDS
Painted Boulder	39MIS
Painted Harbor	39MKS
Painted Linen	39MPS
Painted Navy	39FBS
Painted Sage	39FCS
Painted Stone	39MYS
Painted Vanilla	39FVS

### SPECIALTY DOORS (SD) AVAILABLE

See page 69 for details and restrictions



OFD



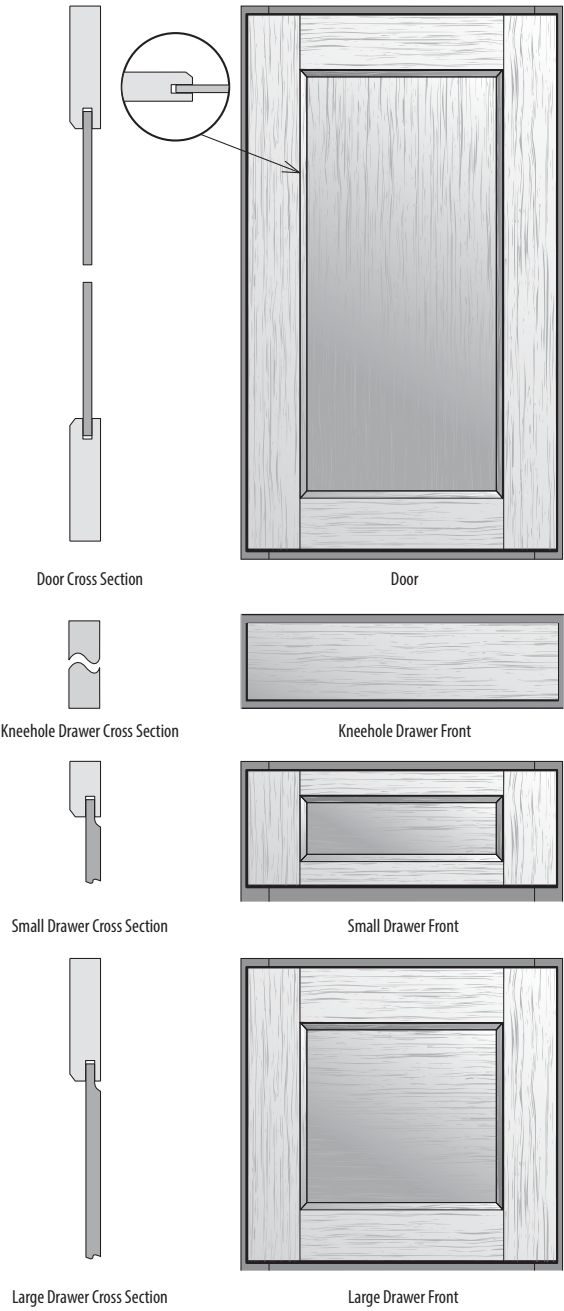
# Waypoint Series DT24F

## DOOR STYLE DETAILS

Door Description:	Recessed Shaker Panel
Small Drawer Front:	5 Piece Flat Panel
Large Drawer Front:	5 Piece Flat Panel
Overlay:	Full Overlay
Door Stile & Rail Width:	3"
Tall Door Details:	No Horizontal Center Rail on 50" High Doors
Hinge:	Deep Full Overlay
Hardware:	Requires Decorative Door & Drawer Hardware (Refer to Decorative Hardware section of this guide for restrictions)

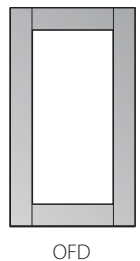
FINISH	BOX FINISH*	STYLE CODES
<b>Duraform</b> (Textured PVC)		
Duraform Breeze	Linen	42EPA
Duraform Drift	Harbor	42EKB

\* Doors, Drawer Fronts and select SKUs (\_\_\_DT) will be Duraform Texture. All other finished cabinet and accessory surfaces will be in the indicated box finish above.



### SPECIALTY DOORS (SD) AVAILABLE

See page 69 for details and restrictions

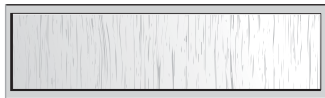




Door



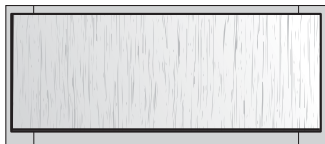
Door Cross Section



Kneehole Drawer Front



Kneehole Drawer Cross Section



Small Drawer Front



Small Drawer Cross Section



Large Drawer Front



Large Drawer Cross Section

## Waypoint Series DT22S

### DOOR STYLE DETAILS

Door Description: Slab with Edge Banding

Drawer Front: Slab with Edge Banding

Overlay: Full Overlay

Door Stile & Rail Width: 3" (on OFD Doors)

Tall Door Details: No Horizontal Center Rail on 50" High Doors

Hinge: Deep Full Overlay

Hardware: Requires Decorative Door & Drawer Hardware (Refer to Decorative Hardware section of this guide for restrictions)

FINISH	BOX FINISH*	STYLE CODES
<b>Duraform</b> (Textured PVC)		
Duraform Breeze	Linen	39EPA
Duraform Drift	Harbor	39EKB

**Duraform** (Textured PVC)

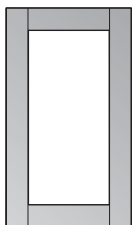
Duraform Breeze Linen 39EPA

Duraform Drift Harbor 39EKB

\* Doors, Drawer Fronts and select SKUs (\_\_\_DT) will be Duraform Texture. All other finished cabinet and accessory surfaces will be in the indicated box finish above.

### SPECIALTY DOORS (SD) AVAILABLE

See page 69 for details and restrictions



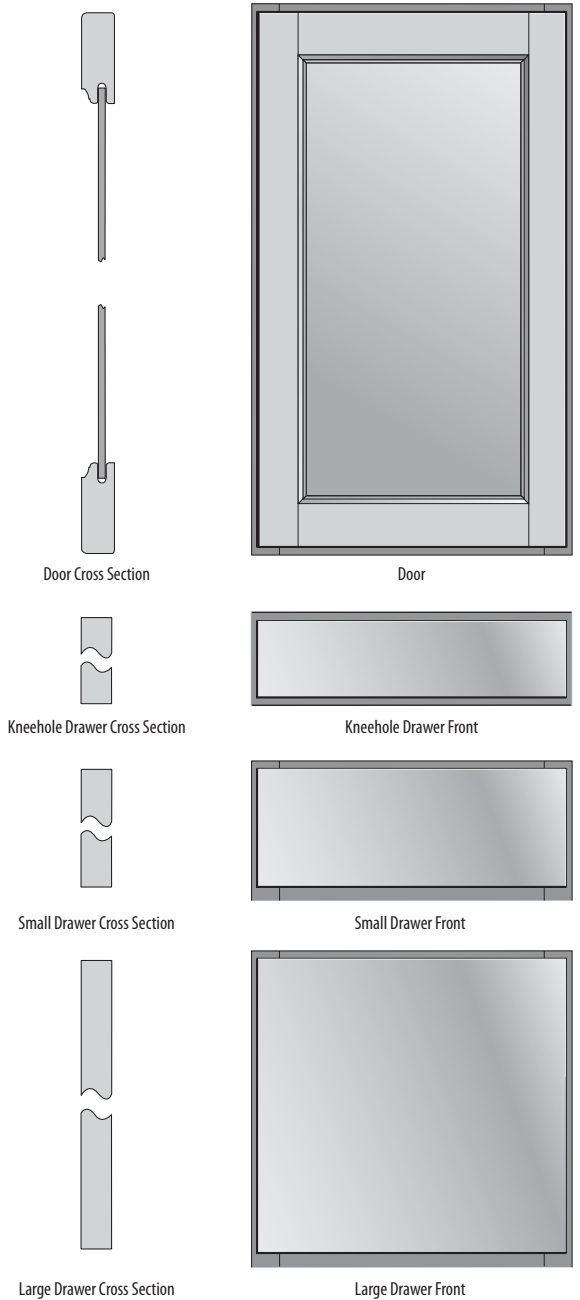
OFD

# Waypoint Series 470S NEW! FINISHES

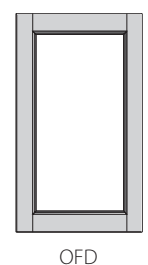
## DOOR STYLE DETAILS

Door Description:	Recessed Panel
Drawer Front:	Slab
Overlay:	Full Overlay
Door Stile & Rail Width:	2 1/4"
Tall Door Details:	Horizontal Center Rail on 50" High Doors
Hinge:	Deep Full Overlay
Hardware:	Requires Decorative Door & Drawer Hardware (Refer to Decorative Hardware section of this guide for restrictions)

FINISH	STYLE CODES
<b>Maple</b>	
Maple Cognac	74MRS
Maple Latte	74GAS
Maple Rye	74MTS
Maple Slate	74GES
Maple Spice	74MSS
Maple Truffle	74MBS
<b>Painted</b>	
Painted Biscotti Glaze	74FVF
Painted Black	74FDS
Painted Boulder	74MIS
Painted Ember Glaze	74MKO
Painted Harbor	74MKS
Painted Linen	74MPS
Painted Navy	74FBS
Painted Pewter Glaze	74MPQ
Painted Sage	74FCS
Painted Stone	74MYS
Painted Vanilla	74FVS



**SPECIALTY DOORS (SD) AVAILABLE**  
See page 69 for details and restrictions



OFD



Door



Door Cross Section



Kneehole Drawer Front



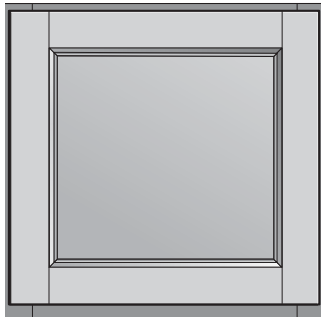
Kneehole Drawer Cross Section



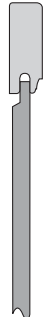
Small Drawer Front



Small Drawer Cross Section



Large Drawer Front



Large Drawer Cross Section

## Waypoint Series 470F

NEW! FINISHES

### DOOR STYLE DETAILS

Door Description: Recessed Panel

Small Drawer Front: 5 Piece Flat Panel

Large Drawer Front: 5 Piece Flat Panel

Overlay: Full Overlay

Door Stile & Rail Width: 2 1/4"

Tall Door Details: Horizontal Center Rail on 50" High Doors

Hinge: Deep Full Overlay

Hardware: Requires Decorative Door & Drawer Hardware (Refer to Decorative Hardware section of this guide for restrictions)

### FINISH

### STYLE CODES

#### Maple

Maple Cognac 75MRS

Maple Latte 75GAS

Maple Rye 75MTS

Maple Slate 75GES

Maple Spice 75MSS

Maple Truffle 75MBS

#### Painted

Painted Biscotti Glaze 75EVF

Painted Black 75FDS

Painted Boulder 75MIS

Painted Ember Glaze 75MKO

Painted Harbor 75MKS

Painted Linen 75MPS

Painted Navy 75FBS

Painted Pewter Glaze 75MPQ

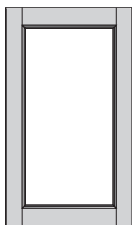
Painted Sage 75FCS

Painted Stone 75MYS

Painted Vanilla 75FVS

### SPECIALTY DOORS (SD) AVAILABLE

See page 69 for details and restrictions



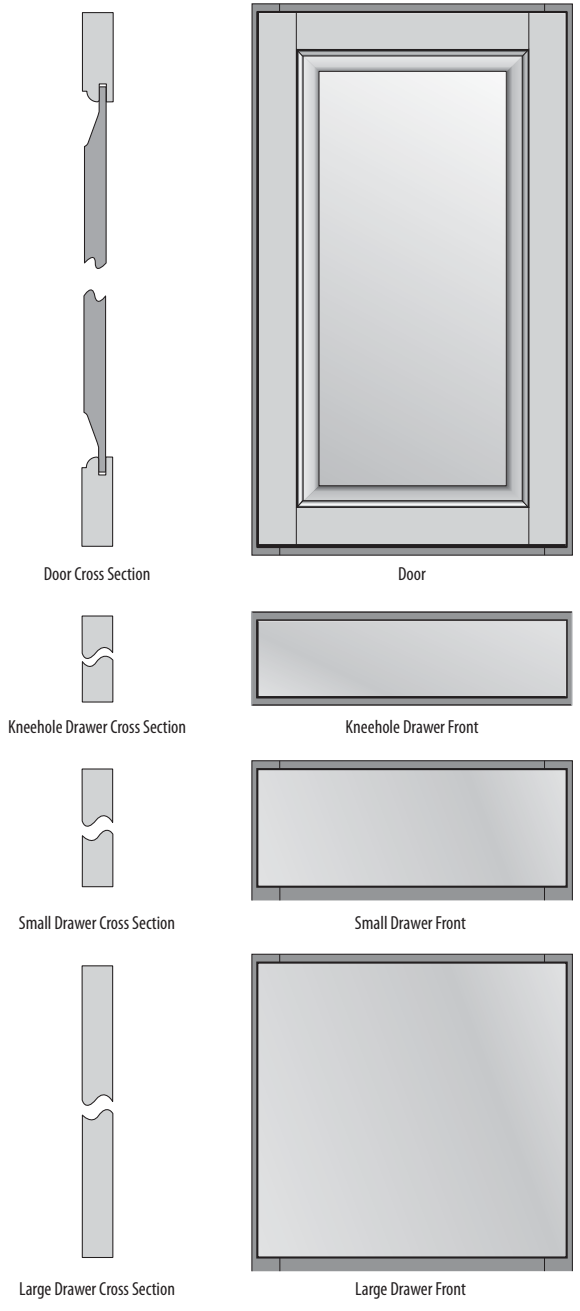
OFD

# Waypoint Series 460S NEW! FINISHES

## DOOR STYLE DETAILS

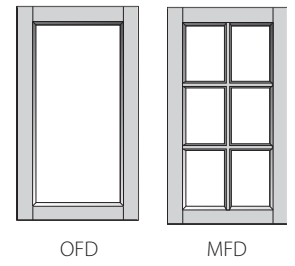
Door Description:	Raised Panel
Drawer Front:	Slab
Overlay:	Full Overlay
Door Stile & Rail Width:	2 1/4"
Tall Door Details:	Horizontal Center Rail on 50" High Doors
Hinge:	Deep Full Overlay
Hardware:	Requires Decorative Door & Drawer Hardware (Refer to Decorative Hardware section of this guide for restrictions)

FINISH	STYLE CODES
<b>Maple</b>	
Maple Cognac	69MRS
Maple Latte	69GAS
Maple Rye	69MTS
Maple Slate	69GES
Maple Spice	69MSS
Maple Truffle	69MBS
<b>Painted</b>	
Painted Biscotti Glaze	69FVF
Painted Black	69FDS
Painted Boulder	69MIS
Painted Ember Glaze	69MKO
Painted Harbor	69MKS
Painted Linen	69MPS
Painted Navy	69FBS
Painted Pewter Glaze	69MPQ
Painted Sage	69FCS
Painted Stone	69MYS
Painted Vanilla	69FVS



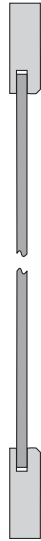
### SPECIALTY DOORS (SD) AVAILABLE

See page 69 for details and restrictions





Door



Door Cross Section



Kneehole Drawer Front



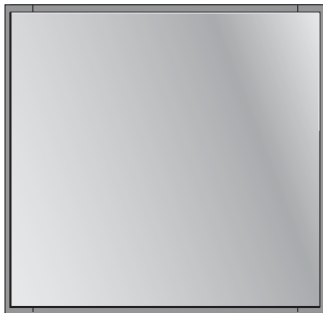
Kneehole Drawer Cross Section



Small Drawer Front



Small Drawer Cross Section



Large Drawer Front



Large Drawer Cross Section

## Waypoint Series 410S NEW! FINISHES

### DOOR STYLE DETAILS

Door Description:	Recessed Panel
Drawer Front:	Slab
Overlay:	Full Overlay
Door Stile & Rail Width:	2 1/4"
Tall Door Details:	Horizontal Center Rail on 50" High Doors
Hinge:	Deep Full Overlay
Hardware:	Requires Decorative Door & Drawer Hardware (Refer to Decorative Hardware section of this guide for restrictions)

### FINISH

### STYLE CODES

#### Cherry

Cherry Java	28CKS
Cherry Slate	28CES

#### Maple

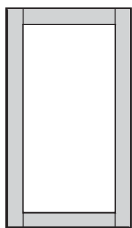
Maple Cognac	28MRS
Maple Latte	28GAS
Maple Rye	28MTS
Maple Slate	28GES
Maple Spice	28MSS
Maple Truffle	28MBS

#### Painted

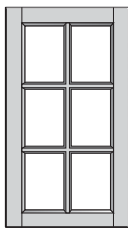
Painted Black	28FDS
Painted Boulder	28MIS
Painted Harbor	28MKS
Painted Linen	28MPS
Painted Navy	28FBS
Painted Sage	28FCS
Painted Stone	28MYS
Painted Vanilla	28FVS

### SPECIALTY DOORS (SD) AVAILABLE

See page 69 for details and restrictions



OFD



MFD

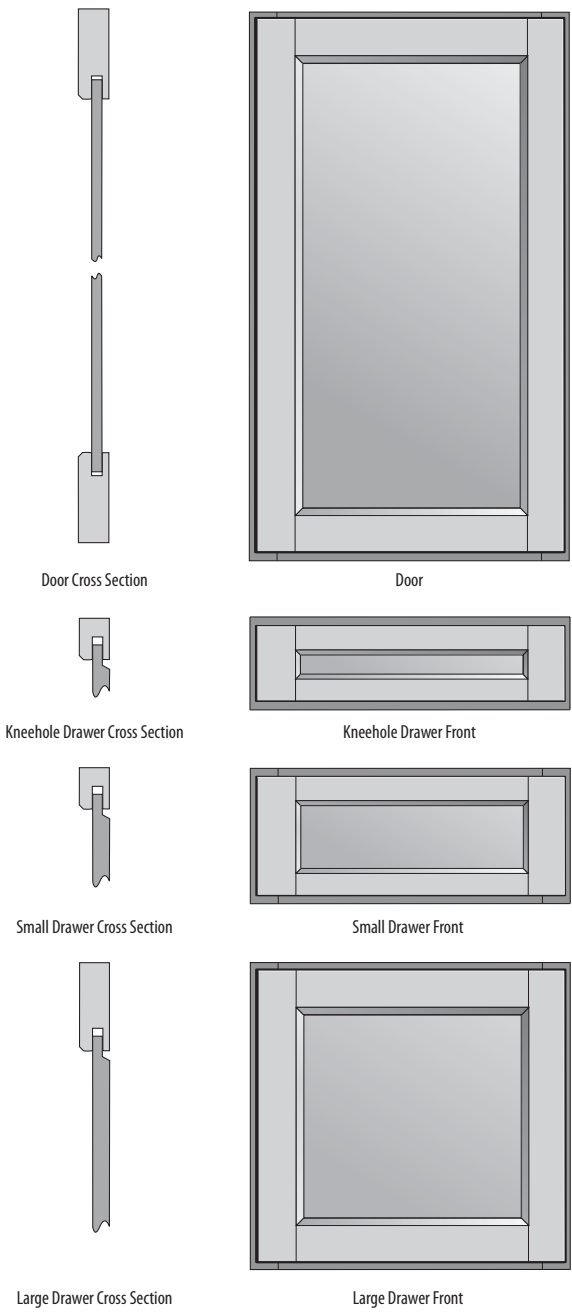
# Waypoint Series 410F

NEW! FINISHES

## DOOR STYLE DETAILS

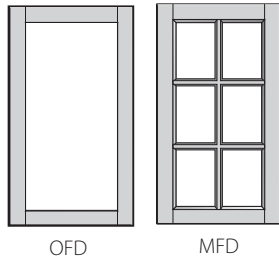
Door Description:	Recessed Panel
Small Drawer Front:	5 Piece Flat Panel
Large Drawer Front:	5 Piece Flat Panel
Overlay:	Full Overlay
Door Stile & Rail Width:	2 1/4"
Tall Door Details:	Horizontal Center Rail on 50" High Doors
Hinge:	Deep Full Overlay
Hardware:	Requires Decorative Door & Drawer Hardware (Refer to Decorative Hardware section of this guide for restrictions)

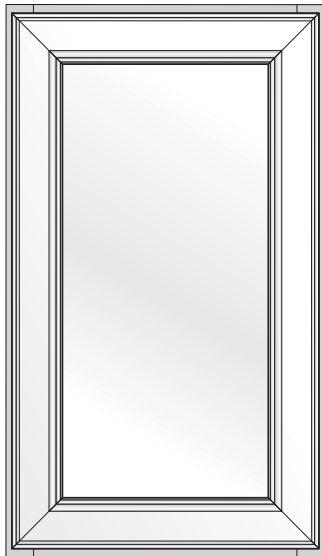
FINISH	STYLE CODES
<b>Cherry</b>	
Cherry Java	29CKS
Cherry Slate	29CES
<b>Maple</b>	
Maple Cognac	29MRS
Maple Latte	29GAS
Maple Rye	29MTS
Maple Slate	29GES
Maple Spice	29MSS
Maple Truffle	29MBS
<b>Painted</b>	
Painted Black	29FDS
Painted Boulder	29MIS
Painted Harbor	29MKS
Painted Linen	29MPS
Painted Navy	29FBS
Painted Sage	29FCS
Painted Stone	29MYS
Painted Vanilla	29FVS



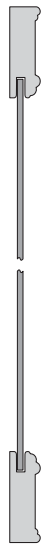
### SPECIALTY DOORS (SD) AVAILABLE

See page 69 for details and restrictions





Door



Door Cross Section



Kneehole Drawer Front



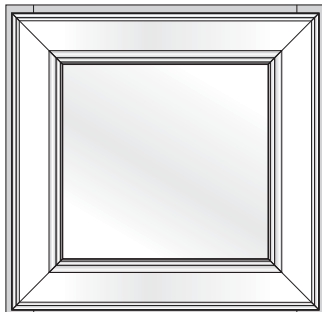
Kneehole Drawer Cross Section



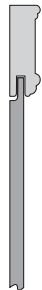
Small Drawer Front



Small Drawer Cross Section



Large Drawer Front



Large Drawer Cross Section

## Waypoint Series D18F

### DOOR STYLE DETAILS

Door Description: Mitered Recessed Panel

Small Drawer Front: 5 Piece Mitered Flat Panel

Large Drawer Front: 5 Piece Mitered Flat Panel

Overlay: Full Overlay

Door Stile & Rail Width: 2 1/4"

Tall Door Details: No Horizontal Center Rail on  
50" High Doors

Hinge: Deep Full Overlay

Hardware: Requires Decorative Door & Drawer  
Hardware (Refer to Decorative Hardware  
section of this guide for restrictions)

### FINISH

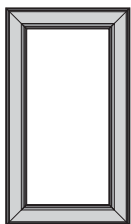
### STYLE CODES

#### Duraform (Polypropylene)

Duraform Espresso	30EJS
Duraform Harbor	30EKS
Duraform Linen	30EPS
Duraform Stone	30EYS

### SPECIALTY DOORS (SD) AVAILABLE

See page 69 for details and restrictions



OFD

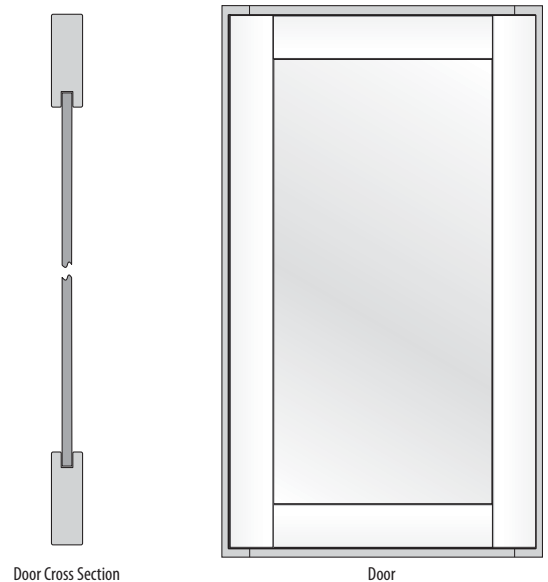


# Waypoint Series D16S

## DOOR STYLE DETAILS

Door Description:	Recessed Panel
Drawer Front:	Slab
Overlay:	Full Overlay
Door Stile & Rail Width:	2 1/4"
Tall Door Details:	No Horizontal Center Rail on 50" High Doors
Hinge:	Deep Full Overlay
Hardware:	Requires Decorative Door & Drawer Hardware (Refer to Decorative Hardware section of this guide for restrictions)

FINISH	STYLE CODES
<b>Duraform</b> (Polypropylene)	
Duraform Espresso	28EJS
Duraform Harbor	28EKS
Duraform Linen	28EPS
Duraform Stone	28EYS



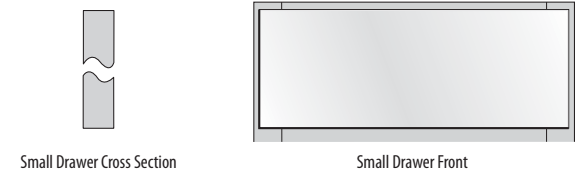
Door Cross Section

Door



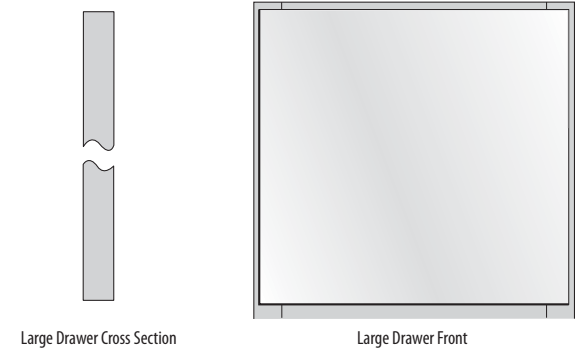
Kneehole Drawer Cross Section

Kneehole Drawer Front



Small Drawer Cross Section

Small Drawer Front

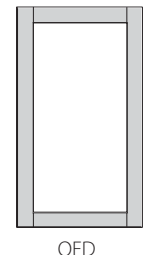


Large Drawer Cross Section

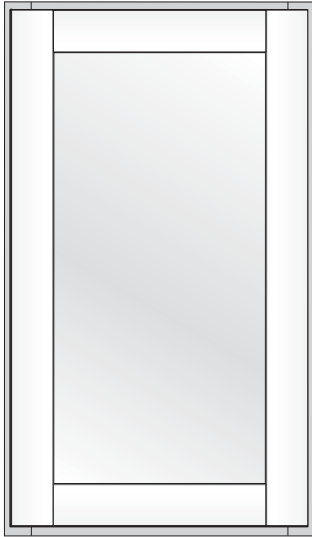
Large Drawer Front

### SPECIALTY DOORS (SD) AVAILABLE

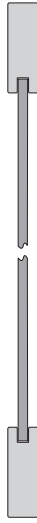
See page 69 for details and restrictions



OFD



Door



Door Cross Section



Kneehole Drawer Front



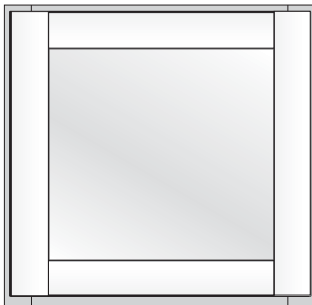
Kneehole Drawer Cross Section



Small Drawer Front



Small Drawer Cross Section



Large Drawer Front



Large Drawer Cross Section

## Waypoint Series D16F

### DOOR STYLE DETAILS

Door Description:	Recessed Panel
Small Drawer Front:	5 Piece Flat Panel
Large Drawer Front:	5 Piece Flat Panel
Overlay:	Full Overlay
Door Stile & Rail Width:	2 1/4"
Tall Door Details:	No Horizontal Center Rail on 50" High Doors
Hinge:	Deep Full Overlay
Hardware:	Requires Decorative Door & Drawer Hardware (Refer to Decorative Hardware section of this guide for restrictions)

### FINISH

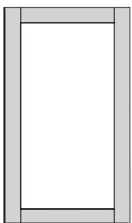
### STYLE CODE

#### Duraform (Polypropylene)

Duraform Espresso	29EJS
Duraform Harbor	29EKS
Duraform Linen	29EPS
Duraform Stone	29EYS

### SPECIALTY DOORS (SD) AVAILABLE

See page 69 for details and restrictions



OFD

# Waypoint Series D12S

## DOOR STYLE DETAILS

Door Description:	Slab
Drawer Front:	Slab
Overlay:	Full Overlay
Door Stile & Rail Width:	3" (on OFD Doors)
Tall Door Details:	No Horizontal Center Rail on 50" High Doors
Hinge:	Deep Full Overlay
Hardware:	Requires Decorative Door & Drawer Hardware (Refer to Decorative Door & Drawer section of this guide for restrictions)

## FINISH

## STYLE CODE

<b>Duraform</b> (Polypropylene with Edge Banding)	
Duraform Espresso	39EJS



Door Cross Section



Door



Kneehole Drawer Cross Section



Kneehole Drawer Front



Small Drawer Cross Section



Small Drawer Front



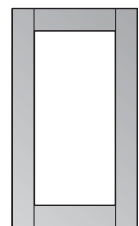
Large Drawer Cross Section



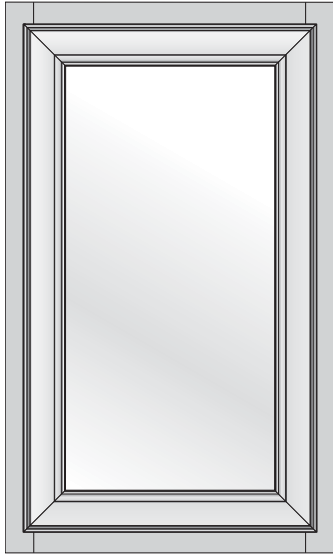
Large Drawer Front

## SPECIALTY DOORS (SD) AVAILABLE

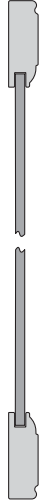
See page 69 for details and restrictions



OFD



Door



Door Cross Section



Kneehole Drawer Front



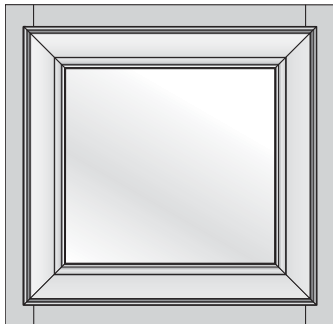
Kneehole Drawer Cross Section



Small Drawer Front



Small Drawer Cross Section



Large Drawer Front



Large Drawer Cross Section

## Waypoint Series D04F

### DOOR STYLE DETAILS

Door Description:	Mitered Recessed Panel
Small Drawer Front:	5 Piece Mitered Flat Panel
Large Drawer Front:	5 Piece Mitered Flat Panel
Overlay:	Standard Overlay
Door Stile & Rail Width:	2 1/4"
Tall Door Details:	No Horizontal Center Rail on 50" High Doors
Hinge:	Standard Overlay
Hardware:	Requires Decorative Door & Drawer Hardware (Refer to Decorative Door & Drawer section of this guide for restrictions)

### FINISH

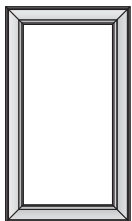
### STYLE CODE

#### Duraform (Polypropylene)

Duraform Espresso	18EJS
Duraform Harbor	18EKS
Duraform Linen	18EPS
Duraform Stone	18EYS

### SPECIALTY DOORS (SD) AVAILABLE

See page 69 for details and restrictions



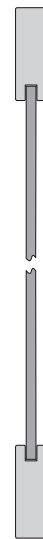
OFD

# Waypoint Series D02S

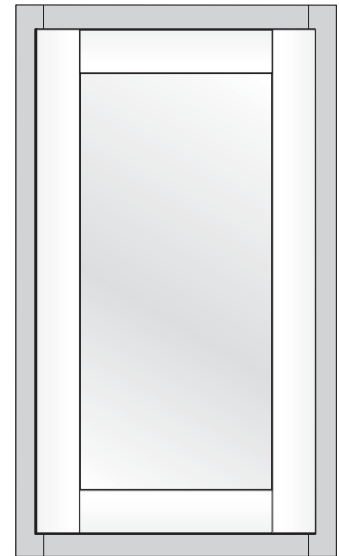
## DOOR STYLE DETAILS

Door Description:	Recessed Panel
Drawer Front:	Slab
Overlay:	Standard Overlay
Door Stile & Rail Width:	2 1/4"
Tall Door Details:	No Horizontal Center Rail on 50" High Doors
Hinge:	Standard Overlay
Hardware:	Requires Decorative Door & Drawer Hardware (Refer to Decorative Door & Drawer section of this guide for restrictions)

FINISH	STYLE CODE
<b>Duraform</b> (Polypropylene)	
Duraform Espresso	19EJS
Duraform Harbor	19EKS
Duraform Linen	19EPS
Duraform Stone	19EYS



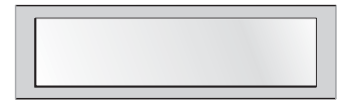
Door Cross Section



Door



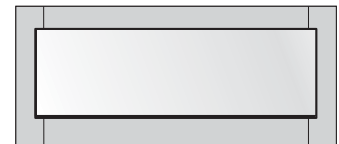
Kneehole Drawer Cross Section



Kneehole Drawer Front



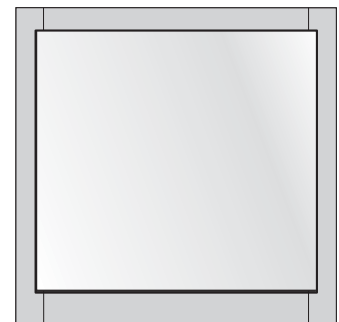
Small Drawer Cross Section



Small Drawer Front



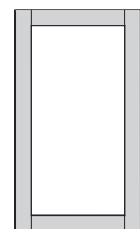
Large Drawer Cross Section



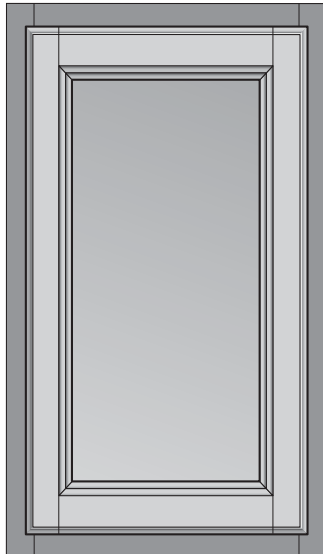
Large Drawer Front

### SPECIALTY DOORS (SD) AVAILABLE

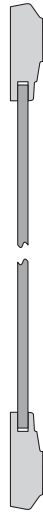
See page 69 for details and restrictions



OFD



Door



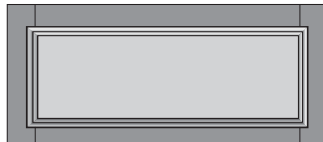
Door Cross Section



Kneehole Drawer Front



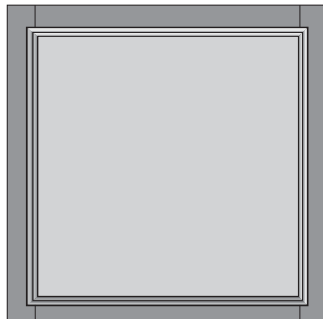
Kneehole Drawer Cross Section



Small Drawer Front



Small Drawer Cross Section



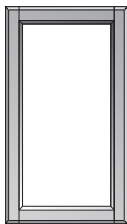
Large Drawer Front



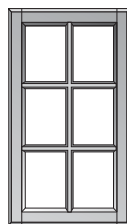
Large Drawer Cross Section

**SPECIALTY DOORS (SD) AVAILABLE**

See page 69 for details and restrictions



OFD



MFD

**Waypoint Series 310S**

**NEW! FINISHES**

**DOOR STYLE DETAILS**

Door Description:	Recessed Panel
Drawer Front:	Slab
Overlay:	Standard Overlay
Door Stile & Rail Width:	2 1/4"
Tall Door Details:	Horizontal Center Rail on 50" High Doors
Hinge:	Standard Overlay
Hardware:	Requires Decorative Door & Drawer Hardware (Refer to Decorative Hardware section of this guide for restrictions)

**FINISH**

**STYLE CODES**

**Cherry**

Cherry Java	Y6K
Cherry Slate	Y6E

**Maple**

Maple Cognac	Y3R
Maple Latte	Y5A
Maple Rye	Y3T
Maple Slate	Y5E
Maple Spice	Y3S
Maple Truffle	Y3B

**Painted**

Painted Biscotti Glaze	Y5F
Painted Black	Y5D
Painted Boulder	Y3I
Painted Ember Glaze	Y3O
Painted Harbor	Y3K
Painted Linen	Y3P
Painted Navy	Y5B
Painted Pewter Glaze	Y3Q
Painted Sage	Y5C
Painted Stone	Y3Y
Painted Vanilla	Y5V

**AFTER**



Living space shown in 570F Painted Navy

**BEFORE**



## **Kyle Zimmerman**

Capital Mark Interiors, LLC

*“My customers get a quality product  
at an affordable price.”*



# Standard Cabinet Specifications

## Cabinet Front Face Frames

Cabinet front face frames are made from ¾" x 1½" kiln dried hardwood and/or engineered materials to prevent warping and provide superior strength, durability and finished appearance. Face frame joints are precision fixtured, pressure fitted and mechanically fastened.

## Cabinet Side Panels

Cabinet side panels are ½" thick plywood. The exterior sides match cabinet finish and interior sides are finished with a natural woodgrain look. They are captured into a grooved front face frame and secured using high-strength fasteners and glue.

## Cabinet Tops, Bottoms, and Floors

Tops, bottoms, and floors are ½" thick engineered wood. The exterior and interiors are finished with a natural woodgrain look. They are fitted and glued into the cabinet front face frame grooves, then captured in the grooves of the cabinet side panels.

## Cabinet Back

The cabinet back is made from ⅛" thick hardboard substrate. The inside cabinet surface is finished with a natural woodgrain look.

## Hanging Rails

The base and vanity top hanging rail is ¾" thick solid wood, mortise and tenon joined, and glued to the cabinet side panels. The wall cabinet hanging rails are ½" thick engineered wood, glued and pinned into the cabinet back, cabinet side panels and top/bottom.

## Cabinet Shelves

Cabinet shelves are ¾" thick engineered wood. The shelves are finished with a natural woodgrain look. Shelves are banded on one side with edge banding. All shelves are adjustable and meet KCMA load standards of 15 pounds per square foot.

Plywood can consist of a combination of veneer and engineered wood layers to achieve superior product stability and finish quality. Plywood components meet the ANSI/Decorative Hardwoods Association and decorative plywood standards ([www.decorativehardwoods.org](http://www.decorativehardwoods.org)).

## Cabinet Drawers

Cabinet drawers utilize natural finish 5/8" hardwood drawer body with plywood bottoms and Grass® Elite-Plus Full-Extension Glides with CushionClose®. This full-extension glide provides complete access to drawer contents. The integrated slow-close mechanism helps reduce slams and noise and utilizes unique air damper technology for whisper-quiet luxury. All drawers meet KCMA load standards of 15 pounds per square foot.

## Deep Roll Out Trays

Deep Roll Out Trays utilize natural finish 5/8" dovetail hardwood drawer body with 7/32" printed engineered wood bottom. Deep Roll Out Trays feature Full-Extension Hidden Glides® or Full-Extension CushionClose® Glides. All Deep Roll Out Trays meet KCMA standards of 15 pounds per square foot.

## Corner Blocks

Corner blocks are attached to help ensure cabinet squareness and allow for proper countertop installation.

## Hinges

Fully concealed, self-closing CushionClose® hinges are standard on all door styles. Hinges are 6-way adjustable, allowing superior in/out adjustment of ⅛", up/down adjustment of ¼" and side-to-side adjustment of ⅜" on Full Overlay and ⅛" on Standard Overlay. Hinges permit doors to open to approximately 105 degrees, allows less than ⅜" frame-to-door gap and have a self-closing feature that allows door to close unassisted when open approximately 20-30 degrees. 1 7/16" Full Overlay and 9/16" Standard Overlay hinges are all steel construction with nickel-plated finish and exceed industry standard for durability.

## Inset Toe Kick

Inset toe kicks are constructed of ½" thick unfinished engineered wood. Standard toe kick dimensions are 4" high and recessed 3½". Universal Design toe kick dimensions are 8" high and recessed 6½" deep.

**BTK8 (matching toe kick) required for installation.**

## Continuous Improvement

In keeping with our policy of continuous product refinement, Waypoint reserves the right to change specifications in design and materials as conditions require.



# Finishing Systems and Cabinet Care

## Finishing Systems

The finishing systems used on our products are designed to ensure the beauty and durability of our cabinetry. State-of-the-art equipment allows precise sanding, filling, and finish coverage of each of our products.

## Environmentally Responsible Finishing

Our panel finishing system uses only water-based paints and fillers, yielding neither hazardous waste nor water contamination. Our acrylic and urethane materials are 100% solids, dried using high intensity lights, yielding no atmospheric emissions. Our products are extremely resistant to stains and surface damage that can be caused by common household chemicals. Our products exceed KCMA and ANSI standards for resistance to stains like coffee, grape juice, and moisture.

## Cabinet Care

Remove dust from cabinets frequently with a soft lint-free cloth. The cloth may be slightly dampened with water or a spray type dust remover. Do not use a paste wax type material. Wax build-up is difficult to remove and will leave a residue that attracts dust and moisture. Polishes containing silicon should not be used. Clean spills immediately. Use a clean cloth and mild soap if necessary. Wipe dry with a clean soft cloth. Do not use detergents, citrus cleaners or ammonia-based cleaners, chlorine-based cleaners, steel wool, soap pads, or abrasive cleaners on cabinets.

Extra care should be taken that cabinet finishes are not exposed to heat in excess of 200° Fahrenheit. Do not place or mount small appliances beneath wall cabinets. These appliances (such as coffee makers and toasters) can produce excessive heat, which can damage the finish of cabinets. Do not expose doors or drawer fronts to heat created from self-cleaning ovens or ranges.

## Allow Cabinets To Age Beautifully

Our cabinets showcase the careful selection of natural and engineered materials to achieve the best possible look. While every effort is made to match wood grain as closely as possible, no two pieces of wood are exactly alike, even from the same tree. These differences in natural color and grain mean that each piece will respond differently to the finishing materials used. For example, close-grained woods absorb less and will vary in color from more open-grained pieces from the very same tree. It's these variations that contribute to the beauty and distinction of quality wood products. However, exposure to sunlight, smoke, and chemicals may cause some materials to fade or vary from their original color over time.

Cabinets, doors, drawer fronts, and accessories added at a later date may not exactly match cabinets installed now. For the same reasons, door samples or displays may not represent the exact color of cabinets received at the time of shipment. Consumers should also read all cleaning agent instructions carefully before application.

Due to changes that occur from natural and environmental factors a cabinet is exposed to over its lifetime, we cannot be responsible for variations that occur in the finish of natural and engineered materials as they age.

# Door Species & Characteristics

Waypoint incorporates solid hardwoods and hardwood veneers. These are natural materials with inherent variations. As such, our quality standards establish tolerance ranges for matching the hardwood pieces. Consumers should review actual samples in our selection centers and cabinet displays to help them establish realistic expectations of variations involving wood grain, color tones, presence of knots, and so forth.

These variations are at the heart of the unique natural beauty of finished hardwood. In addition, exposure of wood products to sunlight, some chemical agents, and smoke can cause wood colors to change over time.

## Cherry

Cherry is a close-grained, multicolored hardwood with occasional pin knots and fine grain variations appearing as curls and waves. Natural characteristics of Cherry include:

- Small sap pockets, pin knots, and streaks
- Color ranges from pale yellow sapwood to deep reddish brown heartwood, with occasional shades of white, green, pink, or even grey
- Staining reveals subtle variations and colors that typically darken over time
- Variations within a single door

## Duraform

Duraform uses highly-technological manufacturing processes to bond foils, vinyl films, and coatings to medium density fiberboard (MDF), high density fiberboard (HDF), and similar materials to achieve a product with exceptional stability, consistency and durability.

- The finish, color, and texture are consistent throughout the surface
- The surface is highly durable and easy to clean
- Materials are resistant to humidity and fading
- Refer to page 45 for standard cabinet box construction

## Maple

Maple is an exceptionally hard, finely grained wood species with a fine, even texture. Darker stains will moderate the color variance, lighter stains mellow with golden hues over time. Natural characteristics of Maple include:

- Light blonde tones to dark reddish brown tones
- Small mineral streaks of light blonde or reddish brown that darken with stain
- Wavy, curly bird's-eye, or burl graining as well as worm tracking across the grain that will darken when stained
- Variations within a single door

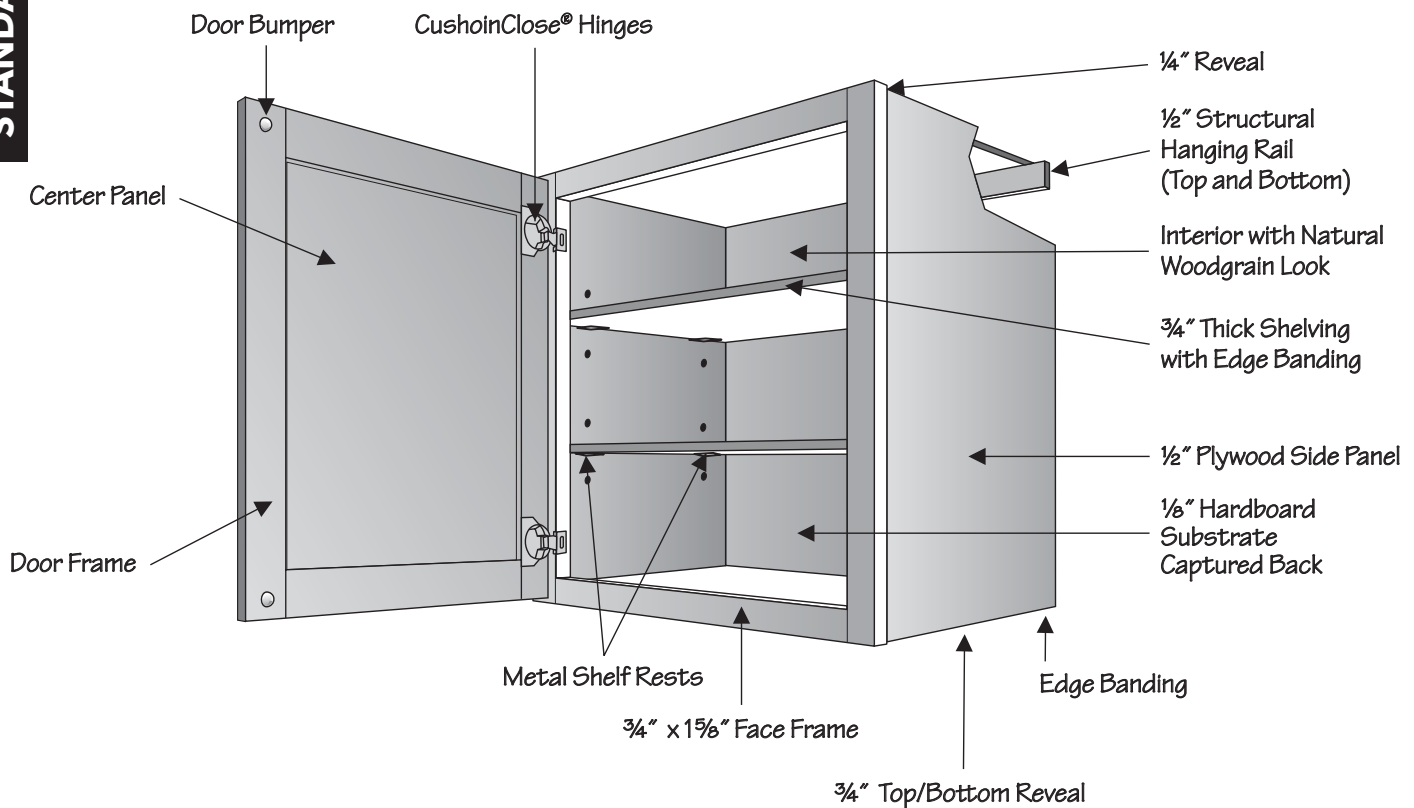
## Painted

Painted finishes combine hardwoods and engineered materials including solid wood, medium density fiberboard (MDF), high density fiberboard (HDF), and similar materials to achieve a product with superior stability, consistency, coverage, and durability. Painted door features include:

- Visible joint lines may appear due to the natural expansion and contraction of wood
- A natural aging process that may change the tone of paint colors over time

# Wall Cabinet Construction

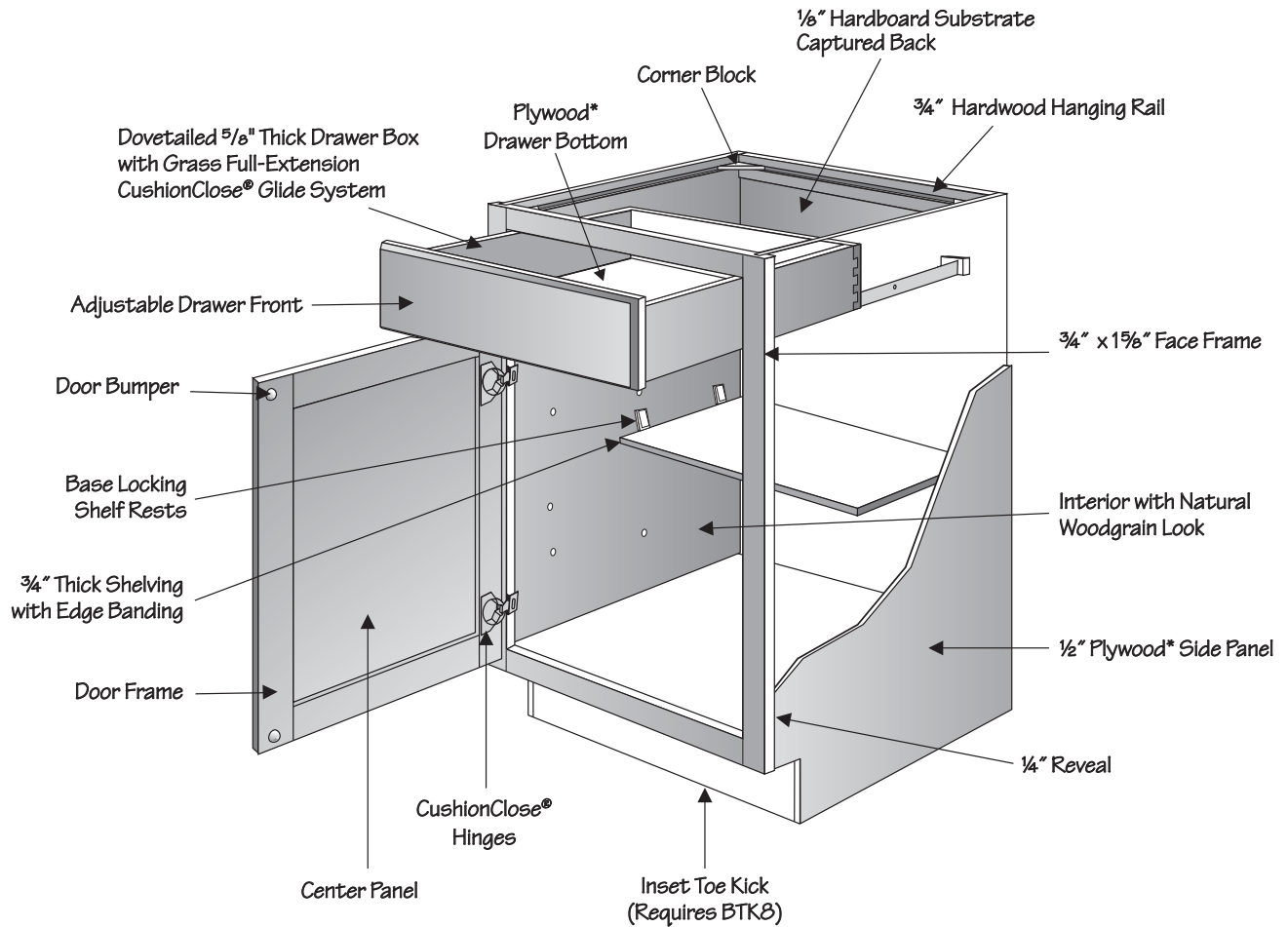
Waypoint wall cabinets are constructed using high quality materials and hardware. The drawing below illustrates and identifies the parts of a standard Waypoint wall cabinet.



\*Plywood can consist of a combination of veneer and engineered wood layers to achieve superior product stability and finish quality. Plywood components meet the ANSI/Decorative Hardwoods Association hardwood and decorative plywood standards ([www.decorativehardwoods.org](http://www.decorativehardwoods.org)).

# Base Cabinet Construction

Waypoint base cabinets are constructed using high quality materials and hardware. The drawing below illustrates and identifies the parts of a standard Waypoint base cabinet.



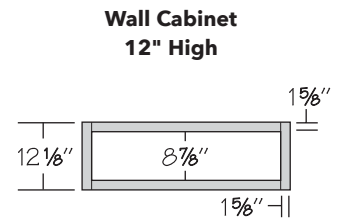
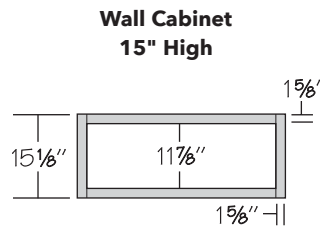
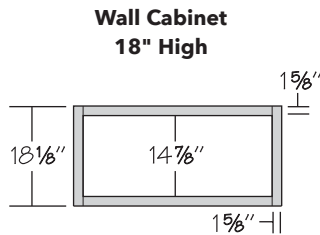
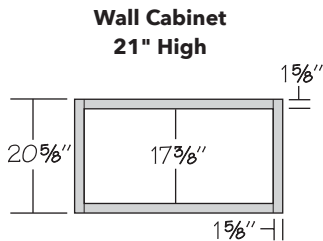
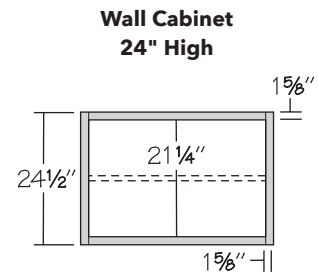
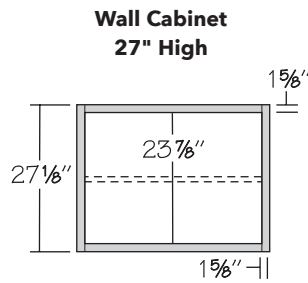
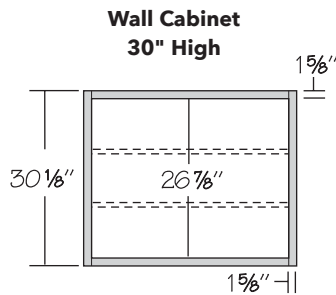
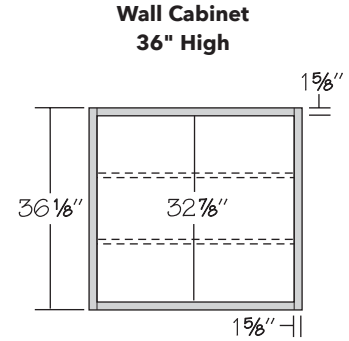
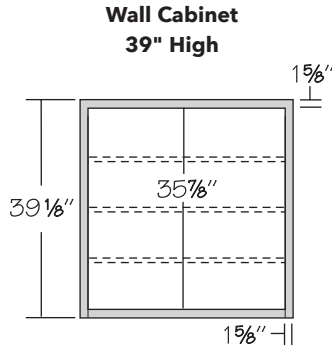
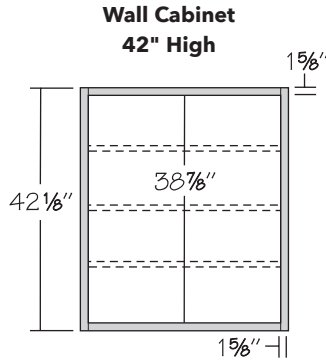
**NOTE:** Base single door cabinets are hinged left and may be reversed in the field.

\*Plywood can consist of a combination of veneer and engineered wood layers to achieve superior product stability and finish quality. Plywood components meet the ANSI/Decorative Hardwoods Association hardwood and decorative plywood standards ([www.decorativehardwoods.org](http://www.decorativehardwoods.org)).

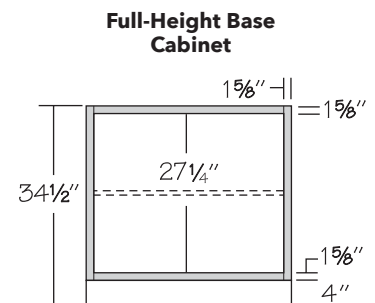
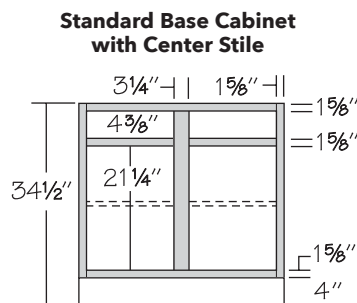
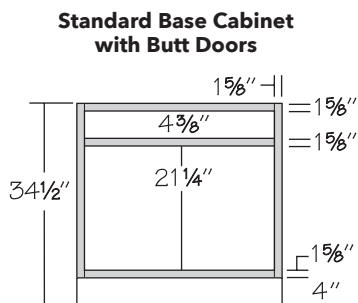
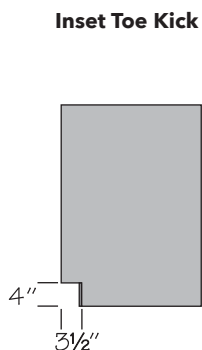
# Cabinet Dimensions

These illustrations specify dimensions of vertical stiles and horizontal rails, inset toe kick, cabinet heights, and standard interior opening heights. Wall Top Hinge and all Butt door cabinets do not have a center stile. Wall Top Hinge and all Butt door cabinets do not have a center stile.

## Wall Cabinets

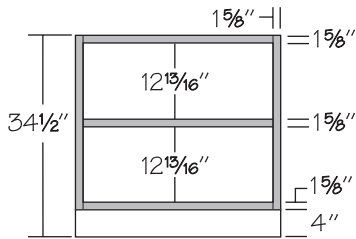


## Base Cabinets

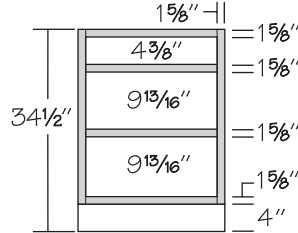


# Drawer Base Cabinets

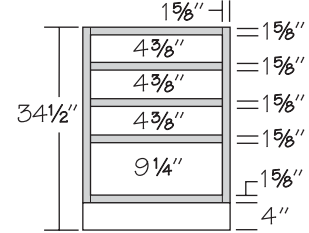
**2-Drawer Base Cabinet**



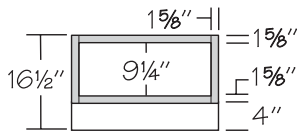
**3-Drawer Base Cabinet**



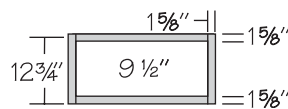
**4-Drawer Base Cabinet**



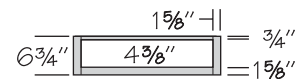
**Pedestal Drawer Cabinet**



**12" High Furniture Drawer Cabinet**

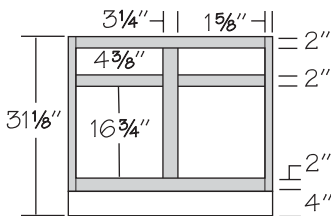


**6" High Furniture Drawer Cabinet**

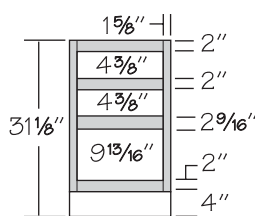


# Vanity Cabinets

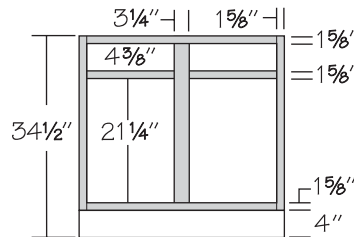
**Vanity Base Cabinet Standard Height**



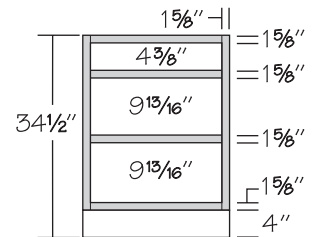
**Vanity Drawer Base Standard Height**



**Vanity Base Cabinet Base Height**

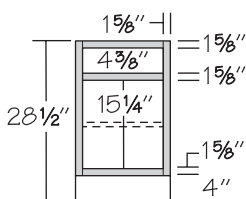


**Vanity Drawer Base Base Height**

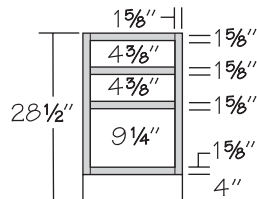


# Desk Cabinets

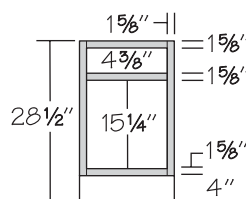
**Desk Base Cabinet**



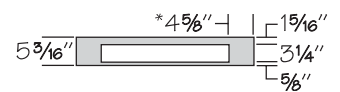
**Desk Drawer Cabinet**



**Desk File Pull-Out**

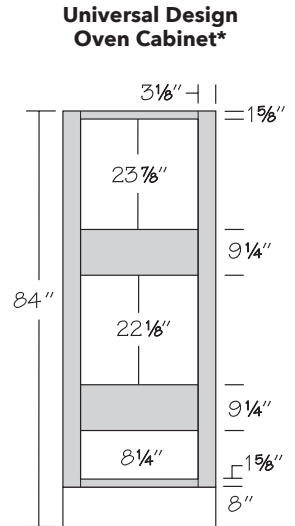
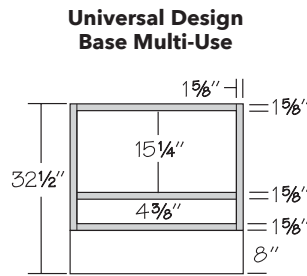
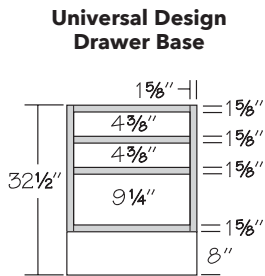
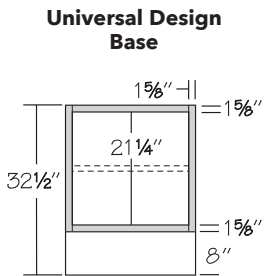


**Kneehole Drawer**



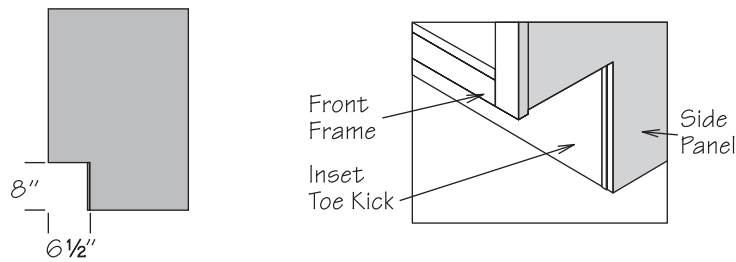
Trimable in height to 4 3/4"  
\*Dimension for KDC36/33 is 3 1/8"

# Universal Design Cabinets



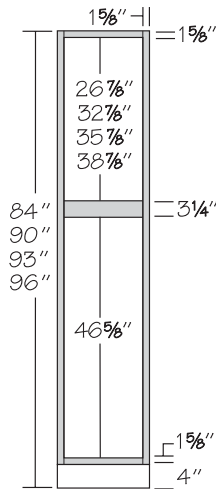
\*Actual height of oven opening shown. For actual width, maximum width and maximum height dimensions, please refer to Cut Out Dimensions Chart in specific cabinet SKU box.

## Universal Design Inset Toe Kick

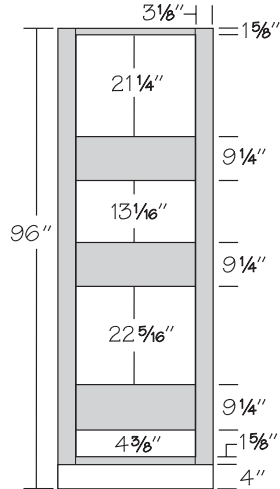


# Tall Cabinets

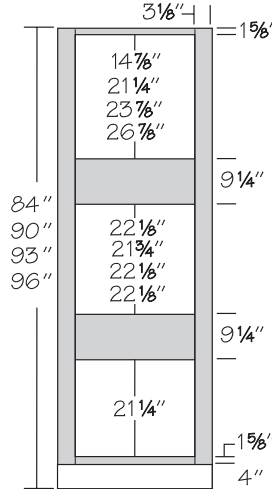
**Vanity Linen & Utility Cabinets**



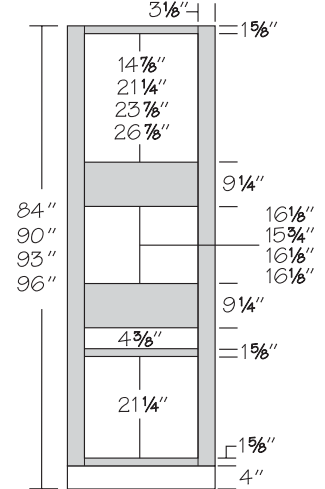
**Oven Microwave Cabinet\***



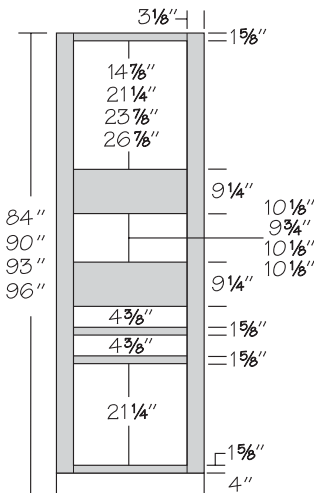
**Single Oven Cabinet  
4 Butt Doors\***



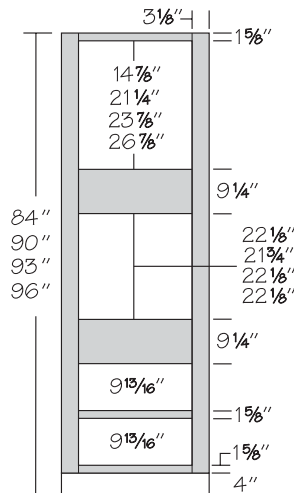
**Single Oven Cabinet  
4 Butt Doors, 1 Drawer\***



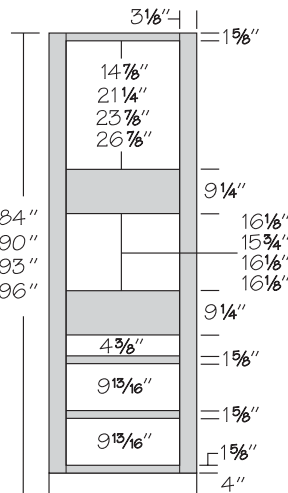
**Single Oven Cabinet  
4 Butt Doors, 2 Drawers\***



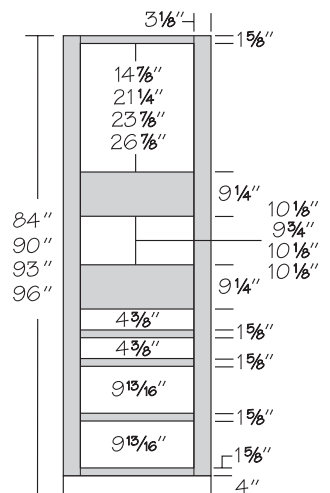
**Single Oven Cabinet  
2 Butt Doors, 2 Large Drawers\***



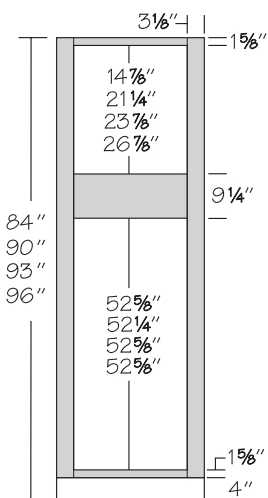
**Single Oven Cabinet  
2 Butt Doors, 3 Drawers\***



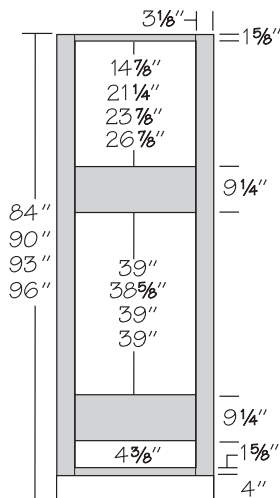
**Single Oven Cabinet  
2 Butt Doors, 4 Drawers\***



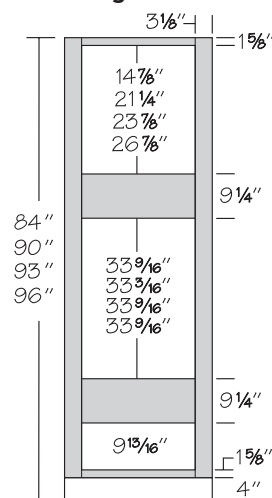
**Double Oven Cabinet  
No Drawer\***



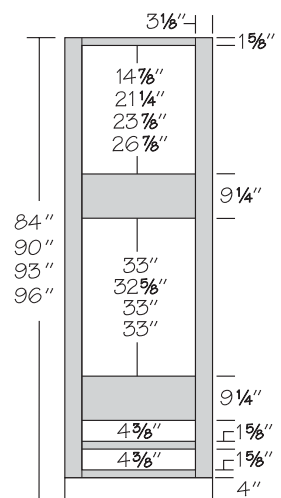
**Double Oven Cabinet  
1 Drawer\***



**Double Oven Cabinet  
1 Large Drawer\***



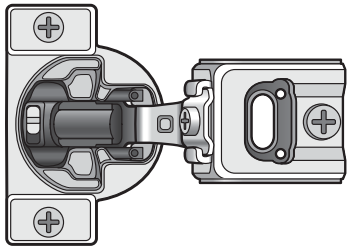
**Double Oven Cabinet  
2 Drawers\***



\*Actual height of oven opening shown. For actual width, maximum width and maximum height dimensions, please refer to Cut Out Dimensions Chart in specific cabinet SKU box.

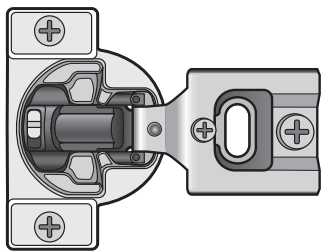


## 6-Way Adjustable Full Overlay (FOL) Door Hinge



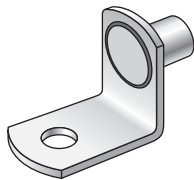
All steel construction with nickel-plated finish, 1<sup>3</sup>/<sub>32</sub>" Full Overlay hinge with self-closing feature that allows door to close unassisted when approximately 20-30 degrees open. Hinge allows less than <sup>3</sup>/<sub>16</sub>" frame-to-door gap. Six-way adjustability allows superior in/out adjustment of <sup>1</sup>/<sub>8</sub>", up/down adjustment of <sup>1</sup>/<sub>4</sub>" and side-to-side adjustment of <sup>1</sup>/<sub>8</sub>". Exceeds industry standard for durability. Standard feature on all Full Overlay (FOL) door styles. Hinges permit doors to open to approximately 105 degrees.

## 6-Way Adjustable Standard Overlay (SOL) Door Hinge



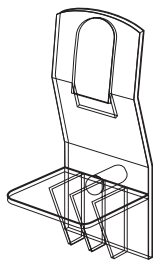
All steel construction with nickel-plated finish, <sup>9</sup>/<sub>16</sub>" Standard Overlay hinge with self-closing feature that allows door to close unassisted when approximately 20-30 degrees open. Hinge allows less than <sup>3</sup>/<sub>16</sub>" frame-to-door gap. Six-way adjustability allows superior in/out adjustment of <sup>1</sup>/<sub>8</sub>", up/down adjustment of <sup>1</sup>/<sub>4</sub>" and side-to-side adjustment of <sup>1</sup>/<sub>8</sub>". Exceeds industry standard for durability. Standard feature on all Standard Overlay (SOL) door styles. Hinges permit doors to open to approximately 105 degrees.

## Metal Shelf Rest



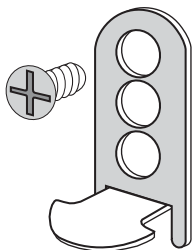
<sup>1</sup>/<sub>4</sub>" steel, nickel plated. Standard feature on all wall cabinets, bookshelves and Open Frame Door cabinets.

## Base Locking Shelf Rest



Locks shelves in place and prevents shelves from sliding. Designed to allow easy shelf removal. Molded from clear high-strength polycarbonate. Standard feature on all base and tall cabinets.

## Mullion Shelf Rest

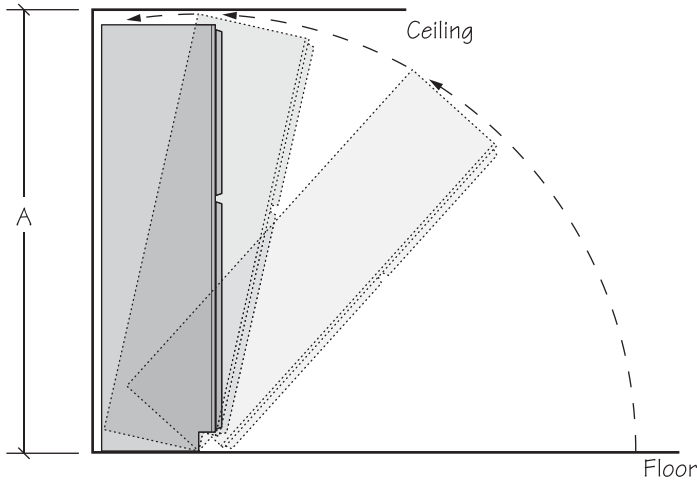


Allows for superior alignment of shelf with mullion. Metal construction. Six position adjustable. Standard feature on Mullion Frame Door cabinets.

# Ceiling Height Requirements

This illustration specifies the ceiling height requirements for tall cabinets (linen, utility, and oven).

## Requirements for Tall Cabinets



Height	Cabinet Depth	Minimum Ceiling Height A
84"	12"	84 <sup>3</sup> / <sub>16</sub> "
84"	18"	85 <sup>1</sup> / <sub>4</sub> "
84"	20 <sup>3</sup> / <sub>4</sub> "	85 <sup>13</sup> / <sub>16</sub> "
84"	24"	86 <sup>1</sup> / <sub>2</sub> "
90"	12"	90 <sup>1</sup> / <sub>2</sub> "
90"	18"	91 <sup>5</sup> / <sub>16</sub> "
90"	24"	92 <sup>3</sup> / <sub>16</sub> "
93"	12"	93"
93"	18"	93"
93"	24"	93"
96"	12"	96"
96"	18"	96"
96"	24"	96"

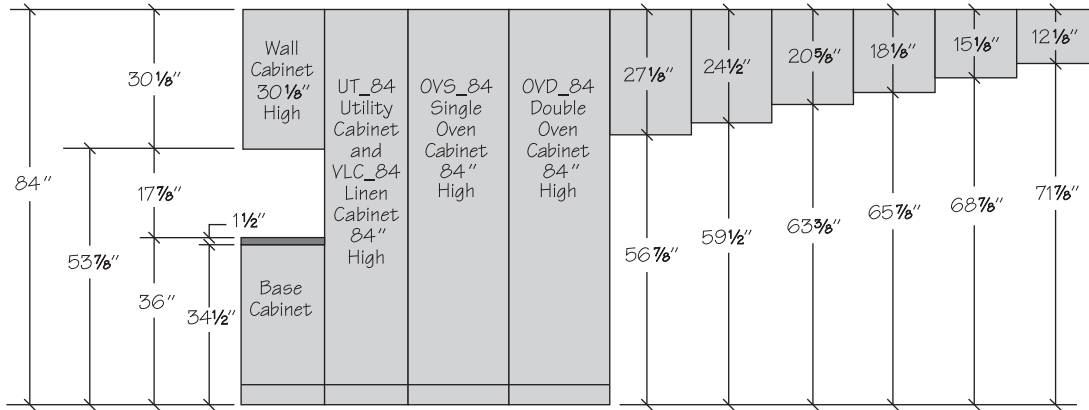
**Notes:**

- 93" and 96" high tall cabinets have 4" toe kick assembly shipped inside the cabinet

# Installation Height Guidelines

These illustrations specify dimensions of the height guidelines for top alignment of wall and tall cabinets (linen, utility, and oven) installation.

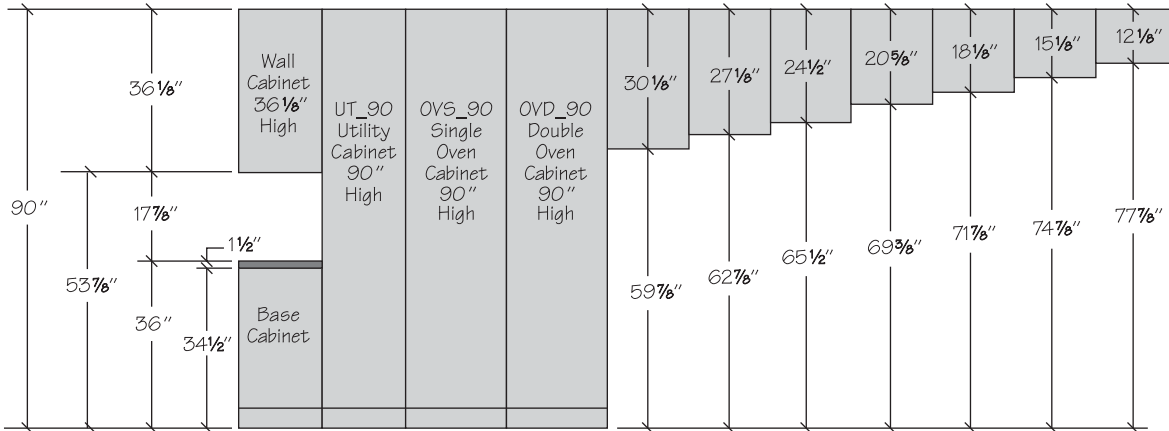
## 84" Top Alignment Cabinet Installation



### Notes:

- 84" top alignment cabinet installation includes wall cabinets (30 1/8" high) installed 53 3/8" above the finished floor, allowing 17 3/8" clearance between the wall cabinets and a standard countertop height of 36"
- Tall cabinetry (linen, utility, and oven) is 84" high
- **When selecting cabinetry for installation above or near any appliance, refer to the appliance manufacturer's specifications for clearance and venting requirements**

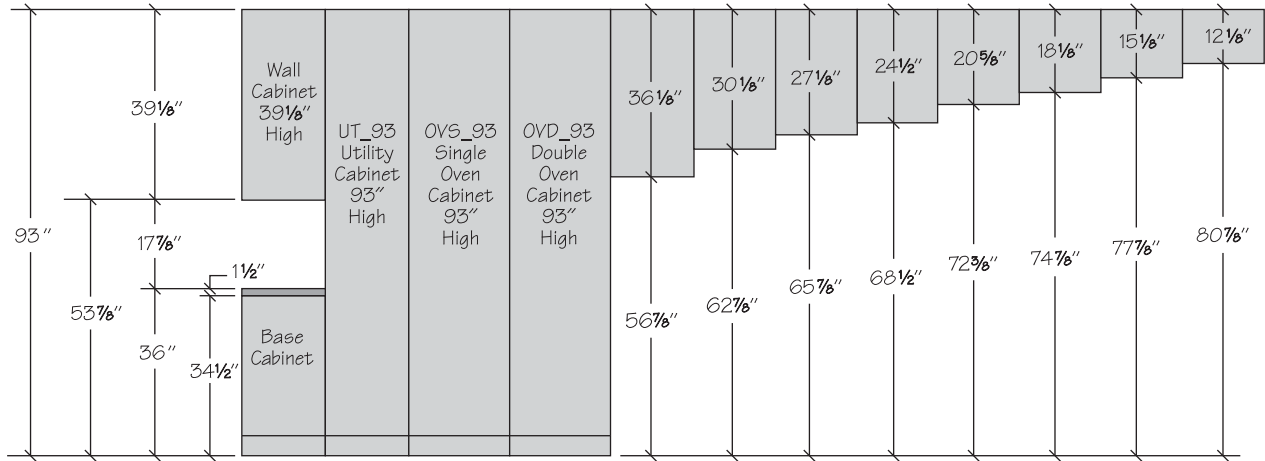
## 90" Top Alignment Cabinet Installation



### Notes:

- 90" top alignment cabinet installation includes wall cabinets (36 1/8" high) installed 53 3/8" above the finished floor, allowing 17 3/8" clearance between the wall cabinets and a standard countertop height of 36"
- Tall cabinetry (utility and oven) is 90" high
- **When selecting cabinetry for installation above or near any appliance, refer to the appliance manufacturer's specifications for clearance and venting requirements**

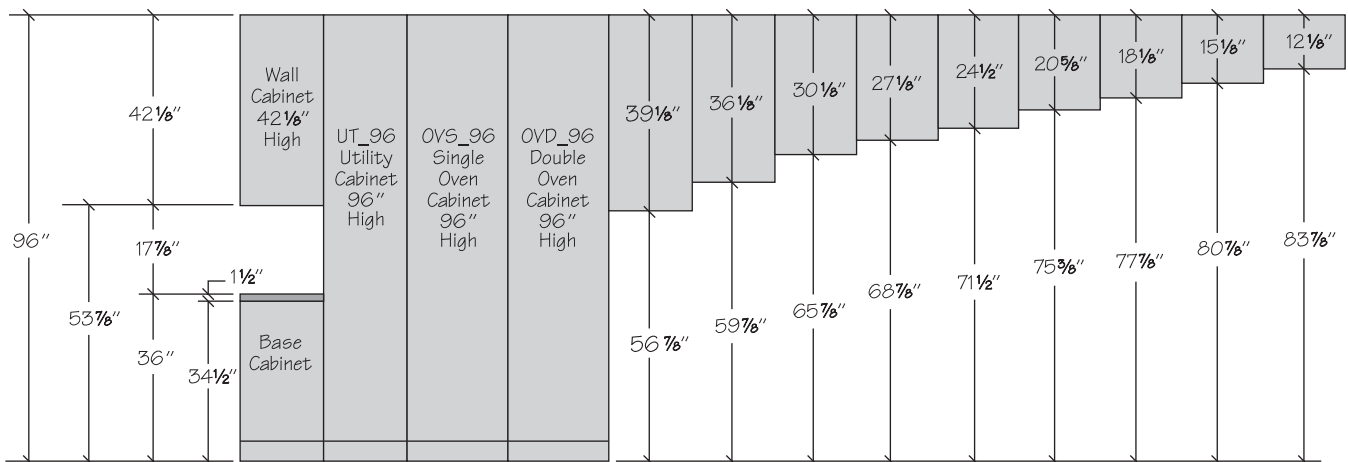
## 93" Top Alignment Cabinet Installation



### Notes:

- 93" top alignment cabinet installation includes wall cabinets (39 1/8" high) installed 53 7/8" above the finished floor, allowing 17 7/8" clearance between the wall cabinets and a standard countertop height of 36"
- Tall cabinetry (utility and oven) is 93" high
- **When selecting cabinetry for installation above or near any appliance, refer to the appliance manufacturer's specifications for clearance and venting requirements**

## 96" Top Alignment Cabinet Installation



### Notes:

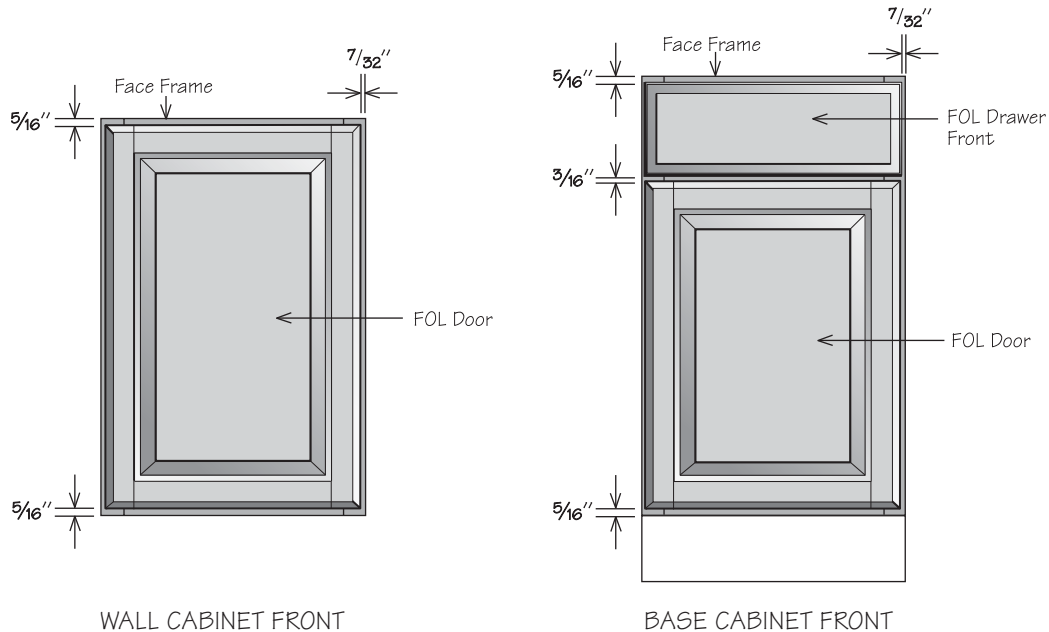
- 96" top alignment cabinet installation includes wall cabinets (42 1/8" high) installed 53 7/8" above the finished floor, allowing 17 7/8" clearance between the wall cabinets and a standard countertop height of 36"
- Tall cabinetry (utility and oven) is 96" high
- **When selecting cabinetry for installation above or near any appliance, refer to the appliance manufacturer's specifications for clearance and venting requirements**

# Overlay Dimensions

The drawings shown below illustrate the relationship between the cabinet face frame and Standard Overlay (SOL) and Full Overlay (FOL) doors. They show the amount of the cabinet face frame that is visible when Standard Overlay doors or Full Overlay doors are selected.

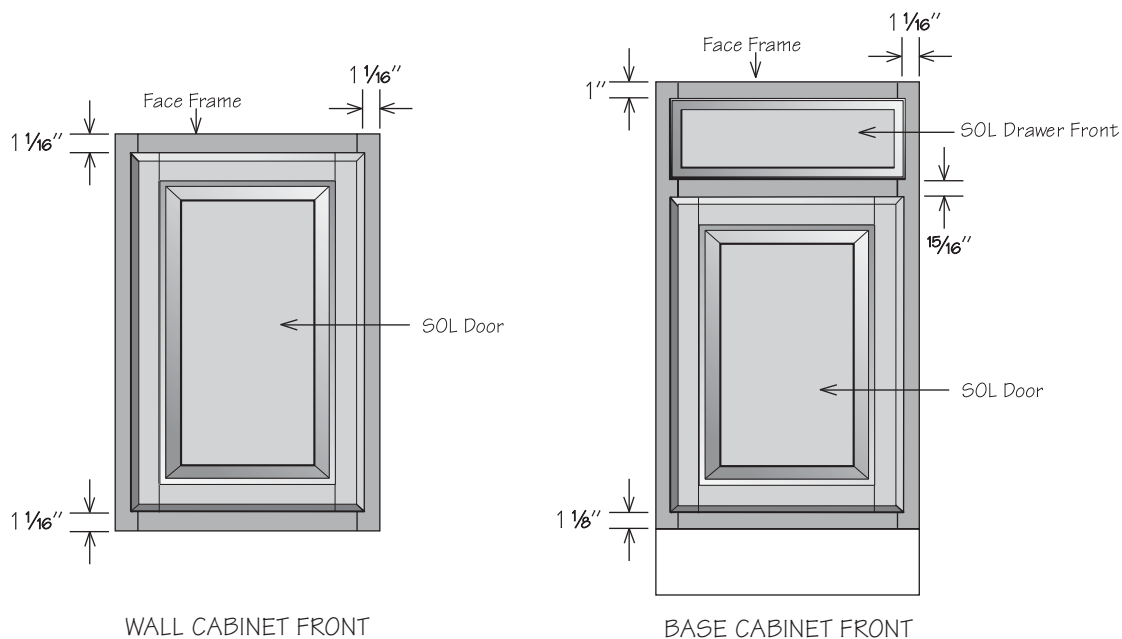
## Full Overlay

Full overlay (FOL) doors are sized to cover nearly all of the cabinet face frame. Full overlay door styles require decorative hardware. **To facilitate proper door operation, include at least a 1" filler between the hinged side of full overlay door styles and deeper adjacent objects including cabinets, walls, appliances, and countertops.**



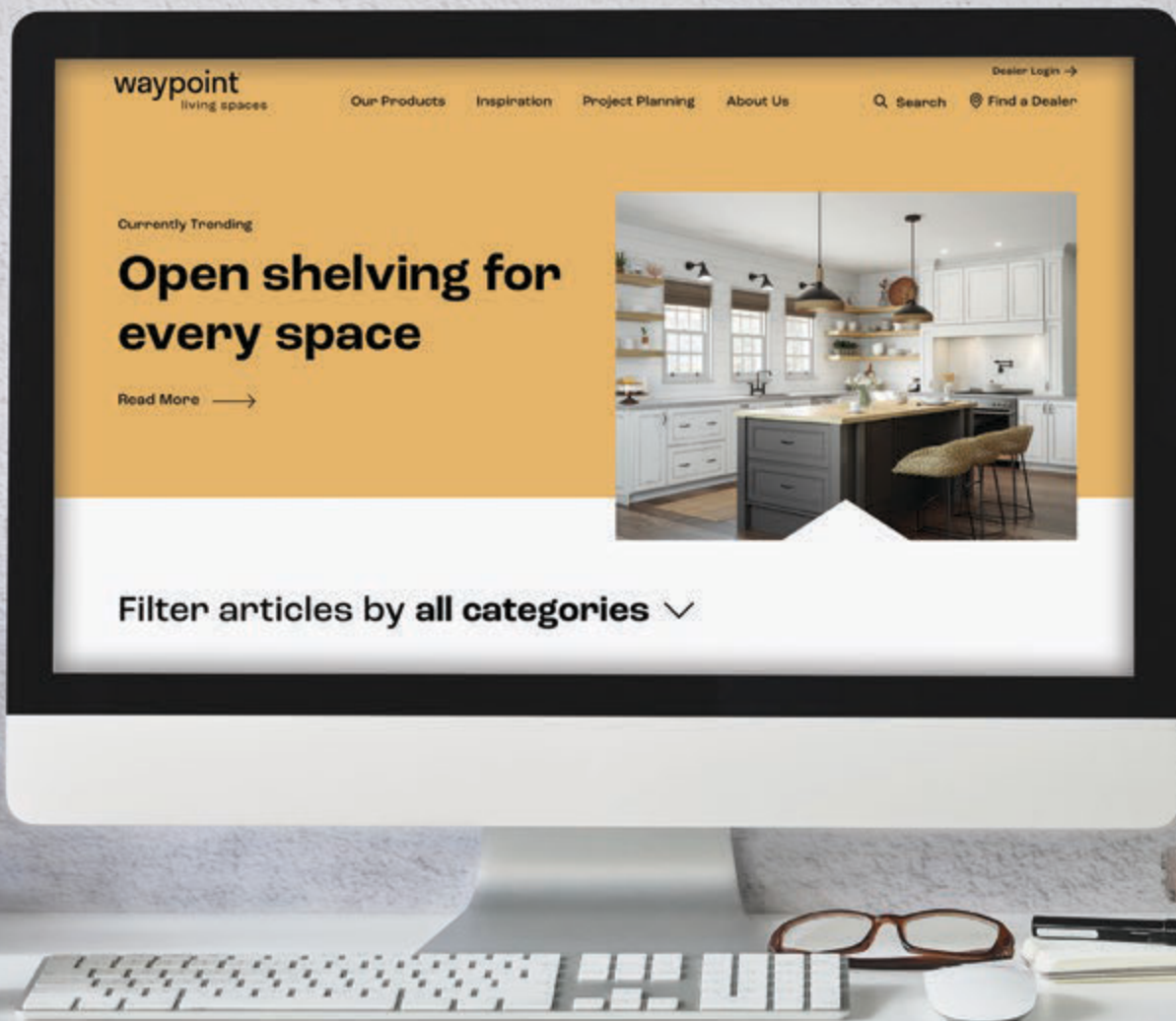
## Standard Overlay

Standard overlay (SOL) doors are sized to show about an inch of the cabinet face frame, giving the door some visual depth. Some door styles do not require decorative hardware.



# Visit the new and improved WaypointLivingSpaces.com!

New and updated tools including the Style Quiz, Budget Calculator, and more!



# Construction Options Legend

Icons used in this guide are shown below and indicate which construction options are available for a particular product.

APC	All Plywood Construction Option
CFO	Cabinet Front Only Option
FE	Furniture Ends Option
ID	Increased Depth Option
IF	Inverted Frame Option
MI	Matching Interior Option
RD	Reduced Depth Option
RTK	Recessed Toe Kick Option
VTD	Void Top Drawer Option
VDO	Void Door Option

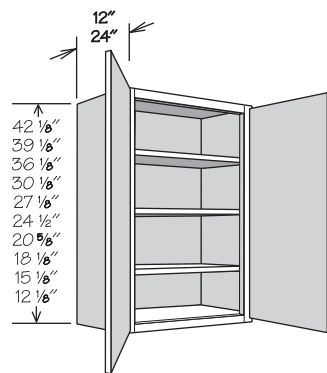
## Example:

When a square ■ or diamond ◆ symbol is in an option box, it indicates that the construction option is ONLY available for SKUs listed with that symbol.

All options without a symbol are available for all SKUs.

In this example, the ◆ diamond indicates that only W3015 BUTT and W3015 BUTT SD are available with Increased Depth (ID), while the ■ square indicates that only the non-SD cabinets are available with Matching Interior (MI) and Void Door (VDO) options.

## Wall Cabinets • 2 Butt Doors



CFO
FE
ID ◆
MI ■
RD
VDO ■

### 12" DEEP

W3015 BUTT ■ ◆  
W3015 BUTT SD ◆

### 24" DEEP

W3015 X 24DP BUTT ■  
W3015 X 24DP BUTT SD

## All Plywood Construction Option

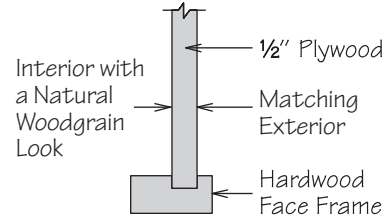
**APC**

All Plywood Construction Option includes:

- ½" plywood sides, floors, and cabinet tops
- ¾" plywood shelves with edge banding
- ⅛" plywood captured back
- ½" plywood inset toe kick
- ½" plywood corner blocks (excluding BER/BSS/CAR/CBS/CSB)

### Notes:

- Available for individual cabinets or entire kitchen
- Available with Matching Interior Option
- Cabinets with the Matching Interior Option (MI) or standard matching interior feature plywood side panels finished to match cabinet box exterior
- Toe kick support blocks are not plywood
- All Plywood Construction refers to the cabinet box components and shelving as detailed above (certain parts and accessories are not available with this construction option).
- Plywood can consist of a combination of veneer and medium density fiberboard (MDF) layers to achieve superior product stability and finish quality. Plywood components meet the ANSI/HPVA hardwood and decorative plywood standards ([www.decorativehardwoods.org](http://www.decorativehardwoods.org)).



## Furniture Ends Option

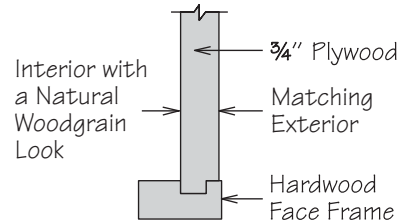
**FE**

Furniture Ends Option includes:

- ¾" plywood cabinet sides

### Notes:

- When the Furniture Ends Option is selected, both side panels convert to ¾" plywood sides except Base End Angle (BEA12 FH) cabinets which converts the 12" side panel only
- Available for individual cabinets
- Plywood is visible on top and bottom of side panels
- Cabinets with the Matching Interior Option (MI) or standard matching interior feature plywood side panels finished to match cabinet box exterior
- May be combined with standard construction, All Plywood Construction and all other construction options
- End panels are not required for exposed ends of cabinets with the Furniture Ends Option
- End panels are not required for installation of decorator matching doors to cabinets with the Furniture Ends Option
- Cabinet Angle Molding (CAM8) cannot be used with cabinets with the Furniture Ends Option
- Sink Front Return (SFR R/L) with the Furniture Ends Option will include a rabbeted front edge
- A seam will be visible between stacked cabinets and on 93" and 96" tall cabinets between the toe kick box and the cabinet. Recommendations to conceal this seam:
  - » Use decorative molding (e.g., Batten Molding or Ogee Pilaster Molding)
  - » Use a Column Filler or Wood Tall End Panel
- Plywood can consist of a combination of veneer and MDF layers to achieve superior product stability and finish quality. Plywood components meet the ANSI/HPVA hardwood and decorative plywood standards ([decorativehardwoodsassociation.org](http://decorativehardwoodsassociation.org)).





<b>CONSTRUCTION OPTION</b>	<b>Standard Construction</b>	<b>All Plywood Construction Option (APC)</b>
<b>Cabinet Sides</b>	1/2" Plywood	1/2" Plywood
<b>Cabinet Floor</b>	1/2" Engineered Wood	1/2" Plywood
<b>Cabinet Top (Wall Cabinets Only)</b>	1/2" Engineered Wood	1/2" Plywood
<b>Cabinet Back</b>	1/8" Hardboard Substrate Captured	1/8" Plywood Captured
<b>Inset Toe Kick</b>	1/2" Engineered Wood	1/2" Plywood
<b>Corner Blocks (excluding BER/BSS/CAR/ CBS/CSB cabinets)</b>	1/2" Engineered Wood	1/2" Plywood
<b>Shelves</b>	3/4" Engineered Wood with Edge Banding	3/4" Plywood with Edge Banding
<b>Wall Cabinet Hanging Rails</b>	1/2" Engineered Wood Top and Bottom Rails	1/2" Plywood Top and Bottom Rails
<b>Base Cabinet Hanging Rails</b>	3/4" Hardwood Top Rail 1/2" Engineered Wood Bottom Rail	3/4" Hardwood Top Rail 1/2" Plywood Bottom Rail

# Reduced Depth Option

**RD**

The Reduced Depth Option should be used when ordering less than standard depth cabinets. The Reduced Depth Option is available in 1" increments; minimum depth is 4". Vanity and desk cabinets will reduce to standard reduced depth increments (e.g. vanity cabinets with RD-20 will measure 20" in depth).

Orders specifying Reduced Depth Option must show the total cabinet depth.

Example: Cabinet: B24

Option: RD-17 (reduced to 17" deep)

**Notes:**

- There is a potential tipping hazard for reduced depth cabinets until they are mounted to a wall
- Adjustable shelves are reduced in 1" increments to match Reduced Depth Option selected on cabinet(s)
- Peninsula Base cabinets reduced to 11" or less will not have an inset toe kick
- Universal Design cabinets reduced to 9" or less will not have an inset toe kick
- Standard base cabinets and base bookshelves reduced to 8" or less are not available with the Recessed Toe Kick Option (RTK)
- Universal Design base cabinets reduced to 11" or less are not available with the Recessed Toe Kick Option (RTK)
- All cabinets reduced to 5" or less will not have an inset toe kick
- Reduced depth restrictions:
  - » Specialty Two-Drawer Base cabinets are only available with RD-23 through RD-21
  - » 24" Deep Wall Top Hinge cabinets are only available with RD-23 through RD-8
  - » 12" Deep Wall Top Hinge cabinets are only available with RD-11 through RD-8
  - » Base End Angle (BEA12FH) cabinets are only available with RD-23 through RD-18
  - » Kneehole Drawer cabinets are only available with RD-20 through RD-12
  - » 24" Deep Furniture Drawer cabinets are only available with RD-23 through RD-13
- Adding the Reduced Depth Option does not remove adjustable shelves (where applicable)
- When ordering reduced depth accessories, specify the depth of the cabinet for which the accessory is intended (e.g., SK3624 RD-21 would be ordered for a UT3624 X 84 RD-21)
- All Reduced Depth drawers feature Grass full-extension glides with CushionClose

REDUCED DEPTH	DRAWER DEPTH BASE AND 24" DESK CABINETS	DRAWER DEPTH ALL VANITY AND 21" DESK CABINETS	DEEP ROLL OUT TRAY DEPTH	TOE KICK	SHELF
RD-23	18"	—	18"	YES	YES
RD-22	18"	—	18"	YES	YES
RD-21	18"	—	18"	YES	YES
RD-20	15"	15"	15"	YES	YES
RD-19	15"	15"	15"	YES	YES
RD-18	15"	15"	15"	YES	YES
RD-17	12"	12"	12"	YES	YES
RD-16	12"	12"	12"	YES	YES
RD-15	12"	12"	12"	YES	YES
RD-14	9 7/16"	9 7/16"	9"	YES	YES
RD-13	9 7/16"	9 7/16"	9"	YES	YES
RD-12	9 7/16"	9 7/16"	9"	YES	YES
RD-11 to RD-6	NO DRAWER	NO DRAWER	NOT AVAILABLE	YES	YES
RD-5 or RD-4	NO DRAWER	NO DRAWER	NOT AVAILABLE	NO TOE KICK	YES

## Increased Depth Option

ID

The Increased Depth Option is available for most Wall cabinets up to 36" wide and all Bookshelves. The Increased Depth Option is available in 1" increments; maximum depth is 24".

Orders specifying Increased Depth Option must show the total cabinet depth.

Example: Cabinet: W1530

Option: ID-14 (increased to 14" deep)

### Notes:

#### Wall Cabinets and Bookshelves

- Adjustable shelves are increased in 1" increments to match Increased Depth Option selected on cabinet(s)
- Wall cabinets increased up to and including 18" deep can be mounted using standard installation procedures
- Wall cabinets increased to more than 18" deep must be stacked, floor mounted, or installed over a refrigerator
- All increased depth cabinets must be securely attached in one of the following combinations: to studs in back wall and both sides OR to studs in back wall, one side and top (e.g. two adjacent cabinets or one adjacent cabinet and a wall)

#### Peninsula Wall (PW) and Blind Peninsula Wall (BLPW) Cabinets

- Increased depth PW and BLPW cabinets up to 15" deep may be mounted at ceiling height using standard installation procedures
- Adjustable shelves are increased in 1" increments to match Increased Depth Option selected on cabinet(s)
- PW and BLPW cabinets increased to more than 15" deep must be stacked or floor mounted
- When mounting cabinet at ceiling height, the cabinet must be securely attached to the ceiling rafters and to at least one other properly mounted cabinet or studs in wall
- Additional 2" x 4" bracing may be required above ceiling if cabinets are not located directly below a rafter
- Mount cabinet to the ceiling using mounting screws of sufficient length to go through ceiling treatment and into the rafter at least 1". Screws must be installed at both front and back of cabinet on 16" centers (maximum span), with at least four screws per cabinet

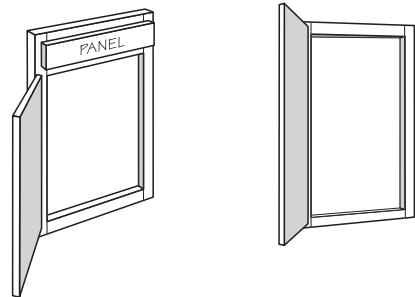
## Cabinet Front Only Option

CFO

The Cabinet Front Only Option is available for most cabinets with a frame.

### Notes:

- This option consists of the cabinet frame, door(s), drawer front(s) and hinges
- Toe kicks are not included



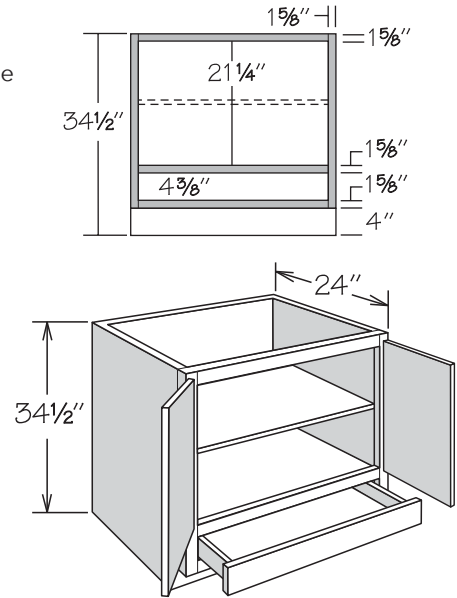
# Inverted Frame Option

IF

The Inverted Frame Option is available for most standard base cabinets and base cabinets with accessories.

**Notes:**

- Drawer(s) below full cabinet floor
- Adjustable shelf is included
- Available with the All Plywood Construction Option (APC), Recessed Toe Kick (RTK), or Reduced Depth Option (RD)
- Back is not predrilled for Deep Roll Out Trays (DROT's)



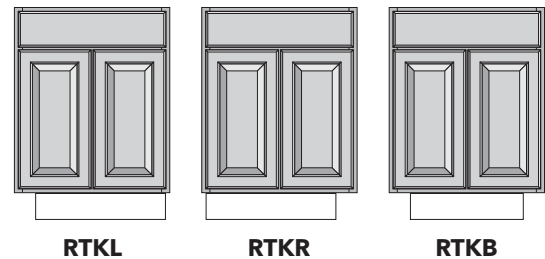
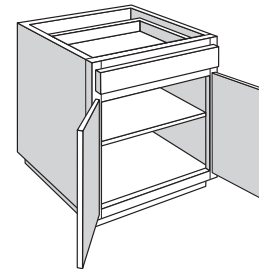
# Recessed Toe Kick Option

RTK

The Recessed Toe Kick Option is available on most Base, Desk and Vanity base cabinetry. When the Recessed Toe Kick Option is selected, the end or ends to be recessed must be specified.

**Notes:**

- Recommended for cabinets at the end of a run, especially in island and peninsula designs
- Blind Corner Base cabinets are only available with the Recessed Toe Kick Both (RTKB) Option
- Base End Angle cabinets, 9" Base Pantry Pull-Out, 9" Base Pantry Pull-Out Utensil Storage, Base Tray Divider Pull-Out, TB9, and TB9 TDS base cabinets are not available with the Recessed Toe Kick Both Option
- Not available for base cabinets or Base Bookshelves with the Reduced Depth Option of RD-8 through RD-4
- Not available for universal design base cabinets with the Reduced Depth Option of RD-11 and lower
- For Peninsula Base cabinets, the working drawer side indicates the front of the cabinet in order to correctly select Recessed Toe Kick Right (RTKR) or Left (RTKL)
- Peninsula Base cabinets ordered with Recessed Toe Kick Option must be secured to the floor through the cabinet bottom into bracing secured to the floor
- Base toe kick required for front and any exposed side(s)
- Cabinets with the Recessed Toe Kick option is not flush on the non-recessed side
- 12" and 15" Universal Design Base cabinets are not available with the Recessed Toe Kick Both (RTKB) Option



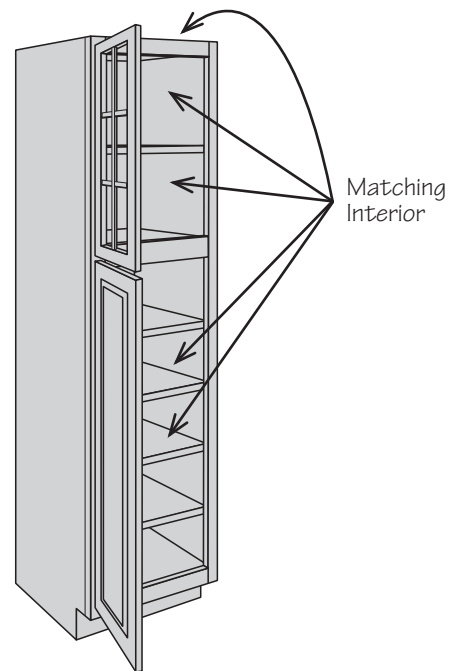
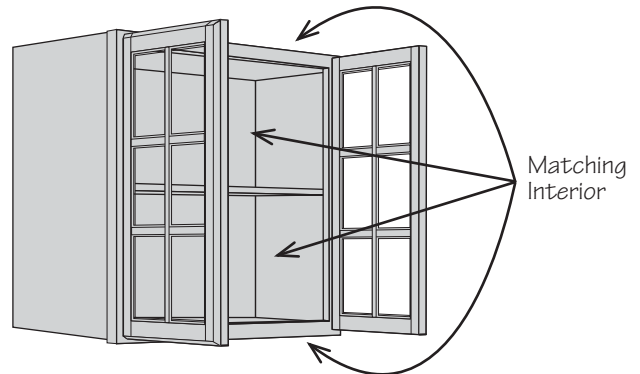
# Matching Interior Option

MI

The Matching Interior Option is available for Wall cabinets (with the exceptions noted below), Utility cabinets, Vanity Linen cabinets, and Refrigerator Return Panels. This option matches the cabinet's interior, top and bottom to that of the cabinet's box exterior.

## Notes:

- Cabinetry with the Matching Interior Option features two-sided plywood side panels finished to match cabinet box exterior
- Recommended for wall cabinets with the Void Door Option (VDO)
- Not available for wall cabinets with a standard matching interior (including all Specialty Door cabinets)
- All finished surfaces of the Wall, Utility, and Vanity Linen cabinets will be color matched including shelves, back, interior and exterior of returns, top and bottom, corner wall back post and back side of peninsula wall face frame
- Interior accessories in Matching Interior cabinets will remain natural finish (e.g., spice rack kit, deep roll out trays, pantry swing-out kit)
- When Matching Interior (MI) is ordered for Breeze and Drift finishes, cabinet interior will match cabinet box exterior.



## Void Door Option

**VDO**

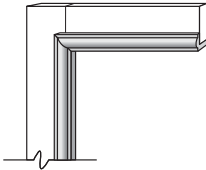
The Void Door Option is available for most wall cabinets. All void door cabinets ship without doors or hinges - center stiles and adjustable shelves will remain. Cabinet frames are pre-drilled for door hinges.

Refer to the descriptions below to select the correct option for your layout:

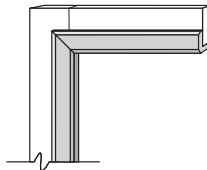
- VDO-DFH (Drilled For Hinges)
- VDO-SBAM (Single Bead Accent Molding)
- VDO-SAM (Shaker Accent Molding)

### Notes for VDO options:

- Can be used to create decorative open cabinets
- Wall Top Hinge Cabinets will ship without door, lid stays, and hinges
- Decorative accent moldings will conceal hinge holes
- Molding is to be cut and field installed at the job site
- When matching interior is desired, the Matching Interior Option must be selected separately


**VDO-SBAM**

Single Bead Accent Molding


**VDO-SAM**

Shaker Accent Molding

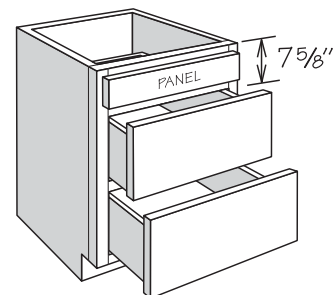
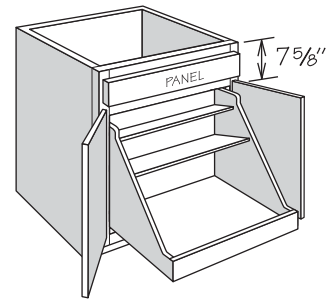
## Void Top Drawer Option

**VTD**

The Void Top Drawer Option is available for most 3 Drawer Base, 4 Drawer Base, Base with Deep Roll Out Trays, Base with Pot & Pan Organizer and Peninsula Base cabinets.

### Notes:

- This option removes the drawer body and glide system and replaces it with a false panel on any top drawer(s)
- On cabinets with multiple top drawers, all top drawers will be voided
- When using an appliance, the interior height clearance is 7<sup>5</sup>/<sub>8</sub>" from the top of the cabinet to the top of the door/drawer opening below the voided drawer
- Subtract 1 1/2" from width and depth for available top opening - removal of corner blocks may be required
- Removal of the top rail is not recommended
- Refer to appliance manufacturer's specifications for adequate clearances and required installation materials



Specialty Door Option cabinets are available for most wall, utility and vanity linen cabinet sizes. All Specialty Door Option cabinets include Matching Interior as standard and require one of the specialty door options below. Specialty door options for utility and vanity linen cabinets apply to top door(s) only.

**Open Frame Door (OFD) notes:**

- Features door frame only with no mullions or center panel
- Decorative glass inserts and appropriate glass clips are shipped separately from the cabinet for field installation - see pages 76-77 for available glass inserts
- See page 71 for door style profiles

**Mullion Frame Door (MFD) notes:**

- Features grid-style mullions
- Not available for Wall Top Hinge cabinets
- Decorative glass inserts and appropriate glass clips are shipped separately from the cabinet for field installation - see pages 76-77 for available glass inserts
- See pages 72-74 for door style profiles

SPECIALTY DOOR AVAILABILITY BY SIZE										
Door Width	Door Height									
	12" High Wall	15" High Wall	18" High Wall	21" High Wall	24" High Wall	27" High Wall	30" High Wall	36" High Wall	39" High Wall	42" High Wall
12" Wide			•		•		•	•	•	•
13" Wide			•		•		•	•	•	•
15" Wide	•	•	•	•	•	•	•	•	•	•
16" Wide	•	•	•	•	•		•	•	•	•
18" Wide	•	•	•	•	•		•	•	•	•
19" Wide	•	•	•	•	•		•	•		•
21" Wide			•		•		•	•	•	•
30" Wide		■	■							
36" Wide		■	■							

- Available with all Specialty Door Options
- Wall Top Hinge cabinets only - not available with MFD Option

# Specialty Door Offering by Style

DOOR STYLE	OFD	MFD
750F	●	
720R	●	●
660R	●	●
660D	●	●
650S	●	●
650F	●	●
644S	●	●
570S	●	
570F	●	
540F	●	●
530S	●	
DT24F	●	
DT22S	●	
470S	●	
470F	●	
460S	●	●
410S	●	●
410F	●	●
D18F	●	
D16S	●	
D16F	●	
D12S	●	
D04F	●	
D02S	●	
310S	●	●



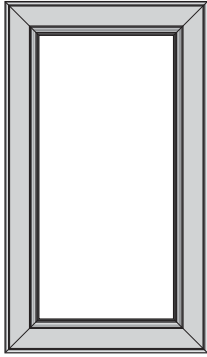
# Open Frame Door Profiles

OFD

CONSTRUCTION OPTIONS

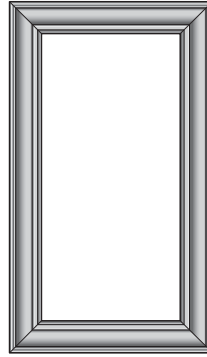
**PROFILE FOR:**

750



**PROFILE FOR:**

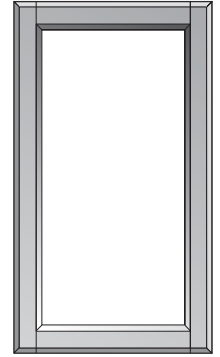
720



**PROFILE FOR:**

660

310



**PROFILE FOR:**

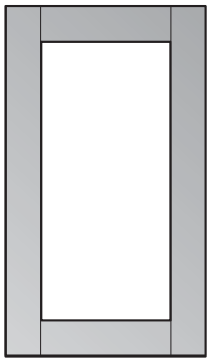
650

530

DT24

DT22

D12



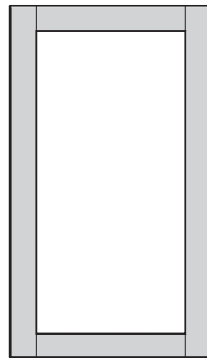
**PROFILE FOR:**

644

410

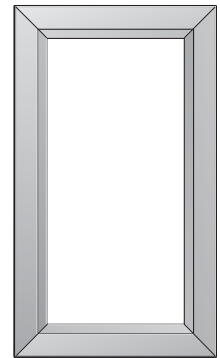
D16

D02



**PROFILE FOR:**

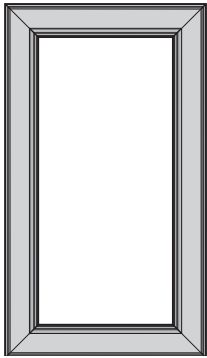
570



**PROFILE FOR:**

540

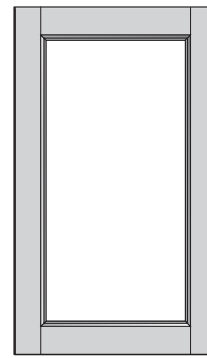
D18



**NEW! REDESIGN**

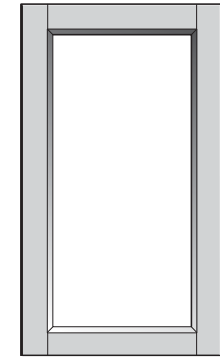
**PROFILE FOR:**

470



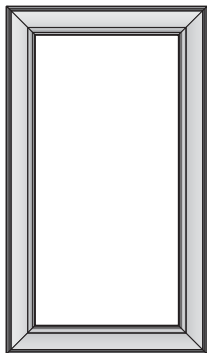
**PROFILE FOR:**

460



**PROFILE FOR:**

D04

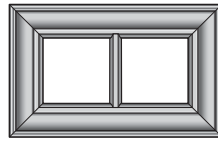


# Mullion Frame Door Profiles

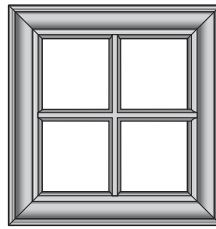
MFD

**PROFILE FOR:**

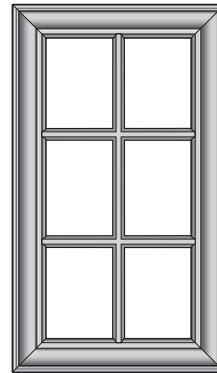
720



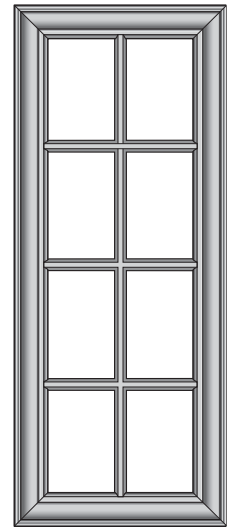
12" High Cabinet



15", 18", 21", 24" or 27"  
High Cabinet



30" or 36" High Cabinet  
84" or 90" High Utility Cabinet  
Vanity Linen Cabinet

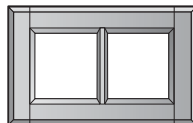


39" or 42" High Cabinet  
93" or 96" High Utility Cabinet

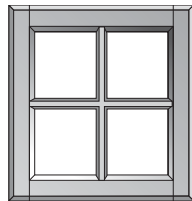
**PROFILE FOR:**

660

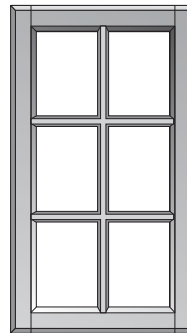
310



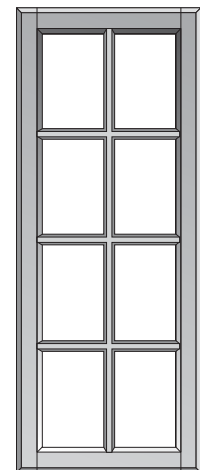
12" High Cabinet



15", 18", 21", 24" or 27"  
High Cabinet



30" or 36" High Cabinet  
84" or 90" High Utility Cabinet  
Vanity Linen Cabinet



39" or 42" High Cabinet  
93" or 96" High Utility Cabinet

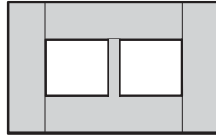
# Mullion Frame Door Profiles

**MFD**

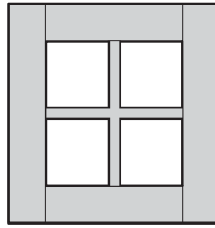
**CONSTRUCTION OPTIONS**

**PROFILE FOR:**

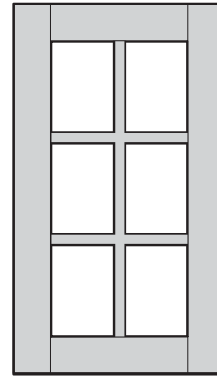
650



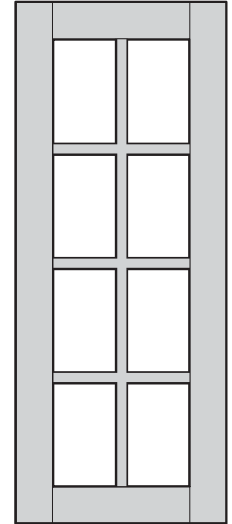
12" High Cabinet



15", 18", 21", 24" or 27"  
High Cabinet



30" or 36" High Cabinet  
84" or 90" High Utility Cabinet  
Vanity Linen Cabinet

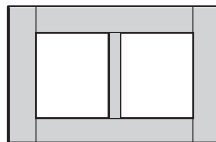


39" or 42" High Cabinet  
93" or 96" High Utility Cabinet

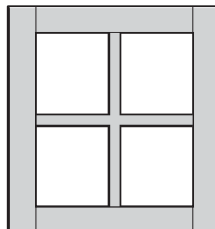
**PROFILE FOR:**

644

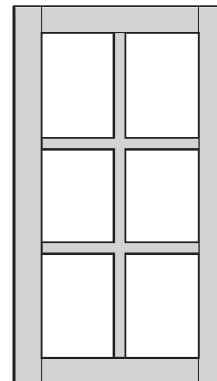
410



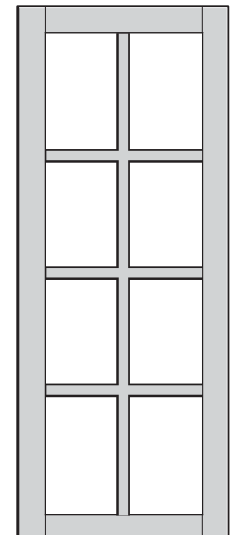
12" High Cabinet



15", 18", 21", 24" or 27"  
High Cabinet



30" or 36" High Wall Cabinet  
84" or 90" High Utility Cabinet  
Vanity Linen Cabinet



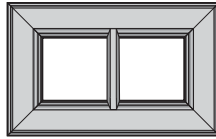
39" or 42" High Cabinet  
93" or 96" High Utility Cabinet

# Mullion Frame Door Profiles

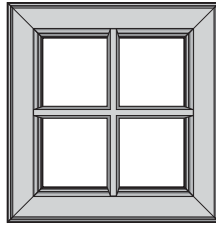
MFD

**PROFILE FOR:**

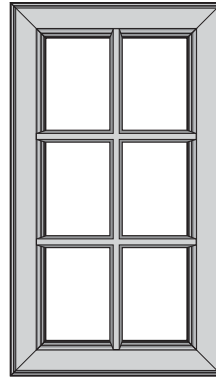
540



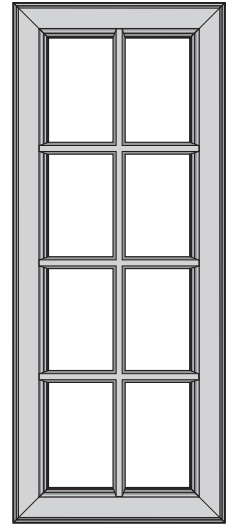
12" High Cabinet



15", 18", 21", 24" or 27"  
High Cabinet



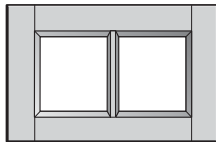
30" or 36" High Cabinet  
84" or 90" High Utility Cabinet  
Vanity Linen Cabinet



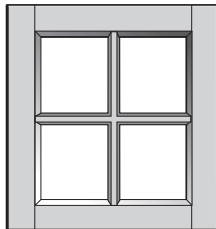
39" or 42" High Cabinet  
93" or 96" High Utility Cabinet

**PROFILE FOR:**

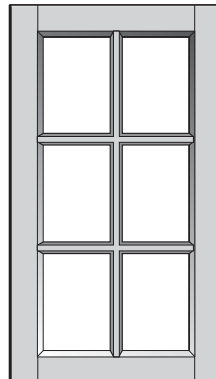
460



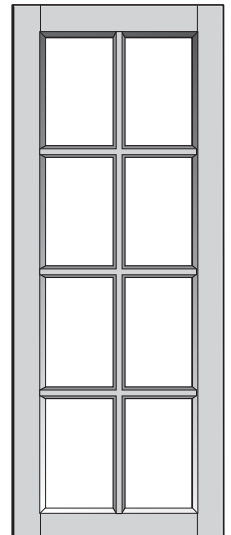
12" High Cabinet



15", 18", 21", 24" or 27"  
High Cabinet



30" or 36" High Cabinet  
84" or 90" High Utility Cabinet  
Vanity Linen Cabinet



39" or 42" High Cabinet  
93" or 96" High Utility Cabinet

### Clear Glass



OFD
MFD

- 1/8" thick panel
- Clear glass
- Tempered safety glass
- Includes appropriate Decorative Glass Clips
- Order as DGI-\_\_\_ CLEAR, refer to Parts Directory for nomenclature and dimensions

### Derbyshire Seeded Glass



OFD
MFD

- 5/16" thick panel
- Clear seeded glass
- Laminated safety glass
- Includes appropriate Decorative Glass Clips
- Order as DGI-\_\_\_ DERBYSHIRE, refer to Parts Directory for nomenclature and dimensions

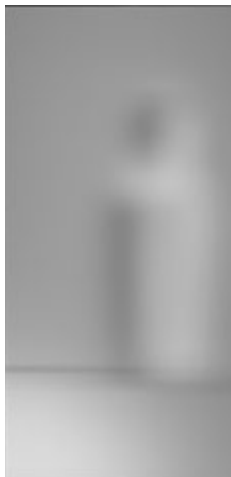
### Frosted Glass



OFD
MFD

- 1/8" thick panel
- Frosted glass with etched finish
- Tempered safety glass
- Includes appropriate Decorative Glass Clips
- Order as DGI-\_\_\_ FROSTED, refer to Parts Directory for nomenclature and dimensions

### Frosted Ash Glass



OFD
MFD

- 1/8" thick panel
- Gray tinted glass
- Tint is manufactured in material - not a film
- Tempered safety glass
- Includes appropriate Decorative Glass Clips
- Order as DGI-\_\_\_ FROSTED ASH, refer to Parts Directory for nomenclature and dimensions

### Impression Glass



OFD
MFD

- 1/8" thick panel
- Sculptural glass
- Tempered safety glass
- Includes appropriate Decorative Glass Clips
- Order as DGI-\_\_\_ IMPRESSION, refer to Parts Directory for nomenclature and dimensions

### Meredith Glass



OFD
-----

- 1/4" overall thickness (1/8" beveled edge thickness)
- Clear glass design with 1 1/4" wide beveled edges
- Tempered safety glass
- Includes appropriate Decorative Glass Clips
- Order as DGI-\_\_\_ MEREDITH, refer to Parts Directory for nomenclature and dimensions

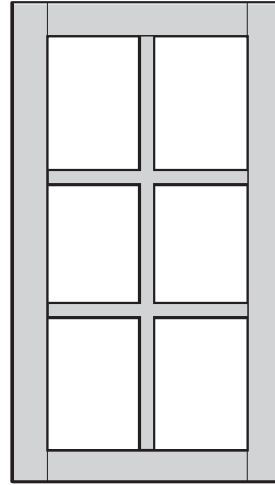
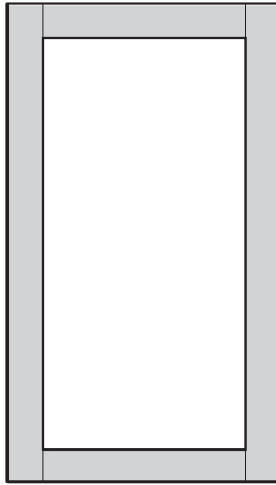
### Ribbed Glass



OFD
MFD

- 1/8" thick panel
- Clear ribbed glass
- Tempered safety glass
- Includes appropriate Decorative Glass Clips
- Not available for Wall Top Hinge Cabinets
- Order as DGI-\_\_\_ RIBBED, refer to Parts Directory for nomenclature and dimensions

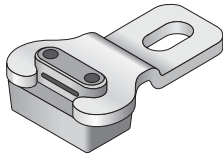
### Prepped for Glass



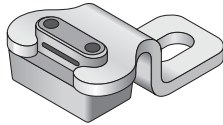
OFD
MFD

- For customer installed inserts up to 5/16" thick
- Refer to pages 62-65 for standard profiles
- Decorative Glass Clips not included—order separately

### Decorative Glass Clips



CLIP DGI 1/8



CLIP DGI 5/16

Glass Insert	CLIP DGI 1/8	CLIP DGI 5/16
Clear	•	
Derbyshire		•
Frosted	•	
Frosted Ash	•	
Impression	•	
Meredith	•	
Ribbed	•	

- For installation of decorative glass insert
- Order one bag (six clips) per door

CLIP DGI 1/8  
CLIP DGI 5/16

---

Notes

---

Notes

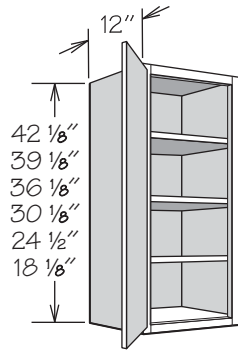




## New Wall Cabinet Sizes

We've added new sizes to our Wall Cabinets, Full Height Base Cabinets and Utility Cabinets, and introduced a new 6" Base Filler Pull out.

## Wall Cabinets • 1 Door



42" High Shown

- Specialty Door cabinets (SD) feature Matching Interior standard and require a specialty door selection
- Must be ordered as hinged left or right
- 18" high wall cabinets are not drilled for adjustable shelf

APC
CFO
FE
ID
MI ■
RD
VDO ■

### 12" DEEP

#### 42"H • 3 shelves

W942 ■  
W1242 ■  
W1542 ■  
W1842 ■  
W2142 ■  
W1242 SD  
W1542 SD  
W1842 SD  
W2142 SD

#### 39"H • 3 shelves

W939 ■  
W1239 ■  
W1539 ■  
W1839 ■  
W2139 ■  
W1239 SD  
W1539 SD  
W1839 SD  
W2139 SD

#### 36"H • 2 shelves

W936 ■  
W1236 ■  
W1536 ■  
W1836 ■  
W2136 ■  
W1236 SD  
W1536 SD  
W1836 SD  
W2136 SD

#### 30"H • 2 shelves

W930 ■  
W1230 ■  
W1530 ■  
W1830 ■  
W2130 ■  
W2430 ■  
W1230 SD  
W1530 SD  
W1830 SD  
W2130 SD

#### 24"H • 1 shelf

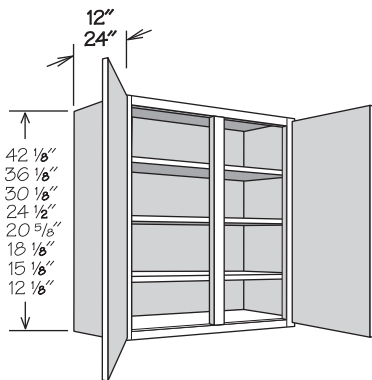
W1224 ■  
W1524 ■  
W1824 ■  
W2124 ■  
W1224 SD  
W1524 SD  
W1824 SD  
W2124 SD

#### 18"H • no shelf

W1218 ■  
W1518 ■  
W1818 ■  
W2118 ■  
W1218 SD  
W1518 SD  
W1818 SD  
W2118 SD

## Wall Cabinets • 2 Doors

NEW! SIZES



42" High Shown

- Specialty Door cabinets (SD) feature Matching Interior standard and require a specialty door selection
- 24" deep cabinets feature half-depth shelf where applicable
- 24" deep cabinets must be securely attached in one of the following combinations: to studs in back wall and both sides OR to studs in back wall, one side and top (e.g. two adjacent cabinets or one adjacent cabinet and a wall) or installed over a refrigerator
- 21", 18", 15" and 12" high wall cabinets are not drilled for adjustable shelf
- Center shelf support provided (where applicable)

APC
CFO
FE
MI ■
RD
VDO ■

### 12" DEEP

#### 42"H • 3 shelves

W3942 ■  
W4242 ■  
W3942 SD  
W4242 SD

#### 30"H • 2 shelves

W3930 ■  
W4230 ■  
W4830 ■  
W3930 SD  
W4230 SD

#### 24"H • 1 shelf

W3924 ■  
W4224 ■  
W3924 SD  
W4224 SD

#### 18"H • no shelf

W3918 ■  
W4218 ■  
W3918 SD  
W4218 SD

#### 15"H • no shelf

W3915 ■  
W3915 SD

#### 36"H • 2 shelves

W3936 ■  
W4236 ■  
W3936 SD  
W4236 SD

#### 21"H • no shelf

W3921 ■  
W3921 SD

#### 12"H • no shelf

W3912 ■  
W3912 SD

### 24" DEEP

#### 24"H • 1 shelf

W3924 X 24 DP ■  
W3924 X 24 DP SD

#### 21"H • no shelf

W3921 X 24 DP ■  
W3921 X 24 DP SD

#### 18"H • no shelf

W3918 X 24 DP ■  
W3918 X 24 DP SD

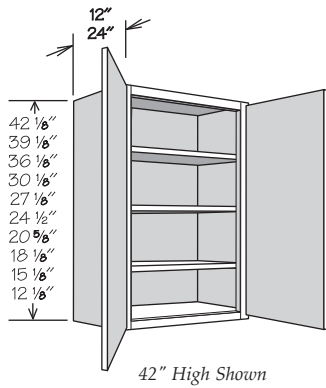
#### 15"H • no shelf

W3915 X 24 DP ■  
W3915 X 24 DP SD

#### 12"H • no shelf

W3912 X 24 DP ■  
W4212 X 24 DP ■  
W3912 X 24 DP SD

## Wall Cabinets • 2 Butt Doors



42" High Shown

- Specialty Door cabinets (SD) feature Matching Interior standard and require a specialty door selection
- 24" deep cabinets feature half-depth shelf where applicable
- 24" deep cabinets must be securely attached in one of the following combinations: to studs in back wall and both sides OR to studs in back wall, one side and top (e.g. two adjacent cabinets or one adjacent cabinet and a wall) or installed over a refrigerator
- 21", 18", 15" and 12" high wall cabinets are not drilled for adjustable shelf
- Center shelf support provided for cabinets 30" or wider (where applicable)

APC
CFO
FE
ID ◆
MI ■
RD
VDO ■

### 12" DEEP

#### 42"H • 3 shelves

W2442 BUTT ■◆  
W2742 BUTT ■◆  
W3042 BUTT ■◆  
W3342 BUTT ■◆  
W3642 BUTT ■◆  
W2442 BUTT SD ◆  
W2742 BUTT SD ◆  
W3042 BUTT SD ◆  
W3342 BUTT SD ◆  
W3642 BUTT SD ◆

#### 39"H • 3 shelves

W2439 BUTT ■◆  
W2739 BUTT ■◆  
W3039 BUTT ■◆  
W3339 BUTT ■◆  
W3639 BUTT ■◆  
W2439 BUTT SD ◆  
W2739 BUTT SD ◆  
W3039 BUTT SD ◆  
W3339 BUTT SD ◆  
W3639 BUTT SD ◆

#### 36"H • 2 shelves

W2436 BUTT ■◆  
W2736 BUTT ■◆  
W3036 BUTT ■◆  
W3336 BUTT ■◆  
W3636 BUTT ■◆  
W2436 BUTT SD ◆  
W2736 BUTT SD ◆  
W3036 BUTT SD ◆  
W3336 BUTT SD ◆  
W3636 BUTT SD ◆

#### 30"H • 2 shelves

W2430 BUTT ■◆  
W2730 BUTT ■◆  
W3030 BUTT ■◆  
W3330 BUTT ■◆  
W3630 BUTT ■◆  
W2430 BUTT SD ◆  
W2730 BUTT SD ◆  
W3030 BUTT SD ◆  
W3330 BUTT SD ◆  
W3630 BUTT SD ◆

#### 27"H • 1 shelf

W3027 BUTT ■◆  
W3027 BUTT SD ◆

#### 24"H • 1 shelf

W2424 BUTT ■◆  
W2724 BUTT ■◆  
W3024 BUTT ■◆  
W3324 BUTT ■◆  
W3624 BUTT ■◆  
W2424 BUTT SD ◆  
W2724 BUTT SD ◆  
W3024 BUTT SD ◆  
W3324 BUTT SD ◆  
W3624 BUTT SD ◆

#### 21"H • no shelf

W3021 BUTT ■◆  
W3321 BUTT ■◆  
W3621 BUTT ■◆  
W3021 BUTT SD ◆  
W3321 BUTT SD ◆  
W3621 BUTT SD ◆

#### 18"H • no shelf

W2418 BUTT ■◆  
W2718 BUTT ■◆  
W3018 BUTT ■◆  
W3318 BUTT ■◆  
W3618 BUTT ■◆  
W2418 BUTT SD ◆  
W2718 BUTT SD ◆  
W3018 BUTT SD ◆  
W3318 BUTT SD ◆  
W3618 BUTT SD ◆

#### 15"H • no shelf

W3015 BUTT ■◆  
W3315 BUTT ■◆  
W3615 BUTT ■◆  
W3015 BUTT SD ◆  
W3315 BUTT SD ◆  
W3615 BUTT SD ◆

#### 12"H • no shelf

W3012 BUTT ■◆  
W3312 BUTT ■◆  
W3612 BUTT ■◆  
W3012 BUTT SD ◆  
W3312 BUTT SD ◆  
W3612 BUTT SD ◆

### 24" DEEP

#### 27"H • 1 shelf

W3027 X 24 DP BUTT ■  
W3027 X 24 DP BUTT SD

#### 24"H • 1 shelf

W3024 X 24 DP BUTT ■  
W3324 X 24 DP BUTT ■  
W3624 X 24 DP BUTT ■  
W3024 X 24 DP BUTT SD  
W3324 X 24 DP BUTT SD  
W3624 X 24 DP BUTT SD

#### 21"H • no shelf

W3021 X 24 DP BUTT ■  
W3321 X 24 DP BUTT ■  
W3621 X 24 DP BUTT ■  
W3021 X 24 DP BUTT SD  
W3321 X 24 DP BUTT SD  
W3621 X 24 DP BUTT SD

#### 18"H • no shelf

W3018 X 24 DP BUTT ■  
W3318 X 24 DP BUTT ■  
W3618 X 24 DP BUTT ■  
W3018 X 24 DP BUTT SD  
W3318 X 24 DP BUTT SD  
W3618 X 24 DP BUTT SD

#### 15"H • no shelf

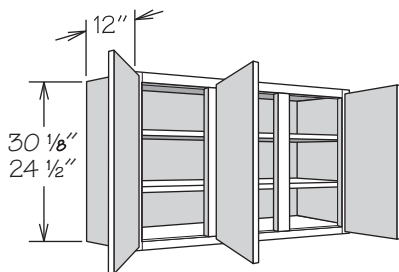
W3015 X 24 DP BUTT ■  
W3315 X 24 DP BUTT ■  
W3615 X 24 DP BUTT ■  
W3015 X 24 DP BUTT SD  
W3315 X 24 DP BUTT SD  
W3615 X 24 DP BUTT SD

#### 12"H • no shelf

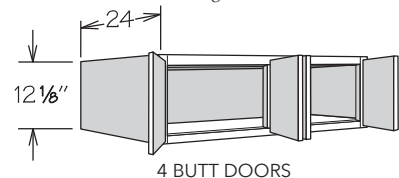
W3012 X 24 DP BUTT ■  
W3312 X 24 DP BUTT ■  
W3612 X 24 DP BUTT ■  
W3012 X 24 DP BUTT SD  
W3312 X 24 DP BUTT SD  
W3612 X 24 DP BUTT SD

## Wall Cabinets

NEW! SIZE



3 DOORS  
30" High Shown



4 BUTT DOORS

- Specialty Door cabinets (SD) feature Matching Interior standard and require a specialty door selection
- Hinged as shown
- 12" high wall cabinets are not drilled for adjustable shelf
- Center shelf support provided (where applicable)

APC
CFO
FE
MI ■
RD
VDO ■

### 3 DOORS

#### 30"H • 2 shelves

W4530 ■  
W4530 SD

#### 24"H • 1 shelf

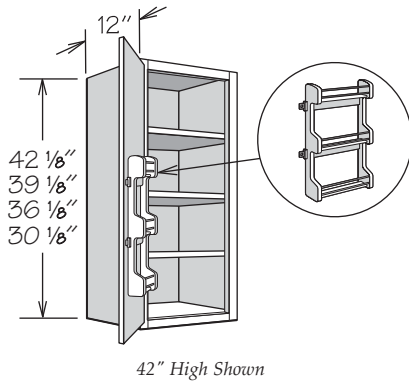
W4524 ■  
W4524 SD

### 4 BUTT DOORS

#### 12"H • no shelves

W4812 X 24 DP BUTT ■

## Wall Cabinet with Spice Rack • 1 Door



- Spice Rack Kit packaged separately for field installation
- Position adjustable shelves prior to installation
- Kit in natural finish solid wood features chrome rails and three fixed shelves
- Must be ordered as hinged left or right

APC
FE
ID
MI

### 12" DEEP

#### 42"H • 3 shelves

W1542 SR  
W1842 SR  
W2142 SR

#### 36"H • 2 shelves

W1536 SR  
W1836 SR  
W2136 SR

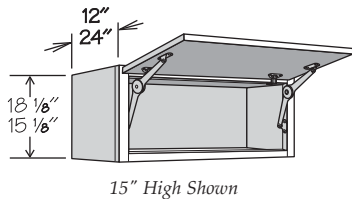
#### 39"H • 3 shelves

W1539 SR  
W1839 SR  
W2139 SR

#### 30"H • 2 shelves

W1530 SR  
W1830 SR  
W2130 SR

## Wall Top Hinge • 1 Door



- Features one pair of factory installed, field adjustable lid stays that supports door securely at any angle up to 105°
- Cabinet can be flipped to open downwards and lid stay can be adjusted to support door
- Door rail and stile configuration and insert panel grain direction will differ from standard wall cabinets, except DT22S
- DT22S features a door with vertical grain direction to match standard wall cabinets
- Not available for the 644S door style
- Specialty Door cabinets (SD) feature Matching Interior standard and require a specialty door selection
- MFD not available on Wall Top Hinge Specialty Door cabinets
- 24" deep cabinets must be securely attached in one of the following combinations: to studs in back wall and both sides OR to studs in back wall, one side and top (e.g. two adjacent cabinets or one adjacent cabinet and a wall) or installed over a refrigerator

APC
FE
ID ◆
MI ■
RD
VDO ■

### 12" DEEP

#### 18"H • no shelf

WTH3018 ■◆  
WTH3618 ■◆  
WTH3018 SD ◆  
WTH3618 SD ◆

#### 15"H • no shelf

WTH3015 ■◆  
WTH3615 ■◆  
WTH3015 SD ◆  
WTH3615 SD ◆

### 24" DEEP

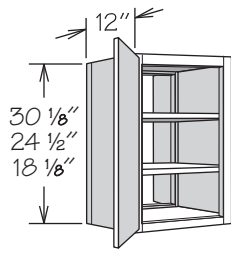
#### 18"H • no shelf

WTH3018 X 24 DP ■  
WTH3618 X 24 DP ■  
WTH3018 X 24 DP SD  
WTH3618 X 24 DP SD

#### 15"H • no shelf

WTH3015 X 24 DP ■  
WTH3615 X 24 DP ■  
WTH3015 X 24 DP SD  
WTH3615 X 24 DP SD

## Peninsula Wall Cabinets • 2 Doors



30" High Shown

- Hinged as shown
- Specialty Door cabinets (SD) feature Matching Interior standard and require a specialty door selection

APC
FE
ID
MI ■
RD
VDO ■

### 12" DEEP

#### 30"H • 2 shelves

PW1230 ■  
 PW1530 ■  
 PW1830 ■  
 PW2430 ■  
 PW1230 SD  
 PW1530 SD  
 PW1830 SD

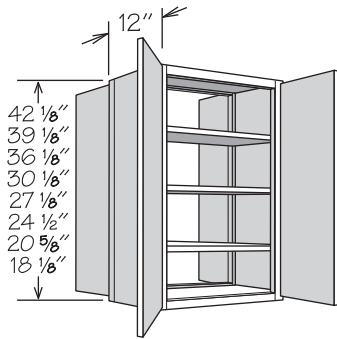
#### 24"H • 1 shelf

PW1224 ■  
 PW1824 ■  
 PW1224 SD  
 PW1824 SD

#### 18"H • no shelf

PW1818 ■  
 PW1818 SD

## Peninsula Wall Cabinets • 4 Butt Doors



42" High Shown

- Specialty Door cabinets (SD) feature Matching Interior standard and require a specialty door selection
- Center shelf support provided for cabinets 30" or wider (where applicable)

APC
FE
ID
MI ■
RD
VDO ■

### 12" DEEP

#### 42"H • 3 shelves

PW2442 BUTT ■  
 PW3042 BUTT ■  
 PW3642 BUTT ■  
 PW2442 BUTT SD  
 PW3042 BUTT SD  
 PW3642 BUTT SD

#### 39"H • 3 shelves

PW2439 BUTT ■  
 PW3039 BUTT ■  
 PW3639 BUTT ■  
 PW2439 BUTT SD  
 PW3039 BUTT SD  
 PW3639 BUTT SD

#### 36"H • 2 shelves

PW2436 BUTT ■  
 PW3036 BUTT ■  
 PW3636 BUTT ■  
 PW2436 BUTT SD  
 PW3036 BUTT SD  
 PW3636 BUTT SD

#### 30"H • 2 shelves

PW2430 BUTT ■  
 PW3030 BUTT ■  
 PW3630 BUTT ■  
 PW2430 BUTT SD  
 PW3030 BUTT SD  
 PW3630 BUTT SD

#### 27"H • 1 shelf

PW3027 BUTT ■  
 PW3027 BUTT SD

#### 24"H • 1 shelf

PW2424 BUTT ■  
 PW3024 BUTT ■  
 PW3624 BUTT ■  
 PW2424 BUTT SD  
 PW3024 BUTT SD  
 PW3624 BUTT SD

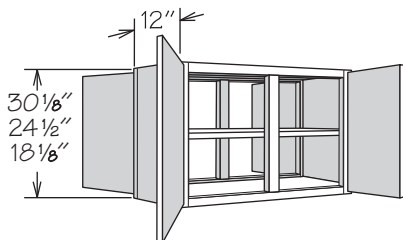
#### 21"H • no shelf

PW3021 BUTT ■  
 PW3621 BUTT ■  
 PW3021 BUTT SD  
 PW3621 BUTT SD

#### 18"H • no shelf

PW2418 BUTT ■  
 PW3018 BUTT ■  
 PW3618 BUTT ■  
 PW2418 BUTT SD  
 PW3018 BUTT SD  
 PW3618 BUTT SD

## Peninsula Wall Cabinets • 4 Doors



24" High Shown

- Specialty Door cabinets (SD) feature Matching Interior standard and require a specialty door selection

APC
FE
MI ■
RD
VDO ■

### 12" DEEP

#### 30"H • 2 shelves

PW4230 ■  
 PW4230 SD

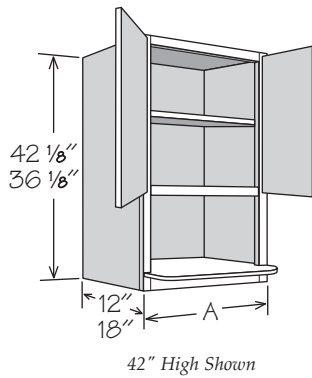
#### 24"H • 1 shelf

PW4224 ■  
 PW4224 SD

#### 18"H • no shelf

PW4218 ■  
 PW4218 SD

## Wall Microwave Cabinets • 2 Butt Doors



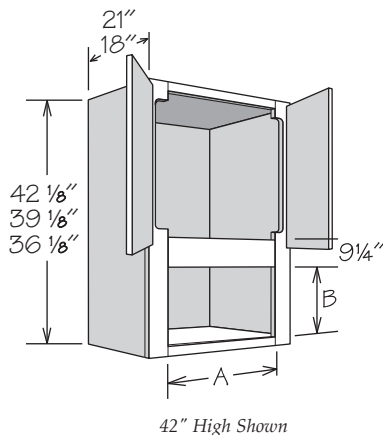
- Must be installed between two adjacent cabinets or a cabinet and a wall
- Cabinet interior and microwave shelf is finished to match cabinet box exterior
- 3/4" plywood microwave shelf included
- Designed to accommodate countertop style microwave
- Refer to appliance manufacturer's specifications for adequate clearances
- 36" high wall cabinets are not drilled for adjustable shelf

APC
FE
RD
VDO

12" DEEP	A	LOWER FRAME OPENING		
		WIDTH	HEIGHT	DEPTH
<b>36"H • no shelf</b>				
WMSC271236 BUTT	27"	23 3/4"	18 5/8"	17 3/4"
WMSC301236 BUTT	30"	26 3/4"	18 5/8"	17 3/4"
WCMSC241236 BUTT	24"	20 3/4"	15 5/8"	17 3/4"
WCMSC271236 BUTT	27"	23 3/4"	15 5/8"	17 3/4"
<b>18" DEEP</b>				
<b>42"H • 1 shelf</b>				
WMSC271842 BUTT	27"	23 3/4"	15 1/4"	23 3/4"
<b>36"H • no shelf</b>				
WMSC271836 BUTT	27"	23 3/4"	18 5/8"	23 3/4"

WALL CABINETS

## Microwave Wall Cabinets • 2 Butt Doors

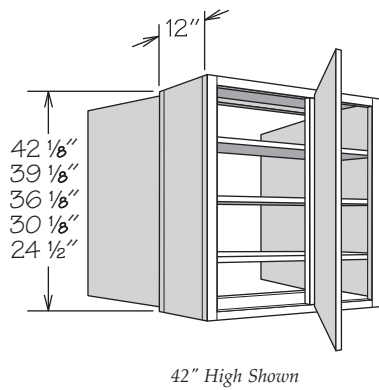


- Must be installed between two cabinets or a cabinet and a wall
- Designed to accommodate microwaves with trim kit
- A cutout exists in the door area where the 3/8" stiles are routed to 1 5/8"
- Refer to appliance manufacturers specifications for adequate clearances
- Not drilled for adjustable shelf

APC
FE
ID
MI
RD

18" DEEP	A		B	
	ACTUAL	MAX.	ACTUAL	MAX.
<b>42"H • no shelf</b>				
WMC301842 BUTT	23 3/4"	28"	12 1/4"	20"
<b>39"H • no shelf</b>				
WMC271839 BUTT	20 3/4"	25"	11 3/4"	19 1/2"
WMC301839 BUTT	23 3/4"	28"	11 3/4"	19 1/2"
<b>36"H • no shelf</b>				
WMC271836 BUTT	20 3/4"	25"	11 3/4"	19 1/2"
WMC301836 BUTT	23 3/4"	28"	11 3/4"	19 1/2"
<b>21" DEEP</b>				
<b>42"H • no shelf</b>				
WMC302142 BUTT	23 3/4"	28"	12 1/4"	20"
<b>39"H • no shelf</b>				
WMC272139 BUTT	20 3/4"	25"	11 3/4"	19 1/2"
WMC302139 BUTT	23 3/4"	28"	11 3/4"	19 1/2"
<b>36"H • no shelf</b>				
WMC272136 BUTT	20 3/4"	25"	11 3/4"	19 1/2"
WMC302136 BUTT	23 3/4"	28"	11 3/4"	19 1/2"

## Blind Peninsula Cabinet • 3 Butt Doors



- Cabinet shown as right indicating blind opening is on the right side of the cabinet (must be ordered as left or right)
- Includes 1/8" panel to cover blind opening (field trim and install)
- Refer to Blind Peninsula Wall Cabinet Installation Chart for specifications
- Must order Universal Fillers separately
- Specialty Door cabinets (SD) feature Matching Interior standard and require a specialty door selection

APC
FE
ID
MI ■
RD
VDO ■

42" High Shown

### 12" DEEP

#### 42"H • 3 shelves

BLPW2442 BUTT ■  
BLPW2442 BUTT SD

#### 39"H • 3 shelves

BLPW2439 BUTT ■  
BLPW2439 BUTT SD

#### 36"H • 2 shelves

BLPW2436 BUTT ■  
BLPW2436 BUTT SD

#### 30"H • 2 shelves

BLPW2430 BUTT ■  
BLPW2430 BUTT SD

#### 24"H • 1 shelf

BLPW2424 BUTT ■  
BLPW2424 BUTT SD

## BLIND PENINSULA WALL CABINET INSTALLATION CHART



### Full Overlay Door Styles

Full Overlay door styles require decorative hardware, which has been calculated into dimensions.

CABINET	ACTUAL CABINET WIDTH	DOOR OPENING C	DOOR C	DOOR OPENING D	DOORS (2) D	WALL SPACE A			EXPOSED FRAME B		FILLER (AT WALL)	
						MIN SPACE	MAX PULL	MAX SPACE*	MIN SPACE	MAX SPACE*	MIN	MAX*
BLPW2424 BUTT	24"	8 3/4"	DR1224	20 3/4"	DR1224 BUTT	26 1/4"	3/4"	27"	14 1/4"	15"	2 1/4"	3"
BLPW2430 BUTT	24"	8 3/4"	DR1230	20 3/4"	DR1230 BUTT	26 1/4"	3/4"	27"	14 1/4"	15"	2 1/4"	3"
BLPW2436 BUTT	24"	8 3/4"	DR1236	20 3/4"	DR1236 BUTT	26 1/4"	3/4"	27"	14 1/4"	15"	2 1/4"	3"
BLPW2439 BUTT	24"	8 3/4"	DR1239	20 3/4"	DR1239 BUTT	26 1/4"	3/4"	27"	14 1/4"	15"	2 1/4"	3"
BLPW2442 BUTT	24"	8 3/4"	DR1242	20 3/4"	DR1242 BUTT	26 1/4"	3/4"	27"	14 1/4"	15"	2 1/4"	3"

\*Must use these dimensions if optional Overlay Fillers will be used.

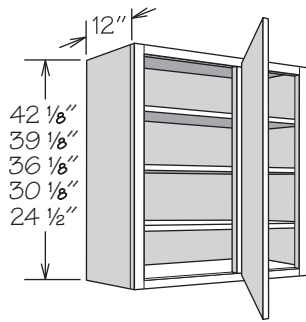
### Standard Overlay Door Styles

Wall Space A requirements include optional decorative hardware clearance. 1/4" may be deducted if decorative hardware is not used.

CABINET	ACTUAL CABINET WIDTH	DOOR OPENING C	DOOR C	DOOR OPENING D	DOORS (2) D	WALL SPACE A			EXPOSED FRAME B		FILLER (AT WALL)	
						MIN SPACE	MAX PULL	MAX SPACE	MIN SPACE	MAX SPACE	MIN	MAX
BLPW2424 BUTT	24"	8 3/4"	DR1224	20 3/4"	DR1224 BUTT	25 3/8"	1 5/8"	27"	13 3/8"	15"	1 3/8"	3"
BLPW2430 BUTT	24"	8 3/4"	DR1230	20 3/4"	DR1230 BUTT	25 3/8"	1 5/8"	27"	13 3/8"	15"	1 3/8"	3"
BLPW2436 BUTT	24"	8 3/4"	DR1236	20 3/4"	DR1236 BUTT	25 3/8"	1 5/8"	27"	13 3/8"	15"	1 3/8"	3"
BLPW2439 BUTT	24"	8 3/4"	DR1239	20 3/4"	DR1239 BUTT	25 3/8"	1 5/8"	27"	13 3/8"	15"	1 3/8"	3"
BLPW2442 BUTT	24"	8 3/4"	DR1242	20 3/4"	DR1242 BUTT	25 3/8"	1 5/8"	27"	13 3/8"	15"	1 3/8"	3"



## Blind Wall Cabinet • 1 Door



42" High Shown

- Cabinet shown as right indicating blind opening is on the right side of cabinet (must be ordered as left or right)
- Includes 1/8" panel to cover blind opening (field trim and install)
- Refer to Blind Wall Cabinet Installation Chart for specifications
- Must order Universal Filler separately
- Specialty Door cabinets (SD) feature Matching Interior standard and require a specialty door selection
- Center shelf support provided for cabinets 30" or wider

APC
CFO
FE
ID
MI ■
RD
VDO ■

### 12" DEEP

#### 42"H • 3 shelves

BLW24/2742 ■  
 BLW30/3342 ■  
 BLW33/3642 ■  
 BLW24/2742 SD  
 BLW30/3342 SD  
 BLW33/3642 SD

#### 39"H • 3 shelves

BLW24/2739 ■  
 BLW30/3339 ■  
 BLW33/3639 ■  
 BLW24/2739 SD  
 BLW30/3339 SD  
 BLW33/3639 SD

#### 36"H • 2 shelves

BLW24/2736 ■  
 BLW30/3336 ■  
 BLW33/3636 ■  
 BLW24/2736 SD  
 BLW30/3336 SD  
 BLW33/3636 SD

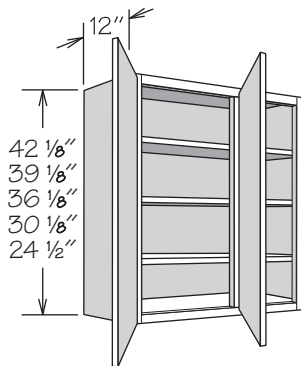
#### 30"H • 2 shelves

BLW24/2730 ■  
 BLW27/3030 ■  
 BLW30/3330 ■  
 BLW33/3630 ■  
 BLW36/3930 ■  
 BLW24/2730 SD  
 BLW27/3030 SD  
 BLW30/3330 SD  
 BLW33/3630 SD

#### 24"H • 1 shelf

BLW24/2724 ■  
 BLW27/3024 ■  
 BLW30/3324 ■  
 BLW33/3624 ■  
 BLW24/2724 SD  
 BLW27/3024 SD  
 BLW30/3324 SD  
 BLW33/3624 SD

## Blind Wall Cabinet • 2 Butt Doors



42" High Shown

- Cabinet shown as right indicating blind opening is on the right side of cabinet (can be reversed in the field)
- Includes 1/8" panel to cover blind opening (field trim and install)
- Refer to Blind Wall Cabinet Installation Chart for specifications
- Must order Universal Filler separately
- Specialty Door cabinets (SD) feature Matching Interior standard and require a specialty door selection
- Center shelf support provided

APC
CFO
FE
ID ◆
MI ■
RD
VDO ■

### 12" DEEP

#### 42"H • 3 shelves

BLW36/3942 BUTT ■ ◆  
 BLW39/4242 BUTT ■  
 BLW42/4542 BUTT ■  
 BLW36/3942 BUTT SD ◆  
 BLW39/4242 BUTT SD  
 BLW42/4542 BUTT SD

#### 39"H • 3 shelves

BLW36/3939 BUTT ■ ◆  
 BLW39/4239 BUTT ■  
 BLW42/4539 BUTT ■  
 BLW36/3939 BUTT SD ◆  
 BLW39/4239 BUTT SD  
 BLW42/4539 BUTT SD

#### 36"H • 2 shelves

BLW36/3936 BUTT ■ ◆  
 BLW39/4236 BUTT ■  
 BLW42/4536 BUTT ■  
 BLW36/3936 BUTT SD ◆  
 BLW39/4236 BUTT SD  
 BLW42/4536 BUTT SD

#### 30"H • 2 shelves

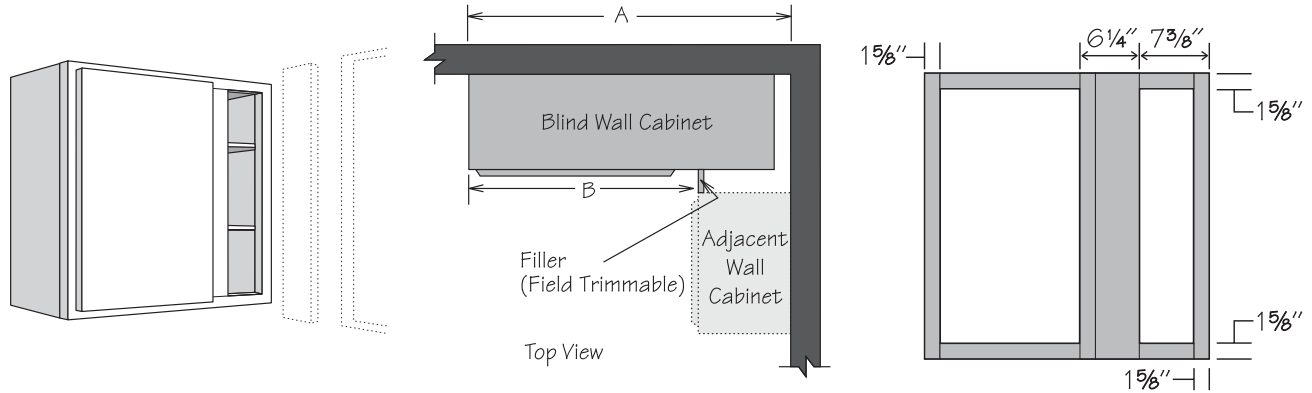
BLW36/3930 BUTT ■ ◆  
 BLW39/4230 BUTT ■  
 BLW42/4530 BUTT ■  
 BLW45/4830 BUTT ■  
 BLW48/5130 BUTT ■  
 BLW36/3930 BUTT SD ◆  
 BLW39/4230 BUTT SD  
 BLW42/4530 BUTT SD  
 BLW45/4830 BUTT SD  
 BLW48/5130 BUTT SD

#### 24"H • 1 shelf

BLW36/3924 BUTT ■ ◆  
 BLW36/3924 BUTT SD ◆



# BLIND WALL CABINET INSTALLATION CHART



## Full Overlay Door Styles

Full Overlay door styles require decorative hardware, which has been calculated into dimensions.

CABINET	ACTUAL CABINET WIDTH	DOOR OPENING	DOOR(S)	WALL SPACE A			EXPOSED FRAME B	
				MINIMUM SPACE*	MAXIMUM PULL	MAXIMUM SPACE	MINIMUM SPACE*	MAXIMUM SPACE
BLW24/27_	24"	8 3/4"	DR12__	26 1/4"	1 3/4"	28"	14 1/4"	16"
BLW27/30_	27"	11 3/4"	DR15__	29 1/4"	1 3/4"	31"	17 1/4"	19"
BLW30/33_	30"	14 3/4"	DR18__	32 1/4"	1 3/4"	34"	20 1/4"	22"
BLW33/36_	33"	17 3/4"	DR21__	35 1/4"	1 3/4"	37"	23 1/4"	25"
BLW36/3930	36"	20 3/4"	DR2430	38 1/4"	1 3/4"	40"	26 1/4"	28"
BLW36/39_ BUTT	36"	20 3/4"	DR12__ BUTT (2)	38 1/4"	1 3/4"	40"	26 1/4"	28"
BLW39/42_ BUTT	39"	23 3/4"	DR13__ BUTT (2)	41 1/4"	1 3/4"	43"	29 1/4"	31"
BLW42/45_ BUTT	42"	26 3/4"	DR15__ BUTT (2)	44 1/4"	1 3/4"	46"	32 1/4"	34"
BLW45/48_ BUTT	45"	29 3/4"	DR16__ BUTT (2)	47 1/4"	1 3/4"	49"	35 1/4"	37"
BLW48/51_ BUTT	48"	32 3/4"	DR18__ BUTT (2)	50 1/4"	1 3/4"	52"	38 1/4"	40"

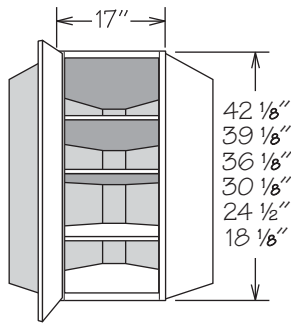
\*Dimension requirements do not include optional Overlay Fillers - add 7/8" if Overlay Fillers will be used.

## Standard Overlay Door Styles

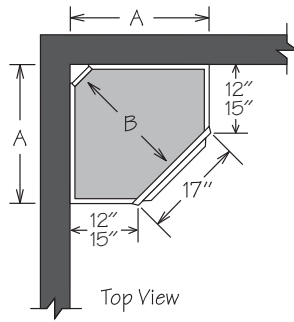
Wall Space A requirements include optional decorative hardware clearance. 1/4" may be deducted if decorative hardware is not used.

CABINET	ACTUAL CABINET WIDTH	DOOR OPENING	DOOR(S)	WALL SPACE A			EXPOSED FRAME B	
				MINIMUM SPACE	MAXIMUM PULL	MAXIMUM SPACE	MINIMUM SPACE	MAXIMUM SPACE
BLW24/27_	24"	8 3/4"	DR12__	25 3/8"	2 5/8"	28"	13 3/8"	16"
BLW27/30_	27"	11 3/4"	DR15__	28 3/8"	2 5/8"	31"	16 3/8"	19"
BLW30/33_	30"	14 3/4"	DR18__	31 3/8"	2 5/8"	34"	19 3/8"	22"
BLW33/36_	33"	17 3/4"	DR21__	34 3/8"	2 5/8"	37"	22 3/8"	25"
BLW36/3930	36"	20 3/4"	DR2430	37 3/8"	2 5/8"	40"	25 3/8"	28"
BLW36/39_ BUTT	36"	20 3/4"	DR12__ BUTT (2)	37 3/8"	2 5/8"	40"	25 3/8"	28"
BLW39/42_ BUTT	39"	23 3/4"	DR13__ BUTT (2)	40 3/8"	2 5/8"	43"	28 3/8"	31"
BLW42/45_ BUTT	42"	26 3/4"	DR15__ BUTT (2)	43 3/8"	2 5/8"	46"	31 3/8"	34"
BLW45/48_ BUTT	45"	29 3/4"	DR16__ BUTT (2)	46 3/8"	2 5/8"	49"	34 3/8"	37"
BLW48/51_ BUTT	48"	32 3/4"	DR18__ BUTT (2)	49 3/8"	2 5/8"	52"	37 3/8"	40"

## Corner Wall Cabinets



42" High Shown



Top View

- Must be ordered as hinged left or right
- Door opening is 11<sup>3</sup>/<sub>4</sub>" wide
- Features a DR15\_ door
- Specialty Door cabinets (SD) feature Matching Interior standard and require a specialty door selection
- 24" high cabinet's shelf is adjustable, not removable
- Glass Shelf Kit is not available for 18" or 24" high cabinets

APC
FE
MI ■
VDO ■

	A	B
12" Deep	24"	21 1/2"
15" Deep	27"	25 3/4"

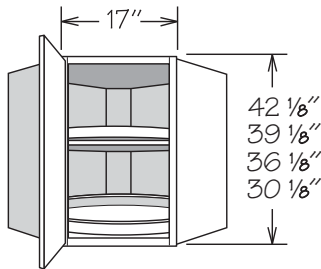
### 12" DEEP

42"H • 3 shelves	39"H • 3 shelves	36"H • 2 shelves	30"H • 2 shelves	24"H • 1 shelf	18"H • no shelf
CW2442 ■	CW2439 ■	CW2436 ■	CW2430 ■	CW2424 ■	CW2418 ■
CW2442 SD	CW2439 SD	CW2436 SD	CW2430 SD	CW2424 SD	CW2418 SD

### 15" DEEP

42"H • 3 shelves	39"H • 3 shelves	36"H • 2 shelves	30"H • 2 shelves	24"H • 1 shelf	18"H • no shelf
CW2742 ■	CW2739 ■	CW2736 ■	CW2730 ■	CW2724 ■	CW2718 ■
CW2742 SD	CW2739 SD	CW2736 SD	CW2730 SD	CW2724 SD	CW2718 SD

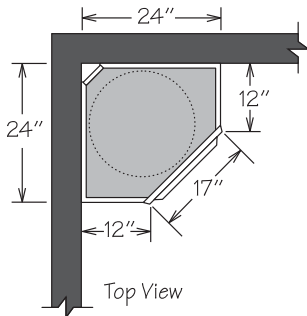
## Corner Wall Cabinets • with Wood Spin Units



30" High Shown

- Must be ordered as hinged left or right
- Door opening is 11<sup>3</sup>/<sub>4</sub>" wide
- Features a DR15\_ door
- Wood Spin Units feature:
  - » Natural finish with 1" lip and are 18" in diameter
  - » One fixed wood spin unit mounted on cabinet floor and all other spin units are attached to 3/4" adjustable shelf
- Specialty Door cabinets (SD) feature Matching Interior standard and require a specialty door selection

APC
FE
MI ■
VDO ■



Top View

### WOOD SPIN UNIT

#### 42"H • 3 spin units

CWS2442 WD ■  
CWS2442 WD SD

#### 39"H • 3 spin units

CWS2439 WD ■  
CWS2439 WD SD

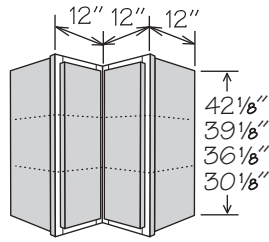
#### 36"H • 2 spin units

CWS2436 WD ■  
CWS2436 WD SD

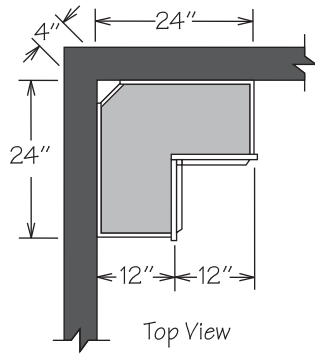
#### 30"H • 2 spin units

CWS2430 WD ■  
CWS2430 WD SD

## Wall Easy Reach



30" High Shown



Top View

- Must be ordered as hinged left or right
- Doors open 170°

APC
FE
MI

### 12" DEEP

#### 42"H • 3 shelves

WER2442

#### 39"H • 3 shelves

WER2439

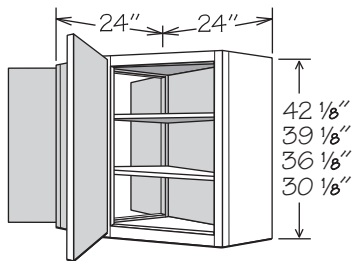
#### 36"H • 2 shelves

WER2436

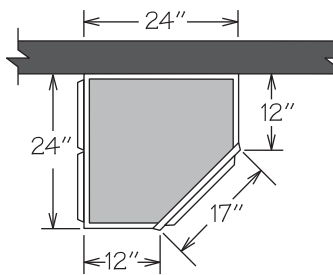
#### 30"H • 2 shelves

WER2430

## Peninsula Corner Wall



30" High Shown



Top View

- Must be ordered as hinged left or right
- Two butt doors on peninsula side
- Recommend attachment to soffit or ceiling and to all adjacent cabinets
- Glass Shelf Kit not available
- Specialty Door cabinets (SD) feature Matching Interior standard and require a specialty door selection

APC
FE
MI ■
VDO ■

### 12" DEEP

#### 42"H • 3 shelves

PWCW2442 BUTT ■  
PWCW2442 BUTT SD

#### 39"H • 3 shelves

PWCW2439 BUTT ■  
PWCW2439 BUTT SD

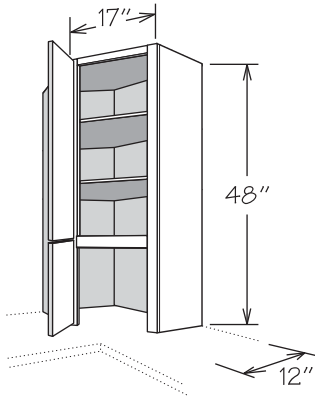
#### 36"H • 2 shelves

PWCW2436 BUTT ■  
PWCW2436 BUTT SD

#### 30"H • 2 shelves

PWCW2430 BUTT ■  
PWCW2430 BUTT SD

## Corner Wall Cabinet • Appliance Garage



- Features two doors:
  - » (1) DR1530
  - » (1) DR1518
- 11 3/4" wide x 26 7/8" high top door opening
- 11 3/4" wide x 16 1/4" high appliance garage opening
- Specialty Door option only applies to top door - DR1518 SD can be ordered separately for appliance garage
- Specialty Door cabinets (SD) feature Matching Interior standard and require a specialty door selection

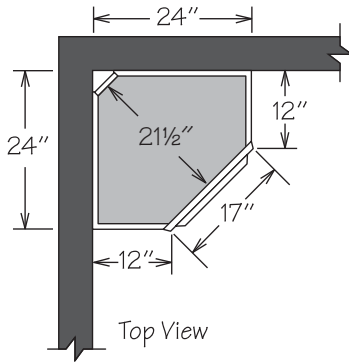
APC
FE
MI ■
VDO ■

### 12" DEEP

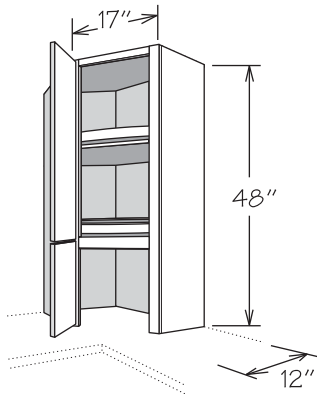
### 48"H • 2 shelves

CWD2448 ■

CWD2448 SD



## Corner Wall Cabinets • Appliance Garage and Wood Spin Units



- Features two doors:
  - » (1) DR1530
  - » (1) DR1518
- Fixed wood spin unit mounted on cabinet floor
- Features one wood spin unit attached to 3/4" adjustable shelf
- Natural finish wood spin units feature 1" lip and are 18" in diameter
- 11 3/4" wide x 26 7/8" high top door opening
- 11 3/4" wide x 16 1/4" high appliance garage opening
- Specialty Door option only applies to top door - DR1518 SD can be ordered separately for appliance garage
- Specialty Door cabinets (SD) feature Matching Interior standard and require a specialty door selection

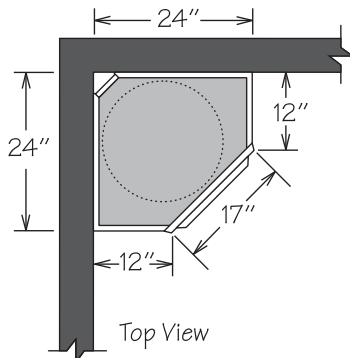
APC
FE
MI ■
VDO ■

### 12" DEEP

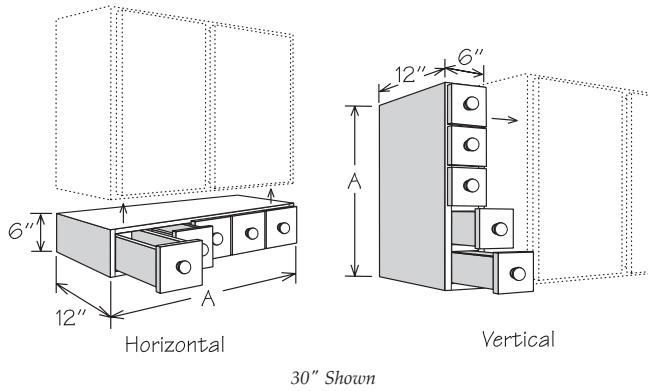
### 48"H • 2 spin units

CWDS2448 WD ■

CWDS2448 WD SD



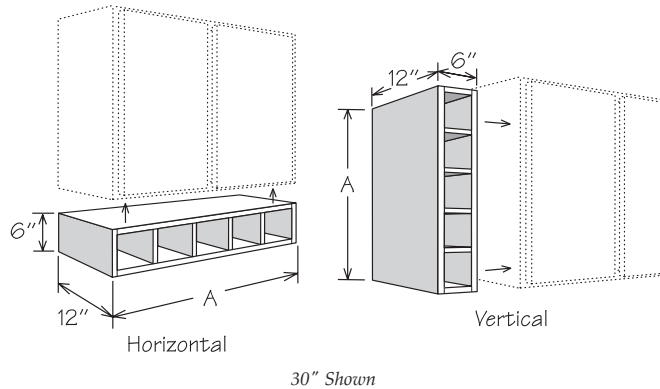
## Spice Drawer Cabinet



- Designed for horizontal or vertical installation
- Vertical installation may require the use of fillers and/or molding which must be ordered separately
- All door styles feature veneered engineered wood with 1/2" thick slab drawer fronts
- Flush sides with no face frame or 1/4" reveals
- All wood drawer body with dovetail construction
- Wood door styles feature matching wood knobs
- Breeze, Linen and Pewter door styles feature white porcelain knobs, all other finishes feature matching wood knobs
- Duraform door styles feature drawer fronts finished to match cabinet box exterior

12" DEEP	A	NUMBER OF DRAWERS
SDC18	18"	3
SDC24	24"	4
SDC30	30"	5
SDC36	36"	6

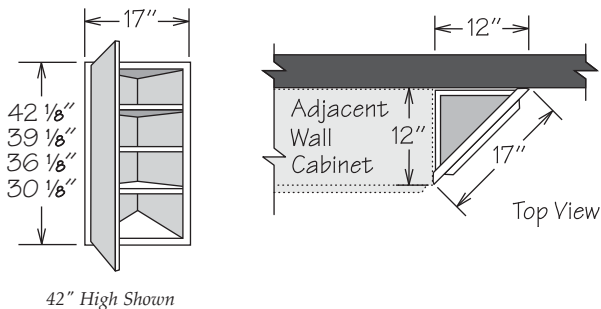
## Storage Cube



- Designed for horizontal or vertical installation
- Vertical installation may require the use of fillers and/or molding which must be ordered separately
- Opening size is 5" wide x 4 1/2" high (horizontal) which will accommodate most wine bottles and various other storage needs
- All door styles feature 3/4" veneered engineered wood finished to match cabinet box exterior
- Flush sides with no face frame or 1/4" reveals
- Interior finished to match cabinet box exterior
- Cannot be retrofitted with Spice Drawer Cabinet drawers

12" DEEP	A	NUMBER OF OPENINGS
SC30	30"	5
SC36	36"	6
SC42	42"	7

## Wall End Angle • 1 Door



- Requires 12" x 12" space
- Features a DR15\_ door
- Must be ordered as hinged left or right
- Specialty Door cabinets (SD) feature Matching Interior standard and require a specialty door selection

APC
MI ■
VDO ■

### 12" DEEP

#### 42"H • 3 shelves

WEA1242 ■  
WEA1242 SD

#### 39"H • 3 shelves

WEA1239 ■  
WEA1239 SD

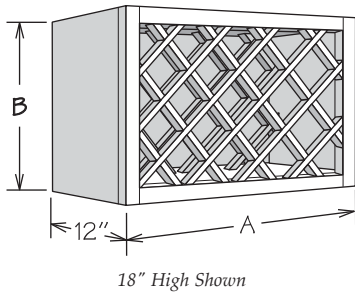
#### 36"H • 2 shelves

WEA1236 ■  
WEA1236 SD

#### 30"H • 2 shelves

WEA1230 ■  
WEA1230 SD

## Wine Rack Cabinet

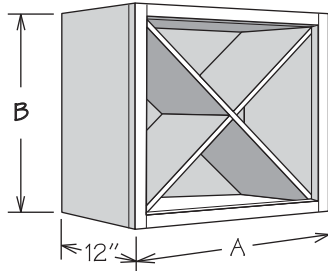


- Interior finished to match cabinet box exterior
- Wine bottle opening is 4" x 4"
- Cabinet must be installed between two adjacent cabinets, one cabinet and a wall, or secured to a cabinet directly above or below

APC
FE

12" DEEP	A	B	NUMBER OF BOTTLES
<b>30"H</b>			
WRC1530	15"	30 1/8"	10
WRC1830	18"	30 1/8"	11
<b>18"H</b>			
WRC3018	30"	18 1/8"	11
<b>15"H</b>			
WRC3015	30"	15 1/8"	10
WRC3615	36"	15 1/8"	13

## Wine Storage Cabinet

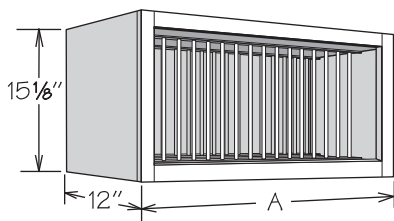


- Interior finished to match cabinet box exterior
- All door styles feature 3/4" plywood partitions
- Cabinet must be installed between two adjacent cabinets or one cabinet and wall
- Accent molding recommended - order separately
- Cabinet must be installed between two adjacent cabinets, one cabinet and a wall, or secured to a cabinet directly above or below

APC
FE

12" DEEP	A	B	NUMBER OF BOTTLES
<b>24"H</b>			
WSC2424	24"	24 1/2"	30
<b>18"H</b>			
WSC1818	18"	18 1/8"	12

## Wall China Cabinet

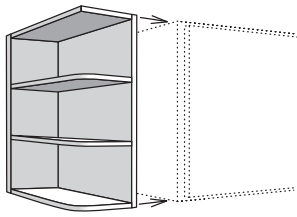


- Interior finished to match cabinet box exterior
- Use with 11 1/2" diameter (or smaller) dinner plates
- Spindles can be removed for cleaning
- Spindles shipped not installed
- Accent molding recommended - order separately
- Use of accent molding will reduce available plate diameter to 11"
- Cabinet must be installed between two adjacent cabinets, one cabinet and a wall, or secured to a cabinet directly above or below

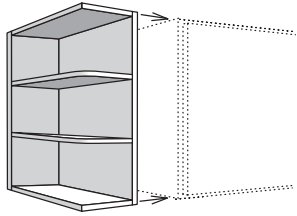
APC
FE

12" DEEP	A	NUMBER OF PLATES
WCC2415	24"	9
WCC3015	30"	12
WCC3615	36"	15

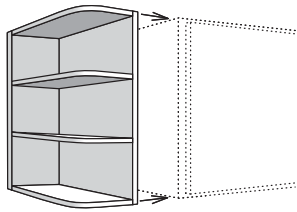
## Shelf End Wall



SQUARE TOP, ROUND BOTTOM (SQT)



SQUARE TOP & BOTTOM (SQTb)



ROUND TOP & BOTTOM (SEW)  
30" High Shown

- Interior finished to match cabinet box exterior
- Features 1/2" veneered engineered wood back and side
- Top, bottom, and shelves are 3/4" veneered engineered wood
- Rounded shelves feature a 3" radius
- 1/8" screw recommended from inside of adjacent cabinet for installation
- Rounded bottom on SEW\_SQT does not allow cabinet to be reversed in the field or installation of bottom molding

### 12" DEEP

#### 42"H • 3 shelves

SEW42L SQT  
SEW42R SQT  
SEW42 SQTb  
SEW42

#### 39"H • 3 shelves

SEW39L SQT  
SEW39R SQT  
SEW39 SQTb  
SEW39

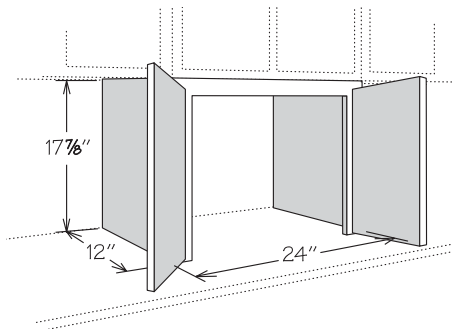
#### 36"H • 2 shelves

SEW36L SQT  
SEW36R SQT  
SEW36 SQTb  
SEW36

#### 30"H • 2 shelves

SEW30L SQT  
SEW30R SQT  
SEW30 SQTb  
SEW30

## Straight Appliance Garage



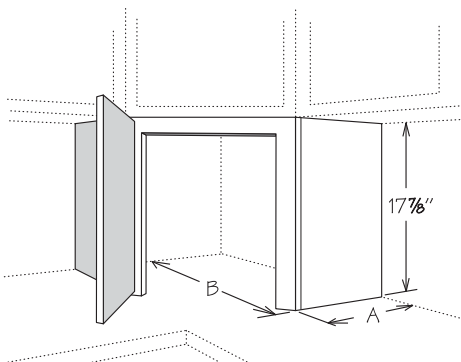
- Installs below minimum 24" wide wall cabinet
- 20 3/4" wide x 15 5/8" high opening
- Shipped with end panels unattached
- No bottom rail

APC
FE
ID
MI ■
RD
VDO ■

### 12" DEEP

AGSD24 BUTT ■  
AGSD24 BUTT SD

## Corner Appliance Garage

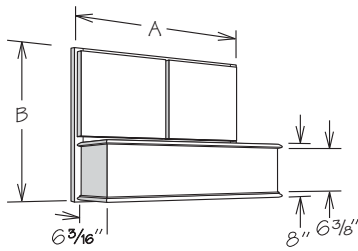


- Installs below CW and CWS Corner Wall cabinets
- 11 3/4" wide x 15 5/8" high opening
- Shipped with end panels unattached
- No bottom rail

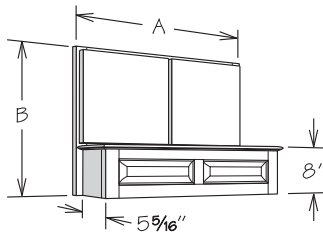
APC
FE
MI ■
VDO ■

12" DEEP	A	B	15" DEEP	A	B
AGD2418 ■	12"	24"	AGD2718 ■	15"	27"
AGD2418 SD	12"	24"	AGD2718 SD	15"	27"

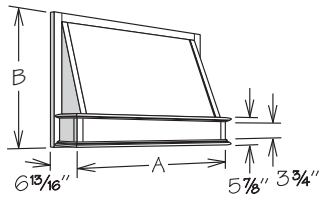
# Wall Range Hood NEW! PRODUCT



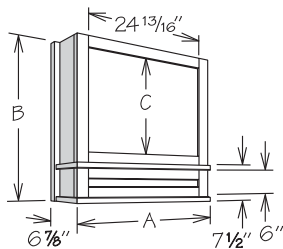
STRAIGHT VALANCE



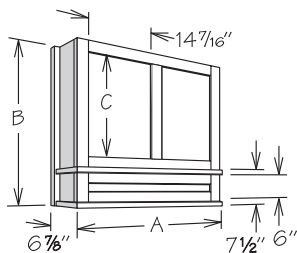
RAISED PANEL



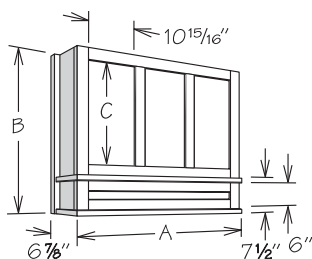
CLASSIC TAPERED



DECORATIVE MANTLE, 1 PANEL



DECORATIVE MANTLE, 2 PANEL



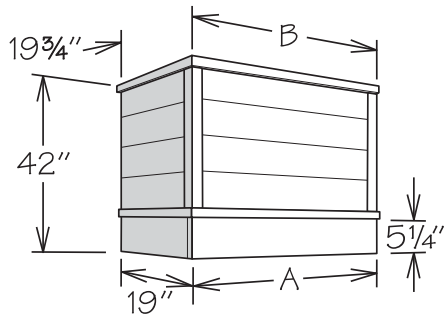
DECORATIVE MANTLE, 3 PANEL

- Must be installed between two wall cabinets
- Silver metallic liner included
- Order range hood blower separately - not for use with RHVENT 960
- All finished surfaces will match cabinet box exterior
- Straight Valance and Raised Panel Range Hoods feature:
  - » Center stile and functioning BUTT doors allow for duct work installation and wiring
  - » Doors will match door style ordered
  - » For Duraform door styles, only the doors will be wrapped

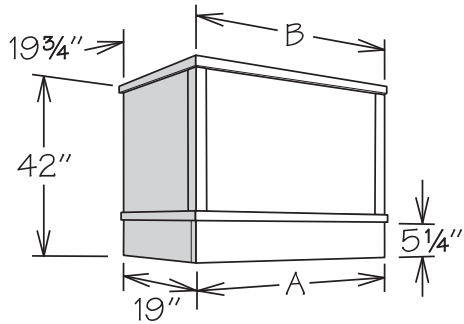
	A	B	C	DOORS
<b>Straight Valance</b>				
WRH3024 SV	30"	24"	-	(2) DR1515 BUTT
WRH3624 SV	36"	24"	-	(2) DR1815 BUTT
WRH3027 SV	30"	27"	-	(2) DR1518 BUTT
WRH3627 SV	36"	27"	-	(2) DR1818 BUTT
WRH3030 SV	30"	30"	-	(2) DR1521 BUTT
WRH3630 SV	36"	30"	-	(2) DR1821 BUTT
<b>Raised Panel</b>				
WRH3024 RP	30"	24"	-	(2) DR1515 BUTT
WRH3624 RP	36"	24"	-	(2) DR1815 BUTT
WRH3027 RP	30"	27"	-	(2) DR1518 BUTT
WRH3627 RP	36"	27"	-	(2) DR1818 BUTT
WRH3030 RP	30"	30"	-	(2) DR1521 BUTT
WRH3630 RP	36"	30"	-	(2) DR1821 BUTT
<b>Classic Tapered</b>				
WRH3024 CT	30"	24"	-	-
WRH3624 CT	36"	24"	-	-
<b>Decorative Mantle • 1 Panel</b>				
WRH3024 DM	30"	24"	12 5/16"	-
WRH3030 DM	30"	30"	18 5/16"	-
WRH3036 DM	30"	36"	24 5/16"	-
<b>Decorative Mantle • 2 Panel</b>				
WRH3624 DM	36"	24"	12 5/16"	-
WRH3630 DM	36"	30"	18 5/16"	-
WRH3636 DM	36"	36"	24 5/16"	-
<b>Decorative Mantle • 3 Panel</b>				
WRH4236 DM	42"	36"	24 5/16"	-



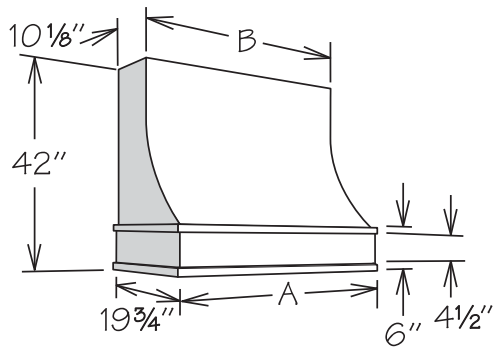
# Range Hood · Integrated Chimney NEW! PRODUCT



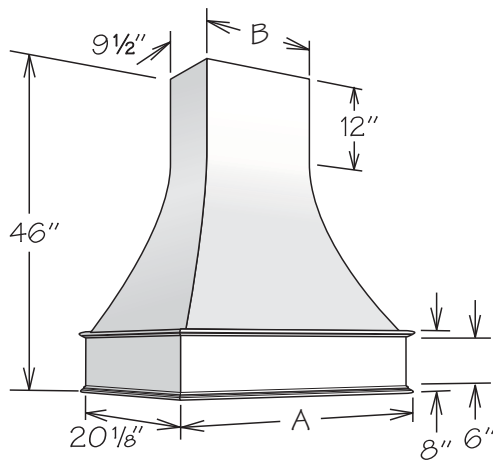
SHIPLAP BOX



MODERN BOX



SLOPED



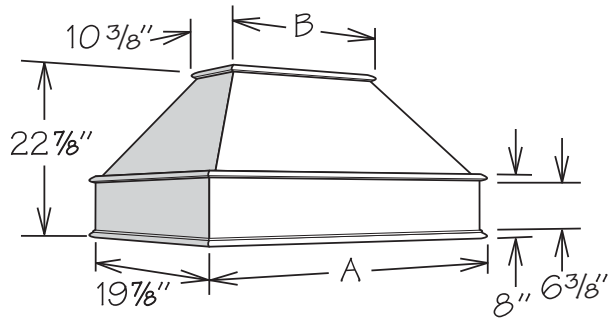
ARTISAN

- All door styles are finished to match cabinet box exterior
- Wall mounted installation only
- Silver metallic liner included - liner specific to range hood and blower ordered
  - » If no blower ordered, RHLNER\_S will be included
- Order range hood blower separately
- RH\_ SB and RH\_ MB include field installed corner molding and removable top molding
- Field trimmable in height to 24"

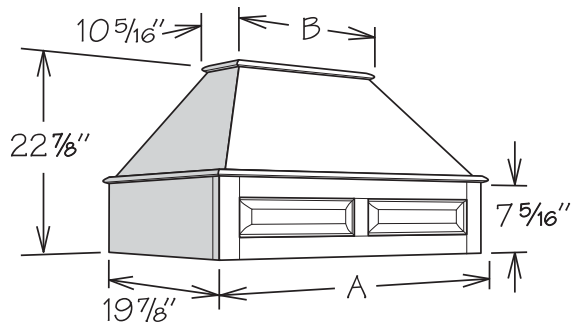
	A	B
<b>Shiplap Box</b>		
RH3642 SB	36"	37 1/2"
RH4242 SB	42"	43 1/2"
RH4842 SB	48"	49 1/2"
<b>Modern Box</b>		
RH3642 MB	36"	37 1/2"
RH4242 MB	42"	43 1/2"
RH4842 MB	48"	49 1/2"
<b>Sloped</b>		
RH3642 SL	37 9/16"	34 1/2"
RH4242 SL	43 9/16"	40 1/2"
<b>Artisan</b>		
RH3642 A	38 5/16"	17"
RH4242 A	44 5/16"	23"

# Range Hood

NEW! PRODUCT



STRAIGHT VALANCE



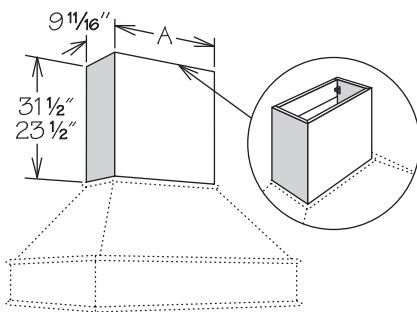
RAISED PANEL

- Wall mounted installation only
- Order range hood blower separately
- Silver metallic liner included - liner is specific to range hood and blower ordered
  - » If no blower is ordered, RHLINER\_A or RHLINER\_S will be included
- May be accessorized with Range Hood Chimney - order separately
- All door styles are finished to match cabinet box exterior

	A	B
<b>Straight Valance</b>		
RH3624 SV	37 3/4"	18 3/4"
RH4224 SV	43 3/4"	24 3/4"
RH4824 SV	49 3/4"	30 3/4"
<b>Raised Panel</b>		
RH3624 RP	37 3/4"	18 5/16"
RH4224 RP	43 3/4"	24 5/16"
RH4824 RP	49 3/4"	30 5/16"

WALL CABINETS

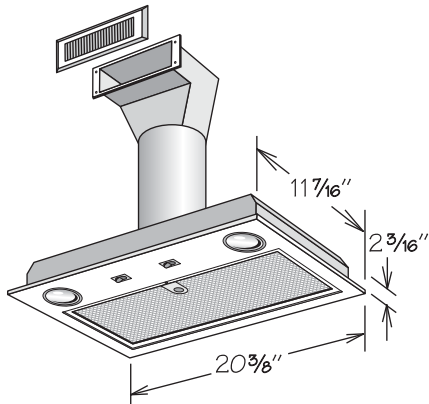
# Range Hood Chimney



- Field trimmable in height
- All door styles feature 3/4" solid wood finished to match cabinet box exterior
- Features two chimney mounting blocks with metal fasteners
- For use with Straight Valance and Raised Panel Range Hoods

23 1/2" HIGH	A	31 1/2" HIGH	A
RHC3623	17 3/8"	RHC3631	17 3/8"
RHC4223	23 3/8"	RHC4231	23 3/8"
RHC4823	29 3/8"	RHC4831	29 3/8"

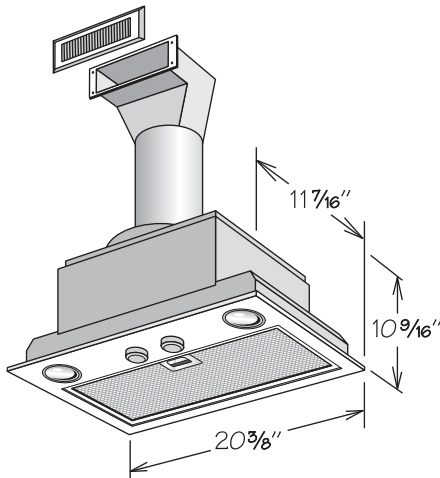
## Range Hood Blower • 260 CFM Recirculating **NEW! PRODUCT**



- Designed for recirculating installation where exhaust is vented back into kitchen
- Includes duct work, metal grille and clips -- field assembly required
- Stainless steel finish
- 2-speed fan provides 260 CFM on high
- Sound level of 7.0 sones on high
- Features quick-release dishwasher safe aluminum mesh filter
- Includes two 2.8W bright LED lights
- Metal grille measures 11 1/4" x 5 5/16"
- 10" x 3" cutout required for metal grille
- Installation and care instructions included
- Liner not included

RHVENT 260R

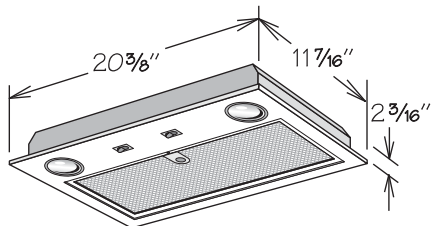
## Range Hood Blower • 400 CFM Recirculating **NEW! PRODUCT**



- Designed for recirculating installation where exhaust is vented back into kitchen
- Includes duct work, metal grille and clips -- field assembly required
- Stainless steel finish
- Energy Star rated
- Features 3-speed rotary switch
- Fan provides 400 CFM on high
- Sound level of 6 sones on high
- Features quick-release dishwasher safe aluminum mesh filter
- Includes two 2.8W bright LED lights
- Unit has master on-off switch and heat sentry will automatically turn unit on when excessive heat is detected
- Metal grille measures 11 1/4" x 5 5/16"
- 10" x 3" cutout required for metal grille
- Installation and care instructions included
- Liner not included

RHVENT 400R

## Range Hood Blower • 260 CFM Vented

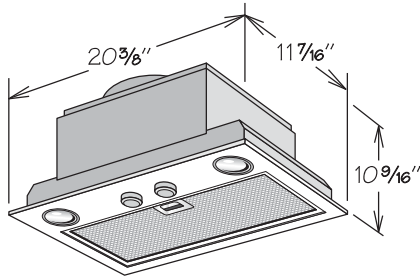


- Designed for vented installation where exhaust is vented to exterior of home
- Stainless steel finish
- Requires 7" round duct for venting to exterior (not included)
- 2-speed fan provides 260 CFM on high
- Sound level of 7 sones on high
- Features quick-release dishwasher safe aluminum mesh filter
- Includes two 2.8W bright LED lights
- Installation and care instructions included
- Liner not included

RHVENT 260

## Range Hood Blower • 400 CFM Vented

NEW! PRODUCT

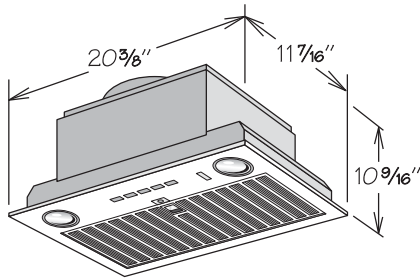


- Designed for vented installation where exhaust is vented to exterior of home
- Stainless steel finish
- Energy Star rated
- Features 3-speed rotary switch
- Fan provides 400 CFM on high with rectangular duct and 390 CFM on high with round duct
- Requires 6" vertical round or rectangular 3 1/4" x 10" duct for venting to exterior (not included)
- Sound level of 6 sones on high
- Features quick-release dishwasher safe aluminum mesh filter
- Includes two 2.8W bright LED lights
- Unit has master on-off switch and heat sentry will automatically turn unit on when excessive heat is detected
- Installation and care instructions included
- Liner not included

RHVENT 400

## Range Hood Blower • 600 CFM Vented

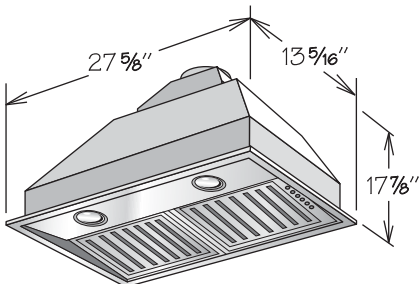
NEW! PRODUCT



- Designed for vented installation where exhaust is vented to exterior of home
- Stainless steel finish
- Features 4-speed back-lit Electronic Soft Touch controls
- Requires 8" round, 6" round or 3 1/4" x 10" venting to exterior (not included)
- Fan provides 600 CFM on high with round duct or 580 CFM on high with rectangular duct
- Sound level of 9.5 sones on high
- Features quick-release dishwasher safe baffle-style filter with clean filter reminder
- Includes two 3W bright LED lights with 3 lighting levels
- Unit has master on-off switch and heat sentry will automatically turn unit on when excessive heat is detected
- Auto-Sensing option sets CFM to correct level automatically
- Wifi enabled option allows for voice control
- Installation and care instructions included
- Liner not included

RHVENT 600

## Range Hood Blower • 960 CFM Vented

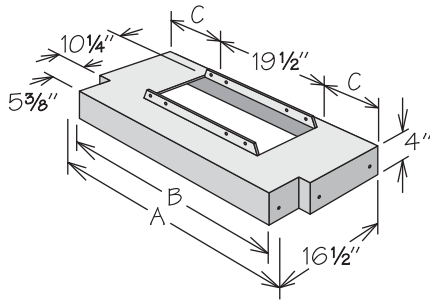


- Designed for vented installation where exhaust is vented to exterior of home
- Durable stainless steel with brushed finish
- Requires 7" round duct for venting to exterior (not included)
- Features a 4-speed push-button control to offer greater CFM flexibility; 960 CFM, 660 CFM, 480 CFM and 300 CFM
- Centrifugal blower provides 960 CFM air delivery and sound level of 5.1 sones on high
- Features quick-release dishwasher safe baffle-style filter
- Includes two 4-watt 12v MR16 LED bulbs - daylight
- 10 minute delay off timer
- Installation and care instructions included
- Not designed for use with the following:
  - » Straight Valance Wall Range Hoods
  - » Raised Panel Wall Range Hoods
  - » Classic Tapered Wall Range Hoods
  - » Decorative Mantle Wall Range Hoods
- Liner not included

RHVENT 960

## Wall Range Hood Liner

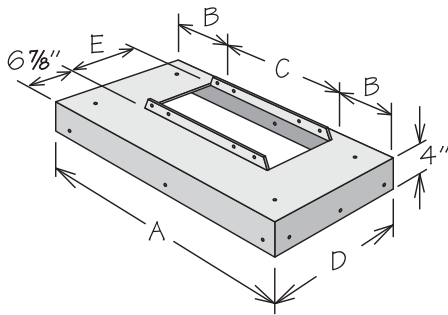
NEW! SIZE



- Liner is silver metallic powder coated metal
- For use with the following Wall Range Hoods:
  - » Straight Valance (WRH\_\_SV)
  - » Raised Panel (WRH\_\_RP)
  - » Classic Tapered (WRH\_\_CT)
  - » Decorative Mantle (WRH\_\_DM)
- One liner included with range hood

	A	B	C
RHLINER 30	29 <sup>1</sup> / <sub>16</sub> "	26 <sup>3</sup> / <sub>16</sub> "	5 <sup>7</sup> / <sub>32</sub> "
RHLINER 36	35 <sup>1</sup> / <sub>16</sub> "	32 <sup>3</sup> / <sub>16</sub> "	8 <sup>7</sup> / <sub>32</sub> "
RHLINER 42	41 <sup>1</sup> / <sub>16</sub> "	38 <sup>1</sup> / <sub>16</sub> "	11 <sup>7</sup> / <sub>32</sub> "

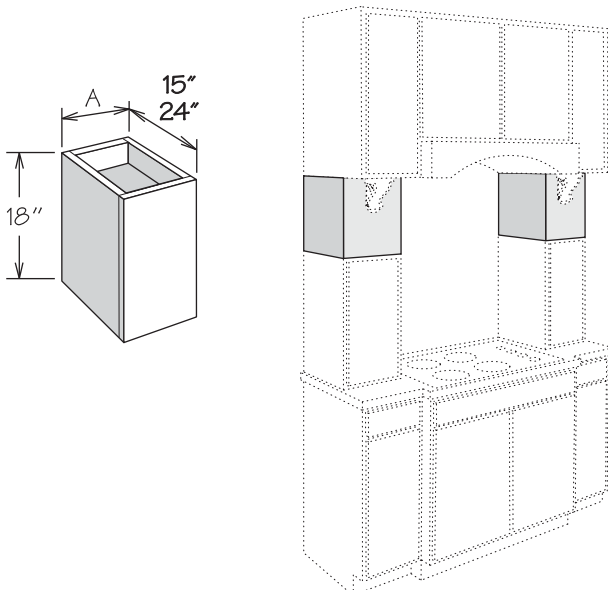
## Range Hood Liner



- Liner finish is silver metallic powder-coated material
- For use with the following Range Hoods:
  - » Straight Valance (RH\_\_SV)
  - » Raised Panel (RH\_\_RP)
  - » Modern Box (RH\_\_MB)
  - » Shiplap Box (RH\_\_SB)
  - » Sloped (RH\_\_SL)
  - » Artisan (RH\_\_A)
- RHLINER\_S SL1 must be used with RHVENT 960 blower
- RHLINER\_S for use with all blowers except RHVENT 960
- One liner included with range hood (liner is specific to range hood and blower ordered)

	A	B	C	D	E
RHLINER 36S	34 <sup>1</sup> / <sub>32</sub> "	7 <sup>7</sup> / <sub>16</sub> "	19 <sup>1</sup> / <sub>2</sub> "	18 <sup>1</sup> / <sub>4</sub> "	10 <sup>1</sup> / <sub>4</sub> "
RHLINER 42S	40 <sup>1</sup> / <sub>32</sub> "	10 <sup>7</sup> / <sub>16</sub> "	19 <sup>1</sup> / <sub>2</sub> "	18 <sup>1</sup> / <sub>4</sub> "	10 <sup>1</sup> / <sub>4</sub> "
RHLINER 48S	46 <sup>1</sup> / <sub>32</sub> "	13 <sup>7</sup> / <sub>16</sub> "	19 <sup>1</sup> / <sub>2</sub> "	18 <sup>1</sup> / <sub>4</sub> "	10 <sup>1</sup> / <sub>4</sub> "
RHLINER 36S SL1	34 <sup>1</sup> / <sub>32</sub> "	3 <sup>3</sup> / <sub>4</sub> "	26 <sup>13</sup> / <sub>16</sub> "	18 <sup>3</sup> / <sub>16</sub> "	12 <sup>7</sup> / <sub>16</sub> "
RHLINER 42S SL1	40 <sup>1</sup> / <sub>32</sub> "	6 <sup>3</sup> / <sub>4</sub> "	26 <sup>13</sup> / <sub>16</sub> "	18 <sup>3</sup> / <sub>16</sub> "	12 <sup>7</sup> / <sub>16</sub> "
RHLINER 48S SL1	46 <sup>1</sup> / <sub>32</sub> "	9 <sup>3</sup> / <sub>4</sub> "	26 <sup>13</sup> / <sub>16</sub> "	18 <sup>3</sup> / <sub>16</sub> "	12 <sup>7</sup> / <sub>16</sub> "

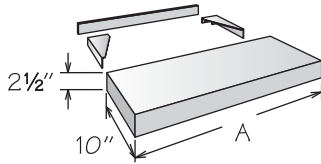
## Plain Box Filler



- Veneered engineered wood
- Features <sup>1</sup>/<sub>4</sub>" reveal
- Trimmable in height to 14 <sup>1</sup>/<sub>8</sub>" tall
- Reversible for left or right installation

	15" DEEP		24" DEEP	
	A	A	A	A
WPB91815	9"	9"	WPB91824	9"
WPB121815	12"	12"	WPB121824	12"

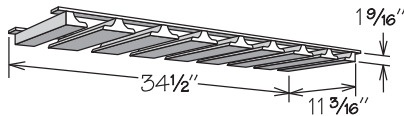
## Floating Shelf



- Not trimmable
- Finished on all sides to match cabinet box exterior
- Features veneered engineered wood top and bottom and solid wood front and sides
- When installed between two cabinets, Furniture Ends (FE) is recommended for adjacent cabinets
- Must be secured to studs in wall
- Installation instructions, mounting brackets and screws included

10" DEEP	A	MAX. LOAD
FLSH2410	24"	30 lbs.
FLSH3010	30"	37 lbs.
FLSH3610	36"	45 lbs.
FLSH4210	42"	52 lbs.
FLSH4810	48"	60 lbs.

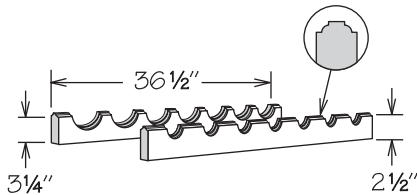
## Stem Glass Holder



- Field trimmable to install below 18", 24", 30", or 36" wide wall cabinet
- All door styles feature solid wood finished to match cabinet box exterior
- Maximum stem glass base is 3 1/2" in diameter
- Not sized to fit modified depth cabinets

SGH36U

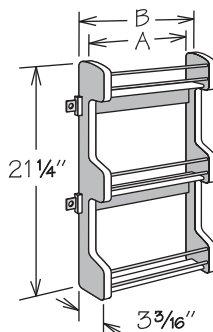
## Wine Rack



- Accommodates seven bottles
- Field trimmable to 24" (five bottles) or 30" (six bottles)
- All door styles feature solid wood finished to match cabinet box exterior

WR36

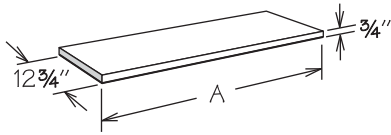
## Spice Rack Kit



- Field installation accessory
- For wall cabinets 30" or higher
- Position cabinet adjustable shelves prior to installation
- Natural finish solid wood with chrome rails
- Three fixed shelves
- SRK15 mounts to 15" wide door
- SRK18 mounts to 18" wide door
- SRK21 mounts to 21" wide door

	A	B
SRK15	9 1/2"	10 1/2"
SRK18	12 1/2"	13 1/2"
SRK21	15 1/2"	16 1/2"

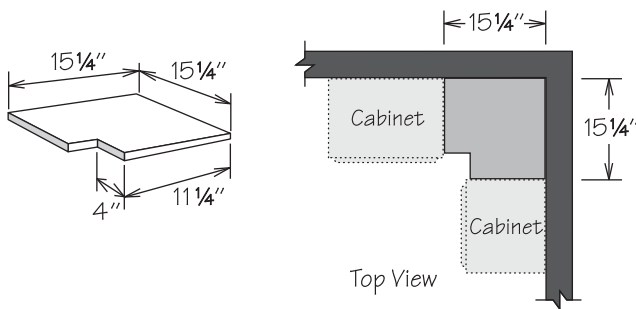
## Finished Shelf



- Standard finished shelves feature veneered engineered wood, edge banded on all sides with top and bottom finished to match cabinet box exterior
- Textured finished shelves feature engineered wood, edge banded on all sides with top and bottom textured-wrapped to match cabinet door - available for Breeze and Drift finishes only
- Field trimmable

STANDARD	TEXTURED	A
FS4812	FS4812 DT	48 1/4"
FS6012	FS6012 DT	60 1/4"
FS7212	FS7212 DT	72 1/4"

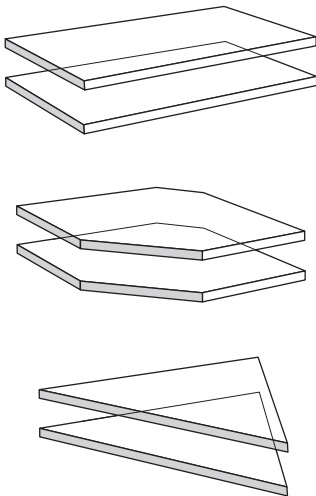
## Blind Corner Closure



- Features 1/2" engineered wood finished with natural woodgrain finish both sides
- Field trimmable

BLC1515

## Glass Shelf Kit



- Glass Shelf Kit includes two 1/4" high-strength tempered glass shelves
- Can be used with existing shelf rests or order SHELF REST MFD PK separately
- Refer to individual SKU box for number of shelves required and/or available
- GSK12 - GSK36 is 10 1/4" deep
- GSK12-15 - GSK36-15 is 13 1/4" deep
- Tempered glass cannot be field trimmed
- Glass Shelf Kits 12" - 24" wide have a 15 lb. per square foot load rating
- Glass Shelf Kits 27" - 36" wide have a 5 lb. per square foot load rating

### 12" DEEP

GSK12  
GSK15  
GSK18  
GSK21  
GSK24  
GSK27  
GSK30  
GSK33  
GSK36  
GSKCW24  
GSKWEA12

### 15" DEEP

GSK12-15  
GSK15-15  
GSK18-15  
GSK21-15  
GSK24-15  
GSK27-15  
GSK30-15  
GSK33-15  
GSK36-15  
GSKCW27

---

Notes



---

Notes



Living space shown in 410F Painted Linen

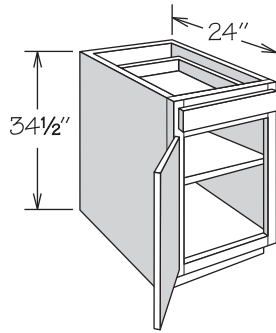


## Leah Russo

EKB Kitchens/DB Homes  
(Emmco Kitchens)

*“When working with Waypoint, I have a variety of skus and finishes to select from.”*

## Base Cabinet + 1 Door and 1 Drawer



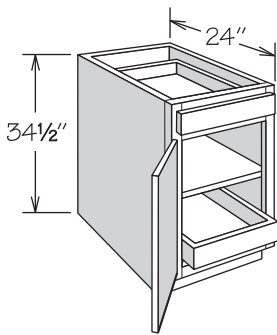
- Full-depth adjustable shelf
- Hinged left and can be reversed in the field

APC
CFO
FE
IF
RD
RTK

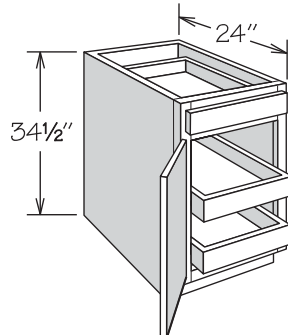
### 1 SHELF

B12  
B15  
B18  
B21  
B24

## Base Cabinet + 1 Door, 1 Drawer and Deep Roll Out Trays



1 ROLL OUT TRAY



2 ROLL OUT TRAYS

- Full-depth adjustable shelf in center position where applicable
- Deep Roll Out Trays are not adjustable
- Hinged left and can be reversed in the field

APC
FE
RD
RTK
VTD

### 1 ROLL OUT TRAY

#### Full-Access

B12 FAFWT  
B15 FAFWT  
B18 FAFWT  
B21 FAFWT  
B24 FAFWT

#### CushionClose

B12 CCFWT  
B15 CCFWT  
B18 CCFWT  
B21 CCFWT  
B24 CCFWT

### 2 ROLL OUT TRAYS

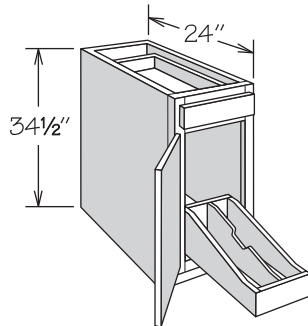
#### Full-Access

B12 FA2FWT  
B15 FA2FWT  
B18 FA2FWT  
B21 FA2FWT  
B24 FA2FWT

#### CushionClose

B12 CC2FWT  
B15 CC2FWT  
B18 CC2FWT  
B21 CC2FWT  
B24 CC2FWT

## Base Cabinet + 1 Door, 1 Drawer and Roll-Out Tray Divider



- Roll-Out Tray Divider in natural finish solid wood and wood veneer and dovetail (front only) construction with engineered wood bottom
- B12 \_\_ ROTD features two compartments (one partition)
- B15 \_\_ ROTD features three compartments (two partitions)
- Partitions are field installed
- No shelf
- Hinged left and can be reversed in the field

APC
FE
RTK

### ROLL-OUT TRAY DIVIDER

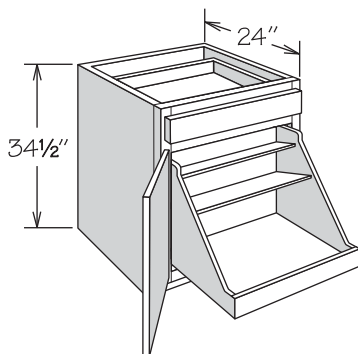
#### Full-Access

B12 FAROTD  
B15 FAROTD

#### CushionClose

B12 CCROT  
B15 CCROT

## Base Cabinet + 1 Door, 1 Drawer and Pot & Pan Organizer



- Organizer features natural finish solid wood, wood veneer and dovetail (front only) construction with engineered wood bottom
- Top shelf of organizer measures 6 3/16" deep
- Middle shelf of organizer measures 9 3/4" deep
- Hinged left and can be reversed in the field

APC
FE
IF
RTK
VTD

### BASE POT & PAN ORGANIZER

#### Full-Access

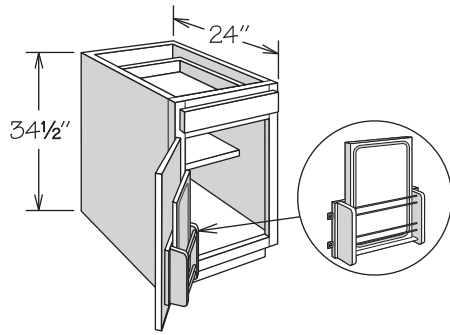
B24 FABPPO

#### CushionClose

B24 CCBPPO

## Base Cabinet + 1 Door, 1 Drawer and Door Kits

APC
FE
RTK



CUTTING BOARD DOOR RACK

- Full-depth adjustable shelf must be field trimmed to half-depth
- Kits packaged separately for field installation
- Cannot be used with Deep Roll Out Tray(s)
- Plastic Bag Door Storage Kit:
  - » Natural finish solid wood and wood veneer
  - » Removable white plastic tray is NOT dishwasher safe
- Cutting Board Door Rack Kit:
  - » Natural finish solid wood features chrome rails
  - » Solid wood cutting board is NOT dishwasher safe
  - » Cutting board measures 15<sup>15</sup>/<sub>16</sub>" x 10<sup>7</sup>/<sub>16</sub>" x 1<sup>3</sup>/<sub>16</sub>"
- Hinged left and can be reversed in the field

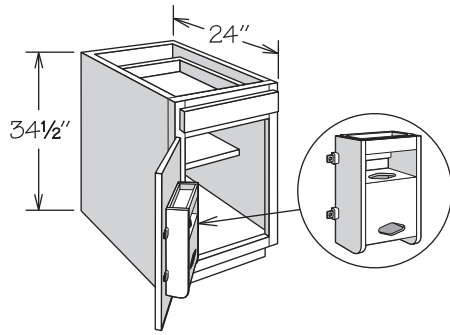
### CUTTING BOARD DOOR RACK KIT

B18 CBDR

### PLASTIC BAG DOOR STORAGE KIT

B15 PBDSU

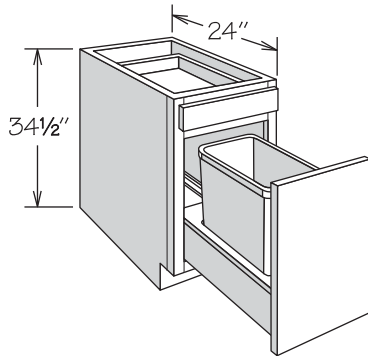
B18 PBDSU



PLASTIC BAG DOOR STORAGE

## Base Cabinet + 1 Drawer and Door with Wastebasket Pull-Out

APC
FE
IF
RTK



1 WASTEBASKET

- Wastebasket rests in a natural finish wood frame
- Wastebasket pull-out features heavy-duty, 132-pound rated glides
- BWBB15\_\_ features one silver plastic 35-quart capacity bin
- BWBB15-2\_\_ features two silver plastic 27-quart capacity bins
- BWBB18-2\_\_ and BWBB21-2\_\_ feature two silver plastic 35-quart capacity bins
- Decorative hardware strongly recommended

### 1 WASTEBASKET

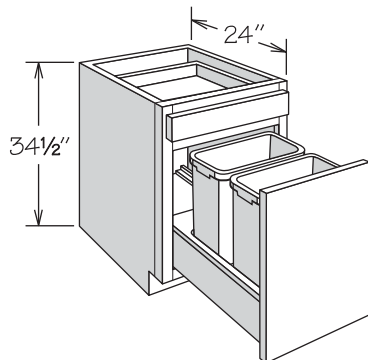
**Full-Access**  
BWBB15 FA

**CushionClose**  
BWBB15 CC

### 2 WASTEBASKETS

**Full-Access**  
BWBB15-2 FA  
BWBB18-2 FA  
BWBB21-2 FA

**CushionClose**  
BWBB15-2 CC  
BWBB18-2 CC  
BWBB21-2 CC

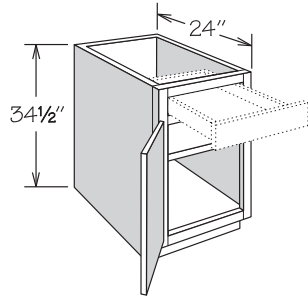


2 WASTEBASKETS

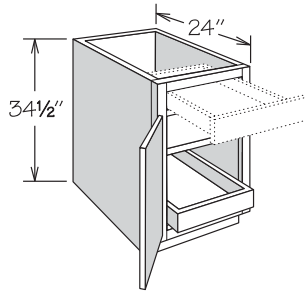
# Base Cabinets with Drawer Accessories

**1** Select a base cabinet configuration below. Example: B15 FA2FWT (Base Cabinet with Two Deep Roll Out Tray(s)).

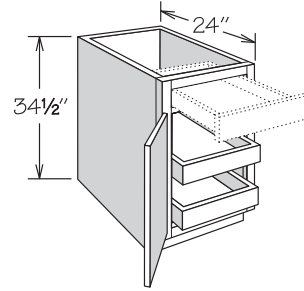
APC
FE
RTK



1 SHELF



1 ROLL OUT TRAY



2 ROLL OUT TRAYS

## 1 SHELF

- B15 \*
- B18 \*
- B21 \*
- B24 \*
- B24 BUTT \*

## 1 ROLL OUT TRAY

### Full-Access

- B15 FAFWT \*
- B18 FAFWT \*
- B21 FAFWT \*
- B24 FAFWT \*
- B24 FAFWT BUTT \*

### CushionClose

- B12 CCFWT \*
- B13 CCFWT \*
- B18 CCFWT \*
- B21 CCFWT \*
- B24 CCFWT BUTT \*

## 2 ROLL OUT TRAYS

### Full-Access

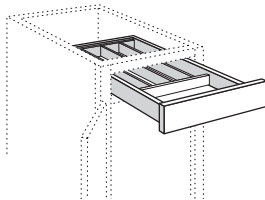
- B15 FA2FWT \*
- B18 FA2FWT \*
- B21 FA2FWT \*
- B24 FA2FWT \*
- B24 FA2FWT BUTT \*

### CushionClose

- B15 CC2FWT \*
- B18 CC2FWT \*
- B21 CC2FWT \*
- B24 CC2FWT \*
- B24 CC2FWT BUTT \*

**2** Choose a factory installed base drawer accessory below. Example: Wood Tiered Cutlery Divider (WTCD).

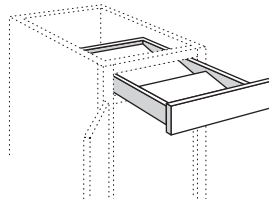
## Cutlery Divider + CD



WIDTH	SECTIONS
15"	3
18"	4
21"	5
24"	5

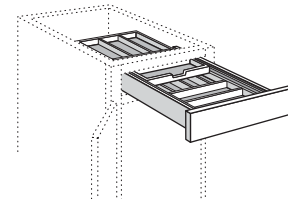
- Solid hardwood and plywood cutlery divider in natural finish

## Spice Drawer Insert + SDI



- Solid hardwood and plywood spice drawer insert in natural finish
- Accommodates most spice containers (not included)

## Wood Tiered Cutlery Divider + WTCD

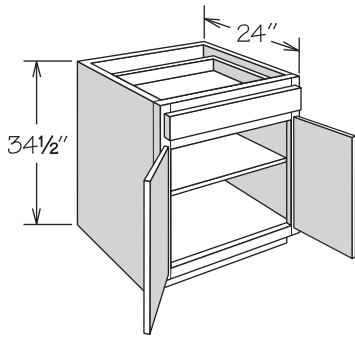


WIDTH	UPPER SECTION	LOWER SECTION
15"	5	5
18"	5	6
21"	6	7
24"	7	7

- Double-tiered cutlery divider slides independently from drawer
- Solid hardwood and plywood double-tiered cutlery divider in natural finish
- Features solid hardwood dovetail drawer in natural finish

**3** Replace the asterisk (\*) with the code for the drawer accessory to order as a factory installed accessory. Example: B15 FA2FWT WTCD.

**Base Cabinet + 2 Butt Doors and 1 Drawer**



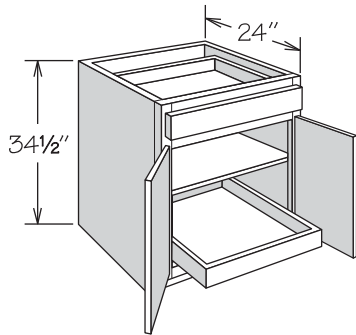
- Full-depth adjustable shelf
- Center support for shelf provided for cabinets 27" or wider

APC
CFO
FE
IF
RD
RTK

**1 SHELF**

- B24 BUTT
- B27 BUTT
- B30 BUTT
- B33 BUTT
- B36 1TD BUTT

**Base Cabinet + 2 Butt Doors, 1 Drawer and Deep Roll Out Trays**



1 ROLL OUT TRAY

- Full-depth adjustable shelf in center position where applicable
- Center support for shelf provided for cabinets 27" or wider
- Deep Roll Out Trays are not adjustable

APC
FE
RD
RTK
VTD

**1 ROLL OUT TRAY**

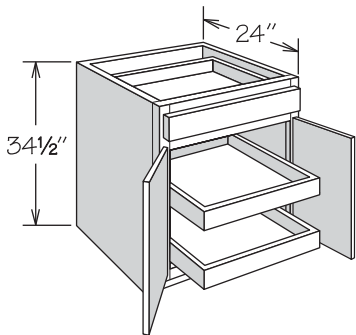
- Full-Access**
- B24 FAFWT BUTT
  - B27 FAFWT BUTT
  - B30 FAFWT BUTT
  - B33 FAFWT BUTT
  - B36 FAFWT 1TD BUTT

- CushionClose**
- B24 CCFWT BUTT
  - B27 CCFWT BUTT
  - B30 CCFWT BUTT
  - B33 CCFWT BUTT
  - B36 CCFWT 1TD BUTT

**2 ROLL OUT TRAYS**

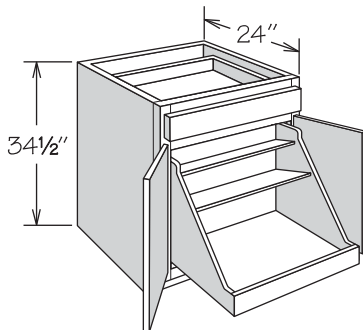
- Full-Access**
- B24 FA2FWT BUTT
  - B27 FA2FWT BUTT
  - B30 FA2FWT BUTT
  - B33 FA2FWT BUTT
  - B36 FA2FWT 1TD BUTT

- CushionClose**
- B24 CC2FWT BUTT
  - B27 CC2FWT BUTT
  - B30 CC2FWT BUTT
  - B33 CC2FWT BUTT
  - B36 CC2FWT 1TD BUTT



2 ROLL OUT TRAYS

**Base Cabinet + 2 Butt Doors, 1 Drawer and Pot & Pan Organizer**



- Organizer features natural finish solid wood, wood veneer and dovetail (front only) construction with engineered wood bottom
- Top shelf of organizer measures 6 3/16" deep
- Middle shelf of organizer measures 9 3/4" deep

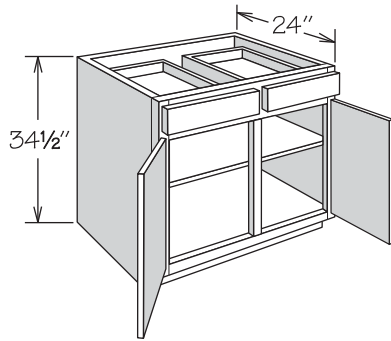
APC
FE
IF
RTK
VTD

**BASE POT & PAN ORGANIZER**

- Full-Access**
- B24 BUTT FABPPO
  - B27 BUTT FABPPO
  - B30 BUTT FABPPO
  - B33 BUTT FABPPO
  - B36 1TD BUTT FABPPO

- CushionClose**
- B24 BUTT CCBPPO
  - B27 BUTT CCBPPO
  - B30 BUTT CCBPPO
  - B33 BUTT CCBPPO
  - B36 1TD BUTT CCBPPO

## Base Cabinet + 2 Doors and 2 Drawers



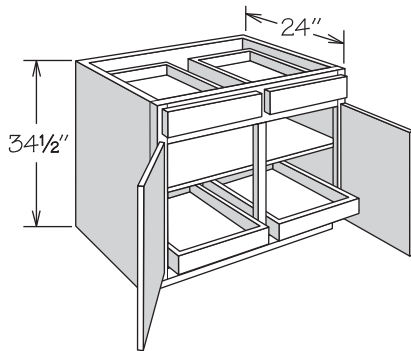
- Full-depth adjustable shelf
- Center support for shelf provided

APC
CFO
FE
IF
RD
RTK

### 1 SHELF

B36  
B39  
B42  
B48

## Base Cabinet + 2 Doors, 2 Drawers and Deep Roll Out Trays



2 ROLL OUT TRAYS

- Full-depth adjustable shelf in center position where applicable
- Center support for shelf provided
- Deep Roll Out Trays are not adjustable

APC
FE
RD
RTK
VTD

### 2 ROLL OUT TRAYS

#### Full-Access

B36 FA2T  
B39 FA2T  
B42 FA2T  
B48 FA2T

#### CushionClose

B36 CC2T  
B39 CC2T  
B42 CC2T  
B48 CC2T

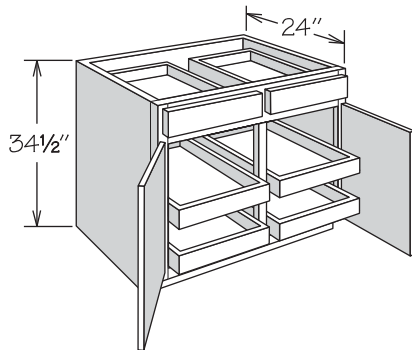
### 4 ROLL OUT TRAYS

#### Full-Access

B36 FA4T  
B39 FA4T  
B42 FA4T  
B48 FA4T

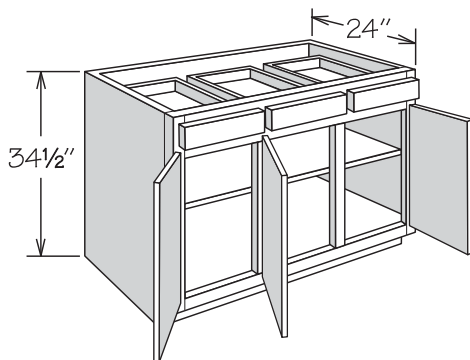
#### CushionClose

B36 CC4T  
B39 CC4T  
B42 CC4T  
B48 CC4T



4 ROLL OUT TRAYS

## Base Cabinet + 3 Doors and 3 Drawers



- Full-depth adjustable shelf
- Center support for shelf provided
- Hinged as shown - can be reversed in the field

APC
CFO
FE
IF
RD
RTK

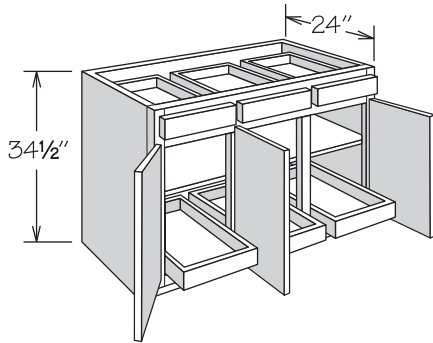
### 1 SHELF

B45



## Base Cabinet + 3 Doors, 3 Drawers and Deep Roll Out Trays

APC
FE
RD
RTK
VTD



3 ROLL OUT TRAYS

- Full-depth adjustable shelf in center position where applicable
- Center support for shelf provided
- Deep Roll Out Trays are not adjustable
- Hinged as shown - can be reversed in the field

### 3 ROLL OUT TRAYS

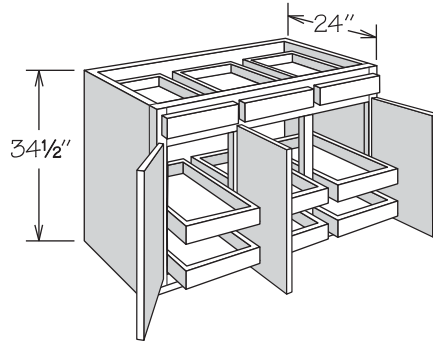
**Full-Access**  
B45 FA3T

**CushionClose**  
B45 CC3T

### 6 ROLL OUT TRAYS

**Full-Access**  
B45 FA6T

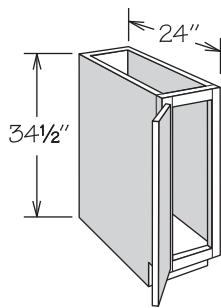
**CushionClose**  
B45 CC6T



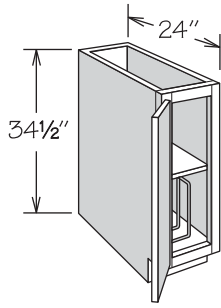
6 ROLL OUT TRAYS

## Full-Height Base Cabinet + 1 Door

APC
CFO ■
FE
RD
RTK



NO SHELF



1 SHELF & TRAY DIVIDER

- Full-height door
- Recessed Toe Kick Option available left (RTKL) or right (RTKR) only
- TB9 TDS is only available with RD-23 though RD-14
- TB9 TDS features full-depth adjustable shelf (S924) and Tray Divider (TD3) packaged separately for field installation
- Hinged left and can be reversed in the field

### NO SHELF

TB9 ■

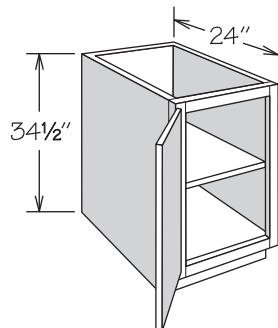
### 1 SHELF & TRAY DIVIDER

TB9 TDS

## Full-Height Base Cabinet + 1 Door

NEW! SIZE

APC
CFO
FE
RD
RTK



- Full-depth adjustable shelf
- Full-height door
- Hinged left and can be reversed in the field

### 1 SHELF

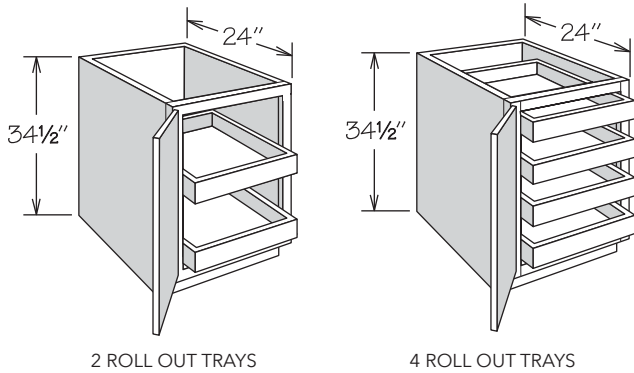
B12 FH  
B15 FH  
B18 FH  
B21 FH  
B24 FH



## Full-Height Base Cabinet + 1 Door and Deep Roll Out Trays

NEW! SIZES

APC
FE
RD
RTK



- Full-height door
- Deep Roll Out Trays are not adjustable
- Distance between two roll out trays is 10 <sup>13</sup>/<sub>16</sub>"
- Distance between four roll out trays is 4 <sup>7</sup>/<sub>16</sub>"
- Hinged left and can be reversed in the field

### 2 ROLL OUT TRAYS

#### Full-Access

B12 FH FA2FWT  
B15 FH FA2FWT  
B18 FH SS2  
B21 FH FA2FWT  
B24 FH FA2FWT

#### CushionClose

B12 FH CC2FWT  
B15 FH CC2FWT  
B18 FH CC2FWT  
B21 FH CC2FWT  
B24 FH CC2FWT

### 4 ROLL OUT TRAYS

#### Full-Access

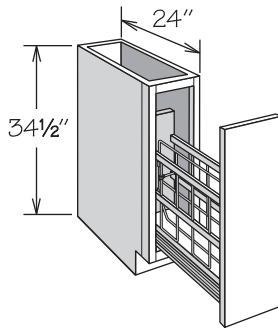
B12 FH FA4FWT  
B15 FH FA4FWT  
B18 FH FA4FWT  
B21 FH FA4FWT  
B24 FH FA4FWT

#### CushionClose

B12 FH CC4FWT  
B15 FH CC4FWT  
B18 FH CC4FWT  
B21 FH CC4FWT  
B24 FH CC4FWT

## Full-Height Base Cabinet + 1 Door with Tray Divider Pull-Out

APC
FE
RTK



- Full-height door
- Features heavy-duty glides
- Tray divider is adjustable to accommodate various storage solutions
- Decorative hardware strongly recommended
- Recessed Toe Kick Option available left (RTKL) or right (RTKR) only

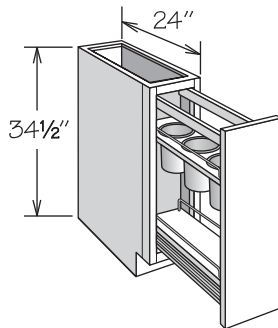
### TRAY DIVIDER PULL-OUT

**Full-Access**  
BTDP9 FA

**CushionClose**  
BTDP9 CC

## Full-Height Base Cabinet + 1 Door with Utensil Storage Pull-Out

APC
FE
RTK



- Full-height door
- One fixed bottom and one adjustable lower shelf in a natural finish with chrome rails
- One fixed upper shelf in a natural finish with chrome rails and three stainless steel removable storage bins
- Stainless steel bins measure 5 1/4" wide x 6 7/8" deep
- Decorative hardware strongly recommended
- BPPUS9 not available with Recessed Toe Kick Both Option (RTKB)

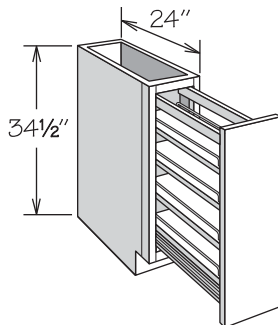
### UTENSIL STORAGE PULL-OUT

**Full-Access**  
BPPUS9 FA  
BPPUS12 FA

**CushionClose**  
BPPUS9 CC  
BPPUS12 CC

## Full-Height Base Cabinet + 1 Door with Base Pantry Pull-Out

APC
FE
RTK



- Full-height door
- One fixed and three adjustable shelves with chrome rails
- Features three individual heavy-duty glides
- Decorative hardware strongly recommended
- BPP9 not available with Recessed Toe Kick Both Option (RTKB)

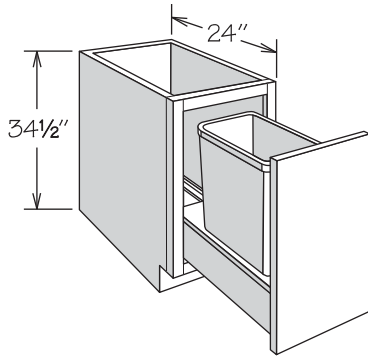
### BASE PANTRY PULL-OUT

**Full-Access**  
BPP9 FA  
BPP12 FA

**CushionClose**  
BPP9 CC  
BPP12 CC

## Full-Height Base Cabinet + 1 Door with Wastebasket Pull-Out

APC
FE
RTK



1 WASTEBASKET

- Full-height door
- Wastebasket rests in a natural finish wood frame
- Wastebasket pull-out features heavy-duty, 132-pound rated glides
- BWBB15 FH\_ and BWBB18 FH\_ feature one silver plastic 50-quart capacity bin
- BWBB21-2 FH\_ features two silver plastic 50-quart capacity bins
- Decorative hardware strongly recommended

### 1 WASTEBASKET

#### Full-Access

BWBB15 FH FA  
BWBB18 FH FA

#### CushionClose

BWBB15 FH CC  
BWBB18 FH CC

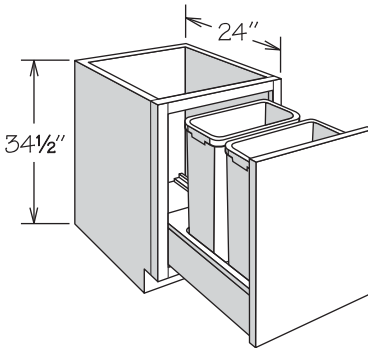
### 2 WASTEBASKETS

#### Full-Access

BWBB21-2 FH FA

#### CushionClose

BWBB21-2 FH CC

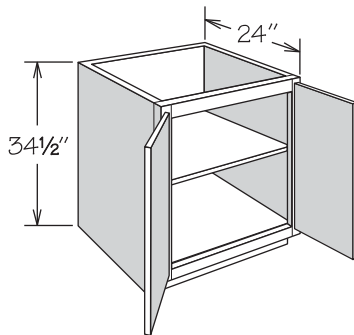


2 WASTEBASKETS

## Full-Height Base Cabinet + 2 Butt Doors

NEW! SIZES

APC
CFO
FE
RD
RTK



- Full-depth adjustable shelf
- Full-height butt doors
- Center support for shelf provided for cabinets 27" or wider

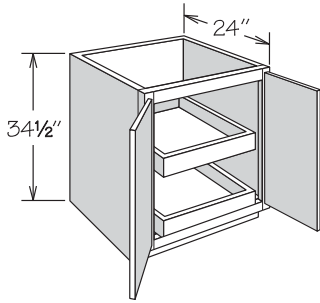
### 1 SHELF

B24 BUTT FH  
B27 BUTT FH  
B30 BUTT FH  
B33 BUTT FH  
B36 BUTT FH

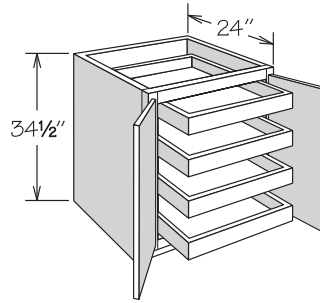
## Full-Height Base Cabinet + 2 Butt Doors and Deep Roll Out Trays

NEW! SIZES

APC
FE
RD
RTK



2 ROLL OUT TRAYS



4 ROLL OUT TRAYS

- Full-height doors
- Deep Roll Out Trays are not adjustable
- Distance between two roll out trays is 10 13/16"
- Distance between four roll out trays is 4 7/16"

### 2 ROLL OUT TRAYS

#### Full-Access

B24 BUTT FH FA2FWT  
 B27 BUTT FH FA2FWT  
 B30 BUTT FH FA2FWT  
 B33 BUTT FH FA2FWT  
 B36 BUTT FH FA2FWT

#### CushionClose

B24 BUTT FH CC2FWT  
 B27 BUTT FH CC2FWT  
 B30 BUTT FH CC2FWT  
 B33 BUTT FH CC2FWT  
 B36 BUTT FH CC2FWT

### 4 ROLL OUT TRAYS

#### Full-Access

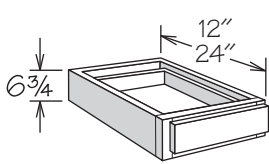
B24 BUTT FH FA4FWT  
 B27 BUTT FH FA4FWT  
 B30 BUTT FH FA4FWT  
 B33 BUTT FH FA4FWT  
 B36 BUTT FH FA4FWT

#### CushionClose

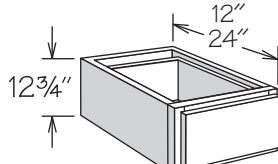
B24 BUTT FH CC4FWT  
 B27 BUTT FH CC4FWT  
 B30 BUTT FH CC4FWT  
 B33 BUTT FH CC4FWT  
 B36 BUTT FH CC4FWT

## Furniture Drawer Cabinet + 1 Drawer

APC
CFO
FE
RD ■



6" HIGH



12" HIGH

- 6" high features one standard drawer and 12" high features one large drawer
- 24" deep Furniture Drawer cabinets are only available with RD-23 through RD-13
- Bottom of cabinet frame must be fully supported

### 6" HIGH • 1 DRAWER

#### 12" Deep

FD121206  
 FD151206  
 FD181206  
 FD211206  
 FD241206  
 FD271206  
 FD301206  
 FD331206  
 FD361206

#### 24" Deep

FD122406 ■  
 FD152406 ■  
 FD182406 ■  
 FD212406 ■  
 FD242406 ■  
 FD272406 ■  
 FD302406 ■  
 FD332406 ■  
 FD362406 ■

### 12" HIGH • 1 DRAWER

#### 12" Deep

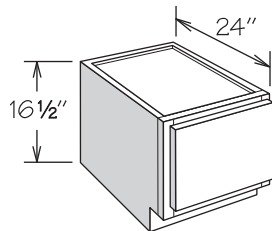
FD121212  
 FD151212  
 FD181212  
 FD211212  
 FD241212  
 FD271212  
 FD301212  
 FD331212  
 FD361212

#### 24" Deep

FD122412 ■  
 FD152412 ■  
 FD182412 ■  
 FD212412 ■  
 FD242412 ■  
 FD272412 ■  
 FD302412 ■  
 FD332412 ■  
 FD362412 ■

## Pedestal Drawer Cabinet + 1 Drawer

APC
CFO
FE
RD
RTK



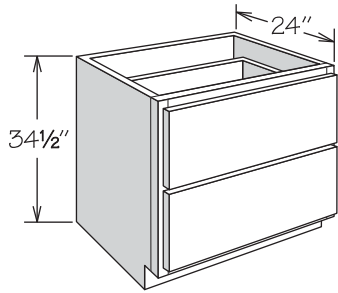
- One large drawer
- Features solid top

### 1 DRAWER

PD1217 1DWR  
 PD1517 1DWR  
 PD1817 1DWR  
 PD2117 1DWR  
 PD2417 1DWR

PD2717 1DWR  
 PD3017 1DWR  
 PD3317 1DWR  
 PD3617 1DWR

### Drawer Base Cabinet + 2 Large Drawers



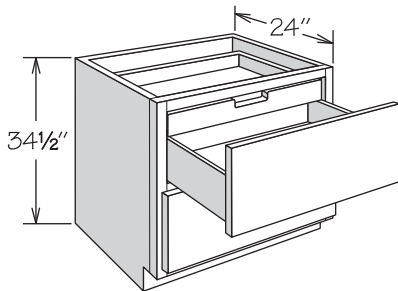
- Two large drawers with extra large drawer fronts
- Drawer body measures 6<sup>15</sup>/<sub>16</sub>" deep
- Only available with RD-23 through RD-21
- Drawers feature Full-Extension CushionClose heavy-duty 132 pound rated glides

APC
CFO
FE
RD
RTK

#### 2 DRAWERS

DB30 2DWR  
DB36 2DWR

### Drawer Base Cabinet + 2 Drawers with Scalloped Roll Out Tray



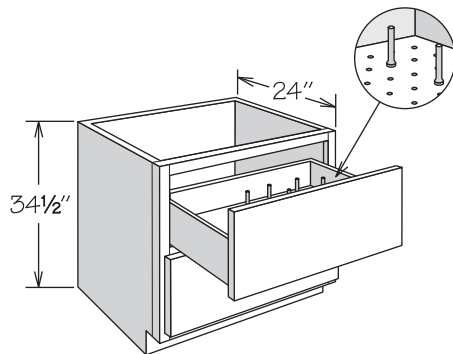
- Two large drawers with extra large drawer fronts
- Drawer body measures 6<sup>15</sup>/<sub>16</sub>" deep
- Only available with RD-23 through RD-21
- Scalloped Deep Roll Out Tray with Full-Access CushionClose Glides in top opening
- Drawers feature Full-Extension CushionClose heavy-duty 132 pound rated glides

APC
FE
RD
RTK

#### 2 DRAWERS

DB30 2DWR SFWT  
DB36 2DWR SFWT

### Drawer Base Cabinet + 2 Drawers with Peg Dish Organizer



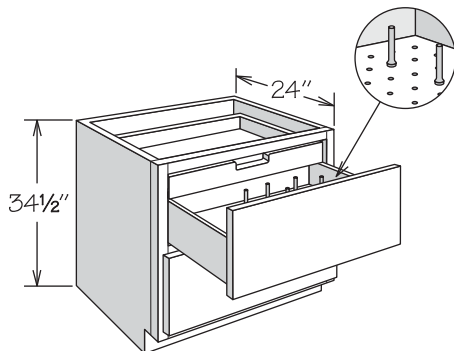
- Two large drawers with extra large drawer fronts
- Drawer body measures 6<sup>15</sup>/<sub>16</sub>" deep
- One Peg Dish Organizer Kit (organizer and 12 adjustable pegs) in natural finish, packaged separately for field installation
- Additional pegs (PEG KIT 4 PK) and Peg Dish Organizer Kits (PDO\_) can be ordered separately
- Drawers feature Full-Extension CushionClose heavy-duty 132 pound rated glides

APC
FE
RTK

#### 2 DRAWERS

DB30 2DWR PDO  
DB36 2DWR PDO

### Drawer Base Cabinet + 2 Drawers with Scalloped Roll Out Tray and Peg Dish Organizer



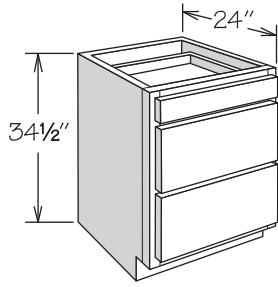
- Two large drawers with extra large drawer fronts
- Drawer body measures 6<sup>15</sup>/<sub>16</sub>" deep
- Scalloped Deep Roll Out Tray with Full-Access CushionClose Glides in top opening
- One Peg Dish Organizer Kit (organizer and 12 adjustable pegs) in natural finish, packaged separately for field installation
- Additional pegs (PEG KIT 4 PK) and Peg Dish Organizer Kits (PDO\_) can be ordered separately
- Drawers feature Full-Extension CushionClose heavy-duty 132 pound rated glides

APC
FE
RTK

#### 2 DRAWERS

DB30 2DWR SFWT PDO  
DB36 2DWR SFWT PDO

### Drawer Base Cabinet + 3 Drawers



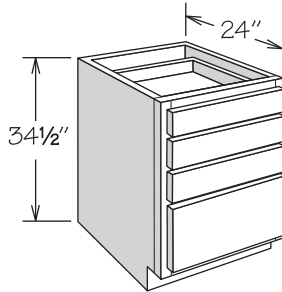
- One standard and two large drawers

APC
CFO
FE
RD
RTK
VTD

#### 3 DRAWERS

DB12	DB27
DB15	DB30
DB18	DB33
DB21	DB36 1TD
DB24	

### Drawer Base Cabinet + 4 Drawers



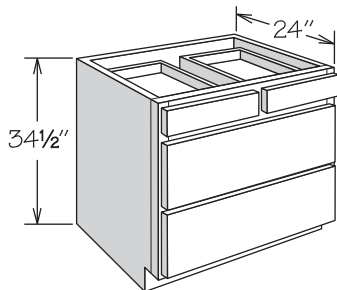
- One large and three standard drawers

APC
CFO
FE
RD
RTK
VTD

#### 4 DRAWERS

DB12 4DWR
DB15 4DWR
DB18 4DWR
DB21 4DWR
DB24 4DWR

### Drawer Base Cabinet + 2 Small and 2 Large Drawers



- Two standard and two large drawers

APC
CFO
FE
RD
RTK
VTD

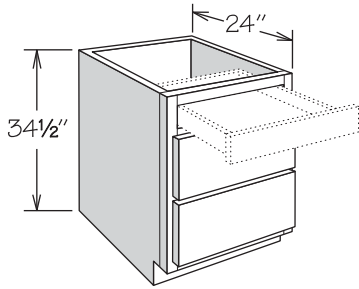
#### 4 DRAWERS

DB36
------

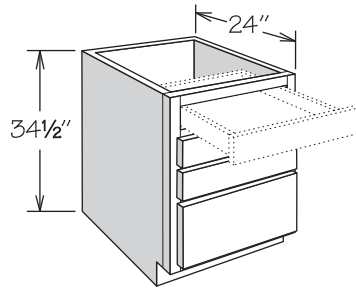
# Drawer Base Cabinets with Drawer Accessories

**1** Select a base cabinet configuration below. Example: DB15 (3 Drawer Base Cabinet).

APC
FE
RTK



3 DRAWER



4 DRAWER

**3 DRAWERS**

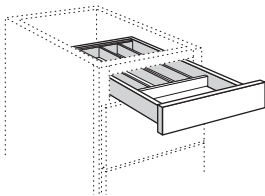
- DB15 \*
- DB18 \*
- DB21 \*
- DB24 \*

**4 DRAWERS**

- DB15 4DWR \*
- DB18 4DWR \*
- DB21 4DWR \*
- DB24 4DWR \*

**2** Choose a factory installed base drawer accessory below. Example: Wood Tiered Cutlery Divider (WTCD).

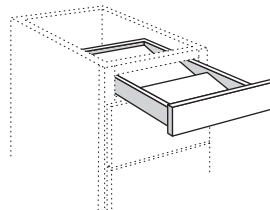
**Cutlery Divider + CD**



WIDTH	SECTIONS
15"	3
18"	4
21"	5
24"	5

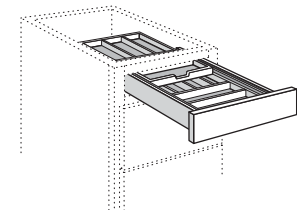
- Solid hardwood and plywood cutlery divider in natural finish

**Spice Drawer Insert + SDI**



- Solid hardwood and plywood spice drawer insert in natural finish
- Accommodates most spice containers (not included)

**Wood Tiered Cutlery Divider + WTCD**

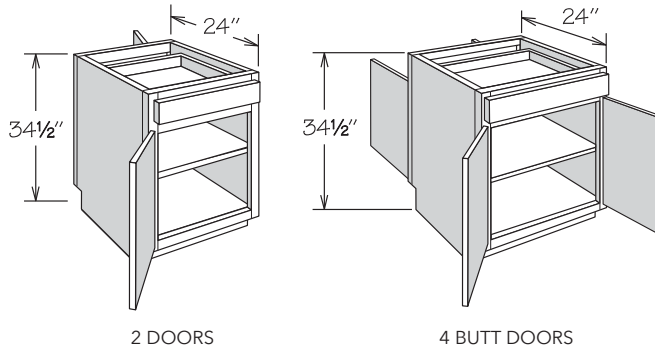


WIDTH	UPPER SECTION	LOWER SECTION
15"	5	5
18"	5	6
21"	6	7
24"	7	7

- Double-tiered cutlery divider slides independently from drawer
- Solid hardwood and plywood double-tiered cutlery divider in natural finish
- Features solid hardwood dovetail drawer in natural finish

**3** Replace the asterisk (\*) with the code for the drawer accessory to order as a factory installed accessory. Example: DB15 WTCD.

## Peninsula Base + 1 Drawer



- Full-depth adjustable shelf
- Drawer accessible on one side only
- Panel on opposite side of drawer
- When selecting the Recessed Toe Kick Option, the drawer side indicates the front of the cabinet
- Single door cabinets are hinged left and can be reversed in the field

APC
FE
RD
RTK
VTD

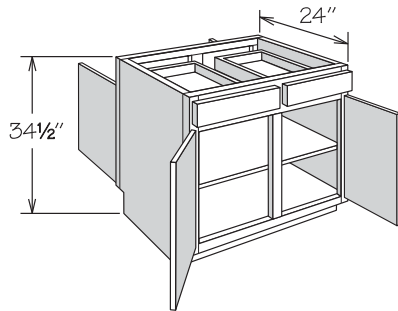
### 2 DOORS

PB12  
PB18  
PB24

### 4 BUTT DOORS

PB24 BUTT  
PB30 BUTT  
PB36 1TD BUTT

## Peninsula Base + 2 Drawers



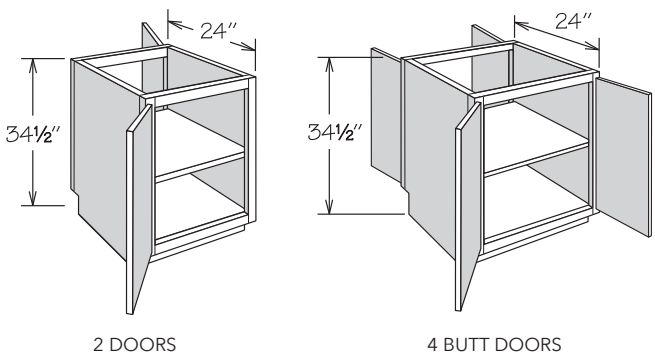
- Full-depth adjustable shelf
- Drawers accessible on one side only
- PB36 features one panel on opposite side of drawers
- PB42 features two panels on opposite side of drawers
- When selecting the Recessed Toe Kick Option, the drawer side indicates the front of the cabinet

APC
FE
RD
RTK
VTD

### 4 DOORS

PB36  
PB42

## Full-Height Peninsula Base



- Full-height doors
- Full-depth adjustable shelf
- Single door cabinets are hinged left and can be reversed in the field

APC
FE
RD
RTK

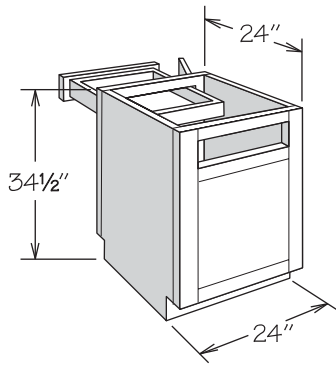
### 2 DOORS

PB12 FH  
PB18 FH

### 4 BUTT DOORS

PB24 BUTT FH  
PB30 BUTT FH  
PB36 BUTT FH

## Blind Peninsula Corner Base



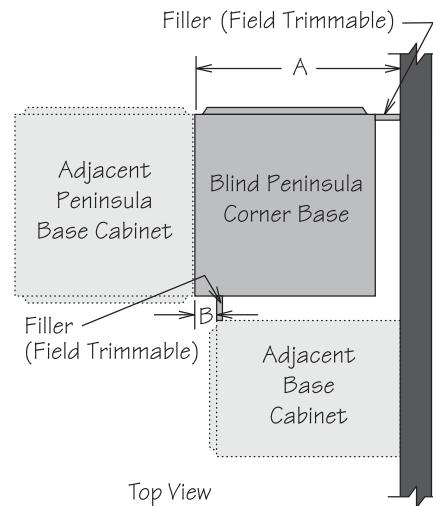
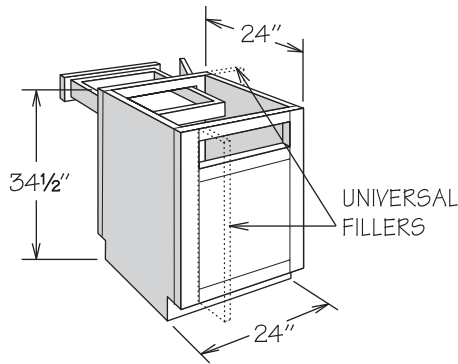
- Full-depth adjustable shelf
- Can be installed left or right
- Universal Fillers are recommended for use between PBC24 and wall and adjoining base cabinet or appliance for hardware clearance and proper door operation
- Cabinet may require pulling from wall - refer to the chart below for specifications
- Roll-out accessories are not recommended
- Must order Universal Fillers separately
- PBC24 is hinged left and can be reversed in the field

APC
FE
RD

**1 DOOR**  
PBC24

**2 DOORS**  
PBC24 BUTT

## BLIND PENINSULA CORNER BASE INSTALLATION CHART



### Full Overlay Door Styles

Full overlay door styles require decorative hardware, which has been calculated into dimensions.

\*Must use these dimensions if optional Overlay Fillers will be used.

Cabinet	Actual Cabinet Width	Door Opening	Door(s)	Wall Space A			Exposed Frame B		Filler (at wall)	
				Min. Space	Max. Pull	Max. Space*	Min. Space	Max. Space*	Min.	Max.*
PBC24	24"	20 3/4"	DR2424	26 1/4"	3/4"	27"	2 1/4"	3"	2 1/4"	3"
PBC24 BUTT	24"	20 3/4"	DR1224 BUTT (2)	26 1/4"	3/4"	27"	2 1/4"	3"	2 1/4"	3"

### Standard Overlay Door Styles

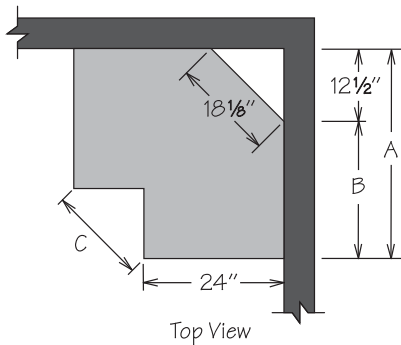
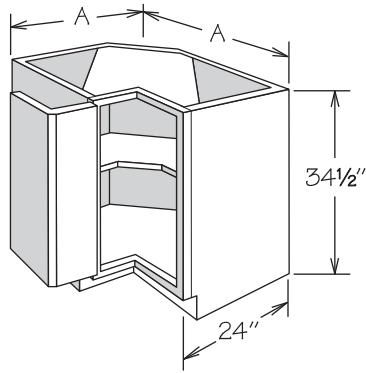
Wall Space A requirements include optional decorative hardware clearance.

1 1/4" may be deducted if decorative hardware is not used.

Cabinet	Actual Cabinet Width	Door Opening	Door(s)	Wall Space A			Exposed Frame B		Filler (at wall)	
				Min. Space	Max. Pull	Max. Space	Min. Space	Max. Space	Min.	Max.
PBC24	24"	20 3/4"	DR2424	25 3/8"	1 5/8"	27"	1 3/8"	3"	1 3/8"	3"
PBC24 BUTT	24"	20 3/4"	DR1224 BUTT (2)	25 3/8"	1 5/8"	27"	1 3/8"	3"	1 3/8"	3"



## Base Easy Reach

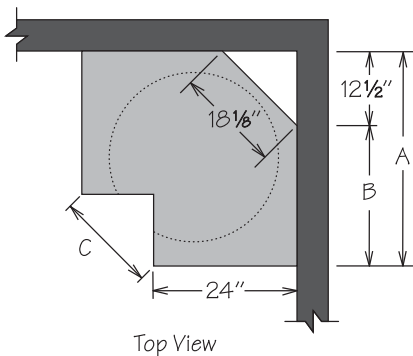
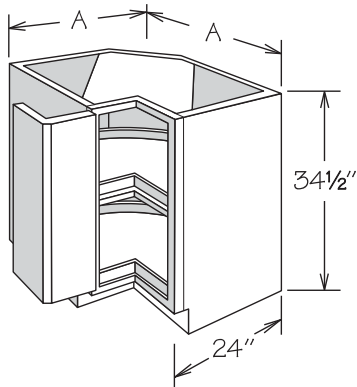


- One adjustable half-depth shelf (non-removable)
- All door styles must be ordered hinged left or right
- BER33 features two solid recessed panel doors for 720 door style
- Sides are finished
- Doors open 170°
- Cabinet requires a minimum of 34" to fit through doorway
- Additional space recommended if appliance is installed on the hinge side of this cabinet for proper door operation - decorative hardware should be taken into consideration for the overall depth of appliance
- Cabinet features partial top

APC
FE

SHELF	A	B	C
BER33	33"	20 1/2"	10 7/16"
BER36	36"	23 1/2"	14 5/16"

## Base Super Susan + Wood Spin Unit

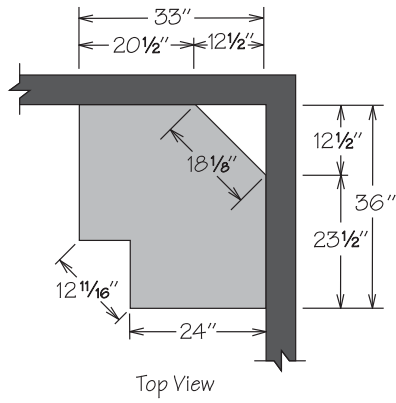


- All door styles must be ordered hinged left or right
- BSS33 features two solid recessed panel doors for 720 door style
- Sides are finished
- Doors open 170°
- Cabinet requires a minimum of 34" to fit through doorway
- Additional space recommended if appliance is installed on the hinge side of this cabinet for proper door operation - decorative hardware should be taken into consideration for the overall depth of appliance
- Wood Spin Units feature:
  - » Fixed wood spin unit mounted on cabinet floor
  - » One wood spin unit attached to 3/4" adjustable shelf
  - » Natural finish wood spin units feature 1" lip
  - » Wood spin diameter is 28" for BSS33 and 32" for BSS36
- Cabinet features partial top

APC
FE

WOOD SPIN UNIT	A	B	C
BSS33 WD	33"	20 1/2"	10 7/16"
BSS36 WD	36"	23 1/2"	14 5/16"

## Asymmetrical Base Easy Reach

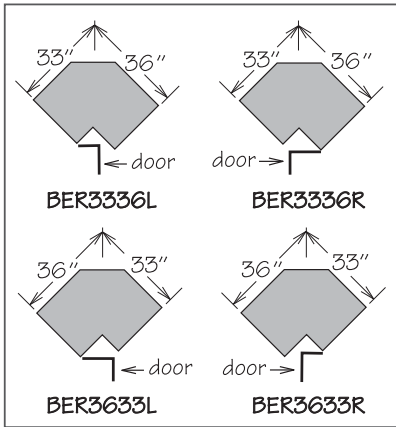


- One adjustable half-depth shelf (non-removable)
- All door styles must be ordered hinged left or right
- 720 door style features one solid recessed panel door (33" side) and one solid raised panel door (36" side)
- Sides are finished
- Doors open 170°
- Cabinet requires a minimum of 34" to fit through doorway
- Additional space recommended if appliance is installed on the hinge side of this cabinet for proper door operation - decorative hardware should be taken into consideration for the overall depth of appliance
- Cabinet features partial top

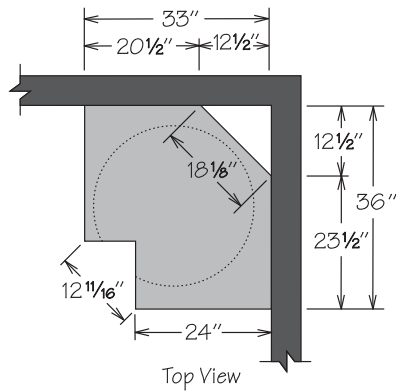
APC
FE

### SHELF

BER3336  
BER3633



## Asymmetrical Base Super Susan ♦ Wood Spin Unit

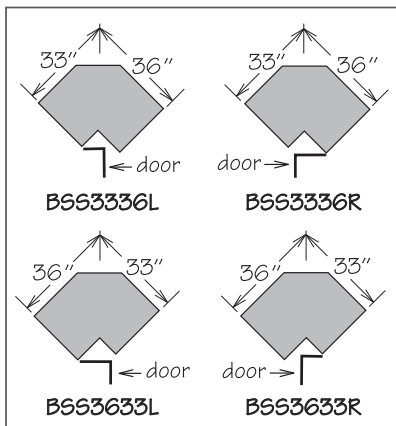


- All door styles must be ordered hinged left or right
- 720 door style features one solid recessed panel door (33" side) and one solid raised panel door (36" side)
- Sides are finished
- Doors open 170°
- Cabinet requires a minimum of 34" to fit through doorway
- Additional space recommended if appliance is installed on the hinge side of this cabinet for proper door operation - decorative hardware should be taken into consideration for the overall depth of appliance
- Wood Spin Units features:
  - » Fixed wood spin unit mounted on cabinet floor
  - » Features one wood spin unit attached to 3/4" adjustable shelf
  - » Natural finish wood spin units feature 1" lip and are 28" in diameter for BSS3336 WD and 32" for BSS3633 WD
- Cabinet features partial top

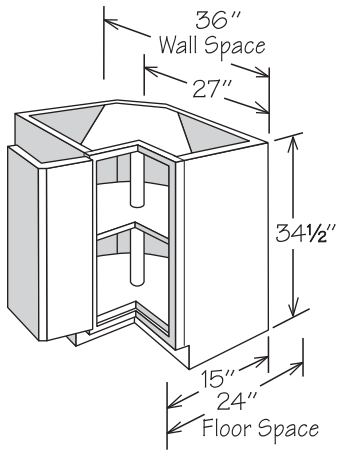
APC
FE

### WOOD SPIN UNIT

BSS3336 WD  
BSS3633 WD



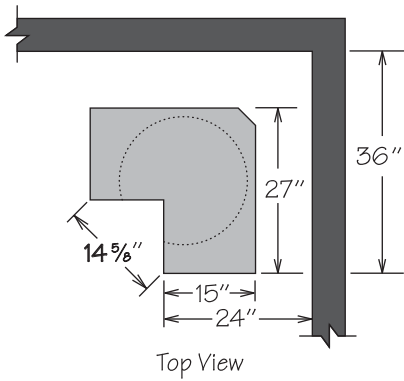
## Corner Base Carousel + Wood Spin Unit



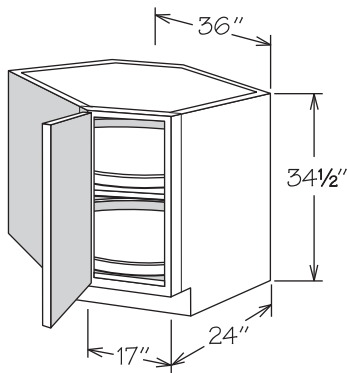
- Features two 24" diameter natural finish solid hardwood spin shelves with pole (top shelf adjustable)
- All door styles must be ordered hinged left or right
- Sides are unfinished
- Doors open 170°
- If unit has an exposed side, order end panel separately
- Additional support for countertop in back is necessary
- Additional space recommended if appliance is installed on the hinge side of this cabinet for proper door operation- decorative hardware should be taken into consideration for the overall depth of appliance
- Unit must be pulled to install in a 36" x 36" space
- Cabinet features partial top

### WOOD SPIN UNIT

CAR36 WD



## Corner Base + Wood Spin Unit

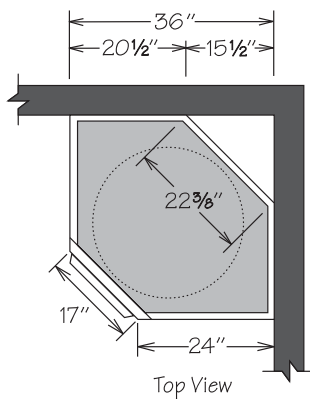


- Sides are finished
- Cabinet requires a minimum of 34" to fit through doorway
- Additional space recommended if appliance is installed on the hinge side of this cabinet for proper door operation
- Cabinet features solid top
- Wood Spin Units feature:
  - » Fixed wood spin unit mounted on cabinet floor
  - » Features one wood spin unit attached to 3/4" adjustable shelf
  - » Natural finish wood spin units feature 1" lip and are 28" in diameter
- Hinged left and can be reversed in the field

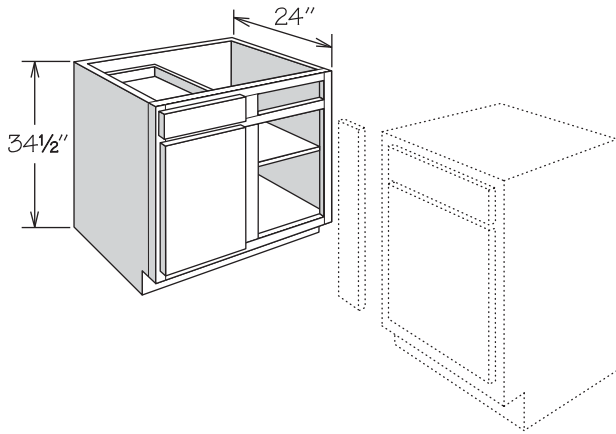
APC
FE

### WOOD SPIN UNIT

CBS36 WD



## Blind Corner Base



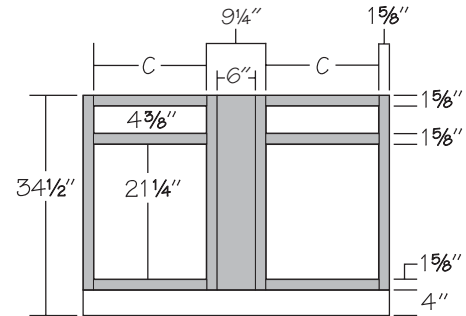
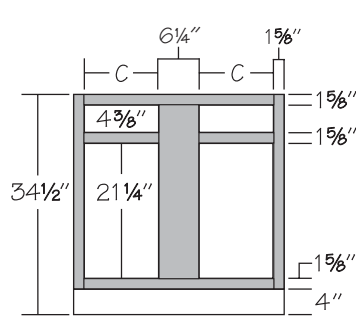
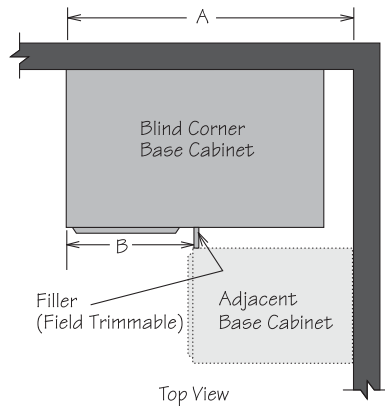
- Full-depth adjustable shelf
- Center support for shelf provided (excluding BLB36/39)
- Blind base door and drawer are installed in the left section
- Door and drawer can be reversed in the field as blind sections are identical
- Includes 1/8" panel to cover blind opening (field trim and install)
- Refer to the chart below for specifications
- Recessed Toe Kick Both Option (RTKB) available only
- Must order Universal Filler separately

APC
CFO
FE
RD
RTK

### 1 SHELF

- BLB36/39
- BLB39/42
- BLB42/45
- BLB45/48
- BLB48/51

## BLIND CORNER BASE INSTALLATION CHART



### Full Overlay Door Styles

Full Overlay door styles require decorative hardware, which has been calculated into dimensions.

\*Dimension requirements do not include optional Overlay Fillers - add 7/8" if Overlay Fillers will be used, except for BLB48/51 add 1/2".

Cabinet	Actual Cabinet Width	C Door Opening	Door(s)	Wall Space A			Exposed Frame B	
				Minimum Space*	Maximum Pull	Maximum Space	Minimum Space*	Maximum Space
BLB36/39	27"	8 3/4"	DR1224	38 1/4"	1 3/4"	40"	14 1/4"	16"
BLB39/42	33"	11 3/4"	DR1524	41 1/4"	1 3/4"	43"	17 1/4"	19"
BLB42/45	39"	14 3/4"	DR1824	44 1/4"	1 3/4"	46"	20 1/4"	22"
BLB45/48	45"	17 3/4"	DR2124	47 1/4"	1 3/4"	49"	23 1/4"	25"
BLB48/51	48"	17 3/4"	DR2124	48"	4"	52"	24"	28"

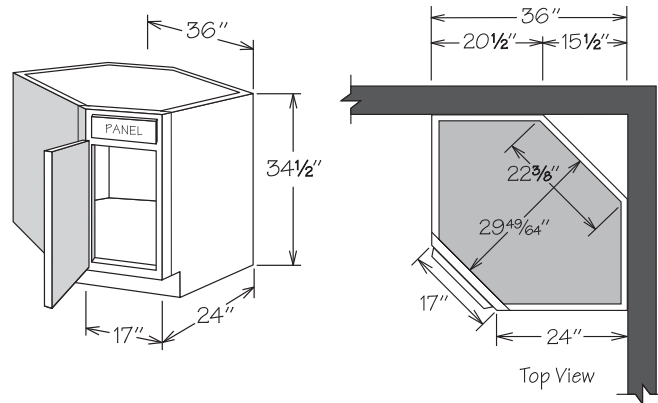
### Standard Overlay Door Styles

Wall Space A requirements include optional decorative hardware clearance.

1 1/4" may be deducted if decorative hardware is not used.

Cabinet	Actual Cabinet Width	C Door Opening	Door(s)	Wall Space A			Exposed Frame B	
				Minimum Space	Maximum Pull	Maximum Space	Minimum Space	Maximum Space
BLB36/39	27"	8 3/4"	DR1224	37 3/8"	2 5/8"	40"	13 3/8"	16"
BLB39/42	33"	11 3/4"	DR1524	40 3/8"	2 5/8"	43"	16 3/8"	19"
BLB42/45	39"	14 3/4"	DR1824	43 3/8"	2 5/8"	46"	19 3/8"	22"
BLB45/48	45"	17 3/4"	DR2124	46 3/8"	2 5/8"	49"	22 3/8"	25"
BLB48/51	48"	17 3/4"	DR2124	48"	4"	52"	24"	28"

### Corner Sink Base + 1 Door

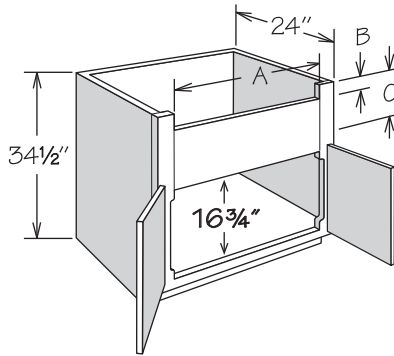


- No shelf
- Sides are finished
- Cabinet requires a minimum of 34" to fit through doorway
- Additional space recommended if appliance is installed on either side of this cabinet for proper appliance door operation
- Cabinet features solid top which must be field cut for sink installation as per manufacturer's specifications
- Maximum sink width is 22 3/4" if cut out is 4" back from face of front frame
- Refer to sink manufacturer's specifications for adequate clearance and required installation materials
- Touch Up Kit included

APC
FE

CSB36

### Deep Sink/Range Base + 2 Butt Doors

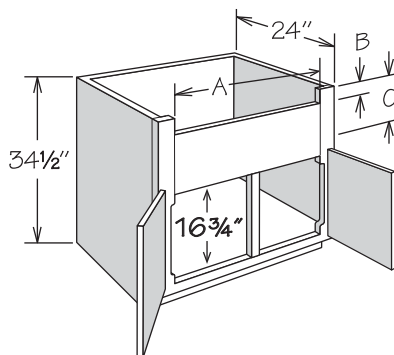


- No shelf
- Accommodates farm sinks
- Apron stiles are 3/8" wide and trimmable
- A cutout exists in the door area where the 3/8" stiles are routed to 1 3/8"
- Refer to sink or appliance manufacturer's specifications for adequate clearance and required installation materials
- Touch Up Kit included

APC
FE
RD
RTK

	A-MIN.	A-MAX.	B	C-FOL	C-SOL
DSB30 BUTT	23 3/4"	28"	2 7/8"	10"	10 1/2"
DSB33 BUTT	26 3/4"	31"	2 7/8"	10"	10 1/2"
DSB36 BUTT	29 3/4"	34"	2 7/8"	10"	10 1/2"

### Deep Sink/Range Base + 2 Doors

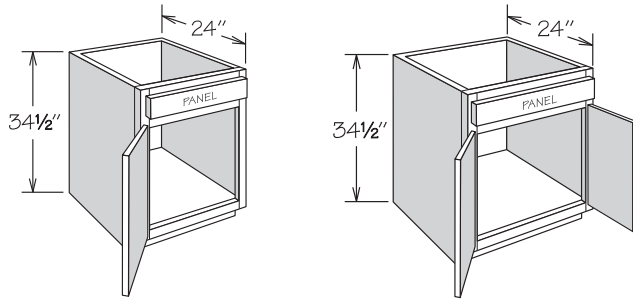


- No shelf
- Accommodates farm sinks
- Apron stiles are 3/8" wide and trimmable
- A cutout exists in the door area where the 3/8" stiles are routed to 1 3/8"
- Refer to sink or appliance manufacturer's specifications for adequate clearance and required installation materials
- Touch Up Kit included

APC
FE
RD
RTK

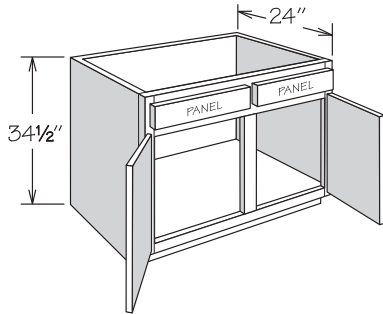
	A-MIN.	A-MAX.	B	C-FOL	C-SOL
DSB39	32 3/4"	37"	2 7/8"	10"	10 1/2"

## Sink/Cooktop Base

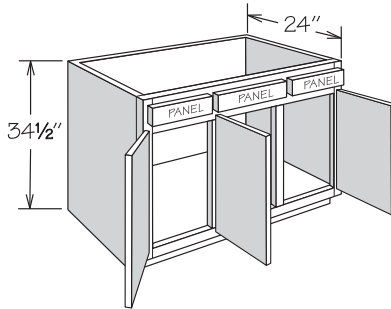


1 DOOR

2 BUTT DOORS



2 DOORS



3 DOORS

- No shelf
- Full-height back
- Subtract 1 1/2" from width and depth for available sink bowl opening
- Refer to sink or appliance manufacturer's specifications for adequate clearance and required installation materials
- Touch Up Kit included
- Single door cabinets are hinged left and can be reversed in the field

APC
FE
RD
RTK

### 1 DOOR

SB18  
SB21  
SB24

### 2 BUTT DOORS

SB24 BUTT  
SB27 BUTT  
SB30 BUTT  
SB33 BUTT  
SB36 BUTT

### 2 DOORS

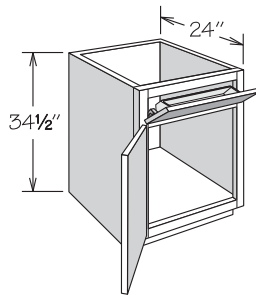
SB39  
SB42  
SB48

### 3 DOORS

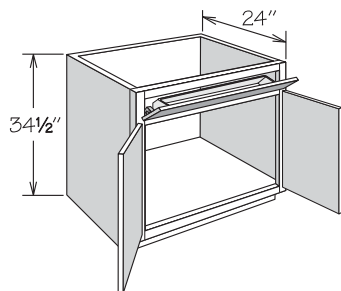
SB45

## Sink Base + 1 Stainless Tilt-Out Tray

NEW! UPDATE



1 DOOR



2 BUTT DOORS

- **UPDATE:** 33" and 36" sink bases now feature one 22" tray
- No shelf
- Full-height back
- Subtract 1 1/2" from width and 3 3/4" from depth for available sink bowl opening
- Tilt-Out Trays are NOT dishwasher safe
- Refer to sink manufacturer's specifications for adequate clearance and required installation materials
- Touch Up Kit included
- Single door cabinets are hinged left and can be reversed in the field

APC
FE
RD
RTK

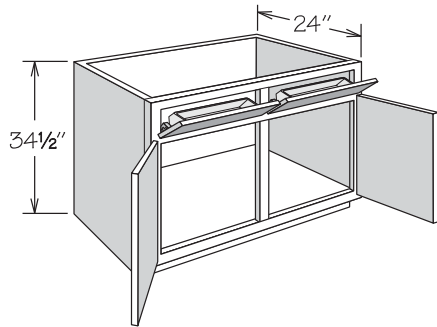
### 1 DOOR

SB18 STO  
SB21 STO  
SB24 STO

### 2 BUTT DOORS

SB24 BUTT STO  
SB27 BUTT STO  
SB30 BUTT STO  
SB33 BUTT STO  
SB36 BUTT STO

## Sink Base + 2 Stainless Tilt-Out Trays



2 DOORS

- No shelf
- Full-height back
- Subtract 1 1/2" from width and 3 3/4" from depth for available sink bowl opening
- Tilt-Out Trays are NOT dishwasher safe
- Refer to sink manufacturer's specifications for adequate clearance and required installation materials
- Touch Up Kit included

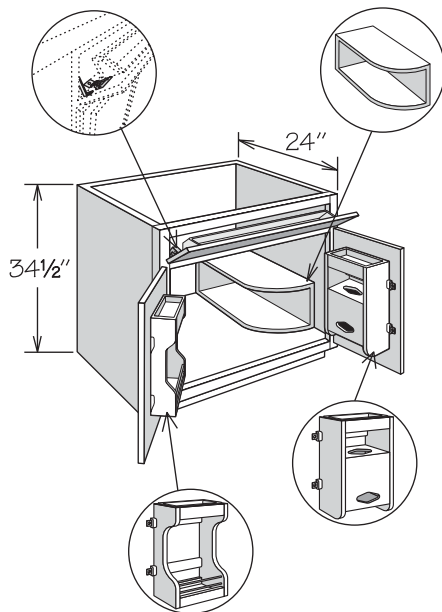
APC
FE
RD
RTK

### 2 DOORS

SB39 STO  
SB42 STO  
SB48 STO

## Sink Base Multi-Storage Cabinet

NEW! UPDATE



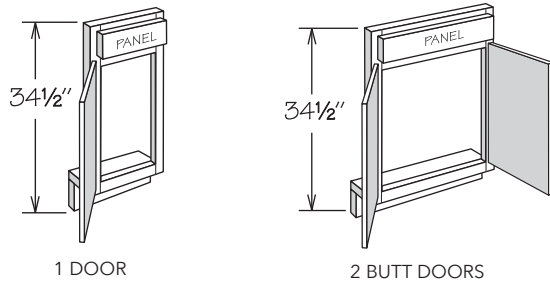
- **UPDATE:** SBMS36 BUTT STO now features one 22" tray
- Full-height back
- Features factory installed Sink Base Door Storage Unit on left door, Plastic Bag Door Storage Unit on right door
- Features one Stainless Tilt-Out Tray
- Sink Base Multi-Storage Shelf (SBMSS) shipped separately for field installation left or right
- Sink Base Multi-Storage Shelf measures 8 1/8" wide x 8" high x 17 1/2" deep
- Subtract 1 1/2" from width and 3 3/4" from depth for available sink bowl opening
- Tilt-Out Trays and Door Storage Unit trays are NOT dishwasher safe
- Refer to sink manufacturer's specifications for adequate clearance and required installation materials
- Touch Up Kit included

APC
FE
RTK

### 2 BUTT DOORS

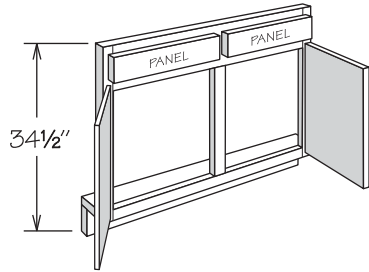
SBMS30 BUTT STO  
SBMS36 BUTT STO

## Sink/Cooktop Front

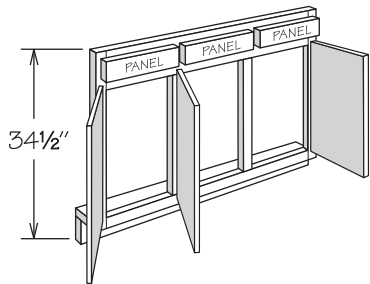


1 DOOR

2 BUTT DOORS



2 DOORS



3 DOORS

- SF45 is hinged as shown - can be reversed in the field
- Order floor and returns separately (field trimming may be required) - refer to Panel Section for availability (page 205-206)

### 1 DOOR

SF12  
SF15  
SF18  
SF21  
SF24

### 2 BUTT DOORS

SF24 BUTT  
SF27 BUTT  
SF30 BUTT  
SF33 BUTT  
SF36 BUTT

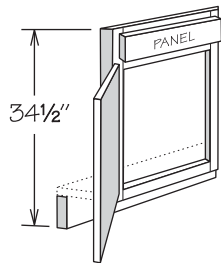
### 2 DOORS

SF39  
SF42  
SF48

### 3 DOORS

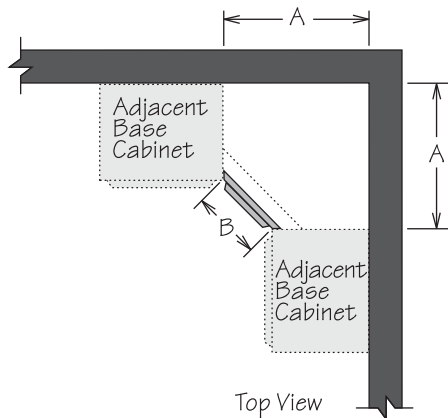
SF45

## Corner Sink Front



- Vertical edges of frame are mitered to attach to adjacent cabinet frames
- Order floor and returns separately (field trimming may be required) - refer to Panel Section for availability (page 205-206)

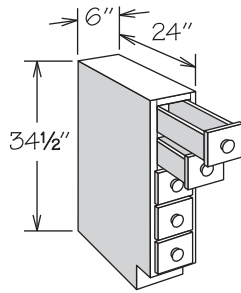
	A	B
CSF36	35 <sup>3</sup> / <sub>32</sub> "	16 <sup>1</sup> / <sub>16</sub> "
CSF42	42 <sup>1</sup> / <sub>32</sub> "	25 <sup>1</sup> / <sub>16</sub> "



Top View



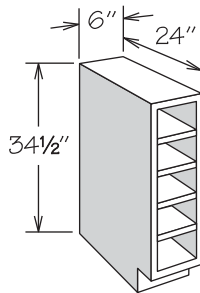
## Base Spice Drawer Cabinet



- All door styles feature veneered engineered wood with exterior only finished to match cabinet box exterior
- Five individual full-depth drawers
- Flush sides with no face frame or 1/4" reveals
- All wood drawer body with dovetail construction
- Wood door styles feature matching wood knobs
- Breeze, Linen and Pewter door styles feature white porcelain knobs
- Features 1/2" thick slab drawer fronts for all door styles

BSDC6

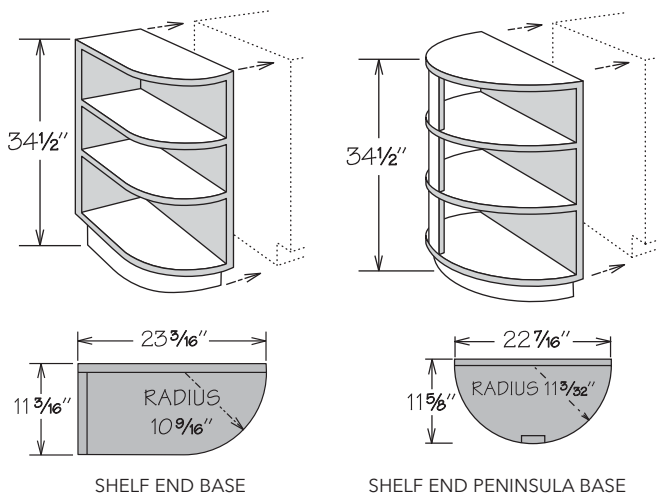
## Base Wine Rack Cabinet



- All door styles feature veneered engineered wood finished to match cabinet box exterior
- Interior finished to match cabinet box exterior
- Accommodates five wine bottles (each opening measures: 5" high x 4 1/2" wide)
- 3/4" sides and shelves
- Flush sides with no face frame or 1/4" reveals
- Cannot be retrofitted with Base Spice drawers

BWRC6

## Shelf End Base

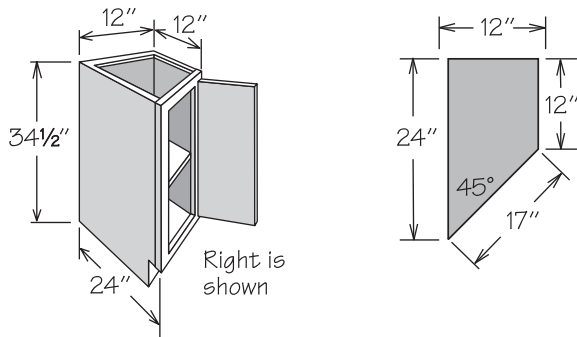


- All door styles feature veneered engineered wood finished to match cabinet box exterior
- Interior finished to match cabinet box exterior
- 3/4" shelves
- Distance between shelves is 9 3/16"
- 7/8" screw recommended from inside of adjacent cabinet for installation
- SEB toe kick is removable-invert unit for right or left
- Cabinet dimensions are for reference purposes ONLY - countertop must be measured and fabricated after cabinet installation

**SHELF END BASE**  
SEB

**SHELF END PENINSULA BASE**  
SEPB

### Base End Angle + 1 Door



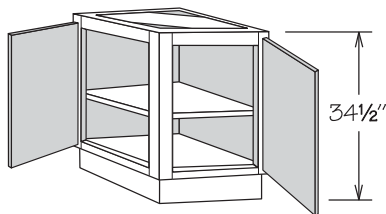
- Full-height door
- One adjustable shelf
- Only available with RD-23 through RD-18
- Recessed Toe Kick Option (RTK) only available on 12" side
- Cabinet dimensions are for reference purposes ONLY - countertop must be measured and fabricated after cabinet installation

APC
FE
RD
RTK

#### 1 SHELF

BEA12L FH  
BEA12R FH

### Base End Angle + 2 Doors

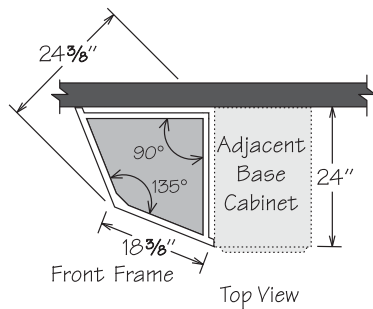


- One adjustable shelf
- Requires 24" x 24" space
- Cabinet dimensions are for reference purposes ONLY - countertop must be measured and fabricated after cabinet installation

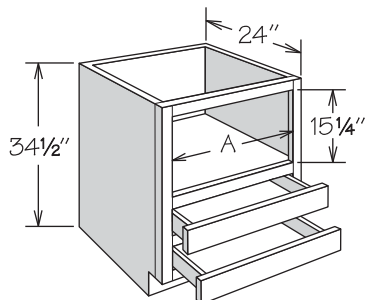
APC
-----

#### 1 SHELF

BEA24 FH



### Base Microwave Cabinet + 2 Drawers



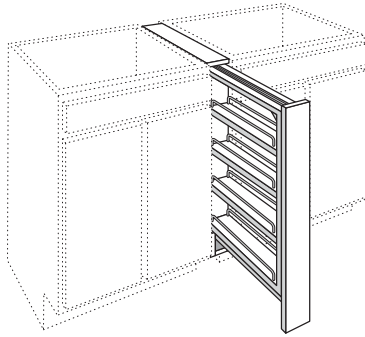
- Microwave opening finished to match cabinet box exterior
- Designed to accommodate countertop style microwave
- Features two standard depth drawers
- Accent molding recommended (order separately)
- Refer to appliance manufacturer's specifications for adequate clearances

APC
FE
RD
RTK

	A
BMC24	20 3/4"
BMC27	23 3/4"
BMC30	26 3/4"

## Base Filler Pull-Out

NEW! SIZE



- Must be installed between two base cabinets behind the face frames in 3" (BFP3 \_) or 6" (BFP6 \_) of floor space
- Cannot be installed next to an appliance or at the end of a run
- No side panels or toe kick
- Filler shipped unattached for field installation
- An overlay filler is recommended for full overlay door styles (order separately)
- One fixed and three adjustable wood shelves with chrome rails
- Decorative hardware strongly recommended

### Full-Access

BFP3 FA  
BFP6 FA

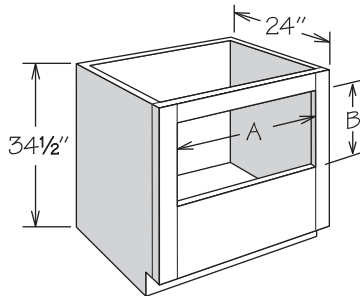
### CushionClose

BFP3 CC  
BFP6 CC

### Shelf Width

2 1/6"  
4 3/4"

## Base Oven Cabinet Universal



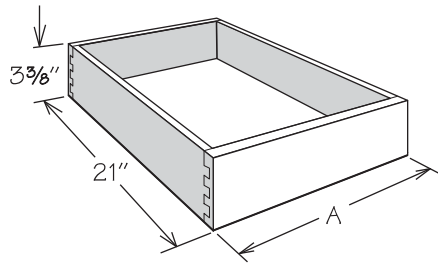
- Designed for mounting single oven below countertop
- 3" top rail is field removable and field trimmable
- 3 1/8" stiles
- Will accommodate certain cooktops (in conjunction with under-counter oven) or drop-in ranges
- Most ovens require a top rail of varying heights to create a finished look and clear the countertop overhang
- Refer to appliance manufacturer's specifications for adequate clearances and required installation materials

APC
FE
RD
RTK

	A-MIN.	A-MAX.	B-MIN.	B-MAX.*
BOCU27	20 3/4"	24 15/16"	18 1/4"	29"
BOCU30	23 3/4"	27 15/16"	18 1/4"	29"
BOCU33	26 3/4"	30 15/16"	18 1/4"	29"

\*Trimming/removal of top rail required

## Deep Roll Out Tray Kit NEW! SIZES

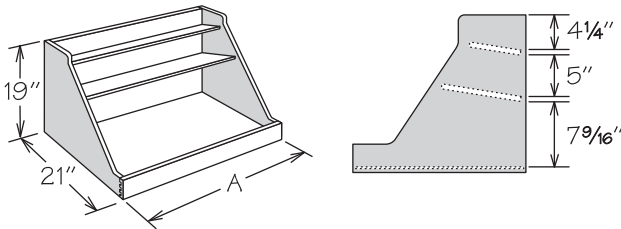


- Field installation accessory
- Natural finish dovetail drawer with engineered wood bottom
- Includes tray, all glide hardware and installation instructions
- DROT drill template is required for all two door cabinets that have a center stile - contact the Partner Team for drill template

RD

DEEP ROLL OUT TRAY KIT		4 PACK DEEP ROLL OUT TRAY KIT		A
Full-Access	CushionClose	Full-Access	CushionClose	
DROTFA12	DROTCC12	DROTFA12-4K	DROTCC12-4K	7 3/4"
DROTFA15	DROTCC15	DROTFA15-4K	DROTCC15-4K	10 3/4"
DROTFA18	DROTCC18	DROTFA18-4K	DROTCC18-4K	13 3/4"
DROTFA19	DROTCC19	-	-	15 1/4"
DROTFA21	DROTCC21	<b>DROTFA21-4K</b>	<b>DROTCC21-4K</b>	16 3/4"
DROTFA24	DROTCC24	DROTFA24-4K	DROTCC24-4K	19 3/4"
DROTFA27	DROTCC27	<b>DROTFA27-4K</b>	<b>DROTCC27-4K</b>	22 3/4"
DROTFA30	DROTCC30	DROTFA30-4K	DROTCC30-4K	25 3/4"
DROTFA33	DROTCC33	<b>DROTFA33-4K</b>	<b>DROTCC33-4K</b>	28 3/4"
DROTFA36	DROTCC36	DROTFA36-4K	DROTCC36-4K	31 3/4"

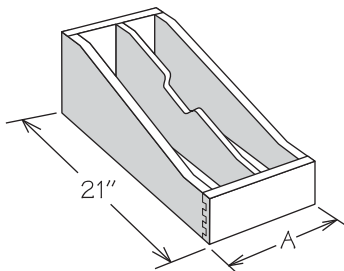
## Base Pot & Pan Organizer Kit



- Field installation accessory
- Organizer features natural finish solid wood, wood veneer and dovetail (front only) construction with engineered wood bottom
- Top shelf of organizer measures 6 3/16" deep
- Middle shelf of organizer measures 9 3/4" deep
- Not sized to fit reduced depth cabinets

		A	BASE CABINET SIZE	OVEN CABINET SIZE
<b>Full-Access</b>	<b>CushionClose</b>			
BPPOKFA24	BPPOKCC24	19 3/4"	24"	27"
BPPOKFA27	BPPOKCC27	22 3/4"	27"	30"
BPPOKFA30	BPPOKCC30	25 3/4"	30"	33"
BPPOKFA33	BPPOKCC33	28 3/4"	33"	-
BPPOKFA36	BPPOKCC36	31 3/4"	36"	-

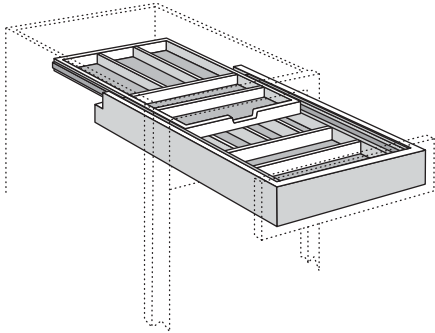
## Roll-Out Tray Divider Kit



- Field installation accessory
- Natural finish solid wood and wood veneer and dovetail (front only) construction with engineered wood bottom
- ROTDK\_12 features two compartments (one partition)
- ROTDK\_15 features three compartments (two partitions)
- Partition(s) are field installed
- Not sized to fit reduced depth cabinets

		A	CABINET SIZE
<b>Full-Access</b>	<b>CushionClose</b>		
ROTDKFA12	ROTDKCC12	7 3/4"	12"
ROTDKFA15	ROTDKCC15	10 3/4"	15"

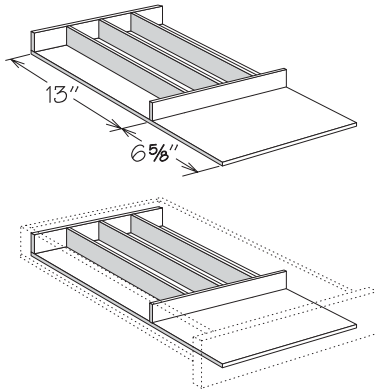
## Wood Tiered Cutlery Divider Kit



- Available as factory installed for all door styles
- Field installed accessory replaces existing drawer box
- Glides are NOT included: reuse existing drawer glides
- Solid hardwood and plywood in natural finish
- Double-tiered cutlery divider slides independently from drawer
- Can be installed in cabinets with single drawer or side-by-side drawer configurations
- Not sized to fit cabinets with Reduced Depth Option

WIDTH	UPPER SECTIONS	LOWER SECTIONS
WTCDAK15	5	5
WTCDAK18	5	6
WTCDAK21	6	7
WTCDAK24	7	7

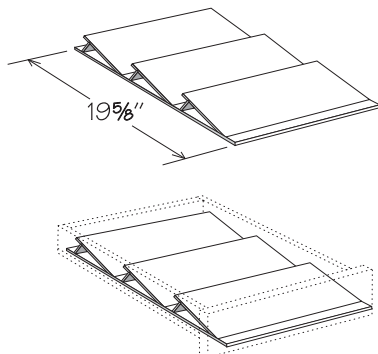
## Cutlery Divider Kit



- Available as factory installed for all door styles
- Field installation accessory
- Solid hardwood and plywood in natural finish
- Not sized to fit cabinets with Reduced Depth Option

	NUMBER OF SECTIONS
CDAK15	3
CDAK18	4
CDAK21	5
CDAK24	5

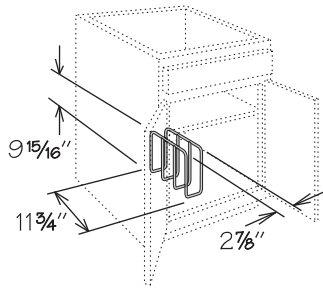
## Spice Drawer Insert Kit



- Available as factory installed for all door styles
- Field installation accessory
- Solid hardwood and plywood in natural finish
- Accommodates most spice containers (not included)
- Not sized to fit cabinets with Reduced Depth Option

SDIAK15
SDIAK18
SDIAK21
SDIAK24

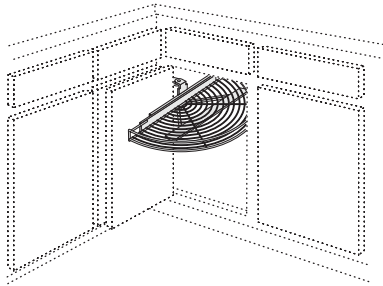
### Cabinet Tray Divider



- Field installation accessory
- Chrome finish
- For use in 24" deep cabinets or cabinets with RD-23 through RD-14
- Mounting hardware included

TD3

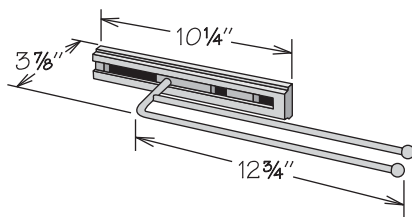
### Corner Lazy Susan



- Field installation accessory
- One 2 1/2" high chrome wire shelf per unit
- For use with BLB45/48 or BLB48/51
- More than one unit can be installed
- Order units individually
- 34" long x 16" deep from center
- Attaches to back of face frame
- Not sized to fit cabinets with Reduced Depth Option

CLS45F

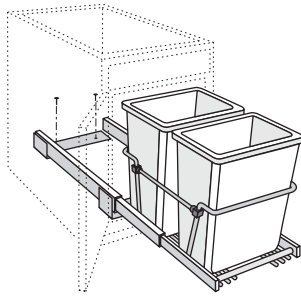
### Sliding Towel Bar



- Field installation accessory
- Two chrome finish towel bars
- Mounts to cabinet side panel
- Pulls out 7" for easy access
- For use in 24" deep cabinets or cabinets with RD-23 through RD-14

STB

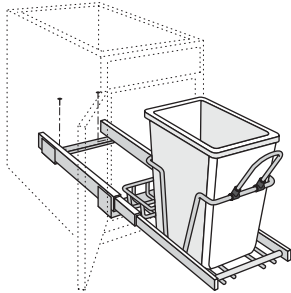
## Base Recycling Kit



- Field installation accessory
- Features two white 27 quart plastic bins, one chrome wire rack and glides
- Mounts in B18 (14 $\frac{3}{4}$ " ) or wider cabinet opening
- Unit measures 11 $\frac{5}{8}$ " wide x 19 $\frac{1}{8}$ " high x 22 $\frac{3}{4}$ " deep
- Not sized to fit cabinets with Reduced Depth Option

BR2B15

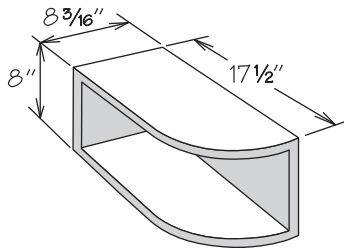
## Wastebasket Unit



- Field installation accessory
- Features one white 35 quart plastic bin, chrome wire rack with storage bin and glides
- Mounts in B15 (11 $\frac{3}{4}$ " ) or wider cabinet opening
- Unit measures 10 $\frac{5}{8}$ " wide x 19 $\frac{1}{4}$ " high x 22" deep
- Not sized to fit cabinets with Reduced Depth Option

WBU15

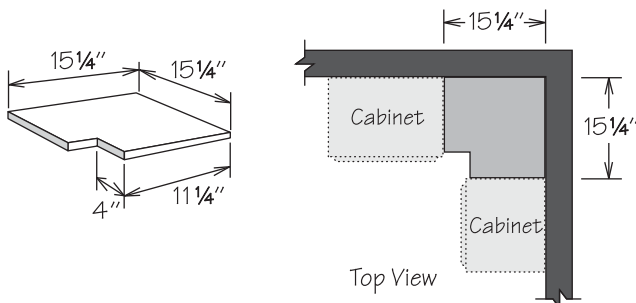
## Sink Base Multi-Storage Shelf



- Field installation accessory
- $\frac{3}{4}$ " plywood with natural finish
- Invert for left or right installation

SBMSS

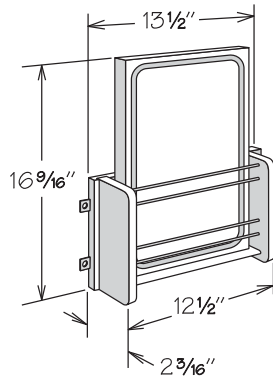
## Blind Corner Closure



- Features  $\frac{1}{2}$ " engineered wood with natural woodgrain finish on both sides
- Field trimmable

BLC1515

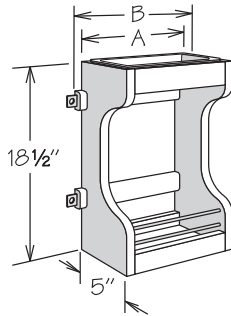
## Cutting Board Door Rack Kit



- Field installation accessory
- Natural finish solid wood with chrome rails
- Cannot be used with Deep Roll Out Trays
- Full-depth shelf must be field trimmed to half-depth
- Solid wood cutting board is NOT dishwasher safe
- Cutting board measures 15 15/16" x 10 9/16" x 1 3/16"
- CBDRK18 mounts to 18" or 19" wide base door
- Not sized to fit Deep Sink Base (DSB) cabinet doors

CBDRK18

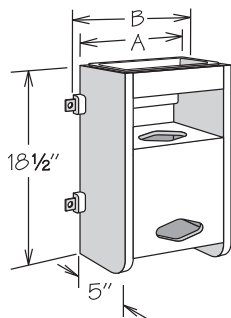
## Sink Base Door Storage Unit



- Field installation accessory
- Natural finish solid wood
- Two fixed shelves
- Cannot be used with Deep Roll Out Trays
- Full-depth shelf must be field trimmed to half-depth
- Removable white plastic tray is NOT dishwasher safe
- SBDSU15 mounts to 15" or 16" wide base door
- SBDSU18 mounts to 18" or 19" wide base door
- Not sized to fit Deep Sink Base (DSB) cabinet doors

	A	B
SBDSU15	9"	10 1/2"
SBDSU18	10 1/2"	13 1/2"

## Plastic Bag Door Storage Unit

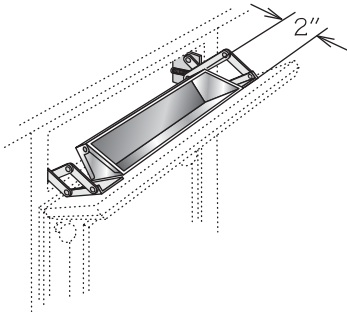


- Field installation accessory
- Natural finish solid wood and wood veneer
- Cannot be used with Deep Roll Out Trays
- Full-depth shelf must be field trimmed to half-depth
- Removable white plastic tray is NOT dishwasher safe
- PBDSU15 mounts to 15" or 16" wide base door
- PBDSU18 mounts to 18" or 19" wide base door
- Not sized to fit Deep Sink Base (DSB) cabinet doors

	A	B
PBDSU15	9"	10 1/2"
PBDSU18	10 1/2"	13 1/2"



## Tilt-Out Tray Kit



- Field installation accessory
- Kit features tray and one pair of scissor hinges
- Order units individually
- STO TRAY 11:
  - » Order one unit for SB18
- STO TRAY 14:
  - » Order one unit for SB21, SB24, SB27 or CSF42
  - » Order two units for SB39, SB42 or SB48
- STO TRAY 22:
  - » Order one unit for SB30, SB33 or SB36
- Sink front units match sink base sizes as noted above
- Tilt-Out Trays are NOT dishwasher safe

### STAINLESS

STO TRAY 11  
STO TRAY 14  
STO TRAY 22

---

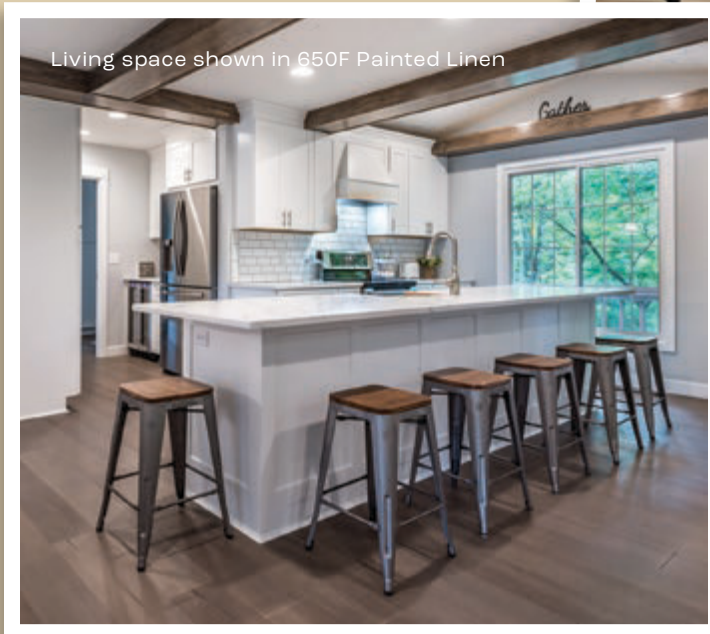
**Notes**



**Alina Druga**  
Cabinets etc.

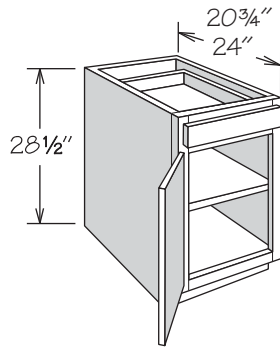


**Heather Garber**  
BH Design + Build



**Jennifer Tabar**  
Pendery Construction

## Desk Cabinet • 1 Door and 1 Drawer



- One full-depth adjustable shelf
- May be accessorized with one Deep Roll Out Tray
- Deep Roll Out Tray must be mounted on cabinet floor

APC
CFO
FE
RD
RTK

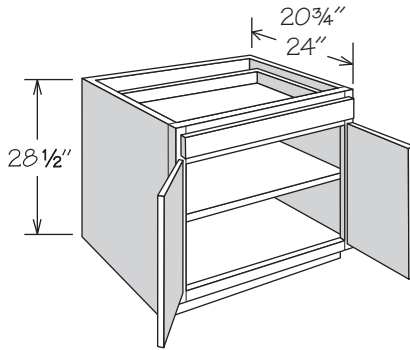
### 24" DEEP

DDO1224  
DDO1524  
DDO1824  
DDO2124

### 21" DEEP

DDO1221  
DDO1521  
DDO1821  
DDO2121

## Desk Cabinet • 2 Butt Doors and 1 Drawer



- One full-depth adjustable shelf
- May be accessorized with one Deep Roll Out Tray
- Deep Roll Out Tray must be mounted on cabinet floor

APC
CFO
FE
RD
RTK

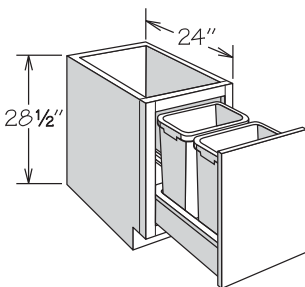
### 24" DEEP

DDO2424 BUTT

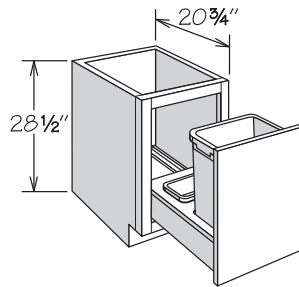
### 21" DEEP

DDO2421 BUTT

## Desk Cabinet • 1 Door with Wastebasket Pull-Out



2 WASTEBASKETS



1 WASTEBASKET

- Full-height door
- Wastebasket rests in a natural finish wood frame
- Wastebasket pull-out features heavy-duty 132-pound rated glides
- DWBB1824\_\_ features two silver plastic 35-quart capacity bins
- DWBB1821\_\_ features one silver plastic 35-quart capacity bin and bag storage tray at rear (not dishwasher safe)
- Decorative hardware strongly recommended

APC
FE
RTK

### 24" DEEP • 2 WASTEBASKETS

**Full-Access**  
DWBB1824 FA

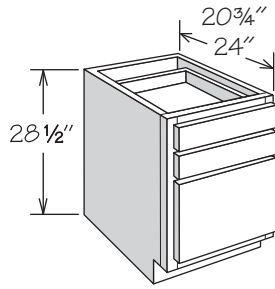
**CushionClose**  
DWBB1824 CC

### 21" DEEP • 1 WASTEBASKET

**Full-Access**  
DWBB1821 FA

**CushionClose**  
DWBB1821 CC

## Desk Drawer Cabinet



- One large and two standard drawers
- Large drawer cannot be used as a file drawer

APC
CFO
FE
RD
RTK

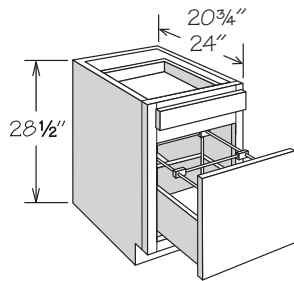
### 24" DEEP

DDR1224  
DDR1524  
DDR1824  
DDR2124  
DDR2424

### 21" DEEP

DDR1221  
DDR1521  
DDR1821  
DDR2121  
DDR2421

## Desk File Pull-Out Cabinet • 1 Door Pull-Out and 1 Drawer



- One standard top drawer
- Features one natural finish wood drawer body attached to door pull-out
- File unit packaged separately for field installation
- Will accept letter or legal-size hanging files

APC
FE
RTK

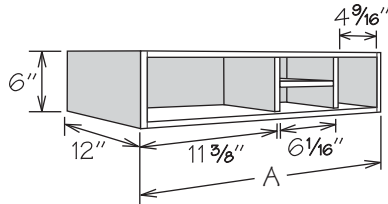
### 24" DEEP

<b>Full-Access</b>	<b>CushionClose</b>
DFDC1824 FA	DFDC1824 CC

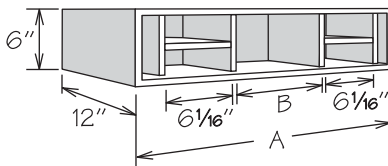
### 21" DEEP

<b>Full-Access</b>	<b>CushionClose</b>
DFDC1821 FA	DFDC1821 CC

## Shelf Under Cabinet Organizer



24" WIDE

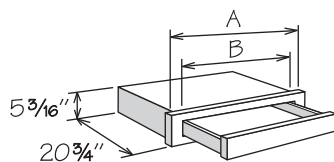


27" AND 30" WIDE

- All door styles feature 1/2" veneered engineered wood finished to match cabinet box exterior
- Flush sides with no face frame or 1/4" reveals
- Opening is 5" high
- Not sized to fit modified depth cabinets

	A	B
SUCO24	24"	-
SUCO27	27"	8 7/8"
SUCO30	30"	11 3/8"

## Kneehole Drawer Cabinet

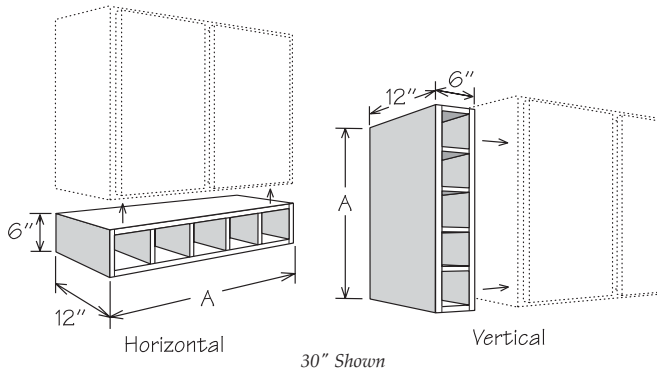


- Designed for desk or vanity application
- Field trimmable in height to 4 3/4"
- Field trimmable in depth to 18" or available with RD-20 through RD-12
- Drawer front complements door style - refer to door style section

RD
----

	A	B	MAX. TRIM
KDC27/21	27"	17 3/4"	21" (3" each side)
KDC33/27	33"	23 3/4"	27" (3" each side)
KDC36/33	36"	29 3/4"	33" (1 1/2" each side)

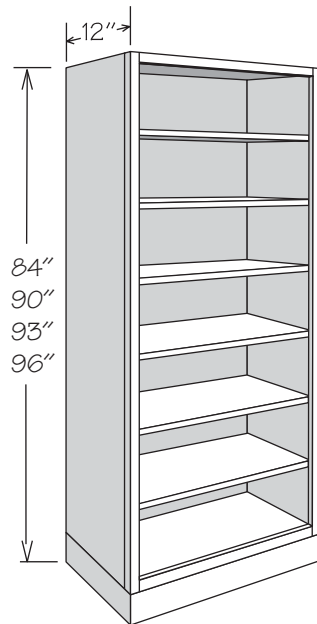
## Storage Cube



- Vertical installation may require the use of fillers and/or molding which must be ordered separately
- Opening size is 5" wide x 4 1/2" high (horizontal) which will accommodate most envelopes and various other office supplies
- All door styles feature 3/4" veneered engineered wood finished to match cabinet box exterior
- Flush sides with no face frame or 1/4" reveals
- Interior finished to match cabinet box exterior
- Cannot be retrofitted with Spice Drawer Cabinet drawers

	A	NUMBER OF OPENINGS
SC30	30"	5
SC36	36"	6
SC42	42"	7

## Tall Bookshelf



- Interior finished to match cabinet box exterior
- Flush furniture toe kick
- Toe kick shipped unattached for 93" and 96" high bookshelves
- Adjustable 3/4" plywood shelves finished to match cabinet box exterior included for all construction types
- All shelving packaged separately for field installation

APC
FE
ID
RD

### 12" DEEP

#### 96"H • 6 shelves

BS1896  
BS2496  
BS3096  
BS3696

#### 90"H • 6 shelves

BS1890  
BS2490  
BS3090  
BS3690

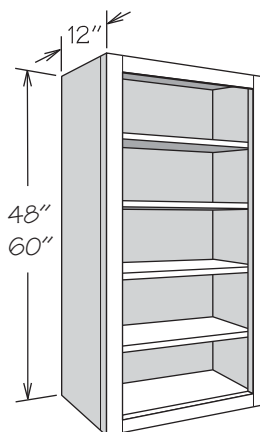
#### 93"H • 6 shelves

BS1893  
BS2493  
BS3093  
BS3693

#### 84"H • 5 shelves

BS1884  
BS2484  
BS3084  
BS3684

## Wall Bookshelf



- Interior finished to match cabinet box exterior
- Adjustable 3/4" plywood shelves finished to match cabinet box exterior included for all construction types
- All shelving packaged separately for field installation

APC
FE
ID
RD

### 12" DEEP

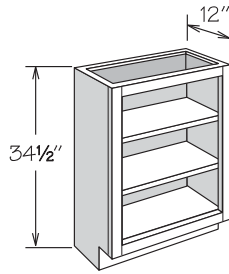
#### 60"H • 4 shelves

BS1860  
BS2460  
BS3060  
BS3660

#### 48"H • 3 shelves

BS1848  
BS2448  
BS3048  
BS3648

## Base Bookshelf

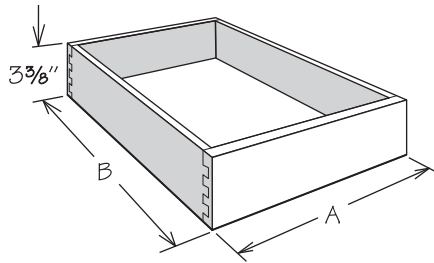


- Interior finished to match cabinet box exterior
- Two adjustable 3/4" plywood shelves finished to match cabinet box exterior included for all construction types
- All shelving packaged separately for field installation

APC
FE
ID
RD
RTK

**12" DEEP**  
BS2434

## Deep Roll Out Tray Kit



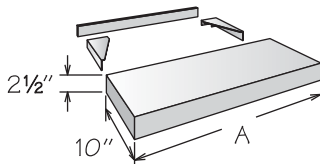
- Field installation accessory
- Natural finish dovetail drawer with engineered wood bottom
- Includes tray, all glide hardware and installation instructions
- Contact Partner Team for drill template

RD
----

### DEEP ROLL OUT TRAY KIT

		A	B
<b>Full-Access</b>	<b>CushionClose</b>		
DROTFA12	DROTCC12	7 3/4"	21"
DROTFA15	DROTCC15	10 3/4"	21"
DROTFA18	DROTCC18	13 3/4"	21"
DROTFA21	DROTCC21	16 3/4"	21"
DROTFA24	DROTCC24	19 3/4"	21"
DROTFA1221	DROTCC1221	7 3/4"	18"
DROTFA1521	DROTCC1521	10 3/4"	18"
DROTFA1821	DROTCC1821	13 3/4"	18"
DROTFA2421	DROTCC2421	19 3/4"	18"

## Floating Shelf

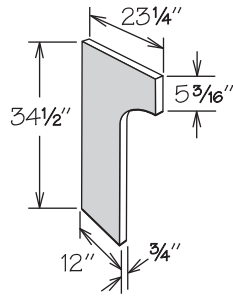


- Not trimmable
- Finished on all sides to match cabinet box exterior
- Constructed of engineered wood top and bottom and solid wood front and sides
- When installed between two cabinets, Furniture Ends (FE) are recommended for adjacent cabinets
- Must be secured to studs in wall
- Installation instructions, mounting brackets, and screws included

### 10" DEEP

	A	MAX. LOAD
FLSH2410	24"	30 lbs.
FLSH3010	30"	37 lbs.
FLSH3610	36"	45 lbs.
FLSH4210	42"	52 lbs.
FLSH4810	48"	60 lbs.

## Desk End Panel



- All door styles feature 3/4" veneered engineered wood finished to match cabinet box exterior on both sides
- Recommend QM8 be ordered for installation to ensure proper attachment to wall
- Edge banded on front

**34 1/2" HIGH**  
DEP



---

Notes

**AFTER**



Living space shown in 650F Painted Linen



**BEFORE**



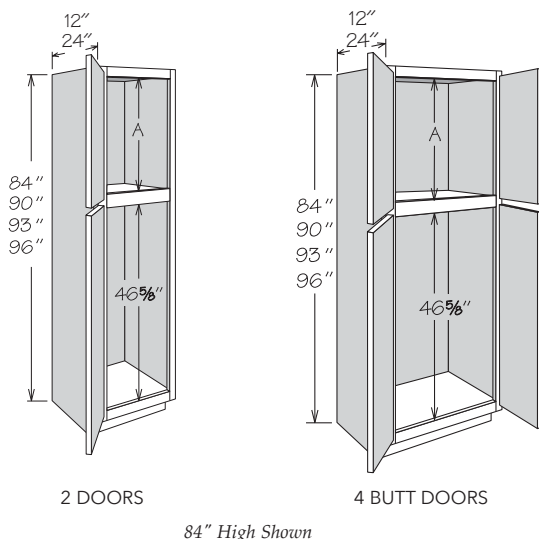
## Emily Lane

WS Design

*“We wanted to go with a white shaker door, and Waypoint’s 650F Painted Linen was the perfect choice for this space. I loved being able to get creative with Waypoint’s storage solutions and cabinet sizes to utilize every square inch possible in this highly functional laundry room.”*

# Utility Cabinet

NEW! SIZES



84" High Shown

- Shelving and optional interior accessories may be ordered separately (refer to Utility Cabinet Accessories for details)
- Cabinet backs are pre-drilled to accept up to four Deep Roll Out Trays in lower section
- 4" inset toe kick assembly shipped inside 93" and 96" high cabinets, 33" wide x 93" high toe kicks ship as two pieces - seam will be visible between toe kick box and side of cabinet
- Two door cabinets must be ordered hinged left or right
- Specialty Door cabinets (SD) feature Matching Interior standard and require a specialty door selection
- Bottom doors will have a center rail for select door styles - refer to door style section

APC
CFO
FE
MI ■
RD

	A
84" High	26 7/8"
90" High	32 7/8"
93" High	35 7/8"
96" High	38 7/8"

## 2 DOORS • 12" DEEP

### 96" H

- UT1212 X 96 ■
- UT1512 X 96 ■
- UT1812 X 96 ■
- UT2112 X 96 ■
- UT1212 X 96 SD
- UT1512 X 96 SD
- UT1812 X 96 SD
- UT2112 X 96 SD

### 93" H

- UT1212 X 93 ■
- UT1512 X 93 ■
- UT1812 X 93 ■
- UT2112 X 93 ■
- UT1212 X 93 SD
- UT1512 X 93 SD
- UT1812 X 93 SD
- UT2112 X 93 SD

### 90" H

- UT1212 X 90 ■
- UT1512 X 90 ■
- UT1812 X 90 ■
- UT2112 X 90 ■
- UT1212 X 90 SD
- UT1512 X 90 SD
- UT1812 X 90 SD
- UT2112 X 90 SD

### 84" H

- UT1212 X 84 ■
- UT1512 X 84 ■
- UT1812 X 84 ■
- UT2112 X 84 ■
- UT1812 X 84 SD
- UT1212 X 84 SD
- UT1512 X 84 SD
- UT2112 X 84 SD

## 2 BUTT DOORS • 24" DEEP

### 96" H

- UT1224 X 96 ■
- UT1524 X 96 ■
- UT1824 X 96 ■
- UT2124 X 96 ■
- UT1224 X 96 SD
- UT1524 X 96 SD
- UT1824 X 96 SD
- UT2124 X 96 SD

### 93" H

- UT1224 X 93 ■
- UT1524 X 93 ■
- UT1824 X 93 ■
- UT2124 X 93 ■
- UT1224 X 93 SD
- UT1524 X 93 SD
- UT1824 X 93 SD
- UT2124 X 93 SD

### 90" H

- UT1224 X 90 ■
- UT1524 X 90 ■
- UT1824 X 90 ■
- UT2124 X 90 ■
- UT1224 X 90 SD
- UT1524 X 90 SD
- UT1824 X 90 SD
- UT2124 X 90 SD

### 84" H

- UT1224 X 84 ■
- UT1524 X 84 ■
- UT1824 X 84 ■
- UT2124 X 84 ■
- UT1224 X 84 SD
- UT1524 X 84 SD
- UT1824 X 84 SD
- UT2124 X 84 SD

## 4 BUTT DOORS • 12" DEEP

### 96" H

- UT2412 X 96 BUTT ■
- UT2412 X 96 BUTT SD

### 93" H

- UT2412 X 93 BUTT ■
- UT2412 X 93 BUTT SD

### 90" H

- UT2412 X 90 BUTT ■
- UT2412 X 90 BUTT SD

### 84" H

- UT2412 X 84 BUTT ■
- UT2412 X 84 BUTT SD

## 4 BUTT DOORS • 24" DEEP

### 96" H

- UT2424 X 96 BUTT ■
- UT2724 X 96 BUTT ■
- UT3024 X 96 BUTT ■
- UT3324 X 96 BUTT ■
- UT3624 X 96 BUTT ■
- UT2424 X 96 BUTT SD
- UT2724 X 96 BUTT SD
- UT3024 X 96 BUTT SD
- UT3324 X 96 BUTT SD
- UT3624 X 96 BUTT SD

### 93" H

- UT2424 X 93 BUTT ■
- UT2724 X 93 BUTT ■
- UT3024 X 93 BUTT ■
- UT3324 X 93 BUTT ■
- UT3624 X 93 BUTT ■
- UT2424 X 93 BUTT SD
- UT2724 X 93 BUTT SD
- UT3024 X 93 BUTT SD
- UT3324 X 93 BUTT SD
- UT3624 X 93 BUTT SD

### 90" H

- UT2424 X 90 BUTT ■
- UT2724 X 90 BUTT ■
- UT3024 X 90 BUTT ■
- UT3324 X 90 BUTT ■
- UT3624 X 90 BUTT ■
- UT2424 X 90 BUTT SD
- UT2724 X 90 BUTT SD
- UT3024 X 90 BUTT SD
- UT3324 X 90 BUTT SD
- UT3624 X 90 BUTT SD

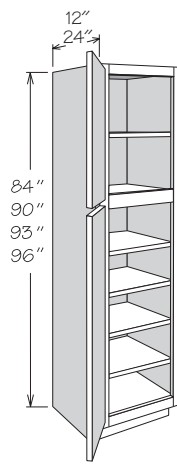
### 84" H

- UT2424 X 84 BUTT ■
- UT2724 X 84 BUTT ■
- UT3024 X 84 BUTT ■
- UT3324 X 84 BUTT ■
- UT3624 X 84 BUTT ■
- UT2424 X 84 BUTT SD
- UT2724 X 84 BUTT SD
- UT3024 X 84 BUTT SD
- UT3324 X 84 BUTT SD
- UT3624 X 84 BUTT SD

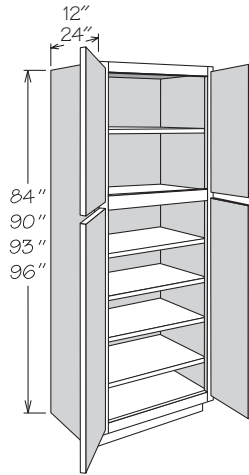
TALL CABINETS

# Utility Cabinet • Adjustable Shelves

NEW! SIZES



2 DOORS



84" High Shown  
4 BUTT DOORS

- Full-depth adjustable shelves are 3/4" engineered wood and edge banded on front edge only
- Bottom section features four adjustable shelves
- All shelving packaged separately for field installation
- 4" inset toe kick assembly shipped inside 93" and 96" high cabinets, 33" wide x 93" high toe kicks ship as two pieces - seam will be visible between toe kick box and side of cabinet
- Two door cabinets must be ordered hinged left or right
- Specialty Door cabinets (SD) feature Matching Interior standard and require a specialty door selection
- Bottom doors will have a center rail for select door styles - refer to door style section

APC
FE
MI
RD

TALL CABINETS

## 2 DOORS • 12" DEEP

### 96" H • 3 Top Shelves

- UT1212 X 96 AS ■
- UT1512 X 96 AS ■
- UT1812 X 96 AS ■
- UT2112 X 96 AS ■
- UT1212 X 96 AS SD
- UT1512 X 96 AS SD
- UT1812 X 96 AS SD
- UT2112 X 96 AS SD

### 93" H • 3 Top Shelves

- UT1212 X 93 AS ■
- UT1512 X 93 AS ■
- UT1812 X 93 AS ■
- UT2112 X 93 AS ■
- UT1212 X 93 AS SD
- UT1512 X 93 AS SD
- UT1812 X 93 AS SD
- UT2112 X 93 AS SD

## 2 DOORS • 24" DEEP

### 96" H • 3 Top Shelves

- UT1224 X 96 AS ■
- UT1524 X 96 AS ■
- UT1824 X 96 AS ■
- UT2124 X 96 AS ■
- UT1224 X 96 AS SD
- UT1524 X 96 AS SD
- UT1824 X 96 AS SD
- UT2124 X 96 AS SD

### 93" H • 3 Top Shelves

- UT1224 X 93 AS ■
- UT1524 X 93 AS ■
- UT1824 X 93 AS ■
- UT2124 X 93 AS ■
- UT1224 X 93 AS SD
- UT1524 X 93 AS SD
- UT1824 X 93 AS SD
- UT2124 X 93 AS SD

### 90" H • 2 Top Shelves

- UT1212 X 90 AS ■
- UT1512 X 90 AS ■
- UT1812 X 90 AS ■
- UT2112 X 90 AS ■
- UT1212 X 90 AS SD
- UT1512 X 90 AS SD
- UT1812 X 90 AS SD
- UT2112 X 90 AS SD

### 84" H • 1 Top Shelf

- UT1212 X 84 AS ■
- UT1512 X 84 AS ■
- UT1812 X 84 AS ■
- UT2112 X 84 AS ■
- UT1212 X 84 AS SD
- UT1512 X 84 AS SD
- UT1812 X 84 AS SD
- UT2112 X 84 AS SD

### 90" H • 2 Top Shelves

- UT1224 X 90 AS ■
- UT1524 X 90 AS ■
- UT1824 X 90 AS ■
- UT2124 X 90 AS ■
- UT1224 X 90 AS SD
- UT1524 X 90 AS SD
- UT1824 X 90 AS SD
- UT2124 X 90 AS SD

### 84" H • 1 Top Shelf

- UT1224 X 84 AS ■
- UT1524 X 84 AS ■
- UT1824 X 84 AS ■
- UT2124 X 84 AS ■
- UT1224 X 84 AS SD
- UT1524 X 84 AS SD
- UT1824 X 84 AS SD
- UT2124 X 84 AS SD

## 4 BUTT DOORS • 12" DEEP

### 96" H • 3 Top Shelves

- UT2412 X 96 AS BUTT ■
- UT2412 X 96 AS BUTT SD

### 93" H • 3 Top Shelves

- UT2412 X 93 AS BUTT ■
- UT2412 X 93 AS BUTT SD

## 4 BUTT DOORS • 24" DEEP

### 96" H • 3 Top Shelves

- UT2424 X 96 AS BUTT ■
- UT2724 X 96 AS BUTT ■
- UT3024 X 96 AS BUTT ■
- UT3324 X 96 AS BUTT ■
- UT3624 X 96 AS BUTT ■
- UT2424 X 96 AS BUTT SD
- UT2724 X 96 AS BUTT SD
- UT3024 X 96 AS BUTT SD
- UT3324 X 96 AS BUTT SD
- UT3624 X 96 AS BUTT SD

### 93" H • 3 Top Shelves

- UT2424 X 93 AS BUTT ■
- UT2724 X 93 AS BUTT ■
- UT3024 X 93 AS BUTT ■
- UT3324 X 93 AS BUTT ■
- UT3624 X 93 AS BUTT ■
- UT2424 X 93 AS BUTT SD
- UT2724 X 93 AS BUTT SD
- UT3024 X 93 AS BUTT SD
- UT3324 X 93 AS BUTT SD
- UT3624 X 93 AS BUTT SD

### 90" H • 2 Top Shelves

- UT2412 X 90 AS BUTT ■
- UT2412 X 90 AS BUTT SD

### 84" H • 1 Top Shelf

- UT2412 X 84 AS BUTT ■
- UT2412 X 84 AS BUTT SD

### 90" H • 2 Top Shelves

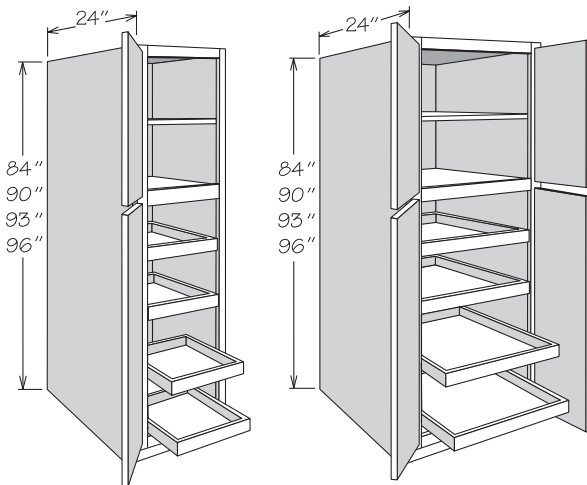
- UT2424 X 90 AS BUTT ■
- UT2724 X 90 AS BUTT ■
- UT3024 X 90 AS BUTT ■
- UT3324 X 90 AS BUTT ■
- UT3624 X 90 AS BUTT ■
- UT2424 X 90 AS BUTT SD
- UT2724 X 90 AS BUTT SD
- UT3024 X 90 AS BUTT SD
- UT3324 X 90 AS BUTT SD
- UT3624 X 90 AS BUTT SD

### 84" H • 1 Top Shelf

- UT2424 X 84 AS BUTT ■
- UT2724 X 84 AS BUTT ■
- UT3024 X 84 AS BUTT ■
- UT3324 X 84 AS BUTT ■
- UT3624 X 84 AS BUTT ■
- UT2424 X 84 AS BUTT SD
- UT2724 X 84 AS BUTT SD
- UT3024 X 84 AS BUTT SD
- UT3324 X 84 AS BUTT SD
- UT3624 X 84 AS BUTT SD

# Utility Cabinet • Deep Roll Out Trays

NEW! SIZES



2 DOORS

84" High Shown

4 BUTT DOORS

- Full-depth adjustable shelves are ¾" engineered wood and edge banded on front edge only
- Bottom section features four Deep Roll Out Trays
- All shelving and Deep Roll Out Trays packaged separately for field installation
- 4" inset toe kick assembly shipped inside 93" and 96" high cabinets, 33" wide x 93" high toe kicks ship as two pieces - seam will be visible between toe kick box and side of cabinet
- Two door cabinets must be ordered hinged left or right
- Specialty Door cabinets (SD) feature Matching Interior standard and require a specialty door selection
- Bottom doors will have a center rail for select door styles - refer to door style section

APC
FE
MI ■
RD

## 2 DOORS FULL-ACCESS

### 96" H • 3 Top Shelves

- UT1224 X 96 FA4ROT ■
- UT1524 X 96 FA4ROT ■
- UT1824 X 96 FA4ROT ■
- UT2124 X 96 FA4ROT ■
- UT1224 X 96 FA4ROT SD
- UT1524 X 96 FA4ROT SD
- UT1824 X 96 FA4ROT SD
- UT2124 X 96 FA4ROT SD

### 93" H • 3 Top Shelves

- UT1224 X 93 FA4ROT ■
- UT1524 X 93 FA4ROT ■
- UT1824 X 93 FA4ROT ■
- UT2124 X 93 FA4ROT ■
- UT1224 X 93 FA4ROT SD
- UT1524 X 93 FA4ROT SD
- UT1824 X 93 FA4ROT SD
- UT2124 X 93 FA4ROT SD

### 90" H • 2 Top Shelves

- UT1224 X 90 FA4ROT ■
- UT1524 X 90 FA4ROT ■
- UT1824 X 90 FA4ROT ■
- UT2124 X 90 FA4ROT ■
- UT1224 X 90 FA4ROT SD
- UT1524 X 90 FA4ROT SD
- UT1824 X 90 FA4ROT SD
- UT2124 X 90 FA4ROT SD

### 84" H • 1 Top Shelf

- UT1224 X 84 FA4ROT ■
- UT1524 X 84 FA4ROT ■
- UT1824 X 84 FA4ROT ■
- UT2124 X 84 FA4ROT ■
- UT1224 X 84 FA4ROT SD
- UT1524 X 84 FA4ROT SD
- UT1824 X 84 FA4ROT SD
- UT2124 X 84 FA4ROT SD

## 2 DOORS CUSHIONCLOSE

### 96" H • 3 Top Shelves

- UT1224 X 96 CC4ROT ■
- UT1524 X 96 CC4ROT ■
- UT1824 X 96 CC4ROT ■
- UT2124 X 96 CC4ROT ■
- UT1224 X 96 CC4ROT SD
- UT1524 X 96 CC4ROT SD
- UT1824 X 96 CC4ROT SD
- UT2124 X 96 CC4ROT SD

### 93" H • 3 Top Shelves

- UT1224 X 93 CC4ROT ■
- UT1524 X 93 CC4ROT ■
- UT1824 X 93 CC4ROT ■
- UT2124 X 93 CC4ROT ■
- UT1224 X 93 CC4ROT SD
- UT1524 X 93 CC4ROT SD
- UT1824 X 93 CC4ROT SD
- UT2124 X 93 CC4ROT SD

### 90" H • 2 Top Shelves

- UT1224 X 90 CC4ROT ■
- UT1524 X 90 CC4ROT ■
- UT1824 X 90 CC4ROT ■
- UT2124 X 90 CC4ROT ■
- UT1224 X 90 CC4ROT SD
- UT1524 X 90 CC4ROT SD
- UT1824 X 90 CC4ROT SD
- UT2124 X 90 CC4ROT SD

### 84" H • 1 Top Shelf

- UT1224 X 84 CC4ROT ■
- UT1524 X 84 CC4ROT ■
- UT1824 X 84 CC4ROT ■
- UT2124 X 84 CC4ROT ■
- UT1224 X 84 CC4ROT SD
- UT1524 X 84 CC4ROT SD
- UT1824 X 84 CC4ROT SD
- UT2124 X 84 CC4ROT SD

## 4 BUTT DOORS FULL-ACCESS

### 96" H • 3 Top Shelves

- UT2424 X 96 FA4ROT BUTT ■
- UT2724 X 96 FA4ROT BUTT ■
- UT3024 X 96 FA4ROT BUTT ■
- UT3324 X 96 FA4ROT BUTT ■
- UT3624 X 96 FA4ROT BUTT ■
- UT2424 X 96 FA4ROT BUTT SD
- UT2724 X 96 FA4ROT BUTT SD
- UT3024 X 96 FA4ROT BUTT SD
- UT3324 X 96 FA4ROT BUTT SD
- UT3624 X 96 FA4ROT BUTT SD

### 93" H • 3 Top Shelves

- UT2424 X 93 FA4ROT BUTT ■
- UT2724 X 93 FA4ROT BUTT ■
- UT3024 X 93 FA4ROT BUTT ■
- UT3324 X 93 FA4ROT BUTT ■
- UT3624 X 93 FA4ROT BUTT ■
- UT2424 X 93 FA4ROT BUTT SD
- UT2724 X 93 FA4ROT BUTT SD
- UT3024 X 93 FA4ROT BUTT SD
- UT3324 X 93 FA4ROT BUTT SD
- UT3624 X 93 FA4ROT BUTT SD

### 90" H • 2 Top Shelves

- UT2424 X 90 FA4ROT BUTT ■
- UT2724 X 90 FA4ROT BUTT ■
- UT3024 X 90 FA4ROT BUTT ■
- UT3324 X 90 FA4ROT BUTT ■
- UT3624 X 90 FA4ROT BUTT ■
- UT2424 X 90 FA4ROT BUTT SD
- UT2724 X 90 FA4ROT BUTT SD
- UT3024 X 90 FA4ROT BUTT SD
- UT3324 X 90 FA4ROT BUTT SD
- UT3624 X 90 FA4ROT BUTT SD

### 84" H • 1 Top Shelf

- UT2424 X 84 FA4ROT BUTT ■
- UT2724 X 84 FA4ROT BUTT ■
- UT3024 X 84 FA4ROT BUTT ■
- UT3324 X 84 FA4ROT BUTT ■
- UT3624 X 84 FA4ROT BUTT ■
- UT2424 X 84 FA4ROT BUTT SD
- UT2724 X 84 FA4ROT BUTT SD
- UT3024 X 84 FA4ROT BUTT SD
- UT3324 X 84 FA4ROT BUTT SD
- UT3624 X 84 FA4ROT BUTT SD

## 4 BUTT DOORS CUSHIONCLOSE

### 96" H • 3 Top Shelves

- UT2424 X 96 CC4ROT BUTT ■
- UT2724 X 96 CC4ROT BUTT ■
- UT3024 X 96 CC4ROT BUTT ■
- UT3324 X 96 CC4ROT BUTT ■
- UT3624 X 96 CC4ROT BUTT ■
- UT2424 X 96 CC4ROT BUTT SD
- UT2724 X 96 CC4ROT BUTT SD
- UT3024 X 96 CC4ROT BUTT SD
- UT3324 X 96 CC4ROT BUTT SD
- UT3624 X 96 CC4ROT BUTT SD

### 93" H • 3 Top Shelves

- UT2424 X 93 CC4ROT BUTT ■
- UT2724 X 93 CC4ROT BUTT ■
- UT3024 X 93 CC4ROT BUTT ■
- UT3324 X 93 CC4ROT BUTT ■
- UT3624 X 93 CC4ROT BUTT ■
- UT2424 X 93 CC4ROT BUTT SD
- UT2724 X 93 CC4ROT BUTT SD
- UT3024 X 93 CC4ROT BUTT SD
- UT3324 X 93 CC4ROT BUTT SD
- UT3624 X 93 CC4ROT BUTT SD

### 90" H • 2 Top Shelves

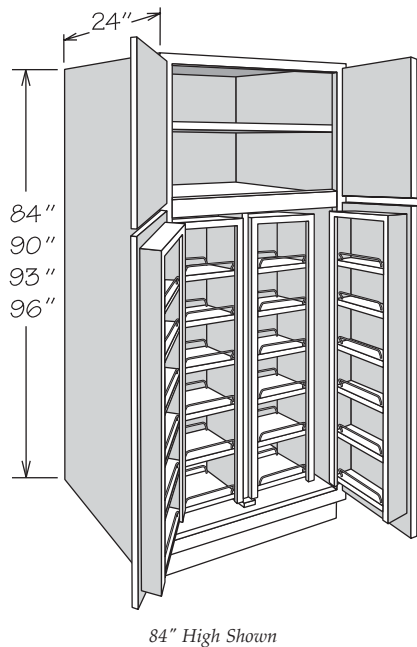
- UT2424 X 90 CC4ROT BUTT ■
- UT2724 X 90 CC4ROT BUTT ■
- UT3024 X 90 CC4ROT BUTT ■
- UT3324 X 90 CC4ROT BUTT ■
- UT3624 X 90 CC4ROT BUTT ■
- UT2424 X 90 CC4ROT BUTT SD
- UT2724 X 90 CC4ROT BUTT SD
- UT3024 X 90 CC4ROT BUTT SD
- UT3324 X 90 CC4ROT BUTT SD
- UT3624 X 90 CC4ROT BUTT SD

### 84" H • 1 Top Shelf

- UT2424 X 84 CC4ROT BUTT ■
- UT2724 X 84 CC4ROT BUTT ■
- UT3024 X 84 CC4ROT BUTT ■
- UT3324 X 84 CC4ROT BUTT ■
- UT3624 X 84 CC4ROT BUTT ■
- UT2424 X 84 CC4ROT BUTT SD
- UT2724 X 84 CC4ROT BUTT SD
- UT3024 X 84 CC4ROT BUTT SD
- UT3324 X 84 CC4ROT BUTT SD
- UT3624 X 84 CC4ROT BUTT SD

TALL CABINETS

## Utility Cabinet • 4 Butt Doors with Pantry Storage



84" High Shown

- Accessories and shelving packaged separately for field installation and include:
  - » Pantry Swing-Out Kit (PCKS36)
  - » Two Pantry Door Shelf Kits (PDSK18)
  - » Utility Cabinet Shelf and Pilaster Kit (PSK36)
- Full-depth adjustable shelves are  $\frac{3}{4}$ " engineered wood and edge banded on front edge only
- 4" inset toe kick assembly shipped inside 93" and 96" high cabinets, 33" wide x 93" high toe kicks ship as two pieces - seam will be visible between toe kick box and side of cabinet
- Minimum filler width of  $4\frac{1}{2}$ " recommended for installation of this cabinet next to deeper adjacent objects including cabinets, walls, appliances, and countertops
- Specialty Door cabinets (SD) feature Matching Interior standard and require a specialty door selection
- Bottom doors have a center rail for select door styles - refer to door style section

APC
FE
MI

### 24" DEEP

#### 96" H • 3 Top Shelves

UT3624 X 96 PCDS BUTT ■  
UT3624 X 96 PCDS BUTT SD

#### 93" H • 3 Top Shelves

UT3624 X 93 PCDS BUTT ■  
UT3624 X 93 PCDS BUTT SD

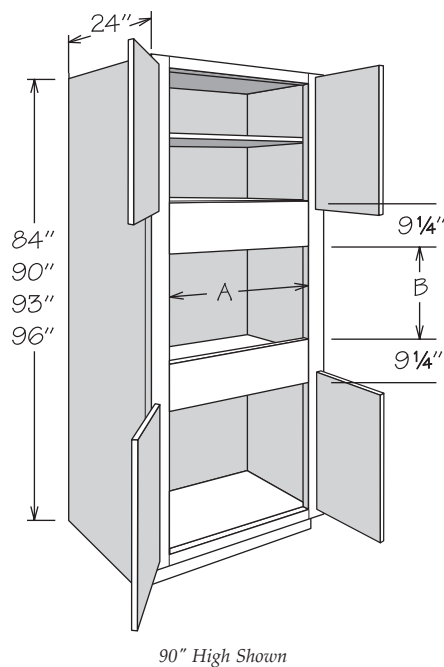
#### 90" H • 2 Top Shelves

UT3624 X 90 PCDS BUTT ■  
UT3624 X 90 PCDS BUTT SD

#### 84" H • 1 Top Shelf

UT3624 X 84 PCDS BUTT ■  
UT3624 X 84 PCDS BUTT SD

## Single Oven Cabinet • 4 Butt Doors



90" High Shown

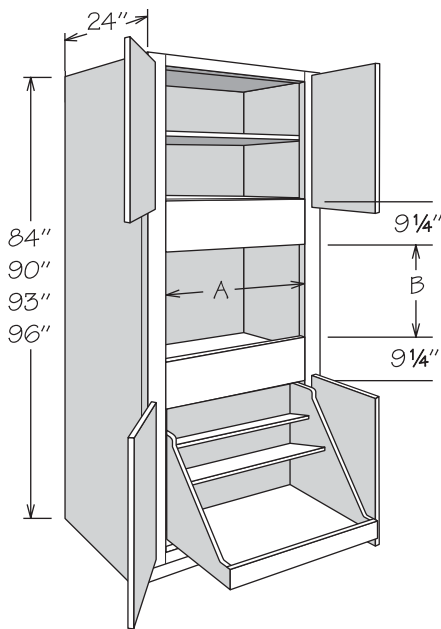
- Features a solid back
- $3\frac{1}{8}$ " stiles
- All door styles feature face-mount hinges
- Full-depth adjustable shelves and  $\frac{3}{4}$ " engineered wood and edge banded on front edge only
- Shelf packaged separately for field installation
- 4" inset toe kick assembly shipped inside 93" and 96" high cabinets, 33" wide x 93" high toe kicks ship as two pieces - seam will be visible between toe kick box and side of cabinet
- Refer to appliance manufacturer's specifications for adequate clearances and required installation materials

APC
CFO
FE
RD

	A ACTUAL	A MAX.	B ACTUAL	B MAX.
<b>96" H • 3 Top Shelves</b>				
OVS2796 AS BUTT	20 $\frac{3}{4}$ "	25"	22 $\frac{1}{8}$ "	37 $\frac{3}{8}$ "
OVS3096 AS BUTT	23 $\frac{3}{4}$ "	28"	22 $\frac{1}{8}$ "	37 $\frac{3}{8}$ "
OVS3396 AS BUTT	26 $\frac{3}{4}$ "	31"	22 $\frac{1}{8}$ "	37 $\frac{3}{8}$ "
<b>93" H • 2 Top Shelves</b>				
OVS2793 AS BUTT	20 $\frac{3}{4}$ "	25"	22 $\frac{1}{8}$ "	37 $\frac{3}{8}$ "
OVS3093 AS BUTT	23 $\frac{3}{4}$ "	28"	22 $\frac{1}{8}$ "	37 $\frac{3}{8}$ "
OVS3393 AS BUTT	26 $\frac{3}{4}$ "	31"	22 $\frac{1}{8}$ "	37 $\frac{3}{8}$ "
<b>90" H • 1 Top Shelf</b>				
OVS2790 AS BUTT	20 $\frac{3}{4}$ "	25"	21 $\frac{3}{4}$ "	37"
OVS3090 AS BUTT	23 $\frac{3}{4}$ "	28"	21 $\frac{3}{4}$ "	37"
OVS3390 AS BUTT	26 $\frac{3}{4}$ "	31"	21 $\frac{3}{4}$ "	37"
<b>84" H • No Shelf</b>				
OVS2784 BUTT	20 $\frac{3}{4}$ "	25"	22 $\frac{1}{8}$ "	37 $\frac{3}{8}$ "
OVS3084 BUTT	23 $\frac{3}{4}$ "	28"	22 $\frac{1}{8}$ "	37 $\frac{3}{8}$ "
OVS3384 BUTT	26 $\frac{3}{4}$ "	31"	22 $\frac{1}{8}$ "	37 $\frac{3}{8}$ "



## Single Oven Cabinet • 4 Butt Doors and Pot & Pan Organizer



90" High Shown

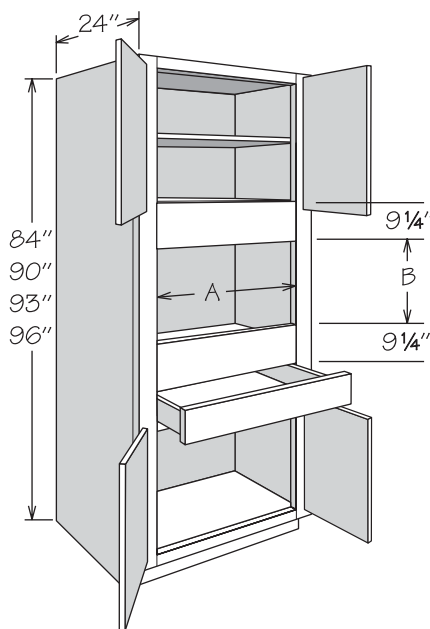
- Features a solid back
- 3/8" stiles
- All doors styles feature face-mount hinges
- Shelving and Pot & Pan Organizer packaged separately for field installation
- Organizer features natural finish solid wood, wood veneer and dovetail (front only) construction with engineered wood bottom
- Organizer top shelf measures 6 1/8" deep
- Organizer middle shelf measures 9 3/4" deep
- 4" inset toe kick assembly shipped inside 93" and 96" high cabinets, 33" wide x 93" high toe kicks ship as two pieces - seam will be visible between toe kick box and side of cabinet
- Refer to appliance manufacturer's specifications for adequate clearances and required installation materials

APC
FE

		A	A	B	B
FULL-ACCESS	CUSHIONCLOSE	ACTUAL	MAX.	ACTUAL	MAX.
<b>96"H • 3 Top Shelves</b>	<b>96"H • 3 Top Shelves</b>				
OVS2796 BUTT FABPPO	OVS2796 BUTT CCBPPO	20 3/4"	25"	22 1/8"	37 3/8"
OVS3096 BUTT FABPPO	OVS3096 BUTT CCBPPO	23 3/4"	28"	22 1/8"	37 3/8"
OVS3396 BUTT FABPPO	OVS3396 BUTT CCBPPO	26 3/4"	31"	22 1/8"	37 3/8"
<b>93"H • 2 Top Shelves</b>	<b>93"H • 2 Top Shelves</b>				
OVS2793 BUTT FABPPO	OVS2793 BUTT CCBPPO	20 3/4"	25"	22 1/8"	37 3/8"
OVS3093 BUTT FABPPO	OVS3093 BUTT CCBPPO	23 3/4"	28"	22 1/8"	37 3/8"
OVS3393 BUTT FABPPO	OVS3393 BUTT CCBPPO	26 3/4"	31"	22 1/8"	37 3/8"
<b>90"H • 1 Top Shelf</b>	<b>90"H • 1 Top Shelf</b>				
OVS2790 BUTT FABPPO	OVS2790 BUTT CCBPPO	20 3/4"	25"	21 3/4"	37"
OVS3090 BUTT FABPPO	OVS3090 BUTT CCBPPO	23 3/4"	28"	21 3/4"	37"
OVS3390 BUTT FABPPO	OVS3390 BUTT CCBPPO	26 3/4"	31"	21 3/4"	37"
<b>84"H • No Shelf</b>	<b>84"H • No Shelf</b>				
OVS2784 BUTT FABPPO	OVS2784 BUTT CCBPPO	20 3/4"	25"	22 1/8"	37 3/8"
OVS3084 BUTT FABPPO	OVS3084 BUTT CCBPPO	23 3/4"	28"	22 1/8"	37 3/8"
OVS3384 BUTT FABPPO	OVS3384 BUTT CCBPPO	26 3/4"	31"	22 1/8"	37 3/8"

TALL CABINETS

## Single Oven Cabinet • 4 Butt Doors and 1 Drawer



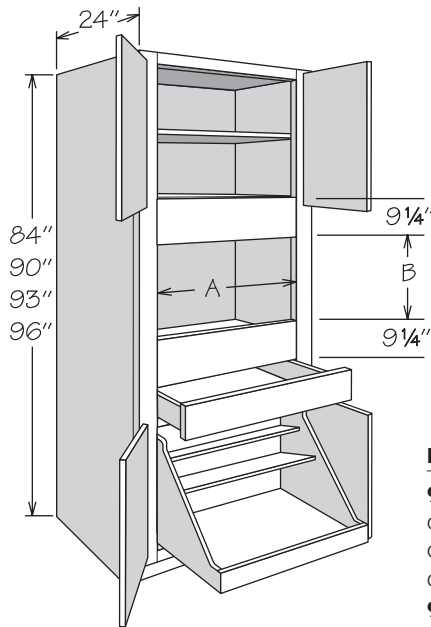
90" High Shown

- Features a solid back
- 3/8" stiles
- All door styles feature face-mount hinges
- One standard drawer
- Full-depth adjustable shelves and 3/4" engineered wood and edge banded on front edge only
- Shelf packaged separately for field installation
- 4" inset toe kick assembly shipped inside 93" and 96" high cabinets, 33" wide x 93" high toe kicks ship as two pieces - seam will be visible between toe kick box and side of cabinet
- Refer to appliance manufacturer's specifications for adequate clearances and required installation materials

APC
CFO
FE
RD

		A	A	B	B
FULL-ACCESS	CUSHIONCLOSE	ACTUAL	MAX.	ACTUAL	MAX.
<b>96"H • 3 Top Shelves</b>	<b>96"H • 3 Top Shelves</b>				
OVS2796 AS BUTT 1DWR	OVS2796 BUTT CCBPPO	20 3/4"	25"	16 1/8"	31 3/8"
OVS3096 AS BUTT 1DWR	OVS3096 BUTT CCBPPO	23 3/4"	28"	16 1/8"	31 3/8"
OVS3396 AS BUTT 1DWR	OVS3396 BUTT CCBPPO	26 3/4"	31"	16 1/8"	31 3/8"
<b>93"H • 2 Top Shelves</b>	<b>93"H • 2 Top Shelves</b>				
OVS2793 AS BUTT 1DWR	OVS2793 BUTT CCBPPO	20 3/4"	25"	16 1/8"	31 3/8"
OVS3093 AS BUTT 1DWR	OVS3093 BUTT CCBPPO	23 3/4"	28"	16 1/8"	31 3/8"
OVS3393 AS BUTT 1DWR	OVS3393 BUTT CCBPPO	26 3/4"	31"	16 1/8"	31 3/8"
<b>90"H • 1 Top Shelf</b>	<b>90"H • 1 Top Shelf</b>				
OVS2790 AS BUTT 1DWR	OVS2790 BUTT CCBPPO	20 3/4"	25"	15 3/4"	31"
OVS3090 AS BUTT 1DWR	OVS3090 BUTT CCBPPO	23 3/4"	28"	15 3/4"	31"
OVS3390 AS BUTT 1DWR	OVS3390 BUTT CCBPPO	26 3/4"	31"	15 3/4"	31"
<b>84"H • No Shelf</b>	<b>84"H • No Shelf</b>				
OVS2784 BUTT 1DWR	OVS2784 BUTT CCBPPO	20 3/4"	25"	16 1/8"	31 3/8"
OVS3084 BUTT 1DWR	OVS3084 BUTT CCBPPO	23 3/4"	28"	16 1/8"	31 3/8"
OVS3384 BUTT 1DWR	OVS3384 BUTT CCBPPO	26 3/4"	31"	16 1/8"	31 3/8"

## Single Oven Cabinet • 4 Butt Doors and 1 Drawer, Pot & Pan Organizer



90" High Shown

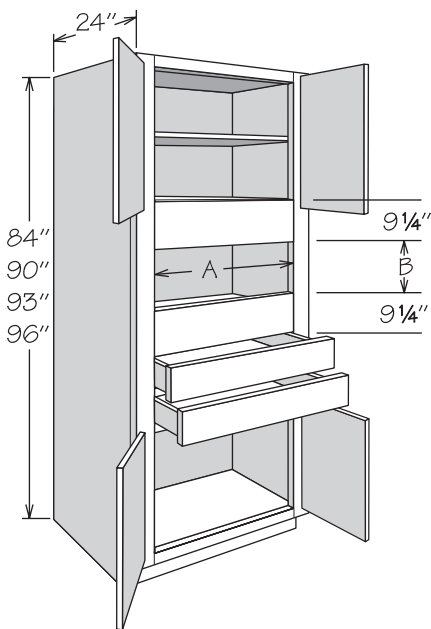
- Features a solid back
- 3/8" stiles
- All door styles feature face-mount hinges
- Full-depth adjustable shelves and 3/4" engineered wood and edge banded on front edge only
- Shelving and Pot & Pan Organizer packaged separately for field installation
- Organizer features natural finish solid wood, wood veneer and dovetail (front only) construction with engineered wood bottom
- Organizer top shelf measures 6 3/16" deep
- Organizer middle shelf measures 9 3/4" deep
- 4" inset toe kick assembly shipped inside 93" and 96" high cabinets, 33" wide x 93" high toe kicks ship as two pieces - seam will be visible between toe kick box and side of cabinet
- Refer to appliance manufacturer's specifications for adequate clearances and required installation materials

APC
FE

		A	A	B	B
		ACTUAL	MAX.	ACTUAL	MAX.
<b>FULL-ACCESS</b>	<b>CUSHIONCLOSE</b>				
<b>96"H • 3 Top Shelves</b>	<b>96"H • 3 Top Shelves</b>				
OVS2796 BUTT 1DWR FABPPO	OVS2796 BUTT 1DWR CCBPPO	20 3/4"	25"	16 1/8"	31 3/8"
OVS3096 BUTT 1DWR FABPPO	OVS3096 BUTT 1DWR CCBPPO	23 3/4"	28"	16 1/8"	31 3/8"
OVS3396 BUTT 1DWR FABPPO	OVS3396 BUTT 1DWR CCBPPO	26 3/4"	31"	16 1/8"	31 3/8"
<b>93"H • 2 Top Shelves</b>	<b>93"H • 2 Top Shelves</b>				
OVS2793 BUTT 1DWR FABPPO	OVS2793 BUTT 1DWR CCBPPO	20 3/4"	25"	16 1/8"	31 3/8"
OVS3093 BUTT 1DWR FABPPO	OVS3093 BUTT 1DWR CCBPPO	23 3/4"	28"	16 1/8"	31 3/8"
OVS3393 BUTT 1DWR FABPPO	OVS3393 BUTT 1DWR CCBPPO	26 3/4"	31"	16 1/8"	31 3/8"
<b>90"H • 1 Top Shelf</b>	<b>90"H • 1 Top Shelf</b>				
OVS2790 BUTT 1DWR FABPPO	OVS2790 BUTT 1DWR CCBPPO	20 3/4"	25"	15 3/4"	31"
OVS3090 BUTT 1DWR FABPPO	OVS3090 BUTT 1DWR CCBPPO	23 3/4"	28"	15 3/4"	31"
OVS3390 BUTT 1DWR FABPPO	OVS3390 BUTT 1DWR CCBPPO	26 3/4"	31"	15 3/4"	31"
<b>84"H • No Shelf</b>	<b>84"H • No Shelf</b>				
OVS2784 BUTT 1DWR FABPPO	OVS2784 BUTT 1DWR CCBPPO	20 3/4"	25"	16 1/8"	31 3/8"
OVS3084 BUTT 1DWR FABPPO	OVS3084 BUTT 1DWR CCBPPO	23 3/4"	28"	16 1/8"	31 3/8"
OVS3384 BUTT 1DWR FABPPO	OVS3384 BUTT 1DWR CCBPPO	26 3/4"	31"	16 1/8"	31 3/8"

TALL CABINETS

## Single Oven Cabinet • 4 Butt Doors and 2 Drawers



90" High Shown

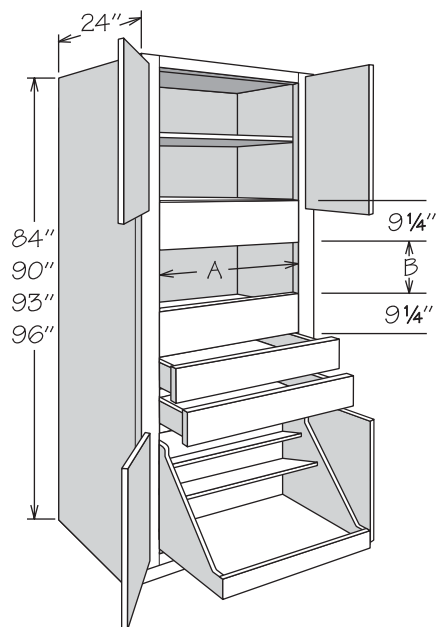
- Features a solid back
- 3/8" stiles
- All door styles feature face-mount hinges
- Two standard drawers
- Full-depth adjustable shelves and 3/4" engineered wood and edge banded on front edge only
- Shelf packaged separately for field installation
- 4" inset toe kick assembly shipped inside 93" and 96" high cabinets, 33" wide x 93" high toe kicks ship as two pieces - seam will be visible between toe kick box and side of cabinet
- Refer to appliance manufacturer's specifications for adequate clearances and required installation materials

APC
CFO
FE
RD

	A	A	B	B
	ACTUAL	MAX.	ACTUAL	MAX.
<b>96"H • 3 Top Shelves</b>				
OVS2796 AS BUTT 2DWR	20 3/4"	25"	10 1/8"	25 3/8"
OVS3096 AS BUTT 2DWR	23 3/4"	28"	10 1/8"	25 3/8"
OVS3396 AS BUTT 2DWR	26 3/4"	31"	10 1/8"	25 3/8"
<b>93"H • 2 Top Shelves</b>				
OVS2793 AS BUTT 2DWR	20 3/4"	25"	10 1/8"	25 3/8"
OVS3093 AS BUTT 2DWR	23 3/4"	28"	10 1/8"	25 3/8"
OVS3393 AS BUTT 2DWR	26 3/4"	31"	10 1/8"	25 3/8"
<b>90"H • 1 Top Shelf</b>				
OVS2790 AS BUTT 2DWR	20 3/4"	25"	9 3/4"	25"
OVS3090 AS BUTT 2DWR	23 3/4"	28"	9 3/4"	25"
OVS3390 AS BUTT 2DWR	26 3/4"	31"	9 3/4"	25"
<b>84"H • No Shelf</b>				
OVS2784 BUTT 2DWR	20 3/4"	25"	10 1/8"	25 3/8"
OVS3084 BUTT 2DWR	23 3/4"	28"	10 1/8"	25 3/8"
OVS3384 BUTT 2DWR	26 3/4"	31"	10 1/8"	25 3/8"



## Single Oven Cabinet • 4 Butt Doors, 2 Drawers and Pot & Pan Organizer



90" High Shown

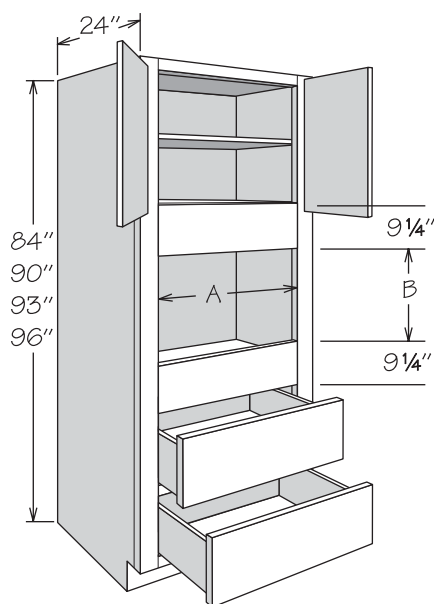
- Features a solid back
- 3/8" stiles
- All door styles feature face-mount hinges
- Two standard drawers
- Shelving and Pot & Pan Organizer packaged separately for field installation
- Organizer features natural finish solid wood, wood veneer and dovetail (front only) construction with engineered wood bottom
- Organizer top shelf measures 6 3/16" deep
- Organizer middle shelf measures 9 3/4" deep
- Full-depth adjustable shelves and 3/4" engineered wood and edge banded on front edge only
- 4" inset toe kick assembly shipped inside 93" and 96" high cabinets, 33" wide x 93" high toe kicks ship as two pieces - seam will be visible between toe kick box and side of cabinet
- Refer to appliance manufacturer's specifications for adequate clearances and required installation materials

APC
FE

FULL-ACCESS	CUSHIONCLOSE	A		B	
		ACTUAL	MAX.	ACTUAL	MAX.
<b>96"H • 3 Top Shelves</b>	<b>96"H • 3 Top Shelves</b>				
OVS2796 BUTT 2DWR FABPPO	OVS2796 BUTT 2DWR CCBPPO	20 3/4"	25"	10 1/8"	25 3/8"
OVS3096 BUTT 2DWR FABPPO	OVS3096 BUTT 2DWR CCBPPO	23 3/4"	28"	10 1/8"	25 3/8"
OVS3396 BUTT 2DWR FABPPO	OVS3396 BUTT 2DWR CCBPPO	26 3/4"	31"	10 1/8"	25 3/8"
<b>93"H • 2 Top Shelves</b>	<b>93"H • 2 Top Shelves</b>				
OVS2793 BUTT 2DWR FABPPO	OVS2793 BUTT 2DWR CCBPPO	20 3/4"	25"	10 1/8"	25 3/8"
OVS3093 BUTT 2DWR FABPPO	OVS3093 BUTT 2DWR CCBPPO	23 3/4"	28"	10 1/8"	25 3/8"
OVS3393 BUTT 2DWR FABPPO	OVS3393 BUTT 2DWR CCBPPO	26 3/4"	31"	10 1/8"	25 3/8"
<b>90"H • 1 Top Shelf</b>	<b>90"H • 1 Top Shelf</b>				
OVS2790 BUTT 2DWR FABPPO	OVS2790 BUTT 2DWR CCBPPO	20 3/4"	25"	9 3/4"	25"
OVS3090 BUTT 2DWR FABPPO	OVS3090 BUTT 2DWR CCBPPO	23 3/4"	28"	9 3/4"	25"
OVS3390 BUTT 2DWR FABPPO	OVS3390 BUTT 2DWR CCBPPO	26 3/4"	31"	9 3/4"	25"
<b>84"H • No Shelf</b>	<b>84"H • No Shelf</b>				
OVS2784 BUTT 2DWR FABPPO	OVS2784 BUTT 2DWR CCBPPO	20 3/4"	25"	10 1/8"	25 3/8"
OVS3084 BUTT 2DWR FABPPO	OVS3084 BUTT 2DWR CCBPPO	23 3/4"	28"	10 1/8"	25 3/8"
OVS3384 BUTT 2DWR FABPPO	OVS3384 BUTT 2DWR CCBPPO	26 3/4"	31"	10 1/8"	25 3/8"

TALL CABINETS

## Single Oven Cabinet • 2 Butt Doors and 2 Large Drawers



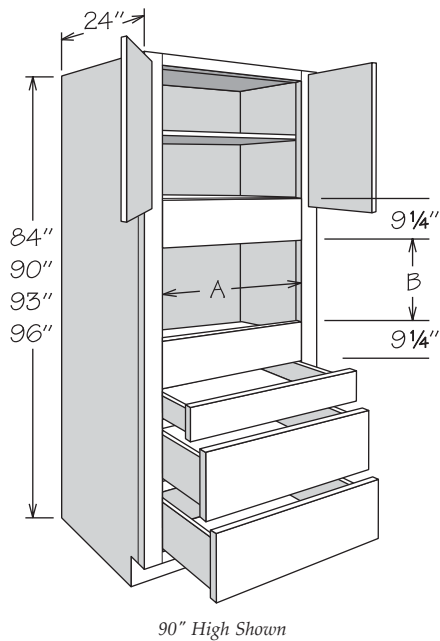
90" High Shown

- Features a solid back
- 3/8" stiles
- All door styles feature face-mount hinges
- Two large drawers
- Shelf packaged separately for field installation
- Full-depth adjustable shelves and 3/4" engineered wood and edge banded on front edge only
- 4" inset toe kick assembly shipped inside 93" and 96" high cabinets, 33" wide x 93" high toe kicks ship as two pieces - seam will be visible between toe kick box and side of cabinet
- Refer to appliance manufacturer's specifications for adequate clearances and required installation materials

APC
CFO
FE
RD

	A		B	
	ACTUAL	MAX.	ACTUAL	MAX.
<b>96"H • 3 Top Shelves</b>				
OVS2796 AS BUTT 2DDWR	20 3/4"	25"	22 1/8"	37 3/8"
OVS3096 AS BUTT 2DDWR	23 3/4"	28"	22 1/8"	37 3/8"
OVS3396 AS BUTT 2DDWR	26 3/4"	31"	22 1/8"	37 3/8"
<b>93"H • 2 Top Shelves</b>				
OVS2793 AS BUTT 2DDWR	20 3/4"	25"	22 1/8"	37 3/8"
OVS3093 AS BUTT 2DDWR	23 3/4"	28"	22 1/8"	37 3/8"
OVS3393 AS BUTT 2DDWR	26 3/4"	31"	22 1/8"	37 3/8"
<b>90"H • 1 Top Shelf</b>				
OVS2790 AS BUTT 2DDWR	20 3/4"	25"	21 3/4"	37"
OVS3090 AS BUTT 2DDWR	23 3/4"	28"	21 3/4"	37"
OVS3390 AS BUTT 2DDWR	26 3/4"	31"	21 3/4"	37"
<b>84"H • No Shelf</b>				
OVS2784 BUTT 2DDWR	20 3/4"	25"	22 1/8"	37 3/8"
OVS3084 BUTT 2DDWR	23 3/4"	28"	22 1/8"	37 3/8"
OVS3384 BUTT 2DDWR	26 3/4"	31"	22 1/8"	37 3/8"

### Single Oven Cabinet • 2 Butt Doors and 3 Drawers



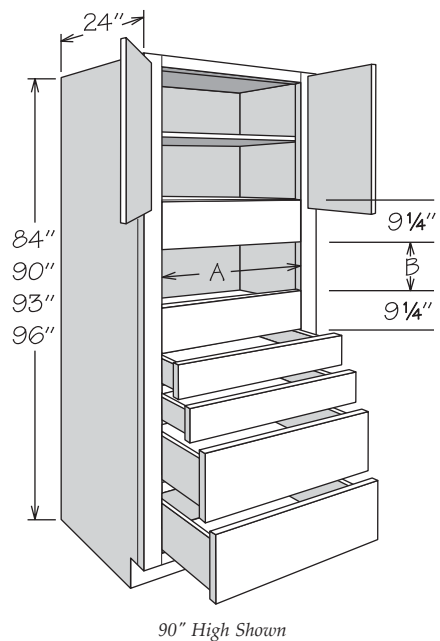
90" High Shown

- Features a solid back
- 3/8" stiles
- All door styles feature face-mount hinges
- One standard and two large drawers
- Shelf packaged separately for field installation
- Full-depth adjustable shelves and 3/4" engineered wood and edge banded on front edge only
- 4" inset toe kick assembly shipped inside 93" and 96" high cabinets, 33" wide x 93" high toe kicks ship as two pieces - seam will be visible between toe kick box and side of cabinet
- Refer to appliance manufacturer's specifications for adequate clearances and required installation materials

APC
CFO
FE
RD

	A ACTUAL	A MAX.	B ACTUAL	B MAX.
<b>96"H • 3 Top Shelves</b>				
OVS2796 AS BUTT 3DWR	20 3/4"	25"	16 1/8"	31 3/8"
OVS3096 AS BUTT 3DWR	23 3/4"	28"	16 1/8"	31 3/8"
OVS3396 AS BUTT 3DWR	26 3/4"	31"	16 1/8"	31 3/8"
<b>93"H • 2 Top Shelves</b>				
OVS2793 AS BUTT 3DWR	20 3/4"	25"	16 1/8"	31 3/8"
OVS3093 AS BUTT 3DWR	23 3/4"	28"	16 1/8"	31 3/8"
OVS3393 AS BUTT 3DWR	26 3/4"	31"	16 1/8"	31 3/8"
<b>90"H • 1 Top Shelf</b>				
OVS2790 AS BUTT 3DWR	20 3/4"	25"	15 3/4"	31"
OVS3090 AS BUTT 3DWR	23 3/4"	28"	15 3/4"	31"
OVS3390 AS BUTT 3DWR	26 3/4"	31"	15 3/4"	31"
<b>84"H • No Shelf</b>				
OVS2784 BUTT 3DWR	20 3/4"	25"	16 1/8"	31 3/8"
OVS3084 BUTT 3DWR	23 3/4"	28"	16 1/8"	31 3/8"
OVS3384 BUTT 3DWR	26 3/4"	31"	16 1/8"	31 3/8"

### Single Oven Cabinet • 2 Butt Doors and 4 Drawers



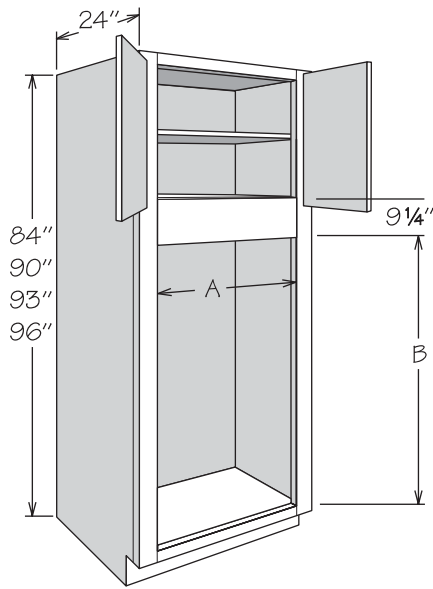
90" High Shown

- Features a solid back
- 3/8" stiles
- All door styles feature face-mount hinges
- Two standard and two large drawers
- Shelf packaged separately for field installation
- Full-depth adjustable shelves and 3/4" engineered wood and edge banded on front edge only
- 4" inset toe kick assembly shipped inside 93" and 96" high cabinets, 33" wide x 93" high toe kicks ship as two pieces - seam will be visible between toe kick box and side of cabinet
- Refer to appliance manufacturer's specifications for adequate clearances and required installation materials

APC
CFO
FE
RD

	A ACTUAL	A MAX.	B ACTUAL	B MAX.
<b>96"H • 3 Top Shelves</b>				
OVS2796 AS BUTT 4DWR	20 3/4"	25"	10 1/8"	25 3/8"
OVS3096 AS BUTT 4DWR	23 3/4"	28"	10 1/8"	25 3/8"
OVS3396 AS BUTT 4DWR	26 3/4"	31"	10 1/8"	25 3/8"
<b>93"H • 2 Top Shelves</b>				
OVS2793 AS BUTT 4DWR	20 3/4"	25"	10 1/8"	25 3/8"
OVS3093 AS BUTT 4DWR	23 3/4"	28"	10 1/8"	25 3/8"
OVS3393 AS BUTT 4DWR	26 3/4"	31"	10 1/8"	25 3/8"
<b>90"H • 1 Top Shelf</b>				
OVS2790 AS BUTT 4DWR	20 3/4"	25"	9 3/4"	25"
OVS3090 AS BUTT 4DWR	23 3/4"	28"	9 3/4"	25"
OVS3390 AS BUTT 4DWR	26 3/4"	31"	9 3/4"	25"
<b>84"H • No Shelf</b>				
OVS2784 BUTT 4DWR	20 3/4"	25"	10 1/8"	25 3/8"
OVS3084 BUTT 4DWR	23 3/4"	28"	10 1/8"	25 3/8"
OVS3384 BUTT 4DWR	26 3/4"	31"	10 1/8"	25 3/8"

## Double Oven Cabinet • 2 Butt Doors and No Drawer



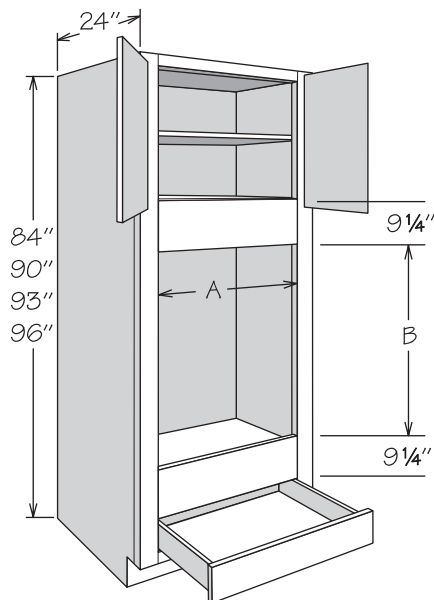
90" High Shown

- Features a solid back
- 3 1/8" stiles
- All door styles feature face-mount hinges
- Shelf packaged separately for field installation
- Full-depth adjustable shelves and 3/4" engineered wood and edge banded on front edge only
- 4" inset toe kick assembly shipped inside 93" and 96" high cabinets, 33" wide x 93" high toe kicks ship as two pieces - seam will be visible between toe kick box and side of cabinet
- Refer to appliance manufacturer's specifications for adequate clearances and required installation materials

APC
CFO
FE
RD

	A ACTUAL	A MAX.	B ACTUAL	B MAX.
<b>96"H • 3 Top Shelves</b>				
OVD2796 AS BUTT NDWR	20 3/4"	25"	52 5/8"	60 1/4"
OVD3096 AS BUTT NDWR	23 3/4"	28"	52 5/8"	60 1/4"
OVD3396 AS BUTT NDWR	26 3/4"	31"	52 5/8"	60 1/4"
<b>93"H • 2 Top Shelves</b>				
OVD2793 AS BUTT NDWR	20 3/4"	25"	52 5/8"	60 1/4"
OVD3093 AS BUTT NDWR	23 3/4"	28"	52 5/8"	60 1/4"
OVD3393 AS BUTT NDWR	26 3/4"	31"	52 5/8"	60 1/4"
<b>90"H • 1 Top Shelf</b>				
OVD2790 AS BUTT NDWR	20 3/4"	25"	52 1/4"	59 7/8"
OVD3090 AS BUTT NDWR	23 3/4"	28"	52 1/4"	59 7/8"
OVD3390 AS BUTT NDWR	26 3/4"	31"	52 1/4"	59 7/8"
<b>84"H • No Shelf</b>				
OVD2784 BUTT NDWR	20 3/4"	25"	52 5/8"	60 1/4"
OVD3084 BUTT NDWR	23 3/4"	28"	52 5/8"	60 1/4"
OVD3384 BUTT NDWR	26 3/4"	31"	52 5/8"	60 1/4"

## Double Oven Cabinet • 2 Butt Doors and 1 Drawer



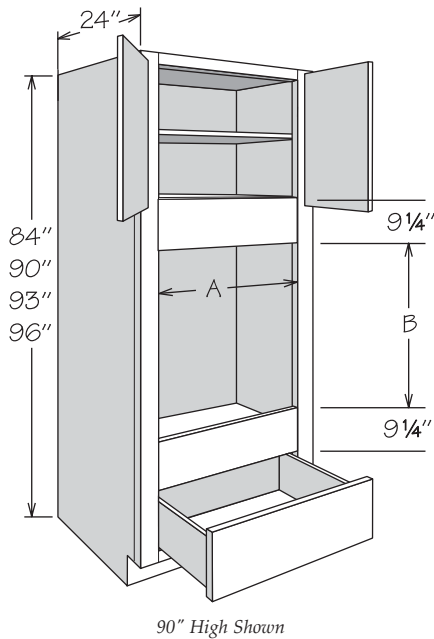
90" High Shown

- Features a solid back
- 3 1/8" stiles
- One standard drawers
- All door styles feature face-mount hinges
- Shelf packaged separately for field installation
- Full-depth adjustable shelves and 3/4" engineered wood and edge banded on front edge only
- 4" inset toe kick assembly shipped inside 93" and 96" high cabinets, 33" wide x 93" high toe kicks ship as two pieces - seam will be visible between toe kick box and side of cabinet
- Refer to appliance manufacturer's specifications for adequate clearances and required installation materials

APC
CFO
FE
RD

	A ACTUAL	A MAX.	B ACTUAL	B MAX.
<b>96"H • 3 Top Shelves</b>				
OVD2796 AS BUTT	20 3/4"	25"	39"	54 1/4"
OVD3096 AS BUTT	23 3/4"	28"	39"	54 1/4"
OVD3396 AS BUTT	26 3/4"	31"	39"	54 1/4"
<b>93"H • 2 Top Shelves</b>				
OVD2793 AS BUTT	20 3/4"	25"	39"	54 1/4"
OVD3093 AS BUTT	23 3/4"	28"	39"	54 1/4"
OVD3393 AS BUTT	26 3/4"	31"	39"	54 1/4"
<b>90"H • 1 Top Shelf</b>				
OVD2790 AS BUTT	20 3/4"	25"	38 5/8"	53 7/8"
OVD3090 AS BUTT	23 3/4"	28"	38 5/8"	53 7/8"
OVD3390 AS BUTT	26 3/4"	31"	38 5/8"	53 7/8"
<b>84"H • No Shelf</b>				
OVD2784 BUTT	20 3/4"	25"	39"	54 1/4"
OVD3084 BUTT	23 3/4"	28"	39"	54 1/4"
OVD3384 BUTT	26 3/4"	31"	39"	54 1/4"

## Double Oven Cabinet • 2 Butt Doors and 1 Large Drawer

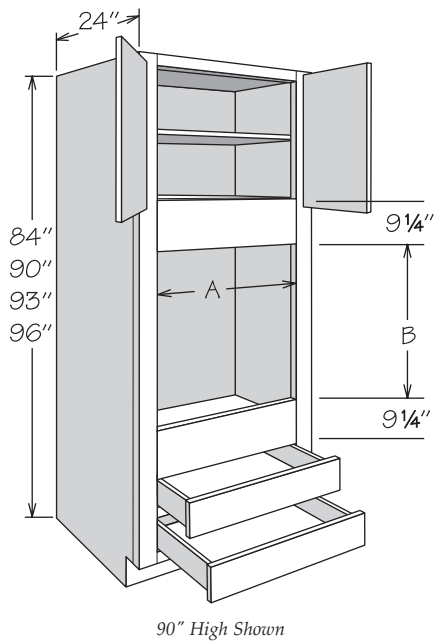


- Features a solid back
- 3/8" stiles
- All door styles feature face-mount hinges
- One large drawer
- Shelf packaged separately for field installation
- Full-depth adjustable shelves and 3/4" engineered wood and edge banded on front edge only
- 4" inset toe kick assembly shipped inside 93" and 96" high cabinets, 33" wide x 93" high toe kicks ship as two pieces - seam will be visible between toe kick box and side of cabinet
- Refer to appliance manufacturer's specifications for adequate clearances and required installation materials

APC
CFO
FE
RD

	A ACTUAL	A MAX.	B ACTUAL	B MAX.
<b>96"H • 3 Top Shelves</b>				
OVD2796 AS BUTT 1DDWR	20 3/4"	25"	33 7/16"	48 13/16"
OVD3096 AS BUTT 1DDWR	23 3/4"	28"	33 7/16"	48 13/16"
OVD3396 AS BUTT 1DDWR	26 3/4"	31"	33 7/16"	48 13/16"
<b>93"H • 2 Top Shelves</b>				
OVD2793 AS BUTT 1DDWR	20 3/4"	25"	33 7/16"	48 13/16"
OVD3093 AS BUTT 1DDWR	23 3/4"	28"	33 7/16"	48 13/16"
OVD3393 AS BUTT 1DDWR	26 3/4"	31"	33 7/16"	48 13/16"
<b>90"H • 1 Top Shelf</b>				
OVD2790 AS BUTT 1DDWR	20 3/4"	25"	33 7/16"	48 7/16"
OVD3090 AS BUTT 1DDWR	23 3/4"	28"	33 7/16"	48 7/16"
OVD3390 AS BUTT 1DDWR	26 3/4"	31"	33 7/16"	48 7/16"
<b>84"H • No Shelf</b>				
OVD2784 BUTT 1DDWR	20 3/4"	25"	33 7/16"	48 13/16"
OVD3084 BUTT 1DDWR	23 3/4"	28"	33 7/16"	48 13/16"
OVD3384 BUTT 1DDWR	26 3/4"	31"	33 7/16"	48 13/16"

## Double Oven Cabinet • 2 Butt Doors and 2 Drawers

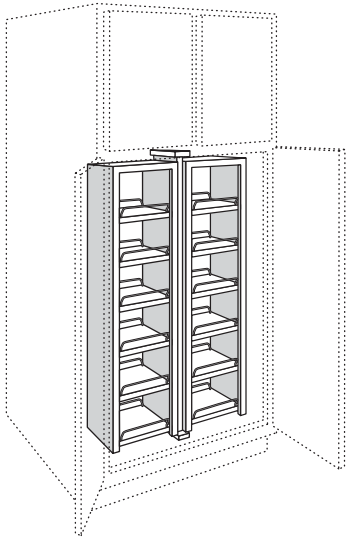


- Features a solid back
- 3/8" stiles
- All door styles feature face-mount hinges
- Two standard drawers
- Shelf packaged separately for field installation
- Full-depth adjustable shelves and 3/4" engineered wood and edge banded on front edge only
- 4" inset toe kick assembly shipped inside 93" and 96" high cabinets, 33" wide x 93" high toe kicks ship as two pieces - seam will be visible between toe kick box and side of cabinet
- Refer to appliance manufacturer's specifications for adequate clearances and required installation materials

APC
CFO
FE
RD

	A ACTUAL	A MAX.	B ACTUAL	B MAX.
<b>96"H • 3 Top Shelves</b>				
OVD2796 AS BUTT 2DWR	20 3/4"	25"	33"	48 1/4"
OVD3096 AS BUTT 2DWR	23 3/4"	28"	33"	48 1/4"
OVD3396 AS BUTT 2DWR	26 3/4"	31"	33"	48 1/4"
<b>93"H • 2 Top Shelves</b>				
OVD2793 AS BUTT 2DWR	20 3/4"	25"	33"	48 1/4"
OVD3093 AS BUTT 2DWR	23 3/4"	28"	33"	48 1/4"
OVD3393 AS BUTT 2DWR	26 3/4"	31"	33"	48 1/4"
<b>90"H • 1 Top Shelf</b>				
OVD2790 AS BUTT 2DWR	20 3/4"	25"	32 5/8"	47 7/8"
OVD3090 AS BUTT 2DWR	23 3/4"	28"	32 5/8"	47 7/8"
OVD3390 AS BUTT 2DWR	26 3/4"	31"	32 5/8"	47 7/8"
<b>84"H • No Shelf</b>				
OVD2784 BUTT 2DWR	20 3/4"	25"	33"	48 1/4"
OVD3084 BUTT 2DWR	23 3/4"	28"	33"	48 1/4"
OVD3384 BUTT 2DWR	26 3/4"	31"	33"	48 1/4"

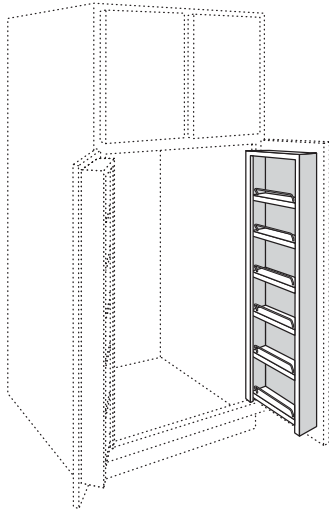
## Pantry Swing-Out Kit



- Field installation accessory
- For use inside UT3624
- Can be used with PDSK18 and/or PSK36
- Natural finish unit features two fixed and ten adjustable shelves with chrome rails
- Overall dimensions: 25 5/8" wide x 45" high x 7 1/2" deep
- Not sized to fit reduced depth cabinets
- Minimum filler width of 4 1/2" recommended for installation of this accessory next to deeper adjacent objects including cabinets, walls, appliances, and countertops

PCSK36

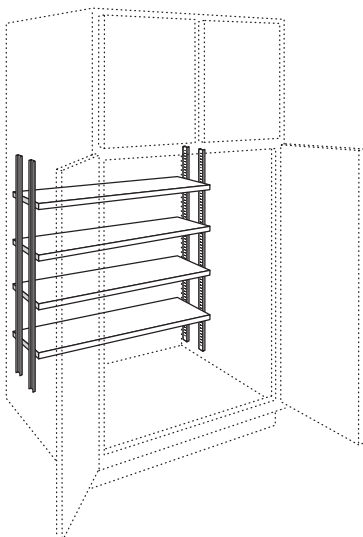
## Pantry Door Shelf Kit



- Field installation accessory
- For use inside UT1824 or UT3624
- Order each door unit separately
- Can be used with PCSK36 and/or PSK36
- Natural finish unit features one fixed and five adjustable shelves with chrome rails
- Overall dimensions: 12" wide x 45" high x 4" deep
- Not sized to fit reduced depth cabinets
- Minimum filler width of 4 1/2" recommended for installation of this accessory next to deeper adjacent objects including cabinets, walls, appliances, and countertops

PDSK18

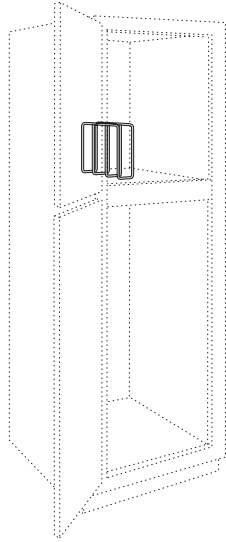
## Shelf & Pilaster Kit



- Field installation accessory
- Kit includes four 9" deep shelves edge banded on front edge only, four 36" zinc pilasters, screws, and installation instructions
- For use inside UT3624
- Field trimmable for use inside UT1824
- Can be used with PCSK36 and/or PDSK18

PSK36

## Cabinet Tray Divider



- Field installation accessory
- Chrome finish
- Mounting hardware included
- Overall dimensions: 2 $\frac{7}{8}$ " wide x 9 $\frac{15}{16}$ " high x 11 $\frac{3}{4}$ " deep
- Order Cabinet Tray Dividers individually
- For use in 24" deep cabinets or cabinets with RD-23 through RD-14

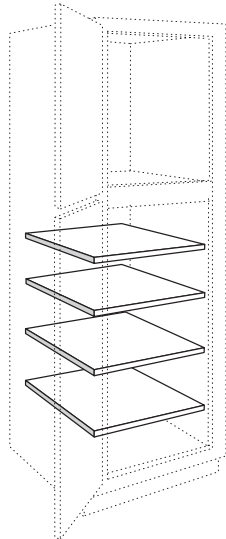
APC
RD

TD3

## Adjustable Shelves

NEW! SIZES

NEW! UPDATE



- **UPDATE:** All adjustable shelves now available with MI
- Field installation accessory
- $\frac{3}{4}$ " engineered wood
- Edge banded on front edge only
- CLIP LOCK shelf rests included

APC
MI
RD

### ADJUSTABLE SHELF

#### 12" Deep

S1212  
S1512  
S1812  
S2112  
S2412  
S3612

#### 24" Deep

S1224  
S1524  
S1824  
S2124  
S2424  
S2724  
S3024  
S3324  
S3624

### 4 PACK SHELF KIT

#### 12" Deep

SK1212  
SK1512  
SK1812  
SK2112  
SK2412  
SK3612

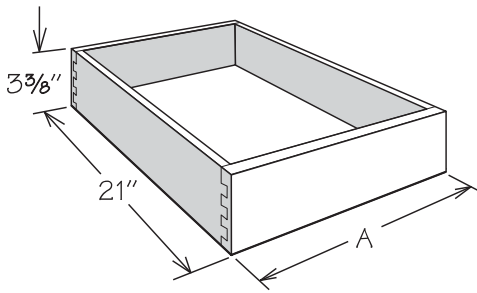
#### 24" Deep

SK1224  
SK1524  
SK1824  
SK2124  
SK2424  
SK2724  
SK3024  
SK3324  
SK3624

# Deep Roll Out Trays and 4 Pack Deep Roll Out Tray Kits

NEW! SIZES

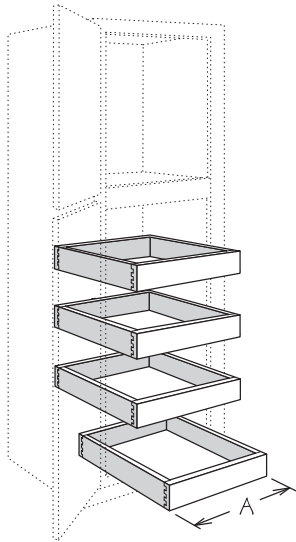
RD



- Field installation accessory
- Natural finish dovetail drawer with engineered wood bottom
- Includes tray, all glide hardware and installation instructions
- DROT drill template is required for all two door cabinets that have acenter stile - contact the Partner Team for drill template

### OVEN SIZE

DROT_24	OVS27
DROT_27	OVS30
DROT_30	OVS33



### DEEP ROLL OUT TRAY KIT

		A
Full-Access	CushionClose	
DROTFA12	DROTCC12	7 3/4"
DROTFA15	DROTCC15	10 3/4"
DROTFA18	DROTCC18	13 3/4"
DROTFA21	DROTCC21	16 3/4"
DROTFA24	DROTCC24	19 3/4"
DROTFA27	DROTCC27	22 3/4"
DROTFA30	DROTCC30	25 3/4"
DROTFA33	DROTCC33	28 3/4"
DROTFA36	DROTCC36	31 3/4"

### 4 PACK DEEP ROLL OUT TRAY KIT

		A
Full-Access	CushionClose	
DROTFA12-4K	DROTCC12-4K	7 3/4"
DROTFA15-4K	DROTCC15-4K	10 3/4"
DROTFA18-4K	DROTCC18-4K	13 3/4"
DROTFA21-4K	DROTCC21-4K	16 3/4"
DROTFA24-4K	DROTCC24-4K	19 3/4"
DROTFA27-4K	DROTCC27-4K	22 3/4"
DROTFA30-4K	DROTCC30-4K	25 3/4"
DROTFA33-4K	DROTCC33-4K	28 3/4"
DROTFA36-4K	DROTCC36-4K	31 3/4"

TALL CABINETS

---

Notes





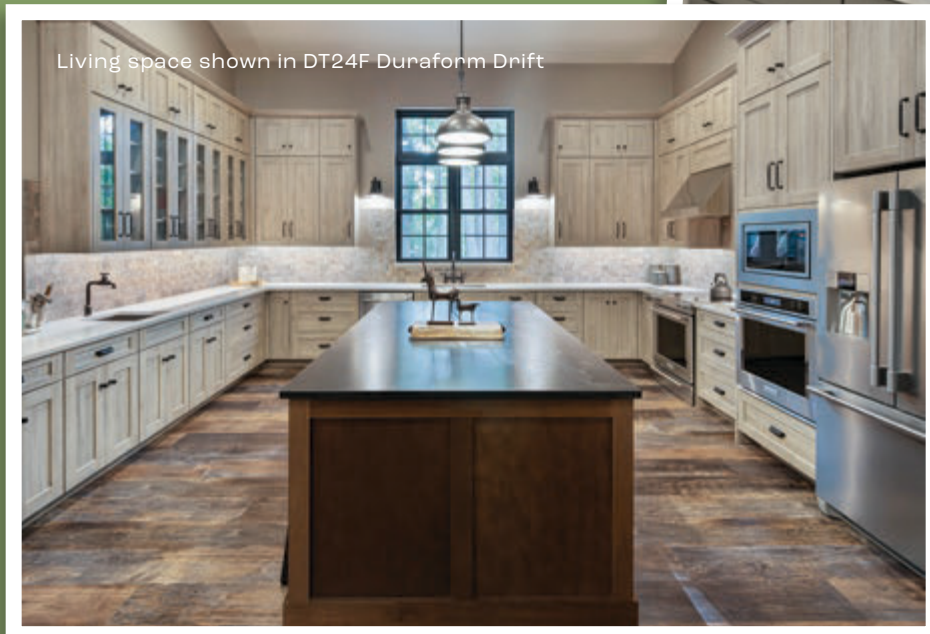
Living space shown in D12S Duraform Linen

**Megan Nelson**  
Studio H Designs, Inc.



Living space shown in 650F Painted Boulder

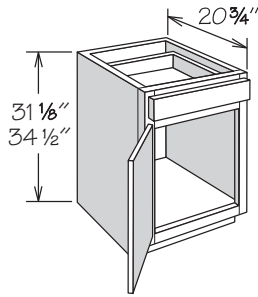
**Alina Kondratenko**  
WISA Solutions



Living space shown in DT24F Duraform Drift

**Emily Lane**  
WS Design

## Vanity Base • 1 Door



- No shelf
- Door is hinged left and can be reversed in the field
- Not drilled for adjustable shelf

APC
CFO
FE
RD
RTK

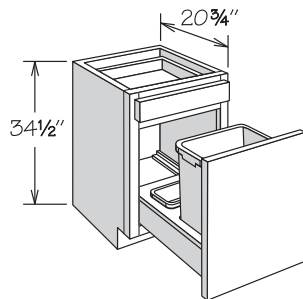
### 34 1/2" HIGH

VB1234H  
VB1534H  
VB1834H  
VB2134H

### 31 1/8" HIGH

VB12  
VB15  
VB18  
VB21

## Vanity Base Cabinet • 1 Drawer and 1 Door with Wastebasket Pull-Out



- Wastebasket rests in a natural finish wood frame
- Wastebasket pull-out features heavy-duty, 132-pound rated glides
- Features one silver plastic 35-quart capacity bin and bag storage tray at rear (not dishwasher safe)
- Decorative hardware strongly recommended

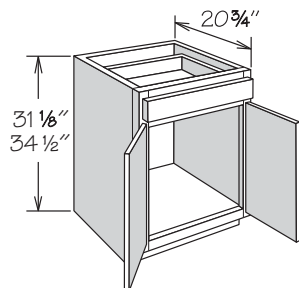
APC
FE
RTK

### 34 1/2" HIGH

**Full-Access**  
VWBB1834H FA

**Full-Access**  
VWBB1834H CC

## Vanity Base • 2 Butt Doors and 1 Drawer



- No shelf
- Not drilled for adjustable shelf

APC
CFO
FE
RD
RTK

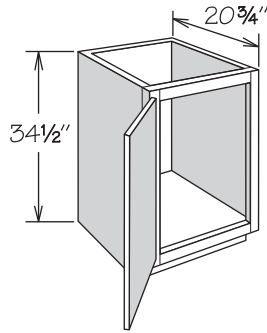
### 34 1/2" HIGH

VB2434H BUTT  
VB2734H BUTT  
VB3034H BUTT  
VB3334H BUTT  
VB3634H BUTT

### 31 1/8" HIGH

VB24 BUTT  
VB27 BUTT  
VB30 BUTT  
VB33 BUTT  
VB36 BUTT

## Vanity Full-Height Base • 1 Door



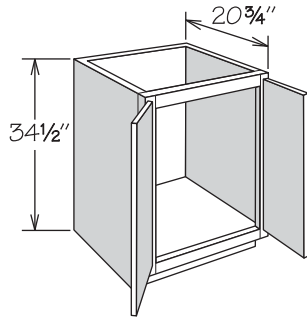
- Full-height door
- No shelf
- Not drilled for adjustable shelf
- Door is hinged left and can be reversed in the field

APC
CFO
FE
RD
RTK

### 34 1/2" HIGH

VB1234H FH  
 VB1534H FH  
 VB1834H FH  
 VB2134H FH

## Vanity Full-Height Base • 2 Butt Doors



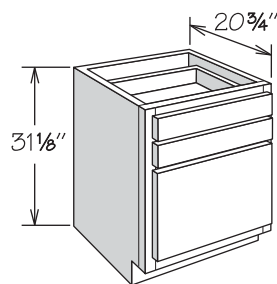
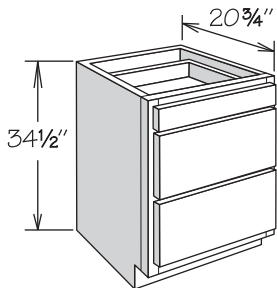
- Full-height doors
- No shelf
- Not drilled for adjustable shelf

APC
CFO
FE
RD
RTK

### 34 1/2" HIGH

VB2434H BUTT FH  
 VB3034H BUTT FH  
 VB3634H BUTT FH

## Vanity Drawer Base



- VDB\_34H features one standard and two large drawers
- VDB\_ features one large and two standard drawers

APC
CFO
FE
RD
RTK

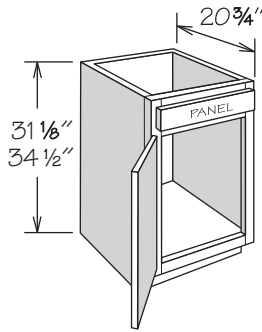
### 34 1/2" HIGH

VDB1234H  
 VDB1534H  
 VDB1834H  
 VDB2134H  
 VDB2434H

### 31 1/8" HIGH

VDB12  
 VDB15  
 VDB18  
 VDB21  
 VDB24

## Vanity Sink Base • 1 Door



- No shelf
- Subtract 1 1/2" from depth and width for available sink bowl opening
- Door is hinged left and can be reversed in the field

APC
CFO
FE
RD
RTK

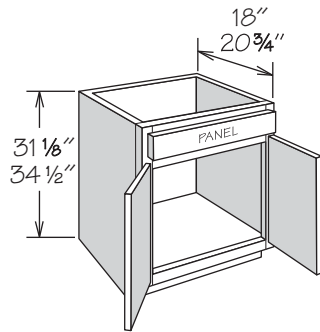
### 34 1/2" HIGH

VSB1534H  
VSB1834H  
VSB2134H

### 31 1/8" HIGH

VSB15  
VSB18  
VSB21

## Vanity Sink Base • 2 Butt Doors



- No shelf
- Subtract 1 1/2" from depth and width for available sink bowl opening

APC
CFO
FE
RD
RTK

### 34 1/2" HIGH

#### 20 3/4" Deep

VSB2434H BUTT  
VSB2734H BUTT  
VSB3034H BUTT  
VSB3334H BUTT  
VSB3634H BUTT

#### 18" Deep

VSB241834H BUTT  
VSB301834H BUTT  
VSB361834H BUTT

### 31 1/8" HIGH

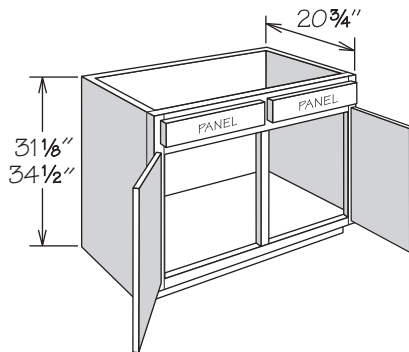
#### 20 3/4" Deep

VSB24 BUTT  
VSB27 BUTT  
VSB30 BUTT  
VSB33 BUTT  
VSB36 BUTT

#### 18" Deep

VSB2418 BUTT  
VSB3018 BUTT  
VSB3618 BUTT

## Vanity Sink Base • 2 Doors



- No shelf
- Subtract 1 1/2" from depth and width for available sink bowl opening

APC
CFO
FE
RD
RTK

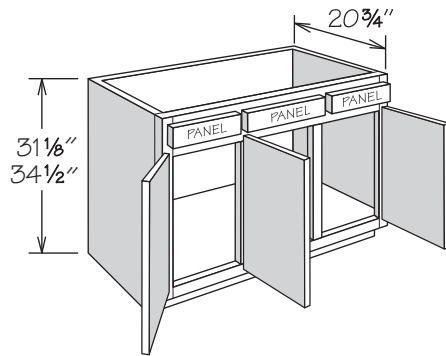
### 34 1/2" HIGH

VSB3934H  
VSB4234H

### 31 1/8" HIGH

VSB39  
VSB42

### Vanity Sink Base • 3 Doors



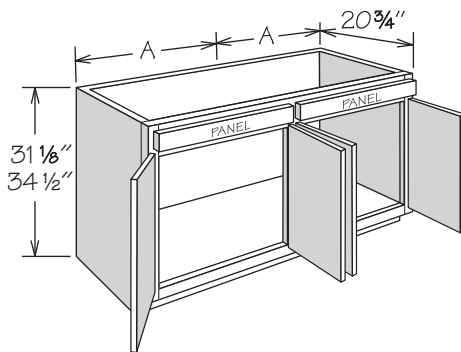
- No shelf
- Subtract 1 1/2" from depth and width for available sink bowl opening
- Hinged as shown - can be reversed in the field

APC
CFO
FE
RD
RTK

**34 1/2" HIGH**  
VSB4834H

**31 1/8" HIGH**  
VSB48

### Vanity Sink Base • 4 Butt Doors



- No shelf
- Subtract 1 1/2" from depth and each dimension A for available sink bowl openings

APC
CFO
FE
RD
RTK

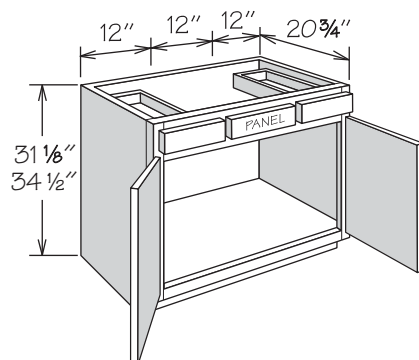
**34 1/2" HIGH**  
VSB5434H BUTT  
VSB6034H BUTT

**A**  
27"  
30"

**31 1/8" HIGH**  
VSB54 BUTT  
VSB60 BUTT

**A**  
27"  
30"

### Vanity Sink Base • 2 Butt Doors and 2 Drawers



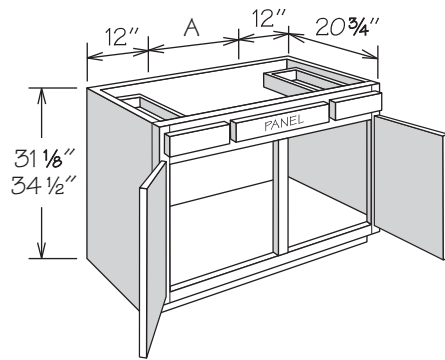
- No shelf
- Top drawer on each side of sink bowl opening
- Subtract 1 1/2" from depth for available sink bowl opening
- Features two DRB9\_ to accommodate sink bowl opening up to 18"

APC
CFO
FE
RD
RTK

**34 1/2" HIGH**  
VAN3634H BUTT

**31 1/8" HIGH**  
VAN36 BUTT

## Vanity Sink Base • 2 Doors and 2 Drawers

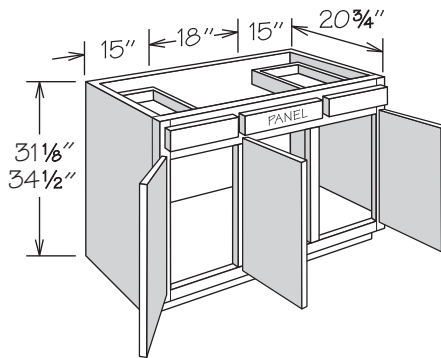


- No shelf
- Top drawer on each side of sink bowl opening
- Subtract 1 1/2" from depth for available sink bowl opening

APC
CFO
FE
RD
RTK

<b>34 1/2" HIGH</b>	<b>A</b>	<b>MAX. SINK OPENING</b>	<b>31 1/8" HIGH</b>	<b>A</b>	<b>MAX. SINK OPENING</b>
VAN3934H	15"	18"	VAN39	15"	18"
VAN4234H	18"	21"	VAN42	18"	21"

## Vanity Sink Base • 3 Doors and 2 Drawers



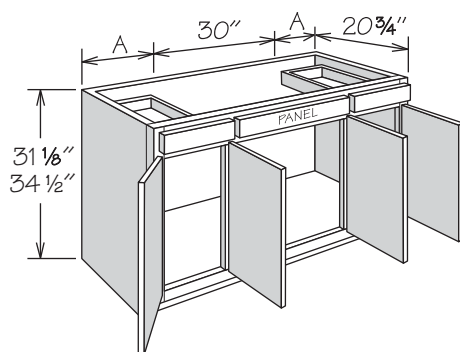
- No shelf
- Top drawer on each side of sink bowl opening
- Subtract 1 1/2" from depth for available sink bowl opening
- Hinged as shown - can be reversed in the field
- Maximum sink bowl opening is 21" wide

APC
CFO
FE
RD
RTK

**34 1/2" HIGH**  
VAN4834H

**31 1/8" HIGH**  
VAN48

## Vanity Sink Base • 4 Butt Doors and 2 Drawers

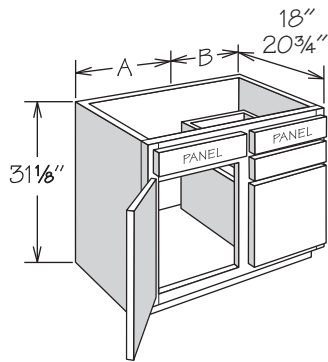
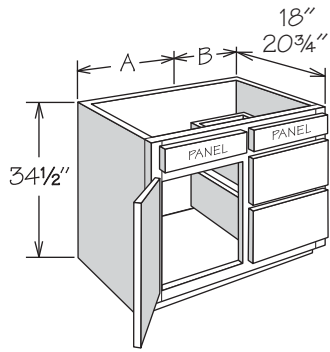


- No shelf
- Top drawer on each side of sink bowl opening
- Subtract 1 1/2" from depth for available sink bowl opening
- Maximum sink bowl opening is 33" wide

APC
CFO
FE
RD
RTK

<b>34 1/2" HIGH</b>	<b>A</b>	<b>31 1/8" HIGH</b>	<b>A</b>
VAN5434H BK BUTT	12"	VAN54 BK BUTT	12"
VAN6034H BK BUTT	15"	VAN60 BK BUTT	15"

## Vanity Combo Sink Base • 1 Door and 2 Drawers

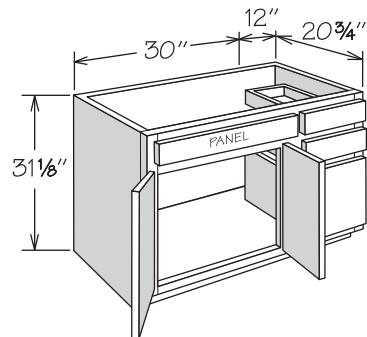
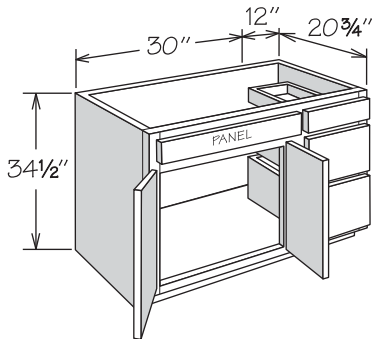


- No shelf
- Allow for plumbing placement to clear drawers
- Drawers available on right or left side (please specify)
- Cabinet shown is right indicating drawers on the right side of the cabinet
- Subtract 1 1/2" from depth and overall cabinet width for available sink bowl opening

APC
CFO
FE
RD
RTK

<b>34 1/2" HIGH</b>	<b>A</b>	<b>B</b>	<b>31 1/8" HIGH</b>	<b>A</b>	<b>B</b>
<b>20 3/4" Deep</b>			<b>20 3/4" Deep</b>		
VSDB2434H BK	12"	12"	VSDB24 BK	12"	12"
VSDB2734H BK	15"	12"	VSDB27 BK	15"	12"
VSDB3034H BK	18"	12"	VSDB30 BK	18"	12"
VSDB3334H BK	21"	12"	VSDB33 BK	21"	12"
VSDB3634H BK	21"	15"	VSDB36 BK	21"	15"
VSDB3934H BK	21"	18"			
<b>18" Deep</b>			<b>18" Deep</b>		
VSDB241834H BK	12"	12"	VSDB2418 BK	12"	12"
VSDB271834H BK	15"	12"	VSDB2718 BK	15"	12"
VSDB301834H BK	18"	12"	VSDB3018 BK	18"	12"
VSDB331834H BK	21"	12"	VSDB3318 BK	21"	12"
VSDB361834H BK	21"	15"	VSDB3618 BK	21"	15"

## Vanity Combo Sink Base • 2 Butt Doors and 3 Drawers



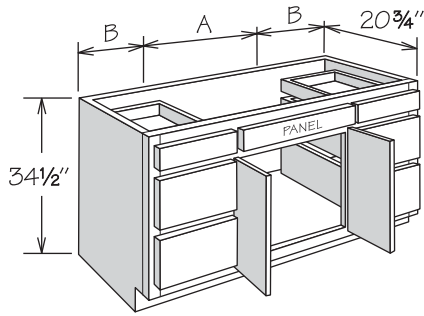
- No shelf
- Drawers available on right or left side (please specify)
- Cabinet shown is right indicating drawers on the right side of the cabinet
- Maximum sink bowl opening is 28 1/2" wide
- Requires off center sink bowl opening

APC
CFO
FE
RD
RTK

**34 1/2" HIGH**  
VSDB4234H BK BUTT

**31 1/8" HIGH**  
VSDB42 BK BUTT

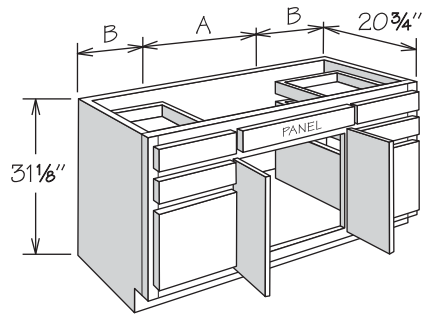
## Vanity Combo Sink Base • 2 Butt Doors and 6 Drawers



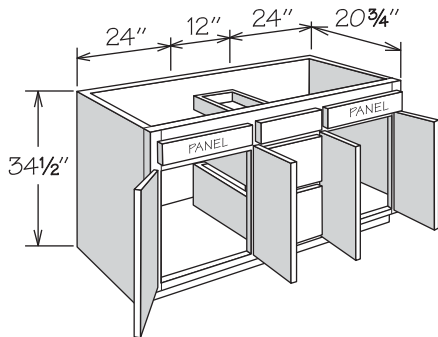
- No shelf
- Subtract 1 1/2" from depth and dimension A for available sink bowl opening

APC
CFO
FE
RD
RTK

<b>34 1/2" HIGH</b>	<b>A</b>	<b>B</b>	<b>31 1/8" HIGH</b>	<b>A</b>	<b>B</b>
VSDB4834HD BK BUTT	24"	12"	VSDB48D BK BUTT	24"	12"
VSDB5434HD BK BUTT	24"	15"	VSDB54D BK BUTT	24"	15"
VSDB6034HD BK BUTT	30"	15"	VSDB60D BK BUTT	30"	15"



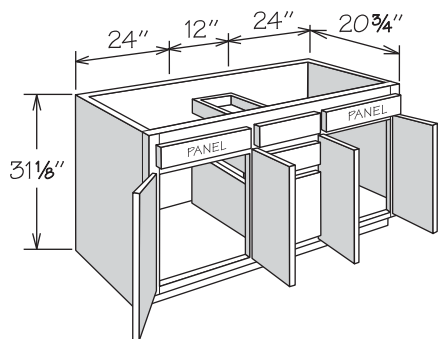
## Vanity Combo Sink Base • 4 Butt Doors and 3 Drawers



- No shelf
- Subtract 1 1/2" from depth and each 24" dimension for available sink bowl openings

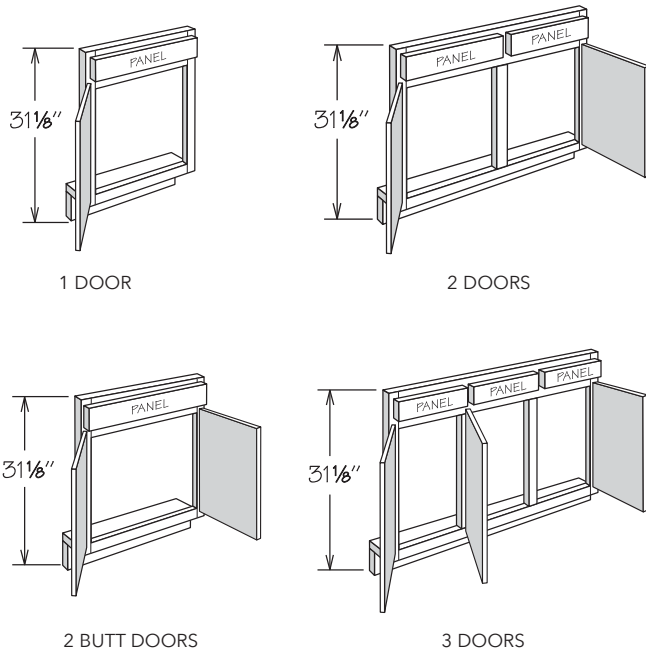
APC
CFO
FE
RD
RTK

<b>34 1/2" HIGH</b>	<b>31 1/8" HIGH</b>
VSDB6034HC BK BUTT	VSDB60C BK BUTT





## Vanity Sink Front



- Not trimmable
- Order floor and returns separately (field trimming may be required) - refer to Panel Section for availability (page 175)
- VSF48 hinged as shown, can be reversed in field

### 31 1/8" HIGH

#### 1 Door

VSF21

#### 2 Butt Doors

VSF24 BUTT

VSF30 BUTT

VSF36 BUTT

#### 2 Doors

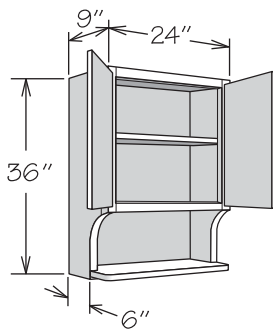
VSF39

VSF42

#### 3 Doors

VSF48

## Valet Cabinet • 2 Butt Doors

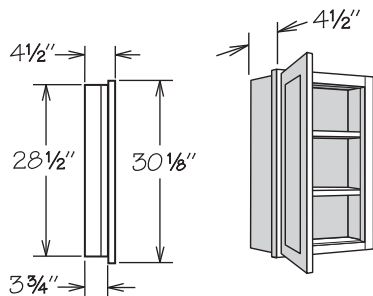


- Matching interior standard
- Flush sides with no face frame or 1/4" reveals
- Bottom opening: 22 1/2" x 10 7/8"
- Features a fixed shelf
- Sides and bottom shelf feature 3/4" engineered wood veneered on both sides

### 36" HIGH

VC2436 BUTT

## Medicine Cabinet • 1 Door



- Two adjustable engineered wood shelves
- Surface or recess mount
- MCM1530 features a mirrored door
- For surface mount installation, trim and apply WEP30 (order separately) to match finish on exterior sides to cabinet frame
- Breeze, Pewter and Linen (Painted and Duraform) door styles feature Matching Interior standard
- Not available with CushionClose Hinges

### 28 1/2" HIGH

MC1530  
MCM1530

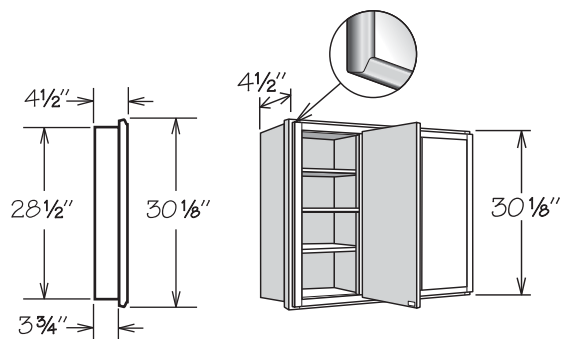
#### RECESS MOUNT CUTOUT WIDTH

14 1/2"  
14 1/2"

#### RECESS MOUNT CUTOUT HEIGHT

28 1/2"  
28 1/2"

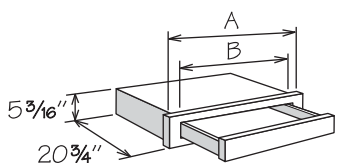
## Tri-View Mirror • 3 Doors



- Features one large opening with two left hinged doors and one small opening with a right hinged door - can be flipped in the field
- Six adjustable shelves (3 per section)
- Surface or recess mount
- For surface mount installation, trim and apply WEP30 (order separately) to match finish on exterior sides to cabinet frame
- Chrome hardware
- Breeze, Pewter and Linen (Painted and Duraform) door styles feature Matching Interior standard
- Not available with CushionClose Hinges

	OVERALL WIDTH	OVERALL HEIGHT	RECESS MOUNT CUTOUT WIDTH	RECESS MOUNT CUTOUT HEIGHT
TV3030	30"	30 1/8"	28 1/2"	28 1/2"
TV3630	36"	30 1/8"	34 1/2"	28 1/2"

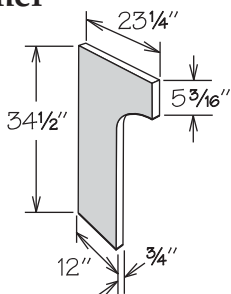
## Kneehole Drawer Cabinet



- Designed for desk or vanity application RD
- Field trimmable in height to 4 3/4"
- Field trimmable in depth to 18" or available with RD-20 through RD-12
- Drawer front complements door style - refer to door style section

	A	B	MAX. TRIM
KDC27/21	27"	17 3/4"	21" (3" each side)
KDC33/27	33"	23 3/4"	27" (3" each side)
KDC36/33	36"	29 3/4"	33" (1 1/2" each side)

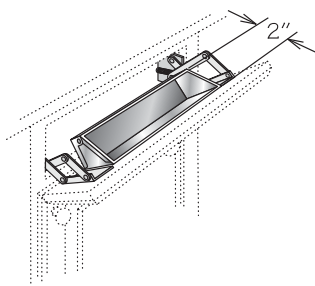
## Desk End Panel



- All door styles feature 3/4" veneered engineered wood finished to match cabinet box exterior on both sides
- Recommend QM8 be ordered for installation to ensure proper attachment to wall
- Field trimmable
- Edge banded on front

DEP

## Tilt-Out Tray Kit

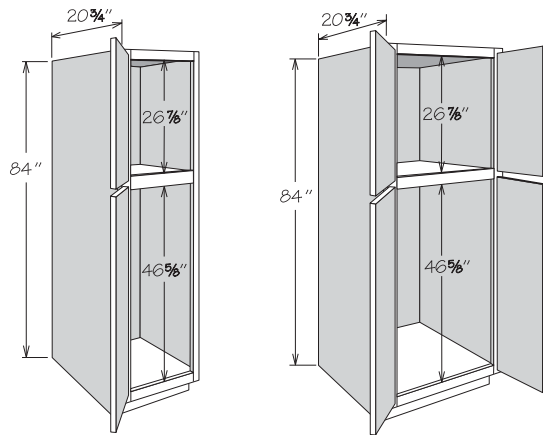


- Field installation accessory
- Kit features tray and one pair of scissor hinges
- For use on existing drawer panels for 20 3/4" or 18" deep vanity cabinets
- STO TRAY 11:
  - » Order one unit for VSB18, VSB48 (center only), VAN48 or VSDB30 (above door only)
- STO TRAY 14:
  - » Order one unit for VSB21, VSB24, VSB27, VSDB33 (above door only), VSDB36 (above door only), VSDB48D or VSDB54D
  - » Order two units for VSB42, VSB54 or VSDB60C
- STO TRAY 22:
  - » Order one unit for VSB30, VSB33, VSB36, VAN54, VAN60, VSDB42 or VSDB60D
  - » Order two units for VSB60
- Sink front, base height, and 18" deep units match vanity sink base sizes as noted above
- Tilt-Out Trays are NOT dishwasher safe

### STAINLESS

STO TRAY 11  
STO TRAY 14  
STO TRAY 22

## Vanity Linen Cabinet



2 DOORS

4 BUTT DOORS

- Shelving and optional interior accessories may be ordered separately (refer to vanity linen cabinet accessories for details)
- Cabinet backs are pre-drilled to accept up to four Deep Roll Out Trays in lower section
- Two door cabinets must be ordered hinged left or right
- Specialty Door cabinets (SD) feature Matching Interior standard and require a specialty door selection
- Bottom doors will have a center rail for select door styles - refer to door style section

APC
CFO
FE
MI ■
RD

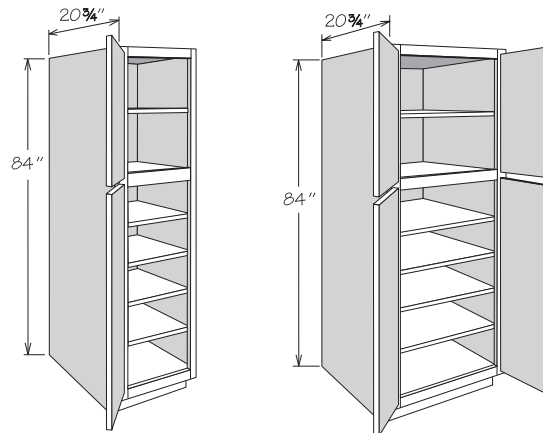
### 2 DOORS

- VLC122184 ■
- VLC152184 ■
- VLC182184 ■
- VLC122184 SD
- VLC152184 SD
- VLC182184 SD

### 4 BUTT DOORS

- VLC242184 BUTT ■
- VLC242184 BUTT SD

## Vanity Linen Cabinet • Adjustable Shelves



2 DOORS

4 BUTT DOORS

- Features one full-depth adjustable shelf in top section and four full-depth adjustable shelves in lower section
- Full-depth adjustable shelves are 3/4" engineered wood and edge banded on front edge only
- All shelving packaged separately
- Two door cabinets must be ordered hinged left or right
- Specialty Door cabinets (SD) feature Matching Interior standard and require a specialty door selection
- Bottom doors will have a center rail for select door styles - refer to door style section

APC
FE
MI ■
RD

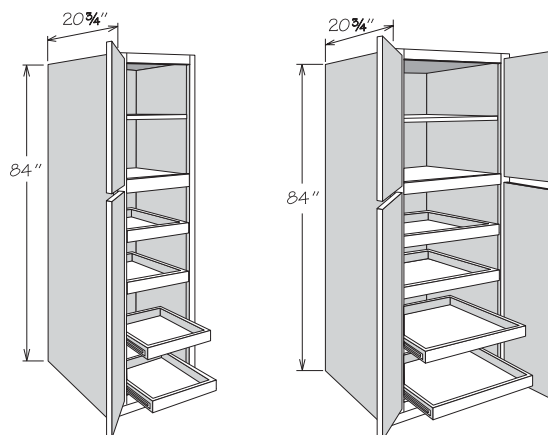
### 2 DOORS

- VLC122184 AS ■
- VLC152184 AS ■
- VLC182184 AS ■
- VLC122184 AS SD
- VLC152184 AS SD
- VLC182184 AS SD

### 4 BUTT DOORS

- VLC242184 AS BUTT ■
- VLC242184 AS BUTT SD

## Vanity Linen Cabinet • Deep Roll Out Trays



2 DOORS

4 BUTT DOORS

- Features one full-depth adjustable shelf in top section and four Deep Roll Out Trays in lower section
- Full-depth adjustable shelf is 3/4" engineered wood and edge banded on front edge only
- Adjustable shelf and Deep Roll Out Trays packaged separately
- Two door cabinets must be ordered hinged left or right
- Specialty Door cabinets (SD) feature Matching Interior standard and require a specialty door selection
- Bottom doors will have a center rail for select door styles - refer to door style section

APC
FE
MI ■
RD

### 2 DOORS

#### Full-Access

- VLC122184 FA4ROT ■
- VLC152184 FA4ROT ■
- VLC182184 FA4ROT ■
- VLC122184 FA4ROT SD
- VLC152184 FA4ROT SD
- VLC182184 FA4ROT SD

#### CushionClose

- VLC122184 CC4ROT ■
- VLC152184 CC4ROT ■
- VLC182184 CC4ROT ■
- VLC122184 CC4ROT SD
- VLC152184 CC4ROT SD
- VLC182184 CC4ROT SD

### 4 BUTT DOORS

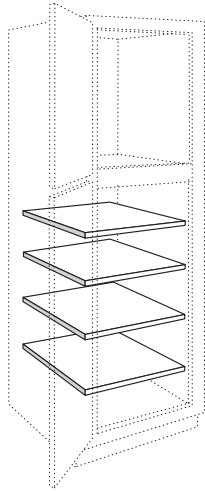
#### Full-Access

- VLC242184 FA4ROT BUTT ■
- VLC242184 FA4ROT BUTT SD

#### CushionClose

- VLC242184 CC4ROT BUTT ■
- VLC242184 CC4ROT BUTT SD

## Vanity Linen Cabinet • Adjustable Shelves



- Field installation accessory
- ¾" engineered wood
- Edge banded on front edge only
- CLIP LOCK shelf rests included

APC
MI
RD

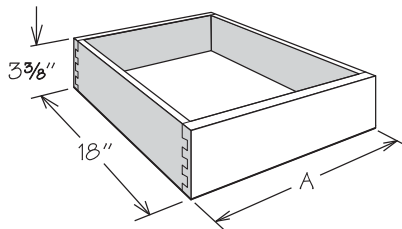
### ADJUSTABLE SHELF

S1221  
S1521  
S1821  
S2421

### 4 PACK SHELF KIT

SK1221  
SK1521  
SK1821  
SK2421

## Vanity Linen Cabinet • Deep Roll Out Trays



- Field installation accessory
- Natural finish dovetail drawer with engineered wood bottom
- Includes tray, all glide hardware and installation instructions
- DROT drill template is required for all two door cabinets that have a center stile - contact the Partner Team for drill template

RD
----

### DEEP ROLL OUT TRAYKIT

#### Full-Access

DROTFA1221  
DROTFA1521  
DROTFA1821  
DROTFA2421

#### CushionClose

DROTCC1221  
DROTCC1521  
DROTCC1821  
DROTCC2421

A

7 ¾"  
10 ¾"  
13 ¾"  
19 ¾"

### 4 PACK DEEP ROLL OUT TRAYKIT

#### Full-Access

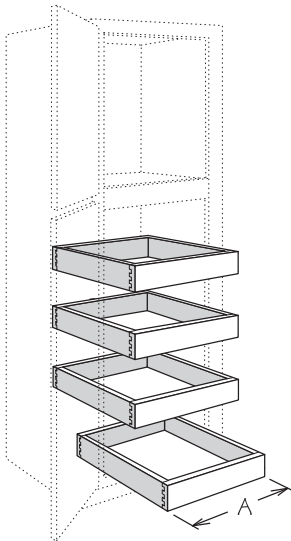
DROTFA1221-4K  
DROTFA1521-4K  
DROTFA1821-4K  
DROTFA2421-4K

#### CushionClose

DROTCC1221-4K  
DROTCC1521-4K  
DROTCC1821-4K  
DROTCC2421-4K

A

7 ¾"  
10 ¾"  
13 ¾"  
19 ¾"



---

Notes

**AFTER**



Living space shown in 410F Painted Linen

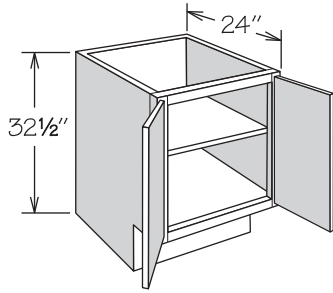
**Ali Meshkar**  
EA Home Design, LLC

*“I choose Waypoint for their  
great quality and value.”*

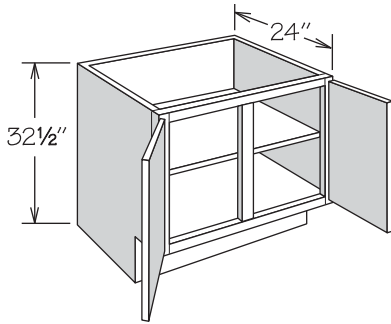
**BEFORE**



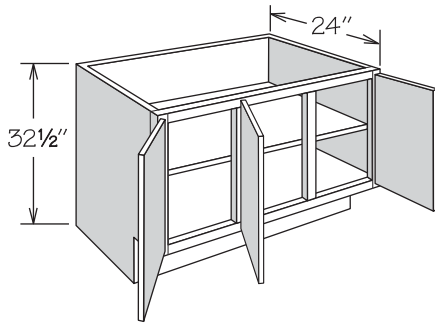
## Universal Design Base Cabinet • 1 Adjustable Shelf



2 BUTT DOORS



2 DOORS



3 DOORS

- Full-depth adjustable shelf
- Center support for shelf provided for cabinets 30" or wider

APC
CFO
FE
RD
RTK

### 2 BUTT DOORS

B24 UD BUTT  
B27 UD BUTT  
B30 UD BUTT  
B33 UD BUTT  
B36 UD BUTT

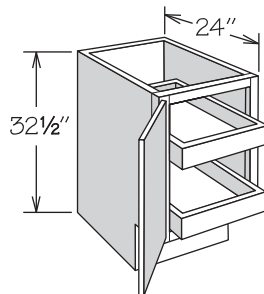
### 2 DOORS

B39 UD  
B42 UD

### 3 DOORS

B45 UD

## Universal Design Base Cabinet • 1 Door and Deep Roll Out Trays



- Deep Roll Out Trays are not adjustable
- Recessed Toe Kick Option for B12\_\_2FWT UD and B15\_\_2FWT UD available left (RTKL) or right (RTKR) only

APC
FE
RD
RTK

### 2 ROLL OUT TRAYS

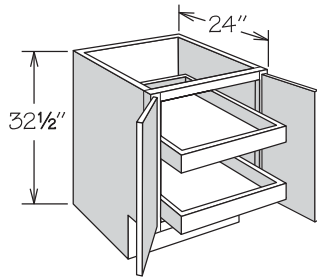
#### Full-Access

B12 FA2FWT UD  
B15 FA2FWT UD  
B18 FA2FWT UD  
B21 FA2FWT UD

#### CushionClose

B12 CC2FWT UD  
B15 CC2FWT UD  
B18 CC2FWT UD  
B21 CC2FWT UD

## Universal Design Base Cabinet • 2 Butt Doors and Deep Roll Out Trays



- Deep Roll Out Trays are not adjustable

APC
FE
RD
RTK

### 2 ROLL OUT TRAYS

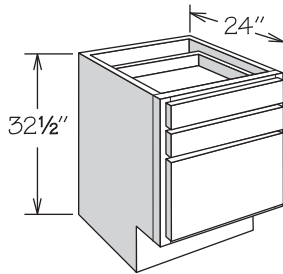
#### Full-Access

B24 FA2FWT UD BUTT

#### CushionClose

B24 CC2FWT UD BUTT

## Universal Design Drawer Base Cabinet • 3 Drawers



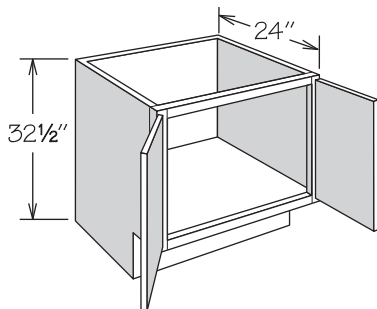
- One large and two standard drawers
- Recessed Toe Kick Option for DB12 UD and DB15 UD available left (RTKL) or right (RTKR) only

APC
CFO
FE
RD
RTK

### 3 DRAWERS

DB12 UD  
DB15 UD  
DB18 UD  
DB21 UD  
DB24 UD

## Universal Design Sink Base Cabinet • 2 Butt Doors



- No shelf
- Full-height back
- Subtract 1 1/2" from width and depth for available sink bowl opening
- Refer to sink manufacturer's specifications for adequate clearance and required installation materials

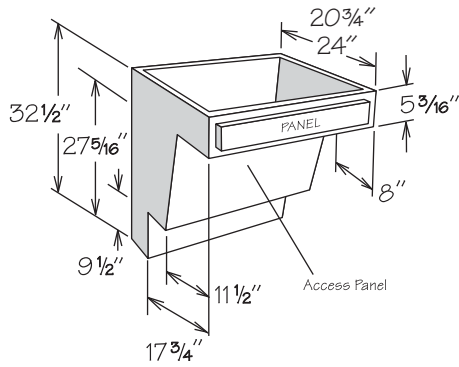
APC
CFO
FE
RD
RTK

### NO SHELF

SB30 BUTT UD  
SB33 BUTT UD  
SB36 BUTT UD



## Universal Design Plumbing Skirt



- Removable front access panel
- Subtract 1/2" from width and depth for available sink bowl opening
- Maximum available height inside cabinet for sink bowl is 5"
- Water lines, drains, and P-Trap must be installed at 6" maximum from wall
- Refer to sink manufacturer's specifications for adequate clearance and required installation materials
- Matching toe kick included - BTK8 UD not required
- Must be installed between two cabinets or a cabinet and a wall

APC
FE

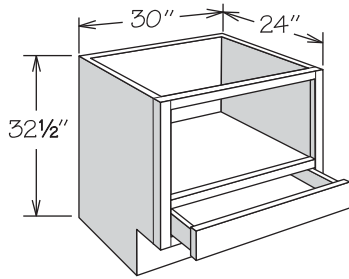
### BASE PLUMBING SKIRT

BPS30 UD  
BPS36 UD

### VANITY PLUMBING SKIRT

VPS30 UD  
VPS36 UD

## Universal Design Base Multi-Use • 1 Drawer



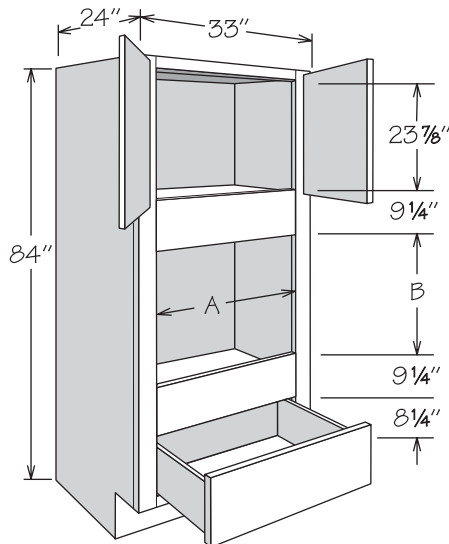
- Designed for mounting microwaves or small appliances below countertop
- Opening dimensions: 26 3/4" wide X 15 1/4" high
- Interior finished to match cabinet box exterior
- Accent molding recommended (order separately)
- Refer to appliance manufacturer's specifications for adequate clearances and required installation materials

APC
FE
RD
RTK

### 1 DRAWER

BMU30 UD

## Universal Design Oven Cabinet

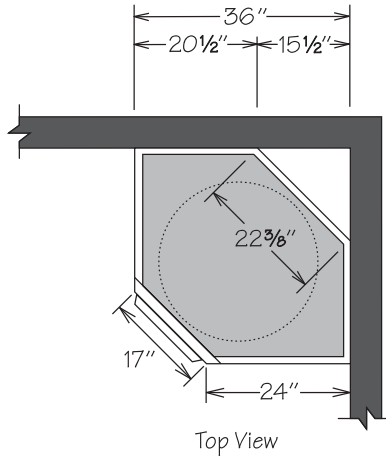
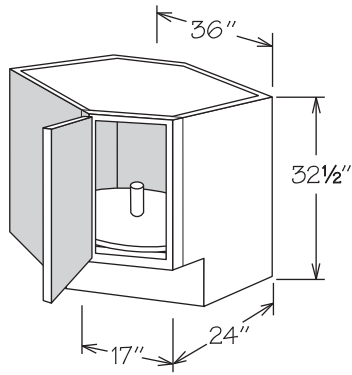


- Features a solid back
- 3 1/8" stiles
- Full overlay door styles feature face-mount hinges
- No shelf
- Refer to appliance manufacturer's specifications for adequate clearances and required installation materials

APC
CFO
FE
RD

	A ACTUAL	A MAX.	B ACTUAL	B MAX.
OVS3384 UD BUTT	26 3/4"	31"	22 1/8"	37 3/8"

## Universal Design Corner Base Susan • Spin Unit

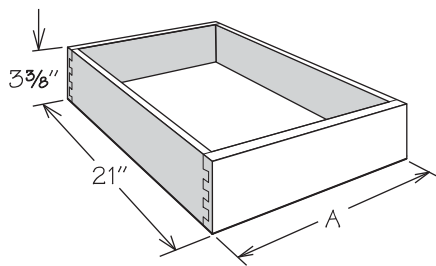


- Features one 28" diameter full round white spin shelf mounted on floor
- Sides are finished
- Cabinet requires a minimum of 34" to fit through doorway
- Additional space recommended if appliance is installed on the hinge side of this cabinet for proper door operation

APC
FE

**1 SPIN SHELF**  
CBS36 UD

## Deep Roll Out Tray Kit



- Field installation accessory
- Natural finish dovetail drawer with engineered wood bottom
- Includes tray, all glide hardware and installation instructions
- DROT drill template is required for all two door cabinets that have a center stile - contact the Partner Team for drill template

RD
----

### DEEP ROLL OUT TRAY KIT

Full-Access	CushionClose	A
DROTFA15	DROTCC15	10 3/4"
DROTFA18	DROTCC18	13 3/4"
DROTFA19	DROTCC19	15 3/4"
DROTFA21	DROTCC21	16 3/4"
DROTFA24	DROTCC24	19 3/4"
DROTFA27	DROTCC27	22 3/4"
DROTFA30	DROTCC30	25 3/4"
DROTFA33	DROTCC33	28 3/4"
DROTFA36	DROTCC36	31 3/4"

## Wall Range Hoods



Straight Valance



Decorative Mantel,  
One Panel



Raised Panel



Decorative Mantel,  
Two Panel



Classic Tapered



Decorative Mantel,  
Three Panel

## Range Hoods



Shiplap Box



Modern Box



Sloped



Artisan



Straight Valance



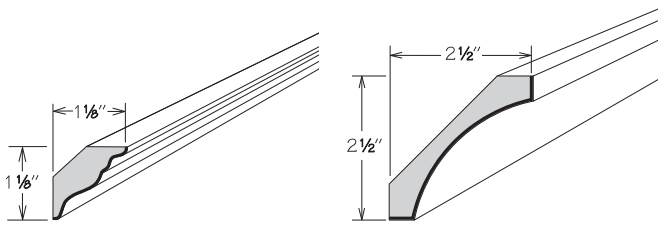
Raised Panel



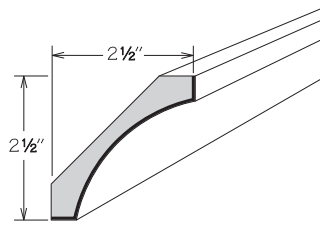
Living space shown in 660R Painted Vanilla, and Maple Latte

All new styles  
make a bold  
statement.

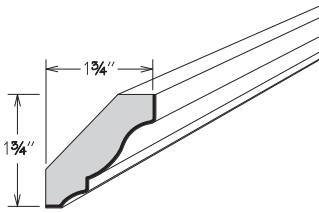
# Crown Molding



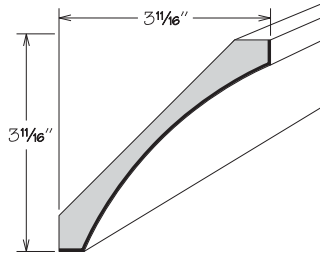
SOFFIT



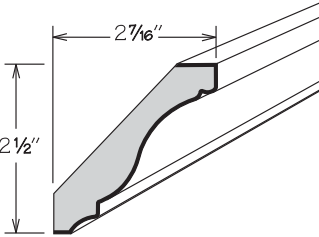
SMALL COVE



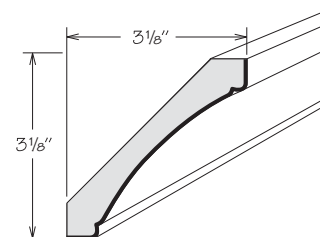
CROWN



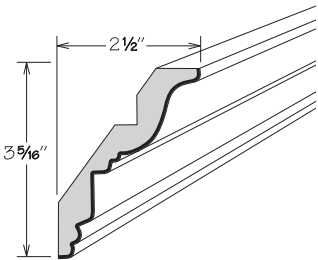
LARGE COVE



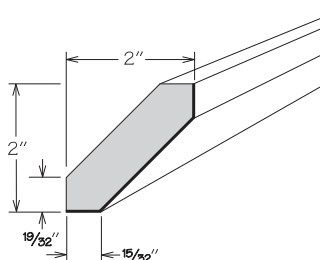
LARGE CROWN



DECORATIVE COVE



TRADITIONAL CLASSIC



ANGLE

- 94" long
- Wood and Painted finishes feature solid wood finished to match cabinet box exterior
- Duraform Breeze and Drift finishes:
  - » Feature Duraform textured wrapped MDF to match cabinet door for ACM8 DT, SCVM8 DT, and LCV8 DT
  - » Feature solid wood finished to match cabinet box exterior for SCM8, CM8, LCM8, TCCM8, ACM8, SCVM8, LCV8, and DCVM8
- Duraform Espresso, Harbor, Linen and Stone finishes:
  - » Feature Duraform wrapped MDF for SCM8, CM8, TCCM8, and ACM8
  - » Feature solid wood finished to match cabinet box exterior for SCVM8, LCV8, and DCVM8
- TCCM8 may use OGE8, SBIM8, or SIM8 as accent
- Bold line indicates finished surfaces

## SOFFIT

SCM8

## SMALL COVE

SCVM8  
SCVM8 DT

## CROWN

CM8

## LARGE COVE

LCVM8  
LCVM8 DT

## LARGE CROWN

LCM8

## DECORATIVE COVE

DCVM8

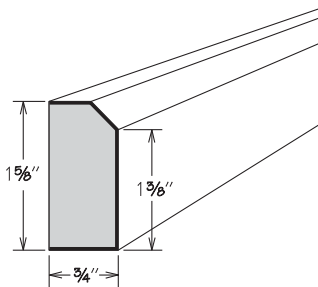
## TRADITIONAL CLASSIC

TCCM8

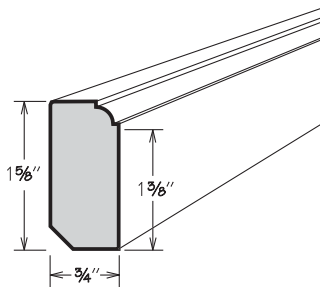
## ANGLE

ACM8  
ACM8 DT

# Edge Molding



CONTEMPORARY TRIM



DECORATIVE TRIM

- 94" long
- All finishes feature solid wood finished to match cabinet box exterior for CTM8 and DCTM8
- Duraform Breeze and Drift finishes feature Duraform textured wrapped MDF to match cabinet door for CTM8 DT
- Can be used as light rail molding (cleating required)
- Bold line indicates finished surfaces

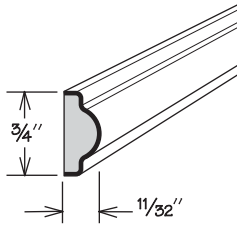
## CONTEMPORARY TRIM

CTM8  
CTM8 DT

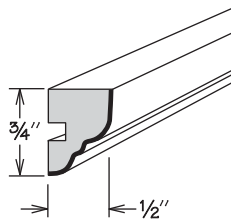
## DECORATIVE TRIM

DCTM8

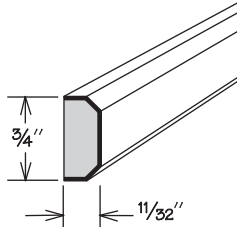
## Inset Molding



SINGLE BEAD



OGEE



SHAKER

- 94" long
- All finishes feature solid wood finished to match cabinet box exterior
- OGEE8, SBIM8, and SIM8 may be used as accent on TCCM8 and ILR8
- Bold line indicates finished surfaces

**SINGLE BEAD**

SBIM8

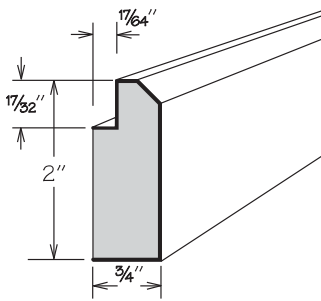
**OGEE**

OGEE8

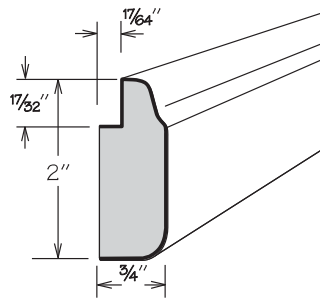
**SHAKER**

SIM8

## Mirror Molding



SHAKER



MIRROR

- 94" long
- All finishes feature solid wood finished to match cabinet box exterior
- Bold line indicates finished surfaces

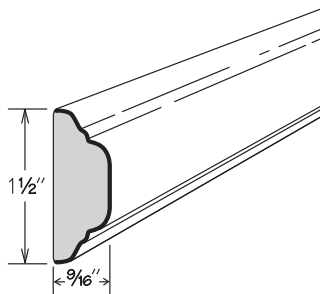
**SHAKER**

SMM8

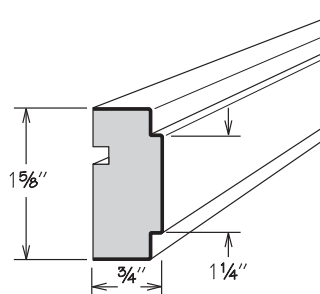
**MIRROR**

MM8

## Chair Rail Molding



CHAIR RAIL



SQUARE CHAIR RAIL

- 94" long
- All finishes feature solid wood finished to match cabinet box exterior
- Bold line indicates finished surfaces

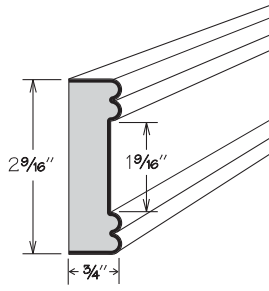
**CHAIR RAIL**

CR8

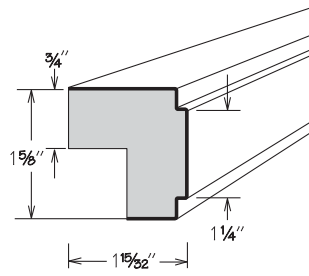
**SQUARE CHAIR RAIL**

SQCR8

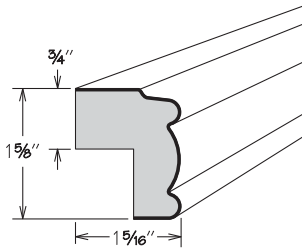
## Light Rail Molding



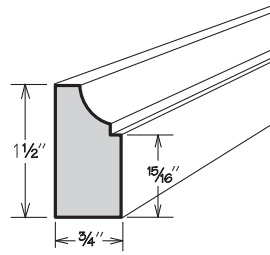
LIBRARY



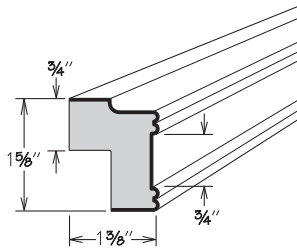
SQUARE



SMALL TRADITIONAL



CLASSIC TRIM



INSET

- 94" long
- All finishes feature solid wood finished to match cabinet box exterior
- ILR8 and LBM8 may use SBIM8 or SIM8 as accent
- CLTM8 can be used as light rail molding (clearing required)
- Bold line indicates finished surfaces

**LIBRARY**

LBM8

**SQUARE**

SCLR8

**SMALL TRADITIONAL**

STLR8

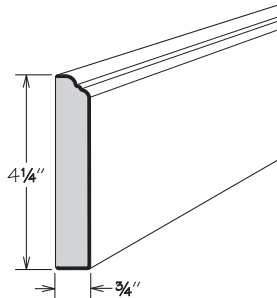
**CLASSIC TRIM**

CLTM8

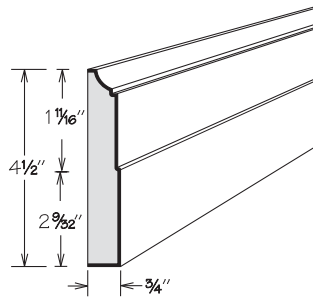
**INSET**

ILR8

## Base Molding



OGEE PILASTER



CLASSIC BASEBOARD

- 94" long
- Wood, Painted, and Duraform Breeze and Drift finishes feature solid wood finished to match cabinet box exterior
- Duraform Espresso, Harbor, Linen and Stone door styles:
  - » Feature Duraform textured wrapped MDF finished to match cabinet box exterior for OGP8
  - » Feature solid wood finished to match cabinet box exterior for CLBM8
- For use with furniture toe or top molding applications
- Bold line indicates finished surfaces

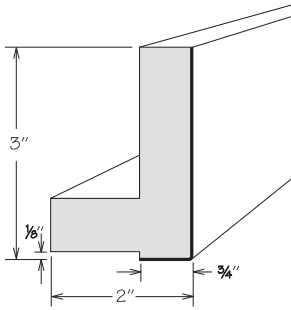
**OGEE PILASTER**

OGP8

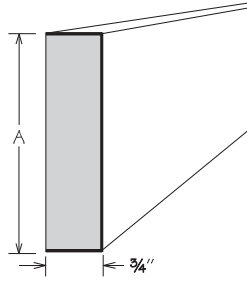
**CLASSIC BASEBOARD**

CLBM8

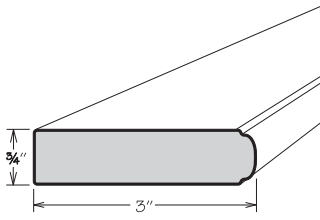
## Molding Stock



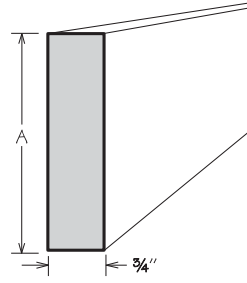
STARTER



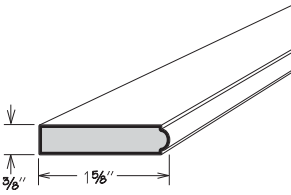
3-SIDED



SINGLE BEAD



4-SIDED

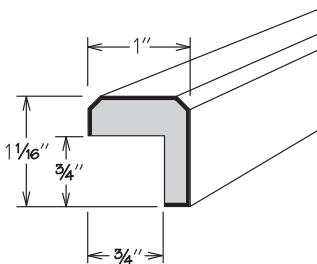


SMALL SINGLE BEAD

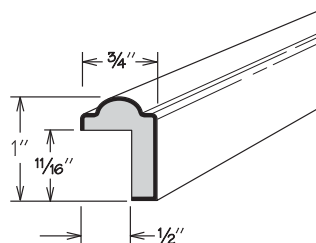
- All finishes feature solid wood finished to match cabinet box exterior for STRM8, S4S396, S4S696, MSS3S394, MSS3S694, SBM8, and SSBM8
- Duraform Breeze and Drift finishes feature Duraform textured wrapped MDF to match cabinet door for S3S396 DT and S3S696 DT
- 3-Sided and 4-Sided Stock may also be used in vertical applications (as a filler) or horizontal applications (as furniture toe)
- Bold line indicates finished surfaces

	LENGTH		LENGTH
<b>STARTER</b>		<b>3-SIDED</b>	
STRM8	94"	MSS3S394	94"
<b>SINGLE BEAD</b>		S3S396 DT	96"
SBM8	94"	MSS3S694	94"
<b>SMALL SINGLE BEAD</b>		S3S696 DT	96"
SSBM8	94"	<b>4-SIDED</b>	
		S4S396	96"
		S4S696	96"

## Accent Molding



SHAKER



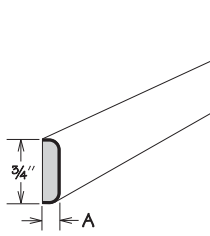
SINGLE BEAD

- 94" long
- All finishes feature solid wood finished to match cabinet box exterior
- May be used as accent on Wall China, Wine Storage, Base Microwave, and Universal Design Base Multi-Use cabinets
- Bold line indicates finished surfaces

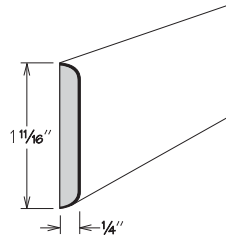
**SHAKER**  
SAM8

**SINGLE BEAD**  
SBAM8

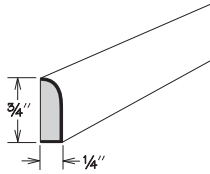
# Trim Molding



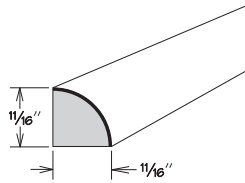
BATTEN



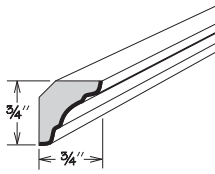
WIDE BATTEN



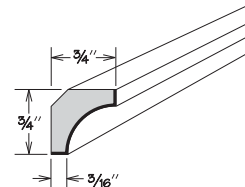
SCRIBE



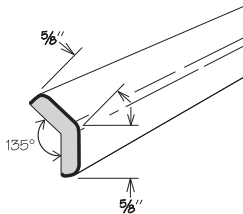
QUARTER ROUND



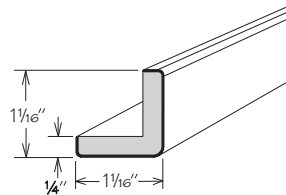
DECORATIVE INSIDE CORNER



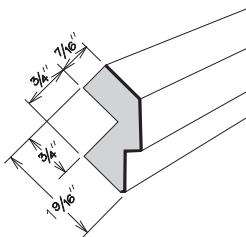
INSIDE CORNER



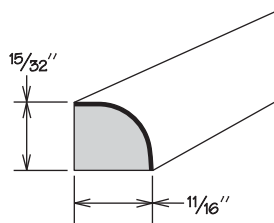
ANGLED OUTSIDE CORNER



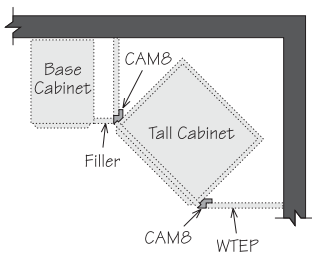
OUTSIDE CORNER



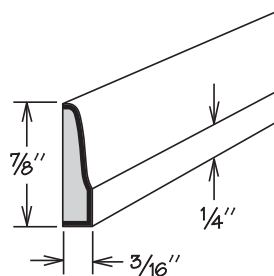
CABINET ANGLE



SHOE



Top View



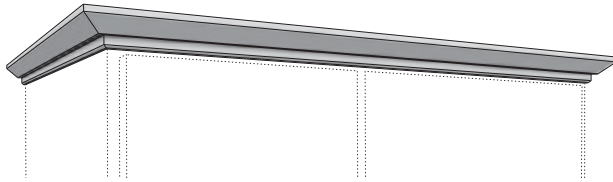
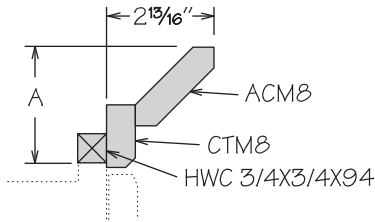
STRAIGHT TRIM MOLDING

- All finishes feature solid wood finished to match cabinet box exterior for BM8, SM8, SM10, ICM8, AOSC8, CAM8, WBM8, QR8, QM8, OTCM8, SHM8 and UM8
- Duraform Breeze and Drift finishes feature Duraform textured wrapped MDF to match cabinet door for SM8 DT, QM8 DT, OTCM8 DT, BM8 DT, and SHM8 DT
- Cabinet Angle Molding (CAM8)
  - » Can be used in corner application to place cabinet at 45° angle
  - » Cannot be installed on cabinets with the Furniture Ends Option (FE)
- Bold line indicates finished surfaces

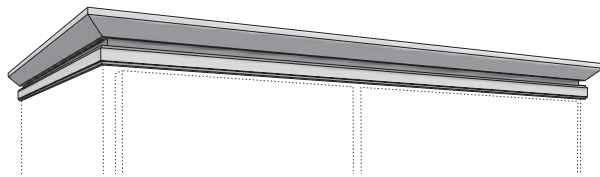
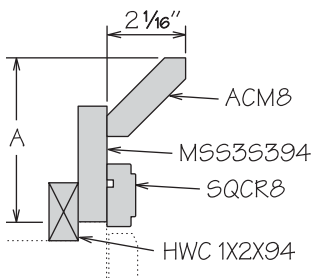
	A	LENGTH		LENGTH
<b>BATTEN</b>			<b>WIDE BATTEN</b>	
BM8	3/16"	94"	WBM8	94"
BM8 DT	1/4"	94"		
			<b>QUARTER ROUND</b>	
<b>SCRIBE</b>			QR8	94"
SM8	-	94"		
SM8 DT	-	94"	<b>INSIDE CORNER</b>	
SM10	-	120"	QM8	94"
			QM8 DT	94"
<b>DECORATIVE INSIDE CORNER</b>			<b>OUTSIDE CORNER</b>	
ICM8	-	94"	OTCM8	94"
			OTCM8 DT	94"
<b>ANGLED OUTSIDE CORNER</b>			<b>SHOE</b>	
AOSC8	-	94"	SHM8	94"
			SHM8 DT	94"
<b>CABINET ANGLE</b>			<b>STRAIGHT TRIM MOLDING</b>	
CAM8	-	94"	UM8	94"



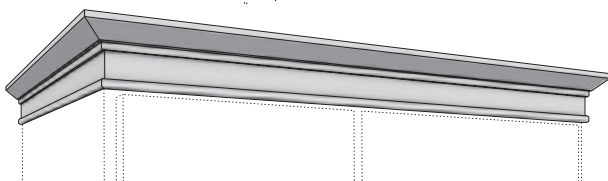
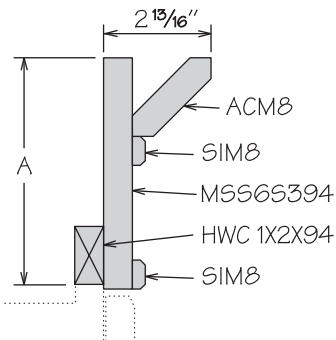
## Molding Stack • Modern



MODERN 100



MODERN 200

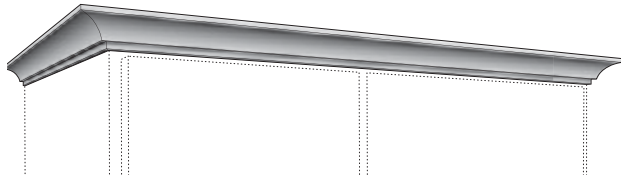
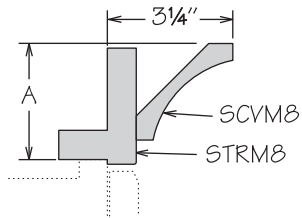


MODERN 300

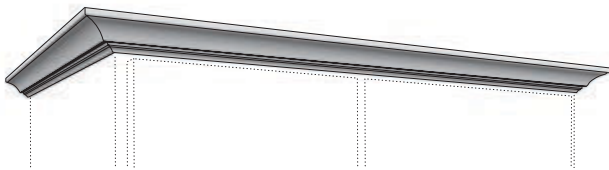
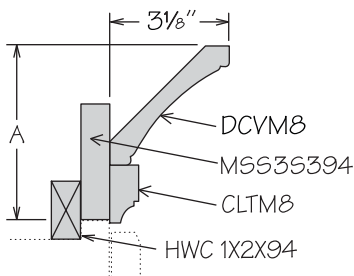
- 94" long
- All door styles feature solid wood finished to match cabinet box exterior
- Height dimensions are above the face-frame height when used as shown
- Modern 100 pre-packaged molding kit includes:
  - » ACM8
  - » CTM8
  - » HWC 3/4X3/4X94
- Modern 200 pre-packaged molding kit includes:
  - » ACM8
  - » MSS3S394
  - » SQCR8
  - » HWC 1X2X94
- Modern 300 pre-packaged molding kit includes:
  - » ACM8
  - » SIM8 (2)
  - » MSS3S694
  - » HWC 1X2X94
- Molding Stacks shipped unassembled
- Molding Stacks to be cut, assembled and field installed at job site
- Only one finish can be specified per Molding Stack
- Molding Stack diagram included
- Refer to specifications on individual molding included in molding stack

MODERN	HEIGHT SHOWN	A MIN.	A MAX.
MS MODERN 100	3"	2 3/16"	3"
MS MODERN 200	4 1/4"	3 9/16"	4 1/2"
MS MODERN 300	5 7/8"	5 7/8"	7 3/8"

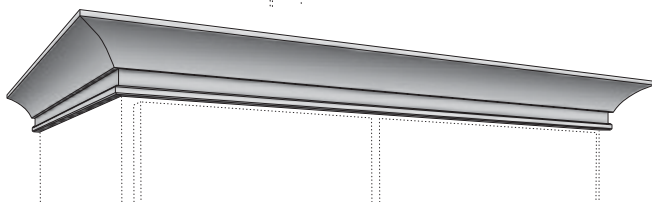
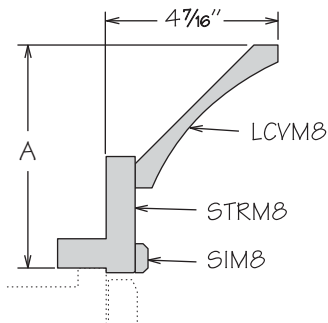
# Molding Stack • Transitional



TRANSITIONAL 100



TRANSITIONAL 200

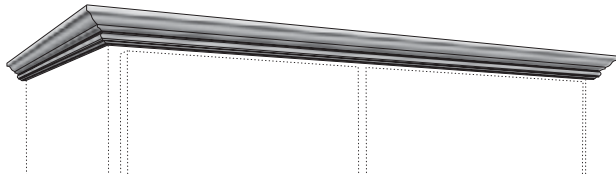
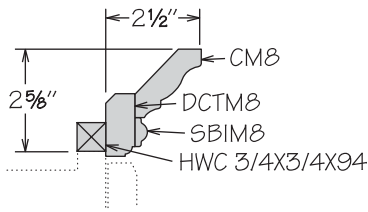


TRANSITIONAL 300

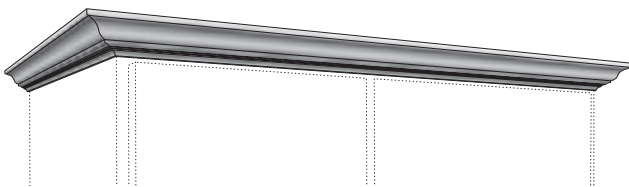
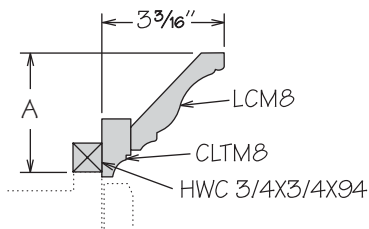
- 94" long
- All door styles feature solid wood finished to match cabinet box exterior
- Height dimensions are the above-face-frame height when used as shown
- Transitional 100 pre-packaged molding kit includes:
  - » SCVM8
  - » STRM8
- Transitional 200 pre-packaged molding kit includes:
  - » DCVM8
  - » MSS3S394
  - » CLTM8
  - » HWC 1X2X94
- Transitional 300 pre-packaged molding kit includes:
  - » LCVMB
  - » STRMB
  - » SIMB
- Molding Stacks shipped unassembled
- Molding Stacks to be cut, assembled and field installed at job site
- Only one finish can be specified per Molding Stack
- Molding Stack diagram included
- Refer to specifications on individual molding included in molding stack

TRANSITIONAL	HEIGHT SHOWN	A MIN.	A MAX.
MS TRANSITIONAL 100	3"	2 7/8"	4 3/4"
MS TRANSITIONAL 200	4 1/2"	4 1/2"	5 1/2"
MS TRANSITIONAL 300	5 3/4"	4 5/16"	5 5/16"

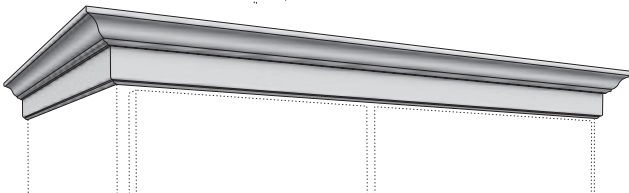
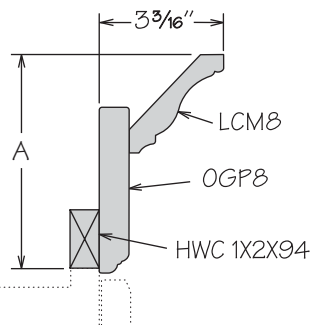
# Molding Stack • Classic



CLASSIC 100



CLASSIC 200

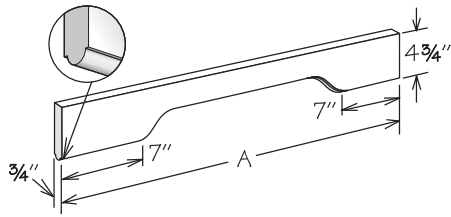


CLASSIC 300

- 94" long
- All door styles feature solid wood finished to match cabinet box exterior
- Height dimensions are the above-face-frame height when used as shown
- Classic 100 pre-packaged molding kit includes:
  - » CM8
  - » DCTM8
  - » SBIM8
  - » HWC 3/4X3/4X94
- Classic 200 pre-packaged molding kit includes:
  - » LCM8
  - » CLTM8
  - » HWC 3/4X3/4X94
- Classic 300 pre-packaged molding kit includes:
  - » LCM8
  - » OGP8
  - » HWC 1X2X94
- Molding Stacks shipped unassembled
- Molding Stacks to be cut, assembled and field installed at job site
- Only one finish can be specified per Molding Stack
- Molding Stack diagram included
- Refer to specifications on individual molding included in molding stack

CLASSIC	HEIGHT SHOWN	A MIN.	A MAX.
MS CLASSIC 100	2 5/8"	-	-
MS CLASSIC 200	3 1/16"	2 15/16"	3 5/16"
MS CLASSIC 300	5 1/2"	4 1/8"	6"

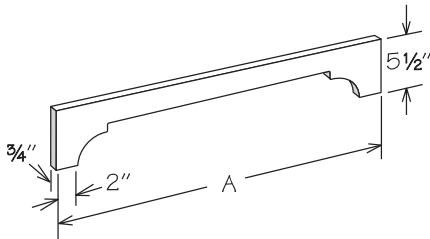
## Arched Valance



- Field trimmable
- All door styles feature solid wood finished to match cabinet box exterior
- Dimension from height of arch to top of valance is 2 1/8"

	<b>A</b>	<b>MAX. TRIM</b> (6 5/8" each end)
V36 AR	36 1/4"	24"
V48 AR	48 1/4"	36"
V60 AR	60 1/4"	48"
V72 AR	72 1/4"	60"

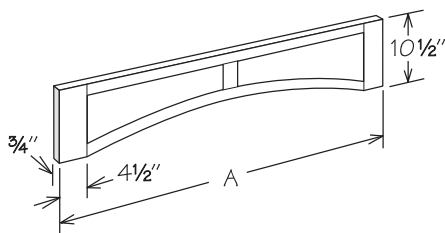
## Crown Valance



- Field trimmable
- All door styles feature solid wood finished to match cabinet box exterior
- Dimension from height of arch to top of valance is 2 1/4"

	<b>A</b>	<b>MAX. TRIM</b> (1 1/2" each end)
V30 CR	30 1/4"	27 1/4"
V36 CR	36 1/4"	33 1/4"
V42 CR	42 1/4"	39 1/4"
V48 CR	48 1/4"	45 1/4"
V60 CR	60 1/4"	57 1/4"
V72 CR	72 1/4"	69 1/4"

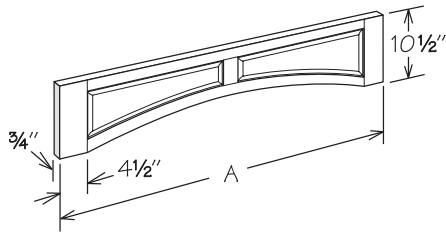
## Flat Panel Arched Valance



- Field trimmable
- All door styles feature solid wood finished to match cabinet box exterior
- Dimension from height of arch to top of valance is 8 1/2"

	<b>A</b>	<b>MAX. TRIM</b> (3" each end)	<b>NUMBER OF PANELS</b>
V36 FP	36"	30"	2
V42 FP	42"	36"	2
V48 FP	48"	42"	2
V54 FP	54"	48"	3
V60 FP	60"	54"	3
V66 FP	66"	60"	3
V72 FP	72"	66"	3

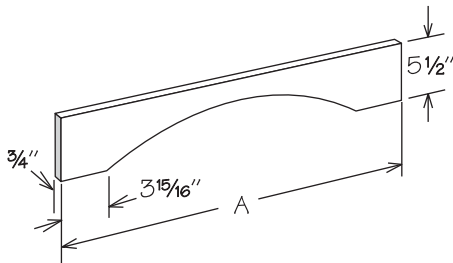
## Raised Panel Arched Valance



- Field trimmable
- All door styles feature solid wood finished to match cabinet box exterior
- Dimension from height of arch to top of valance is 8 1/2"

	A	MAX. TRIM (3" each end)	NUMBER OF PANELS
V36 RP	36"	30"	2
V42 RP	42"	36"	2
V48 RP	48"	42"	2
V54 RP	54"	48"	3
V60 RP	60"	54"	3
V66 RP	66"	60"	3
V72 RP	72"	66"	3

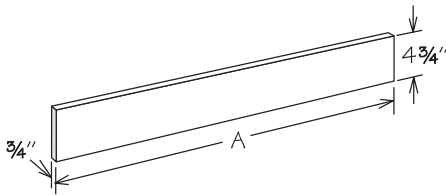
## Shaker Valance



- Field trimmable
- All door styles feature solid wood finished to match cabinet box exterior
- Dimension from height of arch to top of valance is 2 1/4"

	A	MAX. TRIM (3 1/8" each end)
V30 SH	30 1/4"	24"
V36 SH	36 1/4"	30"
V42 SH	42 1/4"	36"
V48 SH	48 1/4"	42"
V60 SH	60 1/4"	54"
V72 SH	72 1/4"	66"

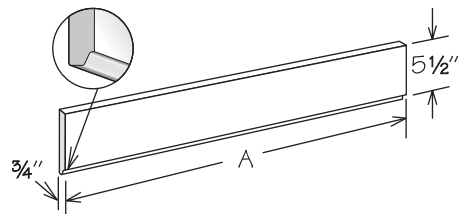
## Straight Valance



- Field trimmable
- All door styles feature solid wood finished to match cabinet box exterior

	A
V48 S	48 1/4"
V72 S	72 1/4"

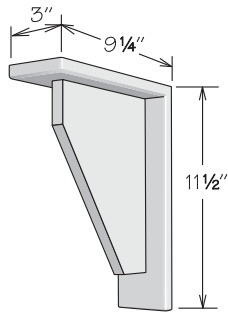
## Traditional Valance



- Field trimmable
- All door styles feature solid wood finished to match cabinet box exterior

	A
V36 T	36 1/4"
V72 T	72 1/4"
V96 T	96 1/4"

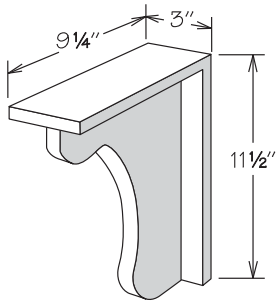
## Angled Corbel



- All door styles feature 5/8" solid wood finished to match cabinet box exterior
- For decorative use only

AS12

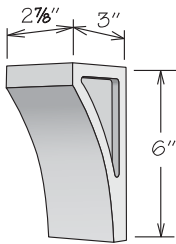
## Curved Corbel



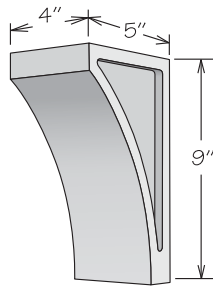
- All door styles feature 5/8" solid wood finished to match cabinet box exterior
- For decorative use only

CS12

## Cove Corbels



SMALL



MEDIUM

- All door styles feature solid wood finished to match cabinet box exterior
- Recessed mounting clips included
- For decorative use only

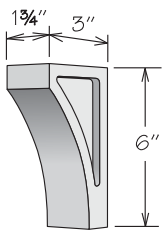
**SMALL**  
CC36

**SMALL NARROW**  
CC26

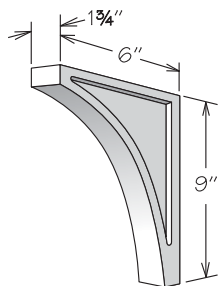
**MEDIUM**  
CC49

**MEDIUM NARROW**  
CC29

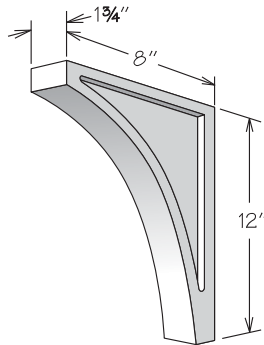
**LARGE NARROW**  
CC212



SMALL NARROW

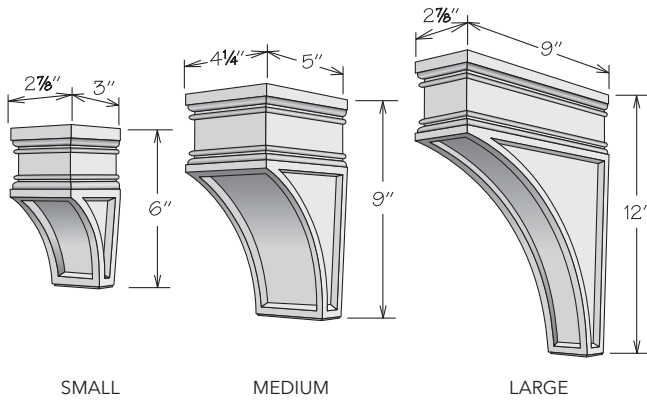


MEDIUM NARROW



LARGE NARROW

## Valencia Corbels



- All door styles feature solid wood finished to match cabinet box exterior
- Recessed mounting clips included
- For decorative use only

**SMALL**

VC36

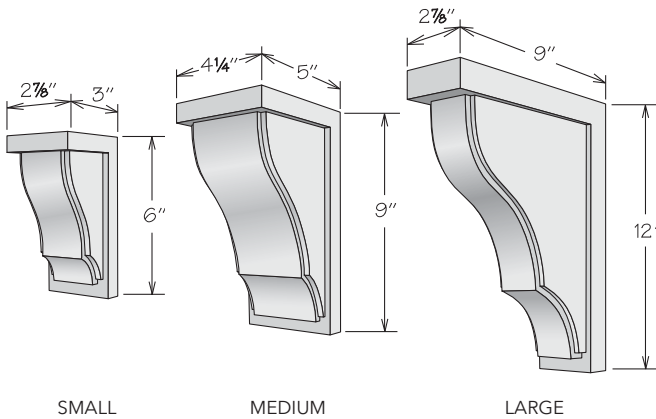
**LARGE**

VC312

**MEDIUM**

VC49

## Finley Corbels



- All door styles feature solid wood finished to match cabinet box exterior
- Recessed mounting clips included
- For decorative use only

**SMALL**

FC36

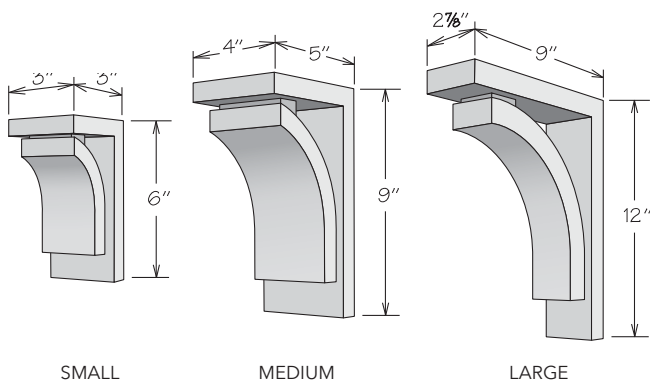
**LARGE**

FC312

**MEDIUM**

FC49

## Prairie Corbels



- All door styles feature solid wood finished to match cabinet box exterior
- Recessed mounting clips included
- For decorative use only

**SMALL**

PC36

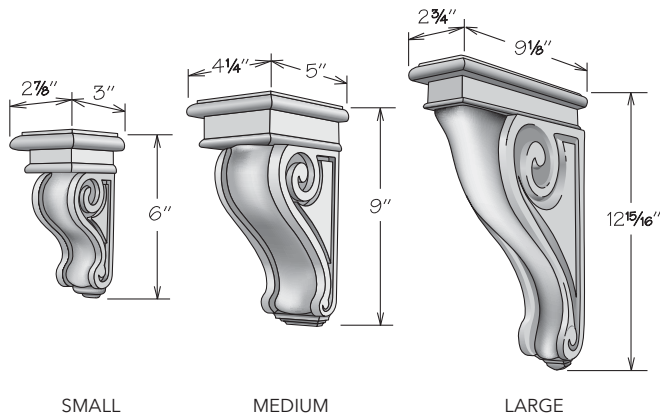
**LARGE**

PC312

**MEDIUM**

PC49

## Rosette Corbels



- All door styles feature solid wood finished to match cabinet box exterior
- Recessed mounting clips included
- For decorative use only

**SMALL**

RC36

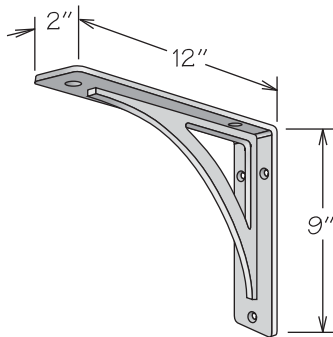
**LARGE**

RC313

**MEDIUM**

RC49

## Metal Cove Corbel



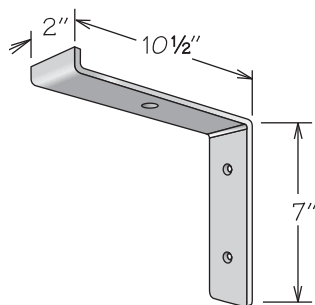
- Mounting clips included
- Can be installed using either height orientation
- For decorative use only
- Will support up to 100 lbs. when installed per included installation instructions

**FINISH**

METAL COVE 212 VB  
 METAL COVE 212 MB  
 METAL COVE 212 SN  
 METAL COVE 212 PC

Verona Bronze  
 Matte Black  
 Satin Nickel  
 Polished Chrome

## Metal Emerson Corbel



- Mounting clips included
- For decorative use only
- Will support up to 100 lbs. when installed per included installation instructions

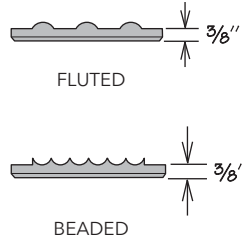
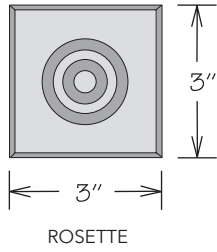
**FINISH**

METAL EMERSON 27 VB  
 METAL EMERSON 27 MB  
 METAL EMERSON 27 SN  
 METAL EMERSON 27 PC

Verona Bronze  
 Matte Black  
 Satin Nickel  
 Polished Chrome



## Decorative Blocks



- All door styles feature solid wood finished to match cabinet box exterior
- For use with Fluted Beaded Fillers

### FLUTED

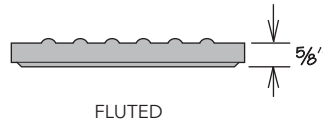
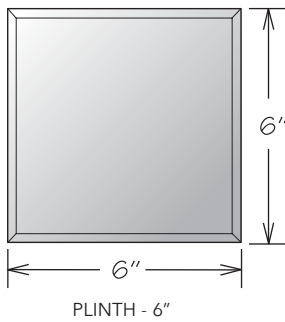
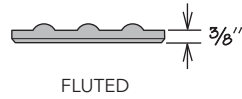
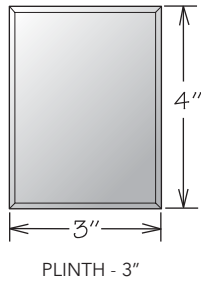
**Rosette**  
FB3X3 ROSETTE

**Plinth - 3"**  
FB3X4 PLINTH

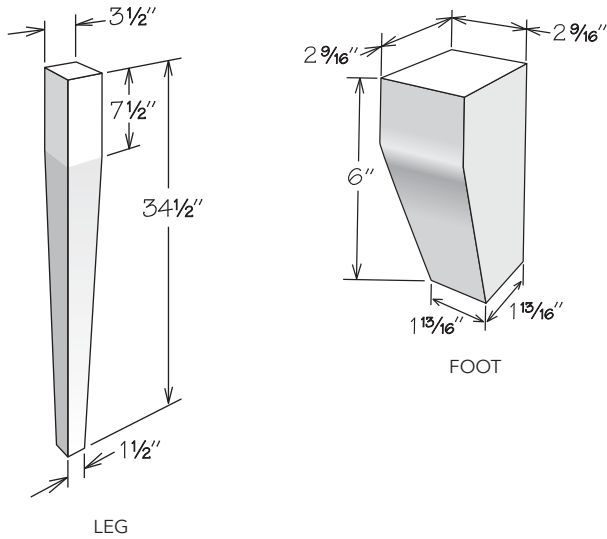
**Plinth - 6"**  
FB6X6 PLINTH

### BEADED

**Rosette**  
BB3X3 ROSETTE



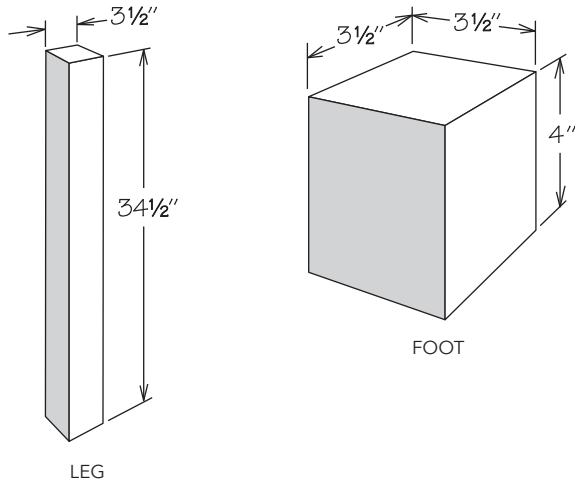
## Base Tapered Leg and Foot



- All door styles feature solid wood finished to match cabinet box exterior
- Base Tapered Leg is tapered on all sides and is field trimmable
- Base Tapered Foot is tapered on two sides and is field trimmable to 4" high
- Complements the Cove corbels

**LEG** \_\_\_\_\_ **FOOT** \_\_\_\_\_  
 BTPL \_\_\_\_\_ TPF \_\_\_\_\_

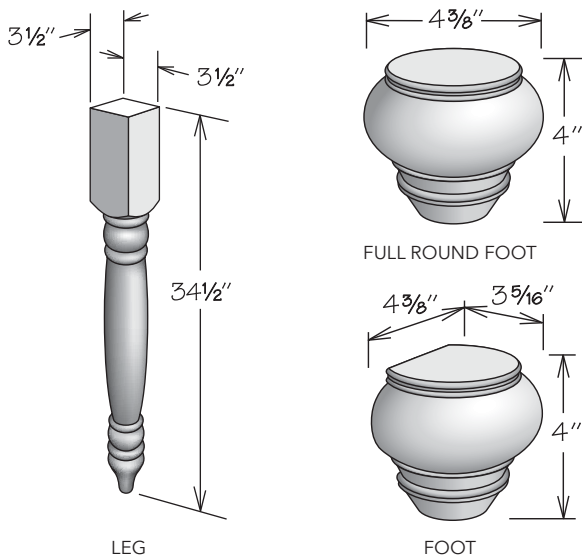
## Base Square Leg and Foot



- All door styles feature solid wood finished to match cabinet box exterior
- Base Square Leg is field trimmable
- Complements the Cove corbels

**LEG** \_\_\_\_\_ **FOOT** \_\_\_\_\_  
 BSQLE \_\_\_\_\_ BSQF \_\_\_\_\_

## Base Turned Leg and Feet

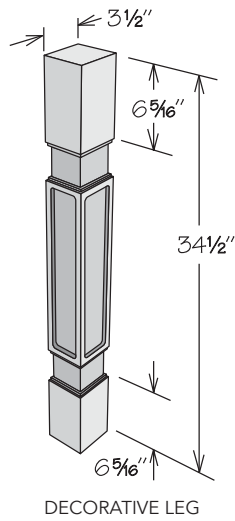


- All door styles feature solid wood finished to match cabinet box exterior
- Base Turned Leg is field trimmable to 28 1/2" high
- Complements the Rosette corbels

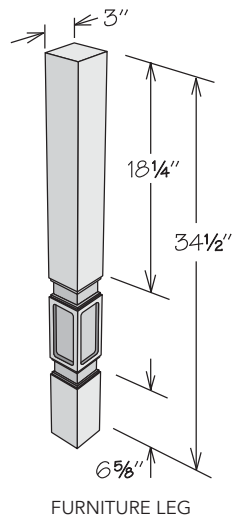
**LEG** \_\_\_\_\_ **FULL ROUND FOOT** \_\_\_\_\_  
 BTL \_\_\_\_\_ ATF-FR \_\_\_\_\_

**FOOT** \_\_\_\_\_  
 ATF \_\_\_\_\_

## Parker Legs and Foot



DECORATIVE LEG



FURNITURE LEG

- All door styles feature solid wood finished to match cabinet box exterior
- Legs are field trimmable
- Complements the Prairie and Cove corbels

**DECORATIVE LEG**

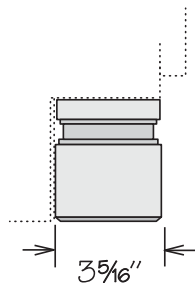
PDL

**FURNITURE LEG**

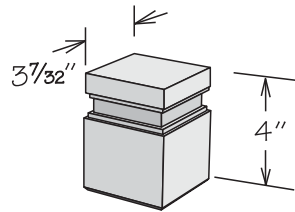
PFL

**FOOT**

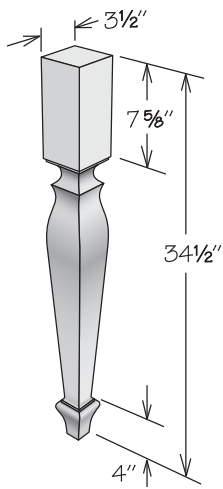
PDF



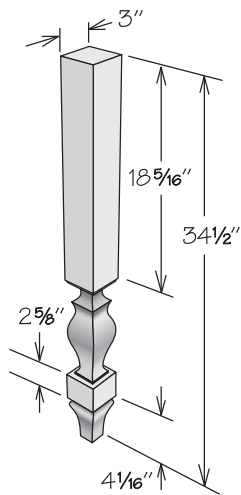
FOOT



## Chantilly Legs and Foot



DECORATIVE LEG



FURNITURE LEG

- All door styles feature solid wood finished to match cabinet box exterior
- Legs are field trimmable
- Complements the Rosette corbels

**DECORATIVE LEG**

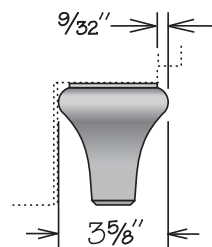
CDL

**FURNITURE LEG**

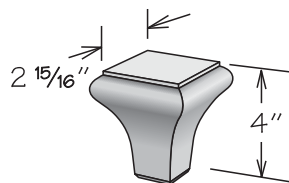
CFL

**FOOT**

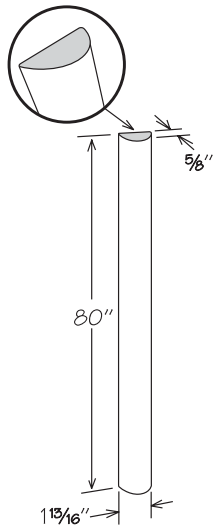
CDF



FOOT



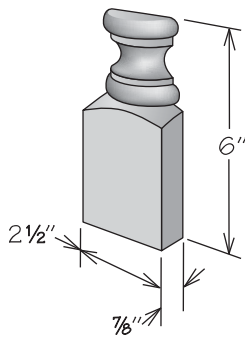
## Split Post



- All door styles feature solid wood finished to match cabinet box exterior
- Field trimmable
- Use with Traditional Split Block to create design element
- Must be mounted to a Universal Filler (order separately)

**SPLIT POST**  
SPLIT POST80 P

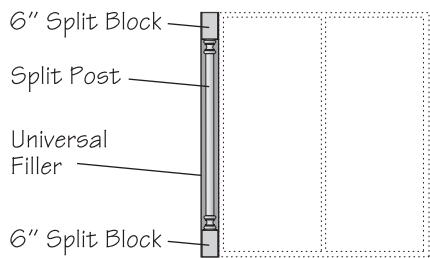
## Traditional Split Block



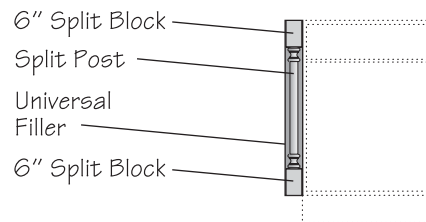
- All door styles feature solid wood finished to match cabinet box exterior
- For floor or wall application
- Use with Split Post to create design element
- Must be mounted to a Universal Filler (order separately)

**SPLIT BLOCK**  
SPLIT BLOCK26 T

## SUGGESTED DESIGN APPLICATIONS



Wall Cabinet



Base Cabinet

---

**Notes**



Living space shown in 410F Painted Linen

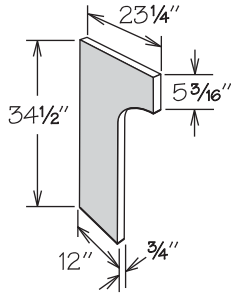
## **Pam Moore**

Poonams By Design

*“Waypoint is easy to work with and fast, even thru Covid issues and closures!”*



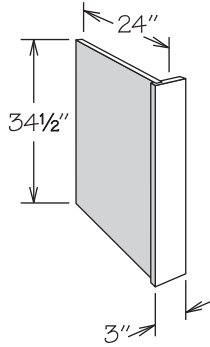
## Desk End Panel



- All door styles feature 3/4" veneered engineered wood finished to match cabinet box exterior on both sides
- Recommend QM8 be ordered for installation to ensure proper attachment to wall
- Field trimmable
- Edge banded on front

DEP

## Dishwasher Return

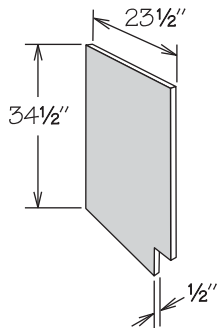


- Reversible for left or right installation
- Solid wood front
- All door styles feature 1/2" plywood with outside finished to match cabinet exterior and inside with a natural woodgrain look
- Attaching blocks included
- Field trimmable to 1" in width
- Can be notched for toe kick in the field

FE

DWR3

## Sink/Vanity Front Return

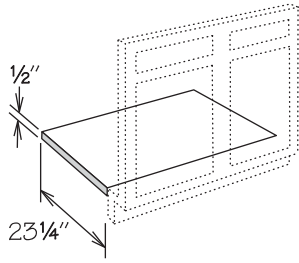


- All door styles feature 1/2" plywood with outside to match cabinet exterior and inside with a natural woodgrain look
- Specify left or right
- Attaching blocks included
- SFR (R/L) with the Furniture Ends Option (FE) will include a rabbeted front edge
- Field trimmable

FE

SFRR  
SFRL

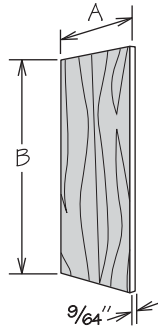
## Sink/Vanity Front Floor



- All door styles feature 1/2" engineered wood with one side finished with a natural woodgrain look
- 1/2" oversize in width
- FL36X36 to be used for CSF36 (field trim to fit)
- FL48X48 to be used for CSF42 (field trim to fit)
- Field trimmable

FL24  
FL36  
FL36X36  
FL48  
FL48X48  
FL60  
FL72

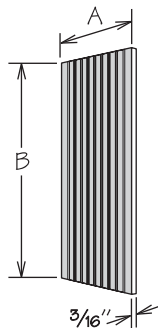
## Paneling



- Wood and Duraform Espresso door styles feature plywood, with vertical grain, finished on one side to match cabinet box exterior
- Duraform (excluding Duraform Espresso) and Painted door styles feature engineered wood finished on one side to match cabinet box exterior
- TEP120 will feature plywood with vertical grain - finished on one side to match cabinet box exterior for all door styles
- Textured panels feature textured-wrapped engineered wood finished on one side to match cabinet door - available for Breeze and Drift finishes only
- FP9634 DT is shipped as two 48" wide x 34 1/2" high panels
- Field trimmable, can be notched for toe kick

WOOD	TEXTURED	A	B
WEP30	WEP30 DT	11 1/4"	30 1/8"
WEP42	WEP42 DT	11 1/4"	42 1/8"
WEP48	WEP48 DT	11 1/4"	48"
WEP1542	WEP1542 DT	14 1/4"	42 1/8"
BEP34	BEP34 DT	23 3/4"	34 1/2"
TEP84	TEP84 DT	23 3/4"	84"
TEP96	TEP96 DT	23 3/4"	96"
TEP120	TEP120 DT	23 3/4"	120"
FP4834	FP4834 DT	48"	34 1/2"
FP4896	FP4896 DT	48"	96"
FP9634	FP9634 DT	96"	34 1/2"
FP9648	-	96"	48"

## Grooved Paneling

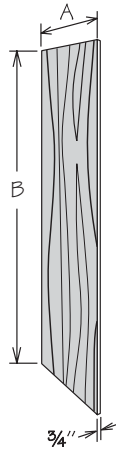


- Grooved every 1 1/2" on one side
- All door styles feature 3/16" plywood finished on one side to match cabinet box exterior
- FP9634 Grooved Paneling is shipped as two 48" wide x 34 1/2" high panels
- Field trimmable, can be notched for toe kick

	A	B
WEP30 GROOVED	11 1/4"	30 1/8"
WEP42 GROOVED	11 1/4"	42 1/8"
WEP48 GROOVED	11 1/4"	48"
WEP1542 GROOVED	14 1/4"	42 1/8"
BEP34 GROOVED	23 3/4"	34 1/2"
TEP84 GROOVED	23 3/4"	84"
TEP96 GROOVED	23 3/4"	96"
FP4834 GROOVED	48"	34 1/2"
FP4896 GROOVED	48"	96"
FP9634 GROOVED	96"	34 1/2"



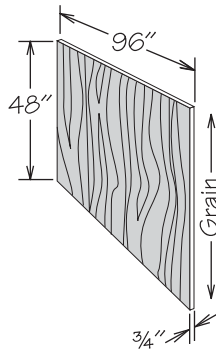
## Wood End Panel



- Wood panels feature engineered wood finished on both sides to match cabinet box exterior for all door styles
  - » Edge banded on both long edges
- Textured panels feature textured-wrapped engineered wood finished on both sides to match cabinet door - available for Breeze and Drift finishes only
  - » WWEP\_DT are edge banded on all four edges
  - » WBEP\_DT and DWTEP\_DT are edge banded on both long edges
- Field trimmable, can be notched for toe kick

WOOD	A	B
WBEP	24"	34 1/2"
WTEP84	24"	84"
WTEP96	24"	96"
WTEP120	24"	120"
DWTEP84	32"	84"
DWTEP96	32"	96"
TEXTURED		
WWEP1330 DT	13"	30 1/8"
WWEP1336 DT	13"	36 1/8"
WWEP1339 DT	13"	39 1/8"
WWEP1342 DT	13"	42 1/8"
WBEP2534 DT	25"	34 1/8"
DWTEP84 DT	32"	84"
DWTEP96 DT	32"	96"
DWTEP120 DT	32"	120"

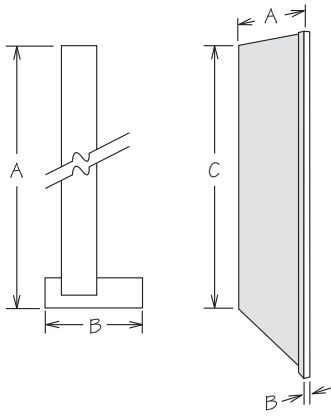
## 3/4" Panel



- Wood panels feature plywood finished on both sides to match cabinet box exterior for all door styles
- Textured panels feature textured-wrapped engineered wood finished on both side to match cabinet door - available for Breeze and Drift finishes only
- WP9648 DT is shipped as two 48" wide x 48" high panels
- Edge banded on all edges
- Field trimmable, can be notched for toe kick

WOOD	TEXTURED
WP9648	WP9648 DT

## Refrigerator Return • 1/2" Panel

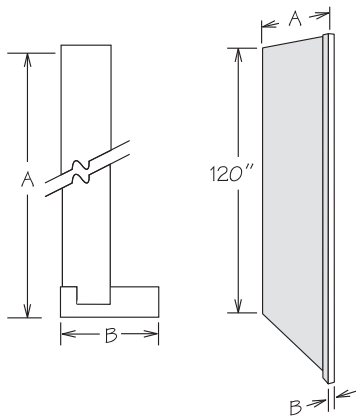


- Reversible for left or right installation
- Solid wood front
- Features 1/2" plywood with outside finished to match cabinet exterior and inside with a natural woodgrain look
- Front filler can be trimmed to a minimum of 1" wide
- Field trimmable in height, can be notched for toe kick

FE
MI
RD ■

	A	B	C
RR84	24"	1 5/8"	84"
RR384	24"	3"	84"
RR96	24"	1 5/8"	96"
RR396	24"	3"	96"
RR84 X 32DP ■	32"	1 5/8"	84"
RR384 X 32DP ■	32"	3"	84"
RR96 X 32DP ■	32"	1 5/8"	96"
RR396 X 32DP ■	32"	3"	96"

## Refrigerator Return • 3/4" Panel

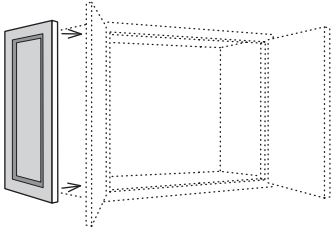


- Reversible for left or right installation
- Solid wood front
- Features 3/4" plywood finished on both sides to match cabinet box exterior
- Front filler can be trimmed to a minimum of 1" wide
- Field trimmable in height, can be notched for toe kick

RD ■
------

	A	B
RR120FL	24"	1 5/8"
RR3120FL	24"	3"
RR120FL X 32DP ■	32"	1 5/8"
RR3120FL X 32DP ■	32"	3"

## Decorator Matching Doors • Wall Cabinets

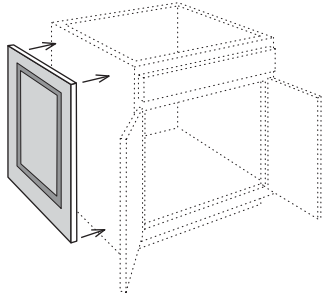


- Furniture Ends Option (FE) or WEP30/WEP42 panel is recommended for installation
- Attaches to side of wall cabinet
- Matches style and finish of cabinet doors
- Panel thickness is ¾"
- Refer to Parts Directory for dimensions

DMDW18  
DMDW24  
DMDW30  
DMDW36  
DMDW39  
DMDW42

## Decorator Matching Doors • Base Cabinets

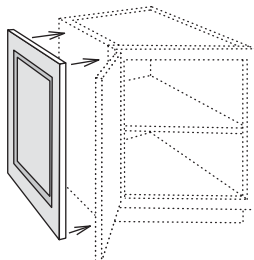
**NEW! UPDATE**



- **UPDATE:** Now features a DR24FH for full overlay door styles for better alignment
- Furniture Ends Option (FE) or BEP34 panel is recommended for installation
- Attaches to side of 24" deep base cabinet
- Matches style and finish of cabinet doors
- Panel thickness is ¾"
- Refer to Parts Directory for dimensions

DMDB

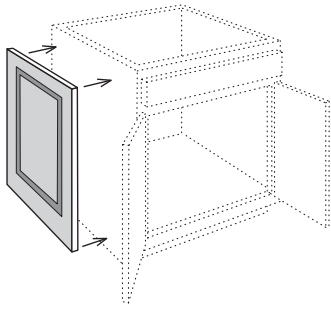
## Decorator Matching Doors • Base End Angle Cabinets



- Furniture Ends Option (FE) or WEP42 panel is recommended for installation
- Attaches to side of BEA12 or BS2434
- Matches style and finish of cabinet doors
- Panel thickness is ¾"
- Refer to Parts Directory for dimensions

DMDBEA12

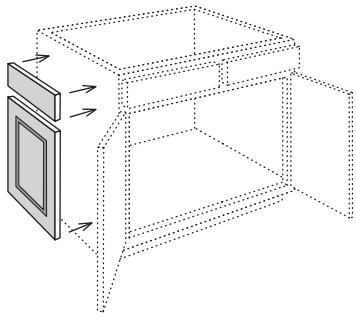
## Decorator Matching Doors • Desk Cabinets



- Furniture Ends Option (FE) or BEP34 panel is recommended for installation
- Attaches to side of 21" or 24" deep desk cabinet
- Matches style and finish of cabinet doors
- Panel thickness is 3/4"
- Refer to Parts Directory for dimensions

DMDD21  
DMDD24

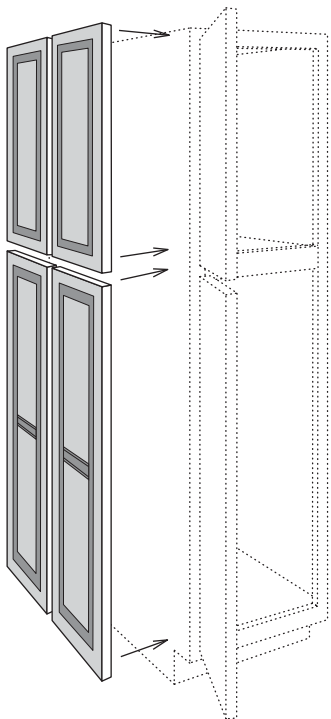
## Decorator Matching Doors • Vanity Cabinet



- Furniture Ends Option (FE) or BEP34 panel is recommended for installation
- Attaches to side of 20 3/4" deep x 31 1/8" high vanity cabinet
- For 18" deep x 31 1/8" high vanity cabinets order DR1821 ND and DDF18
- For base-height vanity cabinets order DR21FH ND door for 20 3/4" deep or DR18FH ND for 18" deep cabinets
- Matches style and finish of cabinet doors
- Panel thickness is 3/4"
- Refer to Parts Directory for dimensions

DMDV

## Decorator Matching Doors • Tall Cabinets



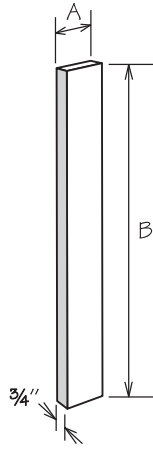
24" Deep Shown

- Furniture Ends Option (FE) or TEP84/TEP96 panel is recommended for installation
- Attaches to side of utility or oven cabinet
- Matches style and finish of cabinet doors
- Panel thickness is 3/4"
- 24" deep features four doors (as shown)
- 12" deep features two doors
- Bottom doors on DMDT will have a center for select door styles - refer to door style section
- Refer to Parts Directory for dimensions

**12" DEEP**  
DMDT8412  
DMDT9012  
DMDT9312  
DMDT9612

**24" DEEP**  
DMDT8424  
DMDT9024  
DMDT9324  
DMDT9624

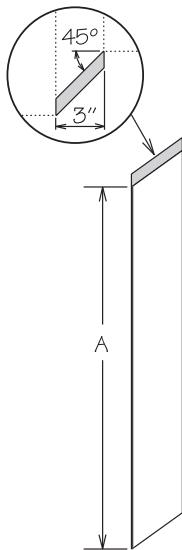
## Universal Filler



- Wood fillers:
  - » 3/4" solid wood
  - » UF and S3S\_\_ are finished on front and all four edges to match cabinet box exterior
  - » S4S\_\_ are finished on front, back, and all four edges to match cabinet box exterior
- Textured fillers:
  - » 3/4" engineered wood textured-wrapped on front and all four edges to match cabinet door
  - » Available in Breeze and Drift finishes only
- Field trimmable

WOOD	A	B	TEXTURED	A	B
UF3	3"	30 1/2"	S3S396 DT	3"	96"
UF6	6"	30 1/2"	S3S696 DT	6"	96"
UF342	3"	42 1/8"			
UF642	6"	42 1/8"			
UF380	3"	80"			
UF680	6"	80"			
UF392	3"	92"			
UF692	6"	92"			
S3S396	3"	96"			
S3S696	6"	96"			
S4S396	3"	96"			
S4S696	6"	96"			
UF3120	3"	120"			

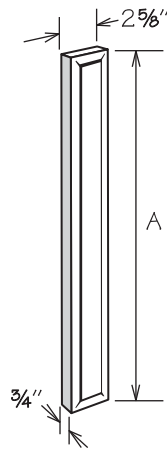
## Universal Filler Extension



- 3/4" solid wood
- Finished on front and all four edges to match cabinet box exterior
- Field trimmable

	A
UF E3	30 1/2"
UF E342	42 1/8"

### 3" Overlay Filler

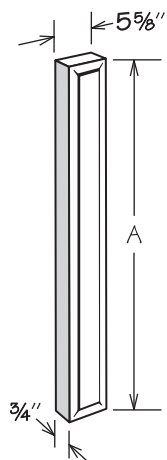


- For use with full overlay door styles only
- Outside profile matches outside profile of door - see next page for details
- Wood overlay fillers feature:
  - » Solid wood finished to match cabinet box exterior for Wood, Painted and Duraform Breeze and Drift door styles
  - » Duraform wrapped MDF for Duraform Espresso, Harbor, Linen and Stone door styles
- Textured overlay fillers feature textured wrapped engineered wood finished to match cabinet door - available for Breeze and Drift finishes only
- Finished on all edges
- Indicate door style when ordering
- Not field trimmable
- Must be mounted to a Universal Filler (order separately)

WOOD	TEXTURED	A
WOF312	WOF312 DT	11 1/16"
WOF315	WOF315 DT	14 1/16"
WOF318	WOF318 DT	17 1/16"
WOF321	WOF321 DT	20"
WOF324	WOF324 DT	23 7/8"
WOF327	WOF327 DT	26 1/2"
WOF330	WOF330 DT	29 1/2"
WOF336	WOF336 DT	35 1/2"
WOF339	WOF339 DT	38 1/2"
WOF342	WOF342 DT	41 1/2"
BOF3	BOF3 DT	29 7/8"
DOF3	DOF3 DT	23 7/8"
VOF3	VOF3 DT	26 1/2"
TOF384	TOF384 DT	79 3/8"
TOF390	TOF390 DT	85 3/8"
TOF393	TOF393 DT	88 3/8"
TOF396	TOF396 DT	91 3/8"

### 6" Overlay Filler

NEW! SIZE



- WOF6\_ available for full overlay D Series door styles only
- BOF6\_ available for full overlay door styles only
- Outside profile matches outside profile of door - see next page for details
- Wood overlay fillers feature:
  - » Solid wood finished to match cabinet box exterior for Wood, Painted and Duraform Breeze and Drift door styles
  - » Duraform wrapped MDF for Duraform Espresso, Harbor, Linen and Stone door styles
- Textured overlay fillers feature textured wrapped engineered wood finished to match cabinet door - available for Breeze and Drift finishes only
- Finished on all edges
- Indicate door style when ordering
- Not field trimmable
- Must be mounted to a Universal Filler (order separately)

WOOD	TEXTURED	A
WOF630	-	29 1/2"
WOF636	-	35 1/2"
WOF639	-	38 1/2"
WOF642	-	41 1/2"
BOF6	BOF6 DT	29 7/8"

# Blind Wall Cabinet Installation Chart

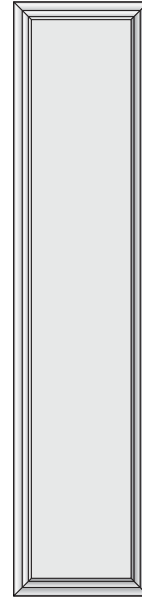
**PROFILE FOR:**

750  
 .....  
 720  
 .....



**PROFILE FOR:**

540  
 .....  
 D18  
 .....



**PROFILE FOR:**

660  
 .....

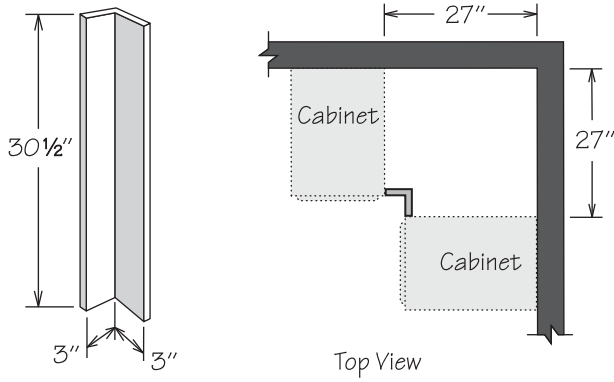


**PROFILE FOR:**

650  
 .....  
 644  
 .....  
 570  
 .....  
 530  
 .....  
 460  
 .....  
 410  
 .....  
 DT24  
 .....  
 DT22  
 .....  
 D16  
 .....  
 D12  
 .....



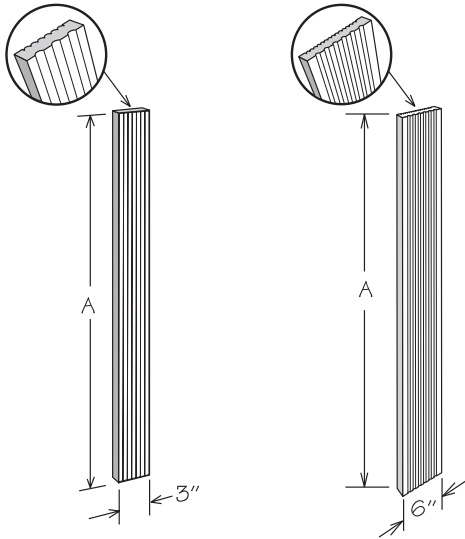
## Base Corner Filler



- 3/4" solid wood
- Finished on front and all four edges to match cabinet box exterior
- Field trimmable

BCF27

## Fluted Beaded Filler • Reversible



- Filler is fluted on one side and beaded on reverse side
- Finished on all sides to match cabinet box exterior
- 3/4" solid wood
- Apply decorative blocks for accent
- Field trimmable
- Ensure correct side is exposed when installed

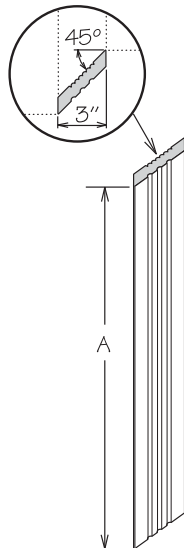
### 3" WIDE

	A
FBF3	30 1/2"
FBF342	42 1/8"
FBF384	84"
FBF396	96"

### 6" WIDE

FBF6	30 1/2"
FBF642	42 1/8"
FBF684	84"
FBF696	96"

## Fluted Beaded Filler Extension • Reversible

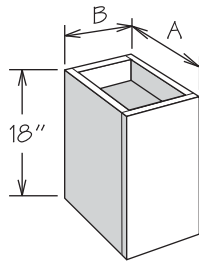


- For wall or base application
- Filler is fluted on one side and beaded on reverse side
- Finished all sides to match cabinet box exterior
- 3/4" solid wood
- Apply 3" wide decorative blocks for accent
- Field trimmable
- Ensure correct side is exposed when installed

	A
FBF E3	30 1/2"
FBF E342	42 1/8"



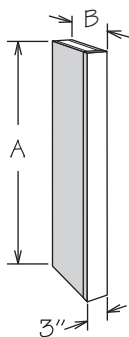
## Plain Box Filler



- Veneered engineered wood finished to match cabinet box exterior
- Features 1/4" reveal
- Trimmable in height to 14 1/8" tall
- Reversible for left or right installation
- Finished to match cabinet box exterior

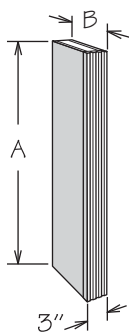
	A	B
WPB91815	15"	9"
WPB121815	15"	12"

## Column Filler

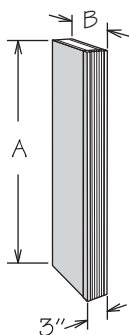


PLAIN (\_PC)

- 3" wide x 3/4" thick solid wood front
- Finished veneered sides are flush with face
- Reversible for left or right installation
- Top and bottom edges of returns are edge banded
- Apply overlay filer or 3" wide decorative blocks for accent
- Field trimmable to any depth
- Field trimmable in height noted below:
  - » W\_C31530 field trimmable to 27 1/8", 24 1/2", 20 5/8" 18 1/8", 15 1/8", or 12 1/8"
  - » W\_C31542 field trimmable to 39 1/8" or 36 1/8"
  - » W\_C31560 field trimmable to 54" or 48"
  - » B\_C32734 field trimmable to 31 1/8" or 28 1/2"
  - » T\_C32796 field trimmable to 93" or 90"
  - » T\_C32784 not trimmable in height



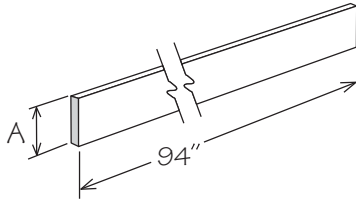
FLUTED (\_FC)



BEADED (\_BC)

PLAIN	A	B
<b>Wall</b>		
WPC31530	30 1/8"	15"
WPC31542	42 1/8"	15"
WPC31560	60"	15"
<b>Base</b>		
BPC32734	34 1/2"	27"
<b>Tall</b>		
TPC32784	84"	27"
TPC32796	96"	27"
<b>FLUTED</b>		
<b>Wall</b>		
WFC31530	30 1/8"	15"
WFC31542	42 1/8"	15"
WFC31560	60"	15"
<b>Base</b>		
BFC32734	34 1/2"	27"
<b>Tall</b>		
TFC32784	84"	27"
TFC32796	96"	27"
<b>BEADED</b>		
<b>Wall</b>		
WBC31530	30 1/8"	15"
WBC31542	42 1/8"	15"
WBC31560	60"	15"
<b>Base</b>		
BBC32734	34 1/2"	27"
<b>Tall</b>		
TBC32784	84"	27"
TBC32796	96"	27"

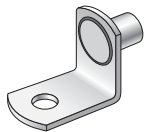
## Base Toe Kick



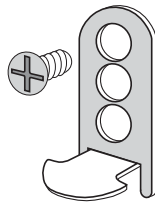
- Wood and Duraform Espresso door styles feature  $\frac{3}{4}$ " plywood, with vertical grain, finished on one side to match cabinet box exterior
- Duraform (excluding Duraform Espresso) and Painted door styles feature  $\frac{3}{4}$ " engineered wood finished on one side to match cabinet box exterior
- Textured toe kicks feature textured-wrapped  $\frac{3}{4}$ " engineered wood finished on one side to match cabinet door - available for Breeze and Drift finishes only
- Putty Stick and Touch Up Marker are recommended for exposed ends

WOOD	A
BTK8	3 $\frac{15}{16}$ "
BTK8 UD	8"
TEXTURED	A
BTK8 DT	3 $\frac{15}{16}$ "

## Shelf Rests



Metal



MFD

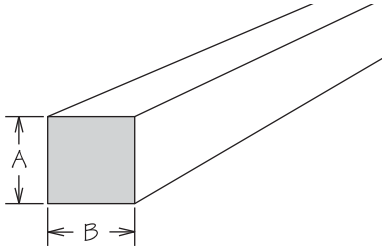


Clip Lock

- Metal and MFD shelf rests are nickel plated steel
- MFD shelf rests are six position adjustable for alignment of shelf with mullion
- Clip Lock shelf rests are molded clear high-strength polycarbonate

	QTY.
<b>Bookshelves &amp; Wall Shelves</b>	
SHELF REST METAL 4PK	4
SHELF REST METAL 12	12
<b>Mullion Frame Cabinet Shelves</b>	
SHELF REST MFD PK	8
<b><math>\frac{3}{4}</math>" Base &amp; Tall Shelves</b>	
CLIP LOCK SHELF 3/4 4 PK	4

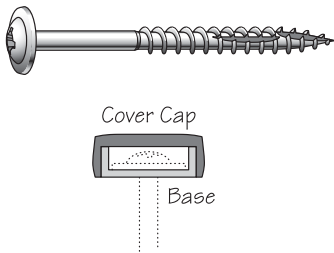
## Cleat



- HWC 1/2X1/2X94 and HWC 3/4X3/4X94 are shipped in two 47" long pieces
- Unfinished

	A	B	LENGTH
HWC 1/2X1/2X94	1/2"	1/2"	94"
HWC 3/4X3/4X94	3/4"	3/4"	94"
HWC 1X2X94	3/4"	1 1/2"	94"
HWC 2X4X96	1 1/2"	3 1/2"	96"

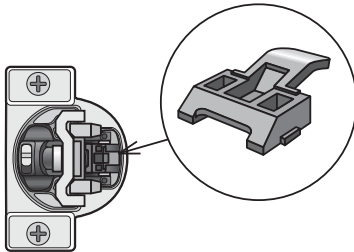
## Screws & Screw Cover Caps



- Installation screws are Phillips panhead 2 1/2" long
- COVER CAP \_\_\_ used to conceal head of installation screw
- COVER CAP 10MM \_\_\_ used to conceal predrilled holes in cabinet backs

	QTY.
SCREW INST 2.5 BX100	100
COVER CAP TAN	50
COVER CAP WHT	50
COVER CAP 10MM TAN	4
COVER CAP 10MM WHT	4

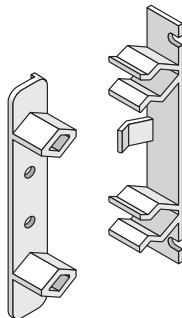
## Hinge Restriction Clip



- Limits door opening to 86° to avoid contact with adjacent objects
- For use on CushionClose hinges only
- Package includes 10 per bag (1 required per hinge)
- Cannot be used on cabinets with roll out accessories

HINGE CC ANG RES CLP

## Dummy Drawer Front Fastener



- For installation of one dummy drawer front
- Kit contents:
  - » Two sets of DDF Fasteners
  - » Eight screws
  - » One instruction sheet
- Please refer to cabinet specifications as some cabinets will require more than one kit

DDF FASTENER

## Spray Stain

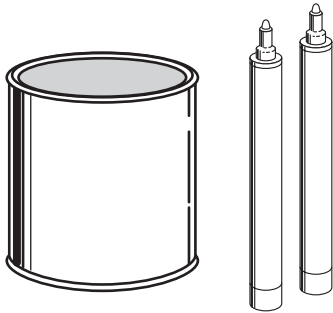


- SPRAY STAIN TINTED available for all finishes (excluding Maple Cognac, Maple Slate, Maple Spice and Cherry Java)
- SPRAY STAIN CLEAR for use as top coat for all door styles
- Spray Stain Tinted for Duraform Breeze and Drift will match the cabinet box exterior
- Indicate species and finish when ordering
- 11 ounce aerosol spray can

---

SPRAY STAIN CLEAR  
SPRAY STAIN TINTED

## Stain

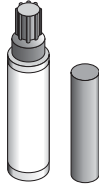


- STAIN PINT (QUART) used for all non-glazed stains and non-glazed painted finishes
- STAIN GLAZED PINT (QUART) used for all glazed painted finishes
- STAIN TOP COAT strongly recommended for application over ALL finishes (order separately)
- STAIN GLAZED includes STAIN PINT and two STAIN GLAZED PENS per pint
- STAIN GLAZED PENS available for order separately (quantity of two)
- Stains for Duraform Breeze and Drift will match the cabinet box exterior
- Indicate species and finish when ordering
- PINT covers approximately 40 square feet
- QUART covers approximately 80 square feet
- Instructions included

---

STAIN PINT  
STAIN QUART  
STAIN GLAZED PINT  
STAIN GLAZED QUART  
STAIN GLAZED PENS  
STAIN TOP COAT PINT  
STAIN TOP COAT QUART

## Putty Stick & Marker



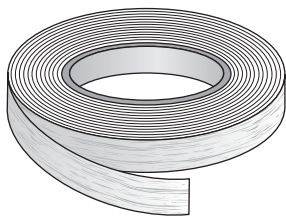
- Indicate species and finish when ordering
- Touch Up Markers & Putty Sticks for Duraform Breeze and Drift will match the cabinet box exterior
- Refer to chart to order correct QTY
- Putty Stick - for filling minor dents, gouges, and scratches made during or after installation
- Touch Up Marker - adds color to minor surface scratches

PUTTY STICK EXT QTY1  
 PUTTY STICK EXT QTY2  
 PUTTY STICK INTERIOR  
 TU MARKER EXT QTY1  
 TU MARKER EXT QTY2  
 TU MARKER INTERIOR  
 TU MARKER DURAFORM

Finish Color	Putty Stick	TU Marker
Cherry Java	PUTTY STICK EXT QTY1	TU MARKER EXT QTY1
Cherry Slate	PUTTY STICK EXT QTY1	TU MARKER EXT QTY1
Duraform Breeze	PUTTY STICK EXT QTY1	TU MARKER EXT QTY2
Duraform Drift	PUTTY STICK EXT QTY1	TU MARKER EXT QTY1
Duraform Espresso	PUTTY STICK EXT QTY1	TU MARKER DURAFORM
Duraform Harbor	PUTTY STICK EXT QTY1	TU MARKER DURAFORM
Duraform Linen	PUTTY STICK EXT QTY2	TU MARKER DURAFORM
Duraform Stone	PUTTY STICK EXT QTY1	TU MARKER DURAFORM
Maple Cognac	PUTTY STICK EXT QTY1	TU MARKER EXT QTY1
Maple Latte	PUTTY STICK EXT QTY1	TU MARKER EXT QTY1
Maple Rye	PUTTY STICK EXT QTY1	TU MARKER EXT QTY1
Maple Slate	PUTTY STICK EXT QTY1	TU MARKER EXT QTY1
Maple Spice	PUTTY STICK EXT QTY1	TU MARKER EXT QTY1
Maple Truffle	PUTTY STICK EXT QTY1	TU MARKER EXT QTY2

Finish Color	Putty Stick	TU Marker
Painted Black	PUTTY STICK EXT QTY1	TU MARKER EXT QTY1
Painted Biscotti	PUTTY STICK EXT QTY1	TU MARKER EXT QTY2
Painted Boulder	PUTTY STICK EXT QTY1	TU MARKER EXT QTY1
Painted Ember	PUTTY STICK EXT QTY1	TU MARKER EXT QTY2
Painted Harbor	PUTTY STICK EXT QTY1	TU MARKER EXT QTY1
Painted Linen	PUTTY STICK EXT QTY2	TU MARKER EXT QTY2
Painted Navy	PUTTY STICK EXT QTY1	TU MARKER EXT QTY1
Painted Pewter	PUTTY STICK EXT QTY2	TU MARKER EXT QTY2
Painted Sage	PUTTY STICK EXT QTY1	TU MARKER EXT QTY1
Painted Stone	PUTTY STICK EXT QTY1	TU MARKER EXT QTY1
Painted Vanilla	PUTTY STICK EXT QTY1	TU MARKER EXT QTY1
Interior	PUTTY STICK INTERIOR	TU MARKER INTERIOR

## Edge Banding • Textured



- Available for Breeze and Drift finishes only
- Tape is required for edge band installation
- Trimmable

	HEIGHT	LENGTH
EDGE BAND 25 DT	7/8"	25'
EDGE BAND TAPE 50	1"	50'



Rectangular Knob - Polished Chrome



Rectangular Pull - Polished Chrome



Antic Knob - Matte Black



Briolette Pull - Matte Black

Radiant Knob - Modern Brushed Gold



Radiant Pull - Modern Brushed Gold

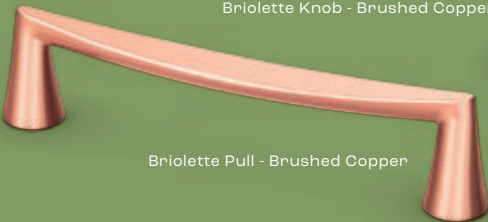


Trillion Knob - Vintage Nickel



Trillion Pull - Vintage Nickel

Briolette Knob - Brushed Copper



Briolette Pull - Brushed Copper



Living space shown in 660R Painted Biscotti

Over 100 new knobs and pulls to complete your look.

## Waypoint® does not recommend drilling through any door/drawer joint for installation of decorative hardware.

- Door and drawer fronts must be adjusted before installing decorative hardware
- Some decorative hardware has restrictions for use on certain door styles which will be indicated with restriction specific icons followed by the door style(s) that have the restriction

**NR12** not recommended on 12" drawers

**NR15** not recommended on drawers 15" or less

**NR18** not recommended on drawers 18" or less

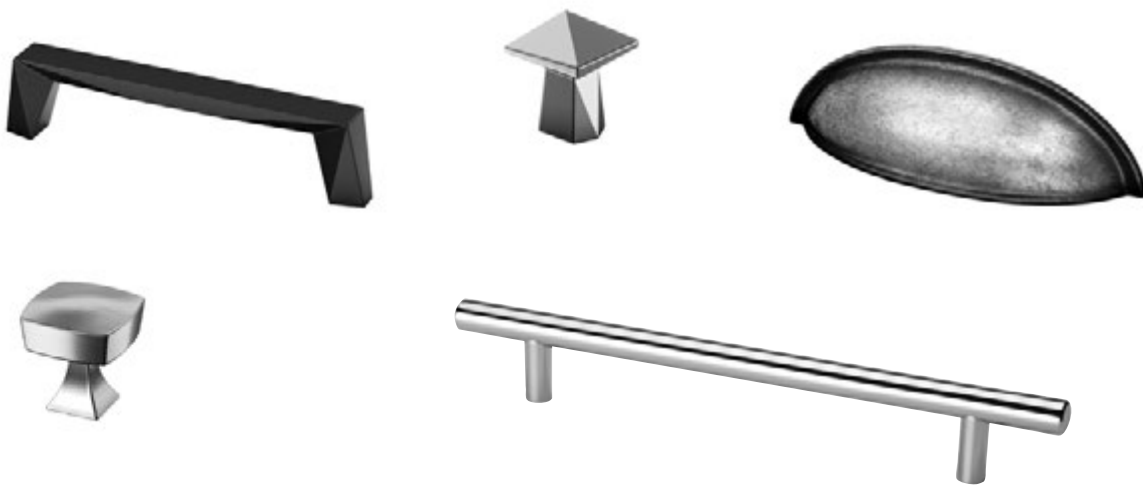
**NR** not recommended for any size drawer

**NRKDC** not recommended for any size drawer

### Example:

Restriction: **NR12** 750, 720, 570F, 540, D18

Explanation: This specific hardware is not recommended on 12" drawers for the 750, 720, 570F, 540 or D18 door styles





**Antic** NEW! HARDWARE



**Tier 3  
Antic Pull**  
Polished Chrome  
PULL 6797PC

128mm Center • Overall Length: 5 13/16"



**Tier 3  
Antic Pull**  
Satin Nickel  
PULL 6797SN

128mm Center • Overall Length: 5 13/16"



**Tier 3  
Antic Pull**  
Vintage Nickel  
PULL 6797VN

128mm Center • Overall Length: 5 13/16"



**Tier 3  
Antic Pull**  
Modern Brushed Gold  
PULL 6797MG

128mm Center • Overall Length: 5 13/16"



**Tier 3  
Antic Pull**  
Matte Black  
PULL 6797MB

128mm Center • Overall Length: 5 13/16"

NR12 660R, 650F, DT24



**Tier 3  
Antic Knob**  
Polished Chrome  
KNOB 6798PC



**Tier 3  
Antic Knob**  
Satin Nickel  
KNOB 6798SN



**Tier 3  
Antic Knob**  
Vintage Nickel  
KNOB 6798VN



**Tier 3  
Antic Knob**  
Modern Brushed Gold  
KNOB 6798MG



**Tier 3  
Antic Knob**  
Matte Black  
KNOB 6798MB

**Briolette** NEW! HARDWARE



**Tier 3  
Briolette Pull**  
Polished Chrome  
PULL 2272PC

128mm Center • Overall Length: 5 3/4"



**Tier 3  
Briolette Pull**  
Satin Nickel  
PULL 2272SN

128mm Center • Overall Length: 5 3/4"



**Tier 3  
Briolette Pull**  
Modern Brushed Gold  
PULL 2272MG

128mm Center • Overall Length: 5 3/4"



**Tier 3  
Briolette Pull**  
Brushed Copper  
PULL 2272CP

128mm Center • Overall Length: 5 3/4"



**Tier 3  
Briolette Pull**  
Matte Black  
PULL 2272MB

128mm Center • Overall Length: 5 3/4"

NR12 660R, 650F, DT24



**Tier 3  
Briolette Knob**  
Polished Chrome  
KNOB 2271PC



**Tier 3  
Briolette Knob**  
Satin Nickel  
KNOB 2271SN



**Tier 3  
Briolette Knob**  
Modern Brushed Gold  
KNOB 2271MG



**Tier 3  
Briolette Knob**  
Brushed Copper  
KNOB 2271CP



**Tier 3  
Briolette Knob**  
Matte Black  
KNOB 2271MB

**Radiant** NEW! HARDWARE



**Tier 3  
Radiant Pull  
Satin Nickel  
PULL 0318SN**

128mm Center • Overall Length: 5 3/4"



**Tier 3  
Radiant Pull  
Weathered Nickel  
PULL 0318WN**

128mm Center • Overall Length: 5 3/4"



**Tier 3  
Radiant Pull  
Modern Brushed Gold  
PULL 0318MG**

128mm Center • Overall Length: 5 3/4"



**Tier 3  
Radiant Pull  
Verona Bronze  
PULL 0318VB**

128mm Center • Overall Length: 5 3/4"



**Tier 3  
Radiant Pull  
Matte Black  
PULL 0318MB**

128mm Center • Overall Length: 5 3/4"

NR12 660R, 650F, DT24



**Tier 3  
Radiant Knob  
Satin Nickel  
KNOB 0319SN**



**Tier 3  
Radiant Knob  
Weathered Nickel  
KNOB 0319WN**



**Tier 3  
Radiant Knob  
Modern Brushed Gold  
KNOB 0319MG**



**Tier 3  
Radiant Knob  
Verona Bronze  
KNOB 0319VB**



**Tier 3  
Radiant Knob  
Matte Black  
KNOB 0319MB**

**Trillion** NEW! HARDWARE



**Tier 3  
Trillion Pull  
Polished Chrome  
PULL 0875PC**

128mm Center • Overall Length: 5 1/2"



**Tier 3  
Trillion Pull  
Satin Nickel  
PULL 0875SN**

128mm Center • Overall Length: 5 1/2"



**Tier 3  
Trillion Pull  
Vintage Nickel  
PULL 0875VN**

128mm Center • Overall Length: 5 1/2"



**Tier 3  
Trillion Pull  
Modern Brushed Gold  
PULL 0875MG**

128mm Center • Overall Length: 5 1/2"



**Tier 3  
Trillion Pull  
Matte Black  
PULL 0875MB**

128mm Center • Overall Length: 5 1/2"

NR12 650F, DT24



**Tier 3  
Trillion Knob  
Polished Chrome  
KNOB 0876PC**



**Tier 3  
Trillion Knob  
Satin Nickel  
KNOB 0876SN**



**Tier 3  
Trillion Knob  
Vintage Nickel  
KNOB 0876VN**



**Tier 3  
Trillion Knob  
Modern Brushed Gold  
KNOB 0876MG**



**Tier 3  
Trillion Knob  
Matte Black  
KNOB 0876MB**

**Marquise** NEW! HARDWARE



**Tier 3**  
Marquise Pull - 6 7/8"  
Polished Chrome  
PULL 4213PC

160mm Center • Overall Length: 6 7/8"



**Tier 3**  
Marquise Pull - 6 7/8"  
Satin Nickel  
PULL 4213SN

160mm Center • Overall Length: 6 7/8"



**Tier 3**  
Marquise Pull - 6 7/8"  
Modern Brushed Gold  
PULL 4213MG

160mm Center • Overall Length: 6 7/8"



**Tier 3**  
Marquise Pull - 6 7/8"  
Brushed Copper  
PULL 4213CP

160mm Center • Overall Length: 6 7/8"



**Tier 3**  
Marquise Pull - 6 7/8"  
Matte Black  
PULL 4213MB

160mm Center • Overall Length: 6 7/8"

NR12 720, 660R, 650F, 470F, 410F, DT24, D04



**Tier 3**  
Marquise Pull - 5 9/16"  
Polished Chrome  
PULL 4212PC

128mm Center • Overall Length: 5 9/16"



**Tier 3**  
Marquise Pull - 5 9/16"  
Satin Nickel  
PULL 4212SN

128mm Center • Overall Length: 5 9/16"



**Tier 3**  
Marquise Pull - 5 9/16"  
Modern Brushed Gold  
PULL 4212MG

128mm Center • Overall Length: 5 9/16"



**Tier 3**  
Marquise Pull - 5 9/16"  
Brushed Copper  
PULL 4212CP

128mm Center • Overall Length: 5 9/16"



**Tier 3**  
Marquise Pull - 5 9/16"  
Matte Black  
PULL 4212MB

128mm Center • Overall Length: 5 9/16"

NR12 660R, 650F, DT24

**Halo** NEW! HARDWARE



**Tier 2**  
Halo Knob  
Polished Chrome  
KNOB 3106PC



**Tier 2**  
Halo Knob  
Satin Nickel  
KNOB 3106SN



**Tier 2**  
Halo Knob  
Modern Brushed Gold  
KNOB 3106MG



**Tier 2**  
Halo Knob  
Brushed Copper  
KNOB 3106CP



**Tier 2**  
Halo Knob  
Matte Black  
KNOB 3106MB

## Rectangular NEW! HARDWARE



Tier 2  
Rectangular Pull  
Polished Chrome  
PULL 3502PC

96mm Center • Overall Length: 4 1/8"



Tier 2  
Rectangular Pull  
Satin Nickel  
PULL 3502SN

96mm Center • Overall Length: 4 1/8"



Tier 2  
Rectangular Pull  
Vintage Nickel  
PULL 3502VN

96mm Center • Overall Length: 4 1/8"



Tier 2  
Rectangular Pull  
Modern Brushed Gold  
PULL 3502MG

96mm Center • Overall Length: 4 1/8"



Tier 2  
Rectangular Pull  
Matte Black  
PULL 3502MB

96mm Center • Overall Length: 4 1/8"



Tier 2  
Rectangular Knob  
Polished Chrome  
KNOB 3503PC



Tier 2  
Rectangular Knob  
Satin Nickel  
KNOB 3503SN



Tier 2  
Rectangular Knob  
Vintage Nickel  
KNOB 3503VN



Tier 2  
Rectangular Knob  
Modern Brushed Gold  
KNOB 3503MG



Tier 2  
Rectangular Knob  
Matte Black  
KNOB 3503MB

## Beaded NEW! HARDWARE



Tier 2  
Beaded Pull  
Satin Nickel  
PULL 3562SN

96mm Center • Overall Length: 4 1/2"



Tier 2  
Beaded Pull  
Weathered Nickel  
PULL 3562WN

96mm Center • Overall Length: 4 1/2"



Tier 2  
Beaded Pull  
Modern Brushed Gold  
PULL 3562MG

96mm Center • Overall Length: 4 1/2"



Tier 2  
Beaded Pull  
Verona Bronze  
PULL 3562VB

96mm Center • Overall Length: 4 1/2"



Tier 2  
Beaded Pull  
Matte Black  
PULL 3562MB

96mm Center • Overall Length: 4 1/2"

## Stamped NEW! HARDWARE



Tier 2  
Stamped Knob  
Satin Nickel  
KNOB 3563SN



Tier 2  
Stamped Knob  
Weathered Nickel  
KNOB 3563WN



Tier 2  
Stamped Knob  
Modern Brushed Gold  
KNOB 3563MG



Tier 2  
Stamped Knob  
Verona Bronze  
KNOB 3563VB



Tier 2  
Stamped Knob  
Matte Black  
KNOB 3563MB

**Bow** NEW! HARDWARE



**Tier 2**  
Bow Pull - 7 3/16"  
Polished Chrome  
PULL 3129PC  
5" Center • Overall Length: 7 3/8"

**Tier 2**  
Bow Pull - 7 3/16"  
Satin Nickel  
PULL 3129SN  
5" Center • Overall Length: 7 3/8"

**Tier 2**  
Bow Pull - 7 3/16"  
Modern Brushed Gold  
PULL 3129MG  
5" Center • Overall Length: 7 3/8"

**Tier 2**  
Bow Pull - 7 3/16"  
Brushed Copper  
PULL 3129CP  
5" Center • Overall Length: 7 3/8"

**Tier 2**  
Bow Pull - 7 3/16"  
Matte Black  
PULL 3129MB  
5" Center • Overall Length: 7 3/8"

NR12 750, 720, 660R, 650F, 470F, 410F, DT24, D16F, D04



**Tier 1**  
Bow Pull - 6 13/16"  
Polished Chrome  
PULL 3128PC  
96mm Center • Overall Length: 6 13/16"

**Tier 1**  
Bow Pull - 6 13/16"  
Satin Nickel  
PULL 3128SN  
96mm Center • Overall Length: 6 13/16"

**Tier 1**  
Bow Pull - 6 13/16"  
Modern Brushed Gold  
PULL 3128MG  
96mm Center • Overall Length: 6 13/16"

**Tier 1**  
Bow Pull - 6 13/16"  
Brushed Copper  
PULL 3128CP  
96mm Center • Overall Length: 6 13/16"

**Tier 1**  
Bow Pull - 6 13/16"  
Matte Black  
PULL 3128MB  
96mm Center • Overall Length: 6 13/16"

NR12 660R, 650F, DT24

**Tempo** NEW! HARDWARE



**Tier 2**  
Tempo Pull  
Polished Chrome  
PULL 0323PC  
128mm Center • Overall Length: 5 7/16"

**Tier 2**  
Tempo Pull  
Satin Nickel  
PULL 0323SN  
128mm Center • Overall Length: 5 7/16"

**Tier 2**  
Tempo Pull  
Modern Brushed Gold  
PULL 0323MG  
128mm Center • Overall Length: 5 7/16"

**Tier 2**  
Tempo Pull  
Brushed Copper  
PULL 0323CP  
128mm Center • Overall Length: 5 7/16"

**Tier 2**  
Tempo Pull  
Matte Black  
PULL 0323MB  
128mm Center • Overall Length: 5 7/16"

NR12 650F, DT24



**Tier 2**  
Tempo Knob  
Polished Chrome  
KNOB 0322PC



**Tier 2**  
Tempo Knob  
Satin Nickel  
KNOB 0322SN



**Tier 2**  
Tempo Knob  
Modern Brushed Gold  
KNOB 0322MG



**Tier 2**  
Tempo Knob  
Brushed Copper  
KNOB 0322CP



**Tier 2**  
Tempo Knob  
Matte Black  
KNOB 0322MB

## Cup NEW! HARDWARE



**Tier 2  
Cup Pull**  
Satin Nickel  
PULL 3105SN  
3" Center • Overall Length: 4 5/8"



**Tier 2  
Cup Pull**  
Weathered Nickel  
PULL 3105WN  
3" Center • Overall Length: 4 5/8"



**Tier 2  
Cup Pull**  
Modern Brushed Gold  
PULL 3105MG  
3" Center • Overall Length: 4 5/8"



**Tier 2  
Cup Pull**  
Verona Bronze  
PULL 3105VB  
3" Center • Overall Length: 4 5/8"



**Tier 2  
Cup Pull**  
Matte Black  
PULL 3105MB  
3" Center • Overall Length: 4 5/8"

<b>NR</b>	720, 660R
<b>NRKDC</b>	650F, 470F, 410F, D16F

## Classic NEW! HARDWARE



**Tier 1  
Classic Pull**  
Satin Nickel  
PULL 3172SN  
3" Center • Overall Length: 5 5/8"



**Tier 1  
Classic Pull**  
Verona Bronze  
PULL 3172VB  
3" Center • Overall Length: 5 5/8"



**Tier 1  
Classic Pull**  
Matte Black  
PULL 3172MB  
3" Center • Overall Length: 5 5/8"



**Tier 1  
Classic Knob**  
Satin Nickel  
KNOB 3173SN



**Tier 1  
Classic Knob**  
Weathered Nickel  
KNOB 3173WN



**Tier 1  
Classic Knob**  
Modern Brushed Gold  
KNOB 3173MG



**Tier 1  
Classic Knob**  
Verona Bronze  
KNOB 3173VB



**Tier 1  
Classic Knob**  
Matte Black  
KNOB 3173MB

## Toggle NEW! HARDWARE



**Tier 1  
Toggle Knob**  
Satin Nickel  
KNOB 3239SN



**Tier 1  
Toggle Knob**  
Verona Bronze  
KNOB 3239VB



**Tier 1  
Toggle Knob**  
Matte Black  
KNOB 3239MB

## Twisted Crescent NEW! HARDWARE



**Tier 1**  
**Twisted Crescent Pull**  
**Satin Nickel**  
 PULL 3122SN

96mm Center • Overall Length: 5 1/16"



**Tier 1**  
**Twisted Crescent Pull**  
**Verona Bronze**  
 PULL 3122VB

96mm Center • Overall Length: 5 1/16"



**Tier 1**  
**Twisted Crescent Pull**  
**Matte Black**  
 PULL 3122MB

96mm Center • Overall Length: 5 1/16"

## Button



**Tier 1**  
**Button Knob**  
**Satin Nickel**  
 KNOB 3213SN



**Tier 1**  
**Button Knob**  
**Verona Bronze**  
 KNOB 3213VB



**Tier 1**  
**Button Knob**  
**Matte Black**  
 KNOB 3213MB

## Ringed NEW! HARDWARE



**Tier 1**  
**Ringed Arch Pull**  
**Satin Nickel**  
 PULL 3672SN

3" Center • Overall Length: 5 1/2"



**Tier 1**  
**Ringed Arch Pull**  
**Verona Bronze**  
 PULL 3672VB

3" Center • Overall Length: 5 1/2"



**Tier 1**  
**Ringed Arch Pull**  
**Matte Black**  
 PULL 3672MB

3" Center • Overall Length: 5 1/2"

**NR12** 650F, DT24



**Tier 1**  
**Ringed Knob**  
**Satin Nickel**  
 KNOB 3673SN



**Tier 1**  
**Ringed Knob**  
**Verona Bronze**  
 KNOB 3673VB



**Tier 1**  
**Ringed Knob**  
**Matte Black**  
 KNOB 3673MB

**T-Bar** **NEW! HARDWARE**



**Tier 3**  
**T-Bar Pull - 12 7/16"**  
**Polished Chrome**  
 PULL 4730PC  
 256mm Center  
 Overall Length: 12 7/16"

**Tier 3**  
**T-Bar Pull - 12 7/16"**  
**Satin Nickel**  
 PULL 4730SN  
 256mm Center  
 Overall Length: 12 7/16"

**Tier 3**  
**T-Bar Pull - 12 7/16"**  
**Modern Brushed Gold**  
 PULL 4730MG  
 256mm Center  
 Overall Length: 12 7/16"

**Tier 3**  
**T-Bar Pull - 12 7/16"**  
**Brushed Copper**  
 PULL 4730CP  
 256mm Center  
 Overall Length: 12 7/16"

**Tier 3**  
**T-Bar Pull - 12 7/16"**  
**Matte Black**  
 PULL 4730MB  
 256mm Center  
 Overall Length: 12 7/16"

<b>NR12</b>	ANY DOOR STYLE
<b>NR15</b>	750, 720, 660R, 650F, 570F, 540, 470F, 410F, DT24, D18, D16F, D04
<b>NR18</b>	750, 720



**Tier 2**  
**T-Bar Pull - 8 5/8"**  
**Polished Chrome**  
 PULL 4712PC  
 160mm Center • Overall Length: 8 5/8"

**Tier 2**  
**T-Bar Pull - 8 5/8"**  
**Satin Nickel**  
 PULL 4712SN  
 160mm Center • Overall Length: 8 5/8"

**Tier 2**  
**T-Bar Pull - 8 5/8"**  
**Modern Brushed Gold**  
 PULL 4712MG  
 160mm Center • Overall Length: 8 5/8"

**Tier 2**  
**T-Bar Pull - 8 5/8"**  
**Brushed Copper**  
 PULL 4712CP  
 160mm Center • Overall Length: 8 5/8"

**Tier 2**  
**T-Bar Pull - 8 5/8"**  
**Matte Black**  
 PULL 4712MB  
 160mm Center • Overall Length: 8 5/8"

<b>NR12</b>	750, 720, 660R, 650F, 570F, 540, 470F, 410F, DT24, D18, D16F, D04
-------------	---



**Tier 1**  
**T-Bar Pull - 5 5/16"**  
**Polished Chrome**  
 PULL 4701PC  
 3" Center • Overall Length: 5 5/16"

**Tier 1**  
**T-Bar Pull - 5 5/16"**  
**Satin Nickel**  
 PULL 4701SN  
 3" Center • Overall Length: 5 5/16"

**Tier 1**  
**T-Bar Pull - 5 5/16"**  
**Modern Brushed Gold**  
 PULL 4701MG  
 3" Center • Overall Length: 5 5/16"

**Tier 1**  
**T-Bar Pull - 5 5/16"**  
**Brushed Copper**  
 PULL 4701CP  
 3" Center • Overall Length: 5 5/16"

**Tier 1**  
**T-Bar Pull - 5 5/16"**  
**Matte Black**  
 PULL 4701MB  
 3" Center • Overall Length: 5 5/16"



**Tier 1**  
**T-Bar Knob**  
**Polished Chrome**  
 KNOB 4703PC

**Tier 1**  
**T-Bar Knob**  
**Satin Nickel**  
 KNOB 4703SN

**Tier 1**  
**T-Bar Knob**  
**Modern Brushed Gold**  
 KNOB 4703MG

**Tier 1**  
**T-Bar Knob**  
**Brushed Copper**  
 KNOB 4703CP

**Tier 1**  
**T-Bar Knob**  
**Matte Black**  
 KNOB 4703MB

**DECORATIVE HARDWARE**



**Tab** NEW! HARDWARE



**Tier 3**  
**Tab Pull - 6"**  
**Polished Chrome**  
 PULL 1060PC  
 Overall Length: 6"

**Tier 3**  
**Tab Pull - 6"**  
**Satin Nickel**  
 PULL 1060SN  
 Overall Length: 6"

**Tier 3**  
**Tab Pull - 6"**  
**Modern Brushed Gold**  
 PULL 1060MG  
 Overall Length: 6"

**Tier 3**  
**Tab Pull - 6"**  
**Brushed Copper**  
 PULL 1060CP  
 Overall Length: 6"

**Tier 3**  
**Tab Pull - 6"**  
**Matte Black**  
 PULL 1060MB  
 Overall Length: 6"



**Tier 2**  
**Tab Pull - 3"**  
**Polished Chrome**  
 PULL 1055PC  
 Overall Length: 3"



**Tier 2**  
**Tab Pull - 3"**  
**Satin Nickel**  
 PULL 1055SN  
 Overall Length: 3"



**Tier 2**  
**Tab Pull - 3"**  
**Modern Brushed Gold**  
 PULL 1055MG  
 Overall Length: 3"



**Tier 2**  
**Tab Pull - 3"**  
**Brushed Copper**  
 PULL 1055CP  
 Overall Length: 3"



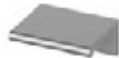
**Tier 2**  
**Tab Pull - 3"**  
**Matte Black**  
 PULL 1055MB  
 Overall Length: 3"



**Tier 1**  
**Tab Pull - 1 3/4"**  
**Polished Chrome**  
 PULL 1050PC  
 Overall Length: 1 3/4"



**Tier 1**  
**Tab Pull - 1 3/4"**  
**Satin Nickel**  
 PULL 1050SN  
 Overall Length: 1 3/4"



**Tier 1**  
**Tab Pull - 1 3/4"**  
**Modern Brushed Gold**  
 PULL 1050MG  
 Overall Length: 1 3/4"



**Tier 1**  
**Tab Pull - 1 3/4"**  
**Brushed Copper**  
 PULL 1050CP  
 Overall Length: 1 3/4"



**Tier 1**  
**Tab Pull - 1 3/4"**  
**Matte Black**  
 PULL 1050MB  
 Overall Length: 1 3/4"



Living space shown in 750F Painted Harbor

**Ali Meshksar**  
EA home design, LLC



Living space shown in 650 Maple Truffle

**Betsy Peterson**  
Kitchen Krafters



Living space shown in 650F Painted Boulder

**Jessica Bostic**  
iN style kitchen & bath

# Parts Directory Contents

## Wall & Wall Corner Cabinets

Standard	237
With Spice Rack, Peninsula Wall	239
Wall Top Hinge, Corner Wall	240
Corner Wall With Appliance Garage, Peninsula Corner, Blind Wall	241
Blind Peninsula	242
Wall End Angle, Refrigerator Wall, Appliance Garages	243
Wall Easy Reach, Wall Range Hood, Microwave	244

## Base & Base Corner Cabinets

Furniture Drawers, Pedestal Drawers	245
With Adjustable Shelf, With Full-Access Deep Roll Out Tray(s)	246
With Full-Access CushionClose® Deep Roll Out Tray(s)	247
Full-Access Pot and Pan Organizer Cabinet	248
Full-Access CushionClose® Pot and Pan Organizer Cabinet	248
Full-Access Bottom Mounted Wastebasket(s)	248
CushionClose® Bottom Mounted Wastebasket(s)	249
Factory Installed Full-Access Roll Out Tray Divider	249
Factory Installed Full-Access CushionClose® Roll Out Tray Divider	249
With Cutting Board Door Rack Kit, With Plastic Bag Door Storage Unit	249
Factory Installed Cutlery Divider	249
Factory Installed Spice Drawer Insert	250
Factory Installed Wood Tiered Cutlery Divider	252
Peninsula Base Cabinet, Blind Corner Base, Blind Peninsula Corner Base	253
Two Drawer Base, Three Drawer Base Cabinet	254
Three Drawer Base - Factory Installed Drawer Accessory	254
Four Drawer Base Cabinet	255
Four Drawer Base - Factory Installed Drawer Accessory	255
Base Microwave, Base Spice Drawer, Spice Drawer Cabinet	256
Full-Height Base	257
Full-Height Base With Bottom Mounted Wastebasket(s)	258
Base End Angle Cabinet, Full-Height Peninsula Base	258
Sink Base Cabinets	259
Corner Base Cabinets	260

## Tall Cabinets

With Adjustable Shelves	261
With Full-Access Deep Roll Out Trays	264
With Full-Access CushionClose Deep Roll Out Trays	266
With Pantry Storage	267
Double Oven	268
Single Oven	269

## Vanity & Bath Cabinets

Vanity Drawer Base, Vanity Full-Height Base	276
Vanity Sink Base, Vanity Sink Front	277
31 1/8" High Vanity Base, 31 1/8" High X 18" Deep Vanity Combo Sink Base	278
31 1/8" High Vanity Combo Sink Base, 34 1/2" High Vanity Base	279
Vanity Base With Wastebasket	279
34 1/2" 18" Deep HighVanity Combo Sink Base	280
34 1/2" High Vanity Combo Sink Base	281
Vanity Linen, Medicine Cabinet, Tri-View Mirror, Valet	282

## Home Office & Desk Cabinets

Desk File Pullout Cabinet, Desk Drawer Base, Kneehole Drawer	283
Desk With Wastebasket	283
Desk Door	284

## Universal Design Cabinets

Base, Base With Deep Roll Out Trays, Corner Base Susan, Sink Base	284
Base Multi-Use, Plumbing Skirt, Drawer Base, Oven	285

## Accessories

Decorator Matching Doors	286
--------------------------	-----

## Dimensions

Door Dimensions	287
Drawer Body Dimensions	289
Drawer Front Dimensions	290
Roll-Out Accessory Dimensions	290
Decorative Glass Insert Dimensions	291
Shelf Dimensions	293
Miscellaneous Parts & Accessories	294

# Parts Directory Legend

DOOR NOMENCLATURE LEGEND	
DR__	Doors must be ordered as hinged left (invert for right hinging) or as no drill Example: SKU: DR1230 Option: Left Hinge
DR_ND	Non-drilled doors are ordered as an option Example: SKU: DR1230 Option: No Drill
DR_SD	Specialty Doors are used for Mullion Frame or Open Frame Door options Example: SKU: DR1230 SD Option: OFD - Open Frame Door Option: Left Hinge
DR_FH	Full-Height Door for Full-Height Base, Full-Height Peninsula Base and Full-Height Vanity Base Example: SKU: DR15 FH Option: Left Hinge
DR__V	Standard height Vanity door Example: SKU: DR1821V Option: Right Hinge

DRAWER/PANEL FRONT NOMENCLATURE LEGEND	
DDF__	Drawer/Panel Front for Base, Desk, Vanity cabinet or Standard Overlay Double Oven cabinet
DDFOV__	Drawer front for Full Overlay OVD__(AS) BUTT
DDF_M	Large Drawer Front for Full Overlay Base, Desk or Vanity cabinet
DDF_D	Large Drawer Front for Standard Overlay Base, Desk or Vanity cabinet
DDF_VD	Large Drawer Front for Full Overlay Standard Height Vanity cabinet
DDFKDC__	Drawer Front for Kneehole Drawer cabinet

ADJUSTABLE SHELVING NOMENCLATURE LEGEND	
<b>Adjustable Shelving Notes:</b> Microwave Wall Cabinet replacement shelves feature Matching Interior standard - MI and MI PLY Shelving NOT available Bookshelves replacement shelves feature Matching Interior standard - MI Shelving NOT available Specialty Door cabinets feature Matching Interior standard, replacement shelves must be ordered as __" SHELF MI or __" SHELF MI PLY	
__" SHELF 3/4	Adjustable Shelf - Standard Construction 3/4" <b>Example: 12" SHELF 3/4</b>
__" SHELF MI	For Matching Interior 3/4" Adjustable Shelving, replace 3/4" with MI <b>Example: 12" SHELF MI</b>
__" SHELF PLY	For All Plywood Construction 3/4" Adjustable Shelving, replace 3/4" with PLY <b>Example: 12" SHELF PLY</b>
__" SHELF MI PLY	For Matching Interior All Plywood Construction 3/4" Adjustable Shelving, replace 3/4" with MI PLY <b>Example: 12" SHELF MI PLY</b>

SKU	QTY	DOOR	SPECIALTY DOOR	DECORATIVE GLASS INSERT	QTY	ADJUSTABLE SHELF
		PART NAME	PART NAME	PART NAME		* For All Plywood Construction and/or Matching Interior Adjustable Shelf, refer to Parts Directory legend
						*PART NAME
<b>WALL CABINET • 12" HIGH</b>						
W3012 BUTT	2	DR1512 BUTT	DR1512 BUTT SD	DGI-1512 BUTT	-	N/A
W3312 BUTT	2	DR1612 BUTT	DR1612 BUTT SD	DGI-1612 BUTT	-	N/A
W3612 BUTT	2	DR1812 BUTT	DR1812 BUTT SD	DGI-1812 BUTT	-	N/A
W3912	2	DR1912	DR1912 SD	DGI-1912	-	N/A
<b>WALL CABINET • 15" HIGH</b>						
W3015 BUTT	2	DR1515 BUTT	DR1515 BUTT SD	DGI-1515 BUTT	-	N/A
W3315 BUTT	2	DR1615 BUTT	DR1615 BUTT SD	DGI-1615 BUTT	-	N/A
W3615 BUTT	2	DR1815 BUTT	DR1815 BUTT SD	DGI-1815 BUTT	-	N/A
W3915	2	DR1915	DR1915 SD	DGI-1915	-	N/A
<b>WALL CABINET • 18" HIGH</b>						
W1218	1	DR1218	DR1218 SD	DGI-1218	-	N/A
W1518	1	DR1518	DR1518 SD	DGI-1518	-	N/A
W1818	1	DR1818	DR1818 SD	DGI-1818	-	N/A
W2118	1	DR2118	DR2118 SD	DGI-2118	-	N/A
W2418 BUTT	2	DR1218 BUTT	DR1218 BUTT SD	DGI-1218 BUTT	-	N/A
W2718 BUTT	2	DR1318 BUTT	DR1318 BUTT SD	DGI-1318 BUTT	-	N/A
W3018 BUTT	2	DR1518 BUTT	DR1518 BUTT SD	DGI-1518 BUTT	-	N/A
W3318 BUTT	2	DR1618 BUTT	DR1618 BUTT SD	DGI-1618 BUTT	-	N/A
W3618 BUTT	2	DR1818 BUTT	DR1818 BUTT SD	DGI-1818 BUTT	-	N/A
W3918	2	DR1918	DR1918 SD	DGI-1918	-	N/A
W4218	2	DR2118	DR2118 SD	DGI-2118	-	N/A
<b>WALL CABINET • 21" HIGH</b>						
W3021 BUTT	2	DR1521 BUTT	DR1521 BUTT SD	DGI-1521 BUTT	-	N/A
W3321 BUTT	2	DR1621 BUTT	DR1621 BUTT SD	DGI-1621 BUTT	-	N/A
W3621 BUTT	2	DR1821 BUTT	DR1821 BUTT SD	DGI-1821 BUTT	-	N/A
W3921	2	DR1921	DR1921 SD	DGI-1921	-	N/A
<b>WALL CABINET • 24" HIGH</b>						
W1224	1	DR1224	DR1224 SD	DGI-1224	1	12" SHELF 3/4
W1524	1	DR1524	DR1524 SD	DGI-1524	1	15" SHELF 3/4
W1824	1	DR1824	DR1824 SD	DGI-1824	1	18" SHELF 3/4
W2124	1	DR2124	DR2124 SD	DGI-2124	1	21" SHELF 3/4
W2424 BUTT	2	DR1224 BUTT	DR1224 BUTT SD	DGI-1224 BUTT	1	24" SHELF 3/4
W2724 BUTT	2	DR1324 BUTT	DR1324 BUTT SD	DGI-1324 BUTT	1	27" SHELF 3/4
W3024 BUTT	2	DR1524 BUTT	DR1524 BUTT SD	DGI-1524 BUTT	1	30" SHELF 3/4
W3324 BUTT	2	DR1624 BUTT	DR1624 BUTT SD	DGI-1624 BUTT	1	33" SHELF 3/4
W3624 BUTT	2	DR1824 BUTT	DR1824 BUTT SD	DGI-1824 BUTT	1	36" SHELF 3/4
W3924	2	DR1924	DR1924 SD	DGI-1924	1	39" SHELF 3/4
W4224	2	DR2124	DR2124 SD	DGI-2124	1	42" SHELF 3/4
W4524	3	DR1524	DR1524 SD	DGI-1524	1	45" SHELF 3/4
<b>WALL CABINET • 27" HIGH</b>						
W3027 BUTT	2	DR1527 BUTT	DR1527 BUTT SD	DGI-1527 BUTT	1	30" SHELF 3/4

SKU	QTY	DOOR	SPECIALTY DOOR	DECORATIVE GLASS INSERT	QTY	ADJUSTABLE SHELF
		PART NAME	PART NAME	PART NAME		* For All Plywood Construction and/or Matching Interior Adjustable Shelf, refer to Parts Directory legend
						*PART NAME
<b>WALL CABINET • 30" HIGH</b>						
W930	1	DR930	-	-	2	9" SHELF 3/4
W1230	1	DR1230	DR1230 SD	DGI-1230	2	12" SHELF 3/4
W1530	1	DR1530	DR1530 SD	DGI-1530	2	15" SHELF 3/4
W1830	1	DR1830	DR1830 SD	DGI-1830	2	18" SHELF 3/4
W2130	1	DR2130	DR2130 SD	DGI-2130	2	21" SHELF 3/4
W2430	1	DR2430	-	-	2	24" SHELF 3/4
W2430 BUTT	2	DR1230 BUTT	DR1230 BUTT SD	DGI-1230 BUTT	2	24" SHELF 3/4
W2730 BUTT	2	DR1330 BUTT	DR1330 BUTT SD	DGI-1330 BUTT	2	27" SHELF 3/4
W3030 BUTT	2	DR1530 BUTT	DR1530 BUTT SD	DGI-1530 BUTT	2	30" SHELF 3/4
W3330 BUTT	2	DR1630 BUTT	DR1630 BUTT SD	DGI-1630 BUTT	2	33" SHELF 3/4
W3630 BUTT	2	DR1830 BUTT	DR1830 BUTT SD	DGI-1830 BUTT	2	36" SHELF 3/4
W3930	2	DR1930	DR1930 SD	DGI-1930	2	39" SHELF 3/4
W4230	2	DR2130	DR2130 SD	DGI-2130	2	42" SHELF 3/4
W4530	3	DR1530	DR1530 SD	DGI-1530	2	45" SHELF 3/4
W4830	2	DR2430	-	-	2	48" SHELF 3/4
<b>WALL CABINET • 36" HIGH</b>						
W936	1	DR936	-	-	2	9" SHELF 3/4
W1236	1	DR1236	DR1236 SD	DGI-1236	2	12" SHELF 3/4
W1536	1	DR1536	DR1536 SD	DGI-1536	2	15" SHELF 3/4
W1836	1	DR1836	DR1836 SD	DGI-1836	2	18" SHELF 3/4
W2136	1	DR2136	DR2136 SD	DGI-2136	2	21" SHELF 3/4
W2436 BUTT	2	DR1236 BUTT	DR1236 BUTT SD	DGI-1236 BUTT	2	24" SHELF 3/4
W2736 BUTT	2	DR1336 BUTT	DR1336 BUTT SD	DGI-1336 BUTT	2	27" SHELF 3/4
W3036 BUTT	2	DR1536 BUTT	DR1536 BUTT SD	DGI-1536 BUTT	2	30" SHELF 3/4
W3336 BUTT	2	DR1636 BUTT	DR1636 BUTT SD	DGI-1636 BUTT	2	33" SHELF 3/4
W3636 BUTT	2	DR1836 BUTT	DR1836 BUTT SD	DGI-1836 BUTT	2	36" SHELF 3/4
W3936	2	DR1936	DR1936 SD	DGI-1936	2	39" SHELF 3/4
W4236	2	DR2136	DR2136 SD	DGI-2136	2	42" SHELF 3/4
<b>WALL CABINET • 39" HIGH</b>						
W939	1	DR939	-	-	3	9" SHELF 3/4
W1239	1	DR1239	DR1239 SD	DGI-1239	3	12" SHELF 3/4
W1539	1	DR1539	DR1539 SD	DGI-1539	3	15" SHELF 3/4
W1839	1	DR1839	DR1839 SD	DGI-1839	3	18" SHELF 3/4
W2139	1	DR2139	DR2139 SD	DGI-2139	3	21" SHELF 3/4
W2439 BUTT	2	DR1239 BUTT	DR1239 BUTT SD	DGI-1239 BUTT	3	24" SHELF 3/4
W2739 BUTT	2	DR1339 BUTT	DR1339 BUTT SD	DGI-1339 BUTT	3	27" SHELF 3/4
W3039 BUTT	2	DR1539 BUTT	DR1539 BUTT SD	DGI-1539 BUTT	3	30" SHELF 3/4
W3339 BUTT	2	DR1639 BUTT	DR1639 BUTT SD	DGI-1639 BUTT	3	33" SHELF 3/4
W3639 BUTT	2	DR1839 BUTT	DR1839 BUTT SD	DGI-1839 BUTT	3	36" SHELF 3/4

SKU	QTY	DOOR	SPECIALTY DOOR	DECORATIVE GLASS INSERT	QTY	ADJUSTABLE SHELF
		PART NAME	PART NAME	PART NAME		* For All Plywood Construction and/or Matching Interior Adjustable Shelf, refer to Parts Directory legend
						*PART NAME
<b>WALL CABINET • 42" HIGH</b>						
W942	1	DR942	-	-	3	9" SHELF 3/4
W1242	1	DR1242	DR1242 SD	DGI-1242	3	12" SHELF 3/4
W1542	1	DR1542	DR1542 SD	DGI-1542	3	15" SHELF 3/4
W1842	1	DR1842	DR1842 SD	DGI-1842	3	18" SHELF 3/4
W2142	1	DR2142	DR2142 SD	DGI-2142	3	21" SHELF 3/4
W2442 BUTT	2	DR1242 BUTT	DR1242 BUTT SD	DGI-1242 BUTT	3	24" SHELF 3/4
W2742 BUTT	2	DR1342 BUTT	DR1342 BUTT SD	DGI-1342 BUTT	3	27" SHELF 3/4
W3042 BUTT	2	DR1542 BUTT	DR1542 BUTT SD	DGI-1542 BUTT	3	30" SHELF 3/4
W3342 BUTT	2	DR1642 BUTT	DR1642 BUTT SD	DGI-1642 BUTT	3	33" SHELF 3/4
W3642 BUTT	2	DR1842 BUTT	DR1842 BUTT SD	DGI-1842 BUTT	3	36" SHELF 3/4
W3942	2	DR1942	DR1942 SD	DGI-1942	3	39" SHELF 3/4
W4242	2	DR2142	DR2142 SD	DGI-2142	3	42" SHELF 3/4
<b>WALL CABINET • SPICE RACK • 30" HIGH</b>						
W1530 SR	1	DR1530	-	-	2	15" SHELF 3/4
W1830 SR	1	DR1830	-	-	2	18" SHELF 3/4
W2130 SR	1	DR2130	-	-	2	21" SHELF 3/4
<b>WALL CABINET • SPICE RACK • 36" HIGH</b>						
W1536 SR	1	DR1536	-	-	2	15" SHELF 3/4
W1836 SR	1	DR1836	-	-	2	18" SHELF 3/4
W2136 SR	1	DR2136	-	-	2	21" SHELF 3/4
<b>WALL CABINET • SPICE RACK • 39" HIGH</b>						
W1539 SR	1	DR1539	-	-	3	15" SHELF 3/4
W1839 SR	1	DR1839	-	-	3	18" SHELF 3/4
W2139 SR	1	DR2139	-	-	3	21" SHELF 3/4
<b>WALL CABINET • SPICE RACK • 42" HIGH</b>						
W1542 SR	1	DR1542	-	-	3	15" SHELF 3/4
W1842 SR	1	DR1842	-	-	3	18" SHELF 3/4
W2142 SR	1	DR2142	-	-	3	21" SHELF 3/4
<b>PENINSULA WALL CABINET • 18" HIGH</b>						
PW1818	2	DR1818	DR1818 SD	DGI-1818	-	N/A
PW2418 BUTT	4	DR1218 BUTT	DR1218 BUTT SD	DGI-1218 BUTT	-	N/A
PW3018 BUTT	4	DR1518 BUTT	DR1518 BUTT SD	DGI-1518 BUTT	-	N/A
PW3618 BUTT	4	DR1818 BUTT	DR1818 BUTT SD	DGI-1818 BUTT	-	N/A
PW4218	4	DR2118	DR2118 SD	DGI-2118	-	N/A
<b>PENINSULA WALL CABINET • 21" HIGH</b>						
PW3021 BUTT	4	DR1521 BUTT	DR1521 BUTT SD	DGI-1521 BUTT	-	N/A
PW3621 BUTT	4	DR1821 BUTT	DR1821 BUTT SD	DGI-1821 BUTT	-	N/A
<b>PENINSULA WALL CABINET • 24" HIGH</b>						
PW1224	2	DR1224	DR1224 SD	DGI-1224	1	12" SHELF PW 3/4
PW1824	2	DR1824	DR1824 SD	DGI-1824	1	18" SHELF PW 3/4
PW2424 BUTT	4	DR1224 BUTT	DR1224 BUTT SD	DGI-1224 BUTT	1	24" SHELF PW 3/4
PW3024 BUTT	4	DR1524 BUTT	DR1524 BUTT SD	DGI-1524 BUTT	1	30" SHELF PW 3/4
PW3624 BUTT	4	DR1824 BUTT	DR1824 BUTT SD	DGI-1824 BUTT	1	36" SHELF PW 3/4
PW4224	4	DR2124	DR2124 SD	DGI-2124	1	42" SHELF PW 3/4
<b>PENINSULA WALL CABINET • 27" HIGH</b>						
PW3027 BUTT	4	DR1527 BUTT	DR1527 BUTT SD	DGI-1527 BUTT	1	30" SHELF PW 3/4



SKU	QTY	DOOR	SPECIALTY DOOR	DECORATIVE GLASS INSERT	QTY	ADJUSTABLE SHELF
		PART NAME	PART NAME	PART NAME		* For All Plywood Construction and/or Matching Interior Adjustable Shelf, refer to Parts Directory legend
						*PART NAME
<b>PENINSULA WALL CABINET - 30" HIGH</b>						
PW1230	2	DR1230	DR1230 SD	DGI-1230	2	12" SHELF PW 3/4
PW1530	2	DR1530	DR1530 SD	DGI-1530	2	15" SHELF PW 3/4
PW1830	2	DR1830	DR1830 SD	DGI-1830	2	18" SHELF PW 3/4
PW2430	2	DR2430	-	-	2	24" SHELF PW 3/4
PW2430 BUTT	4	DR1230 BUTT	DR1230 BUTT SD	DGI-1230 BUTT	2	24" SHELF PW 3/4
PW3030 BUTT	4	DR1530 BUTT	DR1530 BUTT SD	DGI-1530 BUTT	2	30" SHELF PW 3/4
PW3630 BUTT	4	DR1830 BUTT	DR1830 BUTT SD	DGI-1830 BUTT	2	36" SHELF PW 3/4
PW4230	4	DR2130	DR2130 SD	DGI-2130	2	42" SHELF PW 3/4
<b>PENINSULA WALL CABINET - 36" HIGH</b>						
PW2436 BUTT	4	DR1236 BUTT	DR1236 BUTT SD	DGI-1236 BUTT	2	24" SHELF PW 3/4
PW3036 BUTT	4	DR1536 BUTT	DR1536 BUTT SD	DGI-1536 BUTT	2	30" SHELF PW 3/4
PW3636 BUTT	4	DR1836 BUTT	DR1836 BUTT SD	DGI-1836 BUTT	2	36" SHELF PW 3/4
<b>PENINSULA WALL CABINET - 39" HIGH</b>						
PW2439 BUTT	4	DR1239 BUTT	DR1239 BUTT SD	DGI-1239 BUTT	3	24" SHELF PW 3/4
PW3039 BUTT	4	DR1539 BUTT	DR1539 BUTT SD	DGI-1539 BUTT	3	30" SHELF PW 3/4
PW3639 BUTT	4	DR1839 BUTT	DR1839 BUTT SD	DGI-1839 BUTT	3	36" SHELF PW 3/4
<b>PENINSULA WALL CABINET - 42" HIGH</b>						
PW2442 BUTT	4	DR1242 BUTT	DR1242 BUTT SD	DGI-1242 BUTT	3	24" SHELF PW 3/4
PW3042 BUTT	4	DR1542 BUTT	DR1542 BUTT SD	DGI-1542 BUTT	3	30" SHELF PW 3/4
PW3642 BUTT	4	DR1842 BUTT	DR1842 BUTT SD	DGI-1842 BUTT	3	36" SHELF PW 3/4
<b>WALL TOP HINGE - 15" HIGH</b>						
WTH3015	1	DR3015 WTH	DR3015 WTH SD	DGI-1530	-	N/A
WTH3615	1	DR3615 WTH	DR3615 WTH SD	DGI-1536	-	N/A
<b>WALL TOP HINGE - 15" HIGH X 24" DEEP</b>						
WTH3015 X 24DP	1	DR3015 WTH	DR3015 WTH SD	DGI-1530	-	N/A
WTH3615 X 24DP	1	DR3615 WTH	DR3615 WTH SD	DGI-1536	-	N/A
<b>WALL TOP HINGE - 18" HIGH</b>						
WTH3018	1	DR3018 WTH	DR3018 WTH SD	DGI-1830	-	N/A
WTH3618	1	DR3618 WTH	DR3618 WTH SD	DGI-1836	-	N/A
<b>WALL TOP HINGE - 18" HIGH X 24" DEEP</b>						
WTH3018 X 24DP	1	DR3018 WTH	DR3018 WTH SD	DGI-1830	-	N/A
WTH3618 X 24DP	1	DR3618 WTH	DR3618 WTH SD	DGI-1836	-	N/A
<b>CORNER WALL - 18" HIGH</b>						
CW2418	1	DR1518	DR1518 SD	DGI-1518	-	N/A
CW2718	1	DR1518	DR1518 SD	DGI-1518	-	N/A
<b>CORNER WALL CABINET - 24" HIGH</b>						
CW2424	1	DR1524	DR1524 SD	DGI-1524	-	N/A
CW2724	1	DR1524	DR1524 SD	DGI-1524	-	N/A
<b>CORNER WALL CABINET - 30" HIGH</b>						
CW2430	1	DR1530	DR1530 SD	DGI-1530	2	CW SHELF ADJ 3/4
CW2730	1	DR1530	DR1530 SD	DGI-1530	2	CW27 SHELF ADJ 3/4
CWS2430 WD	1	DR1530	DR1530 SD	DGI-1530	2	CWS24 SHELF WD NP
<b>CORNER WALL CABINET - 36" HIGH</b>						
CW2436	1	DR1536	DR1536 SD	DGI-1536	2	CW SHELF ADJ 3/4
CW2736	1	DR1536	DR1536 SD	DGI-1536	2	CW27 SHELF ADJ 3/4
CWS2436 WD	1	DR1536	DR1536 SD	DGI-1536	2	CWS24 SHELF WD NP



SKU	QTY	DOOR	SPECIALTY DOOR	DECORATIVE GLASS INSERT	QTY	ADJUSTABLE SHELF
		PART NAME	PART NAME	PART NAME		* For All Plywood Construction and/or Matching Interior Adjustable Shelf, refer to Parts Directory legend
						*PART NAME
<b>CORNER WALL CABINET - 39" HIGH</b>						
CW2439	1	DR1539	DR1539 SD	DGI-1539	3	CW SHELF ADJ 3/4
CW2739	1	DR1539	DR1539 SD	DGI-1539	3	CW27 SHELF ADJ 3/4
CWS2439 WD	1	DR1539	DR1539 SD	DGI-1539	3	CWS24 SHELF WD NP
<b>CORNER WALL CABINET - 42" HIGH</b>						
CW2442	1	DR1542	DR1542 SD	DGI-1542	3	CW SHELF ADJ 3/4
CW2742	1	DR1542	DR1542 SD	DGI-1542	3	CW27 SHELF ADJ 3/4
CWS2442 WD	1	DR1542	DR1542 SD	DGI-1542	3	CWS24 SHELF WD NP
<b>CORNER WALL CABINET - APPLIANCE GARAGE - 48" HIGH</b>						
CWD2448	1	DR1530	DR1530 SD	DGI-1530	2	CW SHELF ADJ 3/4
	1	DR1518	-	-		
CWDS2448 WD	1	DR1530	DR1530 SD	DGI-1530	2	CWS24 SHELF WD NP
	1	DR1518	-	-		
<b>PENINSULA CORNER WALL CABINET</b>						
PWCW2430 BUTT	1	DR1530	DR1530 SD	DGI-1530	2	PWCW SHELF 3/4
	2	DR1230 BUTT	DR1230 BUTT SD	DGI-1230 BUTT		
PWCW2436 BUTT	1	DR1536	DR1536 SD	DGI-1536	2	PWCW SHELF 3/4
	2	DR1236 BUTT	DR1236 BUTT SD	DGI-1236 BUTT		
PWCW2439 BUTT	1	DR1539	DR1539 SD	DGI-1539	3	PWCW SHELF 3/4
	2	DR1239 BUTT	DR1239 BUTT SD	DGI-1239 BUTT		
PWCW2442 BUTT	1	DR1542	DR1542 SD	DGI-1542	3	PWCW SHELF 3/4
	2	DR1242 BUTT	DR1242 BUTT SD	DGI-1242 BUTT		
<b>BLIND WALL CABINET - 24" HIGH</b>						
BLW24/2724	1	DR1224	DR1224 SD	DGI-1224	1	24" SHELF 3/4
BLW27/3024	1	DR1524	DR1524 SD	DGI-1524	1	27" SHELF 3/4
BLW30/3324	1	DR1824	DR1824 SD	DGI-1824	1	30" SHELF 3/4
BLW33/3624	1	DR2124	DR2124 SD	DGI-2124	1	33" SHELF 3/4
BLW36/3924 BUTT	2	DR1224 BUTT	DR1224 BUTT SD	DGI-1224 BUTT	1	36" SHELF 3/4
<b>BLIND WALL CABINET - 30" HIGH</b>						
BLW24/2730	1	DR1230	DR1230 SD	DGI-1230	2	24" SHELF 3/4
BLW27/3030	1	DR1530	DR1530 SD	DGI-1530	2	27" SHELF 3/4
BLW30/3330	1	DR1830	DR1830 SD	DGI-1830	2	30" SHELF 3/4
BLW33/3630	1	DR2130	DR2130 SD	DGI-2130	2	33" SHELF 3/4
BLW36/3930	1	DR2430	-	-	2	36" SHELF 3/4
BLW36/3930 BUTT	2	DR1230 BUTT	DR1230 BUTT SD	DGI-1230 BUTT	2	36" SHELF 3/4
BLW39/4230 BUTT	2	DR1330 BUTT	DR1330 BUTT SD	DGI-1330 BUTT	2	39" SHELF 3/4
BLW42/4530 BUTT	2	DR1530 BUTT	DR1530 BUTT SD	DGI-1530 BUTT	2	42" SHELF 3/4
BLW45/4830 BUTT	2	DR1630 BUTT	DR1630 BUTT SD	DGI-1630 BUTT	2	45" SHELF 3/4
BLW48/5130 BUTT	2	DR1830 BUTT	DR1830 BUTT SD	DGI-1830 BUTT	2	48" SHELF 3/4
<b>BLIND WALL CABINET - 36" HIGH</b>						
BLW24/2736	1	DR1236	DR1236 SD	DGI-1236	2	24" SHELF 3/4
BLW30/3336	1	DR1836	DR1836 SD	DGI-1836	2	30" SHELF 3/4
BLW33/3636	1	DR2136	DR2136 SD	DGI-2136	2	33" SHELF 3/4
BLW36/3936 BUTT	2	DR1236 BUTT	DR1236 BUTT SD	DGI-1236 BUTT	2	36" SHELF 3/4
BLW39/4236 BUTT	2	DR1336 BUTT	DR1336 BUTT SD	DGI-1336 BUTT	2	39" SHELF 3/4
BLW42/4536 BUTT	2	DR1536 BUTT	DR1536 BUTT SD	DGI-1536 BUTT	2	42" SHELF 3/4

SKU	QTY	DOOR	SPECIALTY DOOR	DECORATIVE GLASS INSERT	QTY	ADJUSTABLE SHELF
		PART NAME	PART NAME	PART NAME		* For All Plywood Construction and/or Matching Interior Adjustable Shelf, refer to Parts Directory legend
						*PART NAME
<b>BLIND WALL CABINET - 39" HIGH</b>						
BLW24/2739	1	DR1239	DR1239 SD	DGI-1239	3	24" SHELF 3/4
BLW30/3339	1	DR1839	DR1839 SD	DGI-1839	3	30" SHELF 3/4
BLW33/3639	1	DR2139	DR2139 SD	DGI-2139	3	33" SHELF 3/4
BLW36/3939 BUTT	2	DR1239 BUTT	DR1239 BUTT SD	DGI-1239 BUTT	3	36" SHELF 3/4
BLW39/4239 BUTT	2	DR1339 BUTT	DR1339 BUTT SD	DGI-1339 BUTT	3	39" SHELF 3/4
BLW42/4539 BUTT	2	DR1539 BUTT	DR1539 BUTT SD	DGI-1539 BUTT	3	42" SHELF 3/4
<b>BLIND WALL CABINET - 42" HIGH</b>						
BLW24/2742	1	DR1242	DR1242 SD	DGI-1242	3	24" SHELF 3/4
BLW30/3342	1	DR1842	DR1842 SD	DGI-1842	3	30" SHELF 3/4
BLW33/3642	1	DR2142	DR2142 SD	DGI-2142	3	33" SHELF 3/4
BLW36/3942 BUTT	2	DR1242 BUTT	DR1242 BUTT SD	DGI-1242 BUTT	3	36" SHELF 3/4
BLW39/4242 BUTT	2	DR1342 BUTT	DR1342 BUTT SD	DGI-1342 BUTT	3	39" SHELF 3/4
BLW42/4542 BUTT	2	DR1542 BUTT	DR1542 BUTT SD	DGI-1542 BUTT	3	42" SHELF 3/4
<b>BLIND PENINSULA WALL CABINET</b>						
BLPW2424 BUTT	1	DR1224	DR1224 SD	DGI-1224	1	24" SHELF PW 3/4
	2	DR1224 BUTT	DR1224 BUTT SD	DGI-1224 BUTT		
BLPW2430 BUTT	1	DR1230	DR1230 SD	DGI-1230	2	24" SHELF PW 3/4
	2	DR1230 BUTT	DR1230 BUTT SD	DGI-1230 BUTT		
BLPW2436 BUTT	1	DR1236	DR1236 SD	DGI-1236	2	24" SHELF PW 3/4
	2	DR1236 BUTT	DR1236 BUTT SD	DGI-1236 BUTT		
BLPW2439 BUTT	1	DR1239	DR1239 SD	DGI-1239	3	24" SHELF PW 3/4
	2	DR1239 BUTT	DR1239 BUTT SD	DGI-1239 BUTT		
BLPW2442 BUTT	1	DR1242	DR1242 SD	DGI-1242	3	24" SHELF PW 3/4
	2	DR1242 BUTT	DR1242 BUTT SD	DGI-1242 BUTT		
<b>REFRIGERATOR WALL CABINET - 12" HIGH X 24" DEEP</b>						
W3012 X 24 DP BUTT	2	DR1512 BUTT	DR1512 BUTT SD	DGI-1512 BUTT	-	N/A
W3312 X 24 DP BUTT	2	DR1612 BUTT	DR1612 BUTT SD	DGI-1612 BUTT	-	N/A
W3612 X 24 DP BUTT	2	DR1812 BUTT	DR1812 BUTT SD	DGI-1812 BUTT	-	N/A
W3912 X 24 DP	2	DR1912	DR1912 SD	DGI-1912	-	N/A
W4212 X 24 DP	2	DR2112	-	-	-	N/A
W4812 X 24 DP BUTT	4	DR1212 BUTT	-	-	-	N/A
<b>REFRIGERATOR WALL CABINET - 15" HIGH X 24" DEEP</b>						
W3015 X 24 DP BUTT	2	DR1515 BUTT	DR1515 BUTT SD	DGI-1515 BUTT	-	N/A
W3315 X 24 DP BUTT	2	DR1615 BUTT	DR1615 BUTT SD	DGI-1615 BUTT	-	N/A
W3615 X 24 DP BUTT	2	DR1815 BUTT	DR1815 BUTT SD	DGI-1815 BUTT	-	N/A
W3915 X 24 DP	2	DR1915	DR1915 SD	DGI-1915	-	N/A
<b>REFRIGERATOR WALL CABINET - 18" HIGH X 24" DEEP</b>						
W3018 X 24 DP BUTT	2	DR1518 BUTT	DR1518 BUTT SD	DGI-1518 BUTT	-	N/A
W3318 X 24 DP BUTT	2	DR1618 BUTT	DR1618 BUTT SD	DGI-1618 BUTT	-	N/A
W3618 X 24 DP BUTT	2	DR1818 BUTT	DR1818 BUTT SD	DGI-1818 BUTT	-	N/A
W3918 X 24 DP	2	DR1918	DR1918 SD	DGI-1918	-	N/A
<b>REFRIGERATOR WALL CABINET - 21" HIGH X 24" DEEP</b>						
W3021 X 24 DP BUTT	2	DR1521 BUTT	DR1521 BUTT SD	DGI-1521 BUTT	-	N/A
W3321 X 24 DP BUTT	2	DR1621 BUTT	DR1621 BUTT SD	DGI-1621 BUTT	-	N/A
W3621 X 24 DP BUTT	2	DR1821 BUTT	DR1821 BUTT SD	DGI-1821 BUTT	-	N/A
W3921 X 24 DP	2	DR1921	DR1921 SD	DGI-1921	-	N/A

SKU	QTY	DOOR	SPECIALTY DOOR	DECORATIVE GLASS INSERT	QTY	ADJUSTABLE SHELF
		PART NAME	PART NAME	PART NAME		* For All Plywood Construction and/or Matching Interior Adjustable Shelf, refer to Parts Directory legend
						*PART NAME
<b>REFRIGERATOR WALL CABINET - 24" HIGH X 24" DEEP</b>						
W3024 X 24 DP BUTT	2	DR1524 BUTT	DR1524 BUTT SD	DGI-1524 BUTT	1	30" SHELF 24DP 3/4
W3324 X 24 DP BUTT	2	DR1624 BUTT	DR1624 BUTT SD	DGI-1624 BUTT	1	33" SHELF 24DP 3/4
W3624 X 24 DP BUTT	2	DR1824 BUTT	DR1824 BUTT SD	DGI-1824 BUTT	1	36" SHELF 24DP 3/4
W3924X 24 DP	2	DR1924	DR1924 SD	DGI-1924	1	39" SHELF 24DP 3/4
<b>REFRIGERATOR WALL CABINET - 27" HIGH X 24" DEEP</b>						
W3027 X 24 DP BUTT	2	DR1527 BUTT	DR1527 BUTT SD	DGI-1527 BUTT	1	30" SHELF 24DP 3/4
<b>WALL END ANGLE CABINET</b>						
WEA1230	1	DR1530	DR1530 SD	DGI-1530	2	WEA SHELF 3/4
WEA1236	1	DR1536	DR1536 SD	DGI-1536	2	WEA SHELF 3/4
WEA1239	1	DR1539	DR1539 SD	DGI-1539	3	WEA SHELF 3/4
WEA1242	1	DR1542	DR1542 SD	DGI-1542	3	WEA SHELF 3/4
<b>STRAIGHT APPLIANCE GARAGE</b>						
AGSD24 BUTT	2	DR1218 BUTT	DR1218 BUTT SD	DGI-1218 BUTT	-	N/A
<b>CORNER APPLIANCE GARAGE</b>						
AGD2418	1	DR1518	DR1518 SD	DGI-1518	-	N/A
AGD2718	1	DR1518	DR1518 SD	DGI-1518	-	N/A

SKU	QTY	DOOR		ADJUSTABLE SHELF	
		PART NAME	QTY	* For All Plywood Construction and/or Matching Interior Adjustable Shelf, refer to Parts Directory legend	
				*PART NAME	
<b>WALL EASY REACH CABINET</b>					
WER2430	1	DR1230 WER DRILL	2	WER SHELF 3/4	
	1	DR1230 WER ND			
WER2436	1	DR1236 WER DRILL	2	WER SHELF 3/4	
	1	DR1236 WER ND			
WER2439	1	DR1239 WER DRILL	3	WER SHELF 3/4	
	1	DR1239 WER ND			
WER2442	1	DR1242 WER DRILL	3	WER SHELF 3/4	
	1	DR1242 WER ND			
<b>WALL RANGE HOOD - 24" HIGH</b>					
WRH3024 RP	2	DR1515 BUTT	-	N/A	
WRH3624 RP	2	DR1815 BUTT	-	N/A	
WRH3024 SV	2	DR1515 BUTT	-	N/A	
WRH3624 SV	2	DR1815 BUTT	-	N/A	
<b>WALL RANGE HOOD - 27" HIGH</b>					
WRH3027 RP	2	DR1518 BUTT	-	N/A	
WRH3627 RP	2	DR1818 BUTT	-	N/A	
WRH3027 SV	2	DR1518 BUTT	-	N/A	
WRH3627 SV	2	DR1818 BUTT	-	N/A	
<b>WALL RANGE HOOD - 30" HIGH</b>					
WRH3030 RP	2	DR1521 BUTT	-	N/A	
WRH3630 RP	2	DR1821 BUTT	-	N/A	
WRH3030 SV	2	DR1521 BUTT	-	N/A	
WRH3630 SV	2	DR1821 BUTT	-	N/A	
<b>BUILT-IN MICROWAVE WALL - 36" HIGH</b>					
WMC271836 BUTT	2	DR1315 BUTT	-	N/A	
WMC272136 BUTT	2	DR1315 BUTT	-	N/A	
WMC301836 BUTT	2	DR1515 BUTT	-	N/A	
WMC302136 BUTT	2	DR1515 BUTT	-	N/A	
<b>MICROWAVE WALL CABINET - 36" HIGH</b>					
WMSC271236 BUTT	2	DR1315 BUTT	-	N/A	
WMSC271836 BUTT	2	DR1315 BUTT	-	N/A	
WMSC301236 BUTT	2	DR1515 BUTT	-	N/A	
<b>COMPACT MICROWAVE WALL CABINET</b>					
WCMSC241236 BUTT	2	DR1218 BUTT	-	N/A	
WCMSC271236 BUTT	2	DR1318 BUTT	-	N/A	
<b>BUILT-IN MICROWAVE WALL - 39" HIGH</b>					
WMC271839 BUTT	2	DR1318 BUTT	-	N/A	
WMC272139 BUTT	2	DR1318 BUTT	-	N/A	
WMC301839 BUTT	2	DR1518 BUTT	-	N/A	
WMC302139 BUTT	2	DR1518 BUTT	-	N/A	
<b>BUILT-IN MICROWAVE WALL - 42" HIGH</b>					
WMC301842 BUTT	2	DR1521 BUTT	-	N/A	
WMC302142 BUTT	2	DR1521 BUTT	-	N/A	
<b>MICROWAVE WALL CABINET - 42" HIGH</b>					
WMSC271842 BUTT	2	DR1324 BUTT	1	WMSC2718	

SKU	QTY	DRAWER FRONT		DRAWER BODY
		FULL OVERLAY	STANDARD OVERLAY	PART NAME
		PART NAME	PART NAME	
<b>FURNITURE DRAWER - 12" DEEP - 6" HIGH</b>				
FD121206	1	DDF12	DDF12	DRB12 X 9DP DT FG
FD151206	1	DDF15	DDF15	DRB15 X 9DP DT FG
FD181206	1	DDF18	DDF18	DRB18 X 9DP DT FG
FD211206	1	DDF21	DDF21	DRB21 X 9DP DT FG
FD241206	1	DDF24	DDF24	DRB24 X 9DP DT FG
FD271206	1	DDF27	DDF27	DRB27 X 9DP DT FG
FD301206	1	DDF30	DDF30	DRB30 X 9DP DT FG
FD331206	1	DDF33	DDF33	DRB33 X 9DP DT FG
FD361206	1	DDF36	DDF36	DRB36 X 9DP DT FG
<b>FURNITURE DRAWER - 24" DEEP - 6" HIGH</b>				
FD122406	1	DDF12	DDF12	DRB12 X 21DP DT FG
FD152406	1	DDF15	DDF15	DRB15 X 21DP DT FG
FD182406	1	DDF18	DDF18	DRB18 X 21DP DT FG
FD212406	1	DDF21	DDF21	DRB21 X 21DP DT FG
FD242406	1	DDF24	DDF24	DRB24 X 21DP DT FG
FD272406	1	DDF27	DDF27	DRB27 X 21DP DT FG
FD302406	1	DDF30	DDF30	DRB30 X 21DP DT FG
FD332406	1	DDF33	DDF33	DRB33 X 21DP DT FG
FD362406	1	DDF36	DDF36	DRB36 X 21DP DT FG
<b>FURNITURE DRAWER - 12" DEEP - 12" HIGH</b>				
FD121212	1	DDF12M	DDF12D	DRB12M X 9DP DT FG
FD151212	1	DDF15M	DDF15D	DRB15M X 9DP DT FG
FD181212	1	DDF18M	DDF18D	DRB18M X 9DP DT FG
FD211212	1	DDF21M	DDF21D	DRB21M X 9DP DT FG
FD241212	1	DDF24M	DDF24D	DRB24M X 9DP DT FG
FD271212	1	DDF27M	DDF27D	DRB27M X 9DP DT FG
FD301212	1	DDF30M	DDF30D	DRB30M X 9DP DT FG
FD331212	1	DDF33M	DDF33D	DRB33M X 9DP DT FG
FD361212	1	DDF36M	DDF36D	DRB36M X 9DP DT FG
<b>FURNITURE DRAWER - 24" DEEP - 12" HIGH</b>				
FD122412	1	DDF12M	DDF12D	DRB12M X 21DP DT FG
FD152412	1	DDF15M	DDF15D	DRB15M X 21DP DT FG
FD182412	1	DDF18M	DDF18D	DRB18M X 21DP DT FG
FD212412	1	DDF21M	DDF21D	DRB21M X 21DP DT FG
FD242412	1	DDF24M	DDF24D	DRB24M X 21DP DT FG
FD272412	1	DDF27M	DDF27D	DRB27M X 21DP DT FG
FD302412	1	DDF30M	DDF30D	DRB30M X 21DP DT FG
FD332412	1	DDF33M	DDF33D	DRB33M X 21DP DT FG
FD362412	1	DDF36M	DDF36D	DRB36M X 21DP DT FG
<b>PEDESTAL DRAWER</b>				
PD1217 1DWR	1	DDF12M	DDF12D	DRB12M X 21DP DT FG
PD1517 1DWR	1	DDF15M	DDF15D	DRB15M X 21DP DT FG
PD1817 1DWR	1	DDF18M	DDF18D	DRB18M X 21DP DT FG
PD2117 1DWR	1	DDF21M	DDF21D	DRB21M X 21DP DT FG
PD2417 1DWR	1	DDF24M	DDF24D	DRB24M X 21DP DT FG
PD2717 1DWR	1	DDF27M	DDF27D	DRB27M X 21DP DT FG
PD3017 1DWR	1	DDF30M	DDF30D	DRB30M X 21DP DT FG
PD3317 1DWR	1	DDF33M	DDF33D	DRB33M X 21DP DT FG
PD3617 1DWR	1	DDF36M	DDF36D	DRB36M X 21DP DT FG

SKU	QTY	DOOR		ADJUSTABLE SHELF/ACCESSORY		DRAWER/PANEL FRONT		DRAWER BODY
		PART NAME	QTY	*For All Plywood Construction Adjustable Shelf, refer to Parts Directory legend		PART NAME	QTY	PART NAME
				*PART NAME	QTY			
<b>BASE CABINET - ADJUSTABLE SHELF</b>								
B12	1	DR1224	1	12" SHELF 24DP 3/4	1	DDF12	1	DRB12 X 21DP DT FG
B15	1	DR1524	1	15" SHELF 24DP 3/4	1	DDF15	1	DRB15 X 21DP DT FG
B18	1	DR1824	1	18" SHELF 24DP 3/4	1	DDF18	1	DRB18 X 21DP DT FG
B21	1	DR2124	1	21" SHELF 24DP 3/4	1	DDF21	1	DRB21 X 21DP DT FG
B24	1	DR2424	1	24" SHELF 24DP 3/4	1	DDF24	1	DRB24 X 21DP DT FG
B24 BUTT	2	DR1224 BUTT	1	24" SHELF 24DP 3/4	1	DDF24	1	DRB24 X 21DP DT FG
B27 BUTT	2	DR1324 BUTT	1	27" SHELF 24DP 3/4	1	DDF27	1	DRB27 X 21DP DT FG
B30 BUTT	2	DR1524 BUTT	1	30" SHELF 24DP 3/4	1	DDF30	1	DRB30 X 21DP DT FG
B33 BUTT	2	DR1624 BUTT	1	33" SHELF 24DP 3/4	1	DDF33	1	DRB33 X 21DP DT FG
B36	2	DR1824	1	36" SHELF 24DP 3/4	2	DDF18	2	DRB18 X 21DP DT FG
B36 1TD BUTT	2	DR1824 BUTT	1	36" SHELF 24DP 3/4	1	DDF36	1	DRB36 X 21DP DT FG
B39	2	DR1924	1	39" SHELF 24DP 3/4	2	DDF19	2	DRB19 X 21DP DT FG
B42	2	DR2124	1	42" SHELF 24DP 3/4	2	DDF21	2	DRB21 X 21DP DT FG
B45	3	DR1524	1	45" SHELF 24DP 3/4	3	DDF15	3	DRB15 X 21DP DT FG
B48	2	DR2424	1	48" SHELF 24DP 3/4	2	DDF24	2	DRB24 X 21DP DT FG
<b>BASE CABINET - 1 FULL-ACCESS DEEP ROLL OUT TRAY AND 1 ADJUSTABLE SHELF</b>								
B12 FAFWT	1	DR1224	1	12" SHELF 24DP 3/4 DROTFA12	1	DDF12	1	DRB12 X 21DP DT FG
B15 FAFWT	1	DR1524	1	15" SHELF 24DP 3/4 DROTFA15	1	DDF15	1	DRB15 X 21DP DT FG
B18 FAFWT	1	DR1824	1	18" SHELF 24DP 3/4 DROTFA18	1	DDF18	1	DRB18 X 21DP DT FG
B21 FAFWT	1	DR2124	1	21" SHELF 24DP 3/4 DROTFA21	1	DDF21	1	DRB21 X 21DP DT FG
B24 FAFWT	1	DR2424	1	24" SHELF 24DP 3/4 DROTFA24	1	DDF24	1	DRB24 X 21DP DT FG
B24 FAFWT BUTT	2	DR1224 BUTT	1	24" SHELF 24DP 3/4 DROTFA24	1	DDF24	1	DRB24 X 21DP DT FG
B27 FAFWT BUTT	2	DR1324 BUTT	1	27" SHELF 24DP 3/4 DROTFA27	1	DDF27	1	DRB27 X 21DP DT FG
B30 FAFWT BUTT	2	DR1524 BUTT	1	30" SHELF 24DP 3/4 DROTFA30	1	DDF30	1	DRB30 X 21DP DT FG
B33 FAFWT BUTT	2	DR1624 BUTT	1	33" SHELF 24DP 3/4 DROTFA33	1	DDF33	1	DRB33 X 21DP DT FG
B36 1TD FAFWT BUTT	2	DR1824 BUTT	1	36" SHELF 24DP 3/4 DROTFA36	1	DDF36	1	DRB36 X 21DP DT FG
<b>BASE CABINET - 2 FULL-ACCESS DEEP ROLL OUT TRAYS</b>								
B12 FA2FWT	1	DR1224	2	DROTFA12	1	DDF12	1	DRB12 X 21DP DT FG
B15 FA2FWT	1	DR1524	2	DROTFA15	1	DDF15	1	DRB15 X 21DP DT FG
B18 FA2FWT	1	DR1824	2	DROTFA18	1	DDF18	1	DRB18 X 21DP DT FG
B21 FA2FWT	1	DR2124	2	DROTFA21	1	DDF21	1	DRB21 X 21DP DT FG
B24 FA2FWT	1	DR2424	2	DROTFA24	1	DDF24	1	DRB24 X 21DP DT FG
B24 FA2FWT BUTT	2	DR1224 BUTT	2	DROTFA24	1	DDF24	1	DRB24 X 21DP DT FG
B27 FA2FWT BUTT	2	DR1324 BUTT	2	DROTFA27	1	DDF27	1	DRB27 X 21DP DT FG
B30 FA2FWT BUTT	2	DR1524 BUTT	2	DROTFA30	1	DDF30	1	DRB30 X 21DP DT FG
B33 FA2FWT BUTT	2	DR1624 BUTT	2	DROTFA33	1	DDF33	1	DRB33 X 21DP DT FG
B36 1TD FA2FWT BUTT	2	DR1824 BUTT	2	DROTFA36	1	DDF36	1	DRB36 X 21DP DT FG

SKU	QTY	DOOR		ADJUSTABLE SHELF/ACCESSORY		DRAWER/PANEL FRONT		DRAWER BODY
		PART NAME	QTY	*For All Plywood Construction Adjustable Shelf, refer to Parts Directory legend		PART NAME	QTY	PART NAME
				*PART NAME	QTY			
<b>BASE CABINET - 2 FULL-ACCESS DEEP ROLL OUT TRAYS AND 1 ADJUSTABLE SHELF</b>								
B36 FA2T	2	DR1824	1	36" SHELF 24DP 3/4	2	DDF18	2	DRB18 X 21DP DT FG
			2	DROTFA18				
B39 FA2T	2	DR1924	1	39" SHELF 24DP 3/4	2	DDF19	2	DRB19 X 21DP DT FG
			2	DROTFA19				
B42 FA2T	2	DR2124	1	42" SHELF 24DP 3/4	2	DDF21	2	DRB21 X 21DP DT FG
			2	DROTFA21				
B48 FA2T	2	DR2424	1	48" SHELF 24DP 3/4	2	DDF24	2	DRB24 X 21DP DT FG
			2	DROTFA24				
<b>BASE CABINET - 3 FULL-ACCESS DEEP ROLL OUT TRAYS AND 1 ADJUSTABLE SHELF</b>								
B45 FA3T	3	DR1524	1	45" SHELF 24DP 3/4	3	DDF15	3	DRB15 X 21DP DT FG
			3	DROTFA15				
<b>BASE CABINET - 4 FULL-ACCESS DEEP ROLL OUT TRAYS</b>								
B36 FA4T	2	DR1824	4	DROTFA18	2	DDF18	2	DRB18 X 21DP DT FG
B39 FA4T	2	DR1924	4	DROTFA19	2	DDF19	2	DRB19 X 21DP DT FG
B42 FA4T	2	DR2124	4	DROTFA21	2	DDF21	2	DRB21 X 21DP DT FG
B48 FA4T	2	DR2424	4	DROTFA24	2	DDF24	2	DRB24 X 21DP DT FG
<b>BASE CABINET - 6 FULL-ACCESS DEEP ROLL OUT TRAYS</b>								
B45 FA6T	3	DR1524	6	DROTFA15	3	DDF15	3	DRB15 X 21DP DT FG
<b>BASE CABINET - 1 FULL-ACCESS CUSHIONCLOSE® DEEP ROLL OUT TRAY AND 1 ADJUSTABLE SHELF</b>								
B12 CCFWT	1	DR1224	1	12" SHELF 24DP 3/4	1	DDF12	1	DRB12 X 21DP DT FG
			1	DROTCC12				
B15 CCFWT	1	DR1524	1	15" SHELF 24DP 3/4	1	DDF15	1	DRB15 X 21DP DT FG
			1	DROTCC15				
B18 CCFWT	1	DR1824	1	18" SHELF 24DP 3/4	1	DDF18	1	DRB18 X 21DP DT FG
			1	DROTCC18				
B21 CCFWT	1	DR2124	1	21" SHELF 24DP 3/4	1	DDF21	1	DRB21 X 21DP DT FG
			1	DROTCC21				
B24 CCFWT	1	DR2424	1	24" SHELF 24DP 3/4	1	DDF24	1	DRB24 X 21DP DT FG
			1	DROTCC24				
B24 CCFWT BUTT	2	DR1224 BUTT	1	24" SHELF 24DP 3/4	1	DDF24	1	DRB24 X 21DP DT FG
			1	DROTCC24				
B27 CCFWT BUTT	2	DR1324 BUTT	1	27" SHELF 24DP 3/4	1	DDF27	1	DRB27 X 21DP DT FG
			1	DROTCC27				
B30 CCFWT BUTT	2	DR1524 BUTT	1	30" SHELF 24DP 3/4	1	DDF30	1	DRB30 X 21DP DT FG
			1	DROTCC30				
B33 CCFWT BUTT	2	DR1624 BUTT	1	33" SHELF 24DP 3/4	1	DDF33	1	DRB33 X 21DP DT FG
			1	DROTCC33				
B36 1TD CCFWT BUTT	2	DR1824 BUTT	1	36" SHELF 24DP 3/4	1	DDF36	1	DRB36 X 21DP DT FG
			1	DROTCC36				

**PARTS: BASE CABINETS**

SKU	QTY	DOOR		ADJUSTABLE SHELF/ACCESSORY		DRAWER/PANEL FRONT		DRAWER BODY
		PART NAME	QTY	*For All Plywood Construction Adjustable Shelf, refer to Parts Directory legend		PART NAME	QTY	PART NAME
				*PART NAME	QTY			
<b>BASE CABINET • 2 FULL-ACCESS CUSHIONCLOSE® DEEP ROLL OUT TRAYS</b>								
B12 CC2FWT	1	DR1224	2	DROTCC12	1	DDF12	1	DRB12 X 21DP DT FG
B15 CC2FWT	1	DR1524	2	DROTCC15	1	DDF15	1	DRB15 X 21DP DT FG
B18 CC2FWT	1	DR1824	2	DROTCC18	1	DDF18	1	DRB18 X 21DP DT FG
B21 CC2FWT	1	DR2124	2	DROTCC21	1	DDF21	1	DRB21 X 21DP DT FG
B24 CC2FWT	1	DR2424	2	DROTCC24	1	DDF24	1	DRB24 X 21DP DT FG
B24 CC2FWT BUTT	2	DR1224 BUTT	2	DROTCC24	1	DDF24	1	DRB24 X 21DP DT FG
B27 CC2FWT BUTT	2	DR1324 BUTT	2	DROTCC27	1	DDF27	1	DRB27 X 21DP DT FG
B30 CC2FWT BUTT	2	DR1524 BUTT	2	DROTCC30	1	DDF30	1	DRB30 X 21DP DT FG
B33 CC2FWT BUTT	2	DR1624 BUTT	2	DROTCC33	1	DDF33	1	DRB33 X 21DP DT FG
B36 1TD CC2FWT BUTT	2	DR1824 BUTT	2	DROTCC36	1	DDF36	1	DRB36 X 21DP DT FG
<b>BASE CABINET • 2 FULL-ACCESS CUSHIONCLOSE® DEEP ROLL OUT TRAYS AND 1 ADJUSTABLE SHELF</b>								
B36 CC2T	2	DR1824	1	36" SHELF 24DP 3/4 DROTCC18	2	DDF18	2	DRB18 X 21DP DT FG
B39 CC2T	2	DR1924	1	39" SHELF 24DP 3/4 DROTCC19	2	DDF19	2	DRB19 X 21DP DT FG
B42 CC2T	2	DR2124	1	42" SHELF 24DP 3/4 DROTCC21	2	DDF21	2	DRB21 X 21DP DT FG
B48 CC2T	2	DR2424	1	48" SHELF 24DP 3/4 DROTCC24	2	DDF24	2	DRB24 X 21DP DT FG
<b>BASE CABINET • 3 FULL-ACCESS CUSHIONCLOSE® DEEP ROLL OUT TRAYS AND 1 ADJUSTABLE SHELF</b>								
B45 CC3T	3	DR1524	1	45" SHELF 24DP 3/4 DROTCC15	3	DDF15	3	DRB15 X 21DP DT FG
<b>BASE CABINET • 4 FULL-ACCESS CUSHIONCLOSE® DEEP ROLL OUT TRAYS</b>								
B36 CC4T	2	DR1824	4	DROTCC18	2	DDF18	2	DRB18 X 21DP DT FG
B39 CC4T	2	DR1924	4	DROTCC19	2	DDF19	2	DRB19 X 21DP DT FG
B42 CC4T	2	DR2124	4	DROTCC21	2	DDF21	2	DRB21 X 21DP DT FG
B48 CC4T	2	DR2424	4	DROTCC24	2	DDF24	2	DRB24 X 21DP DT FG
<b>BASE CABINET • 6 FULL-ACCESS CUSHIONCLOSE® DEEP ROLL OUT TRAYS</b>								
B45 CC6T	3	DR1524	6	DROTCC15	3	DDF15	3	DRB15 X 21DP DT FG
<b>BASE CABINET • FULL-ACCESS POT AND PAN ORGANIZER</b>								
B24 FABPPO	1	DR2424	1	BPOKFA24	1	DDF24	1	DRB24 X 21DP DT FG
B24 BUTT FABPPO	2	DR1224 BUTT	1	BPOKFA24	1	DDF24	1	DRB24 X 21DP DT FG
B27 BUTT FABPPO	2	DR1324 BUTT	1	BPOKFA27	1	DDF27	1	DRB27 X 21DP DT FG
B30 BUTT FABPPO	2	DR1524 BUTT	1	BPOKFA30	1	DDF30	1	DRB30 X 21DP DT FG
B33 BUTT FABPPO	2	DR1624 BUTT	1	BPOKFA33	1	DDF33	1	DRB33 X 21DP DT FG
B36 1TD BUTT FABPPO	2	DR1824 BUTT	1	BPOKFA36	1	DDF36	1	DRB36 X 21DP DT FG
<b>BASE CABINET • FULL-ACCESS CUSHIONCLOSE® POT AND PAN ORGANIZER</b>								
B24 CCBPPO	1	DR2424	1	BPOKCC24	1	DDF24	1	DRB24 X 21DP DT FG
B24 BUTT CCBPPO	2	DR1224 BUTT	1	BPOKCC24	1	DDF24	1	DRB24 X 21DP DT FG
B27 BUTT CCBPPO	2	DR1324 BUTT	1	BPOKCC27	1	DDF27	1	DRB27 X 21DP DT FG
B30 BUTT CCBPPO	2	DR1524 BUTT	1	BPOKCC30	1	DDF30	1	DRB30 X 21DP DT FG
B33 BUTT CCBPPO	2	DR1624 BUTT	1	BPOKCC33	1	DDF33	1	DRB33 X 21DP DT FG
B36 1TD BUTT CCBPPO	2	DR1824 BUTT	1	BPOKCC36	1	DDF36	1	DRB36 X 21DP DT FG
<b>BASE CABINET • FULL-ACCESS BOTTOM MOUNT WASTEBASKET(S)</b>								
BWBB15 FA	1	DR1524 ND	1	BWBB15_OL KIT FA	1	DDF15	1	DRB15 X 21DP DT FG
BWBB15-2 FA	1	DR1524 ND	1	BWBB15-2_OL KIT FA	1	DDF15	1	DRB15 X 21DP DT FG
BWBB18-2 FA	1	DR1824 ND	1	BWBB18-2_OL KIT FA	1	DDF18	1	DRB18 X 21DP DT FG
BWBB21-2 FA	1	DR2124 ND	1	BWBB21-2_OL KIT FA	1	DDF21	1	DRB21 X 21DP DT FG



SKU	QTY	DOOR		ADJUSTABLE SHELF/ACCESSORY		DRAWER/PANEL FRONT		DRAWER BODY	
		PART NAME	QTY	*For All Plywood Construction Adjustable Shelf, refer to Parts Directory Legend		PART NAME	QTY	PART NAME	QTY
				*PART NAME	QTY				
<b>BASE CABINET - FULL-ACCESS CUSHIONCLOSE® BOTTOM MOUNT WASTEBASKET(S)</b>									
BWBB15 CC	1	DR1524 ND	1	BWBB15_OL KIT CC	1	DDF15	1	DRB15 X 21DP DT FG	
BWBB15-2 CC	1	DR1524 ND	1	BWBB15-2_OL KIT CC	1	DDF15	1	DRB15 X 21DP DT FG	
BWBB18-2 CC	1	DR1824 ND	1	BWBB18-2_OL KIT CC	1	DDF18	1	DRB18 X 21DP DT FG	
BWBB21-2 CC	1	DR2124 ND	1	BWBB21-2_OL KIT CC	1	DDF21	1	DRB21 X 21DP DT FG	
<b>BASE CABINET - FACTORY INSTALLED FULL-ACCESS ROLL OUT TRAY DIVIDER</b>									
B12 FAROTD	1	DR1224	1	ROTDKFA12	1	DDF12	1	DRB12 X 21DP DT FG	
B15 FAROTD	1	DR1524	1	ROTDKFA15	1	DDF15	1	DRB15 X 21DP DT FG	
<b>BASE CABINET - FACTORY INSTALLED FULL-ACCESS CUSHIONCLOSE® ROLL OUT TRAY DIVIDER</b>									
B12 CCROTD	1	DR1224	1	ROTDKCC12	1	DDF12	1	DRB12 X 21DP DT FG	
B15 CCROTD	1	DR1524	1	ROTDKCC15	1	DDF15	1	DRB15 X 21DP DT FG	
<b>BASE CABINET - CUTTING BOARD DOOR RACK</b>									
B18 CBDR	1	DR1824	1	18" SHELF 24DP 3/4 CBDRK18	1	DDF18	1	DRB18 X 21DP DT FG	
<b>BASE CABINET - PLASTIC BAG DOOR STORAGE UNIT</b>									
B15 PBDSU	1	DR1524	1	15" SHELF 24DP 3/4 PBDSU15	1	DDF15	1	DRB15 X 21DP DT FG	
B18 PBDSU	1	DR1824	1	18" SHELF 24DP 3/4 PBDSU18	1	DDF18	1	DRB18 X 21DP DT FG	
<b>BASE CABINET - ADJUSTABLE SHELF - FACTORY INSTALLED CUTLERY DIVIDER</b>									
B15 CD	1	DR1524	1	15" SHELF 24DP 3/4 CDAK15	1	DDF15	1	DRB15 X 21DP DT FG	
B18 CD	1	DR1824	1	18" SHELF 24DP 3/4 CDAK18	1	DDF18	1	DRB18 X 21DP DT FG	
B21 CD	1	DR2124	1	21" SHELF 24DP 3/4 CDAK21	1	DDF21	1	DRB21 X 21DP DT FG	
B24 CD	1	DR2424	1	24" SHELF 24DP 3/4 CDAK21	1	DDF24	1	DRB24 X 21DP DT FG	
B24 BUTT CD	2	DR1224 BUTT	1	24" SHELF 24DP 3/4 CDAK21	1	DDF24	1	DRB24 X 21DP DT FG	
<b>BASE CABINET - 1 FULL-ACCESS DEEP ROLL OUT TRAY - FACTORY INSTALLED CUTLERY DIVIDER</b>									
B15 FAFWT CD	1	DR1524	1	15" SHELF 24DP 3/4 DROTFA15 CDAK15	1	DDF15	1	DRB15 X 21DP DT FG	
B18 FAFWT CD	1	DR1824	1	18" SHELF 24DP 3/4 DROTFA18 CDAK18	1	DDF18	1	DRB18 X 21DP DT FG	
B21 FAFWT CD	1	DR2124	1	21" SHELF 24DP 3/4 DROTFA21 CDAK21	1	DDF21	1	DRB21 X 21DP DT FG	
B24 FAFWT CD	1	DR2424	1	24" SHELF 24DP 3/4 DROTFA24 CDAK24	1	DDF24	1	DRB24 X 21DP DT FG	
B24 FAFWT BUTT CD	2	DR1224 BUTT	1	24" SHELF 24DP 3/4 DROTFA24 CDAK24	1	DDF24	1	DRB24 X 21DP DT FG	

SKU	QTY	DOOR		ADJUSTABLE SHELF/ACCESSORY		DRAWER/PANEL FRONT		DRAWER BODY
		PART NAME	QTY	*For All Plywood Construction Adjustable Shelf, refer to Parts Directory Legend		PART NAME	QTY	PART NAME
				*PART NAME				
<b>BASE CABINET - 2 FULL-ACCESS DEEP ROLL OUT TRAYS - FACTORY INSTALLED CUTLERY DIVIDER</b>								
B15 FA2FWT CD	1	DR1524	2	DROTFA15	1	DDF15	1	DRB15 X 21DP DT FG
			1	CDAK15				
B18 FA2FWT CD	1	DR1824	2	DROTFA18	1	DDF18	1	DRB18 X 21DP DT FG
			1	CDAK18				
B21 FA2FWT CD	1	DR2124	2	DROTFA21	1	DDF21	1	DRB21 X 21DP DT FG
			1	CDAK21				
B24 FA2FWT CD	1	DR2424	2	DROTFA24	1	DDF24	1	DRB24 X 21DP DT FG
			1	CDAK24				
B24 FA2FWT BUTT CD	2	DR1224 BUTT	2	DROTFA24	1	DDF24	1	DRB24 X 21DP DT FG
			1	CDAK24				
<b>BASE CABINET - 1 FULL-ACCESS CUSHIONCLOSE® DEEP ROLL OUT TRAY - FACTORY INSTALLED CUTLERY DIVIDER</b>								
B15 CCFWT CD	1	DR1524	1	15" SHELF 24DP 3/4	1	DDF15	1	DRB15 X 21DP DT FG
			1	DROTCC15				
			1	CDAK15				
B18 CCFWT CD	1	DR1824	1	18" SHELF 24DP 3/4	1	DDF18	1	DRB18 X 21DP DT FG
			1	DROTCC18				
			1	CDAK18				
B21 CCFWT CD	1	DR2124	1	21" SHELF 24DP 3/4	1	DDF21	1	DRB21 X 21DP DT FG
			1	DROTCC21				
			1	CDAK21				
B24 CCFWT CD	1	DR2424	1	24" SHELF 24DP 3/4	1	DDF24	1	DRB24 X 21DP DT FG
			1	DROTCC24				
			1	CDAK24				
B24 CCFWT BUTT CD	2	DR1224 BUTT	1	24" SHELF 24DP 3/4	1	DDF24	1	DRB24 X 21DP DT FG
			1	DROTCC24				
			1	CDAK24				
<b>BASE CABINET - 2 FULL-ACCESS CUSHIONCLOSE® DEEP ROLL OUT TRAYS - FACTORY INSTALLED CUTLERY DIVIDER</b>								
B15 CC2FWT CD	1	DR1524	2	DROTCC15	1	DDF15	1	DRB15 X 21DP DT FG
			1	CDAK15				
B18 CC2FWT CD	1	DR1824	2	DROTCC18	1	DDF18	1	DRB18 X 21DP DT FG
			1	CDAK18				
B21 CC2FWT CD	1	DR2124	2	DROTCC21	1	DDF21	1	DRB21 X 21DP DT FG
			1	CDAK21				
B24 CC2FWT CD	1	DR2424	2	DROTCC24	1	DDF24	1	DRB24 X 21DP DT FG
			1	CDAK24				
B24 CC2FWT BUTT CD	2	DR1224 BUTT	2	DROTCC24	1	DDF24	1	DRB24 X 21DP DT FG
			1	CDAK24				
<b>BASE CABINET - ADJUSTABLE SHELF - FACTORY INSTALLED SPICE DRAWER INSERT</b>								
B15 SDI	1	DR1524	1	15" SHELF 24DP 3/4	1	DDF15	1	DRB15 X 21DP DT FG
			1	SDIAK15				
B18 SDI	1	DR1824	1	18" SHELF 24DP 3/4	1	DDF18	1	DRB18 X 21DP DT FG
			1	SDIAK18				
B21 SDI	1	DR2124	1	21" SHELF 24DP 3/4	1	DDF21	1	DRB21 X 21DP DT FG
			1	SDIAK21				
B24 SDI	1	DR2424	1	24" SHELF 24DP 3/4	1	DDF24	1	DRB24 X 21DP DT FG
			1	SDIAK24				
B24 BUTT SDI	2	DR1224 BUTT	1	24" SHELF 24DP 3/4	1	DDF24	1	DRB24 X 21DP DT FG
			1	SDIAK24				

SKU	QTY	DOOR		ADJUSTABLE SHELF/ACCESSORY		DRAWER/PANEL FRONT		DRAWER BODY
		PART NAME	QTY	*For All Plywood Construction Adjustable Shelf, refer to Parts Directory Legend		PART NAME	QTY	PART NAME
				*PART NAME	QTY			
<b>BASE CABINET - 1 FULL-ACCESS DEEP ROLL OUT TRAY - FACTORY INSTALLED SPICE DRAWER INSERT</b>								
B15 FAFWT SDI	1	DR1524	1	15" SHELF 24DP 3/4	1	DDF15	1	DRB15 X 21DP DT FG
			1	DROTFA15				
			1	SDIAK15				
B18 FAFWT SDI	1	DR1824	1	18" SHELF 24DP 3/4	1	DDF18	1	DRB18 X 21DP DT FG
			1	DROTFA18				
			1	SDIAK18				
B21 FAFWT SDI	1	DR2124	1	21" SHELF 24DP 3/4	1	DDF21	1	DRB21 X 21DP DT FG
			1	DROTFA21				
			1	SDIAK21				
B24 FAFWT SDI	1	DR2424	1	24" SHELF 24DP 3/4	1	DDF24	1	DRB24 X 21DP DT FG
			1	DROTFA24				
			1	SDIAK24				
B24 FAFWT BUTT SDI	2	DR1224 BUTT	1	24" SHELF 24DP 3/4	1	DDF24	1	DRB24 X 21DP DT FG
			1	DROTFA24				
			1	SDIAK24				
<b>BASE CABINET - 2 FULL-ACCESS DEEP ROLL OUT TRAYS - FACTORY INSTALLED SPICE DRAWER INSERT</b>								
B15 FA2FWT SDI	1	DR1524	2	DROTFA15	1	DDF15	1	DRB15 X 21DP DT FG
			1	SDIAK15				
B18 FA2FWT SDI	1	DR1824	2	DROTFA18	1	DDF18	1	DRB18 X 21DP DT FG
			1	SDIAK18				
B21 FA2FWT SDI	1	DR2124	2	DROTFA21	1	DDF21	1	DRB21 X 21DP DT FG
			1	SDIAK21				
B24 FA2FWT SDI	1	DR2424	2	DROTFA24	1	DDF24	1	DRB24 X 21DP DT FG
			1	SDIAK24				
B24 FA2FWT BUTT SDI	2	DR1224 BUTT	2	DROTFA24	1	DDF24	1	DRB24 X 21DP DT FG
			1	SDIAK24				
<b>BASE CABINET - 1 FULL-ACCESS CUSHIONCLOSE® DEEP ROLL OUT TRAY - FACTORY INSTALLED SPICE DRAWER INSERT</b>								
B15 CCFWT SDI	1	DR1524	1	15" SHELF 24DP 3/4	1	DDF15	1	DRB15 X 21DP DT FG
			1	DROTCC15				
			1	SDIAK15				
B18 CCFWT SDI	1	DR1824	1	18" SHELF 24DP 3/4	1	DDF18	1	DRB18 X 21DP DT FG
			1	DROTCC18				
			1	SDIAK18				
B21 CCFWT SDI	1	DR2124	1	21" SHELF 24DP 3/4	1	DDF21	1	DRB21 X 21DP DT FG
			1	DROTCC21				
			1	SDIAK21				
B24 CCFWT SDI	1	DR2424	1	24" SHELF 24DP 3/4	1	DDF24	1	DRB24 X 21DP DT FG
			1	DROTCC24				
			1	SDIAK24				
B24 CCFWT BUTT SDI	2	DR1224 BUTT	1	24" SHELF 24DP 3/4	1	DDF24	1	DRB24 X 21DP DT FG
			1	DROTCC24				
			1	SDIAK24				

**PARTS: BASE CABINETS**

SKU	QTY	DOOR		ADJUSTABLE SHELF/ACCESSORY		DRAWER/PANEL FRONT		DRAWER BODY
		PART NAME	QTY	*For All Plywood Construction Adjustable Shelf, refer to Parts Directory Legend		PART NAME	QTY	PART NAME
				*PART NAME	QTY			
<b>BASE CABINET • 2 FULL-ACCESS CUSHIONCLOSE® DEEP ROLL OUT TRAYS • FACTORY INSTALLED SPICE DRAWER INSERT</b>								
B15 CC2FWT SDI	1	DR1524	2	DROTCC15	1	DDF15	1	DRB15 X 21DP DT FG
			1	SDIAK15				
B18 CC2FWT SDI	1	DR1824	2	DROTCC18	1	DDF18	1	DRB18 X 21DP DT FG
			1	SDIAK18				
B21 CC2FWT SDI	1	DR2124	2	DROTCC21	1	DDF21	1	DRB21 X 21DP DT FG
			1	SDIAK21				
B24 CC2FWT SDI	1	DR2424	2	DROTCC24	1	DDF24	1	DRB24 X 21DP DT FG
			1	SDIAK24				
B24 CC2FWT BUTT SDI	2	DR1224 BUTT	2	DROTCC24	1	DDF24	1	DRB24 X 21DP DT FG
			1	SDIAK24				
<b>BASE CABINET • ADJUSTABLE SHELF • FACTORY INSTALLED WOOD TIERED CUTLERY DIVIDER</b>								
B15 WTCD	1	DR1524	1	15" SHELF 24DP 3/4	1	DDF15	1	WTCDAK15
			1	WTCDAK15				
B18 WTCD	1	DR1824	1	18" SHELF 24DP 3/4	1	DDF18	1	WTCDAK18
			1	WTCDAK18				
B21 WTCD	1	DR2124	1	21" SHELF 24DP 3/4	1	DDF21	1	WTCDAK21
			1	WTCDAK21				
B24 WTCD	1	DR2424	1	24" SHELF 24DP 3/4	1	DDF24	1	WTCDAK24
			1	WTCDAK24				
B24 BUTT WTCD	2	DR1224 BUTT	1	24" SHELF 24DP 3/4	1	DDF24	1	WTCDAK24
			1	WTCDAK24				
<b>BASE CABINET • 1 FULL-ACCESS DEEP ROLL OUT TRAY • FACTORY INSTALLED WOOD TIERED CUTLERY DIVIDER</b>								
B15 FAFWT WTCD	1	DR1524	1	15" SHELF 24DP 3/4	1	DDF15	1	WTCDAK15
			1	DROTFA15				
			1	WTCDAK15				
B18 FAFWT WTCD	1	DR1824	1	18" SHELF 24DP 3/4	1	DDF18	1	WTCDAK18
			1	DROTFA18				
			1	WTCDAK18				
B21 FAFWT WTCD	1	DR2124	1	21" SHELF 24DP 3/4	1	DDF21	1	WTCDAK21
			1	DROTFA21				
			1	WTCDAK21				
B24 FAFWT WTCD	1	DR2424	1	24" SHELF 24DP 3/4	1	DDF24	1	WTCDAK24
			1	DROTFA24				
			1	WTCDAK24				
B24 FAFWT BUTT WTCD	2	DR1224 BUTT	1	24" SHELF 24DP 3/4	1	DDF24	1	WTCDAK24
			1	DROTFA24				
			1	WTCDAK24				
<b>BASE CABINET • 2 FULL-ACCESS DEEP ROLL OUT TRAYS • FACTORY INSTALLED WOOD TIERED CUTLERY DIVIDER</b>								
B15 FA2FWT WTCD	1	DR1524	2	DROTFA15	1	DDF15	1	WTCDAK15
			1	WTCDAK15				
B18 FA2FWT WTCD	1	DR1824	2	DROTFA18	1	DDF18	1	WTCDAK18
			1	WTCDAK18				
B21 FA2FWT WTCD	1	DR2124	2	DROTFA21	1	DDF21	1	WTCDAK21
			1	WTCDAK21				
B24 FA2FWT WTCD	1	DR2424	2	DROTFA24	1	DDF24	1	WTCDAK24
			1	WTCDAK24				
B24 FA2FWT BUTT WTCD	2	DR1224 BUTT	2	DROTFA24	1	DDF24	1	WTCDAK24
			1	WTCDAK24				

SKU	QTY	DOOR		ADJUSTABLE SHELF/ACCESSORY		DRAWER/PANEL FRONT		DRAWER BODY
		PART NAME	QTY	*For All Plywood Construction Adjustable Shelf, refer to Parts Directory Legend		PART NAME	QTY	PART NAME
				*PART NAME	QTY			
<b>BASE CABINET - 1 FULL-ACCESS CUSHIONCLOSE® DEEP ROLL OUT TRAY - FACTORY INSTALLED WOOD TIERED CUTLERY DIVIDER</b>								
B15 CCFWT WTCD	1	DR1524	1	15" SHELF 24DP 3/4	1	DDF15	1	WTCDAK15
			1	DROTCC15				
			1	WTCDAK15				
B18 CCFWT WTCD	1	DR1824	1	18" SHELF 24DP 3/4	1	DDF18	1	WTCDAK18
			1	DROTCC18				
			1	WTCDAK18				
B21 CCFWT WTCD	1	DR2124	1	21" SHELF 24DP 3/4	1	DDF21	1	WTCDAK21
			1	DROTCC21				
			1	WTCDAK21				
B24 CCFWT WTCD	1	DR2424	1	24" SHELF 24DP 3/4	1	DDF24	1	WTCDAK24
			1	DROTCC24				
			1	WTCDAK24				
B24 CCFWT BUTT WTCD	2	DR1224 BUTT	1	24" SHELF 24DP 3/4	1	DDF24	1	WTCDAK24
			1	DROTCC24				
			1	WTCDAK24				
<b>BASE CABINET - 2 FULL-ACCESS CUSHIONCLOSE® DEEP ROLL OUT TRAYS - FACTORY INSTALLED WOOD TIERED CUTLERY DIVIDER</b>								
B15 CC2FWT WTCD	1	DR1524	2	DROTCC15	1	DDF15	1	WTCDAK15
			1	WTCDAK15				
B18 CC2FWT WTCD	1	DR1824	2	DROTCC18	1	DDF18	1	WTCDAK18
			1	WTCDAK18				
B21 CC2FWT WTCD	1	DR2124	2	DROTCC21	1	DDF21	1	WTCDAK21
			1	WTCDAK21				
B24 CC2FWT WTCD	1	DR2424	2	DROTCC24	1	DDF24	1	WTCDAK24
			1	WTCDAK24				
B24 CC2FWT BUTT WTCD	2	DR1224 BUTT	2	DROTCC24	1	DDF24	1	WTCDAK24
			1	WTCDAK24				
<b>PENINSULA BASE CABINET</b>								
PB12	2	DR1224	1	12" SHELF PB 3/4	2	DDF12	1	DRB12 X 21DP DT FG
PB18	2	DR1824	1	18" SHELF PB 3/4	2	DDF18	1	DRB18 X 21DP DT FG
PB24	2	DR2424	1	24" SHELF PB 3/4	2	DDF24	1	DRB24 X 21DP DT FG
PB24 BUTT	4	DR1224 BUTT	1	24" SHELF PB 3/4	2	DDF24	1	DRB24 X 21DP DT FG
PB30 BUTT	4	DR1524 BUTT	1	30" SHELF PB 3/4	2	DDF30	1	DRB30 X 21DP DT FG
PB36	4	DR1824	1	36" SHELF PB 3/4	2	DDF18	2	DRB18 X 21DP DT FG
					1	DDF36		
PB36 1TD BUTT	4	DR1824 BUTT	1	36" SHELF PB 3/4	2	DDF36	1	DRB36 X 21DP DT FG
PB42	4	DR2124	1	42" SHELF PB 3/4	4	DDF21	2	DRB21 X 21DP DT FG
<b>BLIND CORNER BASE CABINET</b>								
BLB36/39	1	DR1224	1	27" SHELF 3/4	1	DDF12	1	DRB12 X 21DP DT FG
BLB39/42	1	DR1524	1	33" SHELF 3/4	1	DDF15	1	DRB15 X 21DP DT FG
BLB42/45	1	DR1824	1	39" SHELF 3/4	1	DDF18	1	DRB18 X 21DP DT FG
BLB45/48	1	DR2124	1	45" SHELF 3/4	1	DDF21	1	DRB21 X 21DP DT FG
BLB48/51	1	DR2124	1	48" SHELF 3/4	1	DDF21	1	DRB21 X 21DP DT FG
<b>BLIND PENINSULA CORNER BASE CABINET</b>								
PBC24	1	DR2424	1	24" SHELF PB 3/4	1	DDF24	1	DRB24 X 21DP DT FG
PBC24 BUTT	2	DR1224 BUTT	1	24" SHELF PB 3/4	1	DDF24	1	DRB24 X 21DP DT FG

SKU	QTY	DRAWER/PANEL FRONT		DRAWER BODY
		FULL OVERLAY	STANDARD OVERLAY	PART NAME
		PART NAME	PART NAME	
<b>2 DRAWER BASE CABINET</b>				
DB30 2DWR	2	DDF30 2DB	DDF30 2DB	DRB30 HD X 21DPDTFG
DB36 2DWR	2	DDF36 2DB	DDF36 2DB	DRB36 HD X 21DPDTFG
<b>2 DRAWER BASE CABINET - PEG DISH ORGANIZER</b>				
DB30 2DWR PDO	2	DDF30 2DB	DDF30 2DB	DRB30 HD X 21DPDTFG
DB36 2DWR PDO	2	DDF36 2DB	DDF36 2DB	DRB36 HDX 21DPDTFG
<b>2 DRAWER BASE CABINET - SCALLOPED FULL WIDTH TRAY</b>				
DB30 2DWR SFWT	2	DDF30 2DB	DDF30 2DB	DRB30 HD X 21DPDTFG SDROT30
	1			
DB36 2DWR SFWT	2	DDF36 2DB	DDF36 2DB	DRB36 HD X 21DPDTFG SDROT36
	1			
<b>2 DRAWER BASE CABINET - SCALLOPED FULL WIDTH TRAY &amp; PEG DISH ORGANIZER</b>				
DB30 2DWR SFWT PDO	2	DDF30 2DB	DDF30 2DB	DRB30 HD X 21DPDTFG SDROT30
	1			
DB36 2DWR SFWT PDO	2	DDF36 2DB	DDF36 2DB	DRB36 HD X 21DPDTFG SDROT36
	1			
<b>3 DRAWER BASE CABINET</b>				
DB12	1	DDF12	DDF12	DRB12 X 21DP DT FG
	2	DDF12M	DDF12D	DRB12M X 21DP DT FG
DB15	1	DDF15	DDF15	DRB15 X 21DP DT FG
	2	DDF15M	DDF15D	DRB15M X 21DP DT FG
DB18	1	DDF18	DDF18	DRB18 X 21DP DT FG
	2	DDF18M	DDF18D	DRB18M X 21DP DT FG
DB21	1	DDF21	DDF21	DRB21 X 21DP DT FG
	2	DDF21M	DDF21D	DRB21M X 21DP DT FG
DB24	1	DDF24	DDF24	DRB24 X 21DP DT FG
	2	DDF24M	DDF24D	DRB24M X 21DP DT FG
DB27	1	DDF27	DDF27	DRB27 X 21DP DT FG
	2	DDF27M	DDF27D	DRB27M X 21DP DT FG
DB30	1	DDF30	DDF30	DRB30 X 21DP DT FG
	2	DDF30M	DDF30D	DRB30M X 21DP DT FG
DB33	1	DDF33	DDF33	DRB33 X 21DP DT FG
	2	DDF33M	DDF33D	DRB33M X 21DP DT FG
DB36 1TD	1	DDF36	DDF36	DRB36 X 21DP DT FG
	2	DDF36M	DDF36D	DRB36M X 21DP DT FG
<b>3 DRAWER BASE CABINET - FACTORY INSTALLED CUTLERY DIVIDER</b>				
DB15 CD	1	DDF15	DDF15	DRB15 X 21DP DT FG
	2	DDF15M	DDF15D	DRB15M X 21DP DT FG
DB18 CD	1	DDF18	DDF18	DRB18 X 21DP DT FG
	2	DDF18M	DDF18D	DRB18M X 21DP DT FG
DB21 CD	1	DDF21	DDF21	DRB21 X 21DP DT FG
	2	DDF21M	DDF21D	DRB21M X 21DP DT FG
DB24 CD	1	DDF24	DDF24	DRB24 X 21DP DT FG
	2	DDF24M	DDF24D	DRB24M X 21DP DT FG

SKU	QTY	DRAWER/PANEL FRONT		DRAWER BODY
		FULL OVERLAY	STANDARD OVERLAY	PART NAME
		PART NAME	PART NAME	
<b>3 DRAWER BASE CABINET - FACTORY INSTALLED SPICE DRAWER INSERT</b>				
DB15 SDI	1	DDF15	DDF15	DRB15 X 21DP DT FG
	2	DDF15M	DDF15D	DRB15M X 21DP DT FG
DB18 SDI	1	DDF18	DDF18	DRB18 X 21DP DT FG
	2	DDF18M	DDF18D	DRB18M X 21DP DT FG
DB21 SDI	1	DDF21	DDF21	DRB21 X 21DP DT FG
	2	DDF21M	DDF21D	DRB21M X 21DP DT FG
DB24 SDI	1	DDF24	DDF24	DRB24 X 21DP DT FG
	2	DDF24M	DDF24D	DRB24M X 21DP DT FG
<b>3 DRAWER BASE CABINET - FACTORY INSTALLED WOOD TIERED CUTLERY DIVIDER</b>				
DB15 WTC	1	DDF15	DDF15	WTCDAK15
	2	DDF15M	DDF15D	DRB15M X 21DP DT FG
DB18 WTC	1	DDF18	DDF18	WTCDAK18
	2	DDF18M	DDF18D	DRB18M X 21DP DT FG
DB21 WTC	1	DDF21	DDF21	WTCDAK21
	2	DDF21M	DDF21D	DRB21M X 21DP DT FG
DB24 WTC	1	DDF24	DDF24	WTCDAK24
	2	DDF24M	DDF24D	DRB24M X 21DP DT FG
<b>4 DRAWER BASE CABINET</b>				
DB12 4DWR	3	DDF12	DDF12	DRB12 X 21DP DT FG
	1	DDF12M	DDF12D	DRB12M X 21DP DT FG
DB15 4DWR	3	DDF15	DDF15	DRB15 X 21DP DT FG
	1	DDF15M	DDF15D	DRB15M X 21DP DT FG
DB18 4DWR	3	DDF18	DDF18	DRB18 X 21DP DT FG
	1	DDF18M	DDF18D	DRB18M X 21DP DT FG
DB21 4DWR	3	DDF21	DDF21	DRB21 X 21DP DT FG
	1	DDF21M	DDF21D	DRB21M X 21DP DT FG
DB24 4DWR	3	DDF24	DDF24	DRB24 X 21DP DT FG
	1	DDF24M	DDF24D	DRB24M X 21DP DT FG
DB36	2	DDF18	DDF18	DRB18 X 21DP DT FG
	2	DDF36M	DDF36D	DRB36M X 21DP DT FG
<b>4 DRAWER BASE CABINET - FACTORY INSTALLED CUTLERY DIVIDER</b>				
DB15 4DWR CD	3	DDF15	DDF15	DRB15 X 21DP DT FG
	1	DDF15M	DDF15D	DRB15M X 21DP DT FG
DB18 4DWR CD	3	DDF18	DDF18	DRB18 X 21DP DT FG
	1	DDF18M	DDF18D	DRB18M X 21DP DT FG
DB21 4DWR CD	3	DDF21	DDF21	DRB21 X 21DP DT FG
	1	DDF21M	DDF21D	DRB21M X 21DP DT FG
DB24 4DWR CD	3	DDF24	DDF24	DRB24 X 21DP DT FG
	1	DDF24M	DDF24D	DRB24M X 21DP DT FG
<b>4 DRAWER BASE CABINET - FACTORY INSTALLED SPICE DRAWER INSERT</b>				
DB15 4DWR SDI	3	DDF15	DDF15	DRB15 X 21DP DT FG
	1	DDF15M	DDF15D	DRB15M X 21DP DT FG
DB18 4DWR SDI	3	DDF18	DDF18	DRB18 X 21DP DT FG
	1	DDF18M	DDF18D	DRB18M X 21DP DT FG
DB21 4DWR SDI	3	DDF21	DDF21	DRB21 X 21DP DT FG
	1	DDF21M	DDF21D	DRB21M X 21DP DT FG
DB24 4DWR SDI	3	DDF24	DDF24	DRB24 X 21DP DT FG
	1	DDF24M	DDF24D	DRB24M X 21DP DT FG

SKU	QTY	DRAWER/PANEL FRONT		DRAWER BODY
		FULL OVERLAY	STANDARD OVERLAY	PART NAME
		PART NAME	PART NAME	
<b>4 DRAWER BASE CABINET - FACTORY INSTALLED WOOD TIERED CUTLERY DIVIDER</b>				
DB15 4DWR WTCD	1	DDF15	DDF15	WTCDAK15
	2	DDF15	DDF15	DRB15 X 21DP DT FG
	1	DDF15M	DDF15D	DRB15M X 21DP DT FG
DB18 4DWR WTCD	1	DDF18	DDF18	WTCDAK18
	2	DDF18	DDF18	DRB18 X 21DP DT FG
	1	DDF18M	DDF18D	DRB18M X 21DP DT FG
DB21 4DWR WTCD	1	DDF21	DDF21	WTCDAK21
	2	DDF21	DDF21	DRB21 X 21DP DT FG
	1	DDF21M	DDF21D	DRB21M X 21DP DT FG
DB24 4DWR WTCD	1	DDF24	DDF24	WTCDAK24
	2	DDF24	DDF24	DRB24 X 21DP DT FG
	1	DDF24M	DDF24D	DRB24M X 21DP DT FG
<b>BASE MICROWAVE CABINET</b>				
BMC24	2	DDF24	DDF24	DRB24 X 21DP DT FG
BMC27	2	DDF27	DDF27	DRB27 X 21DP DT FG
BMC30	2	DDF30	DDF30	DRB30 X 21DP DT FG
<b>BASE SPICE DRAWER CABINET</b>				
BSDC6	5	DDF SDC	DDF SDC	DRB6 BSDC6
<b>WALL SPICE DRAWER CABINET</b>				
SDC18	3	DDF SDC	DDF SDC	DRB6 SDC30
SDC24	4	DDF SDC	DDF SDC	DRB6 SDC30
SDC30	5	DDF SDC	DDF SDC	DRB6 SDC30
SDC36	6	DDF SDC	DDF SDC	DRB6 SDC30



SKU	QTY	DOOR		QTY	ADJUSTABLE SHELF/ACCESSORY
		FULL OVERLAY	STANDARD OVERLAY		*For All Plywood Construction Adjustable Shelf, refer to Parts Directory legend
		PART NAME	PART NAME		*PART NAME
<b>FULL-HEIGHT BASE</b>					
TB9	1	DR9FH	DR930	-	N/A
TB9 TDS	1	DR9FH	DR930	1	9" SHELF 24DP 3/4 TD3
B12 FH	1	DR12FH	DR1230	1	12" SHELF 24DP 3/4
B15 FH	1	DR15FH	DR1530	1	15" SHELF 24DP 3/4
B18 FH	1	DR18FH	DR1830	1	18" SHELF 24DP 3/4
B21 FH	1	DR21FH	DR2130	1	21" SHELF 24DP 3/4
B24 FH	1	DR24FH	DR2430	1	24" SHELF 24DP 3/4
B24 BUTT FH	2	DR12BUTT FH	DR1230 BUTT	1	24" SHELF 24DP 3/4
B27 BUTT FH	2	DR13BUTT FH	DR1330 BUTT	1	27" SHELF 24DP 3/4
B30 BUTT FH	2	DR15BUTT FH	DR1530 BUTT	1	30" SHELF 24DP 3/4
B33 BUTT FH	2	DR16BUTT FH	DR1630 BUTT	1	33" SHELF 24DP 3/4
B36 BUTT FH	2	DR18BUTT FH	DR1830 BUTT	1	36" SHELF 24DP 3/4
<b>FULL-HEIGHT FULL ACCESS PULL OUT</b>					
BTDP9 FA	1	DR9FH ND	DR930 ND	1	BTDP9 KIT FA
BPP9 FA	1	DR9FH ND	DR930 ND	1	BPP9 KIT FA
BPP12 FA	1	DR12FH ND	DR1230 ND	1	BPP12 KIT FA
BPPUS9 FA	1	DR9FH ND	DR930 ND	1	BPPUS9 KIT FA
BPPUS12 FA	1	DR12FH ND	DR1230 ND	1	BPPUS12 KIT FA
<b>FULL-HEIGHT FULL-ACCESS CUSHIONCLOSE® PULL OUT</b>					
BTDP9 CC	1	DR9FH ND	DR930 ND	1	BTDP9 KIT CC
BPP9 CC	1	DR9FH ND	DR930 ND	1	BPP9 KIT CC
BPP12 CC	1	DR12FH ND	DR1230 ND	1	BPP12 KIT CC
BPPUS9 CC	1	DR9FH ND	DR930 ND	1	BPPUS9 KIT CC
BPPUS12 CC	1	DR12FH ND	DR1230 ND	1	BPPUS12 KIT CC
<b>FULL-HEIGHT BASE - 2 FULL-ACCESS DEEP ROLL OUT TRAYS</b>					
B12 FH FA2FWT	1	DR12FH	DR1230	2	DROTFA12
B15 FH FA2FWT	1	DR15FH	DR1530	2	DROTFA15
B18 FH FA2FWT	1	DR18FH	DR1830	2	DROTFA18
B21 FH FA2FWT	1	DR21FH	DR2130	2	DROTFA21
B24 FH FA2FWT	1	DR24FH	DR2430	2	DROTFA24
B24 BUTT FH FA2FWT	2	DR12BUTT FH	DR1230 BUTT	2	DROTFA24
B27 BUTT FH FA2FWT	2	DR13BUTT FH	DR1330 BUTT	2	DROTFA27
B30 BUTT FH FA2FWT	2	DR15BUTT FH	DR1530 BUTT	2	DROTFA30
B33 BUTT FH FA2FWT	2	DR16BUTT FH	DR1630 BUTT	2	DROTFA33
B36 BUTT FH FA2FWT	2	DR18BUTT FH	DR1830 BUTT	2	DROTFA36
<b>FULL-HEIGHT BASE - 4 FULL-ACCESS DEEP ROLL OUT TRAYS</b>					
B12 FH FA4FWT	1	DR12FH	DR1230	4	DROTFA12
B15 FH FA4FWT	1	DR15FH	DR1530	4	DROTFA15
B18 FH FA4FWT	1	DR18FH	DR1830	4	DROTFA18
B21 FH FA4FWT	1	DR21FH	DR2130	4	DROTFA21
B24 FH FA4FWT	1	DR24FH	DR2430	4	DROTFA24
B24 BUTT FH FA4FWT	2	DR12BUTT FH	DR1230 BUTT	4	DROTFA24
B27 BUTT FH FA4FWT	2	DR13BUTT FH	DR1330 BUTT	4	DROTFA27
B30 BUTT FH FA4FWT	2	DR15BUTT FH	DR1530 BUTT	4	DROTFA30
B33 BUTT FH FA4FWT	2	DR16BUTT FH	DR1630 BUTT	4	DROTFA33
B36 BUTT FH FA4FWT	2	DR18BUTT FH	DR1830 BUTT	4	DROTFA36

PARTS: FULL-HEIGHT BASE CABINETS

SKU	QTY	DOOR		QTY	ADJUSTABLE SHELF/ACCESSORY
		FULL OVERLAY	STANDARD OVERLAY		*For All Plywood Construction Adjustable Shelf, refer to Parts Directory Legend
		PART NAME	PART NAME		*PART NAME
<b>FULL-HEIGHT BASE - 2 FULL-ACCESS CUSHIONCLOSE® DEEP ROLL OUT TRAYS</b>					
B12 FH CC2FWT	1	DR12FH	DR1230	2	DROTCC12
B15 FH CC2FWT	1	DR15FH	DR1530	2	DROTCC15
B18 FH CC2FWT	1	DR18FH	DR1830	2	DROTCC18
B21 FH CC2FWT	1	DR21FH	DR2130	2	DROTCC21
B24 FH CC2FWT	1	DR24FH	DR2430	2	DROTCC24
B24 BUTT FH CC2FWT	2	DR12BUTT FH	DR1230 BUTT	2	DROTCC24
B27 BUTT FH CC2FWT	2	DR13BUTT FH	DR1330 BUTT	2	DROTCC27
B30 BUTT FH CC2FWT	2	DR15BUTT FH	DR1530 BUTT	2	DROTCC30
B33 BUTT FH CC2FWT	2	DR16BUTT FH	DR1630 BUTT	2	DROTCC33
B36 BUTT FH CC2FWT	2	DR18BUTT FH	DR1830 BUTT	2	DROTCC36
<b>FULL-HEIGHT BASE - 4 FULL-ACCESS CUSHIONCLOSE® DEEP ROLL OUT TRAYS</b>					
B12 FH CC4FWT	1	DR12FH	DR1230	4	DROTCC12
B15 FH CC4FWT	1	DR15FH	DR1530	4	DROTCC15
B18 FH CC4FWT	1	DR18FH	DR1830	4	DROTCC18
B21 FH CC4FWT	1	DR21FH	DR2130	4	DROTCC21
B24 FH CC4FWT	1	DR24FH	DR2430	4	DROTCC24
B24 BUTT FH CC4FWT	2	DR12BUTT FH	DR1230 BUTT	4	DROTCC24
B27 BUTT FH CC4FWT	2	DR13BUTT FH	DR1330 BUTT	4	DROTCC27
B30 BUTT FH CC4FWT	2	DR15BUTT FH	DR1530 BUTT	4	DROTCC30
B33 BUTT FH CC4FWT	2	DR16BUTT FH	DR1630 BUTT	4	DROTCC33
B36 BUTT FH CC4FWT	2	DR18BUTT FH	DR1830 BUTT	4	DROTCC36
<b>FULL-HEIGHT FULL ACCESS BOTTOM MOUNT WASTEBASKET(S)</b>					
BWBB15 FH FA	1	DR15FH ND	DR1530 ND	1	BWBB15 FH _OL KIT FA
BWBB18 FH FA	1	DR18FH ND	DR1830 ND	1	BWBB18 FH _OL KIT FA
BWBB21-2 FH FA	1	DR21FH ND	DR2130 ND	1	BWBB21-2 FH _OL KIT FA
<b>FULL-HEIGHT FULL-ACCESS CUSHIONCLOSE® BOTTOM MOUNT WASTEBASKET(S)</b>					
BWBB15 FH CC	1	DR15FH ND	DR1530 ND	1	BWBB15 FH _OL KIT CC
BWBB18 FH CC	1	DR18FH ND	DR1830 ND	1	BWBB18 FH _OL KIT CC
BWBB21-2 FH CC	1	DR21FH ND	DR2130 ND	1	BWBB21-2 FH _OL KIT CC
<b>BASE END ANGLE</b>					
BEA12 FH	1	DR15FH	DR1530	1	BEA12 SHELF 3/4
BEA24 FH	2	DR18FH	DR1830	1	BEA SHELF 3/4
<b>FULL-HEIGHT PENINSULA BASE</b>					
PB12 FH	2	DR12FH	DR1230	1	12" SHELF PB 3/4
PB18 FH	2	DR18FH	DR1830	1	18" SHELF PB 3/4
PB24 BUTT FH	4	DR12BUTT FH	DR1230 BUTT	1	24" SHELF PB 3/4
PB30 BUTT FH	4	DR15BUTT FH	DR1530 BUTT	1	30" SHELF PB 3/4
PB36 BUTT FH	4	DR18BUTT FH	DR1830 BUTT	1	36" SHELF PB 3/4

SKU	QTY	DOOR		DRAWER/PANEL FRONT	
		PART NAME	QTY	PART NAME	QTY
<b>CORNER SINK BASE CABINET</b>					
CSB36	1	DR1524	1	DDF15	
<b>CORNER SINK FRONT</b>					
CSF36	1	DR1524	1	DDF15	
CSF42	1	DR2424	1	DDF24	
<b>DEEP SINK BASE CABINET</b>					
DSB30 BUTT	2	DR1521V BUTT	-	N/A	
DSB33 BUTT	2	DR1621V BUTT	-	N/A	
DSB36 BUTT	2	DR1821V BUTT	-	N/A	
DSB39	2	DR1921V	-	N/A	
<b>SINK/RANGE BASE CABINET AND FRONT</b>					
SF15	1	DR1524	1	DDF15	
SB21 / SF21	1	DR2124	1	DDF21	
SB24	1	DR2424	2	DDF24	
SB24 BUTT / SF24 BUTT	2	DR1224 BUTT	1	DDF24	
SB27 BUTT / SF27 BUTT	2	DR1324 BUTT	1	DDF27	
SB30 BUTT / SF30 BUTT	2	DR1524 BUTT	1	DDF30	
SB33 BUTT / SF33 BUTT	2	DR1624 BUTT	1	DDF33	
SB36 BUTT / SF36 BUTT	2	DR1824 BUTT	1	DDF36	
SB39 / SF39	2	DR1924	2	DDF19	
SB42 / SF42	2	DR2124	2	DDF21	
SB45 / SF45	3	DR1524	3	DDF15	
SB48 / SF48	2	DR2424	2	DDF24	
<b>SINK/RANGE BASE FACTORY INSTALLED TILT OUT TRAY</b>					
SB18 STO	1	DR1824	1	DDF18 DRILL	
SB24 STO	1	DR2424	1	DDF24 DRILL	
SB24 BUTT STO	2	DR1224 BUTT	1	DDF24 DRILL	
SB27 BUTT STO	2	DR1324 BUTT	1	DDF27 DRILL	
SB30 BUTT STO	2	DR1524 BUTT	1	DDF30 DRILL	
SB33 BUTT STO	2	DR1624 BUTT	1	DDF33 DRILL	
SB36 BUTT STO	2	DR1824 BUTT	1	DDF36 DRILL	
SB39 STO	2	DR1924	2	DDF19 DRILL	
SB42 STO	2	DR2124	2	DDF21 DRILL	
SB48 STO	2	DR2424	2	DDF24 DRILL	
<b>SINK BASE MULTI-STORAGE CABINET</b>					
SBMS30 BUTT STO	2	DR1524 BUTT	1	DDF30 DRILL	
SBMS36 BUTT STO	2	DR1824 BUTT	1	DDF36 DRILL	

SKU	QTY	DOOR		ADJUSTABLE SHELF/ACCESSORY	
		QTY	PART NAME	QTY	PART NAME
<b>BASE SUPER SUSAN CABINET</b>					
BSS33 (L/R) WD	1		DR930 BER DRILL	2	BSS33 SHELF WD NP
	1		DR930 BER ND		
BSS36 (L/R) WD	1		DR1230 BER DRILL	2	BSS36 SHELF WD NP
	1		DR1230 BER ND		
<b>ASYMMETRICAL BASE SUPER SUSAN CABINET</b>					
BSS3336L WD	1		DR930 BER DRILL	2	BSS3336 SHELF WD NP
	1		DR1230 BER ND		
BSS3336R WD	1		DR930 BER ND	2	BSS3336 SHELF WD NP
	1		DR1230 BER DRILL		
BSS3633L WD	1		DR1230 BER DRILL	2	BSS3633 SHELF WD NP
	1		DR930 BER ND		
BSS3633R WD	1		DR1230 BER ND	2	BSS3633 SHELF WD NP
	1		DR930 BER DRILL		
<b>BASE EASY REACH CABINET</b>					
BER33 (L/R)	1		DR930 BER DRILL	-	N/A
	1		DR930 BER ND		
BER36 (L/R)	1		DR1230 BER DRILL	-	N/A
	1		DR1230 BER ND		
<b>ASYMMETRICAL BASE EASY REACH CABINET</b>					
BER3336L	1		DR930 BER DRILL	-	N/A
	1		DR1230 BER ND		
BER3336R	1		DR930 BER ND	-	N/A
	1		DR1230 BER DRILL		
BER3633L	1		DR1230 BER DRILL	-	N/A
	1		DR930 BER ND		
BER3633R	1		DR1230 BER ND	-	N/A
	1		DR930 BER DRILL		
<b>CORNER BASE CABINET</b>					
CBS36 WD	1		DRCBS36	2	CBS36 SHELF WD NP
<b>CORNER BASE CAROUSEL CABINET</b>					
CAR36 (L/R) WD	1		DR1230 BER DRILL	2	CAR36 SHELF WD
	1		DR1230 BER ND	1	BSSCWSCART-SHAFT RA
				1	WOOD SPIN SHELF HDW

SKU	QTY	DOOR	SPECIALTY DOOR	DECORATIVE GLASS INSERT	QTY	ADJUSTABLE SHELF
		PART NAME	PART NAME	PART NAME		*For All Plywood Construction or Matching Interior Adjustable Shelf, upgrade through construction options
						*PART NAME
<b>UTILITY CABINET - WITH ADJUSTABLE SHELVES - 12" DEEP X 84" HIGH</b>						
UT1212 X 84 AS	1	DR1230	DR1230 SD	DGI-1230	5	S1212
	1	DR1250				
UT1512 X 84 AS	1	DR1530	DR1530 SD	DGI-1530	5	S1512
	1	DR1550				
UT1812 X 84 AS	1	DR1830	DR1830 SD	DGI-1830	5	S1812
	1	DR1850				
UT2112 X 84 AS	1	DR2130	DR2130 SD	DGI-2130	5	S2112
	1	DR2150				
UT2412 X 84 AS BUTT	2	DR1230 BUTT	DR1230 BUTT SD	DGI-1230 BUTT	5	S2412
	2	DR1250 BUTT				
<b>UTILITY CABINET - WITH ADJUSTABLE SHELVES - 12" DEEP X 90" HIGH</b>						
UT1212 X 90 AS	1	DR1236	DR1236 SD	DGI-1236	6	S1212
	1	DR1250				
UT1512 X 90 AS	1	DR1536	DR1536 SD	DGI-1536	6	S1512
	1	DR1550				
UT1812 X 90 AS	1	DR1836	DR1836 SD	DGI-1836	6	S1812
	1	DR1850				
UT2112 X 90 AS	1	DR2136	DR2136 SD	DGI-2136	6	S2112
	1	DR2150				
UT2412 X 90 AS BUTT	2	DR1236 BUTT	DR1236 BUTT SD	DGI-1236 BUTT	6	S2412
	2	DR1250 BUTT				
<b>UTILITY CABINET - WITH ADJUSTABLE SHELVES - 12" DEEP X 93" HIGH</b>						
UT1212 X 93 AS	1	DR1239	DR1239 SD	DGI-1239	7	S1212
	1	DR1250				
UT1512 X 93 AS	1	DR1539	DR1539 SD	DGI-1539	7	S1512
	1	DR1550				
UT1812 X 93 AS	1	DR1839	DR1839 SD	DGI-1839	7	S1812
	1	DR1850				
UT2112 X 93 AS	1	DR2139	DR2139 SD	DGI-2139	7	S2112
	1	DR2150				
UT2412 X 93 AS BUTT	2	DR1239 BUTT	DR1239 BUTT SD	DGI-1239 BUTT	7	S2412
	2	DR1250 BUTT				
<b>UTILITY CABINET - WITH ADJUSTABLE SHELVES - 12" DEEP X 96" HIGH</b>						
UT1212 X 96 AS	1	DR1242	DR1242 SD	DGI-1242	7	S1212
	1	DR1250				
UT1512 X 96 AS	1	DR1542	DR1542 SD	DGI-1542	7	S1512
	1	DR1550				
UT1812 X 96 AS	1	DR1842	DR1842 SD	DGI-1842	7	S1812
	1	DR1850				
UT2112 X 96 AS	1	DR2142	DR2142 SD	DGI-2142	7	S2112
	1	DR2150				
UT2412 X 96 AS BUTT	2	DR1242 BUTT	DR1242 BUTT SD	DGI-1242 BUTT	7	S2412
	2	DR1250 BUTT				

PARTS: UTILITY CABINETS

SKU	QTY	DOOR	SPECIALTY DOOR	DECORATIVE GLASS INSERT	QTY	ADJUSTABLE SHELF
						*For All Plywood Construction or Matching Interior Adjustable Shelf, upgrade through construction options
		PART NAME	PART NAME	PART NAME		*PART NAME
<b>UTILITY CABINET - WITH ADJUSTABLE SHELVES - 24" DEEP X 84" HIGH</b>						
UT1224 X 84 AS	1	DR1230	DR1230 SD	DGI-1230	5	S1224
	1	DR1250				
UT1524 X 84 AS	1	DR1530	DR1530 SD	DGI-1530	5	S1524
	1	DR1550				
UT1824 X 84 AS	1	DR1830	DR1830 SD	DGI-1830	5	S1824
	1	DR1850				
UT2124 X 84 AS	1	DR2130	DR2130 SD	DGI-2130	5	S2124
	1	DR2150				
UT2424 X 84 AS BUTT	2	DR1230 BUTT	DR1230 BUTT SD	DGI-1230 BUTT	5	S2424
	2	DR1250 BUTT				
UT2724 X 84 AS BUTT	2	DR1330 BUTT	DR1330 BUTT SD	DGI-1330 BUTT	5	S2724
	2	DR1350 BUTT				
UT3024 X 84 AS BUTT	2	DR1530 BUTT	DR1530 BUTT SD	DGI-1530 BUTT	5	S3024
	2	DR1550 BUTT				
UT3324 X 84 AS BUTT	2	DR1630 BUTT	DR1630 BUTT SD	DGI-1630 BUTT	5	S3324
	2	DR1650 BUTT				
UT3624 X 84 AS BUTT	2	DR1830 BUTT	DR1830 BUTT SD	DGI-1830 BUTT	5	S3624
	2	DR1850 BUTT				
<b>UTILITY CABINET - WITH ADJUSTABLE SHELVES - 24" DEEP X 90" HIGH</b>						
UT1224 X 90 AS	1	DR1236	DR1236 SD	DGI-1236	6	S1224
	1	DR1250				
UT1524 X 90 AS	1	DR1536	DR1536 SD	DGI-1536	6	S1524
	1	DR1550				
UT1824 X 90 AS	1	DR1836	DR1836 SD	DGI-1836	6	S1824
	1	DR1850				
UT2124 X 90 AS	1	DR2136	DR2136 SD	DGI-2136	6	S2124
	1	DR2150				
UT2424 X 90 AS BUTT	2	DR1236 BUTT	DR1236 BUTT SD	DGI-1236 BUTT	6	S2424
	2	DR1250 BUTT				
UT2724 X 90 AS BUTT	2	DR1336 BUTT	DR1336 BUTT SD	DGI-1336 BUTT	6	S2724
	2	DR1350 BUTT				
UT3024 X 90 AS BUTT	2	DR1536 BUTT	DR1536 BUTT SD	DGI-1536 BUTT	6	S3024
	2	DR1550 BUTT				
UT3324 X 90 AS BUTT	2	DR1636 BUTT	DR1636 BUTT SD	DGI-1636 BUTT	6	S3324
	2	DR1650 BUTT				
UT3624 X 90 AS BUTT	2	DR1836 BUTT	DR1836 BUTT SD	DGI-1836 BUTT	6	S3624
	2	DR1850 BUTT				

SKU	QTY	DOOR	SPECIALTY DOOR	DECORATIVE GLASS INSERT	QTY	ADJUSTABLE SHELF
		PART NAME	PART NAME	PART NAME		*For All Plywood Construction or Matching Interior Adjustable Shelf, upgrade through construction options
						*PART NAME
<b>UTILITY CABINET • WITH ADJUSTABLE SHELVES • 24" DEEP X 93" HIGH</b>						
UT1224 X 93 AS	1	DR1239	DR1239 SD	DGI-1239	7	S1224
	1	DR1250				
UT1524 X 93 AS	1	DR1539	DR1539 SD	DGI-1539	7	S1524
	1	DR1550				
UT1824 X 93 AS	1	DR1839	DR1839 SD	DGI-1839	7	S1824
	1	DR1850				
UT2124 X 93 AS	1	DR2139	DR2139 SD	DGI-2139	7	S2124
	1	DR2150				
UT2424 X 93 AS BUTT	2	DR1239 BUTT	DR1239 BUTT SD	DGI-1239 BUTT	7	S2424
	2	DR1250 BUTT				
UT2724 X 93 AS BUTT	2	DR1339 BUTT	DR1339 BUTT SD	DGI-1339 BUTT	7	S2724
	2	DR1350 BUTT				
UT3024 X 93 AS BUTT	2	DR1539 BUTT	DR1539 BUTT SD	DGI-1539 BUTT	7	S3024
	2	DR1550 BUTT				
UT3324 X 93 AS BUTT	2	DR1639 BUTT	DR1639 BUTT SD	DGI-1639 BUTT	7	S3324
	2	DR1650 BUTT				
UT3624 X 93 AS BUTT	2	DR1839 BUTT	DR1839 BUTT SD	DGI-1839 BUTT	7	S3624
	2	DR1850 BUTT				
<b>UTILITY CABINET • WITH ADJUSTABLE SHELVES • 24" DEEP X 96" HIGH</b>						
UT1224 X 96 AS	1	DR1242	DR1242 SD	DGI-1242	7	S1224
	1	DR1250				
UT1524 X 96 AS	1	DR1542	DR1542 SD	DGI-1542	7	S1524
	1	DR1550				
UT1824 X 96 AS	1	DR1842	DR1842 SD	DGI-1842	7	S1824
	1	DR1850				
UT2124 X 96 AS	1	DR2142	DR2142 SD	DGI-2142	7	S2124
	1	DR2150				
UT2424 X 96 AS BUTT	2	DR1242 BUTT	DR1242 BUTT SD	DGI-1242 BUTT	7	S2424
	2	DR1250 BUTT				
UT2724 X 96 AS BUTT	2	DR1342 BUTT	DR1342 BUTT SD	DGI-1342 BUTT	7	S2724
	2	DR1350 BUTT				
UT3024 X 96 AS BUTT	2	DR1542 BUTT	DR1542 BUTT SD	DGI-1542 BUTT	7	S3024
	2	DR1550 BUTT				
UT3324 X 96 AS BUTT	2	DR1642 BUTT	DR1642 BUTT SD	DGI-1642 BUTT	7	S3324
	2	DR1650 BUTT				
UT3624 X 96 AS BUTT	2	DR1842 BUTT	DR1842 BUTT SD	DGI-1842 BUTT	7	S3624
	2	DR1850 BUTT				

SKU	QTY	DOOR	SPECIALTY DOOR	DECORATIVE GLASS INSERT	QTY	ADJUSTABLE SHELF
		PART NAME	PART NAME	PART NAME		*For All Plywood Construction or Matching Interior Adjustable Shelf, upgrade through construction options
						*PART NAME
<b>UTILITY CABINET - WITH FULL-ACCESS DEEP ROLL OUT TRAYS - 84" HIGH</b>						
UT1224 X 84 FA4ROT	1	DR1230	DR1230 SD	DGI-1230	1	S1224
	1	DR1250			4	DROTFA12
UT1524 X 84 FA4ROT	1	DR1530	DR1530 SD	DGI-1530	1	S1524
	1	DR1550			4	DROTFA15
UT1824 X 84 FA4ROT	1	DR1830	DR1830 SD	DGI-1830	1	S1824
	1	DR1850			4	DROTFA18
UT2124 X 84 FA4ROT	1	DR2130	DR2130 SD	DGI-2130	1	S2124
	1	DR2150			4	DROTFA21
UT2424 X 84 FA4ROT BUTT	2	DR1230 BUTT	DR1230 BUTT SD	DGI-1230 BUTT	1	S2424
	2	DR1250 BUTT			4	DROTFA24
UT2724 X 84 FA4ROT BUTT	2	DR1330 BUTT	DR1330 BUTT SD	DGI-1330 BUTT	1	S2724
	2	DR1350 BUTT			4	DROTFA27
UT3024 X 84 FA4ROT BUTT	2	DR1530 BUTT	DR1530 BUTT SD	DGI-1530 BUTT	1	S3024
	2	DR1550 BUTT			4	DROTFA30
UT3324 X 84 FA4ROT BUTT	2	DR1630 BUTT	DR1630 BUTT SD	DGI-1630 BUTT	1	S3324
	2	DR1650 BUTT			4	DROTFA33
UT3624 X 84 FA4ROT BUTT	2	DR1830 BUTT	DR1830 BUTT SD	DGI-1830 BUTT	1	S3624
	2	DR1850 BUTT			4	DROTFA36
<b>UTILITY CABINET - WITH FULL-ACCESS DEEP ROLL OUT TRAYS - 90" HIGH</b>						
UT1224 X 90 FA4ROT	1	DR1236	DR1236 SD	DGI-1236	2	S1224
	1	DR1250			4	DROTFA12
UT1524 X 90 FA4ROT	1	DR1536	DR1536 SD	DGI-1536	2	S1524
	1	DR1550			4	DROTFA15
UT1824 X 90 FA4ROT	1	DR1836	DR1836 SD	DGI-1836	2	S1824
	1	DR1850			4	DROTFA18
UT2124 X 90 FA4ROT	1	DR2136	DR2136 SD	DGI-2136	2	S2124
	1	DR2150			4	DROTFA21
UT2424 X 90 FA4ROT BUTT	2	DR1236 BUTT	DR1236 BUTT SD	DGI-1236 BUTT	2	S2424
	2	DR1250 BUTT			4	DROTFA24
UT2724 X 90 FA4ROT BUTT	2	DR1336 BUTT	DR1336 BUTT SD	DGI-1336 BUTT	2	S2724
	2	DR1350 BUTT			4	DROTFA27
UT3024 X 90 FA4ROT BUTT	2	DR1536 BUTT	DR1536 BUTT SD	DGI-1536 BUTT	2	S3024
	2	DR1550 BUTT			4	DROTFA30
UT3324 X 90 FA4ROT BUTT	2	DR1636 BUTT	DR1636 BUTT SD	DGI-1636 BUTT	2	S3324
	2	DR1650 BUTT			4	DROTFA33
UT3624 X 90 FA4ROT BUTT	2	DR1836 BUTT	DR1836 BUTT SD	DGI-1836 BUTT	2	S3624
	2	DR1850 BUTT			4	DROTFA36



SKU	QTY	DOOR	SPECIALTY DOOR	DECORATIVE GLASS INSERT	QTY	ADJUSTABLE SHELF
		PART NAME	PART NAME	PART NAME		*For All Plywood Construction or Matching Interior Adjustable Shelf, upgrade through construction options
						*PART NAME
<b>UTILITY CABINET - WITH FULL-ACCESS DEEP ROLL OUT TRAYS - 93" HIGH</b>						
UT1224 X 93 FA4ROT	1	DR1239	DR1239 SD	DGI-1239	3	S1224
	1	DR1250			4	DROTFA12
UT1524 X 93 FA4ROT	1	DR1539	DR1539 SD	DGI-1539	3	S1524
	1	DR1550			4	DROTFA15
UT1824 X 93 FA4ROT	1	DR1839	DR1839 SD	DGI-1839	3	S1824
	1	DR1850			4	DROTFA18
UT2124 X 93 FA4ROT	1	DR2139	DR2139 SD	DGI-2139	3	S2124
	1	DR2150			4	DROTFA21
UT2424 X 93 FA4ROT BUTT	2	DR1239 BUTT	DR1239 BUTT SD	DGI-1239 BUTT	3	S2424
	2	DR1250 BUTT			4	DROTFA24
UT2724 X 93 FA4ROT BUTT	2	DR1339 BUTT	DR1339 BUTT SD	DGI-1339 BUTT	3	S2724
	2	DR1350 BUTT			4	DROTFA27
UT3024 X 93 FA4ROT BUTT	2	DR1539 BUTT	DR1539 BUTT SD	DGI-1539 BUTT	3	S3024
	2	DR1550 BUTT			4	DROTFA30
UT3324 X 93 FA4ROT BUTT	2	DR1639 BUTT	DR1639 BUTT SD	DGI-1639 BUTT	3	S3324
	2	DR1650 BUTT			4	DROTFA33
UT3624 X 93 FA4ROT BUTT	2	DR1839 BUTT	DR1839 BUTT SD	DGI-1839 BUTT	3	S3624
	2	DR1850 BUTT			4	DROTFA36
<b>UTILITY CABINET - WITH FULL-ACCESS DEEP ROLL OUT TRAYS - 96" HIGH</b>						
UT1224 X 96 FA4ROT	1	DR1242	DR1242 SD	DGI-1242	3	S1224
	1	DR1250			4	DROTFA12
UT1524 X 96 FA4ROT	1	DR1542	DR1542 SD	DGI-1542	3	S1524
	1	DR1550			4	DROTFA15
UT1824 X 96 FA4ROT	1	DR1842	DR1842 SD	DGI-1842	3	S1824
	1	DR1850			4	DROTFA18
UT2124 X 96 FA4ROT	1	DR2142	DR2142 SD	DGI-2142	3	S2124
	1	DR2150			4	DROTFA21
UT2424 X 96 FA4ROT BUTT	2	DR1242 BUTT	DR1242 BUTT SD	DGI-1242 BUTT	3	S2424
	2	DR1250 BUTT			4	DROTFA24
UT2724 X 96 FA4ROT BUTT	2	DR1342 BUTT	DR1342 BUTT SD	DGI-1342 BUTT	3	S2724
	2	DR1350 BUTT			4	DROTFA27
UT3024 X 96 FA4ROT BUTT	2	DR1542 BUTT	DR1542 BUTT SD	DGI-1542 BUTT	3	S3024
	2	DR1550 BUTT			4	DROTFA30
UT3324 X 96 FA4ROT BUTT	2	DR1642 BUTT	DR1642 BUTT SD	DGI-1642 BUTT	3	S3324
	2	DR1650 BUTT			4	DROTFA33
UT3624 X 96 FA4ROT BUTT	2	DR1842 BUTT	DR1842 BUTT SD	DGI-1842 BUTT	3	S3624
	2	DR1850 BUTT			4	DROTFA36

SKU	QTY	DOOR	SPECIALTY DOOR	DECORATIVE GLASS INSERT	QTY	ADJUSTABLE SHELF
						*For All Plywood Construction or Matching Interior Adjustable Shelf, upgrade through construction options
		PART NAME	PART NAME	PART NAME		*PART NAME
<b>UTILITY CABINET - WITH FULL-ACCESS CUSHIONCLOSE® DEEP ROLL OUT TRAYS - 84" HIGH</b>						
UT1224 X 84 CC4ROT	1	DR1230	DR1230 SD	DGI-1230	1	S1224
	1	DR1250			4	DROTCC12
UT1524 X 84 CC4ROT	1	DR1530	DR1530 SD	DGI-1530	1	S1524
	1	DR1550			4	DROTCC15
UT1824 X 84 CC4ROT	1	DR1830	DR1830 SD	DGI-1830	1	S1824
	1	DR1850			4	DROTCC18
UT2124 X 84 CC4ROT	1	DR2130	DR2130 SD	DGI-2130	1	S2124
	1	DR2150			4	DROTCC21
UT2424 X 84 CC4ROT BUTT	2	DR1230 BUTT	DR1230 BUTT SD	DGI-1230 BUTT	1	S2424
	2	DR1250 BUTT			4	DROTCC24
UT2724 X 84 CC4ROT BUTT	2	DR1330 BUTT	DR1330 BUTT SD	DGI-1330 BUTT	1	S2724
	2	DR1350 BUTT			4	DROTCC27
UT3024 X 84 CC4ROT BUTT	2	DR1530 BUTT	DR1530 BUTT SD	DGI-1530 BUTT	1	S3024
	2	DR1550 BUTT			4	DROTCC30
UT3324 X 84 CC4ROT BUTT	2	DR1630 BUTT	DR1630 BUTT SD	DGI-1630 BUTT	1	S3324
	2	DR1650 BUTT			4	DROTCC33
UT3624 X 84 CC4ROT BUTT	2	DR1830 BUTT	DR1830 BUTT SD	DGI-1830 BUTT	1	S3624
	2	DR1850 BUTT			4	DROTCC36
<b>UTILITY CABINET - WITH FULL-ACCESS CUSHIONCLOSE® DEEP ROLL OUT TRAYS - 90" HIGH</b>						
UT1224 X 90 CC4ROT	1	DR1236	DR1236 SD	DGI-1236	2	S1224
	1	DR1250			4	DROTCC12
UT1524 X 90 CC4ROT	1	DR1536	DR1536 SD	DGI-1536	2	S1524
	1	DR1550			4	DROTCC15
UT1824 X 90 CC4ROT	1	DR1836	DR1836 SD	DGI-1836	2	S1824
	1	DR1850			4	DROTCC18
UT2124 X 90 CC4ROT	1	DR2136	DR2136 SD	DGI-2136	2	S2124
	1	DR2150			4	DROTCC21
UT2424 X 90 CC4ROT BUTT	2	DR1236 BUTT	DR1236 BUTT SD	DGI-1236 BUTT	2	S2424
	2	DR1250 BUTT			4	DROTCC24
UT2724 X 90 CC4ROT BUTT	2	DR1336 BUTT	DR1336 BUTT SD	DGI-1336 BUTT	2	S2724
	2	DR1350 BUTT			4	DROTCC27
UT3024 X 90 CC4ROT BUTT	2	DR1536 BUTT	DR1536 BUTT SD	DGI-1536 BUTT	2	S3024
	2	DR1550 BUTT			4	DROTCC30
UT3324 X 90 CC4ROT BUTT	2	DR1636 BUTT	DR1636 BUTT SD	DGI-1636 BUTT	2	S3324
	2	DR1650 BUTT			4	DROTCC33
UT3624 X 90 CC4ROT BUTT	2	DR1836 BUTT	DR1836 BUTT SD	DGI-1836 BUTT	2	S3624
	2	DR1850 BUTT			4	DROTCC36

SKU	QTY	DOOR	SPECIALTY DOOR	DECORATIVE GLASS INSERT	QTY	ADJUSTABLE SHELF
						*For All Plywood Construction or Matching Interior Adjustable Shelf, upgrade through construction options
		PART NAME	PART NAME	PART NAME		*PART NAME
<b>UTILITY CABINET - WITH FULL-ACCESS CUSHIONCLOSE® DEEP ROLL OUT TRAYS - 93" HIGH</b>						
UT1224 X 93 CC4ROT	1	DR1239	DR1239 SD	DGI-1239	3	S1224
	1	DR1250			4	DROTCC12
UT1524 X 93 CC4ROT	1	DR1539	DR1539 SD	DGI-1539	3	S1524
	1	DR1550			4	DROTCC15
UT1824 X 93 CC4ROT	1	DR1839	DR1839 SD	DGI-1839	3	S1824
	1	DR1850			4	DROTCC18
UT2124 X 93 CC4ROT	1	DR2139	DR2139 SD	DGI-2139	3	S2124
	1	DR2150			4	DROTCC21
UT2424 X 93 CC4ROT BUTT	2	DR1239 BUTT	DR1239 BUTT SD	DGI-1239 BUTT	3	S2424
	2	DR1250 BUTT			4	DROTCC24
UT2724 X 93 CC4ROT BUTT	2	DR1339 BUTT	DR1339 BUTT SD	DGI-1339 BUTT	3	S2724
	2	DR1350 BUTT			4	DROTCC27
UT3024 X 93 CC4ROT BUTT	2	DR1539 BUTT	DR1539 BUTT SD	DGI-1539 BUTT	3	S3024
	2	DR1550 BUTT			4	DROTCC30
UT3324 X 93 CC4ROT BUTT	2	DR1639 BUTT	DR1639 BUTT SD	DGI-1639 BUTT	3	S3324
	2	DR1650 BUTT			4	DROTCC33
UT3624 X 93 CC4ROT BUTT	2	DR1839 BUTT	DR1839 BUTT SD	DGI-1839 BUTT	3	S3624
	2	DR1850 BUTT			4	DROTCC36
<b>UTILITY CABINET - WITH FULL-ACCESS CUSHIONCLOSE® DEEP ROLL OUT TRAYS - 96" HIGH</b>						
UT1224 X 96 CC4ROT	1	DR1242	DR1242 SD	DGI-1242	3	S1224
	1	DR1250			4	DROTCC12
UT1524 X 96 CC4ROT	1	DR1542	DR1542 SD	DGI-1542	3	S1524
	1	DR1550			4	DROTCC15
UT1824 X 96 CC4ROT	1	DR1842	DR1842 SD	DGI-1842	3	S1824
	1	DR1850			4	DROTCC18
UT2124 X 96 CC4ROT	1	DR2142	DR2142 SD	DGI-2142	3	S2124
	1	DR2150			4	DROTCC21
UT2424 X 96 CC4ROT BUTT	2	DR1242 BUTT	DR1242 BUTT SD	DGI-1242 BUTT	3	S2424
	2	DR1250 BUTT			4	DROTCC24
UT2724 X 96 CC4ROT BUTT	2	DR1342 BUTT	DR1342 BUTT SD	DGI-1342 BUTT	3	S2724
	2	DR1350 BUTT			4	DROTCC27
UT3024 X 96 CC4ROT BUTT	2	DR1542 BUTT	DR1542 BUTT SD	DGI-1542 BUTT	3	S3024
	2	DR1550 BUTT			4	DROTCC30
UT3324 X 96 CC4ROT BUTT	2	DR1642 BUTT	DR1642 BUTT SD	DGI-1642 BUTT	3	S3324
	2	DR1650 BUTT			4	DROTCC33
UT3624 X 96 CC4ROT BUTT	2	DR1842 BUTT	DR1842 BUTT SD	DGI-1842 BUTT	3	S3624
	2	DR1850 BUTT			4	DROTCC36
<b>UTILITY CABINET - WITH PANTRY STORAGE</b>						
UT3624 X 84 PCDS BUTT	2	DR1830 BUTT	DR1830 BUTT SD	DGI-1830 BUTT	1	S3624
	2	DR1850 BUTT			1	PCSK36
					2	PDSK18
					1	PSK36
UT3624 X 90 PCDS BUTT	2	DR1836 BUTT	DR1836 BUTT SD	DGI-1836 BUTT	2	S3624
	2	DR1850 BUTT			1	PCSK36
					2	PDSK18
					1	PSK36
UT3624 X 93 PCDS BUTT	2	DR1839 BUTT	DR1839 BUTT SD	DGI-1839 BUTT	3	S3624
	2	DR1850 BUTT			1	PCSK36
					2	PDSK18
					1	PSK36
UT3624 X 96 PCDS BUTT	2	DR1842 BUTT	DR1842 BUTT SD	DGI-1842 BUTT	3	S3624
	2	DR1850 BUTT			1	PCSK36
					2	PDSK18
					1	PSK36

SKU	QTY	DOOR		ADJUSTABLE SHELF		DRAWER FRONT/PANEL		DRAWER BODY
		PART NAME	QTY	*For All Plywood Construction Adjustable Shelf, upgrade through construction options		FULL OVERLAY	STANDARD OVERLAY	PART NAME
				*PART NAME	QTY	PART NAME	PART NAME	
<b>DOUBLE OVEN CABINET - 84" HIGH</b>								
OVD2784 BUTT	2	DR1318 BUTT	-	N/A	1	DDFOV27	DDF27	DRB24 X 21DP DT FG
OVD3084 BUTT	2	DR1518 BUTT	-	N/A	1	DDFOV30	DDF30	DRB27 X 21DP DT FG
OVD3384 BUTT	2	DR1618 BUTT	-	N/A	1	DDFOV33	DDF33	DRB30 X 21DP DT FG
<b>DOUBLE OVEN CABINET - 90" HIGH</b>								
OVD2790 AS BUTT	2	DR1324 BUTT	1	S2724	1	DDFOV27	DDF27	DRB24 X 21DP DT FG
OVD3090 AS BUTT	2	DR1524 BUTT	1	S3024	1	DDFOV30	DDF30	DRB27 X 21DP DT FG
OVD3390 AS BUTT	2	DR1624 BUTT	1	S3324	1	DDFOV33	DDF33	DRB30 X 21DP DT FG
<b>DOUBLE OVEN CABINET - 93" HIGH</b>								
OVD2793 AS BUTT	2	DR1327 BUTT	2	S2724	1	DDFOV27	DDF27	DRB24 X 21DP DT FG
OVD3093 AS BUTT	2	DR1527 BUTT	2	S3024	1	DDFOV30	DDF30	DRB27 X 21DP DT FG
OVD3393 AS BUTT	2	DR1627 BUTT	2	S3324	1	DDFOV33	DDF33	DRB30 X 21DP DT FG
<b>DOUBLE OVEN CABINET - 96" HIGH</b>								
OVD2796 AS BUTT	2	DR1330 BUTT	2	S2724	1	DDFOV27	DDF27	DRB24 X 21DP DT FG
OVD3096 AS BUTT	2	DR1530 BUTT	2	S3024	1	DDFOV30	DDF30	DRB27 X 21DP DT FG
OVD3396 AS BUTT	2	DR1630 BUTT	2	S3324	1	DDFOV33	DDF33	DRB30 X 21DP DT FG
<b>DOUBLE OVEN CABINETS - 2 BUTT DOORS AND 1 LARGE DRAWER - 84" HIGH</b>								
OVD2784 BUTT 1DDWR	2	DR1318 BUTT	-	N/A	1	DDF27M	DDF27D	DRB24M X 21DP DT FG
OVD3084 BUTT 1DDWR	2	DR1518 BUTT	-	N/A	1	DDF30M	DDF30D	DRB27M X 21DP DT FG
OVD3384 BUTT 1DDWR	2	DR1618 BUTT	-	N/A	1	DDF33M	DDF33D	DRB30M X 21DP DT FG
<b>DOUBLE OVEN CABINETS - 2 BUTT DOORS AND 1 LARGE DRAWER - 90" HIGH</b>								
OVD2790 AS BUTT 1DDWR	2	DR1324 BUTT	1	S2724	1	DDF27M	DDF27D	DRB24M X 21DP DT FG
OVD3090 AS BUTT 1DDWR	2	DR1524 BUTT	1	S3024	1	DDF30M	DDF30D	DRB27M X 21DP DT FG
OVD3390 AS BUTT 1DDWR	2	DR1624 BUTT	1	S3324	1	DDF33M	DDF33D	DRB30M X 21DP DT FG
<b>DOUBLE OVEN CABINETS - 2 BUTT DOORS AND 1 LARGE DRAWER - 93" HIGH</b>								
OVD2793 AS BUTT 1DDWR	2	DR1327 BUTT	2	S2724	1	DDF27M	DDF27D	DRB24M X 21DP DT FG
OVD3093 AS BUTT 1DDWR	2	DR1527 BUTT	2	S3024	1	DDF30M	DDF30D	DRB27M X 21DP DT FG
OVD3393 AS BUTT 1DDWR	2	DR1627 BUTT	2	S3324	1	DDF33M	DDF33D	DRB30M X 21DP DT FG
<b>DOUBLE OVEN CABINETS - 2 BUTT DOORS AND 1 LARGE DRAWER - 96" HIGH</b>								
OVD2796 AS BUTT 1DDWR	2	DR1330 BUTT	2	S2724	1	DDF27M	DDF27D	DRB24M X 21DP DT FG
OVD3096 AS BUTT 1DDWR	2	DR1530 BUTT	2	S3024	1	DDF30M	DDF30D	DRB27M X 21DP DT FG
OVD3396 AS BUTT 1DDWR	2	DR1630 BUTT	2	S3324	1	DDF33M	DDF33D	DRB30M X 21DP DT FG
<b>DOUBLE OVEN CABINETS - 2 BUTT DOORS AND 2 DRAWERS - 84" HIGH</b>								
OVD2784 BUTT 2DWR	2	DR1318 BUTT	-	N/A	2	DDF27	DDF27	DRB24M X 21DP DT FG
OVD3084 BUTT 2DWR	2	DR1518 BUTT	-	N/A	2	DDF30	DDF30	DRB27M X 21DP DT FG
OVD3384 BUTT 2DWR	2	DR1618 BUTT	-	N/A	2	DDF33	DDF33	DRB30M X 21DP DT FG
<b>DOUBLE OVEN CABINETS - 2 BUTT DOORS AND 2 DRAWERS - 90" HIGH</b>								
OVD2790 AS BUTT 2DWR	2	DR1324 BUTT	1	S2724	2	DDF27	DDF27	DRB24 X 21DP DT FG
OVD3090 AS BUTT 2DWR	2	DR1524 BUTT	1	S3024	2	DDF30	DDF30	DRB27 X 21DP DT FG
OVD3390 AS BUTT 2DWR	2	DR1624 BUTT	1	S3324	2	DDF33	DDF33	DRB30 X 21DP DT FG
<b>DOUBLE OVEN CABINETS - 2 BUTT DOORS AND 2 DRAWERS - 93" HIGH</b>								
OVD2793 AS BUTT 2DWR	2	DR1327 BUTT	2	S2724	2	DDF27	DDF27	DRB24 X 21DP DT FG
OVD3093 AS BUTT 2DWR	2	DR1527 BUTT	2	S3024	2	DDF30	DDF30	DRB27 X 21DP DT FG
OVD3393 AS BUTT 2DWR	2	DR1627 BUTT	2	S3324	2	DDF33	DDF33	DRB30 X 21DP DT FG
<b>DOUBLE OVEN CABINETS - 2 BUTT DOORS AND 2 DRAWERS - 96" HIGH</b>								
OVD2796 AS BUTT 2DWR	2	DR1330 BUTT	2	S2724	2	DDF27	DDF27	DRB24 X 21DP DT FG
OVD3096 AS BUTT 2DWR	2	DR1530 BUTT	2	S3024	2	DDF30	DDF30	DRB27 X 21DP DT FG
OVD3396 AS BUTT 2DWR	2	DR1630 BUTT	2	S3324	2	DDF33	DDF33	DRB30 X 21DP DT FG

SKU	QTY	DOOR		ADJUSTABLE SHELF		DRAWER FRONT/PANEL		DRAWER BODY
		PART NAME	QTY	*For All Plywood Construction Adjustable Shelf, upgrade through construction options		FULL OVERLAY	STANDARD OVERLAY	PART NAME
				*PART NAME	QTY	PART NAME	PART NAME	
<b>SINGLE OVEN CABINETS - 2 BUTT DOORS AND 2 DRAWERS - 84" HIGH</b>								
OVS2784 BUTT 2DDWR	2	DR1318 BUTT	-	N/A	2	DDF27M	DDF27D	DRB24 X 21DP DT FG
OVS3084 BUTT 2DDWR	2	DR1518 BUTT	-	N/A	2	DDF30M	DDF30D	DRB27 X 21DP DT FG
OVS3384 BUTT 2DDWR	2	DR1618 BUTT	-	N/A	2	DDF33M	DDF33D	DRB30 X 21DP DT FG
<b>SINGLE OVEN CABINETS - 2 BUTT DOORS AND 2 DRAWERS - 90" HIGH</b>								
OVS2790 AS BUTT 2DDWR	2	DR1324 BUTT	1	S2724	2	DDF27M	DDF27D	DRB24M X 21DP DT FG
OVS3090 AS BUTT 2DDWR	2	DR1524 BUTT	1	S3024	2	DDF30M	DDF30D	DRB27M X 21DP DT FG
OVS3390 AS BUTT 2DDWR	2	DR1624 BUTT	1	S3324	2	DDF33M	DDF33D	DRB30M X 21DP DT FG
<b>SINGLE OVEN CABINETS - 2 BUTT DOORS AND 2 DRAWERS - 93" HIGH</b>								
OVS2793 AS BUTT 2DDWR	2	DR1327 BUTT	2	S2724	2	DDF27M	DDF27D	DRB24M X 21DP DT FG
OVS3093 AS BUTT 2DDWR	2	DR1527 BUTT	2	S3024	2	DDF30M	DDF30D	DRB27M X 21DP DT FG
OVS3393 AS BUTT 2DDWR	2	DR1627 BUTT	2	S3324	2	DDF33M	DDF33D	DRB30M X 21DP DT FG
<b>SINGLE OVEN CABINETS - 2 BUTT DOORS AND 2 DRAWERS - 96" HIGH</b>								
OVS2796 AS BUTT 2DDWR	2	DR1330 BUTT	2	S2724	2	DDF27M	DDF27D	DRB24M X 21DP DT FG
OVS3096 AS BUTT 2DDWR	2	DR1530 BUTT	2	S3024	2	DDF30M	DDF30D	DRB27M X 21DP DT FG
OVS3396 AS BUTT 2DDWR	2	DR1630 BUTT	2	S3324	2	DDF33M	DDF33D	DRB30M X 21DP DT FG
<b>SINGLE OVEN CABINETS - 2 BUTT DOORS AND 3 DRAWERS - 84" HIGH</b>								
OVS2784 BUTT 3DWR	2	DR1318 BUTT	-	N/A	1	DDF27	DDF27	DRB24 X 21DP DT FG
					2	DDF27M	DDF27D	DRB24M X 21DP DT FG
OVS3084 BUTT 3DWR	2	DR1518 BUTT	-	N/A	1	DDF30	DDF30	DRB27 X 21DP DT FG
					2	DDF30M	DDF30D	DRB27M X 21DP DT FG
OVS3384 BUTT 3DWR	2	DR1618 BUTT	-	N/A	1	DDF33	DDF33	DRB30 X 21DP DT FG
					2	DDF33M	DDF33D	DRB30M X 21DP DT FG
<b>SINGLE OVEN CABINETS - 2 BUTT DOORS AND 3 DRAWERS - 90" HIGH</b>								
OVS2790 AS BUTT 3DWR	2	DR1324 BUTT	1	S2724	1	DDF27	DDF27	DRB24 X 21DP DT FG
					2	DDF27M	DDF27D	DRB24M X 21DP DT FG
OVS3090 AS BUTT 3DWR	2	DR1524 BUTT	1	S3024	1	DDF30	DDF30	DRB27 X 21DP DT FG
					2	DDF30M	DDF30D	DRB27M X 21DP DT FG
OVS3390 AS BUTT 3DWR	2	DR1624 BUTT	1	S3324	1	DDF33	DDF33	DRB30 X 21DP DT FG
					2	DDF33M	DDF33D	DRB30M X 21DP DT FG
<b>SINGLE OVEN CABINETS - 2 BUTT DOORS AND 3 DRAWERS - 93" HIGH</b>								
OVS2793 AS BUTT 3DWR	2	DR1327 BUTT	2	S2724	1	DDF27	DDF27	DRB24 X 21DP DT FG
					2	DDF27M	DDF27D	DRB24M X 21DP DT FG
OVS3093 AS BUTT 3DWR	2	DR1527 BUTT	2	S3024	1	DDF30	DDF30	DRB27 X 21DP DT FG
					2	DDF30M	DDF30D	DRB27M X 21DP DT FG
OVS3393 AS BUTT 3DWR	2	DR1627 BUTT	2	S3324	1	DDF33	DDF33	DRB30 X 21DP DT FG
					2	DDF33M	DDF33D	DRB30M X 21DP DT FG
<b>SINGLE OVEN CABINETS - 2 BUTT DOORS AND 3 DRAWERS - 96" HIGH</b>								
OVS2796 AS BUTT 3DWR	2	DR1330 BUTT	2	S2724	1	DDF27	DDF27	DRB24 X 21DP DT FG
					2	DDF27M	DDF27D	DRB24M X 21DP DT FG
OVS3096 AS BUTT 3DWR	2	DR1530 BUTT	2	S3024	1	DDF30	DDF30	DRB27 X 21DP DT FG
					2	DDF30M	DDF30D	DRB27M X 21DP DT FG
OVS3396 AS BUTT 3DWR	2	DR1630 BUTT	2	S3324	1	DDF33	DDF33	DRB30 X 21DP DT FG
					2	DDF33M	DDF33D	DRB30M X 21DP DT FG

SKU	QTY	DOOR		ADJUSTABLE SHELF		DRAWER FRONT/PANEL		DRAWER BODY
		PART NAME	QTY	*For All Plywood Construction Adjustable Shelf, upgrade through construction options	QTY	FULL OVERLAY	STANDARD OVERLAY	PART NAME
						PART NAME	PART NAME	
<b>SINGLE OVEN CABINETS - 2 BUTT DOORS AND 4 DRAWERS - 84" HIGH</b>								
OVS2784 BUTT 4DWR	2	DR1318 BUTT	-	N/A	2	DDF27	DDF27	DRB24 X 21DP DT FG
					2	DDF27M	DDF27D	DRB24M X 21DP DT FG
OVS3084 BUTT 4DWR	2	DR1518 BUTT	-	N/A	2	DDF30	DDF30	DRB27 X 21DP DT FG
					2	DDF30M	DDF30D	DRB27M X 21DP DT FG
OVS3384 BUTT 4DWR	2	DR1618 BUTT	-	N/A	2	DDF33	DDF33	DRB30 X 21DP DT FG
					2	DDF33M	DDF33D	DRB30M X 21DP DT FG
<b>SINGLE OVEN CABINETS - 2 BUTT DOORS AND 4 DRAWERS - 90" HIGH</b>								
OVS2790 AS BUTT 4DWR	2	DR1324 BUTT	1	S2724	2	DDF27	DDF27	DRB24 X 21DP DT FG
					2	DDF27M	DDF27D	DRB24M X 21DP DT FG
OVS3090 AS BUTT 4DWR	2	DR1524 BUTT	1	S3024	2	DDF30	DDF30	DRB27 X 21DP DT FG
					2	DDF30M	DDF30D	DRB27M X 21DP DT FG
OVS3390 AS BUTT 4DWR	2	DR1624 BUTT	1	S3324	2	DDF33	DDF33	DRB30 X 21DP DT FG
					2	DDF33M	DDF33D	DRB30M X 21DP DT FG
<b>SINGLE OVEN CABINETS - 2 BUTT DOORS AND 4 DRAWERS - 93" HIGH</b>								
OVS2793 AS BUTT 4DWR	2	DR1327 BUTT	2	S2724	2	DDF27	DDF27	DRB24 X 21DP DT FG
					2	DDF27M	DDF27D	DRB24M X 21DP DT FG
OVS3093 AS BUTT 4DWR	2	DR1527 BUTT	2	S3024	2	DDF30	DDF30	DRB27 X 21DP DT FG
					2	DDF30M	DDF30D	DRB27M X 21DP DT FG
OVS3393 AS BUTT 4DWR	2	DR1627 BUTT	2	S3324	2	DDF33	DDF33	DRB30 X 21DP DT FG
					2	DDF33M	DDF33D	DRB30M X 21DP DT FG
<b>SINGLE OVEN CABINETS - 2 BUTT DOORS AND 4 DRAWERS - 96" HIGH</b>								
OVS2796 AS BUTT 4DWR	2	DR1330 BUTT	2	S2724	2	DDF27	DDF27	DRB24 X 21DP DT FG
					2	DDF27M	DDF27D	DRB24M X 21DP DT FG
OVS3096 AS BUTT 4DWR	2	DR1530 BUTT	2	S3024	2	DDF30	DDF30	DRB27 X 21DP DT FG
					2	DDF30M	DDF30D	DRB27M X 21DP DT FG
OVS3396 AS BUTT 4DWR	2	DR1630 BUTT	2	S3324	2	DDF33	DDF33	DRB30 X 21DP DT FG
					2	DDF33M	DDF33D	DRB30M X 21DP DT FG
<b>SINGLE OVEN CABINETS - 4 BUTT DOORS AND 1 DRAWER - 84" HIGH</b>								
OVS2784 BUTT 1DWR	2	DR1318 BUTT	-	N/A	1	DDF27	DDF27	DRB24 X 21DP DT FG
	2	DR1324 BUTT						
OVS3084 BUTT 1DWR	2	DR1518 BUTT	-	N/A	1	DDF30	DDF30	DRB27 X 21DP DT FG
	2	DR1524 BUTT						
OVS3384 BUTT 1DWR	2	DR1618 BUTT	-	N/A	1	DDF33	DDF33	DRB30 X 21DP DT FG
	2	DR1624 BUTT						
<b>SINGLE OVEN CABINETS - 4 BUTT DOORS AND 1 DRAWER - 90" HIGH</b>								
OVS2790 AS BUTT 1DWR	4	DR1324 BUTT	1	S2724	1	DDF27	DDF27	DRB24 X 21DP DT FG
OVS3090 AS BUTT 1DWR	4	DR1524 BUTT	1	S3024	1	DDF30	DDF30	DRB27 X 21DP DT FG
OVS3390 AS BUTT 1DWR	4	DR1624 BUTT	1	S3324	1	DDF33	DDF33	DRB30 X 21DP DT FG
<b>SINGLE OVEN CABINETS - 4 BUTT DOORS AND 1 DRAWER - 93" HIGH</b>								
OVS2793 AS BUTT 1DWR	2	DR1327 BUTT	2	S2724	1	DDF27	DDF27	DRB24 X 21DP DT FG
	2	DR1324 BUTT						
OVS3093 AS BUTT 1DWR	2	DR1527 BUTT	2	S3024	1	DDF30	DDF30	DRB27 X 21DP DT FG
	2	DR1524 BUTT						
OVS3393 AS BUTT 1DWR	2	DR1627 BUTT	2	S3324	1	DDF33	DDF33	DRB30 X 21DP DT FG
	2	DR1624 BUTT						

SKU	QTY	DOOR		ADJUSTABLE SHELF		DRAWER FRONT/PANEL		DRAWER BODY
		PART NAME	QTY	*For All Plywood Construction Adjustable Shelf, upgrade through construction options		FULL OVERLAY	STANDARD OVERLAY	PART NAME
				*PART NAME	QTY	PART NAME	PART NAME	
<b>SINGLE OVEN CABINETS - 4 BUTT DOORS AND 1 DRAWER - 96" HIGH</b>								
OVS2796 AS BUTT 1DWR	2	DR1330 BUTT	2	S2724	1	DDF27	DDF27	DRB24 X 21DP DT FG
	2	DR1324 BUTT						
OVS3096 AS BUTT 1DWR	2	DR1530 BUTT	2	S3024	1	DDF30	DDF30	DRB27 X 21DP DT FG
	2	DR1524 BUTT						
OVS3396 AS BUTT 1DWR	2	DR1630 BUTT	2	S3324	1	DDF33	DDF33	DRB30 X 21DP DT FG
	2	DR1624 BUTT						
<b>SINGLE OVEN CABINETS - 4 BUTT DOORS, 1 DRAWER AND 1 FULL ACCESS POT &amp; PAN ORGANIZER - 84" HIGH</b>								
OVS2784 BUTT 1DWR FABPPO	2	DR1318 BUTT	-	N/A	1	DDF27	DDF27	DRB24 X 21DP DT FG
	2	DR1324 BUTT	1	BPPOKFA24				
OVS3084 BUTT 1DWR FABPPO	2	DR1518 BUTT	-	N/A	1	DDF30	DDF30	DRB27 X 21DP DT FG
	2	DR1524 BUTT	1	BPPOKFA27				
OVS3384 BUTT 1DWR FABPPO	2	DR1618 BUTT	-	N/A	1	DDF33	DDF33	DRB30 X 21DP DT FG
	2	DR1624 BUTT	1	BPPOKFA30				
<b>SINGLE OVEN CABINETS - 4 BUTT DOORS, 1 DRAWER AND 1 FULL-ACCESS POT &amp; PAN ORGANIZER - 90" HIGH</b>								
OVS2790 BUTT 1DWR FABPPO	4	DR1324 BUTT	1	S2724	1	DDF27	DDF27	DRB24 X 21DP DT FG
			1	BPPOKFA24				
OVS3090 BUTT 1DWR FABPPO	4	DR1524 BUTT	1	S3024	1	DDF30	DDF30	DRB27 X 21DP DT FG
			1	BPPOKFA27				
OVS3390 BUTT 1DWR FABPPO	4	DR1624 BUTT	1	S3324	1	DDF33	DDF33	DRB30 X 21DP DT FG
			1	BPPOKFA30				
<b>SINGLE OVEN CABINETS - 4 BUTT DOORS, 1 DRAWER AND 1 FULL-ACCESS POT &amp; PAN ORGANIZER - 93" HIGH</b>								
OVS2793 BUTT 1DWR FABPPO	2	DR1327 BUTT	2	S2724	1	DDF27	DDF27	DRB24 X 21DP DT FG
	2	DR1324 BUTT	1	BPPOKFA24				
OVS3093 BUTT 1DWR FABPPO	2	DR1527 BUTT	2	S3024	1	DDF30	DDF30	DRB27 X 21DP DT FG
	2	DR1524 BUTT	1	BPPOKFA27				
OVS3393 BUTT 1DWR FABPPO	2	DR1627 BUTT	2	S3324	1	DDF33	DDF33	DRB30 X 21DP DT FG
	2	DR1624 BUTT	1	BPPOKFA30				
<b>SINGLE OVEN CABINETS - 4 BUTT DOORS, 1 DRAWER AND 1 FULL-ACCESS POT &amp; PAN ORGANIZER - 96" HIGH</b>								
OVS2796 BUTT 1DWR FABPPO	2	DR1330 BUTT	2	S2724	1	DDF27	DDF27	DRB24 X 21DP DT FG
	2	DR1324 BUTT	1	BPPOKFA24				
OVS3096 BUTT 1DWR FABPPO	2	DR1530 BUTT	2	S3024	1	DDF30	DDF30	DRB27 X 21DP DT FG
	2	DR1524 BUTT	1	BPPOKFA27				
OVS3396 BUTT 1DWR FABPPO	2	DR1630 BUTT	2	S3324	1	DDF33	DDF33	DRB30 X 21DP DT FG
	2	DR1624 BUTT	1	BPPOKFA30				
<b>SINGLE OVEN CABINETS - 4 BUTT DOORS, 1 DRAWER AND 1 FULL-ACCESS POT &amp; PAN ORGANIZER - 84" HIGH</b>								
OVS2784 BUTT 1DWR CCBPPO	2	DR1318 BUTT	-	N/A	1	DDF27	DDF27	DRB24 X 21DP DT FG
	2	DR1324 BUTT	1	BPPOKCC24				
OVS3084 BUTT 1DWR CCBPPO	2	DR1518 BUTT	-	N/A	1	DDF30	DDF30	DRB27 X 21DP DT FG
	2	DR1524 BUTT	1	BPPOKCC27				
OVS3384 BUTT 1DWR CCBPPO	2	DR1618 BUTT	-	N/A	1	DDF33	DDF33	DRB30 X 21DP DT FG
	2	DR1624 BUTT	1	BPPOKCC30				
<b>SINGLE OVEN CABINETS - 4 BUTT DOORS, 1 DRAWER AND 1 FULL-ACCESS POT &amp; PAN ORGANIZER - 90" HIGH</b>								
OVS2790 BUTT 1DWR CCBPPO	4	DR1324 BUTT	1	S2724	1	DDF27	DDF27	DRB24 X 21DP DT FG
			1	BPPOKCC24				
OVS3090 BUTT 1DWR CCBPPO	4	DR1524 BUTT	1	S3024	1	DDF30	DDF30	DRB27 X 21DP DT FG
			1	BPPOKCC27				
OVS3390 BUTT 1DWR CCBPPO	4	DR1624 BUTT	1	S3324	1	DDF33	DDF33	DRB30 X 21DP DT FG
			1	BPPOKCC30				

SKU	QTY	DOOR		ADJUSTABLE SHELF		DRAWER FRONT/PANEL		DRAWER BODY
		PART NAME	QTY	*For All Plywood Construction Adjustable Shelf, upgrade through construction options		FULL OVERLAY	STANDARD OVERLAY	PART NAME
				*PART NAME	QTY	PART NAME	PART NAME	
<b>SINGLE OVEN CABINETS - 4 BUTT DOORS, 1 DRAWER AND 1 FULL-ACCESS POT &amp; PAN ORGANIZER - 93" HIGH</b>								
OVS2793 BUTT 1DWR CCBPPO	2	DR1327 BUTT	2	S2724	1	DDF27	DDF27	DRB24 X 21DP DT FG
	2	DR1324 BUTT	1	BPPKCC24				
OVS3093 BUTT 1DWR CCBPPO	2	DR1527 BUTT	2	S3024	1	DDF30	DDF30	DRB27 X 21DP DT FG
	2	DR1524 BUTT	1	BPPKCC27				
OVS3393 BUTT 1DWR CCBPPO	2	DR1627 BUTT	2	S3324	1	DDF33	DDF33	DRB30 X 21DP DT FG
	2	DR1624 BUTT	1	BPPKCC30				
<b>SINGLE OVEN CABINETS - 4 BUTT DOORS, 1 DRAWER AND 1 FULL-ACCESS POT &amp; PAN ORGANIZER - 96" HIGH</b>								
OVS2796 BUTT 1DWR CCBPPO	2	DR1330 BUTT	2	S2724	1	DDF27	DDF27	DRB24 X 21DP DT FG
	2	DR1324 BUTT	1	BPPKCC24				
OVS3096 BUTT 1DWR CCBPPO	2	DR1530 BUTT	2	S3024	1	DDF30	DDF30	DRB27 X 21DP DT FG
	2	DR1524 BUTT	1	BPPKCC27				
OVS3396 BUTT 1DWR CCBPPO	2	DR1630 BUTT	2	S3324	1	DDF33	DDF33	DRB30 X 21DP DT FG
	2	DR1624 BUTT	1	BPPKCC30				
<b>SINGLE OVEN CABINETS - 4 BUTT DOORS AND 2 DRAWERS - 84" HIGH</b>								
OVS2784 BUTT 2DWR	2	DR1318 BUTT	-	N/A	2	DDF27	DDF27	DRB24 X 21DP DT FG
	2	DR1324 BUTT						
OVS3084 BUTT 2DWR	2	DR1518 BUTT	-	N/A	2	DDF30	DDF30	DRB27 X 21DP DT FG
	2	DR1524 BUTT						
OVS3384 BUTT 2DWR	2	DR1618 BUTT	-	N/A	2	DDF33	DDF33	DRB30 X 21DP DT FG
	2	DR1624 BUTT						
<b>SINGLE OVEN CABINETS - 4 BUTT DOORS AND 2 DRAWERS - 90" HIGH</b>								
OVS2790 AS BUTT 2DWR	4	DR1324 BUTT	1	S2724	2	DDF27	DDF27	DRB24 X 21DP DT FG
OVS3090 AS BUTT 2DWR	4	DR1524 BUTT	1	S3024	2	DDF30	DDF30	DRB27 X 21DP DT FG
OVS3390 AS BUTT 2DWR	4	DR1624 BUTT	1	S3324	2	DDF33	DDF33	DRB30 X 21DP DT FG
<b>SINGLE OVEN CABINETS - 4 BUTT DOORS AND 2 DRAWERS - 93" HIGH</b>								
OVS2793 AS BUTT 2DWR	2	DR1327 BUTT	2	S2724	2	DDF27	DDF27	DRB24 X 21DP DT FG
	2	DR1324 BUTT						
OVS3093 AS BUTT 2DWR	2	DR1527 BUTT	2	S3024	2	DDF30	DDF30	DRB27 X 21DP DT FG
	2	DR1524 BUTT						
OVS3393 AS BUTT 2DWR	2	DR1627 BUTT	2	S3324	2	DDF33	DDF33	DRB30 X 21DP DT FG
	2	DR1624 BUTT						
<b>SINGLE OVEN CABINETS - 4 BUTT DOORS AND 2 DRAWERS - 96" HIGH</b>								
OVS2796 AS BUTT 2DWR	2	DR1330 BUTT	2	S2724	2	DDF27	DDF27	DRB24 X 21DP DT FG
	2	DR1324 BUTT						
OVS3096 AS BUTT 2DWR	2	DR1530 BUTT	2	S3024	2	DDF30	DDF30	DRB27 X 21DP DT FG
	2	DR1524 BUTT						
OVS3396 AS BUTT 2DWR	2	DR1630 BUTT	2	S3324	2	DDF33	DDF33	DRB30 X 21DP DT FG
	2	DR1624 BUTT						
<b>SINGLE OVEN CABINETS - 4 BUTT DOORS, 2 DRAWERS AND 1 POT &amp; PAN ORGANIZER - 84" HIGH</b>								
OVS2784 BUTT 2DWR FABPPO	2	DR1318 BUTT	-	N/A	2	DDF27	DDF27	DRB24 X 21DP DT FG
	2	DR1324 BUTT	1	BPPKFA24				
OVS3084 BUTT 2DWR FABPPO	2	DR1518 BUTT	-	N/A	2	DDF30	DDF30	DRB27 X 21DP DT FG
	2	DR1524 BUTT	1	BPPKFA27				
OVS3384 BUTT 2DWR FABPPO	2	DR1618 BUTT	-	N/A	2	DDF33	DDF33	DRB30 X 21DP DT FG
	2	DR1624 BUTT	1	BPPKFA30				



SKU	QTY	DOOR		ADJUSTABLE SHELF		DRAWER FRONT/PANEL		DRAWER BODY
		PART NAME	QTY	*For All Plywood Construction Adjustable Shelf, upgrade through construction options		FULL OVERLAY	STANDARD OVERLAY	PART NAME
				*PART NAME	QTY	PART NAME	PART NAME	
<b>SINGLE OVEN CABINETS - 4 BUTT DOORS, 2 DRAWERS AND 1 POT &amp; PAN ORGANIZER - 90" HIGH</b>								
OVS2790 BUTT 2DWR FABPPO	4	DR1324 BUTT	1	S2724	2	DDF27	DDF27	DRB24 X 21DP DT FG
				BPOKFA24				
OVS3090 BUTT 2DWR FABPPO	4	DR1524 BUTT	1	S3024	2	DDF30	DDF30	DRB27 X 21DP DT FG
				BPOKFA27				
OVS3390 BUTT 2DWR FABPPO	4	DR1624 BUTT	1	S3324	2	DDF33	DDF33	DRB30 X 21DP DT FG
				BPOKFA30				
<b>SINGLE OVEN CABINETS - 4 BUTT DOORS, 2 DRAWERS AND 1 POT &amp; PAN ORGANIZER - 93" HIGH</b>								
OVS2793 BUTT 2DWR FABPPO	2	DR1327 BUTT	2	S2724	2	DDF27	DDF27	DRB24 X 21DP DT FG
	2	DR1324 BUTT	1	BPOKFA24				
OVS3093 BUTT 2DWR FABPPO	2	DR1527 BUTT	2	S3024	2	DDF30	DDF30	DRB27 X 21DP DT FG
	2	DR1524 BUTT	1	BPOKFA27				
OVS3393 BUTT 2DWR FABPPO	2	DR1627 BUTT	2	S3324	2	DDF33	DDF33	DRB30 X 21DP DT FG
	2	DR1624 BUTT	1	BPOKFA30				
<b>SINGLE OVEN CABINETS - 4 BUTT DOORS, 2 DRAWERS AND 1 POT &amp; PAN ORGANIZER - 96" HIGH</b>								
OVS2796 BUTT 2DWR FABPPO	2	DR1330 BUTT	2	S2724	2	DDF27	DDF27	DRB24 X 21DP DT FG
	2	DR1324 BUTT	1	BPOKFA24				
OVS3096 BUTT 2DWR FABPPO	2	DR1530 BUTT	2	S3024	2	DDF30	DDF30	DRB27 X 21DP DT FG
	2	DR1524 BUTT	1	BPOKFA27				
OVS3396 BUTT 2DWR FABPPO	2	DR1630 BUTT	2	S3324	2	DDF33	DDF33	DRB30 X 21DP DT FG
	2	DR1624 BUTT	1	BPOKFA30				
<b>SINGLE OVEN CABINETS - 4 BUTT DOORS, 2 DRAWERS AND 1 POT &amp; PAN ORGANIZER - 84" HIGH</b>								
OVS2784 BUTT 2DWR CCBPPO	2	DR1318 BUTT	-	N/A	2	DDF27	DDF27	DRB24 X 21DP DT FG
	2	DR1324 BUTT	1	BPOKCC24				
OVS3084 BUTT 2DWR CCBPPO	2	DR1518 BUTT	-	N/A	2	DDF30	DDF30	DRB27 X 21DP DT FG
	2	DR1524 BUTT	1	BPOKCC27				
OVS3384 BUTT 2DWR CCBPPO	2	DR1618 BUTT	-	N/A	2	DDF33	DDF33	DRB30 X 21DP DT FG
	2	DR1624 BUTT	1	BPOKCC30				
<b>SINGLE OVEN CABINETS - 4 BUTT DOORS, 2 DRAWERS AND 1 POT &amp; PAN ORGANIZER - 90" HIGH</b>								
OVS2790 BUTT 2DWR CCBPPO	4	DR1324 BUTT	1	S2724	2	DDF27	DDF27	DRB24 X 21DP DT FG
				BPOKCC24				
OVS3090 BUTT 2DWR CCBPPO	4	DR1524 BUTT	1	S3024	2	DDF30	DDF30	DRB27 X 21DP DT FG
				BPOKCC27				
OVS3390 BUTT 2DWR CCBPPO	4	DR1624 BUTT	1	S3324	2	DDF33	DDF33	DRB30 X 21DP DT FG
				BPOKCC30				
<b>SINGLE OVEN CABINETS - 4 BUTT DOORS, 2 DRAWERS AND 1 POT &amp; PAN ORGANIZER - 93" HIGH</b>								
OVS2793 BUTT 2DWR CCBPPO	2	DR1327 BUTT	2	S2724	2	DDF27	DDF27	DRB24 X 21DP DT FG
	2	DR1324 BUTT	1	BPOKCC24				
OVS3093 BUTT 2DWR CCBPPO	2	DR1527 BUTT	2	S3024	2	DDF30	DDF30	DRB27 X 21DP DT FG
	2	DR1524 BUTT	1	BPOKCC27				
OVS3393 BUTT 2DWR CCBPPO	2	DR1627 BUTT	2	S3324	2	DDF33	DDF33	DRB30 X 21DP DT FG
	2	DR1624 BUTT	1	BPOKCC30				
<b>SINGLE OVEN CABINETS - 4 BUTT DOORS, 2 DRAWERS AND 1 POT &amp; PAN ORGANIZER - 96" HIGH</b>								
OVS2796 BUTT 2DWR CCBPPO	2	DR1330 BUTT	2	S2724	2	DDF27	DDF27	DRB24 X 21DP DT FG
	2	DR1324 BUTT	1	BPOKCC24				
OVS3096 BUTT 2DWR CCBPPO	2	DR1530 BUTT	2	S3024	2	DDF30	DDF30	DRB27 X 21DP DT FG
	2	DR1524 BUTT	1	BPOKCC27				
OVS3396 BUTT 2DWR CCBPPO	2	DR1630 BUTT	2	S3324	2	DDF33	DDF33	DRB30 X 21DP DT FG
	2	DR1624 BUTT	1	BPOKCC30				

SKU	QTY	DOOR		ADJUSTABLE SHELF/ACCESSORY	
		PART NAME	QTY	*For All Plywood Construction Adjustable Shelf, upgrade through construction options	
				*PART NAME	
<b>SINGLE OVEN CABINET - 84" HIGH</b>					
OVS2784 BUTT	2	DR1318 BUTT	-	N/A	
	2	DR1324 BUTT			
OVS3084 BUTT	2	DR1518 BUTT	-	N/A	
	2	DR1524 BUTT			
OVS3384 BUTT	2	DR1618 BUTT	-	N/A	
	2	DR1624 BUTT			
<b>SINGLE OVEN CABINET - 1 ADJUSTABLE SHELF - 90" HIGH</b>					
OVS2790 AS BUTT	4	DR1324 BUTT	1	S2724	
OVS3090 AS BUTT	4	DR1524 BUTT	1	S3024	
OVS3390 AS BUTT	4	DR1624 BUTT	1	S3324	
<b>SINGLE OVEN CABINET - 2 ADJUSTABLE SHELVES - 93" HIGH</b>					
OVS2793 AS BUTT	2	DR1327 BUTT	2	S2724	
	2	DR1324 BUTT			
OVS3093 AS BUTT	2	DR1527 BUTT	2	S3024	
	2	DR1524 BUTT			
OVS3393 AS BUTT	2	DR1627 BUTT	2	S3324	
	2	DR1624 BUTT			
<b>SINGLE OVEN CABINET - 2 ADJUSTABLE SHELVES - 96" HIGH</b>					
OVS2796 AS BUTT	2	DR1330 BUTT	2	S2724	
	2	DR1324 BUTT			
OVS3096 AS BUTT	2	DR1530 BUTT	2	S3024	
	2	DR1524 BUTT			
OVS3396 AS BUTT	2	DR1630 BUTT	2	S3324	
	2	DR1624 BUTT			
<b>SINGLE OVEN CABINET - FULL-ACCESS POT AND PAN ORGANIZER - 84" HIGH</b>					
OVS2784 BUTT FABPPO	2	DR1318 BUTT	-	N/A	
	2	DR1324 BUTT	1	BPPOKFA24	
OVS3084 BUTT FABPPO	2	DR1518 BUTT	-	N/A	
	2	DR1524 BUTT	1	BPPOKFA27	
OVS3384 BUTT FABPPO	2	DR1618 BUTT	-	N/A	
	2	DR1624 BUTT	1	BPPOKFA30	
<b>SINGLE OVEN CABINET - FULL-ACCESS POT AND PAN ORGANIZER - 90" HIGH</b>					
OVS2790 BUTT FABPPO	4	DR1324 BUTT	1	S2724	
			1	BPPOKFA24	
OVS3090 BUTT FABPPO	4	DR1524 BUTT	1	S3024	
			1	BPPOKFA27	
OVS3390 BUTT FABPPO	4	DR1624 BUTT	1	S3324	
			1	BPPOKFA30	
<b>SINGLE OVEN CABINET - FULL-ACCESS POT AND PAN ORGANIZER - 93" HIGH</b>					
OVS2793 BUTT FABPPO	2	DR1327 BUTT	2	S2724	
	2	DR1324 BUTT	1	BPPOKFA24	
OVS3093 BUTT FABPPO	2	DR1527 BUTT	2	S3024	
	2	DR1524 BUTT	1	BPPOKFA27	
OVS3393 BUTT FABPPO	2	DR1627 BUTT	2	S3324	
	2	DR1624 BUTT	1	BPPOKFA30	
<b>SINGLE OVEN CABINET - FULL-ACCESS POT AND PAN ORGANIZER - 96" HIGH</b>					
OVS2796 BUTT FABPPO	2	DR1330 BUTT	2	S2724	
	2	DR1324 BUTT	1	BPPOKFA24	
OVS3096 BUTT FABPPO	2	DR1530 BUTT	2	S3024	
	2	DR1524 BUTT	1	BPPOKFA27	
OVS3396 BUTT FABPPO	2	DR1630 BUTT	2	S3324	
	2	DR1624 BUTT	1	BPPOKFA30	

SKU	QTY	DOOR		ADJUSTABLE SHELF/ACCESSORY	
		PART NAME	QTY	*For All Plywood Construction Adjustable Shelf, upgrade through construction options	
				*PART NAME	
<b>SINGLE OVEN CABINET • FULL-ACCESS CUSHIONCLOSE® POT AND PAN ORGANIZER • 84" HIGH</b>					
OVS2784 BUTT CCBPPO	2	DR1318 BUTT	-	N/A	
	2	DR1324 BUTT	1	BPPOKCC24	
OVS3084 BUTT CCBPPO	2	DR1518 BUTT	-	N/A	
	2	DR1524 BUTT	1	BPPOKCC27	
OVS3384 BUTT CCBPPO	2	DR1618 BUTT	-	N/A	
	2	DR1624 BUTT	1	BPPOKCC30	
<b>SINGLE OVEN CABINET • FULL-ACCESS CUSHIONCLOSE® POT AND PAN ORGANIZER • 90" HIGH</b>					
OVS2790 BUTT CCBPPO	4	DR1324 BUTT	1	S2724	
			1	BPPOKCC24	
OVS3090 BUTT CCBPPO	4	DR1524 BUTT	1	S3024	
			1	BPPOKCC27	
OVS3390 BUTT CCBPPO	4	DR1624 BUTT	1	S3324	
			1	BPPOKCC30	
<b>SINGLE OVEN CABINET • FULL-ACCESS CUSHIONCLOSE® POT AND PAN ORGANIZER • 93" HIGH</b>					
OVS2793 BUTT CCBPPO	2	DR1327 BUTT	2	S2724	
	2	DR1324 BUTT	1	BPPOKCC24	
OVS3093 BUTT CCBPPO	2	DR1527 BUTT	2	S3024	
	2	DR1524 BUTT	1	BPPOKCC27	
OVS3393 BUTT CCBPPO	2	DR1627 BUTT	2	S3324	
	2	DR1624 BUTT	1	BPPOKCC30	
<b>SINGLE OVEN CABINET • FULL-ACCESS CUSHIONCLOSE® POT AND PAN ORGANIZER • 96" HIGH</b>					
OVS2796 BUTT CCBPPO	2	DR1330 BUTT	2	S2724	
	2	DR1324 BUTT	1	BPPOKCC24	
OVS3096 BUTT CCBPPO	2	DR1530 BUTT	2	S3024	
	2	DR1524 BUTT	1	BPPOKCC27	
OVS3396 BUTT CCBPPO	2	DR1630 BUTT	2	S3324	
	2	DR1624 BUTT	1	BPPOKCC30	
<b>DOUBLE OVEN CABINETS • 2 BUTT DOORS AND NO DRAWER • 84" HIGH</b>					
OVD2784 BUTT NDWR	2	DR1318 BUTT	-	N/A	
OVD3084 BUTT NDWR	2	DR1518 BUTT	-	N/A	
OVD3384 BUTT NDWR	2	DR1618 BUTT	-	N/A	
<b>DOUBLE OVEN CABINETS • 2 BUTT DOORS AND NO DRAWER • 90" HIGH</b>					
OVD2790 AS BUTT NDWR	2	DR1324 BUTT	1	S2724	
OVD3090 AS BUTT NDWR	2	DR1524 BUTT	1	S3024	
OVD3390 AS BUTT NDWR	2	DR1624 BUTT	1	S3324	
<b>DOUBLE OVEN CABINETS • 2 BUTT DOORS AND NO DRAWER • 93" HIGH</b>					
OVD2793 AS BUTT NDWR	2	DR1327 BUTT	2	S2724	
OVD3093 AS BUTT NDWR	2	DR1527 BUTT	2	S3024	
OVD3393 AS BUTT NDWR	2	DR1627 BUTT	2	S3324	
<b>DOUBLE OVEN CABINETS • 2 BUTT DOORS AND NO DRAWER • 96" HIGH</b>					
OVD2796 AS BUTT NDWR	2	DR1330 BUTT	2	S2724	
OVD3096 AS BUTT NDWR	2	DR1530 BUTT	2	S3024	
OVD3396 AS BUTT NDWR	2	DR1630 BUTT	2	S3324	

**PARTS: VANITY DRAWER & FULL-HEIGHT VANITY BASE CABINETS**

SKU	QTY	DRAWER/PANEL FRONT		DRAWER BODY
		FULL OVERLAY	STANDARD OVERLAY	PART NAME
		PART NAME	PART NAME	
<b>VANITY DRAWER BASE - 31 1/8" HIGH</b>				
VDB12	2	DDF12	DDF12	DRB12 X 18DP DT FG
	1	DDF12VD	DDF12D	DRB12M X 18DP DT FG
VDB15	2	DDF15	DDF15	DRB15 X 18DP DT FG
	1	DDF15VD	DDF15D	DRB15M X 18DP DT FG
VDB18	2	DDF18	DDF18	DRB18 X 18DP DT FG
	1	DDF18VD	DDF18D	DRB18M X 18DP DT FG
VDB21	2	DDF21	DDF21	DRB21 X 18DP DT FG
	1	DDF21VD	DDF21D	DRB21M X 18DP DT FG
VDB24	2	DDF24	DDF24	DRB24 X 18DP DT FG
	1	DDF24VD	DDF24D	DRB24M X 18DP DT FG
<b>VANITY DRAWER BASE - 34 1/2" HIGH</b>				
VDB1234H	1	DDF12	DDF12	DRB12 X 18DP DT FG
	2	DDF12M	DDF12D	DRB12M X 18DP DT FG
VDB1534H	1	DDF15	DDF15	DRB15 X 18DP DT FG
	2	DDF15M	DDF15D	DRB15M X 18DP DT FG
VDB1834H	1	DDF18	DDF18	DRB18 X 18DP DT FG
	2	DDF18M	DDF18D	DRB18M X 18DP DT FG
VDB2134H	1	DDF21	DDF21	DRB21 X 18DP DT FG
	2	DDF21M	DDF21D	DRB21M X 18DP DT FG
VDB2434H	1	DDF24	DDF24	DRB24 X 18DP DT FG
	2	DDF24M	DDF24D	DRB24M X 18DP DT FG

SKU	QTY	DOOR	
		FULL OVERLAY	STANDARD OVERLAY
		PART NAME	PART NAME
<b>VANITY FULL-HEIGHT BASE - 34 1/2" HIGH</b>			
VB1234H FH	1	DR12FH	DR1230
VB1534H FH	1	DR15FH	DR1530
VB1834H FH	1	DR18FH	DR1830
VB2134H FH	1	DR21FH	DR2130
VB2434H BUTT FH	2	DR12BUTT FH	DR1230 BUTT
VB3034H BUTT FH	2	DR15BUTT FH	DR1530 BUTT
VB3634H BUTT FH	2	DR18BUTT FH	DR1830 BUTT

SKU	QTY	DOOR	QTY	DRAWER/PANEL FRONT
		PART NAME		PART NAME
<b>VANITY SINK BASE - 31 1/8" HIGH</b>				
VSB15	1	DR1521V	1	DDF15
VSB18	1	DR1821V	1	DDF18
VSB21	1	DR2121V	1	DDF21
VSB24 BUTT	2	DR1221V BUTT	1	DDF24
VSB2418 BUTT	2	DR1221V BUTT	1	DDF24
VSB27 BUTT	2	DR1321V BUTT	1	DDF27
VSB30 BUTT	2	DR1521V BUTT	1	DDF30
VSB3018 BUTT	2	DR1521V BUTT	1	DDF30
VSB33 BUTT	2	DR1621V BUTT	1	DDF33
VSB36 BUTT	2	DR1821V BUTT	1	DDF36
VSB3618 BUTT	2	DR1821V BUTT	1	DDF36
VSB39	2	DR1921V	2	DDF19
VSB42	2	DR2121V	2	DDF21
VSB48	2	DR1521V	2	DDF15
	1	DR1821V	1	DDF18
VSB54 BUTT	4	DR1321V BUTT	2	DDF27
VSB60 BUTT	4	DR1521V BUTT	2	DDF30
<b>VANITY SINK FRONT - 31 1/8" HIGH</b>				
VSF21	1	DR2121V	1	DDF21
VSF24 BUTT	2	DR1221V BUTT	1	DDF24
VSF30 BUTT	2	DR1521V BUTT	1	DDF30
VSF36 BUTT	2	DR1821V BUTT	1	DDF36
VSF39	2	DR1921V	2	DDF19
VSF42	2	DR2121V	2	DDF21
VSF48	2	DR1521V	2	DDF15
	1	DR1821V	1	DDF18
<b>VANITY SINK BASE - 34 1/2" HIGH</b>				
VSB1534H	1	DR1524	1	DDF15
VSB1834H	1	DR1824	1	DDF18
VSB2134H	1	DR2124	1	DDF21
VSB2434H BUTT	2	DR1224 BUTT	1	DDF24
VSB241834H BUTT	2	DR1224 BUTT	1	DDF24
VSB2734H BUTT	2	DR1324 BUTT	1	DDF27
VSB3034H BUTT	2	DR1524 BUTT	1	DDF30
VSB301834H BUTT	2	DR1524 BUTT	1	DDF30
VSB3334H BUTT	2	DR1624 BUTT	1	DDF33
VSB3634H BUTT	2	DR1824 BUTT	1	DDF36
VSB361834H BUTT	2	DR1824 BUTT	1	DDF36
VSB3934H	2	DR1924	2	DDF19
VSB4234H	2	DR2124	2	DDF21
VSB4834H	2	DR1524	2	DDF15
	1	DR1824	1	DDF18
VSB5434H BUTT	4	DR1324 BUTT	2	DDF27
VSB6034H BUTT	4	DR1524	2	DDF30

**PARTS: VANITY SINK BASE**

SKU	QTY	DOOR		DRAWER BODY		DRAWER FRONT/PANEL	
		PART NAME	QTY	PART NAME	QTY	FULL OVERLAY	STANDARD OVERLAY
						PART NAME	PART NAME
<b>VANITY BASE - 31 1/8" HIGH</b>							
VB12	1	DR1221V	1	DRB12 X 18DP DT FG	1	DDF12	DDF12
VB15	1	DR1521V	1	DRB15 X 18DP DT FG	1	DDF15	DDF15
VB18	1	DR1821V	1	DRB18 X 18DP DT FG	1	DDF18	DDF18
VB21	1	DR2121V	1	DRB21 X 18DP DT FG	1	DDF21	DDF21
VB24 BUTT	2	DR1221V BUTT	1	DRB24 X 18DP DT FG	1	DDF24	DDF24
VB27 BUTT	2	DR1321V BUTT	1	DRB27 X 18DP DT FG	1	DDF27	DDF27
VB30 BUTT	2	DR1521V BUTT	1	DRB30 X 18DP DT FG	1	DDF30	DDF30
VB33 BUTT	2	DR1621V BUTT	1	DRB33 X 18DP DT FG	1	DDF33	DDF33
VB36 BUTT	2	DR1821V BUTT	1	DRB36 X 18DP DT FG	1	DDF36	DDF36
VAN36 BUTT	2	DR1821V BUTT	2	DRB10 X 18DP DT FG	3	DDF12	DDF12
VAN39	2	DR1921V		DRB12 X 18DP DT FG	2	DDF12	DDF12
					1	DDF15	DDF15
VAN42	2	DR2121V	2	DRB12 X 18DP DT FG	2	DDF12	DDF12
					1	DDF18	DDF18
VAN48	2	DR1521V	2	DRB15 X 18DP DT FG	2	DDF15	DDF15
	1	DR1821V			1	DDF18	DDF18
VAN54 BK BUTT	2	DR1221V	2	DRB12 X 18DP DT FG	2	DDF12	DDF12
	2	DR1521V BUTT			1	DDF30	DDF30
VAN60 BK BUTT	2	DR1521V	2	DRB15 X 18DP DT FG	2	DDF15	DDF15
	2	DR1521V BUTT			1	DDF30	DDF30
<b>VANITY COMBO SINK BASE - 18" DEEP X 31 1/8" HIGH</b>							
VSDB2418 BK	1	DR1221V	1	DRB12 X 15DP DT FG	3	DDF12	DDF12
			1	DRB12M X 15DP DT FG	1	DDF12VD	DDF12D
VSDB2718 BK	1	DR1521V	1	DRB12 X 15DP DT FG	1	DDF15	DDF15
			1	DRB12M X 15DP DT FG	2	DDF12	DDF12
					1	DDF12VD	DDF12D
VSDB3018 BK	1	DR1821V	1	DRB12 X 15DP DT FG	1	DDF18	DDF18
			1	DRB12M X 15DP DT FG	2	DDF12	DDF12
					1	DDF12VD	DDF12D
VSDB3318 BK	1	DR2121V	1	DRB12 X 15DP DT FG	1	DDF21	DDF21
			1	DRB12M X 15DP DT FG	2	DDF12	DDF12
					1	DDF12VD	DDF12D
VSDB3618 BK	1	DR2121V	1	DRB15 X 15DP DT FG	1	DDF21	DDF21
			1	DRB15M X 15DP DT FG	2	DDF15	DDF15
					1	DDF15VD	DDF15D

SKU	QTY	DOOR		DRAWER BODY		DRAWER FRONT/PANEL	
		PART NAME	QTY	PART NAME	QTY	FULL OVERLAY	STANDARD OVERLAY
						PART NAME	PART NAME
<b>VANITY COMBO SINK BASE - 31 1/8" HIGH</b>							
VSDB24 BK	1	DR1221V	1	DRB12 X 18DP DT FG	3	DDF12	DDF12
			1	DRB12M X 18DP DT FG	1	DDF12VD	DDF12D
VSDB27 BK	1	DR1521V	1	DRB12 X 18DP DT FG	1	DDF15	DDF15
			1	DRB12M X 18DP DT FG	2	DDF12	DDF12
					1	DDF12VD	DDF12D
VSDB30 BK	1	DR1821V	1	DRB12 X 18DP DT FG	1	DDF18	DDF18
			1	DRB12M X 18DP DT FG	2	DDF12	DDF12
					1	DDF12VD	DDF12D
VSDB33 BK	1	DR2121V	1	DRB12 X 18DP DT FG	1	DDF21	DDF21
			1	DRB12M X 18DP DT FG	2	DDF12	DDF12
					1	DDF12VD	DDF12D
VSDB36 BK	1	DR2121V	1	DRB15 X 18DP DT FG	1	DDF21	DDF21
			1	DRB15M X 18DP DT FG	2	DDF15	DDF15
					1	DDF15VD	DDF15D
VSDB42 BK BUTT	2	DR1521V BUTT	2	DRB12 X 18DP DT FG	1	DDF30	DDF30
			1	DRB12M X 18DP DT FG	2	DDF12	DDF12
					1	DDF12VD	DDF12D
VSDB48D BK BUTT	2	DR1221V BUTT	4	DRB12 X 18DP DT FG	1	DDF24	DDF24
			2	DRB12M X 18DP DT FG	4	DDF12	DDF12
					2	DDF12VD	DDF12D
VSDB54D BK BUTT	2	DR1221V BUTT	4	DRB15 X 18DP DT FG	1	DDF24	DDF24
			2	DRB15M X 18DP DT FG	4	DDF15	DDF15
					2	DDF15VD	DDF15D
VSDB60C BK BUTT	4	DR1221V BUTT	2	DRB12 X 18DP DT FG	2	DDF24	DDF24
			1	DRB12M X 18DP DT FG	2	DDF12	DDF12
					1	DDF12VD	DDF12D
VSDB60D BK BUTT	2	DR1521V BUTT	4	DRB15 X 18DP DT FG	1	DDF30	DDF30
			2	DRB15M X 18DP DT FG	4	DDF15	DDF15
					2	DDF15VD	DDF15D
<b>VANITY BASE - 34 1/2" HIGH</b>							
VB1234H	1	DR1224	1	DRB12 X 18DP DT FG	1	DDF12	DDF12
VB1534H	1	DR1524	1	DRB15 X 18DP DT FG	1	DDF15	DDF15
VB1834H	1	DR1824	1	DRB18 X 18DP DT FG	1	DDF18	DDF18
VB2134H	1	DR2124	1	DRB21 X 18DP DT FG	1	DDF21	DDF21
VB2434H BUTT	2	DR1224 BUTT	1	DRB24 X 18DP DT FG	1	DDF24	DDF24
VB2734H BUTT	2	DR1324 BUTT	1	DRB27 X 18DP DT FG	1	DDF27	DDF27
VB3034H BUTT	2	DR1524 BUTT	1	DRB30 X 18DP DT FG	1	DDF30	DDF30
VB3334H BUTT	2	DR1624 BUTT	1	DRB33 X 18DP DT FG	1	DDF33	DDF33
VB3634H BUTT	2	DR1824 BUTT	1	DRB36 X 18DP DT FG	1	DDF36	DDF36
<b>VANITY BASE - FULL-ACCESS WASTEBASKET - 34 1/2" HIGH</b>							
VWBB1834H FA	1	DR1824 ND	1	DRB18 X 18DP DT FG	1	DDF18	DDF18
			1	VWBB1834H_OL KIT FA			
<b>VANITY BASE - FULL-ACCESS CUSHIONCLOSE® WASTEBASKET - 34 1/2" HIGH</b>							
VWBB1834H CC	1	DR1824 ND	1	DRB18 X 18DP DT FG	1	DDF18	DDF18
			1	VWBB1834H_OL KIT CC			

SKU	QTY	DOOR		DRAWER BODY		DRAWER FRONT/PANEL	
		PART NAME	QTY	PART NAME	QTY	FULL OVERLAY	STANDARD OVERLAY
						PART NAME	PART NAME
<b>VANITY SINK BASE - TOP DRAWERS - 34 1/2" HIGH</b>							
VAN3634H BUTT	2	DR1824 BUTT	2	DRB10 X 18DP DT FG	3	DDF12	DDF12
VAN3934H	2	DR1924	2	DRB12 X 18DP DT FG	2	DDF12	DDF12
					1	DDF15	DDF15
VAN4234H	2	DR2124	2	DRB12 X 18DP DT FG	2	DDF12	DDF12
					1	DDF18	DDF18
VAN4834H	2	DR1524	2	DRB15 X 18DP DT FG	2	DDF15	DDF15
	1	DR1824			1	DDF18	DDF18
VAN5434H BK BUTT	2	DR1224	2	DRB12 X 18DP DT FG	2	DDF12	DDF12
	2	DR1524 BUTT			1	DDF30	DDF30
VAN6034H BK BUTT	2	DR1524	2	DRB15 X 18DP DT FG	2	DDF15	DDF15
	2	DR1524 BUTT			1	DDF30	DDF30
<b>VANITY COMBO SINK BASE - 18" DEEP X 34 1/2" HIGH</b>							
VSDB241834H BK	1	DR1224	2	DRB12M X 15DP DT FG	2	DDF12	DDF12
					2	DDF12M	DDF12D
VSDB271834H BK	1	DR1524	2	DRB12M X 15DP DT FG	1	DDF15	DDF15
					1	DDF12	DDF12
					2	DDF12M	DDF12D
VSDB301834H BK	1	DR1824	2	DRB12M X 15DP DT FG	1	DDF18	DDF18
					1	DDF12	DDF12
					2	DDF12M	DDF12D
VSDB331834H BK	1	DR2124	2	DRB12M X 15DP DT FG	1	DDF21	DDF21
					1	DDF12	DDF12
					2	DDF12M	DDF12D
VSDB361834H BK	1	DR2124	2	DRB15M X 15DP DT FG	1	DDF21	DDF21
					1	DDF15	DDF15
					2	DDF15M	DDF15D



SKU	QTY	DOOR		DRAWER BODY		DRAWER FRONT/PANEL	
		PART NAME	QTY	PART NAME	QTY	FULL OVERLAY	STANDARD OVERLAY
						PART NAME	PART NAME
<b>VANITY COMBO SINK BASE - 34 1/2" HIGH</b>							
VSDB2434H BK	1	DR1224	2	DRB12M X 18DP DT FG	2	DDF12	DDF12
					2	DDF12M	DDF12D
VSDB2734H BK	1	DR1524	2	DRB12M X 18DP DT FG	1	DDF15	DDF15
					1	DDF12	DDF12
					2	DDF12M	DDF12D
VSDB3034H BK	1	DR1824	2	DRB12M X 18DP DT FG	1	DDF18	DDF18
					1	DDF12	DDF12
					2	DDF12M	DDF12D
VSDB3334H BK	1	DR2124	2	DRB12M X 18DP DT FG	1	DDF21	DDF21
					1	DDF12	DDF12
					2	DDF12M	DDF12D
VSDB3634H BK	1	DR2124	2	DRB15M X 18DP DT FG	1	DDF21	DDF21
					1	DDF15	DDF15
					2	DDF15M	DDF15D
VSDB3934H BK	1	DR2124	2	DRB18M X 18DP DT FG	1	DDF21	DDF21
					1	DDF18	DDF18
					2	DDF18M	DDF18D
VSDB4234H BK BUTT	2	DR1524 BUTT	1	DRB12 X 18DP DT FG	1	DDF30	DDF30
			2	DRB12M X 18DP DT FG	1	DDF12	DDF12
					2	DDF12M	DDF12D
VSDB4834HD BK BUTT	2	DR1224 BUTT	2	DRB12 X 18DP DT FG	1	DDF24	DDF24
			4	DRB12M X 18DP DT FG	2	DDF12	DDF12
					4	DDF12M	DDF12D
VSDB5434HD BK BUTT	2	DR1224 BUTT	2	DRB15 X 18DP DT FG	1	DDF24	DDF24
			4	DRB15M X 18DP DT FG	2	DDF15	DDF15
					4	DDF15M	DDF15D
VSDB6034HC BK BUTT	4	DR1224 BUTT	1	DRB12 X 18DP DT FG	2	DDF24	DDF24
			2	DRB12M X 18DP DT FG	1	DDF12	DDF12
					2	DDF12M	DDF12D
VSDB6034HD BK BUTT	2	DR1524 BUTT	2	DRB15 X 18DP DT FG	1	DDF30	DDF30
			4	DRB15M X 18DP DT FG	2	DDF15	DDF15
					4	DDF15M	DDF15D

SKU	QTY	DOOR	SPECIALTY DOOR	DECORATIVE GLASS INSERT	QTY	ADJUSTABLE SHELF
		PART NAME	PART NAME	PART NAME		*For All Plywood Construction and/or Matching Interior Adjustable Shelf, upgrade through construction options
						*PART NAME
<b>VANITY LINEN CABINET - ADJUSTABLE SHELVES</b>						
VLC122184 AS	1	DR1230	DR1230 SD	DGI-1230	5	S1221
	1	DR1250				
VLC152184 AS	1	DR1530	DR1530 SD	DGI-1530	5	S1521
	1	DR1550				
VLC182184 AS	1	DR1830	DR1830 SD	DGI-1830	5	S1821
	1	DR1850				
VLC242184 AS BUTT	2	DR1230 BUTT	DR1230 BUTT SD	DGI-1230 BUTT	5	S2421
	2	DR1250 BUTT				
<b>VANITY LINEN CABINET - FULL-ACCESS DEEP ROLL OUT TRAYS</b>						
VLC122184 FA4ROT	1	DR1230	DR1230 SD	DGI-1230	1	S1221
	1	DR1250			4	DROTFA1221
VLC152184 FA4ROT	1	DR1530	DR1530 SD	DGI-1530	1	S1521
	1	DR1550			4	DROTFA1521
VLC182184 FA4ROT	1	DR1830	DR1830 SD	DGI-1830	1	S1821
	1	DR1850			4	DROTFA1821
VLC242184 FA4ROT BUTT	2	DR1230 BUTT	DR1230 BUTT SD	DGI-1230 BUTT	1	S2421
	2	DR1250 BUTT			4	DROTFA2421
<b>VANITY LINEN CABINET - FULL-ACCESS CUSHIONCLOSE® DEEP ROLL OUT TRAYS</b>						
VLC122184 CC4ROT	1	DR1230	DR1230 SD	DGI-1230	1	S1221
	1	DR1250			4	DROTCC1221
VLC152184 CC4ROT	1	DR1530	DR1530 SD	DGI-1530	1	S1521
	1	DR1550			4	DROTCC1521
VLC182184 CC4ROT	1	DR1830	DR1830 SD	DGI-1830	1	S1821
	1	DR1850			4	DROTCC1821
VLC242184 CC4ROT BUTT	2	DR1230 BUTT	DR1230 BUTT SD	DGI-1230 BUTT	1	S2421
	2	DR1250 BUTT			4	DROTCC2421
<b>MEDICINE CABINET</b>						
MC1530	1	DR1530	-	-	2	MC SHELF
MCM1530	1	DRMCM1530	-	-	2	MC SHELF
<b>TRI-VIEW MIRROR</b>						
TV3030	3	MIRROR TV3030	-	-	3	TV30 SHELF 9
					3	TV30 SHELF 18
TV3630	3	MIRROR TV3630	-	-	3	TV36 SHELF 11
					3	TV36 SHELF 22
<b>VALET CABINET</b>						
VC2436 BUTT	2	DR1224 BUTT	-	-	-	N/A

SKU	QTY	DOOR/DRAWER/PANEL FRONT		DRAWER BODY OR ACCESSORY
		FULL OVERLAY	STANDARD OVERLAY	PART NAME
		PART NAME	PART NAME	
<b>DESK FILE PULL OUT CABINET - 21" DEEP</b>				
DFDC1821 FA	1	DDF18	DDF18	DRB18 X 18DP DT FG
	1	DR1818 ND	DR1818 ND	DRB18M X 18DP DT FG
	1			DFDC FILE UNIT 21
DFDC1821 CC	1	DDF18	DDF18	DRB18 X 18DP DT FG
	1	DR1818 ND	DR1818 ND	DRB18M X 18DP DT FG
	1			DFDC FILE UNIT 21
<b>DESK FILE PULL OUT CABINET - 24" DEEP</b>				
DFDC1824 FA	1	DDF18	DDF18	DRB18 X 21DP DT FG
	1	DR1818 ND	DR1818 ND	DRB18M X 21DP DT FG
	1			DFDC FILE UNIT 24
DFDC1824 CC	1	DDF18	DDF18	DRB18 X 21DP DT FG
	1	DR1818 ND	DR1818 ND	DRB18M X 21DP DT FG
	1			DFDC FILE UNIT 24
<b>DESK DRAWER BASE CABINET - 21" DEEP</b>				
DDR1221	2	DDF12	DDF12	DRB12 X 18DP DT FG
	1	DDF12M	DDF12D	DRB12M X 18DP DT FG
DDR1521	2	DDF15	DDF15	DRB15 X 18DP DT FG
	1	DDF15M	DDF15D	DRB15M X 18DP DT FG
DDR1821	2	DDF18	DDF18	DRB18 X 18DP DT FG
	1	DDF18M	DDF18D	DRB18M X 18DP DT FG
DDR2121	2	DDF21	DDF21	DRB21 X 18DP DT FG
	1	DDF21M	DDF21D	DRB21M X 18DP DT FG
DDR2421	2	DDF24	DDF24	DRB24 X 18DP DT FG
	1	DDF24M	DDF24D	DRB24M X 18DP DT FG
<b>DESK DRAWER BASE CABINET - 24" DEEP</b>				
DDR1224	2	DDF12	DDF12	DRB12 X 21DP DT FG
	1	DDF12M	DDF12D	DRB12M X 21DP DT FG
DDR1524	2	DDF15	DDF15	DRB15 X 21DP DT FG
	1	DDF15M	DDF15D	DRB15M X 21DP DT FG
DDR1824	2	DDF18	DDF18	DRB18 X 21DP DT FG
	1	DDF18M	DDF18D	DRB18M X 21DP DT FG
DDR2124	2	DDF21	DDF21	DRB21 X 21DP DT FG
	1	DDF21M	DDF21D	DRB21M X 21DP DT FG
DDR2424	2	DDF24	DDF24	DRB24 X 21DP DT FG
	1	DDF24M	DDF24D	DRB24M X 21DP DT FG
<b>KNEEHOLE DRAWER CABINET</b>				
KDC27/21	1	DDFKDC27/21	DDFKDC27/21	DRBKDC27X 15DP DT FG
KDC33/27	1	DDFKDC33/27	DDFKDC33/27	DRBKDC33X 15DP DT FG
KDC36/33	1	DDFKDC36/33	DDFKDC36/33	DRBKDC36X 15DP DT FG
<b>FULL-HEIGHT DESK - FULL ACCESS BOTTOM MOUNT WASTEBASKET(S)</b>				
DWBB1821 FA	1	DR1824 ND	DR1824 ND	DWBB1821_OL KIT FA
DWBB1824 FA	1	DR1824 ND	DR1824 ND	DWBB1824_OL KIT FA
<b>FULL-HEIGHT DESK - FULL-ACCESS CUSHIONCLOSE® BOTTOM MOUNT WASTEBASKET(S)</b>				
DWBB1821 CC	1	DR1824 ND	DR1824 ND	DWBB1821_OL KIT CC
DWBB1824 CC	1	DR1824 ND	DR1824 ND	DWBB1824_OL KIT CC

SKU	QTY	DOOR		ADJUSTABLE SHELF/ACCESSORY		DRAWER/PANEL FRONT		DRAWER BODY	
		PART NAME	QTY	*For All Plywood Construction Adjustable Shelf, upgrade through construction options		PART NAME	QTY	PART NAME	QTY
				*PART NAME	QTY				
<b>DESK DOOR CABINET - 21" DEEP</b>									
DD01221	1	DR1218	1	12" SHELF 21DP 3/4	1	DDF12	1	DRB12 X 18DP DT FG	
DD01521	1	DR1518	1	15" SHELF 21DP 3/4	1	DDF15	1	DRB15 X 18DP DT FG	
DD01821	1	DR1818	1	18" SHELF 21DP 3/4	1	DDF18	1	DRB18 X 18DP DT FG	
DD02121	1	DR2118	1	21" SHELF 21DP 3/4	1	DDF21	1	DRB21 X 18DP DT FG	
DD02421 BUTT	2	DR1218 BUTT	1	24" SHELF 21DP 3/4	1	DDF24	1	DRB24 X 18DP DT FG	
<b>DESK DOOR CABINET - 24" DEEP</b>									
DD01224	1	DR1218	1	12" SHELF 24DP 3/4	1	DDF12	1	DRB12 X 21DP DT FG	
DD01524	1	DR1518	1	15" SHELF 24DP 3/4	1	DDF15	1	DRB15 X 21DP DT FG	
DD01824	1	DR1818	1	18" SHELF 24DP 3/4	1	DDF18	1	DRB18 X 21DP DT FG	
DD02124	1	DR2118	1	21" SHELF 24DP 3/4	1	DDF21	1	DRB21 X 21DP DT FG	
DD02424 BUTT	2	DR1218 BUTT	1	24" SHELF 24DP 3/4	1	DDF24	1	DRB24 X 21DP DT FG	

SKU	QTY	DOOR		ADJUSTABLE SHELF/ACCESSORY	
		PART NAME	QTY	*For All Plywood Construction Adjustable Shelf, upgrade through construction options	
				*PART NAME	QTY
<b>UNIVERSAL DESIGN BASE CABINET - ADJUSTABLE SHELF</b>					
B24 UD BUTT	2	DR1224 BUTT	1	24" SHELF 24DP 3/4	
B27 UD BUTT	2	DR1324 BUTT	1	27" SHELF 24DP 3/4	
B30 UD BUTT	2	DR1524 BUTT	1	30" SHELF 24DP 3/4	
B33 UD BUTT	2	DR1624 BUTT	1	33" SHELF 24DP 3/4	
B36 UD BUTT	2	DR1824 BUTT	1	36" SHELF 24DP 3/4	
B42 UD	2	DR2124	1	42" SHELF 24DP 3/4	
<b>UNIVERSAL DESIGN BASE CABINET - 2 FULL-ACCESS DEEP ROLL OUT TRAYS</b>					
B15 FA2FWT UD	1	DR1524	2	DROTFA15	
B21 FA2FWT UD	1	DR2124	2	DROTFA21	
B24 FA2FWT UD BUTT	2	DR1224 BUTT	2	DROTFA24	
<b>UNIVERSAL DESIGN BASE CABINET - 2 FULL-ACCESS CUSHIONCLOSE® DEEP ROLL OUT TRAYS</b>					
B12 CC2FWT UD	1	DR1224	2	DROTCC12	
B15 CC2FWT UD	1	DR1524	2	DROTCC15	
B21 CC2FWT UD	1	DR2124	2	DROTCC21	
B24 CC2FWT UD BUTT	2	DR1224 BUTT	2	DROTCC24	
<b>UNIVERSAL DESIGN CORNER BASE SUSAN</b>					
CBS36 UD	1	DR1524	1	CBS SHELF RAS	
<b>UNIVERSAL DESIGN SINK BASE CABINET</b>					
SB30 UD BUTT	2	DR1524 BUTT	-	N/A	
SB33 UD BUTT	2	DR1624 BUTT	-	N/A	
SB36 UD BUTT	2	DR1824 BUTT	-	N/A	

SKU	QTY	DRAWER/PANEL FRONT		DRAWER BODY
		FULL OVERLAY	STANDARD OVERLAY	PART NAME
		PART NAME	PART NAME	
<b>UNIVERSAL DESIGN BASE MULTI-USE</b>				
BMU30 UD	1	DDF30	DDF30	DRB30 X 21DP DT FG
<b>UNIVERSAL DESIGN BASE PLUMBING SKIRT</b>				
BPS30 UD	1	DDFKDC33/27	DDFKDC30/27	N/A
BPS36 UD	1	DDFKDC36/33	DDFKDC36/33	N/A
<b>UNIVERSAL DESIGN DRAWER BASE</b>				
DB12 UD	2	DDF12	DDF12	DRB12 X 21DP DT FG
	1	DDF12M	DDF12D	DRB12M X 21DP DT FG
DB15 UD	2	DDF15	DDF15	DRB15 X 21DP DT FG
	1	DDF15M	DDF15D	DRB15M X 21DP DT FG
DB18 UD	2	DDF18	DDF18	DRB18 X 21DP DT FG
	1	DDF18M	DDF18D	DRB18M X 21DP DT FG
DB21 UD	2	DDF21	DDF21	DRB21 X 21DP DT FG
	1	DDF21M	DDF21D	DRB21M X 21DP DT FG
DB24 UD	2	DDF24	DDF24	DRB24 X 21DP DT FG
	1	DDF24M	DDF24D	DRB24M X 21DP DT FG
<b>UNIVERSAL DESIGN VANITY PLUMBING SKIRT</b>				
VPS30 UD	1	DDFKDC33/27	DDFKDC30/27	N/A
VPS36 UD	1	DDFKDC36/33	DDFKDC36/33	N/A

SKU	QTY	DOOR		ADJUSTABLE SHELF	QTY	DRAWER FRONT/PANEL		DRAWER BODY
		PART NAME	QTY	*For All Plywood Construction Adjustable Shelf, upgrade through construction options		FULL OVERLAY	STANDARD OVERLAY	PART NAME
						PART NAME	PART NAME	
<b>UNIVERSAL DESIGN OVEN CABINET</b>								
OVS3384 UD BUTT	2	DR1627 BUTT	-	N/A	1	DDF33M	DDF33D	DRB30M X 21DP DT FG

SKU	QTY	DOOR	
		FULL OVERLAY	STANDARD OVERLAY
		PART NAME	PART NAME
<b>DECORATOR MATCHING BASE DOORS</b>			
DMDB	1	DR24FH ND	DR2430 ND
DMDBEA12	1	DR12FH ND	DR1230 ND
<b>DECORATOR MATCHING DESK DOORS</b>			
DMDD21	1	DR2124 ND	DR2124 ND
DMDD24	1	DR2424 ND	DR2424 ND
<b>DECORATOR MATCHING TALL DOORS</b>			
DMDT8412	1	DR1230 ND	DR1230 ND
	1	DR1250 ND	DR1250 ND
DMDT8424	2	DR1230 ND	DR1230 ND
	2	DR1250 ND	DR1250 ND
DMDT9012	1	DR1236 ND	DR1236 ND
	1	DR1250 ND	DR1250 ND
DMDT9024	2	DR1236 ND	DR1236 ND
	2	DR1250 ND	DR1250 ND
DMDT9312	1	DR1239 ND	DR1239 ND
	1	DR1250 ND	DR1250 ND
DMDT9324	2	DR1239 ND	DR1239 ND
	2	DR1250 ND	DR1250 ND
DMDT9612	1	DR1242 ND	DR1242 ND
	1	DR1250 ND	DR1250 ND
DMDT9624	2	DR1242 ND	DR1242 ND
	2	DR1250 ND	DR1250 ND
<b>DECORATOR MATCHING WALL DOORS</b>			
DMDW18	1	DR1218 ND	DR1218 ND
DMDW24	1	DR1224 ND	DR1224 ND
DMDW30	1	DR1230 ND	DR1230 ND
DMDW36	1	DR1236 ND	DR1236 ND
DMDW39	1	DR1239 ND	DR1239 ND
DMDW42	1	DR1242 ND	DR1242 ND
<b>DECORATOR MATCHING VANITY DOORS</b>			
DMDV	1	DR2121 ND	DR2121 ND
	1	DDF21	DDF21

DOOR DIMENSIONS		
Standard, Specialty (SD) & No-Drill (ND) Doors are the same dimension		
PART NAME	FULL OVERLAY	STANDARD OVERLAY
<b>50" HIGH</b>		
DR1250	11 9/16" x 49 1/4"	9 7/8" x 47 3/4"
DR1250 BUTT	11 23/32" x 49 1/4"	10 15/16" x 47 3/4"
DR1350 BUTT	13 7/32" x 49 1/4"	12 7/16" x 47 3/4"
DR1550	14 9/16" x 49 1/4"	12 7/8" x 47 3/4"
DR1550 BUTT	14 23/32" x 49 1/4"	13 15/16" x 47 3/4"
DR1650 BUTT	16 7/32" x 49 1/4"	15 7/16" x 47 3/4"
DR1850	17 9/16" x 49 1/4"	15 7/8" x 47 3/4"
DR1850 BUTT	17 23/32" x 49 1/4"	16 15/16" x 47 3/4"
DR2150	20 9/16" x 49 1/4"	18 7/8" x 47 3/4"
<b>42" HIGH</b>		
DR942	8 9/16" x 41 1/2"	6 7/8" x 40"
DR1242	11 9/16" x 41 1/2"	9 7/8" x 40"
DR1242 BUTT	11 23/32" x 41 1/2"	10 15/16" x 40"
DR1242 WER DRILL	10 3/4" x 41 1/2"	10" x 40"
DR1242 WER ND	10 3/4" x 41 1/2"	10" x 40"
DR1342 BUTT	13 7/32" x 41 1/2"	12 7/16" x 40"
DR1542	14 9/16" x 41 1/2"	12 7/8" x 40"
DR1542 BUTT	14 23/32" x 41 1/2"	13 15/16" x 40"
DR1642 BUTT	16 7/32" x 41 1/2"	15 7/16" x 40"
DR1842	17 9/16" x 41 1/2"	15 7/8" x 40"
DR1842 BUTT	17 23/32" x 41 1/2"	16 15/16" x 40"
DR1942	19 1/16" x 41 1/2"	17 3/8" x 40"
DR2142	20 9/16" x 41 1/2"	18 7/8" x 40"
<b>39" HIGH</b>		
DR939	8 9/16" x 38 1/2"	6 7/8" x 37"
DR1239	11 9/16" x 38 1/2"	9 7/8" x 37"
DR1239 BUTT	11 23/32" x 38 1/2"	10 15/16" x 37"
DR1239 WER DRILL	10 3/4" x 38 1/2"	10" x 37"
DR1239 WER ND	10 3/4" x 38 1/2"	10" x 37"
DR1339 BUTT	13 7/32" x 38 1/2"	12 7/16" x 37"
DR1539	14 9/16" x 38 1/2"	12 7/8" x 37"
DR1539 BUTT	14 23/32" x 38 1/2"	13 15/16" x 37"
DR1639 BUTT	16 7/32" x 38 1/2"	15 7/16" x 37"
DR1839	17 9/16" x 38 1/2"	15 7/8" x 37"
DR1839 BUTT	17 23/32" x 38 1/2"	16 15/16" x 37"
DR2139	20 9/16" x 38 1/2"	18 7/8" x 37"
<b>36" HIGH</b>		
DR936	8 9/16" x 35 1/2"	6 7/8" x 34"
DR1236	11 9/16" x 35 1/2"	9 7/8" x 34"
DR1236 BUTT	11 23/32" x 35 1/2"	10 15/16" x 34"
DR1236 WER DRILL	10 3/4" x 35 1/2"	10" x 34"
DR1236 WER ND	10 3/4" x 35 1/2"	10" x 34"
DR1336 BUTT	13 7/32" x 35 1/2"	12 7/16" x 34"
DR1536	14 9/16" x 35 1/2"	12 7/8" x 34"
DR1536 BUTT	14 23/32" x 35 1/2"	13 15/16" x 34"
DR1636 BUTT	16 7/32" x 35 1/2"	15 7/16" x 34"
DR1836	17 9/16" x 35 1/2"	15 7/8" x 34"
DR1836 BUTT	17 23/32" x 35 1/2"	16 15/16" x 34"
DR1936	19 1/16" x 35 1/2"	17 3/8" x 34"
DR2136	20 9/16" x 35 1/2"	18 7/8" x 34"

DOOR DIMENSIONS		
Standard, Specialty (SD) & No-Drill (ND) Doors are the same dimension		
PART NAME	FULL OVERLAY	STANDARD OVERLAY
<b>30" HIGH</b>		
DR930	8 9/16" x 29 1/2"	6 7/8" x 28"
DR930 BER DRILL	7 3/4" x 29 7/8"	7" x 28"
DR930 BER ND	7 3/4" x 29 7/8"	7" x 28"
DR1230	11 9/16" x 29 1/2"	9 7/8" x 28"
DR1230 BER DRILL	10 3/4" x 29 7/8"	10" x 28"
DR1230 BER ND	10 3/4" x 29 7/8"	10" x 28"
DR1230 BUTT	11 23/32" x 29 1/2"	10 15/16" x 28"
DR1230 WER DRILL	10 3/4" x 29 1/2"	10" x 28"
DR1230 WER ND	10 3/4" x 29 1/2"	10" x 28"
DR1330 BUTT	13 7/32" x 29 1/2"	12 7/16" x 28"
DR1530	14 9/16" x 29 1/2"	12 7/8" x 28"
DR1530 BUTT	14 23/32" x 29 1/2"	13 15/16" x 28"
DR1630 BUTT	16 7/32" x 29 1/2"	15 7/16" x 28"
DR1830	17 9/16" x 29 1/2"	15 7/8" x 28"
DR1830 BUTT	17 23/32" x 29 1/2"	16 15/16" x 28"
DR1930	19 1/16" x 29 1/2"	17 3/8" x 28"
DR2130	20 9/16" x 29 1/2"	18 7/8" x 28"
DR2430	23 9/16" x 29 1/2"	21 7/8" x 28"
<b>27" HIGH</b>		
DR1327 BUTT	13 7/32" x 26 1/2"	13 7/32" x 25"
DR1527 BUTT	14 23/32" x 26 1/2"	13 15/16" x 25"
DR1627 BUTT	16 7/32" x 26 1/2"	16 7/32" x 25"
<b>24" HIGH</b>		
DR1224	11 9/16" x 23 7/8"	9 7/8" x 22 3/8"
DR1224 BUTT	11 23/32" x 23 7/8"	10 15/16" x 22 3/8"
DR1324 BUTT	13 7/32" x 23 7/8"	12 7/16" x 22 3/8"
DR1524	14 9/16" x 23 7/8"	12 7/8" x 22 3/8"
DR1524 BUTT	14 23/32" x 23 7/8"	13 15/16" x 22 3/8"
DR1624 BUTT	16 7/32" x 23 7/8"	15 7/16" x 22 3/8"
DR1824	17 9/16" x 23 7/8"	15 7/8" x 22 3/8"
DR1824 BUTT	17 23/32" x 23 7/8"	16 15/16" x 22 3/8"
DR1924	19 1/16" x 23 7/8"	17 3/8" x 22 3/8"
DR2124	20 9/16" x 23 7/8"	18 7/8" x 22 3/8"
DR2424	23 9/16" x 23 7/8"	21 7/8" x 22 3/8"
<b>21" HIGH</b>		
DR1221V	11 9/16" x 20"	9 7/8" x 18 1/2"
DR1221V BUTT	11 23/32" x 20"	10 15/16" x 18 1/2"
DR1321V BUTT	13 7/32" x 20"	12 7/16" x 18 1/2"
DR1521V	14 9/16" x 20"	12 7/8" x 18 1/2"
DR1521 BUTT	14 23/32" x 20"	13 15/16" x 18 1/2"
DR1521V BUTT	14 23/32" x 20"	13 15/16" x 18 1/2"
DR1621 BUTT	16 7/32" x 20"	15 7/16" x 18 1/2"
DR1621V BUTT	16 7/32" x 20"	15 7/16" x 18 1/2"
DR1821V	17 9/16" x 20"	15 7/8" x 18 1/2"
DR1821 BUTT	17 23/32" x 20"	16 15/16" x 18 1/2"
DR1821V BUTT	17 23/32" x 20"	16 15/16" x 18 1/2"
DR1921	19 1/16" x 20"	17 3/8" x 18 1/2"
DR1921V	19 1/16" x 20"	17 3/8" x 18 1/2"
DR2121	17 9/16" x 20"	15 7/8" x 18 1/2"
DR2121V	17 9/16" x 20"	15 7/8" x 18 1/2"
DR2121	20 9/16" x 20"	18 7/8" x 18 1/2"
DR2121V	20 9/16" x 20"	18 7/8" x 18 1/2"

PARTS: DIMENSIONS

DOOR DIMENSIONS		
Standard, Specialty (SD) & No-Drill (ND) Doors are the same dimension		
PART NAME	FULL OVERLAY	STANDARD OVERLAY
<b>18" HIGH</b>		
DR1218	11 9/16" x 17 1/2"	9 7/8" x 16"
DR1218 BUTT	11 23/32" x 17 1/2"	10 15/16" x 16"
DR1318 BUTT	13 7/32" x 17 1/2"	12 7/16" x 16"
DR1518	14 9/16" x 17 1/2"	12 7/8" x 16"
DR1518 BUTT	14 23/32" x 17 1/2"	13 15/16" x 16"
DR1618 BUTT	16 7/32" x 17 1/2"	15 7/16" x 16"
DR1818	17 9/16" x 17 1/2"	15 7/8" x 16"
DR1818 BUTT	17 23/32" x 17 1/2"	16 15/16" x 16"
DR1918	19 1/16" x 17 1/2"	17 3/8" x 16"
DR2118	20 9/16" x 17 1/2"	18 7/8" x 16"
<b>15" HIGH</b>		
DR1315 BUTT	13 7/32" x 14 1/2"	12 7/16" x 13"
DR1515 BUTT	14 23/32" x 14 1/2"	13 15/16" x 13"
DR1615 BUTT	16 7/32" x 14 1/2"	15 7/16" x 13"
DR1815 BUTT	17 23/32" x 14 1/2"	16 15/16" x 13"
DR1915	19 1/16" x 14 1/2"	17 3/8" x 13"
<b>12" HIGH</b>		
DR1212 BUTT	11 23/32" x 11 1/2"	9 7/8" x 10"
DR1512 BUTT	14 23/32" x 11 1/2"	13 15/16" x 10"
DR1612 BUTT	16 7/32" x 11 1/2"	15 7/16" x 10"
DR1812 BUTT	17 23/32" x 11 1/2"	16 15/16" x 10"
DR1912	19 1/16" x 11 1/2"	17 3/8" x 10"
DR2112	20 9/16" x 11 1/2"	18 7/8" x 10"
<b>WALL TOP HINGE DOORS</b>		
DR3015 WTH	29 1/2" x 14 9/16"	28" x 12 7/8"
DR3018 WTH	29 1/2" x 17 9/16"	28" x 15 7/8"
DR3615 WTH	35 1/2" x 14 9/16"	34" x 12 7/8"
DR3618 WTH	35 1/2" x 17 9/16"	34" x 15 7/8"
<b>FULL-HEIGHT DOORS</b>		
DR9FH	8 9/16" x 29 7/8"	-
DR12BUTT FH	11 23/32" x 29 7/8"	-
DR12FH	11 9/16" x 29 7/8"	-
DR13BUTT FH	13 7/32" x 29 7/8"	-
DR15BUTT FH	14 23/32" x 29 7/8"	-
DR15FH	14 9/16" x 29 7/8"	-
DR16BUTT FH	16 7/32" x 29 7/8"	-
DR18BUTT FH	17 23/32" x 29 7/8"	-
DR18FH	17 9/16" x 29 7/8"	-
DR21FH	20 9/16" x 29 7/8"	-
DR24FH	23 9/16" x 29 7/8"	-
DRCBS36	14 9/16" x 29 7/8"	12 7/8" x 28"

DOOR DIMENSIONS		
Standard, Specialty (SD) & No-Drill (ND) Doors are the same dimension		
PART NAME	FULL OVERLAY	STANDARD OVERLAY
<b>MEDICINE CABINET DOORS</b>		
DRMCM1530	14 9/16" x 29 1/2"	12 7/8" x 28"
MIRROR TV3030	8 13/16" x 26 1/2"	8 13/16" x 26 1/2"
MIRROR TV3630	10 13/16" x 26 1/2"	10 13/16" x 26 1/2"
<b>DECORATOR DOORS</b>		
DMDB	23 9/16" x 29 7/8"	21 7/8" x 28"
DMDBEA12	11 9/16" x 29 7/8"	9 7/8" x 28"
DMDD21	20 9/16" x 23 7/8"	18 7/8" x 22 3/8"
DMDD24	23 9/16" x 23 7/8"	21 7/8" x 22 3/8"
DMDT8412	11 9/16" x 29 1/2"	9 7/8" x 28"
	11 9/16" x 49 1/4"	9 7/8" x 47 3/4"
DMDT8424	11 9/16" x 29 1/2"	9 7/8" x 28"
	11 9/16" x 49 1/4"	9 7/8" x 47 3/4"
DMDT9012	11 9/16" x 35 1/2"	9 7/8" x 34"
	11 9/16" x 49 1/4"	9 7/8" x 47 3/4"
DMDT9024	11 9/16" x 35 1/2"	9 7/8" x 34"
	11 9/16" x 49 1/4"	9 7/8" x 47 3/4"
DMDT9312	11 9/16" x 38 1/2"	9 7/8" x 37"
	11 9/16" x 49 1/4"	9 7/8" x 47 3/4"
DMDT9324	11 9/16" x 38 1/2"	9 7/8" x 37"
	11 9/16" x 49 1/4"	9 7/8" x 47 3/4"
DMDT9612	11 9/16" x 41 1/2"	9 7/8" x 40"
	11 9/16" x 49 1/4"	9 7/8" x 47 3/4"
DMDT9624	11 9/16" x 41 1/2"	9 7/8" x 40"
	11 9/16" x 49 1/4"	9 7/8" x 47 3/4"
DMDV	20 9/16" x 20"	18 7/8" x 18 1/2"
DMDW18	11 9/16" x 17 1/2"	9 7/8" x 16"
DMDW24	11 9/16" x 23 7/8"	9 7/8" x 22 3/8"
DMDW30	11 9/16" x 29 1/2"	9 7/8" x 28"
DMDW36	11 9/16" x 35 1/2"	9 7/8" x 34"
DMDW39	11 9/16" x 38 1/2"	9 7/8" x 37"
DMDW42	11 9/16" x 41 1/2"	9 7/8" x 40"



DRAWER BODY DIMENSIONS	
PART NAME	DIMENSION (W X H X D)
<b>STANDARD DRAWERS</b>	
<b>21" DEEP</b>	
DRB12 X 21DP DT FG	8 1/16" x 3 15/32" x 21"
DRB15 X 21DP DT FG	11 1/16" x 3 15/32" x 21"
DRB18 X 21DP DT FG	14 1/16" x 3 15/32" x 21"
DRB19 X 21DP DT FG	15 9/16" x 3 15/32" x 21"
DRB21 X 21DP DT FG	17 1/16" x 3 15/32" x 21"
DRB24 X 21DP DT FG	20 1/16" x 3 15/32" x 21"
DRB27 X 21DP DT FG	23 1/16" x 3 15/32" x 21"
DRB30 X 21DP DT FG	26 1/16" x 3 15/32" x 21"
DRB33 X 21DP DT FG	29 1/16" x 3 15/32" x 21"
DRB36 X 21DP DT FG	32 1/16" x 3 15/32" x 21"
<b>18" DEEP</b>	
DRB10 X 18DP DT FG	7 1/16" x 3 15/32" x 18"
DRB12 X 18DP DT FG	8 1/16" x 3 15/32" x 18"
DRB15 X 18DP DT FG	11 1/16" x 3 15/32" x 18"
DRB18 X 18DP DT FG	14 1/16" x 3 15/32" x 18"
DRB19 X 18DP DT FG	15 9/16" x 3 15/32" x 18"
DRB21 X 18DP DT FG	17 1/16" x 3 15/32" x 18"
DRB24 X 18DP DT FG	20 1/16" x 3 15/32" x 18"
DRB27 X 18DP DT FG	23 1/16" x 3 15/32" x 18"
DRB30 X 18DP DT FG	26 1/16" x 3 15/32" x 18"
DRB33 X 18DP DT FG	29 1/16" x 3 15/32" x 18"
DRB36 X 18DP DT FG	32 1/16" x 3 15/32" x 18"
<b>15" DEEP</b>	
DRB10 X 15DP DT FG	7 1/16" x 3 15/32" x 15"
DRB12 X 15DP DT FG	8 1/16" x 3 15/32" x 15"
DRB15 X 15DP DT FG	11 1/16" x 3 15/32" x 15"
DRB18 X 15DP DT FG	14 1/16" x 3 15/32" x 15"
DRB19 X 15DP DT FG	15 9/16" x 3 15/32" x 15"
DRB21 X 15DP DT FG	17 1/16" x 3 15/32" x 15"
DRB24 X 15DP DT FG	20 1/16" x 3 15/32" x 15"
DRB27 X 15DP DT FG	23 1/16" x 3 15/32" x 15"
DRB30 X 15DP DT FG	26 1/16" x 3 15/32" x 15"
DRB33 X 15DP DT FG	29 1/16" x 3 15/32" x 15"
DRB36 X 15DP DT FG	32 1/16" x 3 15/32" x 15"
<b>9" DEEP</b>	
DRB10 X 9DP DT FG	7 1/16" x 3 15/32" x 9 7/16"
DRB12 X 9DP DT FG	8 1/16" x 3 15/32" x 9 7/16"
DRB15 X 9DP DT FG	11 1/16" x 3 15/32" x 9 7/16"
DRB18 X 9DP DT FG	14 1/16" x 3 15/32" x 9 7/16"
DRB19 X 9DP DT FG	15 9/16" x 3 15/32" x 9 7/16"
DRB21 X 9DP DT FG	17 1/16" x 3 15/32" x 9 7/16"
DRB24 X 9DP DT FG	20 1/16" x 3 15/32" x 9 7/16"
DRB27 X 9DP DT FG	23 1/16" x 3 15/32" x 9 7/16"
DRB30 X 9DP DT FG	26 1/16" x 3 15/32" x 9 7/16"
DRB33 X 9DP DT FG	29 1/16" x 3 15/32" x 9 7/16"
DRB36 X 9DP DT FG	32 1/16" x 3 15/32" x 9 7/16"

DRAWER BODY DIMENSIONS	
PART NAME	DIMENSION (W X H X D)
<b>LARGE DRAWERS</b>	
<b>21" DEEP</b>	
DRB12M X 21DP DT FG	8 1/16" x 6 15/16" x 21"
DRB15M X 21DP DT FG	11 1/16" x 6 15/16" x 21"
DRB18M X 21DP DT FG	14 1/16" x 6 15/16" x 21"
DRB21M X 21DP DT FG	17 1/16" x 6 15/16" x 21"
DRB24M X 21DP DT FG	20 1/16" x 6 15/16" x 21"
DRB27M X 21DP DT FG	23 1/16" x 6 15/16" x 21"
DRB30M X 21DP DT FG	26 1/16" x 6 15/16" x 21"
DRB33M X 21DP DT FG	29 1/16" x 6 15/16" x 21"
DRB36M X 21DP DT FG	32 1/16" x 6 15/16" x 21"
<b>18" DEEP</b>	
DRB12M X 18DP DT FG	8 1/16" x 6 15/16" x 18"
DRB15M X 18DP DT FG	11 1/16" x 6 15/16" x 18"
DRB18M X 18DP DT FG	14 1/16" x 6 15/16" x 18"
DRB21M X 18DP DT FG	17 1/16" x 6 15/16" x 18"
DRB24M X 18DP DT FG	20 1/16" x 6 15/16" x 18"
DRB27M X 18DP DT FG	23 1/16" x 6 15/16" x 18"
DRB30M X 18DP DT FG	26 1/16" x 6 15/16" x 18"
DRB33M X 18DP DT FG	29 1/16" x 6 15/16" x 18"
DRB36M X 18DP DT FG	32 1/16" x 6 15/16" x 18"
<b>15" DEEP</b>	
DRB12M X 15DP DT FG	8 1/16" x 6 15/16" x 15"
DRB15M X 15DP DT FG	11 1/16" x 6 15/16" x 15"
DRB18M X 15DP DT FG	14 1/16" x 6 15/16" x 15"
DRB21M X 15DP DT FG	17 1/16" x 6 15/16" x 15"
DRB24M X 15DP DT FG	20 1/16" x 6 15/16" x 15"
DRB27M X 15DP DT FG	23 1/16" x 6 15/16" x 15"
DRB30M X 15DP DT FG	26 1/16" x 6 15/16" x 15"
DRB33M X 15DP DT FG	29 1/16" x 6 15/16" x 15"
DRB36M X 15DP DT FG	32 1/16" x 6 15/16" x 15"
<b>9" DEEP</b>	
DRB12M X 9DP DT FG	8 1/16" x 6 15/16" x 9 7/16"
DRB15M X 9DP DT FG	11 1/16" x 6 15/16" x 9 7/16"
DRB18M X 9DP DT FG	14 1/16" x 6 15/16" x 9 7/16"
DRB21M X 9DP DT FG	17 1/16" x 6 15/16" x 9 7/16"
DRB24M X 9DP DT FG	20 1/16" x 6 15/16" x 9 7/16"
DRB27M X 9DP DT FG	23 1/16" x 6 15/16" x 9 7/16"
DRB30M X 9DP DT FG	26 1/16" x 6 15/16" x 9 7/16"
DRB33M X 9DP DT FG	29 1/16" x 6 15/16" x 9 7/16"
DRB36M X 9DP DT FG	32 1/16" x 6 15/16" x 9 7/16"

DRAWER BODY DIMENSIONS	
PART NAME	DIMENSION (W X H X D)
<b>MISCELLANEOUS DRAWERS</b>	
<b>2 DRAWER BASE</b>	
DRB30 HD X 21DPDTFG	26 1/32" x 7 5/16" x 21"
DRB36 HD X 21DPDTFG	32 1/32" x 7 5/16" x 21"
<b>KNEEHOLE DRAWERS</b>	
DRBKDC27X 15DP DT FG	16 23/32" x 2 15/32" x 15"
DRBKDC33X 15DP DT FG	22 23/32" x 2 15/32" x 15"
DRBKDC36X 15DP DT FG	28 23/32" x 2 15/32" x 15"
<b>SPICE DRAWERS</b>	
DRB6 BSDC6	4 29/32" x 4 3/4" x 22 15/16"
DRB6 SDC30	4 29/32" x 4 3/4" x 10 15/16"

DRAWER FRONT DIMENSIONS		
PART NAME	FULL OVERLAY	STANDARD OVERLAY
<b>STANDARD DRAWER FRONT</b>		
DDF12	11 9/16" x 5 13/16"	9 7/8" x 5 1/8"
DDF15	14 9/16" x 5 13/16"	12 7/8" x 5 1/8"
DDF18	17 9/16" x 5 13/16"	15 7/8" x 5 1/8"
DDF19	19 1/16" x 5 13/16"	17 3/8" x 5 1/8"
DDF21	20 9/16" x 5 13/16"	18 7/8" x 5 1/8"
DDF24	23 9/16" x 5 13/16"	21 7/8" x 5 1/8"
DDF27	26 9/16" x 5 13/16"	24 7/8" x 5 1/8"
DDF30	29 9/16" x 5 13/16"	27 7/8" x 5 1/8"
DDF33	32 9/16" x 5 13/16"	30 7/8" x 5 1/8"
DDF36	35 9/16" x 5 13/16"	33 7/8" x 5 1/8"
DDF18 DRILL	17 9/16" x 5 13/16"	15 7/8" x 5 1/8"
DDF19 DRILL	19 1/16" x 5 13/16"	17 3/8" x 5 1/8"
DDF21 DRILL	20 9/16" x 5 13/16"	18 7/8" x 5 1/8"
DDF24 DRILL	23 9/16" x 5 13/16"	21 7/8" x 5 1/8"
DDF27 DRILL	26 9/16" x 5 13/16"	24 7/8" x 5 1/8"
DDF30 DRILL	29 9/16" x 5 13/16"	27 7/8" x 5 1/8"
DDF33 DRILL	32 9/16" x 5 13/16"	30 7/8" x 5 1/8"
DDF36 DRILL	35 9/16" x 5 13/16"	33 7/8" x 5 1/8"
DDFOV27	26 9/16" x 7 7/16"	-
DDFOV30	29 9/16" x 7 7/16"	-
DDFOV33	32 9/16" x 7 7/16"	-
<b>LARGE DRAWER FRONT</b>		
DDF12D	-	9 7/8" x 10 13/16"
DDF12M	11 9/16" x 11 27/32"	-
DDF12VD	11 9/16" x 13 3/8"	-
DDF15D	-	12 7/8" x 10 13/16"
DDF15M	14 9/16" x 11 27/32"	-
DDF15VD	14 9/16" x 13 3/8"	-
DDF18D	-	15 7/8" x 10 13/16"
DDF18M	17 9/16" x 11 27/32"	-
DDF18VD	17 9/16" x 13 3/8"	-
DDF21D	-	18 7/8" x 10 13/16"
DDF21M	20 9/16" x 11 27/32"	-
DDF21VD	20 9/16" x 13 3/8"	-
DDF24D	-	21 7/8" x 10 13/16"
DDF24M	23 9/16" x 11 27/32"	-
DDF24VD	23 9/16" x 13 3/8"	-
DDF27D	-	24 7/8" x 10 13/16"
DDF27M	26 9/16" x 11 27/32"	-
DDF30D	-	27 7/8" x 10 13/16"
DDF30M	29 9/16" x 11 27/32"	-
DDF33D	-	30 7/8" x 10 13/16"
DDF33M	32 9/16" x 11 27/32"	-
DDF36D	-	33 7/8" x 10 13/16"
DDF36M	35 9/16" x 11 27/32"	-
<b>2DB DRAWER FRONT</b>		
DDF30 2DB	29 9/16" x 14 27/32"	DDF30 2DB
DDF36 2DB	35 9/16" x 14 27/32"	DDF36 2DB
<b>MISCELLANEOUS DRAWER FRONT</b>		
DDFKDC27/21	20 9/16" x 4 7/16"	18 7/8" x 3 3/4"
DDFKDC33/27	26 9/16" x 4 7/16"	24 7/8" x 3 3/4"
DDFKDC36/33	32 9/16" x 4 7/16"	30 7/8" x 3 3/4"
DDF SDC	5 11/16" x 5 1/2" x 1/2"	5 11/16" x 5 1/2" x 1/2"

ROLL-OUT ACCESSORY DIMENSIONS	
FULL-ACCESS (FA) AND FULL-ACCESS CUSHIONCLOSE® (CC) ROLL-OUT ACCESSORIES ARE THE SAME DIMENSION	
PART NAME	DIMENSION
<b>DEEP ROLL-OUT TRAYS</b>	
DROT__12	7 3/4" x 21" x 3 3/8"
DROT__15	10 3/4" x 21" x 3 3/8"
DROT__18	13 3/4" x 21" x 3 3/8"
DROT__21	16 3/4" x 21" x 3 3/8"
DROT__24	19 3/4" x 21" x 3 3/8"
DROT__27	22 3/4" x 21" x 3 3/8"
DROT__30	25 3/4" x 21" x 3 3/8"
DROT__33	28 3/4" x 21" x 3 3/8"
DROT__36	31 3/4" x 21" x 3 3/8"
DROT__1221	7 3/4" x 18" x 3 3/8"
DROT__1521	10 3/4" x 18" x 3 3/8"
DROT__1821	13 3/4" x 18" x 3 3/8"
DROT__2421	19 3/4" x 18" x 3 3/8"
<b>BASE POT &amp; PAN ORGANIZERS</b>	
BPPOK__24	19 3/4" x 21" x 19"
BPPOK__27	22 3/4" x 21" x 19"
BPPOK__30	25 3/4" x 21" x 19"
BPPOK__33	28 3/4" x 21" x 19"
BPPOK__36	31 3/4" x 21" x 19"
<b>ROLL-OUT TRAY DIVIDERS</b>	
ROTDK__12	7 3/4" x 21"
ROTDK__15	10 3/4" x 21"

**DECORATIVE GLASS INSERT DIMENSIONS**

<b>PART NAME</b>	<b>660, 644, 540, 470, 460, 410, D18, D16</b>	<b>750, 720, 570</b>	<b>650, 530, DT24, DT22, D12</b>	<b>310, D04, D02</b>
<b>12" WIDE</b>				
DGI-1218	8" x 13 15/16"	6 21/64" x 12 25/64"	6 21/64" x 12 25/64"	6 21/64" x 12 25/64"
DGI-1218 BUTT	8" x 13 15/16"	6 9/16" x 12 25/64"	6 21/64" x 12 25/64"	7 25/64" x 12 25/64"
DGI-1224	8" x 20 5/16"	6 21/64" x 18 49/64"	6 21/64" x 18 49/64"	6 21/64" x 18 49/64"
DGI-1224 BUTT	8" x 20 5/16"	6 9/16" x 18 49/64"	6 21/64" x 18 49/64"	7 25/64" x 18 49/64"
DGI-1230	8" x 25 15/16"	6 21/64" x 24 25/64"	6 21/64" x 24 25/64"	6 21/64" x 24 25/64"
DGI-1230 BUTT	8" x 25 15/16"	6 9/16" x 24 25/64"	6 21/64" x 24 25/64"	7 25/64" x 24 25/64"
DGI-1236	8" x 31 15/16"	6 21/64" x 30 25/64"	6 21/64" x 30 25/64"	6 21/64" x 30 25/64"
DGI-1236 BUTT	8" x 31 15/16"	6 9/16" x 30 25/64"	6 21/64" x 30 25/64"	7 25/64" x 30 25/64"
DGI-1239	8" x 34 15/16"	6 21/64" x 33 25/64"	6 21/64" x 33 25/64"	6 21/64" x 33 25/64"
DGI-1239 BUTT	8" x 34 15/16"	6 9/16" x 33 25/64"	6 21/64" x 33 25/64"	7 25/64" x 33 25/64"
DGI-1242	8" x 37 15/16"	6 21/64" x 36 25/64"	6 21/64" x 36 25/64"	6 21/64" x 36 25/64"
DGI-1242 BUTT	8" x 37 15/16"	6 9/16" x 36 25/64"	6 21/64" x 36 25/64"	7 25/64" x 36 25/64"
<b>13" WIDE</b>				
DGI-1318 BUTT	9 1/2" x 13 15/16"	8 1/16" x 12 25/64"	7 53/64" x 12 25/64"	8 57/64" x 12 25/64"
DGI-1324 BUTT	9 1/2" x 20 5/16"	8 1/16" x 18 49/64"	7 53/64" x 18 49/64"	8 57/64" x 18 49/64"
DGI-1330 BUTT	9 1/2" x 25 15/16"	8 1/16" x 24 25/64"	7 53/64" x 24 25/64"	8 57/64" x 24 25/64"
DGI-1336 BUTT	9 1/2" x 31 15/16"	8 1/16" x 30 25/64"	7 53/64" x 30 25/64"	8 57/64" x 30 25/64"
DGI-1339 BUTT	9 1/2" x 34 15/16"	8 1/16" x 33 25/64"	7 53/64" x 33 25/64"	8 57/64" x 33 25/64"
DGI-1342 BUTT	9 1/2" x 37 15/16"	6 9/16" x 36 25/64"	7 53/64" x 36 25/64"	8 57/64" x 36 25/64"
<b>15" WIDE</b>				
DGI-1512 BUTT	11" x 7 15/16"	9 9/16" x 6 25/64"	9 21/64" x 6 25/64"	10 25/64" x 6 25/64"
DGI-1515 BUTT	11" x 10 15/16"	9 9/16" x 9 25/64"	9 21/64" x 9 25/64"	10 25/64" x 9 25/64"
DGI-1518	11" x 13 15/16"	9 21/64" x 12 25/64"	9 21/64" x 12 25/64"	9 21/64" x 12 25/64"
DGI-1518 BUTT	11" x 13 15/16"	9 9/16" x 12 25/64"	9 21/64" x 12 25/64"	10 25/64" x 12 25/64"
DGI-1521 BUTT	11" x 16 7/16"	9 9/16" x 14 57/64"	9 21/64" x 14 57/64"	10 25/64" x 14 57/64"
DGI-1524	11" x 20 5/16"	9 21/64" x 18 49/64"	9 21/64" x 18 49/64"	9 21/64" x 18 49/64"
DGI-1524 BUTT	11" x 20 5/16"	9 9/16" x 18 49/64"	9 21/64" x 18 49/64"	10 25/64" x 18 49/64"
DGI-1527 BUTT	11" x 22 15/16"	9 9/16" x 21 25/64"	9 21/64" x 21 25/64"	10 25/64" x 21 25/64"
DGI-1530	11" x 25 15/16"	9 21/64" x 24 25/64"	9 21/64" x 24 25/64"	9 21/64" x 24 25/64"
DGI-1530 BUTT	11" x 25 15/16"	9 9/16" x 24 25/64"	9 21/64" x 24 25/64"	10 25/64" x 24 25/64"
DGI-1536	11" x 31 15/16"	9 21/64" x 30 25/64"	9 21/64" x 30 25/64"	9 21/64" x 30 25/64"
DGI-1536 BUTT	11" x 31 15/16"	9 9/16" x 30 25/64"	9 21/64" x 30 25/64"	10 25/64" x 30 25/64"
DGI-1539	11" x 34 15/16"	9 21/64" x 33 25/64"	9 21/64" x 33 25/64"	9 21/64" x 33 25/64"
DGI-1539 BUTT	11" x 34 15/16"	9 9/16" x 33 25/64"	9 21/64" x 33 25/64"	10 25/64" x 33 25/64"
DGI-1542	11" x 37 15/16"	9 21/64" x 36 25/64"	9 21/64" x 36 25/64"	9 21/64" x 36 25/64"
DGI-1542 BUTT	11" x 37 15/16"	9 9/16" x 36 25/64"	9 21/64" x 36 25/64"	10 25/64" x 36 25/64"
<b>16" WIDE</b>				
DGI-1612 BUTT	12 1/2" x 7 15/16"	11 1/16" x 6 25/64"	10 53/64" x 6 25/64"	11 57/64" x 6 25/64"
DGI-1615 BUTT	12 1/2" x 10 15/16"	11 1/16" x 9 25/64"	10 53/64" x 9 25/64"	11 57/64" x 9 25/64"
DGI-1618 BUTT	12 1/2" x 13 15/16"	11 1/16" x 12 25/64"	10 53/64" x 12 25/64"	11 57/64" x 12 25/64"
DGI-1621 BUTT	12 1/2" x 16 7/16"	11 1/16" x 14 57/64"	10 53/64" x 14 57/64"	11 57/64" x 14 57/64"
DGI-1624 BUTT	12 1/2" x 20 5/16"	11 1/16" x 18 49/64"	10 53/64" x 18 49/64"	11 57/64" x 18 49/64"
DGI-1630 BUTT	12 1/2" x 25 15/16"	11 1/16" x 24 25/64"	10 53/64" x 24 25/64"	11 57/64" x 24 25/64"
DGI-1636 BUTT	12 1/2" x 31 15/16"	11 1/16" x 30 25/64"	10 53/64" x 30 25/64"	11 57/64" x 30 25/64"
DGI-1639 BUTT	12 1/2" x 34 15/16"	11 1/16" x 33 25/64"	10 53/64" x 33 25/64"	11 57/64" x 33 25/64"
DGI-1642 BUTT	12 1/2" x 37 15/16"	11 1/16" x 36 25/64"	10 53/64" x 36 25/64"	11 57/64" x 36 25/64"

**PARTS: DIMENSIONS**

**DECORATIVE GLASS INSERT DIMENSIONS**

<b>PART NAME</b>	<b>660, 644, 540, 470, 460, 410, D18, D16</b>	<b>750, 720, 570</b>	<b>650, 530, DT24, DT22, D12</b>	<b>310, D04, D02</b>
<b>18" WIDE</b>				
DGI-1812 BUTT	14" x 7 15/16"	12 9/16" x 6 25/64"	12 21/64" x 6 25/64"	13 25/64" x 6 25/64"
DGI-1815 BUTT	14" x 10 15/16"	12 9/16" x 9 25/64"	12 21/64" x 9 25/64"	13 25/64" x 9 25/64"
DGI-1818	14" x 13 15/16"	12 21/64" x 12 25/64"	12 21/64" x 12 25/64"	12 21/64" x 12 25/64"
DGI-1818 BUTT	14" x 13 15/16"	12 9/16" x 12 25/64"	12 21/64" x 12 25/64"	13 25/64" x 12 25/64"
DGI-1821 BUTT	14" x 16 7/16"	12 9/16" x 14 57/64"	12 21/64" x 14 57/64"	13 25/64" x 14 57/64"
DGI-1824	14" x 20 5/16"	12 21/64" x 18 49/64"	12 21/64" x 18 49/64"	12 21/64" x 18 49/64"
DGI-1824 BUTT	14" x 20 5/16"	12 9/16" x 18 49/64"	12 21/64" x 18 49/64"	13 25/64" x 18 49/64"
DGI-1830	14" x 25 15/16"	12 21/64" x 24 25/64"	12 21/64" x 24 25/64"	12 21/64" x 24 25/64"
DGI-1830 BUTT	14" x 25 15/16"	12 9/16" x 24 25/64"	12 21/64" x 24 25/64"	13 25/64" x 24 25/64"
DGI-1836	14" x 31 15/16"	12 21/64" x 30 25/64"	12 21/64" x 30 25/64"	12 21/64" x 30 25/64"
DGI-1836 BUTT	14" x 31 15/16"	12 9/16" x 30 25/64"	12 21/64" x 30 25/64"	13 25/64" x 30 25/64"
DGI-1839	14" x 34 15/16"	12 21/64" x 33 25/64"	12 21/64" x 33 25/64"	12 21/64" x 33 25/64"
DGI-1839 BUTT	14" x 34 15/16"	12 9/16" x 33 25/64"	12 21/64" x 33 25/64"	13 25/64" x 33 25/64"
DGI-1842	14" x 37 15/16"	12 21/64" x 36 25/64"	12 21/64" x 36 25/64"	12 21/64" x 36 25/64"
DGI-1842 BUTT	14" x 37 15/16"	12 9/16" x 36 25/64"	12 21/64" x 36 25/64"	13 25/64" x 36 25/64"
<b>19" WIDE</b>				
DGI-1912	15 1/2" x 7 15/16"	13 53/64" x 6 25/64"	13 53/64" x 6 25/64"	13 53/64" x 6 25/64"
DGI-1915	15 1/2" x 10 15/16"	13 53/64" x 9 25/64"	13 53/64" x 9 25/64"	13 53/64" x 9 25/64"
DGI-1918	15 1/2" x 13 15/16"	13 53/64" x 12 25/64"	13 53/64" x 12 25/64"	13 53/64" x 12 25/64"
DGI-1921	15 1/2" x 16 7/16"	13 53/64" x 14 57/64"	13 53/64" x 14 57/64"	13 53/64" x 14 57/64"
DGI-1924	15 1/2" x 20 5/16"	13 53/64" x 18 49/64"	13 53/64" x 18 49/64"	13 53/64" x 18 49/64"
DGI-1930	15 1/2" x 25 15/16"	13 53/64" x 24 25/64"	13 53/64" x 24 25/64"	13 53/64" x 24 25/64"
DGI-1936	15 1/2" x 31 15/16"	13 53/64" x 30 25/64"	13 53/64" x 30 25/64"	13 53/64" x 30 25/64"
DGI-1942	15 1/2" x 37 15/16"	13 53/64" x 36 25/64"	13 53/64" x 36 25/64"	13 53/64" x 36 25/64"
<b>21" WIDE</b>				
DGI-2118	17" x 13 15/16"	15 21/64" x 12 25/64"	15 21/64" x 12 25/64"	15 21/64" x 12 25/64"
DGI-2124	17" x 20 5/16"	15 21/64" x 18 49/64"	15 21/64" x 18 49/64"	15 21/64" x 12 25/64"
DGI-2130	17" x 25 15/16"	15 21/64" x 24 25/64"	15 21/64" x 24 25/64"	15 21/64" x 24 25/64"
DGI-2136	17" x 31 15/16"	15 21/64" x 30 25/64"	15 21/64" x 30 25/64"	15 21/64" x 30 25/64"
DGI-2139	17" x 34 15/16"	15 21/64" x 33 25/64"	15 21/64" x 33 25/64"	15 21/64" x 33 25/64"
DGI-2142	17" x 37 15/16"	15 21/64" x 36 25/64"	15 21/64" x 36 25/64"	15 21/64" x 36 25/64"

SHELF DIMENSIONS	
PART NAME	DIMENSION
<b>12" DEEP</b>	
9" SHELF 3/4	7 1/4" x 10 1/4" x 3/4"
12" SHELF 3/4	10 1/4" x 10 1/4" x 3/4"
15" SHELF 3/4	13 1/4" x 10 1/4" x 3/4"
18" SHELF 3/4	16 1/4" x 10 1/4" x 3/4"
21" SHELF 3/4	19 1/4" x 10 1/4" x 3/4"
24" SHELF 3/4	22 1/4" x 10 1/4" x 3/4"
27" SHELF 3/4	25 1/4" x 10 1/4" x 3/4"
30" SHELF 3/4	28 1/4" x 10 1/4" x 3/4"
33" SHELF 3/4	31 1/4" x 10 1/4" x 3/4"
36" SHELF 3/4	34 1/4" x 10 1/4" x 3/4"
39" SHELF 3/4	37 1/4" x 10 1/4" x 3/4"
42" SHELF 3/4	40 1/4" x 10 1/4" x 3/4"
45" SHELF 3/4	43 1/4" x 10 1/4" x 3/4"
48" SHELF 3/4	46 1/4" x 10 1/4" x 3/4"
<b>21" DEEP</b>	
12" SHELF 21DP 3/4	10 3/16" x 18 7/8" x 3/4"
15" SHELF 21DP 3/4	13 3/16" x 18 7/8" x 3/4"
18" SHELF 21DP 3/4	16 3/16" x 18 7/8" x 3/4"
21" SHELF 21DP 3/4	19 3/16" x 18 7/8" x 3/4"
24" SHELF 21DP 3/4	22 3/16" x 18 7/8" x 3/4"
<b>24" DEEP</b>	
9" SHELF 24DP 3/4	7 13/16" x 22 1/8" x 3/4"
12" SHELF 24DP 3/4	10 3/16" x 22 1/8" x 3/4"
15" SHELF 24DP 3/4	13 3/16" x 22 1/8" x 3/4"
18" SHELF 24DP 3/4	16 3/16" x 22 1/8" x 3/4"
21" SHELF 24DP 3/4	19 3/16" x 22 1/8" x 3/4"
24" SHELF 24DP 3/4	22 3/16" x 22 1/8" x 3/4"
27" SHELF 24DP 3/4	25 1/4" x 22 1/8" x 3/4"
30" SHELF 24DP 3/4	28 1/4" x 22 1/8" x 3/4"
33" SHELF 24DP 3/4	31 1/4" x 22 1/8" x 3/4"
36" SHELF 24DP 3/4	34 1/4" x 22 1/8" x 3/4"
39" SHELF 24DP 3/4	37 1/4" x 22 1/8" x 3/4"
42" SHELF 24DP 3/4	40 1/4" x 22 1/8" x 3/4"
45" SHELF 24DP 3/4	43 1/4" x 22 1/8" x 3/4"
48" SHELF 24DP 3/4	46 1/4" x 22 1/8" x 3/4"
<b>PENINSULA WALL SHELVES</b>	
12" SHELF PW 3/4	10 1/4" x 10 1/4" x 3/4"
15" SHELF PW 3/4	13 1/4" x 10 1/4" x 3/4"
18" SHELF PW 3/4	16 1/4" x 10 1/4" x 3/4"
24" SHELF PW 3/4	22 1/4" x 10 1/4" x 3/4"
30" SHELF PW 3/4	28 1/4" x 10 1/4" x 3/4"
36" SHELF PW 3/4	34 1/4" x 10 1/4" x 3/4"
42" SHELF PW 3/4	40 1/4" x 10 1/4" x 3/4"

SHELF DIMENSIONS	
PART NAME	DIMENSION
<b>PENINSULA BASE SHELVES</b>	
12" SHELF PB 3/4	10 3/16" x 22 1/8" x 3/4"
18" SHELF PB 3/4	16 3/16" x 22 1/8" x 3/4"
24" SHELF PB 3/4	22 3/16" x 22 1/8" x 3/4"
24" SHELF PB 3/4	22 3/16" x 22 1/8" x 3/4"
30" SHELF PB 3/4	28 3/16" x 22 1/8" x 3/4"
36" SHELF PB 3/4	34 3/16" x 22 1/8" x 3/4"
42" SHELF PB 3/4	40 3/16" x 22 1/8" x 3/4"
<b>TALL CABINET SHELVES</b>	
S1212	10 1/4" x 10 1/4" x 3/4"
S1512	13 1/4" x 10 1/4" x 3/4"
S1812	16 1/4" x 10 1/4" x 3/4"
S2112	19 1/4" x 10 1/4" x 3/4"
S2412	22 1/4" x 10 1/4" x 3/4"
S3612	34 1/4" x 10 1/4" x 3/4"
S1221	10 3/16" x 18 7/8" x 3/4"
S1521	13 3/16" x 18 7/8" x 3/4"
S1821	16 3/16" x 18 7/8" x 3/4"
S2421	22 3/16" x 18 7/8" x 3/4"
S1224	10 3/16" x 22 1/8" x 3/4"
S1524	13 3/16" x 22 1/8" x 3/4"
S1824	16 3/16" x 22 1/8" x 3/4"
S2124	19 1/4" x 22 1/8" x 3/4"
S2424	22 3/16" x 22 1/8" x 3/4"
S2724	25 3/16" x 22 1/8" x 3/4"
S3024	28 3/16" x 22 1/8" x 3/4"
S3324	31 3/16" x 22 1/8" x 3/4"
S3624	34 3/16" x 22 1/8" x 3/4"
<b>MISCELLANEOUS SHELVES</b>	
TV30 SHELF 9	8 7/8" x 3" x 1/2"
TV30 SHELF 18	17 9/32" x 3" x 1/2"
TV36 SHELF 11	10 7/8" x 3" x 1/2"
TV36 SHELF 22	21 9/32" x 3" x 1/2"
WMSC2718 TOP SHELF	25 1/4" x 16 1/4" x 3/4"

HINGES	
PART NAME	DESCRIPTION
HINGE TILT OUT 45	Hinge for factory installed tilt out tray
HINGE FOL 6WY 45	Hinge with 6-way adjustment for full overlay door styles
HINGE SOL 6WY 45	Hinge with 6-way adjustment for standard overlay door styles
HINGE FACEMOUNT 45	Hinge for full and standard overlay facemount oven applications
HINGE FOL CC6WY 45	Hinge with 6-way adjustment and CushionClose® for full overlay profiled doors using shallow cup
HINGE FOL CC6WY 45DP	Hinge with 6-way adjustment and CushionClose® for full overlay squared profiled doors using deep cup
HINGE SOL CC6WY 45	Hinged with 6-way adjustment and CushionClose® for ALL standard overlay doors
HINGE CCFACEMOUNT 45	Hinge with CushionClose® for full and standard overlay facemount oven applications
HINGE CC ANG RES CLP	Door opening angle restriction clip, 86 degrees - Quantity 10
HINGE SPACER SHIM	Spacer shim installed between the hinge and face frame, adds inward left/right adjustment
HINGE 170 FRAMED	Door-to-Frame hinge for BER, BSS, CAR and WER cabinet
HINGE ER	Door-to-Door hinge for BER, BSS, CAR or WER cabinet
HINGE KIT TRI-VIEW	Hinge Kit for Tri-View Mirror

GLIDES FOR 24" DEEP BASE, 24" DEEP DESK OR DEEP ROLL OUT TRAYS	
PART NAME	DESCRIPTION
GLIDE FX CCL24	Left Grass Full-Extension CushionClose® Drawer Glide
GLIDE FX CCR24	Right Grass Full-Extension CushionClose® Drawer Glide
GLIDE HD CCL24	Left Full-Extension CushionClose® Glide for 2 Drawer Base and Wastebasket Cabinets
GLIDE HD CCR24	Right Full-Extension CushionClose® Glide for 2 Drawer Base and Wastebasket Cabinets
GLIDE HD FAL24	Left Full-Extension Glide for 2 Drawer Base and Wastebasket Cabinets
GLIDE HD FAR24	Right Full-Extension Glide for 2 Drawer Base and Wastebasket Cabinets
GLIDE DROTCC24	Left Full-Access CushionClose® Deep Roll Out Tray Glide
GLIDE DROTCCR24	Right Full-Access CushionClose® Deep Roll Out Tray Glide
GLIDE DROTFAL24	Left Full-Access Deep Roll Out Tray Glide
GLIDE DROTFR24	Right Full-Access Deep Roll Out Tray Glide

GLIDES FOR 21" DEEP VANITY, 21" DEEP DESK OR VANITY LINEN	
PART NAME	DESCRIPTION
GLIDE FX CCL21	Left Full-Extension CushionClose® Drawer Glide for 21" Deep Vanity/Desk
GLIDE FX CCR21	Right Full-Extension CushionClose® Drawer Glide for 21" Deep Vanity/Desk
GLIDE HD CCL21	Left Full-Extension CushionClose® Glide for RD 2DB'S or 21" Deep Desk/Vanity Wastebasket Cabinets
GLIDE HD CCR21	Right Full-Extension CushionClose® Glide for RD 2DB'S or 21" Deep Desk/Vanity Wastebasket Cabinets
GLIDE HD FAL21	Left Full-Extension Glide for RD 2DB's or 21" Deep Desk/Vanity Wastebasket Cabinets
GLIDE HD FAR21	Right Full-Extension Glide for RD 2DB's or 21" Deep Desk/Vanity Wastebasket Cabinets
GLIDE DROTCCVL21	Left Full-Access CushionClose® Vanity Linen Deep Roll Out Tray Glide
GLIDE DROTCCRVLC	Right Full-Access CushionClose® Vanity Linen Deep Roll Out Tray Glide
GLIDE DROTFALVLC	Left Full-Access Vanity Linen Deep Roll Out Tray Glide
GLIDE DROTFRVLC	Right Full-Access Vanity Linen Deep Roll Out Tray Glide

GLIDES FOR 18" DEEP VANITY OR KNEEHOLE DRAWER CABINET	
PART NAME	DESCRIPTION
GLIDE FX CCL18	Left Grass Full-Extension CushionClose® Drawer Glide for 18" Deep Vanity/Kneehole Drawer
GLIDE FX CCR18	Right Grass Full-Extension CushionClose® Drawer Glide for 18" Deep Vanity/Kneehole Drawer

SCREWS	
PART NAME	DESCRIPTION
SCREW BRACKET DDF	Screw to attach DDF BRACKET _OL L Bracket to drawer fronts (2 per bracket)
SCREW BRACKET DRB	Screw to attach DDF BRACKET _OL L Bracket to drawer bodies (2 per bracket)
SCREW DDF	Drawer front installation screw
SCREW DDF 5PC	Screw for 5-piece drawer fronts
SCREW DDF SDC	SDC drawer front installation screw
SCREW KDC FG	Screw for KDC spacer
SCREW BOLT EXT RD FG	Bolt for RD extender
SCREW NUT EXT RD FG	Nut for RD extender
SCREW HINGE/DR	Hinge-to-door screw
SCREW HINGE/FR	Hinge-to-frame screw
SCREW GLIDE CC	Attach glide to front frame (1 per glide)

RANGE HOOD LINERS	
PART NAME	DESCRIPTION
RHLINER 36S	36" Liner for Straight Valance, Raised Panel, Artisan, Shiplap Box, Modern Box and Sloped Range Hoods
RHLINER 42S	42" Liner for Straight Valance, Raised Panel, Artisan, Shiplap Box, Modern Box and Sloped Range Hoods
RHLINER 48S	48" Liner for Straight Valance, Raised Panel, Shiplap Box and Modern Box Range Hoods
RHLINER 30	30" Liner for Classic Tapered, Decorative Mantel, Straight Valance and Raised Panel Wall Range Hoods
RHLINER 36	36" Liner for Classic Tapered, Decorative Mantel, Straight Valance and Raised Panel Wall Range Hoods
RHLINER 42	42" Liner for Decorative Mantel Wall Range Hood
RHLINER 36S SL1	36" Liner for Straight Valance, Raised Panel, Artisan, Shiplap Box, Modern Box and Sloped Range Hoods (for use with RHVENT 960)
RHLINER 42S SL1	42" Liner for Straight Valance, Raised Panel, Artisan, Shiplap Box, Modern Box and Sloped Range Hoods (for use with RHVENT 960)
RHLINER 48S SL1	48" Liner for Straight Valance, Raised Panel, Shiplap Box and Modern Box Range Hoods (for use with RHVENT 960)

CLIPS / BRACKETS	
PART NAME	DESCRIPTION
BRACKET GL B DROTUNI	Back bracket for GLIDE DROTCC__24 and all Wastebasket cabinets
BRACKETDROT FRT MTL	Front glide bracket for DROTCC, BPPOKCC or ROTDKCC
BRACKET GL UD RDL FG	Left back bracket for any upper drawer(s) that uses the GLIDE FX CCL__ W/EXT (excluding PB, PBC, 2DB)
BRACKET GL UD RDR FG	Right back bracket for any upper drawer(s) that uses the GLIDE FX CCR__ W/EXT (excluding PB, PBC, 2DB)
BRACKET GL BD RDL FG	Left back bracket for any bottom drawer that uses the GLIDE FX CCL__ W/EXT (excluding PB, PBC, 2DB)
BRACKET GL BD RDR FG	Right back bracket for any bottom drawer that uses the GLIDE FX CCR__ W/EXT (excluding PB, PBC, 2DB)
BRACKET GL BD UNI FG	Left/Right back bracket for any bottom drawer that use the GLIDE FX CC__ (excluding PB, PBC, 2DB)
BRACKET GL UD UNI FG	Left/Right back bracket for any upper drawer(s) that use the GLIDE FX CC__ (excluding PB, PBC, 2DB)
BRACKET GL HD BOT	Back bracket for 2 Drawer Base and Wastebasket Cabinets
BRACKET GL PB L FG	Left back bracket for Peninsula Base cabinets for all depths
BRACKET GL PB R FG	Right back bracket for Peninsula Base cabinets for all depths
BRACKET GL PBC L FG	Left back bracket for Peninsula Base Corner cabinets for all depths
BRACKET GL PBC R FG	Right back bracket for Peninsula Base Corner cabinets for all depths
CLIP DDF	Clip for DDF FASTENER
CLIP LOCK 3/4 4 PK	Package of four locking shelf rests for Base and Tall cabinet shelves
CLIP MIRROR MCM FOL	Clip for Full Overlay MCM1530 mirror
CLIP MIRROR MCM SOL	Clip for Standard Overlay MCM1530 mirror
CLIP MIRROR TRIVIEW	Clip for TV3030/TV3630 Tri-View mirror
CLIP PILASTER	Shelf Rest for PSK36 Shelf and Pilaster Kit
CLIP REAR SHELF	Middle shelf rest for 30" or wider Wall cabinet shelf
CLIP SHELF NP SPIN	Locking shelf clip for NP Spin Units - Base (4 required) - Wall (5 required)
CLIP HD DRB BACK L	Left drawer body back bracket for 2 Drawer Base and Wastebasket Cabinets
CLIP HD DRB BACK R	Right drawer body back bracket for 2 Drawer Base and Wastebasket Cabinets
DDF BRACKET FOL	Drawer front attachment bracket for 570F, 540, DT24, D18, D16 and all FOL Wastebasket and Desk File Pull Out cabinet doors
DDF BRACKET CCAP FOL	Cover cap for DDF attachment bracket for 570F, 540, DT24, D18, D16 and all FOL Wastebasket and Desk File Pull Out cabinet doors
DDF BRACKET SOL	Drawer front attachment bracket for D04 and all SOL Wastebasket and Desk File Pull Out cabinet doors
DDF BRACKET CCAP SOL	Cover cap DDF attachment bracket for D04 and all SOL Wastebasket and Desk File Pull Out cabinet doors
DRB MOUNT CLIP L FG	Left release clip for DROT's and drawers (excluding 2 Drawer Base drawers and Wastebasket Cabinets)
DRB MOUNT CLIP R FG	Right release clip for DROT's and drawers (excluding 2 Drawer Base drawers and Wastebasket Cabinets)
DRB HD MOUNT CLIP L	Left drawer release clip for 2 Drawer Base and Wastebasket Cabinets
DRB HD MOUNT CLIP R	Right drawer release clip for 2 Drawer Base and Wastebasket Cabinets
SHELF REST METAL 4PK	Package of four metal Wall/Bookcase shelf rests
SHELF REST METAL 12	Package of twelve metal Wall/Bookcase shelf rests
SHELF REST MFD PK	Package of eight shelf rests for Mullion Frame Door cabinets
SHELF SUPT ADJ BASE	Middle shelf rest for 27" or wider Base cabinet shelf
SPACER GL KDC FRT FG	Left/Right drawer clip for front of KDC glide
SPACER GL BD FRT FG	Left/Right front drawer clip for bottom drawer on VDB__34H & DB__ cabinets (excluding 2DB)



## WOOD SPIN UNITS - ALL PLYWOOD CONSTRUCTION

PART NAME	DESCRIPTION
BSS33 SHLF WD NP PLY	Wood spin unit and plywood shelf for BSS33 WD
BSS3336 SHLFWDNP PLY	Wood spin unit and plywood shelf for BSS3336 WD
BSS36 SHLF WD NP PLY	Wood spin unit and plywood shelf for BSS36 WD
BSS3633 SHLFWDNP PLY	Wood spin unit and plywood shelf for BSS3633 WD
CBS36 SHLF WD NP PLY	Wood spin unit and plywood shelf for CBS36 WD
CWS24 SHELF WD NP MI	Wood spin unit and matching interior shelf for CWS__WD and CWDS2448 WD
CWS24 SHLF WD NP PLY	Wood spin unit and plywood shelf for CWS__WD and CWDS2448 WD
CWS24 SHELFWDNPIMPLY	Wood spin unit and matching interior plywood shelf for CWS__WD and CWDS2448 WD

## MISCELLANEOUS SHELVING

PART NAME	DESCRIPTION
BS18 SHELF 1PK	Shelf for BS18
BS18 SHELF 4PK	4 Pack shelves for BS18
BS24 SHELF 1PK	Shelf for BS24
BS24 SHELF 4PK	4 Pack shelves for BS24
BS30 SHELF 1PK	Shelf for BS30
BS30 SHELF 4PK	4 Pack shelves for BS30
BS36 SHELF 1PK	Shelf for BS36
BS36 SHELF 4PK	4 Pack shelves for BS36
S369	Shelf for PSK36 Utility Cabinet Shelf & Pilaster Kit
WCMSC2412 SHELF	Microwave shelf for WCMSC241236 BUTT
WCMSC2712 SHELF	Microwave shelf for WCMSC271236 BUTT
WMSC2712 SHELF	Microwave shelf for WMSC271236 BUTT
WMSC2718 SHELF	Microwave shelf for WMSC271836 BUTT
WMSC3012 SHELF	Microwave shelf for WMSC301236

## MISCELLANEOUS PARTS

PART NAME	DESCRIPTION
BASE CORNER BLOCK WD	Plywood corner block
BFP3 FRONT FILLER	Replacement filler for BFP3 Base Filler Pull Out
BFP6 FRONT FILLER	Replacement filler for BFP6 Base Filler Pull Out
BPP12 KIT CC	Kit for BPP12 CC Base Pull Out
BPP12 KIT FA	Kit for BPP12 FA Base Pull Out
BPP9 KIT CC	Kit for BPP9 CC Base Pull Out
BPP9 KIT FA	Kit for BPP9 FA Base Pull Out
BPPUS12 KIT CC	Kit for BPPUS12 CC Base Pull Out
BPPUS12 KIT FA	Kit for BPPUS12 FA Base Pull Out
BPPUS9 KIT CC	Kit for BPPUS9 CC Base Pull Out
BPPUS9 KIT FA	Kit for BPPUS9 FA Base Pull Out
BTDP9 KIT CC	Kit for BTDP9 CC Base Tray Divider Pull Out
BTDP9 KIT FA	Kit for BTDP9 FA Base Tray Divider Pull Out
BUMPER CLEAR	Door bumper - Sheet of 4
BUMPER CLEAR 55	Door bumper - Sheet of 55
BUMPER CLEAR DT	Door bumper for DT series door styles - Sheet of 4
BUMPER CLEAR DT 55	Door bumper for DT series door styles - Sheet of 55
BWBB15 FH FOL KIT CC	Wastebasket kit for FOL BWBB15 FH CC
BWBB15 FH FOL KIT FA	Wastebasket kit for FOL BWBB15 FH FA
BWBB15 FH SOL KIT CC	Wastebasket kit for SOL BWBB15 FH CC
BWBB15 FH SOL KIT FA	Wastebasket kit for SOL BWBB15 FH FA
BWBB15 FOL KIT CC	Wastebasket kit for FOL BWBB15 CC
BWBB15 FOL KIT FA	Wastebasket kit for FOL BWBB15 FA
BWBB15 SOL KIT CC	Wastebasket kit for SOL BWBB15 CC
BWBB15 SOL KIT FA	Wastebasket kit for SOL BWBB15 FA
BWBB18 FH FOL KIT CC	Wastebasket kit for FOL BWBB18 FH CC
BWBB18 FH FOL KIT FA	Wastebasket kit for FOL BWBB18 FH FA
BWBB18 FH SOL KIT CC	Wastebasket kit for SOL BWBB18 FH CC



MISCELLANEOUS PARTS	
PART NAME	DESCRIPTION
BWBB18 FH SOL KIT FA	Wastebasket kit for SOL BWBB18 FH FA
BWBB15-2 FOL KIT CC	Wastebasket kit for FOL BWBB15-2 CC
BWBB15-2 FOL KIT FA	Wastebasket kit for FOL BWBB15-2 FA
BWBB15-2 SOL KIT CC	Wastebasket kit for SOL BWBB15-2 CC
BWBB15-2 SOL KIT FA	Wastebasket kit for SOL BWBB15-2 FA
BWBB18-2 FOL KIT CC	Wastebasket kit for FOL BWBB18-2 CC
BWBB18-2 FOL KIT FA	Wastebasket kit for FOL BWBB18-2 FA
BWBB18-2 SOL KIT CC	Wastebasket kit for SOL BWBB18-2 CC
BWBB18-2 SOL KIT FA	Wastebasket kit for SOL BWBB18-2 FA
BWBB21-2 FH FOL KIT CC	Wastebasket kit for FOL BWBB21-2 FH CC
BWBB21-2 FH FOL KIT FA	Wastebasket kit for FOL BWBB21-2 FH FA
BWBB21-2 FH SOL KIT CC	Wastebasket kit for SOL BWBB21-2 FH CC
BWBB21-2 FH SOL KIT FA	Wastebasket kit for SOL BWBB21-2 FH FA
BWBB21-2 FOL KIT CC	Wastebasket kit for FOL BWBB21-2 CC
BWBB21-2 FOL KIT FA	Wastebasket kit for FOL BWBB21-2 FA
BWBB21-2 SOL KIT CC	Wastebasket kit for SOL BWBB21-2 CC
BWBB21-2 SOL KIT FA	Wastebasket kit for SOL BWBB21-2 FA
COVER CAP 10MM TAN	Tan cover cap for cabinet backs
COVER CAP 10MM WHT	White cover cap for cabinet backs
DFDC FILE UNIT 21	File unit for DFDC1821
DFDC FILE UNIT 24	File unit for DFDC1824
DWBB1821 FOL KIT CC	Wastebasket kit for FOL DWBB1821 CC
DWBB1821 FOL KIT FA	Wastebasket kit for FOL DWBB1821 FA
DWBB1821 SOL KIT CC	Wastebasket kit for SOL DWBB1821 CC
DWBB1821 SOL KIT FA	Wastebasket kit for SOL DWBB1821 FA
DWBB1824 FOL KIT CC	Wastebasket kit for FOL DWBB1824 CC
DWBB1824 FOL KIT FA	Wastebasket kit for FOL DWBB1824 FA
DWBB1824 SOL KIT CC	Wastebasket kit for SOL DWBB1824 CC
DWBB1824 SOL KIT FA	Wastebasket kit for SOL DWBB1824 FA
FRAME SPACER BPP9	Unit stabilizer and frame spacer for BPP9, BPP12 & BTDPP9
KNOB SDC	Wooden knob for SDC/BSDC6
LATCH TILT OUT TRAY	Latch for Factory Installed Tilt-Out Tray
MAG CATCH TV BLK	Magnetic catch for TV3030/TV3630
MC SHELF HDW	Package of 4 shelf clips for MC/MCM cabinet
MIRROR TV3030	Mirror for TV3030
MIRROR TV3630	Mirror for TV3630
PDO30	Peg Dish Organizer for 30" 2 Drawer Base
PDO36	Peg Dish Organizer for 36" 2 Drawer Base
PEG KIT 4 PK	Package of 4 pegs for Peg Dish Organizer
PK36	Pilaster for PSK36 Shelf and Pilaster Kit
PULL TRIVIEW	Chrome pull for Tri-View Mirror
ROT DIVIDER KIT	Divider for ROTDK12/ROTDK15
ROT PROTECTOR	End plastic protector on Deep Roll Out Trays
SDROT30	Scalloped Deep Roll Out Tray for DB30 2DWR
SDROT36	Scalloped Deep Roll Out Tray for DB36 2DWR
TRAY ST TILT OUT 11	Stainless Tray ONLY for Factory Installed Tilt-Out
TRAY ST TILT OUT 14	Stainless Tray ONLY for Factory Installed Tilt-Out
TRAY ST TILT OUT 24	Stainless Tray ONLY for Factory Installed Tilt-Out
VWBB1834H FOL KIT CC	Wastebasket kit for FOL VWBB1834H CC
VWBB1834H FOL KIT FA	Wastebasket kit for FOL VWBB1834H FA
VWBB1834H SOL KIT CC	Wastebasket kit for SOL VWBB1834H CC
VWBB1834H SOL KIT FA	Wastebasket kit for SOL VWBB1834H FA
WASTEBASKET 27QT SLV	Silver 27-Quart trashcan
WASTEBASKET 35QT SLV	Silver 35-Quart trashcan
WASTEBASKET 50QT SLV	Silver 50-Quart trashcan
WCC DOWEL	Dowel for WCC cabinet
WCC24 4PC RAIL	Top and bottom dowel rails for WCC2415
WCC30 4PC RAIL	Top and bottom dowel rails for WCC3015
WCC36 4PC RAIL	Top and bottom dowel rails for WCC3615
WOOD SPIN HOLE PLUG	Access Plug for Wood Spin Units
WTH DOOR STAY	One Door Stay for Wall Top Hinge cabinet
WTH DR STAY DR BRK	One Door Bracket for WTH DOOR STAY
WTH DR STAY FR BRK	One Frame bracket for WTH DOOR STAY
WTH HEX KEY BAG	One Hex Key for WTH DOOR STAY

---

## Notes



**Kaitlyn Wickware**  
Structures Cabinet + Design



**Ryan Adler**  
Cypress Design Company



**Emily Lane**  
WS Design

## Construction Options

OPTION	CODE	PRICING	
All Plywood Construction Option	APC	10% Over List Price	
Cabinet Front Only Option	CFO	No Upcharge	
Furniture Ends Option	FE	20% Over List Price	
Increased Depth Option	ID	20% Over List Price	
Inverted Frame Option	IF	20% Over List Price	
Matching Interior Option	MI	20% Over List Price	
Recessed Toe Kick Option	RTKL (Recessed Toe Kick Left) RTKR (Recessed Toe Kick Right) RTKB (Recessed Toe Kick Both)	10% Over List Price	
Reduced Depth Option	RD	20% Over List Price	
Void Door Option – NO Molding	VDO-DFH (Drilled For Hinges)	No Upcharge	
Void Door Option – INCLUDING Molding	VDO-SAM (Shaker Accent Molding) VDO-SBAM (Single Bead Accent Molding)	10% Over List Price	
Void Top Drawer Option	VTD	10% Over List Price	

SPECIALTY DOOR OPTION	CODE	LIST PRICE PER DOOR*	
		12" – 30" HIGH	36" – 42" HIGH
Open Frame Door	OFD	\$0	\$0
Mullion Frame Door	MFD	\$44	\$108

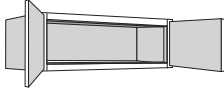
  

DECORATIVE GLASS INSERTS	CODE	LIST PRICE PER DOOR*	
		12" – 30" HIGH	36" – 42" HIGH
Prepped for Glass	DGI-__PREPPED	\$0	\$0
Clear Glass	DGI-__CLEAR	\$142	\$178
Derbyshire Seeded Glass	DGI-__DERBYSHIRE	\$372	\$457
Frosted Glass	DGI-__FROSTED	\$273	\$365
Frosted Ash Glass	DGI-__FROSTED ASH	\$456	\$547
Impression Glass	DGI-__IMPRESSION	\$325	\$390
Meredith Glass	DGI-__MEREDITH	\$297	\$366
Ribbed Glass	DGI-__RIBBED	\$551	\$703

\* For cabinets with more than one door, multiply the above price by the total number of cabinet doors.

# SKU

## WALL CABINET • 2 BUTT DOORS • 12" HIGH



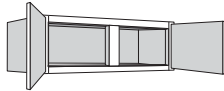
### STANDARD DOOR

W3012 BUTT	678	617	561	506	457	411
W3312 BUTT	688	625	569	514	464	417
W3612 BUTT	709	645	587	529	478	431

### SPECIALTY DOOR

W3012 BUTT SD	1012	938	871	806	746	671
W3312 BUTT SD	1024	948	881	815	755	679
W3612 BUTT SD	1049	972	902	833	772	695

## WALL CABINET • 2 DOORS • 12" HIGH



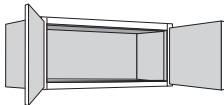
### STANDARD DOOR

W3912	833	757	689	622	561	505
-------	-----	-----	-----	-----	-----	-----

### SPECIALTY DOOR

W3912 SD	1198	1106	1025	944	871	784
----------	------	------	------	-----	-----	-----

## WALL CABINET • 2 BUTT DOORS • 15" HIGH



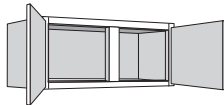
### STANDARD DOOR

W3015 BUTT	690	627	570	515	465	418
W3315 BUTT	709	645	587	529	478	431
W3615 BUTT	729	662	602	544	491	442

### SPECIALTY DOOR

W3015 BUTT SD	1025	951	882	816	756	680
W3315 BUTT SD	1049	972	902	833	772	695
W3615 BUTT SD	1073	993	921	851	787	708

## WALL CABINET • 2 DOORS • 15" HIGH



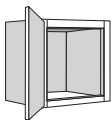
### STANDARD DOOR

W3915	788	717	651	588	531	478
-------	-----	-----	-----	-----	-----	-----

### SPECIALTY DOOR

W3915 SD	1144	1058	979	904	835	752
----------	------	------	-----	-----	-----	-----

## WALL CABINET • 1 DOOR • 18" HIGH



### STANDARD DOOR

W1218	515	469	426	385	347	313
W1518	543	494	449	405	366	330
W1818	546	496	451	407	368	331
W2118	572	520	473	427	385	347

### SPECIALTY DOOR

W1218 SD	718	661	610	561	516	464
W1518 SD	751	692	638	586	538	485
W1818 SD	754	694	640	587	541	487
W2118 SD	785	723	667	611	561	505

700 SERIES - CHERRY

700 SERIES - MAPLE

700 SERIES - PAINTED

600 SERIES - CHERRY

600 SERIES - MAPLE

600 SERIES - PAINTED

500 SERIES - CHERRY

DT SERIES - DURAFORM

500 SERIES - MAPLE

500 SERIES - PAINTED

400 SERIES - CHERRY

400 SERIES - MAPLE

400 SERIES - PAINTED

300 SERIES - CHERRY

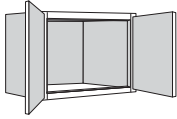
D SERIES - DURAFORM

300 SERIES - MAPLE

300 SERIES - PAINTED

# SKU

## WALL CABINET • 2 BUTT DOORS • 18" HIGH



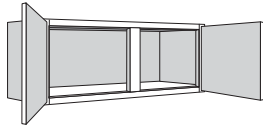
### STANDARD DOOR

	700 SERIES - CHERRY	700 SERIES - MAPLE	700 SERIES - PAINTED	600 SERIES - CHERRY	600 SERIES - MAPLE	600 SERIES - PAINTED	500 SERIES - CHERRY	DT SERIES - DURAFORM	500 SERIES - MAPLE	500 SERIES - PAINTED	400 SERIES - CHERRY	400 SERIES - MAPLE	400 SERIES - PAINTED	300 SERIES - CHERRY	D SERIES - DURAFORM	300 SERIES - MAPLE	300 SERIES - PAINTED
W2418 BUTT	660	600	546	493	445	401											
W2718 BUTT	717	652	593	535	483	435											
W3018 BUTT	785	714	649	587	529	476											
W3318 BUTT	820	746	677	612	552	497											
W3618 BUTT	852	775	704	636	574	517											

### SPECIALTY DOOR

W2418 BUTT SD	990	918	853	790	732	659											
W2718 BUTT SD	1058	980	910	840	778	700											
W3018 BUTT SD	1140	1055	977	902	833	750											
W3318 BUTT SD	1181	1093	1010	932	861	775											
W3618 BUTT SD	1220	1128	1043	962	887	798											

## WALL CABINET • 2 DOORS • 18" HIGH



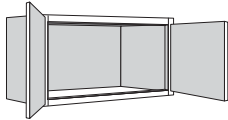
### STANDARD DOOR

W3918	840	764	694	627	566	509											
W4218	855	777	707	638	576	518											

### SPECIALTY DOOR

W3918 SD	1206	1115	1031	950	877	789											
W4218 SD	1224	1130	1046	964	889	800											

## WALL CABINET • 2 BUTT DOORS • 21" HIGH



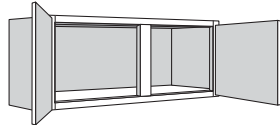
### STANDARD DOOR

W3021 BUTT	841	764	695	627	567	510											
W3321 BUTT	878	798	726	655	592	533											
W3621 BUTT	912	829	754	680	615	553											

### SPECIALTY DOOR

W3021 BUTT SD	1208	1115	1032	951	878	790											
W3321 BUTT SD	1251	1155	1069	984	908	817											
W3621 BUTT SD	1292	1193	1103	1014	936	842											

## WALL CABINET • 2 DOORS • 21" HIGH



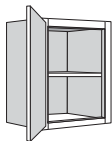
### STANDARD DOOR

W3921	946	860	782	705	638	574											
-------	-----	-----	-----	-----	-----	-----	--	--	--	--	--	--	--	--	--	--	--

### SPECIALTY DOOR

W3921 SD	1334	1230	1136	1044	963	867											
----------	------	------	------	------	-----	-----	--	--	--	--	--	--	--	--	--	--	--

## WALL CABINET • 1 DOOR • 24" HIGH



### STANDARD DOOR

W1224	546	496	451	407	368	331											
W1524	572	520	473	427	385	347											
W1824	619	563	512	462	417	375											
W2124	662	601	547	494	446	401											

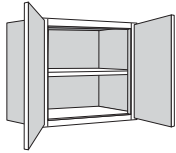
### SPECIALTY DOOR

W1224 SD	754	694	640	587	541	487											
W1524 SD	785	723	667	611	561	505											
W1824 SD	842	775	713	653	599	539											
W2124 SD	893	820	755	692	634	571											

Illustrations are for reference only. Refer to Specification Guide for actual specifications.

# SKU

## WALL CABINET • 2 BUTT DOORS • 24" HIGH



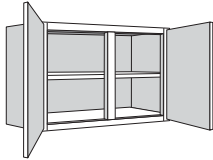
### STANDARD DOOR

	700 SERIES - CHERRY	700 SERIES - MAPLE	700 SERIES - PAINTED	600 SERIES - CHERRY	600 SERIES - MAPLE	600 SERIES - PAINTED	500 SERIES - CHERRY	500 SERIES - MAPLE	500 SERIES - PAINTED	400 SERIES - CHERRY	400 SERIES - MAPLE	400 SERIES - PAINTED	300 SERIES - CHERRY	300 SERIES - MAPLE	300 SERIES - PAINTED
W2424 BUTT	741	673	612	553	499	449									
W2724 BUTT	826	751	683	617	557	501									
W3024 BUTT	903	822	747	674	608	547									
W3324 BUTT	939	855	777	701	632	569									
W3624 BUTT	979	889	808	730	659	593									

### SPECIALTY DOOR

W2424 BUTT SD	1087	1006	932	862	797	717									
W2724 BUTT SD	1189	1099	1018	938	866	780									
W3024 BUTT SD	1282	1184	1094	1007	928	835									
W3324 BUTT SD	1325	1224	1130	1039	957	861									
W3624 BUTT SD	1373	1265	1168	1074	989	890									

## WALL CABINET • 2 DOORS • 24" HIGH



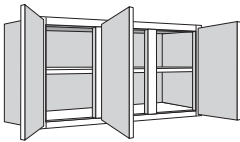
### STANDARD DOOR

W3924	988	898	817	738	666	599									
W4224	1043	948	862	778	703	633									

### SPECIALTY DOOR

W3924 SD	1384	1276	1178	1084	997	897									
W4224 SD	1450	1336	1232	1132	1042	937									

## WALL CABINET • 3 DOORS • 24" HIGH



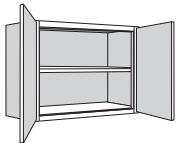
### STANDARD DOOR

W4524	1179	1072	974	880	794	715									
-------	------	------	-----	-----	-----	-----	--	--	--	--	--	--	--	--	--

### SPECIALTY DOOR

W4524 SD	1712	1583	1466	1353	1250	1125									
----------	------	------	------	------	------	------	--	--	--	--	--	--	--	--	--

## WALL CABINET • 2 BUTT DOORS • 27" HIGH



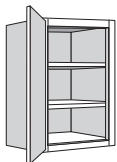
### STANDARD DOOR

W3027 BUTT	948	862	784	708	640	576									
------------	-----	-----	-----	-----	-----	-----	--	--	--	--	--	--	--	--	--

### SPECIALTY DOOR

W3027 BUTT SD	1336	1233	1139	1048	966	869									
---------------	------	------	------	------	-----	-----	--	--	--	--	--	--	--	--	--

## WALL CABINET • 1 DOOR • 30" HIGH



### STANDARD DOOR

W930	554	504	458	413	373	336									
W1230	589	536	487	440	397	357									
W1530	619	563	512	462	417	375									
W1830	662	601	547	494	446	401									
W2130	717	652	593	535	483	435									
W2430	776	705	641	579	523	471									

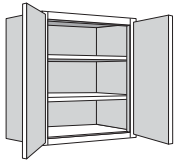
### SPECIALTY DOOR

W1230 SD	806	742	683	627	575	518									
W1530 SD	842	775	713	653	599	539									
W1830 SD	893	820	755	692	634	571									
W2130 SD	959	881	811	741	679	611									



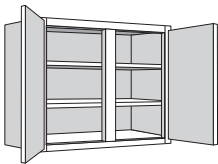
# SKU

## WALL CABINET • 2 BUTT DOORS • 30" HIGH



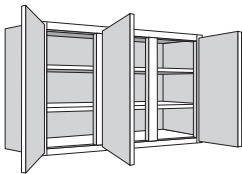
	700 SERIES - CHERRY	700 SERIES - MAPLE	700 SERIES - PAINTED	600 SERIES - CHERRY	600 SERIES - MAPLE	600 SERIES - PAINTED	500 SERIES - CHERRY	500 SERIES - MAPLE	500 SERIES - PAINTED	400 SERIES - CHERRY	400 SERIES - MAPLE	400 SERIES - PAINTED	300 SERIES - CHERRY	300 SERIES - MAPLE	300 SERIES - PAINTED
<b>STANDARD DOOR</b>															
W2430 BUTT	811	738	671	605	547	492									
W2730 BUTT	888	807	734	662	598	538									
W3030 BUTT	979	889	808	730	659	593									
W3330 BUTT	1018	925	840	759	685	617									
W3630 BUTT	1066	969	881	796	719	647									
<b>SPECIALTY DOOR</b>															
W2430 BUTT SD	1171	1084	1003	924	854	769									
W2730 BUTT SD	1264	1166	1079	992	916	824									
W3030 BUTT SD	1373	1265	1168	1074	989	890									
W3330 BUTT SD	1420	1307	1206	1109	1020	918									
W3630 BUTT SD	1477	1361	1255	1153	1061	955									

## WALL CABINET • 2 DOORS • 30" HIGH



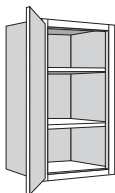
	700 SERIES - CHERRY	700 SERIES - MAPLE	700 SERIES - PAINTED	600 SERIES - CHERRY	600 SERIES - MAPLE	600 SERIES - PAINTED	500 SERIES - CHERRY	500 SERIES - MAPLE	500 SERIES - PAINTED	400 SERIES - CHERRY	400 SERIES - MAPLE	400 SERIES - PAINTED	300 SERIES - CHERRY	300 SERIES - MAPLE	300 SERIES - PAINTED
<b>STANDARD DOOR</b>															
W3930	1075	978	889	803	725	653									
W4230	1127	1025	932	841	760	684									
W4830	1262	1147	1043	942	850	765									
<b>SPECIALTY DOOR</b>															
W3930 SD	1488	1372	1265	1162	1068	961									
W4230 SD	1550	1428	1316	1207	1110	999									

## WALL CABINET • 3 DOORS • 30" HIGH



	700 SERIES - CHERRY	700 SERIES - MAPLE	700 SERIES - PAINTED	600 SERIES - CHERRY	600 SERIES - MAPLE	600 SERIES - PAINTED	500 SERIES - CHERRY	500 SERIES - MAPLE	500 SERIES - PAINTED	400 SERIES - CHERRY	400 SERIES - MAPLE	400 SERIES - PAINTED	300 SERIES - CHERRY	300 SERIES - MAPLE	300 SERIES - PAINTED
<b>STANDARD DOOR</b>															
W4530	1259	1145	1041	940	849	764									
<b>SPECIALTY DOOR</b>															
W4530 SD	1808	1671	1546	1425	1316	1184									

## WALL CABINET • 1 DOOR • 36" HIGH



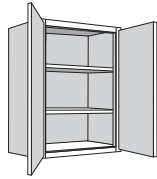
	700 SERIES - CHERRY	700 SERIES - MAPLE	700 SERIES - PAINTED	600 SERIES - CHERRY	600 SERIES - MAPLE	600 SERIES - PAINTED	500 SERIES - CHERRY	500 SERIES - MAPLE	500 SERIES - PAINTED	400 SERIES - CHERRY	400 SERIES - MAPLE	400 SERIES - PAINTED	300 SERIES - CHERRY	300 SERIES - MAPLE	300 SERIES - PAINTED
<b>STANDARD DOOR</b>															
W936	652	593	539	487	439	395									
W1236	675	614	558	504	455	410									
W1536	717	652	593	535	483	435									
W1836	769	699	636	574	518	466									
W2136	826	751	683	617	557	501									
<b>SPECIALTY DOOR</b>															
W1236 SD	911	838	771	706	647	582									
W1536 SD	961	883	813	743	681	613									
W1836 SD	1024	940	864	790	723	650									
W2136 SD	1092	1002	921	841	769	692									

Illustrations are for reference only. Refer to Specification Guide for actual specifications.



# SKU

## WALL CABINET - 2 BUTT DOORS - 36" HIGH



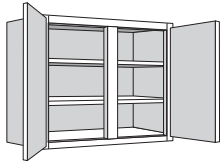
### STANDARD DOOR

W2436 BUTT	929	844	768	693	626	563
W2736 BUTT	1065	968	880	795	718	646
W3036 BUTT	1122	1020	928	838	756	680
W3336 BUTT	1168	1062	965	872	787	708
W3636 BUTT	1273	1158	1052	951	858	772

### SPECIALTY DOOR

W2436 BUTT SD	1316	1215	1123	1033	953	858
W2736 BUTT SD	1480	1364	1258	1155	1063	957
W3036 BUTT SD	1548	1426	1316	1208	1109	998
W3336 BUTT SD	1604	1476	1360	1248	1146	1032
W3636 BUTT SD	1730	1591	1465	1343	1232	1108

## WALL CABINET - 2 DOORS - 36" HIGH



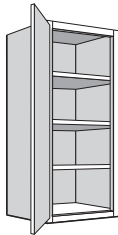
### STANDARD DOOR

W3936	1477	1343	1221	1103	995	896
W4236	1698	1544	1404	1268	1145	1030

### SPECIALTY DOOR

W3936 SD	1974	1813	1667	1525	1396	1277
W4236 SD	2240	2055	1887	1724	1575	1438

## WALL CABINET - 1 DOOR - 39" HIGH



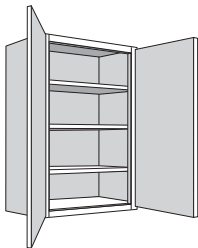
### STANDARD DOOR

W939	678	616	560	506	456	410
W1239	707	643	584	527	476	428
W1539	748	680	619	558	504	454
W1839	805	732	665	601	542	488
W2139	860	782	711	642	580	522

### SPECIALTY DOOR

W1239 SD	949	873	802	733	672	605
W1539 SD	999	917	844	771	706	635
W1839 SD	1067	979	899	822	751	676
W2139 SD	1133	1039	954	871	797	717

## WALL CABINET - 2 BUTT DOORS - 39" HIGH



### STANDARD DOOR

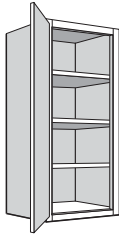
W2439 BUTT	930	845	769	694	627	564
W2739 BUTT	1065	969	881	796	718	646
W3039 BUTT	1178	1071	974	878	793	714
W3339 BUTT	1213	1104	1003	905	824	742
W3639 BUTT	1285	1169	1062	959	867	780

### SPECIALTY DOOR

W2439 BUTT SD	1318	1216	1125	1035	954	859
W2739 BUTT SD	1480	1365	1259	1157	1064	957
W3039 BUTT SD	1616	1487	1371	1256	1154	1038
W3339 BUTT SD	1658	1527	1406	1288	1191	1072
W3639 BUTT SD	1744	1605	1476	1353	1242	1118

# SKU

## WALL CABINET • 1 DOOR • 42" HIGH



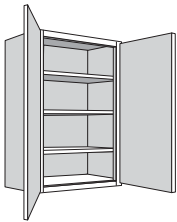
### STANDARD DOOR

W942	686	624	567	512	462	416
W1242	717	652	593	535	483	435
W1542	758	689	627	566	511	460
W1842	817	743	675	610	550	495
W2142	871	792	720	650	587	528

### SPECIALTY DOOR

W1242 SD	961	883	813	743	681	613
W1542 SD	1011	928	853	780	714	643
W1842 SD	1081	993	911	833	761	685
W2142 SD	1146	1051	965	881	805	725

## WALL CABINET • 2 BUTT DOORS • 42" HIGH



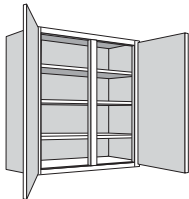
### STANDARD DOOR

W2442 BUTT	942	856	779	703	635	572
W2742 BUTT	1079	981	892	806	727	654
W3042 BUTT	1196	1088	989	892	806	725
W3342 BUTT	1244	1132	1029	928	838	754
W3642 BUTT	1305	1187	1078	974	880	792

### SPECIALTY DOOR

W2442 BUTT SD	1332	1229	1137	1046	964	868
W2742 BUTT SD	1497	1379	1272	1169	1074	967
W3042 BUTT SD	1637	1508	1389	1272	1169	1052
W3342 BUTT SD	1695	1560	1432	1313	1208	1087
W3642 BUTT SD	1768	1626	1496	1371	1258	1132

## WALL CABINET • 2 DOORS • 42" HIGH



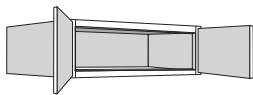
### STANDARD DOOR

W3942	1514	1377	1250	1130	1021	919
W4242	1741	1583	1438	1299	1174	1057

### SPECIALTY DOOR

W3942 SD	2019	1854	1703	1558	1427	1304
W4242 SD	2291	2102	1928	1761	1611	1470

## REFRIGERATOR WALL CABINET • 2 BUTT DOORS • 12" HIGH X 24" DEEP



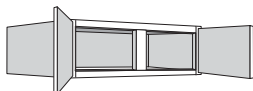
### STANDARD DOOR

W3012 X 24 DP BUTT	814	740	673	607	548	493
W3312 X 24 DP BUTT	827	752	683	617	557	502
W3612 X 24 DP BUTT	851	774	703	635	573	516

### SPECIALTY DOOR

W3012 X 24 DP BUTT SD	1175	1087	1005	927	856	770
W3312 X 24 DP BUTT SD	1190	1100	1018	938	867	780
W3612 X 24 DP BUTT SD	1219	1127	1042	961	886	797

## REFRIGERATOR WALL CABINET • 2 DOORS • 12" HIGH X 24" DEEP



### STANDARD DOOR

W3912 X 24 DP	1002	911	828	748	675	608
W4212 X 24 DP	1062	966	878	793	716	644

### SPECIALTY DOOR

W3912 X 24 DP SD	1400	1291	1192	1096	1008	907
------------------	------	------	------	------	------	-----

Illustrations are for reference only. Refer to Specification Guide for actual specifications.

# SKU

700 SERIES - CHERRY

700 SERIES - MAPLE  
700 SERIES - PAINTED  
600 SERIES - CHERRY

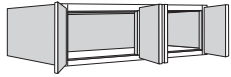
600 SERIES - MAPLE  
600 SERIES - PAINTED  
500 SERIES - CHERRY  
DT SERIES - DURAFORM

500 SERIES - MAPLE  
500 SERIES - PAINTED  
400 SERIES - CHERRY

400 SERIES - MAPLE  
400 SERIES - PAINTED  
300 SERIES - CHERRY  
D SERIES - DURAFORM

300 SERIES - MAPLE  
300 SERIES - PAINTED

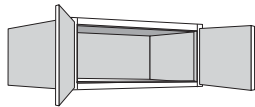
## REFRIGERATOR WALL CABINET - 4 BUTT DOORS - 12" HIGH X 24" DEEP



### STANDARD DOOR

W4812 X 24 DP BUTT	1221	1111	1009	912	823	741
--------------------	------	------	------	-----	-----	-----

## REFRIGERATOR WALL CABINET - 2 BUTT DOORS - 15" HIGH X 24" DEEP



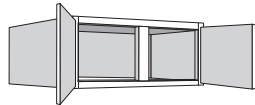
### STANDARD DOOR

W3015 X 24 DP BUTT	861	782	711	642	580	522
W3315 X 24 DP BUTT	852	775	704	636	574	517
W3615 X 24 DP BUTT	883	803	730	659	595	535

### SPECIALTY DOOR

W3015 X 24 DP BUTT SD	1231	1136	1051	968	894	805
W3315 X 24 DP BUTT SD	1220	1128	1043	962	887	798
W3615 X 24 DP BUTT SD	1258	1161	1074	989	912	821

## REFRIGERATOR WALL CABINET - 2 DOORS - 15" HIGH X 24" DEEP



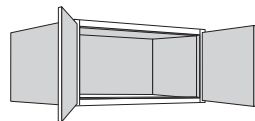
### STANDARD DOOR

W3915 X 24 DP	946	860	782	706	638	574
---------------	-----	-----	-----	-----	-----	-----

### SPECIALTY DOOR

W3915 X 24 DP SD	1333	1230	1136	1045	964	867
------------------	------	------	------	------	-----	-----

## REFRIGERATOR WALL CABINET - 2 BUTT DOORS - 18" HIGH X 24" DEEP



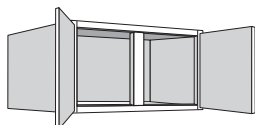
### STANDARD DOOR

W3018 X 24 DP BUTT	943	857	779	704	635	572
W3318 X 24 DP BUTT	984	894	813	734	664	597
W3618 X 24 DP BUTT	1008	916	833	752	679	611

### SPECIALTY DOOR

W3018 X 24 DP BUTT SD	1330	1226	1133	1043	961	864
W3318 X 24 DP BUTT SD	1379	1271	1174	1079	994	895
W3618 X 24 DP BUTT SD	1407	1297	1198	1100	1013	912

## REFRIGERATOR WALL CABINET - 2 DOORS - 18" HIGH X 24" DEEP



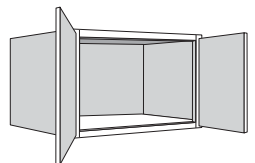
### STANDARD DOOR

W3918 X 24 DP	1000	909	826	744	799	719
---------------	------	-----	-----	-----	-----	-----

### SPECIALTY DOOR

W3918 X 24 DP SD	1398	1289	1189	1091	1157	1041
------------------	------	------	------	------	------	------

## REFRIGERATOR WALL CABINET - 2 BUTT DOORS - 21" HIGH X 24" DEEP



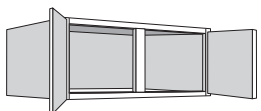
### STANDARD DOOR

W3021 X 24 DP BUTT	1010	917	834	753	680	612
W3321 X 24 DP BUTT	1054	958	870	786	709	638
W3621 X 24 DP BUTT	1078	981	891	805	727	654

### SPECIALTY DOOR

W3021 X 24 DP BUTT SD	1410	1298	1199	1102	1014	913
W3321 X 24 DP BUTT SD	1462	1347	1243	1141	1049	944
W3621 X 24 DP BUTT SD	1492	1375	1268	1164	1070	963

## REFRIGERATOR WALL CABINET - 2 DOORS - 21" HIGH X 24" DEEP



### STANDARD DOOR

W3921 X 24 DP	1103	1004	912	824	745	670
---------------	------	------	-----	-----	-----	-----

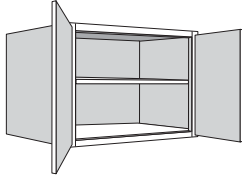
### SPECIALTY DOOR

W3921 X 24 DP SD	1522	1402	1292	1186	1092	982
------------------	------	------	------	------	------	-----

# SKU

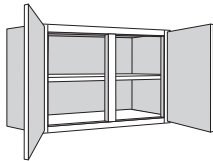
700 SERIES - CHERRY  
 700 SERIES - MAPLE  
 700 SERIES - PAINTED  
 600 SERIES - CHERRY  
 600 SERIES - MAPLE  
 600 SERIES - PAINTED  
 500 SERIES - CHERRY  
 500 SERIES - MAPLE  
 500 SERIES - PAINTED  
 400 SERIES - CHERRY  
 400 SERIES - MAPLE  
 400 SERIES - PAINTED  
 300 SERIES - CHERRY  
 300 SERIES - MAPLE  
 300 SERIES - PAINTED

## REFRIGERATOR WALL CABINET - 2 BUTT DOORS - 24" HIGH X 24" DEEP



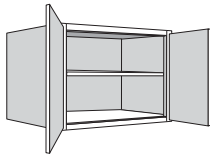
STANDARD DOOR						
W3024 X 24 DP BUTT	903	822	747	674	608	547
W3324 X 24 DP BUTT	1132	1029	935	844	762	686
W3624 X 24 DP BUTT	1172	1066	969	875	790	711
SPECIALTY DOOR						
W3024 X 24 DP BUTT SD	1282	1184	1094	1007	928	835
W3324 X 24 DP BUTT SD	1556	1433	1320	1211	1112	1001
W3624 X 24 DP BUTT SD	1604	1477	1361	1248	1146	1031

## REFRIGERATOR WALL CABINET - 2 DOORS - 24" HIGH X 24" DEEP



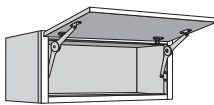
STANDARD DOOR						
W3924 X 24 DP	1324	1205	1095	989	893	803
SPECIALTY DOOR						
W3924 X 24 DP SD	1787	1643	1512	1385	1269	1162

## REFRIGERATOR WALL CABINET - 2 BUTT DOORS - 27" HIGH X 24" DEEP



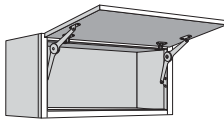
STANDARD DOOR						
W3027 X 24 DP BUTT	1132	1029	935	844	762	686
SPECIALTY DOOR						
W3027 X 24 DP BUTT SD	1556	1433	1320	1211	1112	1001

## WALL TOP HINGE CABINET - 15" HIGH



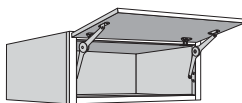
STANDARD DOOR						
WTH3015	1071	974	886	799	721	649
WTH3615	1240	1128	1026	926	836	752
SPECIALTY DOOR						
WTH3015 SD	1384	1268	1162	1058	964	868
WTH3615 SD	1386	1270	1164	1060	966	870

## WALL TOP HINGE CABINET - 18" HIGH



STANDARD DOOR						
WTH3018	1145	1040	946	855	772	695
WTH3618	1330	1209	1100	993	896	806
SPECIALTY DOOR						
WTH3018 SD	1473	1347	1234	1125	1025	923
WTH3618 SD	1697	1552	1421	1293	1176	1059

## WALL TOP HINGE CABINET - 15" HIGH X 24" DEEP



STANDARD DOOR						
WTH3015 X 24 DP	1288	1172	1066	961	867	780
WTH3615 X 24 DP	1492	1357	1234	1114	1006	905
SPECIALTY DOOR						
WTH3015 X 24 DP SD	1645	1505	1378	1252	1139	1025
WTH3615 X 24 DP SD	1891	1729	1582	1438	1308	1177

Illustrations are for reference only. Refer to Specification Guide for actual specifications.

# SKU

700 SERIES - CHERRY

700 SERIES - MAPLE  
700 SERIES - PAINTED  
600 SERIES - CHERRY

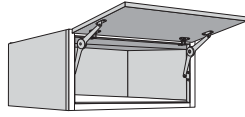
600 SERIES - MAPLE  
600 SERIES - PAINTED  
500 SERIES - CHERRY  
DT SERIES - DURAFORM

500 SERIES - MAPLE  
500 SERIES - PAINTED  
400 SERIES - CHERRY

400 SERIES - MAPLE  
400 SERIES - PAINTED  
300 SERIES - CHERRY  
D SERIES - DURAFORM

300 SERIES - MAPLE  
300 SERIES - PAINTED

## WALL TOP HINGE CABINET • 18" HIGH X 24" DEEP



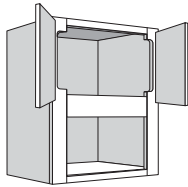
### STANDARD DOOR

WTH3018 X 24 DP	1374	1248	1135	1026	925	833
WTH3618 X 24 DP	1596	1451	1320	1192	1075	968

### SPECIALTY DOOR

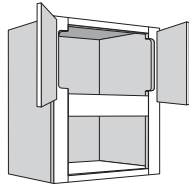
WTH3018 X 24 DP SD	1748	1597	1461	1330	1209	1088
WTH3618 X 24 DP SD	2016	1842	1685	1531	1391	1252

## WALL MICROWAVE CABINET • 2 BUTT DOORS • 36" HIGH



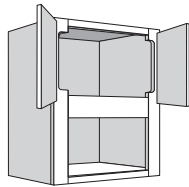
WMC271836 BUTT	1178	1071	974	879	794	715
WMC272136 BUTT	1178	1071	974	879	794	715
WMC301836 BUTT	1252	1138	1034	934	844	760
WMC302136 BUTT	1252	1138	1034	934	844	760

## WALL MICROWAVE CABINET • 2 BUTT DOORS • 39" HIGH



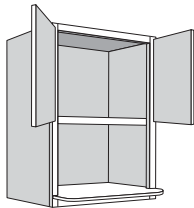
WMC271839 BUTT	1249	1135	1032	932	842	758
WMC272139 BUTT	1249	1135	1032	932	842	758
WMC301839 BUTT	1473	1339	1217	1099	993	894
WMC302139 BUTT	1473	1339	1217	1099	993	894

## WALL MICROWAVE CABINET • 2 BUTT DOORS • 42" HIGH



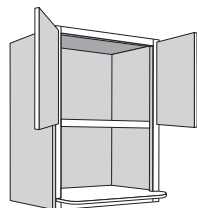
WMC301842 BUTT	1547	1406	1278	1154	1043	938
WMC302142 BUTT	1547	1406	1278	1154	1043	938

## WALL COMPACT MICROWAVE SHELF CABINET • 2 BUTT DOORS • 36" HIGH

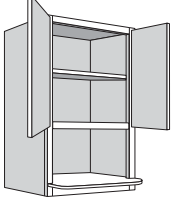
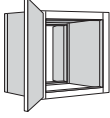
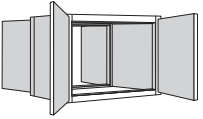
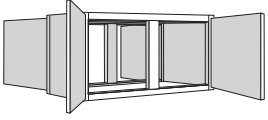
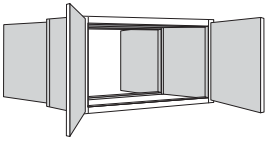
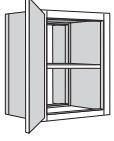


WCMSC241236 BUTT	1133	1030	936	845	763	687
WCMSC271236 BUTT	1133	1030	936	845	763	687

## WALL MICROWAVE SHELF CABINET • 2 BUTT DOORS • 36" HIGH



WMSC271236 BUTT	1133	1030	936	845	763	687
WMSC271836 BUTT	1473	1339	1217	1099	993	894
WMSC301236 BUTT	1133	1030	936	845	763	687

SKU		700 SERIES - CHERRY	700 SERIES - MAPLE	700 SERIES - PAINTED	600 SERIES - CHERRY	600 SERIES - MAPLE	600 SERIES - PAINTED	500 SERIES - CHERRY	500 SERIES - MAPLE	500 SERIES - PAINTED	400 SERIES - CHERRY	400 SERIES - MAPLE	400 SERIES - PAINTED	300 SERIES - CHERRY	300 SERIES - MAPLE	300 SERIES - PAINTED
<b>WALL MICROWAVE SHELF CABINET • 2 BUTT DOORS • 42" HIGH</b>																
	WMSC271842 BUTT	1546	1406	1278					1154			1042				938
<b>PENINSULA WALL CABINET • 2 DOORS • 18" HIGH</b>																
	<b>STANDARD DOOR</b>															
	PW1818	907	824	749					677			611				550
	<b>SPECIALTY DOOR</b>															
	PW1818 SD	1286	1187	1097					1010			931				838
<b>PENINSULA WALL CABINET • 4 BUTT DOORS • 18" HIGH</b>																
	<b>STANDARD DOOR</b>															
	PW2418 BUTT	1084	985	896					809			730				657
	PW3018 BUTT	1203	1094	995					898			811				730
	PW3618 BUTT	1300	1182	1074					970			911				820
	<b>SPECIALTY DOOR</b>															
	PW2418 BUTT SD	1697	1578	1471					1367			1272				1145
	PW3018 BUTT SD	1840	1709	1590					1474			1369				1232
PW3618 BUTT SD	1956	1814	1685					1560			1489				1340	
<b>PENINSULA WALL CABINET • 4 DOORS • 18" HIGH</b>																
	<b>STANDARD DOOR</b>															
	PW4218	1413	1285	1168					1054			952				857
	<b>SPECIALTY DOOR</b>															
	PW4218 SD	2092	1938	1798					1661			1538				1385
<b>PENINSULA WALL CABINET • 4 BUTT DOORS • 21" HIGH</b>																
	<b>STANDARD DOOR</b>															
	PW3021 BUTT	1340	1218	1107					999			903				812
	PW3621 BUTT	1447	1316	1196					1080			976				878
	<b>SPECIALTY DOOR</b>															
	PW3021 BUTT SD	2003	1857	1724					1595			1479				1331
PW3621 BUTT SD	2132	1975	1831					1691			1567				1410	
<b>PENINSULA WALL CABINET • 2 DOORS • 24" HIGH</b>																
	<b>STANDARD DOOR</b>															
	PW1224	868	790	718					648			585				527
	PW1824	943	858	780					704			636				572
	<b>SPECIALTY DOOR</b>															
	PW1224 SD	1240	1146	1060					976			900				810
PW1824 SD	1330	1228	1134					1043			961				865	

Illustrations are for reference only. Refer to Specification Guide for actual specifications.

# SKU

700 SERIES - CHERRY

700 SERIES - MAPLE  
700 SERIES - PAINTED  
600 SERIES - CHERRY

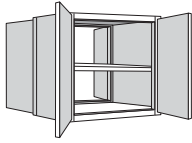
600 SERIES - MAPLE  
600 SERIES - PAINTED  
500 SERIES - CHERRY  
DT SERIES - DURAFORM

500 SERIES - MAPLE  
500 SERIES - PAINTED  
400 SERIES - CHERRY

400 SERIES - MAPLE  
400 SERIES - PAINTED  
300 SERIES - CHERRY  
D SERIES - DURAFORM

300 SERIES - MAPLE  
300 SERIES - PAINTED

## PENINSULA WALL CABINET • 4 BUTT DOORS • 24" HIGH



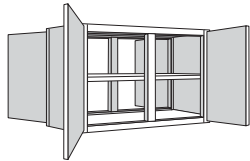
### STANDARD DOOR

PW2424 BUTT	1171	1064	968	874	789	710
PW3024 BUTT	1400	1273	1158	1045	943	849
PW3624 BUTT	1509	1372	1247	1126	1017	915

### SPECIALTY DOOR

PW2424 BUTT SD	1801	1673	1558	1445	1343	1209
PW3024 BUTT SD	2076	1924	1786	1650	1528	1375
PW3624 BUTT SD	2207	2042	1892	1747	1616	1455

## PENINSULA WALL CABINET • 4 DOORS • 24" HIGH



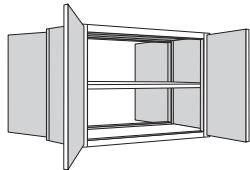
### STANDARD DOOR

PW4224	1616	1469	1335	1206	1089	980
--------	------	------	------	------	------	-----

### SPECIALTY DOOR

PW4224 SD	2335	2159	1998	1843	1703	1533
-----------	------	------	------	------	------	------

## PENINSULA WALL CABINET • 4 BUTT DOORS • 27" HIGH



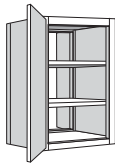
### STANDARD DOOR

PW3027 BUTT	1470	1336	1215	1096	990	891
-------------	------	------	------	------	-----	-----

### SPECIALTY DOOR

PW3027 BUTT SD	2159	2000	1854	1711	1584	1426
----------------	------	------	------	------	------	------

## PENINSULA WALL CABINET • 2 DOORS • 30" HIGH



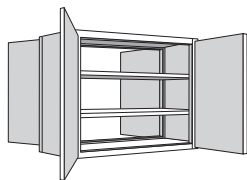
### STANDARD DOOR

PW1230	911	828	753	680	614	553
PW1530	969	881	801	723	653	588
PW1830	1024	931	846	764	690	621
PW2430	1246	1132	1029	930	839	755

### SPECIALTY DOOR

PW1230 SD	1291	1192	1102	1014	935	841
PW1530 SD	1361	1255	1159	1066	982	883
PW1830 SD	1427	1315	1213	1115	1026	923

## PENINSULA WALL CABINET • 4 BUTT DOORS • 30" HIGH



### STANDARD DOOR

PW2430 BUTT	1323	1202	1094	988	892	803
PW3030 BUTT	1512	1375	1250	1128	1019	917
PW3630 BUTT	1692	1538	1398	1263	1140	1026

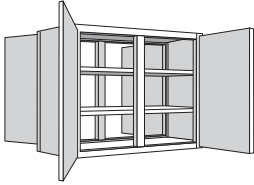
### SPECIALTY DOOR

PW2430 BUTT SD	1984	1838	1709	1582	1466	1320
PW3030 BUTT SD	2210	2046	1896	1750	1619	1457
PW3630 BUTT SD	2426	2242	2074	1912	1764	1588

# SKU

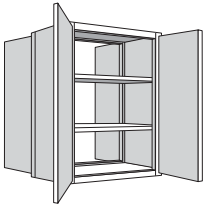
700 SERIES - CHERRY  
 700 SERIES - MAPLE  
 700 SERIES - PAINTED  
 600 SERIES - CHERRY  
 600 SERIES - MAPLE  
 600 SERIES - PAINTED  
 500 SERIES - CHERRY  
 500 SERIES - MAPLE  
 500 SERIES - PAINTED  
 400 SERIES - CHERRY  
 400 SERIES - MAPLE  
 400 SERIES - PAINTED  
 300 SERIES - CHERRY  
 300 SERIES - MAPLE  
 300 SERIES - PAINTED

## PENINSULA WALL CABINET • 4 DOORS • 30" HIGH



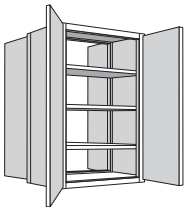
STANDARD DOOR						
PW4230	1768	1608	1461	1320	1192	1073
SPECIALTY DOOR						
PW4230 SD	2518	2326	2149	1980	1826	1644

## PENINSULA WALL CABINET • 4 BUTT DOORS • 36" HIGH



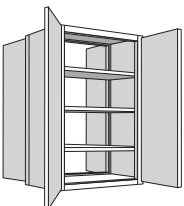
STANDARD DOOR						
PW2436 BUTT	1506	1369	1244	1124	1015	914
PW3036 BUTT	1740	1582	1438	1299	1172	1055
PW3636 BUTT	1955	1777	1616	1459	1318	1186
SPECIALTY DOOR						
PW2436 BUTT SD	2211	2047	1897	1753	1622	1460
PW3036 BUTT SD	2492	2302	2130	1963	1810	1629
PW3636 BUTT SD	2750	2536	2343	2155	1986	1787

## PENINSULA WALL CABINET • 4 BUTT DOORS • 39" HIGH



STANDARD DOOR						
PW2439 BUTT	1573	1430	1300	1174	1060	954
PW3039 BUTT	1820	1655	1504	1358	1226	1103
PW3639 BUTT	2035	1851	1683	1519	1372	1235
SPECIALTY DOOR						
PW2439 BUTT SD	2292	2120	1964	1813	1676	1508
PW3039 BUTT SD	2588	2390	2209	2034	1875	1688
PW3639 BUTT SD	2846	2625	2424	2227	2050	1845

## PENINSULA WALL CABINET • 4 BUTT DOORS • 42" HIGH



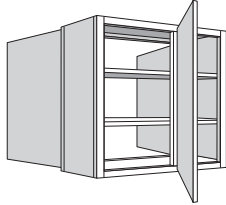
STANDARD DOOR						
PW2442 BUTT	1595	1450	1319	1191	1075	968
PW3042 BUTT	1846	1679	1526	1378	1244	1120
PW3642 BUTT	2062	1875	1705	1539	1390	1251
SPECIALTY DOOR						
PW2442 BUTT SD	2318	2144	1987	1833	1694	1525
PW3042 BUTT SD	2619	2419	2235	2058	1897	1707
PW3642 BUTT SD	2878	2654	2450	2251	2072	1865

Illustrations are for reference only. Refer to Specification Guide for actual specifications.



# SKU

## BLIND PENINSULA WALL CABINET • 3 DOORS



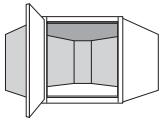
### STANDARD DOOR

BLPW2424 BUTT	1171	1064	968	874	789	710
BLPW2430 BUTT	1246	1132	1029	930	839	755
BLPW2436 BUTT	1506	1369	1244	1124	1015	914
BLPW2439 BUTT	1573	1430	1301	1175	1060	954
BLPW2442 BUTT	1595	1450	1319	1191	1075	968

### SPECIALTY DOOR

BLPW2424 BUTT SD	1702	1574	1459	1346	1244	1119
BLPW2430 BUTT SD	1792	1655	1532	1413	1304	1173
BLPW2436 BUTT SD	2110	1946	1796	1652	1521	1369
BLPW2439 BUTT SD	2191	2019	1864	1713	1575	1418
BLPW2442 BUTT SD	2217	2043	1886	1732	1593	1434

## CORNER WALL CABINET • 18" HIGH



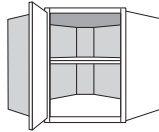
### STANDARD DOOR

CW2418	796	724	658	594	537	483
CW2718	957	870	791	714	645	580

### SPECIALTY DOOR

CW2418 SD	1054	968	889	812	743	669
CW2718 SD	1248	1143	1048	956	873	786

## CORNER WALL CABINET • 24" HIGH



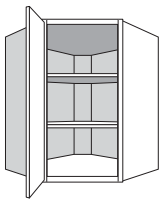
### STANDARD DOOR

CW2424	937	851	774	699	631	568
CW2724	1126	1023	930	840	759	683

### SPECIALTY DOOR

CW2424 SD	1223	1120	1028	938	856	771
CW2724 SD	1450	1120	1215	1107	1010	909

## CORNER WALL CABINET • 30" HIGH



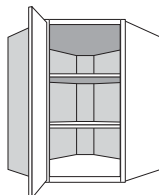
### STANDARD DOOR

CW2430	1070	973	884	798	721	649
CW2730	1229	1117	1016	917	828	745

### SPECIALTY DOOR

CW2430 SD	1383	1267	1160	1057	964	868
CW2730 SD	1574	1439	1318	1199	1093	983

## CORNER WALL CABINET • 36" HIGH



### STANDARD DOOR

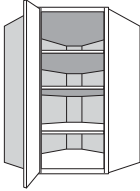
CW2436	1236	1124	1022	922	833	750
CW2736	1484	1349	1226	1107	1000	900

### SPECIALTY DOOR

CW2436 SD	1584	1450	1327	1207	1101	991
CW2736 SD	1882	1720	1572	1429	1301	1171

# SKU

## CORNER WALL CABINET - 39" HIGH



### STANDARD DOOR

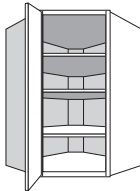
CW2439	1293	1175	1068	964	871	784
CW2739	1552	1411	1282	1157	1045	941

### SPECIALTY DOOR

CW2439 SD	1653	1511	1383	1258	1146	1032
CW2739 SD	1963	1794	1639	1489	1355	1220

700 SERIES - CHERRY	700 SERIES - MAPLE	700 SERIES - PAINTED	600 SERIES - CHERRY	600 SERIES - MAPLE	600 SERIES - PAINTED	500 SERIES - CHERRY	DT SERIES - DURAFORM	500 SERIES - MAPLE	500 SERIES - PAINTED	400 SERIES - CHERRY	400 SERIES - MAPLE	400 SERIES - PAINTED	300 SERIES - CHERRY	D SERIES - DURAFORM	300 SERIES - MAPLE	300 SERIES - PAINTED
---------------------	--------------------	----------------------	---------------------	--------------------	----------------------	---------------------	----------------------	--------------------	----------------------	---------------------	--------------------	----------------------	---------------------	---------------------	--------------------	----------------------

## CORNER WALL CABINET - 42" HIGH



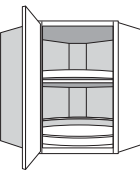
### STANDARD DOOR

CW2442	1311	1192	1083	978	883	795
CW2742	1574	1431	1301	1174	1060	954

### SPECIALTY DOOR

CW2442 SD	1674	1531	1401	1275	1161	1045
CW2742 SD	1990	1818	1662	1510	1373	1236

## CORNER WALL CABINET - WOOD SPIN



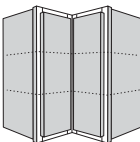
### STANDARD DOOR

CWS2430 WD	1757	1598	1452	1311	1184	1066
CWS2436 WD	1923	1749	1590	1435	1296	1166
CWS2439 WD	1980	1800	1637	1477	1334	1201
CWS2442 WD	1998	1817	1652	1491	1347	1212

### SPECIALTY DOOR

CWS2430 WD SD	2207	2017	1841	1672	1520	1368
CWS2436 WD SD	2409	2200	2009	1823	1656	1491
CWS2439 WD SD	2477	2261	2065	1873	1702	1532
CWS2442 WD SD	2499	2281	2083	1890	1717	1546

## WALL EASY REACH CABINET

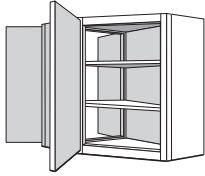


WER2430	1322	1202	1092	986	891	802
WER2436	1519	1381	1256	1134	1024	922
WER2439	1594	1449	1318	1190	1075	968
WER2442	1619	1471	1338	1208	1091	982

Illustrations are for reference only. Refer to Specification Guide for actual specifications.

# SKU

## PENINSULA CORNER WALL CABINET



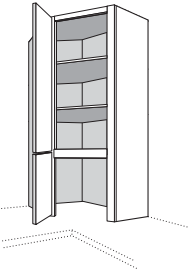
### STANDARD DOOR

PWCW2430 BUTT	2394	2177	1979	1787	1614	1453
PWCW2436 BUTT	2754	2503	2276	2055	1856	1670
PWCW2439 BUTT	2888	2626	2387	2156	1947	1752
PWCW2442 BUTT	2933	2667	2424	2189	1977	1779

### SPECIALTY DOOR

PWCW2430 BUTT SD	3170	2909	2672	2441	2234	2010
PWCW2436 BUTT SD	3608	3307	3034	2769	2530	2277
PWCW2439 BUTT SD	3769	3454	3167	2890	2639	2375
PWCW2442 BUTT SD	3823	3503	3212	2930	2675	2408

## CORNER WALL CABINET WITH APPLIANCE GARAGE • 48" HIGH



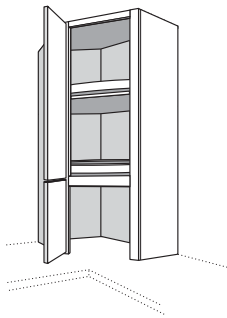
### STANDARD DOOR

CWD2448	1591	1448	1318	1192	1079	971
---------	------	------	------	------	------	-----

### SPECIALTY DOOR

CWD2448 SD	2008	1837	1681	1529	1394	1254
------------	------	------	------	------	------	------

## CORNER WALL CABINET WITH APPLIANCE GARAGE • WOOD SPIN • 48" HIGH



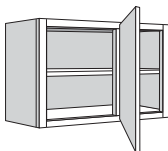
### STANDARD DOOR

CWDS2448 WD	2300	2093	1904	1722	1557	1401
-------------	------	------	------	------	------	------

### SPECIALTY DOOR

CWDS2448 WD SD	2859	2611	2384	2165	1967	1771
----------------	------	------	------	------	------	------

## BLIND WALL CABINET • 1 DOOR • 24" HIGH



### STANDARD DOOR

BLW24/2724	682	620	564	509	460	414
BLW27/3024	790	718	653	589	532	479
BLW30/3324	834	759	690	623	562	506
BLW33/3624	888	807	734	662	598	538

### SPECIALTY DOOR

BLW24/2724 SD	917	843	776	710	651	586
BLW27/3024 SD	1047	961	883	806	737	664
BLW30/3324 SD	1100	1010	927	847	773	696
BLW33/3624 SD	1165	1067	980	893	817	735

700 SERIES - CHERRY

700 SERIES - MAPLE  
700 SERIES - PAINTED  
600 SERIES - CHERRY

600 SERIES - MAPLE  
600 SERIES - PAINTED  
500 SERIES - CHERRY  
DT SERIES - DURAFORM

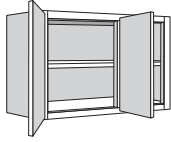
500 SERIES - MAPLE  
500 SERIES - PAINTED  
400 SERIES - CHERRY

400 SERIES - MAPLE  
400 SERIES - PAINTED  
300 SERIES - CHERRY  
D SERIES - DURAFORM

300 SERIES - MAPLE  
300 SERIES - PAINTED

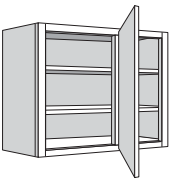
# SKU

## BLIND WALL CABINET • 2 BUTT DOORS • 24" HIGH



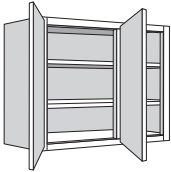
STANDARD DOOR						
BLW36/3924 BUTT	966	879	799	721	651	586
SPECIALTY DOOR						
BLW36/3924 BUTT SD	1357	1253	1157	1063	979	881

## BLIND WALL CABINET • 1 DOOR • 30" HIGH



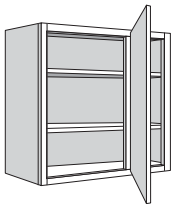
STANDARD DOOR						
BLW24/2730	735	668	608	549	495	446
BLW27/3030	834	759	690	623	562	506
BLW30/3330	907	824	749	677	611	550
BLW33/3630	943	858	780	704	636	572
BLW36/3930	1018	926	842	760	686	617
SPECIALTY DOOR						
BLW24/2730 SD	981	901	829	758	693	624
BLW27/3030 SD	1100	1010	927	847	773	696
BLW30/3330 SD	1187	1088	998	911	832	749
BLW33/3630 SD	1231	1129	1035	944	862	776

## BLIND WALL CABINET • 2 BUTT DOORS • 30" HIGH



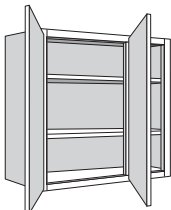
STANDARD DOOR						
BLW36/3930 BUTT	1082	984	894	808	729	656
BLW39/4230 BUTT	1116	1015	923	833	752	677
BLW42/4530 BUTT	1223	1112	1011	913	825	743
BLW45/4830 BUTT	1272	1156	1051	950	857	771
BLW48/5130 BUTT	1322	1202	1093	987	891	802
SPECIALTY DOOR						
BLW36/3930 BUTT SD	1496	1379	1271	1168	1073	966
BLW39/4230 BUTT SD	1537	1416	1306	1198	1100	990
BLW42/4530 BUTT SD	1666	1532	1411	1294	1188	1069
BLW45/4830 BUTT SD	1724	1586	1460	1337	1226	1104
BLW48/5130 BUTT SD	1784	1640	1510	1382	1267	1140

## BLIND WALL CABINET • 1 DOOR • 36" HIGH



STANDARD DOOR						
BLW24/2736	855	777	707	638	576	518
BLW30/3336	1041	947	861	777	702	632
BLW33/3636	1085	986	897	810	731	658
SPECIALTY DOOR						
BLW24/2736 SD	1127	1033	949	867	792	713
BLW30/3336 SD	1350	1237	1134	1033	943	849
BLW33/3636 SD	1403	1284	1177	1073	978	880

## BLIND WALL CABINET • 2 BUTT DOORS • 36" HIGH



STANDARD DOOR						
BLW36/3936 BUTT	1192	1084	986	890	804	724
BLW39/4236 BUTT	1284	1167	1061	958	865	779
BLW42/4536 BUTT	1415	1286	1170	1056	954	859
SPECIALTY DOOR						
BLW36/3936 BUTT SD	1632	1503	1385	1270	1167	1050
BLW39/4236 BUTT SD	1743	1602	1475	1352	1240	1116
BLW42/4536 BUTT SD	1900	1745	1606	1469	1347	1212

Illustrations are for reference only. Refer to Specification Guide for actual specifications.

# SKU

## BLIND WALL CABINET • 1 DOOR • 39" HIGH



### STANDARD DOOR

	700 SERIES - CHERRY	700 SERIES - MAPLE	700 SERIES - PAINTED	600 SERIES - CHERRY	600 SERIES - MAPLE	600 SERIES - PAINTED	500 SERIES - CHERRY	DT SERIES - DURAFORM	500 SERIES - MAPLE	500 SERIES - PAINTED	400 SERIES - CHERRY	400 SERIES - MAPLE	400 SERIES - PAINTED	300 SERIES - CHERRY	D SERIES - DURAFORM	300 SERIES - MAPLE	300 SERIES - PAINTED
BLW24/2739	894	812	739	667	603	543											
BLW30/3339	1112	1011	919	830	749	674											
BLW33/3639	1159	1053	958	865	781	703											

### SPECIALTY DOOR

BLW24/2739 SD	1174	1075	988	901	825	742											
BLW30/3339 SD	1435	1314	1204	1097	1000	900											
BLW33/3639 SD	1492	1365	1251	1139	1038	934											

## BLIND WALL CABINET • 2 BUTT DOORS • 39" HIGH



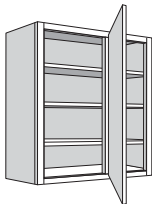
### STANDARD DOOR

BLW36/3939 BUTT	1254	1140	1036	936	845	761											
BLW39/4239 BUTT	1370	1245	1132	1022	923	831											
BLW42/4539 BUTT	1510	1372	1247	1127	1018	916											

### SPECIALTY DOOR

BLW36/3939 BUTT SD	1707	1570	1445	1325	1216	1094											
BLW39/4239 BUTT SD	1846	1696	1560	1428	1310	1179											
BLW42/4539 BUTT SD	2014	1848	1698	1554	1424	1281											

## BLIND WALL CABINET • 1 DOOR • 42" HIGH



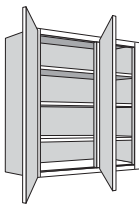
### STANDARD DOOR

BLW24/2742	907	824	749	677	611	550											
BLW30/3342	1135	1032	938	847	765	689											
BLW33/3642	1183	1075	978	883	797	717											

### SPECIALTY DOOR

BLW24/2742 SD	1189	1090	1000	913	834	751											
BLW30/3342 SD	1463	1339	1227	1117	1019	917											
BLW33/3642 SD	1521	1391	1275	1161	1057	952											

## BLIND WALL CABINET • 2 BUTT DOORS • 42" HIGH



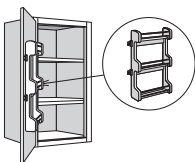
### STANDARD DOOR

BLW36/3942 BUTT	1274	1158	1053	951	859	773											
BLW39/4242 BUTT	1398	1271	1155	1043	942	848											
BLW42/4542 BUTT	1541	1401	1273	1150	1039	935											

### SPECIALTY DOOR

BLW36/3942 BUTT SD	1731	1592	1466	1343	1233	1110											
BLW39/4242 BUTT SD	1880	1727	1588	1454	1332	1199											
BLW42/4542 BUTT SD	2051	1883	1730	1582	1449	1304											

## WALL CABINET WITH SPICE RACK • 30" HIGH



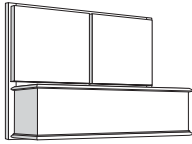
W1530 SR	718	662	611	561	516	474											
W1830 SR	776	715	661	608	560	515											
W2130 SR	852	787	728	670	618	570											

SKU		700 SERIES - CHERRY	700 SERIES - MAPLE	700 SERIES - PAINTED	600 SERIES - CHERRY	600 SERIES - MAPLE	600 SERIES - PAINTED	500 SERIES - CHERRY	500 SERIES - MAPLE	500 SERIES - PAINTED	400 SERIES - CHERRY	400 SERIES - MAPLE	400 SERIES - PAINTED	300 SERIES - CHERRY	300 SERIES - MAPLE	300 SERIES - PAINTED
<b>WALL CABINET WITH SPICE RACK • 36" HIGH</b>																
	W1536 SR	816	751	692	634	582	534									
	W1836 SR	883	813	750	688	632	580									
	W2136 SR	961	886	818	752	692	636									
<b>WALL CABINET WITH SPICE RACK • 39" HIGH</b>																
	W1539 SR	847	779	718	657	603	553									
	W1839 SR	919	846	779	715	656	602									
	W2139 SR	995	917	846	777	715	657									
<b>WALL CABINET WITH SPICE RACK • 42" HIGH</b>																
	W1542 SR	857	788	726	665	610	559									
	W1842 SR	931	857	789	724	664	609									
	W2142 SR	1006	927	855	785	722	663									
<b>WALL END ANGLE CABINET</b>																
	<b>STANDARD DOOR</b>															
	WEA1230	686	624	567	512	462	416									
	WEA1236	790	718	653	589	532	479									
	WEA1239	827	751	683	617	557	501									
	WEA1242	839	762	693	626	565	509									
	<b>SPECIALTY DOOR</b>															
	WEA1230 SD	922	848	779	713	653	588									
	WEA1236 SD	1049	963	885	808	739	665									
	WEA1239 SD	1093	1002	921	841	769	692									
	WEA1242 SD	1108	1015	933	852	779	701									

Illustrations are for reference only. Refer to Specification Guide for actual specifications.

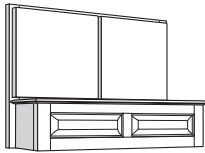
# SKU

## WALL RANGE HOOD - STRAIGHT VALANCE



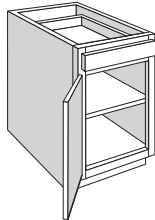
	700 SERIES - CHERRY	700 SERIES - MAPLE	700 SERIES - PAINTED	600 SERIES - CHERRY	600 SERIES - MAPLE	600 SERIES - PAINTED	500 SERIES - CHERRY	500 SERIES - MAPLE	500 SERIES - PAINTED	400 SERIES - CHERRY	400 SERIES - MAPLE	400 SERIES - PAINTED	300 SERIES - CHERRY	300 SERIES - MAPLE	300 SERIES - PAINTED
WRH3024 SV	2121	2097	2075	2053	2033	2015									
WRH3027 SV	2239	2211	2185	2159	2135	2113									
WRH3030 SV	2270	2238	2208	2180	2154	2130									
WRH3624 SV	2348	2318	2292	2266	2242	2220									
WRH3627 SV	2455	2423	2393	2365	2339	2315									
WRH3630 SV	2469	2433	2401	2369	2341	2315									

## WALL RANGE HOOD - RAISED PANEL



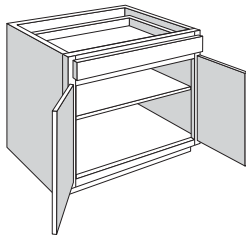
WRH3024 RP	2284	2260	2238	2216	2196	2178									
WRH3027 RP	3294	2366	2340	2314	2290	2268									
WRH3030 RP	2527	2495	2465	2437	2411	2387									
WRH3624 RP	2622	2592	2566	2540	2516	2494									
WRH3627 RP	2709	2677	2647	2619	2593	2569									
WRH3630 RP	2828	2792	2760	2728	2700	2674									

## BASE CABINET - 1 DOOR - 1 DRAWER



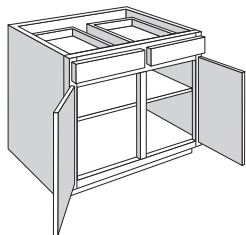
B12	840	769	705	643	587	528									
B15	881	807	739	674	614	553									
B18	918	840	769	701	639	575									
B21	954	873	800	728	664	598									
B24	1043	954	873	794	724	652									

## BASE CABINET - 2 BUTT DOORS - 1 DRAWER



B24 BUTT	1128	1032	944	858	781	703									
B27 BUTT	1163	1063	972	884	804	724									
B30 BUTT	1287	1176	1075	977	889	800									
B33 BUTT	1344	1228	1122	1019	926	833									
B36 1TD BUTT	1503	1373	1254	1138	1034	931									

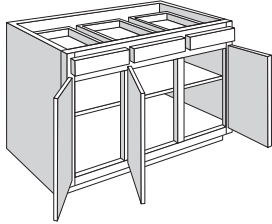
## BASE CABINET - 2 DOORS - 2 DRAWERS



B36	1533	1405	1289	1176	1075	968									
B39	1555	1425	1307	1193	1089	980									
B42	1595	1462	1341	1223	1117	1005									
B48	1734	1588	1456	1327	1210	1089									

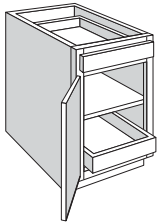
# SKU

## BASE CABINET • 3 DOORS • 3 DRAWERS



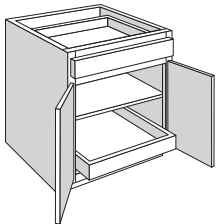
	700 SERIES - CHERRY	700 SERIES - MAPLE	700 SERIES - PAINTED	600 SERIES - CHERRY	600 SERIES - MAPLE	600 SERIES - PAINTED	500 SERIES - CHERRY	500 SERIES - MAPLE	500 SERIES - PAINTED	400 SERIES - CHERRY	400 SERIES - MAPLE	400 SERIES - PAINTED	300 SERIES - CHERRY	300 SERIES - MAPLE	300 SERIES - PAINTED
B45	1889	1735	1595	1459	1336	1202									

## BASE CABINET • 1 DOOR • 1 DRAWER • 1 FULL-ACCESS DEEP ROLL OUT TRAY



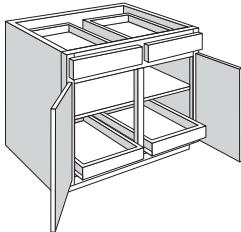
B12 FAFWT	1104	1009	924	840	765	689									
B15 FAFWT	1146	1048	958	872	793	714									
B18 FAFWT	1183	1081	989	899	818	736									
B21 FAFWT	1221	1116	1020	927	844	760									
B24 FAFWT	1308	1195	1092	993	902	812									

## BASE CABINET • 2 BUTT DOORS • 1 DRAWER • 1 FULL-ACCESS DEEP ROLL OUT TRAY



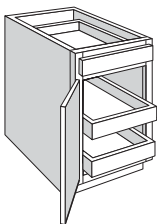
B24 FAFWT BUTT	1394	1273	1163	1057	960	864									
B27 FAFWT BUTT	1462	1335	1219	1107	1006	905									
B30 FAFWT BUTT	1599	1459	1333	1209	1098	988									
B33 FAFWT BUTT	1656	1512	1381	1253	1137	1024									
B36 1TD FAFWT BUTT	1816	1657	1513	1372	1245	1121									

## BASE CABINET • 2 DOORS • 2 DRAWERS • 2 FULL-ACCESS DEEP ROLL OUT TRAYS



B36 FA2T	2068	1891	1731	1576	1435	1292									
B39 FA2T	2087	1909	1747	1590	1448	1303									
B42 FA2T	2128	1946	1781	1620	1476	1328									
B48 FA2T	2265	2071	1894	1723	1568	1411									

## BASE CABINET • 1 DOOR • 1 DRAWER • 2 FULL-ACCESS DEEP ROLL OUT TRAYS



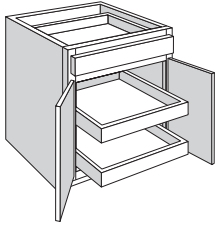
B12 FA2FWT	1369	1251	1143	1038	944	850									
B15 FA2FWT	1412	1289	1178	1070	972	875									
B18 FA2FWT	1448	1323	1208	1097	997	897									
B21 FA2FWT	1487	1357	1240	1126	1023	921									
B24 FA2FWT	1575	1438	1313	1192	1082	974									

Illustrations are for reference only. Refer to Specification Guide for actual specifications.



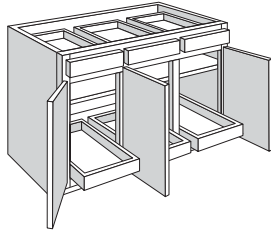
# SKU

## BASE CABINET • 2 BUTT DOORS • 1 DRAWER • 2 FULL-ACCESS DEEP ROLL OUT TRAYS



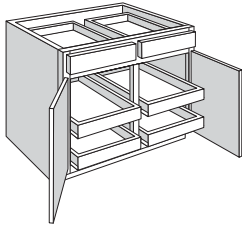
	700 SERIES - CHERRY	700 SERIES - MAPLE	700 SERIES - PAINTED	600 SERIES - CHERRY	600 SERIES - MAPLE	600 SERIES - PAINTED	500 SERIES - CHERRY	500 SERIES - MAPLE	500 SERIES - PAINTED	400 SERIES - CHERRY	400 SERIES - MAPLE	400 SERIES - PAINTED	300 SERIES - CHERRY	300 SERIES - MAPLE	300 SERIES - PAINTED
B24 FA2FWT BUTT	1659	1514	1383	1255	1139	1025									
B27 FA2FWT BUTT	1761	1607	1467	1331	1208	1087									
B30 FA2FWT BUTT	1911	1744	1591	1443	1309	1178									
B33 FA2FWT BUTT	1968	1795	1638	1485	1347	1213									
B36 1TD FA2FWT BUTT	2128	1940	1770	1604	1454	1309									

## BASE CABINET • 3 DOORS • 3 DRAWERS • 3 FULL-ACCESS DEEP ROLL OUT TRAYS



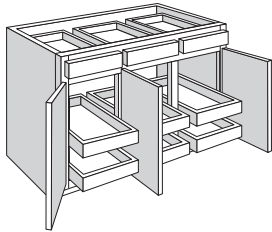
B45 FA3T	2531	2318	2125	1937	1768	1591									

## BASE CABINET • 2 DOORS • 2 DRAWERS • 4 FULL-ACCESS DEEP ROLL OUT TRAYS



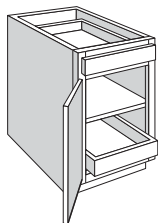
B36 FA4T	2608	2383	2178	1979	1799	1619									
B39 FA4T	2618	2391	2186	1986	1806	1625									
B42 FA4T	2659	2429	2219	2017	1833	1650									
B48 FA4T	2797	2555	2334	2120	1927	1734									

## BASE CABINET • 3 DOORS • 3 DRAWERS • 6 FULL-ACCESS DEEP ROLL OUT TRAYS



B45 FA6T	3172	2901	2655	2416	2200	1980									

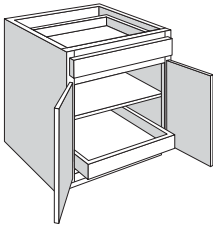
## BASE CABINET • 1 DOOR • 1 DRAWER • 1 FULL-ACCESS CUSHIONCLOSE® DEEP ROLL OUT TRAY



B12 CCFWT	1177	1075	984	894	814	733									
B15 CCFWT	1219	1114	1018	926	842	758									
B18 CCFWT	1256	1147	1049	953	867	780									
B21 CCFWT	1294	1182	1080	982	893	804									
B24 CCFWT	1381	1261	1152	1047	951	856									

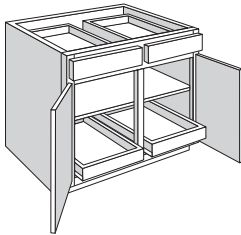
# SKU

## BASE CABINET • 2 BUTT DOORS • 1 DRAWER • 1 FULL-ACCESS CUSHIONCLOSE® DEEP ROLL OUT TRAY



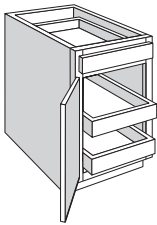
	700 SERIES - CHERRY	700 SERIES - MAPLE	700 SERIES - PAINTED	600 SERIES - CHERRY	600 SERIES - MAPLE	600 SERIES - PAINTED	500 SERIES - CHERRY	500 SERIES - MAPLE	500 SERIES - PAINTED	400 SERIES - CHERRY	400 SERIES - MAPLE	400 SERIES - PAINTED	300 SERIES - CHERRY	300 SERIES - MAPLE	300 SERIES - PAINTED
B24 CCFWT BUTT	1467	1339	1223	1111	1009	908									
B27 CCFWT BUTT	1535	1401	1279	1161	1055	950									
B30 CCFWT BUTT	1674	1527	1395	1265	1149	1034									
B33 CCFWT BUTT	1732	1580	1443	1309	1188	1069									
B36 1TD CCFWT BUTT	1892	1726	1575	1428	1296	1166									

## BASE CABINET • 2 DOORS • 2 DRAWERS • 2 FULL-ACCESS CUSHIONCLOSE® DEEP ROLL OUT TRAYS



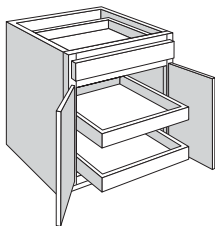
B36 CC2T	2213	2023	1851	1684	1533	1380									
B39 CC2T	2232	2041	1867	1698	1546	1391									
B42 CC2T	2273	2078	1901	1729	1573	1416									
B48 CC2T	2410	2203	2014	1831	1666	1499									

## BASE CABINET • 1 DOOR • 1 DRAWER • 2 FULL-ACCESS CUSHIONCLOSE® DEEP ROLL OUT TRAYS



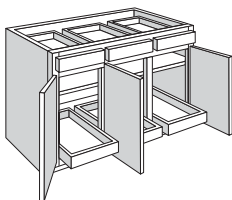
B12 CC2FWT	1515	1383	1263	1147	1042	938									
B15 CC2FWT	1557	1421	1298	1178	1070	963									
B18 CC2FWT	1594	1455	1328	1206	1095	986									
B21 CC2FWT	1632	1489	1360	1234	1120	1008									
B24 CC2FWT	1720	1570	1433	1300	1180	1062									

## BASE CABINET • 2 BUTT DOORS • 1 DRAWER • 2 FULL-ACCESS CUSHIONCLOSE® DEEP ROLL OUT TRAYS



B24 CC2FWT BUTT	1805	1646	1503	1363	1237	1113									
B27 CC2FWT BUTT	1907	1739	1587	1439	1306	1175									
B30 CC2FWT BUTT	2063	1881	1716	1555	1411	1270									
B33 CC2FWT BUTT	2119	1932	1762	1598	1449	1304									
B36 1TD CC2FWT BUTT	2279	2077	1894	1718	1556	1400									

## BASE CABINET • 3 DOORS • 3 DRAWERS • 3 FULL-ACCESS CUSHIONCLOSE® DEEP ROLL OUT TRAYS

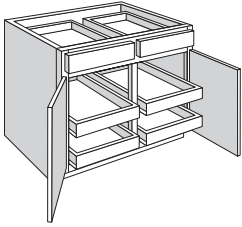


B45 CC3T	2748	2516	2305	2100	1915	1724									
----------	------	------	------	------	------	------	--	--	--	--	--	--	--	--	--

Illustrations are for reference only. Refer to Specification Guide for actual specifications.

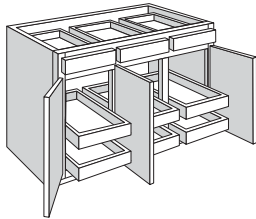
# SKU

## BASE CABINET • 2 DOORS • 2 DRAWERS • 4 FULL-ACCESS CUSHIONCLOSE® DEEP ROLL OUT TRAYS



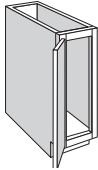
	700 SERIES - CHERRY	700 SERIES - MAPLE	700 SERIES - PAINTED	600 SERIES - CHERRY	600 SERIES - MAPLE	600 SERIES - PAINTED	500 SERIES - CHERRY	500 SERIES - MAPLE	500 SERIES - PAINTED	400 SERIES - CHERRY	400 SERIES - MAPLE	400 SERIES - PAINTED	300 SERIES - CHERRY	300 SERIES - MAPLE	300 SERIES - PAINTED
B36 CC4T	2899	2647	2418	2196	1995	1796									
B39 CC4T	2908	2655	2426	2203	2002	1802									
B42 CC4T	2949	2693	2459	2233	2029	1826									
B48 CC4T	3088	2819	2574	2337	2123	1911									

## BASE CABINET • 3 DOORS • 3 DRAWERS • 6 FULL-ACCESS CUSHIONCLOSE® DEEP ROLL OUT TRAYS



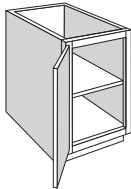
	700 SERIES - CHERRY	700 SERIES - MAPLE	700 SERIES - PAINTED	600 SERIES - CHERRY	600 SERIES - MAPLE	600 SERIES - PAINTED	500 SERIES - CHERRY	500 SERIES - MAPLE	500 SERIES - PAINTED	400 SERIES - CHERRY	400 SERIES - MAPLE	400 SERIES - PAINTED	300 SERIES - CHERRY	300 SERIES - MAPLE	300 SERIES - PAINTED
B45 CC6T	3607	3297	3015	2741	2494	2245									

## BASE CABINET • FULL-HEIGHT DOOR • NO SHELF



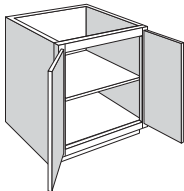
	700 SERIES - CHERRY	700 SERIES - MAPLE	700 SERIES - PAINTED	600 SERIES - CHERRY	600 SERIES - MAPLE	600 SERIES - PAINTED	500 SERIES - CHERRY	500 SERIES - MAPLE	500 SERIES - PAINTED	400 SERIES - CHERRY	400 SERIES - MAPLE	400 SERIES - PAINTED	300 SERIES - CHERRY	300 SERIES - MAPLE	300 SERIES - PAINTED
TB9	698	635	577	521	471	424									

## BASE CABINET • FULL-HEIGHT DOOR AND SHELF



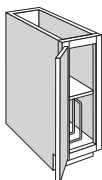
	700 SERIES - CHERRY	700 SERIES - MAPLE	700 SERIES - PAINTED	600 SERIES - CHERRY	600 SERIES - MAPLE	600 SERIES - PAINTED	500 SERIES - CHERRY	500 SERIES - MAPLE	500 SERIES - PAINTED	400 SERIES - CHERRY	400 SERIES - MAPLE	400 SERIES - PAINTED	300 SERIES - CHERRY	300 SERIES - MAPLE	300 SERIES - PAINTED
B12 FH	745	677	615	556	502	452									
B15 FH	784	713	648	586	528	475									
B18 FH	820	745	677	612	552	497									
B21 FH	854	777	707	637	576	518									
B24 FH	918	840	768	699	637	573									

## BASE CABINET • FULL-HEIGHT BUTT DOORS AND SHELF



	700 SERIES - CHERRY	700 SERIES - MAPLE	700 SERIES - PAINTED	600 SERIES - CHERRY	600 SERIES - MAPLE	600 SERIES - PAINTED	500 SERIES - CHERRY	500 SERIES - MAPLE	500 SERIES - PAINTED	400 SERIES - CHERRY	400 SERIES - MAPLE	400 SERIES - PAINTED	300 SERIES - CHERRY	300 SERIES - MAPLE	300 SERIES - PAINTED
B24 BUTT FH	1021	929	845	762	688	619									
B27 BUTT FH	1047	957	875	796	724	651									
B30 BUTT FH	1174	1068	971	876	792	713									
B33 BUTT FH	1210	1105	1010	917	833	750									
B36 BUTT FH	1381	1257	1142	1031	931	838									

## BASE CABINET • FULL-HEIGHT DOOR WITH TRAY DIVIDER AND SHELF

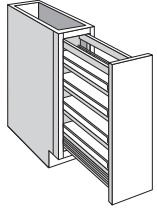


	700 SERIES - CHERRY	700 SERIES - MAPLE	700 SERIES - PAINTED	600 SERIES - CHERRY	600 SERIES - MAPLE	600 SERIES - PAINTED	500 SERIES - CHERRY	500 SERIES - MAPLE	500 SERIES - PAINTED	400 SERIES - CHERRY	400 SERIES - MAPLE	400 SERIES - PAINTED	300 SERIES - CHERRY	300 SERIES - MAPLE	300 SERIES - PAINTED
TB9 TDS	798	725	659	595	538	484									

# SKU

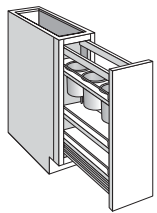
700 SERIES - CHERRY  
 700 SERIES - MAPLE  
 700 SERIES - PAINTED  
 600 SERIES - CHERRY  
 600 SERIES - MAPLE  
 600 SERIES - PAINTED  
 500 SERIES - CHERRY  
 DT SERIES - DURAFORM  
 500 SERIES - MAPLE  
 500 SERIES - PAINTED  
 400 SERIES - CHERRY  
 400 SERIES - MAPLE  
 400 SERIES - PAINTED  
 300 SERIES - CHERRY  
 D SERIES - DURAFORM  
 300 SERIES - MAPLE  
 300 SERIES - PAINTED

## BASE PANTRY PULL OUT



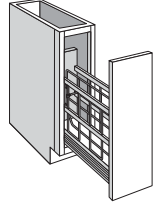
FULL-ACCESS GLIDES						
BPP9 FA	1339	1218	1107	1000	903	813
BPP12 FA	1473	1340	1218	1100	993	894
FULL-ACCESS CUSHIONCLOSE® GLIDES						
BPP9 CC	1399	1278	1167	1060	963	867
BPP12 CC	1533	1400	1278	1160	1053	948

## BASE PANTRY PULL OUT UTENSIL STORAGE



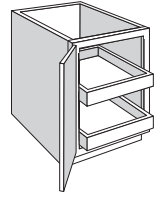
FULL-ACCESS GLIDES						
BPPUS9 FA	2276	2071	1882	1700	1535	1382
BPPUS12 FA	2357	2144	1948	1760	1589	1430
FULL-ACCESS CUSHIONCLOSE® GLIDES						
BPPUS9 CC	2336	2131	1942	1760	1595	1436
BPPUS12 CC	2417	2204	2008	1820	1649	1484

## BASE TRAY DIVIDER PULL OUT



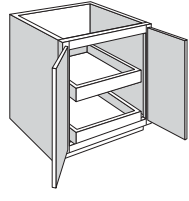
FULL-ACCESS GLIDES						
BTDP9 FA	1339	1218	1107	1000	903	813
FULL-ACCESS CUSHIONCLOSE® GLIDES						
BTDP9 CC	1399	1278	1167	1060	963	867

## BASE CABINET • FULL-HEIGHT DOOR • 2 FULL-ACCESS DEEP ROLL OUT TRAYS



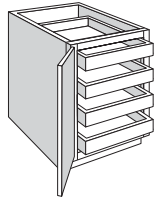
B12 FH FA2FWT	1246	1138	1040	945	859	773
B15 FH FA2FWT	1285	1173	1072	974	885	796
B18 FH FA2FWT	1329	1209	1098	992	896	806
B21 FH FA2FWT	1353	1235	1128	1025	931	838
B24 FH FA2FWT	1433	1309	1195	1085	985	886

## BASE CABINET • FULL-HEIGHT BUTT DOORS • 2 FULL-ACCESS DEEP ROLL OUT TRAYS



B24 BUTT FH FA2FWT	1531	1392	1266	1143	1032	929
B27 BUTT FH FA2FWT	1620	1478	1350	1225	1111	1000
B30 BUTT FH FA2FWT	1773	1613	1466	1324	1195	1076
B33 BUTT FH FA2FWT	1811	1651	1507	1366	1240	1116
B36 BUTT FH FA2FWT	1958	1785	1628	1476	1338	1204

## BASE CABINET • FULL-HEIGHT DOOR • 4 FULL-ACCESS DEEP ROLL OUT TRAYS



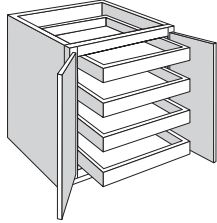
B12 FH FA4FWT	1791	1628	1480	1336	1207	1086
B15 FH FA4FWT	1830	1663	1512	1365	1233	1110
B18 FH FA4FWT	1861	1692	1538	1389	1254	1129
B21 FH FA4FWT	1897	1725	1568	1416	1279	1151
B24 FH FA4FWT	1978	1799	1635	1476	1333	1200

Illustrations are for reference only. Refer to Specification Guide for actual specifications.

PRICING

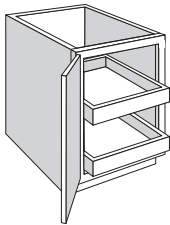
# SKU

## BASE CABINET • FULL-HEIGHT BUTT DOORS • 4 FULL-ACCESS DEEP ROLL OUT TRAYS



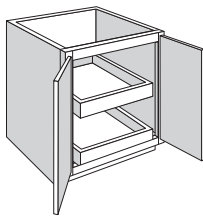
	700 SERIES - CHERRY	700 SERIES - MAPLE	700 SERIES - PAINTED	600 SERIES - CHERRY	600 SERIES - MAPLE	600 SERIES - PAINTED	500 SERIES - CHERRY	500 SERIES - MAPLE	500 SERIES - PAINTED	400 SERIES - CHERRY	400 SERIES - MAPLE	400 SERIES - PAINTED	300 SERIES - CHERRY	300 SERIES - MAPLE	300 SERIES - PAINTED
B24 BUTT FH FA4FWT	2065	1877	1706	1541	1392	1253									
B27 BUTT FH FA4FWT	2166	1969	1790	1616	1460	1314									
B30 BUTT FH FA4FWT	2307	2097	1906	1721	1554	1399									
B33 BUTT FH FA4FWT	2385	2168	1971	1780	1607	1446									
B36 BUTT FH FA4FWT	2531	2301	2092	1889	1706	1535									

## BASE CABINET • FULL-HEIGHT DOOR • 2 FULL-ACCESS CUSHIONCLOSE® DEEP ROLL OUT TRAYS



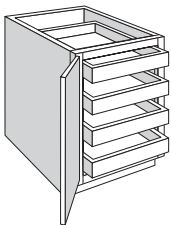
B12 FH CC2FWT	1379	1259	1149	1044	948	853									
B15 FH CC2FWT	1417	1293	1181	1072	974	876									
B18 FH CC2FWT	1469	1335	1213	1096	990	891									
B21 FH CC2FWT	1485	1355	1238	1123	1019	917									
B24 FH CC2FWT	1565	1429	1304	1183	1074	966									

## BASE CABINET • FULL-HEIGHT BUTT DOORS • 2 FULL-ACCESS CUSHIONCLOSE® DEEP ROLL OUT TRAYS



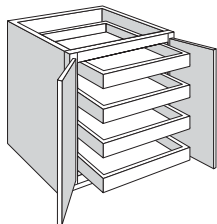
B24 BUTT FH CC2FWT	1671	1519	1381	1247	1126	1013									
B27 BUTT FH CC2FWT	1754	1600	1460	1324	1202	1081									
B30 BUTT FH CC2FWT	1919	1744	1586	1431	1293	1164									
B33 BUTT FH CC2FWT	1950	1777	1621	1470	1333	1200									
B36 BUTT FH CC2FWT	2097	1911	1742	1581	1432	1288									

## BASE CABINET • FULL-HEIGHT DOOR • 4 FULL-ACCESS CUSHIONCLOSE® DEEP ROLL OUT TRAYS



B12 FH CC4FWT	2068	1880	1709	1543	1394	1254									
B15 FH CC4FWT	2107	1915	1741	1572	1420	1278									
B18 FH CC4FWT	2146	1951	1773	1601	1446	1301									
B21 FH CC4FWT	2176	1978	1798	1624	1466	1319									
B24 FH CC4FWT	2255	2050	1864	1683	1520	1368									

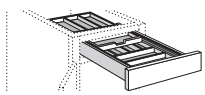
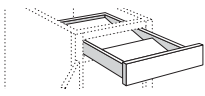
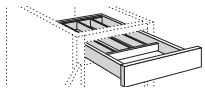
## BASE CABINET • FULL-HEIGHT BUTT DOORS • 4 FULL-ACCESS CUSHIONCLOSE® DEEP ROLL OUT TRAYS



B24 BUTT FH CC4FWT	2349	2135	1941	1753	1583	1425									
B27 BUTT FH CC4FWT	2444	2222	2020	1824	1647	1482									
B30 BUTT FH CC4FWT	2597	2361	2146	1938	1750	1575									
B33 BUTT FH CC4FWT	2668	2426	2205	1991	1798	1618									
B36 BUTT FH CC4FWT	2814	2559	2326	2100	1897	1707									

# SKU

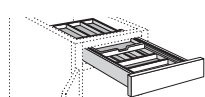
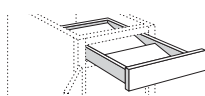
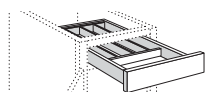
## BASE CABINET - ADJUSTABLE SHELF - FACTORY INSTALLED ACCESSORIES



700 SERIES - CHERRY	700 SERIES - MAPLE	700 SERIES - PAINTED	600 SERIES - CHERRY	600 SERIES - MAPLE	600 SERIES - PAINTED	500 SERIES - CHERRY	DT SERIES - DURAFORM	500 SERIES - MAPLE	500 SERIES - PAINTED	400 SERIES - CHERRY	400 SERIES - MAPLE	400 SERIES - PAINTED	300 SERIES - CHERRY	D SERIES - DURAFORM	300 SERIES - MAPLE	300 SERIES - PAINTED
---------------------	--------------------	----------------------	---------------------	--------------------	----------------------	---------------------	----------------------	--------------------	----------------------	---------------------	--------------------	----------------------	---------------------	---------------------	--------------------	----------------------

BASE CABINET - ADJUSTABLE SHELF - FACTORY INSTALLED CUTLERY DIVIDER						
B15 CD	956	875	801	729	665	599
B18 CD	992	908	831	757	690	621
B21 CD	1036	948	867	789	719	647
B24 BUTT CD	1212	1107	1012	920	837	753
B24 CD	1127	1030	943	857	780	702
BASE CABINET - ADJUSTABLE SHELF - FACTORY INSTALLED SPICE DRAWER INSERT						
B15 SDI	1020	933	854	777	708	637
B18 SDI	1069	977	894	814	741	667
B21 SDI	1111	1016	929	845	769	692
B24 BUTT SDI	1285	1174	1073	975	887	798
B24 SDI	1199	1096	1002	911	829	746
BASE CABINET - ADJUSTABLE SHELF - FACTORY INSTALLED WOOD TIERED CUTLERY DIVIDER						
B15 WTC	1442	1316	1203	1092	992	893
B18 WTC	1506	1375	1255	1140	1035	932
B21 WTC	1590	1451	1325	1203	1092	983
B24 BUTT WTC	1817	1658	1513	1372	1246	1121
B24 WTC	1733	1581	1443	1309	1189	1070

## BASE CABINET - ONE FULL-ACCESS DEEP ROLL OUT TRAY - FACTORY INSTALLED ACCESSORIES

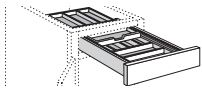
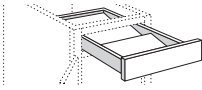
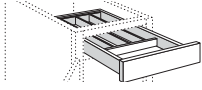


BASE CABINET - ONE FULL-ACCESS DEEP ROLL OUT TRAY - FACTORY INSTALLED CUTLERY DIVIDER						
B15 FAFWT CD	1221	1116	1020	927	844	760
B18 FAFWT CD	1258	1149	1051	955	869	782
B21 FAFWT CD	1303	1190	1088	988	899	809
B24 FAFWT BUTT CD	1477	1349	1232	1118	1016	914
B24 FAFWT CD	1393	1272	1162	1055	959	863
BASE CABINET - ONE FULL-ACCESS DEEP ROLL OUT TRAY - FACTORY INSTALLED SPICE DRAWER INSERT						
B15 FAFWT SDI	1285	1174	1073	975	887	798
B18 FAFWT SDI	1334	1219	1114	1012	920	828
B21 FAFWT SDI	1378	1258	1150	1044	949	854
B24 FAFWT BUTT SDI	1550	1415	1293	1173	1066	959
B24 FAFWT SDI	1465	1337	1222	1109	1008	907
BASE CABINET - ONE FULL-ACCESS DEEP ROLL OUT TRAY - FACTORY INSTALLED WOOD TIERED CUTLERY DIVIDER						
B15 FAFWT WTC	1707	1558	1422	1290	1171	1054
B18 FAFWT WTC	1771	1616	1475	1338	1214	1093
B21 FAFWT WTC	1857	1694	1546	1402	1272	1145
B24 FAFWT BUTT WTC	2083	1899	1732	1571	1424	1282
B24 FAFWT WTC	1998	1822	1663	1508	1368	1231

Illustrations are for reference only. Refer to Specification Guide for actual specifications.

# SKU

## BASE CABINET - TWO FULL-ACCESS DEEP ROLL OUT TRAYS - FACTORY INSTALLED ACCESSORIES



700 SERIES - CHERRY

700 SERIES - MAPLE  
700 SERIES - PAINTED  
600 SERIES - CHERRY

600 SERIES - MAPLE  
600 SERIES - PAINTED  
500 SERIES - CHERRY  
DT SERIES - DURAFORM

500 SERIES - MAPLE  
500 SERIES - PAINTED  
400 SERIES - CHERRY

400 SERIES - MAPLE  
400 SERIES - PAINTED  
300 SERIES - CHERRY  
D SERIES - DURAFORM

300 SERIES - MAPLE  
300 SERIES - PAINTED

### BASE CABINET - TWO FULL-ACCESS DEEP ROLL OUT TRAYS - FACTORY INSTALLED CUTLERY DIVIDER

B15 FA2FWT CD	1487	1357	1240	1126	1023	921
B18 FA2FWT CD	1523	1391	1270	1153	1047	942
B21 FA2FWT CD	1568	1431	1307	1187	1078	970
B24 FA2FWT BUTT CD	1742	1590	1451	1317	1195	1076
B24 FA2FWT CD	1659	1514	1383	1255	1139	1025

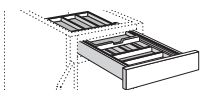
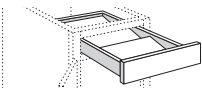
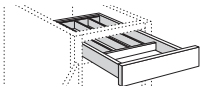
### BASE CABINET - TWO FULL-ACCESS DEEP ROLL OUT TRAYS - FACTORY INSTALLED SPICE DRAWER INSERT

B15 FA2FWT SDI	1550	1415	1293	1173	1066	959
B18 FA2FWT SDI	1599	1460	1333	1210	1099	989
B21 FA2FWT SDI	1643	1500	1369	1242	1128	1015
B24 FA2FWT BUTT SDI	1816	1657	1512	1371	1245	1121
B24 FA2FWT SDI	1732	1580	1442	1308	1188	1069

### BASE CABINET - TWO FULL-ACCESS DEEP ROLL OUT TRAYS - FACTORY INSTALLED WOOD TIERED CUTLERY DIVIDER

B15 FA2FWT WTCD	1971	1798	1640	1487	1349	1214
B18 FA2FWT WTCD	2035	1856	1693	1535	1392	1253
B21 FA2FWT WTCD	2122	1935	1765	1600	1451	1306
B24 FA2FWT BUTT WTCD	2348	2141	1952	1769	1603	1443
B24 FA2FWT WTCD	2265	2065	1883	1707	1547	1392

## BASE CABINET - ONE FULL-ACCESS CUSHIONCLOSE® DEEP ROLL OUT TRAY - FACTORY INSTALLED ACCESSORIES



### BASE CABINET - ONE FULL-ACCESS CUSHIONCLOSE® DEEP ROLL OUT TRAY - FACTORY INSTALLED CUTLERY DIVIDER

B15 CCFWT CD	1294	1182	1080	982	893	804
B18 CCFWT CD	1330	1215	1111	1009	917	825
B21 CCFWT CD	1375	1256	1148	1043	948	853
B24 CCFWT BUTT CD	1550	1415	1292	1173	1065	959
B24 CCFWT CD	1465	1338	1222	1110	1008	907

### BASE CABINET - ONE FULL-ACCESS CUSHIONCLOSE® DEEP ROLL OUT TRAY - FACTORY INSTALLED SPICE DRAWER INSERT

B15 CCFWT SDI	1358	1240	1133	1029	936	842
B18 CCFWT SDI	1407	1285	1174	1066	969	872
B21 CCFWT SDI	1450	1324	1210	1099	998	898
B24 CCFWT BUTT SDI	1623	1481	1353	1228	1115	1004
B24 CCFWT SDI	1537	1403	1282	1164	1057	951

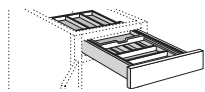
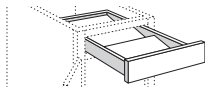
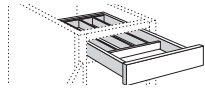
### BASE CABINET - ONE FULL-ACCESS CUSHIONCLOSE® DEEP ROLL OUT TRAY - FACTORY INSTALLED WOOD TIERED CUTLERY DIVIDER

B15 CCFWT WTCD	1780	1624	1482	1344	1220	1098
B18 CCFWT WTCD	1844	1682	1535	1392	1263	1137
B21 CCFWT WTCD	1929	1760	1606	1456	1321	1189
B24 CCFWT BUTT WTCD	2155	1965	1792	1625	1473	1326
B24 CCFWT WTCD	2071	1888	1723	1562	1416	1274



# SKU

## BASE CABINET - TWO FULL-ACCESS CUSHIONCLOSE® DEEP ROLL OUT TRAYS - FACTORY INSTALLED ACCESSORIES



### BASE CABINET - TWO FULL-ACCESS CUSHIONCLOSE® DEEP ROLL OUT TRAYS - FACTORY INSTALLED CUTLERY DIVIDER

	700 SERIES - CHERRY	700 SERIES - MAPLE	700 SERIES - PAINTED	600 SERIES - CHERRY	600 SERIES - MAPLE	600 SERIES - PAINTED	500 SERIES - CHERRY	DT SERIES - DURAFORM	500 SERIES - MAPLE	500 SERIES - PAINTED	400 SERIES - CHERRY	400 SERIES - MAPLE	400 SERIES - PAINTED	300 SERIES - CHERRY	D SERIES - DURAFORM	300 SERIES - MAPLE	300 SERIES - PAINTED
B15 CC2FWT CD	1632	1489	1360	1234	1120	1008											
B18 CC2FWT CD	1668	1523	1390	1261	1145	1031											
B21 CC2FWT CD	1713	1563	1427	1295	1176	1058											
B24 CC2FWT BUTT CD	1888	1722	1571	1425	1293	1164											
B24 CC2FWT CD	1805	1646	1503	1363	1237	1113											

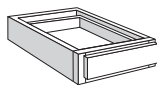
### BASE CABINET - TWO FULL-ACCESS CUSHIONCLOSE® DEEP ROLL OUT TRAYS - FACTORY INSTALLED SPICE DRAWER INSERT

	700 SERIES - CHERRY	700 SERIES - MAPLE	700 SERIES - PAINTED	600 SERIES - CHERRY	600 SERIES - MAPLE	600 SERIES - PAINTED	500 SERIES - CHERRY	DT SERIES - DURAFORM	500 SERIES - MAPLE	500 SERIES - PAINTED	400 SERIES - CHERRY	400 SERIES - MAPLE	400 SERIES - PAINTED	300 SERIES - CHERRY	D SERIES - DURAFORM	300 SERIES - MAPLE	300 SERIES - PAINTED
B15 CC2FWT SDI	1696	1547	1413	1282	1164	1048											
B18 CC2FWT SDI	1745	1592	1453	1318	1197	1077											
B21 CC2FWT SDI	1788	1632	1489	1351	1226	1103											
B24 CC2FWT BUTT SDI	1961	1789	1632	1480	1342	1208											
B24 CC2FWT SDI	1877	1712	1562	1417	1286	1157											

### BASE CABINET - TWO FULL-ACCESS CUSHIONCLOSE® DEEP ROLL OUT TRAYS - FACTORY INSTALLED WOOD TIERED CUTLERY DIVIDER

	700 SERIES - CHERRY	700 SERIES - MAPLE	700 SERIES - PAINTED	600 SERIES - CHERRY	600 SERIES - MAPLE	600 SERIES - PAINTED	500 SERIES - CHERRY	DT SERIES - DURAFORM	500 SERIES - MAPLE	500 SERIES - PAINTED	400 SERIES - CHERRY	400 SERIES - MAPLE	400 SERIES - PAINTED	300 SERIES - CHERRY	D SERIES - DURAFORM	300 SERIES - MAPLE	300 SERIES - PAINTED
B15 CC2FWT WTCD	2116	1930	1760	1596	1447	1302											
B18 CC2FWT WTCD	2180	1988	1813	1643	1490	1341											
B21 CC2FWT WTCD	2267	2067	1885	1708	1549	1394											
B24 CC2FWT BUTT WTCD	2493	2273	2072	1877	1701	1531											
B24 CC2FWT WTCD	2410	2197	2003	1815	1645	1481											

## FURNITURE DRAWER CABINET - 6" HIGH



### 12" DEEP

	700 SERIES - CHERRY	700 SERIES - MAPLE	700 SERIES - PAINTED	600 SERIES - CHERRY	600 SERIES - MAPLE	600 SERIES - PAINTED	500 SERIES - CHERRY	DT SERIES - DURAFORM	500 SERIES - MAPLE	500 SERIES - PAINTED	400 SERIES - CHERRY	400 SERIES - MAPLE	400 SERIES - PAINTED	300 SERIES - CHERRY	D SERIES - DURAFORM	300 SERIES - MAPLE	300 SERIES - PAINTED
FD121206	450	414	383	352	324	291											
FD151206	465	428	395	363	334	301											
FD181206	481	443	408	375	345	310											
FD211206	497	458	422	387	356	320											
FD241206	518	477	440	403	370	333											
FD271206	537	494	455	417	383	344											
FD301206	558	512	471	430	394	354											
FD331206	577	530	487	445	407	366											
FD361206	597	548	503	459	420	378											

### 24" DEEP

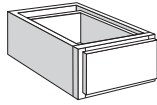
	700 SERIES - CHERRY	700 SERIES - MAPLE	700 SERIES - PAINTED	600 SERIES - CHERRY	600 SERIES - MAPLE	600 SERIES - PAINTED	500 SERIES - CHERRY	DT SERIES - DURAFORM	500 SERIES - MAPLE	500 SERIES - PAINTED	400 SERIES - CHERRY	400 SERIES - MAPLE	400 SERIES - PAINTED	300 SERIES - CHERRY	D SERIES - DURAFORM	300 SERIES - MAPLE	300 SERIES - PAINTED
FD122406	473	436	403	370	341	307											
FD152406	489	451	416	382	352	317											
FD182406	506	466	430	395	363	327											
FD212406	523	482	444	407	375	337											
FD242406	546	502	463	424	390	351											
FD272406	565	520	479	439	403	363											
FD302406	587	539	495	453	415	373											
FD332406	608	558	512	468	428	386											
FD362406	629	577	530	484	442	398											

Illustrations are for reference only. Refer to Specification Guide for actual specifications.



# SKU

## FURNITURE DRAWER CABINET - 12" HIGH



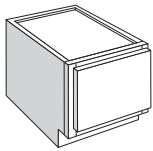
### 12" DEEP

FD121212	578	533	492	452	416	375
FD151212	598	551	508	467	430	387
FD181212	618	569	525	482	443	399
FD211212	639	588	542	498	457	412
FD241212	666	613	565	518	476	428
FD271212	690	635	585	536	492	443
FD301212	744	683	627	574	525	473
FD331212	770	706	649	593	543	488
FD361212	796	730	671	613	560	504

### 24" DEEP

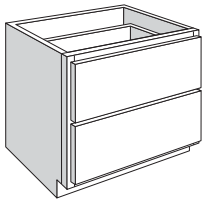
FD122412	608	561	518	476	438	394
FD152412	629	580	535	491	452	407
FD182412	651	599	553	508	467	420
FD212412	673	619	571	524	482	433
FD242412	702	645	595	545	501	451
FD272412	727	668	616	564	518	466
FD302412	783	719	660	604	553	498
FD332412	810	744	683	624	571	514
FD362412	838	769	706	645	590	531

## PEDESTAL DRAWER



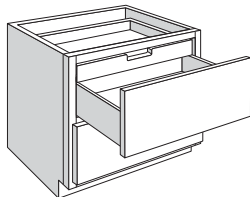
PD1217 1DWR	744	685	633	582	536	482
PD1517 1DWR	769	708	654	601	553	497
PD1817 1DWR	795	733	675	620	570	513
PD2117 1DWR	822	757	698	640	589	530
PD2417 1DWR	857	789	727	667	612	551
PD2717 1DWR	888	817	752	690	633	570
PD3017 1DWR	979	899	826	755	691	622
PD3317 1DWR	1013	930	854	781	714	643
PD3617 1DWR	1048	961	883	806	737	663

## DRAWER BASE CABINET - 2 DRAWERS



DB30 2DWR	1943	1766	1605	1450	1309	1178
DB36 2DWR	2093	1903	1730	1562	1410	1269

## DRAWER BASE CABINET - 2 DRAWERS - 1 SCALLOPED DEEP ROLL OUT TRAY



DB30 2DWR SFWT	2227	2050	1889	1734	1593	1434
DB36 2DWR SFWT	2377	2187	2014	1846	1694	1525

700 SERIES - CHERRY

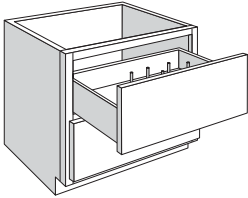
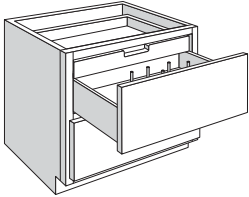
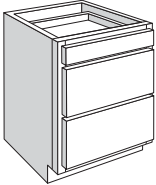
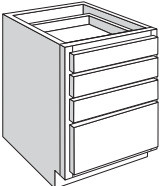
700 SERIES - MAPLE  
700 SERIES - PAINTED  
600 SERIES - CHERRY

600 SERIES - MAPLE  
600 SERIES - PAINTED  
500 SERIES - CHERRY  
DT SERIES - DURAFORM

500 SERIES - MAPLE  
500 SERIES - PAINTED  
400 SERIES - CHERRY

400 SERIES - MAPLE  
400 SERIES - PAINTED  
300 SERIES - CHERRY  
D SERIES - DURAFORM

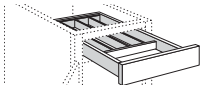
300 SERIES - MAPLE  
300 SERIES - PAINTED

SKU		700 SERIES - CHERRY	700 SERIES - MAPLE	700 SERIES - PAINTED	600 SERIES - CHERRY	600 SERIES - MAPLE	600 SERIES - PAINTED	500 SERIES - CHERRY	DT SERIES - DURAFORM	500 SERIES - MAPLE	500 SERIES - PAINTED	400 SERIES - CHERRY	400 SERIES - MAPLE	400 SERIES - PAINTED	300 SERIES - CHERRY	D SERIES - DURAFORM	300 SERIES - MAPLE	300 SERIES - PAINTED	
<b>DRAWER BASE CABINET - 2 DRAWERS - 1 PEG DISH ORGANIZER</b>																			
	DB30 2DWR PDO	2230	2053	1892	1737	1596	1436												
	DB36 2DWR PDO	2380	2190	2017	1849	1697	1527												
<b>DRAWER BASE CABINET - 2 DRAWERS - 1 SCALLOPED DEEP ROLL OUT TRAY - 1 PEG DISH ORGANIZER</b>																			
	DB30 2DWR SFWT PDO	2514	2337	2176	2021	1880	1692												
	DB36 2DWR SFWT PDO	2664	2474	2301	2133	1981	1783												
<b>DRAWER BASE CABINET - 3 DRAWERS</b>																			
	DB12	1352	1246	1151	1058	974	877												
	DB15	1398	1288	1189	1092	1005	905												
	DB18	1446	1332	1228	1128	1037	933												
	DB21	1495	1376	1269	1164	1070	963												
	DB24	1559	1434	1322	1212	1113	1002												
	DB27	1615	1485	1368	1254	1151	1036												
	DB30	1958	1797	1651	1510	1382	1244												
	DB33	2026	1859	1708	1561	1428	1285												
	DB36 1TD	2095	1922	1765	1612	1474	1327												
<b>DRAWER BASE CABINET - 4 DRAWERS</b>																			
	DB12 4DWR	1590	1469	1359	1252	1155	1040												
	DB15 4DWR	1640	1515	1400	1289	1189	1070												
	DB18 4DWR	1691	1560	1442	1327	1223	1101												
	DB21 4DWR	1745	1610	1487	1367	1260	1134												
	DB24 4DWR	1764	1627	1503	1382	1272	1145												
	DB36	2188	2012	1852	1698	1558	1402												

Illustrations are for reference only. Refer to Specification Guide for actual specifications.

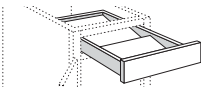
# SKU

## DRAWER BASE CABINET - 3 DRAWERS - FACTORY INSTALLED ACCESSORIES



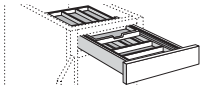
### DRAWER BASE CABINET - 3 DRAWERS - FACTORY INSTALLED CUTLERY DIVIDER

	700 SERIES - CHERRY	700 SERIES - MAPLE	700 SERIES - PAINTED	600 SERIES - CHERRY	600 SERIES - MAPLE	600 SERIES - PAINTED	500 SERIES - CHERRY	DT SERIES - DURAFORM	500 SERIES - MAPLE	500 SERIES - PAINTED	400 SERIES - CHERRY	400 SERIES - MAPLE	400 SERIES - PAINTED	300 SERIES - CHERRY	D SERIES - DURAFORM	300 SERIES - MAPLE	300 SERIES - PAINTED
DB15 CD	1474	1358	1252	1149	1056	950											
DB18 CD	1521	1400	1290	1183	1087	978											
DB21 CD	1576	1451	1336	1225	1125	1013											
DB24 CD	1643	1511	1391	1275	1170	1053											



### DRAWER BASE CABINET - 3 DRAWERS - FACTORY INSTALLED SPICE DRAWER INSERT

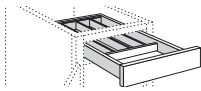
DB15 SDI	1538	1416	1305	1197	1099	989											
DB18 SDI	1595	1468	1352	1239	1138	1024											
DB21 SDI	1651	1519	1398	1281	1175	1058											
DB24 SDI	1715	1577	1451	1329	1218	1096											



### DRAWER BASE CABINET - 3 DRAWERS - FACTORY INSTALLED WOOD TIERED CUTLERY DIVIDER

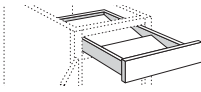
DB15 WTCD	1959	1798	1652	1511	1383	1245											
DB18 WTCD	2032	1865	1713	1565	1432	1289											
DB21 WTCD	2130	1954	1794	1639	1498	1348											
DB24 WTCD	2249	2062	1892	1727	1578	1420											

## DRAWER BASE CABINET - 4 DRAWERS - FACTORY INSTALLED ACCESSORIES



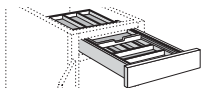
### DRAWER BASE CABINET - 4 DRAWERS - FACTORY INSTALLED CUTLERY DIVIDER

DB15 4DWR CD	1715	1583	1462	1345	1239	1115											
DB18 4DWR CD	1767	1630	1505	1384	1274	1147											
DB21 4DWR CD	1827	1684	1554	1428	1315	1184											
DB24 4DWR CD	1847	1703	1571	1444	1328	1195											



### DRAWER BASE CABINET - 4 DRAWERS - FACTORY INSTALLED SPICE DRAWER INSERT

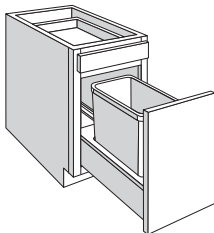
DB15 4DWR SDI	1779	1641	1515	1393	1282	1154											
DB18 4DWR SDI	1842	1698	1567	1439	1325	1193											
DB21 4DWR SDI	1902	1752	1616	1484	1365	1229											
DB24 4DWR SDI	1921	1769	1632	1498	1378	1240											



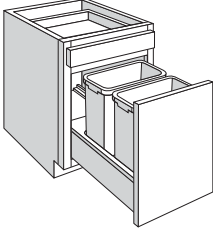
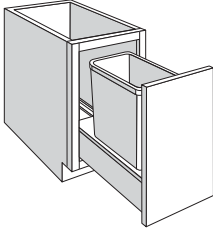
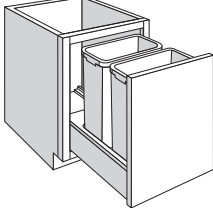
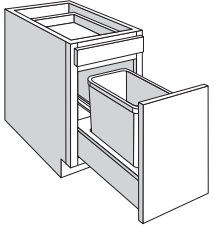
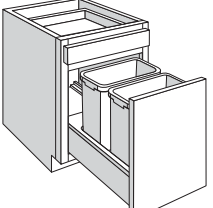
### DRAWER BASE CABINET - 4 DRAWERS - FACTORY INSTALLED WOOD TIERED CUTLERY DIVIDER

DB15 4DWR WTCD	2201	2024	1864	1708	1567	1410											
DB18 4DWR WTCD	2279	2095	1928	1766	1619	1457											
DB21 4DWR WTCD	2381	2188	2012	1842	1688	1519											
DB24 4DWR WTCD	2454	2255	2073	1897	1737	1563											

## BASE CABINET - 1 FULL-ACCESS BOTTOM MOUNT WASTEBASKET



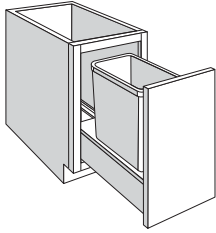
BWBB15 FA	1448	1323	1208	1097	997	897											

SKU		700 SERIES - CHERRY	700 SERIES - MAPLE	700 SERIES - PAINTED	600 SERIES - CHERRY	600 SERIES - MAPLE	600 SERIES - PAINTED	500 SERIES - CHERRY	DT SERIES - DURAFORM	500 SERIES - MAPLE	500 SERIES - PAINTED	400 SERIES - CHERRY	400 SERIES - MAPLE	400 SERIES - PAINTED	300 SERIES - CHERRY	D SERIES - DURAFORM	300 SERIES - MAPLE	300 SERIES - PAINTED		
<b>BASE CABINET • 2 FULL-ACCESS BOTTOM MOUNT WASTEBASKETS</b>																				
	BWBB15-2 FA	1602	1462	1335	1212	1101	991													
	BWBB18-2 FA	1598	1459	1332	1209	1098	988													
	BWBB21-2 FA	1586	1449	1322	1200	1090	981													
<b>BASE CABINET • FULL-HEIGHT DOOR • 1 FULL-ACCESS BOTTOM MOUNT WASTEBASKET</b>																				
	BWBB15 FH FA	1384	1259	1144	1033	933	840													
	BWBB18 FH FA	1534	1395	1268	1145	1034	931													
<b>BASE CABINET • FULL-HEIGHT DOOR • 2 FULL-ACCESS BOTTOM MOUNT WASTEBASKETS</b>																				
	BWBB21-2 FH FA	1522	1385	1258	1136	1026	924													
<b>BASE CABINET • 1 FULL-ACCESS CUSHIONCLOSE® BOTTOM MOUNT WASTEBASKET</b>																				
	BWBB15 CC	1508	1383	1268	1157	1057	951													
<b>BASE CABINET • 2 FULL-ACCESS CUSHIONCLOSE® BOTTOM MOUNT WASTEBASKETS</b>																				
	BWBB15-2 CC	1662	1522	1395	1272	1161	1045													
	BWBB18-2 CC	1658	1519	1392	1269	1158	1042													
	BWBB21-2 CC	1646	1509	1382	1260	1150	1035													

Illustrations are for reference only. Refer to Specification Guide for actual specifications.

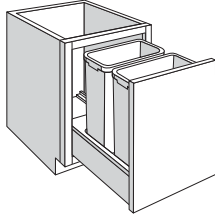
# SKU

## BASE CABINET • FULL-HEIGHT DOOR • 1 FULL-ACCESS CUSHIONCLOSE® BOTTOM MOUNT WASTEBASKET



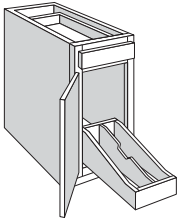
	700 SERIES - CHERRY	700 SERIES - MAPLE	700 SERIES - PAINTED	600 SERIES - CHERRY	600 SERIES - MAPLE	600 SERIES - PAINTED	500 SERIES - CHERRY	DT SERIES - DURAFORM	500 SERIES - MAPLE	500 SERIES - PAINTED	400 SERIES - CHERRY	400 SERIES - MAPLE	400 SERIES - PAINTED	300 SERIES - CHERRY	D SERIES - DURAFORM	300 SERIES - MAPLE	300 SERIES - PAINTED
BWBB15 FH CC	1444	1319	1204	1093	993	894											
BWBB18 FH CC	1594	1455	1328	1205	1094	985											

## BASE CABINET • FULL-HEIGHT DOOR • 2 FULL-ACCESS CUSHIONCLOSE® BOTTOM MOUNT WASTEBASKETS



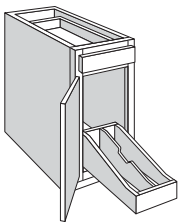
	700 SERIES - CHERRY	700 SERIES - MAPLE	700 SERIES - PAINTED	600 SERIES - CHERRY	600 SERIES - MAPLE	600 SERIES - PAINTED	500 SERIES - CHERRY	DT SERIES - DURAFORM	500 SERIES - MAPLE	500 SERIES - PAINTED	400 SERIES - CHERRY	400 SERIES - MAPLE	400 SERIES - PAINTED	300 SERIES - CHERRY	D SERIES - DURAFORM	300 SERIES - MAPLE	300 SERIES - PAINTED
BWBB21-2 FH CC	1582	1445	1318	1196	1086	978											

## BASE CABINET • FACTORY INSTALLED FULL-ACCESS ROLL OUT TRAY DIVIDER



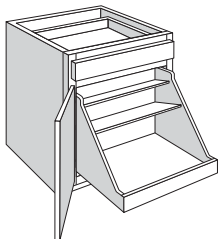
	700 SERIES - CHERRY	700 SERIES - MAPLE	700 SERIES - PAINTED	600 SERIES - CHERRY	600 SERIES - MAPLE	600 SERIES - PAINTED	500 SERIES - CHERRY	DT SERIES - DURAFORM	500 SERIES - MAPLE	500 SERIES - PAINTED	400 SERIES - CHERRY	400 SERIES - MAPLE	400 SERIES - PAINTED	300 SERIES - CHERRY	D SERIES - DURAFORM	300 SERIES - MAPLE	300 SERIES - PAINTED
B12 FAROTD	1252	1144	1046	951	865	779											
B15 FAROTD	1342	1226	1120	1018	925	833											

## BASE CABINET • FACTORY INSTALLED FULL-ACCESS CUSHIONCLOSE® ROLL OUT TRAY DIVIDER



	700 SERIES - CHERRY	700 SERIES - MAPLE	700 SERIES - PAINTED	600 SERIES - CHERRY	600 SERIES - MAPLE	600 SERIES - PAINTED	500 SERIES - CHERRY	DT SERIES - DURAFORM	500 SERIES - MAPLE	500 SERIES - PAINTED	400 SERIES - CHERRY	400 SERIES - MAPLE	400 SERIES - PAINTED	300 SERIES - CHERRY	D SERIES - DURAFORM	300 SERIES - MAPLE	300 SERIES - PAINTED
B12 CCROTD	1325	1210	1106	1005	914	823											
B15 CCROTD	1415	1292	1180	1072	974	877											

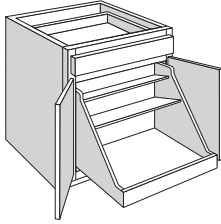
## BASE CABINET • 1 DOOR • FULL-ACCESS POT AND PAN ORGANIZER



	700 SERIES - CHERRY	700 SERIES - MAPLE	700 SERIES - PAINTED	600 SERIES - CHERRY	600 SERIES - MAPLE	600 SERIES - PAINTED	500 SERIES - CHERRY	DT SERIES - DURAFORM	500 SERIES - MAPLE	500 SERIES - PAINTED	400 SERIES - CHERRY	400 SERIES - MAPLE	400 SERIES - PAINTED	300 SERIES - CHERRY	D SERIES - DURAFORM	300 SERIES - MAPLE	300 SERIES - PAINTED
B24 FABPPO	1540	1405	1284	1165	1058	952											

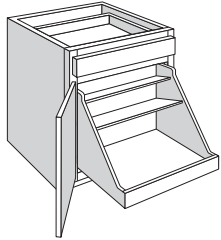
# SKU

## BASE CABINET - 2 BUTT DOORS - FULL-ACCESS POT AND PAN ORGANIZER



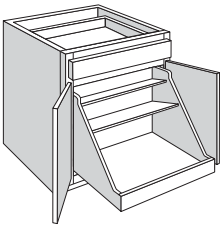
	700 SERIES - CHERRY	700 SERIES - MAPLE	700 SERIES - PAINTED	600 SERIES - CHERRY	600 SERIES - MAPLE	600 SERIES - PAINTED	500 SERIES - CHERRY	500 SERIES - MAPLE	500 SERIES - PAINTED	400 SERIES - CHERRY	400 SERIES - MAPLE	400 SERIES - PAINTED	300 SERIES - CHERRY	300 SERIES - MAPLE	300 SERIES - PAINTED
B24 BUTT FABPPO	1625	1483	1354	1229	1116	1004									
B27 BUTT FABPPO	1684	1537	1403	1273	1156	1040									
B30 BUTT FABPPO	1852	1690	1542	1398	1269	1142									
B33 BUTT FABPPO	1981	1807	1648	1494	1356	1220									
B36 1TD BUTT FABPPO	2120	1933	1763	1598	1449	1304									

## BASE CABINET - 1 DOOR - FULL-ACCESS CUSHIONCLOSE® POT AND PAN ORGANIZER



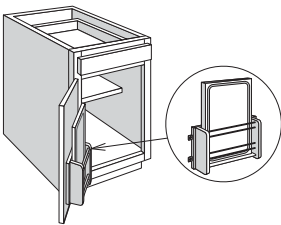
B24 CCBPPO	1612	1471	1344	1219	1107	996									

## BASE CABINET - 2 BUTT DOORS - FULL-ACCESS CUSHIONCLOSE® POT AND PAN ORGANIZER



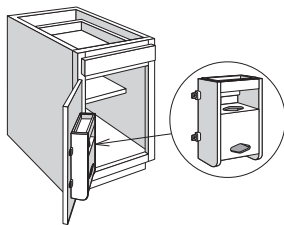
B24 BUTT CCBPPO	1698	1549	1414	1283	1165	1049									
B27 BUTT CCBPPO	1756	1603	1463	1327	1205	1085									
B30 BUTT CCBPPO	1928	1758	1604	1454	1320	1188									
B33 BUTT CCBPPO	2057	1876	1710	1551	1407	1266									
B36 1TD BUTT CCBPPO	2195	2002	1826	1654	1500	1350									

## BASE CABINET - CUTTING BOARD DOOR RACK KIT



B18 CBDR	1139	1061	990	922	860	774									

## BASE CABINET - PLASTIC BAG DOOR STORAGE UNIT

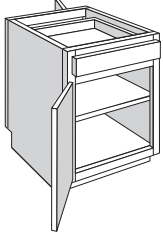


B15 PBDSU	1043	969	901	836	776	698									
B18 PBDSU	1095	1017	946	878	816	734									

Illustrations are for reference only. Refer to Specification Guide for actual specifications.

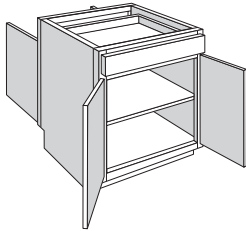
# SKU

## PENINSULA BASE CABINET • 2 DOORS



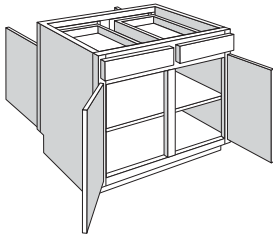
	700 SERIES - CHERRY	700 SERIES - MAPLE	700 SERIES - PAINTED	600 SERIES - CHERRY	600 SERIES - MAPLE	600 SERIES - PAINTED	500 SERIES - CHERRY	DT SERIES - DURAFORM	500 SERIES - MAPLE	500 SERIES - PAINTED	400 SERIES - CHERRY	400 SERIES - MAPLE	400 SERIES - PAINTED	300 SERIES - CHERRY	D SERIES - DURAFORM	300 SERIES - MAPLE	300 SERIES - PAINTED
PB12	1228	1122	1026	933	848	763											
PB18	1360	1242	1135	1031	937	843											
PB24	1578	1440	1315	1194	1084	976											

## PENINSULA BASE CABINET • 4 BUTT DOORS



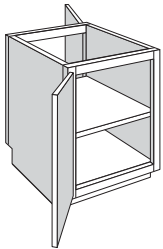
PB24 BUTT	1719	1569	1432	1299	1179	1061											
PB30 BUTT	1848	1685	1539	1395	1266	1139											
PB36 1TD BUTT	2070	1888	1722	1561	1416	1274											

## PENINSULA BASE CABINET • 4 DOORS



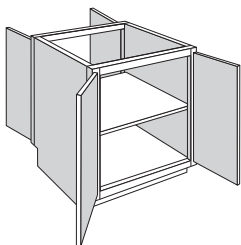
PB36	2085	1908	1746	1589	1447	1302											
PB42	2243	2051	1876	1707	1554	1399											

## PENINSULA BASE CABINET • 2 FULL-HEIGHT DOORS

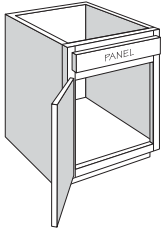
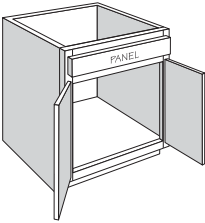
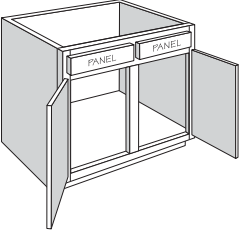
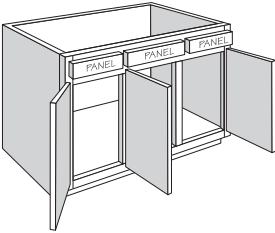
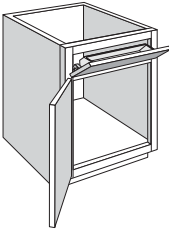


PB12 FH	1117	1016	924	834	753	677											
PB18 FH	1244	1131	1028	928	838	754											

## PENINSULA BASE CABINET • 4 FULL-HEIGHT BUTT DOORS



PB24 BUTT FH	1589	1445	1313	1186	1070	963											
PB30 BUTT FH	1713	1556	1416	1278	1154	1039											
PB36 BUTT FH	1926	1751	1592	1437	1298	1168											

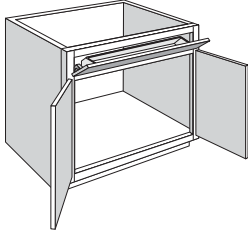
SKU		700 SERIES - CHERRY	700 SERIES - MAPLE	700 SERIES - PAINTED	600 SERIES - CHERRY	600 SERIES - MAPLE	600 SERIES - PAINTED	500 SERIES - CHERRY	DT SERIES - DURAFORM	500 SERIES - MAPLE	500 SERIES - PAINTED	400 SERIES - CHERRY	400 SERIES - MAPLE	400 SERIES - PAINTED	300 SERIES - CHERRY	D SERIES - DURAFORM	300 SERIES - MAPLE	300 SERIES - PAINTED				
<b>SINK/COOKTOP BASE CABINET • 1 DOOR</b>																						
	SB18	770	700	637	575	519	467															
	SB21	832	756	687	621	560	504															
	SB24	898	817	743	670	605	545															
<b>SINK/COOKTOP BASE CABINET • 2 BUTT DOORS</b>																						
	SB24 BUTT	942	856	779	703	635	572															
	SB27 BUTT	980	891	810	731	660	594															
	SB30 BUTT	1055	959	872	787	710	639															
	SB33 BUTT	1082	983	894	807	729	656															
	SB36 BUTT	1121	1019	927	837	756	680															
<b>SINK/COOKTOP BASE CABINET • 2 DOORS</b>																						
	SB39	1105	1005	914	825	745	671															
	SB42	1152	1047	952	859	776	698															
	SB48	1323	1203	1094	987	892	803															
<b>SINK/COOKTOP BASE CABINET • 3 DOORS</b>																						
	SB45	1310	1190	1082	977	882	794															
<b>SINK BASE CABINET • 1 DOOR • FACTORY INSTALLED STAINLESS TILT-OUT TRAY</b>																						
	SB18 STO	1050	954	867	783	707	636															
	SB21 STO	1111	1010	918	829	749	674															
	SB24 STO	1177	1070	973	879	793	714															

Illustrations are for reference only. Refer to Specification Guide for actual specifications.



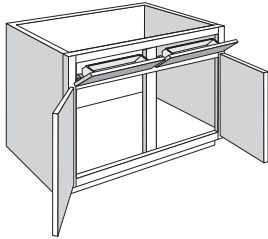
# SKU

## SINK BASE CABINET • 2 BUTT DOORS • 1 FACTORY INSTALLED STAINLESS TILT-OUT TRAY



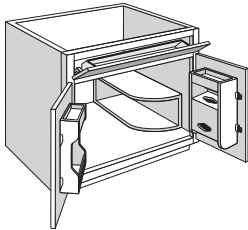
	700 SERIES - CHERRY	700 SERIES - MAPLE	700 SERIES - PAINTED	600 SERIES - CHERRY	600 SERIES - MAPLE	600 SERIES - PAINTED	500 SERIES - CHERRY	DT SERIES - DURAFORM	500 SERIES - MAPLE	500 SERIES - PAINTED	400 SERIES - CHERRY	400 SERIES - MAPLE	400 SERIES - PAINTED	300 SERIES - CHERRY	D SERIES - DURAFORM	300 SERIES - MAPLE	300 SERIES - PAINTED
SB24 BUTT STO	1221	1110	1009				911				823					741	
SB27 BUTT STO	1259	1145	1041				940				849					764	
SB30 BUTT STO	1345	1223	1112				1004				906					815	
SB33 BUTT STO	1662	1511	1374				1241				1120					1008	
SB36 BUTT STO	1701	1546	1406				1270				1147					1032	

## SINK BASE CABINET • 2 DOORS • 2 FACTORY INSTALLED STAINLESS TILT-OUT TRAYS



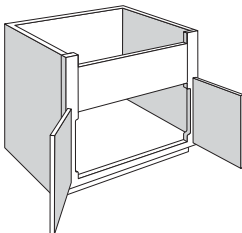
SB39 STO	1663	1512	1375				1241				1121					1009	
SB42 STO	1710	1554	1413				1276				1152					1037	
SB48 STO	1880	1709	1554				1403				1267					1140	

## SINK BASE MULTI-STORAGE CABINET

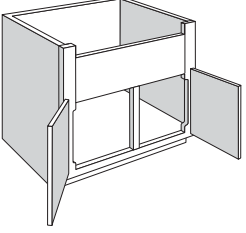
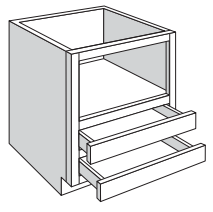
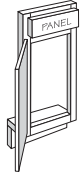
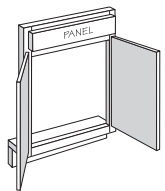
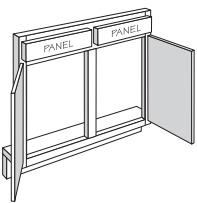
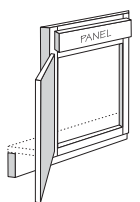


SBMS30 BUTT STO	1755	1611	1480				1352				1236					1165	
SBMS36 BUTT STO	1810	1660	1524				1392				1274					1198	

## DEEP SINK/RANGE BASE CABINET • 2 BUTT DOORS



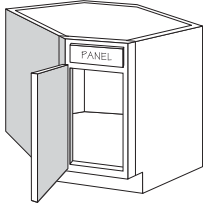
DSB30 BUTT	1113	1012	919				830				750					675	
DSB33 BUTT	1146	1042	947				855				773					695	
DSB36 BUTT	1179	1072	974				880				795					716	

SKU		700 SERIES - CHERRY	700 SERIES - MAPLE	700 SERIES - PAINTED	600 SERIES - CHERRY	600 SERIES - MAPLE	600 SERIES - PAINTED	500 SERIES - CHERRY	DT SERIES - DURAFORM	500 SERIES - MAPLE	500 SERIES - PAINTED	400 SERIES - CHERRY	400 SERIES - MAPLE	400 SERIES - PAINTED	300 SERIES - CHERRY	D SERIES - DURAFORM	300 SERIES - MAPLE	300 SERIES - PAINTED			
<b>DEEP SINK/RANGE BASE CABINET • 2 DOORS</b>																					
	DSB39	1212	1102	1002	905	818	736														
<b>BASE MICROWAVE CABINET</b>																					
	BMC24	1378	1264	1161	1061	970	873														
	BMC27	1417	1300	1193	1090	997	897														
	BMC30	1510	1384	1270	1159	1059	953														
<b>SINK/COOKTOP FRONT • 1 DOOR • 1 PANEL</b>																					
	SF12	434	395	359	324	293	264														
	SF15	456	415	377	340	307	276														
	SF18	501	455	414	374	338	304														
	SF21	540	491	447	403	364	328														
	SF24	584	531	483	436	394	355														
<b>SINK/COOKTOP FRONT • 2 BUTT DOORS • 1 PANEL</b>																					
	SF24 BUTT	619	563	512	462	417	375														
	SF27 BUTT	636	578	525	474	428	385														
	SF30 BUTT	685	623	567	512	462	416														
	SF33 BUTT	704	640	581	525	474	427														
	SF36 BUTT	729	662	602	544	491	442														
<b>SINK/COOKTOP FRONT</b>																					
	<b>2 DOORS • 2 PANELS</b>																				
	SF39	720	655	595	537	485	437														
	SF42	749	681	619	559	505	455														
	SF48	860	782	711	642	580	522														
	<b>3 DOORS • 3 PANELS</b>																				
	SF45	851	773	703	635	573	516														
<b>CORNER SINK FRONT</b>																					
	CSF36	523	475	432	390	352	317														
	CSF42	662	601	547	494	446	401														

Illustrations are for reference only. Refer to Specification Guide for actual specifications.

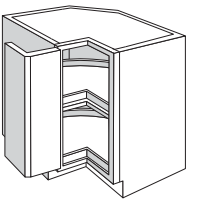
# SKU

## CORNER SINK BASE CABINET



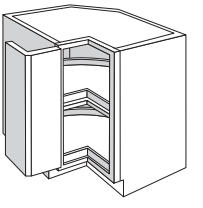
	700 SERIES - CHERRY	700 SERIES - MAPLE	700 SERIES - PAINTED	600 SERIES - CHERRY	600 SERIES - MAPLE	600 SERIES - PAINTED	500 SERIES - CHERRY	500 SERIES - MAPLE	500 SERIES - PAINTED	400 SERIES - CHERRY	400 SERIES - MAPLE	400 SERIES - PAINTED	300 SERIES - CHERRY	300 SERIES - MAPLE	300 SERIES - PAINTED
CSB36	1506	1369	1244	1124	1015	914									

## BASE SUPER SUSAN CABINET



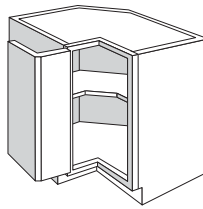
BSS33 WD	2128	1934	1758	1588	1434	1291									
BSS36 WD	2204	2004	1821	1645	1485	1337									

## ASYMMETRICAL BASE SUPER SUSAN CABINET



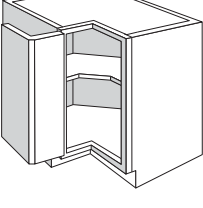
BSS3336 WD	2204	2004	1821	1645	1485	1337									
BSS3633 WD	2204	2004	1821	1645	1485	1337									

## BASE EASY REACH CABINET

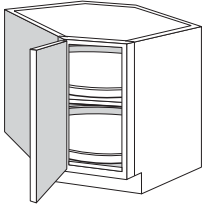
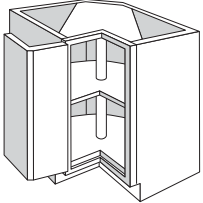
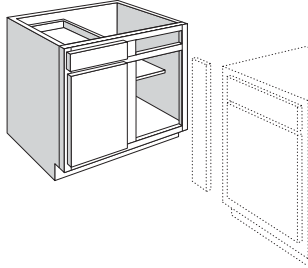
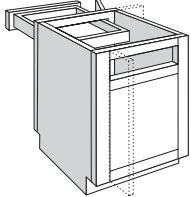
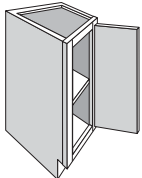


BER33	1561	1419	1290	1165	1052	947									
BER36	1623	1475	1341	1211	1093	984									

## ASYMMETRICAL BASE EASY REACH CABINET



BER3336	1623	1475	1341	1211	1093	984									
BER3633	1623	1475	1341	1211	1093	984									

SKU		700 SERIES - CHERRY	700 SERIES - MAPLE	700 SERIES - PAINTED	600 SERIES - CHERRY	600 SERIES - MAPLE	600 SERIES - PAINTED	500 SERIES - CHERRY	500 SERIES - MAPLE	500 SERIES - PAINTED	400 SERIES - CHERRY	400 SERIES - MAPLE	400 SERIES - PAINTED	300 SERIES - CHERRY	300 SERIES - MAPLE	300 SERIES - PAINTED
<b>CORNER BASE CABINET</b>																
	CBS36 WD	2140	1945	1769	1597	1442	1298									
<b>CORNER BASE CAROUSEL CABINET</b>																
	CAR36 WD	1834	1667	1515	1368	1236	1112									
<b>BLIND CORNER BASE CABINET</b>																
	BLB36/39	1097	1003	918	835	760	684									
	BLB39/42	1142	1044	955	869	791	712									
	BLB42/45	1184	1082	990	900	819	737									
	BLB45/48	1266	1157	1057	961	874	787									
	BLB48/51	1333	1217	1113	1011	919	827									
<b>BLIND PENINSULA CORNER BASE CABINET</b>																
	PBC24	1448	1323	1208	1097	997	897									
	PBC24 BUTT	1576	1439	1314	1193	1083	975									
<b>BASE END ANGLE CABINET • 1 FULL-HEIGHT DOOR</b>																
	BEA12 FH	798	725	659	595	538	484									

Illustrations are for reference only. Refer to Specification Guide for actual specifications.

# SKU

700 SERIES - CHERRY

700 SERIES - MAPLE  
700 SERIES - PAINTED  
600 SERIES - CHERRY

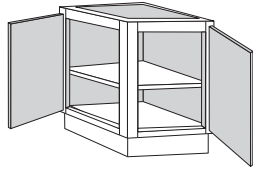
600 SERIES - MAPLE  
600 SERIES - PAINTED  
500 SERIES - CHERRY  
DT SERIES - DURAFORM

500 SERIES - MAPLE  
500 SERIES - PAINTED  
400 SERIES - CHERRY

400 SERIES - MAPLE  
400 SERIES - PAINTED  
300 SERIES - CHERRY  
D SERIES - DURAFORM

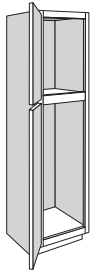
300 SERIES - MAPLE  
300 SERIES - PAINTED

## BASE END ANGLE CABINET • 2 FULL-HEIGHT DOORS



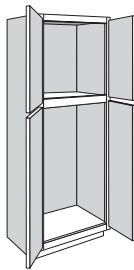
BEA24 FH	1360	1236	1124	1015	916	824

## UTILITY CABINET • 2 DOORS • NO SHELVES • 12" DEEP X 84" HIGH



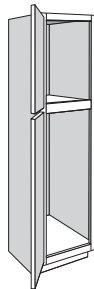
STANDARD DOOR						
UT1212 X 84	1334	1213	1103	996	899	809
UT1512 X 84	1476	1341	1220	1101	994	895
UT1812 X 84	1627	1479	1344	1214	1096	986
UT2112 X 84	1806	1642	1492	1348	1217	1094
SPECIALTY DOOR						
UT1212 X 84 SD	1700	1555	1423	1294	1178	1060
UT1512 X 84 SD	1870	1708	1563	1420	1292	1163
UT1812 X 84 SD	2051	1874	1712	1556	1414	1273
UT2112 X 84 SD	2266	2069	1889	1716	1559	1412

## UTILITY CABINET • 4 BUTT DOORS • NO SHELVES • 12" DEEP X 84" HIGH



STANDARD DOOR						
UT2412 X 84 BUTT	2188	1989	1808	1633	1474	1327
SPECIALTY DOOR						
UT2412 X 84 BUTT SD	2824	2585	2368	2158	1967	1770

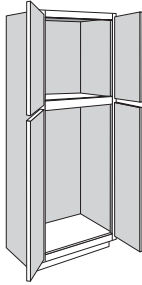
## UTILITY CABINET • 2 DOORS • NO SHELVES • 12" DEEP X 90" HIGH



STANDARD DOOR						
UT1212 X 90	1501	1364	1240	1120	1012	911
UT1512 X 90	1668	1516	1378	1244	1124	1012
UT1812 X 90	1880	1709	1554	1403	1267	1140
UT2112 X 90	2087	1897	1725	1557	1406	1266
SPECIALTY DOOR						
UT1212 X 90 SD	1902	1738	1589	1445	1315	1194
UT1512 X 90 SD	2103	1920	1755	1594	1450	1305
UT1812 X 90 SD	2357	2152	1966	1785	1621	1459
UT2112 X 90 SD	2605	2377	2171	1969	1788	1619

# SKU

## UTILITY CABINET • 4 BUTT DOORS • NO SHELVES • 12" DEEP X 90" HIGH



### STANDARD DOOR

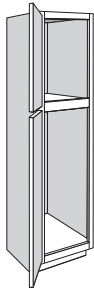
UT2412 X 90 BUTT	2521	2292	2084	1881	1699	1529
------------------	------	------	------	------	------	------

### SPECIALTY DOOR

UT2412 X 90 BUTT SD	3227	2952	2703	2459	2241	2017
---------------------	------	------	------	------	------	------

700 SERIES - CHERRY	700 SERIES - MAPLE	700 SERIES - PAINTED	600 SERIES - CHERRY	600 SERIES - MAPLE	600 SERIES - PAINTED	500 SERIES - CHERRY	DT SERIES - DURAFORM	500 SERIES - MAPLE	500 SERIES - PAINTED	400 SERIES - CHERRY	400 SERIES - MAPLE	400 SERIES - PAINTED	300 SERIES - CHERRY	D SERIES - DURAFORM	300 SERIES - MAPLE	300 SERIES - PAINTED
---------------------	--------------------	----------------------	---------------------	--------------------	----------------------	---------------------	----------------------	--------------------	----------------------	---------------------	--------------------	----------------------	---------------------	---------------------	--------------------	----------------------

## UTILITY CABINET • 2 DOORS • NO SHELVES • 12" DEEP X 93" HIGH



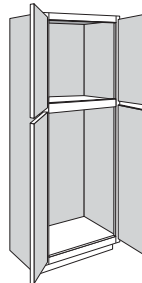
### STANDARD DOOR

UT1212 X 93	1565	1423	1293	1168	1055	950
UT1512 X 93	1739	1581	1437	1298	1172	1055
UT1812 X 93	1957	1780	1618	1461	1320	1188
UT2112 X 93	2173	1976	1796	1622	1465	1319

### SPECIALTY DOOR

UT1212 X 93 SD	1979	1808	1653	1503	1367	1241
UT1512 X 93 SD	2188	1998	1825	1659	1507	1357
UT1812 X 93 SD	2449	2237	2043	1854	1685	1517
UT2112 X 93 SD	2709	2472	2256	2047	1859	1684

## UTILITY CABINET • 4 BUTT DOORS • NO SHELVES • 12" DEEP X 93" HIGH



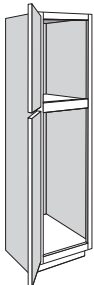
### STANDARD DOOR

UT2412 X 93 BUTT	2631	2391	2174	1963	1773	1596
------------------	------	------	------	------	------	------

### SPECIALTY DOOR

UT2412 X 93 BUTT SD	3359	3071	2811	2558	2330	2097
---------------------	------	------	------	------	------	------

## UTILITY CABINET • 2 DOORS • NO SHELVES • 12" DEEP X 96" HIGH



### STANDARD DOOR

UT1212 X 96	1587	1443	1311	1184	1069	962
UT1512 X 96	1763	1603	1457	1316	1188	1069
UT1812 X 96	1983	1803	1639	1480	1337	1203
UT2112 X 96	2201	2001	1819	1643	1484	1336

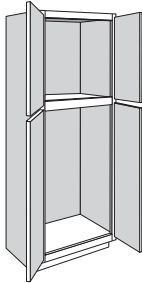
### SPECIALTY DOOR

UT1212 X 96 SD	2005	1833	1674	1522	1384	1255
UT1512 X 96 SD	2217	2025	1849	1680	1527	1374
UT1812 X 96 SD	2481	2265	2068	1877	1705	1535
UT2112 X 96 SD	2742	2502	2284	2073	1882	1703

Illustrations are for reference only. Refer to Specification Guide for actual specifications.

# SKU

## UTILITY CABINET • 4 BUTT DOORS • NO SHELVES • 12" DEEP X 96" HIGH



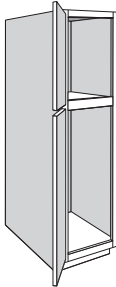
### STANDARD DOOR

UT1224 X 84	1625	1478	1343	1213	1095	986
UT1524 X 84	1757	1598	1452	1311	1184	1066
UT1824 X 84	1899	1726	1569	1417	1280	1152
UT2124 X 84	2108	1916	1742	1573	1421	1279

### SPECIALTY DOOR

UT1224 X 84 SD	2049	1873	1711	1555	1413	1272
UT1524 X 84 SD	2207	2017	1841	1672	1520	1368
UT1824 X 84 SD	2378	2170	1982	1799	1635	1472
UT2124 X 84 SD	2629	2398	2189	1987	1804	1634

## UTILITY CABINET • 2 DOORS • NO SHELVES • 24" DEEP X 84" HIGH



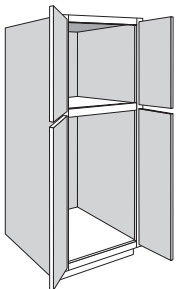
### STANDARD DOOR

UT1224 X 84	1625	1478	1343	1213	1095	986
UT1524 X 84	1757	1598	1452	1311	1184	1066
UT1824 X 84	1899	1726	1569	1417	1280	1152

### SPECIALTY DOOR

UT1224 X 84 SD	2049	1873	1711	1555	1413	1272
UT1524 X 84 SD	2207	2017	1841	1672	1520	1368
UT1824 X 84 SD	2378	2170	1982	1799	1635	1472

## UTILITY CABINET • 4 BUTT DOORS • NO SHELVES • 24" DEEP X 84" HIGH



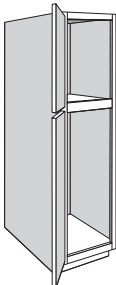
### STANDARD DOOR

UT2424 X 84 BUTT	2495	2268	2062	1862	1681	1513
UT2724 X 84 BUTT	2645	2404	2186	1974	1782	1604
UT3024 X 84 BUTT	2854	2595	2359	2130	1923	1731
UT3324 X 84 BUTT	3025	2751	2501	2258	2038	1835
UT3624 X 84 BUTT	3189	2898	2635	2380	2149	1934

### SPECIALTY DOOR

UT2424 X 84 BUTT SD	3192	2920	2672	2432	2215	1994
UT2724 X 84 BUTT SD	3372	3083	2821	2567	2336	2123
UT3024 X 84 BUTT SD	3623	3312	3029	2754	2506	2255
UT3324 X 84 BUTT SD	3828	3499	3199	2908	2644	2400
UT3624 X 84 BUTT SD	4025	3676	3360	3054	2777	2499

## UTILITY CABINET • 2 DOORS • NO SHELVES • 24" DEEP X 90" HIGH



### STANDARD DOOR

UT1224 X 90	1794	1631	1482	1338	1209	1088
UT1524 X 90	1993	1812	1647	1487	1343	1209
UT1824 X 90	2189	1990	1809	1634	1475	1328
UT2124 X 90	2430	2209	2008	1814	1637	1474

### SPECIALTY DOOR

UT1224 X 90 SD	2254	2058	1879	1707	1552	1407
UT1524 X 90 SD	2493	2275	2077	1885	1713	1541
UT1824 X 90 SD	2728	2489	2272	2062	1871	1684
UT2124 X 90 SD	3017	2752	2511	2278	2065	1870

700 SERIES - CHERRY

700 SERIES - MAPLE  
700 SERIES - PAINTED  
600 SERIES - CHERRY

600 SERIES - MAPLE  
600 SERIES - PAINTED  
500 SERIES - CHERRY  
DT SERIES - DURAFORM

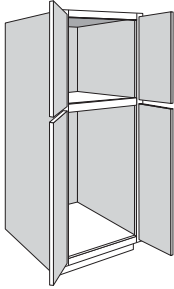
500 SERIES - MAPLE  
500 SERIES - PAINTED  
400 SERIES - CHERRY

400 SERIES - MAPLE  
400 SERIES - PAINTED  
300 SERIES - CHERRY  
D SERIES - DURAFORM

300 SERIES - MAPLE  
300 SERIES - PAINTED

# SKU

## UTILITY CABINET • 4 BUTT DOORS • NO SHELVES • 24" DEEP X 90" HIGH



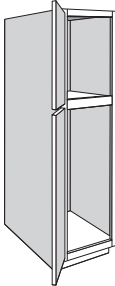
### STANDARD DOOR

	700 SERIES - CHERRY	700 SERIES - MAPLE	700 SERIES - PAINTED	600 SERIES - CHERRY	600 SERIES - MAPLE	600 SERIES - PAINTED	500 SERIES - CHERRY	500 SERIES - MAPLE	500 SERIES - PAINTED	400 SERIES - CHERRY	400 SERIES - MAPLE	400 SERIES - PAINTED	300 SERIES - CHERRY	300 SERIES - MAPLE	300 SERIES - PAINTED
UT2424 X 90 BUTT	2863	2602	2366	2136	1929	1736									
UT2724 X 90 BUTT	3035	2758	2508	2264	2045	1840									
UT3024 X 90 BUTT	3277	2980	2708	2446	2209	1988									
UT3324 X 90 BUTT	3474	3159	2870	2593	2342	2107									
UT3624 X 90 BUTT	3637	3306	3006	2714	2451	2206									

### SPECIALTY DOOR

UT2424 X 90 BUTT SD	3638	3324	3041	2765	2517	2265									
UT2724 X 90 BUTT SD	3844	3512	3212	2919	2656	2410									
UT3024 X 90 BUTT SD	4134	3778	3452	3137	2853	2568									
UT3324 X 90 BUTT SD	4371	3993	3646	3314	3012	2730									
UT3624 X 90 BUTT SD	4566	4169	3809	3459	3143	2829									

## UTILITY CABINET • 2 DOORS • NO SHELVES • 24" DEEP X 93" HIGH



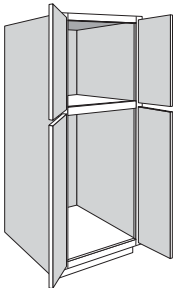
### STANDARD DOOR

UT1224 X 93	1855	1686	1533	1384	1250	1125									
UT1524 X 93	2061	1873	1703	1537	1389	1250									
UT1824 X 93	2291	2083	1894	1710	1544	1390									
UT2124 X 93	2543	2312	2102	1898	1714	1543									

### SPECIALTY DOOR

UT1224 X 93 SD	2327	2124	1941	1762	1601	1451									
UT1524 X 93 SD	2574	2349	2145	1945	1768	1591									
UT1824 X 93 SD	2850	2601	2374	2153	1954	1758									
UT2124 X 93 SD	3153	2875	2623	2379	2158	1953									

## UTILITY CABINET • 4 BUTT DOORS • NO SHELVES • 24" DEEP X 93" HIGH



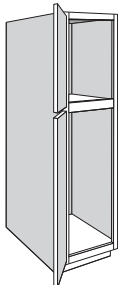
### STANDARD DOOR

UT2424 X 93 BUTT	3008	2734	2486	2245	2027	1824									
UT2724 X 93 BUTT	3188	2898	2635	2380	2149	1933									
UT3024 X 93 BUTT	3441	3128	2844	2568	2319	2087									
UT3324 X 93 BUTT	3647	3316	3015	2722	2459	2213									
UT3624 X 93 BUTT	3909	3554	3230	2917	2634	2371									

### SPECIALTY DOOR

UT2424 X 93 BUTT SD	3812	3483	3185	2896	2634	2371									
UT2724 X 93 BUTT SD	4028	3680	3364	3058	2781	2522									
UT3024 X 93 BUTT SD	4331	3956	3615	3284	2985	2686									
UT3324 X 93 BUTT SD	4578	4181	3820	3468	3153	2858									
UT3624 X 93 BUTT SD	4893	4467	4078	3702	3363	3027									

## UTILITY CABINET • 2 DOORS • NO SHELVES • 24" DEEP X 96" HIGH



### STANDARD DOOR

UT1224 X 96	1875	1704	1549	1399	1264	1138									
UT1524 X 96	2083	1893	1721	1554	1404	1264									
UT1824 X 96	2325	2114	1922	1735	1567	1410									
UT2124 X 96	2581	2347	2133	1926	1739	1565									

### SPECIALTY DOOR

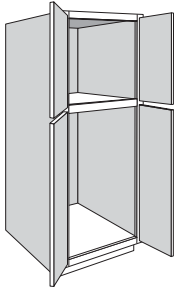
UT1224 X 96 SD	2351	2146	1960	1780	1618	1467									
UT1524 X 96 SD	2601	2373	2166	1966	1786	1607									
UT1824 X 96 SD	2891	2638	2407	2183	1981	1783									
UT2124 X 96 SD	3198	2917	2661	2412	2188	1979									

Illustrations are for reference only. Refer to Specification Guide for actual specifications.



# SKU

## UTILITY CABINET • 4 BUTT DOORS • NO SHELVES • 24" DEEP X 96" HIGH



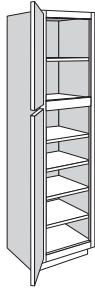
### STANDARD DOOR

UT2424 X 96 BUTT	3056	2778	2526	2281	2059	1853
UT2724 X 96 BUTT	3239	2945	2678	2418	2183	1964
UT3024 X 96 BUTT	3495	3177	2889	2608	2356	2120
UT3324 X 96 BUTT	3705	3368	3062	2764	2497	2247
UT3624 X 96 BUTT	4000	3636	3305	2985	2695	2426

### SPECIALTY DOOR

UT2424 X 96 BUTT SD	3869	3536	3233	2939	2673	2406
UT2724 X 96 BUTT SD	4089	3736	3416	3104	2822	2559
UT3024 X 96 BUTT SD	4396	4014	3669	3332	3029	2726
UT3324 X 96 BUTT SD	4648	4244	3876	3519	3198	2898
UT3624 X 96 BUTT SD	5002	4565	4168	3784	3436	3092

## UTILITY CABINET • 2 DOORS • ADJUSTABLE SHELVES • 12" DEEP X 84" HIGH



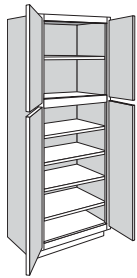
### STANDARD DOOR

UT1212 X 84 AS	1479	1358	1248	1141	1044	954
UT1512 X 84 AS	1621	1486	1365	1246	1139	1040
UT1812 X 84 AS	1772	1624	1489	1359	1241	1131
UT2112 X 84 AS	1951	1787	1637	1493	1362	1239

### SPECIALTY DOOR

UT1212 X 84 AS SD	1874	1729	1597	1468	1352	1234
UT1512 X 84 AS SD	2044	1882	1737	1594	1466	1337
UT1812 X 84 AS SD	2225	2048	1886	1730	1588	1447
UT2112 X 84 AS SD	2440	2243	2063	1891	1733	1586

## UTILITY CABINET • 4 BUTT DOORS • ADJUSTABLE SHELVES • 12" DEEP X 84" HIGH



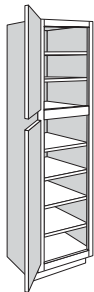
### STANDARD DOOR

UT2412 X 84 AS BUTT	2333	2134	1953	1778	1619	1472
---------------------	------	------	------	------	------	------

### SPECIALTY DOOR

UT2412 X 84 AS BUTT SD	2998	2759	2542	2332	2141	1944
------------------------	------	------	------	------	------	------

## UTILITY CABINET • 2 DOORS • ADJUSTABLE SHELVES • 12" DEEP X 90" HIGH



### STANDARD DOOR

UT1212 X 90 AS	1675	1538	1414	1294	1186	1085
UT1512 X 90 AS	1842	1690	1552	1418	1298	1186
UT1812 X 90 AS	2054	1883	1728	1577	1441	1314
UT2112 X 90 AS	2261	2071	1899	1731	1580	1439

### SPECIALTY DOOR

UT1212 X 90 AS SD	2111	1947	1798	1654	1524	1403
UT1512 X 90 AS SD	2311	2129	1963	1803	1659	1514
UT1812 X 90 AS SD	2566	2361	2175	1993	1830	1668
UT2112 X 90 AS SD	2814	2586	2380	2178	1997	1828

700 SERIES - CHERRY

700 SERIES - MAPLE  
700 SERIES - PAINTED  
600 SERIES - CHERRY

600 SERIES - MAPLE  
600 SERIES - PAINTED  
500 SERIES - CHERRY  
DT SERIES - DURAFORM

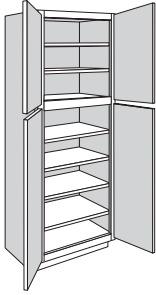
500 SERIES - MAPLE  
500 SERIES - PAINTED  
400 SERIES - CHERRY

400 SERIES - MAPLE  
400 SERIES - PAINTED  
300 SERIES - CHERRY  
D SERIES - DURAFORM

300 SERIES - MAPLE  
300 SERIES - PAINTED

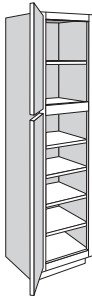
# SKU

## UTILITY CABINET • 4 BUTT DOORS • ADJUSTABLE SHELVES • 12" DEEP X 90" HIGH



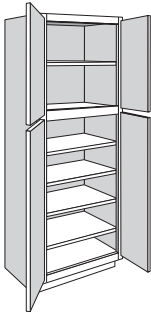
STANDARD DOOR		700 SERIES - CHERRY	700 SERIES - MAPLE	700 SERIES - PAINTED	600 SERIES - CHERRY	600 SERIES - MAPLE	600 SERIES - PAINTED	500 SERIES - CHERRY	500 SERIES - MAPLE	500 SERIES - PAINTED	400 SERIES - CHERRY	400 SERIES - MAPLE	400 SERIES - PAINTED	300 SERIES - CHERRY	300 SERIES - MAPLE	300 SERIES - PAINTED
UT2412 X 90 AS BUTT		2695	2466	2258	2055	1873	1703									
SPECIALTY DOOR																
UT2412 X 90 AS BUTT SD		3436	3161	2912	2668	2450	2226									

## UTILITY CABINET • 2 DOORS • ADJUSTABLE SHELVES • 12" DEEP X 93" HIGH



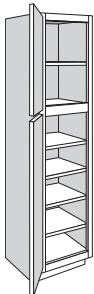
STANDARD DOOR		700 SERIES - CHERRY	700 SERIES - MAPLE	700 SERIES - PAINTED	600 SERIES - CHERRY	600 SERIES - MAPLE	600 SERIES - PAINTED	500 SERIES - CHERRY	500 SERIES - MAPLE	500 SERIES - PAINTED	400 SERIES - CHERRY	400 SERIES - MAPLE	400 SERIES - PAINTED	300 SERIES - CHERRY	300 SERIES - MAPLE	300 SERIES - PAINTED
UT1212 X 93 AS		1769	1627	1497	1371	1258	1153									
UT1512 X 93 AS		1942	1784	1640	1501	1375	1258									
UT1812 X 93 AS		2160	1983	1821	1664	1523	1391									
UT2112 X 93 AS		2376	2179	1999	1825	1668	1522									
SPECIALTY DOOR																
UT1212 X 93 AS SD		2224	2054	1898	1747	1611	1485									
UT1512 X 93 AS SD		2431	2242	2069	1902	1751	1600									
UT1812 X 93 AS SD		2693	2481	2286	2098	1929	1761									
UT2112 X 93 AS SD		2953	2716	2500	2291	2103	1928									

## UTILITY CABINET • 4 BUTT DOORS • ADJUSTABLE SHELVES • 12" DEEP X 93" HIGH



STANDARD DOOR		700 SERIES - CHERRY	700 SERIES - MAPLE	700 SERIES - PAINTED	600 SERIES - CHERRY	600 SERIES - MAPLE	600 SERIES - PAINTED	500 SERIES - CHERRY	500 SERIES - MAPLE	500 SERIES - PAINTED	400 SERIES - CHERRY	400 SERIES - MAPLE	400 SERIES - PAINTED	300 SERIES - CHERRY	300 SERIES - MAPLE	300 SERIES - PAINTED
UT2412 X 93 AS BUTT		2834	2594	2377	2166	1976	1799									
SPECIALTY DOOR																
UT2412 X 93 AS BUTT SD		3603	3315	3054	2801	2573	2341									

## UTILITY CABINET • 2 DOORS • ADJUSTABLE SHELVES • 12" DEEP X 96" HIGH

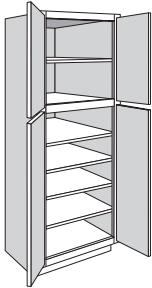


STANDARD DOOR		700 SERIES - CHERRY	700 SERIES - MAPLE	700 SERIES - PAINTED	600 SERIES - CHERRY	600 SERIES - MAPLE	600 SERIES - PAINTED	500 SERIES - CHERRY	500 SERIES - MAPLE	500 SERIES - PAINTED	400 SERIES - CHERRY	400 SERIES - MAPLE	400 SERIES - PAINTED	300 SERIES - CHERRY	300 SERIES - MAPLE	300 SERIES - PAINTED
UT1212 X 96 AS		1790	1646	1514	1387	1272	1165									
UT1512 X 96 AS		1966	1806	1660	1519	1391	1272									
UT1812 X 96 AS		2186	2006	1842	1683	1540	1406									
UT2112 X 96 AS		2404	2204	2022	1846	1687	1538									
SPECIALTY DOOR																
UT1212 X 96 AS SD		2249	2077	1918	1766	1628	1499									
UT1512 X 96 AS SD		2460	2268	2093	1924	1770	1618									
UT1812 X 96 AS SD		2724	2508	2311	2121	1949	1779									
UT2112 X 96 AS SD		2986	2746	2528	2317	2126	1947									

Illustrations are for reference only. Refer to Specification Guide for actual specifications.

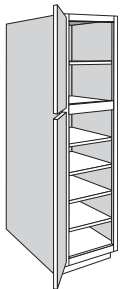
# SKU

## UTILITY CABINET • 4 BUTT DOORS • ADJUSTABLE SHELVES • 12" DEEP X 96" HIGH



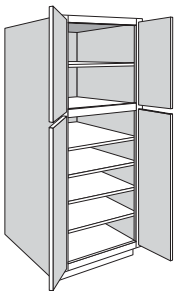
	700 SERIES - CHERRY	700 SERIES - MAPLE	700 SERIES - PAINTED	600 SERIES - CHERRY	600 SERIES - MAPLE	600 SERIES - PAINTED	500 SERIES - CHERRY	500 SERIES - MAPLE	500 SERIES - PAINTED	400 SERIES - CHERRY	400 SERIES - MAPLE	400 SERIES - PAINTED	300 SERIES - CHERRY	300 SERIES - MAPLE	300 SERIES - PAINTED
<b>STANDARD DOOR</b>															
UT2412 X 96 AS BUTT	2870	2627	2407				2193			2000					1820
<b>SPECIALTY DOOR</b>															
UT2412 X 96 AS BUTT SD	3646	3354	3090				2834			2602					2366

## UTILITY CABINET • 2 DOORS • ADJUSTABLE SHELVES • 24" DEEP X 84" HIGH



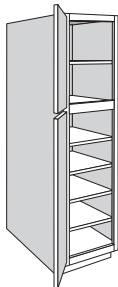
	700 SERIES - CHERRY	700 SERIES - MAPLE	700 SERIES - PAINTED	600 SERIES - CHERRY	600 SERIES - MAPLE	600 SERIES - PAINTED	500 SERIES - CHERRY	500 SERIES - MAPLE	500 SERIES - PAINTED	400 SERIES - CHERRY	400 SERIES - MAPLE	400 SERIES - PAINTED	300 SERIES - CHERRY	300 SERIES - MAPLE	300 SERIES - PAINTED
<b>STANDARD DOOR</b>															
UT1224 X 84 AS	1815	1668	1533				1403			1285					1176
UT1524 X 84 AS	1947	1788	1642				1501			1374					1256
UT1824 X 84 AS	2089	1916	1759				1607			1470					1342
UT2124 X 84 AS	2298	2106	1932				1763			1611					1469
<b>SPECIALTY DOOR</b>															
UT1224 X 84 AS SD	2277	2101	1939				1783			1641					1500
UT1524 X 84 AS SD	2435	2245	2069				1900			1748					1596
UT1824 X 84 AS SD	2606	2398	2210				2027			1863					1700
UT2124 X 84 AS SD	2857	2626	2417				2215			2032					1862

## UTILITY CABINET • 4 BUTT DOORS • ADJUSTABLE SHELVES • 24" DEEP X 84" HIGH



	700 SERIES - CHERRY	700 SERIES - MAPLE	700 SERIES - PAINTED	600 SERIES - CHERRY	600 SERIES - MAPLE	600 SERIES - PAINTED	500 SERIES - CHERRY	500 SERIES - MAPLE	500 SERIES - PAINTED	400 SERIES - CHERRY	400 SERIES - MAPLE	400 SERIES - PAINTED	300 SERIES - CHERRY	300 SERIES - MAPLE	300 SERIES - PAINTED
<b>STANDARD DOOR</b>															
UT2424 X 84 AS BUTT	2685	2458	2252				2052			1871					1703
UT2724 X 84 AS BUTT	2915	2674	2456				2244			2052					1874
UT3024 X 84 AS BUTT	3124	2865	2629				2400			2193					2001
UT3324 X 84 AS BUTT	3295	3021	2771				2528			2308					2105
UT3624 X 84 AS BUTT	3459	3168	2905				2650			2419					2204
<b>SPECIALTY DOOR</b>															
UT2424 X 84 AS BUTT SD	3420	3148	2900				2660			2443					2222
UT2724 X 84 AS BUTT SD	3696	3407	3145				2891			2660					2447
UT3024 X 84 AS BUTT SD	3947	3636	3353				3078			2830					2483
UT3324 X 84 AS BUTT SD	4152	3823	3523				3232			2968					2724
UT3624 X 84 AS BUTT SD	4349	4000	3684				3378			3101					2727

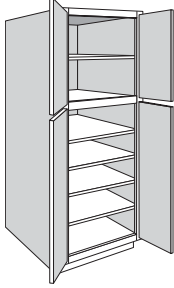
## UTILITY CABINET • 2 DOORS • ADJUSTABLE SHELVES • 24" DEEP X 90" HIGH



	700 SERIES - CHERRY	700 SERIES - MAPLE	700 SERIES - PAINTED	600 SERIES - CHERRY	600 SERIES - MAPLE	600 SERIES - PAINTED	500 SERIES - CHERRY	500 SERIES - MAPLE	500 SERIES - PAINTED	400 SERIES - CHERRY	400 SERIES - MAPLE	400 SERIES - PAINTED	300 SERIES - CHERRY	300 SERIES - MAPLE	300 SERIES - PAINTED
<b>STANDARD DOOR</b>															
UT1224 X 90 AS	2022	1859	1710				1566			1437					1316
UT1524 X 90 AS	2221	2040	1875				1715			1571					1437
UT1824 X 90 AS	2417	2218	2037				1862			1703					1556
UT2124 X 90 AS	2658	2437	2236				2042			1865					1702
<b>SPECIALTY DOOR</b>															
UT1224 X 90 AS SD	2528	2332	2153				1981			1826					1681
UT1524 X 90 AS SD	2766	2549	2351				2159			1986					1816
UT1824 X 90 AS SD	3001	2763	2545				2335			2145					1958
UT2124 X 90 AS SD	3291	3026	2785				2552			2339					2144

# SKU

## UTILITY CABINET • 4 BUTT DOORS • ADJUSTABLE SHELVES • 24" DEEP X 90" HIGH



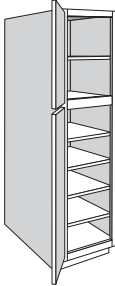
### STANDARD DOOR

UT2424 X 90 AS BUTT	3091	2830	2594	2364	2157	1964
UT2724 X 90 AS BUTT	3359	3082	2832	2588	2369	2164
UT3024 X 90 AS BUTT	3601	3304	3032	2761	2525	2312
UT3324 X 90 AS BUTT	3798	3483	3194	2917	2666	2431
UT3624 X 90 AS BUTT	3961	3630	3330	3029	2767	2530

### SPECIALTY DOOR

UT2424 X 90 AS BUTT SD	3911	3598	3315	3039	2790	2539
UT2724 X 90 AS BUTT SD	4233	3901	3601	3308	3045	2799
UT3024 X 90 AS BUTT SD	4523	4167	3840	3526	3242	2957
UT3324 X 90 AS BUTT SD	4760	4382	4035	3703	3401	3119
UT3624 X 90 AS BUTT SD	4955	4558	4198	3848	3532	3218

## UTILITY CABINET • 2 DOORS • ADJUSTABLE SHELVES • 24" DEEP X 93" HIGH



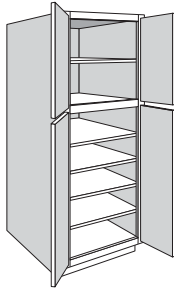
### STANDARD DOOR

UT1224 X 93 AS	2121	1952	1799	1650	1516	1391
UT1524 X 93 AS	2327	2139	1969	1803	1655	1516
UT1824 X 93 AS	2557	2349	2160	1976	1810	1656
UT2124 X 93 AS	2809	2578	2368	2164	1980	1809

### SPECIALTY DOOR

UT1224 X 93 AS SD	2646	2443	2260	2081	1920	1770
UT1524 X 93 AS SD	2893	2668	2464	2265	2087	1910
UT1824 X 93 AS SD	3169	2920	2693	2472	2273	2078
UT2124 X 93 AS SD	3472	3194	2942	2698	2477	2272

## UTILITY CABINET • 4 BUTT DOORS • ADJUSTABLE SHELVES • 24" DEEP X 93" HIGH



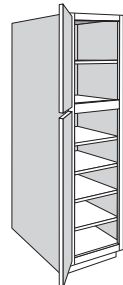
### STANDARD DOOR

UT2424 X 93 AS BUTT	3274	3000	2752	2511	2293	2090
UT2724 X 93 AS BUTT	3566	3276	3013	2758	2527	2311
UT3024 X 93 AS BUTT	3819	3506	3222	2946	2697	2466
UT3324 X 93 AS BUTT	4025	3694	3393	3100	2837	2591
UT3624 X 93 AS BUTT	4287	3932	3608	3295	3012	2749

### SPECIALTY DOOR

UT2424 X 93 AS BUTT SD	4131	3802	3504	3215	2954	2690
UT2724 X 93 AS BUTT SD	4482	4134	3818	3512	3235	2976
UT3024 X 93 AS BUTT SD	4785	4409	4068	3737	3438	3141
UT3324 X 93 AS BUTT SD	5032	4635	4274	3922	3607	3312
UT3624 X 93 AS BUTT SD	5346	4920	4532	4156	3816	3481

## UTILITY CABINET • 2 DOORS • ADJUSTABLE SHELVES • 24" DEEP X 96" HIGH



### STANDARD DOOR

UT1224 X 96 AS	2141	1970	1815	1665	1530	1404
UT1524 X 96 AS	2349	2159	1987	1820	1670	1530
UT1824 X 96 AS	2591	2380	2188	2001	1833	1676
UT2124 X 96 AS	2847	2613	2399	2192	2005	1831

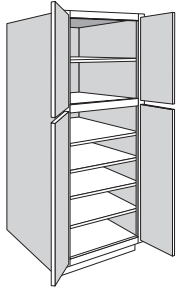
### SPECIALTY DOOR

UT1224 X 96 AS SD	2670	2465	2279	2099	1937	1786
UT1524 X 96 AS SD	2920	2692	2485	2285	2105	1926
UT1824 X 96 AS SD	3210	2957	2727	2502	2301	2102
UT2124 X 96 AS SD	3517	3236	2980	2731	2507	2298

Illustrations are for reference only. Refer to Specification Guide for actual specifications.

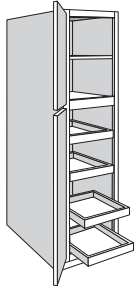
# SKU

## UTILITY CABINET • 4 BUTT DOORS • ADJUSTABLE SHELVES • 24" DEEP X 96" HIGH



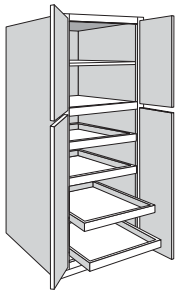
	700 SERIES - CHERRY	700 SERIES - MAPLE	700 SERIES - PAINTED	600 SERIES - CHERRY	600 SERIES - MAPLE	600 SERIES - PAINTED	500 SERIES - CHERRY	DT SERIES - DURAFORM	500 SERIES - MAPLE	500 SERIES - PAINTED	400 SERIES - CHERRY	400 SERIES - MAPLE	400 SERIES - PAINTED	300 SERIES - CHERRY	D SERIES - DURAFORM	300 SERIES - MAPLE	300 SERIES - PAINTED
<b>STANDARD DOOR</b>																	
UT2424 X 96 AS BUTT	3322	3044	2792	2547	2325	2119											
UT2724 X 96 AS BUTT	3617	3323	3056	2796	2561	2342											
UT3024 X 96 AS BUTT	3873	3555	3267	2986	2734	2498											
UT3324 X 96 AS BUTT	4083	3746	3440	3142	2875	2625											
UT3624 X 96 AS BUTT	4378	4014	3683	3363	3073	2804											
<b>SPECIALTY DOOR</b>																	
UT2424 X 96 AS BUTT SD	4188	3855	3552	3258	2992	2725											
UT2724 X 96 AS BUTT SD	4543	4190	3870	3558	3276	3013											
UT3024 X 96 AS BUTT SD	4850	4468	4122	3785	3483	3180											
UT3324 X 96 AS BUTT SD	5102	4698	4330	3973	3652	3352											
UT3624 X 96 AS BUTT SD	5456	5019	4622	4238	3890	3546											

## UTILITY CABINET • 2 DOORS • FULL-ACCESS DEEP ROLL OUT TRAYS • 84" HIGH



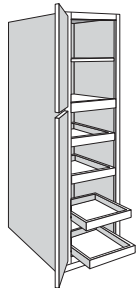
	700 SERIES - CHERRY	700 SERIES - MAPLE	700 SERIES - PAINTED	600 SERIES - CHERRY	600 SERIES - MAPLE	600 SERIES - PAINTED	500 SERIES - CHERRY	DT SERIES - DURAFORM	500 SERIES - MAPLE	500 SERIES - PAINTED	400 SERIES - CHERRY	400 SERIES - MAPLE	400 SERIES - PAINTED	300 SERIES - CHERRY	D SERIES - DURAFORM	300 SERIES - MAPLE	300 SERIES - PAINTED
<b>STANDARD DOOR</b>																	
UT1224 X 84 FA4ROT	2511	2364	2229	2099	1981	1872											
UT1524 X 84 FA4ROT	2643	2484	2338	2197	2070	1952											
UT1824 X 84 FA4ROT	2785	2612	2455	2303	2166	2038											
UT2124 X 84 FA4ROT	2994	2802	2628	2459	2307	2165											
<b>SPECIALTY DOOR</b>																	
UT1224 X 84 FA4ROT SD	3112	2936	2774	2618	2476	2335											
UT1524 X 84 FA4ROT SD	3271	3080	2905	2735	2583	2431											
UT1824 X 84 FA4ROT SD	3441	3233	3045	2863	2698	2535											
UT2124 X 84 FA4ROT SD	3692	3461	3252	3050	2867	2697											

## UTILITY CABINET • 4 BUTT DOORS • FULL-ACCESS DEEP ROLL OUT TRAYS • 84" HIGH



	700 SERIES - CHERRY	700 SERIES - MAPLE	700 SERIES - PAINTED	600 SERIES - CHERRY	600 SERIES - MAPLE	600 SERIES - PAINTED	500 SERIES - CHERRY	DT SERIES - DURAFORM	500 SERIES - MAPLE	500 SERIES - PAINTED	400 SERIES - CHERRY	400 SERIES - MAPLE	400 SERIES - PAINTED	300 SERIES - CHERRY	D SERIES - DURAFORM	300 SERIES - MAPLE	300 SERIES - PAINTED
<b>STANDARD DOOR</b>																	
UT2424 X 84 FA4ROT BUTT	3381	3154	2948	2748	2567	2399											
UT2724 X 84 FA4ROT BUTT	3547	3306	3088	2876	2684	2506											
UT3024 X 84 FA4ROT BUTT	3804	3545	3309	3080	2873	2681											
UT3324 X 84 FA4ROT BUTT	3975	3701	3451	3208	2988	2785											
UT3624 X 84 FA4ROT BUTT	4139	3848	3585	3330	3099	2884											
<b>SPECIALTY DOOR</b>																	
UT2424 X 84 FA4ROT BUTT SD	4255	3983	3736	3496	3278	3057											
UT2724 X 84 FA4ROT BUTT SD	4454	4165	3903	3649	3418	3205											
UT3024 X 84 FA4ROT BUTT SD	4763	4452	4169	3894	3646	3395											
UT3324 X 84 FA4ROT BUTT SD	4968	4639	4339	4048	3784	3540											
UT3624 X 84 FA4ROT BUTT SD	5165	4816	4500	4194	3917	3639											

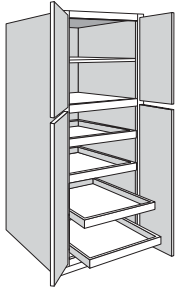
## UTILITY CABINET • 2 DOORS • FULL-ACCESS DEEP ROLL OUT TRAYS • 90" HIGH



	700 SERIES - CHERRY	700 SERIES - MAPLE	700 SERIES - PAINTED	600 SERIES - CHERRY	600 SERIES - MAPLE	600 SERIES - PAINTED	500 SERIES - CHERRY	DT SERIES - DURAFORM	500 SERIES - MAPLE	500 SERIES - PAINTED	400 SERIES - CHERRY	400 SERIES - MAPLE	400 SERIES - PAINTED	300 SERIES - CHERRY	D SERIES - DURAFORM	300 SERIES - MAPLE	300 SERIES - PAINTED
<b>STANDARD DOOR</b>																	
UT1224 X 90 FA4ROT	2718	2555	2406	2262	2133	2012											
UT1524 X 90 FA4ROT	2917	2736	2571	2411	2267	2133											
UT1824 X 90 FA4ROT	3113	2914	2733	2558	2399	2252											
UT2124 X 90 FA4ROT	3354	3133	2932	2738	2561	2398											
<b>SPECIALTY DOOR</b>																	
UT1224 X 90 FA4ROT SD	3363	3167	2988	2816	2661	2398											
UT1524 X 90 FA4ROT SD	3601	3384	3186	2994	2821	2651											
UT1824 X 90 FA4ROT SD	3837	3598	3381	3171	2980	2793											
UT2124 X 90 FA4ROT SD	4126	3861	3620	3387	3174	2979											

# SKU

## UTILITY CABINET • 4 BUTT DOORS • FULL-ACCESS DEEP ROLL OUT TRAYS • 90" HIGH



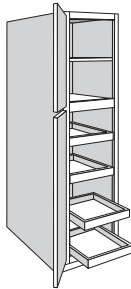
### STANDARD DOOR

UT2424 X 90 FA4ROT BUTT	3787	3526	3290	3060	2853	2660
UT2724 X 90 FA4ROT BUTT	3991	3714	3464	3220	3001	2796
UT3024 X 90 FA4ROT BUTT	4281	3984	3712	3450	3213	2992
UT3324 X 90 FA4ROT BUTT	4478	4163	3874	3597	3346	3111
UT3624 X 90 FA4ROT BUTT	4641	4310	4010	3718	3455	3210

### SPECIALTY DOOR

UT2424 X 90 FA4ROT BUTT SD	4746	4433	4150	3874	3626	3374
UT2724 X 90 FA4ROT BUTT SD	4991	4659	4359	4066	3803	3557
UT3024 X 90 FA4ROT BUTT SD	5339	4983	4656	4342	4058	3773
UT3324 X 90 FA4ROT BUTT SD	5576	5198	4851	4519	4217	3935
UT3624 X 90 FA4ROT BUTT SD	5771	5374	5014	4664	4348	4034

## UTILITY CABINET • 2 DOORS • FULL-ACCESS DEEP ROLL OUT TRAYS • 93" HIGH



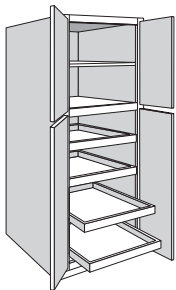
### STANDARD DOOR

UT1224 X 93 FA4ROT	2817	2648	2495	2346	2212	2087
UT1524 X 93 FA4ROT	3023	2835	2665	2499	2351	2212
UT1824 X 93 FA4ROT	3253	3045	2856	2672	2506	2352
UT2124 X 93 FA4ROT	3505	3274	3064	2860	2676	2505

### SPECIALTY DOOR

UT1224 X 93 FA4ROT SD	3481	3278	3095	2916	2755	2605
UT1524 X 93 FA4ROT SD	3729	3503	3299	3100	2922	2745
UT1824 X 93 FA4ROT SD	4005	3755	3528	3307	3108	2913
UT2124 X 93 FA4ROT SD	4307	4029	3777	3533	3312	3107

## UTILITY CABINET • 4 BUTT DOORS • FULL-ACCESS DEEP ROLL OUT TRAYS • 93" HIGH



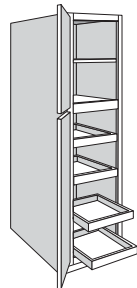
### STANDARD DOOR

UT2424 X 93 FA4ROT BUTT	3970	3696	3448	3207	2989	2786
UT2724 X 93 FA4ROT BUTT	4198	3908	3645	3390	3159	2943
UT3024 X 93 FA4ROT BUTT	4499	4186	3902	3626	3378	3146
UT3324 X 93 FA4ROT BUTT	4705	4374	4073	3780	3517	3271
UT3624 X 93 FA4ROT BUTT	4967	4612	4288	3975	3692	3429

### SPECIALTY DOOR

UT2424 X 93 FA4ROT BUTT SD	4966	4637	4340	4050	3789	3525
UT2724 X 93 FA4ROT BUTT SD	5240	4892	4576	4270	3993	3734
UT3024 X 93 FA4ROT BUTT SD	5601	5225	4884	4553	4256	3957
UT3324 X 93 FA4ROT BUTT SD	5848	5451	5090	4738	4423	4128
UT3624 X 93 FA4ROT BUTT SD	6162	5736	5348	4972	4632	4297

## UTILITY CABINET • 2 DOORS • FULL-ACCESS DEEP ROLL OUT TRAYS • 96" HIGH



### STANDARD DOOR

UT1224 X 96 FA4ROT	2837	2666	2511	2361	2262	2100
UT1524 X 96 FA4ROT	3045	2855	2683	2516	2366	2226
UT1824 X 96 FA4ROT	3287	3076	2884	2697	2529	2372
UT2124 X 96 FA4ROT	3543	3309	3095	2888	2701	2527

### SPECIALTY DOOR

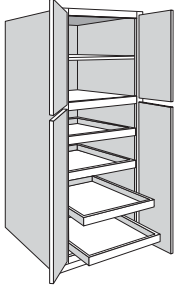
UT1224 X 96 FA4ROT SD	3505	3300	3114	2934	2772	2621
UT1524 X 96 FA4ROT SD	3755	3527	3321	3120	2940	2761
UT1824 X 96 FA4ROT SD	4045	3792	3562	3337	3136	2937
UT2124 X 96 FA4ROT SD	4352	4071	3815	3566	3342	3133

Illustrations are for reference only. Refer to Specification Guide for actual specifications.



# SKU

## UTILITY CABINET • 4 BUTT DOORS • FULL-ACCESS DEEP ROLL OUT TRAYS • 96" HIGH



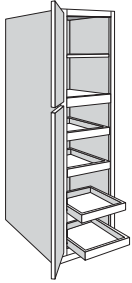
### STANDARD DOOR

UT2424 X 96 FA4ROT BUTT	4018	3740	3488	3243	3021	2815
UT2724 X 96 FA4ROT BUTT	4249	3955	3688	3428	3193	2974
UT3024 X 96 FA4ROT BUTT	4553	4235	3947	3666	3414	3178
UT3324 X 96 FA4ROT BUTT	4763	4426	4120	3822	3555	3305
UT3624 X 96 FA4ROT BUTT	5058	4694	4363	4043	3753	3484

### SPECIALTY DOOR

UT2424 X 96 FA4ROT BUTT SD	5024	4690	4388	4094	3827	3560
UT2724 X 96 FA4ROT BUTT SD	5301	4948	4628	4316	4034	3771
UT3024 X 96 FA4ROT BUTT SD	5666	5284	4938	4601	4299	3996
UT3324 X 96 FA4ROT BUTT SD	5918	5514	5146	4789	4468	4168
UT3624 X 96 FA4ROT BUTT SD	6272	5835	5438	5054	4706	4362

## UTILITY CABINET • 2 DOORS • FULL-ACCESS CUSHIONCLOSE® DEEP ROLL OUT TRAYS • 84" HIGH



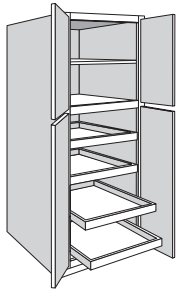
### STANDARD DOOR

UT1224 X 84 CC4ROT	2751	2604	2469	2339	2221	2112
UT1524 X 84 CC4ROT	2883	2724	2578	2437	2310	2192
UT1824 X 84 CC4ROT	3025	2852	2695	2543	2406	2278
UT2124 X 84 CC4ROT	3234	3042	2868	2699	2547	2405

### SPECIALTY DOOR

UT1224 X 84 CC4ROT SD	3400	3224	3062	2906	2764	2623
UT1524 X 84 CC4ROT SD	3559	3368	3193	3023	2871	2719
UT1824 X 84 CC4ROT SD	3729	3521	3333	3151	2986	2823
UT2124 X 84 CC4ROT SD	3980	3749	3540	3338	3155	2985

## UTILITY CABINET • 4 BUTT DOORS • FULL-ACCESS CUSHIONCLOSE® DEEP ROLL OUT TRAYS • 84" HIGH



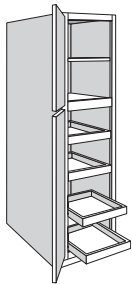
### STANDARD DOOR

UT2424 X 84 CC4ROT BUTT	3621	3394	3188	2988	2807	2639
UT2724 X 84 CC4ROT BUTT	3787	3546	3328	3116	2924	2746
UT3024 X 84 CC4ROT BUTT	4044	3785	3549	3320	3113	2921
UT3324 X 84 CC4ROT BUTT	4215	3941	3691	3448	3228	3025
UT3624 X 84 CC4ROT BUTT	4379	4088	3825	3570	3339	3124

### SPECIALTY DOOR

UT2424 X 84 CC4ROT BUTT SD	4543	4271	4024	3784	3566	3345
UT2724 X 84 CC4ROT BUTT SD	4742	4453	4191	3937	3706	3493
UT3024 X 84 CC4ROT BUTT SD	5051	4740	4457	4182	3934	3683
UT3324 X 84 CC4ROT BUTT SD	5256	4927	4627	4336	4072	3828
UT3624 X 84 CC4ROT BUTT SD	5453	5104	4788	4482	4205	3927

## UTILITY CABINET • 2 DOORS • FULL-ACCESS CUSHIONCLOSE® DEEP ROLL OUT TRAYS • 90" HIGH



### STANDARD DOOR

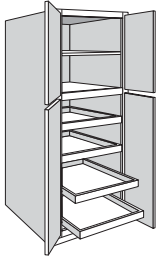
UT1224 X 90 CC4ROT	2958	2795	2646	2502	2373	2252
UT1524 X 90 CC4ROT	3157	2976	2811	2651	2507	2373
UT1824 X 90 CC4ROT	3353	3154	2973	2798	2639	2492
UT2124 X 90 CC4ROT	3594	3373	3172	2978	2801	2638

### SPECIALTY DOOR

UT1224 X 90 CC4ROT SD	3651	3455	3276	3104	2949	2804
UT1524 X 90 CC4ROT SD	3889	3672	3474	3282	3109	2939
UT1824 X 90 CC4ROT SD	4125	3886	3669	3459	3268	3081
UT2124 X 90 CC4ROT SD	4414	4149	3908	3675	3462	3267

# SKU

## UTILITY CABINET • 4 BUTT DOORS • FULL-ACCESS CUSHIONCLOSE® DEEP ROLL OUT TRAYS • 90" HIGH



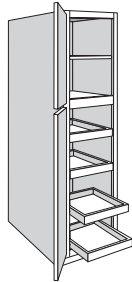
### STANDARD DOOR

UT2424 X 90 CC4ROT BUTT	4027	3766	3530	3300	3093	2900
UT2724 X 90 CC4ROT BUTT	4231	3954	3704	3460	3241	3036
UT3024 X 90 CC4ROT BUTT	4521	4224	3952	3690	3453	3232
UT3324 X 90 CC4ROT BUTT	4718	4403	4114	3837	3586	3351
UT3624 X 90 CC4ROT BUTT	4881	4550	4250	3958	3695	3450

### SPECIALTY DOOR

UT2424 X 90 CC4ROT BUTT SD	5034	4721	4438	4162	3914	3662
UT2724 X 90 CC4ROT BUTT SD	5279	4947	4647	4354	4091	3845
UT3024 X 90 CC4ROT BUTT SD	5627	5271	4944	4630	4346	4061
UT3324 X 90 CC4ROT BUTT SD	5864	2486	5139	4807	4505	4223
UT3624 X 90 CC4ROT BUTT SD	6059	5662	5302	4952	4636	4322

## UTILITY CABINET • 2 DOORS • FULL-ACCESS CUSHIONCLOSE® DEEP ROLL OUT TRAYS • 93" HIGH



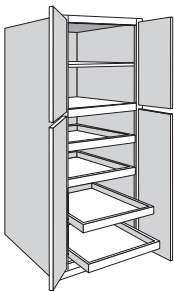
### STANDARD DOOR

UT1224 X 93 CC4ROT	3057	2888	2735	2586	2452	2327
UT1524 X 93 CC4ROT	3263	3075	2905	2739	2591	2452
UT1824 X 93 CC4ROT	3493	3285	3096	2912	2746	2592
UT2124 X 93 CC4ROT	3745	3415	3304	3100	2916	2745

### SPECIALTY DOOR

UT1224 X 93 CC4ROT SD	3769	3566	3383	3204	3043	2893
UT1524 X 93 CC4ROT SD	4017	3791	3587	3388	3210	3033
UT1824 X 93 CC4ROT SD	4293	4043	3816	3595	3396	3201
UT2124 X 93 CC4ROT SD	4595	4317	4065	3821	3600	3395

## UTILITY CABINET • 4 BUTT DOORS • FULL-ACCESS CUSHIONCLOSE® DEEP ROLL OUT TRAYS • 93" HIGH



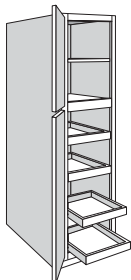
### STANDARD DOOR

UT2424 X 93 CC4ROT BUTT	4210	3936	3688	3447	3229	3026
UT2724 X 93 CC4ROT BUTT	4438	4148	3885	3630	3399	3183
UT3024 X 93 CC4ROT BUTT	4739	4426	4142	3866	3618	3386
UT3324 X 93 CC4ROT BUTT	4945	4614	4313	4020	3757	3511
UT3624 X 93 CC4ROT BUTT	5207	4852	4529	4216	3932	3669

### SPECIALTY DOOR

UT2424 X 93 CC4ROT BUTT SD	5254	4925	4628	4338	4077	3813
UT2724 X 93 CC4ROT BUTT SD	5470	5122	4806	4500	4223	3964
UT3024 X 93 CC4ROT BUTT SD	5889	5513	5172	4841	4544	4245
UT3324 X 93 CC4ROT BUTT SD	6136	5739	5378	5026	4711	4416
UT3624 X 93 CC4ROT BUTT SD	6450	6024	5637	5261	4920	4585

## UTILITY CABINET • 2 DOORS • FULL-ACCESS CUSHIONCLOSE® DEEP ROLL OUT TRAYS • 96" HIGH



### STANDARD DOOR

UT1224 X 96 CC4ROT	3077	2906	2751	2601	2466	2340
UT1524 X 96 CC4ROT	3285	3095	2923	2756	2606	2466
UT1824 X 96 CC4ROT	3527	3316	3124	2937	2769	2612
UT2124 X 96 CC4ROT	3783	3549	3335	3128	2941	2767

### SPECIALTY DOOR

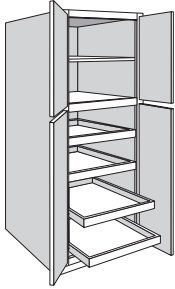
UT1224 X 96 CC4ROT SD	3793	3588	3402	3222	3060	2909
UT1524 X 96 CC4ROT SD	4043	3815	3609	3408	3228	3049
UT1824 X 96 CC4ROT SD	4333	4080	3850	3625	3424	3225
UT2124 X 96 CC4ROT SD	4640	4359	4103	3854	3630	3421

Illustrations are for reference only. Refer to Specification Guide for actual specifications.



# SKU

## UTILITY CABINET • 4 BUTT DOORS • FULL-ACCESS CUSHIONCLOSE® DEEP ROLL OUT TRAYS • 96" HIGH



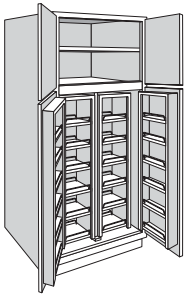
### STANDARD DOOR

UT2424 X 96 CC4ROT BUTT	4258	3980	3728	3483	3261	3055
UT2724 X 96 CC4ROT BUTT	4489	4195	3928	3668	3433	3214
UT3024 X 96 CC4ROT BUTT	4793	4475	4187	3906	3654	3418
UT3324 X 96 CC4ROT BUTT	5003	4666	4360	4062	3795	3545
UT3624 X 96 CC4ROT BUTT	5298	4934	4603	4283	3993	3724

### SPECIALTY DOOR

UT2424 X 96 CC4ROT BUTT SD	5312	4978	4676	4382	4115	3848
UT2724 X 96 CC4ROT BUTT SD	5589	5236	4916	4604	4322	4059
UT3024 X 96 CC4ROT BUTT SD	5954	5572	5226	4889	4587	4284
UT3324 X 96 CC4ROT BUTT SD	6206	5802	5434	5077	4756	4456
UT3624 X 96 CC4ROT BUTT SD	6560	6123	5726	5342	4994	4650

## UTILITY CABINET • WITH PANTRY STORAGE



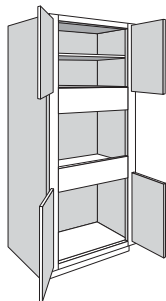
### STANDARD DOOR

UT3624 X 84 PCDS BUTT	5160	4869	4606	4351	4120	3905
UT3624 X 90 PCDS BUTT	5662	5331	5031	4739	4476	4231
UT3624 X 96 PCDS BUTT	6079	5715	5384	5064	4774	4505

### SPECIALTY DOOR

UT3624 X 84 PCDS BUTT SD	6390	6041	5725	5419	5142	4884
UT3624 X 90 PCDS BUTT SD	6996	6599	6239	5889	5573	5279
UT3624 X 96 PCDS BUTT SD	7497	7060	6663	6279	5931	5608

## SINGLE OVEN CABINET • 4 BUTT DOORS



### 84" HIGH

OVS2784 BUTT	2645	2404	2186	1974	1782	1604
OVS3084 BUTT	3350	3045	2768	2500	2257	2031
OVS3384 BUTT	3350	3045	2768	2500	2257	2031

### 90" HIGH

OVS2790 AS BUTT	3042	2766	2514	2270	2050	1845
OVS3090 AS BUTT	3851	3501	3182	2874	2595	2336
OVS3390 AS BUTT	3851	3501	3182	2874	2595	2336

### 93" HIGH

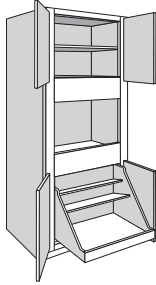
OVS2793 AS BUTT	3180	2891	2628	2374	2143	1929
OVS3093 AS BUTT	4026	3660	3328	3004	2714	2443
OVS3393 AS BUTT	4026	3660	3328	3004	2714	2443

### 96" HIGH

OVS2796 AS BUTT	3226	2933	2666	2408	2174	1957
OVS3096 AS BUTT	4084	3713	3376	3048	2753	2478
OVS3396 AS BUTT	4084	3713	3376	3048	2753	2478

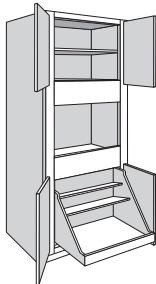
# SKU

## SINGLE OVEN CABINET • 4 BUTT DOORS • 1 FULL-ACCESS POT & PAN ORGANIZER



	700 SERIES - CHERRY	700 SERIES - MAPLE	700 SERIES - PAINTED	600 SERIES - CHERRY	600 SERIES - MAPLE	600 SERIES - PAINTED	500 SERIES - CHERRY	500 SERIES - MAPLE	500 SERIES - PAINTED	400 SERIES - CHERRY	400 SERIES - MAPLE	400 SERIES - PAINTED	300 SERIES - CHERRY	300 SERIES - MAPLE	300 SERIES - PAINTED
<b>84" HIGH</b>															
OVS2784 BUTT FABPPO	3057	2816	2598	2386	2194	1975									
OVS3084 BUTT FABPPO	3783	3478	3201	2933	2690	2421									
OVS3384 BUTT FABPPO	3802	3497	3220	2952	2709	2438									
<b>90" HIGH</b>															
OVS2790 BUTT FABPPO	3454	3178	2926	2682	2462	2216									
OVS3090 BUTT FABPPO	4263	3913	3594	3286	3007	2706									
OVS3390 BUTT FABPPO	4303	3953	3634	3326	3047	2742									
<b>93" HIGH</b>															
OVS2793 BUTT FABPPO	3592	3303	3040	2786	2555	2300									
OVS3093 BUTT FABPPO	4459	4093	3761	3437	3147	2832									
OVS3393 BUTT FABPPO	4478	4112	3780	3456	3166	2849									
<b>96" HIGH</b>															
OVS2796 BUTT FABPPO	3638	3345	3078	2820	2586	2327									
OVS3096 BUTT FABPPO	4517	4146	3809	3481	3186	2867									
OVS3396 BUTT FABPPO	4536	4165	3828	3500	3205	2885									

## SINGLE OVEN CABINET • 4 BUTT DOORS • 1 FULL-ACCESS CUSHIONCLOSE® POT AND PAN ORGANIZER

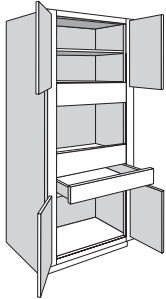


	700 SERIES - CHERRY	700 SERIES - MAPLE	700 SERIES - PAINTED	600 SERIES - CHERRY	600 SERIES - MAPLE	600 SERIES - PAINTED	500 SERIES - CHERRY	500 SERIES - MAPLE	500 SERIES - PAINTED	400 SERIES - CHERRY	400 SERIES - MAPLE	400 SERIES - PAINTED	300 SERIES - CHERRY	300 SERIES - MAPLE	300 SERIES - PAINTED
<b>84" HIGH</b>															
OVS2784 BUTT CCBPPO	3117	2876	2658	2446	2254	2029									
OVS3084 BUTT CCBPPO	3843	3538	3261	2993	2750	2475									
OVS3384 BUTT CCBPPO	3862	3557	3280	3012	2769	2492									
<b>90" HIGH</b>															
OVS2790 BUTT CCBPPO	3514	3238	2986	2742	2522	2270									
OVS3090 BUTT CCBPPO	4344	3994	3675	3367	3088	2779									
OVS3390 BUTT CCBPPO	4363	4013	3694	3386	3107	2796									
<b>93" HIGH</b>															
OVS2793 BUTT CCBPPO	3652	3363	3100	2846	2615	2354									
OVS3093 BUTT CCBPPO	4519	4153	3821	3497	3207	2886									
OVS3393 BUTT CCBPPO	4538	4172	3840	3516	3226	2903									
<b>96" HIGH</b>															
OVS2796 BUTT CCBPPO	3698	3405	3138	2880	2646	2381									
OVS3096 BUTT CCBPPO	4577	4206	3869	3541	3246	2921									
OVS3396 BUTT CCBPPO	4596	4225	3888	3560	3265	2939									

Illustrations are for reference only. Refer to Specification Guide for actual specifications.

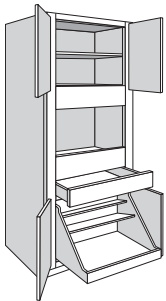
# SKU

## SINGLE OVEN CABINET • 4 BUTT DOORS • 1 DRAWER



	700 SERIES - CHERRY	700 SERIES - MAPLE	700 SERIES - PAINTED	600 SERIES - CHERRY	600 SERIES - MAPLE	600 SERIES - PAINTED	500 SERIES - CHERRY	DT SERIES - DURAFORM	500 SERIES - MAPLE	500 SERIES - PAINTED	400 SERIES - CHERRY	400 SERIES - MAPLE	400 SERIES - PAINTED	300 SERIES - CHERRY	D SERIES - DURAFORM	300 SERIES - MAPLE	300 SERIES - PAINTED
<b>84" HIGH</b>																	
OVS2784 BUTT 1DWR	3043	2802	2584	2372	2180	1962											
OVS3084 BUTT 1DWR	3748	3443	3166	2898	2655	2389											
OVS3384 BUTT 1DWR	3748	3443	3166	2898	2655	2389											
<b>90" HIGH</b>																	
OVS2790 AS BUTT 1DWR	3440	3164	2912	2668	2448	2203											
OVS3090 AS BUTT 1DWR	4249	3899	3580	3272	2993	2694											
OVS3390 AS BUTT 1DWR	4249	3899	3580	3272	2993	2694											
<b>93" HIGH</b>																	
OVS2793 AS BUTT 1DWR	3578	3289	3026	2772	2541	2287											
OVS3093 AS BUTT 1DWR	4424	4058	3726	3402	3112	2801											
OVS3393 AS BUTT 1DWR	4424	4058	3726	3402	3112	2801											
<b>96" HIGH</b>																	
OVS2796 AS BUTT 1DWR	3624	3331	3064	2806	2572	2315											
OVS3096 AS BUTT 1DWR	4482	4111	3774	3446	3151	2836											
OVS3396 AS BUTT 1DWR	4482	4111	3774	3446	3151	2836											

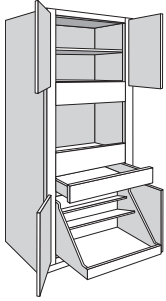
## SINGLE OVEN CABINET • 4 BUTT DOORS • 1 DRAWER • 1 FULL-ACCESS POT AND PAN ORGANIZER



	700 SERIES - CHERRY	700 SERIES - MAPLE	700 SERIES - PAINTED	600 SERIES - CHERRY	600 SERIES - MAPLE	600 SERIES - PAINTED	500 SERIES - CHERRY	DT SERIES - DURAFORM	500 SERIES - MAPLE	500 SERIES - PAINTED	400 SERIES - CHERRY	400 SERIES - MAPLE	400 SERIES - PAINTED	300 SERIES - CHERRY	D SERIES - DURAFORM	300 SERIES - MAPLE	300 SERIES - PAINTED
<b>84" HIGH</b>																	
OVS2784 BUTT 1DWR FABPPO	3455	3214	2996	2784	2592	2333											
OVS3084 BUTT 1DWR FABPPO	4181	3876	3599	3331	3088	2779											
OVS3384 BUTT 1DWR FABPPO	4200	3895	3618	3350	3107	2796											
<b>90" HIGH</b>																	
OVS2790 BUTT 1DWR FABPPO	3852	3576	3324	3080	2860	2574											
OVS3090 BUTT 1DWR FABPPO	4682	4332	4013	3705	3426	3083											
OVS3390 BUTT 1DWR FABPPO	4701	4351	4032	3724	3445	3101											
<b>93" HIGH</b>																	
OVS2793 BUTT 1DWR FABPPO	3990	3701	3438	3184	2953	2658											
OVS3093 BUTT 1DWR FABPPO	4857	4491	4159	3835	3545	3191											
OVS3393 BUTT 1DWR FABPPO	4876	4510	4178	3854	3564	3208											
<b>96" HIGH</b>																	
OVS2796 BUTT 1DWR FABPPO	4036	3743	3476	3218	2984	2686											
OVS3096 BUTT 1DWR FABPPO	4915	4544	4207	3879	3584	3226											
OVS3396 BUTT 1DWR FABPPO	4934	4563	4226	3898	3603	3243											

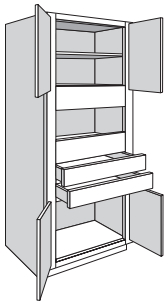
# SKU

## SINGLE OVEN CABINET • 4 BUTT DOORS • 1 DRAWER • 1 FULL-ACCESS CUSHIONCLOSE® POT AND PAN ORGANIZER



	700 SERIES - CHERRY	700 SERIES - MAPLE	700 SERIES - PAINTED	600 SERIES - CHERRY	600 SERIES - MAPLE	600 SERIES - PAINTED	500 SERIES - CHERRY	500 SERIES - MAPLE	500 SERIES - PAINTED	400 SERIES - CHERRY	400 SERIES - MAPLE	400 SERIES - PAINTED	300 SERIES - CHERRY	300 SERIES - MAPLE	300 SERIES - PAINTED
<b>84" HIGH</b>															
OVS2784 BUTT 1DWR CCBPPO	3515	3274	3056	2844	2652	2387									
OVS3084 BUTT 1DWR CCBPPO	4241	3936	3659	3391	3148	2833									
OVS3384 BUTT 1DWR CCBPPO	4260	3955	3678	3410	3167	2850									
<b>90" HIGH</b>															
OVS2790 BUTT 1DWR CCBPPO	3912	3636	3384	3140	2920	2628									
OVS3090 BUTT 1DWR CCBPPO	4742	4392	4073	3765	3486	3137									
OVS3390 BUTT 1DWR CCBPPO	4761	4411	4092	3784	3505	3155									
<b>93" HIGH</b>															
OVS2793 BUTT 1DWR CCBPPO	4050	3761	3498	3244	3013	2712									
OVS3093 BUTT 1DWR CCBPPO	4917	4551	4219	3895	3605	3245									
OVS3393 BUTT 1DWR CCBPPO	4936	4570	4238	3914	3624	3262									
<b>96" HIGH</b>															
OVS2796 BUTT 1DWR CCBPPO	4096	3803	3536	3278	3044	2740									
OVS3096 BUTT 1DWR CCBPPO	4975	4604	4267	3939	3644	3280									
OVS3396 BUTT 1DWR CCBPPO	4994	4623	4286	3958	3663	3297									

## SINGLE OVEN CABINET • 4 BUTT DOORS • 2 DRAWERS

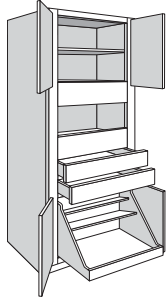


	700 SERIES - CHERRY	700 SERIES - MAPLE	700 SERIES - PAINTED	600 SERIES - CHERRY	600 SERIES - MAPLE	600 SERIES - PAINTED	500 SERIES - CHERRY	500 SERIES - MAPLE	500 SERIES - PAINTED	400 SERIES - CHERRY	400 SERIES - MAPLE	400 SERIES - PAINTED	300 SERIES - CHERRY	300 SERIES - MAPLE	300 SERIES - PAINTED
<b>84" HIGH</b>															
OVS2784 BUTT 2DWR	3791	3578	3385	3198	3029	2726									
OVS3084 BUTT 2DWR	4452	4180	3932	3692	3475	3128									
OVS3384 BUTT 2DWR	4452	4180	3932	3692	3475	3128									
<b>90" HIGH</b>															
OVS2790 AS BUTT 2DWR	4169	3922	3698	3481	3284	2956									
OVS3090 AS BUTT 2DWR	4929	4613	4326	4048	3796	3416									
OVS3390 AS BUTT 2DWR	4929	4613	4326	4048	3796	3416									
<b>93" HIGH</b>															
OVS2793 AS BUTT 2DWR	4300	4041	3806	3579	3373	3036									
OVS3093 AS BUTT 2DWR	5099	4768	4467	4174	3911	3520									
OVS3393 AS BUTT 2DWR	5099	4768	4467	4174	3911	3520									
<b>96" HIGH</b>															
OVS2796 AS BUTT 2DWR	4343	4081	3842	3611	3402	3062									
OVS3096 AS BUTT 2DWR	5155	4819	4514	4216	3949	3554									
OVS3396 AS BUTT 2DWR	5155	4819	4514	4216	3949	3554									

Illustrations are for reference only. Refer to Specification Guide for actual specifications.

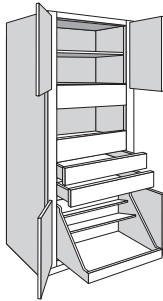
# SKU

## SINGLE OVEN CABINET • 4 BUTT DOORS • 2 DRAWERS • 1 FULL-ACCESS POT AND PAN ORGANIZER



	700 SERIES - CHERRY	700 SERIES - MAPLE	700 SERIES - PAINTED	600 SERIES - CHERRY	600 SERIES - MAPLE	600 SERIES - PAINTED	500 SERIES - CHERRY	DT SERIES - DURAFORM	500 SERIES - MAPLE	500 SERIES - PAINTED	400 SERIES - CHERRY	400 SERIES - MAPLE	400 SERIES - PAINTED	300 SERIES - CHERRY	D SERIES - DURAFORM	300 SERIES - MAPLE	300 SERIES - PAINTED
<b>84" HIGH</b>																	
OVS2784 BUTT 2DWR FABPPO	4203	3990	3797	3610	3441	3097											
OVS3084 BUTT 2DWR FABPPO	4885	4613	4365	4125	3908	3517											
OVS3384 BUTT 2DWR FABPPO	4904	4632	4384	4144	3927	3534											
<b>90" HIGH</b>																	
OVS2790 BUTT 2DWR FABPPO	4581	4334	4110	3893	3696	3326											
OVS3090 BUTT 2DWR FABPPO	5362	5046	4759	4481	4229	3806											
OVS3390 BUTT 2DWR FABPPO	5381	5065	4778	4500	4248	3823											
<b>93" HIGH</b>																	
OVS2793 BUTT 2DWR FABPPO	4712	4453	4218	3991	3785	3407											
OVS3093 BUTT 2DWR FABPPO	5532	5201	4900	4607	4344	3910											
OVS3393 BUTT 2DWR FABPPO	5551	5220	4919	4626	4363	3927											
<b>96" HIGH</b>																	
OVS2796 BUTT 2DWR FABPPO	4755	4493	4254	4023	3814	3433											
OVS3096 BUTT 2DWR FABPPO	5588	5252	4947	4649	4382	3944											
OVS3396 BUTT 2DWR FABPPO	5607	5271	4966	4668	4401	3961											

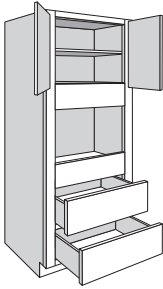
## SINGLE OVEN CABINET • 4 BUTT DOORS • 2 DRAWERS • 1 FULL-ACCESS CUSHIONCLOSE® POT AND PAN ORGANIZER



	700 SERIES - CHERRY	700 SERIES - MAPLE	700 SERIES - PAINTED	600 SERIES - CHERRY	600 SERIES - MAPLE	600 SERIES - PAINTED	500 SERIES - CHERRY	DT SERIES - DURAFORM	500 SERIES - MAPLE	500 SERIES - PAINTED	400 SERIES - CHERRY	400 SERIES - MAPLE	400 SERIES - PAINTED	300 SERIES - CHERRY	D SERIES - DURAFORM	300 SERIES - MAPLE	300 SERIES - PAINTED
<b>84" HIGH</b>																	
OVS2784 BUTT 2DWR CCBPPO	4263	4050	3857	3670	3501	3151											
OVS3084 BUTT 2DWR CCBPPO	4945	4673	4425	4185	3968	3571											
OVS3384 BUTT 2DWR CCBPPO	4964	4692	4444	4204	3987	3588											
<b>90" HIGH</b>																	
OVS2790 BUTT 2DWR CCBPPO	4641	4394	4170	3953	3756	3380											
OVS3090 BUTT 2DWR CCBPPO	5422	5106	4819	4541	4289	3860											
OVS3390 BUTT 2DWR CCBPP	5441	5125	4838	4560	4308	3877											
<b>93" HIGH</b>																	
OVS2793 BUTT 2DWR CCBPPO	4772	4513	4278	4051	3845	3461											
OVS3093 BUTT 2DWR CCBPPO	5592	5261	4960	4667	4404	3964											
OVS3393 BUTT 2DWR CCBPPO	5611	5280	4979	4686	4423	3981											
<b>96" HIGH</b>																	
OVS2796 BUTT 2DWR CCBPPO	4815	4553	4314	4083	3874	3487											
OVS3096 BUTT 2DWR CCBPPO	5648	5312	5007	4709	4442	3998											
OVS3396 BUTT 2DWR CCBPPO	5667	5331	5026	4728	4461	4015											

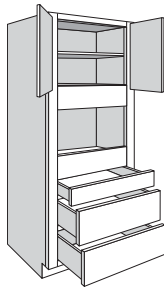
# SKU

## SINGLE OVEN CABINET • 2 BUTT DOORS • 2 LARGE DRAWERS



	700 SERIES - CHERRY	700 SERIES - MAPLE	700 SERIES - PAINTED	600 SERIES - CHERRY	600 SERIES - MAPLE	600 SERIES - PAINTED	500 SERIES - CHERRY	500 SERIES - MAPLE	500 SERIES - PAINTED	400 SERIES - CHERRY	400 SERIES - MAPLE	400 SERIES - PAINTED	300 SERIES - CHERRY	300 SERIES - MAPLE	300 SERIES - PAINTED
<b>84" HIGH</b>															
OVS2784 BUTT 2DDWR	2995	2782	2589	2402	2233	2010									
OVS3084 BUTT 2DDWR	3656	3384	3136	2896	2679	2411									
OVS3384 BUTT 2DDWR	3656	3384	3136	2896	2679	2411									
<b>90" HIGH</b>															
OVS2790 AS BUTT 2DDWR	3373	3126	2902	2685	2488	2239									
OVS3090 AS BUTT 2DDWR	4133	3817	3530	3252	3000	2700									
OVS3390 AS BUTT 2DDWR	4133	3817	3530	3252	3000	2700									
<b>93" HIGH</b>															
OVS2793 AS BUTT 2DDWR	3504	3245	3010	2783	2577	2319									
OVS3093 AS BUTT 2DDWR	4303	3972	3671	3378	3115	2804									
OVS3393 AS BUTT 2DDWR	4303	3972	3671	3378	3115	2804									
<b>96" HIGH</b>															
OVS2796 AS BUTT 2DDWR	3547	3285	3046	2815	2606	2345									
OVS3096 AS BUTT 2DDWR	4359	4023	3718	3420	3153	2838									
OVS3396 AS BUTT 2DDWR	4359	4023	3718	3420	3153	2838									

## SINGLE OVEN CABINET • 2 BUTT DOORS • 3 DRAWERS

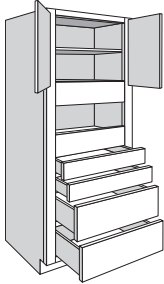


	700 SERIES - CHERRY	700 SERIES - MAPLE	700 SERIES - PAINTED	600 SERIES - CHERRY	600 SERIES - MAPLE	600 SERIES - PAINTED	500 SERIES - CHERRY	500 SERIES - MAPLE	500 SERIES - PAINTED	400 SERIES - CHERRY	400 SERIES - MAPLE	400 SERIES - PAINTED	300 SERIES - CHERRY	300 SERIES - MAPLE	300 SERIES - PAINTED
<b>84" HIGH</b>															
OVS2784 BUTT 3DWR	3393	3180	2987	2800	2631	2368									
OVS3084 BUTT 3DWR	4054	3782	3534	3294	3077	2769									
OVS3384 BUTT 3DWR	4054	3782	3534	3294	3077	2769									
<b>90" HIGH</b>															
OVS2790 AS BUTT 3DWR	3771	3524	3300	3083	2886	2597									
OVS3090 AS BUTT 3DWR	4531	4215	3928	3650	3398	3058									
OVS3390 AS BUTT 3DWR	4531	4215	3928	3650	3398	3058									
<b>93" HIGH</b>															
OVS2793 AS BUTT 3DWR	3902	3643	3408	3181	2975	2678									
OVS3093 AS BUTT 3DWR	4701	4370	4069	3776	3513	3162									
OVS3393 AS BUTT 3DWR	4701	4370	4069	3776	3513	3162									
<b>96" HIGH</b>															
OVS2796 AS BUTT 3DWR	3945	3683	3444	3213	3004	2704									
OVS3096 AS BUTT 3DWR	4757	4421	4116	3818	3551	3196									
OVS3396 AS BUTT 3DWR	4757	4421	4116	3818	3551	3196									

Illustrations are for reference only. Refer to Specification Guide for actual specifications.

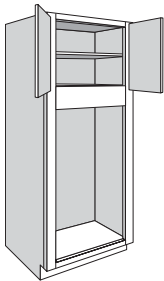
# SKU

## SINGLE OVEN CABINET • 2 BUTT DOORS • 4 DRAWERS



	700 SERIES - CHERRY	700 SERIES - MAPLE	700 SERIES - PAINTED	600 SERIES - CHERRY	600 SERIES - MAPLE	600 SERIES - PAINTED	500 SERIES - CHERRY	500 SERIES - MAPLE	500 SERIES - PAINTED	400 SERIES - CHERRY	400 SERIES - MAPLE	400 SERIES - PAINTED	300 SERIES - CHERRY	300 SERIES - MAPLE	300 SERIES - PAINTED
<b>84" HIGH</b>															
OVS2784 BUTT 4DWR	3440	3199	2981	2769	2577	2319									
OVS3084 BUTT 4DWR	4145	3840	3563	3295	3052	2747									
OVS3384 BUTT 4DWR	4145	3840	3563	3295	3052	2747									
<b>90" HIGH</b>															
OVS2790 AS BUTT 4DWR	3837	3561	3309	3065	2845	2561									
OVS3090 AS BUTT 4DWR	4646	4296	3977	3669	3390	3051									
OVS3390 AS BUTT 4DWR	4646	4296	3977	3669	3390	3051									
<b>93" HIGH</b>															
OVS2793 AS BUTT 4DWR	3975	3686	3423	3169	2938	2644									
OVS3093 AS BUTT 4DWR	4821	4455	4123	3799	3509	3158									
OVS3393 AS BUTT 4DWR	4821	4455	4123	3799	3509	3158									
<b>96" HIGH</b>															
OVS2796 AS BUTT 4DWR	4021	3728	3461	3203	2969	2672									
OVS3096 AS BUTT 4DWR	4879	4508	4171	3843	3548	3193									
OVS3396 AS BUTT 4DWR	4879	4508	4171	3843	3548	3193									

## DOUBLE OVEN CABINET • 2 BUTT DOORS • NO DRAWER

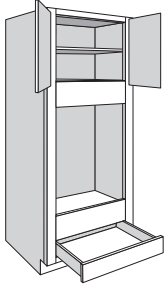


	700 SERIES - CHERRY	700 SERIES - MAPLE	700 SERIES - PAINTED	600 SERIES - CHERRY	600 SERIES - MAPLE	600 SERIES - PAINTED	500 SERIES - CHERRY	500 SERIES - MAPLE	500 SERIES - PAINTED	400 SERIES - CHERRY	400 SERIES - MAPLE	400 SERIES - PAINTED	300 SERIES - CHERRY	300 SERIES - MAPLE	300 SERIES - PAINTED
<b>84" HIGH</b>															
OVD2784 BUTT NDWR	2001	1788	1595	1408	1239	1115									
OVD3084 BUTT NDWR	2662	2390	2142	1902	1685	1517									
OVD3384 BUTT NDWR	2662	2390	2142	1902	1685	1517									
<b>90" HIGH</b>															
OVD2790 AS BUTT NDWR	2379	2132	1908	1691	1494	1345									
OVD3090 AS BUTT NDWR	3139	2823	2536	2258	2006	1805									
OVD3390 AS BUTT NDWR	3139	2823	2536	2258	2006	1805									
<b>93" HIGH</b>															
OVD2793 AS BUTT NDWR	2510	2251	2016	1789	1583	1425									
OVD3093 AS BUTT NDWR	3309	2978	2677	2384	2121	1909									
OVD3393 AS BUTT NDWR	3309	2978	2677	2384	2121	1909									
<b>96" HIGH</b>															
OVD2796 AS BUTT NDWR	2553	2291	2052	1821	1612	1451									
OVD3096 AS BUTT NDWR	3365	3029	2724	2426	2159	1943									
OVD3396 AS BUTT NDWR	3365	3029	2724	2426	2159	1943									



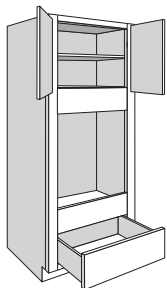
# SKU

## DOUBLE OVEN CABINET - 2 BUTT DOORS - 1 DRAWER



	700 SERIES - CHERRY	700 SERIES - MAPLE	700 SERIES - PAINTED	600 SERIES - CHERRY	600 SERIES - MAPLE	600 SERIES - PAINTED	500 SERIES - CHERRY	DT SERIES - DURAFORM	500 SERIES - MAPLE	500 SERIES - PAINTED	400 SERIES - CHERRY	400 SERIES - MAPLE	400 SERIES - PAINTED	300 SERIES - CHERRY	D SERIES - DURAFORM	300 SERIES - MAPLE	300 SERIES - PAINTED
<b>84" HIGH</b>																	
OVD2784 BUTT	2399	2186	1993				1806				1637					1473	
OVD3084 BUTT	3060	2788	2540				2300				2083					1875	
OVD3384 BUTT	3060	2788	2540				2300				2083					1875	
<b>90" HIGH</b>																	
OVD2790 AS BUTT	2777	2530	2306				2089				1892					1703	
OVD3090 AS BUTT	3537	3221	2934				2656				2404					2164	
OVD3390 AS BUTT	3537	3221	2934				2656				2404					2164	
<b>93" HIGH</b>																	
OVD2793 AS BUTT	2908	2649	2414				2187				1981					1783	
OVD3093 AS BUTT	3707	3376	3075				2782				2519					2267	
OVD3393 AS BUTT	3707	3376	3075				2782				2519					2267	
<b>96" HIGH</b>																	
OVD2796 AS BUTT	2951	2689	2450				2219				2010					1809	
OVD3096 AS BUTT	3763	3427	3122				2824				2557					2301	
OVD3396 AS BUTT	3763	3427	3122				2824				2557					2301	

## DOUBLE OVEN CABINET - 2 BUTT DOORS - 1 LARGE DRAWER



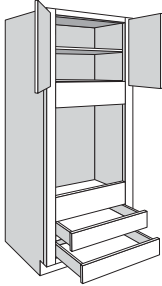
	700 SERIES - CHERRY	700 SERIES - MAPLE	700 SERIES - PAINTED	600 SERIES - CHERRY	600 SERIES - MAPLE	600 SERIES - PAINTED	500 SERIES - CHERRY	DT SERIES - DURAFORM	500 SERIES - MAPLE	500 SERIES - PAINTED	400 SERIES - CHERRY	400 SERIES - MAPLE	400 SERIES - PAINTED	300 SERIES - CHERRY	D SERIES - DURAFORM	300 SERIES - MAPLE	300 SERIES - PAINTED
<b>84" HIGH</b>																	
OVD2784 BUTT 1DDWR	2598	2385	2192				2005				1836					1652	
OVD3084 BUTT 1DDWR	3259	2987	2739				2499				2282					2054	
OVD3384 BUTT 1DDWR	3259	2987	2739				2499				2282					2054	
<b>90" HIGH</b>																	
OVD2790 AS BUTT 1DDWR	2976	2729	2505				2288				2091					1882	
OVD3090 AS BUTT 1DDWR	3736	3420	3133				2855				2603					2343	
OVD3390 AS BUTT 1DDWR	3736	3420	3133				2855				2603					2343	
<b>93" HIGH</b>																	
OVD2793 AS BUTT 1DDWR	3107	2848	2613				2386				2180					1962	
OVD3093 AS BUTT 1DDWR	3906	3575	3274				2981				2718					2446	
OVD3393 AS BUTT 1DDWR	3906	3575	3274				2981				2718					2446	
<b>96" HIGH</b>																	
OVD2796 AS BUTT 1DDWR	3150	2888	2649				2418				2209					1988	
OVD3096 AS BUTT 1DDWR	3962	3626	3321				3023				2756					2480	
OVD3396 AS BUTT 1DDWR	3962	3626	3321				3023				2756					2480	

Illustrations are for reference only. Refer to Specification Guide for actual specifications.



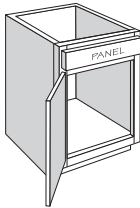
# SKU

## DOUBLE OVEN CABINET • 2 BUTT DOORS • 2 DRAWERS



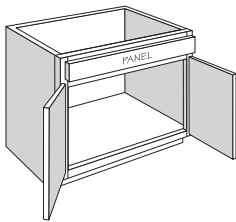
	700 SERIES - CHERRY	700 SERIES - MAPLE	700 SERIES - PAINTED	600 SERIES - CHERRY	600 SERIES - MAPLE	600 SERIES - PAINTED	500 SERIES - CHERRY	500 SERIES - MAPLE	500 SERIES - PAINTED	400 SERIES - CHERRY	400 SERIES - MAPLE	400 SERIES - PAINTED	300 SERIES - CHERRY	300 SERIES - MAPLE	300 SERIES - PAINTED
<b>84" HIGH</b>															
OVD2784 BUTT 2DWR	2797	2584	2391	2204	2035	1832									
OVD3084 BUTT 2DWR	3458	3186	2938	2698	2481	2233									
OVD3384 BUTT 2DWR	3458	3186	2938	2698	2481	2233									
<b>90" HIGH</b>															
OVD2790 AS BUTT 2DWR	3175	2928	2704	2487	2290	2061									
OVD3090 AS BUTT 2DWR	3935	3619	3332	3054	2802	2522									
OVD3390 AS BUTT 2DWR	3935	3619	3332	3054	2802	2522									
<b>93" HIGH</b>															
OVD2793 AS BUTT 2DWR	3306	3047	2812	2585	2379	2141									
OVD3093 AS BUTT 2DWR	4105	3774	3473	3180	2917	2625									
OVD3393 AS BUTT 2DWR	4105	3774	3473	3180	2917	2625									
<b>96" HIGH</b>															
OVD2796 AS BUTT 2DWR	3349	3087	2848	2617	2408	2167									
OVD3096 AS BUTT 2DWR	4161	3825	3520	3222	2955	2660									
OVD3396 AS BUTT 2DWR	4161	3825	3520	3222	2955	2660									

## VANITY SINK BASE CABINET • 1 DOOR • 1 PANEL



	700 SERIES - CHERRY	700 SERIES - MAPLE	700 SERIES - PAINTED	600 SERIES - CHERRY	600 SERIES - MAPLE	600 SERIES - PAINTED	500 SERIES - CHERRY	500 SERIES - MAPLE	500 SERIES - PAINTED	400 SERIES - CHERRY	400 SERIES - MAPLE	400 SERIES - PAINTED	300 SERIES - CHERRY	300 SERIES - MAPLE	300 SERIES - PAINTED
<b>31 1/8" HIGH</b>															
VSB15	628	570	519	468	423	381									
VSB18	649	590	537	485	438	394									
VSB21	683	621	565	510	461	415									
<b>34 1/2" HIGH</b>															
VSB1534H	628	570	519	468	423	381									
VSB1834H	649	590	537	485	438	394									
VSB2134H	683	621	565	510	461	415									

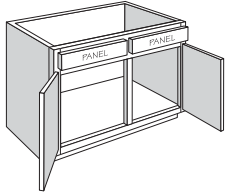
## VANITY SINK BASE CABINET • 2 BUTT DOORS • 1 PANEL



	700 SERIES - CHERRY	700 SERIES - MAPLE	700 SERIES - PAINTED	600 SERIES - CHERRY	600 SERIES - MAPLE	600 SERIES - PAINTED	500 SERIES - CHERRY	500 SERIES - MAPLE	500 SERIES - PAINTED	400 SERIES - CHERRY	400 SERIES - MAPLE	400 SERIES - PAINTED	300 SERIES - CHERRY	300 SERIES - MAPLE	300 SERIES - PAINTED
<b>31 1/8" HIGH • 21" DEEP</b>															
VSB24 BUTT	804	731	665	600	542	488									
VSB27 BUTT	815	741	674	609	549	494									
VSB30 BUTT	877	797	724	654	591	532									
VSB33 BUTT	917	834	758	684	618	556									
VSB36 BUTT	954	867	788	712	643	579									
<b>31 1/8" HIGH • 18" DEEP</b>															
VSB2418 BUTT	804	731	665	600	542	488									
VSB3018 BUTT	877	797	724	654	591	532									
VSB3618 BUTT	954	867	788	712	643	579									
<b>34 1/2" HIGH • 18" DEEP</b>															
VSB241834H BUTT	804	731	665	600	542	488									
VSB301834H BUTT	877	797	724	654	591	532									
VSB361834H BUTT	954	867	788	712	643	579									
<b>34 1/2" HIGH • 21" DEEP</b>															
VSB2434H BUTT	804	731	665	600	542	488									
VSB2734H BUTT	815	741	674	609	549	494									
VSB3034H BUTT	877	797	724	654	591	532									
VSB3334H BUTT	917	834	758	684	618	556									
VSB3634H BUTT	954	867	788	712	643	579									

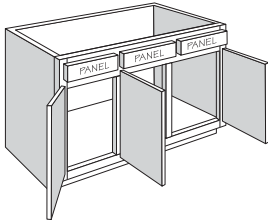
# SKU

## VANITY SINK BASE CABINET - 2 DOORS - 2 PANELS



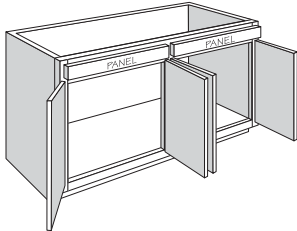
	700 SERIES - CHERRY	700 SERIES - MAPLE	700 SERIES - PAINTED	600 SERIES - CHERRY	600 SERIES - MAPLE	600 SERIES - PAINTED	500 SERIES - CHERRY	500 SERIES - MAPLE	500 SERIES - PAINTED	400 SERIES - CHERRY	400 SERIES - MAPLE	400 SERIES - PAINTED	300 SERIES - CHERRY	300 SERIES - MAPLE	300 SERIES - PAINTED
<b>31 1/8" HIGH</b>															
VSB39	991	900	818	740	668	601									
VSB42	1017	924	840	759	685	617									
<b>34 1/2" HIGH</b>															
VSB3934H	991	900	818	740	668	601									
VSB4234H	1017	924	840	759	685	617									

## VANITY SINK BASE CABINET - 3 DOORS - 3 PANELS



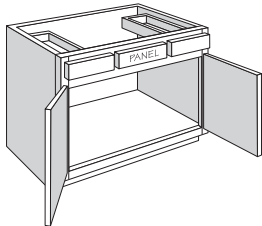
	700 SERIES - CHERRY	700 SERIES - MAPLE	700 SERIES - PAINTED	600 SERIES - CHERRY	600 SERIES - MAPLE	600 SERIES - PAINTED	500 SERIES - CHERRY	500 SERIES - MAPLE	500 SERIES - PAINTED	400 SERIES - CHERRY	400 SERIES - MAPLE	400 SERIES - PAINTED	300 SERIES - CHERRY	300 SERIES - MAPLE	300 SERIES - PAINTED
<b>31 1/8" HIGH</b>															
VSB48	1164	1058	962	869	784	706									
<b>34 1/2" HIGH</b>															
VSB4834H	1164	1058	962	869	784	706									

## VANITY SINK BASE CABINET - 4 BUTT DOORS - 2 PANELS



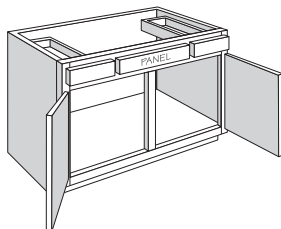
	700 SERIES - CHERRY	700 SERIES - MAPLE	700 SERIES - PAINTED	600 SERIES - CHERRY	600 SERIES - MAPLE	600 SERIES - PAINTED	500 SERIES - CHERRY	500 SERIES - MAPLE	500 SERIES - PAINTED	400 SERIES - CHERRY	400 SERIES - MAPLE	400 SERIES - PAINTED	300 SERIES - CHERRY	300 SERIES - MAPLE	300 SERIES - PAINTED
<b>31 1/8" HIGH</b>															
VSB54 BUTT	1040	945	860	776	701	631									
VSB60 BUTT	1203	1094	994	898	811	730									
<b>34 1/2" HIGH</b>															
VSB5434H BUTT	1040	945	860	776	701	631									
VSB6034H BUTT	1203	1094	994	898	811	730									

## VANITY SINK BASE WITH TOP DRAWERS - 2 BUTT DOORS - 2 DRAWERS



	700 SERIES - CHERRY	700 SERIES - MAPLE	700 SERIES - PAINTED	600 SERIES - CHERRY	600 SERIES - MAPLE	600 SERIES - PAINTED	500 SERIES - CHERRY	500 SERIES - MAPLE	500 SERIES - PAINTED	400 SERIES - CHERRY	400 SERIES - MAPLE	400 SERIES - PAINTED	300 SERIES - CHERRY	300 SERIES - MAPLE	300 SERIES - PAINTED
<b>31 1/8" HIGH</b>															
VAN36 BUTT	1437	1319	1211	1106	1010	909									
<b>34 1/2" HIGH</b>															
VAN3634H BUTT	1437	1319	1211	1106	1010	909									

## VANITY SINK BASE WITH TOP DRAWERS - 2 DOORS - 2 DRAWERS

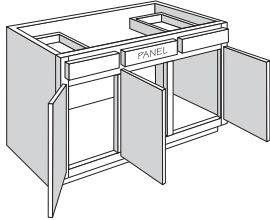


	700 SERIES - CHERRY	700 SERIES - MAPLE	700 SERIES - PAINTED	600 SERIES - CHERRY	600 SERIES - MAPLE	600 SERIES - PAINTED	500 SERIES - CHERRY	500 SERIES - MAPLE	500 SERIES - PAINTED	400 SERIES - CHERRY	400 SERIES - MAPLE	400 SERIES - PAINTED	300 SERIES - CHERRY	300 SERIES - MAPLE	300 SERIES - PAINTED
<b>31 1/8" HIGH</b>															
VAN39	1474	1352	1241	1133	1035	932									
VAN42	1510	1385	1270	1160	1060	954									
<b>34 1/2" HIGH</b>															
VAN3934H	1474	1352	1241	1133	1035	932									
VAN4234H	1510	1385	1270	1160	1060	954									

Illustrations are for reference only. Refer to Specification Guide for actual specifications.

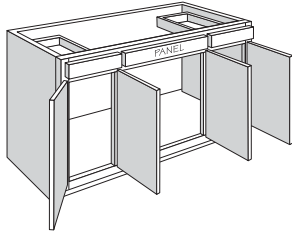
# SKU

## VANITY SINK BASE WITH TOP DRAWERS - 3 DOORS - 2 DRAWERS



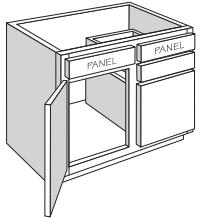
	700 SERIES - CHERRY	700 SERIES - MAPLE	700 SERIES - PAINTED	600 SERIES - CHERRY	600 SERIES - MAPLE	600 SERIES - PAINTED	500 SERIES - CHERRY	DT SERIES - DURAFORM	500 SERIES - MAPLE	500 SERIES - PAINTED	400 SERIES - CHERRY	400 SERIES - MAPLE	400 SERIES - PAINTED	300 SERIES - CHERRY	D SERIES - DURAFORM	300 SERIES - MAPLE	300 SERIES - PAINTED
31 1/8" HIGH																	
VAN48	1686	1544	1415				1290				1178					1060	
34 1/2" HIGH																	
VAN4834H	1686	1544	1415				1290				1178					1060	

## VANITY SINK BASE WITH TOP DRAWERS - 4 BUTT DOORS - 2 DRAWERS



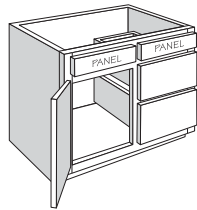
	700 SERIES - CHERRY	700 SERIES - MAPLE	700 SERIES - PAINTED	600 SERIES - CHERRY	600 SERIES - MAPLE	600 SERIES - PAINTED	500 SERIES - CHERRY	DT SERIES - DURAFORM	500 SERIES - MAPLE	500 SERIES - PAINTED	400 SERIES - CHERRY	400 SERIES - MAPLE	400 SERIES - PAINTED	300 SERIES - CHERRY	D SERIES - DURAFORM	300 SERIES - MAPLE	300 SERIES - PAINTED
31 1/8" HIGH																	
VAN54 BK BUTT	1702	1559	1429				1302				1189					1070	
VAN60 BK BUTT	1848	1692	1550				1411				1288					1159	
34 1/2" HIGH																	
VAN5434H BK BUTT	1702	1559	1429				1302				1189					1070	
VAN6034H BK BUTT	1848	1692	1550				1411				1288					1159	

## VANITY COMBO SINK BASE - 1 DOOR - 2 DRAWERS - 31 1/8" HIGH



	700 SERIES - CHERRY	700 SERIES - MAPLE	700 SERIES - PAINTED	600 SERIES - CHERRY	600 SERIES - MAPLE	600 SERIES - PAINTED	500 SERIES - CHERRY	DT SERIES - DURAFORM	500 SERIES - MAPLE	500 SERIES - PAINTED	400 SERIES - CHERRY	400 SERIES - MAPLE	400 SERIES - PAINTED	300 SERIES - CHERRY	D SERIES - DURAFORM	300 SERIES - MAPLE	300 SERIES - PAINTED
21" DEEP																	
VSDB24 BK	1407	1291	1185				1083				990					891	
VSDB27 BK	1444	1325	1216				1110				1015					914	
VSDB30 BK	1481	1358	1246				1138				1040					936	
VSDB33 BK	1520	1393	1278				1166				1066					959	
VSDB36 BK	1559	1429	1310				1196				1092					983	
18" DEEP																	
VSDB2418 BK	1407	1291	1185				1083				990					891	
VSDB2718 BK	1444	1325	1216				1110				1015					914	
VSDB3018 BK	1481	1358	1246				1138				1040					936	
VSDB3318 BK	1520	1393	1278				1166				1066					959	
VSDB3618 BK	1559	1429	1310				1196				1092					983	

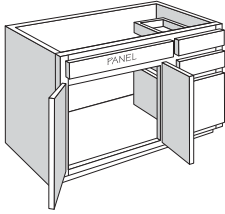
## VANITY COMBO SINK BASE - 1 DOOR - 2 DRAWERS - 34 1/2" HIGH



	700 SERIES - CHERRY	700 SERIES - MAPLE	700 SERIES - PAINTED	600 SERIES - CHERRY	600 SERIES - MAPLE	600 SERIES - PAINTED	500 SERIES - CHERRY	DT SERIES - DURAFORM	500 SERIES - MAPLE	500 SERIES - PAINTED	400 SERIES - CHERRY	400 SERIES - MAPLE	400 SERIES - PAINTED	300 SERIES - CHERRY	D SERIES - DURAFORM	300 SERIES - MAPLE	300 SERIES - PAINTED
21" DEEP																	
VSDB2434H BK	1407	1291	1185				1083				990					891	
VSDB2734H BK	1444	1325	1216				1110				1015					914	
VSDB3034H BK	1481	1358	1246				1138				1040					936	
VSDB3334H BK	1520	1393	1278				1166				1066					959	
VSDB3634H BK	1559	1429	1310				1196				1092					983	
VSDB3934H BK	1725	1582	1453				1328				1214					1093	
18" DEEP																	
VSDB241834H BK	1407	1291	1185				1083				990					891	
VSDB271834H BK	1444	1325	1216				1110				1015					914	
VSDB301834H BK	1481	1358	1246				1138				1040					936	
VSDB331834H BK	1520	1393	1278				1166				1066					959	
VSDB361834H BK	1559	1429	1310				1196				1092					983	

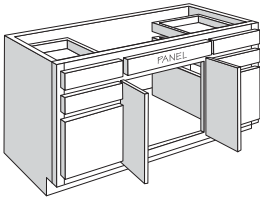
# SKU

## VANITY COMBO SINK BASE • 2 BUTT DOORS • 3 DRAWERS



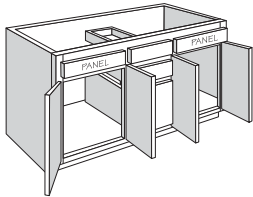
	700 SERIES - CHERRY	700 SERIES - MAPLE	700 SERIES - PAINTED	600 SERIES - CHERRY	600 SERIES - MAPLE	600 SERIES - PAINTED	500 SERIES - CHERRY	500 SERIES - MAPLE	500 SERIES - PAINTED	400 SERIES - CHERRY	400 SERIES - MAPLE	400 SERIES - PAINTED	300 SERIES - CHERRY	300 SERIES - MAPLE	300 SERIES - PAINTED
<b>31 1/8" HIGH</b>															
VSDB42 BK BUTT	1890	1735	1595	1459	1336	1202									
<b>34 1/2" HIGH</b>															
VSDB4234H BK BUTT	1890	1735	1595	1459	1336	1202									

## VANITY COMBO SINK BASE • 2 BUTT DOORS • 6 DRAWERS



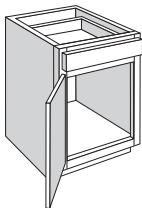
	700 SERIES - CHERRY	700 SERIES - MAPLE	700 SERIES - PAINTED	600 SERIES - CHERRY	600 SERIES - MAPLE	600 SERIES - PAINTED	500 SERIES - CHERRY	500 SERIES - MAPLE	500 SERIES - PAINTED	400 SERIES - CHERRY	400 SERIES - MAPLE	400 SERIES - PAINTED	300 SERIES - CHERRY	300 SERIES - MAPLE	300 SERIES - PAINTED
<b>31 1/8" HIGH</b>															
VSDB48D BK BUTT	2919	2688	2479	2276	2092	1883									
VSDB54D BK BUTT	2992	2755	2540	2331	2142	1928									
VSDB60D BK BUTT	3152	2901	2672	2449	2250	2025									
<b>34 1/2" HIGH</b>															
VSDB4834HD BK BUTT	2919	2688	2479	2276	2092	1883									
VSDB5434HD BK BUTT	2992	2755	2540	2331	2142	1928									
VSDB6034HD BK BUTT	3152	2901	2672	2449	2250	2025									

## VANITY COMBO SINK BASE • 4 BUTT DOORS • 3 DRAWERS



	700 SERIES - CHERRY	700 SERIES - MAPLE	700 SERIES - PAINTED	600 SERIES - CHERRY	600 SERIES - MAPLE	600 SERIES - PAINTED	500 SERIES - CHERRY	500 SERIES - MAPLE	500 SERIES - PAINTED	400 SERIES - CHERRY	400 SERIES - MAPLE	400 SERIES - PAINTED	300 SERIES - CHERRY	300 SERIES - MAPLE	300 SERIES - PAINTED
<b>31 1/8" HIGH</b>															
VSDB60C BK BUTT	2686	2459	2253	2053	1873	1686									
<b>34 1/2" HIGH</b>															
VSDB6034HC BK BUTT	2686	2459	2253	2053	1873	1686									

## VANITY BASE CABINET • 1 DOOR • 1 DRAWER

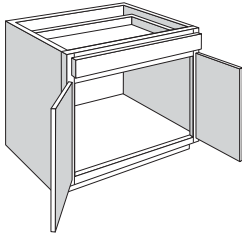


	700 SERIES - CHERRY	700 SERIES - MAPLE	700 SERIES - PAINTED	600 SERIES - CHERRY	600 SERIES - MAPLE	600 SERIES - PAINTED	500 SERIES - CHERRY	500 SERIES - MAPLE	500 SERIES - PAINTED	400 SERIES - CHERRY	400 SERIES - MAPLE	400 SERIES - PAINTED	300 SERIES - CHERRY	300 SERIES - MAPLE	300 SERIES - PAINTED
<b>31 1/8" HIGH</b>															
VB12	816	748	686	625	571	514									
VB15	843	772	708	645	589	530									
VB18	891	816	748	681	621	559									
VB21	962	880	806	734	669	602									
<b>34 1/2" HIGH</b>															
VB1234H	816	748	686	625	571	514									
VB1534H	843	772	708	645	589	530									
VB1834H	891	816	748	681	621	559									
VB2134H	962	880	806	734	669	602									
<b>34 1/2" HIGH - FULL-HEIGHT DOOR</b>															
VB1234H FH	722	657	597	539	487	438									
VB1534H FH	748	680	618	558	504	454									
VB1834H FH	794	722	657	592	535	481									
VB2134H FH	862	783	712	643	581	523									

Illustrations are for reference only. Refer to Specification Guide for actual specifications.

# SKU

## VANITY BASE CABINET • 2 BUTT DOORS • 1 DRAWER



### 31 1/8" HIGH

VB24 BUTT	1059	968	886	806	734	661
VB27 BUTT	1158	1059	968	880	801	721
VB30 BUTT	1293	1181	1079	980	892	803
VB33 BUTT	1392	1270	1160	1053	958	863
VB36 BUTT	1498	1367	1248	1132	1030	927

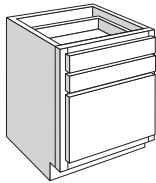
### 34 1/2" HIGH

VB2434H BUTT	1059	968	886	806	734	661
VB2734H BUTT	1158	1059	968	880	801	721
VB3034H BUTT	1293	1181	1079	980	892	803
VB3334H BUTT	1392	1270	1160	1053	958	863
VB3634H BUTT	1498	1367	1248	1132	1030	927

### 34 1/2" HIGH • 2 FULL-HEIGHT BUTT DOORS

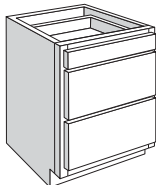
VB2434H BUTT FH	955	868	789	712	643	579
VB3034H BUTT FH	1180	1072	974	879	795	715
VB3634H BUTT FH	1377	1251	1137	1025	927	835

## VANITY DRAWER BASE • 31 1/8" HIGH



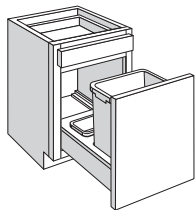
VDB12	1327	1224	1130	1039	957	861
VDB15	1366	1259	1162	1068	983	885
VDB18	1424	1312	1211	1112	1022	920
VDB21	1508	1389	1280	1174	1079	971
VDB24	1591	1464	1348	1236	1135	1022

## VANITY DRAWER BASE • 34 1/2" HIGH



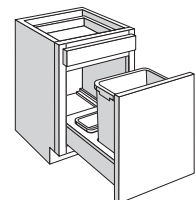
VDB1234H	1327	1224	1130	1039	957	861
VDB1534H	1366	1259	1162	1068	983	885
VDB1834H	1424	1312	1211	1112	1022	920
VDB2134H	1508	1389	1280	1174	1079	971
VDB2434H	1591	1464	1348	1236	1135	1022

## VANITY BASE WITH 1 FULL-ACCESS BOTTOM MOUNT WASTEBASKET • 34 1/2" HIGH

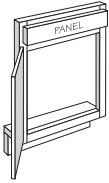
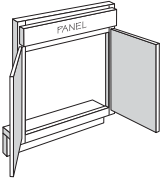
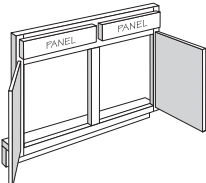
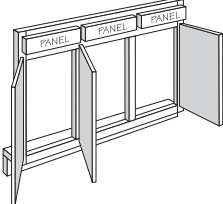
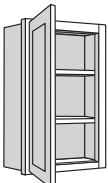


VWBB1834H FA	1446	1321	1206	1096	996	896
--------------	------	------	------	------	-----	-----

## VANITY BASE WITH 1 FULL-ACCESS CUSHIONCLOSE® BOTTOM MOUNT WASTEBASKET • 34 1/2" HIGH



VWBB1834H CC	1506	1381	1266	1156	1056	950
--------------	------	------	------	------	------	-----

SKU		700 SERIES - CHERRY	700 SERIES - MAPLE	700 SERIES - PAINTED	600 SERIES - CHERRY	600 SERIES - MAPLE	600 SERIES - PAINTED	500 SERIES - CHERRY	500 SERIES - MAPLE	500 SERIES - PAINTED	400 SERIES - CHERRY	400 SERIES - MAPLE	400 SERIES - PAINTED	300 SERIES - CHERRY	300 SERIES - MAPLE	300 SERIES - PAINTED	
<b>VANITY SINK FRONT - 1 DOOR - 1 PANEL</b>																	
	VSF21	474	431	392	354	319	287										
<b>VANITY SINK FRONT - 2 BUTT DOORS - 1 PANEL</b>																	
	VSF24 BUTT	525	478	434	392	354	319										
	VSF30 BUTT	607	552	502	453	410	369										
	VSF36 BUTT	662	602	548	494	446	401										
<b>VANITY SINK FRONT - 2 DOORS - 2 PANELS</b>																	
	VSF39	684	622	566	511	461	415										
	VSF42	706	642	584	527	476	428										
<b>VANITY SINK FRONT - 3 DOORS - 3 PANELS</b>																	
	VSF48	809	735	668	603	545	491										
<b>MEDICINE CABINET</b>																	
	MC1530	523	475	432	390	352	317										
	MCM1530	662	601	547	494	446	401										

Illustrations are for reference only. Refer to Specification Guide for actual specifications.

# SKU

700 SERIES - CHERRY

700 SERIES - MAPLE  
700 SERIES - PAINTED  
600 SERIES - CHERRY

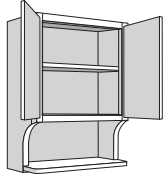
600 SERIES - MAPLE  
600 SERIES - PAINTED  
500 SERIES - CHERRY  
DT SERIES - DURAFORM

500 SERIES - MAPLE  
500 SERIES - PAINTED  
400 SERIES - CHERRY

400 SERIES - MAPLE  
400 SERIES - PAINTED  
300 SERIES - CHERRY  
D SERIES - DURAFORM

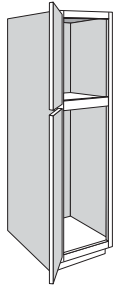
300 SERIES - MAPLE  
300 SERIES - PAINTED

## VALET CABINET



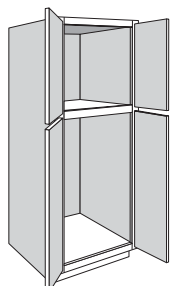
VC2436 BUTT	1305	1187	1079	974	880	792

## VANITY LINEN CABINET - 2 DOORS - NO SHELVES



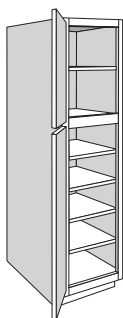
<b>STANDARD DOOR</b>						
VLC122184	1625	1478	1343	1213	1095	986
VLC152184	1757	1598	1452	1311	1184	1066
VLC182184	1899	1726	1569	1417	1280	1152
<b>SPECIALTY DOOR</b>						
VLC122184 SD	2049	1873	1711	1555	1413	1272
VLC152184 SD	2207	2017	1841	1672	1520	1368
VLC182184 SD	2378	2170	1982	1799	1635	1472

## VANITY LINEN CABINET - 4 BUTT DOORS - NO SHELVES



<b>STANDARD DOOR</b>						
VLC242184 BUTT	2495	2268	2062	1862	1681	1513
<b>SPECIALTY DOOR</b>						
VLC242184 BUTT SD	3093	2821	2573	2333	2116	1905

## VANITY LINEN CABINET - 2 DOORS - ADJUSTABLE SHELVES



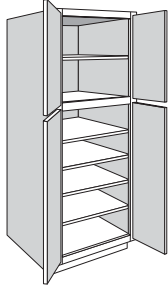
<b>STANDARD DOOR</b>						
VLC122184 AS	1815	1668	1533	1403	1285	1157
VLC152184 AS	1947	1788	1642	1501	1374	1237
VLC182184 AS	2089	1916	1759	1607	1470	1323
<b>SPECIALTY DOOR</b>						
VLC122184 AS SD	2277	2101	1939	1783	1641	1477
VLC152184 AS SD	2435	2245	2069	1900	1748	1573
VLC182184 AS SD	2606	2398	2210	2027	1863	1677

**PRICING**

# SKU

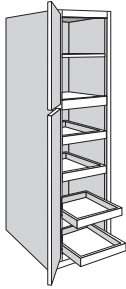
700 SERIES - CHERRY  
 700 SERIES - MAPLE  
 700 SERIES - PAINTED  
 600 SERIES - CHERRY  
 600 SERIES - MAPLE  
 600 SERIES - PAINTED  
 500 SERIES - CHERRY  
 500 SERIES - PAINTED  
 400 SERIES - CHERRY  
 400 SERIES - MAPLE  
 400 SERIES - PAINTED  
 300 SERIES - CHERRY  
 300 SERIES - PAINTED  
 D SERIES - DURAFORM  
 300 SERIES - MAPLE  
 300 SERIES - PAINTED

## VANITY LINEN CABINET - 4 BUTT DOORS - ADJUSTABLE SHELVES



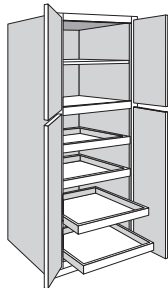
STANDARD DOOR						
VLC242184 AS BUTT	2685	2458	2252	2052	1871	1684
SPECIALTY DOOR						
VLC242184 AS BUTT SD	3321	3049	2801	2561	2344	2110

## VANITY LINEN CABINET - 2 DOORS - FULL-ACCESS DEEP ROLL OUT TRAYS



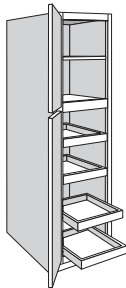
STANDARD DOOR						
VLC122184 FA4ROT	2511	2364	2229	2099	1981	1783
VLC152184 FA4ROT	2643	2484	2338	2197	2070	1863
VLC182184 FA4ROT	2785	2612	2455	2303	2166	1949
SPECIALTY DOOR						
VLC122184 FA4ROT SD	3112	2936	2774	2618	2476	2229
VLC152184 FA4ROT SD	3271	3080	2905	2735	2583	2325
VLC182184 FA4ROT SD	3441	3233	3045	2863	2698	2428

## VANITY LINEN CABINET - 4 BUTT DOORS - FULL-ACCESS DEEP ROLL OUT TRAYS



STANDARD DOOR						
VLC242184 FA4ROT BUTT	3381	3154	2948	2748	2567	2310
SPECIALTY DOOR						
VLC242184 FA4ROT BUTT SD	4255	3983	3736	3496	3278	2951

## VANITY LINEN CABINET - 2 DOORS - FULL-ACCESS CUSHIONCLOSE® DEEP ROLL OUT TRAYS



STANDARD DOOR						
VLC122184 CC4ROT	2751	2604	2469	2339	2221	1999
VLC152184 CC4ROT	2883	2724	2578	2437	2310	2079
VLC182184 CC4ROT	3025	2852	2695	2543	2406	2165
SPECIALTY DOOR						
VLC122184 CC4ROT SD	3400	3224	3062	2906	2764	2488
VLC152184 CC4ROT SD	3559	3368	3193	3023	2871	2584
VLC182184 CC4ROT SD	3729	3521	3333	3151	2986	2688

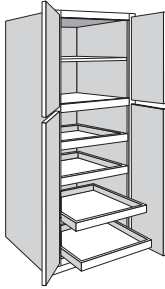
Illustrations are for reference only. Refer to Specification Guide for actual specifications.

PRICING



# SKU

## VANITY LINEN CABINET • 4 BUTT DOORS • FULL-ACCESS CUSHIONCLOSE® DEEP ROLL OUT TRAYS



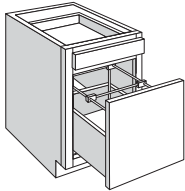
### STANDARD DOOR

VLC242184 CC4ROT BUTT	3621	3394	3188	2988	2807	2526
-----------------------	------	------	------	------	------	------

### SPECIALTY DOOR

VLC242184 CC4ROT BUTT SD	4543	4271	4024	3784	3566	3210
--------------------------	------	------	------	------	------	------

## DESK FILE PULL OUT CABINET • 21" DEEP



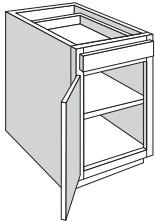
### FULL-ACCESS GLIDES

DFDC1821 FA	1067	970	882	796	719	647
-------------	------	-----	-----	-----	-----	-----

### FULL-ACCESS CUSHIONCLOSE® GLIDES

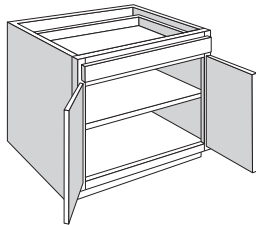
DFDC1821 CC	1127	1030	942	856	779	701
-------------	------	------	-----	-----	-----	-----

## DESK DOOR BASE CABINET • 1 DOOR • 1 DRAWER • 21" DEEP



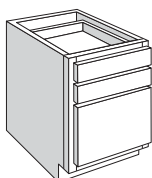
DDO1221	782	716	657	600	548	493
DDO1521	819	750	688	627	573	516
DDO1821	852	780	715	652	595	536
DDO2121	887	812	744	678	619	557

## DESK DOOR BASE CABINET • 2 BUTT DOORS • 1 DRAWER • 21" DEEP

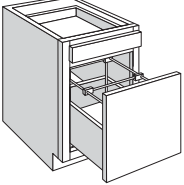
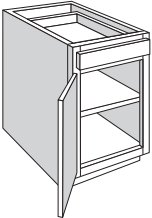
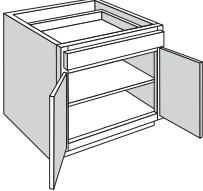
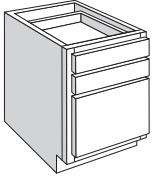
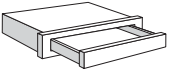
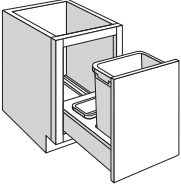


DDO2421 BUTT	969	886	812	739	674	607
--------------	-----	-----	-----	-----	-----	-----

## DESK DRAWER BASE CABINET • 21" DEEP



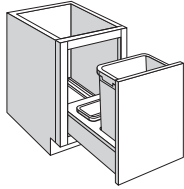
DDR1221	1263	1166	1077	991	914	823
DDR1521	1308	1206	1114	1024	944	850
DDR1821	1349	1244	1149	1056	972	875
DDR2121	1395	1286	1186	1090	1003	903
DDR2421	1456	1341	1237	1135	1044	940

SKU		700 SERIES - CHERRY	700 SERIES - MAPLE	700 SERIES - PAINTED	600 SERIES - CHERRY	600 SERIES - MAPLE	600 SERIES - PAINTED	500 SERIES - CHERRY	500 SERIES - MAPLE	500 SERIES - PAINTED	400 SERIES - CHERRY	400 SERIES - MAPLE	400 SERIES - PAINTED	300 SERIES - CHERRY	300 SERIES - MAPLE	300 SERIES - PAINTED
<b>DESK FILE PULL OUT CABINET • 24" DEEP</b>																
	<b>FULL-ACCESS GLIDES</b>															
	DFDC1824 FA	1067	970	882	796	719	647									
	<b>FULL-ACCESS CUSHIONCLOSE® GLIDES</b>															
	DFDC1824 CC	1127	1030	942	856	779	701									
<b>DESK DOOR BASE CABINET • 1 DOOR • 1 DRAWER • 24" DEEP</b>																
	DDO1224	782	716	657	600	548	493									
	DDO1524	819	750	688	627	573	516									
	DDO1824	852	780	715	652	595	536									
	DDO2124	887	812	744	678	619	557									
<b>DESK DOOR BASE CABINET • 2 BUTT DOORS • 1 DRAWER • 24" DEEP</b>																
	DDO2424 BUTT	969	886	812	739	674	607									
<b>DESK DRAWER BASE CABINET • 24" DEEP</b>																
	DDR1224	1263	1166	1077	991	914	823									
	DDR1524	1308	1206	1114	1024	944	850									
	DDR1824	1349	1244	1149	1056	972	875									
	DDR2124	1395	1286	1186	1090	1003	903									
	DDR2424	1456	1341	1237	1135	1044	940									
<b>KNEE HOLE DRAWER CABINET</b>																
	KDC27/21	412	381	352	324	299	269									
	KDC33/27	501	461	425	390	358	322									
	KDC36/33	640	588	540	494	452	407									
<b>DESK BASE WITH 1 FULL-ACCESS BOTTOM MOUNT WASTEBASKET • 21" DEEP</b>																
	DWBB1821 FA	1278	1162	1056	954	861	775									

Illustrations are for reference only. Refer to Specification Guide for actual specifications.

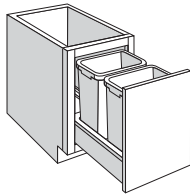
# SKU

## DESK BASE WITH 1 FULL-ACCESS CUSHIONCLOSE® BOTTOM MOUNT WASTEBASKET • 21" DEEP



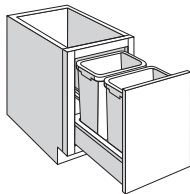
	700 SERIES - CHERRY	700 SERIES - MAPLE	700 SERIES - PAINTED	600 SERIES - CHERRY	600 SERIES - MAPLE	600 SERIES - PAINTED	500 SERIES - CHERRY	DT SERIES - DURAFORM	500 SERIES - MAPLE	500 SERIES - PAINTED	400 SERIES - CHERRY	400 SERIES - MAPLE	400 SERIES - PAINTED	300 SERIES - CHERRY	D SERIES - DURAFORM	300 SERIES - MAPLE	300 SERIES - PAINTED
DWBB1821 CC	1338	1222	1116	1014	921	829											

## DESK BASE WITH 2 FULL-ACCESS BOTTOM MOUNT WASTEBASKETS • 24" DEEP



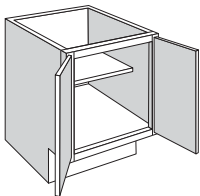
	700 SERIES - CHERRY	700 SERIES - MAPLE	700 SERIES - PAINTED	600 SERIES - CHERRY	600 SERIES - MAPLE	600 SERIES - PAINTED	500 SERIES - CHERRY	DT SERIES - DURAFORM	500 SERIES - MAPLE	500 SERIES - PAINTED	400 SERIES - CHERRY	400 SERIES - MAPLE	400 SERIES - PAINTED	300 SERIES - CHERRY	D SERIES - DURAFORM	300 SERIES - MAPLE	300 SERIES - PAINTED
DWBB1824 FA	1278	1162	1056	954	861	775											

## DESK BASE WITH 2 FULL-ACCESS CUSHIONCLOSE® BOTTOM MOUNT WASTEBASKETS • 24" DEEP



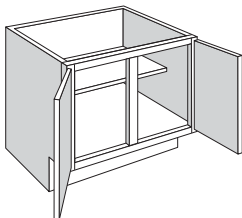
	700 SERIES - CHERRY	700 SERIES - MAPLE	700 SERIES - PAINTED	600 SERIES - CHERRY	600 SERIES - MAPLE	600 SERIES - PAINTED	500 SERIES - CHERRY	DT SERIES - DURAFORM	500 SERIES - MAPLE	500 SERIES - PAINTED	400 SERIES - CHERRY	400 SERIES - MAPLE	400 SERIES - PAINTED	300 SERIES - CHERRY	D SERIES - DURAFORM	300 SERIES - MAPLE	300 SERIES - PAINTED
DWBB1824 CC	1338	1222	1116	1014	921	829											

## UNIVERSAL DESIGN BASE CABINET • 2 BUTT DOORS • ADJUSTABLE SHELF

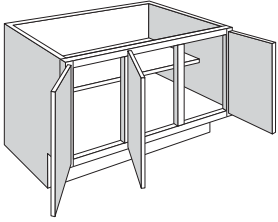
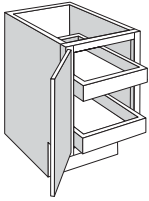
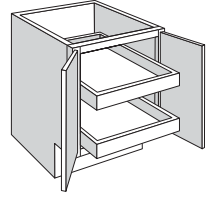
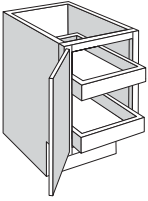
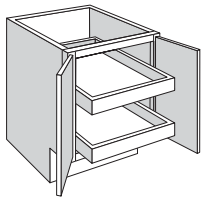


	700 SERIES - CHERRY	700 SERIES - MAPLE	700 SERIES - PAINTED	600 SERIES - CHERRY	600 SERIES - MAPLE	600 SERIES - PAINTED	500 SERIES - CHERRY	DT SERIES - DURAFORM	500 SERIES - MAPLE	500 SERIES - PAINTED	400 SERIES - CHERRY	400 SERIES - MAPLE	400 SERIES - PAINTED	300 SERIES - CHERRY	D SERIES - DURAFORM	300 SERIES - MAPLE	300 SERIES - PAINTED
B24 UD BUTT	1064	968	880	792	713	642											
B27 UD BUTT	1099	999	908	817	735	662											
B30 UD BUTT	1223	1112	1011	910	818	736											
B33 UD BUTT	1280	1164	1058	952	857	771											
B36 UD BUTT	1461	1328	1207	1087	978	880											

## UNIVERSAL DESIGN BASE CABINET • 2 DOORS • ADJUSTABLE SHELF



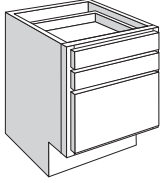
	700 SERIES - CHERRY	700 SERIES - MAPLE	700 SERIES - PAINTED	600 SERIES - CHERRY	600 SERIES - MAPLE	600 SERIES - PAINTED	500 SERIES - CHERRY	DT SERIES - DURAFORM	500 SERIES - MAPLE	500 SERIES - PAINTED	400 SERIES - CHERRY	400 SERIES - MAPLE	400 SERIES - PAINTED	300 SERIES - CHERRY	D SERIES - DURAFORM	300 SERIES - MAPLE	300 SERIES - PAINTED
B39 UD	1427	1297	1179	1061	955	860											
B42 UD	1467	1334	1213	1091	982	884											

SKU		700 SERIES - CHERRY	700 SERIES - MAPLE	700 SERIES - PAINTED	600 SERIES - CHERRY	600 SERIES - MAPLE	600 SERIES - PAINTED	500 SERIES - CHERRY	500 SERIES - MAPLE	500 SERIES - PAINTED	400 SERIES - CHERRY	400 SERIES - MAPLE	400 SERIES - PAINTED	300 SERIES - CHERRY	300 SERIES - MAPLE	300 SERIES - PAINTED
<b>UNIVERSAL DESIGN BASE CABINET • 3 DOORS • ADJUSTABLE SHELF</b>																
	B45 UD	1697	1543	1403	1263	1136	1022									
<b>UNIVERSAL DESIGN BASE CABINET • 1 DOOR • 2 FULL-ACCESS DEEP ROLL OUT TRAYS</b>																
	B12 FA2FWT UD	1264	1150	1045	944	852	767									
	B15 FA2FWT UD	1307	1188	1080	975	881	793									
	B18 FA2FWT UD	1343	1221	1110	1002	905	815									
	B21 FA2FWT UD	1382	1256	1142	1031	931	838									
<b>UNIVERSAL DESIGN BASE CABINET • 2 BUTT DOORS • 2 FULL-ACCESS DEEP ROLL OUT TRAYS</b>																
	B24 FA2FWT UD BUTT	1555	1414	1285	1160	1048	943									
<b>UNIVERSAL DESIGN BASE CABINET • 1 DOOR • 2 FULL-ACCESS CUSHIONCLOSE® DEEP ROLL OUT TRAYS</b>																
	B12 CC2FWT UD	1410	1282	1165	1052	950	855									
	B15 CC2FWT UD	1452	1320	1200	1084	978	880									
	B18 CC2FWT UD	1488	1353	1230	1111	1003	903									
	B21 CC2FWT UD	1527	1388	1262	1140	1029	926									
<b>UNIVERSAL DESIGN BASE CABINET • 2 BUTT DOORS • 2 FULL-ACCESS CUSHIONCLOSE® DEEP ROLL OUT TRAYS</b>																
	B24 CC2FWT UD BUTT	1700	1546	1405	1269	1146	1031									

Illustrations are for reference only. Refer to Specification Guide for actual specifications.

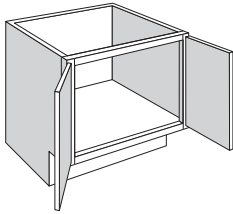
**SKU**

**UNIVERSAL DESIGN DRAWER BASE CABINET**



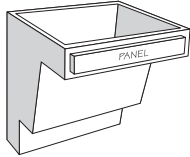
	700 SERIES - CHERRY	700 SERIES - MAPLE	700 SERIES - PAINTED	600 SERIES - CHERRY	600 SERIES - MAPLE	600 SERIES - PAINTED	500 SERIES - CHERRY	500 SERIES - MAPLE	500 SERIES - PAINTED	400 SERIES - CHERRY	400 SERIES - MAPLE	400 SERIES - PAINTED	300 SERIES - CHERRY	300 SERIES - MAPLE	300 SERIES - PAINTED
DB12 UD	1352	1246	1151	1055	968	871									
DB15 UD	1398	1288	1189	1089	999	899									
DB18 UD	1446	1332	1228	1125	1031	928									
DB21 UD	1495	1376	1269	1161	1064	958									
DB24 UD	1559	1434	1322	1209	1107	996									

**UNIVERSAL DESIGN SINK BASE CABINET • 2 BUTT DOORS**



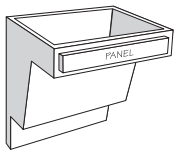
SB30 BUTT UD	1055	959	872	784	706	635									
SB33 BUTT UD	1082	983	894	805	724	651									
SB36 BUTT UD	1121	1019	927	834	751	676									

**UNIVERSAL DESIGN BASE PLUMBING SKIRT**



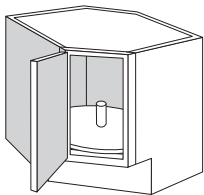
BPS30 UD	776	705	641	577	519	467									
BPS36 UD	817	743	675	608	547	492									

**UNIVERSAL DESIGN VANITY PLUMBING SKIRT**

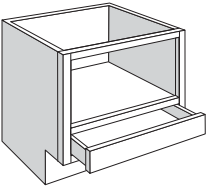
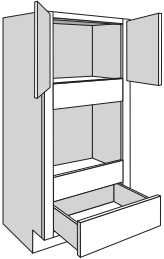
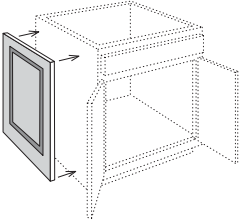
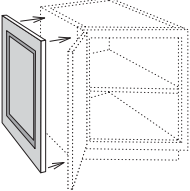
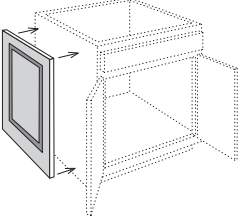


VPS30 UD	1105	1005	914	822	740	666									
VPS36 UD	1152	1047	952	857	771	694									

**UNIVERSAL DESIGN CORNER BASE SUSAN CABINET**



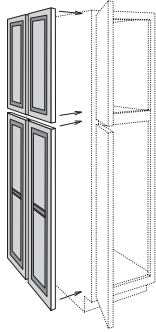
CBS36 UD	2140	1945	1769	1592	1432	1289									
----------	------	------	------	------	------	------	--	--	--	--	--	--	--	--	--

SKU		700 SERIES - CHERRY	700 SERIES - MAPLE	700 SERIES - PAINTED	600 SERIES - CHERRY	600 SERIES - MAPLE	600 SERIES - PAINTED	500 SERIES - CHERRY	500 SERIES - MAPLE	500 SERIES - PAINTED	400 SERIES - CHERRY	400 SERIES - MAPLE	400 SERIES - PAINTED	300 SERIES - CHERRY	300 SERIES - MAPLE	300 SERIES - PAINTED
<b>UNIVERSAL DESIGN BASE MULTI-USE CABINET</b>																
	BMU30 UD	1508	1376	1257	1257	1257										1131
<b>UNIVERSAL DESIGN OVEN CABINET</b>																
	OVS3384 UD BUTT	3414	3109	2832	2556	2306										2076
<b>DECORATOR MATCHING DOOR • BASE CABINETS</b>																
	DMDB	334	303	276	249	225										203
<b>DECORATOR MATCHING DOOR • BASE END ANGLE CABINETS</b>																
	DMDBEA12	215	196	178	161	145										131
<b>DECORATOR MATCHING DOOR • DESK CABINETS</b>																
	DMDD21	252	229	208	188	170										153
	DMDD24	282	256	233	210	190										171

Illustrations are for reference only. Refer to Specification Guide for actual specifications.

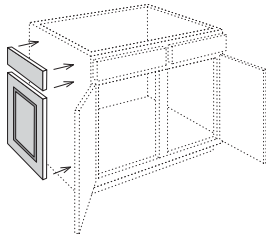
# SKU

## DECORATOR MATCHING DOOR • TALL CABINETS



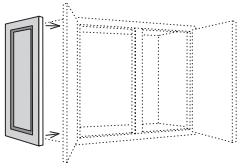
	700 SERIES - CHERRY	700 SERIES - MAPLE	700 SERIES - PAINTED	600 SERIES - CHERRY	600 SERIES - MAPLE	600 SERIES - PAINTED	500 SERIES - CHERRY	500 SERIES - MAPLE	500 SERIES - PAINTED	400 SERIES - CHERRY	400 SERIES - MAPLE	400 SERIES - PAINTED	300 SERIES - CHERRY	300 SERIES - MAPLE	300 SERIES - PAINTED
DMDT8412	547	497	452	408	369	332									
DMDT8424	1085	986	897	810	731	658									
DMDT9012	572	520	473	427	385	347									
DMDT9024	1150	1046	951	858	775	698									
DMDT9312	595	540	491	444	400	360									
DMDT9324	1192	1084	986	890	804	724									
DMDT9612	602	547	497	449	405	365									
DMDT9624	1206	1096	997	900	813	732									

## DECORATOR MATCHING DOOR • VANITY CABINETS



	700 SERIES - CHERRY	700 SERIES - MAPLE	700 SERIES - PAINTED	600 SERIES - CHERRY	600 SERIES - MAPLE	600 SERIES - PAINTED	500 SERIES - CHERRY	500 SERIES - MAPLE	500 SERIES - PAINTED	400 SERIES - CHERRY	400 SERIES - MAPLE	400 SERIES - PAINTED	300 SERIES - CHERRY	300 SERIES - MAPLE	300 SERIES - PAINTED
DMDV	263	239	217	196	177	159									

## DECORATOR MATCHING DOOR • WALL CABINETS



	700 SERIES - CHERRY	700 SERIES - MAPLE	700 SERIES - PAINTED	600 SERIES - CHERRY	600 SERIES - MAPLE	600 SERIES - PAINTED	500 SERIES - CHERRY	500 SERIES - MAPLE	500 SERIES - PAINTED	400 SERIES - CHERRY	400 SERIES - MAPLE	400 SERIES - PAINTED	300 SERIES - CHERRY	300 SERIES - MAPLE	300 SERIES - PAINTED
DMDW18	143	130	118	107	96	86									
DMDW24	193	176	160	144	130	117									
DMDW30	215	196	178	161	145	131									
DMDW36	248	225	205	185	167	150									
DMDW39	269	245	222	201	181	163									
DMDW42	276	251	228	206	186	167									

## DOORS

	700 SERIES - CHERRY	700 SERIES - MAPLE	700 SERIES - PAINTED	600 SERIES - CHERRY	600 SERIES - MAPLE	600 SERIES - PAINTED	500 SERIES - CHERRY	500 SERIES - MAPLE	500 SERIES - PAINTED	400 SERIES - CHERRY	400 SERIES - MAPLE	400 SERIES - PAINTED	300 SERIES - CHERRY	300 SERIES - MAPLE	300 SERIES - PAINTED
DR930	169	153	140	126	114	103									
DR930 BER DRILL	173	157	143	129	117	105									
DR930 BER ND	173	157	143	129	117	105									
DR936	191	173	158	142	128	115									
DR939	207	188	172	154	139	125									
DR942	212	193	176	158	143	129									
DR9FH	169	153	140	126	114	103									
DR1212 BUTT	102	93	84	76	68	62									
DR1218	129	118	107	97	87	78									
DR1218 BUTT	129	118	107	97	87	78									
DR1221V	153	140	127	115	103	93									
DR1221V BUTT	153	140	127	115	103	93									
DR1224	177	161	146	132	119	107									
DR1224 BUTT	177	161	146	132	119	107									
DR1230	197	179	163	147	133	120									
DR1230 BER DRILL	204	186	169	152	138	124									
DR1230 BER ND	204	186	169	152	138	124									
DR1230 BUTT	197	179	163	147	133	120									
DR1230 WER DRILL	204	186	169	152	138	124									

\*Replacement Specialty Doors require a Specialty Door selection - standard up charges apply.

# SKU

## DOORS

	700 SERIES - CHERRY	700 SERIES - MAPLE	700 SERIES - PAINTED	600 SERIES - CHERRY	600 SERIES - MAPLE	600 SERIES - PAINTED	500 SERIES - CHERRY	500 SERIES - MAPLE	500 SERIES - PAINTED	400 SERIES - CHERRY	400 SERIES - MAPLE	400 SERIES - PAINTED	300 SERIES - CHERRY	300 SERIES - MAPLE	300 SERIES - PAINTED
DR1230 WER ND	204	186	169	152	138	124									
DR1236	225	204	186	168	151	136									
DR1236 BUTT	225	204	186	168	151	136									
DR1236 WER DRILL	233	212	192	174	157	141									
DR1236 WER ND	233	212	192	174	157	141									
DR1239	244	222	202	182	165	149									
DR1239 BUTT	244	222	202	182	165	149									
DR1239 WER DRILL	253	230	209	189	171	154									
DR1239 WER ND	253	230	209	189	171	154									
DR1242	250	228	207	187	169	152									
DR1242 BUTT	250	228	207	187	169	152									
DR1242 WER DRILL	260	236	215	194	175	158									
DR1242 WER ND	260	236	215	194	175	158									
DR1250	261	238	216	195	176	158									
DR1250 BUTT	261	238	216	195	176	158									
DR12FH	197	179	163	147	133	120									
DR12BUTT FH	197	179	163	147	133	120									
DR1315 BUTT	135	123	111	101	91	82									
DR1318 BUTT	146	132	120	109	98	88									
DR1321V BUTT	165	150	136	123	111	100									
DR1324 BUTT	184	167	152	137	124	112									
DR1327 BUTT	199	181	165	148	135	122									
DR1330 BUTT	204	186	169	152	138	124									
DR1336 BUTT	240	218	198	179	161	145									
DR1339 BUTT	264	241	218	197	178	160									
DR1342 BUTT	272	248	225	203	183	165									
DR1350 BUTT	277	252	229	207	187	168									
DR13BUTT FH	204	186	169	152	138	124									
DR1512 BUTT	113	103	93	84	76	68									
DR1515 BUTT	137	125	114	103	93	84									
DR1518	159	145	132	119	107	96									
DR1518 BUTT	159	145	132	119	107	96									
DR1521V	177	161	146	132	119	107									
DR1521 BUTT	177	161	146	132	119	107									
DR1521V BUTT	177	161	146	132	119	107									
DR1524	196	178	162	146	132	119									
DR1524 BUTT	196	178	162	146	132	119									
DR1527 BUTT	208	189	172	155	140	126									
DR1530	222	202	183	166	150	135									
DR1530 BUTT	222	202	183	166	150	135									
DR1536	252	229	208	188	170	153									
DR1536 BUTT	252	229	208	188	170	153									
DR1539	298	271	246	223	201	181									
DR1539 BUTT	298	271	246	223	201	181									
DR1542	313	285	259	234	211	190									
DR1542 BUTT	313	285	259	234	211	190									
DR1550	347	316	287	259	234	211									
DR1550 BUTT	347	316	287	259	234	211									
DR15FH	222	202	183	166	150	135									

Illustrations are for reference only. Refer to Specification Guide for actual specifications.



# SKU

## DOORS

	700 SERIES - CHERRY	700 SERIES - MAPLE	700 SERIES - PAINTED	600 SERIES - CHERRY	600 SERIES - MAPLE	600 SERIES - PAINTED	500 SERIES - CHERRY	DT SERIES - DURAFORM	500 SERIES - MAPLE	500 SERIES - PAINTED	400 SERIES - CHERRY	400 SERIES - MAPLE	400 SERIES - PAINTED	300 SERIES - CHERRY	D SERIES - DURAFORM	300 SERIES - MAPLE	300 SERIES - PAINTED
DR15BUTT FH	222	202	183	166	150	135											
DRCBS36	222	202	183	166	150	135											
DRMCM1530	208	189	172	155	140	126											
DR1612 BUTT	127	115	105	94	85	77											
DR1615 BUTT	152	139	126	114	103	93											
DR1618 BUTT	162	147	134	121	109	98											
DR1621 BUTT	182	166	151	136	123	111											
DR1621V BUTT	182	166	151	136	123	111											
DR1624 BUTT	203	184	168	151	137	123											
DR1627 BUTT	223	202	184	166	150	135											
DR1630 BUTT	229	208	189	171	154	139											
DR1636 BUTT	280	255	232	209	189	170											
DR1639 BUTT	321	291	265	239	216	194											
DR1642 BUTT	334	303	276	249	225	203											
DR1650 BUTT	368	335	304	275	248	223											
DR16BUTT FH	229	208	189	171	154	139											
DR1812	131	119	108	98	88	79											
DR1815	162	147	134	121	109	98											
DR1815 BUTT	162	147	134	121	109	98											
DR1818	177	161	146	132	119	107											
DR1818 BUTT	177	161	146	132	119	107											
DR1821V	197	179	163	147	133	120											
DR1821 BUTT	197	179	163	147	133	120											
DR1821V BUTT	197	179	163	147	133	120											
DR1824	216	197	179	162	146	131											
DR1824 BUTT	216	197	179	162	146	131											
DR1830	244	222	201	182	164	148											
DR1830 BUTT	244	222	201	182	164	148											
DR1836	297	270	245	221	200	180											
DR1836 BUTT	297	270	245	221	200	180											
DR1839	337	306	278	251	227	204											
DR1839 BUTT	337	306	278	251	226	203											
DR1842	350	318	289	261	236	212											
DR1842 BUTT	350	318	289	261	235	212											
DR1850	393	358	325	294	265	239											
DR1850 BUTT	393	358	325	294	265	239											
DR18FH	244	222	201	182	164	148											
DR18BUTT FH	244	222	201	182	164	148											
DR1912	135	123	111	101	91	82											
DR1915	167	151	138	125	112	101											
DR1918	182	166	150	136	123	110											
DR1921	204	185	168	152	137	123											
DR1921 BUTT	204	185	168	152	137	123											
DR1924	225	204	186	168	151	136											
DR1930	250	228	207	187	169	152											
DR1936	312	284	257	232	210	189											
DR1942	368	334	303	274	247	222											
DR2112	151	137	124	113	101	91											
DR2118	192	174	159	143	129	116											

\*Replacement Specialty Doors require a Specialty Door selection - standard up charges apply.

SKU		700 SERIES - CHERRY	700 SERIES - MAPLE	700 SERIES - PAINTED	600 SERIES - CHERRY	600 SERIES - MAPLE	600 SERIES - PAINTED	500 SERIES - CHERRY	500 SERIES - MAPLE	500 SERIES - PAINTED	400 SERIES - CHERRY	400 SERIES - MAPLE	400 SERIES - PAINTED	300 SERIES - CHERRY	300 SERIES - MAPLE	300 SERIES - PAINTED
<b>DOORS</b>																
	DR2121	213	194	177	159	144	129									
	DR2121V	213	194	177	159	144	129									
	DR2124	234	213	194	175	158	142									
	DR2130	267	243	221	199	180	162									
	DR2136	339	308	280	253	228	205									
	DR2139	391	355	324	292	263	237									
	DR2142	408	371	338	305	275	248									
	DR2150	436	397	361	326	294	265									
	DR21FH	267	243	221	199	180	162									
	DR2424	274	249	226	204	184	166									
	DR2430	302	275	250	226	204	184									
	DR24FH	302	275	250	226	204	184									
	DR3018 WTH	244	222	201	182	164	148									
	DR3618 WTH	297	270	245	221	200	180									
	DR3015 WTH	222	202	183	166	150	135									
	DR3615 WTH	252	229	208	188	170	153									
<b>SPECIALTY DOORS</b>																
	DR1218 BUTT SD	228	217	206	196	186	167									
	DR1224 SD	276	260	245	231	218	196									
	DR1224 BUTT SD	276	260	245	231	218	196									
	DR1230 SD	296	278	262	246	232	209									
	DR1230 BUTT SD	296	278	262	246	232	209									
	DR1236 SD	326	305	287	269	252	227									
	DR1236 BUTT SD	326	305	287	269	252	227									
	DR1239 SD	345	323	303	283	266	239									
	DR1239 BUTT SD	345	323	303	283	266	239									
	DR1242 SD	351	329	308	288	270	243									
	DR1242 BUTT SD	351	329	308	288	270	243									
	DR1318 BUTT SD	245	231	219	208	197	177									
	DR1324 BUTT SD	283	266	251	236	223	201									
	DR1330 BUTT SD	303	285	268	251	237	213									
	DR1336 BUTT SD	341	319	299	280	262	236									
	DR1339 BUTT SD	365	342	319	298	279	251									
	DR1342 BUTT SD	373	349	326	304	284	256									
	DR1512 BUTT SD	212	202	192	183	175	158									
	DR1515 BUTT SD	236	224	213	202	192	173									
	DR1518 BUTT SD	258	244	231	218	206	185									
	DR1521 BUTT SD	276	260	245	231	218	196									
	DR1524 SD	295	277	261	245	231	208									
	DR1524 BUTT SD	295	277	261	245	231	208									
	DR1527 BUTT SD	307	288	271	254	239	215									
	DR1530 SD	321	301	282	265	249	224									
	DR1530 BUTT SD	321	301	282	265	249	224									
	DR1536 SD	353	330	309	289	271	244									
	DR1536 BUTT SD	353	330	309	289	271	244									
	DR1539 SD	399	372	347	324	302	272									
	DR1539 BUTT SD	399	372	347	324	302	272									
	DR1542 SD	414	386	360	335	312	281									
	DR1542 BUTT SD	414	386	360	335	312	281									

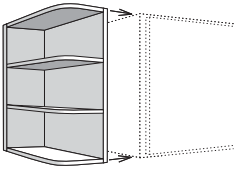
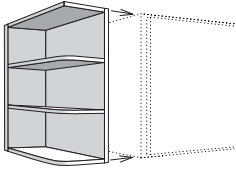
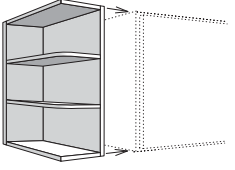
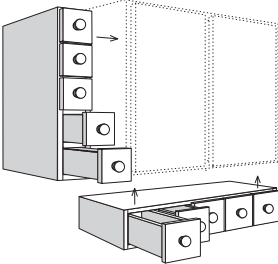
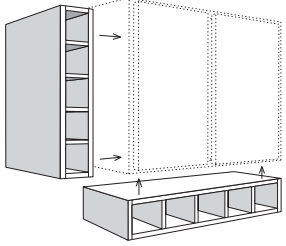
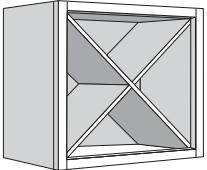
Illustrations are for reference only. Refer to Specification Guide for actual specifications.

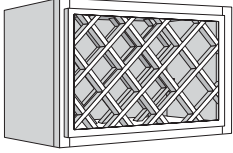
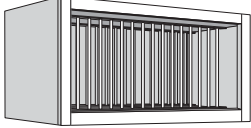
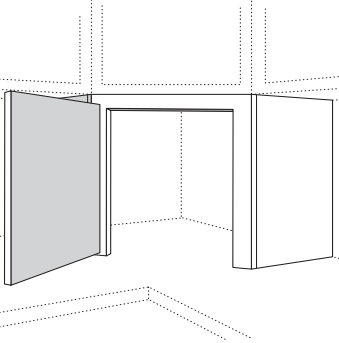
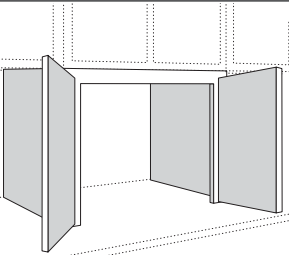
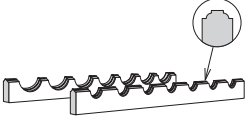
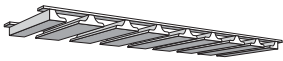
# SKU

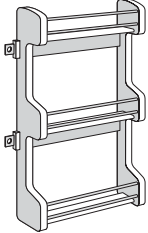



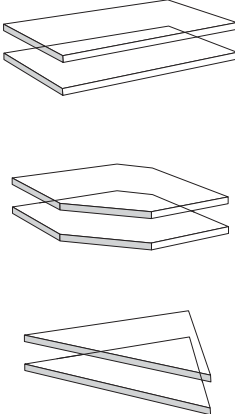
## SPECIALTY DOORS

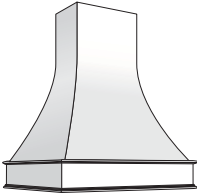
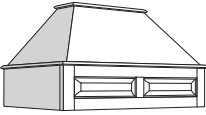
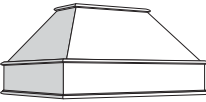
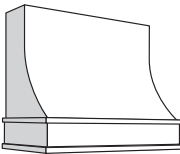
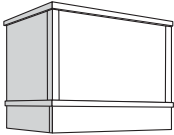
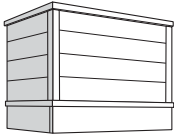
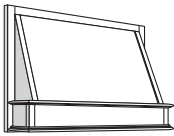
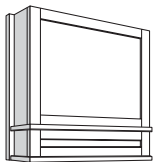
		700 SERIES - CHERRY	700 SERIES - MAPLE	700 SERIES - PAINTED	600 SERIES - CHERRY	600 SERIES - MAPLE	600 SERIES - PAINTED	500 SERIES - CHERRY	DT SERIES - DURAFORM	500 SERIES - MAPLE	500 SERIES - PAINTED	400 SERIES - CHERRY	400 SERIES - MAPLE	400 SERIES - PAINTED	300 SERIES - CHERRY	D SERIES - DURAFORM	300 SERIES - MAPLE	300 SERIES - PAINTED
DR1612 BUTT SD	226	214	204	193	184	166												
DR1615 BUTT SD	251	238	225	213	202	182												
DR1618 BUTT SD	261	246	233	220	208	187												
DR1621 BUTT SD	281	265	250	235	222	200												
DR1624 BUTT SD	302	283	267	250	236	212												
DR1630 BUTT SD	328	307	288	270	253	228												
DR1636 BUTT SD	381	356	333	310	290	261												
DR1639 BUTT SD	422	392	366	340	317	285												
DR1642 BUTT SD	435	404	377	350	326	293												
DR1812 BUTT SD	230	218	207	197	187	168												
DR1815 BUTT SD	261	246	233	220	208	187												
DR1818 SD	276	260	245	231	218	196												
DR1818 BUTT SD	276	260	245	231	218	196												
DR1821 BUTT SD	296	278	262	246	232	209												
DR1824 SD	315	296	278	261	245	221												
DR1824 BUTT SD	315	296	278	261	245	221												
DR1830 SD	343	321	300	281	263	237												
DR1830 BUTT SD	343	321	300	281	263	237												
DR1836 SD	398	371	346	322	301	271												
DR1836 BUTT SD	398	371	346	322	301	271												
DR1839 SD	438	407	379	352	328	295												
DR1839 BUTT SD	438	407	379	352	328	295												
DR1842 SD	451	419	390	362	337	303												
DR1842 BUTT SD	451	419	390	362	337	303												
DR1912 SD	237	225	213	203	193	173												
DR1915 SD	269	253	240	227	214	193												
DR1918 SD	284	268	252	238	225	202												
DR1921 SD	304	285	269	252	237	214												
DR1924 SD	324	303	285	267	250	225												
DR1930 SD	349	327	306	286	268	241												
DR1936 SD	413	385	358	333	311	290												
DR1942 SD	469	435	404	375	348	323												
DR2118 SD	291	273	258	242	228	205												
DR2124 SD	333	312	293	274	257	231												
DR2130 SD	366	342	320	298	279	251												
DR2136 SD	440	409	381	354	329	296												
DR2139 SD	492	456	425	393	364	328												
DR2142 SD	509	472	439	406	376	338												
DR3018 WTH SD	343	321	300	281	263	237												
DR3618 WTH SD	398	371	346	322	301	271												
DR3015 WTH SD	321	301	282	265	249	224												
DR3615 WTH SD	353	330	309	289	271	244												
DRAWER FRONTS																		
DDF12	51	46	42	38	34	31												
DDF12D	---	---	---	---	58	52												
DDF12M	86	78	71	64	58	---												
DDF12VD	86	78	71	64	58	52												
DDF15	55	50	45	41	37	33												
DDF15D	---	---	---	---	64	58												



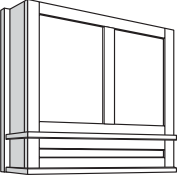
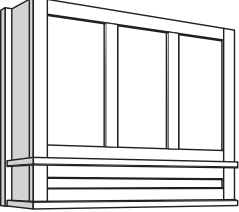
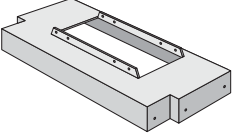
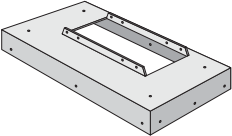
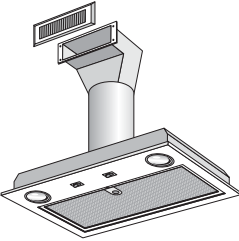
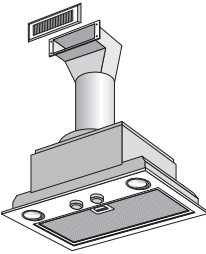
SKU		CHERRY	MAPLE PAINTED	DURAFORM
<b>SHELF END WALL - ROUND TOP AND BOTTOM</b>				
	SEW30	334	304	304
	SEW36	417	380	380
	SEW39	464	422	422
	SEW42	479	436	436
<b>SHELF END WALL - SQUARE TOP AND ROUND BOTTOM</b>				
	SEW30L SQT	334	304	304
	SEW30R SQT	334	304	304
	SEW36L SQT	417	380	380
	SEW36R SQT	417	380	380
	SEW39L SQT	464	422	422
	SEW39R SQT	464	422	422
	SEW42L SQT	479	436	436
	SEW42R SQT	479	436	436
<b>SHELF END WALL - SQUARE TOP AND BOTTOM</b>				
	SEW30 SQT B	334	304	304
	SEW36 SQT B	417	380	380
	SEW39 SQT B	464	422	422
	SEW42 SQT B	479	436	436
<b>SPICE DRAWER CABINET</b>				
	SDC18	826	751	751
	SDC24	880	800	800
	SDC30	935	850	850
	SDC36	1010	918	918
<b>STORAGE CUBE</b>				
	SC30	517	470	470
	SC36	563	512	512
	SC42	615	559	559
<b>WINE STORAGE CABINET</b>				
	WSC1818	588	535	535
	WSC2424	743	675	675

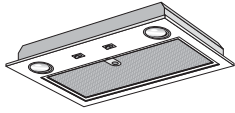
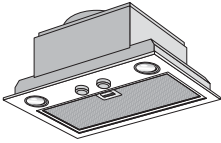
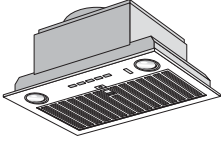
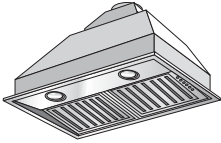
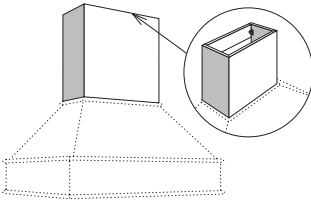
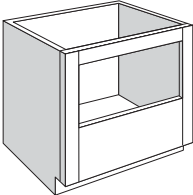
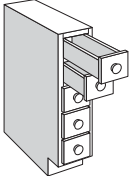
SKU		CHERRY	MAPLE PAINTED	DURAFORM
<b>WINE RACK CABINET</b>				
	WRC1530	801	728	728
	WRC1830	801	728	728
	WRC3015	801	728	728
	WRC3018	801	728	728
	WRC3615	820	746	746
<b>WALL CHINA CABINET</b>				
	WCC2415	1010	918	918
	WCC3015	1045	950	950
	WCC3615	1058	961	961
<b>CORNER APPLIANCE GARAGE</b>				
	<b>STANDARD DOOR</b>			
	AGD2418	390	357	357
	AGD2718	463	423	423
	<b>SPECIALTY DOOR</b>			
	AGD2418 SD	567	527	527
	AGD2718 SD	655	607	607
<b>STRAIGHT APPLIANCE GARAGE</b>				
	<b>STANDARD DOOR</b>			
	AGSD24 BUTT	451	414	414
	<b>SPECIALTY DOOR</b>			
	AGSD24 BUTT SD	739	695	695
<b>WINE RACK</b>				
	WR36	159	144	144
<b>STEM GLASS HOLDER</b>				
	SGH36U	351	319	319

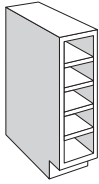
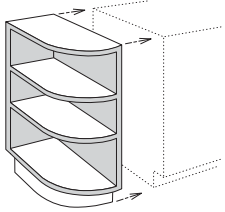
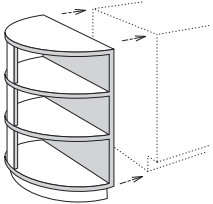
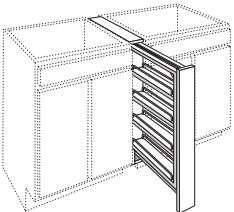
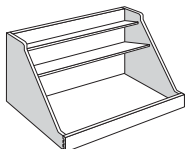
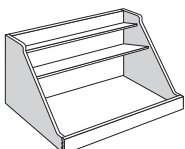
SKU		CHERRY	MAPLE PAINTED	DURAFORM
<b>SPICE RACK KIT</b>				
	SRK15	99	99	99
	SRK18	114	114	114
	SRK21	135	135	135
<b>FINISHED SHELF</b>				
	FS4812	236	214	214
	FS6012	278	253	253
	FS7212	332	301	301
<b>FLOATING SHELF</b>				
	FLSH2410	567	515	515
	FLSH3010	618	562	562
	FLSH3610	674	612	612
	FLSH4210	734	667	667
	FLSH4810	800	727	727
<b>GLASS SHELF KIT - 15" DEEP</b>				
	GSK12-15	138	138	138
	GSK15-15	138	138	138
	GSK18-15	138	138	138
	GSK21-15	138	138	138
	GSK24-15	138	138	138
	GSK27-15	138	138	138
	GSK30-15	294	294	294
	GSK33-15	294	294	294
	GSK36-15	294	294	294
<b>GLASS SHELF KIT - 12" DEEP</b>				
	GSK12	125	125	125
	GSK15	125	125	125
	GSK18	125	125	125
	GSK21	125	125	125
	GSK24	125	125	125
	GSK27	125	125	125
	GSK30	267	267	267
	GSK33	267	267	267
	GSK36	267	267	267
	GSKCW24	222	222	222
	GSKCW27	222	222	222
	GSKWEA12	125	125	125

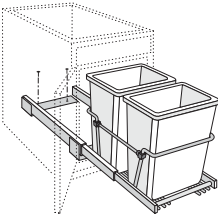
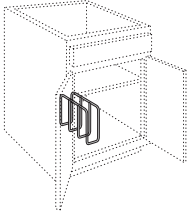
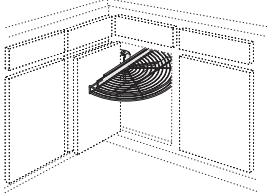
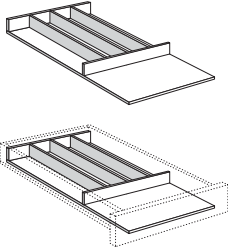
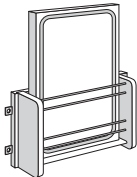
SKU		CHERRY	MAPLE PAINTED	DURAFORM
<b>RANGE HOOD - ARTISAN</b>				
	RH3646 A	6075	5523	5523
	RH4246 A	6236	5669	5669
<b>RANGE HOOD - RAISED PANEL</b>				
	RH3624 RP	4324	3931	3931
	RH4224 RP	4625	4205	4205
	RH4824 RP	4927	4479	4479
<b>RANGE HOOD - STRAIGHT VALANCE</b>				
	RH3624 SV	3764	3422	3422
	RH4224 SV	4002	3638	3638
	RH4824 SV	4122	3748	3748
<b>RANGE HOOD - SLOPED</b>				
	RH3642 SL	5699	5181	5181
	RH4242 SL	5795	5268	5268
<b>RANGE HOOD - MODERN BOX</b>				
	RH3642 MB	4694	4267	4267
	RH4242 MB	4970	4518	4518
	RH4842 MB	5034	4576	4576
<b>RANGE HOOD - SHIPLAP BOX</b>				
	RH3642 SB	4853	4412	4412
	RH4242 SB	5185	4714	4714
	RH4842 SB	5245	4768	4768
<b>WALL RANGE HOOD - CLASSIC TAPERED</b>				
	WRH3024 CT	2242	2038	2038
	WRH3624 CT	2333	2121	2121
<b>DECORATIVE MANTEL RANGE HOOD - ONE PANEL</b>				
	WRH3024 DM	3192	2902	2902
	WRH3030 DM	3828	3480	3480
	WRH3036 DM	4040	3672	3672



SKU		CHERRY	MAPLE PAINTED	DURAFORM
<b>DECORATIVE MANTEL RANGE HOOD - TWO PANEL</b>				
	WRH3624 DM	3589	3263	3263
	WRH3630 DM	4278	3889	3889
	WRH3636 DM	4556	4142	4142
<b>DECORATIVE MANTEL RANGE HOOD - THREE PANEL</b>				
	WRH4236 DM	5167	4698	4698
<b>WALL RANGE HOOD LINER</b>				
	RHLINER 30	319	319	319
	RHLINER 36	365	365	365
	RHLINER 42	395	395	395
<b>RANGE HOOD LINER</b>				
	RHLINER 36S	319	319	319
	RHLINER 36S SL1	351	351	351
	RHLINER 42S	395	395	395
	RHLINER 42S SL1	434	434	434
	RHLINER 48S	456	456	456
	RHLINER 48S SL1	501	501	501
<b>RANGE HOOD BLOWER - 260 CFM RECIRCULATING</b>				
	RHVENT 260R	1321	1321	1321
<b>RANGE HOOD BLOWER - 400 CFM RECIRCULATING</b>				
	RHVENT 400R	1953	1953	1953

SKU		CHERRY	MAPLE PAINTED	DURAFORM
<b>RANGE HOOD BLOWER - 260 CFM VENTED</b>				
	RHVENT 260	940	940	940
<b>RANGE HOOD BLOWER - 400 CFM VENTED</b>				
	RHVENT 400	1572	1572	1572
<b>RANGE HOOD BLOWER - 600 CFM VENTED</b>				
	RHVENT 600	4503	4503	4503
<b>RANGE HOOD BLOWER - 960 CFM VENTED</b>				
	RHVENT 960	4925	4925	4925
<b>RANGE HOOD CHIMNEY - PLAIN</b>				
	RHC3623	1012	920	920
	RHC4223	1028	935	935
	RHC4823	1286	1169	1169
	RHC3631	1200	1091	1091
	RHC4231	1218	1108	1108
	RHC4831	1594	1449	1449
<b>BASE OVEN CABINET UNIVERSAL</b>				
	BOCU27	542	493	493
	BOCU30	593	539	539
	BOCU33	653	594	594
<b>BASE SPICE DRAWER CABINET</b>				
	BSDC6	1336	1214	1214

SKU		CHERRY	MAPLE PAINTED	DURAFORM
<b>BASE WINE RACK CABINET</b>				
	BWRC6	765	695	695
<b>SHELF END BASE</b>				
	SEB	719	653	653
<b>SHELF END PENINSULA BASE</b>				
	SEPB	737	670	670
<b>BASE FILLER PULL OUT</b>				
	<b>FULL-ACCESS GLIDES</b>			
	BFP3 FA	1147	1043	1043
	BFP6 FA	1813	1648	1648
	<b>FULL-ACCESS CUSHIONCLOSE® GLIDES</b>			
	BFP3 CC	1207	1103	1103
	BFP6 CC	1908	1743	1743
<b>BASE POT AND PAN ORGANIZER KIT • FULL-ACCESS GLIDES</b>				
	BPPOKFA24	412	412	412
	BPPOKFA27	433	433	433
	BPPOKFA30	452	452	452
	BPPOKFA33	476	476	476
	BPPOKFA36	496	496	496
<b>BASE POT AND PAN ORGANIZER KIT • FULL-ACCESS CUSHIONCLOSE® GLIDES</b>				
	BPPOKCC24	472	472	472
	BPPOKCC27	493	493	493
	BPPOKCC30	512	512	512
	BPPOKCC33	536	536	536
	BPPOKCC36	556	556	556

SKU		CHERRY	MAPLE PAINTED	DURAFORM
<b>BASE RECYCLING KIT</b>				
	BR2B15	335	335	335
<b>CABINET TRAY DIVIDER</b>				
	TD3	51	51	51
<b>CORNER LAZY SUSAN</b>				
	CLS45F	233	233	233
<b>CUTLERY DIVIDER KIT</b>				
	CDAK15	54	54	54
	CDAK18	54	54	54
	CDAK21	58	58	58
	CDAK24	60	60	60
<b>CUTTING BOARD DOOR RACK KIT</b>				
	CBDRK18	221	221	221

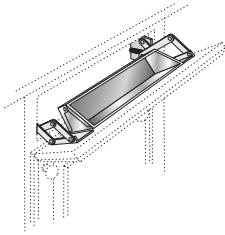
**SKU**

**CHERRY**

**MAPLE  
PAINTED**

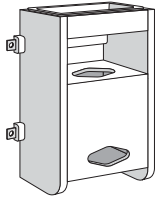
**DURAFORM**

**STAINLESS TILT-OUT TRAY KIT**



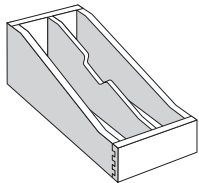
STO TRAY 11	181	181	181
STO TRAY 14	181	181	181
STO TRAY 22	181	181	181

**PLASTIC BAG DOOR STORAGE UNIT**



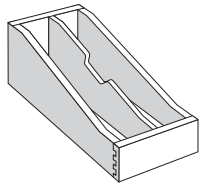
PBDSU15	162	162	162
PBDSU18	177	177	177

**ROLL OUT TRAY DIVIDER KIT - FULL-ACCESS GLIDES**



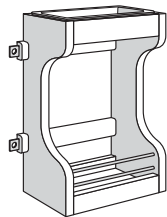
ROTDKFA12	291	291	291
ROTDKFA15	326	326	326

**ROLL OUT TRAY DIVIDER KIT - FULL-ACCESS CUSHIONCLOSE® GLIDES**



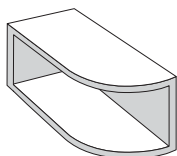
ROTDKCC12	351	351	351
ROTDKCC15	386	386	386

**SINK BASE DOOR STORAGE UNIT**

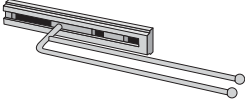
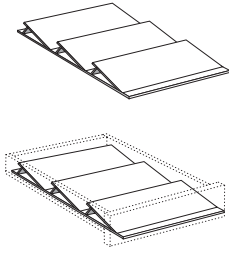
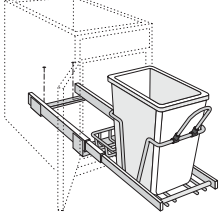
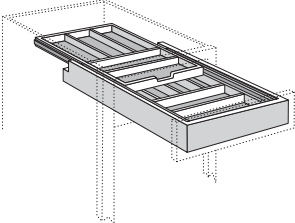


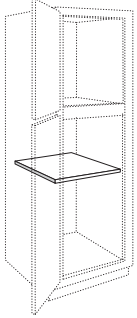
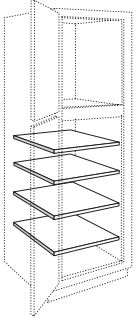
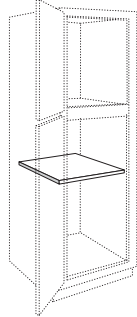
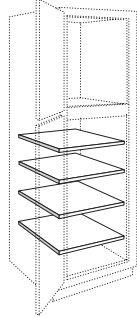
SBDSU15	162	162	162
SBDSU18	177	177	177

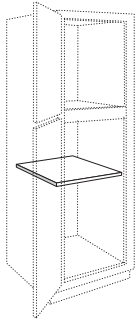
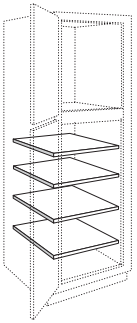
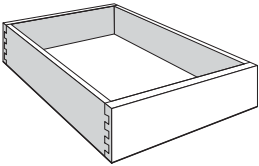
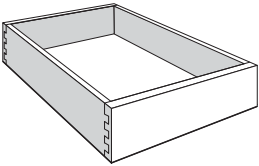
**SINK BASE MULTI-STORAGE SHELF**



SBMSS	288	288	288

SKU		CHERRY	MAPLE PAINTED	DURAFORM
<b>SLIDING TOWEL BAR</b>				
	STB	84	84	84
<b>SPICE DRAWER INSERT KIT</b>				
	SDIAK15	100	100	100
	SDIAK18	108	108	108
	SDIAK21	112	112	112
	SDIAK24	112	112	112
<b>WASTEBASKET UNIT</b>				
	WBU15	335	335	335
<b>WOOD TIERED CUTLERY DIVIDER KIT</b>				
	WTCDAK15	365	365	365
	WTCDAK18	382	382	382
	WTCDAK21	414	414	414
	WTCDAK24	449	449	449

SKU		CHERRY	MAPLE PAINTED	DURAFORM
<b>TALL CABINET ADJUSTABLE SHELF - 12" DEEP</b>				
	S1212	29	29	29
	S1512	29	29	29
	S1812	29	29	29
	S2412	29	29	29
	S3612	41	41	41
<b>TALL CABINET ADJUSTABLE SHELF KIT - 12" DEEP</b>				
	SK1212	110	110	110
	SK1512	110	110	110
	SK1812	110	110	110
	SK2412	110	110	110
	SK3612	162	162	162
<b>VANITY LINEN ADJUSTABLE SHELF - 21" DEEP</b>				
	S1221	38	38	38
	S1521	38	38	38
	S1821	38	38	38
	S2421	38	38	38
<b>VANITY LINEN ADJUSTABLE SHELF KIT - 21" DEEP</b>				
	SK1221	147	147	147
	SK1521	147	147	147
	SK1821	147	147	147
	SK2421	147	147	147

SKU		CHERRY	MAPLE PAINTED	DURAFORM
<b>TALL CABINET ADJUSTABLE SHELF - 24" DEEP</b>				
	S1224	38	38	38
	S1524	38	38	38
	S1824	38	38	38
	S2424	38	38	38
	S2724	54	54	54
	S3024	54	54	54
	S3324	54	54	54
	S3624	54	54	54
<b>TALL CABINET ADJUSTABLE SHELF KIT - 24" DEEP</b>				
	SK1224	147	147	147
	SK1524	147	147	147
	SK1824	147	147	147
	SK2424	147	147	147
	SK2724	218	218	218
	SK3024	218	218	218
	SK3324	218	218	218
	SK3624	218	218	218
<b>DEEP ROLL OUT TRAY KIT - FULL-ACCESS GLIDES</b>				
	DROTFA12	212	212	212
	DROTFA15	212	212	212
	DROTFA16	212	212	212
	DROTFA18	212	212	212
	DROTFA19	212	212	212
	DROTFA21	212	212	212
	DROTFA24	212	212	212
	DROTFA27	212	212	212
	DROTFA30	224	224	224
	DROTFA33	224	224	224
	DROTFA36	224	224	224
<b>DEEP ROLL OUT TRAY KIT - FULL-ACCESS CUSHIONCLOSE® GLIDES</b>				
	DROTCC12	272	272	272
	DROTCC15	272	272	272
	DROTCC16	272	272	272
	DROTCC18	272	272	272
	DROTCC19	272	272	272
	DROTCC21	272	272	272
	DROTCC24	272	272	272
	DROTCC27	272	272	272
	DROTCC30	284	284	284
	DROTCC33	284	284	284
	DROTCC36	284	284	284



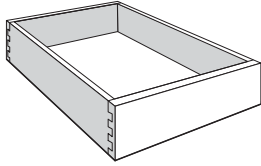
**SKU**

**CHERRY**

**MAPLE  
PAINTED**

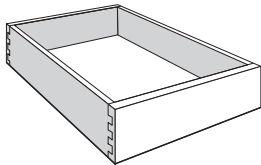
**DURAFORM**

**VANITY LINEN DEEP ROLL OUT TRAY KIT - FULL-ACCESS GLIDES**



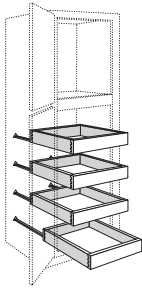
DROTFA1221	212	212	212
DROTFA1521	212	212	212
DROTFA1821	212	212	212
DROTFA2421	212	212	212

**VANITY LINEN DEEP ROLL OUT TRAY KIT - FULL-ACCESS CUSHIONCLOSE® GLIDES**



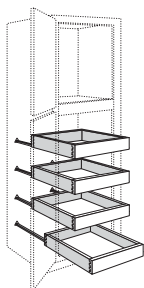
DROTCC1221	272	272	272
DROTCC1521	272	272	272
DROTCC1821	272	272	272
DROTCC2421	272	272	272

**UTILITY CABINET DEEP ROLL OUT TRAY 4 PACK KIT - FULL-ACCESS GLIDES**



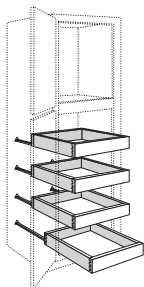
DROTFA12-4K	846	846	846
DROTFA15-4K	846	846	846
DROTFA18-4K	846	846	846
DROTFA21-4K	846	846	846
DROTFA24-4K	846	846	846
DROTFA27-4K	846	846	846
DROTFA30-4K	895	895	895
DROTFA33-4K	895	895	895
DROTFA36-4K	895	895	895

**UTILITY CABINET DEEP ROLL OUT TRAY 4 PACK KIT - FULL-ACCESS CUSHIONCLOSE® GLIDES**

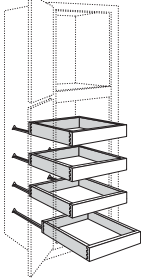
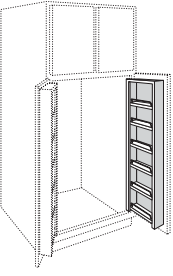
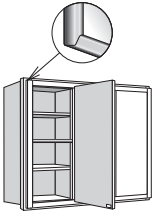
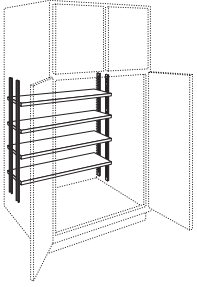


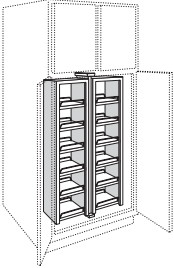
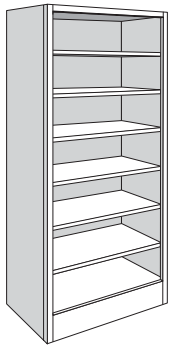
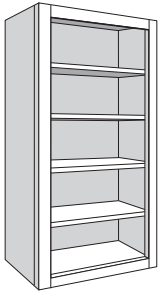
DROTCC12-4K	1086	1086	1086
DROTCC15-4K	1086	1086	1086
DROTCC18-4K	1086	1086	1086
DROTCC21-4K	1086	1086	1086
DROTCC24-4K	1086	1086	1086
DROTCC27-4K	1086	1086	1086
DROTCC30-4K	1135	1135	1135
DROTCC33-4K	1135	1135	1135
DROTCC36-4K	1135	1135	1135

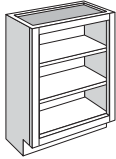


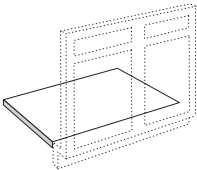
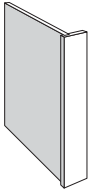
**VANITY LINEN DEEP ROLL OUT TRAY 4 PACK KIT - FULL-ACCESS GLIDES**


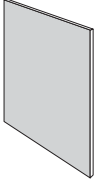

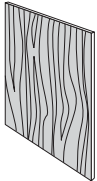
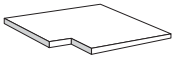





DROTFA1221-4K	846	846	846
DROTFA1521-4K	846	846	846
DROTFA1821-4K	846	846	846
DROTFA2421-4K	846	846	846

SKU		CHERRY	MAPLE PAINTED	DURAFORM
<b>VANITY LINEN DEEP ROLL OUT TRAY 4 PACK KIT - FULL-ACCESS CUSHIONCLOSE® GLIDES</b>				
	DROTCC1221-4K	1086	1086	1086
	DROTCC1521-4K	1086	1086	1086
	DROTCC1821-4K	1086	1086	1086
	DROTCC2421-4K	1086	1086	1086
<b>PANTRY DOOR SHELF KIT</b>				
	PDSK18	314	314	314
<b>TRI-VIEW MIRROR</b>				
	TV3030	761	692	692
	TV3630	897	815	815
<b>UTILITY CABINET SHELF AND PILASTER KIT</b>				
	PSK36	173	173	173

SKU		CHERRY	MAPLE PAINTED	DURAFORM	
<b>PANTRY SWING OUT KIT</b>					
	PCSK36	1116	1116	1116	
<b>TALL BOOKSHELVES</b>					
	<b>84" HIGH</b>				
	BS1884	989	899	899	
	BS2484	1091	991	991	
	BS3084	1214	1103	1103	
	BS3684	1344	1222	1222	
	<b>90" HIGH</b>				
	BS1890	1171	1064	1064	
	BS2490	1302	1184	1184	
	BS3090	1436	1306	1306	
	BS3690	1592	1447	1447	
	<b>93" HIGH</b>				
	BS1893	1212	1102	1102	
	BS2493	1348	1225	1225	
	BS3093	1488	1353	1353	
	BS3693	1647	1497	1497	
	<b>96" HIGH</b>				
	BS1896	1225	1114	1114	
	BS2496	1363	1239	1239	
	BS3096	1505	1368	1368	
	BS3696	1665	1514	1514	
	<b>WALL BOOKSHELVES</b>				
		<b>48" HIGH</b>			
		BS1848	642	583	583
		BS2448	713	648	648
BS3048		789	717	717	
BS3648		873	793	793	
<b>60" HIGH</b>					
BS1860		832	756	756	
BS2460		927	843	843	
BS3060		1024	931	931	
BS3660		1135	1031	1031	

SKU		CHERRY	MAPLE PAINTED	DURAFORM
<b>BASE BOOKSHELF</b>				
	BS2434	714	649	649
<b>SHELF UNDER CABINET ORGANIZER</b>				
	SUCO24	656	596	596
	SUCO27	656	596	596
	SUCO30	656	596	596
<b>SINK/VANITY FRONT RETURN</b>				
	SFR	106	96	96
<b>SINK/VANITY FRONT FLOOR</b>				
	FL24	37	37	37
	FL36	57	57	57
	FL36X36	87	87	87
	FL48	70	70	70
	FL48X48	125	125	125
	FL60	89	89	89
	FL72	96	96	96
<b>DISHWASHER RETURN</b>				
	DWR3	175	158	158

SKU		CHERRY	MAPLE PAINTED	DURAFORM
<b>DESK END PANEL</b>				
	DEP	294	267	267
<b>END PANEL</b>				
	BEP34	108	98	98
	FP4834	238	217	217
	FP4896	514	468	468
	FP9634	514	468	468
	FP9648	719	653	653
	TEP84	255	232	232
	TEP96	287	261	261
	TEP120	373	339	339
	WEP1542	142	129	129
	WEP30	56	51	51
	WEP42	70	64	64
	WEP48	79	72	72
<b>GROOVED PANEL</b>				
	BEP34 GROOVED	213	194	194
	FP4834 GROOVED	478	434	434
	FP4896 GROOVED	1030	936	936
	FP9634 GROOVED	1030	936	936
	TEP84 GROOVED	508	462	462
	TEP96 GROOVED	575	522	522
	WEP1542 GROOVED	286	260	260
	WEP30 GROOVED	111	101	101
	WEP42 GROOVED	143	130	130
	WEP48 GROOVED	160	145	145
<b>WOOD PANEL - 3/4"</b>				
	DWTEP84	627	570	570
	DWTEP96	802	729	729
	WBEP	266	242	242
	WP9648	1604	1458	1458
	WTEP84	439	399	399
	WTEP96	584	531	531
	WTEP120	770	700	700
<b>BLIND CORNER CLOSURE</b>				
	BLC1515	36	36	36

SKU		CHERRY	MAPLE PAINTED	DURAFORM	
<b>REFRIGERATOR RETURN</b>					
	RR84	381	346	346	
	RR384	381	346	346	
	RR84 X 32DP	457	415	415	
	RR384 X 32DP	457	415	415	
	RR96	481	437	437	
	RR396	481	437	437	
	RR96 X 32DP	577	524	524	
	RR396 X 32DP	577	524	524	
	RR120FL	481	437	437	
	RR3120FL	481	437	437	
	RR120FL X 32DP	577	524	524	
	RR3120FL X 32DP	577	524	524	
<b>UNIVERSAL FILLER</b>					
	<b>FINISHED SOLID STOCK</b>				
	S3S396	152	144	144	
	S3S696	218	198	198	
	S4S396	187	170	170	
	S4S696	416	378	378	
	<b>3" UNIVERSAL FILLER</b>				
	UF3	53	48	48	
	UF342	68	62	62	
	UF380	109	99	99	
	UF392	151	138	138	
	UF3120	212	193	193	
	<b>6" UNIVERSAL FILLER</b>				
	UF6	108	98	98	
	UF642	111	101	101	
	UF680	151	138	138	
	UF692	208	189	189	
	<b>UNIVERSAL FILLER EXTENSION</b>				
		UF E3	131	119	119
		UF E342	152	139	139

**SKU**

**CHERRY**

**MAPLE  
PAINTED**

**DURAFORM**

**OVERLAY FILLER - 3"**



**BASE OVERLAY FILLER**

BOF3	60	55	55
------	----	----	----

**DESK OVERLAY FILLER**

DOF3	60	55	55
------	----	----	----

**TALL OVERLAY FILLER**

TOF384	133	121	121
TOF390	200	182	182
TOF393	200	182	182
TOF396	200	182	182

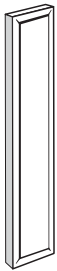
**VANITY OVERLAY FILLER**

VOF3	60	55	55
------	----	----	----

**WALL OVERLAY FILLER**

WOF312	56	51	51
WOF315	56	51	51
WOF318	56	51	51
WOF321	60	55	55
WOF324	60	55	55
WOF327	60	55	55
WOF330	60	55	55
WOF336	88	80	80
WOF339	88	80	80
WOF342	88	80	80

**OVERLAY FILLER - 6"**



**BASE OVERLAY FILLER**

BOF6	123	113	113
------	-----	-----	-----



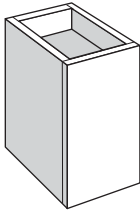

**WALL OVERLAY FILLER**

WOF630	---	---	60
WOF636	---	---	70
WOF639	---	---	81
WOF642	---	---	84

**BASE CORNER FILLER**



BCF27	96	87	87
-------	----	----	----

SKU		CHERRY	MAPLE PAINTED	DURAFORM
<b>FLUTED/BEADED REVERSIBLE FILLER</b>				
	<b>3" FILLERS</b>			
	FBF3	122	111	111
	FBF342	142	129	129
	FBF384	235	213	213
	FBF396	247	224	224
	<b>6" FILLERS</b>			
	FBF6	175	160	160
	FBF642	196	178	178
	FBF684	401	364	364
	FBF696	424	385	385
<b>FLUTED/BEADED REVERSIBLE FILLER EXTENSION</b>				
	FBF E3	148	134	134
	FBF E342	178	162	162
<b>WALL PLAIN BOX FILLER</b>				
	WPB91815	520	473	345
	WPB121815	543	494	360
<b>PLAIN COLUMN FILLER</b>				
	BPC32734	673	612	612
	TPC32784	1350	1228	1228
	TPC32796	1367	1243	1243
	WPC31530	394	359	359
	WPC31542	428	389	389
	WPC31560	605	550	550



# SKU

CHERRY

MAPLE  
PAINTED

DURAFORM

## FLUTED COLUMN FILLER



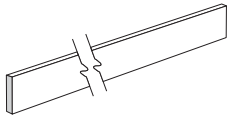
BFC32734	709	645	645
TFC32784	1422	1292	1292
TFC32796	1440	1309	1309
WFC31530	415	377	377
WFC31542	449	408	408
WFC31560	636	579	579

## BEADED COLUMN FILLER



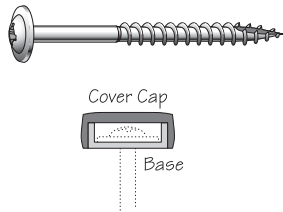
BBC32734	709	645	645
TBC32784	1422	1292	1292
TBC32796	1440	1309	1309
WBC31530	415	377	377
WBC31542	449	408	408
WBC31560	636	579	579

## BASE TOE KICK



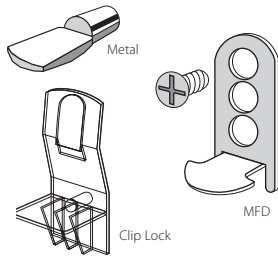
BTK8	47	43	43
BTK8 UD	61	55	55

## INSTALLATION SCREWS & SCREW COVER CAPS



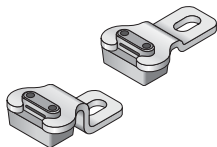
SCREW INST 2.5 BX100	30	30	30
COVER CAP TAN	20	20	20
COVER CAP WHT	---	20	20

## SHELF REST

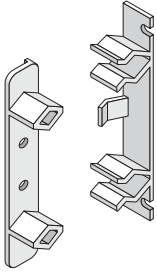
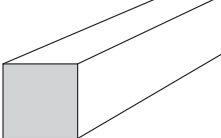
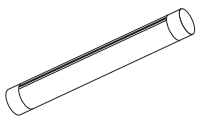
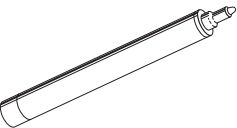




CLIP LOCK 3/4 4 PK	6.10	6.10	6.10
SHELF REST METAL 12	5.10	5.10	5.10
SHELF REST METAL 4PK	3.05	3.05	3.05
SHELF REST MFD PK	10.20	10.20	10.20
SHELF REST OSS 6PK	10.20	10.20	10.20

## GLASS INSERT CLIPS

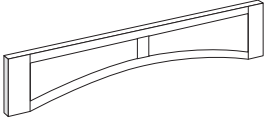

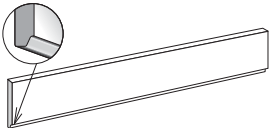
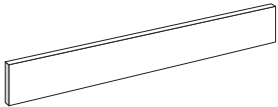

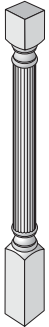


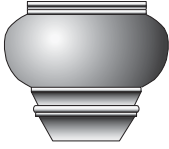
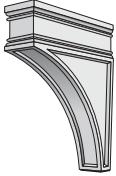

CLIP DGI 1/8	12.25	12.25	12.25
CLIP DGI 5/16	12.25	12.25	12.25

SKU		CHERRY	MAPLE PAINTED	DURA FORM
<b>DUMMY DRAWER FRONT FASTENER</b>				
	DDF FASTENER	7.15	7.15	7.15
<b>CLEATS</b>				
	HWC 1/2X1/2X94	2	2	2
	HWC 3/4X3/4X94	19	19	19
	HWC 1X2X94	14	13	13
	HWC 2X4X94	23	21	21
<b>PUTTY STICK</b>				
	PUTTY STICK EXT QTY1	10	10	10
	PUTTY STICK EXT QTY2	20	20	20
	PUTTY STICK INTERIOR	10	10	10
<b>TOUCH UP MARKER</b>				
	TU MARKER DURA FORM	---	---	36
	TU MARKER EXT QTY1	18	18	18
	TU MARKER EXT QTY2	36	36	36
	TU MARKER INTERIOR	18	18	18
<b>STAIN</b>				
	STAIN PINT	77	77	77
	STAIN QUART	112	112	112
	STAIN GLAZED PINT	119	119	---
	STAIN GLAZED QUART	173	173	---
	STAIN GLAZED PENS	31	31	---
	STAIN TOP COAT PINT	50	50	50
	STAIN TOP COAT QUART	99	99	99
<b>SPRAY STAIN</b>				
	SPRAY STAIN CLEAR	28	28	28
	SPRAY STAIN TINTED	31	31	31



SKU		CHERRY	MAPLE PAINTED	DURAFORM
<b>MOLDING STACKS - STANDARD FINISH</b>				
	<b>CLASSIC MOLDING STACKS</b>			
	MS CLASSIC 100	370	336	336
	MS CLASSIC 200	375	341	341
	MS CLASSIC 300	486	442	442
	<b>MODERN MOLDING STACKS</b>			
	MS MODERN 100	343	312	312
	MS MODERN 200	475	432	432
	MS MODERN 300	481	437	437
	<b>TRANSITIONAL MOLDING STACKS</b>			
	MS TRANSITIONAL 100	530	482	482
	MS TRANSITIONAL 200	560	509	509
	MS TRANSITIONAL 300	590	536	536
<b>VALANCE - ARCHED</b>				
	V36 AR	204	186	186
	V48 AR	229	208	208
	V60 AR	259	235	235
	V72 AR	293	266	266
<b>VALANCE - CROWN</b>				
	V30 CR	203	185	185
	V36 CR	217	197	197
	V42 CR	236	214	214
	V48 CR	243	221	221
	V60 CR	270	245	245
	V72 CR	301	274	274
<b>VALANCE - RAISED PANEL ARCHED</b>				
	V36 RP	893	812	812
	V42 RP	937	852	852
	V48 RP	1048	953	953
	V54 RP	1210	1100	1100
	V60 RP	1264	1149	1149
	V66 RP	1384	1258	1258
	V72 RP	1504	1367	1367

SKU		CHERRY	MAPLE PAINTED	DURAFORM
<b>VALANCE - FLAT PANEL ARCHED</b>				
	V36 FP	893	812	812
	V42 FP	937	852	852
	V48 FP	1048	953	953
	V54 FP	1210	1100	1100
	V60 FP	1264	1149	1149
	V66 FP	1384	1258	1258
	V72 FP	1504	1367	1367
<b>VALANCE - SHAKER</b>				
	V30 SH	203	185	185
	V36 SH	217	197	197
	V42 SH	236	214	214
	V48 SH	243	221	221
	V60 SH	270	245	245
	V72 SH	301	274	274
<b>VALANCE - TRADITIONAL</b>				
	V36 T	116	106	106
	V72 T	174	158	158
	V96 T	212	192	192
<b>VALANCE - STRAIGHT</b>				
	V48 S	70	64	64
	V72 S	106	97	97
<b>DECORATIVE BLOCKS</b>				
	FB3X4 PLINTH	36	33	33
	FB6X6 PLINTH	105	96	96
	BB3X3 ROSETTE	25	23	23
	FB3X3 ROSETTE	25	23	23
<b>POSTS &amp; ACCESSORIES</b>				
	SPLT BLOCK26 T	196	178	178
	SPLT POST80 P	248	226	226

SKU		CHERRY	MAPLE PAINTED	DURAFORM
<b>DECORATIVE LEGS &amp; FEET</b>				
	ATF	143	130	130
	ATF-FR	187	170	170
	BSQF	327	297	297
	BSQL	596	542	542
	BTL	734	668	668
	BTPL	662	602	602
	CDF	277	252	252
	CDL	1045	950	950
	CFL	693	630	630
	PDF	262	238	238
	PDL	1768	1607	1607
	PFL	1197	1088	1088
	TPF	206	187	187
<b>CORBELS</b>				
	AS12	140	127	127
	CS12	189	172	172
	CC26	245	223	223
	CC29	373	339	339
	CC212	424	385	385
	CC36	605	550	550
	CC49	516	469	469
	RC36	451	410	410
	RC49	564	513	513
	RC313	839	762	762
	VC36	821	746	746
	VC49	1013	921	921
	VC312	2308	2098	2098
	PC36	375	341	341
	PC49	853	775	775
	PC312	943	857	857
	FC36	399	363	363
	FC49	803	730	730
	FC312	1126	1024	1024
<b>METAL CORBELS</b>				
	METAL COVE 212 VB	113	113	113
	METAL COVE 212 MB	113	113	113
	METAL COVE 212 SN	113	113	113
	METAL COVE 212 PC	113	113	113
	METAL EMERSON 27 VB	54	54	54
	METAL EMERSON 27 MB	54	54	54
	METAL EMERSON 27 SN	54	54	54
	METAL EMERSON 27 PC	54	54	54

# SKU

CHERRY

MAPLE  
PAINTED

DURAFORM

## DT SERIES ACCESSORIES



### END PANELS - DURAFORM TEXTURES

BEP34 DT	---	---	143
FP4834 DT	---	---	358
FP4896 DT	---	---	659
FP9634 DT	---	---	521
TEP84 DT	---	---	385
TEP96 DT	---	---	414
TEP120 DT	---	---	724
WEP1542 DT	---	---	122
WEP30 DT	---	---	96
WEP42 DT	---	---	109
WEP48 DT	---	---	116

### FINISHED SHELF - DURAFORM TEXTURES

FS4812 DT	---	---	186
FS6012 DT	---	---	214
FS7212 DT	---	---	247

### 3/4" PANEL - DURAFORM TEXTURES

DWTEP84 DT	---	---	784
DWTEP96 DT	---	---	866
DWTEP120 DT	---	---	784
WP9648 DT	---	---	659
WBEP2534 DT	---	---	232
WWEP1330 DT	---	---	131
WWEP1336 DT	---	---	148
WWEP1339 DT	---	---	156
WWEP1342 DT	---	---	165

## DT SERIES ACCESSORIES



### BASE OVERLAY FILLER - DURAFORM TEXTURES

BOF3 DT	---	---	79
BOF6 DT	---	---	162

### DESK OVERLAY FILLER - DURAFORM TEXTURES

DOF3 DT	---	---	100
---------	-----	-----	-----

### TALL OVERLAY FILLER - DURAFORM TEXTURES

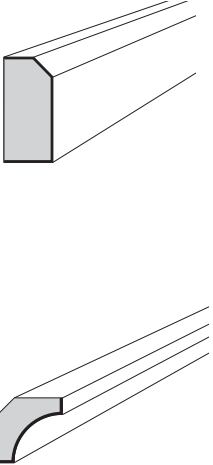

TOF384 DT	---	---	144
TOF390 DT	---	---	275
TOF393 DT	---	---	223
TOF396 DT	---	---	283

### VANITY OVERLAY FILLER - DURAFORM TEXTURES

VOF3 DT	---	---	75
---------	-----	-----	----

### WALL OVERLAY FILLER - DURAFORM TEXTURES


WOF312 DT	---	---	55
WOF315 DT	---	---	59
WOF318 DT	---	---	63
WOF321 DT	---	---	66
WOF324 DT	---	---	71
WOF327 DT	---	---	75
WOF330 DT	---	---	79
WOF336 DT	---	---	86

SKU		CHERRY	MAPLE PAINTED	DURAFORM
<b>DT SERIES ACCESSORIES</b>				
	WOF339 DT	---	---	90
	WOF342 DT	---	---	94
	<b>BASE TOE KICK - DURAFORM TEXTURES</b>			
	BTK8 DT	---	---	97
	<b>EDGE BANDING - DURAFORM TEXTURES</b>			
	EDGE BAND 25 DT	---	---	77
	EDGE BAND TAPE 50	---	---	54
	<b>MOLDING - DURAFORM TEXTURES</b>			
	ACM8 DT	---	---	93
	BM8 DT	---	---	67
	CTM8 DT	---	---	81
	LCVM8 DT	---	---	133
	OTCM8 DT	---	---	90
	QM8 DT	---	---	86
	S3S396 DT	---	---	86
	S3S696 DT	---	---	119
	SCVM8 DT	---	---	115
	SHM8 DT	---	---	65
	SM8 DT	---	---	67
<b>DECORATIVE HARDWARE - KNOBS</b>				
	KNOB 0319MB	20	20	20
	KNOB 0319MG	20	20	20
	KNOB 0319SN	20	20	20
	KNOB 0319VB	20	20	20
	KNOB 0319WN	20	20	20
	KNOB 0322CP	12	12	12
	KNOB 0322MB	12	12	12
	KNOB 0322MG	12	12	12
	KNOB 0322PC	12	12	12
	KNOB 0322SN	12	12	12
	KNOB 0876MB	20	20	20
	KNOB 0876MG	20	20	20
	KNOB 0876PC	20	20	20
	KNOB 0876SN	20	20	20
	KNOB 0876VN	20	20	20
	KNOB 2271CP	20	20	20
	KNOB 2271MB	20	20	20
	KNOB 2271MG	20	20	20
	KNOB 2271PC	20	20	20
	KNOB 2271SN	20	20	20
	KNOB 3106CP	12	12	12
	KNOB 3106MB	12	12	12
	KNOB 3106MG	12	12	12
	KNOB 3106PC	12	12	12
	KNOB 3106SN	12	12	12
	KNOB 3173MB	10	10	10
	KNOB 3173MG	10	10	10
	KNOB 3173SN	10	10	10
	KNOB 3173VB	10	10	10
	KNOB 3173WN	10	10	10
	KNOB 3213SN	10	10	10
	KNOB 3213MB	10	10	10





# SKU

## DECORATIVE HARDWARE - KNOBS

		CHERRY	MAPLE PAINTED	DURAFORM
	KNOB 3213VB	10	10	10
	KNOB 3239MB	10	10	10
	KNOB 3239SN	10	10	10
	KNOB 3239VB	10	10	10
	KNOB 3503PC	12	12	12
	KNOB 3503VN	12	12	12
	KNOB 3503SN	12	12	12
	KNOB 3503MB	12	12	12
	KNOB 3503MG	12	12	12
	KNOB 3563MB	12	12	12
	KNOB 3563MG	12	12	12
	KNOB 3563SN	12	12	12
	KNOB 3563VB	12	12	12
	KNOB 3563WN	12	12	12
	KNOB 3673VB	10	10	10
	KNOB 3673MB	10	10	10
	KNOB 4703CP	10	10	10
	KNOB 4703SN	10	10	10
	KNOB 4703PC	10	10	10
	KNOB 4703MB	10	10	10
KNOB 4703MG	10	10	10	
KNOB 6798MB	20	20	20	
KNOB 6798MG	20	20	20	
KNOB 6798PC	20	20	20	
KNOB 6798SN	20	20	20	
KNOB 6798VN	20	20	20	

## DECORATIVE HARDWARE - PULLS

	PULL 0318MB	25	25	25
	PULL 0318MG	25	25	25
	PULL 0318SN	25	25	25
	PULL 0318VB	25	25	25
	PULL 0318WN	25	25	25
	PULL 0323CP	15	15	15
	PULL 0323MB	15	15	15
	PULL 0323MG	15	15	15
	PULL 0323PC	15	15	15
	PULL 0323SN	15	15	15
	PULL 0875MB	25	25	25
	PULL 0875MG	25	25	25
	PULL 0875PC	25	25	25
	PULL 0875SN	25	25	25
	PULL 0875VN	25	25	25
	PULL 1050CP	12	12	12
	PULL 1050MB	12	12	12
	PULL 1050MG	12	12	12
	PULL 1050PC	12	12	12
	PULL 1050SN	12	12	12
	PULL 1055CP	15	15	15
	PULL 1055MB	15	15	15
	PULL 1055MG	15	15	15
	PULL 1055PC	15	15	15
	PULL 1055SN	15	15	15

SKU		CHERRY	MAPLE PAINTED	DURAFORM
<b>DECORATIVE HARDWARE - PULLS</b>				
	PULL 1060CP	25	25	25
	PULL 1060MB	25	25	25
	PULL 1060MG	25	25	25
	PULL 1060PC	25	25	25
	PULL 1060SN	25	25	25
	PULL 2272CP	25	25	25
	PULL 2272MB	25	25	25
	PULL 2272MG	25	25	25
	PULL 2272PC	25	25	25
	PULL 2272SN	25	25	25
	PULL 3105MB	15	15	15
	PULL 3105MG	15	15	15
	PULL 3105SN	15	15	15
	PULL 3105VB	15	15	15
	PULL 3105WN	15	15	15
	PULL 3122MB	12	12	12
	PULL 3122VB	12	12	12
	PULL 3122SN	12	12	12
	PULL 3128CP	12	12	12
	PULL 3128MB	12	12	12
	PULL 3128MG	12	12	12
	PULL 3128PC	12	12	12
	PULL 3128SN	12	12	12
	PULL 3129CP	15	15	15
	PULL 3129MB	15	15	15
	PULL 3129MG	15	15	15
	PULL 3129PC	15	15	15
	PULL 3129SN	15	15	15
	PULL 3172MB	12	12	12
	PULL 3172SN	12	12	12
	PULL 3172VB	12	12	12
	PULL 3502PC	15	15	15
	PULL 3502VN	15	15	15
	PULL 3502SN	15	15	15
	PULL 3502MB	15	15	15
	PULL 3502MG	15	15	15
	PULL 3562MB	15	15	15
	PULL 3562MG	15	15	15
	PULL 3562SN	15	15	15
	PULL 3562VB	15	15	15
PULL 3562WN	15	15	15	
PULL 3672SN	12	12	12	
PULL 3672VB	12	12	12	
PULL 3672MB	12	12	12	
PULL 4212CP	25	25	25	
PULL 4212MB	25	25	25	
PULL 4212MG	25	25	25	
PULL 4212PC	25	25	25	
PULL 4212SN	25	25	25	
PULL 4213CP	25	25	25	
PULL 4213MB	25	25	25	
PULL 4213MG	25	25	25	

SKU		CHERRY	MAPLE PAINTED	DURAFORM
<b>DECORATIVE HARDWARE - PULLS</b>				
	PULL 4213PC	25	25	25
	PULL 4213SN	25	25	25
	PULL 4701CP	12	12	12
	PULL 4701SN	12	12	12
	PULL 4701PC	12	12	12
	PULL 4701MB	12	12	12
	PULL 4701MG	12	12	12
	PULL 4712CP	15	15	15
	PULL 4712SN	15	15	15
	PULL 4712PC	15	15	15
	PULL 4712MB	15	15	15
	PULL 4712MG	15	15	15
	PULL 4730CP	25	25	25
	PULL 4730SN	25	25	25
	PULL 4730PC	25	25	25
	PULL 4730MB	25	25	25
	PULL 4730MG	25	25	25
	PULL 6797MB	25	25	25
	PULL 6797MG	25	25	25
	PULL 6797PC	25	25	25
	PULL 6797SN	25	25	25
	PULL 6797VN	25	25	25
<b>DRAWER BODY</b>				
	DRB10 X 18DP DT FG	74.60	74.60	74.60
	DRB12 X 15DP DT FG	74.60	74.60	74.60
	DRB12 X 18DP DT FG	74.60	74.60	74.60
	DRB12 X 21DP DT FG	99.90	99.90	99.90
	DRB12M X 15DP DT FG	117.75	117.75	117.75
	DRB12M X 18DP DT FG	117.75	117.75	117.75
	DRB12M X 21DP DT FG	157.85	157.855	157.85
	DRB15 X 15DP DT FG	77.05	77.05	77.05
	DRB15 X 18DP DT FG	77.05	77.05	77.05
	DRB15 X 21DP DT FG	103.35	103.3	103.35
	DRB15M X 15DP DT FG	123.35	123.35	123.35
	DRB15M X 18DP DT FG	123.35	123.35	123.35
	DRB15M X 21DP DT FG	165.50	165.50	165.50
	DRB18 X 18DP DT FG	81.40	81.40	81.40
	DRB18 X 21DP DT FG	109.15	109.15	109.15
	DRB18M X 18DP DT FG	130.80	130.80	130.80
<b>DRAWER BODY</b>				
	DRB18M X 21DP DT FG	175.20	175.20	175.20
	DRB19 X 21DP DT FG	112.20	112.20	112.20
	DRB21 X 18DP DT FG	87.45	87.45	87.45
	DRB21 X 21DP DT FG	117.15	117.15	117.15
	DRB21M X 18DP DT FG	142.75	142.75	142.75
	DRB21M X 21DP DT FG	191.25	191.25	191.25
	DRB24 X 18DP DT FG	90.15	90.15	90.15
	DRB24 X 21DP DT FG	120.65	120.65	120.65
	DRB24M X 18DP DT FG	145.75	145.75	145.75
	DRB24M X 21DP DT FG	195.40	195.40	195.40
	DRB27 X 21DP DT FG	128.00	128.00	128.00
	DRB27M X 21DP DT FG	213.65	213.65	213.65

SKU		CHERRY	MAPLE PAINTED	DURAFORM
<b>DRAWER BODY</b>				
	DRB30 2HD X 18DPDTFG	170.00	170.00	170.00
	DRB30 2HD X 21DPDTFG	170.00	170.00	170.00
	DRB30 X 21DP DT FG	136.20	136.20	136.20
	DRB30M X 21DP DT FG	220.85	220.85	220.85
	DRB33 X 21DP DT FG	144.35	144.35	144.35
	DRB33M X 21DP DT FG	234.00	234.00	234.00
	DRB36 X 21DP DT FG	153.05	153.05	153.05
	DRB36M X 21DP DT FG	247.00	247.00	247.00
	DRB36 2HD X 18DPDTFG	170.00	170.00	170.00
	DRB36 2HD X 21DPDTFG	170.00	170.00	170.00
	DRBKDC27X 15DP DT FG	59.65	59.65	59.65
	DRBKDC33X 15DP DT FG	74.60	74.60	74.60
	DRBKDC36X 15DP DT FG	82.05	82.05	82.05
<b>SHELVING - STANDARD CONSTRUCTION</b>				
	9" SHELF 24DP 3/4	14.25	14.25	14.25
	9" SHELF 3/4	12.20	12.20	12.20
	12" SHELF 21DP 3/4	16.35	16.35	16.35
	12" SHELF 24DP 3/4	16.35	16.35	16.35
	12" SHELF 3/4	14.35	14.35	14.35
	12" SHELF PB 3/4	29.15	29.15	29.15
	12" SHELF PW 3/4	15.30	15.30	15.30
	15" SHELF 21DP 3/4	18.15	18.15	18.15
	15" SHELF 24DP 3/4	18.15	18.15	18.15
	15" SHELF 3/4	15.25	15.25	15.25
	15" SHELF PW 3/4	16.10	16.10	16.10
	18" SHELF 21DP 3/4	20.50	20.50	20.50
	18" SHELF 24DP 3/4	20.50	20.50	20.50
	18" SHELF 3/4	16.55	16.55	16.55
	18" SHELF PB 3/4	33.45	33.45	33.45
	18" SHELF PW 3/4	17.70	17.70	17.70
	21" SHELF 21DP 3/4	22.60	22.60	22.60
	21" SHELF 24DP 3/4	22.60	22.60	22.60
	21" SHELF 3/4	18.05	18.05	18.05
	24" SHELF 21DP 3/4	24.35	24.35	24.35
	24" SHELF 24DP 3/4	24.35	24.35	24.35
	24" SHELF 3/4	19.05	19.05	19.05
	24" SHELF PB 3/4	37.80	37.80	37.80
	24" SHELF PW 3/4	20.30	20.30	20.30
	27" SHELF 24DP 3/4	25.80	25.80	25.80
	27" SHELF 3/4	20.25	20.25	20.25
	30" SHELF 24DP 3/4	30.90	30.90	30.90
	30" SHELF 3/4	21.20	21.20	21.20
	30" SHELF PB 3/4	41.60	41.60	41.60
	30" SHELF PW 3/4	22.60	22.60	22.60
	33" SHELF 24DP 3/4	23.50	23.50	23.50
	33" SHELF 3/4	22.50	22.50	22.50
	36" SHELF 24DP 3/4	37.65	37.65	37.65
	36" SHELF 3/4	23.55	23.55	23.55
	36" SHELF PB 3/4	47.25	47.25	47.25
	36" SHELF PW 3/4	24.95	24.95	24.95
	39" SHELF 24DP 3/4	39.40	39.40	39.40
	39" SHELF 3/4	24.60	24.60	24.60

SKU		CHERRY	MAPLE PAINTED	DURAFORM
<b>SHELVING - STANDARD CONSTRUCTION</b>				
	42" SHELF 24DP 3/4	41.15	41.15	41.15
	42" SHELF 3/4	26.60	26.60	26.60
	42" SHELF PB 3/4	52.35	52.35	52.35
	42" SHELF PW 3/4	28.05	28.05	28.05
	45" SHELF 24DP 3/4	43.00	43.00	43.00
	45" SHELF 3/4	27.30	27.30	27.30
	48" SHELF 24DP 3/4	44.90	44.90	44.90
	48" SHELF 3/4	28.80	28.80	28.80
	BEA SHELF 3/4	24.65	24.655	24.65
	BEA12 SHELF 3/4	20.50	20.50	20.50
	CW SHELF ADJ 3/4	24.60	24.60	24.60
	CW27 SHELF ADJ 3/4	28.30	28.30	28.30
	PWCW SHELF 3/4	24.60	24.60	24.60
	WEA SHELF 3/4	15.25	15.25	15.25
	WER SHELF 3/4	27.30	27.30	27.30
<b>SHELVING - STANDARD CONSTRUCTION MATCHING INTERIOR / SPECIALTY DOOR CABINETS</b>				
	9" SHELF MI	24.40	24.40	24.40
	12" SHELF MI	28.80	28.80	28.80
	12" SHELF PW MI	30.55	30.55	30.55
	15" SHELF MI	30.45	30.45	30.45
	15" SHELF PW MI	32.20	32.20	32.20
	18" SHELF MI	33.15	33.15	33.15
	18" SHELF PW MI	35.35	35.35	35.35
	21" SHELF MI	36.05	36.05	36.05
	24" SHELF MI	38.15	38.15	38.15
	24" SHELF PW MI	40.55	40.55	40.55
	27" SHELF MI	40.40	40.40	40.40
	30" SHELF MI	42.40	42.40	42.40
	30" SHELF PW MI	45.20	45.20	45.20
	33" SHELF MI	45.00	45.00	45.00
	36" SHELF MI	47.10	47.10	47.10
	36" SHELF PW MI	49.90	49.90	49.90
	39" SHELF MI	49.25	49.25	49.25
	42" SHELF MI	53.20	53.20	53.20
	42" SHELF PW MI	56.15	56.15	56.15
	45" SHELF MI	54.65	54.65	54.65
	48" SHELF MI	57.55	57.55	57.55
	CW24 SHELF MI	49.25	49.25	49.25
	CW27 SHELF MI	54.65	54.65	54.65
	PWCW SHELF MI	49.25	49.25	49.25
<b>SHELVING - STANDARD CONSTRUCTION MATCHING INTERIOR / SPECIALTY DOOR CABINETS</b>				
	WCMSC2412 SHELF	319.00	319.00	319.00
	WCMSC2712 SHELF	366.85	366.85	366.85
	WMSC2712 SHELF	366.85	366.85	366.85
	WMSC2718 SHELF	256.30	256.30	256.30
	WMSC3012 SHELF	372.15	372.15	372.15
	WMSC2718 TOP SHELF	69.20	69.20	69.20
	WEA SHELF MI	30.45	30.45	30.45
	WER SHELF MI	54.65	54.65	54.65
<b>SHELVING - PLYWOOD CONSTRUCTION</b>				
	9" SHELF 24DP PLY	16.80	16.80	16.80
	9" SHELF PLY	14.60	14.60	14.60

SKU		CHERRY	MAPLE PAINTED	DURAFORM
<b>SHELVING - PLYWOOD CONSTRUCTION</b>				
	12" SHELF 21DP PLY	19.60	19.60	19.60
	12" SHELF 24DP PLY	19.60	19.60	19.60
	12" SHELF PB PLY	34.80	34.80	34.80
	12" SHELF PLY	17.20	17.20	17.20
	12" SHELF PW PLY	18.35	18.35	18.35
	15" SHELF 21DP PLY	21.75	21.75	21.75
	15" SHELF 24DP PLY	21.70	21.70	21.70
	15" SHELF PLY	18.30	18.30	18.30
	15" SHELF PW PLY	19.30	19.30	19.30
	18" SHELF 21DP PLY	24.55	24.55	24.55
	18" SHELF 24DP PLY	24.55	24.55	24.55
	18" SHELF PB PLY	40.15	40.15	40.15
	18" SHELF PLY	19.85	19.85	19.85
	18" SHELF PW PLY	21.20	21.20	21.20
	21" SHELF 21DP PLY	27.15	27.15	27.15
	21" SHELF 24DP PLY	27.15	27.15	27.15
	21" SHELF PLY	21.65	21.65	21.65
	24" SHELF 21DP PLY	29.25	29.25	29.25
	24" SHELF 24DP PLY	29.25	29.255	29.25
	24" SHELF PB PLY	45.35	45.35	45.35
	24" SHELF PLY	22.90	22.90	22.90
	24" SHELF PW PLY	24.35	24.35	24.35
	27" SHELF 24DP PLY	30.95	30.95	30.95
	27" SHELF PLY	24.25	24.25	24.25
	30" SHELF 24DP PLY	37.05	37.05	37.05
	30" SHELF PB PLY	49.90	49.90	49.90
	30" SHELF PLY	25.40	25.40	25.40
	30" SHELF PW PLY	27.15	27.15	27.15
	33" SHELF 24DP PLY	28.20	28.20	28.20
	33" SHELF PLY	27.00	27.00	27.00
	36" SHELF 24DP PLY	45.20	45.20	45.20
	36" SHELF PB PLY	56.65	56.65	56.65
	36" SHELF PLY	28.25	28.25	28.25
	36" SHELF PW PLY	29.95	29.95	29.95
	39" SHELF 24DP PLY	47.30	47.30	47.30
	39" SHELF PLY	29.55	29.55	29.55
	42" SHELF 24DP PLY	49.20	49.20	49.20
	42" SHELF PB PLY	62.75	62.75	62.75
	42" SHELF PLY	31.90	31.90	31.90
	42" SHELF PW PLY	33.70	33.70	33.70
	45" SHELF 24DP PLY	51.60	51.60	51.60
	45" SHELF PLY	32.75	32.75	32.75
	48" SHELF 24DP PLY	53.85	53.85	53.85
	48" SHELF PLY	34.55	34.55	34.55
	BEA SHELF PLY	29.60	29.60	29.60
	BEA12 SHELF PLY	24.55	24.55	24.55
	CW SHELF ADJ PLY	29.55	29.55	29.55
	CW27 SHELF ADJ PLY	33.95	33.95	33.95
	PWCW SHELF PLY	29.55	29.55	29.55
	WEA SHELF PLY	18.30	18.30	18.30
	WER SHELF PLY	32.75	32.75	32.75

SKU		CHERRY	MAPLE PAINTED	DURAFORM
<b>SHELVING - PLYWOOD CONSTRUCTION MATCHING INTERIOR</b>				
	9" SHELF MI PLY	29.30	29.30	29.30
	12" SHELF MI PLY	34.55	34.55	34.55
	12" SHELF PW MI PLY	36.70	36.70	36.70
	15" SHELF MI PLY	36.60	36.60	36.60
	15" SHELF PW MI PLY	38.60	38.60	38.60
	18" SHELF MI PLY	39.80	39.80	39.80
	18" SHELF PW MI PLY	42.45	42.45	42.45
	21" SHELF MI PLY	43.30	43.30	43.30
	24" SHELF MI PLY	45.80	45.80	45.80
	24" SHELF PW MI PLY	48.65	48.65	48.65
	27" SHELF MI PLY	48.50	48.50	48.50
	30" SHELF MI PLY	50.85	50.85	50.85
	30" SHELF PW MI PLY	54.20	54.20	54.20
	33" SHELF MI PLY	54.00	54.00	54.00
	36" SHELF MI PLY	56.65	56.65	56.65
	36" SHELF PW MI PLY	59.85	59.85	59.85
	39" SHELF MI PLY	59.10	59.10	59.10
	42" SHELF MI PLY	63.85	63.85	63.85
	42" SHELF PW MI PLY	80.80	80.80	80.80
	45" SHELF MI PLY	65.60	65.60	65.60
	48" SHELF MI PLY	69.10	69.10	69.10
	CW24 SHELF MI PLY	59.10	59.10	59.10
	CW27 SHELF MI PLY	65.60	65.60	65.60
	PWCW SHELF MI PLY	59.10	59.10	59.10
	WEA SHELF MI PLY	36.60	36.60	36.60
	WER SHELF MI PLY	65.60	65.60	65.60
<b>MISCELLANEOUS SHELVING</b>				
	BS18 SHELF 1PK	55.00	50.00	50.00
	BS18 SHELF 4PK	220.00	200.00	200.00
	BS24 SHELF 1PK	72.00	65.00	65.00
	BS24 SHELF 4PK	286.00	260.00	260.00
	BS30 SHELF 1PK	77.00	70.00	70.00
	BS30 SHELF 4PK	308.00	280.00	280.00
	BS36 SHELF 1PK	83.00	75.00	75.00
	BS36 SHELF 4PK	330.00	300.00	300.00
	MC SHELF	2.35	2.35	2.35
	S369	41.00	41.00	41.00
	S924	38.00	38.00	38.00
	TV30 SHELF 18	2.55	2.55	2.55
	TV30 SHELF 9	1.40	1.40	1.40
	TV36 SHELF 11	1.70	1.70	1.70
	TV36 SHELF 22	3.15	3.15	3.15
<b>WOOD SPIN SHELVES</b>				
	BSS33 SHELF WD NP	162.10	162.10	162.10
	BSS33 SHLF WD NP PLY	194.50	194.50	194.50
	BSS3336 SHELF WD NP	162.10	162.10	162.10
	BSS3336 SHLFWDNP PLY	194.50	194.50	194.50
	BSS36 SHELF WD NP	190.65	190.65	190.65
	BSS36 SHLF WD NP PLY	228.80	228.80	228.80
	BSS3633 SHELF WD NP	162.10	162.10	162.10
	BSS3633 SHLFWDNP PLY	194.50	194.50	194.50
	CAR36 SHELF WD	141.40	141.40	141.40

SKU		CHERRY	MAPLE PAINTED	DURAFORM
<b>WOOD SPIN SHELVES</b>				
	CBS36 SHELF WD NP	166.95	166.95	166.95
	CBS36 SHLF WD NP PLY	200.35	200.35	200.35
	CWS24 SHELF WD NP	133.55	133.55	133.55
	CWS24 SHELF WD NP MI	160.25	160.25	160.25
	CWS24 SHELFWDNPMIPLY	192.30	192.30	192.30
	CWS24 SHLF WD NP PLY	160.25	160.25	160.25
<b>MISCELLANEOUS PARTS</b>				
	BASE CORNER BLOCK WD	0.20	0.20	0.20
	BFP3 FRONT FILLER	15.70	14.30	14.30
	BFP6 FRONT FILLER	32.20	29.30	29.30
	BPP9 KIT FA	387.00	387.00	387.00
	BPP9 KIT CC	447.00	447.00	447.00
	BPP12 KIT FA	522.00	522.00	522.00
	BPP12 KIT CC	582.00	582.00	582.00
	BPPUS9 KIT FA	658.00	658.00	658.00
	BPPUS9 KIT CC	718.00	718.00	718.00
	BPPUS12 KIT FA	835.00	835.00	835.00
	BPPUS12 KIT CC	895.00	895.00	895.00
	BRACKET GL 2 DB BOT	12.00	12.00	12.00
	BRACKET GL B DROT FAL	8.00	8.00	8.00
	BRACKET GL B DROT FAR	8.00	8.00	8.00
	BRACKETDROT FRT MTL	8.00	8.00	8.00
	BRACKET GL BD RDL FG	8.00	8.00	8.00
	BRACKET GL BD RDR FG	8.00	8.00	8.00
	BRACKET GL LD RDL FG	8.00	8.00	8.00
	BRACKET GL LD RDR FG	8.00	8.00	8.00
	BRACKET GL BD UNI FG	8.00	8.00	8.00
	BRACKET GL UD UNI FG	8.00	8.00	8.00
	BRACKET GL PB L FG	8.00	8.00	8.00
	BRACKET GL PB R FG	8.00	8.00	8.00
	BRACKET GL PBC L FG	8.00	8.00	8.00
	BRACKET GL PBC R FG	8.00	8.00	8.00
	BRACKET GL UD RDL FG	8.00	8.00	8.00
	BRACKET GL UD RDR FG	8.00	8.00	8.00
	BRACKET GL UNI FG	8.00	8.00	8.00
	BRACKET CH RDDPL PB	8.00	8.00	8.00
	BRACKET CH RDDPR PB	8.00	8.00	8.00
	BRACKET CH RDDPL PBC	8.00	8.00	8.00
	BRACKET CH RDDPR PBC	8.00	8.00	8.00
	BSSCWSCAR T-SHAFT RA	26.40	26.40	26.40
	BTDP9 KIT FA	333.00	333.00	333.00
	BTDP9 KIT CC	393.00	393.00	393.00
	BUMPER CLEAR	0.10	0.10	0.10
	BUMPER CLEAR 55	10.00	10.00	10.00
	BWBB15 FOL KIT CC	544.00	544.00	544.00
	BWBB15 FOL KIT FA	484.00	484.00	484.00
	BWBB15 SOL KIT CC	544.00	544.00	544.00
	BWBB15 SOL KIT FA	484.00	484.00	484.00
	BWBB15 FH FOL KIT CC	544.00	544.00	544.00
	BWBB15 FH FOL KIT FA	484.00	484.00	484.00
	BWBB15 FH SOL KIT CC	544.00	544.00	544.00
	BWBB15 FH SOL KIT FA	484.00	484.00	484.00



SKU	CHERRY	MAPLE PAINTED	DURAFORM
<b>MISCELLANEOUS PARTS</b>			
BWBB18 FH FOL KIT CC	544.00	544.00	544.00
BWBB18 FH FOL KIT FA	484.00	484.00	484.00
BWBB18 FH SOL KIT CC	544.00	544.00	544.00
BWBB18 FH SOL KIT FA	484.00	484.00	484.00
BWBB15-2 FOL KIT CC	544.00	544.00	544.00
BWBB15-2 FOL KIT FA	484.00	484.00	484.00
BWBB15-2 SOL KIT CC	544.00	544.00	544.00
BWBB15-2 SOL KIT FA	484.00	484.00	484.00
BWBB18-2 FOL KIT CC	544.00	544.00	544.00
BWBB18-2 FOL KIT FA	484.00	484.00	484.00
BWBB18-2 SOL KIT CC	544.00	544.00	544.00
BWBB18-2 SOL KIT FA	484.00	484.00	484.00
BWBB21-2 FOL KIT CC	592.00	592.00	592.00
BWBB21-2 FOL KIT FA	532.00	532.00	532.00
BWBB21-2 SOL KIT CC	592.00	592.00	592.00
BWBB21-2 SOL KIT FA	532.00	532.00	532.00
BWBB21-2 FH FOL KIT CC	592.00	592.00	592.00
BWBB21-2 FH FOL KIT FA	532.00	532.00	532.00
BWBB21-2 FH SOL KIT CC	592.00	592.00	592.00
BWBB21-2 FH SOL KIT FA	532.00	532.00	532.00
CLIP 2HD DRB BACK L	10.00	10.00	10.00
CLIP 2HD DRB BACK R	10.00	10.00	10.00
CLIP DDF	0.20	0.20	0.20
CLIP MIRROR MCM FOL	5.25	5.25	5.25
CLIP MIRROR MCM SOL	5.25	5.25	5.25
CLIP MIRROR TRIVIEW	19.10	19.10	19.10
CLIP PILASTER	0.20	0.20	0.20
CLIP REAR SHELF	0.35	0.35	0.35
CLIP SHELF NP SPIN	1.00	1.00	1.00
CORNER BRACKET	0.55	0.55	0.55
COVER CAP 10MM TAN	1.70	1.70	1.70
COVER CAP 10MM WHT	---	1.70	1.70
DDF SDC	117.00	117.00	117.00
DOOR BUFFER	17.00	17.00	17.00
DOOR BUFFER OV FOL	17.00	17.00	17.00
DRB 2HD MOUNT CLIP L	15.00	15.00	15.00
DRB 2HD MOUNT CLIP R	15.00	15.00	15.00
DRB MOUNT CLIP L	8.00	8.00	8.00
DRB MOUNT CLIP R	8.00	8.00	8.00
DRB6 BSDC6	159.45	159.45	159.45
DRB6 SDC30	159.45	159.45	159.45
DRB MOUNT CLIP L FG	8.00	8.00	8.00
DRB MOUNT CLIP R FG	8.00	8.00	8.00
DWBB1821 FOL KIT CC	602.00	602.00	602.00
DWBB1821 FOL KIT FA	542.00	542.00	542.00
DWBB1821 SOL KIT CC	602.00	602.00	602.00
DWBB1821 SOL KIT FA	542.00	542.00	542.00
DWBB1824 FOL KIT CC	602.00	602.00	602.00
DWBB1824 FOL KIT FA	542.00	542.00	542.00
DWBB1824 SOL KIT CC	602.00	602.00	602.00
DWBB1824 SOL KIT FA	542.00	542.00	542.00
DFDC FILE UNIT 21	25.00	25.00	25.00

SKU		CHERRY	MAPLE PAINTED	DURAFORM
<b>MISCELLANEOUS PARTS</b>				
	DFDC FILE UNIT 24	25.00	25.00	25.00
	FRAME SPACER BPP9	0.60	0.60	0.60
	GLIDE HD CCL21	97.00	97.00	97.00
	GLIDE HD CCL24	97.00	97.00	97.00
	GLIDE HD CCR21	97.00	97.00	97.00
	GLIDE HD CCR24	97.00	97.00	97.00
	GLIDE HD FAL21	97.00	97.00	97.00
	GLIDE HD FAL24	97.00	97.00	97.00
	GLIDE HD FAR21	97.00	97.00	97.00
	GLIDE HD FAR24	97.00	97.00	97.00
	GLIDE FX CCL18	85.00	85.00	85.00
	GLIDE FX CCL21	85.00	85.00	85.00
	GLIDE FX CCL24	85.00	85.00	85.00
	GLIDE FX CCR18	85.00	85.00	85.00
	GLIDE FX CCR21	85.00	85.00	85.00
	GLIDE FX CCR24	85.00	85.00	85.00
	GLIDE CLIPHET UNI	0.20	0.20	0.20
	GLIDE DROTCL24	96.00	96.00	96.00
	GLIDE DROTCLVLC	96.00	96.00	96.00
	GLIDE DROTCCR24	96.00	96.00	96.00
	GLIDE DROTCCRVLC	96.00	96.00	96.00
	GLIDE DROTFA24	96.00	96.00	96.00
	GLIDE DROTFAVLC	96.00	96.00	96.00
	GLIDE DROTFA24	96.00	96.00	96.00
	GLIDE DROTFAVLC	96.00	96.00	96.00
	HINGE 170 FRAMED	28.65	28.65	28.65
	HINGE ER	17.55	17.55	17.55
	HINGE FOL 6WAY 45	10.00	10.00	10.00
	HINGE FOL CC6WY 45	20.00	20.00	20.00
	HINGE FOL CC6WY 45DP	20.00	20.00	20.00
	HINGE FOL CCOVEN 45	20.00	20.00	20.00
	HINGE FOL OVEN 45	10.00	10.00	10.00
	HINGE KIT TRIVIEW	19.10	19.10	19.10
	HINGE SOL 6WAY 45	10.00	10.00	10.00
	HINGE SOL CC6WAY 45	20.00	20.00	20.00
	HINGE TILT OUT 45	10.00	10.00	10.00
	HWC 3/4X3/4X96	19.00	19.00	19.00
	KNOB SDC	37.20	37.20	37.20
	LATCH TILT OUT TRAY	15.00	15.00	15.00
	MAG CATCH TV BLK	19.10	19.10	----
	MAG CATCH TV WHT	----	19.10	19.10
	MC SHELF HDW	5.65	5.65	5.65
	MIRROR TV3030	124.40	124.40	124.40
	MIRROR TV3630	140.35	140.35	140.35
	PCSK HINGE	18.35	18.35	18.35
	PDO30	287.00	287.00	287.00
	PDO36	287.00	287.00	287.00
	PEG KIT 4 PK	97.00	97.00	97.00
	PK36	9.00	9.00	9.00
	PULL TRIVIEW	17.00	17.00	17.00
	RHLINER 30	319.00	319.00	319.00
	RHLINER 36	365.00	365.00	365.00

SKU	CHERRY	MAPLE PAINTED	DURAFORM
<b>MISCELLANEOUS PARTS</b>			
RHLINER 42	395.00	395.00	395.00
RHLINER 36S	319.00	319.00	319.00
RHLINER 42S	395.00	395.00	395.00
RHLINER 48S	456.00	456.00	456.00
RHLINER 36S SL1	351.00	351.00	351.00
RHLINER 42S SL1	434.00	434.00	434.00
RHLINER 48S SL1	501.00	501.00	501.00
ROT DIVIDER KIT	66.25	66.25	66.25
ROT PROTECTOR	1.00	1.00	1.00
SCREW BOLT EXT RD FG	0.20	0.20	0.20
SCREW CH BACK BRACK	0.20	0.20	0.20
SCREW GLIDEHG PBC BK	0.20	0.20	0.20
SCREW KDC FG	0.20	0.20	0.20
SCREW NUT EXT RD FG	0.20	0.20	0.20
SCREW T-NUT BOLT	0.20	0.20	0.20
SCREW T-NUT SCREW	0.20	0.20	0.20
SCREW GLIDE HG	0.20	0.20	0.20
SCREW CHANNEL	0.20	0.20	0.20
SCREW BATTEN/DDF 1"	0.20	0.20	0.20
SCREW DDF	0.20	0.20	0.20
SCREW DDF 5PC	0.20	0.20	0.20
SCREW EXTENDER RD	0.05	0.05	0.05
SCREW HINGE ALUM DR	0.20	0.20	0.20
SCREW HINGE/DR	0.20	0.20	0.20
SCREW HINGE/FR	0.20	0.20	0.20
SCREW BOLT EXT RD FG	0.20	0.20	0.20
SCREW NUT EXT RD FG	0.20	0.20	0.20
SDROT30	284.00	284.00	284.00
SDROT36	284.00	284.00	284.00
SPACER GL BD FRT FG	0.20	0.20	0.20
SPACER GL KDC FRT FG	0.20	0.20	0.20
SHELF SUPT ADJ BASE	12.15	12.15	12.15
TRACK GA 16L	4.95	4.95	4.95
TRACK GA 16R	4.95	4.95	4.95
TRAY ST TILT OUT 11	181.00	181.00	181.00
TRAY ST TILT OUT 14	181.00	181.00	181.00
TRAY ST TILT OUT 22	181.00	181.00	181.00
VWBB1834H FOL KIT CC	602.00	602.00	602.00
VWBB1834H FOL KIT FA	542.00	542.00	542.00
VWBB1834H SOL KIT CC	602.00	602.00	602.00
VWBB1834H SOL KIT FA	542.00	542.00	542.00
WASTEBASKET 27QT SLV	88.00	88.00	88.00
WASTEBASKET 35QT SLV	88.00	88.00	88.00
WASTEBASKET 50QT SLV	100.00	100.00	100.00
WCC DOWEL	5.10	5.10	5.10
WCC24 4PC RAIL	25.50	25.50	25.50
WCC30 4PC RAIL	25.50	25.50	25.50
WCC36 4PC RAIL	25.50	25.50	25.50
WOOD SPIN HOLE PLUG	1.00	1.00	1.00
WOOD SPIN SHELF HDW	60.60	60.60	60.60
WTH DOOR STAY	110.00	110.00	110.00
WTH HEX KEY BAG	34.00	34.00	34.00

---

Notes

---

Notes



Living space shown in 570F Painted Linen

**Ali Meshksar**  
EA Home Design LLC



Living space shown in 750F Painted Pewter Glaze

**Emily Austin**  
Baltimore Granite Direct



Living space shown in D16s Painted Harbor

**Ali O'Grady**  
Kitchens by Design

DESCRIPTION	SKU	SPECIFICATION	PRICING
<b>Index</b>			
<b>A</b>			
Accent Turned Foot	ATF	199	107
Accent Turned Foot, Full Round	ATF-FR	199	107
Adjustable Shelf Kit	S/SK__	160, 175	92
All Plywood Construction Option	APC	62	1
Angle Crown Molding	ACM8	185	104
Angle Crown Molding Duraform Textured	ACM8 DT	185	109
Angled Corbel	AS12__	195	107
Angled Outside Corner Molding	AOSC8	189	104
Asymmetrical Base Easy Reach	BER__	122	40
Asymmetrical Base Super Susan with Wood Spin Units	BSS__WD	122	40
<b>B</b>			
Base Bookshelf	BS2434	144	97
Base Cabinet Construction	-	49	-
Base Cabinet Decorator Matching Doors	DMDB	209	75
Base Cabinet Dimensions	-	50	-
Base Cabinet Four Deep Roll Out Trays	B__4T	111	22
Base Cabinet No Drawer	TB9	112	24
Base Cabinet One Deep Roll Out Tray	B__FWT	107, 110	21
Base Cabinet Six Deep Roll Out Trays	B45__6T	112	22
Base Cabinet Three Deep Roll Out Trays	B45__3T	112	22
Base Cabinet Tray Divider Pull-Out	BTDP9	113	25
Base Cabinet Two Horizontal Deep Roll Out Trays	B__2T	111	21
Base Cabinet Two Vertical Deep Roll Out Trays	B__2FWT	107, 110	21
Base Cabinet with Cutting Board Door Rack Kit	B18 CBDR	108	35
Base Cabinet with Factory Installed Drawer Organizers	B__	109	27
Base Cabinet with Factory Installed Roll-Out Tray Divider	B__ROTD	107	34
Base Cabinet with Plastic Bag Door Storage Kit	B__PBDSU	108	35
Base Cabinet, 1 Factory Installed Wastebasket	BWBB15__	108	32
Base Cabinet, 2 Factory Installed Wastebaskets	BWBB__2	108	32
Base Cabinet, Standard with 2 Butt Doors	B__	110	20
Base Cabinet, Standard with Center Stile	B__	111	20
Base Cabinet, Standard with One Door	B__	107	20
Base Cabinet, Universal Design	B__UD	179	72
Base Cabinet, with 2 Butt Doors and Sliding Shelves	B__SS__	110	21
Base Column Filler	B__C__	215	100
Base Corner Filler	BCF27	214	100
Base Easy Reach	BER__	121	40
Base End Angle	BEA__FH	130	41
Base End Angle Decorator Matching Door	DMDBEA12	209	75
Base Filler Pull-Out	BFP__	131	88
Base Locking Shelf Rest	-	54	-
Base Microwave Cabinet	BMC__	130	39
Base Oven Cabinet Universal	BOCU__	131	87
Base Pantry Pull-Out	BPP__	113	25
Base Pot & Pan Organizer Kit	BPPOK__	132	88
Base Pot and Pan Organizer Cabinet	B__BPPO	107, 110	34
Base Recycling Kit	BR2B15	135	89
Base Spice Drawer Cabinet	BSDC6	129	87
Base Square Foot	BSQF	199	107
Base Square Leg	BSQL	199	107
Base Super Susan with Wood Spin Units	BSS__WD	121	40
Base Tapered Leg	BTPL	199	107
Base Toe Kick	BTK8	216	102
Base Turned Leg	BTL	199	107
Base Utensil Storage Pull-Out	BPPU__	113	25
Base Wine Rack Cabinet	BWRC6	129	88
Batten Molding	BM8	189	109
Batten Molding Duraform Textured	BM8 DT	189	109
Blind Corner Base	BLB__	124	41

DESCRIPTION	SKU	SPECIFICATION	PRICING
Blind Corner Base Installation Chart	-		124
Blind Corner Closure	BLC__BLC1515	102, 135	98
Blind Peninsula Corner Base	PBC__	120	41
Blind Peninsula Wall Cabinet	BLPW__	86	14
Blind Peninsula Wall Cabinet Installation Chart	-		86
Blind Wall Cabinet	BLW__	87	16
Blind Wall Cabinet Dimensions	-		88
Blind Wall Cabinet Installation Chart	-		88
<b>C</b>			
Cabinet Angle Molding	CAM8	189	104
Cabinet Care	-	46	-
Cabinet Front Only Option	CFO	65	1
Cabinet Specifications	-	45	-
Cabinet Tray Divider	TD3	134, 160	89
Ceiling Height Requirements	-	55	-
Chair Rail Molding	CR8	186	104
Chantilly Decorative Foot	CDF	200	107
Chantilly Decorative Leg	CDL	200	107
Chantilly Furniture Leg	CFL	200	107
Classic Baseboard Molding	CLBM8	187	104
Classic Molding Stack	MS CLASSIC__	192	105
Classic Trim Molding	CLTM8	187	105
Cleat	HWC__	217	103
Construction Comparison Chart	-	63	-
Construction Option Examples	-	61	-
Construction Option Legend	-	61	-
Contemporary Trim Molding	CTM8	185	104
Contemporary Trim Molding Duraform Textured	CTM8 DT	185	109
Corner Appliance Garage	AG__	94	83
Corner Base Carousel	CAR	123	41
Corner Base Lazy Susan, Universal Design	CBS36 UD	182	74
Corner Base with Wood Spin Units	CBS36 WD	123	41
Corner Lazy Susan	CLS45F	134	89
Corner Sink Base	CSB36	125	40
Corner Sink Front	CSF__	128	39
Corner Wall Cabinets	CW__	89	14
Cover Caps	COVER CAP	217	102
Crown Molding	CM8	185	104
Crown Molding - Builder	CM8 BLD	190	109
Crown Valance	V__CR	193	105
Curved Corbel	CS12__	195	107
Cutlery Divider Kit	CDAK__	133	89
Cutting Board Door Rack Kit	CBDRK18	136	89
<b>D</b>			
Decorative Cove Molding	DCVM8	185	104
Decorative Glass Clips	CLIP DGI__	76	102
Decorative Inside Corner Molding	ICM8	189	104
Decorative Trim Molding	DCTM8	185	104
Deep Roll Out Tray 4 Pack Kit, Utility	DROT__4K	161	94
Deep Roll Out Tray 4 Pack Kit, Vanity Linen	DROT__21-4K	175	95
Deep Roll Out Tray Kit	DROT__	132, 161, 175, 182	93
Deep Sink Base Cabinet	DSB	125	38
Deep Sink/Range Base Cabinet	DSB__	125	39
Desk Cabinet Decorator Matching Doors	DMDD__	210	75
Desk Cabinet Dimensions	-	51	-
Desk Cabinet with Wastebasket Pull-Out, 21" Deep	DWBB1821__	141	71
Desk Cabinet with Wastebasket Pull-Out, 24" Deep	DWBB1824__	141	72
Desk Door Cabinet, 21" Deep	DDO__21	141	70
Desk Door Cabinet, 24" Deep	DDO__24	141	71
Desk Drawer Cabinet, 21" Deep	DDR__21	142	70
Desk Drawer Cabinet, 24" Deep	DDR__24	142	71
Desk End Panel	DEP	173, 205	98
Desk File Pull-Out Cabinet, 21" Deep	DFDC1821__	142	70
Desk File Pull-Out Cabinet, 24" Deep	DFDC1824__	142	71
Dishwasher Return	DWR3	205	97



# Index

DESCRIPTION	SKU	SPECIFICATION	PRICING
Door Styles	SERIES	15	-
Double Oven Cabinet, 1 Drawer	OVD__ BUTT	157	60
Double Oven Cabinet, 1 Large Drawer	OVD__ BUTT 1DDWR	158	61
Double Oven Cabinet, 2 Drawers	OVD__ BUTT 2DWR	158	57
Double Oven Cabinet, No Drawer	OVD__ BUTT NDWR	157	57
Drawer Base Cabinet Dimensions	-	51	-
Drawer Base Cabinet w/ Peg Dish Organizer and Scalloped Tray	DB__ 2DWR SFWT PDO	116	31
Drawer Base Cabinet w/ Scalloped Tray	DB__ 2DWR SFWT	116	30
Drawer Base Cabinet w/ Peg Dish Organizer	DB__ 2DWR PDO	116	31
Drawer Base Cabinet with Factory Installed Drawer Accessory	DB__	118	32
Drawer Base Cabinet, 2 Drawers	DB__ 2DWR	116	30
Drawer Base Cabinet, 3 Drawers	DB__	117	31
Drawer Base Cabinet, 4 Drawers	DB__ 4DWR	117	31
Drawer Base Cabinet, Universal Design	DB__ UD	180	74
Dummy Drawer Front Fastener	DDF FASTENER	217	103

## E

Edge Branding	EDGE BAND__	219	109
---------------	-------------	-----	-----

## F

Filler, Plain Box	WPB__	100	101
Finished Shelf	FS__	102	84
Finishing System Specifications	-	46	-
Flat Panel Arched Valance	V__ FP	193	20
Floating Shelf	FLSH__	101, 144	84
Fluted Beaded Filler	FBF__	214	101
Fluted Beaded Filler Extension	FBF E3__	214	101
Full-Height Base Cabinet	B__ FH	112	24
Full-Height Base Cabinet with Tray Divider and Shelf	TB9 TDS	112	24
Full-Height Base Cabinet, 1 Factory Installed Wastebasket	BWBB15 FH__	114	33
Full-Height Base Cabinet, 2 Butt Doors	B__ FH	114	24
Full-Height Base Cabinet, 2 Factory Installed Wastebaskets	BWBB21-2 FH__	114	33
Full-Height Base w/Four Deep Roll Out Trays	B__ FH __4FWT	113, 115	25
Full-Height Base w/Two Deep Roll Out Trays	B__ FH __2FWT	113, 115	21
Full-Height Peninsula Base	PB__ FH	119	36
Furniture Drawer Cabinet	FD__	115	29
Furniture Ends Option	FE	62	1

## G

Glass Insert	DGI__	75	1
Glass Shelf Kit	GSK__	102	84
Grooved End Panel	_EP__ GROOVED	206	98

## H

Hardware Specifications	-	54	-
Hinge Restriction Clip	HINGE CC ANG RES CLP	217	-
Hinges	-	54	1

## I

Increased Depth Option	ID	65	1
Inset Light Rail Molding	ILR8	187	104
Inside Corner Molding	QM8	189	109
Inside Corner Molding Duraform Textured	QM8 DT	189	109
Installation Guidelines	-	56	-
Inverted Frame Option	IF	66	1

## K

Kneehole Drawer Cabinet	KDC__	142, 173	71
-------------------------	-------	----------	----

## L

Large Cove Molding	LCVM8	185	104
Large Cove Molding Duraform Textured	LCVM8 DT	185	109
Large Finley Corbel	FC312	196	107
Large Narrow Cove Corbel	CC212	195	107
Large Prairie Corbel	PC312	196	107

DESCRIPTION	SKU	SPECIFICATION	PRICING
Large Rosette Corbel	RC313	197	107
Large Valencia Corbel	VC312	196	107
Library Light Rail Molding	LBM8	187	104

## M

Matching Interior Option	MI	67	1
Medicine Cabinet	MC/MCM__	172	67
Medium Cove Corbel	CC49	195	107
Medium Finley Corbel	FC49	196	107
Medium Narrow Cove Corbel	CC29	195	107
Medium Prairie Corbel	PC49	196	107
Medium Rosette Corbel	RC49	197	107
Medium Valencia Corbel	VC49	196	107
Metal Cove Corbel	METAL COVE 212__	197	107
Metal Emerson Corbel	METAL EMERSON 27__	197	107
Metal Shelf Rest	-	54	102
Microwave Wall	WMC__	85	10
Mirror Molding	MM8	186	104
Modern Molding Stack	MS MODERN __	190	105
Mullion Frame Door Profiles	MFD	72	1
Mullion Shelf Rest	-	54	-

## O

Ogee Molding	OGE8	186	104
Ogee Plaster Molding	OGP8	187	104
Open Frame Door Profiles	OFD	71	1
Outside Corner Molding	OTCM8	189	104
Outside Corner Molding Duraform Textured	OTCM8 DT	189	109
Oven Cabinet, Single	OVS__	152	54
Oven Cabinet, Universal Design	OVS3384 UD	181	75
Overlay Dimensions	-	58	-
Overlay Filler	_OF__	212	100

## P

Pantry Door Shelf Kit	PDSK18	159	95
Pantry Swing Out Kit	PCSK36	159	96
Parker Decorative	PDI	200	107
Parker Decorative Foot	PDF	200	107
Parker Furniture Leg	PFL	200	107
Pedestal Drawer Cabinet	PD__	115	30
Peninsula Base Cabinet	PB__	119	36
Peninsula Corner Wall	PWCW__	90	16
Peninsula Wall Cabinet	PW__	84	11
Plain Box Filler	WPB__	215	101
Plastic Bag Door Storage Unit	PBDSU	136	35
Plinth Block - 3"	_B3X4 PLINTH	198	106
Plinth Block - 6"	_B6X6 PLINTH	198	106
Putty Stick	PUTTY STICK	219	103

## Q

Quarter Round Molding	QR8	189	104
-----------------------	-----	-----	-----

## R

Raised Panel Arched Valance	V__ RP	194	105
Range Hood Blower	RHVENT__	100	86
Range Hood Chimney	RHC__	97	87
Range Hood, Straight Valance	RH__ SV	97	85
Range Hood, Tapered	RH__ T	97	85
Recessed Toe Kick Option	RTK	66	1
Reduced Depth Option	RD	64	1
Refrigerator Return Panel	RR__	208	95
Roll-Out Tray Divider Kit	ROTD__	132	34
Rosette Block - 3"	_B3X3 ROSETTE	198	106

## S

Screws, Installation	SCREW	217	102
Scribe Molding	SM8, SM10	189	104, 105
Scribe Molding Duraform Textured	SM8 DT	189	109



DESCRIPTION	SKU	SPECIFICATION	PRICING
Shaker Accent Molding	SAM	188	1
Shaker Chair Rail Molding	SQCR8	186	104
Shaker Insert Molding	SIM8	186	104
Shaker Mirror Molding	SMM8	186	104
Shaker Valance	V__SH	194	106
Shelf End Base	SEB	129	88
Shelf End Peninsula Base	SEPB	129	89
Shelf End Wall, Round Top and Bottom	SEW__	94	82
Shelf End Wall, Square Top and Bottom	SEW__ SQT	94	82
Shelf End Wall, Square Top and Round Bottom	SEW__ SQT	94	82
Shelf Rests	SHELF REST	216	102
Shelf Under Cabinet Organizer	SUCO__	142	97
Shelf, Adjustable	S/SK__	160, 175	92
Shelf, Floating	FLSH__	101, 144	84
Shoe Molding	SHM8, SHM8 DT	189	104, 109
Single Bead Accent Molding	SBAM8	188	1
Single Bead Insert Molding	SBIM8	186	104
Single Bead Molding	SBM8	188	104
Single Oven Cabinet, with 2 Butt Doors, 2 Large Drawers	OVS__ BUTT 2DDWR	155	59
Single Oven Cabinet, with 2 Butt Doors, 3 Drawers	OVS__ BUTT 3DWR	156	59
Single Oven Cabinet, with 2 Butt Doors, 4 Drawers	OVS__ BUTT 4DWR	156	60
Single Oven Cabinet, with 4 Butt Doors, 1 Drawer	OVS__ BUTT 1DWR	153	56
Single Oven Cabinet, with 4 Butt Doors, 1 Drawer & Pot & Pan Organizer	OVS__ BUTT 1DWR __BPPO	154	56
Single Oven Cabinet, with 4 Butt Doors, 2 Drawers	OVS__ BUTT 2DWR	154	57
Single Oven Cabinet, with 4 Butt Doors, 2 Drawers, Pot & Pan Organizer	OVS__ BUTT 2DWR __BPPO	155	57
Single Oven Cabinet, with Base Pot & Pan Organizer	OVS__ BUTT FABPPO	153	35
Sink Base Cabinet, Universal Design	SB__UD	180	74
Sink Base Door Storage Unit	SBDSU__	136	90
Sink Base Multi-Storage Cabinet	SBMS__ BUTT STO	127	38
Sink Base Multi-Storage Shelf	SBMSS	135	90
Sink Base with One Factory Installed Tilt-Out Tray(s)	SB__ STO	126, 127	37
Sink/Cooktop Base Cabinet	SB__	126	37
Sink/Cooktop Front	SF__	128	39
Sink/Vanity Front Floor	FL__	206	97
Sink/Vanity Front Return	SFR	205	97
Sliding Towel Bar	STB	134	91
Small Cove Corbel	CC36	195	83
Small Cove Molding	SCVM8, SCVM8 DT	185	104, 109
Small Finley Corbel	FC36	196	107
Small Narrow Cove Corbel	CC26	195	107
Small Prairie Corbel	PC36	196	107
Small Rosette Corbel	RC36	197	83
Small Single Bead Molding	SSBM8	188	104
Small Traditional Light Rail Molding	STLR8	187	104
Small Valencia Corbel	VC36	196	107
Soffit Crown Molding	SCM8	185	104
Specialty Door Options	69		1
Spice Drawer Cabinet	SDC__	92	82
Spice Drawer Insert Kit	SDIAK__	133	91
Spice Rack Kit	SRK__	101	84
Split Post	SPLT POST80 P	201	106
Spray Stain	SPRAY STAIN	218	103
Square Inset Light Rail Molding	SQILR8	187	104
Stain	STAIN	218	37
Stainless Tilt-Out Tray Kit	STO TRAY	137	90
Starter Molding	STRM8	188	104
Stem Glass Holder	SGH36U	101	83
Stock, 3-Sided	S3S__ DT	188	109
Stock, 3-Sided Molding	MSS3S__	188	104
Stock, 4-Sided	S4S__	188	99
Storage Cube	SC__	92, 143	82

DESCRIPTION	SKU	SPECIFICATION	PRICING
Straight Appliance Garage	AGS__	94	83
Straight Valance	V__S	194	85

## T

Tall Bookshelves	BS__	143	96
Tall Cabinet Decorator Matching Doors	DMDT__	210	76
Tall Cabinet Dimensions	-	53	-
Tall Column Filler	T_C__	215	102
Tapered Foot	TPF	199	107
Textured Duraform Base Toe Kick	BTk8 DT	216	109
Textured Duraform End Panel	__EP_DT	206	108
Textured Finished Shelf	FS__	102	108
Textured Overlay Filler	__OF_DT	212	108
Textured Universal Filler	S3S__ DT	211	109
Textured Wood Panel	WP__ DT	207	108
Textured Wood Tall End Panel	WWEP__ DT, WBEP__ DT, DWTEP__ DT	207	108
Tilt-Out Tray Kit	STO TRAY__	173	90
Toe Kick, Universal Design	BTk8__ UD	216	102
Touch Up Kit	TOUCHUP KIT	218	103
Touchup Marker	TU MARKER	219	103
Traditional Classic Crown Molding	TCCM8	185	104
Traditional Split Block	SPLT BLOCK26	201	106
Traditional Valance	V__T	194	106
Transitional Molding Stack	MS TRANSITIONAL __	191	105
Tri-View Mirror	TV__	173	95

## U

Universal Design Base Cabinet	B__UD	179	72
Universal Design Base Multi-Use	BMU30 UD	181	75
Universal Design Base Plumbing Skirt	BPS__UD	181	74
Universal Design Cabinet Dimensions	-	52	-
Universal Design Corner Base Susan	CB36 UD	182	74
Universal Design Drawer Base Cabinet	DB__UD	180	74
Universal Design Oven Cabinet	OVS3384 UD	181	75
Universal Design Sink Base Cabinet	SB__UD	180	74
Universal Design Toe Kick	BTk8__ UD	216	102
Universal Design Vanity Plumbing Skirt	VPS__ UD	181	74
Universal Filler	UF__	211	99
Universal Filler Extension	UF E3__	211	99
Utility Cabinet	UT__	149	42
Utility Cabinet Shelf & Plaster Kit	PSK36	159	95
Utility Cabinet with Deep Roll Out Trays	UT__4ROT	151	50
Utility Cabinet, 12" Deep, with Adjustable Shelves	UT__ 12 X __ AS	150	46
Utility Cabinet, 24" Deep	UT__ 24 X __	149	44
Utility Cabinet, 24" Deep, with Adjustable Shelves	UT__ 24 X __ AS	150	46
Utility Cabinet, 24" Deep, with Pantry Storage	UT3624 X __PCDS BUTT	152	44

## V

Valances	V__	193	105
Valet Cabinet	VC2436 BUTT	172	68
Vanity Base Cabinet with Wastebasket Pull-Out, 34 1/2" High	VWBB1834H__	165	66
Vanity Base with Full-Height Door, 34 1/2" High	VB__ 34H FH	166	65
Vanity Base, One Door	VB__	165	65
Vanity Base, Two Butt Doors	VB__ BUTT	165	66
Vanity Cabinet Decorator Matching Doors	DMDV	210	76
Vanity Cabinet Dimensions	-	51	-
Vanity Combo Sink Base, 31 1/8" High	VSDB__	170	64
Vanity Combo Sink Base, 34 1/2" High	VSDB__34H	170	64
Vanity Drawer Base, 31 1/8" High	VDB__	166	66
Vanity Drawer Base, 34 1/2" High	VDB__ 34H	166	66
Vanity Linen Cabinet	VLC__	174	68
Vanity Linen Cabinet, with Adjustable Shelves	VLC__ AS	174	68
Vanity Linen Cabinet, with Deep Roll Out Trays	VLC__ DROT	174	69
Vanity Sink Base, 31 1/8" High	VSB/VAN__	167	62

# Index

DESCRIPTION	SKU	SPECIFICATION	PRICING
Vanity Sink Base, 34 1/2" High	VSB/VAN__34H	167	63
Vanity Sink Front, 31 1/8" High	VSF__	172	67
Void Door Option	VDO__	68	1
Void Top Drawer Option	VTD	68	1
Wall Bookshelves	BS__	143	96
Wall Cabinet Construction	-	48	-
Wall Cabinet Dimensions	-	50	-
Wall Cabinet with Spice Rack	W__SR	83	18
Wall Cabinet, Standard	W__	81	2
Wall China Cabinet	WCC__	93	83
Wall Column Filler	W__C__	215	101
Wall Easy Reach	WER__	90	15
Wall End Angle Cabinet	WEA12__	92	19
Wall Microwave Cabinet, with Shelf	WMSC__	85	10
Wall Range Hood, Classic Tapered	WRH__CT	95	85
Wall Range Hood, Decorative Mantle	WRH__DM	95	85
Wall Range Hood, Raised Panel	WRH__RP	95	85
Wall Range Hood, Straight Valance	WRH__SV	95	85
Wall Top Hinge Cabinet	WTH__	83	9
Wastebasket Unit	WBU15	135	91
Wide Batten Molding	WBM8	189	104
Wine Rack	WR36	101	83
Wine Rack Cabinet	WRC__	93	83
Wine Storage Cabinet	WSC__	93	83
Wood End Panel	_EP__	206	98
Wood Panel	WP__	207	98
Wood Species & Materials Specification	-	47	-
Wood Tall End Panel	WTEP__	207	98
Wood Tiered Cutlery Divider Kit	WTCDAK__	133	91

**waypoint**<sup>®</sup>  
living spaces