

Battery range

Energy for every challenge



Content

Facts and application	3
Standard Cells – Alkaline	4
Standard Cells – Lithium	11
Standard Cells – Zinc Chloride	12
Special Cells	13
Photo Cells	15
Alkali type comparison list	17
Button Cells – Alkaline	17
Button Cells – Lithium	18
Button Cells – Silver Oxide	18
Silver oxide type comparison list	19
Button Cells – Zinc-Air (Hearing Aid)	22
Rechargeable Batteries – Standard Batteries	23
Rechargeable Batteries – Dect Batteries	25
Industry Cells – Lithium	26
Industry Cells – Lsd-Nimh (Ready-To-Use)	27
Industry Cells – Battery Packs	27
Industry Cells – SUB-C	28
Application type list for lead-acid batteries	29
Ultracell terminal overview	29
Lead-Acid Batteries	30
Chargers	34
Installation & Accessories – Battery Testers	34
Installation & Accessories – Battery Clips & Holders	36
Installation & Accessories – Plugs & Adapter	42
Lamps – Flashlights & Lanterns	43
Lamps – Headlamps	45
Our service for the POINT OF SALE	46
Counter and floor displays	47
Hanging displays	48

Facts and application

Battery types in comparison



Standard Cells

- All-rounder - optimal for every application
- Make up 83 % of the total battery business



Special Cells

- Compact size plus powerful performance
- Optimal for continuous operation e.g. in security devices such as alarm systems, work lights or lights that stay on permanently
- Also perfect for devices such as flashlights, cameras or toys



Industry Cells

- Many application areas around radio and alarm technology, e.g.: Outdoor sirens, lock and contact transmitters, motion and smoke detectors, glass-breakage alarm systems and emergency call handheld transmitters.



Button Cells

- Maximum safety. Reliable performance
- Perfect for many small electronic devices
- Optimized for devices that require a constant amount of power - e.g. watches and hearing aids



Rechargeable Batteries

- Offer maximum performance and convince with the latest technology and fast charging capability.
- Very environmentally friendly, as they can be recharged up to 1000 times
- Particularly suitable for use in devices with high energy consumption, such as computer peripherals, cordless phones, cameras and microphones

Tecxus Alkaline maximum

- High efficiency, for devices with high energy requirements
- Long lifetime for applications with constant and low energy consumption
- Up to 7 years shelf life without loss of performance, heat and cold resistant
- Contains no mercury and cadmium

LR03/AAA (Micro)

Alkaline manganese battery, 1.5 V
44.5 x 10.5 mm



23631 **RRP 1.99 €**
4 pcs. blister



23778 **RRP 4.99 €**
10 pcs. blister



23817 **RRP 10.99 €**
24 pcs. XXL box

LR6/AA (Mignon)

Alkaline manganese battery, 1.5 V
50.5 x 14.5 mm



23633 **RRP 1.99 €**
4 pcs. blister



23761 **RRP 4.99 €**
10 pcs. blister



23818 **RRP 10.99 €**
24 pcs. XXL box

LR14/C (Baby)

Alkaline manganese battery, 1.5 V
49.5 x 25.8 mm



23635 **RRP 2.99 €**
2 pcs. blister



23637 **RRP 3.99 €**
2 pcs. blister



23215 **RRP 2.49 €**
1 pc. blister

6LR61/6LP3146/9V Block

Alkaline manganese battery, 9 V
25.5 x 16 x 48.5 mm



23639 **RRP 2.99 €**
1 pc. blister

Varta Longlife Power

- Extra powerful for best performance in devices with high power consumption
- Designed for the use in toys, computer accessories, torches, etc.

LR03/AAA (Micro) (4903)

Alkaline manganese battery, 1.5 V
44.5 x 10.5 mm



46817 **RRP 6.99 €**
4 pcs. blister



45141 **RRP 10.99 €**
10 pcs. blister



40881 **RRP 11.99 €**
12 pcs. box



40883 **RRP 19.99 €**
24 pcs. box

LR6/AA (Mignon) (4906)

Alkaline manganese battery, 1.5 V
50.5 x 14.5 mm



45142 **RRP 6.99 €**
4 pcs. shrink-pack



46815 **RRP 6.99 €**
4 pcs. blister



45144 **RRP 10.99 €**
10 pcs. blister



40882 **RRP 11.99 €**
12 pcs. box



40884 **RRP 19.99 €**
24 pcs. box

LR14/C (Baby) (4914)

Alkaline manganese battery, 1.5 V
50 x 26.2 mm



45146 **RRP 3.49 €**
1 pc. shrink-pack



46824 **RRP 6.49 €**
2 pcs. blister



45147 **RRP 3.49 €**
1 pc. bulk



46825 **RRP 6.49 €**
2 pcs. blister

6LR61/6LP3146/9V Block (4922)

Alkaline manganese battery, 9 V
48.5 x 17.5 x 26.5 mm



45148 **RRP 6.49 €**
1 pc. bulk



46826 **RRP 6.49 €**
1 pc. blister

Varta Longlife

- Long-lasting, for devices with constant and low energy consumption
- Great lifespan in remote controls, clocks, radios, etc.

LR03/AAA (Micro) (4103)

Alkaline manganese battery, 1.5 V
44.5 x 10.5 mm



42330

RRP 4.49 €

4 pcs. blister



40877

RRP 9.99 €

12 pcs. box



40879

RRP 14.99 €

24 pcs. box

LR6/AA (Mignon) (4106)

Alkaline manganese battery, 1.5 V
50.5 x 14.5 mm



42331

RRP 4.49 €

4 pcs. blister



40880

RRP 14.99 €

24 pcs. box

LR14/C (Baby) (4114)

Alkaline manganese battery, 1.5 V
50 x 26.2 mm



42332

RRP 4.49 €

2 pcs. blister



42333

RRP 4.49 €

2 pcs. blister

6LR61/6LP3146/9V Block (4122)

Alkaline manganese battery, 9 V
48.5 x 17.5 x 26.5 mm



42334

RRP 4.49 €

1 pc. blister

Varta Longlife Max Power

- Precise energy for devices with irregular and high energy demand
- Developed for flashguns, digital cameras, game consoles, etc.

LR03/AAA (Micro) (4703)

Alkaline manganese battery, 1.5 V
44.5 x 10.5 mm



46837

RRP 7.49 €

4 pcs. blister

LR6/AA (Mignon) (4706)

Alkaline manganese battery, 1.5 V
50.5 x 14.5 mm



46836

RRP 7.49 €

4 pcs. blister

Varta Energy

- Exceptionally great value for money
- Solid choice for low-power devices such as radios or clocks

LR03/AAA (Micro) (4103)

Alkaline manganese battery, 1.5 V
44.5 x 10.5 mm



40870

RRP 5.99 €

10 pcs. box



40872

RRP 11.99 €

24 pcs. box



47783

RRP 12.99 €

30 pcs. blister

LR6/AA (Mignon) (4106)

Alkaline manganese battery, 1.5 V
50.5 x 14.5 mm



40871

RRP 5.99 €

10 pcs. box



40873

RRP 11.99 €

24 pcs. box



47784

RRP 12.99 €

30 pcs. blister

Varta Industrial Pro

- Reliable industrial quality power supply
- Permanently precise energy for energy-intensive applications
- Especially suitable for continuous and pulsed operation with high currents
- The cells are hermetically sealed, thus protected against leakage and long-lasting
- Is suitable e.g. for LED flashlights or battery-operated toys
- The cells are hermetically sealed, thus protected against leakage and durable for a long time
- Manufactured without cadmium or mercury

LR03/AAA (Micro) (4003)

Alkaline manganese battery, 1.5 V
44.5 x 10.5 mm



49692

RRP 3.99 €

4 pcs. shrink-pack



46966

RRP 7.99 €

10 pcs. box

LR6/AA (Mignon) (4006)

Alkaline manganese battery, 1.5 V
50.5 x 14.5 mm



46967

RRP 3.99 €

4 pcs. shrink-pack

LR6/AA (Mignon) (4006)

Alkaline manganese battery, 1.5 V
50.5 x 14.5 mm



49256

RRP 7.99 €

10 pcs. box

LR14/C (Baby) ()

Alkaline manganese battery, 1.5 V
50 x 26.2 mm



38558

RRP 49.99 €

20 pcs. shrink-pack

LR20/D (Mono) (4020)

Alkaline manganese battery, 1.5 V
61.5 x 34.2 mm



49693

RRP 59.99 €

20 pcs. carton

6LR61/6LP3146/9V Block (4022)

Alkaline manganese battery, 9 V
48.5 x 17.5 x 26.5 mm



49694

RRP 59.99 €

20 pcs. carton

Duracell Plus Power

- Reliable and long-lasting batteries
- The Duralock technology keeps stored, unused Duracell batteries fresh, charged and ready for use for up to 10 years
- Ideal for everyday electronic devices that require constant power, such as remote controls, CD players, motorised toys, flashlights, razors or toothbrushes

LR03/AAA (Micro) (MN2400)

Alkaline manganese battery, 1.5 V
44.5 x 10.5 mm



49511

RRP 6.99 €

4 pcs. blister

LR6/AA (Mignon) (MN1500)

Alkaline manganese battery, 1.5 V
50.5 x 14.5 mm



49514

RRP 6.99 €

4 pcs. blister

6LR61/6LP3146/9V Block (MN1604)

Alkaline manganese battery, 9 V
48.5 x 17.5 x 26.5 mm



48510

RRP 7.99 €

1 pc. blister

Duracell Security

- Suitable for e.g. radio keys or remote controls

LR23 (MN21)

Alkaline manganese battery, 12 V
28.5 x 10.3 mm



62297

RRP 5.99 €

2 pcs. blister

Duracell ProCell



- Pack of 10 - batteries with a longer life, specially designed for professional use
- The Procell batteries are the official successors of the Duracell „Industrial Series“
- Excellent corrosion resistance
- Reliable performance even after 7 years of storage
- Design, safety, production and acceptance follow the strict battery standards
- Areas of application: flashlights, flashlights, safety devices (such as gas and smoke detectors), security keypads, motion sensors, microphones & communication devices, telemetering devices & measuring instruments, medical instruments

- Minimum order quantity 10 boxes (100 batteries)

LR03/AAA (Micro) (MN2400)

Alkaline manganese battery, 1.5 V
44.5 x 10.5 mm



52704 **RRP 8.95 €**
10 pcs. box

LR6/AA (Mignon) (MN1500)

Alkaline manganese battery, 1.5 V
50.5 x 14.5 mm



52705 **RRP 9.95 €**
10 pcs. box

- Minimum order quantity 5 boxes (50 batteries)

LR14/C (Baby) (MN1400)

Alkaline manganese battery, 1.5 V
50 x 26.2 mm



52706 **RRP 17.95 €**
10 pcs. box

LR20/D (Mono) (MN1300)

Alkaline manganese battery, 1.5 V
61.5 x 34.2 mm



52707 **RRP 24.95 €**
10 pcs. box

6LR61/6LP3146/9V Block (MN1604)

Alkaline manganese battery, 9 V
26.5 x 17.5 x 48.5 mm



52708 **RRP 24.95 €**
10 pcs. box

Varta Ultra Lithium

- Meets the highest requirements with a maximum in performance and endurance
- The perfect solution for energy-intensive digital cameras, GPS devices, smoke detectors, etc.
- Does work extremely reliable even under extreme conditions from -40 to +60 °C
- Ideal for sports/outdoor use, due to 38% lighter weight compared to alkaline batteries

FR03/AAA (Micro) (6103)

Lithium battery, 1.5 V
44.5 x 10.5 mm



62265 **RRP 5.99 €**
2 pcs. blister

FR6/AA (Mignon) (6106)

Lithium battery, 1.5 V
50.5 x 14.5 mm



62267 **RRP 5.99 €**
2 pcs. blister

lithium battery, 1.5 V

Lithium battery, 9 V
48.5 x 17.5 x 26.5 mm



49596 **RRP 11.99 €**
1 pc. blister

Ultralife

- The very low self-discharge and the very long shelf life make this battery especially interesting for smoke detectors and security systems that are difficult to access
- The 9 V block lithium battery is designed for a power supply of up to 3 - 5 years for smoke detectors, and even up to 10 years for ionisation smoke detectors
- Also ideally suited for medical devices, music, audio and industrial products

6F22 /9V Block(U9VL-J-P)

Lithium battery, 9 V
48.5 x 17.5 x 26.5 mm



54081 **RRP 16.99 €**
1 pc. blister

Varta Superlife

- Reliable and affordable energy
- For low-power devices such as clocks or remote controls

R03/AAA (Micro) (2003)

Zinc chloride battery, 1.5 V
44.5 x 10.5 mm



45182

RRP 1.89 €

4 pcs. blister

R6/AA (Mignon) (2006)

Zinc chloride battery, 1.5 V
50.5 x 14.5 mm



42335

RRP 1.89 €

4 pcs. blister

R14/C (Baby) (2014)

Zinc chloride battery, 1.5 V
50 x 26.2 mm



42336

RRP 1.89 €

2 pcs. blister

R20/D (Mono) (2020)

Zinc chloride battery, 1.5 V
61.5 x 34.2 mm



42337

RRP 1.89 €

2 pcs. blister

6F22/9V Block (2022)

Zinc chloride battery, 9 V
48.5 x 17.5 x 26.5 mm



42338

RRP 1.89 €

1 pc. blister

3R12/Flat (2012)

Zinc chloride battery, 4.5 V
62 x 65 x 22 mm



72477

RRP 1.89 €

1 pc. shrink-pack



42341

RRP 1.89 €

1 pc. blister

Varta Longlife Power

- Extra powerful for best performance in devices with high power consumption
- Designed for the use in toys, computer accessories, torches, etc.

3LR12/Flat (4912)

Alkaline manganese battery, 4.5 V
62 x 66 x 22 mm



48086

RRP 6.99 €

1 pc. blister

Varta Longlife

- Particularly reliable, powerful, long-lasting and compact battery
- Specially designed for continuous operation
- Ideal for alarm systems, permanent light lamps, flashing lights or pasture fences
- Made of zinc chloride

4R25X (430)

Zinc chloride battery, 6 V
67 x 67 x 115 mm



48088

RRP 5.99 €

1 pc. shrink-pack

4R25X (431)

Zinc chloride battery, 6 V
67 x 67 x 115 mm



48089

RRP 5.99 €

1 pc. shrink-pack

4R25-2 (540)

Zinc chloride battery, 6 V
135.5 x 73 x 127 mm



48091

RRP 14.99 €

1 pc. shrink-pack

Varta

- High temperature resistance
- Powerful and durable

CR1/2AA / 1/2 AA (Mignon) (6127)

Lithium manganese dioxide battery, 3 V
24.9 x 14.5 mm



46708

RRP 11.99 €

1 pc. bulk

Varta Professional Electronics

- Suitable for e.g. Radio keys or remote controls

LR61/AAAA (Mini) (4061)

Alkaline manganese battery, 1.5 V
41.5 x 8.3 mm



71738

RRP 3.99 €

2 pcs. blister

LR1/N (Lady) (4901)

Alkaline manganese battery, 1.5 V
30.2 x 12 mm



48064

RRP 2.99 €

1 pc. blister

LR23 (4223)

Alkaline manganese battery, 12 V
28.5 x 10.3 mm



48047

RRP 4.99 €

1 pc. blister

4SR44 (4028)

Silver Oxide-Zinc Battery, 6.2 V
25.2 x 13 mm



48048

RRP 9.99 €

1 pc. blister

4LR44 (4034)

Alkaline manganese battery, 6 V
25.2 x 13 mm



48049

RRP 4.99 €

1 pc. blister

2CR1/3N/1/3 N (6231)

Lithium battery, 6 V
25.1 x 13 mm



48050

RRP 9.99 €

1 pc. blister

LR11 (V11A)

Alkaline manganese battery, 6 V
16.5 x 10.2 mm



38496

RRP 3.99 €

1 pc. blister

LR27/A27 (V27A)

Alkaline manganese battery, 12 V
28.2 x 8 mm



38497

RRP 3.99 €

1 pc. blister

Duracell Ultra Power

- For medical devices, headlamps, styluses, laser pointers, pulse meters, blood glucose meters, remote controls, torches, clock radios, digital cameras, bicycle computers, children's toys or game consoles

LR61/AAAA (Mini) (MN2500)

Alkaline manganese battery, 1.5 V
41.5 x 8.3 mm



42112

RRP 5.99 €

2 pcs. blister



Duracell Security

- Suitable for e.g. radio keys or remote controls

Goobay

- Rechargeable photo battery

CR123A - 500 mAh

Lithium-Ion Battery (Li-Ion), 3 V
32.5 x 16.5 mm



46291

RRP 14.99 €

1 pc. cardboard box

Goobay

Photo Battery Plug-in charger

Suitable for up to 2x CR123 rechargeable batteries

- Rechargeable photo battery
- Handy charger for up to two CR123 photo batteries
- Voltage of 3.85 V or 7.3 V DC at 350 mA charging power
- Incl. 2x CR123 lithium-ion batteries (Li-ion)



46305 Bulk

RRP 34.99 €

Varta Professional Lithium

- Highest performance
- Working in a wide temperature range
- Different sizes to meet all market requirements
- 0% lead, 0% mercury and 0% cadmium

CR123A (6205)

Photo lithium battery, 3 V
34.5 x 17



48154

RRP 9.99 €

1 pc. blister

CR 2 (6206)

Photo lithium battery, 3 V
27 x 15.6 mm



48155

RRP 11.99 €

1 pc. blister

CR P2 (6204)

Photo lithium battery, 6 V
36 x 35 x 19.5 mm



48156

RRP 14.99 €

1 pc. blister

2 CR 5 (6203)

Photo lithium battery, 6 V
45 x 34 x 17 mm



48157

RRP 14.99 €

1 pc. blister

Panasonic Photo Power

- Very high quality batteries
- Due to their high capacity, they have a very long life span
- They can be used both in continuous operation (e.g. in torches, radios, etc.) and in short-term operation (for example in remote controls, etc.)

CR123A

Lithium battery, 3 V
34.5 x 17 mm



23041

1 pc. blister

RRP 4.99 €

CR 2

Lithium battery, 3 V
27 x 15.6 mm



23074

1 pc. blister

RRP 5.99 €

Duracell Ultra Photo

- High-performance lithium batteries
- Reliable power supply for long-lasting energy

CR123A (DL123)

Lithium battery, 3 V
34.5 x 17 mm



42096

1 pc. blister

RRP 7.99 €

CR 2 (DLCR2)

Lithium battery, 3 V
27 x 15.6 mm



42098

1 pc. blister

RRP 7.99 €

Tecxus Alkaline maximum

Alkaline manganese button cell, 1.5 V

- High efficiency, for devices with high energy requirements
- Long lifetime for applications with constant and low energy consumption
- Up to 7 years shelf life without loss of performance, heat and cold resistant
- Contains no mercury and cadmium



No.	Consumption unit	Max. capacity	Dimensions	IEC name	Model designation
23733	1 pc. blister	100 mAh	4.1 x 11.5 mm	LR43	

RRP 1.49 €

Varta Professional Electronics

Alkaline manganese button cell, 1.5 V

- High energy density
- High-quality materials
- For conventional devices such as calculators, cameras, car keys with light, etc.



No.	Consumption unit	Max. capacity	Dimensions	IEC name	Model designation
48041 ¹	1 pc. blister	200 mAh	6.1 x 15.5 mm	LR9	L615, PX625A, V626U, LR9, 4626 (V625U/4626)
48044 ¹	1 pc. blister	80 mAh	4.2 x 11.6 mm	LR43	LR43, 186, LR1142, RW84, 4278 (V12GA/4278)
48045 ¹	1 pc. blister	125 mAh	3.6 x 7.9 mm	LR44	LR44, 357, A76, LR1154, 4276 (V13GA/4276)
38498 ¹	2 pcs. blister	125 mAh	3.6 x 7.9 mm	LR44	LR44, 357, A76, LR1154, 4276 (V13GA/4276)
48042 ¹	1 pc. blister	50 mAh	3.1 x 11.6 mm	LR54	189, LR1130, RW89, 4274 (V10GA/4274)

RRP 2.99 €

RRP 2.99 €

RRP 2.99 €

RRP 3.99 €

RRP 2.99 €

Alkali type comparison list

Catalog	VARTA	Panasonic	RAYOVAC	PHILIPS	DURACELL	Energizer	maxell	Diverse	IEC
LR 1	4001	LR 1 P	810		MN 9100	E 90		N	LR 1
LR 9	V 625 U	LR 9 / MR9P	R 625 / RPX625	625 A	PX 625 A	EPX 625 A			LR 9
LR 23		LRV 08					L 1028	23A	LR 23
LR 41	-	LR 41			LR 41	736	L 736	AG 3	LR 41
LR 43	V 12 GA / 4278	LR 43 P	RW 82	186	LR 43	186	L 1142	AG 12	LR 43
LR 44	V 13 GA / 4276	LR 44 P	RW 84	A 76	PX 76 A	157/A 76	L 1154	AG 13	LR 44
LR 45							L 936	AG 9	LR 45
LR 48							L 754	AG 5	LR 48
LR 54	V 10 GA / 4274	LR 1130 P	LR 54	189	LR 54	189	L 1131	AG 10	LR 54
LR 55	V 8 GA	LR 1120 P	LR 55	-	LR 55	191	L 1121	AG 8	LR 55
LR 57							L 927	AG 7	LR 57
LR 58							L 721	AG 11	LR 58
LR 59	-						L 726	AG 2	LR 59
LR 60	-						L 621	AG 1	LR 60
LR 66		LR 66			LR 66		L 626	AG 4	LR 66
LR 69							L 920	AG 6	LR 69

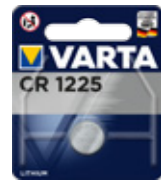
¹ Min. order quantity 10 pcs.

Varta Professional Electronics

Lithium button cell, 3 V

- High energy density and good temperature behaviour
- Minimal self-discharge
- High-quality materials and innovative organic electrolyte
- Quality button cells used e.g. in remote controls, calculators, wristwatches, car keys as well as film and photo equipment

No.	Consumption unit	Max. capacity	Dimensions	IEC name	Model designation	RRP
46769 ¹	1 pc. blister	170 mAh	10.8 x 10.6 mm	CR1/3N	DL1/3N, CR11108, 6131	5.99 €
48054 ¹	1 pc. blister	35 mAh	2 x 12.5 mm	CR1220	DL1220, CR1220, 6220	4.99 €
38513 ¹	1 pc. blister	48 mAh	2.5 x 12.5 mm	CR1225	6225, CR1225	5.99 €
48055 ¹	1 pc. blister	55 mAh	1.6 x 16 mm	CR1616	DL1616, CR1616, 6616	4.99 €
48056 ¹	1 pc. blister	70 mAh	2 x 16 mm	CR1620	DL1620, CR-1620, CR1620, 6620	4.99 €
42963 ¹	1 pc. blister	140 mAh	3.2 x 16 mm	CR1632	6632	4.99 €
48057 ¹	1 pc. blister	90 mAh	1.6 x 20 mm	CR2016	DL2016, CR2016, 6016	4.99 €
48058 ¹	1 pc. blister	170 mAh	2.5 x 20 mm	CR2025	DL2025, CR2025, 6025	4.99 €
48059 ¹	1 pc. blister	230 mAh	3.2 x 20 mm	CR2032	DL2032, CR2032, 6032	4.99 €
48061 ¹	1 pc. blister	280 mAh	3 x 24.5 mm	CR2430	DL2430, CR2430, 6430	4.99 €
48062 ¹	1 pc. blister	560 mAh	5 x 24 mm	CR2450	DL2450, CR2450, 6450	4.99 €
40866	1 pc. blister		7.7 x 24 mm	CR2477	6477, DL2477, CR2477	6.99 €



Varta Professional Electronics

Lithium button cell, 3 V

No.	Consumption unit	Max. capacity	Dimensions	IEC name	Model designation	RRP
49615	5 pcs. blister	90 mAh	1.6 x 20 mm	CR2016	6216, DL1216, CR1216	14.99 €
49611	5 pcs. blister	170 mAh	2.5 x 20 mm	CR2025	6025, DL2025, CR2025	14.99 €
49533	5 pcs. blister	230 mAh	3.2 x 20 mm	CR2032	6032, DL2032, CR2032	14.99 €



BUTTON CELLS - SILVER OXIDE

Goobay

SR44/SG13

Silver oxide-zinc button cell, 1.5 V

No.	Consumption unit	Max. capacity	Dimensions	IEC name	Model designation	RRP
23136	10 pcs. blister	115 mAh	5.4 x 11.6 mm	SR44	WS15, SG13	14.99 €

¹ Min. order quantity 10 pcs.

Varta Watch

Silver oxide-zinc button cell, 1.55 V

- For a wide range of digital and analogue clocks
- Reliable and high quality cells

No.	Consumption unit	Max. capacity	Dimensions	HD (High drain)	IEC name	Model designation	RRP
48014	10 pcs. box	38 mAh	3.6 x 7.9 mm		SR41	V392 384, 392, 1134SO, 192, 247, 280-18, S22, SR41, SR736	4.99 €
48019	10 pcs. box	38 mAh	3.6 x 7.9 mm	HD	SR41	V392 384, 392, 1134SO, 192, 247, 280-18, S22, SR41, SR736	4.99 €
48015	10 pcs. box	105 mAh	4.2 x 11.6 mm	HD	SR43	V386 301, 386, 1132SO, 186, 226, 280-01	4.99 €
48004	10 pcs. box	155 mAh	5.4 x 11.6 mm	HD	SR44	V357 357, 1130SO, 157, 280-08, S06, S1154, SB-A9, V76 PX, SR1154	4.99 €
48021	10 pcs. box	67 mAh	3.6 x 9.5 mm		SR45	V394 394, 194, SR45, SR936, 380, V394, SR936 EL	4.99 €
48017	10 pcs. box	80 mAh	3.05 x 11.6 mm		SR54	V390 389, 1138SO, 189, 280-15, 387, 626, S09, V10GS, 1130	4.99 €
48016	10 pcs. box	85 mAh	3.05 x 11.6 mm	HD	SR54	V389 389, 1138SO, 189, 280-15, 387, 626, S09, V10GS, 1130	2.99 €
48013	10 pcs. box	45 mAh	2.1 x 11.6 mm		SR55	V381 391, 381, 1170SO, 191, 280-27, 317	4.99 €
48022	10 pcs. box	42 mAh	2.7 x 9.5 mm		SR57	V395 395, 399, 1162SO, 280-48, 610, S28, SR927, V395, V399	4.99 €
48025	10 pcs. box	42 mAh	2.7 x 9.5 mm	HD	SR57	V399 395, 399, 1162SO, 280-48, 610, S28, SR927, V395, V399	4.99 €
48006	10 pcs. box	21 mAh	2.1 x 7.9 mm		SR58	V362 361, 362, 162, SR56, SR58, SR721, V361, V362, 362/361	4.99 €
48024	10 pcs. box	30 mAh	2.6 x 7.9 mm	HD	SR59	V397 396, 397, 1163SO, 196, 280-52, 612	4.99 €
48007	10 pcs. box	20 mAh	2.15 x 6.8 mm		SR60	V364 SR60, 364, 164, 280-70, SR621, 363, 531, V364, SR621 EL	4.99 €
48030	10 pcs. box	8 mAh	1.6 x 5.8 mm		SR62	V317 317, 280-58, SB-AR, SR62, SR516, 566	4.99 €
48012	10 pcs. box	14 mAh	2.15 x 5.8 mm		SR63	V379 SR63, 379, 1191SO, 280-59, 618, SR521, V379	4.99 €
48028	10 pcs. box	16 mAh	2.66 x 5.8 mm		SR64	V319 319, 280-60, 615, SB-AE/DE, SR64, SR527	4.99 €
48011	10 pcs. box	27 mAh	2.6 x 6.8 mm		SR66	V377 177, 376, 377, S626S, SR66, SR626, 565, V377, SR626 EL	4.99 €
48010	10 pcs. box	23 mAh	1.6 x 9.5 mm		SR68	V373 372, 373, 280-45, 617, SR68, SR916	4.99 €
48008	10 pcs. box	30 mAh	2.1 x 9.5 mm	HD	SR69	V370 370, 371, 1188SO, 171, 280-51, S21, SB-BN, SR69, SR920	4.99 €
48009	10 pcs. box	44 mAh	2.1 x 9.5 mm		SR69	V371 370, 371, 1188SO, 171, 280-51, S21, SB-BN, SR69, SR920	4.99 €
48035	10 pcs. box	5 mAh	1.25 x 5.8 mm		SR416	V337 337, 280-75, 623, SB-A5, SR416, V337	4.99 €
48031	10 pcs. box	13 mAh	1.65 x 6.8 mm		SR616	V321 321, 280-73, 611, SB-AF/DF, SR65, SR616	4.99 €
48033	10 Stk. in Box	36 mAh	3.1 x 7.9 mm		SR731	V329 329, SR731, 525, V329	4.99 €



Varta Professional Electronics

Silver oxide-zinc button cell, 1.55 V

- For a wide range of digital and analogue clocks
- Reliable and high quality cells

No.	Consumption unit	Max. capacity	Dimensions	HD (High drain)	IEC name	Model designation	RRP
38509	1 pc. blister	40 mAh	3.6 x 7.9 mm	HD	SR41	V392 1134SO, 192, 247, 280-18, 384, 392, 392/384, 527, 547, S22, SR41, SR41 EL, SR736, V384, V392	2.99 €
38495	1 pc. blister	105 mAh	4.2 x 11.6 mm	HD	SR43	V12GS/ 386 V12GS 1130SO, 157, 280-08, 303, 357, 4075, 541, S06, S1154, SB-A9, SR1154, SR44 EL, V303, V357, V521, V76 PX	4.99 €
38494	1 pc. blister	160 mAh	5.4 x 11.6 mm		SR44	V303 1130SO, 157, 280-08, 303, 357, 4075, 541, S06, S1154, SB-A9, SR1154, SR44 EL, V303, V357, V521, V76 PX	4.99 €
38502	1 pc. blister	145 mAh	5.4 x 11.6 mm		SR44	V76PX 1130SO, 157, 280-08, 303, 357, 4075, 541, S06, S1154, SB-A9, SR1154, SR44 EL, V303, V357, V521, V76 PX	3.99 €
38510	1 pc. blister	56 mAh	3.6 x 9.5 mm		SR45	V394 194, 380, 394, SR45, SR936, SR936 EL, V394	3.99 €
38508	1 pc. blister	80 mAh	3.05 x 11.6 mm		SR54	V390 1130, 1138SO, 189, 280-15, 387, 389, 554, 626, S09, SR1130 EL, SR54, V10GS, V389, V390	3.99 €
38511	1 pc. blister	42 mAh	2.7 x 9.5 mm		SR57	V395 1162SO, 280-48, 395, 399, 610, S28, SR927, SR927 EL, V395, V399	2.99 €
38504	1 pc. blister	17 mAh	2.15 x 6.8 mm		SR60	V364 164, 280-70, 363, 364, 531, SR60, SR621, SR621 EL, V364	2.99 €
38507	1 pc. blister	14 mAh	2.15 x 5.8 mm	HD	SR63	V379 1191SO, 280-59, 379, 618, SR521, SR63, V379	2.99 €
38506	1 pc. blister	24 mAh	2.6 x 6.8 mm		SR66	V377 177, 376, 377, 565, S626S, SR626, SR626 EL, SR66, V377	2.99 €
38505	1 pc. blister	35 mAh	2.1 x 9.5 mm		SR69	V371 1188SO, 171, 280-51, 370, 371, 371/370, S21, SB-BN, SR69, SR920, V370, V371	2.99 €



Silver oxide type comparison list

Catalog							Diverse		IEC
4 SR 44	V 28 PX	4 SR 44 P	RPX 28	-	PX 28	544			4 SR 44
SR 1120	V 8 GS/ V 391	SR 1120 P	RW 40	-	D 391	391	S 1121 S	SG 8	SR 55
SR 1120 SW	V 381	SR 1120 SW	381	-	-	381			SR 55
SR 1120 W	V 391	SR 1120 W	391	391	D 391	391			SR 55
SR 1130	V 10 GS/V 389	SR 1130 P	RW 49	389	D 389	389	S 1131 S	SG 10	SR 54
SR 1130 SW	V 390	SR 1130 SW	RW 39	390	D 390	390	S 1131 S	-	SR 54
SR 1130 W	V 389	SR 1130 W	389	389	D 389	389			SR 54
SR 1136 SW	V 344	SR 1136 SW	344	-	D 344	344			SR 42
SR 41 SW	V 384	SR 41 SW	RW 37	384	D 384	384	S 736 S	-	SR 41
SR 41 W	V 392	SR 41 W	RW 47	392	D 392	392	S 736 S	SG 3	SR 41
SR 43	V 12 GS/V 386	SR 43 P	RW 34	386	D 386	386	S 1142 S	SG 12	SR 43
SR 43 SW	V 301	SR 43 SW	301	-	-	301			SR 43
SR 43 W	V 386	SR 43 W	386	386	D 386	386			SR 43
SR 44	V 13 GS/V 357	SR 44 P	RW 42	357	D 357 H	EPX 76	S 1154 S	SG 13	SR 44
SR 44 SW	V 303	SR 44 SW	303	-	-	303			SR 44
SR 44 W	V 357	SR 44 W	357	357	D 357 H	357			SR 44
SR 512 SW	V 335	SR 512 SW	335	-	-	335			-
SR 516 SW	V 317	SR 516 SW	317	317	-	317			SR 62
SR 521 SW	V 379	SR 521 SW	RW 327	379	D 379	379	-		SR 63
SR 527 SW	V 319	SR 527 SW	RW 328		-	319			SR 64
SR 614 SW	V 339	SR 614 SW	339	-	-	339			-
SR 616 SW	V 321	SR 616 SW	RW 321	321	D 321	321			SR 65
SR 621	V 364	SR 621 SW	RW 320	364	D 364	364	S 621 S	SG 1	SR 60
SR 621 SW	V 364	SR 621 SW	364	364	D 364	364			SR 60
SR 626 SW	V 377	SR 626 SW	RW 329	377	D 377	377	S 626 S	SG 4	SR 66
SR 712 SW	V 346	SR 712 SW	346	-	-	346			-
SR 714 SW	V 341	SR 714 SW	341	-	-	341			-
SR 721	V 362	SR 721 SW	RW 310	362	D 362	362	S 721 S	SG 11	SR 58
SR 721 SW	V 362	SR 721 SW	362	362	D 362	362			SR 58
SR 721 W	V 361	SR 721 W	RW 410	-	D 361	361	S 721 S	SG 11	SR 58
SR 726 SW	V 397	SR 726 SW	RW 311	-	D 397	397	S 726 S	-	SR 59
SR 726 W	V 396	SR 726 W	RW 411	396	D 396	396	S 726 S	SG 2	SR 59
SR 731 SW	V 329	SR 731 SW	329	329	D 329	329			-
SR 754 SW	V 309	SR 754 SW	309	-	-	309			SR 48
SR 754 W	V 393	SR 754 W	RW 48	393	D 393	393	S 754 S	SG 5	SR 48
SR 916 SW	V 373	SR 916 SW	373	373	-	373			SR 68
SR 920 SW	V 371	SR 920 SW	RW 315	371	D 371	371	S 921 S	SR 6	SR 69
SR 920 W	V 370	SR 920 W	RW 415	370	-	370	S 921 S	SR 6	SR 69
SR 927 SW	V 395	SR 927 SW	RW 313	395	D 395	395	S 926 S	SG 7	SR 57
SR 927 W	V 399	SR 927 W	399	-	D 399	399			SR 57
SR 936 SW	V 394	SR 936 SW	RW 33	394	D 394	394		SG 9	SR 45

Panasonic Hearing Aid Zinc-air hearing aid cell, 1.4 V

- Particularly powerful batteries with a very long runtime



No.	Consumption unit	Max. capacity	Dimensions	IEC name	Model designation	RRP
48830 ¹	6 pcs. blister	100 mAh	3.6 x 5.8 mm	PR70	V10 PR10, DA230, ZL4, 10HPX, PR10L, PR230H, PR230PA, PR70, 10A, 10AE	6.99 €
48831 ¹	6 pcs. blister	310 mAh	5.4 x 7.9 mm	PR48	V13 PR13, DA13, S13A, ZL2, PR- 13H, PR-13PA, PR312H, PR41, 13A, 13AE	6.99 €
48832 ¹	6 pcs. blister	180 mAh	3.6 x 7.9 mm	PR41	V312 PR312, B347PA, DA312, ZL3, PR13H, PR-312H, PR-312PA, PR48, 312A, 312AE	6.99 €
48833 ¹	6 pcs. blister	650 mAh	5.4 x 11.6 mm	PR44	V675 PR675, DA665, DA675, S665A, ZL1, PR44, PR-665PA, PR675H, 665A, 665AE	6.99 €

Rayovac Acoustic Special Zinc-air hearing aid cell, 1.4 V

- Highest performance for maximum lifetime
- Mercury-free and with corrosion-resistant shell for more power and improved conductivity



No.	Consumption unit	Max. capacity	Dimensions	IEC name	Model designation	RRP
43447 ¹	6 pcs. blister	105 mAh	3.5 x 5.8 mm	PR70	V10 10A, DA230, ZL4, 10HPX, PR10L, PR230H, PR230PA, PR70, 10AE	6.99 €
43448 ¹	6 pcs. blister	310 mAh	5.4 x 7.9 mm	PR48	V13 13A, DA13, S13A, ZL2, PR- 13H, PR-13PA, PR312H, PR41, 13AE	6.99 €
43449 ¹	6 pcs. blister	180 mAh	3.6 x 7.9 mm	PR41	V312 312A, B347PA, DA312, ZL3, PR13H, PR-312H, PR-312PA, PR48, 312AE	6.99 €

Rayovac Extra Advanced Zinc-air hearing aid cell, 1.4 V

- Long runtimes and a high voltage level characterise these special batteries



No.	Consumption unit	Max. capacity	Dimensions	IEC name	Model designation	RRP
49588 ¹	6 pcs. blister	105 mAh	3.5 x 5.8 mm	PR70	V10 10A, DA230, ZL4, 10HPX, PR10L, PR230H, PR230PA, PR70, 10AE	6.99 €
49589 ¹	6 pcs. blister	310 mAh	5.4 x 7.9 mm	PR48	V13 13A, DA13, S13A, ZL2, PR- 13H, PR-13PA, PR312H, PR41, 13AE	6.99 €
49590 ¹	6 pcs. blister	180 mAh	3.6 x 7.9 mm	PR41	V312 312A, B347PA, DA312, ZL3, PR13H, PR-312H, PR-312PA, PR48, 312AE	6.99 €

¹ Min. order quantity 10 pcs.

Please refer to order-codes when placing an order. Illustration and packaging similar. Changes and errors excepted.
Other products on request.

Tecxus Rechargeable

- High efficiency, for devices with high energy requirements
- Long lifetime for applications with constant and low energy consumption
- No memory effect, therefore it is not necessary to always fully discharge
- Rechargeable up to 1000 times, they are especially environmental friendly
- Contains no traces of mercury or cadmium

AAA (Micro)/HR03 - 600 mAh

Nickel-metal hydride battery (NiMH), 1.2 V
44.5 x 10.5 mm



14112
4 pcs. blister

RRP 6.99 €

AAA (Micro)/HR03 - 1100 mAh

Nickel-metal hydride battery (NiMH), 1.2 V
44.5 x 10.5 mm



23744
4 pcs. blister

RRP 8.99 €

D (Mono)/HR20 - 10000 mAh

Nickel-metal hydride battery (NiMH), 1.2 V
60.9 x 32 mm



23741
1 pc. blister

RRP 16.99 €



45838
10 pcs. box

9V Block/6HR61 - 280 mAh

Nickel-metal hydride battery (NiMH), 9 V
48.5 x 26 mm



23754
1 pc. blister

RRP 9.99 €

Tecxus Ready-to-Use Rechargeable

- Special battery type with low self discharge (LSD)
- Battery is precharged and directly ready to use
- Rechargeable up to 1000 times, they are especially environmental friendly
- No memory effect

C (Baby)/HR14 - 4500 mAh

Low-self-discharge NiMH battery (ready-to-use), 1.2 V
49.5 x 25.8 mm



23805
1 pc. blister

RRP 11.99 €

Please refer to order-codes when placing an order. Illustration and packaging similar. Changes and errors excepted.
Other products on request.

Varta Ready to Use

- Pre-charged, use them straight from the pack as normal alkaline
- Remain charged up to 75% (when not in use) after 12 months
- Rechargeable without any memory effect
- Very low self-discharge (LSD)

AAA (Micro)/HR03 (56703) - 800 mAh

Low-self-discharge NiMH battery (ready-to-use), 1.2 V
44.5 x 10.5 mm



48078 **RRP 7.99 €**
2 pc. blister

43461 **RRP 13.99 €**
4 pcs. blister

AAA (Micro)/HR03 (5703) - 1000 mAh

Low-self-discharge NiMH battery (ready-to-use), 1.2 V
44.5 x 10.5 mm



43470 **RRP 9.99 €**
2 pc. blister

43471 **RRP 16.99 €**
4 pcs. blister

AA (Mignon)/HR6 (56706) - 2100 mAh

Low-self-discharge NiMH battery (ready-to-use), 1.2 V
50.5 x 14.5 mm



48077 **RRP 7.99 €**
2 pc. blister

43462 **RRP 13.99 €**
4 pcs. blister

AA (Mignon)/HR6 (5716) - 2600 mAh

Low-self-discharge NiMH battery (ready-to-use), 1.2 V
50.5 x 14.5 mm



43472 **RRP 11.99 €**
2 pc. blister

43473 **RRP 19.99 €**
4 pcs. blister

C (Baby)/HR14 (56714) - 3000 mAh

Low-self-discharge NiMH battery (ready-to-use), 1.2 V
50 x 26 mm



48271 **RRP 14.99 €**
2 pc. blister

D (Mono)/HR20 (56720) - 3000 mAh

Low-self-discharge NiMH battery (ready-to-use), 1.2 V
82 x 34.2 mm



48272 **RRP 14.99 €**
2 pc. blister

9V Block/6HR61 (56722) - 200 mAh

Low-self-discharge NiMH battery (ready-to-use), 9 V
48.5 x 17.5 x 26.6 mm



44036 **RRP 14.99 €**
1 pc. blister

Varta Solar Rechargeable

- The reliable VARTA Solar Rechargeable energy supply ensures the right lighting - anytime you want
- Especially developed for solar garden lights
- Optimized capacity for low current garden lights which need high frequency recharging cycles (almost daily)
- Rechargeable hundreds of times without memory effect
- Long lasting, environmental friendly energy

AAA (Micro)/HR03 (56733) - 550 mAh

Nickel-metal hydride battery (NiMH), 1.2 V
44.5 x 10.5 mm



44146 **RRP 4.99 €**
2 pc. blister

AA (Mignon)/HR6 (56736) - 800 mAh

Nickel-metal hydride battery (NiMH), 1.2 V
50.5 x 14.5 mm



43361 **RRP 2.99 €**
2 pc. blister

RECHARGEABLE BATTERIES - DECT BATTERIES

Goobay

- Replacement battery for cordless phones

2x AAA (Micro)/HR03 - 650 mAh

Hirose male, Nickel-metal hydride battery (NiMH), 2.4 V
10.1 x 10.1 mm



73978 **RRP 6.99 €**
1 pc. bulk

2x AAA (Micro)/HR03 - 650 mAh

Universal male, Nickel-metal hydride battery (NiMH), 2.4 V
10.1 x 10.1 mm



48121 **RRP 6.99 €**
1 pc. bulk

Varta Phone Power

- Premium quality for the growing analog and digital cordless phone market
- Premium quality for the growing analog and digital cordless phone market
- Rechargeable hundreds of times without memory effect
- Energy and durable power supply
- Recharge hundreds of times

AAA (Micro)/HR03 (58398) - 800 mAh

Nickel-metal hydride battery (NiMH), 1.2 V
44.5 x 10.5 mm



48094 **RRP 9.99 €**
2 pc. blister

AA (Mignon)/HR6 (58399) - 1600 mAh

Nickel-metal hydride battery (NiMH), 1.2 V
50.5 x 14.5 mm



48093 **RRP 8.99 €**
2 pc. blister

Xeno-Energy

- Maximum capacity
- Very low self-discharge
- Stable voltage during the entire service life
- Suitable for backup storage (e.g. of storage media) and power supply of devices with low power consumption

1/2 AA (Mignon)/ER14252 - 1200 mAh

Lithium thionyl chloride battery, 3.6 V
25.2 x 14.5 mm



Standard-Top (XL-050F)
23500
1 pc. bulk
RRP 7.99 €

AA (Mignon)/ER14505 - 2400 mAh

Lithium thionyl chloride battery, 3.6 V
50.5 x 14.5 mm



Standard-Top (XL-060F)
23501
1 pc. bulk
RRP 9.99 €

2/3 AA (Mignon)/ER14335 - 1650 mAh

Lithium thionyl chloride battery, 3.6 V
33.5 x 14.5 mm



Standard top (XL-055F)
23578
1 pc. bulk
RRP 9.99 €

C (Baby)/ER26500 - 7200 mAh

Lithium thionyl chloride battery, 3.6 V
50 x 26.2 mm



Standard-Top (XL-140F)
23502
1 pc. bulk
RRP 24.99 €

1/2 AA (Mignon)/ER14252 - 1200 mAh

Lithium thionyl chloride battery, 3.6 V
25.2 x 14.5 mm



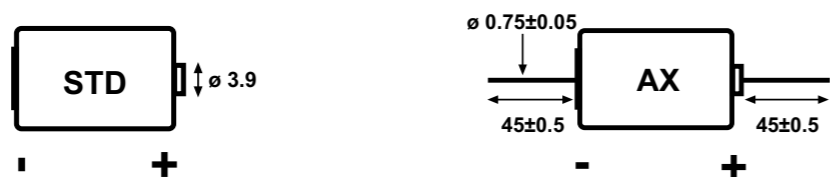
Wire (axial) (XL-050F/AX)
23504
1 pc. bulk
RRP 9.99 €

AA (Mignon)/ER14505 - 2400 mAh

Lithium thionyl chloride battery, 3.6 V
50.5 x 14.5 mm



Wire (axial) (XL-060F/AX)
23507
1 pc. bulk
RRP 11.99 €



Type	XL-050F	XL-055F	XL-060F	XL-140 F
Standard battery	IEC 1/2 ER6	2/3 ER6	ER6	ER14
	ANSI 1/2AA ER14252	2/3AA ER14252	AA ER14335	C ER26500
Nominal voltage (V)	3.6 V	3.6 V	3.6 V	3.6 V
Nominal capacity (Ah)	1.2 Ah	1.65 Ah	2.4 Ah	7.2 Ah
Max. continuous discharge current (mA)	50 mA	60 mA	100 mA	230 mA
Max. pulse discharge current (mA)	100 mA	150 mA	200 mA	400 mA
Operating temperature range (°C)	-55°C ~ 85°C	-55°C ~ 85°C	-55°C ~ 85°C	-55°C ~ 85°C
Diameter (ø)	14.5 mm	14.5 mm	14.5 mm	26.2 mm
Height	25.2 mm	33.5 mm	50.5 mm	50 mm
Weight	9.0 g	11.7 g	17.1 g	48.0 g

Goobay

- Special battery type with low self discharge
- Battery is precharged and directly ready to use
- Rechargeable up to 1000 times, they are especially environmental friendly
- No memory effect

1x AAA (Micro)/HR03 - 800 mAh

Low-self-discharge NiMH battery (ready-to-use), 1.2 V
43.5 x 10.5 mm



Solder tail (Z)
55653
1 pc. in polybag
RRP 1.29 €



AA (Mignon)/HR6 - 2100 mAh

Low-self-discharge NiMH battery (ready-to-use), 1.2 V
49.5 x 14.5 mm



Solder tail (Z)
55509
1 pc. in polybag
RRP 2.99 €



BATTERIEN - INDUSTRIEZELLEN - AKKU-PACKS

Goobay

- Special battery type with low self discharge
- Battery is precharged and directly ready to use
- Rechargeable up to 1000 times, they are especially environmental friendly
- No memory effect

3x AAA (Micro) - 800 mAh

Nickel-metal hydride battery (NiMH), 3.6 V
32.5 x 10.5 mm



Solder tail (Z)
55581
1 pc. in polybag
RRP 4.99 €



3x AA (Mignon) - 2100 mAh

Nickel-metal hydride battery (NiMH), 3.6 V
44.5 x 14.5 mm



Solder tail (Z)
55652
1 pc. in polybag
RRP 7.99 €



4x AA (Mignon) - 2100 mAh

Nickel-metal hydride battery (NiMH), 4.8 V
59 x 14.5 mm



Solder tail (Z)
55580
1 pc. in polybag
RRP 11.99 €



5x AA (Mignon) - 2100 mAh

Nickel-metal hydride battery (NiMH), 6 V
73.5 x 14.5 mm



Solder tail (Z)
55582
1 pc. in polybag
RRP 14.99 €



Goobay

• Replacement battery for cordless power tools (CPT)

PVC sleeve

Sub-C, 1500 mAh

Nickel-metal hydride battery (NiMH),
1.2 V, PVC

43 x 23 mm



Solder tail (Z)

72802

RRP 6.99 €

1 pc. bulk

Sub-C, 2000 mAh

Nickel-metal hydride battery (NiMH),
1.2 V, PVC

43 x 23 mm



Solder tail (Z)

72804

RRP 7.99 €

1 pc. bulk

Sub-C, 2500 mAh

Nickel-metal hydride battery (NiMH),
1.2 V, PVC

43 x 23 mm



Solder tail (Z)

72806

RRP 8.99 €

1 pc. bulk

Sub-C, 3000 mAh

Nickel-metal hydride battery (NiMH),
1.2 V, PVC

43 x 23 mm



Solder tail (Z)

72808

RRP 9.99 €

1 pc. bulk

Sub-C, 4000 mAh

Nickel-metal hydride battery (NiMH),
1.2 V, PVC

43 x 23 mm



Solder tail (Z)

72810

RRP 11.99 €

1 pc. bulk

Cardboard sleeve

Sub-C, 1500 mAh

Nickel-metal hydride battery (NiMH),
1.2 V, cardboard

43 x 23 mm



Solder tail (Z)

72875

RRP 6.99 €

1 pc. bulk

4/5 Sub-C, 2000 mAh

Nickel-metal hydride battery (NiMH),
1.2 V, cardboard

34 x 23 mm



Solder tail (Z)

72874

RRP 7.99 €

1 pc. bulk

Sub-C, 2000 mAh

Nickel-metal hydride battery (NiMH),
1.2 V, cardboard

43 x 23 mm



Solder tail (Z)

72876

RRP 7.99 €

1 pc. bulk

Sub-C, 2000 mAh, Flat-Top

Nickel-metal hydride battery (NiMH),
1.2 V, cardboard

43 x 23 mm



Flat-Top

72830

RRP 6.99 €

1 pc. bulk



Goobay



Ultracell



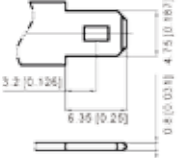

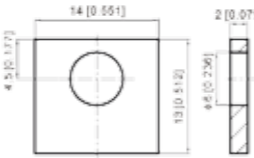
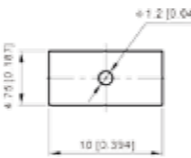
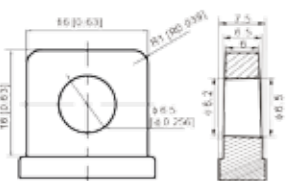
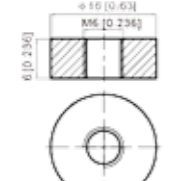
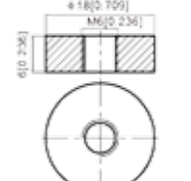
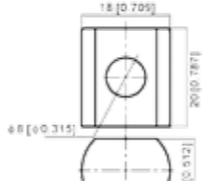
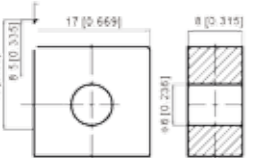
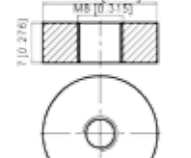
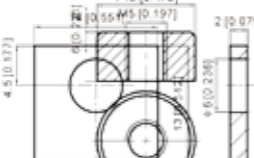
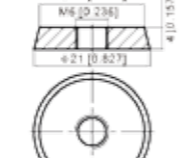
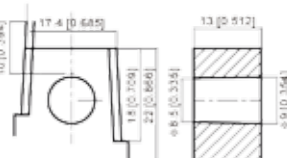
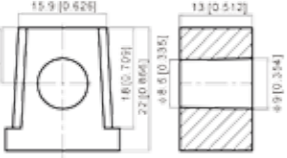

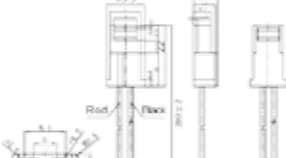
Yuasa

Application type list for lead-acid batteries

Manufacturer	Series	Application		Lifetime in years	UPS systems	Communication	Security, emergency light	Golf Trollys, electrical wheel chairs
Goobay	GO	General Use		3-5	x	x	x	-
Ultracell	UL-	General Use		3-5	x	x	x	-
	UCG-	Cyclic applications		-	-	-	-	x
Yuasa	NP-	General Use		3-5	x	x	x	-
	NPH	General Use	High-Performance	3-5	x	x	x	-
	NPW-	General Use	High-Performance	3-5	x	x	x	-
	RE-	General Use		6-9	x	x	x	-
	REW-	General Use	High-Performance	6-9	-	-	-	-
Yuasa	NPL-	General Use	LongLife	10-12	x	x	x	-
	NPC-	Cyclic applications		3-5	-	-	-	x

You can find suitable data sheets in our onlineshop or ask your contact person.

Ultracell Terminal overview

<h3>F1 Terminal</h3> 	<h3>F2 Terminal</h3> 	<h3>F3 Terminal</h3> 	<h3>F4 Terminal</h3> 
<p>4.8 mm FASTON F187 FASTON TYPE (copper) quick disconnect tabs; silver coating for better conductivity</p>	<p>6.38 mm FASTON F250 FASTON TYPE (copper) quick disconnect tabs; silver coating for better conductivity</p>	<p>Brass coated with tin torque: 3.9 ~ 5.4 Nm</p>	<p>Brass coated with tin</p>
<h3>F5 Terminal</h3> 	<h3>F6 Terminal</h3> 	<h3>F7 Terminal</h3> 	<h3>F9 Terminal</h3> 
<p>Brass coated with tin torque: 3.9 ~ 5.4 Nm</p>	<p>Brass coated with tin torque: 3.9 ~ 5.4 Nm</p>	<p>Brass coated with tin torque: 3.9 ~ 5.4 Nm</p>	<p>Lead torque: 11 ~ 14.7 Nm</p>
<h3>F10 Terminal</h3> 	<h3>F11 Terminal</h3> 	<h3>F12 Terminal</h3> 	<h3>F13 Terminal</h3> 
<p>Lead torque: 3.9 ~ 5.4 Nm</p>	<p>Brass coated with tin; threaded insert 8 mm STUD torque: 11~14.7 Nm</p>	<p>Brass coated with tin; threaded insert 5 mm STUD torque: 2.0 ~ 3.0 Nm</p>	<p>Brass coated with tin; threaded insert 6 mm STUD torque: 3.9 ~ 5.4 Nm</p>
<h3>F14-1 Terminal</h3> 	<h3>F14-2 Terminal</h3> 	<h3>Spring Terminal</h3> 	<h3>Connector</h3> 
<p>Lead torque: 11 ~ 14.7 Nm</p>	<p>Lead torque: 11 ~ 14.7 Nm</p>	<p>Spring steel fully collapsible</p>	<p>H-connector</p>



16070



16074



16076

Goobay

- High quality, reliability and energy density of battery
- Maintenance-free and location-independent operation for approx. 5 years (at 25 °C)
- Application: UPS, main and supporting power supply, emergency lighting, etc.

Article-No.	Manufacturer designation	Voltage	Max. capacity	Connection. type	Length x Width x Height	RRP
16070	GO6-4	6 V	4.0 Ah	Faston (4.8 mm)	70 x 47 x 107 mm	14.99 €
16073	GO12-1.3	12 V	1.3 Ah	Faston (4.8 mm)	97 x 43 x 58 mm	14.99 €
16074	GO12-2.3	12 V	2.3 Ah	Faston (4.8 mm)	178 x 35 x 67 mm	19.99 €
16076	GO12-9	12 V	9.0 Ah	Faston (4.8 mm)	151 x 65 x 101 mm	34.99 €
16077	GO12-7.2	12 V	7.2 Ah	Faston (4.8 mm)	151 x 65 x 101 mm	24.99 €

You can find suitable data sheets in our onlineshop or ask your contact person.

Ultracell UL

- Oxygen recombination technology for maintenance-free usage
- Alloy mesh anode to minimize gas leakage and very low self discharge
- Battery housing made from very durable ABS material
- Silver-plated copper terminals improve electrical conductivity
- Application: all purpose, UPS, emergency lighting, backup power, security systems

Article-No.	Manufacturer designation	Voltage	Max. capacity	Connection, type	Markings	Length x Width x Height
78289	UL4.5-4	4 V	4.5 Ah	Faston (4.8 mm)	F1	52.2 x 48 x 100 mm



RRP 19.99 €

Article-No.	Manufacturer designation	Voltage	Max. capacity	Connection, type	Markings	Length x Width x Height
46711	UL1.3-6	6 V	1.3 Ah	Faston (4,8 mm)	F1	97 x 24 x 52 mm
78241	UL3.4-6	6 V	3.4 Ah	Faston (4,8 mm)	F1	134 x 34 x 62 mm
46758	UL4.5-6	6 V	4.5 Ah	Faston (4,8 mm)	F1	70 x 47 x 101 mm
46759	UL7-6	6 V	7.0 Ah	Faston (4,8 mm)	F1	151 x 34 x 94 mm
48321	UL10-6	6 V	10.0 Ah	Faston (4,8 mm)	F1	151 x 50 x 94 mm
48322	UL12-6	6 V	12.0 Ah	Faston (4,8 mm)	F1	151 x 50 x 94 mm



RRP 9.99 €

RRP 14.99 €

RRP 14.99 €

RRP 19.99 €

RRP 24.99 €

RRP 24.99 €

Article-No.	Manufacturer designation	Voltage	Max. capacity	Connection, type	Markings	Length x Width x Height
78242	UL0.8-12	12 V	0.8 Ah	AMP male		96 x 25 x 62 mm
78297	UL0.8-12	12 V	0.8 Ah	JST male		96 x 25 x 62 mm
78243	UL1.3-12	12 V	1.3 Ah	Faston (4.8 mm)	VdS F1	97 x 43 x 52 mm
16015	UL2.4-12	12 V	2.4 Ah	Faston (4.8 mm)	VdS F1	178 x 35 x 60 mm
46689	UL3.4-12	12 V	3.4 Ah	Faston (4.8 mm)	VdS F1	134.4 x 67.5 x 61 mm
78246	UL7-12	12 V	7.0 Ah	Faston (4.8 mm)	VdS F1	151 x 65 x 95 mm
42047	UL7.2-12	12 V	7.2 Ah	Faston (4.8 mm)	F1	151 x 65 x 95 mm
73424	UL7.2-12	12 V	7.2 Ah	Faston (4.8 mm)	F1	151 x 65 x 94 mm
42048	UL7.5-12	12 V	7.5 Ah	Faston (4.8 mm)	F1	151 x 65 x 95 mm
78248	UL12-12	12 V	12.0 Ah	Faston (4.8 mm)	VdS F1	151 x 98 x 95 mm
78249	UL18-12	12 V	18.0 Ah	Thread (M5)	VdS F3	181 x 77 x 167 mm



RRP 16.99 €

RRP 14.99 €

RRP 14.99 €

RRP 19.99 €

RRP 24.99 €

RRP 24.99 €

RRP 29.99 €

RRP 34.99 €

RRP 29.99 €

RRP 34.99 €

RRP 49.99 €

You can find suitable data sheets in our onlineshop or ask your contact person.

Yuasa NP

- Shock-resistant and break-proof industrial battery with ABS housing (EUROBAT: 3-5 years ,Standard Commercial')
- Electrolyte glass fibre mat bound (AGM technology)
- Lead calcium grid for longer service life
- Valve-controlled construction, almost 100% oxygen recombination
- Very good charging efficiency, low self-discharge (3% per month at 20 °C)
- Quick recovery after deep discharge, operation in any position (except overhead)
- EN ISO 9001, EN ISO 14001, IEC61056, UL



Article-No.	Manufacturer designation	Voltage	Max. capacity	Connection, type	Markings	Length x Width x Height
48555	NP4-6	6 V	4.0 Ah	Faston (4.8 mm)		70 x 47 x 105.5 mm
48557	NP7-6	6 V	7.0 Ah	Faston (4,8 mm)		151 x 34 x 97.5 mm

RRP 24.99 €

UVP 34,99 €

Article-No.	Manufacturer designation	Voltage	Max. capacity	Connection, type	Markings	Length x Width x Height
48561	NP1.2-12	12 V	1.2 Ah	Faston (4.8 mm)	VdS	97 x 48 x 54.5 mm
48563	NP2.3-12	12 V	2.3 Ah	Faston (4.8 mm)	VdS	178 x 34 x 64 mm
48564	NP3.2-12	12 V	3.2 Ah	Faston (4.8 mm)		134 x 67 x 64 mm
48566	NP7-12	12 V	7.0 Ah	Faston (4.8 mm)	VdS	151 x 65 x 97.5 mm
48611	NP7-12L	12 V	7.0 Ah	Faston (6.35 mm)		151 x 65 x 97.5 mm
48567	NP12-12	12 V	12.0 Ah	Faston (6.35 mm)	VdS	151 x 98 x 97.5 mm
48568	NP17-12I	12 V	17.0 Ah	Thread (M5)	VdS	181 x 76 x 167 mm
48569	NP24-12I	12 V	24.0 Ah	Thread (M5)	VdS	166 x 175 x 125 mm
48570	NP38-12I	12 V	38.0 Ah	Thread (M5)	VdS	197 x 165 x 170 mm

RRP 24.99 €

RRP 29.99 €

RRP 34.99 €

RRP 34.99 €

RRP 34.99 €

RRP 49.99 €

RRP 69.99 €

RRP 99.99 €

RRP 129.99 €



Yuasa NPH

- Industrial battery for mini/midi ups (EUROBAT: 3-5 years ,Standard Commercial')
- Lead calcium grid for longer service life (AGM technology)
- Valve-controlled construction, almost 100% oxygen recombination
- Shock-resistant and break-proof plastic housing made of ABS
- Quick recovery after deep discharge, low self-discharge (3% per month at 20 °C)
- EN ISO 9001, EN ISO 14001, IEC61056, UL, operation in any position (except overhead)



Article-No.	Manufacturer designation	Voltage	Max. capacity	Connection, type	Markings	Length x Width x Height
42184	NPH5-12	12 V	5.0 Ah	Faston (6.5 mm)		90 x 70 x 105 mm
42998	NPH45-12	12 V	8.5 Ah	Faston (6.35 mm)		151 x 65 x 97.5 mm

RRP 54.99 €

RRP 44.99 €

Suitable connectors and more Yuasa types on request.



Goobay

Plug-in Battery charger

Charges up to four AAA/Micro or AA/Mignon and two 9 V batteries

- Suitable for NiCd and NiMH rechargeable batteries
- Switches off automatically after eight hours thanks to integrated safety timer
- Charging current (AA/AAA): two 500 mA
- Charging current (9 V): two 15 mA

40902 Retail Box

RRP 14.99 €

Goobay

LCD battery tester

For standard batteries

- Suitable for AAA (Micro), AA (Mignon), C (Baby), D (Mono), 9V Block, N (Lady)
- With LCD display
- No AAA device batteries included in delivery



46246 Retail Box

RRP 14.99 €

Goobay

Battery tester

For standard batteries

- Suitable for AAA (Micro), AA (Mignon), C (Baby), D (Mono), 9V Block, N (Lady)
- Simple display indicates battery status clearly



54020 Retail Box

RRP 6.99 €

INSTALLATION & ACCESSORIES - BATTERY TESTERS



Goobay

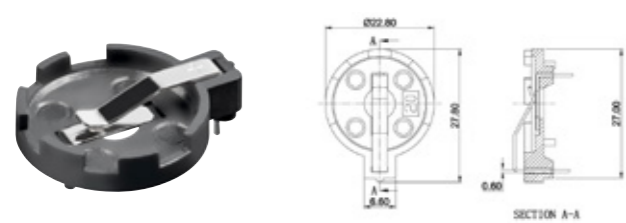
LCD battery tester

For standard and photo batteries and all common button cells

- Suitable for AAA (Micro), AA (Mignon), C (Baby), D (Mono), 9V Block, N (Lady), CR 2, CR123A, CR-P2, CR-V3, 2CR5
- With LCD display
- No AAA device batteries included in delivery

78325 Retail Blister

RRP 24.99 €



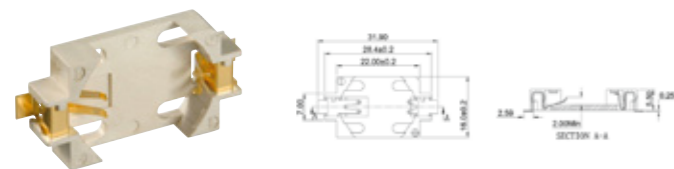
Goobay
CR2012-2032 button cell holder
Max. 20 mm, black, Print assembly, horizontal (2-pin)

56617¹ Bulk **RRP 2.99 €**



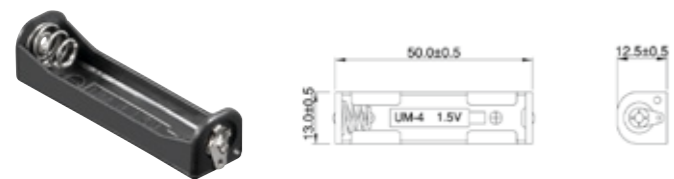
Goobay
CR2012-2032 button cell holder
Max. 20 mm, black, Print assembly, vertical (3-Pin)

46159¹ Bulk **RRP 1.99 €**



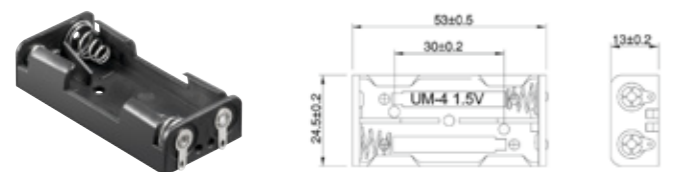
Goobay
CR2012-2032 button cell holder
Max. 20 mm, beige, Surface-Mount Device (SMD)

46158¹ Bulk **RRP 2.99 €**



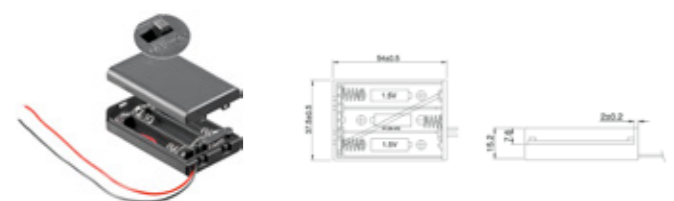
Goobay
1x AAA (Micro) battery holder
Solder tail (U)

11987¹ Bulk **RRP 1.99 €**



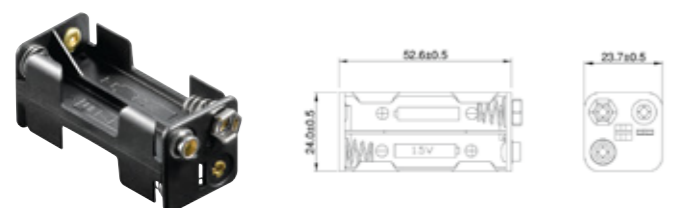
Goobay
2x AAA (Micro) battery holder
Solder tail (U)

11988¹ Bulk **RRP 1.99 €**



Goobay
3x AAA (Micro) battery holder
Loose cable ends, water-repellent, switchable

48143¹ Bulk **RRP 2.99 €**



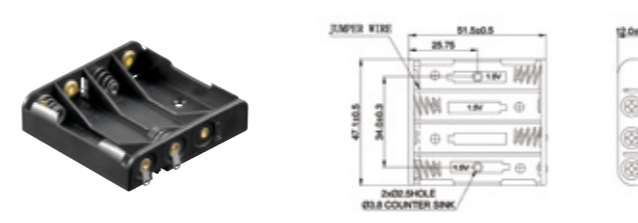
Goobay
4x AAA (Micro) battery holder
Push on

11990¹ Bulk **RRP 2.99 €**



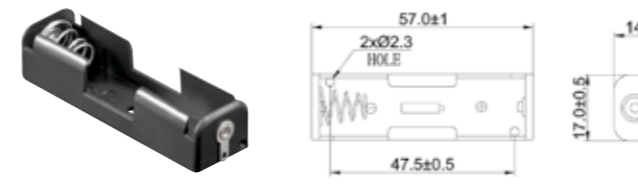
¹ Min. order quantity 10 pcs.

Please refer to order-codes when placing an order. Illustration and packaging similar. Changes and errors excepted.
Other products on request.



Goobay
4x AAA (Micro) battery holder
Solder tail (U)

11989¹ Bulk **RRP 2.99 €**



Goobay
1x AA (Mignon) battery holder
Solder tail (U)

11489¹ Bulk **RRP 1.99 €**



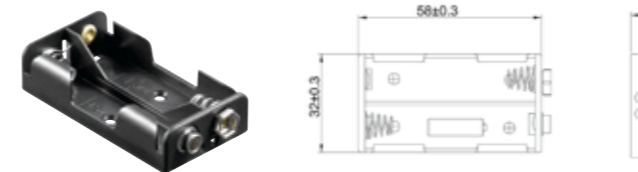
Goobay
1x AA (Mignon) battery holder
Loose cable ends

11460¹ Bulk **RRP 1.99 €**



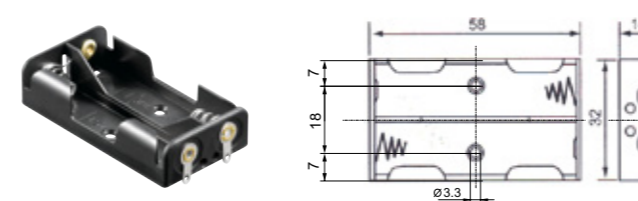
Goobay
2x AA (Mignon) battery holder
Push on

11461¹ Bulk **RRP 1.99 €**



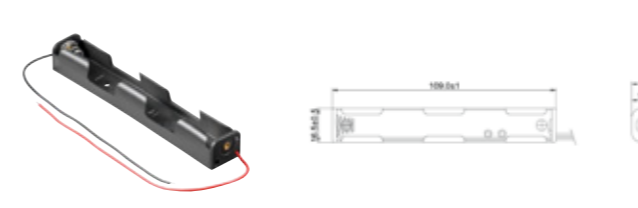
Goobay
2x AA (Mignon) battery holder
Push on

46904¹ Bulk **RRP 1.99 €**



Goobay
2x AA (Mignon) battery holder
Solder tail (U)

46552¹ Bulk **RRP 1.99 €**



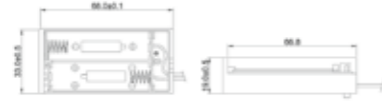
Goobay
2x AA (Mignon) battery holder
Loose cable ends

11983¹ Bulk **RRP 1.99 €**



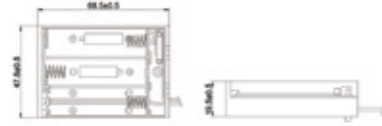
¹ Min. order quantity 10 pcs.

Please refer to order-codes when placing an order. Illustration and packaging similar. Changes and errors excepted.
Other products on request.



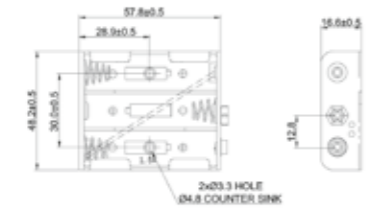
Goobay
2x AA (Mignon) battery holder
Loose cable ends, water-repellent, switchable

12443¹ Bulk **RRP 2.99 €**



Goobay
3x AA (Mignon) battery holder
Loose cable ends, water-repellent, switchable

12445¹ Bulk **RRP 3.99 €**



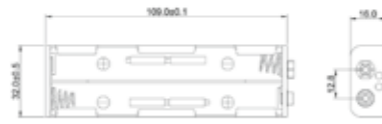
Goobay
3x AA (Mignon) battery holder
Push on

11984¹ Bulk **RRP 1.99 €**



Goobay
4x AA (Mignon) battery holder
Push on

11465¹ Bulk **RRP 2.99 €**



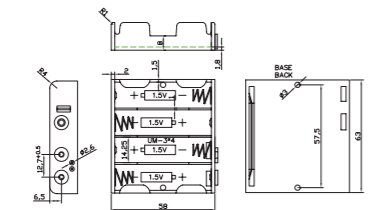
Goobay
4x AA (Mignon) battery holder
Push on

11985¹ Bulk **RRP 1.99 €**



Goobay
4x AA (Mignon) battery holder
Push on

11464¹ Bulk **RRP 1.99 €**

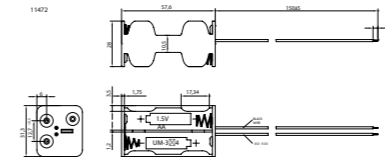


Goobay
4x AA (Mignon) battery holder
Push on

11448¹ Bulk **RRP 2.99 €**

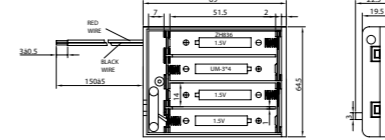
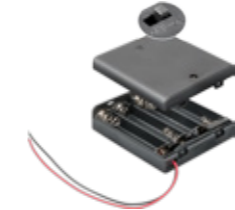


¹ Min. order quantity 10 pcs.



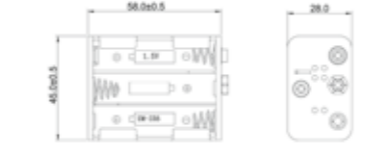
Goobay
4x AA (Mignon) battery holder
Loose cable ends

11472¹ Bulk **RRP 2.99 €**



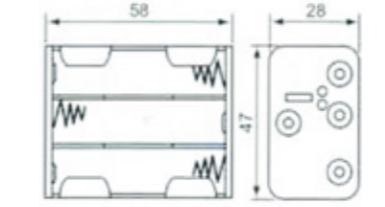
Goobay
4x AA (Mignon) battery holder
Loose cable ends, water-repellent, switchable

11473¹ Bulk **RRP 3.99 €**



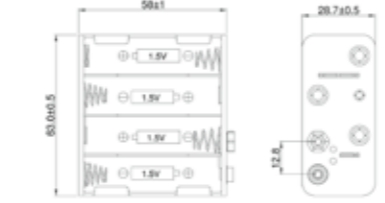
Goobay
6x AA (Mignon) battery holder
Push on

11467¹ Bulk **RRP 2.99 €**



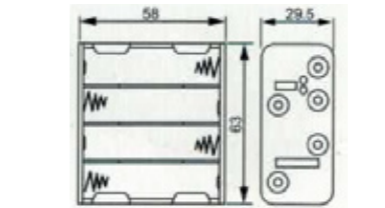
Goobay
6x AA (Mignon) battery holder
Loose cable ends

81216¹ Bulk **RRP 2.99 €**



Goobay
8x AA (Mignon) battery holder
Push on

11468¹ Bulk **RRP 3.99 €**



Goobay
8x AA (Mignon) battery holder
Loose cable ends

81218¹ Bulk **RRP 2.99 €**

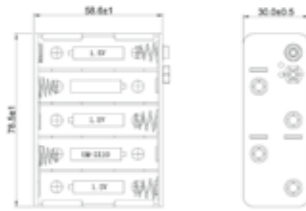


Goobay
8x AA (Mignon) battery holder
Loose cable ends

11741¹ Bulk **RRP 2.99 €**

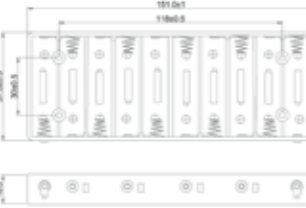


¹ Min. order quantity 10 pcs.



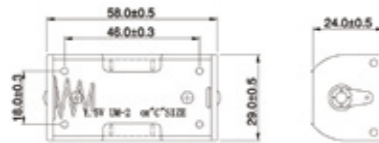
Goobay
10x AA (Mignon) battery holder
Push on

11469¹ Bulk **RRP 4.99 €**



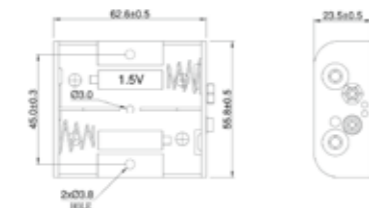
Goobay
10x AA (Mignon) battery holder
Solder tail (U)

11986¹ Bulk **RRP 4.99 €**



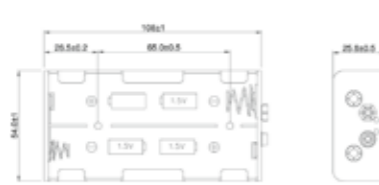
Goobay
1x C (Baby) battery holder
Solder tail (U)

12453¹ Bulk **RRP 1.99 €**



Goobay
2x C (Baby) battery holder
Push on

11455¹ Bulk **RRP 2.99 €**



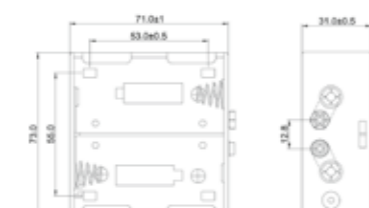
Goobay
4x C (Baby) battery holder
Push on

11457¹ Bulk **RRP 2.99 €**



Goobay
1x D (Mono) Battery Holder
Solder tail (U)

11451¹ Bulk **RRP 1.99 €**



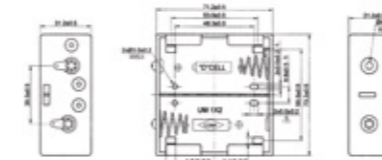
Goobay
2x D (Mono) Battery Holder
Push on

11452¹ Bulk **RRP 2.99 €**



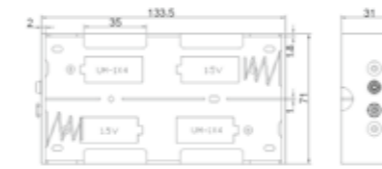
¹ Min. order quantity 10 pcs.

Please refer to order-codes when placing an order. Illustration and packaging similar. Changes and errors excepted.
Other products on request.



Goobay
2x D (Mono) Battery Holder
Solder tail (U)

11033¹ Bulk **RRP 3.99 €**



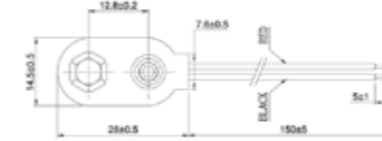
Goobay
4x D (Mono) Battery Holder
Push on

11977¹ Bulk **RRP 4.99 €**



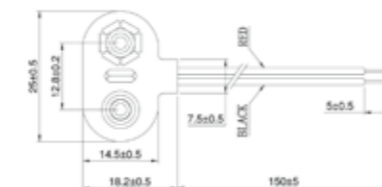
Goobay
1x N (Lady) battery holder
Solder tail (U)

11991¹ Bulk **RRP 1.99 €**



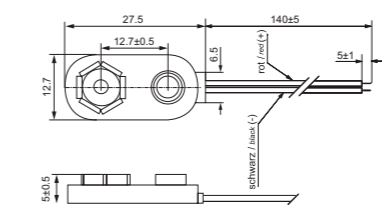
Goobay
1x 9V Block battery holder
Loose cable ends

11445¹ Bulk **RRP 1.99 €**



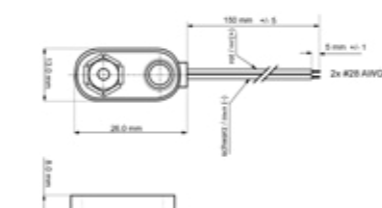
Goobay
1x 9V Block battery holder
Loose cable ends

11446¹ Bulk **RRP 1.99 €**



Goobay
1x 9V Block battery holder
Loose cable ends, water-repellent

12483¹ Bulk **RRP 1.99 €**



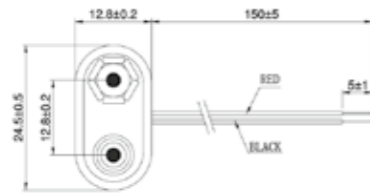
Goobay
1x 9V Block battery holder
Loose cable ends, water-repellent

11996¹ Bulk **RRP 1.99 €**



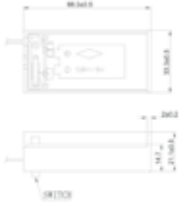
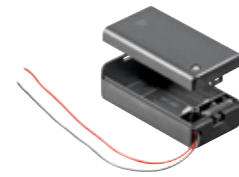
¹ Min. order quantity 10 pcs.

Please refer to order-codes when placing an order. Illustration and packaging similar. Changes and errors excepted.
Other products on request.



Goobay
1x 9V Block battery holder
Loose cable ends, water-repellent

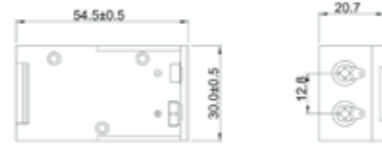
11997¹ Bulk **RRP 1.99 €**



Goobay
1x 9V Block battery holder
Loose cable ends, water-repellent

• with ON/OFF switch

48171¹ Bulk **RRP 2.99 €**



Goobay
1x 9V Block battery holder
Solder tail (U)

11995¹ Bulk **RRP 2.99 €**



INSTALLATION & ACCESSORIES – PLUGS & ADAPTER



Goobay
Tamiya battery connection cable
Tamiya male, 0.14 m, 0.5 mm²

23236 Bulk **RRP 2.99 €**



Goobay
Tamiya battery connection cable
Tamiya female, 0.14 m, 0.5 mm²

23235 Bulk **RRP 2.99 €**



¹ Min. order quantity 10 pcs.

Please refer to order-codes when placing an order. Illustration and packaging similar. Changes and errors excepted. Other products on request.



Goobay
LED flashlight Super Bright 1500

Ideal for work, leisure, sports, camping, fishing, hunting and roadside assistance

- Super bright 20 W Cree XHP50.2 high-performance LED
- 1500 lm with a lighting range of up to 300 m
- Protected against heavy rain and brief immersion underwater in accordance with IPX7
- 3 light modes: 100% light, 20% light and SOS; can be set by gently pressing a button
- Lamp head with focus ring for continuously adjusting the light beam
- Corrosion-resistant aluminium housing and practical wrist strap
- Battery-operated (6x AA, not included in delivery)



44559 Retail Blister **RRP 29.99 €**



Goobay
LED flashlight High Bright 300

Ideal for leisure, sports, camping, fishing, hunting and roadside assistance

- Very bright 5 W Cree XPG2 high-performance LED
- 300 lm with a lighting range of up to 150 m
- Splash-proof protection in accordance with IPX4
- 3 light modes: 100% light, 20% light and SOS; can be set by gently pressing a button
- Lamp head with focus ring for continuously adjusting the light beam
- Corrosion-resistant aluminium housing and practical wrist strap
- Battery-operated (3x AAA, not included in delivery)



44560 Retail Blister **RRP 14.99 €**



Goobay
LED flashlight Zoom 120

Ideal for leisure, sports, camping, fishing, hunting and roadside assistance

- Very bright 3 W LED
- 120 lm with a light range of up to 15 m
- Splash-proof protection in accordance with IPX4 and shock-proof
- Three light modes: 100% light, 50% light and strobe; can be set by gently pressing a button
- Lamp head with slide mechanism for continuously adjusting the light beam
- Corrosion-resistant and with practical clip
- Battery-operated (2 x AA, not included in delivery)



44561 Retail Blister **RRP 7.99 €**



Please refer to order-codes when placing an order. Illustration and packaging similar. Changes and errors excepted. Other products on request.



Varta

Day Light Multi LED F20 (16632)

Practical torch with a range of 29 m

- With 9 pcs. 5 mm LEDs for everyday situations
- Shockproof three-component housing (aluminium/rubber/ABS)
- Impact-resistant housing for additional reliability outdoors
- Provides light for 62 hours and carry strap for optimal comfort
- 3 year guarantee and includes 2 Longlife AA batteries

49663 Retail Blister

RRP 8.99 €



Varta

Day Light Multi LED F10 (16631)

Practical torch with a range of 20 m

- With 5 pcs. 5 mm LEDs for everyday situations
- Shockproof three-component housing (aluminium/rubber/ABS)
- Impact-resistant housing for additional reliability outdoors
- Provides light for 8 hours and carry strap for optimal comfort
- 3 year guarantee and includes 1 Longlife AA batteries

49662 Retail Blister

RRP 6.99 €



Goobay

LED work light Zoom 140

Ideal for work, leisure and roadside assistance

- Very bright 3 W LED
- 140 lm with a light range of up to 70 m
- Splash-proof protection in accordance with IPX4 and shock-resistant
- Magnet on the bottom and bendable neck for flexible attachment of the work light
- Lamp head with slide mechanism for continuously adjusting the light beam
- Corrosion-resistant
- Battery-operated (3 x AAA, not included in delivery)

66515 Retail Box

RRP 11.99 €



Goobay

LED camping lantern, 3-in-1, collapsible

Versatile accessory – ideal for leisure, parties, camping and other outdoor activities

- This 3-in-1 collapsible lantern with robust plastic housing is a floor lamp, pendant lamp and torch in one handy product
- Space-saving – fits in any rucksack or bag when folded up (57 mm high, 94 mm extended)
- 4 lighting modes: 100 per cent white light (90 lm, approx. 2.5 hours), 50 per cent white light (45 lm, approx. 5 hours), candlelight and RGB light (each 2 lm, approx. 60 hours)
- Retractable carabiner for hanging up and fluorescent rubber for night light function
- Splash-proof in accordance with IPX4
- Press the ON/OFF switch for 2 seconds to switch the light on and off – prevents the lamp from being activated accidentally
- Battery-operated: 3 x AAA (LR03, not included in delivery)

66516 Retail Box

RRP 9.99 €



LAMPS – HEADLAMPS



Goobay

LED headlamp High Bright 240

Ideal for leisure, sports, camping, fishing, hunting and roadside assistance

- High brightness of 240 lumens, light range up to 100 m, and low weight for high wearing comfort
- 7 light modes: right switch – 100% spotlight & white floodlight (lighting duration about 2 hour), 100% spotlight (about 4 hours), 50% spotlight (about 7 hours) and stroboscopic spotlight (about 5 hours);
- Left switch – 100% white floodlight, 100% red floodlight, 100% green floodlight (lighting duration for each mode about 3.5 hours)
- With practical additional functions: hook for hanging up, whistle for emergencies and red rear safety light with 2 light modes (continuous light, flashing light)
- Splash-proof protection in accordance with IPX4
- Adjustable headband and headlamp tiltable up to 65 degrees to perfectly light up the route
- Battery-operated: 3 x AAA (LR03, not included in delivery) and 1 x CR2032 (3-V lithium battery, included in delivery)

66518 Retail Box

RRP 14.99 €



Our Service for the POINT OF SALE

More attention.
More orientation.

With our free POS materials, you can easily attract more attention and orientation. The concept: A striking header provides an overview of the product range and helps you find the right article.

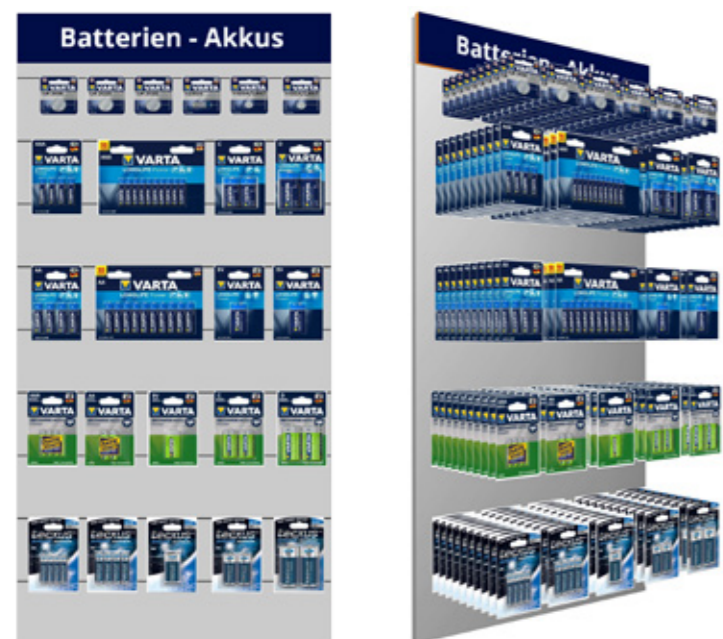
Example 1

Gondola: 140 x 100 cm (H x W) equipped with Varta and texcus



Example 2

Side curtain on a grid wall: grid 10 x 10 cm, dimensions 100 x 50 cm (H x W), equipped with Varta and texcus



We would be happy to develop a customized POS concept for you - individually adapted to your needs. Just get in touch with us.

Varta Longlife Power Ready-to-tell Counter Display

- No surface mounting required – product display is ready for immediate use
- Powerful energy for devices with high energy consumption, such as toys, wireless mice, lamps and so on
- 'Made in Germany' as proof of origin and sign of quality on the packs
- Ideal as secondary displays and promotions for ensuring additional sales



AAA/AA

12x LR03/AAA + 18x LR6/AA

- Practical and eye-catching ready-to-sell counter display unit with 30 packs
- Stocked with the new **LOONGLIFE POWER** AA/AAA 12-piece blister packs

40857 **RRP 200.00 €**

AAA/AA

13x LR03/AAA + 30x LR6/AA

- Practical and eye-catching ready-to-sell counter display unit with 43 packs
- Stocked with the new **LOONGLIFE POWER** AA/AAA 4-piece blister packs

40855 **RRP 200.00 €**

AAA/AA/CR2032

17x LR03/AAA + 20x LR6/AA + 10x CR2032

- Practical and eye-catching ready-to-sell counter display unit with 47 packs
- Stocked with the new **LOONGLIFE POWER** AA/AAA 4-piece blister packs and CR2032 2-piece blister packs

40856 **RRP 200.00 €**

Varta

Varta Energy floor display 198 pcs.

72x LR03 (AAA) box of 24 + 126x LR6 (AA) box of 24

- Practical & attention-grabbing ready-to-sell floor display
- No surface mounting required - the product carrier can be used immediately
- Equipped with Varta Energy boxes of 24



40858 **RRP 2.999.99 €**





Varta Longlife Power
Hanging display set LR 03 (AAA) LONGLIFE Power
With 20x LR 03 (AAA)

- 20 pcs. LR 03 / AAA (4903) Varta LONGLIFE Power 4pcs. Blisters

77535 Bulk **RRP 49.99 €**



Varta Longlife Power
Hanging display set LR 6 (AA) LONGLIFE Power
With 20x LR 6 (AA)

- 20 pcs. LR 06 / AA (4906) Varta LONGLIFE Power 4pcs. Blisters

72451 Bulk **RRP 49.99 €**



Varta Longlife Power
Hanging display set LR 6 (AA) / LR 03 (AAA) LONGLIFE Power
With 10x LR 6 (AA) and with 10x LR 03 (AAA)

- 10 pcs. LR 03 / AAA (4903) Varta LONGLIFE Power 4pcs. Blisters
- 10 pcs. LR 06 / AA (4906) Varta LONGLIFE Power 4pcs. Blisters

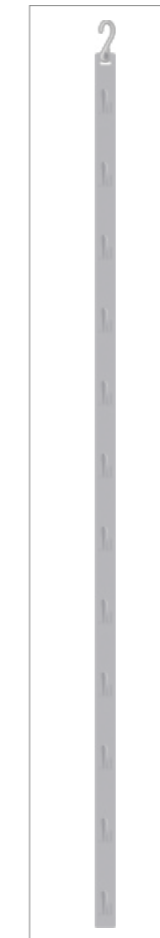
77536 Bulk **RRP 49.99 €**



Varta Longlife Power
Hanging display set 6 LR 61 / 9V LONGLIFE Power
With 20x 6 LR 61 / 9V

- 20 pcs. 6 LR 61 / 9V (4922) Varta LONGLIFE Power 1pcs. Blisters

71407 Bulk **RRP 49.99 €**



Goobay
Point of sale hanging display strip
The most flexible option for second placement.

- Presents up to 12 products with euro tabs in aisles, on shelves, or near to the highly frequented sales zones
- Perfect for cross-selling
- Simple second placement in the application area
- Space-Saving and easy handling

45426 Bulk **RRP 4.99 €**

Wentronic GmbH
Pillmannstr. 12, 38112 Braunschweig, Germany

Tel/Fax +49 - 5 31 - 2 10 58 - 0/ -22
E-Mail: office@wentronic.com

wentronic.com