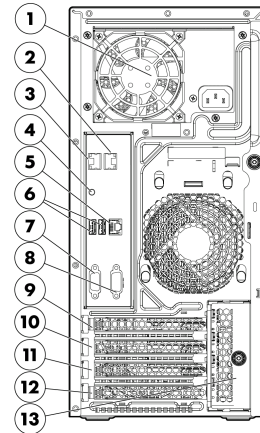
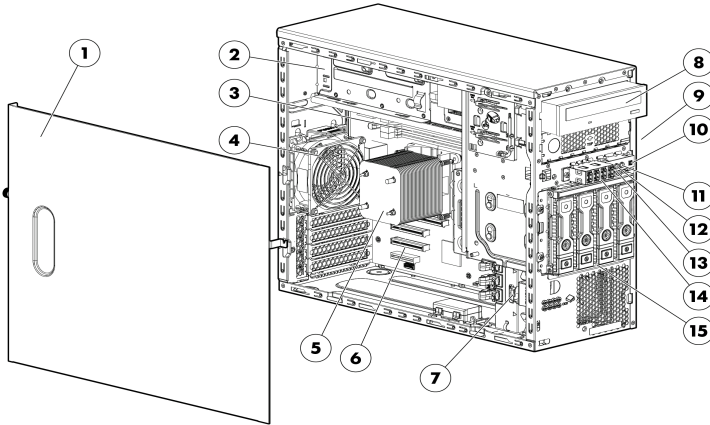


Overview

HP ProLiant ML310e Gen8 v2, a single-socket 4U tower server, delivers essential availability and expansion needed to accommodate changing business needs. It is ideal for remote sites and corporate branch offices running file/print, web messaging, and small vertical applications or databases.



Front View:

1. Quick removal access panel
2. Power Supply
3. Four DIMM slots
4. Rear system fan (Processor cooling)
5. Processor Heatsink
6. Four (4) PCIe expansion slots
7. Front system fan (Expansion board cooling)
8. Half Height SATA DVD-ROM or DVD RW Optical Drive
9. Media Drive Blank
10. Power Button
11. NIC Activity LED
12. System Health
13. UID LED button
14. Four (4) USB connectors
15. Four (4) LFF or Eight (8) SFF SAS/SATA HDD cage

Rear View:

1. Power supply
2. NIC Connector 2
3. NIC Connector 1
4. UID LED Button
5. iLO Dedicated LAN Port
6. Two(2) USB 3.0 Connectors
7. Video Connector
8. Serial Connector
9. Slot 4 PCIe x16
10. Slot 3 PCIe x8
11. Slot 2 PCIe x8
12. Slot 1 PCIe x4
13. PCIe card bracket

What's New

- Latest Intel® Pentium® and Core™ i3 Desktop Series processors
- Entry preconfigured Model

Standard Features

NOTE: For the Standard Features shipped in the "Factory Integrated Models", please see the "Configuration Information - Factory Integrated Models" section.

Processor

One of the following depending on Model

Entry Processors

NOTE: All support up to 1333MT/s DDR3 memory speeds.

Intel® Pentium® G3220 (3.0GHz/2-core/3MB/54W)

Base Processors

NOTE: All support up to 1600MT/s DDR3 memory speeds.

Intel® Core™ i3-4130 (3.4GHz/2-core/3MB/54W, HT)

Intel® Core™ i3-4130T (2.9GHz/2-core/3MB/35W, HT)

Performance Processors

NOTE: All support up to 1600MT/s DDR3 memory speeds.

Intel® Xeon® E3-1230Lv3 (1.8GHz/4-core/8MB/25W, HT)

Intel® Xeon® E3-1220v3 (3.1GHz/4-core/8MB/80W)

Intel® Xeon® E3-1230v3 (3.3GHz/4-core/8MB/80W, HT)

Intel® Xeon® E3-1240v3 (3.4GHz/4-core/8MB/80W, HT)

Intel® Xeon® E3-1270v3 (3.5GHz/4-core/8MB/80W, HT)

Cache Memory

One of the following depending on Model

8MB (1 x 8MB) L3 Cache

NOTE: For Quad-core Xeon processors.

3MB (1 x 3MB) L3 Cache

NOTE: For Dual-core Pentium® Core™ i3 processors.

Chipset

Intel® C222 Chipset

NOTE: For more information regarding Intel® chipsets, please see the following URL:

<http://www.intel.com/products/server/chipsets/>.

Upgradeability

Upgradeable to 4 cores

NOTE: Total 2 or 4 cores

Up to 4 DIMM slots available for higher memory capacity

Up to 8 SFF Hard Drive Bays; Or 4 LFF Hard Drive Bays

1 x8 and 1 x16 PCIe 3.0 and 1 x8 and 1x4 PCIe 2.0 I/O slots for additional communications and storage expansion

Redundant Power Supply

Optical Drive Bay (up to 2)

On System Management

HP iLO (Firmware: HP iLO4)

Processor

NOTE: For more information, visit: <http://www.hp.com/go/ilo>

Standard Features

Memory Protection ECC

Memory

One of the following depending on model

Type HP SmartMemory
DDR3 Unbuffered (UDIMM)
DIMM Slots Available 4
Maximum Capacity 32 GB (4 x 8 GB UDIMM)
(UDIMM)

NOTE: HP memory from previous generation servers are not fully compatible with the HP ProLiant ML310e Gen8 v2 Server.

NOTE: Depending on the memory configuration and processor model, the memory speed may run at 1600MT/s or 1333MT/s. Please see Memory Population Table or the Online Memory Configuration Tool at: www.hp.com/go/ddr3memory-configurator.

Network Controller HP Ethernet 1Gb 2-port 332i Adapter

Expansion Slots

Expansion Slot #	Technology	Bus Width*	Connector Width	Form Factor	Notes
4	PCIe 3.0	X8	X16	Full Length/Full Height	
3	PCIe 3.0	X8	X8	Full Length/Full Height	
2	PCIe 2.0	X1	x8	Full Length/Full Height	
1	PCIe 2.0	X1	X4	Half Length/Full Height	

*Indicates the number of physical electrical lanes running to the connector.

Standard Features

HP Server ROM

HP ROM (Read Only Memory) is now digitally signed using HP's Corporate Signing Service. This signature is verified before the flash process starts, reducing accidental programming and preventing malicious efforts to corrupt system ROM.

HP ROM provides for essential initialization and validation of hardware components before control is passed to the customer-installed operating system. The ROM also provides the capability of booting from various fixed media (HDD, CD-ROM) and removable media (USB), to continue operation to the operating system.

HP ROM performs very early configuration of the video controller, to allow monitoring of initialization progress via an attached monitor. If configuration or hardware errors are discovered during this early phase of hardware initialization, suitable messages are now displayed on the connected monitor. Additionally, these configuration or hardware errors are logged to the Integrated Management Log (IML) to assist in diagnosis.

HP's ProLiant ROM is used to configure the following:

- Processor and chipset status registers
- System memory, memory map, and memory initialization
- System hardware configuration (Integrated PCI devices and optional PCIe cards).
- Customer-specific BIOS configuration (using the HP ROM-Based Setup Utility (RBSU)).

NOTE: For further information, please refer to HP's RBSU (ROM based setup utility) user guide: www.hp.com/support/rbsu.

Storage Controller

HP Dynamic Smart Array B120i Controller

NOTE: Supports up to 6.0Gb/s SATA. (SATA port 0/1 support 6Gb/s and SATA port 2/3 support 3Gb/s)

NOTE: Supports RAID 0/1/10 only. No FBWC support. For FBWC, a standup Smart Array Controller card must be configured.

NOTE: For set up instructions, please refer to the HP ProLiant ML300 series server user guide.

NOTE: For general information about HP Smart Array B120i SATA RAID Controller, please go to: <http://h18004.www1.hp.com/products/servers/proliantstorage/arraycontrollers/smartarrayb120i/index.html>

Internal Storage Devices

Optical Drives
One of the following depending on model

HP Half-Height SATA DVD-ROM Optical Drive

Hard Drives
Hard Drive Bays
One of the following depending on model

HP Half-Height SATA DVD-RW Optical Drive

1x500GB HP LFF SATA HDD included in Performance Model

4 LFF drive bays (non-hot-plug and hot-plug)

8 SFF hot-plug drive bays

NOTE: HP ProLiant ML310e Series servers offer both SFF, and LFF versions in Factory Integrated Models.

NOTE: All Pre-configured Models come populated with some hard drive blanks installed. Should the customer need additional hard drive blanks, they can order more using either P/N 666987-B21: HP SFF Gen8 Hard Drive Blank Kit or P/N 666986-B21: HP LFF Gen8 Hard Drive Blank Kit.

Standard Features

Maximum Internal Storage <i>One of the following depending on model</i>	Hot Plug LFF SAS	16TB	4 x 4TB
	Hot Plug SFF SAS	9.6TB	8x 1.2TB
	Non Hot Plug LFF SAS	2.4TB	4 x 600GB
	Hot Plug LFF SATA	16TB	4 x 4TB
	Hot Plug SFF SATA	8TB	8 x 1TB
	Non Hot Plug LFF SATA	12TB	4 x 3TB
	Hot Plug SFF SAS SSD	3.2TB	8 x 400GB
	Hot Plug SFF SATA SSD	6.4TB	8 x 800GB
	Hot Plug LFF SATA SSD	3.2TB	4 x 800GB

Interfaces	Serial	1 (rear)
	Video	1 (rear)
	Network RJ-45 (Ethernet)	2 (1 shared for HP Integrated Lights-Out)
	HP iLO Remote Management Network Port	1 Gb Dedicated
	Micro SD slot	1 (internal) NOTE: The Micro SD slot is not a hot-pluggable device. Customers should not attempt to plug a Micro SD card into the Micro SD slot while the server is powered.
	USB	8 (4 front, 2 rear(USB3.0), 1 internal standard USB and 1 internal USB header) NOTE: RHEL 5.9 OS would not be supporting USB3.0

Industry Standard Compliance	ACPI 2.0b Compliant
	PCIe 3.0 Compliant
	PXE Support
	WOL Support
	Microsoft® Logo certifications
	USB 2.0 /3.0 Support

Server Power Cords The ProLiant ML310e Gen8 v2 server is a tower server that ships standard with a 6' NEMA power cord that allows connection to wall outlets in a home or office. If customers require additional power cords, they can check the power cord matrix for the appropriate sku. Please see the following power cord matrix: <http://www.hp.com/go/powercordmatrix>. To install the ML310e Gen8 v2 server in a rack, the Tower to Rack Conversion kit (417705-B21) is required as well as a PDU power cord (416151-B21) to connect to a PDU in a data center rack.

Standard Features

Power Specifications

To review typical system power requirements, use the HP Power Advisor which is available via download at URL: www.hp.com/go/proliant-energy-efficient or www.hp.com/go/hppoweradvisor.

NOTE: Power Specification and Technical Content for supported power supplies can be found at: http://h18000.www1.hp.com/products/quickspecs/14209_na/14209_na.html

Power Supplies

The ML310e Gen8 v2 supports two power supplies, a 350W Multi-Output Power Supply and a 460W Common Slot Gold Power Supply. The 350W Multi-Output Power Supply is a non-redundant power supply with an efficiency rating of 85%.

HP's Common Slot (CS) power supplies allow for commonality of power supplies across a wide range of ProLiant and Integrity servers, as well as HP Storage solutions, and are designed to provide the highest power supply efficiency without degrading system performance. HP CS power supplies are tested by the Electric Power Research Institute (EPRI) and certified through the ECOS 80 Plus power supply program. The 460W HP CS power supply option provides an efficiency rating of up to 92%. All HP Common Slot power sources are UL, CE Mark Compliant, hot-plug and support redundant configurations.

NOTE: Mixing of power supplies in the same server is not supported. All power supplies must be of the same output and efficiency rating. If non-matched power supplies are inserted you will get errors and operation will fail.

It is highly recommended that you use the HP Power Advisor in defining the "Right-Size" power supply for your needs. HP Power Advisor can be accessed at: www.hp.com/go/hppoweradvisor.

NOTE: The 80 PLUS program is a unique forum that unites electric utilities, the computer industry, and consumers in an effort to bring energy efficient technology solutions to the marketplace. 80 Plus independently tests power supply efficiency and publicly posts the results on 80Plus.org.

Redundant Power: Optional (1 + 1 redundant) power supplies can be purchased through power supply option kits (see Power Supplies for part numbers).

NOTE: Power Specification and Technical Content for supported power supplies can be found at: http://h18000.www1.hp.com/products/quickspecs/14209_na/14209_na.html

System Fans

One (1) Non-redundant system fan ships standard

One (1) Non-redundant PCIe fan ships standard

Standard Features

Operating Systems and Virtualization Software Support for ProLiant Servers

[Microsoft Windows Server](#)
[Canonical Ubuntu](#)
[Red Hat Enterprise Linux \(RHEL\)](#)
[SUSE Linux Enterprise Server \(SLES\)](#)
[VMware](#)

NOTE: For more information on HP's Certified and Supported ProLiant Servers for OS and Virtualization Software and latest listing of software drivers available for your server, please visit our Support Matrix at: <http://www.hp.com/go/ossupport> and our driver download page: <http://www.hp.com/support/ML310eGen8v2>.

Graphics

Integrated Matrox G200 video standard

- 1280 x 1024 (32 bpp)
- 1920 x 1200 (16 bpp)

HP iLO 4 On System Management Memory

- 16 MB Flash
- 256 MB DDR 3 with ECC (112 MB after ECC and video)

Form Factor

One of the following depending on model

Micro ATX Tower (4U) chassis with feet/bezel:
14.5" (36.82cm) Height x 6.89" (17.5cm) Width x 18.71" (47.52cm) Length
8 SFF Drive Bay Cage:
4.6" (11.72cm) Height x 5.74" (14.57cm) Width x 4.79" (12.16cm) Length
4 LFF Drive Bay Cage:
4.6" (11.72cm) Height x 5.74" (14.57cm) Width x 6.90" (17.54cm) Length

On System Management

HP iLO Management Engine

HP iLO Management Engine is a comprehensive set of embedded management features supporting the complete lifecycle of the server, from initial deployment, through ongoing management, to service alerting and remote support. HP iLO Management Engine comes standard on all HP ProLiant Gen8 servers. The HP iLO Management Engine portfolio includes:

- **HP iLO:** The HP iLO (Integrated Lights-Out) management processor is the core foundation for the HP iLO Management Engine
- **HP Agentless Management:** Provides built in server health monitoring and alerting capability without OS agents, that starts working the moment a power cord and an Ethernet cable are connected.
- **HP Active Health System:** Always on, continuous monitoring for increased stability and shorter downtimes; 100% configuration history; Health and service alerts and easy export and upload to Service and Support.
- **HP Intelligent Provisioning:** Lets customers provision and configure a single server without any separate media. No more SmartStart CDs or Smart Update Firmware DVD are needed.
 - To start Intelligent Provisioning:

Standard Features

- Press the F10 key during the ProLiant Gen8 server boot process (also known as power on self test or POST).
- Please go to the Intelligent Provisioning website at www.hp.com/go/intelligentprovisioning for additional information and to view usage videos.
- Use the Service Pack for ProLiant (SPP) at www.hp.com/go/spp to get firmware and software updates.
- **HP iLO Mobile App:** Enables the ability to access, deploy, and manage your server anytime from anywhere from select smartphones and mobile devices. For additional information please visit: www.hp.com/go/ilo/mobileapp

NOTE: For more information, visit: <http://www.hp.com/go/ilo> or HP iLO Management Engine technologies [whitepaper](#).

HP Insight Management HP Service Pack for ProLiant (SPP)

HP Service Pack for ProLiant (SPP) and HP Smart Update Manager (HP SUM) provide a comprehensive approach to firmware and system software maintenance. Together they provide better operating stability and ensure maximum uptime. The SPP will be updated at a predictable cadence, typically coinciding with new HP server hardware launches. By enabling firmware to be updated online and integrating firmware and system software updates in one operation, HP SUM and the SPP offer faster updates of individual servers and dramatically faster updates of entire BladeSystem enclosures. Further improving system uptime and stability is the fact that HP provides 12 months of support for each Service Pack for ProLiant release.

The user experience around HP SUM and the SPP has been improved in several ways, starting with the web download. A single web page provides access to a single download containing both the latest version of HP SUM and the latest SPP. Optional smaller subsets with only specific types of servers or specific operating systems are offered to save on download time. The HP SUM application provides a straightforward, intuitive user interface that guides the user through the steps of discovery, analyses and update, providing comprehensive information on available updates, criticality and interdependencies. This information is also available in reports. By providing the option of multiple local or shared repositories which can be easily updated from hp.com, HP SUM provides the tools to optimize stability and consistency throughout the company. While HP SUM and the SPP recommend the combinations of firmware and system software that HP has found to be the best practice, the application gives customers the flexibility to set their own specific baseline.

The Service Pack for ProLiant has been rigorously tested with specific attention for interaction between firmware, drivers and agents both within the server as well as in interaction with the BladeSystem enclosure components (Onboard Administrator and Virtual Connect). This testing ensures the highest quality as well as providing the input for HP SUM to deploy updates taking into account all interdependencies, when determining the correct updates and order of update deployment.

Standard Features

NOTE: The Service Pack for ProLiant (which includes HP SUM) can be downloaded from www.hp.com/go/spp/download. More information can be found: <http://www.hp.com/go/SmartUpdate>, www.hp.com/go/spp and <http://www.hp.com/go/hpsum>

Security

Power-on password
Administrator's password

Warranty

This product is covered by a global limited warranty and supported by HP Services and a worldwide network of HP Authorized Channel Partners resellers. Hardware diagnostic support and repair is available for three years from date of purchase. Support for software and initial setup is available for 90 days from date of purchase. Enhancements to warranty services are available through HP Care Pack services or customized service agreements. Hard drives have either a one year or three year warranty; refer to the specific hard drive QuickSpecs for details.

NOTE: Server Warranty includes 1-Year Parts, 1-Year Labor, 1-Year Onsite support with next business day response. (3-1-1 warranty offered in Brazil only). Warranty repairs may be accomplished through the use of Customer Self Repair (CSR) parts. These parts fall into two categories: 1) Mandatory CSR parts are designed for easy replacement. A travel and labor charge will result when customers decline to replace a Mandatory CSR part; 2) Optional CSR parts are also designed for easy replacement but may involve added complexity. Customers may choose to have HP replace Optional CSR parts at no charge. Additional information regarding worldwide limited warranty and technical support is available at: <http://h18004.www1.hp.com/products/servers/platforms/warranty/index.html>

Optional Features

HP Insight Management	HP Insight Control	HP Insight Control, a product option, delivers essential infrastructure management that can help save time and money by making it easy to deploy, migrate, monitor, remote control, and optimize your IT infrastructure through a single, simple management console. HP Insight Control also supports Location and Power Discovery Services to automate many configuration, asset tracking, and power management tasks to speed implementation and prevent downtime. For more information, see http://www.hp.com/go/insightcontrol .
		HP Insight Control includes one year of 24 x 7 HP Software Technical Support and Update Service ensuring rapid access to HP support staff and proactive delivery of software updates. For more information about this service, see: http://www.hp.com/services/insight .
	HP iLO Advanced	HP Integrated Lights-Out Advanced License a product option, providing smart remote server management without compromise. iLO Advanced unlocks the full set of remote administration functionality for all HP ProLiant servers by activating the full Virtual Keyboard Video and Mouse remote console, multi-user collaboration, console record and replay, GUI-based and scripted virtual media and virtual folders, and enhanced security and power management functionality. For more information, see: http://www.hp.com/go/iloadvance
	HP iLO Essentials	HP iLO Essentials license ideal for small and medium business customers. The specially created HP iLO Essentials (a subset of iLO Advanced functionality) saves SMB customers time and money, by ease of remote server set up through the interactive virtual media, lowering operational costs with remote access via the Integrated Remote Console, and faster time to resolution with email-based proactive notifications. With this newly designed HP iLO Essentials license SMB customers now have the option of a server management package solely design and priced just right for their IT environments. HP iLO Essentials is available on all HP ProLiant Gen8 e-series making this an ideal solution for small business owners. For more information, see: http://www.hp.com/go/iLO/essentials

Storage Software

Whether you need to solve a specific data protection, archiving, or storage command and control challenge, or deliver on strategic consolidation, compliance, or continuity initiatives, look no further than HP storage software. Our storage software helps you reduce costs, simplify storage infrastructure, protect vital assets and respond faster to business opportunities.

Storage software that gets the job done:

- **Data Protection and Recovery Software**

Whether you're a large enterprise or a smaller business, HP data protection and recovery software will cost-effectively protect you against disaster and ensure business continuity.

- **Data Archive and Migration Software**

HP's storage software enables you to comply with data retention and retrieval requirements, improve application performance, and reduce costs by efficiently migrating infrequently accessed or less valuable data to lower cost storage.

- **Storage Resource Management Software (SRM)**

HP's storage resource management software reduces operational costs and provides the command and control foundation you need to efficiently manage and visualize your physical and virtual environments.

Optional Features

- **Data Replication Software**
HP offers array-based and host-based replication software for use in disaster recovery, testing, application development and reporting.
- **Storage Device Management Software**
Maximize your investment in HP storage and networking with software that enables hardware-specific configuration, performance tuning and connectivity management.
- **HP StoreVirtual VSA**
With HP StoreVirtual VSA you can use the power of virtualization to turn a set of heterogeneous and disconnected physical disk drives in your servers and storage devices into a single pool of logical storage capacity.

NOTE: For more information available Storage Software including QuickSpecs, please see: www.hp.com/go/storage/software.

HP Insight Online

HP Insight Online is a new addition to the HP Support Center for one stop, secure access to product and HP support information personalized to your IT environment. Insight Online can automatically display devices remotely monitored by HP Insight Remote Support. With Insight Online's easy navigation you can efficiently track your IT support contracts and device status from anywhere and at anytime. www.hp.com/go/insightonline

Factory Express Portfolio for Servers and Storage

HP Factory Express offers configuration, customization, integration and deployment services for HP servers and storage products. Customers can choose how their factory solutions are built, tested, integrated, shipped and deployed.

Factory Express offers service packages for simple configuration, racking, installation, complex configuration and design services as well as individual factory services, such as image loading, asset tagging, and custom packaging. HP products supported through Factory Express include a wide array of servers and storage: HP Integrity, HP ProLiant, HP ProLiant Server Blades, HP BladeSystem, HP 9000 servers as well as the MSAxxxx, VA7xxx, EVA, XP, rackable tape libraries and configurable network switches.

For more information on Factory Express services for your specific server model please contact your sales representative or go to: <http://www.hp.com/go/factory-express>

HP Simple Configurator

SCE is a guided self service tool to help sales and non technical people provide customers with initial configurations in 3 to 5 minutes. You may then send the configuration on for configuration help, or use in your existing ordering processes. If you require "custom" rack configuration or configuration for products not available in SCE, please contact HP's Customer Business Center or an Authorized Partner for assistance. <http://www.hp.com/products/configurator>

Service and Support

Service and Support

HP Technology Services for Industry Standard Servers and BladeSystem

Capitalizing on HP ProLiant server and HP BladeSystem capabilities requires a service partner who understands your increasingly complex business technology environment. That's why it makes sense to team up with the people who know HP infrastructure hardware and software best - the experienced professionals at HP Services.

Protect your business beyond warranty with HP Care Pack Services

HP Care Pack services offer complete care and support expertise with committed response choices designed to meet your IT and business needs.

HP Foundation Care services offer scalable reactive support-packages for HP industry-standard servers and software. You can choose the type and level of service that is most suitable for your IT and business needs. HP Proactive Care delivers high levels of system availability through proactive service management and advanced technical response.

Optimized Care

Supports maintaining servers at optimum performance availability

3-Year HP 24x7 4 hour response, Proactive Care Service*

This service gives you combined reactive and proactive support including rapid access to our Advanced Solution Center to manage and prevent problems and a Technical Support Specialist with a broad level of technical knowledge that will engage with additional technical expertise as needed from HP's vast global resources.

<http://h20195.www2.hp.com/v2/GetPDF.aspx/4AA3-8855EEE.pdf>

HP ProLiant Server Hardware Installation

Provides for the basic hardware installation of HP branded servers, storage devices and networking options to assist you in bringing your new hardware into operation in a timely and professional manner.

<http://h20195.www2.hp.com/V2/GetPDF.aspx/5981-9356EN.pdf>

Standard Care

Supports maintaining high level of server availability

3-Year HP Next Business Day, Proactive Care Service*

This service gives you combined reactive and proactive support including rapid access to our Advanced Solution Center to manage and prevent problems and a Technical Support Specialist with a broad level of technical knowledge that will engage with additional technical expertise as needed from HP's vast global resources.

<http://h20195.www2.hp.com/v2/GetPDF.aspx/4AA3-8855EEE.pdf>

HP ProLiant Server Hardware Installation

Provides for the basic hardware installation of HP branded servers, storage devices and networking options to assist you in bringing your new hardware into operation in a timely and professional manner.

<http://h20195.www2.hp.com/V2/GetPDF.aspx/5981-9356EN.pdf>

Basic Care

Delivers minimum recommended support service level

3-Year HP Next Business Day with Collaborative Support

This service gives you hardware break/fix plus software diagnosis support with collaborative call management for a broad spectrum of 3rd Party software products including O/S and hypervisors.

<http://h20195.www2.hp.com/v2/GetPDF.aspx/4AA3-8232ENW.pdf>

HP ProLiant Server Hardware Installation

Provides for the basic hardware installation of HP branded servers, storage devices and networking options to assist you in bringing your new hardware into operation in a timely and professional manner

Service and Support

<http://h20195.www2.hp.com/V2/GetPDF.aspx/5981-9356EN.pdf>

Insight Online/Insight Remote Support

HP Insight Remote Support provides 24 X 7 remote monitoring, proactive notifications, and problem resolution. This comes at no additional cost with your HP solution*. Learn more about Insight Remote Support <http://www.hp.com/go/insightremotesupport> and Insight Online <http://www.hp.com/go/insightonline>

* Insight Remote Support is a prerequisite for Proactive Care.

Related Services

HP Proactive Care Personalized Support - Environmental Option

The Personalized Support option provides an assigned Account Support Manager who can bring best practices from across the industry plus extra technical skills to your IT team. This option is only available as an add-on to HP Proactive Care Support.

HP Proactive Select Service

Provides a flexible way to purchase HP best-in-class consultancy and technical services. You can buy Proactive Select Service Credits when you purchase your hardware and then use the credits over the next 12 months. <http://h20195.www2.hp.com/V2/GetPDF.aspx/4AA2-3842ENN.pdf>

Additional HP Care Pack services can be found at:

<http://www.hp.com/go/cpc>

HP Support Center

Personalized online support portal with access to information, tools and experts to support HP business products. Submit support cases online, chat with HP experts, access support resources or collaborate with peers. Learn more

<http://www.hp.com/go/hpsc>

HP's Support Center Mobile App* allows you to resolve issues yourself or quickly connect to an agent for live support. Now, you can get access to personalized IT support anywhere, anytime.

HP Insight Remote Support and HP Support Center are available at no additional cost with a HP warranty, HP Care Pack or HP contractual support agreement.

*HP Support Center Mobile App is subject to local availability

Parts and Materials

HP will provide HP-supported replacement parts and materials necessary to maintain the covered hardware product in operating condition, including parts and materials for available and recommended engineering improvements.

Parts and components that have reached their maximum supported lifetime and/or the maximum usage limitations as set forth in the manufacturer's operating manual, product quick-specs, or the technical product data sheet will not be provided, repaired, or replaced as part of these services.

The defective media retention service feature option applies only to Disk or eligible SSD/Flash Drives replaced by HP due to malfunction.

For more information

To learn more on HP ProLiant servers and HP BladeSystem servers, please contact your HP sales representative or HP Authorized Channel Partner. Or visit: <http://www.hp.com/services/proliant>

Pre-configured Models

NOTE: For the Standard Features shipped in the "Factory Integrated Models", please see the "Configuration Information - Factory Integrated Models" section.

NOTE: Pre-configured models ship with the configurations below. Options can be selected from the Core or Additional options section of this QuickSpecs.

NOTE: HP does not allow factory integration of options into pre-configured models. Any additional options purchased will be shipped separately.

NOTE: If you desire a custom configuration please see "Configuration Information - Factory Integrated Models" section of this QuickSpecs.

NOTE: Maximum speed supported depends on the CPU installed.

Please see Memory Population Table or the Online Memory Configuration Tool at: www.hp.com/go/ddr3memory-configurator.

NOTE: All Pre-configured Models come populated with some hard drive blanks installed. Should the customer need additional hard drive blanks, they can order more using either P/N 666987-B21: HP SFF Gen8 Hard Drive Blank Kit or P/N 666986-B21: HP LFF Gen8 Hard Drive Blank Kit.

Entry Models

HP ProLiant ML310e Gen8 v2 i3-4130 1P 2GB-U NHP 4 LFF 350W PS Entry Svr 712327-001	Processor(s)	(1) Intel® Core™ i3-4130 (3.4GHz/2-core/3MB/54W, HT) Processor
	Cache Memory	3MB (1 x 3MB) L3 cache
	Memory	2GB (1 x 2GB) PC3-12800E DDR3 UDIMM
	Network Controller	HP Ethernet 1Gb 2-port 332i Adapter
	Storage Controller	HP Dynamic Smart Array B120i Controller
	Hard Drive	None
	Internal Storage	4 LFF SAS/SATA HDD cage; includes 4 LFF hard drive blanks
	Optical Drive	None
	Power Supply	HP 350W Multi-Output Power Supply
	Fans	One (1) Non-redundant system fan ships standard One (1) Non-redundant PCIe fan ships standard
	Management	HP iLO Management Engine (standard on shared system NIC) Optional: HP iLO Essentials or HP Insight Control
	Form Factor	Micro ATX Tower (4U)
	Warranty	Server Warranty includes 1-Year Parts, 1-Year Labor, 1-Year Onsite support with next business day response (3-1-1 warranty offered in Brazil only).

Pre-configured Models

Base Models

HP ProLiant ML310e Gen8 v2 E3-1220v3 1P 4GB-U B120i 350W PS Svr 712329-001	Processor(s)	(1) Intel® Xeon® E3-1220v3 (3.1GHz/4-core/8MB/80W) Processor
	Cache Memory	8MB (1 x 8MB) L3 cache
	Memory	4GB (1 x 4GB) PC3-12800E DDR3 UDIMM
	Network Controller	HP Ethernet 1Gb 2-port 332i Adapter
	Storage Controller	HP Dynamic Smart Array B120i Controller
	Hard Drive	None
	Internal Storage	4 LFF SAS/SATA HDD cage; includes 4 LFF hard drive blanks
	Optical Drive	HP Half-Height 16x SATA DVD-RW
	Power Supply	HP 350W Multi-Output Power Supply
	Fans	One (1) Non-redundant system fan ships standard One (1) Non-redundant PCIe fan ships standard
	Management	HP iLO Management Engine (standard on shared system NIC) Optional: HP iLO Essentials or HP Insight Control
	Form Factor	Micro ATX Tower (4U)
	Warranty	Server Warranty includes 1-Year Parts, 1-Year Labor, 1-Year Onsite support with next business day response (3-1-1 warranty offered in Brazil only).

Performance Models

NOTE: These Models are Energy Star Certified.

HP ProLiant ML310e Gen8 v2 E3-1240v3 1P 8GB-U B120i SATA 500GB 4 LFF 460W PS Svr 712328-001	Processor(s)	(1) Intel® Xeon® E3-1240v3 (3.4GHz/4-core/8MB/80W) Processor
	Cache Memory	8MB (1 x 8MB) L3 cache
	Memory	8GB (1 x 8GB) PC3-12800E DDR3 UDIMM
	Network Controller	HP Ethernet 1Gb 2-port 332i Adapter
	Storage Controller	HP Dynamic Smart Array B120i Controller
	Hard Drive	1x500GB HP LFF SATA
	Internal Storage	4 LFF SAS/SATA HDD cage; includes 3 LFF hard drive blanks
	Optical Drive	HP Half-Height 16x SATA DVD-RW
	Power Supply	HP 460W Common Slot Gold Hot Plug Power Supply
	Fans	One (1) Non-redundant system fan ships standard One (1) Non-redundant PCIe fan ships standard
	Management	HP iLO Management Engine (standard on shared system NIC) Optional: HP iLO Essentials or HP Insight Control
	Energy Star	Meets Energy Star requirements
	Form Factor	Micro ATX Tower (4U)
	Warranty	Server Warranty includes 1-Year Parts, 1-Year Labor, 1-Year Onsite support with next business day response

Smart Buys

<p>HP ProLiant ML310e Gen8 v2 E3-1220v3 1P 4GB-U B120i NHP 4 LFF 350W PS Svr</p> <p>724977-S01</p>	<p>Processor(s)</p> <p>Cache Memory</p> <p>Memory</p> <p>Network Controller</p> <p>Storage Controller</p> <p>Hard Drive</p> <p>Internal Storage</p> <p>Optical Drive</p> <p>Power Supply</p> <p>Fans</p> <p>Management</p> <p>Form Factor</p> <p>Warranty</p>	<p>(1) Intel® Xeon® E3-1220v3 (3.1GHz/4-core/8MB/80W) Processor</p> <p>8MB (1 x 8MB) L3 cache</p> <p>4GB (1 x 4GB) PC3-10600E DDR3 UDIMM</p> <p>HP Ethernet 1Gb 2-port 332i Adapter</p> <p>HP Dynamic Smart Array B120i Controller</p> <p>None</p> <p>4 LFF SAS/SATA HDD cage; includes 4 LFF hard drive blanks</p> <p>HP Half-Height SATA DVD-RW</p> <p>HP 350W Multi-Output Power Supply</p> <p>One (1) Non-redundant system fan ships standard One (1) Non-redundant PCIe fan ships standard</p> <p>HP iLO Management Engine (standard on shared system NIC) Optional: HP Insight Control</p> <p>Micro ATX Tower (4U)</p> <p>Server Warranty includes 1-Year Parts, 1-Year Labor, 1-Year Onsite support with next business day response</p>
---	--	--

<p>HP ProLiant ML310e Gen8 v2 E3-1220v3 1P 4GB-U B120i 500GB HP SATA 4 LFF 350W PS Svr</p> <p>724978-S01</p>	<p>Processor(s)</p> <p>Cache Memory</p> <p>Memory</p> <p>Network Controller</p> <p>Storage Controller</p> <p>Hard Drive</p> <p>Internal Storage</p> <p>Optical Drive</p> <p>Power Supply</p> <p>Fans</p> <p>Management</p> <p>Form Factor</p> <p>Warranty</p>	<p>(1) Intel® Xeon® E3-1220v3 (3.1GHz/4-core/8MB/80W) Processor</p> <p>8MB (1 x 8MB) L3 cache</p> <p>4GB (1 x 4GB) PC3-10600E DDR3 UDIMM</p> <p>HP Ethernet 1Gb 2-port 332i Adapter</p> <p>HP Dynamic Smart Array B120i Controller</p> <p>1 x 500GB HP LFF SATA</p> <p>4 LFF SAS/SATA HDD cage; includes 4 LFF hard drive blanks</p> <p>HP Half-Height SATA DVD-RW</p> <p>HP 350W Multi-Output Power Supply</p> <p>One (1) Non-redundant system fan ships standard One (1) Non-redundant PCIe fan ships standard</p> <p>HP iLO Management Engine (standard on shared system NIC) Optional: HP Insight Control</p> <p>Micro ATX Tower (4U)</p> <p>Server Warranty includes 1-Year Parts, 1-Year Labor, 1-Year Onsite support with next business day response</p>
---	--	---

Smart Buys

<p>HP ProLiant ML310e Gen8 v2 E3-1230v3 LFF 8GB-U B120i SATA 4 LFF 350W PS Svr/S-Buy 736661-S01</p>	<p>Processor(s)</p> <p>Cache Memory</p> <p>Memory</p> <p>Network Controller</p> <p>Storage Controller</p> <p>Hard Drive</p> <p>Internal Storage</p> <p>Optical Drive</p> <p>Power Supply</p> <p>Fans</p> <p>Management</p> <p>Form Factor</p> <p>Warranty</p>	<p>(1) Intel® Xeon® E3-1230v3 (3.3GHz/4-core/8MB/80W, HT)</p> <p>8MB (1 x 8MB) L3 cache</p> <p>8GB (2 x 4GB) PC3-10600E DDR3 UDIMM</p> <p>HP Ethernet 1Gb 2-port 332i Adapter</p> <p>HP Dynamic Smart Array B120i Controller</p> <p>None included</p> <p>4 LFF SAS/SATA HDD cage; includes 4 LFF hard drive blanks</p> <p>HP Half-Height SATA DVD-RW</p> <p>HP 350W Multi-Output Power Supply</p> <p>One (1) Non-redundant system fan ships standard One (1) Non-redundant PCIe fan ships standard</p> <p>HP iLO Management Engine (standard on shared system NIC) Optional: HP Insight Control</p> <p>Micro ATX Tower (4U)</p> <p>Server Warranty includes 1-Year Parts, 1-Year Labor, 1-Year Onsite support with next business day response</p>
--	--	---

<p>HP ProLiant ML310e Gen8 v2 E3-1240v3 SFF 8GB-U P420/1GB 8 SFF 460W PS Svr/S-Buy 736662-S01</p>	<p>Processor(s)</p> <p>Cache Memory</p> <p>Memory</p> <p>Network Controller</p> <p>Storage Controller</p> <p>Hard Drive</p> <p>Internal Storage</p> <p>Optical Drive</p> <p>Power Supply</p> <p>Fans</p> <p>Management</p> <p>Form Factor</p> <p>Warranty</p>	<p>(1) Intel® Xeon® E3-1240v3 (3.4GHz/4-core/8MB/80W, HT)</p> <p>8MB (1 x 8MB) L3 cache</p> <p>8GB (2 x 4GB) PC3-10600E DDR3 UDIMM</p> <p>HP Ethernet 1Gb 2-port 332i Adapter</p> <p>HP Smart Array P420/1GB FBWC Controller</p> <p>None included; up to 8 SFF</p> <p>8 SFF SAS/SATA HDD cage; includes 7 SFF hard drive blanks</p> <p>HP Half-Height SATA DVD-RW</p> <p>HP 460W Common Slot Gold Hot Plug Power Supply</p> <p>One (1) Non-redundant system fan ships standard One (1) Non-redundant PCIe fan ships standard</p> <p>HP iLO Management Engine (standard on shared system NIC) Optional: HP Insight Control</p> <p>Micro ATX Tower (4U)</p> <p>Server Warranty includes 1-Year Parts, 1-Year Labor, 1-Year Onsite support with next business day response</p>
--	--	---

Configuration Information - Factory Integrated Models

NOTE: This section lists some of the steps required to configure a Factory Integrated Model. To ensure only valid configurations are ordered, HP recommends the use of an HP approved configurator. Contact your local sales representative for information on configurable product offerings and requirements.

NOTE: Factory Integrated Models must start with a CTO Server.

NOTE: FIO indicates that this option is only available as a factory installable option.

NOTE: All Factory Integrated Models will be populated with sufficient hard drive blanks based on the number of initial hard drives ordered with the server.

Step 1: Base Configuration (choose one of the following configurable models)

HP Models	HP ProLiant ML310e Gen8 v2 Non-hot Plug 4 LFF Configure-to-order Server	722445-B21
	Factory Integrated Model ships with:	
	HP Ethernet 1Gb 2-port 332i Adapter	
	HP iLO Management Engine (standard on shared system NIC)	
	HP Dynamic Smart Array B120i Controller (RAID 0/1/10)	
	4 ports for HDD	
	NOTE: For set up instructions for HP Dynamic Smart Array B120i Controller please refer to the HP ProLiant ML300 series server user guide.	
	NOTE: For general information about HP Dynamic Smart Array B120i Controller, please visit:	
	http://h18004.www1.hp.com/products/servers/proliantstorage/arraycontrollers/dynamicsmartarray/index.html	
	Non Hot-Plug SAS/SATA 4 port cable	
	PCA Power Cord	
	Micro ATX Tower (4U)	
	HP ProLiant ML310e Gen8 v2 Hot Plug 4 LFF Configure-to-order Server	722446-B21
	Factory Integrated Model ships with:	
	HP Ethernet 1Gb 2-port 332i Adapter	
	HP iLO Management Engine (standard on shared system NIC)	
	HP Dynamic Smart Array B120i Controller (RAID 0/1/10)	
	4 ports for HDD	
	NOTE: For set up instructions for HP Dynamic Smart Array B120i Controller please refer to the HP ProLiant ML300 series server user guide.	
	NOTE: For general information about HP Dynamic Smart Array B120i Controller, please visit:	
	http://h18004.www1.hp.com/products/servers/proliantstorage/arraycontrollers/dynamicsmartarray/index.html	
	Hot-Plug SAS/SATA 4 port cable	
	PCA Power Cord	
	Micro ATX Tower (4U)	
	HP ProLiant ML310e Gen8 v2 Hot Plug 8 SFF Configure-to-order Server	722447-B21
	Factory Integrated Model ships with:	
	HP Ethernet 1Gb 2-port 332i Adapter	
	HP iLO Management Engine (standard on shared system NIC)	
	Standup HP Smart Array Controller or Host Bus Adapter required	
	PCA Power Cord	
	Micro ATX Tower (4U)	

Configuration Information - Factory Integrated Models

Step 2: Choose Required Options (only one of the following from each list unless otherwise noted)

HP Processors

Entry Processors

NOTE: All support up to 1333MT/s DDR3 memory speeds.

HP ML310e Gen8 v2 Intel® Pentium® G3220 (3.0GHz/2-core/3MB/54W) FIO Processor Kit 740647-L21

Base Processors

NOTE: All support up to 1600MT/s DDR3 memory speeds.

HP ML310e Gen8 v2 Intel® Core™ i3-4130 (3.4GHz/2-core/3MB/54W) FIO Processor Kit 740651-L21

HP ML310e Gen8 v2 Intel® Core™ i3-4130T (2.9GHz/2-core/3MB/35W) FIO Processor Kit 740653-L21

Performance Processors

NOTE: All support up to 1600MT/s DDR3 memory speeds.

HP ML310e Gen8 v2 Intel® Xeon® E3-1230Lv3 (1.8GHz/4-core/8MB/25W) FIO Processor Kit 740649-L21

HP ML310e Gen8 v2 Intel® Xeon® E3-1220v3 (3.1GHz/4-core/8MB/80W) FIO Processor Kit 723935-L21

HP ML310e Gen8 v2 Intel® Xeon® E3-1230v3 (3.3GHz/4-core/8MB/80W) FIO Processor Kit 723937-L21

HP ML310e Gen8 v2 Intel® Xeon® E3-1240v3 (3.4GHz/4-core/8MB/80W) FIO Processor Kit 723927-L21

HP ML310e Gen8 v2 Intel® Xeon® E3-1270v3 (3.5GHz/4-core/8MB/80W) FIO Processor Kit 723929-L21

HP Memory

Unbuffered with ECC DIMMs (UDIMMs)

HP 2GB (1x2GB) Single Rank x8 PC3-12800E (DDR3-1600) Unbuffered CAS-11 Memory Kit 669320-B21

HP 2GB (1x2GB) Single Rank x8 PC3L-10600E (DDR3-1333) Unbuffered CAS-9 Low Voltage Memory Kit 647905-B21

HP 2GB (1x2GB) Single Rank x8 PC3L-12800E (DDR3-1600) Unbuffered CAS-11 Low Voltage Memory Kit 713975-B21

HP 4GB (1x4GB) Dual Rank x8 PC3-12800E (DDR3-1600) Unbuffered CAS-11 Memory Kit 669322-B21

HP 4GB (1x4GB) Dual Rank x8 PC3L-10600E (DDR3-1333) Unbuffered CAS-9 Low Voltage Memory Kit 647907-B21

HP 4GB (1x4GB) Dual Rank x8 PC3L-12800E (DDR3-1600) Unbuffered CAS-11 Low Voltage Memory Kit 713977-B21

HP 8GB (1x8GB) Dual Rank x8 PC3-12800E (DDR3-1600) Unbuffered CAS-11 Memory Kit 669324-B21

HP 8GB (1x8GB) Dual Rank x8 PC3L-10600E (DDR3-1333) Unbuffered CAS-9 Low Voltage Memory Kit 647909-B21

HP 8GB (1x8GB) Dual Rank x8 PC3L-12800E (DDR3-1600) Unbuffered CAS-11 Low Voltage Memory Kit 713979-B21

NOTE: All DDR3 memory option kits consist of one DIMM per kit. For detailed memory configuration rules and guidelines, please use the Online DDR3 Memory Configuration Tool: www.hp.com/go/ddr3memory-configurator.

Configuration Information - Factory Integrated Models

HP Power Supplies

NOTE: Mixing of power supplies in the same server is not supported. All power supplies inside a server must be exactly the same model. Mixing Gold, Platinum, and Platinum Plus certified power supplies is not supported.

NOTE: Prior to making a power supply selection it is highly recommended that the HP Power Advisor is run to determine the right size power supply for your server configuration. The HP Power Advisor is located at: www.hp.com/go/hppoweradvisor

HP 350W Factory Integrated Power Supply Kit

674838-B21

HP Common Slot Gold Power Supplies

NOTE: The following Power Supplies offer 92% Efficiency.

HP 460W Common Slot Gold Hot Plug Power Supply Kit

503296-B21

Enablement Kit

HP 4U Redundant Power Supply Enablement Kit

675843-B21

NOTE: The HP 4U Redundant Power Supply Enablement Kit (675843-B21) must be installed when using HP Common Slot power supplies.

Step 3: Choose Additional Factory Integratable Options

HP Insight Software

HP Insight Control including 1yr 24x7 Support ProLiant ML/DL/BL-bundle Single Server FIO License

C6N36A

HP Insight Control including 1yr 24x7 Support ProLiant ML/DL/BL-bundle FIO Electronic License

C6N36ABE

Step 4: Choose Additional Options for Factory Integration

NOTE: For additional options, please refer to the "Core Options" and "Additional Options" section below.

Core Options

NOTE: Some options may not be integrated at the factory. Contact your local sales representative for additional information.

HP Unique Options	HP 4U 4 Large Form Factor Hot Plug Hard Drive Backplane Kit	674839-B21
	NOTE: The LFF Kit is a backplane kit designed for going from NHP LFF to hot-plug LFF.	
	HP 4U 8 Small Form Factor Hot Plug Hard Drive Cage Kit	674841-B21
	NOTE: The SFF Kit is the cage plus backplane and designed to convert from any LFF configuration to SFF.	

HP Memory

NOTE: To realize the performance memory capabilities listed in this document, HP SmartMemory is required. For additional information, please see the HP SmartMemory QuickSpecs at:

http://h18000.www1.hp.com/products/quickspecs/14225_na/14225_na.html

Unbuffered with ECC DIMMs (UDIMMs)

HP 2GB (1x2GB) Single Rank x8 PC3-12800E (DDR3-1600) Unbuffered CAS-11 Memory Kit	669320-B21
HP 2GB (1x2GB) Single Rank x8 PC3L-10600E (DDR3-1333) Unbuffered CAS-9 Low Voltage Memory Kit	647905-B21
HP 2GB (1x2GB) Single Rank x8 PC3L-10600E (DDR3-1333) Unbuffered CAS-9 Low Voltage Memory Kit S-Buy	647905-S21
HP 2GB (1x2GB) Single Rank x8 PC3L-12800E (DDR3-1600) Unbuffered CAS-11 Low Voltage Memory Kit	713975-B21
HP 4GB (1x4GB) Dual Rank x8 PC3-12800E (DDR3-1600) Unbuffered CAS-11 Memory Kit	669322-B21
HP 4GB (1x4GB) Dual Rank x8 PC3L-10600E (DDR3-1333) Unbuffered CAS-9 Low Voltage Memory Kit	647907-B21
HP 4GB (1x4GB) Dual Rank x8 PC3L-10600E (DDR3-1333) Unbuffered CAS-9 Low Voltage Memory Kit S-Buy	647907-S21
HP 4GB (1x4GB) Dual Rank x8 PC3L-12800E (DDR3-1600) Unbuffered CAS-11 Low Voltage Memory Kit	713977-B21
HP 8GB (1x8GB) Dual Rank x8 PC3-12800E (DDR3-1600) Unbuffered CAS-11 Memory Kit	669324-B21
HP 8GB (1x8GB) Dual Rank x8 PC3L-10600E (DDR3-1333) Unbuffered CAS-9 Low Voltage Memory Kit	647909-B21
HP 8GB (1x8GB) Dual Rank x8 PC3L-12800E (DDR3-1600) Unbuffered CAS-11 Low Voltage Memory Kit	713979-B21

HP Drive Cage Options

	HP 4U 4 Large Form Factor Hot Plug Hard Drive Backplane Kit	674839-B21
	NOTE: The LFF Kit is a backplane kit designed for going from NHP LFF to hot-plug LFF.	
	HP 4U 8 Small Form Factor Hot Plug Hard Drive Cage Kit	674841-B21
	NOTE: The SFF Kit is the cage plus backplane and designed to convert from any LFF configuration to SFF.	

Core Options

HP Optical Drives	HP Half-Height SATA DVD ROM JackBlack Optical Drive	624189-B21
	HP Half-Height SATA DVD RW JackBlack Optical Drive	624192-B21

HP Hard Drives

NOTE: The components of a storage subsystem (e.g. the drive, the HBA/controller, firmware, and the server backplane) should operate at the same data transfer rate or the system bandwidth will be negotiated down to an acceptable level for all components.

NOTE: Hard drives have either a one year or three year warranty; refer to the specific hard drive QuickSpecs for details.

SAS Hot Plug with SmartDrive SFF (2.5-inch) Enterprise Drives

HP 1.2TB 6G SAS 10K rpm SFF (2.5-inch) SC Dual Port Enterprise 3yr Warranty Hard Drive	718162-B21
HP 1.2TB 6G SAS 10K rpm SFF (2.5-inch) SC Enterprise 3yr Warranty Hard Drive	697574-B21
HP 900GB 6G SAS 10K rpm SFF (2.5-inch) SC Enterprise 3yr Warranty Hard Drive	652589-B21
HP 900GB 6G SAS 10K rpm SFF (2.5-inch) SC Enterprise 3yr Warranty Hard Drive S-Buy	652589-S21
HP 600GB 6G SAS 10K rpm SFF (2.5-inch) SC Enterprise 3yr Warranty Hard Drive	652583-B21
HP 600GB 6G SAS 10K rpm SFF (2.5-inch) SC Enterprise 3yr Warranty Hard Drive S-Buy	652583-S21
HP 450GB 6G SAS 10K rpm SFF (2.5-inch) SC Enterprise 3yr Warranty Hard Drive	652572-B21
HP 300GB 6G SAS 10K rpm SFF (2.5-inch) SC Enterprise 3yr Warranty Hard Drive	652564-B21
HP 300GB 6G SAS 10K rpm SFF (2.5-inch) SC Enterprise 3yr Warranty Hard Drive S-Buy	652564-S21
HP 300GB 6G SAS 15K rpm SFF (2.5-inch) SC Enterprise 3yr Warranty Hard Drive	652611-B21
HP 300GB 6G SAS 15K rpm SFF (2.5-inch) SC Enterprise 3yr Warranty Hard Drive S-Buy	652611-S21
HP 146GB 6G SAS 15K rpm SFF (2.5-inch) SC Enterprise 3yr Warranty Hard Drive	652605-B21
HP 146GB 6G SAS 15K rpm SFF (2.5-inch) SC Enterprise 3yr Warranty Hard Drive S-Buy	652605-S21

SAS Hot Plug SmartDrive SFF (2.5-inch) Midline Drives

HP 1TB 6G SAS 7.2K rpm SFF (2.5-inch) SC Midline 1yr Warranty Hard Drive	652749-B21
HP 500GB 6G SAS 7.2K rpm SFF (2.5-inch) SC Midline 1yr Warranty Hard Drive	652745-B21

SAS Hot Plug SmartDrive LFF (3.5-inch) Enterprise Drives

HP 600GB 6G SAS 15K rpm LFF (3.5-inch) SC Enterprise 3yr Warranty Hard Drive	652620-B21
HP 450GB 6G SAS 15K rpm LFF (3.5-inch) SC Enterprise 3yr Warranty Hard Drive	652615-B21

SAS Hot Plug SmartDrive LFF (3.5-inch) Midline Drives

HP 4TB 6G SAS 7.2K rpm LFF (3.5-inch) SC Midline 1yr Warranty Hard Drive	695510-B21
HP 3TB 6G SAS 7.2K rpm LFF (3.5-inch) SC Midline 1yr Warranty Hard Drive	652766-B21
HP 2TB 6G SAS 7.2K rpm LFF (3.5-inch) SC Midline 1yr Warranty Hard Drive	652757-B21
HP 1TB 6G SAS 7.2K rpm LFF (3.5-inch) SC Midline 1yr Warranty Hard Drive	652753-B21

SAS Non-Hot Plug LFF (3.5-inch) Enterprise (ENT) Drives

HP 600GB 6G SAS 15K rpm LFF (3.5-inch) Non-hot Plug Dual Port Enterprise 3yr Warranty Hard Drive	516830-B21
HP 450GB 6G SAS 15K rpm LFF (3.5-inch) Non-hot Plug Dual Port Enterprise 3yr Warranty Hard Drive	516826-B21

Core Options

NOTE: Please see the QuickSpecs for Technical Specifications and additional information:

http://h18000.www1.hp.com/products/quickspecs/12244_na/12244_na.html

6G SATA Hot Plug with SmartDrive SFF (2.5-inch) Midline (MDL) Drives

HP 1TB 6G SATA 7.2K rpm SFF (2.5-inch) SC Midline 1yr Warranty Hard Drive	655710-B21
HP 1TB 6G SATA 7.2K rpm SFF (2.5-inch) SC Midline 1yr Warranty Hard Drive S-Buy	655710-S21
HP 500GB 6G SATA 7.2K rpm SFF (2.5-inch) SC Midline 1yr Warranty Hard Drive	655708-B21
HP 500GB 6G SATA 7.2K rpm SFF (2.5-inch) SC Midline 1yr Warranty Hard Drive S-Buy	655708-S21

6G SATA Hot Plug with SmartDrive LFF (3.5-inch) Midline (MDL) Drives

HP 4TB 6G SATA 7.2k rpm LFF (3.5-inch) SC Midline 1yr Warranty Hard Drive	693687-B21
HP 3TB 6G SATA 7.2K rpm LFF (3.5-inch) SC Midline 1yr Warranty Hard Drive	628061-B21
HP 2TB 6G SATA 7.2K rpm LFF (3.5-inch) SC Midline 1yr Warranty Hard Drive	658079-B21
HP 1TB 6G SATA 7.2K rpm LFF (3.5-inch) SC Midline 1yr Warranty Hard Drive	657750-B21
HP 1TB 6G SATA 7.2K rpm LFF (3.5-inch) SC Midline 1yr Warranty Hard Drive S-Buy	657750-S21
HP 500GB 6G SATA 7.2K rpm LFF (3.5-inch) SC Midline 1yr Warranty Hard Drive	658071-B21
HP 500GB 6G SATA 7.2K rpm LFF (3.5-inch) SC Midline 1yr Warranty Hard Drive S-Buy	658071-S21

6G SATA Non-hot Plug LFF (3.5-inch) Midline (MDL) Drives

HP 3TB 6G SATA 7.2K rpm LFF (3.5-inch) Non-hot plug Midline 1yr Warranty Hard Drive	628065-B21
HP 2TB 6G SATA 7.2K rpm LFF (3.5-inch) Non-hot plug Midline 1yr Warranty Hard Drive	659339-B21
HP 1TB 6G SATA 7.2K rpm LFF (3.5-inch) Non-hot plug Midline 1yr Warranty Hard Drive	659337-B21
HP 500GB 6G SATA 7.2K rpm LFF (3.5-inch) Non-hot plug Midline 1yr Warranty Hard Drive	659341-B21

NOTE: SATA hard drives have a 1-year warranty. Please see the QuickSpecs for Technical Specifications and additional information:

http://h18000.www1.hp.com/products/quickspecs/13021_na/13021_na.html

6G SATA Value Endurance Hot Plug LFF (3.5-inch) Enterprise Boot Solid State Drives

HP 120GB 6G SATA Value Endurance LFF 3.5-in SC Enterprise Boot 3yr Wty Solid State Drive	718171-B21
HP 80GB 6G SATA Value Endurance LFF 3.5-in SC Enterprise Boot 3yr Wty Solid State Drive	734362-B21

6G SATA Value Endurance Hot Plug LFF (3.5-inch) Enterprise Value Solid State Drives

HP 800GB 6G SATA Value Endurance LFF 3.5-in SC Enterprise Value 3yr Wty Solid State Drive	718189-B21
HP 480GB 6G SATA Value Endurance LFF 3.5-in SC Enterprise Value 3yr Wty Solid State Drive	718183-B21
HP 240GB 6G SATA Value Endurance LFF 3.5-in SC Enterprise Value 3yr Wty Solid State Drive	718177-B21

6G SAS ME Hot Plug SFF (2.5-inch) Enterprise Mainstream Solid State Drives

HP 400GB 6G SAS Mainstream Endurance SFF 2.5-in SC Enterprise Mainstream 3yr Wty Solid State Drive	690827-B21
HP 200GB 6G SAS Mainstream Endurance SFF 2.5-in SC Enterprise Mainstream 3yr Wty Solid State Drive	690825-B21

6G SATA ME Hot Plug SFF (2.5-inch) Enterprise Mainstream Solid State Drives

Core Options

HP 800GB 6G SATA Mainstream Endurance SFF 2.5-in SC Enterprise Mainstream 3yr Wty Solid State Drive	691868-B21
HP 400GB 6G SATA Mainstream Endurance SFF 2.5-in SC Enterprise Mainstream 3yr Wty Solid State Drive	691866-B21
HP 200GB 6G SATA Mainstream Endurance SFF 2.5-in SC Enterprise Mainstream 3yr Wty Solid State Drive	691864-B21
HP 100GB 6G SATA Mainstream Endurance SFF 2.5-in SC Enterprise Mainstream 3yr Wty Solid State Drive	691862-B21
6G SATA ME Hot Plug LFF (3.5-inch) Enterprise Mainstream Solid State Drives	
HP 800GB 6G SATA Mainstream Endurance LFF 3.5-in SC Enterprise Mainstream 3yr Wty Solid State Drive	691860-B21
HP 400GB 6G SATA Mainstream Endurance LFF 3.5-in SC Enterprise Mainstream 3yr Wty Solid State Drive	691856-B21
HP 200GB 6G SATA Mainstream Endurance LFF 3.5-in SC Enterprise Mainstream 3yr Wty Solid State Drive	691854-B21
HP 100GB 6G SATA Mainstream Endurance LFF 3.5-in SC Enterprise Mainstream 3yr Wty Solid State Drive	691852-B21
NOTE: Please see the QuickSpecs for Technical Specifications and additional information: http://h18000.www1.hp.com/products/quickspecs/14038_na/14038_na.html	
Hard Drive Kits	
NOTE: All Factory Integrated Models will be populated with sufficient hard drive blanks based on the number of initial hard drives ordered with the server.	
NOTE: The part numbers for single HDD blanks below are provided should the customer require replacement HDD blanks for their server	
HP LFF Gen8 Hard Drive Blank Kit	666986-B21
HP SFF Gen8 Hard Drive Blank Kit	666987-B21

HP Networking

Gigabit Ethernet adapters

HP NC112T PCI Express Gigabit Server Adapter	503746-B21
HP NC365T 4-port Ethernet Server Adapter	593722-B21
HP Ethernet 1Gb 4-port 331T Adapter	647594-B21
HP Ethernet 1Gb 2-port 332T Adapter	615732-B21
HP Ethernet 1Gb 2-port 361T Adapter	652497-B21

10 Gigabit Ethernet adapters

HP NC523SFP 10Gb 2-port Server Adapter	593717-B21
HP NC552SFP 10Gb 2-port Ethernet Server Adapter	614203-B21
HP Ethernet 10Gb 2-port 560SFP+ Adapter	665249-B21

NOTE: Please see the QuickSpecs for Technical Specifications and additional information: www.hp.com/go/ProLiantNICs

Switches

HP PS1810-24G Switch	J9834A
----------------------	--------

Core Options

NOTE: Please see the QuickSpecs for Technical Specifications and additional information:
http://h18004.www1.hp.com/products/quickspecs/14586_na/14586_na.html

HP Power Supplies

NOTE: Mixing of power supplies in the same server is not supported. All power supplies inside a server must be exactly the same model. Mixing Gold, Platinum, and Platinum Plus certified power supplies is not supported.

NOTE: Prior to making a power supply selection it is highly recommended that the HP Power Advisor is run to determine the right size power supply for your server configuration. The HP Power Advisor is located at: www.hp.com/go/hppoweradvisor.

HP Common Slot Gold Power Supplies

NOTE: The following Power Supplies offer 92% Efficiency.

HP 460W Common Slot Gold Hot Plug Power Supply Kit

503296-B21

NOTE: Option Kits for AC power supplies include the power supply and one PDU IEC cable.

NOTE: Power Specification and Technical Content for supported power supplies can be found at:

http://h18000.www1.hp.com/products/quickspecs/14209_na/14209_na.html

Additional Options

NOTE: Some options may not be integrated at the factory. To ensure only valid configurations are ordered, HP recommends the use of an HP approved configurator. Contact your local sales representative for additional information.

HP Insight Software

HP Insight Control

HP Insight Control including 1yr 24x7 Technical Support and Updates Single Server License C6N27A

HP Insight Control Server Provisioning Media Kit BD883A

HP Insight Management Media Kit C6N31A

HP Insight Control Server Deployment including 1yr 24x7 Support Electronic License T9082AAE

HP Insight Control Server Deployment including 1yr 24x7 Support Single Server License 452151-B21

NOTE: Electronic and Flexible-Quantity licenses can be used to purchase multiple licenses with a single activation key.

NOTE: Customer will receive a license entitlement certificate. The license entitlement certificate must be redeemed online or via fax in order to obtain the license activation key(s). Includes one year of 24 x 7 HP Software Technical Support and Update Service.

NOTE: Licenses ship without media. The HP Insight Control Media Kit can be ordered separately, or can be downloaded at: <http://www.hp.com/go/insightupdates>.

NOTE: For additional license options please see the QuickSpecs at:

http://h18000.www1.hp.com/products/quickspecs/12631_na/12631_na.html

HP Integrated Lights-Out (iLO)

HP iLO Essentials

HP Integrated Lights-Out Essentials including 3yr 24x7 Tech Support and Updates Single Svr License BD774A

HP Integrated Lights-Out Essentials including 1yr 24x7 Tech Support and Updates Single Svr License BD775A

HP Integrated Lights-Out (iLO) Advanced for ProLiant

HP iLO Advanced including 1yr 24x7 Technical Support and Updates Single Server License 512485-B21

HP iLO Advanced 1 Server License with 3yr 24x7 Tech Support and Updates BD505A

HP iLO Advanced Flexible Qty License with 3yr 24x7 Tech Support and Updates BD506A

HP iLO Advanced Tracking License with 3yr 24x7 Tech Support and Updates BD507A

HP iLO Advanced including 1yr 24x7 Technical Support and Updates Flexible Quantity License 512486-B21

HP iLO Advanced including 1yr 24x7 Technical Support and Updates Tracking License 512487-B21

NOTE: For additional license kits, including electronic delivery options, please see the QuickSpecs at:

http://h18004.www1.hp.com/products/quickspecs/14276_na/14276_na.html

NOTE: For more information, visit: <http://www.hp.com/go/ilo>.

Additional Options

HP Security

HP Trusted Platform Module Option

488069-B21

NOTE: The TPM (Trusted Platform Module) is a microcontroller chip that can securely store artifacts used to authenticate the server platform. These artifacts can include passwords, certificates and encryption keys. Windows® BitLocker™ Drive Encryption (BitLocker) is a data protection feature available in Windows Server® 2008. BitLocker leverages the enhanced security capabilities of a Trusted Platform Module (TPM) version 1.2. The TPM works with BitLocker to help protect user data and to ensure that a server running Windows Server 2008 has not been tampered with while the system was offline. For more information about TPM, including a white paper, go to: www.hp.com/go/TPM.

NOTE: ProLiant OS pre-installed units will come with the partition required for TPM deployment.

NOTE: The TPM key is unique to every TPM deployed server and must be retained. Misplacing or losing the key could result in data loss.

HP Storage Controllers

SAS Controllers

NOTE: Smart Array Storage controller can be added only in PCIe Slot 3, Slot 4 or both.

HP Smart Array P222 Controller

HP Smart Array P222/512 FBWC 6Gb 1-port Int/1-port Ext SAS Controller

631667-B21

HP Smart Array P420 Controller

HP Smart Array P420/2GB FBWC 6Gb 2-ports Int SAS Controller

631671-B21

HP Smart Array P420/1GB FBWC 6Gb 2-ports Int SAS Controller

631670-B21

HP Smart Array P421 Controller

HP Smart Array P421/2GB FBWC 6Gb 2-ports Ext SAS Controller

631674-B21

HP Smart Array P421/1GB FBWC 6Gb 2-ports Ext SAS Controller

631673-B21

Optional Upgrades

HP 2GB P-series Smart Array Flash Backed Write Cache

631681-B21

HP SmartCache No Media 24x7 Technical Support 1 Svr License

D7S26A

HP SmartCache No Media 24x7 Technical Support Flexible License

D7S27A

HP SmartCache No Media 24x7 Technical Support Electronic License

D7S27AAE

NOTE: Please see the QuickSpecs for Technical Specifications and additional information:

http://h18000.www1.hp.com/products/quickspecs/14227_na/14227_na.html
(Smart Array P222 Controller)

http://h18000.www1.hp.com/products/quickspecs/14228_na/14228_na.html
(Smart Array P420 Controller)

http://h18000.www1.hp.com/products/quickspecs/14229_na/14229_na.html
(Smart Array P421 Controller)

HP Host Bus Adapters

HP H220 Host Bus Adapter

650933-B21

HP H221 Host Bus Adapter

650931-B21

HP H221 PCIe 3.0 SAS Host Bus Adapter

729552-B21

HP H222 Host Bus Adapter

650926-B21

NOTE: Please see the QuickSpecs for Technical Specifications and additional

Additional Options

information:

http://h18004.www1.hp.com/products/quickspecs/14336_na/14336_na.html

(HBA H220)

http://h18004.www1.hp.com/products/quickspecs/14222_na/14222_na.html

(HBA H221)

http://h18004.www1.hp.com/products/quickspecs/14337_na/14337_na.html

(HBA H222)

HP Tape Backup

NOTE: For the complete range of tape drives, autoloaders, libraries and media see:

<http://www.hp.com/go/tape>. For hardware and software compatibility of HP tape backup products see:

<http://www.hp.com/storage/SPOCK> and www.hp.com/go/ebs.

HP StoreEver LTO-6 Ultrium 6250 Tape Drive in 1U Rack-mount Kit	COL99A
HP StoreEver LTO-6 Ultrium 6650 SAS Internal Tape Drive	EH963A
HP StoreEver LTO-6 Ultrium 6650 SAS External Tape Drive	EH964A
HP StoreEver LTO-6 Ultrium 6250 Internal Tape Drive	EH969A
HP StoreEver LTO-6 Ultrium 6250 External Tape Drive	EH970A
HP StoreEver 1/8 G2 LTO-6 Ultrium 6250 FC Tape Autoloader	COH19A

HP Tape Storage Systems HP StoreEver MSL6480

HP StoreEver MSL6480 Scalable Base Module	QU625A
---	--------

NOTE: Please see the QuickSpecs for Technical Specifications and additional information:

http://h18000.www1.hp.com/products/quickspecs/14604_na/14604_na.html

HP Disk Backup

NOTE: For the complete range of RDX drives and media see:

<http://www.hp.com/go/rdx>. For hardware and software compatibility of HP disk backup products see: <http://www.hp.com/storage/SPOCK>.

HP RDX Removable Disk Backup System

HP RDX320 USB3.0 External Disk Backup System	B7B63A
HP RDX500 USB3.0 Internal Disk Backup System	B7B64A
HP RDX500 USB3.0 External Disk Backup System	B7B66A
HP RDX1000 USB3.0 Internal Disk Backup System	B7B67A
HP RDX1000 USB3.0 External Disk Backup System	B7B69A

NOTE: Please see the QuickSpecs for additional part numbers, Technical Specifications, and additional information:

http://h18000.www1.hp.com/products/quickspecs/13036_na/13036_na.html

Additional Options

HP Disk Storage Systems **Disk Enclosures**

HP D2600 w/12 4TB 6G SAS 7.2K LFF Dual Port MDL HDD 48TB Bundle

E7W32A

NOTE: Please see the QuickSpecs for Technical Specifications and additional information:

http://h18000.www1.hp.com/products/quickspecs/13404_na/13404_na.html

HP Uninterruptible Power Systems **HP Tower UPS**

HP T1000 G3 UPS Models

HP T1000 G3 1000VA NA Tower Uninterruptible Power System

AF448A

HP T1500 G3 UPS Models

HP T1500 G3 1400VA NA Tower Uninterruptible Power System

AF450A

NOTE: Please see the QuickSpecs for additional information:

http://h18000.www1.hp.com/products/quickspecs/13160_na/13160_na.html

HP Rack-mountable UPS

HP R1500 G3 Uninterruptible Power Supply (UPS)

HP R1.5kVA G3 1U NA Uninterruptible Power System

AF469A

NOTE: Please see the QuickSpecs for additional information:

http://h18000.www1.hp.com/products/quickspecs/14059_na/14059_na.html

HP R/T3000 G2 Uninterruptible Power System (UPS)

HP R/T3000 G2 2U L530 Low Voltage NA/JP Uninterruptible Power System

AF466A

HP R/T3000 G2 2U L620 High Voltage NA/JP Uninterruptible Power System

AF467A

NOTE: Please see the QuickSpecs for additional information:

http://h18000.www1.hp.com/products/quickspecs/14058_na/14058_na.html
(Worldwide)

R5000 Uninterruptible Power System (UPS)

HP R5KVA 3U L630 High Voltage NA/JP Uninterruptible Power System

AF460A

NOTE: Please see the QuickSpecs for additional information:

http://h18000.www1.hp.com/products/quickspecs/14109_na/14109_na.html

R7000 Uninterruptible Power System (UPS)

HP R7KVA 4U 50A High Voltage NA/JP Uninterruptible Power System

AF462A

NOTE: Please see the QuickSpecs for additional information:

http://h18000.www1.hp.com/products/quickspecs/14110_na/14110_na.html

NOTE: For additional information on sizing your server, please reference:

<http://www.upssizer.com>.

NOTE: Please see the UPS and PDU cable matrix's on the HP Power Protection and Management page. Under Power Cords, click on the "HP Power Cord Matrix" link. That link will list cable descriptions, requirements, and specifications for UPS and PDU units. Please see the following link: www.hp.com/products/powercords.

NOTE: For additional information on HP Uninterruptible Power Systems please go to: www.hp.com/servers/rackups.

Additional Options

HP Basic Power Distribution Units (bPDU)	HP Basic Power Distribution Unit: 1U/0U Version	
	HP 1.9kVA 120 Volt 12 Outlet NA/JP Basic Power Distribution Unit	H5M54A
	HP 3.6kVA 200-240 Volt 12 Outlet WW Basic Power Distribution Unit	H5M56A
	HP Basic Power Distribution Unit: Half Height Version	
	HP 2.8kVA 120 Volt 18 Outlet NA/JP Basic Power Distribution Unit	H5M55A
	HP 3.6kVA 200-240 Volt 20 Outlet WW Basic Power Distribution Unit	H5M57A
	HP 4.9kVA 208 Volt 20 Outlet NA/JP Basic Power Distribution Unit	H5M58A
	HP 8.6kVA 208 Volt Three Phase 18 Outlet NA/JP Basic Power Distribution Unit	H5M61A
	HP Basic Power Distribution Unit: Mid Height Version	
	HP 4.9kVA 208 Volt 30 Outlet NA/JP Basic Power Distribution Unit	H5M59A
	HP 8.3kVA 208 Volt 36 Outlet NA/JP Basic Power Distribution Unit	H5M60A
	HP Hardwired 200-240 Volt 36 Outlet WW Basic Power Distribution Unit	H5M75A
	HP 5.7kVA 208 Volt Three Phase 27 Outlet NA/JP Dual Voltage Basic Power Distribution Unit	H5M63A
	HP 8.6kVA 208 Volt Three Phase 30 Outlet NA/JP Dual Voltage Basic Power Distribution Unit	H5M64A
	HP 8.6kVA 208 Volt Three Phase 30 Outlet NA/JP Basic Power Distribution Unit	H5M62A
	HP Basic Power Distribution Unit: Full Height Version	
	HP 11kVA 400 Volt Three Phase 42 Outlet NA Basic Power Distribution Unit	H5M67A
	HP Basic Power Distribution Unit: 480/277 Volt Version	
	HP 13.2kVA 480 Volt Three Phase 15 Outlet NA Basic Power Distribution Unit	H3X07A
	HP 19.9kVA 480 Volt Three Phase 30 Outlet NA Basic Power Distribution Unit	H3X08A
	HP 800VA - 277V Input / 230V Output NA Rack Mount Transformer	H3X09A
	NOTE: Please see the QuickSpecs for Technical Specifications and additional information: http://h18000.www1.hp.com/products/quickspecs/14557_na/14557_na.html	
	NOTE: Additional HP Power Distribution Units are available. For a complete list of all HP PDUs and additional information please visit www.hp.com/go/rackandpower .	

Additional Options

HP Remote Monitoring Power Distribution Units (mPDU)	HP Remote Monitored Power Distribution Unit: 1U Version	
	HP 2.8kVA 120 Volt 12 Outlet NA/JP Monitored Power Distribution Unit	D9N43A
	HP 3.6kVA 200-240 Volt 12 Outlet WW Monitored Power Distribution Unit	D9N46A
	HP 4.9kVA 208 Volt 12 Outlet NA/JP Monitored Power Distribution Unit	D9N44A
	HP Remote Monitored Power Distribution Unit: Half Height Version	
	HP 3.6kVA 200-240 Volt 16 Outlet WW Monitored Power Distribution Unit	D9N45A
	HP Remote Monitored Power Distribution Unit: Mid Height Version	
	HP 4.9kVA 208 Volt 24 Outlet NA/JP Monitored Power Distribution Unit	D9N47A
	HP 8.6kVA 208 Volt Three Phase 21 Outlet NA/JP Monitored Power Distribution Unit	D9N51A
	HP 5.7kVA 208 Volt Three Phase 21 Outlet NA/JP Dual Voltage Monitored Power Distribution Unit	D9N52A
	HP 8.6kVA 208 Volt Three Phase 24 Outlet NA/JP Dual Voltage Monitored Power Distribution Unit	D9N53A
	HP Remote Monitored Power Distribution Unit: Full Height Version	
	HP 8.3kVA 208 Volt 33 Outlet NA Monitored Power Distribution Unit	D9N49A
	HP 14.4kVA 208 Volt Three Phase 24 Outlet NA Monitored Power Distribution Unit	D9N58A
	HP 16.6kVA 400 Volt Three Phase 33 Outlet NA Monitored Power Distribution Unit	D9N61A
	HP 17.3kVA 208 Volt Three Phase 27 Outlet NA/JP Monitored Power Distribution Unit	D9N54A
	HP 17.3kVA 208 Volt Three Phase 24 Outlet NA/JP Monitored Power Distribution Unit	D9N59A
	HP 16.6kVA 400 Volt Three Phase 24 Outlet NA Monitored Power Distribution Unit	D9N62A
	HP 19.9kVA 480 Volt Three Phase 30 Outlet NA Monitored Power Distribution Unit	D9N63A
	HP Environmental Sensor for Remote Monitored PDUs	
HP Environmental Sensor for Remote Monitored PDUs	E2D53A	
NOTE: Please see the QuickSpecs for additional information: http://h18000.www1.hp.com/products/quickspecs/14669_na/14669_na.html		

HP Intelligent Power Distribution Units (iPDU)	iPDU Core Units	
	HP 4.9kVA 24A Single Phase NA/JP Core Intelligent Modular Power Distribution Unit	AF520A
	HP 8.3kVA 40A Single Phase NA/JP Core Intelligent Modular Power Distribution Unit	AF521A
	HP 8.6kVA 24A Three Phase NA/JP Core Intelligent Modular Power Distribution Unit	AF522A
	HP 14.4kVA 40A Three Phase NA/JP Intelligent Modular Power Distribution Unit	AF533A
	HP 17.3kVA 48A Three Phase NA/JP Core Intelligent Modular Power Distribution Unit	AF523A
	HP 17.3kVA 24A 415V Three Phase L22-30 NA Core Intelligent Power Distribution Unit	AF902A
	HP 17.3kVA 48A 208V Three Phase 12 Outlet Core NA/JP Intelligent Power Distribution Unit	AF535A
	HP 17.3kVA 24A 415V Three Phase 12 Outlet Core NA/JP Intelligent Power Distribution Unit	AF537A
	iPDU Kits with Standard Extension Bars	
	HP 4.9kVA 24A Single Phase NA/JP Intelligent Modular Power Distribution Kit	AF531A
	HP 8.6kVA 24A Three Phase NA/JP Intelligent Modular Power Distribution Kit	AF532A
	iPDU Extension Bars	

Additional Options

HP 5x13 Intelligent PDU Extension Bar G2 Kit	AF547A
HP 5x13 Outlets Power and UID LEDs Pair Standard Extension Bar	AF528A
<p>NOTE: Please see the QuickSpecs for Technical Specifications and additional information: http://h18000.www1.hp.com/products/quickspecs/13650_na/13650_na.html</p>	

HP Rack Series

HP Intelligent Series Rack

HP 642 1075mm Pallet Intelligent Series Rack	BW903A
HP 642 1075mm Shock Intelligent Series Rack	BW904A
<p>NOTE: Please see the QuickSpecs for Technical Specifications such as height, width, depth, weight, and color: http://h18000.www1.hp.com/products/quickspecs/14223_na/14223_na.html NOTE: For additional information regarding Rack Cabinets, please see the following URL: http://www.hp.com/go/rackandpower.</p>	

HP Rack Options

HP USB Keyboard and Mouse

HP USB BFR with PVC Free US Keyboard/Mouse Kit	631341-B21
<p>NOTE: Please see the QuickSpecs for Technical Specifications and additional information: http://h18000.www1.hp.com/products/quickspecs/13792_na/13792_na.html</p>	

HP TFT7600 G2 KVM Console Rackmount Keyboard Monitor

HP TFT7600 G2 KVM Console Rackmount Keyboard US Monitor	AZ870A
HP TFT7600 G2 KVM Console Rackmount Keyboard US TAA Monitor	AZ885A
<p>NOTE: Please see the QuickSpecs for Technical Specifications and additional information: http://h18000.www1.hp.com/products/quickspecs/13731_na/13731_na.html</p>	

HP Server Console Switches

HP Server Console 0x2x8 Port Analog Switch	AF616A
HP Server Console 0x2x16 Port Analog Switch	AF617A
HP TAA 0x2x16xKVM Server Console G2 Switch	AF626A
<p>NOTE: Please see the QuickSpecs for Technical Specifications and additional information: http://h18000.www1.hp.com/products/quickspecs/11834_na/11834_na.html</p>	

HP Server Console Switch G2 with Virtual Media & CAC

HP 0x2x16 KVM Server Console Switch G2 with Virtual Media CAC Software	AF618A
HP 0x2x32 KVM Server Console Switch G2 with Virtual Media CAC Software	AF619A
HP KVM CAT5 1-pack USB Interface Adapter	336047-B21
<p>NOTE: Please see the QuickSpecs for Technical Specifications and additional information: http://h18000.www1.hp.com/products/quickspecs/13475_na/13475_na.html</p>	

HP IP Console Switch G2 with Virtual Media & CAC

HP 1x4 USB/PS2 KVM Console Switch	AF611A
-----------------------------------	--------

Additional Options

HP 1x1Ex8 KVM IP Console Switch G2 with Virtual Media CAC Software	AF620A
HP 2x1Ex16 KVM IP Console Switch G2 with Virtual Media CAC Software	AF621A
HP 4x1Ex32 KVM IP Console Switch G2 with Virtual Media CAC Software	AF622A

NOTE: Please see the QuickSpecs for Technical Specifications and additional information:

http://h18000.www1.hp.com/products/quickspecs/13474_na/13474_na.html

HP USB and SD Options

HP Flash Media Kits for USB Drives

HP 2GB USB Flash Media Drive Key Kit	608447-B21
--------------------------------------	------------

NOTE: HP qualified blank USB key for use with HP ProLiant servers that support the VMware virtualization environment and other HP value-add software. HP recommends this industry standard USB flash device for use with VMware ESXi. USB device must be installed in the internal slot of the ProLiant server for use with VMware ESXi. Refer to HP VMware Getting Started Guide for installation instructions.

HP 8GB USB Enterprise Mainstream Flash Media Drive Key Kit	737953-B21
--	------------

HP Enterprise Mainstream Flash Media Kits for Memory Cards

HP 8GB microSD Enterprise Mainstream Flash Media Kit	726116-B21
--	------------

NOTE: Please see the QuickSpecs for Technical Specifications and additional information:

http://h18000.www1.hp.com/products/quickspecs/13971_na/13971_na.html

HP Care Pack Services

Proactive Care

NOTE: Collaborative Support plus Proactive services delivered by the onshore, local language Advanced Solution Center (ASC), end-to-end case ownership from a Technical Solution Specialists and Technical Account Manager who remotely delivers firmware/software revision management, proactive scans and incident trend reports. Recommended for customers running a virtualized infrastructure and/or customers who desire an enhanced call support experience.

HP 3 year Next business day ProLiant ML310e Proactive Care Service	U6F65E
--	--------

HP 3 year Next business day with Defective Media Retention ProLiant ML310e Proactive Care Service	U6F66E
---	--------

HP 3 year 4 hour 24x7 ProLiant ML310e Proactive Care Service	U6F73E
--	--------

HP 3 year 4 hour 24x7 with Defective Media Retention ProLiant ML310e Proactive Care Service	U6F74E
---	--------

Collaborative Support

NOTE: Hardware break/fix plus 24x7 software diagnosis support with collaborative call management for a broad spectrum of 3rd Party software products including O/S and hypervisors. Recommended for customers procuring 3rd party SW O/S and hypervisors from the software vendors directly and deploying them on HP ProLiant servers.

HP 3 year Next business day ProLiant ML310e Collaborative Support	U6F63E
---	--------

HP 3 year Next business day with Defective Media Retention ProLiant ML310e Collaborative Support	U6F64E
--	--------

Additional Options

Proactive Care Personalized Support Option

NOTE: To add an onsite Account Support Manager (ASM) to Proactive Care. ASM is an assigned resource who delivers support planning and brings technical expertise and best practices advices for the customer's environment.

HP 3 year ISS ProactiveCare Personalized Support

U6W98E

Installation Services

NOTE: Reduce the time required to get your system up and running and help minimize disruptions to your business.

HP Install ProLiant ML310e Service

U6G21E

HP Startup ProLiant ML310e Service

U6G23E

NOTE: For more information, customer/resellers can contact:

<http://www.hp.com/services/carepack>

Memory

NOTE: Memory configurations listed do not apply to "Factory Integrated Models".

HP SmartMemory

New HP SmartMemory now provides additional protection for your servers. With HP Authentication it can verify that you have true HP Qualified Memory in your HP ProLiant Gen8 server. With HP SmartMemory your new HP ProLiant server can take advantage of additional Gen8 enhancements in performance, durability and future manageability support through HP Active Health System

DDR3 memory population guidelines

For detailed memory configuration rules and guidelines, please use the Online DDR3 Memory Configuration Tool:

www.hp.com/go/ddr3memory-configurator

General Guidelines:

- The HP ProLiant ML310e Gen8 v2 Server has four memory slots
- There are two channels per server with two DIMM slots per channel
- Memory channel 1 consists of the two (2) DIMMs that are closest to the processor
- Memory channel 2 consists of the two (2) DIMMs that are furthest from the processor
- Different types of processors have different types of memory support.
- Support for single/dual-rank 1333/1600 MT/s ECC UDIMM (unbuffered DIMMS)
- The server supports up to 32 GB (4 x 8-GB) for Unbuffered DIMMs
- No support for LRDIMMs; RDIMMs; Non-ECC UDIMMs
- Do not install DIMMs if the processor is not installed
- Populate DIMMs from heaviest load (double-rank) to lightest load (single-rank)
- Non-ECC DIMMs are not supported
- Always use HP qualified DIMMs

ML310e Gen8 v2 Supported Memory Bandwidth and Capacity

DIMM Type	Unbuffered with ECC DIMMs (UDIMMs)								
DIMM Rank	Single Rank (1R)			Dual Rank (2R)					
DIMM Capacity	2GB	2GB	2GB	4GB	4GB	4GB	8GB	8GB	8GB
DIMM Native Speed (MT/s)	1333	1600	1600	1333	1600	1600	1333	1600	1600
Voltage	LV	Std	LV	LV	Std	LV	LV	Std	LV
SLOTS THAT CAN BE POPULATED									
4 slot servers	4	4	4	4	4	4	4	4	4
MAXIMUM CAPACITY (GB)*									
	8	8	8	16	16	16	32	32	32
POPULATED DIMM SPEED (MT/s)									
1 DIMM Per Channel	1333	1600	1600	1333	1600	1600	1333	1600	1600
2 DIMM Per Channel	1333**	1600	1600	1333**	1600	1600	1333**	1600	1600

NOTE: Memory speed is a function of the processor QPI bus speed. To realize the performance memory capabilities listed above HP SmartMemory is required.

* Maximum capacity will vary based on individual server platform qualification schedule

** For HP SmartMemory, UDIMM is supported at 2DPC@1333 at 1.35V. Third party memory may only support up to 2DPC@1066 at 1.5V.

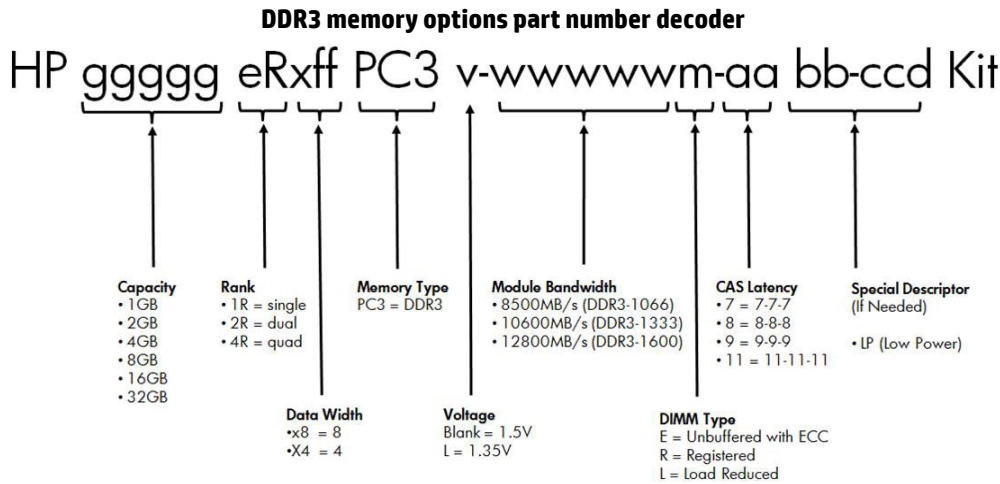
Memory

Memory		Slot			
		DIMM1C	DIMM2A	DIMM3D	DIMM4B
Standard (Performance Model)	8 GB	Empty	8 GB	Empty	Empty
Maximum	32 GB	8 GB	8 GB	8 GB	8 GB

Memory Speed by Processor Model	
Processor Models	Supported Memory Speeds
E3-1220v3, E3-1230v3, E3-1240v4, E3-1270v3	1600/1333

NOTE: Capacity references are rounded to the common Gigabyte values.

- 2GB = 2048MB
- 4GB = 4096MB
- 8GB = 8192MB



Following are memory options available from HP:

HP Memory

Unbuffered with ECC DIMMs (UDIMMs)

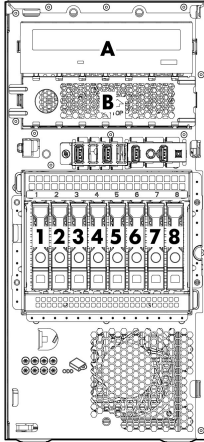
HP 2GB (1x2GB) Single Rank x8 PC3-12800E (DDR3-1600) Unbuffered CAS-11 Memory Kit	669320-B21
HP 2GB (1x2GB) Single Rank x8 PC3L-10600E (DDR3-1333) Unbuffered CAS-9 Low Voltage Memory Kit	647905-B21
HP 2GB (1x2GB) Single Rank x8 PC3L-12800E (DDR3-1600) Unbuffered CAS-11 Low Voltage Memory Kit	713975-B21
HP 4GB (1x4GB) Dual Rank x8 PC3-12800E (DDR3-1600) Unbuffered CAS-11 Memory Kit	669322-B21
HP 4GB (1x4GB) Dual Rank x8 PC3L-10600E (DDR3-1333) Unbuffered CAS-9 Low Voltage Memory Kit	647907-B21

Memory

HP 4GB (1x4GB) Dual Rank x8 PC3L-12800E (DDR3-1600) Unbuffered CAS-11 Low Voltage Memory Kit	713977-B21
HP 8GB (1x8GB) Dual Rank x8 PC3-12800E (DDR3-1600) Unbuffered CAS-11 Memory Kit	669324-B21
HP 8GB (1x8GB) Dual Rank x8 PC3L-10600E (DDR3-1333) Unbuffered CAS-9 Low Voltage Memory Kit	647909-B21
HP 8GB (1x8GB) Dual Rank x8 PC3L-12800E (DDR3-1600) Unbuffered CAS-11 Low Voltage Memory Kit	713979-B21

NOTE: All DDR3 memory option kits consist of one DIMM per kit. For detailed memory configuration rules and guidelines, please use the Online DDR3 Memory Configuration Tool: www.hp.com/go/ddr3memory-configurator.

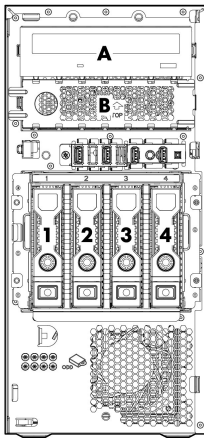
Storage



1 - 8 8 x 2.5" (SFF) SAS/SATA hard drive bays

A Removable Optical Drive

B Removable Optical Drive
NOTE. Once Redundant Power Supply is installed, Bay A will be the only media bay available for use.



1 - 4 4 x 3.5" (LFF) SAS/SATA hard drive bays

A Removable Optical Drive

B Removable Optical Drive
NOTE. Once Redundant Power Supply is installed, Bay A will be the only media bay available for use.

Technical Specifications

System Unit	Tower Dimensions (H x W x D) (with feet/bezel)	14.5.x 6.89 x 18.71 in (36.82 x17.5 x 47.52 cm)	
	Tower Weight (approximate)	Maximum (all hard drives, power supplies, and processors installed)	41.8 lb (18.96 kg)
		Minimum (one hard drive, power supply, and processor installed)	25.29 lb (11.47 kg)
Input Requirements (per power supply)	Input Requirements (per power supply)	Rated Line Voltage	100 to 240 VAC
		Rated Input Current	6 Amps
		Rated Input Frequency	47 to 63 Hz
		Rated Input Power	440W at 100 V AC input 440W at 200V AC input
BTU Rating	Maximum	460W - 1773 BTU / hr (at 120 VAC), 1715 (at 240 VAC)	
Power Supply Output (per power supply)	Rated Steady-State Power	350 W (at 100 VAC), 350 W (at 200 VAC)	
	Maximum Peak Power	350 W (at 100 VAC), 350 W (at 200 VAC)	
System Inlet Temperature	Operating	10° to 35°C (50° to 95°F) at sea level with an altitude derating of 1.0°C per every 304.8 m (1.8°F per every 1000 ft) above sea level to a maximum of 3048 m (10,000 ft), no direct sustained sunlight. Maximum rate of change is 10°C/hr (18°F/hr). The upper limit may be limited by the type and number of options installed. System performance may be reduced if operating with a fan fault or above 30°C (86°F).	
	Non-operating	-30° to 60°C (-22° to 140°F). Maximum rate of change is 20°C/hr (36°F/hr).	
Relative Humidity (non-condensing)	Operating	10 to 90% relative humidity (Rh), 28°C (82.4°F) maximum wet bulb temperature, non-condensing.	
	Non-operating	5 to 95% relative humidity (Rh), 38.7°C (101.7°F) maximum wet bulb temperature, non-condensing.	
Altitude	Operating	3048 m (10,000 ft). This value may be limited by the type and number of options installed. Maximum allowable altitude change rate is 457 m/min (1500 ft/min).	
	Non-operating	9144 m (30,000 ft). Maximum allowable altitude change rate is 457 m/min (1500 ft/min).	
Acoustic Noise	Listed are the declared A-Weighted sound power levels (LWAd) and declared		

Technical Specifications

average bystander position A-Weighted sound pressure levels (LpAm) when the product is operating in a 23°C ambient environment. Noise emissions were measured in accordance with ISO 7779 (ECMA 74) and declared in accordance with ISO 9296 (ECMA 109).

Idle

L WAd	4.0 B
L pAm	26dB-A

Operating

L WAd	4.0 B
L pAm	26dB-A

NOTE: The Listed sound levels apply to standard shipping configurations. Additional options may result in increased sound levels.

Emissions Classification (EMC)

FCC Rating

Class B

Normative Standards

CISPR 22; EN55022; EN55024; FCC CFR 47, Pt 15; ICES-003; CNS13438; GB9254; K22;K24; EN 61000-3-2; EN 61000-3-3; EN 60950-1; IEC 60950-1

NOTE: Product conformance to cited product specifications is based on sample (type) testing, evaluation, or assessment. This product or family of products is eligible to bear the appropriate compliance logos and statements.

HP Dynamic Smart Array B120i Controller

Dimensions

Embedded

Disk Drive and Enclosure Interface - Transfer rate

Up to 6Gb/s SATA (Serial ATA)

Connectors

6 internal SATA connectors

Server Interface

x4 PCIe 2.0

SATA Speed

6Gb/s SATA links

Cache Memory

Zero Memory RAID has no cache memory

Logical Drives Supported

Up to 8 logical volumes (6 physical drives)

Host Memory Addressing

64-bit, supporting greater than 4GB server memory space

Hot Plug Support

Yes

RAID Support

RAID 0 (Striping), RAID 1 (Mirroring)
RAID 1+0 (Striping & Mirroring)

Technical Specifications

HP Ethernet 1Gb 2-port 332i Adapter	Network Interface	10Base-T/100Base-TX/1000Base-TX	
	Compatibility	IEEE 802.3 10Base-T	
		IEEE 802.3ab 1000Base-T	
		IEEE 802.3u 100Base-TX	
		Energy Efficient Ethernet (EEE) compliant with IEEE Std 802.3az (default is disabled)	
	Data Transfer Method	PCI-e, two lanes (x2)	
	Controller	BCM5720	
	Network Transfer Rate	10Base-T (Half-Duplex)	10 Mb/s per port, 20 Mb/s Combined
		10Base-T (Full-Duplex)	20 Mb/s per port, 40 Mb/s Combined
		100Base-TX (Half-Duplex)	100 Mb/s per port, 200 Mb/s Combined
100Base-TX (Full-Duplex)		200 Mb/s per port, 400 Mb/s Combined	
1000Base-TX (Half-Duplex)		1000Mb/s per port, 2000 Mb/s Combined	
1000 Base-TX (Full-Duplex)		2000Mb/s per port, 4000 Mb/s Combined	
Connector	RJ-45		
Cable Support	10Base-T	Categories 3, 4 or 5 UTP; up to 328 ft (100 m)	
	10/100/1000Base-TX	Category 5 or better; up to 328 ft (100 m)	

Environment-friendly Products and Approach **End-of-life Management and Recycling** Hewlett-Packard offers end-of-life HP product return, trade-in, and recycling programs in many geographic areas. For trade-in information, please go to: <http://www.hp.com/go/green>. To recycle your product, please go to: <http://www.hp.com/go/green> or contact your nearest HP sales office. Products returned to HP will be recycled, recovered or disposed of in a responsible manner.

The EU WEEE directive (2002/95/EC) requires manufacturers to provide treatment information for each product type for use by treatment facilities. This information (product disassembly instructions) is posted on the Hewlett Packard web site at: <http://www.hp.com/go/green>. These instructions may be used by recyclers and other WEEE treatment facilities as well as HP OEM customers who integrate and re-sell HP equipment.

Technical Specifications

© Copyright 2014 Hewlett-Packard Development Company, L.P.

The information contained herein is subject to change without notice.

Microsoft and Windows NT are US registered trademarks of Microsoft Corporation. Intel is a US registered trademark of Intel Corporation.

The only warranties for HP products and services are set forth in the express warranty statements accompanying such products and services. Nothing herein should be construed as constituting an additional warranty. HP shall not be liable for technical or editorial errors or omissions contained herein.

For hard drives, 1GB = 1 billion bytes. Actual formatted capacity is less.