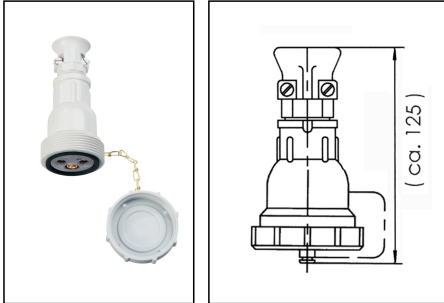


1145/FS/250V-1xW10A

HNA coupling 16A 250V, plastic, RAL 7035, IP56



Products may differ in size, colour and appearance to those shown. If you require further information or customisation, please contact us directly.



WISKA-Order no.	10010678
Type	1145/FS/250V-1xW10A
Material	Plastic
Voltage	250 V
Type of Voltage	AC
Current	16 A
Protection class	IP56
Temp. range min	-25 °C
Temp. range max	45 °C
Coupling interior	HNA
Terminals/poles	2-pole + E
Type of cable gland	M 24 x 1,5
Type of cable	non-armoured
Ø cable diameter min	8 mm
Ø cable diameter max	10,5 mm
Colour	RAL 7035
Weight	0,17 kg
Tariff number	85366990

Spare parts

SP-SK/FS-HNA Screw cap	22000376
SP-138/250V/K/Fs HNA-Coupling interior	22000384
SP-HNA Gasket	22000860

Your Contact:

WISKA Hoppmann GmbH

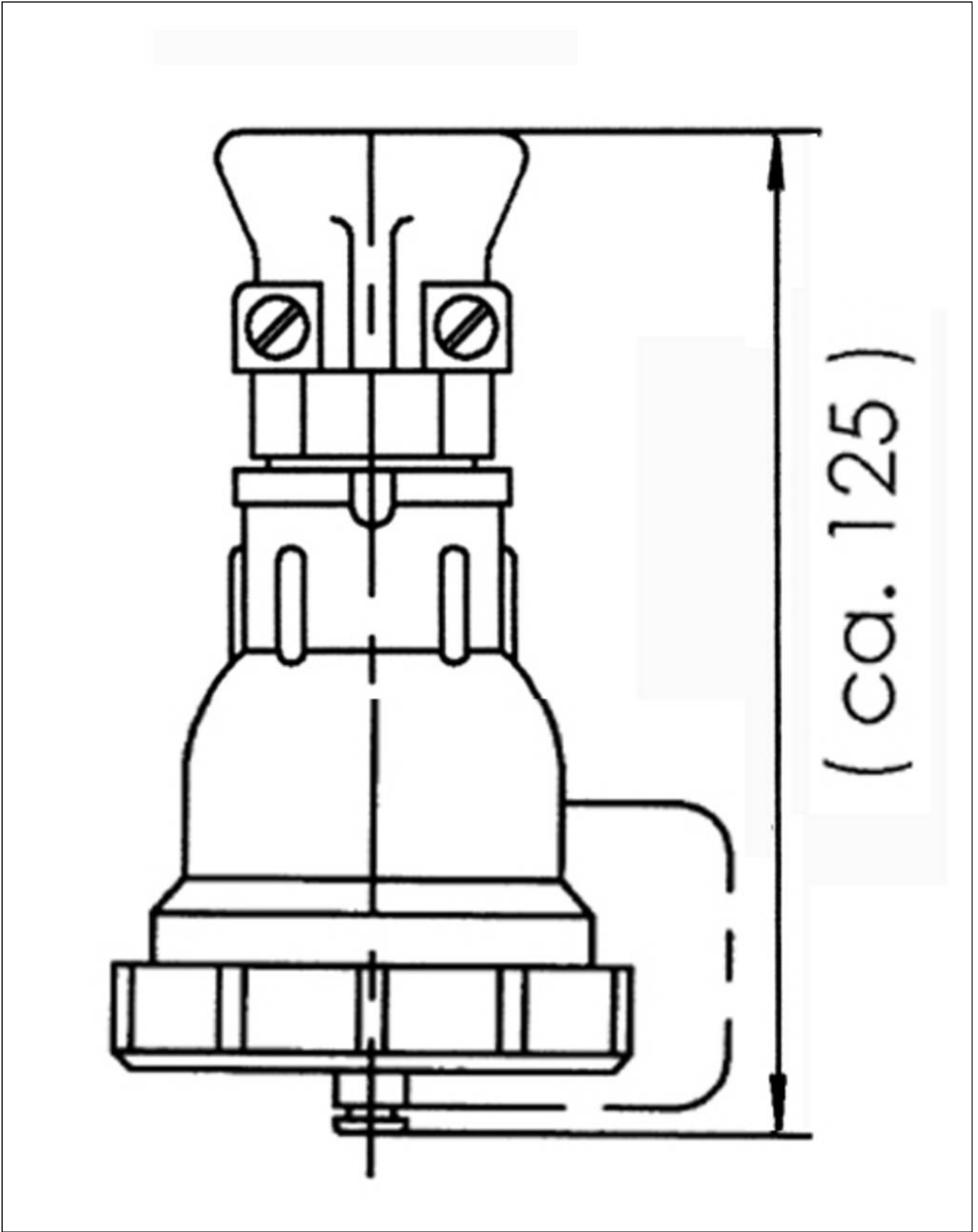
Kisdorfer Weg 28 · 24568 Kaltenkirchen · Germany

☎ +49-4191-508-0 · 📠 +49-4191-508-209

contact@wiska.de · www.wiska.com

26.04.2024

Your Contact:
WISKA Hoppmann GmbH
Kisdorfer Weg 28 · 24568 Kaltenkirchen · Germany
☎ +49-4191-508-0 · 📠 +49-4191-508-209
contact@wiska.de · www.wiska.com



Your Contact:

WISKA Hoppmann GmbH

Kisdorfer Weg 28 · 24568 Kaltenkirchen · Germany

☎ +49-4191-508-0 · 📠 +49-4191-508-209

contact@wiska.de · www.wiska.com