



Platen Roller Assembly Maintenance Kit

Installation Instructions

This kit includes the parts and documentation necessary to install the Platen Roller Assembly maintenance kit on the following printers:

- ZM400™
- ZM600™

Read these instructions thoroughly before attempting to install this kit.

Prepare for Installation

Parts List

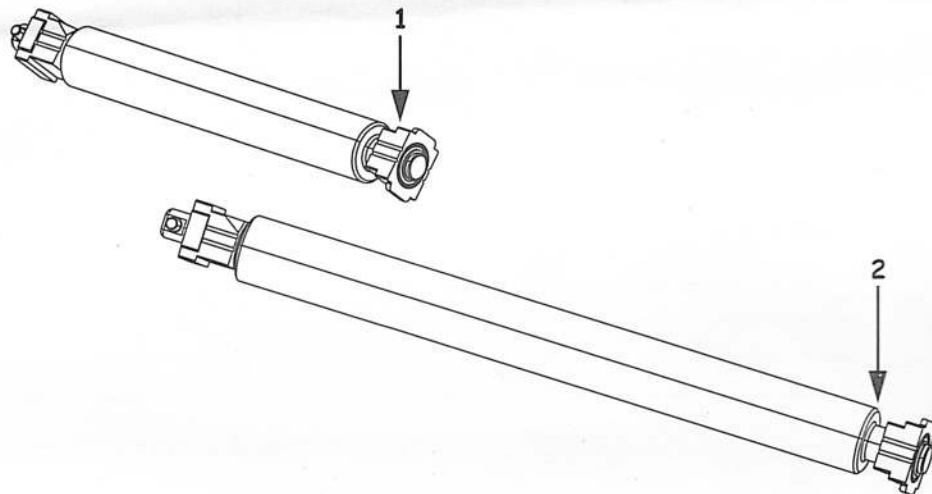
Before proceeding, verify that your kit contains the items for your printer listed below.

Table 1 • Parts List

✓	Item	Qty	Part Number	Description
	1	1	79815M	ZM400 Liner Platen Roller Maintenance Kit
	2	1	79816M	ZM600 Liner Platen Roller Maintenance Kit

Bold = Part available for purchase.
Italic = Part not available for purchase; listed and shown for reference only.

Figure 1 • Kit Contents



Printed on
chlorine-free
recycled paper.

© 2007 ZIH Corp. All product names and numbers are Zebra trademarks, and Zebra and the Zebra logo are registered trademarks of ZIH Corp. All rights reserved.



Reference Materials

- ZM400/ZM600 User Guide CD
- ZM400/ZM600 Maintenance Manual
- Z Series[®] Maintenance Manual CD

Tools Required



Tools • You need these tools to complete this procedure:

- 47362* Zebra Preventive Maintenance Kit

* In place of the Preventive Maintenance Kit, you may use clean swabs and a solution containing isopropyl alcohol ($\geq 90\%$) with deionized water ($\leq 10\%$).

Remove the Old Platen Roller



1. **Caution** • Turn off (O) the printer and disconnect it from the power source before performing the following procedure.

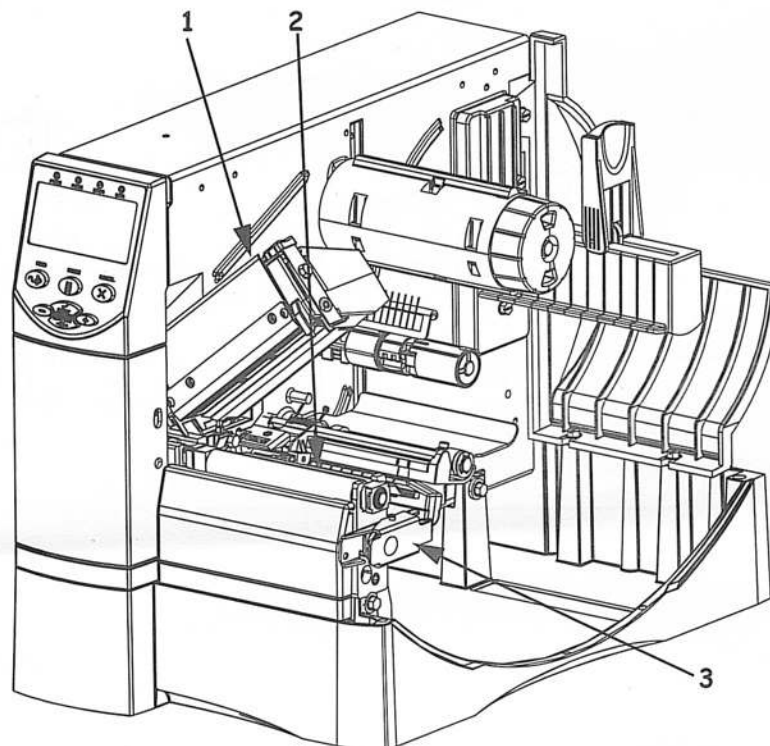
Turn off (O) the printer and disconnect the AC power cord and all data cables.

2. **Caution** • While performing any tasks near an open printhead, remove all rings, watches, hanging necklaces, identification badges, or other metallic objects that could touch the printhead.

Open the media cover and remove the media and ribbon.

3. See Figure 2. Open and latch the print mechanism in the vertical position.

Figure 2 • Slide the Platen Roller Assembly



1	Print mechanism
2	Platen roller assembly
3	Latch assembly

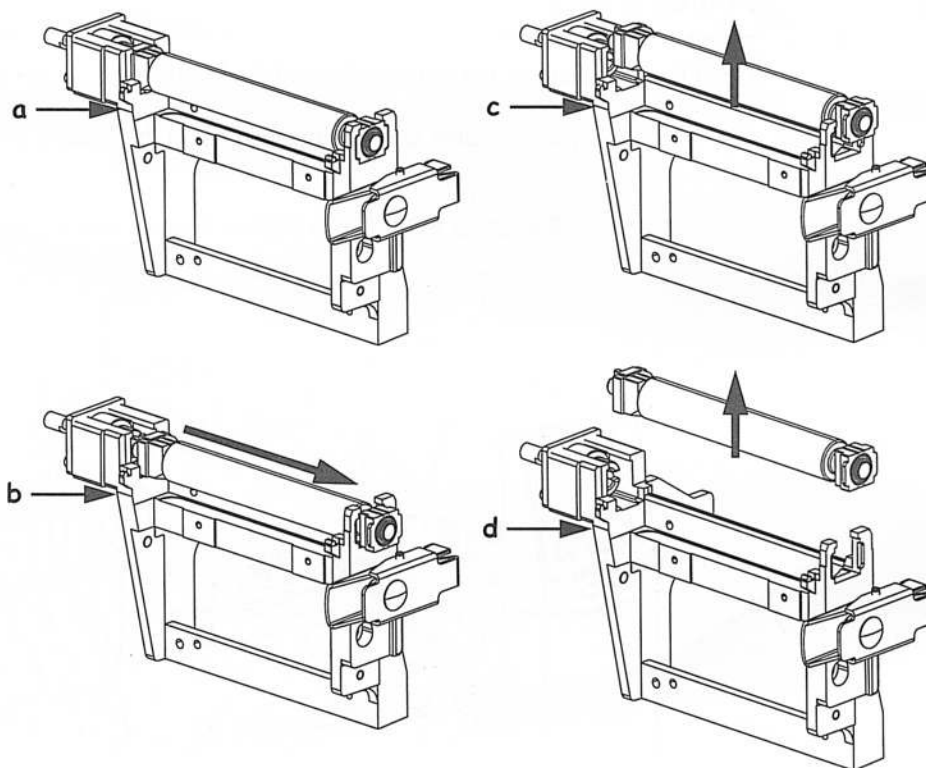
4. If you have a peel unit installed, you will have to open it.
5. Turn the latch assembly clockwise to gain access to the platen roller.

4 | Platen Roller Assembly

Remove the Old Platen Roller

6. See Figure 3. Remove the platen roller assembly.
 - a. Platen roller in the printer.
 - b. Slide the platen roller assembly away from the printer until it disengages the platen housing.
 - c. Lift the platen assembly out of the printer.
 - d. Platen is out of the printer.

Figure 3 • Remove the Platen Roller Assembly



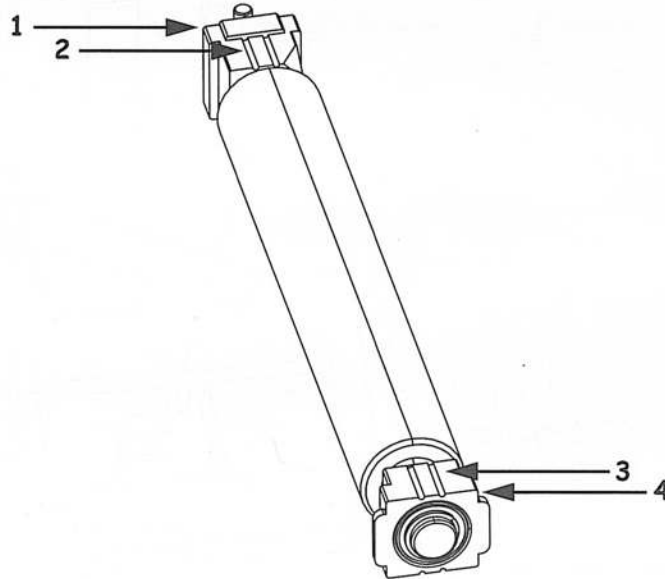
Install the New Platen Roller



Important • The grooves in the inner and outer bearings must be facing up.

1. See Figure 4. Verify that the bearings are oriented properly.

Figure 4 • Bearing Keys

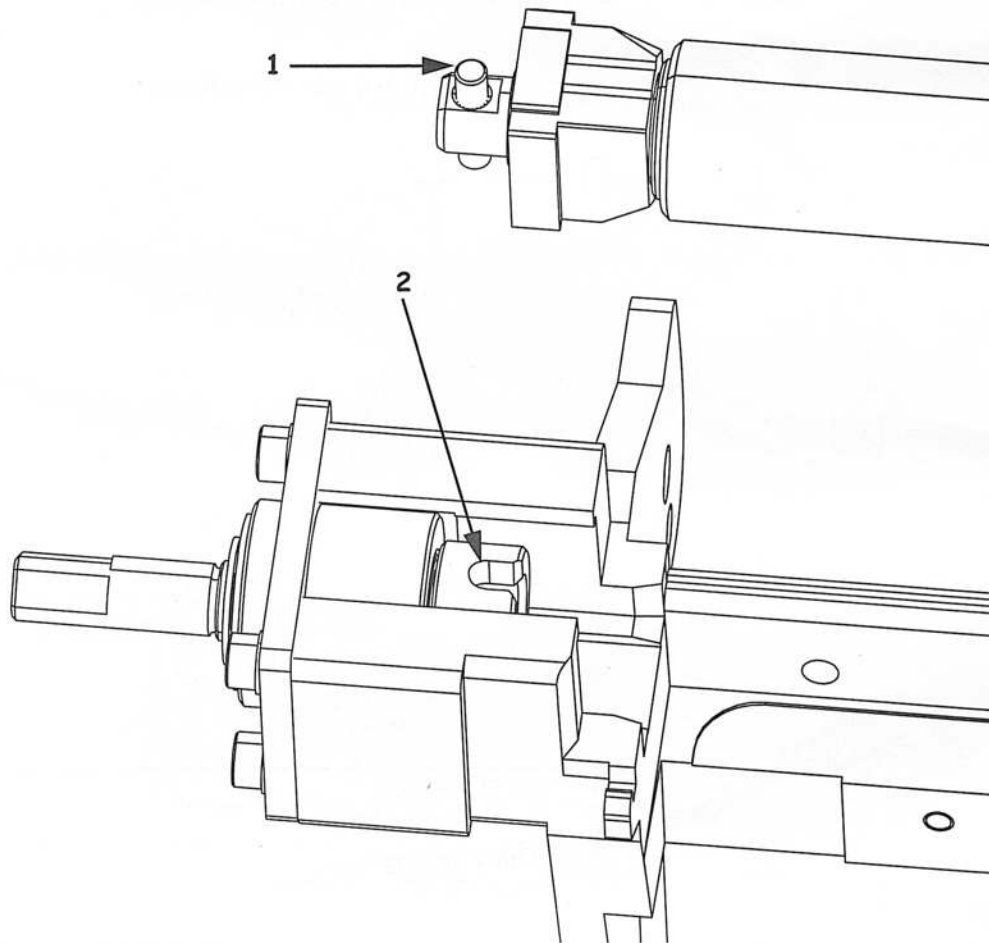


1	Inner bearing
2	Inner bearing keys
3	Outer bearing keys
4	Outer bearing

6 | Platen Roller Assembly
Install the New Platen Roller

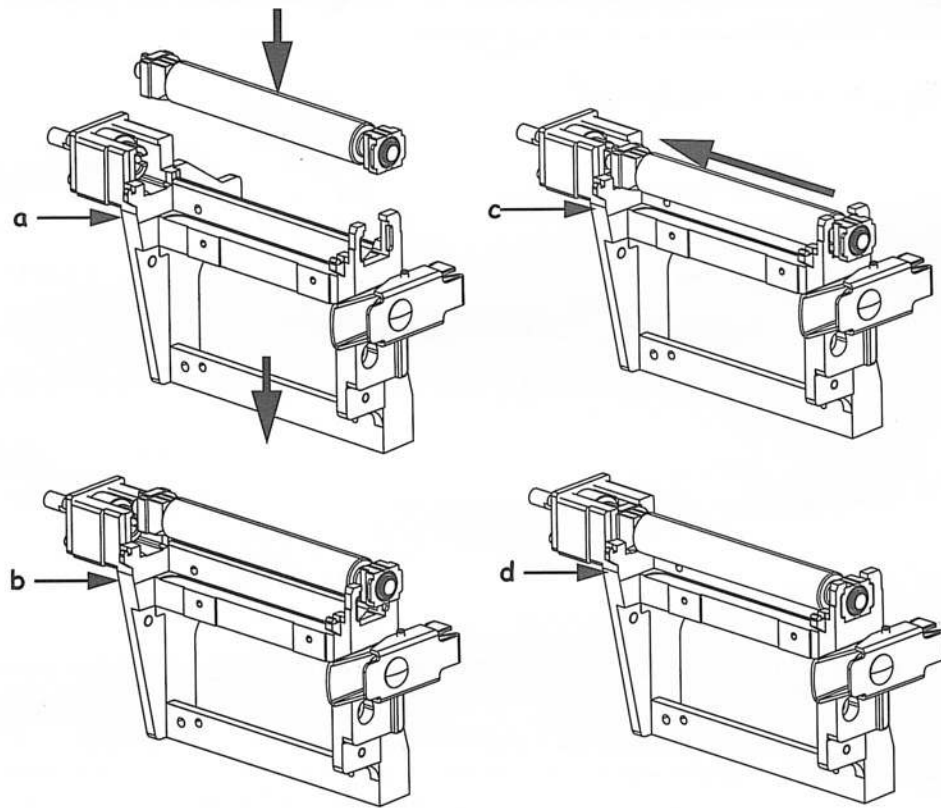
2. See Figure 5 and Figure 6. Slide the platen roller assembly into the platen housing, while aligning the platen roller bearings with the platen housing and the drive pin with the slot in the drive shaft.

Figure 5 • Align the Drive Pin and Drive Shaft



1	Platen roller drive pin
2	Drive shaft slot

Figure 6 • Install the Platen Roller Assembly



3. Turn the latch assembly to the vertical position to secure the platen roller assembly.

4. Clean the platen roller using the Zebra preventative maintenance kit or equivalent.

5. **Caution** • When you are loading media or ribbon, remove all jewelry that could come into contact with the printhead or other printer parts.

Reinstall the media and ribbon.

6. Reconnect the AC power cord and data cables.

7. Turn on (I) the printer.