

# CATALOGUE

2019/2020



**Küppersbusch**  
FÜR KÜCHEN MIT STIL

# OVEN.

## K-SERIES.5



Black, Design Stainless Steel



Grey, Design Shade of Grey



reddot design award  
winner 2018



### B 6550.0

22 functions. Roasting thermometer. 70 litres XXL capacity.

#### Features:

- 14 oven functions (see page 70 table of functions)
- 8 special functions (see page 70 table of functions)
- More than 40 automatic programmes
- 20 favorite programmes for saving own processes
- 3,9" TFT Display with clear text and graphic display
- Electronic oven control with touch control sensors
- Actual temperature indication and temperature-recommendation
- Electronic timer (cooking time, end of cooking time, minute minder) with white display
- Retro clock function
- Removable full glass inner door with a stainless steel frame, quadruple glazed
- Rapid heating
- Eco mode
- Demo mode
- Stand-by mode
- Halogen lighting
- Door contact switch
- Drop-down grill

#### Technical data:

- Electrical connection 3.6 kW
- Niche dimensions W x H x D approx. 560 x 590 x 550 mm
- For more technical data see page 198

#### Standard accessories:

- 1 enamel baking tray; 1 enamel universal/deep tray; 1 roasting grid, 1 telescopic glide-out shelf (standard glide-out) (ZB 1003)

#### Optional accessories:

- 1 telescopic glide-out shelf (full glide-out) Acc. no. ZB 1002
- Profi cooking set Acc. no. ZB 8030
- Profi roaster set Acc. no. ZB 8031
- Baking stone with lifter Acc. no. 145
- For further optional accessories see page 72-75

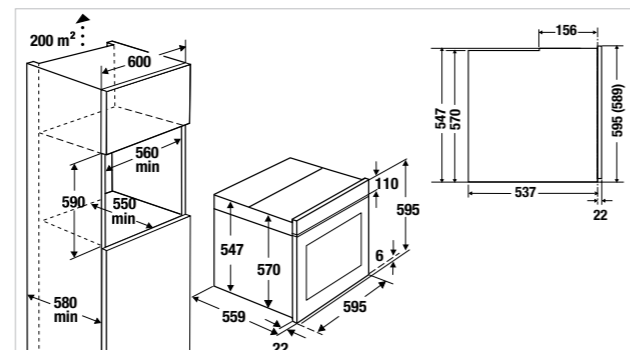
#### Design kits:

- Design Stainless Steel Acc. no. DK 1000
- Design Black Chrome Acc. no. DK 2000
- Design Silver Chrome Acc. no. DK 3000
- Design Gold Acc. no. DK 4000
- Design Black Velvet Acc. no. DK 5000
- Design Copper Acc. no. DK 7000
- Design Hot Chili Acc. no. DK 8000
- Design Shade of Grey Acc. no. DK 9000

B 6550.0 S1 Black, Design Stainless Steel

B 6550.0 S Black + Design kit Acc. no. ...

B 6550.0 G Grey + Design kit Acc. no. ...



Further design variants see page 13 and 74

## K-SERIES.7



Pure black design with touch control sensors and a high-quality LCD display with graphics and clear text.

## K-SERIES.5



Elegant black, white or grey design with central TFT colour-display in a slim grey frame. Operation via backlit touch control sensors, supported by graphics and clear text in the display.

## K-SERIES.3



Black design with central display. The slim grey frame also allows combination with K-SERIES.5 models. Electronic operation via high-quality aluminium rotary knobs is supported by the TFT colour-display.

## K-SERIES.3



Black design, central timer with many additional functions, which makes a combination to the K-SERIES. 3 and K-SERIES. 5 models possible. Operation via high-quality aluminium rotary knobs.

## K-SERIES.1



Completely black design, central timer with useful functions and control via rotary knobs.

# COMPACT. OVEN. MICROWAVE.

K-SERIES.5



Black, Design Stainless Steel



White, Design Stainless Steel



Grey, Design Shade of Grey



CBM 6550.0



23 functions. Roasting thermometer. Inverter technology.

Features:

- 14 oven functions (see page 70 table of functions)
- 8 special functions (see page 70 table of functions)
- 2 microwave functions (microwave only, combined with any oven function)
- 10 microwave output levels
- Microwave output 1,000 watts
- Quick-start function
- More than 40 automatic programmes
- 20 favorite programmes for saving own processes
- 3,9" TFT Display with clear text and graphic display
- Electronic oven control by means of back-lit sensor touch controls
- Actual temperature indication and temperature-recommendation
- Electronic timer (cooking time, end of cooking time, minute minder) with white display
- Retro clock function
- Door, triple glazed
- Rapid heating
- Eco mode
- Demo mode
- Stand-by mode
- 43 litres capacity
- Halogen lighting
- Door contact switch

Technical data:

- Electrical connection 3.4 kW
- Niche dimensions W x H x D approx. 560 x 450 x 550 mm
- For more technical data see page 200

Standard accessories:

- 1 universal/deep tray, glass; 1 roasting grid

Optional accessories:

- Baking stone with lifter Acc. no. 145
- For further optional accessories see page 72-75

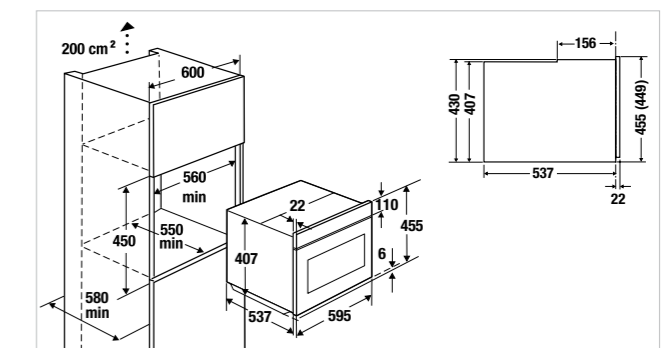
Design kits:

- Design Stainless Steel Acc. no. DK 1000
- Design Black Chrome Acc. no. DK 2000
- Design Silver Chrome Acc. no. DK 3000
- Design Gold Acc. no. DK 4000
- Design Black Velvet Acc. no. DK 5000
- Design Copper Acc. no. DK 7000
- Design Hot Chili Acc. no. DK 8000
- Design Shade of Grey Acc. no. DK 9000

- CBM 6550.0 S1 Black, Design Stainless Steel
- CBM 6550.0 S Black + Design kit Acc. no. ...
- CBM 6550.0 W White + Design kit Acc. no. ...
- CBM 6550.0 G Grey + Design kit Acc. no. ...



Further design variants see page 13 and 74



# COMPACT. OVEN. PYROLYTIC.

K-SERIES.5



Black, Design Stainless Steel



White, Design Stainless Steel



Grey, Design Shade of Grey



## CBP 6550.0

22 functions. Roasting thermometer. 44 litres capacity.

Features:

- Pyrolytic self-cleaning (3 levels)
- 14 oven functions (see page 70 table of functions)
- 8 special functions (see page 70 table of functions)
- More than 40 automatic programmes
- 20 favorite programmes for saving own processes
- 3,9" TFT Display with clear text and graphic display
- Electronic oven control by means of back-lit sensor touch controls
- Actual temperature indication and temperature-recommendation
- Electronic timer (cooking time, end of cooking time, minute minder) with white display
- Retro clock function
- Removable full glass inner door, quadruple glazed
- Rapid heating
- Eco mode
- Demo mode
- Stand-by mode
- Halogen lighting
- Door contact switch

Technical data:

- Electrical connection 2.9 kW
- Niche dimensions W x H x D approx. 560 x 450 x 550 mm
- For more technical data see page 201

Standard accessories:

- 1 enamel baking tray; 1 enamel universal/deep tray; 1 roasting grid

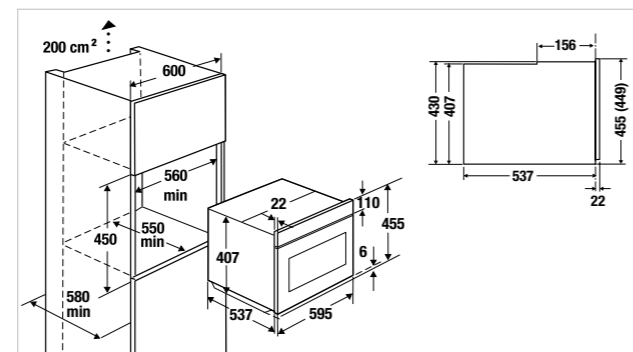
Optional accessories:

- Telescopic glide-out shelf (standard glide-out) Acc. no. ZC 1000
- Profi cooking set Acc. no. ZB 8030
- Baking stone with lifter Acc. no. 145
- For further optional accessories see page 72-75

Design kits:

- Design Stainless Steel Acc. no. DK 1000
- Design Black Chrome Acc. no. DK 2000
- Design Silver Chrome Acc. no. DK 3000
- Design Gold Acc. no. DK 4000
- Design Black Velvet Acc. no. DK 5000
- Design Copper Acc. no. DK 7000
- Design Hot Chili Acc. no. DK 8000
- Design Shade of Grey Acc. no. DK 9000

- CBP 6550.0 S1 Black, Design Stainless Steel
- CBP 6550.0 S Black + Design kit Acc. no. ...
- CBP 6550.0 W White + Design kit Acc. no. ...
- CBP 6550.0 G Grey + Design kit Acc. no. ...



Further design variants see page 13 and 74

# COMPACT. COFFEE. FULLY-AUTOMATIC.

K-SERIES.5



Black, Design Stainless Steel



White, Design Stainless Steel



Grey, Design Shade of Grey



## CKV 6550.0

Cappuccino function. LCD-Display. Programmable starting time.

Features:

- LCD-Display with clear text and graphic display
- Electronic control with touch control sensors
- 5 programmable cup sizes (espresso cup, small cup, medium cup, large cup, mug)
- Dispenser for 1 or 2 cups
- Real milk function for cappuccino or coffee latte
- Removable milk container with cleaning function
- Suitable for use with coffee beans and coffee powder
- Height-adjustable coffee dispenser (approx. 90-110 mm)
- Boiling pressure approx. 15 bar
- 3 selectable coffee temperatures
- Selectable coffee flavour (5 preset coffee strengths)
- Separate boiler for coffee and hot water
- Decalcification programme
- Automatic cleaning when switching on and off
- Hot water function
- Water container removable from the front
- Electronic timer with white display
- Stand-by mode
- Telescopic rails for easy re-filling

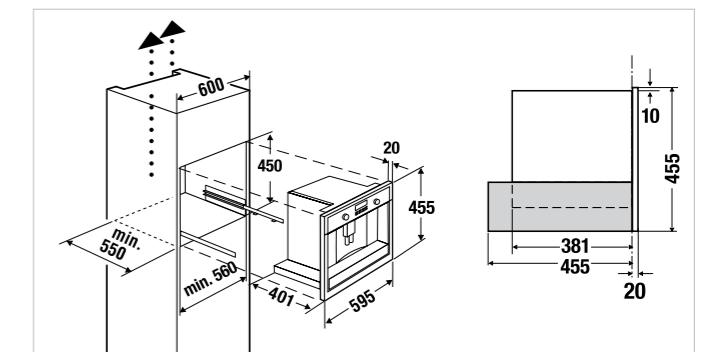
Technical data:

- Electrical connection 1.35 kW
- Appliance dimensions W x H x D approx. 595 x 455 x 475 mm (incl. front 20 mm and telescopic rails)
- Niche dimensions W x H x D approx. 560 x 450 x 550 mm
- For more technical data see page 202

Design kits:

- Design Stainless Steel Acc. no. DK 1001
- Design Black Chrome Acc. no. DK 2001
- Design Silver Chrome Acc. no. DK 3001
- Design Gold Acc. no. DK 4001
- Design Black Velvet Acc. no. DK 5001
- Design Copper Acc. no. DK 7001
- Design Hot Chili Acc. no. DK 8001
- Design Shade of Grey Acc. no. DK 9001

- CKV 6550.0 S Black + Design kit Acc. no. ...
- CKV 6550.0 W White + Design kit Acc. no. ...
- CKV 6550.0 G Grey + Design kit Acc. no. ...



# KÜPPERSBUSCH K-SERIES.3

The K-SERIES. 3 built-in appliances offer a high degree of comfort and practical features. Simple handling and functional clarity allow your passion for cooking all the freedom and meet your high expectations. The K-SERIES.3 can also be optimally combined with the K-SERIES.5 appliances.

# K-SERIES.3

If you prefer conventional handling, the K3 series is the right choice. All settings of the electronic TFT displays can be selected by using high-quality aluminum rotary



### Oven functions

With the several oven functions you are sure to find the right one for every taste and every dish. By using the rotary knobs you can simply select the desired oven function and start the baking or cooking process.



### Automatic programmes

With the huge range of automatic programmes, perfect results are guaranteed. Choose between pastries, fish, meat, vegetables and desserts, enter the weight and select the desired level of doneness. The oven will now determine a suitable baking mode and time. Press "Start", and the oven will tell you, when you can serve your meal.



### Programm overview

After choosing one of the numerous automatic programs you can start the setting. The progress of the cooking process is shown on the appliance's display at any time.

# OVEN. PYROLYTIC.

## K-SERIES.3



### BP6350 דגם

- תנור בנוי 60 פירוליטי
- תכנית ניקוי פירוליטי
- 10 תכניות אפיה
- 10 תכניות אוטומטיות
- מסך TFT 3.9" עם הנחיה גראפית
- שליטה אלקטרונית עם כפתורי אלומיניום
- תצוגת טמפר' והמלצה על מידות חום רצויות
- טיימר אלקטרוני כיבוי הדלקה והפעלה מאוחרת
- שעון רטר
- 4 שכבות בדלת ניתנות לפירוק לניקוי
- חימום מהיר
- מצב דמי
- תאורת הלוגן

### פרופילים מעוצבים:

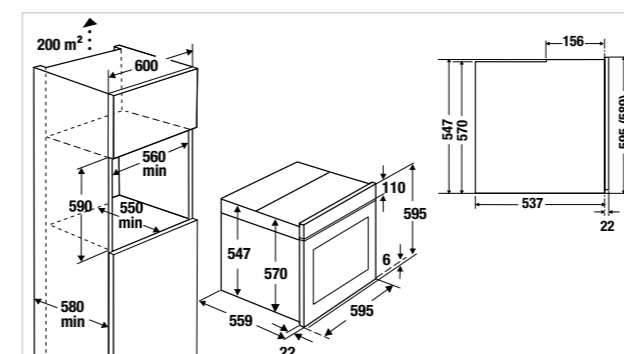
- DK1000 נירוסטה
- DK2000 שחור מבריק
- DK3000 כסוף מבריק
- DK4000 מוזהב
- DK5000 שחור קטיפה
- DK7000 נחושת
- DK8000 אדום צ'ילי



Black, Design Stainless Steel



BP6350.0 S1 תנור שחור עם פסי נירוסטה  
BP6350.0 S תנור שחור + קיט



# OVEN.

K-SERIES.3



Black, Design Stainless Steel



B 6330.0



9 functions. 70 litres XXL capacity.

Features:

- 8 oven functions (see page 70 table of functions)
- 1 special function (see page 70 table of functions)
- Oven control with high-quality aluminum knobs
- Electronic timer (cooking time, end of cooking time, minute minder) with white display
- Removable full glass inner door, triple glazed
- Rapid heating
- Oven lighting
- Door contact switch

Technical data:

- Electrical connection 3.6 kW
- Niche dimensions W x H x D approx. 560 x 590 x 550 mm
- For more technical data see page 199

Standard accessories:

- 1 enamel baking tray; 1 roasting grid

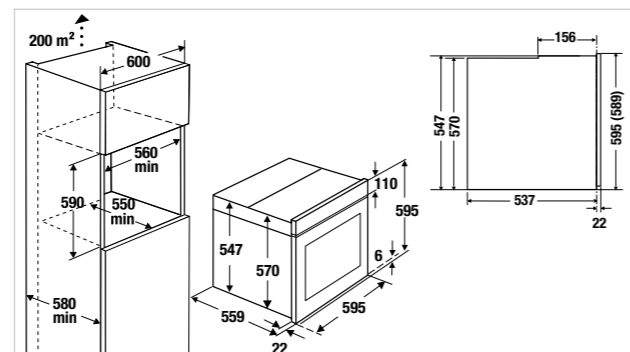
Optional accessories:

- 1 telescopic glide-out shelf (full glide-out) Acc. no. ZB 1002
- 1 telescopic glide-out shelf (standard glide-out) Acc. no. ZB 1003
- Profi cooking set Acc. no. ZB 8030
- Profi roaster set Acc. no. ZB 8031
- Universal/deep tray Acc. no. ZB 1001
- Baking stone with lifter Acc. no. 145
- For further optional accessories see page 72-75

Design kits:

- Design Stainless Steel Acc. no. DK 1000
- Design Black Chrome Acc. no. DK 2000
- Design Silver Chrome Acc. no. DK 3000
- Design Gold Acc. no. DK 4000
- Design Black Velvet Acc. no. DK 5000
- Design Copper Acc. no. DK 7000
- Design Hot Chili Acc. no. DK 8000

B 6330.0 S1 Black, Design Stainless Steel  
B 6330.0 S Black + Design kit Acc. no. ...



Further design variants see page 13 and 74

# OVEN.

K-SERIES.3



Black, Design Stainless Steel



B 6335.0



9 functions. 70 litres XXL capacity.

Features:

- 8 oven functions (see page 70 table of functions)
- 1 special function (see page 70 table of functions)
- Oven control with high-quality aluminum knobs
- Electronic timer (cooking time, end of cooking time, minute minder) with white display
- Removable full glass inner door with a stainless steel frame, quadruple glazed
- Rapid heating
- Oven lighting
- Door contact switch

Technical data:

- Electrical connection 3.6 kW
- Niche dimensions W x H x D approx. 560 x 590 x 550 mm
- For more technical data see page 198

Standard accessories:

- 1 enamel baking tray; 1 roasting grid

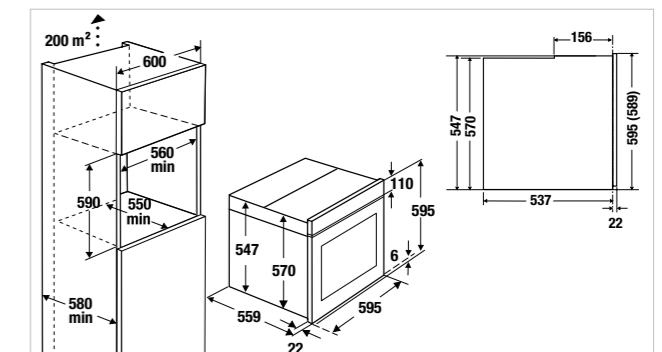
Optional accessories:

- 1 telescopic glide-out shelf (full glide-out) Acc. no. ZB 1002
- 1 telescopic glide-out shelf (standard glide-out) Acc. no. ZB 1003
- Profi cooking set Acc. no. ZB 8030
- Profi roaster set Acc. no. ZB 8031
- Universal/deep tray Acc. no. ZB 1001
- Baking stone with lifter Acc. no. 145
- For further optional accessories see page 72-75

Design kits:

- Design Stainless Steel Acc. no. DK 1000
- Design Black Chrome Acc. no. DK 2000
- Design Silver Chrome Acc. no. DK 3000
- Design Gold Acc. no. DK 4000
- Design Black Velvet Acc. no. DK 5000
- Design Copper Acc. no. DK 7000
- Design Hot Chili Acc. no. DK 8000

B 6335.0 S1 Black, Design Stainless Steel  
B 6335.0 S Black + Design kit Acc. no. ...



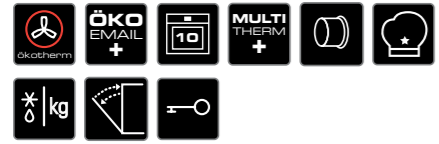
Further design variants see page 13 and 74

# COMPACT. OVEN. MICROWAVE.

K-SERIES.3



Black, Design Stainless Steel



## CBM 6350.0



11 functions. TFT colour-display. Inverter technology.

### Features:

- 10 oven functions (see page 70 table of functions)
- 2 microwave functions (microwave only, combined with any oven function)
- 10 microwave output levels
- Microwave output 1,000 watts
- Quick-start function
- 10 automatic programmes
- 3,9" TFT Display with graphic display
- Electronic oven control with high-quality aluminum knobs
- Actual temperature indication and temperature-recommendation
- Electronic timer (cooking time, end of cooking time, minute minder) with white display
- Retro clock function
- Door, triple glazed
- Rapid heating
- Demo mode
- 43 litres capacity
- Halogen lighting
- Door contact switch

### Technical data:

- Electrical connection 3.4 kW
- Niche dimensions W x H x D approx. 560 x 450 x 550 mm
- For more technical data see page 200

### Standard accessories:

- 1 universal/deep tray, glass; 1 roasting grid

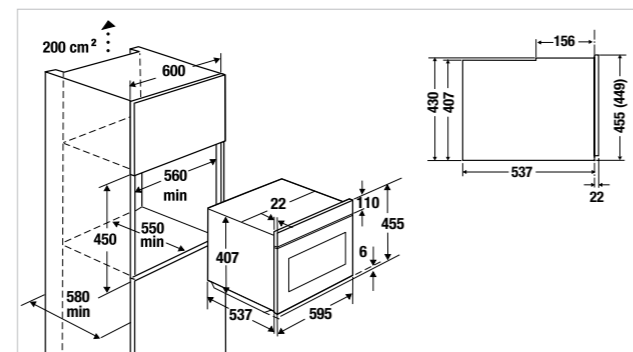
### Optional accessories:

- Baking stone with lifter Acc. no. 145
- For further optional accessories see page 72-75

### Design kits:

- Design Stainless Steel Acc. no. DK 1000
- Design Black Chrome Acc. no. DK 2000
- Design Silver Chrome Acc. no. DK 3000
- Design Gold Acc. no. DK 4000
- Design Black Velvet Acc. no. DK 5000
- Design Copper Acc. no. DK 7000
- Design Hot Chili Acc. no. DK 8000

CBM 6350.0 S1 Black, Design Stainless Steel  
 CBM 6350.0 S Black + Design kit Acc. no. ...



Further design variants see page 13 and 74

# COMPACT. OVEN. MICROWAVE.

K-SERIES.3



Black, Design Stainless Steel



## CBM 6330.0



11 functions. Electronic clock. 43 litres capacity.

### Features:

- 8 oven functions (see page 70 table of functions)
- 3 microwave functions (microwave only, microwave + grill, microwave + hot air)
- 10 microwave output levels
- Microwave output 1,000 watts
- Quick-start function
- Oven control with high-quality aluminum knobs
- Electronic timer (cooking time, end of cooking time, minute minder) with white display
- Door, triple glazed
- Halogen lighting
- Door contact switch

### Technical data:

- Electrical connection 3.4 kW
- Niche dimensions W x H x D approx. 560 x 450 x 550 mm
- For more technical data see page 200

### Standard accessories:

- 1 enamel baking tray; 1 universal/deep tray, glass; 1 roasting grid

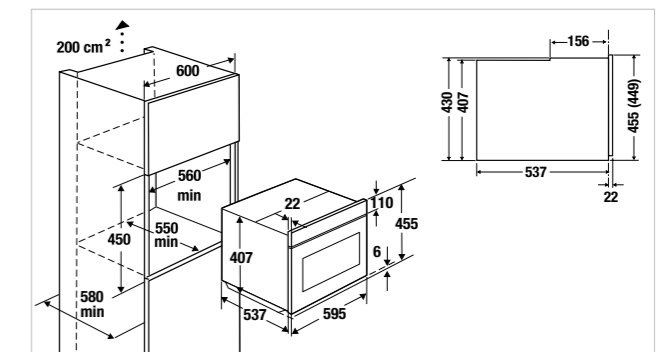
### Optional accessories:

- Baking stone with lifter Acc. no. 145
- For further optional accessories see page 72-75

### Design kits:

- Design Stainless Steel Acc. no. DK 1000
- Design Black Chrome Acc. no. DK 2000
- Design Silver Chrome Acc. no. DK 3000
- Design Gold Acc. no. DK 4000
- Design Black Velvet Acc. no. DK 5000
- Design Copper Acc. no. DK 7000
- Design Hot Chili Acc. no. DK 8000

CBM 6330.0 S1 Black, Design Stainless Steel  
 CBM 6330.0 S Black + Design kit Acc. no. ...



Further design variants see page 13 and 74



## OVEN. K-SERIES.1



Design Black



### B 6120.0

8 functions. 70 litres XXL capacity.

#### Features:

- 8 oven functions (see page 70 table of functions)
- Oven control with knobs
- Electronic timer (cooking time, end of cooking time, minute minder) with white display
- Removable full glass inner door, double glazed
- Rapid heating
- Oven lighting
- Door contact switch
- Handle Design Stainless Steel inclusive

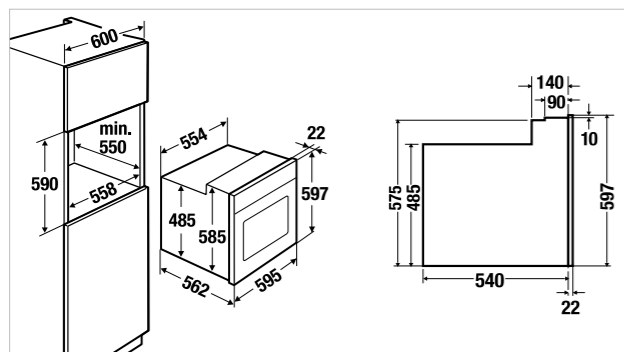
#### Technical data:

- Electrical connection 3.2 kW
- Niche dimensions W x H x D approx. 560 x 590 x 550 mm
- For more technical data see page 199

#### Standard accessories:

- 1 enamel baking tray; 1 roasting grid
- Optional accessories see page 72-75

B 6120.0 S black



## COMPACT. OVEN. MICROWAVE. K-SERIES.1



Design Black



### CMK 6120.0

6 functions. 38 litres Stainless steel oven cavity.

#### Features:

- 3 oven functions (hot air, grill, hot air + grill)
- 3 microwave functions (microwave only, microwave + grill and microwave + hot air)
- 6 microwave output levels
- Microwave output 1000 watts
- Grill 1500 watts
- Quick-start function
- Oven control with knobs
- Electronic timer with white display
- Door, triple glazed
- Drop-down large area grill
- Halogen lighting
- Door contact switch
- Turntable, Ø 32 cm
- Handle Design Stainless Steel inclusive

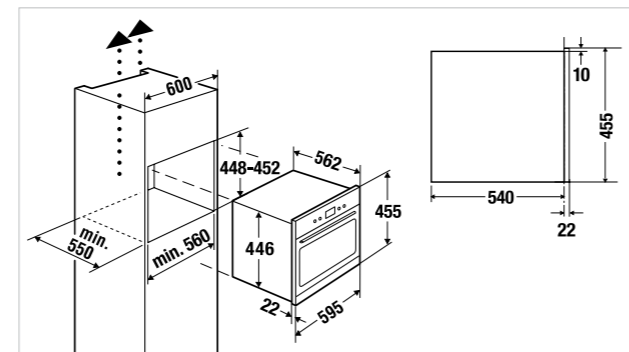
#### Technical data:

- Electrical connection 3.4 kW
- Niche dimensions W x H x D approx. 560 x 450 x 550 mm
- For more technical data see page 201

#### Standard accessories:

- 1 universal/deep tray, glass; 1 roasting grid

CMK 6120.0 S black



## COMPACT. OVEN. K-SERIES.3



Black, Design Stainless Steel



### CB 6350.0

10 functions. TFT colour-display, 44 litres capacity.

#### Features:

- 10 oven functions (see page 70 table of functions)
- 10 automatic programmes
- 3,9" TFT Display with graphic display
- Electronic oven control with high-quality aluminum knobs
- Actual temperature indication and temperature-recommendation
- Electronic timer (cooking time, end of cooking time, minute minder) with white display
- Retro clock function
- Removable full glass inner door, quadruple glazed
- 1 favorite programme for saving own processes
- Rapid heating
- Demo mode
- 44 litres capacity
- Halogen lighting
- Door contact switch
- Drop-down grill

#### Technical data:

- Electrical connection 3.0 kW
- Niche dimensions W x H x D approx. 560 x 450 x 550 mm
- For more technical data see page 201

#### Standard accessories:

- 1 enamel baking tray; 1 enamel universal/deep tray; 1 roasting grid

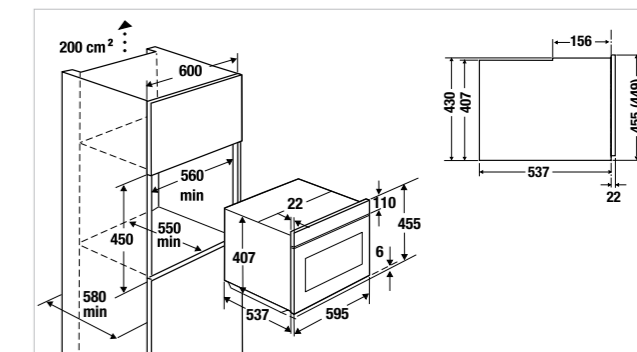
#### Optional accessories:

- Telescopic glide-out shelf (standard glide-out) Acc. no. ZC 1000
- Profi roaster set Acc. no. ZB 8031
- Baking stone with lifter Acc. no. 145
- For further optional accessories see page 72-75

#### Design kits:

- Design Stainless Steel Acc. no. DK 1000
- Design Black Chrome Acc. no. DK 2000
- Design Silver Chrome Acc. no. DK 3000
- Design Gold Acc. no. DK 4000
- Design Black Velvet Acc. no. DK 5000
- Design Copper Acc. no. DK 7000
- Design Hot Chili Acc. no. DK 8000

CB 6350.0 S1 Black, Design Stainless Steel  
CB 6350.0 S Black + Design kit Acc. no. ...



Further design variants see page 13 and 74

# COMPACT. DRAWER. WARM.

K-SERIES.8



with black glass front and stainless steel design kit



with white glass front and stainless steel design kit



with grey glass front and design kit Shade of Grey



## CSW 6800.0



Touch control. Timer. Touch to open.

### Features:

- Ideal complement for a 45 cm high appliance for a 59 cm high built-in niche
- Glass front (see optional accessories) or existing furniture mount table
- Variable power control from approx. 30–80°C
- Timer with switch-off feature up to 4 hours
- Suitable for keeping warm, defrosting, low temperature cooking, doughing and warming dishes
- Capacity (dependent on tableware-size): Dinner service for 6 persons or 20 plates with Ø 28 cm or 80 espresso cups or 40 cappuccino cups
- Telescopic rails

### Technical data:

- Electrical connection 0.4 kW
- Appliance dimensions W x H x D approx. 595 x 139 x 515 mm
- Niche dimensions W x H x D approx. 560 x 595 x min. 550 mm  
incl. an appliance of 45 cm height
- Inner dimensions W x H x D approx. 410 x 105 x 525 mm

### Standard accessories:

- Non-slip inlay

### Optional accessories:

- Black glass front Acc. no. ZC 8020
- White glass front Acc. no. ZC 8022
- Grey glass front Acc. no. ZC 8021
- Design kit Stainless Steel Acc. no. DK 1002
- Design kit Black Chrome Acc. no. DK 2002
- Design kit Silver Chrome Acc. no. DK 3002
- Design kit Gold Acc. no. DK 4002
- Design kit Black Velvet Acc. no. DK 5002
- Design kit Copper Acc. no. DK 7002
- Design kit Hot Chili Acc. no. DK 8002
- Design kit Shade of Grey Acc. no. DK 9002



# COMPACT. DRAWER. ACCESSORY.

K-SERIES.8



with black glass front and stainless steel design kit



with white glass front and stainless steel design kit



with grey glass front and design kit Shade of Grey



## CSZ 6800.0



Touch to open.

### Features:

- Ideal accessory for being combined with a 45 cm compact appliance, offering additional stowage in a 59 cm high niche
- Glass front (see optional accessories) or existing furniture mount table
- Telescopic rails
- Stainless steel oven cavity

### Technical data:

- Appliance dimensions W x H x D approx. 595 x 140 x 535 mm
- Niche dimensions W x H x D approx. 560 x 595 x min. 550 mm  
incl. an appliance of 45 cm height
- Inner dimensions W x H x D approx. 410 x 139 x 500 mm

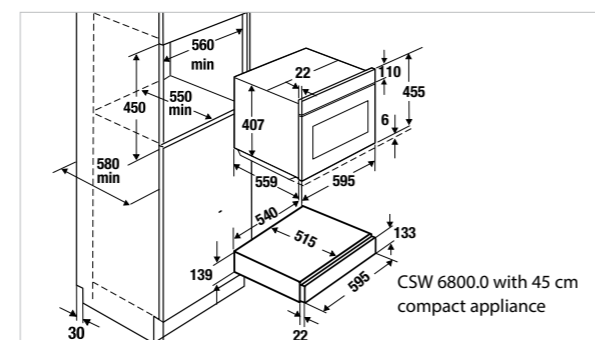
### Standard accessories:

- Non-slip inlay

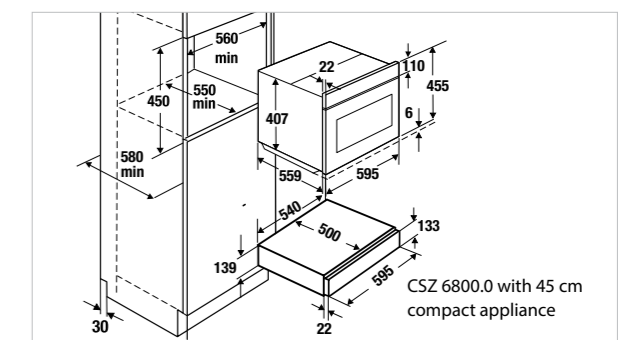
### Optional accessories:

- Black glass front Acc. no. ZC 8020
- White glass front Acc. no. ZC 8022
- Grey glass front Acc. no. ZC 8021
- Design kit Stainless Steel Acc. no. DK 1002
- Design kit Black Chrome Acc. no. DK 2002
- Design kit Silver Chrome Acc. no. DK 3002
- Design kit Gold Acc. no. DK 4002
- Design kit Black Velvet Acc. no. DK 5002
- Design kit Copper Acc. no. DK 7002
- Design kit Hot Chili Acc. no. DK 8002
- Design kit Shade of Grey Acc. no. DK 9002

CSW 6800.0 without glass front



CSZ 6800.0 without glass front




# MICROWAVE (38 CM NICHE).

K - SERIES . 3



Black, Design Stainless Steel



ML 6330.0/MR 6330.0 (left/right hingeing door) 

3 functions. Electronic clock. 22 litres Stainless steel oven cavity.

Features:

- 3 microwave functions (microwave only, microwave + grill, and grill only)
- 5 microwave output levels
- Microwave output 850 watts
- Grill 1200 watts
- 14 automatic programmes
- Control with high-quality aluminum knobs
- Electronic clock with white display
- Stand-by mode
- Stainless steel oven cavity with ceramic plate
- Oven lighting
- Choice of door hinge (see model)

Technical data:

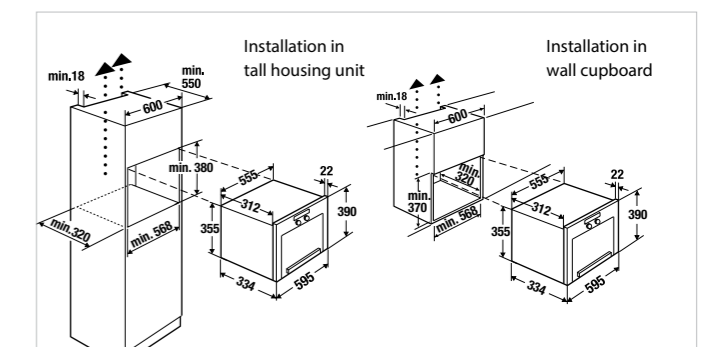
- Electrical connection 2.5 kW
- Appliance dimensions W x H x D approx. 595 x 390 x 334 mm (incl. front 22 mm)
- Niche dimensions W x H x D approx. 568 x 380 x 320 mm (tall-housing)
- Niche dimensions W x H x D approx. 568 x 370 x 320 mm (wall-hanging cupboard)
- Oven cavity dimensions W x H x D approx. 350 x 220 x 280 mm
- For more technical data see page 201

Standard accessories: - 1 roasting grid

Design kits:

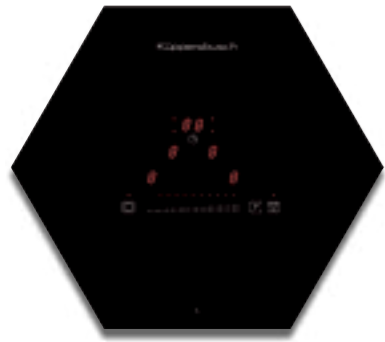
- Design Stainless Steel Acc. no. DK 1003
- Design Black Chrome Acc. no. DK 2003
- Design Silver Chrome Acc. no. DK 3003
- Design Gold Acc. no. DK 4003
- Design Black Velvet Acc. no. DK 5003
- Design Copper Acc. no. DK 7003
- Design Hot Chili Acc. no. DK 8003

ML / MR 6330.0 S1 Black, Design Stainless Steel  
ML / MR 6330.0 S Black + Design kit Acc. no. ...



# HOBS. HONEYCOMB. INDUCTION.

K-SERIES.8



Flush installation

EKWI 3740.0 W

Planning freedom. 11 power levels. 4 cooking zones.



Features:

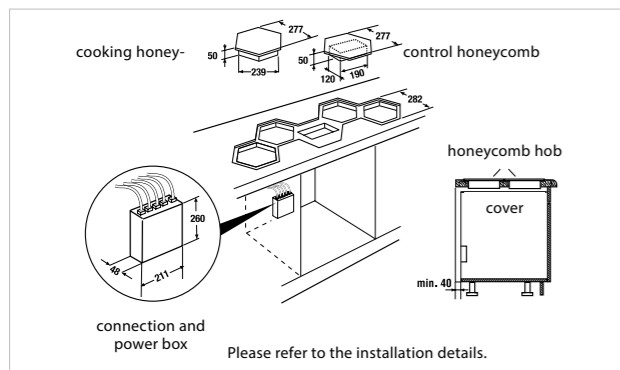
- 11-level power controls with red display
- 1 special level: keeping-warm level approx. 70°C
- Switch-off memory
- Automatic booster cooking phase
- Residual heat indicator
- Minute minder for up to 99 minutes with switch-off feature
- Central switch-off control
- Holiday shut-down device (limiting operation duration time)
- 1 sensor touch honeycomb included
- 4 separate cooking zones:
  - 2 x Ø 20 cm / 2,300 W (3,000 W\*)
  - 2 x Ø 16 cm / 1,100 W (1,400 W\*)
- \* with power booster setting
- Optional accessories see page 128-129

Technical data:

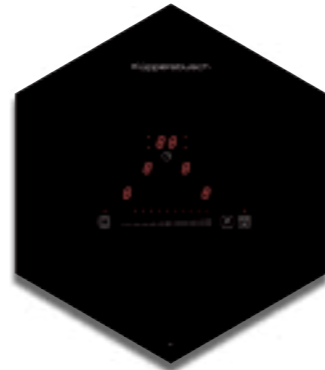
- Electrical connection 7.4 kW
- Appliance dimensions W x D approx. 320 x 320 mm
- Installation depth 50 mm
- Niche dimensions see building-in diagrams
- For more information see page 203

EKWI 3740.0 W black, flush installation

Honeycomb-Set: 1 control honeycomb (horizontal hexagon) and 4 cooking zones



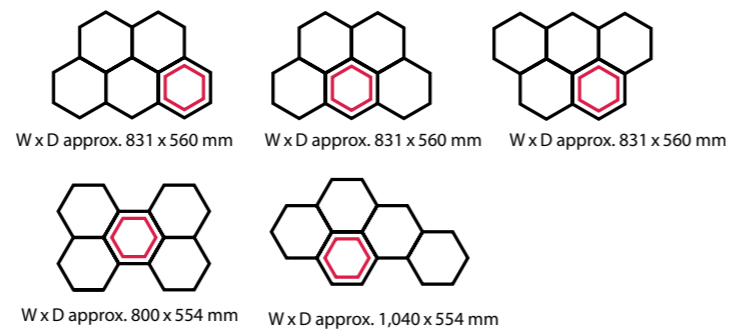
K-SERIES.8



Flush installation

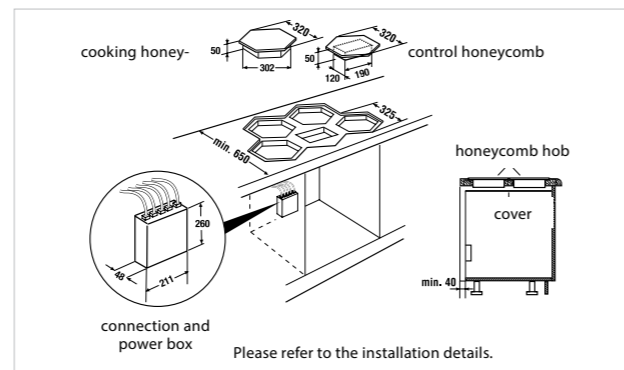
EKWI 3740.0 S

Examples of possible design layouts:



EKWI 3740.0 S black, flush installation

Honeycomb-Set: 1 control honeycomb (pointed hexagon) and 4 cooking zones



# HOB. DOWNDRAFT. INDUCTION.

K-SERIES.8

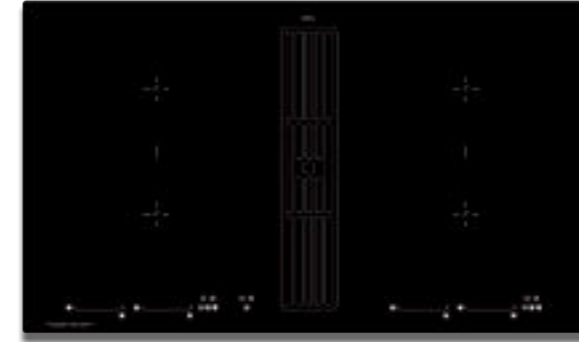


Illustration with ventilation grid, flush installation

KMI 9800.0

glideControl+. 13 power levels. 96,5% Grease deposit.



Features induction hob:

- 13-level power controls "glideControl+" with red display
- 3 pre-defined special levels: melting level approx. 42°C, keeping-warm level approx. 70°C, pasta level approx. 94°
- Bridge function, front and rear cooking zone can be switched together to one cooking zone
- Automatic booster cooking phase
- Residual heat indicator
- Minute minder with switch-off feature
- Holiday shut-down device (limiting operation duration time)
- Ventilation grid and glass cover (ZK 8000) incl.
- 4 cooking zones 210 x 190 mm / 2,100 W (3,700 W\*)
- \*with power booster setting

Features cooker hood:

- Extraction rate (to the outside) according to guideline EN 61591: max. normal power setting 530 m³/h, intensive power setting 620 m³/h
- Noise level according to guideline EN 60704-2-13: min. 45 dB, max. 55 dB, int. 68 dB
- 4 power levels incl. high power settings
- Digital display
- Metal grease filter with 96,5 % grease deposit
- Automatic delay stop
- Recirculating air mode possible (see optional accessories)
- Exhaust air system incl. (see page 131)



Technical data:

- Electrical connection Induction 7,400 W / hood 115 W
- Air connection plinth fan Naber Compair Flow NW 150
- Appliance dimensions W x D approx. 898 x 518 mm
- Niche dimensions W x D approx. 860 x 500 mm
- For more information see page 203

Optional accessories (hood):

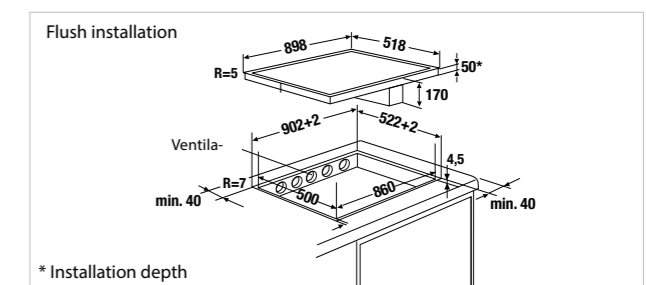
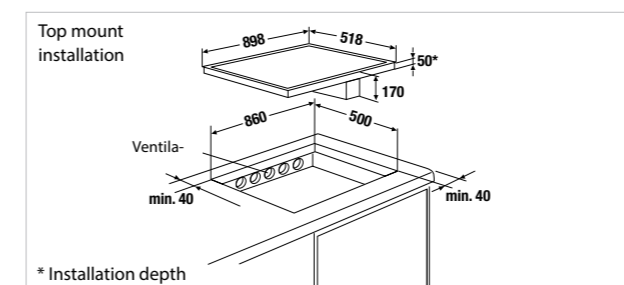
- PlasmaMade filter Acc. no. ZD 8001
- Charcoal filter box Acc. no. ZK 8001
- Glass cover Miradur Acc. no. ZK 8005
- Wireless window contact system Acc. no. ZK 8002
- For further optional accessories see page 128-131

Individualise the KMI 9800.0 through ventilation grilles in the individual concept! Information about this can be found on page 86.

See page 131 for important information about the exhaust air system.

KMI 9800.0 SR black, flush installation

KMI 9800.0 SE black, stainless steel frame



# HOBS. INDUCTION.

K - SERIES . 8



Bevelled edge

**KI 8800.0**  
glideControl+. 15 power levels. 4 cooking zones.



**Features:**

- High-quality chrome graphics
- 15-level power controls "glideControl+" with white display
- 3 pre-defined special levels: melting level approx. 42°C, keeping-warm level approx. 70°C, pasta level approx. 94°C
- Optimised grill function for FlexiGrill Acc. no. 1303
- Switch-off memory
- Bridge function, front and rear cooking zone can be switched together to one cooking zone
- Pan and pan size detection with automatic control indication
- Automatic booster cooking phase
- Residual heat indicator
- Minute minder with switch-off feature
- Central switch-off control
- Holiday shut-down device (limiting operation duration time)
- 4 cooking zones 210 x 190 mm / 2,100 W (3,700 W\*)  
\*with power booster setting

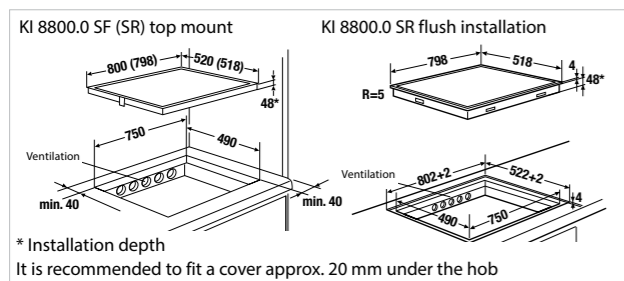
**Technical data:**

- Electrical connection 7.4 kW
- Appliance dimensions  
Bevelled edge W x D approx. 800 x 520 mm  
Flush installation W x D approx. 798 x 518 mm  
Installation depth 48 mm
- Niche dimensions W x D approx. 750 x 490 mm  
(for flush installation please refer to the building-in diagrams)
- For more information see page 204

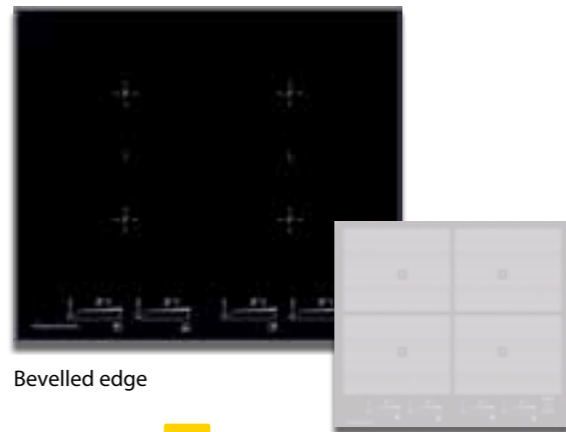
**Optional accessories:**

- Stainless steel profiles Acc. no. ZK 0800
- FlexiGrill Acc. no. 1303
- For further optional accessories see page 128-129

KI 8800.0 GR grey, flush installation  
KI 8800.0 SF black, bevelled edge  
KI 8800.0 SR black, flush installation



K - SERIES . 8



Bevelled edge

**KI 6800.0**  
glideControl+. 15 power levels. 4 cooking zones.



**Features:**

- High-quality chrome graphics
- 15-level power controls "glideControl+" with white display
- 3 pre-defined special levels: melting level approx. 42°C, keeping-warm level approx. 70°C, pasta level approx. 94°C
- Optimised grill function for FlexiGrill Acc. no. 1303
- Switch-off memory
- Bridge function, front and rear cooking zone can be switched together to one cooking zone
- Pan and pan size detection with automatic control indication
- Automatic booster cooking phase
- Residual heat indicator
- Minute minder with switch-off feature
- Central switch-off control
- Holiday shut-down device (limiting operation duration time)
- 4 cooking zones 210 x 190 mm / 2,100 W (3,700 W\*)  
\*with power booster setting

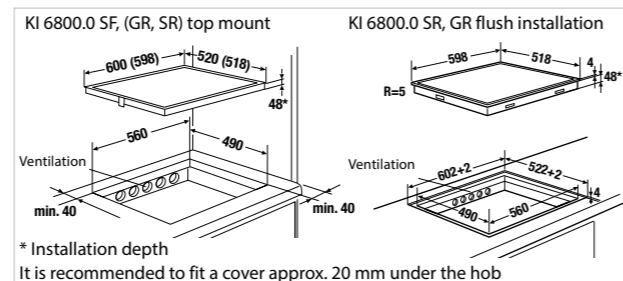
**Technical data:**

- Electrical connection 7.4 kW
- Appliance dimensions  
Bevelled edge W x D approx. 600 x 520 mm  
Flush installation W x D approx. 598 x 518 mm  
Installation depth 53 mm
- Niche dimensions W x D approx. 560 x 490 mm  
(for flush installation please refer to the building-in diagrams)
- For more information see page 204

**Optional accessories:**

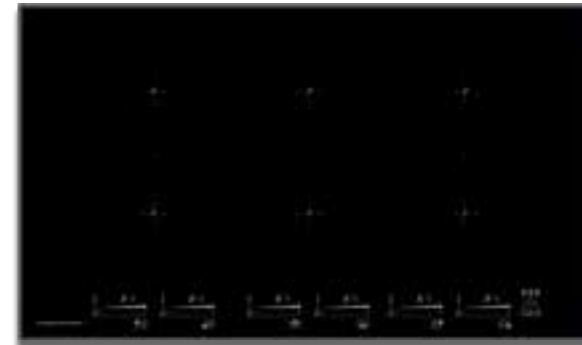
- Stainless steel profiles Acc. no. ZK 0600
- FlexiGrill Acc. no. 1303
- For further optional accessories see page 128-129

KI 6800.0 GR grey, flush installation  
KI 6800.0 SF black, bevelled edge  
KI 6800.0 SR black, flush installation



# HOBS. INDUCTION.

K - SERIES . 8



Bevelled edge

**KI 9810.0**  
glideControl+. 15 power levels. 6 cooking zones.



**Features:**

- High-quality chrome graphics
- 15-level power controls "glideControl+" with white display
- 3 pre-defined special levels: melting level approx. 42°C, keeping-warm level approx. 70°C, pasta level approx. 94°C
- Optimised grill function for FlexiGrill Acc. no. 1303
- Switch-off memory
- Bridge function, front and rear cooking zone can be switched together to one cooking zone
- Pan and pan size detection with automatic control indication
- Automatic booster cooking phase
- Residual heat indicator
- Minute minder with switch-off feature
- Central switch-off control
- Holiday shut-down device (limiting operation duration time)
- 6 cooking zones 210 x 190 mm / 2,100 W (3,700 W\*)  
\*with power booster setting

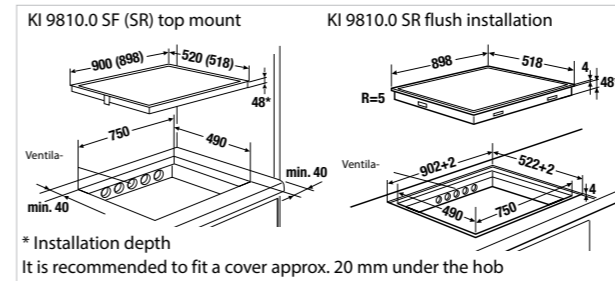
**Technical data:**

- Electrical connection 11.1 kW
- Appliance dimensions  
Bevelled edge W x D approx. 900 x 520 mm  
Flush installation W x D approx. 898 x 518 mm  
Installation depth 48 mm
- Niche dimensions W x D approx. 750 x 490 mm  
(for flush installation please refer to the building-in diagrams)
- For more information see page 204

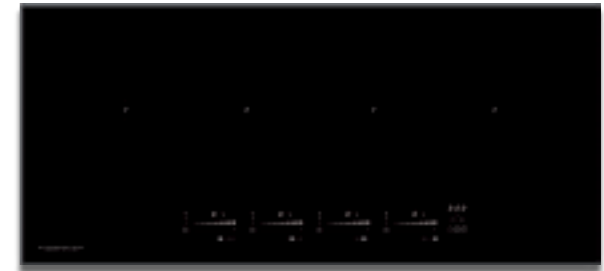
**Optional accessories:**

- FlexiGrill Acc. no. 1303
- For further optional accessories see page 128-129

KI 9810.0 SF black, bevelled edge  
KI 9810.0 SR black, flush installation



K - SERIES . 8



Bevelled edge

**KI 9800.0**  
glideControl+. 15 power levels. 4 cooking zones.



**Features:**

- High-quality chrome graphics
- 15-level power controls "glideControl+" with white display
- 3 pre-defined special levels: melting level approx. 42°C, keeping-warm level approx. 70°C, pasta level approx. 94°C
- Optimised grill function for FlexiGrill Acc. no. 1303
- Switch-off memory
- Bridge function, right and left cooking zones can be switched together to one cooking zone
- Pan and pan size detection with automatic control indication
- Automatic booster cooking phase
- Residual heat indicator
- Minute minder with switch-off feature
- Central switch-off control
- Holiday shut-down device (limiting operation duration time)
- 4 cooking zones 210 x 190 mm / 2,100 W (3,700 W\*)  
\*with power booster setting

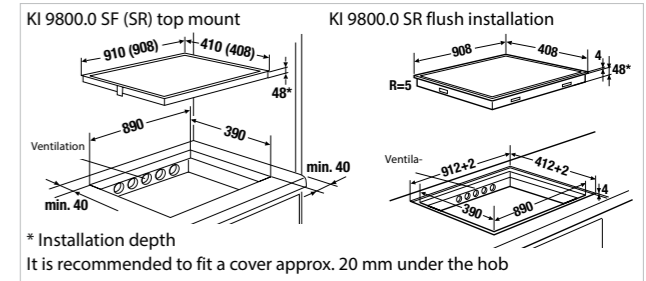
**Technical data:**

- Electrical connection 7.4 kW
- Appliance dimensions  
Bevelled edge W x D approx. 910 x 510 mm  
Flush installation W x D approx. 908 x 408 mm  
Installation depth 48 mm
- Niche dimensions W x D approx. 890 x 390 mm  
(for flush installation please refer to the building-in diagrams)
- For more information see page 204

**Optional accessories:**

- FlexiGrill Acc. no. 1303
- For further optional accessories see page 128-129

KI 9800.0 SF black, bevelled edge  
KI 9800.0 SR black, flush installation



# HOB. INDUCTION.

K-SERIES.5



Flush installation

KI 9560.0\* **NEW**  
glideControl. 12 power levels. 5 cooking zones.



**Features:**

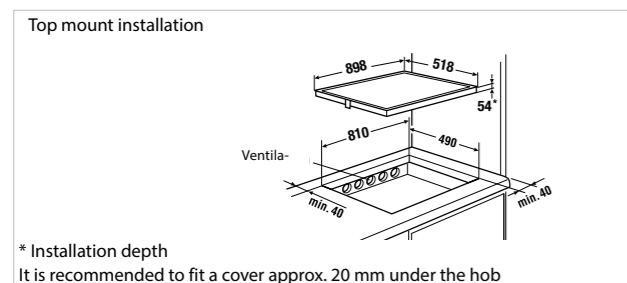
- 12-level power controls "glideControl" with red display
- 1 pre-defined special level: keeping-warm level approx. 70°C
- Switch-off memory
- Bridge function, right and left cooking zones can be switched together to one cooking zone
- Automatic booster cooking phase
- Residual heat indicator
- Minute minder with switch-off feature
- Central switch-off control
- Holiday shut-down device (limiting operation duration time)
- 4 cooking zones 210 x 190 mm / 2,100 W (3,000 W\*)
- 1 cooking zone Ø 125 mm / 2,300 W (3,000 W\*)
- \*with power booster setting
- Optional accessories see page 128-129

**Technical data:**

- Electrical connection 10.4 kW
- Appliance dimensions W x D approx. 898 x 518 mm
- Installation depth 54 mm
- Niche dimensions W x D approx. 850 x 490 mm
- For more information see page 205

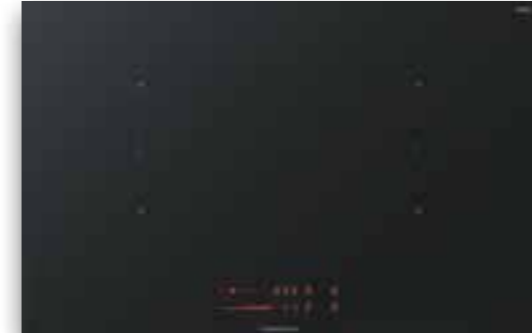
\*Available from 09/2019

KI 9560.0 SR black, flush installation



# HOBS. INDUCTION.

K-SERIES.5



Flush installation

KI 8560.0\*\* **NEW**  
glideControl. 12 power levels. 4 cooking zones.



**Features:**

- 12-level power controls "glideControl" with red display
- 1 pre-defined special level: keeping-warm level approx. 70°C
- Switch-off memory
- Bridge function, front and rear cooking zone can be switched together to one cooking zone
- Automatic booster cooking phase
- Residual heat indicator
- Minute minder with switch-off feature
- Central switch-off control
- Holiday shut-down device (limiting operation duration time)
- 4 cooking zones 210 x 190 mm / 2,100 W (3,000 W\*)
- \*with power booster setting

**Technical data:**

- Electrical connection 7.4 kW
- Appliance dimensions  
Stainless steel frame W x D approx. 800 x 520 mm
- Flush installation W x D approx. 798 x 518 mm
- Installation depth 54 mm
- Niche dimensions W x D approx. 750 x 490 mm
- For more information see page 205

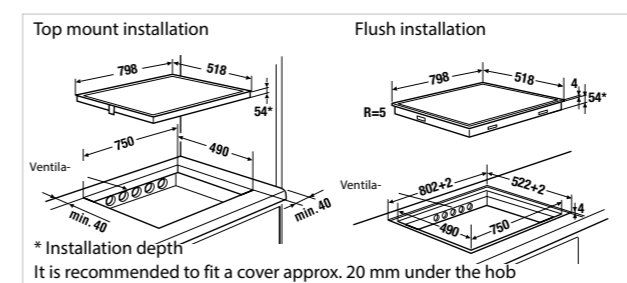
**Optional accessories:**

- Stainless steel profiles Acc. no. ZK 0800
- For further optional accessories see page 128-129

\*only possible with optional accessory ZK 0800

\*\*Available from 09/2019

KI 8560.0 SR black, flush installation



K-SERIES.5



Flush installation

KI 6560.0\*\* **NEW**  
glideControl. 12 power levels. 4 cooking zones.



**Features:**

- 12-level power controls "glideControl" with red display
- 1 pre-defined special level: keeping-warm level approx. 70°C
- Switch-off memory
- Bridge function, front and rear cooking zone can be switched together to one cooking zone
- Automatic booster cooking phase
- Residual heat indicator
- Minute minder with switch-off feature
- Central switch-off control
- Holiday shut-down device (limiting operation duration time)
- 4 cooking zones 210 x 190 mm / 2,100 W (3,000 W\*)
- \*with power booster setting

**Technical data:**

- Electrical connection 7.4 kW
- Appliance dimensions  
Stainless steel frame W x D approx. 600 x 520 mm
- Flush installation W x D approx. 598 x 518 mm
- Installation depth 54 mm
- Niche dimensions W x D approx. 560 x 490 mm
- For more information see page 205

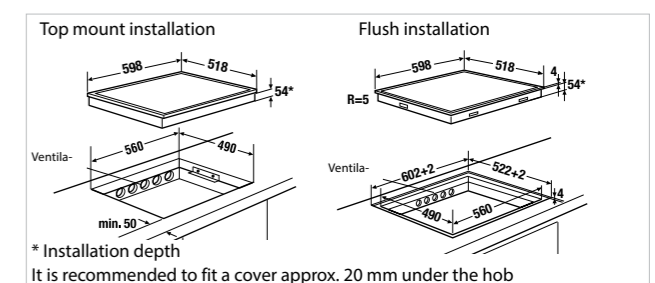
**Optional accessories:**

- Stainless steel profiles Acc. no. ZK 0600
- For further optional accessories see page 128-129

\*only possible with optional accessory ZK 0600

\*\*Available from 09/2019

KI 6560.0 SR black, flush installation



# HOB. INDUCTION.

K-SERIES.5



Flush installation

KI 9520.0

selectControl. 11 power levels. 5 cooking zones.



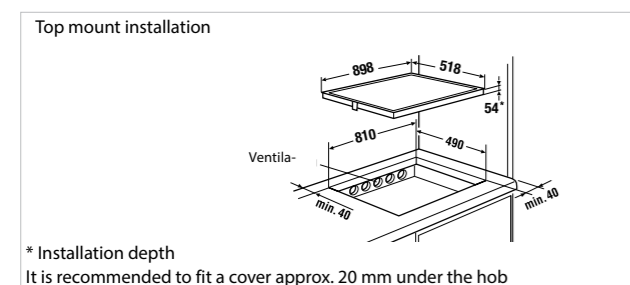
### Features:

- White glass
- 11-level power controls "selectControl" with red display
- 1 pre-defined special level: keeping-warm level approx. 70°C
- Switch-off memory
- Bridge function, left cooking zones can be switched together
- Residual heat indicator
- Minute minder with switch-off feature
- Central switch-off control
- Holiday shut-down device (limiting operation duration time)
- 1 cooking zone 210 x 190 mm / 2,100 W (3,000 W\*)
- 1 cooking zone 210 x 190 mm / 1,600 W (1,850 W\*)
- 1 cooking zone Ø 280 mm / 2,300 W (3,000 W\*)
- 1 cooking zone Ø 220 mm / 2,300 W (3,000 W\*)
- 1 cooking zone Ø 180 mm / 1,100 W (1,400 W\*)
- \*with power booster setting
- Optional accessories see page 128-129

### Technical data:

- Electrical connection 7.4 kW
- Appliance dimensions W x D approx. 898 x 518 mm
- Installation depth 54 mm
- Niche dimensions W x D approx. 810 x 490 mm
- For more information see page 205

KI 9520.0 WR white, flush installation



# HOBS. INDUCTION.

K-SERIES.5



Flush installation

KI 8520.0

selectControl. 11 power levels. 4 cooking zones.



### Features:

- White glass
- 11-level power controls "selectControl" with red display
- 1 pre-defined special level: keeping-warm level approx. 70°C
- Switch-off memory
- Bridge function, left cooking zones can be switched together
- Residual heat indicator
- Minute minder with switch-off feature
- Central switch-off control
- Holiday shut-down device (limiting operation duration time)
- 1 cooking zone 210 x 190 mm / 2,100 W (3,000 W\*)
- 1 cooking zone 210 x 190 mm / 1,600 W (1,850 W\*)
- 1 cooking zone Ø 215 mm / 2,300 W (3,000 W\*)
- 1 cooking zone Ø 180 mm / 1,100 W (1,400 W\*)
- \*with power booster setting

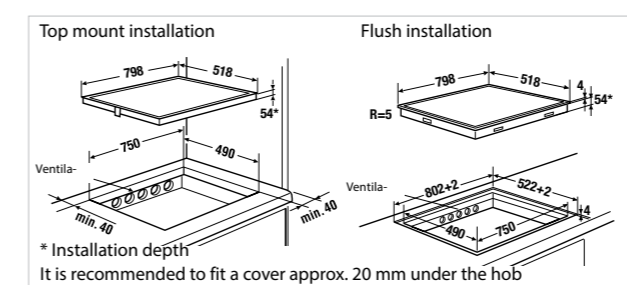
### Technical data:

- Electrical connection 7.4 kW
- Appliance dimensions Stainless steel frame W x D approx. 800 x 520 mm
- Flush installation W x D approx. 798 x 518 mm
- Installation depth 54 mm
- Niche dimensions W x D approx. 750 x 490 mm
- For more information see page 205

### Optional accessories:

- Stainless steel profiles Acc. no. ZK 0800
- For further optional accessories see page 128-129

KI 8520.0 WR white, flush installation



K-SERIES.5



Flush installation

KI 6520.0

selectControl. 11 power levels. 4 cooking zones.



### Features:

- White glass
- 11-level power controls "selectControl" with red display
- 1 pre-defined special level: keeping-warm level approx. 70°C
- Switch-off memory
- Bridge function, left cooking zones can be switched together
- Residual heat indicator
- Minute minder with switch-off feature
- Central switch-off control
- Holiday shut-down device (limiting operation duration time)
- 1 cooking zone 210 x 190 mm / 2,100 W (3,000 W\*)
- 1 cooking zone 210 x 190 mm / 1,600 W (1,850 W\*)
- 1 cooking zone Ø 215 mm / 2,300 W (3,000 W\*)
- 1 cooking zone Ø 180 mm / 1,100 W (1,400 W\*)
- \*with power booster setting

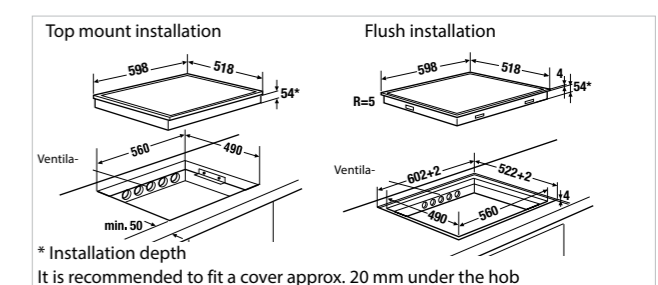
### Technical data:

- Electrical connection 7.4 kW
- Appliance dimensions Stainless steel frame W x D approx. 600 x 520 mm
- Flush installation W x D approx. 598 x 518 mm
- Installation depth 54 mm
- Niche dimensions W x D approx. 560 x 490 mm
- For more information see page 206

### Optional accessories:

- Stainless steel profiles Acc. no. ZK 0600
- For further optional accessories see page 128-129

KI 6520.0 WR white, flush installation



# HOBS. ELECTRONIC.

K-SERIES.3



Flush installation

**KE 6330.0**  
dialControl. 9 power levels. 4 cooking zones.



Features:

- 9-level power controls "dialControl" with red display
- Automatic booster cooking phase
- Residual heat indicator
- Minute minder with switch-off feature
- Central switch-off control
- Holiday shut-down device (limiting operation duration time)
- 2 cooking zones Ø 155 mm / 1,200 W
- 1 dual-circuit cooking zone Ø 220 mm or 145 mm / 2,200 or 1,000 W
- 1 dual-circuit cooking and roasting zone Ø 180 mm or 265 x 180 mm / 2,400 or 1,500 W

Technical data:

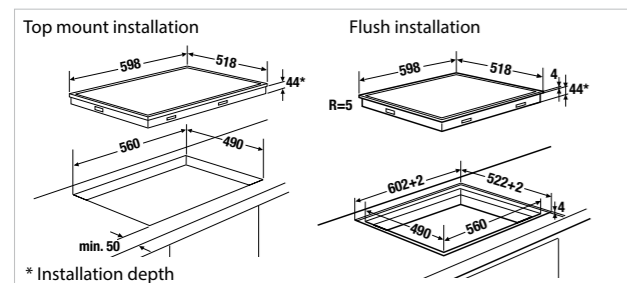
- Electrical connection 7.0 kW
- Appliance dimensions W x D approx. 598 x 518 mm
- Installation depth 44 mm
- Niche dimensions W x D approx. 560 x 490 mm
- For more information see page 207

Optional accessories:

- Stainless steel profiles Acc. no. ZK 0600
- VarioLine metallic joining strip Acc. no. 1130 (only possible with stainless steel profiles)
- For further optional accessories see page 128-129

\*only possible with optional accessory ZK 0600

KE 6330.0 SR black, flush installation



K-SERIES.3



Flush installation

**KE 6310.0**  
selectControl. 9 power levels. 4 cooking zones.



Features:

- 9-level power controls "selectControl" with red display
- Automatic booster cooking phase
- Residual heat indicator
- Holiday shut-down device (limiting operation duration time)
- 2 cooking zones Ø 155 mm / 1,200 W
- 1 dual-circuit cooking zone Ø 220 mm or 145 mm / 2,200 or 1,000 W
- 1 cooking zone Ø 190 mm / 1,800 W

Technical data:

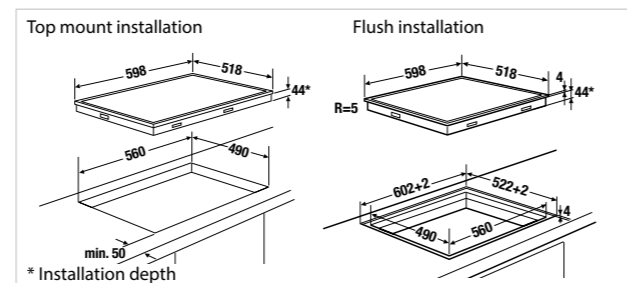
- Electrical connection 6.4 kW
- Appliance dimensions W x D approx. 598 x 518 mm
- Installation depth 44 mm
- Niche dimensions W x D approx. 560 x 490 mm
- For more information see page 207

Optional accessories:

- Stainless steel profiles Acc. no. ZK 0600
- VarioLine metallic joining strip Acc. no. 1130 (only possible with stainless steel profiles)
- For further optional accessories see page 128-129

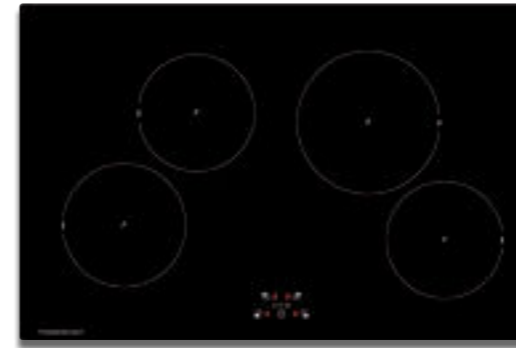
\*only possible with optional accessory ZK 0600

KE 6310.0 SR black, flush installation



# HOBS. INDUCTION.

K-SERIES.1



Flush installation

**KI 8120.0**  
selectControl. 10 power levels. 4 cooking zones.



Features:

- 10-level power controls "selectControl" with red display
- Residual heat indicator
- Minute minder with switch-off feature
- Central switch-off control
- Holiday shut-down device (limiting operation duration time)
- 1 cooking zone Ø 190 mm / 2,300 W (3,000 W\*)
- 1 cooking zone Ø 170 mm / 1,100 W (1,400 W\*)
- 1 cooking zone Ø 220 mm / 2,300 W (3,000 W\*)
- 1 cooking zone Ø 155 mm / 1,100 W (1,400 W\*)
- \* with power booster setting

Technical data:

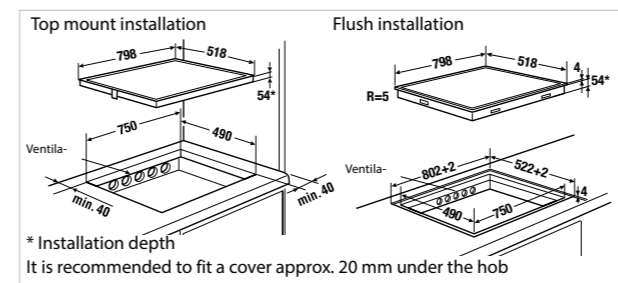
- Electrical connection 7.4 kW
- Appliance dimensions W x D approx. 798 x 518 mm
- Installation depth 54 mm
- Niche dimensions W x D approx. 750 x 490 mm
- For more information see page 206

Optional accessories:

- Stainless steel profiles Acc. no. ZK 0800
- VarioLine metallic joining strip Acc. no. 1130 (only possible with stainless steel profiles)
- For further optional accessories see page 128-129

\*only possible with optional accessory ZK 0800

KI 8120.0 SR black, flush installation



K-SERIES.1



Flush installation

**KI 6120.0**  
selectControl. 10 power levels. 4 cooking zones.



Features:

- 10-level power controls "selectControl" with red display
- Automatic booster cooking phase
- Residual heat indicator
- Minute minder with switch-off feature
- Central switch-off control
- Holiday shut-down device (limiting operation duration time)
- 2 cooking zones Ø 200 mm / 1,400 W (1,850 W\*)
- 2 cooking zones Ø 180 mm / 1,400 W (1,850 W\*)
- \*with power booster setting

Technical data:

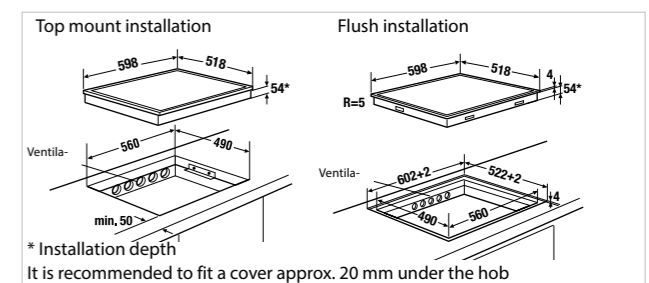
- Electrical connection 7.4 kW
- Appliance dimensions W x D approx. 598 x 518 mm
- Installation depth 54 mm
- Niche dimensions W x D approx. 560 x 490 mm
- For more information see page 206

Optional accessories:

- Stainless steel profiles Acc. no. ZK 0600
- VarioLine metallic joining strip Acc. no. 1130 (only possible with stainless steel profiles)
- For further optional accessories see page 128-129

\*only possible with optional accessory ZK 0600

KI 6120.0 SR black, flush installation







## Rekindle your desire for cooking with gas!

It is not only professional cooks who are on fire when it comes to cooking with gas. The energy, which is just as economical as it is ecological, is perfectly suited to modern kitchens. Gas ensures precise, quick cooking with exact and quick-reactive temperature controls. Pioneering design combined with the state-of-the-art technology of the glass ceramic gas hob. Professional and convenient controls are combined with the highest of safety standards. And, naturally, the lifelong experience of Küppersbusch in the professional catering equipment line of business also flows into all of the gas appliances. Whatever you decide on, you will certainly rediscover your passion for cooking.

# HOB. GAS.

K-SERIES.8



Stainless steel frame

GKS 9851.0



knobControl. Glass ceramic. 5 cooking zones.



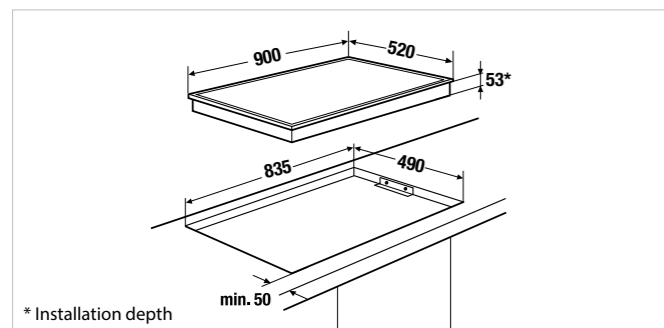
**Features:**

- Variable power control "knobControl"
- Slimline burners
- Full safety device
- Variable settings
- Pan supports (cast iron)
- Burner cap (black enamelled)
- 1 wok burner 6.0 kW
- 1 high speed burner 3.0 kW
- 2 standard burners 1.75 kW
- 1 simmer burner 1.0 kW
- Optional accessories see page 128-129

**Technical data:**

- Gas connection 13.5 kW
- Electrical connection 0.1 kW
- Appliance dimensions W x D approx. 900 x 520 mm
- Installation depth 53 mm
- Niche dimensions W x D approx. 835 x 490 mm
- For more information see page 208

GKS 9851.0 ED Stainless steel frame



# HOBS. GAS.

K-SERIES.3



GMS 9651.0



knobControl. 90 cm. 5 cooking zones.



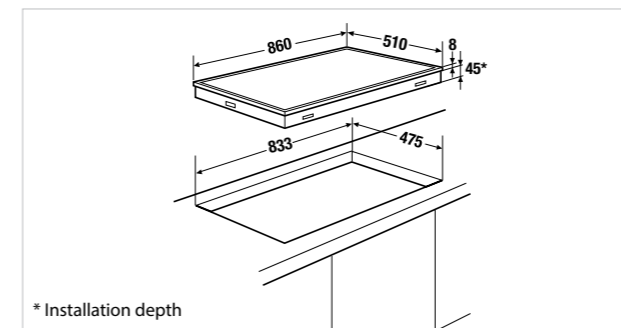
**Features:**

- Variable power control "knobControl"
- Slimline burners
- Full safety device
- Variable settings
- Pan supports (cast iron)
- Burner cap (black enamelled)
- 1 wok burner 5.0 kW
- 1 high speed burner 3.0 kW
- 2 standard burners 1.75 kW
- 1 simmer burner 1.0 kW
- Optional accessories see page 128-129

**Technical data:**

- Gas connection 12.5 kW
- Electrical connection 0.1 kW
- Appliance dimensions W x D approx. 860 x 510 mm
- Installation depth 45 mm
- Niche dimensions W x D approx. 833 x 475 mm
- For more information see page 208

GMS 9651.0 E Stainless steel



\* Installation depth

K-SERIES.3



GMS 7651.0



knobControl. 70 cm. 5 cooking zones.



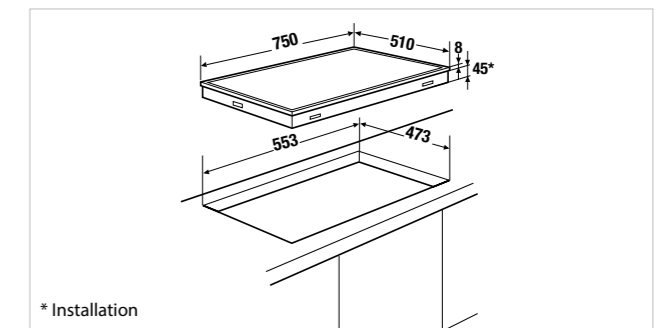
**Features:**

- Variable power control "knobControl"
- Slimline burners
- Full safety device
- Variable settings
- Pan supports (cast iron)
- Burner cap (black enamelled)
- 1 wok burner 4.0 kW
- 1 high speed burner 3.0 kW
- 2 standard burners 1.75 kW
- 1 simmer burner 1.0 kW
- Optional accessories see page 128-129

**Technical data:**

- Gas connection 11.5 kW
- Electrical connection 0.1 kW
- Appliance dimensions W x D approx. 750 x 510 mm
- Installation depth 45 mm
- Niche dimensions W x D approx. 553 x 473 mm
- For more information see page 208

GMS 7651.0 E Stainless steel



\* Installation

# VARIOLINE. HOB. DOWNDRAFT.

K-SERIES.8



Flush installation, illustration shows model with fixed stainless steel profile

**VKM 1800.0**  
Variably installable. 14 cm. 96,5% Grease deposit.



### Features:

- Extraction rate (to the outside) according to guideline EN 61591: max. normal power setting 530 m<sup>3</sup>/h, intensive power setting 620 m<sup>3</sup>/h
- Noise level according to guideline EN 60704-2-13: min. 39 dB, max. 55 dB, int. 68 dB
- 4 power levels incl. high power settings, integrated in the hob
- Digital display, integrated in the hob
- Metal grease filter with 96,5 % grease deposit
- Automatic delay stop
- Recirculating air mode possible (see optional accessories)
- Ventilation grid and glass cover (ZK 8000) incl.
- Stainless steel profiles for VarioLine acc. no. 1130 enclosed
- Exhaust air system incl. (see page 131)
- Adapted for combination with VarioLine hobs VKI 3805.0 and VKI 3505.0

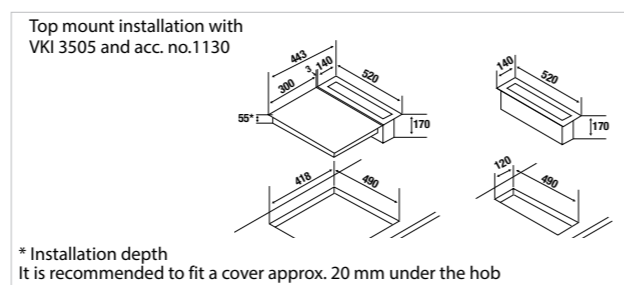
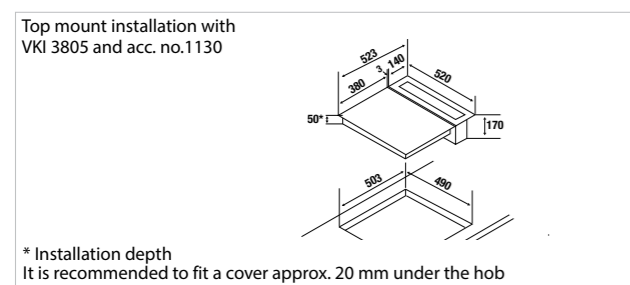
### Technical data:

- Electrical connection 115 W
- Air connection plinth fan Naber Compair Flow NW 150
- Energy class /-consumption A / 41 kW
- Filter class / filter separation rate A / 96,5 %
- Appliance dimensions W x D approx. 138 x 518 mm
- For more information see page 203

### Optional accessories:

- PlasmaMade filter Acc. no. ZD 8001
- Charcoal filter box Acc. no. ZK 8001
- VarioLine metallic joining strip Acc. no. 1130
- Wireless window contact system Acc. no. ZK 8002
- Gas deflector (see page 129) Acc. no. ZK 8003 (for combination with GKS 3820.0 or GWS 3811.0)
- For further optional accessories see page 128-131

VKM 1800.0 SR black, flush installation



# VARIOLINE. HOBS. INDUCTION.

K-SERIES.8



Flush installation, illustration shows model with fixed stainless steel profile

**VKI 3805.0**  
Control unit for VKM 1800.0 SR. 38 cm. 14 power levels.



### Features:

- 14-level power controls "glideControl+" with red display
- 3 pre-defined special levels: melting level approx. 42°C, keeping-warm level approx. 70°C, pasta level approx. 94°C
- Switch-off memory
- Bridge function, both cooking zones can be switched together to one cooking zone
- Automatic booster cooking phase
- Residual heat indicator
- Minute minder with switch-off feature
- Central switch-off control
- Holiday shut-down device (limiting operation duration time)
- 2 cooking zones 210 x 190 mm / 2,100 W (3,700 W\*) \*with power booster setting
- Stainless steel profiles for VarioLine acc. no. 1130 enclosed
- Integrated control for VarioLine cooktop extractor VKM 1800.0 (see page 122)

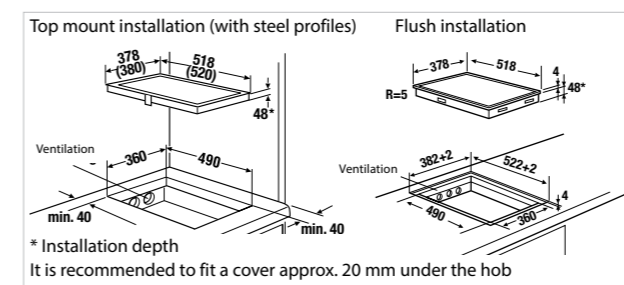
### Technical data:

- Electrical connection 3.7 kW
- Appliance dimensions W x D approx. 378 x 518 mm
- Installation depth 48 mm
- Niche dimensions W x D approx. 360 x 490 mm
- For more information see page 209

### Optional accessories:

- VarioLine metallic joining strip Acc. no. 1130
- For further optional accessories see page 128-129

VKI 3805.0 SR black, flush installation



K-SERIES.5



Flush installation, illustration shows model with fixed stainless steel profile

**VKI 3505.0**  
Control unit for VKM 1800.0 SR. 30 cm. 10 power levels.



### Features:

- 10-level power controls "selectControl" with red display
- Automatic booster cooking phase
- Residual heat indicator
- Minute minder with switch-off feature
- Central switch-off control
- Holiday shut-down device (limiting operation duration time)
- 1 cooking zone Ø 200 mm / 1,400 W (2,000 W\*)
- 1 cooking zone Ø 160 mm / 1,400 W \* with power booster setting
- Stainless steel profiles for VarioLine acc. no. 1130 enclosed
- Integrated control for VarioLine cooktop extractor VKM 1800.0 (see page 122)

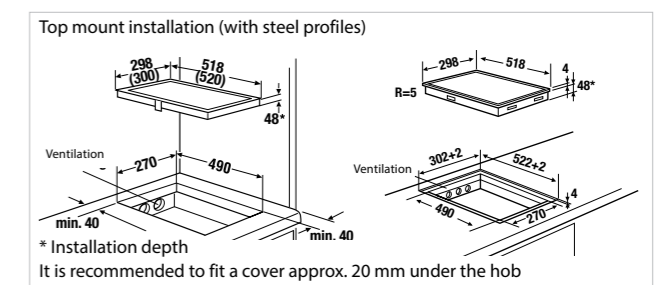
### Technical data:

- Electrical connection 3.4 kW
- Appliance dimensions W x D approx. 298 x 518 mm
- Installation depth 48 mm
- Niche dimensions W x D approx. 270 x 490 mm
- For more information see page 209

### Optional accessories:

- VarioLine metallic joining strip Acc. no. 1130
- For further optional accessories see page 128-129

VKI 3505.0 SR black, flush installation




# VARIOLINE. HOBS. INDUCTION.

## K-SERIES.8



Flush installation,  
Illustration shows model with fixed stainless steel profile

VKI 3800.1   
glideControl+. 38 cm. 15 power levels.



### Features:

- 14-level power controls "glideControl+" with red display
- 3 pre-defined special levels: melting level approx. 42°C, keeping-warm level approx. 70°C, pasta level approx. 94°C
- Optimised grill function for FlexiGrill Acc. no. 1303
- Switch-off memory
- Bridge function, both cooking zones can be switched together to one cooking zone
- Automatic booster cooking phase
- Residual heat indicator
- Minute minder with switch-off feature
- Central switch-off control
- Holiday shut-down device (limiting operation duration time)
- 2 cooking zones 210 x 190 mm / 2,100 W (3,700 W\*)  
\*with power booster setting
- Stainless steel profiles for VarioLine acc. no. 1130 enclosed

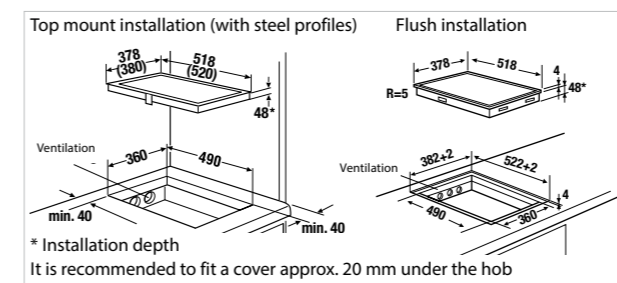
### Technical data:

- Electrical connection 3.7 kW
- Appliance dimensions W x D approx. 378 x 518 mm  
Installation depth 48 mm
- Niche dimensions W x D approx. 360 x 490 mm
- For more information see page 209

### Optional accessories:

- VarioLine metallic joining strip Acc. no. 1130
- For further optional accessories see page 128-129


VKI 3800.1 SR black, flush installation



## K-SERIES.5



Flush installation,  
illustration shows model with fixed stainless steel profile

VKI 3500.1   
selectControl. 30 cm. 10 power levels.



### Features:

- 10-level power controls "selectControl" with red display
- Automatic booster cooking phase
- Residual heat indicator
- Minute minder with switch-off feature
- Central switch-off control
- Holiday shut-down device (limiting operation duration time)
- 1 cooking zone Ø 22 cm / 2,300 W (3,000 W\*)
- 1 cooking zone Ø 16 cm / 1,400 W  
\*with power booster setting
- Stainless steel profiles for VarioLine acc. no. 1130 enclosed

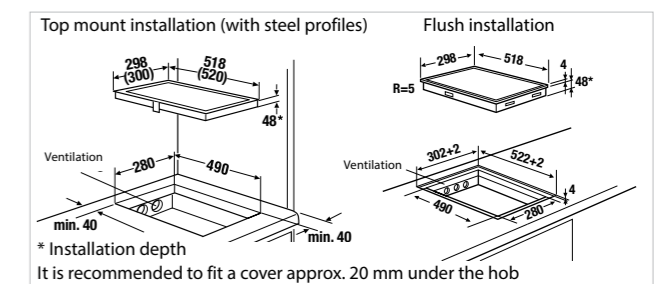
### Technical data:

- Electrical connection 3.7 kW
- Appliance dimensions W x D approx. 298 x 518 mm  
Installation depth 48 mm
- Niche dimensions W x D approx. 280 x 490 mm
- For more information see page 209

### Optional accessories:

- VarioLine metallic joining strip Acc. no. 1130
- For further optional accessories see page 128-129

VKI 3500.1 SR black, flush installation



## VARIOLINE. HOB. ELECTRONIC. LAVA STONE GRILL.

K-SERIES.8



Flush installation,  
illustration shows model with fixed stainless steel profile

VKEL 3800.0  
knobControl. 38 cm. 6 power levels.



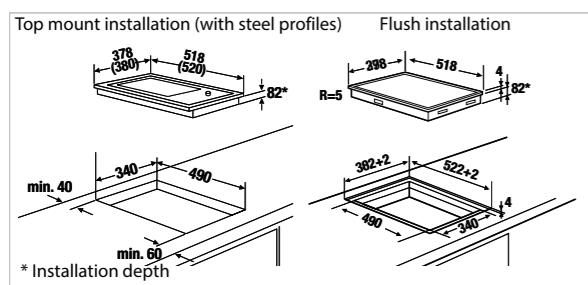
- Features:
- 6-level power controls "knobControl"
  - Power 2.500 watts
  - 1 grilling zone with cast iron grilling grid
  - Stainless steel cover
  - Lava stones included
  - Stainless steel profiles or VarioLine acc. no. 1130 enclosed

Technical data:

- Electrical connection 2.5 kW
- Appliance dimensions W x D approx. 378 x 518 mm
- Installation depth approx. 82 mm
- Niche dimensions W x D approx. 340 x 490 mm
- For more information see page 209

- Optional accessories:
- Grilling plate Acc. no. 4710
  - VarioLine metallic joining strip Acc. no. 1130
  - For further optional accessories see page 128-129

VKEL 3800.0 SR black, flush installation



## VARIOLINE. HOB. ELECTRONIC.

K-SERIES.3



Flush installation,  
illustration shows model with fixed stainless steel profile

VKE 3300.0  
selectControl. 30 cm. 9 power levels.



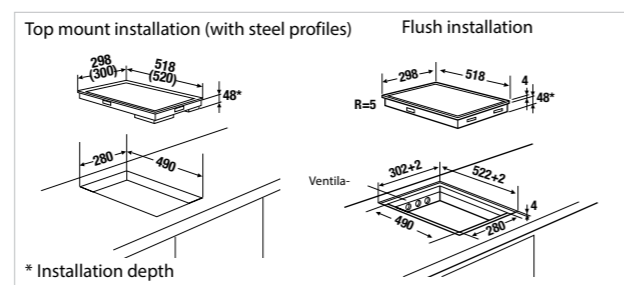
- Features:
- 9-level power controls "selectControl" with red display
  - Automatic booster cooking phase
  - Residual heat indicator
  - Central switch-off control
  - Holiday shut-down device (limiting operation duration time)
  - Minute minder for up to 99 minutes with switch-off feature for all cooking zones
  - 1 cooking zone 155 mm / 1,200 W
  - 1 dual-circuit cooking zone 190 mm or 125 mm / 1,700 or 700 W
  - Stainless steel profiles for VarioLine acc. no. 1130 enclosed

Technical data:

- Electrical connection 2.9 kW
- Appliance dimensions W x D approx. 298 x 518 mm
- Installation depth 48 mm
- Niche dimensions W x D approx. 280 x 490 mm
- For more information see page 209

- Optional accessories:
- VarioLine metallic joining strip Acc. no. 1130
  - For further optional accessories see page 128-129

VKE 3300.0 SR black, flush installation



## VARIOLINE. HOB. GAS.

K-SERIES.8



Stainless steel frame

GKS 3820.0  
knobControl. 30 cm. 2 cooking zones.



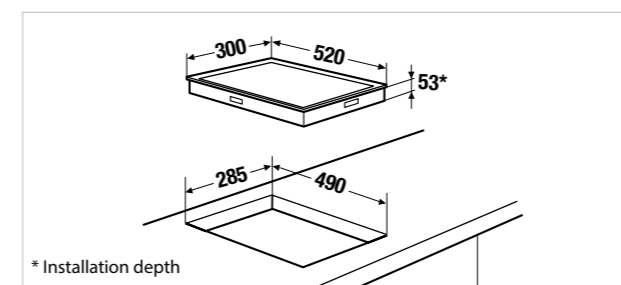
- Features:
- Variable power control "knobControl"
  - Slimline burners
  - Full safety device
  - Variable settings
  - Pan supports (cast iron)
  - Burner cap (black enamelled)
  - 1 high speed burner 3.0 kW
  - 1 simmer burner 1.75 kW
  - VarioLine metallic joining strip see optional accessories

Technical data:

- Gas connection 4.75 kW
- Electrical connection 0.1 kW
- Appliance dimensions W x D approx. 300 x 520 mm
- Installation depth 53 mm
- Niche dimensions W x D approx. 285 x 490 mm
- For more information see page 208

- Optional accessories:
- VarioLine metallic joining strip Acc. no. 1130
  - Gas deflector (see page 129) Acc. no. ZK 8003 (for combination with VKM 1800.0)
  - For further optional accessories see page 128-129

GKS 3820.0 ED Stainless steel frame



K-SERIES.8



Stainless steel frame

GWS 3811.0  
knobControl. 30 cm. 1 power wok burner.



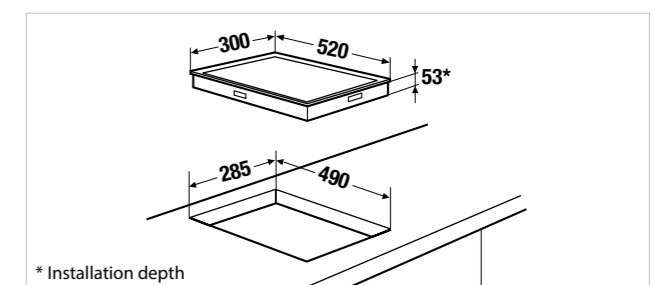
- Features:
- Variable power control "knobControl"
  - Slimline burner
  - Full safety device
  - Variable settings
  - Pan supports (cast iron)
  - Burner cap (black enamelled)
  - 1 wok burner 6.0 kW
  - VarioLine metallic joining strip see optional accessories

Technical data:

- Gas connection 6.0 kW
- Electrical connection 0.1 kW
- Appliance dimensions W x D approx. 300 x 520 mm
- Installation depth 53 mm
- Niche dimensions W x D approx. 285 x 490 mm
- For more information see page 208

- Optional accessories:
- VarioLine metallic joining strip Acc. no. 1130
  - Gas deflector (see page 129) Acc. no. ZK 8003 (for combination with VKM 1800.0)
  - For further optional accessories see page 128-129

GWS 3811.0 ED Stainless steel frame



# COOKER HOOD. ISLAND.

K-SERIES . 8



Black, without design kit

White, without design kit

Grey, without design kit

## DI 3800.0



35 cm. Cube-Design. Automatic delay stop.

### Features:

- 8 power levels incl. high power settings
- Extraction rate (to the outside) according to guideline 2010/30/EU: max. normal power setting 525 m<sup>3</sup>/h, intensive power setting 771 m<sup>3</sup>/h
- Electronic control with remote control
- Remote control with LED power level indicator
- Filter saturation indicator
- Metal grease filter
- Wire cable suspension for customized height adjustment
- Front and back panel glass, stainless steel body
- Stainless steel ceiling anchorage
- Recirculation air mode (incl. charcoal filter 2x Acc. no. 881)

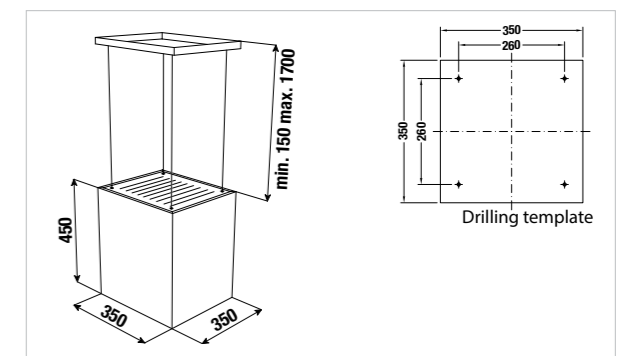
### Technical data:

- Electrical connection 286 W
- Appliance dimensions W x H x D approx. 350 x 600-2,150 x 350 mm
- LED light colour 3,500 Kelvin
- For more information see page 210

- Replacement charcoal filter (2 pieces necessary) Acc. no. 881
- Design-Kits (2 pieces necessary):
  - Design kit Stainless steel Acc. no. DK 3801
  - Design kit Black Chrome Acc. no. DK 3802
  - Design kit Silver Chrome Acc. no. DK 3803
  - Design kit Gold Acc. no. DK 3804
  - Design kit Black Velvet Acc. no. DK 3805
  - Design kit Copper Acc. no. DK 3807
  - Design kit Hot Chili Acc. no. DK 3808
  - Design kit Shade of Grey Acc. no. DK 3809
- (Installation of the design kits at the lower edge of the cooker hood, at the front and at the rear side)
- For further optional accessories see page 158-159

- DI 3800.0 S Black glass, stainless steel body
- DI 3800.0 W White glass, stainless steel body
- DI 3800.0 G Grey glass, stainless steel body

### Optional accessories:



## COOKER HOOD. ISLAND.

K-SERIES.3



**IKD 9480.0**

90 cm. Box-Design. 4 power levels.



### Features:

- 4 power levels incl. high power setting
- Extraction rate (to the outside) according to guideline 2010/30/EU: max. normal power setting 560 m<sup>3</sup>/h, intensive power setting 690 m<sup>3</sup>/h
- Electronic control with illuminated push buttons
- Metal grease filter
- Adjustable to ceiling height due to telescopic chimney section
- Recirculation air mode possible (see optional accessories)

### Technical data:

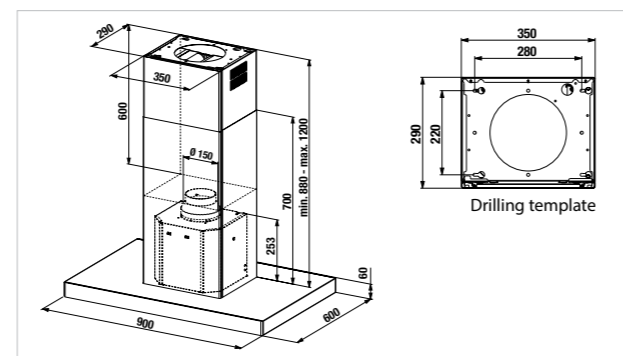
- Electrical connection 274 W
- Appliance dimensions W x H x D approx. 900 x 940-1,260 x 600 mm
- Exhaust air connection Ø 150 mm
- LED light colour 3,000 Kelvin
- For more information see page 210

### Optional accessories:

- Charcoal filter Acc. no. 870
- PlasmaMade filter Acc. no. ZD 8000 (see page 160 / 161)
- For further optional accessories see page 158-159



IKD 9480.0 E Stainless steel



## COOKER HOODS. CHIMNEY. HEADROOM CONCEPT.

K-SERIES.8



Black



Grey



**DW 9800.0**

90 cm. Rim suction technology. Automatic delay stop.



### Features:

- 4 power levels incl. high power setting
- Extraction rate (to the outside) according to guideline 2010/30/EU: max. normal power setting 626 m<sup>3</sup>/h, intensive power setting 815 m<sup>3</sup>/h
- Electronic control with touch control sensors
- Digital display
- Filter saturation indicator
- Swing-out glass panel
- Metal grease filter
- Adjustable to ceiling height due to telescopic chimney section
- Recirculation air mode possible (see optional accessories)

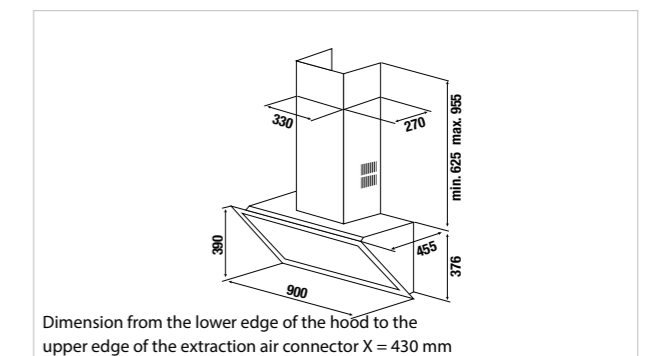
### Technical data:

- Electrical connection 172 W
- Appliance dimensions W x H x D approx. 900 x 625-955 x 455 mm
- Exhaust air connection Ø 150 mm
- LED light colour 4,000 - 4,500 Kelvin
- For more information see page 211

### Optional accessories:

- PlasmaMade filter Acc. no. ZD 8000 (see page 160 / 161)
- Charcoal filter Acc. no. ZD 1000
- Design-Kit:
  - Design Stainless steel Acc. no. DK 9011
  - Design Black Chrome Acc. no. DK 9012
  - Design Silver Chrome Acc. no. DK 9013
  - Design Gold Acc. no. DK 9014
  - Design Copper Acc. no. DK 9017
- For further optional accessories see page 158-159

DW 9800.0 S Black glass  
DW 9800.0 G Grey glass



# COOKER HOODS. CHIMNEY.

K-SERIES.5



**DW 9500.0**  
90 cm. Slim-Design. Automatic delay stop.

**Features:**

- 4 power levels incl. high power setting
- Extraction rate (to the outside) according to guideline 2010/30/EU: max. normal power setting 630 m<sup>3</sup>/h, intensive power setting 764 m<sup>3</sup>/h
- Electronic control with touch control sensors
- Digital display
- Filter saturation indicator
- Metal grease filter
- Adjustable to ceiling height due to telescopic chimney section
- Recirculation air mode possible (see optional accessories)

**Technical data:**

- Electrical connection 172 W
- Appliance dimensions W x H x D approx. 900 x 670-1000 x 480 mm
- Exhaust air connection Ø 150 mm
- LED light colour 4,000 - 4,500 Kelvin
- For more information see page 211

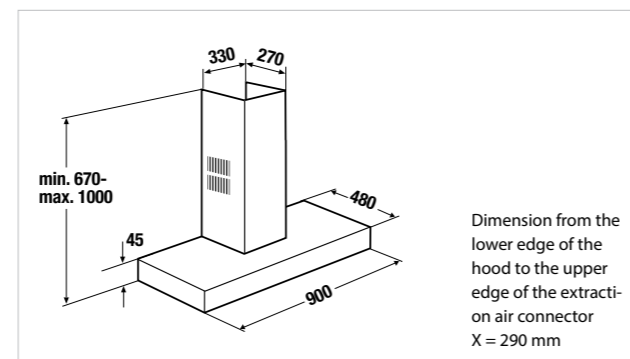
**Optional accessories:**

- Charcoal filter Acc. no. ZD 1001
- PlasmaMade filter Acc. no. ZD 8000 (see page 160 / 161)
- Design-Kit:
  - Design Stainless steel Acc. no. DK 9011
  - Design Black Chrome Acc. no. DK 9012
  - Design Silver Chrome Acc. no. DK 9013
  - Design Gold Acc. no. DK 9014
  - Design Copper Acc. no. DK 9017
- For further optional accessories see page 158-159

Picture with Design-Kit  
Acc. no. 9011



DW 9500.0 S Black  
DW 9500.0 W White



# COOKER HOODS. CHIMNEY. HEADROOM CONCEPT.

K-SERIES.5



**KD 9570.2**  
90 cm. Rim suction technology. Automatic delay stop.

**Features:**

- 4 power levels incl. high power setting
- Extraction rate (to the outside) according to guideline 2010/30/EU: max. normal power setting 599 m<sup>3</sup>/h, intensive power setting 786 m<sup>3</sup>/h
- Electronic control with touch control sensors
- Digital display
- Filter saturation indicator
- Swing-out glass panel
- Metal grease filter
- Adjustable to ceiling height due to telescopic chimney section (see optional accessories)
- Recirculation air mode possible (see optional accessories)

**Technical data:**

- Electrical connection 286 W
- Appliance dimensions (without chimney) W x H x D approx. 900 x 608 x 537 mm
- Exhaust air connection Ø 150 mm
- LED light colour 3,500 Kelvin
- For more information see page 211

**Optional accessories:**

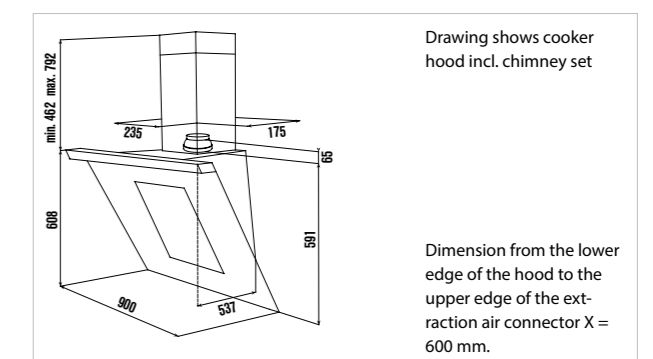
- Charcoal filter Acc. no. 881 (2 pieces necessary)
- Charcoal filter adapter Acc. no. 881-2
- Chimney set (black) Acc. no. 9570
- Chimney set (Stainless steel) Acc. no. 9572
- Design-Kit:
  - Design Stainless steel Acc. no. 9575
  - Design Black Chrome Acc. no. 9576
  - Design Silver Chrome Acc. no. 9577
  - Design Gold Acc. no. 9578
  - Design Black Velvet Acc. no. 9579
  - Design Copper Acc. no. C9570
- (Installation of the design kits at the upper and lower edge of the front glass)
- For further optional accessories see page 158-159



White, without design kit



KD 9570.2 J Black glass  
KD 9570.2 W White glass





# COOKER HOOD. CHIMNEY.

K-SERIES.3



## DW 9350.0

90 cm. knobControl. Automatic delay stop.

### Features:

- 4 power levels incl. high power setting
- Extraction rate (to the outside) according to guideline 2010/30/EU: max. normal power setting 586 m<sup>3</sup>/h, intensive power setting 740 m<sup>3</sup>/h
- Electronic control with high-quality aluminum knobs
- Digital display
- Filter saturation indicator
- Metal grease filter
- Adjustable to ceiling height due to telescopic chimney section
- Recirculation air mode possible (see optional accessories)

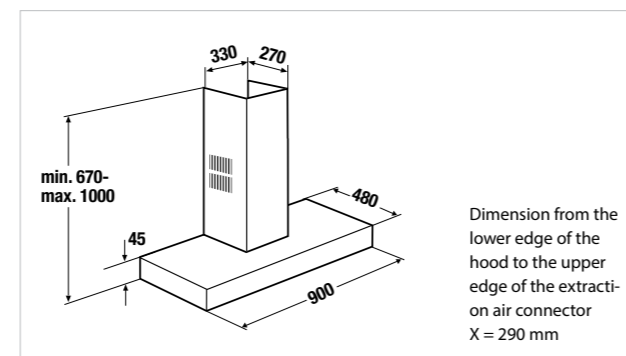
### Technical data:

- Electrical connection 280 W
- Appliance dimensions W x H x D approx. 900 x 670-1000 x 480 mm
- Exhaust air connection Ø 150 mm
- LED light colour 4,000 - 4,500 Kelvin
- For more information see page 211

### Optional accessories:

- Charcoal filter Acc. no. ZD 1001
- PlasmaMade filter Acc. no. ZD 8000 (see page 160 / 161)
- For further optional accessories see page 158-159

DW 9350.0 E Stainless steel



# COOKER HOODS. CHIMNEY.

K-SERIES.3



## DW 9340.0

90 cm. Box-Design. 4 power levels.



### Features:

- 4 power levels incl. high power setting
- Extraction rate (to the outside) according to guideline 2010/30/EU: max. normal power setting 580 m<sup>3</sup>/h, intensive power setting 700 m<sup>3</sup>/h
- Electronic control with illuminated push buttons
- Metal grease filter
- Adjustable to ceiling height due to telescopic chimney section
- Recirculation air mode possible (see optional accessories)

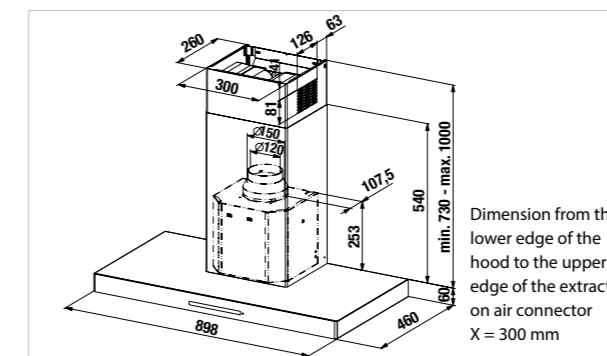
### Technical data:

- Electrical connection 272 W
- Appliance dimensions W x H x D approx. 900 x 730-1,000 x 460 mm
- Exhaust air connection Ø 150 mm
- LED light colour 3,000 Kelvin
- For more information see page 211

### Optional accessories:

- Charcoal filter Acc. no. 870
- PlasmaMade filter Acc. no. ZD 8000 (see page 160 / 161)
- For further optional accessories see page 158-159

DW 9340.0 E Stainless steel



K-SERIES.3



## DW 6340.0

60 cm. Box-Design. 4 power levels.



### Features:

- 4 power levels incl. high power setting
- Extraction rate (to the outside) according to guideline 2010/30/EU: max. normal power setting 580 m<sup>3</sup>/h, intensive power setting 700 m<sup>3</sup>/h
- Electronic control with illuminated push buttons
- Metal grease filter
- Adjustable to ceiling height due to telescopic chimney section
- Recirculation air mode possible (see optional accessories)

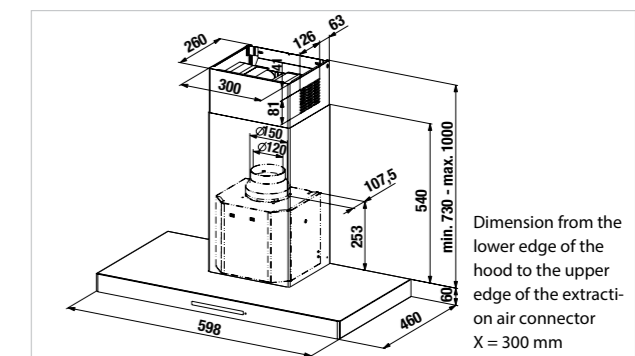
### Technical data:

- Electrical connection 272 W
- Appliance dimensions W x H x D approx. 600 x 730-1,000 x 460 mm
- Exhaust air connection Ø 150 mm
- LED light colour 3,000 Kelvin
- For more information see page 211

### Optional accessories:

- Charcoal filter Acc. no. 870
- PlasmaMade filter Acc. no. ZD 8000 (see page 160 / 161)
- For further optional accessories see page 158-159

DW 6340.0 E Stainless steel



# COOKER HOODS. BUILT-IN. CANOPY HOODS.

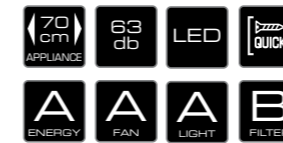
K-SERIES.8

K-SERIES.8



**LB 8650.1**

70 cm. Rim suction technology. Automatic delay stop.



**Features:**

- 4 power levels incl. high power setting
- Extraction rate (to the outside) according to guideline 2010/30/ EU: max. normal power setting 598 m<sup>3</sup>/h, intensive power setting 786 m<sup>3</sup>/h
- Electronic control with illuminated push buttons
- Metal grease filter
- Recirculation air mode possible (see optional accessories)

**Technical data:**

- Electrical connection 286 W
- Appliance dimensions W x H x D approx. 712 x 370 x 284 mm
- Niche dimensions W x D approx. 678 x 260 mm
- Exhaust air connection Ø 150 mm
- LED light colour 3,500 Kelvin
- For more information see page 213

**Optional accessories:**

- Charcoal filter Acc. no. 9019
- PlasmaMade filter (see page 160 / 161)
- For further optional accessories see page 158-159



**LB 6650.1**

53 cm. Rim suction technology. Automatic delay stop.



**Features:**

- 4 power levels incl. high power setting
- Extraction rate (to the outside) according to guideline 2010/30/ EU: max. normal power setting 598 m<sup>3</sup>/h, intensive power setting 786 m<sup>3</sup>/h
- Electronic control with illuminated push buttons
- Metal grease filter
- Recirculation air mode possible (see optional accessories)

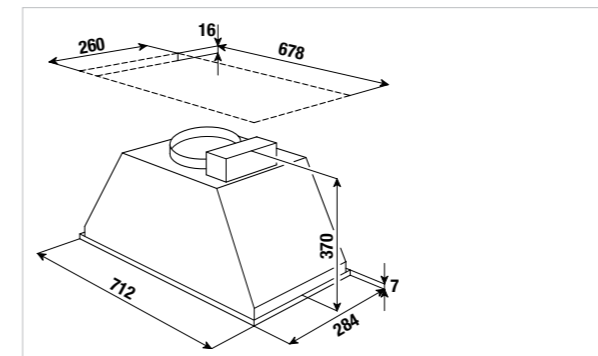
**Technical data:**

- Electrical connection 286 W
- Appliance dimensions W x H x D approx. 532 x 370 x 284 mm
- Niche dimensions W x D approx. 498 x 260 mm
- Exhaust air connection Ø 150 mm
- LED light colour 3,500 Kelvin
- For more information see page 213

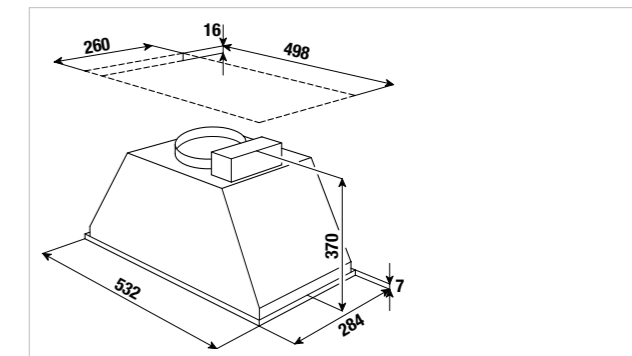
**Optional accessories:**

- Charcoal filter Acc. no. 9019
- PlasmaMade filter (see page 160 / 161)
- For further optional accessories see page 158-159

LB 8650.1 E Stainless steel

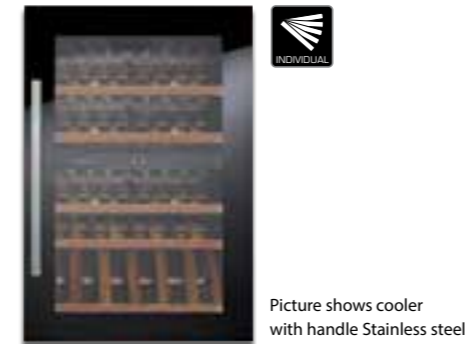


LB 6650.1 E Stainless steel



## FRESH. WINE COOLER. BUILT-IN.

K-SERIES.8



### FWK 2800.0 S **NEW**

88 cm. 2 temperature zones. Capacity for 52 bottles.



#### Features:

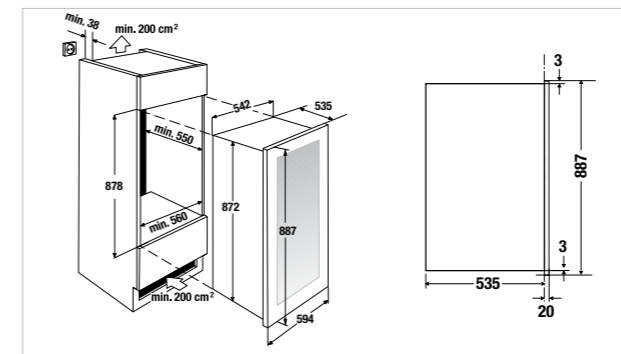
- Electronic temperature control with buttons
- Electronic temperature display
- 4 wooden pull-out shelves, removeable
- 1 45°-wooden shelf for presentation
- Black glass door with UV-protection
- 2 temperature zones (with partition), adjustable from 5°C - 18°C
- LED lighting (per temperature zone 2 LED's à 0,2 W)
- Dynamic air circulation cooling system
- Acoustic alarm
- Reversible door hinges
- Including water container for additional humidity
- Maximum door opening angle of 90°
- Excluding handle (see optional accessories)

#### Technical data:

- Energy consumption/year 145 kWh
- Appliance dimensions (excluding handle) W x H x D approx. 594 x 887 x 555 mm
- Niche dimensions W x H x D approx. 560 x 878 x 550 mm
- Noise level 41 dB
- For more technical data see page 214

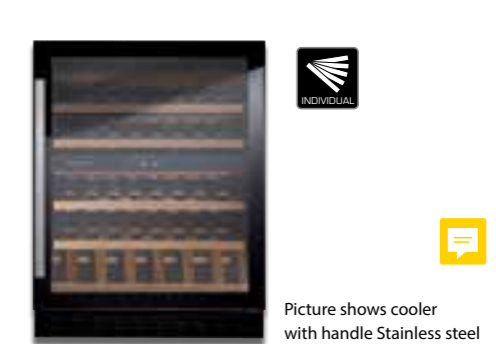
Optional accessories handles see page 185

FWK 2800.0 S Design black glass



## FRESH. WINE COOLER. BUILT-UN- DER.

K-SERIES.8



### FWKU 1800.0 S **NEW**

82 cm. 2 temperature zones. Capacity for 44 bottles.



#### Features:

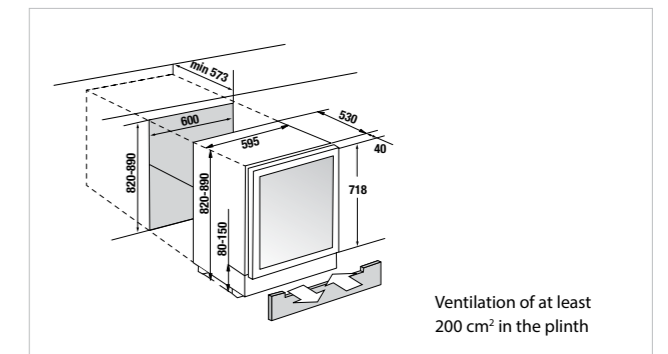
- Electronic temperature control with buttons
- Electronic temperature display
- 5 wooden pull-out shelves, removeable
- 1 45°-wooden shelf for presentation
- Black glass door with UV-protection
- 2 temperature zones: upper compartment from 5°C to 12°C lower compartment from 12°C to 20°C
- LED lighting (per temperature zone 2 LED's à 0,2 W)
- Dynamic air circulation cooling system
- Acoustic alarm
- Reversible door hinges
- Including water container for additional humidity
- Possibility for being built-under the worktop, removable front ventilation grid
- Maximum door opening angle of 90°
- Excluding handle (see optional accessories)

#### Technical data:

- Energy consumption/year 146 kWh
- Appliance dimensions (excluding handle) W x H x D approx. 595 x 820-890 x 570 mm
- Niche dimensions W x H x D approx. 600 x 820-890 x 575 mm
- Noise level 42 dB
- For more technical data see page 214

Optional accessories handles see page 185

FWKU 1800.0 S Design black glass



## FRESH. REFRIGERATOR. FRESH ZONE.

K-SERIES.8



Ideal for combination with FG 8800.0i (see page 175) in a convenient side-by-side situation.

FKF 8800.0i **NEW**

178 cm. ökofresh+ zone. Fixed furniture door system.



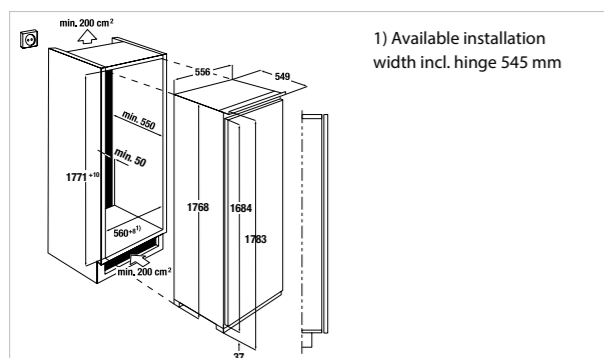
### Features:

- Electronic temperature control with touch control sensors
- Electronic temperature display
- DefrostMode
- Holiday Function
- FastCooling with automatic shut off
- Acoustic alarm
- VarioShelves / VarioShelves+ / VarioBoxes
- Useable capacity 275 litres of which cooling section 200 litres ökoFresh+ (0°C) 75 litres
- Reversible door hinges
- Maximum door opening angle of 90°

### Technical data:

- Energy consumption/year 129 kWh
- Appliance dimensions W x H x D approx. 556 x 1,768 x 549 mm
- Niche dimensions W x H x D approx. 560 x 1,780 x 550 mm
- Noise level 37 dB
- For more technical data see page 215

FKF 8800.0i Fixed furniture door system



## FRESH. REFRIGERATOR.

K-SERIES.8



Ideal for combination with FG 8800.0i (see page 175) in a convenient side-by-side situation.

FK 8800.0i\* **NEW**

178 cm. Holiday Function. Fixed furniture door system.



### Features:

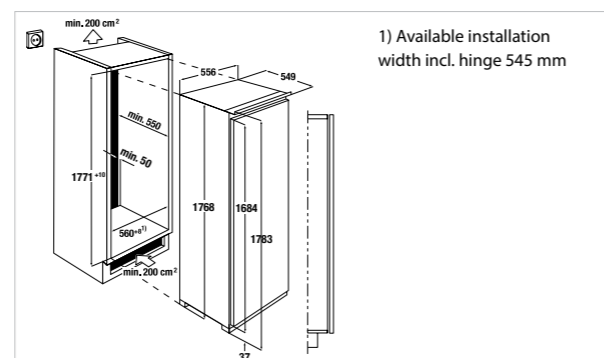
- Electronic temperature control with touch control sensors
- Electronic temperature display
- DefrostMode
- FastCooling with automatic shut off
- Acoustic alarm
- VarioShelves / VarioShelves+ / VarioBoxes
- Useable capacity 310 litres
- Reversible door hinges
- Maximum door opening angle of 90°

### Technical data:

- Energy consumption/year 114 kWh
- Appliance dimensions W x H x D approx. 556 x 1,768 x 549 mm
- Niche dimensions W x H x D approx. 560 x 1,780 x 550 mm
- Noise level 35 dB
- For more technical data see page 215

\*Available from 09/2019

FK 8800.0i Fixed furniture door system



## FRESH. FREEZER.

K-SERIES.8



Ideal for combination with FKF 8800.0i or FK 8800.0i (see page 174) in a convenient side-by-side situation.

FG 8800.0i \*\*\*\* **NEW**

178 cm. NoFrost. Fixed furniture door system.



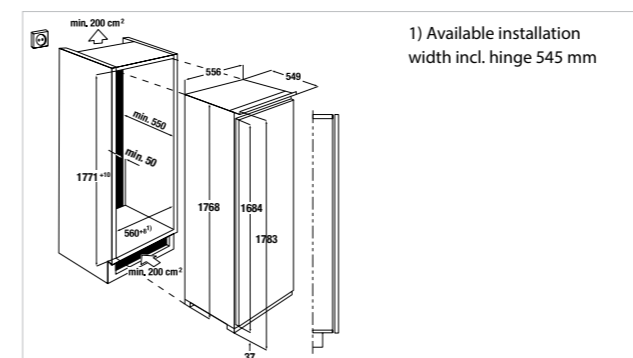
### Features:

- Electronic temperature control with touch control sensors
- Electronic temperature display
- FastFreezing with automatic shut off
- Acoustic alarm
- Transparent freezer drawers
- Useable capacity 204 litres
- Reversible door hinges
- Maximum door opening angle of 90°

### Technical data:

- Energy consumption/year 303 kWh
- Freezing capacity 20 kg/24 h
- Storage time in the event of power failure 24 h
- Appliance dimensions W x H x D approx. 556 x 1,768 x 549 mm
- Niche dimensions W x H x D approx. 560 x 1,780 x 550 mm
- Noise level 39 dB
- For more technical data see page 215

FG 8800.0i Fixed furniture door system



## FRESH. REFRIGERATOR.

K-SERIES.3



FK 8305.0i\* \*\*\*\* **NEW**

178 cm. Sliding-rail furniture door system.



### Features:

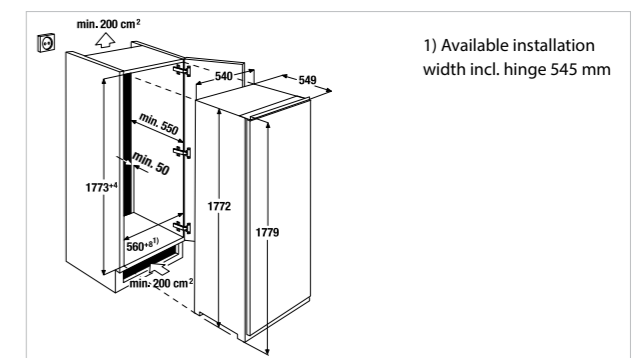
- Electronic temperature control with push buttons
- Electronic temperature display
- DefrostMode
- FastFreezing with automatic shut off
- VarioShelves / VarioShelves+ / VarioBoxes
- Useable capacity 284 litres of which cooling section 259 litres freezer section 25 litres
- Reversible door hinges

### Technical data:

- Energy consumption/year 215 kWh
- Freezing capacity 3 kg/24 h
- Storage time in the event of power failure 20 h
- Appliance dimensions W x H x D approx. 540 x 1,772 x 549 mm
- Niche dimensions W x H x D approx. 560 x 1,780 x 550 mm
- Noise level 35 dB
- For more technical data see page 215

\*Available from 09/2019

FK 8305.0i Sliding-rail furniture door system



# FRESH. FRIDGE-FREEZERS.

K-SERIES.3



FKG 8310.0i\* \*\*\*\* **NEW**   
178 cm. Holiday Function. Sliding-rail furniture door system.



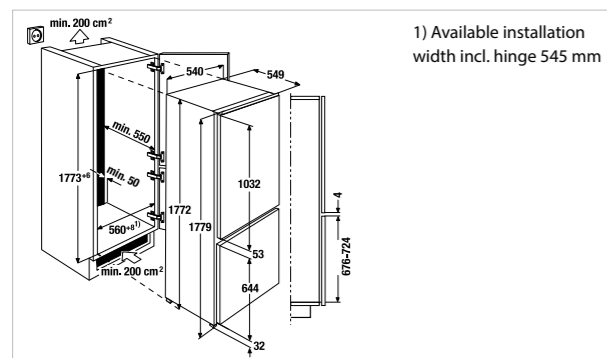
- Features:
- Electronic temperature control with touch control sensors
  - Electronic temperature display
  - DefrostMode
  - FastCooling with automatic shut off
  - FastFreezing with automatic shut off
  - Acoustic alarm
  - VarioShelves / VarioShelves+ / VarioBoxes
  - Transparent freezer drawers
  - Useable capacity 253 litres, of which
 

cooling section	192 litres
freezer section	61 litres
  - Reversible door hinges

- Technical data:
- Energy consumption/year 291 kWh
  - Freezing capacity 10 kg/24 h
  - Storage time in the event of power failure 21 h
  - Appliance dimensions W x H x D approx. 540 x 1,772 x 549 mm
  - Niche dimensions W x H x D approx. 560 x 1,780 x 550 mm
  - Noise level 39 dB
  - For more technical data see page 216

\*Available from 09/2019

FKG 8310.0i Sliding-rail furniture door system



K-SERIES.3



FKG 8300.0i \*\*\*\* **NEW**  
178 cm. Sliding-rail furniture door system.

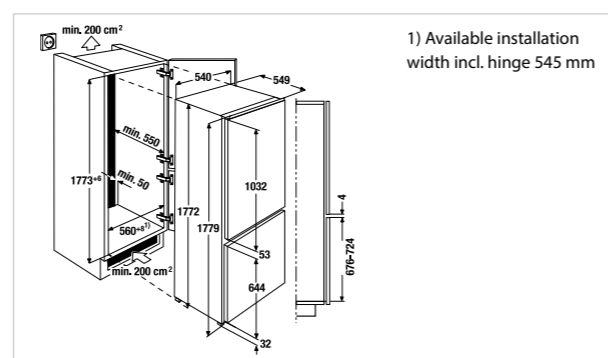


- Features:
- Mechanical temperature control with rotary button
  - DefrostMode
  - VarioShelves / VarioShelves+ / VarioBoxes
  - Transparent freezer drawers
  - Useable capacity 268 litres
 

cooling section	196 litres
freezer section	72 litres
  - Reversible door hinges

- Technical data:
- Energy consumption/year 229 kWh
  - Freezing capacity 4 kg/24 h
  - Storage time in the event of power failure 22 h
  - Appliance dimensions W x H x D approx. 540 x 1,772 x 549 mm
  - Niche dimensions W x H x D approx. 560 x 1,780 x 550 mm
  - Noise level 36 dB
  - For more technical data see page 216

FKG 8300.0i Sliding-rail furniture door system



## DISHWASHERS. 60 CM XXL.

### K-SERIES.5



Picture shows dishwasher with acc. no. 1251

#### GX 6550.0

Touch control. 24 h delay start timer. Heat exchanger.



#### Features:

- 13\*\* international place settings (\*\*14 possible with acc. no. 1251)
- 6 programmes
  - Intensive programme 70° C
  - Automatic programme 45° C–65° C
  - Glass care programme 40° C
  - Fast programme 45° C
  - Economy programme 50° C
  - Pre-rinse
- Special intensive zone, hygiene extra, half load function
- Electronic control with sensor touch controls
- Electronic refill display for salt and rinse aid
- EcoDrying
- Acoustic and optical signal at end of programme
- multiflex premium baskets
- Fully extendable, height-adjustable top basket, even when loaded
- Interior container Stainless Steel / ground Stainless Steel
- Technically suitable for elevated installation

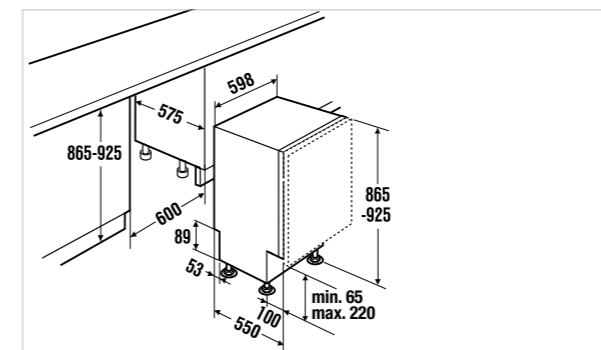
#### Technical data:

- Electrical connection 2.4 kW
- Energy consumption per year 262 kWh, per rinse cycle 0.92 kWh
- Water consumption per year 2,660 litres, per rinse cycle 9.5 litres
- Appliance dimensions W x H x D approx. 598 x 865 - 925 x 550 mm
- Niche dimensions W x H x D approx. 600 x 865 - 925 x 575 mm
- For more technical data see page 218

#### Optional accessories:

- multiflex premium drawer II Acc. no. 1251
- Wine glass basket Acc. no. ZG 8000
- Optional accessories see page 194

GX 6550.0 v fully-integrated

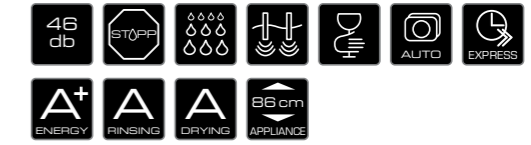


### K-SERIES.3



#### IGVS 6506.3

Delay start timer. Heat exchanger.



#### Features:

- 13\*\* international place settings (\*\*14 possible with acc. no. 1251)
- 5 programmes
  - Intensive programme 70° C
  - Fast programme 45° C
  - Automatic programme 45° C–65° C
  - Pre-rinse
  - Economy programme 50° C
  - Pre-rinse
- Electronic control with push buttons
- Electronic delay start timer (3, 6 or 9 hours)
- Electronic refill display for salt and rinse aid
- Acoustic signal at end of programme
- multiflex comfort baskets
- Height-adjustable top basket
- Interior container Stainless Steel / ground Stainless Steel
- Technically suitable for elevated installation

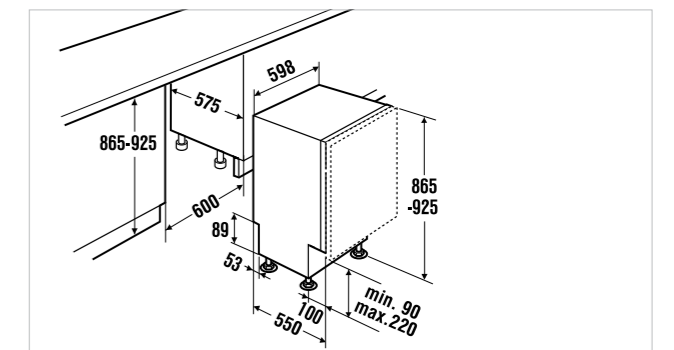
#### Technical data:

- Electrical connection 2.4 kW
- Energy consumption per year 294 kWh, per rinse cycle 1.03 kWh
- Water consumption per year 3,360 litres, per rinse cycle 12 litres
- Appliance dimensions W x H x D approx. 598 x 865 - 925 x 550 mm
- Niche dimensions W x H x D approx. 600 x 865 - 925 x 575 mm
- For more technical data see page 218

#### Optional accessories:

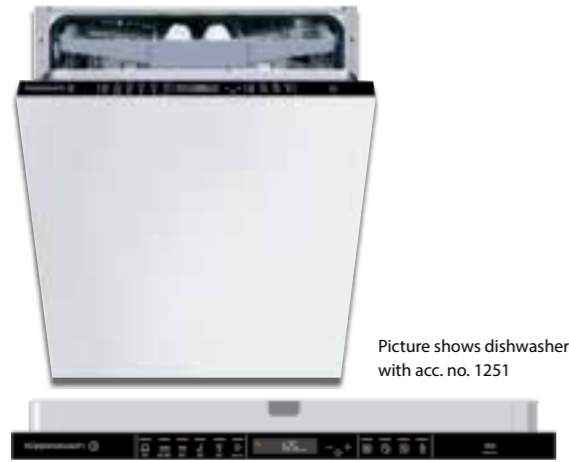
- multiflex premium drawer II Acc. no. 1251
- Wine glass basket Acc. no. ZG 8000
- Optional accessories see page 194

IGVS 6506.3 fully-integrated



# DISHWASHERS. 60 CM.

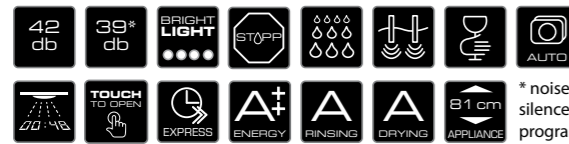
## K-SERIES.8



Picture shows dishwasher with acc. no. 1251

**G 6850.0**

Interior lighting. 24 h delay start timer. Heat exchanger.



### Features:

- 13\*\* international place settings (\*\*14 possible with acc. no. 1251)
- 6 programmes
  - Intensive programme 70° C
  - Automatic programme 45° C-65° C
  - Glass care programme 40° C
  - Economy programme 50° C
  - Silence programme 50° C
  - Pre-rinse
- Special intensive zone, hygiene extra, half load function
- Electronic control with sensor touch controls
- Electronic refill display for salt and rinse aid
- EcoDrying
- Acoustic and optical signal at end of programme
- multiflex profession baskets
- Fully extendable, height-adjustable top basket, even when loaded
- Interior container Stainless Steel / ground Stainless Steel
- Technically suitable for elevated installation

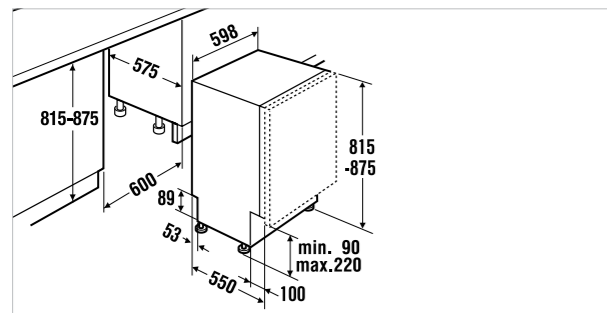
### Technical data:

- Electrical connection 2.4 kW
- Energy consumption per year 262 kWh, per rinse cycle 0.92 kWh
- Water consumption per year 2,660 litres, per rinse cycle 9.5 litres
- Appliance dimensions WxHxD approx. 598 x 815 - 875 x 550 mm
- Niche dimensions WxHxD approx. 600 x 815 - 875 x 575 mm
- For more technical data see page 218

### Optional accessories:

- multiflex premium drawer II Acc. no. 1251
- Wine glass basket Acc. no. ZG 8000
- Optional accessories see page 194

G 6850.0 v fully-integrated



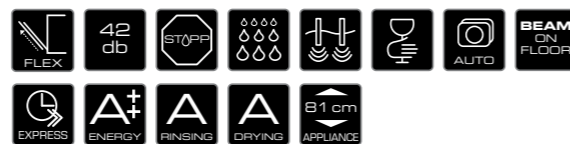
## K-SERIES.5



Picture shows dishwasher with acc. no. 1251

**G 6550.0**

24 h delay start timer. Heat exchanger.



### Features:

- 13\*\* international place settings (\*\*14 possible with acc. no. 1251)
- 6 programmes
  - Intensive programme 70° C
  - Automatic programme 45° C-65° C
  - Glass care programme 40° C
  - Economy programme 50° C
  - Fast programme 45° C
  - Pre-rinse
- Special intensive zone, hygiene extra, half load function
- Electronic control with sensor touch controls
- Electronic refill display for salt and rinse aid
- EcoDrying
- Acoustic and optical signal at end of programme
- multiflex premium baskets
- Fully extendable height adjustable top basket, even when loaded
- Interior container Stainless Steel / ground Stainless Steel
- Technically suitable for elevated installation

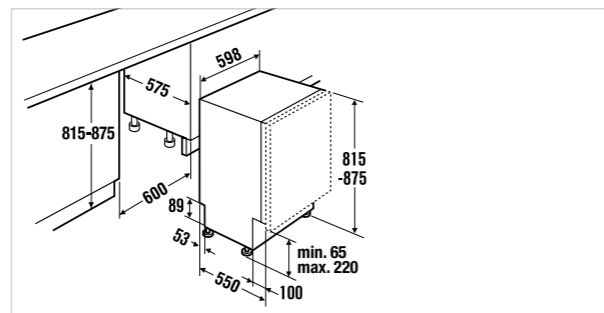
### Technical data:

- Electrical connection 2.4 kW
- Energy consumption per year 262 kWh, per rinse cycle 0.92 kWh
- Water consumption per year 2,660 litres, per rinse cycle 9.5 litres
- Appliance dimensions WxHxD approx. 598 x 815 - 875 x 550 mm
- Niche dimensions WxHxD approx. 600 x 815 - 875 x 575 mm
- For more technical data see page 218

### Optional accessories:

- multiflex premium drawer II Acc. no. 1251
- Wine glass basket Acc. no. ZG 8000
- Optional accessories see page 194

G 6550.0 v fully-integrated



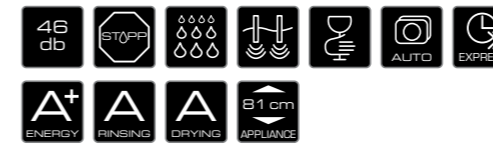
# DISHWASHERS. 60 CM.

## K-SERIES.3



**IGV 6506.3**

Delay start timer. Heat exchanger.



### Features:

- 13\*\* international place settings (\*\*14 possible with acc. no. 1251)
- 5 programmes
  - Intensive programme 70° C
  - Automatic programme 45° C-65° C
  - Fast programme 45° C
  - Economy programme 50° C
  - Pre-rinse
- Electronic control with push buttons
- Electronic delay start timer (3, 6 or 9 hours)
- Electronic refill display for salt and rinse aid
- Acoustic signal at end of programme
- multiflex comfort baskets
- Height-adjustable top basket, even when loaded
- Interior container Stainless Steel / ground Stainless Steel
- Technically suitable for elevated installation

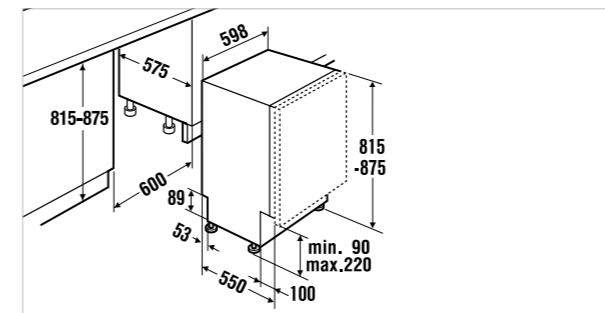
### Technical data:

- Electrical connection 2.4 kW
- Energy consumption per year 294 kWh, per rinse cycle 1.03 kWh
- Water consumption per year 3,360 litres, per rinse cycle 12 litres
- Appliance dimensions WxHxD approx. 598 x 815 - 875 x 550 mm
- Niche dimensions WxHxD approx. 600 x 815 - 875 x 575 mm
- For more technical data see page 218

### Optional accessories:

- multiflex premium drawer II Acc. no. 1251
- Wine glass basket Acc. no. ZG 8000
- Optional accessories see page 264

IGV 6506.3 fully-integrated

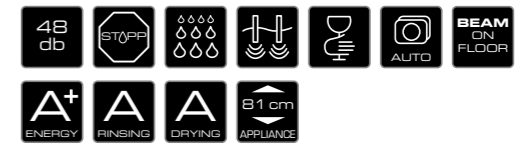


## K-SERIES.1



**IGV 6405.0**

Delay start timer. Half load function.



### Features:

- 12 international place settings
- 4 programmes:
  - Intensive programme 70° C
  - Normal programme 65° C
  - Fast programme 45° C
  - Economy programme 50° C
- Electronic control with push buttons
- Electronic delay start timer (3, 6 or 9 hours)
- Electronic refill display for salt and rinse aid
- Acoustic signal at end of programme
- multiflex standard baskets
- Height-adjustable top basket, even when loaded
- Technically suitable for elevated installation
- Interior container Stainless Steel / ground Polinox

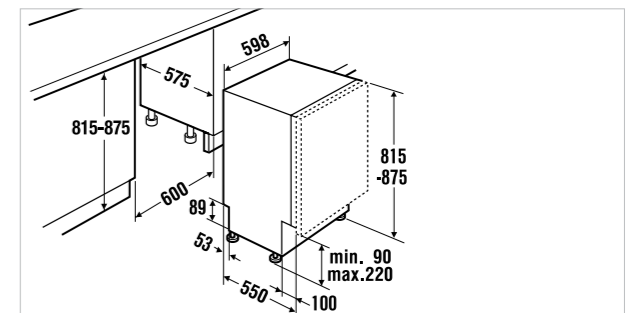
### Technical data:

- Electrical connection 2.4 kW
- Energy consumption per year 290 kWh, per rinse cycle 1.02 kWh
- Water consumption per year 3,360 litres, per rinse cycle 12 litres
- Appliance dimensions WxHxD approx. 598 x 815-875 x 550 mm
- Niche dimensions WxHxD approx. 600 x 815-875 x 575 mm
- For more technical data see page 219

### Optional accessories:

- Wine glass basket Acc. no. ZG 8000
- Optional accessories see page 194

IGV 6405.0 fully-integrated



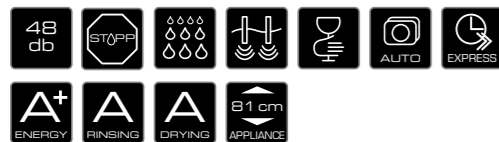
## DISHWASHERS. 45 CM.

K-SERIES.3



G 4350.0

Delay start timer. Heat exchanger.



### Features:

- 9 international place settings
- 4 programmes
  - Intensive programme 70° C
  - Fast programme 45° C
  - Economy programme 50° C
  - Pre-rinse
- Electronic control with push buttons
- Electronic delay start timer (3, 6 or 9 hours)
- Electronic refill display for salt and rinse aid
- Acoustic and optical signal at end of programme
- multiflex comfort baskets
- Height-adjustable top basket
- Interior container Stainless Steel / ground Stainless Steel
- Technically suitable for elevated installation

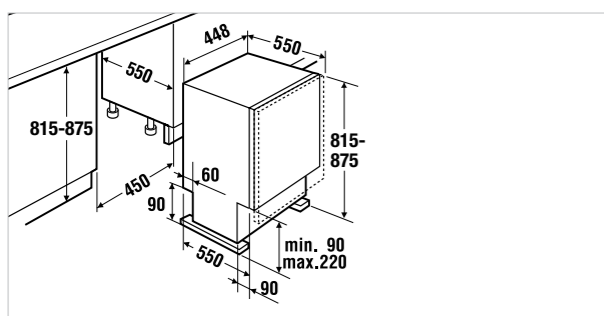
### Technical data:

- Electrical connection 2.4 kW
- Energy consumption per year 220 kWh, per rinse cycle 0.78 kWh
- Water consumption per year 2,660 litres, per rinse cycle 9.5 litres
- Appliance dimensions W x H x D approx. 448 x 815 - 875 x 550 mm
- Niche dimensions W x H x D approx. 450 x 815 - 875 x 550 mm
- For more technical data see page 219

### Optional accessories:

- Accessories see page 194

G 4350.0 v fully-integrated

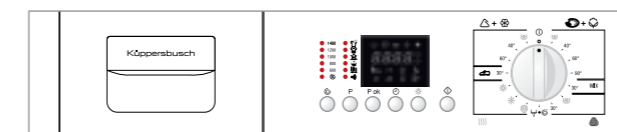


## ACCESSORIES. DISHWASHERS.

	Acc. no.
Aqua Stop extension, 2 m for all dishwashers	485
Cover strip (81,5 cm) for G 6850, G 6550, IGV 6506, IGV 6405, G 4350	1067
Cover strip (86,5 cm) for GX 6550, IGVS 6506	1068
multiflex premium drawer II for G 6850, GX / G 6550, IGVS / IGV 6506	1251
Wine glass basket for all dishwashers	ZG 8000

## WASHER DRYER. BUILT-IN.

K-SERIES.8



WT 6800.0

60 cm. 7 kg capacity.

### Features:

- Control panel with symbols and LCD-Display
- Spin speeds 1400/1200/1000/800/600 U/min
- LED programme sequence indicator
- Electronic delay start timer with remaining time display
- Fully electronic
- Acoustic signal at end of programme
- 15 programmes (12 wash programmes + 3 dry programmes)
- 15 Min. turbo wash programme
- 5 washing temperatures
- Capacity:
  - washing 7 kg
  - drying 4 kg
- Appliance door hinge on the left
- Reversible door hinges
- Lint filter in the plinth

### Technical data:

- Electrical connection 2.2 kW
- Energy consumption 4.76 kWh/h\* / 1.19 \*\*
- Water consumption 99 litres\* / 47 litres\*\*
- Appliance dimensions W x H x D approx. 596 x 820 x 575 mm
- Niche dimensions W x H x D approx. 600 x min. 825 x min. 575 mm
- For more technical data see page 220

\* For a 60° C coloured wash. water consumption for washer dryer incl. drying

\*\* Without drying

WT 6800.0 i fully-integrated

