



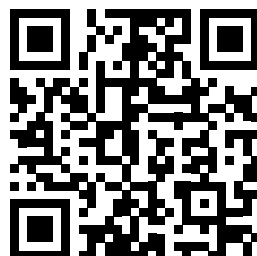
Hahn Rollenband AT

- + Quick installation
- + Comfortable adjustment
- + High performance



Hinge system for all common profile sections

CE







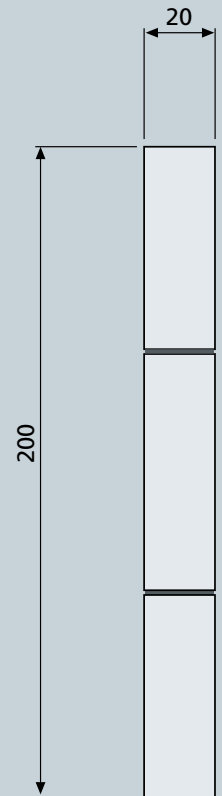
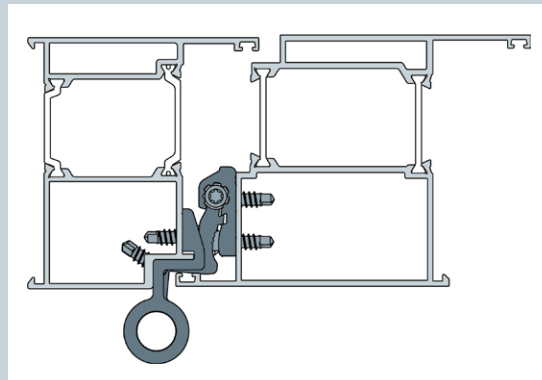
Hahn Rollenband AT

Hinge system
for all common
profile sections

- 1 **Appealing design**
due to slim 20 mm roller
- 2 **High stability**
due to solid stainless bearing pin
- 3 **No roll off-setting**
due to adjustment inside of the hinge
- 4 **Unchanged optics**
due to closed installation gap
- 5 **Wide choice of colours**
in all common RAL colours and anodised version
- 6 **Infinitely variable horizontal adjustment** without roller offset and without loosening the fastening screws (± 1.5 mm) – adjusting range may be shorter, depending on the installation situation
- 7 **Maintenance-free bearing point** made of a special high-quality material
- 8 **Infinitely variable vertical adjustment** by a single person (± 3 mm)
- 9 **Sealing pressure adjustment** by rotating the bearing sleeve ± 0.3 mm

Additional advantages:

- System-adapted drilling jigs for various systems and combinations available
- Hinge parts made of extruded aluminium
- Best surface quality for long-lasting use



Service classes	Durability	Weight of test door	Fire resistance	Safety	Corrosion resistance	Intrusion protection	Hinge class
4	7	7	0	1	0/4 (5)*	1	14

Suitability for installation on doors placed along emergency escape routes

*Corrosion class 5 in accordance with DIN EN 1670:2007 anodised for surface EV1, coated RAL 9016, Hahn Edelfinish and liquid coating

Class 0 = uncoated/non-anodised hinges, Class 4 = high corrosion resistance, Class 5 = very high corrosion resistance



For explanations of the table, see www.dr-hahn.com



Quick installation ...



... comfortable adjustment and high performance

With the new Rollenband AT, the door maker receives a hinge system from Dr. Hahn that can be adapted to all common profile systems. Its roller diameter of 20 mm corresponds to the high design requirements posed by building owner and architects to an appearance as discreet as possible of the hinges in their house and object doors.



A one-piece bearing pin made of stainless steel ensures a high level of stability. This is designed in such a way that the door can be easily removed even in case of a low lintel. The bearing point made of a special high-quality material is almost abrasion-free even with doors that are very heavy and subject to frequent use and thus requires no maintenance by facility management.



INSTRUCTION NOTE

Dr. Hahn is making available a system-related installation drawing. We recommend to inquire about the service offerings of the Dr. Hahn engineering department.

+49 (0) 2166 954-476

The specialised consultants of Dr. Hahn are looking forward to performing a test installation at the workshop. Establish contact at:

www.dr-hahn.eu/en-gb/contact

Many systems – one butt hinge

For all common system profile sections and many surfaces

An adaptation to the different system is planned for at the factory. In the preparation of the installation of the hinges, system-specific drilling jigs are being used.

These are available as accessory items. The secure seating of the hinges is achieved via screws made of stainless steel.

To be able to cater to the increasing number of colour version of the profiles, the Rollenband AT is offered in all RAL colours, various anodised shades, and other special colours.



**The Hahn Rollenband AT
is the most state-of-the-art
butt hinge of its kind with
the highest degree of comfort
in the workshop and ease of
handling at the construction site.**



Now with online check

The new series of hinges will, in the future, replace various Hahn butt hinges currently still in the portfolio. For the processor, Dr. Hahn has developed a new online tool.

With it, it can be determined very quickly whether the hinge is suitable for the profiles used in the workshop. The system provider, system series, and – where applicable – the numbers of the frame and of the leaf profile are entered.

If this combination has already been investigated by the Dr. Hahn application technicians, the processor is presented with information, where applicable even with a Dr. Hahn article number. If the selected combination has not been tested, yet, an inquiry is triggered in the application engineering department.

The specialists from Mönchengladbach (Germany) then get in touch with you shortly via e-mail.

 **Dr. Hahn**[®]
HINGES. MADE IN GERMANY.

Dr. Hahn GmbH & Co. KG

Trompeterallee 162 – 170 · D-41189 Mönchengladbach
Postfach 400109 · D-41181 Mönchengladbach

Phone +49(0)2166/954-3 · Fax +49(0)2166/954-444
Internet: www.dr-hahn.com · E-Mail: sales@dr-hahn.com

