

L BIOLUX 18 W/965

BIOLUX T8 | Tubular fluorescent lamps 26 mm, with G13 bases, for animal rearing



- Excellent for raising small animals

Product benefits

- Emit a daylight white light that gives your animals a sense of natural sunlight

Product features

- Very good color rendering group: 1A ($R_a : \geq 90$)



Technical data

Electrical data

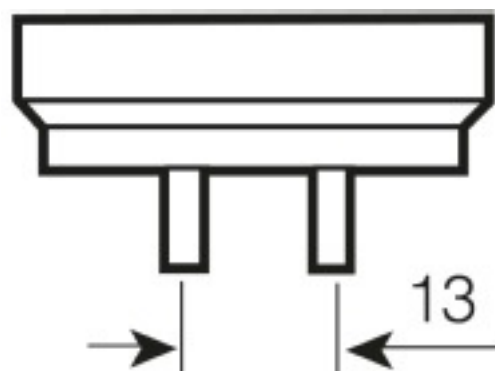
Nominal wattage	18 W
Rated lamp efficacy (HF data)	Under clarification by authority and standardization body
Rated lamp efficacy (standard condition)	56 lm/W
Rated wattage	18 W

Light technical data

Color rendering index Ra	>=95
Rated luminous flux	1000 lm
Luminous flux at 25 °C	1000 lm
Light color	965
Color temperature	6500 K
Nominal luminous flux	1000 lm
Rated LLMF at 2,000 h	0.89
Rated LLMF at 4,000 h	0.87
Rated LLMF at 6,000 h	0.82
Rated LLMF at 8,000 h	0.80
Rated LLMF at 12,000 h	0.78
Color coordinates chromaticity diagram	0.342/0.348

Dimensions & weight

Tube diameter	26 mm
Length	590.0 mm
Length with base excl. base pins/connection	590.00 mm
Diameter	26.0 mm



G13
IEC 7004-51
DIN 49653 T1

Product line drawing

Base

Colors & materials

Lamp mercury content	4.6 mg
----------------------	--------

Temperatures

Rated ambient temp.w.max.luminous flux	25.0 °C
--	---------

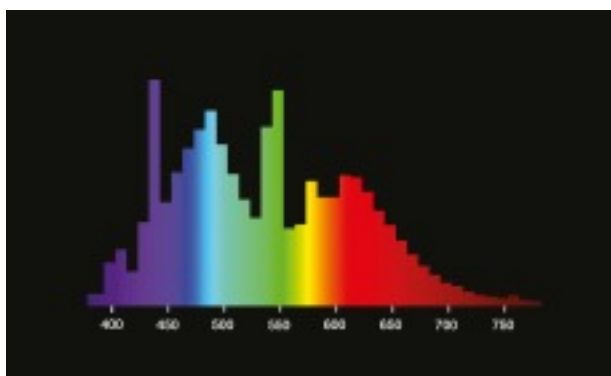
Lifespan

Service life	16000 h ¹⁾
Lifespan	20000 h ¹⁾
Rated lamp survival factor at 2,000 h	0.99
Rated lamp survival factor at 4,000 h	0.99
Rated lamp survival factor at 6,000 h	0.99
Rated lamp survival factor at 8,000 h	0.99
Rated lamp survival factor at 12,000 h	0.90
Operation mode LLMF/LSF	50 Hz

¹⁾ With preheat ECG

Additional product data

Base (standard designation)	G13
Appropriate disposal acc. to WEEE	Yes



Spectral power distribution

Capabilities

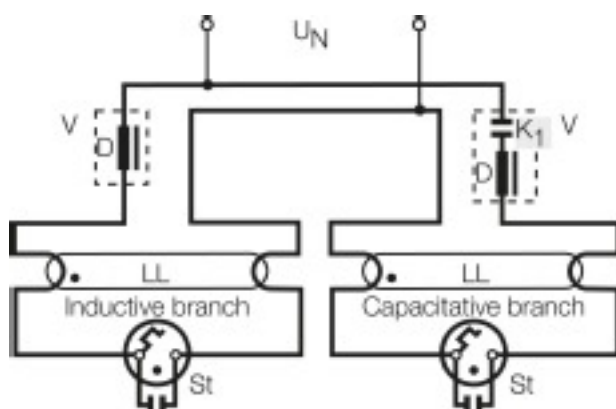
Suitable for indoor	Yes
---------------------	-----

Certificates & standards

EEI - Energy Label	B
--------------------	---

Safety advice

In case of lamp breakage: www.osram.com/brokenlamp



Circuit diagram

Logistical Data

Product code	Packaging unit (Pieces/Unit)	Dimensions (height x width x length)	Gross weight	Volume
4050300270807	Sleeves 1	30 mm x 28 mm x 609 mm	96.50 g	0.51 dm ³
4008321205179	Shipping carton box 10	151 mm x 65 mm x 635 mm	1129.00 g	6.23 dm ³
4050300937939	Sleeves 1	40 mm x 29 mm x 650 mm	120.00 g	0.75 dm ³
4050300637013	Shipping carton box 10	177 mm x 60 mm x 677 mm	1381.40 g	7.19 dm ³

References / Links

For more information on QUICKTRONIC electronic control gear go to

▶ www.osram.com/QUICKTRONIC

Disclaimer

Subject to change without notice. Errors and omission excepted. Always make sure to use the most recent release.