



An Roinn Tithíochta,  
Pleanála agus Rialtais Áitiúil  
Department of Housing,  
Planning and Local Government

For Office Use

Ref. No. \_\_\_\_\_

Application date: \_\_\_\_\_

Date of receipt. \_\_\_\_\_

Date Validated: \_\_\_\_\_

**APPLICATION FOR A LICENCE UNDER SECTION 3.3 OF THE FORESHORE ACT  
1933 (AS AMENDED)**

- This form should only be used where applying for activities that owing to their nature, duration, or otherwise, are of a trivial character.
- Please complete the form electronically. Type details in the boxes provided, space will expand as you type
- The relevant enclosures checklist should also be completed
- Tá an leagan Gaeilge den fhoirm seo ar fáil ar iarratas.

**BEFORE FILLING OUT THIS FORM PLEASE READ THE DECLARATION AND  
CONSENT ON PAGE 5:**

**IT IS IMPORTANT TO NOTE THAT A CHANGE IN APPLICANT NAME WILL  
REQUIRE A NEW APPLICATION.**

**DATA PROTECTION**

The Office of the Data Protection Commissioner states that the sending of marketing material to individuals without consent may result in action by the Data Protection Commissioner against the sender including prosecution. It is the responsibility of persons or entities wishing to use any personal data on an application form for direct marketing purposes to be satisfied that that they may do so legitimately under the requirements of the Data Protection Acts 1998 and 2003 and with regard to General Data Protection Regulation (2016/679) requirements.

**Applicant Name and Address:**

**Full Name of Applicant (not Agent):**

Ciara Gilligan

**Company/Organisation:**

TechWorks Marine Ltd.

**Address:**

Pottery Road Enterprise Zone, Pottery Road, Dun Laoghaire, Co Dublin.

**Eircode:**

A96 K571

**Applicant Contact Details:**

<b>Phone No:</b> + 353 1 2365990
<b>E-mail address:</b> <a href="mailto:ciara.gilligan@techworks.ie">ciara.gilligan@techworks.ie</a> ; Cc: <a href="mailto:field@techworks.ie">field@techworks.ie</a>

**Agent (if any) Address/Contact Details:**

<b>Person/Agent acting on behalf of the Applicant:</b> n/a
<b>Company:</b> n/a
<b>Address:</b> n/a
<b>Eircode:</b> n/a
<b>Phone No:</b> n/a
<b>E-mail address:</b> n/a

**Part 1: Proposal Details (please refer to guidance notes, and attach additional documents as required)**

<b>1.1</b>	<b>Type of proposal</b>	
	<b>Short Duration Event e.g. Tag Rugby</b>	
	<b>Single Mooring</b>	
	<b>Other Trivial Activity – Temporary</b> <a href="#">Deployment of No.5 ADCP (Acoustic Doppler Current Profiler) trawl resistant seabed frames.</a>	<b>X</b>

## 1.2 Description of proposed works/activity/event:

TechWorks Marine plan to deploy five Acoustic Doppler Current Profiler (ADCP) frames (Figure 1) on the seabed off the coast of Valentia Island for a duration of 35 days to collect data on current, speed and direction at each location. This data will be used to validate a hydrodynamic model being developed for Irish Water, for the assessment of impacts on shellfish waters by wastewater treatment systems.

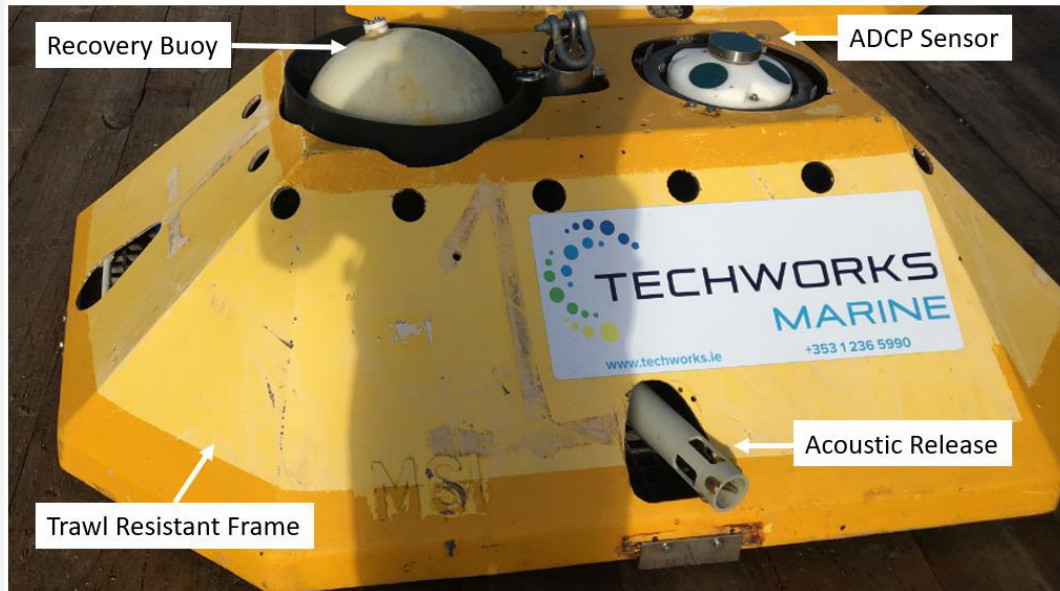


Figure 1: TechWorks Marine ADCP frame.

Each ADCP frame will have a surface marker buoy and will be equipped with the following instrumentation: ADCP, acoustic pinger, acoustic release transponder, rigid recovery buoy and a recovery rope attached to the frame base (Figure 2). The ADCP will be mounted to the lid using a gimbal. The frame lid attaches to the base. There may also be a grapple line and anchor attached to the ADCP frame for its recovery. Please see attached Drawing of the ADCP Frame Lid for additional information on size and scale.

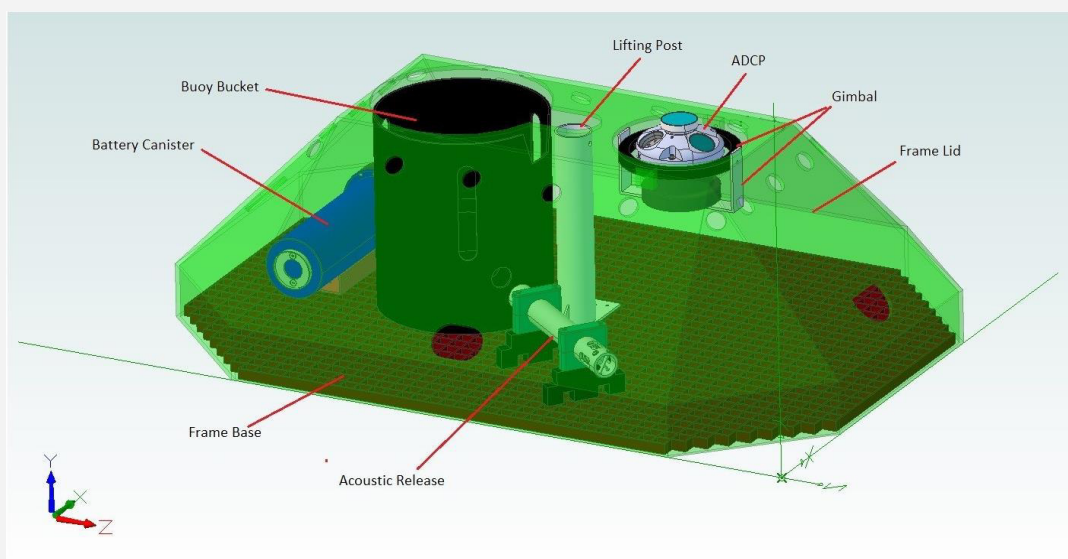


Figure 2: 3D image of the ADCP frame and equipment inside the frame.

<p><b>1.3</b></p>	<p><b>Indicative timing of the works/activity: (i) Start date (ii) Duration (iii) Any other information relevant to timing.</b></p> <p>(i) Start date: Dependent on foreshore consent. The proposed deployment will be in 2020 or 2021.</p> <p>(ii) Duration: Once deployed the ADCP frames will be in place for a minimum period of 35 days and a maximum period of two months, retrieval of the equipment is weather dependant.</p> <p>(iii) Any other information relevant to timing: Water sampling surveys will be carried out at the same time as the deployments and these are tide and weather dependant and may cause a slight delay in recovery hence the two months.</p>
<p><b>1.4</b></p>	<p><b>Might the proposed works restrict public use/enjoyment of the foreshore? Provide details.</b></p> <p>It is envisaged that the deployment of the ADCP frames will not restrict the public use / enjoyment of the foreshore. The frames are designed to be trawl resistant and will not pose as a hazard in terms of safe passage. A marine notice will be issued to advise marine traffic of the ADCPs locations.</p>
<p><b>1.5</b></p>	<p><b>Has the applicant held or does the applicant hold any previous Foreshore Licences, Leases or applications over the area sought or over any other area including pending applications? (Give details including Department’s file reference number(s)).</b></p> <p>TechWorks Marine currently has a foreshore license in place at Dublin Bay for the placement of four environmental monitoring data buoys (Ref no: FS006758).</p> <p>TechWorks Marine held foreshore licenses in place for the deployment of ADCP frames at the following locations:</p> <ul style="list-style-type: none"> <li>• Lough Swilly, Co. Donegal (Ref no: FS006919).</li> <li>• Dungarvan Harbour Co. Waterford (Ref no: FS006949).</li> <li>• Waterford Harbour, Co. Waterford (Ref no: FS006995).</li> </ul>

**Part 2: Proposed Site (Attach additional documents as required)**

<p><b>2.1</b></p>	<p><b>County:</b></p> <p>Co Kerry</p>
<p><b>2.2</b></p>	<p><b>Location name and nearest townland name:</b></p> <p>Valentia Island, Knightstown.</p>

<p><b>2.3</b></p>	<p><b>Geographic co-ordinates of the area under application in degrees minutes and seconds WGS84 for offshore developments and where the area can also be identified on the Ordnance Survey map and /or is connected to the seashore/mainland, specify Ordnance Survey map no and Irish Transverse Mercator coordinates.</b></p> <table border="1" data-bbox="371 371 1305 674"> <thead> <tr> <th></th> <th colspan="2">Degrees, Minutes and Seconds</th> <th colspan="2">Irish Transverse Mercator</th> </tr> <tr> <th>Site ID</th> <th>Latitude</th> <th>Longitude</th> <th>Easting</th> <th>Northing</th> </tr> </thead> <tbody> <tr> <td>ADCP1</td> <td>51° 56' 50.497"</td> <td>-10° 18' 50.478"</td> <td>440930</td> <td>579782</td> </tr> <tr> <td>ADCP2</td> <td>51° 56' 15.698"</td> <td>-10° 19' 57.454"</td> <td>439617</td> <td>578747</td> </tr> <tr> <td>ADCP3</td> <td>51° 55' 45.832"</td> <td>-10° 16' 59.968"</td> <td>442977</td> <td>577717</td> </tr> <tr> <td>ADCP4</td> <td>51° 54' 58.847"</td> <td>-10° 16' 47.290"</td> <td>443174</td> <td>576258</td> </tr> <tr> <td>ADCP5</td> <td>51° 53' 08.375"</td> <td>-10° 24' 07.538"</td> <td>434650</td> <td>573116</td> </tr> </tbody> </table> <p>Please see Foreshore Licence Map (Drawing No: FS_VI_001) accompanying this application for the locations of the ADCP frames surrounding Valentia Island.</p>		Degrees, Minutes and Seconds		Irish Transverse Mercator		Site ID	Latitude	Longitude	Easting	Northing	ADCP1	51° 56' 50.497"	-10° 18' 50.478"	440930	579782	ADCP2	51° 56' 15.698"	-10° 19' 57.454"	439617	578747	ADCP3	51° 55' 45.832"	-10° 16' 59.968"	442977	577717	ADCP4	51° 54' 58.847"	-10° 16' 47.290"	443174	576258	ADCP5	51° 53' 08.375"	-10° 24' 07.538"	434650	573116
	Degrees, Minutes and Seconds		Irish Transverse Mercator																																	
Site ID	Latitude	Longitude	Easting	Northing																																
ADCP1	51° 56' 50.497"	-10° 18' 50.478"	440930	579782																																
ADCP2	51° 56' 15.698"	-10° 19' 57.454"	439617	578747																																
ADCP3	51° 55' 45.832"	-10° 16' 59.968"	442977	577717																																
ADCP4	51° 54' 58.847"	-10° 16' 47.290"	443174	576258																																
ADCP5	51° 53' 08.375"	-10° 24' 07.538"	434650	573116																																
<p><b>2.4</b></p>	<p><b>Please indicate the size of the Foreshore area (Ha<sup>2</sup>) or (M2) or (KM2).</b></p> <p>The ADCP frame dimensions are 1.8m (l) x 1.2m (w) x 0.5m (h). Each ADCP frame has a footprint of approximately 2.16 m<sup>2</sup> (0.000216 ha) on the seabed.</p>																																			
<p><b>2.5</b></p>	<p><b>If offshore please indicate distance from shore (Km):</b></p> <table border="1" data-bbox="456 1126 919 1375"> <thead> <tr> <th>Site ID</th> <th>Distance from Shore</th> </tr> </thead> <tbody> <tr> <td>ADCP1</td> <td>0.6 km</td> </tr> <tr> <td>ADCP2</td> <td>1.0 km</td> </tr> <tr> <td>ADCP3</td> <td>0.4 km</td> </tr> <tr> <td>ADCP4</td> <td>0.6 km</td> </tr> <tr> <td>ADCP5</td> <td>0.3 km</td> </tr> </tbody> </table>	Site ID	Distance from Shore	ADCP1	0.6 km	ADCP2	1.0 km	ADCP3	0.4 km	ADCP4	0.6 km	ADCP5	0.3 km																							
Site ID	Distance from Shore																																			
ADCP1	0.6 km																																			
ADCP2	1.0 km																																			
ADCP3	0.4 km																																			
ADCP4	0.6 km																																			
ADCP5	0.3 km																																			
<p><b>2.6</b></p>	<p><b>Is any of the foreshore in the proposed site in private ownership? If yes please provide documentary evidence of same (e.g. folio).</b></p> <p>No.</p>																																			
<p><b>2.7</b></p>	<p><b>Any other site details considered relevant:</b></p> <p>n/a</p>																																			

**Part 3: Environmental Considerations (Attach additional documents as required and mark under the R column)**

	<b>Environmental legislative requirements</b>	<b>Yes</b>	<b>No</b>	<b>R</b>
<b>3.1</b>	<p><b>Is the area within or adjacent to a NHA, pNHA, SAC, SPA, or National Park?</b></p> <p><b>Specify site code(s).</b>                      The locations of the ADCP sites are within and/or in close proximity to environmental designated sites of interest, please refer to the Environmental Sites Map (Drawing No: FS_VI_002) for the locations of the ADCPs frames with respect to the environmental sites.</p> <p>Valencia Harbour and the Portmagee Channel is a designated Special Area of Conservation (SAC) and - <b>Valencia Harbour/Portmagee Channel SAC</b> (site code: 002262). The locations of ADCP1, ADCP2, ADCP3, ADCP4 and ADCP5 sites are within this SAC.</p> <p>Valencia Harbour/Portmagee Channel SAC site contains important and good quality examples of large shallow inlets and bays, intertidal sand and mud flats, and reefs, and has several species of high conservation importance that do not occur in the rest of Ireland.</p> <p>The <b>Iveragh Peninsula SPA</b> site encompasses sea cliff sections of the peninsula around the west coast of Valentia Island, This SPA site supports a nationally important population of breeding Chough and of special conservation interest for the Peregrine, Guillemot, Fulmar, and Kittiwake.</p> <p>It is envisaged that no species or habitats within any SAC or SPA site will be impacted as a result of the deployment, operation and recovery of the ADCP frames given the nature and scale of the ADCP frames and the fact that deployment and recovery of the frames will be carried out to the highest standards, incorporating best practice methods. Therefore, no significant adverse effects will occur on the integrity of the Natura 2000 sites as a result of the temporary placement of the five ADCP frames at Valentia Island.</p>	<b>X</b>		<b>X</b>
<b>3.2</b>	<p><b>Describe any other projects or plans for the area, anticipated or developed, that in combination with this proposal, may have a significant effect on a Natura 2000 site: Please list with planning reference numbers (where available).</b></p>		<b>X</b>	
<b>3.3</b>	<p><b>Will the proposal have any potential environmental impacts? If yes, please describe.</b></p>		<b>X</b>	

3.4	<b>Are you proposing any measures to mitigate the potential environmental impacts? If yes, please describe.</b>		<b>X</b>	
3.5	<b>Are there public health/safety implications arising from the proposed works? (e.g. effluent disposal, removal of derelict or dangerous structures etc.) If yes, please describe.</b>		<b>X</b>	
3.6	<b>Will the works involve the storage and/or disposal of waste? If "Yes" please give details of the type of waste and the proposed method of storage and/or disposal (including location).</b>		<b>X</b>	
3.7	<b>Other Environmental Considerations? If yes, please specify.</b>		<b>X</b>	

**Part 4: Fishing/Aquaculture considerations (Attach additional documents as required and mark under the R column)**

		Yes	No	R
4.1	<p><b>Is the proposal located in proximity to any of the following:</b></p> <ul style="list-style-type: none"> <li>• <b>aquaculture operation</b></li> <li>• <b>designated Shellfish Growing Waters</b></li> <li>• <b>fish spawning ground</b></li> <li>• <b>other sensitive fisheries location</b></li> </ul> <p><b>Please Illustrate on appropriate chart including distance in Km.</b></p> <p>The ADCP frames sites are not located within any operational aquaculture sites. All the ADCPs are within designated waters for shellfish, please refer to Aquaculture Sites Map (Drawing No: FS_VI_003).</p> <p>The deployment of the ADCP frames is temporary and the frames will each occupy approximately 2.2m<sup>2</sup> of the seabed. The deployment and recovery of the ADCP frames will be carried out by a chartered vessel and a marine notice will be issued to advise local marine users of their presence.</p>	X		X
4.2	<p><b>Are there other potential impacts of the proposal on fishing/aquaculture in the area? If yes, please describe.</b></p>		X	
4.3	<p><b>Are there any measures proposed to mitigate potential impacts on fisheries or aquaculture? If yes, please describe.</b></p>		X	



**Declaration and Consent:**

The details provided here are correct to the best of my knowledge.

I understand that no works will be commenced, by me or my agents on the proposed site, without the prior written consent of the Minister.

By submitting this application form, I agree that the details provided (with personal contact details redacted) are to be published on the Department of Housing website and also that the full information provided including contact details are to be processed and retained by the Department of Housing, Planning and Local Government and shared with all appropriate Prescribed Bodies (as part of the Prescribed Bodies Consultation process) in furtherance of consideration for a foreshore Consent under the Foreshore Act 1933 (and Foreshore Amendment Act 2011).

I give consent to the Minister and his servants to copy this application and to make (a redacted) copy available for inspection and copying by the public. This consent relates to this application, to any further information, or submission provided by me or on my behalf and to the publication of the licence document.

**Signature of Applicant (or his or her Agent):**



**Name of above Signatory (block letters):**

CIARA GILLIGAN

**Position Held:**

MARINE SCIENTIST

**Date:** 06/04/2020

**Return completed applications to:**

Marine Environment and Foreshore Section  
Department of Housing, Planning and Local Government  
Newtown Road  
Wexford  
Y35 AP90

Enquiries to: [Foreshore@housing.gov.ie](mailto:Foreshore@housing.gov.ie) (Other contact details to be included in Guidance materials)

Email a copy of application documents: [Foreshore@housing.gov.ie](mailto:Foreshore@housing.gov.ie)

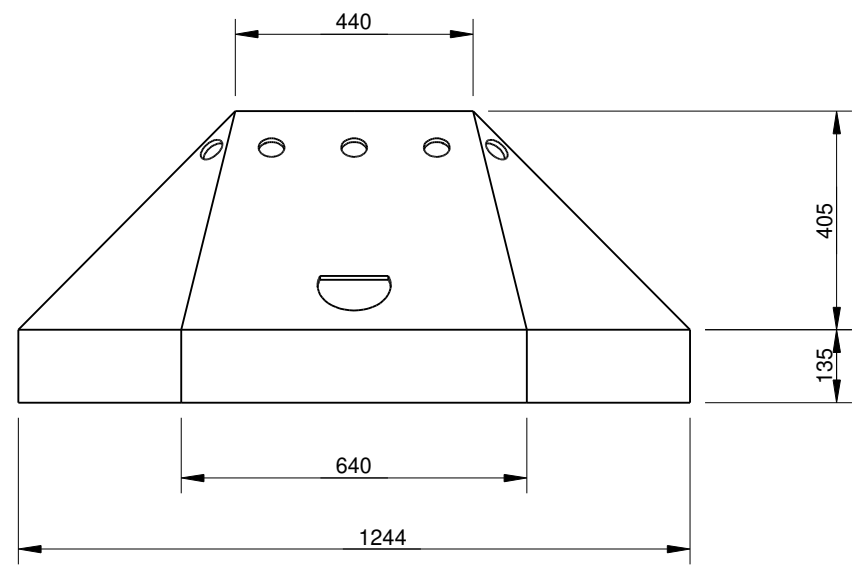
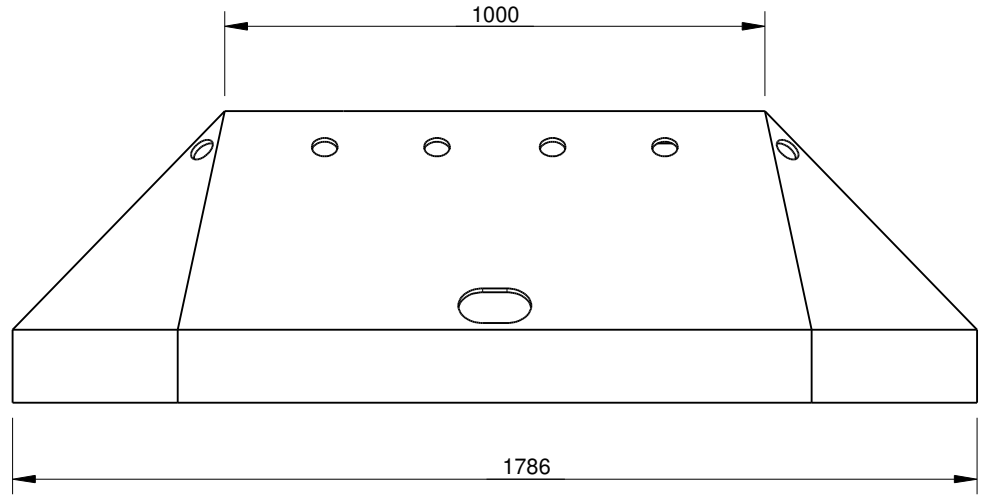
### Enclosures Checklist (other applications)

**One hard copy of every document is required unless otherwise stated. Electronic versions of documentation must also be provided in searchable PDF format (no single file to be greater than 30mb) so that the Department can make them available on its website.**

Item No.	Description	No. of copies Required	
<b>1</b>	<b>Application Form.</b> With original signature	1	<b>X</b>
<b>2</b>	<b>Mapping (see guidelines document)</b> (i) Site Location map (ii) Foreshore Lease/licence map	1 3	<b>X</b>
<b>3</b>	<b>Construction drawings (if required)</b>	1	<b>n/a</b>
<b>4</b>	<b>Pre-application correspondence with stakeholders.</b>	1	
<b>5</b>	<b>Other statutory permissions (if required):</b> (i) Planning permission (ii) Effluent Discharge Licence (iii) Other consent (Please specify)	1 1 1	<b>n/a</b>
<b>6</b>	<b>Company documentation (1):</b> Certified copy of the Company's Memorandum and Articles of Association	1	<b>n/a</b>
<b>7</b>	<b>Company documentation (2)</b> Certificate of Incorporation of a Limited Liability, or Company/Rule Book/Constitution for a Club or Co-Operative Society as appropriate	1	<b>n/a</b>
<b>8</b>	<b>Natura Impact Statement (NIS) if required</b> (i) Hard copy (ii) CDs	4 4	<b>n/a</b>
<b>9</b>	<b>Property-related owner permissions/wayleaves etc.</b>	1	<b>n/a</b>
<b>10</b>	<b>Other – Please specify</b>  <ul style="list-style-type: none"> <li>• ADCP Frame Lid Dimensions Drawing</li> <li>• Environment Sites Map (Drawing No: FS_VI_002)</li> <li>• Aquaculture Sites Map (Drawing No: FS_VI_003)</li> </ul>	1	<b>X</b>

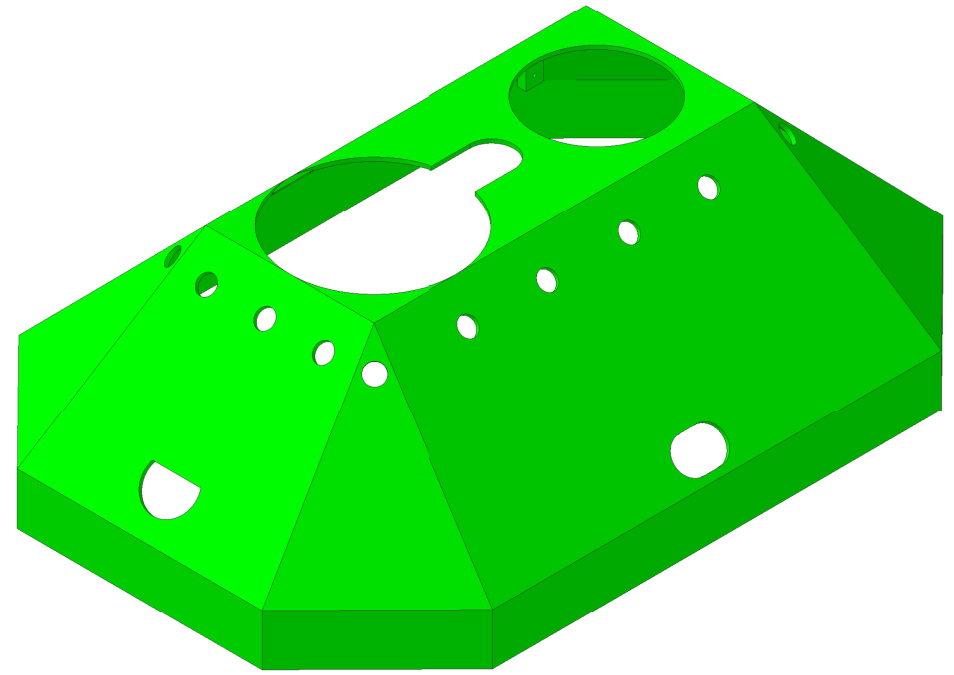
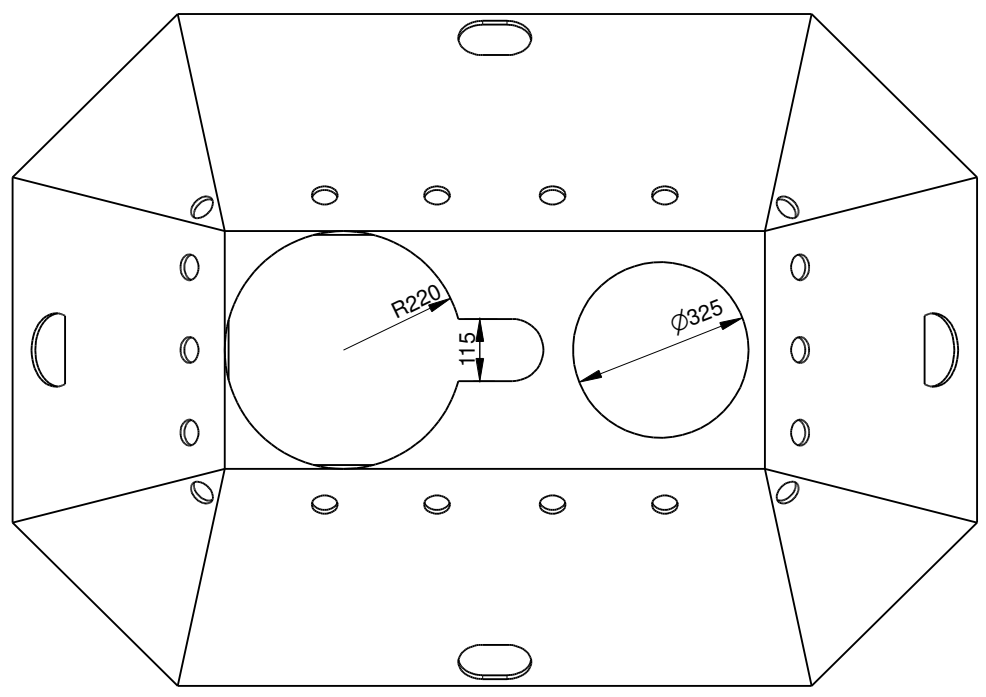
RevNo	Revision note	Date	Signature	Checked
-------	---------------	------	-----------	---------

A



B


C

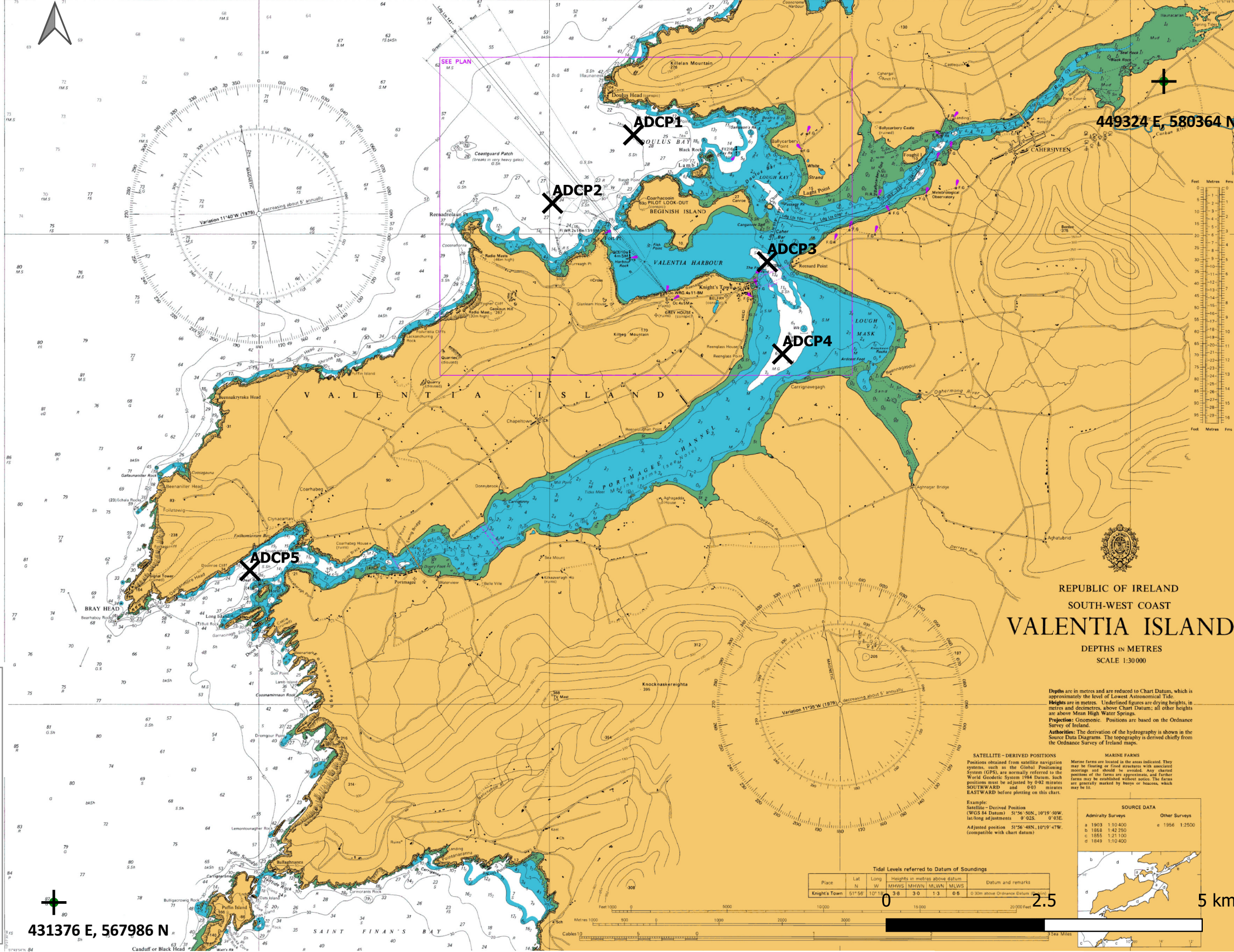


D

E

F

Title: ADCP Frame Lid					
Drawn by Graham Cullen	Date 24/07/2014	Approved by - date	All Dimensions in mm		
		© TechWorks Marine	<table border="1"> <tr> <td>Edition 1</td> <td>Sheet 1</td> </tr> </table>	Edition 1	Sheet 1
		Edition 1	Sheet 1		



**Key:**

- ✚ ITM Coordinates
- ✕ ADCP Locations

Site ID	Area (ha)
ADCP1	0.00022
ADCP2	0.00022
ADCP3	0.00022
ADCP4	0.00022
ADCP5	0.00022

REPUBLIC OF IRELAND  
SOUTH-WEST COAST  
**VALENTIA ISLAND**  
DEPTHS IN METRES  
SCALE 1:30 000

Depths are in metres and are reduced to Chart Datum, which is approximately the level of Lowest Astronomical Tide.  
 Heights are in metres. Underlined figures are drying heights, in metres and decimetres, above Chart Datum; all other heights are above Mean High Water Springs.  
 Projection: Geometric. Positions are based on the Ordnance Survey of Ireland.  
 Authorities: The derivation of the hydrography is shown in the Source Data Diagrams. The topography is derived chiefly from the Ordnance Survey of Ireland maps.

**SATELLITE-DERIVED POSITIONS**  
 Positions obtained from satellite navigation systems, such as the Global Positioning System (GPS), are normally referred to the World Geodetic System 1984 Datum. Such positions must be adjusted by 0.02 metres SOUTHWARD and 0.03 metres EASTWARD before plotting on this chart.

**SOURCE DATA**

Admiralty Surveys	Other Surveys
a 1903 1:10 400	e 1956 1:2500
b 1958 1:42 250	
c 1955 1:21 100	
d 1949 1:10 400	

**Tidal Levels referred to Datum of Soundings**

Place	Lat	Long	Highs	Datum	Remarks
Knight's Town	51° 56' N	10° 19' W	3.8 3.0 1.3 0.6	0.30m above Ordnance Datum	



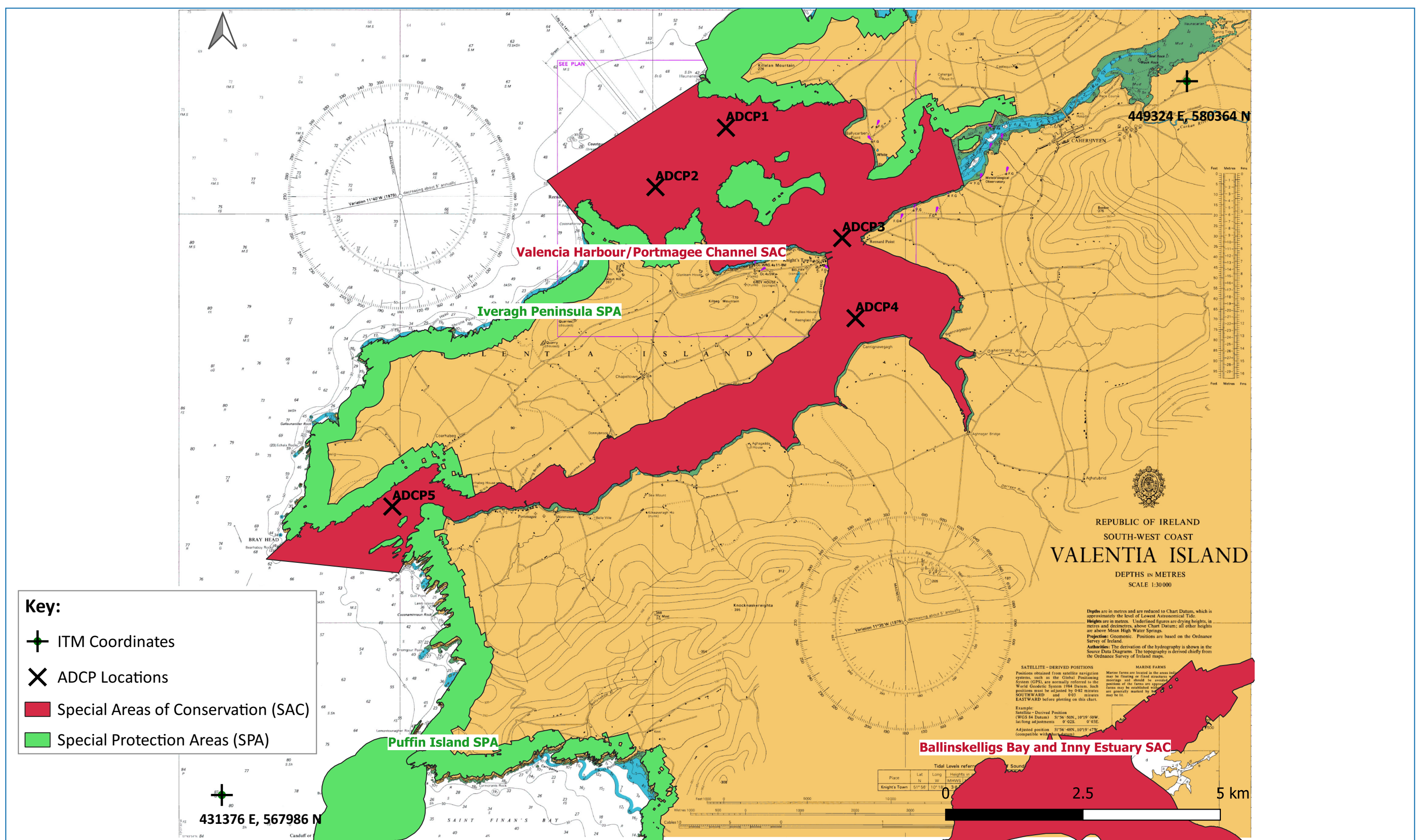
Scale: 1:250,000 @A3  
 Date: 24/03/2020  
 Drawing No: FS\_VI\_001  
 Produced By: Ciara Gilligan

# Foreshore Licence Map

## ADCPs locations at Valentia Island

Pottery Enterprise Zone  
Pottery Road  
Dun Laoghaire  
Co. Dublin

T: +353 (0)1 2365990 E: sales@techworks.ie W: www.techworks.ie



Scale: 1:250,000 @A3  
 Date: 25/03/2020  
 Drawing No: FS\_VI\_002  
 Produced By: Ciara Gilligan

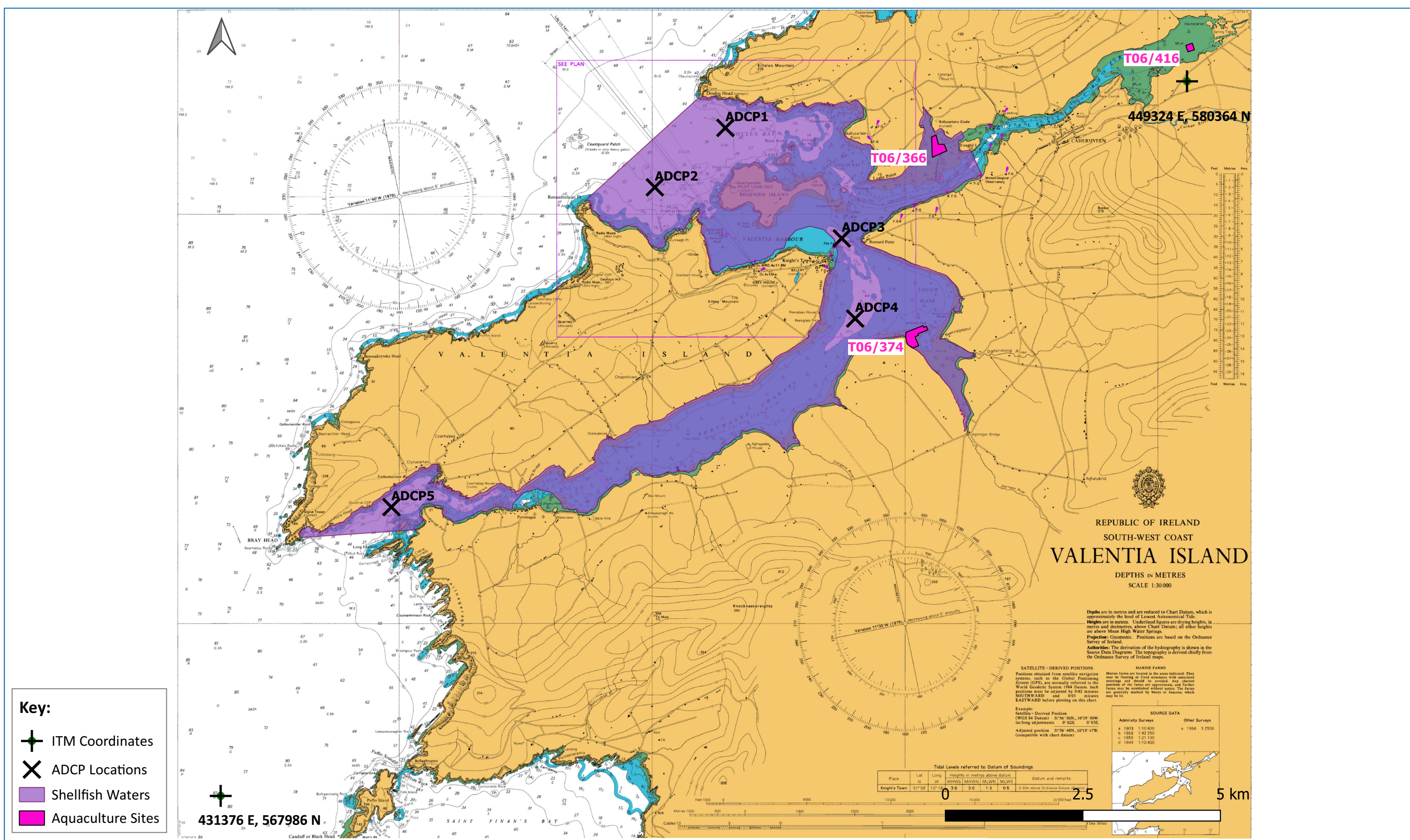
# Environmental Sites Map

## SAC & SPA designated sites

**TECHWORKS MARINE**

Pottery Enterprise Zone  
 Pottery Road  
 Dun Laoghaire  
 Co. Dublin

T: +353 (0)1 2365990 E: sales@techworks.ie W: www.techworks.ie



Scale: 1:250,000 @A3  
 Date: 25/03/2020  
 Drawing No: FS\_VI\_003  
 Produced By: Ciara Gilligan

# Aquaculture Sites Map

## Shellfish & Oysters Waters

Pottery Enterprise Zone  
 Pottery Road  
 Dun Laoghaire  
 Co. Dublin

T: +353 (0)1 2365990 E: sales@techworks.ie W: www.techworks.ie