

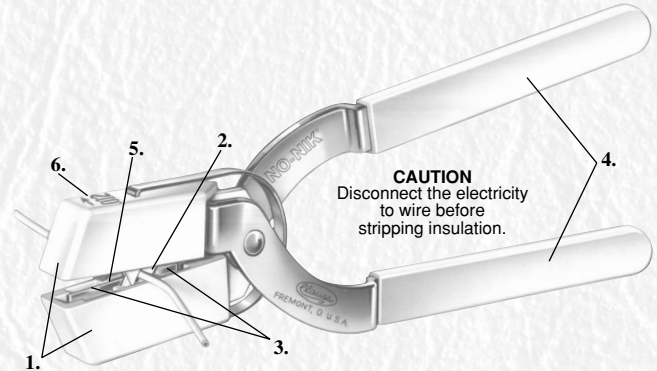
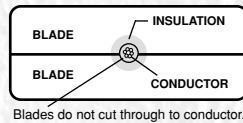
# Clauss® NO-NIK® WIRE STRIPPERS



The premier precision wire stripper for removing insulation from solid or stranded wire without nicking or scratching the conductor.

- Stripping blade diameters range from 0.008" to 0.054".
- Stripping apertures are accurate to -0", + 0.0005" (.0127mm).
- Simple operation.
- Insulation being removed protects conductor from the stripping blades.
- No adjustments needed; each tool is made to strip specific wire sizes.
- Handles are color-coded to tool size for easy identification.
- Insure compliance with NASA and military specifications.

## DESIGN FEATURES...



This precision-made Clauss tool represents a major break-through in removing insulation from high-quality, coated conductors. Wire which formerly could only be stripped thermally because of the probability of nicking, can now be stripped mechanically using this tool with absolute reliability. However, efficient wire stripping is dependent upon the operator's understanding how the NO-NIK operates, selecting the proper tool for a given application and then using the tool correctly.

1. **Plastic Heads:** Make contact with the insulation; center and support the wire on both sides of the stripping blades.
2. **Plastic Head Centering Device:** Centers wire perfectly enabling precise insulation scoring and removal.
3. **Back-Up-Blades:** Support stripping blades in a "sandwich"; nest positively and "lock-up" when the tool is closed to maintain perfect concentricity.

4. **Color-Coded Cushion Grip Handles:** Each tool is made to strip specific wire sizes. Handles are color-coded by size of cutter holes for easy identification.
5. **Stripping Blades:** Fabricated of finest razor blade steel, score the insulation completely around the conductor. (Note that stripping blades should only score the insulation...NOT CUT COMPLETELY THROUGH IT exposing the conductor - see cross section illustration immediately above.)
6. **Stripping Blade Diameter Marking and Indicating Arrow:** Stripping blade diameter clearly marked on plastic head. Arrow indicates direction pressure should be applied when stripping.

## WIRE STRIPPER SELECTION CHART

Stock Number (Cutting Diameter)*	Handle Color	AWG	Wire Construction	Nominal Conductor Diameter		Stock Number (Cutting Diameter)*	Handle Color	AWG	Wire Construction	Nominal Conductor Diameter	
				Inches	mm					Inches	mm
NN044 (.044)	Dark Brown	18	Single	.0403	1.0236	NN014 (.014)	Dark Green	28	Single	.0126	.320
NN054 (.054)	Clear		Stranded	.044	1.1176	NN016 (.016)	Orange		Stranded	.014	.3556
NN034 (.034)	Pink	20	Single	.0320	.8128	NN016 (.016)	Orange	30	Single	.0100	.254
NN037 (.037)	Grey		Stranded	.035	.889	NN018 (.018)	Yellow		Stranded	.011	.2794
NN037 (.037)	Grey	22	Single	.0253	.64262	NN010 (.010)	Light Blue	32	Single	.0080	.2032
NN044 (.044)	Dark Brown		Stranded	.028	.7112	NN012 (.012)	White		Stranded	.009	.2286
NN028 (.028)	Black	24	Single	.0201	.511	NN010 (.010)	Light Blue	34	Single	.0063	.160
NN031 (.031)	Tan		Stranded	.022	.5588	NN012 (.012)	White		Stranded	.007	.1778
NN031 (.031)	Tan	26	Single	.0159	.404	NN010 (.010)	Light Blue	36	Single	.0050	.127
NN034 (.034)	Pink		Stranded	.017	.4318	NN008 (.008)	Red		Stranded	.006	.1524
NN023 (.023)	Maroon	24	Single	.0201	.511	NN008 (.008)	Red	34	Single	.0063	.160
NN025 (.025)	Light Green		Stranded	.022	.5588	NN010 (.010)	Light Blue		Stranded	.007	.1778
NN025 (.025)	Light Green	26	Single	.0159	.404	NN010 (.010)	Light Blue	36	Single	.0050	.127
NN028 (.028)	Black		Stranded	.017	.4318	NN008 (.008)	Red		Stranded	.006	.1524

\* Proper selection depends upon type of insulation and insulation construction.