

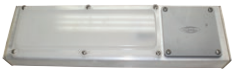


LIGHTING TABLE OF CONTENTS

**LED LIGHTING SECTION**



**LAL Series** ..... 2-7



**LALFP Series** ..... 8-12



**L1L** ..... 13-17



**MBL Series** ..... 19-22



**VMLX Series** ..... 23-30



**EML Series** ..... 31-33



**EZL Series** ..... 34-36



**EAC/EACH Series** ..... 37



**KFL-X Series** ..... 39-42



**KFLH Series** ..... 43-44



**KFL2H Series** ..... 45-46



**KF1L Series** ..... 47-48



**KWPL Series** ..... 49-50



**EBS Series** ..... 52-57



**NVL Series** ..... 58-59



**VTR & WTR Series** ..... 60-62



**VSL SERIES** ..... 63-67










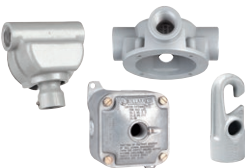


**DVL Series** ..... 68-69






LIGHTING  
**SECTION L**

LIGHTING TABLE OF CONTENTS

	<b>NV2</b> ..... 70-73
	<b>NVPI &amp; NVPF</b> ..... 74-75
	<b>V Series</b> ..... 76-84
	<b>DV/XHL/XHLF</b> ..... 85-86 DV..... 85 XHL..... 86 XHLF..... 86
	<b>EM &amp; EQ</b> ..... 87-94 Replacement Parts/Accessories..... 93
	<b>EEQ</b> ..... 91-94
	<b>EBB</b> ..... 95-98
	<b>ESX</b> ..... 99
	<b>NVS Series</b> ..... 100-102
	<b>Fixture Hangers</b> ..... 103-109 FKZ/FM HOOK/LOOP ..... 103 FH/VX..... 104-105 HXB/XFH/EKJ..... 106-107 JL/JAL/ENY..... 108-109

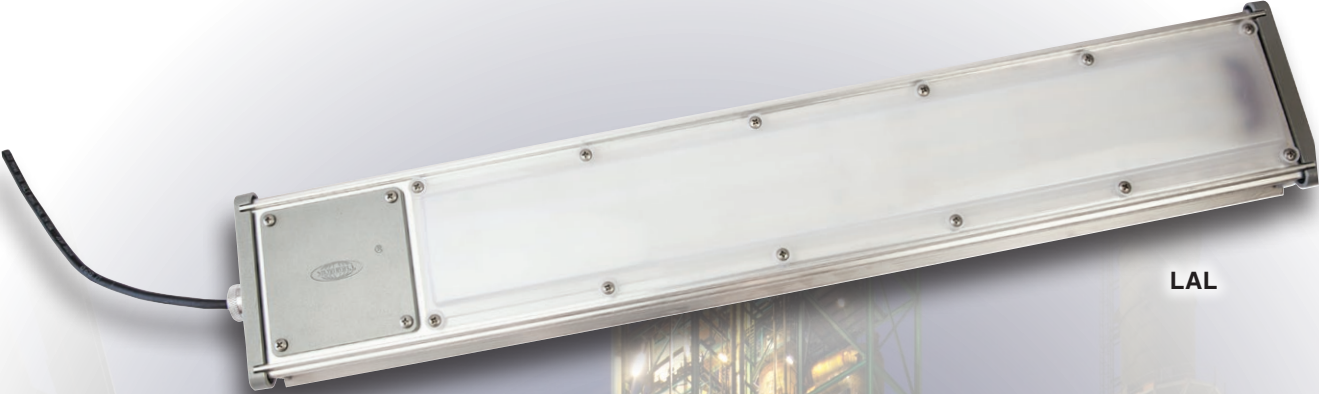
**CHALMIT LIGHTING SECTION**

	<b>Evolution X Series</b> ..... 110-113 Pendant ..... 112-113
	<b>HDL Series</b> ..... 114-122 HDL106N ..... 114-116 HDL106NE ..... 117-118 HDL206N..... 119-120 HDL206NE..... 121-122
	<b>Protecta X Series</b> ..... 123-128 Protecta X ..... 123-125 Protecta X Z1 ..... 126-128

LIGHTING  
**LINEAR LIGHTING**



LINEAR LIGHTING



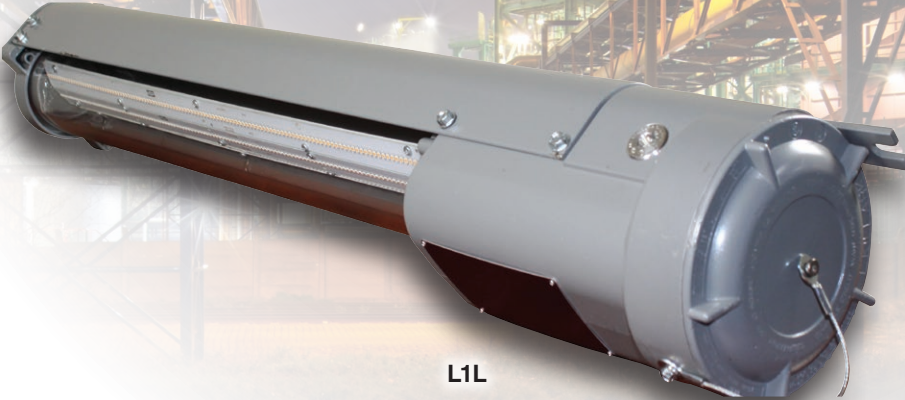
LAL



LALxE



LALFP



L1L





LIGHTING

# LAL/LALXE/LALC SERIES

LOW PROFILE LINEAR ALUMINUM LED • EXCLUSIVE DESIGN FEATURES

High temperature rated silicone gasketing provides Type 4X & IP66 sealing.



Diffused



Clear

**2 Lens Choices:**

- Clear for maximum lumens
- Diffused for glare control

Looping Terminal Blocks under Wiring Access Plate(s).

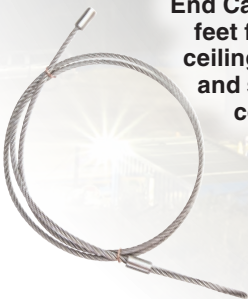
**Optional Through Wiring**  
2 Access Plates for feed through wiring

**Battery**  
E5, E13 and E26 models include internal Emergency battery systems to 50°C suitability

**Surge**  
Standard with internal 20kA/10kA Supplemental Surge Protection

**Endcaps standard with 1 x 3/4" hub. 1/2" NPT and M20 available.**

**End Caps include feet for direct ceiling mounting and safety cable connection**



**Shown with LAL-SB Height adjustable Swivel Brackets**

**Mounting Slots on back and at 45°**

**Earth**  
External Earth Ground for IECEx requirement



# LIGHTING LAL/LALXE/LALC SERIES



## LINEAR<sup>ITE</sup>™\*

\* R marca registrada MEXICO



Class I, Div. 2, Groups A, B, C, D  
Class I, Zone 2, Groups IIC, IIB, IIA  
Class II, Div. 1 & 2, Groups E, F, G

AEx nAll, Ex nAll

Wet Locations

Type 4X

IP66

Marine Rated (US only)



Certified - File LR11713

IECEx Rated

Zone 2 and Zone 21 areas

Ex nA IIC T6 to T3, Gc

Ex tb IIC T95°C Db

Tamb -50°C < Tz < +65°C, IP66

IECEx Certificate

QPS 15.0010

ATEX Certificate

CML 15ATEX3082X Iss 2

CML 15ATEX4081X Iss 2



## FEATURES-SPECIFICATIONS

### Features

#### LAL & LALxE Product Features

- LALxE models have “built-in” battery backup for 90 or 180 minute emergency exit
- Shallow design minimizes profile in work areas with low ceiling heights
- Diffuse Lens Standard to minimize glare; Clear Lens available
- Polycarbonate Single Lens 18W to 60W; Double Lens model 80W & 120W
- Slot Back Design allows multiple mounting access points across length – slots can also be used with 5/16” or 8mm bolts & nuts, 3 housing slots, 1 center back and 2 at 45°.
- Variety of mounting options including swivel brackets, wall, ceiling brackets, or beam clamps
- End Caps each have 2 mounting feet built-in plus a safety strap attachment point
- Standard unit End Caps each have single a 3/4” NPT hub, and fixture is furnished with one 3/4” close-up plug and two 3/4” to 1/2” reducers – provides out of the box 1/2” dead-end to 3/4” feed-through flexibility. Metric openings are available.
- Standard LALs have one wiring Access Plate for easy access to driver leads.

#### LED Features

- Many Midpower LEDs blend light to simulate fluorescent tubes
- Chromaticity outputs:  
standard – 5000K 70 CRI  
3590 option – 3500K 90 CRI  
3070 option – 3000K 70 CRI
- 3590 option is not available on the LALC
- 3070 option is only available on the LALC 15-45 watt.
- Energy Savings – High lumens per watt
- LED Array Life – 100,000+ hours with 70% initial lumens
- Long Fixture Life – 50,000 - 55,000 maintenance free hours

### Materials

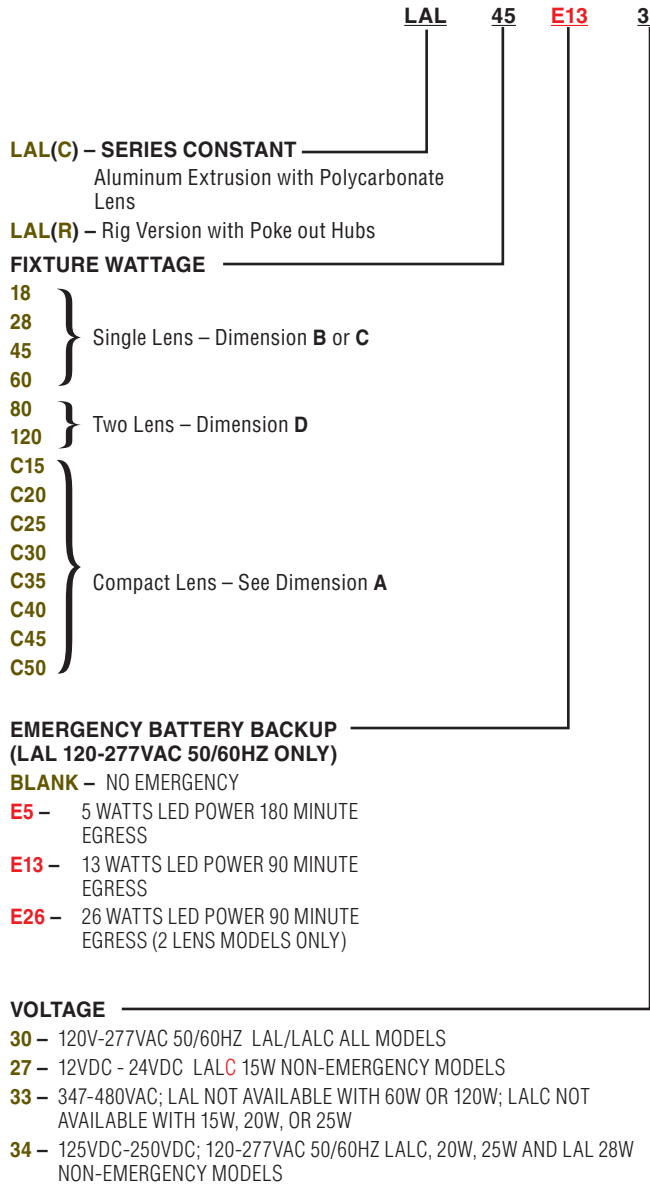
- Housing – one piece natural finish < .1% copper-free aluminum extrusion
- Endcaps & wiring – Access covers are copper-free (< .4%) aluminum with gray baked powder epoxy-polyester finish, electrostatically applied for complete uniform corrosion resistance.
- External screws are 316 stainless steel
- Lens – Impact resistant polycarbonate lens available in diffuse or clear

### Electrical Ratings

- Ambient suitability -40°C to 65°C (see tables). -20°C to 50°C Ambient suitability for Emergency models.
- Instant On – Including after power interruption
- World Voltage 120 - 277VAC 50/60Hz
- Solder-LESS LED Board Connections – Vibration Resistant
- Supplemental 20KA/10KV Surge Protection is standard (for 120-277 VAC models) 10KA/10KV Surge Protection (for 347-480 VAC)



## CATALOG LOGIC



**Example**

= 45W 4PCB WITH 13W EMERGENCY 120 - 277VAC WITH DIFFUSE LENS, 2 FUSES, 2 ACCESS PLATES DIMENSION "B"

**OPTIONS**

- L4-2AP** – APPROX. 4 FOOT WITH 2 ACCESS COVERS (DIMENSION C)
- F** – SINGLE FUSE (1 POLE)
- FF** – TWO FUSES (2 POLE - 2 HOT LEGS)
- S52** – 1 ENDCAP WITH 1X1/2" NPT AND 1XM20 ENTRIES (3/4" NPT PLUGGED)
- D52** – 2 ENDCAPS WITH 1X1/2" NPT AND 1XM20 ENTRIES (3/4" NPT PLUGGED)
- D50** – 2X1/2" NPT ENTRIES 1 END CAP, 3/4" PLUGGED; 2ND END CAP STD. 1X3/4" NPT
- D502** – 2X1/2" ENTRIES 2 END CAPS, 3/4" NPTS PLUGGED
- D20** – 2XM20 ENTRIES 1 END CAP, 3/4" PLUGGED; 2ND END CAP STD. 1X3/4" NPT
- D202** – 2XM20 ENTRIES 2 END CAPS, 3/4" NPTS PLUGGED
- LSP** – LESS SURGE PROTECTOR
- GH** – GRAY HOUSING
- RH** – RED HOUSING
- 2AP** – DUAL ACCESS PLATES (INCREASES LENGTH BY 4.2" [102])
- TBL** – TERMINAL BLOCKS **LOOPING THROUGH WIRING**
- CAH** – CLEAR ANODIZED HOUSING
- 3590** – 3500K (CCT) AND 90 CRI LEDS
- 3070** – 3000K (CCT) AND 70 CRI LEDS

**SPECIALS – CONTACT FACTORY FOR CUSTOM CONFIGURATIONS AND OPTIONS**

**LENS**

- D** – DIFFUSE POLYCARBONATE
- C** – CLEAR POLYCARBONATE

*\*Clear Polycarbonate lens not available in compact "C" fixture sizes.*

### Energy Savings

LED VS FLUORESCENT WATTAGE & DELIVERED LUMENS						
CATALOG NUMBER	LUMENS	L/W	FLUORESCENT		LUMENS	L/W
LAL1830C	2479	138	40W	1x40W BX	2471	63
LAL2830C	3624	129	55W	1x55W BX	3766	65
LAL4530C	5515	122	56W	2x28T5	4676	71
			64W	2x32T8	4772	80
LAL6030C	7709	128	108W	2x54T5HO	8088	67
			120W	2x60T12HO	6965	56
LAL8030C	11032	138	162W	3x54T5HO	11619	65

# LIGHTING LAL/LALXE/LALC SERIES



## ORDERING INFORMATION

ORDERING INFORMATION AND AMBIENT SUITABILITY							C1D2 ABCD/ ZONE 2 IIC, IIB, IIA			C1D2 GRPS. EFG SIMULTANEOUS			C2D1 GRPS. EFG			IEC ZONE 2			IEC ZONE 21		
CATALOG NUMBER W/ DIFFUSE LENS	WEIGHT LBS./KG	WATTS STD. POWER	LENGTH STYLE - INCHES (MM)	VOLTAGE	AMPS	DELIVERED LUMENS DIFFUSE/ CLEAR	40°C	55°C	65°C	40°C	55°C	65°C	40°C	55°C	65°C	40°C	55°C	65°C	40°C	55°C	65°C
LAL1830D	17.9 / 8.1	18	B-32.6 (828)	120-277VAC	0.15 - 0.06	2272 / 2479	T6	T6	T5	T4A	T4A	T4A	T4A	T4A	T4A	T6	T6	T5	T4	T4	T4
LAL2830D	17.9 / 8.1	28	B-32.6 (828)		0.23 - 0.10	3321 / 3624	T6	T6	T5	T4A	T4A	T4A	T4A	T4A	T4A	T6	T6	T5	T4	T4	T4
LAL4530D	17.9 / 8.1	45	B-32.6 (828)		0.38 - 0.16	5054 / 5515	T6	T5	—	T4A	T4A	T4A	T4A	T4A	T4A	T6	T5	T5	T4	T4	T4
LAL6030D	18.9 / 8.6	60	B-32.6 (828)		0.50 - 0.22	7064 / 7709	T6	T5	—	T4A	T4A	—	T4A	T4A	—	T6	T5	—	T4	T4	—
LAL8030D	34.5 / 15.6	80	D-57.9 (1471)	120-277VAC	0.67 - 0.29	10110 / 11032	T6	T5	—	T4A	T4A	—	T4A	T4A	—	T6	T5	—	T4	T4	—
LAL12030D	36.5 / 16.6	120	D-57.9 (1471)	120-277VAC	1.00 - 0.43	15090 / 16467	T6	T5	—	T4A	T4A	—	T4A	T4A	—	T6	T5	—	T4	T4	—
LAL1527D	12.03 / 4.49	15	12-24VDC	1.3-0.6	1503 (Diffuse)	T5	T4A	—	T4A	T4A	—	T4A	T4A	—	T5	T4	—	T4	T4	—	
LAL1530D			120-277VAC	0.15-0.06																	
LAL1534D			120-250VDC	0.2-0.1																	
LAL2027D		20	A-18.73 (476)	12-24VDC	1.7-0.8	2337 (Diffuse)	T5	T5	—	T4A	T4A	—	T4A	T4A	—	T5	T5	—	T4	T4	—
LAL2030D				120-277VAC	0.17-0.08																
LAL2034D				120-250VDC	0.2-0.1																
LAL2527D		25	A-18.73 (476)	12-24VDC	2.1-1.0	3019 (Diffuse)	T5	T4A	—	T4A	T4A	—	T4A	T4A	—	T5	T4	—	T4	T4	—
LAL2530D				120-277VAC	0.18-0.08																
LAL2534D				120-250VDC	0.2-0.1																
LAL3030D		30	A-18.73 (476)	120-277VAC	0.26-0.11	2726 (Diffuse)	T5	T4A	—	T4A	T4A	—	T4A	T4A	—	T5	T4	—	T4	T4	—
LAL3530D					0.30-0.13	3261 (Diffuse)	T5	T4A	—	T4A	T4A	—	T4A	T4A	—	T5	T4	—	T4	T4	—
LAL4030D					0.34-0.15	4152 (Diffuse)	T5	T5	—	T4A	T4A	—	T4A	T4A	—	T5	T5	—	T4	T4	—
LAL4530D	0.38-0.17				5136 (Diffuse)	T5	T5	—	T4A	T4A	—	T4A	T4A	—	T5	T5	—	T4	T4	—	
LAL5030D	0.42-0.18				6039 (Diffuse)	T5	—	—	T4A	—	—	T4A	—	—	T5	—	—	T4	—	—	

CATALOG NUMBER	WEIGHT	WATTS	LENGTH IN / MM	VOLTAGE	AMPS	LUMENS DIFFUSE/ CLEAR	C1D2 ABCD/ ZONE 2 IIC, IIB, IIA		C1D2 GRPS. EFG SIMULTANEOUS		C2D1 GRPS. EFG		IEC ZONE 2		IEC ZONE 21	
							40°C	50°C	40°C	50°C	40°C	50°C	40°C	50°C	40°C	50°C
LAL18E1330D	21.9 / 9.9	18	B-32.6 (828)	120-277VAC	0.15 - 0.06	2272 / 2479	T6	T6	T4A	T4A	T4A	T4A	T6	T6	T4	T4
LAL28E1330D	21.9 / 9.10	28	B-32.6 (828)		0.23 - 0.10	3321 / 3624	T6	T6	T4A	T4A	T4A	T4A	T6	T6	T4	T4
LAL45E1330D	21.9 / 9.11	45	B-32.6 (828)		0.38 - 0.16	5054 / 5515	T6	T5	T4A	T4A	T4A	T4A	T6	T5	T4	T4
LAL60E1330D	21.9 / 9.12	60	B-32.6 (828)		0.50 - 0.22	7064 / 7709	T6	T5	T4A	T4A	T4A	T4A	T6	T5	T4	T4
LAL80E1330D	34.5 / 15.6	80	D-57.9 (1471)	120-277VAC	0.67 - 0.29	10110 / 11032	T6	T5	T4A	T4A	T4A	T4A	T6	T5	T4	T4
LAL80E2630D	44.5 / 20.2															
LAL120E1330D	34.5 / 15.7	120	D-57.9 (1471)	120-277VAC	1.00 - 0.43	15090 / 16467	T6	T5	T4A	T4A	T4A	T4A	T6	T5	T4	T4
LAL120E2630D	44.5 / 20.3															
LALC15E1330D	12.03 / 4.49	15	A-18.73 (476)	120-277VAC	0.15-0.06	1503 (Diffuse)	T5	T4A	T4A	T4A	T4A	T4A	T5	T4	T4	T4
LALC20E1330D		20	A-18.73 (476)		0.17-0.08	2337 (Diffuse)	T5	T5	T4A	T4A	T4A	T4A	T5	T4	T4	T4
LALC30E1330D		30	A-18.73 (476)		0.26-0.11	2726 (Diffuse)	T5	T4A	T4A	T4A	T4A	T4A	T5	T5	T4	T4
LALC40E1330D		40	A-18.73 (476)		0.34-0.15	4152 (Diffuse)	T5	T5	T4A	T4A	T4A	T4A	T5	T5	T4	T4

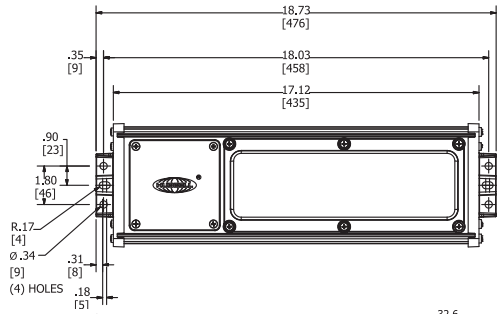




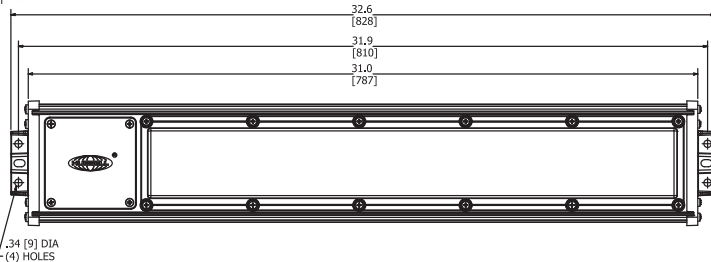
LIGHTING

# LAL/LALXE/LALC SERIES

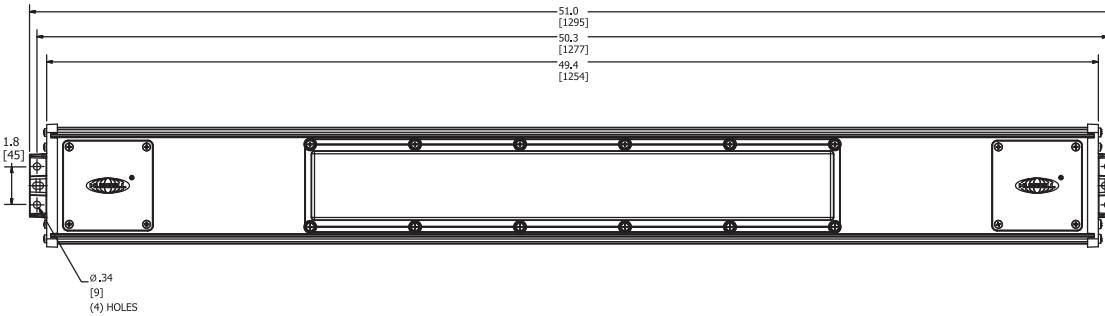
## DIMENSIONS AND ACCESSORIES



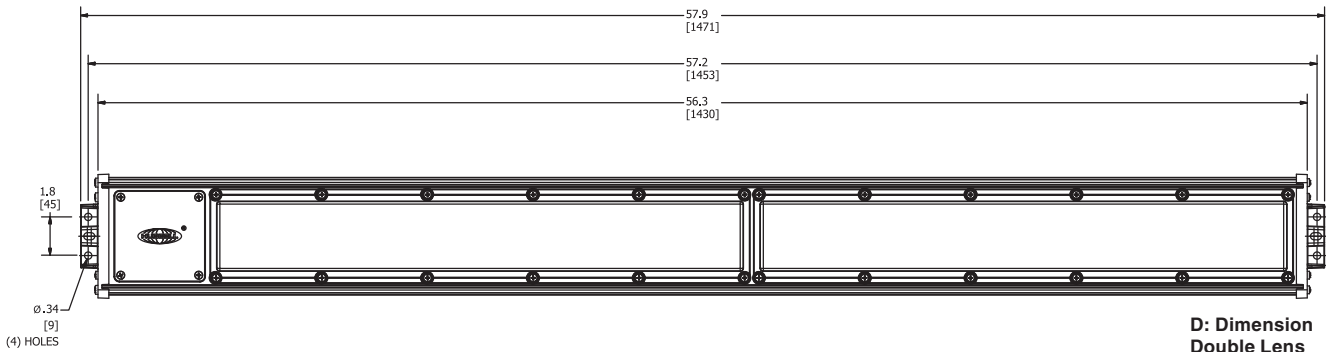
**A: Dimensions for LALC**



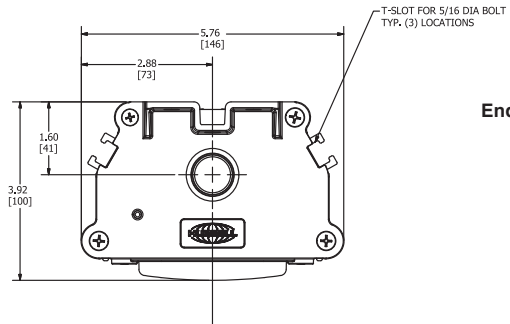
**B: Dimension for Single Lens**



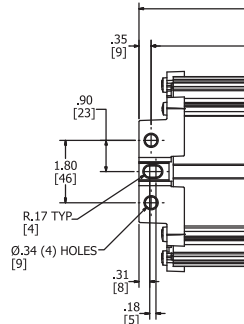
**C: Dimension Single Lens with approx. 4 foot length and 2 access covers**



**D: Dimension Double Lens**



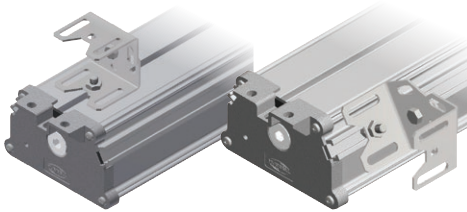
**End Views**





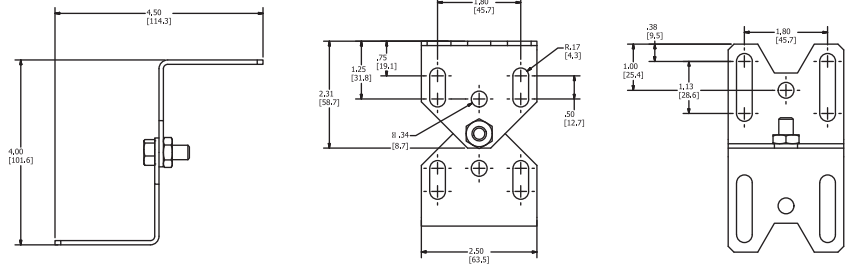
## ACCESSORIES AND REPLACEMENT PARTS

ACCESSORIES AND REPLACEMENT PARTS	
<b>LAL-SB</b>	Swivel Bracket Set w/ Adjustable Height; includes 5/16" bolts/nuts/lock-washers for attachment to LAL(C) "slots"; can also be attached to end cap mounting feet with FBO bolts.
<b>LZCB</b>	Ceiling Bracket Set with Stainless Steel Bolts to attach to LAL(C) "slots"
<b>LZWB</b>	Wall Bracket Set with Stainless Steel Bolts to attach to LAL(C) "slots"
<b>LAL-BC</b>	Steel/malleable Iron with Zinc electroplate for corrosion resistance; includes Stainless Steel Bolts to attach to LAL(C) "slots"
<b>LAL-EB</b>	Eyebolt Set with Stainless Steel Bolts to attach to LAL(C) "slots"
<b>VMSC10</b>	10' Stainless Steel Safety Cable with loop grip
<b>LALG</b>	Stainless Guard for 1 LAL Lens, order two for 2 lens models
<b>LALCG</b>	LALC Stainless Guard
<b>LAL-LENSCLR</b>	Single Clear Lens with Gasket for LAL Series
<b>LAL-LENSDIF</b>	Single Diffuse Lens with Gasket for LAL Series
<b>LALC-LENSDIF</b>	Single Diffuse Lens with Gasket for LALC Series

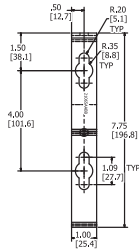
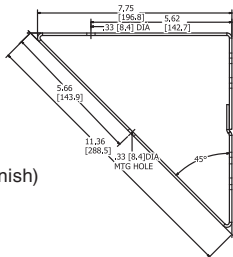


LAL-SB on Center Slot

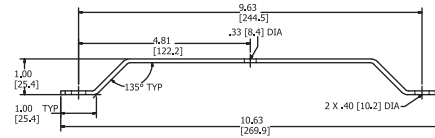
LAL-SB on 45° Slot



**Wall Bracket Set**  
Part Number LZWB  
Stainless Steel (natural finish)



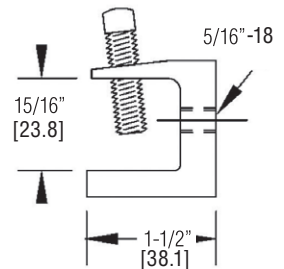
**Ceiling Bracket Set**  
Part Number LZCB  
Stainless Steel (natural finish)



VMSC10 Safety Cable



LAL-BC Beam Clamp





LIGHTING  
**LALFP SERIES**

# LALFP

## Linear LED Food Processing Fixture

Maintenance free  
long-lasting LEDs

NSF Certified with  
Impact Resistant  
polycarbonate lens

All exterior  
stainless steel  
hardware

Large wiring  
access for ease  
of installation

Extremely durable copper-free  
aluminum mounting feet and  
access plate with anodized  
aluminum housing

90 or 180 minute emergency  
with Self-diagnostics in  
accordance with  
NFPA 101® Life Safety Code





LINEAR LED TECHNOLOGY

**LINEAR***LITE*<sup>TM</sup>\*  
\* R marca registrada MEXICO



**Class I, Div. 2, Groups A, B, C, D**  
**Class I, Zone 2, Groups IIC, IIB, IIA**  
**Class II, Div. 1 & 2, Groups E, F, G**  
**AEx nAll, Ex nAll**

**Wet Locations**

**Type 4X**

**IP66/IP67**

**Marine Rated (US only)**

**ABS Type Approval**

**NSF Food Handling (2022)**

 Certified - File LR11713

**IECEX Rated**

**Zone 2 and Zone 21 areas**

**Ex nA IIC T6 to T3, Gc**

**Ex tb IIC T95°C Db**

**Tamb -50°C < Tz < +65°C, IP66**

**IECEX Certificate**

**QPS 15.0010**

**ATEX Certificate**

**CML 15ATEX3082X Iss 2**

**CML 15ATEX4081X Iss 2**

**FEATURES-SPECIFICATIONS**

**Features**

**LALFP & LALFPxiE**

- LALFPxiE models have “built-in” battery backup for 90 or 180 minute battery backup
- Shallow design minimizes profile in work areas with low ceiling heights
- Diffuse Lens Standard to minimize glare; Clear Lens available
- Polycarbonate Single Lens L1 & L3; Double Lens model L5
- Variety of mounting options including swivel brackets, wall, ceiling brackets, or beam clamps
- End Caps each have 2 mounting feet built-in plus a safety strap attachment point
- Standard unit End Caps each have single a 3/4” NPT hub, and fixture is furnished with one 3/4” close-up plug and two 3/4” to 1/2” reducers – provides out of the box 1/2” dead-end to 3/4” feed-through flexibility. Metric openings are available.
- Standard LALFPs have one wiring Access Plate for easy access to terminal block.

**LED Features**

- Many Midpower LEDs blend light to simulate fluorescent tubes
- Chromaticity outputs:  
standard – 5000K 70 CRI  
3590 option – 3500K 90 CRI  
3070 option – 3000K 70 CRI
- 3590 option is not available with the L1 length
- 3070 option is only available on L1 length and the 2 & 4 lumen outputs
- LED Array Life – 100,000+ hours with 70% initial lumens
- Long Fixture Life – 50,000 - 55,000 maintenance free hours

**Materials**

- Housing – one piece clear anodized < .1% copper-free aluminum extrusion
- Endcaps & wiring – Access covers are copper-free (< .4%) aluminum with natural finish.
- External screws are 316 stainless steel
- Lens – Impact resistant polycarbonate lens available in diffuse or clear

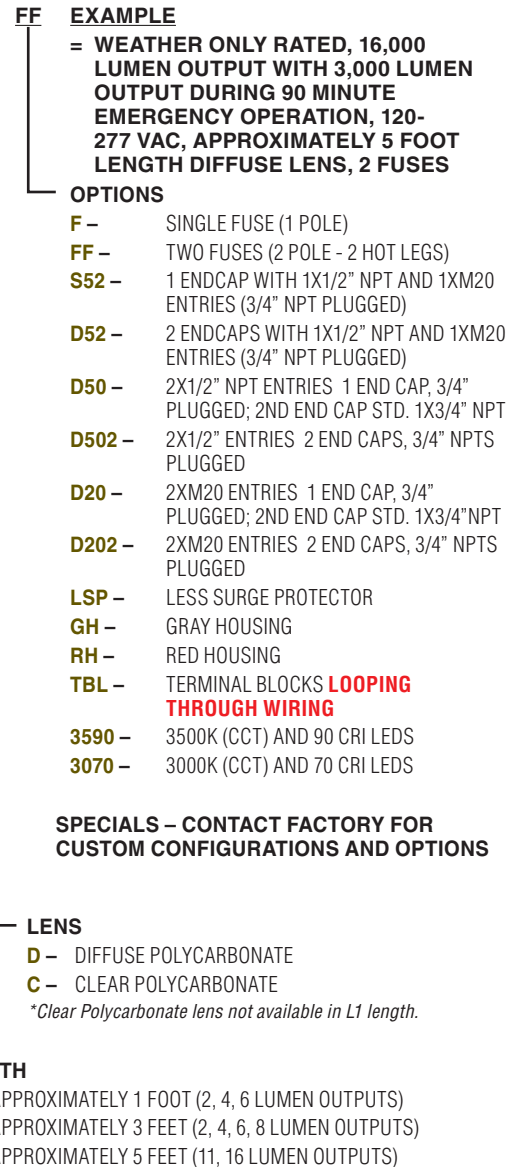
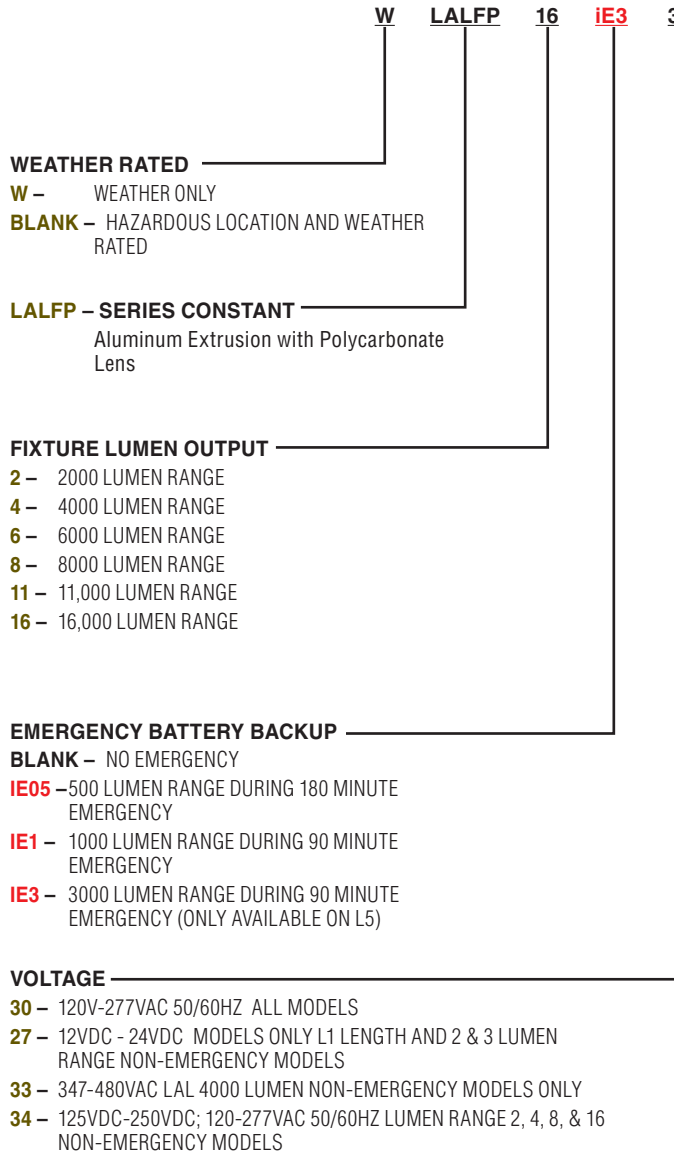
**Electrical Ratings**

- Ambient suitability -40°C to 65°C (see tables). **-20°C to 50°C Ambient suitability for Emergency models.**
- Instant On – Including after power interruption
- World Voltage 120 - 277VAC 50/60Hz
- Solder-LESS LED Board Connections – Vibration Resistant
- Supplemental 20KA/10KV Surge Protection is standard (for 120-277 VAC models) 10KA/10KV Surge Protection (for 347-480 VAC)



# LIGHTING LALFP SERIES

## CATALOG LOGIC



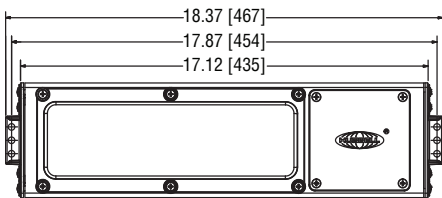
## ENERGY SAVINGS

LED VS FLUORESCENT WATTAGE & DELIVERED LUMENS					
CATALOG NUMBER	LUMENS	L/W	FLUORESCENT	LUMENS	L/W
LALFP230L3C	2479	138	40W 1x40W BX	2471	63
LALFP430L3C	3624	129	55W 1x55W BX	3766	65
LALFP830L3C	7709	128	120W 2x60T12HO	6965	56
LALFP1130L5C	11032	138	162W 3x54T5HO	11619	65

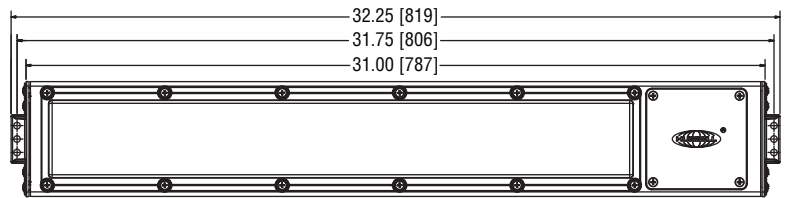


ORDERING INFORMATION / DIMENSIONS

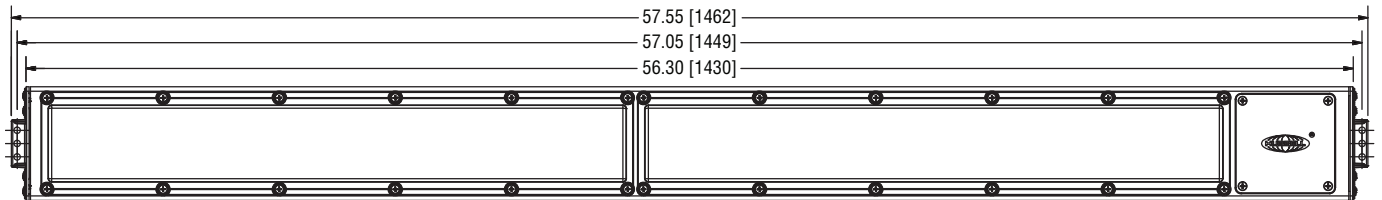
ORDERING INFORMATION AND AMBIENT SUITABILITY							C1D2 A,B,C,D/ ZONE 2 IIC, IIB, IIA			C1D2 E, F, G SIMULTANEOUS			C2D1 E, F, G			IEC ZONE 2			IEC ZONE 21	
CATALOG NUMBER	WEIGHT LBS./KG	WATTS	LENGTH IN / MM	VOLTAGE	AMPS	LUMENS DIFFUSE/CLEAR	40°C	55°C	65°C	40°C	55°C	65°C	40°C	55°C	65°C	40°C	55°C	65°C	40°C	65°C
LALFP230L1D	12.03 / 4.49	15	18.73 / 476	120/277 VAC 50/60 Hz	0.15-0.06	1503 (Diffuse)	T5	T4A	—	T4A	T4A	—	T4A	T4A	—	T5	T4	—	T4	—
LALFP230L3D	17.90 / 8.1	18	32.6 / 828		0.15 - 0.06	2272 / 2479	T6	T6	T6	T4A	T4A	T4A	T4A	T4A	T4A	T6	T6	T5	T4	T4
LALFP230L4D	12.90 / 9.9		51 / 1295		T6		T6	T6	T4A	T4A	T4A	T4A	T4A	T6	T6	T5	T4	T4		
LALFP430L1D	12.03 / 4.49	35	18.73 / 476		0.30-0.13	3261 (Diffuse)	T5	T4A	—	T4A	T4A	—	T4A	T4A	—	T5	T4	—	T4	—
LALFP430L3D	17.90 / 8.1	28	32.6 / 828		0.23 - 0.10	3321 / 3624	T6	T6	T5	T4A	T4A	T4A	T4A	T4A	T4A	T6	T6	T5	T4	T4
LALFP430L4D	12.90 / 9.9		51 / 1295		T6		T6	T5	T4A	T4A	T4A	T4A	T4A	T6	T6	T5	T4	T4		
LALFP630L1D	12.03 / 4.49	45	18.73 / 476		0.38-0.17	5136 (Diffuse)	T5	T4A	—	T4A	T4A	—	T4A	T4A	—	T5	T5	—	T4	—
LALFP630L3D	17.90 / 8.1	45	32.6 / 828		0.38 - 0.16	5054 / 5515	T6	T5	—	T4A	T4A	—	T4A	T4A	—	T6	T5	T5	T4	T4
LALFP630L4D	12.90 / 9.9		51 / 1295		T6		T5	—	T4A	T4A	—	T4A	T4A	—	T6	T5	T5	T4	T4	
LALFP830L3D	17.90 / 8.1	60	32.6 / 828		0.50 - 0.22	7064 / 7709	T6	T5	—	T4A	T4A	—	T4A	T4A	—	T6	T5	—	T4	—
LALFP830L4D	12.90 / 9.9		51 / 1295		T6		T5	—	T4A	T4A	—	T4A	T4A	—	T6	T5	—	T4	—	
LALFP1130L5D	36.50 / 16.6	80	57.9 / 1471		0.67 - 0.29	10110 / 11032	T6	T5	—	T4A	T4A	—	T4A	T4A	—	T6	T5	—	T4	—
LALFP1630L5D	36.50 / 16.6	120	57.9 / 1471		1.00 - 0.43	15090 / 16467	T6	T5	—	T4A	T4A	—	T4A	T4A	—	T6	T5	—	T4	—



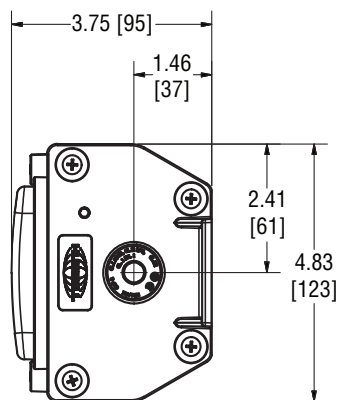
LALFP-L1 Single Access Panel



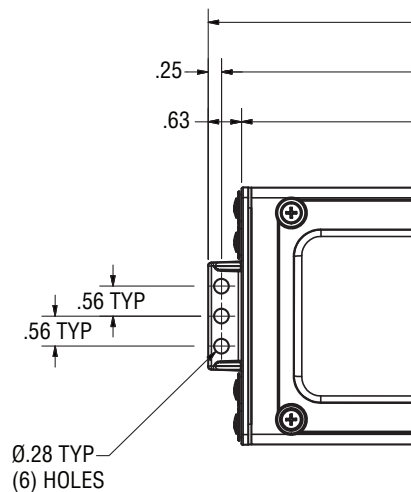
LALFP-L3 Single Access Panel



LALFP-L5 Single Access Panel



End View



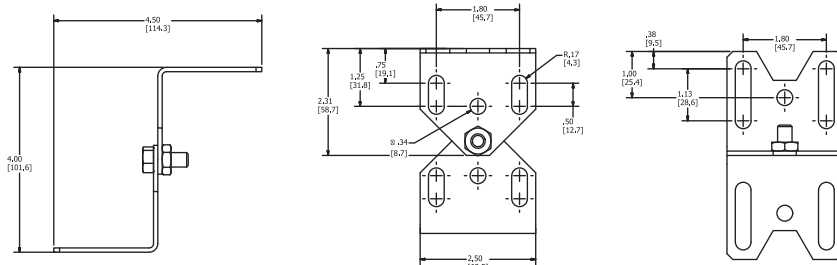




LIGHTING  
**LALFP SERIES**

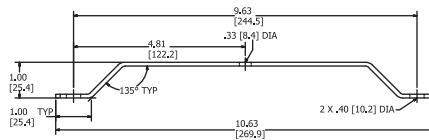
ACCESSORIES AND REPLACEMENT PARTS

ACCESSORIES AND REPLACEMENT PARTS	
LAL-SB	Swivel Bracket Set w/ Adjustable Height; includes 5/16" bolts/nuts/lock-washers for attachment to LAL(C) "slots"; can also be attached to end cap mounting feet with FBO bolts.
LZCB	Ceiling Bracket Set with Stainless Steel Bolts
LZWB	Wall Bracket Set with Stainless Steel Bol
LAL-BC	Steel/malleable Iron with Zinc electroplate for corrosion resistance; includes Stainless Steel Bolts to attach to LAL(C) "slots"
LAL-EB	Eyebolt Set with Stainless Steel Bolts
VMSC10	10' Stainless Steel Safety Cable with loop grip
LALG	Stainless Guard for 1 LAL Lens, order two for 2 lens models
LALCG	LALC Stainless Guard
LAL-LENSCLR	Single Clear Lens with Gasket for L3 & L5 Lengths
LAL-LENSDIF	Single Diffuse Lens with Gasket for L3 & L5 Lengths
LALC-LENSDIF	Single Diffuse Lens with Gasket for L1 Length

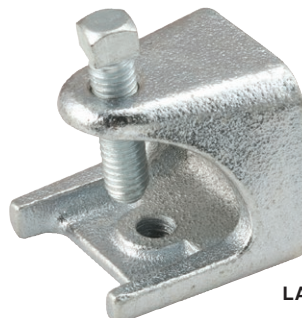


LAL-SB Dimensions – extended shown

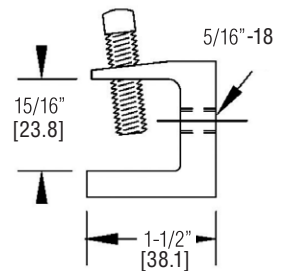
**Ceiling Bracket Set**  
Part Number LZCB  
Stainless Steel (natural finish)

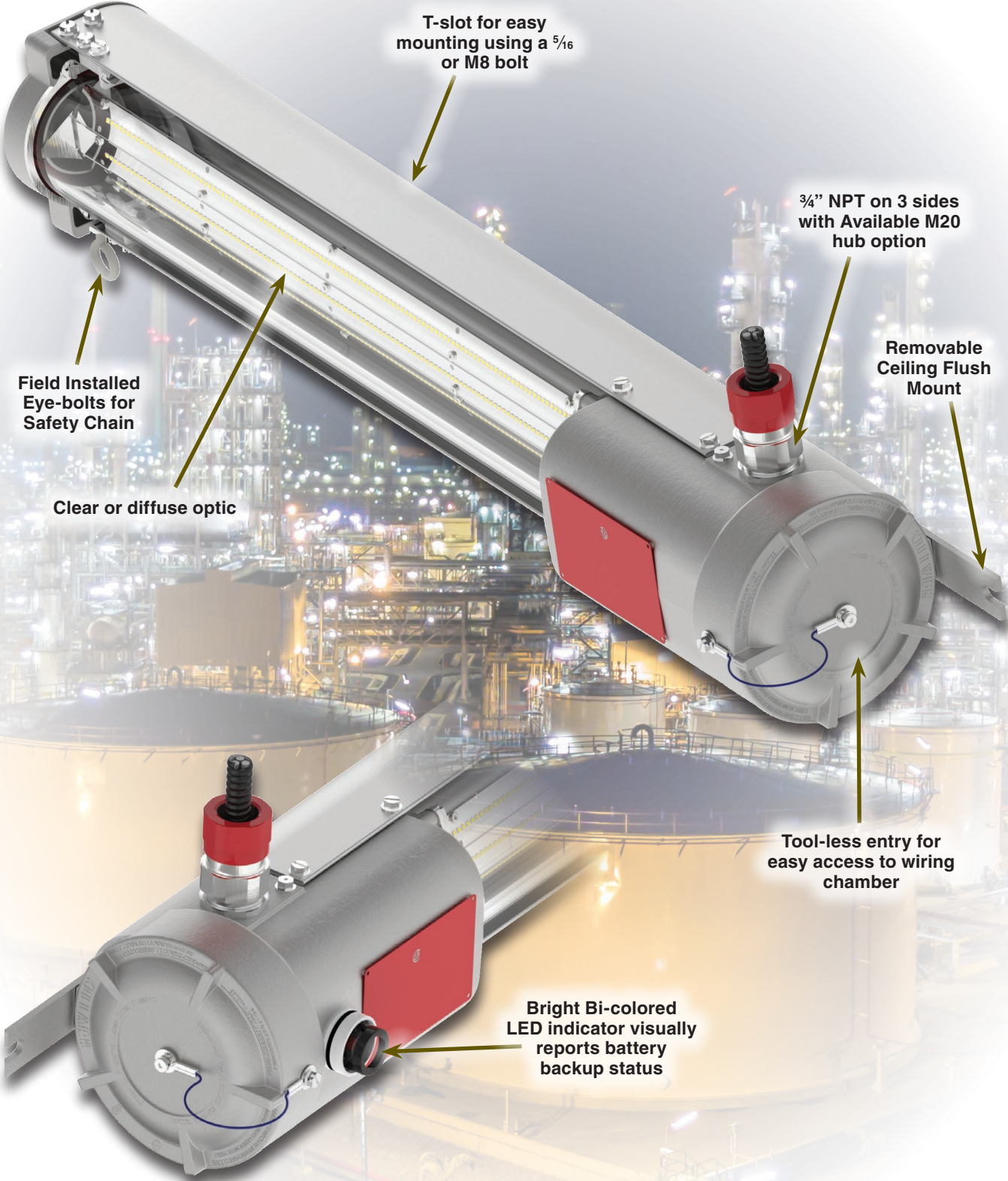


VMSC10 Safety Cable



LAL-BC Beam Clamp





T-slot for easy mounting using a  $\frac{5}{16}$  or M8 bolt

$\frac{3}{4}$ " NPT on 3 sides with Available M20 hub option

Removable Ceiling Flush Mount

Field Installed Eye-bolts for Safety Chain

Clear or diffuse optic

Tool-less entry for easy access to wiring chamber

Bright Bi-colored LED indicator visually reports battery backup status



LIGHTING  
**L1L SERIES**

LED FIXTURES

**LINEARLITE™\***

\* R marca registrada MEXICO



**Class I, Div. 1 & 2, Groups B, C, D**  
**Class I, Zones 1 & 2, Groups IIB, IIA**  
**Class II, Div. 1 & 2, Groups E, F, G**  
**Class III, Div. 1 & 2**

**IP66**

**Suitable for wet locations**

**Suitable for paint spray booths**



File – LR11713



**Zone 1, Zone 21**

**Ex db op is IIB+H2 T6 Gb**

**Ex tb op is IIIC T85°C Db, IP66**

**Tamb:**

**-20°C to +55°C (7-12K Standard)**

**-20°C to +50°C (7-12K Battery**

**Backup)**

**-20°C to +40°C (14K Battery Backup and Standard)**



**IECEx Certificate**

**QPS 19.0005X**

**ATEX Certificate**

**CML 19ATEX1289X**

**FEATURES-SPECIFICATIONS**

**Features**

- Industry-Leading efficacy: up to 153 LPW
- Standard 5000K CCT @ 70 CRI minimum
- Option 3500K CCT @ 90 CRI minimum
- 20kV / 10kA surge protection on standard fixture
- T-slot mounting for the ultimate in easy mounting
- Self-testing and self-diagnostics on battery backup fixtures
- Angled LED boards for wider mounting distances
- Terminal blocks standard
- Low Profile
- Tool-less access to wiring chamber
- Diffuser option available
- 5 year fixture warranty

**Material:**

- Construction is strong lightweight corrosion-resistant copper-free aluminum alloy, less than 4% of 1%
- All external hardware is corrosion resistant 316 stainless steel

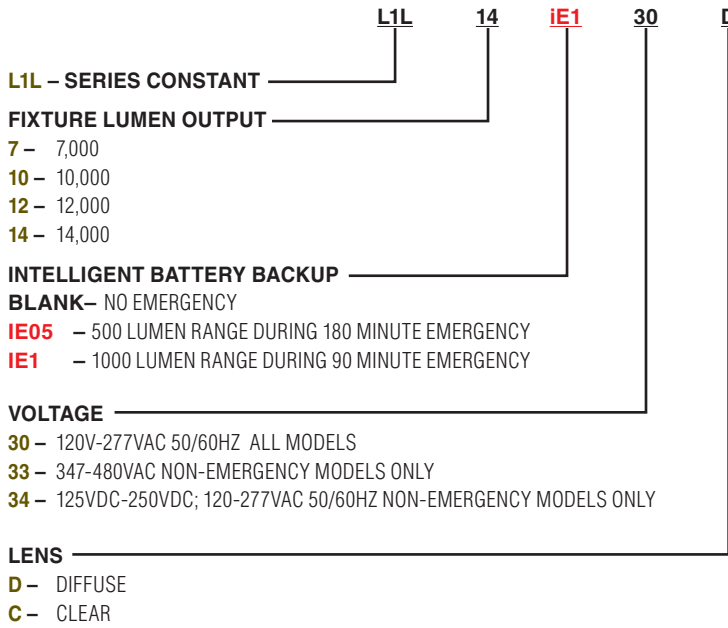
**Electrical Ratings:**

- 125 thru 250 VDC
- 120 thru 277 VAC, 50/60Hz
- 347 thru 480 VAC, 50/60Hz
- 20kV / 10kA surge protection on standard fixture
- Battery Duration: 90mins 10W, 180 mins 5W
- Terminal Size: 10AWG





CATALOG LOGIC / ORDERING INFORMATION



**EXAMPLE**  
= L1L 14,000 LUMEN OUTPUT WITH 1,000 LUMEN OUTPUT DURING 90 MINUTE EMERGENCY OPERATION, 120-277VAC, DIFFUSE LENS, 2 FUSES

**OPTIONS**

- F** – SINGLE FUSE (1 POLE)
- FF** – TWO FUSES (2 POLE - 2 HOT LEGS)
- LSP** – LESS SURGE PROTECTOR
- GH** – GRAY HOUSING
- RH** – RED HOUSING
- WH** – WHITE HOUSING
- TBL** – TERMINAL BLOCKS **LOOPING THROUGH WIRING**
- YH** – YELLOW HOUSING
- 3590** – 3500K LED @ 90 CRI
- D20** – (3) M20 ENTRIES
- D25** – (3) M25 ENTRIES

**SPECIALS – CONTACT FACTORY FOR CUSTOM CONFIGURATIONS AND OPTIONS**

**QUAD - IECEX, ATEX, NEC, & CEC CERTIFIED**

ORDERING INFORMATION AND AMBIENT SUITABILITY						C1D1		C2D1	
CATALOG NUMBER	WEIGHT LBS./KG	WATTS	VOLTAGE	AMPS	DELIVERED LUMENS CLEAR/DIFFUSE	40°C	55°C	40°C	55°C
L1L730D	26/11.8	46	120-277	0.4-0.2	7,147 / 5,598	T6	T6	T6	T5
L1L7IE0530D	28/12.7								
L1L7IE130D	26/11.8								
L1L733D	26/11.8								
L1L734D	26/11.8	75	120-277	0.6-0.3	10,109 / 7,926	T6	T6	T6	T5
L1L1030D	28/12.7								
L1L1033D	26/11.8								
L1L1034D	26/11.8								
L1L1230D	26/11.8	88	120-277	0.7-0.3	11,500 / 8,919	T6	T6	T6	T5
L1L12IE0530D	28/12.7								
L1L12IE130D	26/11.8								
L1L1233D	26/11.8								
L1L1234D	26/11.8	93	120-277	0.8-0.3	13,800 / 10,649	T6	-	T6	-
L1L1430D	28/12.7								
L1L14IE0530D	26/11.8								
L1L14IE130D	26/11.8								
L1L1433D	26/11.8	88	347-480	0.3-0.2					
L1L1434D	26/11.8								
L1L1430D	26/11.8	88	105-250	0.8-0.4					
L1L1433D	26/11.8								
L1L1434D	26/11.8	93	347-480	0.3-0.2					
L1L1433D	26/11.8								
L1L1434D	26/11.8	93	105-250	0.9-0.4					
L1L1433D	26/11.8								
L1L1434D	26/11.8	93	105-250	0.9-0.4					
L1L1433D	26/11.8								



LIGHTING  
**L1L SERIES**

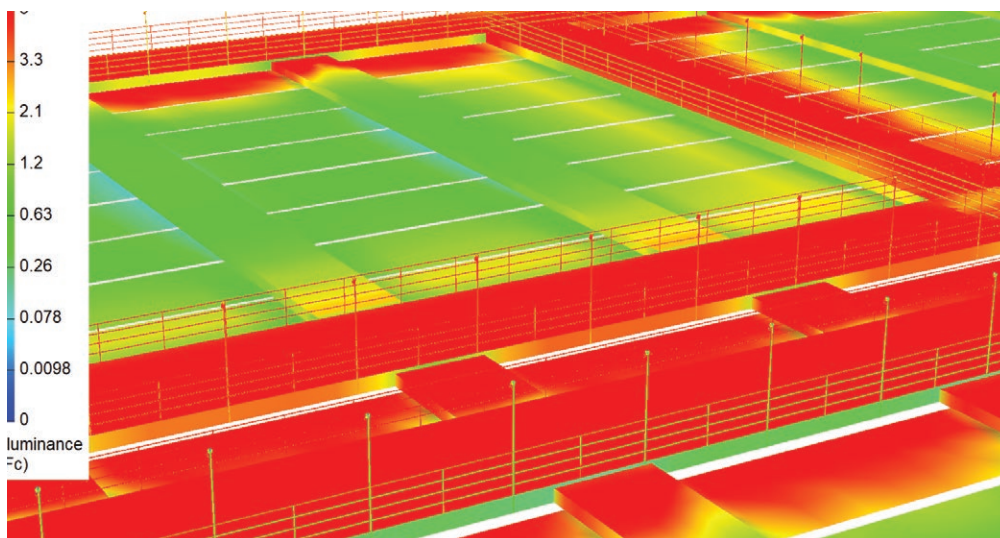
## HIGH WATTAGE SELF-TESTING BATTERY BACKUP

### Electronics Includes:

- Self-diagnostics monitors LED status, LED driver circuit, battery capacity and charger function and displays any fault detection by means of a flashing code
- Self-Test feature automatically runs a 1 minute test once a month and an alternating 30-60 minute test once every 6 months. LED indicator provides visible fault detection and charging status
- 15 minute re-transfer delay
- Automatic unit transfer in brown-out conditions (below 80% of nominal AC input voltage)

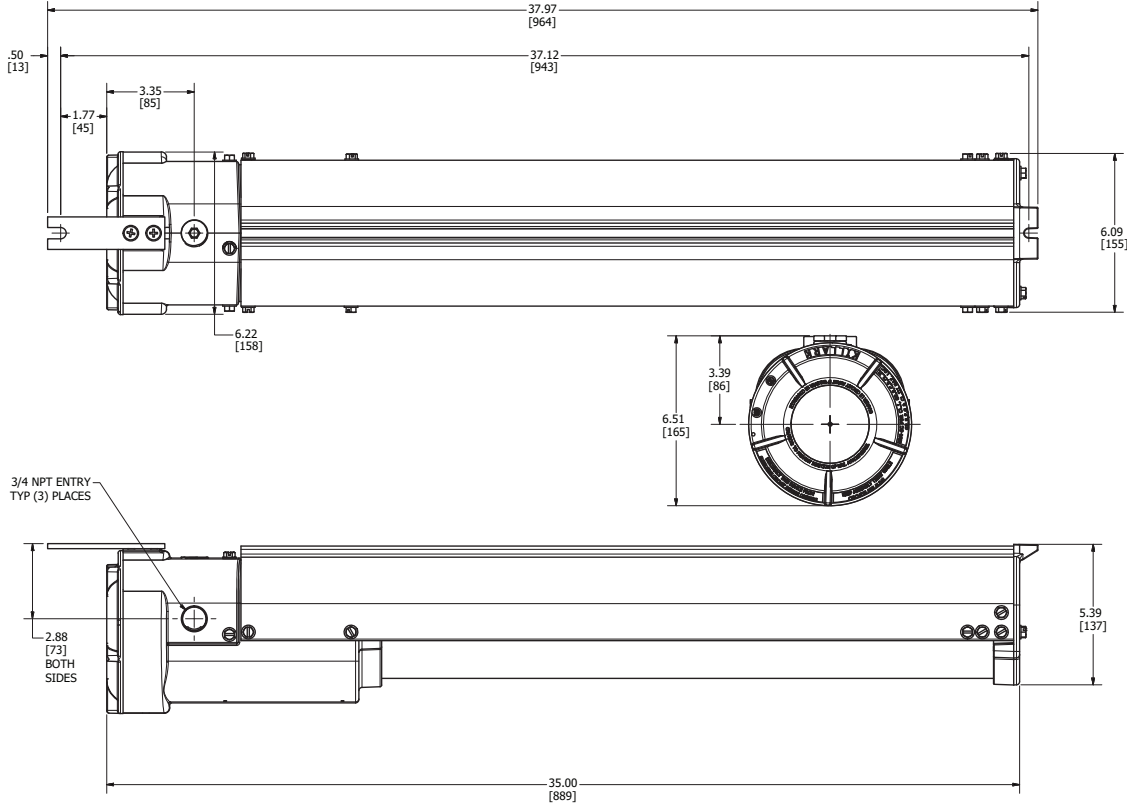
TEST SWITCH INDICATOR STATUS	
LED INDICATORS STATUS	EM DRIVER STATUS/MODE
Solid Green	System OK/AC OK (Self-diagnostic Enabled or Disabled).
Slow Flashing Red, 4s on/1s off	Battery not detected, check battery switch or connection.
Flashing Red, 1s on/1s off	Battery Failure, replace battery.
Flashing Green, 1s on/1s off	Self Diagnostic test underway.
Fast Flashing Red, 0.1s on/0.1s off	Abnormal driver performance, replace driver.
Very Slow Flashing Red, 4s on/4s off	Over temperature.
None. Both LEDs OFF	Normal working in EM mode.
Green/Red alternative flashing, 1s green/1s red	No load or output over voltage protection triggered.

### LED BATTERY BACKUP LIGHTING DESIGN

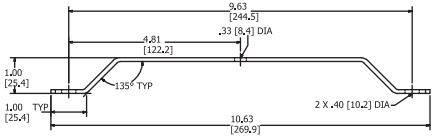




DIMENSIONS



**Ceiling Bracket Set**  
Part Number LZCB  
Stainless Steel (natural finish)

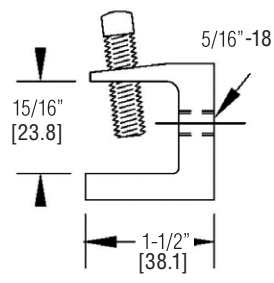


L1L-GUARD



VMSC10 Safety Cable

ACCESSORIES



LAL-BC Beam Clamp

Class I, Div. 1 & 2, Groups B, C, D  
Class III, Div. 1 & 2, Groups E, F, G  
Class III  
Type 3, 4X  
IP66

**FACTORY SEALED**



HKB - GL PHOTO CELLS	
CATALOG NUMBER ①	VOLTS
VMHKXPC1	120VAC
VMHKXPC2	208-277VAC
VMHKXPC3	347VAC

① 40°C ambient, T3 Rated





LIGHTING

# LOWBAY & HIGHBAY LIGHTING







COMPACT SIZE – INTRODUCTION

**LINEAR<sup>LITE</sup>**™\*

\* R marca registrada MEXICO



**Class I, Div. 2, Groups A,B,C,D**  
**Class I, Zone 2, Groups IIC,IIB,IIA**  
**Class II, Div. 1 & 2, Groups E,F,G**  
**Class III**  
**Suitable for wet locations**  
**Marine Rated (US only)**  
**Type 3, 4X**

 Certified - File LR11713

**FEATURES-SPECIFICATIONS**

**Features**

- Compact in Size with Traditional Industrial Appearance and Suitability
- Wide variety of optics including globes, globes with reflectors, all-glass refractors, and spin-top refractors
- Optional Mounting arrangements including Pendant, Wall, Ceiling, and Stanchion
- MBL LED Housings can be retrofitted to existing MB splice boxes; upgrade from Fluorescent or HID
- Warm LED color option available with 3070 option
- Energy Savings – Less than 50 Watts of Power
- LED Array Life – 100,000+ hours with 70% initial lumens

**Materials**

- Housing, splice box and guards (MBAG, VMAG) corrosion resistant copper-free aluminum alloy
- Baked powder epoxy/polyester finish, electrostatically applied for complete, uniform corrosion protection
- All external hardware - stainless steel
- Reflectors - Polyester reinforced fiberglass

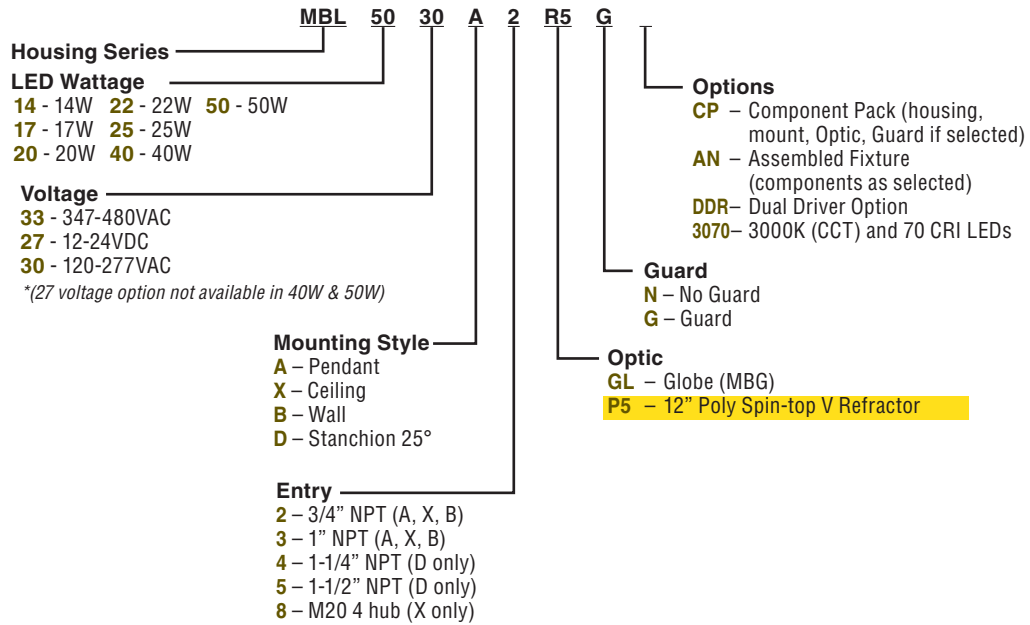
**Electrical Ratings**

- Long Fixture Life – 50,000 - 55,000 maintenance free hours
- Crisp White Light for Excellent Color Rendering - Chromaticity 5000°K (CCT); 70 CRI
- Ambient suitability -40°C to 40°C (to 55°C for 14W to 22W)
- Instant on – Including after power interruption
- “World Voltage” 120-277VAC 50/60Hz
- Solder-LESS LED Board Connections – Vibration Resistant
- Supplemental 20KA/10KV Surge Protection is standard (for 120-277 VAC models) 10KA/10KV Surge Protection (for 347-480 VAC)



LIGHTING  
**MBL SERIES**

CATALOG LOGIC



COMPACT SIZE – RATINGS, SPECIAL AIMING ANGLES

ORDERING INFORMATION AND AMBIENT SUITABILITY					C1D2 OPTIC ONLY		ABCD W/ REFLECTOR		C2D1 OPTIC ONLY		EFG W/ REFLECTOR	
CATALOG NO.	WEIGHT LBS./KG	WATTS	VOLTAGE	AMPS	40°C	55°C	40°C	55°C	40°C	55°C	40°C	55°C
MBL1427	10.00 / 4.54	14	12-24VDC	1.17-0.58	T5	T4A	T4	T3B	T4A	T4A	T4A	T4A
MBL1430			120-277VAC	0.12-0.05								
MBL1434			120-250VDC	0.12-0.04								
MBL1727		17	12-24VDC	1.42-0.71	T5	T5	T5	T5	T4	T4	T4	T4
MBL1730			120-277VAC	0.14-0.06								
MBL1734			120-250VDC	0.14-0.06								
MBL2027		20	12-24VDC	1.67-0.83	T5	T5	T5	T5	T4	T4	T4	T4
MBL2030			120-277VAC	0.17-0.07								
MBL2034			120-250VDC	0.17-0.06								
MBL2227		22	12-24VDC	1.83-0.92	T4A	T4	T4A	T4	T4	T4	T4	T4
MBL2230			120-277VAC	0.18-0.08								
MBL2234			120-250VDC	0.18-0.07								
MBL2527		25	12-24VDC	2.08-1.04	T5	T5	T5	T5	T4	T4	T4	T4
MBL2530			120-277VAC	0.21-0.09								
MBL2534	120-250VDC		0.21-0.08									
MBL4030	15.5 / 7.03	40	120-277VAC	0.33-0.14	T5	—	T5	—	T4	—	T4	—
MBL5030		50	120-277VAC	0.42-0.18	T5	—	T5	—	T4	—	T4	—



## COMPACT SIZE – COMPONENTS

MB MOUNTING BRACKETS				
PENDANT	CATALOG NUMBER			HUB SIZE
	CEILING	WALL	STANCHION	
MBA-2	MBX-2	MBB-2	—	3/4"
MBA-3	MBX-3	MBB-3	—	1"
—	MBX-8	—	—	M20
—	—	—	MBD-4	1-1/4"
—	—	—	MBD-5	1-1/2"

MBL LED OPTICS AND ACCESSORIES		
DESCRIPTION	OPTIC LOGIC	GUARD
Globe (glass)	MBG (GL)	MBAG
Refractor polycarbonate (spin -top) 12" Type V	VZRP175 (P5)	VMRWGS
Reflector for MBG Globe - DOME	VMPSD-17	NA
Reflector for MBG Globe - ANGLE	VMPA-17	NA
120VAC Photocell with FS Style Cover	VMFSPC1	NA
208-277VAC Photocell with FS Style Cover	VMFSPC2	NA
3-sided EXIT Accessory (use without guard)	VEXA100B	NA



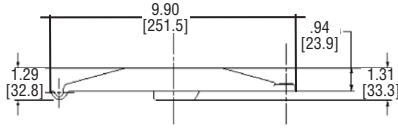
TYPICAL WEIGHTS (LBS.) W/STANDARD GLOBE AND GUARD - MBL SERIES				
14-25W	Pendant 14.96	Ceiling 15.96	Wall 19.30	Stanchion 16.83
40-50W	Pendant 20.96	Ceiling 21.69	Wall 25.30	Stanchion 22.83

DELIVERED LUMENS	
WATTS	MBL + MBG
14	910
20	1785
22	1365
25	2485
40	3625
50	5824

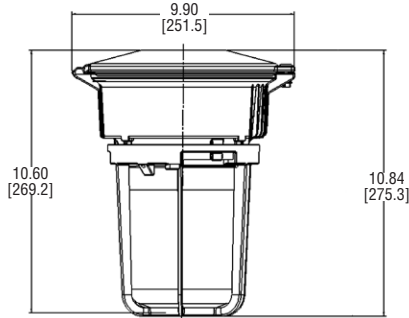


LIGHTING  
**MBL SERIES**

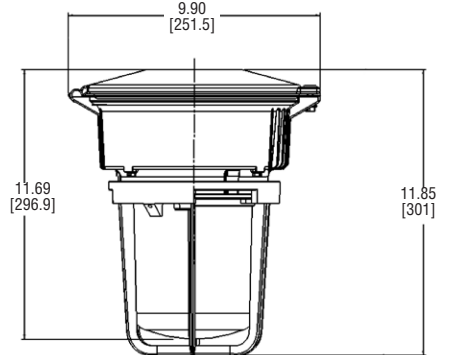
COMPACT SIZE – DIMENSIONS & WEIGHTS



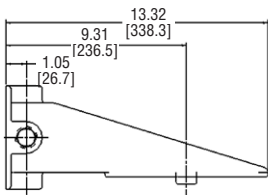
**MBA Pendant**



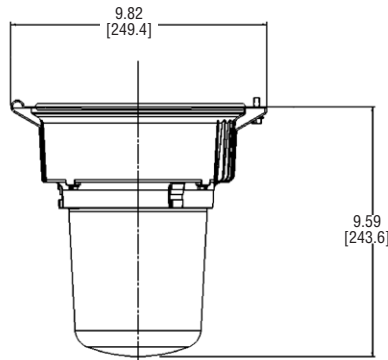
**MBL Pendant, Globe, Guard**



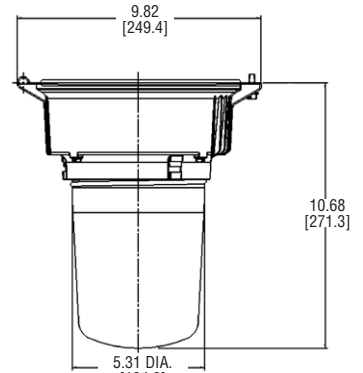
**MBL Pendant, Refractor, Guard**



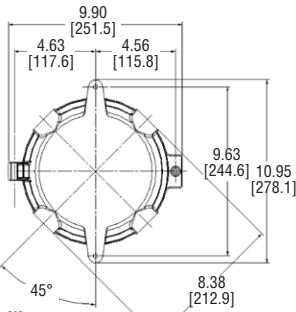
**MBB Wall Mount**



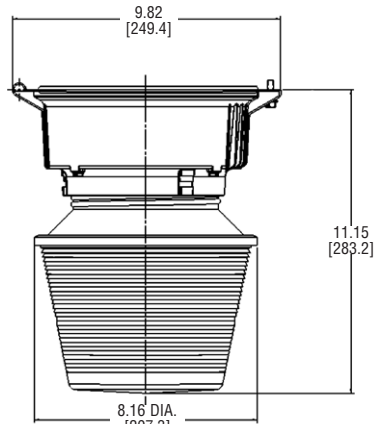
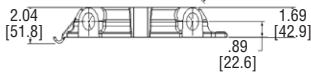
**MBL & MBG Globe Only**



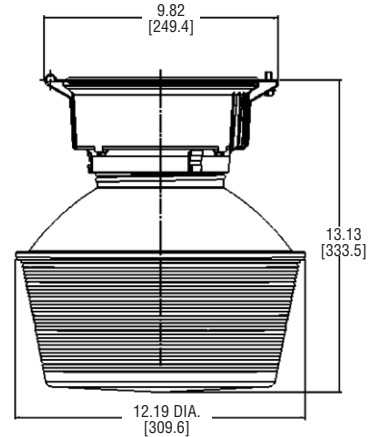
**MBL & VMR Refractor**



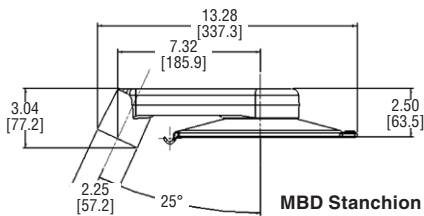
**MBX Ceiling**



**MBL & 8" Type V Spin-top**



**MBL & 12" Type V Spin-top**



**MBD Stanchion**

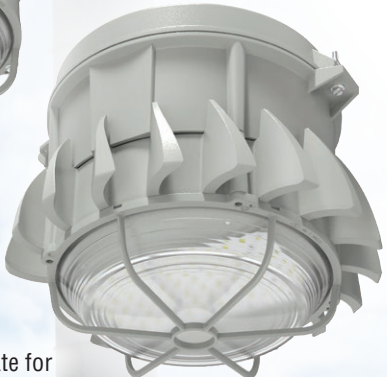




Same mounts as the legacy Killark VM Series for ease of retrofitting



Barrel nut for easy one hand installation



Separate driver plate for thermal separation for improved driver life

Globe and guard already installed, reducing installation costs

Optional self-testing emergency battery backup

Cage clamp terminals with loop in-loop out functionality for faster installation

Standard surge of 6KVA/6KA  
 Optional Additional Surge protector

OPTIC PATTERN ▼

Type I Optic Pattern



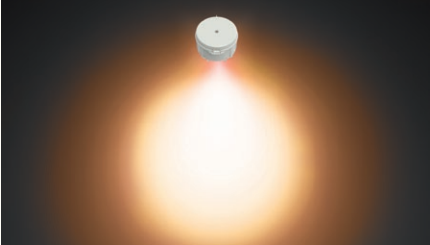
5000K – Noon Day Sun Light

Type III Optic pattern



Green – for Migratory Birds

Type V Optic Pattern



Amber – for Marine Life

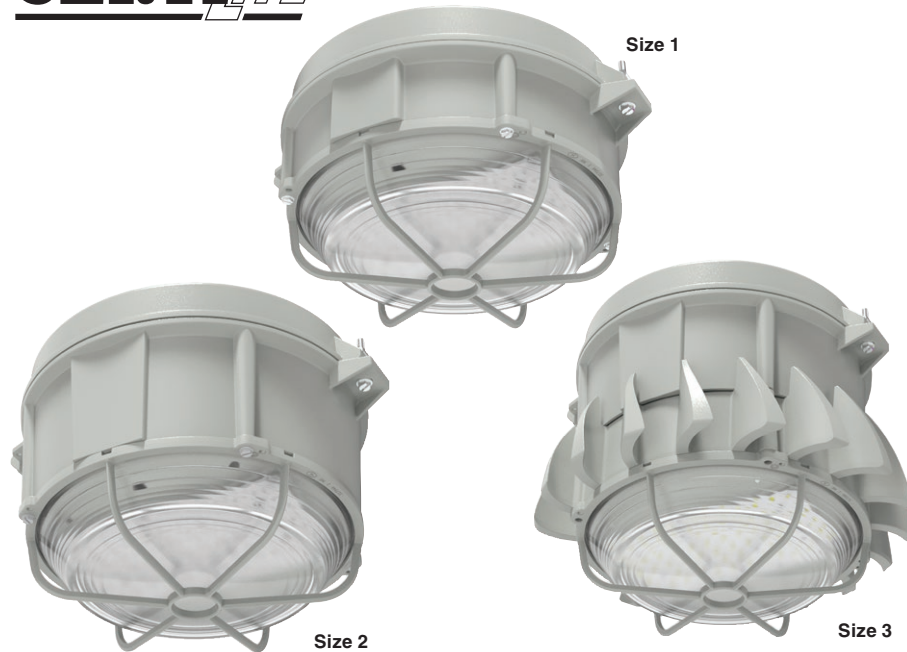
▲ LED COLOR OPTIONS



LIGHTING  
**VMLX SERIES**

INTRODUCTION

**CERTILITE®**



Class I, Div. 2, Groups A,B,C,D  
Class I, Zone 2, Groups IIC, IIB, IIA  
Class II, Div. 1 & 2, Groups E,F,G  
Class III  
Suitable for wet locations  
Type 3, 4X  
IP66  
Marine Rated (US only)

IECEX Rated (Zone 2)  
Ex ec IIC T4/T3 Gc  
Ex tb IIIC T4/T3 Db

Ambient Suitability -40°C to 65°C  
(see tables). -20°C to 50°C for  
Emergency models



IECEX Certificate  
QPS 15.0006



ATEX Certificate  
QPS22ATEX7000

**FEATURES-SPECIFICATIONS**

**Features**

- Traditional Photometric Performance
- Refractor options for Type I, III, and V
- VML-X Housing can be retrofitted to existing VM splice boxes for easy installation
- Retro fit adapters for various manufacturers mounts
- LED Array Life – 100,000+ hours with 70% initial lumens
- Chromaticity outputs:
  - » 5000K 70CRI Cool CCT
  - » 3000K 95CRI Warm CCT
- Wildlife Friendly color options
  - » Amber – Helps protect marine wildlife
  - » PC Amber – Phosphate coated Amber
  - » Green – Helps protect migratory birds
- Surge Protection
- Globe and guard are supplied assembled to the tank
- Self-testing and Self-diagnostics on battery back up fixtures
- Terminal blocks fitted as standard
- Reduced Storage Footprint

**Materials**

- Housing, Splice box and Guards corrosion resistant copper-free aluminum alloy
- Baked Powder epoxy/polyester finish, electrostatically applied for complete, uniform corrosion protection
- All external hardware - stainless steel
- Reflectors – White Polycarbonate
- Standard Glass Globe
- Optional Polycarbonate Globe

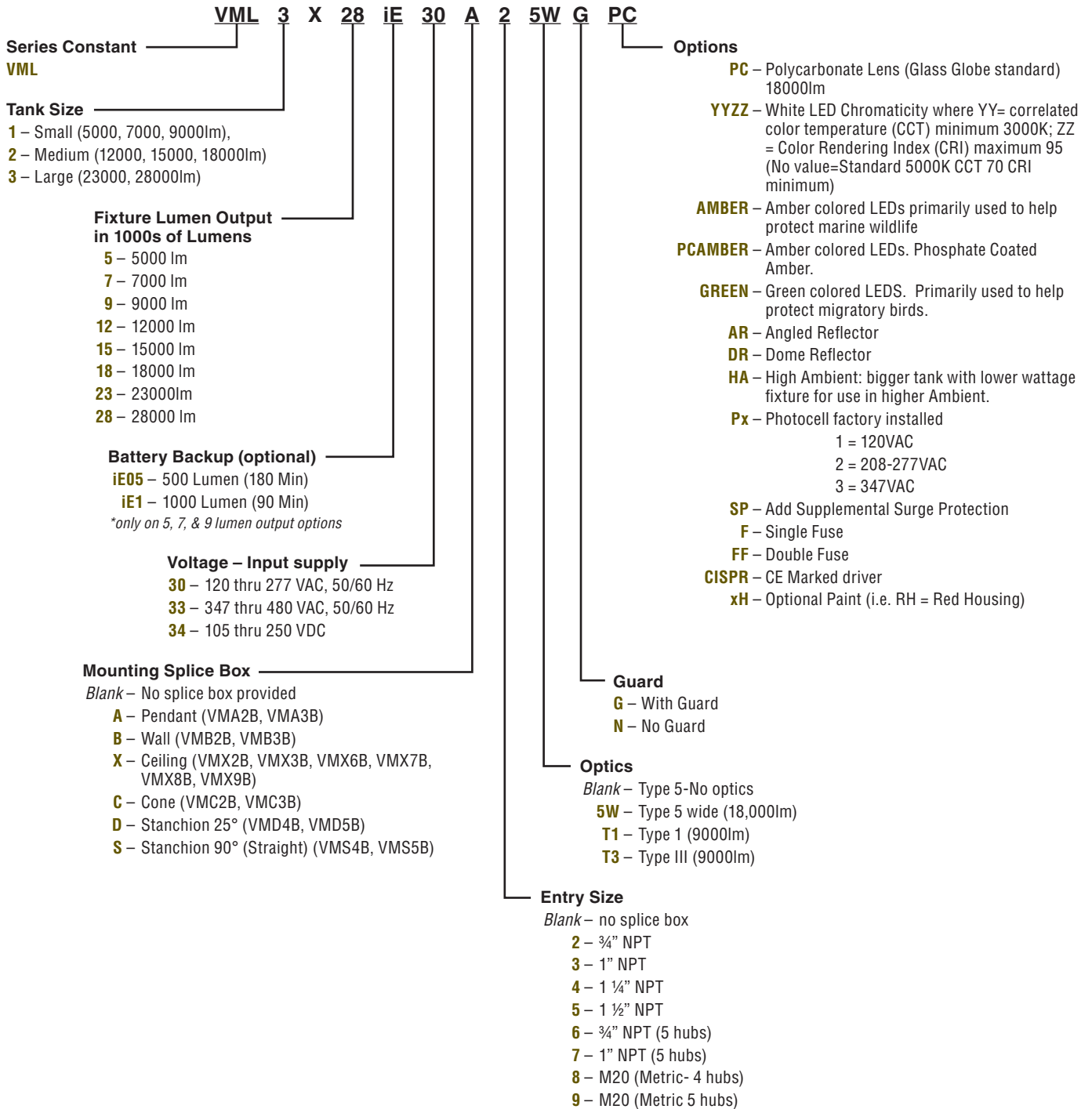
**Electrical Ratings**

- 110 thru 250 VDC
- 120 thru 277 VAC, 50/60Hz
- 347 thru 480 VAC, 50/60Hz
- Surge Protection: 6KV/6KA surge protection as standard.
- Optional supplementary 20KA/10KV (120-277 VAC), 10KA/10KV (347-480 VAC) Surge Protection
- Battery Duration: 90mins 10W, 180 mins 5W
- Terminal Size: 12AWG /4mm (Loop In-Loop Out)



## CATALOG LOGIC

The complete luminaire catalog number is as follows:





LIGHTING

# VMLX SERIES

VML-X TEMPERATURES										
CATALOG NUMBER	WEIGHT	WATTAGE	VOLTAGE	AMPS	CLASS I, DIV. 2 GROUPS A,B,C & D; (ZONE 2, GROUPS IIC, IIB, IIA)2			CLASS II, DIV. 1		
					40°C (75°C WIRE)	55°C (90°C WIRE)	65°C (90°C WIRE)	40°C (75°C WIRE)	55°C (90°C WIRE)	65°C (90°C WIRE)
VML1X530	10.8	40	120-277 VAC	0.33-0.14	T4A	T4A	—	EFG	EFG	—
VML1X533			347-480 VAC	0.12-0.08						
VML1X534			120-250 VDC	0.33-0.16						
VML1X730	10.8	55	120-277 VAC	0.46-0.20	T4A	T4A	—	EFG	EFG	—
VML1X733			347-480 VAC	0.16-0.11						
VML1X734			120-250 VDC	0.46-0.22						
VML1X930	10.8	75	120-277 VAC	0.63-0.27	T4A	T4A	—	EFG	EFG	—
VML1X933			347-480 VAC	0.22-0.16						
VML1X934			120-250 VDC	0.36-0.30						
VML2X1230	13.4	100	120-277 VAC	0.83-0.36	T4	T4	—	EFG	EFG	—
VML2X1233			347-480 VAC	0.29-0.21						
VML2X1234			120-250 VDC	0.83-0.40						
VML2X1530	13.4	120	120-277 VAC	1.00-0.43	T4	T4	—	EFG	EFG	—
VML2X1533			347-480 VAC	0.35-0.25						
VML2X1534			120-250 VDC	1.00-0.48						
VML2X1830	13.4	140	120-277 VAC	1.17-0.51	T4	T4	—	EFG	EFG	—
VML2X1833			347-480 VAC	0.40-0.29						
VML2X1834			120-250 VDC	1.17-0.56						
VML3X2330	25.3	200	120-277 VAC	1.67-0.72	T3C	T4A	—	EFG	EFG	—
VML3X2333			347-480 VAC	0.58-0.42						
VML3X2334			120-250 VDC	1.67-0.80						
VML3X2830	25.3	250	120-277 VAC	2.08-0.90	T3C	T4A	—	EFG	EFG	—
VML3X2833			347-480 VAC	0.72-0.52						
VML3X2834			120-250 VDC	2.08-1.00						
VML2X530 HA	13.4	40	120-277 VAC	0.33-0.14	T4A	T4A	T4A	EFG	EFG	EFG
VML2X533 HA			347-480 VAC	0.12-0.08						
VML2X534 HA			120-250 VDC	0.33-0.16						
VML2X730 HA	13.4	55	120-277 VAC	0.46-0.20	T4A	T4A	T4A	EFG	EFG	EFG
VML2X733 HA			347-480 VAC	0.16-0.11						
VML2X734 HA			120-250 VDC	0.46-0.22						
VML2X930 HA	13.4	75	120-277 VAC	0.63-0.27	T4A	T4A	T4A	EFG	EFG	EFG
VML2X933 HA			347-480 VAC	0.22-0.16						
VML2X934 HA			120-250 VDC	0.63-0.30						
VML3X1230 HA	25.3	100	120-277 VAC	0.83-0.36	T4A	T4A	T4A	EFG	EFG	EFG
VML3X1233 HA			347-480 VAC	0.29-0.21						
VML3X1234 HA			120-250 VDC	0.83-0.40						
VML3X1530 HA	25.3	120	120-277 VAC	1.00-0.43	T4A	T4A	T4A	EFG	EFG	EFG
VML3X1533 HA			347-480 VAC	0.35-0.25						
VML3X1534 HA			120-250 VDC	1.00-0.48						
VML3X1830 HA	25.3	140	120-277 VAC	1.17-0.51	T4A	T4A	T4A	EFG	EFG	EFG
VML3X1833 HA			347-480 VAC	0.40-0.29						
VML3X1834 HA			120-250 VDC	1.17-0.56						

DELIVERED LUMENS										
CATALOG NUMBER	GLASS GLOBE									POLYCARBONATE
	5000K 70CRI LEDS	TYPE 5 WIDE OPTIC	TYPE 3 OPTIC	TYPE 1 OPTIC	ANGLED REFLECTOR	DOME REFLECTOR	GREEN LED	AMBER LED	3000K 80CRI LEDS	CLEAR GLOBE
VML1X5(XX)(YY)	5295	5002	4803	4868	4560	4802	3694	—	4871	5353
VML1X7(XX)(YY)	7101	6708	6441	6528	6116	6440	4030	1890	6532	7179
VML1X9(XX)(YY)	9884	9338	8966	9087	8513	8964	4368	—	9093	9992
VML2X12(XX)(YY)	14046	13305	—	—	12049	12645	7005	2859	12922	14200
VML2X15(XX)(YY)	16359	15496	—	—	14033	14727	7642	—	15050	16538
VML2X18(XX)(YY)	18733	17745	—	—	16070	16865	—	—	17234	18939
VML3X23(XX)(YY)	23090	—	—	—	19807	20787	—	—	21242	—
VML3X28(XX)(YY)	28275	—	—	—	24424	25446	—	—	26013	—





## ACCESSORIES



### CERTILITE® VM MOUNTING SPLICE BOXES

HUB SIZE	CATALOG NUMBER							
	PENDANT	FLEXIBLE PENDANT	CEILING 4 HUB	CEILING 5 HUB	WALL	CONE TOP	25 DEGREE STANCHION	90 DEGREE STANCHION
3/4"	VMA2B	VMF2B	VMX2B	VMX6B	VMB2B	VMC2B	—	—
1"	VMA3B	VMF3B	VMX3B	VMX7B	VMB3B	VMC3B	—	—
1-1/4"	—	—	—	—	—	—	VMD4B	VMS4B
1-1/2"	—	—	—	—	—	—	VMD5B	VMS5B
M-20	—	—	VMX8B**	VMX9B	—	—	—	—

\*VMEZA is used between a ballast tank and an EZ mount-ordered separately.

\*\*VMX8B furnished with 3 non-metallic (EEX) plugs.



#### “EZ” Mount Adapter

For easy fixture relocation or to repair fixture on 'bench top'.

VMEZA adapter is used between a driver tank and EZ mount ordered separately.



### MOUNTING BOXES

CATALOG NUMBER				HUB SIZE
PENDANT	CEILING	BRACKET	STANCHION	
EZA2	EZX2	EZB3	—	3/4"
EZA3	EZX3	EZB3	—	1"
—	—	—	EZD4A	1-1/4" / 1/2"*

\*1-1/2" furnished with 1-1/2"-1-1/4" reducer and extension.

### Competitive Adapters

Designed to ease upgrading of other manufacturer's fixtures to KILLARK LEDs where removal of existing mounting screws and conduit would be difficult and time consuming.

### ACCESSORIES

CATALOG NUMBER	DESCRIPTION
VMLXGL	Globe (glass)
VMLXPC	Globe (polycarbonate)
VMLXGRD	Guard
VMLXDR	Dome Reflector
VMLXAR	Angle Reflector
VMFSPC1	120VAC Photocell with FS Style Cover
VMFSPC2	208-277VAC Photocell with FS Style Cover
VMSC10	10ft Stainless Steel Safety Cable with loop grip
HUB2PC120	Field Installed 120VAC Photocell
HUB2PC227	Field Installed 208-277VAC Photocell
HUB2PC347	Field Installed 347VAC Photocell





LIGHTING  
**VMLX SERIES**

HIGH WATTAGE SELF-TESTING BATTERY BACKUP



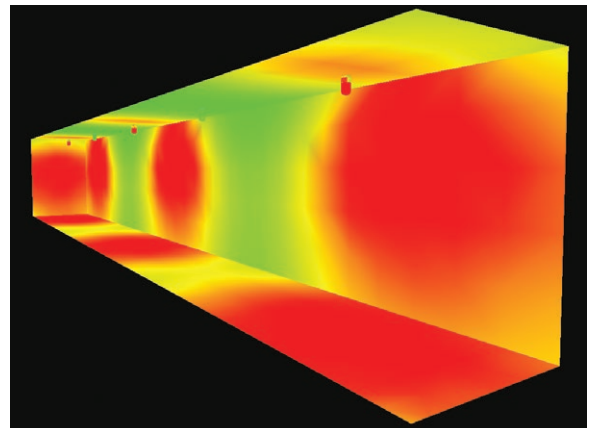
Optional self-testing  
emergency battery backup

**Electronics Includes:**

- Self-diagnostics monitors LED status, LED driver circuit, battery capacity and charger function and displays any fault detection by means of a flashing code
- Self-Test feature automatically runs a 1 minute test once a month and an alternating 30-60 minute test once every 6 months. LED indicator provides visible fault detection and charging status
- User initiated 1, or 90-minute system test feature
- 15 minute re-transfer delay
- Automatic unit transfer in brown-out conditions (below 80% of nominal AC input voltage)
- 90 or 180 minute run time options.

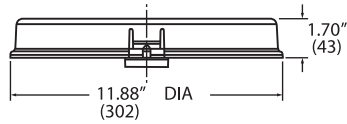
TEST SWITCH INDICATOR STATUS	
LED INDICATORS STATUS	EM DRIVER STATUS/MODE
Solid Green	System OK/AC OK (Self-diagnostic Enabled or Disabled).
Slow Flashing Red, 4s on/1s off	Battery not detected, check battery switch or connection.
Flashing Red, 1s on/1s off	Battery Failure, replace battery.
Flashing Green, 1s on/1s off	Self Diagnostic test underway.
Fast Flashing Red, 0.1s on/0.1s off	Abnormal driver performance, replace driver.
Very Slow Flashing Red, 4s on/4s off	Over temperature.
None. Both LEDs OFF	Normal working in EM mode.
Green/Red alternative flashing, 1s green/1s red	No load or output over voltage protection triggered.

**LED Battery Backup Lighting Design**

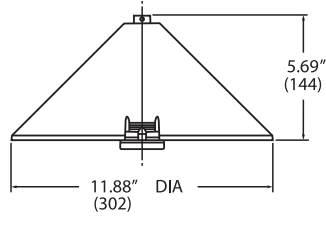




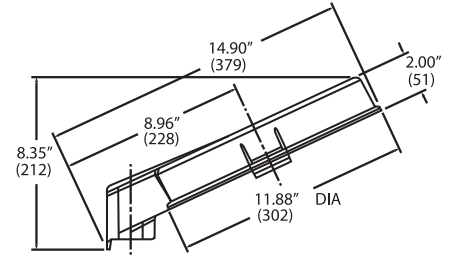
DIMENSIONS



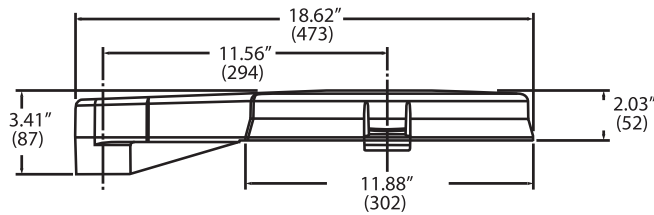
Pendant Mount



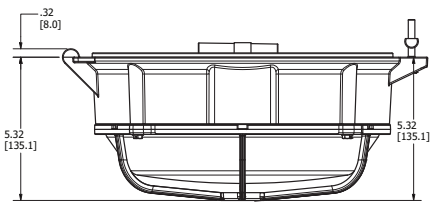
Cone Mount



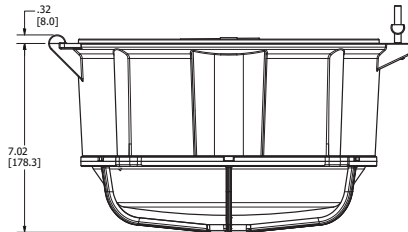
Stanchion(25°) Mount



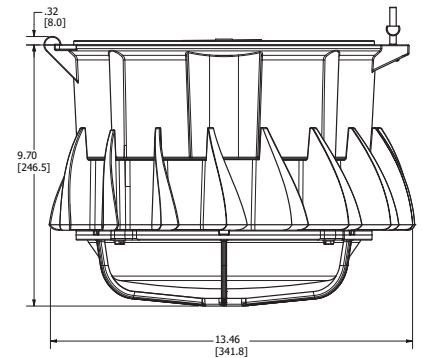
Stanchion(0°) Mount



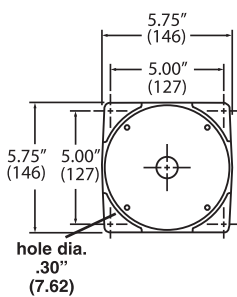
Size 1



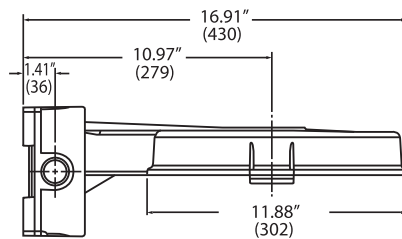
Size 2



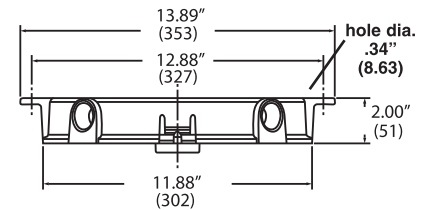
Size 3



Wall Bracket Mount



Ceiling Mount





LIGHTING  
**VMLX SERIES**

**CERTiTE V LED**

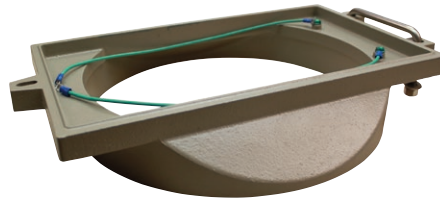
FIXTURE ADAPTERS



VMCHVM-DEEP



VMCHVM



VMGEH2

Class I, Div. 2, Groups A, B, C, D  
Class II, Div. 1, Groups E, F, G  
Class III  
Type 4X



**FEATURES-SPECIFICATIONS**

**Applications**

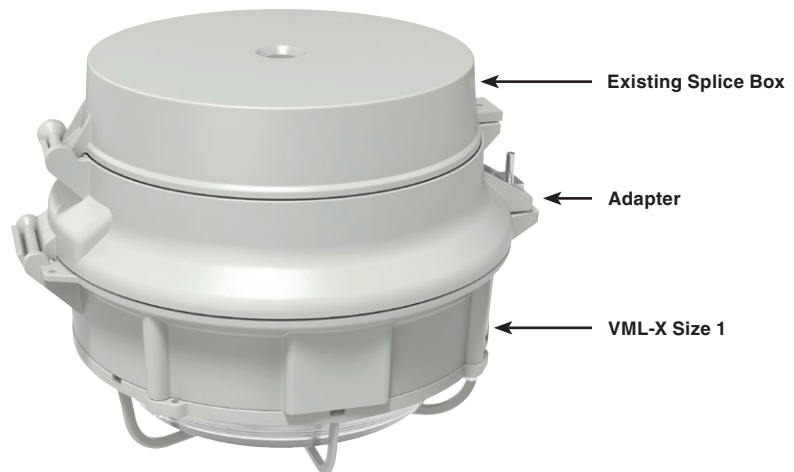
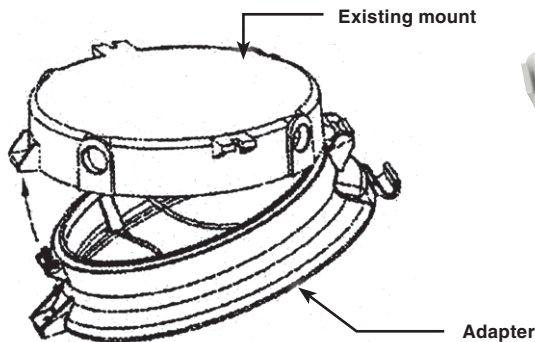
The Killark VM adapters are designed to ease upgrading of other manufacturer's fixtures to KILLARK LEDs where removal of existing mounting screws and conduit would be difficult and time consuming.

Adapters are used with the Killark VML-X fixture and the competitive splice box. The Killark fixtures, when used with the Killark adapters and appropriate competitive splice box, will maintain all hazardous and environmental ratings.

VM SERIES COMPETATIVE ADAPTERS		
CATALOG NUMBER	DESCRIPTION	EXAMPLE OF MODEL UTILIZED OR REPLACED
VMCHVM	Tank adapter to Crouse-Hinds® VM Series mounts	VMV S2 C 050 R5
VMCHVM-DEEP	Tank adapter to CH (70's era wall mount with deep box)	VMV S2 TW 050 R5
VMM2LP	Tank adapter to Appleton® MERCMaster II mounts	LPCL 50 75 J
VMM3KP	Tank adapter to Appleton® MERCMaster III mounts	KPCL 50 75 J5 MT
VMHLDS	Tank adapter to Hazlux®3 mounts	DS015 H040-TGL-P2 E1 F
VMHPP2	Tank adapter mount to Holophane® Petrolux™	PETL 250HP 27 S25 CD
VMGEH2	Tank adapter H2 mount to GE® H2 Filtr-gard™	H2 4 05L 3C GG

**Features**

- Fixture and competitive mount are certified together
- Baked powder epoxy/polyester finish, electrostatically applied to match the Killark VM tank
- All external hardware – Stainless Steel







EXPLOSION-PROOF – INTRODUCTION & LOGIC

**HOSTILE/ITE® LED**



Class I, Div. 1 & 2, Groups C,D  
 Class I, Zones 1 & 2, Groups IIB, IIA  
 Class II, Div. 1 & 2, Groups E,F,G  
 Class III, Div. 1 & 2  
 Suitable for wet locations  
 Suitable for Paint Spray Booth  
 Marine Rated (US only)  
 Type 3, 4, 4X  
 Factory Sealed

 Certified - File LR11713

**FEATURES-SPECIFICATIONS**

**Features**

- Compact Explosion-proof with Traditional Industrial Appearance and Suitability
- Fluted; Dome or Angle Reflectors
- Optional Mounting arrangements including Pendant, Wall, Ceiling, and Stanchion
- EML LED Housings can be retrofitted to existing EZ splice boxes; upgrade from Incandescent, Fluorescent or HID
- Energy Savings – Less than 55 Watts of Power
- LED Array Life – 100,000+ hours with 70% initial lumens
- Long Fixture Life – 50,000 - 55,000 maintenance free hours
- Crisp White Light for Excellent Color Rendering – Chromaticity 5000K (CCT range; approx. 70 CRI)
- Instant on – Including after power interruption

- Solder-LESS LED Board Connections – Vibration Resistant
- Factory Sealed Construction – No external seal required, simply wire mouting cap and thread-in fixture to install
- **Warm LED color option available with 3070**

**Materials**

- Housing, splice box and guards corrosion resistant copper-free aluminum alloy
- Baked powder epoxy/polyester finish, electorstatically applied for complete, uniform corrosion protection
- All external hardware – Stainless Steel
- Reflectors are aluminum with white finish

**Electrical Ratings**

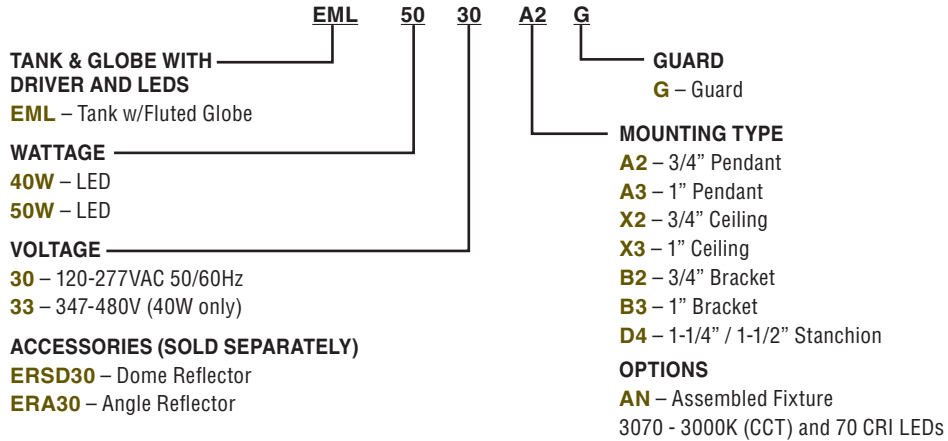
- Ambient suitability -40°C to 55°C
- “World Voltage” 120-277VAC 50/60Hz

Suitable for Paint Spray Booth Applications



# LIGHTING EML SERIES

## EXPLOSION-PROOF – LOGIC, COMPONENTS, AND RATINGS

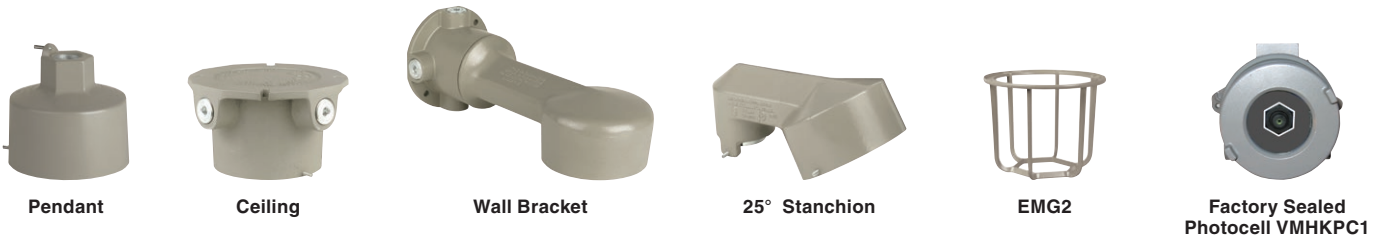


### ORDERING INFORMATION AND AMBIENT SUITABILITY

CATALOG NO.	WEIGHT LBS./KG	WATTS	VOLTAGE	AMPS	EML FLUTED LUMENS	EMLC CLEAR LUMENS	C1D1/C1Z1		C2D1	
							40°C	55°C	40°C	55°C
EML4030	26.00 / 11.79	40	120-277VAC	0.46-0.16	3479	3750	T6	T6	T4A (EFG)	T4 (EFG)
EML4033			347-480VAC	0.14-0.10			T6	T6	T4A (EFG)	T4 (EFG)
EML5030		50	120-277VAC	0.43-0.18	5740	5741	T6	T6	T4A (EFG)	T4 (EFG)

### TYPICAL WEIGHTS (LBS.) W/STANDARD GLOBE AND GUARD - EML (C) SERIES

Pendant 29.33	Ceiling 31.79	Wall 33.25	Stanchion 30.94
---------------	---------------	------------	-----------------



### EZ MOUNTING BRACKETS

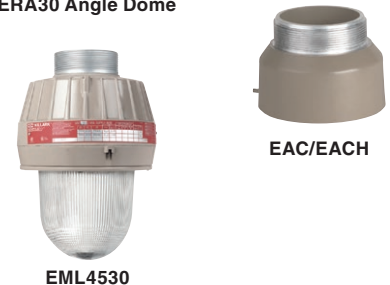
CATALOG NUMBER				HUB SIZE
PENDANT	CEILING	WALL	STANCHION	
EZA2	EZX2	EZB2	—	3/4"
EZA3	EZX3	EZB3	—	1"
—	—	—	EZD4*	1-1/4" / 1-1/2"*

\* 1-1/2" furnished with 1-1/2" - 1-1/4" reducer



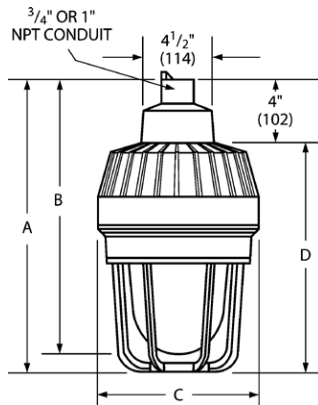
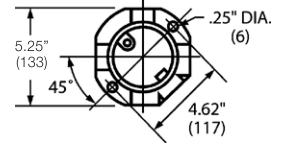
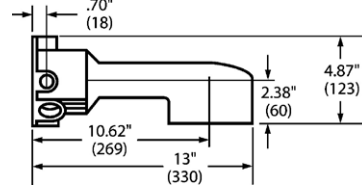
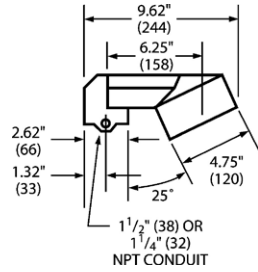
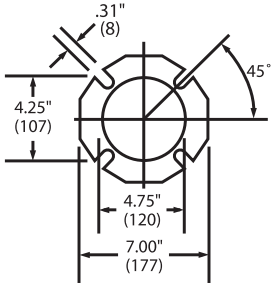
### EML - EMLC LED ACCESSORIES

DESCRIPTION	CATALOG NUMBER
Guard	EMG2
Dome Reflector	ERSD30
Angle Reflector	ERA30
C1D1 C2D1 N4X Photocell 120VAC	VMHKPC1
C1D1 C2D1 N4X Photocell 208-277VAC	VMHKPC2
Replacement Fluted Globe & Support	EMGS3
Replacement Clear Globe & Support	EMGS2
Adapter to old Killark "H" Series or Crouse Hinds®	EAC/EACH

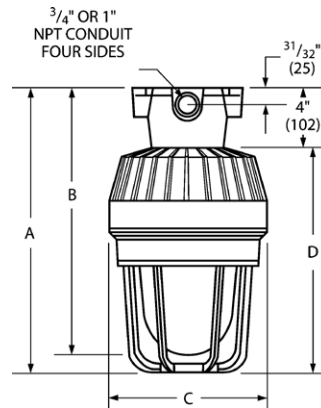




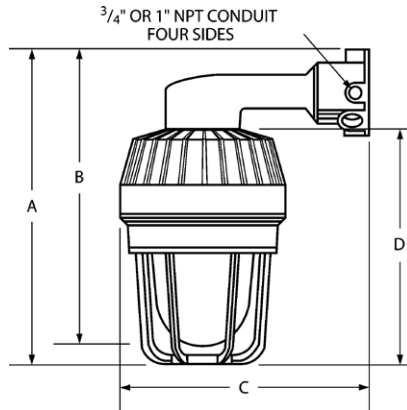
EXPLOSION-PROOF – DIMENSIONS & WEIGHTS



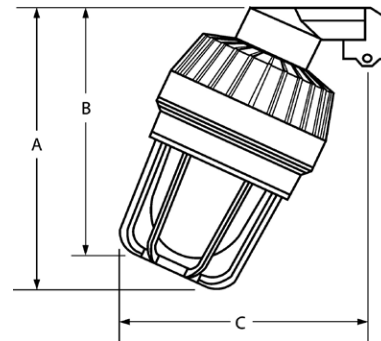
Pendant



Ceiling



Wall



25° Stanchion

**EML(C) DIMENSIONS**

TYPE	A	B	C	D
PENDANT	15-15/16" (404)	15-1/16" (382)	8-13/16" (224)	11-15/16" (303)
CEILING	15-15/16" (404)	15-1/16" (382)	8-13/16" (224)	11-15/16" (303)
WALL	16-13/16" (426)	15-15/16" (404)	15" (379)	11-15/16" (303)
STANCHION	15-1/8" (384)	14" (356)	13-1/2" (343)	



LIGHTING  
**EZL SERIES**

EXPLOSION-PROOF – INTRODUCTION & LOGIC

**HOSTILE<sup>ELITE</sup> LED**



**Class I, Div. 1 & 2, Groups C,D**  
**Class I, Zones 1 & 2, Groups IIB, IIA**  
**Class II, Div. 1 & 2, Groups E,F,G**  
**Class III, Div. 1 & 2**  
**Suitable for wet locations**  
**Suitable for Paint Spray Booth**  
**Marine Rated (US only)**  
**Type 3, 4, 4X**  
**Factory Sealed**

 Certified - File LR11713

**FEATURES-SPECIFICATIONS**

**Features**

- Explosion-proof with Traditional Industrial Appearance and Suitability
- Mounting choice – Pendant, ceiling, 25° stanchion or 90° wall mount, all with “wireless” design that allows fast, easy fixture installation or removal for maintenance.
- Accessories – Available with or without guard, standard dome or angle reflector
- EZL LED Housings can be retrofitted to existing EZ splice boxes; upgrade from Incandescent, Fluorescent or HID
- Energy Savings – Less than 130 Watts of Power
- LED Array Life – 100,000+ hours with 70% initial lumens
- Long Fixture Life – 50,000 - 55,000 maintenance free hours
- Crisp White Light for Excellent Color Rendering – Chromaticity 5000K (CCT range; approx. 70 CRI)
- Instant on – Including after power interruption
- Solder-LESS LED Board Connections – Vibration Resistant
- Factory Sealed Construction – No external seal required, simply wire mounting cap and thread-in fixture to install
- **Warm LED color option available with 3070**

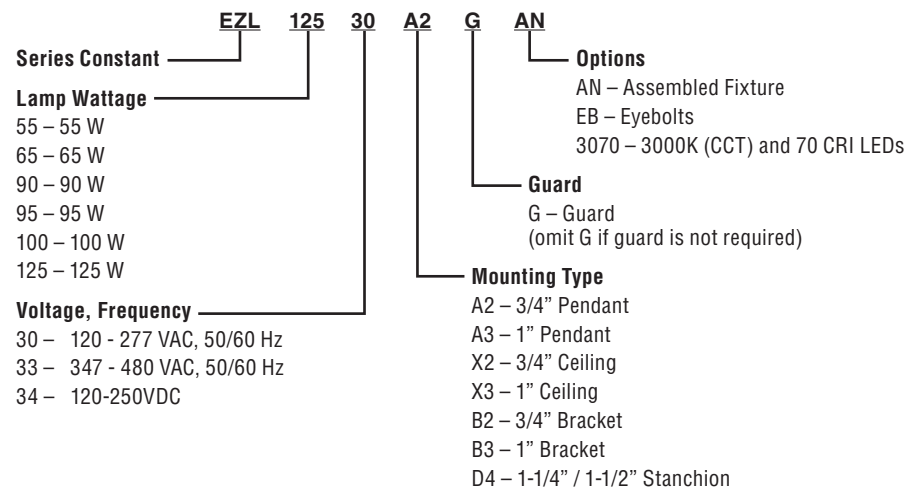
**Materials**

- Housing, splice box, and guards corrosion resistant copper-free aluminum alloy
- Baked powder epoxy/polyester finish, electrostatically applied for complete, uniform corrosion protection
- All external hardware – Stainless Steel
- Reflectors are aluminum with white finish

**Electrical Ratings**

- Ambient suitability -40°C to 55°C
- “World Voltage” 120-277VAC 50/60Hz

**CATALOG NUMBER LOGIC**







EXPLOSION PROOF – ORDERING INFORMATION, COMPONENTS & RATINGS



**ORDERING INFORMATION AND AMBIENT SUITABILITY**

CATALOG NO.	WEIGHT LBS./KG	WATTS	VOLTAGE	AMPS	DELIVERED LUMENS	C1D1/C1Z1		C2D1	
						40°C	55°C	40°C	55°C
EZL5530	36 / 16.33	55	120-277VAC	0.46/0.20	5596	T6	T6	EFG	EFG
EZL6530		65	120-277VAC	0.54/0.23	6515	T6	T6	EFG	EFG
EZL9030		90	120-277VAC	0.75/0.32	7818	T6	T6	EFG	EFG
EZL9530		95	120-277VAC	0.79/0.34	9121	T6	T6	EFG	EFG
EZL10030		100	120-277VAC	0.83/0.36	10903	T6	XXX	EFG	XXX
EZL12530		125	120-277VAC	1.04/0.45	12720	T6	XXX	EFG	XXX

**MOUNTING BOXES**

HUB SIZE	CATALOG NUMBER			
	PENDANT	CEILING	BRACKET	STANCHION
3/4"	EZA2	EZX2	EZB2	—
1"	EZA3	EZX3	EZB3	—
1-1/4"/1-1/2"	—	—	—	EZD4



**REFLECTORS**

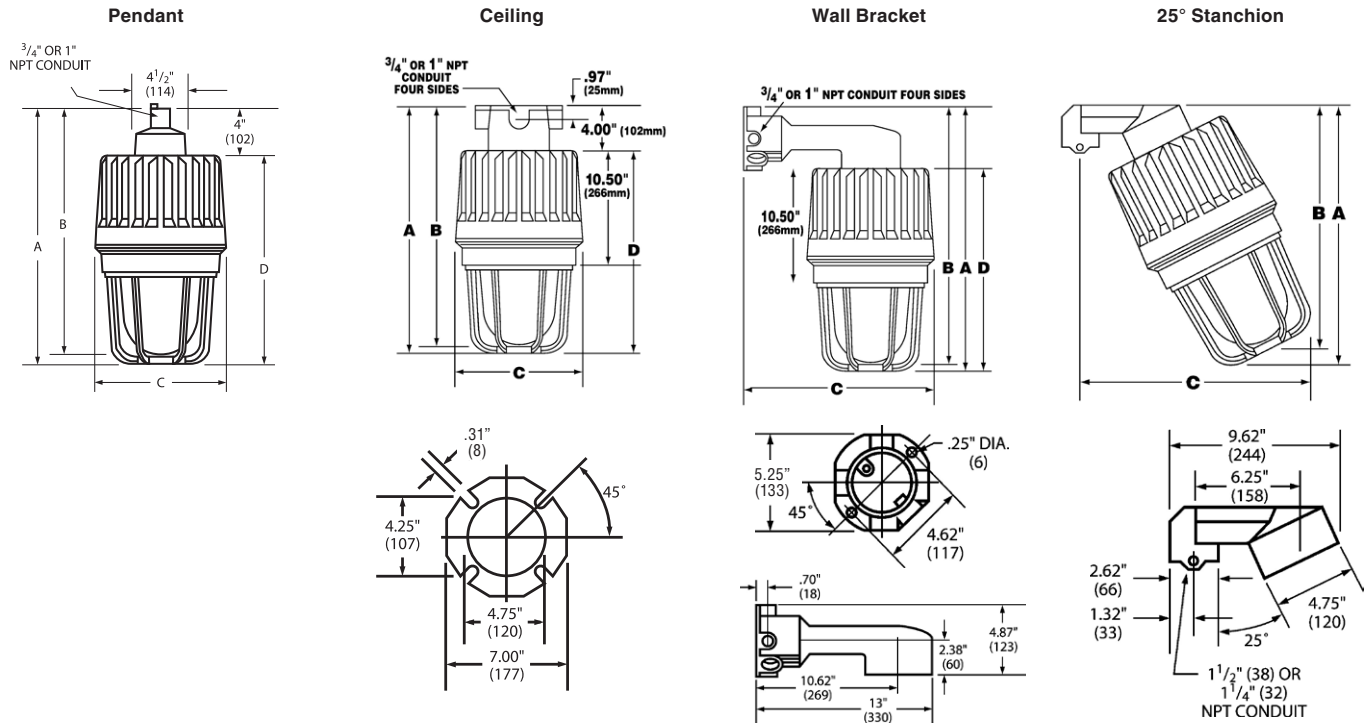
CATALOG NUMBER	DESCRIPTION
VMPSD40	Standard dome. fiberglass reinforced polyester
VMPA40	30° Angle fiberglass reinforced polyester
HRD400	Deep dome. Aluminum with white finish
HRD400ALZ	Deep dome with specular anaodized finish





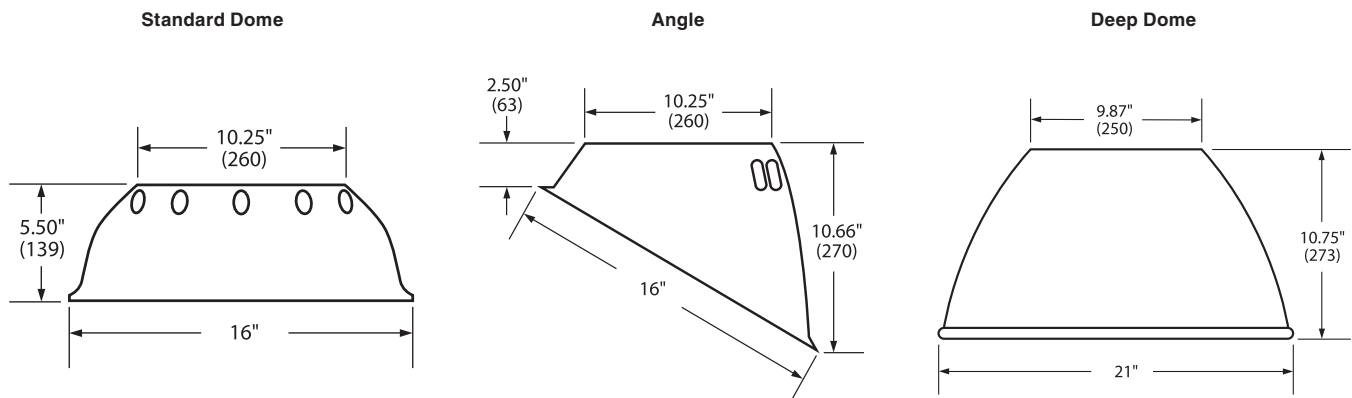
# LIGHTING EZ SERIES

## DIMENSIONS



MOUNTING DIMENSIONS														
PENDANT				CEILING				BRACKET				STANCHION		
A	B	C	D	A	B	C	D	A	B	C	D	A	B	C
22" (558)	21-1/4" (539)	11-1/4" (285)	18" (457)	22" (558)	21-1/4" (539)	11-1/4" (285)	18" (457)	22-7/8" (580)	22-1/8" (561)	16-3/4" (425)	18" (457)	24-7/8" (631)	24" (609)	19-13/16" (503)

### Reflector Dimensions





FIXTURE ADAPTERS

**HOSTILE/ITE® LED**



Class I, Div. 1 & 2, Group D  
Class I, Zones 1 & 2, Groups IIA  
Class II, Div. 1 & 2, Groups E,F,G  
Class III

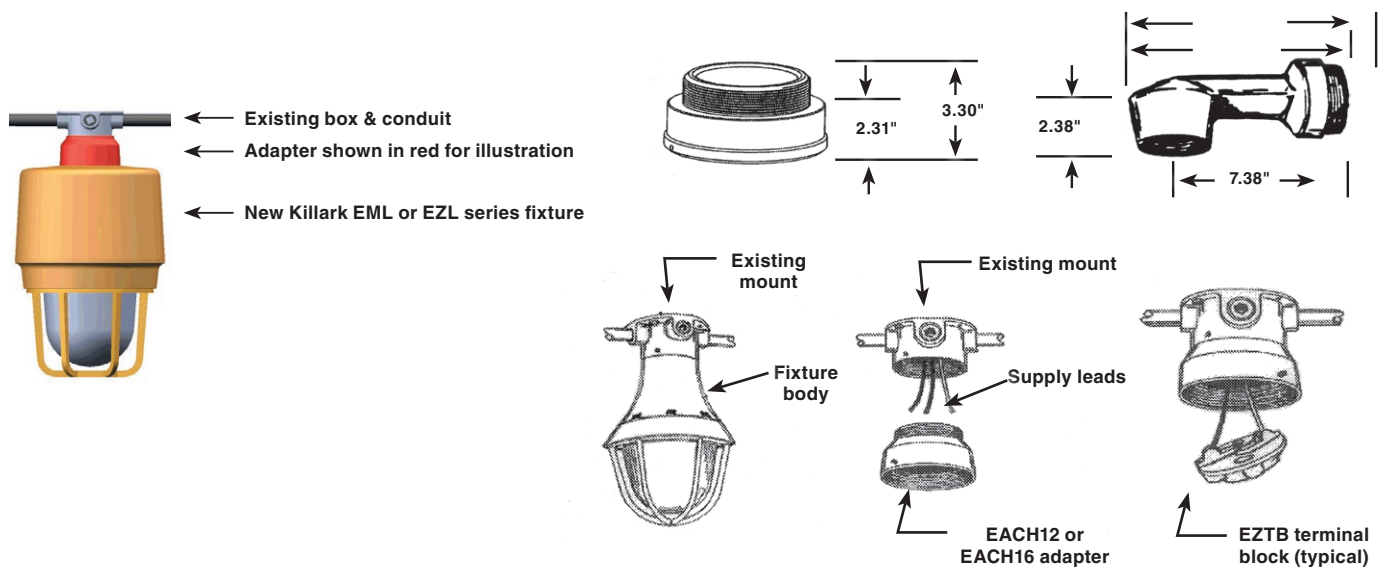
Certified E10514

**FEATURES-SPECIFICATIONS**

**Features**

- Setscrews permit secure adapter attachment into old mounting box and to new fixture
- Converted fixtures may be easily removed for service using the Killark EZ mounting system. Wire terminals are included in the adapter (EZTB Terminal Block)

EAC / EZBA FIXTURE ADAPTERS		
CATALOG NUMBER	DESCRIPTION	EXAMPLE OF MODEL UTILIZED OR REPLACED
EAC	Killark H series Ceiling or Wall	HXG-2-125 Fixture
EACH12	Crouse old style Ceiling Mount with lamp socket in adapter ring between fixture body and a GUF 12 pitch box	GUF box w/Set Screw
EZBA12	Crouse old style Wall Mount, old style Arm with integral lamp socket (socket in fixture in newer models) attached to GUF 12 pitch mounting box. EZBA12 includes arm	GUF box w/Set Screw
EACH16	Crouse newer style ceiling or wall fixtures w/lamp socket in fixture body; mounted to EV series 16 pitch threaded box; adapter fits in ceiling box or existing arm attached to wall fixture	EVA26/EV22 Box; EVBX240
EAAP-C2	Appleton Code-Master 2	CLC5075







LIGHTING  
**FLOOD LIGHTING**







**PETROBRIGHT® LED**



**Class I, Div. 2, Groups A,B,C,D  
Class II, Div. 1&2, Groups EFG  
Class III**

**Suitable for wet locations  
Marine Rated (US Only)**



**Type 3, 4X**



**IP66**

**Tamb -50°C to +65°C**



**Zone 2 and Zone 21 areas**

**Ex ec IIC T5/T4 Gc**

**Ex tb IIIC T95°C Db, IP66**



**STANDARD VERSION**

**-40°C<Tamb<+65°C<120W**

**-40°C<Tamb<+40°C/+55°C>120W**

**BATTERY BACKUP VERSION**

**-20°C<Tamb<+50°C**



Certified File No: 80004509

ATEX Certificate No: QPS 21 ATEX

7002X and QPS 21ATEX 5004X

IECEx Certificate No: IECEx QPS

19.0031X

**FEATURES-SPECIFICATIONS**

**Features**

- Global Certifications with Quad Approvals for NEC / CEC / IECEx / ATEX
- Easy Install with clamshell splice box for unimpeded wiring access
- Vast range of optics including spot, wide, and perimeter options available
- Intelligent battery backup with built in self-monitoring and testing
- 5000K color temperature is standard with options for 3000K, Amber, and Green
- Light weight at 25lbs / 11.2kgs

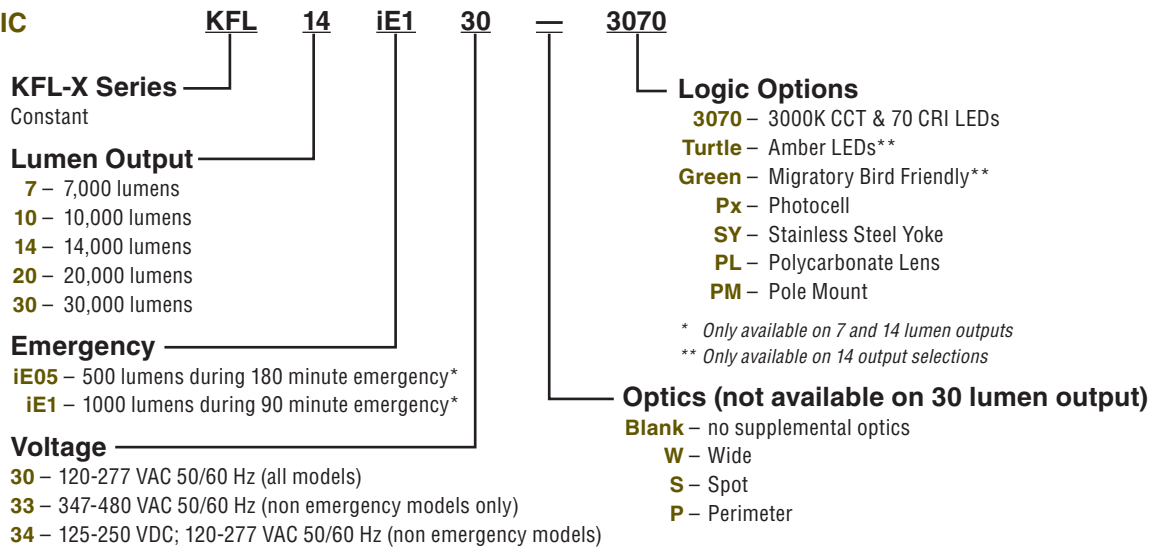
**Materials**

- Housing: Copper-Free Aluminum
- Lens: Standard glass with polycarbonate available as option
- External Hardware: 316 Stainless Steel
- Trunnion: Standard Copper-Free Aluminum with Stainless steel available as an option
- Gasket: High temperature rated solid silicon
- Paint: Powder epoxy / polyester

**Electrical Ratings:**

- 125 thru 250 VDC
- 120 thru 277 VAC, 50/60Hz
- 347 thru 480 VAC, 50/60Hz
- Supplemental 20KA/10KV Surge Protection is standard (for 120-277 VAC models)
- 10KA/10KV Surge Protection (for 347-480 VAC)
- Battery Duration: 90mins 10W, 180 mins 5W
- Terminal Size: 8AWG

**CATALOG LOGIC**





LIGHTING  
**KFL-X SERIES**

OPTIONS

LED COLOR OPTIONS



**5000K**

Crisp white light maximizes the output of the LEDs with a color that is equivalent to noontime sun.



**3000K**

Warm white light that is similar in color to a soft white incandescent.



**AMBER**

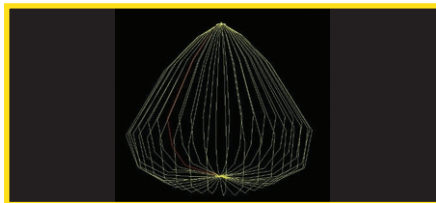
Pure Amber LEDs have zero energy in the blue light spectrum that is designed as a marine life friendly option for coastal regions.



**GREEN**

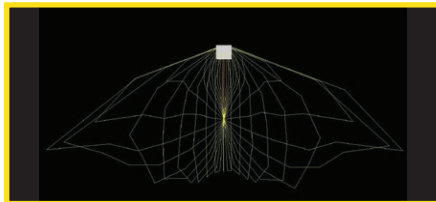
Pure Green LEDs are designed to avoid using wavelengths that disorientate and sometimes attract nocturnal migrating birds.

OPTIC OPTIONS



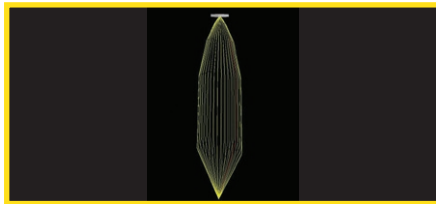
**Normal**

Delivers evenly distributed light, perfect for a general area lighting with normal mounting heights.



**Perimeter**

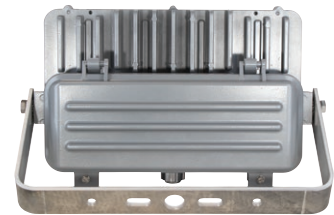
This optic was designed specifically for the needs of perimeter lighting. This asymmetric beam pattern offers a low and wide distribution that is perfect for illuminating fence lines



**Spot**

Offers high lumen density at taller mounting heights, perfect for focused lighting areas.

MOUNTING OPTIONS



**Yoke**

Standard mounting for KFL-X floodlight



**Jib Crane**

Auto-leveling with shock-absorber, and vibration isolators designed for the demands of luminaires mounted to jib cranes

INTELLIGENT BATTERY BACKUP

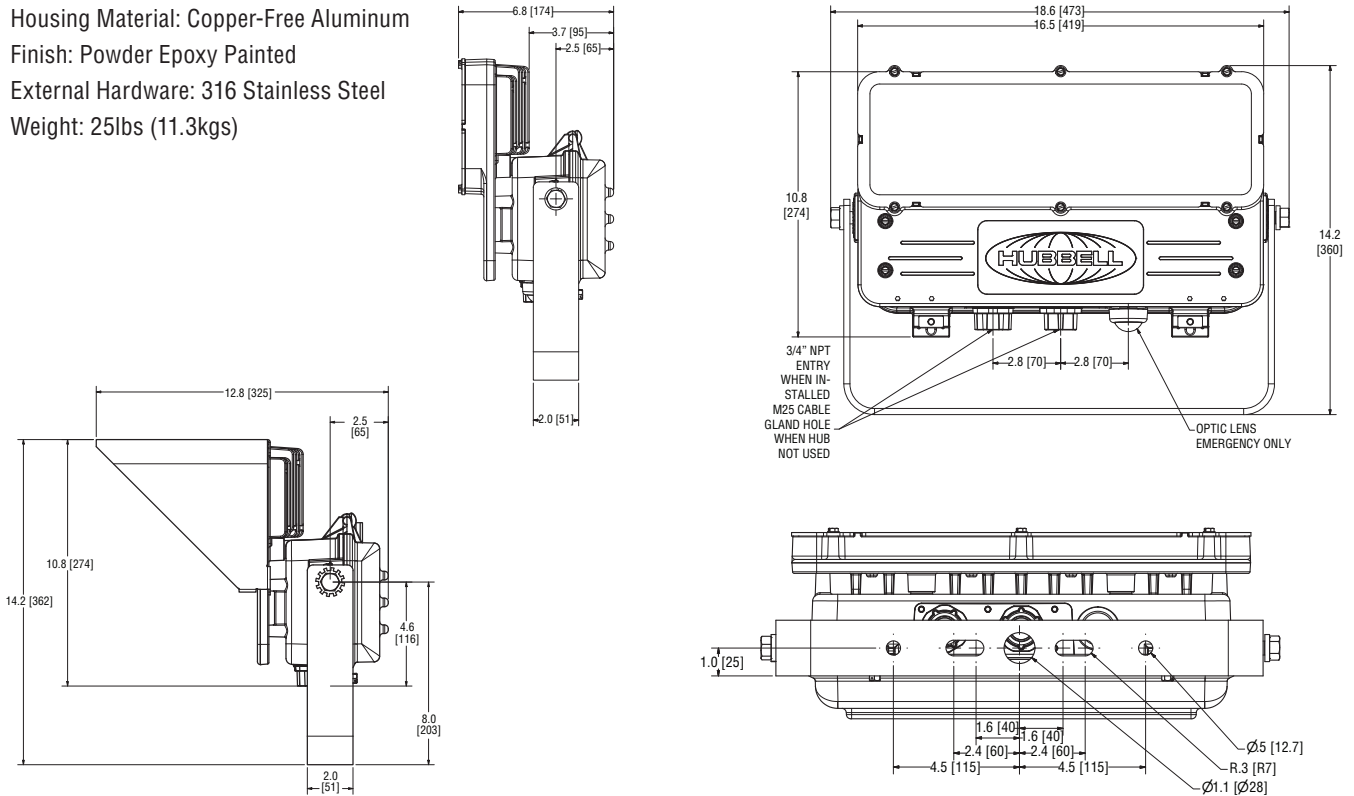
- Self-diagnostics monitors LED luminaire status
- Self-Test feature automatically runs a 1 month and bi-yearly functional test
- LED indicator provides visible fault detection and charging status
- User initiated 1, or 90-minute system test feature
- 15 minute re-transfer delay
- Automatic unit transfer in brown-out conditions (below 80% of nominal AC input voltage)





DIMENSIONS

- Housing Material: Copper-Free Aluminum
- Finish: Powder Epoxy Painted
- External Hardware: 316 Stainless Steel
- Weight: 25lbs (11.3kgs)



ORDERING INFORMATION AND AMBIENT SUITABILITY						C1D2			C1D2 SIMULTANEOUS			C2D1			IEC ZONE 2			IEC ZONE 21		
CATALOG NO.	WEIGHT LBS./KG	WATTS	VOLTAGE	AMPS	DELIVERED LUMENS	40°C	55°C	65°C	40°C	55°C	65°C	40°C	55°C	65°C	40°C	55°C	65°C	40°C	55°C	65°C
KFL730	25 lbs / 11.3 kg	60	120-277	0.50-0.21	7948	T5	T4A	T4	T3C	T3C	T4	T3C	T3C	T3C	T5	T4	T3	160°C	160°C	160°C
KFL1030		90	120-277	0.8-0.3	10210	T5	T4A	T4	T3C	T3C	T4	T3C	T3C	T3C	T5	T4	T3	160°C	160°C	160°C
KFL1430-TURTLE		104	120-277	0.9-0.4	4401	T4A	T4A	—	T4A	T4A	—	T4A	T4A	—	T4	T4	—	160°C	160°C	—
KFL1430-GREEN		137		1.1-0.5	9702	T4A	T4A	—	T4A	T4A	—	T4A	T4A	—	T4	T4	—	160°C	160°C	—
KFL1430		120	120-277	1.0-0.4	15140	T5	T4A	T4	T3C	T3C	T4	T3C	T3C	T3C	T5	T4	T3	160°C	160°C	160°C
KFL2030		180	120-277	1.5-0.7	21370	T4	T3C	—	T3C	T3C	—	T3C	T3C	—	T4	T3	—	160°C	160°C	—
KFL3030		280	120-277	2.3-1.0	28940	T4	T3C	—	T3B	—	—	T3B	—	—	T4	T3	—	165°C	—	—

ORDERING INFORMATION AND AMBIENT SUITABILITY					DELIVERED LUMENS		C1D2		C1D2 SIMULTANEOUS		C2D1		IEC ZONE 2		IEC ZONE 21	
CATALOG NO.	WEIGHT LBS./KG	WATTS	VOLTAGE	AMPS	NORMAL OPERATION	DURING BATTERY BACKUP	40°C	50°C	40°C	50°C	40°C	50°C	40°C	50°C	40°C	50°C
KFL7IE130	25 lbs / 11.3 kg	60	120-277	0.50-0.21	7948	1000	T5	T4A	T3C	T3C	T3C	T3C	T5	T4	160°C	160°C
KFL7IE0530		60	120-278	0.50-0.22	7948	500	T6	T4A	T3C	T3C	T3C	T3C	T5	T4	160°C	160°C
KFL14IE130		120	120-277	0.8-0.3	15140	1000	T5	T4A	T3C	T3C	T3C	T3C	T5	T4	160°C	160°C
KFL14IE0530		120	120-278	0.8-0.4	15140	500	T6	T4A	T3C	T3C	T3C	T3C	T5	T4	160°C	160°C



**FEATURES**

- Steel construction
- Available for 2, 3, or 4 luminaires
- Works with 2" pole tenon (2.38"/60.5mm O.D.)
- Painted with textured dark bronze



**KFS-6**  
Slipfitter



**KFCB**  
Cross Arm Mount



**4041**  
Tenon Fitting



**KFWB**  
Wall/Pipe Bracket



**VMSC10**  
Safety Cable

KFL MOUNTS AND ACCESSORIES	
CATALOG NUMBER	DESCRIPTION
<b>KFS-6</b>	Steel Slipfitter for 2" Pipe (2-3/8" o.d.) Tenon. Slips 3.75" Over Pipe
<b>KFCB</b>	Heavy Duty Cast-Iron Crossarm Fitting for Horizontal Trunnion
<b>KFWB</b>	Heavy Duty Wall Mount and/or Pipe Clamp Fitting Clamps 2" Pipe (2-3/8" o.d.) Through 2-1/2"
<b>K4040</b>	Heavy Duty Steel Wall Bracket. (Must be with KFCB Crossarm Fitting)
<b>4041</b>	Heavy Duty Steel Wall Bracket 2" Pipe (2-3/8" o.d.) Tenon Fitting. Uses with KFS-6
<b>VMSC10</b>	10' Stainless Steel Safety Cable with loop grip
<b>KFLX-DARK</b>	Visor that blocks vertical light when mounting at an angle is at or below 45°
<b>KFLX-GUARD</b>	Wire Guard, 316 Stainless Steel
<b>SSC01-000009</b>	Swinging Jib Crane Assembly





C1D2 FLOOD – INTRODUCTION & LOGIC

**PETROBRIGHT® LED**



**Class I, Div. 2, Groups A, B, C, D**  
**Class I, Zone 2, IIC, IIB, IIA**  
**Class II, Div. 1 & 2, Groups E, F, G**  
**Class III**  
 Suitable for wet locations  
 Marine Rated (US only)  
 Type 3, 4X  
 IP66



**IEC Ex Rated Model**  
**Zone 2 and Zone 21 areas**  
**Ex nA IIC T6...T3, Gc**  
**Ex tb IIC T105°C, Db**  
**Tamb -50°C < Ta < +55°C, IP66**



**IECEx Certificate**  
**QPS 15.0011**

**ATEX Certificate**  
**CML 15ATEX4079X (nA) &**  
**CML 15ATEX3080X (tb)**



File No: LR11713

**FEATURES-SPECIFICATIONS**

**Features**

- Crisp White Light for Excellent Color Rendering – Chromaticity 5000K (CCT); approx. 70 CRI
- Energy Savings – High lumens per watt
- LED Array Life – 100,000+ hours with 70% initial lumens
- Long Fixture Life – 50,000 - 55,000 maintenance free hours
- Instant On – Including after power interruption
- Solder-LESS LED Board Connections – Vibration Resistant
- Standard fixture is supplied with dual M20 slip holes with 3/4" NPT hub adapters with one plugged
- **Warm LED color option available with 3070**

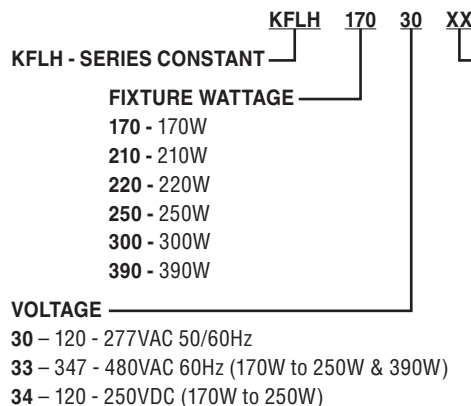
**Materials**

- Body and lens frame corrosion resistant copper-free aluminum alloy with baked powder epoxy/polyester finish, electrostatically applied for complete, uniform corrosion protection
- All external hardware – stainless steel
- Thermal shock and impact resistant glass lens (Polycarbonate available)
- High temperature silicone gasketing
- Trunion heavy gauge 316 stainless steel

**Electrical Ratings**

- Ambient suitability -40°C to 55°C up to 250W to -50°C for non-hazardous applications
- World Voltage 120 – 277VAC 50/60Hz

**CATALOG NUMBER LOGIC**



**OPTIONS**

- PL - Polycarbonate Lens**
- F - Single Fuse (Not for use in Canada)**
- FF - Double Fuse (Not for use in Canada)**
- TBL - Terminal Blocks **LOOPING****
- 3070 - 3000K (CCT) and 70 CRI LEDs**
- TURTLE - Wildlife Friendly Amber LEDs**
- AMBER - PC Amber (Phosphor Converted) LEDs**

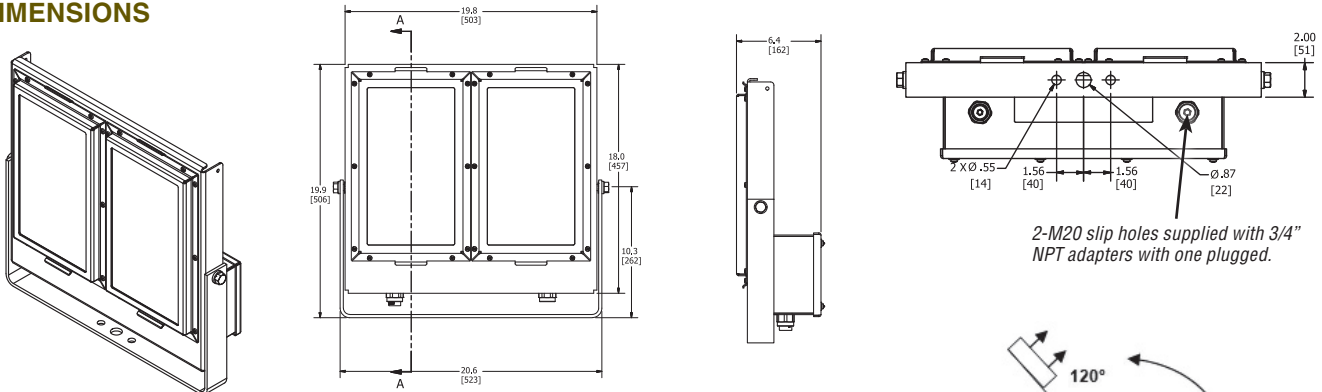


# LIGHTING KFLH SERIES

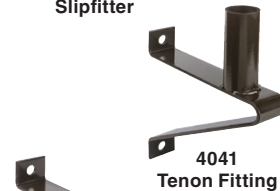
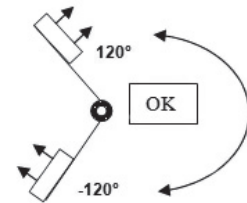
## C1D2 FLOOD – ORDERING INFORMATION & TECHNICAL DATA

ORDERING INFORMATION AND AMBIENT SUITABILITY						C1D2		C1D2 SIMULTANEOUS		C2D1		IEC ZONE 2		IEC ZONE 21		
CATALOG NO.	WEIGHT LBS./KG	WATTS	VOLTAGE	AMPS	LUMENS	40°C	55°C	40°C	55°C	40°C	55°C	40°C	55°C	40°C	55°C	
KFLH17030	25.00 / 11.3	170	120-277VAC	1.46-0.63	21620	T4A	T4	T4	T3C	T4	T3C	T4	T4	T100°C	T100°C	
KFLH17033			347-480VAC	0.51-0.36												
KFLH17034			120-250VDC	1.46-0.56												
KFLH21030		210	210	120-277VAC	1.75-0.75	21220	T4A	T4	T4	T3C	T4	T3C	T4	T4	T100°C	T100°C
KFLH21033				347-480VAC	0.61-0.43											
KFLH21034				120-250VDC	1.75-0.68											
KFLH22030		220	220	120-277VAC	1.88-0.81	26970	T4A	T4	T4	T3C	T4	T3C	T4	T4	T100°C	T100°C
KFLH22033				347-480VAC	0.65-0.47											
KFLH22034				120-250VDC	1.88-0.73											
KFLH25030		250	250	120-277VAC	2.17-0.94	30950	T4A	T4	T4	T3C	T4	T3C	T4	T4	T100°C	T100°C
KFLH25033				347-480VAC	0.75-0.54											
KFLH25034				120-250VDC	2.17-0.85											
KFLH30030	300	300	120-277VAC	2.48-1.07	37030	T4A	—	—	—	—	—	T4	—	T110°C	—	
KFLH39030	390	390	120-277VAC	3.30-1.43	40410	T3C	—	—	—	—	—	T3	—	T110°C	—	

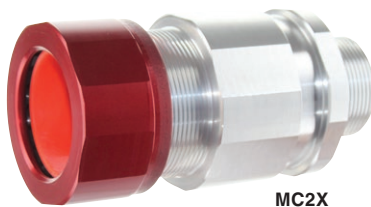
### DIMENSIONS



KFLH MOUNTS AND ACCESSORIES	
CATALOG NUMBER	DESCRIPTION
KFS-6	Steel Slipfitter for 2" Pipe (2-3/8" o.d.) Tenon. Slips 3.75" Over Pipe.
KFCB	Heavy Duty Cast-Iron Crossarm Fitting for Horizontal Trunnion
KFWB	Heavy Duty Wall Mount and/or Pipe Clamp Fitting Clamps 2" Pipe (2-3/8" o.d.) Through 2-1/2" Pipe (2-7/8" o.d.)
K4040	Heavy Duty Steel Wall Bracket. (Must be with KFCB Crossarm Fitting)
4041	Heavy Duty Steel Wall Bracket 2" Pipe (2-3/8" o.d.) Tenon Fitting. Use with KFS-6
KFLG	Wire Guard, 316 Stainless Steel (order 2 per fixture)
VMSC10	10' Stainless Steel Safety Cable with loop grip
KFLH-DARK	Dark Sky Visor, White Painted Aluminum
KFLH-DOOR	Replacement Internal Reflector and Lens Assembly (order 2 per fixture as required)



### CABLE GLAND ORDERING OPTIONS



CATALOG NUMBER	ENTRY THREAD SIZE (NPT)	CABLE ACCEPTANCE DETAILS	
		DIAMETER 'C'	
		MIN.	MAX.
MC2X1B	1/2"	0.51" (13.0)	0.63" (16.0)
MC2X1C	1/2"	0.60" (15.2)	0.79" (20)
MC2X2	3/4"	0.73" (18.5)	1.00" (25.4)

For entire series, please see Section F.



C1D2 FLOOD – INTRODUCTION & LOGIC

**PETROBRIGHT® LED**



**Class I, Div. 2, Groups A, B, C, D**  
**Class I, Zone 2, IIC, IIB, IIA**  
**Class II, Div. 1 & 2, Groups E, F, G**  
**Class III**  
**Suitable for wet locations**  
**Marine Rated (US only)**  
**Type 3, 4X**  
**IP66**



cCSAus File No: LR11713



**IEC Ex Rated Model (w/ IEX suffix)**  
**Zone 2 and Zone 21 areas**  
**Ex nA IIC T6...T3, Gc**  
**Ex tb IIC T105°C Db**  
**Tamb -50°C < Ta < +55°C, IP66**



**IECEX Certificate**  
**QPS 15.0011**

**ATEX Certificate**  
**CML 15ATEX4079X (nA) &**  
**CML 15ATEX3080X (tb)**

**FEATURES-SPECIFICATIONS**

**Features**

- Crisp White Light for Excellent Color Rendering – Chromaticity 5000K (CCT); approx. 70 CRI
- Energy Savings – High lumens per watt
- LED Array Life – 100,000+ hours with 70% initial lumens
- Long Fixture Life – 50,000 - 55,000 maintenance free hours
- Instant On – Including after power interruption
- **Warm LED color option available with 3070**
- Solder-LESS LED Board Connections – Vibration Resistant
- Standard fixture is supplied with dual M20 slip holes with 3/4" NPT hub adapters with one plugged

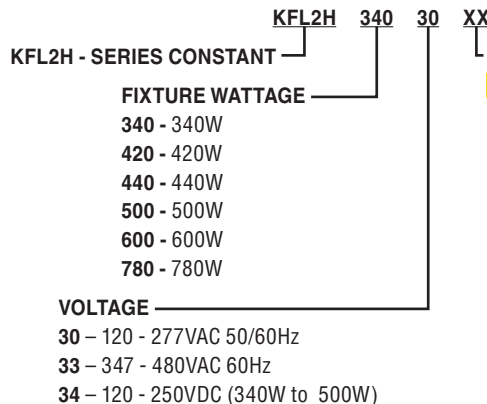
**Materials**

- Body and lens frame corrosion resistant copper-free aluminum alloy with baked powder epoxy/polyester finish, electrostatically applied for complete, uniform corrosion protection
- All external hardware – stainless steel
- Thermal shock and impact resistant glass lens (Polycarbonate available)
- High temperature silicone gasketing
- Trunnion heavy gauge 316 stainless steel

**Electrical Ratings**

- Ambient suitability -40°C to 55°C up to 500W to -50°C for non-hazardous applications
- World Voltage 120 – 277VAC 50/60Hz

**CATALOG NUMBER LOGIC**



**OPTIONS**

- PL - Polycarbonate Lens**
- F - Single Fuse (Not for use in Canada)**
- FF - Double Fuse (Not for use in Canada)**
- TBL - Terminal Blocks LOOPING**
- IEX - IEXEx includes TBL & External ground**
- 3070 - 3000K (CCT) and 70 CRI LEDs**
- TURTLE - Wildlife Friendly Amber LEDs**
- AMBER - PC Amber (Phosphor Converted) LEDs**

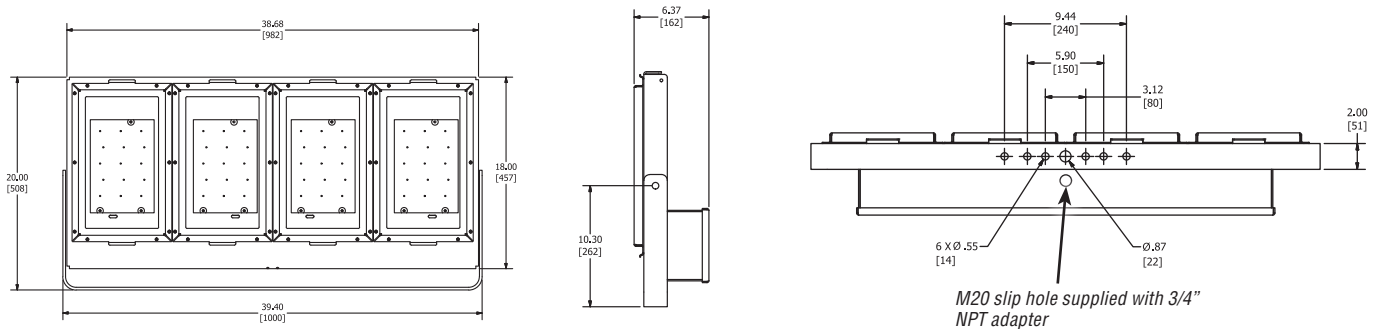


# LIGHTING KFL2H SERIES

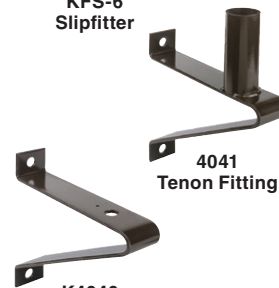
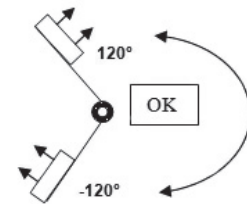
## C1D2 FLOOD – ORDERING INFORMATION & TECHNICAL DATA

ORDERING INFORMATION AND AMBIENT SUITABILITY					C1D2		C1D2 SIMULTANEOUS		C2D1		IEC ZONE 2		IEC ZONE 21			
CATALOG NO.	WEIGHT LBS./KG	WATTS	VOLTAGE	AMPS	LUMENS	40°C	55°C	40°C	55°C	40°C	55°C	40°C	55°C	40°C	55°C	
KFL2H34030	50.00 / 22.6	340	120-277VAC	2.92-1.26	43240	T4A	T4	T4	T3C	T4	T3C	T4	T4	T85°C	T100°C	
KFL2H34033			347-480VAC	1.02-0.72												
KFL2H34034			120-250VDC	2.92-1.12												
KFL2H42030		420	420	120-277VAC	3.50-1.50	42440	T4A	T4	T4	T3C	T4	T3C	T4	T4	T85°C	T100°C
KFL2H42033				347-480VAC	1.22-0.86											
KFL2H42034				120-250VDC	3.50-1.36											
KFL2H44030		440	440	120-277VAC	3.76-1.62	53940	T4A	T4	T4	T3C	T4	T3C	T4	T4	T85°C	T100°C
KFL2H44033				347-480VAC	1.30-0.94											
KFL2H44034				120-250VDC	3.76-1.46											
KFL2H50030		500	500	120-277VAC	4.34-1.88	61900	T4A	T4	T4	T3C	T4	T3C	T4	T4	T85°C	T100°C
KFL2H50033				347-480VAC	1.50-1.08											
KFL2H50034				120-250VDC	4.34-1.70											
KFL2H60030	600	600	120-277VAC	4.96-2.14	74060	T4A	T4	—	—	—	—	T4	T4	T85°C	T100°C	
KFL2H78030	780	780	120-277VAC	6.60-2.86	80820	T4	—	—	—	—	—	T4	—	T100°C	—	

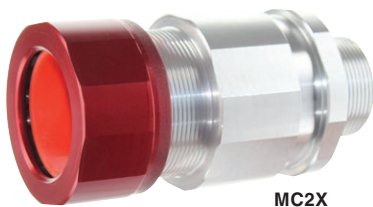
### DIMENSIONS



KFL2H MOUNTS AND ACCESSORIES	
CATALOG NUMBER	DESCRIPTION
KFS-6	Steel Slipfitter for 2" Pipe (2-3/8" o.d.) Tenon. Slips 3.75" Over Pipe
KFCB	Heavy Duty Cast-Iron Crossarm Fitting for Horizontal Trunnion
KFWB	Heavy Duty Wall Mount and/or Pipe Clamp Fitting Clamps 2" Pipe (2-3/8" o.d.) Through 2-1/2" Pipe (2-7/8" o.d.)
K4040	Heavy Duty Steel Wall Bracket. (Must be with KFCB Crossarm Fitting)
4041	Heavy Duty Steel Wall Bracket 2" Pipe (2-3/8" o.d.) Tenon Fitting. Use with KFS-6
KFLG	Wire Guard, 316 Stainless Steel (order 4 per fixture)
VMSC10	10' Stainless Steel Safety Cable with loop grip
KFLH-DARK	Dark Sky Visor, White Painted Aluminum
KFLH-DOOR	Replacement Internal Reflector and Lens Assembly (order 4 per fixture as required)



### CABLE GLAND ORDERING OPTIONS



CATALOG NUMBER	ENTRY THREAD SIZE (NPT)	CABLE ACCEPTANCE DETAILS	
		DIAMETER 'C'	
		MIN.	MAX.
MC2X1B	1/2"	0.51" (13.0)	0.63" (16.0)
MC2X1C	1/2"	0.60" (15.2)	0.79" (20)
MC2X2	3/4"	0.73" (18.5)	1.00" (25.4)

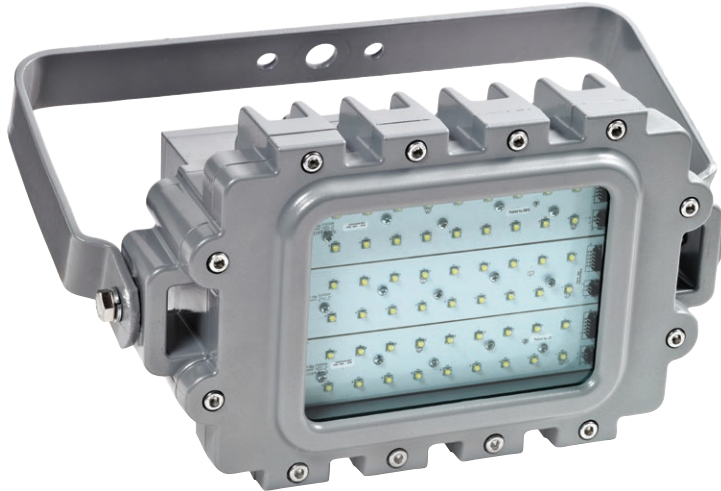
For entire series, please see Section F.





C1D1 FLOOD – INTRODUCTION & LOGIC

**PETROBRIGHT® LED**



Class I, Div. 1&2, Groups B,C,D  
Class I, Zone 1&2, Groups IIB+H2, IIA  
Class II, Div. 1&2, Groups EFG, Class III  
Enclosure Type 4X, IP66 (-50°C to +55°C)



File LR11713



**IEC Ex Ratings**

Zone 1, Zone 21

Ex db eb IIB (+H<sub>2</sub> Option) T\* Gb  
Ex tb III C T\*\*°C Db IP66

(STD Version) Ta=-20°C to xx°C

(LT Version) Ta=-50°C to xx°C

See tables in full Description in  
Annex for T class and Ta



**IECEx Certificate**

CML 14.0034X

**ATEX Certificate**

CML 14ATEX1086X

**FEATURES-SPECIFICATIONS**

**Features**

- **Factory Sealed Construction**
- One 3/4" NPT & one M20 entry standard (see logic for other choices)
- Crisp White Light for Excellent Color Rendering – Chromaticity 5000 K (CCT); approx. 70 CRI
- Energy Savings – High lumens per watt
- LED Array Life – 100,000+ hours with 70% initial lumens
- Long Fixture Life – 50,000 - 55,000 maintenance free hours
- Instant On – Including after power interruption
- Solder-LESS LED Board Connections – Vibration Resistant

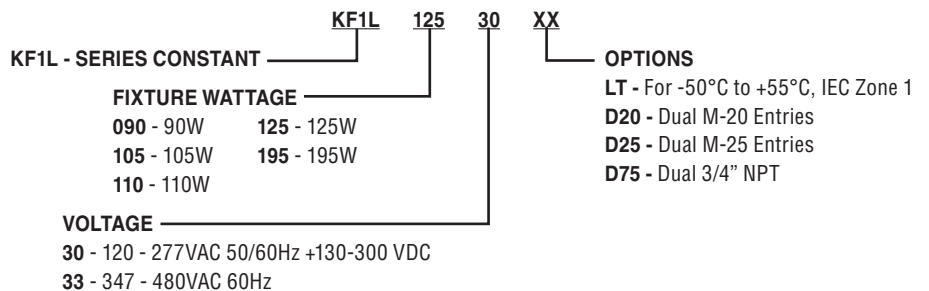
**Materials**

- Body, end caps and lens frame corrosion resistant copper-free aluminum alloy with baked powder epoxy/polyester finish, electrostatically applied for complete, uniform corrosion protection
- All external hardware - stainless steel
- Thermal shock and impact resistant extra heavy-duty glass lens
- High temperature silicone gasketing
- Trunnion heavy gauge 316 SS

**Electrical Ratings**

- World Voltage 120 – 277VAC 50/60Hz
- LT option for models needing IECEx, Zone 1, -50°C to +55°C suitability for hydrogen

**CATALOG NUMBER LOGIC**





# LIGHTING KF1L SERIES

## C1D1 FLOOD – ORDERING & TECHNICAL DATA

ORDERING INFORMATION AND AMBIENT SUITABILITY						C1D1		C2D1		IEC ZONE 1		IEC ZONE 21	
CATALOG NO.	WEIGHT LBS./KG	WATTS	VOLTAGE	AMPS	DELIVERED LUMENS	40°C	55°C	40°C	55°C	40°C	55°C	40°C	55°C
KF1L09030	46.00 / 20.87	90	120-277VAC	0.72-0.31	7182	T6	T6	(EFG)	Limited Aiming B	T6	T5	160-75	175-90
KF1L09033			347-480VAC	0.25-0.18									
KF1L09034			120-250VDC	0.72-0.28									
KF1L10530	46.00 / 20.87	105	120-277VAC	0.85-0.37	8362	T6	T6	(EFG)	Limited Aiming B	T6	T5	160-76	175-91
KF1L10533			347-480VAC	0.29-0.21									
KF1L10534			120-250VDC	0.85-0.33									
KF1L11030	46.00 / 20.87	110	120-277VAC	0.95-0.41	10590	T6	T6	(EFG)	Limited Aiming B	T6	T5	160-77	175-92
KF1L11033			347-480VAC	0.33-0.24									
KF1L11034			120-250VDC	0.95-0.37									
KF1L12530	46.00 / 20.87	125	120-277VAC	1.10-0.48	11590	T6	T6	(EFG)	Limited Aiming B	T6	T5	160-78	175-93
KF1L12533			347-480VAC	0.38-0.28									
KF1L12534			120-250VDC	1.10-0.43									
KF1L19530		195	120-277VAC	1.63-0.70	15707	T5	—	—	—	T5	—	—	—

### DIMENSIONS

**Front**

**Side**

**Trunnion Mounting Detail**

**Aiming Notes**

Diagram A shows a horizontal aiming position (0°).  
Diagram B shows a 135° aiming position (0°).

KFL MOUNTS AND ACCESSORIES	
CATALOG NUMBER	DESCRIPTION
KFS-6	Steel Slipfitter for 2" Pipe (2-3/8" o.d.) Tenon. Slips 3.75" Over Pipe
KFCB	Heavy Duty Cast-Iron Crossarm Fitting for Horizontal Trunnion
KFWB	Heavy Duty Wall Mount and/or Pipe Clamp Fitting Clamps 2" Pipe (2-3/8" o.d.) Through 2-1/2" Pipe (2-7/8" o.d.)
K4040	Heavy Duty Steel Wall Bracket. (Must be with KFCB Crossarm Fitting)
4041	Heavy Duty Steel Wall Bracket 2" Pipe (2-3/8" o.d.) Tenon Fitting
KFLG	Wire Guard, 316 Stainless Steel
VMSC10	10' Stainless Steel Safety Cable with loop grip
KF1L-DARK	Dark Sky Visor, White Painted Aluminum
KF1L-DOOR	Replacement Door and Lens Assembly

### CABLE GLAND ORDERING OPTIONS

CATALOG NUMBER	ENTRY THREAD SIZE (NPT)	CABLE ACCEPTANCE DETAILS	
		DIAMETER 'C'	
		MIN.	MAX.
MC2X1B	1/2"	0.51" (13.0)	0.63" (16.0)
MC2X1C	1/2"	0.60" (15.2)	0.79" (20)
MC2X2	3/4"	0.73" (18.5)	1.00" (25.4)

For entire series, please see Section F.





WALLPACK

**CERTILITE®**



Class I, Div. 2, Groups A,B,C,D  
Class I, Zone 2, Groups IIC, IIB, IIA  
Type 4X

 Certified

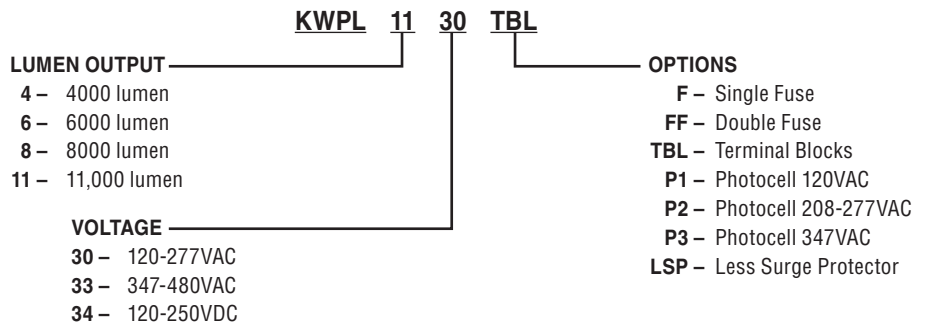
 cCSAus File No: LR11713

**FEATURES-SPECIFICATIONS**

**Features**

- Aluminum with Bronze finish ½” hub on either side for conduit entry
- Suitability for 55°C ambient, 90°C supply wire required (see table)
- Lens thermal shock and impact resistant prismatic borosilicate glass
- Two Hubbell Guard® Corrosion resistant hex head fasteners provide water-tight seal for door gasket
- Options include: factory installed photo cells, fusing

**CATALOG LOGIC**





# LIGHTING KWPL SERIES

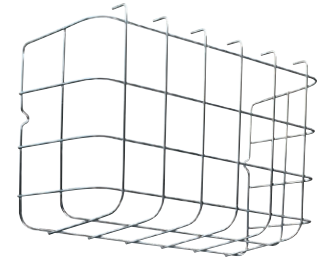
## WALLPACK



Glare Shield



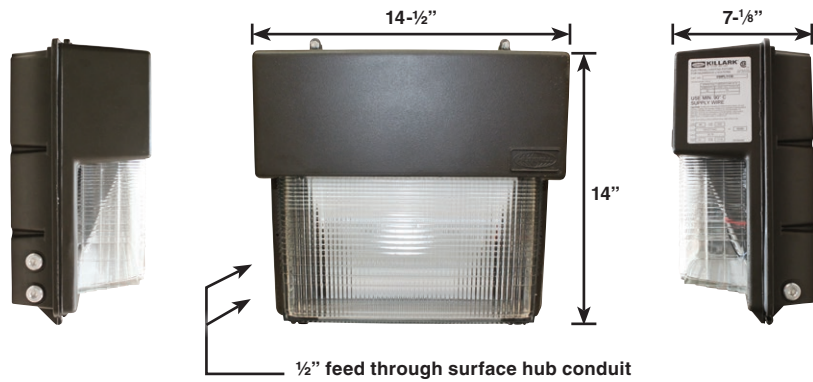
Clear Shield



Wire Guard

## ORDERING INFORMATION

ORDERING INFORMATION AND AMBIENT SUITABILITY						C1D2		
CATALOG NO.	WEIGHT LBS./KG	WATTS	VOLTAGE	AMPS	LUMENS	40°C	55°C	
KWPL430	14.00 / 6.35	34	120-277VAC	0.12 - 0.28	4436	T5	T4A	
KWPL433			347-480VAC	0.07 - 0.10		T5	T4A	
KWPL434			120-250VDC	0.14 - 0.28		T5	T4A	
KWPL630		46	46	120-277VAC	0.17 - 0.38	5636	T4A	T4
KWPL633				347-480VAC	0.10 - 0.13			
KWPL634				120-250VDC	0.18 - 0.38			
KWPL830		68	68	120-277VAC	0.25 - 0.57	8404	T4A	T4
KWPL833				347-480VAC	0.14 - 0.20			
KWPL834				120-250VDC	0.27 - 0.57			
KWPL1130		90	90	120-277VAC	0.32 - 0.75	10914	T4	—
KWPL1133				347-480VAC	0.19 - 0.26			
KWPL1134				120-250VDC	0.36 - 0.75			



**CS**  
C US  
FACTORY  
SEALED

### Photo Cell Field Kits for Harsh Type 4X and Class I, Div. 2 Locations

PHOTO CELL FIELD KITS	
CATALOG NUMBER	VOLTS
VMFSPC1	120VAC
VMFSPC2	208-277VAC
VMFSPC3	347VAC

KWP ACCESSORIES	
CATALOG NUMBER	DESCRIPTION
PGPS	Clear Shield (Polycarbonate) for Protecting Lens
PGWG	Wire Guard, Cadmium Plated Steel
PVLV	Glare Shield Full Cutoff Visor – Formed Bronze Aluminum Forces light to Walkway
KWPLENS	Replacement Door and Lens



LIGHTING  
**EMERGENCY & UTILITY LIGHTING**





LIGHTING  
**EBS SERIES**

EMERGENCY BATTERY SYSTEM – INTRODUCTION

**HOSTILE/ITE® EBS**  
EMERGENCY



**EBS Unit with HK  
Type Heads and  
Integral Push-To-Test**

**Class I, Div. 1&2, Groups B,C,D**  
**Class I, Zone 1&2, Groups IIB+H2, IIA**  
**Class II, Div. 1&2, Groups EFG**  
**Class III**  
**Enclosure Type 4 (Type 4, 7B CD, 9EFG)**

 File LR11713

**FEATURES-SPECIFICATIONS**

**Exclusive Features**

- LED Heads provide clear crisp illumination at 5000° Kelvin
- LED Head L70 value 100,000 hours for minimal maintenance
- Two head models up to 500% brighter than competitive non-LED units
- Enclosure Type 4 (Type 4) for wet and harsh locations
- Group B is standard when using EBSHK type heads
- Automatic Safety Disconnect – Removing main cover disconnects battery power
- Ambient Suitability 0°C to 45°C Battery Unit; Heads to 55°
- Compact unit requires only two mounting points
- World Voltage 120-277 VAC 50/60Hz input

**Other Features**

- High % of lumens maintained during 90 minute egress cycle
- EBSHK type heads are fully adjustable on unit or remote when ordered with RFSL Factory Sealed mounting kits
- EBSEL type heads are factory sealed on their EZ type mounting boxes
- Heads can be remote mounted over 300' from battery unit
- Ni-Cad sealed batteries provide 90 minutes of illumination
- Integral base unit LED pilot light indicates AC power is present
- Choice of Integral or Remote Push-To-Test station to verify system operation
- Vapor Capsule to inhibit corrosion is standard with main enclosure unit
- Terminal Blocks identified for incoming and outgoing connections

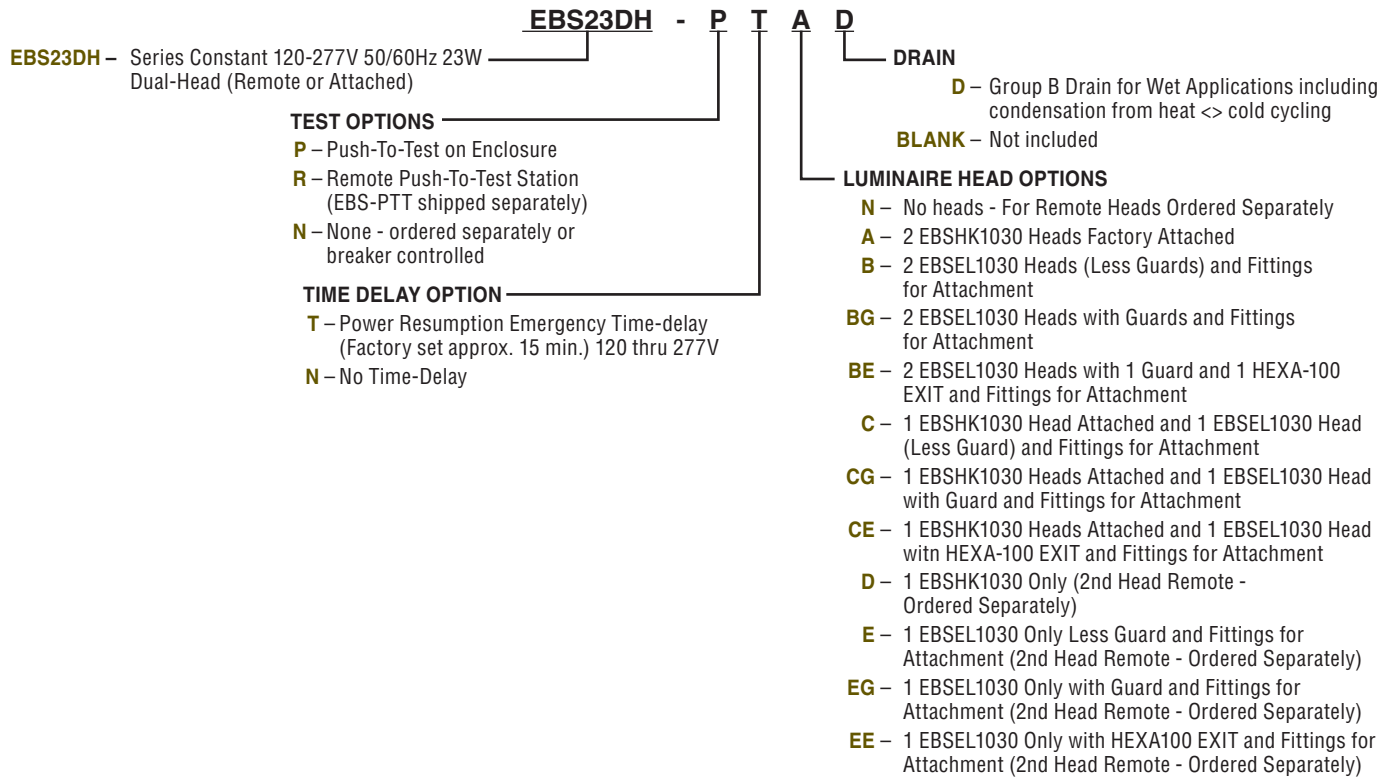
**Materials**

- Main Enclosure and Heads Copper Free Aluminum alloy with Baked Powder epoxy/polyester finish, electrostatically applied for complete, uniform corrosion protection
- Attachment fittings copper-free aluminum
- External hardware 316 Stainless Steel
- EBSEL reflectors EXIT accessory aluminum with white paint





## EMERGENCY BATTERY SYSTEM – LOGIC & COMPONENTS



Factory Sealed Remote LED Spot Light - Bottom Feed



Factory Sealed Remote LED Spot Light - Side Feed



Remote Push-To-Test Station



### EBS UNIT - BOTTOM DETAIL



- A** Optional Push-To-Test
- B** Optional Group B Drain
- C** Standard Pilot Light
- D** Entry for Remote P-T Station
- E** Power Entry (also on top)

The EBS23 System is designed to power 2 Heads for operation (total attached or remote); each Head is approximately 10 Watts.



LIGHTING  
**EBS SERIES**

EMERGENCY BATTERY SYSTEM – PRE-CONFIGURED UNITS

**ORDERING INFORMATION**



INTEGRAL PUSH-TO-TEST		REMOTE PUSH-TO-TEST		
<b>EBS SYSTEM WITH TWO EBSHK HEADS</b>				<b>CID1BCD</b>
Integral PTT, Two EBSHK	Integral PTT, <b>TDR</b> , Two EBSHK	Remote PTT, Two EBSHK	Remote PTT, <b>TDR</b> , Two EBSHK	
<b>EBS23DH-PNA</b>	<b>EBS23DH-PTA</b>	<b>EBS23DH-RNA</b>	<b>EBS23DH-RTA</b>	
<b>EBS SYSTEM WITH TWO EBSEL HEADS WITH GUARDS</b>				<b>CID1CD</b>
Integral PTT, Two EBSEL Heads w/ Guards	Integral PTT, <b>TDR</b> , Two EBSEL Heads w/ Guards	Remote PTT, Two EBSEL Heads w/ Guards	Remote PTT, <b>TDR</b> , Two EBSEL Heads w/ Guards	
<b>EBS23DH-PNBG</b>	<b>EBS23DH-PTBG</b>	<b>EBS23DH-RNBG</b>	<b>EBS23DH-RTBG</b>	
<b>EBS SYSTEM WITH ONE EBSHK HEAD &amp; 1 EBSEL HEAD WITH GUARD</b>				<b>CID1CD</b>
Integral PTT, One EBSHK & One EBSEL Head w/ Guard	Integral PTT, <b>TDR</b> , One EBSHK & One EBSEL Head w/ Guard	Remote PTT, One EBSHK & One EBSEL Head w/ Guard	Remote PTT, <b>TDR</b> , One EBSHK & One EBSEL Head w/ Guard	
<b>EBS23DH-PNCG</b>	<b>EBS23DH-PTCG</b>	<b>EBS23DH-RNCG</b>	<b>EBS23DH-RTCG</b>	
<b>EBS SYSTEM WITH TWO EBSEL HEADS ONE WITH EXIT</b>				<b>CID1CD</b>
Integral PTT, Two EBSEL Heads, One w/ EXIT, One w/ Guard	Integral PTT, <b>TDR</b> , Two EBSEL Heads One w/ EXIT, One w/ Guard	Remote PTT, Two EBSEL Heads, One w/ EXIT, One w/ Guard	Remote PTT, Two EBSEL Heads, One w/ EXIT, One w/ Guard	
<b>EBS23DH-PNBE</b>	<b>EBS23DH-PTBE</b>	<b>EBS23DH-RNBE</b>	<b>EBS23DH-RTBE</b>	
<b>EBS SYSTEM WITH ONE EBSHK HEAD &amp; ONE EBSEL HEAD WITH EXIT</b>				<b>CID1CD</b>
Integral PTT, One EBSHK Head, One EBSEL w/ EXIT	Integral PTT, <b>TDR</b> , One EBSHK Head, One EBSEL w/ EXIT	Remote PTT, One EBSHK Head, One EBSEL w/ EXIT	Remote PTT, <b>TDR</b> , One EBSHK Head, One EBSEL w/ EXIT	
<b>EBS23DH-PNCE</b>	<b>EBS23DH-PTCE</b>	<b>EBS23DH-RNCE</b>	<b>EBS23DH-RTCE</b>	
<b>EBS SYSTEM ONLY FOR REMOTE HEADS (ORDER TWO SEPARATELY)</b>				<b>CID1BCD</b>
Integral PTT, No Heads	Integral PTT, <b>TDR</b> , No Heads	Remote PTT, No Heads	Remote PTT, <b>TDR</b> , No Heads	
<b>EBS23DH-PNN</b>	<b>EBS23DH-PTN</b>	<b>EBS23DH-RNN</b>	<b>EBS23DH-RTN</b>	





EMERGENCY BATTERY SYSTEM – REMOTE HEADS & ACCESSORIES



EBSEL  
Shown with  
Exit Accessory

EBSEL1030 COMPONENTS & ACCESSORIES – DESCRIPTION	CATALOG NUMBER
EBSEL 10W Head Only with LED's, Less Mount and Guard ①	EBSEL1030
Guard	EMG1
Red Guard – used to signify remote fixture is for Emergency	EMG1-R
EXIT Accessory – 3-sided white painted aluminum	HEXA-100
Dome Reflector	ERSD15
Angle Reflector	ERA15
Sealed Fittings Set for attachment of Pendant EBSEL to EBS23HD-xxx	EBS-AHFS
Replacement Globe and Support Assembly	EMGS1

① Cannot be used as a stand alone product and is not certified unless used with EBS23DH unit.



EBSEL1030



EMG1



EMG1-R



EMGS1



ERSD15



ERA15



MOUNTING BOXES				
CATALOG NUMBER				HUB SIZE
PENDANT	CEILING	BRACKET	STANCHION	
EZA2	EZX2	EZB2	–	3/4"
EZA3	EZX3	EZB3	–	1"
–	–	–	EZD4	1-1/4" / 1-1/2"



EBSHK1030



EBSHK1030-RFSL



EBSHK1030-RFSC



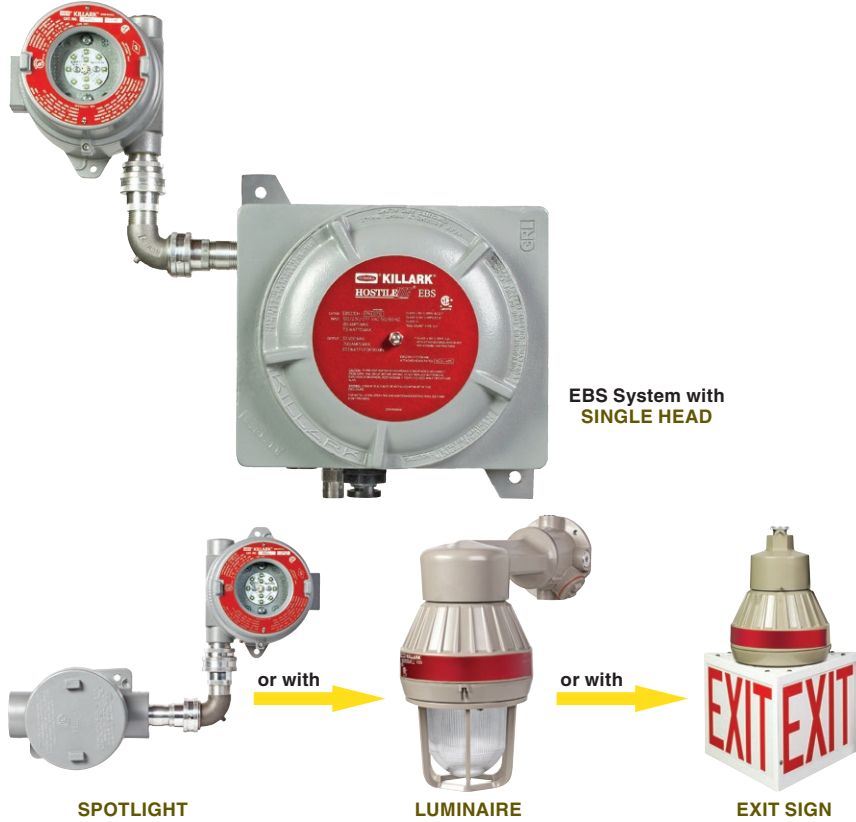
EBS-PTT

EBS23DH SERIES ACCESSORIES – DESCRIPTION	CATALOG NUMBER
Remote Push-To-Test Station Group B 3/4" Feed-Thru w/Close Up Plug	EBS-PTT
Remote Push-To-Test Station with Lock Off, Group B 3/4" Feed-Thru	EBS-PTT-LO
Lock-Off for Integral Push-To-Test	G010502
Sealed Fittings Set for attachment of EBSHK to GEBC-2 or GEBL-2	EBS-AHFS
Replacement Battery Pack and Electronics	KLBP01
Replacement Vapor Capsule for corrosion protection	EBS-VC



LIGHTING  
**EBS SERIES**

EMERGENCY BATTERY SYSTEM – ELECTRICAL & TEMPERATURE DATA



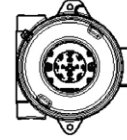
EBS System with SINGLE HEAD

SPOTLIGHT

LUMINAIRE

EXIT SIGN

**LED 10W EBSHK1030**



**ZONAL LUMEN SUMMARY**

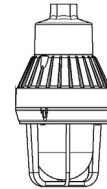
ZONE	LUMENS	FIXT%
0-30	254	27.9%
0-40	423	46.3%
0-60	781	85.5%
0-90	913	100.0%
90-120	0	0.0%
90-130	0	0.0%
90-150	0	0.0%
90-180	0	0.0%
0-180	913	100.0%

Absolute Photometry  
Total Luminaire Efficiency = N.A.%  
Spacing to Mounting Height Ratio 2.1

**EMERGENCY MODE LUMENS**

5 Min.	99.1%	905 Lumens
45 Min.	99.4%	871 Lumens
90 Min.	95.3%	871 Lumens

**LED 10W EBSEL1030**



**ZONAL LUMEN SUMMARY**

ZONE	LUMENS	FIXT%
0-30	180	16.7%
0-40	344	31.8%
0-60	758	70.1%
0-90	1067	98.7%
90-120	11	1.0%
90-130	13	1.2%
90-150	14	1.3%
90-180	14	1.3%
0-180	1081	100%

Absolute Photometry  
Total Luminaire Efficiency = N.A.%  
Spacing to Mounting Height Ratio 2.1

**EMERGENCY MODE LUMENS**

5 Min.	94.4%	102 Lumens
45 Min.	91.3%	987 Lumens
90 Min.	89.3%	966 Lumens

**EBS23DH ELECTRICAL DATA**

CATALOG NUMBER	INPUT**			OUTPUT**		
	VOLTAGE	WATTS	CURRENT	VOLTAGE	WATTS	CURRENT
EBS23DH	120-277VAC	7.5	.1 A	33VDC	23	700mA

\*\* Figures nominal. Current is 350mA to each of 2 heads (2 heads are required for proper operation, remote or attached).

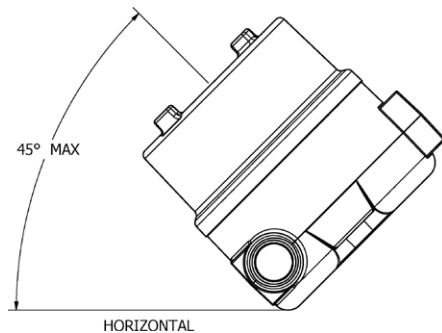
**THERMAL PERFORMANCE DATA**

CATALOG NUMBER	AMBIENT	CID1	CIID1	SUITABILITY	SUPPLY WIRE
EBS23DH	45°C	T6	EFG	0-45°C	75°C
EBSEL1030	55°C	T6	EFG	-40 to 40°C	75°C
EBSHK1030	55°C	T6	EFG	-40 to 40°C	75°C

\* Heads are NOT certified for use without EBS Battery Unit

**4 Head EBS option:**

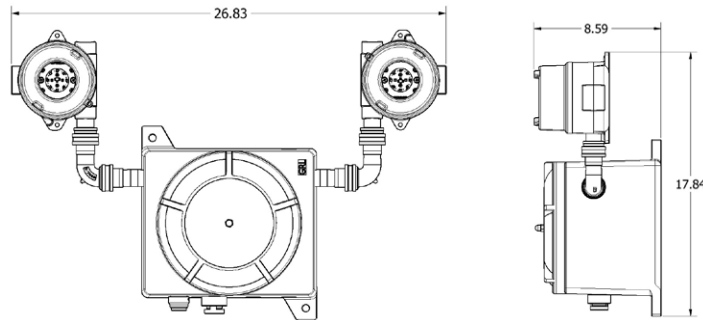
EBS units are designed for 2 head operation and will provide the lumens noted at right. However, 4 heads can be connected and will operate for 90 minutes at half the published lumen values. The EBSHK1030 would provide 456 lumens; the EVSEL1030 540 lumens. Instructions for wiring are included with the main EBS unit.



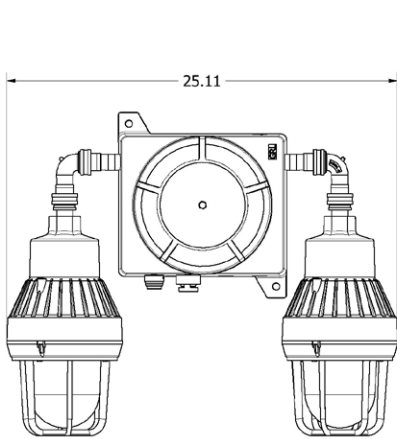
EBSHK Heads can be aimed up to 45 above horizontal – if flush on wall will require spacing out.



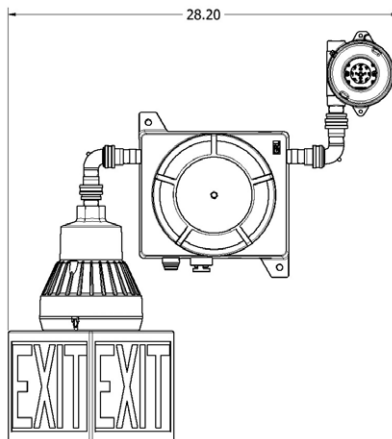
EMERGENCY BATTERY SYSTEM – DIMENSIONS & WEIGHTS



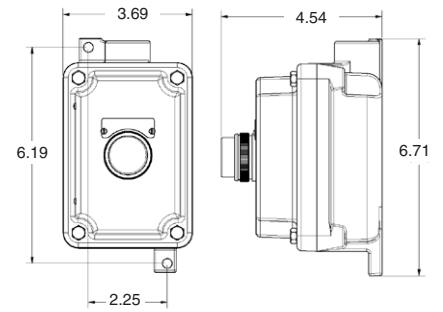
Dimensions - EBS with HK Heads



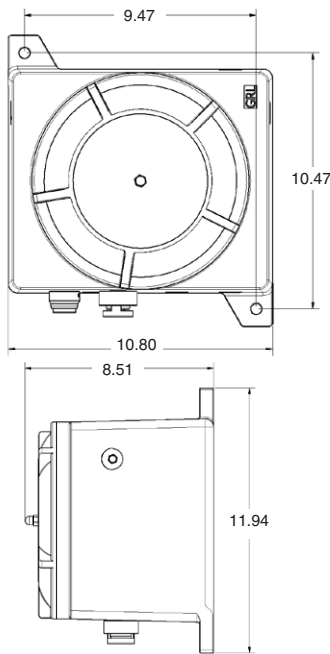
Dimensions - EBS with EL Heads



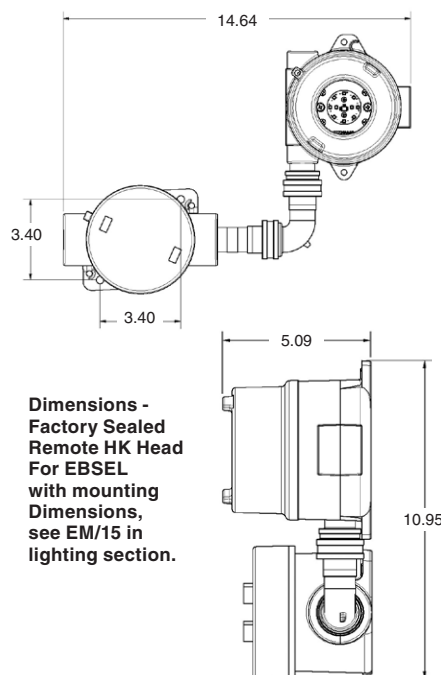
Dimensions - EBS with EL-EXIT & HK Heads



Dimensions - Remote Test Station



Dimensions - EBS Main Unit



Dimensions -  
Factory Sealed  
Remote HK Head  
For EBSEL  
with mounting  
Dimensions,  
see EM/15 in  
lighting section.

WEIGHTS (SHIPPING) INDIVIDUAL AND COMBINATIONS	LBS.
EGS23DH Main Unit Only	36.6
EBSEL1030 Pendant Head Only w/ Fittings Set	12.3
EBSHK1030 Head Only w/ Fittings Set	5.0
EBSHK1030-RFSC (or RFSL)	11.0
EBS-PTT	3.0
EBS-AHFS Factory Sealed Fittings Set	0.6
EBS23DH & 1 EBSHK w/ Fittings	41.6
EBS23DH & 2 EBSHK w/ Fittings	46.6
EBS23DH & 1 EBSEL w/ Fittings	48.9
EBS23DH & 2 EBSEL w/ Fittings	61.2
EBS23DH & 1 EBSEL & 1 EBSHK w/ Fittings	53.9



LIGHTING  
**NVL SERIES**

NON-METALLIC CORROSION RESISTANT HAZARDOUS FIXTURES

**ENVIRO***RITE*® II



Class I, Div. 2, Groups A,B,C,D  
Class I, Zone 2, Groups IIC,IIB,IIA  
Class II, Div. 2, Groups F,G  
Class III  
UL Marine Rated (US only)  
Type 3, 4, 4X, IP66

Certified - File LR11713

**ABS** Type Approval

to the following standards:  
UL 1598 Standard for luminaires  
UL 1598A Marine type luminaires  
UL 844 Standard for lighting fixtures  
for hazardous locations  
CSA C22.2 no. 137-M1981  
electric luminaires for use in  
hazardous locations  
Enclosed and gasketed

**FEATURES-SPECIFICATIONS**

**Features**

- Corrosive resistant body molded from 30% glass-filled thermoset polyester
- Energy and labor-saving LED
- High Efficacy (lumens per watt)
- Compact Size
- Diffuse polycarbonate globe that softens the light while providing impact protection
- Accessories include polycarbonate dome reflectors and wall extension
- Type 3, 4, & 4X Rated
- IP66
- Marine Rated
- ABS Approved

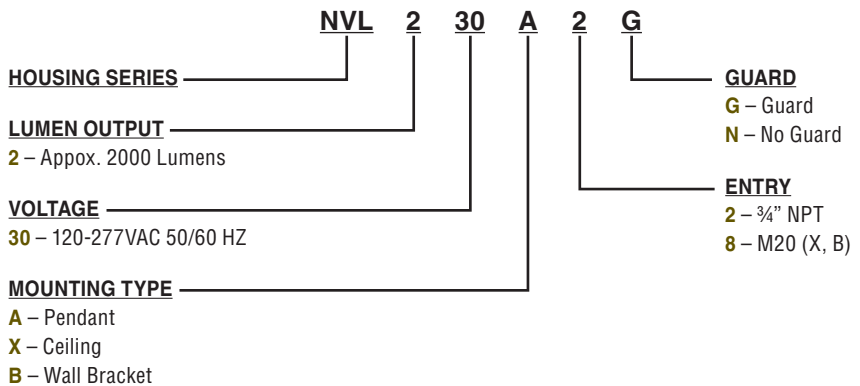
**Materials**

- Molded from 30% glass-filled thermoset polyester for high strength

**Electrical Ratings**

- Rated 120-277VAC 50/60 HZ
- -25°C to 40°C ambient rated

**CATALOG NUMBER LOGIC**







## NON-METALLIC CORROSION RESISTANT HAZARDOUS FIXTURES

NVL COMPONENTS AND ACCESSORIES			
CATALOG NUMBER	DESCRIPTION		
NV2AG	Pendant	3/4" NPT	Pendant splice box with 316 stainless steel set screw at the conduit connection
NV2XG	Ceiling Box	3/4" NPT	Ceiling box vol. 24 cu. inches
NV2MG		M20	
NV2BG	Wall Bracket		Use with NV2XG or NV2MG for wall mount
NVPSD12	Reflector		White Polycarbonate Reflector (secured by guard)
NVEXTG	Extension		Extension for wall mount fixture with reflector
NV2GG-S	Compact Guard		Low Profile Non-Metallic Guard that is also used to secure reflector

### COMPONENT PARTS



Pendant



Ceiling/Wall  
(Interior Detail)



Ceiling/Wall



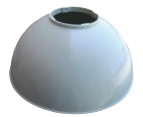
Wall Elbow



NV2GG-S  
Compact Guard

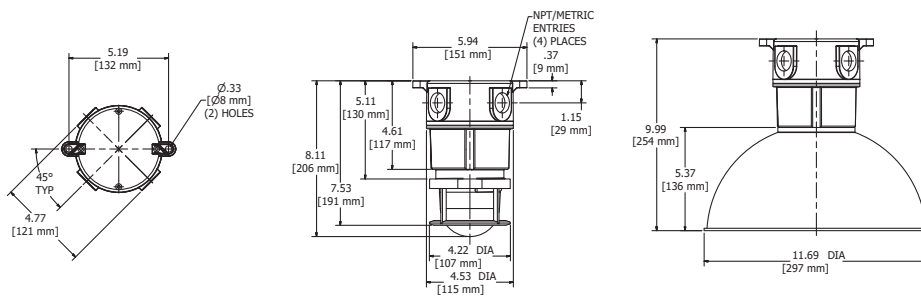


Extension

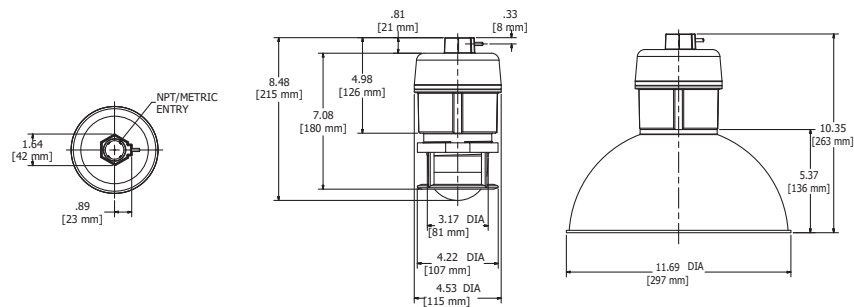


Reflector

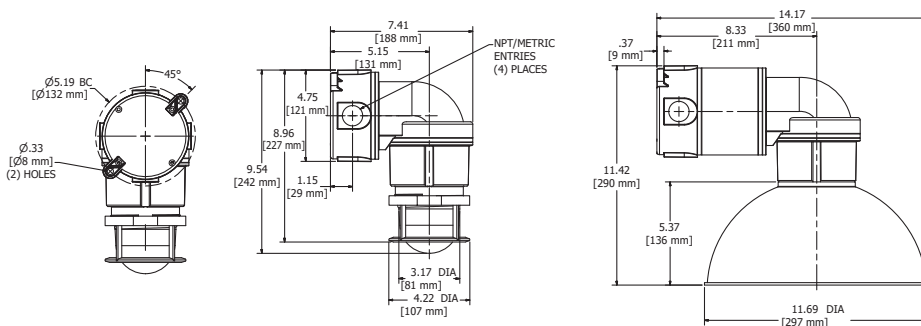
### CEILING MOUNT



### PENDANT MOUNT



### WALL MOUNT





LIGHTING  
**VTR & WTR SERIES**

# Easy as...

# OLD NEW



**1** remove



**2** connect



**3** enjoy





# VTR

## Vapor Tight LED Retrofit



VTR-1



VTR-2

Class I, Division 2, Groups A, B, C, D  
Class I, Zone 2, Groups IIC, IIB, IIA  
Class II, Division 2, Groups F, G  
Class III  
Suitable for wet locations  
Type 4

Certificate No: E509951

### FEATURES-SPECIFICATIONS

#### Features

- High efficacy upto 120 lumens/watt
- UL 1598C and CSA C22.2 No 250.1-16 compliant
- 5000k crisp white LEDs

#### Materials

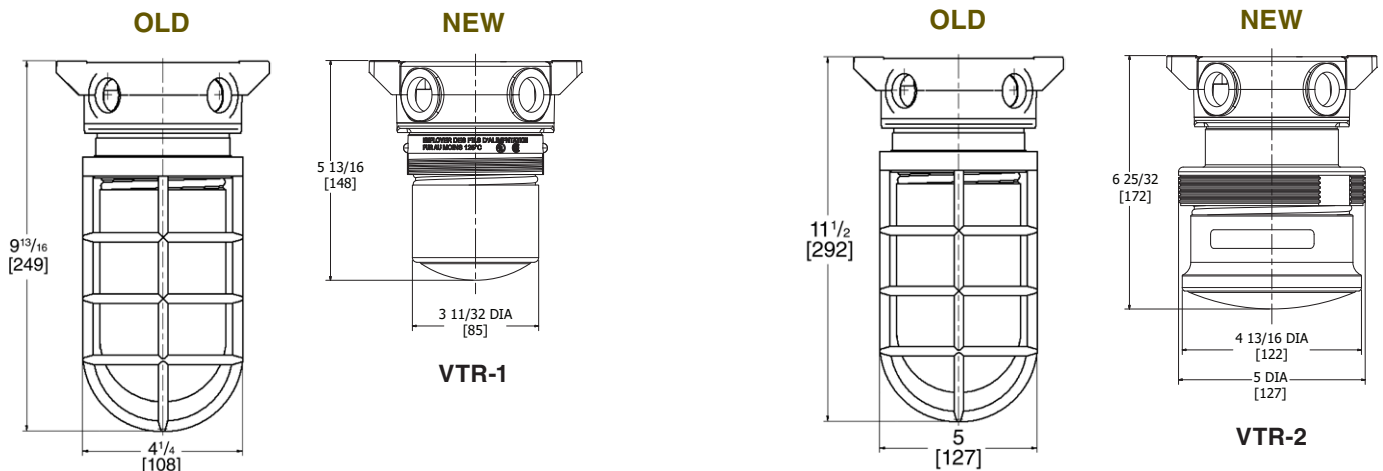
- Housing: Aluminum
- Lens: Polycarbonate

#### Adaptability

- Appleton V-51 Series
- Killark V Series

ORDERING INFORMATION AND SUITABILITY						C1D2		C2D2	
	WEIGHT LBS / KG	WATTS	VOLTAGE	AMPS	LUMENS	40°C	55°C	40°C	55°C
VTR-1	0.80 / 0.36	9	120V 60Hz	0.05	1085	T6	T6	T3B	T3B
VTR-2	1.25 / 0.57	18	120V 60Hz	0.1	2100	T6	T5	T3B	T3B

### DIMENSIONS







LIGHTING  
**WTR SERIES**

# WTR

## Water Tight LED Retrofit



**WTR-1**



**WTR-2**

Suitable for wet locations  
Type 3, 3R, 4

 Certificate No: E505038

### FEATURES-SPECIFICATIONS

#### Features

- High efficacy upto 120 lumens/watt
- UL 1598C and CSA C22.2 No 250.1-16 compliant
- 5000k crisp white LEDs

#### Materials

- Housing: Aluminum
- Lens: Polycarbonate

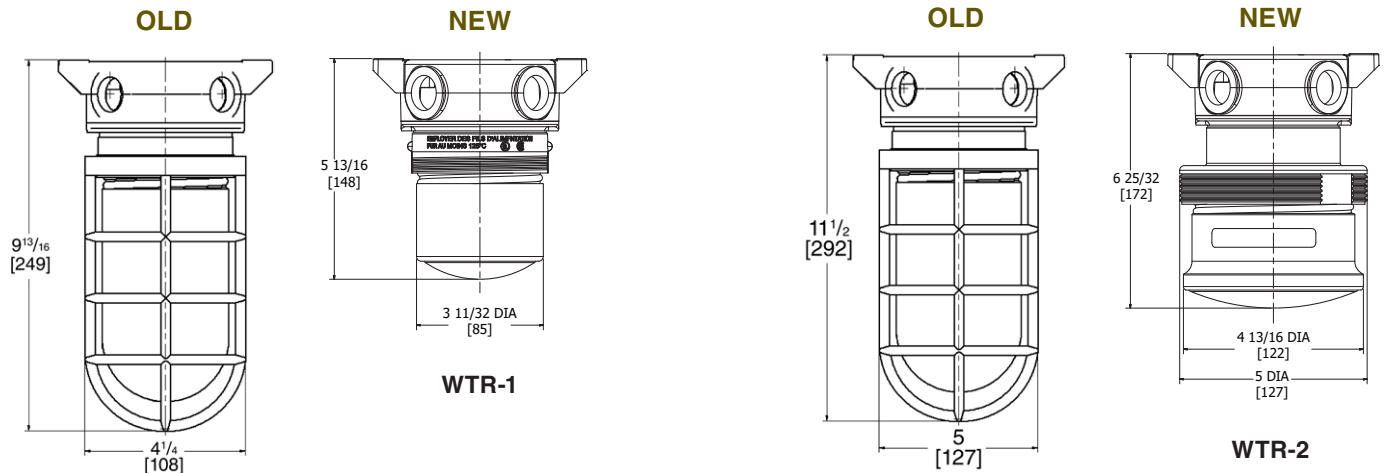
#### Adaptability

- Appleton V-51 Series
- Killark V Series
- Cooper Crouse-Hinds V-Series
- Thomas & Betts Red-dot V

#### ORDERING INFORMATION AND SUITABILITY

	WEIGHT LBS / KG	WATTS	VOLTAGE	AMPS	LUMENS
<b>WTR-1</b>	0.80 / 0.36	9	120V 60Hz	0.05	1085
<b>WTR-2</b>	1.25 / 0.57	18	120V 60Hz	0.1	2100

### DIMENSIONS







## UTILITY LIGHT – INTRODUCTION

### V SERIES LED



Class I, Div. 2, Groups A,B,C,D  
Class I, Zone 2, Groups IIC,IIB,IIA  
Class II, Div. 2, Groups F,G  
Class III  
Suitable for wet locations  
Enclosure Type 4

 Certified - File LR11713

## FEATURES-SPECIFICATIONS

### Features

- Compact in Size with Traditional Industrial Appearance and Suitability
- Wide variety of optics including glass globes (tempered and color) plus polycarbonate globes in clear and colors (Polycarbonate globes are suitable to 40°C.)
- Optional Mounting arrangements including Pendant, Wall, Ceiling, Stanchion and Adapters
- Fixtures available unit packed, order option CP
- VSL LED Housings can be retrofitted to existing V Series splice boxes; upgrade from CFL or incandescent
- Energy Savings – less than 13 Watts of Power; less than 16 Watts for VSL1630. Replaces 75W or higher incandescent
- Long Fixture Life – 50,000 - 55,000 maintenance free hours
- Crisp White Light for Excellent Color Rendering – Chromaticity 5000°K (CCT); 70 CRI
- Integral driver – maintains fixture's compact profile to fit in existing spaces
- Instant on – including after power interruption
- Solder-LESS LED Board Connections – Vibration Resistant

### Materials

- Body, splice box and guards are corrosion resistant copper-free aluminum alloy
- Baked powder epoxy/polyester finish, electrostatically applied for complete, uniform corrosion protection
- Reflectors – Polypropylene for pendant or ceiling applications
- Heavy-duty silicone gasketing for Type 4 requirements

### Electrical Ratings

- Ambient suitability -40°C to 55°C
- “World Voltage” 120-277VAC 50/60Hz



LIGHTING  
**VSL SERIES**

UTILITY LIGHT – CATALOG LOGIC



Clear Glass  
w/Guard



White Glass  
w/Guard



Blue Glass

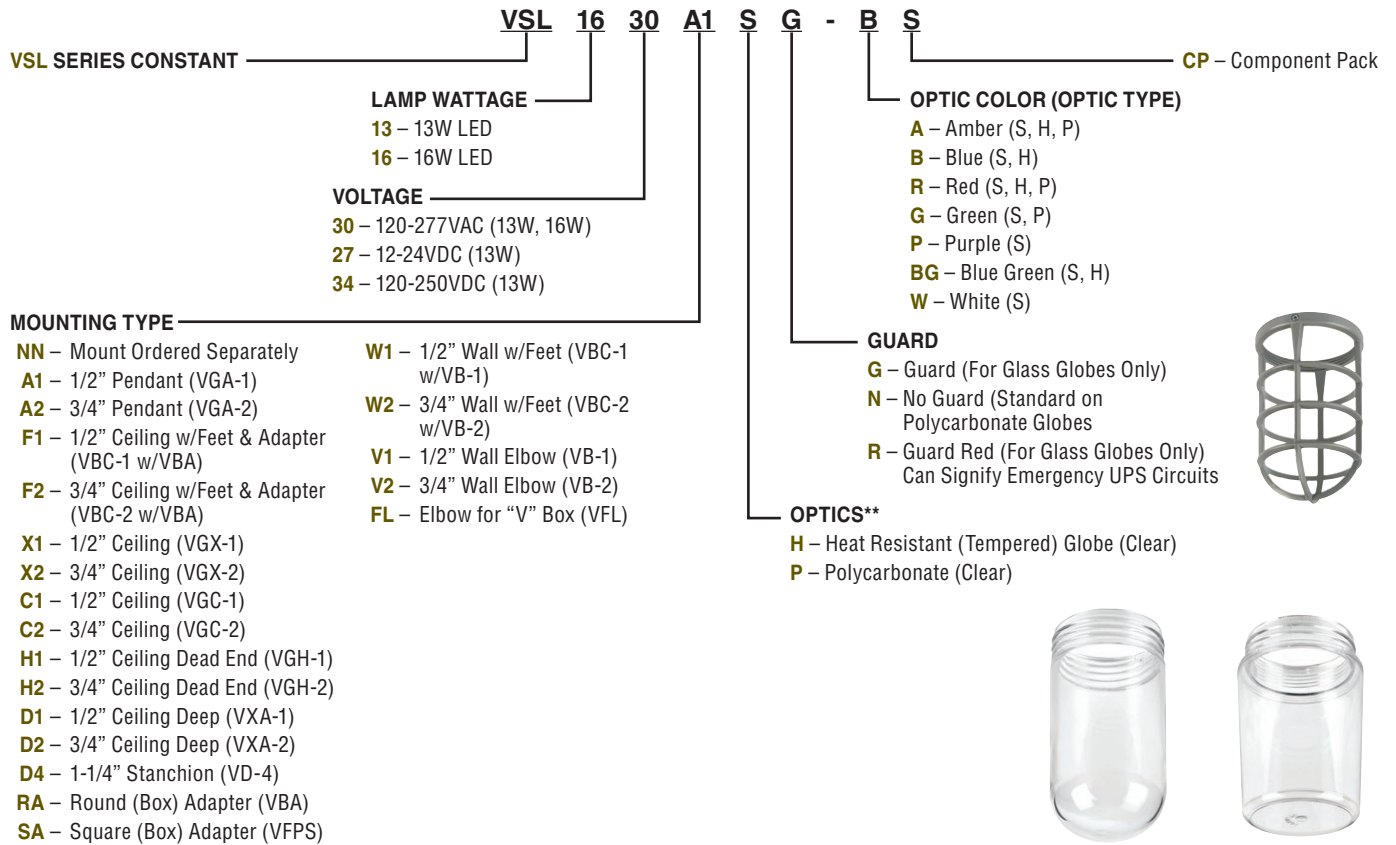


Clear  
Polycarbonate



Red  
Polycarbonate

**V SERIES LED Catalog Number Logic**



COLORED GLOBE OPTIONS** EXAMPLE VSL1330A1SG-A		
SUFFIX AND AVAILABLE COMBINATIONS		
COLOR NUMBER	TEMPERED GLOBE	POLYCARBONATE
AMBER	A	A
BLUE	B	—
RUBY	R	R
GREEN	—	G
PURPLE	—	—
BLUE-GREEN	BG	—
WHITE	W	W

\*\* Use tempered glass or poly globe for wet location applications.



## UTILITY LIGHT – COMPONENTS



VSL Body

**RETROFIT  
FOR ENERGY  
SAVINGS**

### VSL FIXTURE BODIES ONLY

Fixture bodies contain the LED driver and array, heat sink plus gaskets, and are threaded to accept globes, guards and reflectors. Users with KILLARK “V” Series vapor tight fixtures from the 1960’s onward can up-grade to the latest technology and, in many cases, reuse existing mounts, globes and guards. VSL bodies are designed for metallic boxes and mount directly to V Series splice boxes or adapters as indicated.

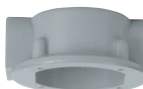
VSL FIXTURE BODIES	
CATALOG NUMBER	DESCRIPTION
VSL1330	13W 120-277VAC 50/60Hz Body with LEDs and Driver
VSL1630	16W 120-277VAC 50/60Hz Body with LEDs and Driver



VGA



VGH



VGC



VGX



VXA



VBC



VBA



VFPS

### VSL SPLICE BOXES

For use with VSL Series fixture bodies.

VSL SPLICE BOXES				
CATALOG NUMBER	HUB SIZE	QTY.	LOGIC CODE	DESCRIPTION
VGA-1	1/2"	1	A1	Pendant mount
VGA-2	3/4"	1	A2	
VGH-1	1/2"	1	H1	Ceiling mount
VGH-2	3/4"	1	H2	
VGC-1	1/2"	2	C1	Ceiling mount
VGC-2	3/4"	2	C2	
VGX-1	1/2"	4	X1	Ceiling mount
VGX-2	3/4"	4	X2	
VXA-1	1/2"	5	D1	Ceiling mount, deep box
VXA-2	3/4"	5	D2	
VBC-1	1/2"	4	F1	Ceiling mount, with 3 close-up plugs (requires VBA Adapter) or wall mount with VB elbow
VBC-2	3/4"	4	F2	
VXAB	-	-	-	Blank close-up plate (less gasket)

### VSL ADAPTERS

VSL ADAPTER MOUNTING PLATES	
CATALOG NUMBER	DESCRIPTION
VBA	Adapts fixture body to VB, VJ or steel 3-1/2" & 4" splice boxes. Supplied with gasket.
VFPS	Adapts fixture body to steel 4" square outlet boxes or 3-1/2" or 4" octagon boxes

### VSL WALL/STANCHION MOUNTS



VB



VFL



VD

VSL MOUNTING BRACKETS			
CATALOG NUMBER	HUB SIZE	QTY.	DESCRIPTION
VB-1	1/2"	1	Wall mount to VJ or VB boxes
VB-2	3/4"	1	Wall mount to VJ or VB boxes
VFL	-	-	Wall mount to V boxes directly or to VJ, VB boxes with VBA adapter
VD-4	1-1/4"	1	Stanchion mount



# LIGHTING VSL SERIES

## UTILITY LIGHT – COMPONENTS, RATINGS & WEIGHTS



### VSL GLOBES

VSL GLOBES – ORDERING INFORMATION AND SUFFIX GRID*				
COLOR	TEMPERED GLASS	OPTIC LOGIC	POLYCARBONATE	OPTIC LOGIC
Clear	VCGP-100	H*	VPLCG-100	P*
Amber	VAMGP-100	A	VPLCG-100A	A
Blue	VBGP-100	B	–	–
Ruby (Red)	VRGP-100	R	VPLCG-100R	R
Green	–	–	VPLCG-100G	G
Blue-Green	VGGP-100	BG	–	–
White	VWGP-100	W	VPLCG-100W	W

\* Use tempered glass or polycarbonate globes for wet location applications.



### VSL COMPONENTS

VSL COMPONENT PARTS AND ACCESSORIES	
CATALOG NUMBER	DESCRIPTION
VAG-100	Aluminum Guard for use with Glass Globe
VAG-100R	Red Aluminum Guard for use with Glass Globe
VTG-S	Body to Splice Box Gasket – Silicone
VTGG1-S	Globe Gasket – Silicone

Typical Weights (lbs.) w/Standard Globe and Guard – VSL Series

Pendant 7.03	Ceiling 7.51	Wall 8.09	Stanchion 7.61
--------------	--------------	-----------	----------------

### VSL THERMAL RATINGS

VSL THERMAL PERFORMANCE DATA INCLUDING VPRSD-100 REFLECTOR						
CATALOG NUMBER	AMBIENT	C1D2		C2D2		SUPPLY WIRE
		GLASS GLOBE	POLY GLOBE	GLASS GLOBE	POLY GLOBE	
VSL1330	40°C	T6	T5	T5 (F,G)	T5 (F,G)	90°
VSL1330	55°C	T5	–	–	–	90°
VSL1630	40°C	T5	–	T5 (F,G)	–	90°

### VSL ELECTRICAL RATINGS

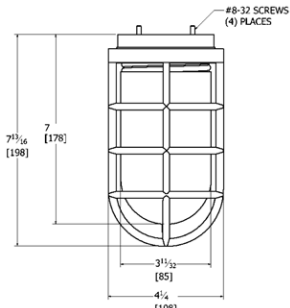
VSL LED BODY WITH DRIVERS AND LEDS – ELECTRICAL RATINGS					
CATALOG NUMBER	VOLTAGE 50/60HZ	WATTS	AMPS 120/277	LUMENS	WEIGHT LBS.
VSL1330	120-277VAC	12.42	.108/.047	1300	5.0
VSL1630	120-277VAC	15.64	.156/.067	1625	5.0

DELIVERED LUMENS			
WATTS	W/ GLOBE VCGP-100	W/GLOBE VPLCG-100	W/GLOBE VWGP-100
13W	1211	1104	905
16W	1328	1308	1072

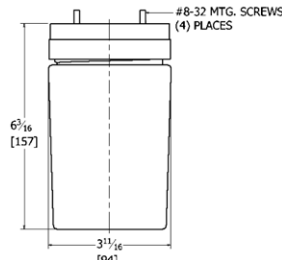




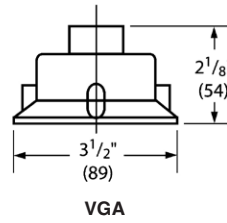
UTILITY LIGHT – DIMENSIONS



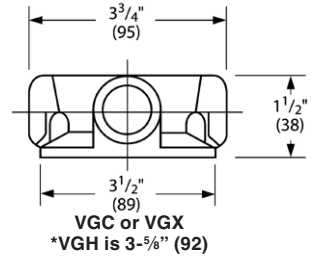
**VSL Body w/Globe & Guard, No Splice Box**



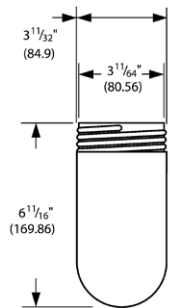
**VSL Body w/Polycarbonate Globe, No Splice Box**



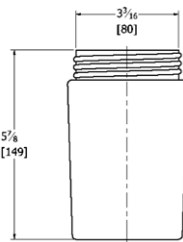
**VGA**



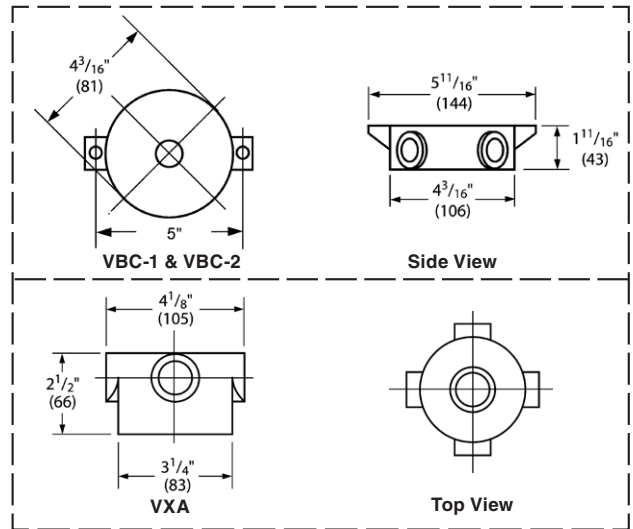
**VGC or VGX  
\*VGH is 3-9/8 [92]**



**Glass Globe**



**Polycarbonate Globe**

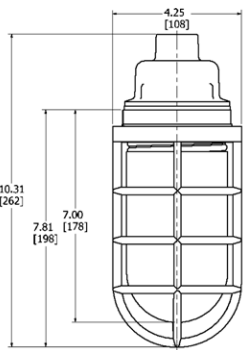


**VBC-1 & VBC-2**

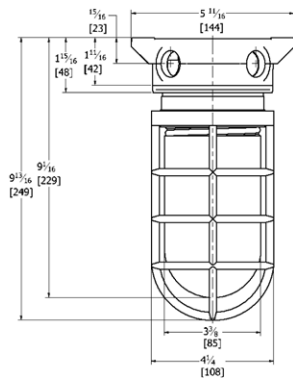
**Side View**

**VXA**

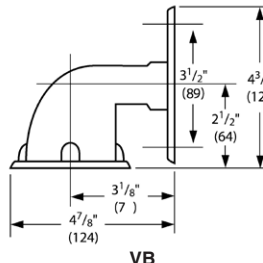
**Top View**



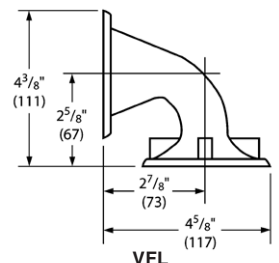
**VSL Pendant Fixture w/Globe & Guard**



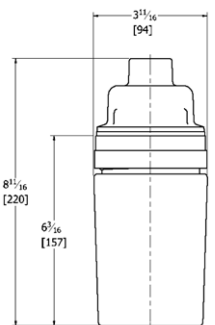
**VSL Ceiling Fixture w/Globe & Guard**



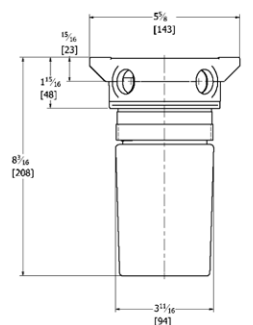
**VB**



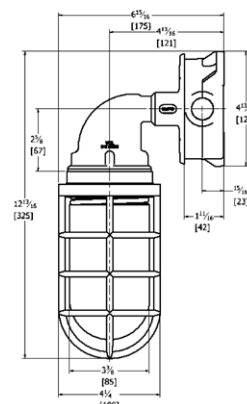
**VFL**



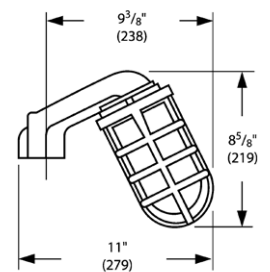
**VSL Pendant Fixture w/ Polycarbonate Globe**



**VSL Ceiling Fixture w/Polycarbonate Globe**



**VSL Wall Mounted Fixture w/Globe & Guard**



**VSL Stanchion Fixture w/Globe & Guard**



## LIGHTING DVL SERIES

### CLASS II UTILITY LIGHT – INTRODUCTION



Class II, Div. 1 & 2, Groups E, F, G  
Class III  
Class I, Div. 2, Groups A, B, C, D

 Certified - File LR11713

## FEATURES-SPECIFICATIONS

### Features

- Compact in Size with Traditional Industrial Appearance and Suitability
- DVL LED Housings can be retrofitted to existing DV Series splice boxes; upgrade from incandescent housing 100 Series components
- Long Fixture Life – 50,000 - 55,000 maintenance free hours
- Crisp White Light for Excellent Color Rendering – Chromaticity 5000°K (CCT); 70 CRI
- Integral driver – maintains fixture's compact profile to fit in existing spaces
- Instant on – including after power interruption
- Solder-LESS LED Board Connections – Vibration Resistant

### Materials

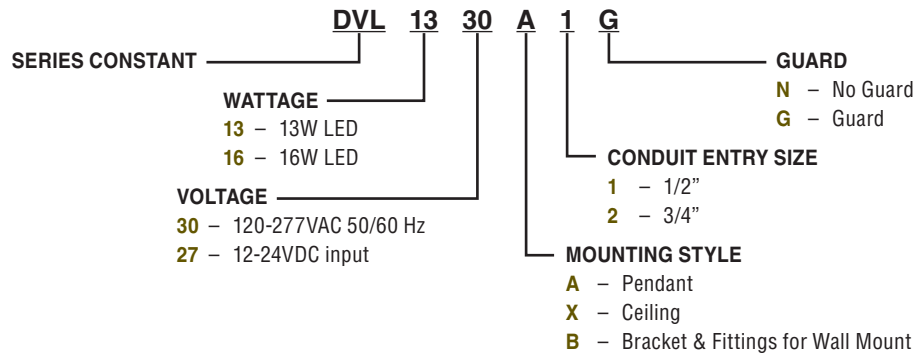
- Body and splice box are corrosion resistant copper-free aluminum alloy. Steel guard.
- Baked powder epoxy/polyester finish, electrostatically applied for complete, uniform corrosion protection

### Electrical Ratings

- “World Voltage” 120-277VAC 50/60Hz



CLASS II UTILITY LIGHT – ORDERING INFORMATION

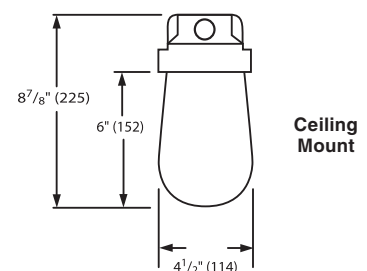
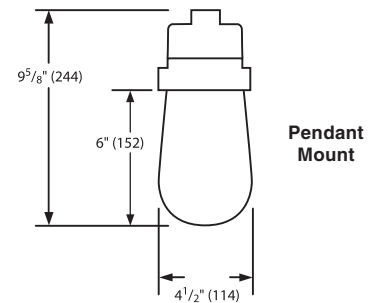


ACCESSORIES/COMPONENTS					
BODIES			MOUNTS		
DVL 1330	LED 13W	DVA1	1/2" Pendant Mount		
DVL 1327	LED 13W	DVA2	3/4" Pendant Mount		
DVL 1630	LED 16W	DVX1	1/2" Ceiling Mount		
DVL 1627	LED 16W	DVX2	3/4" Ceiling Mount		
		DVB1	1/2" Wall Mount		
		DVB2	3/4" Wall Mount		
GLOBE			GUARD		
DCGE-10			DAG-100		

DVL 100 SERIES						
MODEL	LAMP	HUB	PENDANT	CEILING	WALL	DELIVERED LUMENS
Type 100 13Watt	Included	1/2"	DVL1330A1G	DVL1330X1G	DVL1330B1G	1144
		3/4"	DVL1330A2G	DVL1330X2G	DVL1330B2G	
Type 100 16Watt	Included	1/2"	DVL1630A1G	DVL1630X1G	DVL1630B1G	1355
		3/4"	DVL1630A2G	DVL1630X2G	DVL1630B2G	

DVL THERMAL RATINGS					
CAT. NO.	AMBIENT	WATTS	C2D1 EFG	C1D2 ABCD	SUPPLY WIRE
DVL1330	40°C	13	T3B	T6	90°C
DVL1630	40°C	16	T3B	T6	90°C
DVL1330	55°C	13	—	T5	90°C
DVL1630	55°C	16	—	T5	90°C

**DIMENSIONS**



**Wall Mount overall dimensions**  
Height = 13.125" (333mm)  
Outward from wall = 7.4" (188mm)



LIGHTING  
**NV2 SERIES**

NON-METALLIC CORROSION RESISTANT HAZARDOUS FIXTURES

**ENVIRO***RITE*<sup>®</sup> II



Pendant  
Incandescent



Pendant  
Fluorescent



Ceiling  
Incandescent



Ceiling  
Fluorescent

Class I, Div. 2, Groups A,B,C,D  
Class I, Zone 2, Groups IIC,IIB,IIA  
Class II, Div. 2, Groups F,G  
Class III  
UL Marine Rated (US only)  
Type 3, 4, 4X, IP66

Certified - File LR11713

**ABS Type Approval**

to the following standards:  
UL 1598 Standard for luminaires  
UL 1598A Marine type luminaires  
UL 844 Standard for lighting  
fixtures for hazardous locations  
CSA C22.2 no. 137-M1981  
electric luminaires for use in  
hazardous locations  
Enclosed and gasketed  
NEMA 3, 4X, IP66

**FEATURES-SPECIFICATIONS**

**Features**

- NV2 Series non-metallic light fixtures combine an outstanding balance of strength, stiffness, toughness and electrical properties
- Energy and labor saving fluorescent or incandescent models
- Accessories include polycarbonate dome reflectors and wall extension
- Molded from 30% glass-filled thermoset polyester for high strength
- Resists corrosive effects of most chemicals, hydrocarbons and solvents
- Designed for indoor and outdoor, globe down applications.

**Materials:**

- Molded from 30% glass-filled thermoset polyester for high strength





## NON-METALLIC CORROSION RESISTANT HAZARDOUS FIXTURES

PENDANT 3/4" FIXTURE W/ GLOBE & GUARD	
TYPE	TEMPERED GLOBE
15 W Incan.	NV2IG15AHG
13 W Fluor.	NV2FG13AHG
18 W Fluor.	NV2FG18AHG
26 W Fluor.	NV2FG26AHG
32 W Fluor.	NV2FG32AHG
42 W Fluor.	NV2FG42AHG

CEILING 3/4" FIXTURE W/ GLOBE & GUARD*	
TYPE	TEMPERED GLOBE
150 W Incan.	NV2IG15XHG
13 W Fluor.	NV2FG13XHG
18 W Fluor.	NV2FG18XHG
26 W Fluor.	NV2FG26XHG
32 W Fluor.	NV2FG32XHG
42 W Fluor.	NV2FG42XHG

WALL 3/4" FIXTURE W/ GLOBE & GUARD*	
TYPE	TEMPERED GLOBE
150 W Incan.	NV2IG15BHG
13 W Fluor.	NV2FG13BHG
18 W Fluor.	NV2FG18BHG
26 W Fluor.	NV2FG26BHG
32 W Fluor.	NV2FG32BHG
42 W Fluor.	NV2FG42BHG

**\*Notes:**

Tempered Globes are required for Wet Location applications

All assemblies are unit packed with required components (not assembled)

Fluorescent unit pack models (only) include the lamp

Reflector is sold separately. For wall mounting with reflector, the NVEXTG extension is required and sold separately

Fluorescent models use "world voltage" ballasts for 120VAC through 277VAC 50/60Hz applications

Incandescent models 277VAC max.

For M20 ceiling units change "X" in part # to "M". For wall units change "B" to "W".

M20 Pendant not available.

\* Incandescent lamp bulb size A

### Colored Globe Options\*\*

Example: NV2IG15AHG-R for Ruby Tempered Globe

SUFFIX AND AVAILABLE COMBINATIONS	
COLOR	TEMPERED GLOBE
Amber	A
Blue	BG
Ruby	R
Green	NA
Purple	NA
Blue-Green	BG

\*\*Tempered globes are required for wet locations.

T-CODES @ 40°C MAX; WITH OR WITHOUT REFLECTOR						
GLOBE TYPE	CLASS II DIV.2		CLASS II DIV.2		MINIMUM START	
	CLEAR	COLOR	CLEAR	COLOR	°C	°F
75 W	T2C	T2B	T3C	-	-	-
100 W	T2A	T2	T3C	-	-	-
150 W	T2B	T2	-	-	-	-
13 Fluor	T3C	T3C	T4A	T4A	-20	-4
18 Fluor	T3C	T3C	T4A	T4A	-20	-4
26 Fluor	T3B	T3A	T4A	T4A	-20	-4
32 Fluor	T3B	T3A	T4A	T4A	-20	-4
42 Fluor	T2D	T2C	T4A	T4A	-20	-4

Min. supply wire Fluor. 60°C, Incan. 90°C

FLUORESCENT OPERATING MAX. AMPS		
TYPE	120 VAC	277 VAC
13W Fluor	0.144	0.067
18W Fluor	0.158	0.073
26W Fluor	0.22	0.097
32W Fluor	0.285	0.128
42W Fluor	0.38	0.166



LIGHTING  
**NV2 SERIES**

NON-METALLIC CORROSION RESISTANT HAZARDOUS FIXTURES



Wall Mount  
Incandescent



Wall Mount  
Fluorescent



Wall Mount with  
Extension and Dome  
Reflector accessories

**COMPONENT PARTS**



Pendant



Ceiling/Wall



Wall Elbow



Ceiling/Wall  
(Interior Detail)



Incandescent



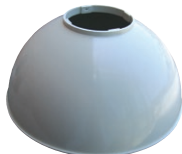
Fluorescent



Globe



Guard



Reflector



Extension

**NV2 SPLICE BOXES - INCLUDES SILICONE GASKETS & BRASS SCREWS**

CATALOG NUMBER	DESCRIPTION		
NV2AG	Pendant	3/4" NPT	Pendant splice box includes a 316 stainless steel set screw at the conduit connection
NV2XG <sup>①</sup>	Ceiling Box	3/4" NPT	Ceiling box vol. 24 cu. inches
NV2MG <sup>①</sup>		M20	
NV2BG	Wall Bracket		Use with NV2XG or NV2MG for wall mount

**NV2 BODIES**

CATALOG NUMBER	DESCRIPTION
NV2IG15	Incandescent Body with E-26 medium base socket; fixture rated voltage 277VAC max.
NV2FG13	13 W Fluorescent Body World Voltage 120V - 277V 50/60Hz
NV2FG18	18 W Fluorescent Body World Voltage 120V - 277V 50/60Hz
NV2FG26	26 W Fluorescent Body World Voltage 120V - 277V 50/60Hz
NV2FG32	32 W Fluorescent Body World Voltage 120V - 277V 50/60Hz
NV2FG42	42 W Fluorescent Body World Voltage 120V - 277V 50/60Hz

**NV2 GLASS GLOBES & GUARDS <sup>②</sup>**

CATALOG NUMBER	DESCRIPTION	
VCGP-100	Clear, Tempered	150 watt Lamp size A-21 max.
NV2GG		Guard

**NV2 REFLECTORS AND EXTENSION**

CATALOG NUMBER	DESCRIPTION
NVPSD12	White Polycarbonate Reflector (secured by guard)
NVEXTG	Extension (for wall mount fixture with reflector)

**NV2 F FLUORESCENT REPLACEMENT LAMPS AND BALLASTS**

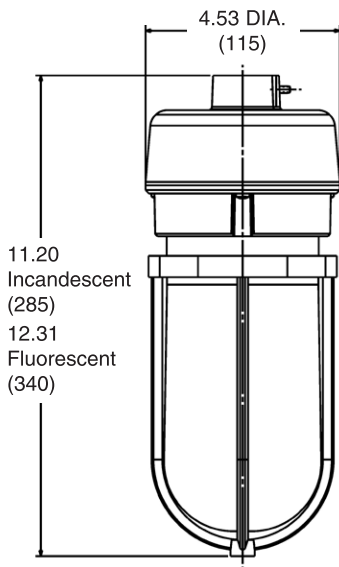
CATALOG NUMBER	LAMP DESCRIPTION	BALLAST DESCRIPTION
MLQ13	13 W Quad-Pin Lamp 900 Lumens	BKF131830 13/18 WATT REP. BALLAST
MLQ18	18 W Quad-Pin Lamp 1200 Lumens	
MLQ26	26 W Quad-Pin Lamp 1800 Lumens	
MLQ32	32 W Quad-Pin Lamp 2400 Lumens	BKF26324230 26/32/42 WATT REP. BALLAST
MLQ42	42 W Quad-Pin Lamp 3200 Lumens	

<sup>①</sup> NV2 ceiling (wall) boxes have 4 10-32 brass inserts with 2 ground screws. May be used for wet locations, as terminal/junction, boxes, or instruments using 'clear' blank cover.

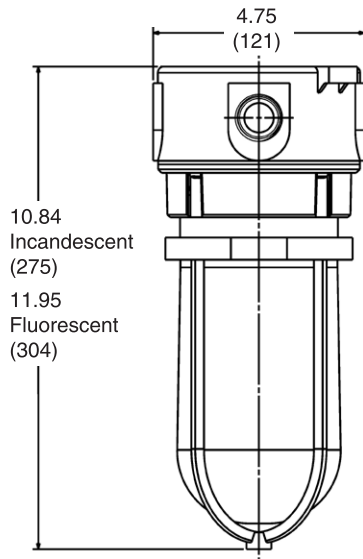
<sup>②</sup> Use tempered globes for wet locations.



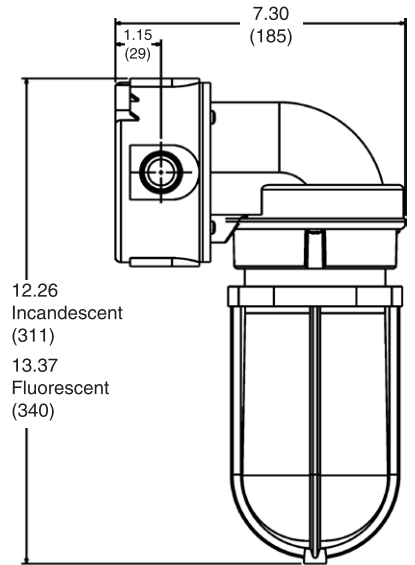
DIMENSIONS



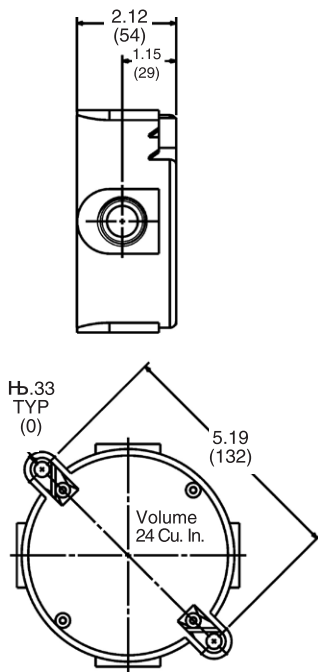
Pendant



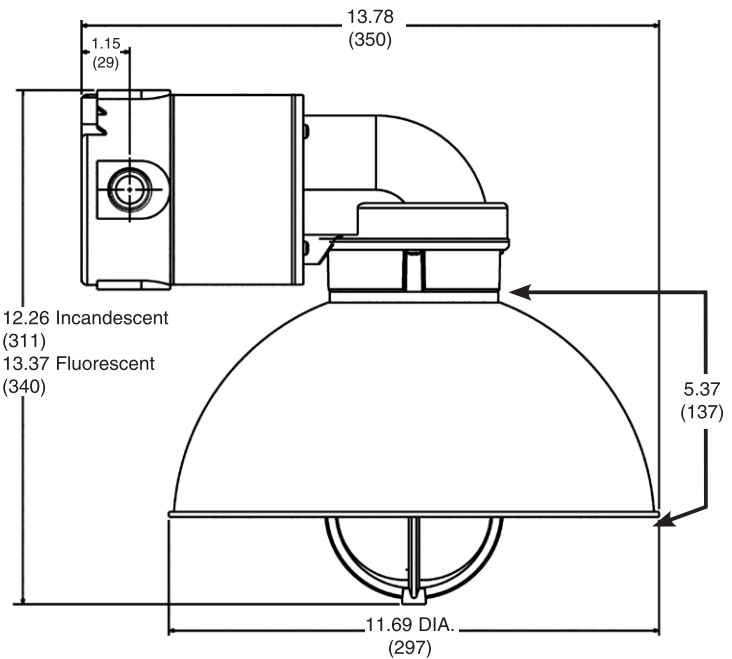
Ceiling



Wall



NV2XG



Wall mount with optional reflector and with extension.  
 Extension required only for wall mount units using reflector.  
 \* NOTE: Dimensional diagrams show incandescent models, but include height also for fluorescent.



LIGHTING  
**NVPI/NVPF SERIES**

NON-METALLIC/NON-GLASS FIXTURES

**ENVIRO<sup>RITE</sup>® II**



Pendant Fluorescent



Ceiling Incandescent



Wall Mount Fluorescent

**Class II, Div. 2, Groups F,G  
Type 3, 4, 4X**

Certified\* - File LR11713

to the following standards:

**UL 1598 Standard for luminaires  
UL 844 Standard for lighting  
fixtures for hazardous locations  
CSA C22.2 no. 137-M1981  
electric luminaires for use in  
hazardous locations  
Enclosed and gasketed  
Type 3, 4X**

**FEATURES-SPECIFICATIONS**

**Features**

- NVP Series non-metallic light fixtures combine an outstanding balance of strength, stiffness, toughness and electrical properties
- Polycarbonate lens
- Energy and labor saving fluorescent or incandescent models
- Molded from 30% glass-filled thermoset polyester for high strength
- Resists corrosive effects of most chemicals, hydrocarbons and solvents
- Designed for indoor and outdoor globe down applications
- All assemblies are unit packed with required components (not assembled)
- Fluorescent unit pack models (only) include the lamp
- Fluorescent models use "world voltage" ballasts for 120VAC through 277VAC 50/60Hz applications
- For M20 ceiling units change "X" in part # to "M". For wall units change "B" to "W". M20 Pendant not available

**Materials:**

- Molded from 30% glass-filled thermoset polyester for high strength





NON-METALLIC/NON-GLASS FIXTURES

**PENDANT 3/4" CLEAR POLYCARBONATE GLOBE & GUARD\***

40W Incan. ①	NVPIG40AG
13 W Fluor.	NVPFG13AG
18 W Fluor.	NVPFG18AG
26 W Fluor.	NVPFG26AG

**CEILING 3/4" CLEAR POLYCARBONATE GLOBE & GUARD\***

40W Incan. ①	NVPIG40XG
13 W Fluor.	NVPFG13XG
18 W Fluor.	NVPFG18XG
26 W Fluor.	NVPFG26XG

**WALL 3/4" CLEAR POLYCARBONATE GLOBE & GUARD\***

40W Incan. ①	NVPIG40BG
13 W Fluor.	NVPFG13BG
18 W Fluor.	NVPFG18BG
26 W Fluor.	NVPFG26BG

**Self-ballasted CFL's for 26W①**

**APPLICATION DATA ①**

WATTAGE & TYPE	CLASS II DIV.2 CLEAR OR COLOR	MIN. START		CURRENT FLUOR. VAC	
		C°	F°	120V	277V
40W ①	F, G	—	—	—	—
13 Fluor	F, G	-20°C	-4°F	0.144	0.067
18 Fluor	F, G	-20°C	-4°F	0.158	0.073
26 Fluor	F, G	-20°C	-4°F	0.22	0.097

① Incandescent models w/medium base socket marked for 40W 277V Max or self-ballasted CFL's to 26W max, lamps F.O.B

**POLYCARBONATE GLOBE OPTIONS FOR ASSEMBLIES: RED OR GREEN**

For RED polycarbonate add -R e.g. NVPIG75AG-R

For GREEN polycarbonate add -G e.g. NVPIG75AG-G

**COMPONENTS \*\***

CATALOG NUMBER	DESCRIPTION
NVPIG40 ①	Incandescent Body with E26 socket; 40W Max ①
NVPFG13	13W Fluor Body & 120 - 277VAC 50/60Hz Ballast (less lamp)
NVPFG18	18W Fluor Body & 120 - 277VAC 50/60Hz Ballast (less lamp)
NVPFG26	26W Fluor Body & 120 - 277VAC 50/60Hz Ballast (less lamp)
NV2AG	3/4" Pendant splice box
NV2XG	3/4" Ceiling splice box
NV2BG	Elbow (used between NV2XG and Fixture Body)
NV2GG	Guard
VPLCG100	Clear Poly Globe 40W "A" MAX
VPLCG100R	Red Poly Globe 40W "A" MAX
VPLCG100G	Green Poly Globe 40W "A" MAX

\* Reflectors are not recommended - globe taper prevents guard from holding reflector securely.



LIGHTING

## V SERIES • WEATHERPROOF

INCANDESCENT COPPER-FREE ALUMINUM FIXTURES - INTRODUCTION



**Enclosed & Gasketed**

 LISTED - File E27731

 Certified - File LR11851

### FEATURES-SPECIFICATIONS

#### V Series

#### Enclosed & Gasketed

#### Features

- Electrostatically applied epoxy/polyester finish
- Modular design
- Hubs are threaded for attachment to conduit
- Set screws in pendant fixture
- Copper-free aluminum (less than .004%)

#### Materials

- Body, splice box and guards are corrosion resistant copper-free aluminum alloy
- Baked powder epoxy/polyester finish, electrostatically applied for complete, uniform corrosion protection



INCANDESCENT COPPER-FREE ALUMINUM FIXTURES



PENDANT MOUNT WITH VGA SPLICE BOX DANT								
FIXTURE TYPE	LAMP WATT	HUB SIZE	CATALOG NUMBER		CONSISTS OF			
			FIXTURE W/ GLOBE	FIXTURE W/ GLOBE & GUARD	MOUNTING BOX	FIXTURE BODY	TEMPERED GLOBE*	GUARD (if selected)
100	150	1/2"	VUAG-1-100Ⓞ	VUAGG-1-100ⓐ	VGA-1	VFC-100	VCGP-100	VAG-100
		3/4"	VUAG-2-100Ⓞ	VUAGG-2-100ⓐ	VGA-2	VFC-100	VCGP-100	VAG-100
200	300	1/2"	VUAG-1-200Ⓞ	VUAGG-1-200ⓐ	VGA-1	VFC-200	VCGP-200	VAG-200
		3/4"	VUAG-2-200Ⓞ	VUAGG-2-200ⓐ	VGA-2	VFC-200	VCGP-200	VAG-200

CEILING MOUNT WITH FEET USING VBC SPLICE BOX AND VBA ADAPTER								
FIXTURE TYPE	LAMP WATT	HUB SIZE	CATALOG NUMBER		CONSISTS OF			
			FIXTURE W/ GLOBE	FIXTURE W/ GLOBE & GUARD	MOUNTING BOX/ADAPTER	FIXTURE BODY	TEMPERED GLOBE*	GUARD (if selected)
100	150	1/2"	VUXG-1-100ⓐ	VUXGG-1-100ⓐ	VBC-1 + VBA	VFC-100	VCGP-100	VAG-100
		3/4"	VUXG-2-100ⓐ	VUXGG-2-100ⓐ	VBC-2 + VBA	VFC-100	VCGP-100	VAG-100
200	300	1/2"	VUXG-1-200Ⓞ	VUXGG-1-200Ⓞ	VBC-1 + VBA	VFC-200	VCGP-200	VAG-200
		3/4"	VUXG-2-200Ⓞ	VUXGG-2-200Ⓞ	VBC-2 + VBA	VFC-200	VCGP-200	VAG-200

CEILING MOUNT WITH VGX SPLICE BOX								
FIXTURE TYPE	LAMP WATT	HUB SIZE	CATALOG NUMBER		CONSISTS OF			
			FIXTURE W/ GLOBE	FIXTURE W/ GLOBE & GUARD	MOUNTING BOX	FIXTURE BODY	TEMPERED GLOBE*	GUARD (if selected)
100	150	1/2"	VUXG-1-100Ⓞ	VUXGG-1-100Ⓞ	VGX-1	VFC-100	VCGP-100	VAG-100
		3/4"	VUXG-2-100Ⓞ	VUXGG-2-100Ⓞ	VGX-2	VFC-100	VCGP-100	VAG-100
200	300	1/2"	VUXG-1-200Ⓞ	VUXGG-1-200Ⓞ	VGX-1	VFC-200	VCGP-200	VAG-200
		3/4"	VUXG-2-200Ⓞ	VUXGG-2-200Ⓞ	VGX-2	VFC-200	VCGP-200	VAG-200

CEILING MOUNT WITH VGC SPLICE BOX - FEED THROUGH								
FIXTURE TYPE	LAMP WATT	HUB SIZE	CATALOG NUMBER		CONSISTS OF			
			FIXTURE W/ GLOBE	FIXTURE W/ GLOBE & GUARD	MOUNTING BOX	FIXTURE BODY	TEMPERED GLOBE*	GUARD (if selected)
100	150	1/2"	VUXG-1-100Ⓞ	VUXGG-1-100Ⓞ	VGC-1	VFC-100	VCGP-100	VAG-100
		3/4"	VUXG-2-100Ⓞ	VUXGG-2-100Ⓞ	VGC-2	VFC-100	VCGP-100	VAG-100
200	300	1/2"	VUXG-1-200Ⓞ	VUXGG-1-200Ⓞ	VGC-1	VFC-200	VCGP-200	VAG-200
		3/4"	VUXG-2-200Ⓞ	VUXGG-2-200Ⓞ	VGC-2	VFC-200	VCGP-200	VAG-200

\* For other colors, order globes and fixture components separately.  
 ⓐ Fixture supplied as component unit pack when ordered by this catalog number.  
 Ⓞ Catalog number for ordering convenience; fixture is shipped as components as listed in catalog number table.



LIGHTING

# V SERIES • WEATHERPROOF

INCANDESCENT COPPER-FREE ALUMINUM FIXTURES



CEILING MOUNT WITH VGH SPlice BOX - DEAD END								
FITURE TYPE	LAMP WATT	HUB SIZE	CATALOG NUMBER		CONSISTS OF			
			FIXTURE W/ GLOBE	FIXTURE W/ GLOBE & GUARD	MOUNTING BOX	FIXTURE BODY	TEMPERED GLOBE*	GUARD (if selected)
100	150	1/2"	VUHG-1-100 <sup>Ⓞ</sup>	VUHGG-1-100 <sup>Ⓞ</sup>	VGH-1	VFC-100	VCGP-100	VAG-100
		3/4"	VUHG-2-100 <sup>Ⓞ</sup>	VUHGG-2-100 <sup>Ⓞ</sup>	VGH-2	VFC-100	VCGP-100	VAG-100
200	300	1/2"	VUHG-1-200 <sup>Ⓞ</sup>	VUHGG-1-200 <sup>Ⓞ</sup>	VGH-1	VFC-200	VCGP-200	VAG-200
		3/4"	VUHG-2-200 <sup>Ⓞ</sup>	VUHGG-2-200 <sup>Ⓞ</sup>	VGH-2	VFC-200	VCGP-200	VAG-200

CEILING MOUNT WITH VXA DEEP 5 - HUB SPlice BOX								
FITURE TYPE	LAMP WATT	HUB SIZE	CATALOG NUMBER		CONSISTS OF			
			FIXTURE W/ GLOBE	FIXTURE W/ GLOBE & GUARD	MOUNTING BOX	FIXTURE BODY	TEMPERED GLOBE*	GUARD (if selected)
100	150	1/2"	VXAG-110 <sup>Ⓞ</sup>	VXAGG-110 <sup>Ⓛ</sup>	VXA-1	VFC-100	VCGP-100	VAG-100
		3/4"	VXAG-210 <sup>Ⓞ</sup>	VXAGG-210 <sup>Ⓞ</sup>	VXA-2	VFC-100	VCGP-100	VAG-100
200	300	1/2"	VXAG-120 <sup>Ⓞ</sup>	VXAGG-120 <sup>Ⓞ</sup>	VXA-1	VFC-200	VCGP-200	VAG-200
		3/4"	VXAG-220 <sup>Ⓞ</sup>	VXAGG-220 <sup>Ⓞ</sup>	VXA-2	VFC-200	VCGP-200	VAG-200

CEILING MOUNT WITH VBA ADAPTER FOR ROUND OUTLET BOX								
FITURE TYPE	LAMP WATT	HUB SIZE	CATALOG NUMBER		CONSISTS OF			
			FIXTURE W/ GLOBE	FIXTURE W/ GLOBE & GUARD	BOX ADAPTER	FIXTURE BODY	TEMPERED GLOBE*	GUARD (if selected)
100	150	1/2"	VOB-100 <sup>Ⓛ</sup>	VOBG-100 <sup>Ⓛ</sup>	VBA	VFC-100	VCGP-100	VAG-100
200	300	3/4"	VOB-200 <sup>Ⓞ</sup>	VOBG-200 <sup>Ⓛ</sup>	VBA	VFC-200	VCGP-200	VAG-200

CEILING MOUNT WITH VFPS ADAPTER FOR SQUARE OR OCTAGON OUTLET BOX								
FITURE TYPE	LAMP WATT	HUB SIZE	CATALOG NUMBER		CONSISTS OF			
			FIXTURE W/ GLOBE	FIXTURE W/ GLOBE & GUARD	BOX ADAPTER	FIXTURE BODY	TEMPERED GLOBE*	GUARD (if selected)
100	150	1/2"	VFCA-100 <sup>Ⓛ</sup>	VFCAG-100 <sup>Ⓞ</sup>	VFPS	VFC-100	VCGP-100	VAG-100
200	300	3/4"	VFCA-200 <sup>Ⓞ</sup>	VFCAG-200 <sup>Ⓞ</sup>	VFPS	VFC-200	VCGP-200	VAG-200

NOTES: Mounts directly to steel 4" square and 3-1/2" or 4" octagon outlet box. Supplied with gasket.

\* For other colors, order globe and fixture components separately.

Ⓛ Fixture supplied as component unit pack when ordered by this catalog number.

Ⓞ Catalog number for ordering convenience; fixture is shipped as components as listed in catalog number table.





INCANDESCENT COPPER-FREE ALUMINUM FIXTURES



WALL MOUNT WITH FEET USING VBC SPLICE BOX AND VB ELBOW

FITTURE TYPE	LAMP WATT	HUB SIZE	CATALOG NUMBER		CONSISTS OF			
			FIXTURE W/ GLOBE	FIXTURE W/ GLOBE & GUARD	MOUNTING BOX/ELBOW	FIXTURE BODY	TEMPERED GLOBE*	GUARD (if selected)
100	150	1/2"	VFBG-1-100 <sup>①</sup>	VFBGG-1-100 <sup>①</sup>	VBC-1+VB-1	VFC-100	VCGP-100	VAG-100
		3/4"	VFBG-2-100 <sup>①</sup>	VFBGG-2-100 <sup>①</sup>	VBC-2+VB-2	VFC-100	VCGP-100	VAG-100
200	300	1/2"	VFBG-1-200 <sup>②</sup>	VFBGG-1-200 <sup>②</sup>	VBC-1+VB-1	VFC-200	VCGP-200	VAG-200
		3/4"	VFBG-2-200 <sup>②</sup>	VFBGG-2-200 <sup>②</sup>	VBC-2+VB-2	VFC-200	VCGP-200	VAG-200

WALL MOUNT WITH VB ELBOW TO MOUNT TO 4" OUTLET BOX

FITTURE TYPE	LAMP WATT	HUB SIZE	CATALOG NUMBER		CONSISTS OF			
			FIXTURE W/ GLOBE	FIXTURE W/ GLOBE & GUARD	MOUNTING ELBOW	FIXTURE BODY	TEMPERED GLOBE*	GUARD (if selected)
100	150	1/2"	VFBG-110 <sup>②</sup>	VFBGG-110 <sup>①</sup>	VB-1	VFC-100	VCGP-100	VAG-100
		3/4"	VFBG-210 <sup>②</sup>	VFBGG-210 <sup>①</sup>	VB-2	VFC-100	VCGP-100	VAG-100
200	300	1/2"	VFBG-120 <sup>②</sup>	VFBGG-120 <sup>②</sup>	VB-1	VFC-200	VCGP-200	VAG-200
		3/4"	VFBG-220 <sup>②</sup>	VFBGG-220 <sup>②</sup>	VB-2	VFC-200	VCGP-200	VAG-200

Mounts directly to VJ or VB Series or 4" steel outlet boxes. One hub in back, supplied with gasket.

WALL MOUNT-WITH VFL ELBOW FOR DIRECT MOUNT TO V SERIES SPLICE BOXES

FITTURE TYPE	LAMP WATT	HUB SIZE	CATALOG NUMBER		CONSISTS OF			
			FIXTURE W/ GLOBE	FIXTURE W/ GLOBE & GUARD	MOUNTING ELBOW	FIXTURE BODY	TEMPERED GLOBE*	GUARD (if selected)
100	150	—	VOBL-100 <sup>②</sup>	VOBLG-100 <sup>①</sup>	VFL	VFC-100	VCGP-100	VAG-100
200	300	—	VOBL-200 <sup>②</sup>	VOBLG-200 <sup>②</sup>	VFL	VFC-200	VCGP-200	VAG-200

STANCHION MOUNT FOR 1 - 1/4" THREADED PIPE

FITTURE TYPE	LAMP WATT	HUB SIZE	CATALOG NUMBER		CONSISTS OF			
			FIXTURE W/ GLOBE	FIXTURE W/ GLOBE & GUARD	MOUNTING ELBOW	FIXTURE BODY	TEMPERED GLOBE*	GUARD (if selected)
100	150	1-1/4"	VD-410G <sup>①</sup>	VD-410GG <sup>①</sup>	VD-4	VFC-100	VCGP-100	VAG-100
200	300	1-1/4"	VD-420G <sup>②</sup>	VD-420GG <sup>②</sup>	VD-4	VFC-200	VCGP-200	VAG-200

\*For other colors, order globe and fixture components separately.

① Fixture supplied as component unit pack when ordered by this catalog number.

② Catalog number for ordering convenience; fixture is shipped as components as listed in catalog number table.



LIGHTING  
**V SERIES**

INCANDESCENT NEMA 4 - CLASS I, DIV. 2 ALUMINUM FIXTURES



Pendant



Ceiling

**Class I, Div. 2, Groups A,B,C,D**  
**Class I, Zone 2, Groups IIC,IIB,IIA**  
**Type 3, 4\***



- File E10514

UL-1571 Standard for incandescent fixtures

UL-844 Standard for hazardous location fixtures



Certified - File LR11713

**FEATURES-SPECIFICATIONS**

**Features**

Killark Vaportight assemblies using VXFC bodies and tempered glass have all the features and advantages of “V” Enclosed and Gasketed” models plus:

- Heavy-duty silicone gasketing for NEMA 4 requirements
- Third party tested and labeled for use in C1D2 areas
- Modular design permits selection of splice box, fixture body, globe, guard and reflector for specific or custom applications
- Existing V Series mounting boxes may be retrofitted to upgrade to NEMA 4; C1D2 suitability
- Copper-free aluminum construction with electrostatically applied epoxy/polyester finish resists corrosion

**Materials:**

- Body, splice box and guards are corrosion resistant copper-free aluminum alloy
- Baked powder epoxy/polyester finish, electrostatically applied for complete, uniform corrosion protection
- Heavy-duty silicone gasketing for Type 4 requirements

APPLICATION DATA ①			
FIXTURE TYPE	LAMP SIZE	GLOBE TYPE	TEMPERATURE CODE @ 40°C
100	A-19 60W	colored and clear	T2C (230°C)
100	A-19 70W	colored and clear	T2D (215°C)
100	A-19 100W	colored and clear	T2A (280°C)
100	A-21 100W	colored and clear	T2B (260°C)
100	A-21 150W	colored and clear	T2 (300°C)
200	A-23 150W	colored and clear	T2A (280°C)
200	PS-25 150W	colored and clear	T2B (260°C)
200	A-23 200W	colored and clear	T2 (300°C)
200	PS-25 200W	colored and clear	T2A (280°C)
200	PS-25 300W	colored and clear	(350°C)

① Suitability based on base up installation



INCANDESCENT NEMA 4 - CLASS I, DIV. 2 ALUMINUM FIXTURES



**PENDANT MOUNT WITH VGA SPLICE BOX**

FIXTURE TYPE	LAMP WATT	HUB SIZE	CATALOG NUMBER	CONSISTS OF			
			FIXTURE W/ GLOBE & GUARD	MOUNTING BOX	FIXTURE BODY	TEMPERED GLOBE*	GUARD
100	150	1/2"	VUAGG-1-100PX ①	VGA-1	VXFC-100 N34	VCGP-100	VAG-100
		3/4"	VUAGG-2-100PX ①	VGA-2	VXFC-100 N34	VCGP-100	VAG-100
200	300	1/2"	VUAGG-1-200PX ①	VGA-1	VXFC-200 N34	VCGP-200	VAG-200
		3/4"	VUAGG-2-200PX ①	VGA-2	VXFC-200 N34	VCGP-200	VAG-200

**CEILING FIXTURE WITH VGX SPLICE BOX**

FIXTURE TYPE	LAMP WATT	HUB SIZE	CATALOG NUMBER	CONSISTS OF			
			FIXTURE W/ GLOBE & GUARD	MOUNTING BOX	FIXTURE BODY	TEMPERED GLOBE*	GUARD
100	150	1/2"	VUXGG-1-100PX ①	VGX-1	VXFC-100 N34	VCGP-100	VAG-100
		3/4"	VUXGG-2-100PX ①	VGX-2	VXFC-100 N34	VCGP-100	VAG-100
200	300	1/2"	VUXGG-1-200PX ②	VGX-1	VXFC-200 N34	VCGP-200	VAG-200
		3/4"	VUXGG-2-200PX ②	VGX-2	VXFC-200 N34	VCGP-200	VAG-200

**CEILING FIXTURE WITH MOUNTING FEET USING VBC SPLICE BOX & VBA ADAPTER**

FIXTURE TYPE	LAMP WATT	HUB SIZE	CATALOG NUMBER	CONSISTS OF			
			FIXTURE W/ GLOBE & GUARD	MOUNTING BOX/ADAPTER	FIXTURE BODY	TEMPERED GLOBE*	GUARD
100	150	1/2"	VUXBGG-1-100PX ①	VBC-1+VBA	VXFC-100 N34	VCGP-100	VAG-100
		3/4"	VUXBGG-2-100PX ①	VBC-2+VBA	VXFC-100 N34	VCGP-100	VAG-100
200	300	1/2"	VUXBGG-1-200PX ①	VBC-1+VBA	VXFC-200 N34	VCGP-200	VAG-200
		3/4"	VUXBGG-2-200PX ①	VBC-2+VBA	VXFC-200 N34	VCGP-200	VAG-200

**STANCHION MOUNT FOR 1 - 1/4" THREADED PIPE**

FIXTURE TYPE	LAMP WATT	HUB SIZE	CATALOG NUMBER	CONSISTS OF			
			FIXTURE W/ GLOBE & GUARD	MOUNTING BOX/ADAPTER	FIXTURE BODY	TEMPERED GLOBE*	GUARD
100	150	1-1/4"	VD-410GGPX ①	VD-4	VXFC-100 N34	VCGP-100	VAG-100
200	300	1-1/4"	VD-420GGPX ①	VD-4	VXFC-200 N34	VCGP-200	VAG-200

**WALL FIXTURE WITH MOUNTING FEET USING VBC SPLICE BOX & VB ELBOW**

FIXTURE TYPE	LAMP WATT	HUB SIZE	CATALOG NUMBER	CONSISTS OF			
			FIXTURE W/ GLOBE & GUARD	MOUNTING BOX/ELBOW	FIXTURE BODY	TEMPERED GLOBE*	GUARD
100	150	1/2"	VFBGG-1-100PX ①	VBC-1 + VB-1	VXFC-100 N34	VCGP-100	VAG-100
		3/4"	VFBGG-2-100PX ①	VBC-2 + VB-2	VXFC-100 N34	VCGP-100	VAG-100
200	300	1/2"	VFBGG-1-200PX ①	VBC-1 + VB-1	VXFC-200 N34	VCGP-200	VAG-200
		3/4"	VFBGG-2-200PX ①	VBC-2 + VB-2	VXFC-200 N34	VCGP-200	VAG-200

\* For other colors, order globes and mounting components separately.

① Fixture supplied as component unit pack when ordered by this catalog number.

② NEMA 3, 4 when used with tempered glass.



LIGHTING  
**V SERIES**

COMPONENT PARTS/ACCESSORIES • INCANDESCENT FIXTURES

**VFC Fixture Bodies**

Fixture bodies contain lamp receptacle and are threaded to accept globes, guards and reflectors. These fixture bodies are designed for metallic boxes and mount directly to V Series splice boxes. They may also be mounted to VJ Series, VB Series or other 4" outlet boxes with the use of the appropriate adapter plate. Each fixture body is supplied with gaskets.



VFC-100  
VXFC-100 N34 ①



VFC-200  
VXFC-200 N34 ①

V FIXTURE BODIES	
CATALOG NUMBER	DESCRIPTION
VFC-100	150W max. Enclosed and Gasketed Fixture Body
VFC-200	300W max. Enclosed and Gasketed Fixture Body
VXFC-100 N34	150W max. NEMA 3,4 - Class I, Div. 2 Fixture Body ①
VXFC-200 N34	300W max. NEMA 3,4 - Class I, Div. 2 Fixture Body ①

① Use VXFC body with tempered globe for NEMA 3, 4 - Class I, Div. 2 applications. VXFC body is Class I, Div. 2 only (not N3, N4) when used with standard globes. Consult temperature table for suitability.

**V Splice Boxes**

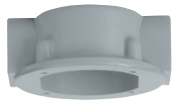
For use with types 100 and 200 fixture bodies



VGA



VGH



VGC



VGX



VXA



VBC



VBA



VFPS



VB



VFL



VD

V SPLICE BOXES			
CATALOG NUMBER	HUB SIZE & QTY.	DESCRIPTION	
VGA-1	1/2" 1	Pendant mount	
VGA-2	3/4" 1		
VGH-1	1/2" 1	Ceiling mount	
VGH-2	3/4" 1		
VGC-1	1/2" 2	Ceiling mount	
VGC-2	3/4" 2		
VGX-1	1/2" 4	Ceiling mount	
VGX-2	3/4" 4		
VXA-1	1/2" 5	Ceiling mount , deep box	
VXA-2	3/4" 5		
VBC-1*	1/2" 4	Ceiling mount, with 3 close-up plugs (requires VBA Adapter)	
VBC-2*	3/4" 4		
VXAB	-	Blank close-up plate (less gasket)	

\* Volume cu. in. is 18.

V ADAPTER MOUNTING PLATES	
CATALOG NUMBER	DESCRIPTION
VBA	Adapts fixture body to VB, VJ or steel 3-1/2" & 4" splice boxes. Supplied with gasket.
VFPS	Adapts fixture body to steel 4" square outlet boxes or 3-1/2" or 4" octagon boxes

V MOUNTING BRACKETS			
CATALOG NUMBER	HUB SIZE	QTY.	DESCRIPTION
VB-1	1/2"	1	Wall mount to VJ or VB boxes
VB-2	3/4"	1	Wall mount to VJ or VB boxes
VFL	—	—	Wall mount to V boxes directly or to VJ, VB boxes with VBA adapter
VD-4	1-1/4"	1	Stanchion mount



COMPONENT PARTS/ACCESSORIES • INCANDESCENT FIXTURES



150 W Max.  
Lamp Size A-21



300 W Max.  
Lamp Size PS-25



Polycarbonate



Poly Color Globe

V GLASS GLOBES		
CATALOG NUMBER		DESCRIPTION
150 W A-21 LAMP	300 W PS-25 LAMP	
VCGP-100	VCGP-200	Clear Tempered. Thermal and shock resistant ①
VCGPT-100	—	Clear Tempered with silicone coating ②
VAMGP-100	—	Amber Tempered ①
VGGP-100	VGGP-200	Blue Green Tempered ①
VBGP-100	—	Blue Tempered ①
VRGP-100	VRGP-200	Ruby Tempered ①
VWGP-100	—	White Tempered Glass
75 W A-19 LAMP	150 W A-21 LAMP	Polycarbonate. Cannot be used with guard or in high ambient temperature locations (40°C/104°F max.) Not UL Listed.
VPLCG-100	VPLCG-200	

① Recommended for use with VXFC fixture base.

② TM Thomas Manufacturing.



Body To Splice Box  
Gasket  
100 or 200 Series  
VTG Standard  
VTG-S Silicone (pictured)



Globe Gasket  
100 Series Standard - 15871AABB  
200 Series Standard - VTGG (pictured)  
100 Series Silicone - VTGG1-S  
200 Series Silicone - VTGG2-S

V GUARDS	
CATALOG NUMBER	DESCRIPTION
VAG-100	100 Series Vaportite guard
VAG-200	200 Series Vaportite guard

V REFLECTORS		
CATALOG NUMBER	DESCRIPTION	
VPRSD-100	100 Series Vaportite Reflector	16 3/8" Dia. 5 5/8" High. White polypropylene for pendant & ceiling applications. Not for use with wall or stanchion models.
VPRSD-200	200 Series Vaportite Reflector	

V SERIES GASKET			
CATALOG NUMBER		TYPE	DESCRIPTION
100 SERIES	200 SERIES		
VTG		VFC	Fixture body to splice box
VTG-S		VXFC	Silicone, Fixture body to splice box
VBNB		—	Replacement Gaskets for VB-1/VB-2 and VBA
15871AABB	VTGG	VFC	Globe gasket
VTGG1-S	VTGG2-S	VFC	Silicone, globe gasket



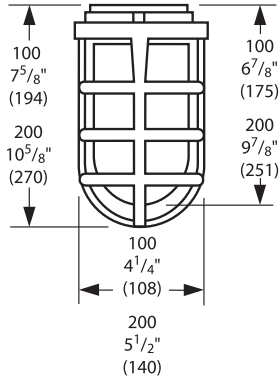
V LAMP SOCKET	
CATALOG NUMBER	DESCRIPTION
VRME	For fixture types 100 and 200



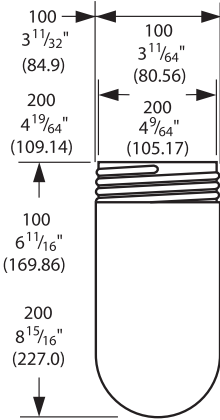


LIGHTING  
**V SERIES**

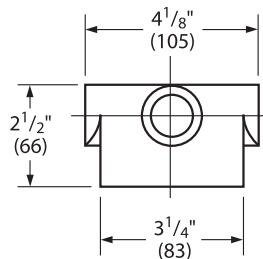
DIMENSIONS



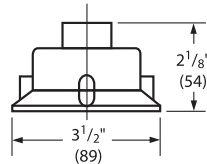
**V Fixture  
w/o Splice Box**



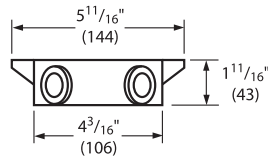
**V Fixture  
Globes**



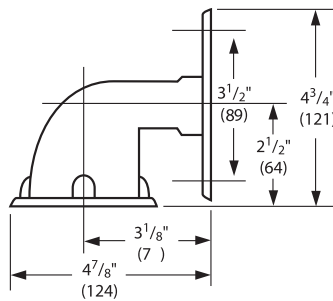
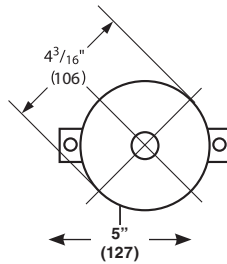
**VXA**



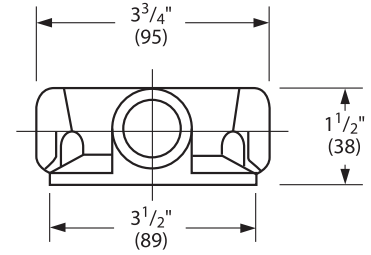
**VGA**



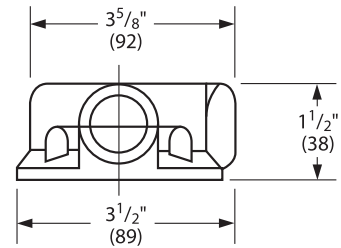
**VBC-1 & VBC-2**



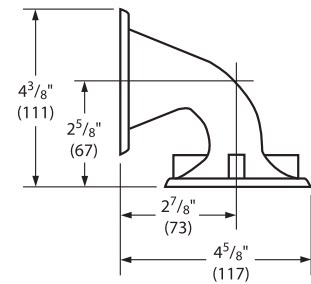
**VB**



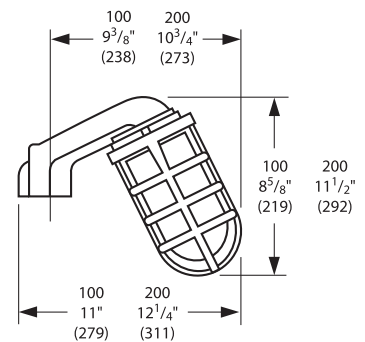
**VGC VGX**



**VGH**



**VFL**



**V Stanchion**



SPECIAL APPLICATION INCANDESCENT FIXTURES AND HAND LAMPS



DAG Guard

Class II, Div. 1 & 2 Groups E,F,G<sup>①</sup>  
Class III

LISTED - File E12976

Certified - File LR11713

FEATURES-SPECIFICATIONS

DV DUST-IGNITION PROOF

Features

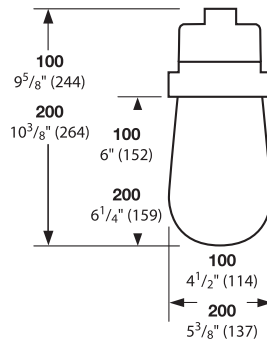
- Cast of corrosion resistant aluminum alloy with electrostatically applied epoxy/ polyester finish
- Ceiling mounted units supplied with 4 hubs.

DV 100/200				
MODEL SIZE	LAMP SIZE	HUB	CATALOG NUMBER	
			PENDANT	CEILING
TYPE 100	100 Watt A-21	1/2"	DVA-110	DVX-110
	150 Watt A-23	3/4"	DVA-210	DVX-210
TYPE 200	150 Watt PS-25	1/2"	DVA-120	DVX-120
	200 Watt PS-25	3/4"	DVA-220	DVX-220

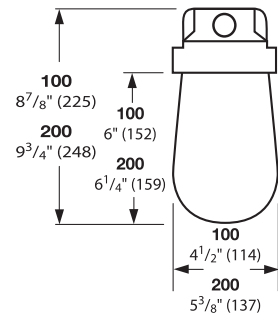
FITTURE TYPE	ACCESSORIES/REPLACEMENT PARTS		
	CATALOG NUMBER		
	GLASS GLOBE	WIRE GUARD	REPLACEMENT SOCKET
100	DCGE-10	DAG-100	VRME
200	DCGE-20	DAG-200	VRME

<sup>①</sup> Temperature code T3B, use supply wire suitable for 150° C.

Dimensions



Pendant 100-200



Ceiling 100-200



LIGHTING

# XHL/XHLF SERIES

## SPECIAL APPLICATION INCANDESCENT FIXTURES AND HAND LAMPS



XHL



XHLF

**XHL Incandescent**  
Class I, Div. 1 & 2, Groups C, D  
Class I, Zones 1 & 2, Groups IIB,IIA

File No. E97760

File No. LR10019

**XHLF Fluorescent**  
Class I, Div. 1 & 2, Groups C,D  
Class I, Zones 1 & 2, Groups IIB,IIA  
Class II, Div. 1 & 2, Groups F,G

Listed File No. E97760

## FEATURES-SPECIFICATIONS

### XHL SERIES HAND LAMPS

#### Features XHL Incandescent

- Phenolic handle for long service in rugged conditions
- Aluminum guard
- Heat and impact resistant globe
- Supplied with an A-21 100 Watt (100A/RS) Rough Service lamp
- Supplied with 2 grommets for use with either 14/3 or 16/3 user furnished SO cable

#### Features XHLF Fluorescent (120 VAC)

- No exposed metal parts
- Furnished with 26 watt 1800 Lumen fluorescent lamp and light shield
- Supplied with grommet for use with 16/3 user furnished SO cable

CATALOG NUMBER	DESCRIPTION
XHL-100	Handlamp
XHL-GL	Replacement Globe
XHLG	Replacement Guard
XHLS	Replacement Socket

CATALOG NUMBER	DESCRIPTION
XHLF26	Fluorescent hand lamp
XHLF26-50KP	Fluorescent hand lamp with 50' of 16/3 SOW cord and 15A Acceptor plug



INCANDESCENT / COMPACT FLUORESCENT

**HOSTILE/ITE®**



Class I, Div. 1 & 2, Groups C,D  
Class I, Zones 1 & 2, Groups IIB, IIA  
Class II, Div. 1 & 2, Groups E,F,G  
Class III, Div. 1 & 2  
Suitable for wet locations  
UL Marine Rated (US Only)  
Type 3, 4, 4X  
Factory Sealed

LISTED - Files E10514 and E91793 (Marine)  
 Certified - File LR11713

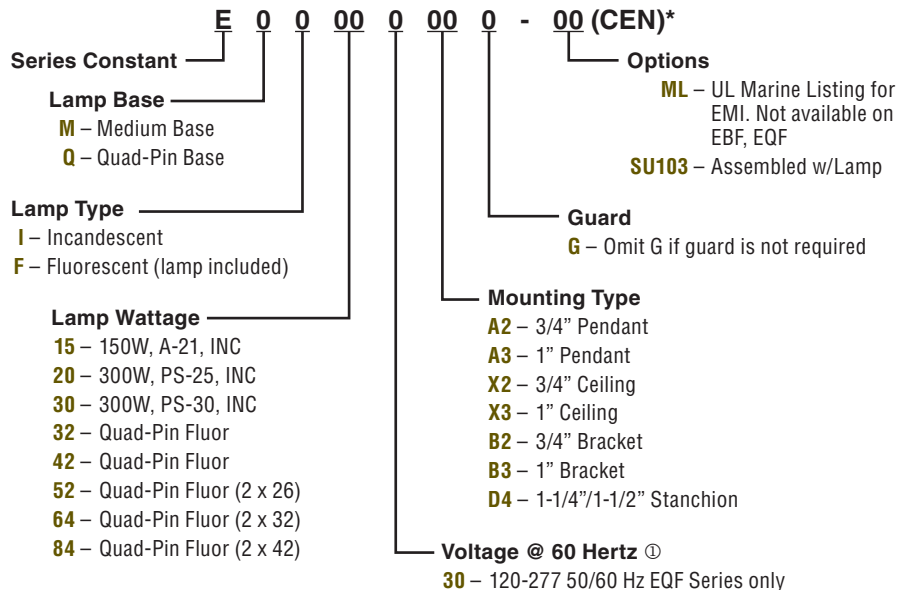
**FEATURES-SPECIFICATIONS**

**Features**

- Two light sources – Incandescent, compact fluorescent
- Mounting choice – Pendant, ceiling, 25° stanchion or 90° wall mount, all with “wireless” design that allows fast, easy fixture installation
- Factory sealed – No external seal needed. Simply wire mounting cap and thread on fixture to install
- Compact size – Medium base incandescent, plus PL fluorescent lamps allow smaller fixture design
- Corrosion resistant – Copper-free aluminum die-cast construction. Baked powder epoxy finish, electrostatically applied. Exposed hardware is 316 grade stainless steel

**Accessories**

- Available with or without guard, standard dome or 25° angle reflector, exit sign and inner colored globes



\* CEN (CENELEC) approval option available on certain models.  
① Consult factory for available lamp and voltage combinations.



# LIGHTING EM/EQ SERIES

## COMPONENT PARTS/ACCESSORIES



EMI15/20/EBF



EMI30

### HOUSING, GLOBE AND GLOBE SUPPORT ASSEMBLIES<sup>①</sup>

INCANDESCENT			
CATALOG NUMBER	LAMP TYPE	WATTS	VOLTS <sup>③</sup>
EMI15	A-19	60, 75	250 MAX. VAC
	A-19, A-21	100	
	A-21	150	
EMI20	A-23, PS-25	150	250 MAX. VAC
	A-23, PS-25	200	
	PS-25	300	
EMI30	PS-25	200	250 MAX. VAC
	PS-30	300	

FLUORESCENT WITH LAMP(S)*			
CATALOG NUMBER	ANSI LAMP TYPE	WATTS	VOLTS
EQF2630	Quad Pin Fluorescent	26	120-277 VAC 50-60Hz
EQF3230		32	
EQF4230		42	
EQF5230		52 (2X26)	
EQF6430		64 (2X32)	
EQF8430		84 (2X42)	



Pendant



Ceiling



Wall Bracket



25° Stanchion

MOUNTING BOXES				
CATALOG NUMBER				HUB SIZE
PENDANT	CEILING	BRACKET	STANCHION	
EZA2	EZX2	EZB2	—	3/4"
EZA3	EZX3	EZB3	—	1"
—	—	—	EZD4*	1-1/4"/1-1/2"*

\*1-1/2" furnished with 1-1/2"-1-1/4" reducer



**HIC-BEIGE**  
replacement  
wiring plug  
for EZBx  
Wall Bracket



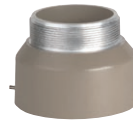
Close up plug  
for EZ mounting  
boxes. Used for  
maintenance when  
fixture is removed  
for service.



EMG1



EMG2



EAC<sup>②</sup>



Standard Dome



Angle Dome

GUARDS		
CATALOG NUMBER	SERIES	LAMP TYPE
EMG1	EMI15	INC
	EMI20	INC
	EQF (26, 32, 42)	Quad-Pin
EMG2	EMI30	INC
	EQF (52, 64, 84)	Quad-Pin

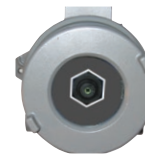
Guards are cast of copper-free aluminum with electrostatically applied epoxy/polyester finish.

\* Consult factory for 52, 64 and 84 Watt availability.

- ① Assemblies may be ordered with the CEN (CENELEC) suffix.
- ② Adapters for discontinued Killark "H" Series and Crouse Hinds<sup>®</sup> available.
- ③ UL fixture rating; socket rated 600V.

REFLECTORS		
CATALOG NUMBER		SERIES
STANDARD DOME	ANGLE	
ERSD15	ERA15	EMI15/EMI20
		EQF
ERSD30	ERA30	EMI30
		EQF (52, 64, 84)

Reflectors are aluminum with white finish.



**FACTORY SEALED**  
Class I, DIV. 1 BCD  
Class II, DIV. 1&2 EFG  
CLASS III  
NEMA 3, 4X IP66  
\*40°C ambient T3 Rated

PHOTO CELL FIELD KITS WITH HKB - GL BOX AND COVER	
CATALOG NUMBER	VOLTS
VMHKPC1	120VAC
VMHKPC2	208-277VAC
VMHKPC3	347VAC





APPLICATION DATA

EM/EB/EQ HAZARDOUS LOCATION DATA – CLASS I, DIV. 1 & 2 ①②							
FIXTURE SERIES	LAMP TYPE/SIZE MAX.	LAMP WATTS	RATED AMBIENT °C	SUPPLY WIRE SUITABLE FOR °C MIN.	CLASS I, DIVISIONS 1 & 2 MAXIMUM SURFACE TEMPERATURE °C		
					UL/CSA		
					WITH OR WITHOUT REFLECTOR		
					TEMP. I.D.	ACTUAL TEMP.	UL/CSA GROUPS
EMI15	INC A-19	60	40	75	T6	79	C,D
			55	75	T6		C,D
			65	75	T4A		C,D
EMI15	INC A-19	75	40	75	T4A	103	C,D
			55	90	T4A		C,D
			65	90	T4		C,D
EMI15	INC A-19	100	40	75	T4A	103	C,D
			55	90	T4A		C,D
			65	90	T4		C,D
EMI15	INC A-21	100	40	75	T4A	101	C,D
			55	90	T4A		C,D
			65	90	T4		C,D
EMI15	INC A-21	150	40	75	T4	123	C,D
			55	90	T3C		C,D
			65	90	T3C		C,D
EMI20	INC A-23	100	40	90	T4A	107	C,D
			55	90	T4		C,D
			65	90	T4		C,D
EMI20	INC A-23	150	40	90	T4	132	C,D
			55	90	T3C		C,D
			65	125	T3C		C,D
EMI20	INC PS-25	150	40	90	T4	126	C,D
			55	125	T3C		C,D
			65	125	T3C		C,D
EMI20	INC A-23	200	40	90	T3C	146	C,D
			55	90	T3B		C,D
			65	125	T3A		C,D
EMI20	INC PS-25	200	40	90	T3C	154	C,D
			55	90	T3A		C,D
			65	125	T3A		C,D
EMI20	INC PS-25	300	40	90	T3	190	C,D
			55	125	T2D		C,D
			65				C,D
EMI30	INC PS-25	200	40	125	T3C	146	C,D
			55	125	T3B		C,D
			65	125	T3A		C,D
EMI30	INC PS-25	300	40	125	T3C	143	C,D
			55	125	T3B		C,D
			65	125	T3A		C,D
EMI30	INC PS-30	200	40	125	T3C	146	C,D
			55	125	T3B		C,D
			65	125	T3A		C,D
EMI30	INC PS-30	300	40	125	T3C	146	C,D
			55	125	T3B		C,D
			65	125	T3A		C,D
EQF26	1 26W Quad-Pin	26	40	75	T6	75	C,D
EQF32	1 32W Quad-Pin	32	40	75	T6	75	C,D
EQF42	1 42W Quad-Pin	42	40	75	T6	75	C,D
EQF52	2 26W Quad-Pin	52	40	75	T6	85	C,D
EQF64	2 32W Quad-Pin	64	40	75	T6	85	C,D
EQF84	2 42W Quad-Pin	84	40	75	T6	85	C,D

**HOSTILE**ITE®

CEN Option

Applications

Killark EM/EB/ESX series fixtures are available with a European “Certificate of Conformity” from PTB (Physikalisch-Technische Bundesanstalt), the approval agency based in Germany. Fixtures with this rating will be useful for Original Equipment Manufacturers and others who build and ship apparatus into European markets.

This approval is granted by PTB with the use of a special ground lug and label. Fixtures carrying an EEx d IIB approval are automatically granted an IP54 (ingress protection) rating. See Temperature Code chart below for PTB certified ratings. Killark EM/EB/ESX fixtures with the PTB rating and labels still carry all UL & CSA ratings.

Fixture housing/globe/globe support assemblies (e.g. EM120 CEN) may be ordered with the CEN suffix. Complete fixture numbers, with the CEN suffix, will be shipped with the mounting boxes, guards and accessories as component parts. Reflectors and other accessory parts may be used. Killark fixtures are NPT tapped and plugged with at least one conduit hole open.

Compliances

EN 50014:1992

EN 50018:1994

EEx d IIB T6 (or T5-T2)

PTB No. Ex-98.E.1076



MAXIMUM AMBIENT TEMPERATURE RANGE  
-20°C TO 40°C

TYPE OF LUMINAIRE	TYPE OF ENCLOSURE	FORM OF THE LAMP	MAXIMUM WATTAGE	TEMP. CLASS
EMI15	EMX20	A-19/A-21	150W	T4
EMI20	EMX20	A-23/PS-25	300W	T3
EMI30	EMX30	PS-25/PS-30	300W	T2

① Do not install where marked operating temperature exceeds ignition temperature of hazardous atmosphere.

② See Class II table for simultaneous presence ratings.



LIGHTING  
**EM/EQ SERIES**

APPLICATION DATA

EM/EB/EQ HAZARDOUS LOCATION DATA – CLASS II, III, DIVISIONS 1 & 2 <sup>①②</sup>														
FIXTURE SERIES	LAMP TYPE/SIZE MAX.	LAMP WATTS	RATED AMBIENT °C	SUPPLY WIRE SUITABLE FOR °C HOSEMIN.	CLASS II, DIV. 1 & 2 MAXIMUM SURFACE TEMPERATURE °C				UL/CSA GROUPS	CLASS III DIV. 1 & 2 UL/CSA SUITABILITY	UL MARINE LISTED	U.L. PAINT SPRAY SUITABILITY	UL/CSA TYPE (RAIN-TIGHT)	UL/CSA TYPE 4 (HOSE-DOWN) <sup>③</sup>
					UL/CSA WITHOUT REFLECTOR		UL/CSA WITH REFLECTOR							
					TEMP. I.D.	ACTUAL TEMP. °C	TEMP. I.D.	ACTUAL TEMP. °C						
EMI15	INC A-19	60	40	75	T3C	132	T3C	132	E,F,G	YES	YES	NO	YES	YES
			55	75	T3A				E,F	NO	YES	NO	YES	YES
			65	75	T3A					E,F				
EMI15	INC A-19	75	40	75	T3A	163	T3A	162	E,F	NO	YES	NO	YES	YES
			55	90	T3A				E,F	NO	YES	NO	YES	YES
			65	90	T3A					E,F	NO	YES	NO	YES
EMI15	INC A-19	100	40	75	T3A	163	T3A	162	E,F	NO	YES	NO	YES	YES
			55	90	T3A				E,F	NO	YES	NO	YES	YES
			65	90	T3A					E,F	NO	YES	NO	YES
EMI15	INC A-21	100	40	75	T3A	172	T3A	172	E,F	NO	YES	NO	YES	YES
			55	90	T3				E,F	NO	YES	NO	YES	YES
			65	90	T3					E,F	NO	YES	NO	YES
EMI15	INC A-21	150	40	75	N/A	192	T3	192	E,F	NO	YES	NO	YES	YES
			55		N/A									
			65		N/A									
EMI20	INC A-23	100	40	90	T3A	166	T3A	166	E,F	NO	YES	NO	YES	YES
			55	90	T3				E,F	NO	YES	NO	YES	YES
			65		N/A									
EMI20	INC A-23	150	40	90	T3	196	T3A	178	E,F	NO	YES	NO	YES	YES
			55	90	T3				E,F	NO	YES	NO	YES	YES
			65		N/A									
EMI20	INC PS-25	150	40	90	N/A	N/A	N/A	N/A	NO	NO	YES	NO	YES	YES
			55		N/A									
			65		N/A									
EMI20	INC A-23	200	40	90	N/A	N/A	N/A	N/A	NO	NO	YES	NO	YES	YES
			55		N/A									
			65		N/A									
EMI20	INC PS-25	200	40	90	N/A	N/A	N/A	N/A	NO	NO	YES	NO	YES	YES
			55		N/A									
			65		N/A									
EMI20	INC PS-25	300	40	90	N/A	N/A	N/A	N/A	NO	NO	YES	NO	YES	YES
			55		N/A									
			65		N/A									
EMI30	INC PS-25	200	40	110	N/A	N/A	N/A	N/A	NO	NO	YES	NO	YES	YES
			55		N/A									
			65		N/A									
EMI30	INC PS-25	300	40	110	N/A	N/A	N/A	N/A	NO	NO	YES	NO	YES	YES
			55		N/A									
			65		N/A									
EMI30	INC PS-30	200	40	110	N/A	N/A	N/A	N/A	NO	NO	YES	NO	YES	YES
			55		N/A									
			65		N/A									
EMI30	INC PS-30	300	40	110	N/A	N/A	N/A	N/A	NO	NO	YES	NO	YES	YES
			55		N/A									
			65		N/A									
EQF26	1 26W Quad-Pin	26	40	75	T4	135	T4	135	E,F,G	YES	NO	YES	YES	YES
EQF32	1 32W Quad-Pin	32	40	75	T4	135	T4	135	E,F,G	YES	NO	YES	YES	YES
EQF42	1 42W Quad-Pin	42	40	75	T4	135	T4	135	E,F,G	YES	NO	YES	YES	YES
EQF52	2 26W Quad-Pin	52	40	75	T4	135	T4	135	E,F,G	YES	NO	YES	YES	YES
EQF64	2 32W Quad-Pin	64	40	75	T4	135	T4	135	E,F,G	YES	NO	YES	YES	YES
EQF84	2 42W Quad-Pin	84	40	75	T4	135	T4	135	E,F,G	YES	NO	YES	YES	YES

① Do not install where marked operating temperature exceeds ignition temperature of hazardous atmosphere.  
 ② Fixtures rated for simultaneous presence as shown in Class II table (unless marked with N/A).  
 ③ For UL-Marine and UL/CSA Type 4 listing add suffix "ML" to "EMI" Series fixture catalog number. Not available on "EQF" series.







COMPACT FLUORESCENT EMERGENCY LIGHTING

**HOSTILE/LITE® E**  
 EMERGENCY



**Class I, Div. 1 & 2, Groups C,D**  
**Class I, Zones 1 & 2, Groups IIB, IIA**  
**Class II, Div. 1 & 2, Groups E,F,G**  
**Class III**  
**Type 3**

-  Compliances: UL 844; UL 1570, UL924 (File E162407)  
 UL Wet Location Listed (Indoor & Outdoor)  
 Rated for 40C° ambient. Minimum start 0° C  
 Temperature codes:  
 Class I C,D T6;  
 Class II E,F,G T4;
-  Suitable for Class III  
 Certified File LR11713

**FEATURES-SPECIFICATIONS**

**Applications**

HOSTILE/LITE® EEQ Emergency Lighting fixtures provide continuous illumination under normal power and switch to emergency battery backup during power outages. Emergency Units ONLY are available that operate only when normal power fails.

Units contain battery unit that provides the OSHA required 90 minutes of illumination (same lamp) for egress.

Units are designed for general and task lighting indoors or outdoors where flammable gases or vapors or combustible dusts exist and create a hazardous location, as defined by the NEC.

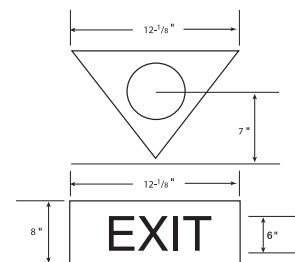
**Features**

- Quad-Pin long-life triple-tube compact fluorescent lamps included
- Choice of Pendant, Ceiling, Wall or Stanchion mount
- Factory Sealed - No external seal required
- Corrosion resistant-Copper-free aluminum (less than 1/10 of 1%) die-cast construction w/Baked-on epoxy/polyester powder finish
- Exposed hardware is 316 grade stainless steel
- LED charging indicator light visible through lens

**Accessories**

Exit sign: Model **HEXA-100** (note omit 2nd "G" in catalog number for globe-only fixture).

Reflectors: Use standard dome **ERSD15** or angle model **ERA15**.





LIGHTING  
**EEQ SERIES**

COMPACT FLUORESCENT EMERGENCY LIGHTING

**EEQ 26 , 32 & 42 WATT EMERGENCY- ONLY MODE FIXTURES**

QUAD-PIN FLUOR. LAMP INCLUDED	LINE VOLTAGE @ 50/60 HZ	CATALOG NUMBER ③④⑥			
		PENDANT 3/4" ①	CEILING 3/4" ①	BRACKET 3/4" ①	STANCHION 1-1/4" ②
26Watt	120 - 277VAC⑤	EEQ0026E30A2G	EEQ0026E30X2G	EEQ0026E30B2G	EEQ0026E30D4G
32Watt	120 - 277VAC⑤	EEQ0032E30A2G	EEQ0032E30X2G	EEQ0032E30B2G	EEQ0032E30D4G
42Watt	120 - 277VAC⑤	EEQ0042E30A2G	EEQ0042E30X2G	EEQ0042E30B2G	EEQ0042E30D4G

**EEQ 26 , 32 & 42 WATT NORMAL & EMERGENCY MODE FIXTURES**

QUAD-PIN FLUOR. LAMP INCLUDED	LINE VOLTAGE @ 50/60 HZ	CATALOG NUMBER ③④⑥			
		PENDANT 3/4" ①	CEILING 3/4" ①	BRACKET 3/4" ①	STANCHION 1-1/4" ②
26Watt	120 - 277VAC ⑤	EEQ2626E30A2G	EEQ2626E30X2G	EEQ2626E30B2G	EEQ2626E30D4G
32Watt	120 - 277VAC ⑤	EEQ3232E30A2G	EEQ3232E30X2G	EEQ3232E30B2G	EEQ3232E30D4G
42Watt	120 - 277VAC ⑤	EEQ4242E30A2G	EEQ4242E30X2G	EEQ4242E30B2G	EEQ4242E30D4G

- ① Pendant, Ceiling & Bracket models may be changed to 1" hubs by changing the 12th character from 2 to 3; e.g. EEQ2626E10A3GG.
- ② Stanchion fixtures are 1-1/2" with a 1-1/2 to 1-1/4" reducer.
- ③ Omit 2nd "G" for globe-only fixture for use with HEXA-100 Exit Accessory.
- ④ Standard color for fixtures is Killark beige. Add -R for RED adder.
- ⑤ All EEQ fixtures are factory set to 120V and can be changed to 277V in field by following included instructions. Replacement battery pack kit KF9BP9.
- ⑥ EEQ fixtures use a tank extension ring and are 2-1/2" taller than EBF fixtures.
- ⑦ Photometric characteristics similar to EBF26, except adjusted for lumen output.

**LUMEN OUTPUT ⑦**

LAMP SOURCE	NORMAL POWER	EMERG. POWER
26Watt	1800	450
32Watt	2400	575
42Watt	3200	750

**BALLAST DATA**

LAMP WATTS	VOLTAGE	OPERATING AMPS	INPUT WATTS	BALLAST CIRCUIT	REGULATION
26Watt (1x26)	120 / 277 VAC	.24@120V /.11 @277V	29	HPF	Electronic
32Watt (1x32)	120 / 277 VAC	.31@120V /.13 @277V	36	HPF	Electronic
42Watt (1x42)	122 / 277 VAC	.38@120V /.17 @277V	46	HPF	Electronic



REPLACEMENT PARTS/ACCESSORIES



Exit Sign Accessory

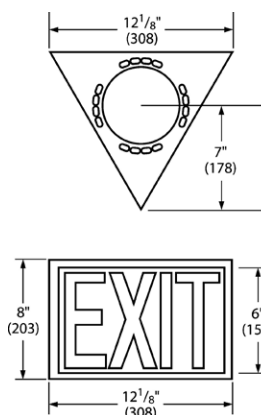
**HAZARDOUS LOCATIONS  
EXIT SIGN**

**Features**

- Three sided illuminated sign visible from all three sides
- EXIT printed in 6" high red letters with 3/4" strokes as required by OSHA. Sign has open bottom providing light on exit area while illuminating the panel

EXIT SIGN	
CATALOG NUMBER	DESCRIPTION
HEXA-100	Fits EMI15, EMI20, EQF/EEQ Series without guard * (Fixture not included)

\* EQF to 42W



REPLACEMENT FLUORESCENT LAMPS	
CATALOG NUMBER	SIZE & TYPE
MQL26	26W Quad-Pin
MQL32	32W Quad-Pin
MQL42	42W Quad-Pin



**REPLACEMENT GLOBE & SUPPORT ASSEMBLIES**

REPLACEMENT GLOBE AND GLOBE SUPPORTS			
CATALOG NUMBER <sup>①</sup>	SERIES	LAMP TYPE	MAX. WATTAGE
EMGS1	EMI15	INC	150
	EMI20	INC	300
	EQF	PL Quad-Pin Fluorescent	26, 32, 42
EMGS2 <sup>②</sup> EMGS3	EMI30	INC	300
	EMS	HPS	150
	EMH	MH	100
	EQF	PL Quad-Pin Fluorescent	52, 64, 84

① EMGS1, EMGS3 are internally fluted glass.

② EMGS2 is smooth clear glass used for ESX strobe.



EM Series



Female  
EZTB



Male  
EZCB

REPLACEMENT SOCKETS	
CATALOG NUMBER	DESCRIPTION
EMRS	EM Series E-26 Medium Base

REPLACEMENT CONNECTION BLOCKS	
CATALOG NUMBER	DESCRIPTION
EZTB	Female
EZCB	Male

COLORED GLOBE KITS FOR HAZARDOUS LOCATIONS <sup>③</sup>	
KIT NO.	GLOBE COLOR
KT-100SU41R	RED
KT-100SU41G	GREEN

Used to modify EMI20 Series only fixtures to accept a colored inner globe. The kit includes the globe plus an adapter assembly and mounting instructions.

③ Maximum lamp size A-21 150 Watt.





# LIGHTING EM/EQ/ESX/EEQ SERIES

## DIMENSIONS



Pendant



Ceiling

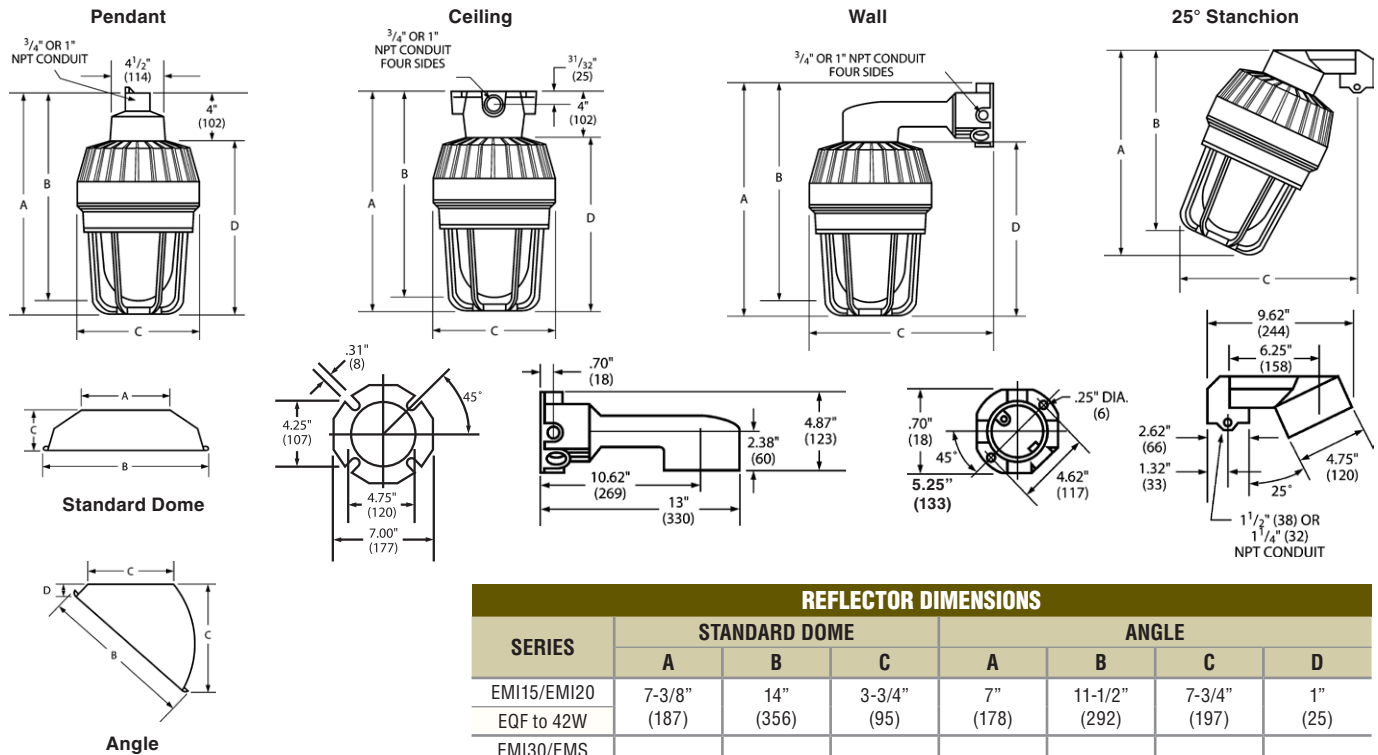


Wall



Stanchion

EM/ EMB /ESX DIMENSIONS															
SERIES	PENDANT				CEILING				WALL				STANCHION		
	A	B	C	D	A	B	C	D	A	B	C	D	A	B	C
EMI15	14-5/16"	13-11/16"	7-7/16"	10-5/16"	14-5/16"	13-11/16"	7-7/16"	10-5/16"	15-13/16"	14-7/16"	14-1/2"	10-5/16"	14"	13-1/4"	13"
EMI20	(363)	(346)	(188)	(261)	(363)	(347)	(188)	(261)	(385)	(366)	(369)	(26)	(256)	(337)	(330)
EQF to 42W	16-13/16"	16-3/16"	7-7/16"	12-5/8"	16-13/16"	16-3/16"	7-7/16"	12-5/8"	18-5/16"	16-15/16"	14-1/2"	12-5/8"	16-1/4"	15-3/4"	15-1/4"
EEQ	(427)	(411)	(188)	(321)	(427)	(411)	(188)	(321)	(465)	(430)	(368)	(321)	(413)	(400)	(387)
EMI30															
EMH															
EMS	15-15/16"	15-1/16"	8-13/16"	11-15/16"	15-15/16"	15-1/16"	8-13/16"	11-15/16"	16-13/16"	15-13/16"	15"	11-15/16"	15-1/8"	14"	13-1/2"
ESX	(404)	(382)	(224)	(303)	(404)	(382)	(224)	(303)	(426)	(404)	(379)	(303)	(384)	(356)	(343)
EQF 52, 64, 84															





HALOGEN LAMP EMERGENCY LIGHTING

**HOSTILE<sup>®</sup>LITE<sup>®</sup> E**  
EMERGENCY

**Class I, Div. 1 & 2, Groups C,D**  
**Class I, Zones 1 & 2, Groups IIB, IIA**  
**Class II, Div. 1 & 2 Groups E,F,G**  
**Class III, Div. 1 & 2**  
**Type 7CD, 9EFG**

- UL Listed File E162407  
UL-844 Electric Lighting Fixtures for use in Hazardous Locations
- UL-924 Emergency Lighting & Power Equipment  
CS Certified File LR11713



Remote test station (included) allows "Push-To-Test" at a location convenient to the user. ©

**FEATURES-SPECIFICATIONS**

**Features**

- Patented design three high intensity lamps can be independently adjusted to provide custom emergency lighting to a specific area
- Three 20 watt MR16 lamps included
- Pendant, bracket and ceiling mounting styles for a mounting arrangement that suits any lighting layout
- Remote hazardous location test station (included) allows testing of fixture at a convenient ground level location
- Factory wired for 120V; can be field changed to 208/240/277V.
- Four tough, long life lead-acid batteries require no maintenance and have a 12 VDC output of 60 watts for 90 minutes
- Safety disconnect feature automatically disconnects lamps from battery if globe is removed
- Solid state battery charger has a low voltage disconnect feature
- Red pilot light, easily visible inside globe, indicates AC power is being supplied to batter charger
- Fixture housings are factory sealed by the electro-mechanical connection block
- The only wiring required is attaching supply wires to the integral female connection block in the mounting cap. Threading fixture onto mounting cap makes the electrical connection
- Electrical continuity is not made during assembly or disassembly without five or more threads secured to insure a flame path
- Suitable in ambients 0°C to 40°C
- Patented design

EBB ACCESSORIES	
CATALOG NUMBER	DESCRIPTION
EZG1	Guard (die cast aluminum)
VMPSD40	Reflector (standard dome)
EBB-L12	MR16 12 volt lamp
17505AAAB	MR16 lamp socket
EBB-RB	Rechargeable battery (4 used per unit)
EBB-BC	Battery charger (circuit board)
EBB-TRANS*	Transformer Kit 120, 208, 240, 277V
EBB-PL	LED pilot light

EBB HALOGEN EMERGENCY LIGHTING						
ANSI LAMP TYPE	WATTS	VOLTAGE ①	HUB SIZE	CATALOG NUMBER		
				PENDANT	WALL	CEILING
MR16	3x20W	120, 208, 240, 277V	3/4"	EBB32010A2	EBB32010B2	—
			1"	EBB32010A3	EBB32010B3	EBB32010X3

① Suitable for 220V/50Hz.

HAZARDOUS LOCATION APPLICATION DATA					
LAMP TYPE	LAMP WATTS	RATED AMBIENT DEGREES	MAX SURFACE TEMPERATURE		
			CLASS I	CLASS II	SIMULTANEOUS CLASS I & II
MR16 Halogen	60W Total	40°C	T6 (85°C)	T5 (100°C)	T5 (100°C)

Note: EBB Series fixtures should not be stored for extended periods before energizing.

\* Replaces #17506AAAB.

© Furnished with 3/4" feed thru mounting box. For Push-To-Test N.C. momentary cover only. Use also with HFXE, VE3Q, EEQ, and LZ2NE. Cover only XCS-0B2-PTT. Order SWB back box separately.



LIGHTING  
**EBB SERIES**

HALOGEN LAMP EMERGENCY LIGHTING



Pendant

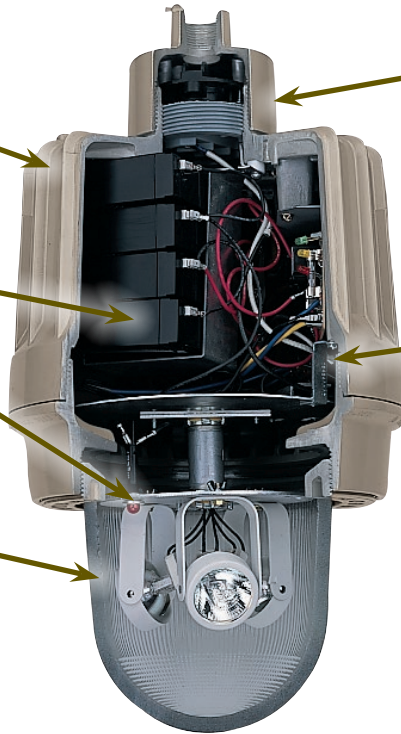


Ceiling



Wall Mount

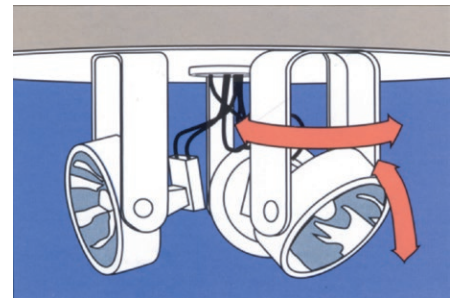
- Factory sealed; external seals not required
- Cast of copper-free Aluminum (Less than 0.4% copper)
- Electrostatically applied epoxy polyester finish is baked on for high density corrosion protection
- Four lead-acid batteries are maintenance free and provide 60 watts to the lamps for 90 minutes\*
- Red pilot light indicates AC power flow to battery charger
- Lamps automatically disconnect from battery if globe is disengaged
- Glass globe prestressed for heat and impact resistance - Globe is internally fluted on sides and prismatic on bottom
- \* EBB Series fixtures should not be stored for extended periods before energizing.



Wireless assembly of fixture tank to mounting cap — Electro-mechanical male/female block allows fast, easy installation and bench top servicing without disconnecting supply wires

Nameplate displays Third Party Certifications and ratings in English and French (large red plate identifies it as an emergency fixture)

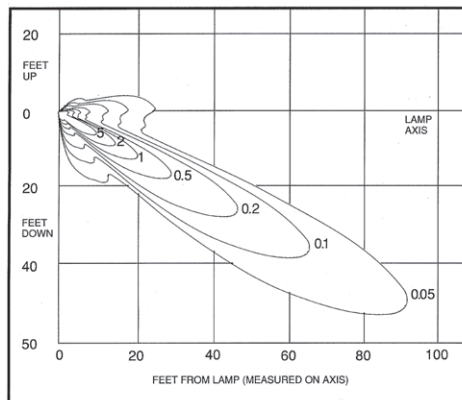
Acme double lead threads assure quick and trouble free assembly



Lamps adjustable on 2 axis for maximum aiming flexibility.

**VEXA400 EXIT ACCESSORY**

- White painted steel frame
- 8" Red Letters
- 5 Panes: 3 Exit and 2 Blank
- Fits EBB and VE4Q with globe only
- Dimensions: 14.57" x 9.22"
- Spanish Available  
**VEXA400-SALIDA**



**Photometrics**

Typical vertical ISO foot candle distribution.

One 20 watt lamp aimed at 20° below horizontal.

Note: Some minor variations in light spread will occur as each lamp is rotated up/down within the glass globe.



COMPONENT PARTS/ACCESSORIES



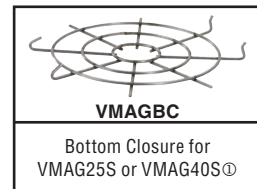
EZG1



VMAG40S

GUARDS

CATALOG NUMBER	SERIES	LAMP TYPE	WATTAGE	DESCRIPTION
EZG1	EZS	HPS	50-150	Painted cast aluminum
	EZH	MH	70-250	
	EZP	MHP	150, 175, 250	
VMAG40S	EZH	MH	400	Cadmium plated steel
	EZP	MHP	320-400	



<sup>①</sup> For VMAG40S with bottom closure order part number VMAG40SBC.



VMPSD40



EZTB



VMPA40



HRD400  
HRD400ALZ (pictured)



EZCB



EZMO

REFLECTORS

CATALOG NUMBER	DESCRIPTION
VMPSD40	Standard dome. fiberglass reinforced polyester
VMPA40	30° Angle fiberglass reinforced polyester
HRD400	Deep dome. Aluminum with white finish <sup>②</sup>
HRD400ALZ	Deep dome with specular anodized finish <sup>②</sup>

REPLACEMENT CONNECTION BLOCKS AND LAMP SOCKET

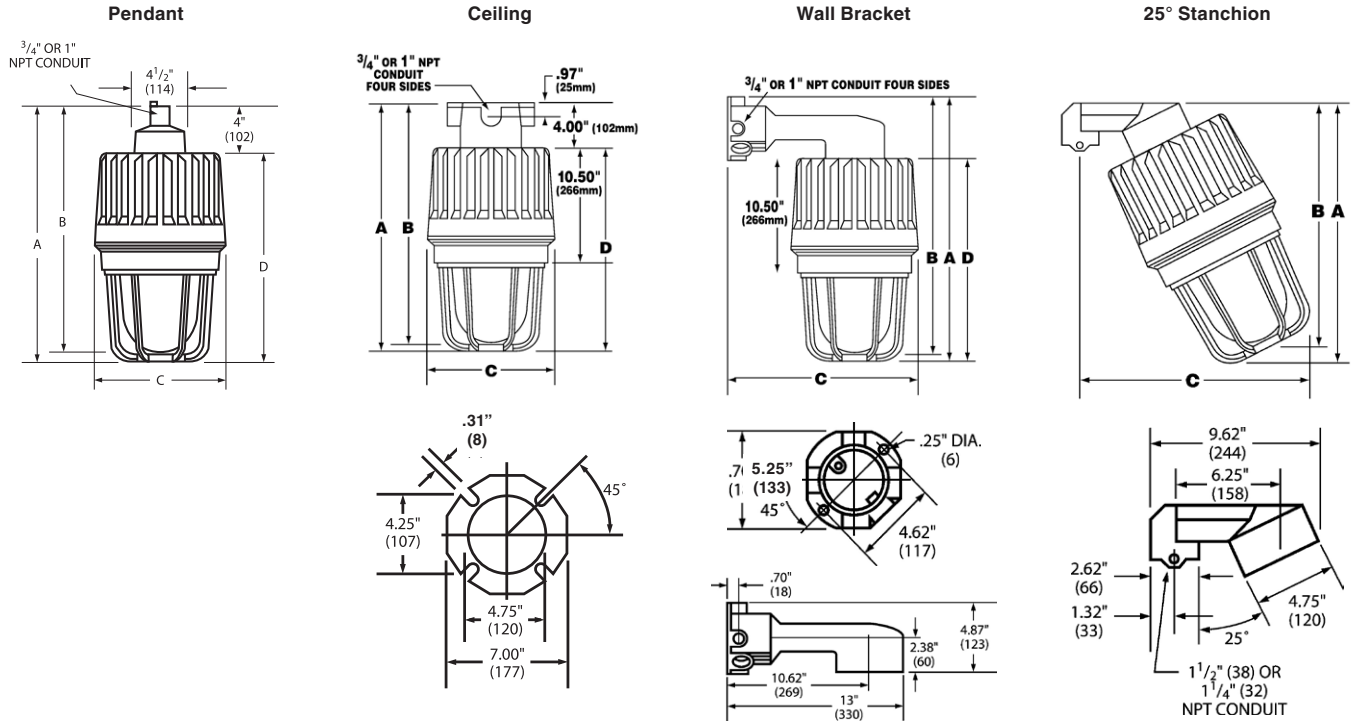
CATALOG NUMBER	DESCRIPTION
EZTB	Female (goes in splice box)
EZCB	Male (goes in top of fixture body)
EZMO	Replacement lamp socket with gasket

<sup>②</sup> For clearance, wall mount models require standoff of 1/2" if not bottom feed; 1-1/2" if bottom feed.



# LIGHTING EZ SERIES

## DIMENSIONS

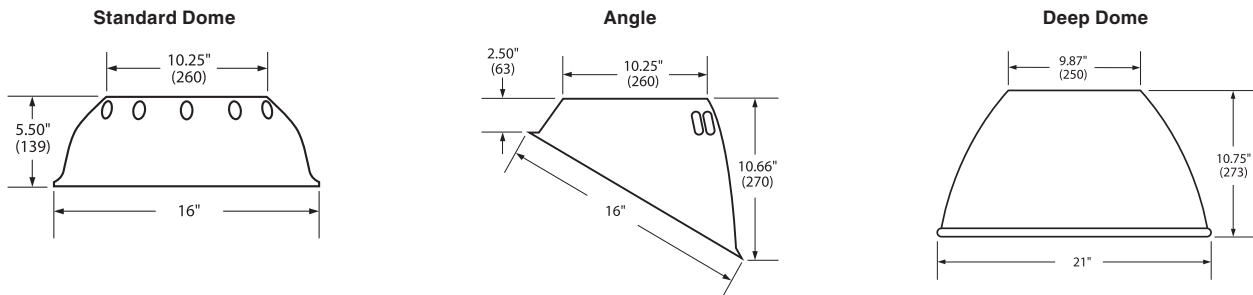


MOUNTING DIMENSIONS																
	PENDANT				CEILING				BRACKET				STANCHION			
	A	B	C	D	A	B	C	D	A	B	C	D	A	B	C	
50-250W* EZL LED	22" (558)	21-1/4" (539)	11-1/4" (285)	18" (457)	22" (558)	21-1/4" (539)	11-1/4" (285)	18" (457)	22-7/8" (580)	22-1/8" (561)	16-3/4" (425)	18" (457)	24-7/8" (631)	24" (609)	19-13/16" (503)	
250-400W**	26-1/4" (666)	24-1/4" (615)	11-1/4" (285)	22-1/4" (565)	26-1/4" (666)	24-1/4" (615)	11-1/4" (285)	22-1/4" (565)	26-7/8" (682)	24-7/8" (631)	16-3/4" (425)	22-1/4" (565)	28-1/2" (724)	26-11/16" (678)	21-1/2" (546)	

\* 50, 70, 100, and 150W HPS; 70, 100, 175 and 250W MH; 150, 175, 250W MHP.

\*\* 250 and 400W HPS, 400W MH; 320, 350, 400W MHP.

## REFLECTOR DIMENSIONS







STROBE SIGNAL LIGHT

**HOSTILE/ITE®**



Class I, Div. 1 & 2, Groups C,D  
Class I, Zones 1 & 2, Groups IIB, IIA  
Class II, Div. 1 & 2 Groups E,F,G  
Class III, Div. 1 & 2  
Suitable for wet locations  
UL Marine Rated (US only)  
Type 3, 4X  
Factory sealed

UL LISTED - File E84609

CS Certified - File LR11713

**Compliances**

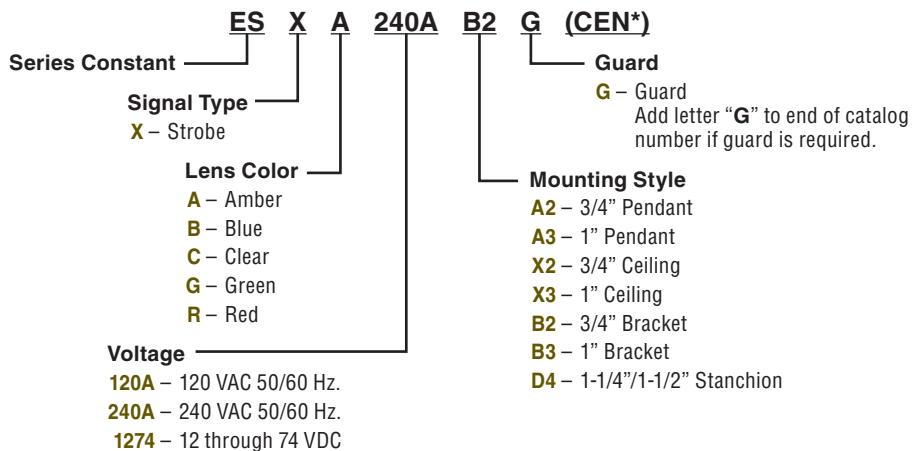
UL-1203 explosion-proof and dust ignition-proof electrical equipment for use in hazardous (classified) locations  
UL-1638 visual signaling appliances  
UL Marine-type electric lighting fixtures  
NEMA 3, 4, 4X, 7CD, 9EFG

**FEATURES-SPECIFICATIONS**

**Features**

- Electronic component temperature range -40°C to +55°C
- NEC temperature code, T6 (<85°C)
- Flash rate—85 flashes per minute
- Xenon type lamp
- Voltage and amperage:
  - 12-74 VDC:**  
Draws 1.25A avg. @ 12 VDC tapering to 0.2A avg. @ 74 VDC, .75A avg. @ 24 VDC
  - 120 VAC (50/60 HZ):**  
Draws 0.30A avg.
  - 240 VAC (50/60 HZ):**  
Draws 0.17A avg.
- Power supply output:  
13 watts standard  
11 watts for 12-74 VDC
- Intensity:

Clear 200 candela effective  
Amber 170 candela effective  
Blue 90 candela effective  
Red 40 candela effective  
Green 70 candela effective



\*CEN (GENELEC) approved option available. ESX Series strobes with CENELEC labeling are rated T6 by PTB.

REPLACEMENT POWER SUPPLY	
CATALOG NUMBER	VOLTAGE
ESX120PS	120VAC, 50/60 HZ.
ESX240PS	220/240VAC, 50/60 HZ.
ESX1274PS	12-74 VDC

REPLACEMENT LENS & LAMP ASSEMBLY	
CATALOG NUMBER	DESCRIPTION
ESXAL	Amber
ESXBL	Blue
ESXCL	Clear
ESXGL	Green
ESXRL	Red
EMGS2	Rep globe support assembly



LIGHTING  
**NVS SERIES**

NON-METALLIC CORROSION RESISTANT SIGNALS

**ENVIRO***RITE*<sup>®</sup>



Pendant LED



Ceiling LED



Wall Xenon

**Class I, Div. 2, Groups A,B,C,D**  
**Class I, Zone 2, Groups IIC, IIB, IIA**  
**Class II, Div. 1&2, Group F,G;**  
**Class III**  
**CSA Enclosure Type 4X, IP66**  
**Type 4X, Marine Rated (US only)**

Certified - File LBJ1085

to the following standards:

**UL 1598 Standard for luminaires**  
**UL 1598A Marine type luminaires**  
**UL 844 Standard for lighting fixtures for hazardous locations**  
**UL 1638 Standard for visual signalling applications**  
**CSA C22.2 no.137-M1981 electric luminaires for use in hazardous locations**  
**Enclosed and gasketed, Type 3, 4X IP66**

**FEATURES-SPECIFICATIONS**

NVS signals contain no exposed glass and carry Class II, F&G ratings required for many food processing areas.

**Features**

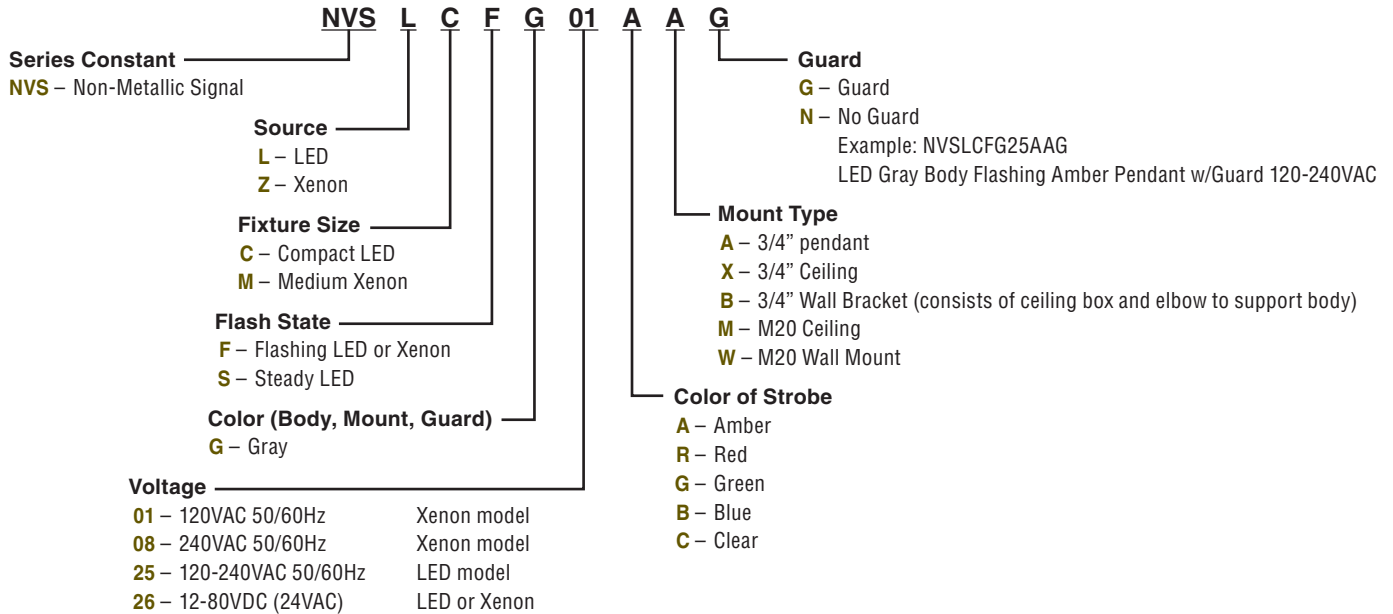
- NVSL Series LED with very compact profile and 50,000 hours expected life; steady - on or flashing.
- NVSZ Series Xenon with 10,000 hours expected life; flashing only.
- LED utilizes inverted cone design to provide full 360 degree coverage for more light projection.
- LED and Xenon available in five colors colors - red, green, amber, blue and clear.
- Flash rate for LED is 7 micro flashes approximately every second for increased visual perception.
- Xenon flash rate 60 to 80 per minute
- Can be mounted in any orientation including lens in the UP or SIDE positions.
- Materials: High strength 30% glass-filled thermoset polyester body with Lexan<sup>®</sup> \* lens.
- Resists corrosive effects of most chemicals, hydrocarbons and solvents
- Designed for indoor and outdoor applications

\* Lexan<sup>®</sup> is a registered trademark of General Electric.



## NON-METALLIC CORROSION RESISTANT SIGNALS

### CATALOG NUMERIC LOGIC



### HAZARDOUS LOCATION SUITABILITY

SOURCE	SERIES	CL1 DIV.2	CL2 DIV.1	AMBIENT RANGE
		OPERATING TEMP. CODE	OPERATING TEMP. CODE	
LED	NVSLC	T6	F,G	-40°C to +40°C
Xenon	NVZSM	T2C	F,G	-40°C to +40°C

### INTENSITY IN CANDELLAS

		FLASHING	STEADY
LED	Amber	4.3/7.4*	11.3
	Red	5.9/10.1*	15.4
	Green	4.5/7.8*	11.8
	Blue	2.5/4.3*	6.6
	Clear	4.8/8.2*	12.5
Xenon	Amber	40	-
	Red	10	-
	Green	20	-
	Blue	20	-
	Clear	50	-

### ELECTRICAL RATINGS MAX.

LED	120VAC	040mA Flash
	240VAC	020mA Flash
	12VDC	400mA
	80VDC	60mA
	24VAC	198mA Flash
Xenon	120VAC	.04 Avg.
	240VAC	.02 Avg.
	12VDC	.40 Avg.
	80VDC	.05 Avg.
	24VAC	.35 Avg.

\*CD-S/CD-Effective



# LIGHTING NVS SERIES



**NV2GG-S**  
Compact Guard

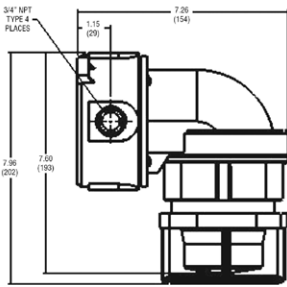


**NV2GG**  
Medium Guard

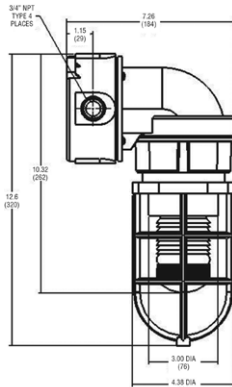
## NVSZM XENON SERIES ②

<b>NVSZMFG01</b>	NVS XENON BODY with LAMP 120VAC
<b>NVSZMFG08</b>	NVS XENON BODY with LAMP 240VAC
<b>NVSZMFG26</b>	NVS XENON BODY with LAMP 12-80VDC; 24VAC
<b>NVSZ-LAMP</b>	NVS XENON REPLACEMENT LAMP
<b>NVSMA</b>	NVS AMBER LENS & GASKET
<b>NVSMR</b>	NVS RED LENS & GASKET
<b>NVSMG</b>	NVS GREEN LENS & GASKET
<b>NVSMB</b>	NVS BLUE LENS & GASKET
<b>NVSMC</b>	NVS CLEAR LENS & GASKET
<b>NV2GG</b>	NVSZM MEDIUM XENON GUARD

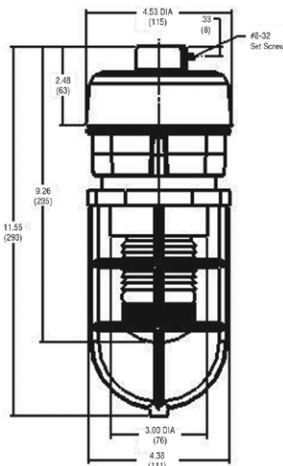
② Body and Power Supply w/ Lamp



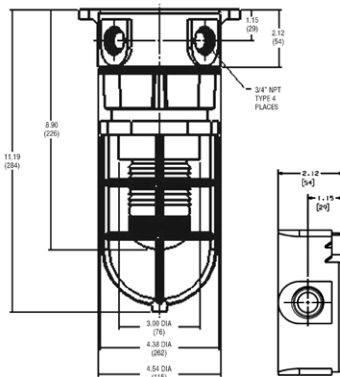
**Wall**  
**NVSL LED**



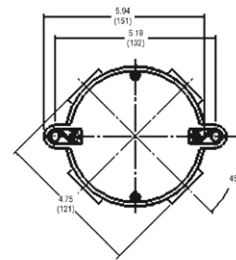
**Wall**  
**NVSZ Xenon**



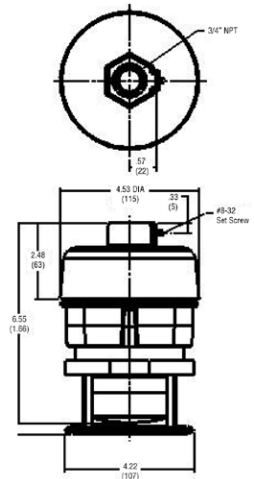
**Pendant**  
**NVSZ Xenon**



**Ceiling/Wall**  
**NVSZ Xenon**



**Ceiling/Wall**  
**NVSL LED**



**Pendant**  
**NVSL LED**

## COMPONENT / REPLACEMENT PARTS

CATALOG NO.	DESCRIPTION
<b>NVSLC LED SERIES ①</b>	
<b>NVSLCFG25A</b>	LED BODY AMBR FLASH 120-240VAC
<b>NVSLCFG25R</b>	LED BODY RED FLASH 120-240VAC
<b>NVSLCFG25G</b>	LED BODY GRN FLASH 120-240VAC
<b>NVSLCFG25B</b>	LED BODY BLUE FLASH 120-240VAC
<b>NVSLCFG25C</b>	LED BODY CLR FLASH 120-240VAC
<b>NVSLCSG25A</b>	LED BODY AMBR STEADY 120-240VAC
<b>NVSLCSG25R</b>	LED BODY RED STEADY 120-240VAC
<b>NVSLCSG25G</b>	LED BODY GRN STEADY 120-240VAC
<b>NVSLCSG25B</b>	LED BODY BLUE STEADY 120-240VAC
<b>NVSLCSG25C</b>	LED BODY CLR STEADY 120-240VAC
<b>NVSLCFG26A</b>	LED BODY AMBR FLASH 12-80VDC: 24VAC
<b>NVSLCFG26R</b>	LED BODY RED FLASH 12-80VDC: 24VAC
<b>NVSLCFG26G</b>	LED BODY GRN FLASH 12-80VDC: 24VAC
<b>NVSLCFG26B</b>	LED BODY BLUE FLASH 12-80VDC: 24VAC
<b>NVSLCFG26C</b>	LED BODY CLR FLASH 12-80VDC: 24VAC
<b>NVSLCSG26A</b>	LED BODY AMBR STEADY 12-80VDC: 24VAC
<b>NVSLCSG26R</b>	LED BODY RED STEADY 12-80VDC: 24VAC
<b>NVSLCSG26G</b>	LED BODY GRN STEADY 12-80VDC: 24VAC
<b>NVSLCSG26B</b>	LED BODY BLUE STEADY 12-80VDC: 24VAC
<b>NVSLCSG26C</b>	LED BODY CLR STEADY 12-80VDC: 24VAC

NV2GG-S NVSLC Compact LED Guard

① Body and Lens w/o Mounting Box or Guard

## NVS MOUNTING BOXES ③

<b>NV2XG</b>	NVS Ceiling/Wall Mtg Box
<b>NV2AG</b>	NVS Pendant Box
<b>NV2BG</b>	NVS Wall Elbow (use with NV2XG/NV2MG Box)
<b>NV2MG</b>	NVS M20 Ceiling/Wall Mtg Box

③ See NV2 series for additional information



## FIXTURE HANGERS



FKA



HOOKLOOP

For replacement ball only  
catalog number 00890545



Listed - File E27731



Certified - File LR11851  
See files for details or call Killark.

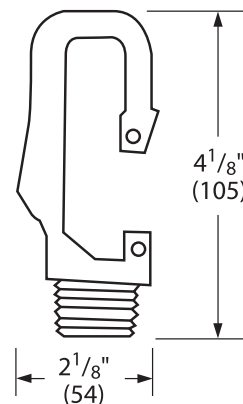
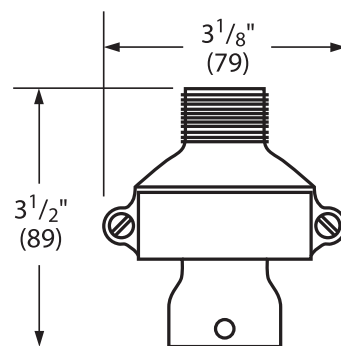
## FEATURES-SPECIFICATIONS

### FKA Features

- Ball joint permits fixture to hang plumb. Fixture may swing up to 20° from vertical in any direction
- Cast of aluminum alloy (copper-free aluminum; less than 1/10 of 1%)
- Set screw locks fixture stem in place. Cannot accidentally loosen – intended for use with threaded metal conduit
- Joint cannot twist conductor
- Suitable for fixtures up to 125 pounds

### HOOKLOOP Features

- Pendant fixture hanger consists of a “HOOK” and safety bar which allows conversion to a “LOOP” configuration as necessary
- 3/4” male thread
- Maximum load 125 pounds



FKA		
CATALOG NUMBER	MALE THREAD	FIXTURE STEM SIZE
FKA-22	3/4"	3/4"

HOOKLOOP
CATALOG NUMBER
HOOKLOOP





LIGHTING  
**FH/VX SERIES**

FIXTURE HANGERS

**FH**

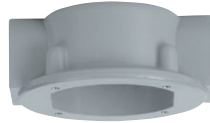


Hook

**V HANGER BOXES**



VGA



VGC



VGH



VGX

**COVERS**



Flexible Hanger Covers



Hub Covers  
(for Rigid Mounting)



- File E27731 or E3397

See files for details or call Killark



- File E27731 or E3397

**FEATURES-SPECIFICATIONS**

**FH HOOK Features**

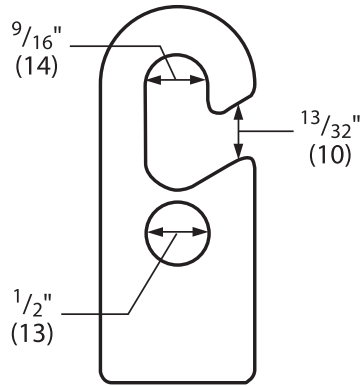
- Economical hanger for pendant fixtures
- Fixtures may absorb minor bumps and vibration through free swinging action
- Hub provided with a set screw to pre-vent accidental loosening of fixture stem
- A ½ inch hole in body is for flexible cable. Cord may be assembled with plug for quick removal of fixtures
- Cast of aluminum alloy (copper-free — less than ¼ of 1%)
- FH supports up to 125 pounds

**V SERIES Features**

- Flexible fixture hanger for threaded fixture stem. +120° from vertical
- Enclosed and gasketed, suitable for wet locations
- Permits angular displacement of fixture without twisting wires
- Cushioned—absorbs shock and vibration. Internal strap assures ground continuity
- Combines splice box and hanger in one unit. Splice box available in four configurations
- Cast of corrosion resistant aluminum alloy (copper-free—less than ¼ of 1%)
- Supports up to 125 pounds

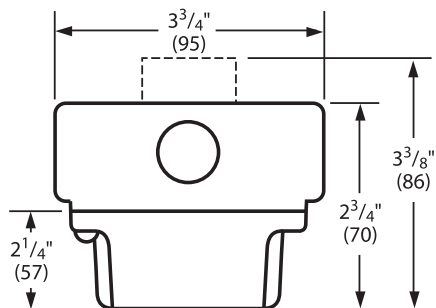


## FIXTURE HANGERS



FH HOOK, LOOP		
CATALOG NUMBER	DESCRIPTION	FIXTURE STEM SIZE
FH-2	Hook	3/4"

FLEXIBLE HANGERS, V SERIES ENCLOSED AND GASKETED			
CATALOG NUMBER		HUB SIZE	FIXTURE STEM SIZE
HANGER W/SPLICE BOX	SPLICE BOX ONLY		
VPFHA-12	VGA-1	1/2"	3/4"
VPFHA-22	VGA-2	3/4"	3/4"
VPFHC-12	VGC-1	1/2"	3/4"
VPFHC-22	VGC-2	3/4"	3/4"
VPFHH-12	VGH-1	1/2"	3/4"
VPFHH-22	VGH-2	3/4"	3/4"
VPFHX-12	VGX-1	1/2"	3/4"
VPFHX-22	VGX-2	3/4"	3/4"



Flexible cover with box, dotted line is VGA pendant

FIXTURE HANGERS ONLY		
CATALOG NUMBER	DESCRIPTION	FIXTURE STEM SIZE
VPFH-2	Flexible hanger cover, maximum load 125 Lbs.	3/4"
VG-2	Hub cover for rigid mounting	3/4"



## FIXTURE HANGERS



HXB

Class I, Div. 1 & 2, Groups C,D  
Class I, Zones 1 & 2, Groups IIB, IIA  
Class II, Div. 1 & 2, Groups E,F,G  
Class III

LISTED - File E10514

Certified - File LR11716

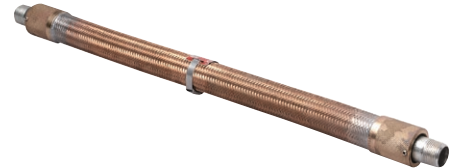


XFH

Class I, Div. 1 & 2, Groups C,D  
Class I, Zones 1 & 2, Groups IIB, IIA  
Class II, Div. 1 & 2, Groups E,F,G  
Class III

LISTED - File E10514

Certified - File LR11716



EKJ

Class I, Div. 1 & 2, Groups A,B,C,D  
Class I, Zones 1 & 2, Groups IIC, IIB, IIA  
Class II, Div. 1 & 2, Groups E,F,G  
Class III

LISTED - File E10514

Certified - File LR11716

## FEATURES-SPECIFICATIONS

### HXB Features

- Fixture hanger for hazardous locations combining splice box and hanger
- Set screws in female hub prevents accidental loosening of fixture stem; set screws in hub cover lock cover to the splice box
- Four hubs in "X" configuration up to 3/4"
- Flange mounting ring cast as integral part of box
- Splice box wiring hole with cover for access to box interior
- Cast of corrosion resistant aluminum alloy (copper-free aluminum; less than 4/10 of 1%)
- Supports to 125 pounds; vol. 16 cu."

### XFH Features

- Fixture hanger for hazardous locations combining splice box and hanger
- Set screws in female hub prevents accidental loosening of fixture
- Straight through conduit hubs for through feed. 20 cu"
- Mounting lugs are standard
- Cast of corrosion resistant aluminum alloy (copper-free aluminum; less than 4/10 of 1%)
- Supports to 125 pounds

### EKJ Features

- Fixture pendant hanger for hazardous locations
- Permits free swing and plumb hang
- Set screws in each hub prevents accidental loosening of fixture
- Constructed of seamless bronze hose with brass outer braid. Asphaltum impregnated jute inner insulates and protects wire from abrasion. Brass female end fittings are supplied with short nipples
- Electrical ground continuity without bonding jumper
- Suitable for wet locations as well as hazardous locations
- Flexible lengths 4 to 18 inches
- Supports to 125 pounds



FIXTURE HANGERS

**HXB SPLICE BOX AND HANGER**

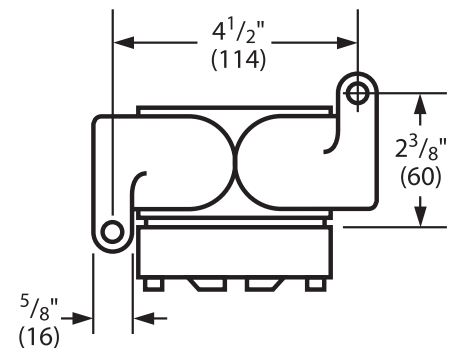
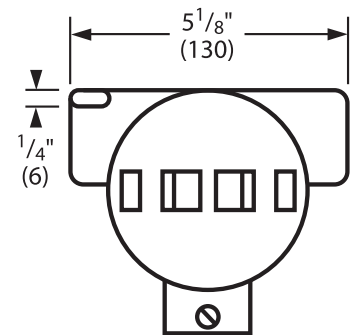
CATALOG NUMBER	CONDUIT HUB SIZE	FIXTURE STEM SIZE
HXB-11	1/2"	1/2"
HXB-12	1/2"	3/4"
HXB-21	3/4"	1/2"
HXB-22	3/4"	3/4"
HXBC	Blank Cover	
HIC-SILVER	Replacement Wiring Plug	

**XFH SPLICE BOX AND HANGER**

CATALOG NUMBER	CONDUIT HUB SIZE	FIXTURE STEM SIZE
XFH-21	3/4"	1/2"
XFH-22	3/4"	3/4"

**EKJ FLEXIBLE PENDANT HANGER \***

CATALOG NUMBER	CONDUIT HUB SIZE	FIXTURE STEM SIZE
EKJ-14	1/2"	4"
EKJ-24	3/4"	
EKJ-16	1/2"	6"
EKJ-26	3/4"	
EKJ-18	1/2"	8"
EKJ-28	3/4"	
EKJ-110	1/2"	10"
EKJ-210	3/4"	
EKJ-112	1/2"	12"
EKJ-212	3/4"	
EKJ-115	1/2"	15"
EKJ-215	3/4"	
EKJ-118	1/2"	18"
EKJ-218	3/4"	





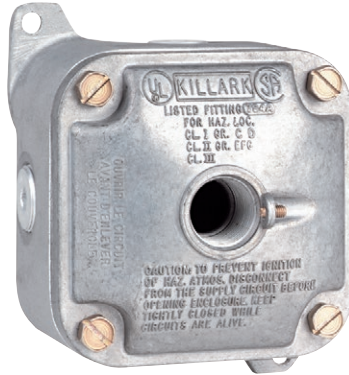
LIGHTING

# JL/JAL/ENY SERIES

## FIXTURE HANGERS



JL



JAL



ENY Pendant Seal

Class I, Div. 1 & 2, Groups C,D  
Class I, Zones 1 & 2, Group IIB  
Class II, Div. 1 & 2, Groups E,F,G  
Class III



LISTED - File E10514



Certified - File LR11716

Class I, Div. 1 & 2, Groups A,B,C,D  
Class I, Zones 1 & 2, Groups IIC,IIB,IIA  
Class II, Div. 1 & 2, Groups E,F,G  
Class III

## FEATURES-SPECIFICATIONS

### JL/JAL Features

- Splice box and hub cover for mounting pendant fixtures in hazardous locations
- Conduit openings in two configurations
- Flange type cover. Set screw in hub prevents accidental loosening of fixture stem
- Integral lugs for mounting box to ceiling
- Cast of corrosion resistant aluminum alloy (copper-free aluminum; less than 4/10 of 1%)
- Supports up to 125 pounds



### ENY PENDANT SEALS Features

- ENY Pendant Seals are designed for hazardous locations and meet code requirements for a safety set-screw when hanging fixtures. Common applications are for Class I Division I Group B or Class I Zone 2 Ex nR restricted breathing fixtures
- Cast of corrosion resistant aluminum alloy (copper-free aluminum; less than 4/10 of 1%)
- Supports up to 125 pounds



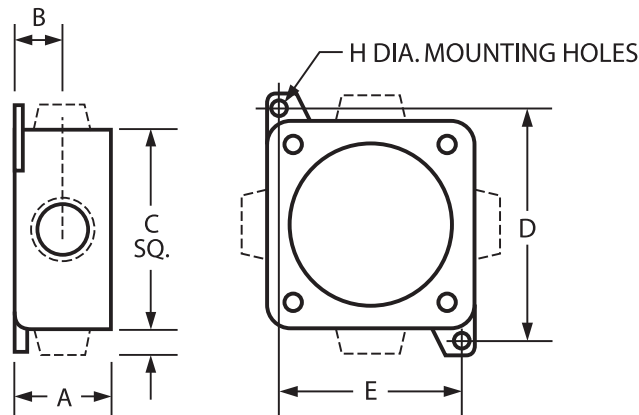


FIXTURE HANGERS

JL/JAL SPLICE BOX AND HUB COVER FIXTURE HANGER				
CATALOG NUMBER		CONDUIT BOX	COVER	TYPE
JL SERIES W/HUB COVER	JAL SERIES W/HUB COVER			
JLC-11	—	1/2"	1/2"	CS Straight Through 
JLC-12	—	1/2"	3/4"	
JLC-21	—	3/4"	1/2"	
JLC-22	—	3/4"	3/4"	
JLX-11	JALX-11	1/2"	1/2"	XF our Hubs 
JLX-12	JALX-12	1/2"	3/4"	
JLX-21	JALX-21	3/4"	1/2"	
JLX-22	JALX-22	3/4"	3/4"	
—	JALX-31	1"	1/2"	
—	JALX-32	1"	3/4"	

CATALOG NUMBER	SIZE
ENY-2SET	3/4"

JL/JAL DIMENSIONS						
SERIES	A	B	C	D	E	F
JL	1-15/16" (49)	11/16" (17)	3-1/4" (95)	4-7/32" (107)	2-3/8" (60)	5/16" (8)
JAL	2-3/8" (60)	15/32" (12)	4-5/8" (117)	5-1/4" (133)	4-1/8" (105)	5/16" (8)





# LIGHTING EVOLUTION X



## Evolution X Ex db eb LED Floodlight

Type of Protection: Ex db eb (Flameproof,  
Increased Safety)  
Ex tb (Dust Protected Enclosure)

ATEX Classification: Group II  
Category 2 GD

Area Classification: Zone 1 and 21 areas  
to EN 60079-10-1 and EN 60079-10-2  
with installation to EN 60079-14

Certificate: EU Type Examination  
Certificate CML20ATEX1114X  
IECEX Certificate of Conformity  
IECEX CML 20.0073X

Coding: Ex db eb IIB+H2 T\* Gb  
Ex tb IIIC T\*\*°C Db IP6X  
Refer to table for T rating and Ambient



International Approvals

## FEATURES-SPECIFICATIONS

### Features

- Highly Energy Efficient >109lm/W
- Slimline, sealed for life LED enclosure with no exposed flamepaths
- Available with asymmetric optic, minimizing light pollution.
- Easy access gearbox with captive screws.
- Optional remote gearbox with flying lead for ease of maintenance and installation.
- 120,000 maintenance free hours at 25°C
- Entry: 2 x M20 cable entries
- Termination: 3 core 6mm<sup>2</sup> max conductor with looping
- Installation: 3 x Ø13 mounting holes stirrup
- Control Gear: Electronic Driver
- Optical Distribution: Wide beam
- Color Temperature (CCT): 5000K (Cool White)
- Color Rendering Index (Ra): >80
- Maintenance: Front access to gearbox lid with 4x M6 captive screws

### Materials

- Enclosure: LM6 Marine grade aluminium body with UV resistant glass diffuser. LED heatsink and gearbox with epoxy powder finish (RAL 7040)

### Electrical Ratings

- LED Lifetime @ 60°C Ambient: L70 > 200,000hrs
- System Life @ Ambient: 120,000hrs @ 25°C
- Impact Protection: IK10
- Ingress Protection: IP66/67 to EN 60529
- Surge Protection: 6kV
- Electrical Supply: 110-277V AC, 50/60Hz 127-250V DC



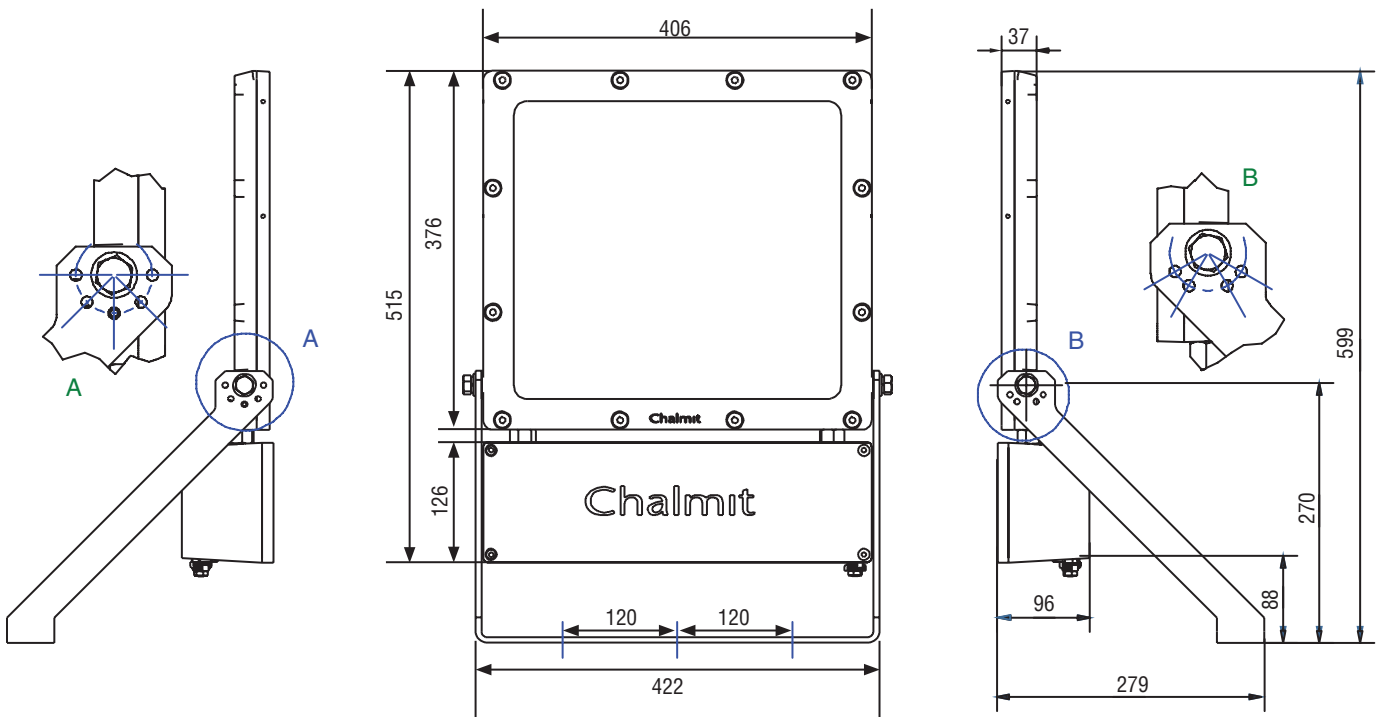
## ORDERING INFORMATION

STD. CAT NO.	DELIVERED OUTPUT	POWER CONSUMPTION	TCLASS	T°C (DUST)	AMBIENT °C	WEIGHT
EVXB/20L/LE	20,980 lm	188W	T5 T4	T100 T135	-55 to +40 -55 to +60	15.5kg
EVXB/30L/LE	29,433 lm	253W	T5 T4	T100 T135	-55 to +40 -55 to +60	17kg
EVXB/40L/LE	40,052 lm	375W	T5 T4	T100 T135	-55 to +40 -55 to +60	17kg

OPTIONS - SUFFIX TO CATALOG NO.	
/M25	M25 Cable Entries
/N	Narrow Beam Distribution (≈5% reduction in output)
/AS	Asymmetric Distribution (≈11% reduction in output)
/DM	DALI Dimmable driver
/RG05	Remote Gearbox complete with 5m Cable to LED Enclosure (10 & 15m cable lengths also available**)
/4K	4000K (Neutral White) LEDs
/3K	3000K (Warm White) LEDs

ACCESSORIES (ORDER SEPARATELY)	
	ORDER CODE
Pole Mounting Bracket Assembly (48-70mm Pole Diameter)	SEV04-0001
Pendant Mounting kit	SEVX4-0003
Wire Guard	SEVX4-0002
Anti Glare Shield	SEVX4-0001

### STIRRUP MOUNT





LIGHTING

# EVOLUTION X PENDANT



## Evolution X Ex db eb LED Floodlight

Type of Protection: Ex db eb  
(Flameproof, Increased Safety)  
Ex tb (Dust Protected Enclosure)

ATEX Classification: Group II  
Category 2 GD

Area Classification: Zone 1 and 21 areas  
to EN 60079-10-1 and EN 60079-10-2  
with installation to EN 60079-14

Certificate: EU Type Examination  
Certificate CML20ATEX1114X  
IECEX Certificate of Conformity  
IECEX CML 20.0073X  
UK Type Examination Certificate  
CML 21UKEX1510X

Coding: Ex db eb IIB+H2 T\* Gb  
Ex tb IIIC T\*\*°C Db IP6X  
Refer to table for T rating and Ambient



International Approvals

## FEATURES-SPECIFICATIONS

### Features

- Highly Energy Efficient >106lm/W
- Slimline, sealed for life LED enclosure with no exposed flamepaths
- Available with asymmetric optic, minimizing light pollution.
- Easy access gearbox with captive screws.
- Remote gearbox option with flying lead for ease of maintenance and installation.
- 120,000 maintenance free hours at 25°C
- Entry: 2 x M20 cable entries
- Termination: 3 core 6mm<sup>2</sup> max conductor with looping
- Installation: 3 x Ø13 mounting holes stirrup
- Control Gear: Electronic Driver
- Optical Distribution: Wide beam
- Color Temperature (CCT): 5000K (Cool White)
- Color Rendering Index (Ra): >80
- Maintenance: Front access to gearbox lid with 4x M6 captive screws

### Materials

- Enclosure: LM6 Marine grade aluminium body with UV resistant glass diffuser. LED heatsink and gearbox with epoxy powder finish (RAL 7040)

### Electrical Ratings

- LED Lifetime @ 60°C Ambient: L70 > 200,000hrs
- System Life @ Ambient: 120,000hrs @ 25°C
- Impact Protection: IK10
- Ingress Protection: IP66/67 to EN 60529
- Surge Protection: 6kV
- Electrical Supply: 110-277V AC, 50/60Hz 127-250V DC



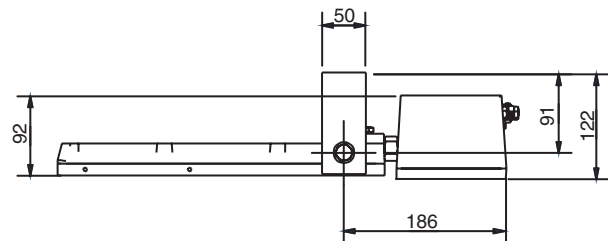
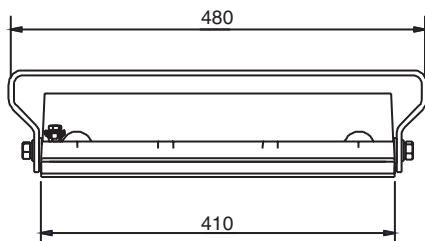
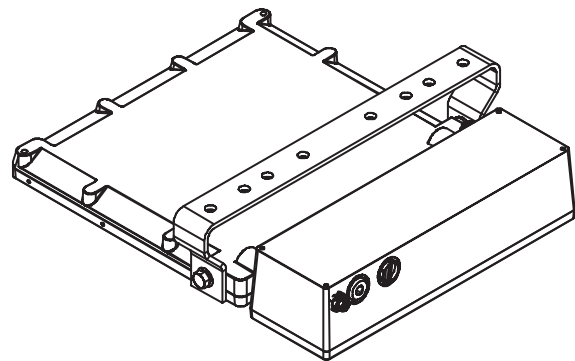
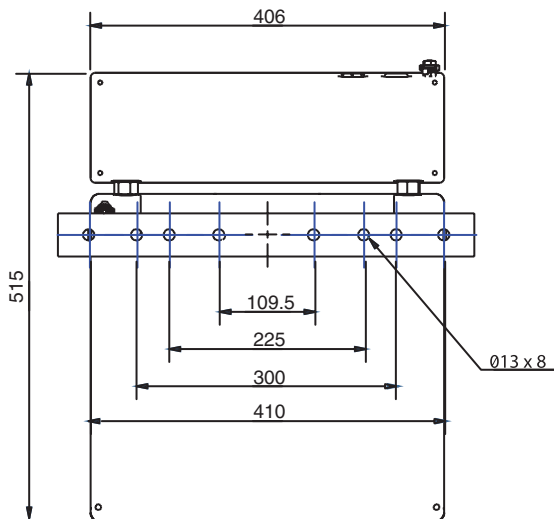
ORDERING INFORMATION

STD. CAT NO.	DELIVERED OUTPUT	POWER CONSUMPTION	TCLASS	T°C (DUST)	AMBIENT °C	WEIGHT
EVXB/20L/LE/PE	20,980 lm	188W	T5 T4	T100 T135	-55 to +40 -55 to +60	15.5kg
EVXB/30L/LE/PE	29,433 lm	253W	T5 T4	T100 T135	-55 to +40 -55 to +60	17kg
EVXB/40L/LE/PE	40,052 lm	375W	T5 T4	T100 T135	-55 to +40 -55 to +60	17kg

OPTIONS - SUFFIX TO CATALOG NO.	
/M25	M25 Cable Entries
/N	Narrow Beam Distribution (~5% reduction in output)
/AS	Asymmetric Distribution (~11% reduction in output)
/DM	DALI Dimmable driver
/RG05	Remote Gearbox complete with 5m Cable to LED Enclosure (0,10 & 15m cable lengths also available**)
/4K	4000K (Neutral White) LEDs
/3K	3000K (Warm White) LEDs

ACCESSORIES (ORDER SEPARATELY)	
	ORDER CODE
Pole Mounting Bracket Assembly (48-70mm Pole Diameter)	SEV04-0001
Pendant Mounting kit	SEVX4-0003
Wire Guard	SEVX4-0002
Anti Glare Shield	SEVX4-0001

PENDANT MOUNT







## LIGHTING HDL106N



### HDL106N Ex e LED Floodlight

Type of Protection: Ex e mb (Increased Safety, Encapsulation)

Ex tb (Dust Protected Enclosure)

ATEX Classification: Group II  
Category 2 GD

Area Classification: Zone 1 and 21 areas  
to EN 60079-10-1 and EN 60079-10-2  
with installation to EN 60079-14

Certificate: EU Type Examination  
Certificate Sira 09ATEX5159X  
IECEX Certificate of Conformity  
IECEX SIR 09.0064X

Coding: Ex e mb IIC T4/T3 Gb  
Ex tb IIC T103°C Db

Ambient °C: -20 to +50 (T4) / +59.5 (T3)



International Approvals

## FEATURES-SPECIFICATIONS

### Features

- Highly Energy Efficient
- Instant on crisp white light output
- Modular design allowing up to four interlinked luminaires, each providing a delivered output >5500lm
- Lower power consumption than HID lamps
- Lightweight (6kg per module) lighting solution
- >150,000 maintenance free hours at 25°C (L70)
- Entry: 2 x M20 cable entries
- Termination: 3 core 6mm<sup>2</sup> max conductor with looping
- Installation: Stirrup mounting bracket
- Control Gear: Electronic Driver
- Color Temperature (CCT): Refer to Ordering Matrix
- Color Rendering Index (Ra): >70
- Maintenance: M8 Hex Head and M6 SKT Head

### Materials

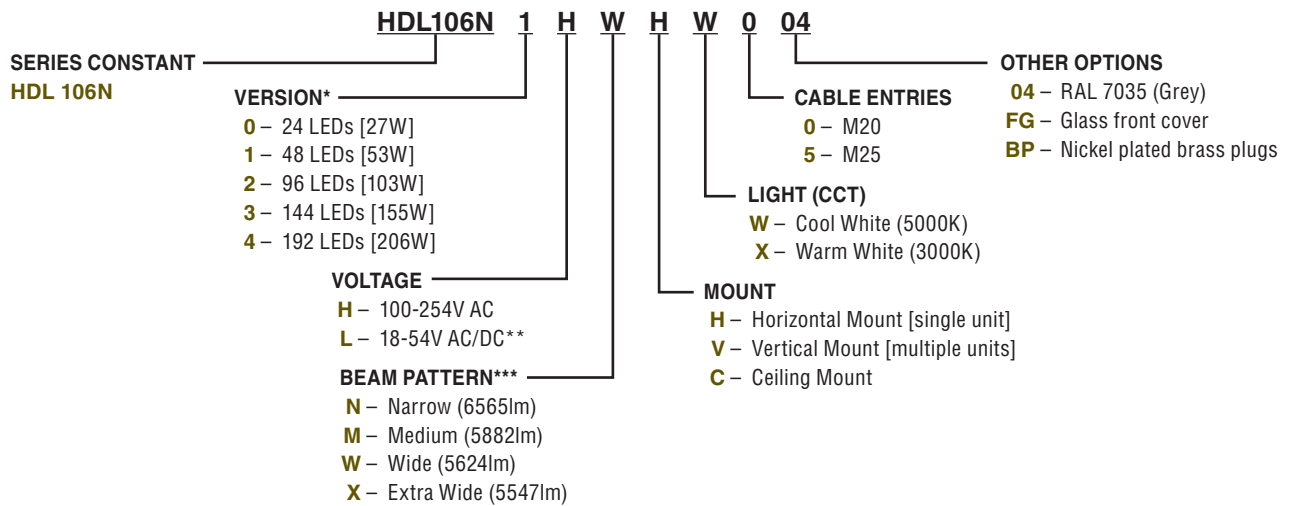
- Enclosure: LM6 Aluminium with epoxy powder finish (RAL 7035) and Polycarbonate diffuser

### Electrical Ratings

- Ingress Protection: IP66/67 to EN 60529
- Surge Protection: 4kV line to line, 6kV line to earth
- Electrical Supply: Refer to Ordering Matrix



CATALOG LOGIC / ORDERING INFORMATION



Typical ordering reference: HDL106N1HWHW004

\*Power consumption provided in square brackets

\*\*Upper ambient becomes +55°C. Coding becomes 'Ex e mb IIC T4 Gb; Ex tb IIIC T87°C Db'

\*\*\*Delivered outputs based on single module 48LED version

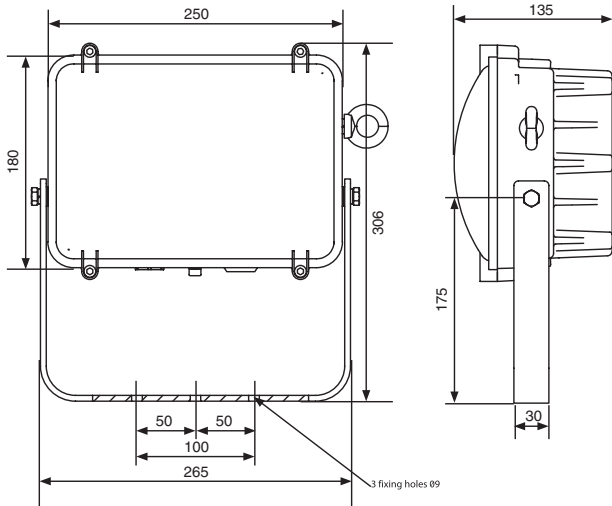
ACCESSORIES ORDER SEPARATELY	
	ORDER CODE
Crane Damper Bracket (96 LEDs Twin Module)	SHDL1-000002
Crane Damper Bracket (144 LEDs Triple Module)	SHDL1-000003



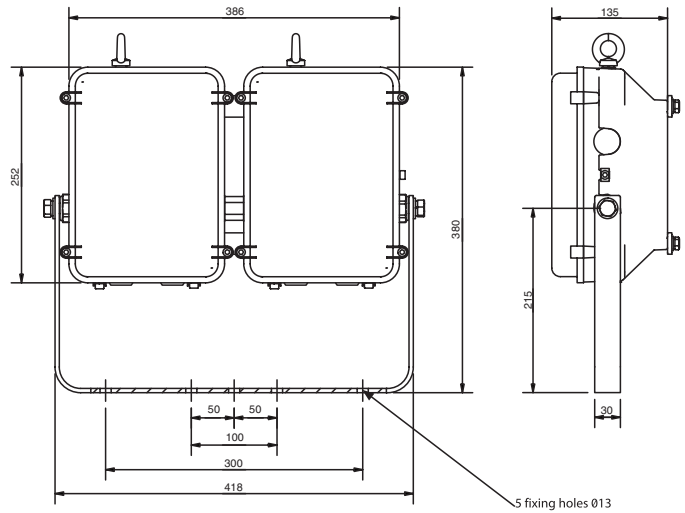
LIGHTING  
**HDL106N**

DIMENSIONS

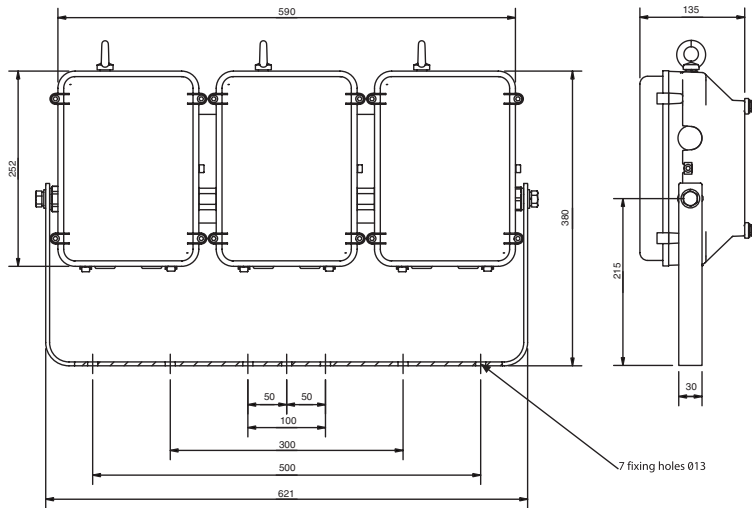
**Single Unit (24/48 LEDs)**



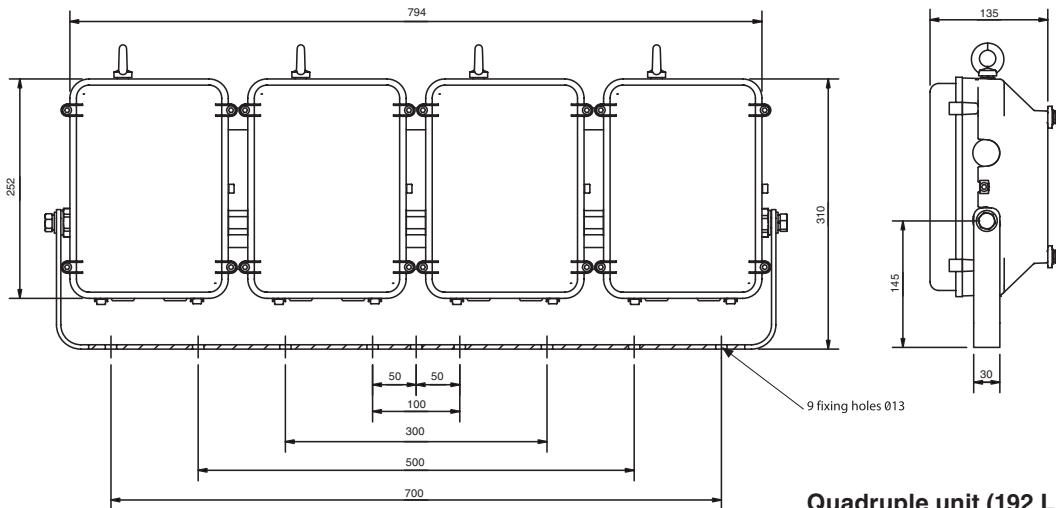
**Double unit (96 LEDs)**



**Triple unit (144 LEDs)**



**Quadruple unit (192 LEDs)**





### **HDL106NE Ex e LED Floodlight**

**Type of Protection: Ex e mb**  
(Increased Safety, Encapsulation)  
**Ex tb** (Dust Protected Enclosure)

**ATEX Classification: Group II**  
**Category 2 GD**

**Area Classification: Zone 1 and 21 areas**  
to EN 60079-10-1 and EN 60079-10-2  
with installation to EN 60079-14

**Certificate: EU Type Examination**  
**Certificate Sira 09ATEX5159X**  
**IECEX Certificate of Conformity**  
**IECEX SIR 09.0064X**

**Coding: Ex e mb IIC T4 Gb**  
**Ex tb IIIC T103°C Db**

**Ambient °C: -20 to +50**



## **FEATURES-SPECIFICATIONS**

### **Features**

- Highly Energy Efficient
- Instant on crisp white light output
- Modular design allowing up to three interlinked luminaires, each providing a delivered output >5500lm
- Lower power consumption than HID lamps
- Lightweight (9kg per module) lighting solution
- >150,000 maintenance free hours at 25°C (L70)
- Entry: 2 x M20 cable entries
- Termination: 3 core 4mm<sup>2</sup> max. conductor with looping
- Installation: Stirrup mounting bracket
- Control Gear: Electronic Driver
- Color Temperature (CCT): Refer to Ordering Matrix
- Color Rendering Index (Ra): >70
- Maintenance: M8 Hex Head and M6 SKT Head

### **Materials**

- Enclosure: LM6 Aluminium with epoxy powder finish (RAL 7035) and Polycarbonate diffuser

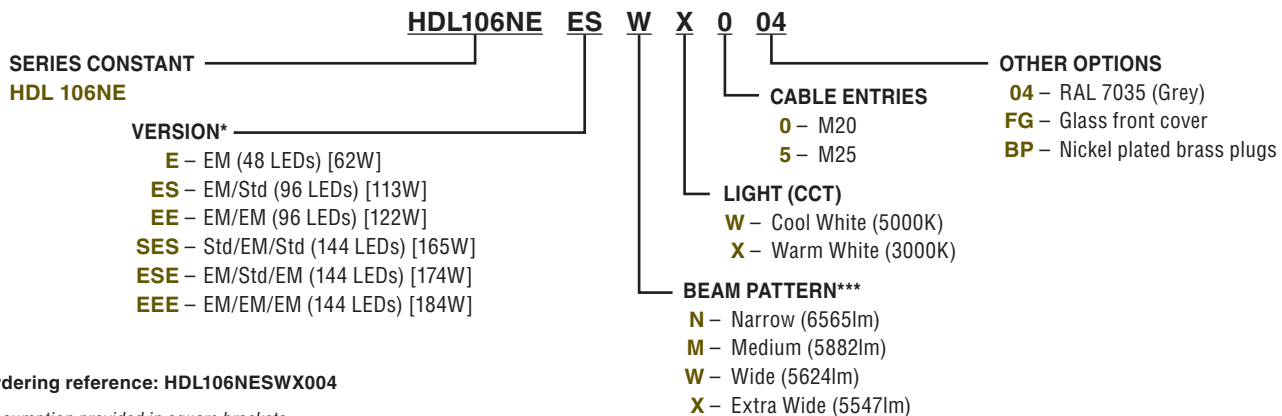
### **Electrical Ratings**

- Emergency Duration: 90mins (75%) or 3hrs (37.5%)
- Ingress Protection: IP66/67 to EN 60529
- Surge Protection: 4kV line to line, 6kV line to earth
- Electrical Supply: 100-254V AC 50/60Hz



LIGHTING  
**HDL106NE**

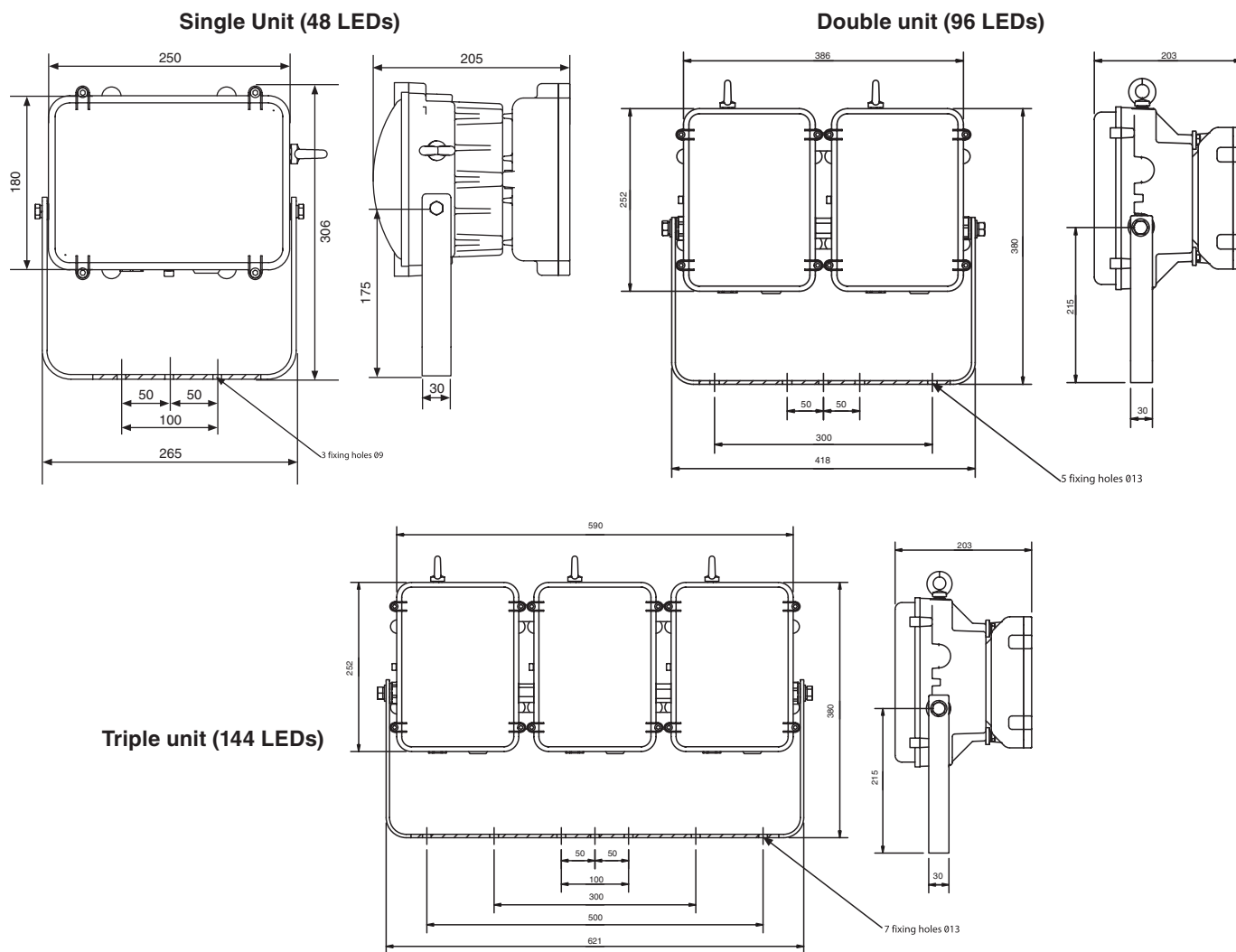
CATALOG LOGIC / DIMENSIONS



Typical ordering reference: HDL106NESWX04

\*Power consumption provided in square brackets

\*\*Delivered outputs based on single module 48LED version







### HDL206N Ex e LED Floodlight

- Type of Protection: Ex e mb (Increased Safety, Encapsulation)  
Ex tb (Dust Protected Enclosure)
- ATEX Classification: Group II  
Category 2 GD
- Area Classification: Zone 1 and 21 areas to EN 60079-10-1 and EN 60079-10-2 with installation to EN 60079-14
- Certificate: EU Type Examination Certificate Sira 09ATEX5159X  
IECEX Certificate of Conformity IECEX SIR 09.0064X
- Coding: Ex e mb IIC T4/T3 Gb  
Ex tb IIIC T103°C Db
- Ambient °C: -20 to +50 (T4) / +59.5 (T3)



## FEATURES-SPECIFICATIONS

### Features

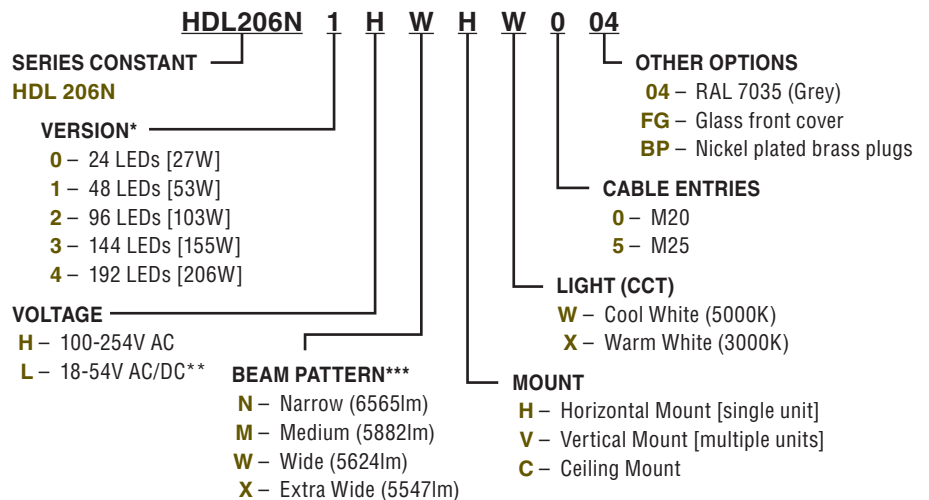
- Highly Energy Efficient
- Instant on crisp white light output
- Modular design allowing up to four interlinked luminaires, each providing a delivered output >5500lm
- Lower power consumption than HID lamps
- Lightweight (6kg per module) lighting solution
- >150,000 maintenance free hours at 25°C (L70)
- Entry: 2 x M20 cable entries
- Termination: 3 core 6mm<sup>2</sup> max conductor with looping
- Installation: Stirrup mounting bracket
- Control Gear: Electronic Driver
- Color Temperature (CCT): Refer to Ordering Matrix
- Color Rendering Index (Ra): >70
- Maintenance: M8 Hex Head and M6 SKT Head

### Materials

- Enclosure: LM6 Aluminium with epoxy powder finish (RAL 7035) and Polycarbonate diffuser

### Electrical Ratings

- Ingress Protection: IP66/67 to EN 60529
- Surge Protection: 4kV line to line, 6kV line to earth
- Electrical Supply: Refer to Ordering Matrix



Typical ordering reference: **HDL206N1HWHW004**

\*Power consumption provided in square brackets

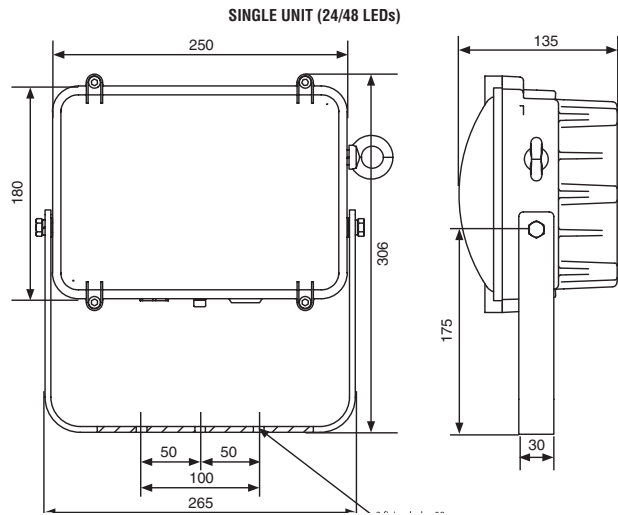
\*\*Upper ambient becomes +55°C. Coding becomes 'Ex e mb IIC T4 Gb; Ex tb IIIC T87°C Db'

\*\*\*Delivered outputs based on single module 48LED version

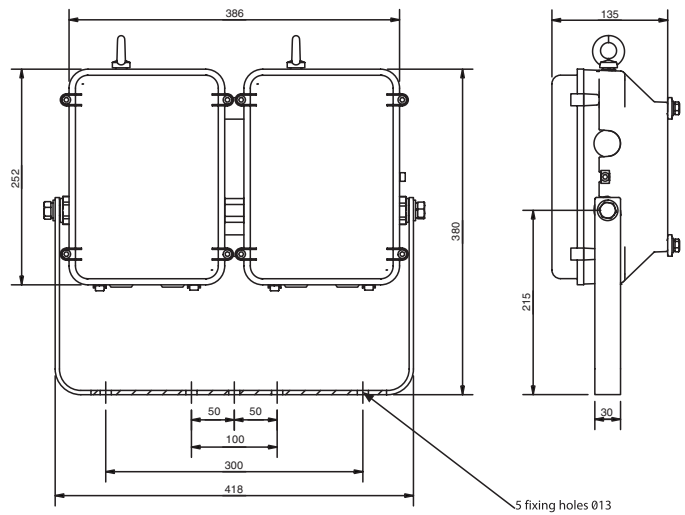


## DIMENSIONS

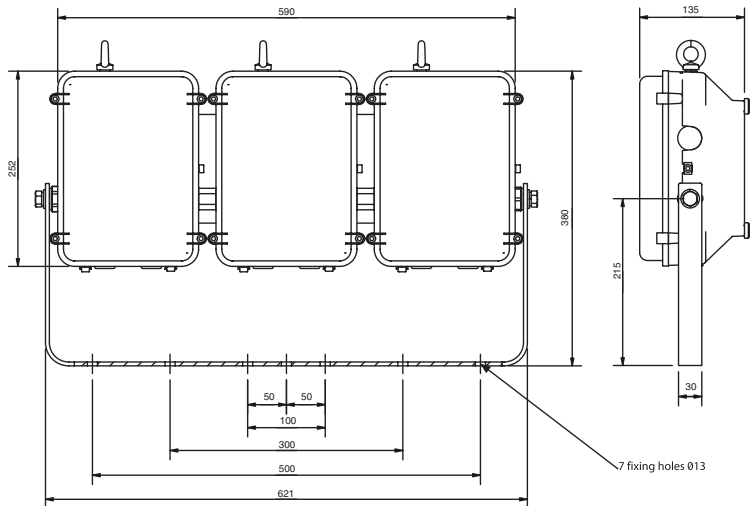
**Single Unit (24/48 LEDs)**



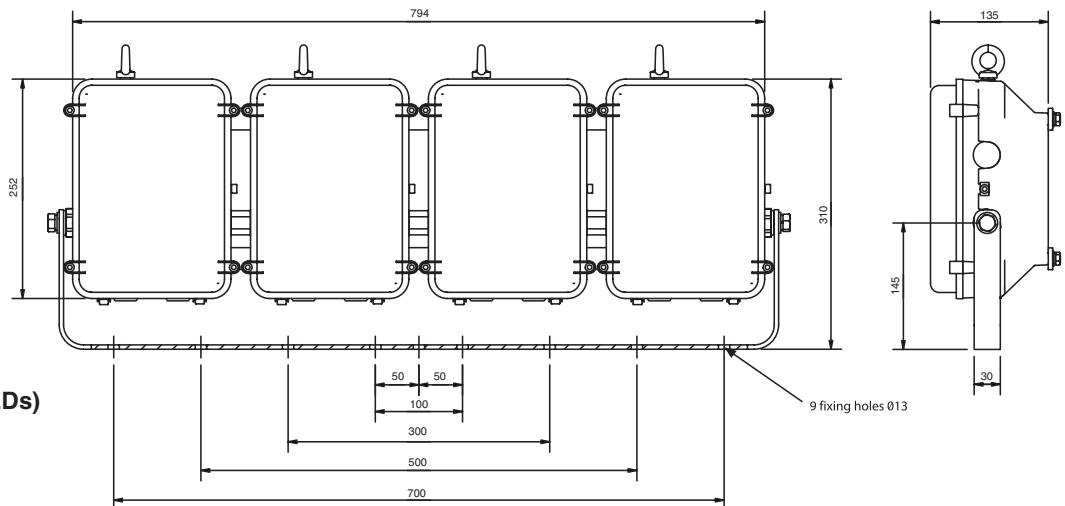
**Double unit (96 LEDs)**



**Triple unit (144 LEDs)**



**Quadruple unit (192 LEDs)**





### HDN206NE Ex e LED Floodlight

Type of Protection: Ex e mb  
(Increased Safety, Encapsulation)  
Ex tb (Dust Protected Enclosure)

ATEX Classification: Group II  
Category 2 GD

Area Classification: Zone 1 and 21 areas  
to EN 60079-10-1 and EN 60079-10-2  
with installation to EN 60079-14

Certificate: EU Type Examination  
Certificate Sira 09ATEX5159X  
IECEX Certificate of Conformity  
IECEX SIR 09.0064X

Coding: Ex e mb IIC T4/T3 Gb  
Ex tb IIC T103°C Db

Ambient °C: -20 to +50 (T4) / +59.5 (T3)



## FEATURES-SPECIFICATIONS

### Features

- Highly Energy Efficient
- Instant on crisp white light output
- Modular design allowing up to three interlinked luminaires, each providing a delivered output >5500lm
- Lower power consumption than HID lamps
- Lightweight (9kg per module) lighting solution
- >80,000 maintenance free hours at 25°C (L70)
- Entry: 2 x M20 cable entries
- Termination: 3 core 6mm<sup>2</sup> max conductor with looping
- Installation: Stirrup mounting bracket
- Control Gear: Electronic Driver
- Color Temperature (CCT): Refer to Ordering Matrix
- Color Rendering Index (Ra): >70
- Maintenance: M8 Hex Head and M6 SKT Head

### Materials

- Enclosure: LM6 Aluminium with epoxy powder finish (RAL 7035) and Polycarbonate diffuser

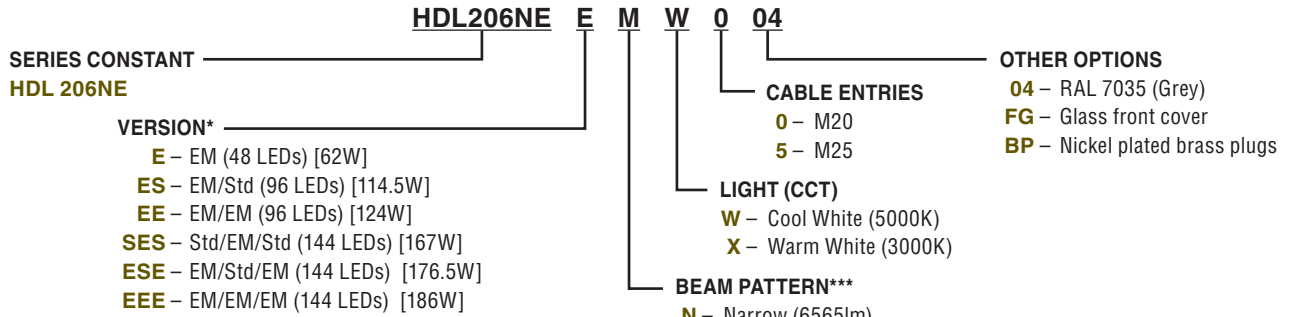
### Electrical Ratings

- Ingress Protection: IP66/67 to EN 60529
- Surge Protection: 4kV line to line, 6kV line to earth
- Electrical Supply: Refer to Ordering Matrix



LIGHTING  
**HDL206NE**

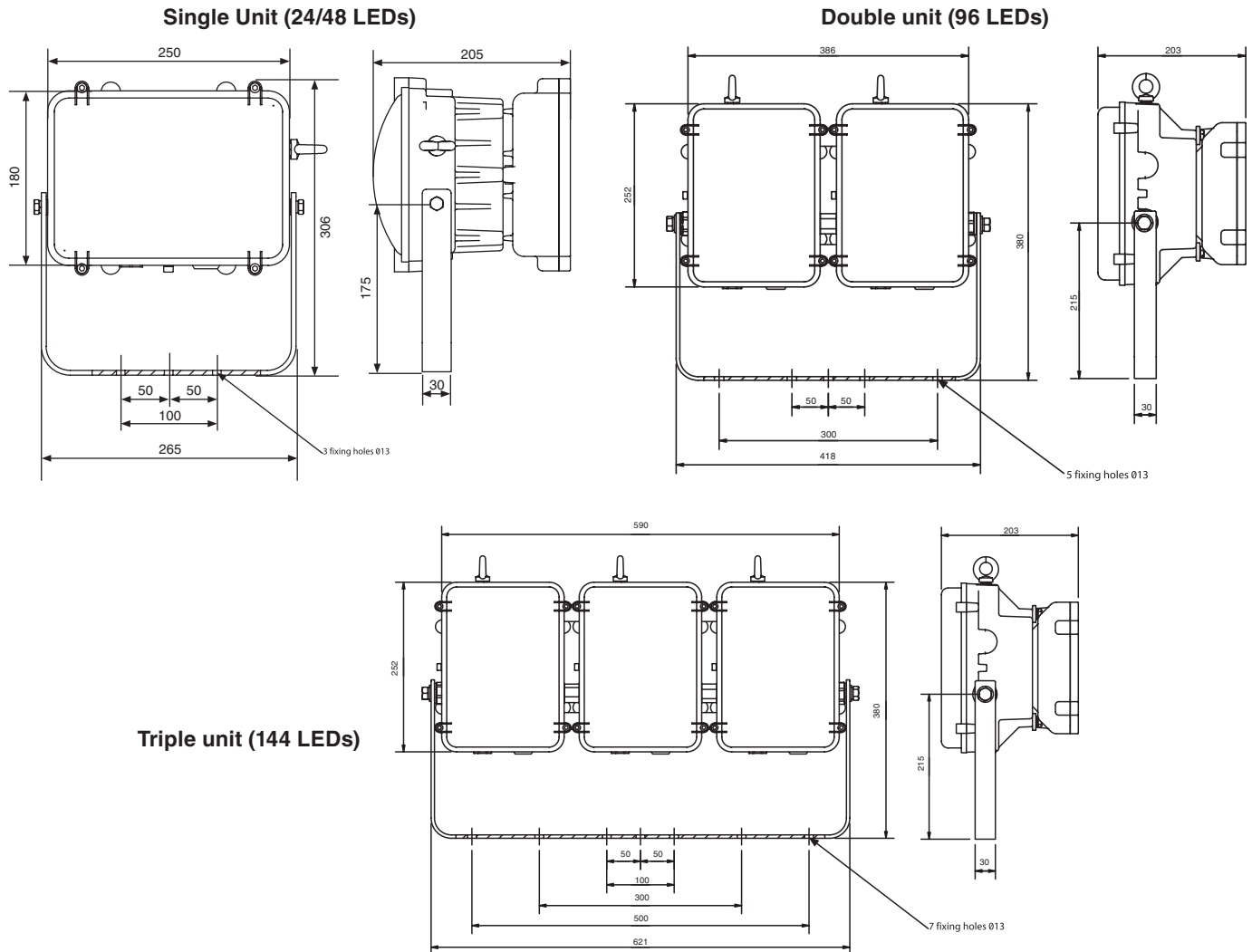
CATALOG LOGIC / DIMENSIONS



Typical ordering reference: HDL206NEMW004

\*Power consumption provided in square brackets

\*\*Delivered outputs based on single module 48LED version





### Protecta X LED Linear



## FEATURES-SPECIFICATIONS

### Features

- Highly Energy Efficient >135lm/W
- Battery management and automatic self test
- Multiple beam distributions available
- Front access cover with screwless mains terminals for easy termination
- >90,000 maintenance free hours at 60°C
- Externally accessible battery stick for ease of maintenance
- Entry: 4 x M20 cable entries - 2 at each end [3 cable entries on Emergency with battery stick]
- Termination: 3 core 4mm<sup>2</sup> max conductor [4 core on Emergency] with looping one end and 16A rating through wiring
- Installation: 2 x M8 mounting points located on the rear of the body
- Control Gear: Electronic Driver
- Optical Distribution: Wide beam
- Color Temperature (CCT): 5000K (Cool White)
- Color Rendering Index (Ra): >70 (>80 option available)
- Maintenance: Front access panel with Torx screws

### Materials

- Enclosure: Marine grade aluminium body with polycarbonate diffuser. Driver enclosure with epoxy powder finish (RAL 9005)
- Geartray: Aluminium

### Electrical Ratings

- LED Lifetime @ 60°C Ambient: L70 > 200,000hrs
- System Life @ Ambient: 120,000hrs @ 25°C; 90,000hrs @ 60°C [excluding battery]
- Battery: Hot-Swappable Ni-MH (6V) battery stick - externally accessed [/EM version only]
- Emergency Duration: 90 mins (02L = 50% output; 05L = 25% output) [ASL/ASW Asymmetric versions - 3hours only]
- Impact Protection: IK10
- Ingress Protection: IP66/67 to EN 60529
- Surge Protection: 4kV
- Electrical Supply: 110-277V AC, 50/60Hz 127-250V DC





LIGHTING  
**PROTECTA X**

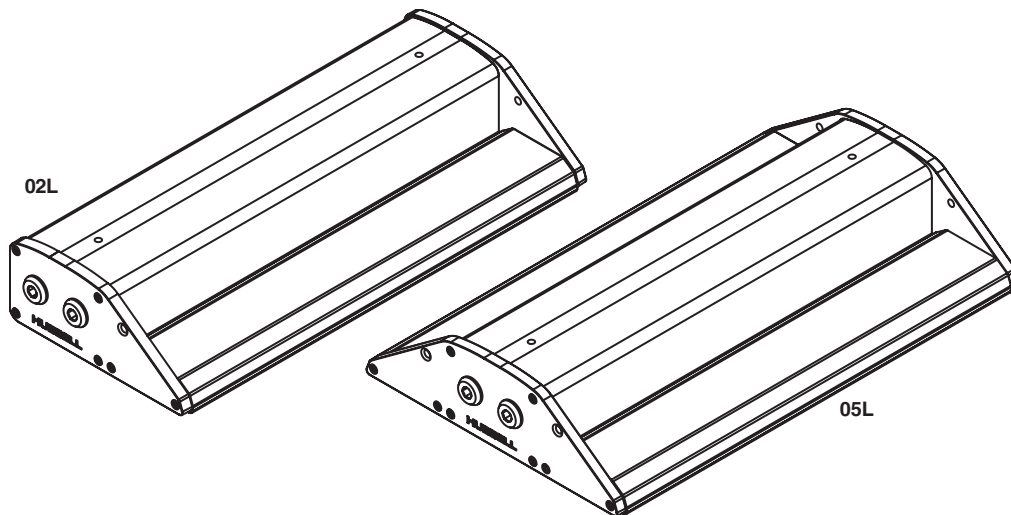
ORDERING INFORMATION

STD. CAT NO.	DELIVERED OUTPUT	POWER CONSUMPTION	AMBIENT °C	WEIGHT
PRXI/02L/LE	2696 lm	16W	-40 to +60	6.8kg
PRXI/05L/LE	5230 lm	35W	-40 to +60	8.8kg
PRXI/02L/LE/EM	2696 lm	19W	-25 to +60	7.3kg
PRXI/05L/LE/EM	5230 lm	38W	-25 to +60	9.3kg

ACCESSORIES ORDER SEPARATELY	
	ORDER CODE
Pole mounting bracket assembly (38-42mm diameter poles)	SPOL4-100001
Pole mounting bracket assembly (58-62mm diameter poles)	SPOL4-100002
Pole mounting bracket assembly (58-62mm diameter poles)	SPOL4-100003
Hook type ceiling bracket assembly	SPRO4-0005
Flush mounted wall bracket assembly	SPRO4-0006
Ceiling bracket assembly	SPRO4-0002
Standard wall mounting outreach bracket (use with SPOL4-100001)	NPRO4-0008
Eyebolt mounting assembly*	SPRO5-0005
Protecta 4ft adaptor bracket	SPRO5-0006

\*Only available for the 05L option.

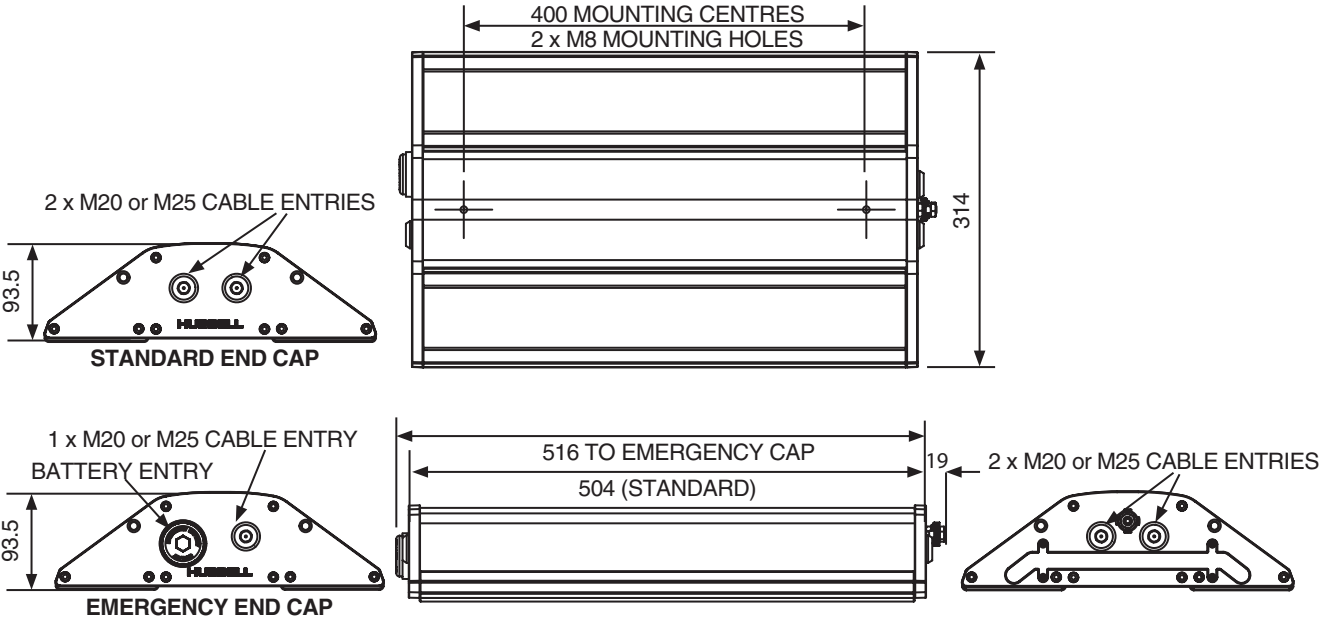
OPTIONS - SUFFIX TO CATALOG NO.	
/M25	M25 cable entries
/LBE	Looping both sides [Non Emergency only]
/EL	Extra live termination facility (to match emergency circuit) [Non Emergency only, Not available with /SC]
/EMI	Internal battery pack [replace /EM with /EMI]
/NST	Non Self Test [Emergency version only]
/ASL	Asymmetric along length optic
/ASW	Asymmetric along width optic [05L version only]
/80	80 CRI LEDs
/3H	3 hour battery duration (02L = 25% output; 05L = 12.5% output) [Standard on ASW or ASL versions]
/4K	4000K (Neutral White) LED Strips
/SC	Screwed connection terminal block (up to 6mm <sup>2</sup> conductors) [Non Emergency only]
/BNI	Batteries not included [Emergency version only]
/DM	DALI Dimmable driver
/M	Medium beam optic
/BP	Nickel plated brass plugs
/OD	Opal diffuser (max. 30% reduction in output)



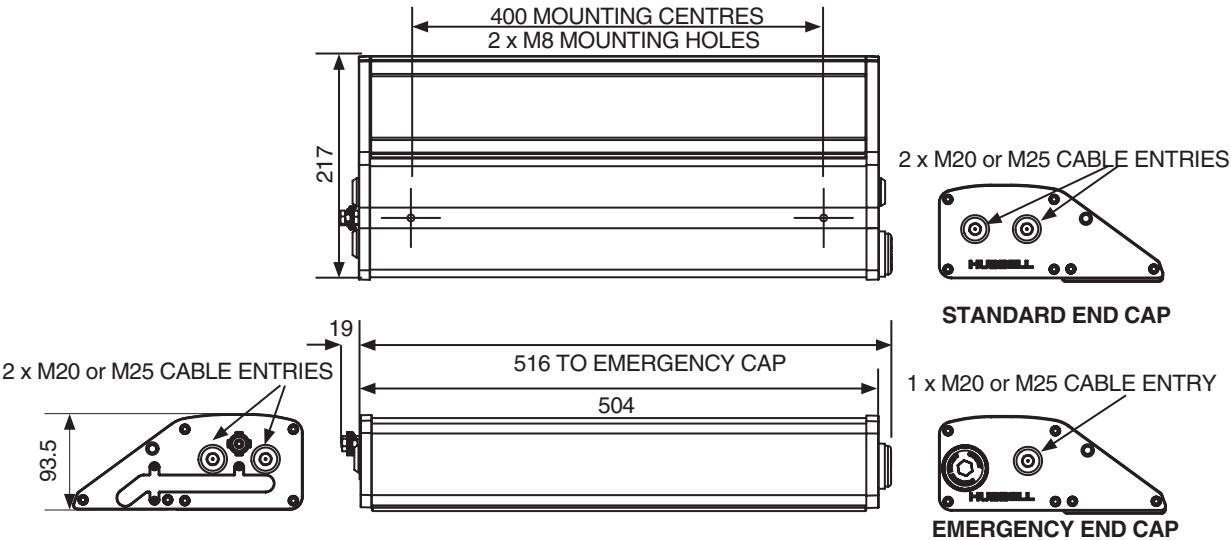


DIMENSIONS

**PROTECTA X - 05L**



**PROTECTA X - 02L**





LIGHTING

# PROTECTA X Z1

## Protecta X Ex eb LED Linear

Type of Protection: Ex db eb mb  
(Flameproof, Increased Safety, Encapsulation)  
Ex tb (Dust Protected Enclosure)

ATEX Classification: Group II  
Category 2 GD

Area Classification: Zone 1 and 21 areas  
to EN 60079-10-1 and EN 60079-10-2

Certificate: EU Type Examination  
Certificate CML18ATEX3358X  
IECEX Certificate of Conformity IECEX  
CML 18.0167X  
UK Type Examination Certificate CML  
21UKEX1506X

Coding: Ex db eb mb IIC T5 Gb  
Ex tb IIIC T85°C Db IP6X



International Approvals

## FEATURES-SPECIFICATIONS

### Features

- Highly Energy Efficient >135lm/W
- Battery management and automatic self test
- Multiple beam distributions available
- Front access cover with screwless mains terminals for easy termination
- >90,000 maintenance free hours at 60°C
- Externally accessible battery stick for ease of maintenance
- Entry: 4 x M20 cable entries - 2 at each end [3 cable entries on Emergency with battery stick]
- Termination: 3 core 4mm<sup>2</sup> max conductor [4 core on Emergency] with looping one end and 16A rating through wiring
- Installation: 2 x M8 mounting points located on the rear of the body
- Control Gear: Electronic Driver
- Optical Distribution: Wide beam
- Color Temperature (CCT): 5000K (Cool White)
- Color Rendering Index (Ra): >70 (>80 option available)
- Maintenance: Front access panel with Torx screws

### Materials

- Enclosure: Marine grade aluminium body with polycarbonate diffuser.  
Driver enclosure with epoxy powder finish (RAL 9005)
- Geartray: Aluminium

### Electrical Ratings

- LED Lifetime @ 60°C Ambient: L70 > 200,000hrs
- System Life @ Ambient: 120,000hrs @ 25°C; 90,000hrs @ 60°C [excluding battery]
- Battery: Hot-Swappable Ni-MH (6V) battery stick - externally accessed [/EM version only]
- Emergency Duration: 90 mins (02L = 50% output; 05L = 25% output) [ASL/ASW Asymmetric versions - 3hours only]
- Impact Protection: IK10
- Ingress Protection: IP66/67 to EN 60529
- Surge Protection: 4kV
- Electrical Supply: 110-277V AC, 50/60Hz 127-250V DC



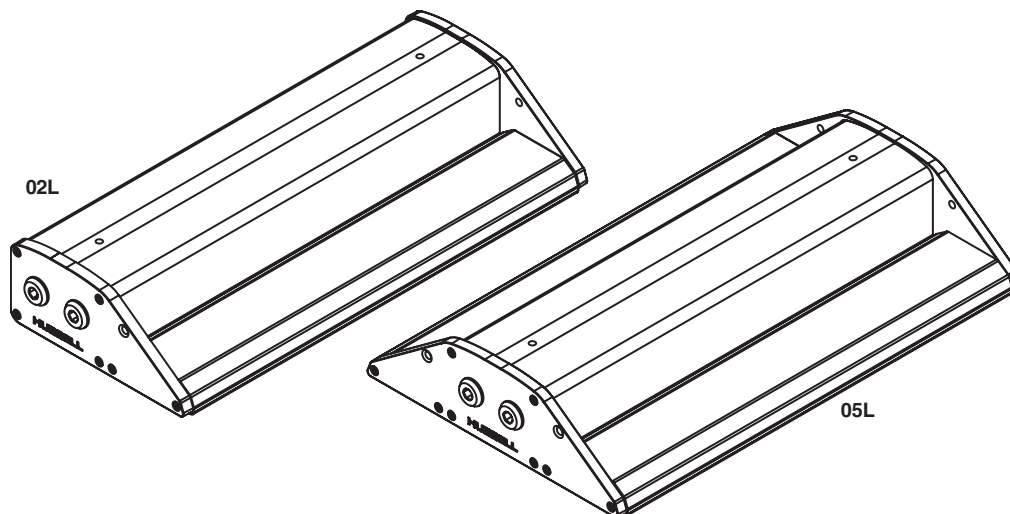
## ORDERING INFORMATION

STD. CAT NO.	DELIVERED OUTPUT	POWER CONSUMPTION	TCLASS	T°C (DUST)	AMBIENT °C	WEIGHT
PRXB/02L/LE	2696 lm	16W	T5	85	-40 to +60	7.1kg
PRXB/05L/LE	5230 lm	35W	T5	85	-40 to +60	9.1kg
PRXB/02L/LE/EM	2696 lm	19W	T5	85	-25 to +60	7.6kg
PRXB/05L/LE/EM	5230 lm	38W	T5	85	-25 to +60	9.6kg

ACCESSORIES ORDER SEPARATELY	
	ORDER CODE
Pole mounting bracket assembly (38-42mm diameter poles)	SPOL4-100001
Pole mounting bracket assembly (58-62mm diameter poles)	SPOL4-100002
Pole mounting bracket assembly (58-62mm diameter poles)	SPOL4-100003
Hook type ceiling bracket assembly	SPR04-0005
Flush mounted wall bracket assembly	SPR04-0006
Ceiling bracket assembly	SPR04-0002
Standard wall mounting outreach bracket (use with SPOL4-100001)	NPR04-0008
Eyebolt mounting assembly*	SPR05-0005
Protecta 4ft adaptor bracket	SPR05-0006

\*Only available for the 05L option.

OPTIONS - SUFFIX TO CATALOG NO.	
/M25	M25 cable entries
/LBE	Looping both sides [Non Emergency only]
/EL	Extra live termination facility (to match emergency circuit) [Non Emergency only, Not available with /SC]
/EMI	Internal battery pack [replace /EM with /EMI]
/NST	Non Self Test [Emergency version only]
/ASL	Asymmetric along length optic
/ASW	Asymmetric along width optic [05L version only]
/80	80 CRI LEDs
/3H	3 hour battery duration (02L = 25% output; 05L = 12.5% output) [Standard on ASW or ASL versions]
/4K	4000K (Neutral White) LED Strips
/SC	Screwed connection terminal block (up to 6mm <sup>2</sup> conductors) [Non Emergency only]
/BNI	Batteries not included [Emergency version only]
/DM	DALI Dimmable driver
/M	Medium beam optic
/BP	Nickel plated brass plugs
/OD	Opal diffuser (max. 30% reduction in output)



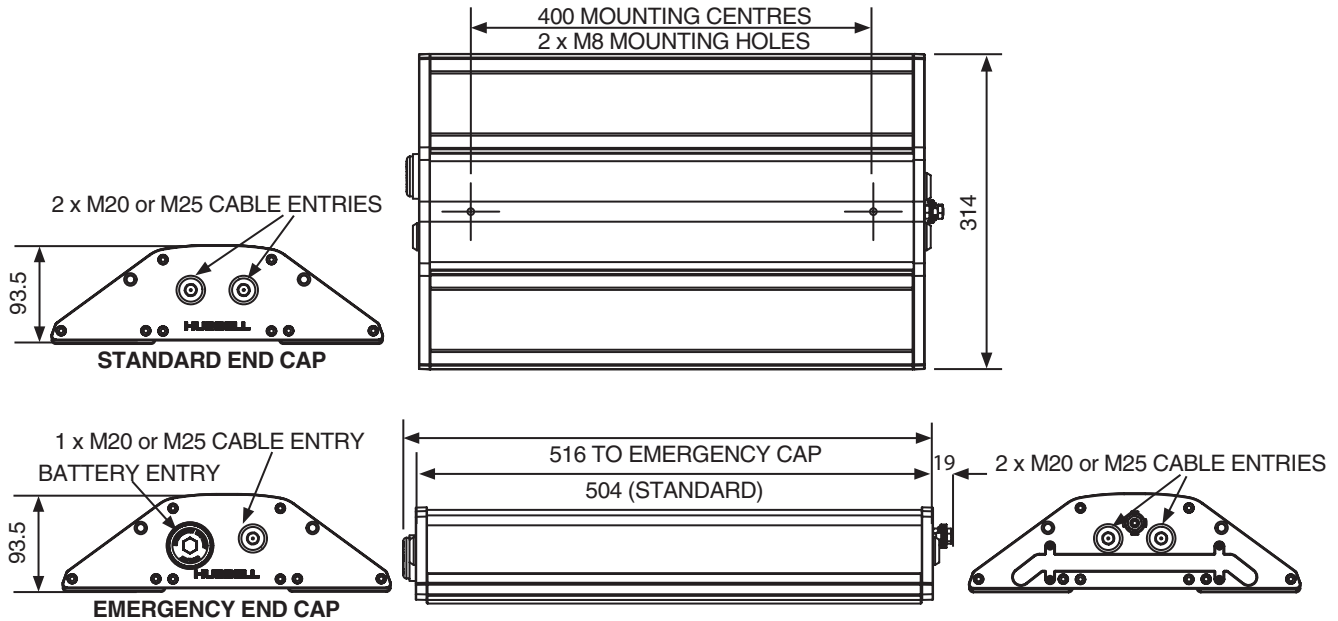


LIGHTING

# PROTECTA X Z1

## DIMENSIONS

### PROTECTA X - 05L



### PROTECTA X - 02L

