



RAPTOR

PROFFESIONAL



T-Rex

PROFFESIONAL



Xtinct

PROFFESIONAL

User Guide

Dear Customer,

Thank you for purchasing this DB Audio Product.

DB Audio is proud to introduce a new series of professional subwoofers designed in Britain by a team of dedicated engineers our goal is to provide you, our customer, with the absolute best subwoofer on the market.



RAPTOR PROFFESIONAL

Raptor series Features:

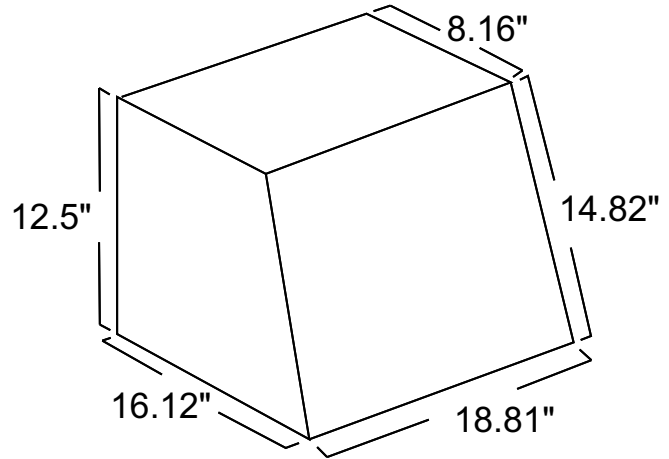
- High power handling 300w RMS, 1400w peak power
- Black powder finish steamed basket
- Polyphone cone with 1" rubber edge
- 2" hi-temp 4 layer voice coil
- Double stack 70 oz magnet
- 2- layer black cone spider
- Dual 2 ohm impedance
- Chrome push terminal
- Rubber gasket

Raptor series Specifications:

Model	Power RMS In watts	Power Peak In watts	Fs Hz	Qts	Vas L	Spl dB	Imp Dual ohm	Size inches
Raptor 10	350	1400	30.2	0.343	26.07	84.65	2	10
Raptor 12	350	1400	26.6	0.361	67.79	87.30	2	12

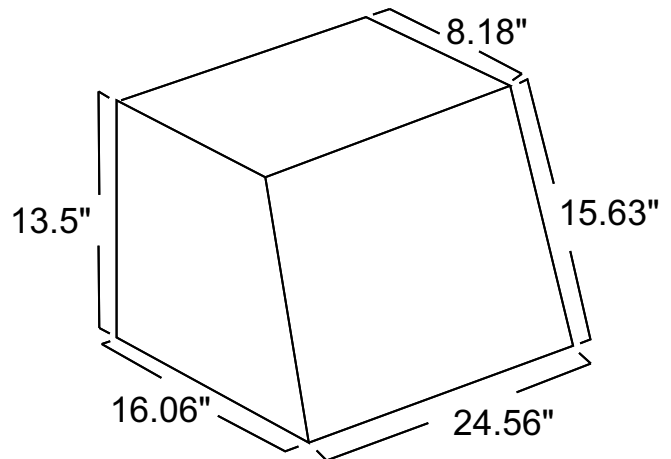
**Raptor Enclosure Design
10" Subwoofer**

Vb.....1.00 Cubic Feet
 Tun.....29.44Hz F3 29Hz
 Port3Ø (Diameter) 16.89" Length
 Port Velocity.....9.54%
 Tb.....1.157 Cubic Feet
 Material.....18mm (0.709") MDF



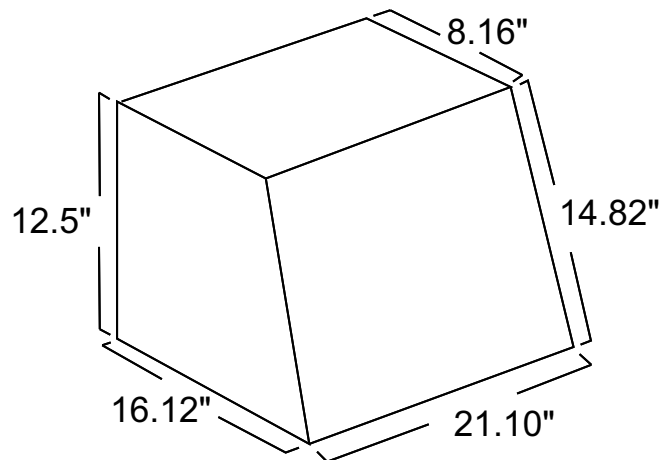
**Raptor Enclosure Design
12" Subwoofer (1)**

Vb.....1.5 Cubic Feet
 Tun.....30.75Hz F3 32Hz
 Port3Ø (Diameter) 8.12" Length
 Port Velocity.....14.05%
 Tb.....1.681 Cubic Feet
 Material.....18mm (0.709") MDF



**Raptor Enclosure Design
12" Subwoofer (2)**

Vb.....1.1 Cubic Feet
 Tun.....29Hz F3 37Hz
 Port3Ø (Diameter) 15.23" Length
 Port Velocity.....13.28%
 Tb.....1.3 Cubic Feet
 Material.....18mm (0.709") MDF



These diagrams are for illustration purposes only. All dimensions are approximations. Please refer to speaker size when constructing enclosure.

T-Rex

PROFFESIONAL



T-Rex series Features:

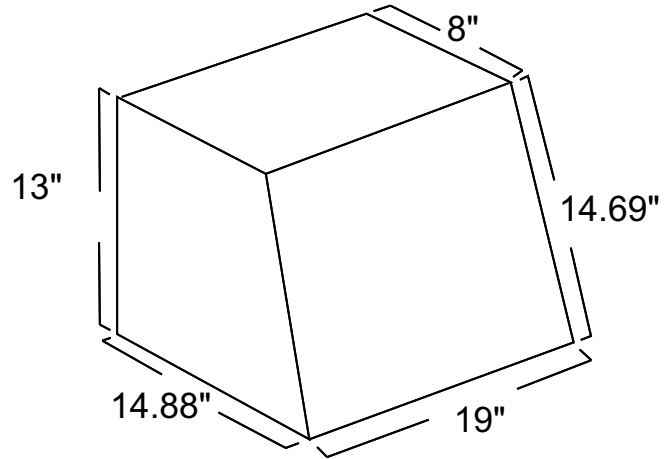
- High power handling 1000w RMS , 3000w peak power
- Black powder finish die cast basket
- Kevlar woven non-press paper cone with EROM foam surround
- 3" hi-temp 4-layer voice coil
- Double stacked 200 oz magnet
- Mirror- image multi-layer nomex spider
- Chrome finished T-yoke with logo etched
- Dual 2 ohm impedance
- Chrome push terminal
- Rubber gasket
- Robber magnet boot

T-Rex series Specification:

Model	Power RMS In watts	Power Peak In watts	Fs Hz	Qts	Vas L	Spl dB	Imp Dual ohm	Size inches
Trex 10	1000	3000	32.5	0.27	18.20	84.3	2	10
Trex 12	1000	3000	32.7	0.30	31.31	86.6	2	12
Trex 15	1000	3000	29.6	0.33	69.27	88.7	2	15

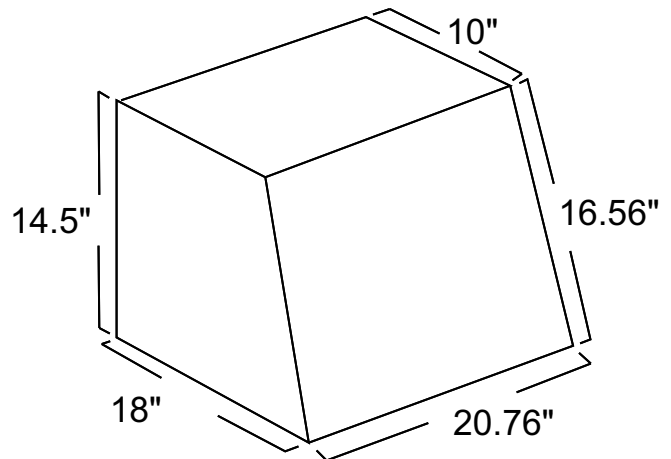
T-Rex Enclosure Design 10" Subwoofer

Vb.....1.00 Cubic Feet
 Tun.....31Hz F3 27Hz
 Port3"Ø (Diameter) 14.46" Length
 Port Velocity.....15.64%
 Tb.....1.148 Cubic Feet
 Material.....18mm (0.709") MDF



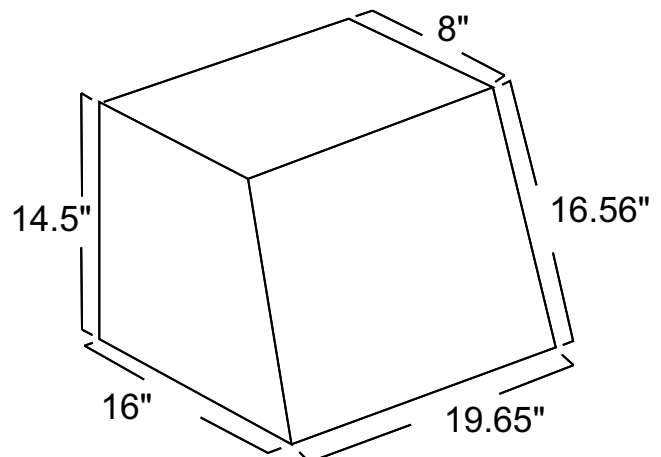
T-Rex Enclosure Design 12" Subwoofer (1)

Vb.....1.5 Cubic Feet
 Tun.....29.7Hz F3 28Hz
 Port4"Ø (Diameter) 19.39" Length
 Port Velocity.....12.71%
 Tb.....1.80 Cubic Feet
 Material.....18mm (0.709") MDF



T-Rex Enclosure Design 12" Subwoofer (2)

Vb.....1.1 Cubic Feet
 Tun.....32.74Hz F3 32Hz
 Port4"Ø (Diameter) 22.55" Length
 Port Velocity.....13.95%
 Tb.....1.418 Cubic Feet
 Material.....18mm (0.709") MDF



T-Rex Enclosure Design 15" Subwoofer (1)

Vb.....2.00 Cubic Feet

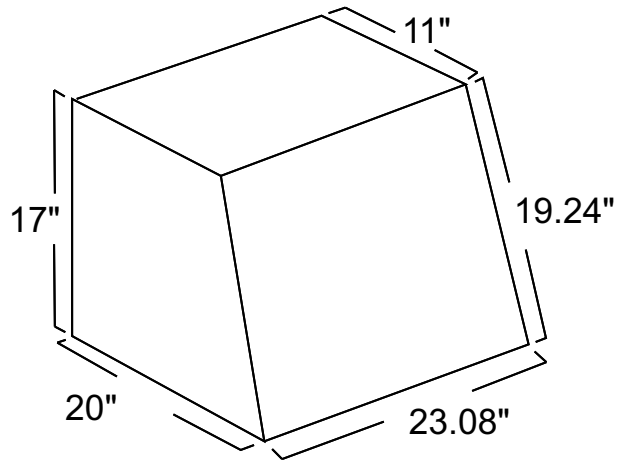
Tun.....31.47Hz F3 32Hz

Port (x 2) 4"Ø (Diameter) 26.77" Length

Port Velocity.....10.78%

Tb.....2.6 Cubic Feet

Material.....18mm (0.709") MDF



T-Rex Enclosure Design 15" Subwoofer (2)

Vb.....1.6 Cubic Feet

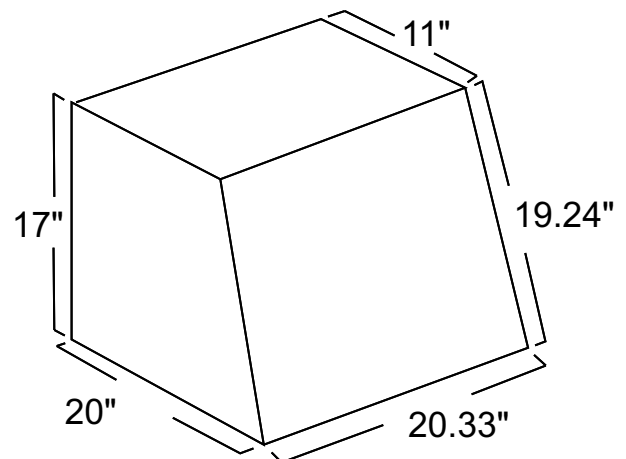
Tun.....33.7Hz F3 35Hz

Port(2x) 4"Ø (Diameter) 19.39" Length

Port Velocity.....11.54%

Tb.....2.33 Cubic Feet

Material.....18mm (0.709") MDF



XTINCT PROFFESIONAL



XTINCT series Features:

- High power handling 1500 W RMS , 5000 W peak power
- Red finish die cast basket
- Kevlar woven non-press paper cone with EROM foam surround
- 3" hi-temp 4-layer voice coil
- Triple stacked 300 oz magnet
- Mirror image multi-layer nomex spider
- 1" ultra-thick top washer
- Dual 2 ohm impedance
- Chrome push terminal
- Rubber gasket
- Rubber magnet boot

EXTINCT series Specification:

Model	Power RMS In watts	Power Peak In watts	Fs Hz	Qts	Vas L	Spl dB	Imp Dual ohm	Size inches
Xtinct 12	1500	5000	32.5	0.26	24.68	87.58	2	12
Xtinct 15	1500	5000	31.3	0.30	52.02	89.02	2	15

**Xtinct Enclosure Design
12" Subwoofer (1)**

Vb..... 0.9" Cubic Feet

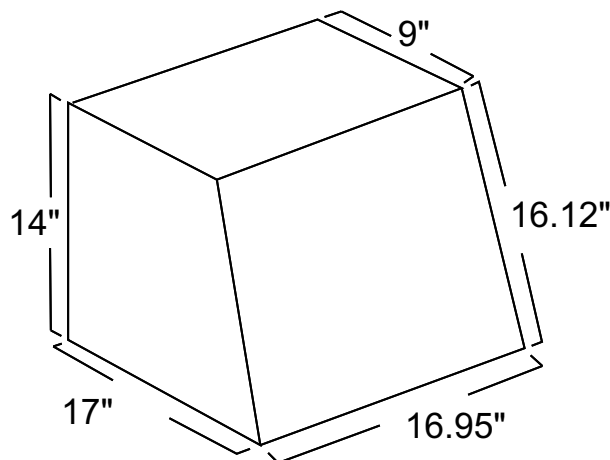
Tun.....36Hz F3 34Hz

Port (x2) 3"Ø (Diameter) 26.29"
Length

Port Velocity.....21.27%

Tb.....1.27 Cubic Feet

Material.....18mm (0.709") MDF
(recommended 25mm (1.0") MDF)



**Xtinct Enclosure Design
12" Subwoofer (2)**

Vb.....1.5 Cubic Feet

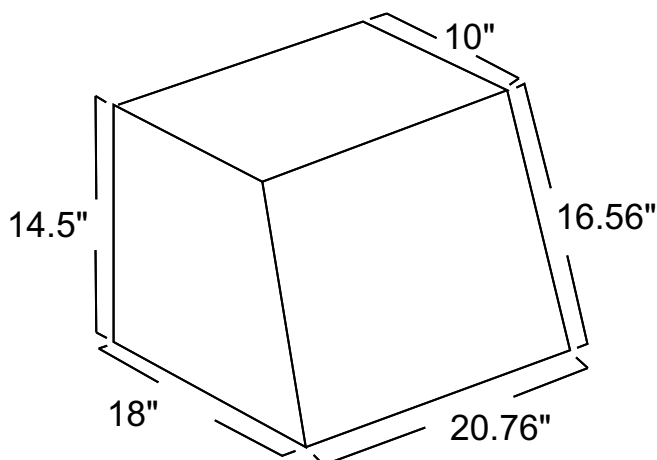
Tun.....33Hz F3 27Hz

Port4"Ø (Diameter) 14.63" Length

Port Velocity.....21.79%

Tb.....1.76 Cubic Feet

Material.....18mm (0.709") MDF
(recommended 25mm (1.0") MDF)



**Xtinct Enclosure Design
15" Subwoofer**

Vb.....1.1 Cubic Feet

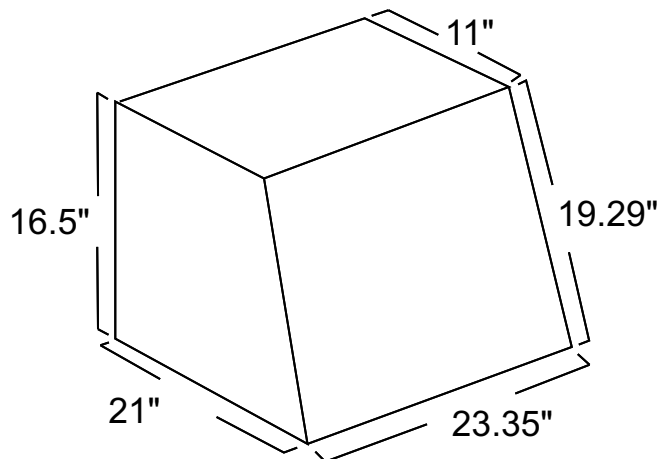
Tun.....30.4Hz F3 30Hz

Port(2x) 4"Ø (Diameter) 29.05" Length

Port Velocity.....16.21%

Tb.....2.725 Cubic Feet

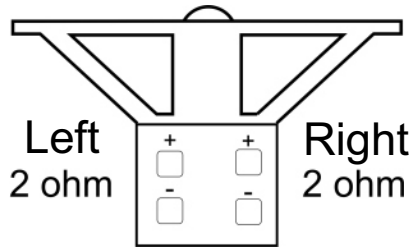
Material.....18mm (0.709") MDF
(recommended 25mm (1.0") MDF)



(Note: If using the recommended 25mm (1") MDF, please add this amount to the enclosure dimensions)

These diagrams are for illustration purposes only. All dimensions are approximations. Please refer to speaker size when constructing enclosure.

How to connect your subwoofer

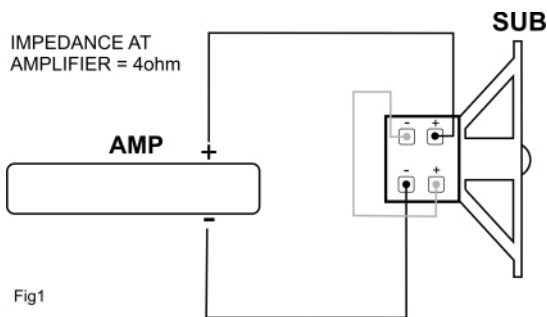


This section offers instructions on connecting your subwoofer in a mono and stereo configuration.

Each side of the voice coil is 2 ohm each. Most amplifiers are 4 ohm stable in mono. Please connect using diagrams and descriptions below.

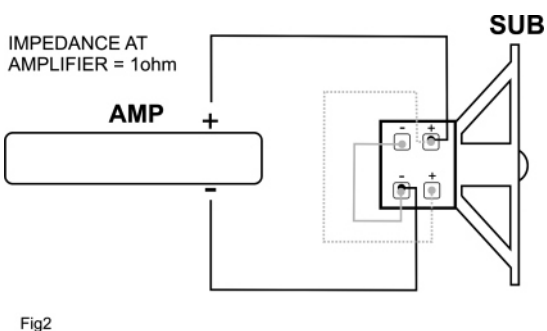
(Note: Please consult your amplifier user guide when connecting)

Connection in Series



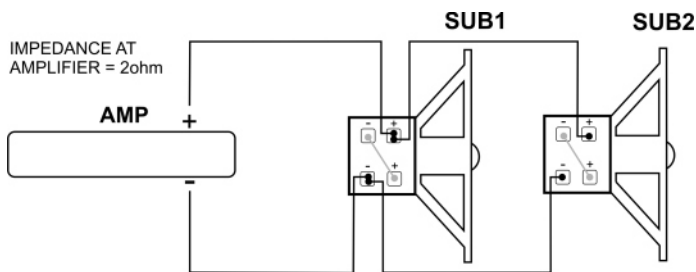
1. Positive to Negative (Sub Left to Sub Right)
2. Positive to Positive (Sub Left to Amp)
Negative to Negative (Sub Right to Amp)

Connection in parallel



1. Positive to Positive (Sub Left to Sub Right)
Negative to Negative (Sub right to Left Sub)
2. Positive to Positive (Sub to Amp)
Negative to Negative (Sub to Amp)

Connection in parallel using two subs in stereo



1. Negative to Positive (Sub1 Left to Sub1 Right)
Negative to Positive (Sub2 Left to Sub2 Right)
2. Positive to Positive (Amp to Sub1 Left)
Positive to Positive (Sub1 Left to Sub2 Right)
Negative to Negative (Amp to Sub1 Right)
Negative to Negative (Sub1 Left to Sub2 Right)

Recommended Amplifiers:



RAPTOR **PROFFESIONAL**

10" Inphase IPA 1001 Bridged Connect Sub in 4ohm

12" Inphase IPA 1001 Bridged Connect Sub in 4ohm

If connecting 2 Subwoofers Use IPA 2001D or IPA1601

T-Rex **PROFFESIONAL**



10" Inphase IPA 1601 Bridged Connect Sub in 4ohm

12" Inphase IPA 1601 Bridged Connect Sub in 4ohm

15" Inphase IPA 1601 Bridged Connect Sub in 4ohm

If connecting 2 Subwoofers Use IPA 4001D

X-TINCT **PROFFESIONAL**



12" Inphase IPA 2001D Connect Sub in 1ohm

15" Inphase IPA 2001D Connect Sub in 1ohm

For further details on recommended
amplifiers please visit:-
www.inphaseaudio.co.uk



www.db-audio.us



Manufactured and distributed by
Inphase International Limited
www.inphaseinternational.co.uk