

Service Manual

ViewSonic VP2030b-1

Model No. VS10772

20” Color TFT LCD Display

(VP2030b-1_SM Rev. 1a Dec. 2005)

ViewSonic® 381 Brea Canyon Road, Walnut, California 91789 USA - (800) 888-8583

Copyright

Copyright ©2005 by ViewSonic Corporation. All rights reserved. No part of this publication may be reproduced, transmitted, transcribed, stored in a retrieval system, or translated into any language or computer language, in any form or by any means, electronic, mechanical, magnetic, optical, chemical, manual or otherwise, without the prior written permission of ViewSonic Corporation.

Disclaimer

ViewSonic makes no representations or warranties, either expressed or implied, with respect to the contents hereof and specifically disclaims any warranty of merchantability or fitness for any particular purpose. Further, ViewSonic reserves the right to revise this publication and to make changes from time to time in the contents hereof without obligation of ViewSonic to notify any person of such revision or changes.

Trademarks

Optiquest is a registered trademark of ViewSonic Corporation.
ViewSonic is a registered trademark of ViewSonic Corporation.
All other trademarks used within this document are the property of their respective owners.

Revision History

Revision	SM Editing Date	ECR Number	Description of Changes	Editor
1a	12/23/2005		Initial release	Jamie Chang

TABLE OF CONTENTS

1. Precautions and Safety Notices	1
2. Specification	4
3. Front Panel Function Control Description	10
4. Circuit Description	13
5. Adjusting Procedure	26
6. Trouble Shooting Flow Chart	53
7. Recommended Spare Parts List	60
8. Exploded View And Exploded Parts List	63
9. Block Diagram	67
10. Schematic Diagrams	68
11. PCB Layout Diagrams	73

1. Precaution & Safety Notice

1. Caution :

No modification of any circuit should be attempted . Service work should only be performed after you are thoroughly familiar with all of the following safety checks and servicing guide line

2. Safety Check :

Care should be taken while servicing this LCD display. Because of the high voltage used in the inverter circuit. These voltage are exposed in such areas as the associated transformer circuits .

3. POWER SUPPLY REQUIREMENTS

The external power converter for this display utilizes AC and DC cords , AC cord is detachable , but DC cord is permanently attached . Any attempt to replace another adapter could result in serious problem on the display .

4. LEAKAGE CURRENT HOT CHECK

4-1 Plug the AC cord directly into the AC outlet. Do not use an isolation transformer during this check.

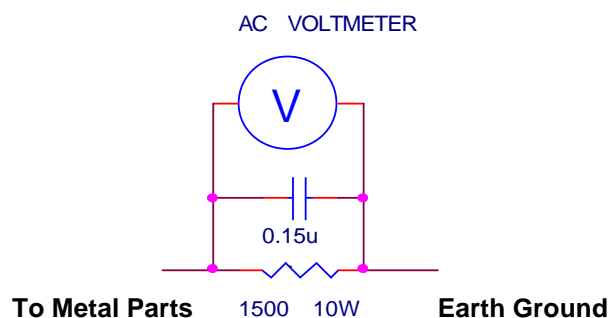
4-2 Connect a 1500 ohm , 10 watt resistor , paralleled by a 0.15uF capacitor between each metallic part and a good earth ground

4-3 Use an AC voltmeter with 1000 ohm / volt or more sensitivity and measure the AC voltage across the combination 1500 ohm resistor and 0.15uF capacitor.

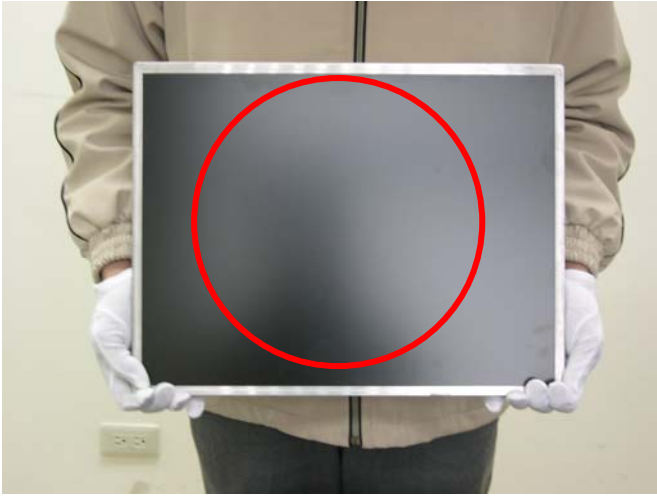


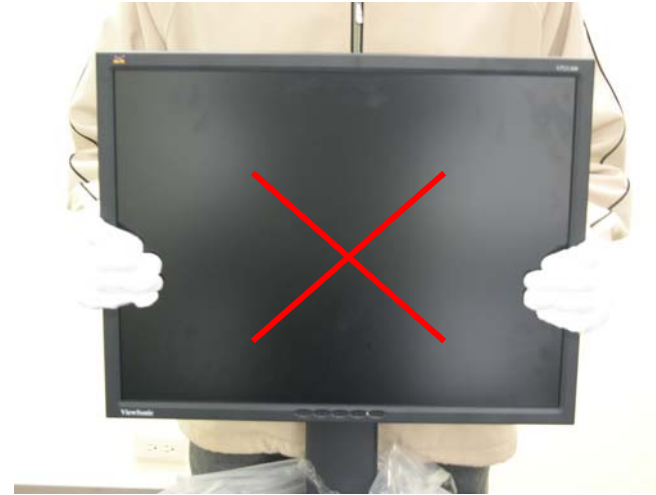
4-4 Move the resistor connection to each exposed metallic part and measure the voltage.



4-5 Reverse the polarity of the AC plug in the AC outlet and repeat the above measurement.


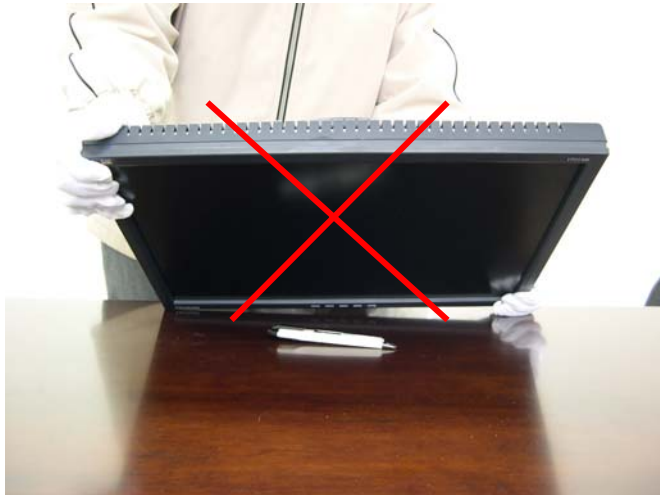
4-6 Voltage measured must not exceed 1.5 volt RMS, from any exposed metallic part to the ground. A leakage current tester may be used in the above hot check, in which case any circuit measured must not exceed 1.0 milliamp. In the case of a measurement exceeding the 1.0 milliamp value, a rework is required to eliminate the chance of a shock hazard .



Handling & Placing method

Correct methods :	Incorrect Methods :
<p>Only touch the metal-frame of the panel or the front cover of the monitor . Do not touch the surface of the polarizer .</p>	<p>Surface of the panel is pressed by fingers & this may cause “ MURA “</p>
	
	

Correct methods :	Incorrect Methods :
Take out the monitor with cushion	Take out the monitor by grasping the LCD panel. This may cause "MURA".
	

Correct methods :	Incorrect Methods :
Place the monitor on a clean & soft foam pad .	Place the monitor on foreign objects . That could scratch the surface of panel
	

2. Specification

GENERAL specification

Test Resolution & Frequency	1600x1200 @ 60Hz
Test Image Size	Full Size
Contrast and Brightness Controls	Factory Default: Contrast = 70%, Brightness = 100%

VIDEO INTERFACE

Input Connector (refer the appendix A)	D-Sub = DB-15 (Analog) DVI-A = DVI-I (Analog) DVI-D = DVI-I (Digital)
Default Input Connector	Defaults to the first detected input
Video Cable Strain Relief	Equal to twice the weight of the monitor for five minutes
Video Cable Connector DB-15 Pin out	Compliant DDC/CI
Video Signals	Video RGB (Analog) Separate Sync / Composite Sync / SOG TMDS (Digital)
Video Impedance	75 Ohms (Analog), 100 Ohms (Digital)
Maximum PC Video Signal	950 mV with no damage to monitor
Maximum Mac Video Signal	1250 mV with no damage to monitor
Sync Signals	TTL
DDC/CI	Compliant with Revision 1.0
Sync Compatibility	Separate Sync / Composite Sync / SOG
Video Compatibility	Shall be compatible with all PC type computers, Macintosh computers, and after market video cards
Resolution Compatibility	640 x 350, 640 x 400, 640 x 480, 720 x 400, 720 x 480, 720 x 576, 800 x 600, 832 x 624, 1024 x 768, 1152 x 864, 1152 x 870, 1280 x 720, 1280 x 768, 1280 x 960, 1280 x 1024, 1360 x 768, 1400 x 1050, 1440 x 900, 1600 x 1200, 1680 x 1050, 1920 x 1080, 1920 x 1200
Exclusions	Not compatible with interlaced video

USB INTERFACE

Up Stream Connector	B type USB port x1
Down Stream Connector	A type USB port x4
Compatibility	Compliant with Revision 2.0
Power	The hub gets power from the display.

POWER SUPPLY

Internal Power Supply	Delta EADP-64BF
Input Voltage Range	90 to 264 VAC
Input Frequency Range	47.5 to 63 Hertz
Short Circuit Protection	Output can be shorted without damage
Over Current Protection	5.0 A typical at 12.0 VDC
Leakage Current	3.5mA (Max) at 254VAC / 60Hz
Efficiency	80 % typical at 115VAC Full Load
Fuse	Internal and not user replaceable
Power Dissipation	64 Watts (typ)
Max Input AC Current	1.5 Arms @ 90VAC, 0.75 Arms @180VAC
Inrush Current (Cold Start)	50 A (max) @ 115VAC 90 A (max) @ 230VAC
Power Supply Cold Start	Shall start and function properly when under full load, with all combinations of input voltage, input frequency, and operating temperature.
Power Supply Transient Immunity	Shall be able to withstand an ANSI/IEEE C62.41-1980 6000V 200 ampere ring wave transient test with no damage.
Power Supply Line Surge Immunity	Shall be able to withstand 1.5 times nominal line voltage for one cycle with no damage.
Power Supply Missing Cycle Immunity	Shall be able to function properly, without reset or visible screen artifacts, when ½ cycle of AC power is randomly missing at nominal input.
Power Supply Acoustics	The power supply shall not produce audible noise that would be detectable by the user. Audible shall defined to be in compliance with ISO 7779 (DIN EN27779:1991) Noise measurements of machines acoustics. Power Switch noise shall not be considered.
Power Saving Operation(Method)	VESA DPMS Signaling
Power Consumption	On Mode < 52 W (Typ) / 56 W (max) Active Off < 3 W
Recovery Time	On Mode = N/A, Active Off < 8 sec

ELECTRICAL REQUIREMENT

Horizontal / Vertical Frequency

Horizontal Frequency	24 – 92 KHZ
Vertical Refresh Rate	50 – 85* HZ.
Maximum Pixel Clock	165 MHz
Sync Polarity	Independent of sync polarity.

Timing Table

Item	Timing	Analog			Digital - TMDS	Remark
		Separated	Composite	SOG		
1	640 x 350 @ 70 Hz, 31.5 KHz	✓	✓	✓	✓	
2	640 x 350 @ 85 Hz, 37.9 KHz	✓	✓		✓	For Separated sync, Only horizontal full screen, The vertical position is at the center.
3	640 x 400 @ 60 Hz, 31.5 KHz	✓	✓	✓	✓	For SOG sync, switch 640x400@60Hz and 640x480@60Hz by [1]+[2] short cut key (primary = 640x480@60Hz)
4	640 x 400 @ 70 Hz, 31.5 KHz	✓	✓	✓	✓	For Separated Sync, Switch 640x400@70Hz and 720x400@70Hz by [1]+[2] short cut key (primary = 640x400@70Hz)
5	640 x 400 @ 85 Hz, 37.9 KHz	✓	✓	✓	✓	For Separated Sync, Switch 640x400@85Hz and 720x400@85Hz by [1]+[2] short cut key (primary = 640x400@85Hz)
6	640 x 480 @ 50 Hz, 24.7 KHz	✓	✓	✓		
7	640 x 480 @ 60 Hz, 31.5 KHz	✓	✓	✓	✓	For SOG sync, switch 640x400@60Hz and 640x480@60Hz by [1]+[2] short cut key (primary = 640x480@60Hz)
8	640 x 480 @ 67 Hz, 35 KHz	✓	✓	✓	✓	
9	640 x 480 @ 72 Hz, 37.9 KHz	✓	✓	✓	✓	
10	640 x 480 @ 75 Hz, 37.5 KHz	✓	✓	✓	✓	
11	640 x 480 @ 85 Hz, 43.3 KHz	✓	✓	✓	✓	
12	720 x 400 @ 70 Hz, 31.5 KHz	✓	✓	✓	✓	
13	720 x 400 @ 85 Hz, 37.9 KHz	✓	✓	✓	✓	For Separated Sync, Switch 640x400@85Hz and 720x400@85Hz by [1]+[2] short cut key (primary =

								640x400@85Hz)
14	720 x 480 @ 60 Hz, 31.5 KHz			✓	✓			
15	720 x 576 @ 50 Hz, 31.3 KHz			✓	✓			
16	800 x 600 @ 50 Hz, 24.7 KHz	✓	✓	✓	✓			
17	800 x 600 @ 56 Hz, 35.1 KHz	✓	✓	✓	✓			
18	800 x 600 @ 60 Hz, 37.9 KHz	✓	✓	✓	✓			
19	800 x 600 @ 72 Hz, 48.1 KHz	✓	✓	✓	✓			
20	800 x 600 @ 75 Hz, 46.9 KHz	✓	✓	✓	✓			
21	800 x 600 @ 85 Hz, 53.7 KHz	✓	✓	✓	✓			
22	832 x 624 @ 75 Hz, 49.7 KHz	✓	✓	✓	✓			
23	1024 x 768 @ 50 Hz, 39.6 KHz	✓	✓	✓	✓			For Separated and Composite sync, Switch 1024x768@50Hz and 1280x768@50Hz by [1]+[2] short cut key (primary = 1024x768@50Hz)
24	1024 x 768 @ 60 Hz, 48.4 KHz	✓	✓	✓	✓			
25	1024 x 768 @ 70 Hz, 56.5 KHz	✓	✓	✓	✓			
26	1024 x 768 @ 72 Hz, 58.1 KHz	✓	✓	✓	✓			
27	1024 x 768 @ 75 Hz, 60 KHz	✓	✓	✓	✓			
28	1024 x 768 @ 75 Hz, 60.2 KHz	✓	✓	✓	✓			
29	1024 x 768 @ 85 Hz, 68.7 KHz	✓	✓	✓	✓			
30	1152 x 864 @ 75 Hz, 67.5 KHz	✓	✓	✓	✓			
31	1152 x 870 @ 75 Hz, 68.7 KHz	✓	✓	✓	✓			
32	1280 x 720 @ 50 Hz, 37.5 KHz			✓	✓			
33	1280 x 720 @ 60 Hz, 45 KHz			✓	✓			
34	1280 x 768 @ 50 Hz, 39.6 KHz	✓	✓	✓	✓			For Separated and Composite sync, Switch 1024x768@50Hz and 1280x768@50Hz by [1]+[2] short cut key (primary = 1024x768@50Hz)
35	1280 x 768 @ 60 Hz, 47.4 KHz	✓		✓	✓			For analog sync, Switch 1280x768@60Hz and 1360x768@60Hz by [1]+[2] short cut key (primary = 1280x768@60Hz)
36	1280 x 768 @ 60 Hz, 47.8 KHz	✓		✓	✓			
37	1280 x 768 @ 75 Hz, 60.3 KHz	✓	✓	✓	✓			
38	1280 x 768 @ 85 Hz, 68.6 KHz	✓	✓	✓	✓			
39	1280 x 960 @ 50 Hz, 49.4 KHz	✓	✓	✓	✓			
40	1280 x 960 @ 60 Hz, 59.7 KHz	✓	✓	✓	✓			
41	1280 x 960 @ 75 Hz, 75.2 KHz	✓	✓	✓	✓			
42	1280 x 960 @ 85 Hz, 85.9 KHz	✓	✓	✓	✓			
43	1280 x 1024 @ 50 Hz, 52.7 KHz	✓	✓	✓	✓			

44	1280 x 1024 @ 60 Hz, 64 KHz	✓	✓	✓	✓	
45	1280 x 1024 @ 75 Hz, 80 KHz	✓	✓	✓	✓	
46	1280 x 1024 @ 85 Hz, 91.1 KHz	✓	✓	✓	✓	
47	1360 x 768 @ 60 Hz, 47.7 KHz	✓	✓	✓	✓	For analog sync, Switch 1280x768@60Hz and 1360x768@60Hz by [1]+[2] short cut key (primary = 1280x768@60Hz)
48	1400 x 1050 @ 50 Hz, 54.1 KHz	✓	✓	✓	✓	
49	1400 x 1050 @ 60 Hz, 64.7 KHz	✓	✓		✓	For analog sync, Switch 1400x1050@60Hz and 1680x1050@60Hz by [1]+[2] short cut key (primary = 1400x1050@60Hz)
50	1400 x 1050 @ 60 Hz, 65.3 KHz	✓	✓			For Separated and Composite sync, Switch 1400x1050@60Hz and 1680x1050@60Hz by [1]+[2] short cut key (primary = 1400x1050@60Hz)
51	1400 x 1050 @ 75 Hz, 82.3 KHz	✓	✓	✓	✓	
52	1440 x 900 @ 60 Hz, 55.5 KHz	✓	✓	✓	✓	
53	1440 x 900 @ 60 Hz, 59.9 KHz	✓	✓	✓	✓	
54	1440 x 900 @ 75 Hz, 75 KHz	✓	✓	✓	✓	
55	1440 x 900 @ 85 Hz, 84.8 KHz	✓	✓	✓	✓	
56	1600 x 1200 @ 50 Hz, 61.8 KHz	✓	✓	✓	✓	
57	1600 x 1200 @ 60 Hz, 75 KHz	✓	✓	✓	✓	
58	1680 x 1050 @ 60 Hz, 64.7 KHz	✓	✓		✓	For analog sync, Switch 1400x1050@60Hz and 1680x1050@60Hz by [1]+[2] short cut key (primary = 1400x1050@60Hz)
59	1680 x 1050 @ 60 Hz, 65.3 KHz	✓	✓			For Separated and Composite sync, Switch 1400x1050@60Hz and 1680x1050@60Hz by [1]+[2] short cut key (primary = 1400x1050@60Hz)
60	1920 x 1080 @ 50 Hz, 28.1 KHz			✓	✓	
61	1920 x 1080 @ 60 Hz, 33.8 KHz			✓	✓	
62	1920 x 1200 @ 60 Hz, 74 KHz	✓	✓	✓	✓	

*1. Tolerance ± 2 KHz. (if the range dose not cover other timing mode)

*2. Any timing not in the list, it should display as normal or show on "OUT OF RANGE" OSD message without blanking.

*3. The image quality of 85Hz mode might be worse than 75Hz.

Primary Presets

1600x1200 @ 60Hz

User Presets

Number of User Presets (recognized timings) Available: 10 presets total in FIFO configuration

Changing Modes

Maximum Mode Change Blank Time for image stability : 3 seconds (Max), excluding “Auto Adjust” time

Under DOS mode (640 x 350, 720 x 400 & 640 x 400), it should recall factory setting when execute “Auto Adjust”

The monitor needs to do “Auto Adjust” the first time a new mode is detected (see section “0-Touch™ Function Actions”)

While running Change Mode, Auto Adjust or Memory Recall, the image shall blank

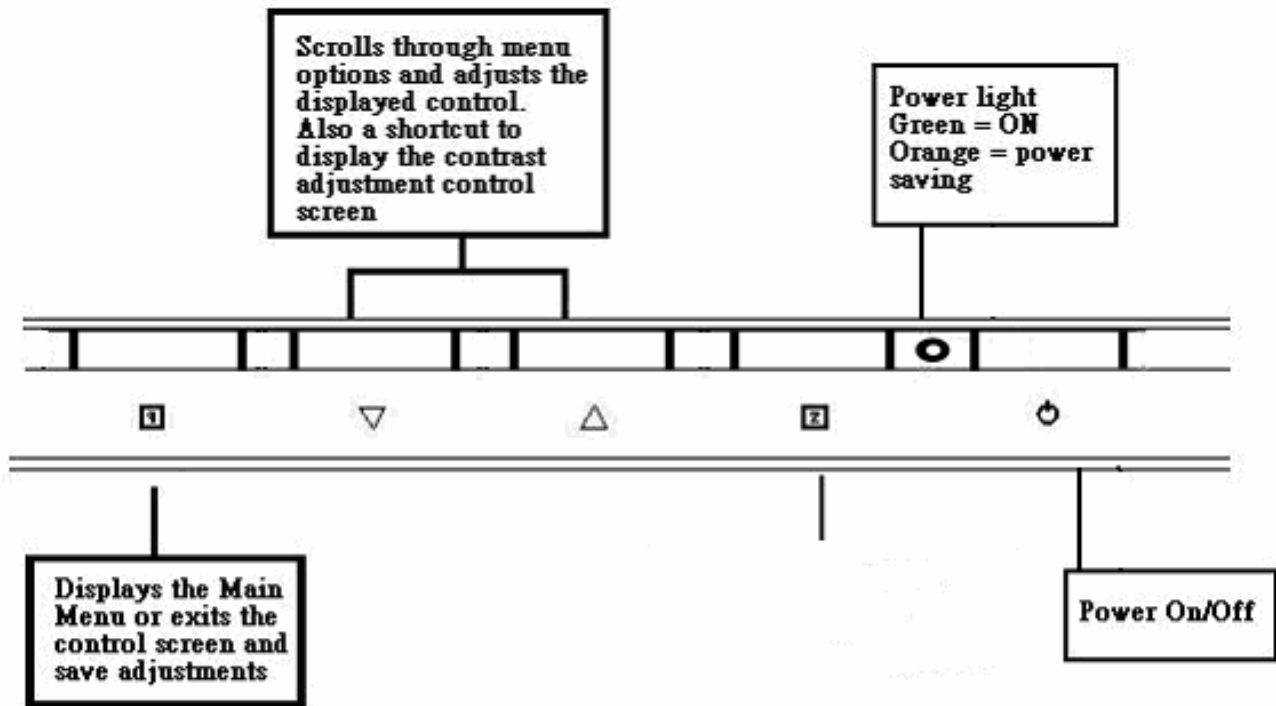
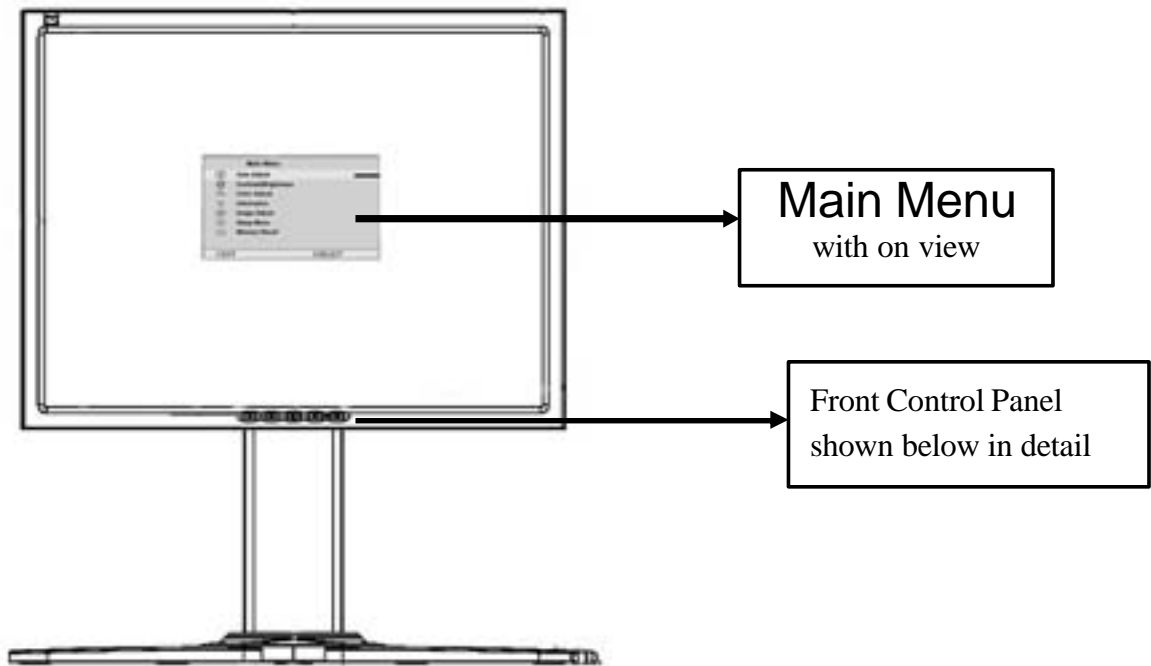
TFT LCD PANEL

Panel Source Identify

The panel code “A” for AUO panel should be shown on following position,

- (1) The lower right side of ID label. (see Figure 2)
- (2) The lower right side of UPC label. (see Figure 3)
- (3) The F/W version sticker or silkscreen on main board.

3. Front Panel Function Control Description



ViewSonic VP2030

Main Menu Controls

Adjust the menu items shown below by using the up and down buttons.

- A. **Auto Image Adjust** automatically sizes, centers, and fine tunes the video signal to eliminate waviness and distortion. Press the [2] button to obtain a sharper image.

NOTE: Auto Image Adjust works with most common video cards. If this function does not work on your LCD display, then lower the video refresh rate to 60 Hz and set the resolution to its pre-set value.

- B. **Contrast adjusts** the difference between the image background (black level) and the foreground (white level).
- C. **Brightness adjusts** the lamps current to control the screen brightness.
- D. **Color Adjust** provides several color options: preset color temperatures and Custom User Color which allows you to adjust red (R), green (G), and blue (B). The factory setting for this product is 6500K (6500° Kelvin).

sRGB — Standard color space proposed by Microsoft and HP.

9300K — Adds blue to the screen image for cooler white (used in most office settings with fluorescent lighting).

7500K — Adds blue to the screen image for cooler white

5400K — Adds red to the screen image for warmer white and richer red.

5000K — Adds red to the screen image for warmer white and richer red.

Custom User Color — Individual adjustments for red, green, and blue.

1 To select color (R, G or B) press button [2].

2 To adjust selected color, press ▲ or ▼.

3 When you are finished making all color adjustments, press button [1] twice.

- E. **Information** displays the timing mode (video signal input) coming from the graphics card in your computer. See your graphic card's user guide for instructions on changing the resolution and refresh rate (vertical frequency). VESA 1280 x 1024 @ 60 Hz (recommended) means that the resolution is 1280 x 1024 and the refresh rate is 60 Hertz.

- F. **Manual Image Adjust** controls are explained below:

PIP (Picture in Picture) features are explained below:

PIP enables Picture in Picture function.

PIP Position is for user to adjust the position of PIP. Press button [2] to enter the PIP H. Position and use ▲ or ▼ to adjust the PIP horizontal position. User can press [2] to enter V. Position and use ▲ or ▼ to adjust the PIP vertical position.

PIP SWAP is for user to swap the signal in main window to daughter window while the signal of daughter window will be displayed in main window.

- H. **Size (Horizontal Size)** adjusts the width of the screen image.

NOTE: Vertical size is automatic with your LCD display.

H./V. Position adjusts horizontal and vertical position of the screen image. You can toggle between Horizontal and Vertical by pressing button [2]. Horizontal moves the screen image to the left or to the right. Vertical moves the screen image up and down.

Fine Tune sharpens focus by aligning the illuminated text and/or graphic characters.

Sharpness adjusts the clarity and focus of the screen image. This feature is disabled when the input signal is 1600x1200@60Hz analog signal.

Scaling features are explained below:

Fill All - the signal will be displayed on the whole screen and wide signal will be adjusted to 4:3 ratio.

Fill Aspect Ratio – the width of the signal will fit the screen horizontally while the vertical directions may not fit the screen (if the input is wide signal)

1:1 – the signal will be displayed on the center of the screen with 1:1 ratio. This means you may see the signal at the center of the screen while it is surrounded by black area.

G. Setup Menu controls are explained below:

Language allows you to choose the language used in the menus and control screens.

Resolution Notice displays the recommended resolution for this LCD display.

Enable allows the Resolution Notice to appear on-screen.

Disable will not allow the Resolution Notice to appear on-screen.

OSD Timeout sets the length of time an on-screen display screen is displayed. For example, with a “15 second” setting, if a control is not pushed within 15 seconds, the display OSD disappears.

OSD Position allows you to move the on-screen display menus and control screens.

H. Memory Recall returns adjustments to the original factory settings if the display is operating in a factory Preset Timing Mode listed in this user guide.

4. Circuit Description

1. Outline

1.1 Buttons on the front panel: Power On/Off button, button 2 (ENTER / INPUT SELECT), up arrow button, down arrow button, button 1 (MENU).

1.2 D-sub 15pin connector, DVI-I connector and AC-IN jack are located on the back side of the cabinet.

1.3 OSD menu includes the following function;

Auto Image Adjust (only active under analog input)

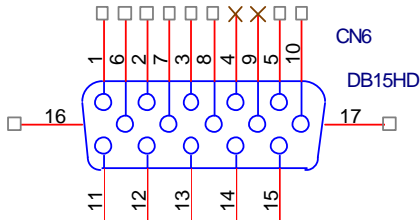
- Contrast/Brightness
- Input Select
- Color Adjust
- Information
- Manual Image Adjust
- Setup Menu
- Memory Recall

1.4 Contrast and Brightness can be directly controlled with UP / DOWN buttons.

2. Connectors

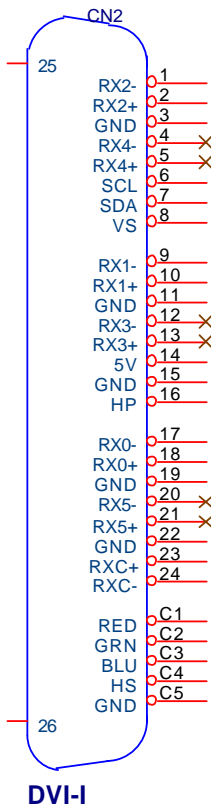
2.1 AC inlet : CEE22 typed connector

2.2 Video signal connector for analog input: 15P Mini D-Sub



PIN	MNEMONIC	SIGNAL
1	RV	Red Video
2	GV	Green Video
3	BV	Blue Video
4	NC	None
5	GND	Ground (DDC return)
6	RG	Red GND
7	GG	Green GND
8	BG	Blue GND
9	+5V	+5V (for DDC)
10	SG	Sync GND
11	NC	None
12	SDA	DDC Data
13	HS	Horizontal Sync
14	VS	Vertical Sync
15	SCL	DDC Clock

2.3 Video signal connector for digital input: 29pin DVI-D,DVI-A connector



Pin No.	Signal Name	Description
1	RX2-	TMDS negative differential input, channel 2
2	RX2+	TMDS positive differential input, channel 2
3	GND	Logic Ground
4	RX4-	Reserved. No connection
5	RX4+	Reserved. No connection
6	SCL	DDC2B Clock
7	SDA	DDC2B Data
8	VS	Reserved. No connection
9	RX1-	TMDS negative differential input, channel 1
10	RX1+	TMDS positive differential input, channel 1
11	GND	Logic Ground
12	RX3-	Reserved. No connection
13	RX3+	Reserved. No connection
14	+5V	Power
15	GND	Logic Ground
16	HP	SENSE Pin, Pull High
17	RX0-	TMDS negative differential input, channel 0
18	RX0+	TMDS positive differential input, channel 0
19	GND	Logic Ground
20	RX5-	Reserved. No connection
21	RX5+	Reserved. No connection
22	GND	Logic Ground
23	RXC+	TMDS positive differential input, reference clock
24	RXC-	TMDS negative differential input, reference clock
C1	RED	Red Video for DVI-A only
C2	GRN	Green Video for DVI-A only
C3	BLU	Blue Video for DVI-A only
C4	HS	Horizontal Sync
C5	GND	GND

3. ELECTRICAL SPECIFICATIONS

3.1 Standard conditions

Display Area	408.0 x 306.0 mm
Video Signal	0.7Vpp
Contrast	Default
Brightness	Max.
Ambient	20 +/- 5 °C
Input	AC 110~ 240V
Warming up	> 30 min
Display	1600X1200

3.2 POWER

3.2.1 Power supply

Input voltage	100~240Vac
Power frequency	50~60Hz
Input current	<1.5Arms@90Vac
Inrush current	80A(Max) at 230Vac(cold start)
Power consumption	52W(typical);56W(Max)

3.2.2 Power Management

State	Power	Indicator
On	56Watts	Green
Standby	< 3Watts	Amber
Off	<3Watts	Off

3.3 Acceptable timing

If the timing is within following specification, this LCD display can automatically function with a certain position.

Horizontal: Sync frequency: 24~92 kHz

Vertical: Sync frequency: 50~85Hz

3.4 Signal level and input impedance

3.4.1 Video Signal level: 0.7V_{p-p} Video signal.

3.4.2 Sync Signal level

H/V Separate: TTL level

3.4.3 Input impedance

Analog video input: 75 ohm

Digital video input: 100 ohm

Sync input: > 1 k ohm

4. SIGNAL CABLE: Signal cable with Mini D-Sub 15P connectors at both ends. Length: 1.8 meter.

5. EDID data

AUO

Analog EDID

//////////Displaying Monitor EDID//////////

128 BYTES OF EDID CODE:

	0	1	2	3	4	5	6	7	8	9
0	00	FF	FF	FF	FF	FF	FF	00	5A	63
10	1C	13	01	01	01	01	01	0F	01	03
20	0E	29	1F	78	2E	30	85	A6	56	4A
30	99	24	14	50	54	BF	EF	80	A9	40
40	90	4F	90	40	81	80	81	40	71	4F
50	01	01	01	01	48	3F	40	30	62	B0
60	32	40	40	C0	13	00	98	32	11	00
70	00	1E	00	00	00	FF	00	50	53	42
80	30	35	30	31	30	30	30	30	31	0A
90	00	00	00	FD	00	32	4B	1E	5C	11
100	00	0A	20	20	20	20	20	20	00	00
110	00	FC	00	56	50	32	30	33	30	20
120	53	45	52	49	45	53	00	FD		

- (08-09) ID Manufacturer Name _____ = VSC
- (11-10) Product ID Code _____ = 131C
- (12-15) Last 5 Digits of Serial Number _____ = Not Used
- (16) Week of Manufacture _____ = 01
- (17) Year of Manufacture _____ = 2005
- (10-17) Complete Serial Number _____ = See Descriptor Block
- (18) EDID Version Number _____ = 1
- (19) EDID Revision Number _____ = 3
- (20) VIDEO INPUT DEFINITION:
 Analog Signal
 0.700, 0.300 (1.000 Vp-p)
 Separate Syncs, Composite Sync, Sync on Green
- (21) Maximum Horizontal Image Size _____ = 410 mm
- (22) Maximum Vertical Image Size _____ = 310 mm
- (23) Display Gamma _____ = 2.20
- (24) Power Management and Supported Feature(s):
 Active Off/Very Low Power, Standard Default Color Space,
 Preferred Timing Mode
 Display Type = R/G/B Color

(25-34) CHROMA INFO:

Red X - 0.648 Green X - 0.289 Blue X - 0.143 White X - 0.313
Red Y - 0.339 Green Y - 0.598 Blue Y - 0.078 White Y - 0.329

(35) ESTABLISHED TIMING I:

720 X 400 @ 70Hz (IBM,VGA)
640 X 480 @ 60Hz (IBM,VGA)
640 X 480 @ 67Hz (Apple,Mac II)
640 X 480 @ 72Hz (VESA)
640 X 480 @ 75Hz (VESA)
800 X 600 @ 56Hz (VESA)
800 X 600 @ 60Hz (VESA)

(36) ESTABLISHED TIMING II:

800 X 600 @ 72Hz (VESA)
800 X 600 @ 75Hz (VESA)
832 X 624 @ 75Hz (Apple,Mac II)
1024 X 768 @ 60Hz (VESA)
1024 X 768 @ 70Hz (VESA)
1024 X 768 @ 75Hz (VESA)
1280 X 1024 @ 75Hz (VESA)

(37) Manufacturer's Reserved Timing:

1152 X 870 @ 75Hz (Apple,Mac II)

(38-53) Standard Timing Identification:

1600 X 1200 @60Hz
1400 X 1050 @75Hz
1400 X 1050 @60Hz
1280 X 1024 @60Hz
1280 X 960 @60Hz
1152 X 864 @75Hz

Not Used

Not Used

(54-71) Detailed Timing / Descriptor Block 1:

1600x1200 Pixel Clock: 162.00 MHz

Horizontal Image Size: 408 mm Vertical Image Size: 306 mm
Refreshed Mode: Non-Interlaced Normal Display - No Stereo

Horizontal:

Active Time: 1600 pixels Blanking Time: 560 pixels
Sync Offset: 64 pixels Sync Pulse Width: 192 pixels
Border: 0 pixels Frequency: 75.00 KHz

Vertical:

Active Time: 1200 lines	Blanking Time: 50 lines
Sync Offset: 1 lines	Sync Pulse Width: 3 lines
Border: 0 lines	Frequency: 60.00 Hz

Digital Separate, Horizontal Polarity (+) Vertical Polarity (+)

(72-89) Detailed Timing / Descriptor Block 2:

Monitor Serial Number:
PSB050100001

(90-107) Detailed Timing / Descriptor Block 3:

Monitor Range Limits:
Min Vertical Freq - 50 Hz
Max Vertical Freq - 75 Hz
Min Horiz. Freq - 30 KHz
Max Horiz. Freq - 92 KHz
Pixel Clock - 170 MHz
Secondary GTF - Not Supported

(108-125) Detailed Timing / Descriptor Block 4:

Monitor Name:
VP2030 SERIES

(126) No Extension EDID Block(s)

Digital EDID

128 BYTES OF EDID CODE:

	0	1	2	3	4	5	6	7	8	9
0		00	FF	FF	FF	FF	FF	FF	00	5A 63
10		1C	13	01	01	01	01	01	0F	01 03
20		80	29	1F	78	2E	30	85	A6	56 4A
30		99	24	14	50	54	BF	EF	80	A9 40
40		90	4F	90	40	81	80	81	40	71 4F
50		31	0A	01	01	48	3F	40	30	62 B0
60		32	40	40	C0	13	00	98	32	11 00
70		00	1E	00	00	00	FF	00	50	53 42
80		30	35	30	31	30	30	30	30	31 0A
90		00	00	00	FD	00	32	4B	1E	5C 11
100		00	0A	20	20	20	20	20	20	00 00
110		00	FC	00	56	50	32	30	33	30 20
120		53	45	52	49	45	53	00	52	

(08-09) ID Manufacturer Name _____ = VSC
(11-10) Product ID Code _____ = 131C
(12-15) Last 5 Digits of Serial Number _____ = Not Used
(16) Week of Manufacture _____ = 01
(17) Year of Manufacture _____ = 2005
(10-17) Complete Serial Number _____ = See Descriptor Block
(18) EDID Version Number _____ = 1
(19) EDID Revision Number _____ = 3
(20) VIDEO INPUT DEFINITION:
Digital Signal
Non - VESA DFP 1.x Compatible

(21) Maximum Horizontal Image Size _____ = 410 mm
(22) Maximum Vertical Image Size _____ = 310 mm
(23) Display Gamma _____ = 2.20
(24) Power Management and Supported Feature(s):
Active Off/Very Low Power, Standard Default Color Space,
Preferred Timing Mode
Display Type = R/G/B Color
(25-34) CHROMA INFO:
Red X - 0.648 Green X - 0.289 Blue X - 0.143 White X - 0.313
Red Y - 0.339 Green Y - 0.598 Blue Y - 0.078 White Y - 0.329

- (35) ESTABLISHED TIMING I:
 720 X 400 @ 70Hz (IBM,VGA)
 640 X 480 @ 60Hz (IBM,VGA)
 640 X 480 @ 67Hz (Apple,Mac II)
 640 X 480 @ 72Hz (VESA)
 640 X 480 @ 75Hz (VESA)
 800 X 600 @ 56Hz (VESA)
 800 X 600 @ 60Hz (VESA)
- (36) ESTABLISHED TIMING II:
 800 X 600 @ 72Hz (VESA)
 800 X 600 @ 75Hz (VESA)
 832 X 624 @ 75Hz (Apple,Mac II)
 1024 X 768 @ 60Hz (VESA)
 1024 X 768 @ 70Hz (VESA)
 1024 X 768 @ 75Hz (VESA)
 1280 X 1024 @ 75Hz (VESA)
- (37) Manufacturer's Reserved Timing:
 1152 X 870 @ 75Hz (Apple,Mac II)
- (38-53) Standard Timing Identification:
 1600 X 1200 @60Hz
 1400 X 1050 @75Hz
 1400 X 1050 @60Hz
 1280 X 1024 @60Hz
 1280 X 960 @60Hz
 1152 X 864 @75Hz
 640 X 400 @70Hz
 Not Used

(54-71) Detailed Timing / Descriptor Block 1:

1600x1200 Pixel Clock: 162.00 MHz

Horizontal Image Size: 408 mm Vertical Image Size: 306 mm
 Refreshed Mode: Non-Interlaced Normal Display - No Stereo

Horizontal:

Active Time: 1600 pixels Blanking Time: 560 pixels
 Sync Offset: 64 pixels Sync Pulse Width: 192 pixels
 Border: 0 pixels Frequency: 75.00 KHz

Vertical:

Active Time: 1200 lines Blanking Time: 50 lines

Sync Offset: 1 lines

Sync Pulse Width: 3 lines

Border: 0 lines

Frequency: 60.00 Hz

Digital Separate, Horizontal Polarity (+) Vertical Polarity (+)

(72-89) Detailed Timing / Descriptor Block 2:

Monitor Serial Number:

PSB050100001

(90-107) Detailed Timing / Descriptor Block 3:

Monitor Range Limits:

Min Vertical Freq - 50 Hz

Max Vertical Freq - 75 Hz

Min Horiz. Freq - 30 KHz

Max Horiz. Freq - 92 KHz

Pixel Clock - 170 MHz

Secondary GTF - Not Supported

(108-125) Detailed Timing / Descriptor Block 4:

Monitor Name:

VP2030 SERIES

(126) No Extension EDID Block(s)

(127) CheckSum OK

6. THEORY OF OPERATION

This section describes the function of the LCD monitor per functional block.

This monitor includes MB board, power board and button board and USB board

6.1 MB BOARD

The MB board is a Four-layer, single-landed design with ground and internal planes provided. DC power from the power board enters the board through a 8P connector. The other connector on the board is for the button board. The VGA cable is a signal cable that carries the video, sync and DDC signals from the PC VGA adapter. This system board consists of 4 functional areas: flat panel controller, MCU with flash ROM, and power regulators
USB function.

6.1.1 Flat panel controller... Gm1601(U21)

The heart of the system board is the Realtek Gm1601. The Gm1601 is a graphics processing IC designed for LCD monitors. It provides all key IC functions required for LCD displays. On-chip functions include a high-speed triple-ADC, PLL, high scaling engine and OSD controller.

a) Clock Generation :

Crystal Input Clock (TCLK and XTAL). This is the input pair to an internal crystal oscillator and corresponding logic. A 14.318 MHz crystal is recommended.

b) Analog to Digital Converter:

The Gm1601 chip has three ADC's (analog-to-digital converters), one for each color (red, green and blue) .The analog RGB signals are connected to Gm1601 as described below

Pin Name	Pin Number
Red +	D2
Red -	D1
Green +	C2
Green -	C1
Blue +	B2
Blue -	B1

c) SST 39VF040 Micro Controller: The SST 39VF040 micro controller (MCU) serves as the system micro controller. It programs the Gm1601 and manages other devices in the system such as the keypad

Pin number	Pin Number Usage
AE24	Key / Power on ,off
P3	NV_RAM (U4) SDA
P4	NV_RAM (U4) SCL
AF24	Key_down
AF26	Key_right
AF25	Key_up
AE25	Key_left
AD24	Key_select
D25	LED_red
D26	LED_green

AC2	LCD panel power1 on / off control
C25	Backlight on / off control

d) Panel interface (Pin B1,B2,C1,C2,D1,D2,A6,B6,A8,B8,A9,B9,A10,B10,) : The Gm1601 driver interface is highly programmable.

6.1.2 Power Regulator AIC1577 (U23), AP1084 (U16,U20),LT1117(U18): The AIC1577 is a current switching regulator control IC containing the primary functions required for DC to DC converters and external NMOS STEP-DOWN PWM controller ,operating input voltage from 4.5V to 24V The desired output voltage is determined by the equation, $Volt = 0.8 [(R218+R219) / R218]$. In this case, the output voltage is 5 Volts. The AIC1577 is a low dropout operation

6.1.3 Power Regulator AP1084 (U16,U20): The AP1084 is a low dropout positive adjustable or fixed mode regulator with minimum of 5A output current capability. Specifically designed to provide supply for low voltage IC and low current 3.3V logic supply. AP1084 is guaranteed to have lower than 1.4V dropout at full load current ,provide well-regulated output of 1.25 to 3.3 with 4.7 to 12V input supply.

6.1.4 Power Regulator LT1117(U18): The LT1117 is a low drop voltage regulator ,provide up to 800 mA of output current. Concerning fixed version, are offered the output voltage:1.2V, 1.8V, 2.5V, 2.85V, 3.0V, 3.3V, the regulator to reach a very tight output voltage tolerance, within $\pm 1\%$ at 25°C. The adjustable LD1117 is pin to pin compatible with the other LD1117.

6.3 Power(Inverter) Board

This is a specific power (inverter) board for VP2030B monitor with output of 56W /12V / 2.4A and 20V/1.8A. It provides 20 VDC to drive the four cold cathode fluorescence tubes in the backlight.

6.3.1 The inverter's electrical specification is described below.

Input	Rated Input Voltage	20Vdc
	Input Voltage Range	19 ~ 21 Vdc
	Input Current	1.8A(MAX)
	On / Off control Voltage	2.5~5.25 for on , 0~1 for off
Output	Rated Output Strike-on Voltage	1800Vrms
	Rated Output Voltage	700~900Vrms
	Rate Output Frequency	35~80KHz
	Rated Output Current	5.5~8.0 mA

6.3.2 power

This is a general purpose AC / DC adapter which converts 90~240 Vac to a stabilized DC voltage: 12 Volts, with a rated output current of 2.4A. The electrical specification is described below.

	Rated Input Voltage	90~240 Vac , 50 / 60Hz
	Operation Input Voltage	90~260 Vac , 47 ~ 63Hz

	Input Current	<2.4A
	Inrush Current	<80A @ 230Vac
	Standby Input Voltage	12Vdc
	Output Voltage Regulation	+/-5%
	Output Ripple & Noise	300mVp-p
	Rate Output Current	<2.4A

6.4 USB Board: Include one Up-Stream port and four Down-Stream ports each one port can't exceed **1A**

6.5 DDC/CI: VP2030B monitor can use Perfect Suit offer DDC/CI function, make use of Perfect Suit software to substitute OSD function even more , for instance ,the adjustment of the color temperature, adjustment of the luminance ,the more special one is the rotation of the screen.

5. Adjusting Procedure

Function test

- (1) Test equipment
Color video signal and pattern generator (or PC with WUXGA resolution)
- (2) Test condition
Before function testing and alignment, the unit must warm up for at least 30 minutes under the following conditions:
 1. Room temperature
 2. With full-white screen , RGB , black pattern
 3. with cycled display modes.

2. Test display modes

Timing Table

Item	Timing	Analog			Digital - TMDS	Remark
		Separated	Composite	SOG		
1	640 x 350 @ 70 Hz, 31.5 KHz	✓	✓	✓	✓	
2	640 x 350 @ 85 Hz, 37.9 KHz	✓	✓		✓	For Separated sync, Only horizontal full screen, The vertical position is at the center.
3	640 x 400 @ 60 Hz, 31.5 KHz	✓	✓	✓	✓	For SOG sync, switch 640x400@60Hz and 640x480@60Hz by [1]+[2] short cut key (primery = 640x480@60Hz)
4	640 x 400 @ 70 Hz, 31.5 KHz	✓	✓	✓	✓	For Separated Sync, Switch 640x400@70Hz and 720x400@70Hz by [1]+[2] short cut key (primery = 640x400@70Hz)
5	640 x 400 @ 85 Hz, 37.9 KHz	✓	✓	✓	✓	For Separated Sync, Switch 640x400@85Hz and 720x400@85Hz by [1]+[2] short cut key (primery = 640x400@85Hz)
6	640 x 480 @ 50 Hz, 24.7 KHz	✓	✓	✓		
7	640 x 480 @ 60 Hz, 31.5 KHz	✓	✓	✓	✓	For SOG sync, switch 640x400@60Hz and 640x480@60Hz by [1]+[2] short cut key (primery = 640x480@60Hz)
8	640 x 480 @ 67 Hz, 35 KHz	✓	✓	✓	✓	
9	640 x 480 @ 72 Hz, 37.9 KHz	✓	✓	✓	✓	
10	640 x 480 @ 75 Hz, 37.5 KHz	✓	✓	✓	✓	
11	640 x 480 @ 85 Hz, 43.3 KHz	✓	✓	✓	✓	
12	720 x 400 @ 70 Hz, 31.5 KHz	✓	✓	✓	✓	
13	720 x 400 @ 85 Hz, 37.9 KHz	✓	✓	✓	✓	For Separated Sync, Switch 640x400@85Hz and 720x400@85Hz by

								[1]+[2] short cut key (primery = 640x400@85Hz)
14	720 x 480	@ 60 Hz, 31.5 KHz					✓	
15	720 x 576	@ 50 Hz, 31.3 KHz				✓	✓	Use Hot Key to switch the color.
16	800 x 600	@ 50 Hz, 24.7 KHz	✓	✓	✓	✓		
17	800 x 600	@ 56 Hz, 35.1 KHz	✓	✓	✓	✓		
18	800 x 600	@ 60 Hz, 37.9 KHz	✓	✓	✓	✓		
19	800 x 600	@ 72 Hz, 48.1 KHz	✓	✓	✓	✓		
20	800 x 600	@ 75 Hz, 46.9 KHz	✓	✓	✓	✓		
21	800 x 600	@ 85 Hz, 53.7 KHz	✓	✓	✓	✓		
22	832 x 624	@ 75 Hz, 49.7 KHz	✓	✓	✓	✓		
23	1024 x 768	@ 50 Hz, 39.6 KHz	✓	✓	✓	✓		For Separated and Composite sync, Switch 1024x768@50Hz and 1280x768@50Hz by [1]+[2] short cut key (primery = 1024x768@50Hz)
24	1024 x 768	@ 60 Hz, 48.4 KHz	✓	✓	✓	✓		
25	1024 x 768	@ 70 Hz, 56.5 KHz	✓	✓	✓	✓		
26	1024 x 768	@ 72 Hz, 58.1 KHz	✓	✓	✓	✓		
27	1024 x 768	@ 75 Hz, 60 KHz	✓	✓	✓	✓		
28	1024 x 768	@ 75 Hz, 60.2 KHz	✓	✓	✓	✓		
29	1024 x 768	@ 85 Hz, 68.7 KHz	✓	✓	✓	✓		
30	1152 x 864	@ 75 Hz, 67.5 KHz	✓	✓	✓	✓		
31	1152 x 870	@ 75 Hz, 68.7 KHz	✓	✓	✓	✓		
32	1280 x 720	@ 50 Hz, 37.5 KHz				✓	✓	
33	1280 x 720	@ 60 Hz, 45 KHz				✓	✓	
34	1280 x 768	@ 50 Hz, 39.6 KHz	✓	✓	✓	✓		For Separated and Composite sync, Switch 1024x768@50Hz and 1280x768@50Hz by [1]+[2] short cut key (primery = 1024x768@50Hz)
35	1280 x 768	@ 60 Hz, 47.4 KHz	✓			✓	✓	For analog sync, Switch 1280x768@60Hz and 1360x768@60Hz by [1]+[2] short cut key (primery = 1280x768@60Hz)
36	1280 x 768	@ 60 Hz, 47.8 KHz	✓			✓	✓	
37	1280 x 768	@ 75 Hz, 60.3 KHz	✓	✓	✓	✓		
38	1280 x 768	@ 85 Hz, 68.6 KHz	✓	✓	✓	✓		
39	1280 x 960	@ 50 Hz, 49.4 KHz	✓	✓	✓	✓		
40	1280 x 960	@ 60 Hz, 59.7 KHz	✓	✓	✓	✓		
41	1280 x 960	@ 75 Hz, 75.2 KHz	✓	✓	✓	✓		
42	1280 x 960	@ 85 Hz, 85.9 KHz	✓	✓	✓	✓		

43	1280 x 1024 @ 50 Hz, 52.7 KHz	✓	✓	✓	✓	
44	1280 x 1024 @ 60 Hz, 64 KHz	✓	✓	✓	✓	
45	1280 x 1024 @ 75 Hz, 80 KHz	✓	✓	✓	✓	
46	1280 x 1024 @ 85 Hz, 91.1 KHz	✓	✓	✓	✓	
47	1360 x 768 @ 60 Hz, 47.7 KHz	✓	✓	✓	✓	For analog sync, Switch 1280x768@60Hz and 1360x768@60Hz by [1]+[2] short cut key (primery = 1280x768@60Hz)
48	1400 x 1050 @ 50 Hz, 54.1 KHz	✓	✓	✓	✓	
49	1400 x 1050 @ 60 Hz, 64.7 KHz	✓	✓		✓	For analog sync, Switch 1400x1050@60Hz and 1680x1050@60Hz by [1]+[2] short cut key (primery = 1400x1050@60Hz)
50	1400 x 1050 @ 60 Hz, 65.3 KHz	✓	✓			For Separated and Composite sync, Switch 1400x1050@60Hz and 1680x1050@60Hz by [1]+[2] short cut key (primery = 1400x1050@60Hz)
51	1400 x 1050 @ 75 Hz, 82.3 KHz	✓	✓	✓	✓	
52	1440 x 900 @ 60 Hz, 55.5 KHz	✓	✓	✓	✓	
53	1440 x 900 @ 60 Hz, 59.9 KHz	✓	✓	✓	✓	
54	1440 x 900 @ 75 Hz, 75 KHz	✓	✓	✓	✓	
55	1440 x 900 @ 85 Hz, 84.8 KHz	✓	✓	✓	✓	
56	1600 x 1200 @ 50 Hz, 61.8 KHz	✓	✓	✓	✓	
57	1600 x 1200 @ 60 Hz, 75 KHz	✓	✓	✓	✓	
58	1680 x 1050 @ 60 Hz, 64.7 KHz	✓	✓		✓	For analog sync, Switch 1400x1050@60Hz and 1680x1050@60Hz by [1]+[2] short cut key (primery = 1400x1050@60Hz)
59	1680 x 1050 @ 60 Hz, 65.3 KHz	✓	✓			For Separated and Composite sync, Switch 1400x1050@60Hz and 1680x1050@60Hz by [1]+[2] short cut key (primery = 1400x1050@60Hz)
60	1920 x 1080 @ 50 Hz, 28.1 KHz			✓	✓	
61	1920 x 1080 @ 60 Hz, 33.8 KHz			✓	✓	
62	1920 x 1200 @ 60 Hz, 74 KHz	✓	✓	✓	✓	

*1. Tolerance ±2KHz. (if the range dose not cover other timing mode)

*2. Any timing not in the list, it should display as normal or show on “OUT OF RANGE” OSD message without blanking.

*3. The image quality of 85Hz mode might be worse than 75Hz.

Primary Presets

1600x1200 @ 60Hz

User Presets

Number of User Presets (recognized timings) Available: 10 presets total in FIFO configuration

Changing Modes

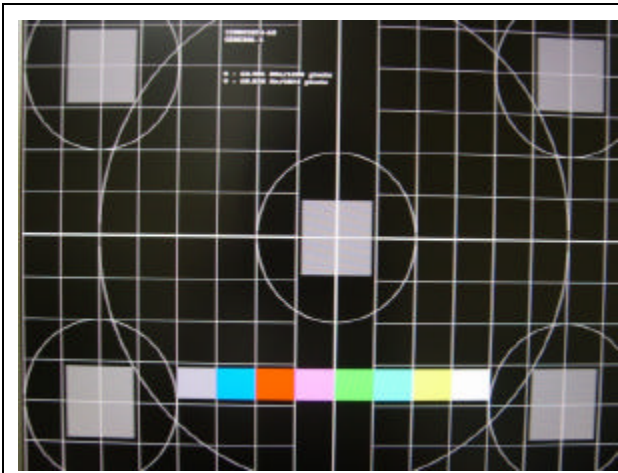
Maximum Mode Change Blank Time for image stability : 3 seconds (Max), excluding “Auto Adjust” time
Under DOS mode (640 x 350, 720 x 400 & 640 x 400), it should recall factory setting when execute
“Auto Adjust”

The monitor needs to do “Auto Adjust” the first time a new mode is detected
(see section “0-Touch™ Function Actions”)

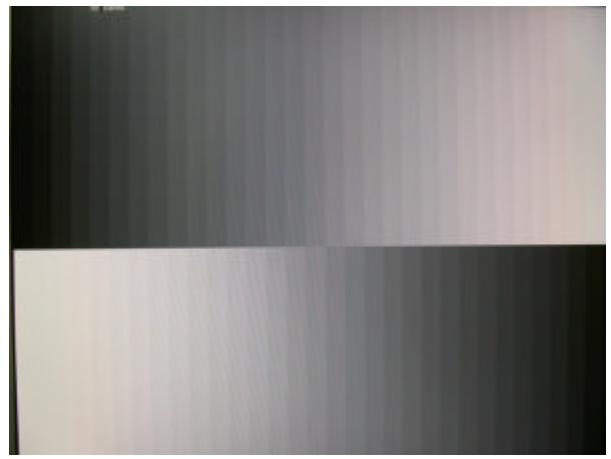
While running Change Mode, Auto Adjust or Memory Recall, the image shall blank

3. Test pattern

Item	Test condition	Pattern	Specification	Remark
1	Frequency & performance	Cross-hatch pattern	No noise is allowed, all colors must be clear	Pattern 1
2	Monitor saturation	16-gray scale pattern	3 to 4 levels must be saturated when brightness and contrast are set to 100%	Pattern 2
3	RGB color performance	RGB color	Check the color temperature of RGB signal color	Pattern 3, 4, 5
4	Sub-pixel defect	RGB color	Check the sub-pixel defect	Pattern 3, 4, 5
5	Full white	Full white	Check the brightness and contrast ratio, and check for bright pixel defects	Pattern 6
6	Full black	Full black		Pattern 7
7.	5-cycle pattern	5-cycle pattern	Check the BU	Pattern 8
8.	1-dot pattern	1-dot pattern	Check the flicker	Pattern 9



Pattern 1



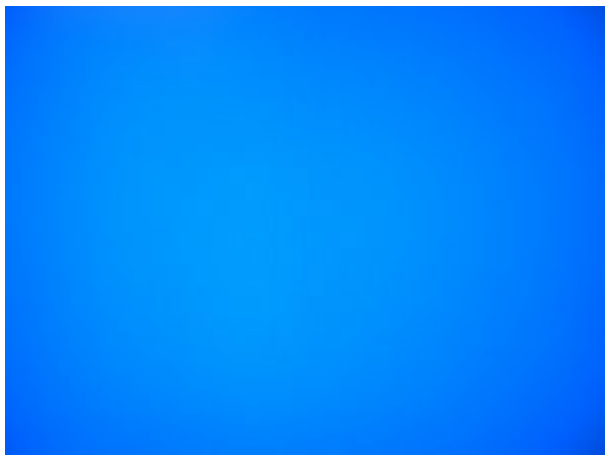
Pattern2



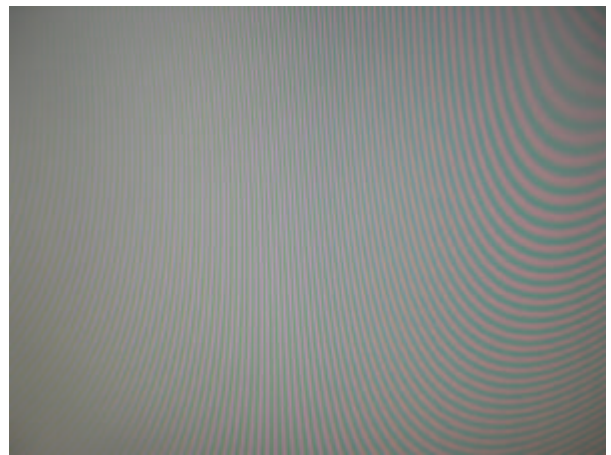
Pattern 3



Pattern4



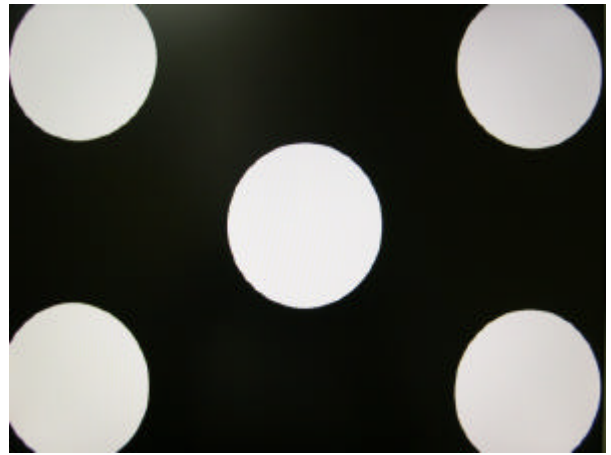
Pattern 5



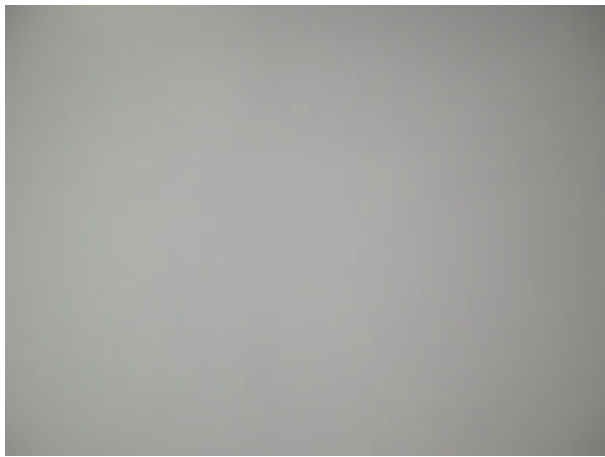
Pattern6



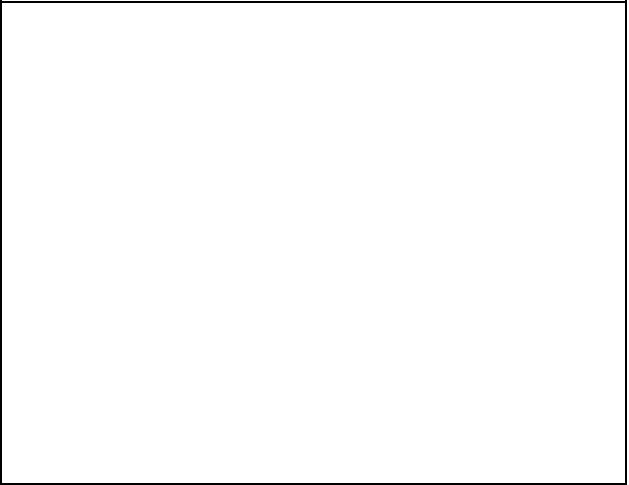
Pattern 7



Pattern 8



Pattern 9



OSD Function Menu

A. When in Analog Input Mode

1. Main Menu

Press the [1] (Menu) button to enter the Main Menu:

Press the [▲] button to highlight the previous item or the [▼] button to highlight the next item.

Press the [1] (Menu) button to exit the Main Menu.

(1) Auto Image Adjust Page:

Press the [2] button to execute the auto image adjust function.

Press the [1] button to exit the page.

(2) Contrast/Brightness Page:

Press the [2] button to enter the contrast adjustment page.

Press the [1] button to exit the page.

1) Contrast Item

Press the [▲] button to increase the contrast.

Press the [▼] button to decrease the contrast.

Press the [2] button to enter the brightness adjustment page.

Press the [1] button to exit the page.

2) Brightness Item

Press the [▲] button to increase the brightness.

Press the [▼] button to decrease the brightness.

Press the [2] button to enter the contrast adjustment page.

Press the [1] button to exit the page.

(3) Input Select Page:

Press the [2] button to switch to digital input mode.

(4) Audio Adjust Page:

Press the [▲] button to increase the volume.

Press the [▼] button to decrease the volume.

Press the [2] button to enable or disable mute function .

Press the [1] button to exit the page.

(5) Color Adjust Page:

Press the [2] button to enter the color adjustment page.

Press the [1] button to exit the page.

Press the [▲] button to highlight the previous item or the [▼] button to highlight the next item.

1) sRGB Item

2) 9300K Item

3) 6500K Item

4) 5400K Item

5) 5000K Item

Press the [2] button to select the currently highlighted item.

Press the [1] button to exit the currently highlighted item.

6) User Color Item

Press the [2] button to enter the user color page.

Press the [1] button to exit the page.

Red, Green, Blue Options:

Press the [2] button to cycle among the colors.

Press the [1] button to exit the page.

Press the [▲] button to increase the selected color level.

Press the [▼] button to decrease the selected color level.

(6) Information Page:

Press the [2] button to enter the information page.

Press the [1] button to exit the information page.

(7) Manual Image Adjust Page:

Press the [2] button to enter the manual image adjustment page.

Press the [1] button to exit the page.

Press the [▲] button to highlight the previous item or the [▼] button to highlight the next item.

1) H./V. Position Item

Press the [2] button to enter the horizontal/vertical position adjustment page.

Press the [1] button to exit the page.

a) Horizontal Position:

Press the [2] button to enter the vertical position adjustment page.

Press the [1] button to exit the page.

Press the [▲] button to shift the image to the right.

Press the [▼] button to shift the image to the left.

b) Vertical Position:

Press the [2] button to return to the horizontal position adjustment page.

Press the [1] button to exit the page.

Press the [▲] button to shift the image upward.

Press the [▼] button to shift the image downward.

2) Horizontal Size Item

Press the [2] button to enter the horizontal size adjustment page.

Press the [1] button to exit the page.

Press the [▲] button to make the image wider.

Press the [▼] button to make the image narrower.

3) Fine tune Item

Press the [2] button to enter the fine tuning page.

Press the [1] button to exit the page.

Press “[▲]” Button to adjust character position in one direction.

Press “[▼]” Button to adjust character position in the other direction.

4) Sharpness Item

Press the [2] button to enter the sharpness adjustment page.

Press the [1] button to exit the page.

Press “[▲]” Button to increase image sharpness.

Press “[▼]” Button to decrease image sharpness.

(8) Setup Menu Page:

Press the [2] button to enter the setup menu page.

Press the [1] button to exit the page.

Press the [▲] button to highlight the previous item or the [▼] button to highlight the next item.

1) Language Select Item

Press the [2] button to enter the language selection page.

Press the [1] button to exit the page.

Press the [▲] button to highlight the previous item or the [▼] button to highlight the next item.

English, French... Option

Press the [2] button to select the language.

Press the [1] button to exit the page.

2) Resolution Notice Item

Press the [2] button to enter the resolution notice page.

Press the [1] button to exit the page.

Enable, Disable Option

Press the [2] button to select the highlighted option.

Press the [1] button to exit the page.

Press the [▲] button to highlight the previous option or the [▼] button to highlight the next option.

3) OSD Position Item

Press the [2] button to enter the OSD position adjustment page.

Press the [1] button to exit the page.

a) Horizontal Position Option

Press the [2] button to enter the vertical position adjustment page.

Press the [1] button to exit the page.

Press the [▲] button to shift the menu to the right.

Press the [▼] button to shift the menu to the left.

b) Vertical Position Option:

Press the [2] button to enter the horizontal position adjustment page.

Press the [1] button to exit the page.

Press the [▲] button to shift the menu upward.

Press the [▼] button to shift the menu downward.

4) OSD Time Out Item

Press the [2] button to enter the OSD time out adjustment page.

Press the [1] button to exit the page.

Press the [▲] button to increase the OSD time out.

Press the [▼] button to decrease the OSD time out.

5) OSD Background Item

Press the [2] button to enter the OSD background selection page.

Press the [1] button to exit the page.

Enable, Disable Option

Press the [▲] button to highlight the previous option or the [▼] button to highlight the next option.

Press the [2] button to select the highlighted option.

Press the [1] button to exit the page.

(9) Memory Recall Page

Press the [2] button to execute the memory recall function.
Press the [1] button to exit the page.

2. Other Menu:

This “shortcut” menu is directly accessible without bringing up the OSD.

(1) Contrast Dialog

Press the [▲] or [▼] button to enter the Contrast Dialog.
Press the [1] button to exit the Contrast Dialog.
Press the [2] button to enter the Brightness Dialog.
Press the [▲] button to increase the contrast.
Press the [▼] button to decrease the contrast.

(2) Brightness Dialog

Press the [▲] or [▼] button to enter the Brightness Dialog.
Press the [1] button to exit the Brightness Dialog.
Press the [2] button to enter the Contrast Dialog.
Press the [▲] button to increase the brightness.
Press the [▼] button to decrease the brightness.

(3) Analog/Digital Dialog

Press the [2] button to toggle between analog and digital modes.

B. When in Digital Input Mode

1. Main Menu

Press the [1] (Menu) button to enter the Main Menu:
Press the [▲] button to highlight the previous item or the [▼] button to highlight the next item.
Press the [1] (Menu) button to exit the Main Menu.

(1) Auto Image Adjust Page:

Press the [2] button to execute the auto image adjust function.
Press the [1] button to exit the page.

(2) Contrast/Brightness Page:

Press the [2] button to enter the contrast adjustment page.
Press the [1] button to exit the page.

1) Contrast Item

Press the [▲] button to increase the contrast.
Press the [▼] button to decrease the contrast.
Press the [2] button to enter the brightness adjustment page.
Press the [1] button to exit the page.

2) Brightness Item

Press the [▲] button to increase the brightness.
Press the [▼] button to decrease the brightness.
Press the [2] button to enter the contrast adjustment page.
Press the [1] button to exit the page.

(3) Input Select Page:

Press the [2] button to switch to analog input mode.

(4) Audio Adjust Page:

Press the [▲] button to increase the volume.

Press the [▼] button to decrease the volume.

Press the [2] button to enable or disable mute function .

Press the [1] button to exit the page.

(4) Color Adjust Page:

Press the [2] button to enter the color adjustment page.

Press the [1] button to exit the page.

Press the [▲] button to highlight the previous item or the [▼] button to highlight the next item.

1) sRGB Item

2) 9300K Item

3) 6500K Item

4) 5400K Item

5) 5000K Item

Press the [2] button to select the currently highlighted item.

Press the [1] button to exit the currently highlighted item.

6) User Color Item

Press the [2] button to enter the user color page.

Press the [1] button to exit the page.

Red, Green, Blue Options:

Press the [2] button to cycle among the colors.

Press the [1] button to exit the page.

Press the [▲] button to increase the selected color level.

Press the [▼] button to decrease the selected color level.

(5) Information Page:

Press the [2] button to enter the information page.

Press the [1] button to exit the information page.

(6) Manual Image Adjust Page:

Press the [2] button to enter the manual image adjustment page.

Press the [1] button to exit the page.

Press the [▲] button to highlight the previous item or the [▼] button to highlight the next item.

1) Sharpness Item

Press the [2] button to enter the sharpness adjustment page.

Press the [1] button to exit the page.

Press “[▲]” Button to increase image sharpness.

Press “[▼]” Button to decrease image sharpness.

(7) Setup Menu Page:

Press the [2] button to enter the setup menu page.

Press the [1] button to exit the page.

Press the [▲] button to highlight the previous item or the [▼] button to highlight the next item.

1) Language Select Item

Press the [2] button to enter the language selection page.

Press the [1] button to exit the page.

Press the [▲] button to highlight the previous item or the [▼] button to highlight the next item.

English, French... Option

Press the [2] button to select the language.

Press the [1] button to exit the page.

2) Resolution Notice Item

Press the [2] button to enter the resolution notice page.

Press the [1] button to exit the page.

Enable, Disable Option

Press the [2] button to select the highlighted option.

Press the [1] button to exit the page.

Press the [▲] button to highlight the previous option or the [▼] button to highlight the next option.

3) OSD Position Item

Press the [2] button to enter the OSD position adjustment page.

Press the [1] button to exit the page.

a) Horizontal Position Option

Press the [2] button to enter the vertical position adjustment page.

Press the [1] button to exit the page.

Press the [▲] button to shift the menu to the right.

Press the [▼] button to shift the menu to the left.

b) Vertical Position Option:

Press the [2] button to enter the horizontal position adjustment page.

Press the [1] button to exit the page.

Press the [▲] button to shift the menu upward.

Press the [▼] button to shift the menu downward.

4) OSD Time Out Item

Press the [2] button to enter the OSD time out adjustment page.

Press the [1] button to exit the page.

Press the [▲] button to increase the OSD time out.

Press the [▼] button to decrease the OSD time out.

5) OSD Background Item

Press the [2] button to enter the OSD background selection page.

Press the [1] button to exit the page.

Enable, Disable Option

Press the [▲] button to highlight the previous option or the [▼] button to highlight the next option.

Press the [2] button to select the highlighted option.

Press the [1] button to exit the page.

(8) Memory Recall Page

Press the [2] button to execute the memory recall function.
Press the [1] button to exit the page.

2. Other Menu:

This “shortcut” menu is directly accessible without bringing up the OSD.

(1) Contrast Dialog

Press the [▲] or [▼] button to enter the Contrast Dialog.
Press the [1] button to exit the Contrast Dialog.
Press the [2] button to enter the Brightness Dialog.
Press the [▲] button to increase the contrast.
Press the [▼] button to decrease the contrast.

(2) Brightness Dialog

Press the [▲] or [▼] button to enter the Brightness Dialog.
Press the [1] button to exit the Brightness Dialog.
Press the [2] button to enter the Contrast Dialog.
Press the [▲] button to increase the brightness.
Press the [▼] button to decrease the brightness.

(3) Analog/Digital Dialog

Press the [2] button to toggle between analog and digital modes.

C. Other Information

When the “No Signal” or “Out of Range” messages appear:

If no input signal is detected, the “No Signal” message will appear in the center of the screen.

If the V-Sync signal rate is greater than 85Hz or its resolution is greater than SXGA, the “Out of Range” message will appear in the center of the screen.

Activating Factory Mode and Burn Mode:

While the device is in standby, press the [2] button, then press the power button to enter Factory Mode. While Factory Mode is active, an additional menu page titled “Factory Menu” will be accessible. Press the [2] button to enter the Factory Menu page, then press the [2] button to enter Burn Mode.

When Installing a New Main Board

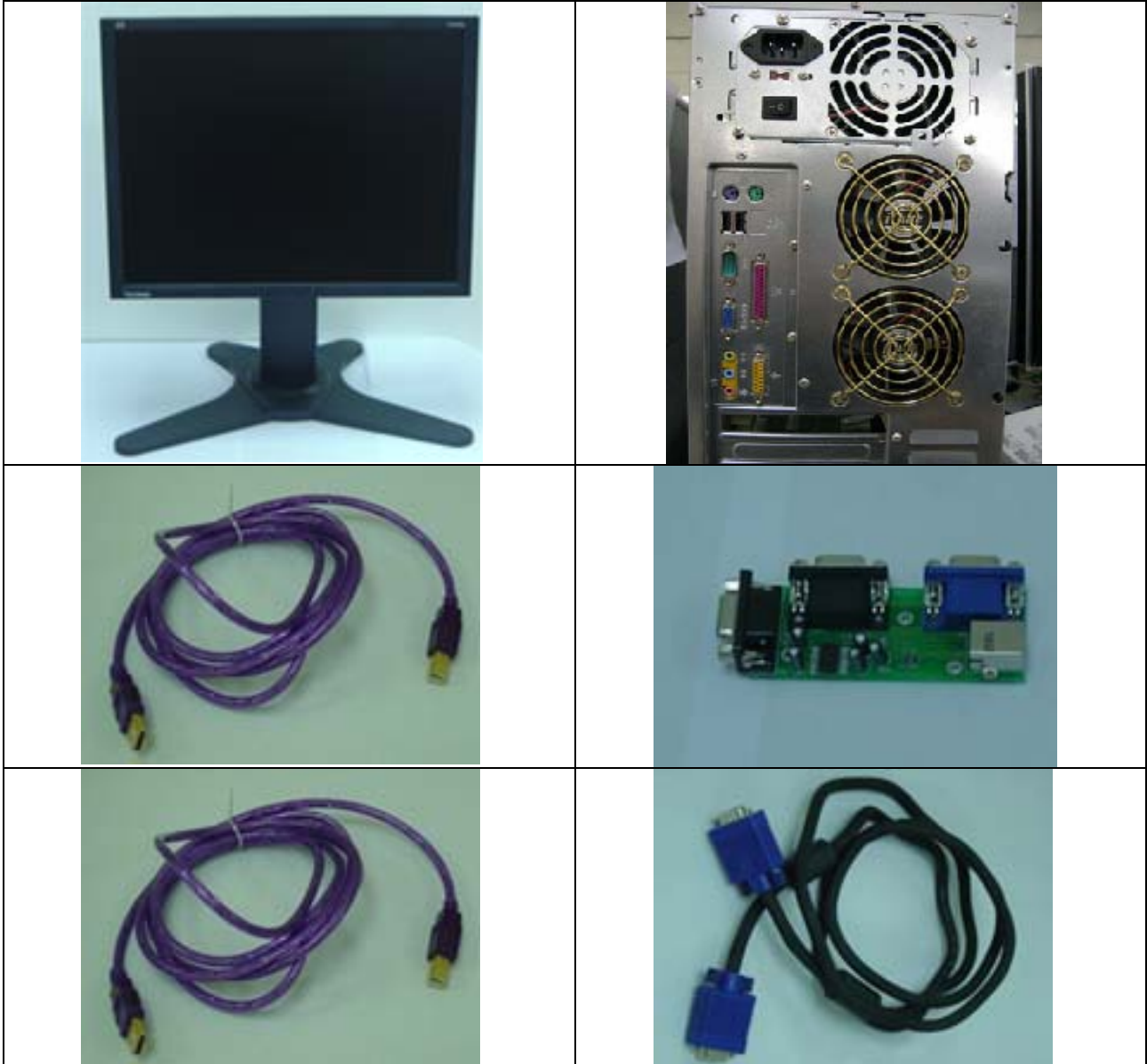
1. Enter Factory Mode.
2. Use a PC or chrom to send a 32-tone gray scale signal to the monitor.
3. Select “Auto Color”

Firmware update procedure :

When you received a received monitor , please check whether the firmware version. If not , please following procedure to upgrade to the latest version .

1. Equipment needed :

- VP2030
- PC (Personal computer)
- USB (A Male to B Male) cable
- Genesis firmware update board
- 9-Male to 9-Female serial cable
- VGA cable



2. Connection :



The 9-pin serial cable connects the com port of PC and the Genesis firmware update board. VP2030 and the Genesis firmware update board is connected by VGA cable. The male A to male B USB cable connects the PC and Genesis firmware update board.

Appendix A : How to install the software for ISP :

0. To setup ISP environment :

Hardware:

PC or notebook, 9-pin serial cable, VGA cable and USB cable (Male A to Male B). If your PC does not have serial port, please get a USB to RS232 cable.

Software:

If the OS is Win2000 or WinXP , please install “GProbe”

In order to ensure can execute ISP program, please connect the USB to RS232 cable and set it as COM 1 in control panel if your PC does not have COM port

0.1 Double-click the “GProbe5.0.exe” in Windows & install the program. , see Fig 0.1



Fig 0.1

0.2 Keep on press “ Next “ 4 times to go through the installation processes, see Fig. 0.2

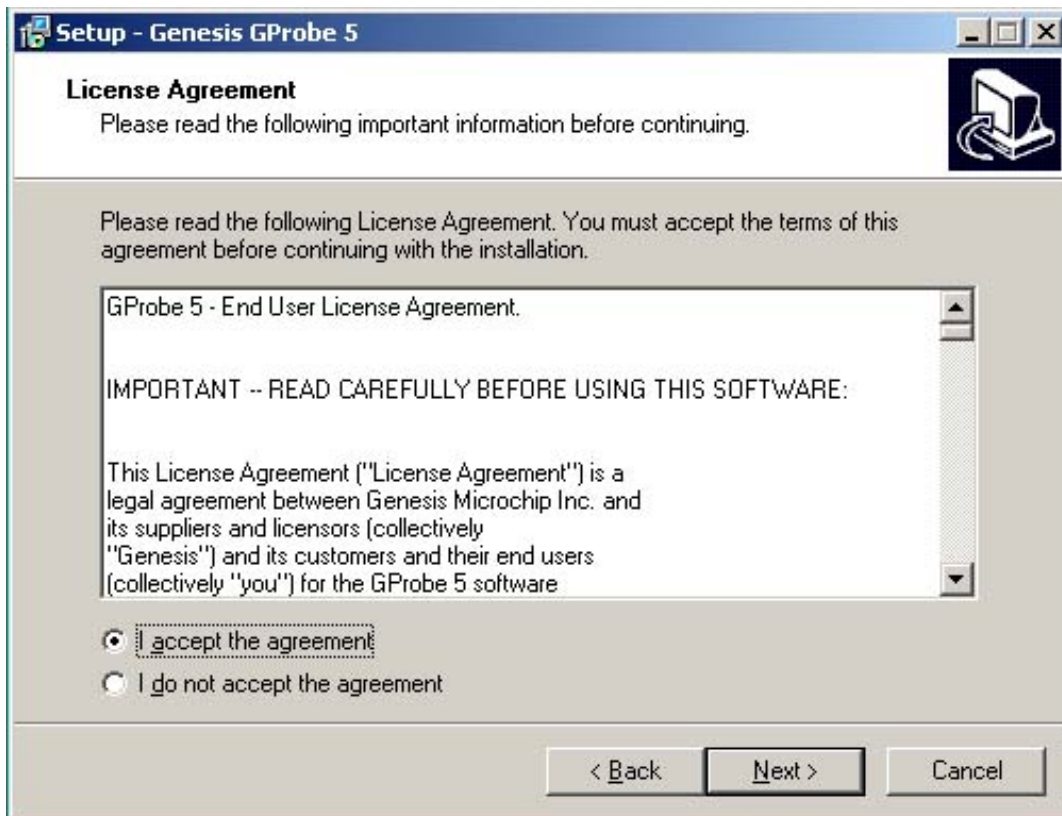


Fig. 0.2

0.3 Check the “I accept the agreement” then press “ Next “ , see Fig. 0.3

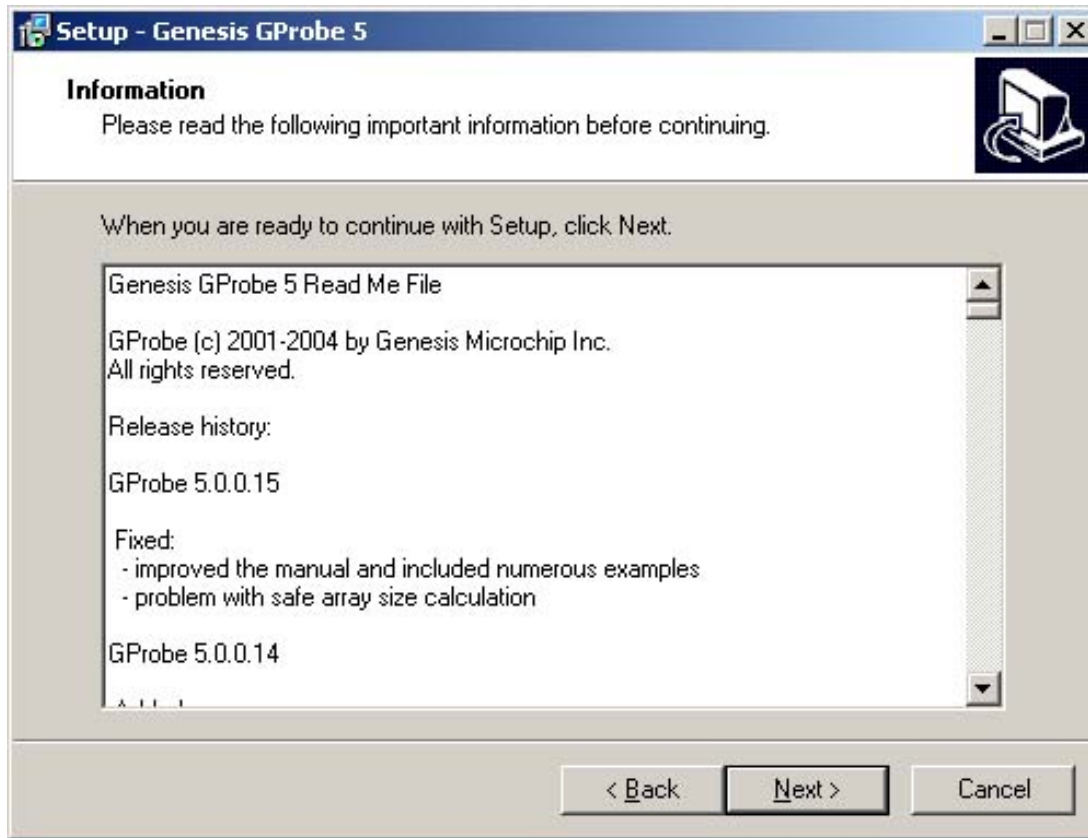


Fig. 0.3

0.4 Keep on press “ Next “ , see Fig. 0.4

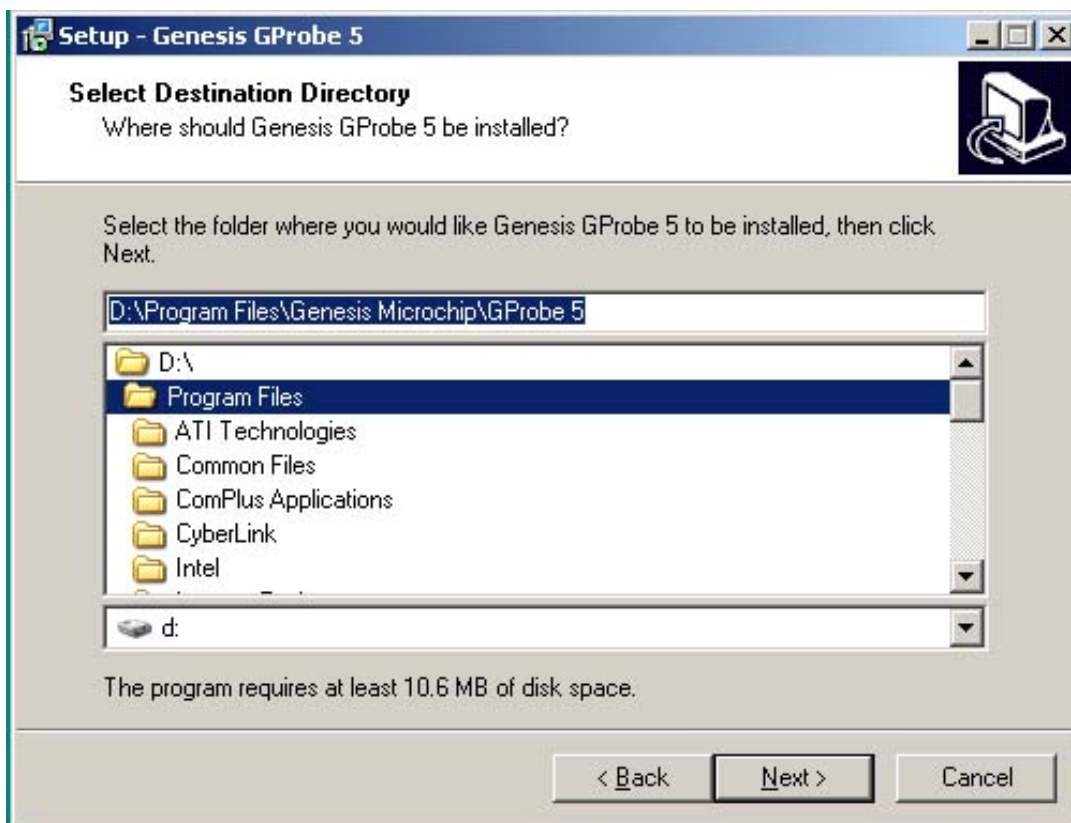


Fig. 0.4

0.5 Keep on press “ Next “ , see Fig. 0.5

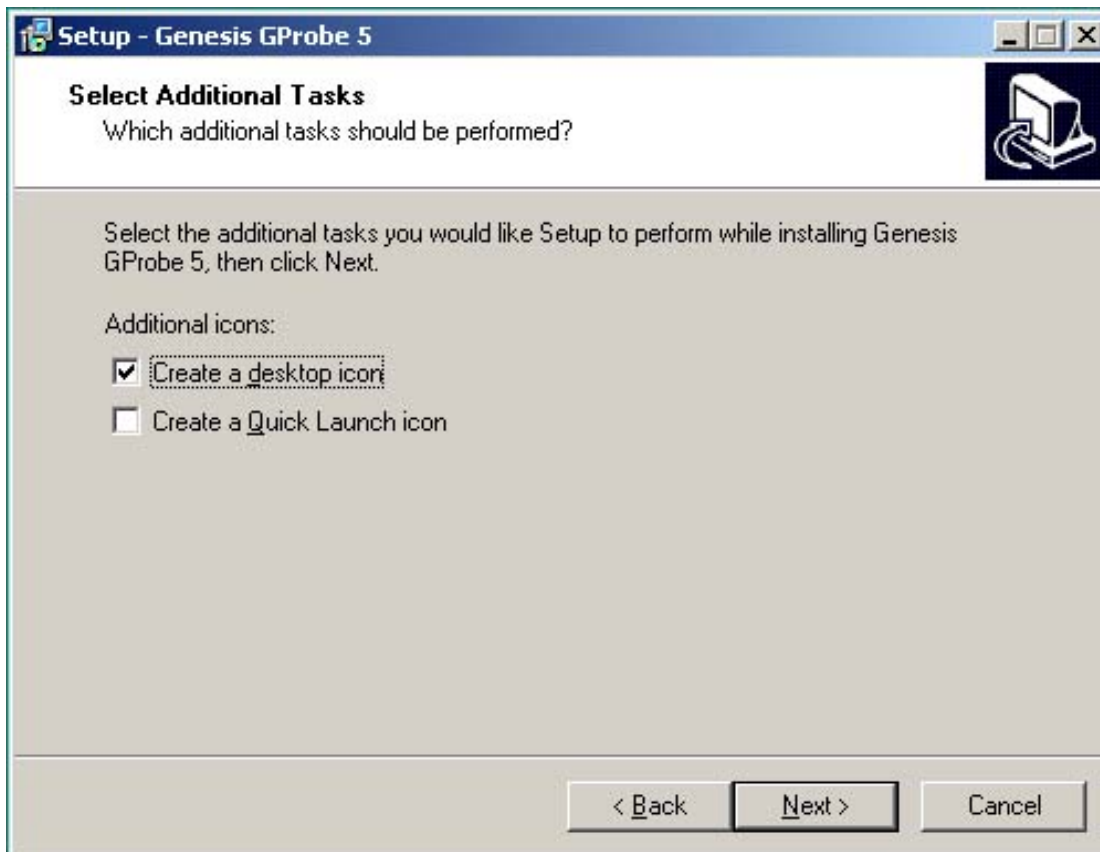


Fig. 0.5

0.6 Click “Next” to start the installation. See Fig 0.6

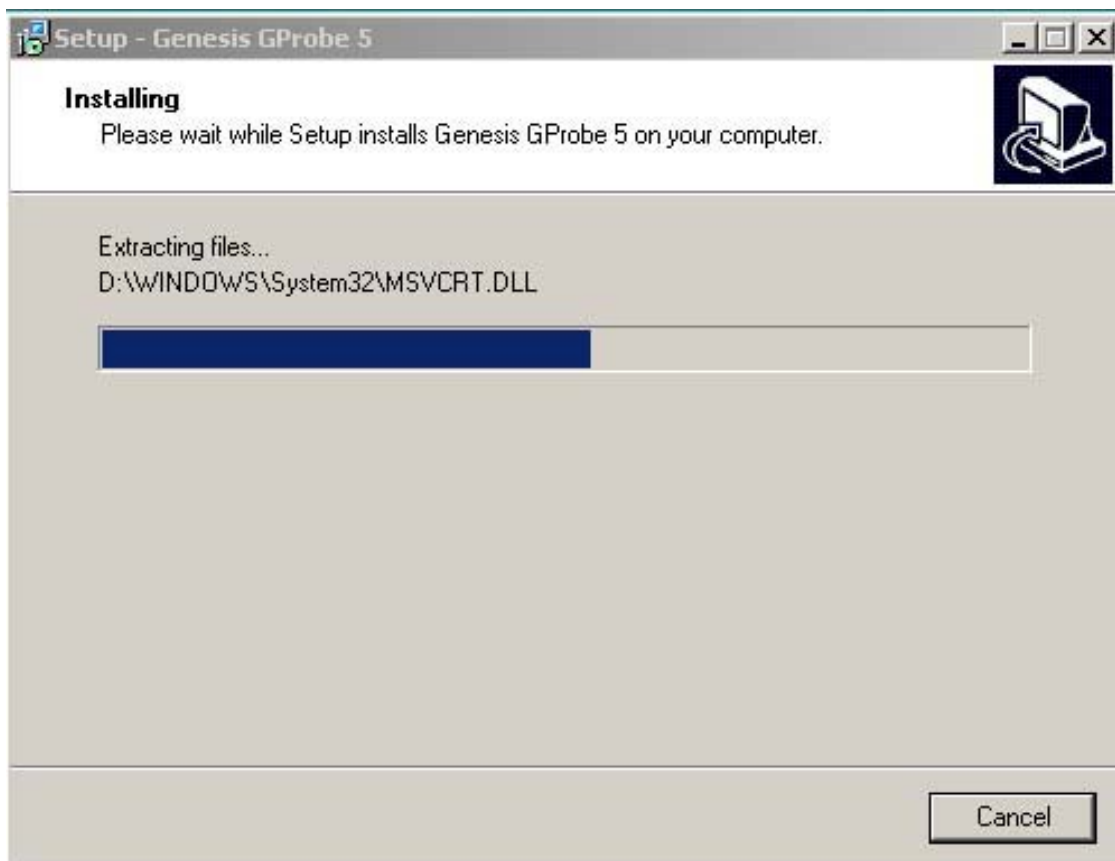


Fig. 0.6

0.7 If you see this message, click “Yes”. See Fig 0.7.

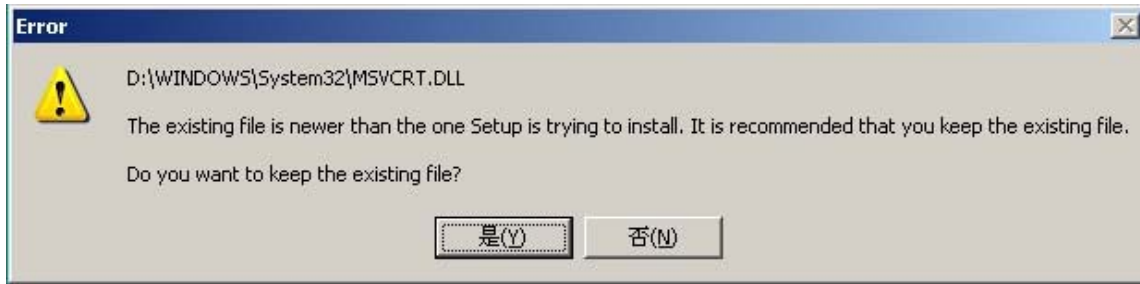


Fig. 0.7

0.8 If you see the Fig 0.8, click “Finish” button to restart the system.



Fig. 0.8

0.9 Installation is completed

Appendix B : How to use software to upgrade the BIOS :

1.1 After installation , we could find the shortcut in the setting path or the program bar (default setting) , see Fig 1.1

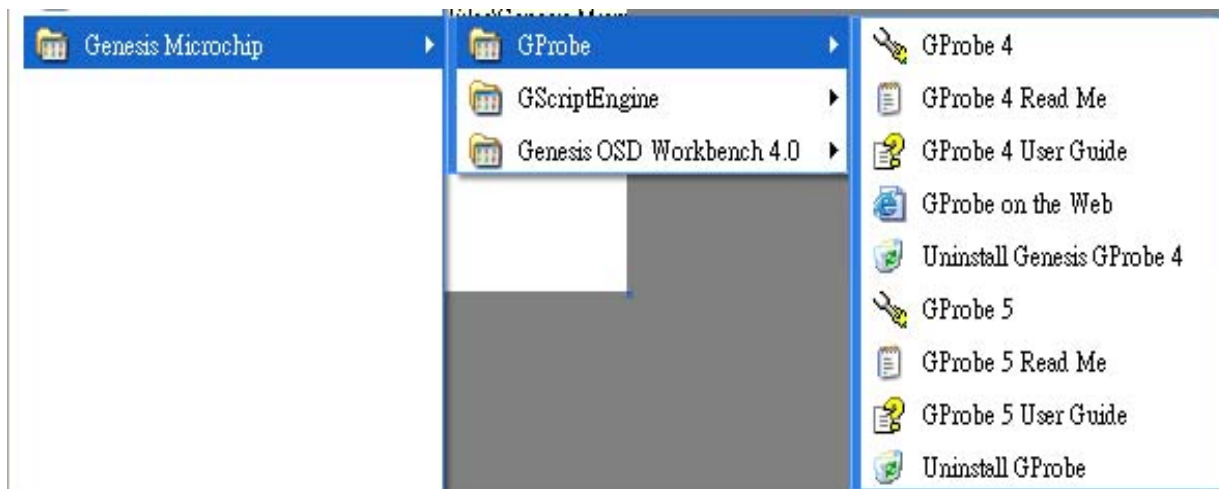


Fig. 1.1

1.2 Move your mouse cursor to GProbe 5 and click it. You will see the Fig. 1.2

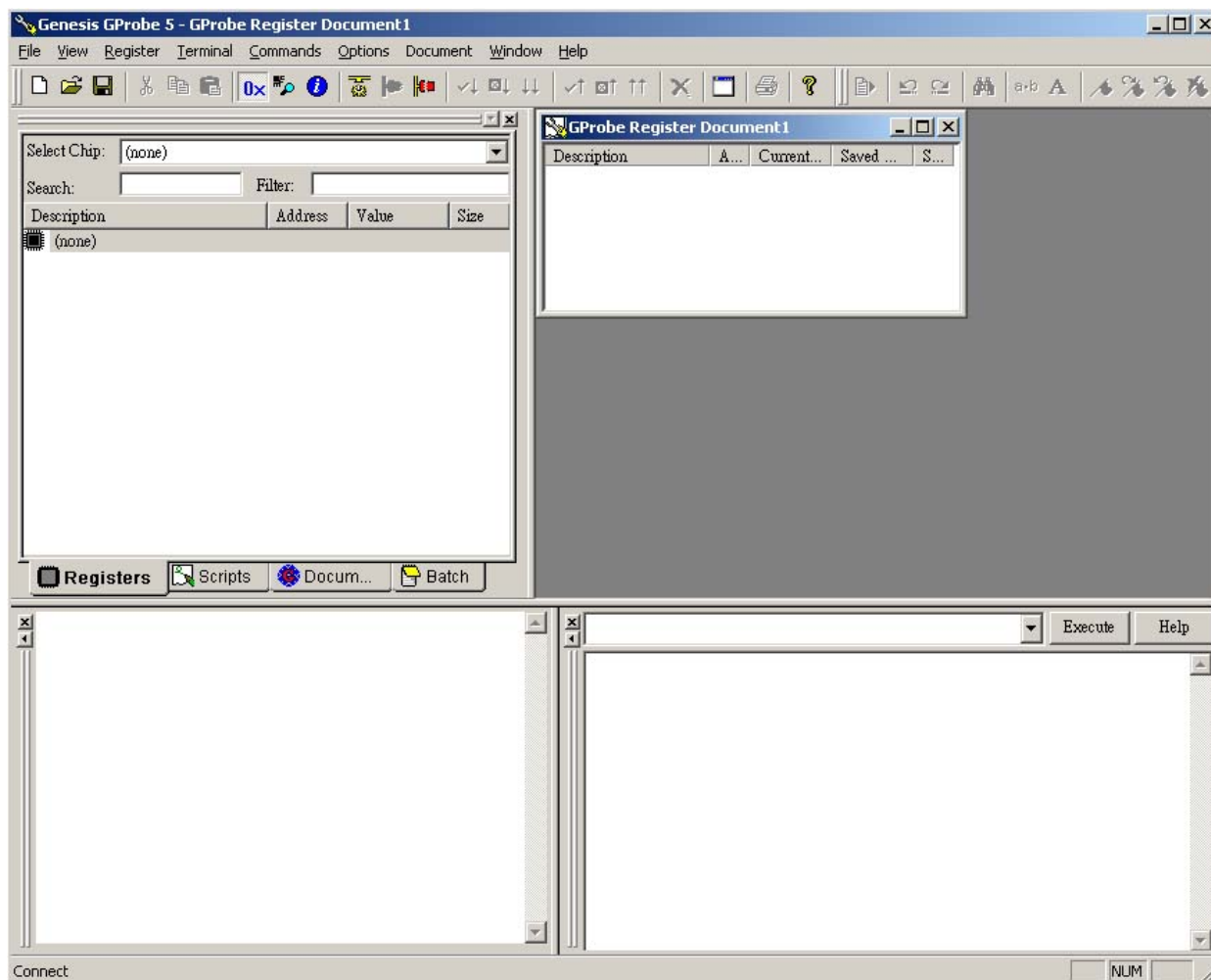


Fig. 1.2

1.3 Please create a directory such as “ISP” below the root directory (the path is “drive letter”:\ISP now).

1.4 Copy the create a text file with the following string and save it as “ISP.txt”

```
SetBuffer 0x1000 4096  
RAMWrite d:\GNSSISP\loader.hex  
Run 0x500  
RAMWrite d:\GNSSISP\isp8.hex  
Run 0x580  
FlashErase  
FastFlashWrite d:\GNSSISP\rd_monitor.hex
```

1.5 Set the monitor to Factory Mode by pressing “2” and “Power” at the same time.

1.6 Click the right-lower terminal window and type “batch d(or other drive letter):\ISP\isp.txt” in the upper blank area then click “Execute” button. See the Fig 1.3.

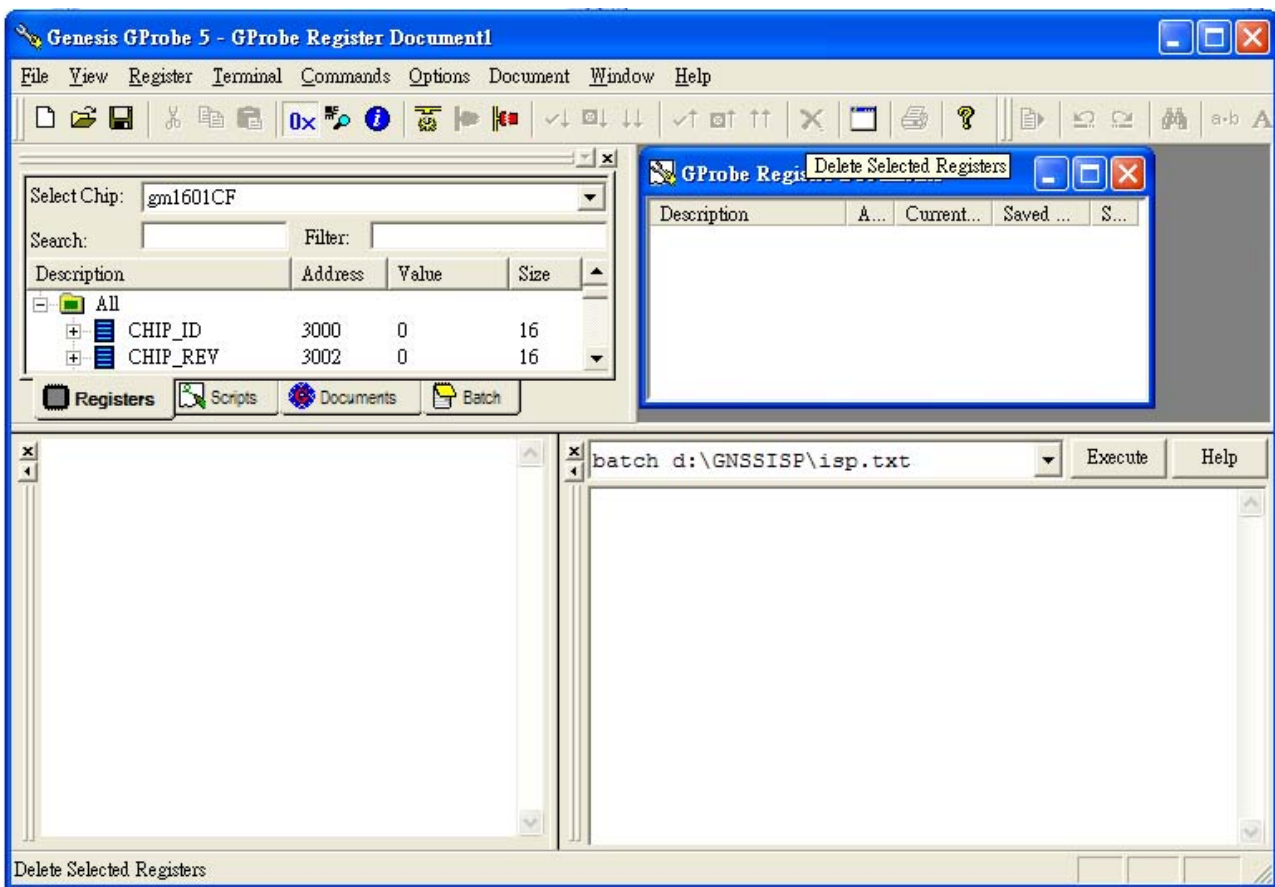


Fig. 1.3

1.7 After click the “Execute” button, you will see the terminal information in Fig. 1.4 . When the message “Batch: command successful” is shown, the flash progress is completed.

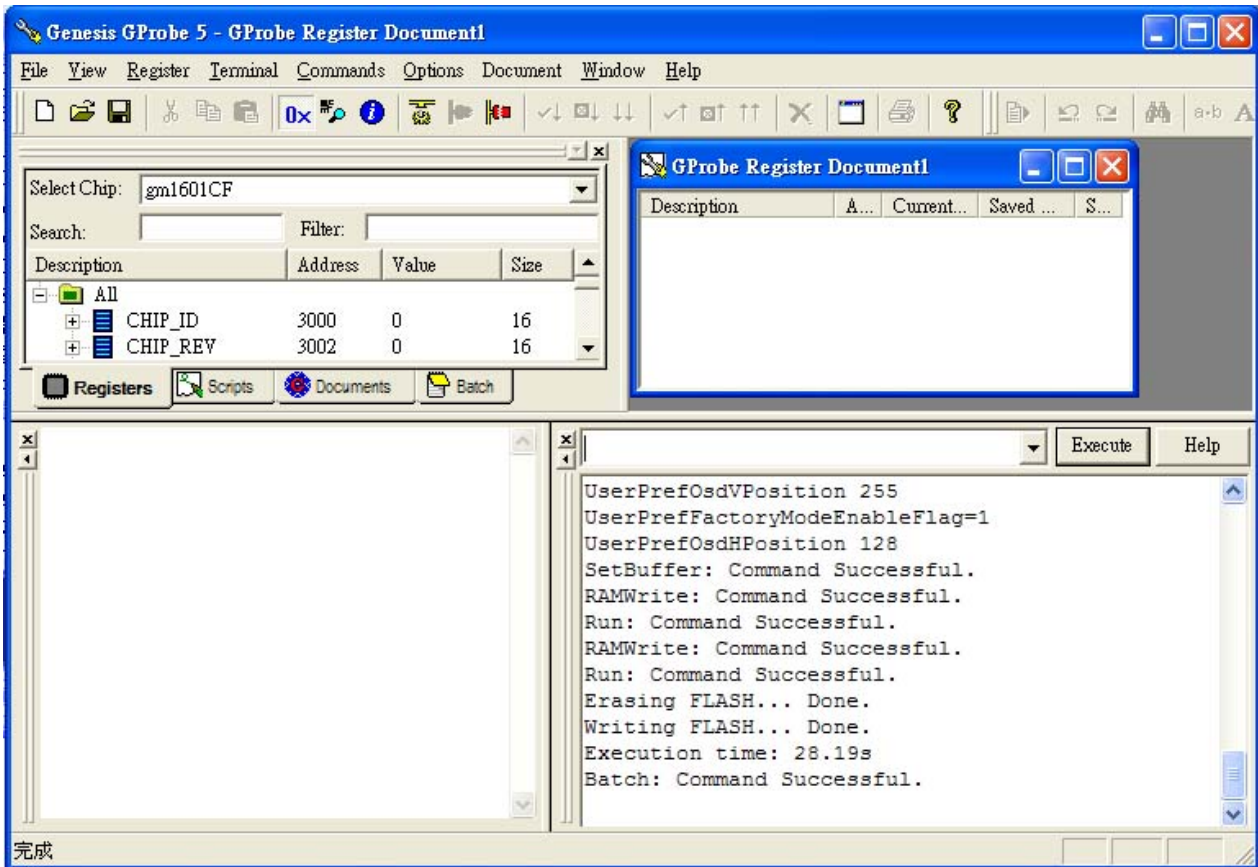


Fig. 1.4

VP2030b-1 / VP2030b-1H series de-assembling procedure

1. Move the monitor out from carton



2. Put the monitor on desk & face down



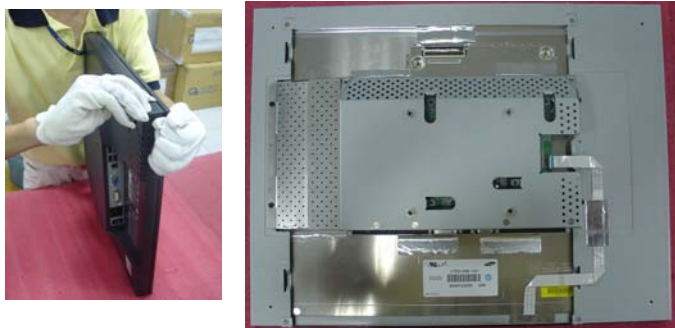
3. Remove the VESA cover



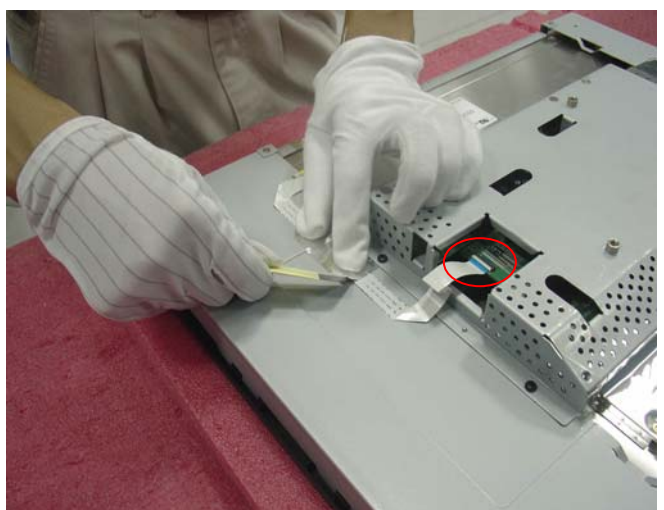
4. Loose the screws & remove the stand



5. Separate the hook by tool (coin or screw-driver)



6. Remove the cover & AL-Foil & Mylar & Button/B CABLE



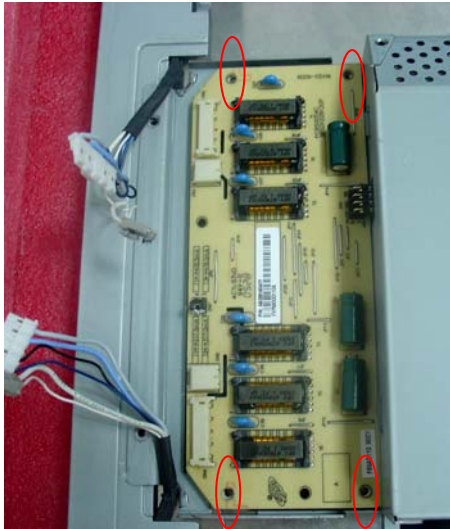
7. Loose the INVERTER SHIELDING SCREW



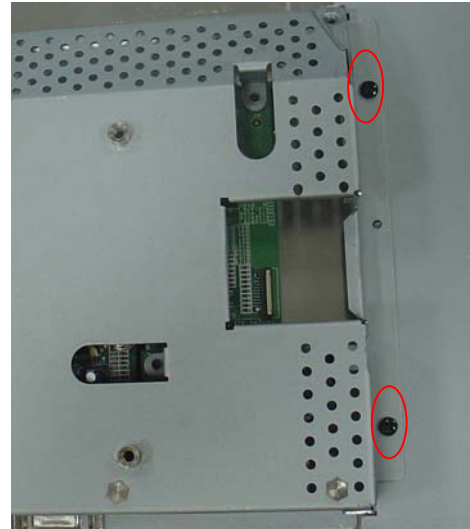
8. Tear off the yellow tape & Pull out the CCFL cables



9. Loose the INVERTER/B screw



10. Loose the SHIELDING SCREW



11. Tear off the yellow tape & Pull out the LVDS CABLE



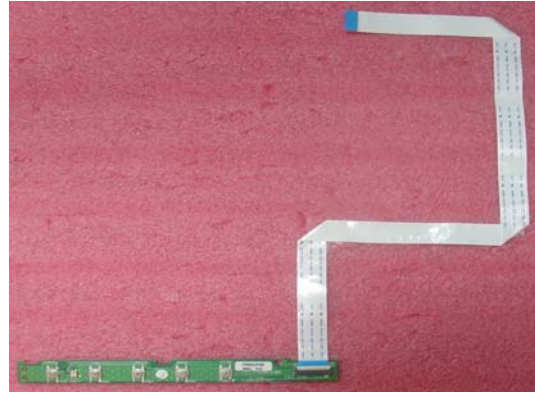
12. Remove the shielding



15. Loose the bezel



16. Remove the Button/B



17. Loose the shield



18. Remove the PCBA & mylar



19. Loose the IO-NUT SCREW



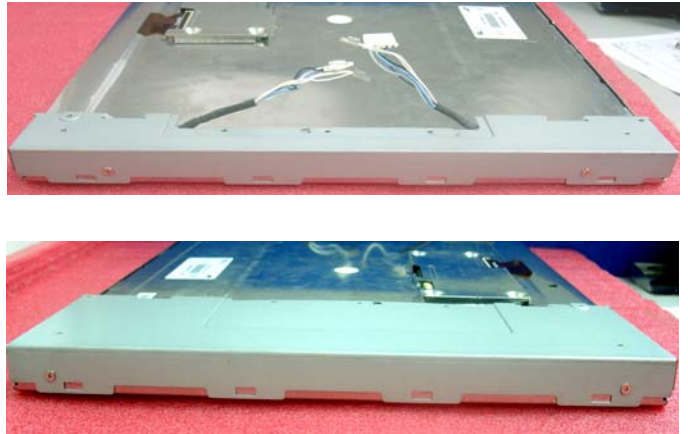
20. Take out PCBA & remove the cables



19. Loose the BKT-T/B SCREW



20. Loose the BKT-R/L SCREW

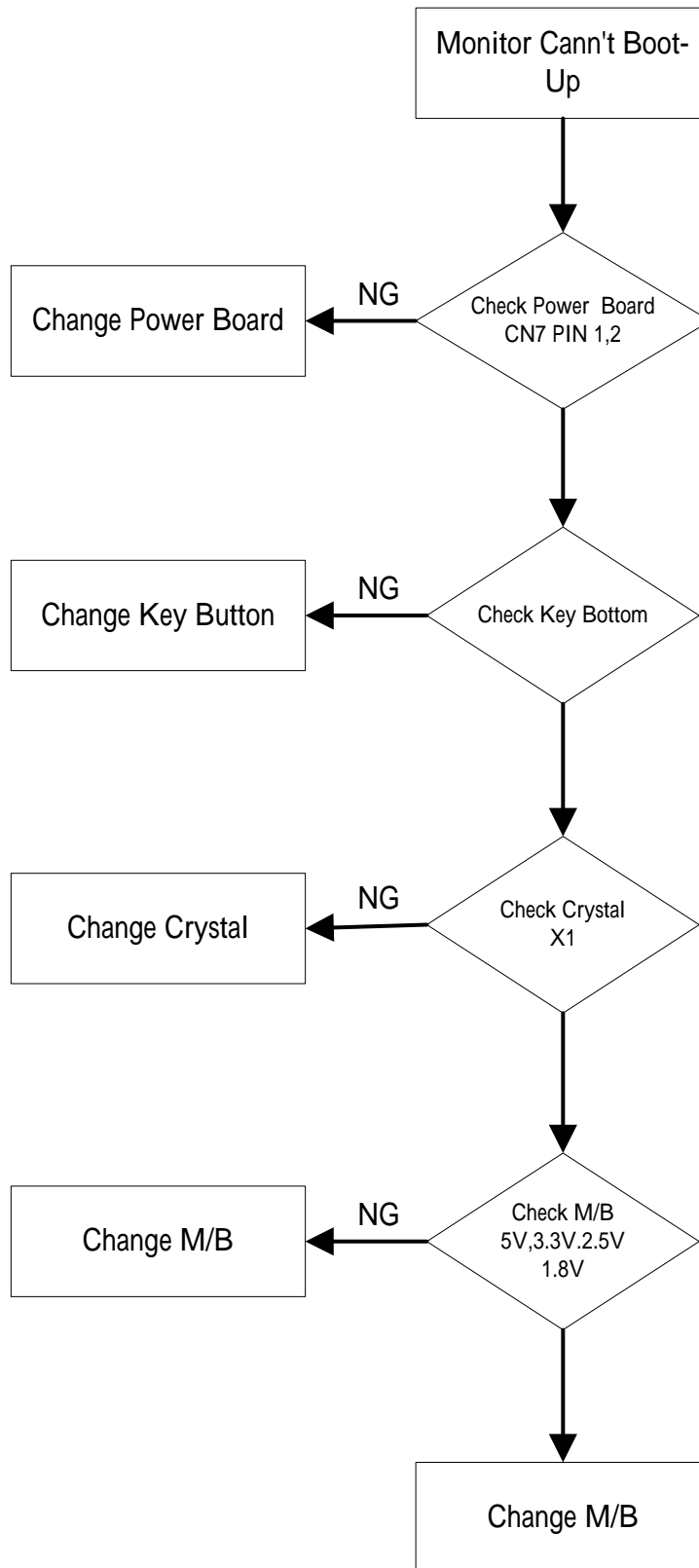


VP2030b / VP2030bH Series packing method

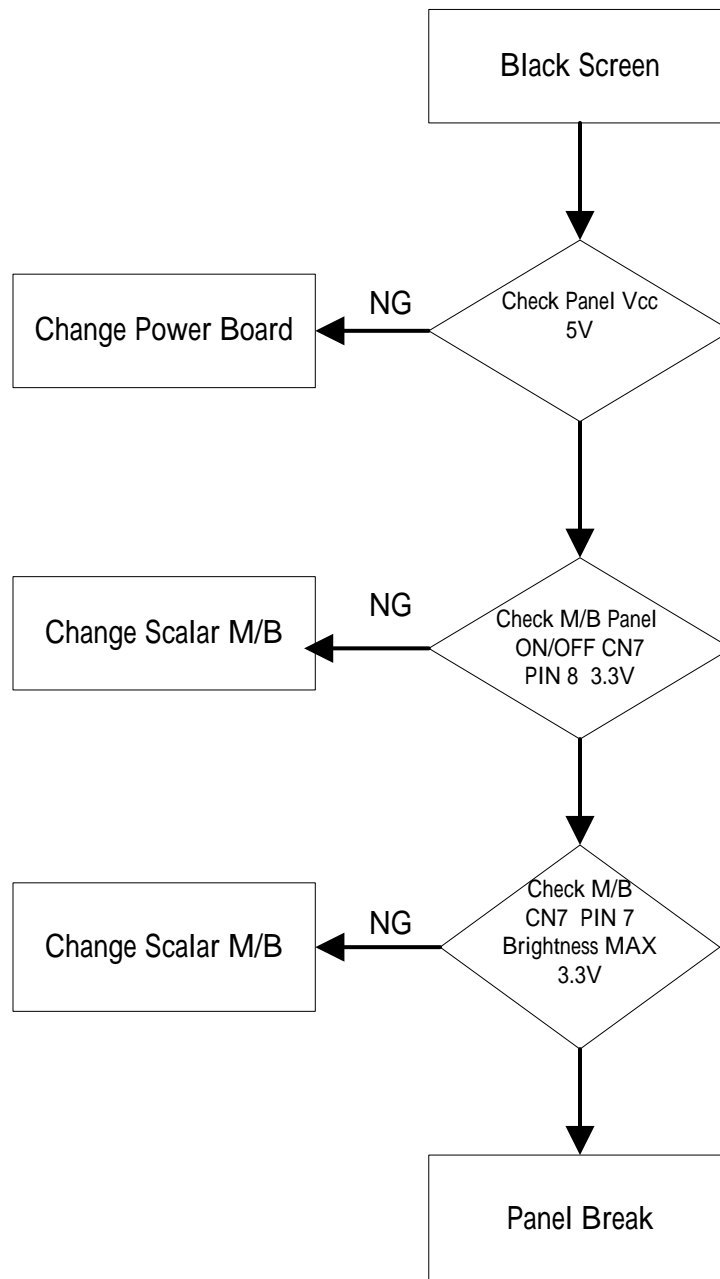
<p>1. Sticker on LCD protection film</p>	<p>2. Put the monitor into the PE or EPE bags</p>
	
<p>3. Put on the end-cap left / right</p>	<p>4. Put the monitor into carton</p>
	
<p>5. Put all accessories into carton</p>	<p>6. Seal the monitor</p>
	

6. Trouble Shooting Chart

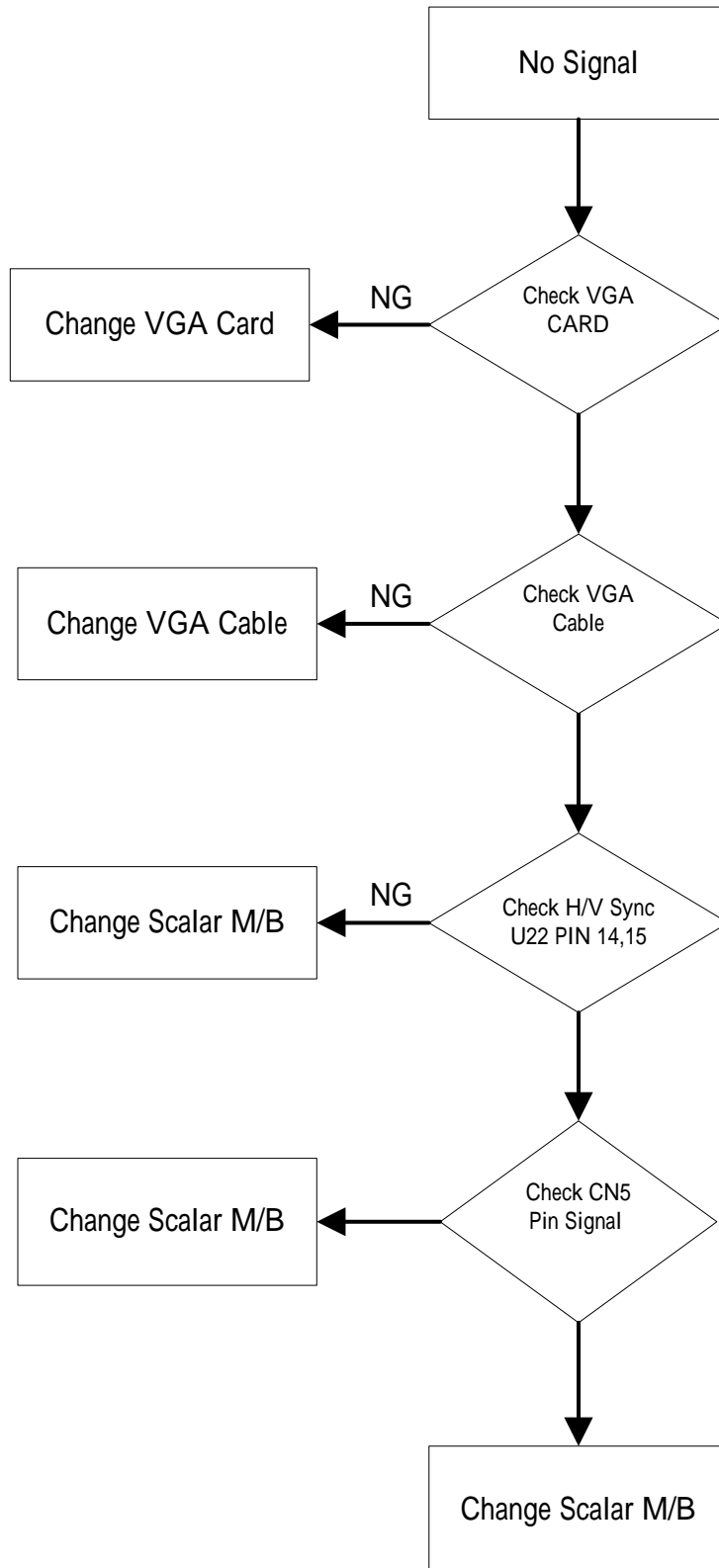
6.1 Monitor Cann't Boot-up



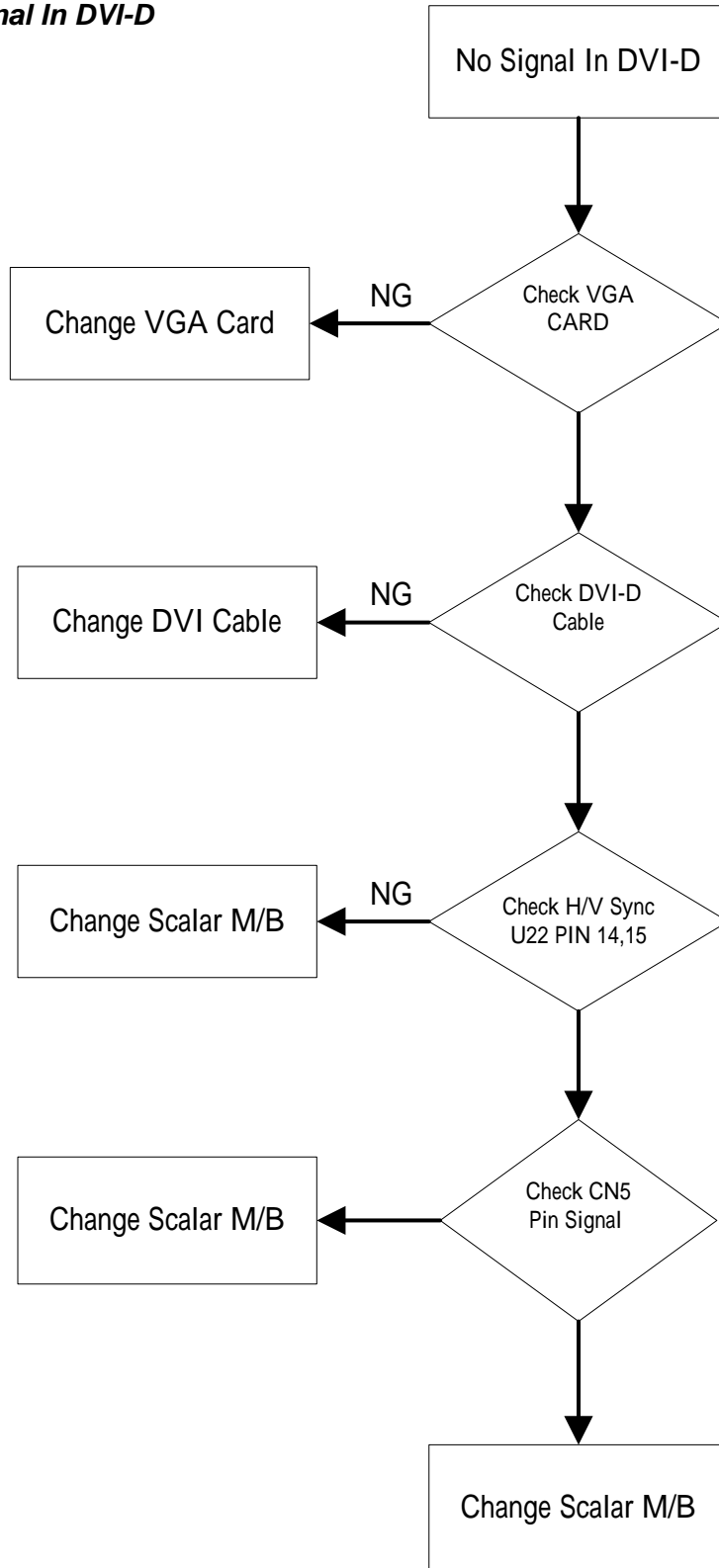
6.2 Black Screen



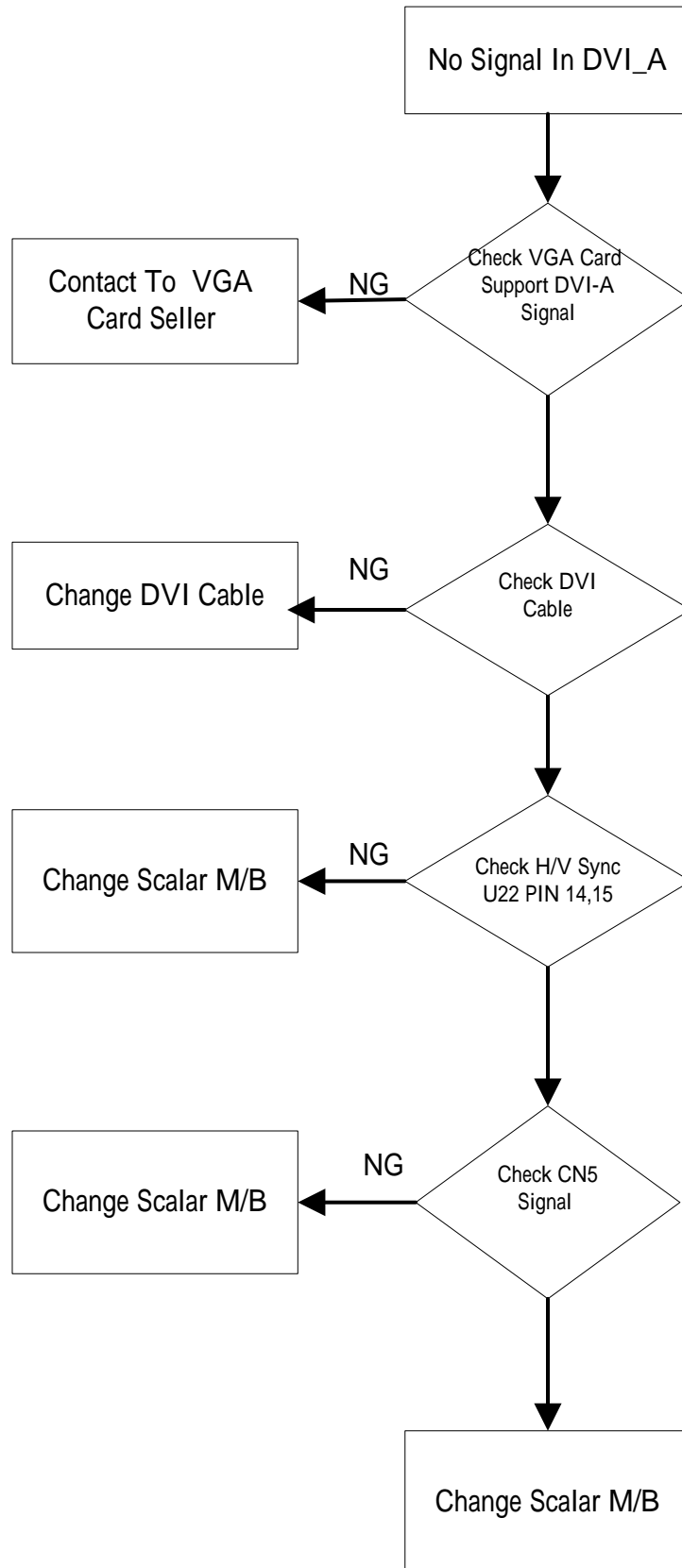
6.3 No Signal



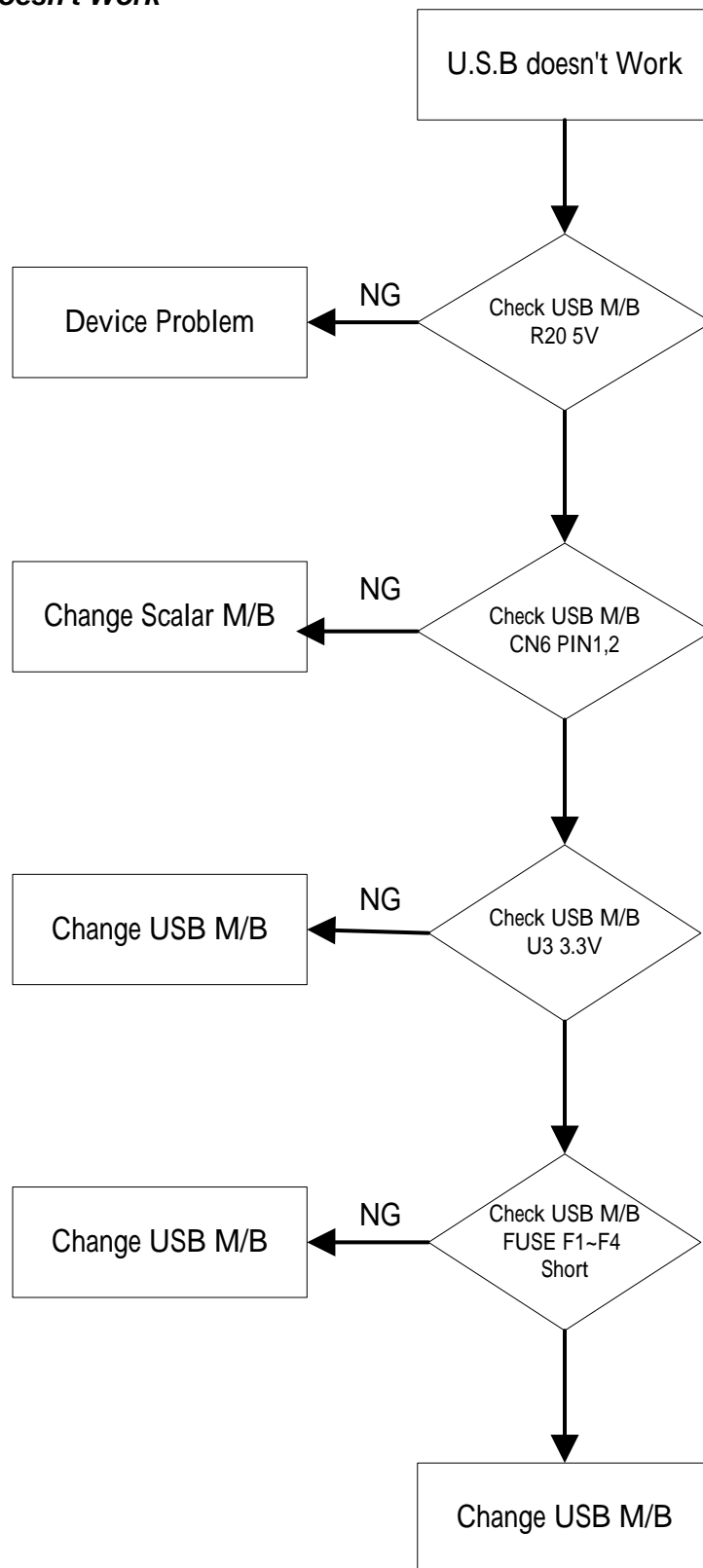
6.4 No Signal In DVI-D



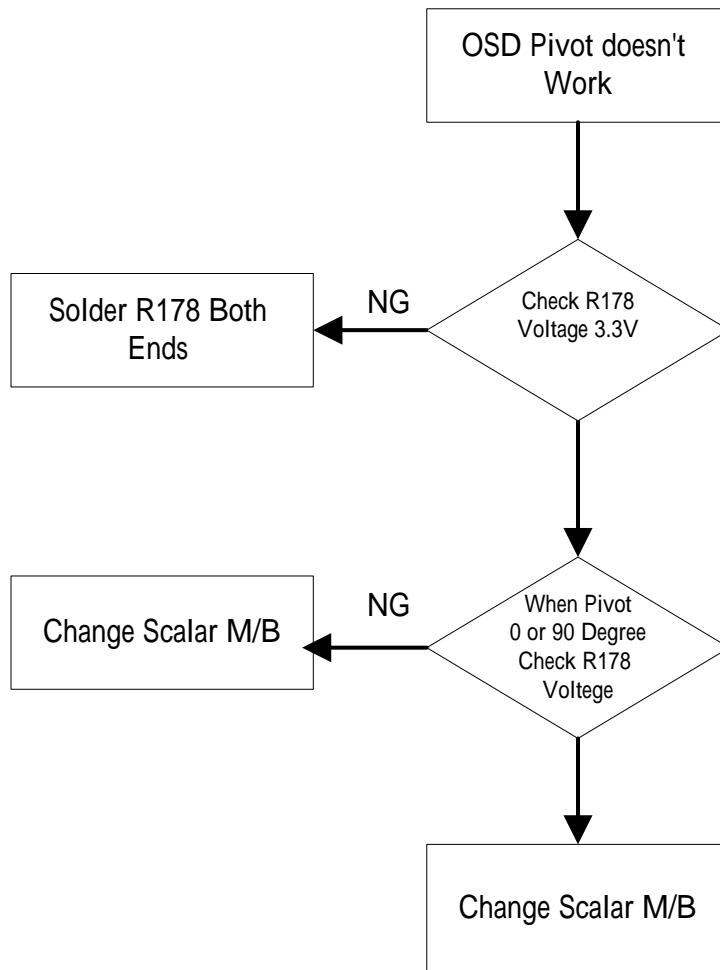
6.5 No Signal In DVI_A



6.6 U.S.B doesn't Work



6.7 OSD Pivot doesn't Work



7. Recommended Spare Parts List

RECOMMENDED SPARE PARTS LIST (VP2030b-1)

ViewSonic Model Number: VS10772-1W

Rev: 1b

Serial No. Prefix: PSB

Item	Description	ECR/ECN	ViewSonic P/N	Ref. P/N	Location	Universal number#	Q'ty
1	Accessories: Power Cord		A-PC-0106-0224	DM333181G97	Power cable		1
2	Board Assembly:	Power Module (DTA)EADP-64BF B,90-264V GP	12/06/05: Update Vendor P/N	B-00004348	AS08B50000 AS08B500000	Power board	1
3		Main Board Assy LAVP (GM1601-LF-CF) GP	12/06/05: Update Vendor P/N	B-00004349	21LAVPMB003 1SL0VPMB007	Main board	1
4		Button Board Assy L0VP GP	12/06/05: Update Vendor P/N	B-00004350	23L0VPBB007 1SL0VPBB001	Button board	1
5		USB Board Assy L0VP GP)	12/06/05: Update Vendor P/N	B-00004351	22L0VPLB005 1SL0VPUB001	USB board	1
6		Inverter Module		B-00004352	AS023190407	Inverter board	1
7		Cabinets:	Front Bezel Assy L0VP LCD BEZEL SUB ASSY GP	12/06/05: Update Vendor P/N	C-00004353	24L0VPLB008 34L0VPLB008	front bezel ass'y
8	Back Cover Assy			C-00004354	25L0VPLC005	back cover assy	1
9	Stand Assy			C-00004355	37LAVPSU003	Stand sub assy	1
10	Base Assy			C-00004356	38LAVPBS002	Base sub assy	1
11	Stand Vesa Cover LAVP(EALAVP03,REV3A)GP		12/06/05: Added	C-00004642	EALAVP03011	stand vesa cover	1
12	Cables:	FFC Cable MB-BB		CB-00004357	DEFC3609000	Cable MB-BB	1
13		Cable POWER-MB		CB-00004358	DDLAVPPB104	Cable POWER-MB	1
14		Cable MB-LCD		CB-00004359	DDL0VPLC004	Cable MB-LCD	1
15		VGA cable		CB-00004360	DD0M7TPC005	VGA cable	1
16		DVI cable		CB-00004361	DDWCVPDV019	DVI-I cable	1
17	Documentation: User manual + CD wizard		DC-00004362	HGL0VP01011	User manual		1
18	Electronic Components: 20" AUO TFT LCD panel		E-00004363	AAM201UN029	LCD panel		1
19	Hardware:	Screw M3.0*5.0-B BLACK		HW-00004364	MM30050BJ21	Screw	25
20		SCREW M4.0*3-B (NL,NYLOK)		M-SCW-0824-0795	MM40080BC15	Serew	8
21		SCREW M3.0*3.0-I	12/06/05: Removed & Replaced Part	M-SCW-0824-6761	MM30030IBJ4	panel to L/F BKT	4
21		IO NUT LI1(MBLI1004,REV3A)GP	12/06/05: Added	M-MS-0808-8986	MBLI1004018	DVI,D-SUB	4
22	Miscellaneous: LCD film		M-00004365	JXL0VP01018	LCD FILM		1
23	Packing Material:	PE bags		P-00004159	HAL0T002019	PE bags	1
24		Carton		P-00004366	HFLOVP01011	carton	1
25		END CAP(L) L0VP(HBL0VP01,REV3A)GP	12/06/05: Update Vendor P/N	P-00004367	HBLAVP01017 HBL0VP01017	cushion	1
26		END CAP(R) L0VP(HBL0VP02,REV3A)GP	12/06/05: Update Vendor P/N	P-00004368	HBLAVP02013 HBL0VP02013	cushion	1

Remark 1: Above listed items are examples, supplier can expand the rows to add more necessary items.

Remark 2: All revised RSPLs with newly added items or any change made should be highlighted and correlated with the ECN/ECR approved by ViewSonic Corporation. This is to eliminate repeated cross checks of each item between this version and prior versions.

BOM LIST (VP2030b-1)

ViewSonic Model Number: VS10772-1W

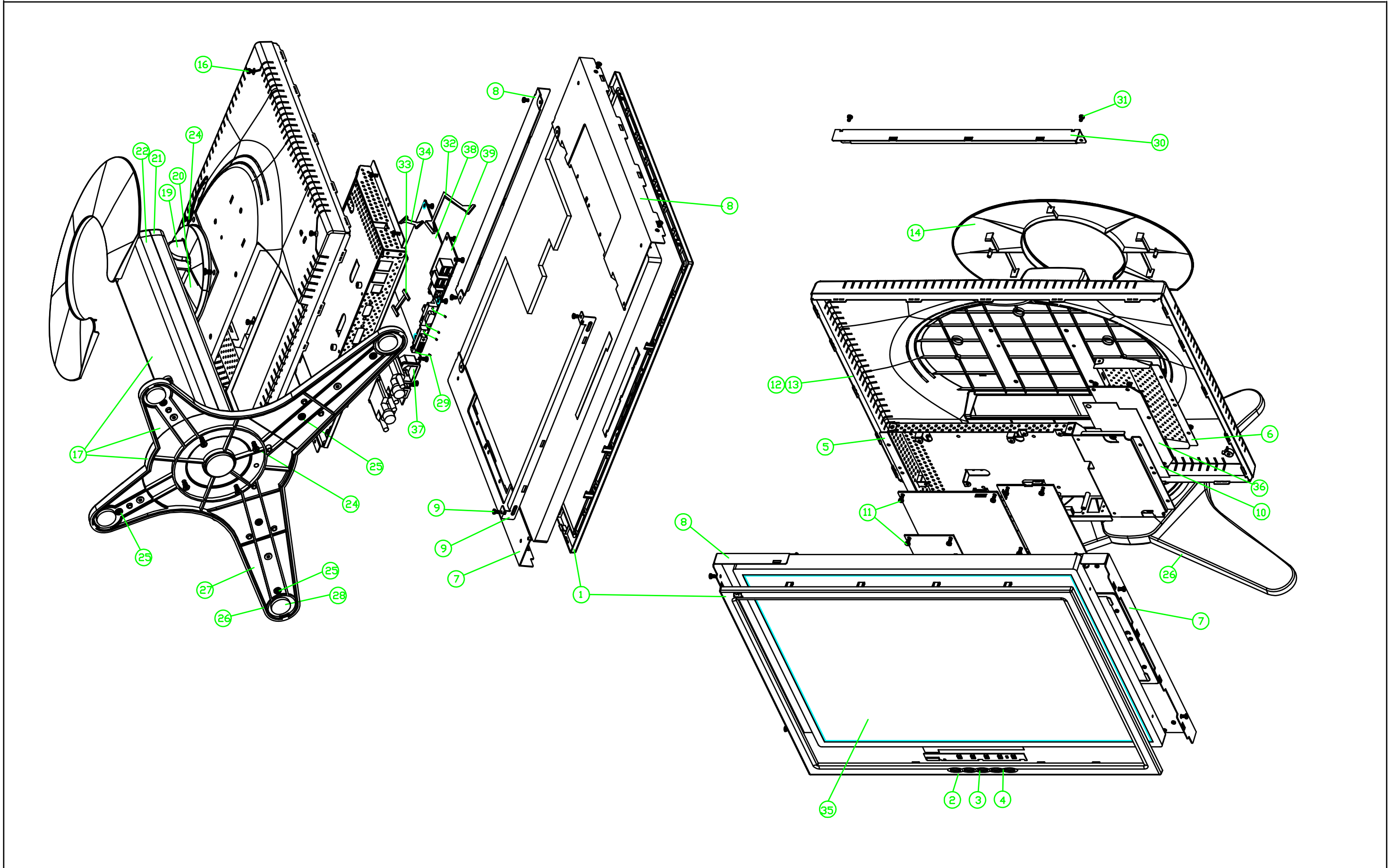
Rev: 1a

Serial No. Prefix: PSB

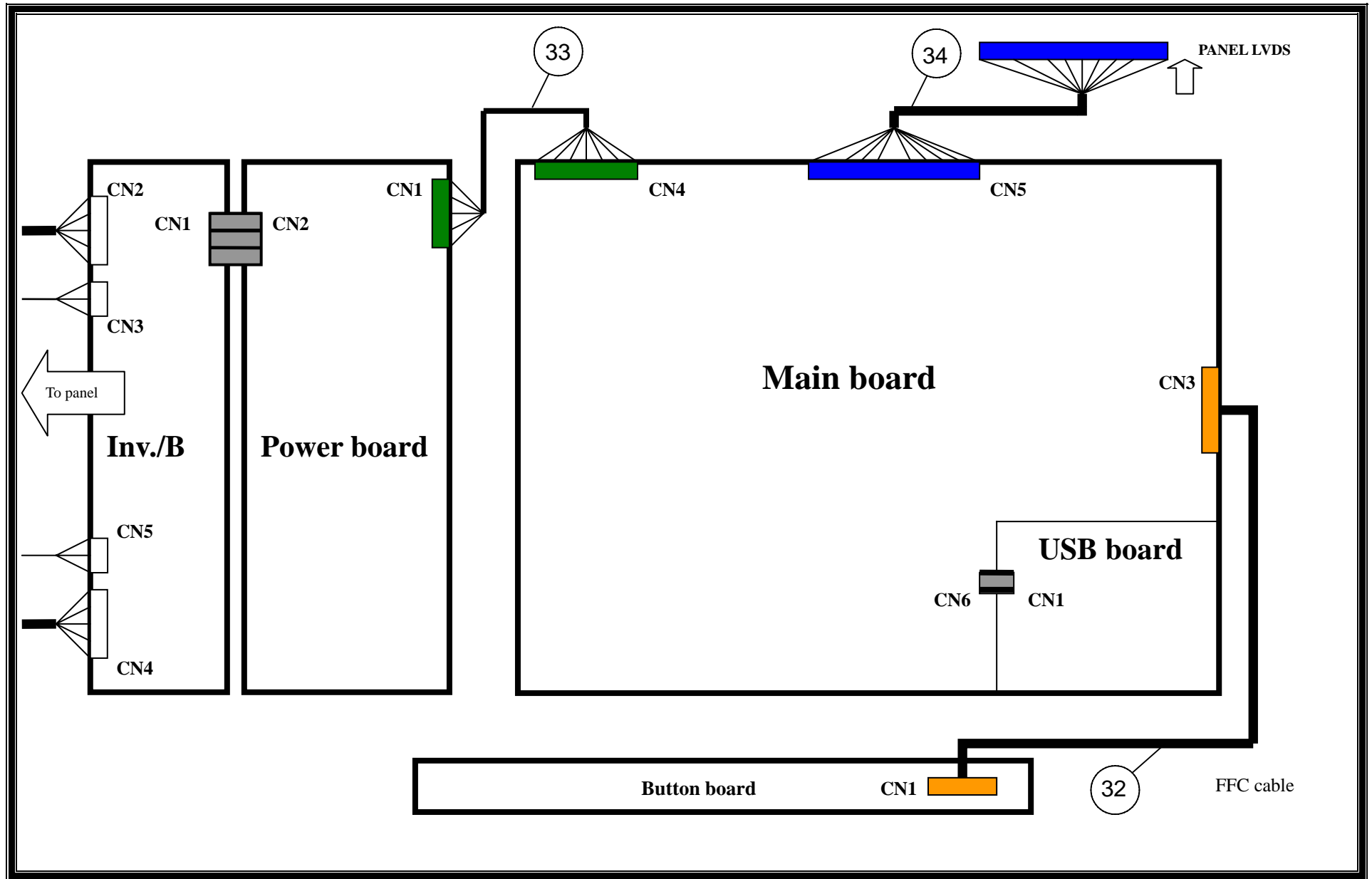
Item	ViewSonic P/N	Ref. P/N	Description	Location	Universal number#	Q'ty
1	#N/A	1L0VPZXVS07	LOVP LCD MONITOR(USA,VP2030) GP			
2	B-00004349	21LAVPMB003	LAVP M/B ASSY(GM1601-LF-CF) GP			1
3	#N/A	31LAVPSS009	LAVP M/B S/S ASSY(GM1601-LF-CF) GP			1
4	#N/A	CC647T1MD05	CAP EC 47U 10V(+20%,105C,5*11,2000H)GP	C5,C6,C28,C29,C44,C46,C47,C59,C62,C64,C76,C77,C96,C100,C103,C107,C119,C126,C134,C137,C138		21
5	#N/A	CC71004MD09	CAP ELEC DIP 100U 25V(+20%,105C,6*7) GP	C124		1
6	#N/A	CC73303MD69	CAP ELEC DIP 330U 16V(+20%,105C,8*9) GP	C174,C204,C205		3
7	#N/A	CC810T1MD13	CAP EC 1000U6.3V(+20%,105C,8*15,2KH)GP	C206		1
8	#N/A	CC710T3MD04	CAP EC 100U 16V +20%,105C,6.3*5,1000 GP	C180,C181,C184,C185,C187,C188		6
9	#N/A	DC11050K007	CHOKE COIL 100UH(5A,+10% .HKH050-101K)GP	L28		1
10	#N/A	DHR31110002	ROLL BALL SWITCH 4P RBS311100 GP	U19		1
11	#N/A	BG614318072	XTAL DIP 14.318MHZ(+30PPM,49/US) GP	X1		1
12	#N/A	DFDI30FR103	CONN DVI-I DIP30P 3R FR(P1.905,H10.04)GP	CN2		1
13	#N/A	DFDS15FR076	CONN D-SUB 15P 3R FR(P1.15,H12.55) GP	CN1		1
14	#N/A	DFHD30MR267	CONN DIP HEADER 30P 2R MR(P2.0,H4.0) GP	CN5		1
15	#N/A	DFHD04FR007	CONN DIP HEADER 4P 2R FR(P2.5,H5) GP	CN6		1
16	#N/A	DFHD08MR319	CONN DIP HEADER 8P 1R MR(P2.0,H4.1) GP	CN7		1
17	B-00004350	23L0VPBB007	LOVP BUTTON/B ASSY GP			1
18	#N/A	DAL0VPTB011	PCB(BUTTON) LOVP TB(2L,111*13,REVA) GP			1
19	#N/A	DHPTMG53311	SWITCH PU-BUTTON TMG-533-T/R(160+-50G)GP	SW1,SW2,SW3,SW4,SW5		5
20	#N/A	DFFC11FR001	CONN SMD FFC 11P 1R FR(P 1,H1.55) GP	CN1		1
21	#N/A	BEYG0003ZA5	LED(SMD) Y/G(KPB-3025NSGC-F01) GP	LED1		1
22	#N/A	AS08B500000	PWR MODULE(DTA)EADP-64BF B,90~264V GP			1
23	B-00004351	22L0VPUB005	LOVP USB/B ASSY(GP)			1
24	#N/A	32L0VPSS007	LOVP USB/B S/S ASSY(GP)			1
25	#N/A	CC71004MD09	CAP ELEC DIP 100U 25V(+20%,105C,6*7) GP	C1,C7,C13,C16,C26,C27		6
26	#N/A	DFUB08MR009	CONN DIP USB A-T D-8P 2R MR(P2,H15.35)GP	J1,J2		2
27	#N/A	DFUB04MR001	CONN DIP USB B-T 4P 2R MR(P2.5,H11.3) GP	USB1		1
28	#N/A	BG612000202	XTAL DIP 12MHZ(+30PPM,HC-49/S TYPE) GP	X1		1
29	#N/A	DFHD04MR001	CONN DIP HEADER 4P 2R MR(P2.54,H5) GP	CN1		1
30	C-00004353	24L0VPLB008	LOVP LCD BEZEL ASSY GP			1
31	#N/A	34L0VPLB008	LOVP LCD BEZEL SUB ASSY GP			1
32	CB-00004357	DFEC3609000	FFC CABLE MB-BUTTON(11P,360MM)LAVP GP			1
33	#N/A	DDLAVPPB104	CABLE POWER-MB(8P,55MM)LAVP GP			1
34	CB-00004359	DDL0VPLC004	CABLE MB-LCD(30P,100MM,AU)LOVP GP			1
35	#N/A	FALAVP01019	PCB SHIELD LAVP(FALAVP01,REV3A)GP			1
36	#N/A	FALAVP02015	INVER SHIELD LAVP(FALAVP02,REV3A)GP			1
37	#N/A	FAL0VP01016	LCD BRACKET-R LOVP(FAL0VP01,REV3A)GP			1
38	#N/A	FAL0VP02012	LCD BRACKET-L LOVP(FAL0VP02,REV3A)GP			1
39	#N/A	FALAVP05014	LCD BAK BOTTOM LAVP(FALAVP05,REV3A)GP			1
40	#N/A	FCLAVP01011	INVERTER MYLAR LAVP(FCLAVP01,REV3A)GP			1
41	HW-00004364	MM30050BJ21	SCREW M3.0*5.0-B BLACK GP			25
42	#N/A	FALAVP08013	LCD BRACKET TOP LAVP(FALAVP08,R3A) GP			1
43	#N/A	MBL9V001019	IO NUT L9VDA-5(MBL9V001,REV3A)M3*15*6 GP			4
44	#N/A	FCLAVP02017	AL FOIL LAVP(FCLAVP02,REV3A)210*10 GP			1
45	#N/A	FCLAVP03013	AL FOIL LAVP(FCLAVP03,REV3A)65*30 GP			3
46	#N/A	FCW0E002016	POWER MYLAR W0E-A1(FAW0E002, REV3A)GP			1
47	#N/A	FCLAVP04010	POWER MYLAR TOP LAVP(FCLAVP04,R3A) GP			1
48	#N/A	FCLAVP05016	SHIELD MYLAR LAVP(FCLAVP05,R3A) GP			1
49	#N/A	FCLAVP06012	BUTTON/B MYLAR LAVP(FCLAVP06,R3A) GP			1
50	#N/A	FCLAVP07019	BUTTON EVA LAVP(FCLAVP07,REV3A) GP			1
51	M-MS-0808-8984	FCL70004010	LCD MYLAR L70L-E(FCL70004,REV3A)GP			1
52	C-00004354	25L0VPLC005	LOVP LCD COVER ASSY GP			1
53	#N/A	35L0VPLC005	LOVP LCD COVER SUB ASSY GP			1
54	#N/A	EAL0VP02012	LCD COVER LOVP(EAL0VP02,REV3A)GP			1
55	M-MS-0808-9411	FBL70008014	LOCK METAL L70B(FBL70008,REV3A) GP			1
56	#N/A	EBWCV02011	VSC ELLIP LOGO POLISH(EBWCV02,REV3A) GP			1
57	#N/A	26LAVPSA009	LAVP STAND ASSY GP			1
58	C-00004355	37LAVPSU003	LAVP STAND SUB ASSY GP			1
59	#N/A	FALAVP07017	HINGE ASSY LAVP(FALAVP07,REV3A)GP			1
60	#N/A	EALAVP04018	STAND TOP LAVP(EALAVP04,REV3A)GP			1
61	#N/A	EALAVP05014	STAND BOTTOM LAVP(EALAVP05,REV3A)GP			1
62	#N/A	EALAVP06011	HINGE COVER FRONT LAVP(EALAVP06,REV3A)GP			1
63	#N/A	EALAVP07017	HINGE COVER BACK LAVP(EALAVP07,REV3A)GP			1
64	#N/A	EBLAVP02016	CLAMP LAVP(EBLAVP02,REV3A)GP			3
65	M-SCW-0824-0725	MF30050IBJ6	SCREW F3*5-1(NI)GP			9
66	C-00004356	38LAVPBS002	LAVP BASE SUB ASSY GP			1
67	#N/A	EALAVP08013	BASE LAVP (EALAVP08,REV3A)GP			1
68	#N/A	FALAVP06011	BASE PLATE LAVP(FALAVP06,REV3A)GP			1
69	#N/A	GALAVP01019	RUBBER FOOT LAVP D24*4 GALAVP01,REV3A GP			4
70	M-SCW-0824-0725	MF30050IBJ6	SCREW F3*5-1(NI)GP			6
71	M-SCW-0824-0795	MM40080BC15	SCREW M4.0*8-B(NI,NYLOK)GP			8
72	#N/A	27LAVPCS007	LAVP CHASSIS ASSY GP			1
73	#N/A	EALAVP03011	STAND VISA COVER LAVP(EALAVP03,REV3A)GP			1
74	M-SCW-0824-0814	MM30060BBJ3	SCREW M3.0*6,B(NI) GP			4
75	#N/A	2AL0VPPTA03	LOVP PANEL DEPENDENT KIT ASSY(AU) GP			1
76	E-00004363	AAM201UN029	LCD(TFT) 20"M201UN02 V.5(LF/8MS) GP			1
77	#N/A	AZL0VP0A001	LOVP SW BIOS IMAGE(AU)GM1601-LF-CF N/A			1
78	B-00004352	AS023190407	INV MODULE(SEL)LAVP(20V,V=900V,MAX)GP			1
79	#N/A	28L0VPPK001	LOVP PACKING ASSY GP			1
80	CB-00004360	DD0M7TPC005	CABLE ASSY M7T MB-VGA(15/15P,REV1A) GP			1

Item	ViewSonic P/N	Ref. P/N	Description	Location	Universal number#	Q'ty
81	CB-00004361	DDWCVPDV019	CABLE DVI-I(29/29P,1.8M)WCVP GP			1
82	#N/A	HBL0VP01017	END CAP(L) L0VP(HBL0VP01,REV3A)GP			1
83	#N/A	HBL0VP02013	END CAP(R) L0VP(HBL0VP02,REV3A)GP			1
84	M-LB-0813-0747	HCL7V004013	CORE LABEL(HCL7V004,REV3A)			1
85	#N/A	HCL0VP01018	ID LABEL L0VP(HCL0VP01,REV3A)GP			1
86	M-LB-0813-0745	HCL7V002011	SERIAL LABEL L7V(HCL7V002,REV3A) GP			1
87	M-LB-0813-1042	HCL7V019011	CARTON LABEL L7VC(HCL7V019,REV3B) GP			1
88	P-00004366	HFL0VP01011	CARTON L0VP(HFL0VP01,REV3A)GP			1
89	DC-00004362	HGL0VP01011	CD+QSG L0VP(HGL0VP01,REV3A)GP			1
90	#N/A	JXLM5003011	HANDLE LM5S(JXLM5003,REV 3B) GP			1
91	M-00004365	JXL0VP01018	LCD FILM L0VP(JXL0VP01,REV3A)GP			1
92	M-LB-0813-1043	HCL70021011	HI-POT LABEL L70L(HCL70021,REV3A)			1
93	#N/A	HFL0VP02017	SPACE PLATE L0VP(HFL0VP02,REV3A)GP			0.083
94	P-00004159	HAL0T002019	PE BAG L0T(HAL0T002,REV3A)GP			1
95	#N/A	HDL7VC01019	SERVICR PAPER L7VC(HDL7VC01,REV3A) GP			1
96	DC-00003536	HCL9V009011	HG LABEL L9VD(HCL9V009,REV3A)			1
97	A-PC-0106-0224	DM333181G97	POWER CORD 3P 1.8M(USA)V04VS350012180 GP			1

8. Exploded View And Wxploded Parts List



Cable connection diagram



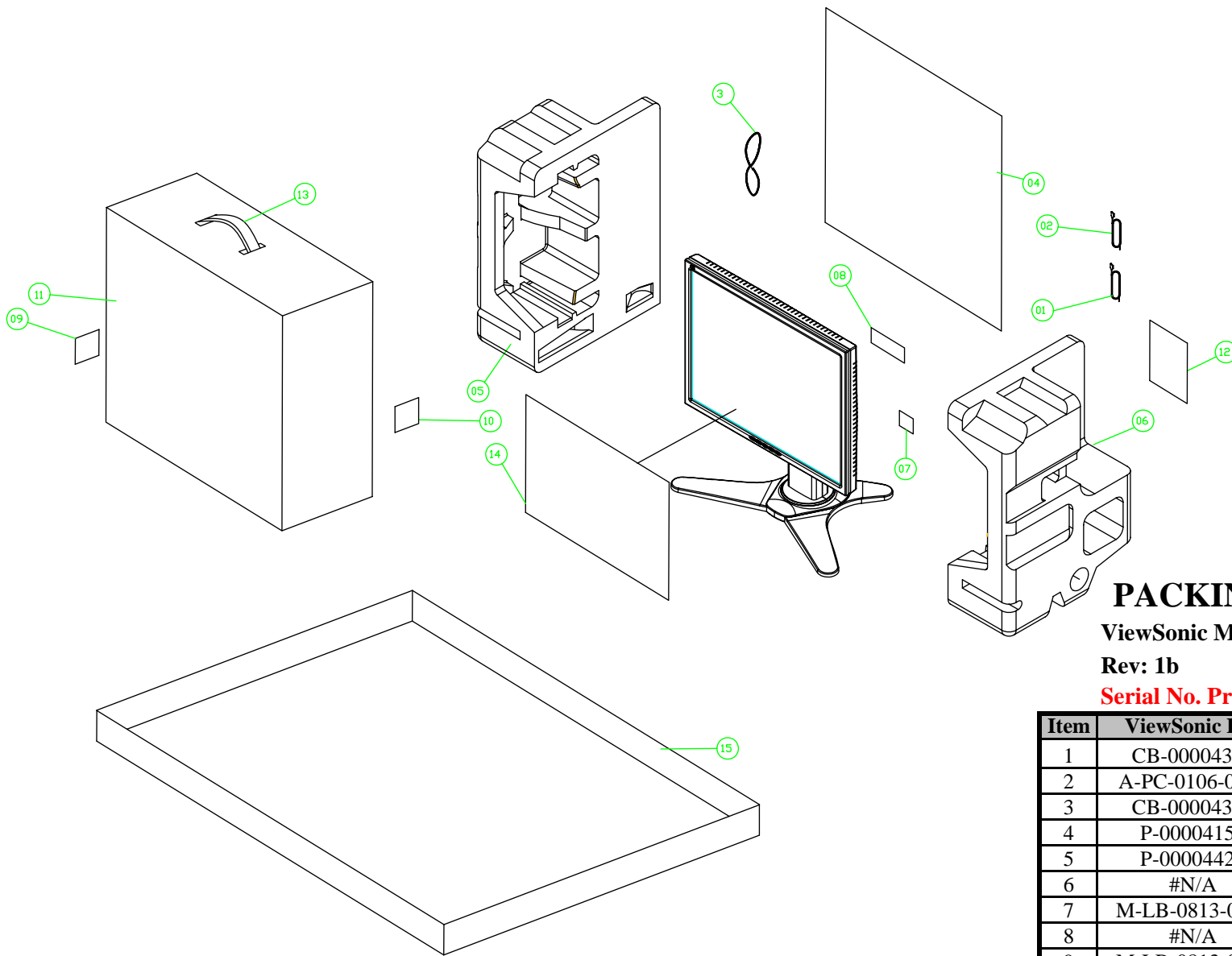
EXPLODED PARTS LIST (VP2130b-1)

ViewSonic Model Number: VS10773-1W

Rev: 1a

Serial No. Prefix: PSD

Item	ViewSonic P/N	Ref. P/N	Description	Q'ty
1	#N/A	34LAVPLB001E	LAVP BEZEL SUB ASSY	1
2	#N/A	EALAVP01019	LCD BEZEL L0VP	1
3	#N/A	ECL0VP01011	CONTROL BUTTON LAVP	1
4	#N/A	EBLAVP01010	LED LENS LAVP	1
5	#N/A	FALAVP01019	PCB SHILED LAVP	1
6	#N/A	FALAVP02015	INVER SHIELD LAVP	1
7	#N/A	FALAVP03011	LCD BRACKET-R	1
8	#N/A	FALAVP04018	LCD BRACKET-L	1
9	#N/A	FALAVP05014	LCD BRACKET BOTTOM LAVP	1
10	#N/A	FCLAVP01011	INVERTER MYLAR LAVP	1
11	M-SCW-0824-0728	MM30050IBJ3	SCREW M3.0*5.0-I(NI)	25
12	C-00004422	25LAVPLC008	LAVP LCD COVER ASSY	1
13	#N/A	EALAVP02015	LCD COVER LAVP	1
14	C-00004642	EALAVP03011	STAND VESA COVER LAVP	1
15	M-MS-0808-9411	FBL70008014	LOCK METAL L70B	1
16	M-SCW-0824-0814	MM30060BBJ3	SCREW M3*6-B (NI)	4
17	#N/A	26LAVPSA009	LAVP STAND ASSY	1
18	#N/A	FALAVP07017	HINGE ASSY LAVP	1
19	#N/A	EALAVP04018	STAND TOP LAVP	1
20	#N/A	EALAVP05014	STAND BOTTOM LAVP	1
21	#N/A	EALAVP06011	HINGE COVER FRONT	1
22	#N/A	EALAVP07017	HINGE COBER BACK LAVP	1
23	#N/A	EBLAVP02016	CLAMP LAVP	3
24	M-SCW-0824-0795	MM40080BC15	SCREW M4.0*8-B(NI, NYLOK)	8
25	M-SCW-0824-0725	MF30050IBJ6	SCREW F3*5-I(NI)	15
26	#N/A	EALAVP08013	BASE LAVP	1
27	#N/A	FALAVP06011	BASE PLATE LAVP	1
28	#N/A	GALAVP01019	RUBBER FOOT LAVP	4
29	M-MS-0808-8986	MBLI1004018	IO NUT	4
30	#N/A	FALAVP08013	LCD BRACKET TOP	1
31	#N/A	MS30030I934	SCREW 3*3.0-I	4
32	CB-00004357	DEFC3609000	FFC CABLE MB-BUTTON	1
33	CB-00004358	DDLAVPPB104	CABLE POWER-MB	1
34	CB-00004424	DDLAVPLC104	CABLE MB-LCD	1
35	E-00004426	AAM213U6008	LCD LTM213U6-L01	1
36	B-00004352	AS023190407	INV MODULE(SEL)LAVP	1
37	B-00004348	AS08B500000	PWR MODULE(DTA)EADP-64BF B	1
38	B-00004349	21LAVPMB003	LAVP M/B ASSY	1
39	B-00004351	22L0VPUB005	L0VP USB/B ASSY(GP)	1



PACKING PART LIST (VP2130b-1)

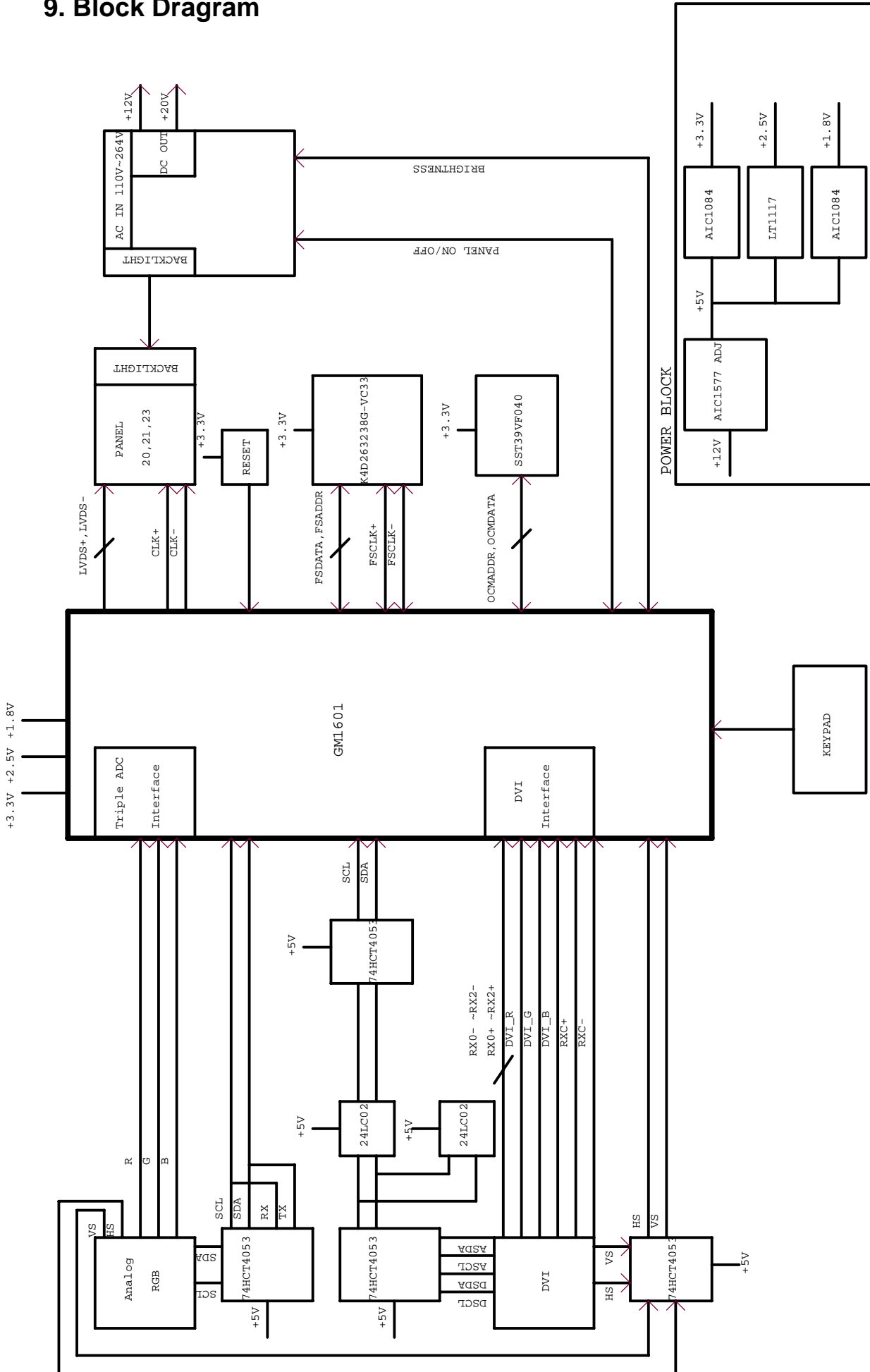
ViewSonic Model Number: VS10773-1W

Rev: 1b

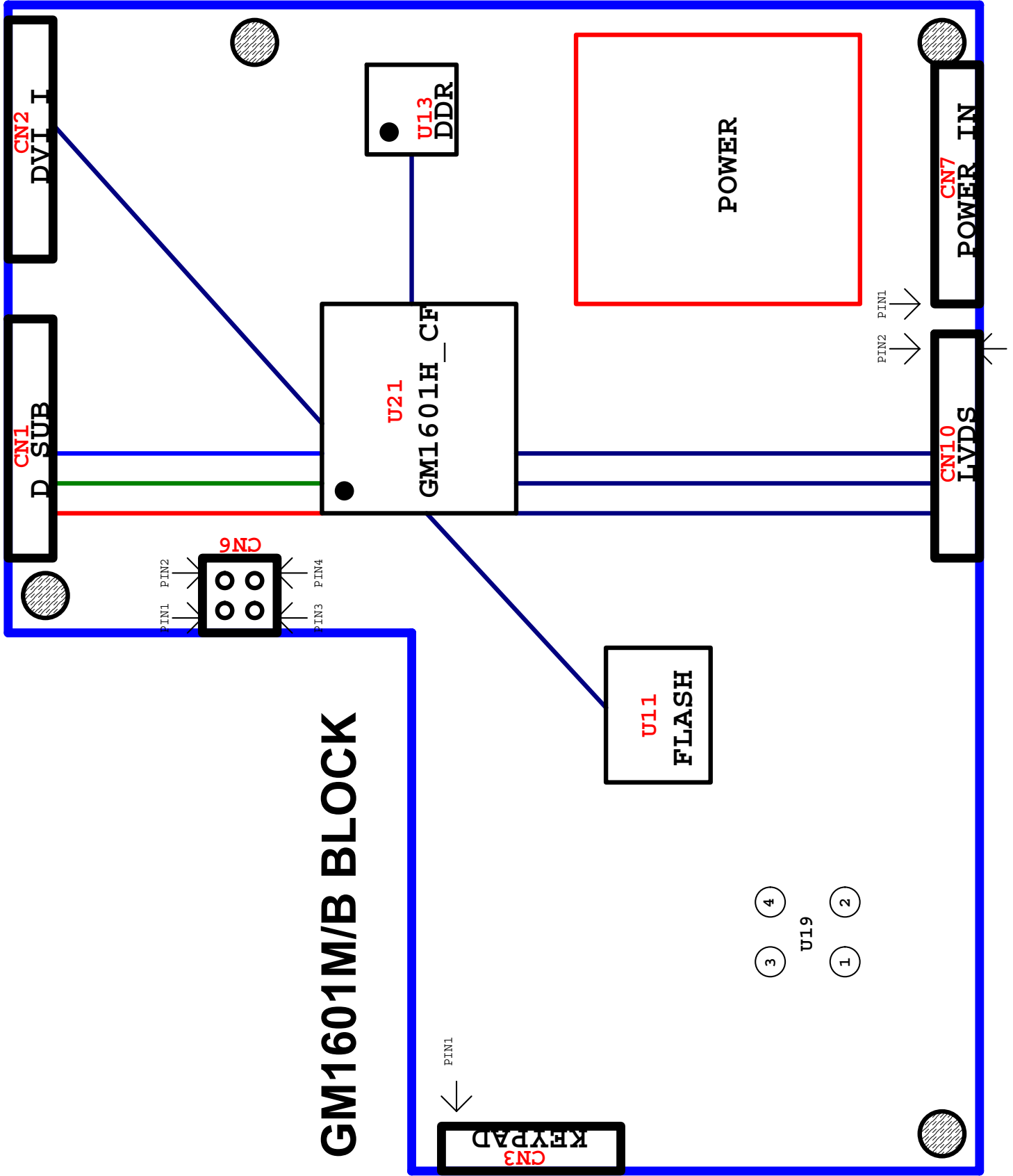
Serial No. Prefix: PSD

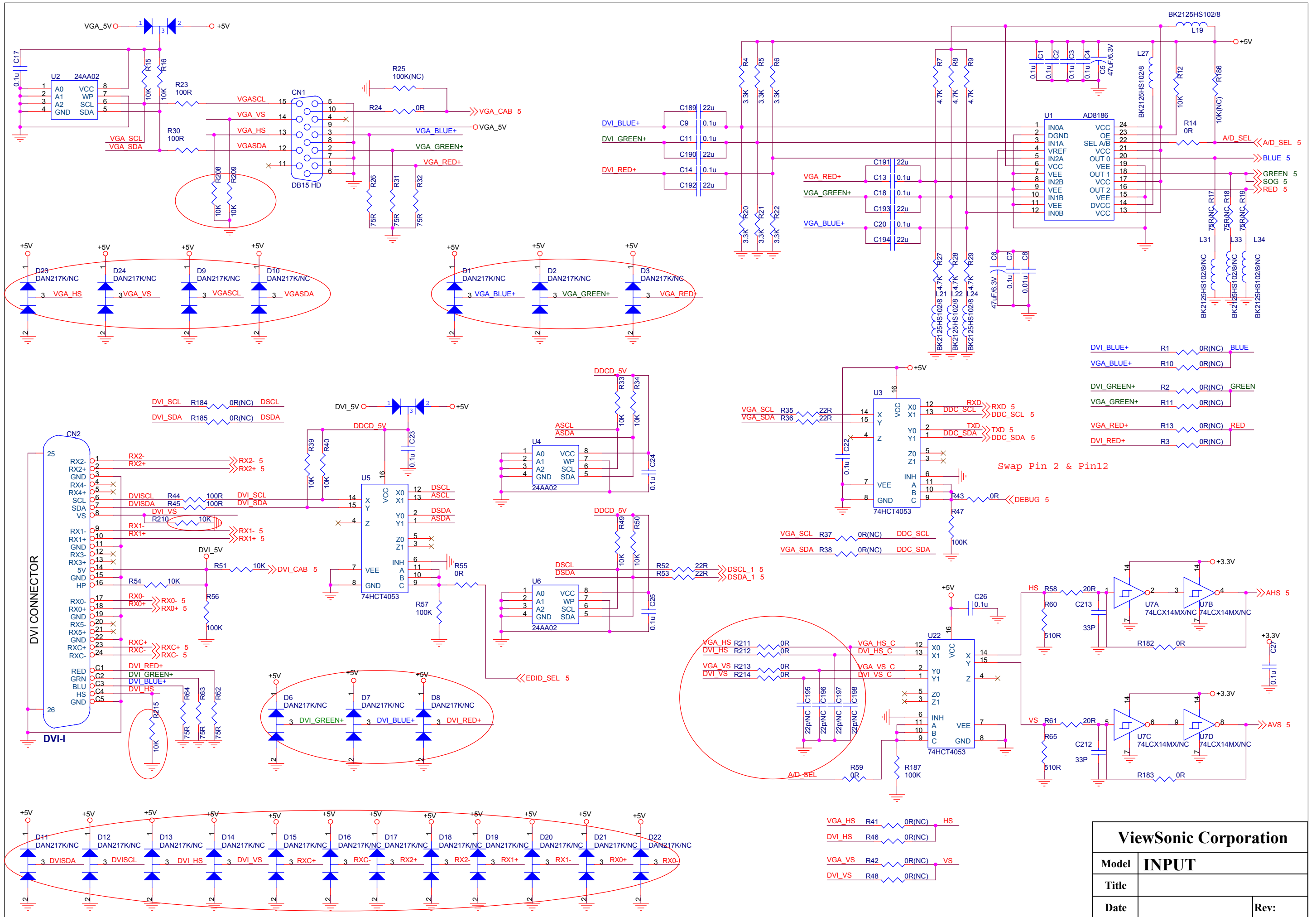
Item	ViewSonic P/N	Ref. P/N	Description	Q'ty
1	CB-00004361	DDWCVPDV019	DVI cable	1
2	A-PC-0106-0224	DM333181G97	POWER CORD 3P 1.8M	1
3	CB-00004360	DD0M7TPC005	VGA CABLE	1
4	P-00004159	HAL0T002019	PE bag	1
5	P-00004429	HBLAVP01010	END CAP -L	1
6	#N/A	HBLAVP01016	END CAP R	1
7	M-LB-0813-0747	HCL7V004013	Core label	1
8	#N/A	HCLAVP01011	ID label	1
9	M-LB-0813-0745	HCL7V002011	S/N label	1
10	M-LB-0813-1042	HCL7V019011	Carton label	1
11	P-00004428	HFLAVP01013	Carton	1
12	DC-00004425	HGLAVP01014	CD+QSG	1
13	#N/A	JXLM5003011	Handle	1
14	M-00004427	JXLAVP01011	LCD film	1
15	#N/A	HFL0VP02017	Space Plate	1

9. Block Diagram



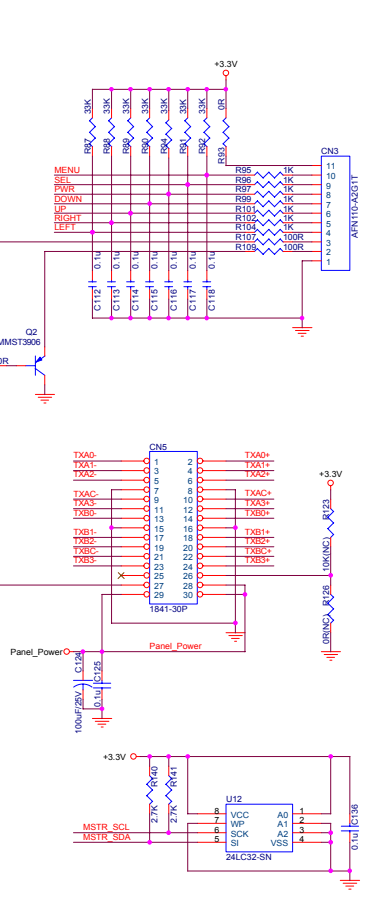
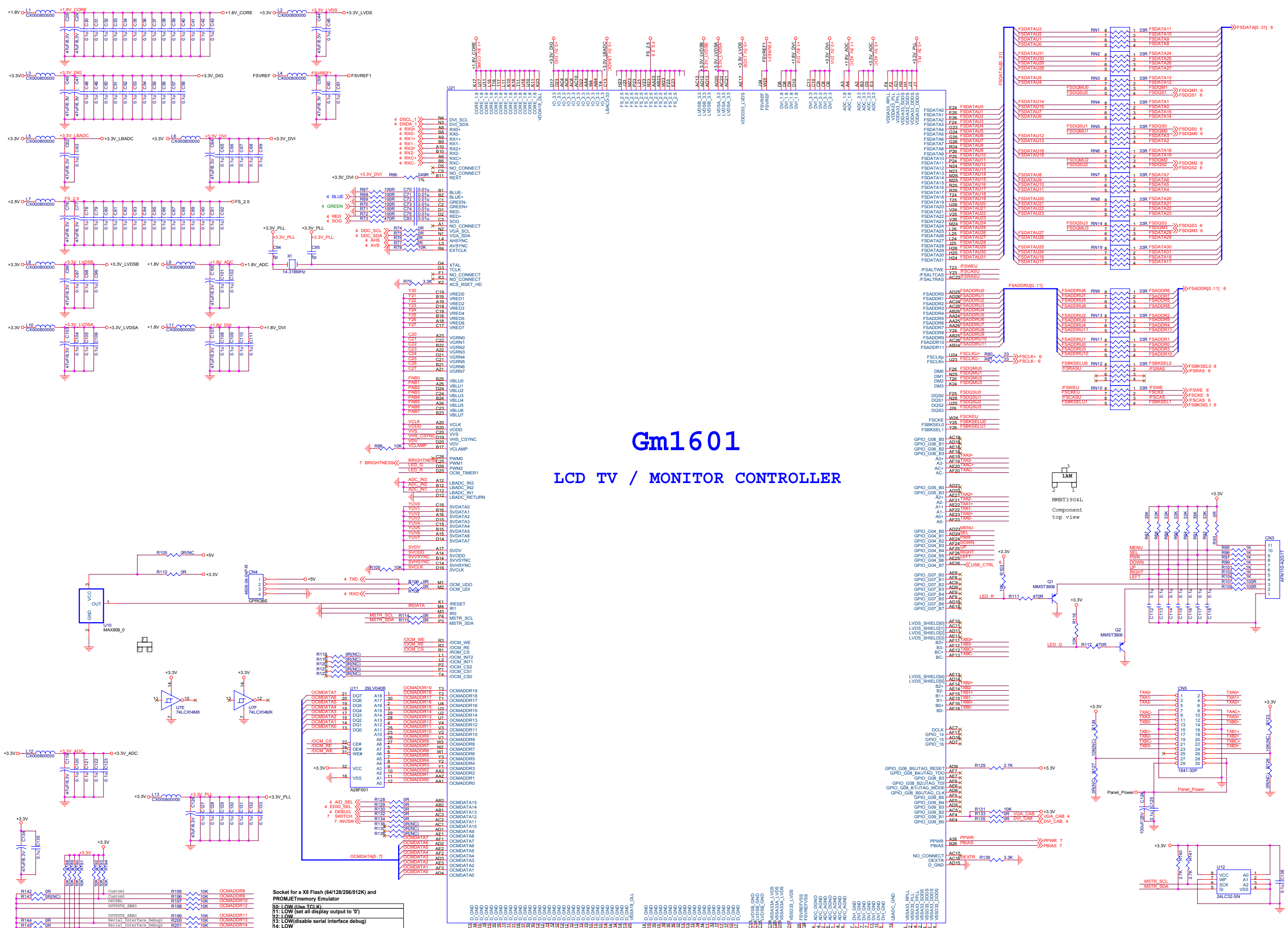
10. Schematic Diagrams



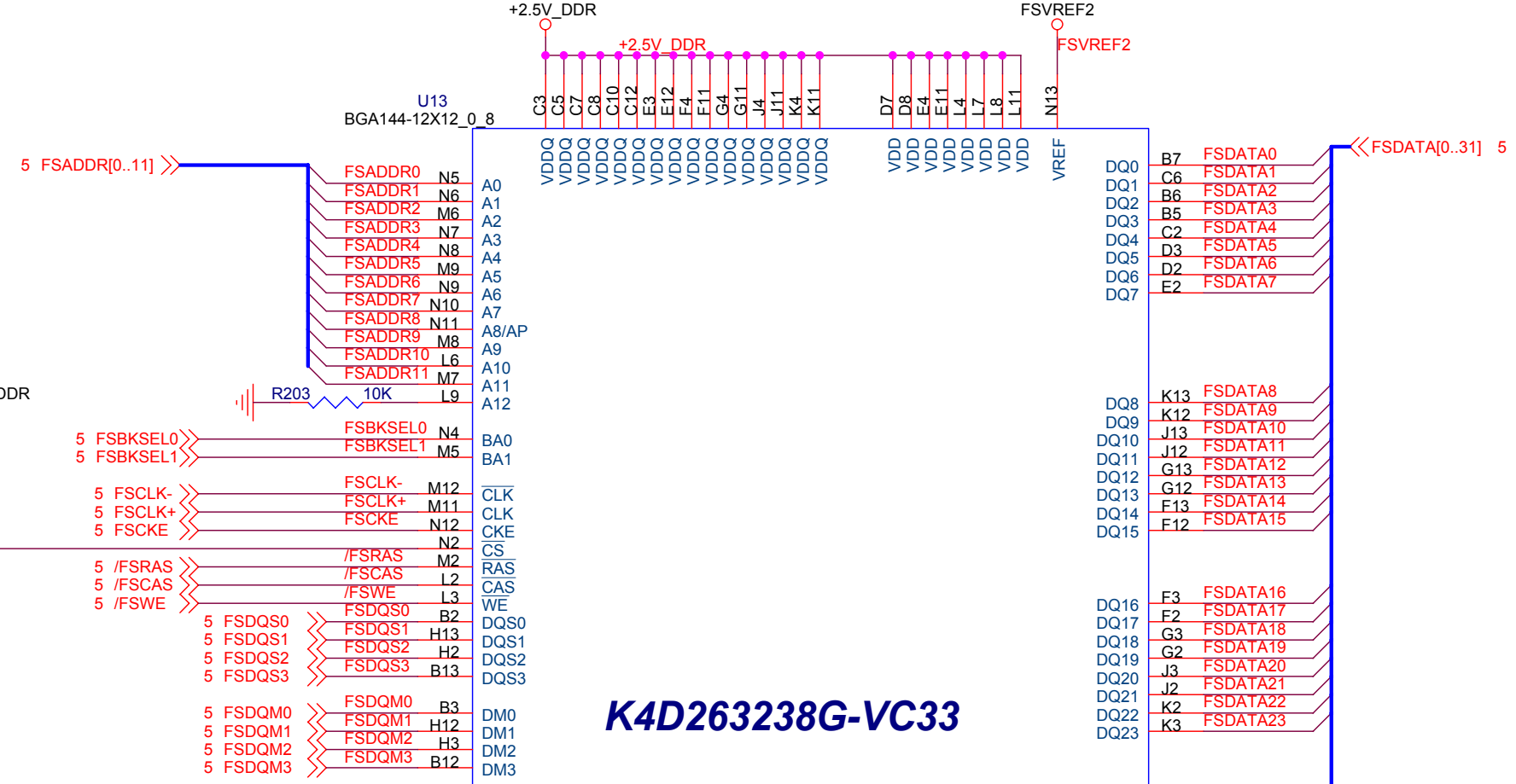
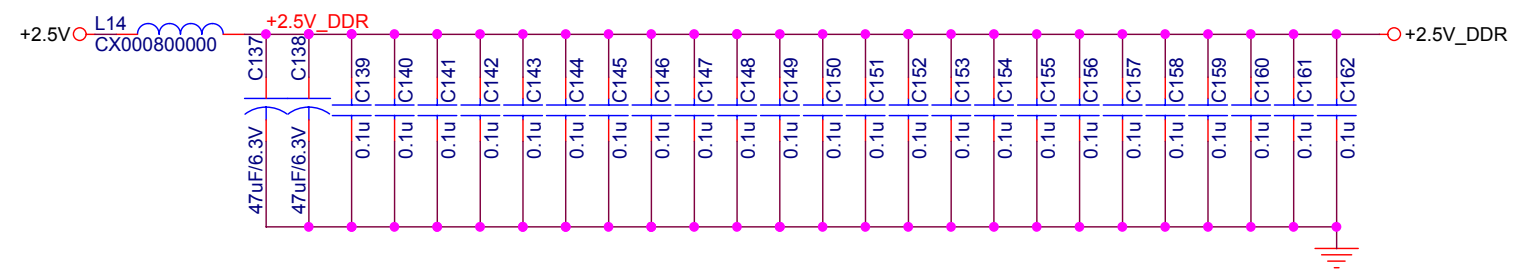


Gm1601

LCD TV / MONITOR CONTROLLER

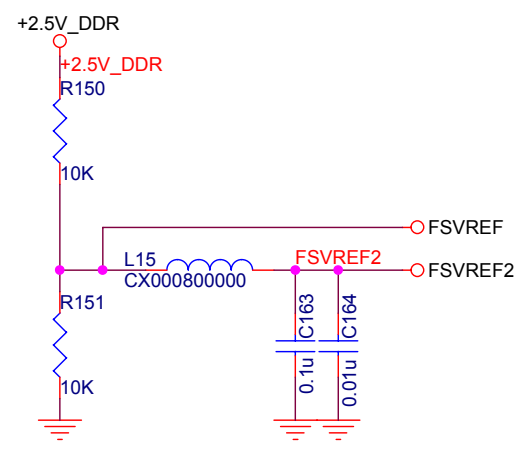


ViewSonic Corporation	
Model	CONTROLLER
Title	
Date	Rev:

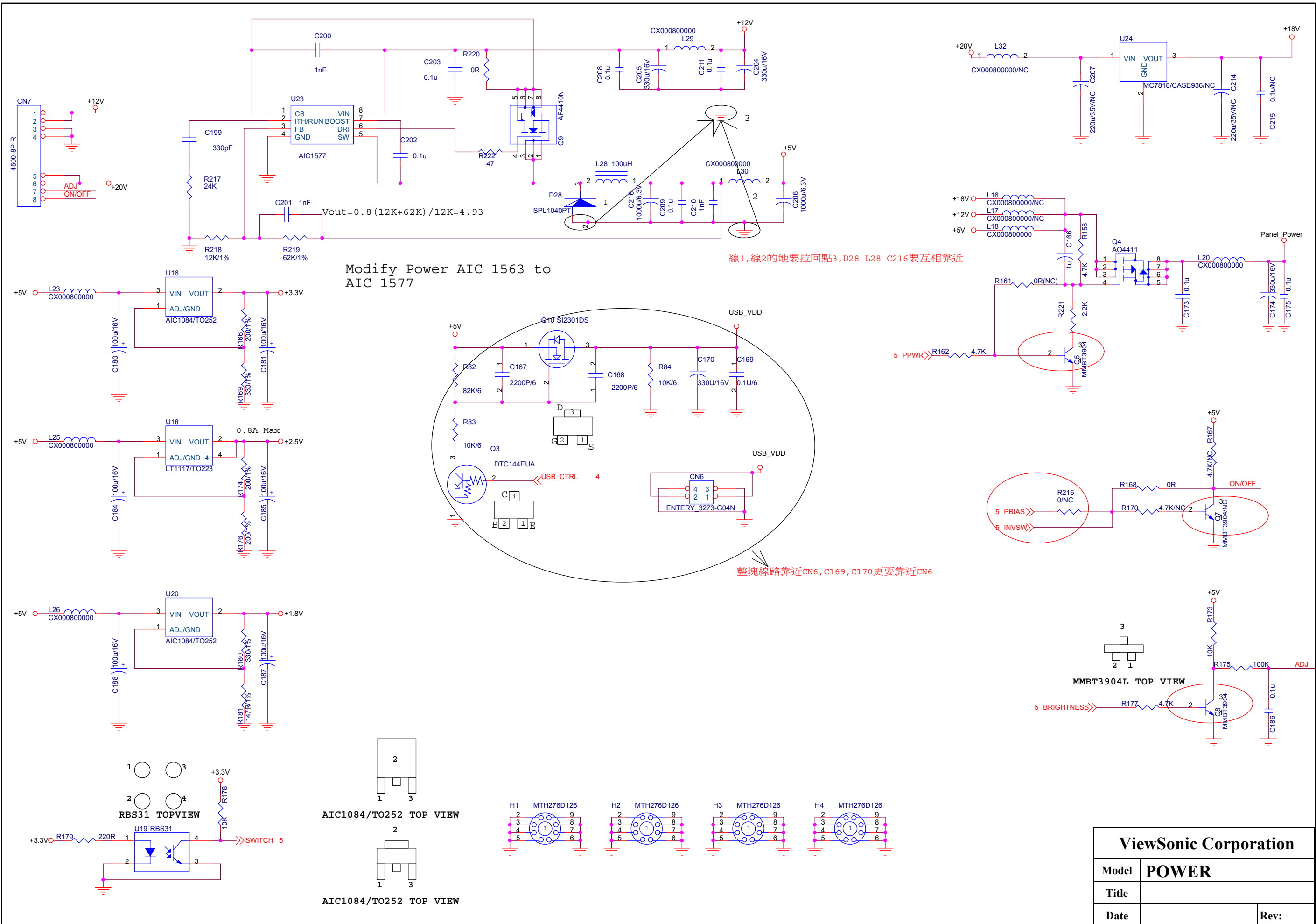


K4D263238G-VC33

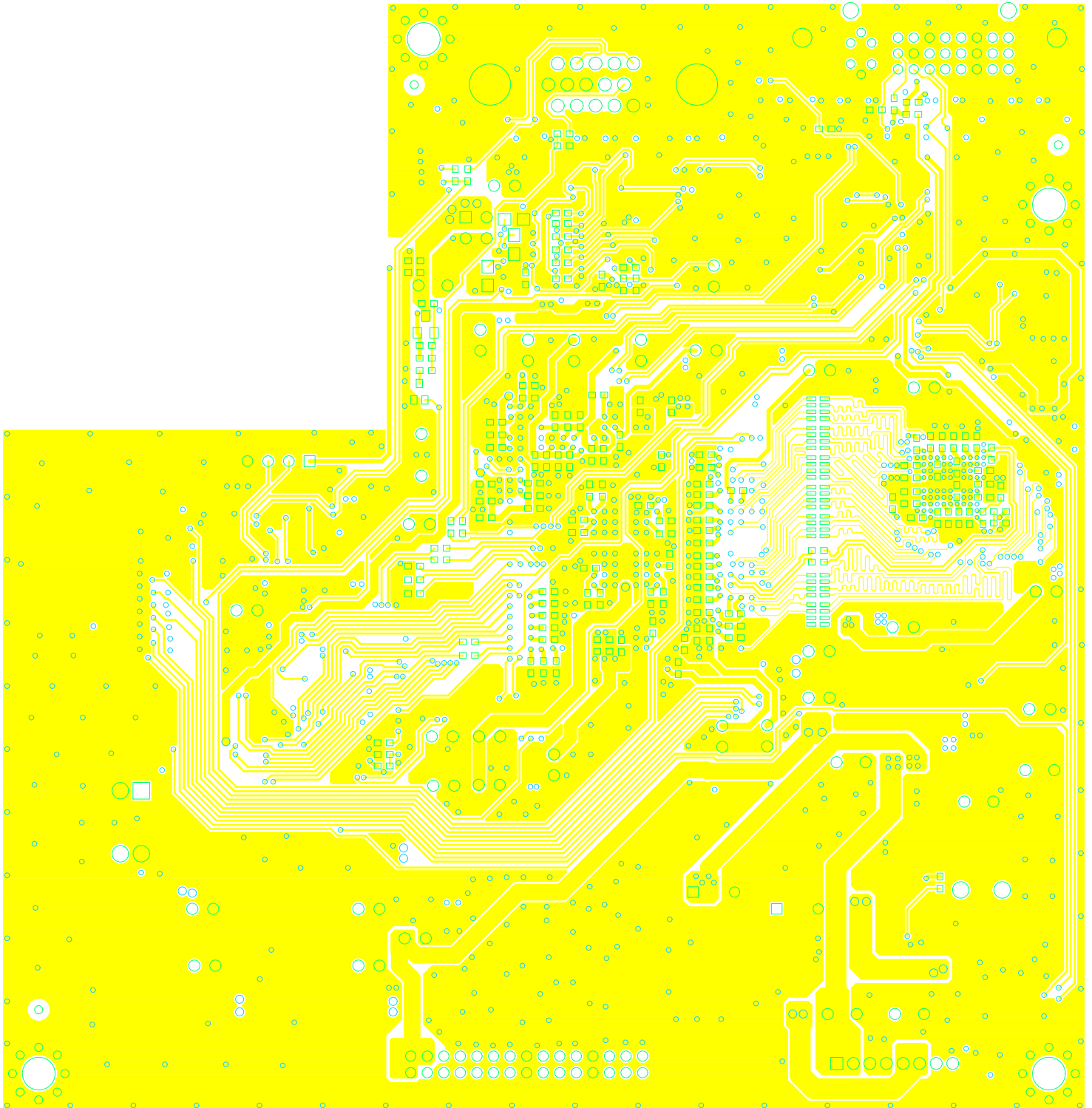
FSCLK+ R149 140R FSCLK-
Place R602 termination close to corresponding U600 Pins

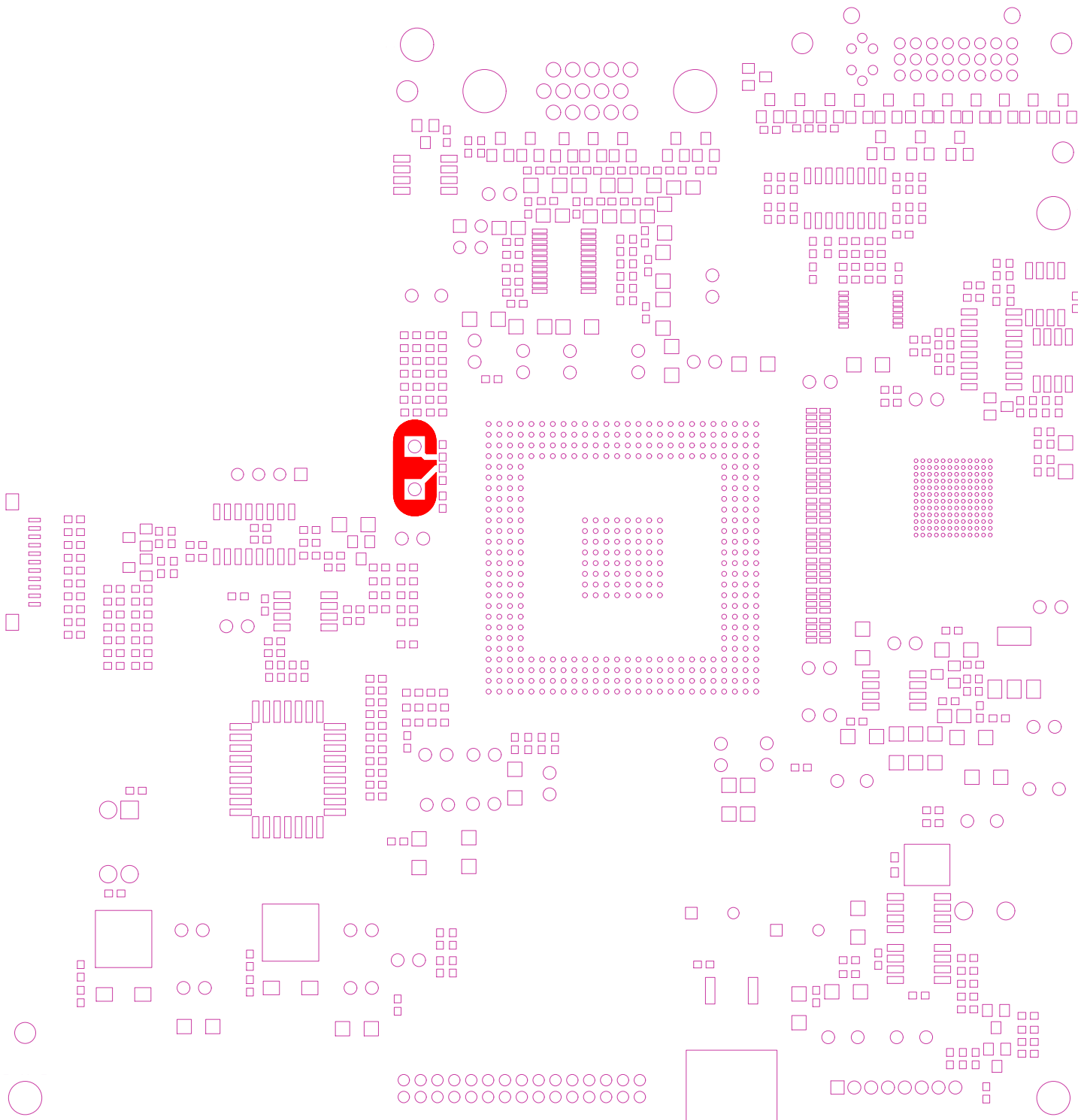


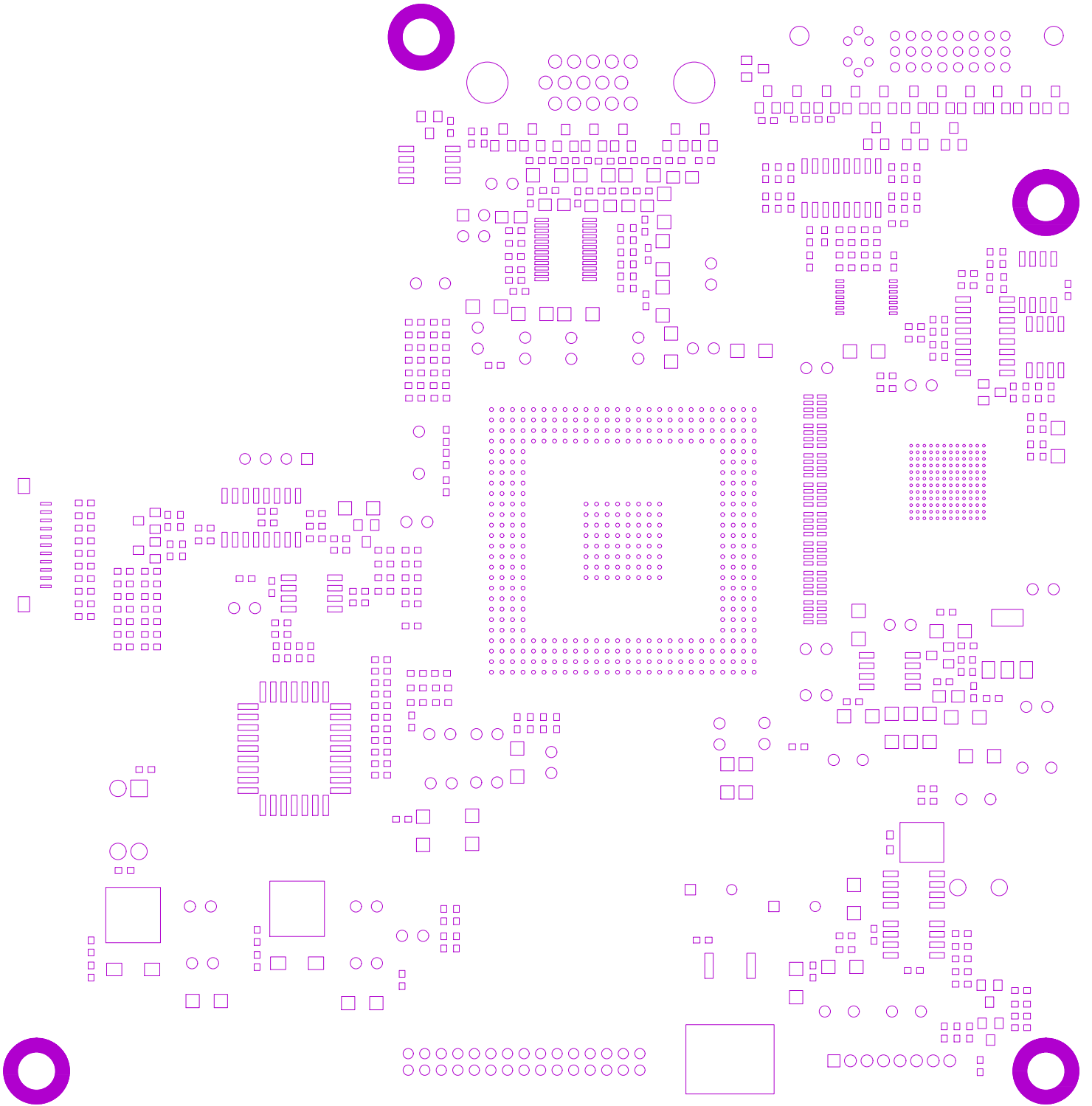
ViewSonic Corporation	
Model	DDR
Title	
Date	Rev:

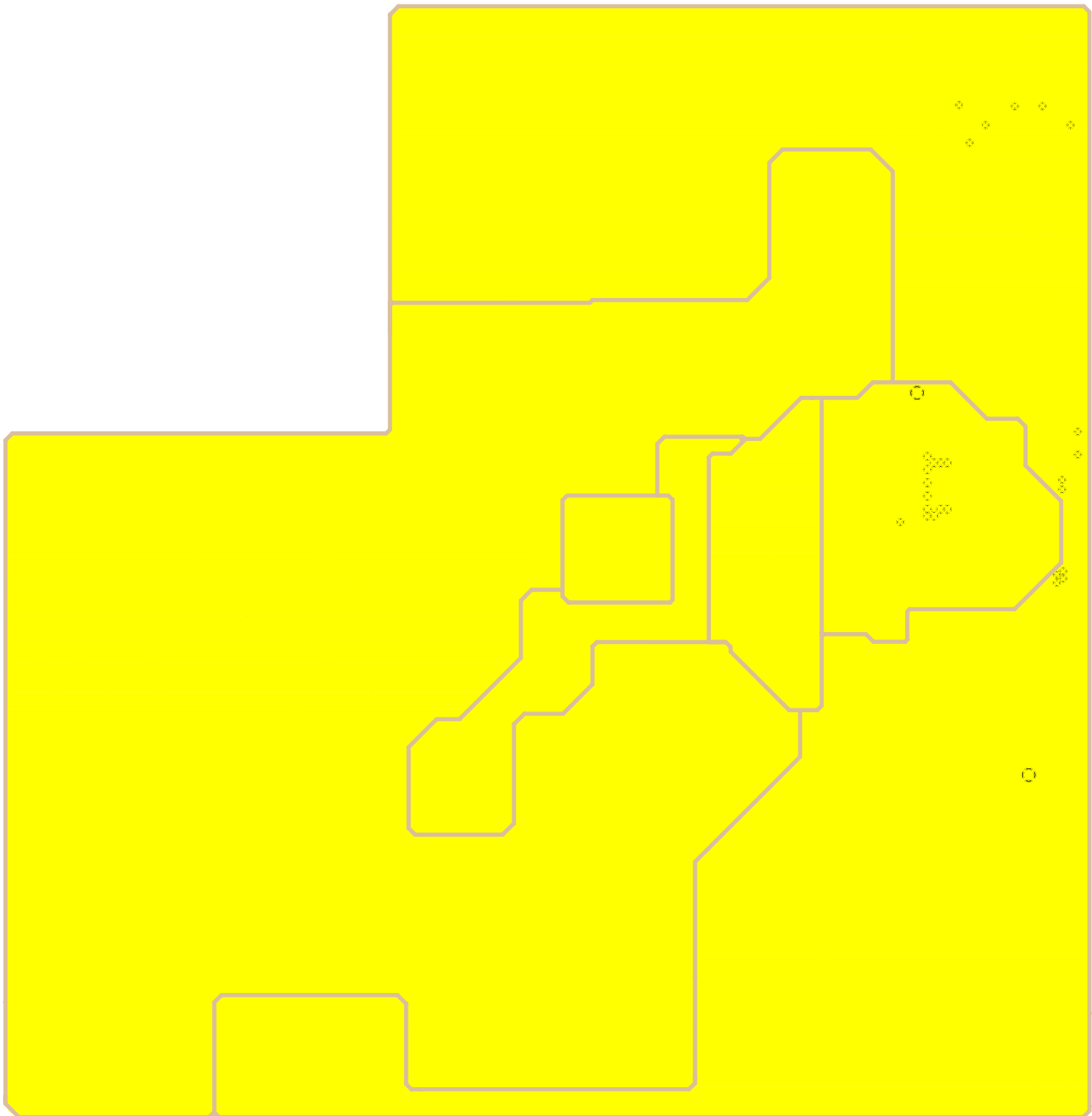


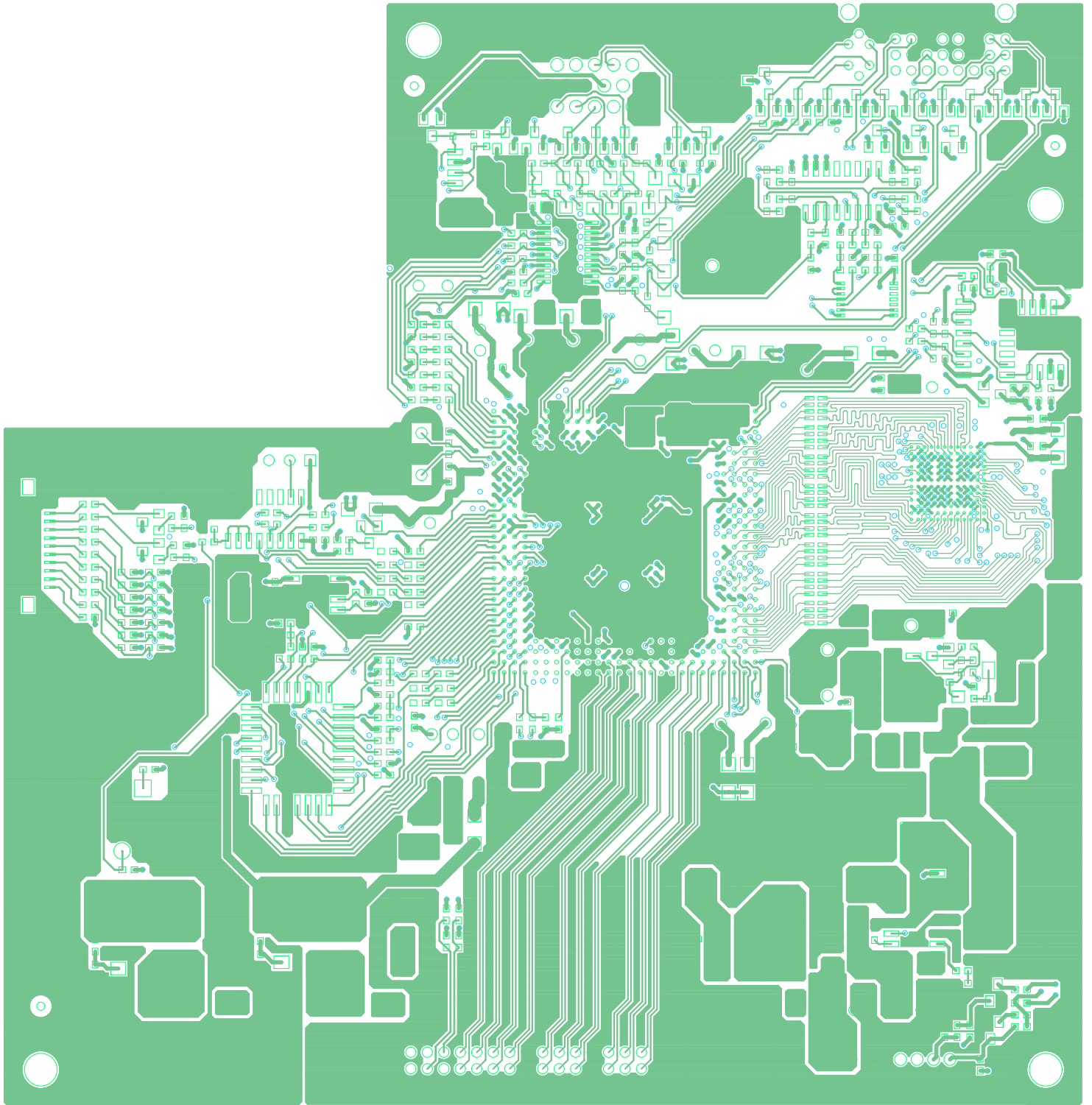
11. PCB Layout Diagrams

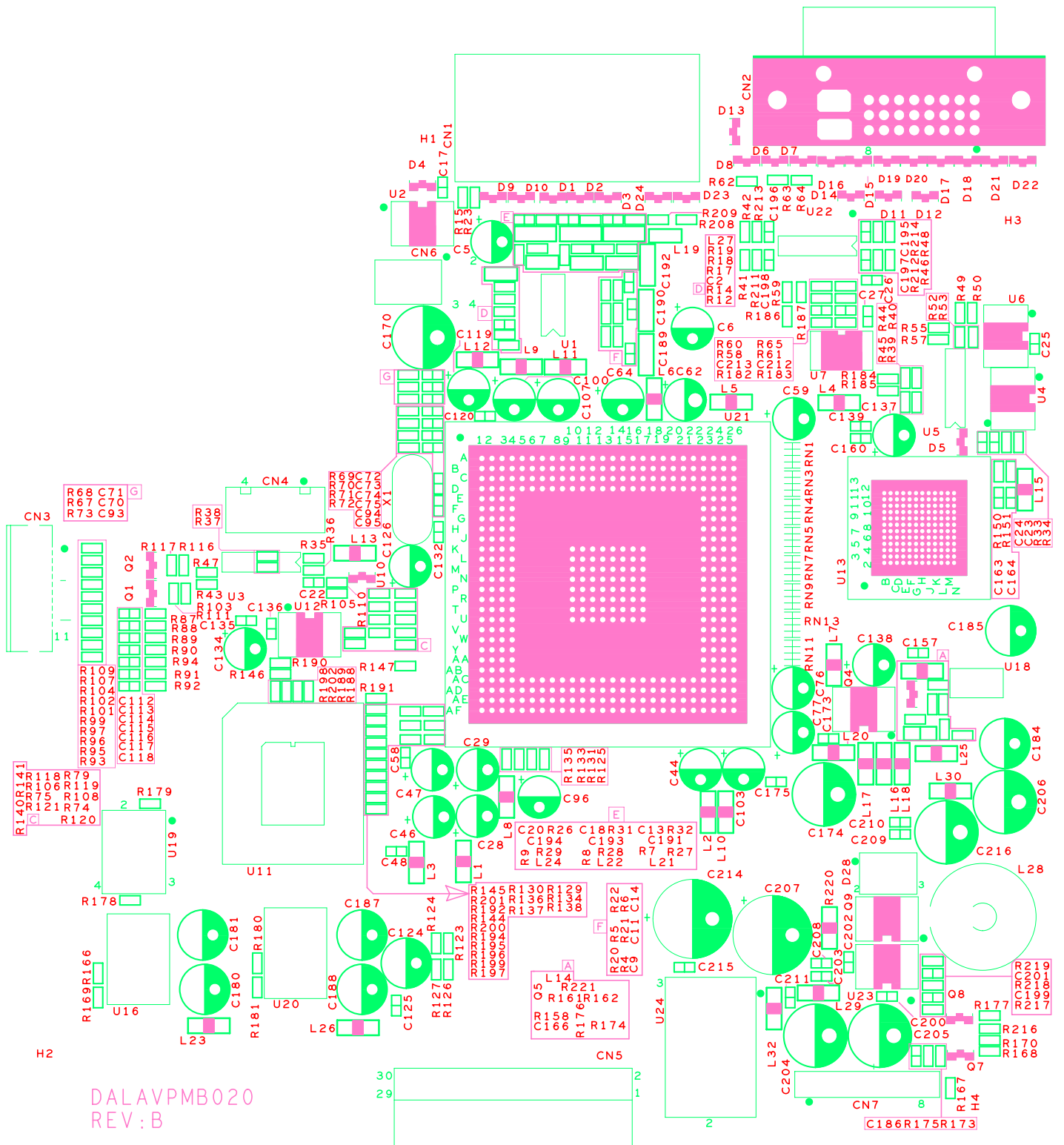


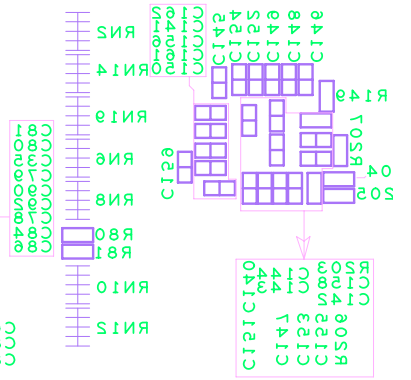
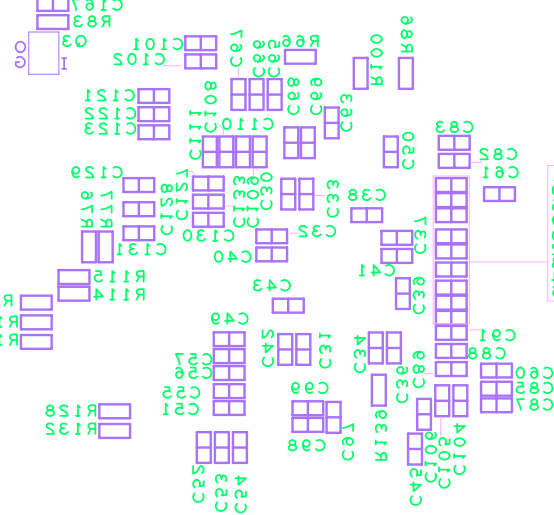
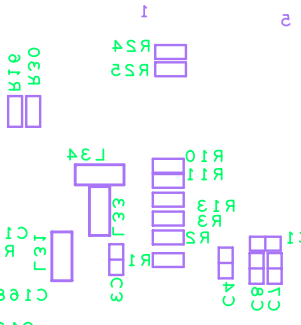
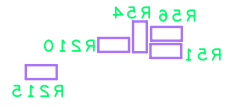












Reader's Response

Dear Readers:

Thank you in advance for your feedback on our Service Manual, which allows continuous improvement of our products. We would appreciate your completion of the Assessment Matrix below, for return to ViewSonic Corporation.

Assessment

A. What do you think about the content of this Service Manual?

<i>Unit</i>	<i>Excellent</i>	<i>Good</i>	<i>Fair</i>	<i>Bad</i>
1. Precautions and Safety Notices				
2. Specification				
3. Front Panel Function Control Description				
4. Circuit Description				
5. Adjustment Procedure				
6. Troubleshooting Flow Chart				
7. Recommended Spare Parts List				
8. Exploded Diagram and Exploded Parts List				
9. Block Diagram				
10. Schematic Diagrams				
11. PCB Layout Diagrams				

B. Are you satisfied with this Service Manual?

<i>Item</i>	<i>Excellent</i>	<i>Good</i>	<i>Fair</i>	<i>Bad</i>
1. Service Manual Content				
2. Service Manual Layout				
3. The form and listing				

C. Do you have any other opinions or suggestions regarding this service manual?

Reader's basic data:

Name:		Title:	
Company:			
Add.:			
Tel:		Fax:	
E-mail:			

After completing this form, please return it to ViewSonic Quality Assurance in the USA at facsimile 1-909-839-7943. You may also e-mail any suggestions to the Director, Quality Systems & Processes (marc.maupin@viewsonic.com)