



MASTERFLEX[®]

MICROFLEX OEM PERISTALTIC PUMP

INSTRUMENT QUALITY DESIGN IN A SMALL, COMPACT PACKAGE

APPROVALS/QUALITY STANDARDS

UL, cUL and CE
ISO 9001:2000
ISO 13485:2008
1 year warranty

PUMP DESIGN

Fixed occlusion eliminates adjustment after tubing changes and assures operation against pressure up to 30 psig.

Tubing retention prevents tubing "creep".

HIGH PURITY

Accommodates all sizes and formulations of microbore flow rated tubing.

Manufacturer recommended microbore BioPharm Plus silicone tubing—non-spalling and ultra-smooth performance

PERFORMANCE

Flow rates less than 3 μ L/min to 50 mL/min.

Pressure up to 2 bar (30 psig).

Accurate and repeatable flow delivery.

MOUNTING OPTIONS

Panel mounted.

Mount in any of four directions—tubing up or down, or left or right.

MOTORS

Easily replace motor with simple bayonet mounting.

Motor options include 12V or 24VDC. Brushless, stepper, or other motor options are available.



Ideal for a wide variety of life science, medical, and industrial applications:

- Chromatography
- Spectroscopy
- Lab analyzers
- Fermenter recirculation
- Reagent metering applications
- Bio-reactor feed and chemistry control
- pH control

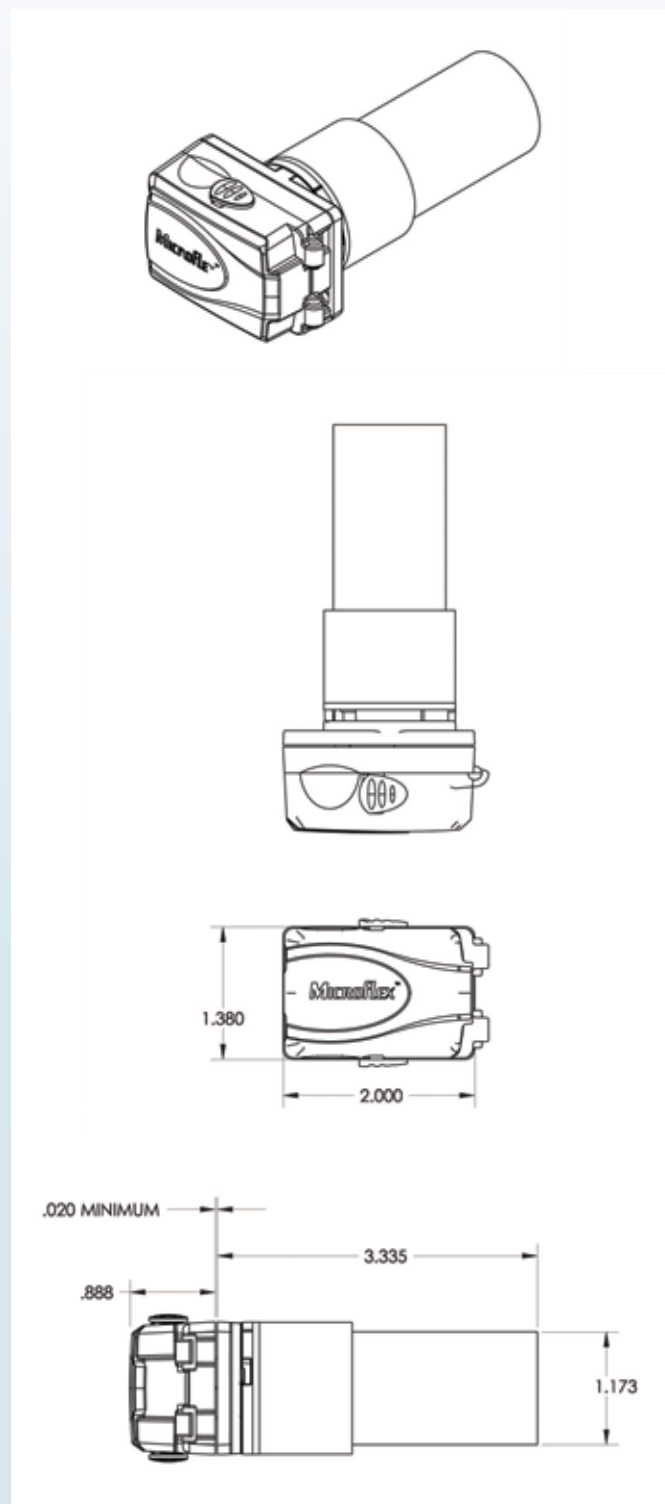
OEM PERISTALTIC PUMP FOR MICROFLUIDIC APPLICATIONS



Tubing suffix	Tubing ID in (mm)	Flow rate		
		10 rpm (µL/min)	80 rpm (µL/min)	300 rpm (µL/min)
-10	0.007 (0.19)	13	100	425
-12	0.010 (0.25)	22.5	180	730
-14	0.015 (0.38)	50.5	400	1650
-16	0.017 (0.44)	67	535	2200
-18	0.020 (0.51)	87	700	2900
-22	0.025 (0.64)	135	1050	4500
-24	0.030 (0.76)	185	1450	6250
-26	0.035 (0.89)	245	1950	8300
-28	0.040 (1.02)	315	2500	10400
-30	0.045 (1.14)	385	3100	13000
-32	0.051 (1.30)	485	3850	16300
-34	0.056 (1.42)	565	4500	19100
-36	0.060 (1.52)	635	5100	21300
-38	0.065 (1.65)	730	5850	24700
-40	0.073 (1.85)	885	7100	29800
-42	0.081 (2.06)	1050	8500	35200
-44	0.090 (2.29)	1250	9350	41000
-46	0.100 (2.54)	1450	10200	46200
-48	0.110 (2.79)	1650	11000	50000

Microflex Pump with PMDC Motor

Catalog number	Max speed (rpm)	Speed range (rpm)	Voltage	Current draw
920-8010-024	10	0.1 to 10	24 VDC	200 mA
920-8080-024	80	0.8 to 80	24 VDC	350 mA
920-8300-024	300	3 to 300	24 VDC	800 mA



For more information:

800-637-3739 or 847-381-7050
 ColeParmer.com/fluidhandling
 fluidhandling@coleparmer.com

Cole-Parmer®
 fluid handling and analysis