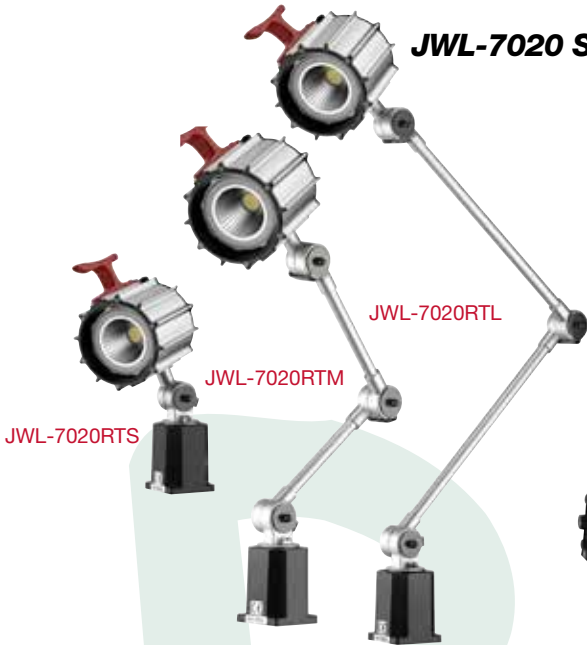


Jarrer's New Line-Up

JWL-7020 Series



JFL-30's

JFL-30LEB



JPL-Series

JPL-071D

JPL-141D

JPL-142D

JPL-143D



HPL-Series

HPL-281RS



HPL-Series

HPL-283D



JL-Series

JL30-WN142DB



JWL-70 Series

JWL-70RM



JPL-28 Series

JPL-281



JRL-W20 Series

JRL-W202D



JWL-50's Series

JWL-50F



JFL-11 Series

JFL-11FDB



JHL-35 Series

JHL-35



JWL-103's Series

JWL-103FTE



RAS

Machine Tool Technologies, Inc.
Major Supplier of Japanese,
Taiwanese and Korean
Machine Tool Components and Replacement Parts

Shop at our on-line store!
www.rasmachinetool.com

About Us

RAS



RAS Machine Tool Technologies is your one-stop CNC shop; serving Machine Tool Builders/Dealers/End Users and Service Companies. We carry a wide variety of OEM replacement parts. Anything not in our regular stock can be ordered and received in a timely manner.

We're able to utilize many sources to find the right parts to meet our customer's requirements. We're proud to offer friendly & prompt support to locate the parts you need.

Contact RAS to help you find those hard-to-find Japanese, Taiwanese & Korean Machine Tool parts and accessories. We continuously strive to succeed in our Our Mission; to provide our customers with their required parts in a timely manner at the best price...

Jarrer Lighting

RAS

JARRER WORK LIGHTS

Jarrer lights are safe, dustproof and waterproof. All of these features have made their lamps an ideal source of light for machine operators, office workers and Q.C. inspectors. To discover more about the value created by Jarrer lights, contact RAS Machine Tool Technologies, a reliable supplier of lighting equipment.



- 2 About Us
- 3 Appendix
- 4JWL-70R Series
- 5JWL-70RT Series
- 6 JWL-7020 Series
- 7 HPL-281RS Series
- 8 JWL-50 Series
- 9 JWL-103 Series
- 10 JFL-11 Series
- 11 JFL-35 Series
- 12JFL-30LEB Series
- 13 JFL-WH Series
- 14JL-WN Ultra Series
- 15JRL-W20 Series
- 16 JPL-281D Linkable Series
- 17JPL-W Series
- 18 JPL-14 Ultra-Thin Series
- 19 JPL-28 Ultra Series
- 20 HPL-14 Ultra-Thin Series
- 21HPL-28 Ultra Series
- 22Price List
- 23Reference/Certification
- 24 Terms and Conditions



www.rasmachinetool.com

JWL-70R LED Series

RAS

- Consists of 6 LED bulbs (9W)
- Light output: 540 total lumens
- Furnished with 1.8 meters (70") cord
- AC/DC 24 Volt
- "No Heat" high intensity spot light
- Approvals: CE, IP65



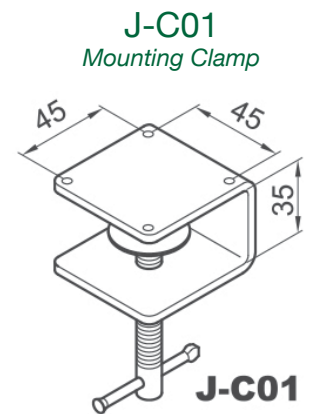
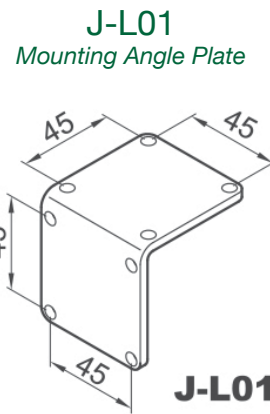
JWL-70RL



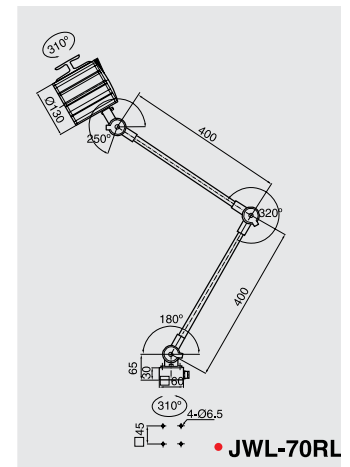
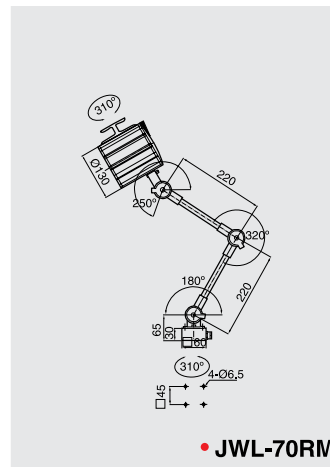
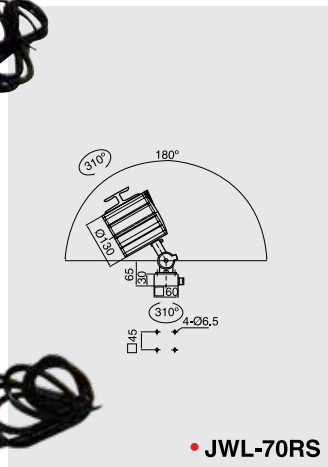
JWL-70RM



JWL-70RS



MOUNTING FIXTURES



(413) 323-9041

JWL-70RT LED Series

RAS

- Consists of 6 LED bulbs (9W)
- Built-in electronic transformer
- "No heat" high intensity spot light
- Furnished with 1.8 meters (70") cord
- 100V – 240VAC
- Light output: 540 total lumens
- Approvals: CE, IP65

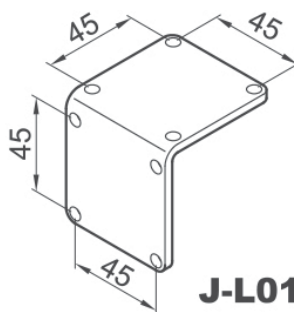


JWL-70RTL



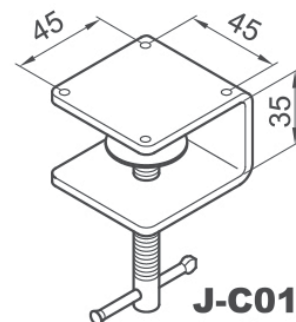
JWL-70RTM

J-L01
Mounting Angle Plate



J-L01

J-C01
Mounting Clamp

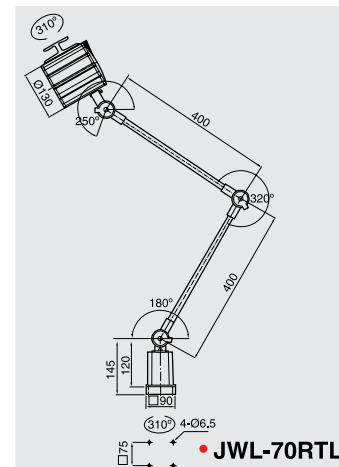
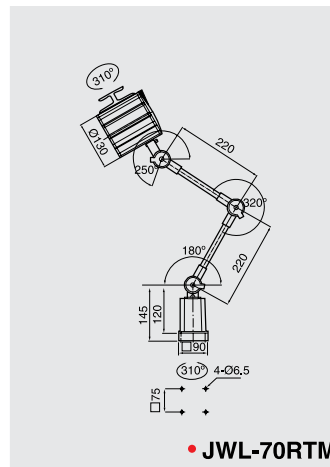
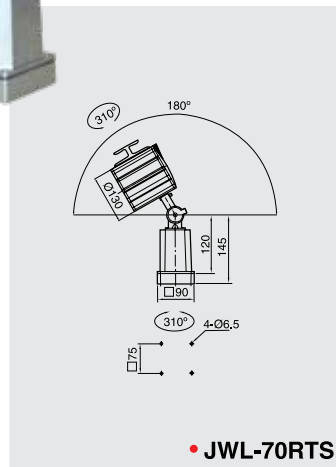


J-C01

MOUNTING FIXTURES

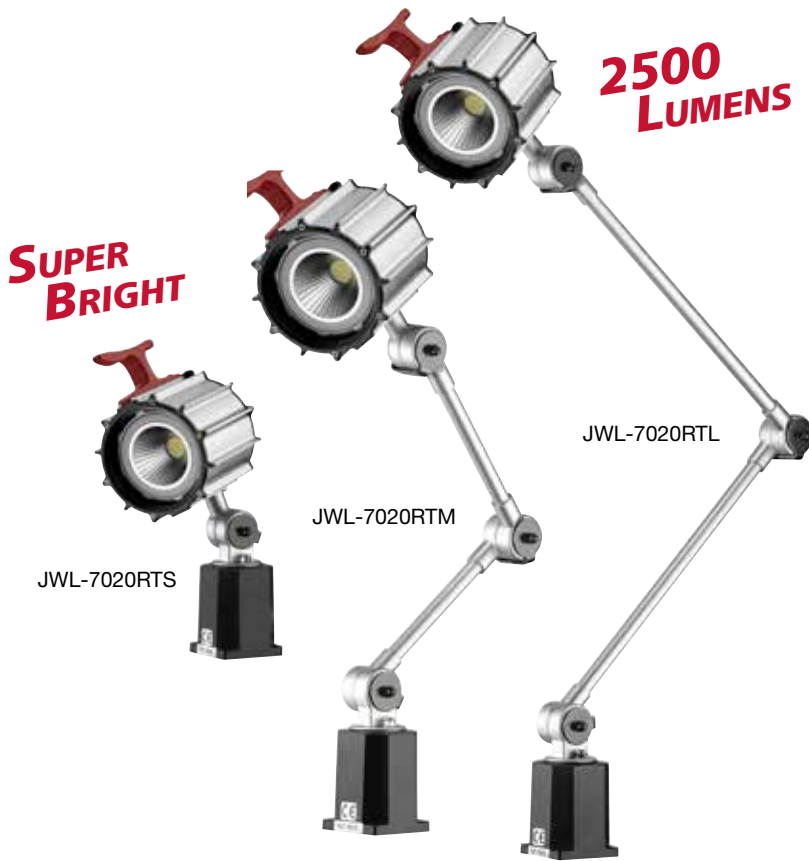


JWL-70RTS



JWL-7020 LED Series

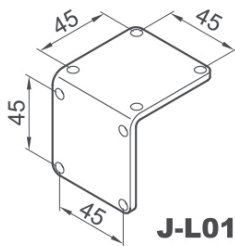
RAS



- Various lighting angles to select 40°
- 20W LED bulb (One bulb only)
- 2500 lumens - Extremely bright
- Equipped with a LED driver for directly connecting to voltage AC power. (100V~240VAC) (50Hz/60Hz) with plug. (For high voltage)
- Accommodates 24V AC/DC
- Reinforced lens for high crack-resistance
- Reinforced lens provides clear (transparent) surface
- Well prevention for explosion, dust, coolant and lubricants
- Furnished with 1.8 meters of cord without plug (for low voltage)
- Long service life up to 40,000 lighting hours
- Applicable for semiconductor manufacturing equipment and clean room
- Suitable for temperature range -22°F~140°F
- Free of infrared ray and ultraviolet ray radiation
- Approvals: CE, IP65

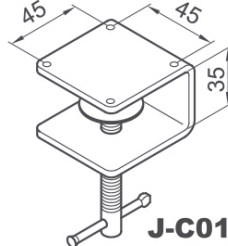
MOUNTING FIXTURES

J-L01
Mounting Angle Plate



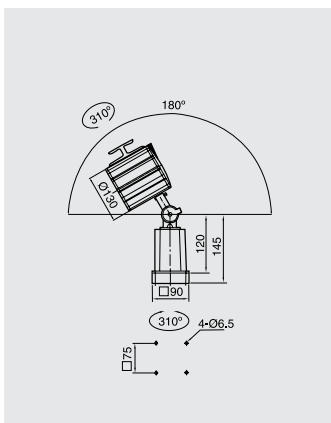
J-L01

J-C01
Mounting Clamp

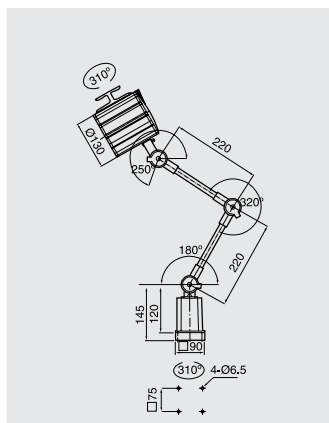


J-C01

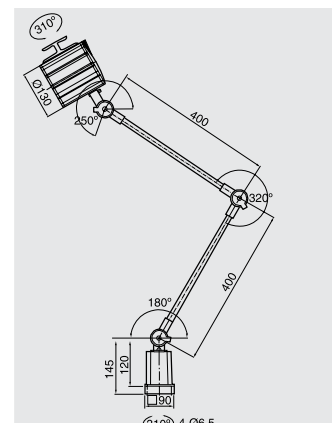
Dimensions



JWL-7020RTS



JWL-7020RTM



JWL-7020RTL

HPL 281

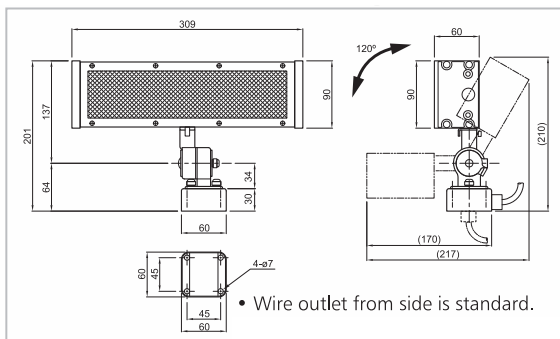
RAS



HPL-281RS

- Available to equip with an externally mounted LED driver for connecting to 100V-240V furnished with 1.8 meters of cord with plug 50Hz/60HZ
- 3024 lumens
- AC/DC 24V (Furnished with 1/8 meters of cord without plug)
- Equipped with power wires protection tube connector
- Modern structure. Low power consumption only requires 14 watt 2 Set
- Temperature color 5600K~6000K
- Reinforced lens for high crack-resistance
- Reinforced lens provides clear (transparent) or sand blasted (foggy) surface to choose from
- Well prevention for explosion, dust, coolant and lubricant.
- Aluminum body
- Suitable for temperature range $-30^{\circ} \sim +50^{\circ}\text{C}$
- 5mm tempered glass
- Swiveling angle : 310°
- Allows for multi-direction lighting angle adjustment

Dimensions



JWL-50 LED Series

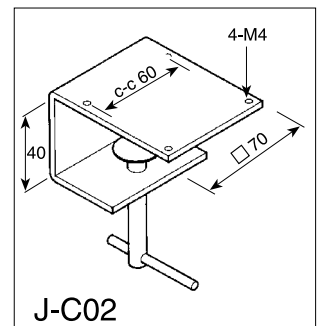
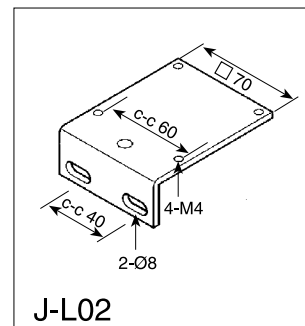
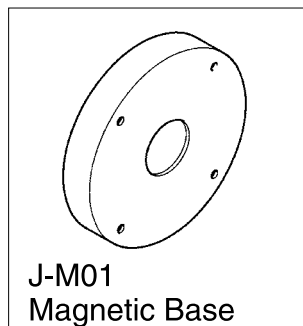
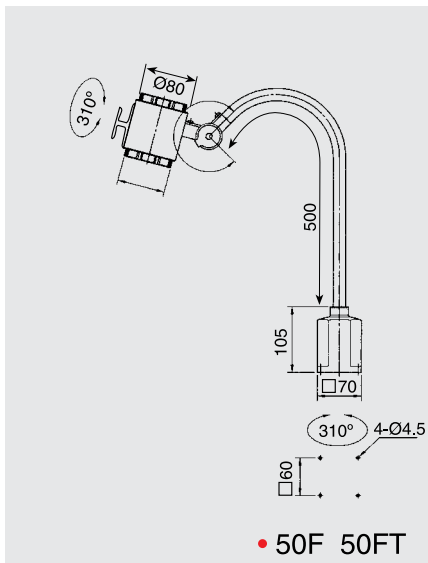
RAS



JWL-50F

JWL-50FT

- 50FT series 100V~240V AC
- 50F accommodates 24V AC/DC
- Consists of 3 LED bulbs (1.5w)
- Protection against water, lubricants, coolants, dust and other liquids
- Double shade design permits fast heat dissipation
- Furnished with 1.8 meters cord without plug
- Flexible goose neck arm covered with sleeve
- Built-in transformer
- Approvals: CE, IP65

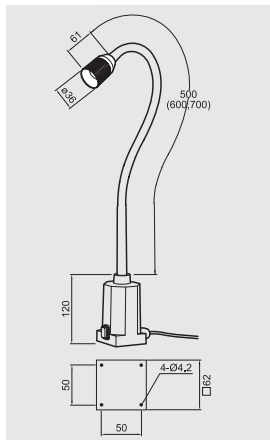


MOUNTING FIXTURES

JWL-103 LED Series

RAS

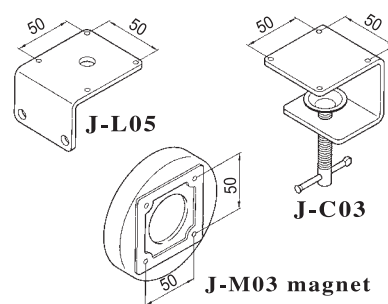
Fixed Focus



JWL-103FT

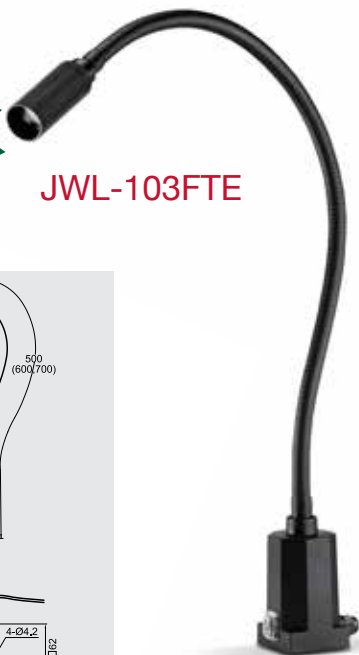
- Suitable for power source 100V~240V AC. (Use Model JWL-103FT)
- Accommodates 24V AC/DC (Use Model JWL-103F)
- Consists of 1 LED bulb x 3W
- Well prevention for water, lubricants, coolants, dusts and other liquids
- Special design for fast heat dissipation
- Furnished with 1.8 meters cord with plug. (for 100V~240V only)
- Flexible goose neck arm covered with sleeve
- Transformer is built into the base
- Gooseneck 500mm
- Approvals: CE, IP65

Mounting kits.

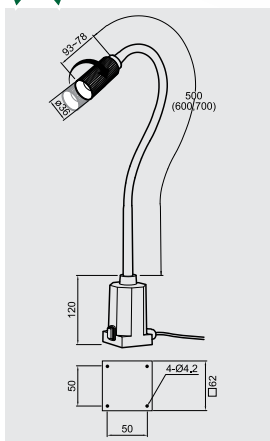


MOUNTING FIXTURES

Adjustable Focus



JWL-103FTE



- Suitable for power source 100V~240VAC (Use Model JWL-103FTE)
- Accommodates 24V AC/DC (Use Model JWL-103FE)
- Consists of 1 LED bulb x 5W
- Well prevention for water, lubricants, coolants, dusts and other liquids
- Special design for fast heat dissipation
- Furnished with 1.8 meters cord with plug (for 100V~240V only)
- Flexible goose-neck arm covered with sleeve
- Transformer is built into the base
- Gooseneck 700mm
- Approvals: CE, IP65

JFL-11 LED Series

RAS



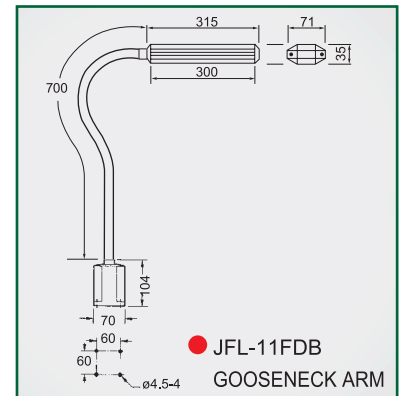
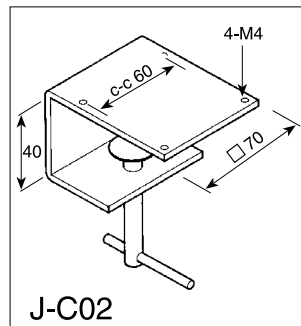
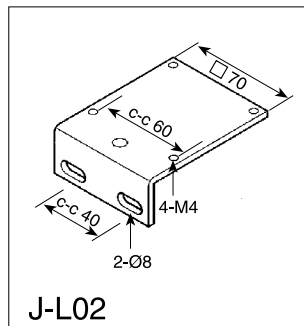
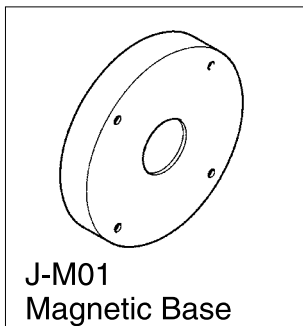
JFL-11FDB

JFL-11 Series

- Aluminum lamp head
- One piece fabricated PC front shade
- Modern structure. Low power consumption only 14 watt
- 2000 lumens
- Low heat emission
- Ideal for assembly, workshop, or office applications
- Voltage 100V~240V (50/60 HZ)
- Furnished with 1.8 meter (70") cord
- Gooseneck 27.5" (700 mm)
- Flexible gooseneck arm covered with sleeve
- Approvals: CE, IP20



" / φ ü Ë É > % o y ID Ê É ≤ P E N K Ó É % Ω , ...



MOUNTING FIXTURES



JHL-35F

HPL Series

- 7 watt high quality LED
- 770 lumens
- Flexible goose neck: 24"
- Head permits swiveling to any direction or fixed securely at a position
- Comes with a 6 ft. 120V grounded plug cord
- LED light for Bridgeport style milling machines, lathes, drill presses and any work bench, etc.
- Can be adapted to many other applications
- 120 Volts
- On/Off switch
- Up to 50,000 hours life
- Flexible goose neck keeps the light where you need it
- Double shade design permits fast heat dissipation
- Energy savings

Important Information!

It is a very bright LED light for work benches, milling machines, lathes, drill presses, etc. It can also be adapted to fit other machines and applications. Just tap 2 holes anywhere it's convenient and mount. The LED will be much cooler than Halogens and use less than 1/4 of the electricity.

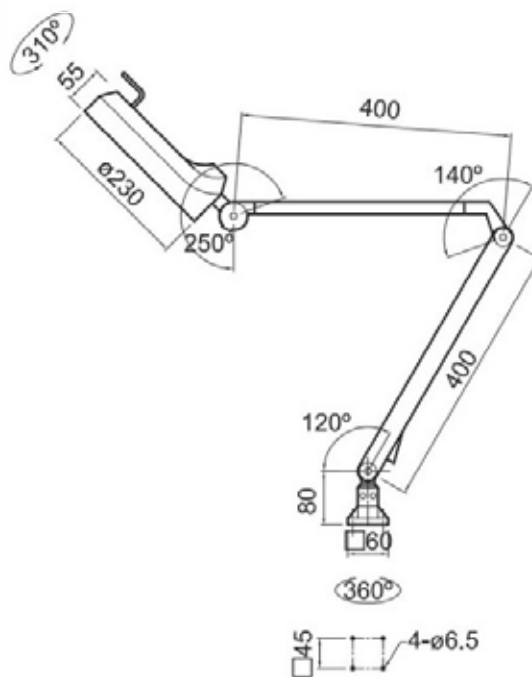
JFL-30 LED Magnifier

RAS



JFL-30LEB

- High-quality magnifying glass with LED lighting
- The 125mm lens has 5 diopters
- Highly efficient LED 14 watt with 5700K, adjustable in light intensity 10 -100%
- Supplied with LED diffuser
- Power supply: 100-240VAC, Furnished with 1.8 meter cord with 3 prong plug
- Comes with mounting clamp



JFL-WH LED Series

RAS



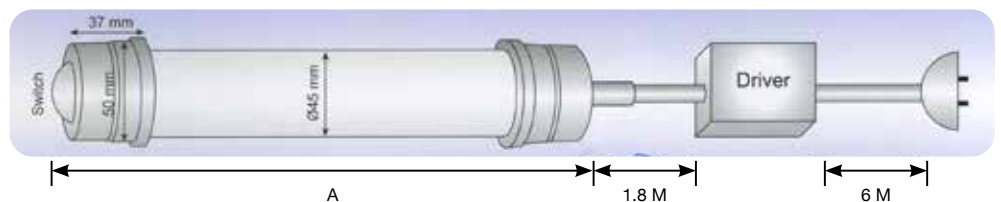
JFL-WH20W

MODEL	LED BULB QUANTITY	LIGHT OUTPUT	A	B
JFL-WH20W	20	2600 lm	629 m/m	45 m/m



- 120° lighting angle
- Equipped with an LED driver for directly connecting to voltage of AC power. (100V~240V) (50Hz/60Hz) with plug
- Reinforced lens for high crack-resistance
- The PC. protective tube features outstanding impact-resistance
- Well prevention for explosion, dust, coolant and lubricants
- Long service life up to 40,000 lighting hours
- Applicable for semiconductor manufacturing equipment and clean room
- Suitable for temperature range -22°F~ 140°F
- Free of infrared ray and ultraviolet ray radiation
- Approvals: CE, IP67

OPTIONAL ACCESSORIES



JL-WN Ultra LED Series RAS



JL15-WN082DB



JL15-WN18DB



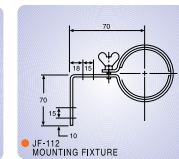
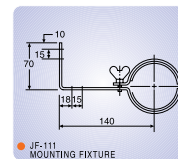
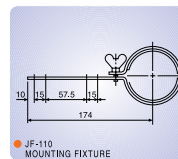
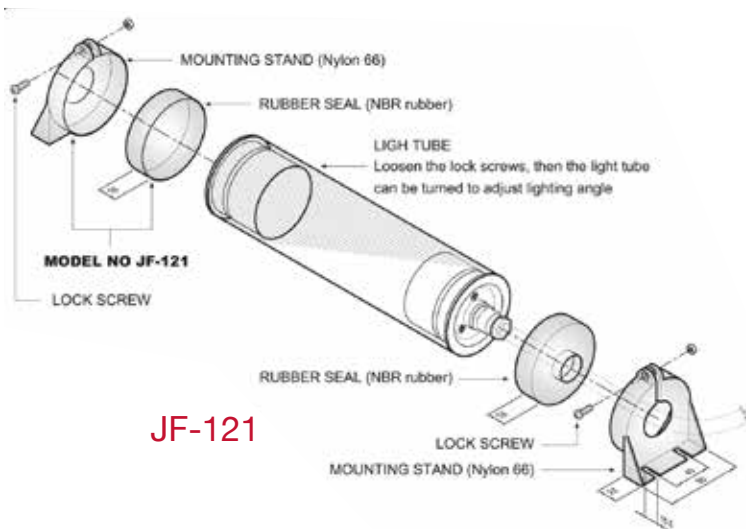
JL30-WN142DB



JL45-WN212DB

Our Jarrer linear tubular light features LED output for reduced energy costs, superior light output and long life spans. Offered in three lengths and in several voltage styles.

- Equipped with a LED driver for directly connecting to voltage of AC power. (100V240V) (50Hz60Hz) with plug. (for high voltage)
- Low voltage power 24V AC/DC
- Reinforced lens for high crack-resistance.
- Resistant to explosion, dust, coolant and lubricants
- Furnished with 1.8 meters of cord without plug (for low voltage)
- Long service life up to 40,000 lighting hours
- Applicable for semiconductor manufacturing equipment and clean room
- Suitable for temperature range -22°F~140°F
- Free of infrared ray and ultraviolet ray radiation
- Anti-irritation lens grid is fitted as a standard accessory
- 40,000 lighting hours
- Glass light tube is standar
- Approvals: CE, IP67



MOUNTING FIXTURES

- | | | |
|----------------|--------|-------------|
| • JL15-WN082DB | 16.00" | 1440 lumens |
| • JL15-WN18DB | 19.50" | 1440 lumens |
| • JL20-WN24DB | 24.00" | 2880 lumens |
| • JL30-WN142DB | 28.00" | 2880 lumens |
| • JL45-WN212DB | 40.00" | 4320 lumens |

JRL-W20 LED Series

RAS



JRL-W201D



JRL-W202D



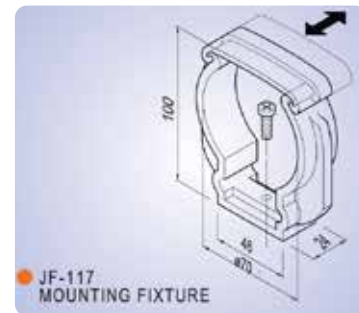
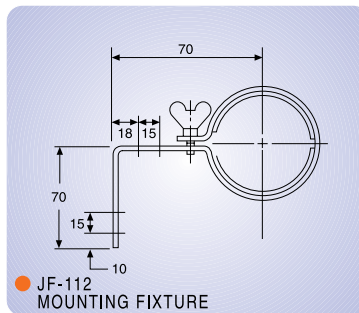
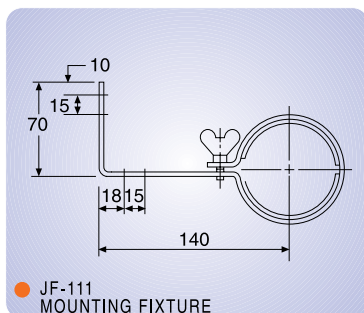
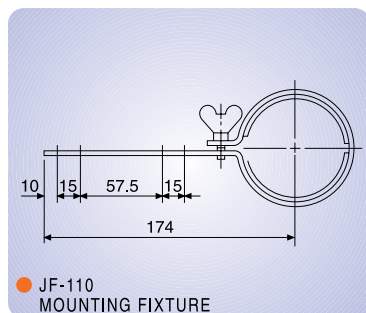
JRL-W203D

JRL-W20 Series

- Equipped with a LED driver for directly connecting to voltage of AC power. (100V240V) (50Hz60Hz) with plug. (for high voltage)
- Furnished with 1.8 meters of cord with plug
- Reinforced lens for high crack-resistance
- Resistant to explosion, dust, coolant and lubricants
- Long service life up to 40,000 lighting hours
- Approvals: CE, IP67
- Applicable for semiconductor manufacturing equipment and clean room

• JRL-W201D	14.00"	2300 lumens
• JRL-W202D	25.00"	4600 lumens
• JRL-W203D	36.00"	6900 lumens

- Suitable for temperature range -22°F~140°F
- Free of infrared ray and ultraviolet ray radiation
- Anti-irritation lens grid is fitted as a standard accessory
- 40,000 lighting hours
- Aluminum body
- 3mm thickness of reinforced glass
- Waveshaped body features quick heat dissipation, high quality long service life and high brightness



MOUNTING FIXTURES

www.rasmachinetool.com

JPL-281D

RAS

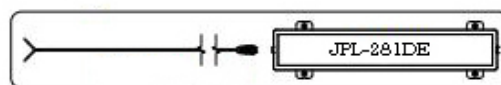
Ultra-Thin LED Linkable Series



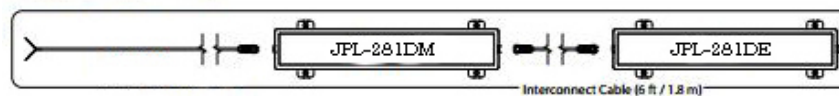
JPL-281D

- Ability to Daisy-chain up to 3 lights from a single power source
- Low voltage 24VDC
- 56 Watts
- 120 deg. lighting angle
- 2880 Lumens
- Equipped with swivel base
- Reinforced lens for high crack-resistance
- Can handle repetitive wash down from almost any type of coolant and/or lubricant under high pressure
- Solid aluminum construction serves as a premium heatsink ensuring long life and cool operating temp
- Fully sealed against dust, coolant and lubricants
- Furnished with M12 disconnect cord 1.8 meters
- Long service life up to 40,000 lighting hours
- Pure bright white illumination at 5600K – 6000K
- Applicable for semiconductor manufacturing equipment and clean room
- Suitable for temperature range -22 Deg. to +122 Deg
- Free of infrared ray and ultraviolet ray radiation
- CE and IP69K approved

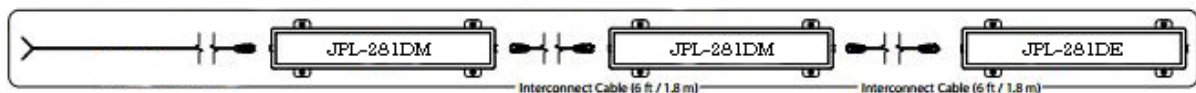
Jarrer JPL-281D, 24VDC Ultra Think LED Linkable Series
56 Watts, 120 deg. Lighting Angle, 2880 Lumens, IP-69k



(1 Light Kit) JPL-281DE



(2 Light Kit) JPL-281DM & JPL-281DE



(3 Light Kit) JPL-281DM & JPL-281DM & JPL-281DE

(413) 323-9041

JPL-W FLAT LED Series

RAS

Designed with efficient lighting in mind, the Jarrer new LED Machine Strip Light is capable of increasing your visibility while minimizing eye strain.



- Standard lighting angle is 80°
- Power of each LED bulb is 1W
- Equipped with a LED driver for directly connecting to voltage of AC power. (100V~240V) (50Hz/60Hz) with plug (for high voltage)
- Reinforced lens for high crack-resistance
- Resistant to explosion, dust, coolant and lubricants
- Furnished with 1.8 meters of cord with plug
- Long service life up to 40,000 lighting hours
- Aluminum body
- Applicable for semiconductor manufacturing equipment and clean room
- Suitable for temperature range -22°F~140°F
- Free of infrared ray and ultraviolet ray radiation
- Approvals: CE, IP67

- JPL-W06D 13.25" 780 lumens
- JPL-W12D 20.25" 1560 lumens
- JPL-W22D 34.25" 2860 lumens

(413) 323-9041

Ultra Thin LED Flat Series

RAS



JPL Series

- 1.75" thick, 2.25" wide
- Available to equip with an externally mounted LED driver for connecting to AC100-240V with plug or DC 24V without plug
- Equipped with power wires protection tube connector
- Modern structure. Low power consumption only requires 7 watt, 14 watt, 28 watt & 42 watt
- Color temperature 5600-6000K

• JPL-071D	9.75"	864 lumens
• JPL-141D	13.00"	1728 lumens
• JPL-142D	24.50"	3456 lumens
• JPL-143D	36.00"	5184 lumens

Another Features of JPL Series

- Reinforced lens for high crack-resistance
- Reinforced lens provides clear (transparent) grid
- Well prevention for explosion, dust, coolant and lubricants
- Long service life up to 40,000 lighting hours
- Aluminum body
- Applicable for semiconductor manufacturing equipment and clean room
- Suitable for temperature range -30°F~+122°F
- Free of infrared ray and ultraviolet ray radiation
- Tempered glass
- Approvals: CE, IP69

JPL-28 Series

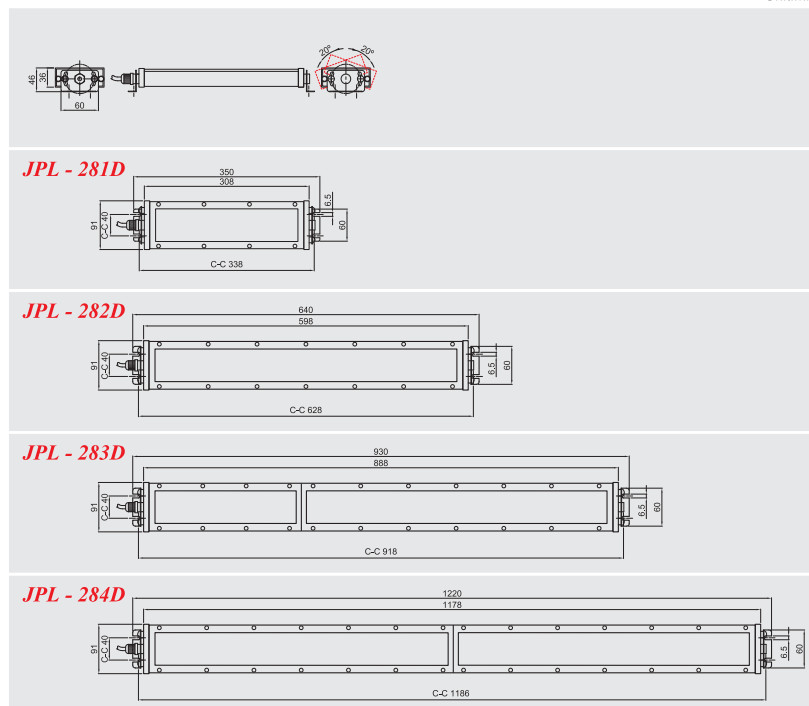
RAS



- Ability to Daisy-chain up to 3 lights from a single power source
- Voltage: 24V AC/DC + AC100-240V
- 56 Watts
- 120 deg. lighting angle
- 2880 Lumens
- Equipped with swivel base
- Reinforced lens for high crack-resistance
- Can handle repetitive wash down from almost any type of coolant and/or lubricant under high pressure
- Solid aluminum construction serves as a premium heatsink ensuring long life and cool operating temp
- Fully sealed against dust, coolant and lubricants
- Furnished with M12 disconnect cord 1.8 meters

DIMENSIONS OF LED LIGHT

Unit:mm



- Long service life up to 40,000 lighting hours
- Pure bright white illumination at 5600K–6000K
- Applicable for semiconductor manufacturing equipment and clean room
- Suitable for temperature range -22 Deg. to +122 Deg
- Free of infrared ray and ultraviolet ray radiation
- CE and IP69K approved

• JPL-281D	14.00"	4000 lumens
• JPL-282D	25.00"	8000 lumens
• JPL-283D	36.00"	12,000 lumens
• JPL-284D	48.00"	16,000 lumens

(413) 323-9041

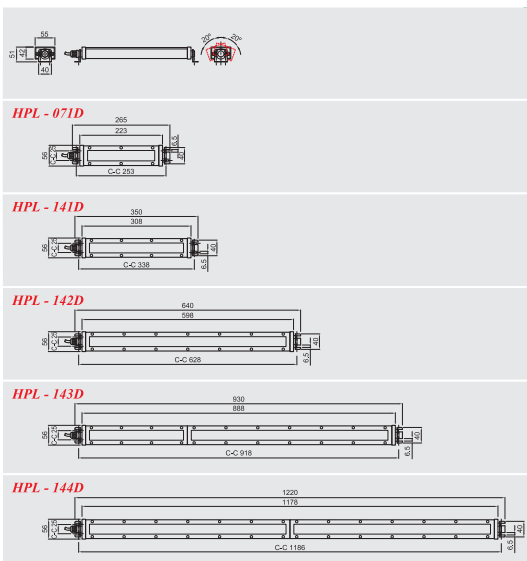
HPL Series

RAS



- HPL-071D 10.50" 864 lumens
- HPL-141D 14.00" 1725 lumens
- HPL-142D 25.00" 3456 lumens
- HPL-143D 37.00" 5184 lumens
- HPL-144D 48.00" 6900 lumens

- Equipped with a LED driver for directly connecting to voltage of AC power (100V-240V) (50Hz/60Hz) with plug (for high voltage)
- Low voltage power AC/DC 24V
- Furnished with 1.8 meters of cord without plug (for low voltage)
- Reinforced lense for high crack-resistance.
- Reinforced sense provides clear (transparent) or sand blasted (foggy) surface to choose from
- Well prevention for explosion, dust, coolant and lubricants
- Long service life up to 40,000 lighting hours
- Applicable for semiconductor manufacturing equipment and clean room
- Suitable for temperature range -30° - +60°
- Free of infrared ray and ultraviolet ray radiation
- Antirritation lens grid is fitted as a standard accessory
- 40,000 lighting hours
- Aluminum body
- 3mm thickness of reinforced glass
- Wave-shaped body features quick heat dissipation, high quality, long service life and high brightness



HPL Ultra LED Series

RAS



HPL-281D



HPL-282D



HPL-283D



HPL-284D

HPL Series

- Equipped with a LED driver for directly connecting to voltage of AC power. (100V~240V) (50Hz/60Hz) with plug. (For high voltage) 24V AC/DC without plug.
- Modern structure. Low power consumption only requires 14 watt
- Color temperature 5600-6000K

Another Features of HPL Series

- Reinforced lens for high crack-resistance
- Resistant to explosion, dust, coolant and lubricants
- Long service life up to 40,000 lighting hours
- Aluminum body
- Applicable for semiconductor manufacturing equipment and clean room
- Suitable for temperature range -22°F~170°F
- Free of infrared ray and ultraviolet ray radiation
- 5mm reinforced glass
- Approvals: CE, IP69K

- HPL-281D 14.00" 3024 lumens
- HPL-282D 25.00" 6050 lumens
- HPL-283D 36.00" 9500 lumens
- HPL-284D 48.00" 13,820 lumens

Electrical and Photometric Units of Measurement:

Lumen: A unit of measuring the total amount of visible light from a source such as a bulb or diode. The lumen is related to the candela by multiplying candelas by the light source's steradian, which is a measure of a direct cone-like or triangular solid angle projecting from the center of a sphere.

Candela: The unit of luminous intensity in any given direction from its origin. I.e., one candle emitting light in a horizontal direction equates to one candela. This is the most basic measurement of light.

Electrical Safety Certifications:

CE Mark: Also known as the European Conformity mark. This certification is required for all electronics to be sold in Europe. A product given the CE Mark adheres to all safety and health standards in European legislation.

Waterproof Certifications:

IP65 (Waterproof): Completely protected from dust particles and intrusion of water from spraying jets.

IP67 (Waterproof Under Pressure): Entirely sealed from dust and can be submerged in water up to 1 meter deep.

IP69K (Waterproof Under High Pressure and Temperature): German standard exceeding the normal IP code rated for high temperature and high pressure wash down applications.

NEMA (National Electrical Manufacturers Association): Provides a list of ratings gauging the degree of protection against dust and liquids for electrical enclosures. NEMA and IP ratings can be compared. Some direct examples are: IP20 to NEMA 1, IP54 to NEMA 3, IP65 to NEMA 4 and 4X, and IP67 to NEMA 6.

Price List

RAS

JWL-70RS	\$170.00	JPL-143D-DC24V	\$325.00
JWL-70RM	\$175.00	JPL-143D-AC100-240V	\$325.00
JWL-70RL	\$180.00	JPL-281DE-DC24V	\$200.00
JWL-70RTS	\$190.00	JPL-281D-DC24V	\$225.00
JWL-70RTM	\$195.00	JPL-281D-AC100-240V	\$225.00
JWL-70RTL	\$200.00	JPL-282D-AC100-240V	\$325.00
JWL-7020RS	\$215.00	JPL-283D-AC100-240V	\$425.00
JWL-7020RM	\$220.00	JPL-284D-AC100-240V	\$525.00
JWL-7020RL	\$225.00	HPL-071D-AC-DC24V	\$100.00
JWL-7020RTS	\$215.00	HPL-071D-AC100-240V	\$100.00
JWL-7020RTM	\$220.00	HPL-141D-AC-DC24V	\$125.00
JWL-7020RTL	\$225.00	HPL-141D-AC100-240V	\$125.00
HPL-281RS	\$225.00	HPL-142D-AC-DC24V	\$175.00
HPL-281RTS	\$225.00	HPL-142D-AC100-240V	\$175.00
JWL-50F	\$145.00	HPL-143D-AC-DC24V	\$225.00
JWL-50FT	\$145.00	HPL-143D-AC100-240V	\$225.00
JWL-103F	\$77.00	HPL-144D-AC-DC24V	\$250.00
JWL-103FT	\$77.00	HPL-144D-AC100-240V	\$250.00
JWL-103FE	\$87.00	HPL-281D-AC-DC24V	\$225.00
JWL-103FTE	\$87.00	HPL-281D-AC100-240V	\$225.00
JFL-11FDB	\$120.00	HPL-282D-AC-DC24V	\$325.00
JHL-35F	\$68.00	HPL-282D-AC100-240V	\$325.00
JFL-30LEB	\$175.00	HPL-283D-AC-DC24V	\$425.00
JFL-WH20W	\$225.00	HPL-283D-AC100-240V	\$425.00
JL15-WN082DB-AC-DC24V	\$185.00	HPL-284D-AC-DC24V	\$525.00
JL15-WN082DB-AC100-240V	\$185.00	HPL-284D-AC100-240V	\$525.00
JL15-WN18DB-AC-DC24V	\$195.00	J-L01	\$6.00
JL15-WN18DB-AC100-240V	\$195.00	J-C01	\$10.00
JL20-WN24DB-AC-DC24V	\$215.00	J-M01	\$15.00
JL20-WN24DB-AC100-240V	\$215.00	J-L02	\$6.00
JL30-WN142DB-AC-DC24V	\$225.00	J-C02	\$10.00
JL30-WN142DB-AC100-240V	\$225.00	J-M03	\$15.00
JL45-WN212DB-AC-DC24V	\$285.00	J-L05	\$6.00
JL45-WN212DB-AC100-240V	\$285.00	J-C03	\$10.00
JRL-W201D-AC100-240V	\$150.00	J-C10	\$5.00
JRL-W202D-AC100-240V	\$250.00	J-M04	\$15.00
JRL-W203D-AC100-240V	\$350.00	JF-110	\$15.00
JPL-281DE-DC24V	\$225.00	JF-111	\$15.00
JPL-281DM-DC24V	\$235.00	JF-112	\$15.00
JPL-W06D-AC100-240V	\$150.00	JF-117	\$12.50
JPL-141DE-DC24V	\$175.00	JF-121	\$25.00
JPL-W12D-AC100-240V	\$250.00	JF-M111	\$35.00
JPL-W12D-DC24V	\$250.00	JF-M112	\$35.00
JPL-W22D-AC100-240V	\$350.00	JF-M117	\$25.00
JPL-071D-DC24V	\$100.00	JL-WN082-Glass Tube	\$90.00
JPL-071D-AC100-240V	\$100.00	JL-WN18-Glass Tube	\$100.00
JPL-141D-DC24V	\$125.00	JL-WN24-Glass Tube	\$115.00
JPL-141D-AC100-240V	\$125.00	JL-WN142-Glass Tube	\$125.00
JPL-142D-DC24V	\$225.00	JL-WN212-Glass Tube	\$145.00
JPL-142D-AC100-240V	\$225.00		

Terms and Conditions

RAS

General:

RAS Machine Tool Technologies, Inc. assumes no responsibility for typographical errors. RAS Machine Tool products are continually improved, and as a result, RAS Machine Tool reserves the right to update, discontinue, or otherwise alter product offerings or marketing materials at any time without written notice. Please contact our office for the most up to date information available.

Limited Warranty:

RAS Machine Tool's Jarrer Lighting products feature a (1) One Year warranty against defective materials and workmanship.

Warranty applies to designed use and does not cover products which have been subject to alteration, abuse, or negligence. This warranty is limited to repair or replacement at RAS Machine Tool's discretion. Electrical components on the lighting fixtures are warranted for up to (1) One Year from the date of purchase. Lamps/Bulbs are not covered by this warranty.

All warranty returned items must be accompanied by RMA (Return Material Authorization) paperwork, as well as the number clearly written on the exterior packaging.

Price and Payment:

All previously issued pricing can be superseded and prices are subject to change without notice. All prices are FOB, Belchertown, MA. Prices do not include special packaging, installation, taxes, or special requirements specifically mentioned. Orders are subject to approval by RAS Machine Tool.

Returns:

Any merchandise returned without prior written authorization, and proper markings on packaging, will be refused. All returned items must be accompanied by RMA (Return Material Authorization) paperwork, as well as the number clearly written on the exterior packaging. All returns must be sent prepaid; collect shipments will be refused. Customers are responsible for in-bound freight on repairs. The customer will be contacted for authorization of any repair charges which may be necessary. RAS Machine Tool is responsible for return freight charges on repairs. RMA numbers are valid for (30) Thirty Days. Custom products, factory seconds, discontinued items, and any other specialty product cannot be returned. All materials returned for credit must be in factory sealed cartons, and in salable condition, and are subject to a 25% restocking fee. Sorry NO returns after 30 days from the invoice date.

Freight and Delivery:

All shipments are FOB, Belchertown, MA. Drop shipments to the continental United States only. Freight collect within continental United States only. All shipping dates are approximate, and RAS Machine Tool will bear no responsibility for any delays beyond our control. For deliveries outside of the continental United States, please consult office.

Shortages, Errors, and Damaged Goods:

We strive to ship all orders correct and complete. Should any product shortages or errors arise, they must be reported to RAS Machine Tool within (10) Ten Days of invoice date. Goods that are damaged in transit must be claimed upon receipt with the specified freight carrier. We will certainly work with you wherever possible, to help expedite the claims process and get the customer their required goods.



MANUFACTURERS LIST

- | | | | | | | |
|-------------------------|------------------------|---------------------|--------------|---------------------|-----------------------|--------------------|
| A-Ryung | Crouzet | Kayaba | Mindman | OKAYA | Sumito Electric | Toshiba |
| Amphenol | Daikin | Keyence | Misumi | OMRON | TACO | Tosoku |
| Arrow Electronics | Daito | Kim Den | Moeller | Oriental Motor | Taisei Kogyo Co. Ltd. | Toyo Fan |
| Azbil | Deter Valve | Klubler Lubrication | Mutoh | Parker | Taiyo | Toyo-Oki Co., Ltd. |
| Balluff | Deublin | Koganei | Nachi | Patlite | Takamisawa | USHIO |
| Bando | EAO | Kuroda | National | Riken Seiki | Takigen | Vektak |
| Belleville Spring Discs | Elan Schmersal | Kyodo Yushi | NBK | Rexroth Bosch Group | Tamagawa | Vickers |
| Big Daishowa | Euchner | Kyosan | Nitto | Royal Electric | Telemecanique | Vogel |
| Cannon | Fanuc | Lube Corporation | NKK Switches | Sakagami | Teral | Yamatake |
| Cannon – ITT Industries | Fuji Electric | MAC | NOP Group | Sanyo Denki | THK | YG-1 |
| CKD | Fujitsu | Macome | NMB | Schmersal | Three Bond | Yuken |
| Continental Hydraulics | Future Life Technology | Matsushita | NSK | Showa | Tochigiya | ZF |
| Cosel | Habor | Metrol Ltd. | OGURA Clutch | SMC | Tokimec | |
| | CHEN YING | Micro Square | Ohm Electric | Square D | Tokyo Keiki | |

30 Front Street
P.O. Box 652 • Belchertown, MA 01007
Phone: (413) 323-9041 • Fax : (413) 323-9595 • sales@rasmachinetool.com
www.rasmachinetool.com

Shop at our on-line store!

www.rasmachinetool.com