

www.123ponds.com

Laguna[®]

PRESSURE-FLO CLEAN

Instruction Manual

Mode d'emploi

Manual de instrucciones



Beautifully simple water gardening

Aménager un bassin de jardin : merveilleusement simple • Perfecto para la jardinería acuática

LAGUNA PRESSURE-FLO CLEAN HIGH PERFORMANCE PRESSURIZED FILTER SYSTEM FOR MODEL #: PT1686/PT1687/PT1688/PT1689
FILTRE À PRESSURISATION PRESSURE-FLO CLEAN LAGUNA DE HAUTE PERFORMANCE : PT1686/PT1687/PT1688/PT1689
LAGUNA PRESSURE-FLO LIMPIE EL RENDIMIENTO DEL SISTEMA DE FILTRO DE ALTA PRESIÓN PARA EL MODO: PT1686/PT1687/PT1688/PT1689

FOR / POUR / PARA • PT1686

PRESSURE-FLO CLEAN 700 / 2500	FILTER / SPECIFICATIONS • CARACTÉRISTIQUES DU FILTRE • ESPECIFICACIONES DE FILTRO
Unit Size (Diameter x Height) • Dimensions du filtre (diamètre x hauteur) Tamaño de la unidad (diámetro x altura)	Ø11.2" - 13.7" H Ø28.5 cm - 35 cm H
Canister Height • Hauteur du boîtier • Altura del cartucho	9" (23 cm)
Canister Volume • Volume du boîtier • Volumen del cartucho	2.6 U.S. gal (10 L)
Foam Quantity • Quantité de blocs de mousse • Cantidad de espuma	3
Hose Connector Size • Dimensions des raccords aux tuyaux • Tamaño del conector de la manguera	¾", 1", 1 ¼" (19, 25, 32 mm) (1 ¼" / 32 mm female)

FOR / POUR / PARA • PT1687

PRESSURE-FLO CLEAN 1400 / 5000	FILTER / SPECIFICATIONS • CARACTÉRISTIQUES DU FILTRE • ESPECIFICACIONES DE FILTRO
Unit Size (Diameter x Height) • Dimensions du filtre (diamètre x hauteur) Tamaño de la unidad (diámetro x altura)	Ø11.2" - 20" H Ø28.5 - 51 cm H
Canister Height • Hauteur du boîtier • Altura del cartucho	15.2" (38.5 cm)
Canister Volume • Volume du boîtier • Volumen del cartucho	4.6 U.S. gal (17,5 L)
Foam Quantity • Quantité de blocs de mousse • Cantidad de espuma	4
Bio-Lava	1600gr
Hose Connector Size • Dimensions des raccords aux tuyaux • Tamaño del conector de la manguera	¾", 1", 1 ¼" (19, 25, 32 mm) (1 ¼" / 32 mm female)

FOR / POUR / PARA • PT1688

PRESSURE-FLO CLEAN 2100 / 8000	FILTER / SPECIFICATIONS • CARACTÉRISTIQUES DU FILTRE • ESPECIFICACIONES DE FILTRO
Unit Size (Diameter x Height) • Dimensions du filtre (diamètre x hauteur) • Tamaño de la unidad (diámetro x altura)	Ø14.3" - 20.6" H Ø36.5 - 52.5 cm H
Canister Height • Hauteur du boîtier • Altura del cartucho	15.7" (40 cm)
Canister Volume • Volume du boîtier • Volumen del cartucho	8.2 U.S. gal (31 L)
Foam Quantity • Quantité de blocs de mousse • Cantidad de espuma	4
Bio-Lava	3200gr
Hose Connector Size • Dimensions des raccords aux tuyaux • Tamaño del conector de la manguera	¾", 1", 1 ¼" (19, 25, 32 mm) (1 ¼" / 32mm female)

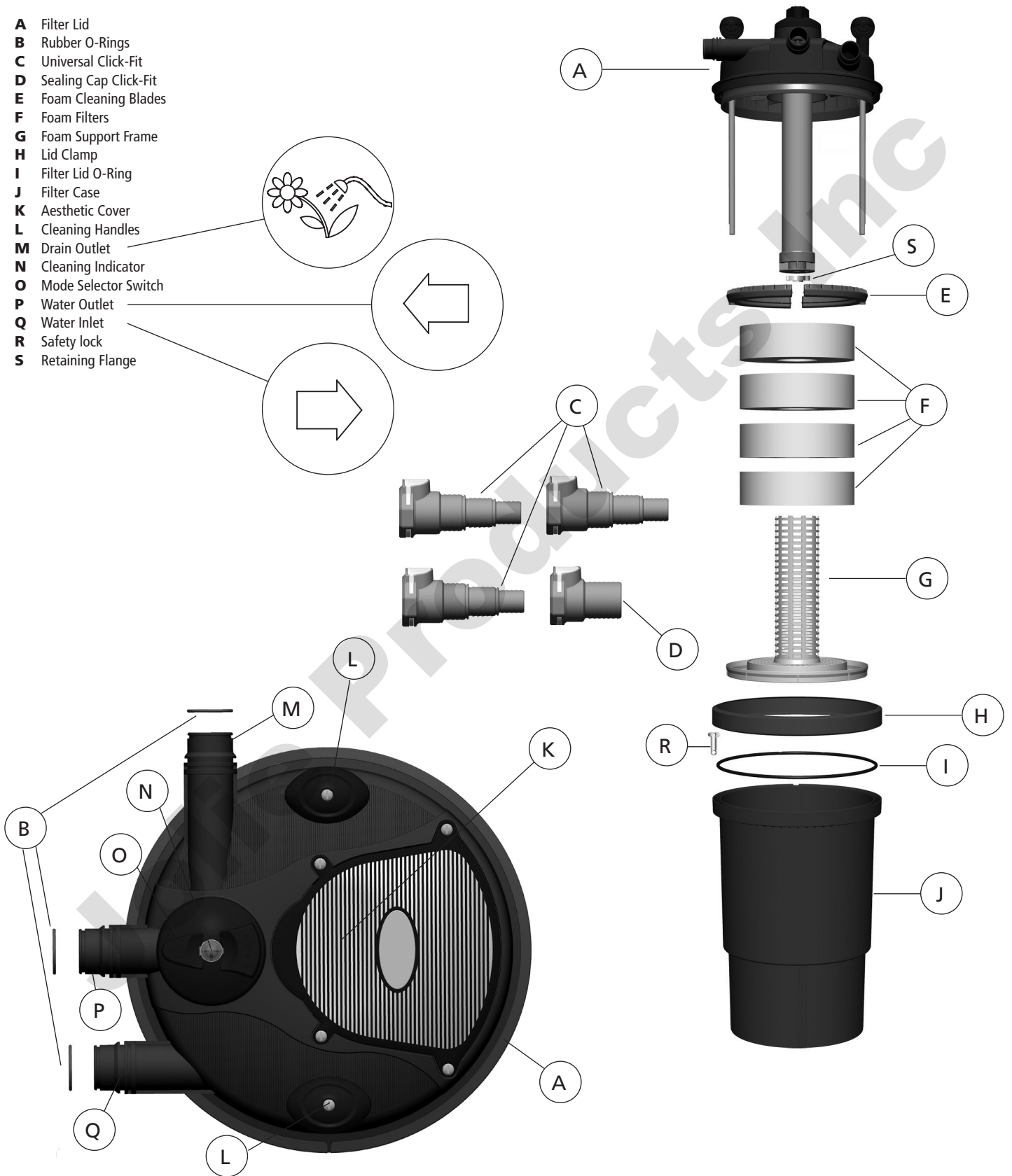
FOR / POUR / PARA • PT1689

PRESSURE-FLO CLEAN 3200 / 12000	FILTER / SPECIFICATIONS • CARACTÉRISTIQUES DU FILTRE • ESPECIFICACIONES DE FILTRO
Unit Size (Diameter x Height) • Dimensions du filtre (diamètre x hauteur) Tamaño de la unidad (diámetro x altura)	Ø14.3" - 25.2" H Ø36.5 - 64 cm H
Canister Height • Hauteur du boîtier • Altura del cartucho	19.7" (50 cm)
Canister Volume • Volume du boîtier • Volumen del cartucho	10.6 U.S. gal (40 L)
Foam Quantity • Quantité de blocs de mousse • Cantidad de espuma	5
Bio-Lava	4800gr
Hose Connector Size • Dimensions des raccords aux tuyaux • Tamaño del conector de la manguera	¾", 1", 1 ¼" (19, 25, 32 mm) (1 ¼" / 32mm female)

English Instructions

Refer to these illustrations when reading instruction manual.

- A** Filter Lid
- B** Rubber O-Rings
- C** Universal Click-Fit
- D** Sealing Cap Click-Fit
- E** Foam Cleaning Blades
- F** Foam Filters
- G** Foam Support Frame
- H** Lid Clamp
- I** Filter Lid O-Ring
- J** Filter Case
- K** Aesthetic Cover
- L** Cleaning Handles
- M** Drain Outlet
- N** Cleaning Indicator
- O** Mode Selector Switch
- P** Water Outlet
- Q** Water Inlet
- R** Safety lock
- S** Retaining Flange



POND FILTER For freshwater use only

Read thoroughly prior to installation and operation

IMPORTANT SAFETY INSTRUCTIONS

WARNING: To guard against injury, basic safety precautions should be observed, including the following:

1. READ AND FOLLOW ALL SAFETY INSTRUCTIONS

And all the important notices on the use and maintenance of this appliance.

Disregarding this advice may result in damage to the appliance or personal injury.

- 2. WARNING** – Close supervision is necessary when any appliance is used by or near children. This appliance is not intended for use by persons (including children) with reduced physical, sensory or mental capabilities, or lack of experience and knowledge, unless they have been given supervision or instruction concerning use of the appliance by a person responsible for their safety. Children should be supervised to ensure that they do not play with the appliance.

- 3. This is a Filter Unit for household outdoor fresh water ornamental garden ponds.** Do not use this appliance for other than its intended use.

- This product is suitable for use in water temperatures up to 35 °C
- Do not use this product with inflammable or drinkable liquids.

- 4.** Do not install or store the appliance where it will be exposed to temperatures close to 0 °C (32 °F) or below. In freezing conditions, drain water from the filter canister. In winter, remove and store the appliance in a sheltered place.

- 5. IMPORTANT – The maximum operating pressure is 0.04 Mpa (0.4 Bar or 5.8 PSI). Do not connect power filter to the water mains.**

- 6.** Do not attempt to open the lid clamp (H) and lift the lid when the appliance and the filters are in operation. The lid clamp latch features a safety metal insert to prevent accidental opening.

SAVE THESE INSTRUCTIONS FOR FUTURE REFERENCE

Contents

Before you begin, please check that the following items are included in the box:

- 1 Pressure-Flo Clean Filter
- 3 Foam Filters (PF 700/PF 2500), 4 Foam Filters (PF 1400/PF 5000 & PF 2100 PF 8000, 5 Foam Filters (PF 3200/PF 12000)
- Biological Media (except Pressure-Flo 700/2500)
- 1 Lid sealing O-ring (I), supplied in a separate poly bag
- 3 Click-fit couplings (C) for 3/4", 1", and 1-1/4" (19, 25, & 32 mm) diameter hosing
- 1 Click-fit sealing cap (D)
- Instruction manual
- Safety lock (R)
- 3 Rubber O-rings (B)

Intended use

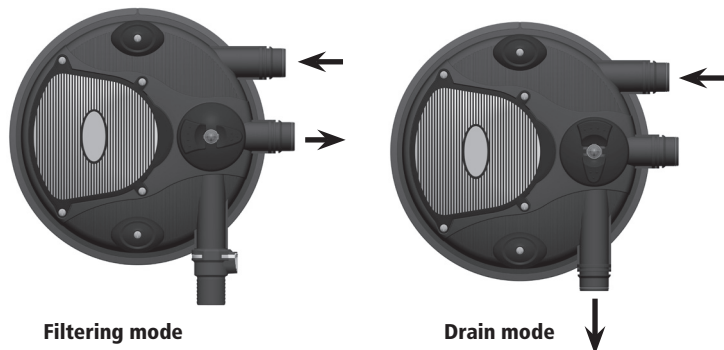
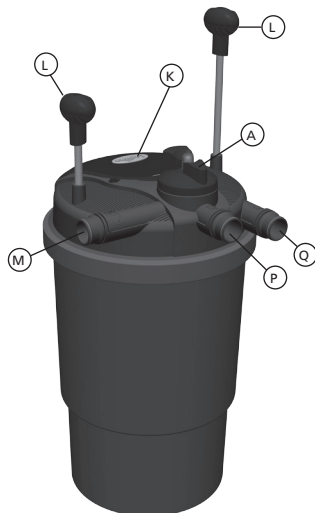
The Pressure-Flo Clean filter is a sealed pressure filter designed to provide mechanical and biological filtration in outdoor fresh water ornamental ponds with a temperature from +4°C to 35°C (+39.2° to 95° F), with or without fish. The purpose of mechanical filtration is to trap and accumulate debris and waste material coming from the pond. The purpose of biological filtration is to convert toxic by-products of fish metabolism and other organic waste into much less harmful substances. This filter is designed to be upgraded with the installation of a UV-C device (sold separately). Please refer to "UV-C DEVICE" Installation section.

How Pressure-Flo Clean Filters work

Pressure-Flo Clean Filters are designed to provide two important water filtration operations that are essential for keeping pond water clear and healthy: mechanical and biological filtration.

The filters are designed to work in tandem with a solids handling pump. For best results, use a Laguna Max-Flo circulating pump. With the filter connected to the outlet of a pump, water enters the unit through water inlet (Q). It is then forced to pass through the mechanical filtration stage, consisting of foam filters that intercept and trap dirt and debris. Next, water reaches the biological filtration* chamber where it comes into contact with beneficial bacteria. Water then returns to the pond through outlet (P).

*Pressure-Flo Clean 700/2500 does not feature the biological filtration chamber.



Selecting the right Pressure-Flo and Max-Flo pump for your pond

Using the following table, select the correct Laguna Max-Flo pump/Pressure-Flo filter combination according to your pond size and conditions. Due to the high number of variables, the following recommendations are offered as general guidance only.

		PF 700	PF 1400	PF 2100	PF 3200
		PF 2500	PF 5000	PF 8000	PF 12000
Recommended Laguna Max-Flo pump*		PT8232 PT8236	PT8236	PT8240	PT8244
Recommended total hose length**	Meters	4	4	5.5	6
	Feet	13	13	18	19
Minimum hose dia. to achieve above performances	Millimeters	32	32	32	32
	Inches	1-1/4"	1-1/4"	1-1/4"	1-1/4"
Recommended max. waterfall height to achieve above performances	Centimeters	60	60	100	100
	Inches	24	24	39	39

Maintenance of filter will be more frequent during the hot summer months.

* If the application includes a higher waterfall than the maximum indicated, choose a bigger pump.

** Total length outlet + inlet. For reference only. The final flow rate depends on many factors, such as the length and the diameter of the hose, hosing kinks or bends, and the height of the waterfalls.

Installation

Location of the filter

Choose a suitable location for your Pressure-Flo Clean filter, keeping in mind the following recommendations:

- Place the filter on a firm and level base, where it is safe from flooding and has enough ventilation. Protect the appliance from direct sunlight.
- Place either above ground or buried with the lid clamp (H) at least 5 cm/2 inches above ground level.
- Place the filter at least 1 meter/3.2 feet from the pond edge and make sure it cannot fall into the water in any way.
- Make sure you have full access to the lid of the unit for maintenance.
- Do not operate the filter with a water pressure greater than 0,4 bar or 5.8 PSI of pressure. Never connect the filter to public water works.
- Orient the filter so that the water inlet (Q), water outlet (P) and drain outlet (M) point in the desired directions to avoid sharp bends in the hosing.

Hose connections

Pressure-Flo Clean filters require the connection of 3 hoses (not included): one for the inlet of the unit (from the pond pump), one for the outlet which takes filtered water to the pond, and one for discharging dirty water from the filter to a location outside the pond during maintenance.

When selecting and installing the hoses for your application, maximize potential flow by choosing the largest diameter and shortest hosing possible and avoiding kinks and sharp bends.

Pressure-Flo Clean Filters are equipped with 3 universal click-fit couplings (C), which will make connecting and disconnecting the hosing fast and easy. Connect flexible hoses to click-fit couplings and secure them with an adequate hose clamp (not included).

IMPORTANT – Universal click-fit couplings (C) allow the connection of different diameter flexible hosing, but it is important to cut off the unused smaller diameter hose-tails to avoid flow restrictions.

When flexible hoses are securely connected to click-fit couplings, you can disconnect hosing from the unit simply by pushing the click-fit coupling button and pulling. To connect click-fit couplings to the unit, insert them onto the male connectors located on the lid of the unit and ensure that the coupling button comes up fully.

Water Inlet (Q): the Water Inlet is where pond water enters the Pressure-Flo Clean filter. Simply connect the outlet of a Laguna Max-Flo solids handling pump to the

Pressure-Flo Clean inlet (Q) using Laguna non-kink hosing. The pump circulates dirty water from the pond to the Pressure-Flo filter.

Water Outlet (P): the Water Outlet returns filtered water to the pond when the filter is operating in filtering mode. Hosing attached to the water outlet (P) can be placed directly in the pond or used to create a watercourse or waterfall. This outlet is activated when the Mode Selector Switch (O) is pointing at the water outlet (P) (Filtering Mode). The end of the outlet hosing should be placed as far away from the pump inlet as possible to maximize water circulation in the pond.

Drain Outlet (M): the Drain Outlet is where dirty water exits the filter when using the Backwash-Cleaning System. Connect a hose to the Drain Outlet to allow dirty water to drain out of the filter and into a sewage system or garden. This outlet is activated when the Mode Selector Switch (O) is pointing at the Drain Outlet (M) (Drain Mode).

IMPORTANT – During normal “Filtering Mode” operation, close the Drain Outlet (M) using the Click-fit Sealing Cap (D).

TIP: dirty pond water is nutrient-rich and chlorine-free and is particularly good for watering the garden.

Filter Start-up, Operation and Backwash-Cleaning

IMPORTANT! – Before the first and every start-up verify the following:

- Before the first start-up, it is necessary to install the Filter Lid O-Ring (I), which is supplied in a separate poly bag. This O-ring must be correctly inserted in its seat at the top of the filter canister (Fig. 1).
- The Biological Media must be placed in the Filter Case as indicated in the picture (except Pressure-Flo Clean 700/2500) (Fig. 2)

Ensure that the Filter Lid (A) is securely closed with the lid clamp (H) and the Filter Lid O-ring (I) is correctly sitting in its seat.

IMPORTANT: Before applying the lid clamp (H), the lid (A) must be pressed down until the gap between lid and filter case is eliminated. The lid clamp must be latched, with the safety metal lock (R) inserted correctly inside the latch slot. **WARNING:** A padlock (not included) can be inserted in the bottom hole of the safety lock (R) to secure it.

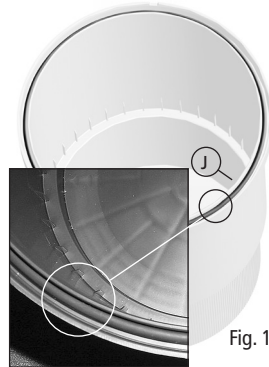


Fig. 1

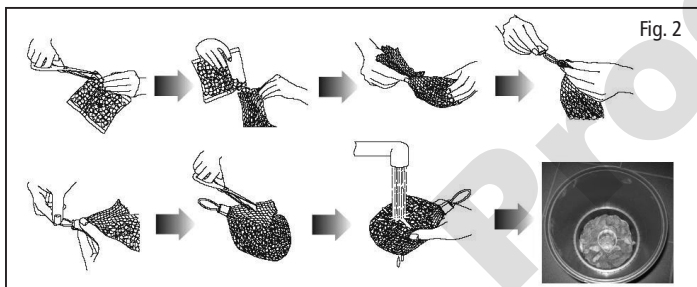


Fig. 2

- The Mode Selector Switch (O) must be set to the “Filtering Mode” position with the switch pointing at Water Outlet (P). **Mode Selector (O) must be fully turned 90°; do not set it at intermediate positions.**
- Ensure that all hoses have been securely connected to the unit and placed in their final position. Ensure that the male section of all Click-Fit couplings is equipped with the rubber O-Ring (B).

During normal “Filtering Mode” operation, close the Drain Outlet (M) using the Click fit Sealing Cap (D).

Always ensure that the Click-fit Sealing Cap is securely locked in place (push button fully up).

After the above verifications, proceed as follows:

Turn on the pump and run the filter for several minutes to check that there are no water leaks.

Keep the filter working for 24 hours a day and ideally all year round, provided that there is no frost and water can flow freely through the unit.

Backwash-Cleaning System

When the foam surface becomes clogged, the Backwash-Cleaning System quickly and efficiently restores normal filter operation without having to open the unit. Cleaning should be done at least weekly or whenever the cleaning indicator (N) detects that the filter is clogged or dirty or when cloudy water comes out of the filter.

If the pond is very dirty and during the first weeks the unit is used, the filter may need more frequent cleaning.

Proceed as follows:

- 1) Turn off the power to the pond pump.
- 2) Remove the click-fit Sealing Cap from the Drain Outlet (M). **CAUTION:** there will be a small flow of water coming out.

- 3) Connect a drain hose to the Drain Outlet (M) and ensure that it will expel the dirty water where desired.
- 4) Turn the Mode Selector Switch (O) to the Drain Mode position (point selector fully at drain outlet (M)). A small amount of water may continue to come out of the Water Outlet (P). This is normal. To avoid this, remove the Universal Click-Fit from the Water Outlet and connect the Sealing Cap Click-Fit.
- 5) Turn on the power to the pond pump
- 6) Slide both cleaning handles (L) up and down. The up-and-down sliding motion causes the cleaning blades to scrape against the surface of the foam filters, dislodging debris and suspending it in the outer chamber of the filter, where water loaded with the suspended debris is forced out of the filter through the Drain Outlet (M). Proceed for several minutes until you see clear water coming out through the drain hose.

CAUTION – The cleaning system uses pond water. This fact must be considered when using the cleaning feature. At the end, refill the pond to the desired water level.

- 7) Turn off the power to the pond pump
- 8) Turn the Mode Selector Switch (O) to the Filtering Mode position (selector fully pointing at Water Outlet (P)). The filter is now in normal filtering mode. A flow of green water coming out for a few seconds is quite normal.
- 9) Seal the Drain Outlet (M) using the Click-fit Sealing Cap (D). Ensure that it is securely locked in place (push button fully up). If the filter remains clogged at the end of this operation, inspect the Cleaning Indicator to see whether it is clean and unimpeded (refer to Cleaning and Maintenance of the Pressure-Flo Filter, point 10, for detailed instructions). If the Cleaning Indicator continues to signal clogged, perform Foam and Biological Media Cleaning as explained below.
- 10) Turn on the power to the pond pump.
If the filter remains clogged at the end of this operation, perform Foam and Biological Media Cleaning below.

Cleaning and Maintenance of the Pressure-Flo Filter

WARNINGS:

- **Do not attempt to open the lid clamp (H) and lift the lid when the pump and the filter are in operation. The lid clamp latch features a safety metal insert to prevent accidental opening.**
- **The Mode Selector Switch (O) simply diverts water but does not stop it.**

When the **Backwash-Cleaning System** does not produce expected results or at least once in a season, it may be necessary to thoroughly wash or replace the foam filters (F). During the hot summer months, more frequent cleaning is required.

During this operation, the biological media can also be cleaned and/or replaced (except Pressure-Flo Clean 700/2500).

- 1) Switch off the pump that supplies the Pressure-Flo Clean Filter.
- 2) Disconnect all hosing from the unit by releasing the click-fit couplings (push the press button and pull).
- 3) Slowly lift the Cleaning Handles (L) up to their maximum extension above the filter.
- 4) Remove the safety insert from the metallic lid clamp (H). Unlatch the metallic lid clamp.
- 5) Remove the Lid (A) by grasping the cleaning handles or by gently levering into the side slots by means of an adequate flatheaded screwdriver. **CAUTION: do not force the guiding rods sideways as this may damage the unit.**
- 6) You now have access to the Foam Filters (F). Remove all of them together by grasping and lifting the internal Foam Support Frame (G).
- 7) Free the Foam Filters (F) from the Foam Support Frame (G) and rinse with pond water or replace them as required.
- 8) Rinse the biological media located in the lower section of the Filter Case (J) with pond water or replace as required. Pressure-Flo Clean 700/2500 does not have a biological media chamber.
- 9) Clean the Filter Case (J) with water, particularly around the top edge where the lid sealing O-ring (I) is seated.
- 10) If necessary clean the Cleaning Indicator (N) after disassembling it as follows:
 - 1) remove the retaining flange (S) by rotating it counter-clockwise (the Mode Selector Switch (O) must be set to the “Filtering Mode” position),
 - 2) remove the indicator and its spring. Rinse all parts in water and reassemble them with care. (Fig. 3 - Fig. 4)

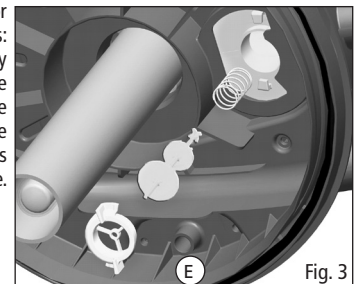


Fig. 3

- 11) Inspect and clean the two Cleaning Blades (E) and the guide rods. If necessary, replace the blades with new ones.
Each blade can easily be detached from the guiding rod by unscrewing the screw in the middle.



Fig. 4

- 12) Put the foam and biological

filtering media back in their original Locations. Ensure that the foam filters are properly stacked with no space between them.

- 13) Reassemble the unit with care. Make sure that the biological filtration media does not interfere with the foam support frame (G) and that the frame is refitted correctly.
- 14) The filter is now ready for start-up. Read and follow all instructions in **Filter Start-up, Operation, and Backwash-Cleaning.**

NEVER use soap or detergents for cleaning. Any remaining traces may pollute the pond and result in damage to sensitive fish tissues.

Winter Storage

The unit must be protected from frost. In cold winter weather, the unit may be switched off. It should then be drained of water, removed from its installation and stored in a dry, weather-proof area. It is recommended to keep the unit lid open during storage.

UV-C Device Installation Section

For UV-C Water Filtration Upgrade the Filter by installing the UV-C Device (sold separately)

This filter is designed to be easily equipped with a UV-C device (sold separately) to provide UV-C filtration which has the purpose to inhibit single celled algae growth.

For the correct installation, use, cleaning and maintenance of the UV-C device read and follow all instruction supplied with the appropriate "UV-C" device unit.

Spare Parts					
		PF 700 UVC	PF 1400 UVC	PF 2100 UVC	PF 3200 UVC
	*	PF 2500 UVC	PF 5000 UVC	PF 8000 UVC	PF 12000 UVC
Universal Click-fit	C	PT640	PT640	PT640	PT640
Sealing Cap Click-fit	D	PT1543	PT1543	PT1543	PT1543
Foam cleaning blades (2 pcs)	E	PT1513	PT1513	PT1514	PT1514
Foam Filter (1 pc)	F	PT1510	PT1510	PT1511	PT1511
Lid sealing O-Ring	I	PT1535	PT1535	PT1536	PT1536
Cleaning indicator (flange/indicator/spring)	N	PT1538	PT1539	PT1540	PT1541
Bio-Lava	-	-	PT	PT	PT
Rubber O-Rings	B	PT743	PT743	PT743	PT743

* See Product Illustrations

WARRANTY To register your warranty or for more information, visit www.hagen.com.

This product is warranted for defects in material or workmanship for a period of three (3) years from date of purchase. This warranty is valid only under normal operating conditions for which the product is intended. This warranty does not apply to any unit that has been subjected to misuse, negligence, tampering, accidental damage or damage due to faulty packaging or mishandling in transit. This warranty does not cover normal wear of parts and does not apply to any unit that has been used for commercial purposes. The UV-C bulb is not covered by the warranty. No liability is assumed with respect to loss or damage to livestock or personal property irrespective of the cause thereof. This warranty does not affect your statutory rights. This warranty does not cover damage or defects caused by or resulting from damages from shipping or repairs, service or alterations to the product or any of its parts, which have been performed by a repair person not authorized by Rolf C. Hagen Inc.

SERVICE

If you have a problem or question about the operation of this product, please let us try to help you before you return the product.

Most problems can be handled promptly over the phone. When you call, please have all relevant information, such as model number and/or part numbers.

Call our Customer Service Department:

CANADA ONLY: Toll Free Number 1-800-55HAGEN (1-800-554-2436)

Between 9:00 AM and 4:30 PM Eastern Time.

U.S. ONLY: Toll Free Number 1-800-724-2436

Between 9:00 AM and 4:00 PM Eastern Time.

U.K. ONLY: Toll Free Number 01977 556622

Between 9:00 AM and 5:00 PM.

AUTHORIZED WARRANTY REPAIR SERVICE

If this product is defective, return it along with proof of purchase to either the store where you bought it or to:

Canada: Rolf C Hagen Inc., 20500 Trans Canada Hwy, Baie d'Urfé, QC H9X 0A2

Rolf C. Hagen Inc., 8770-24th Street, Edmonton AB T6P 1X8

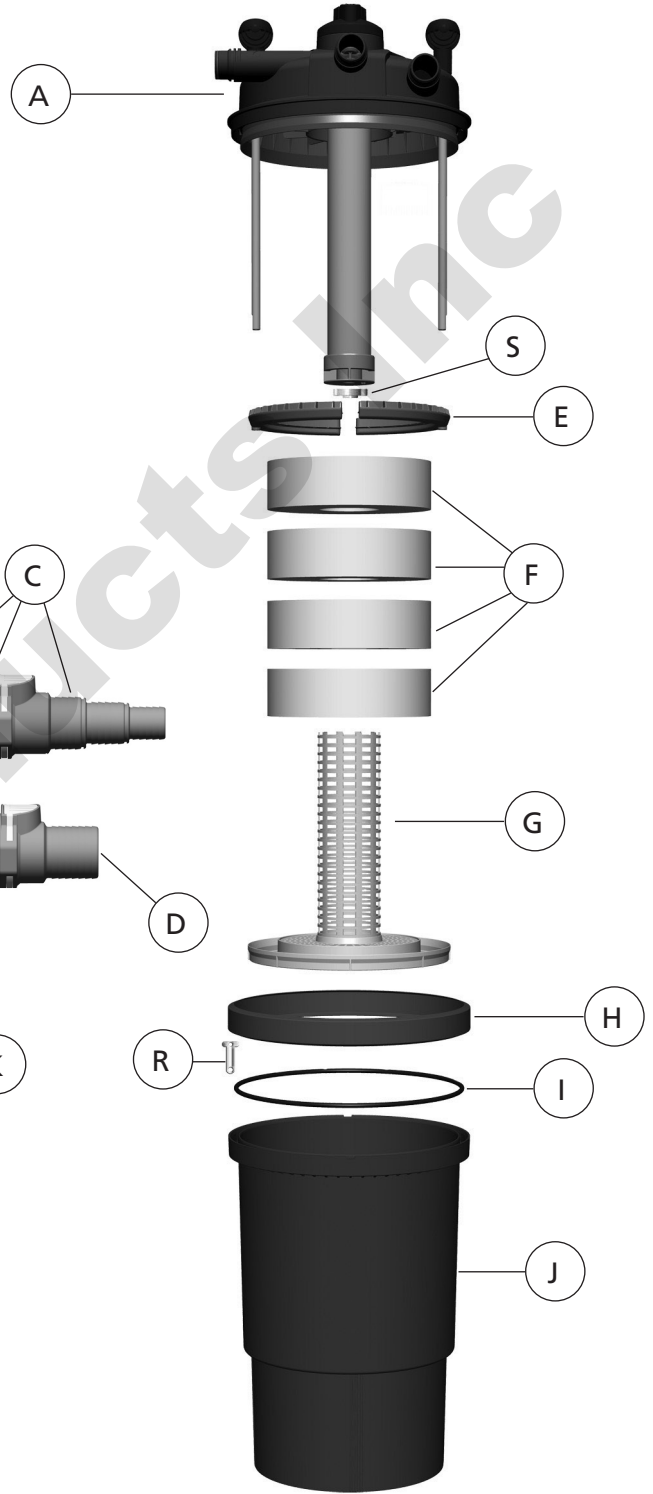
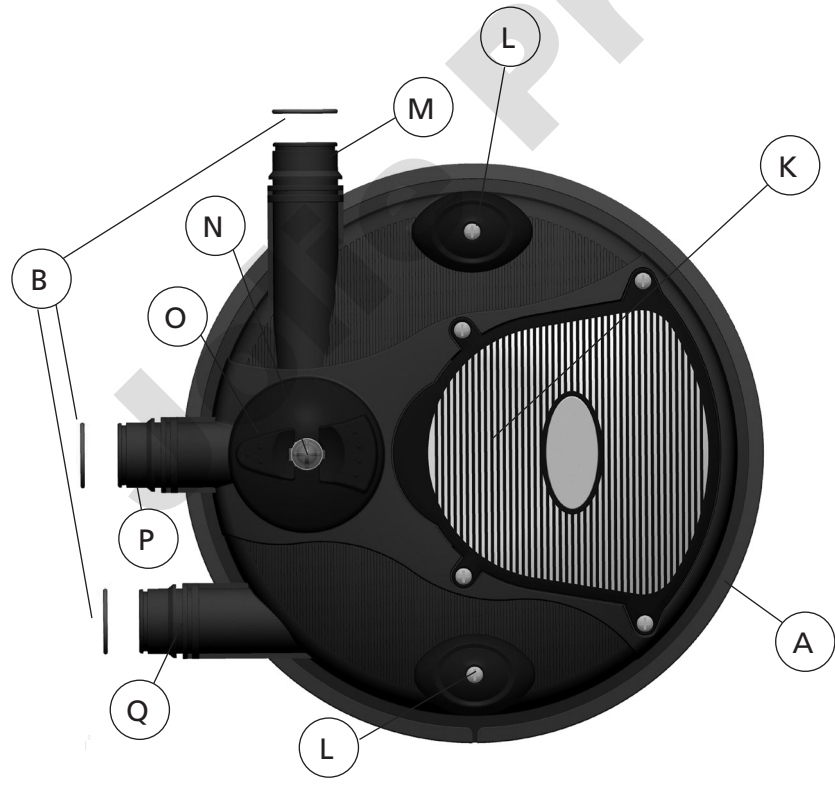
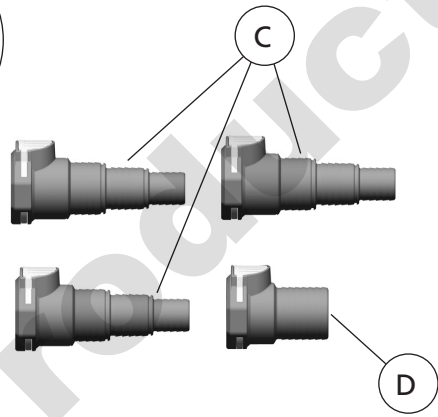
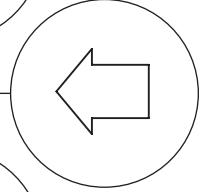
U.S.A.: Rolf C. Hagen (U.S.A.) Corp., 305 Forbes Blvd, Mansfield, MA. 02048

U.K.: Rolf C. Hagen (UK) Ltd., California, Dr. Whitwood Industrial Estate Castleford, West Yorkshire WF10 5QH

Français

Veuillez consulter les illustrations tout en lisant le mode d'emploi.

- A** Couvercle du filtre
- B** Joints toriques en caoutchouc
- C** Raccord autobloquant universel
- D** Bouchon hermétique autobloquant
- E** Lames de nettoyage des blocs de mousse
- F** Blocs de mousse
- G** Support des blocs de mousse
- H** Manette de blocage du couvercle
- I** Joint torique du couvercle du filtre
- J** Cuve du filtre
- K** Couvercle décoratif
- L** Poignées de lavage
- M** Sortie de drainage
- N** Indicateur de nettoyage
- O** Commande de sélection
- P** Sortie d'eau
- Q** Entrée d'eau
- R** Tige de sécurité
- S** Bride de retenue



FILTRE POUR BASSIN pour usage en eau douce seulement

Lire en entier avant d'installer et de mettre en marche.

MESURES DE SÉCURITÉ IMPORTANTES

AVERTISSEMENT – Pour éviter toute blessure, il faut observer des mesures de sécurité de base, y compris les suivantes.

- 1. LIRE ET RESPECTER TOUTES LES MESURES DE SÉCURITÉ** et tous les avis importants sur l'utilisation et l'entretien de cet appareil. Le non-respect des précautions peut entraîner des dommages à l'appareil ou des blessures.
- 2. AVERTISSEMENT** – Il est nécessaire de surveiller étroitement les enfants qui utilisent cet appareil ou qui se trouvent à proximité. Cet appareil ne doit pas être utilisé par des personnes (y compris des enfants) aux capacités physiques, sensorielles ou mentales réduites, ou manquant d'expérience ou de connaissances, à moins qu'elles soient placées sous la supervision d'une personne chargée de leur sécurité ou qu'elles en aient reçu les directives nécessaires à l'utilisation de cet appareil. Toujours surveiller les enfants pour les empêcher de jouer avec cet appareil.
- 3. Ce filtre sert à l'extérieur pour les jardins aquatiques d'eau douce.** Ne pas se servir de l'appareil pour un usage autre que celui prévu.
 - Ce filtre doit être utilisé dans de l'eau dont la température ne dépasse pas 35 °C.
 - Ne pas se servir de ce filtre avec des liquides inflammables ni potables.
- 4.** Ne pas installer ni ranger l'appareil où il sera exposé à des températures sous le point de congélation 0 °C (32 °F). Dans des conditions de gel, drainer l'eau de la cuve du filtre. En hiver, retirer et ranger l'appareil dans un endroit abrité.
- 5. IMPORTANT – La pression maximale de fonctionnement est de 0,04 Mpa (0,4 bar ou 5,8 psi). Ne pas raccorder le filtre à moteur aux conduites principales d'eau.**
- 6.** Ne pas essayer d'ouvrir la manette de blocage (H) du couvercle ni de soulever le couvercle quand la pompe et le filtre fonctionnent. Le verrou de la manette de blocage est muni d'une tige de sécurité en métal pour empêcher l'ouverture accidentelle.

CONSERVER CES INSTRUCTIONS POUR RÉFÉRENCE ULTÉRIEURE

Contenu

Avant de commencer, veuillez vérifier que les articles suivants sont compris dans la boîte :

- 1 filtre Pressure-Flo Clean
- 3 blocs de mousse (PF 700/PF 2500), 4 blocs de mousse (PF 1400/PF 5000 et PF 2100/PF 8000), 5 blocs de mousse (PF 3200/PF 12000)
- Masse filtrante biologique (sauf pour le filtre Pressure-Flo Clean 700/2500)
- 1 joint torique (I) pour assurer l'étanchéité du couvercle, fourni dans un sac de polyéthylène séparé
- 3 raccords autobloquants (C) pour tuyaux d'un diamètre de 19, 25, et 32 mm (¾, 1 et 1 ¼ po)
- 1 bouchon hermétique autobloquant (D)
- Mode d'emploi
- Tige de sécurité (R)
- 3 joints toriques en caoutchouc (B)

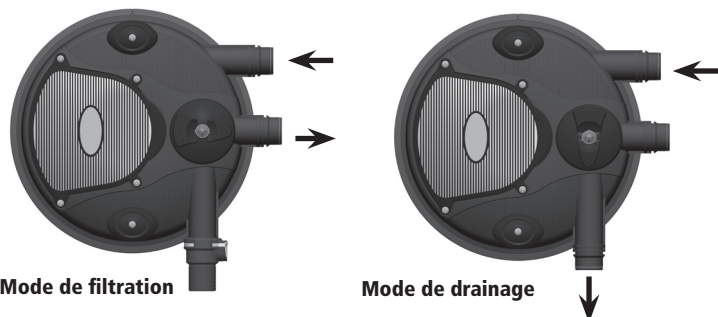
Utilisation prévue

Le filtre Pressure-Flo Clean à pressurisation hermétique est un filtre conçu pour assurer les filtrations mécanique et biologique dans des jardins aquatiques d'eau douce, à l'extérieur, dont la température de l'eau se situe entre +4 °C et 35 °C (entre +39,2 °F et 95 °F) et contenant ou non des poissons. La filtration mécanique consiste à bloquer et à accumuler les débris et les déchets provenant du bassin. La filtration biologique vise à transformer les sous-produits toxiques provenant du métabolisme des poissons et d'autres déchets organiques, en substances beaucoup moins nocives. Ce filtre est conçu pour utilisation avec un stérilisateur/clarificateur UVC (vendu séparément). S.V.P. consulter la section d'installation du STÉRILISATEUR/CLARIFICATEUR UVC.

Fonctionnement des filtres Pressure-Flo Clean

Les filtres Pressure-Flo Clean ont été fabriqués pour fournir deux modes importants de filtration de l'eau, essentiels pour garder l'eau de bassin claire et saine : les filtrations mécanique et biologique.

Ces filtres fonctionnent simultanément avec une pompe qui traite les solides. Pour de



Mode de filtration

Mode de drainage

meilleurs résultats, utiliser une pompe de circulation Max-Flo Laguna. Le filtre étant raccordé à la sortie d'une pompe, l'eau y entre par l'entrée d'eau (Q). Elle est ensuite forcée de passer par l'étape de filtration mécanique qui consiste, au moyen des blocs de mousse, à intercepter et à bloquer la saleté et les débris. Par la suite, l'eau entre dans une chambre de filtration biologique* où elle est en contact avec des bactéries bénéfiques. L'eau retourne dans le bassin par la sortie (P).

*Le filtre Pressure-Flo Clean 700/2500 n'est pas muni d'une chambre de filtration biologique.

Choix du filtre Pressure-Flo Clean et de la pompe Max-Flo convenant à votre bassin

À l'aide du tableau ci-dessous, choisir la combinaison adéquate d'une pompe Max-Flo Laguna et d'un filtre Pressure-Flo Clean en fonction de la taille de votre bassin et de son aménagement. En raison d'un nombre important de variables, les recommandations suivantes constituent seulement un guide général.

		PF 700	PF 1400	PF 2100	PF 3200
		PF 2500	PF 5000	PF 8000	PF 12000
Pompe Max-Flo Laguna recommandée*		PT8232 PT8236	PT8236	PT8240	PT8244
Longueur totale de tuyaux recommandée**	Mètres	4	4	5.5	6
	Pieds	13	13	18	19
Diamètre minimum des tuyaux pour obtenir les performances ci-dessus	Millimètres	32	32	32	32
	Pouces	1 ¼ po	1 ¼ po	1 ¼ po	1 ¼ po
Hauteur maximale recommandée de la cascade pour obtenir les performances ci-dessus	Centimètres	60	60	100	100
	Pouces	24	24	39	39

L'entretien du filtre sera très fréquent durant les mois chauds d'été.

* Si l'application comprend une cascade plus haute que celle indiquée, choisir une plus grosse pompe qu'à l'ordinaire.

** Longueur totale de la sortie et de l'entrée. Pour référence seulement. Le débit final dépend de nombreux facteurs tels que la longueur et le diamètre des tuyaux, leur entortillement et leurs plis, ainsi que la hauteur des cascades

Installation

Emplacement du filtre

Choisir un emplacement convenable pour votre filtre Pressure-Flo Clean en gardant à l'esprit les recommandations suivantes :

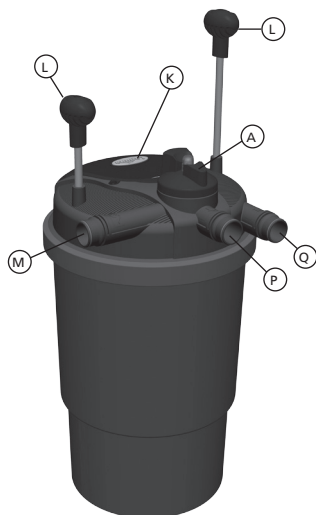
- Placer le filtre sur une base solide et de niveau où il sera à l'abri des inondations et aura suffisamment de ventilation. Protéger l'appareil d'un ensoleillement direct.
- Placer le filtre en surface ou dans le sol, en laissant la manette de blocage du couvercle (H) à au moins 5 cm (2 po) au-dessus du sol
- Placer le filtre à au moins 1 m (3,2 pi) du rebord du bassin et s'assurer qu'il ne peut tomber dans l'eau d'aucune manière.
- Faire en sorte d'avoir aisément accès au couvercle de l'appareil pour son entretien.
- Ne pas faire fonctionner le filtre à des pressions d'eau supérieures à 0,4 bar ou 5,8 psi. Ne jamais brancher le filtre sur le réseau public de distribution de l'eau.
- Orienter le filtre de sorte que l'entrée d'eau (Q), la sortie d'eau (P) et la sortie de drainage (M) des eaux usées soient positionnées convenablement afin d'éviter que les tuyaux se plient.

Branchement des tuyaux

Le filtre Pressure-Flo Clean requiert un branchement de trois tuyaux (non inclus) : un pour l'entrée d'eau de l'appareil (à partir de la pompe du bassin), un autre pour la sortie d'eau qui emmène l'eau filtrée dans le bassin, et un dernier qui servira à évacuer les eaux usées traversant le filtre à l'extérieur du bassin pendant son entretien.

Au moment du choix et de l'installation des tuyaux en vue de l'application voulue, maximiser le débit d'eau utilisable en choisissant les diamètres les plus grands et les longueurs les plus courtes possible afin d'éviter que les tuyaux se plient ou se coincent.

Les filtres Pressure-Flo Clean comportent trois raccords autobloquants universels (C)



grâce auxquels on pourra rapidement et facilement brancher et débrancher des tuyaux. Brancher les tuyaux souples aux raccords autobloquants et les maintenir en place avec un collier de serrage adéquat (non inclus).

IMPORTANT – Les raccords autobloquants universels (C) permettent de brancher des tuyaux souples de différents diamètres, mais il est important d'éliminer les bouts inutilisables, de diamètre inférieur, qui sont susceptibles de freiner le débit.

Une fois les tuyaux souples solidement branchés aux raccords autobloquants, on peut alors débrancher ces tuyaux de l'appareil en appuyant simplement sur le bouton du raccord autobloquant et en tirant. Pour fixer les raccords autobloquants sur le filtre, les insérer dans les prises mâles situées sur le couvercle de l'appareil, puis s'assurer que le bouton du raccord est complètement délogé.

Entrée d'eau (Q) : l'entrée d'eau correspond à l'endroit où l'eau du bassin entre dans le filtre Pressure-Flo Clean. Il suffit de relier la sortie d'une pompe Max-Flo Laguna qui traite les matières solides à l'entrée d'eau du filtre Pressure-Flo Clean (Q) à l'aide d'un tuyau à chenilles Laguna. La pompe fait circuler les eaux usées du bassin jusqu'au filtre Pressure-Flo Clean.

Sortie d'eau (P) : la sortie d'eau renvoie l'eau filtrée dans le bassin lorsque le filtre est utilisé en mode de filtration. Le tuyau branché à la sortie d'eau (P) peut être placé directement dans le bassin ou servir à créer un cours d'eau ou une cascade. La sortie d'eau est activée quand la commande de sélection (O) est orientée vers la sortie d'eau (P) (mode de filtration). L'extrémité du tuyau de sortie doit être placée aussi loin que possible de l'entrée de la pompe afin de maximiser la circulation de l'eau dans le bassin.

Sortie de drainage (M) : la sortie de drainage correspond à l'endroit où passent les eaux usées provenant du filtre lorsqu'on utilise le lavage à contre-courant. Brancher un tuyau à la sortie de drainage pour laisser les eaux usées sortir du filtre et s'écouler dans les égouts ou dans votre jardin. La sortie d'eau est activée quand la commande de sélection (O) est orientée vers la sortie de drainage (M) (mode de drainage).

IMPORTANT – Pendant le « mode de filtration » normal, fermer la sortie de drainage (M) à l'aide du bouchon hermétique autobloquant (D).

CONSEIL : Les eaux usées de bassin sont riches en nutriments et dépourvues de chlore; elles sont particulièrement indiquées pour l'arrosage du jardin.

Démarrage du filtre, fonctionnement et lavage à contre-courant

IMPORTANT! – Avant le premier démarrage et à chaque démarrage par la suite, vérifier les points suivants :

- Avant le premier démarrage, il est nécessaire de mettre en place le joint torique du couvercle (I), fourni séparément dans un sac en polyéthylène. Il faut insérer ce joint torique convenablement dans la rainure située dans la partie supérieure de la cuve du filtre (fig. 1).
- La masse filtrante biologique doit être placée dans la cuve du filtre tel qu'il est indiqué sur l'illustration (sauf Pressure-Flo Clean 700/2500) (fig. 2).
- Vérifier que le couvercle du filtre (A) est verrouillé solidement avec la manette de blocage du couvercle (H) et que le joint torique du couvercle (I) est correctement positionné dans sa rainure.

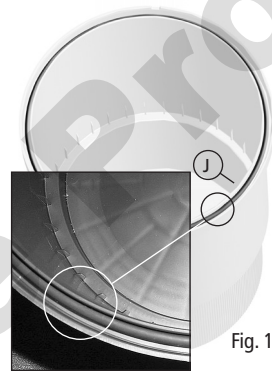
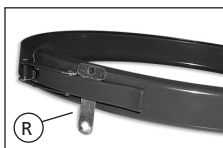


Fig. 1

IMPORTANT : Avant d'utiliser la manette de blocage du couvercle (H), on doit appuyer sur le couvercle (A) jusqu'à ce que l'espace entre le couvercle et la cuve du filtre soit éliminé. La manette de blocage du couvercle doit être verrouillée avec la tige de sécurité (R) en métal insérée convenablement dans la rainure du verrou.



AVERTISSEMENT : Un cadenas (non inclus) peut être inséré dans le trou du bas de la tige de sécurité (R) pour verrouiller.

- La commande de sélection (O) doit être réglée à la position « mode de filtration » dirigée vers la sortie d'eau (P). **La commande de sélection (O) doit être tournée complètement à 90°; jamais dans des positions intermédiaires.**
- S'assurer que tous les tuyaux ont été solidement raccordés au filtre et placés dans

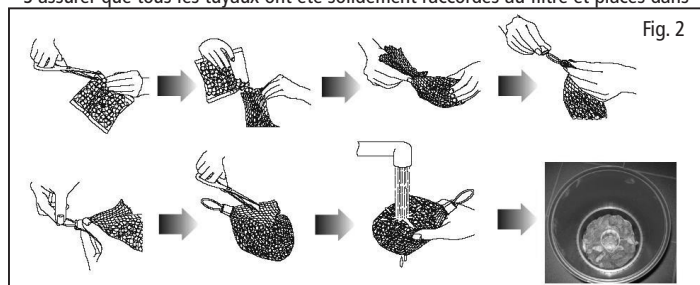


Fig. 2

leur position finale. Vérifier que la section mâle de tous les raccords autobloquants est munie d'un joint torique en caoutchouc (B).

Pendant le « mode de filtration » normal, fermer la sortie de drainage (M) à l'aide du bouchon hermétique autobloquant (D).

Veiller toujours à ce que ce bouchon soit verrouillé solidement (bouton-poussoir entièrement délogé).

À la suite des vérifications ci-dessus, procéder de la façon suivante : Mettre la pompe en marche et laisser fonctionner le filtre pendant plusieurs minutes afin de vérifier qu'il n'y a aucune fuite d'eau.

Laisser le filtre fonctionner 24 heures sur 24, et si possible, toute l'année dans la mesure où le gel n'empêche pas l'eau de circuler dans l'appareil.

Lavage à contre-courant

Lorsque la surface des blocs de mousse est encrassée, le lavage à contre-courant rétablit rapidement et efficacement le fonctionnement du filtre sans qu'il soit nécessaire d'ouvrir l'appareil. Un lavage par semaine est recommandé ou chaque fois que l'indicateur de nettoyage (N) détecte que le filtre est encrassé, sale ou qu'il évacue de l'eau trouble.

Si le bassin est très sale pendant les premières semaines d'utilisation du filtre, des lavages plus fréquents qu'à l'ordinaire seront peut-être nécessaires.

Procéder alors de la façon suivante :

- 1) Couper le courant à la pompe du bassin.
- 2) Retirer le bouchon hermétique autobloquant de la sortie de drainage (M). ATTENTION : Un léger débit d'eau sera évacué.
- 3) Brancher un tuyau de drainage à la sortie de drainage (M) et s'assurer qu'il évacuera l'eau sale à l'endroit désiré.
- 4) Régler la commande de sélection (O) en mode de drainage (orienter le sélecteur précisément vers la sortie de drainage (M)). Un peu d'eau peut continuer à couler de la sortie d'eau (P), ce qui est normal. Pour éviter cela, retirer le raccord autobloquant universel de la sortie d'eau et raccorder le bouchon hermétique autobloquant.
- 5) Rétablir le courant à la pompe du bassin.
- 6) Glisser les deux poignées de lavage (L) vers le haut et le bas. Ce mouvement vertical actionne les lames de nettoyage qui frottent la surface des blocs de mousse pour déloger les débris et les laisser en suspension sur la paroi extérieure du filtre où l'eau chargée des débris en suspension est forcée vers l'extérieur par la sortie de drainage (M). Procéder pendant plusieurs minutes jusqu'à ce que de l'eau claire sorte du tuyau de drainage.

ATTENTION - Ce système de nettoyage utilise l'eau du bassin. Il faut prendre cet aspect en considération lorsqu'on utilise cette fonction. Après le nettoyage, remplir le bassin au niveau d'eau désiré.

- 7) Couper le courant à la pompe du bassin.
- 8) Tourner la commande de sélection (O) en mode de filtration (orienter le sélecteur précisément vers la sortie d'eau (P)). Le filtre est maintenant en mode de filtration normal. Il est tout à fait normal que de l'eau verte s'écoule pendant quelques secondes.
- 9) Fermer la sortie de drainage (M) à l'aide du bouchon hermétique autobloquant (D). S'assurer que le bouchon est solidement en place (le bouton-poussoir doit être complètement soulevé). Si le filtre reste bloqué à la fin de cette opération, examiner l'indicateur de nettoyage pour voir s'il est propre et libre (consulter Nettoyage et entretien du filtre Pressure-Flo Clean, point 10, pour des instructions détaillées). Si l'indicateur de nettoyage continue de signaler un blocage, nettoyer le bloc de mousse et la masse filtrante biologique tel qu'il est expliqué ci-dessous.
- 10) Rétablir le courant à la pompe du bassin.

Si le filtre est toujours bloqué à la fin de cette opération, nettoyer le bloc de mousse et la masse filtrante biologique tel qu'il est expliqué ci-dessous.

Nettoyage et entretien du filtre Pressure-Flo Clean

MISES EN GARDE

- **Ne pas essayer de desserrer la manette de blocage (H) du couvercle ni de soulever le couvercle lorsque la pompe et le filtre fonctionnent.** Le verrou de la manette de blocage est muni d'une pièce de métal de sécurité conçue pour prévenir l'ouverture accidentelle.
- **La commande de sélection (O) détourne simplement l'eau, mais ne l'arrête pas.**

Lorsque le **lavage à contre-courant** ne donne pas les résultats escomptés, ou alors au moins une fois par saison, il peut s'avérer nécessaire de laver à fond les blocs de mousse (F) ou de les remplacer. Des nettoyages fréquents sont nécessaires pendant les chaudes périodes de l'été.

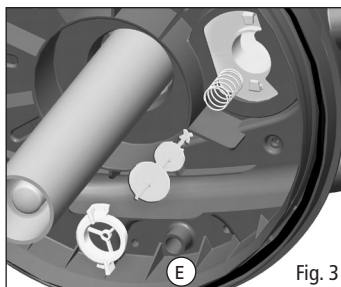
Au cours de cette opération, la masse filtrante biologique peut également être nettoyée ou remplacée (sauf pour Pressure-Flo Clean 700/2500).

- 1) Éteindre la pompe qui alimente le filtre Pressure-Flo Clean.
- 2) Débrancher tous les tuyaux de l'appareil en libérant les raccords autobloquants (appuyer sur le bouton-poussoir et tirer).

- 3) Soulever lentement les poignées de lavage (L) jusqu'à leur hauteur maximale au-dessus du filtre.
- 4) Enlever la tige de sécurité de la manette de blocage en métal (H). Déverrouiller cette manette.
- 5) Retirer le couvercle du filtre (A) en soulevant les poignées de lavage ou en ouvrant doucement par les côtés à l'aide d'un tournevis approprié à tête plate. **ATTENTION : Ne pas forcer les tiges de chaque côté pour ne pas endommager le filtre.**
- 6) Les blocs de mousse (F) sont maintenant accessibles. Les enlever tous en même temps en soulevant le support des blocs de mousse (G).
- 7) Sortir les blocs de mousse (F) de leur support (G) et les rincer avec de l'eau du bassin ou les remplacer au besoin.
- 8) Rincer la masse filtrante biologique située dans la section inférieure de la cuve du filtre (J) avec de l'eau du bassin ou la remplacer au besoin. Le filtre Pressure-Flo Clean 700/2500 n'a pas de chambre de filtration biologique.
- 9) Nettoyer la cuve du filtre (J) avec de l'eau, en particulier autour du bord supérieur où est posé le joint torique du couvercle du filtre (I).
- 10) Au besoin, nettoyer l'indicateur de nettoyage (N) après l'avoir désassemblé comme suit :

a) Enlever la bride de retenue (S) en la faisant tourner en sens inverse des aiguilles d'une montre (la commande de sélection (O) doit être réglée à la position « mode de filtration »).

b) Retirer l'indicateur et son ressort. Rincer toutes les pièces dans l'eau et les réassembler avec soin (fig. 3 et fig. 4).



- 11) Vérifier et nettoyer les deux lames de nettoyage (E) et les tiges. Au besoin, remplacer les lames par des nouvelles. Chaque lame peut facilement être séparée de la tige en dévissant la vis au milieu.



- 12) Replacer les blocs de mousse et la masse filtrante biologique dans leur position originale. Vérifier que les blocs de mousse sont convenablement empilés et s'assurer qu'il n'y a aucun espace entre eux.
- 13) Remonter l'appareil avec soin. S'assurer que la masse filtrante biologique ne touche pas au support des blocs de mousse (G) et que celui-ci est remis en état correctement.
- 14) Le filtre est maintenant prêt pour le démarrage. Lire et suivre toutes les instructions à la section **Démarrage du filtre, fonctionnement et lavage à contre-courant.**

NE JAMAIS utiliser ni savon ni détergent pour le nettoyage. Toute trace peut polluer le bassin et endommager les tissus sensibles des poissons.

Entreposage pour l'hiver

L'appareil doit être protégé du gel. Durant l'hiver, on peut l'éteindre. On doit alors le vider de l'eau qu'il contient, le retirer de son emplacement et l'entreposer dans un endroit sec et à l'abri des intempéries. Il est conseillé de garder le couvercle du filtre ouvert durant l'entreposage.

Installation d'un stérilisateur/clarificateur UVC

Pour obtenir une filtration d'eau UVC, installer le stérilisateur/clarificateur UVC (vendu séparément).

Ce filtre est conçu afin d'être équipé d'un stérilisateur/clarificateur UVC (vendu séparément), qui fournit une filtration UVC, et permet ainsi d'empêcher la croissance d'algues unicellulaires.

Afin de correctement installer, utiliser et nettoyer ce stérilisateur/clarificateur UVC, lire et suivre toutes les instructions fournies avec celui-ci.

Pièces de rechange					
		PF 700 UVC	PF 1400 UVC	PF 2100 UVC	PF 3200 UVC
	*	PF 2500 UVC	PF 5000 UVC	PF 8000 UVC	PF 12000 UVC
Raccord autobloquant universel	C	PT640	PT640	PT640	PT640
Bouchon hermétique autobloquant	D	PT1543	PT1543	PT1543	PT1543
Lames de nettoyage des blocs de mousse (2)	E	PT1513	PT1513	PT1514	PT1514
Bloc de mousse (1)	F	PT1510	PT1510	PT1511	PT1511
Joint torique du couvercle du filtre	I	PT1535	PT1535	PT1536	PT1536
Indicateur de nettoyage (bride de retenue, indicateur, ressort)	N	PT1538	PT1539	PT1540	PT1541
Bio-Lava	-	-	PT	PT	PT
Joints toriques en caoutchouc	B	PT743	PT743	PT743	PT743

*Voir illustrations des produits

GARANTIE Pour enregistrer votre garantie ou pour obtenir plus d'information, visiter le www.hagen.com.

Ce filtre est garanti contre tout défaut de matériaux et de fabrication pour une période de trois (3) ans à partir de la date d'achat. Cette garantie est valide seulement dans les conditions normales d'utilisation pour lesquelles le produit a été conçu. Cette garantie ne s'applique pas si le filtre a été utilisé de façon inappropriée ou avec négligence, ou s'il a été modifié, endommagé accidentellement ou endommagé en raison d'un mauvais emballage ou d'une manutention inadéquate en cours de transport. La garantie ne couvre pas l'usure normale des pièces et n'est pas applicable si le filtre a été utilisé à des fins commerciales. L'ampoule UVC n'est pas couverte par la garantie. Le fabricant ne peut être tenu responsable des pertes ou des dommages causés aux animaux et aux biens, quelle qu'en soit la raison. Cette garantie ne modifie pas vos droits prévus par la loi. Elle ne couvre pas tout dommage ou défaut causés par l'expédition, ou des réparations ou modifications apportées au produit ou à toute pièce du produit par un service de réparations non autorisé par Rolf C. Hagen inc.

SERVICE

Si vous avez un problème ou des questions par rapport au fonctionnement de cet appareil, laissez-nous vous aider avant de le retourner à votre détaillant. La plupart des problèmes peuvent être résolus rapidement grâce à un appel téléphonique. Lorsque vous nous téléphonez, veuillez avoir en main tous les renseignements pertinents, tels que le numéro du modèle ou le numéro des pièces.

Service à la clientèle :

CANADA SEULEMENT : Numéro sans frais : 1 800 55HAGEN (1 800 554-2436)
Ouvert entre 9 h et 16 h 30 (HNE).

FRANCE SEULEMENT : Numéro sans frais : (+33) 01-64881418
Ouvert du lundi au jeudi de 9 h à 12 h 30 et de 13 h 30 à 17 h, et le vendredi de 9 h à 12 h 30.

SERVICE DE RÉPARATIONS AUTORISÉ SOUS GARANTIE

Si cet article est défectueux, le retourner avec une preuve d'achat, soit au magasin où celui-ci a été acheté, soit à l'un des endroits suivants :

Canada : Rolf C. Hagen inc., 20500, autoroute Transcanadienne, Baie-D'Urfé (Québec) H9X 0A2

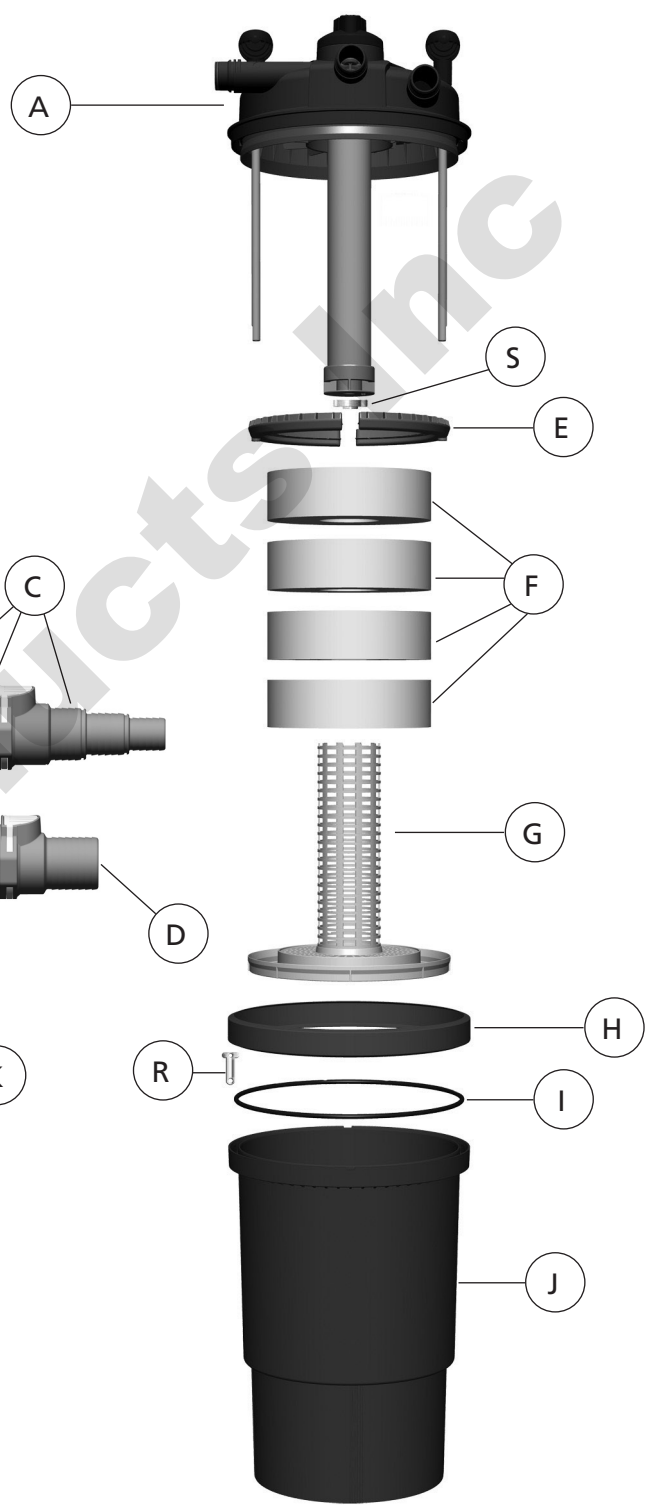
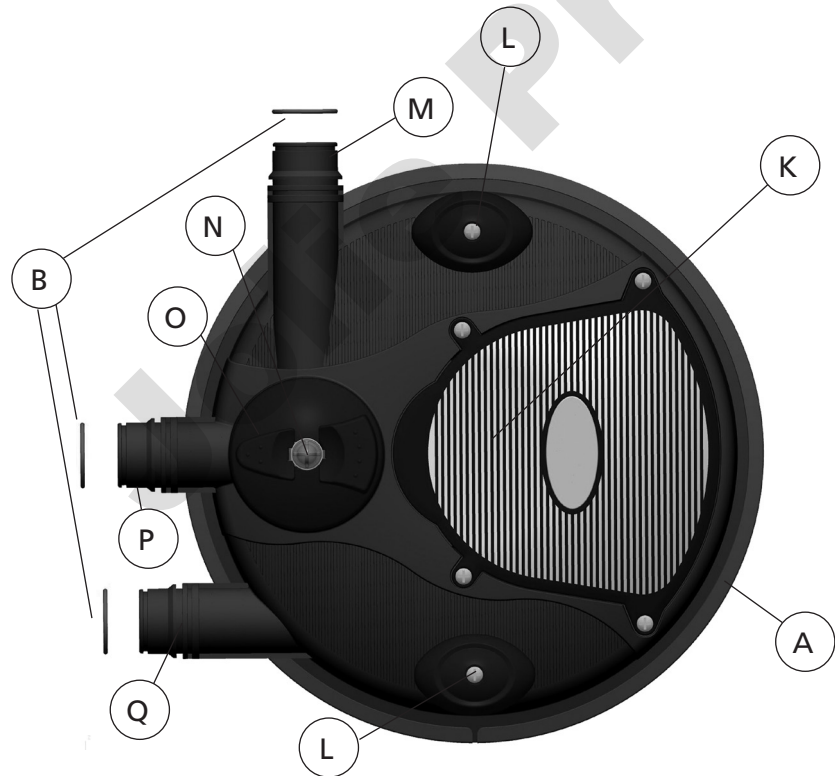
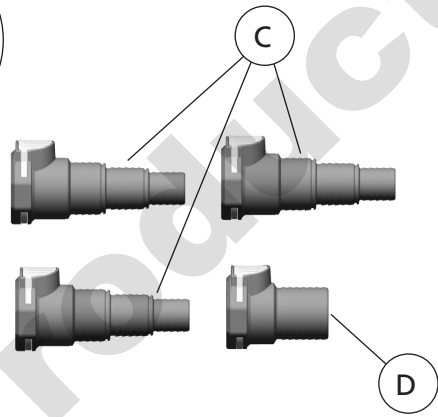
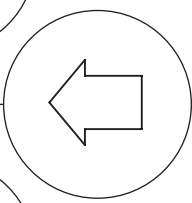
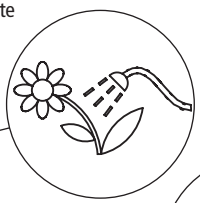
Rolf C. Hagen Inc.: 8770-24th Street, Edmonton AB T6P 1X8

France : Hagen France S.A. PARISUD 4 – Bd. Jean Monnet, F-77388 Combs-la-Ville

Instrucciones en español

Consulte estas ilustraciones cuando lea el manual de instrucciones.

- A** Tapa del filtro
- B** Juntas tóricas de goma
- C** Acoplamientos universales tipo "click-fit"
- D** Tapón hermético "click-fit"
- E** Hojas para limpiar la espuma
- F** Filtros de espuma
- G** Marco de soporte de la espuma filtrante
- H** Abrazadera de la tapa
- I** Junta tórica de la tapa del filtro
- J** Caja del filtro
- K** Cubierta elegante
- L** Manijas de limpieza
- M** Orificio de drenaje
- N** Indicador de limpieza
- O** Selector de modos
- P** Orificio de salida de agua
- Q** Orificio de entrada de agua
- R** Fiador
- S** Aro de brida



FILTRO PARA ESTANQUES Para uso en agua dulce solamente

Lea detenidamente estas instrucciones antes de la instalación y el uso.

MEDIDAS DE SEGURIDAD IMPORTANTES

ADVERTENCIA: Para evitar lesiones, se deben observar las instrucciones de seguridad básicas, incluyendo las siguientes:

1. LEA Y CUMPLA CON TODAS LAS MEDIDAS DE SEGURIDAD

y todas las advertencias importantes sobre el uso y mantenimiento de este aparato. El caso omiso a estas advertencias puede ocasionar daños al aparato o personales.

- ADVERTENCIA:** Es necesario que tenga mucho cuidado cuando los niños usen cualquier tipo de aparato o se encuentran cerca de este. Este aparato no debe ser usado por personas (incluidos los niños) con capacidades físicas, sensoriales o mentales reducidas, o personas sin experiencia ni conocimiento, a menos que sean supervisadas o hayan recibido instrucciones sobre el uso del aparato de parte de una persona responsable de su seguridad. Se debe supervisar a los niños para impedir que jueguen con el aparato.
- Este es un filtro para estanques de jardín decorativos de agua dulce para uso doméstico en exteriores.**
No use este aparato con otra función para la que no fue destinado.
 - Este producto es apto para uso en agua con una temperatura hasta 35 °C.
 - No use este producto con líquidos inflamables o potables.
- No instale ni guarde el aparato en lugares en los que esté expuesto a temperaturas cercanas a 0 °C (32 °F) o inferiores. En condiciones bajo cero, vacíe el agua del cartucho. En el invierno, retire el aparato y guárdelo en un lugar protegido.
- IMPORTANTE: La máxima presión de funcionamiento es de 0,04 MPa (0,4 bar o 5,8 PSI). No conecte el filtro mecánico al suministro de agua principal.**
- No intente abrir la abrazadera de la tapa (H) y levantar la tapa cuando el aparato y los filtros están en funcionamiento. El sujetador de la abrazadera de la tapa tiene un fiador para evitar una apertura accidental.

GUARDE ESTAS INSTRUCCIONES PARA CONSULTARLAS EN EL FUTURO.

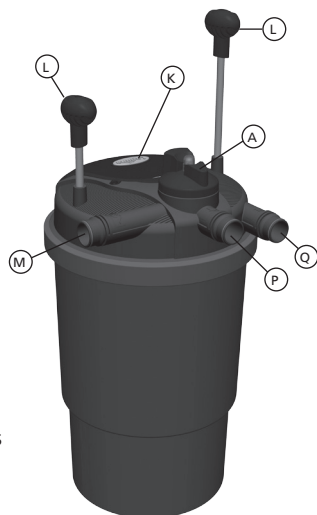
Contenido

Antes de comenzar, verifique que la caja contenga los siguientes artículos:

- 1 filtro Pressure-Flo Clean
- 3 filtros de espuma (PF 700/PF 2500), 4 filtros de espuma (PF 1400/PF 5000 y PF 2100 PF 8000), 5 filtros de espuma (PF 3200/PF 12000)
- Medios filtrantes biológicos (excepto el filtro Pressure-Flo 700/2500)
- 1 junta tórica para sellar la tapa (I), que se suministra en una bolsa de polietileno aparte
- 3 acoplamientos tipo "click-fit" (C) para mangueras con un diámetro de 19,25 y 32 mm (¾ pulg., 1 pulg. y 1 ¼ pulg.)
- 1 tapón hermético "click-fit" (D)
- Manual de instrucciones
- Fiador (R)
- 3 juntas tóricas de goma (B)

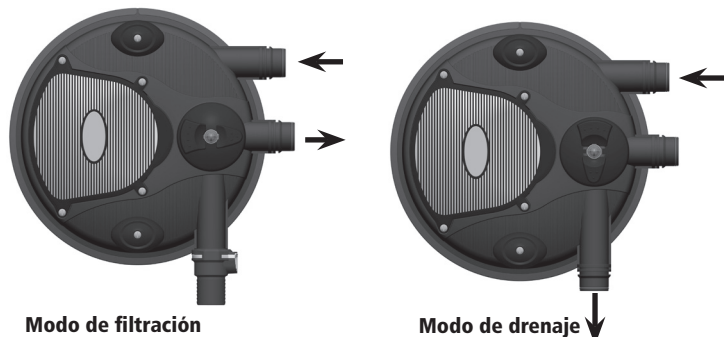
Uso previsto

El filtro Pressure-Flo Clean es un filtro sellado a presión diseñado para proporcionar filtración mecánica y biológica a estanques de jardín decorativos de agua dulce para uso en exteriores con una temperatura de +4 °C a 35 °C (+39,2 °F a 95 °F), con o sin peces. El objetivo de la filtración mecánica consiste en retener y acumular materiales de desecho que provienen del estanque. El de la filtración biológica consiste en convertir los subproductos tóxicos del metabolismo de los peces y otros desechos orgánicos en sustancias mucho menos nocivas. El filtro fue diseñado de modo que se pueda mejorar con la instalación de un dispositivo UV-C (que se vende por separado). Consulte la sección Instalación del "DISPOSITIVO UV-C".



Cómo funcionan los filtros Pressure-Flo Clean

Los filtros Pressure-Flo Clean fueron diseñados para proporcionar dos importantes operaciones de filtración del agua que son cruciales para mantener el agua del estanque limpia y saludable: la filtración mecánica y biológica.



Modo de filtración

Modo de drenaje

Los filtros se diseñaron de modo que funcionen junto con una bomba para tratamiento de residuos sólidos. Para obtener mejores resultados, use una bomba de circulación Max-Flo de Laguna. Cuando el filtro está conectado al orificio de salida de una bomba, el agua ingresa en el aparato mediante el orificio de entrada de agua (Q). Luego, se le fuerza a pasar por la etapa de filtración mecánica, que consta de filtros de espuma que interceptan y retienen suciedad y desechos. A continuación, el agua llega a la cámara de filtración biológica* cuando entra en contacto con las bacterias beneficiosas. El agua luego vuelve al estanque mediante el orificio de salida (P).
*El filtro Pressure-Flo Clean 700/2500 no contiene una cámara de filtración biológica.

Cómo seleccionar el filtro Pressure-Flo y la bomba Max-Flo adecuados para su estanque

Use la tabla siguiente para seleccionar la combinación de bomba Max-Flo y filtro Pressure-Flo de Laguna adecuados de acuerdo con el tamaño y las condiciones del estanque. Debido a la gran cantidad de variables, las siguientes recomendaciones se ofrecen como orientación general únicamente.

		PF 700	PF 1400	PF 2100	PF 3200
		PF 2500	PF 5000	PF 8000	PF 12000
Bomba Max-Flo de Laguna recomendada*		PT8232 PT8236	PT8236	PT8240	PT8244
Longitud total de la manguera recomendada**	Metros	4	4	5.5	6
	Pies	13	13	18	19
Diámetro mín. de la manguera para lograr los rendimientos mencionados	Milímetros	32	32	32	32
	Pulgadas	1 ¼ pulg	1 ¼ pulg	1 ¼ pulg	1 ¼ pulg
Caída de agua máx. recomendada para lograr los rendimientos mencionados	Centímetros	60	60	100	100
	Pulgadas	24	24	39	39

El mantenimiento del filtro será más frecuente durante los calurosos meses de verano

* Si la aplicación incluye una caída de agua más alta que el máximo indicado, elija una bomba más grande.

** Longitud total del orificio de salida al de entrada. Para referencia únicamente. El caudal definitivo depende de diversos factores, como la longitud y el diámetro de la manguera, las torceduras o codos de la manguera, y la altura de las caídas de agua.

Instalación

Ubicación del filtro

Elija una ubicación adecuada para el filtro Pressure-Flo Clean, mientras tiene en cuenta las siguientes recomendaciones:

- Coloque el filtro sobre una base firme y nivelada, donde esté protegido de las inundaciones y tenga suficiente ventilación. Proteja el aparato de la exposición directa al sol.
- Colóquelo sobre el nivel del suelo o entérrrelo con la abrazadera de la tapa (H) al menos 5 cm/2 pulg. sobre el nivel del suelo.
- Coloque el filtro al menos 1 metro/3,2 pies de distancia del borde del estanque y procure que no caiga al agua de ninguna manera.
- Procure que tenga acceso completo a la tapa del aparato para hacer el mantenimiento.
- No haga funcionar el filtro si la presión del agua supera los 0,4 bar o las 5,8 PSI de presión. Nunca conecte el filtro a obras hidráulicas públicas.
- Oriente el filtro de modo que el orificio de entrada de agua (Q), el orificio de salida de agua (P) y el orificio de drenaje (M) apunten a la dirección deseada a fin de evitar que la manguera se doble demasiado.

Conexiones de las mangueras

Los filtros Pressure-Flo Clean requieren la conexión de 3 mangueras (no incluidas): una para el orificio de entrada del aparato (desde la bomba del estanque), otra para el

orificio de salida que transporta el agua filtrada al estanque, y una última para descargar el agua sucia del filtro a un lugar fuera del estanque durante el mantenimiento.

Cuando selecciona e instala las mangueras para su aplicación, elija el diámetro más grande y la manguera más corta posibles, y evite las torceduras y los codos puntiagudos a fin de maximizar el caudal potencial.

Los filtros Pressure-Flo Clean incluyen 3 acoplamientos universales "click-fit" (C), que facilitarán y acelerarán la conexión y desconexión de las mangueras. Conecte mangueras flexibles a los acopladores "click-fit" y fíjelas con una abrazadera para mangueras adecuada (no incluida).

IMPORTANTE: Los acoplamientos universales "click-fit" (C) permiten la conexión de mangueras flexibles de diámetros diferentes, pero es importante recortar los racores para mangueras de diámetro menor que no use a fin de evitar restricciones en el caudal.

Cuando las mangueras flexibles están debidamente conectadas a los acoplamientos "click-fit", puede desconectar las mangueras del aparato con solo presionar el botón del acoplamiento "click-fit" y jalar. Para conectar los acoplamientos "click-fit" al aparato, introdúzcalos en los conectores macho de la tapa del aparato y procure que el botón del acoplamiento sobresalga por completo.

Orificio de entrada de agua (Q): este es el punto donde el agua del estanque ingresa al filtro Pressure-Flo Clean. Simplemente conecte el orificio de salida de una bomba para tratamiento de residuos sólidos Max-Flo de Laguna al orificio de entrada (Q) del filtro Pressure-Flo Clean con la manguera que no se enrosca de Laguna. La bomba hace circular el agua sucia del estanque al filtro Pressure-Flo.

Orificio de salida de agua (P): este hace que el agua filtrada vuelva al estanque cuando el filtro funciona en el modo de filtración. La manguera que está conectada al orificio de salida de agua (P) se puede colocar directamente en el estanque o usar para crear un curso o una caída de agua. Este orificio de salida se activa cuando el selector de modos (O) apunta al orificio de salida de agua (P) (modo de filtración). El extremo de la manguera de salida se debe colocar tan lejos del orificio de entrada de la bomba como sea posible para maximizar la circulación del agua en el estanque.

Orificio de drenaje (M): es aquel por donde el agua sucia sale del filtro cuando se usa el sistema de limpieza de retrolavado. Conecte una manguera al orificio de drenaje para drenar el agua sucia desde el filtro y hacia un sistema de desagüe o el jardín. Este orificio de salida se activa cuando el selector de modos (O) apunta al orificio de drenaje (M) (modo de drenaje).

IMPORTANTE: Durante el funcionamiento normal del "modo de filtración", cierre el orificio de drenaje (M) con el tapón hermético "click-fit" (D).

SUGERENCIA: El agua de estanque sucia es rica en nutrientes y libre de cloro, por lo que resulta particularmente buena para regar el jardín.

Puesta en marcha del filtro, funcionamiento y limpieza de retrolavado

IMPORTANTE – Antes de la primera y en cada puesta en marcha, compruebe lo siguiente:

- Antes de la primera puesta en marcha, es necesario instalar la junta tórica de la tapa del filtro (I), que se suministra en una bolsa de polietileno aparte. La junta tórica debe introducirse correctamente en su base en la parte superior del cartucho filtrante (fig. 1).
- Los medios filtrantes biológicos se deben colocar en la caja del filtro, según se indica en la imagen (excepto el filtro Pressure-Flo Clean 700/2500) (fig. 2).
- Procure que la tapa del filtro (A) esté debidamente cerrada con la abrazadera de la tapa (H) y que la junta tórica de la tapa del filtro (I) esté correctamente apoyada en su base.

IMPORTANTE: Antes de colocar la abrazadera de la tapa (H), se debe presionar la tapa (A) hasta eliminar el espacio entre la tapa y la caja del filtro. La abrazadera de la tapa se debe trabar, con el fiador de metal (R) introducido correctamente dentro de la ranura de retención.

ADVERTENCIA: Se puede introducir un candado (no incluido) en el orificio inferior del fiador (R) para trabarlo.

- El selector de modos (O) se debe colocar en la posición "modo de filtración" con el interruptor apuntando al orificio de salida de agua (P).

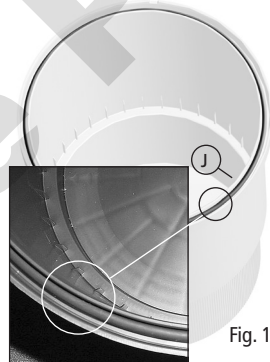


Fig. 1

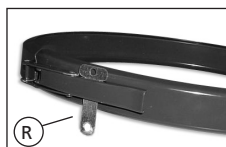
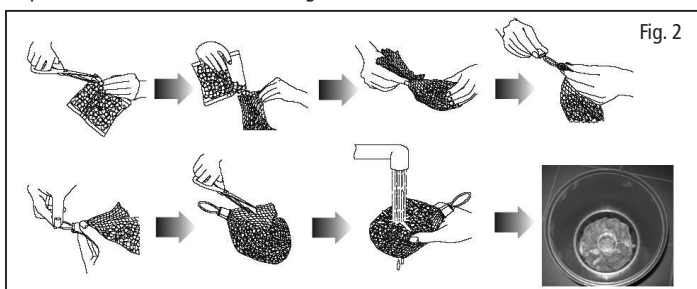


Fig. 2



El selector de modos (O) se debe girar por completo 90°; no lo configure en ninguna posición intermedia.

- Procure que todas las mangueras estén debidamente conectadas al aparato y colocadas en su posición definitiva. Procure que la sección macho de todos los acoplamientos "click-fit" incluyan la junta tórica de goma (B).

Durante el funcionamiento normal del "modo de filtración", cierre el orificio de drenaje (M) con el tapón hermético "click-fit" (D).

Siempre procure que el tapón hermético "click-fit" esté debidamente trabado en su lugar (empuje el botón completamente hacia arriba).

Después de hacer las comprobaciones mencionadas, siga estos pasos:

Encienda la bomba y haga funcionar el filtro durante varios minutos para comprobar que no haya fugas de agua.

Permita que el filtro funcione durante las 24 horas del día e, idealmente, durante todo el año, siempre que no el agua no presente escarcha y fluya libremente por el aparato.

Sistema de limpieza de retrolavado

Cuando la superficie de espuma se obstruye, el sistema de limpieza de retrolavado reanuda rápida y eficazmente el funcionamiento normal del filtro sin necesidad de abrir el aparato. La limpieza se debe hacer al menos una vez por semana o siempre que el indicador de limpieza (N) detecte que el filtro está obstruido o sucio, o cuando salga agua turbia del filtro.

Si el estanque está muy sucio y durante las primeras semanas de uso del aparato, es posible que el filtro necesite limpiezas más frecuentes.

Siga estos pasos:

- 1) Desconecte la alimentación de la bomba del estanque.
- 2) Extraiga el tapón hermético "click-fit" del orificio de drenaje (M). **PRECAUCIÓN:** Saldrá un pequeño flujo de agua.
- 3) Conecte una manguera de drenaje al orificio de drenaje (M) y cerciórese de que expulsará el agua sucia en el lugar que desee.
- 4) Gire el selector de modos (O) hasta la posición de modo de drenaje (apunte el selector completamente al orificio de drenaje (M)). Es posible que una pequeña cantidad de agua siga saliendo del orificio de salida de agua (P). Esto es normal. Para evitarlo, quite el acoplamiento universal "click-fit" del orificio de salida de agua y conecte el tapón hermético "click-fit".
- 5) Conecte la alimentación de la bomba del estanque.
- 6) Deslice ambas manijas de limpieza (L) hacia arriba y abajo. Este deslizamiento hacia arriba y abajo hace que las hojas de limpieza raspen la superficie de los filtros de espuma, y extraigan los desechos que se mantendrán suspendidos en la cámara externa del filtro, donde el agua cargada con los desechos suspendidos es forzada hacia fuera del filtro mediante el orificio de drenaje (M). Continúe durante varios minutos hasta que vea agua limpia saliendo de la manguera de drenaje.

PRECAUCIÓN: El sistema de limpieza emplea el agua del estanque. Este hecho debe tenerse en cuenta al momento de usar la función de limpieza. Al final, vuelva a llenar el estanque hasta el nivel de agua deseado.

- 7) Desconecte la alimentación de la bomba del estanque.
- 8) Gire el selector de modos (O) hasta la posición "modo de filtración" – apunte el selector completamente al orificio de salida de agua (P). El filtro está ahora en el modo de filtración normal. Es bastante normal ver que un flujo de agua verde sale durante unos segundos.
- 9) Selle el orificio de drenaje (M) con el tapón hermético "click-fit" (D). Procure que esté debidamente trabado en su lugar (empuje el botón completamente hacia arriba). Si, al cabo de esta operación, el filtro sigue obstruido, examine el indicador de limpieza para verificar que está limpio y no presente obstáculos (consulte el punto 11 en Limpieza de la espuma y los medios filtrantes biológicos para obtener instrucciones detalladas). Si el indicador de limpieza sigue mostrando obstrucciones, haga una limpieza de la espuma y los medios biológicos, como se explica a continuación.
- 10) Conecte la alimentación de la bomba del estanque. Si, al cabo de esta operación, el filtro sigue obstruido, haga la limpieza de la espuma y los medios biológicos que figura abajo.

Limpieza y mantenimiento del filtro Pressure-Flo

ADVERTENCIAS:

- **No intente abrir la abrazadera de la tapa (H) y levantar la tapa cuando la bomba y el filtro estén en funcionamiento. El sujetador de la abrazadera de la tapa incluye un fiador de metal para evitar una apertura accidental.**
- **El selector de modos (O) simplemente desvía el agua, pero no la detiene.**

Cuando el sistema de limpieza de retrolavado no genera los resultados esperados o,

al menos una vez por temporada, es posible que sea necesario lavar minuciosamente o reemplazar los filtros de espuma (F). Durante los calurosos meses del verano, se requiere una limpieza más frecuente.

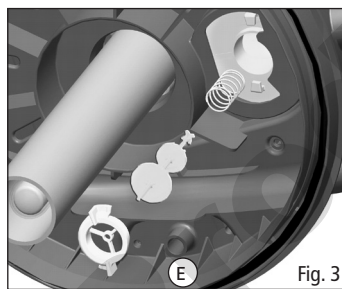
Durante esta operación, los medios filtrantes biológicos también se pueden limpiar o reemplazar (excepto el filtro Pressure-Flo Clean 700/2500).

- 1) Apague la bomba que alimenta al filtro Pressure-Flo Clean.
- 2) Para desconectar todas las mangueras del aparato, libere los acoplamientos "click-fit" (oprime el botón y jale).
- 3) Levante lentamente las manijas de limpieza (L) hasta su máxima extensión por encima del filtro.
- 4) Extraiga el fiador de la abrazadera de la tapa metálica (H). Destrabe esta última.
- 5) Para quitar la tapa (A), tome las manijas de limpieza o apalanque cuidadosamente las ranuras laterales con un destornillador de cabeza plana adecuado.

PRECAUCIÓN: No fuerce las varillas de guía hacia los costados, ya que podría dañar la unidad.

- 6) Podrá acceder, entonces, a los filtros de espuma (F). Para extraerlos todos juntos, tome y levante el marco de soporte de la espuma filtrante interno (G).
- 7) Libere los filtros de espuma (F) del marco de soporte de la espuma (G) y enjuáguelos con el agua del estanque o reemplácelos según sea necesario.
- 8) Enjuague los medios filtrantes biológicos que se encuentran en la sección inferior de la caja del filtro (J) con agua del estanque o reemplácelos según sea necesario. El filtro Pressure-Flo Clean 700/2500 no contiene una cámara para medios filtrantes biológicos.
- 9) Limpie la caja del filtro (J) con agua, especialmente alrededor del borde superior donde se apoya la junta tórica para sellar la tapa (I).
- 10) Si es necesario, limpie el indicador de limpieza (N) luego de desmantelarlo de la siguiente manera:
 - 1) para extraer el aro de brida (S), gírelo hacia la izquierda (el selector de modos (O) se debe colocar en la posición "modo de filtración"); 2) extraiga el indicador y su resorte. Enjuague todas las piezas y vuelva a ensamblarlas con cuidado. (Fig. 3 - Fig. 4)

- 11) Examine y limpie las dos hojas de limpieza (E) y las varillas de guía. Si es necesario, reemplace las hojas con otras nuevas. Cada hoja se puede separar fácilmente de la varilla de guía al desatornillar el tornillo del medio.



- 12) Coloque la espuma y los medios filtrantes biológicos nuevamente en sus posiciones originales. Procure que los filtros de espuma estén debidamente apilados sin espacios entre ellos.

- 13) Vuelva a ensamblar el aparato con cuidado. Procure que los medios filtrantes biológicos no interfieran con el marco de soporte de la espuma (G) y que el marco esté reacondicionado debidamente.



- 14) El filtro ahora está listo para su puesta en marcha. Lea y siga todas las instrucciones en

Puesta en marcha del filtro, funcionamiento y limpieza de retrolavado.

NUNCA use jabón ni detergentes para limpiar. Cualquier residuo que dejen podría contaminar el estanque y dañar los sensibles tejidos de los peces.

Almacenamiento durante el invierno

Se debe proteger al aparato de la escarcha. En climas de inviernos fríos, de debe apagar el aparato. Luego, se debe drenar el agua, desinstalar el aparato y almacenarlo en un área seca, resistente a la intemperie. Se recomienda dejar la tapa del aparato abierta durante el almacenamiento.

Sección Instalación del dispositivo UV-C

Para una filtración de agua con UV-C, instale el dispositivo UV-C (que se vende por separado) para actualizar el filtro

Este filtro fue diseñado para agregarle fácilmente un dispositivo UV-C (que se vende por separado) para proporcionar una filtración con UV-C, cuyo fin consiste en inhibir el desarrollo de algas unicelulares.

Para instalar, usar, limpiar y mantener correctamente el dispositivo UV-C, lea y siga todas las instrucciones que incluye el dispositivo "UV-C" adecuado.

Repuestos					
		PF 700 UVC	PF 1400 UVC	PF 2100 UVC	PF 3200 UVC
	*	PF 2500 UVC	PF 5000 UVC	PF 8000 UVC	PF 12000 UVC
Acoplamientos universales tipo "click-fit"	C	PT640	PT640	PT640	PT640
Tapón hermético "click-fit"	D	PT1543	PT1543	PT1543	PT1543
Hojas para limpiar la espuma (2 unid.)	E	PT1513	PT1513	PT1514	PT1514
Filtro de espuma (1 unid.)	F	PT1510	PT1510	PT1511	PT1511
Junta tórica para sellar la tapa	I	PT1535	PT1535	PT1536	PT1536
Indicador de limpieza (brida/indicador/resorte)	N	PT1538	PT1539	PT1540	PT1541
Rocas de lava	-	-	-	-	-
Juntas tóricas de goma	B	PT743	PT743	PT743	PT743

* Ver Ejemplos Producto

GARANTÍA Para registrar su garantía o para obtener más información, visite www.hagen.com.

Este producto tiene una garantía por defectos en el material o en la fabricación por un período de tres (3) años a partir de la fecha de compra. Esta garantía solo es válida en condiciones normales de funcionamiento para las cuales el producto está destinado. La garantía no se aplica a los aparatos que hayan sido sometidos a uso indebido, negligencia, maltrato, daño accidental o daño causado por un empaque defectuoso o por maltrato durante el transporte. Esta garantía no cubre el desgaste normal de las piezas y no se aplica a los aparatos que hayan sido utilizados con fines comerciales. La garantía no cubre la pérdida o daños de los animales de cría o de la propiedad personal independientemente de qué los ocasione. Esta garantía no afecta sus derechos establecidos por ley. Esta garantía no cubre daños ni defectos causados o generados a partir del envío del producto o de reparaciones, alteraciones o mantenimiento hechos al producto o a cualquiera de sus piezas por una persona no autorizada por Rolf C. Hagen Inc.

SERVICIO

Si tiene algún inconveniente o preguntas acerca del funcionamiento de este producto, permítanos ayudarlo antes de devolverlo.

La mayoría de los problemas puede resolverse inmediatamente mediante una llamada. Cuando llame, tenga disponible toda la información importante, como el número del modelo o los números de las piezas.

Llame a nuestro departamento de Servicio a la clientela.

SOLO EN CANADÁ: Línea gratuita 1-800-55HAGEN (1-800-554-2436)

Entre las 9.00 y las 16.30, hora del Este.

SOLO EN EE. UU.: Línea gratuita 1-800-724-2436

Entre las 9.00 y las 16.00, hora del Este.

SOLO EN EL REINO UNIDO: Línea gratuita 01977 556622

Entre las 9.00 y las 17.00.

SERVICIO DE REPARACIÓN AUTORIZADO CON GARANTÍA

Si este producto resultase defectuoso, devuélvalo junto con la prueba de compra a la tienda donde fue adquirido o bien a:

Canadá: Rolf C Hagen Inc., 20500 Trans Canada Hwy, Baie d'Urfé, QC H9X 0A2
Rolf C. Hagen Inc., 8770-24th Street, Edmonton AB T6P 1X8

EE. UU.: Rolf C. Hagen (U.S.A.) Corp., 305 Forbes Blvd, Mansfield, MA. 02048
Reino Unido: Rolf C. Hagen (UK) Ltd., California, Dr. Whitwood Industrial Estate Castleford, West Yorkshire WF10 5QH



Distributed by:

Canada: **Rolf C. Hagen Inc.**, Montreal, QC H9X 0A2

U.S.A.: **Rolf C. Hagen (U.S.A.) Corp.**, Mansfield, MA. 02048

U.K.: **Rolf C. Hagen (U.K.) Ltd.**, Castleford, W. Yorkshire WF10 5QH

Printed in Italy

Ver.: 44/11 INT

Laguna and Hagen are registered trademarks of Rolf C. Hagen Inc.

www.lagunaponds.com