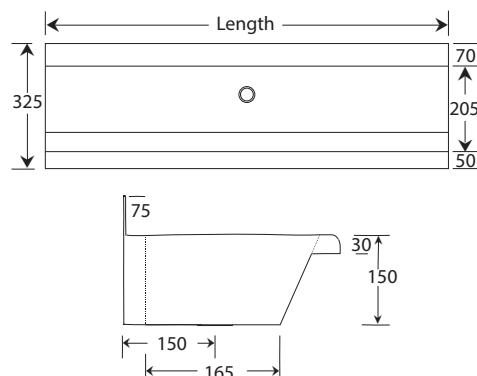


STAINLESS STEEL WASH TROUGHS

	Page
Compact Wall Mounted Wash Trough	20
Pre-Drilled Wall Mounted Wash Trough	20
Wall Mounted Wash Trough	21
Heavy Duty Wall Mounted Wash Trough	21
Coloured Wash Trough.....	22
Inset Wash Trough with Tap Ledge	22
Deluxe Wash Trough	23
Sit On Wash Trough.....	23
Wash Trough Accessories	24

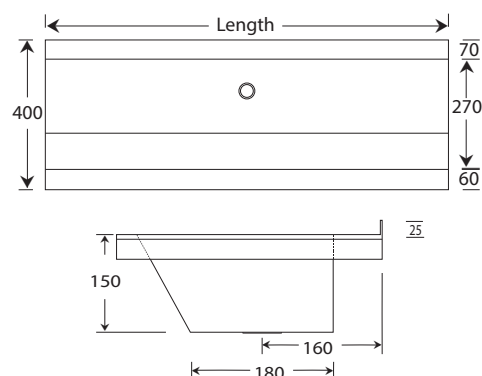
WE307 COMPACT WALL MOUNTED WASH TROUGH



- 5 standard lengths in stock: 1200mm | 1500mm | 1800mm | 2100mm | 2400mm
- Centre 38mm flush grated waste fitting (no plug or overflow)
- Grade 304 stainless steel, 1.5mm thick
- Tap holes drilled to customer specification
- 75mm upstand
- 325mm projection from wall for use in small areas or by smaller children
- Optional stainless steel front support legs (two per trough)
- Optional taps from our extensive range
- Optional plastic or chrome plated brass bottle traps
- In stock 2 to 3 working days

* Taps shown for illustration purposes only

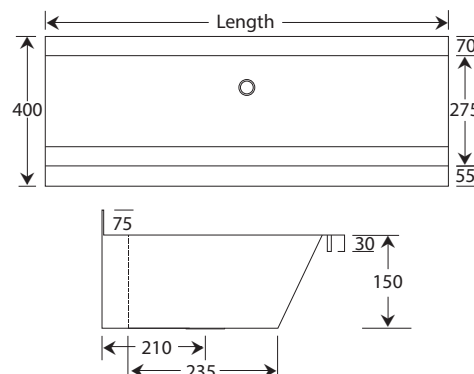
WE310 PRE-DRILLED WALL MOUNTED WASH TROUGH



- 6 standard lengths in stock: 500mm | 800mm | 1000mm | 1500mm | 2000mm | 2500mm
- Centre 38mm flush grated waste fitting (no plug or overflow)
- Grade 304 stainless steel, 1.5mm thick
- Single 35mm tap hole per user
- 500mm 1 user | 800mm 2 user | 1000mm 2 user | 1500mm 3 user | 2000mm 4 user | 2500mm 5 user
- 25mm upstand and 400mm projection
- Optional stainless steel front support legs (two per trough)
- Optional taps from our extensive range
- Optional plastic or chrome plated brass bottle traps
- In stock 1 to 2 working days

* Taps shown for illustration purposes only

WE305 WALL MOUNTED WASH TROUGH

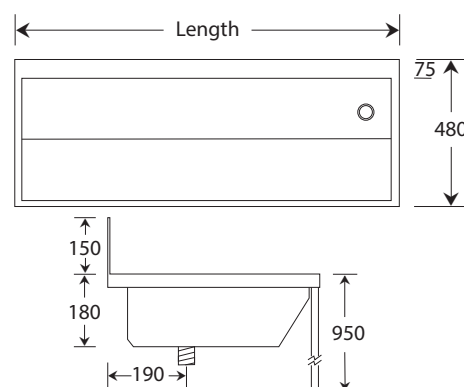


- 4 standard lengths in stock: 1200mm | 1500mm | 1800mm | 2400mm
- Centre 38mm flush grated waste fitting (no plug or overflow)
- Grade 304 stainless steel, 1.5mm thick
- Tap holes drilled to customer specification
- 75mm upstand

- 400mm projection
- Optional stainless steel front support legs (two per trough)
- Optional taps from our extensive range
- Optional plastic or chrome plated brass bottle traps
- In stock 2 to 3 working days

* Taps shown for illustration purposes only

WE302 HEAVY DUTY WALL MOUNTED WASH TROUGH

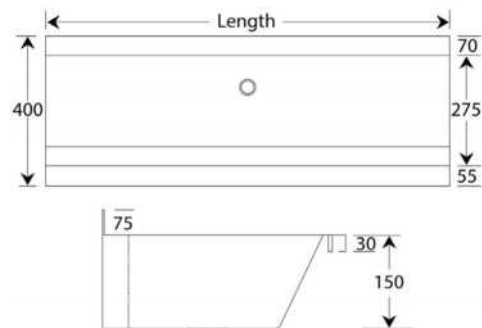


- Manufactured to order in any length up to and including 3600mm
- Left or right hand 38mm flush grated waste fitting (no plug or overflow)
- Grade 304 stainless steel, 1.5mm thick
- Tap holes drilled to customer specification
- 150mm splashback

- 480mm projection
- Complete with stainless steel front support legs (two per trough)
- Optional taps from our extensive range
- Optional plastic or chrome plated brass bottle traps
- Manufactured to order 10 to 15 working days

* Taps shown for illustration purposes only

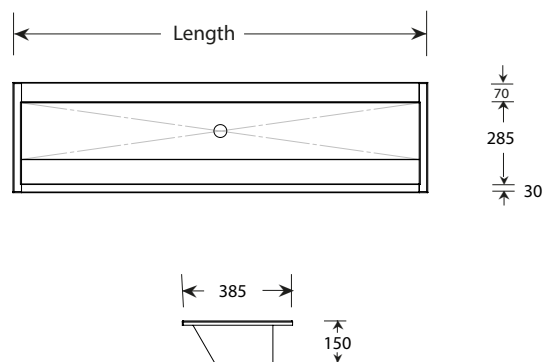
C-WE305 COLOURED WASH TROUGH



- 4 standard lengths manufactured to order: 1200mm | 1500mm | 1800mm | 2400mm
- Standard colours (Matt finish) - White (RAL 9016), Black (RAL 9005), Red (RAL 3020) and Blue (RAL 5002)
- Grade 304 stainless steel, 1.6mm thick
- Tap holes drilled to customer specification
- 400mm projection
- Optional stainless steel front support legs (two per trough)
- Optional taps from our extensive range
- Optional plastic or chrome plated brass bottle traps
- In stock 2 to 3 working days
- Manufactured to order 15 to 20 working days

**Taps shown for illustration purposes only*

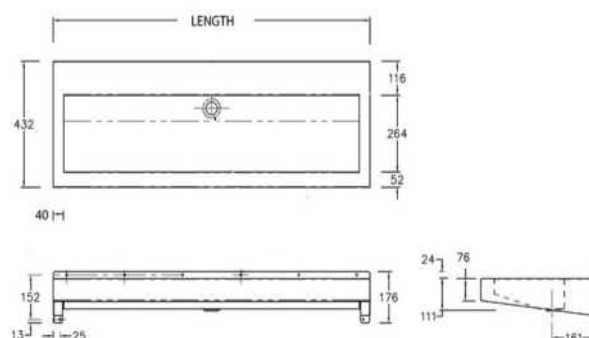
WE314 INSET WASH TROUGH WITH TAP LEDGE



- Five standard lengths made to order: 1150mm | 1450mm | 1750mm | 2050mm | 2350mm
- Centre 38mm flush grated waste fitting (no plug or overflow)
- Grade 304 stainless steel, 1.2mm thick
- Tap holes drilled to customer specification
- Rear tap ledge
- Designed to be inset into a new or existing worktop (by others)
- Optional taps from our extensive range
- Optional plastic or chrome plated brass bottle traps
- All sizes 15 to 20 working days

**Taps shown for illustration purposes only*

WE325 DELUXE WASH TROUGH

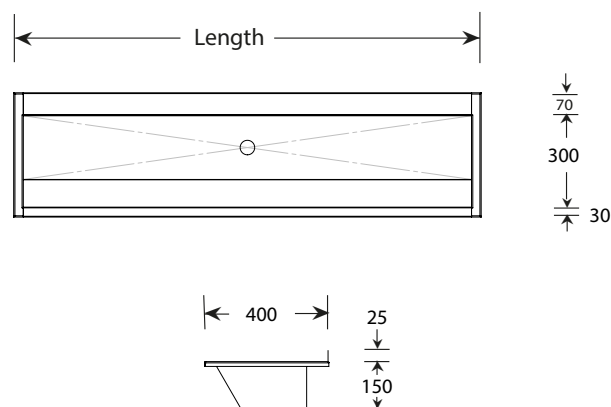


- 4 sizes in stock 600mm | 1200mm | 1800mm | 2400mm
- Centre 38mm flush grated waste fitting (no plug or overflow)
- Clean lines sloping trough for modern look
- Grade 304 stainless steel, 1.6mm thick
- Tap holes drilled in splashback to customer specification

- 432mm projection
- Integral wall fixing points
- Tap holes drilled to customer specification
- Optional taps from our extensive range
- Optional plastic or chrome plated brass bottle traps
- In stock 2 to 3 working days

*Taps shown for illustration purposes only

WE318 SIT ON WASH TROUGH



- Manufactured to order in any length up to and including 3000mm
- Centre 38mm flush grated waste fitting (no plug or overflow)
- Grade 304 stainless steel, 1.2mm thick
- Tap holes drilled to customer specification
- Designed to sit on separate base unit

- 25mm upstand
- 400mm projection
- Optional taps from our extensive range
- Optional plastic or chrome plated brass bottle traps
- Manufactured to order 10 to 15 working days

*Taps shown for illustration purposes only

WASH TROUGH FRONT LEGS



- Stainless steel front legs with adjustable feet
- 912mm long to give rim height of 950mm high (optional 600mm rim height for nursery troughs)
- Supplied as a pair
- In stock 1 to 2 working days

LARGE-PLASTIC-BOTTLETRAP 38MM (1 1/2") BOTTLE TRAP



- McAlpine 38mm plastic bottle trap
- Suitable for all wash troughs
- In stock 1 to 2 working days

LARGE-CHROME-BOTTLETRAP (1 1/2") CHROME PLATED BOTTLE TRAP



- 38mm chrome plated brass bottle trap with waste pipe and wall flange
- Suitable for all wash troughs
- In stock 1 to 2 working days

TVS7001TMV3-15 15MM TMV3 MIXING VALVE

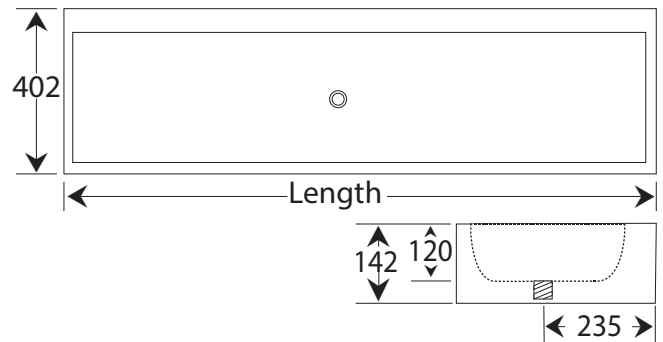


- Chrome plated brass 15mm TMV3 mixing valve
- Recommended one per tap to prevent accidental scalding
- In stock 1 to 2 working days

CORIAN SOLID SURFACE WASH TROUGHS

	Page
Economy Wash Trough	26
Contemporary Wash Trough	27
Wave Wash Trough	28
Open Slope Wash Trough	28
Wall Mounted Splashback Wash Trough	29
Sit On Splashback Wash Trough	29
Wall Mounted Taplanding Wash Trough	30
Sit On Taplanding Wash Trough	30
Wall Mounted Nursery Wash Trough	31
Sit On Nursery Wash Trough	31
Wash Trough Accessories	32

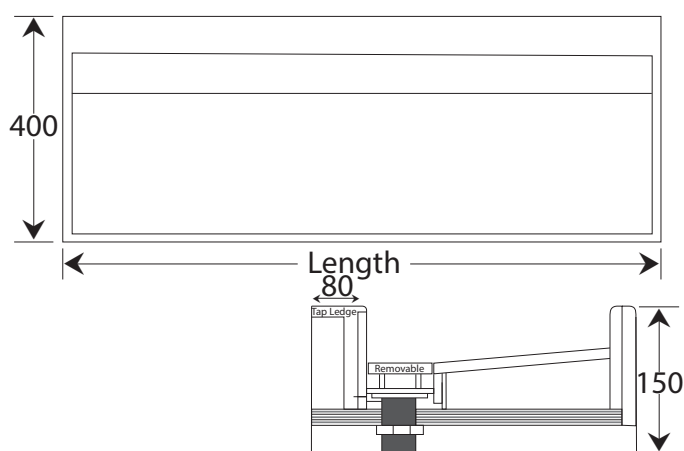
WE390 ECONOMY CORIAN SOLID SURFACE WASH TROUGH



- Corian solid surface acrylic resin bonded material
- Manufactured to order in any length up to 3000mm
- Glacier white (other colours by request)
- Sit on version without wall brackets
- Wall mounted version with wall brackets
- Centre 38mm flush grated waste fitting (no overflow or plug)
- 402mm projection
- Tap holes drilled to customer specification
- Optional taps and traps from our extensive range
- Manufactured to order 3 working weeks

**Taps shown for illustration purposes only*

WE399 CONTEMPORARY CORIAN SOLID SURFACE WASH TROUGH



- Corian solid surface acrylic resin bonded material
- Manufactured to order in any length up to 3600mm
- Glacier white (other colours by request)
- Sit on version without wall brackets
- Wall mounted version with wall brackets
- Centre 32mm flush grated waste fitting in rear channel with cover
- 400mm projection
- Tap holes drilled to customer specification
- Optional taps and traps from our extensive range
- Manufactured to order 3 working weeks

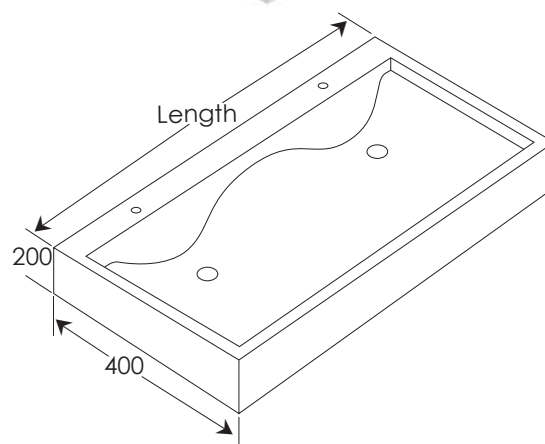
**Taps shown for illustration purposes only*

WE397 WAVE CORIAN SOLID SURFACE WASH TROUGH



- Corian solid surface acrylic resin bonded material
- Manufactured in modules of 500mm up to 3000mm long
- Glacier white (other colours by request)
- Sit on version without wall brackets
- Wall mounted version with wall brackets
- Centre 32mm flush grated waste fitting (no overflow or plug) to each module
- 400mm projection
- Tap holes drilled to customer specification
- Optional taps and traps from our extensive range
- Manufactured to order 3 working weeks

**Taps shown for illustration purposes only*

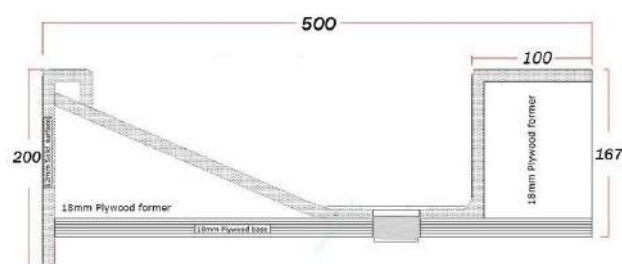


WE396 OPEN SLOPE CORIAN SOLID SURFACE WASH TROUGH



- Corian solid surface acrylic resin bonded material
- Manufactured to order in any length up to 3600mm
- Glacier white (other colours by request)
- Sit on version without wall brackets
- Wall mounted version with wall brackets
- Centre 32mm flush grated waste fitting
- 500mm projection
- Tap holes drilled to customer specification
- Optional taps and traps from our extensive range
- Manufactured to order 3 working weeks

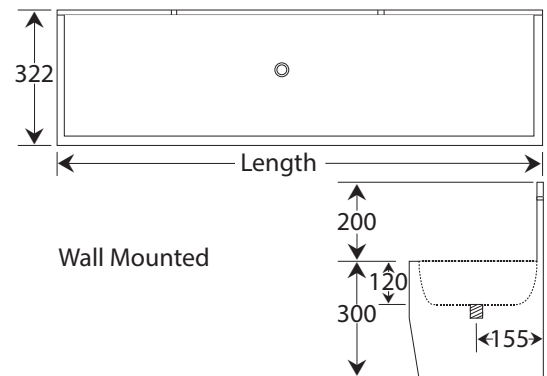
**Taps shown for illustration purposes only*



WE381 WALL MOUNTED SPLASHBACK CORIAN SOLID SURFACE WASH TROUGH

- Corian solid surface acrylic resin bonded material
- Manufactured to order in any length up to 3000mm
- Glacier white (other colours by request)
- Wall mounted with wall brackets
- Front fascia panel to conceal plumbing (can be in a contrasting colour: Grey | Yellow | Blue | Pink | Green | Red | Orange)
- Centre 38mm flush grated waste fitting (no overflow or plug)
- 322mm projection and 200mm splashback
- Tap holes drilled in splashback to customer specification
- Optional taps and traps from our extensive range
- Manufactured to order 3 working weeks

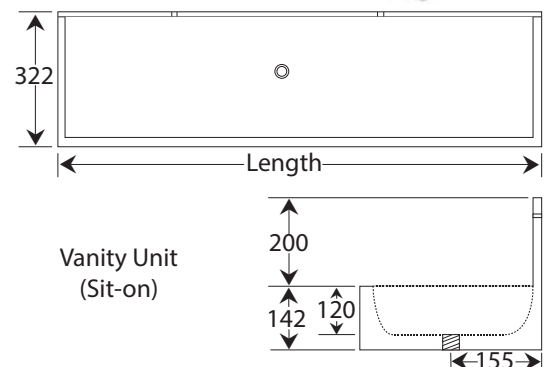
**Taps shown for illustration purposes only*



WE383 SIT ON SPLASHBACK CORIAN SOLID SURFACE WASH TROUGH

- Corian solid surface acrylic resin bonded material
- Manufactured to order in any length up to 3000mm
- Glacier white (other colours by request)
- Designed to sit on separate base unit
- Centre 38mm flush grated waste fitting (no overflow or plug)
- 322mm projection
- 200mm splashback
- Tap holes drilled in splashback to customer specification
- Optional taps and traps from our extensive range
- Manufactured to order 3 working weeks

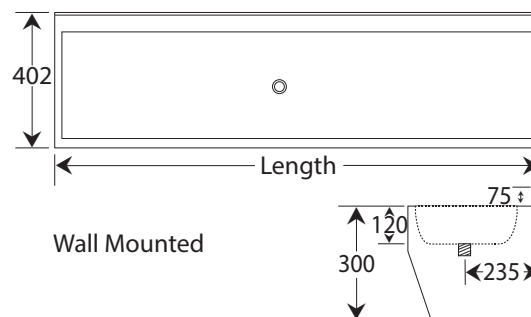
**Taps shown for illustration purposes only*



WE382 WALL MOUNTED TAPLANDING CORIAN SOLID SURFACE WASH TROUGH

- Corian solid surface acrylic resin bonded material
- Manufactured to order in any length up to 3000mm
- Glacier white (other colours by request)
- Wall mounted with wall brackets
- Front fascia panel to conceal plumbing (can be in a contrasting colour: Grey | Yellow | Blue | Pink | Green | Red | Orange)
- Centre 38mm flush grated waste fitting (no overflow or plug)
- 402mm projection, 75mm upstand
- Tap holes drilled to customer specification
- Optional taps and traps from our extensive range
- Manufactured to order 3 working weeks

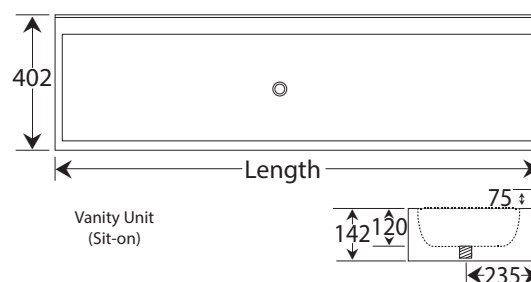
**Taps shown for illustration purposes only*



WE384 SIT ON TAPLANDING CORIAN WASH TROUGH

- Corian solid surface acrylic resin bonded material
- Manufactured to order in any length up to 3000mm
- Glacier white (other colours by request)
- Designed to sit on separate base unit
- Centre 38mm flush grated waste fitting (no overflow or plug)
- 402mm projection
- 75mm upstand
- Tap holes drilled to customer specification
- Optional taps and traps from our extensive range
- Manufactured to order 3 working weeks

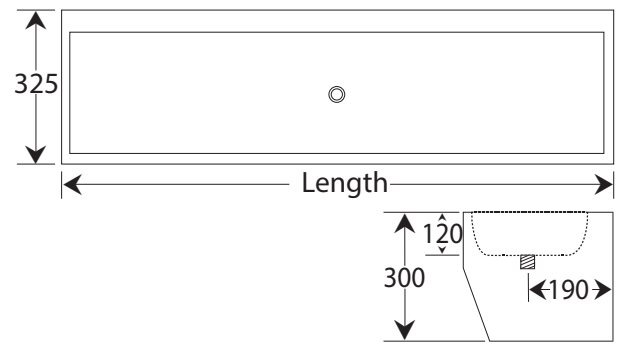
**Taps shown for illustration purposes only*



WE388 WALL MOUNTED NURSERY CORIAN WASH TROUGH

- Corian solid surface acrylic resin bonded material
- Manufactured to order in any length up to 3000mm
- Glacier white (other colours by request)
- Wall mounted with wall brackets
- Front fascia panel to conceal plumbing (can be in a contrasting colour: Grey | Yellow | Blue | Pink | Green | Red | Orange)
- Centre 38mm flush grated waste fitting (no overflow or plug)
- Reduced 325mm projection for smaller users or tight spaces
- Tap holes drilled to customer specification
- Optional taps and traps from our extensive range
- Manufactured to order 3 working weeks

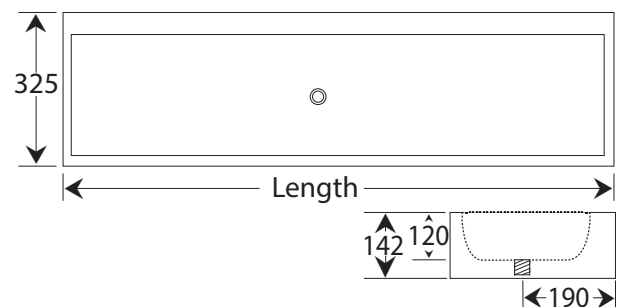
**Taps shown for illustration purposes only*



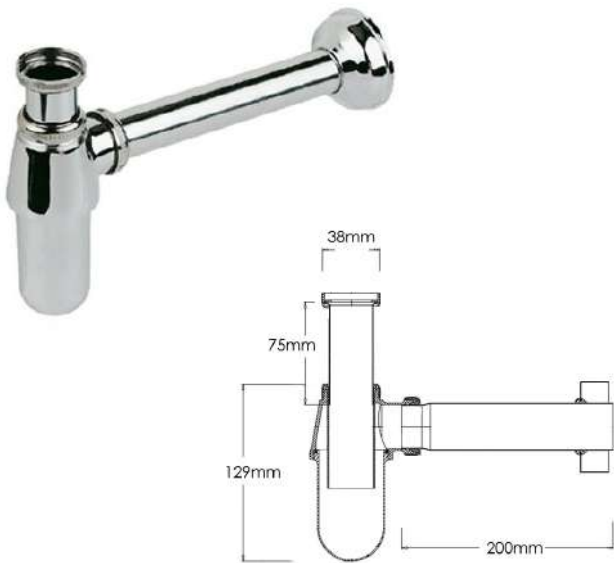
WE389 SIT ON NURSERY CORIAN SOLID SURFACE WASH TROUGH

- Corian solid surface acrylic resin bonded material
- Manufactured to order in any length up to 3000mm
- Glacier white (other colours by request)
- Designed to sit on separate base unit
- Centre 38mm flush grated waste fitting (no overflow or plug)
- Reduced 325mm projection for smaller users or tight spaces
- No upstand
- Tap holes drilled to customer specification
- Optional taps and traps from our extensive range
- Manufactured to order 3 working weeks

**Taps shown for illustration purposes only*



LARGE-CHROME-BOTTLETRAP (1 1/2")
CHROME PLATED BOTTLE TRAP



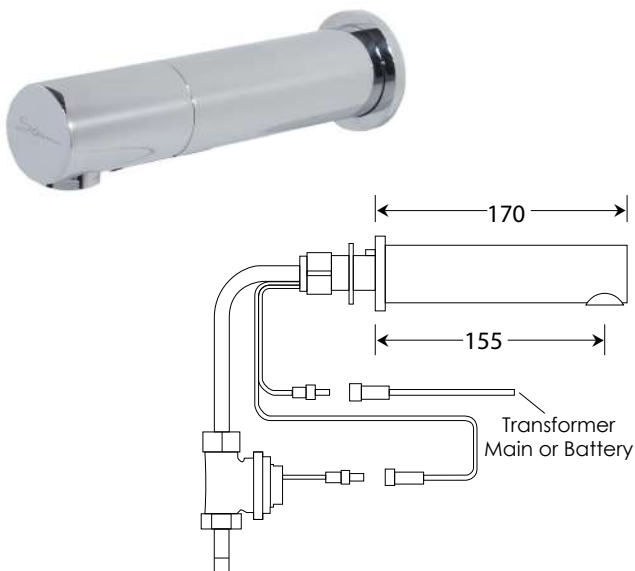
- 38mm chrome plated brass bottle trap with waste pipe and wall flange
- Suitable for all wash troughs
- In stock 1 to 2 working days

TVS7035 INFRARED DECK MOUNTED TAP



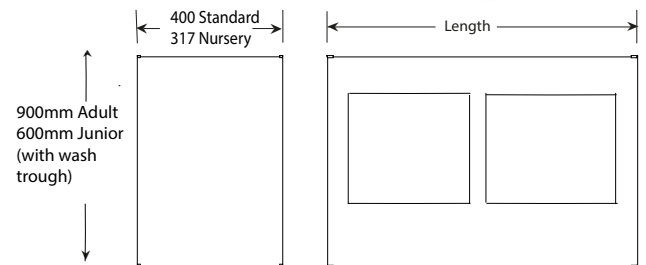
- Sensor operated chrome plated basin tap
- Battery or mains power supply (to be specified)
- 30mm tap hole required
- In stock 1 to 2 working days

TVS6955 INFRARED WALL MOUNTED TAP



- Sensor operated chrome plated wall mounted spout
- Up to 3 units from one power supply
- Battery or mains power supply (to be specified)
- 30mm tap hole required
- In stock usually 1 to 2 working days

WEBASE
BASE UNIT

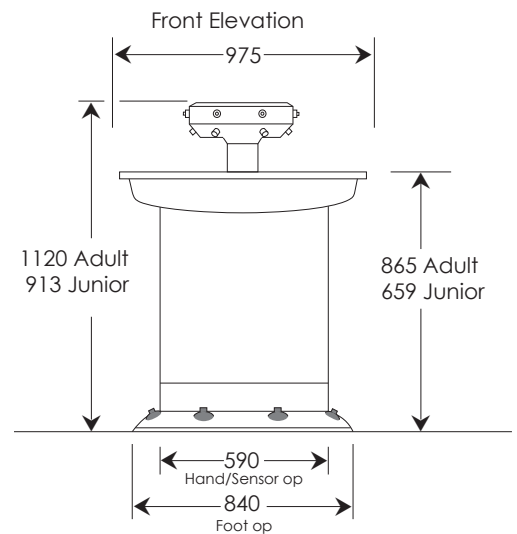


- Corian solid surface acrylic resin bonded material
- Manufactured to order in any length up to 3000mm
- White solid surface clad carcass
- Fascia panels in White | Grey | Yellow | Blue | Pink | Green | Red | Orange
- Unit manufactured 5mm shorter and narrower than wash troughs

WASH FOUNTAINS

	Page
6 Person Circular Wash Fountain	34
8 Person Circular Wash Fountain	35
4 Person Semi-Circular Wash Fountain	36

WE356 6 PERSON CIRCULAR WASH FOUNTAIN



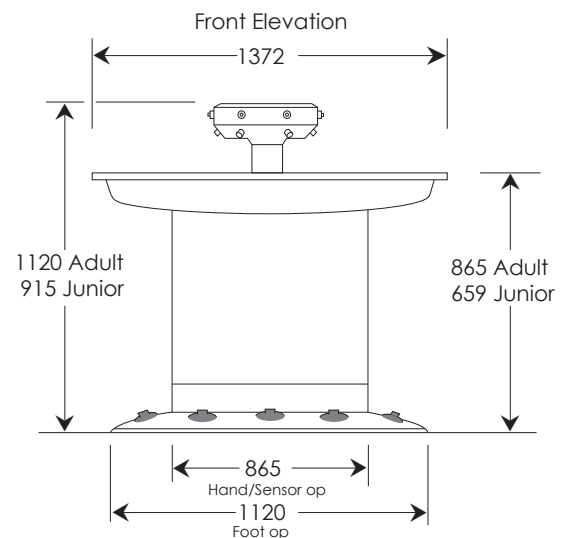
- Stainless steel circular wash fountain 975mm diameter for 6 users
- Available in both adult and junior height
- Individual heavy duty spray heads and controls
- Fully assembled and ready to connect to your services
- Integral liquid soap dispenser system (PH neutral)
- Easy installation and helps reduce water wastage
- Grade 304 stainless steel
- Optional 22mm TMV3 mixing valve

- The wash fountains are complete with waste fitting, liquid soap dispensers, and your choice of water controls
- Assembled to order 5 to 7 working days

WATER CONTROL OPTIONS

- Hand operation - Individual push buttons activate a time flow water supply to individual spray heads
- Foot operation - Individual foot valves activate the water supply to individual spray heads
- Sensor operation - Individual non-touch sensors activate the water supply to individual spray heads

WE358 8 PERSON CIRCULAR WASH FOUNTAIN



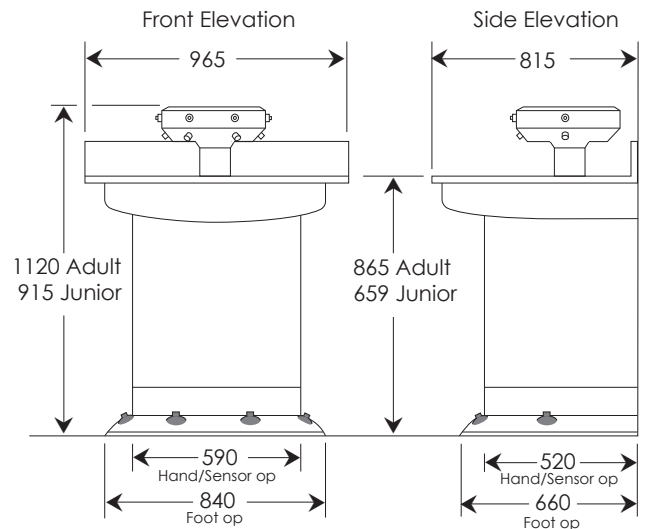
- Stainless steel circular wash fountain 1372mm diameter for 8 users
- Available in both adult and junior height
- Individual heavy duty spray heads and controls
- Fully assembled and ready to connect to your services
- Integral liquid soap dispenser system (PH neutral)
- Easy installation and helps reduce water wastage
- Grade 304 stainless steel
- Optional 22mm TMV3 mixing valve

- The wash fountains are complete with waste fitting, liquid soap dispensers, and your choice of water controls
- Assembled to order 5 to 7 working days

WATER CONTROL OPTIONS

- Hand operation - Individual push buttons activate a time flow water supply to individual spray heads
- Foot operation - Individual foot valves activate the water supply to individual spray heads
- Sensor operation - Individual non-touch sensors activate the water supply to individual spray heads

WE364 4 PERSON SEMI-CIRCULAR WASH FOUNTAIN



- Stainless steel semi-circular wash fountain 965mm wide for 4 users
- Available in adult and junior height
- Individual heavy duty spray heads and controls
- Fully assembled and ready to connect to your services
- Integral liquid soap dispenser system (PH neutral)
- Easy installation and helps reduce water wastage
- Grade 304 stainless steel
- Optional 22mm TMV3 mixing valve

- The wash fountains are complete with waste fitting, liquid soap dispensers, and your choice of water controls
- Assembled to order 5 to 7 working days

WATER CONTROL OPTIONS

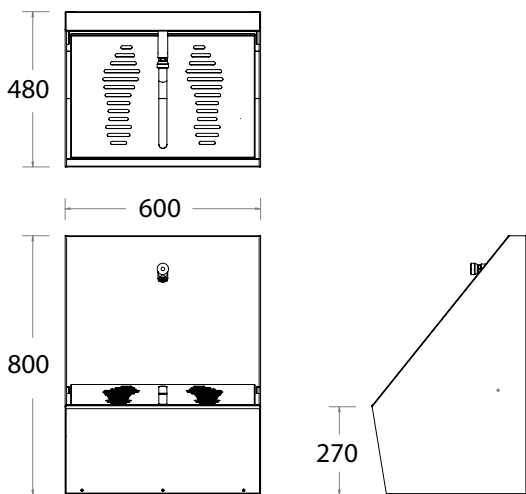
- Hand operation - Individual push buttons activate a time flow water supply to individual spray heads
- Foot operation - Individual foot valves activate the water supply to individual spray heads
- Sensor operation - Individual non-touch sensors activate the water supply to individual spray heads

WUDU RITUAL WASH TROUGHS

Wudu translates as cleaning oneself in preparation for prayer

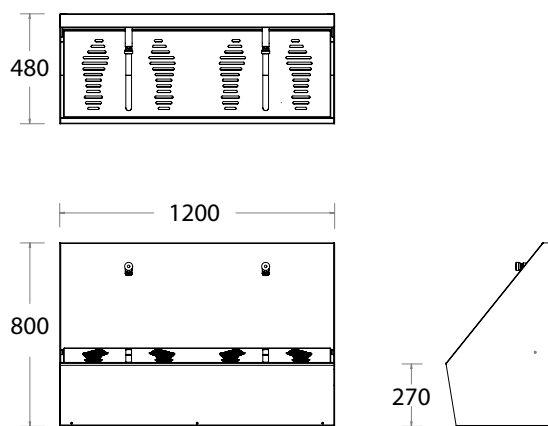
	Page
Single Wudu Ritual Wash Trough	92
Double Wudu Ritual Wash Trough	92
Triple Wudu Ritual Wash Trough	93
Wudu Ritual Foot Wash Stool.....	93

WE401 SINGLE WUDU RITUAL WASH TROUGH



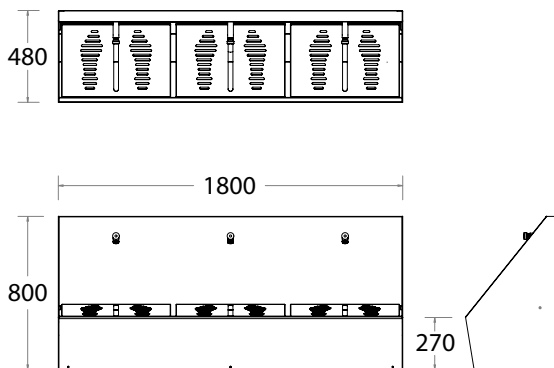
- Grade 304 stainless steel, 1.2mm thick
- Centre 38mm waste fitting
- Suitable for one user
- Single press button time flow tap (WRAS approved)
- Hinged foot plate for ease of cleaning
- Removable front access panel
- Double and purpose made units available
- Optional stainless steel foot wash stool
- In stock 1 to 2 working days

WE402 DOUBLE WUDU RITUAL WASH TROUGH



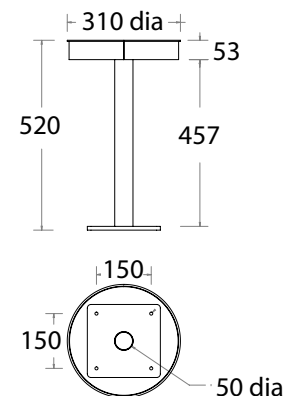
- Grade 304 stainless steel, 1.2mm thick
- Centre 38mm waste fitting
- Suitable for two users
- Two press button time flow taps (WRAS approved)
- Hinged foot plate for ease of cleaning
- Removable front access panel
- Single and purpose made units available
- Optional stainless steel foot wash stool
- In stock 1 to 2 working days

WE403 TRIPLE WUDU RITUAL WASH TROUGH



- Grade 304 stainless steel, 1.2mm thick
- Centre 38mm waste fitting
- Suitable for three users
- Three press button time flow taps (WRAS approved)
- Hinged foot plate for ease of cleaning and removable front access panel
- Single and double units available (1 to 2 working days)
- Purpose made units available
- Optional stainless steel foot wash stool
- Manufactured to order 10 to 15 working days

WE4FS WUDU RITUAL FOOT WASH STOOL



- Grade 304 stainless steel, 1.2mm thick
- 310mm diameter seat
- 520mm high
- 5mm thick seat
- 3mm thick skirt around the seat
- 150 x 150mm baseplate, 8mm thick
- Floor fixing holes in baseplate
- Special heights available to order
- In stock 1 to 2 working days