

FOR CAR USE ONLY/NUR FÜR AUTOMOBIL GEBRAUCH/POUR APPLICATION AUTOMOBILE UNIQUEMENT/
PARA USO EN AUTOMÓVILES/SOLO PER L'UTILIZZO IN AUTOMOBILE/ENDAST FÖR BILBRUK/ALLEEN VOOR
GEBRUIK IN DE AUTO/ТОЛЬКО ДЛЯ ИСПОЛЬЗОВАНИЯ В АВТОМОБИЛЯХ/DO UŻYCIA TYLKO W
SAMOCHODZIE



ADVANCED NAVI STATION INE-W990HDMI

QUICK REFERENCE GUIDE

Kurzanleitung

GUIDE DE RÉFÉRENCE RAPIDE

GUÍA DE REFERENCIA RÁPIDA

GUIDA RAPIDA

SNABBGUIDE

SNELSTARTGIDS

КРАТКОЕ СПРАВОЧНОЕ РУКОВОДСТВО

SKRÓCONA INSTRUKCJA DLA UŻYTKOWNIKA

Made for



Maps for Life



Alpine Tunelt App

EN

DE

FR

ES

IT

SE

NL

RU

PL

Contents

WARNING	2
CAUTION	2
Getting Started	3
Radio Operation	5
MP3/WMA/AAC Operation	5
DVD Operation	6
iPod/iPhone Operation (Optional)	7
USB Memory Operation (Optional)	8
Hands-Free Phone Control	9
Map Functions	10
Navigation Menu	10
Go to a Destination	11
Installation	13
Connections	16
Specifications	18

IMPORTANT

Please record the serial number of your unit in the space provided below and keep it as a permanent record.

SERIAL NUMBER: _____

ISO SERIAL NUMBER: AL _____

INSTALLATION DATE: _____

INSTALLATION TECHNICIAN: _____

PLACE OF PURCHASE: _____

For details on all functions, refer to the Owner's Manual stored in the supplied CD-ROM. (As it is data CD, the CD cannot be used for playing back music and images on the player.) If required, an ALPINE dealer will readily provide you with a print out of the Owner's Manual contained in the CD-ROM.

WARNING



This symbol means important instructions. Failure to heed them can result in serious injury or death.

DO NOT OPERATE ANY FUNCTION THAT TAKES YOUR ATTENTION AWAY FROM SAFELY DRIVING YOUR VEHICLE.

Any function that requires your prolonged attention should only be performed after coming to a complete stop. Always stop the vehicle in a safe location before performing these functions. Failure to do so may result in an accident.

KEEP SMALL OBJECTS SUCH AS SCREWS OUT OF THE REACH OF CHILDREN.

Swallowing them may result in serious injury. If swallowed, consult a physician immediately.

KEEP THE VOLUME AT A LEVEL WHERE YOU CAN STILL HEAR OUTSIDE NOISES WHILE DRIVING.

Excessive volume levels that obscure sounds such as emergency vehicle sirens or road warning signals (train crossings, etc.) can be dangerous and may result in an accident. LISTENING AT LOUD VOLUME LEVELS IN A CAR MAY ALSO CAUSE HEARING DAMAGE.

DO NOT DISASSEMBLE OR ALTER.

Doing so may result in an accident, fire or electric shock.

USE ONLY IN CARS WITH A 12 VOLT NEGATIVE GROUND.

(Check with your dealer if you are not sure.) Failure to do so may result in fire, etc.

USE THE CORRECT AMPERE RATING WHEN REPLACING FUSES.

Failure to do so may result in fire or electric shock.

DO NOT BLOCK VENTS OR RADIATOR PANELS.

Doing so may cause heat to build up inside and may result in fire.

USE THIS PRODUCT FOR MOBILE 12V APPLICATIONS.

Use for other than its designed application may result in fire, electric shock or other injury.

DO NOT PLACE HANDS, FINGERS OR FOREIGN OBJECTS IN INSERTION SLOTS OR GAPS.

Doing so may result in personal injury or damage to the product.

MAKE THE CORRECT CONNECTIONS.

Failure to make the proper connections may result in fire or product damage.

BEFORE WIRING, DISCONNECT THE CABLE FROM THE NEGATIVE BATTERY TERMINAL.

Failure to do so may result in electric shock or injury due to electrical shorts.

DO NOT SPLICE INTO ELECTRICAL CABLES.

Never cut away cable insulation to supply power to other equipment. Doing so will exceed the current carrying capacity of the wire and result in fire or electric shock.

DO NOT DAMAGE PIPE OR WIRING WHEN DRILLING HOLES.

When drilling holes in the chassis for installation, take precautions so as not to contact, damage or obstruct pipes, fuel lines, tanks or electrical wiring. Failure to take such precautions may result in fire.

DO NOT USE BOLTS OR NUTS IN THE BRAKE OR STEERING SYSTEMS TO MAKE GROUND CONNECTIONS.

Bolts or nuts used for the brake or steering systems (or any other safety-related system), or tanks should NEVER be used for installations or ground connections. Using such parts could disable control of the vehicle and cause fire, etc.

DO NOT INSTALL IN LOCATIONS WHICH MIGHT HINDER VEHICLE OPERATION, SUCH AS THE STEERING WHEEL OR GEARSHIFT.

Doing so may obstruct forward vision or hamper movement etc., and results in serious accident.



This symbol means important instructions. Failure to heed them can result in injury or material property damage.

HALT USE IMMEDIATELY IF A PROBLEM APPEARS.

Failure to do so may cause personal injury or damage to the product. Return it to your authorized Alpine dealer or the nearest Alpine Service Center for repairing.

HAVE THE WIRING AND INSTALLATION DONE BY EXPERTS.

The wiring and installation of this unit requires special technical skill and experience. To ensure safety, always contact the dealer where you purchased this product to have the work done.

USE SPECIFIED ACCESSORY PARTS AND INSTALL THEM SECURELY.

Be sure to use only the specified accessory parts. Use of other than designated parts may damage this unit internally, or may not securely install the unit in place. This may cause parts to become loose resulting in hazards or product failure.

ARRANGE THE WIRING SO IT IS NOT CRIMPED OR PINCHED BY A SHARP METAL EDGE.

Route the cables and wiring away from moving parts (like the seat rails) or sharp or pointed edges. This will prevent crimping and damage to the wiring. If wiring passes through a hole in metal, use a rubber grommet to prevent the wire's insulation from being cut by the metal edge of the hole.

DO NOT INSTALL IN LOCATIONS WITH HIGH MOISTURE OR DUST.



Avoid installing the unit in locations with high incidence of moisture or dust. Moisture or dust that penetrates into this unit may result in product failure.

Getting Started

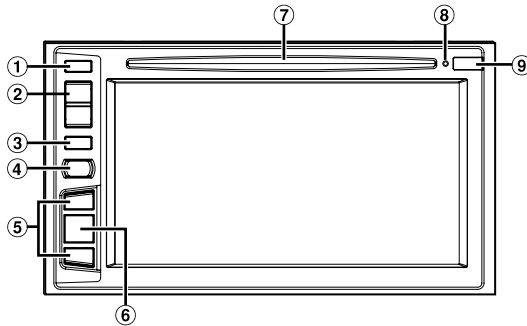
Touch operation

You can operate the system by using the touch panel on the screen.

■ Common onscreen buttons

-  : Returns to the previous screen. Depending on the function, this button may cancel the operations performed on the screen.
-  : Closes the window.

Location of Controls

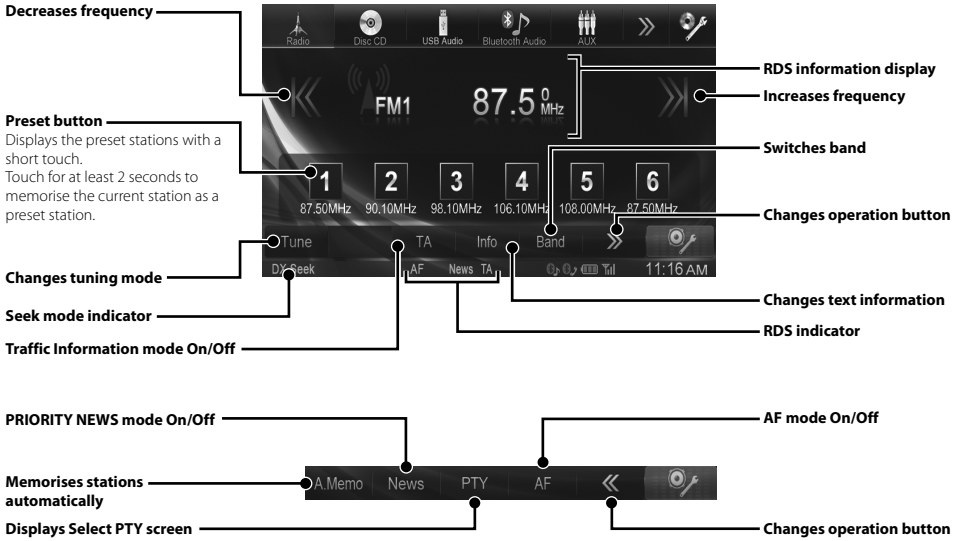


- ① **▲ (Eject) button**
Ejects a disc.
- ② **∧/∨ (UP/DOWN) button**
Press to adjust the volume.
- ③ **MUTE/⏻ button**
Press to activate /deactivate the mute mode.
Press and hold for at least 3 seconds to turn the power off.
- ④ **📞 (Phone)/VOICE CTRL. button**
Recalls the Telephone Menu screen.
When a voice dial compatible hands-free phone is connected, press and hold for at least 3 seconds to switch to the Voice Dial screen.
- ⑤ **▶▶|/|◀◀ button**
This action varies according to the Audio/Visual source.
(Track Up/Down, Fast reverse/Fast forward, etc.)
- ⑥ **⏮ / 🎵 button**
Each time you press this button, the Navigation mode and the Audio/Visual Source mode are changed alternately.
Press and hold for at least 3 seconds to activate the Quick Sound screen.
For details of navigation operations, refer to "Navigation System OM" in the CD-ROM.
- ⑦ **DISC Slot**
- ⑧ **RESET switch**
The system of this unit is reset.
- ⑨ **Remote Sensor**
Point the remote control transmitter towards the remote sensor within a range of 2 metres.

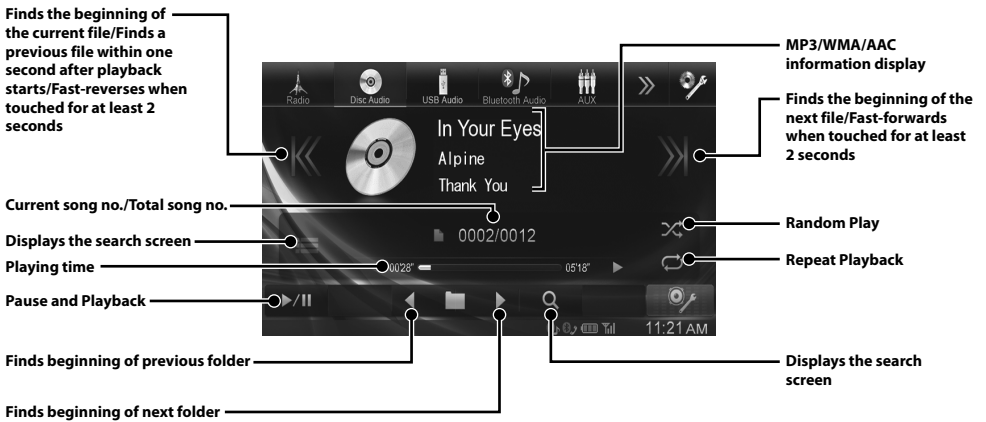
Turning Power On or Off

- 1 Turn the ignition key to the ACC or ON position.**
The system is turned on.
- 2 Press and hold the MUTE button for at least 3 seconds to turn the power off.**

Radio Operation

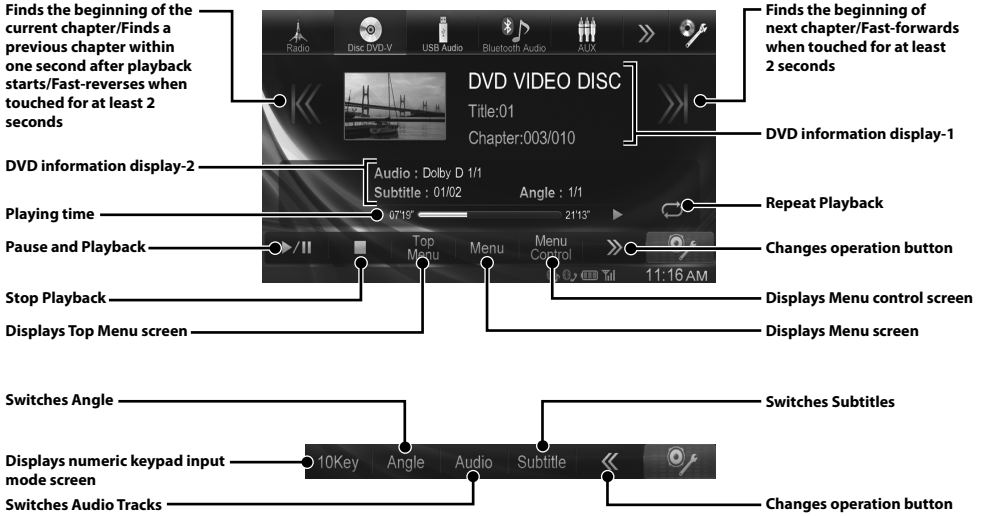


MP3/WMA/AAC Operation



DVD Operation

When you touch the DVD playback screen, the DVD operation screen is displayed. The following is an example of the DVD-VIDEO operation screen.



iPod/iPhone Operation (Optional)

A separately sold USB iPod/iPhone AV cable (KCUC-461iV) or a separately sold Lightning to USB cable (KCUC-471i) is required depending on the type of iPod/iPhone.

Audio mode

Artwork display

Finds the beginning of the current file/Finds a previous file within one second after playback starts/Fast-reverses when touched for at least 2 seconds

Current song no./Total song no.

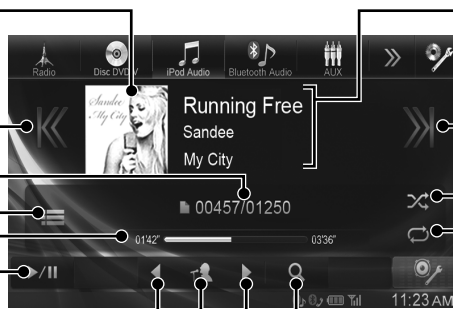
Displays the search screen

Playing time*

Pause and Playback

Finds beginning of previous Playlist/Artist/Album/Podcast/Genre/Composer

Direct switch mode icon



iPod/iPhone information display

Finds the beginning of the next file/Fast-forwards when touched for at least 2 seconds

Random Play

Repeat Playback

Displays the search screen

Finds beginning of next Playlist/Artist/Album/Podcast/Genre/Composer

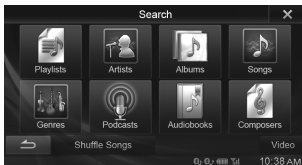
* Playback starts from the position (time) you touch on the time bar.

Searching for a Music File

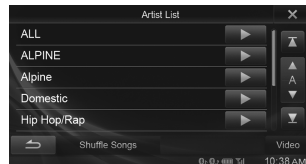
For example: Searching by Artist name

1 Touch [🔍 (Search)] during playback.

2 Touch [Artists].



3 Touch the desired artist's name.



The Albums search screen of the selected artist is displayed.

Touching [▶] of the desired artist will play back all songs of the selected artist.

4 Touch the desired album's name.

All songs of the selected album are displayed.

Touching [▶] of the desired album will play back all songs of the selected album.

5 Touch the desired song's name.

The selected song is played back.

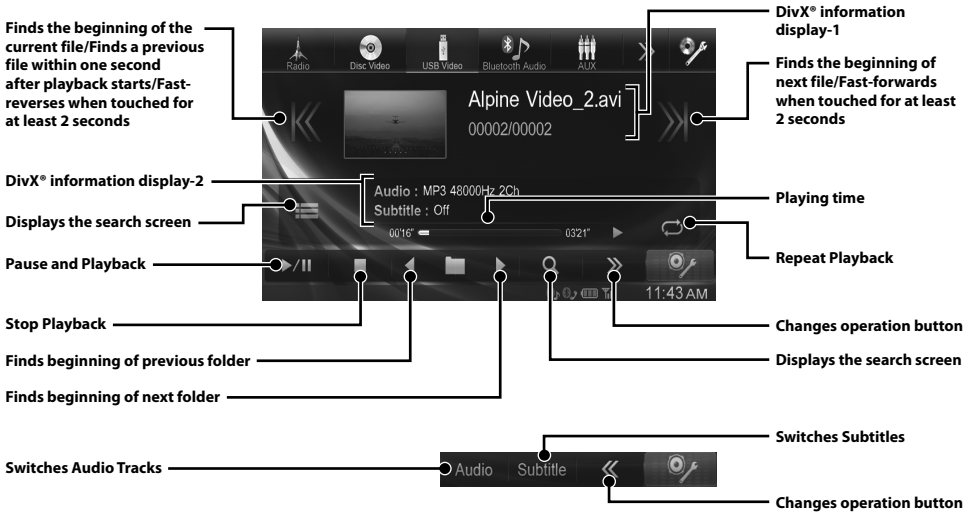
- Touching [▶] of "ALL" will play back all songs in the list.

USB Memory Operation (Optional)

You can play back music files (MP3/WMA/AAC) and video files (DivX®) stored in a USB memory device on the internal player of this system.

Refer to the "MP3/WMA/AAC Operation" (page 5) for information on music.

Video mode



- DivX® files stored in a USB memory device and protected by DRM (Digital Rights Management) cannot be played.
- Some DivX files stored in a USB memory cannot be operated/played.

Hands-Free Phone Control

Hands-free calls are possible when using an HFP (Hands-Free Profile) compatible mobile phone with the INE-W990BT.

How to connect to a BLUETOOTH compatible device (Pairing)

The BLUETOOTH function is always available on this unit. You can, therefore, search for a BLUETOOTH device for pairing at any time.

1 Touch [Setup] icon of Top banner.



2 Touch [Bluetooth] icon.

3 Touch [Set Bluetooth Device].



4 Touch [Search] of "No Device."



5 Touch [Audio], [Hands-free] or [Both] of the device you want to connect from the list.



Audio: Sets for use as an Audio device.

Hands-free: Sets for use as a Hands Free Device.

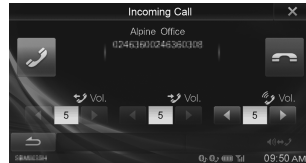
Both: Sets for use as both an Audio device and Hands Free Device.

6 When the device registration is complete, a message appears and the device returns to normal mode.

- You can register up to 3 BLUETOOTH compatible mobile phones.
- The BLUETOOTH registration process differs depending on the device version and SSP (Simple Secure Pairing). If a 4 or 6 character Passcode appears on this device, enter the Passcode using the BLUETOOTH compatible device. If a 6 character Passkey appears on this device, make sure the same passkey is displayed on the BLUETOOTH compatible device and touch "Yes."

Answering a Call

1 An incoming call triggers the ringtone and an incoming call display.



2 Touch [Phone] or press [Phone] button.

The call starts.

Hanging up the Telephone

1 Touch [End Call].

The call finishes.

Muting the Speech Volume

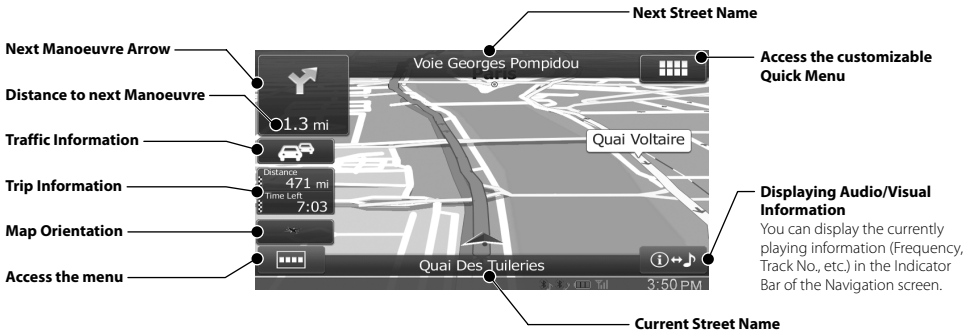
You can temporarily lower the microphone level to 0.

1 Touch [Mute] during a conversation.

During the mute mode, [Mute] is highlighted. Touch [Mute] again to cancel the mute mode.

Map Functions

Below is an overview of different buttons and icons on the map display. For more detailed information about this screen, please see the Owner's Manual.



Navigation Menu

To access the Navigation Menu, touch [].

Route

Get route information, edit the route (set, delete, optimise waypoints, optimise route), see the route overview, avoid special sections, specific roads, the route ahead, save, load, delete the route, simulate navigation, change route settings, check for the itinerary and for max. 7 route alternatives.

Go to

Set destinations using any of 9 different input methods (Find Address, Postcode, Find Places (POI), Map, Address book, History, Coordinate, Picture, Free-form Search).



Information

Get access to useful add-ons like Picture Viewer, Unit Converter, Calculator, Trip Monitor, Fuel Consumption, Country Information.

Settings

Allows you to customize various characteristics of your navigation system's look and feel.

Map
Access the Map

Go to a Destination

The following example briefly describes how to input a destination.

1 Touch [Go to] from Navigation Menu.



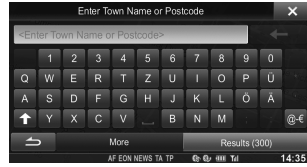
2 Select a destination input method. ([Find Address] is selected.)



3 To change the country, touch the button with the country name. Enter a country name and select the country from the list.



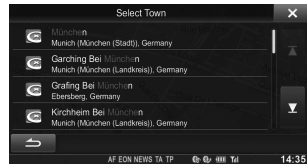
- You can touch [Results] to display the candidate list.



- You can touch [Results] to display the candidate list.



4 Type in the city name or postcode until displayed in the selection list. Select the matching entry.



5 Type in the street name until displayed in the selection list. Select the matching entry.



- You can touch [Results] to display the candidate list.



6 Enter a house number. Touch [Done] to access the confirmation screen.



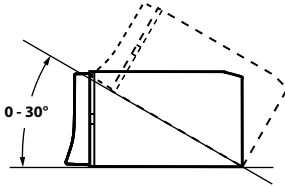
7 Touch [Select] to initialize route calculation and start navigation.



Installation

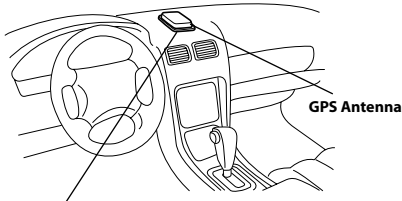
- When making connections to the vehicle's electrical system, be aware of the factory installed components (e.g. on-board computer). Do not tap into these leads to provide power for this unit. When connecting the INE-W990BT to the fuse box, make sure the fuse for the intended circuit of the INE-W990BT has the appropriate amperage. Failure to do so may result in damage to the unit and/or the vehicle. When in doubt, consult your Alpine dealer.

1 Install at an angle between horizontal and 30°. Note that installing at an angle outside of this range will result in a loss of performance and possibly damage.



2 Mounting the GPS Antenna inside the vehicle.

- Clean the mounting location.
- Put on the GPS Antenna mounting plate.
- Mount the GPS Antenna.



Antenna mounting plate

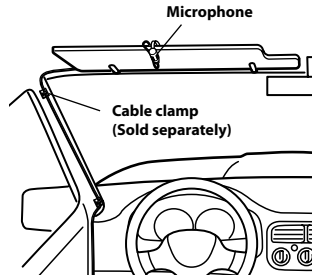
- Mount the GPS Antenna on a flat plane of the dash board or rear tray.
- Some thermal reflection type or thermal absorption type glass may interrupt high frequency waves. If reception is poor with the antenna installed inside the car, try to mount the antenna outside the car.
- Make sure the GPS Antenna is not covered (obstructed) by any metallic surface or object.

3 Mounting the Microphone.

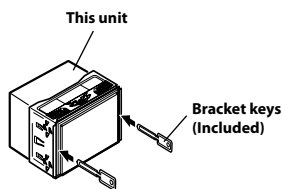
For safe use, make sure of the following:

- location is stable and firm.
- driver's view and operations are not obstructed.
- microphone is located where the driver's voice can be easily picked up (on the sun visor, etc.).

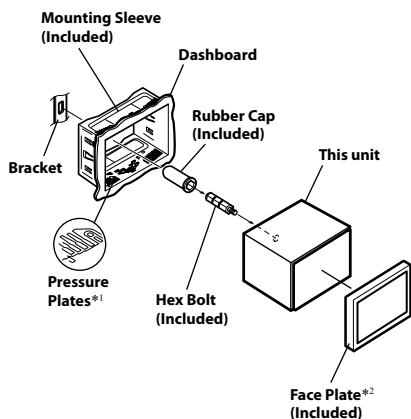
When you speak into the microphone, you should not have to change your driving posture. This may cause a distraction, taking your attention away from safely driving your vehicle. Carefully consider direction and distance while mounting the microphone. Confirm that the driver's voice can be easily picked up at the selected location.



4 Remove the mounting sleeve from the main unit.



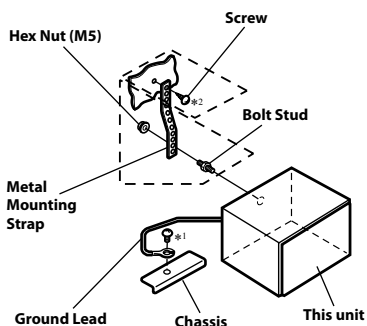
Slide the unit into the mounting sleeve and secure it.



*1 If the installed mounting sleeve is loose in the dashboard, the pressure plates may be bent slightly to remedy the problem.

*2 The supplied face plate may be mounted.

5 When your vehicle has the Bracket, mount the long hex bolt onto the rear panel of the INE-W990BT and put the Rubber Cap on the hex bolt. If your vehicle does not have the Mounting Support, reinforce the head unit with the metal mounting strap (not supplied). Secure the ground lead of the unit to a clean metal spot using a screw (*1) already attached to the vehicle's chassis. Connect all the leads of the INE-W990BT according to details described in the Connections section.

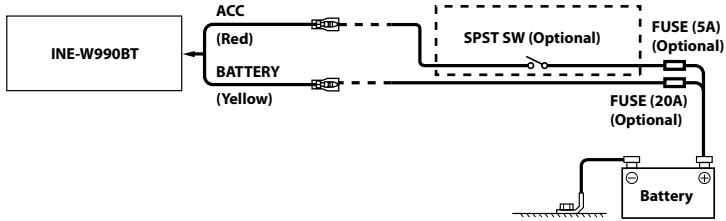


• For the screw marked “*2,” use an appropriate screw for the chosen mounting location.

6 Slide the INE-W990BT into the dashboard until it clicks. This ensures that the unit is properly locked and will not accidentally come out from the dashboard.

Connection Diagram of SPST Switch (sold separately)

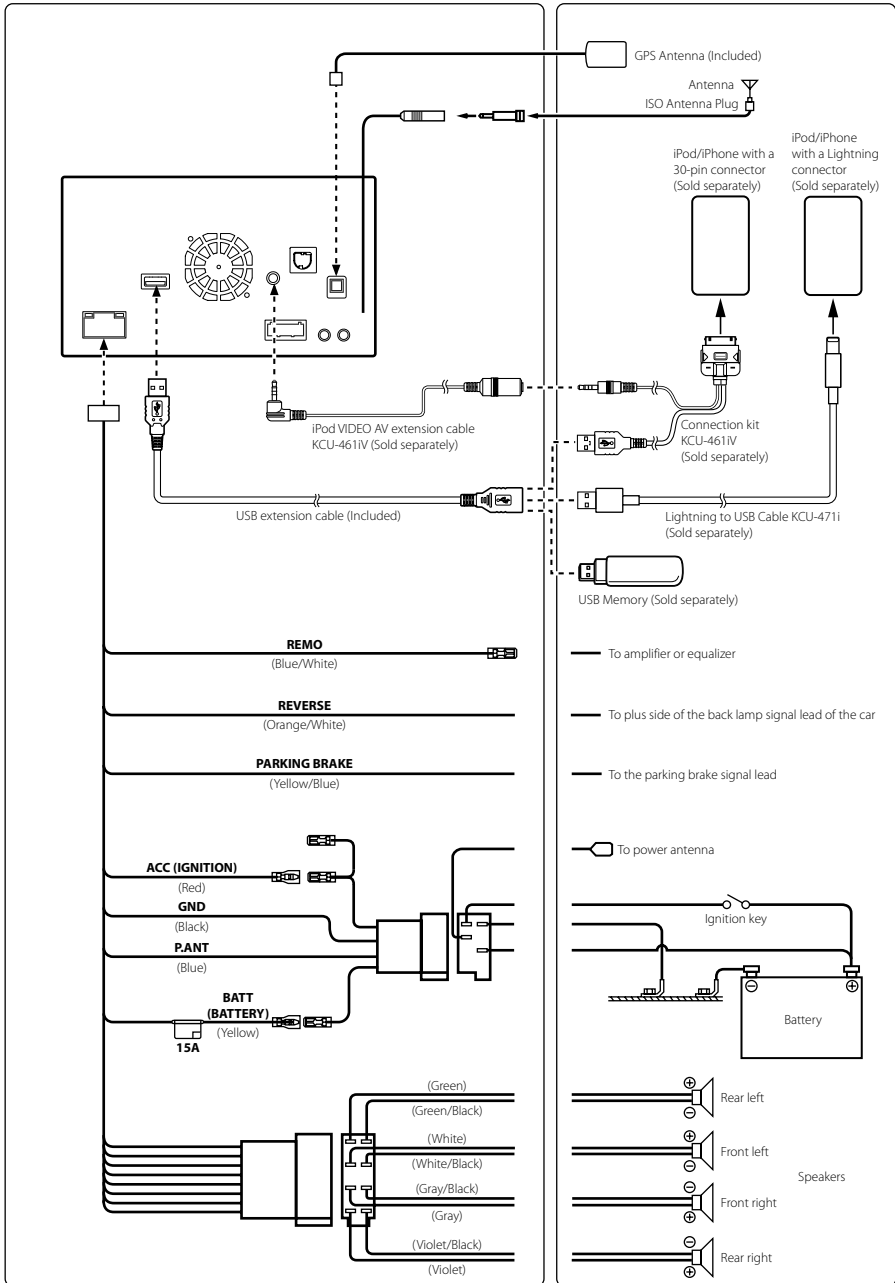
(If the ACC power supply is not available)



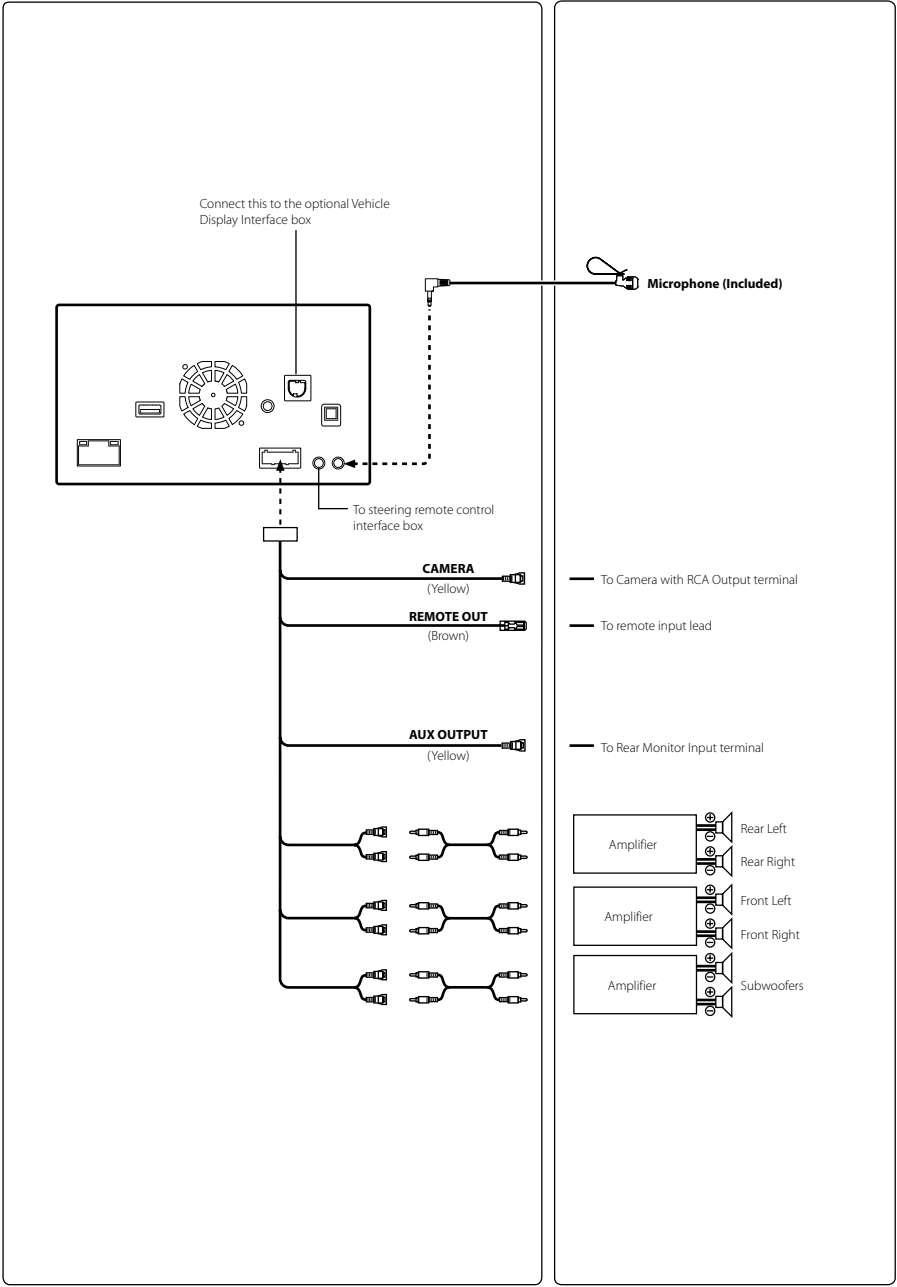
- If your vehicle has no ACC power supply, add an SPST (Single-Pole, Single-Throw) switch (sold separately) and fuse (sold separately).
- The diagram and the fuse amperage shown above are in the case when INE-W990BT is used individually.
- If the switched power (ignition) lead of the INE-W990BT is connected directly to the positive (+) post of the vehicle's battery, the INE-W990BT draws some current (several hundred milliamperes) even when its switch is placed in the OFF position, and the battery may be discharged.

Connections

Connections 1/2



Connections 2/2



Specifications

MONITOR SECTION

Screen Size	6.1"
LCD Type	Transparent type TN LCD
Operation System	TFT active matrix
Number of Picture Elements	1,152,000 pcs. (800 × 3 × 480)
Effective Number of Picture Elements	99% or more
Illumination System	LED

FM TUNER SECTION

Tuning Range	87.5 – 108.0 MHz
Mono Usable Sensitivity	8.1 dBf (0.7 μV/75 ohms)
50 dB Quieting Sensitivity	12 dBf (1.1 μV/75 ohms)
Alternate Channel Selectivity	80 dB
Signal-to-Noise Ratio	65 dB
Stereo Separation	35 dB
Capture Ratio	2.0 dB

MW TUNER SECTION

Tuning Range	531 – 1,602 kHz
Usable Sensitivity	25.1 μV/28 dBf

LW TUNER SECTION

Tuning Range	153 – 281 kHz
Sensitivity (IEC Standard)	31.6 μV/30 dBf

USB SECTION

USB requirements	USB 1.1/2.0
Max. Power Consumption	1,000 mA
USB Class	USB (Play From Device)/ USB (Mass Storage Class)
File System	FAT16/32
MP3 Decoding	MPEG-1/2 AUDIO Layer-3
WMA Decoding	Windows Media™ Audio
AAC Decoding	AAC-LC format *.m4a* file
Number of Channels	2-Channel (Stereo)
Frequency Response*	5-20,000 Hz (±1 dB)
Total Harmonic Distortion	0.008% (at 1 kHz)
Dynamic Range	95 dB (at 1 kHz)
Signal-to-Noise Ratio	100 dB
Channel Separation	85 dB (at 1 kHz)

* Frequency response may differ depending on the encoder software/bit rate.

CD/DVD SECTION

Frequency Response	5 – 20,000 Hz (±1 dB)
Wow & Flutter (% WRMS)	Below measurable limits
Total Harmonic Distortion	0.008% (at 1 kHz)
Dynamic Range	95 dB (at 1 kHz)
Channel Separation	85 dB (at 1 kHz)
Signal system	NTSC/PAL
Horizontal resolution	500 lines or greater
Video output level	1Vp-p (75 ohms)
Video S/N ratio	DVD: 60 dB
Audio S/N ratio	100 dB

PICKUP

Wave length	DVD: 666 nm CD: 785 nm
Laser power	CLASS II

GPS SECTION

GPS Reception frequency	1575.42 ± 1 MHz
GPS Reception sensitivity	-130 dB max.

BLUETOOTH SECTION

BLUETOOTH Specification	Bluetooth V2.1+EDR
Output Power	+4 dBm Max. (Power class 2)
Profile	HFP (Hands-Free Profile) OPP (Object Push Profile) PBAP (Phone Book Access Profile) A2DP (Advanced Audio Distribution Profile) AVRCP (Audio/Video Remote Control Profile)

GENERAL

Power Requirement	14.4 V DC (11–16 V allowable)
Operating temperature	-20°C to +60°C
Maximum Power Output	50 W × 4
Weight	2.12 kg
Audio output level	
Preout (Front, Rear):	4 V/10k ohms (max.)
Preout (Subwoofer):	4 V/10k ohms (max.)

CHASSIS SIZE

Width	178 mm
Height	100 mm
Depth	165 mm

NOSE SIZE

Width	170 mm
Height	96 mm
Depth	11.5 mm

- Due to continuous product improvement, specifications and design are subject to change without notice.
- The LCD panel is manufactured using an extremely high precision manufacturing technology. Its effective pixel ratio is over 99.99%. This means that there is a possibility that 0.01% of the pixels could be either always ON or OFF.

- This item incorporates copy protection technology that is protected by U.S. patents and other intellectual property rights of Rovi Corporation. Reverse engineering and disassembly are prohibited.
- Manufactured under licence from Dolby Laboratories. Dolby and the double-D symbol are trademarks of Dolby Laboratories.
- Windows Media, and the Windows logo are trademarks, or registered trademarks of Microsoft Corporation in the United States and/or other countries.
- iPhone, iPod, iPod classic, iPod nano, iPod touch, and iTunes are trademarks of Apple Inc., registered in the U.S. and other countries.
- "Made for iPod," and "Made for iPhone," mean that an electronic accessory has been designed to connect specifically to iPod, or iPhone, respectively, and has been certified by the developer to meet Apple performance standards. Apple is not responsible for the operation of this device or its compliance with safety and regulatory standards. Please note that the use of this accessory with iPod, or iPhone may affect wireless performance.
- DivX®, DivX Certified® and associated logos are trademarks of Rovi Corporation or its subsidiaries and are used under license.
- The Bluetooth® word mark and logos are registered trademarks owned by the Bluetooth SIG, Inc. and any use of such marks by Alpine Electronics, Inc. is under licence. Other trademarks and trade names are those of their respective owners.
- The terms HDMI and HDMI High-Definition Multimedia Interface, and the HDMI Logo are trademarks or registered trademarks of HDMI Licensing, LLC in the United States and other countries.
- "MPEG Layer-3 audio coding technology licenced from Fraunhofer IIS and Thomson."
- "Supply of this product only conveys a licence for private, non-commercial use and does not convey a licence nor imply any right to use this product in any commercial (i.e. revenue-generation) real time broadcasting (terrestrial, satellite, cable and/or any other media), broadcasting/streaming via internet, intranets and/or other networks or in other electronic content distribution systems, such as pay-audio or audio-on-demand applications. An independent licence for such use is required. For details, please visit <http://www.mp3licensing.com>"
- Portions ©2014, Microsoft Corporation. All Rights Reserved.
- Android is a trademark of Google Inc.
- ©1987-2014 HERE. All rights reserved.
- **DVD** is a trademark of DVD Format/Logo Licensing Corporation.



ALPINE ELECTRONICS MARKETING, INC.

1-7, Yukigaya-Otsukamachi, Ota-ku,
Tokyo 145-0067, JAPAN
Phone: 03-5499-4531

ALPINE ELECTRONICS OF AMERICA, INC.

19145 Gramercy Place, Torrance,
California 90501, U.S.A.
Phone 1-800-ALPINE-1 (1-800-257-4631)
1-888-NAV-HELP (1-888-628-4357)

ALPINE ELECTRONICS OF AUSTRALIA PTY. LTD.

161-165 Princes Highway,
Hallam Victoria 3803, Australia
Phone 03-8787-1200

ALPINE ELECTRONICS GmbH

Wilhelm-Wagenfeld-Str. 1-3,
80807 München, Germany
Phone 089-32 42 640

ALPINE ELECTRONICS OF U.K. LTD.

Alpine House Fletchamstead Highway,
Coventry CV4 9TW, U.K.
www.alpine.co.uk

ALPINE ELECTRONICS France S.A.R.L.

184 allée des Erables
CS 52016 – Villepinte
95 945 Roissy CDG cedex
FRANCE

Phone : + 33(0)1 48 63 89 89

ALPINE ITALIA S.p.A.

Viale Cristoforo Colombo, 8
20090 Trezzano sul Naviglio MI, Italy
Phone +39 02 484781

ALPINE ELECTRONICS DE ESPAÑA, S.A.

Portal de Gamarra 36, Pabellón, 32
01013 Vitoria (Alava)-APDO 133, Spain
Phone 945-283588

S/NO. LABEL

Designed by ALPINE Japan

Printed in Korea

68-33122273-A (Y_A5)

M3514633010

JEIL Moon Hwa Co.

18-6, 3Ga, Pil_dong, Jung_gu, Seoul, Korea