

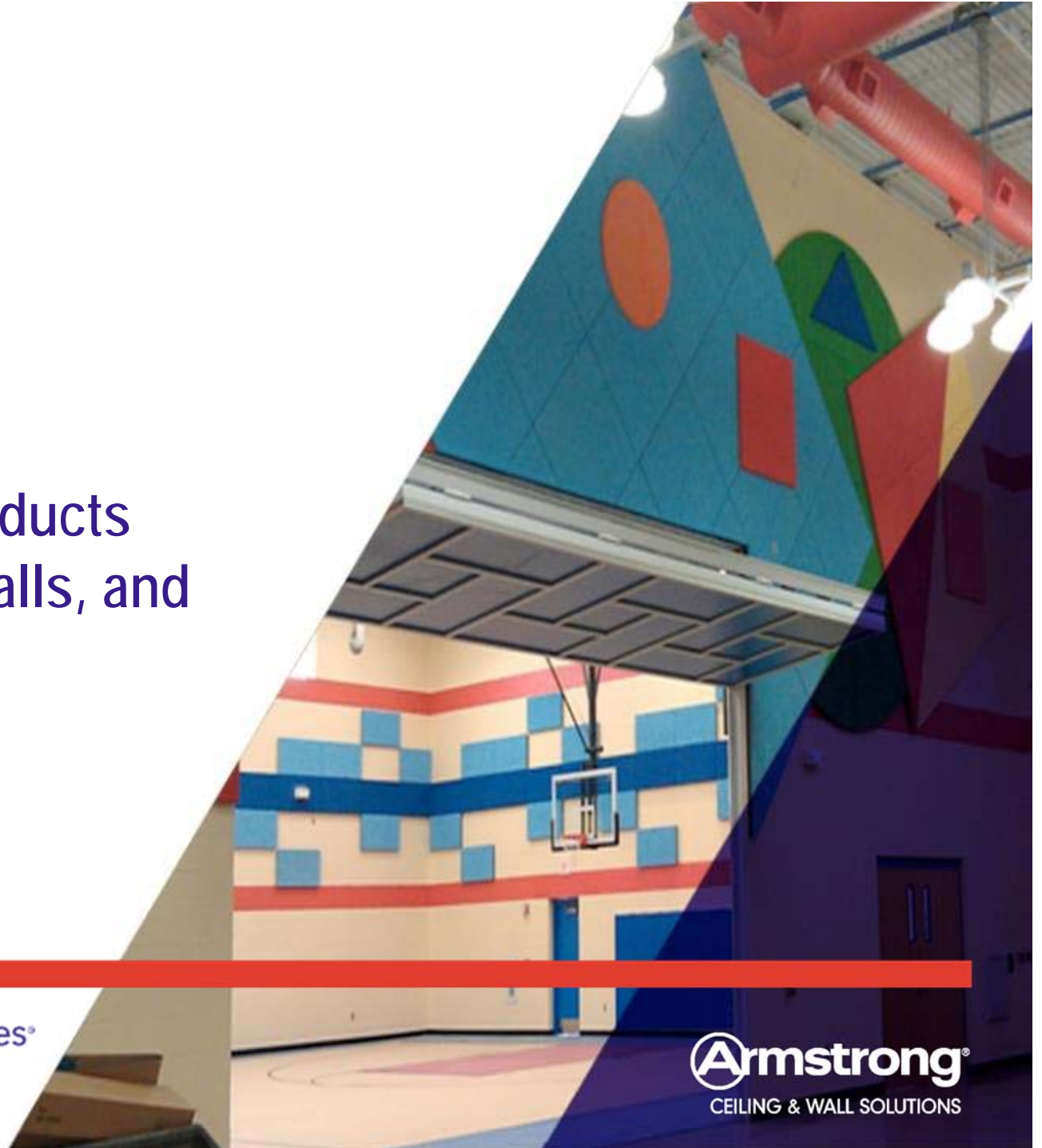
November 2017

Course Number:
AIA - ArmTEC098
IDCEC

Cementitious Wood Fiber Products For Ceilings, Walls, and Roof Decks

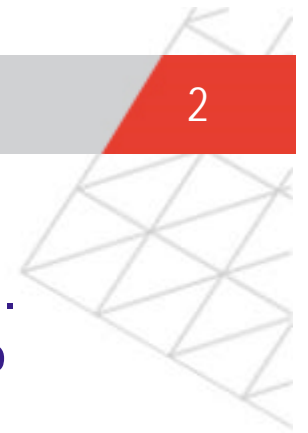
Inspiring Great Spaces®

Armstrong®
CEILING & WALL SOLUTIONS



Cementitious Wood Fiber Products

2



Armstrong World Industries is a Registered Provider with The American Institute of Architects Continuing Education Systems. Credit earned on completion of this program will be reported to CES Records for AIA members. Certificates of Completion for non-AIA members are available on request.

This program is registered with the AIA/CES for continuing professional education. As such, it does not include content that may be deemed or construed to be an approval or endorsement by the AIA of any material of construction or any method or manner of handling, using, distributing, or dealing in any material or product. Questions related to specific materials, methods, and services will be addressed at the conclusion of this presentation.





Interior Design Continuing Education Council, Inc

IDCEC Approved Course



Learning Objectives

4



Structural Acoustical Products

- Structural Roof Decks
- Applications

Interior Acoustical Products

- Interior Wall and Ceiling
- Applications



What are Cementitious Wood Fiber Panels made from?

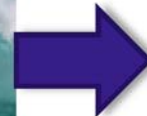
The primary ingredients are:



Wisconsin Aspen Trees
New Growth / Self Propagating



Salt Water -
Magnesium Oxide



Sand - Silicate



Limestone

LEED Contribution

Leadership in
Energy and
Environmental
Design



LEED V4 Contribution

7

EA Prerequisite 2: Minimum Energy Performance

EA Credit 1: Optimized Energy Performance

MR Credit 2: Construction Site Waste Management

MR Credit 4: Recycled Content

MR Credit 5: Regional Materials

MR Credit 6: Rapidly Renewable Resources

MR Credit 7: Certified Wood

EQ Prerequisite 3 (LEED for Schools): Minimum Acoustical Performance

For Complete LEED V4 Contributions - [Click Here](#)



LEED V4 Contribution

8

EQ Credit 3.1 and 3.2: Construction IAQ Plans

EQ Credit 4.1: Low-Emitting Materials, Adhesives and Sealants

EQ Credit 4.4: Low-Emitting Materials, Composite Wood & Agrifiber Products

EQ Credit 10 (LEED for Schools): Mold Prevention

EQ Credit 11 (LEED for Schools): Low-Impact Cleaning and Maintenance Equipment Policy

ID Credit 1: Innovation in Design

For Complete LEED V4 Contributions - [Click Here](#)



Structural, Acoustical Roof Deck Panels



Tectim 1
Plank

Tectum E
Plank

Tectum E-N
Plank

Tectum III
Plank

Tectum V
Plank





Features and Benefits of Cementitious Wood Fiber Roof Deck

- Integrated Acoustics
- Durability – Can be field painted up to 6 times without impacting acoustic or fire performance of the panel
- Meets most Design Load Criteria
- Meets a wide range of Diaphragm Requirements
- Contributes to the LEED Certification Program
- Receives a wide variety exterior Roofing products
- Nailable Surface
- NRC's up to 0.80 – Eliminates the need for secondary acoustical treatments
- Attractive Finish
- Fast & Easy Installation





Applications

- Public and Private Schools, Dormitories
- Gymnasiums, Auditoriums, Band Rooms
- Pools
- Cafeterias, Multi-Use Rooms
- Arenas, Convention Centers, Libraries
- Prisons, Dayrooms
- Restaurants, Churches
- Open Shelters





- International Code Council Evaluation Service
 - ICC-ES Evaluation Report ([ERS-1112](#))
- New York City Board of Standards & Appeals
 - Calendar No. L391-52-SM
- FM Approved CLASS I Roof Deck (Tectum I)
- Underwriters' Laboratories - Canada





Tectum I - Low Slope Applications

- Sound absorption – NRC up to 0.80
- R-value up to 6
- Spans up to 6 feet
- 50-pound design load
- Diaphragm shear up to 542
- Nailable surface
- Low slope applications



Tectum® Panel

Available Thicknesses:
2", 2-1/2" and 3"

Standard Widths:
31" and 47"

Standard Lengths:
48" to 144" in
one-inch increments

Custom widths and
lengths available
upon request

Panel size determined by joist spacing and span.



Structural, Acoustical Roof Deck

Tectum I – Project Photos



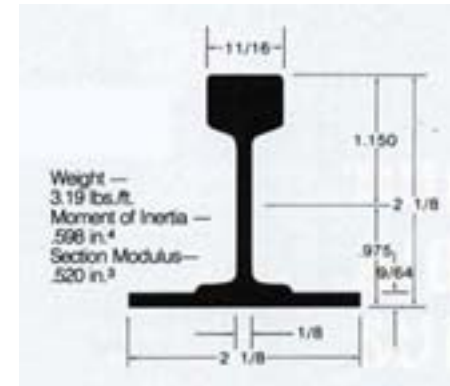
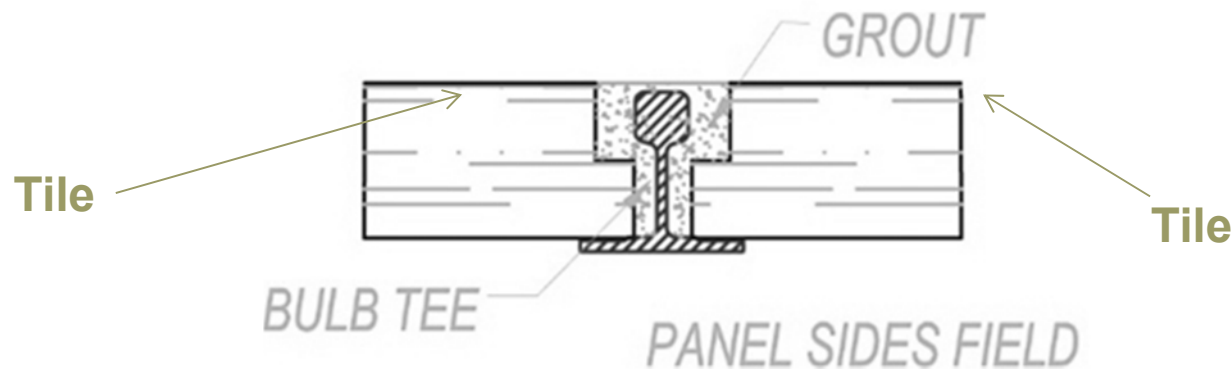
Structural, Acoustical Roof Deck

Tectum I Plank – Project Photos



Tectum I - Tile

- Uses wood fiber roof deck panel to span between steel tees or concrete joists.



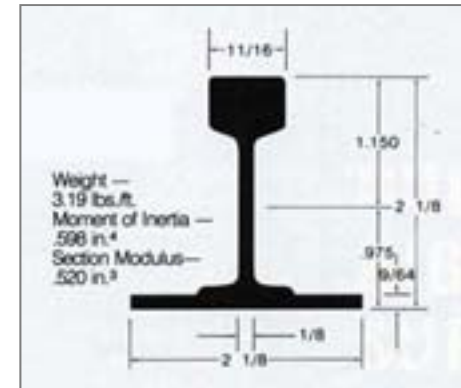
Structural, Acoustical Roof Deck

Tectum I Tile with LWIC – Project Photos

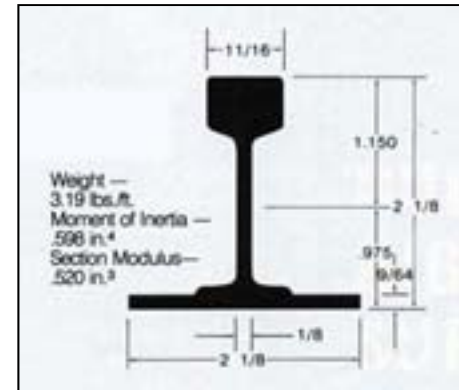


Structural, Acoustical Roof Deck

Tectum I Tile – Project Photos



Tectum I Tile – Project Photos



Three-in-One Composite Roof Deck Panels provide acoustics, insulation, and a nail-able surface that accepts a wide variety of roofing materials.

Tectum III & IIIP

- 1 ½” or thicker Tectum substrate
- Dow Styrofoam® brand XPS insulation
- 7/16” OSB (oriented strand board)



Tectum E

- 1 ½” or thicker Tectum substrate
- EPS (expanded polystyrene) insulation
- 7/16” OSB (oriented strand board)



Tectum E-N

- 1 ½” or thicker Tectum substrate
- NEOPOR® (expanded polystyrene) insulation
- 7/16” OSB (oriented strand board)



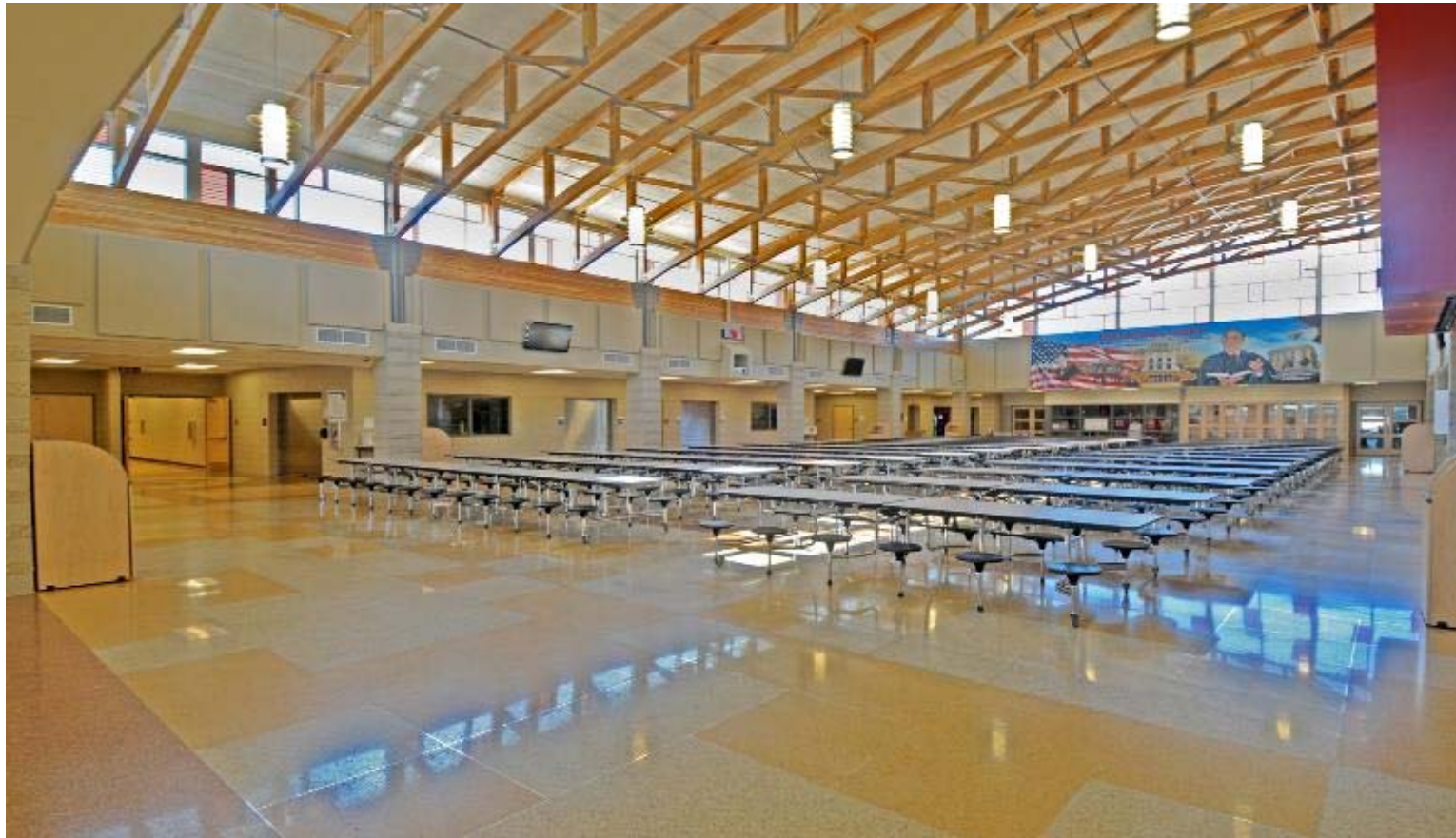
Structural, Acoustical Roof Deck

Tectum III – Project Photos



Structural, Acoustical Roof Deck

Tectum III – Project Photos



Structural, Acoustical Roof Deck

Tectum III – Project Photos



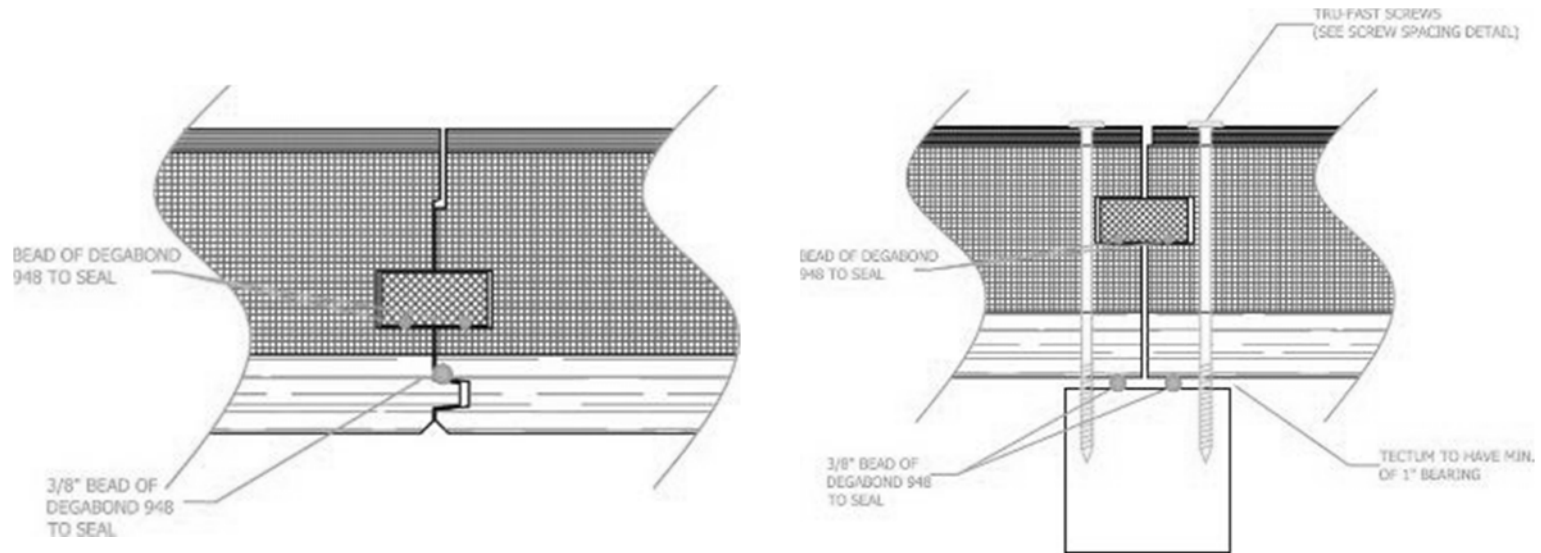
Structural, Acoustical Roof Deck

Tectum III – Project Photos



Tectum IIP

- Edge detail specifically designed for use over high-humidity applications
 - Swimming Pools, Ice Arenas
- Provides a continuous vapor retarder from panel to panel in all directions



Structural, Acoustical Roof Deck

Tectum IIP – Project Photos



Structural, Acoustical Roof Deck

Tectum IIP – Project Photos



Structural, Acoustical Roof Deck

Tectum E – Project Photos



Structural, Acoustical Roof Deck

Tectum E – Project Photos



Structural, Acoustical Roof Deck

Tectum E – Project Photos



Structural, Acoustical Roof Deck

32

Tectum V – Long Spans up to 12 feet

- Excellent Noise Absorption — NRC up to 0.60
- R-Value up to 33
- Spans up to 12 feet
- 50 pound design load
- Diaphragm shear up to 417 dsn/lf
- Nailable surface
- Low or high slope applications



Structural, Acoustical Roof Deck

Tectum V – Project Photos





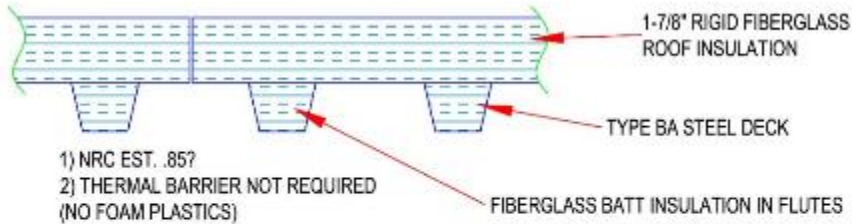
Type BA Acoustical Steel Deck

Concerns

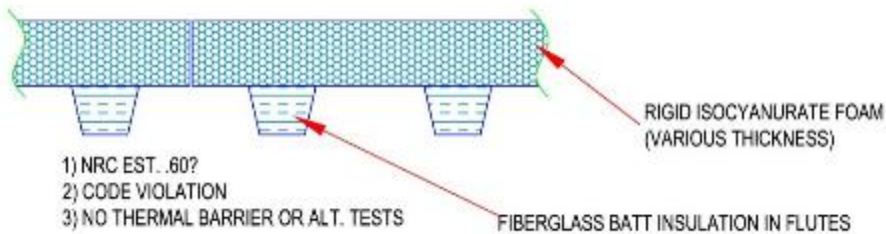
- Code Compliance
- Acoustical Performance
- Test vs. Actual Installations
- Directionality of Absorption



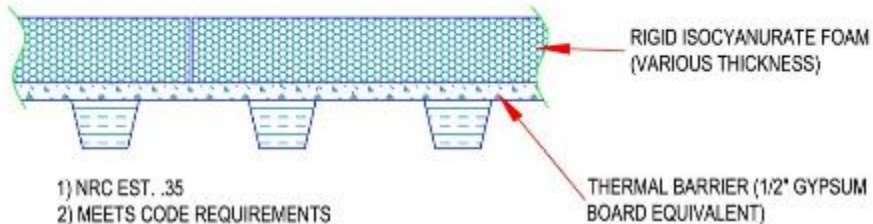
I. ACOUSTICAL STEEL DECK AS TESTED

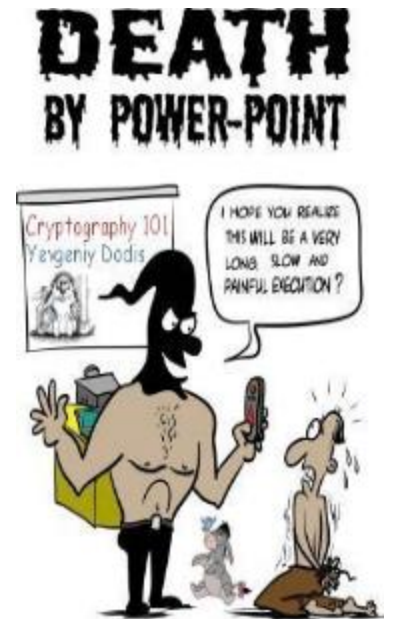


II. ACOUSTICAL STEEL DECK TYPICAL INSTALLATION



III. ACOUSTICAL STEEL DECK CODE COMPLIANT

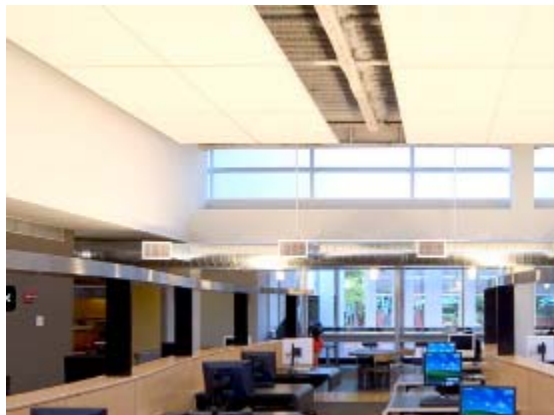




Standard Product Lines



Direct Attach Wall & Ceiling Panels



Lay-In & Tegalur Ceiling Panels

Custom Product Lines



Panel Art Wall & Ceiling Panels



Finale Wall & Ceiling Panels



Baffles & Blades



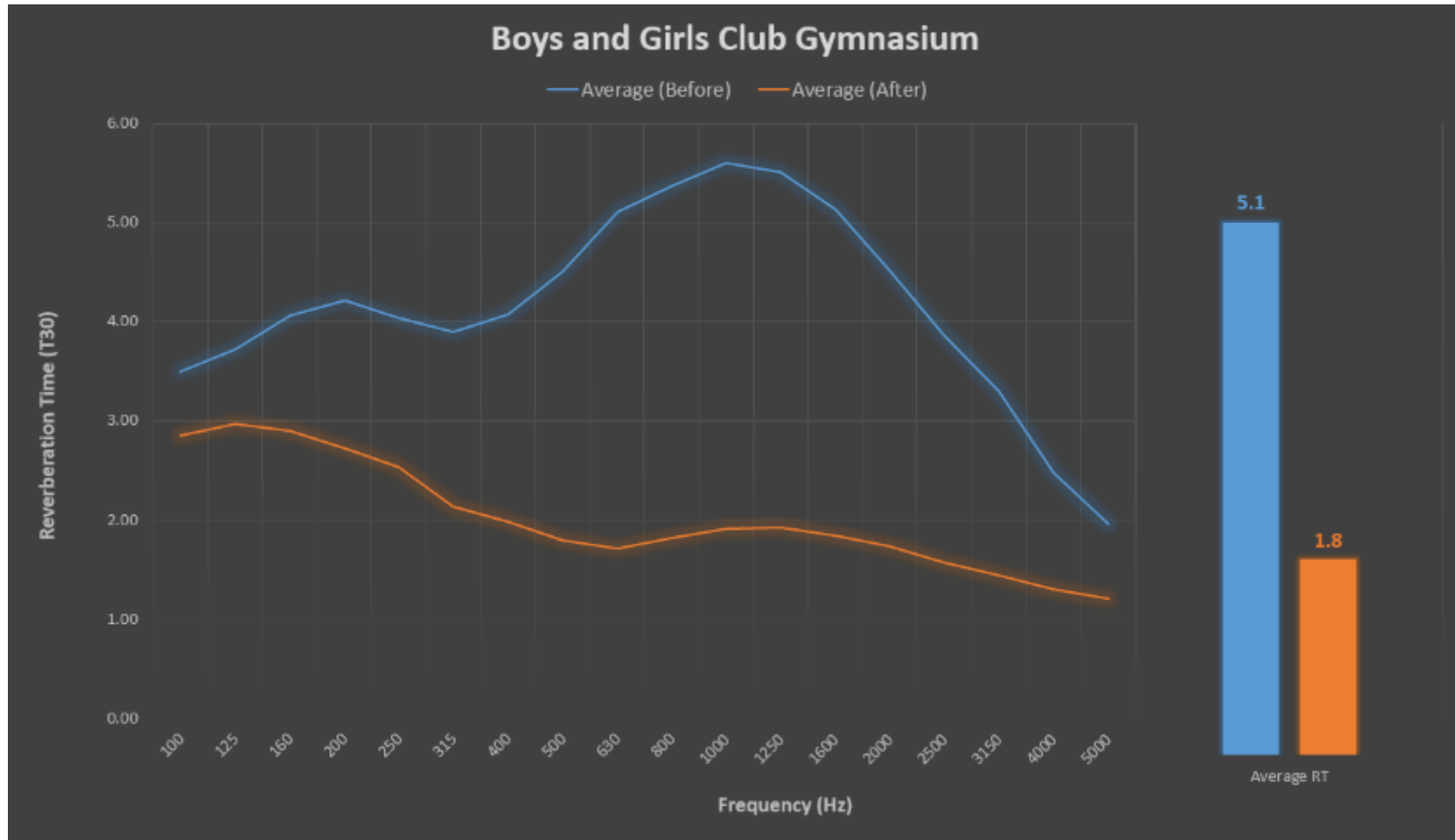
Clouds & Shapes



Fabric Walls

Sound Study – Boys & Girls Club – Lancaster, PA





Here you can see the dramatic improvement made with by the installation of the wall panels

Cementitious Wood Fiber - Interior Panels

40

Interior Panel Features:

- Attractive Finish
- Flame Spread – 0
- Smoke Developed – 0
- NRC's up to 1.00
- Custom Paintable up to 6 times



Applicable Spaces:

- Public and Private Schools, Dormitories
- Gymnasiums, Auditoriums, Band Rooms
- Pools, Cafeterias, Cafeteriums
- Multi-Use Rooms, Arenas, Convention Centers
- Libraries, Prisons, Dayrooms
- Restaurants, Churches
- Open Shelters
- Other spaces Where Acoustics are Required

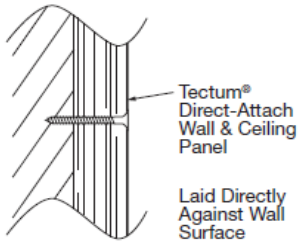


NRC Values/Acoustical Absorption

- Dependent on Thickness
- Dependent on Mounting

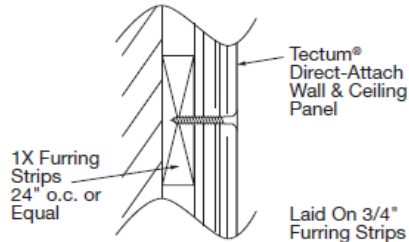
ACOUSTICAL MOUNTING METHODS

Mounting A



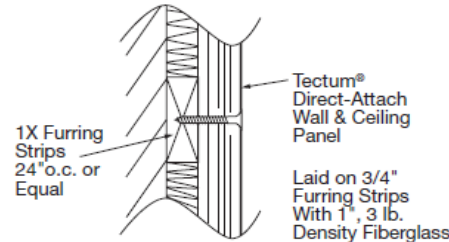
1" – 0.40 NRC
2" Up to 0.60 NRC

Mounting D-20



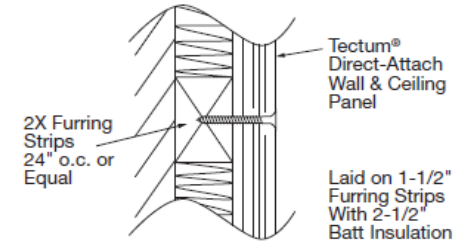
1" – 0.40 NRC
2" - Up to 0.70 NRC

Mounting C-20



1" – 0.80 NRC
2" Up to 0.95 NRC

Mounting C-40



1" – 0.85 NRC
2" Up to 1.0 NRC





Features:

Direct Attach Panels

- Durable for heavy-use interiors
- Amazing design flexibility, can be field modified for any design
- Great retrofit solution for noise reduction
- Excellent noise absorption – NRC up to 1.0
- Meet the most stringent sustainability standards today
- Available in 1", 1.5", and 2" thickness to meet your project needs
- Can be field painted up to six times without impacting acoustic or fire performance



Direct Attach Panels – Project Photos



Cementitious Wood Fiber – Direct Attach

Direct Attach Panels – Project Photos



Cementitious Wood Fiber – Direct Attach

Direct Attach Panels – Project Photos

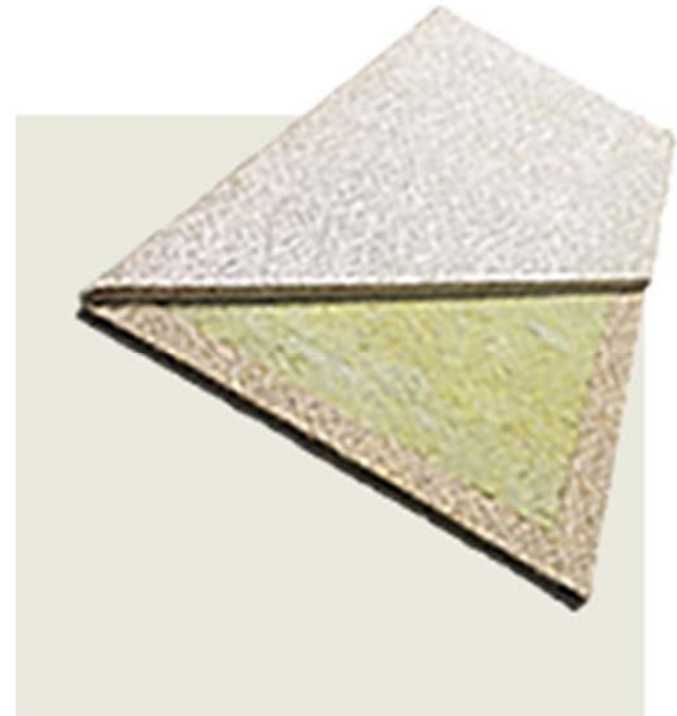


Cementitious Interior Panels – Integrated Acoustical Infill

47

Features:

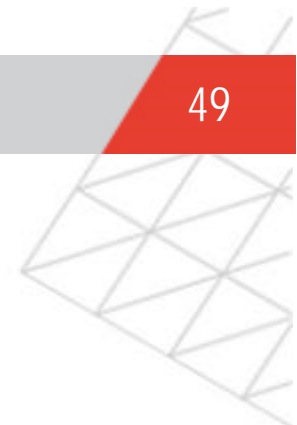
- Composite panel design combines panel and acoustical absorptive material in one for maximum sound control and fast & efficient installation
- Excellent Noise Absorption NRC up to 1.0* for maximum sound absorption (1" panels)
- Panel sizes in 1", 1-1/2", and 2" thickness; widths: 23-3/4" to 47-3/4"; lengths: 48" to 144"
- Abuse resistant for active spaces
- Can be mechanically fastened to a wide variety of surfaces including masonry, drywall, wood, and more



Cementitious Wood Fiber - Interior Panels

MinWool Backed Panel – Project Photo





Features:

- Abuse-resistant, fabric wrapped panels attach directly to walls
- Tackable panels can be used for bulletin/ display boards
- Mounting is quick and easy using internal spline system
- Wall Panel System
 - Spline Mounted
 - Field Machinable
 - Variety of Colors
- Décor Panels
 - Clip Mounted
 - Variety of Colors



Cementitious Wood Fiber Interior Panels

Custom Fabrics – Project Photos



Cementitious Wood Fiber Interior Panels

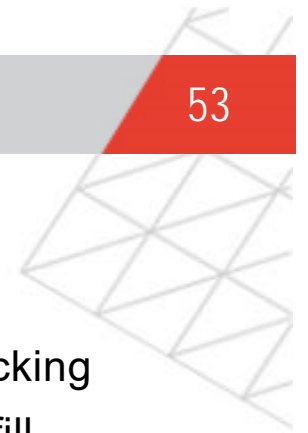
Custom Fabrics – Project Photos



Cementitious Wood Fiber Interior Panels

Custom Fabrics – Project Photos





Lay-In & Tegular Ceiling Panels

- Durable lay-in & Tegular ceiling panels for heavy use interiors
- Can be installed with an infill panel for improved sound absorption and blocking
 - 1” – NRC 0f .40 (1.63 lbs./sf.) or .90NRC & 33CAC with mineral fiber infill
- Ceiling Grid
 - 15/16” Standard Intermediate Duty Grid
- Wide variety of color options available, including made-to-order COLORATIONS and Sherwin-Williams® colors
- Can be field painted up to six times without impacting acoustic or fire performance
- Short lead times



Cementitious Wood Fiber Ceiling Panels



Lay-in – Project Photos



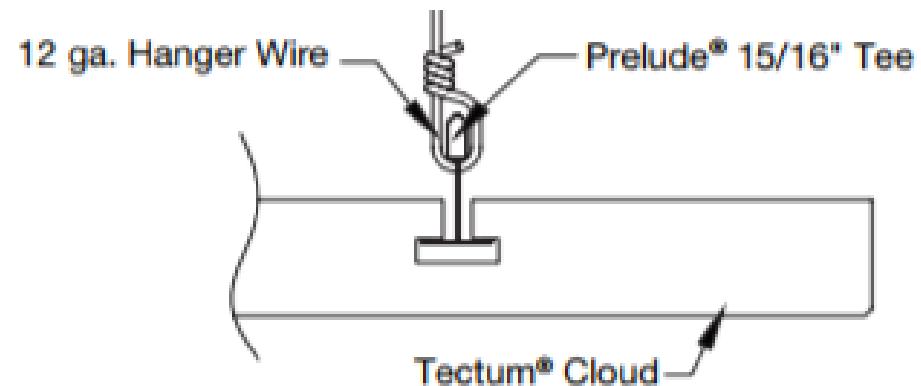
Cementitious Wood Fiber Ceiling Panels

Tegular – Project Photos



Clouds

- Floating cloud system in multiple sizes and shapes; custom shapes available
- Noise Absorption up to 0.41 Sabins/SF
- Panel Sizes in 1-1/2" or 2" panel thickness; widths: 23-3/4" to 47-3/4"; lengths: up to 96"
- Available in White, Natural, and made-to-order COLORATIONS colors and Sherwin-Williams® colors
- Installs with 15/16" Suspension System
- Square or radius edges



Cementitious Wood Fiber Ceiling Panels

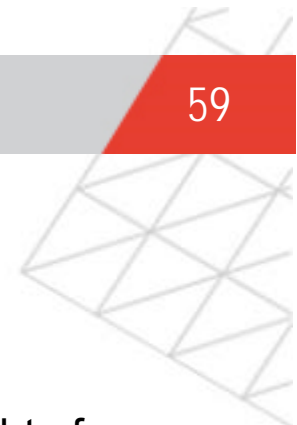
Clouds – Project Photo



Cementitious Wood Fiber Ceiling Panels

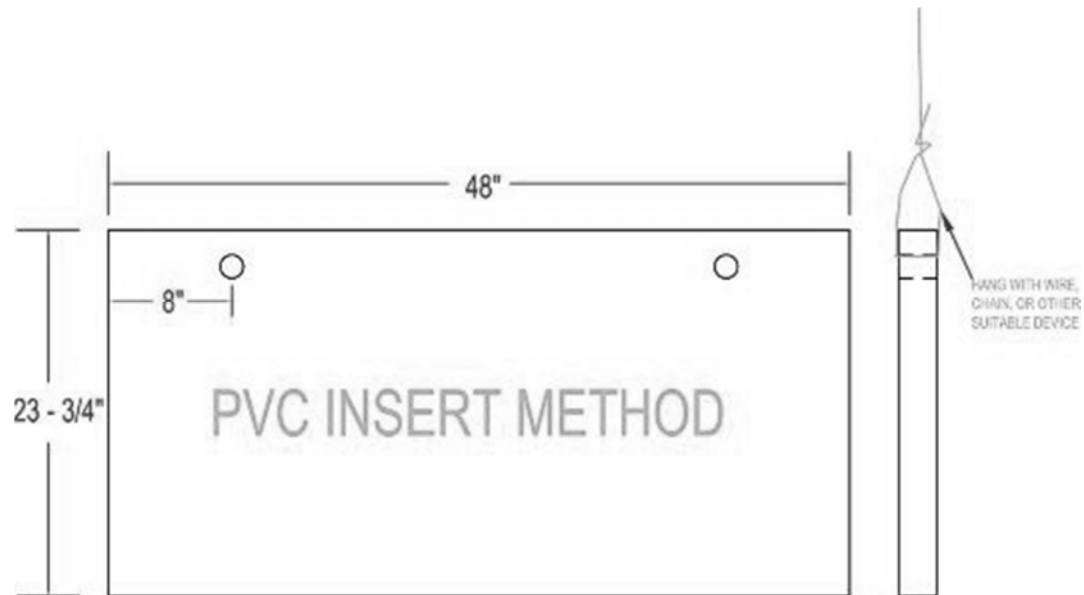
Clouds – Project Photo





Baffles & Blades

- Upscale linear visual adds acoustics and aesthetics to any space
- Noise Absorption up to 0.41 Sabins/SF
- Panel sizes in 1", 1-1/2", and 2" thickness; widths: 23-3/4" to 47-3/4"; heights from 11-3/4" to 23-3/4"
- Square edges or radius corners; beveled bottom edges available
- Custom shapes available to meet your project needs
- 24" on center spacing



Cementitious Wood Fiber Ceiling Panels

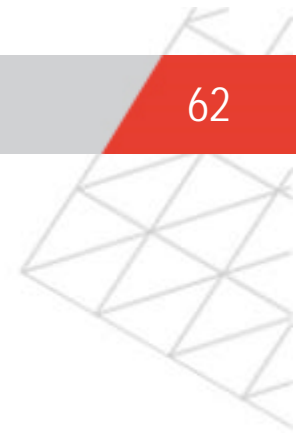
Baffles – Project Photo



Cementitious Wood Fiber Ceiling Panels

Baffles – Project Photo





Panel Art

- Eight shapes and custom options available
- Choose from 1", 1.5", and 2" panel thickness: create your own custom shapes from panels up to 48" x 48"
- Available in White, Natural, and made-to-order COLORATIONS colors and Sherwin-Williams® colors
- Noise absorption – NRC 0.40 (1" panel)
- Abuse resistant for active spaces
- All panels have beveled edges
- Can be mechanically fastened to a wide variety of surfaces including masonry, drywall, wood, and more



Square
.631 lb/pc
Width: 8"
Length: 8"



Rectangle
1.4 lb/pc
Width: 8"
Length: 16"



Hexagon
.575 lb/pc
Width: 7.5"
Length: 8-11/16"



Circle
.475 lb/pc
8" Diameter



16" Triangle
1.425 lb/pc
Width: 16"
Length: 16"



8" Triangle
.375 lb/pc
Width: 8"
Length: 8"



Right Parallelogram
.700 lb/pc
Width: 8"
Length: 16"



Left Parallelogram
.700 lb/pc
Width: 8"
Length: 16"





Panel Art



Cementitious Wood Fiber Panels

Panel Art - Project Photo



