



U.S. ARMY PUEBLO CHEMICAL DEPOT FACT SHEET

CHEMICAL MUNITIONS

The U.S. Army Pueblo Chemical Depot (PCD) located near Pueblo, Colorado, houses a chemical weapons stockpile that comprises approximately eight percent of the Nation's original chemical weapons stockpile.

Encompassing approximately 23,000 acres, PCD reports to the U.S. Army Chemical Materials Activity (CMA), Army Materiel Command (AMC). The depot's current mission: Safely secure, store, and monitor the chemical stockpile while protecting the workforce, the public, and the environment; prepare for and support stockpile elimination; and transition the depot and the workforce for closure. The Depot is supporting the destruction of the stored chemical weapons.

Destruction of the entire stockpile is the responsibility of the U.S. Army element, Assembled Chemical Weapons Alternatives (ACWA) program. The destruction of the chemical weapon stockpile started on March 18, 2015.

PCD stores blister agent (HD and HT) commonly called mustard agent. Five types of munitions containing mustard have been stored at PCD since the 1950s.

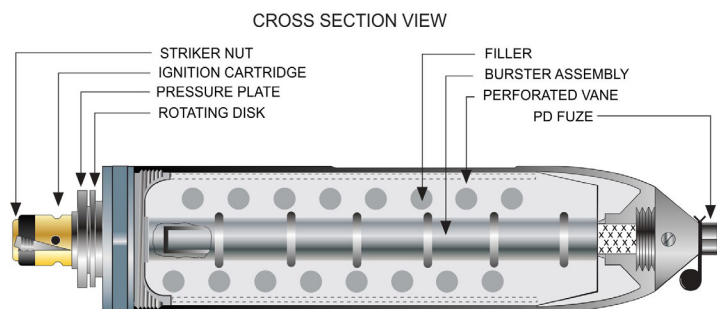


4.2-inch Mortar, M2 (HT) and M2A1 (HD)

The 4.2-inch mortar shell, produced in the United States, consists of a one-piece forged steel-case projectile body, a fuze with an integral burster, and a tail assembly. The agent is sealed in the munition with a steel burster well. The shell contains a perforated vane assembly welded to the inside of the body, designed to accommodate the burster tube extending from the fuze. The tail assembly consists of a pressure plate and rotating disc, propelling charge, cartridge container, ignition cartridge and striker nut assembly.

Characteristics

| | |
|--------------|--|
| Length | 21.0 in |
| Diameter | 4.2 in |
| Total Weight | 25 lbs |
| Agent | M2 - HT; M2A - HD |
| Agent Weight | M2 - 5.2 lbs M2A - 6.0 lbs |
| Agent Volume | M2 - 0.55 gallons M2A - 0.57 gallons |
| Packaging | 2 cartridges/box; 24 boxes (48 rounds) per pallet |



REV: 02092017

U.S. ARMY PUEBLO CHEMICAL DEPOT
45825 HIGHWAY 96 EAST | BUILDING 1 | PUEBLO, COLORADO 81006-9330
PHONE: 719-549-4135 | 719-549-4118 | FAX: 719-549-4535 | [HTTPS://WWW.CMA.ARMY.MIL/PCD](https://www.cma.army.mil/pcd)





CHEMICAL MUNITIONS (CONTINUED)

Projectiles

Projectiles are artillery shells that are fired from cannons. Each projectile contains a fuze and an explosive burster. Upon impact, the fuze ignites the burster charge, located in the center of the shell. This causes the shell to explode and disperse the chemical agent. PCD stores three types of projectiles.

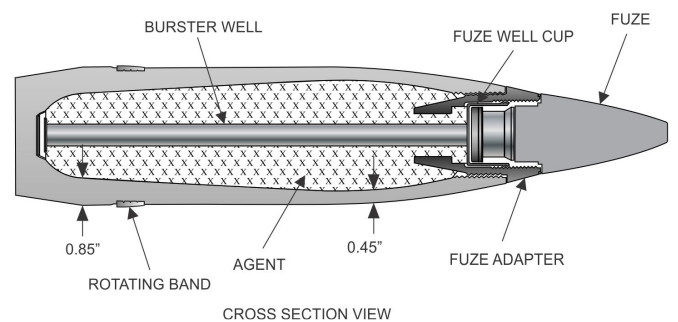
105mm Cartridge or Projectile, M60 (HD)

The 105mm cartridge is a World War II-type munition. The projectile section of the round contains blister (mustard) agent HD. Colored bands, signifying the chemical agent within the munition, mark the outside of the projectile casing. The projectile shell contains an adapter and burster casing that is threaded into the nose of the projectile, providing a seal for the agent filler. The U.S. Army designed the 105mm projectile along with the 155mm projectile to replace the World War I 75mm projectile.

The 105mm projectile is a 105mm cartridge from which the external explosives (fuze, cartridge case with propellant and percussion primer assembly) have been removed. The majority of 105mm rounds at PCD are projectiles.

Characteristics

| | |
|----------------------|---|
| Length | ▶ 21.0 in |
| Diameter | ▶ 105mm |
| Total Weight | ▶ 32 lbs |
| Agent | ▶ HD |
| Agent Weight | ▶ 3.0 lbs |
| Agent Volume | ▶ 0.28 gallons |
| Cartridge Packaging | ▶ 2 cartridges/box; 15 boxes (30 rounds) per pallet |
| Projectile Packaging | ▶ 24 projectiles/wooden pallet |



155mm Projectile, M104 (HD)–M110 (HD)

The 155mm projectile is also a World War II-type munition. Both the M104 and M110 projectiles contain blister (mustard) agent HD. Colored bands, signifying the chemical agent contained in the munition, mark the outside of the projectile casing. The shell contains a burster and a fuze well that allows a fuze to be screwed into the nose of the projectile. The U.S. Army designed the 155mm projectile, along with the 105mm projectile, to replace the World War I 75mm projectile.

Characteristics

| | |
|--------------|-----------------------------------|
| Length | ▶ 26.8 in |
| Diameter | ▶ 155mm |
| Total Weight | ▶ M104-95 lbs ▶ M110-99 lbs |
| Agent | ▶ HD |
| Agent Weight | ▶ 11.7 lbs |
| Agent Volume | ▶ 1.1 gallons |
| Packaging | ▶ 8 projectiles on wooden pallets |

