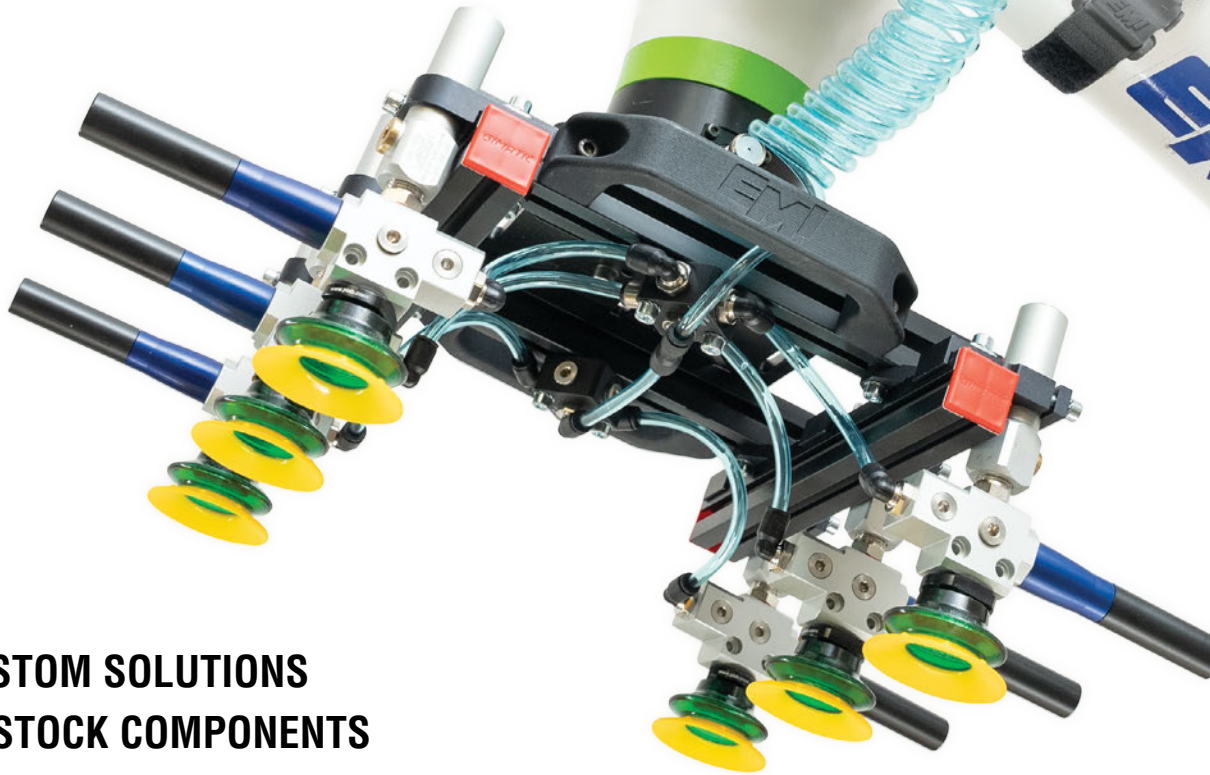


CATALOG
CR24

EMI[®]

EOAT FOR COBOTS



Custom Solutions

Quick Changers

Vacuum Grippers

Vacuum Cups

Vacuum Accs.

Soft Grippers

Gripper Kits

Machine Tending

Accessories

Cobot Stands

Cobot Conveyors

**CUSTOM SOLUTIONS
IN-STOCK COMPONENTS
EVERYTHING BUT THE ROBOT!**



EMIcorp.com

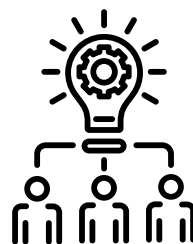
Pricing effective 5/1/2024



Customer-Focused Engineering

Lets talk EOAT!

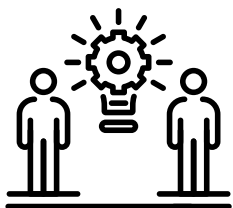
EOAT Engineers are available via phone, email, chat or video call. They will work with you on a degating test, vacuum cup recommendation, cobot kit demo, 3D printed fingers or your next multi-EOAT project set.



EOAT Experts

EMI does EOAT in a big way!

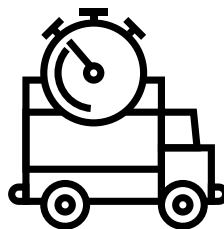
EMI's in-house Engineering department of 17 EOAT engineers is dedicated to supporting all your needs. No question is too small and no project has been too large.



Skilled Technicians

Professionally built EOAT!

You can choose to build the tooling yourself, or you can take advantage of EMI's EOAT Build Service. Get the benefit of a reliable, professionally built EOAT when you have EMI's experienced technicians assemble your tool.



Broad Range of EOAT

In-stock components ship same-day!

With a large in-stock EOAT inventory, you can purchase the pieces parts and use our CAD models to build it in-house. EMI Engineers will support you through the process. This is a great option for simple tools or tight deadlines.

EOAT for Cobots Index

EMI's Online Catalog Bookshelf.....	4
Easy Online Ordering	5
CAD File Downloads & 360° Views	6
Custom EOAT from EMI	8-17
3D Printing for EOAT.....	18-20

Quick Changers, Adapters & Interface Plates 22

Automatic Quick Changers.....	26-51
Manual Quick Changers	52-59
OnRobot Tool Changers & Force/Torque Sensor.....	60-65
Mounting Brackets, Interface & Adapter Plates.....	66-75
Cobot Flange Mono Clamp.....	76-77

Vacuum Grippers 80

EMI Modular Vacuum Kits	82-91
Gimatic Modular Vacuum Kits.....	92-93
OnRobot Electric Vacuum Grippers.....	94-103
Area Grippers.....	104-111
Cobot Wrist Vacuum Generators.....	112-117

Application Specific Vacuum Cups 118

Multi-Purpose Vacuum Cups	120-131
Packaging Vacuum Cups.....	132-153
Paper / Logistics Vacuum Cups	154-155
Bin Picking Vacuum Cups	156-157
Sheet Metal Vacuum Cups	158-161

Vacuum Automation Accessories..... 166

Vacuum Generators (Small).....	168-177
Vacuum Generators (Large).....	178-185
Vacuum Monitor Switches & Sensors.....	186-187
Pneumatic Station for Cobots	188-189

Over 250
NEW PRODUCTS!





Soft Grippers 190

- OnRobot SG.....192-193
- Ubiros® Gentle Duo194-195
- PIAB piSOFTGRIP®196-203

Handling Grippers 204

- EMI Gripper Kits.....206-211
- SCHUNK® Co-act Grippers.....212-215
- OnRobot Grippers220-229
- EMI Gripper Kits for SCARA Robots230-231

Machine Tending Kits & Grippers 234

- EMI Machine Tending Kits.....236-249
- Accessories & Spare Parts.....250-251
- SCHUNK PGN / PZN-Plus-P Grippers252-253
- SCHUNK Accessories.....254-255

Cobot Accessories 256

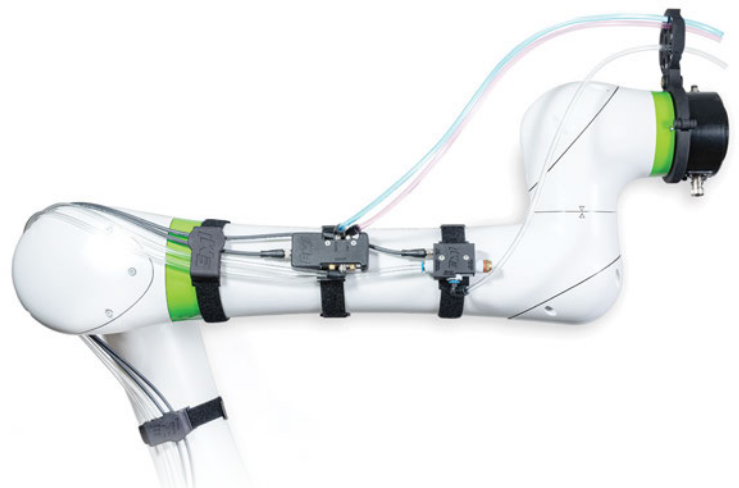
- Pneumatic Accessories258-260
- Cable & Tubing Management261-263
- Sensors, Cables & Connectors.....264-271

Industrial Cobot Stands 272

- Adjustable Height Cobot Stands.....274-277
- Fixed Height Cobot Stands.....278-281
- Cobot Stand Accessories284-285

Cobot Ready Conveyors..... 286

- Quick Number Index292-295
- Part Number Index.....296-299
- EMI Terms & Conditions300-303



Try our Online Catalogs!

Prices change, Products get Updated.

Make sure you're viewing the latest and greatest EMI catalogs by using our Online Catalog Bookshelf!

Using EMI's interactive EOAT for Cobots catalog is just like paging through our paper catalog – but with added benefits. Hotlinks in the table of contents and product pages make navigation easy and fast! Try EMI's interactive online catalogs today!

- Download pages or the entire catalog
- Bookmark & send pages by email.
- Search by product name or Quick#.
- Shop online: Click any Quick# and be directed to that part online.
- English and Spanish.



Hotlinks for Easy Navigation!

Click for Catalog Index

Click for Section Overviews

Click for Online Ordering & Additional Product Details

EMI EOAT for Cobots – Application Specific Vacuum Cups

Multi-Purpose Polyurethane Vacuum Cups – PIAB MX

(Dimensioned drawings shown full scale)

SIZE 25
SIZE 35
SIZE 42
SIZE 50
SIZE 57
SIZE 65

Quick#	Part#	ØA Diameter Cup	B (mm)	C (mm)	ØD (Nipple Included)	Price
8516	GSV-MX25-DD-G18M	26mm	15	22	G1/8 Male / M5 Female	\$34.32
8501	GSV-MX35-DD-G18M		17	31	G1/8" Male	\$42.92
8502	GSV-MX35-DD-G14M	33mm	22	32	G1/4" Male	\$42.92
8503	GSV-MX35-DD-G38M		22	32	G3/8" Male	\$42.92
8504	GSV-MX42-DD-G18M		17	34.5	G1/8" Male	\$49.97
8505	GSV-MX42-DD-G14M	40mm	22	35.5	G1/4" Male	\$49.97
8506	GSV-MX42-DD-G38M		22	35.5	G3/8" Male	\$49.97

CU
QC
VG
VC
VA
SG
GR
MT
AC
CS
CC



Easy Online Ordering!

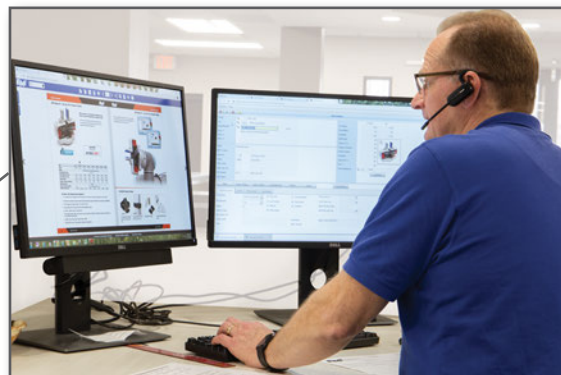
Easy Online Ordering!

- Upfront Pricing
- Create Supply Lists
- Order from History
- Export Purchase Orders
- Track Orders

Product Pages Include:

- Application Examples
- CAD file downloads
- 360° 3D Views
- Dimensional drawings
- Related items & Spare parts

Questions? Try Our Live Chat!



8204 OnRobot 2FG7 Parallel Gripper for Cobots

Item #: OR 106376
\$4,633.00 Each
 Quantity:
 Add To Cart

Available: In Stock
 CAD File Download
 Datasheet
 360 Degree View
 Application Video

Technical data	Min	Typical	Max
Payload force fit	-	-	7kg / 15.5lbs
Payload form fit	-	-	11kg / 24.3lbs
Total stroke (adjustable)	-	38mm / 1.49in	-
OD Grip Range with stock fingers	1mm	-	73mm
ID Grip Range with stock fingers	11mm	-	83mm
Repetition accuracy	-	0.1mm / 0.004in	-
Gripping force*	20N	-	140N
Gripping force tolerance	-	-	+/-5% N
Gripping speed**	16mm/second	-	450mm/second
Gripping time (including brake activation)***	-	200ms	-
Storage temperature	0°C / 32°F	-	60°C / 140°F

2FG7 Specifications:

Operating Conditions	Min	Typical	Max
Power supply	20V	24V	25V
Current consumption	-	-	2000mA*
Operating temperature	5°C / 41°F	-	50°C / 122°F
Calculated MTBF (operating life)	30,000 hours	-	-

Related Items

- 8297 OnRobot 2-Finger Parallel Gripper 2FG7 5-Bellow Kit Set of 2 Bellowes
Item #: OR 106576
\$53.33 Each
- 8295 OnRobot 2-Finger Parallel Gripper 2FG7 Spare Finger Kit Includes Hardware
Item #: OR 106553
\$223.33 Each
- 8296 OnRobot 2-Finger Parallel Gripper 2FG7 Spare Finger Sleeves Kit Set of 4 Sleeves
Item #: OR 106559
\$86.67 Each
- 8222 OnRobot Dual Quick Changer for Cobots
Item #: OR 101788
\$2,781.00 Each

Application Examples



Related Items / Replacement Parts

8295 OnRobot 2-Finger Parallel Gripper 2FG7 Spare Finger Kit Includes Hardware

Item #: OR 106553
\$223.33 Each
 Quantity:
 Add To Cart

Available: In Stock

Related Items

- 8204 OnRobot 2FG7 Parallel Gripper for Cobots
Item #: OR 106376
\$4,633.00 Each
- 8296 OnRobot 2-Finger Parallel Gripper 2FG7 Spare Finger Sleeves Kit Set of 4 Sleeves
Item #: OR 106559
\$86.67 Each

- CU
- QC
- VG
- VC
- VA
- SG
- GR
- MT
- AC
- CS
- CC

CAD File Downloads & 360° Views!

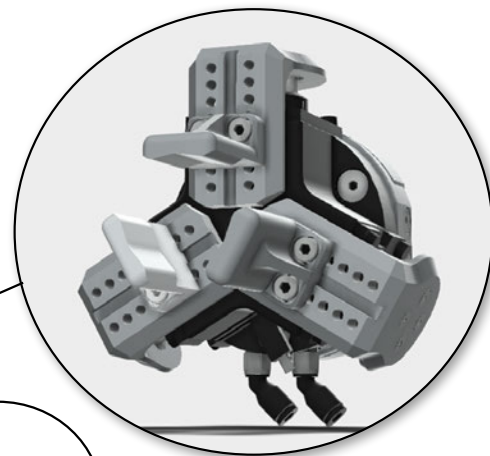
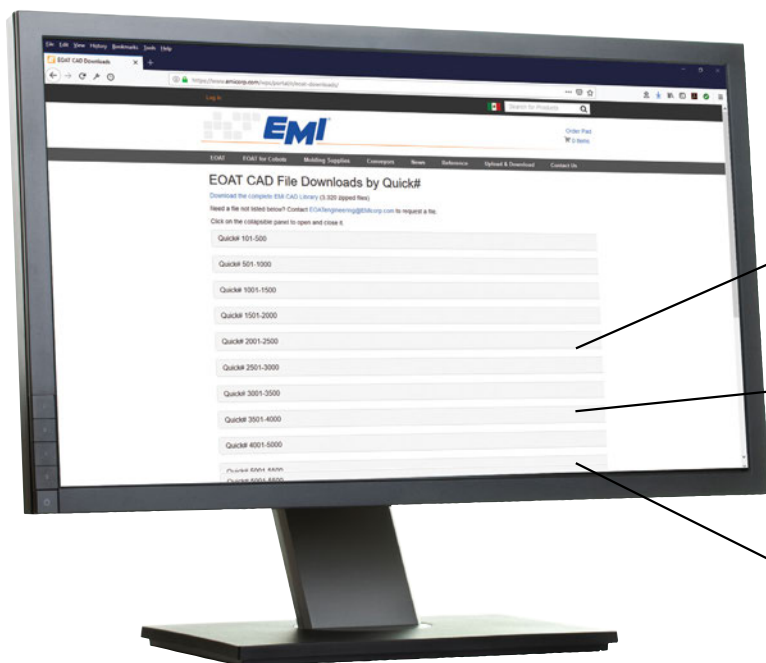
Building your own EOAT? Download the 3D CAD files you need to ensure an accurate design.

Our EOAT CAD Library has over 5,600 components and is updated daily. Download all or individual files, or preview them by Quick# with EMI's 360° Autodesk Viewer before downloading with no need to sign in.

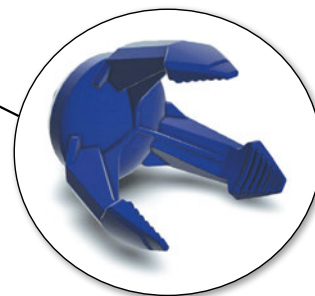
No login required!



Click here!



**+5,600!
Components**



Need help with your EOAT Design? Contact Cobots@emicorp.com and one of our engineers will gladly help.

Scan QR Code and Add to Cart!

EMI's product packaging has QR codes for easy reordering or to check product information. Reference our Quick#s for easy online ordering.





Stay In Touch With Us!



EMI [Contact Us](#)

EMI Can Automate Your Machine Tending Process

EMI specializes in custom automation systems and can help you quickly implement collaborative robots to perform repetitive tasks, increasing production capacity while removing error. Whether you're new to automation or redeploying existing robots, our machine tending solutions are ideal for tending CNC mills and lathes.

CNC Mill & Lathe Machine Tending

Work faster and smarter by automating CNC Lathes and Mills with end effectors from EMI. Implementing automated solutions like this can prevent downtime and workplace injuries.

[Learn More](#)

Brake Press Machine Tending

Designed to operate press brakes without constant manual operation, this solution can free up employees from repetitive jobs and increase accuracy at the same time.

[Learn More](#)

Subscribe to our Newsletter!

Our Engineers are constantly researching new products that are applicable to your processes. Subscribe to our Newsletter to stay informed!

Connect with us on LinkedIn!

We've found that LinkedIn is a useful forum for us to share ideas, tips and more while also staying connected with friends and associates. Follow us today!

Visit and subscribe to EMI's YouTube channel to watch the latest videos on our products!

We are constantly adding new content to our YouTube page. From product overviews to in-depth how-to videos, we are sure you'll find our videos helpful.



www.youtube.com/EMICorpVideo



Extensive Inventory
in US & Mexico!

We make every effort we can to ensure all orders of in-stock EOAT components ship same-day!



- CU
- QC
- VG
- VC
- VA
- SG
- GR
- MT
- AC
- CS
- CC

Custom EOAT Solutions

In addition to plug & play solutions, EMI has focused on custom EOAT for over 20 years and all that expertise is available to you and your application.



**Custom EOAT is
Our Specialty!**



Gimatic EQC on page 32



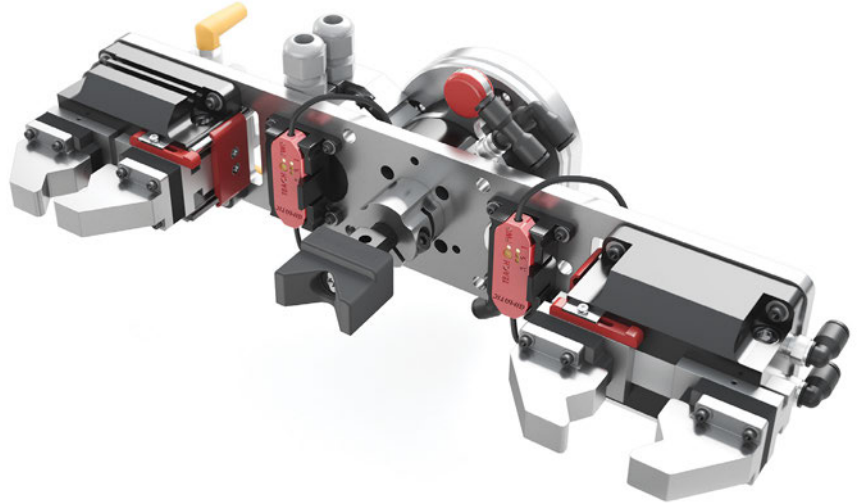
*Wingman Quick Changer on page 26
OnRobot Vacuum gripper on page 94*



Custom EOAT Solutions

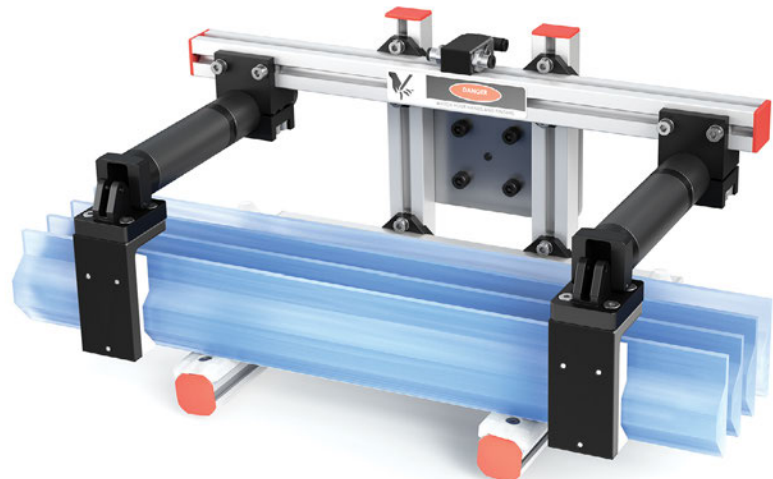
Features:

- Load/Unload fuel rods into pressure testing fixture.
- Dual parallel gripper design allows for balanced handling.
- Quick changer used for quick tooling change over.



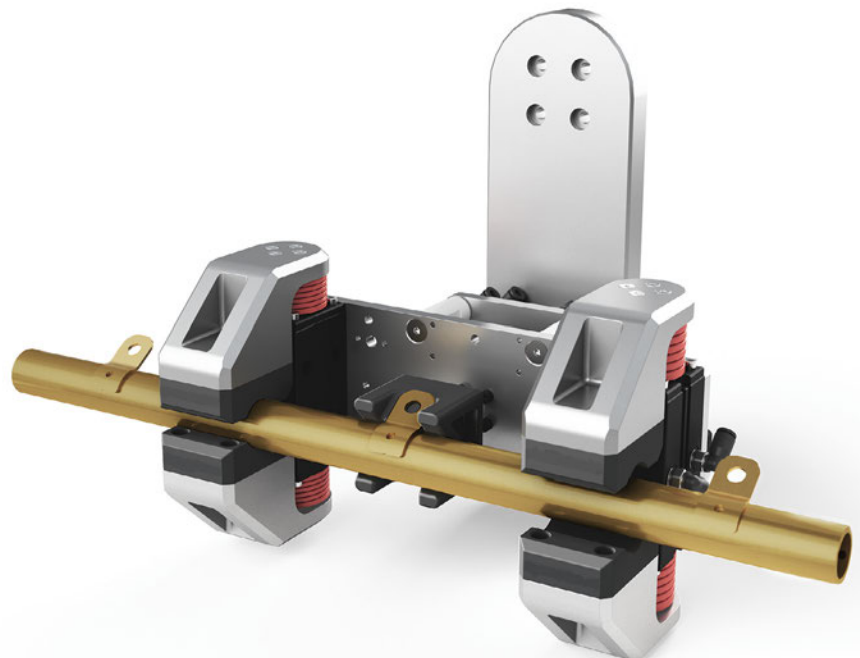
Features:

- Modular design for easy adjustments.
- Wrist flip gripper with 95° angular motion “traps” parts onto forks.
- Unloads several parts simultaneously from machine.
- Deposits parts into containers.



Features:

- Two SX parallel grippers with custom radial-groove finger tips.
- Two-piece jaw design allows for easy finger tip changeout.
- 3D printed nest secures parts.
- Grippers have sensors for mid-stroke part confirmation.
- Offset mounting plate designed for Fanuc robot can be mounted to a quick changer for easy tool change.

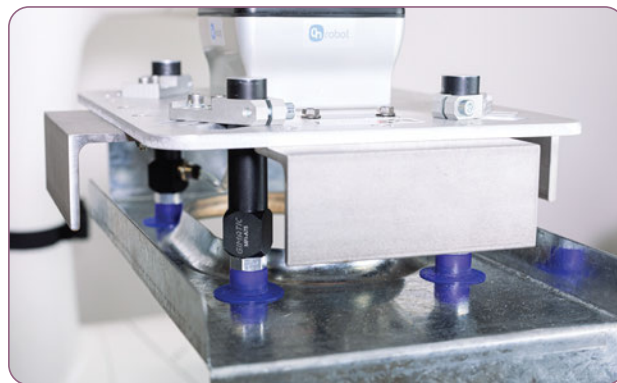


- CU
- QC
- VG
- VC
- VA
- SG
- GR
- MT
- AC
- CS
- CC

Custom EOAT Solutions

EOAT for Press Brake Applications

Magnet grippers, electrically or pneumatically driven vacuum grippers and simple handling grippers can all work for brake press tending. EMI offers a myriad of options including ones that implement automatic tool changers to ensure the right tool is used for each brake.



Brake Press Tending EOAT:

- VGC10 Electric vacuum generator.
- Flat vacuum cups for metal handling.
- Clampable posts, slots and brackets offer adjustability.
- Interchangeable part nesting.
- No tubing or cables down robot arm.





Custom EOAT Solutions



Tend your Press Brake with a Cobot!

Offset EOAT with Rotary Unit:

- Designed for multi-operation brake press application.
- Manual tool changer.
- Boom arm made of 3D printed PA12.
- Vacuum generator with part detection.
- Rotary unit for part re-positioning.

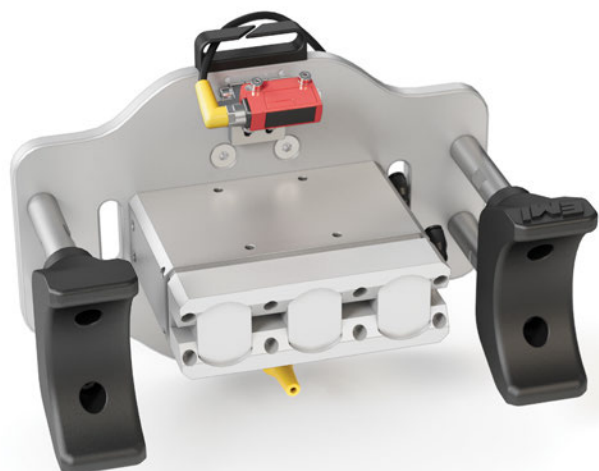
- CU
- QC
- VG
- VC
- VA
- SG
- GR
- MT
- AC
- CS
- CC



Machine Tending Boom Arm EOAT:

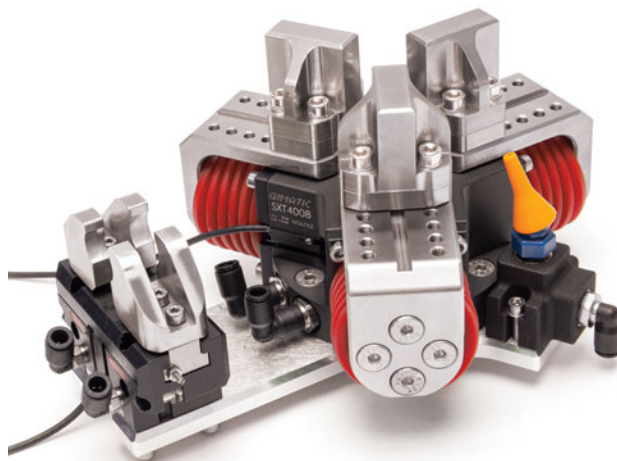
- Dual parallel grippers with durable PA12 fingers.
- Programmable sensors.
- QC75 Manual tool changer.
- Delrin tip for button actuation.

Custom EOAT Solutions



Features:

- Pneumatically controlled magnetic gripper used to pick cylindrical work piece.
- 3D Printed nests secure the work piece to ensure alignment.
- Photo sensor for part confirmation.
- Blow-off nozzle to clean work piece after machining operation.

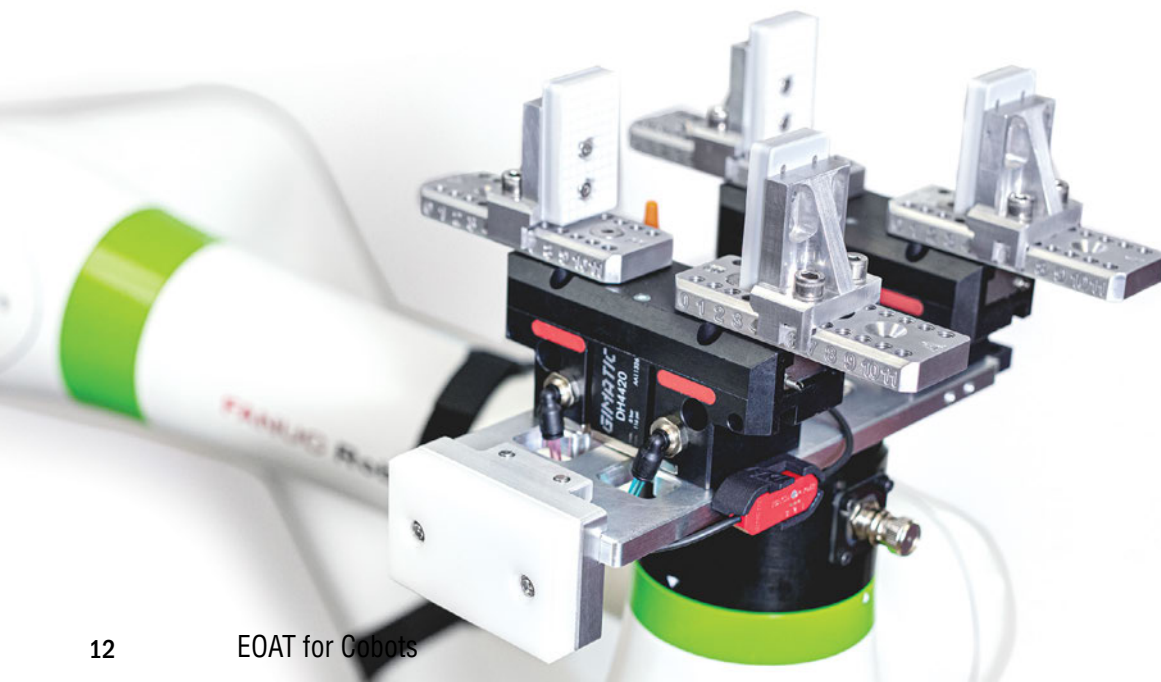


Features:

- One, 2-jaw parallel gripper, and one 3-jaw concentric gripper.
- Machined steel fingers.
- Part blow-off.
- Sensors for part detection.
- Two and three jaw gripper kits are available with adjustable fingers that cover a range of workpiece sizes.

Features:

- Dual, pneumatic 2-jaw gripper design used on a single work piece for greater stabilization.
- Adjustable, silicone padded fingers for non-marking application.
- Acetal push bar used to open/close drawer mechanism for discharging part.
- Programmable sensor for part detection of various work pieces.

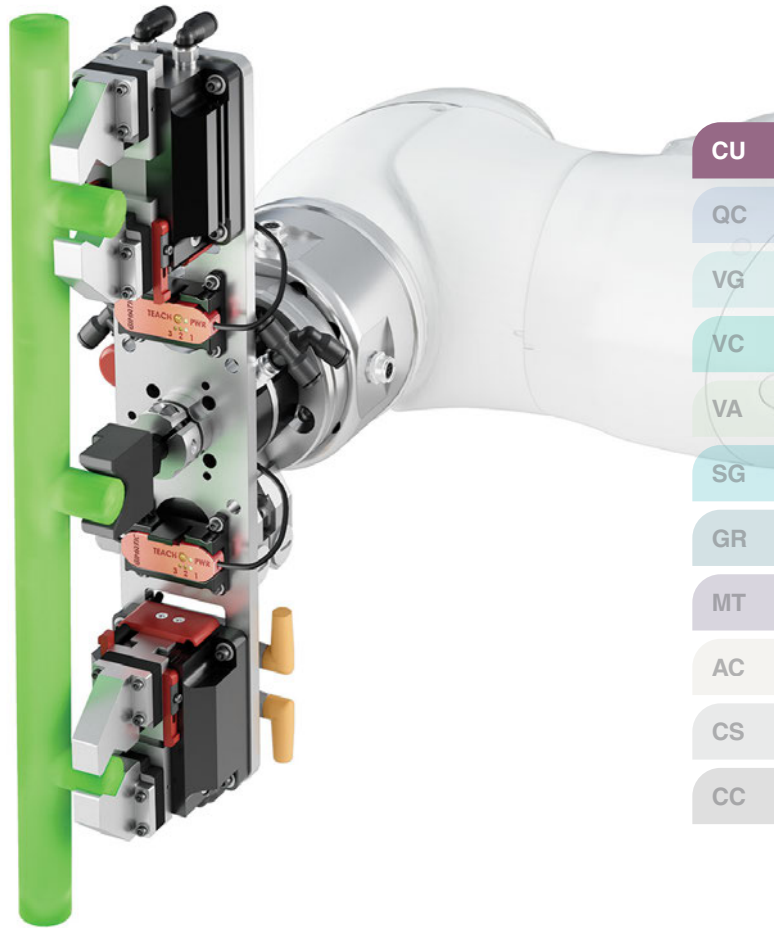




Custom EOAT Solutions

Fuel Rail Brazing Automation:

- High grip force grippers.
- Nest for part alignment.
- Programmable sensors.
- Compact manual tool changer.



- CU
- QC
- VG
- VC
- VA
- SG
- GR
- MT
- AC
- CS
- CC

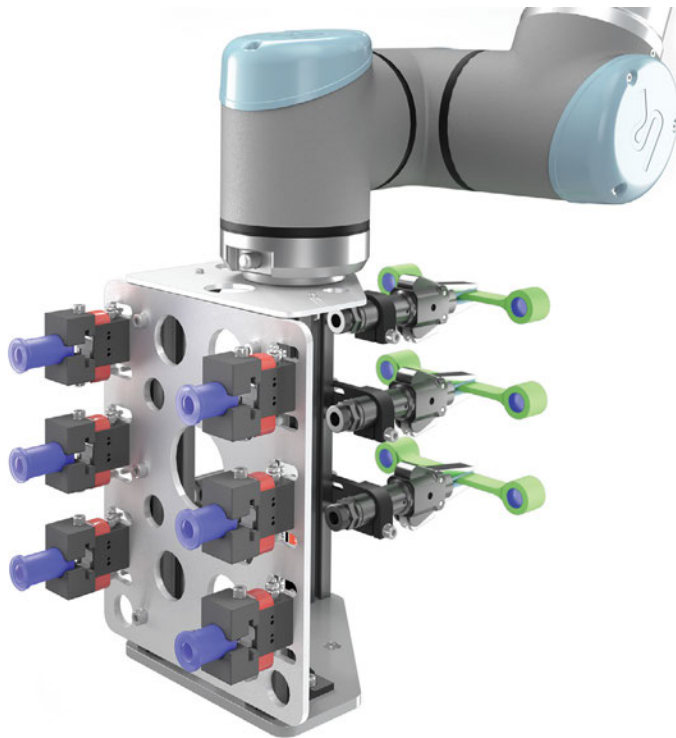
Compact Machine Tending EOAT:

- Custom machined structure.
- Intricate finger design for part handling.
- Part / chuck blow off nozzle.
- Programmable sensors.

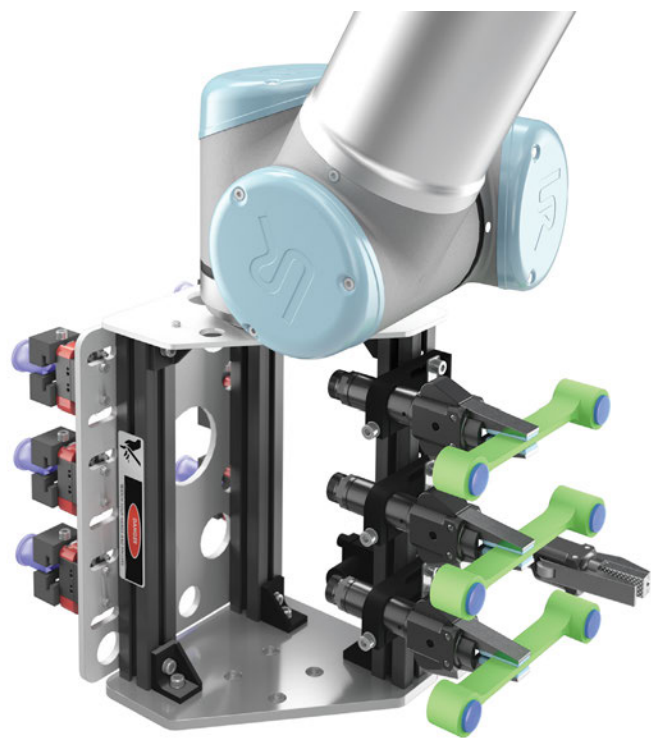


Custom EOAT Solutions

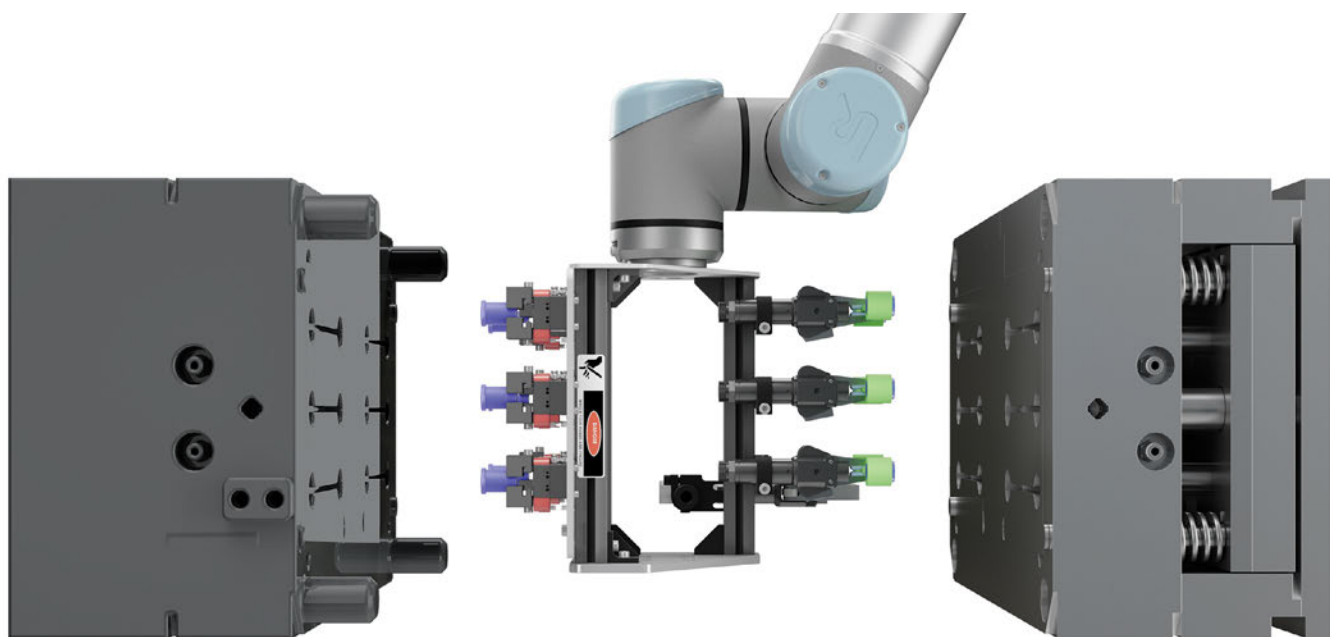
Below is a traditional insert load application for plastic injection molding. The cobot uses a custom 2-sided EOAT to accurately place metal inserts into the mold, then picks the finished parts.



Insert-Load side of the EOAT with part detection.



Part-picking side of the EOAT with soft touch angular grippers.



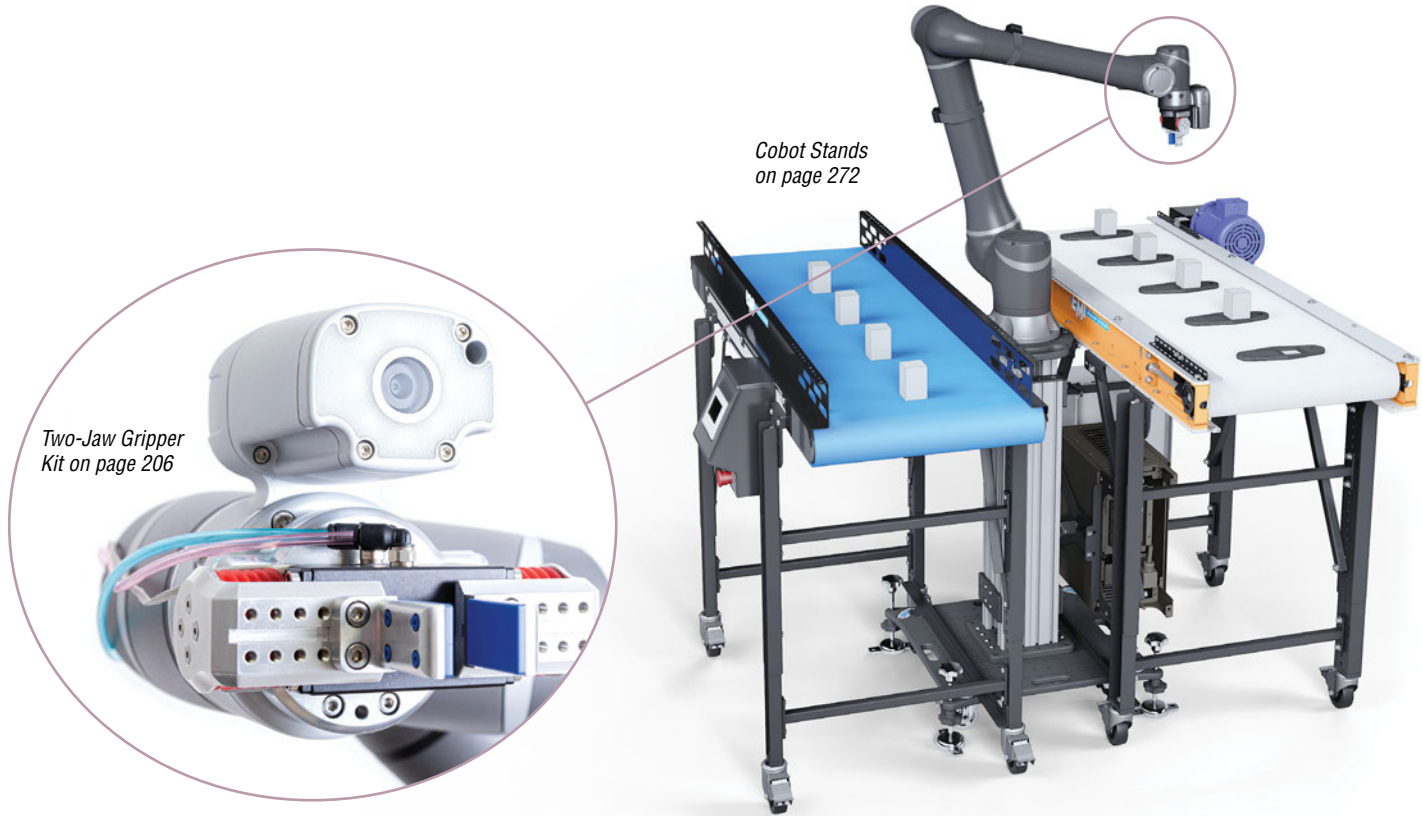
Cobot in place to perform both actions.



Everything but the robot!

Our Conveyor - Our Cobot Stand - Our End Effector - Our Work Table - Your Cobot

Our extensive stock of framing components engineered for use in automation along with the broadest offering of cups, grippers, and everything needed in between, make EMI a one stop destination for robotic end effector / end-of-arm tooling builders and designers.



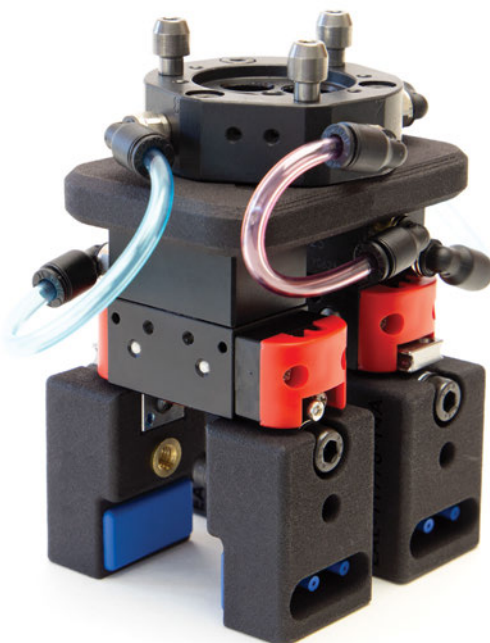
- CU
- QC
- VG
- VC
- VA
- SG
- GR
- MT
- AC
- CS
- CC



SCARA EOAT Solutions

Pneumatic Gripper EOAT:

- Quick Changer for quick set-up and tooling change over.
- Automatically engages pneumatic and electrical circuits.
- Padded fingers for an increased friction hold and softer touch to prevent damage.
- SGP-S Precision grippers are used for small work pieces and accurate handling.



Single SGP-S version also available.

Vacuum EOAT:

- FlowPack vacuum cup.
- Clampable Gimatic vacuum generator.
- Modular clamp design.
- Streamlined design only requires (1x) compressed airline.

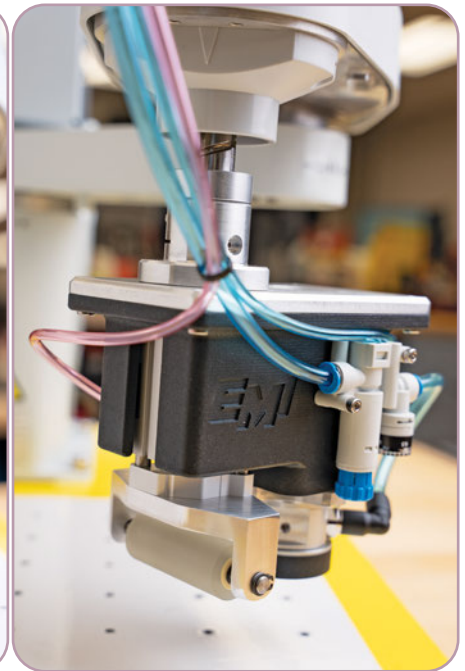
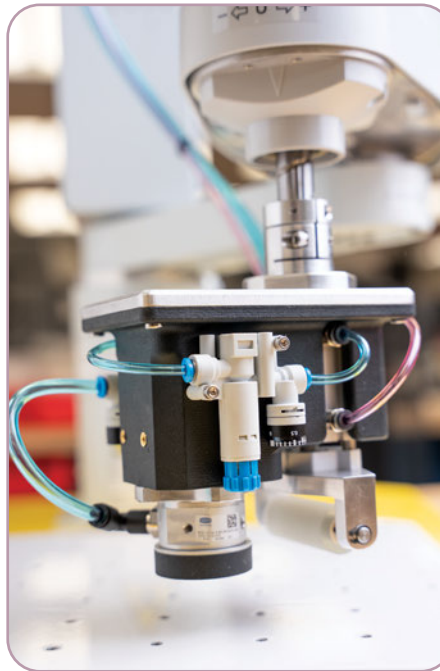




SCARA EOAT Solutions

Label Application EOAT:

- Coanda vacuum gripper.
- Cylinder-mounted brayer.
- Pressure regulators for added safety.
- Custom-printed shroud.
- SCARA mounting clamp.



- CU
- QC
- VG
- VC
- VA
- SG
- GR
- MT
- AC
- CS
- CC

Multi-Part Handling Vacuum EOAT:

- Dual vacuum circuit design for independent part handling.
- Integrated vacuum generators (pneumatically driven).
- Lightweight, 3D printed frame.
- Interchangeable vacuum cups.

Find more about SCARA Gripper Kits on page 230.



3D Printing for EOAT

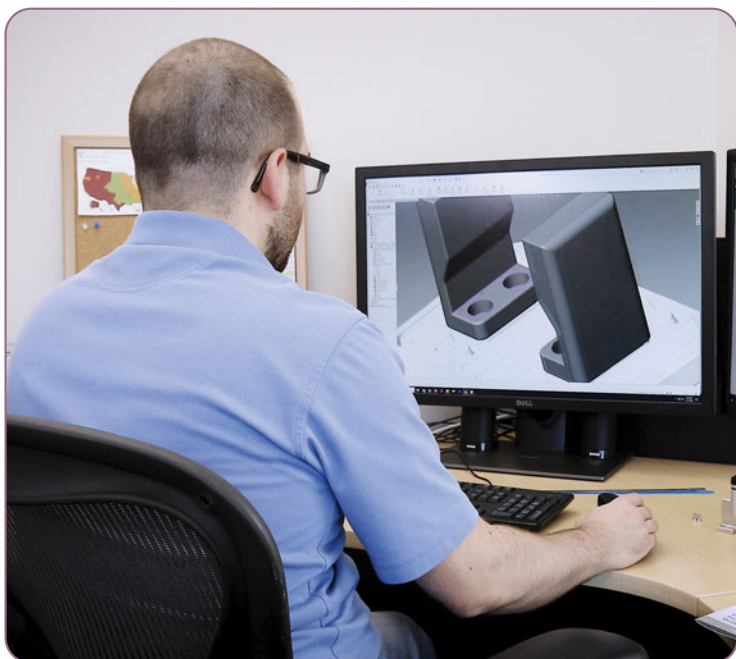
3D Printing Support for Cobots

- We can provide engineering support to develop 3D printed end effectors, accessories, and more for your collaborative robot!
- In-house 3D printers with dedicated personnel.
- Different 3D printing methods such as MJF, SLA, FFF & SLS can be combined to achieve a level of customization that only EMI can offer.
- Contact us today: 3DPrinting@emicorp.com!



Customer-Focused Engineering

EOAT Engineers are available via phone, email, chat or video call. We will work with you on a degating test, vacuum cup recommendation, cobot kit demo, 3D printed fingers or your next multi-EOAT project set.

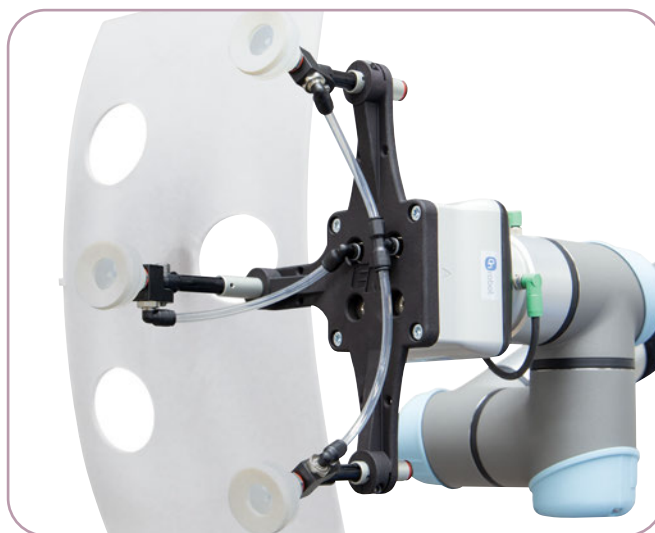




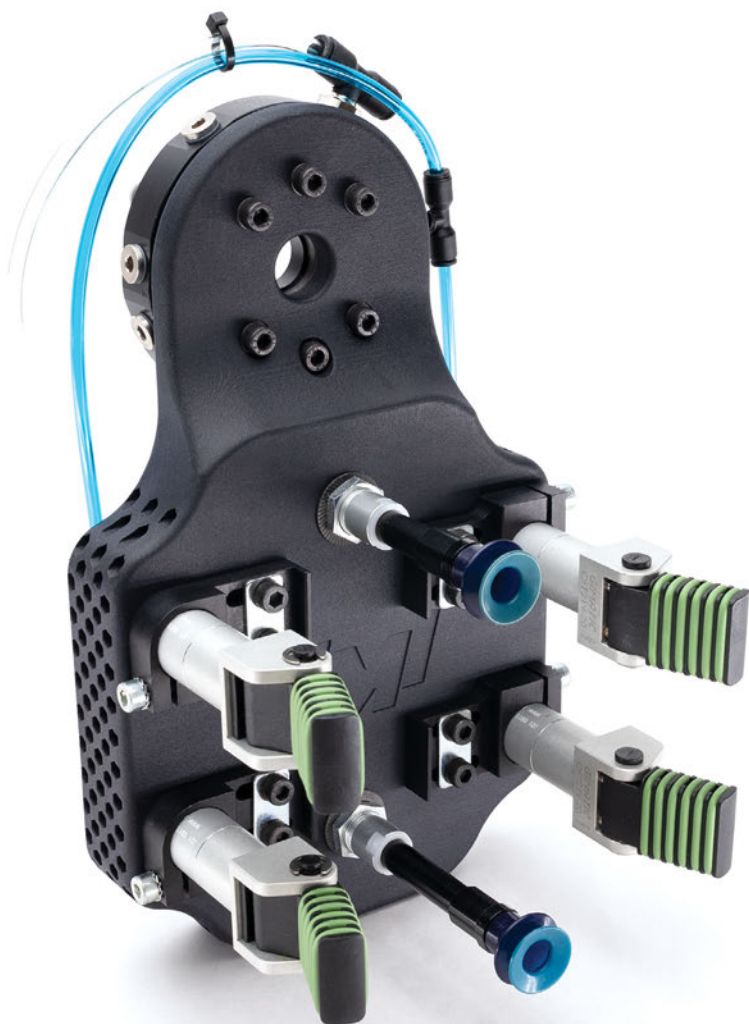
3D Printing for EOAT



The lightweight 3D printed EOAT above can hold up to a 10k payload.



Combine EMI's 3D Printing expertise with a dual-zone OnRobot VGC10 for a versatile vacuum solution, see page 94 for more information.

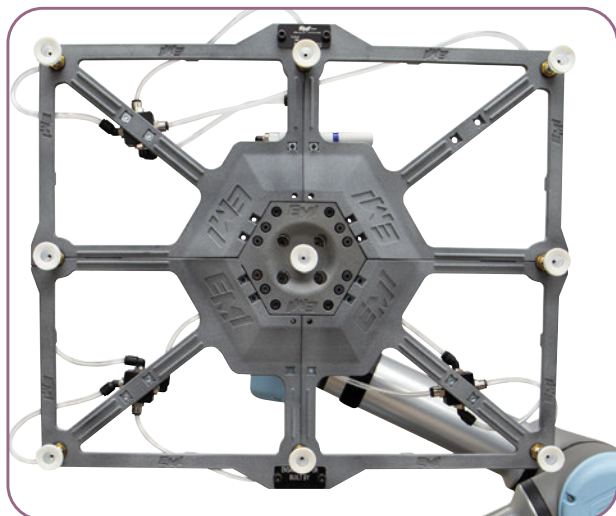


The CobotPump ECBPM is designed especially for the automated handling of small parts. More cups can be added with a custom 3D printed adaptor from EMI.

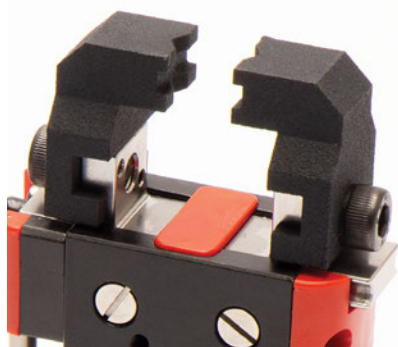
- CU
- QC
- VG
- VC
- VA
- SG
- GR
- MT
- AC
- CS
- CC

3D Printing for EOAT

Vacuum EOAT using 3D printing offers lots of benefits for lighter duty robots with expedited manufacturing lead times and competitive pricing.



This custom EOAT was \$1,892.00



- Custom 3D printed gripper fingers from EMI are ideal for use on EOAT in plastics as well as on collaborative robot grippers.
- We can provide engineering support to develop 3D printed or machined fingers.

Machined vs. Additive Manufacturing

All manufacturing methods have their own benefits and drawbacks. Additive manufacturing methods have some benefits that traditional machining methods do not.

	3D Printing	Machining	
Lead Times	✓		Due to the fast and robust nature of the processes lead times are better for 3D printing
Precision	✓	✓+	While 3D Printing can be precise, machining can hold tighter tolerances
Complexity	✓		3D printing has less manufacturing constraints so it can produce more complex parts
Strength		✓	Machined metal is stiffer and stronger than plastic
Thermal Limit		✓	Metal can handle higher temperatures
Weight	✓		Complex internal lattice structure can be utilized in printing to lighten parts
Material Waste	✓		Very efficient process allows for very little scrap
Cost Effectiveness	✓		In general 3D printed parts cost less than machined parts

**Comparison can differ depending on materials and processes*



3D Printing for EOAT



- CU
- QC
- VG
- VC
- VA
- SG
- GR
- MT
- AC
- CS
- CC

	Profile-Based EOAT	3D-Printed EOAT	Plate-Style EOAT
Lead Time	Fastest	Fast	Varies by application
Weight	✓✓✓	✓	✓✓
Adjustability	✓✓✓	✓	✓
Common Applications:			
High Number Of Cavities	✓✓✓	✓✓✓✓	✓✓✓✓✓
Small Parts	✓✓	✓✓✓✓✓	✓✓✓✓
Large Parts	✓✓✓✓✓	✓✓	✓✓✓
Insert Loading	✓✓	✓✓✓	✓✓✓✓✓
High-Speed Molding	✓✓✓	✓✓✓✓✓	✓✓✓✓
Degating	✓✓✓	✓	✓✓✓✓
EOATs with Nesting Features	✓✓✓	✓✓✓✓✓	✓✓✓✓

To help you decide which approach is best for your applications, this comparison explains the benefits of EMI's EOAT solutions as used by our Engineers on a daily basis.

Profile Based EOAT are a proven solution for industrial applications. As you start to expand, weight adds up but the adjustability only increases. EMI has all the needed components in-stock to build adjustable EOAT that can also include 3D printed components for a more custom approach to your application.

3D Printed Vacuum EOAT is the perfect example of applications for 3D printed EOAT. Internal porting, built-in clamps and pressed inserts help keep it a lightweight, low-cost solution.

Plate Style EOAT offers the highest precision, with reasonable weight requirements, where in some instances, adjustability can be offered for the less critical features of the application. 3D printed components are a perfect addition to plate tools. Custom laser cut or machined plates do require some manufacturing time, and EMI can help with that as well.

Quick Changers, Adapters and Interface Plates Overview

EMI offers automatic and manual quick changers for robotic applications. In-stock, ready to ship with the support of our engineers.

Contact us today to see which tool changer is right for your application. Cobots@emicorp.com



Find EMI's [Quick Changer Comparison Chart!](#)

Quick Changers, Adapters and Interface Plates Overview

Quick Changer Advantages

- Precision Quick changers assure that the EOAT will be perfectly positioned each time it is mounted to the cobot. This can also greatly reduce the amount of fine-tuning needed upon set up.
- Efficiency Quick Changers quickly and automatically make all pneumatic and electrical connections when both halves are locked into place. This can be especially time saving when an EOAT has multiple air, vacuum, or electrical connections and also ensures a repeatable installation.
- Standardization Uniform dedication of air and vacuum ports on all quick change applications throughout the plant allow EOAT to be mounted quickly wherever it is needed.

Automatic Quick Changer – p.26
Wingman



Automatic Quick Changer – p.32
Gimatic EQC



Automatic Quick Changer – p.44
SmartShift



Manual Quick Changer – p.52
Gimatic QC75



Manual Quick Changer – p.56
ATI MC-50



Manual Quick Changer – p.58
SCHUNK CMS



Manual Tool Changer – p.60
OnRobot



OnRobot Dual Tool Changer p.62



OnRobot Hex-E Tool Changer, p.64
Force/Torque Sensor



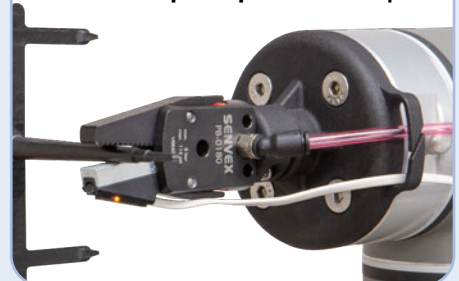
EOAT Adapters & Plates p.68



Offset Mounting Brackets p.66



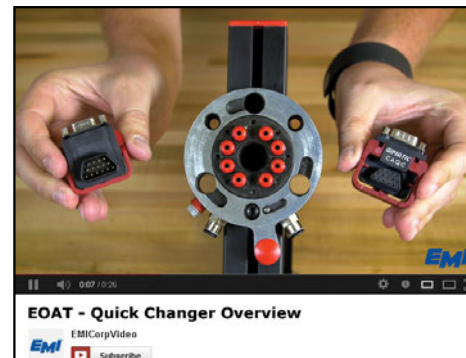
Mono Clamp Adapters p.76



- CU
- QC
- VG
- VC
- VA
- SG
- GR
- MT
- AC
- CS
- CC

Industry-Standard Manual Pneumatic Quick Changers

Shop Quick Changers!



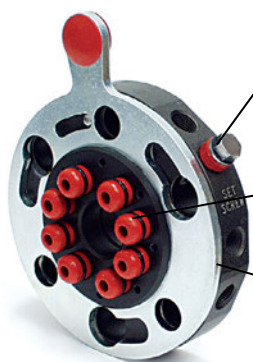
View our Quick Changer Overview!
www.youtube.com/emiacorpvideo



Quick changers shown are available in multiple sizes. Refer to our EOAT catalog for compatibility.

The Senvex/WGS, Gimatic, and >ASS< Manual Quick Changers are industry proven for use on robots tending to injection molding machines. From 50 – 3500 tons, EMI has the right sized QC to suit the size range of EOATs anticipated for use with your machines.

Gimatic Robot-Side

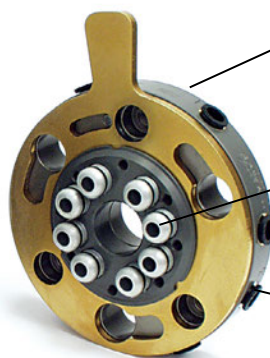


"Zero Tolerance" set screw can be used with both Gimatic and Senvex EOAT-Sides but is not required for use with either Gimatic or Senvex.

Molded plastic fittings with O-rings.

No integrated push-in fittings. Threaded ports require fittings to be purchased separately.

Senvex/WGS Robot-Side



No secondary set screw keeps set-up a simple, one-step process; lock the lever and you're done. Very close locking tolerances with locking lever alone.

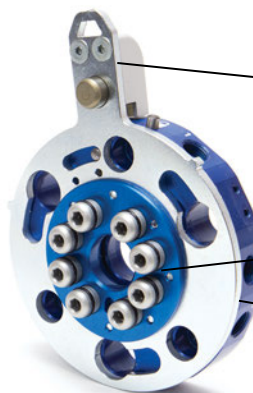
Machined aluminum fittings with O-rings.

Integrated 6mm push-in fittings on standard 90mm quick changer. Threaded G1/4" ports on large 150mm Quick Changer requires fittings to be purchased separately.



These Quick Changers and more are found in our comprehensive End-of-Arm Tooling catalog.

>ASS< Robot-Side



Safety locking mechanism prevents unintentional opening. The brass button needs to be pushed-in in order to unlock the quick changer.

Machined aluminum fittings with O-rings.

No integrated push-in fittings. Threaded ports require fittings to be purchased separately.

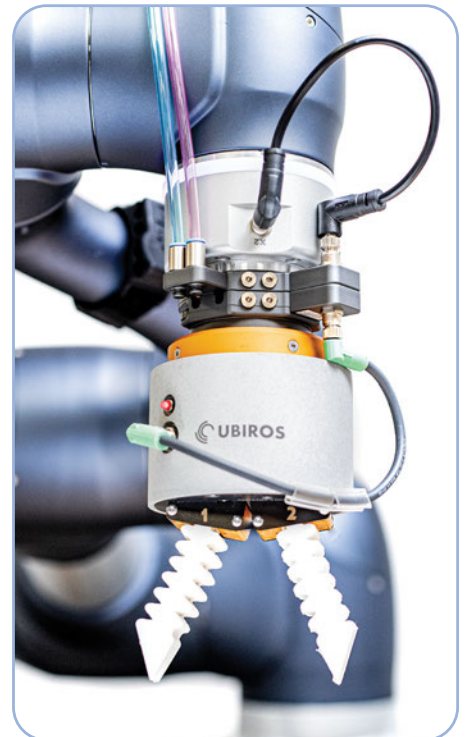
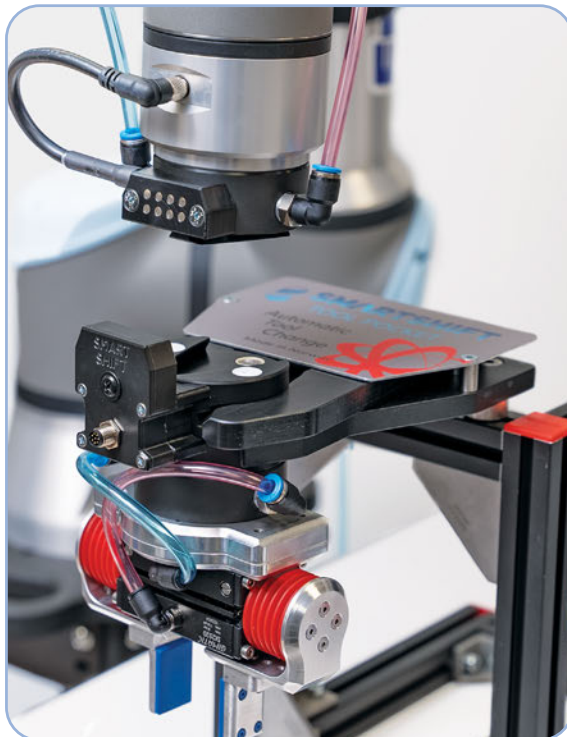
Quick Changers for Collaborative Robots

Manual Quick Changers; Compatible with a Wide Range of End Effectors



- CU
- QC**
- VG
- VC
- VA
- SG
- GR
- MT
- AC
- CS
- CC

Automatic Quick Changers; Compatible with a Wide Range of End Effectors



Automatic Quick Changer Kit – TripleA Robotics Wingman

- **Suggested payload: 72.75 lbs (33kg)**
- To be used with UR and Fanuc CRX.
- Also available for Doosan and Techman.
- Automatic and manual tool change in one with standard ISO flange (ISO 9409-1-50-4-M6).

Quick# 8401
 WM1-DK-05-00-A
KIT PRICE: \$3,622.00

Wingman pricing effective 05/01/24 and subject to change.

Kit Includes:

- Quick# 8411: Robot-Side Quick Changer
- Quick# 8412: EOAT-Side Quick Changer (x2)
- Quick# 8413: EOAT Holder with hardware (x2)
- Quick# 8421: Robot-Side Electrical Connector
- Quick# 8422: EOAT-Side Electrical Connectors (x2)
- Quick# 8441: Robot-Side Electrical Cable
- Quick# 8431: Robot-Side Pneumatic Module
- Quick# 8432: EOAT-Side Pneumatic Modules (x2)

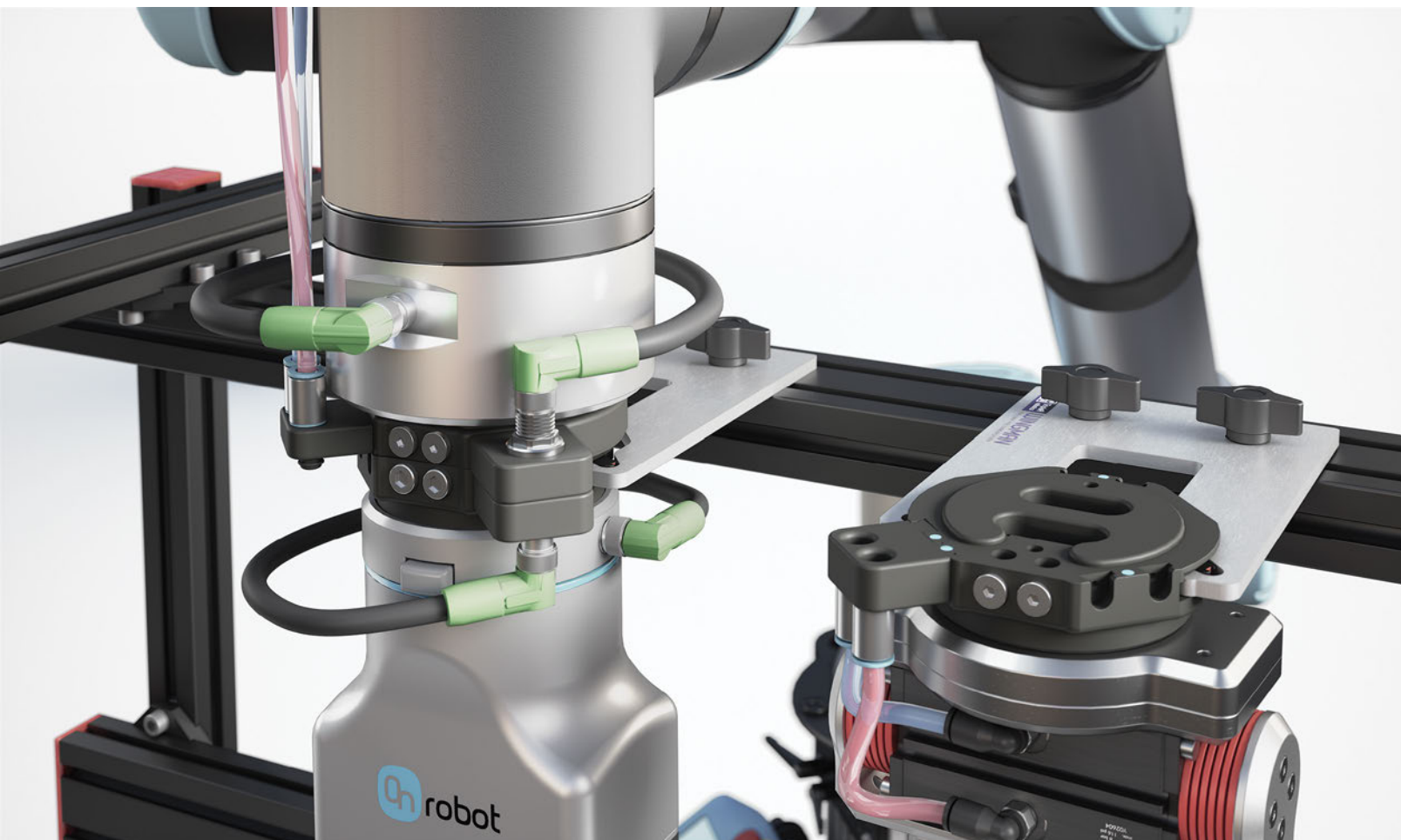


Automatic Quick Changer Kit – TripleA Robotics Wingman



See EMI framing section of our EOAT catalog to build your own tool stand!

- CU
- QC
- VG
- VC
- VA
- SG
- GR
- MT
- AC
- CS
- CC

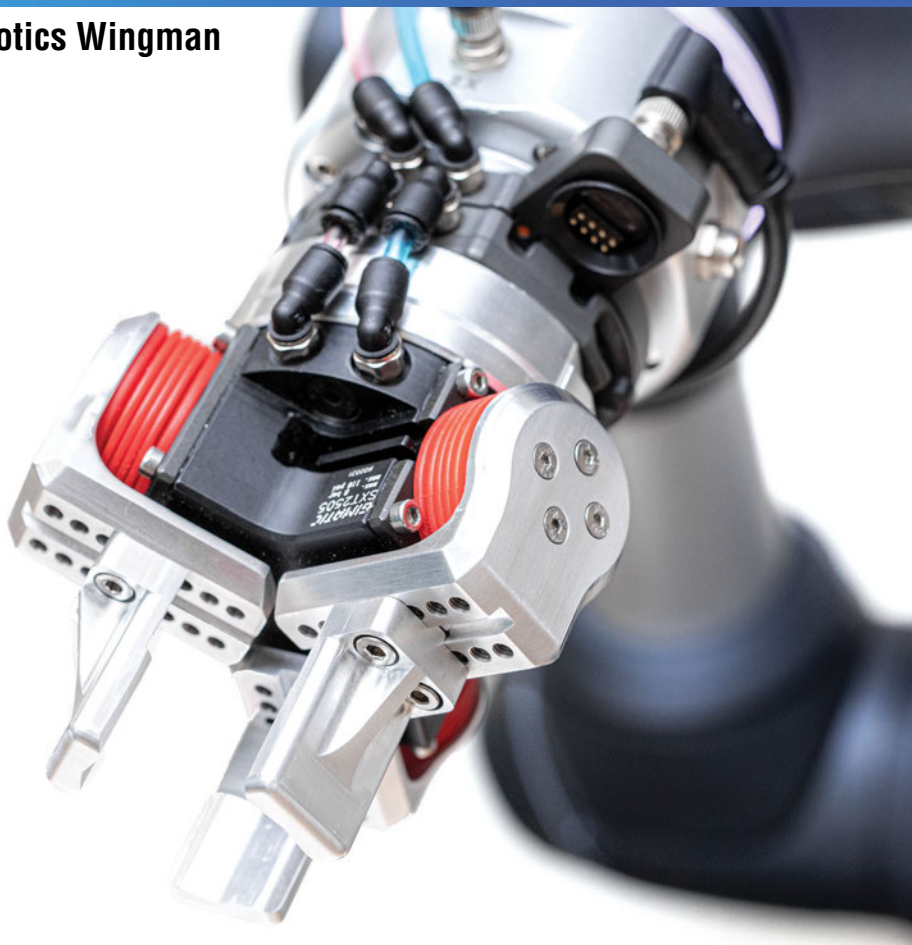


Automatic Quick Changer – TripleA Robotics Wingman

The Wingman automatic quick changer system is a fully modular, easy to install solution that requires only the energy of the robot to engage-disengage each tool. This makes programming and startup fast and intuitive.

Wingman’s redundant locking mechanism enables for more electrical and pneumatic circuits for your application using built-in pneumatic quick change ports or expandable pneumatic or electric modules.

Automatic Tool Changers require some level of added integration, and we encourage you to partner with our EOAT Engineers to ensure a seamless implementation.



- **Suggested payload: 72.75 lbs (33kg)**
- ISO 9409-1-50-4-M6
- Compatible with Plug & Play or custom tools.
- (2x) Built-in M5 pneumatic ports.
- Up to 3 electrical connections.
- Up to 6 additional pneumatic connections.
- Can connect to robot tool I/O or controller.

Available as a kit
or build your own!

Quick#	Part#	Description	Weight	Price
8411	WM1-P-01-01-01	Robot-Side Quick Changer (w/ hardware)	110g	\$497.00
8412	WM1-P-02-01-01	EOAT-Side Quick Changer	150g	\$639.00
8413	WM1-P-03-01	EOAT-Side Quick Changer Holder (w/ hardware)	220g	\$221.00
8421	WM1-A-01-01-01	Electrical Connector – Robot-Side, M8 connector, Female 8pin	22g	\$377.00
8422	WM1-A-01-02-01	Electrical Connector – EOAT-Side, M8 connector, Male	22g	\$377.00
8423	WM1-A-01-02-02	Electrical Connector – EOAT-Side, M8 connector, Female	22g	\$377.00
8441	WM1-A-02-01-01	Electrical cable – Wingman to EOAT I/O, M8 connector, Female-Male (UR1, FA)	18g	\$68.00
8442	WM1-A-02-01-02	Electrical cable – Wingman to EOAT I/O, M8 connector, Male-Male (TM1 OM1)	26g	\$68.00
8443	WM1-A-02-01-03	Electrical cable – Wingman to EOAT I/O, M8 connector, Male-Male (DO1)	28g	\$68.00
8431	WM1-A-03-01	Pneumatic Module – Robot-Side, 2x Ø6mm hose	22g	\$148.00
8432	WM1-A-03-02	Pneumatic Module – EOAT-Side, 2x Ø6mm hose	26g	\$148.00
8450	WM1-SK-01-01	Spare Part Kit for EOAT-Side (2x levers, 4x bearings, 2x springs, 2x pins)	-	\$143.00
8451	WM1-S-02-10	Replacement O-Rings for EOAT Side Quick Changer	-	\$17.00
8444	WM1-A-08-02-01	Cap Module for Wingman Protects Robot Side Contacts		\$68.00
8445	SM1-P-10-01-01	Spaceman 10mm Spacer, ISO 9409-1-50-4-M6		\$129.00
8446	SM1-P-20-01-01	Spaceman 20mm Spacer, ISO 9409-1-50-4-M6		\$129.00

Wingman pricing effective 05/01/24 and subject to change.

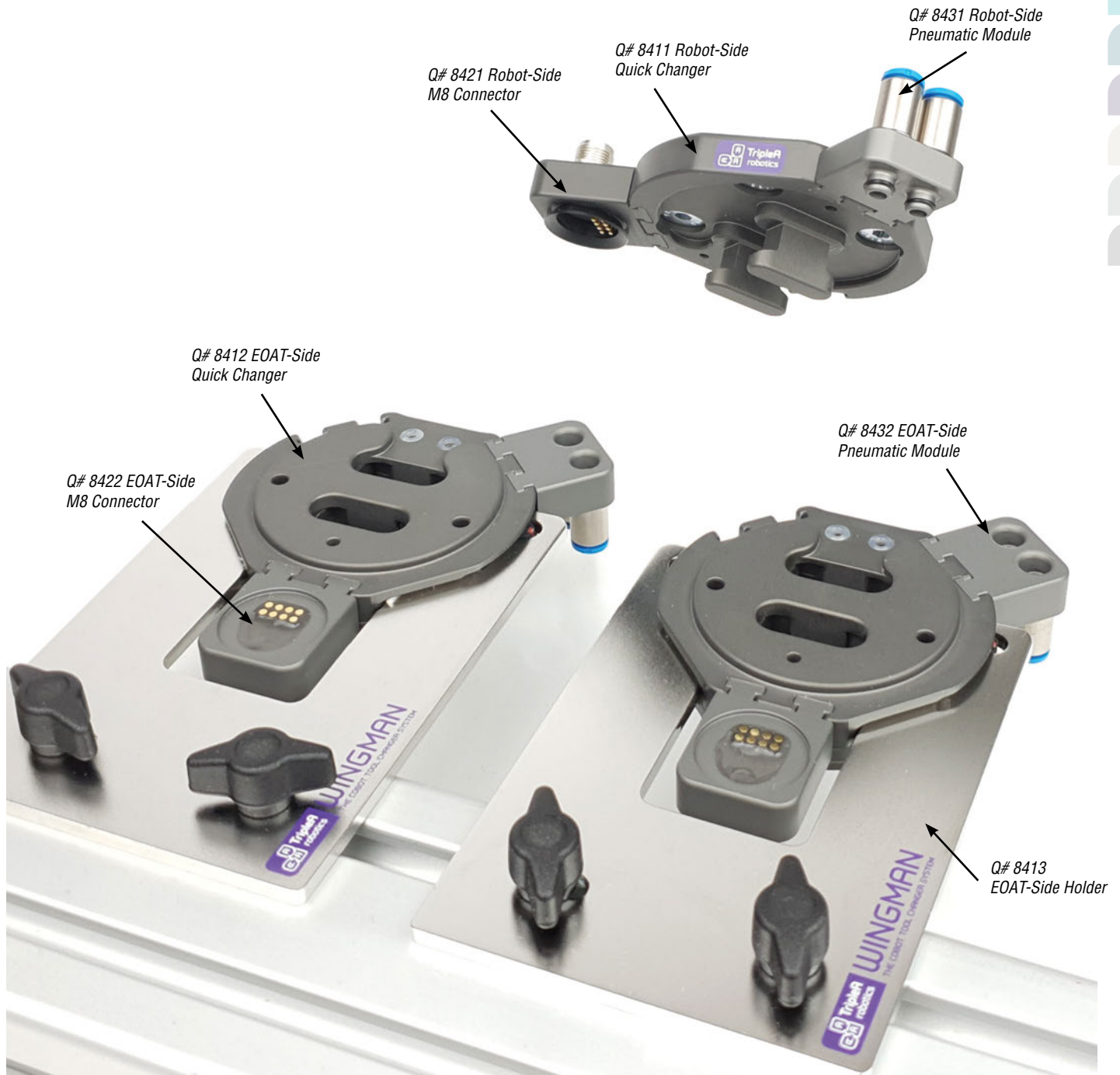
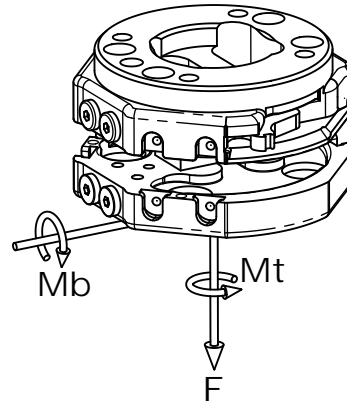
Use Quick#s for easy online ordering.

Automatic Quick Changer – TripleA Robotics Wingman

Safety loads

Check the table for the maximum loads allowed. Excessive forces or torques can damage the system, cause operation problems and endanger the safety of the operator.

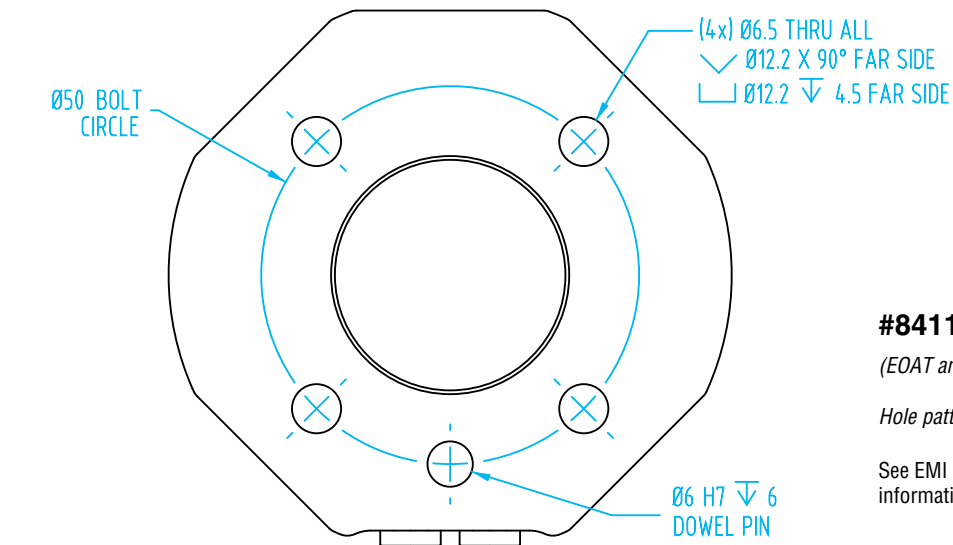
	Max.
Mt	59 ft-lbs
F	224.8 lbs
Mb	59 ft-lbs



- CU
- QC
- VG
- VC
- VA
- SG
- GR
- MT
- AC
- CS
- CC

Automatic Quick Changer – TripleA Robotics Wingman

(Dimensioned drawings shown full scale)

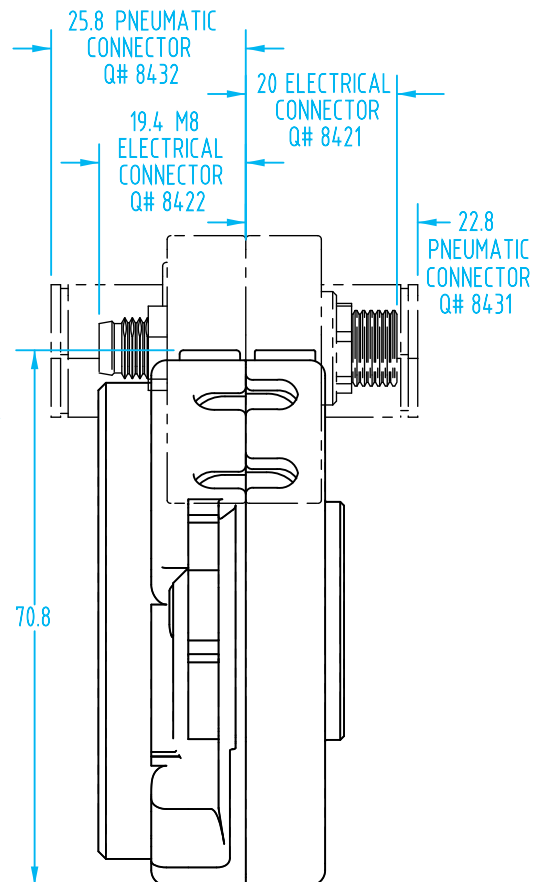
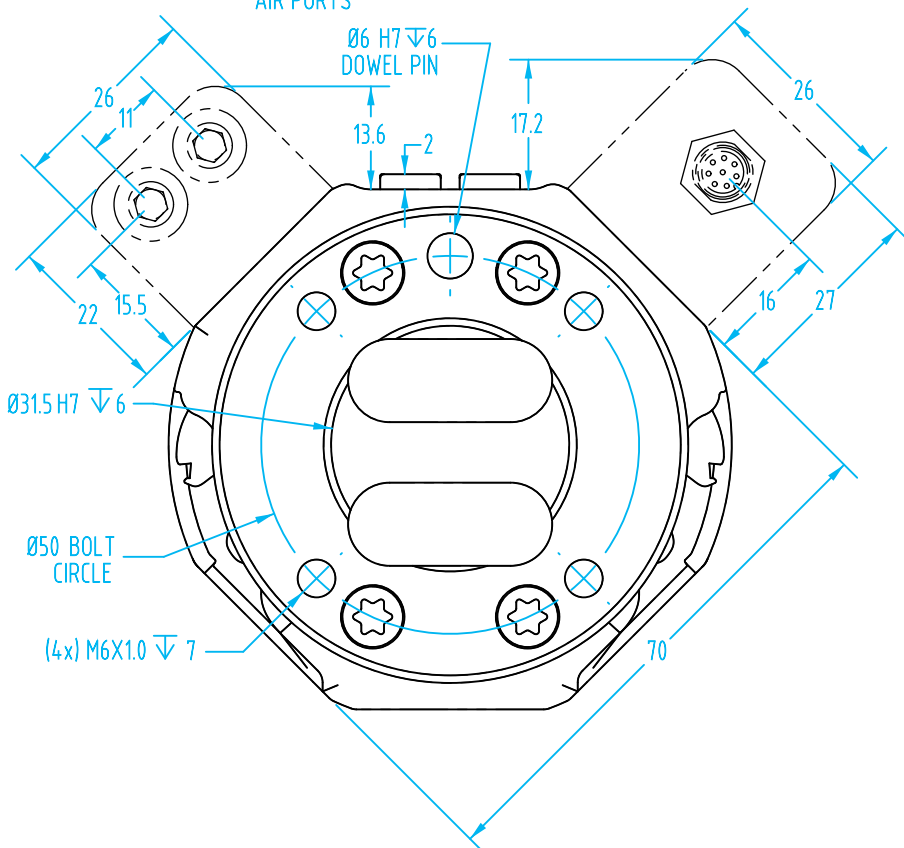
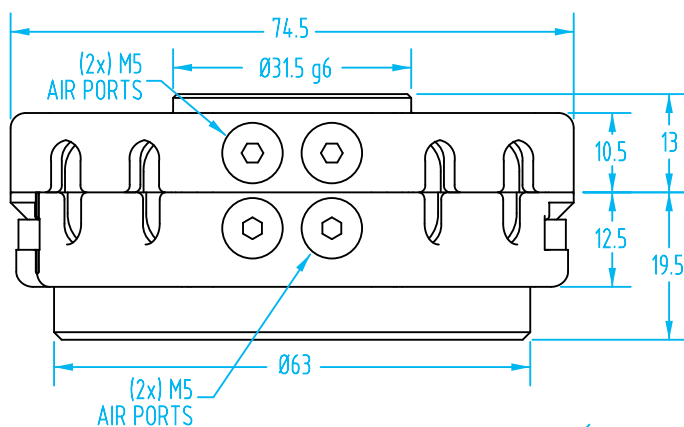


#8411 & #8412

(EOAT and Robot Sides Shown)

Hole pattern compatible with ISO 9409-1-50-4-M6.

See EMI website for more dimensional drawings and information on electric and pneumatic connectors.



Automatic Quick Changer – TripleA Robotics Wingman

(Dimensioned drawings shown full scale)

**Watch EMI's
Wingman Quick
Changer Video!**



CU

QC

VG

VC

VA

SG

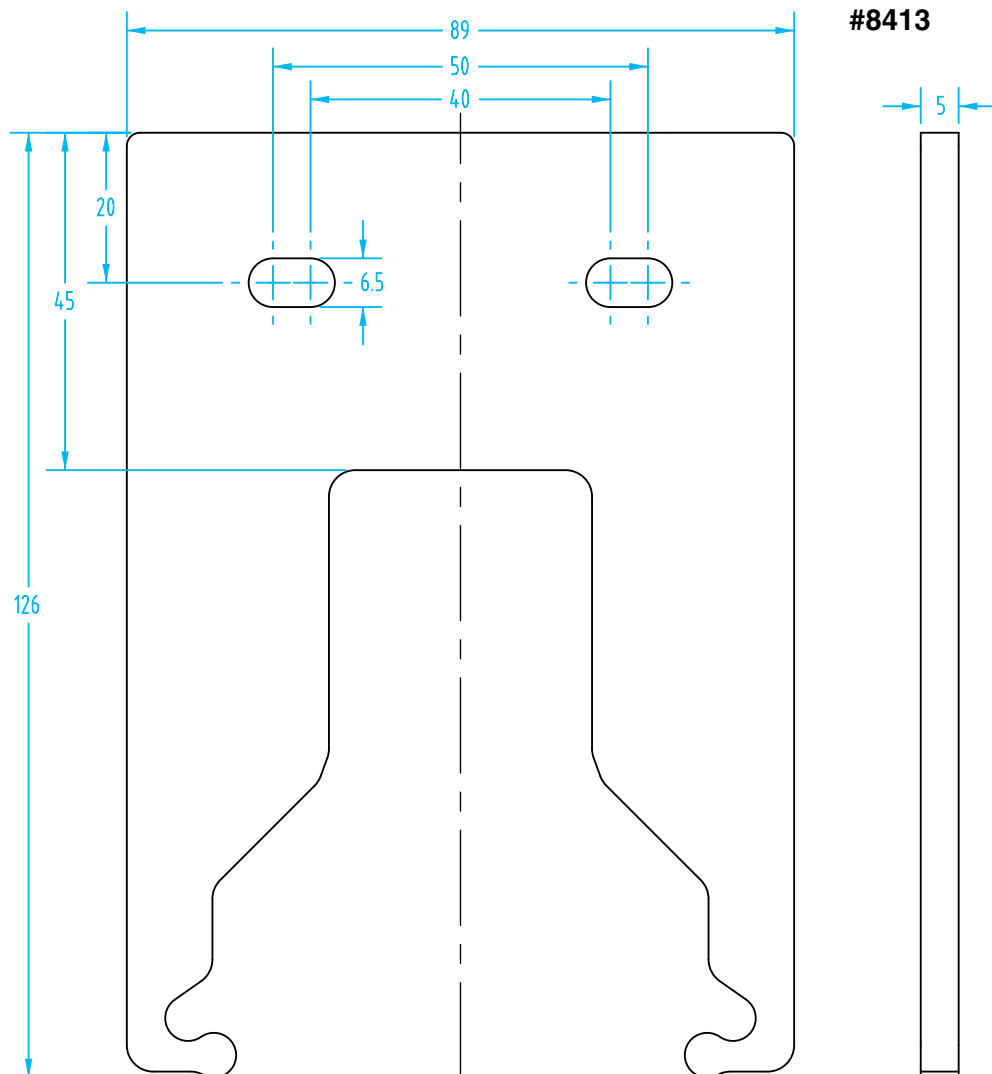
GR

MT

AC

CS

CC



Automatic Quick Changer – Gimatic EQC20



#8098 – Robot-Side Electric Quick Change



#8151 – EOAT-Side Electric Quick Changer

The EQC20 is designed to provide a hands- and hassle-free quick-change tool system, automated using resources readily available from your collaborative robot.

Numerous model configurations allow for convenient control through the robot wrist I/O or controller, while various available interface plates make for simplified mechanical mounting to the robot flange. Pneumatic pass-through ports are built-in and optional electrical connectors can be positioned in the central through hole for a collaborative compliant execution.

- **Suggested payload: 44 lbs (20kg)**
- Six Integrated Ø6mm pneumatic pass-through ports.
- Position confirmation sensing.
- Optional electrical connectors to be positioned in the central through hole. See page 266 for equipment to assist in wiring.
- Separate adapter plates available for ISO 9409-1-50-4-M6 and 9409-1-63-4-M6 interfaces, see page 36.
- Optional docking pins for storage, see page 39.

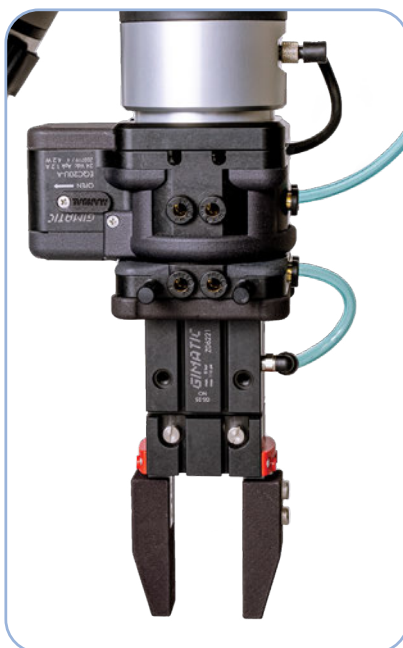


Quick#	Part#	Description	Weight	Price
8098	EQC20U-A	Robot-Side, Female M8 8-Pin Connector - For UR & Fanuc CRX	810g	\$1,552.00
8150	EQC20-A	Robot-Side, Male M8 8-Pin Connector, PNP	810g	\$1,481.00
8156	EQC20N-A	Robot-Side, Male M8 8-Pin Connector, NPN	810g	\$1,661.00
8155	EQC20TM-A	Robot-Side, Male M8 8-Pin Connector - For TM Robots	810g	\$1,661.00
8151	EQC20-B	EOAT-Side	210g	\$215.00

Automatic Tool Changers require some level of added integration, and we encourage you to partner with our EOAT Engineers to ensure a seamless implementation.

Try It Risk Free!

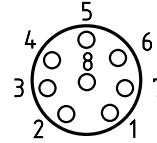
*Contact us for details



Automatic Quick Changer – Gimatic EQC20

Electrical Operation Cable

The electrical quick changer is equipped with an M8 8-pin connector for interfacing directly with your power supply and digital controller. This powers the mechanism, provides input control for locking/unlocking the mechanism, and feedback outputs for monitoring position of the mechanism. No additional external electronic control system is required. Various pin-out and plug configurations are available to fit your specific robot, please see our website for more details or contact EMI.



- 1 - White: N/C
- 2 - Brown: N/C
- 3 - Green: Out Closed (PNP)
- 4 - Yellow: Out Opened (PNP)
- 5 - Grey: 24V DC
- 6 - Pink: Open / Close (PNP)
- 7 - Blue: N/C
- 8 - Red: GND

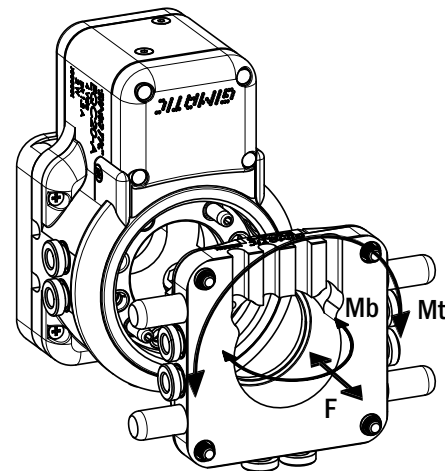
**Note: Q#8150 Pinout shown. Varies by model.*

Safety loads

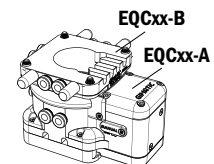
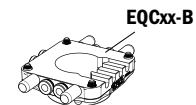
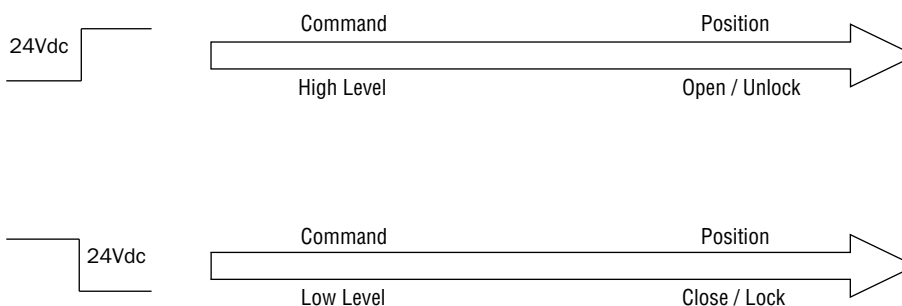
Check the table for the maximum loads allowed. Excessive forces or torques can damage the system, cause operation problems and endanger the safety of the operator.

Specifications for Quick Changer EQC20		
Weight	Robot-Side	810g
	EOAT-Side	210g
Suggested Max. Payload		44 lbs (20 kg)
Maximum Air Pressure		6 bar (87psi)
Air Ports		(6x) Ø6mm
Electrical Connector		Optional
Safety Loads:		
F 449 lbs.	Mt 110 ft-lbs.	Mb 73 ft-lbs.

F= Axial Load Limit Mt= Torque Moment Limit
Mb= Bending Moment Limit



Technical Specifications



	EQC20
Electrical connection	M8, 8-pole
Power supply	24 Vdc ±10% 0.5 Arms, 1.2 Apk
PNP digital inputs	Low: coupling command High: uncoupling command
Output initialization delay	200 ms

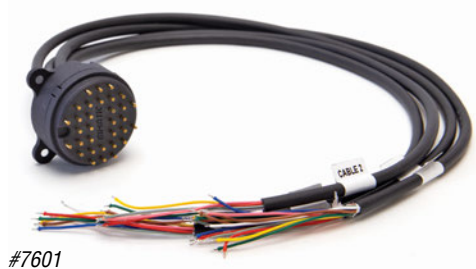
- CU
- QC
- VG
- VC
- VA
- SG
- GR
- MT
- AC
- CS
- CC

Automatic Quick Changer – Gimatic EQC20

Electrical Connectors

Quick#	Part#	Description	Weight	Price
7600	RMAQC	Robot-Side Electrical Connector with free leads, 32 Connections	70g	\$134.00
7601	RMBQC	EOAT-Side Electrical Connector with free leads, 32 Connections	70g	\$220.00
7703	RMAQC-UR	8-Pin Robot-Side Electrical Connector for direct connection to UR	46g	\$134.00
7711	RMBQC-UR	8-Pin EOAT-Side Electrical Connector for direct connection to UR	51g	\$220.00
7732	RMAQC-TM	8-Pin Robot-Side Electrical Connector for direct connection to TM	46g	\$134.00
7733	RMBQC-TM	8-Pin EOAT-Side Electrical Connector for direct connection to TM	51g	\$220.00
7602	RRAQCN	Robot-Side Electrical Connector, 16 Connections + RFID, NPN	75g	\$442.00
7603	RRAQC	Robot-Side Electrical Connector, 16 Connections + RFID, PNP	75g	\$442.00
7604	RRBQC	EOAT-Side Electrical Connector, 16 Connections + RFID	45g	\$159.00

**Dimensional drawings and more info online.*



See pages 266 and 268 for cables and field wireable connectors.



Watch EMI's EQC Electrical Connector Video!

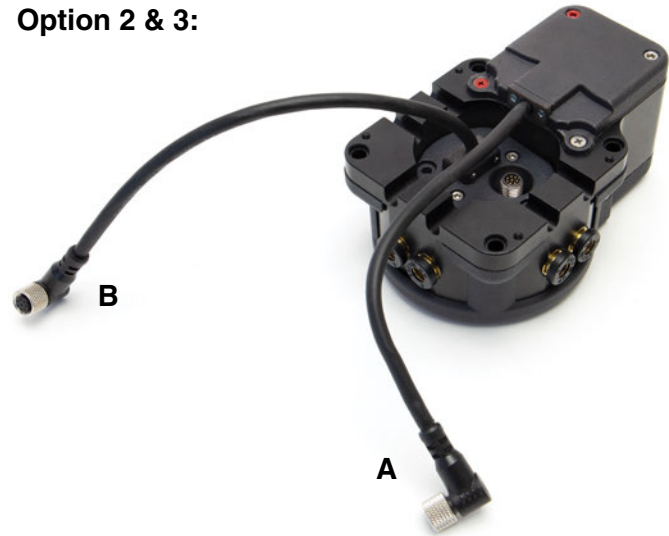
Automatic Quick Changer – Gimatic EQC20

Instructions for wiring to UR using Q#7703 & #7711

Option 1:



Option 2 & 3:



Option 1: Single connection to the wrist

This solution is based on a single cable connected to the wrist that powers both the quick changer and the tool.

Connect the EQC20U-A M8 female connector to the M8 male connector of the RMAQC-UR. Connect the RMAQC-UR M8 female connector to the M8 male connector on the robot flange.

UR Wrist	EQC20U-A	RMBQC-UR
AI2	/	AI2 (White wire - pin 1)
AI3	/	AI3 (Brown wire - pin 2)
DI0	Out closed PNP	/
DI1	Out open PNP	/
PWR	+24Vdc	PWR (Grey wire - pin 5)
D01	EQC command NPN	/
D08	/	D08 (Blue wire - pin 7)
GND	GND	GND (Red wire - pin 8)

Option 2: EQC connector (A) to electric panel, RMA connector (B) to the wrist

This solution connects all the 8 pins of the wrist directly to the B-side of the quick changer, allowing the tools to have access to all wrist connections.

Connect the RMAQC-UR M8 female connector to the M8 male connector on the robot flange. Connect the EQC20U-A M8 female connector to the Controller Box I/O in the robot cabinet, taking into account the pinout to the right:

M8 female	EQC20U-A
White wire - pin 1	/
Brown wire - pin 2	/
Green wire - pin 3	Out closed PNP
Yellow wire - pin 4	Out open PNP
Grey wire - pin 5	+24Vdc
Pink wire - pin 6	EQC command NPN
Blue wire - pin 7	/
Red wire - pin 8	GND

UR Wrist	RMBQC-UR
AI2	AI2 (White wire - pin 1)
AI3	AI3 (Brown wire - pin 2)
DI0	DI0 (Green wire - pin 3)
DI1	DI1 (Yellow wire - pin 4)
PWR	PWR (Grey wire - pin 5)
D01	D01 (Pink wire - pin 6)
D08	D08 (Blue wire - pin 7)
GND	GND (Red wire - pin 8)

Option 3: RMA connector (B) to electric panel, EQC connector (A) to the wrist

This solution allows the quick changer to be powered from the robot wrist and the tool to be connected to the I/O of the cabinet.

Connect the EQC20U-A M8 female connector to the M8 male connector on the robot flange. Connect the RMAQC-UR M8 female connector to the Controller Box I/O in the robot cabinet, taking into account the pinout to the right:

UR Wrist	EQC20U-A
AI2	/
AI3	/
DI0	Out closed PNP
DI1	Out open PNP
PWR	+24Vdc
D01	EQC command NPN
D08	/
GND	GND

RMAQC-UR M8	RMBQC-UR M8
White wire - pin 1	White wire - pin 1
Brown wire - pin 2	Brown wire - pin 2
Green wire - pin 3	Green wire - pin 3
Yellow wire - pin 4	Yellow wire - pin 4
Grey wire - pin 5	Grey wire - pin 5
Pink wire - pin 6	Pink wire - pin 6
Blue wire - pin 7	Blue wire - pin 7
Red wire - pin 8	Red wire - pin 8

- CU
- QC
- VG
- VC
- VA
- SG
- GR
- MT
- AC
- CS
- CC

Automatic Quick Changer – Gimatic EQC20

Robot-Side Interface Plates

(Dimensioned drawings reduced to fit)



#8153

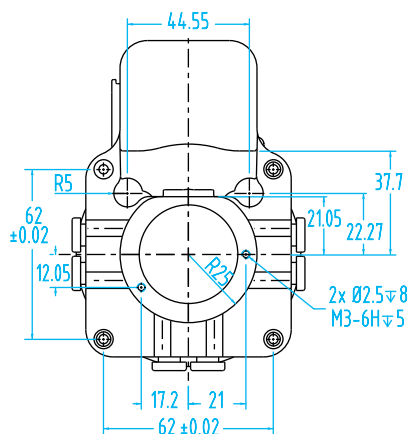
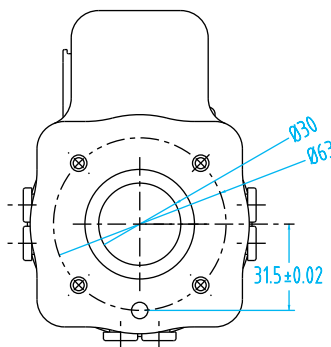
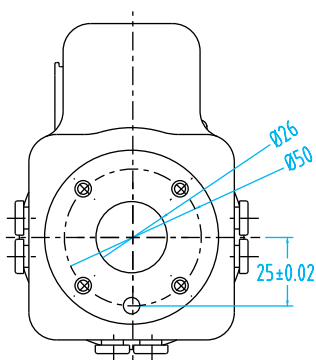


#8154

Q#8153 EQC20-K50
ISO 9409-1-50-4-M6

Q#8154 EQC20-K63
ISO 9409-1-63-4-M6

Robot Side EQC20
No Interface Plate Shown



Robot-Side Interface Plates

Quick#	Part#	Description	Weight	Price
8153	EQC20-K50	with ISO 9409-1-50-4-M6 interface	120g	\$80.42
8154	EQC20-K63	with ISO 9409-1-63-4-M6 interface	120g	\$73.73

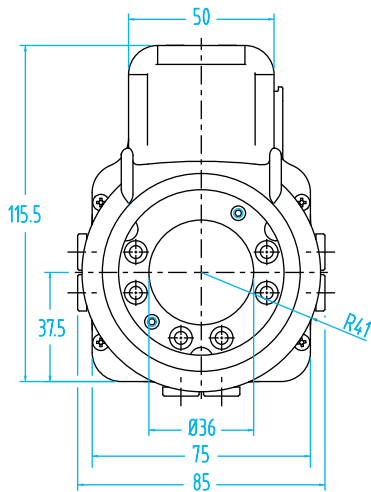
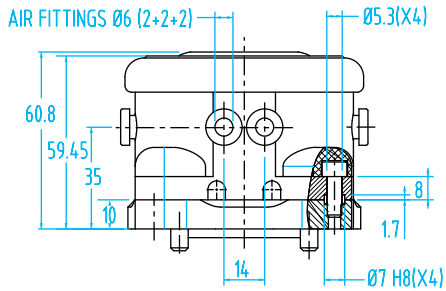
Watch EMI's
EQC Quick
Changer Video!



Automatic Quick Changer – Gimatic EQC20

(Dimensioned drawings reduced to fit)

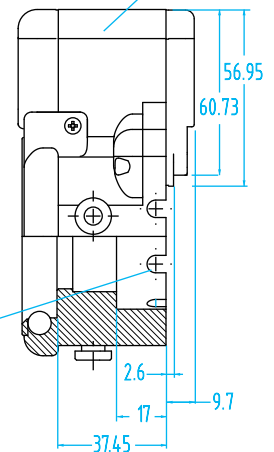
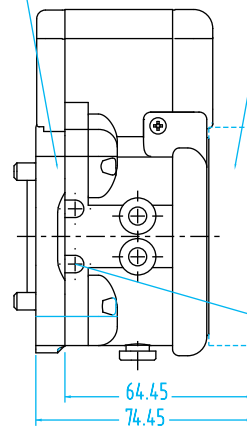
Robot-Sides, #8098, #8150, #8155, #8156



Q#8154, EQC20-K63

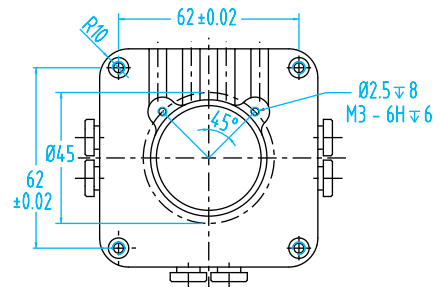
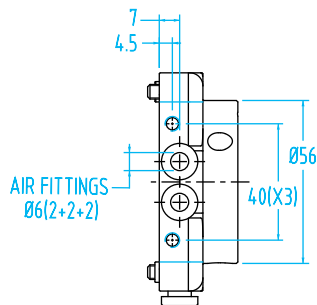
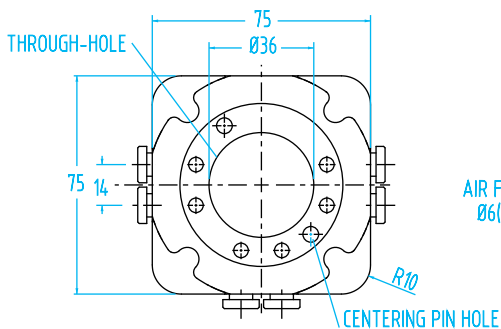
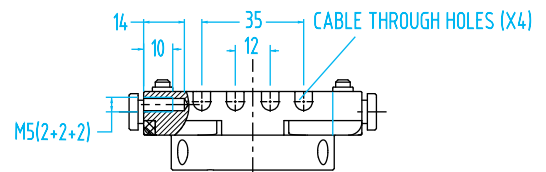
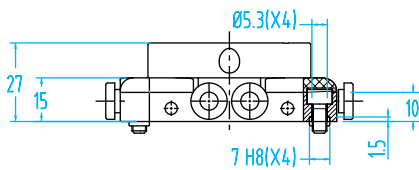
Q#8151, EQC20-B

Without interface plate



CABLE THROUGH HOLES (2+2+2)

EOAT-Side, #8151



- CU
- QC
- VG
- VC
- VA
- SG
- GR
- MT
- AC
- CS
- CC

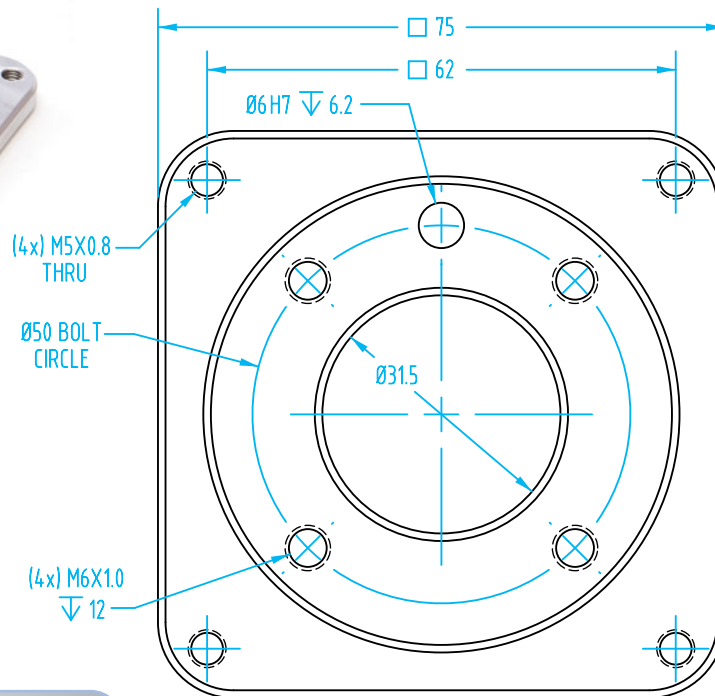
Automatic Quick Changer – Gimatic EQC20

(Dimensioned drawings shown full scale)

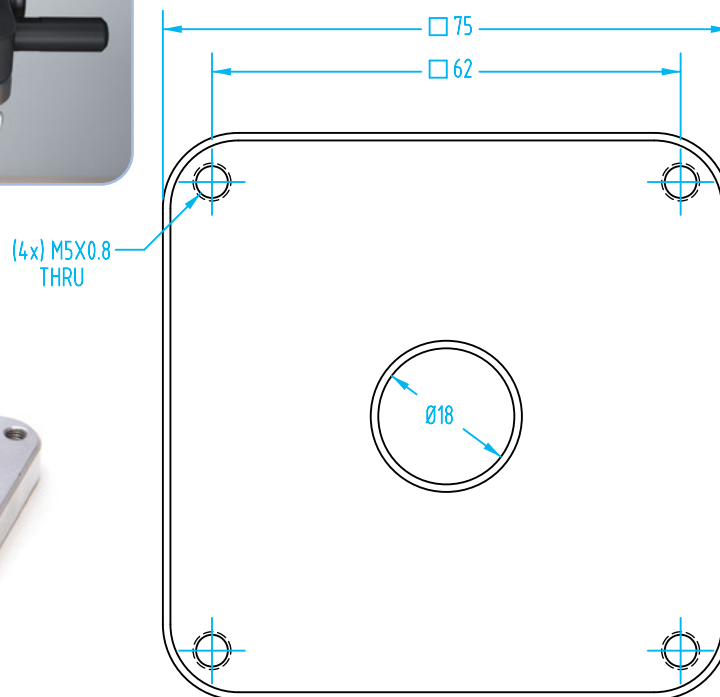


#8170

- Matches common cobot tool flanges.



#8171



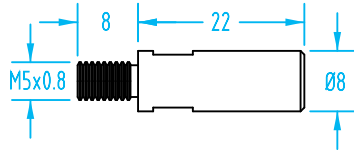
EOAT-Side Interface Plates

Quick#	Part#	Description	Weight	Price
8170	CRM-EQC20B-A	with ISO 9409-1-50-4-M6 interface	113g	\$40.50
8171	CRM-EQC20B-X	Blank	133g	\$30.75

Automatic Quick Changer – Gimatic EQC20

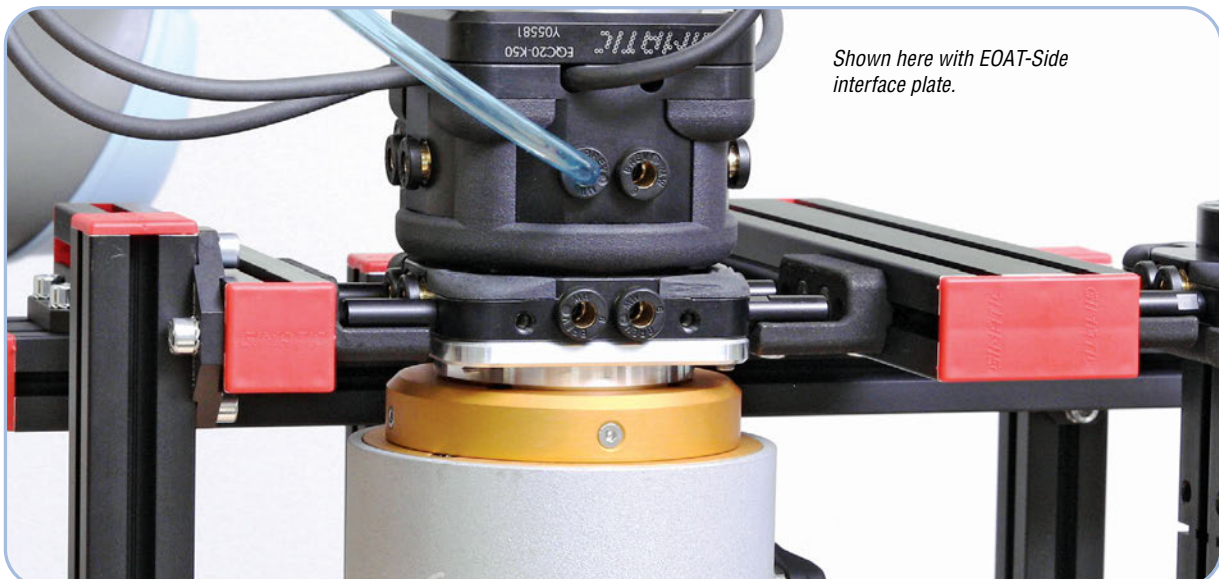
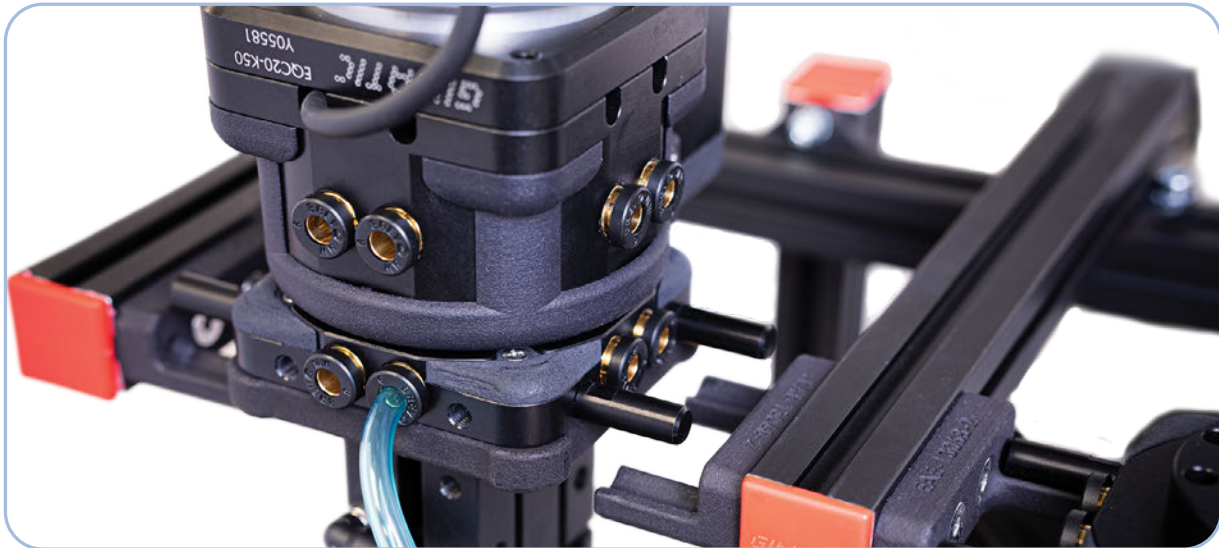
Storage Docking Pins

These pins are recommended for storage of your EOAT and are supplied separately. Contact EMI for a cradle for your EOAT.



Storage Docking Pins

Quick#	Part#	Description	Weight	Price
8152	EQC20-K1	Storage Docking Pins for EOAT-Side (x4)	13g	\$37.53



Shown here with EOAT-Side interface plate.

CU

QC

VG

VC

VA

SG

GR

MT

AC

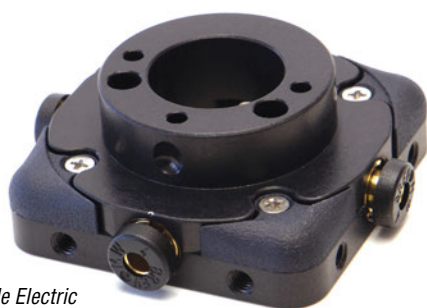
CS

CC

Automatic Quick Changer – Gimatic EQC05



#8159 – EOAT-Side Electric Quick Changer



#8158 – EOAT-Side Electric Quick Changer

The EQC05 offers the same convenience and simplicity of an automatic quick change tool system, but in a more compact package intended for light duty application. Electrical Quick Changers are designed to connect to the wrist of Universal Robots and other Collaborative Robots. The optional electric connectors can be positioned in the central through hole.

Automatic Tool Changers require some level of added integration, and we encourage you to partner with our EOAT Engineers to ensure a seamless implementation.

- **Suggested payload: 11 lbs (5kg)**
- Three Integrated Ø4mm air fittings.
- Position confirmation sensing.
- Optional electrical connectors to be positioned in the central through hole.
- Separate adapter plate available for ISO 9409-1-50-4-M6 and 9409-1-63-4-M6 robot flanges, see page 42.
- Optional docking pins for storage, see page 42.

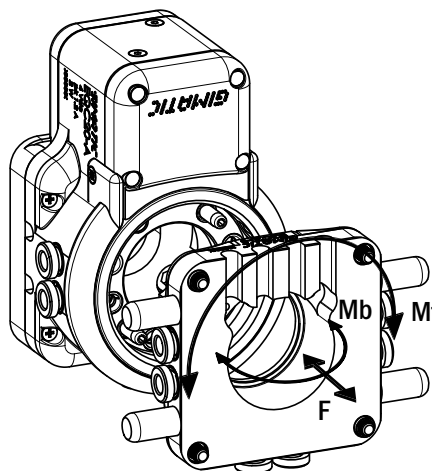
Quick#	Part#	Description	Weight	Price
8157	EQC05-A	Robot-Side with Male M8 Connection	500g	\$1,425.00
8159	EQC05N-A	Robot-Side with Female M8 Connection - For UR & Fanuc CRX	500g	\$1,555.00
8158	EQC05-B	EOAT-Side	100g	\$203.00

Safety loads

Check the table for the maximum loads allowed. Excessive forces or torques can damage the system, cause operation problems and endanger the safety of the operator.

Specifications for Quick Changer EQC05		
Weight	Robot Side	500g
	EOAT Side	100g
Suggested Max. Payload	11 lbs (5 kg)	
Maximum Air Pressure	6 bar (87psi)	
Air Ports	(3x) Ø4mm	
Electrical Connector	Optional	
Safety Loads:		
F 112 lbs	Mt 5.9 ft-lbs	Mb 5.9 ft-lbs

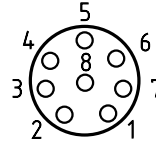
F= Axial Load Limit Mt= Torque Moment Limit
Mb= Bending Moment Limit



Automatic Quick Changer – Gimatic EQC05

Electrical Operation Cable

The electrical quick changer is equipped with an 8-pin M8 female connector that provides a 24Vdc power supply for the locking/unlocking command and for the connection of the digital outputs that identify the coupled and uncoupled system status. No additional external electronic control system is required.



- 1 - White: N/C
- 2 - Brown: N/C
- 3 - Green: Out Closed (PNP)
- 4 - Yellow: Out Opened (PNP)
- 5 - Grey: 24V DC
- 6 - Pink: Open / Close (PNP)
- 7 - Blue: N/C
- 8 - Red: GND

**Note: Q#8150 Pinout shown. Varies by model.*

Electrical Connectors

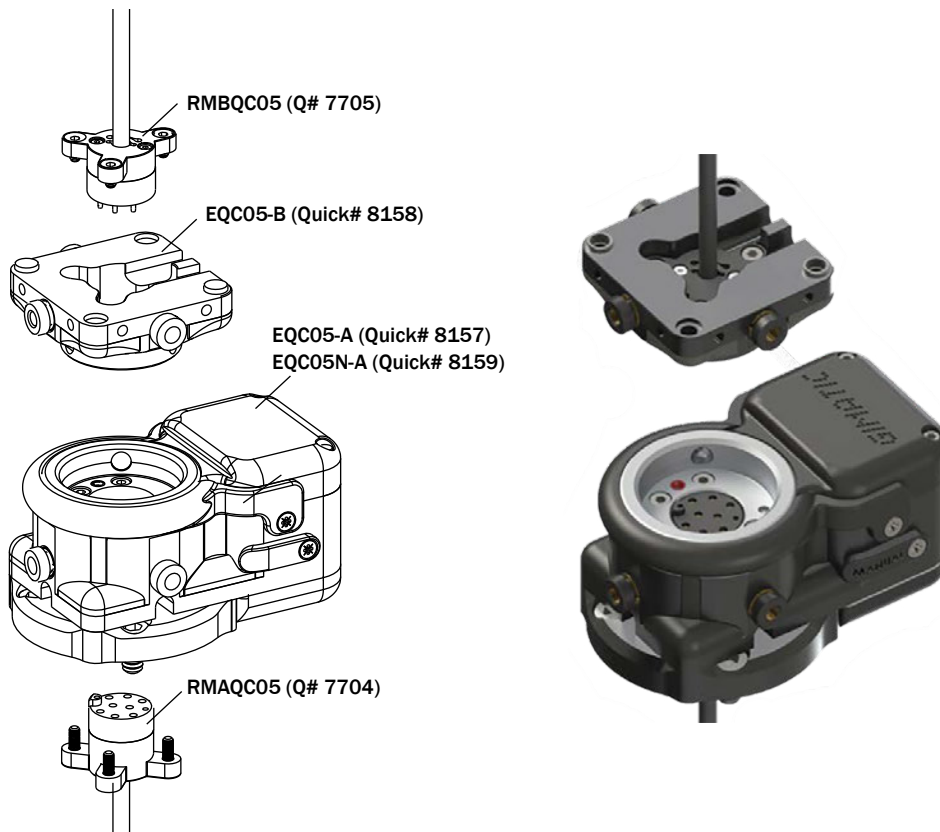


#7704 – Robot-Side Electrical Connector



#7705 – EOAT-Side Electrical Connector

Quick#	Part#	Description	Weight	Price
7704	RMAQC05	Robot-Side Electrical Connector, 8 Connections	50g	\$55.85
7705	RMBQC05	EOAT-Side Electrical Connector, 8 Connections	70g	\$89.36



- CU
- QC
- VG
- VC
- VA
- SG
- GR
- MT
- AC
- CS
- CC

Automatic Quick Changer – Gimatic EQC05

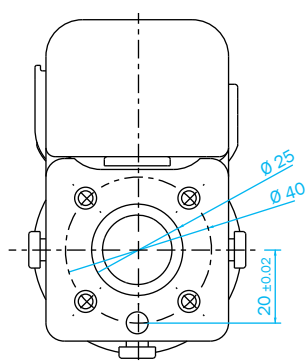


#8160

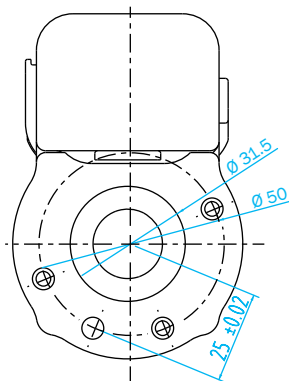


#8161

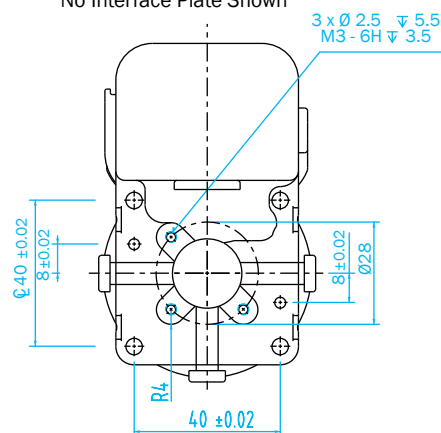
Q#8160 EQC05-K40
ISO 9409-1-40-4-M6



Q#8161 EQC05-K50
ISO 9409-1-50-4-M6



Robot Side EQC05
No Interface Plate Shown

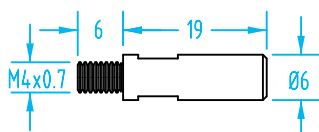


Robot-Side Interface Plates

Quick#	Part#	Description	Weight	Price
8160	EQC05-K40	with ISO 9409-1-40-4-M6 interface	80g	\$69.55
8161	EQC05-K50	with ISO 9409-1-50-4-M6 interface	80g	\$82.70

Storage Docking Pins

These pins are recommended for storage of your EOAT and are supplied separately. Contact EMI for a cradle for your EOAT.



#8162

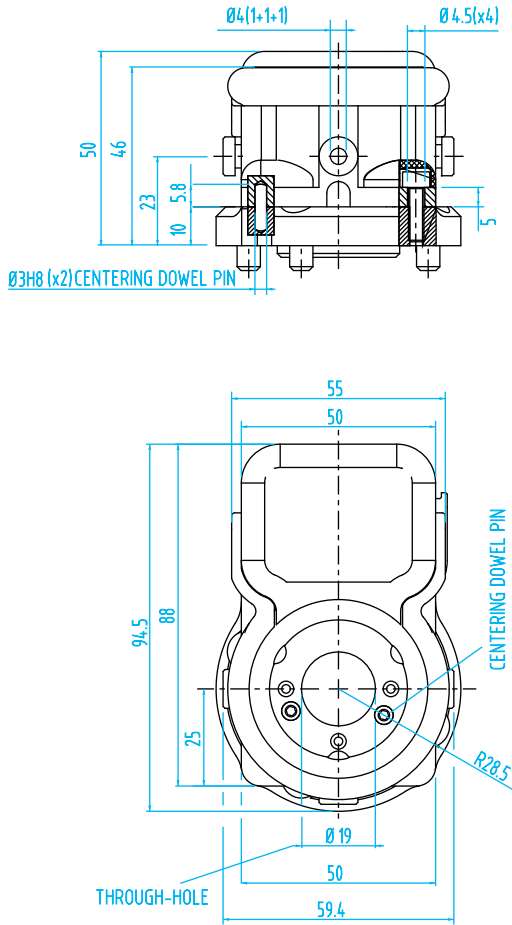
Storage Docking Pins

Quick#	Part#	Description	Weight	Price
8162	EQC05-K1	Storage Docking Pins for EOAT-Side (x4)	13g	\$29.74

Automatic Quick Changer – Gimatic EQC05

(Dimensioned drawings reduced to fit)

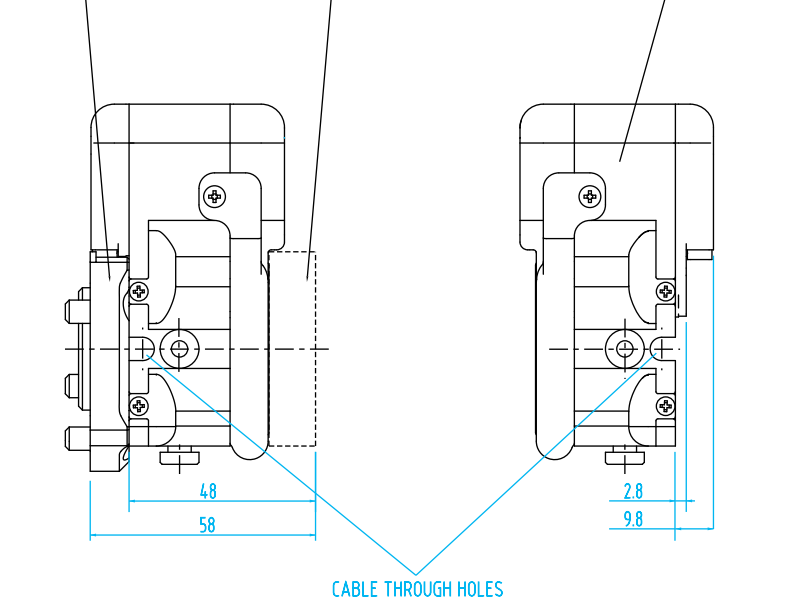
Robot-Side, #8157, #8159



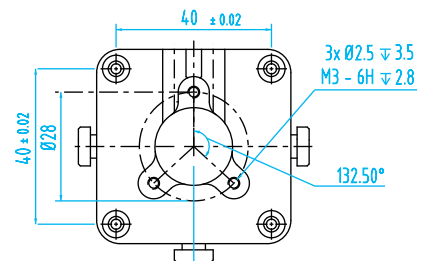
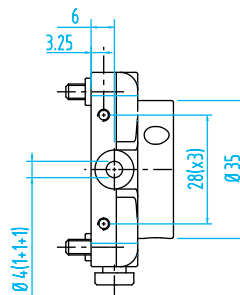
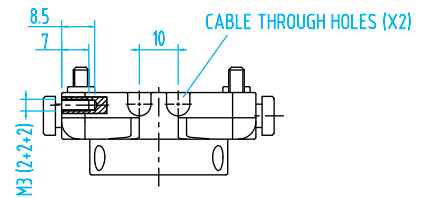
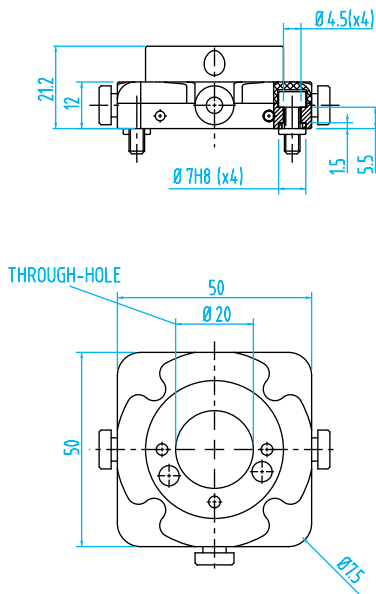
EQC05-K50 – Q# 8161

EQC05-B – Q# 8158

WITHOUT INTERFACE PLATE



EOAT-Side, #8158



- CU
- QC
- VG
- VC
- VA
- SG
- GR
- MT
- AC
- CS
- CC

Automatic Quick Changer Kit – SmartShift

Gen III SmartShift with a vacuum EOAT that requires electrical connection, pneumatics and a vacuum-actuated soft gripper. Tool pockets and framing can be built around your specific application.

SmartShift automatic tool changers feature a clutch-driven engagement that enables mechanical, pneumatic and optional electric connections. No need for compressed air or electricity for coupling, and available as a kit or a la carte, in two different payload capacities.

- **Suggested payload: 110 lbs (50kg)**
- Quick coupling/de-coupling due to dovetail engagement during linear motion.
- Lightweight, durable POM robot side construction (Gen III).
- Compatible with ISO-9409-50-4-M6 robot flanges. (Robot Side).
- ISO 9409-50-4-M6 pattern compatible with common Cobot EOAT (Tool Side).
- Built-in G1/8 pneumatic ports (2x) on Robot side. Tool Side requires add-on manifold Q#8433.
- Optional electric modules for tool I/O or industrial connections going to robot controller.

Kit Includes:

- Quick# 8465: Robot-Side Quick Changer
- Quick# 8466: EOAT-Side Quick Changer (x2)
- Quick# 8433: Pneumatic Manifold (x2)
- Quick# 8467: EOAT Tool Pocket with hardware (x2)
- Quick# 8481: EOAT-Side Electrical Connector (x2)
- Quick# 8477: Robot-Side Electrical Connector
- EOAT Pick-up Position Teaching Tool
- G1/8" Push-in Fittings for Ø6mm Tubing (x6) (see EMI Quick# 121)
- Hardware for mounting

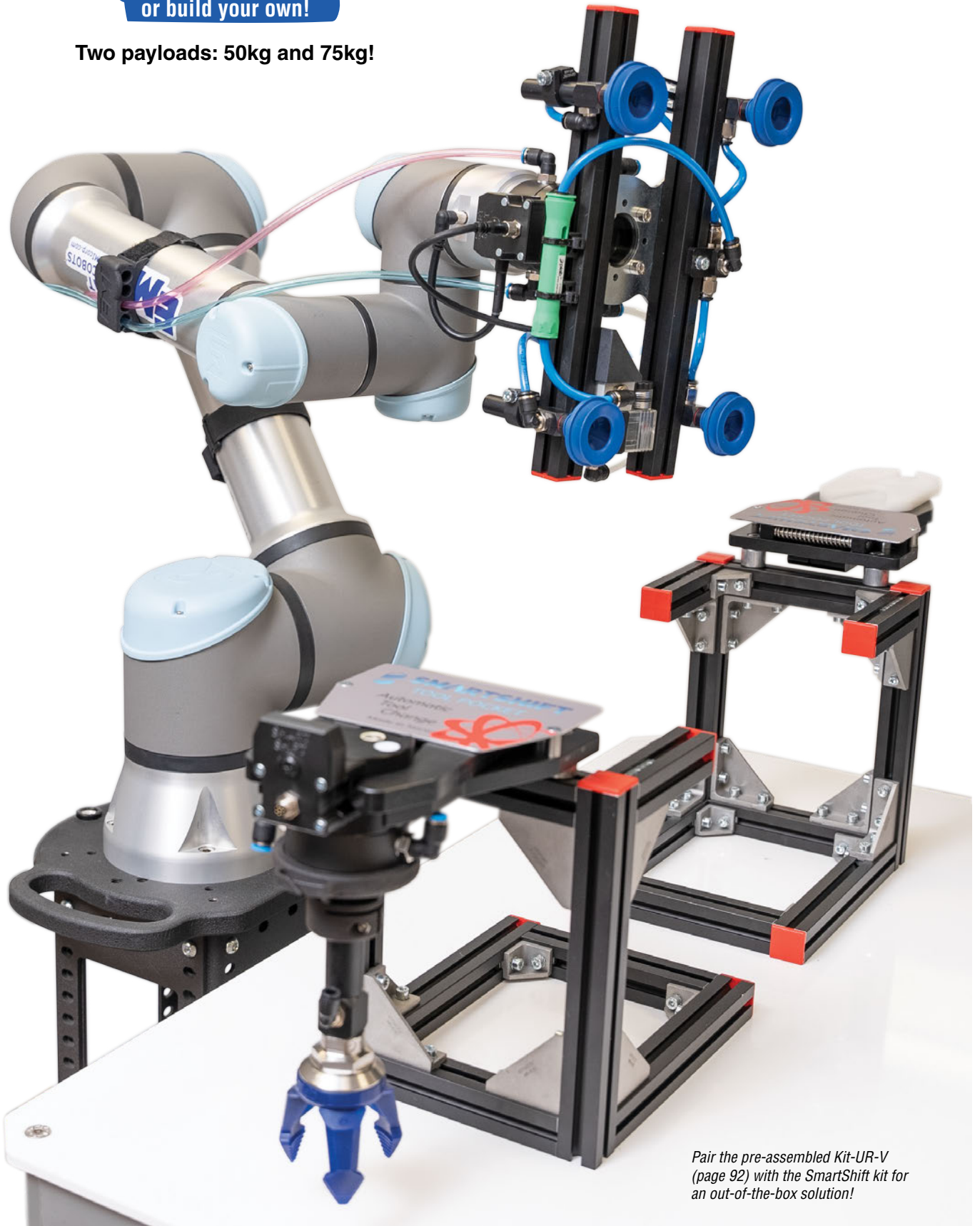
Quick# 8460
SS-9225
KIT PRICE: \$3,028.20



Automatic Quick Changer Kit – SmartShift

Available as a kit
or build your own!

Two payloads: 50kg and 75kg!



- CU
- QC
- VG
- VC
- VA
- SG
- GR
- MT
- AC
- CS
- CC

*Pair the pre-assembled Kit-UR-V
(page 92) with the SmartShift kit for
an out-of-the-box solution!*

Automatic Quick Changer – SmartShift

Build Your Own SmartShift!

You can develop your own SmartShift solution using the components shown and listed below. Additional framing may be required, but rest assured we have you covered.

Automatic Tool Changers require some level of added integration, and we encourage you to partner with our EOAT Engineers to ensure a seamless implementation.

- **Suggested payload: 110 lbs (50kg)**
- Lightweight with High Precision.
- Can be mounted directly to the robot arm.
- No electricity required when changing tools via unique wedge mount.
- Equipped with an air interface allowing easy mounting of many end effectors.
- See page 50 for dimensional drawings.



Quick#	Part#	Description	Weight	Price
8465	SS-1120	Robot-Side Quick Changer, Gen III (w/ hardware)	177g	\$215.00
8466	SS-2120	EOAT-Side Quick Changer, Gen III (w/ hardware)	277g	\$402.00
8467	SS-3000	Gen III Tool Pocket (w/ hardware)	765g	\$595.00
8477	SS-1110	Electrical Connector – Robot-Side with M8 8-Pin Female 90° Cable	36g	\$249.00
8478	SS-1111	Electrical Connector – Robot-Side with M8 8-Pin Male 90° Cable	40g	\$249.00
8479	SS-1113	Industrial Electrical Connector – Robot-Side with 8-Wire Cable - High Amperage	111g	\$249.00
8480	SS-1114	Electrical Connector – Robot-Side with M8 8-Pin Male Straight Cable	46g	\$269.00
8481	SS-2110	Electrical Connector – EOAT-Side with M8 8-Pin Male Connector	54g	\$289.00
8482	SS-2111	Electrical Connector – EOAT-Side with M8 8-Pin Female Connector	64g	\$289.00
8483	SS-5000	Pneumatic Manifold – EOAT-Side with 2x Pass-Thru Ports	107g	\$108.00
8489	SS-1112	Adapter Mount Plate – Robot-Side for Techman Offset Wrist Camera	99g	\$279.00



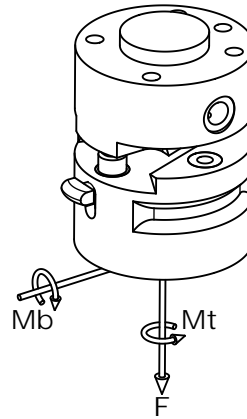
Teaching your cobot the home position is easy with the EOAT pickup position teaching tool. Contact EMI for more information.

Automatic Quick Changer – SmartShift

Safety loads

Check the table for the maximum loads allowed. Excessive forces or torques can damage the system, cause operation problems and endanger the safety of the operator.

	Max.
Axial Load Limit (F)	353 lbs
Bending Moment Limit (Mb)	73 ft-lbs
Torque Moment Limit (Mt)	95 ft-lbs



- CU
- QC
- VG
- VC
- VA
- SG
- GR
- MT
- AC
- CS
- CC



Automatic Quick Changer – SmartShift HD63

SmartShift HD63: Higher payload and added safety features!

The HD63 version uses the same principle as the standard (Gen III) SmartShift and even uses the same pneumatic and electrical accessories. Here are a few features that set it apart and make it suitable for higher payload applications.

Automatic Tool Changers require some level of added integration, and we encourage you to partner with our EOAT Engineers to ensure a seamless implementation.

- **EMI suggested payload: 165.3 lbs (75kg)***
- Metal construction for even more stability.
- Safety lever to engage/disengage.
- Uses the same accessories for pneumatic and electric expansion
- Tool Pocket now can be enhanced with stabilizer plates for regular or manifold-mounted tools
- See page 50 for dimensional drawings.

**Manufacturer specified max. payload: 150kg. Not recommended for collaborative applications. Contact EMI Engineering.*



Quick#	Part#	Description	Weight	Price
8468	SS-1600	Robot-Side Quick Changer, HD63 (w/ hardware)	262g	\$258.00
8469	SS-2600	EOAT-Side Quick Changer, HD63 (w/ hardware)	282g	\$475.00
8470	SS-3500	HD63 Tool Pocket (w/ hardware)	888g	\$625.00
8477	SS-1110	Electrical Connector – Robot-Side with M8 8-Pin Female 90° Cable	36g	\$249.00
8478	SS-1111	Electrical Connector – Robot-Side with M8 8-Pin Male 90° Cable	40g	\$249.00
8479	SS-1113	Industrial Electrical Connector – Robot-Side with 8-Wire Cable - High Amperage	111g	\$249.00
8480	SS-1114	Electrical Connector – Robot-Side with M8 8-Pin Male Straight Cable	46g	\$269.00
8481	SS-2110	Electrical Connector – EOAT-Side with M8 8-Pin Male Connector	54g	\$289.00
8482	SS-2111	Electrical Connector – EOAT-Side with M8 8-Pin Female Connector	64g	\$289.00
8483	SS-5000	Pneumatic Manifold – EOAT-Side with 2x Pass-Thru Ports	107g	\$108.00
8489	SS-1112	Adapter Mount Plate – Robot-Side for Techman Offset Wrist Camera	99g	\$279.00
8490	SS-2155	HD63 Quick Changer Accessory EOAT-Side Stabilizer Plate / Manifold Mount	185g	\$98.00
8491	SS-2156	HD63 Quick Changer Accessory EOAT-Side Stabilizer Plate / Regular Mount	60g	\$79.00

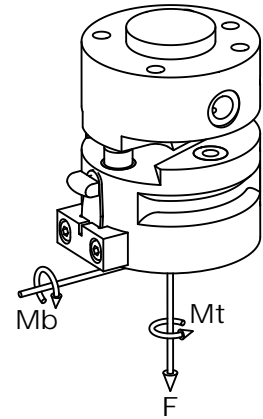
Automatic Quick Changer – SmartShift HD63



Safety loads

Check the table for the maximum loads allowed. Excessive forces or torques can damage the system, cause operation problems and endanger the safety of the operator.

	Max.
Axial Load Limit (F)	617 lbs
Bending Moment Limit (Mb)	184 ft-lbs
Torque Moment Limit (Mt)	162 ft-lbs



HD63 Features:

- HD63 robot side is made from hard-anodized aluminum and a robust locking latch strike insert.
- The tool pocket for larger, heavier tools includes slotted receiver for the recommended stabilizer plates (Q#8490 & Q#8491).
- With an added secondary safety latch, the tool side HD63 ensure the tool can only be released when it is securely nested into the tool pocket.
- Note that the HD63 tool side with the safety latch is not compatible with the Gen III (standard) SmartShift version and requires the HD63 Tool Pocket (Q#8470).



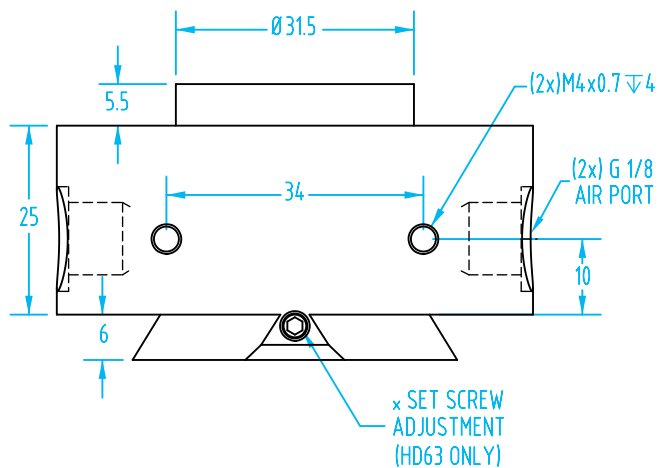
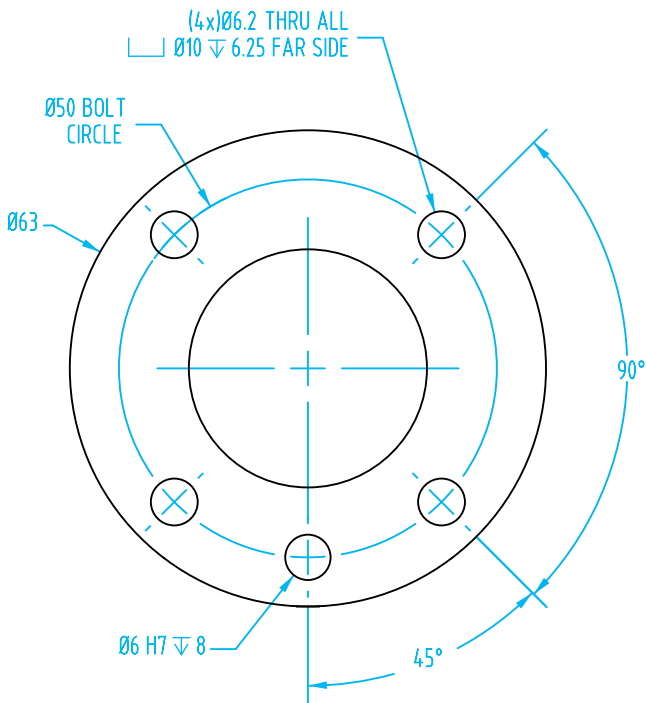
- CU
- QC
- VG
- VC
- VA
- SG
- GR
- MT
- AC
- CS
- CC

Automatic Quick Changer – SmartShift

(Dimensioned drawings shown full scale)

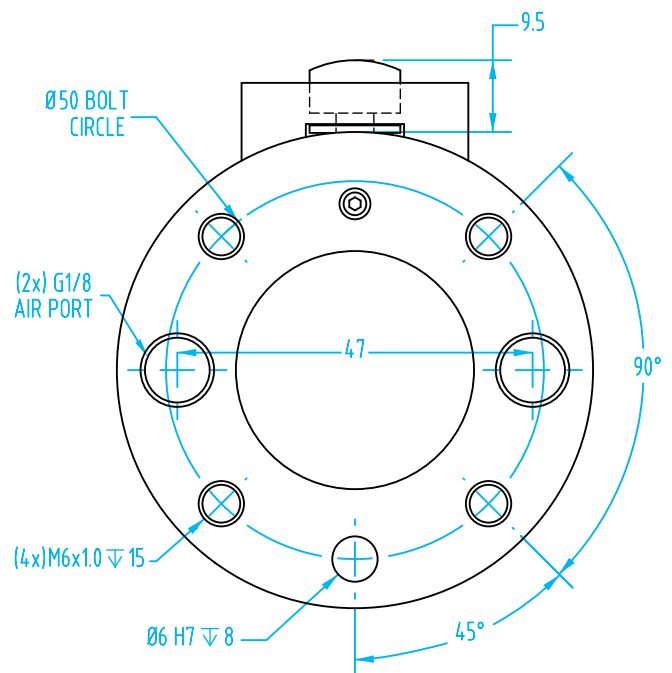
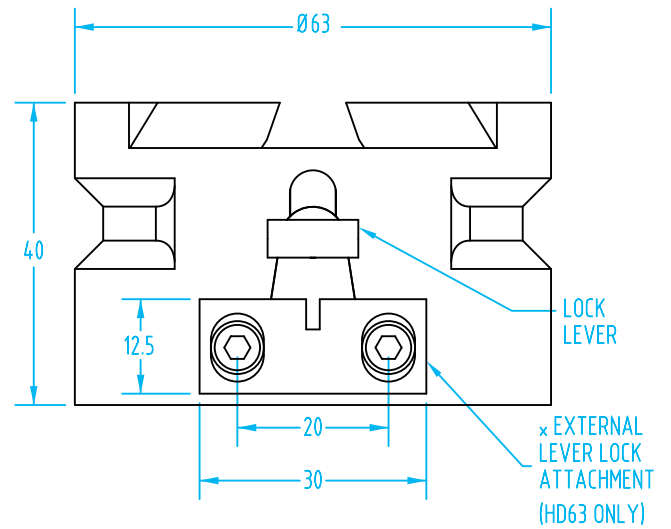
Robot-Side

#8465 Gen III & #8468 HD63:



EOAT-Side

#8466 Gen III & #8469 HD63:

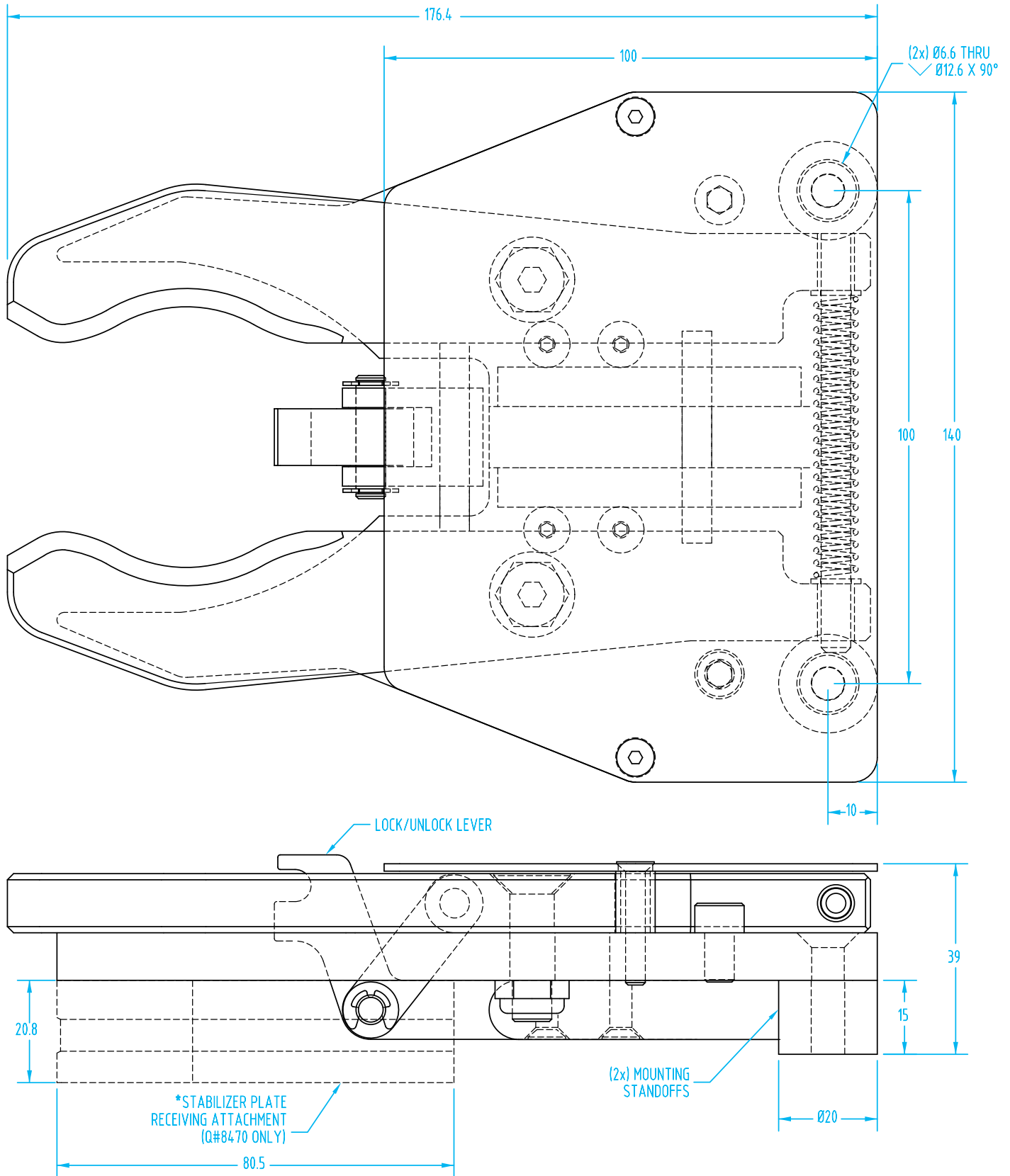


See EMI website for more dimensional drawings and information on electric and pneumatic connectors.

Automatic Quick Changer – SmartShift

(Dimensioned drawings shown full scale)

Tool Pocket:



- CU
- QC
- VG
- VC
- VA
- SG
- GR
- MT
- AC
- CS
- CC

Manual Quick Changer – Gimatic QC75



- **Suggested payload: 44 lb (20 kg)**
- Handles both pneumatic and electrical end effectors.
- Four integrated G1/8" pneumatic pass-through ports for streamlined pneumatic routing.
- Locked position sensing available.
- Optional electrical connector provides 16 screw terminals for streamlined wiring.
- ISO 9409-1-50-4-M6 mounting pattern.

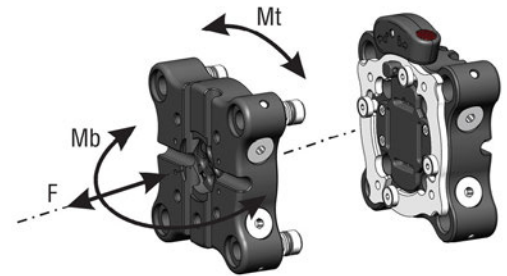
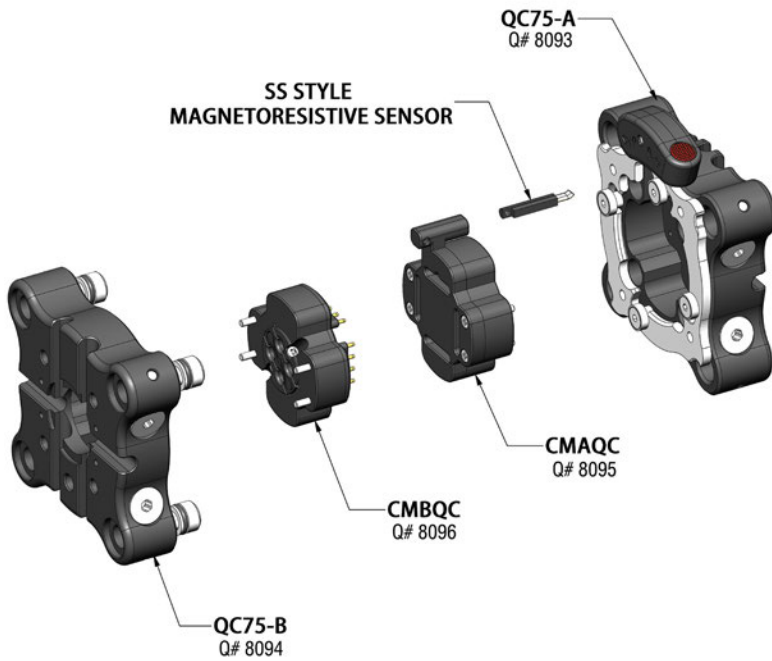
Quick#	Part#	Description	Weight	Price
8093	QC75-A	Robot-Side	300g	\$402.00
8094	QC75-B	EOAT-Side	260g	\$256.00
8095	CMAQC	Robot-Side Electrical Connector	18g	\$36.87
8096	CMBQC	EOAT-Side Electrical Connector	18.5g	\$86.89
8097	CSAQC	Robot-Side Locked Position Sensor Only	15g	\$30.77



Designed for collaborative robots, the QC75 is a manual quick changer that allows for pneumatic and electrical connections to be easily coupled between jobs. Standardize up to 16 electrical contacts and 4 pneumatic lines to have your cobot up and running with minimal downtime.

With the same mounting pattern as the tool flange of your cobot (ISO 9409-1-50-4-M6), you can mount any “Plug & Play” end effector to the QC75-B for a quick and repeatable installation for every job. End effectors can be hard-wired to the QC75-B or plugged to the wrist connector of your Cobot for even faster setup times.

Manual Quick Changer – Gimatic QC75



Specifications for Quick Changer QC75		
Weight	Robot-Side	300g
	EOAT-Side	260g
Max. Suggested Payload	44 lb (20 kg)	
Maximum Air Pressure	6 bar (87psi)	
Air Ports	(4X) G1/8"	
Electrical Connector	Optional	
Safety Loads:		
F	Mt	Mb
224.8 lbs	110.6 ft-lbs.	36.8 ft-lbs.

F= Axial Load Limit Mt= Torque Moment Limit
Mb= Bending Moment Limit

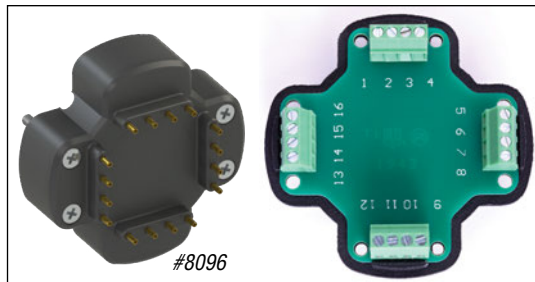
- CU
- QC**
- VG
- VC
- VA
- SG
- GR
- MT
- AC
- CS
- CC

Compatible with custom and stock EOAT from EMI!

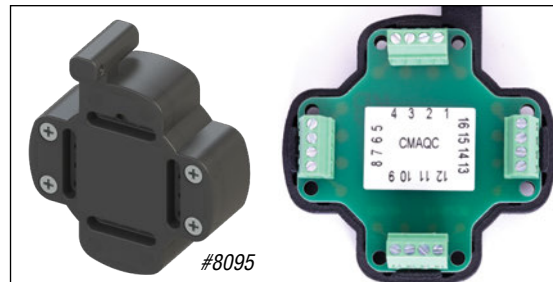


Manual Quick Changer – Gimatic QC75

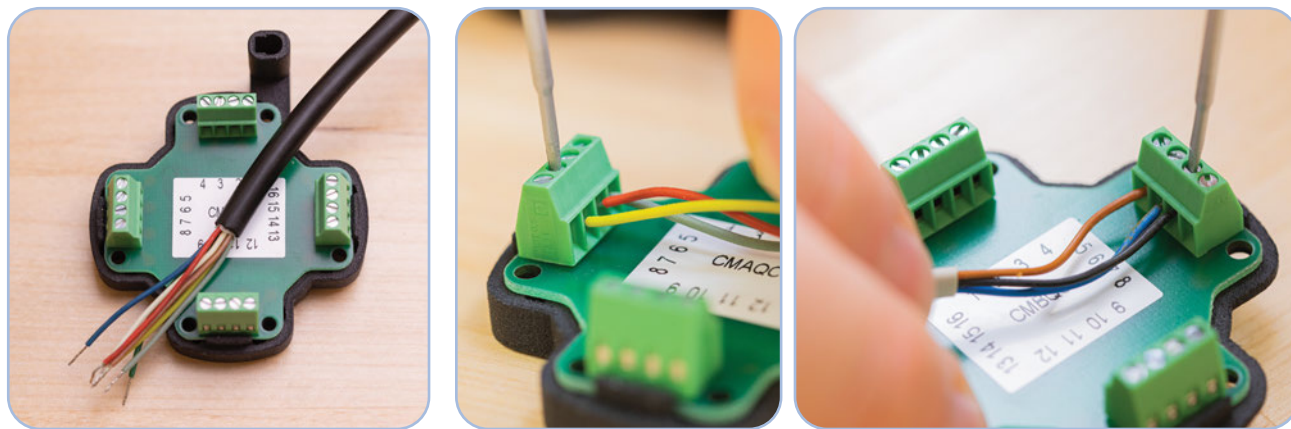
EOAT-Side:



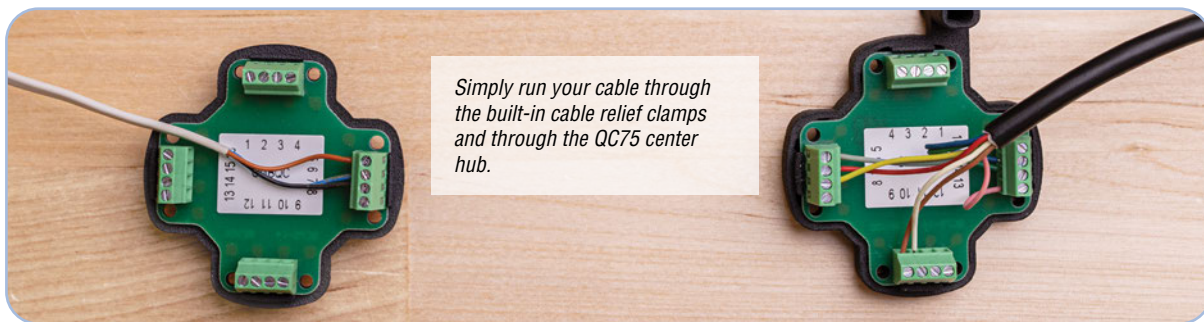
Robot-Side:



QC75 Electrical Connectors make for easy custom wiring of your tool to either your robot wrist I/O or to the controller.



(16x) Screw terminals allow you to standardize on tools with a single sensor or various electric grippers or valves.



Simply run your cable through the built-in cable relief clamps and through the QC75 center hub.

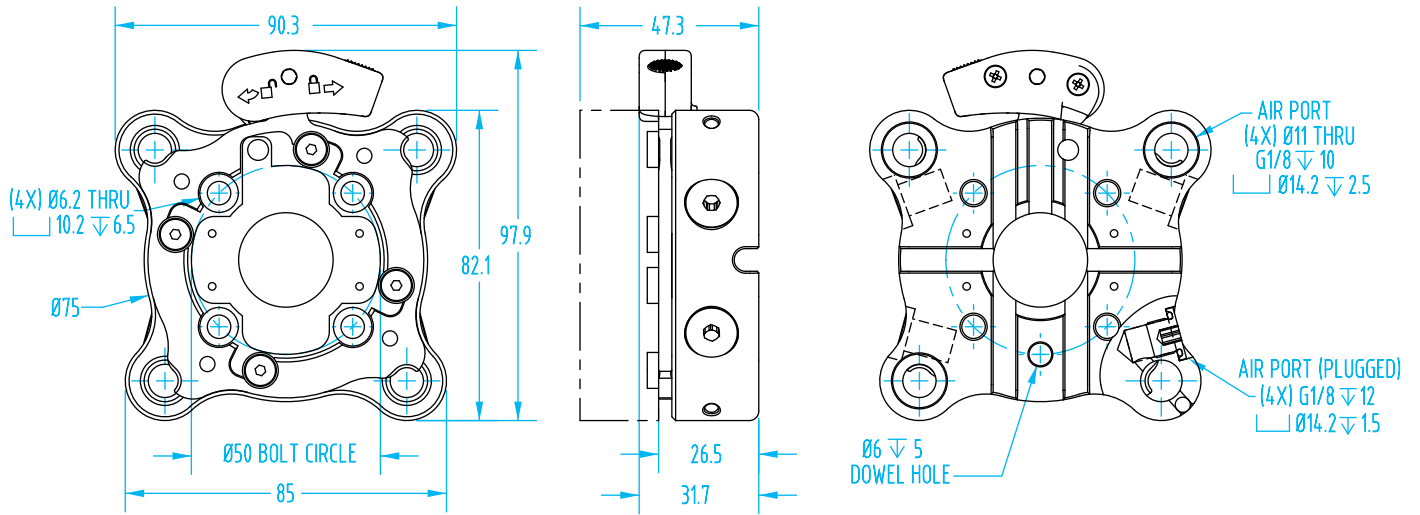


Replace the Electrical Connector back into the QC75 and fasten with the same hardware. Note that cables are meant to run down the backside grooves of the QC75 to avoid any cables from pinching.

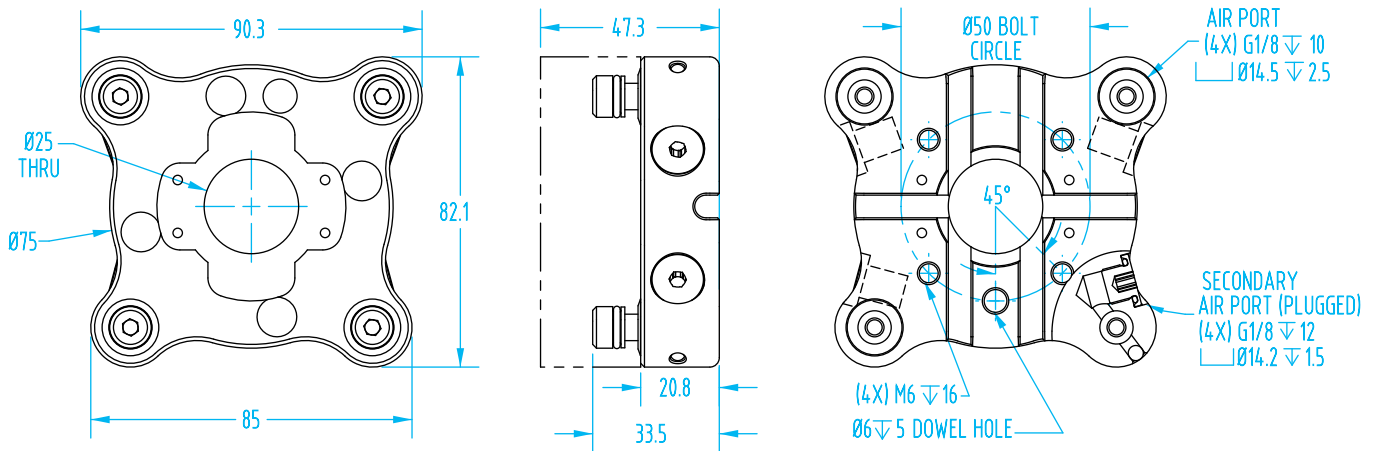
Manual Quick Changer – Gimatic QC75

(Dimensioned drawings shown half scale)

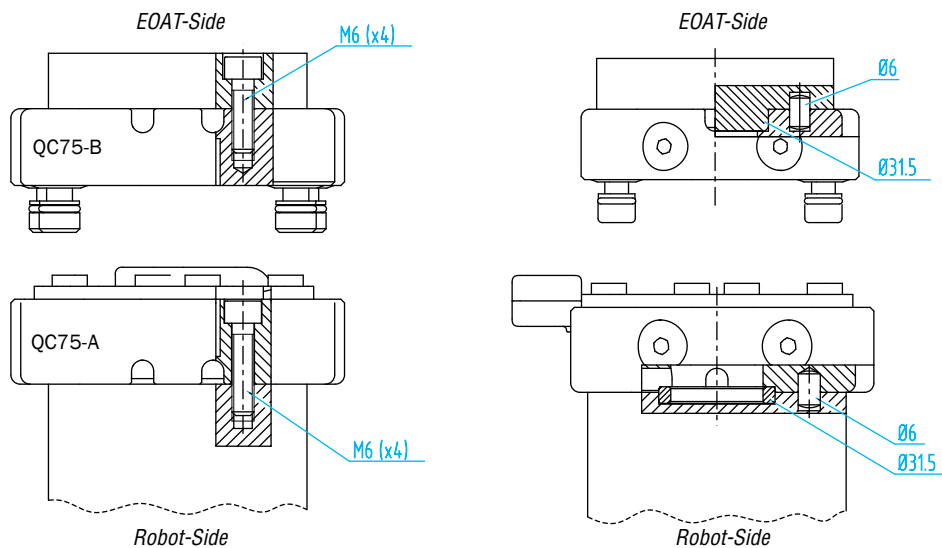
Robot-Side



EOAT-Side



Mounting:



- CU
- QC**
- VG
- VC
- VA
- SG
- GR
- MT
- AC
- CS
- CC

Manual Quick Changer – ATI MC-50



#8173
EOAT-Side

#8172
Robot-Side



#8175
EOAT-Side



#8174
Robot-Side

Now available in-stock from EMI, ATI is a leading manufacturer of Tool Changers and the new MC-50 is a great addition to EMI's offering.

With intuitive and ergonomic lever operation, the MC-50 Manual Robot Tool Changer provides a simple solution for quickly changing robotic end-of-arm tooling by hand. The low-profile MC-50 mounts directly to most cobots and seamlessly integrates with the grippers and end-effectors found in this catalog.

- **Suggested payload: 55 lbs (25kg)**
- Includes a safety latch button on the lever to provide secondary locking for increased safety and prevention of involuntary uncoupling.
- Four integrated M5 pneumatic pass-through ports for reliable supply to downstream tooling.
- Direct mounting to ISO 9409-1-50-4-M6 robot wrists to minimize stack height.
- Optional Electrical Modules (ML8): Tool-Side with M8, 8 pin male connector. Robot-Side with M8, 8 pin female pigtail cable to connect to robot wrist.
- Electrical connector compatible with UR and Fanuc CRX.

Quick#	Part#	Description	Weight	Price
8172	9122-050M-000	Robot-Side	420g	\$1,075.00
8173	9122-050T-000	EOAT-Side	183g	\$545.00
8174	9120-ML8-M	Robot-Side Electrical Connector with M8 8-Pin Female Cable	46g	\$545.00
8175	9120-ML8-T	EOAT-Side Electrical Connector with M8 8-Pin Male Connector	31g	\$305.00

Dimensional drawings and other technical specifications for electrical connectors available at EMICorp.com

Available In-Stock from EMI



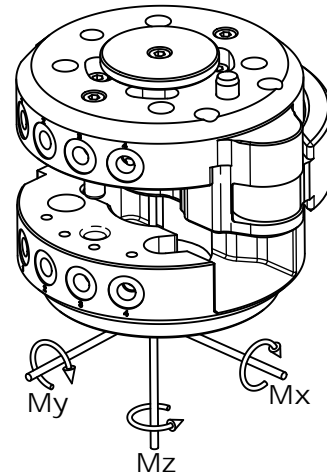
Manual Quick Changer – ATI MC-50

(Dimensioned drawings reduced to fit)

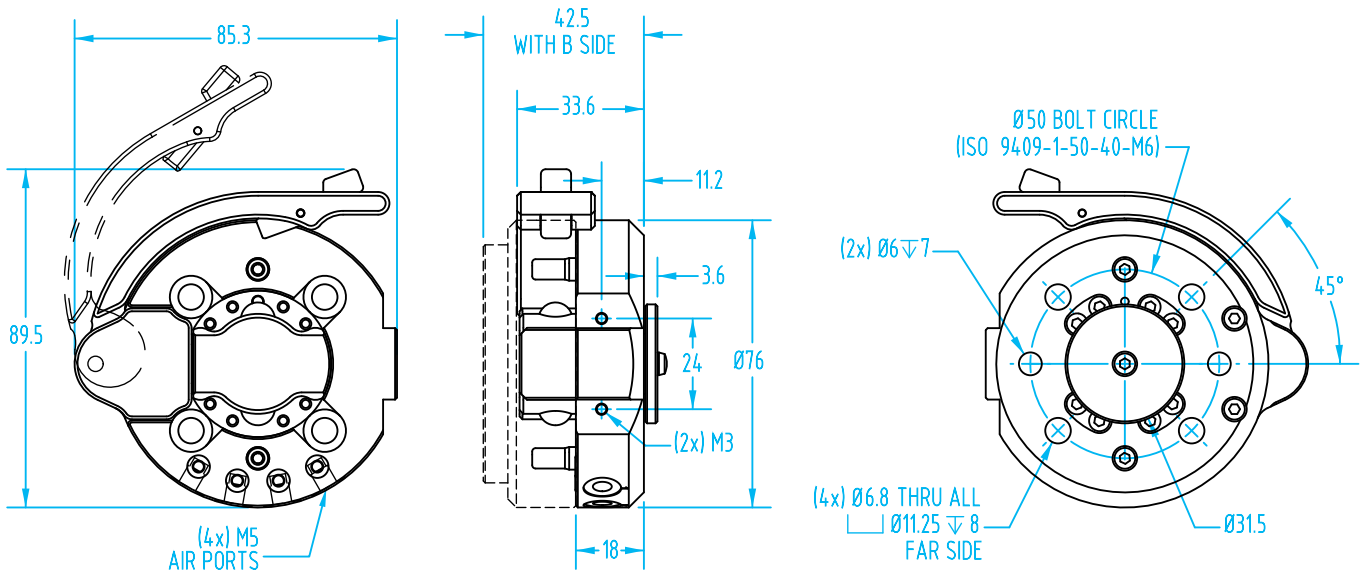
Safety loads

Check the table for the maximum loads allowed. Excessive forces or torques can damage the system, cause operation problems and endanger the safety of the operator.

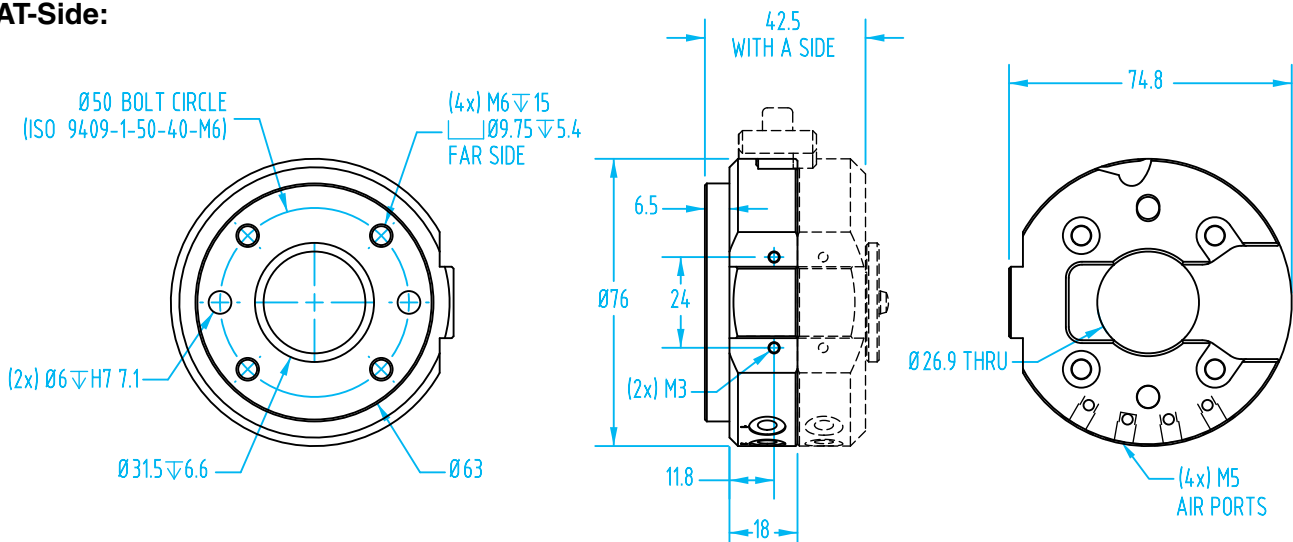
	Max.
Mxy	18.4 ft-lbs
Mz	18.4 ft-lbs
Mxy	55.3 ft-lbs
Mz	55.3 ft-lbs



Robot-Side:



EOAT-Side:



- CU
- QC
- VG
- VC
- VA
- SG
- GR
- MT
- AC
- CS
- CC

Manual Quick Changer – SCHUNK CMS



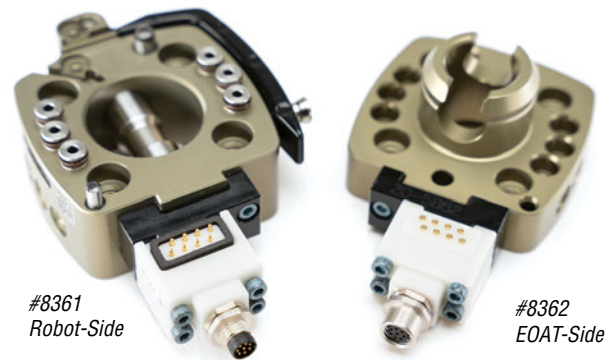
Available from EMI, this manual size 50 CMS quick changer is ideally suited for use in both production and assembly environments. The integrated air ports coupled with a wide variety of electrical connectors makes this product by SCHUNK a great fit for many application types.

Contact EMI to explore the variety of tool changer sizes and electrical accessories available for this robust and user friendly product.

- **Suggested payload: 24.2 lbs (11kg)**
- Integrated locking lever provides an extra level of safety to prevent accidental uncoupling.
- Includes (6) integrated air ports for pneumatic and vacuum supply.
- Robot side QC adapts directly to robot tool flange with ISO 9409-1-50-4-M6 mount interface.
- Tool side QC mirrors the ISO 9409-1-50-4-M6 hole pattern.
- Locked position sensing available, contact EMI for more information.
- Optional electrical connectors available with M8 8-pin connector. 15-pin D-sub connector available upon request.

Quick#	Part#	Description	Wt	Price
8352	CMS-050-K	Robot-Side	292g	\$1,010.00
8353	CMS 050-A	EOAT-Side (Tool-Side)	164g	\$578.00
8361	SWO-EM8-011-K	Robot-Side Electrical Connector	30g	\$373.00
8362	SWO-EM8-011-A	EOAT-Side Electrical Connector	34g	\$369.00

Dimensional drawings and other technical specifications for electrical connectors available at EMICorp.com



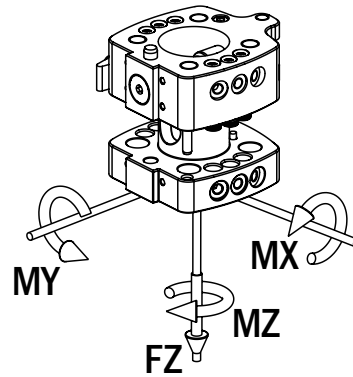
Manual Quick Changer – SCHUNK CMS

(Dimensioned drawings reduced to fit)

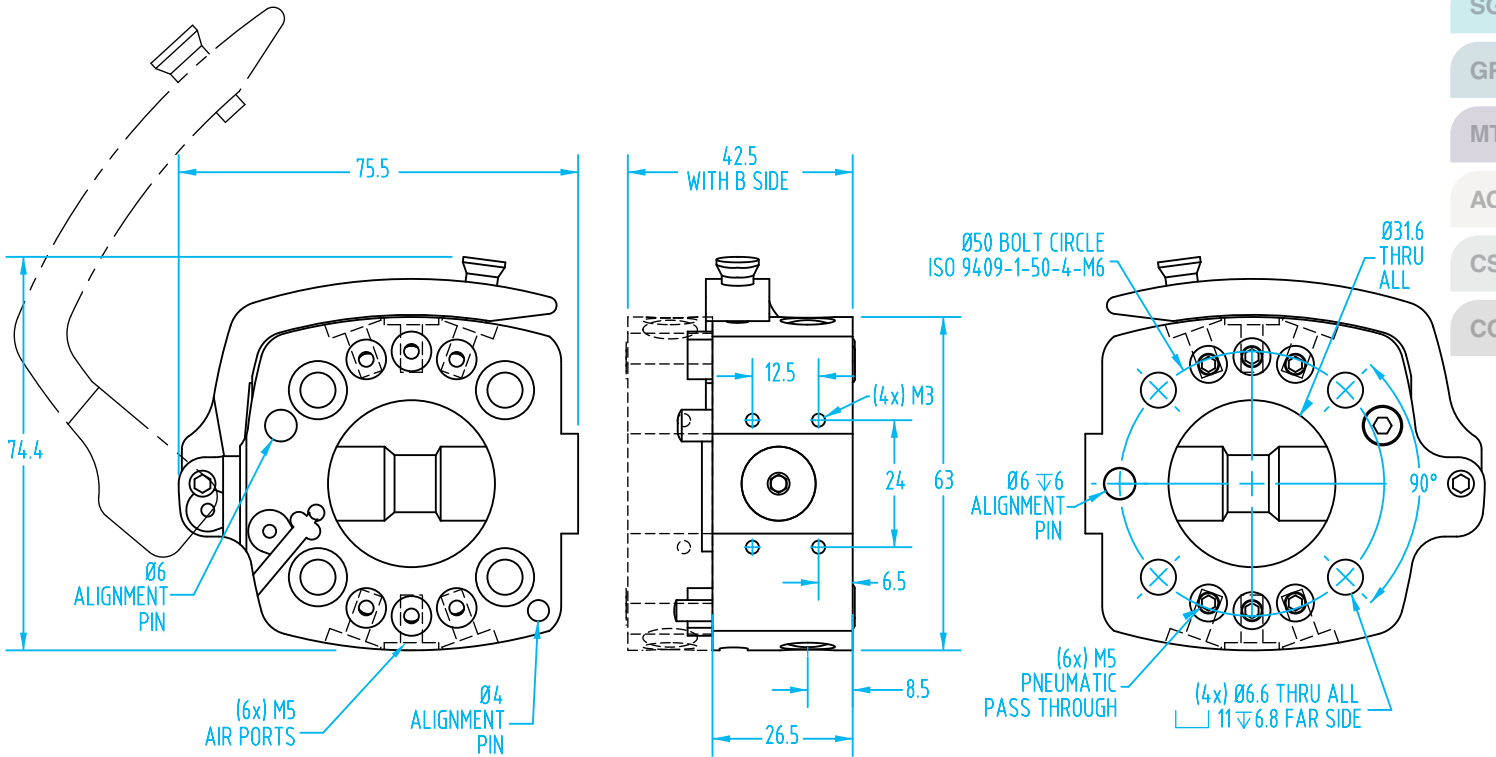
Safety loads

Check the table for the maximum loads allowed. Excessive forces or torques can damage the system, cause operation problems and endanger the safety of the operator.

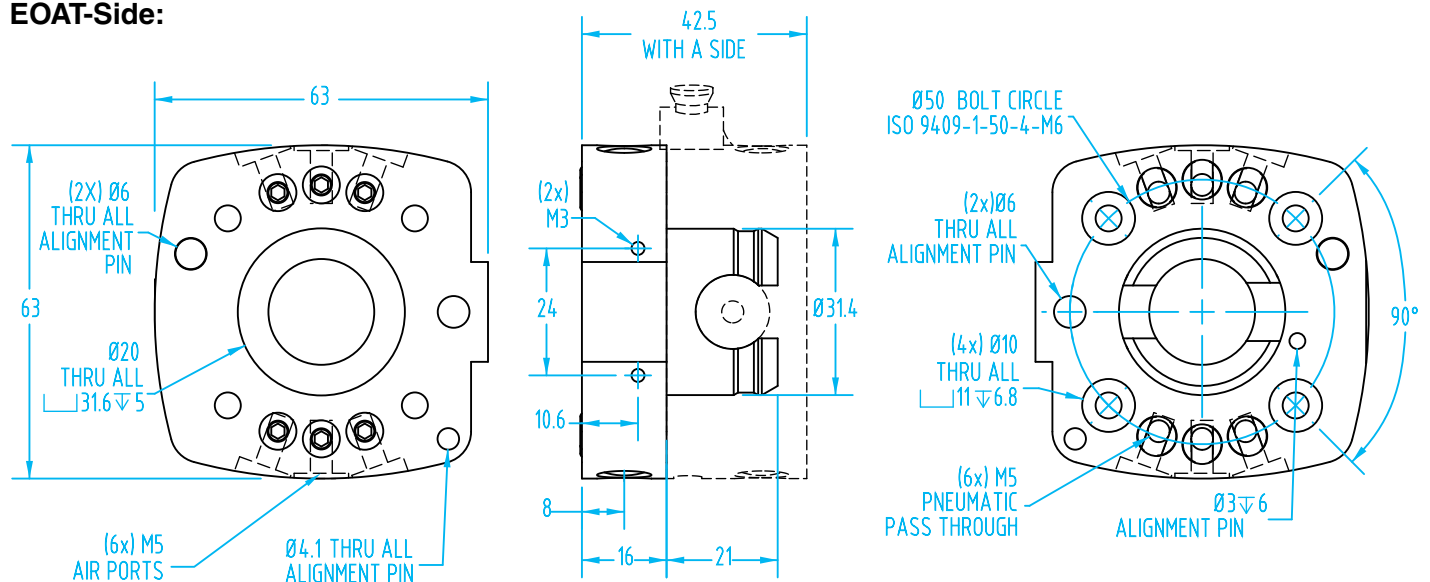
	Max.
Mx	55.3 ft-lbs
Mz	99.5 ft-lbs
Fz	202.3 lbs
My	55.3 ft-lbs



Robot-Side:



EOAT-Side:



- CU
- QC
- VG
- VC
- VA
- SG
- GR
- MT
- AC
- CS
- CC

Manual Tool Changer – OnRobot



#8225
Robot-Side



#8221
EOAT-Side

The Robot-Side Tool Changer is fully collaborative with no sharp edges, which makes it easy and safe for human interaction. The Tool Changer can handle up to a 44 lbs (20kg) payload and has a low built-in height and weight.

Compatible with eSeries UR, and any other cobot that uses the ISO 9409-1-50-4-M6 mounting pattern and can be easily adapted to even more robots.

Built into every OnRobot gripper, the EOAT-Side Tool Changer is now available for all EOAT which makes it easy to click into your cobot. With a 20kg max. payload, this quick changer is a simple way to swap your EOAT in between applications.

Use with pneumatic grippers, degating kits, or any third-party product compatible with ISO 9409-1-50-4-M6 bolt pattern.

Quick#	Part#	Description	Weight	Price
8225	OR-QC-A1*	Robot-Side	58.9g	\$588.00
8221	OR-102014	EOAT-Side	140g	\$588.00

*Not compatible with CB3 series UR.

8224	OR-102326	Robot-Side for CB Series	95.2g (0.21lb)	\$700.00
------	-----------	--------------------------	----------------	----------

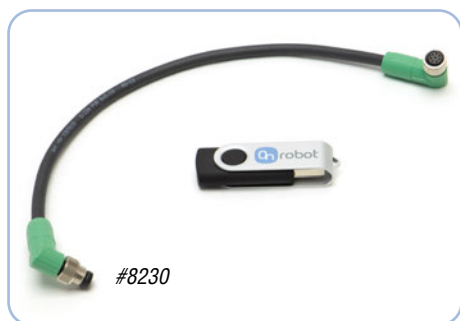
OnRobot pricing effective 05/01/24 and subject to change.

Technical Specs	
Maximum permissible force	400 N (89.9 lbf)
Maximum permissible torque	50 Nm (442 in-lb)
Rated payload	20kg (44 lbs)
Repeatability	+/- 0.02mm



Example of Q#8221 with a customized pneumatic gripper solution.

M8 8-Pin Tool Flange Connection for UR & Fanuc CRX



#8230

Quick#	Part#	Description	Price
8230	OR-102113*	M8 8-Pin Female Tool Flange for UR	\$95.00
8237	OR-107456**	M8 8-Pin Female Tool Flange for Fanuc CRX	\$95.00
8239	OR-113690	Cable Kit for ABB Gofa to Robot Wrist I/O	\$409.00

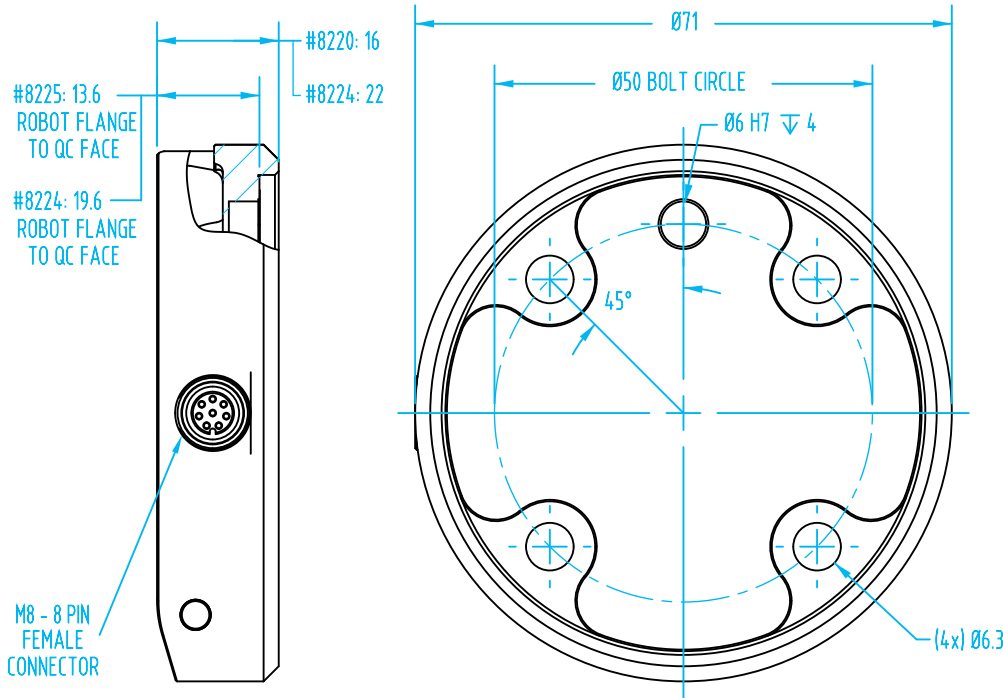
*Required to use Quick #8220/8225 Tool Changer on eSeries UR and Quick #8224 Tool Changer on previous (CB3) UR models to connect directly to the Tool I/O M8 connector.

**Required to use Quick# 8220/8225 on Fanuc CRX Tool I/O M8 connector.

(Dimensioned drawings shown full scale)

Robot-Side

- #8225 & #8224: M8 8-Pin Female Tool Flange Connection Q#8230 required for UR Robot.
M8 8-Pin Male Tool Flange Connection Q#8237 required for Fanuc CRX Robot.
- #8225 & #8224: Have the same dimensions except for the overall height as noted below.



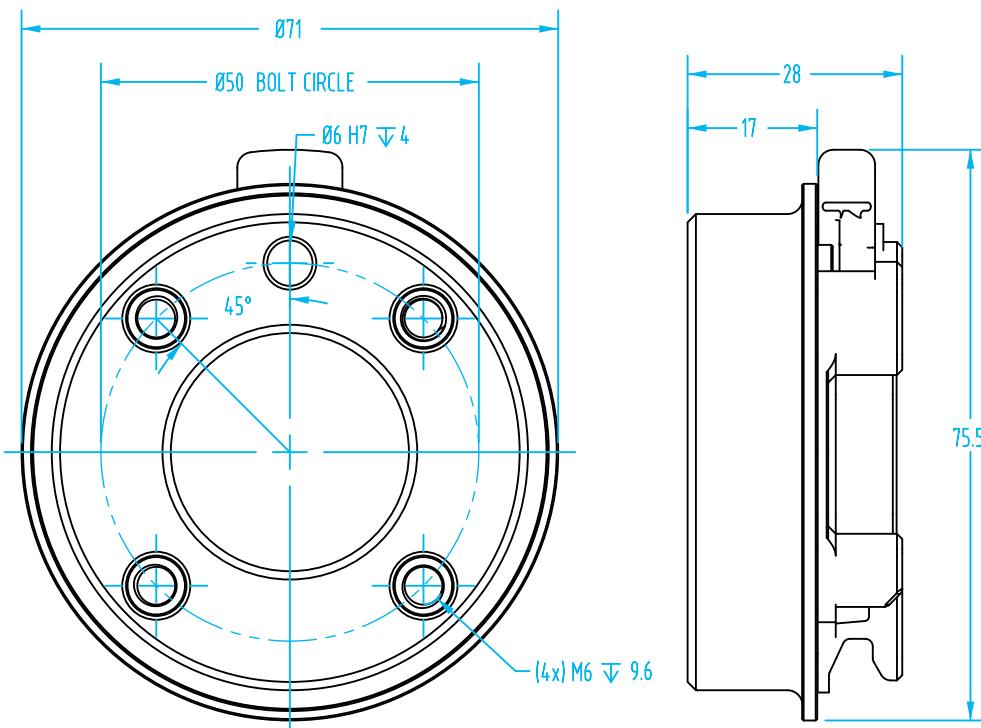
#8225
Robot-Side, 4.5a compatible



#8224
Robot-Side, for CB Series UR
Not compatible with eSeries UR

- CU
- QC
- VG
- VC
- VA
- SG
- GR
- MT
- AC
- CS
- CC

EOAT-Side



#8221
EOAT-Side

Manual Dual Tool Changer – OnRobot



The Dual Tool Changer enables you to use two EOAT's together in a single cycle.

With this innovative solution you can use two grippers or vacuum units. Switch between tools to maximize the utilization of your robots.

Quick#	Part#	Weight	Price
8222	OR-109878	410g	\$2,781.00

OnRobot pricing effective 05/01/24 and subject to change.

- High repeatability.
- **Requires a Compute Box for all applications and robot models. See page 270.**
- Compatible with ISO 9409-1-50-4-M6 mounting interface.
- Max. suggested payload: 44 lbs (20 kg).

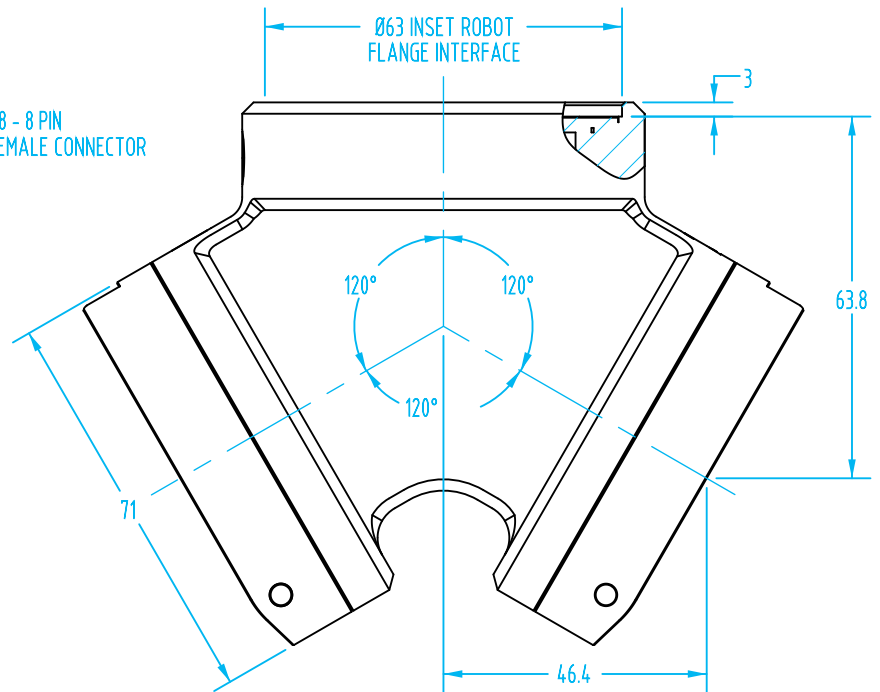
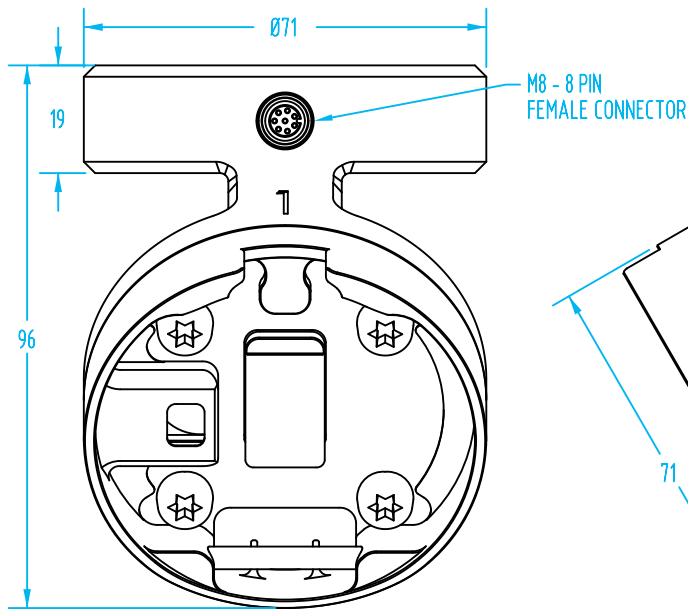
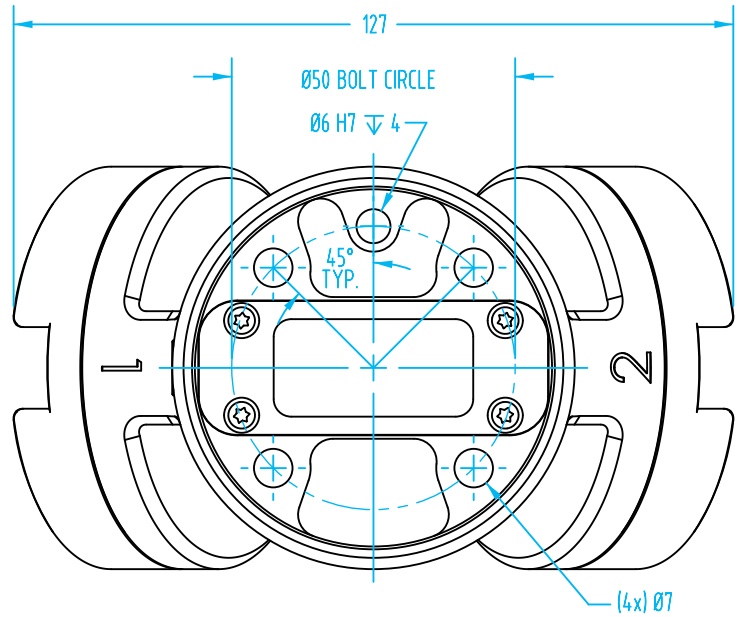
Custom 3D printed EOAT & RG2 with soft-touch fingers.

Compatible with OnRobot and Custom EOAT!



Manual Dual Tool Changer – OnRobot

(Dimensioned drawings shown 75% scale)



- CU
- QC
- VG
- VC
- VA
- SG
- GR
- MT
- AC
- CS
- CC

Replacement Cable Relief for Dual QC



Quick#	Part#	Price
8242	OR-102919	\$86.67

- Direct OEM replacement of the 3D printed cable relief found on Q#8222 dual quick changer for Cobots.
- Contact EMI if you need additional cable management solutions for your Cobot.

Hex-E Quick Changer Force/Torque Sensor – OnRobot



OnRobot’s 6-axis force torque sensor provides an accurate force and torque measurement along all 6 axes.

This gives you precise control when it comes to difficult jobs. Additionally, the HEX software includes path recording, force control (on UR and Kuka) and special features for insertion tasks (UR only). This means reduced integration time for your production line. The sensors are designed to fit most of the current industrial robot arms.

Utilizing the included URcap HEX commands, you can teach your robot the exact location, force, and speed of operations such as **insert-loading** and **degating** of larger gates.

Quick#	Part#	Wt.	Price
8223	OR-102111	347g	\$4,342.00

OnRobot pricing effective 05/01/24 and subject to change.

Try It Risk Free!

*Contact us for details

TMPlug&Play
CERTIFIED

- Plastic applications include degating and insert loading using the advanced control and force feedback.
- Common applications are polishing, sanding, deburring, grinding and assembly, but it can also be used for teach-in and crash detection.
- Unique optical based technology allows for high precision and repeatability.
- Keeps constant force while moving.
- Easy to use interface, no programming skills are needed (UR only).
- **Requires a Compute Box for all applications and robot models. See page 270.**

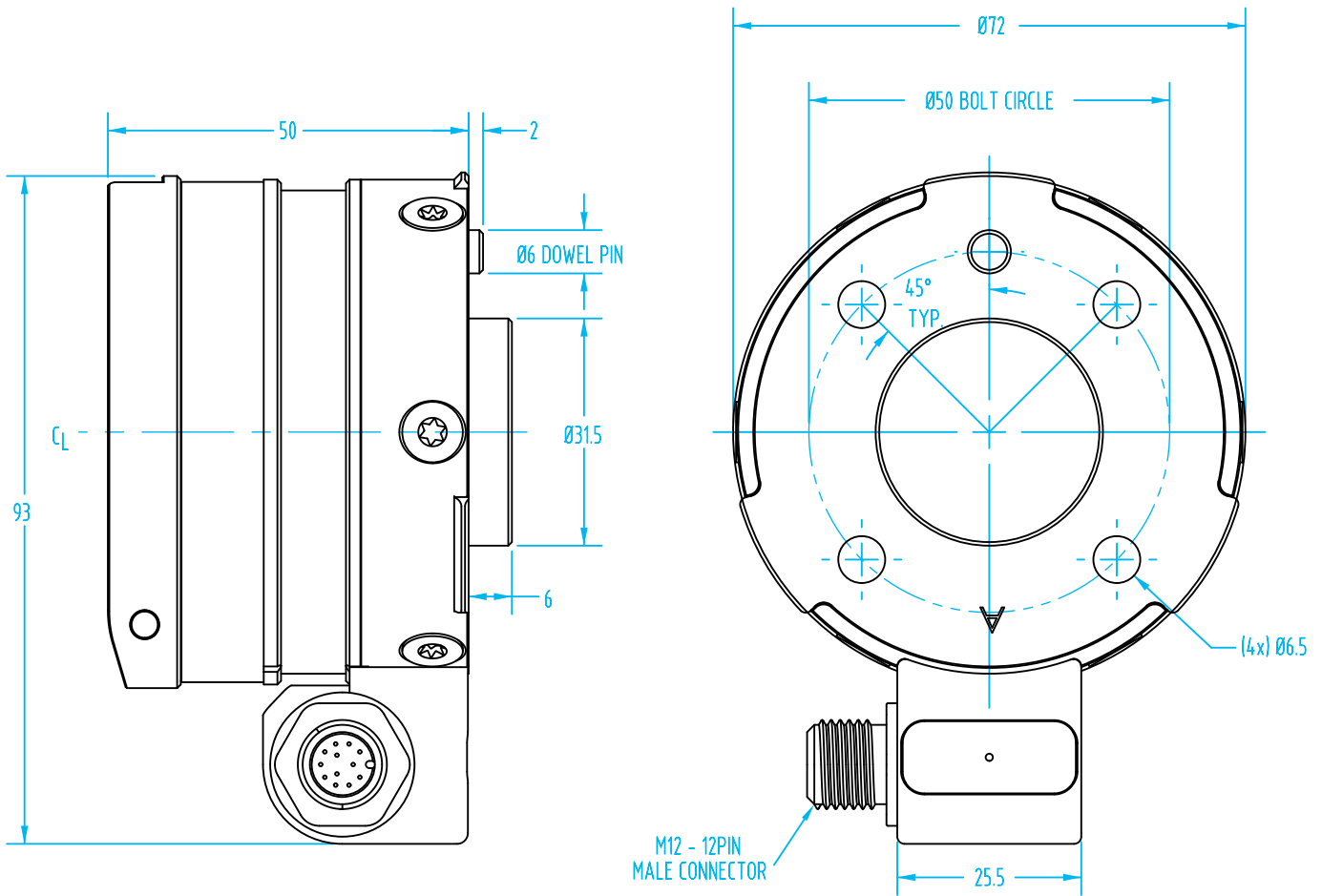
Technical Specs	Fx & Fy	Fz	Tx & Ty	Tz
Nominal capacity (N.C.)	200 N	200 N	10 Nm	6.5 Nm
Single axis deformation at N.C. (typical)	±1.7mm	±0.3mm	±2.5mm	±5mm
Single axis overload	500%	500%	500%	500%
Signal noise* (typical)	0.035 N	0.15 N	0.002 Nm	0.001 Nm
Noise-free resolution (typical)	0.2 N	0.8 N	0.01 Nm	0.002 Nm
Full scale nonlinearity	< 2%	< 2%	< 2%	< 2%
Hysteresis (measured on Fz axis, typical)	< 2%	< 2%	< 2%	< 2%
Crosstalk (typical)	< 5%	< 5%	< 5%	< 5%

* Signal noise is defined as the standard deviation (1sigma) of a typical one second no-load signal.

Operating Conditions	
Power supply	7V– 24V
Maximum current consumption	0.8W
Operating temperature	32° – 131°F

Hex-E Quick Changer Force/Torque Sensor – OnRobot

(Dimensioned drawings shown full scale)



- CU
- QC
- VG
- VC
- VA
- SG
- GR
- MT
- AC
- CS
- CC



OnRobot HEX Force / Torque Sensor with Gimatic Hot Blade (Q#7286). Degrate by teaching your cobot the gate location, force required and part geometry.

OnRobot Offset Mounting Brackets



#8279

The OnRobot Angle Offset Brackets enable you to attach tools at a 45 or 90 degree angle from the robot flange. This improves the tool's ability to fit into tight spaces and it can lower the risk of the robot arm going into singularity.

OnRobot Offset Brackets

Quick#	Part#	Description	Weight	Price
8279	OR-105870	90° Offset	207g	\$233.33

OnRobot pricing effective 05/01/24 and subject to change.

- Machined aluminum.
- Fasteners included.
- Can mount to any robot with ISO 9409-1-50-4-M6 mounting pattern.
- Compatible with any gripper that mounts to the robot wrist.
- Dimensional drawings available online.
- Contact EMI if you need a custom offset adapter for your gripper.



OnRobot Offset Mounting Brackets

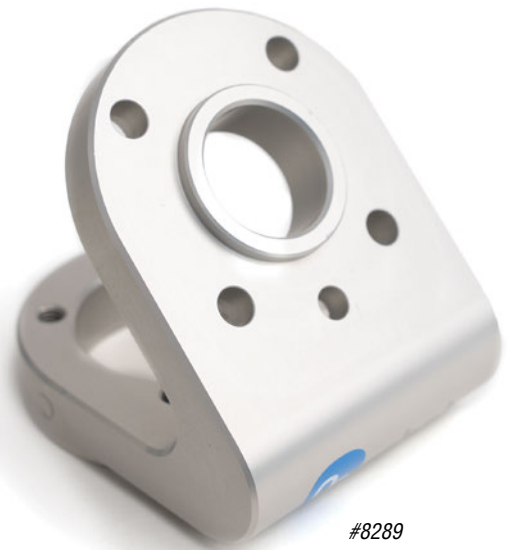


#8269

OnRobot Offset Brackets

Quick#	Part#	Description	Weight	Price
8269	OR-101850	50mm Offset	151g	\$128.00

OnRobot pricing effective 05/01/24 and subject to change.



#8289

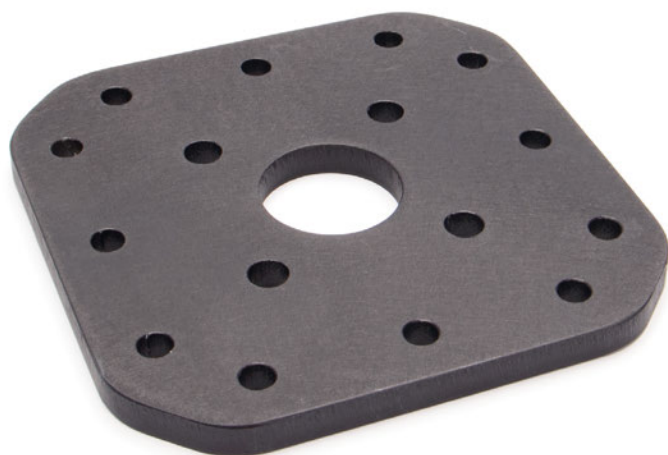
OnRobot Offset Brackets

Quick#	Part#	Description	Weight	Price
8289	OR-113375	45° Offset	257g	\$233.33

OnRobot pricing effective 05/01/24 and subject to change.

- CU
- QC
- VG
- VC
- VA
- SG
- GR
- MT
- AC
- CS
- CC

Interface Plate for Modular Profile Kit

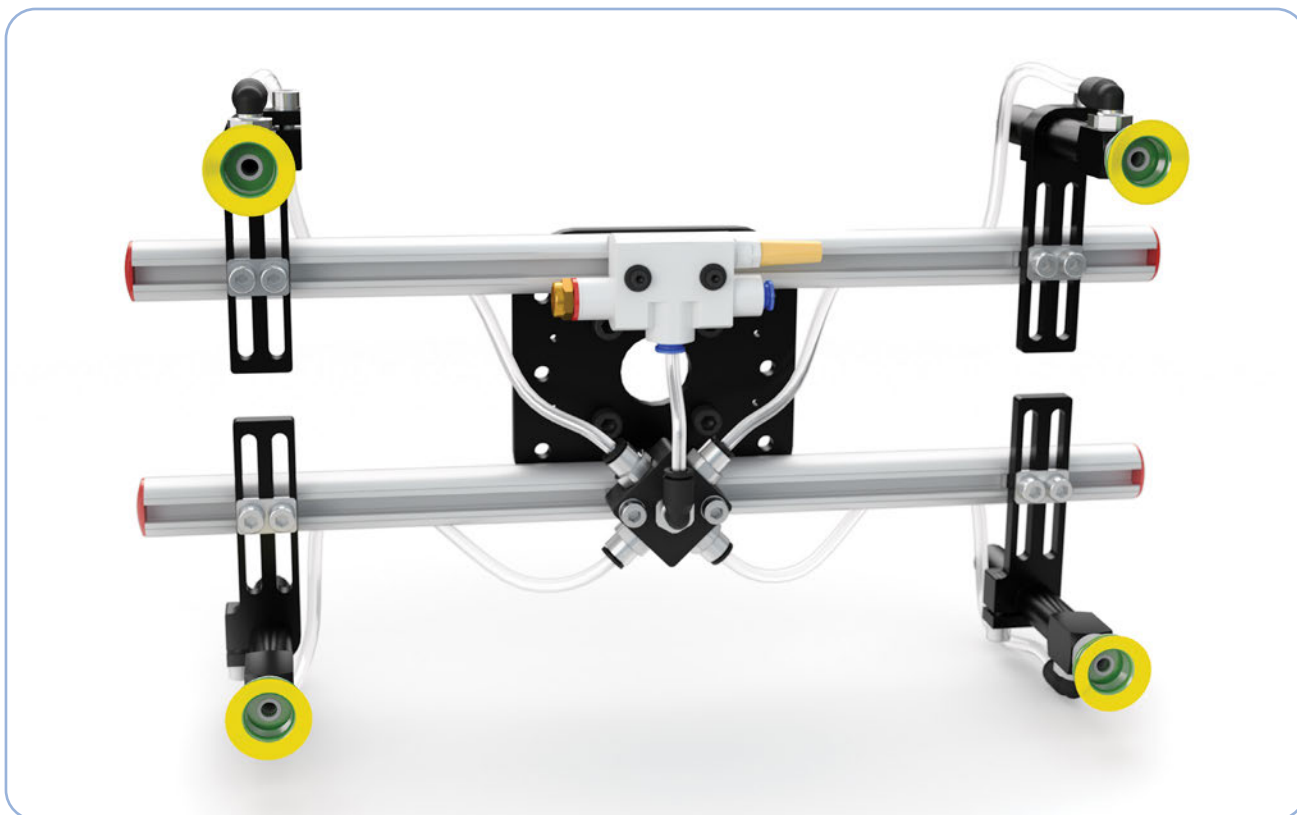


Build your own Vacuum EOAT!

Start with this compact and versatile plate at a great price!

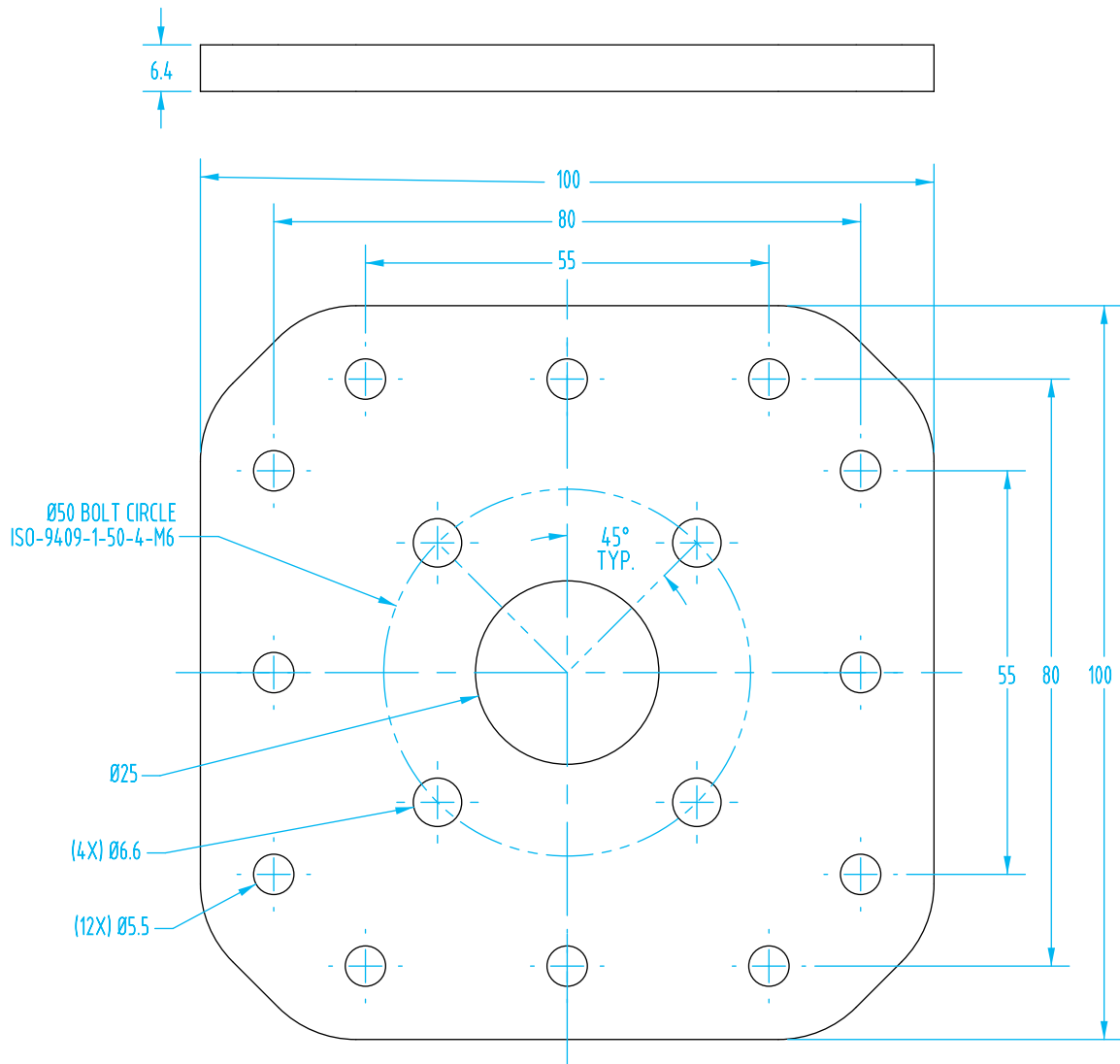
Quick#	Part#	Price	Wt.
8058	CRM-0138-2A	\$28.13	151g

- Lightweight aluminum plate compatible with the ISO 9409-1-50-4-M6 mounting pattern.
- Can be manufactured to fit any robot.
- Quick# 8058 is included with our Modular Profile Vacuum Kit #8005 on page 82.
- Hardware sold separately.



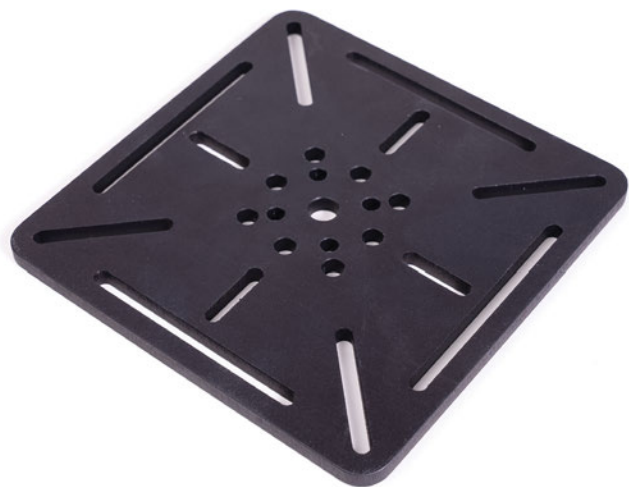
Interface Plate for Modular Profile Kit

(Dimensioned drawings shown full scale)



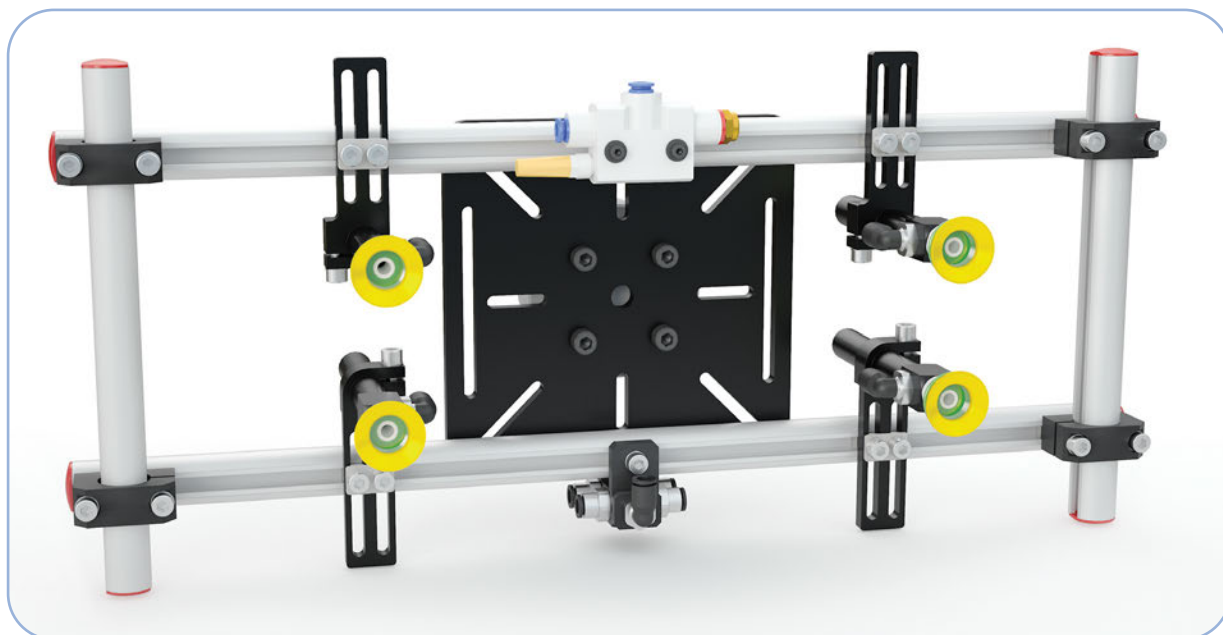
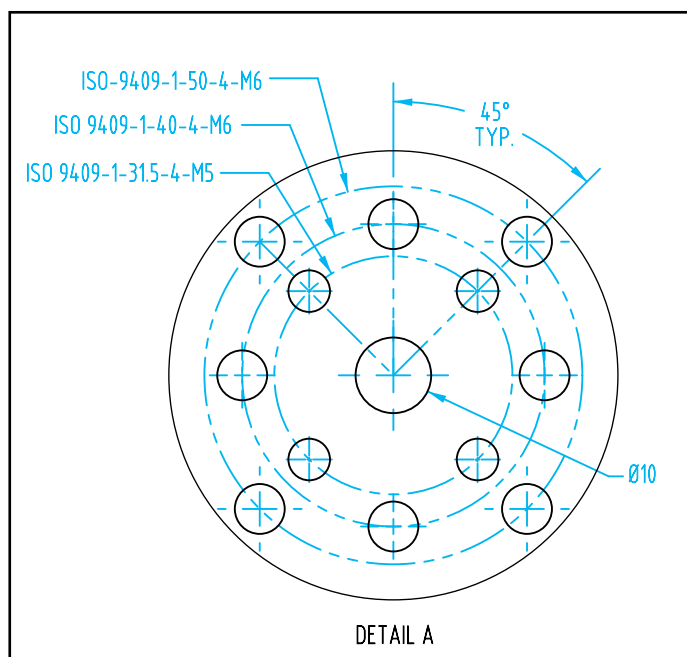
- CU
- QC
- VG
- VC
- VA
- SG
- GR
- MT
- AC
- CS
- CC

Interface Plate for Modular Profile Kit



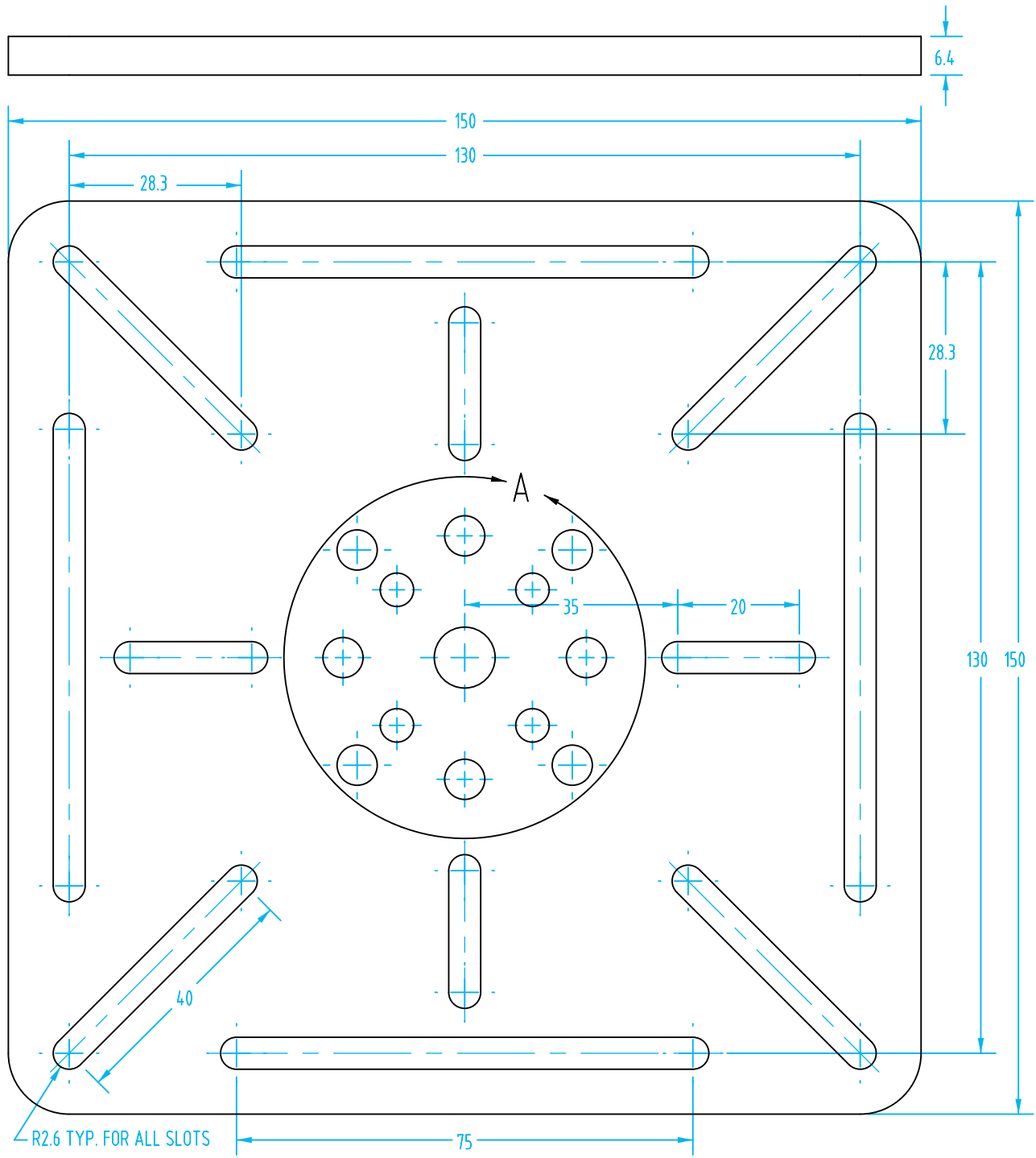
Quick#	Part#	Price	Wt.
8057	CRM-0337-1A	\$31.85	324g

- Lightweight aluminum plate compatible with:
ISO 9409-1-31.5-4-M5
ISO 9409-1-40-4-M6
ISO 9409-1-50-4-M6 mounting patterns.
- Quick# 8057 is included with our Modular Profile Vacuum Kit #8005 on page 82.
- Designed with slots for quick adjustments.
- Hardware sold separately.



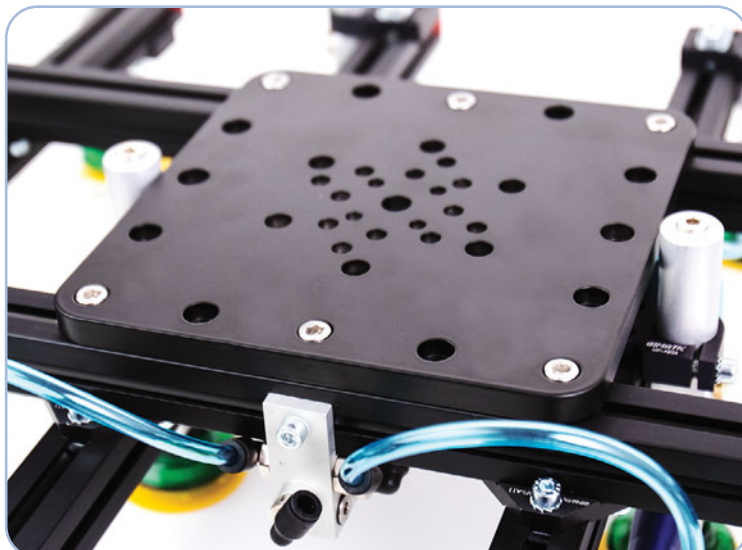
Interface Plate for Modular Profile Kit

(Dimensioned drawings shown full scale)



- CU
- QC
- VG
- VC
- VA
- SG
- GR
- MT
- AC
- CS
- CC

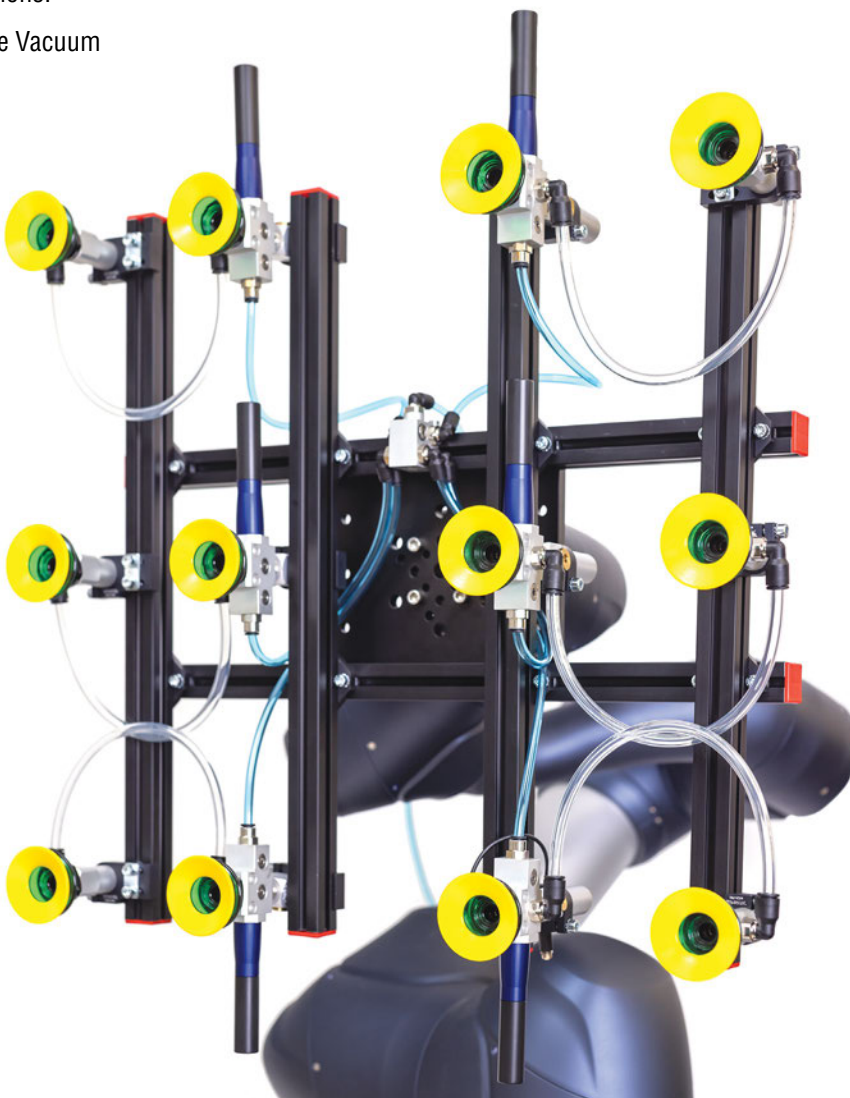
Interface Plate for Modular Profile Kit II



Start designing your large gripper with this plate. Compatible with larger and smaller robots, designed for larger payloads and compatible with 40mm aluminum profile.

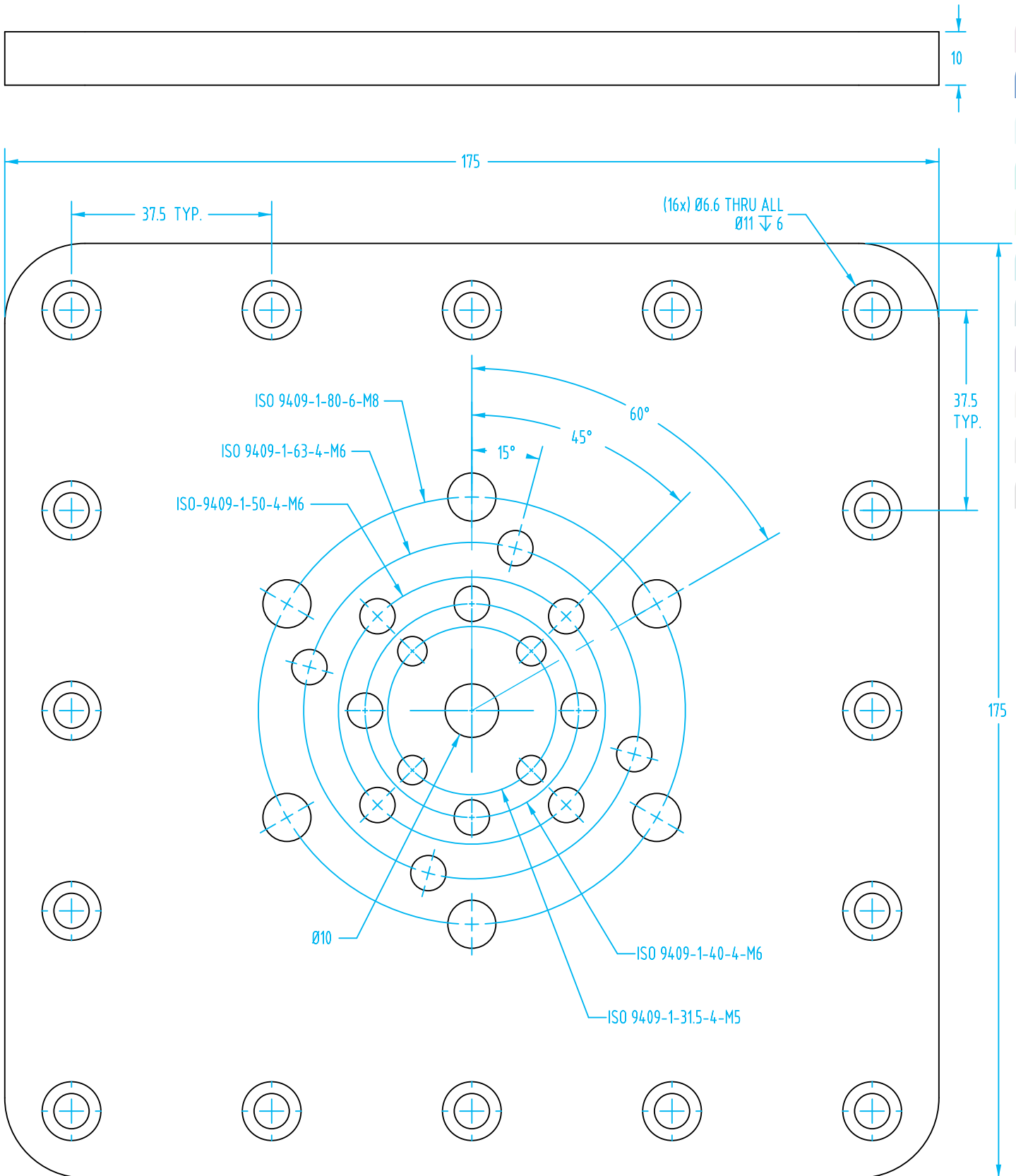
Quick#	Part#	Price	Wt.
8063	CRM-0337-2A	\$63.45	765g

- 10mm plate thickness for heavy-duty applications.
- Quick# 8063 is included in the Modular Profile Vacuum Kit II #8004 on page 86 (shown here).
- Hardware sold separately.
- Anodized plate compatible with:
 - ISO 9409-1-31.5-4-M5
 - ISO 9409-1-40-4-M6
 - ISO 9409-1-50-4-M6
 - ISO 9409-1-63-4-M6
 - ISO 9409-1-80-6-M8



Interface Plate for Modular Profile Kit II

(Dimensioned drawings shown full scale)



- CU
- QC
- VG
- VC
- VA
- SG
- GR
- MT
- AC
- CS
- CC

Quick Changer Interface Plate

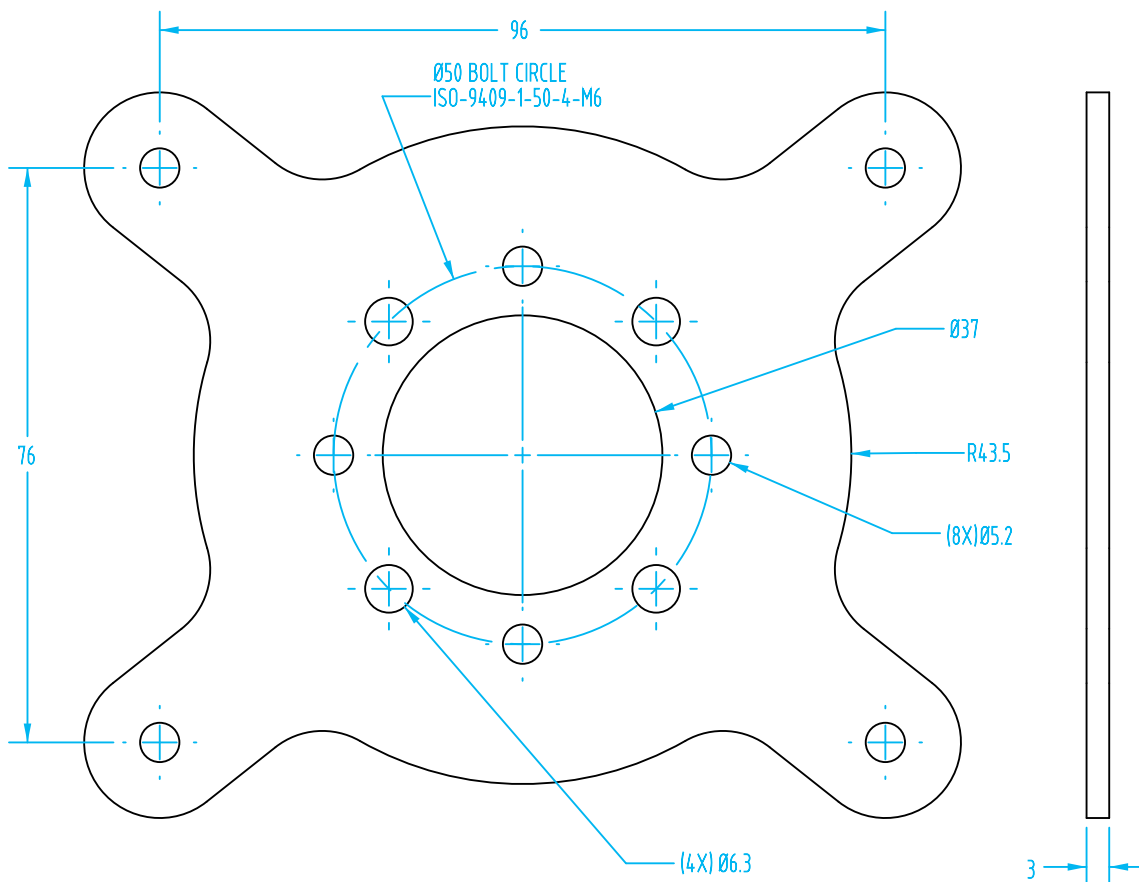
(Dimensioned drawings shown full scale)



Quick#	Part#	Price	Wt.
7435	MFI-A372	\$29.29	218g

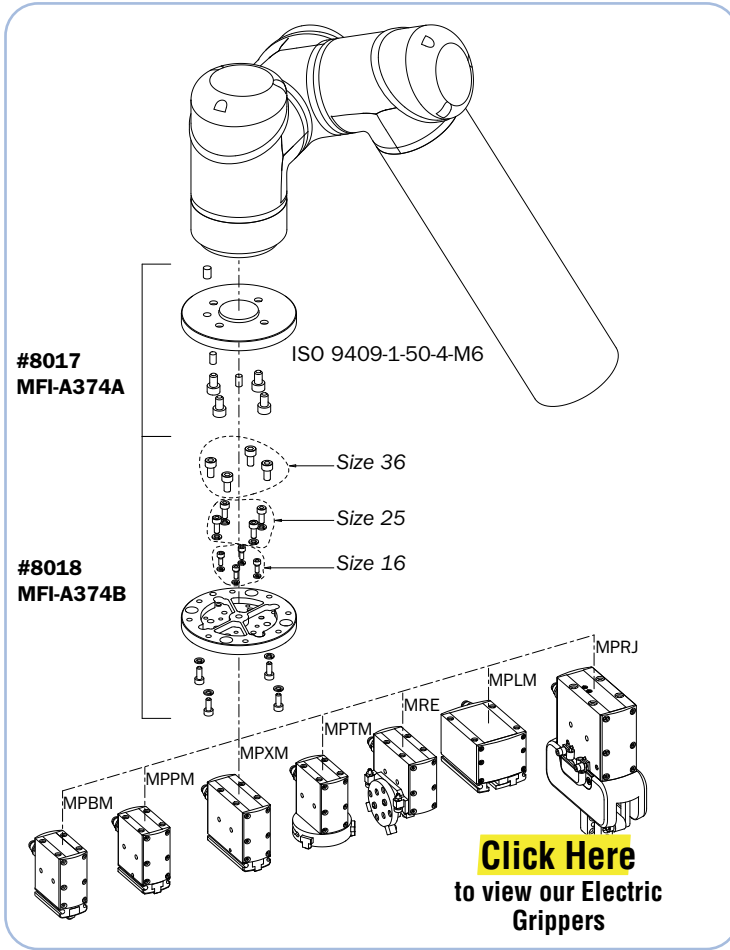
Use Quick#s for easy online ordering.

- Steel plate compatible with the ISO 9409-1-50-4-M6 mounting pattern.
- Mounts directly to QC75, QC90, GSQ-G Quick Changers.
- Hardware included.



Interface for Mounting Electric Grippers

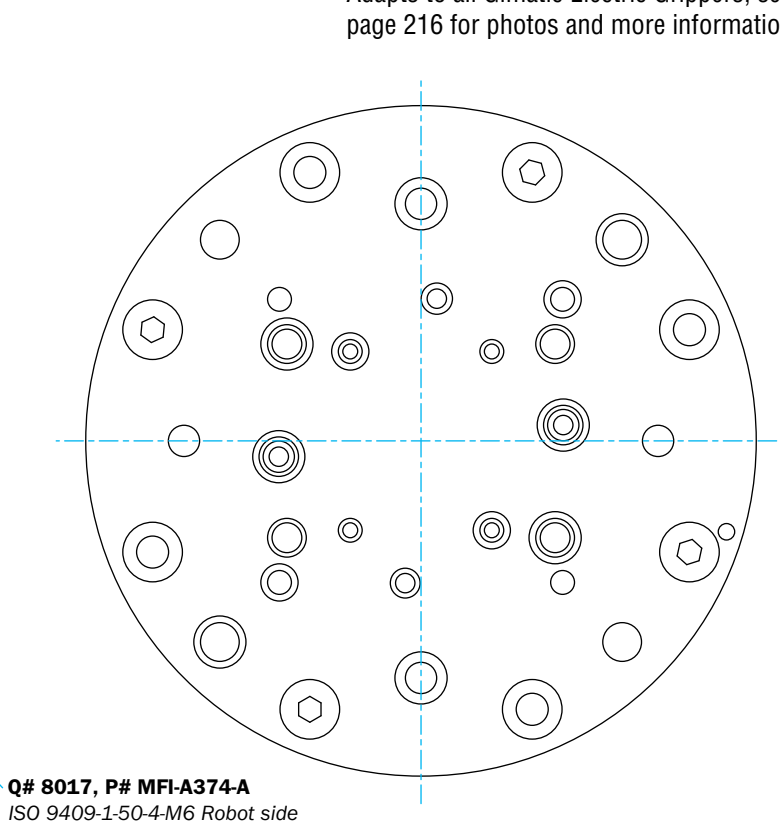
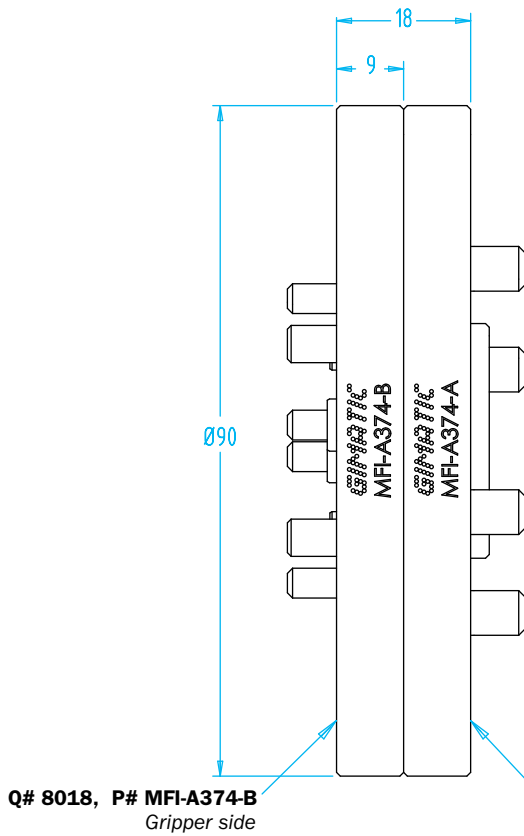
(Dimensioned drawings shown full scale)



Quick#	Part#	Price	Wt.
8017	MFI-A374A	\$62.50	50g
8018	MFI-A374B	\$83.00	55g

- Compatible with the ISO 9409-1-50-4-M6 mounting pattern.
- Hardware included.
- Adapts to all Gimatic Electric Grippers, see page 216 for photos and more information.

- CU
- QC
- VG
- VC
- VA
- SG
- GR
- MT
- AC
- CS
- CC



Cobot Flange Mono Clamp



EMI's Cobot mono clamps are lightweight, cost effective and easy to use. Simply mount the clamp directly to your Cobot's ISO 9409-1-50-4-M6 tool flange or to a Cobot Quick Changer with the included hardware and spacer.

**Spacer and hardware included for use with Gimatic Quick Changer QC-75*

Cobot Flange Mono Clamp

Quick#	Part#	Clamp	Price	Wt. *
8101	CRM-MC10-A	Ø10	\$38.29	47g
8102	CRM-MC14-A	Ø14	\$42.61	49g
8103	CRM-MC20-A	Ø20	\$46.33	61g
8104	CRM-MC30-A	Ø30	\$49.82	71g

**Standard weight. The weight is slightly higher when using hardware to attach to the QC-75.*

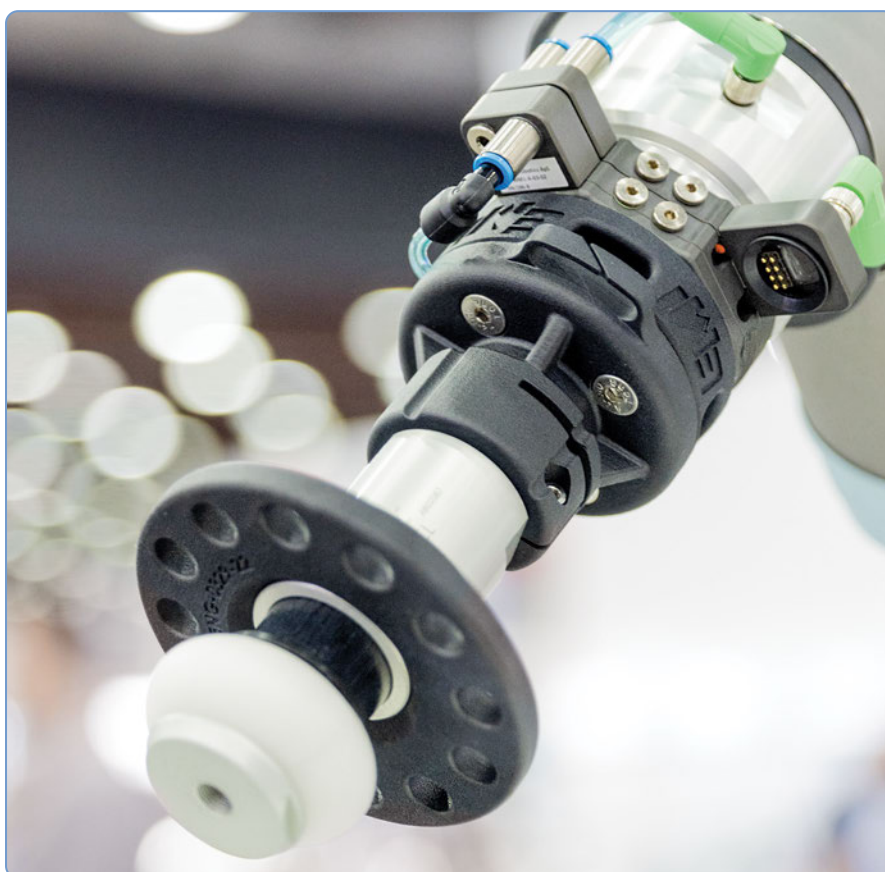
25mm Spacer for Cobot Flange

Quick#	Part#	Price	Wt.
8106	CRM-MCSP25	\$23.64	55g

*Hardware for spacer:
4x Q# 213 for direct mounting
4x Q# 215 when using QC Spacer*

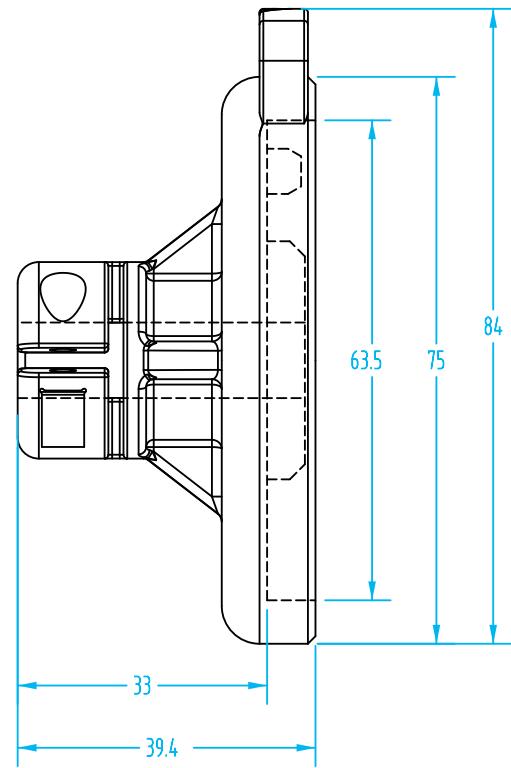
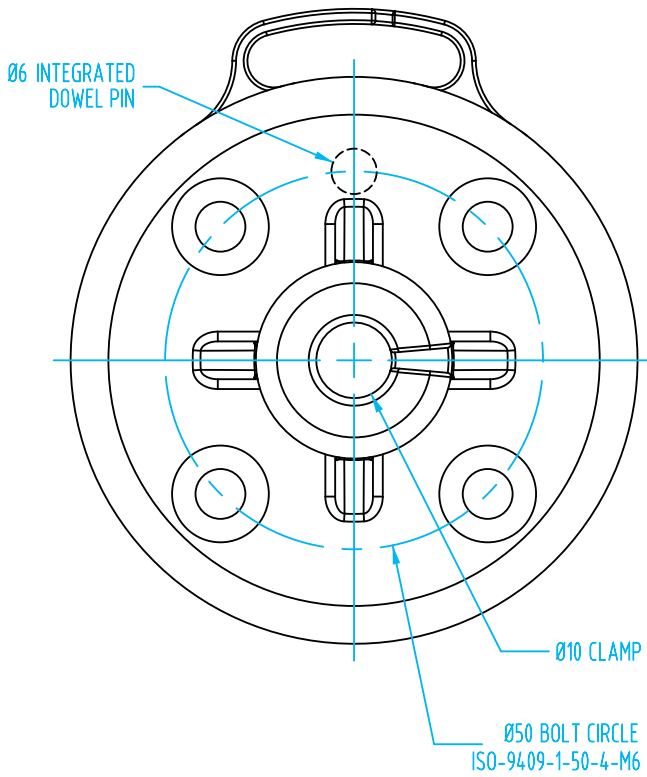
Compatible with your existing EOAT components!

- Available with Ø10, 14, 20, 30mm clamps.
- Can be printed to fit any Cobot.
- Compatible with our wide range of quick changers, vacuum posts, grippers or custom to fit your EOAT.



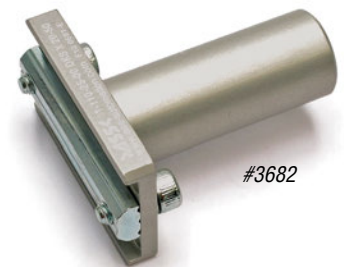
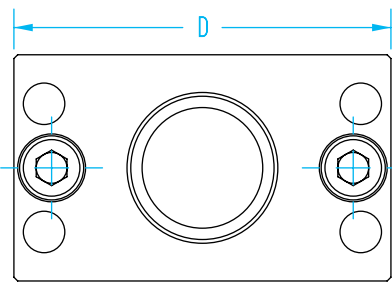
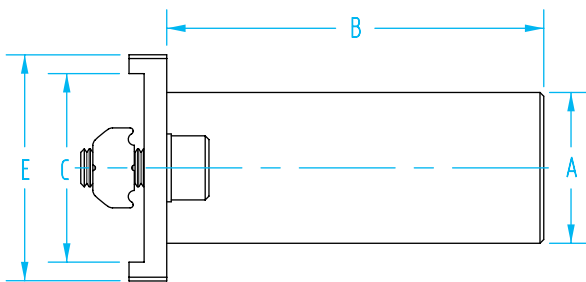
Cobot Flange Mono Clamp

(Quick# 8101 with Ø10mm clamp shown. All mono clamps have same overall dimensions.)



- CU
- QC
- VG
- VC
- VA
- SG
- GR
- MT
- AC
- CS
- CC

Profile Mounting Post



Profile Mounting Post

Quick#	Part#	>ASS< #	Price	A	B	C	D	E	Wt.	Use with Profile:
3464	DKS10L	1-110-10-00	\$19.95	10	60	18	30	20	27g	Light
3465	DKS14X	1-110-20-00	\$24.15	14	80	25	40	30	51g	X
3682	DKS-X-20-50	1-110-25-00	\$21.00	20	50	25	50	30	62g	X
3466	DKS20X	1-110-30-00	\$26.25	20	100	25	50	30	77g	X



EMI[®] Custom and Plug-and-Play Solutions for your Cobot

Vacuum Gripper Kits

Vacuum is the most effective way of handling molded parts and EMI offers everything you need for a plug and play solution. EMI stocks the largest selection of Vacuum EOAT kits and components.

EMI Gripper Kits

EMI offers a wide array of handling gripper kits to meet your application needs, budget and Cobot platform. Every kit is in-stock and can be customized, expanded or simplified according to your specifications.

Cobot Accessories

Our Cobot Accessories are compatible with a wide range of robot platforms. EMI Solenoid Valve, Vacuum Generator and Cable Management kits are a cost effective, practical way to enhance your Collaborative Robot.

Cobot Stands

EMI Cobot Stands extend the reach of your robot arm. In-stock and cost-effective, these heavy-duty pedestals come in various heights and are available with a mobile base. Perfect for industrial environments.

Cobot Ready Conveyors

Cobot Ready Conveyors from EMI easily interact with your robot to provide continuous part transfer. Ideal for pick and place, machine tending and packaging, these conveyors are designed and manufactured to order.





Vacuum Grippers Overview

Industry-leading vacuum automation solutions are in-stock and supported by EMI!

Vacuum Automation is an effective way of handling workpieces; from injection molding to corrugate packages. EMI has curated an offering of solutions to cover various applications.

From electric vacuum grippers to pneumatically-driven area grippers and modular (DIY) kits, we are certain one of these solutions will work for you or give you an idea of a custom solution that EMI can develop for you.

EMI has decades working with the industry leaders in vacuum automation and developing real world solutions. Our EOAT Engineers are here to help!

Unmatched Product Support!

EMI Engineers are ready to answer your vacuum application questions!

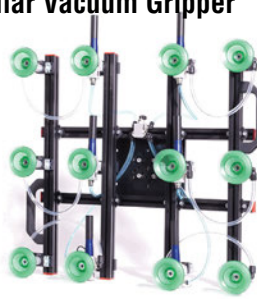


Vacuum Grippers Overview

Modular Vacuum Gripper Kit p.82



Modular Vacuum Gripper Kit II p.86



3D Printed Vacuum Gripper Kit p.20



Pre-Built Gimatic Vacuum Gripper Kit p.92



OnRobot VGC10 Vacuum Gripper p.94



OnRobot VG10 Vacuum Gripper with Dual Zone p.98



OnRobot VGP20 Vacuum Gripper with Quad Zone p.100



OnRobot 2FGP20 Palletizing Gripper with Vacuum p.102



Coval® CVGC Area Gripper p.104



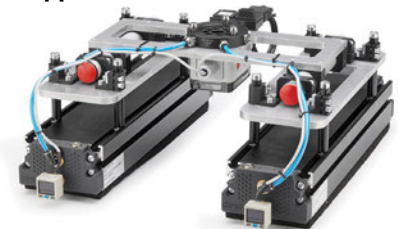
Schmalz FQE Area Gripper p.106



PIAB CPT Area Gripper p.108



Gimatic Area & Bag Grippers p.110



Schmalz RECBi Pneumatic Vacuum Generator p.112



Schmalz CobotPump Electric Vacuum Generator p.114



PIAB piCOBOT® L Vacuum Gripper p.116



- CU
- QC
- VG
- VC
- VA
- SG
- GR
- MT
- AC
- CS
- CC

EMI Modular Vacuum Kit – MPK

Everything you need to get your Cobot up and running for vacuum applications.

EMI's Modular Profile Kit includes 2 mounting plates, 3 different lengths of profile (450mm, 350mm, 200mm), 3 styles of vacuum cups, vacuum posts, cross clamps, manifold, fittings, vacuum generator with integrated sensing, 5/2 on-arm solenoid valve, cable management clamps, tubing, wiring harness, and all the necessary hardware to build your own custom vacuum EOAT.

Quick# 8005
 Part# CRK-MPK1-A
KIT PRICE: \$995.00

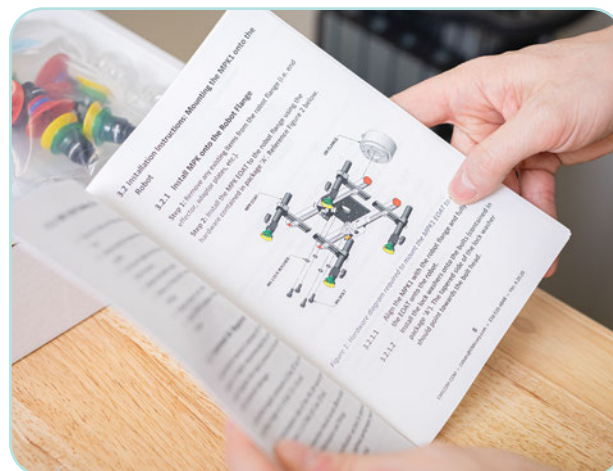


Modular MPK Vacuum Kit:

- Modular, lightweight aluminum frame with two anodized aluminum mount plates.
- Three sets of vacuum cups included: high temperature Silicone, non-marking Hithane and Dual Durometer.
- Includes an integrated vacuum generator with a monitoring switch for part confirmation.
- Up to 450mm x 450mm footprint!
- Compatible with our existing line-up of EOAT components.
- Includes EMI's robot plugin and sample CAD models for easy assembly and programming.
- Compatible with the ISO 9409-1-50-4-M6 mounting interface.
- Compatible with the quick changers in this catalog.



Easily modify configurations when your application changes.



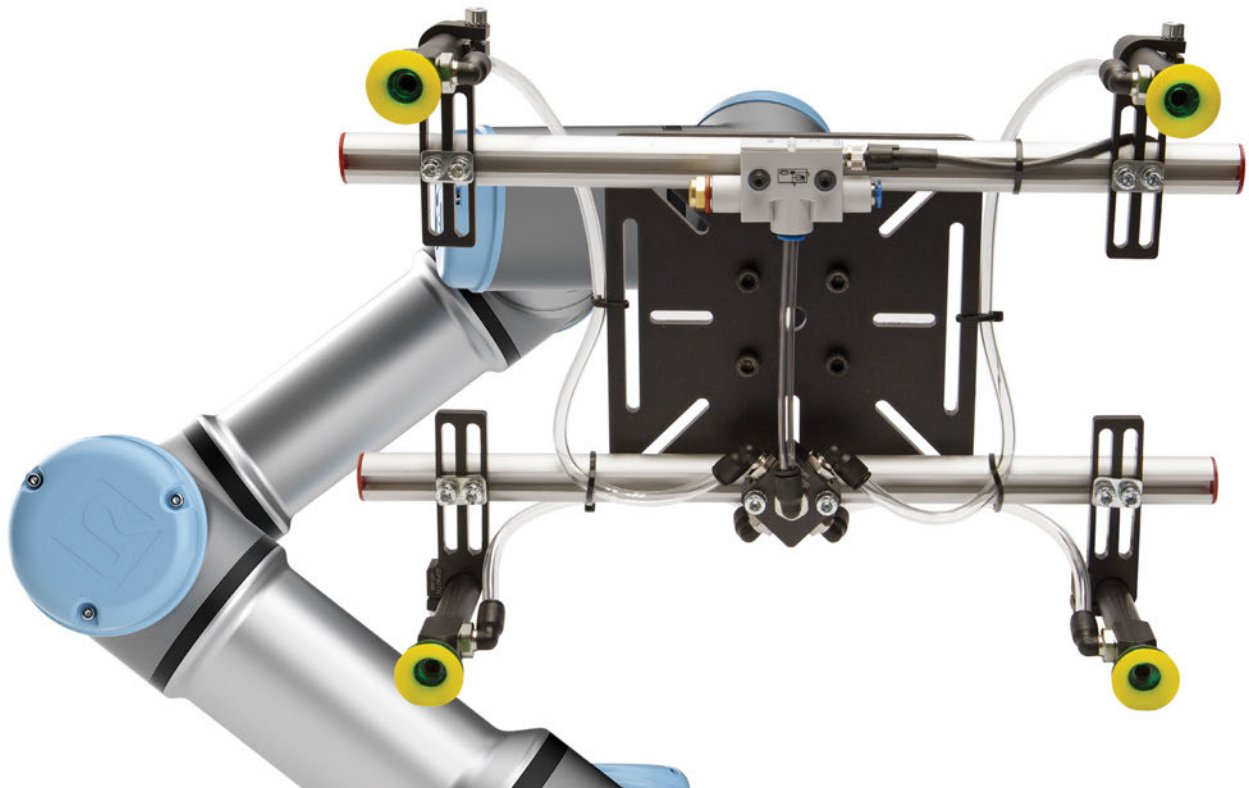
Our User Guide provides all information from setup to troubleshooting.

EMI Modular Vacuum Kit – MPK

Completely modular and lightweight, the MPK is a great starting point for most vacuum applications and can easily be expanded with EMI's complete line up of EOAT framing, suspensions, grippers, vacuum cups, and more. All in stock and ready to ship with a team of Engineers ready to assist you with your application.



Interface plates and URcap make attaching and programming on Universal Robots fast and easy.



- CU
- QC
- VG
- VC
- VA
- SG
- GR
- MT
- AC
- CS
- CC



Quick# 8016

5/2 Solenoid valve with fittings, mufflers, and non-slip Velcro® strap.



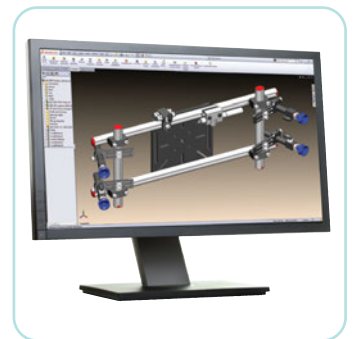
Quick# 8015

Two cable management clamps with non-slip Velcro strap.



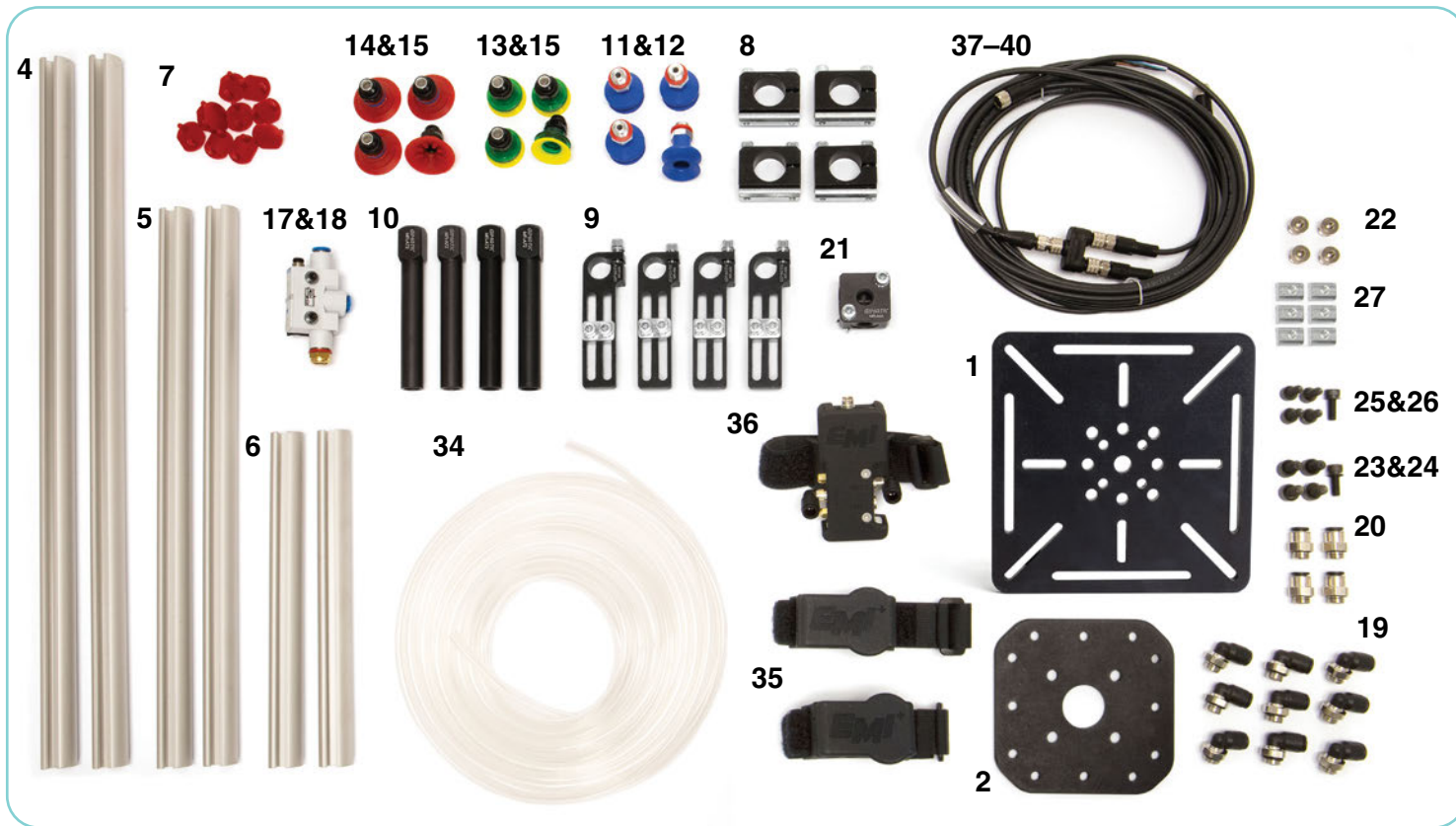
#8091 with silencer #8069

Vacuum generator with monitoring switch for part confirmation.



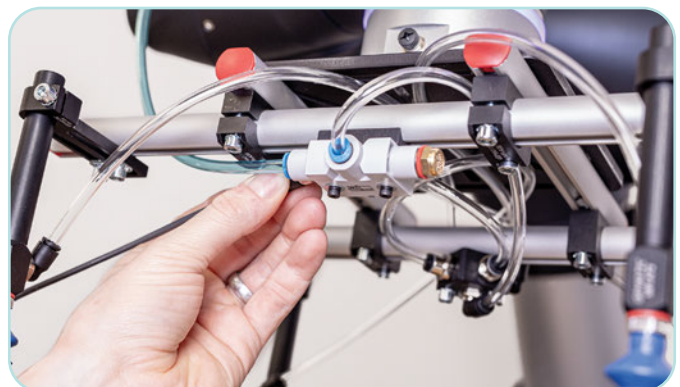
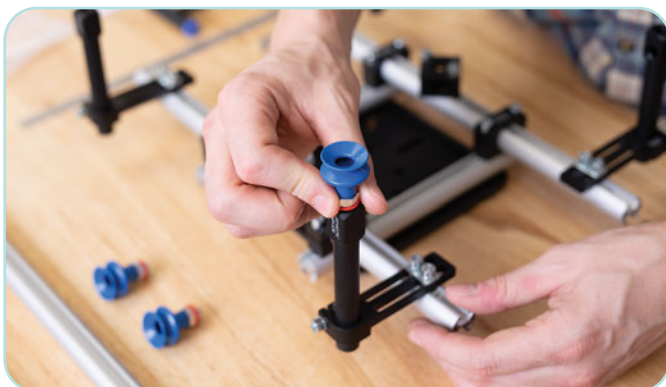
USB drive includes EOAT sample assemblies, and user manual.

EMI Modular Vacuum Kit – MPK



Easy to Assemble and Modify!

EMI's Modular Profile Kit includes all the components needed to build your own vacuum end effector. The USB drive includes several CAD models of assemblies pre-designed by our EOAT Engineers. If you have any questions on how to build your End of Arm Tooling, just give us a call. We'll be happy to guide you through the process.



Modular Profile Kit Bill of Materials

#	Quick#	Part#	Description	Qty.
1	8057	CRM-0337-1A	UR Mount Plate	1
2	8058	CRM-0138-2A	UR Mount plate	1
3	8092	CR3-0138-3	Vacuum Generator Bracket	1
4	6035	EMB-2017-1000	Ø20mm Profile, 450mm long	2
5	6035	EMB-2017-1000	Ø20mm Profile, 350mm long	2
6	6035	EMB-2017-1000	Ø20mm Profile, 200mm long	2
7	6054	MFP-K29	Profile end cap (10pack)	1
8	5695	MFI-A38	Ø20mm Cross Clamp	4
9	5702	MFI-A06	Ø14mm long Angle Clamp	4
10	5735	MFI-A72	Ø14mm Vacuum Arm	4
11	1653	GSV-BHT-25	25mm Hithane Vacuum Cup	4
12	1604	GSF-PFN-G8M	G1/8 Vacuum Nipple	4
13	5645	GSV-1BDD-25	25mm Duraflex Cup	4
14	1429	GSV-F30-20	30mm Flat PIAB Cup	4
15	5157	GSV-02AB	G1/8 Nipple for PIAB Cups	8
16	244	GSF-G-G8	G1/8 Seal Ring	4
17	8091	VN10H-T4-PQ2-VQ2-O1P	Vacuum Generator w/ Monitor	1
18	8069	AMTE-M-H-G18	G1/8 Muffler	1
19	121	GSF-QME-G806	6mm, G1/8 Elbow Fitting	9
20	105	GSF-QMC-G806	6mm, G1/8 Straight Fitting	4
21	5771	MFI-A66	5-port Manifold Block	1
22	1388	GSF-TPP-U8	G1/8 Plug	4
23	880	GSC-M6-LW	M6 Lock Washer	4
24	873	GSC-M6-14	M6x14 SHCS	4
25	854	GSC-M5-14	M5x14 SHCS	6
26	865	GSC-M5-LW	M5 Lock Washer	6
27	6019	MFI-025	M5 Channel Nut	6
28	822	GSC-M3-22	M3x22mm SHCS	2
29	827	GSC-M3-LW	M3 Lock Washer	2
30	829	GSC-M3-FW	M3 Fender Washer	2
31	318	GSC-TI-M3	M3 Brass Insert	2
32	986	GSC-FSH-4x10	M4x10mm FSH	1
33	6058	MFI-177	M4 Channel Nut	1
34	958	GSU-PC-0604	Ø6mm Clear Tubing	1
35	8015	CRA-CMK-1	Cable Mgmt. Kit	2
36	8016	CRA-SVK-1	Cobot Solenoid Valve Kit	1
37	8081	GSE-E12269	IFM Splitter	1
38	8082	GSE-RFC-M8-4P	4-pin M8 Connector Robotic Flex (5m)	1
39	8086	CRC-1000-3P*	3-pin M8 Cable (1000mm)	1
40	8084	CRC-650-3P*	3-pin M8 Cable (650mm)	1

*Part may vary.

Contact EMI for hardware and 3D-printed components.

EMI's wide offering of EOAT components allows you to expand on the MPK. Check out different vacuum cups, grippers and framing in our EOAT Catalog to make this kit even more adaptable.

- CU
- QC
- VG
- VC
- VA
- SG
- GR
- MT
- AC
- CS
- CC

EMI Modular Vacuum Kit – MPK II

Designed with the best vacuum components to meet the requirements of packaging applications, and the convenience to modify when needed.

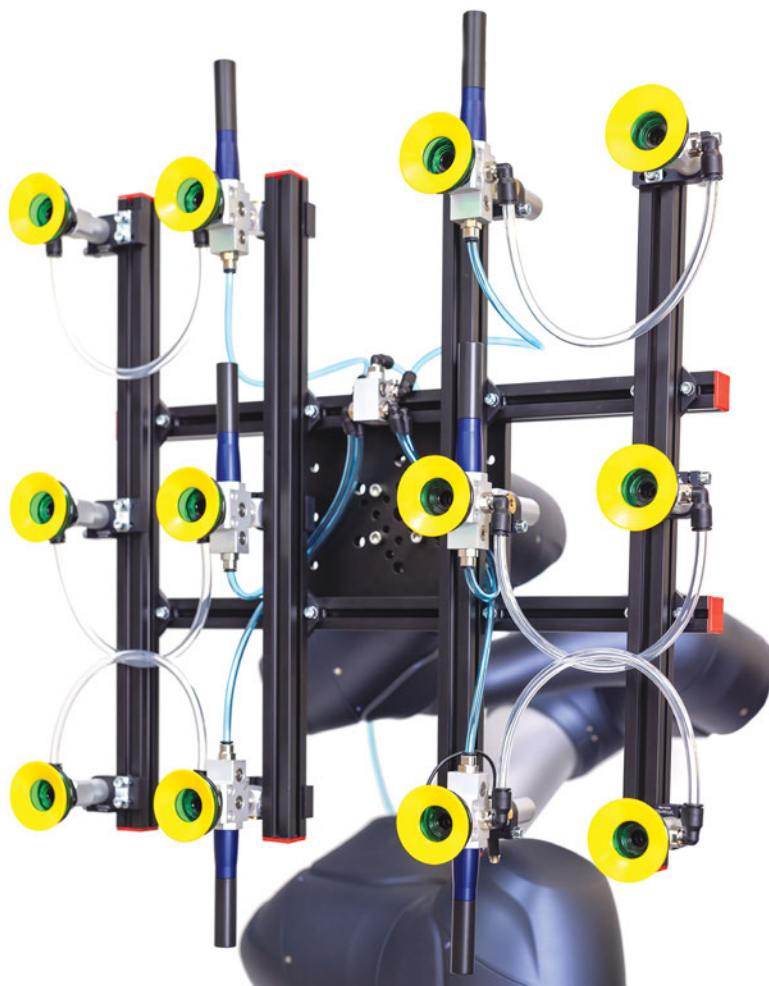
Expanding on EMI offering of vacuum automation products and solutions, our engineers have put together a kit to handle porous materials commonly used in packaging applications. With de-centralized vacuum generators, industry-leading vacuum cups, framing and two mounting plate options, this Kit is a great starting point for your Collaborative Robot to be deployed.

Quick# 8004
Part# CRK-MPK2-A
KIT PRICE: \$2,998.00

Modular MPK 2 Vacuum Kit:

- Modular, lightweight aluminum frame with two anodized aluminum mount plates.
- Two sets of vacuum cups included: PIAB Duraflex Dual Durometer and Schmalz Elastodur Dual Durometer.
- Includes an integrated high-flow vacuum generator with a monitoring switch for part confirmation.
- Up to 500mm x 500mm footprint!
- Compatible with our existing line-up of EOAT components.
- Includes EMI's robot plugin and sample CAD models for easy assembly and programming.
- Compatible with multiple cobot mounting interfaces, see page 88.
- Compatible with the quick changers in this catalog.

Easily modify configurations when your application changes!



EMI Modular Vacuum Kit – MPK II

Quick# 8004 has been tested for payloads up to 20kg, however, keep in mind that this is very dependent on the material being handled and testing is encouraged.

If you need support from our engineers, contact cobots@emicorp.com to get started with your vacuum packaging application.



Large Footprint!

- CU
- QC
- VG
- VC
- VA
- SG
- GR
- MT
- AC
- CS
- CC

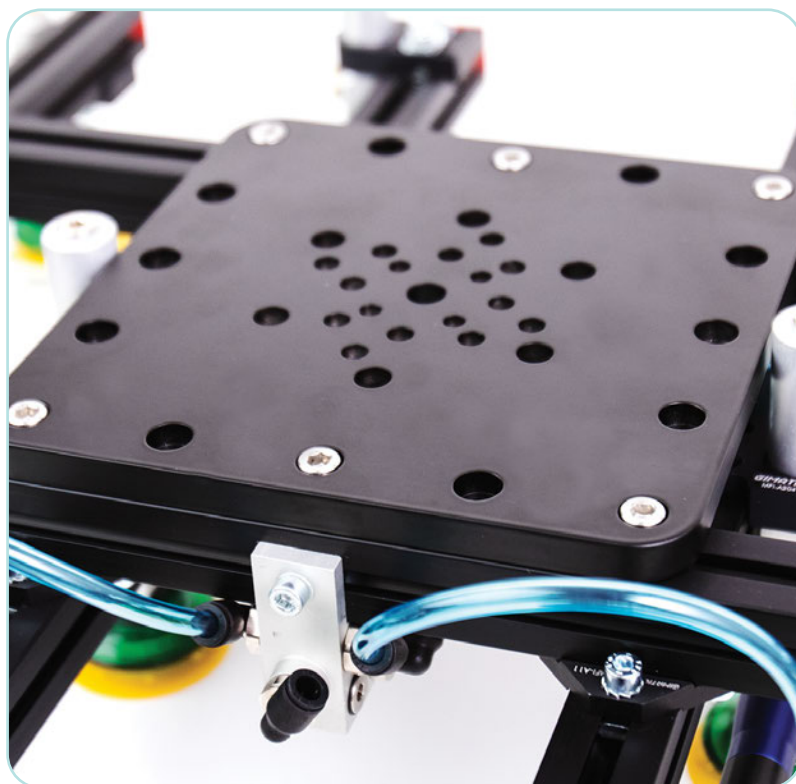
EMI Modular Vacuum Kit – MPK II

Adaptable and versatile!

The MPK II interface plate comes ready for the cobot mounting patterns listed below:

- ISO 9409-1-31.5-4-M5
- ISO 9409-1-40-4-M6
- ISO-9409-1-50-4-M6
- ISO 9409-1-63-4-M6
- ISO 9409-1-80-6-M8
- Find a full dimensional drawing on page 72.

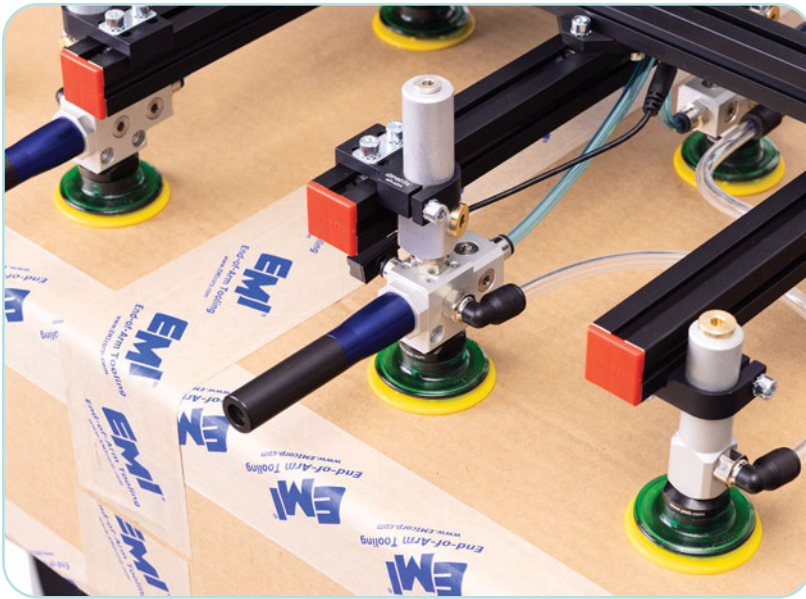
**Need a mounting pattern not listed?
Contact us to discuss!**



Setup is easy!

USB drive includes EOAT sample assemblies, and quick start guide.

EMI Modular Vacuum Kit – MPK II



Suitable for uneven and porous surfaces such as cardboard, DURAFLEX® suction cups are manufactured in a specially developed material that features the elasticity of rubber and wear resistance of polyurethane. The kit includes 12 cups.



Elastodur® vacuum cups are a durable choice for handling bags and other highly flexible packages as well as cardboard boxes and other rigid packages. The kit includes 12 cups.

- CU
- QC
- VG
- VC
- VA
- SG
- GR
- MT
- AC
- CS
- CC

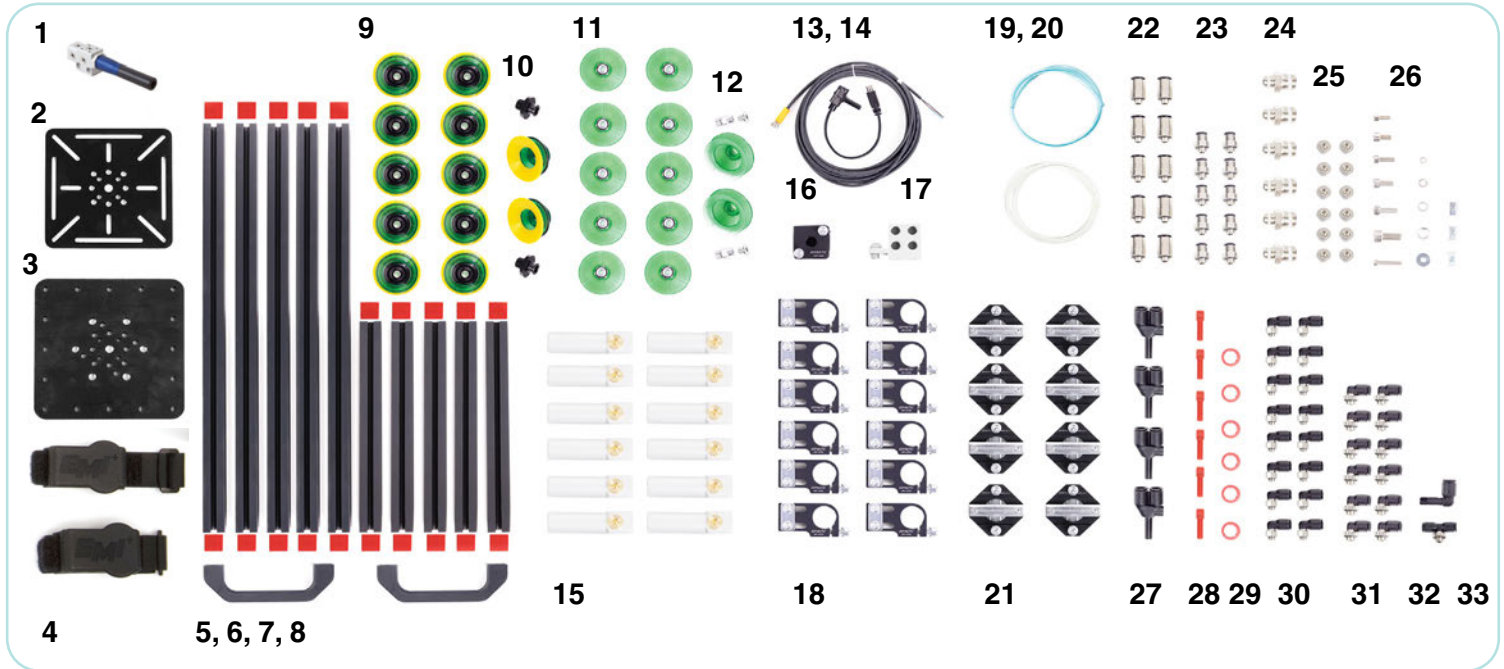
Shop hundreds of EOAT Vacuum Cups!

EMI offers a wide selection of in-stock vacuum cups to adapt your Cobot Vacuum Kit. We've added a number of new vacuum cups specifically for the automation industry. Contact us if you need assistance with your application.



EMI Modular Vacuum Kit – MPK II

Included in Kit:



Two Cable Management clamps with non-slip Velcro strap are included to keep cables and tubing tidy. See page 262.



Coval® PSK adjustable vacuum switches are compact and ultra-light design and can be installed close to vacuum cups for reduced response times. See page 187.



Schmalz® SBP Vacuum ejector provides powerful but energy-efficient vacuum generation. Find more information on page 172.

A Quick-Start Guide is included with the MPK-2 Kit. This provides all the important info to get your vacuum kit up and running.

Additionally, the kit is broken up into different packages, making it easy to find what you need. EMI's wide offering of EOAT components allows you to expand on the MPK. Check out different vacuum cups, grippers and framing in our EOAT Catalog to make this kit even more adaptable.

Modular Profile Kit Bill of Materials

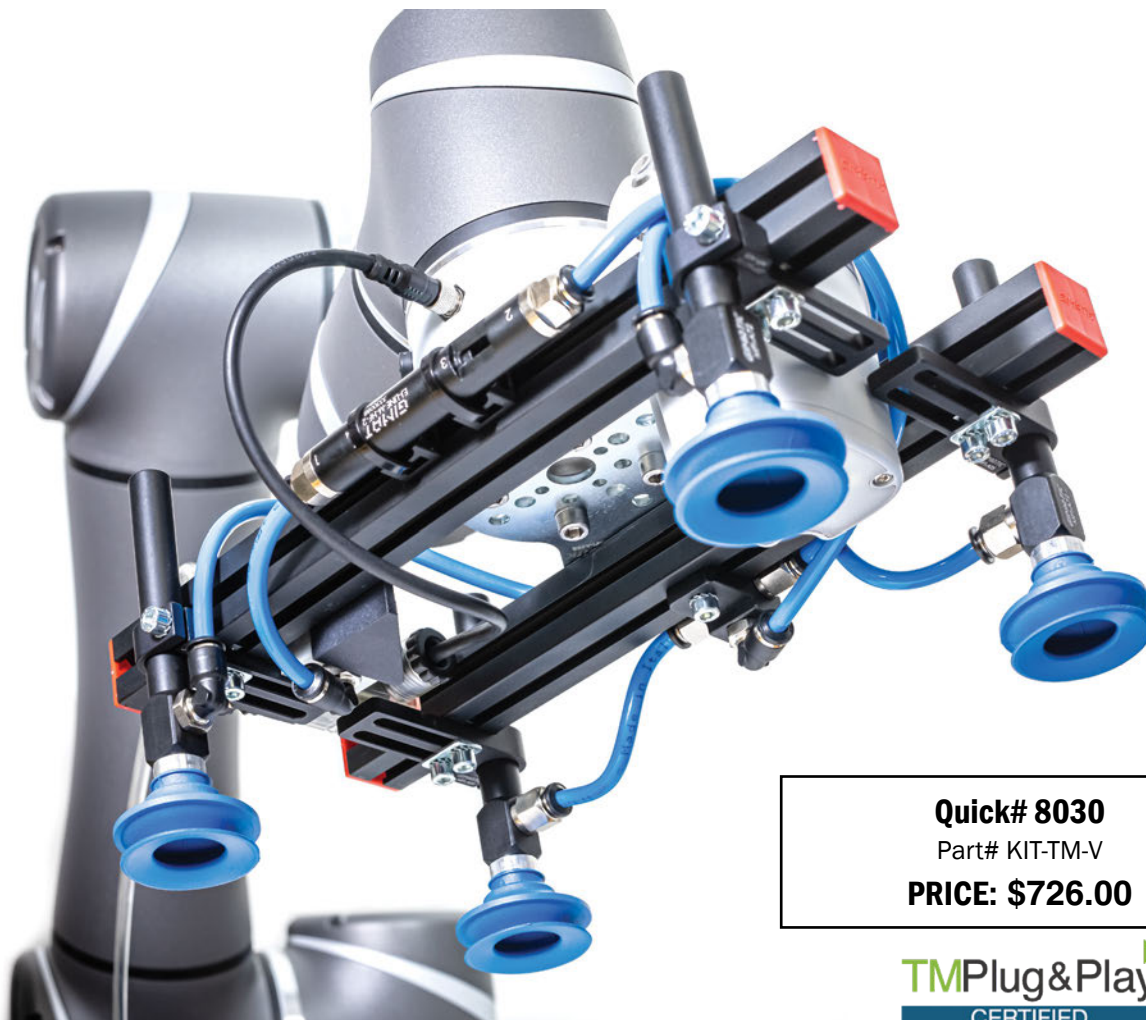
#	Quick#	Part#	Description	Qty.
1	8799	SBP-HV-3-07-13-SD	Schmalz High Flow Medium 3-Stage Vacuum Ejector	6
2	8057	CRM-0337-1A	Multi-Robot Mount Plate	1
3	8063	CRM-0337-2A	Large Multi-Robot Mount Plate	1
4	8015	CRA-CMK-1	EMI Cable Management Kit	2
5	6005	EMF-2525-1000	25x25mm Profile, 245mm Length (6005 = 1m long)	4
6	6005	EMF-2525-1000	25x25mm Profile, 495mm Length (6005 = 1m long)	6
7	6015	MFI-A21	25x25 End Caps (10 pack)	2
8	700	EOAT-HANDLE	EOAT Handle	2
9	5647	GSV-1BDD-52	PIAB Ø52mm 1.5 Bellows Duraflex Cup	12
10	5316	GSV-05AB	PIAB Vacuum Cup Nipple - Male G1/4	12
11	8747	SPB1-60-ED-65-SC050	Schmalz Ø60mm 1.5 Bellows Elastodur Cup	12
12	8742	SC-050-G1/4-AG-MOD	Schmalz Vacuum Cup Nipple - Male G1/4	12
13	2583	GSE-NAN-3F	3-Pin Straight M8 Cable, 5m Length	1
14	1931	PSK-100-D6P	Coval Ø6mm Vacuum Monitor Switch - PNP	1
15	3626	GSE-U-20-1/4-1/8-50	Ø20mm Vacuum Post	12
16	5771	MFI-A66	Manifold Block - 5x G1/8	1
17	3414	VTB2-2-1/8X	Side Manifold Block - 2x 5x G1/8 - X Profile	1
18	5873	MFI-A204	Ø20mm Angle Clamp	12
19	959	GSU-PC-0806	Ø8mm Clear Tubing	1
20	961	GSU-PB-0604	Ø6mm Blue Tubing	1
21	5658	MFI-A11	25x25mm Cross Joint Connector	8
22	106	GSF-QMC-G808	Male Threaded Straight Fitting, Ø8mm Tube, G1/8 Thread	6
23	105	GSF-QMC-G806	Male Threaded Straight Fitting, G1/8 Thread, Ø6mm Tube	10
24	1377	GSF-UN-U8U4	Male to Male Adapter with Seal Rings, G1/8 - G1/4	6
25	1388	GSF-TPP-U8	G1/8 Threaded Plug	12
26	-	-	Misc. Hardware and Channel Nuts	-
27	179	GSF-QPY-08	Plug-In Y, Ø8mm Tube	4
28	193	GSF-QP-06	Ø6mm Push-in Plug	6
*	194	GSF-QP-08	Ø8mm Push-in Plug	6
29	244	GSF-G-G8	Seal Ring, G1/8	6
30	121	GSF-QME-G806	Male Threaded Push-in Elbow, G1/8 Thread, Ø6mm Tube	16
31	122	GSF-QME-G808	Male Threaded Push-in Elbow, G1/8 Thread, Ø8mm Tube	12
32	167	GSF-QPE-06	Plug-In Elbow, Ø6mm Tube	1
33	145	GSF-QBT-G806	Male Threaded Push-In Tee, G1/8 Thread, Ø6mm Tube	1

Contact EMI for hardware and 3D-printed components.
**Part not shown.*

- CU
- QC
- VG
- VC
- VA
- SG
- GR
- MT
- AC
- CS
- CC

Modular Vacuum Kit – Gimatic Kit-V

KIT-V for UR and Fanuc CRX and Techman Robots is a modular and durable vacuum end effector. A lightweight, extruded aluminum frame offers versatility so it can be used for different tasks with minimal setup time.



Quick# 8030
Part# KIT-TM-V
PRICE: \$726.00

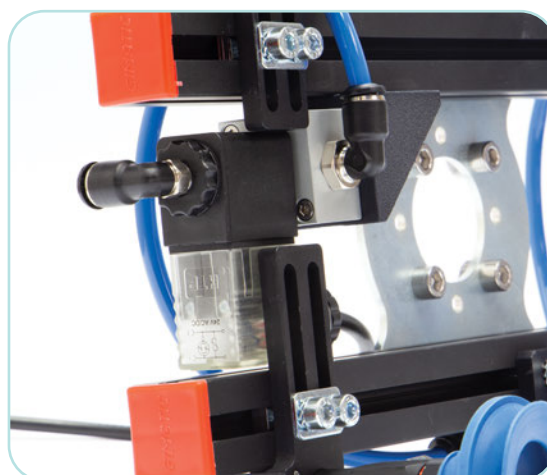
TMPlug&Play
CERTIFIED

Gimatic by EMI KIT-UR-V & KIT-TM-V

End Of Arm Tool (EOAT) for vacuum based pick & place operations. The included pneumatic actuator allows for a direct connection to the robot wrist.

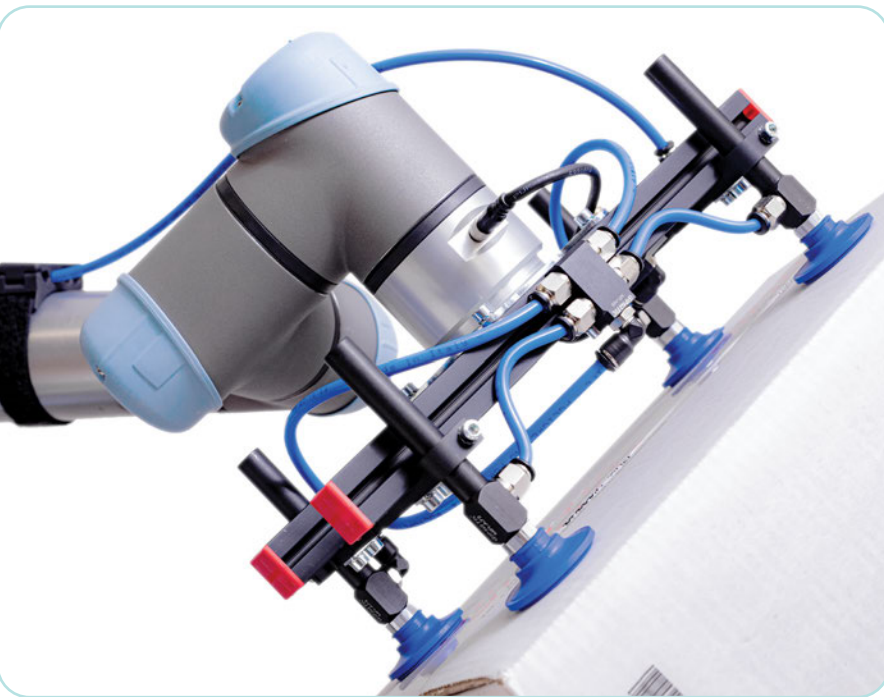
The KIT-TM-V is designed for Techman Robot cobots (TM5, TM12 and TM14 series). This kit is completely compatible with Gimatic EQC20-TM (Quick#8155) and it can be used in combination with any collaborative robot that provides a limited power supply capability at the wrist.

Mount the system with the included mechanical flange to the wrist of the robot and connect the main valve inlet to the pneumatic power source. The system can be electrically connected directly to the wrist of the robot. The system can be operated via digital output from the tool interface of the UR robot.



Complete with embedded vacuum generator and solenoid valve.

Modular Vacuum Kit – Gimatic Kit-V



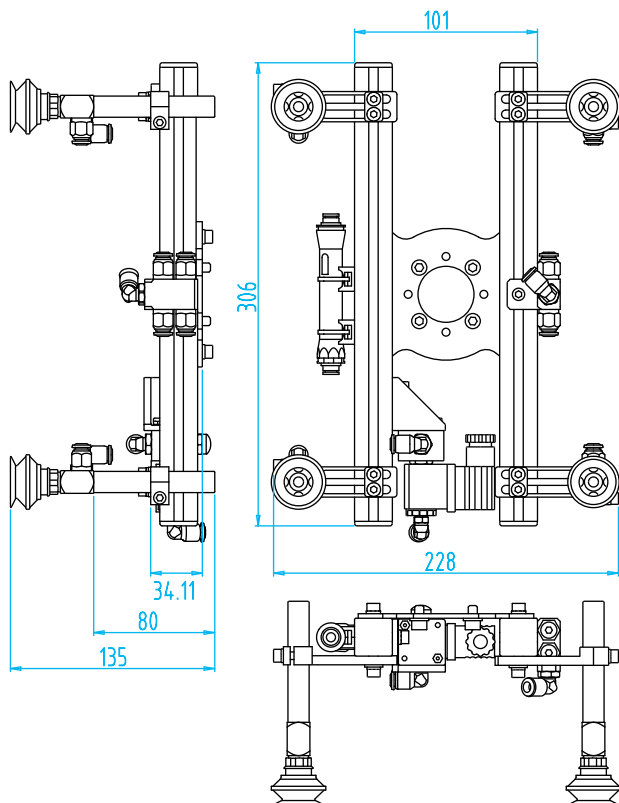
- **Delivered fully assembled, and easy to adjust.**
- KIT-UR-V: Compatible UR and Fanuc CRX.
- KIT-TM-V: Compatible with TM5, TM12 and TM14.
- Directly connects to the wrist of the robot.
- Plug & play solution.
- Embedded vacuum generator and solenoid valve.
- Delivery with standard HNBR vacuum cups. Contact EMI for different vacuum cups.
- Weight: 1.3 kg.

Quick# 8011
 Part# KIT-UR-V
PRICE: \$726.00

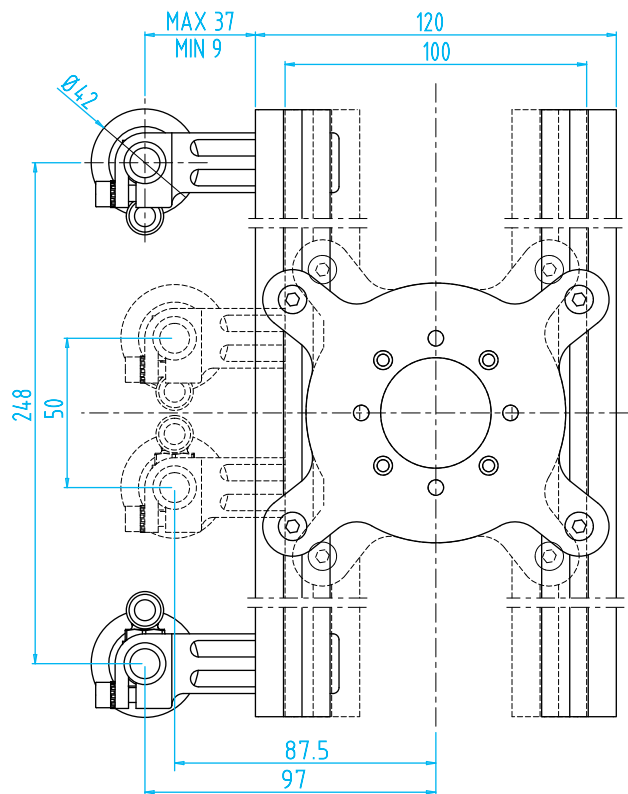


- CU
- QC
- VG
- VC
- VA
- SG
- GR
- MT
- AC
- CS
- CC

Dimensions (mm):



Adjustments (mm):



Customizable Electric Vacuum Gripper – OnRobot VGC10



Electric Vacuum Generator with 33 lbs payload, dual vacuum channels, and built-in quick changer is ideal for injection molded parts. Use your existing EOAT components to frame an EOAT that can run anywhere in your plant. No Compressed Air Required!

Quick# 8211
 Part# OR-102844
PRICE: \$3,709.00

OnRobot pricing effective 05/01/24 and subject to change.

Try It Risk Free!

*Contact us for details



- Two independent LH/RH air channels for dual gripping are helpful for handling plastic molded parts.
- Flexible electric vacuum gripper with unlimited customization fits all your application needs.
- Compact, lightweight gripper is perfect for tight spaces but with plenty of power for objects up to 15kg.
- Built-in electric vacuum generator.
- No external air supply needed.
- Integrated software.

Technical Specs	8211
Vacuum	5%– 80% Vacuum (1.5Hg – 24Hg)
Air flow	12 L /min (0.42 CFM)
Max. payload w/ default attachments*	13.2 lb (6 kg)
Max. payload w/ custom attachments*	33.1 lb (15 kg)
Gripping time	0.35 seconds
Releasing time	0.20 seconds
Weight	814g (1.79 lb)
Power supply	20.4V – 28.8V
Current consumption	50mA – 1500mA
Operating temperature	32° – 122°F

* When using three 40mm cups (more info in the table). Number of cups needed for non-porous materials varies depending on payload and vacuum.

Box Includes:

- VGC10
- Mounting plate
- 15mm Vacuum cup (x 8)
- 30mm Vacuum cup (x 6)
- 40mm Vacuum cup (x 4)
- Vacuum post (x2)
- G1/8" Nipple (x10)
- 6mm Push-in fitting (x4)
- G1/8" Plug (x4)
- M6 x 10mm screw (x4)
- 3mm Hex key
- Torx T30 key



Customizable Electric Vacuum Gripper – OnRobot VGC10

Custom 3D Printed EOAT and Cobot Ready Conveyor by EMI

EMI's Cobot Ready Conveyors are designed to be integrated with your Universal Robot to provide continuous part transfer and are ideal for pick and place, machine tending, and packaging applications.

Electric Vacuum with Molders in Mind!



Foam Surface Cups
See EMI website.

Custom mounting plates and EOAT by EMI

Have a specialty application that requires a custom vacuum gripper? Contact us to discuss! In-stock mounting plates are also available, see website for more information.

VGC10 Mounting Plates for EOAT

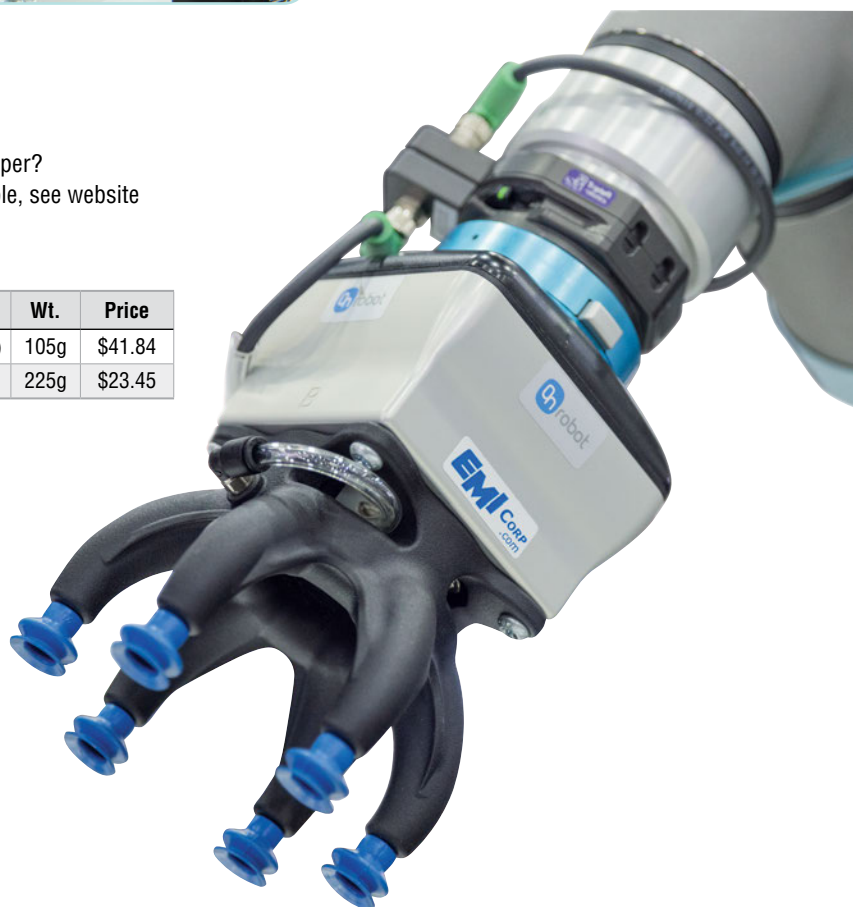
Quick#	Part#	Description	Wt.	Price
8271	CRM-0241-VGC10-4	Collaborative Plate (120 x 120mm)	105g	\$41.84
8270	CRM-0241-VGC10-1	Laser Cut Plate (125 x 150mm)	225g	\$23.45

OnRobot VG Gripper Filter Kit

Quick#	Part#	Price
8243	OR-100064	\$286.67

Box Includes:

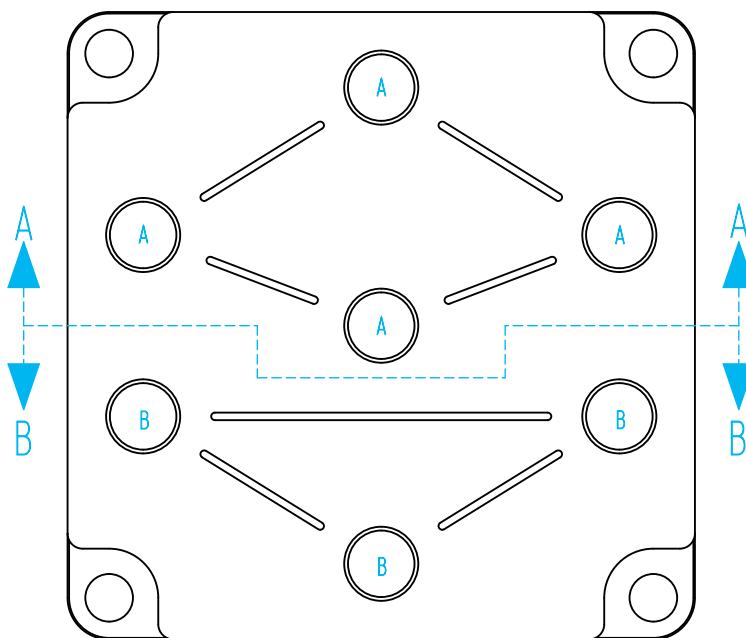
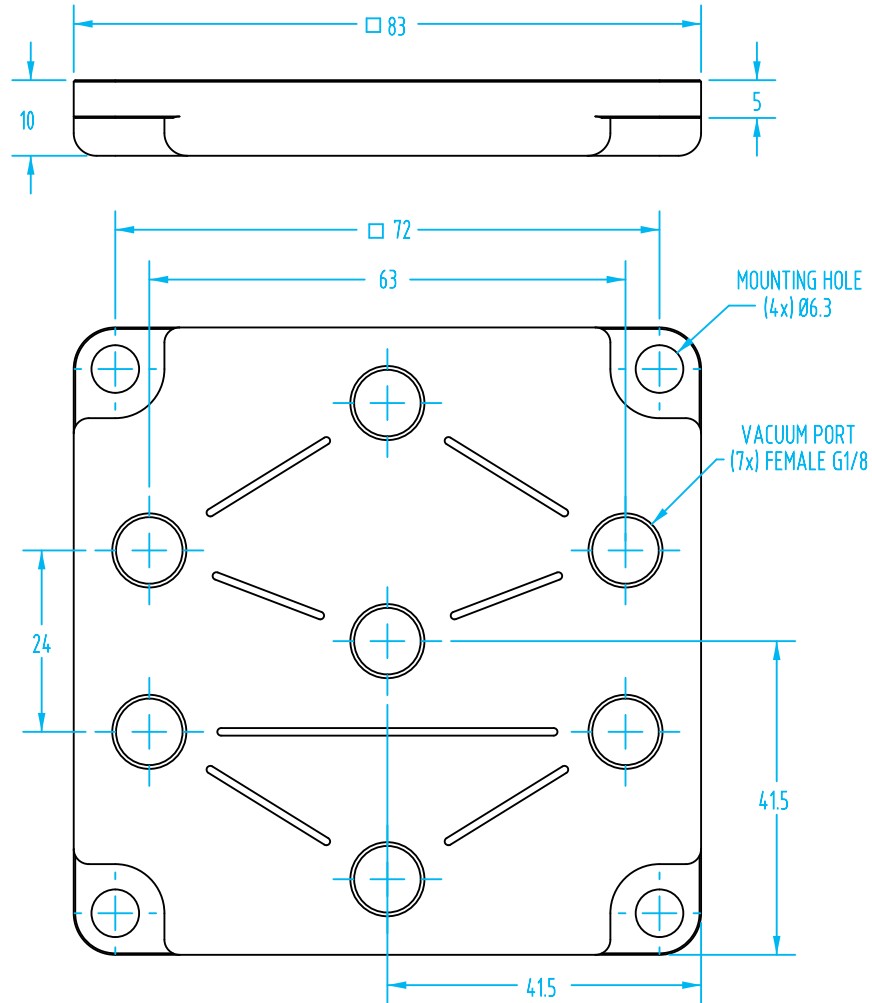
- Manual with instructions
- 16x Input filters
- 16x Filter fittings
- 16x O-rings
- Output filter
- O-ring for output filter
- Retaining ring
- 14mm spanner
- 3mm Hex key
- Loctite®



Customizable Electric Vacuum Gripper – OnRobot VGC10

(Dimensioned drawing shown full scale)

VGC10 Mounting Plate (Included):

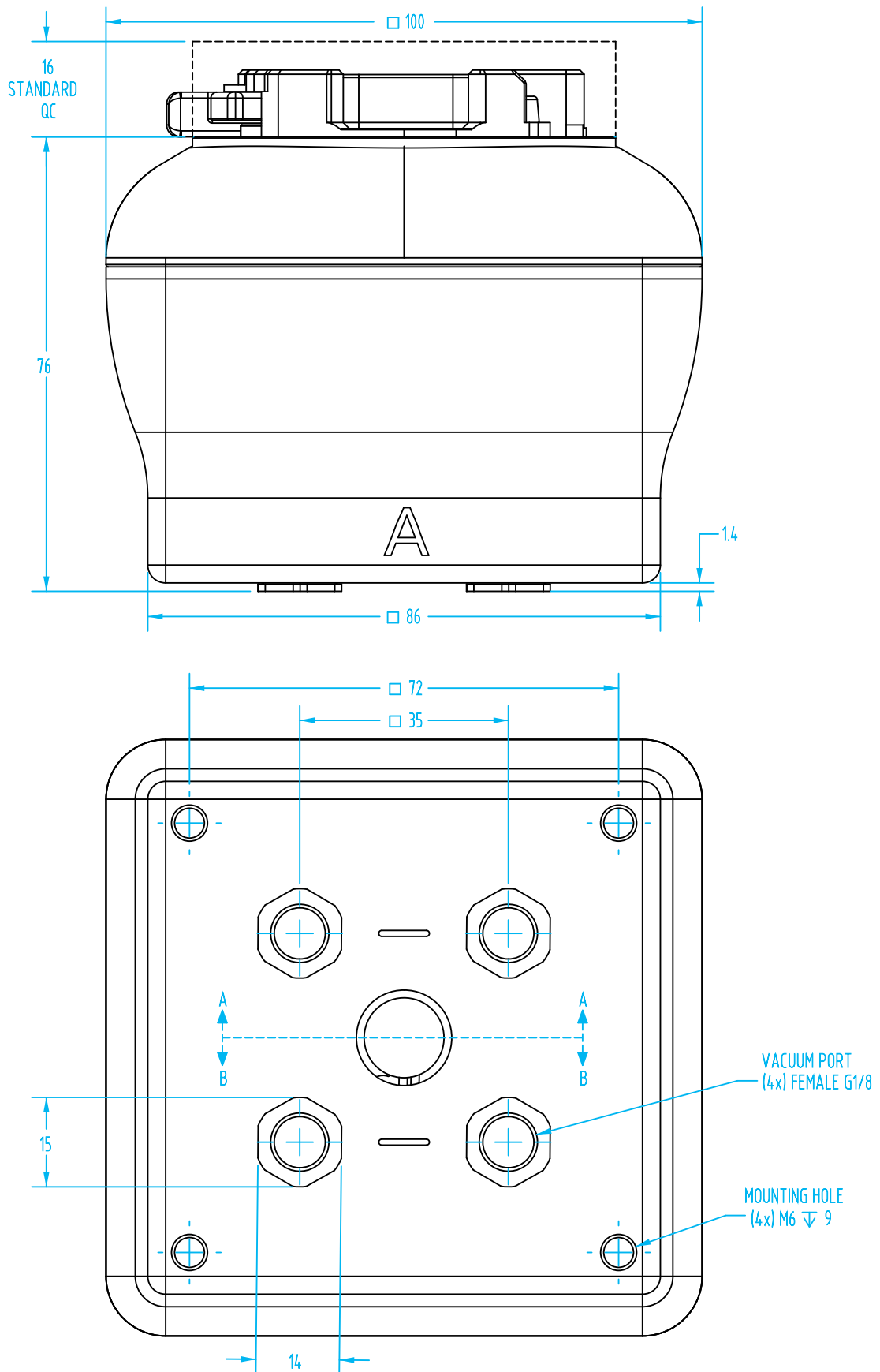


PORTING LAYOUT OF THE INCLUDED VGC10 MOUNTING PLATE.
CHANNEL A - 4 PORTS, CHANNEL B - 3 PORTS.



Customizable Vacuum Gripper – OnRobot VGC10

(Dimensioned drawing shown full scale)



- CU
- QC
- VG
- VC
- VA
- SG
- GR
- MT
- AC
- CS
- CC

Electric Vacuum Gripper with Dual Zone – OnRobot VG10



Quick# 8210
 Part# OR-101661
PRICE: \$6,022.00

OnRobot pricing effective 05/01/24 and subject to change.

Built on the VGC10 platform, this unit has the same features plus built-in swiveling arms that can house up to 16 vacuum cups on a 400mm footprint.

Try It Risk Free!

*Contact us for details



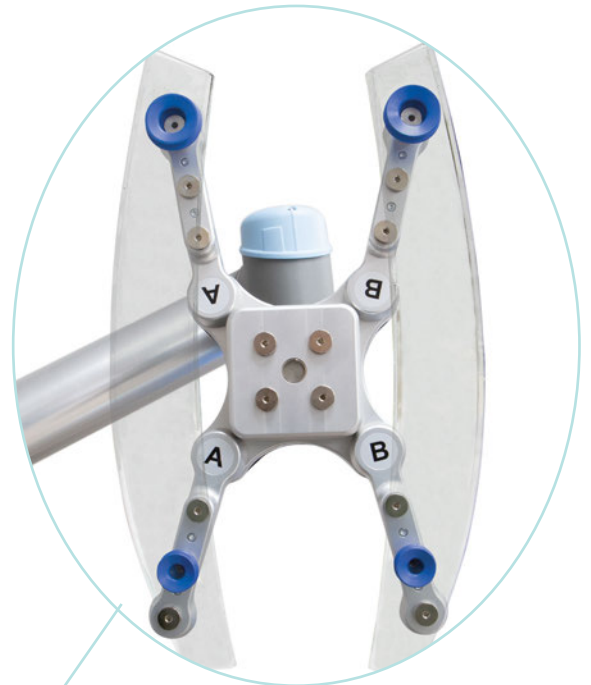
- Two independent LH/RH air channels for dual gripping is helpful for handling plastic molded parts.
- No external air supply required.
- Seamless integration with the robot of your choice.
- Integrated software.
- Configurable vacuum cups on four swiveling arms, up to 16 cups can be used with 8 per vacuum channel.
- Built-in electric vacuum generator.
- Dimensions (folded): 105mm x 146mm x 146mm tall. Dimensions (unfolded): 105mm x 390mm x 390mm tall. Full dimensional drawing online.

Technical Specs	8210
Vacuum	5%– 80% Vacuum (1.5Hg – 24Hg)
Air flow	12 L /min (0.42 CFM)
Arms adjustment	0° – 270°
Arm holding torque	6 Nm (4.4 ft-lbf)
Maximum rated payload	33 lb (15 kg)
Gripping time	0.35 seconds
Releasing time	0.20 seconds
Weight	1620g (3.57 lb)
Power supply	20.4V – 28.8V
Current consumption	50mA – 1500mA
Operating temperature	32° – 131°F



Electric Vacuum Gripper with Dual Zone – OnRobot VG10

The VG10 uses the separate vacuum channels to control the left hand and right hand cavities separately.



- CU
- QC
- VG**
- VC
- VA
- SG
- GR
- MT
- AC
- CS
- CC



Electric Vacuum Gripper with Quad Zone – OnRobot VGP20



Industry's most powerful electric vacuum gripper saves up to 90% on operating and maintenance costs over pneumatic vacuum grippers.

Quick# 8213
 Part# OR-107242
PRICE: \$6,625.00

OnRobot pricing effective 05/01/24 and subject to change.

Try It Risk Free!

*Contact us for details



- Highly versatile gripper with unlimited customization possibilities fits many applications.
- Built-in intelligence and multichannel functionality ensure fail-safe, flexible operation.
- Complete out-of-the-box vacuum gripper offers fast, easy deployment with any leading robot.
- Powerful, flexible gripper is ideal for porous and non-porous surfaces.
- Sixteen Ø40mm vacuum cups are included with a total 450mm footprint. Many other cup options are available, see EMI's website.

Technical Specs	8213
Vacuum	5%–60% Vacuum (1.5Hg – 17.95Hg)
Air flow total	48 L /min (1.7 CFM)
Air flow on each channel	12 L /min (0.42 CFM)
Maximum rated payload*	44 lb (20 kg)
Gripping time**	0.25 seconds
Releasing time	0.40 seconds
Weight	2550g (5.62 lb)
Power supply	20.4V – 28.8V
Current consumption	50mA – 4500mA
Operating temperature	32° – 122°F

* Cardboard is recommended up to 10 kg. 20 kg payload can be achieved with low accelerations (0.2G added to 1G; 1G = gravity = 9.82 m/s²). Other conditions may apply.

** The gripping time can be shortened with smaller or less suction cups. The release time depends on the payload. With high payload, you can achieve fast release time.

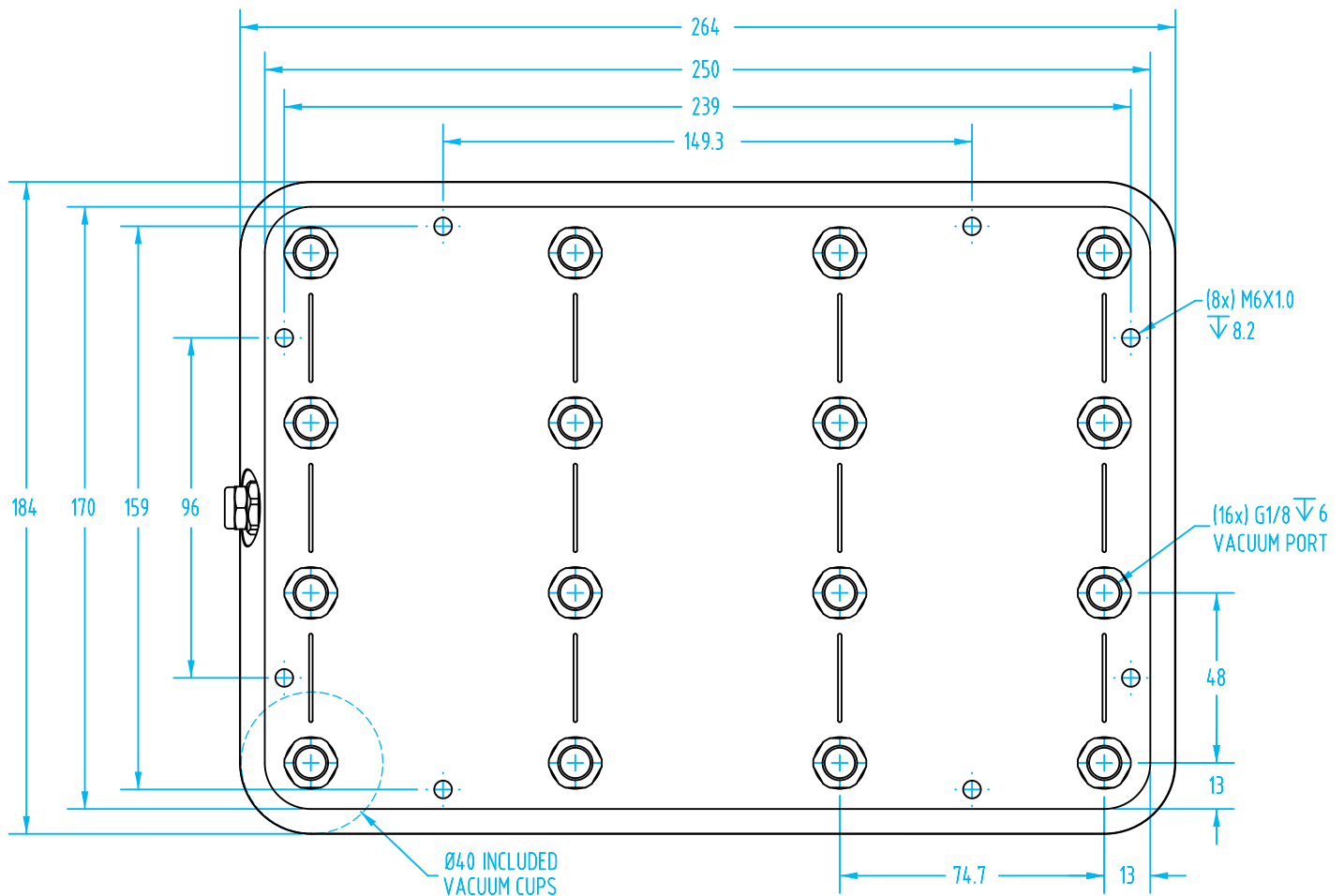
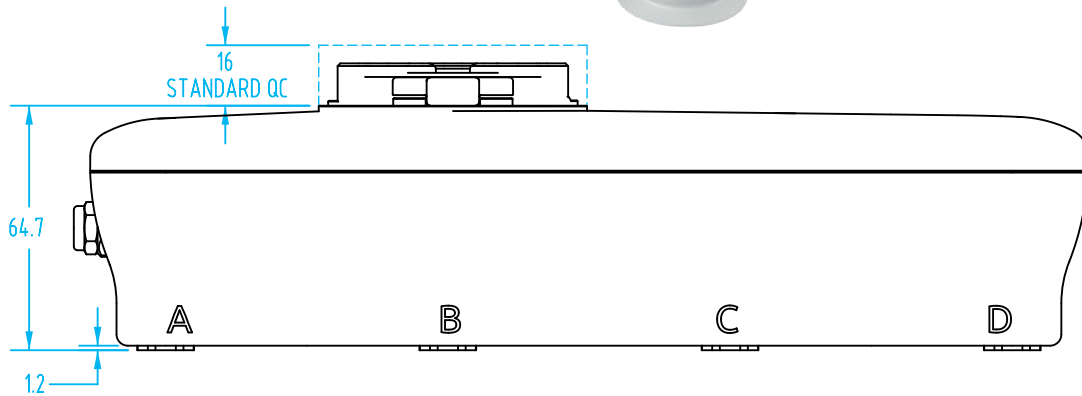


Shown with a Gimatic tilt unit and roller for a label placement application.



Electric Vacuum Gripper with Quad Zone – OnRobot VGP20

(Dimensioned drawings shown 1:2)



- CU
- QC
- VG**
- VC
- VA
- SG
- GR
- MT
- AC
- CS
- CC

Palletizing Gripper with Vacuum Handling – OnRobot 2FGP20



OnRobot's 2FGP20 is a highly versatile palletizing gripper with wide stroke and customizable arms handles heavy or open boxes, shelf-ready products and other containers that can't be gripped with vacuum.

Integrated vacuum gripper handles slip sheets without changing the gripper or requiring other handling method.

Quick# 8205

Part# OR-108585

PRICE: \$12,777.00

OnRobot pricing effective 05/01/24 and subject to change.



- Off-the-shelf gripper saves significant engineering effort and shortens deployment time.
- Electric gripper offers fast out-of-the-box deployment without the complexity and costs of external air supply.
- Gripper will hold workpiece in case of powerloss.
- Integrated electric BLDC motor included.
- Vacuum unit includes integrated 50µm field replaceable dust filters.
- IP 54 Classification.

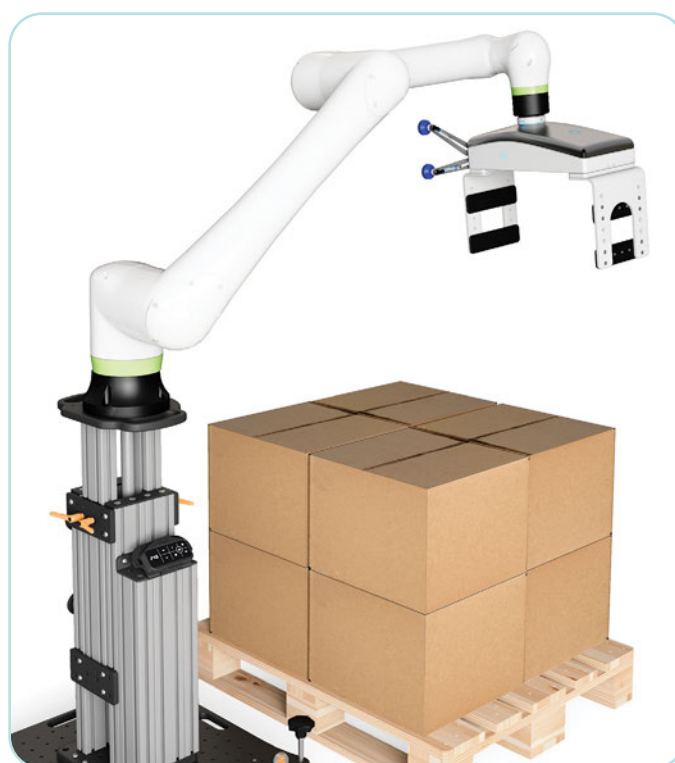
- Base unit weight with standard fingers and pads: 5.07kg (11.18 lb).
- Base unit weight with standard fingers, pads and all vacuum equipment: 5.34kg (11.77 lb).
- A compute box is required to use this gripper on any robot platform.
- Dimensional drawing and Force chart online.

Technical Specs	8205
Vacuum	5%– 60% Vacuum (1.5Hg – 17.95Hg)
Air flow	12 L /min (0.42 CFM)
Total stroke	260mm (10.24 in)
Maximum rated payload	44 lb (20 kg)
Gripping time*	600ms
Gripping speed**	16–180 mm/s
Gripping force***	80–400N
Power supply	20V – 25V
Current consumption	2000 mA
Operating temperature	41° – 122°F

* Includes brake action

** At 6mm stroke and 150N. The typical value is 900ms at 200mm and 200N.

***See EMI website for Force vs Current Graph.



Palletizing Gripper with Vacuum Handling – OnRobot 2FGP20



- CU
- QC
- VG
- VC
- VA
- SG
- GR
- MT
- AC
- CS
- CC

Foam Area Gripper – Coval CVGC

CVGC Foam Gripper from Coval is lightweight on a carbon fiber main plate, with a lot of power under the hood. Featuring the new CMS M vacuum generator with more flow and a smaller footprint than previous generation CVGC.

Available in-stock in two sizes, compatible with UR (new and old), FANUC, Doosan, and TM (offset adapter plate required) among others. Choose the control cable that connects to your robot's wrist, that's the only difference!

Contact Cobots@emicorp.com to discuss your application.



#8850



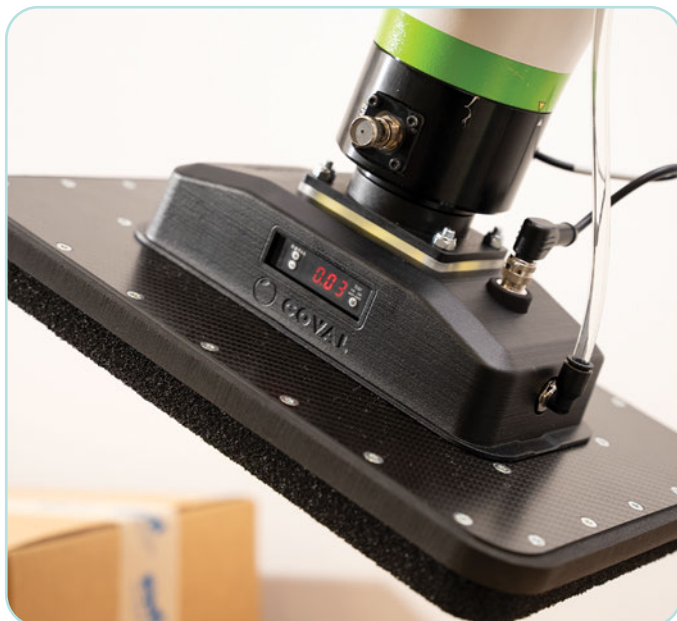
#8852

- Plug & Play compatible with FANUC CRX, UR, TM (offset adapter plate required), Doosan, and others.
- Can be ordered in other sizes and adapted to other robot models outside the ISO 9409-50 interface.
- Padded contour for added safety.
- Indicator flange LED signals gripper status.
- On-board PNP/NPN signal switch.
- Durable PA12 housing protects generator and controls.

Quick#	Part#	Price	Max Suggested Load**	Max Vacuum Level*	Max Suction Flow*		Air Consumption*		Std. Supply Pressure		Wt.
					CFM	l/min	CFM	l/min	psi	Bar	
8850	CVGC-240X120-DF2LX	\$5,200.00	18 kg	80%	19.42 CFM	550 l/min	9.89 CFM	280 l/min	72.5 psi	5 Bar	1200g
8852	CVGC-320x160-DF2LX	\$5,475.00	33 kg	80%	19.42 CFM	550 l/min	9.89 CFM	280 l/min	72.5 psi	5 Bar	1500g

*Values listed are achieved when supplied with the listed standard supply pressure.

** Indicative force for a vacuum gripper at 75% vacuum level, 100% covered by the load, including a safety factor of 2 for horizontal handling and rigid plane surface.



Foam Area Gripper – Coval CVGC

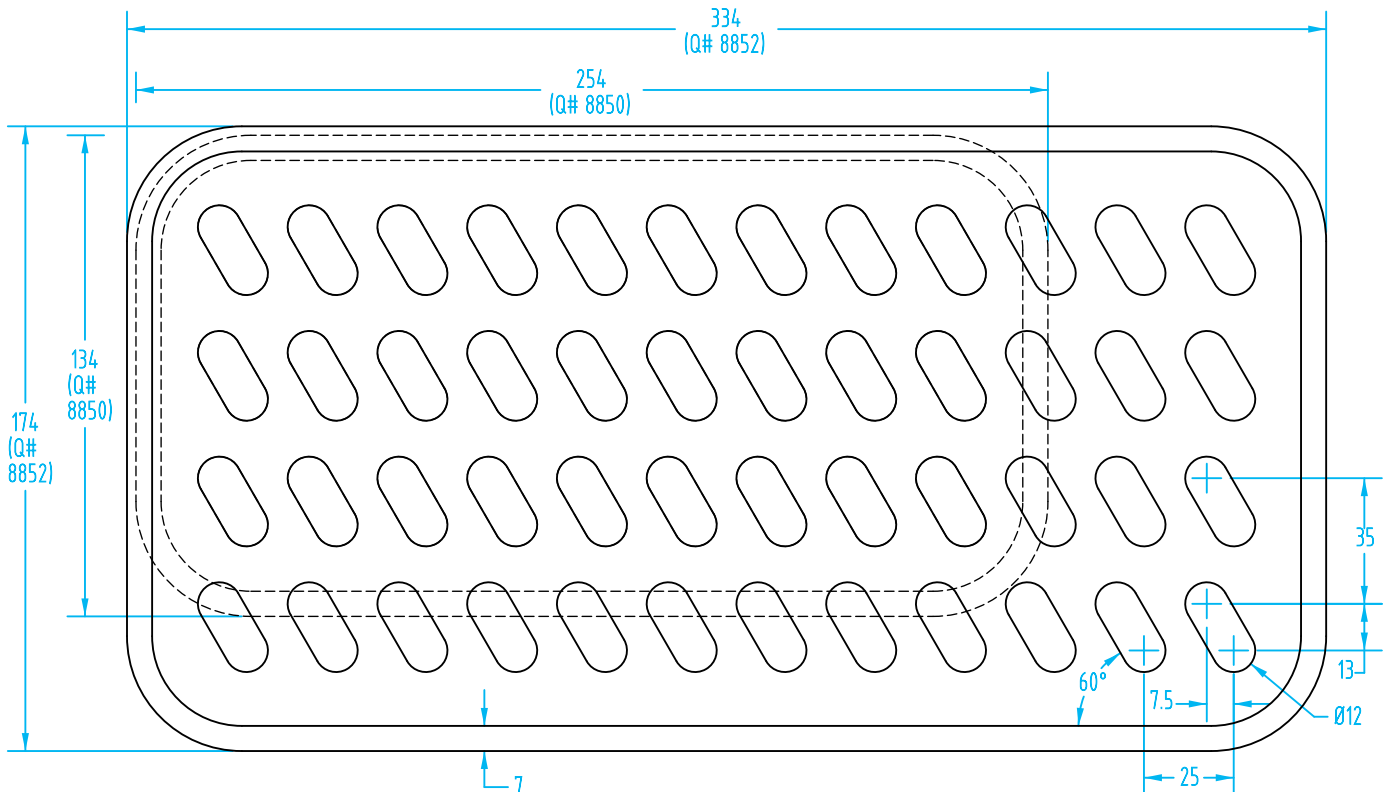
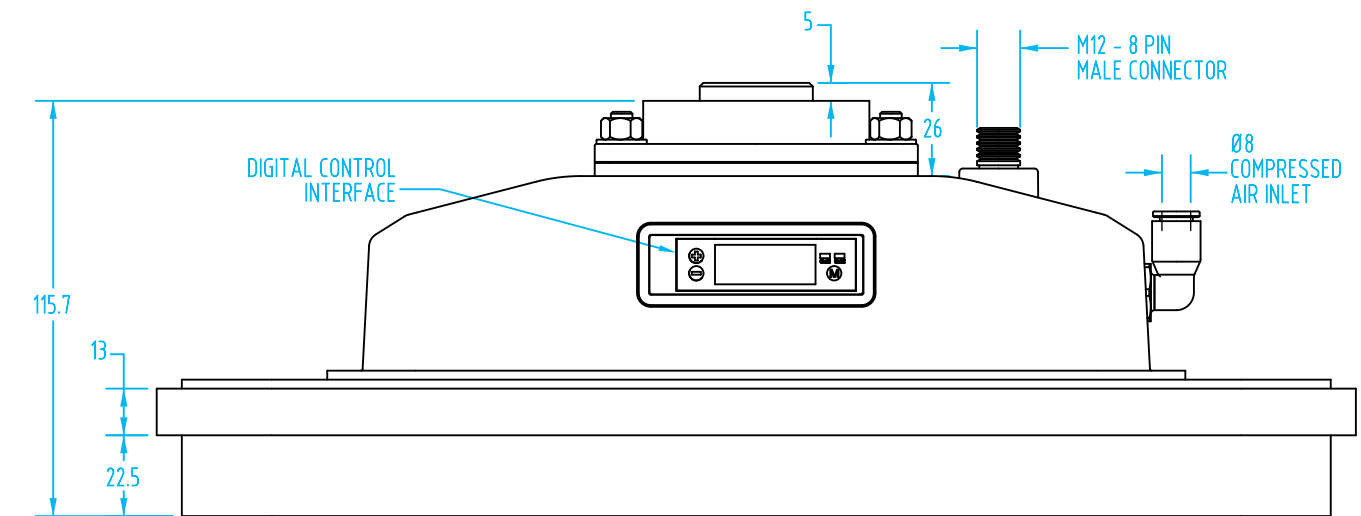
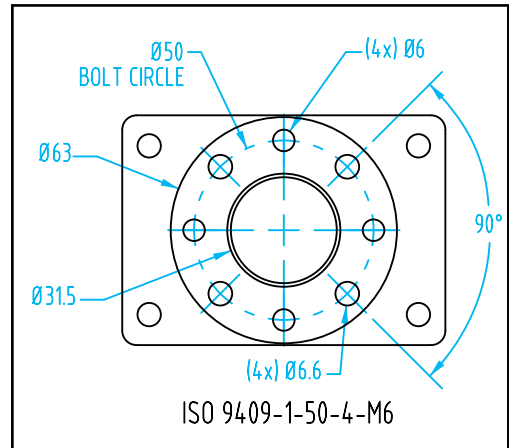
(Dimensioned drawings reduced to fit)

Coval CVGC Replacement Foam Pad with Adhesive Back

Quick#	Part#	Description	Price
8851	SF-CVGC240X120-DF2LX	240x120mm with Adhesive Back	\$237.25
8853	SF-CVGC320X160-DF2LX	320x160mm with Adhesive Back	\$291.50

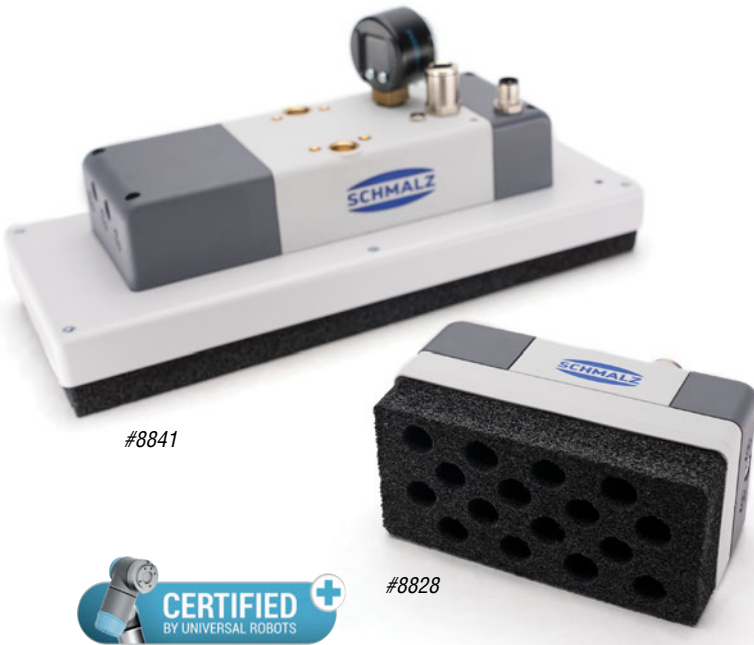
Coval CVGC Connecting Cables

Quick#	Part#	Description	Price
8856	CC-CVGC-C1-UR	for UR or Equivalent with Male 8-Pin	\$91.96
8857	CC-CVGC-C2-TM	for Techman	\$86.97
8858	CC-CVGC-C3-DOO	for Doosan	\$86.97
8859	CC-CVGC-C7-NGUR	for Next Gen UR with Female 8-Pin	\$91.96



- CU
- QC
- VG
- VC
- VA
- SG
- GR
- MT
- AC
- CS
- CC

Area Gripper with Flow Resistances and Blowoff – Schmalz FQE



Flexible, fast, efficient. The Schmalz FQE Gripping System is a configurable universal gripper with integrated vacuum generation. The FQE can handle products in a wide variety of pick-up positions, regardless of their size and geometry.

Available in two sizes 120x60mm & 300x130mm.

Configured off the shelf as Normally Open (NO) operation (vacuum is on, even when control signal is not present) with PNP control. NPN available upon request.



Quick#	Part#	Price	Max Vacuum Level*	Max Suction Flow*		Air Consumption*		Std. Supply Pressure		Wt
				CFM	l/min	CFM	l/min	psi	Bar	
8828	FQE-XC-120X60-AB	\$1,250.51	66%	1.77 CFM	50 l/min	1.48 CFM	42 l/min	72.5 psi	5 Bar	350g
8841	FQE-XC-300X130-SW100	\$4,392.80	60%	13.42 CFM	380 l/min	8.79 CFM	249 l/min	72.5 psi	5 Bar	1290g

*Values listed are achieved when supplied with the listed standard supply pressure.

- Area gripper with numerous options for mounting allows for flexibility in application and handling products regardless of size and geometry.
- Metered orifice restrictions allow handling of products from different picking positions.
- Ideal for stationary handling tasks with collaborative robots but suitable for combination in fully automated solutions as well.
- Integrate vacuum sensors (pg 186–187) for added part confirmation capabilities.

Gripping Accessories for Schmalz FQE

Quick#	Part#	Description	Wt.	Price
8829	SP-120X60X34-SPB2-SI	120x60mm Vacuum Cup Plate for 10 Cups	62g	\$254.37
8830	SP-FQE-120X60-AB-21	120x60mm Foam Plate (20mm Foam)	48g	\$176.79
8831	DI-PL-FQE-120X60	120x60mm Foam Pad with Adhesive Back	9g	\$80.96
8842	SP-FQE-300X130X37	300x130mm Vacuum Cup Plate for 15 Cups	571g	\$881.45
8843	SP-FQE-300X130AB-24D	300x130mm Foam Plate (20mm Foam)	271g	\$736.00
8844	DI-PL-295X125-20X20	300x130mm Foam Pad with Adhesive Back	54g	\$147.21



#8828 with vacuum cup plate #8829 installed.

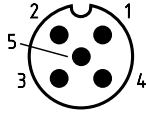
Robot Specific Items for Schmalz FQE

Quick#	Part#	Description	Connection	UR	Doosan	Fanuc CRX	TM	Wt.	Price
8832	MOD-FLAN-99X77X37	120x60mm Plate Interface Module for Quick# 8828	-	Quick #8832 required for #8828				207g	\$351.35
8845	MOD-FLAN-71X72X24	300x130mm Plate Interface Module for Quick# 8841	-	Quick #8845 required for #8841				84g	\$293.06
8833	FLAN-PL-UR-KUK-1	Flange Mount Plate, ISO-9409-1-50-4-M6	-	✓	✓	✓		82g	\$104.57
8834	MOD-FLAN-108X63X13	Flange Mount Plate for TM, ISO-9409-1-50-4-M6	-				✓	319g	\$256.16
8835	ASK-WB-WB-UR	M12 5-Pin 90° Female to M8 8-Pin 90° Female	Wrist	✓		✓		20g	\$109.59
8836	ASK-B-WS-DOOSAN	M12 8-Pin Straight Female to M8 8-Pin 90° Male		✓*				23g	\$108.35
8837	ASK-WB-S	M12 5-Pin 90° Female to M12 8-Pin Straight Male		✓*				22g	\$161.22
7823	GSE-SCS-F5M12A-5M	M12 5-Pin Straight Female Cable, 5m long	Control Box	✓	✓	✓	✓	177g	\$23.00
7824	GSE-ACS-F5M12A-5M	M12 5-Pin 90° Female Cable, 5m long		✓	✓	✓	✓	176g	\$23.00

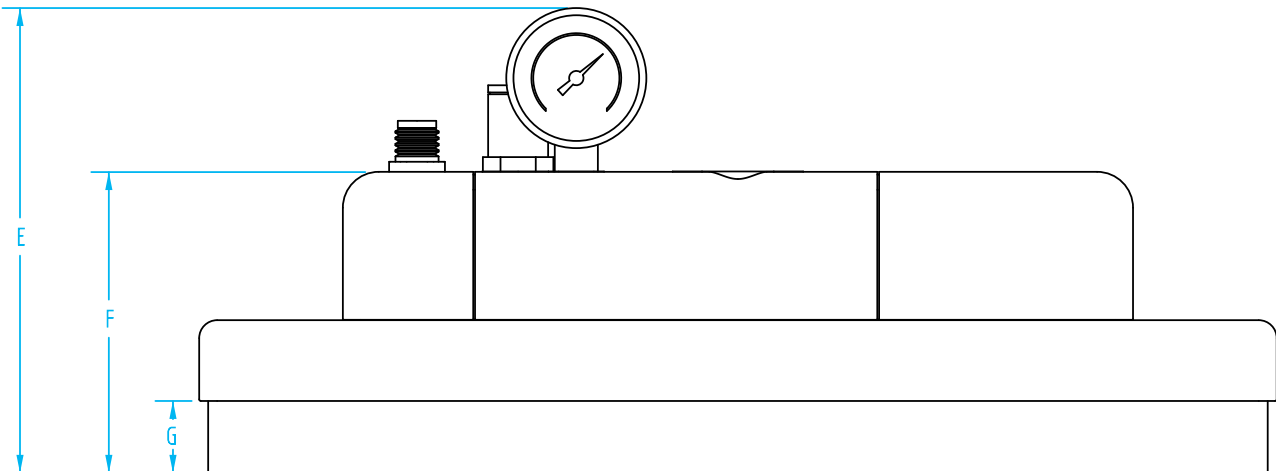
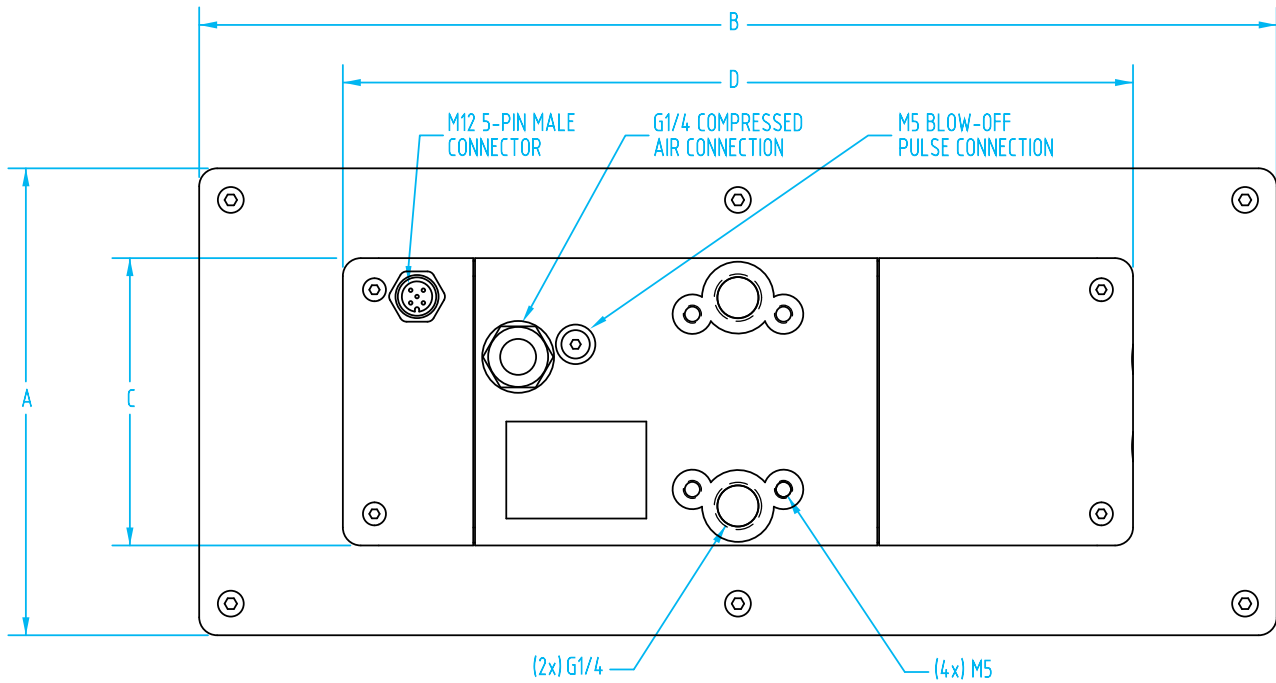
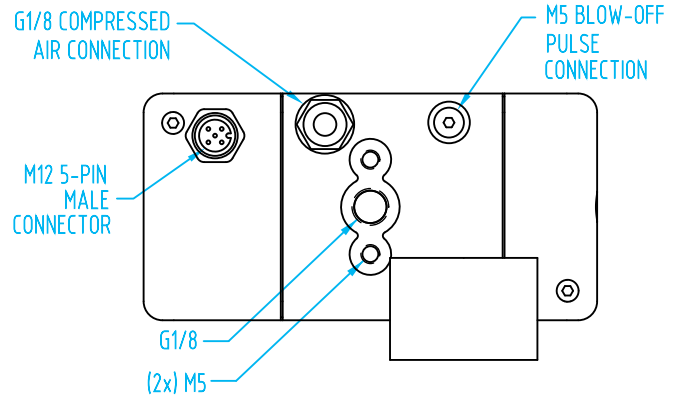
*Both cables required for Doosan wrist connection.

Area Gripper with Flow Resistances and Blowoff – Schmalz FQE

(Dimensioned drawings reduced to fit)



Pin	Wire	Function
1	Brown	Not used
2	White	Blow-off valve "On"
3	Blue	Ground
4	Black	Suction valve "Off"
5	Gray	Not used



Quick#	A	B	C	D	E	F	G
8841	130	300	80	220	129.5	83.8	20
8828	60	120	60	120	101.5	56	10

- CU
- QC
- VG
- VC
- VA
- SG
- GR
- MT
- AC
- CS
- CC

Palletizing Area Gripper – PIAB CPT



The Cobot Palletizing Tool (CPT) is a lightweight, smart and energy efficient solution intended to maximize the output of smaller robots. With a large footprint and compact gripper body design, you are able to grip multiple workpieces at once taking advantage of the piSMART valve. Available in-stock from EMI, contact our EOAT Engineering team to send workpiece samples in for testing.



- Capable Footprint: 400mm x 140mm with 30mm thick foam.
- Flexible picking zones allow for gripping of multiple workpieces.
- Equipped with piSMART for faster response during higher speed operations.
- High energy efficiency using next generation COAX® vacuum pumps compatible with UR and Fanuc CRX robots with ISO 9409-1-50-4-M6 flange.
- Can be easily converted to a vacuum cup area gripper using Quick #8662.
- Vacuum cups are sold separately. Contact Cobots@emicorp.com to select the right vacuum cup for your application.
- Two mount positions. See dimensional drawing.

Quick#	Part#	Price	Max Vacuum Level*	Max Suction Flow*		Air Consumption*		Std. Supply Pressure		Wt.
				CFM	l/min	CFM	l/min	psi	Bar	
8860	CRK-CPT-400X140-FOAM	\$5,582.69	74%	38.1 CFM	1080 l/min	11.1 CFM	315 l/min	87 psi	6 Bar	1850g

*Values listed are achieved when supplied with the listed standard supply pressure.

Accessories / Optional Items for PIAB CPT

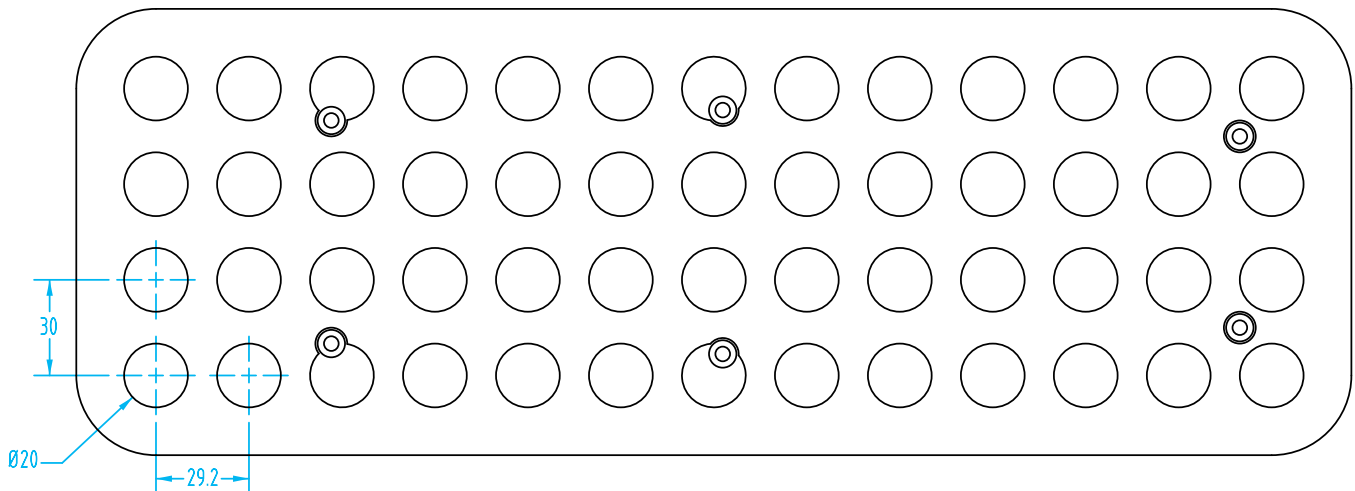
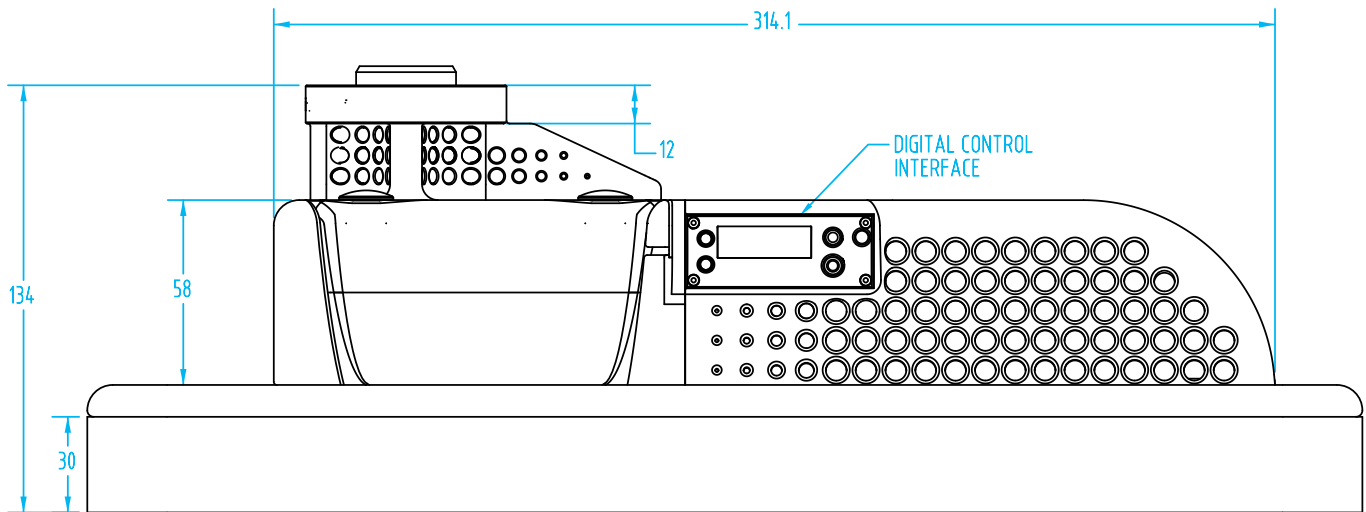
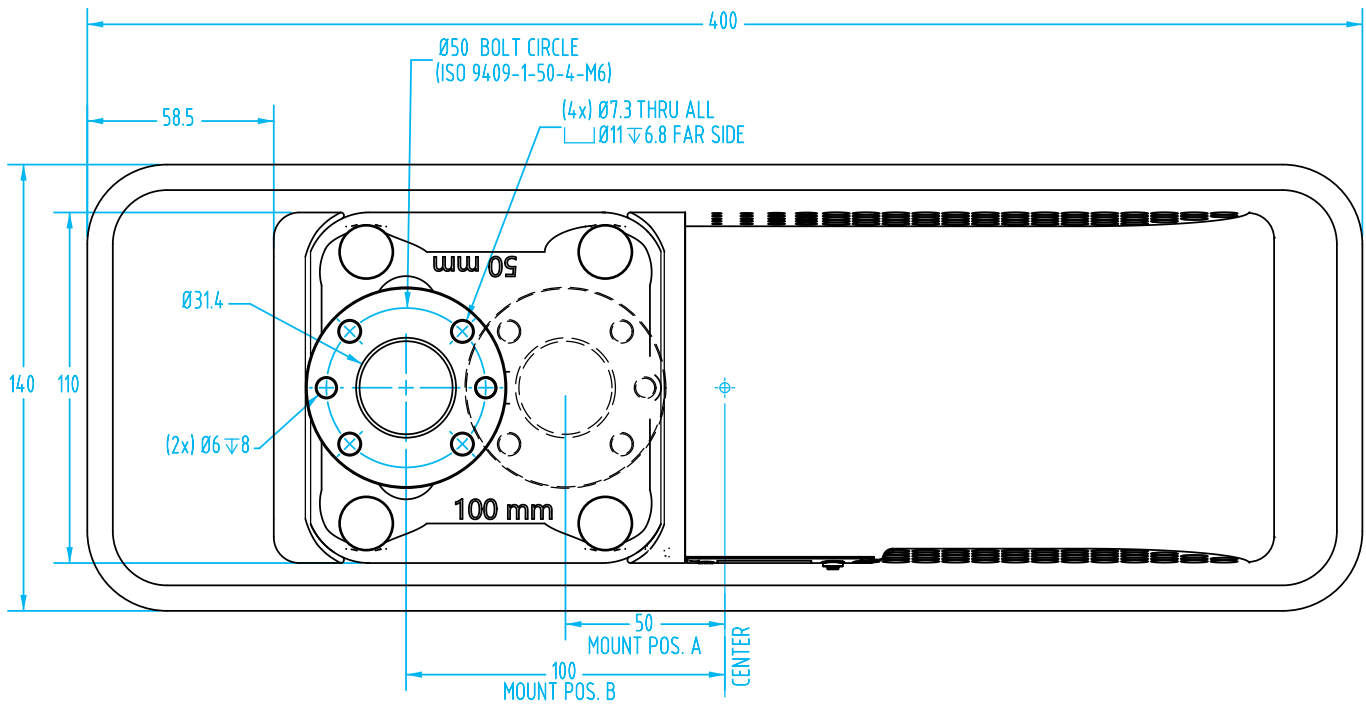
Quick#	Part#	Description	Price
8861	CRV-CPT-30-400X140	Replacement Foam, 400x140mm, 30mm thick	\$116.73
8862	CRV-CPT-18XG14-CUPS	Vacuum Cup Plate, 400x140mm, 18x Cups with G1/4" Nipples	\$231.16

*See website for dimensional drawing and hole spacing of vacuum cup plate.



Palletizing Area Gripper – PIAB CPT

(Dimensioned drawings reduced to fit)

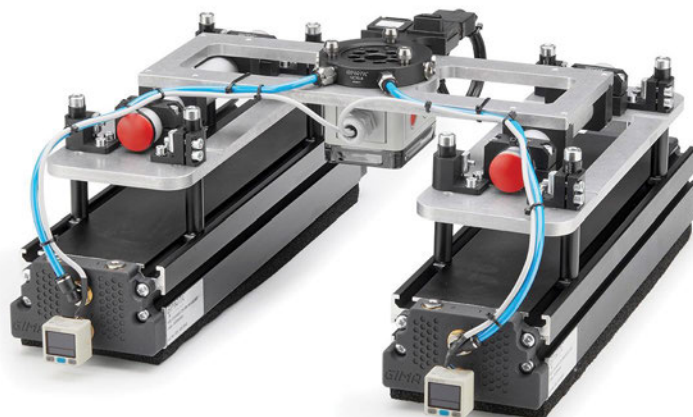


- CU
- QC
- VG
- VC
- VA
- SG
- GR
- MT
- AC
- CS
- CC

Palletizing Area Gripper – Gimatic FGS

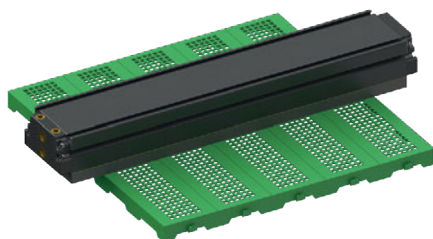
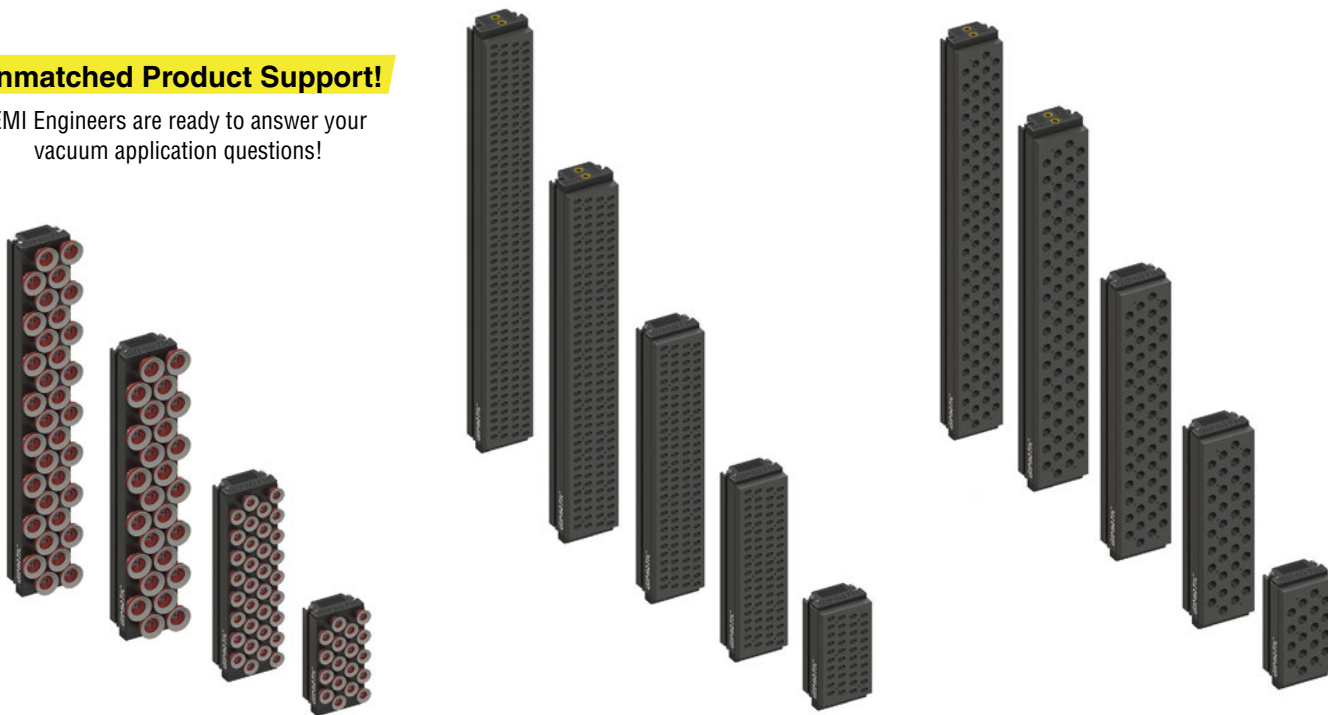
Gimatic FGS Vacuum Gripping System; A modular and versatile solution for handling products with different sizes, shapes and porosity.

- Available with foam, with VG.IS dual-durometer polyurethane vacuum cups, (see page 128) or with bag picking BPG cups (see page 150).
- Available in a range of lengths and two width options (either 120mm or 60mm) to meet the needs of most area gripper applications.
- Available in different hole pitches as required.
- Versions available with an integrated valve for on/off control of vacuum and blowoff for quick part release and reduced maintenance intervals.



Unmatched Product Support!

EMI Engineers are ready to answer your vacuum application questions!



Sheet metal



Wood



Glass



Cardboard

Palletizing Area Gripper with Carbon Fiber Body – Gimatic FCG

Gimatic FCG Vacuum Gripping System with Carbon Fiber Body; The FCG-400 series of vacuum gripping systems is a modular and versatile solution for handling a variety of products of different sizes, shapes and porosity.

- Ideal for palletizing cardboard boxes, interlayers, and pallets.
- Extreme power in a lightweight package. Listed max holding force at 70% is 234 kg (517 lbs).
- Equipped with four large size high-flow 3-stage cartridges for maximum vacuum flow.
- One size: 400mm long, 300mm wide, with 25mm foam.
- Self-closing valves permit use with a smaller vacuum pump, ensuring a high vacuum level even if most of the surface of the gripper is not covered.



CU

QC

VG

VC

VA

SG

GR

MT

AC

CS

CC

Foam Gripper for Bag Handling – Gimatic FBG

- The FBG series of vacuum gripping systems is designed for handling heavy bags of both liquid and solid materials with different shapes and weights.
- It can be equipped with different types of Gimatic pneumatic pumps (2 to 8 LARGE cartridges), or alternatively with a connector for external vacuum generation.
- Available in three sizes 245x125mm, 250x180mm and 350x250mm, and two heights 70mm and 90mm, all with 30mm foam in natural rubber orange and EPDM black.



Shop Here!



Pricing, dimensional drawings and more information available on EMI website.

Pneumatic Vacuum Generator – Schmalz RECBI



The Schmalz RECBI is a pneumatic vacuum generator that can be assembled directly on the end of a robot, or cobot. It provides powerful vacuum generation and integrated blowoff control for short cycle times and high leakage compensation. Any vacuum gripping tool, from single cups to full EOAT solutions, can be mounted directly to the end and plugged in easy application.

- Max Payload: 55.1 lb (25 kg)
- Mount Pattern (both): ISO 9409 1-50-4-M6
- Mechanical and electrical connections are direct and simple.
- High flow rate, blowoff functionality, and sensing capabilities make it appealing for a range of applications, from production and assembly to warehouse logistics and shipping.
- Part confirmation capable through built-in vacuum pressure sensing.
- All parameters and features are simply programmed and adjusted through NFC interface.
- Many vacuum cups available, see page 119.
- EOAT kits available as well, see page 205.
- Control cable purchased separately, use Quick# 1271 or 1272, found on page 266.

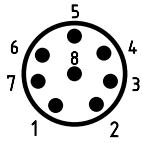
Quick#	Part#	Price	Max Vacuum Level*	Max Suction Flow*		Air Consumption*		Std. Supply Pressure		Wt.
				CFM	l/min	CFM	l/min	psi	Bar	
8827	RECBI-24V-DC-NC	\$1,649.28	85%	1.8 CFM	52.5 l/min	3.1 CFM	89 l/min	65.2 psi	4.5 Bar	683g

*Values listed are achieved when supplied with the listed standard supply pressure.



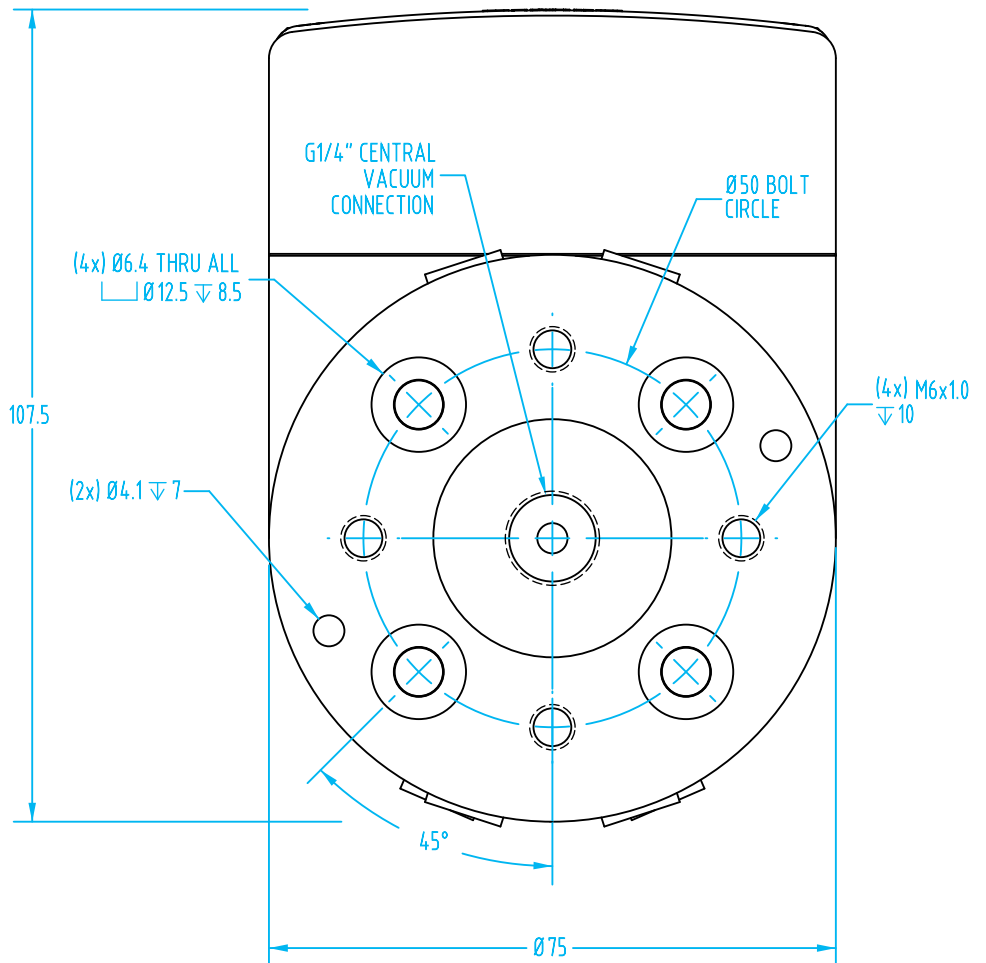
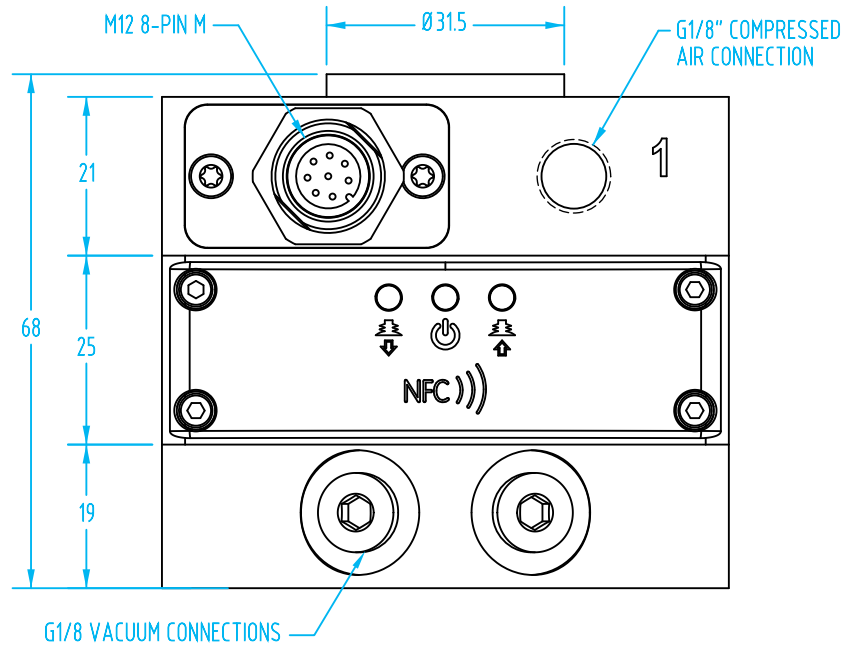
Pneumatic Vacuum Generator – Schmalz RECBi

(Dimensioned drawings shown full scale)



Pin	Wire	Function with SIO
1	White	Supply voltage for actuator U_A
2	Brown	Supply voltage for sensor U_S
3	Green	Actuator ground GND_A
4	Yellow	"Suction" signal input IN_1
5*	Gray	Signal output (Part) OUT_2
6	Pink	Signal input (Blowoff) IN_2
7	Blue	Sensor ground GND_S
8	Red	-

5*: IO Link specific control available through connector as well, see website for details



- CU
- QC
- VG
- VC
- VA
- SG
- GR
- MT
- AC
- CS
- CC

Electric Vacuum Generator – Schmalz ECBPMi



The CobotPump ECBPM is designed especially for the automated handling of small parts with a single vacuum cup. This lightweight and compact solution is typically used on collaborative robots with a lifting capacity of up to 3kg (6.6 lbs).

Try It Risk Free!

*Contact us for details

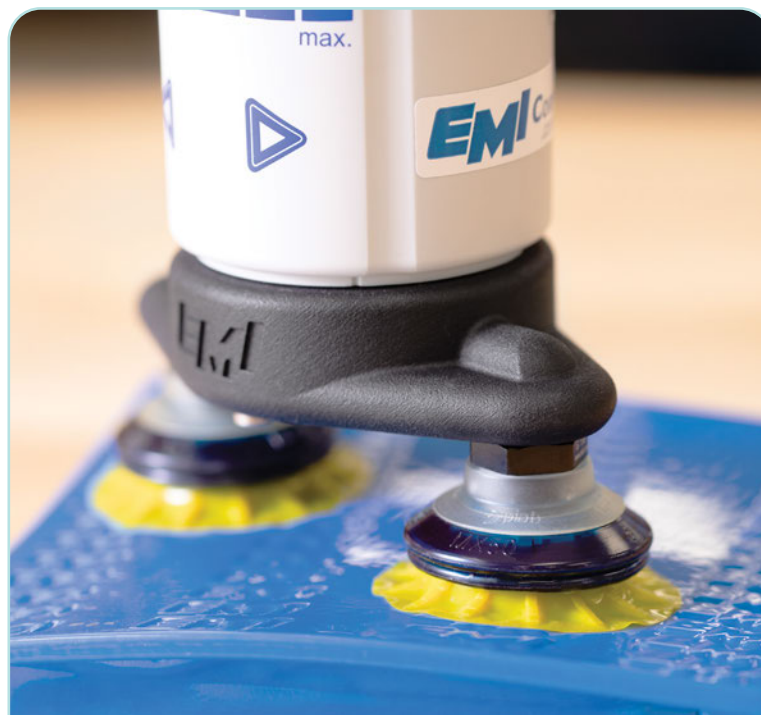


- Max. Payload: 6.6 lb (3 kg)
- Fully electric, no need for compressed air.
- Energy saving control mode ensures efficient operation.
- Mechanical connection via flange adapter plate.
- Central electrical interface and simple control.
- Electrical connection via external cable routing or internal pin connection.
- Compatible with other robots. Contact EMI for more info.
- Has a female G1/4" thread. Reducer bushings available from EMI.
- Many alternative vacuum cups available, see page 119.

Quick#	Part#	Price	Max Vacuum Level*	Max Suction Flow		Power Supply	Rated Power	Wt.
				CFM	l/min			
8090	ECBPM-UR	\$1,598.47	59%	1.8 CFM	1.6 l/min	24V dc	7.2 W	230g

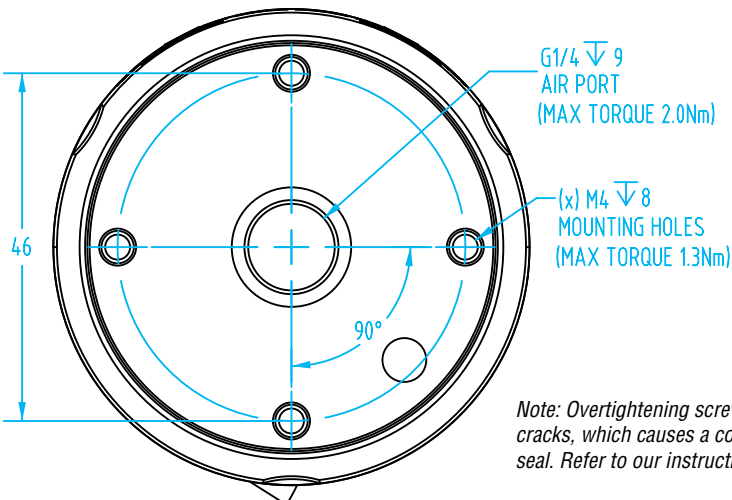
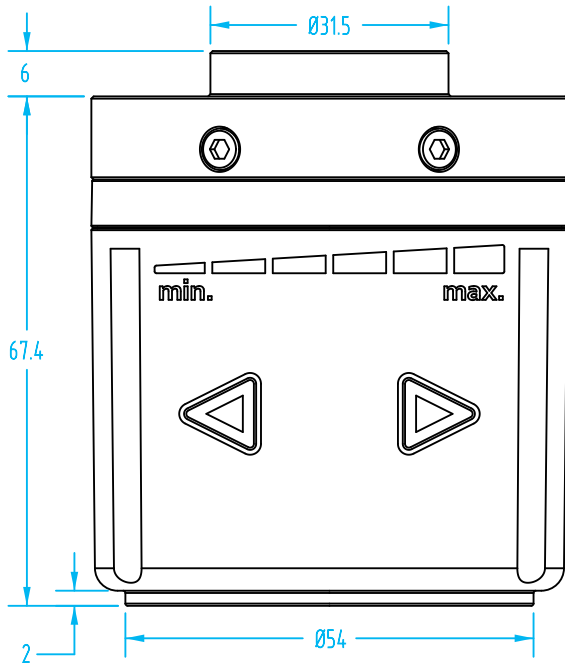
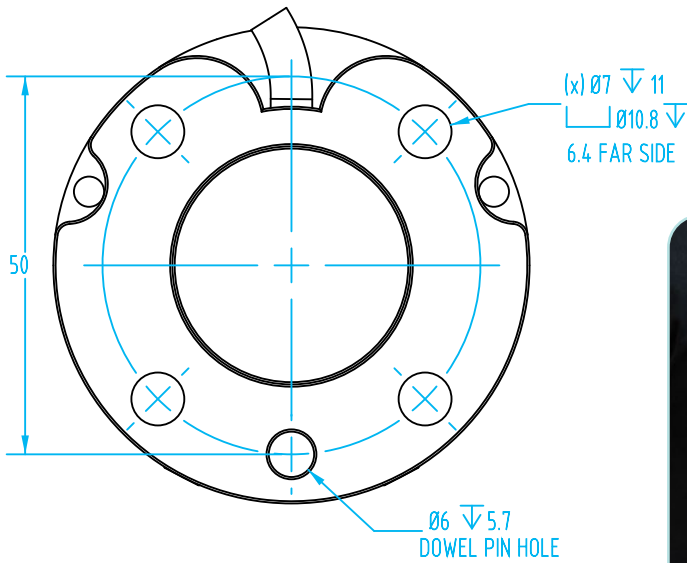
ECBPM Vacuum Gripper Kit Includes:

- Cobot Pump with mounting interface.
- Vacuum cups with fittings: Ø20mm Flat & Ø30mm 1.5 Bellow.
- Hardware
- USB Drive with robot plugin.



Electric Vacuum Generator – Schmalz ECBPMi

(Dimensioned drawings shown full scale)



Ideal for automated handling of small parts, such as pick-and-place applications with a single suction cup, as shown above.



Pair the CobotPump with a PIAB Soft Gripper (Quick# 8070 shown above) for a plug-and-play solution built for tight spaces.

Note: Overtightening screws can cause stress cracks, which causes a complete loss of vacuum seal. Refer to our instructions online.

- CU
- QC
- VG
- VC
- VA
- SG
- GR
- MT
- AC
- CS
- CC

Vacuum Gripper – PIAB piCOBOT L



Empower your robot with this wrist-mounted vacuum powerhouse. piCOBOT®L is adaptable and will serve as the base for your next vacuum application with a mounting pattern that can be used to attach custom EOAT or standard foam grippers modules also available from EMI.



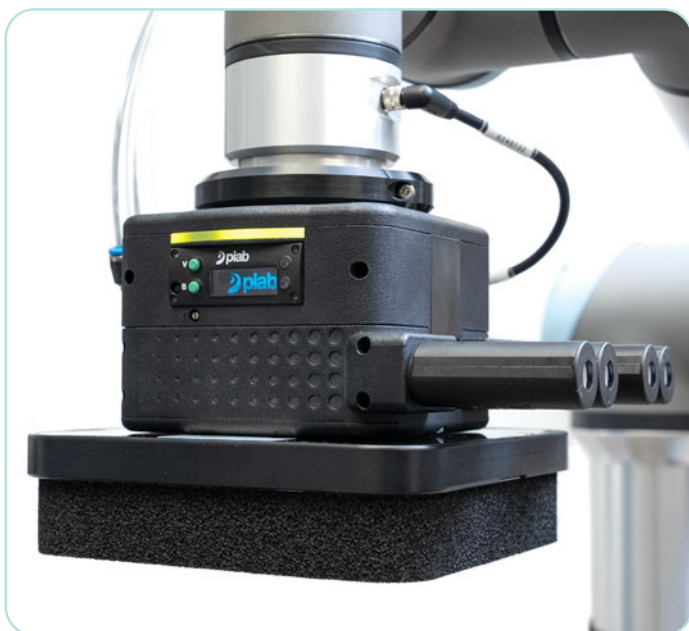
- Payload: Up to 16kg (35.2 lbs).
- Lightweight modular design.
- IP65 compliance for use in harsh environments.
- Easy maintenance.
- Powerful COAX SX42 ejectors (4x).
- Plug & Play compatible with UR and various Fanuc Robots.
- High customization potential: Piab foam grippers or EMI EOAT.

Quick#	Part#	Price	Max Vacuum Level*	Max Suction Flow*		Air Consumption*		Std. Supply Pressure		Wt
				CFM	l/min	CFM	l/min	psi	Bar	
8863	CRK-PICOBOT-L-1	\$4,346.52	89%	29.33 CFM	830 l/min	18.73 CFM	530 l/min	91.37 psi	6.3 Bar	1474g

*Values listed are achieved when supplied with the listed standard supply pressure.

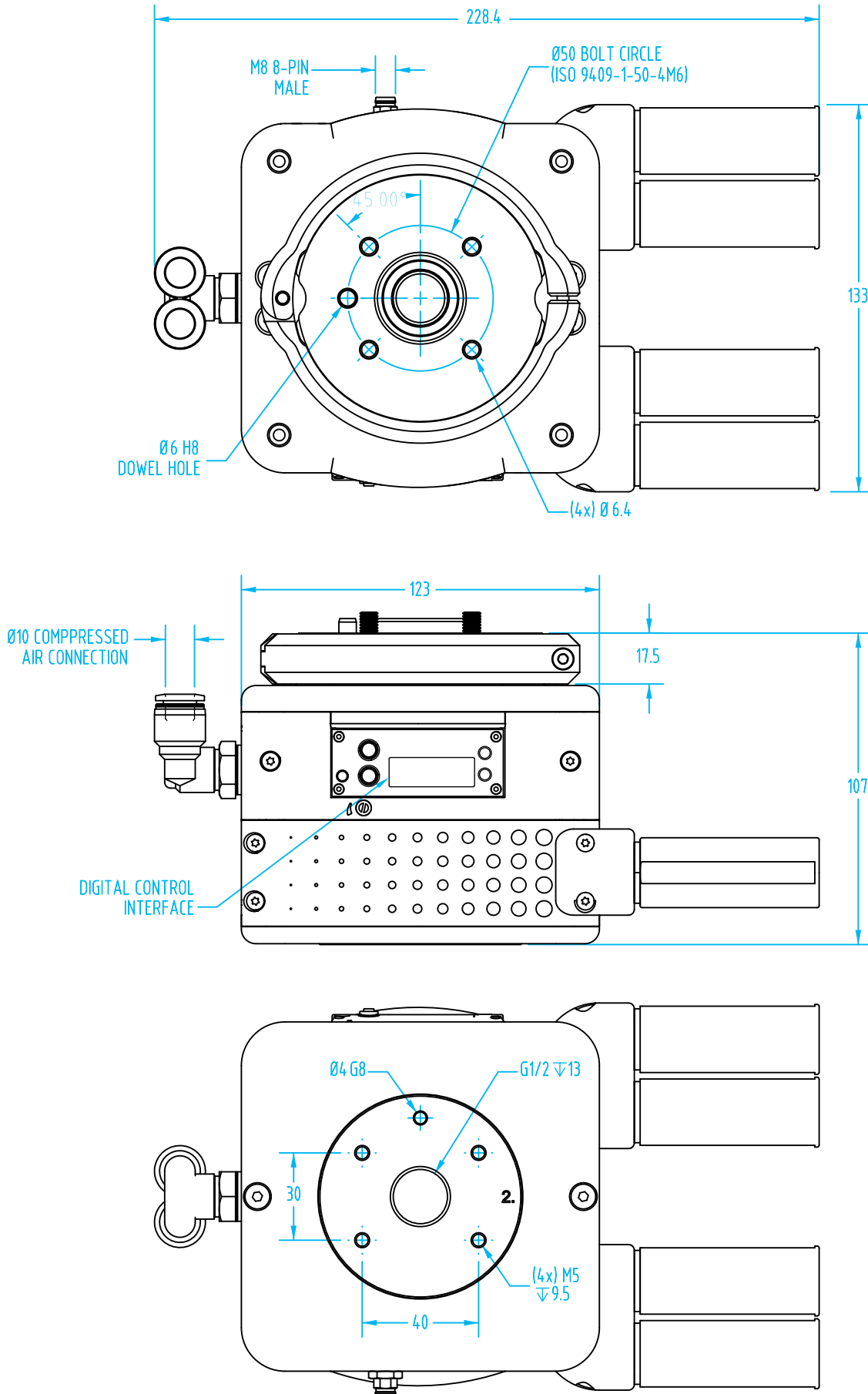
Accessories / Optional Items for PIAB PICOBOT L

Quick#	Part#	Price	Description	Wt.
8864	CRV-30-180X180-FOAM	\$1,303.59	Large Gripper Module, 180x180mm, 30mm thick	672g
8865	CRV-30-420X260-FOAM	\$2,194.04	X-Large Gripper Module, 420x260mm, 30mm thick	2166g



Vacuum Gripper – PIAB piCOBOT L

(Dimensioned drawings shown 50% scale)



- CU
- QC
- VG
- VC
- VA
- SG
- GR
- MT
- AC
- CS
- CC

Application Specific Vacuum Cup Overview

Vacuum cups are a **BIG DEAL** at EMI!



Years of using vacuum for part handling in various industries have taught us that having the right vacuum cup is paramount for any application.

EMI now offers a selection of cups that expand the handling capabilities of the grippers shown on this catalog. These cups may also give you some ideas of what is possible as you develop your own solution or as you work with our engineers in designing an EOAT.

As with any other application, having sample parts for testing is highly recommended. Contact Cobots@EMInc.com to get started with your project.

Take advantage of our large inventory in the US and Mexico. We make every effort we can to ensure all orders of in-stock components ship same-day!

In-Stock Items Ship Same Day!



Application Specific Vacuum Cup Overview

Multi-Purpose – Polyurethane – PIAB MX p.120



Multi Purpose – Polyurethane – Piab Duraflex p.122



Multi-Purpose – Polyurethane – Gimatic VG.IS p.128



Packaging – Silicone – Schmalz PSPF p.144



Packaging – Elastodur – Schmalz SPF p.132



Packaging – Elastodur – Schmalz SPB p.134



Packaging – Silicone – Schmalz SPB p.142



Packaging – Silicone – Coval FlowPack p.146



Packaging – Silicone – Gimatic VG p.150



Bin Packing – PU / SI – Schmalz SVE p.156



Paper / Logistics – NBR – Schmalz FGC p.154



Paper / Logistics – Polyurethane – PIAB BL p.155



Sheet Metal – Elastodur – Schmalz SAXM p.158



Sheet Metal – Nitrile – Coval CBC p.160



Hithane® Vacuum Cups p.163



- CU
- QC
- VG
- VC**
- VA
- SG
- GR
- MT
- AC
- CS
- CC

Multi-Purpose Polyurethane Vacuum Cups – PIAB MX



The MX suction cups are outstanding for picking various objects of different materials. Designed primarily for logistics, warehousing, e-commerce, and recycling applications – this is a truly multi-purpose suction cup with extreme gripping capabilities.

- Sturdy bellows. Soft, thin lip.
- Made from Piab's Duraflex material.
- Wear resistant polyurethane.
- “Mark Free” capabilities.
- Exceptional sealing capabilities at lower vacuum levels.

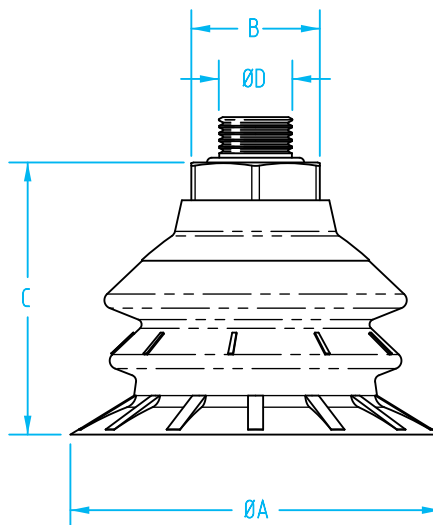
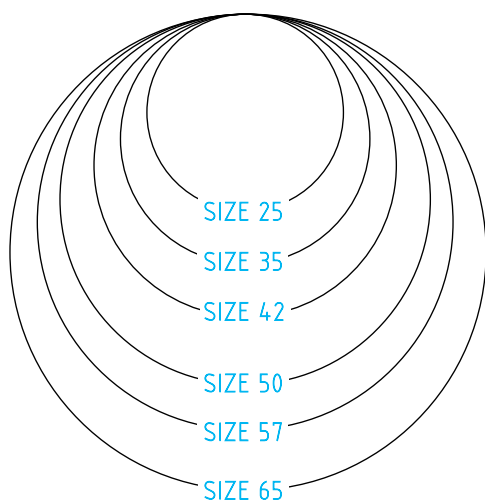
PIAB MX Vacuum Cup Properties

Material	Color	Max Temp.	Durometer
Dual Durometer Polyurethane	Semi-translucent Blue / Yellow	122°F	30/60



Multi-Purpose Polyurethane Vacuum Cups – PIAB MX

(Dimensioned drawings shown full scale)



Quick#	Part#	ØA Diameter Cup	B (mm)	C (mm)	ØD (Nipple Included)	Price
8516	GSV-MX25-DD-G18M	26mm	15	22	G1/8 Male / M5 Female	\$34.32
8501	GSV-MX35-DD-G18M	33mm	17	31	G1/8" Male	\$42.92
8502	GSV-MX35-DD-G14M		22	32	G1/4" Male	\$42.92
8503	GSV-MX35-DD-G38M		22	32	G3/8" Male	\$42.92
8504	GSV-MX42-DD-G18M	40mm	17	34.5	G1/8" Male	\$49.97
8505	GSV-MX42-DD-G14M		22	35.5	G1/4" Male	\$49.97
8506	GSV-MX42-DD-G38M		22	35.5	G3/8" Male	\$49.97
8507	GSV-MX50-DD-G18M	49mm	17	36	G1/8" Male	\$57.00
8508	GSV-MX50-DD-G14M		22	37	G1/4" Male	\$57.00
8509	GSV-MX50-DD-G38M		22	37	G3/8" Male	\$57.00
8510	GSV-MX57-DD-G18M	55mm	17	39.75	G1/8" Male	\$64.04
8511	GSV-MX57-DD-G14M		22	40.75	G1/4" Male	\$64.04
8512	GSV-MX57-DD-G38M		22	40.75	G3/8" Male	\$64.04
8513	GSV-MX65-DD-G18M	63mm	17	43	G1/8" Male	\$71.08
8514	GSV-MX65-DD-G14M		22	44	G1/4" Male	\$71.08
8515	GSV-MX65-DD-G38M		22	44	G3/8" Male	\$71.08

Use Quick#s for easy online ordering.

PIAB PiGRIP® Configurable Vacuum Cups with Replacement Lips

[Click here to Shop!](#)



The piGRIP is a unique configurable suction cup concept with individually optimized parts for gripping, lifting and height compensation. Also, a large selection of fittings makes it ready to fit new machines and easy to retrofit existing cups. Find these and more online at www.EMICorp.com.



- CU
- QC
- VG
- VC**
- VA
- SG
- GR
- MT
- AC
- CS
- CC

Multi-Purpose Polyurethane Vacuum Cups, 1.5 Bellows – PIAB Duraflex



Dual Durometer Polyurethane

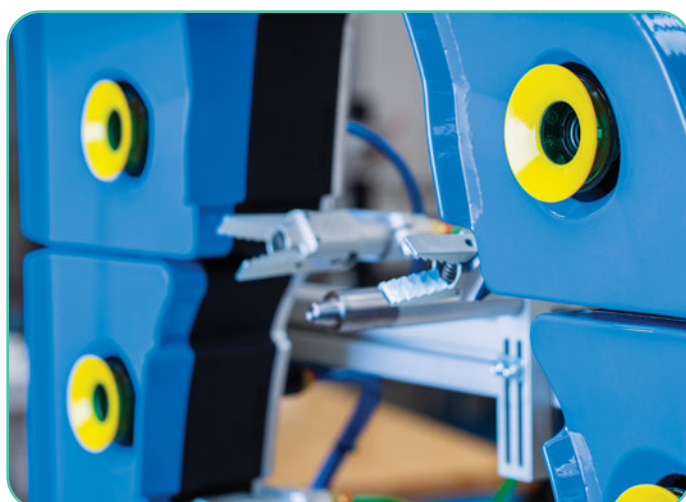
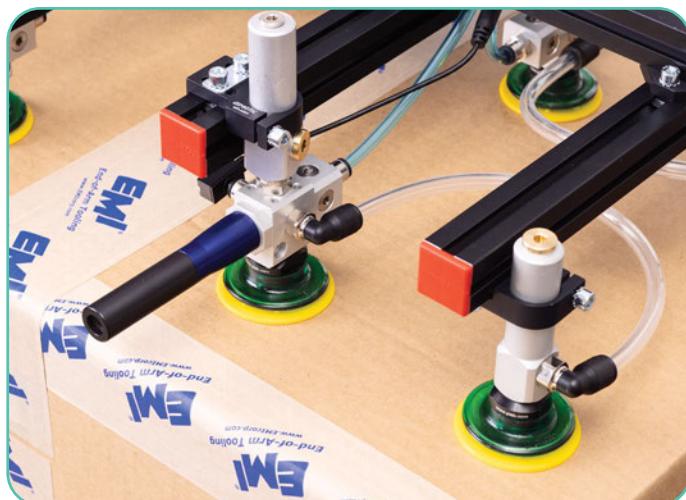
These polyurethane vacuum cups are constructed in two different durometers (hardness). The cups have a sturdy and “forgiving” bellows (60° shore, green) and a large flexible sealing surface (30° shore, yellow) that performs extremely well on uneven surfaces. 30° shore makes these the most flexible sealing surface cups available. White filter discs are included with 25mm and larger PIAB Dual Durometer cups.

The polyurethane makes them mark free and long lasting. The dual durometer makes these vacuum cups both strong and flexible.

Many consider these the best performing polyurethane cup available.

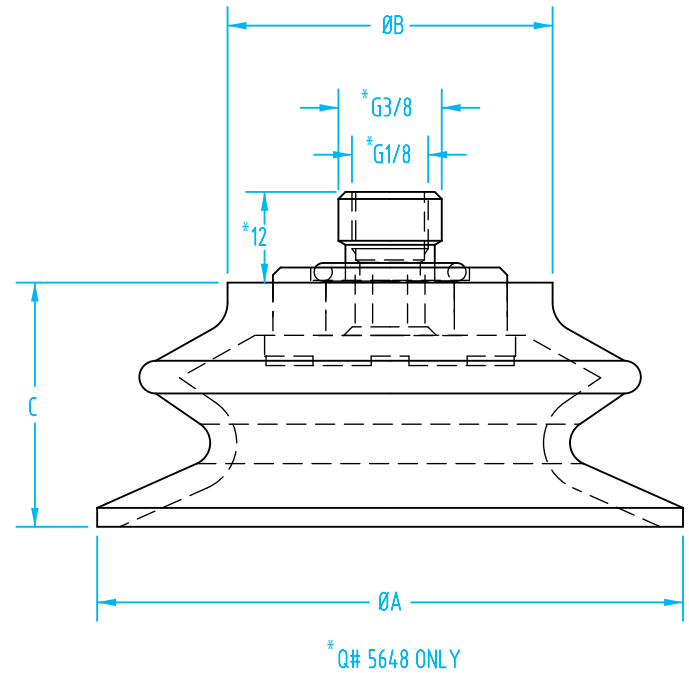
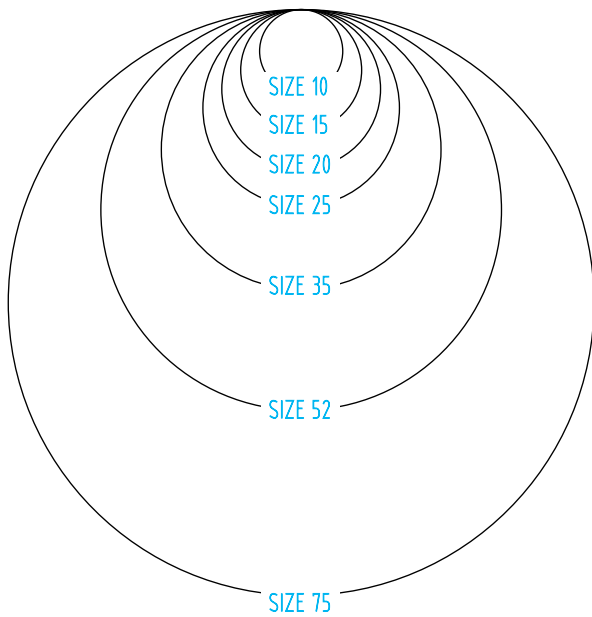
Dual Durometer Vacuum Cup Properties

Material	Color	Max Temp.	Durometer
Dual Durometer Polyurethane	Semi-translucent Green / Yellow	122°F	60° / 30° Shore



Multi-Purpose Polyurethane Vacuum Cups, 1.5 Bellows – PIAB Duraflex

(Dimensioned drawings shown full scale)



- CU
- QC
- VG
- VC**
- VA
- SG
- GR
- MT
- AC
- CS
- CC

Quick#	Part#	ØA Diameter Cup	B (mm)	C (mm)	Price
5642	GSV-1BDD-10	10mm	9	13.9	\$8.46
5643	GSV-1BDD-15	16mm	9	14.8	\$10.38
5644	GSV-1BDD-20	21mm	10.7	10.4	\$14.68
5645	GSV-1BDD-25	26mm	15	13.5	\$16.35
5646	GSV-1BDD-35	37mm	20	18.6	\$23.67
5647	GSV-1BDD-52	53mm	27	27	\$27.79
5648	GSV-1BDD-75*	77.5mm	43	32.3	\$59.24

*Note: The 75mm Vacuum Cup Q#5648 includes a G3/8" Male / G1/8" Female Nipple

Nipples for PIAB Duraflex Vacuum Cups

Quick#	Part#	Nipple	Thread	Vacuum Cup Ø	Price
1439	GSV-01AC	Male	M5	10mm & 15mm	\$1.85
1440	GSV-02AF	Male/Female	G1/8" /M5	20mm & 25mm	\$5.14
5157	GSV-02AB	Male	G1/8"		\$5.44
1441	GSV-04AG	Female	G1/8"	35mm	\$6.61
1443	GSV-04AI	Male	G1/8"		\$6.94
5315	GSV-04AB	Male	G1/4"		\$7.11
1442	GSV-05AG	Female	G1/8"	52mm	\$8.14
1444	GSV-05AI	Male	G1/8"		\$6.94
5316	GSV-05AB	Male	G1/4"		\$8.77

Nipples sold separately except the 75mm vacuum cup, see page 126 for dimensional drawings.

Multi-Purpose Polyurethane Vacuum Cups, 2.5 Bellows – PIAB Duraflex



Dual Durometer Polyurethane

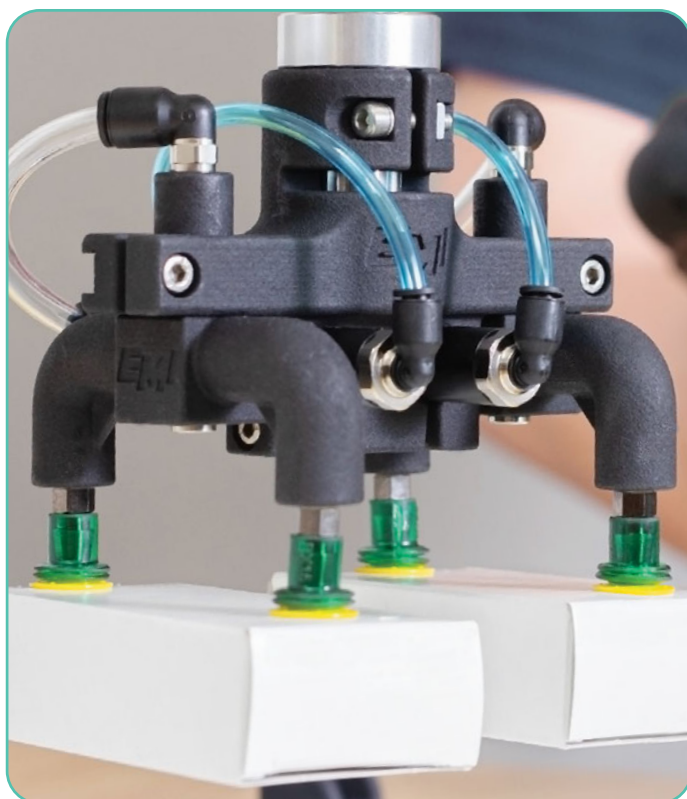
These polyurethane vacuum cups are constructed in two different durometers (hardness). The cups have a sturdy and “forgiving” bellows (60° shore, green) and a large flexible sealing surface (30° shore, yellow) that performs extremely well on uneven surfaces. 30° shore makes these the most flexible sealing surface cups available. As shown installed in the cup on the left, white filter discs are included with 25mm and larger PIAB Dual Durometer cups.

The polyurethane makes them mark free and long lasting. The dual durometer makes these vacuum cups both strong and flexible.

Many consider these the best performing polyurethane cup available.

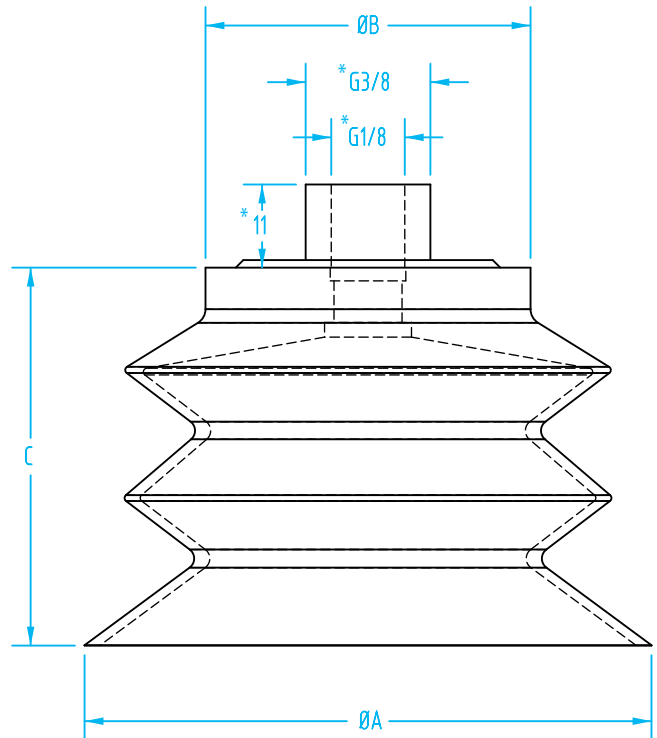
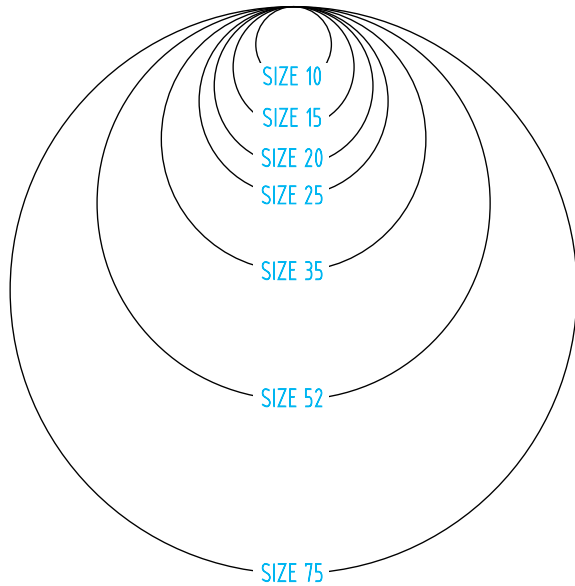
Dual Durometer Vacuum Cup Properties

Material	Color	Max Temp.	Durometer
Dual Durometer Polyurethane	Semi-translucent Green / Yellow	122°F	60° / 30° Shore



Multi-Purpose Polyurethane Vacuum Cups, 2.5 Bellows – PIAB Duraflex

(Dimensioned drawings shown full scale)



* Q# 5135 ONLY

- CU
- QC
- VG
- VC**
- VA
- SG
- GR
- MT
- AC
- CS
- CC

Quick#	Part#	ØA Diameter Cup	B (mm)	C (mm)	Price
5639	GSV-BDD-10	10mm	9	16	\$9.00
5640	GSV-BDD-15	16mm	9	18.5	\$11.03
5641	GSV-BDD-20	21mm	10.7	15.2	\$15.84
5173	GSV-BDD-25	25mm	14.7	19	\$21.43
1826	GSV-BDD-35	35mm	20	26	\$29.32
1827	GSV-BDD-52	52mm	26.5	40	\$33.85
5135	GSV-BX75P-4K-07UFF	75mm	43	50	\$62.08

*Note: The 75mm Vacuum Cup Q#5135 includes a G3/8" Male / G1/8" Female Nipple

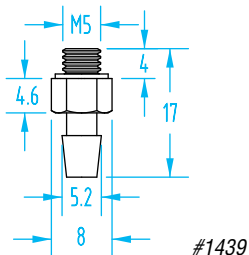
Nipples for PIAB Duraflex Vacuum Cups

Quick#	Part#	Nipple	Thread	Vacuum Cup Ø	Price
1439	GSV-01AC	Male	M5	10mm & 15mm	\$1.85
1440	GSV-02AF	Male/Female	G1/8" /M5	20mm & 25mm	\$5.14
5157	GSV-02AB	Male	G1/8"		\$5.44
1441	GSV-04AG	Female	G1/8"	35mm	\$6.61
1443	GSV-04AI	Male	G1/8"		\$6.94
5315	GSV-04AB	Male	G1/4"		\$7.11
1442	GSV-05AG	Female	G1/8"	52mm	\$8.14
1444	GSV-05AI	Male	G1/8"		\$6.94
5316	GSV-05AB	Male	G1/4"		\$8.77

Nipples sold separately except the 75mm vacuum cup, see page 126 for dimensional drawings.

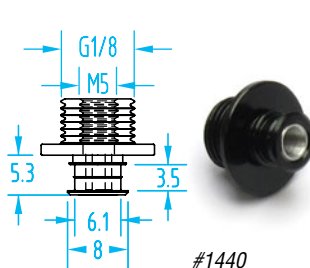
Nipples for PIAB Duraflex Vacuum Cups

For PIAB 10mm & 15mm Duraflex Vacuum Cups:

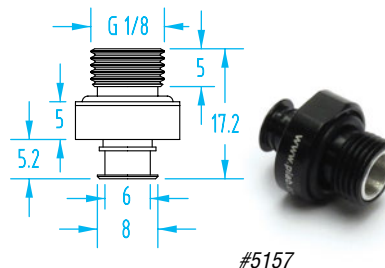


#1439

For PIAB 20mm & 25mm Duraflex Vacuum Cups:

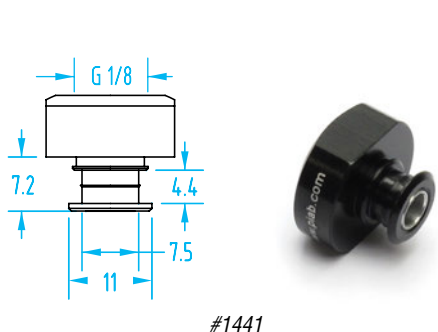


#1440

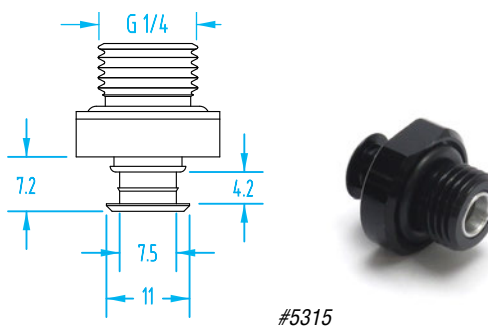


#5157

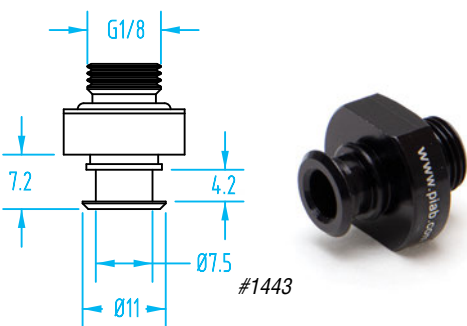
For PIAB 35mm Duraflex Vacuum Cups:



#1441



#5315



#1443

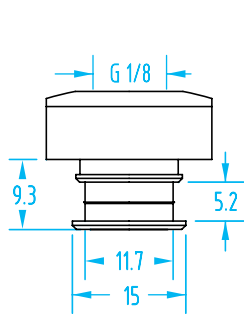
Nipples for PIAB Duraflex Vacuum Cups

Quick#	Part#	Nipple	Thread	Vacuum Cup Ø	Price
1439	GSV-01AC	Male	M5	10mm & 15mm	\$1.85
1440	GSV-02AF	Male/Female	G1/8" / M5	20mm & 25mm	\$5.14
5157	GSV-02AB	Male	G1/8"		\$5.44
1441	GSV-04AG	Female	G1/8"	35mm	\$6.61
1443	GSV-04AI	Male	G1/8"		\$6.94
5315	GSV-04AB	Male	G1/4"	52mm	\$7.11
1442	GSV-05AG	Female	G1/8"		\$8.14
1444	GSV-05AI	Male	G1/8"		\$6.94
5316	GSV-05AB	Male	G1/4"		\$8.77

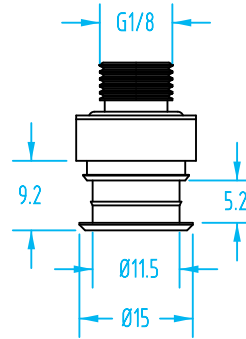
Nipples for PIAB Duraflex Vacuum Cups

(Dimensioned drawings shown full scale)

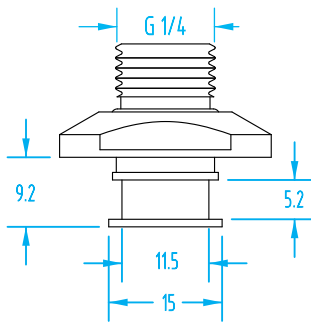
For PIAB 52mm Duraflex Vacuum Cups:



#1442



#1444



#5316



- CU
- QC
- VG
- VC
- VA
- SG
- GR
- MT
- AC
- CS
- CC

Alternative Dual Durometer Vacuum Cups:

[Click here to Shop!](#)



These dual durometer cups are comparable to the brand-name OEM green and yellow cups in that they use mark-free and long-lasting polyurethane. They have a sturdy dark blue bellows with a 60° shore and a large, flexible sealing surface with a lighter blue 30° shore. Find these and more in EMI's comprehensive EOAT catalog and online at www.EMICorp.com.

These alternative cups are compatible with similar sized nipples from the Piab Duraflex Cups as well as the Gimatic VG.IS cups on the following page.



1.5 Bellow Vacuum Cups

- Made of mark-free PU with sizes from 10mm–70mm



2.5 Bellow Vacuum Cups

- Made of mark-free PU with sizes from 10mm–70mm



2.5 Bellow with Large Lip

- Made of mark-free PU with sizes from 25mm–55mm

Multi-Purpose Polyurethane Vacuum Cups – Gimatic VG.IS

Gimatic dual durometer polyurethane cups are an excellent option for corrugate and textured/uneven workpieces due to the durometer of the lip and high resistance to wear. This design provides improved stability for parts that need to be moved in more than one direction.

- Ideal for handling of uneven and textured surfaces.
- High flexibility.
- Dual durometer polyurethane.
- Good resistance to wear.
- Cups are compatible with similar size nipples for other dual durometer cups.

Gimatic VG.IS Vacuum Cup Properties

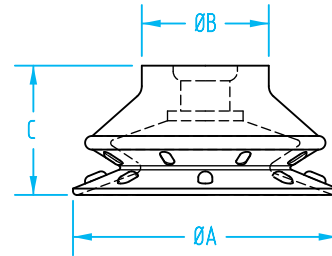
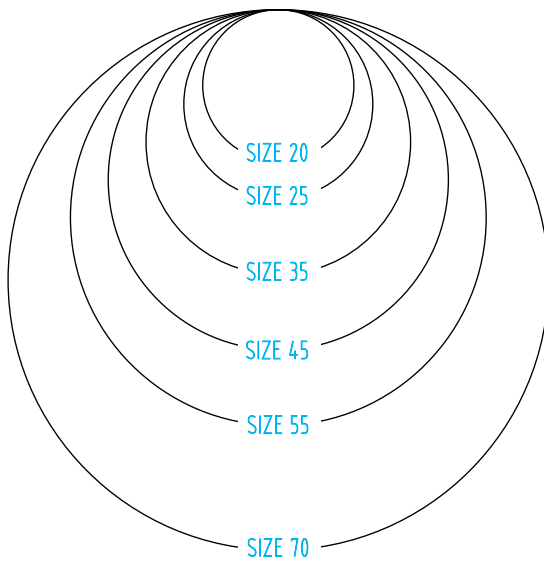
Material	Color	Max Temp.	Durometer
PU	Red/Gray	113°F	30/60°



Shown: Q#8030 - KIT-TM-V with Gimatic VG.IS cups.

Multi-Purpose Polyurethane Vacuum Cups – Gimatic VG.IS

(Dimensioned drawings shown full scale)



Quick#	Part#	ØA Diameter Cup	ØB (mm)	C (mm)	Price
V7744	GOC-2322126	20mm	9	19	\$11.65
V7746	GOC-2322130	25mm	12	19	\$16.30
V7749	GOC-2322134	35mm	16.8	17	\$18.60
V7750	GOC-2322139	45mm	22.4	22	\$20.95
V1865	GOC-2322211	55mm	27.5	27	\$22.18
V1870	GOC-2322216	71.5mm	43	35.5	\$44.37

Nipples for Gimatic VG.IS Vacuum Cups

Quick#	Part#	Thread	For Cup Size	Price
7745	FT-M5M	M5 Male	Ø20mm	\$1.86
7747	FT-M5F	M5 Female	Ø25mm	\$5.77
V1123	GOC-1700016	G1/8" M/ M5 F		\$5.63
7748	FT-G18M-17	G1/8" Male	Ø35mm & Ø45mm	\$6.05
7751	FT-G18M-18	G1/8" Male		\$9.30
V1125	GOC-1800019	G1/8" Female		\$6.98
7752	FT-G14M-18	G1/4" Male		\$7.95
7753	FT-G38M-18	G3/8" Male		\$7.95
V1127	GOC-1900018	G1/8" Male	Ø55mm	\$7.06
V1128	GOC-1900019	G1/8" Female		\$8.38
V1126	GOC-1900014	G1/4" Male		\$4.10
V1129	GOC-1900038	G3/8" Male		\$4.10
V1130	GOC-1900039	G3/8" Male	Ø71.5mm	\$26.19

Nipples with self-closing valve allow handling of different shape, size workpieces, at different angles

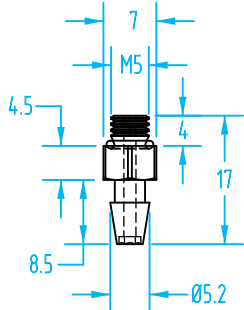
Quick#	Part#	Thread	For Cup Size	Price
V2495	GOC-1600022	G1/8" Male, 19mm Hex	Ø35mm & Ø45mm	\$27.72
V2496	GOC-1600023	G3/8" Male, 24mm Hex	Ø55mm	\$33.00

Find dimensional drawings and more information online, search by Quick#.

- CU
- QC
- VG
- VC**
- VA
- SG
- GR
- MT
- AC
- CS
- CC

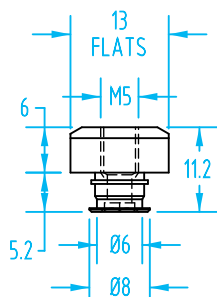
Nipples for Gimatic VG.IS Vacuum Cups

20mm Nipple

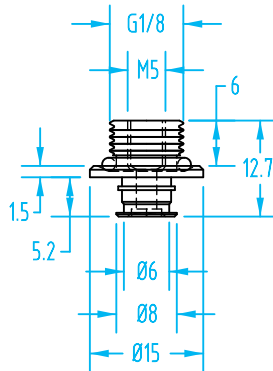


#7745

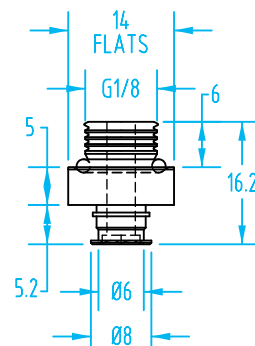
25mm Nipples



#7747

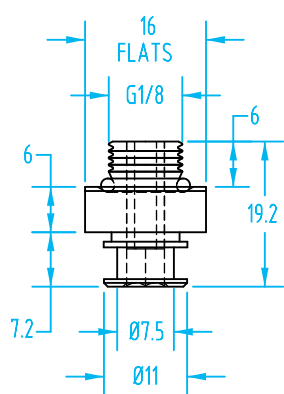


#V1123

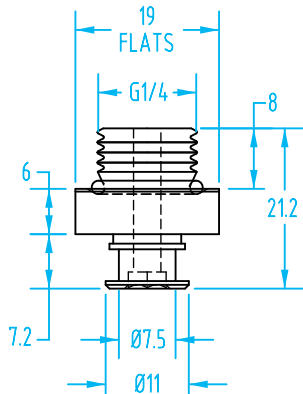


#7748

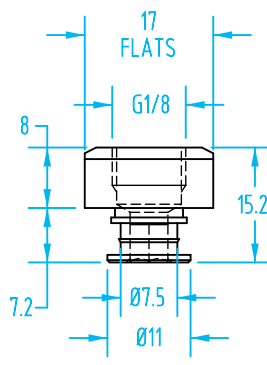
45mm Nipples



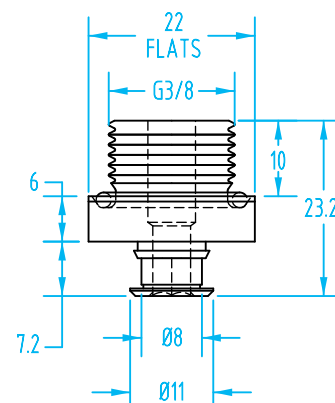
#7751



#7752

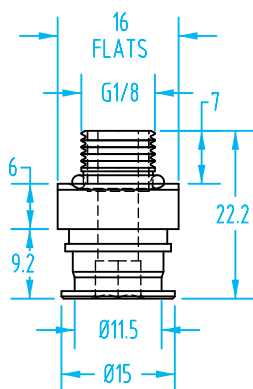


#V1125

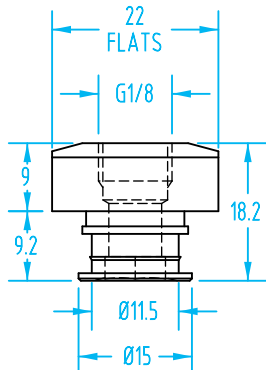


#7753

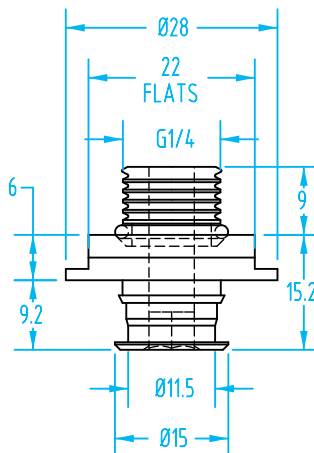
55mm Nipples



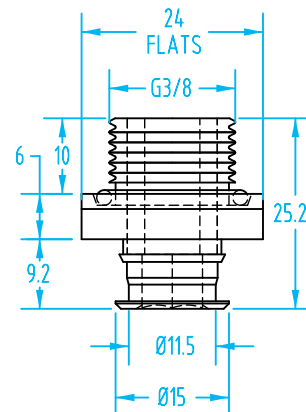
#V1127



#V1128



#V1126

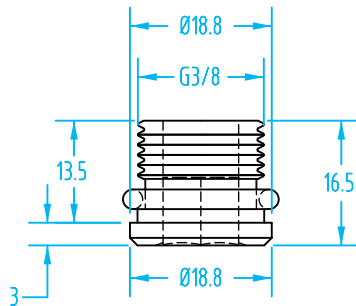


#V1129

Nipples for Gimatic VG.IS Vacuum Cups

(Dimensioned drawings shown full scale)

70mm Nipple



#V1130

Nipples for Gimatic VG.IS Vacuum Cups

Quick#	Part#	Thread	For Cup Size	Price
7745	FT-M5M	M5 Male	Ø20mm	\$1.86
7747	FT-M5F	M5 Female	Ø25mm	\$5.77
V1123	GOC-1700016	G1/8" M/ M5 F		\$5.63
7748	FT-G18M-17	G1/8" Male	Ø45mm	\$6.05
7751	FT-G18M-18	G1/8" Male		\$9.30
V1125	GOC-1800019	G1/8" Female		\$6.98
7752	FT-G14M-18	G1/4" Male	Ø55mm	\$7.95
7753	FT-G38M-18	G3/8" Male		\$7.95
V1127	GOC-1900018	G1/8" Male	Ø70mm	\$7.06
V1128	GOC-1900019	G1/8" Female		\$8.38
V1126	GOC-1900014	G1/4" Male		\$4.10
V1129	GOC-1900038	G3/8" Male	\$4.10	
V1130	GOC-1900039	G3/8" Male	\$26.19	

Use Quick#s for easy online ordering.

Additional Specialty Gimatic Vacuum Cups:

[Click here to Shop!](#)



EMI Corp. is the North American distributor for Gimatic products with over 50 years of part and package handling experience. If you have any projects that you would like to discuss with us now, please contact us today and we'll set aside some time to get going. View our Interactive Gimatic Vacuum catalog for all Gimatic cups at: www.catalogs.emicorp.com



Multi-Bellow Metal Detectable Vacuum Cups for Direct Food Handling

- Detectable FDA-compliant silicone compliant with FDA 21 CFR 177.2600 standards.



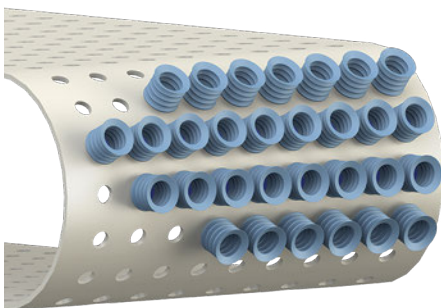
1.5 & 2.5 Bellow Vacuum Cups with Non-Marking FDA Silicone Foam Lip

- Available in HNBR, EPDM, and FDA approved food-grade silicone with sizes from: 16mm – 53mm.



1.5 Bellow Rectangular Vacuum Cups

- PU Bellow cups suitable for handling snack foods and food bars in flow packs.



Packaging Elastodur Vacuum Cups, Flat-Ribbed – Schmalz SPF

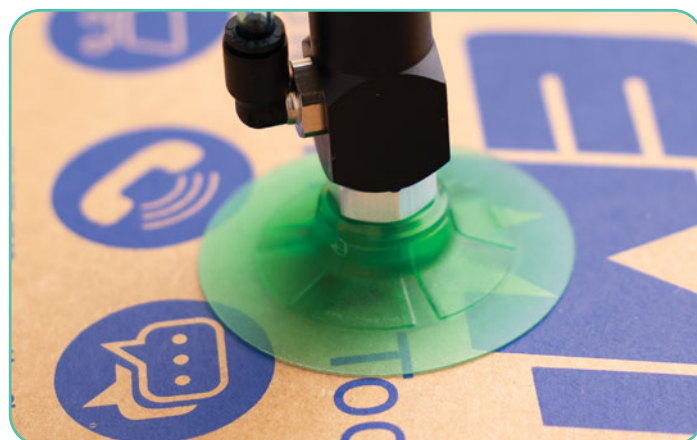
Flexible lips allow for sufficient seal while the tough Elastodur endures high abrasion applications such as cardboard and other rigid packaging.

- Elastodur material has a 65° shore and minimizes wear.
- Flat vacuum cups have ribs that provide high suction rates.
- These cups are also used in palletizing and depalletizing processes.
- Heavy-duty applications that require suction cups with excellent sealing and low wear.
- Cups 40mm and larger have a two-piece nipple.



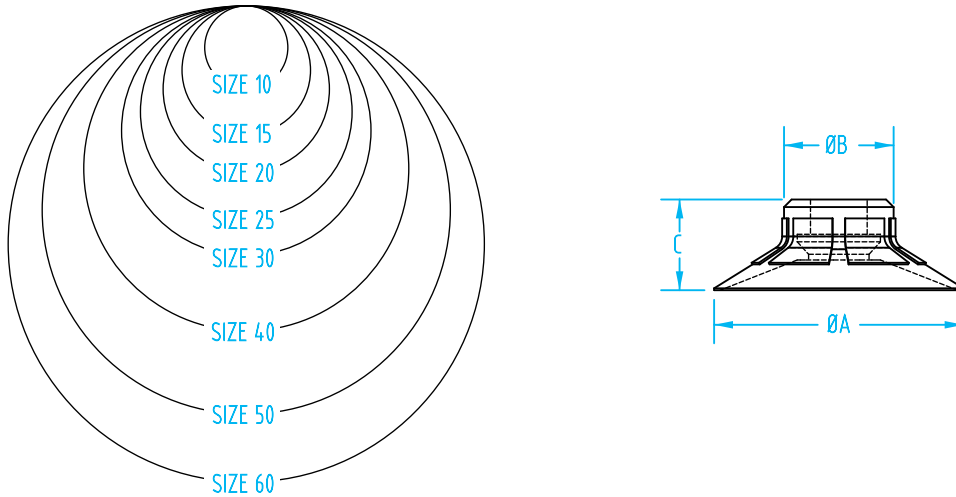
Schmalz SPF Vacuum Cup Properties

Material	Color	Max Temp. (<30 sec.)	Max Temp. (>30 sec.)	Durometer
Elastodur	Green	-40 to 212 °F	-13 to 176 °F	55°



Packaging Elastodur Vacuum Cups, Flat-Ribbed – Schmalz SPF

(Dimensioned drawings shown full scale)



Quick#	Part#	ØA Diameter Cup	ØB (mm)	C (mm)	Use Nipple Size:	Price
8758	SPF-10-ED-65-SC030	11mm	9	8.5	030	\$7.04
8759	SPF-15-ED-65-SC040	17mm	12.5	10	040	\$7.60
8760	SPF-20-ED-65-SC040	22mm	14.5	11		\$8.10
8761	SPF-25-ED-65-SC040	28mm	14.5	11		\$8.81
8762	SPF-30-ED-65-SC040	33mm	14.5	12		\$9.63
8763	SPF-40-ED-65-SC050	43mm	21.5	15	050	\$12.65
8764	SPF-50-ED-65-SC050	54mm	21.5	15.5		\$14.65
8765	SPF-60-ED-65-SC050	63mm	21.5	18		\$16.90

Schmalz Elastodur Vacuum Cup Nipples

Quick#	Part#	Thread	Nipple Size	Price
8732	GSF-030-M5M	Male M5	030	\$3.73
8733	GSF-030-M5F	Female M5		\$3.23
8766	GSF-030-G18M	Male G1/8"		\$2.84
8767	GSF-030-G18F	Female G1/8"		\$2.74
8768	GSF-040-M5M	Male M5	040	\$3.73
8735	GSF-040-G18M	Male G1/8"		\$3.73
8736	GSF-040-G18F	Female G1/8"		\$3.39
8740	GSF-040-G14M	Male G1/4"		\$7.86
8769	GSF-040-G14F	Female G1/4"		\$7.25
8742	GSF-050-G14M-MOD	Male G1/4" 2-Piece	050	\$5.89
8743	GSF-050-G14F-MOD	Female G1/4" 2-Piece		\$5.64
8744	GSF-050-G18F	Female G1/8"		\$3.35
8745	GSF-050-G18M-MOD	Male G1/8" 2-Piece		\$5.78

Nipple dimensional drawings on page 138.

- CU
- QC
- VG
- VC**
- VA
- SG
- GR
- MT
- AC
- CS
- CC

Packaging Elastodur Vacuum Cups, 1.5 Bellow – Schmalz SPB



Flexible lips allow for sufficient seal while the tough Elastodur endures high abrasion applications such as cardboard and other rigid packaging.

- Elastodur Material has a 65° shore and minimizes wear.
- Round 1.5 bellows for the use in cardboard box and tray erectors.
- These cups are also used in palletizing and depalletizing processes.
- Heavy-duty applications that require suction cups with excellent sealing and low wear.
- Cups 40mm and larger have a two-piece nipple.

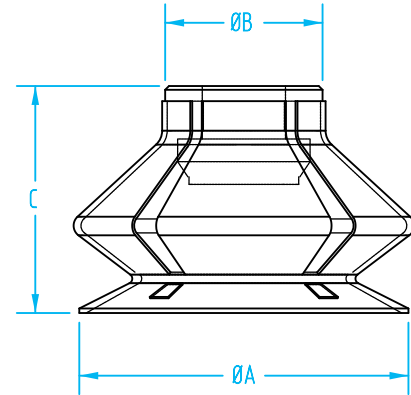
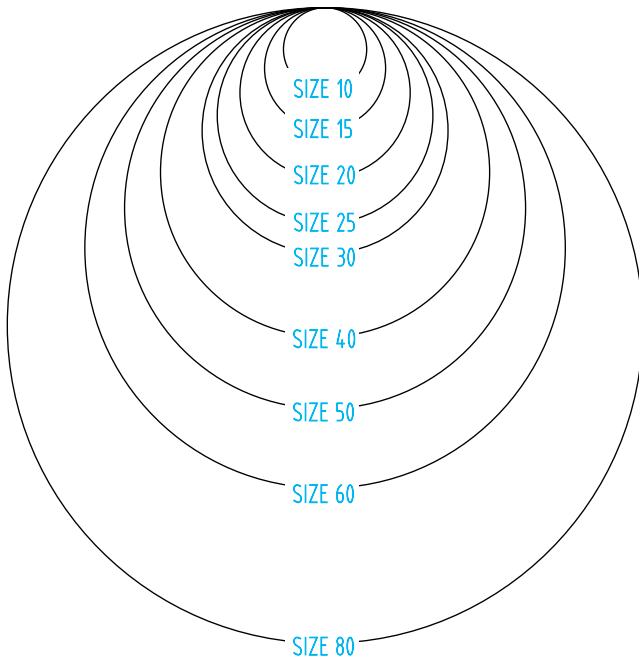
Schmalz SPB Vacuum Cup Properties

Material	Color	Max Temp. (<30 sec.)	Max Temp. (>30 sec.)	Durometer
Elastodur	Green	-40 to 212 °F	-13 to 176 °F	55°



Packaging Elastodur Vacuum Cups, 1.5 Bellow – Schmalz SPB

(Dimensioned drawings shown full scale)



Quick#	Part#	ØA Diameter Cup	ØB (mm)	C (mm)	Use Nipple Size:	Price
8731	SPB1-10-ED-65-SC030	11mm	9	12.25	030	\$8.11
8734	SPB1-15-ED-65-SC040	16mm	14.6	15	040	\$9.01
8737	SPB1-20-ED-65-SC040	22.5mm	14.6	18		\$9.79
8738	SPB1-25-ED-65-SC040	28.5mm	14.6	20.5		\$11.02
8739	SPB1-30-ED-65-SC040	32.5mm	14.6	23		\$12.71
8741	SPB1-40-ED-65-SC050	43.5mm	20.8	30	050	\$15.18
8746	SPB1-50-ED-65-SC050	53mm	20.8	32		\$18.93
8747	SPB1-60-ED-65-SC050	63.5mm	20.8	36		\$21.17
8748	SPB1-80-ED-65-SC065	84mm	27.2	45		\$35.76

Schmalz Elastodur Vacuum Cup Nipples

Quick#	Part#	Thread	Nipple Size	Price
8732	GSF-030-M5M	Male M5	030	\$3.73
8733	GSF-030-M5F	Female M5		\$3.23
8766	GSF-030-G18M	Male G1/8"		\$2.84
8767	GSF-030-G18F	Female G1/8"		\$2.74
8768	GSF-040-M5M	Male M5	040	\$3.73
8735	GSF-040-G18M	Male G1/8"		\$3.73
8736	GSF-040-G18F	Female G1/8"		\$3.39
8740	GSF-040-G14M	Male G1/4"		\$7.86
8769	GSF-040-G14F	Female G1/4"		\$7.25
8742	GSF-050-G14M-MOD	Male G1/4" 2-Piece	050	\$5.89
8743	GSF-050-G14F-MOD	Female G1/4" 2-Piece		\$5.64
8744	GSF-050-G18F	Female G1/8"		\$3.35
8745	GSF-050-G18M-MOD	Male G1/8" 2-Piece		\$5.78
8749	GSF-065-G14M-L-MOD	Male G1/4" 2-Piece	065	\$7.20
8750	GSF-065-G14F-L-MOD	Female G1/4" 2-Piece		\$7.23

Nipple dimensional drawings on page 138.

- CU
- QC
- VG
- VC**
- VA
- SG
- GR
- MT
- AC
- CS
- CC

Packaging Elastodur Vacuum Cups, 2.5 Bellow – Schmalz SPB



Flexible lips allow for sufficient seal while the tough Elastodur endures high abrasion applications such as cardboard and other rigid packaging.

- Elastodur Material has a 65° shore and minimizes wear.
- Round 2.5 bellows for the use in cardboard box and tray erectors.
- These cups are also used in palletizing and depalletizing processes.
- Heavy-duty applications that require suction cups with excellent sealing and low wear.
- Cups 40mm and larger have a two-piece nipple.

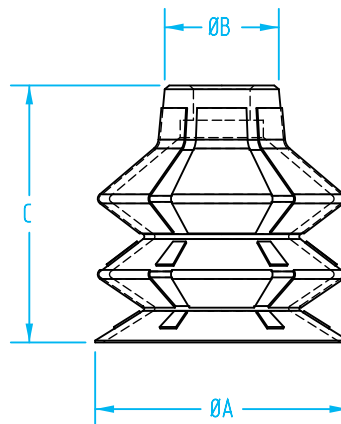
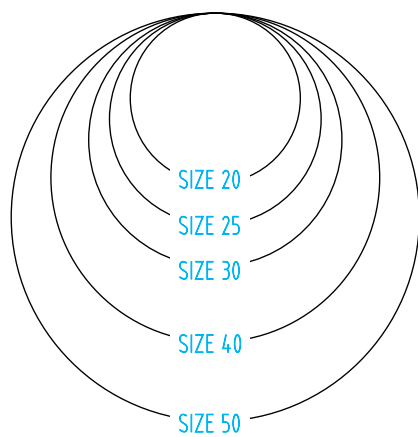
Schmalz SPB Vacuum Cup Properties

Material	Color	Max Temp. (<30 sec.)	Max Temp. (>30 sec.)	Durometer
Elastodur	Green	-40 to 212 °F	-13 to 176 °F	55°



Packaging Elastodur Vacuum Cups, 2.5 Bellow – Schmalz SPB

(Dimensioned drawings shown full scale)



Quick#	Part#	ØA Diameter Cup	ØB (mm)	C (mm)	Use Nipple Size:	Price
8751	SPB2-20-ED-65-SC040	22.5mm	13.8	24.5	040	\$13.80
8752	SPB2-25-ED-65-SC040	28mm	14	30		\$15.82
8753	SPB2-30-ED-65-SC040	33.5mm	15	34		\$18.14
8754	SPB2-40-ED-65-SC050	43.5mm	19.7	43	050	\$21.52
8755	SPB2-50-ED-65-SC050	54mm	19.7	55.5		\$27.03

Schmalz Elastodur Vacuum Cup Nipples

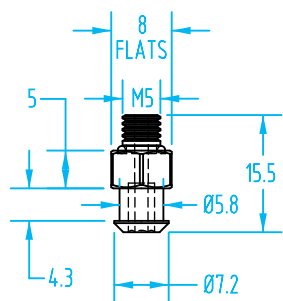
Quick#	Part#	Thread	Nipple Size	Price
8768	GSF-040-M5M	Male M5	040	\$3.73
8735	GSF-040-G18M	Male G1/8"		\$3.73
8736	GSF-040-G18F	Female G1/8"		\$3.39
8740	GSF-040-G14M	Male G1/4"		\$7.86
8769	GSF-040-G14F	Female G1/4"		\$7.25
8742	GSF-050-G14M-MOD	Male G1/4" 2-Piece	050	\$5.89
8743	GSF-050-G14F-MOD	Female G1/4" 2-Piece		\$5.64
8744	GSF-050-G18F	Female G1/8"		\$3.35
8745	GSF-050-G18M-MOD	Male G1/8" 2-Piece		\$5.78

Nipple dimensional drawings on page 138.

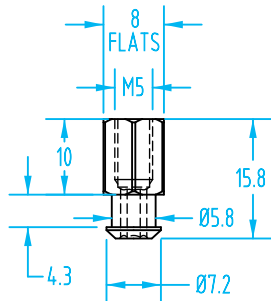
- CU
- QC
- VG
- VC**
- VA
- SG
- GR
- MT
- AC
- CS
- CC

Nipples for Schmalz Vacuum Cups – Size 030 & 040

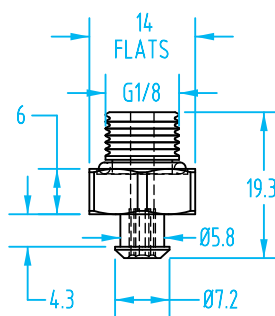
Nipple Size 030



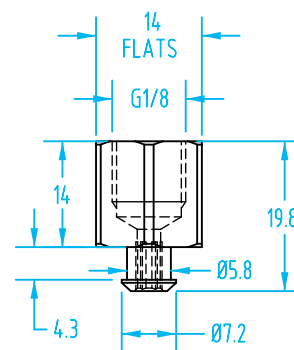
#8732



#8733



#8766

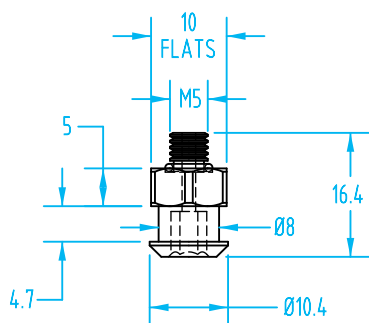


#8767

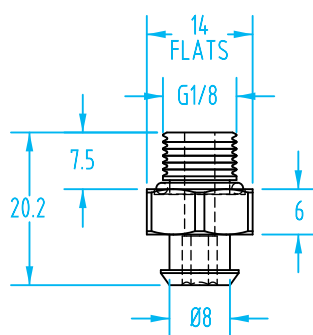
Size 030 Schmalz Vacuum Cup Nipples

Quick#	Part#	Nipple Type	Nipple Size	Price
8732	GSF-030-M5M	Male M5	030	\$3.73
8733	GSF-030-M5F	Female M5		\$3.23
8766	GSF-030-G18M	Male G1/8"		\$2.84
8767	GSF-030-G18F	Female G1/8"		\$2.74

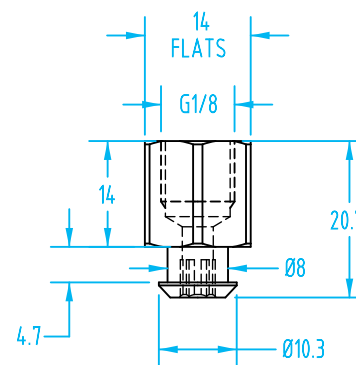
Nipple Size 040



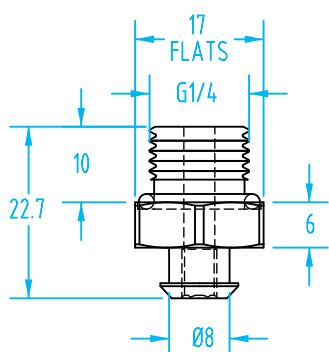
#8768



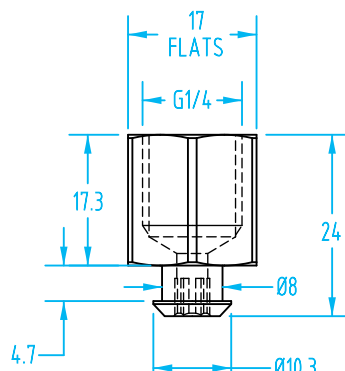
#8735



#8736



#8740



#8769

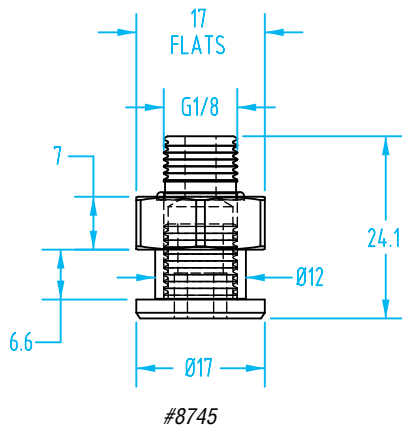
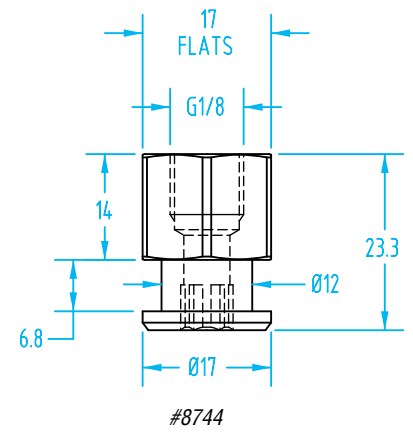
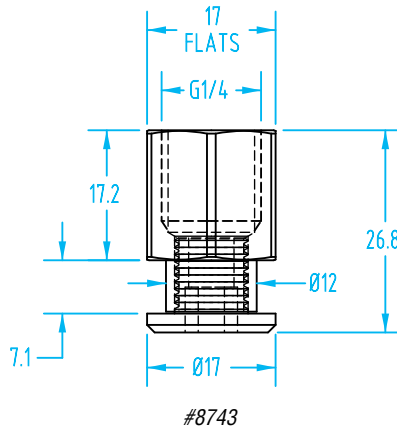
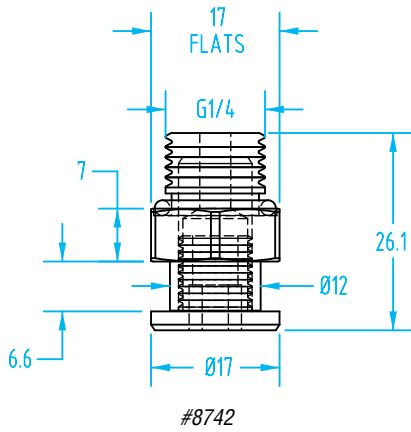
Size 040 Schmalz Vacuum Cup Nipples

Quick#	Part#	Thread	Nipple Size	Price
8768	GSF-040-M5M	Male M5	040	\$3.73
8735	GSF-040-G18M	Male G1/8"		\$3.73
8736	GSF-040-G18F	Female G1/8"		\$3.39
8740	GSF-040-G14M	Male G1/4"		\$7.86
8769	GSF-040-G14F	Female G1/4"		\$7.25

Nipples for Schmalz Vacuum Cups – Size 050 & 065

(Dimensioned drawings shown full scale)

Nipple Size 050

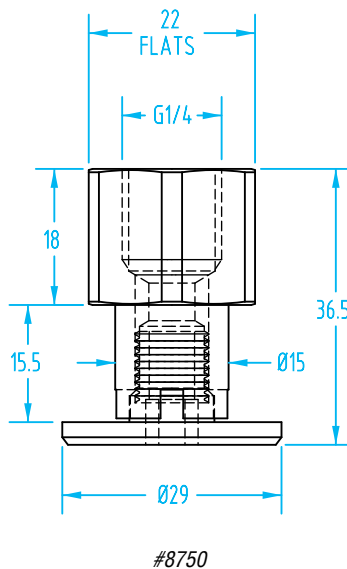
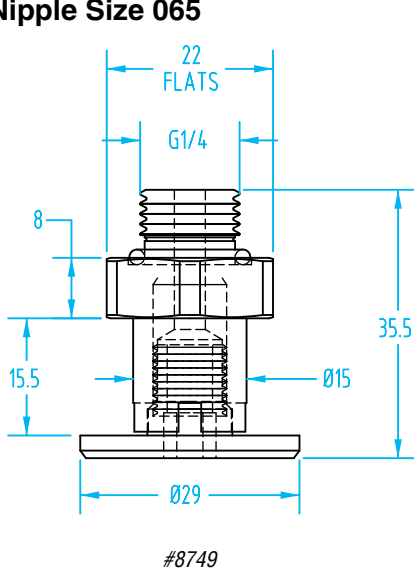


Size 050 Schmalz Vacuum Cup Nipples

Quick#	Part#	Thread	Nipple Size	Price
8742	GSF-050-G14M-MOD	Male G1/4" Two-Piece	050	\$5.89
8743	GSF-050-G14F-MOD	Female G1/4" Two-Piece		\$5.64
8744	GSF-050-G18F	Female G1/8"		\$3.35
8745	GSF-050-G18M-MOD	Male G1/8" Two-Piece		\$5.78

Use Quick#s for easy online ordering.

Nipple Size 065

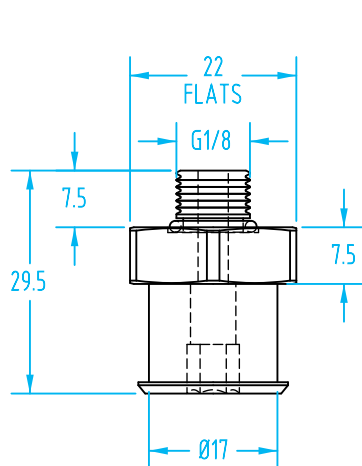


Size 065 Schmalz Vacuum Cup Nipples

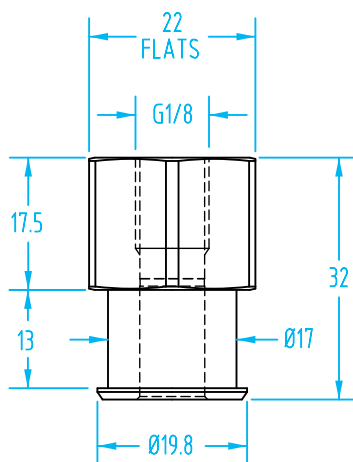
Quick#	Part#	Thread	Nipple Size	Price
8749	GSF-065-G14M-L-MOD	Male G1/4" Two-Piece	065	\$7.20
8750	GSF-065-G14F-L-MOD	Female G1/4" Two-Piece		\$7.23

Nipples for Schmalz Vacuum Cups – Size 080

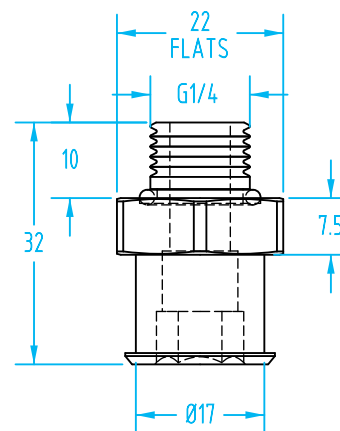
Nipple Size 080



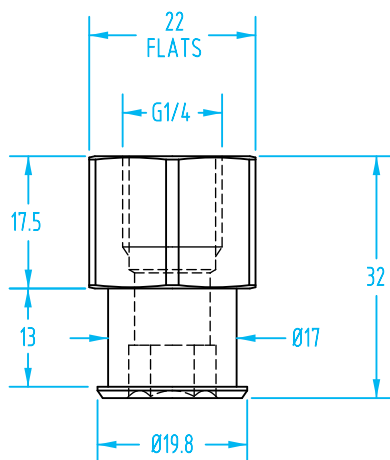
#8773



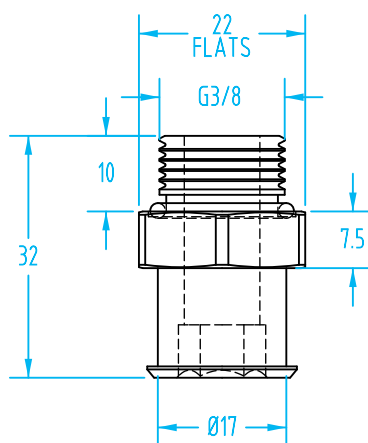
#8774



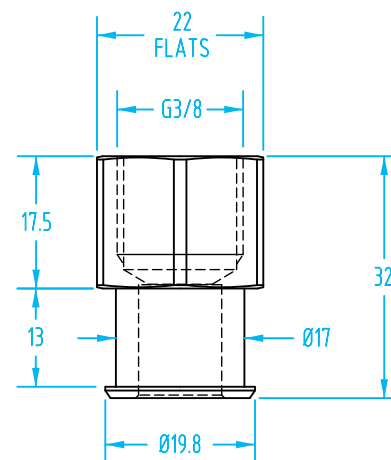
#8775



#8776



#8777



#8778

Size 080 Schmalz Vacuum Cup Nipples

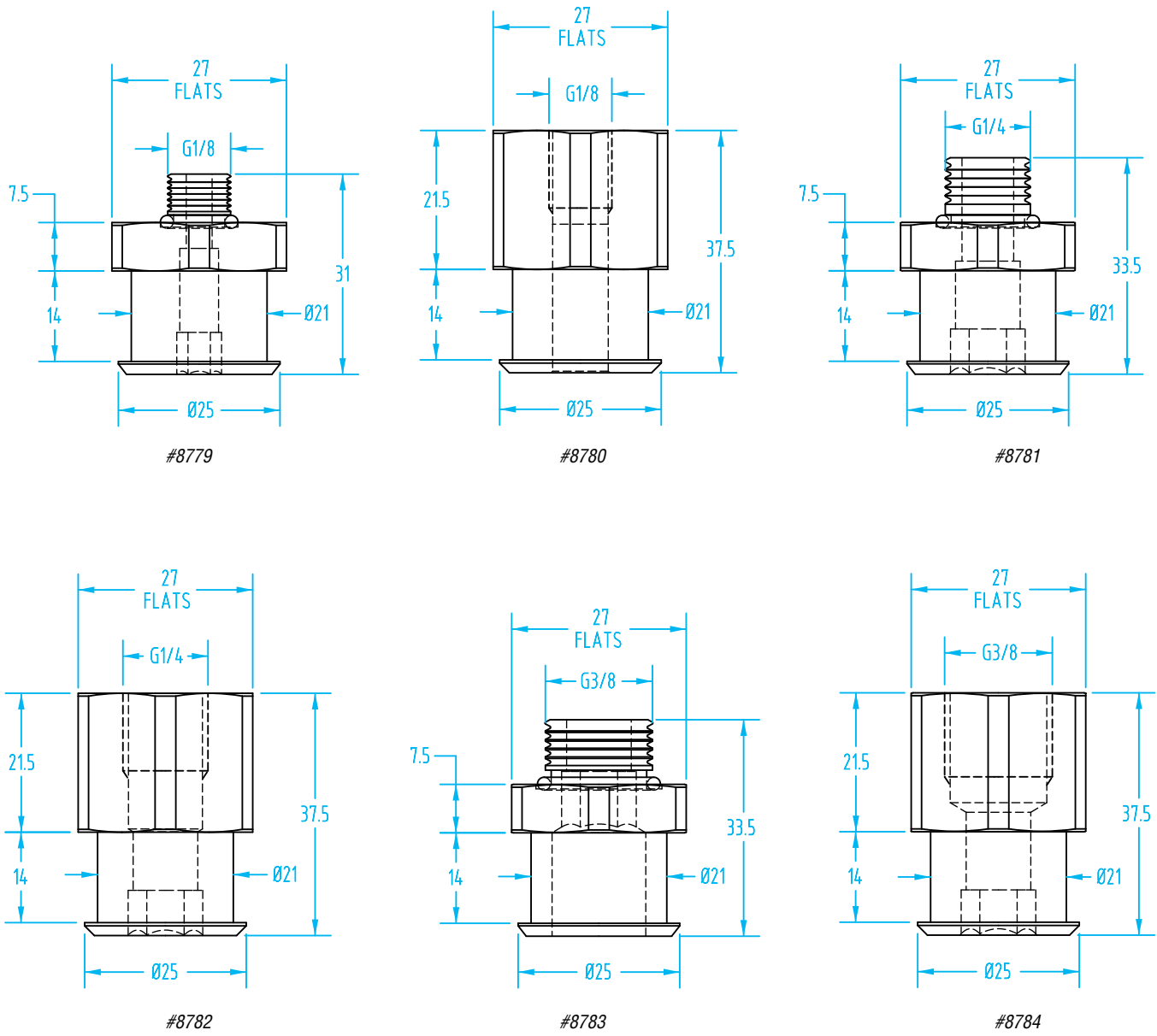
Quick#	Part#	Thread	Nipple Size	Price
8773	GSF-080-G18M	Male G1/8"	080	\$5.35
8774	GSF-080-G18F	Female G1/8"		\$5.25
8775	GSF-080-G14M	Male G1/4"		\$5.35
8776	GSF-080-G14F	Female G1/4"		\$5.25
8777	GSF-080-G38M	Male G3/8"		\$5.35
8778	GSF-080-G38F	Female G3/8"		\$5.45

Use Quick#s for easy online ordering.

Nipples for Schmalz Vacuum Cups – Size 090

(Dimensioned drawings shown full scale)

Nipple Size 090



Size 090 Schmalz Vacuum Cup Nipples

Quick#	Part#	Thread	Nipple Size	Price
8779	GSF-090-G18M	Male G1/8"	090	\$6.62
8780	GSF-090-G18F	Female G1/8"		\$6.44
8781	GSF-090-G14M	Male G1/4"		\$6.62
8782	GSF-090-G14F	Female G1/4"		\$6.44
8783	GSF-090-G38M	Male G3/8"		\$6.41
8784	GSF-090-G38F	Female G3/8"		\$6.44

- CU
- QC
- VG
- VC**
- VA
- SG
- GR
- MT
- AC
- CS
- CC

Bag Handling Silicone Vacuum Cups – Schmalz SPB



Schmalz silicone vacuum cups have round bellows with 2.5 folds used for palletizing and depalletizing processes of packaging materials such as cardboards, rigid and flexible packaging. They can also be used for the handling of blister packaging, shrink-wrapped products, plastic bags or trays.

- Used in area gripping systems and “suction cup carpets”; optionally integrated flow resistances to reduce leakage occurring at partial occupancy.
- Flexible sealing lip optimized for cardboard boxes, packaging material and other unstable surfaces.
- Soft bellows suction with large stroke at low restoring force ideal for use in gripping systems.
- FDA compliant silicone SI allows direct food contact.

Schmalz SPB2 Vacuum Cup Properties

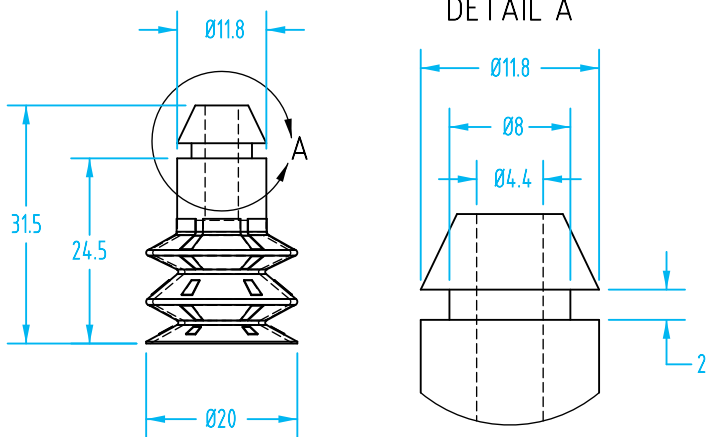
Material	Color	Max Temp. (<30 sec.)	Max Temp. (>30 sec.)	Durometer
Silicone SI	Green	-40 to 428 °F	-22 to 356 °F	30 / 55°

Great for 3D Printed EOAT!



Bag Handling Silicone Vacuum Cups – Schmalz SPB

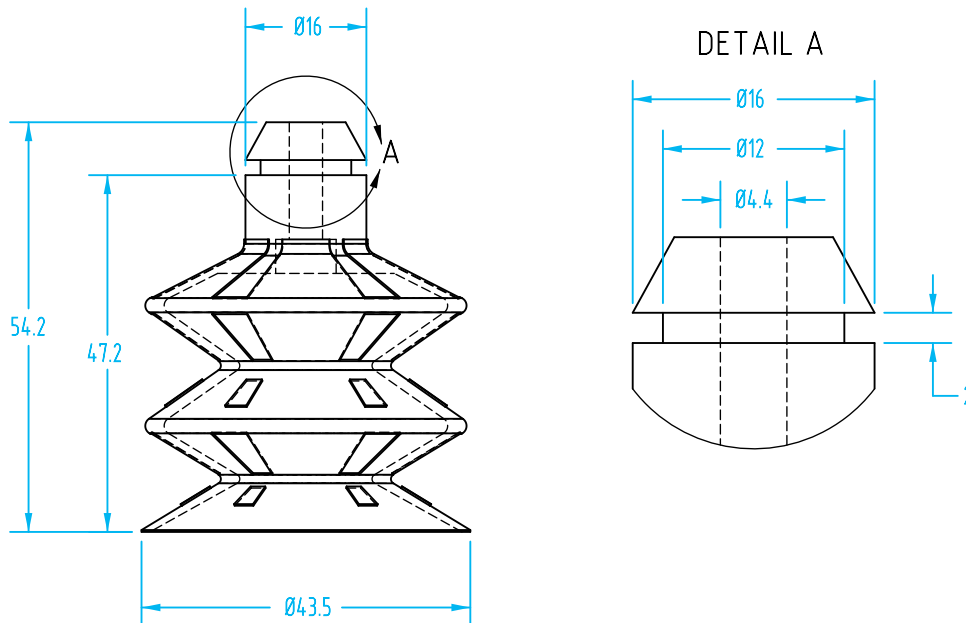
(Dimensioned drawings shown full scale)



Quick#	Part#	Ø Diameter Cup	Price
8756	SPB2-20-SI-40-P	20mm	\$6.86



You can 3D print your own installation tool. See EMI website for STL file download.



Quick#	Part#	Ø Diameter Cup	Price
8757	SPB2-40-SI-55-P	43.5mm	\$9.88

- CU
- QC
- VG
- VC**
- VA
- SG
- GR
- MT
- AC
- CS
- CC

Packaging Silicone Vacuum Cups – Schmalz PSPF



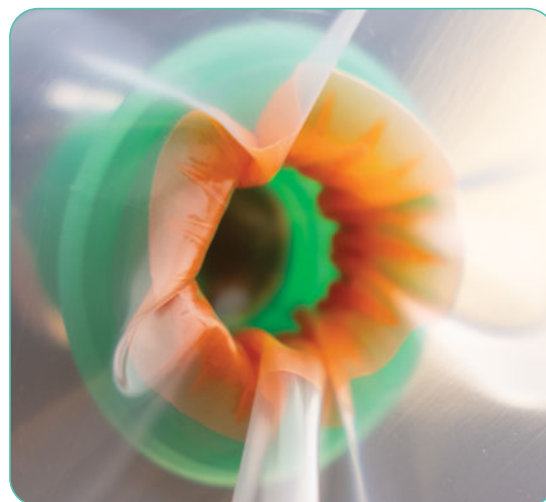
Schmalz silicone vacuum cups are used for handling bags and packages filled with liquids, solids, or powders, especially with a low degree of filling. They provide reliable handling of thin, flexible, or liquid-filled bags. Often used in dynamic packaging processes in combination with delta robots in case packers and in pick-and-place applications.

- Two-component bellows suction cup with 3.5 bellows.
- High strength 2C connection of bellows and sealing lip combines sophisticated material properties in one suction cup.
- Supple and soft sealing lip enables optimum sealing even on bags with strong wrinkling.
- Reinforced bellows with interlocking bellows ensure optimum stability and support during rapid cycles.
- Made of FDA-compliant silicone is suitable for direct contact with food.

Schmalz PSPF Vacuum Cup Properties

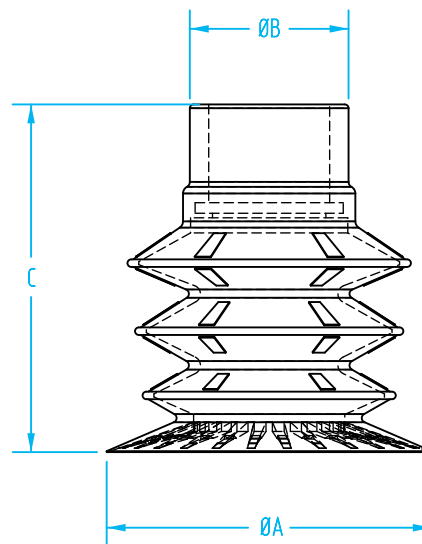
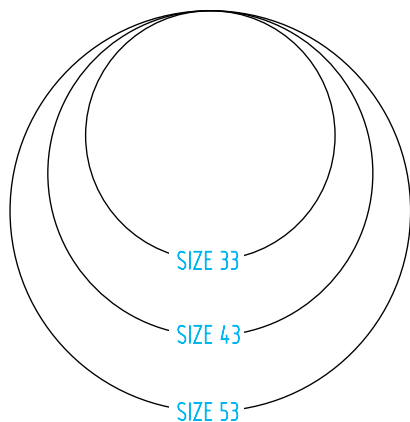
Material	Color	Max Temp. (<30 sec.)	Max Temp. (>30 sec.)	Durometer
Silicone SI	Green / Orange	-40 to 428 °F	-22 to 356 °F	30 / 55°

Vacuum Cup that works like a Gripper!



Packaging Silicone Vacuum Cups – Schmalz PSPF

(Dimensioned drawings shown full scale)



Quick#	Part#	ØA Diameter Cup	ØB (mm)	C (mm)	Use Nipple Size:	Price
8770	PSPF-33-SI-DUO-SC080	33mm	21	40	080	\$30.35
8771	PSPF-43-SI-DUO-SC080	43mm	21	46	080	\$39.93
8772	PSPF-53-SI-DUO-SC090	53mm	27	56	090	\$46.53

Use Quick#s for easy online ordering.

Size 080 and 090 Schmalz Vacuum Cup Nipples

Quick#	Part#	Thread	Nipple Size	Price
8773	GSF-080-G18M	Male G1/8"	080	\$5.35
8774	GSF-080-G18F	Female G1/8"		\$5.25
8775	GSF-080-G14M	Male G1/4"		\$5.35
8776	GSF-080-G14F	Female G1/4"		\$5.25
8777	GSF-080-G38M	Male G3/8"		\$5.35
8778	GSF-080-G38F	Female G3/8"		\$5.45
8779	GSF-090-G18M	Male G1/8"	090	\$6.62
8780	GSF-090-G18F	Female G1/8"		\$6.44
8781	GSF-090-G14M	Male G1/4"		\$6.62
8782	GSF-090-G14F	Female G1/4"		\$6.44
8783	GSF-090-G38M	Male G3/8"		\$6.41
8784	GSF-090-G38F	Female G3/8"		\$6.44

Nipple dimensional drawings on page 138.

- CU
- QC
- VG
- VC**
- VA
- SG
- GR
- MT
- AC
- CS
- CC

Packaging Silicone Vacuum Cups – Coval FlowPack FPCA

FlowPack Cups are fully dedicated to handling packaging. A real technological breakthrough for a constantly evolving packaging method.

- Thin and wavy lips that perfectly mold to the packaging, whatever the shape.
- Internal cleats that allow for optimized vacuum while preventing any crushing and strengthen the hold on the product being handled.
- Fittings featuring a lateral vacuum distributor that prevent any loss in efficiency when the product is held.
- Assembly of cup and fitting required.
- Food-grade silicone and plastic insert meets FDA and CE standards.

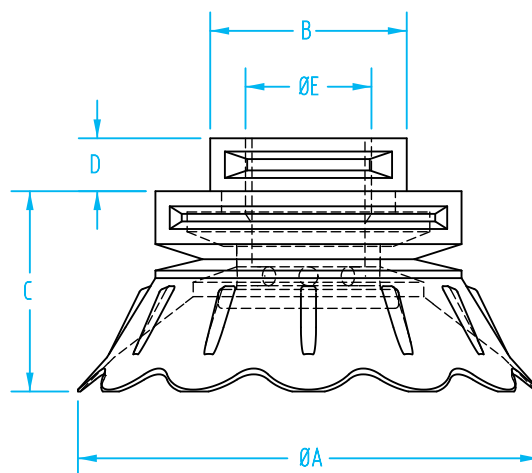
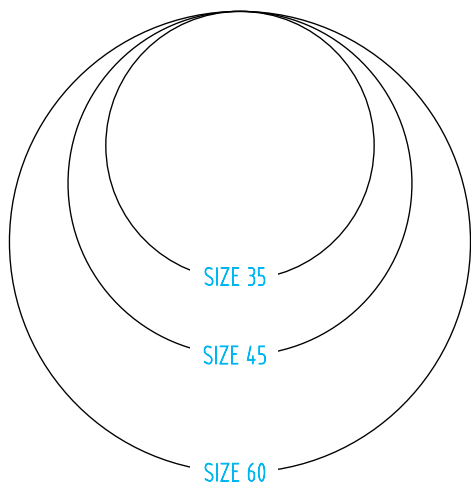
FlowPack Vacuum Cup Properties

Material	Color	Max Temp.	Durometer
Silicone	Light blue	428°F	35°
Silicone	Blue	428°F	50°



Packaging Silicone Vacuum Cups – Coval FlowPack FPCA

(Dimensioned drawings shown full scale)



Quick#	Part#	ØA Diameter Cup	ØB (mm)	C (mm)	D (mm)	E (Nipple)	Color	Price	
8601	FPCA-35-35S-G14F	Ø35.5mm	19	28.5	7	Includes Female G1/4"	Light Blue	\$54.85	
8602	FPCA-35-50S-G14F		19	28.5	7		Blue	\$54.85	
8603	FPC-35-35S		-	28.5	-	Requires Female G1/4"	Light Blue	\$21.95	
8604	FPC-35-50S		-	28.5	-		Blue	\$21.95	
8605	FPN-35-G14F	Female G1/4" Nipple							\$13.20
8606	FPI-FPC-35	Plastic Insert for Ø35mm FlowPack Cup							\$19.75
8607	FPCA-45-35S-G38F	Ø45.5mm	26	23	7	Includes Female G3/8"	Light Blue	\$47.80	
8608	FPCA-45-50S-G38F		26	23	7		Blue	\$47.80	
8609	FPC-45-35S		-	23	-	Requires Female G3/8"	Light Blue	\$16.85	
8610	FPC-45-50S		-	23	-		Blue	\$16.85	
8611	FPN-45-60-G38F	Female G3/8" Nipple							\$31.00
8612	FPCA-60-35S-G38F	Ø61.5mm	26	26.5	7	Includes Female G3/8"	Light Blue	\$54.85	
8613	FPCA-60-50S-G38F		26	26.5	7		Blue	\$54.85	
8614	FPC-60-35S		-	26.5	-	Requires Female G3/8"	Light Blue	\$21.95	
8615	FPC-60-50S		-	26.5	-		Blue	\$21.95	
8611	FPN-45-60-G38F	Female G3/8" Nipple							\$31.00

Use Quick#s for easy online ordering.

- CU
- QC
- VG
- VC**
- VA
- SG
- GR
- MT
- AC
- CS
- CC

Packaging Silicone Vacuum Cups – Coval FlowPack FPCA



FlowPack Cups are fully dedicated to handling packaging. A real technological breakthrough for a constantly evolving packaging method.

- Thin and wavy lips that perfectly mold to the packaging, whatever the shape.
- Internal cleats that allow for optimized vacuum while preventing any crushing and strengthen the hold on the product being handled.
- Fittings featuring a lateral vacuum distributor that prevent any loss in efficiency when the product is held.
- Assembly of cup and fitting required.
- Food-grade silicone and plastic insert meets FDA and CE standards.

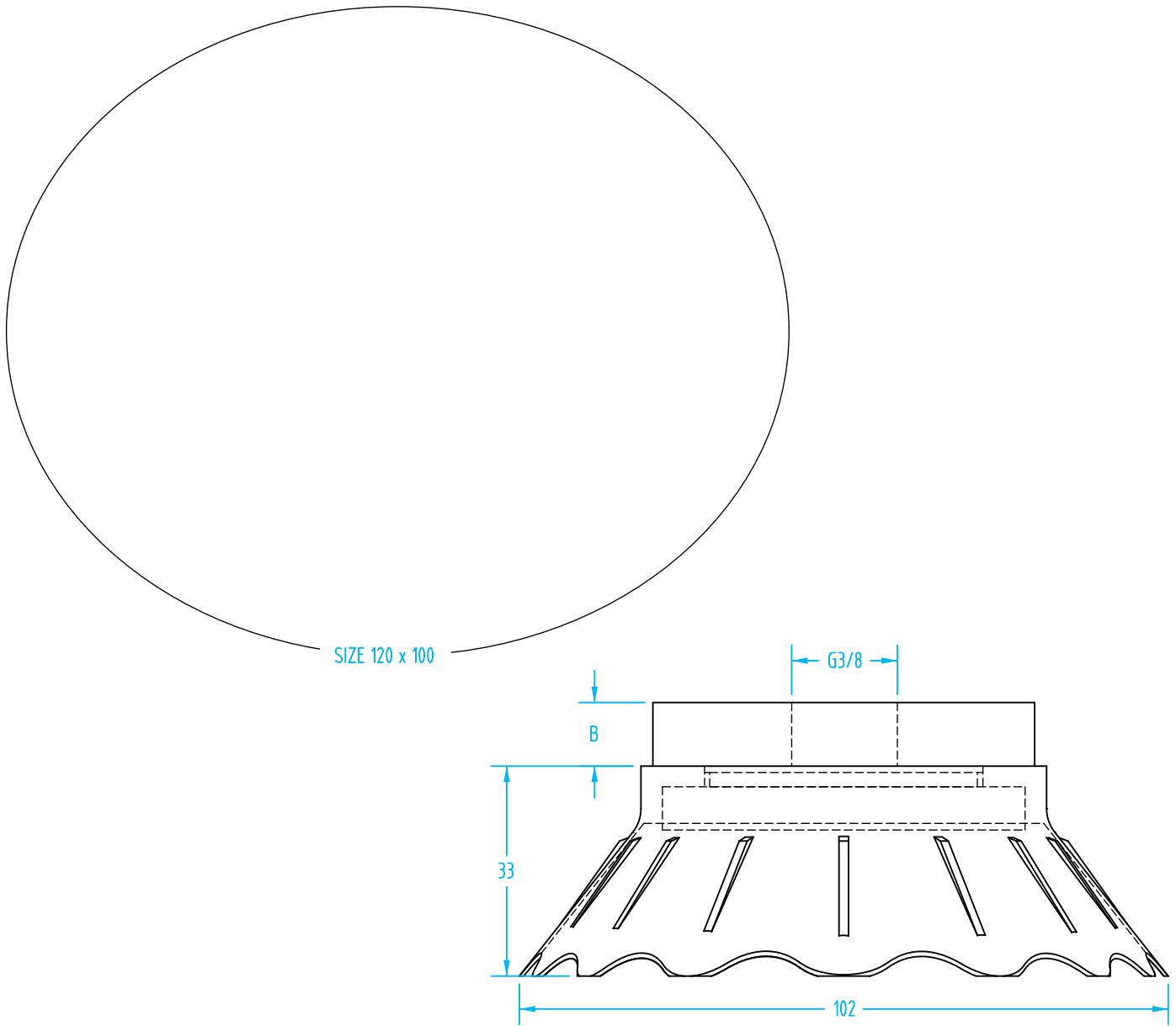
FlowPack Vacuum Cup Properties

Material	Color	Max Temp.	Durometer
Silicone	Light blue	428°F	35°
Silicone	Blue	428°F	50°



Packaging Silicone Vacuum Cups – Coval FlowPack FPCA

(Dimensioned drawings shown full scale)



- CU
- QC
- VG
- VC**
- VA
- SG
- GR
- MT
- AC
- CS
- CC

Quick#	Part#	ØDiameter	B (mm)	Nipple	Color	Price
8616	FPCA-120100-35S-G38F	123mm x 102mm	10	Includes Female G3/8"	Light Blue	\$132.00
8617	FPCA-120100-50S-G38F				Blue	\$132.00
8618	FPC-120100-35S		-	Requires Female G3/8"	Light Blue	\$65.85
8619	FPC-120100-50S				Blue	\$65.85
8620	FPN-120100-G38F	Female G3/8" for 120x100mm cup				\$44.60
8621	FPN-120100-BP	(2x) M4x16 SS Screws for Quick# 8620				\$21.95

Packaging Silicone Vacuum Cups, 1.5 Bellow – Gimatic VG.BPG

Gimatic VG.BPG cups can be used for handling bags, pouches and flexible packages for solids and liquids.

- FDA compliant silicone (version without PA12 insert).
- Optional PA12 insert for flowpack handling.
- Reinforced bellows for high grip and stability.
- Lip design maximizes grip and adhesion.
- Nipple design for high flow applications.
- Available as individual parts or fully assembled with nipple and optional insert.

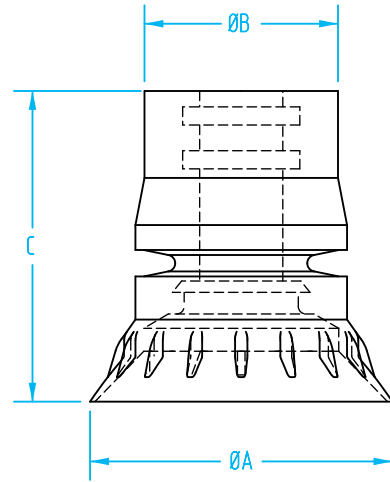
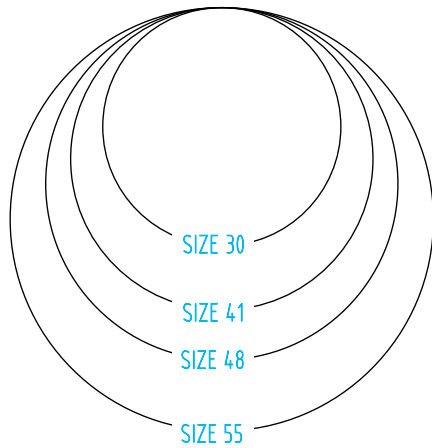
Gimatic VG.BPG Vacuum Cup Properties

Material	Color	Max Temp.	Durometer
Silicone	Transparent	392°F	40°

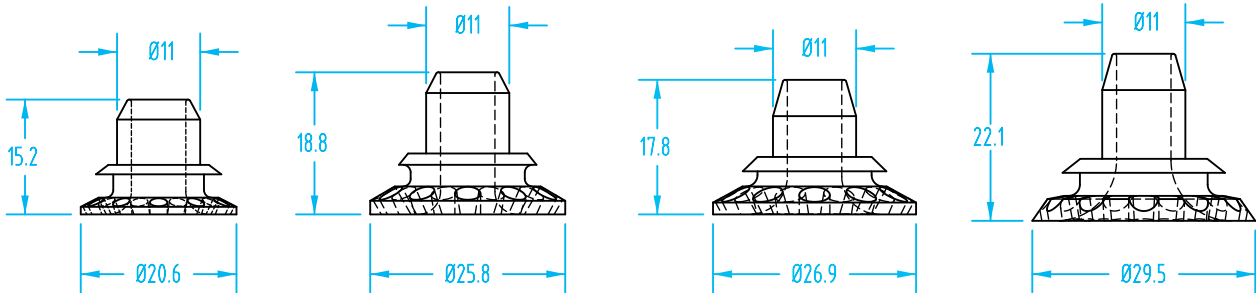


Packaging Silicone Vacuum Cups, 1.5 Bellow – Gimatic VG.BPG

(Dimensioned drawings shown full scale)

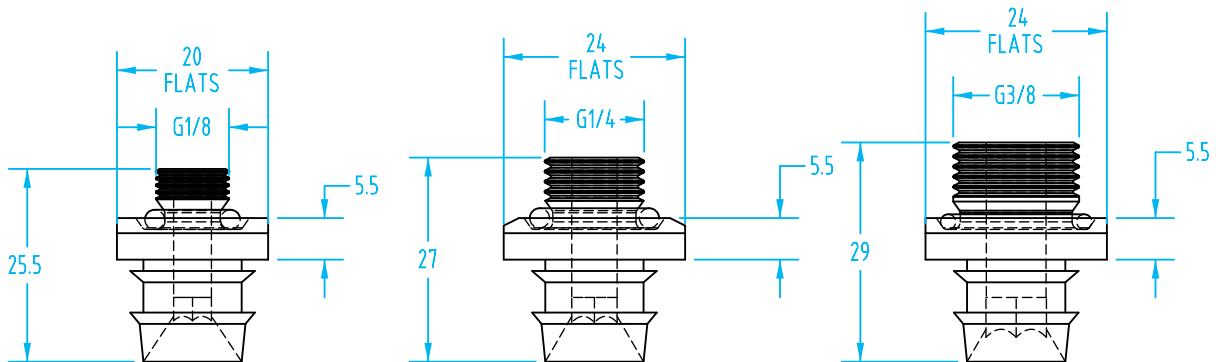


Quick#	Part#	ØA Diameter Cup	ØB (mm)	C (mm)	Price
7757	VG-BPG30FSI-40	31.5mm	21.2	35	\$15.50
7759	VG-BPG41FSI-40	40mm	25.6	41	\$18.80
7761	VG-BPG48FSI-40	46.6mm	27	45.5	\$20.13
7763	VG-BPG55FSI-40	56mm	30.3	55	\$22.22



Gimatic VG.BPG Vacuum Cups - Spare Inserts (not FDA-compliant)

Quick#	Part#	ØDiameter	Price
7758	AC-BPG30	for Ø30mm VG.BPG Cup	\$1.82
7760	AC-BPG41	for Ø41mm VG.BPG Cup	\$3.77
7762	AC-BPG48	for Ø48mm VG.BPG Cup	\$5.28
7764	AC-BPG55	for Ø55mm VG.BPG Cup	\$7.42



Gimatic VG.BPG Vacuum Cups - Nipples

Quick#	Part#	Thread	Price
7771	FT-G18M-E8	Male G1/8"	\$3.25
7772	FT-G14M-E10	Male G1/4"	\$3.25
7773	FT-G38M-E10	Male G3/8"	\$3.25

- CU
- QC
- VG
- VC**
- VA
- SG
- GR
- MT
- AC
- CS
- CC

Packaging Silicone Vacuum Cups, 3.5 Bellow – Gimatic VG.LPG

Gimatic VG.LPG cups can be used for handling bags, pouches and flexible packages for solids and liquids.



- FDA compliant silicone (version without PA12 insert).
- Optional PA12 insert for flowpack handling.
- Reinforced bellows for high grip and stability.
- Lip design maximizes grip and adhesion.
- Nipple design for high flow applications.
- Available as individual parts or fully assembled with nipple and optional insert.

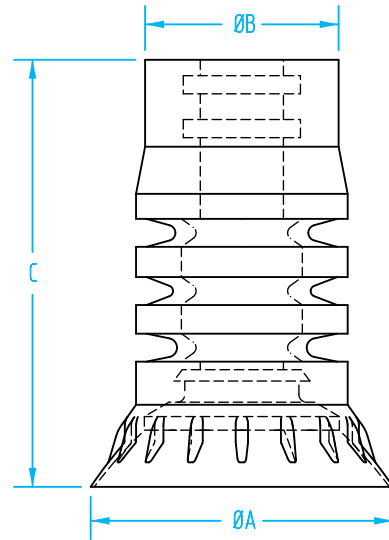
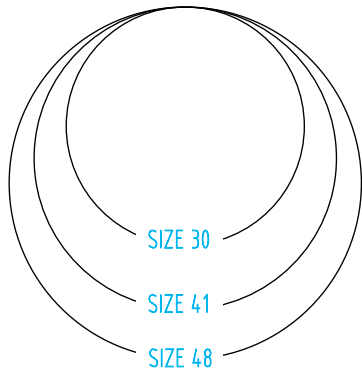
Gimatic VG.LPG Vacuum Cup Properties

Material	Color	Max Temp.	Durometer
Silicone	Transparent	392°F	40°

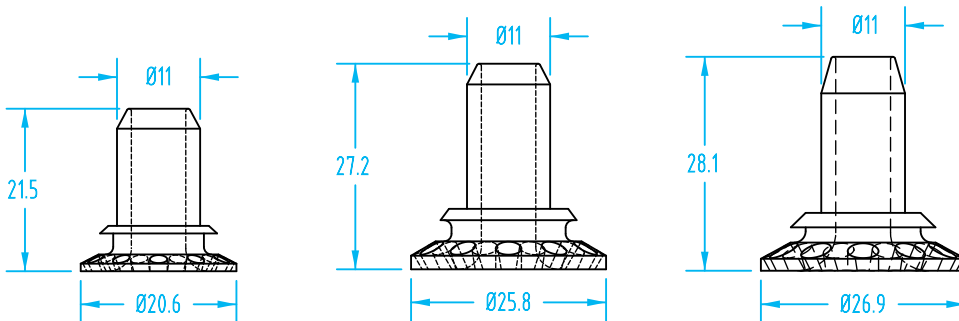


Packaging Silicone Vacuum Cups, 3.5 Bellow – Gimatic VG.LPG

(Dimensioned drawings shown full scale)

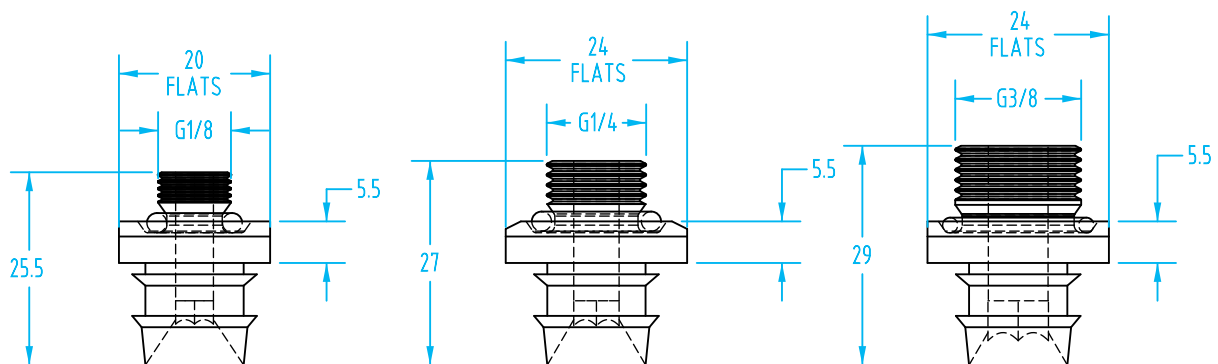


Quick#	Part#	ØA Diameter Cup	ØB (mm)	C (mm)	Price
7765	VG-LPG30FSI-40	31.5mm	21.2	46	\$16.35
7767	VG-LPG41FSI-40	40mm	25.5	56.5	\$19.95
7769	VG-LPG48FSI-40	46.6mm	27	63	\$23.60



Gimatic VG.LPG Vacuum Cups - Spare Insert (not FDA-compliant)

Quick#	Part#	Cup Ø	Price
7766	AC-LPG30	for Ø30mm VG.LPG Cup	\$2.85
7768	AC-LPG41	for Ø41mm VG.LPG Cup	\$5.10
7770	AC-LPG48	for Ø48mm VG.LPG Cup	\$6.75



Gimatic VG.LPG Vacuum Cups - Nipples

Quick#	Part#	Thread	Price
7771	FT-G18M-E8	Male G1/8"	\$3.25
7772	FT-G14M-E10	Male G1/4"	\$3.25
7773	FT-G38M-E10	Male G3/8"	\$3.25

- CU
- QC
- VG
- VC**
- VA
- SG
- GR
- MT
- AC
- CS
- CC

Paper / Logistics NBR Vacuum Cups – Schmalz FGC

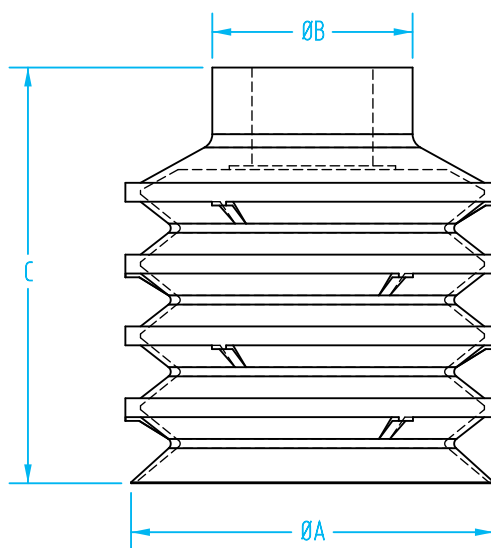
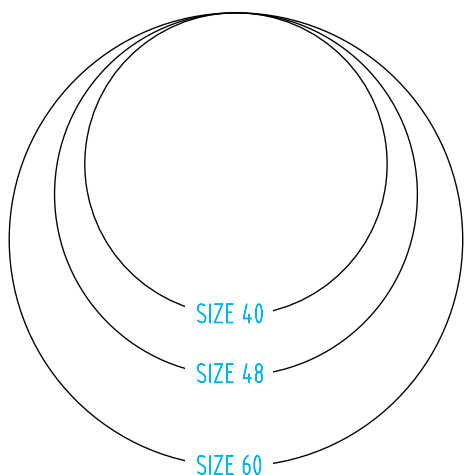


The Schmalz FGC is a bellows, round suction cup that can be used for logistics applications to handle a wide range of workpieces. For example, the FGC can be used to vacuum handle juice pouches over a straw.

- Buy Nipples Separately on page 140.

Schmalz FGC Vacuum Cup Properties

Material	Color	Max Temp. (<30 sec.)	Max Temp. (>30 sec.)	Durometer
NBR	Black	-22 to 248 °F	14 to 158 °F	55°

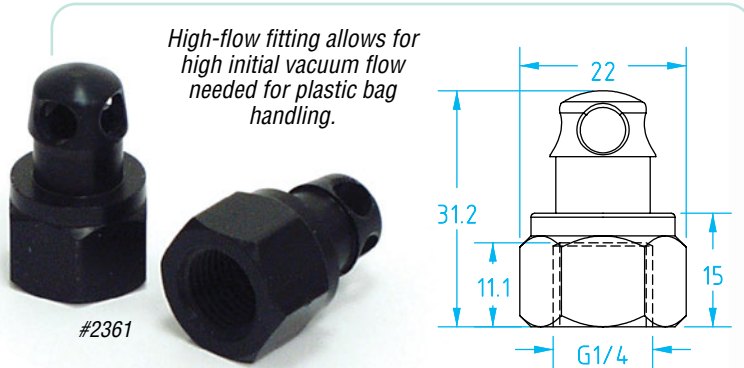


Quick#	Part#	ØA Diameter Cup	ØB (mm)	C (mm)	Use Nipple Size:	Price
8785	FGC-40-NBR-55-SC080	40mm	25	47	080	\$25.10
8786	FGC-50-NBR-55-SC080	48mm	26.5	55		\$26.50
8787	FGC-60-NBR-55-SC090	60mm	34	60.5		\$35.87



Paper / Logistics Polyurethane Vacuum Cups – PIAB BL

(Dimensioned drawings shown full scale)



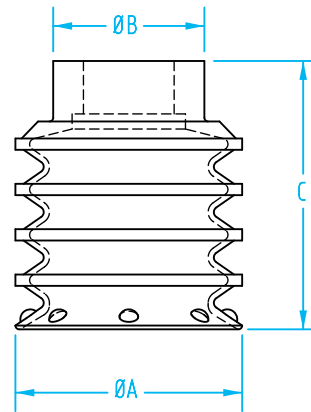
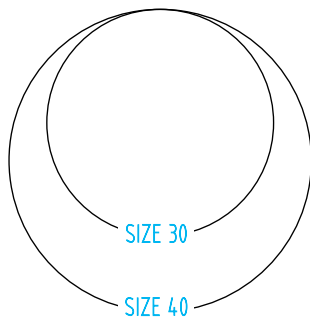
Nipples

Quick#	Part#	Thread	Weight	Price
2359	GSF-04AJ	G3/8" Male	11g	\$6.43
2360	GSF-04AL	3/8" NPT Male	11g	\$6.43
2361	GSF-NF8-G4F	G1/4" Female	10g	\$4.50



Dual Durometer Properties - Packaging & Paper

Material	Color	Max Temp.	Durometer
Dual Durometer Polyurethane	Black / Yellow	122°F	70° / 30° Shore



Quick#	Part#	ØA (mm)	ØB (mm)	C (mm)	Price
5448	GSV-BL30-3P-4L	30	20	35.5	\$21.85
2358	GSV-BL40-3	40	20	42.4	\$29.09



- CU
- QC
- VG
- VC**
- VA
- SG
- GR
- MT
- AC
- CS
- CC

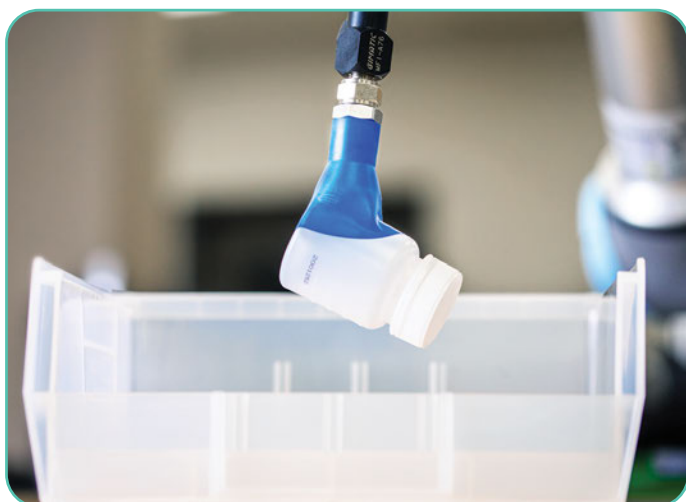
Bin Picking PU / SI Vacuum Cups – Schmalz SVE

These bin-picking vacuum cups from Schmalz have an extremely thin sealing lip for optimal adaptation to corners, edges and free form surfaces. Stabilizing internal support contour for safe handling of different products. Large nominal flow compensates for leakages in a wide variety of workpieces.

- Bell-shaped suction cup for maximum flexibility on corners and edges.
- Handling of various workpieces in bin-picking applications.
- Handling of consumer goods in the field of warehouse automation.
- FDA compliant silicone for direct contact with food products.
- Nipples can be included or purchased separately.

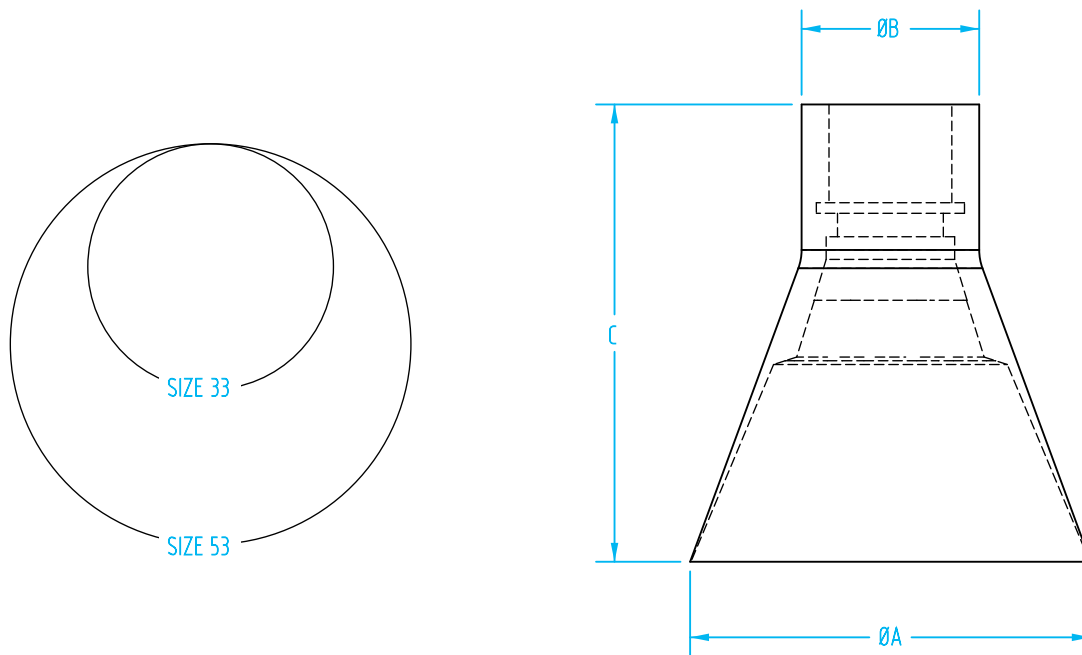
Schmalz SVE Vacuum Cup Properties

Material	Color	Max Temp.	Durometer
PU	Blue	266°F	55°
Metal Detectable Silicone SI	Light Blue	428°F	55°



Bin Picking PU / SI Vacuum Cups – Schmalz SVE

(Dimensioned drawings shown full scale)



Quick#	Part#	ØA Diameter Cup	B (mm)	C (mm)	Nipple:	Price
8701	GSV-SVE-33-PU-55	32.5mm	15.5	37.5	#8735 / #8740	\$51.06
8735	GSF-040-G18M	-			G1/8" Male	\$3.73
8740	GSF-040-G14M	-			G1/4" Male	\$7.86
8704	GSV-SVE-53-PU-55	53mm	23.5	60.5	#8773 / #8775 / #8777	\$80.50
8705	GSV-SVE-53-SIMD-55	53mm, Metal Detectable	23.5	60.5	#8773 / #8775 / #8777	\$80.50
8773	GSF-080-G18M	-			G1/8" Male	\$5.35
8775	GSF-080-G14M	-			G1/4" Male	\$5.35
8777	GSF-080-G38M	-			G3/8" Male	\$5.35

Nipples are not included with cups, see page 138 for dimensional drawings.

Vacuum Cup Mounts:

[Click here to Shop!](#)



Gimatic Vacuum Arms

- Available in both inline and adjustable angle versions.



Vacuum Extension Tubes, Elbows, and Adaptors



>ASS< Vacuum Arms

- Available in both inline and adjustable angle versions.

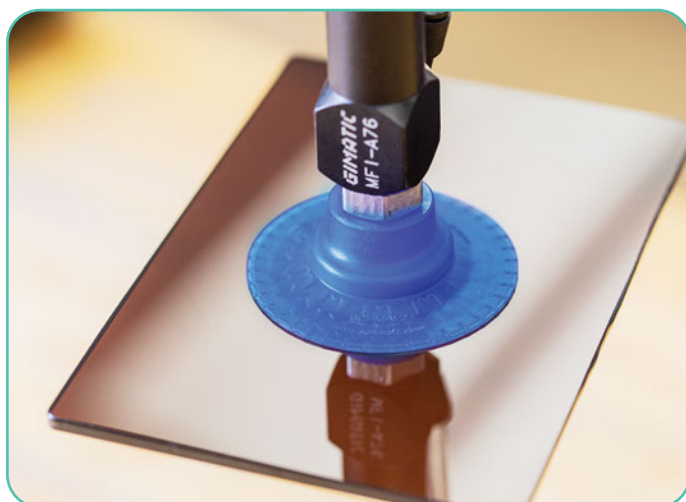
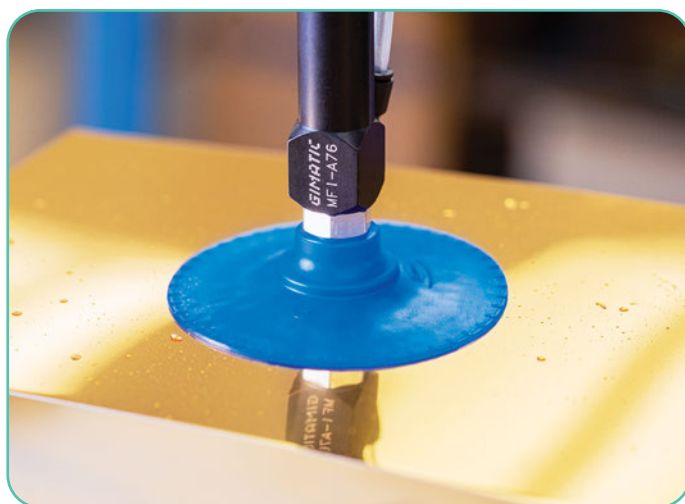
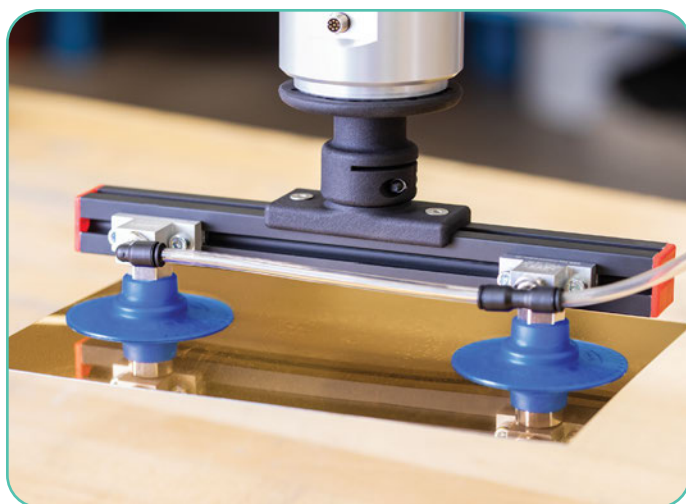
Sheet Metal Elastodur Vacuum Cups – Schmalz SAXM

The SAXM sheet metal vacuum cups by Schmalz are an ideal solution for handling sheet metal. The unique cleat design allows these cups to have a higher shear gripping force when the surface of the workpiece is covered with oils or lubricants.

- Bell shaped cups adapt well to contoured surfaces.
- Higher lateral holding force when part surface is oily.
- Excellent wear resistance due to high durometer materials.
- Sold with preinstalled nipples.

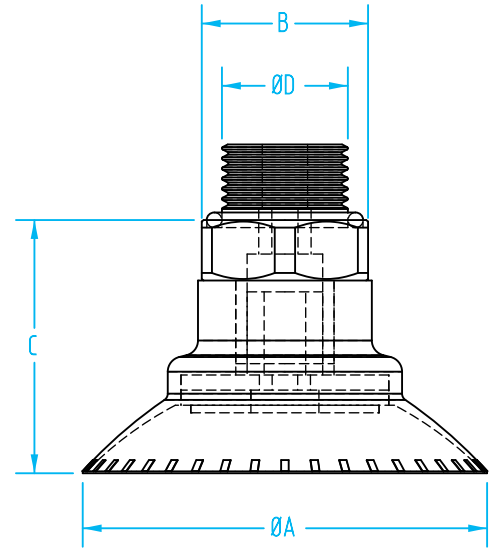
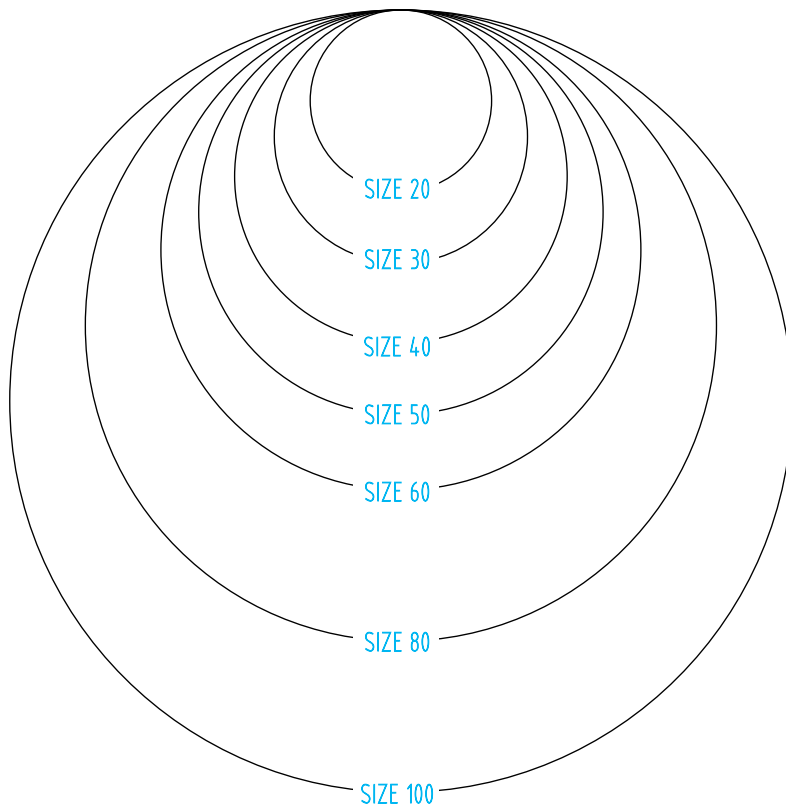
Schmalz SAXM Vacuum Cup Properties

Material	Color	Max Temp.	Durometer
Elastodur	Blue	212°F	85°



Sheet Metal Elastodur Vacuum Cups – Schmalz SAXM

(Dimensioned drawings shown full scale)

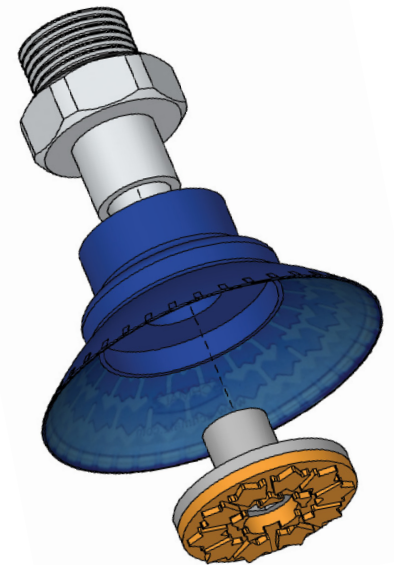


- CU
- QC
- VG
- VC**
- VA
- SG
- GR
- MT
- AC
- CS
- CC

Schmalz SAXM Vacuum Cups

Quick#	Part#	ØA Diameter Cup	ØB (mm)	C (mm)	ØD (Nipple Included)	Price
8709	GSV-SAXM-20-G14F	24mm	17	34	G1/4" Female	\$26.98
8710	GSV-SAXM-20-G14M		17	24	G1/4" Male	\$27.54
8711	GSV-SAXM-20-G38F		22	34	G3/8" Female	\$27.11
8712	GSV-SAXM-20-G38M		22	24.5	G3/8" Male	\$28.34
8713	GSV-SAXM-30-G14F	33.5mm	17	35	G1/4" Female	\$27.88
8714	GSV-SAXM-30-G14M		17	25	G1/4" Male	\$26.84
8715	GSV-SAXM-30-G38F		22	35	G3/8" Female	\$28.09
8716	GSV-SAXM-30-G38M		22	25.5	G3/8" Male	\$28.41
8717	GSV-SAXM-40-G14F	44mm	17	37.5	G1/4" Female	\$28.54
8718	GSV-SAXM-40-G14M		17	27.5	G1/4" Male	\$27.44
8719	GSV-SAXM-40-G38F		22	37.5	G3/8" Female	\$28.76
8720	GSV-SAXM-40-G38M		22	28	G3/8" Male	\$29.03
8721	GSV-SAXM-50-G14F	53.5mm	17	43	G1/4" Female	\$29.96
8722	GSV-SAXM-50-G14M		17	33	G1/4" Male	\$28.83
8723	GSV-SAXM-50-G38F		22	43	G3/8" Female	\$30.36
8724	GSV-SAXM-50-G38M		22	33.5	G3/8" Male	\$30.88
8725	GSV-SAXM-60-G38F	63.5mm	22	45.5	G3/8" Female	\$31.96
8726	GSV-SAXM-60-G38M		22	36	G3/8" Male	\$32.55
8727	GSV-SAXM-80-G38F	83.5mm	22	48.5	G3/8" Female	\$34.67
8728	GSV-SAXM-80-G38M		22	39	G3/8" Male	\$35.42
8729	GSV-SAXM-100-G38F	103.5mm	22	56.5	G3/8" Female	\$38.24
8730	GSV-SAXM-100-G38M		22	47	G3/8" Male	\$38.95

Use Quick#s for easy online ordering.



Special inner structure (shown here) for maximum holding force at high accelerations, especially on oily sheets

Sheet Metal Nitrile Vacuum Cups – Coval CBC



Coval's high performance CBC series vacuum cups are a great option for gripping thin sheet metal. These cups were designed specifically to support the automotive industry and are ideally suited for automated applications.

- Excellent resistance to slipping due to optimal cleat design and central stopper.
- Vulcanized polyamide nipples used for lightweight integration, included.
- Visual wear indicator.

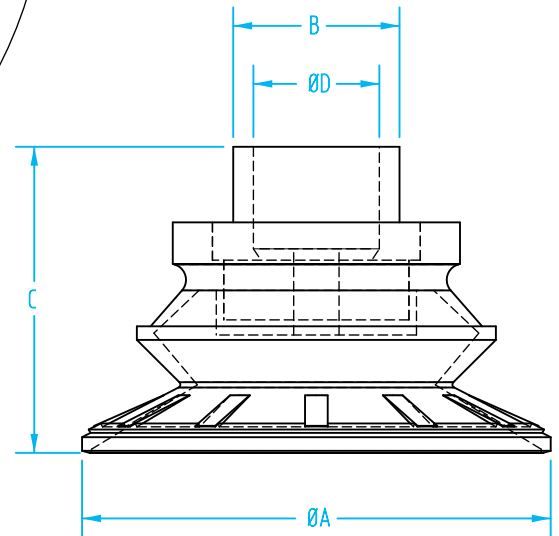
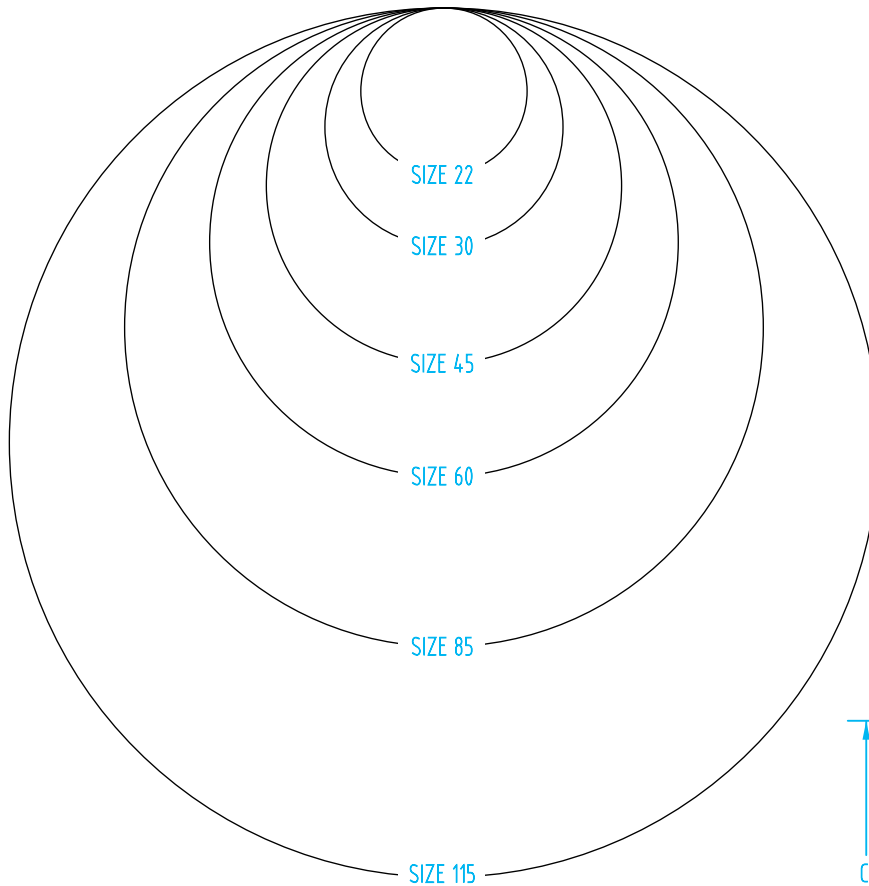
Coval CBC Vacuum Cup Properties

Material	Color	Max Temp.	Durometer
Nitrile	Black	212°F	55°



Sheet Metal Nitrile Vacuum Cups – Coval CBC

(Dimensioned drawings shown full scale)



- CU
- QC
- VG
- VC**
- VA
- SG
- GR
- MT
- AC
- CS
- CC

Quick#	Part#	ØA Diameter Cup	ØB (mm)	C (mm)	ØD (Nipple Included)	Price
8622	GSV-CBC22-G38F	22mm	22	32.5	G3/8" Female	\$22.40
8623	GSV-CBC30-G38F	31.5mm	22	30.5	G3/8" Female	\$21.60
8624	GSV-CBC45-G38F	47mm	22	35.5	G3/8" Female	\$21.60
8625	GSV-CBC60-G38F	62mm	22	40.5	G3/8" Female	\$20.47
8626	GSV-CBC85-G38F	84.5mm	22	50.5	G3/8" Female	\$22.17
8627	GSV-CBC115-G38F	115mm	22	51.5	G3/8" Female	\$22.73

Vacuum Nipple Adapter

Quick#	Part#	Description	Price
8628	GSF-CBC-G38MA	G3/8" Female to Male Adapter	\$6.25



Hithane® Vacuum Cups



This hybrid non-marking cup combines the high-temperature and flexibility properties of silicone with the wear resistance and non-marking properties of polyurethane.

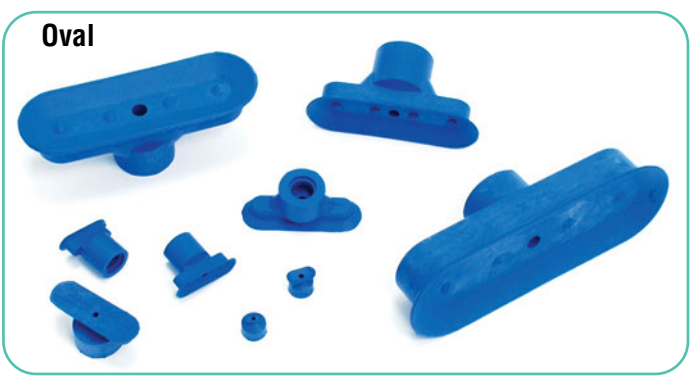
- Industry standard cup for injection molding.
- Hithane is designed not to leave residue, mold release marks, or ghost marks on hot, injection molded plastic parts.
- It contains no silicone so it is suitable to be used with parts that will be painted.

Hithane Vacuum Cup Properties

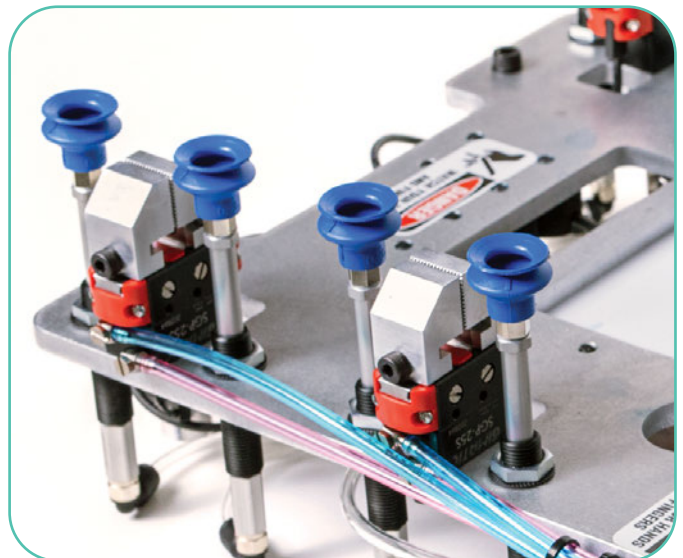
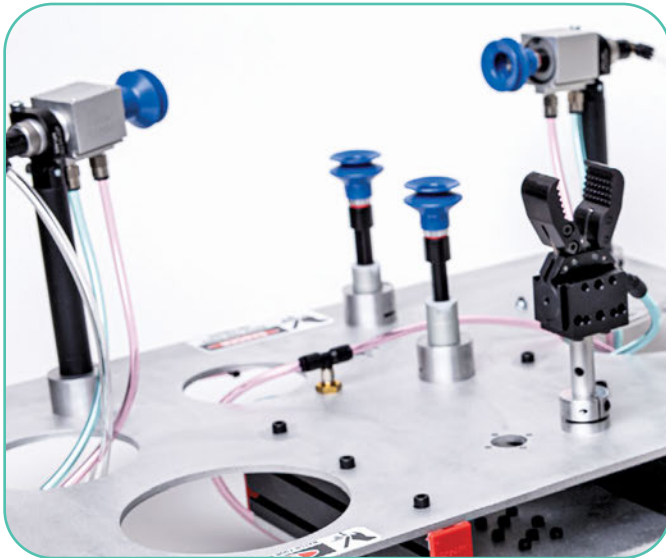
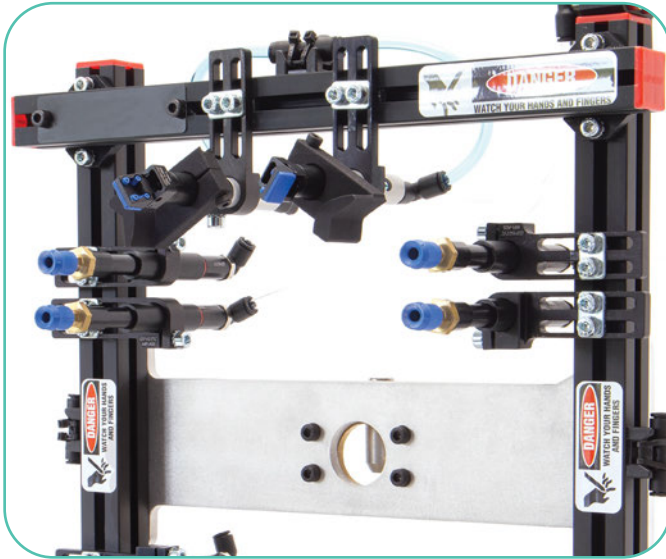
Material	Color	Max Temp.	Durometer
Hithane	Blue	320°F	60°

Material	Flat-Ribbed	Flat	1.5 Bellows	2.5 Bellows	Oval
Hithane	16-50mm	2-95mm	4-75mm	5-62mm	2x4mm-25x75mm

Shop Here!



Injection molding industry standard vacuum cups!



- CU
- QC
- VG
- VC**
- VA
- SG
- GR
- MT
- AC
- CS
- CC

Vacuum Cups from EMI

EMI offers a wide selection of in-stock vacuum cups to upgrade your Cobot Vacuum Kit.

Contact us if you need assistance with your application.

Shop EOAT Vacuum Cups!



Dual-Durometer



Dual Durometer cups are considered to be the best polyurethane cups for use with EOAT.

Mark-free, long-lasting Polyurethane. Flexible surface.

1.5 Bellow, & 2.5 Bellow Ø11–75mm.

Hithane



A hybrid, high-temp, non-silicone, non-marking cup for use with hot plastic parts.

Maximum temperature 320°F.

Good flexibility.

Flat, Oval, 1.5 Bellow, & 2.5 Bellow.

Foam



Very soft, closed-cell silicone foam vacuum cups for textured surfaces.

Flat Ø8–40mm.

1.5 bellows, Ø20–40mm.

OEM Replacement



The translucent clear silicone cups are very nice quality.

Ideal for customers wanting non-colored silicone cups.

Popular design fits PIAB nipples.

Non-branded for OEM applications.

Mini



For those tiny parts, vacuum cups as small as Ø1mm.

Flat, 1.5 bellows, and 2.5 bellows.

Anti-Static



Anti-Static vacuum cups are typically used in electronic, packaging, and small parts applications.

These are from the SMC family of vacuum cups.

Available in Flat, and 1.5 bellows up to Ø16mm.

Hi-Speed



Optimized for high speed attachment and release.

Great for high speed thin wall molding applications.

Silicone and very flexible polyurethane materials.

Choose the right cup for your application:

- Injection Molding
- Bin Picking
- Sheet Metal
- Corrugate
- Composites
- FlowPack
- Packaging
- Anti Static

Gimatic



Available in two styles: flat or with 1.5 bellows.

Five materials: Silicone, FDA Silicone, EPDM, HNBR, and Natural Rubber cups. Diameters from Ø6mm to 77mm.

PIAB



- Materials: Silicone, FDA Silicone, Polyurethane, Chloroprene, Nitrile.
- Excellent performing silicone vacuum cups in many styles.
- Low-cost chloroprene for lower temperature, non-critical applications.
- Dual durometer cups are one of the best PU cups for use with EOAT.
- Configurable piGRIP vacuum cups have replaceable lips.

Paper & Foil



Special ridges keep paper, foil, and other thin material from being sucked into the cup.

Natural rubber vacuum cups Ø15–40mm.

For Carbon Fiber



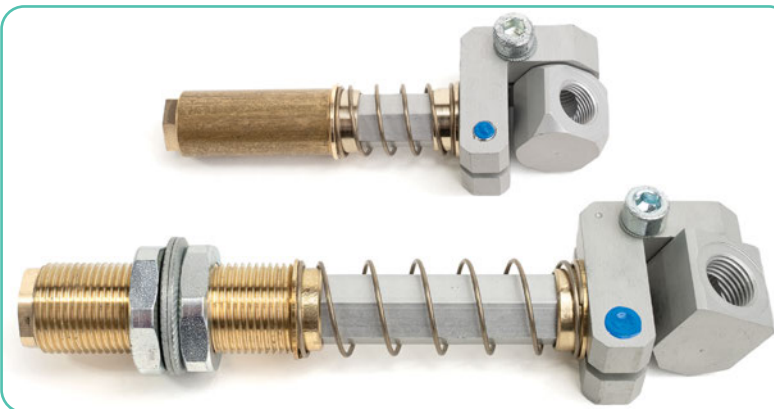
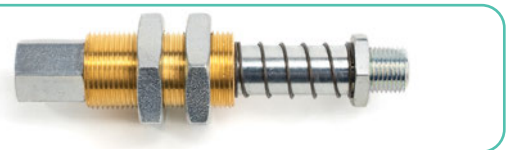
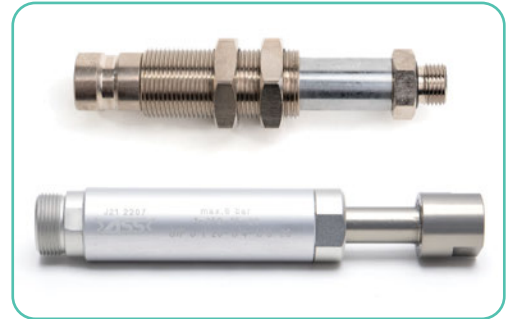
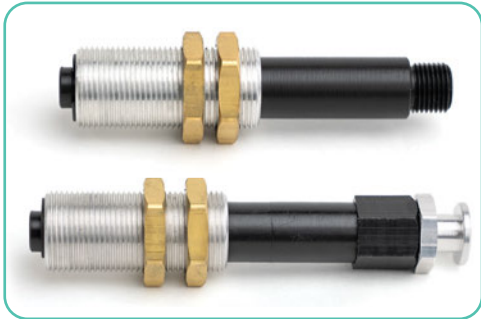
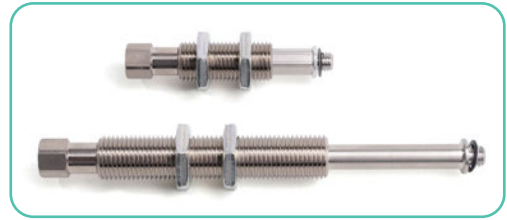
PTFE vacuum cups do not stick to hot carbon fiber parts (up to 480°F)

Used in applications where needle grippers would puncture and damage the structure of composites.

Supporting ribs avoid suction and deformation of soft materials.

Shop Suspensions! 

The widest, most complete variety of suspensions is available from EMI. Whether you prefer an internal spring or an external spring, rotating or non-rotating, threaded or smooth body, straight or adjustable angle head, M-thread (metric) or G-thread (BSPP), male or female threaded connections—EMI has them in stock. Here is a small sample:



- CU
- QC
- VG
- VC**
- VA
- SG
- GR
- MT
- AC
- CS
- CC

Vacuum Automation Accessories Overview



**Extensive Inventory
in US & Mexico!**

Easy Online Ordering!

- Upfront Pricing
- Create Supply Lists
- Order from History
- Export Purchase Orders
- Track Orders

Product Pages Include:

- Application Examples
- CAD file downloads
- 360° 3D Views
- Dimensional drawings
- Related items & Spare parts

Pre-Configured Kits available from EMI:

Guaranteed In-Stock!

Vacuum Generator Kit

p.258



5/2 Solenoid Valve Kit

p.260



High Flow Vacuum Generator Kit

p.259



Vacuum Generators available from EMI:

Shop Vacuum Generators!



Schmalz SEG



Schmalz SBP



SMC ZU Series



Parker Moduflex

Flow Controls available from EMI:

Shop Flow Controls!



Mini Pressure Regulator



Pressure Regulator



Supply & Exhaust Control



2-Stage Flow Control



Vacuum Automation Accessories Overview

Vacuum Automation Accessories

Looking to Automate using a Vacuum EOAT? EMI has everything needed for your application. From plug and play pre-configured generator kits to high flow vacuum generators and sensors. EMI stocks a variety of powerful but energy-efficient vacuum generators. Air consumption is optionally optimized for airtight (HV; High Vacuum) or porous (HF; High Flow) workpieces. Many ejectors below include silencers but others do not.

Festo Vacuum Generator p.168



PIAB COAX® Vacuum Generators p.169



Gimatic Clampable Vacuum Generators p.170



Schmalz SBP Vacuum Generators p.172



PIAB piINLINE® Plus Vacuum Generators p.174



Gimatic EJ-SLG Vacuum Generators p.176



Schmalz Vacuum Monitor Switches p.186



Coval Heavy-Duty CMSHD Multi-Stage Vacuum Pump p.178



Schmalz SBPL Vacuum Pump p.180



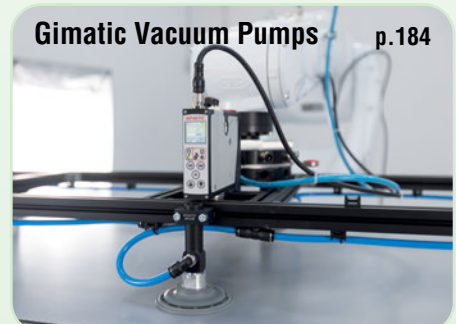
Schmalz GCPI Electric Vacuum Pump p.182



Pneumatic Station for Cobot Applications p.188



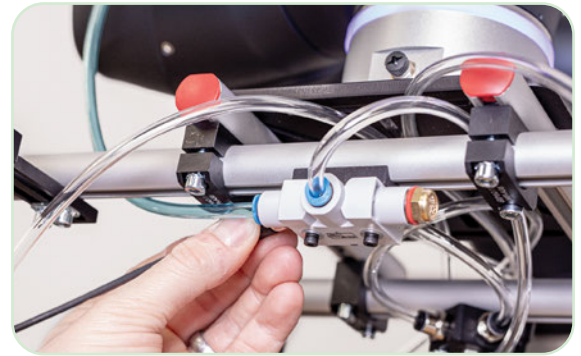
Gimatic Vacuum Pumps p.184



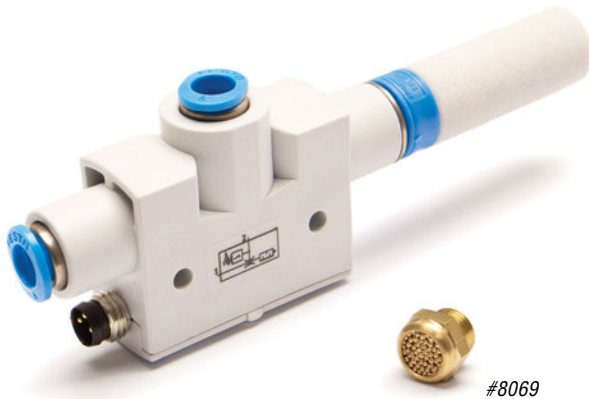
- CU
- QC
- VG
- VC
- VA
- SG
- GR
- MT
- AC
- CS
- CC

Vacuum Generator – Festo

- Available in High-Vacuum or High-Flow versions.
- Housing made of light, impact-resistant plastic.
- Switching output: PNP
- Electrical cables can be found on page 266.



See EMI's Vacuum Generator Kit on page 258



#8069

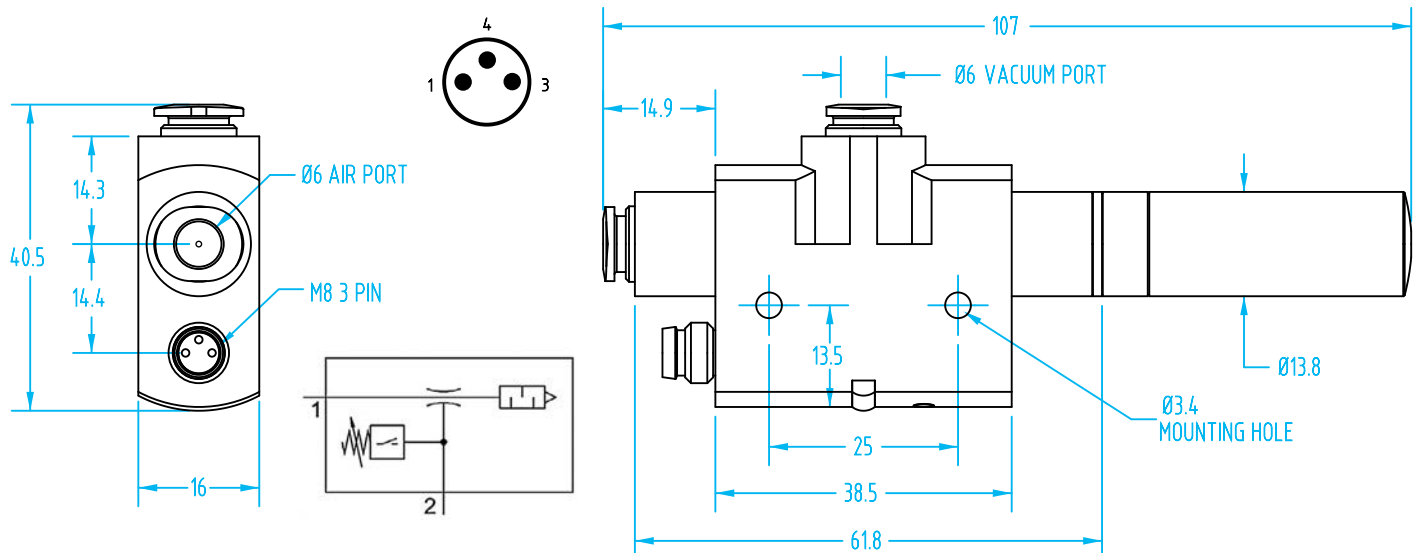
Quick#	Part#	Price	Max Vacuum Level*	Max Suction Flow*		Air Consumption*		Std. Supply Pressure		Wt**
				CFM	l/min	CFM	l/min	psi	Bar	
8091	VN10H-T4-PQ2-VQ2-O1P	\$218.00	93%	0.77 CFM	21.8 l/min	1.97 CFM	55.8 l/min	87 psi	6 Bar	36g
8099	VN10L-T4-PQ2-VQ2-O1P	\$257.14	65%	1.47 CFM	41.6 l/min	1.97 CFM	55.8 l/min	87 psi	6 Bar	36g

*Values listed are achieved when supplied the listed standard supply pressure. Max operating pressure is 8 Bar / 116psi.
 **Overall Length and weight with standard silencer (shown in the drawing below). This is reduced when using Quick# 8069.

Pin#	Function	Wire	Control Box Terminal
1	Power (Vdc)	Brown	+24Vdc
3	Ground	Blue	0Vdc
4	Signal	Black	Digital Input (DI)

Vacuum Generator Accessories

Quick#	Part#	Description	Price
8069	AMTE-M-H-G18	G1/8" Short Brass Silencer	\$2.63
244	GSF-G-G8	G1/8" Sealing Ring (use with #8069)	\$0.24





Vacuum Generator – PIAB COAX

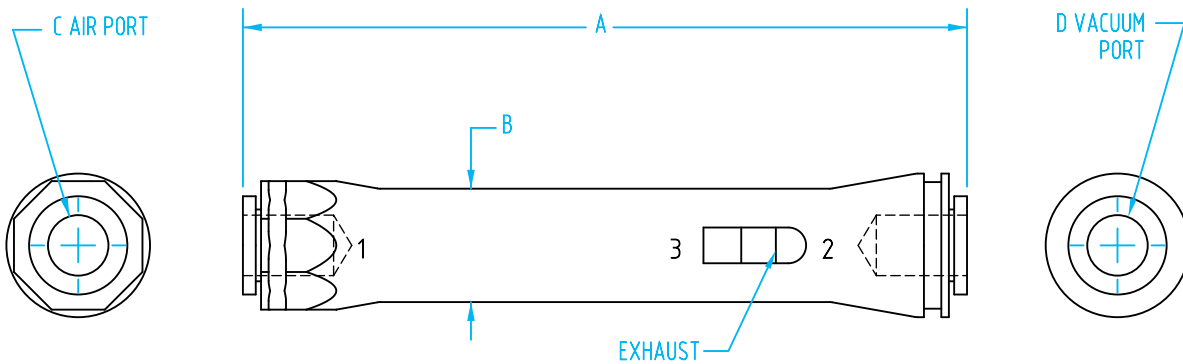
- High vacuum flow capacity in relation to energy consumption.
- Lightweight, inline design with push-in fittings for vacuum or compressed air.
- Quick and easy installation directly on the tubing.
- Patented COAX® cartridge technology.
- Without silencer.



- CU
- QC
- VG
- VC
- VA
- SG
- GR
- MT
- AC
- CS
- CC

Quick#	Part#	Price	Max Vacuum Level*	Max Suction Flow*		Air Consumption*		Std. Supply Pressure		Wt
				CFM	l/min	CFM	l/min	psi	Bar	
2050	PIVG-MICRO-SI6	\$38.86	74%	0.59 CFM	16.7 l/min	0.25 CFM	7.07 l/min	87 psi	6 Bar	10g
2051	PIVG-MINI-SI6	\$46.91		1.46 CFM	41.34 l/min	0.93 CFM	26.33 l/min	87 psi	6 Bar	23g
2052	PIVG-MINI-SI8	\$46.91		1.46 CFM	41.34 l/min	0.93 CFM	26.33 l/min	87 psi	6 Bar	22g

*Values listed are achieved when supplied the listed standard supply pressure.



Quick#	A	ØB	ØC	ØD
2050	70	12	6	6
2051	96	15	6	6
2052	96	15	8	8

Clampable Vacuum Generator – Gimatic

- Two size options available.
- Can be integrated near the gripping point, lightweight.
- No reduction of vacuum flow rate.
- Flexible, the clampable design enables the use of in-line or elbow fittings.
- Two vacuum port options G1/8" & G1/4".



Quick#	Part#	Gimatic Part#	Price	Max Vacuum Level*	Max Suction Flow*		Air Consumption*		Std. Supply Pressure		Wt
					CFM	l/min	CFM	l/min	psi	Bar	
V7687	GOC-3330084	S-LP-2-G1/8	\$23.50	82%	0.53 CFM	15.0 l/min	0.36 CFM	10.2 l/min	31.91 psi	2.2 Bar	17g
V7688	GOC-3330085	S-HF-2-G1/8	\$23.50	78%	0.61 CFM	17.3 l/min	0.32 CFM	9.1 l/min	87.02 psi	6 Bar	17g
V7689	GOC-3330086	S-HV-2-G1/8	\$23.50	92%	0.47 CFM	13.3 l/min	0.28 CFM	7.9 l/min	72.52 psi	5 Bar	17g
V7690	GOC-3330087	M-LP-2-G1/4	\$29.50	89%	1.42 CFM	40.2 l/min	1.17 CFM	33.1 l/min	58.02 psi	4 Bar	27g
V7691	GOC-3330088	M-HF-2-G1/4	\$29.50	73%	1.65 CFM	46.7 l/min	0.91 CFM	25.7 l/min	87.02 psi	6 Bar	27g
V7692	GOC-3330089	M-HV-2-G1/4	\$29.50	94%	1.61 CFM	45.6 l/min	1.00 CFM	28.3 l/min	72.52 psi	5 Bar	27g

*Values listed are achieved when supplied the listed standard supply pressure. Maximum operating pressure is 7 Bar / 101.5 psi.

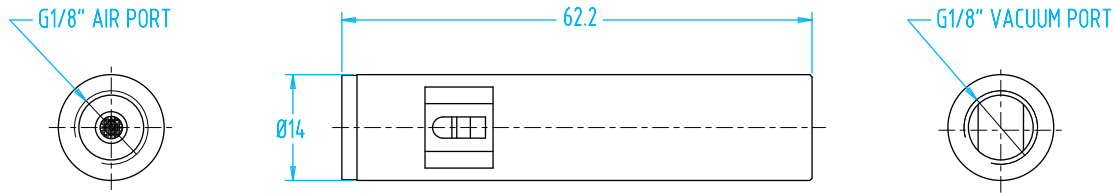




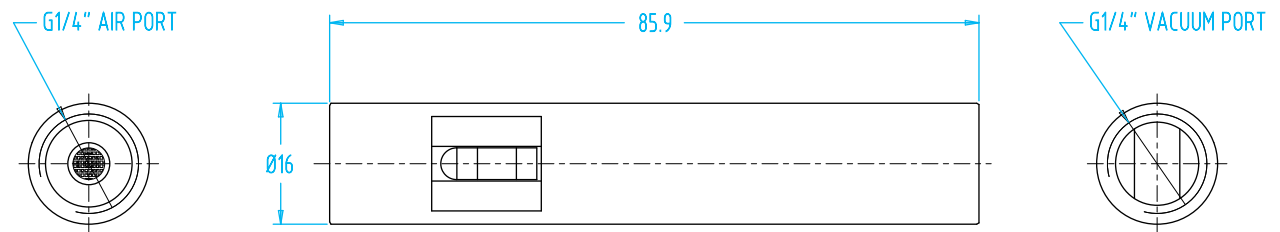
Clampable Vacuum Generator – Gimatic

(Dimensioned drawings shown full scale)

Q# V7687–V7689



Q# V7690–V7692



- CU
- QC
- VG
- VC
- VA
- SG
- GR
- MT
- AC
- CS
- CC

Quick#	Part#	Compressed Air Input	Vacuum Level	Suction Flow Rate	General Usage Notes & Typical Applications
V7687	GOC-3330084	Low Feed Pressure, Low Consumption	High	Medium	<ul style="list-style-type: none"> • Cost effective in use because of their high efficiency design (due to only requiring low feed pressure). • High vacuum holding force optimal for picking small to medium parts. • Applications where leakage is minimal, such as picking smooth mostly flat parts.
V7690	GOC-3330085				
V7688	GOC-3330086	High Feed Pressure, High Consumption	Low	High	<ul style="list-style-type: none"> • Applications where a low cycle time is required. • Recommended for pick/place of smaller lightweight parts. • When there is leakage, incomplete vacuum seal, uneven surfaces, texture, porous parts, cardboard, textile/fabric, and when sealing over raised/sunken logos or text. • Often used in combination with polyurethane or foam lip vacuum cups. • When large volumes of air needs to be evacuated, like when using large or multi-bellow vacuum cups.
V7691	GOC-3330087				
V7689	GOC-3330088	Medium Feed Pressure, Medium Consumption	High	Low	<ul style="list-style-type: none"> • Applications that require higher vacuum levels (i.e. larger holding forces), ideal for picking larger/heavier parts. • To improve cycle time it is recommended to use vacuum cups with low internal air volume (i.e. smaller diameter cups and ideally flat or 1.5 bellow vacuum cups). • Applications where holding force more important than cycle time (i.e. higher vacuum level).
V7692	GOC-3330089				

Use Quick#s for easy online ordering.



Mounting Adaptor

Quick#	Part#	Price	Wt
7706	MFM-A106	\$10.14	5g

- Use this Ø20mm mounting adaptor with Ø16mm vacuum generators.



Vacuum Generator – Schmalz SBP



#8798



#8792

The Schmalz SBP vacuum generator is a compact, lightweight aluminum housing that is optimized for decentralized vacuum supply in highly dynamic processes. It has an integrated ejector module for energy efficient vacuum generation over a fine power gradation of six levels.

- Powerful but energy-efficient vacuum generation.
- Available in three performance classes and two variants: optimized for airtight (HV) or porous (HF) workpieces.
- Working vacuum is reached very quickly, leakages are safely compensated.
- Long service intervals, as insensitive to dirt; easy cleaning.
- Assemblies available with and without silencer. Part numbers with SD include a silencer.
- Standard Supply Pressure: 4 Bar / 58 psi.
- Maximum Operating Pressure: 6 Bar / 87psi.

Schmalz SBP Vacuum Generator

Quick#	Part#	Price	Type	Max Vacuum Level*	Max Suction Flow*		Air Consumption*		Wt
					CFM	l/min	CRM	l/min	
8792	SBP-HF-2-03-7	\$83.66	2 Stage, Size 7	55%	0.54 CFM	15.3 l/min	0.18 CFM	5 l/min	28.7g
8793	SBP-HF-2-06-13-SD	\$122.72	2 Stage, Size 13	70%	1.50 CFM	42.5 l/min	0.66 CFM	18.7 l/min	90.9g
8794	SBP-HF-3-06-13-SD	\$139.12	3 Stage, Size 13	70%	2.38 CFM	67.3 l/min	0.66 CFM	18.7 l/min	95.6g
8795	SBP-HF-2-13-22-SD	\$254.91	2 Stage, Size 22	61%	6.19 CFM	175.3 l/min	2.61 CFM	74 l/min	276.6g
8796	SBP-HF-3-13-22-SD	\$302.94	3 Stage, Size 22	61%	10.51 CFM	297.6 l/min	2.61 CFM	74 l/min	295g
8797	SBP-HV-2-04-7	\$83.66	2 Stage, Size 7	79%	0.47 CFM	13.2 l/min	0.23 CFM	6.5 l/min	28.7g
8798	SBP-HV-2-07-13-SD	\$124.07	2 Stage, Size 13	85%	1.50 CFM	42.5 l/min	0.83 CFM	23.5 l/min	90.9g
8799	SBP-HV-3-07-13-SD	\$143.55	3 Stage, Size 13	85%	2.71 CFM	76.8 l/min	0.83 CFM	23.5 l/min	95.6g
8800	SBP-HV-2-16-22-SD	\$260.55	2 Stage, Size 22	90%	5.39 CFM	152.6 l/min	3.64 CFM	103 l/min	276.6g
8801	SBP-HV-3-16-22-SD	\$305.78	3 Stage, Size 22	90%	10.90 CFM	308.8 l/min	3.64 CFM	103 l/min	295g

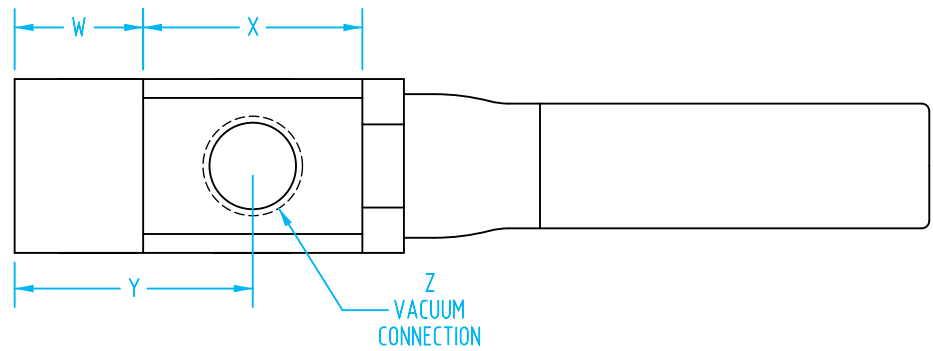
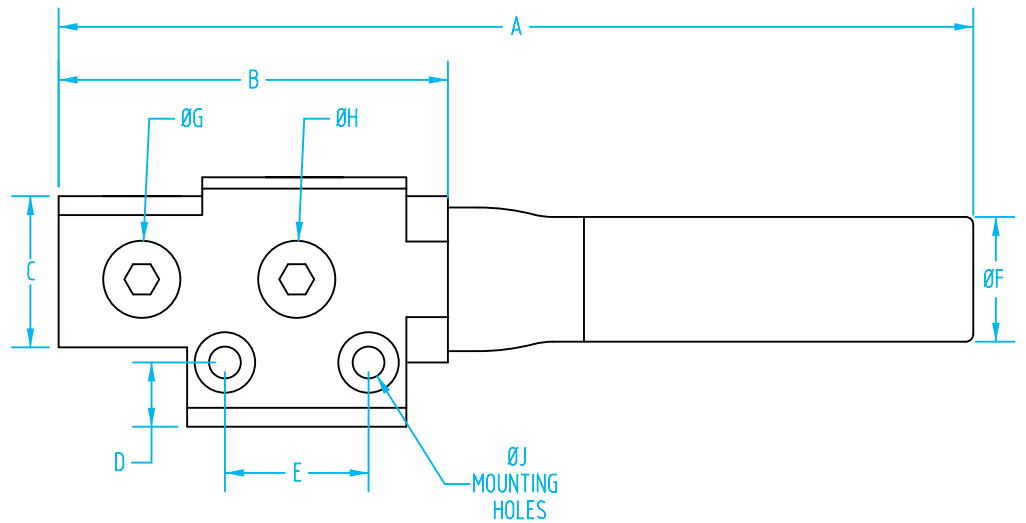
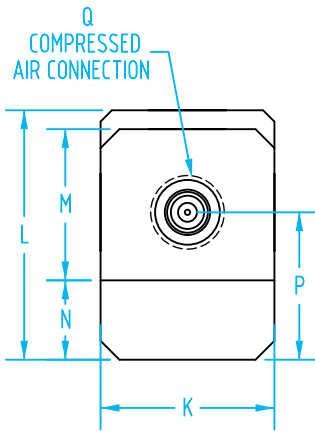
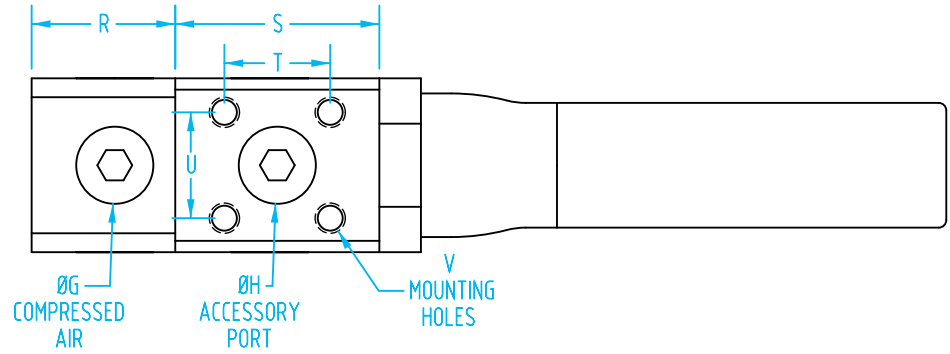
*Values listed are achieved when supplied the listed standard supply pressure of 4 Bar / 58 psi. Maximum operating pressure is 6 Bar / 87 psi.

Use Quick#s for easy online ordering.





Vacuum Generator – Schmalz SBP



- CU
- QC
- VG
- VC
- VA
- SG
- GR
- MT
- AC
- CS
- CC

Quick#	A	B	C	D	E	F	G	H	J	K	L	M	N	P	Q	R	S	T	U	V	W	X	Y	Z
8792 & 8797	48	37	14	-	-	$\varnothing 6$	-	G1/8	-	19	22	14	5.5	12.5	G1/8	13	18	12	12	M4	13	18	22	G1/8
8793 & 8798	121	51.5	20	8.5	19	$\varnothing 16.5$	G1/8	G1/8	$\varnothing 4.2 \downarrow$ THRU $\sqcup \varnothing 8 \pm 4.4$ BOTH SIDES	23	33	20	10.5	19.5	G1/8	19	27	14	14	M4	17	29	31.5	G1/4
8794 & 8799	139.5	51.5	20	8.5	19	$\varnothing 16.5$	G1/8	G1/8	$\varnothing 4.2 \downarrow$ THRU $\sqcup \varnothing 8 \pm 4.4$ BOTH SIDES	23	33	20	10.5	19.5	G1/8	19	27	14	14	M4	17	29	31.5	G1/4
8795 & 8800	190.5	87.5	27	9.5	26	$\varnothing 29$	G1/4	G1/4	$\varnothing 6.4 \downarrow$ THRU $\sqcup \varnothing 11 \pm 6$ BOTH SIDES	35	44	27	14	25.5	G1/4	25.5	40	26	22	M6	25.5	40	45.5	G3/8
8796 & 8801	230.5	87.5	27	9.5	26	$\varnothing 29$	G1/4	G1/4	$\varnothing 6.4 \downarrow$ THRU $\sqcup \varnothing 11 \pm 6$ BOTH SIDES	35	44	27	14	25.5	G1/4	25.5	40	26	22	M6	25.5	40	45.5	G3/8

Vacuum Generator – PIAB piINLINE Plus



- The PIAB PiInline Plus is an ultra-lightweight decentralized ejector family with integrated release function.
- Two style options available; with automatic release function (AQR) or exhaust block principle (EBR).
- AQR is a passive release function based on an automatic atmospheric and energy friendly release.
- EBR is a forced air blowoff release function which speeds up the part release process by redirecting the compressed air generating vacuum. It is activated multiple ways:
 - Automation: Feed compressed air to Port 1b while feeding compressed air to Port 1a.
 - Manually: Use Blowoff Button next to Port 2.
- Easy to install directly inline with Ø6mm or Ø8mm tubing, allowing flexibility to mount close to the vacuum cup, on the robot arm, or at the base. Whatever you choose!

Quick#	Part#	Price	Style	Max Vacuum Level*	Max Suction Flow*		Air Consumption*		Std. Supply Pressure		Wt
					CFM	l/min	CFM	l/min	psi	Bar	
8805	PIVG-AQR-SGL-TI6	\$91.79	AQR	80%	0.74 CFM	21 l/min	0.67 CFM	19 l/min	72.5 psi	5 Bar	39g
8806	PIVG-AQR-DBL-TI6	\$105.80			1.48 CFM	42 l/min	1.34 CFM	38 l/min	72.5 psi	5 Bar	49g
8807	PIVG-AQR-DBL-TI8	\$105.80			1.48 CFM	42 l/min	1.34 CFM	38 l/min	72.5 psi	5 Bar	37g
8808	PIVG-NEBR-SGL-TI6	\$99.57	EBR	80%	0.74 CFM	21 l/min	0.67 CFM	19 l/min	72.5 psi	5 Bar	53g
8809	PIL-I-T-2-66-6-X-XXX	\$113.57			1.48 CFM	42 l/min	1.34 CFM	38 l/min	72.5 psi	5 Bar	63g
8810	PIVG-NEBR-DBL-TI8	\$113.57			1.48 CFM	42 l/min	1.34 CFM	38 l/min	72.5 psi	5 Bar	52g

*Values listed are achieved when supplied at the listed standard supply pressure. Maximum operating pressure is 7 Bar / 101.5 psi.

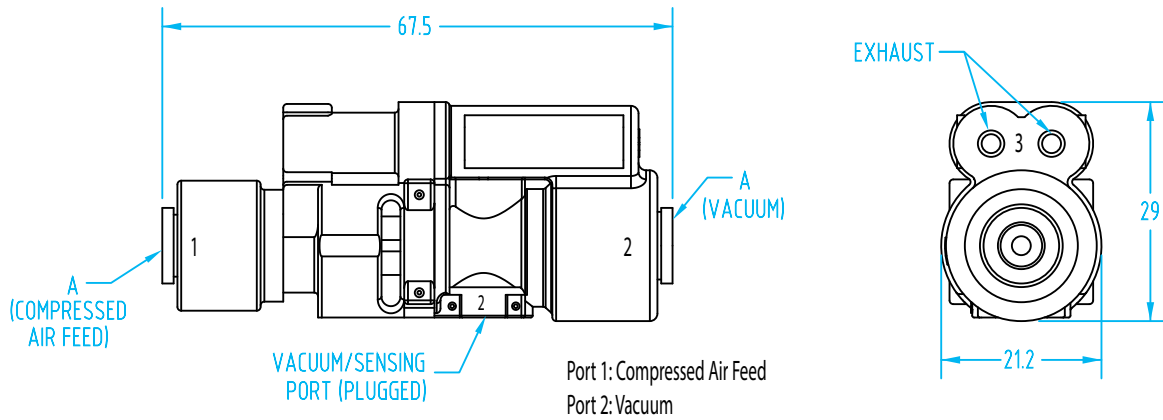




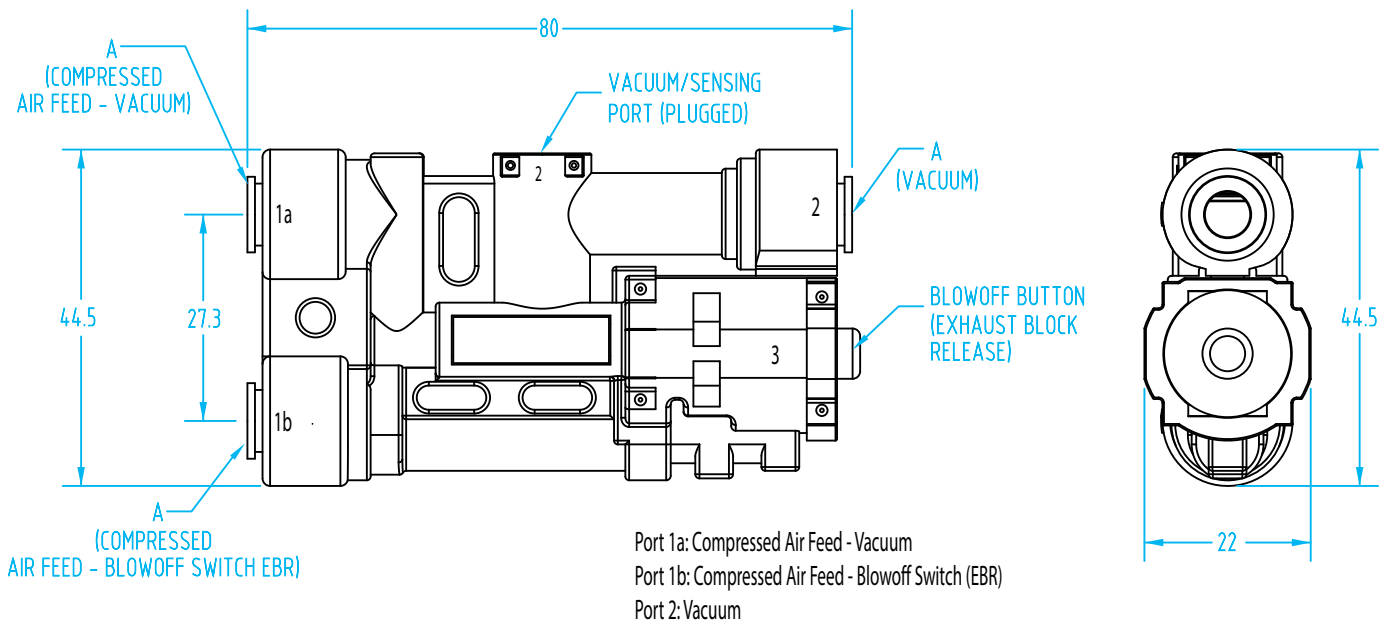
Vacuum Generator – PIAB piINLINE Plus

(Dimensioned drawings shown full scale)

Q# 8005–8007



Q# 8008–8010



Quick#	Part#	Style	A (Tubing Port)
8805	PIVG-AQR-SGL-TI6	Automatic release function (AQR)	Ø6mm
8806	PIVG-AQR-DBL-TI6		Ø6mm
8807	PIVG-AQR-DBL-TI8		Ø8mm
8808	PIVG-NEBR-SGL-TI6	Exhaust block principle (EBR)	Ø6mm
8809	PIL-I-T-2-66-6-X-XXX		Ø6mm
8810	PIVG-NEBR-DBL-TI8		Ø8mm

- CU
- QC
- VG
- VC
- VA
- SG
- GR
- MT
- AC
- CS
- CC

Vacuum Generator – Gimatic EJ-SLG-Medium



See EMI's Vacuum Generator Kit on page 259.

- Ideal for decentralized applications.
- Easy installation and positioning thanks to several mounting options.
- Lightweight POM body for direct integration on robot or on EOAT
- G3/8" main vacuum port, with 3x additional vacuum ports for use of a multitude of vacuum accessories.
- Integrated silencer.
- Multiple vacuum connections.
- Single supply connection.
- Compatible with VACSW vacuum switches. See additional info below.
- Available with two or three stage cartridges, and your choice of cartridge configuration: "LP" for lower feed pressures, "HF" for high vacuum flow apps like textures/cardboard, or "HV" for smooth non-porous parts like glass or plastic.

Quick#	Part#	Gimatic Part#	Price	Max Vacuum Level*	Max Suction Flow*		Air Consumption*		Std. Supply Pressure		Wt
					CFM	l/min	CFM	l/min	psi	Bar	
V2130	GOC-3330106	EJ-SLG-M-LP-2	\$70.20	88%	1.42 CFM	40.2 l/min	1.17 CFM	33.0 l/min	58 psi	4 Bar	46g
V2131	GOC-3330107	EJ-SLG-M-LP-3	\$83.60	88%	3.18 CFM	90.0 l/min	1.17 CFM	33.0 l/min	58 psi	4 Bar	50g
V2132	GOC-3330108	EJ-SLG-M-HF-2	\$70.20	72%	1.65 CFM	46.8 l/min	0.91 CFM	25.8 l/min	87 psi	6 Bar	46g
V2133	GOC-3330109	EJ-SLG-M-HF-3	\$83.60	72%	2.86 CFM	81.0 l/min	0.91 CFM	25.8 l/min	87 psi	6 Bar	50g
V2134	GOC-3330110	EJ-SLG-M-HV-2	\$70.20	93%	1.61 CFM	45.6 l/min	1.0 CFM	28.2 l/min	72.5 psi	5 Bar	46g
V2135	GOC-3330111	EJ-SLG-M-HV-3	\$83.60	93%	3.11 CFM	88.2 l/min	1.0 CFM	28.2 l/min	72.5 psi	5 Bar	50g

*Values listed are achieved when supplied the listed standard supply pressure. Maximum operating pressure is 7 Bar / 101.5 psi.

Pre-set Vacuum Switch with Digital Output:

- Converts a vacuum signal into an electric digital signal.
- Available in the versions with fixed setting -30, -50 and -70 kPa.
- Compact in size and lightweight, reinforced glass fiber.
- PNP or NPN output function.
- Cable with M8x1 3-pin male connector, L=30 cm.
- PWR with 3 LEDs (power supply: green), S1 (output: amber), L (vacuum leakage: red)
- Electrical connectors for wiring supplied separately as accessories L=2.5 m (PVC, PUR)

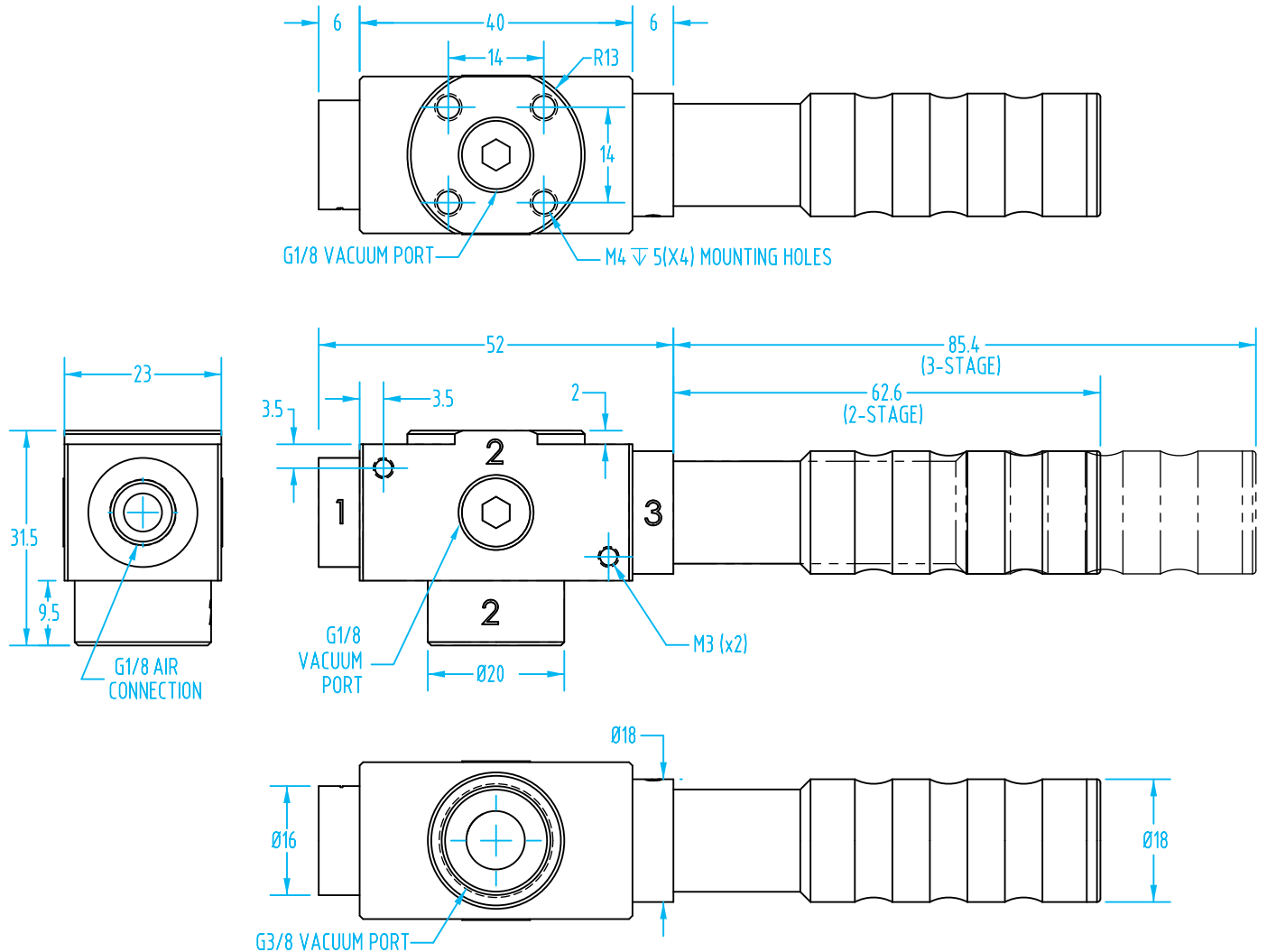


Gimatic VACSW vacuum switches available online.



Vacuum Generator – Gimatic EJ-SLG-Medium

(Dimensioned drawings shown full scale)



- CU
- QC
- VG
- VC
- VA
- SG
- GR
- MT
- AC
- CS
- CC

Easy-to-use e-commerce shows availability and current pricing with quick links to EMI catalog pages, related products, replacement parts, CAD file downloads, and 360° views.

Our online catalogs include direct links to our e-commerce product pages. Easily add items to your shopping cart while you browse the catalog.

Once an order is received our customer service department will be in touch with an order confirmation that includes shipping cost and order tracking information.

Home > Gimatic Vacuum > Vacuum Gripping Systems > Vacuum Foam Gripping System for Bags - FBG > V2503 Gimatic Vacuum Gripping System for Bags 245x125x70mm

Product Detail

V2503 Gimatic Vacuum Gripping System for Bags 245x125x70mm FBG-245-125-H70-F30G-G1

The Gimatic FBG series of vacuum gripping systems is designed for handling heavy bags of both liquid and solid materials with different shapes and weights.

- It can be equipped with different types of Gimatic pneumatic pumps (2 to 8 LARGE cartridges) (1), or alternatively with a connector for external vacuum generation (2)
- Area grippers include 4 nuts for installation (M8x1.25).

Item #: GOC 370245001
 \$880.00 Each
 Quantity:
 Add To Cart

Available: Available upon Request
 User Guide
 Technical Specifications

Heavy-Duty Multi-Stage Vacuum Pump – Coval CMSHD



COVAL's multi-stage CMSHD vacuum pumps combine performance, robustness, modularity and control.

Equipped with a multi-stage venturi system, the CMSHD vacuum pumps ensure powerful suction flows and high consumption/performance efficiency, promoting important energy savings. The integrated control and blowoff circuit make for a relatively compact centralized vacuum generator with everything all in one place.

- Every element of CMSHD vacuum pumps has been designed and tested to adapt to harsh environments.
- The pumps are IP65 and guaranteed more than 50 million cycles.
- Due to their modular design, it is possible to intervene on each element of the CMSHD pumps. The control function enables regulation of vacuum and blowoff functionalities.
- Add the HMI Module for easy programming and monitoring through the button or NFC interface.
- Standard Control Setup: NC Vacuum and NC Blowoff with PNP IO signal types.
 - NC/NO and PNP/NPN configurable with HMI Module.
- Recommended Hose Size:
 - Vacuum: Ø25mm ID or more.
 - Compressed Air: Ø8mm ID or more.
 - Requirements are application dependent, contact Cobots@EMICorp.com for assistance.
- Control cable purchased separately, see Quick# 7823 or 7824 on page 267.

Alternative silencer mounting location



Quick#	Part#	Price	Max Vacuum Level*	Max Suction Flow*		Air Consumption*		Std. Supply Pressure		Wt
				CFM	l/min	CFM	l/min	psi	Bar	
8811	CMSHD90X50SVX	\$1,581.39	80%	24.72 CFM	700 l/min	7.77 CFM	220 l/min	79.7 psi	5.5 Bar	890g
8812	CMSHD90X100SVX	\$1,884.08	80%	38.85 CFM	1100 l/min	14.83 CFM	420 l/min	79.7 psi	5.5 Bar	890g

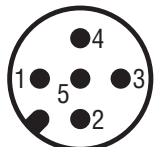
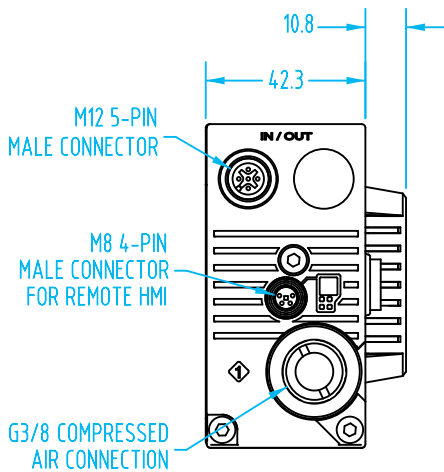
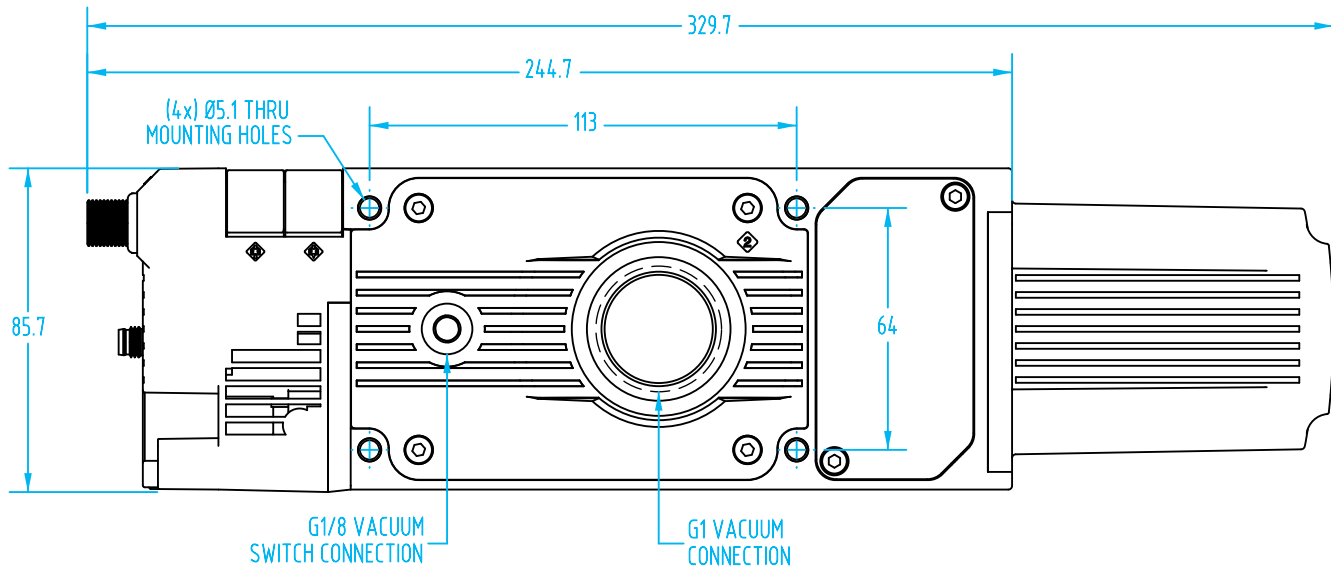
*Values listed are achieved when supplied at the listed standard supply pressure.





Heavy-Duty Multi-Stage Vacuum Pump – Coval CMSHD

(Dimensioned drawings shown at 50% scale)



Pin#	M12 5-Pin Male Connector
1	24 Vdc
2	24 Vdc suction command
3	0Vdc – Ground
4	24 Vdc object gripped D01 - C/Q
5	24 Vdc blow-off command



Pin#	M8 4-Pin Remote HMI
1	24 Vdc
2	RS485 (DATA+)
3	0Vdc – Ground
4	RS485 (DATA-)

- CU
- QC
- VG
- VC
- VA
- SG
- GR
- MT
- AC
- CS
- CC



Remote HMI Module with HD Range

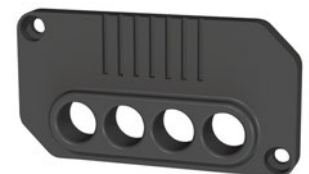
Quick#	Part#	Connection	Price
8815	HMIHD1M84P	M8 4-Pin F	\$552.00



Front Mounting Plate for HMI Module

Quick#	Part#	Price
8816	HMIHD1FIXA	\$44.69

Mounting hardware included



Low-Profile Exhaust Diffuser

Quick#	Part#	Price
8814	80007941	\$47.38

Vacuum Pump – Schmalz SBPL

The Schmalz SBPL is a basic multi-cartridge generator with high-end suction flow capacity for handling cardboard boxes, packaging materials, insulating materials and other porous materials. High flow capabilities make these generators a good choice for a centralized vacuum system, but depending on application can be deployed as decentralized given their light weight build.



- Working vacuum is reached very quickly due to multi-stage ejectors generating vacuum.
- Add or change out hose fittings as necessary to work with the hardware and hose you prefer, see additional fitting options on the next page.
- Modular construction allows for easy maintenance and simplified modification.
- Integrate vacuum sensors (pg 186–187) for added part confirmation capabilities.

Quick#	Part#	Price	Max Vacuum Level*	Max Suction Flow*		Air Consumption*		Std. Supply Pressure		Wt
				CFM	l/min	CFM	l/min	psi	Bar	
8819	SBPL-25-HF	\$387.60	60%	10.24 CFM	290 l/min	2.82 CFM	80 l/min	65 psi	4.5 Bar	800g
8820	SBPL-50-HF	\$471.32	60%	17.65 CFM	500 l/min	5.65 CFM	160 l/min	65 psi	4.5 Bar	800g
8821	SBPL-100-HF	\$777.50	60%	30.37 CFM	860 l/min	10.59 CFM	300 l/min	65 psi	4.5 Bar	1100g

*Values listed are achieved when supplied at the listed standard supply pressure.





Vacuum Pump – Schmalz SBPL

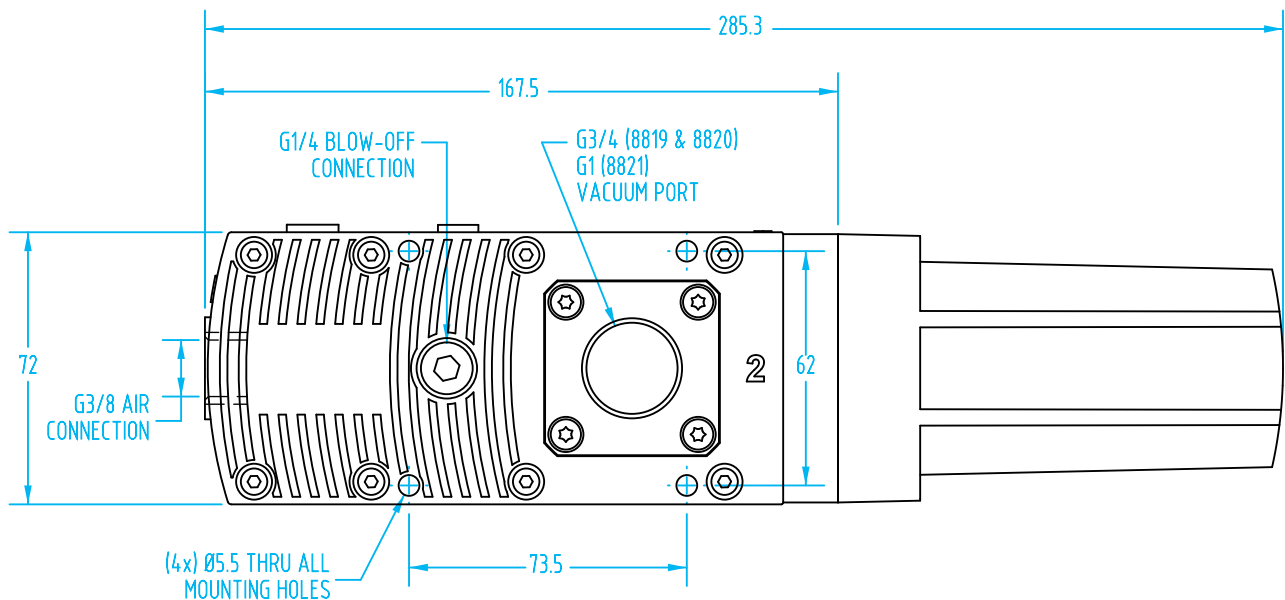
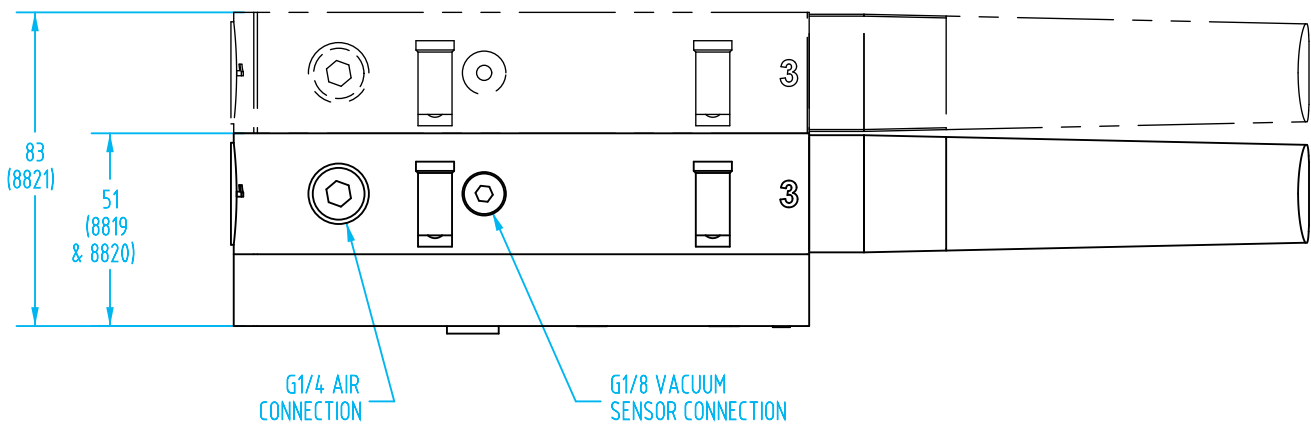
(Dimensioned drawings shown at 50% scale)



Schmalz SBPL Vacuum Pump Hose Fittings

Quick#	Part#	Recommended For	Vacuum Hose*	Compressed Air Tube*	Wt.	Price
8823	ST-20-AL-EL	Size 25 Q# 8819	Ø20mm ID	Ø6mm ID or more	46.5g	\$29.90
8824	ST-25-AL-EL	Size 50 Q# 8820	Ø25mm ID	Ø6mm ID or more	50.5g	\$29.90
8825	ST-32-AL-EL	Size 100-150 Q# 8821	Ø32mm ID	Ø9mm ID or more	58g	\$29.90

*Requirements are application dependent, contact Cobots@EMICorp.com for assistance



- CU
- QC
- VG
- VC
- VA
- SG
- GR
- MT
- AC
- CS
- CC

Electric Vacuum Pump with Integrated Electronics – Schmalz GCPI



Schmalz GCPI is ideal for use as a local centralized vacuum generator in automation systems targeting fast handling processes.

- Handling of suction-tight/non-porous workpieces is preferred thanks to the suction capacity and blowoff function. Capabilities allow for handling of lightweight porous workpieces as well.
- Intelligent vacuum control enables gentle handling of delicate workpieces such as thin sheets or glass, vacuum levels are configurable to suit your application needs.
- IO-Link and NFC interfaces allow for fast and cost-effective programming, troubleshooting, and monitoring.
- Set important process parameters via user-friendly touch display.
- Control cables purchased separately, see Quick# 7823, 7824, 7825, and 7826 on page 267.

No Compressed Air Required!

Quick#	Part#	Price	Max Vacuum Level	Max Suction Flow		Power Supply		Wt
				CFM	l/min	Voltage	Max Current Draw	
8826	GCPI-50-5XM12-5	\$4,020.55	80%	1.62 CFM	46 l/min	24 V	3.5 A	3220g

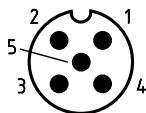




Electric Vacuum Pump with Integrated Electronics – Schmalz GCPI

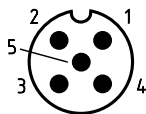
(Dimensioned drawings shown at 50% scale)

X01

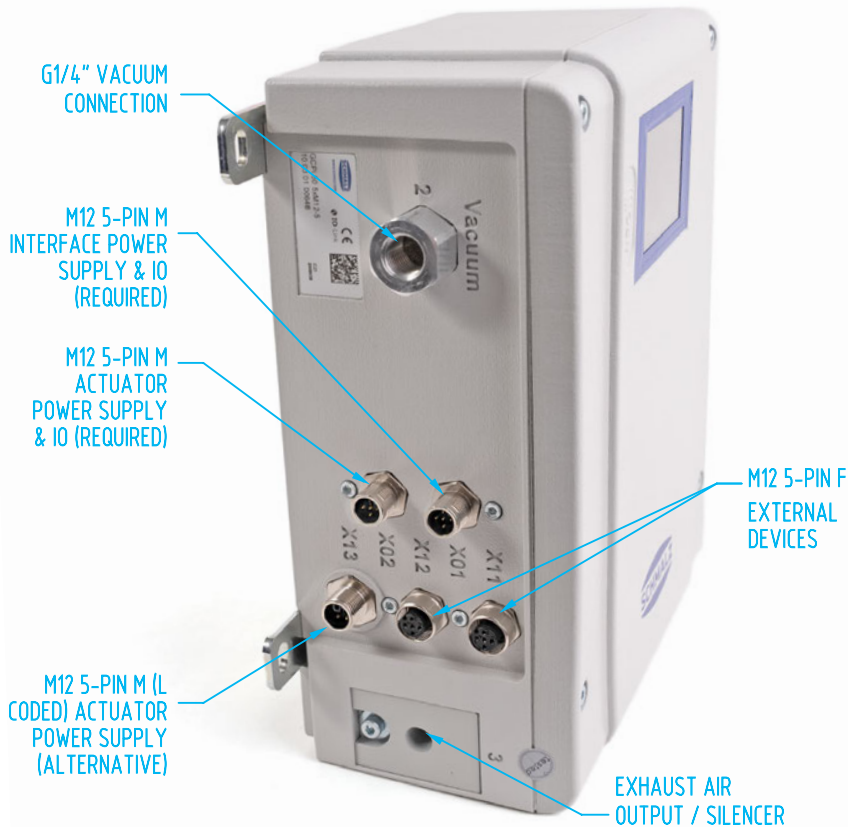


Pin	Wire	Function
1	Brown	System Power U_s
2	White	Output (Part)
3	Blue	Ground GND_s
4	Black	Output / IO-Link
5	Gray	-

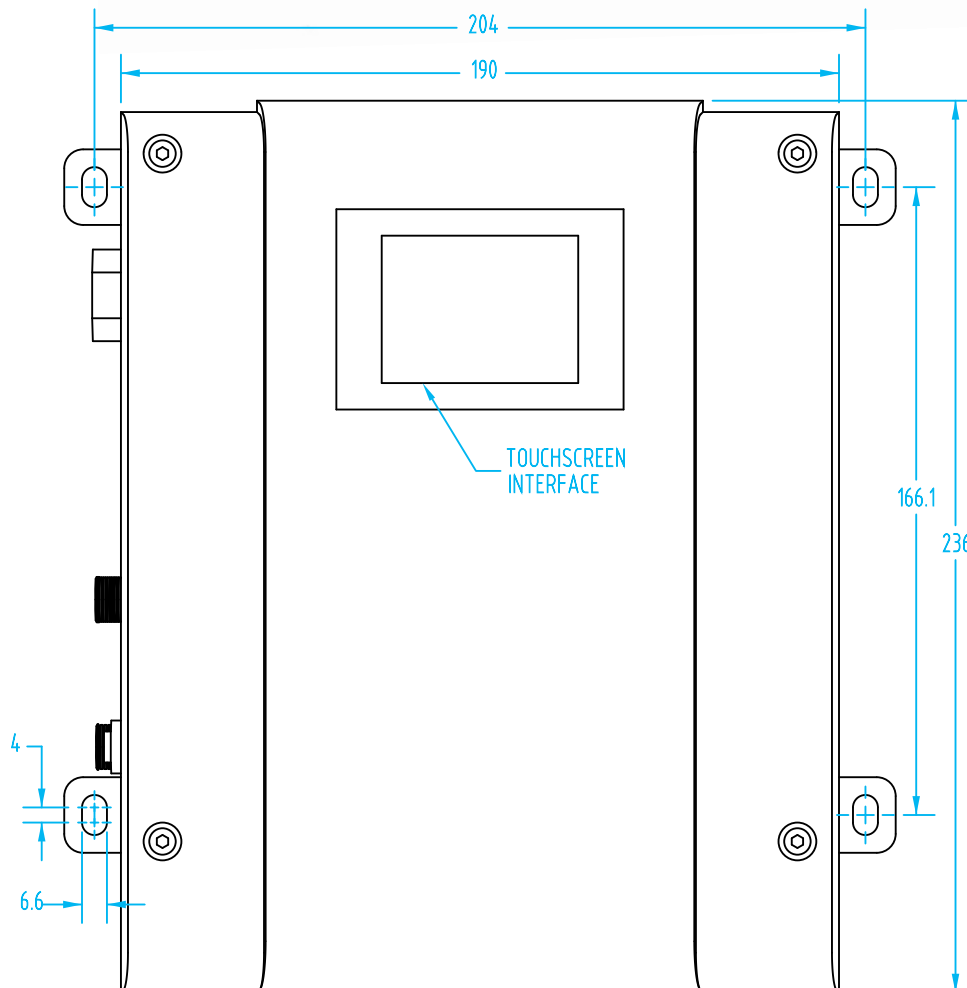
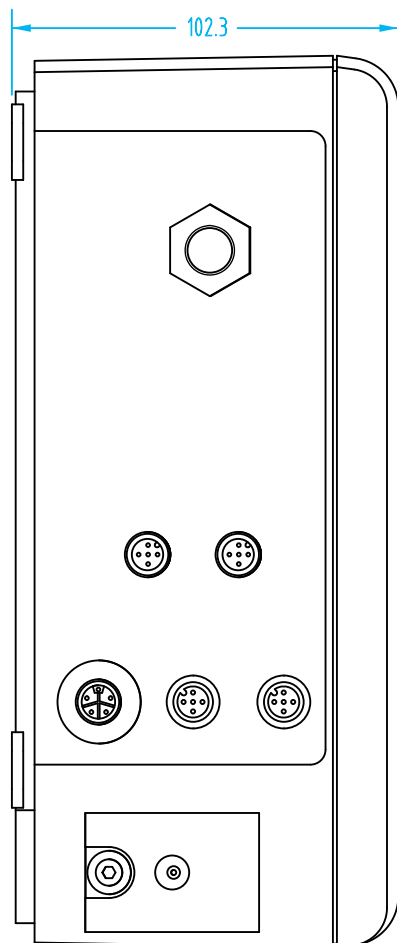
X02



Pin	Wire	Function
1	Brown	Actuator Power U_A
2	White	Input (Release)
3	Blue	Ground GND_A
4	Black	Input (Vacuum)
5	Gray	-



- CU
- QC
- VG
- VC
- VA
- SG
- GR
- MT
- AC
- CS
- CC

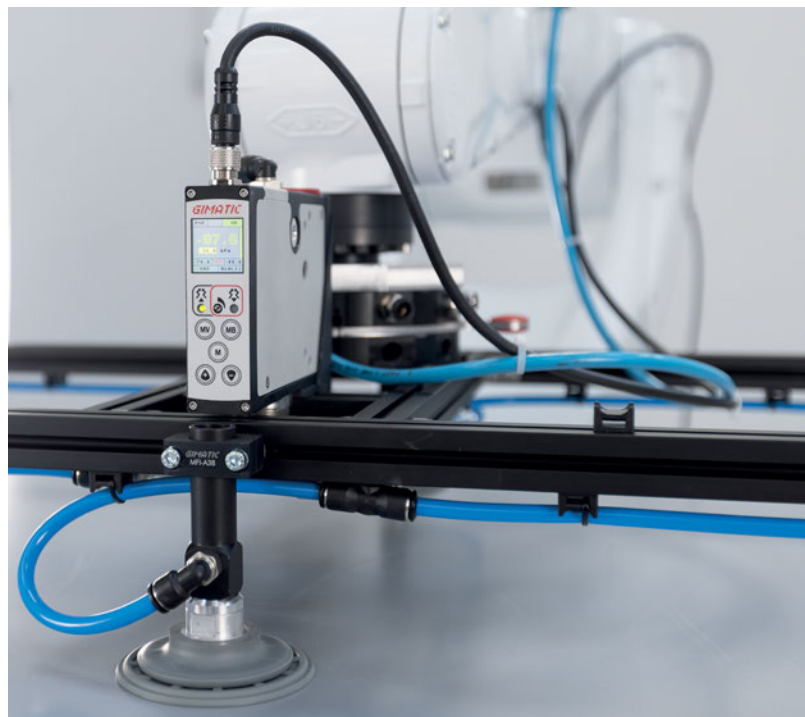


Vacuum Pump – Gimatic

Vacuum Pump with Embedded Electronics – Gimatic EJ-X

Gimatic EJ-X is a configurable vacuum pump with integrated control logic, featuring an energy-saving system that saves up to 95% compressed air in sealed applications. Available with two-stage EJ-LARGE cartridges.

- Vacuum pump with advanced control functions, available with two-stage EJ-LARGE cartridges with non-return valve (EJ-HF, EJ-HV, EJ-LP).
- Energy saving system (ES), with manual and automatic modes, that saves up to 95% of compressed air in sealed applications.
- Integrated blow-off with manually adjustable flow rate. Electrically controlled automatic actuation for each cycle.
- Large color display with intuitive and easy-to-read menu and pump status indications.
- Electrical connection via M12 8-pin connector.
- It can be installed in series (max 4 units).

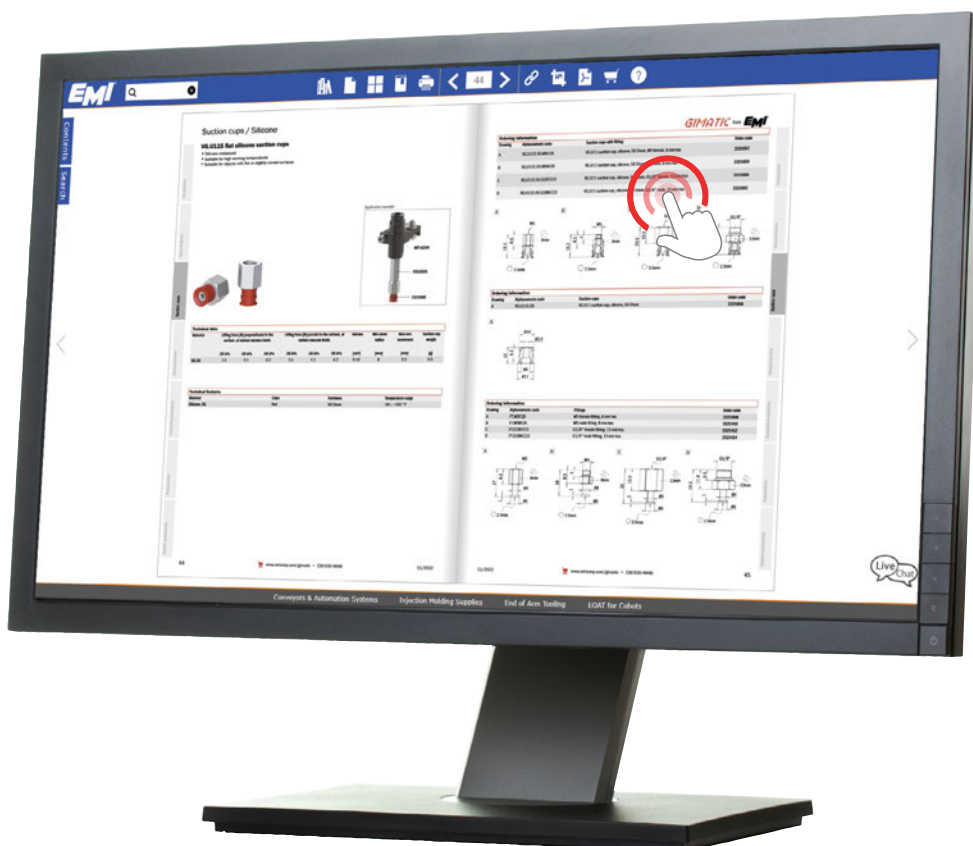


Pricing for all components that EMI offers are found online. Interactive links have been added that direct you to EMI e-commerce where you can add the item to your cart. Product pages include additional information, 360° views and CAD file downloads.



The Gimatic by EMI Vacuum Solutions Catalog has direct links to products in e-commerce!

View it here!



EJ-BLOWOFF (Centralized)



The EJ-BLOWOFF vacuum pump is the right choice for high frequency Pick-and-Place applications.

The built-in blow-off tank allows the release of the handled object very quickly while keeping the EJ-MEDIUM cartridge clean, avoiding clogging in particularly dusty environments. Available in the version with 1 and 2 two-stage EJ-MEDIUM cartridges.



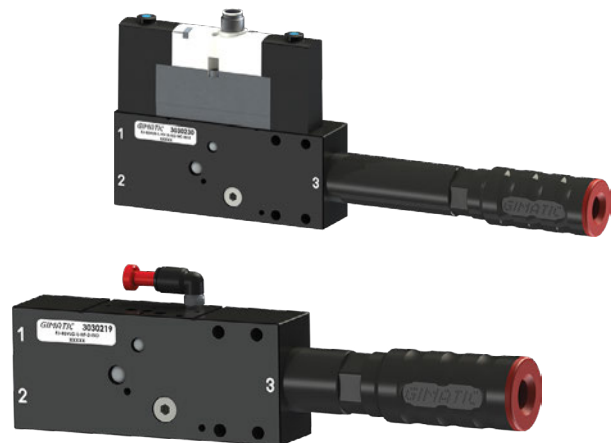
- CU
- QC
- VG
- VC
- VA
- SG
- GR
- MT
- AC
- CS
- CC

EJ-BSVL (Centralized & Decentralized)



Vacuum pump ideal for centralized or decentralized applications with integrated ISO vacuum/blow-off valve, with integrated ON/OFF control valve for operating vacuum generator as well as a continuous stream of blowoff air. Excellent for clearing debris or cooling parts pre-pick!

Extremely lightweight POM body with ISO design, available in the two- or three-stage EJ-LARGE versions.



EJ-MLG (Centralized)



The design of the EJ-MLG vacuum pumps (body in POM) allows the integration of up to 4 EJ-LARGE cartridges, with 2 or 3 stages, making the vacuum pump a modular and flexible solution. Developed mainly for centralized applications, to simultaneously manage several suction cups or several users of the vacuum circuit.



EJ-CEN (Centralized & Decentralized)



Modular and configurable pump available in a configuration with 5 to 16 two-stage EJ-LARGE cartridges. It meets the requirements of centralized and decentralized applications where a high suction flow rate is required. Maintenance-free compact yet sturdy design.

It can also be used as a blowing pump in applications with overpressure up to 0.15 MPa.



Vacuum Monitor Switches – Schmalz VSi

- Electronic vacuum and pressure switch with digital outputs and IO-Link communication for measuring and monitoring negative and positive pressure in automation and handling systems.
- 2x digital output signals with switchable signal type (PNP / NPN) available depending on your application need.
- Compact switch for installation directly on the suction cup, particularly in decentralized vacuum systems.
- NFC interface allows parameterization and reading of service and maintenance data via smartphone. Programmable through push-button interface as well.
- Output of device data such as type or operating instructions via smartphone, even with variants without display.
- LED indicators visible from all sides display various modes and switching points.



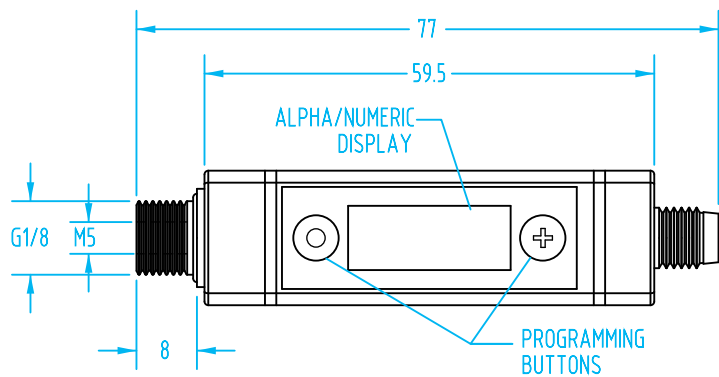
The electronic switches have a modular structure and can be easily integrated into the automation environment.

Vacuum Sensor

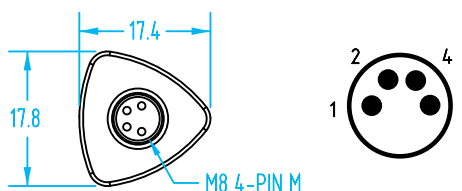
Quick#	Part#	Signal	Measuring Range	Wt	Price
8789	VSI-V-D-M8-4	PNP/NPN (Switchable)	-14.5 – 0.0 psi	16g	\$161.16

Vacuum and Pressure Sensor

Quick#	Part#	Signal	Measuring Range	Wt	Price
8788	VSI-VP8-D-M8-4	PNP/NPN (Switchable)	-14.5 – 116 psi	16g	\$189.87



(Dimensioned drawings shown full scale)



Pin#	Wire Color	Function	Control Box Terminal
1	Brown	Power (VDC)	+24VDC
2	White	Signal 2 / Analog	DI
3	Blue	Ground	0Vdc
4	Black	Signal 1 / IO-Link	DI



VSi Mounting Brackets

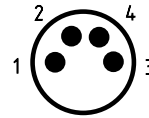
Quick#	Part#	Description	Price
8790	BEF-WIN-1.5-VSI-D-M8	Swivel with Hardware	\$27.06
8791	HTR-VSI-CLIP	Clip-In, Sold in Pairs	\$11.75

M3 Drop-In Nut recommended for mounting to profile. See Q# 3853



Pressure Sensor for Pneumatics – IFM

- This pressure sensor for pneumatics precisely measures the full range of vacuum and pressure typical in robotics and material handling applications.
- 2-color, 4-digit alpha-numeric display.
- Simple push-button setup.
- Two programmable switching outputs or one switching and one diagnostic output.
- See EMI website for dimensional drawings.



Quick#	2696	2697	2693	2695
Part#	GSE-PQ-7834	GSE-PQ-0834	GSE-PQ-7809	GSE-PQ-0809
Price	\$174.00	\$174.00	\$174.00	\$174.00
Weight	84.5g	85.5g	85g	85.5g
Signal	PNP	NPN	PNP	NPN
Measuring Range	-14.7 – 145 psi (-1 – 10 bar)		-14.6 – 14.6 psi (-1 – 1 bar)	
Set Point SP	-13 – 145 psi (-0.9 – 10 bar)		-14.2 – 14.6 psi (-0.98 – 1 bar)	
Reset point RP	-14 – 144 psi (-0.95 – 9.95 bar)		-14.4 – 14.4 psi (-0.99 – 0.99 bar)	
In steps of (resolution)	1 psi (0.05 bar)		0.2 psi (0.01 bar)	

*Pressure Conversations: 1 atm = 14.7 psi = 1.01 bar = 101 kPa = 29.92 in Hg

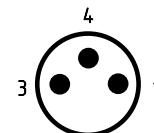
- Plug-n-play ready with included electrical 4-pin M8 300mm cable as well as two mounting brackets and hardware.
- Easily readable multi-color display.
- Compact in size and lightweight.
- 7 units of measurement available (kPa, MPa bar, psi, inHg, mmHg, kgf/cm²).
- 2 PNP outputs, NO or NC.
- Double display to allow the simultaneous reading of actual values and pre-set values.
- “Key lock” indicator light to prevent changes to default settings.
- “Energy saving” indicator light with indication on display.

Vacuum Switch – Gimatic VACSD



Quick#	Part#	Signal	Operating Voltage	Price	Wt.
V1939	GOC-3030157	PNP	12–24V DC	\$128.41	70g

- These are ideal for applications that only need a simple “object gripped” signal, and offer an economical and effective solution for applications with one vacuum generator per vacuum cup.
- Simple plug-in installation.
- 3-pin M8 male connection with Ø6mm for vacuum.
- User may select sensing value.
- Total length of cable: 150mm.
- See EMI website for dimensions.



1 - Brown
3 - Blue
4 - Black

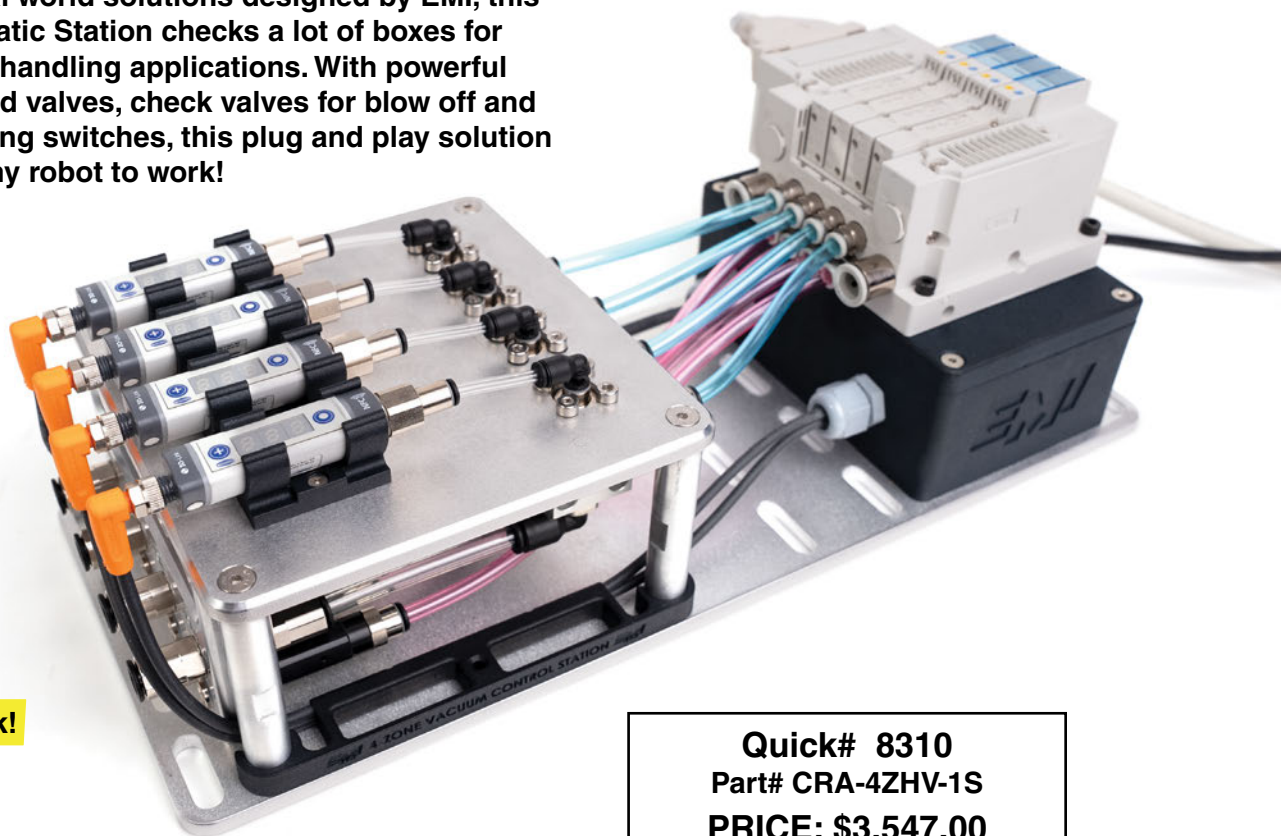
Quick#	Part#	Signal	Operating Voltage	Measuring Range	Price	Wt.
1931	PSK-100-D6P	PNP	10.8–30V DC	0 to -14.69 psi	\$96.60	8.3g
1932	PSK-100-D6N	NPN	10.8–30V DC	0 to -14.69 psi	\$96.60	8.3g

Use Quick#s for easy online ordering.

- CU
- QC
- VG
- VC
- VA
- SG
- GR
- MT
- AC
- CS
- CC

Pneumatic Station for Cobots

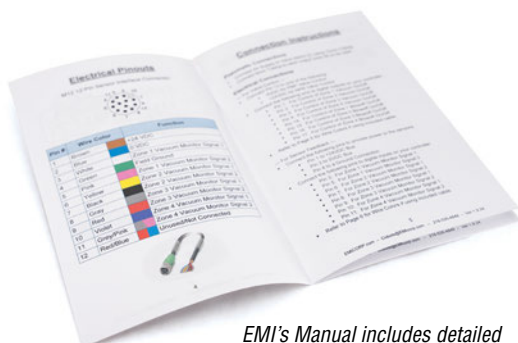
Inspired by real world solutions designed by EMI, this 4-Zone Pneumatic Station checks a lot of boxes for cobot vacuum handling applications. With powerful double solenoid valves, check valves for blow off and smart monitoring switches, this plug and play solution will help put any robot to work!



In-Stock!

Quick# 8310
Part# CRA-4ZHV-1S
PRICE: \$3,547.00

- Non-polar 4-zone double solenoid valve (NPN or PNP).
- Quick# 8799 High vacuum generators. Can be converted to High Flow or Low Pressure.
- Quick# 8789 Vacuum monitoring switches configurable to NPN or PNP.
- Independently controlled blow-off non-return valves for part release and reduced maintenance intervals.
- M12, 12-pin connector and cable included for switch power and signal.
- Two-position 25-pin D-Sub connector and cable for valve control and power.
- Hardware, fittings, tubing and cables included.



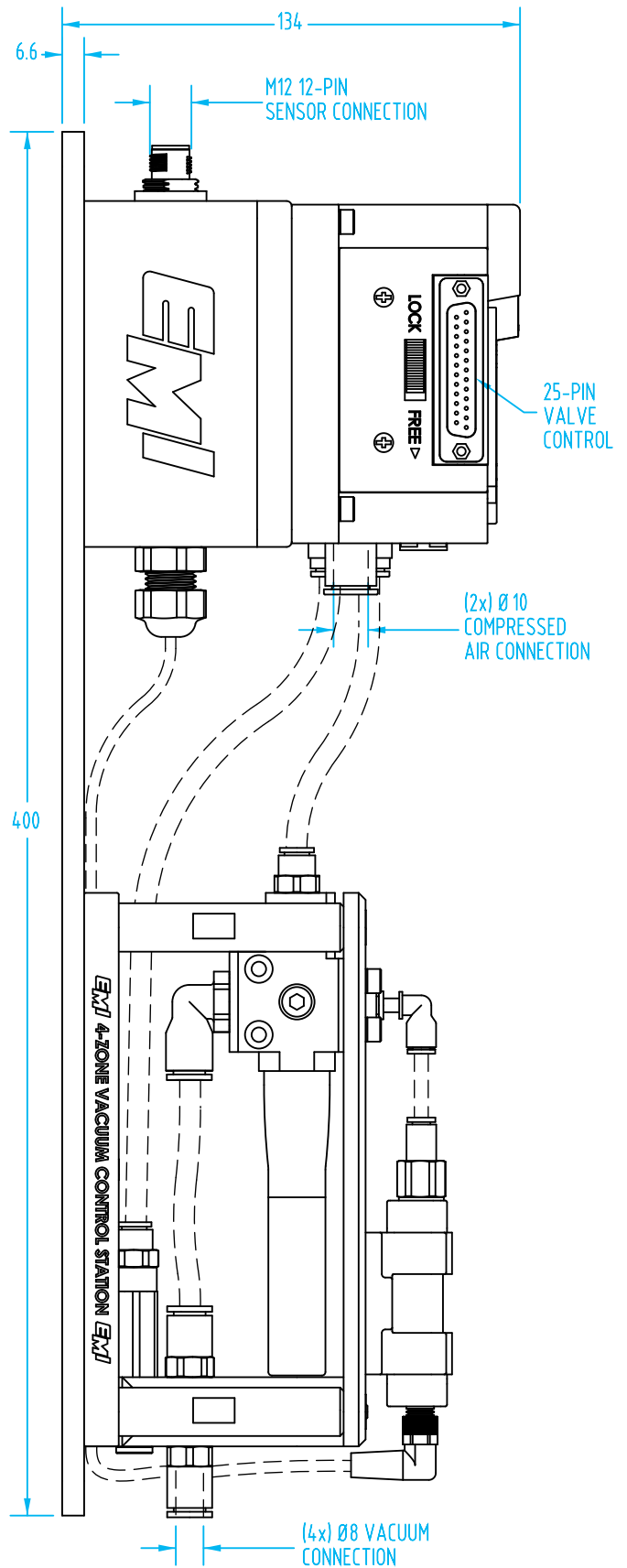
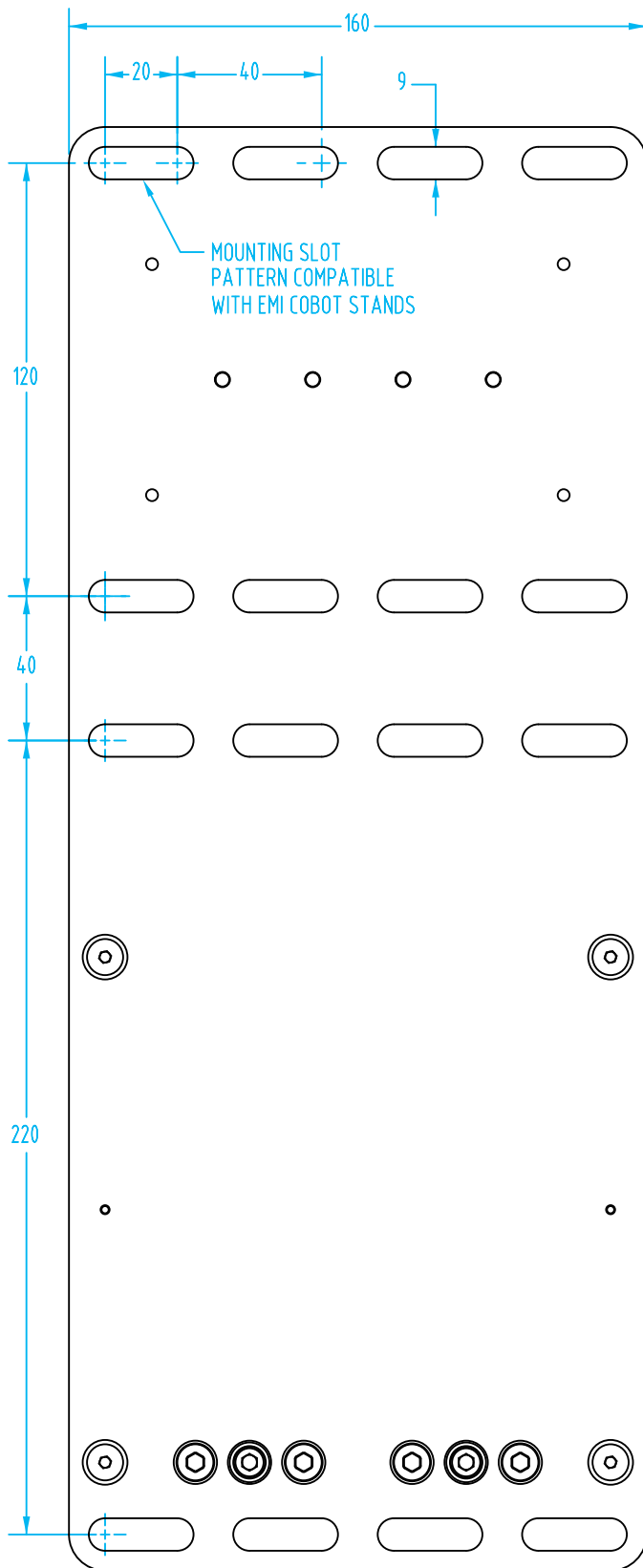
EMI's Manual includes detailed instructions to get you up and running!





Pneumatic Station for Cobots

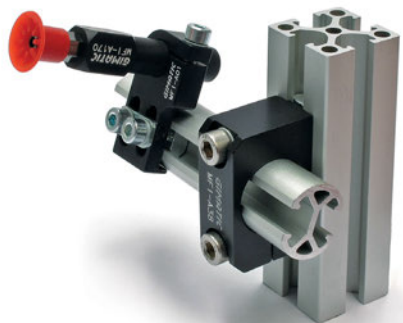
(Dimensioned drawings shown at 50% scale)



- CU
- QC
- VG
- VC
- VA
- SG
- GR
- MT
- AC
- CS
- CC

EOAT Framing and Components from EMI

EMI stocks the complete line of Gimatic & >ASS< framing components!



[Shop Profile!](#)



EMI stocks a wide choice of extruded aluminum round, light and standard framing profile. Many optional items like end caps, channel covers, and cable ties are available.



[Shop Framing!](#)



Inline vacuum cup mounts and adjustable angle arms shown to the left are common in vacuum applications.

EMI offers a wide choice of connectors, insert clamps, reducing inserts, slotted brackets, and more.



From the simplest to the most complex tooling, our EOAT engineers can design a tooling to suit your specific application.



Our extensive stock of framing components engineered for use by injection molders along with the broadest offering of vacuum cups, grippers, and everything needed in between, make EMI a one stop destination for robotic end effector / end-of-arm tooling builders.

Save time and money. Have EMI's experienced engineers design your EOAT. You'll get 3D CAD renderings of the design at no obligation. We'll also provide pricing for the tool should you want to purchase the EOAT from EMI either completely assembled or to build yourself.



- CU
- QC
- VG
- VC
- VA
- SG**
- GR
- MT
- AC
- CS
- CC

EMI offers a selection of Soft Grippers for handling of delicate, variable objects as well as products of irregular shape. Electrically or vacuum driven, with part detection or food-grade, EMI has researched and tested adaptable and reliable grippers for a variety of applications. In-stock now at EMI and backed by the support of our EOAT Engineers.

OnRobot Soft Gripper p.192

Ubiros Soft Gripper p.194

PIAB piSoftGrip® 2-Finger p.196

PIAB piSoftGrip 3-Finger p.198

PIAB piSoftGrip 4-Finger p.200

Shop Specialty Grippers!

Needle Grippers

Magnetic Grippers

ID Expansion Grippers

Gripper Fingers

Soft Gripper Actuator for Cobots – OnRobot



The OnRobot Soft Gripper is able to pick a wide array of irregular shapes and delicate items, making it ideal for pick-and-place applications, as well as manufacturing or packaging.

The gripper is available with three interchangeable silicon-molded cups. The Soft Gripper operates without an external air supply, for no additional costs or complexity.

Quick# 8280
 Part# OR-103456
PRICE: \$4,378.00

** Actuator price only. Modules sold separately.*

OnRobot pricing effective 05/01/24 and subject to change.

Try It Risk Free!

**Contact us for details*



Features:

- Actuator base weight: 0.77kg / 1.69lbs
- Actuator base dimensions: 84mm x 98mm.
- Smart lock tool mechanism and quick changer base included.
- Maximum payload of 2.2 kg depends on shape, softness, and friction of items to be handled, and grip dimensions range from 11mm to 118mm, depending on cup used.

- IP 67 Classification.
- Silicone is FDA 21 CFR 177.2600* & EC 1935/2004 approved.
- Integrated software.
- Automatic tool center point (TCP) calculation, depth compensation, and payload calculation for UR.
- Dimensional drawings available online.

Technical Specs	
Total spindle stroke	11–40mm
Spindle force	380 N (85.4 lbf)
Spindle speed	37mm/s (1.46in/s)
Maximum rated payload	Dependent on end effector (see next page)
Gripping time*	32 grip/min
Weight	77g (1.69 lb)
Power supply	20V – 25V
Current consumption	45mA – 600mA
Operating temperature	32° – 122°F

** Gripping time is tool depended.*





Soft Gripper Actuator for Cobots – OnRobot



Gripper Modules for Soft Gripper Actuator

Quick#	Part#	Description	Max Payload*	Gripping Range	Price
8281	OR-103689	Soft	4.85 / 3.3 lb (2.2 / 1.5 kg)	11–75mm	\$1,042.00

* Test object: 3D-printed ABS cylinder Ø65mm. Payload depends on shape, softness, and friction of the product.



Gripper Modules for Soft Gripper Actuator

Quick#	Part#	Description	Max Payload*	Gripping Range	Price
8282	OR-103860	Extra Soft	4.85 / 3.3 lb (2.2 / 1.5 kg)	11–75mm	\$1,042.00

* Test object: 3D-printed ABS cylinder Ø65mm. Payload depends on shape, softness, and friction of the product.



Gripper Modules for Soft Gripper Actuator

Quick#	Part#	Description	Max Payload*	Gripping Range	Price
8283	OR-103691	Claw	2.42 lb (1.1 kg)	24–118mm	\$1,042.00

* Test object: 3D-printed ABS cylinder Ø65mm. Payload depends on shape, softness, and friction of the product.

- CU
- QC
- VG
- VC
- VA
- SG**
- GR
- MT
- AC
- CS
- CC

Soft Gripper for Cobots – Ubiros® Gentle Duo



Gentle Duo Mini grippers provide an optimal balance of versatility and grip stability in handling delicate objects or products that vary in size, shape, and weight during primary packaging.

Gentle Duo Mini Touch (Q# 8302) adds extra control for handling more complex applications.

Quick# 8301
PRICE: \$2,400.00

With Force Feedback
Quick# 8302
PRICE: \$3,800.00



Features:

- Digital output force feedback for part confirmation on Touch model.
- Integrated software accessible through wifi for configuring grip positions and calibrating fingers.
- Common interface plate mounts on all ISO flanges from 31.5mm to 63mm.
- Mount hardware and interface cable included.
- Robot plugin available for simplified use.
- Overall height: 172.5mm, Base OD: Ø104mm.

Quick#	8301	8302
Part#	GNT-DUO-2F-0	GNT-DUO-2F-T
Price	\$2,400.00	\$3,800.00
Part confirmation	No sensing	Adjustable force feedback
Gripper control	1 input, 2 positions	2 inputs, 4 positions Force control
Payload (at 2A)*	3.3 lb (1.5 kg)	
Gripping time	100ms/ 50mm	
Input voltage	15V - 25V	
Max. current	0.03A (idle) / 2A (load) / 3A (instantaneous)	
Finger material	Silicone (FDA approved)	
Weight	800g (1.8 lb)	

**Actual payload dependent on workpiece properties: geometry, material, surface qualities, etc.*



Try It Risk Free!

*Contact us for details

Wi-Fi-Enabled Web App for Configuring Gripper



Soft Gripper for Cobots – Ubiros Gentle Duo

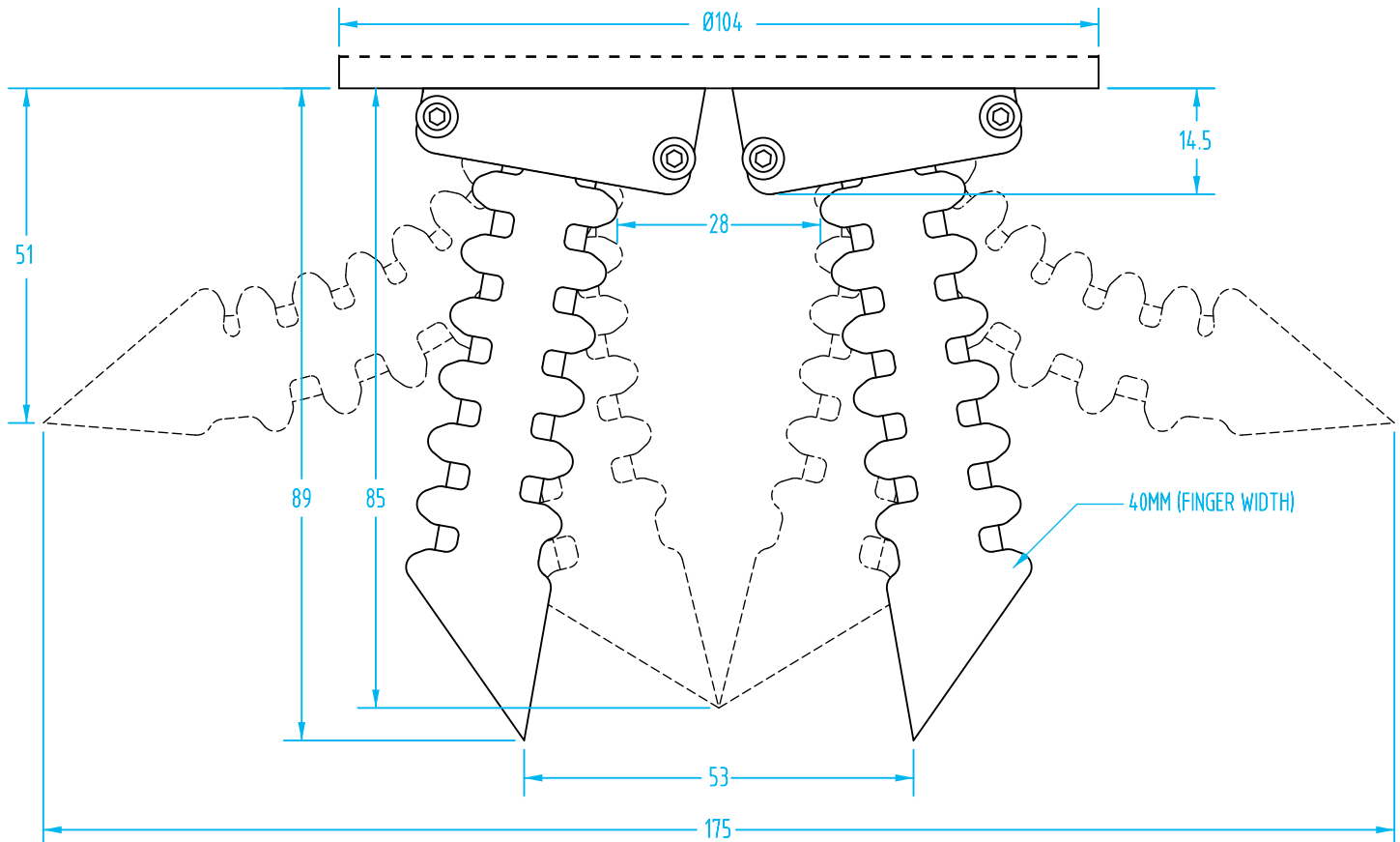
(Dimensioned drawings shown full scale)



Watch our Soft Gripper Overview Video featuring the OnRobot, Ubiros, and piSOFTGRIP!

- CU
- QC
- VG
- VC
- VA
- SG**
- GR
- MT
- AC
- CS
- CC

Finger Dimensions:



Soft 2-Finger Gripper – PIAB piSOFTGRIP

This two-finger vacuum-based soft gripper can grip sensitive and lightweight objects with odd geometries and/or objects with an unusual surface. Made in detectable silicone approved for direct contact with food, in accordance with FDA 21 CFR and EU 1935/2004 regulations.

The #8071 has a male G1/8" fitting or the #8073 offers stainless-steel G1/4" fitting for wash-down. Both are compatible with our wide range of vacuum posts, suspensions, and 3D printed supports.



#8071

#8073, wash-down

	Size 50	
Quick#	8071	8073
Part#	CRG-PSG50-2S-G18M	CRG-PSG50-2S-GW14M
Price	\$119.31	\$190.46
Weight	41g	104g
Temperature range	-4–212°F	
Recommended vacuum level	0.4–0.9 Bar	
Maximum object size	53.59mm	
Maximum payload	150g	
Connection	Male G1/8"	Wash-down G1/4"
Finger / Claw material	Detectable Silicone 70° Shore A	

PiSOFTGRIP Related Items:

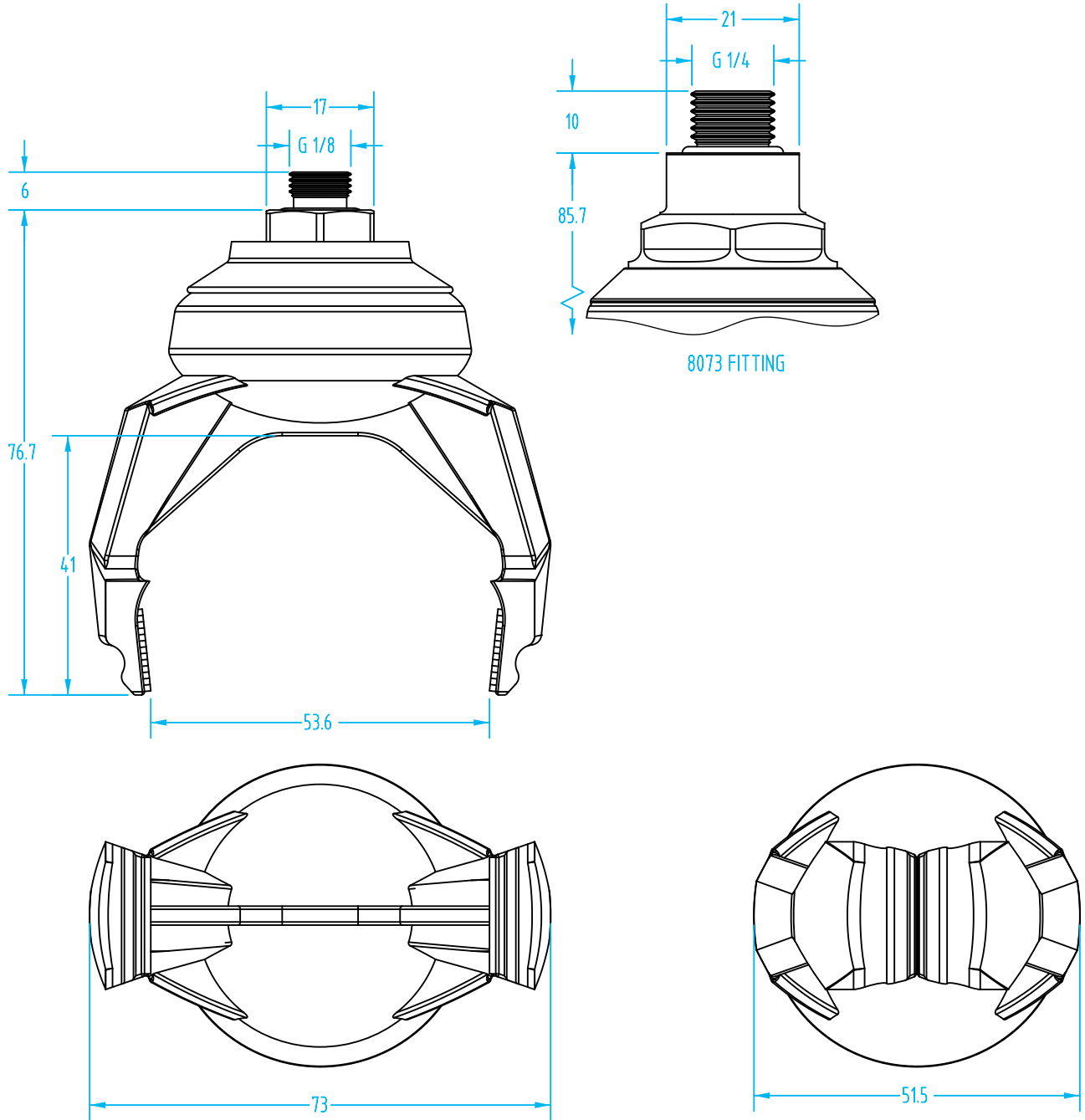


The related items shown here can be found online and in our comprehensive EOAT catalog.



Soft 2-Finger Gripper – PIAB piSOFTGRIP

(Dimensioned drawings shown full scale)



- CU
- QC
- VG
- VC
- VA
- SG**
- GR
- MT
- AC
- CS
- CC

Soft 3-Finger Gripper – PIAB piSOFTGRIP

(Dimensioned drawings shown full scale)

Cost effective, simple, and robust. This silicone gripper is ideal for sensitive and lightweight object handling.

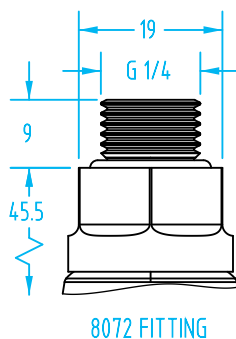
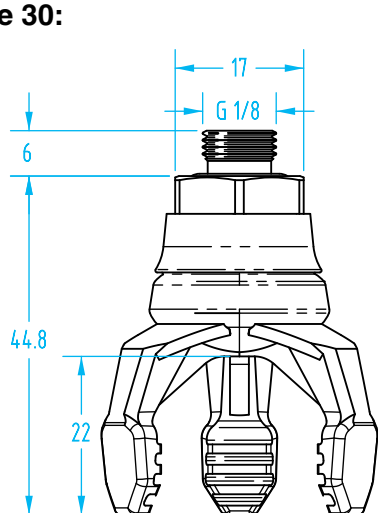
Made in detectable silicone approved for direct contact with food, in accordance with FDA 21 CFR and EU 1935/2004 regulations. Gripper is actuated using a vacuum circuit.

Cost Effective Soft Grippers!

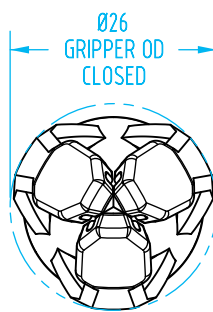
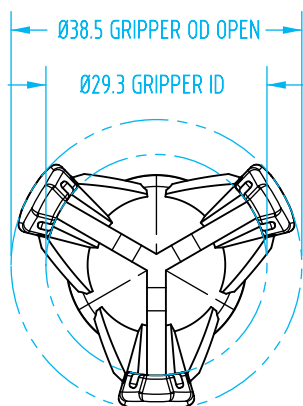
Available with either a male G1/8" fitting or stainless-steel G1/4" fitting for wash-down. Both are compatible with our wide range of vacuum posts, suspensions, and 3D printed supports.

	Size 30		Size 50	
Quick#	8070	8072	8080	8074
Part#	CRG-PSG30-3S-G18M	CRG-PSG30-3S-GW14M	CRG-PSG-3S-G18M	CRG-PSG50-3S-GW14M
Price	\$88.45	\$120.88	\$140.13	\$211.28
Weight	12g	34g	46g	110g
Temperature range	-4–212°F			
Recommended vacuum level	0.4–0.9 Bar		0.2–0.6 Bar	
Maximum object size	29mm		62mm	
Maximum payload	50g		250g	
Connection	Male G1/8"	Wash-down G1/4"	Male G1/8"	Wash-down G1/4"
Finger / Claw material	Detectable Silicone 70° Shore A			

Size 30:



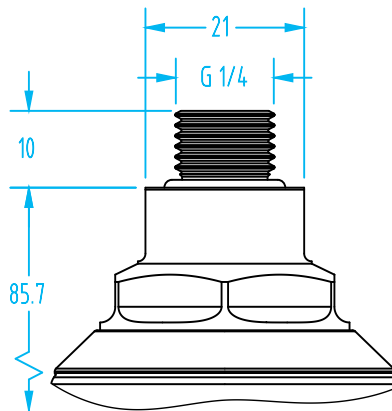
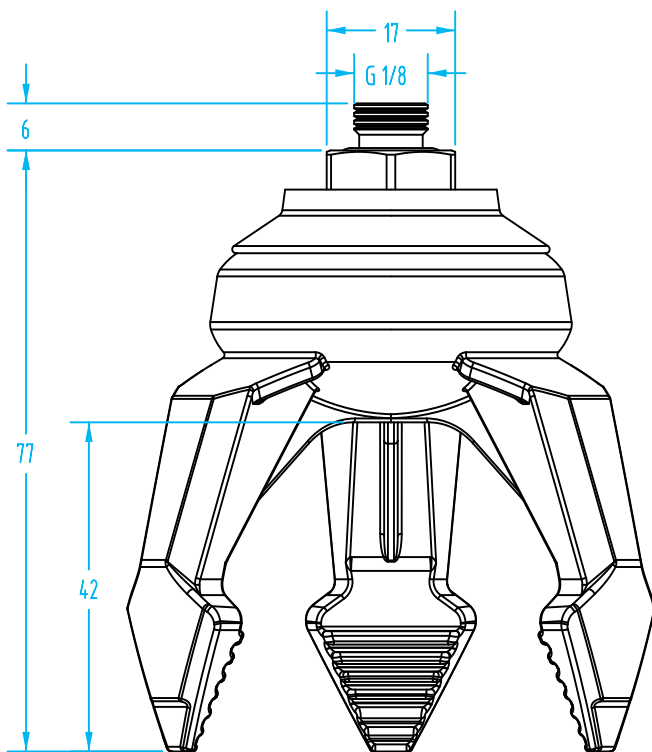
#8072, wash-down



Soft 3-Finger Gripper – PIAB piSOFTGRIP

(Dimensioned drawings shown full scale)

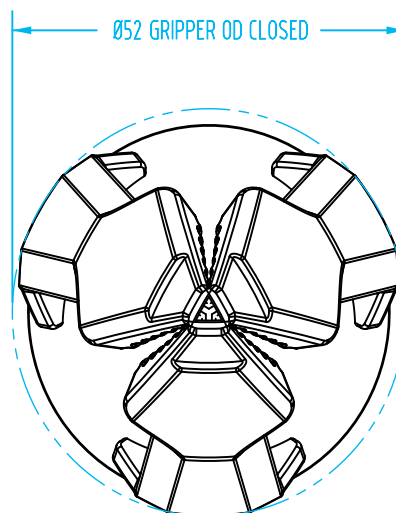
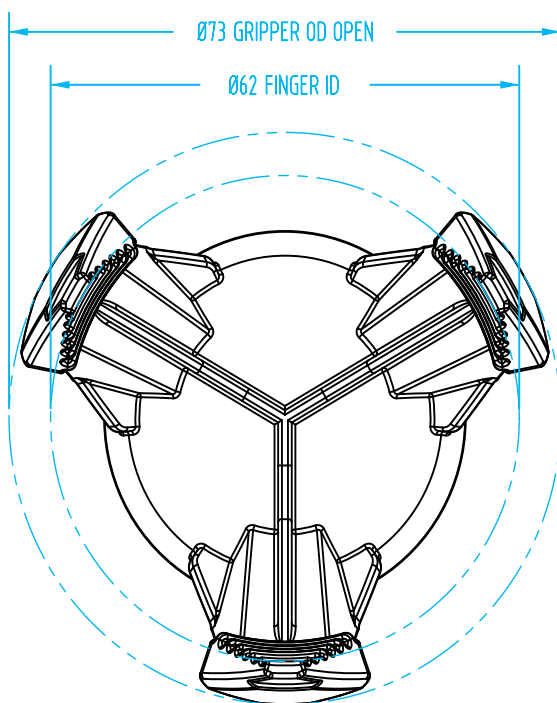
Size 50:



8074 FITTING



#8080



- CU
- QC
- VG
- VC
- VA
- SG**
- GR
- MT
- AC
- CS
- CC

Soft 4-Finger Gripper – PIAB piSOFTGRIP®

Cost effective, simple and robust. This silicone gripper is ideal for sensitive and lightweight object handling.

Made in detectable silicone approved for direct contact with food, in accordance with FDA 21 CFR and EU 1935/2004 regulations. Gripper is actuated using a vacuum circuit.

Available with either a standard male G1/4" fitting or stainless-steel G1/4" fitting for wash-down. Both are compatible with our wide range of vacuum posts, suspensions, and 3D printed supports.



	Size 100	
Quick#	8061	8062
Part#	CRG-PSG100-4S-G14M	CRG-PSG100-4S-GW14M
Price	\$228.67	\$325.20
Weight	170g	241g
Temperature range	-4–212°F	
Recommended vacuum level	0.4–0.9 Bar	
Maximum object size	100mm	
Maximum payload	250g	
Connection	Male G1/4"	Wash-down G1/4"
Finger / Claw material	Detectable Silicone 70° Shore A	

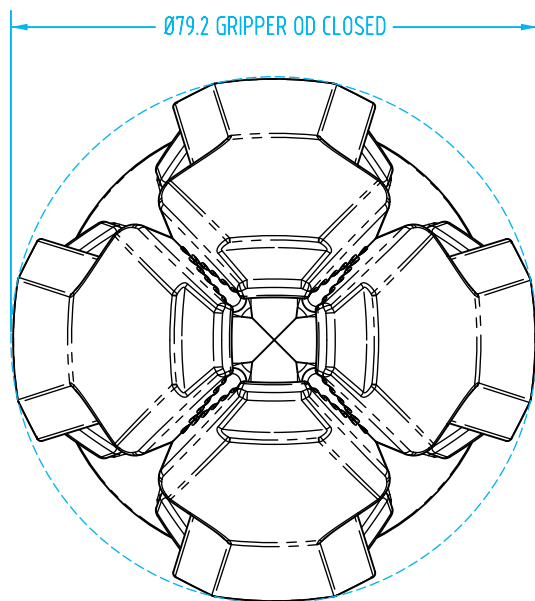
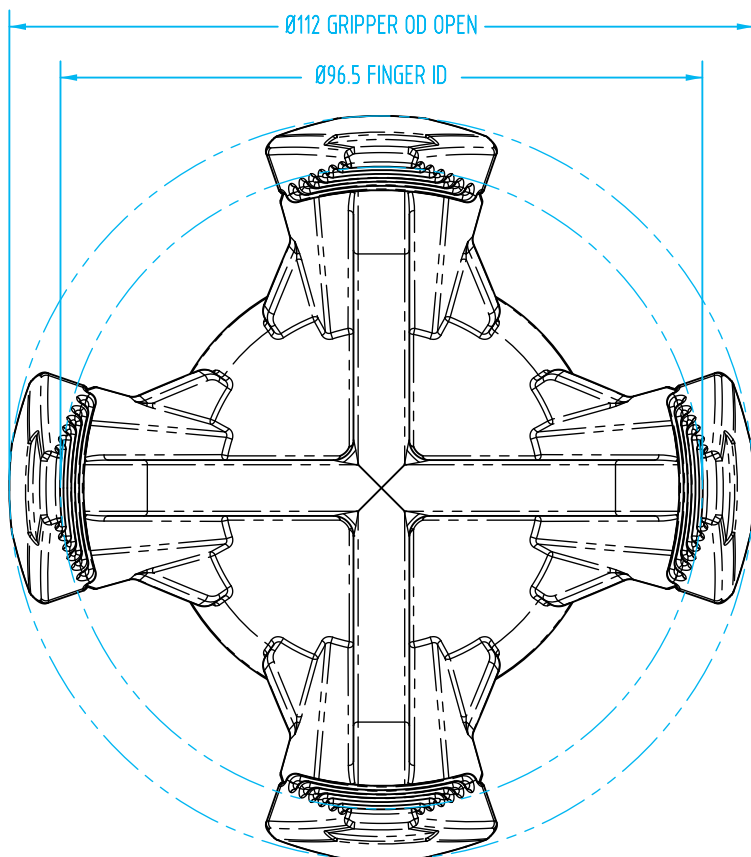
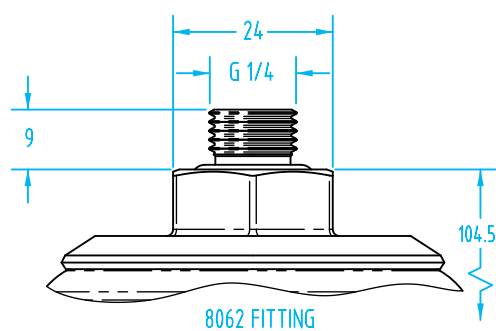
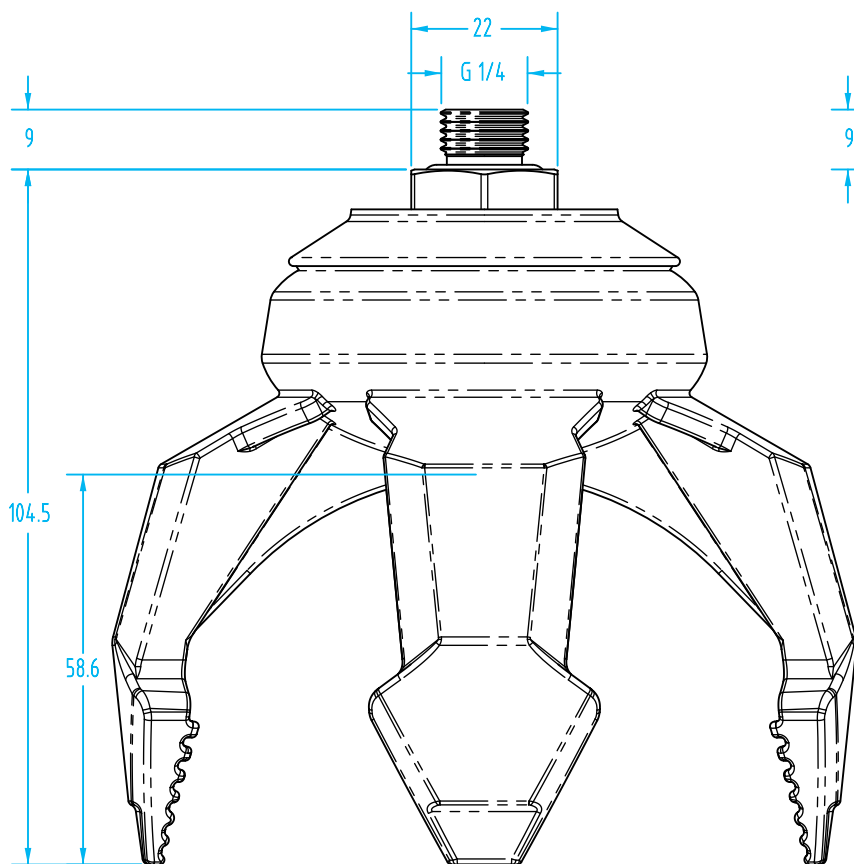
PiSOFTGRIP Related Items:



The related items shown here can be found online and in our comprehensive EOAT catalog.

Soft 4-Finger Gripper – PIAB piSOFTGRIP

(Dimensioned drawings reduced to fit)



- CU
- QC
- VG
- VC
- VA
- SG**
- GR
- MT
- AC
- CS
- CC

PIAB piSOFTGRIP Gripper Application Examples



*Quick# 8061, Ø10mm Mono Clamp
Quick# 8101, & clampable Gimatic
Vacuum Generator.*



*Quick# 8080, Ø10mm Mono
Clamp Quick# 8101, & Vacuum
Post Quick# 5732.*

Easy Vacuum Actuation!





PIAB piSOFTGRIP Gripper Application Examples



#8071 Two-finger gripper can grip sensitive and lightweight objects with odd geometries.



Quick# 8070 & Quick# 8090 Schmalz CobotPump Electric vacuum generator.

- CU
- QC
- VG
- VC
- VA
- SG**
- GR
- MT
- AC
- CS
- CC

Connects to your Existing EOAT Components



Handling Grippers Overview



www.EMInc.com

- Upfront, online pricing with E-commerce ease of buying.
- Local sales and engineering support throughout the USA, Canada, and Mexico by EMI employees.
- We're easily accessible, friendly, and helpful. Give us a call or use our Live Chat and let us help you.

Two & Three Jaw Pneumatic Grippers

[Click the boxes below to Shop!](#)



The grippers shown above can be found online and in our comprehensive EOAT catalog.



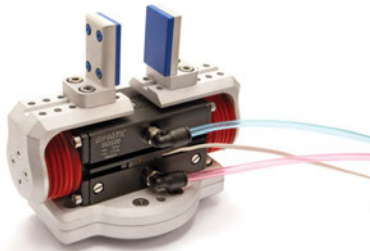
Handling Grippers Overview

A wide variety of general purpose grippers for robotic end effectors are available from EMI. We offer high quality, industrial-grade grippers at competitive prices.

Two and three-jaw grippers are available in pneumatic and electric operation. For general gripping of parts large or small, EMI has the gripper to fit any application.

2-Jaw Gripper Kit – SX

p.206



2-Jaw Gripper Kit – SGP

p.210



SCHUNK Co-Act Gripper

p.212



**OnRobot 2-Jaw Gripper
2FG7 & 2FG14**

p.220



**OnRobot 2-Jaw Gripper
RG2 / RG6**

p.224



**OnRobot 3-Jaw Gripper
3FG15**

p.226



**OnRobot Magnet Gripper
MG10**

p.228



Magnet Gripper Kit MAG40

p.211



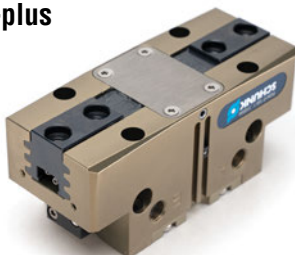
Gimatic Electric Grippers

p.216



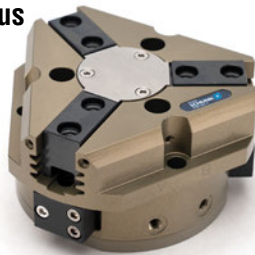
**SCHUNK 2-Jaw Gripper
PZN-plus**

p.252



**SCHUNK 3-Jaw Gripper
PZN-plus**

p.253



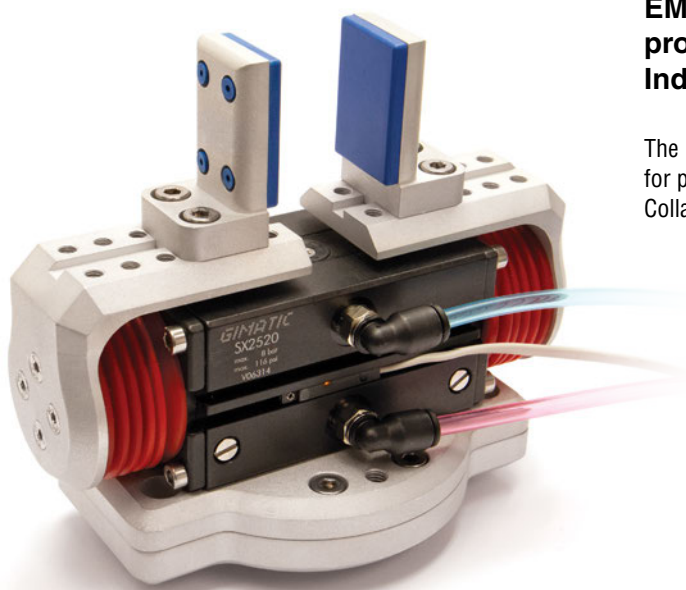
SCARA Gripper Kits

p.230



- CU
- QC
- VG
- VC
- VA
- SG
- GR**
- MT
- AC
- CS
- CC

EMI Gripper Kit – 2-Jaw SX for Industrial Cobots



EMI has adapted a cost-effective and industry-proven gripper to expand the capabilities of Industrial robots.

The Pneumatic SX Gripper Kit by EMI offers the ideal solution for part handling, machine tending and secondary operations in Collaborative Industrial Robot applications.

Quick# 8002
Part# CRK-SX2520-A
KIT PRICE: \$995.00



Part#	SX2510	SX2520	SX4020	SX4040	SX5030	SX5060	SX6340	SX6380
Quick#	7164	7165	7166	7167	7168	7169	7170	7171
Medium	Filtered, lubricated / non-lubricated compressed air							
Operating pressure range	30–116 psi							
Total Opening force at 87 psi	112lbf	112lbf	292lbf	292lbf	472lbf	472lbf	764lbf	764lbf
Total Closing force at 87 psi	87lbf	87lbf	225lbf	225lbf	360lbf	360lbf	562lbf	562lbf
Stroke (±0.5mm)	10mm	20mm	20mm	40mm	30mm	60mm	40mm	80mm
Opening / closing time without load	0.03s	0.05s	0.03s	0.08s	0.06s	0.10s	0.20s	0.30s
Repetition accuracy	0.05mm							
Mid-stroke detection capability	No	Yes, with Magnetoresistive sensor						
Weight of Gripper (Only)	260g	310g	750g	900g	1300g	1700g	2800g	3500g

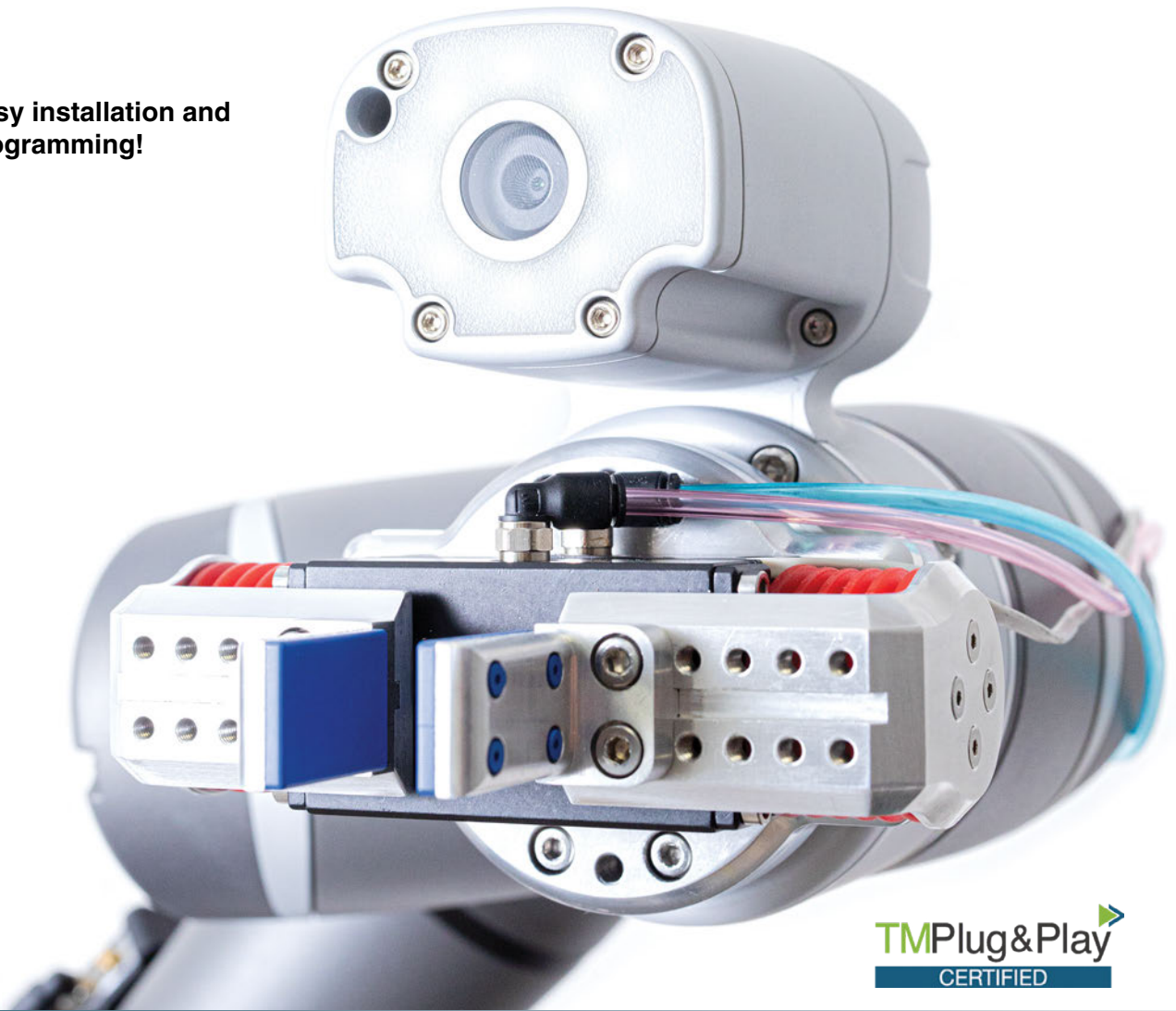
SX Parallel, Self-Centering Two-Jaw Gripper Kit:

- This versatile kit can be adapted to other SX Gripper sizes with various strokes and gripping force upon request.
- The precision machined components make this industrial gripper rugged, while offering a high degree of repeatability.
- The SX gripper is completely sealed – IP67 protection class.
- Double acting with 5/2 solenoid valve and cable management clamps.
- Includes 1 magnet sensor for part detection.
- The included interface plate mounts directly to any robot with an ISO-9409-1-50-4-M6 tool flange. Contact EMI if you need a different interface plate.
- Includes 3 sets of finger pads: silicone, rubber, HNBR.
- CRK-SX2520-A Mass: 735g (subject to change per configuration).



EMI Gripper Kit – 2-Jaw SX for Industrial Cobots

Easy installation and programming!



- CU
- QC
- VG
- VC
- VA
- SG
- GR**
- MT
- AC
- CS
- CC



CRK SX2520 A Gripper Kit Includes:



Quick# 8016

5/2 Solenoid valve with fittings, mufflers, and non-slip Velcro® strap.



Quick# 8015

Two cable management clamps with non-slip Velcro strap.



Alternate pads for fingers.



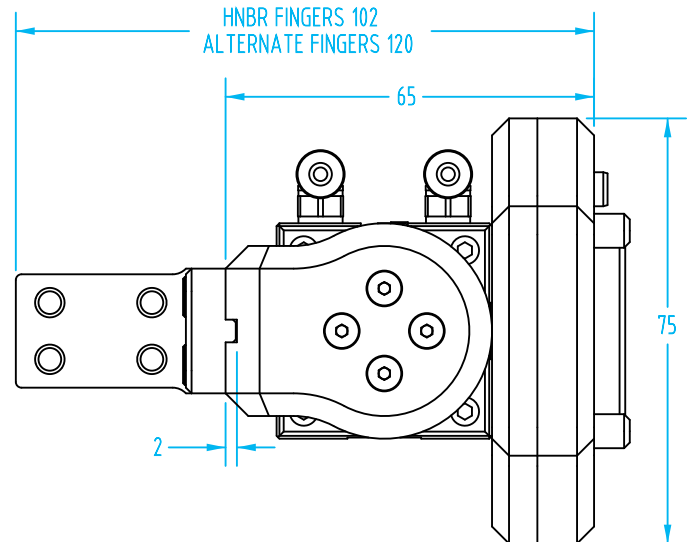
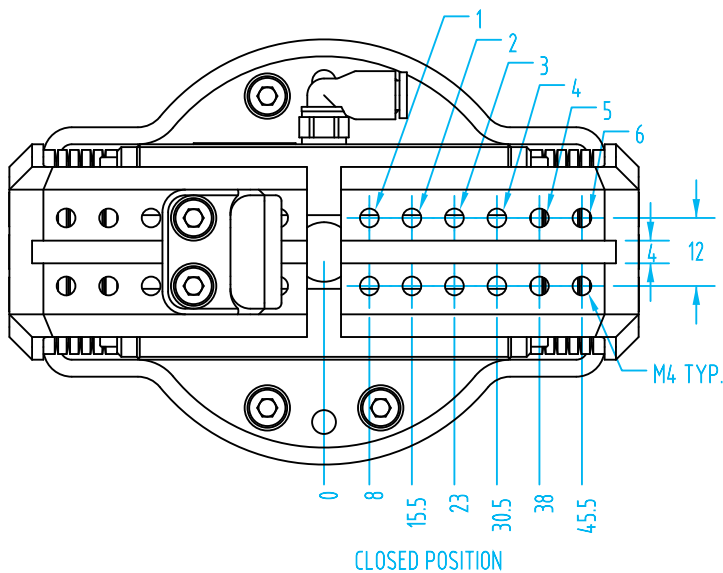
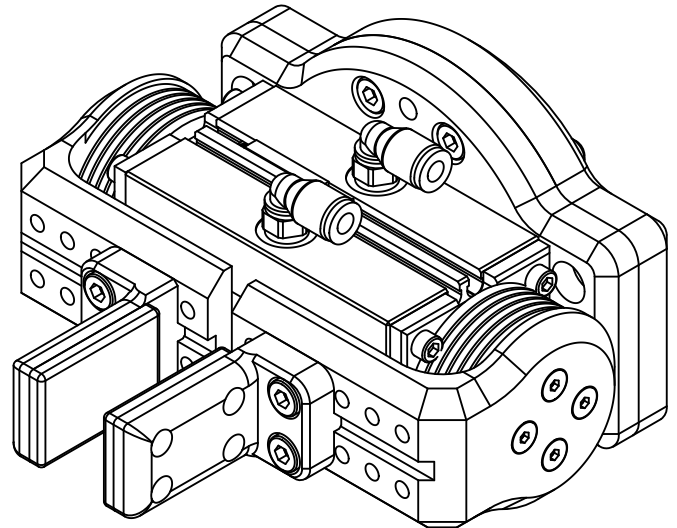
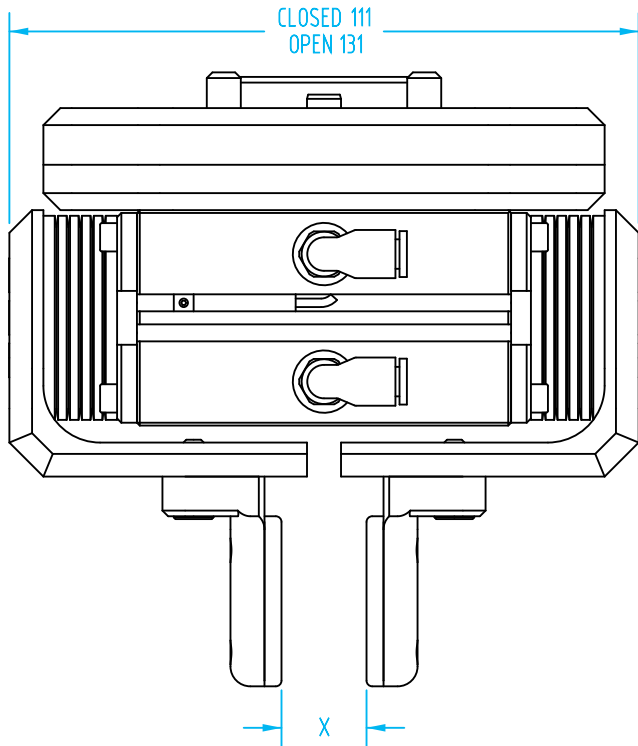
USB drive with robot plug-in, and user manual.

EMI Gripper Kit – 2-Jaw SX for Industrial Cobots

(Dimensioned drawing shown at 75% scale)

These diagrams show the **CRK-SX2520-A Kit**.

Information like this is found in the User Manuals supplied with each kit.



Finger Mount Position #	HNBR Finger Pads		Silicone/Rubber Finger Pads	
	CLOSED MIN (mm)	OPEN MAX (mm)	CLOSED MIN (mm)	OPEN MAX (mm)
1	0	5	0	0.8
2	0	20	0	15.8
3	15	35	10.8	30.8
4	30	50	25.8	45.8
5	45	65	40.8	60.8
6	60	80	55.8	75.8

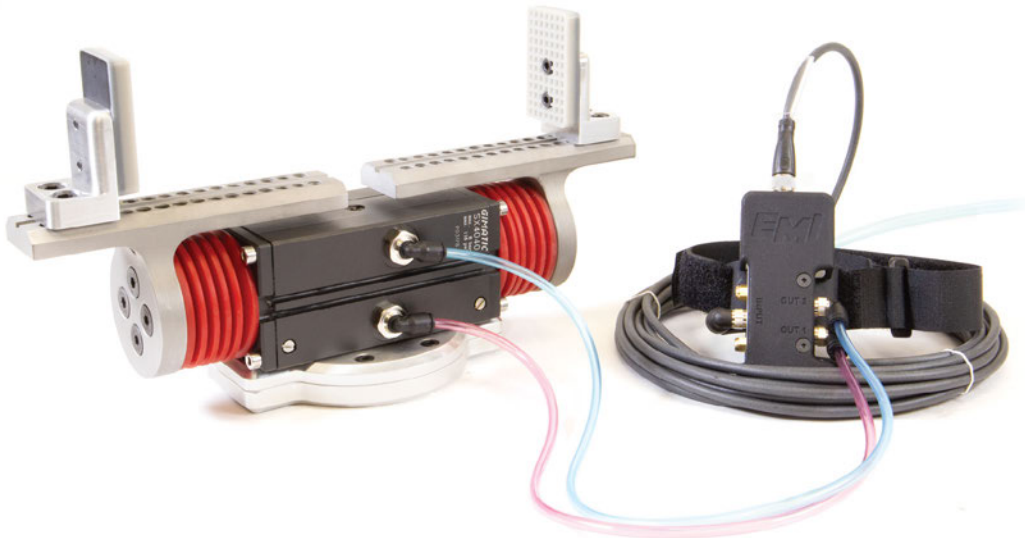


SX Gripper Options for Industrial Cobots

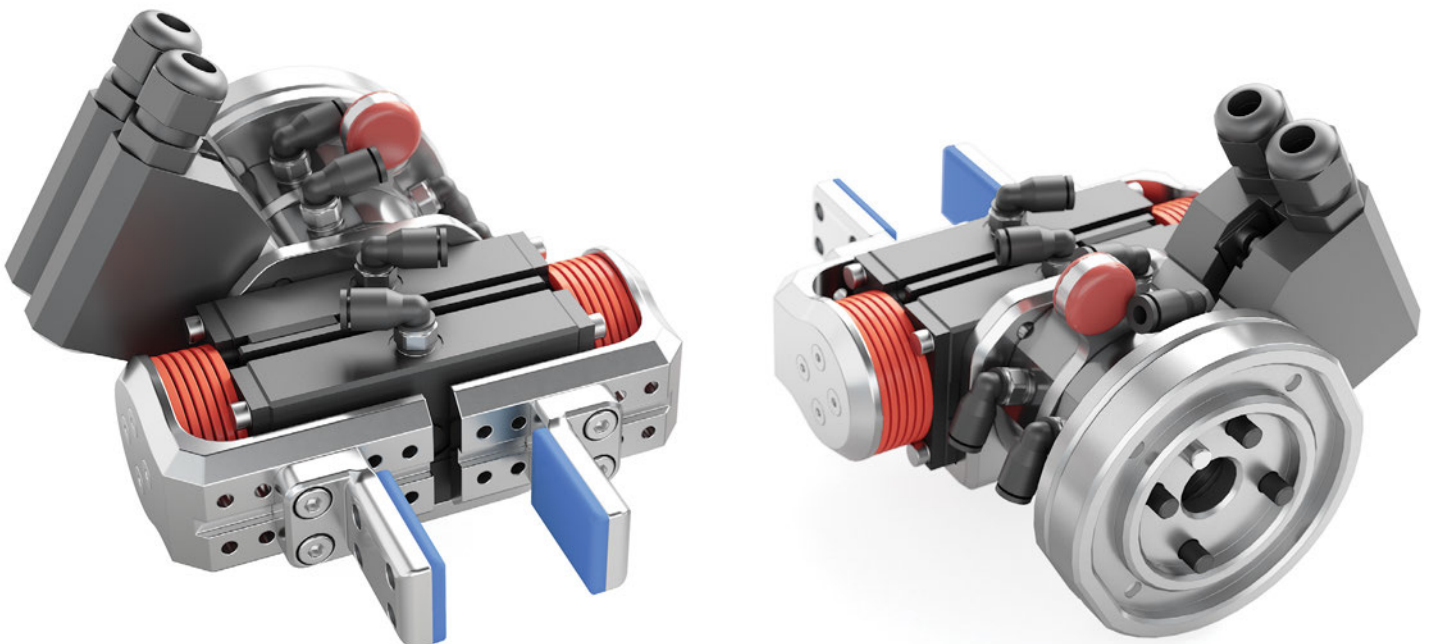
All EMI gripper kits ship with components nested into a 3d printed box insert. Also included but not pictured here is a user manual, hardware and wiring packages.



Shown here is a custom kit using the SX4040 gripper for a wider gripping range with greater adjustability.

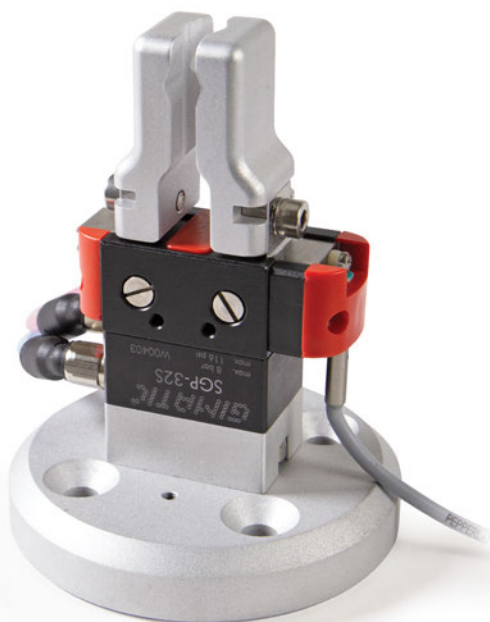


QC50 Quick Changer with SX2520 Gripper adapted to a Fanuc Collaborative Robot. All kits can be outfitted with a quick changer upon request!



- CU
- QC
- VG
- VC
- VA
- SG
- GR**
- MT
- AC
- CS
- CC

EMI Gripper Kit – 2-Jaw SGP for Industrial Cobots



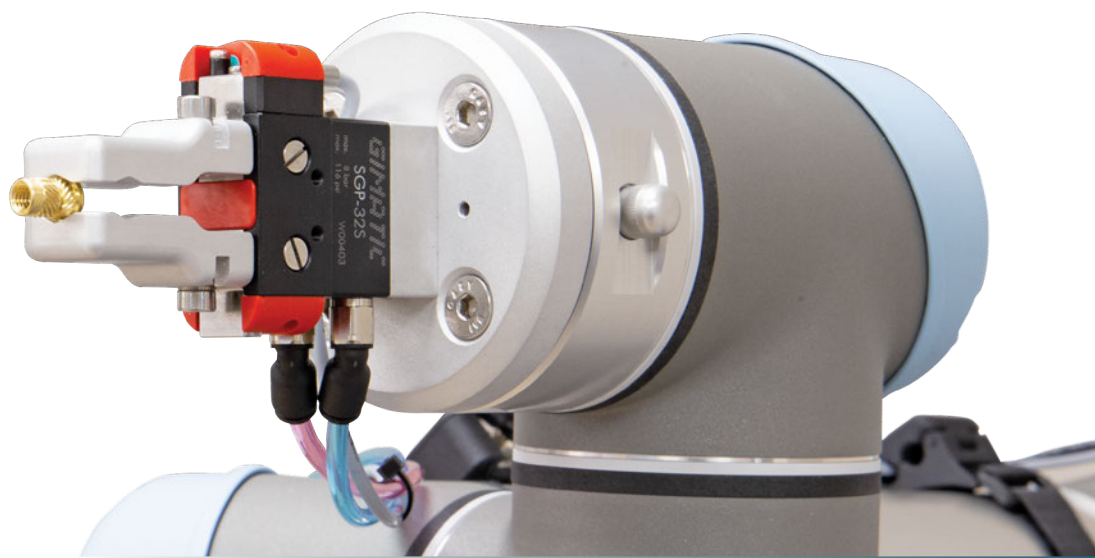
EMI's experience in high precision applications prove that the SGP family of grippers are the perfect solution for a wide variety of industrial gripper needs.

The SGP High Precision Gripper Kit by EMI is a double-acting parallel gripper ideal for high precision applications such as insert loading or high accuracy pick-and-place. With blank finger-mounting jaws, the possibilities are virtually endless with the ability to use custom fingers that fit your exact application.

Quick# 8001

Part# CRK-SGP32S-A

KIT PRICE: \$695.00



SGP Parallel, High-Precision Gripper Kit:

- This versatile kit can be adapted to other SGP Gripper sizes with various strokes and gripping force upon request.
- Double acting with patented backlash adjusting system.
- The rugged construction lends itself to heavy-duty applications for a trouble-free long life without maintenance.
- Includes 5/2 solenoid valve and cable management clamps.
- Includes 1 inductive sensor for mid-stroke workpiece detection.
- The included interface plate mounts directly to any robot with an ISO-9409-1-50-4-M6 tool flange. Contact EMI if you need a different interface plate.
- 0–8mm V-Groove fingers included.
- Includes USB drive with literature and robot software plug-in.
- CRK-SGP32S-A Mass: 285g (subject to change per configuration).
- See website for dimensional drawing.



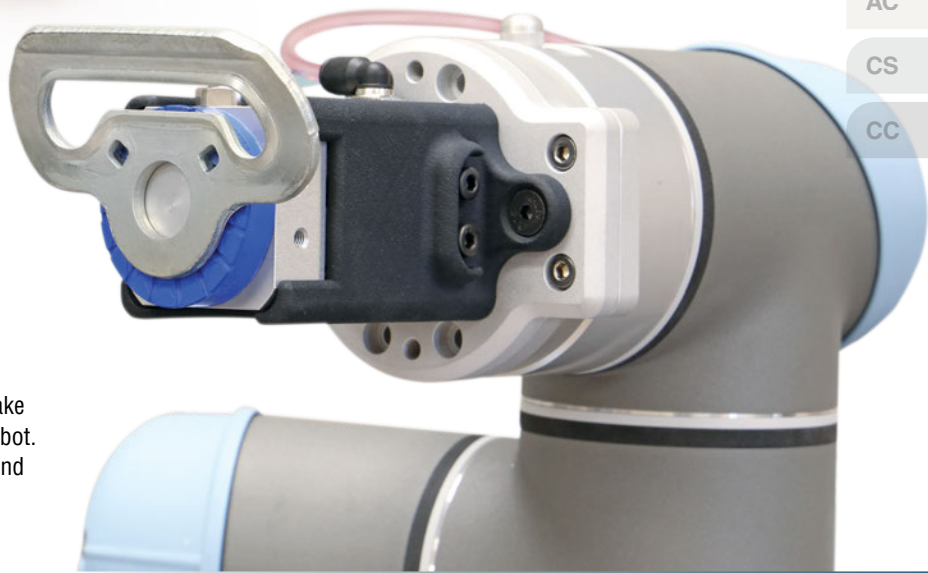
EMI Gripper Kit – Magnet Gripper for Industrial Cobots



The MAG Gripper Kit for Industrial Cobots by EMI is a pneumatically driven gripper **ideal for insert loading** as well as handling of ferromagnetic workpieces.

The MAG Gripper Kit offers customization with the ability to mount custom-made nests and sensors to make sure the part is picked, held and placed accurately.

Quick# 8003
 CRK-MAG40-A
KIT PRICE: \$695.00



The protective shroud design and interface plate make this double-acting gripper easy to mount to your cobot. EMI's included robot plugin makes the installation and programming simple and intuitive.

- CU
- QC
- VG
- VC
- VA
- SG
- GR**
- MT
- AC
- CS
- CC

MAG40, Double-Acting Magnetic Gripper Kit:

- This versatile kit can be adapted to other SGM Gripper sizes with various gripping forces upon request.
- Compact, heavy-duty aluminum housing with permanent magnet for handling of ferromagnetic workpieces.
- Double acting with 5/2 solenoid valve and cable management clamps.
- Includes a 3D printed protective shroud.
- Multiple options for nest and sensor mounting.
- The included interface plate mounts directly to any robot with an ISO-9409-1-50-4-M6 tool flange. Contact EMI if you need a different interface plate.
- Replaceable polyurethane ring for delicate handling and added friction.
- CRK-MAG40-A Mass: 555g (subject to change per configuration).
- See website for dimensional drawing.

Electric Gripper for Industrial Cobots – SCHUNK Co-act Size 40



The iconic Co-act EGP-C gripper from SCHUNK is an all-electric, plug and play, self-centering two jaw parallel gripper that is an excellent fit for simple pick and place applications. The manually adjustable force control makes this product easily adaptable, and the collision protective cover minimizes the risk of injury during the use in collaborative operations.

This gripper is great for handling small parts. Let EMI Corp. assist with providing a custom set of gripper fingers to fit your application needs!

Fanuc CRX version

Quick# 8321

Part# EGP-C-40-N-N-FCRXID

PRICE: \$2,310.00

Universal Robots version

Quick# 8322

Part# EGP-C-40-N-N-URID

PRICE: \$2,310.00



- Electrically driven gripper, controlled via digital I/O for easy implementation.
- Brushless DC servomotor used for long service life.
- Manually adjustable gripping force via integrated rotary switch.
- Integrated dual proximity sensors to provide positional confirmation.
- Protective cover designed with safety in mind to minimize risk of injury.
- Includes mounting interface plate compatible with respective robot.
- In-stock versions are for Fanuc CRX and UR. Available for other robot platforms.

Quick#	8321	8322
Part#	EGP-C-40-N-N-FCRXID	EGP-C-40-N-N-URID
Robot Compatibility	Fanuc CRX-10iA, CRX-10iA/L	UR 3/5/10/16
Maximum Grip Force	140 N (31.47 lbf)	
Minimum Grip Force	35 N (7.86 lbf)	
Total Stroke	12mm	
Recommended workpiece weight	700g (1.54 lbs)	
Power Supply	24 Vdc	
Current, Peak [Nominal]	2 A [0.2 A]	0.6 A [0.2 A]
Operating Temperature	5 - 55°C (41 - 131°F)	
Open/Closing Time	0.2 s	
Maximum Finger Length	50mm	
Max. Finger Weight (per finger)	80g	
IP protection class	IP 30	
Repeat Accuracy	±0.02 mm	
Weight	0.59 kg / 590g	





Electric Gripper for Industrial Cobots – SCHUNK Co-act Size 40

(Dimensioned drawings reduced to fit)

Finger blanks available from EMI in both aluminum and nylon.



CU

QC

VG

VC

VA

SG

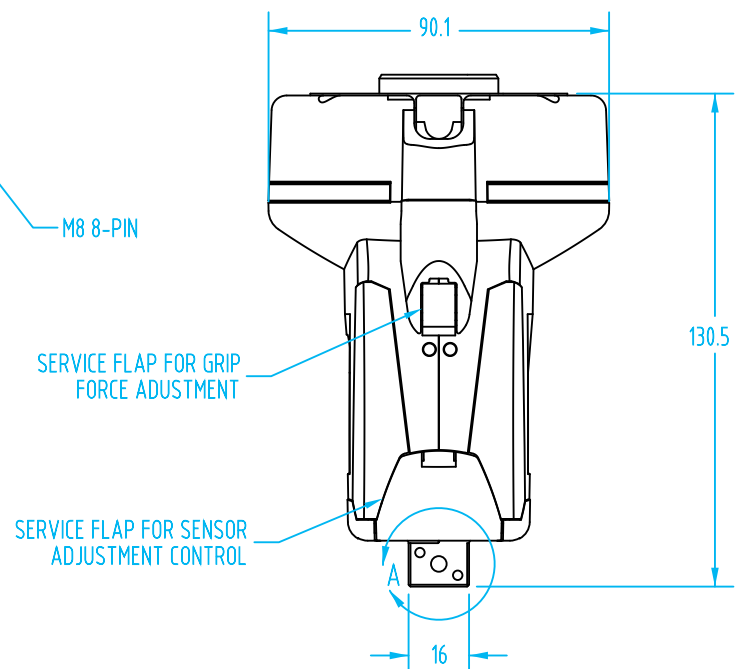
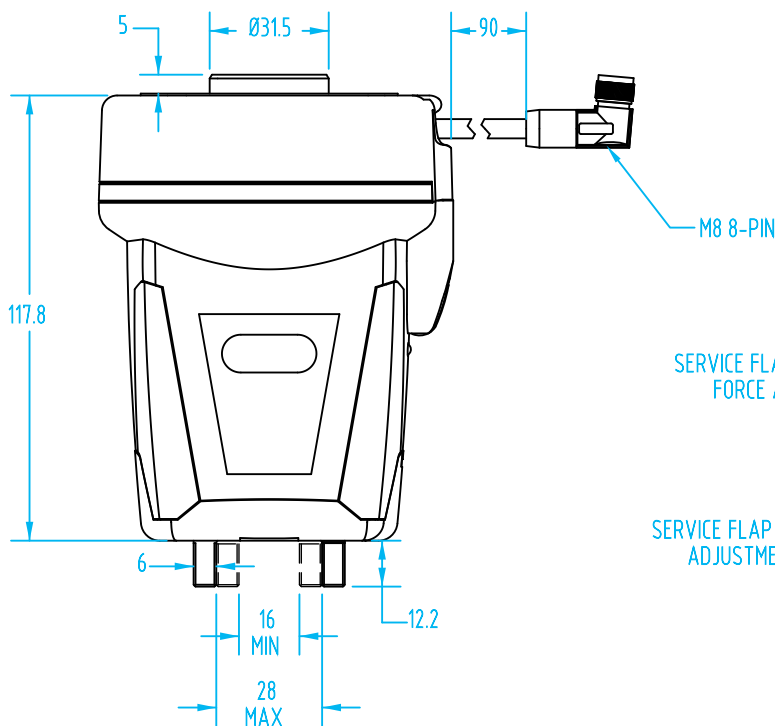
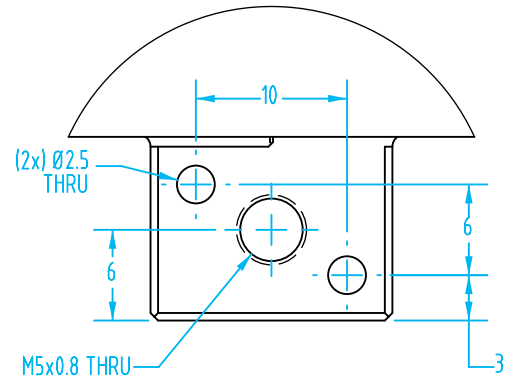
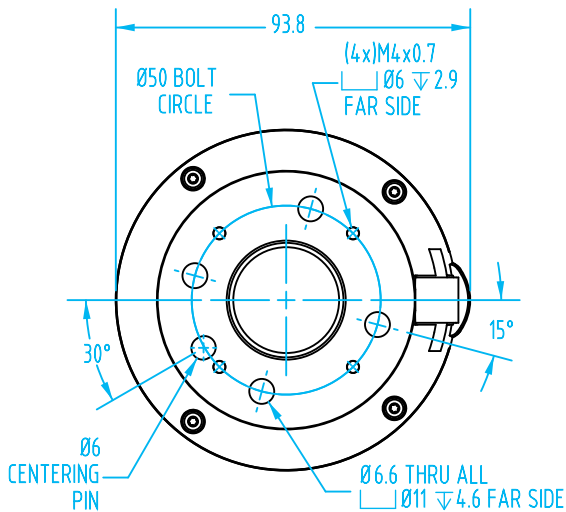
GR

MT

AC

CS

CC



Electric Gripper for Industrial Cobots – SCHUNK Co-act Size 64



The size 64 Co-act EGP-C gripper from SCHUNK is a larger format with a longer stroke and higher gripping force to accommodate even larger workpieces. This gripper showcases all the same great features along with the collision protective cover and manually adjustable gripping force switch in a simple plug and play package.

Various configurations of the Co-act EGP-C gripper are available for a variety of collaborative robot makes and models. Contact EMI for more information.

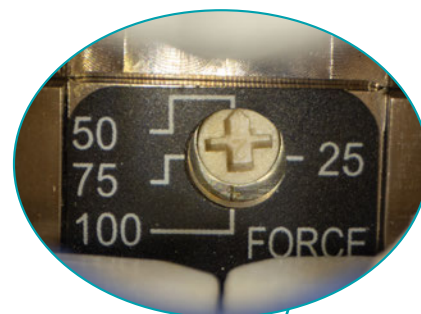
Fanuc CRX version

Quick# 8331 Part# EGP-C-64-N-N-FCRXID PRICE: \$2,610.00

Universal Robots version

Quick# 8332 Part# EGP-C-64-N-N-URID PRICE: \$2,610.00

- Electrically driven gripper, controlled via digital I/O for easy implementation.
- Brushless DC servomotor used for long service life.
- Manually adjustable gripping force via integrated rotary switch.
- Integrated dual proximity sensors to provide positional confirmation.
- Protective cover designed with safety in mind to minimize risk of injury.
- Includes mounting interface plate compatible with respective robot.
- In-stock versions are for Fanuc CRX and UR. Available for other robot platforms.
- Contact EMI for assistance with custom gripper fingers to fit your application needs.



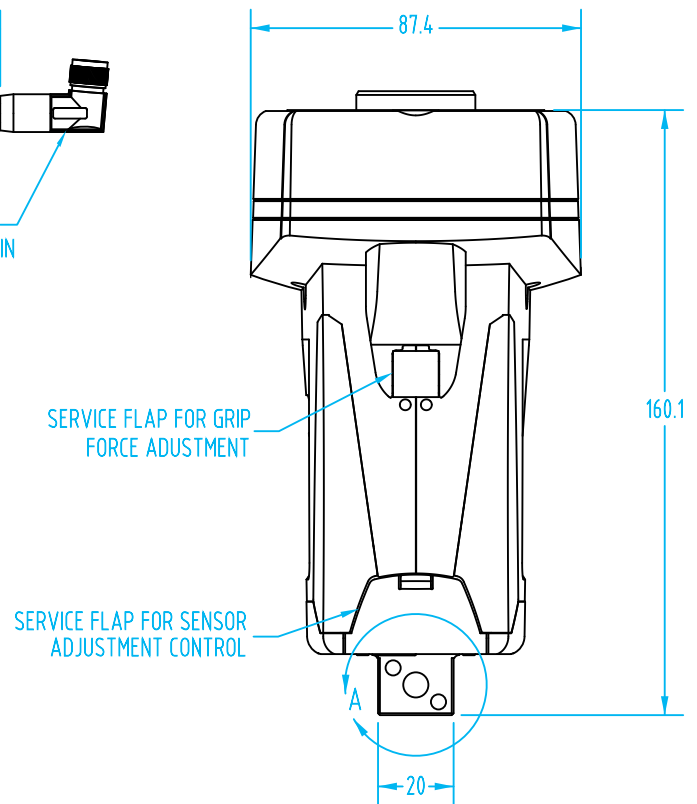
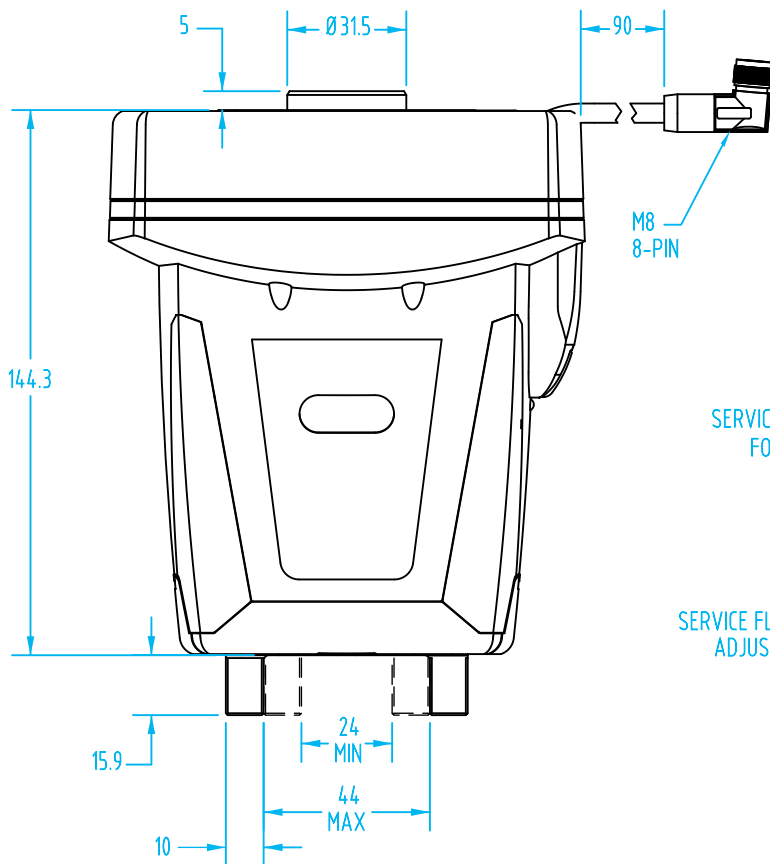
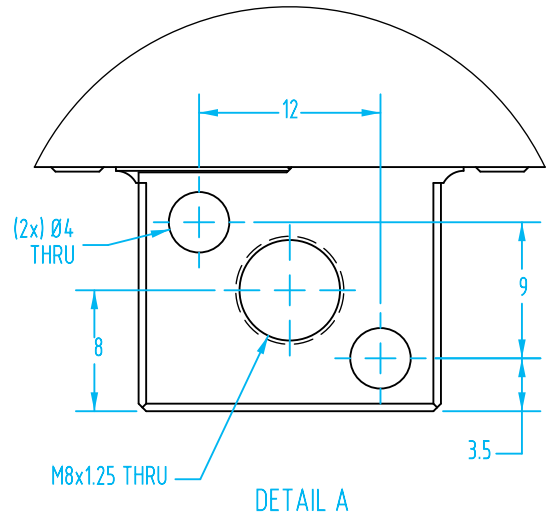
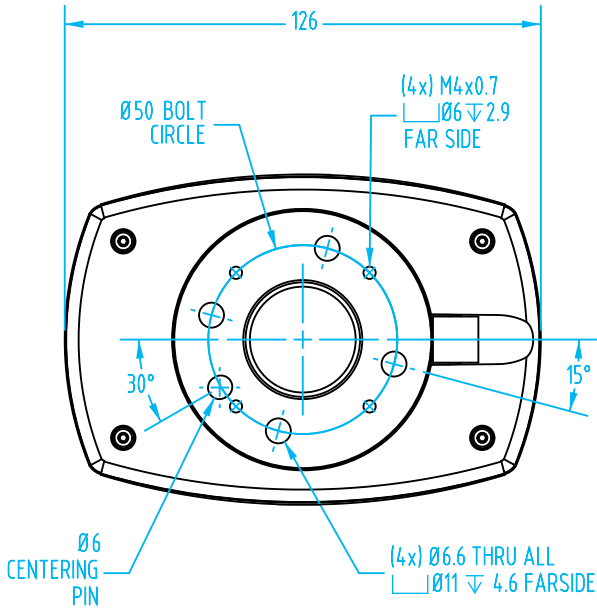
Quick #	8331	8332
Part #	EGP-C-64-N-N-FCRXID	EGP-C-64-N-N-URID
Robot Compatibility	Fanuc CRX-10iA, CRX-10iA/L	UR 3/5/10/16 (e-Series Only)
Maximum Grip Force	230 N (51.7 lbf)	
Minimum Grip Force	65 N (14.61 lbf)	
Total Stroke	20mm	
Recommended workpiece weight	1.15 kg (2.53 lbs)	
Power Supply	24 Vdc	
Current, Peak [Nominal]	2 A [0.2 A]	
Operating Temperature	5 - 55°C (41 - 131°F)	
Open/Closing Time	0.49 s	
Maximum Finger Length	80mm	
Max. Finger Weight (per finger)	240g	
IP protection class	IP 30	
Repeat Accuracy	±0.02 mm	
Weight	1.1 kg / 1110g	





Electric Gripper for Industrial Cobots – SCHUNK Co-act Size 64

(Dimensioned drawings reduced to fit)

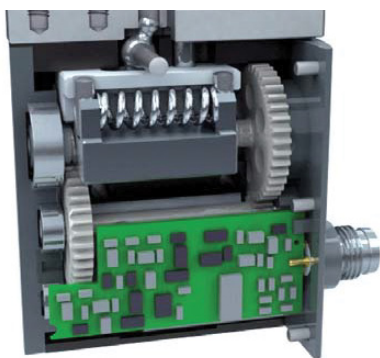


- CU
- QC
- VG
- VC
- VA
- SG
- GR**
- MT
- AC
- CS
- CC

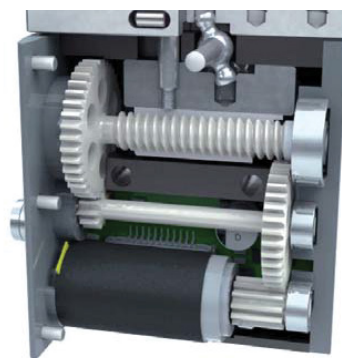
Gimatic Electric Grippers

Gimatic electric grippers and rotaries are easy to set up and operate using electricity from your PLC. All models use 24VDC and an M8x1, 3-pole standard connection.

- No electricity is used when engaged.
- Gripper retention guaranteed in power loss.
- Long-life brushless DC motor.
- Built in motor driver.
- Self-centering jaw system (patented).
- Carbon-fiber gear reduction.
- Maintenance-free for 10 million cycles.
- T-slot style jaws for heavy loads.
- Easy sensor upgrades available.
- Additional cables and connectors on page 266.
- ISO 9409-1-50-4-M6 interface plates on page 75.
- Sensor diagrams, grip force, dimensional drawings and other specifications can be found on our online product pages.
- Contact us with any questions or for custom 3D printed or machined jaws.



A microprocessor and all electronics are integrated into the gripper so that no other external controller is necessary. The microprocessor operates the motor and turns it off with no programming required.



The carrier with the springs is driven by a 2-stage reducer and a worm. The carrier drives two jaws with a patented self-centering mechanism--already tested in other Gimatic grippers.

Gimatic Electric Grippers



- CU
- QC
- VG
- VC
- VA
- SG
- GR**
- MT
- AC
- CS
- CC

Gimatic Electric Grippers are priced competitively and ideal for DIY applications.

Two-Jaw Electric Parallel Gripper – MPPM



Priced from \$925.00

- Three sizes with a 6–10mm stroke.

Two-Jaw Electric Parallel Gripper – MPXM



Priced from \$1,059.00

- Three sizes with a 12–20mm stroke.
- Self-adapting jaws part.

Two-Jaw Electric Gripper with Long Stroke – MPLM



Priced from \$1,193.00

- Three sizes with a 30–40mm stroke.

Two-Jaw Electric Angular Gripper – MPBM



Priced from \$925.00

- Three sizes with a 2 x 23° stroke.
- Jaws contained within gripper profile.

Electric Rotary Actuators – MRE



Priced from \$1,059.00

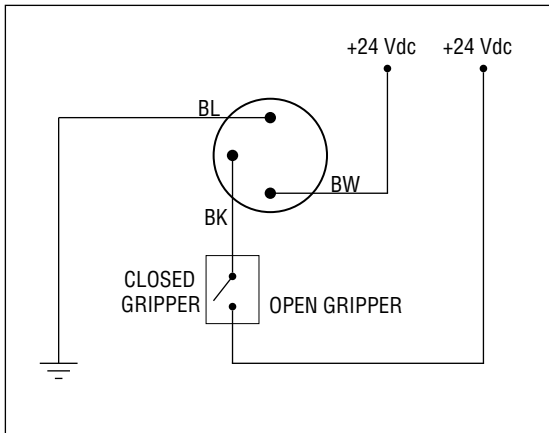
- 90° or 180° rotation (mechanically set).
- Three sizes available.

**Learn more about
Gimatic Electric
Grippers here!**

Gimatic Electric Grippers

Electrical connection

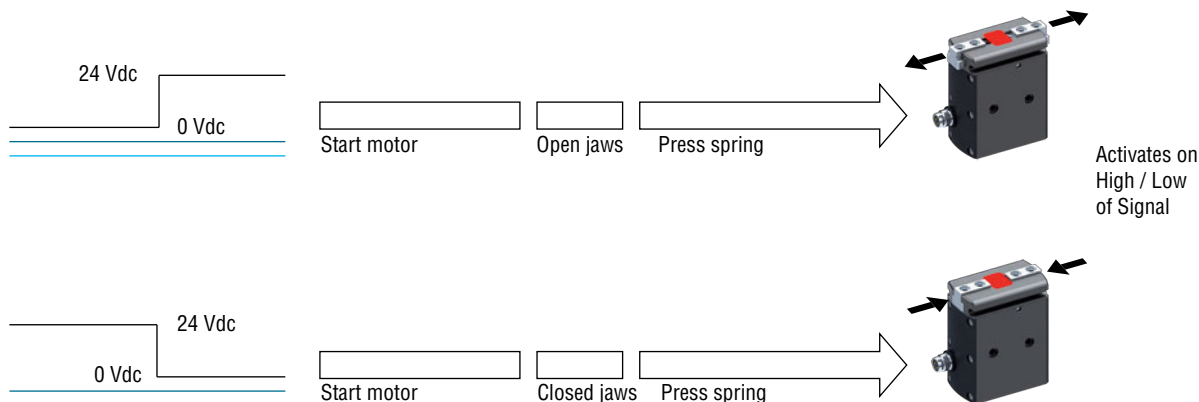
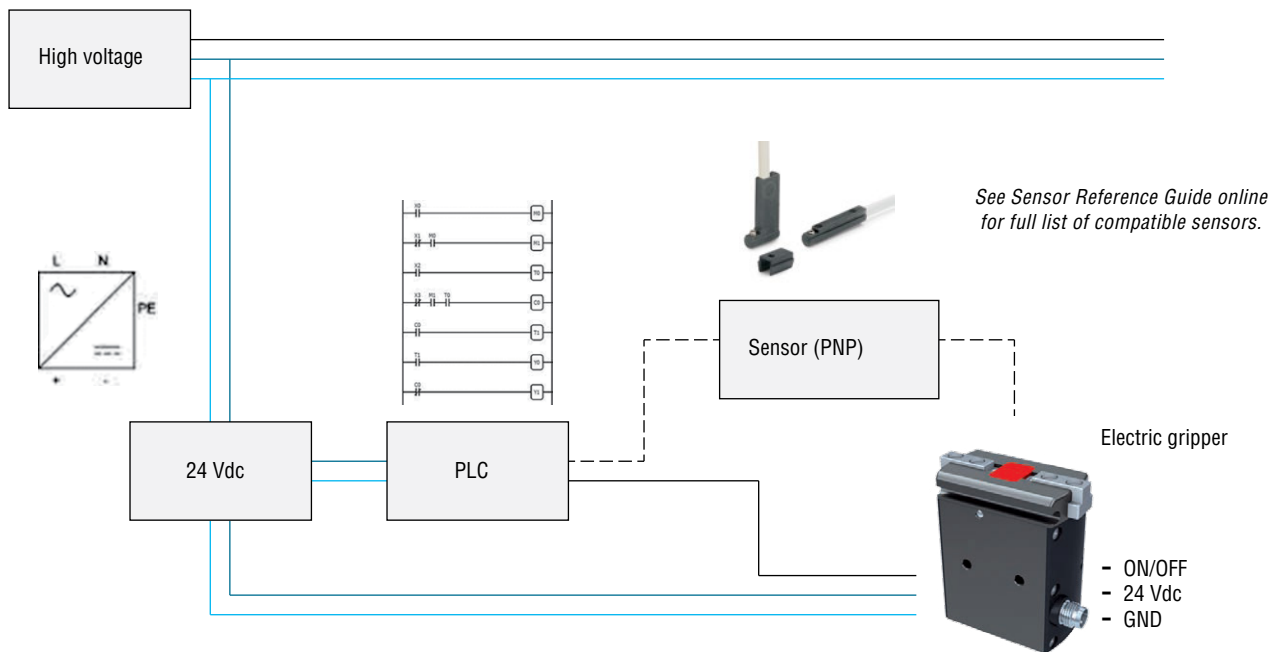
Gimatic mechatronic devices have a 3-pin M8 connection that is used to receive both the 24VDC power and on/off signal.



Continuous Flex Cables

Quick#	Part#	Description	Price
7160	CFGM800325P	2.5m cable 3-Wire with Straight M8 Connector	\$13.00
7161	CFGM890325P	2.5m cable 3-Wire with 90° M8 Connector	\$13.00

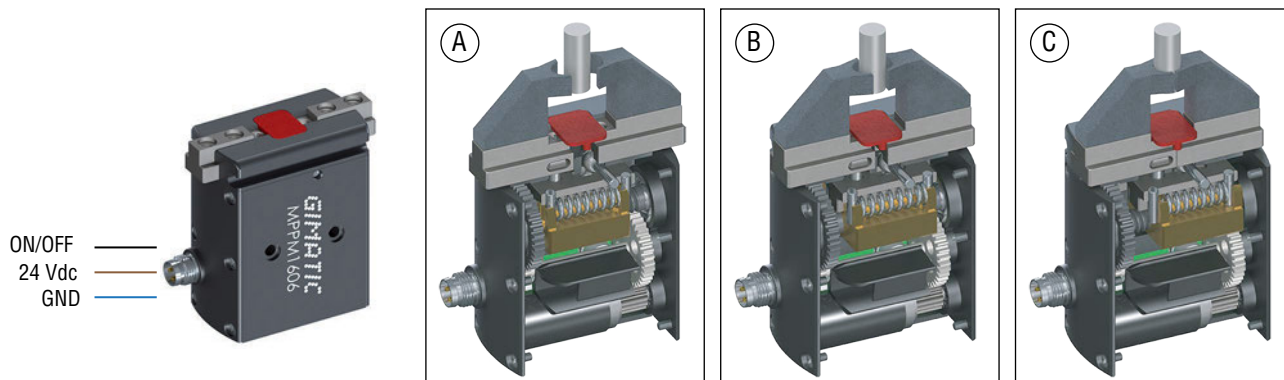
- Additional cables and connectors on page 266.
- Sensor diagrams and other specifications can be found on our online product pages at: www.EMlcorp.com
- Contact us with any questions: Sales@EMlcorp.com.



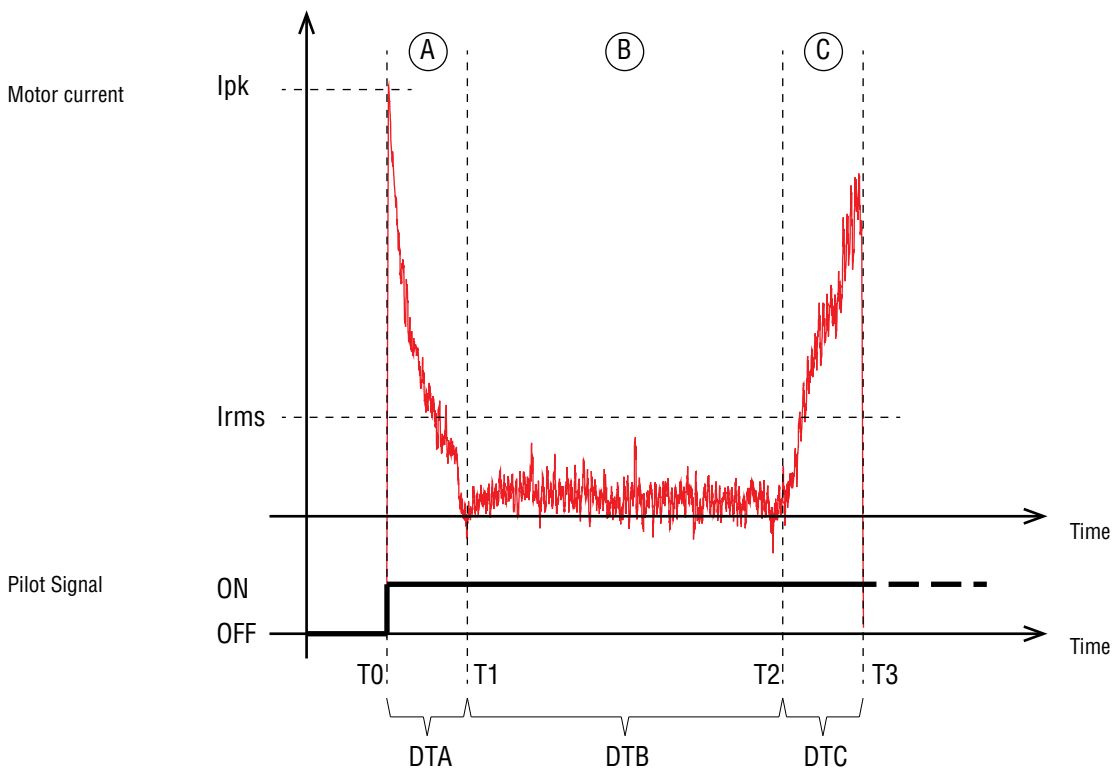


Gripping force

These illustrations below show the operating state sequence of the drive system shared by the grippers, the actuators and the electric indexing tables.



These states can also be identified in the motor's power absorption profile.



Operation description

At time T0, the pilot signal switches from OFF to ON status, closing the jaws.

During the DTA time, the motor starts to run; during phase A this causes the extension of the spring, which was initially compressed. In phase B, the spring has reached its free length and the jaws move at constant speed until they come into contact with the work-piece at time T2.

During phase 3, the jaws are in contact with the work-piece, and compression of the spring starts.

At time T3, the motor stops running and the irreversible transmission system maintains the grip even when not powered up, until the next jaw opening command is given (OFF status).

- CU
- QC
- VG
- VC
- VA
- SG
- GR**
- MT
- AC
- CS
- CC

Parallel Gripper for Cobots – OnRobot 2FG7 & 2FG14

OnRobot 2FG7 & 2FG14 are a complete, off-the-shelf electric parallel gripper that can be deployed within minutes and require no custom engineering for installation or maintenance.

These strong parallel grippers can be used in tight spaces and handle demanding payload requirements.



Quick# 8204
Part# OR-106376
PRICE: \$4,633.00

Quick# 8206
Part# OR-114000
PRICE: \$5,112.00

OnRobot pricing effective 05/01/24 and subject to change.

- Grip detection / lost grip detection.
- Integrated software.
- Ready for use almost anywhere, with IP67 rating for harsh environments and ISO Class 5 certification for cleanroom use.

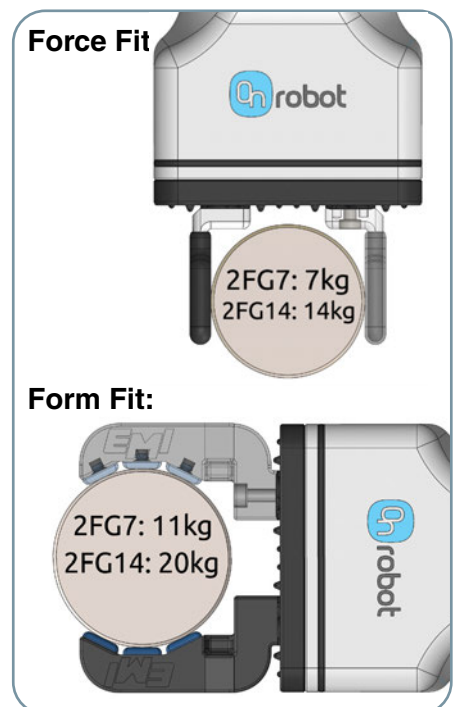
Try It Risk Free!

*Contact us for details



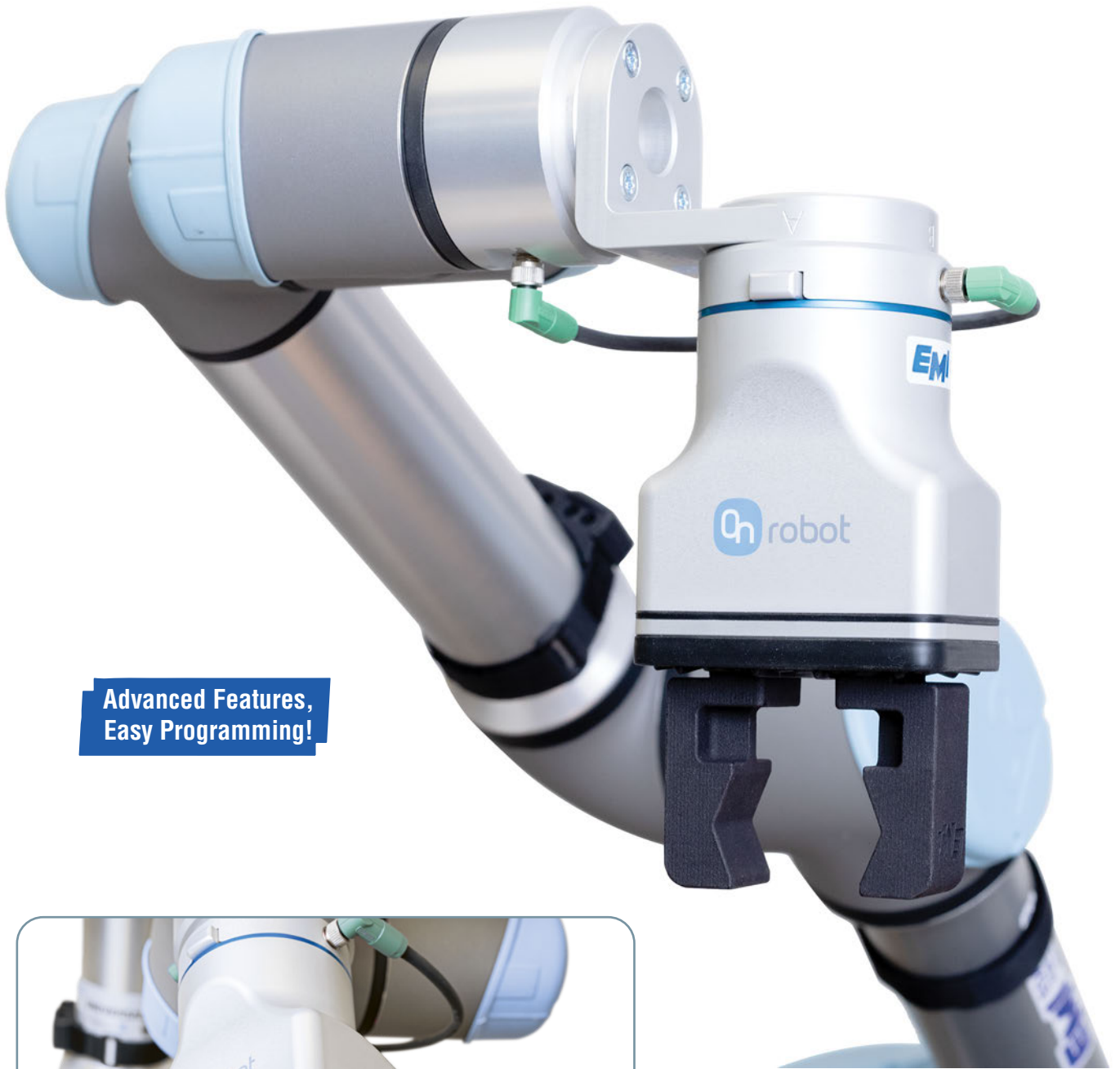
Technical Specs	8204 - 2FG7	8206 - 2FG14
Total OD stroke with fingers inwards	1–39mm	5–55mm
Total OD stroke with fingers outwards	35–73mm	55–105mm
Total ID stroke with fingers inwards	11–49mm	17.6–67.6mm
Total ID stroke with fingers outwards	45–83mm	67.6–117.6mm
Payload with stock fingers (force fit)	15.43 lb (7kg)	30.86 lb (14kg)
Payload with custom fingers (form fit)	24.25 lb (11kg)	44.09 lb (20kg)
Repetition accuracy	± 0.1mm	
Gripping force (adjustable)*	20 – 140 N (4.5 – 31.5 lbf)	40 – 280 N (9 – 63 lbf)
Gripping force deviation	+/- 5%	+/- 10%
Gripping speed**	16mm – 450mm /second	16mm – 100mm /second
Gripping time***	200ms	
Storage temperature	32° – 140°F	
Weight	1100g (2.4 lb)	1450g (3.2 lb)
Power supply	20V – 25V	
Max. Current consumption****	2000mA	
Operating temperature	41° – 122°F	

* The required current is 2000 mA, less current will result in less gripping force.
 ** Relatively from the gripping object (both arms).
 *** At 4 mm stroke and 80 N. The typical value is 300 ms at 40 mm and 80 N.
 ****Automatically adapts to the current requirements when UR CB3 tool connector is used (600mA).





Parallel Gripper for Cobots – OnRobot 2FG7 & 2FG14



- CU
- QC
- VG
- VC
- VA
- SG
- GR**
- MT
- AC
- CS
- CC

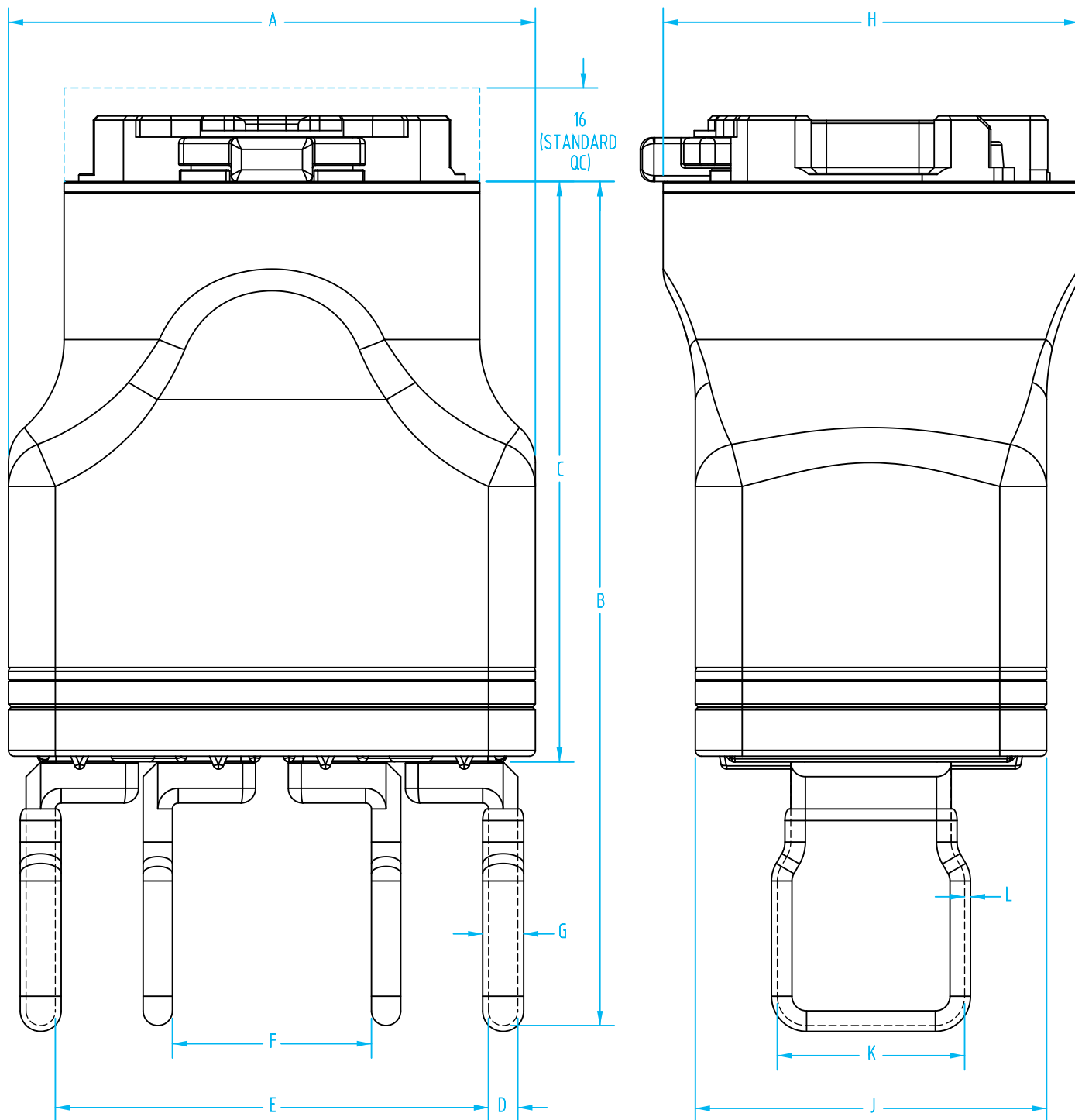
**Advanced Features,
Easy Programming!**



Shown with 3D printed fingers available from EMI.

Parallel Gripper for Cobots – OnRobot 2FG7 & 2FG14

(Dimensioned drawing #8204 shown full scale)

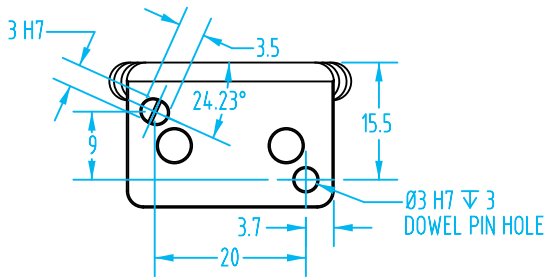
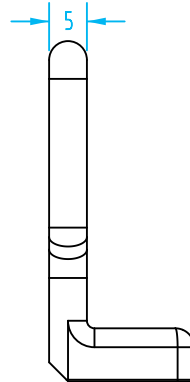
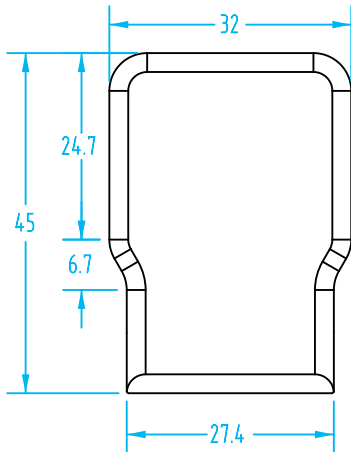
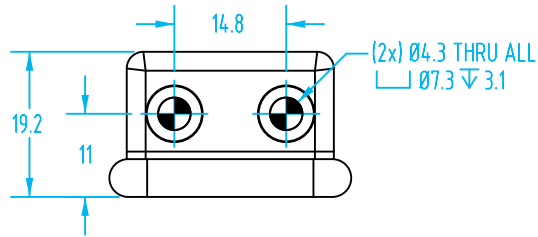


Quick#	A	B	C	D	E	F	G	HØ	J	K	L
8204	90	144	99	5	74	34	7	71	60	32	1
8206	115	155.2	103.2	-	105	55	6.3	71	70	45	-



Parallel Gripper for Cobots – OnRobot 2FG7 & 2FG14

(Dimensioned drawing shown full scale)



**In-Stock
Replacement Parts!**



- CU
- QC
- VG
- VC
- VA
- SG
- GR**
- MT
- AC
- CS
- CC

Replacement 2FG7 Parts

Quick#	Part#	Description	Price
8295	OR-106553	2-Finger Kit (2pc plus hardware)	\$223.33
8296	OR-106559	Finger Sleeves (4pc)	\$86.67
8297	OR-113012	Bellow Kit (2pc)	\$53.33

**Contact EMI for 2FG14
replacement parts or
shop online!**

Use Quick#s for easy online ordering.

Adaptive Grippers for Cobots – OnRobot RG2 & RG6

RG Adaptive Grippers make it easy to program secondary operations using Cobots around the Injection Molding Machine or anywhere in your plant.

They include a built-in Quick Changer, adjustable stroke and grip force, finger tips, and software that makes it easy to use.



#8201 – RG2

#8202 – RG6

(shown with custom EMI fingers)

RG2 – Quick# 8201
 Part# OR-102012
PRICE: \$5,472.00

RG6 – Quick# 8202
 Part# OR-102021
PRICE: \$6,554.00

OnRobot pricing effective 05/01/24 and subject to change.

Try It Risk Free!

*Contact us for details

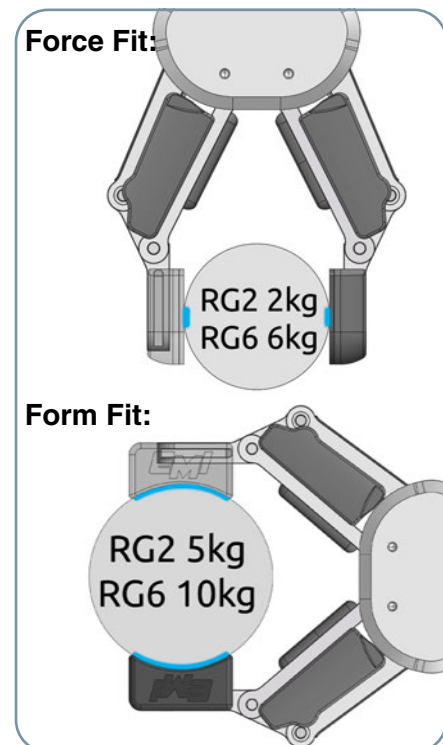


- Grip indications (part confirmation).
- Automatic tool center point (TCP) calculation, depth compensation, and payload calculation for UR.
- Integrated software.
- +/-90° Angular adjustments built into device in 30° Increments.
- Dimensional drawings and payload charts available online.

Technical Specs	RG2	RG6
Adjustable stroke (w/ stock fingers)	0–110mm	0–160mm
Payload with stock fingers (force fit)	4.4 lb (2 kg)	13.22 lb (6 kg)
Payload with custom fingers (form fit)	11.02 lb (5 kg)	22.04 lb (10 kg)
Finger position resolution	± 0.1mm	± 0.1mm
Repetition accuracy	± 0.1mm–0.2mm	± 0.1mm–0.2mm
Reversing backlash	± 0.1mm–0.3mm	± 0.1mm–0.3mm
Gripping force (adjustable)	3 – 40 N (0.7 – 9 lbf)	25 – 120 N (5.6 – 27 lbf)
Gripping force deviation	+/-25%	+/-25%
Gripping speed	38mm – 127mm /second	51mm – 160mm /second
Gripping time*	0.06s – 0.21s	0.05s – 0.15s
Adjustable bracket tilting accuracy	less than 1°	less than 1°
Storage temperature	32° – 122°F	32° – 122°F
Weight	780g (1.72 lb)	1250g (1.76 lb)
Power supply	20V – 25V	20V – 25V
Current consumption**	10mA – 600mA	70mA – 600mA
Operating temperature	41° – 122°F	41° – 122°F

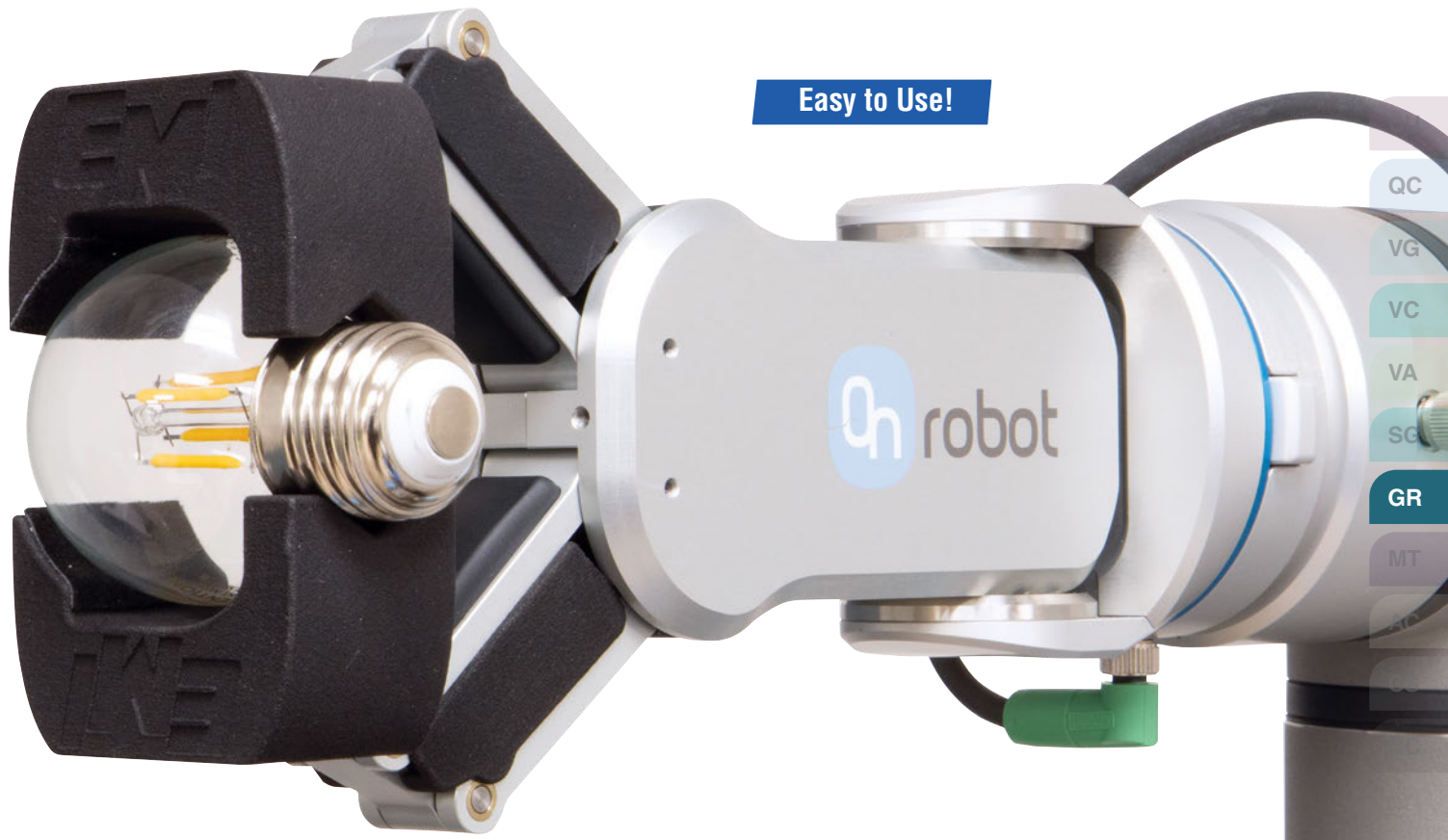
* Based on 8mm total movement between fingers. The speed is linearly proportional to the force.

**Current spikes up to 3A (max 6mS) may occur during the release action.





Adaptive Grippers for Cobots – OnRobot RG2 & RG6



- QC
- VG
- VC
- VA
- SG
- GR**
- MT

Replacement RG2 Parts

Quick#	Part#	Description	Price
8240	OR-100669	Standard Finger Tip	\$86.67
8272	OR-105871	X-Shape Finger Tip	\$131.67
8274	OR-106959	50mm Finger Extension	\$233.33
8275	OR-106960	100mm Finger Extension	\$233.33

Note: See EMI website for dimensional drawings.

Replacement RG6 Parts

Quick#	Part#	Description	Price
8241	OR-100670	Standard Finger Tip	\$86.67
8273	OR-106957	X-Shape Finger Tip	\$131.67
8276	OR-106966	50mm Finger Extension	\$233.33
8277	OR-106967	100mm Finger Extension	\$233.33

Note: See EMI website for dimensional drawings.



Use Quick#s for easy online ordering.

Three-Jaw Gripper for Cobots – OnRobot 3FG15



The 3FG15 is ideal for gripping a wide range of cylindrical objects in machine-tending applications such as CNC lathe machines.

The gripper's design automatically centers workpieces, resulting in fast deployment with a strong, stable grip and precise placement.

Quick# 8203
 Part# OR-103666
PRICE: \$5,768.00

OnRobot pricing effective 05/01/24 and subject to change.

Try It Risk Free!

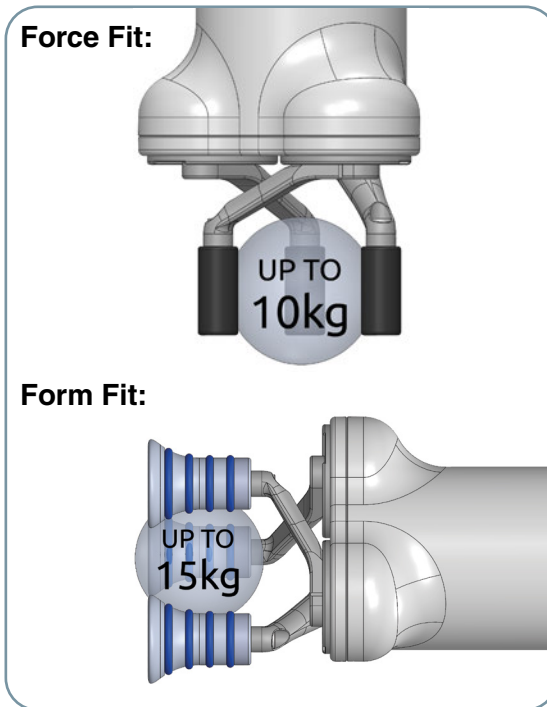
*Contact us for details



- 3Grip indications (part confirmation).
- Custom fingers available from EMI.
- Automatic tool center point (TCP) calculation, depth compensation, and payload calculation for UR.
- Integrated software.
- IP67 rating for harsh environments and ISO Class 5 certification for cleanroom use.

Technical Specs	
Total OD stroke (w/ stock fingers)	4–152mm
Total ID stroke (w/ stock fingers)	35–176mm
Payload with stock fingers (force fit)	22.04 lb (10 kg)
Payload with custom fingers (form fit)	33.06 lb (15 kg)
Finger position resolution	±0.1mm
Repetition accuracy	± 0.1mm–0.2mm
Gripping force (adjustable)*	10 – 240 N (2.25 – 54 lbf)
Gripping force deviation	+/- 5%
Gripping speed**	125mm
Gripping time***	500ms
Storage temperature	32° – 140°F
Weight	1500g (2.5 lb)
Power supply	20V – 25V
Max. Current consumption****	1500mA
Operating temperature	41° – 122°F

* The required current is 2000 mA, less current will result in less gripping force.
 ** Relatively from the gripping object (both arms).
 *** At 4 mm stroke and 80 N. The typical value is 300 ms at 40 mm and 80 N.
 **** Automatically adapts to the current requirements when UR CB3 tool connector is used (600mA).

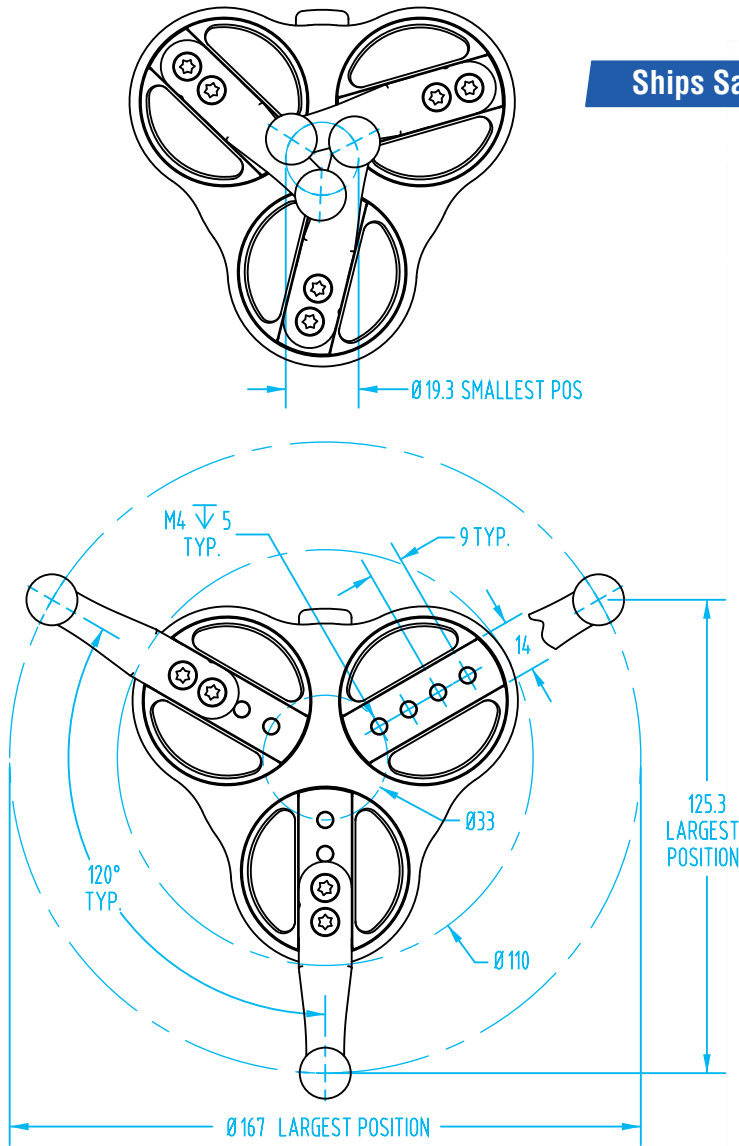




Three-Jaw Gripper for Cobots – OnRobot 3FG15

(Dimensioned drawings reduced to fit)

Ships Same Day!



3FG15 Replacement fingers and bumpers

#8290

#8291

#8294

#8278

Quick#	Part#	Description	Price
8290	OR-104160	Ø10mm Steel fingers (3pc)	\$86.67
8291	OR-104162	Rubber bumpers for Ø10mm fingers (3pc)	\$86.67
8292	OR-104241	Ø13mm Steel fingers (3pc)	\$86.67
8293	OR-104240	Rubber bumpers for Ø13mm fingers (3pc)	\$86.67
8278	OR-106963	X-Shape Steel fingers (3pc)	\$233.33
8294	OR-104161	Steel finger base for fingers (3pc)	\$160.00

Magnet Gripper for Cobots – OnRobot MG10



OnRobot’s MG10 is a versatile, easy to use magnetic gripper for material handling, assembly and machine tending applications in manufacturing, automotive and aerospace environments.

Fully compatible with all major robot brands through OnRobot’s One System Solution, the MG10 offers unique adjustable force and grip detection features that provide users with unprecedented levels of control.

Quick# 8212
 Part# OR-105202
PRICE: \$3,066.00

OnRobot pricing effective 05/01/24 and subject to change.

Try It Risk Free!

*Contact us for details



- Reliable gripping with variable force.
- Built-in proximity sensor to automatically detect the workpiece.
- Includes exchangeable fingertips for handling cylindrical objects.
- Includes protective pads (shown above).
- Safe, consistent grip even after power loss.
- Integrated software.
- No compressed air needed.

Technical Specs	
Payload	0.002–22.046 lb (0.001–10 kg)
Workpiece size	Ø65.4mm (Ø2.574 in)
Magnetism resolution	100 steps
Gripping time	300 ms
Storage temperature	32–131°F (0–55°C)
IP Classification	IP67
Weight	800g (1.763 lb)



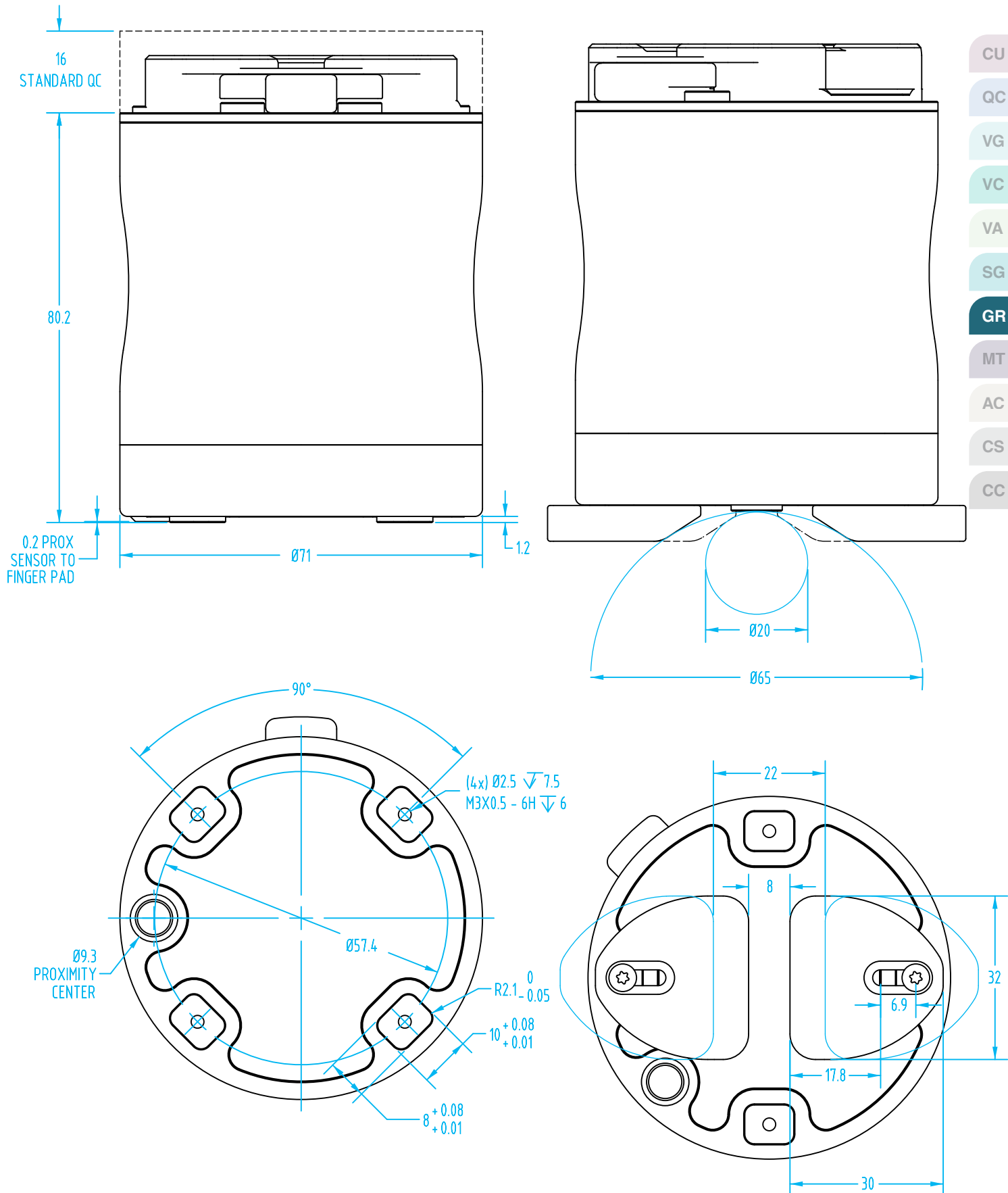
Shown with v-shape nesting tips for cylindrical objects.





Magnet Gripper for Cobots – OnRobot MG10

(Dimensioned drawings shown full scale)



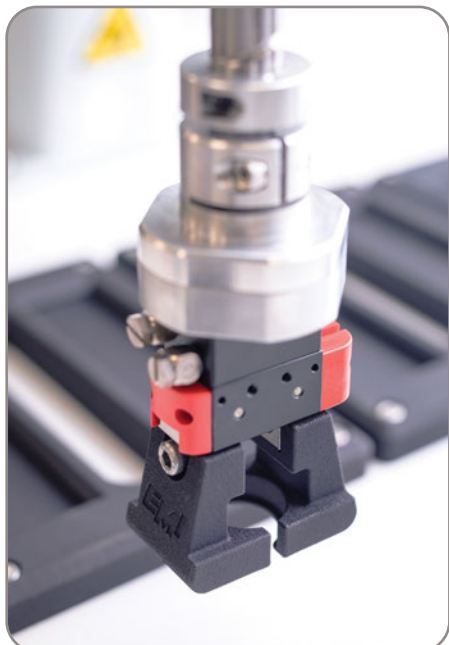
EMI Solutions for SCARA Robots

EMI offers a wide variety of vacuum, pneumatic, and electric solutions for SCARA Robots. Competitively priced, and backed by a team of engineers to support your application.

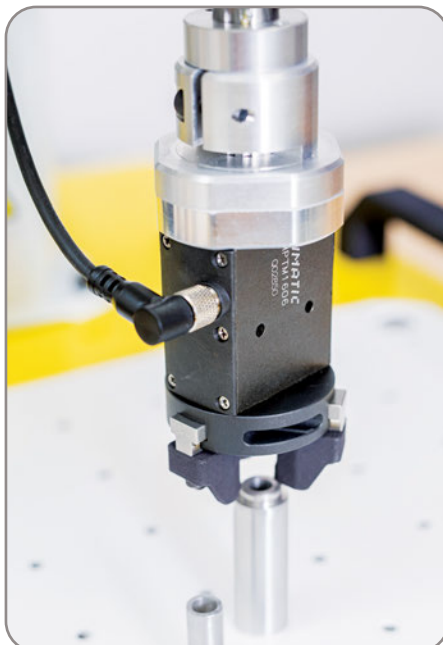
**Cost Effective,
Plug & Play!**



Pneumatic Gripper



Electric Gripper



Vacuum Gripper





Build-Your SCARA Solution:

EMI's solutions for SCARA robots are an easy way to get your robot up and running in just a few steps. Simply select the appropriate Mount Flange for your robot's spindle, choose your gripper kits and accessories. EMI's engineering team can assist with designing a custom kit to best fit your application.

Step 1: Select a Robot Mounting Flange



• Ø16mm Mounting Flange A

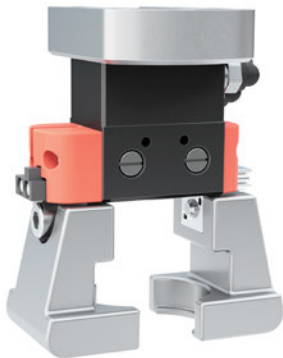


• Ø20mm Mounting Flange B

Need a Ø25mm clamp? Different size? Contact us to discuss!

See more application examples on page 16.

Step 2: Select a Gripper or Vacuum End Effector



• SGP 2-Jaw Pneumatic Gripper, supplied with aluminum finger blanks (or custom fingers).



• MPPM 2-Jaw Electric Gripper supplied with custom fingers.



• TGP 3-Jaw Pneumatic Gripper supplied with aluminum finger blanks or custom fingers.



• Inline Vacuum Gripper supplied with a cup specific to your application.

Step 3: Select Accessories

- Sensors for part confirmation. Select from PNP or NPN, available with leads or direct M8 connector.
- EMI offers a wide selection of in-stock vacuum cups. Testing of vacuum cups on your specific workpiece is encouraged.
- Custom 3D Printed jaws that would normally be machined out of aluminum can be confidently designed and 3D printed for most applications. Thermal properties vary by material and soft-touch HNBR pads can be added.

- CU
- QC
- VG
- VC
- VA
- SG
- GR**
- MT
- AC
- CS
- CC

Expansion Grippers

Gimatic MFD / MFU Expansion Grippers rely on compressing an elastic expander rather than inflating a bladder. These patented Expansion Grippers have better durability and uptime because leaks and blow outs are eliminated.

- The elastic part can be in Silicone (white), rated for 1million cycles and a max temp of 392°F or EPDM (black) with a higher tensile strength and max temp of 284°F.
- Grip diameters from Ø8 to Ø85mm.
- Optional nose cones for centering.
- Optional Gimatic SN.. sensors.
- Use standard Ø14, 20, 30mm clamps for mounting.
- Optional mounting adaptors for thread mounting available.



[Click Here](#) 
to view our I.D.
Expansion Grippers



MFD – The MFD has a downward motion that compresses the expander.
The OAL is unchanged.

MFU – The MFU has an upward motion that compresses the expander.
The OAL is reduced.





Needle Grippers

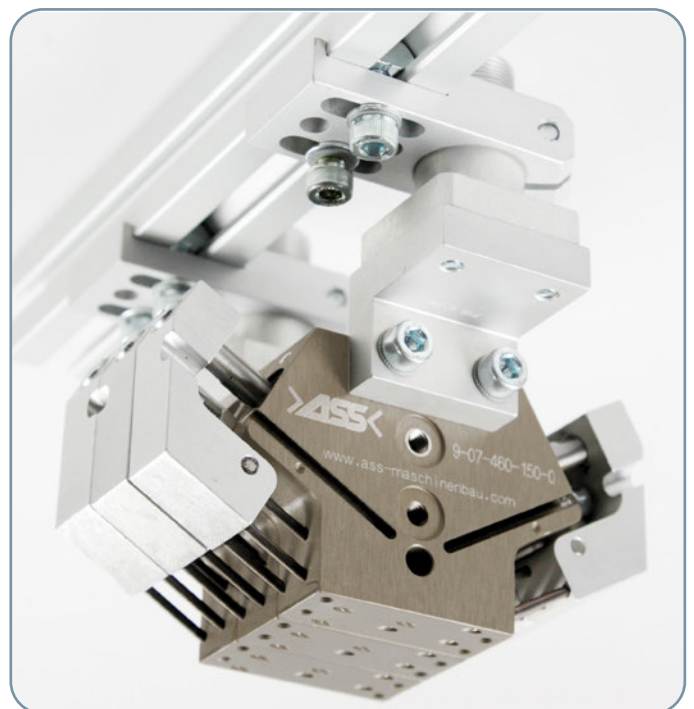
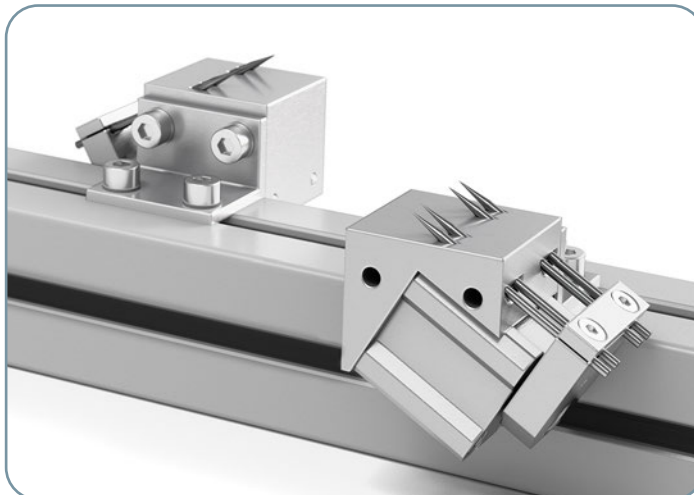


[Click Here](#) 
to view our Needle Grippers

- CU
- QC
- VG
- VC
- VA
- SG
- GR
- MT
- AC
- CS
- CC

Needle grippers are a great option for highly porous workpieces that are difficult to grip using vacuum cups or standard grippers. Needle grippers can reliably pick and place fabrics like carbon fiber reinforced textile. EMI can provide an in-stock economic solution for your application.

- Many in-stock Gimatic and >ASS< needle grippers for same day delivery.
- Suitable for the textile and food industry.
- Double and single acting models.
- Plate and clamp mounting.
- Adjustable needle depth.
- Replacement needles available.

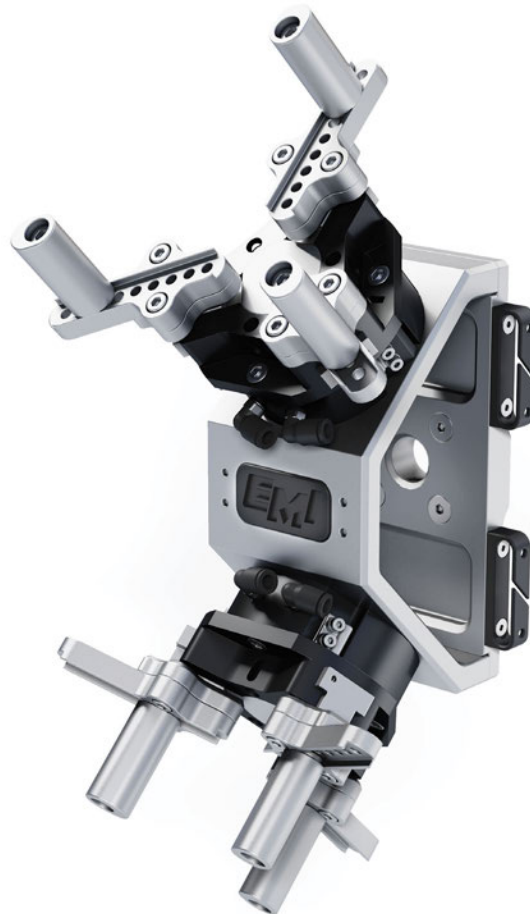


Machine Tending Kits from EMI

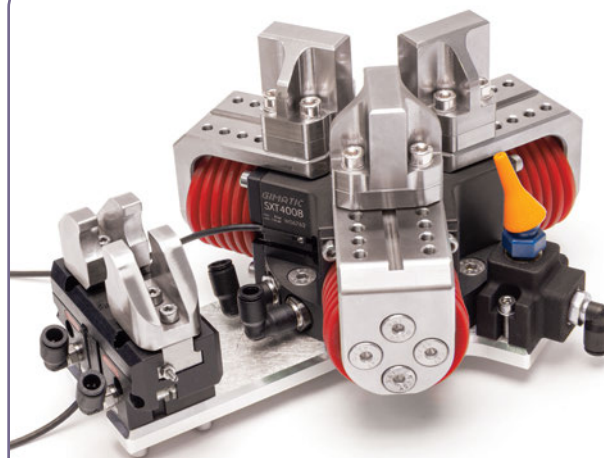
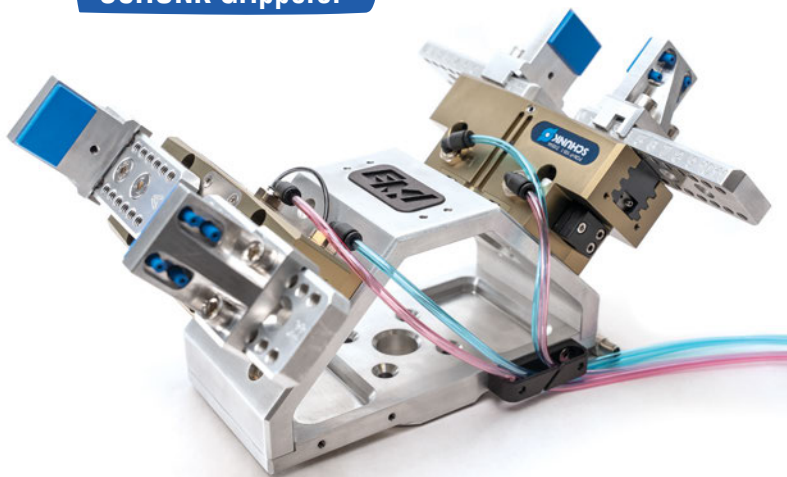
Machine Tending Kits from EMI are a perfect starting point for tending machine centers, such as CNC mills and lathes. With multiple mounting configurations available, these kits can be used in a wide variety of applications.


Features:

- Mounts directly to ISO 9409-1-50-4-M6 robot flange (hardware included).
- Mounting options include dual gripper set up in a 90° or 180° configuration and single gripper 180°.
- Two-Jaw & Three-Jaw gripper options available in each mounting option.
- Grippers can be mounted in multiple orientations.
- All kits include stock, adjustable gripping jaws.
- Includes EMI's Essentials Tool Kit (Q# 8110 see page 250).
- Each gripper includes a multi-output, programmable sensor (PNP).
- Includes blow-off manifold, nozzle kit and blocking plate.
- Operates via filtered, lubricated / unlubricated compressed air (nominal pressure, 87 psi).



**Now available with
SCHUNK Grippers!**



**Need a custom solution?
EMI can provide that too!** 

Our Machine Tending Datasheet is online, Click here!

Automate Your Machine Tending Process!

See page 8 for Machine Tending Application Examples

- CU
- QC
- VG
- VC
- VA
- SG
- GR
- MT**
- AC
- CS
- CC

D90 Parallel and Concentric Gripper Kits p.238



D180 Parallel and Concentric Gripper Kits p.242



S180 Parallel and Concentric Gripper Kits p.246



SCHUNK PGN p.252



SCHUNK PZN p.253



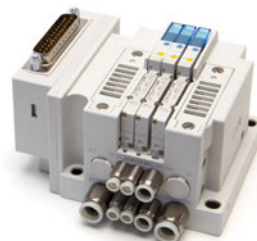
SCHUNK Accessories p.254



Filter Regulator Assembly p.250



3-Station Valve Assembly p.250



Custom Applications p.8



Machine Tending Kits from EMI

Step 1: Select a Mounting Configuration



D90: Dual Gripper 90°



D180: Dual Gripper 180°



S180: Single Gripper 180°

Step 2: Select a Two or Three Jaw Gripper



2-Jaw Grippers

- Gimatic DH4410: Shorter Stroke, Higher Grip Force
- Gimatic DH4420: Longer Stroke, Lower Grip Force
- PGN-plus-P 100-1: Longer Stroke, Lower Grip Force (IP40)
- PGN-plus-P 100-2: Shorter Stroke, Higher Grip Force (IP40)
- Optional SCHUNK Dust Cover: IP 64

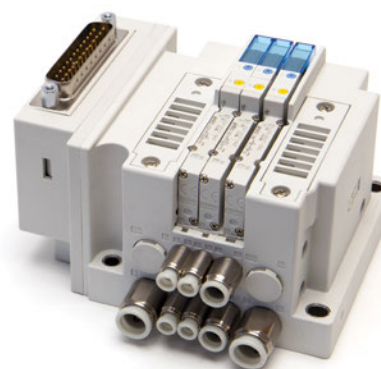


3-Jaw Grippers

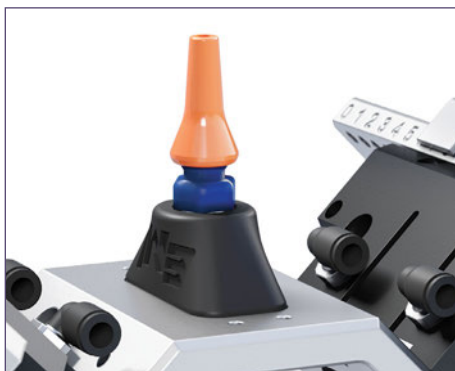
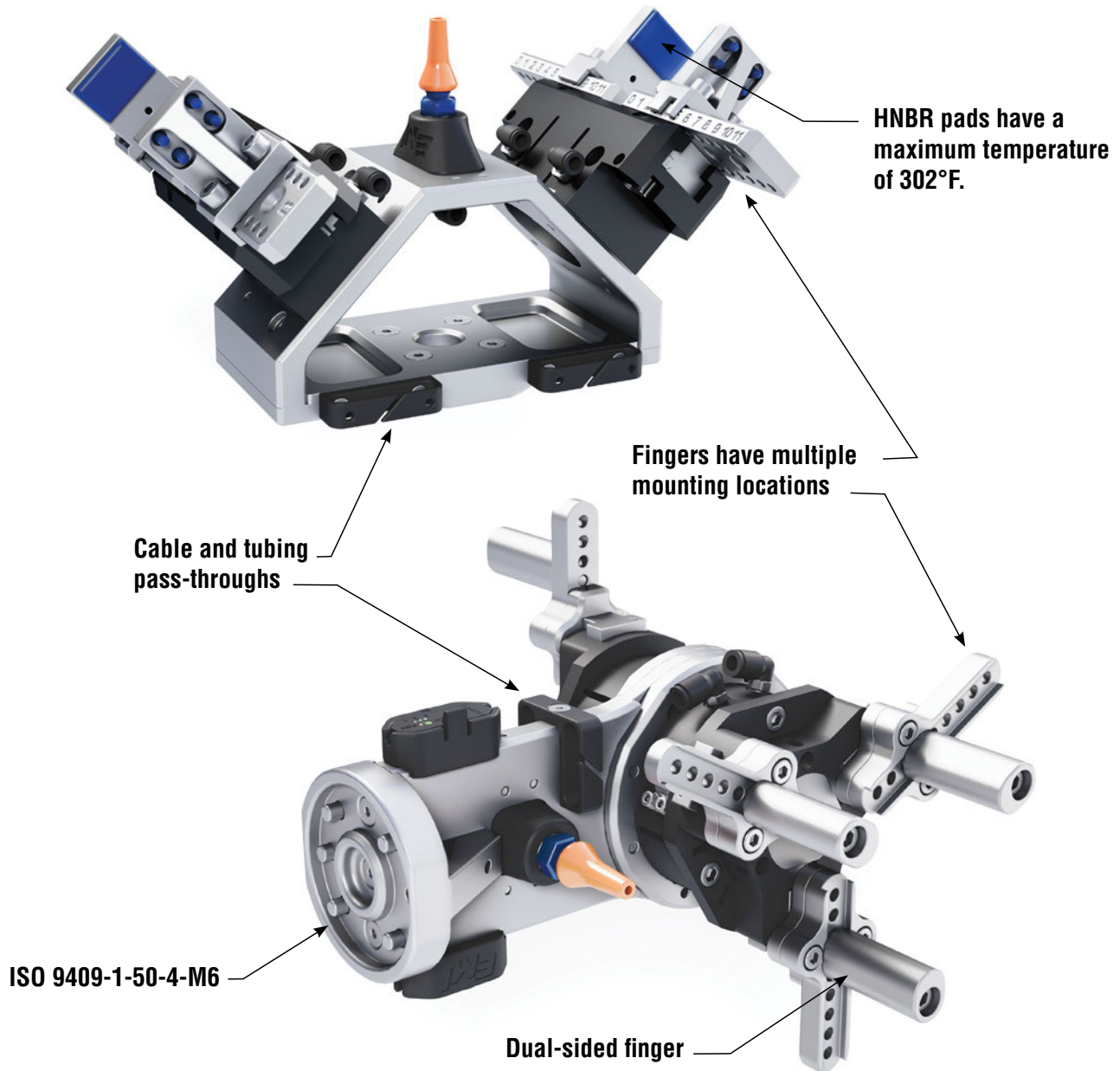
- Gimatic TH5404: Shorter Stroke, Higher Grip Force
- Gimatic TH5408: Longer Stroke, Lower Grip Force
- PZN-plus 80-1: Longer Stroke, Lower Grip Force (IP40)
- PZN-plus 80-2: Shorter Stroke, Higher Grip Force (IP40)
- Optional SCHUNK Dust Cover: IP 64

Step 3: Select Pneumatics Control Package (optional)

Control your EMI Machine Tending Kit with our pre-configured and pre-assembled, 3-station pneumatic solenoid valve kit and filter/regulator assembly. Perfect for controlling two grippers and blow-off nozzle. See page 250 for more information.



Machine Tending Kit Features

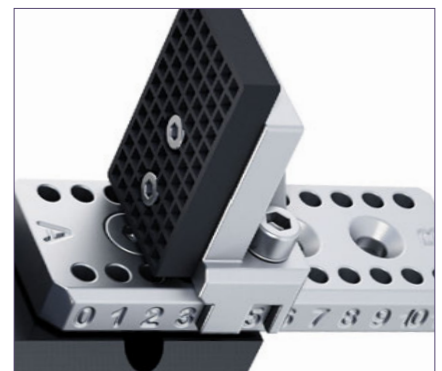


Blow-off nozzle with nozzle kit

**Includes cover plate if nozzle is not needed.*



Teachable 3-Position sensor



DH Grippers with replaceable HNBR and rubber pads

Machine Tending – D90 Parallel and Concentric Gripper Kits

D90 Kit Features:

- Gimatic DH or TH self-centering, pneumatic grippers at a 90° mounting configuration.
- Two-Jaw kits include aluminum jaws, and HNBR & rubber pad options. They feature a reversible finger base for increased gripping range.
- Three-Jaw kits include dual-sided gripper fingers to accommodate a larger variety of grip ranges.
- Both kits can be used to pick either external (closed grip) or interior surfaces (open grip).
- Two-Jaw grippers can be mounted in multiple 90° orientations.
- Three-Jaw grippers can be mounted in multiple 60° orientations.
- See EMI website for more information on DH & TH grippers.



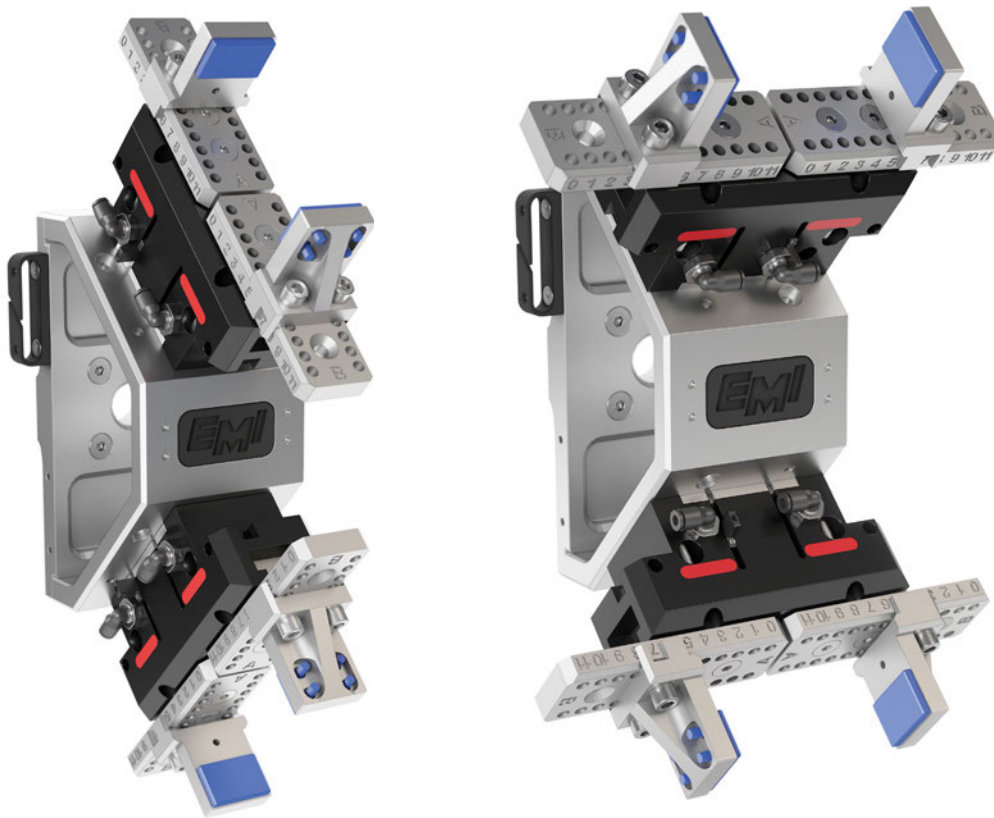
Quick#	8111	8112	8117	8118
Part#	CRK-DH4410-D90-A	CRK-DH4420-D90-A	CRK-TH5404-D90-A	CRK-TH5408-D90-A
Price	\$4,195.00	\$4,195.00	\$4,295.00	\$4,295.00
Mount configuration				
Operating pressure range	36–116 psi			
Gripper stroke	2x5mm	2x10mm	3x4mm	3x8mm
Gripper type	2x DH4410	2X DH4420	2x TH5404	2x TH5408
Closing force w/stock jaws	247.3 lbf	123.6 lbf	370.9 lbf	185.5 lbf
Kit Operating Grip Range*^	0–160mm	0–170mm	0–150mm	0–158mm
Maximum work piece mass***^	6.2 kg	3.0 kg	8.9 kg	4.4 kg
Weight	3.31 kg	3.27 kg	3.29 kg	3.27 kg

*Minimum to maximum external grip range with the included stock finger kit.

**Indicates usage at 87psi with stock finger kit with dry & clear surface conditions. Varies based on grip style, orientation, materials and input pressure.

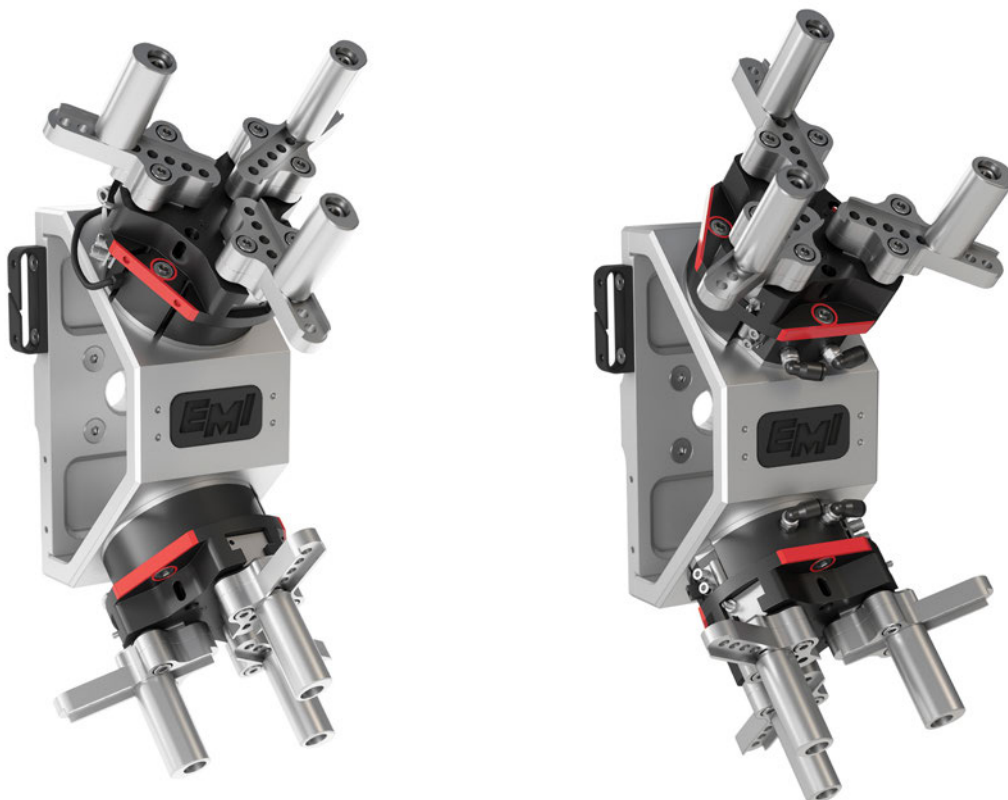
^ Values may vary based on certain application conditions. See online product page for more detailed information.

Machine Tending – D90 Parallel and Concentric Gripper Kits



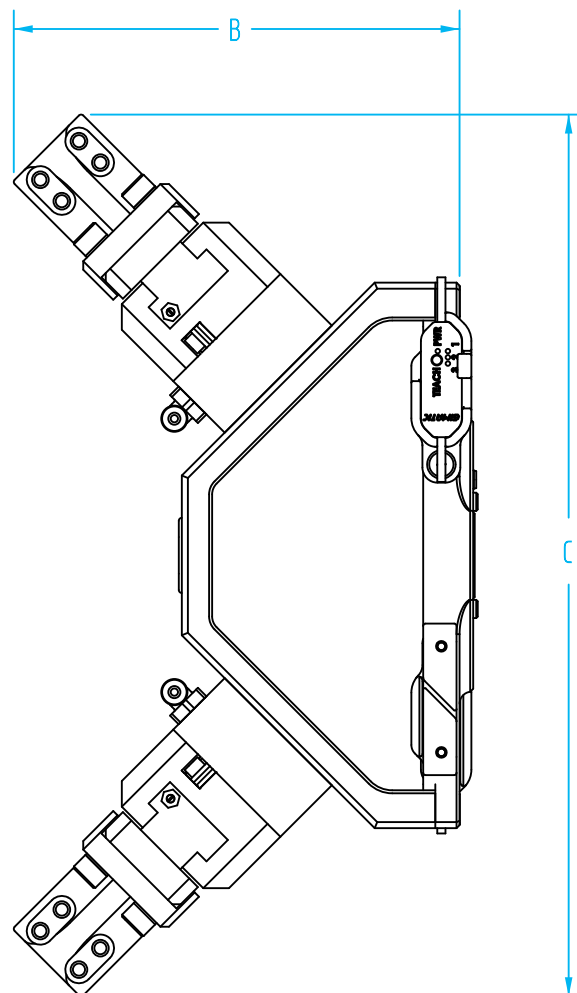
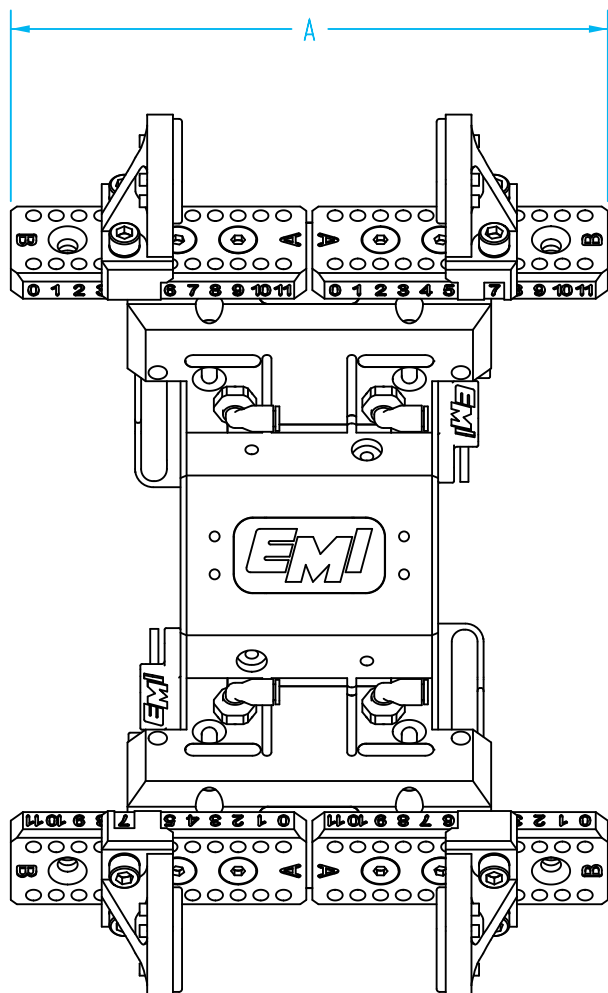
- CU
- QC
- VG
- VC
- VA
- SG
- GR
- MT**
- AC
- CS
- CC

Grippers can be mounted horizontally or vertically.



Machine Tending – 2-Jaw D-90 Parallel Gripper Kits

Quick#'s 8111 & 8112 Dimensions



Horizontal Gripper Orientation

Quick#	A (Width)	B (Depth)	C (Height)
8111	214.5 mm	197.0 mm	300.2 mm
8112	224.5 mm		

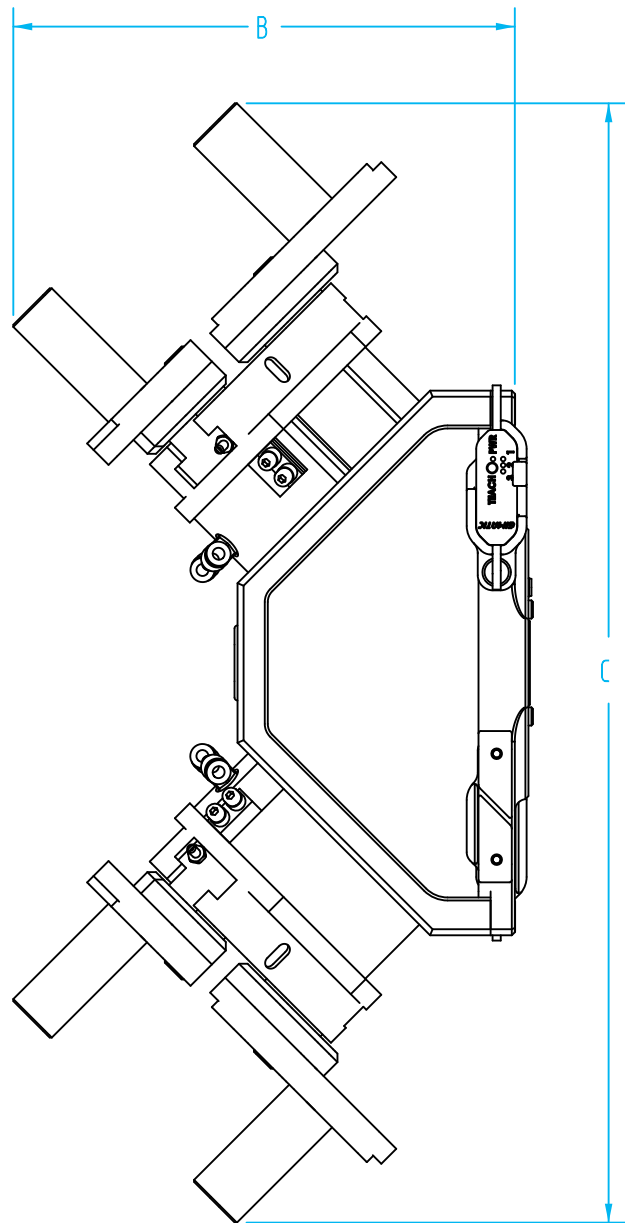
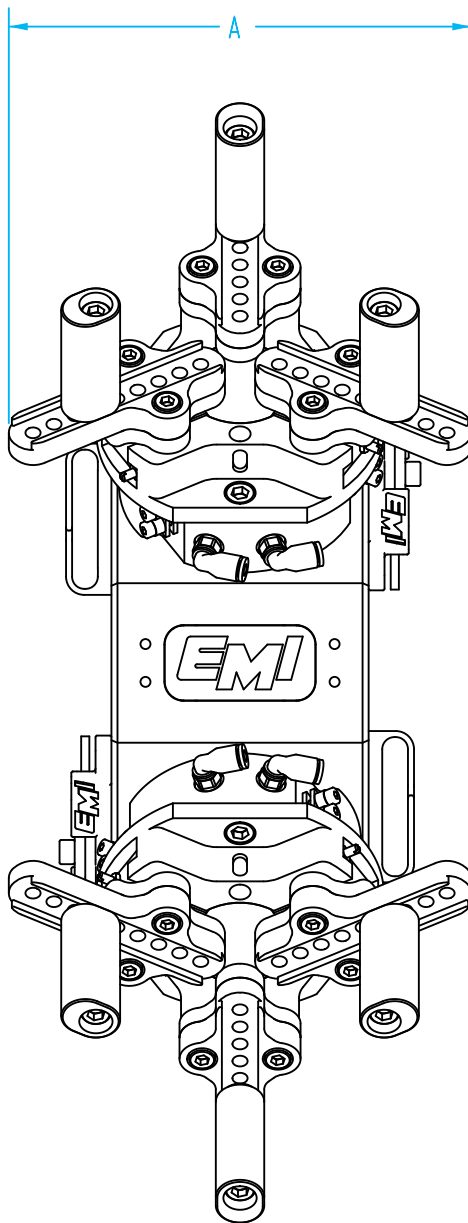
Vertical Gripper Orientation

Quick#	A (Width)	B (Depth)	C (Height)
8111	100 mm	201.4 mm	400.2 mm
8112		205 mm	407.4 mm

All dimensions represent the maximum value with the gripper in an OPEN configuration. Dimensions may vary based on finger type and position.

Machine Tending – 3-Jaw D-90 Concentric Gripper Kits

Quick#'s 8117 & 8118 Dimensions



- CU
- QC
- VG
- VC
- VA
- SG
- GR
- MT**
- AC
- CS
- CC

Horizontal Gripper Orientation

Quick#	A (Width)	B (Depth)	C (Height)
8117	166.7mm	175.7mm	409.5mm
8118	173.6mm	177.1mm	415.2mm

Vertical Gripper Orientation

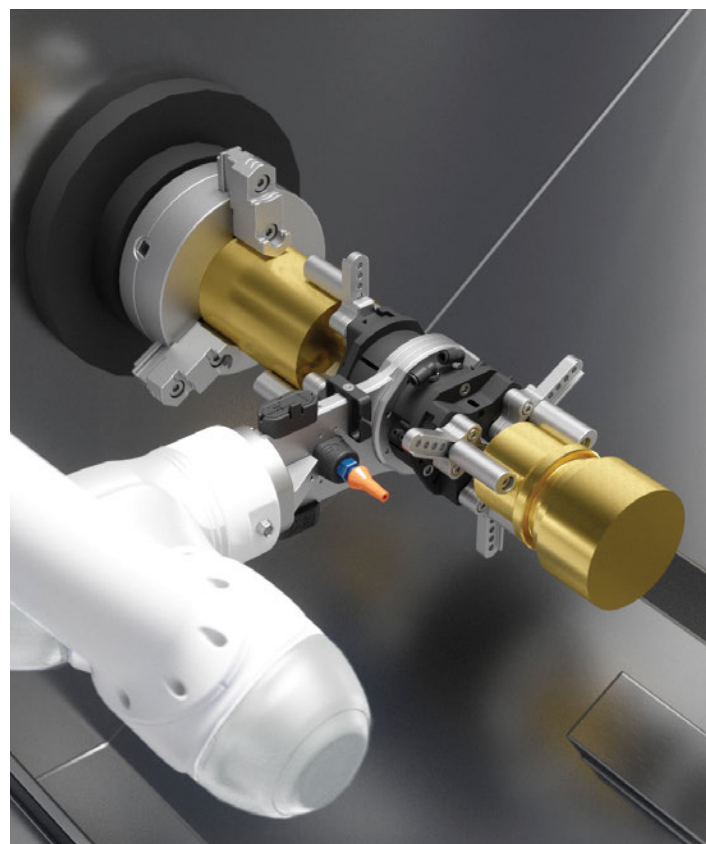
Quick#	A (Width)	B (Depth)	C (Height)
8117	166.7mm	206.4mm	348.0mm
8118	173.6mm	209.2mm	350.8mm

All dimensions represent the maximum value with the gripper in an OPEN configuration.
 Dimensions may vary based on finger type and position.

Machine Tending – D180 Parallel and Concentric Gripper Kits

D180 Kit Features:

- Gimatic DH or TH self-centering, pneumatic grippers at an 180° mounting configuration.
- Two-Jaw kits include aluminum jaws, and HNBR & rubber pad options. They feature a reversible finger base for increased gripping range.
- Three-Jaw kits include dual-sided gripper fingers to accommodate a larger variety of grip ranges.
- Both kits can be used to pick either external (closed grip) or interior surfaces (open grip).
- Two-Jaw grippers can be mounted in multiple 90° orientations.
- Three-Jaw grippers can be mounted in multiple 90° orientations.
- See EMI website for more information on DH & TH grippers.



Quick#	8113	8114	8119	8120
Part#	CRK-DH4410-D180-A	CRK-DH4420-D180-A	CRK-TH5404-D180-A	CRK-TH5408-D180-A
Price	\$3,695.00	\$3,695.00	\$3,795.00	\$3,795.00
Mount configuration				
Operating pressure range	36–116 psi			
Gripper stroke	2x5mm	2x10mm	3x4mm	3x8mm
Gripper type	2x DH4410	2x DH4420	2x TH5404	2x TH5408
Closing force w/stock jaws	247.3 lbf	123.6 lbf	370.9 lbf	185.5 lbf
Kit Operating Grip Range*^	0–160mm	0–170mm	0–150mm	0–158mm
Maximum work piece mass***^	6.2 kg	3.0 kg	8.9 kg	4.4 kg
Weight	3.15 kg	3.11 kg	3.12 kg	3.10 kg

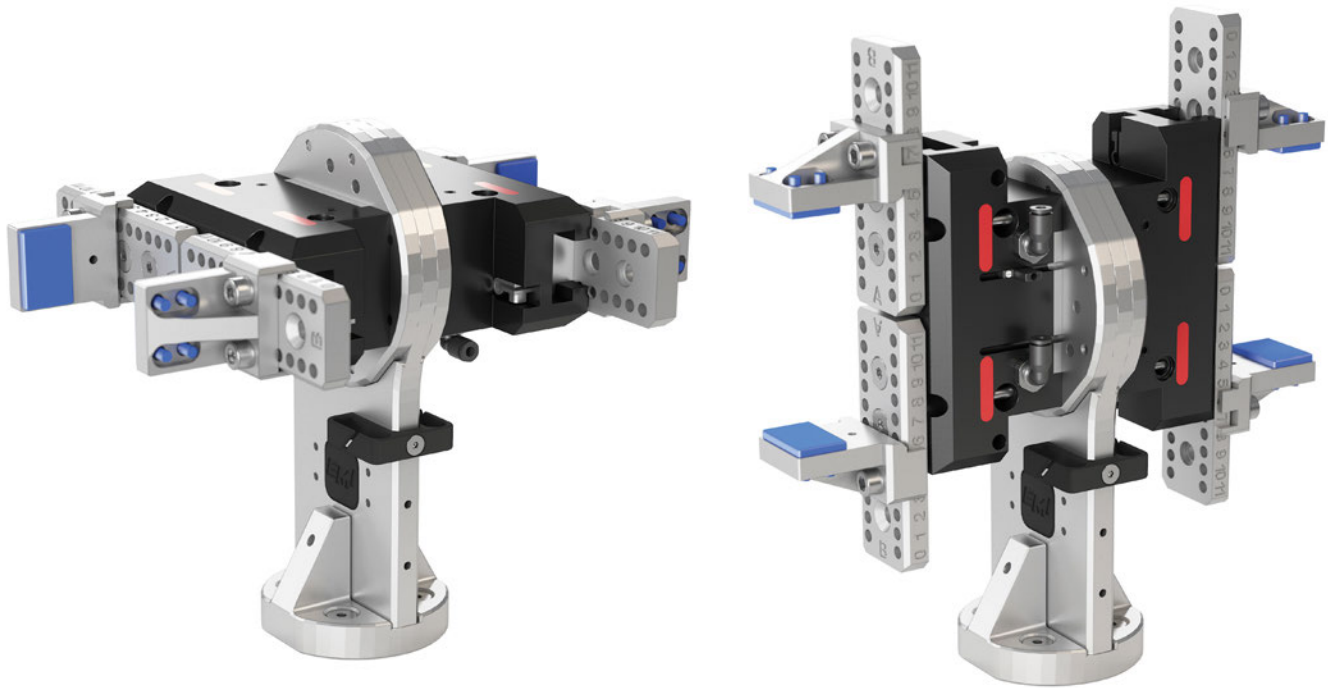
*Minimum to maximum external grip range with the included stock finger kit.

**Indicates usage at 87psi with stock finger kit with dry & clear surface conditions. Varies based on grip style, orientation, materials and input pressure.

^ Values may vary based on certain application conditions. See online product page for more detailed information.

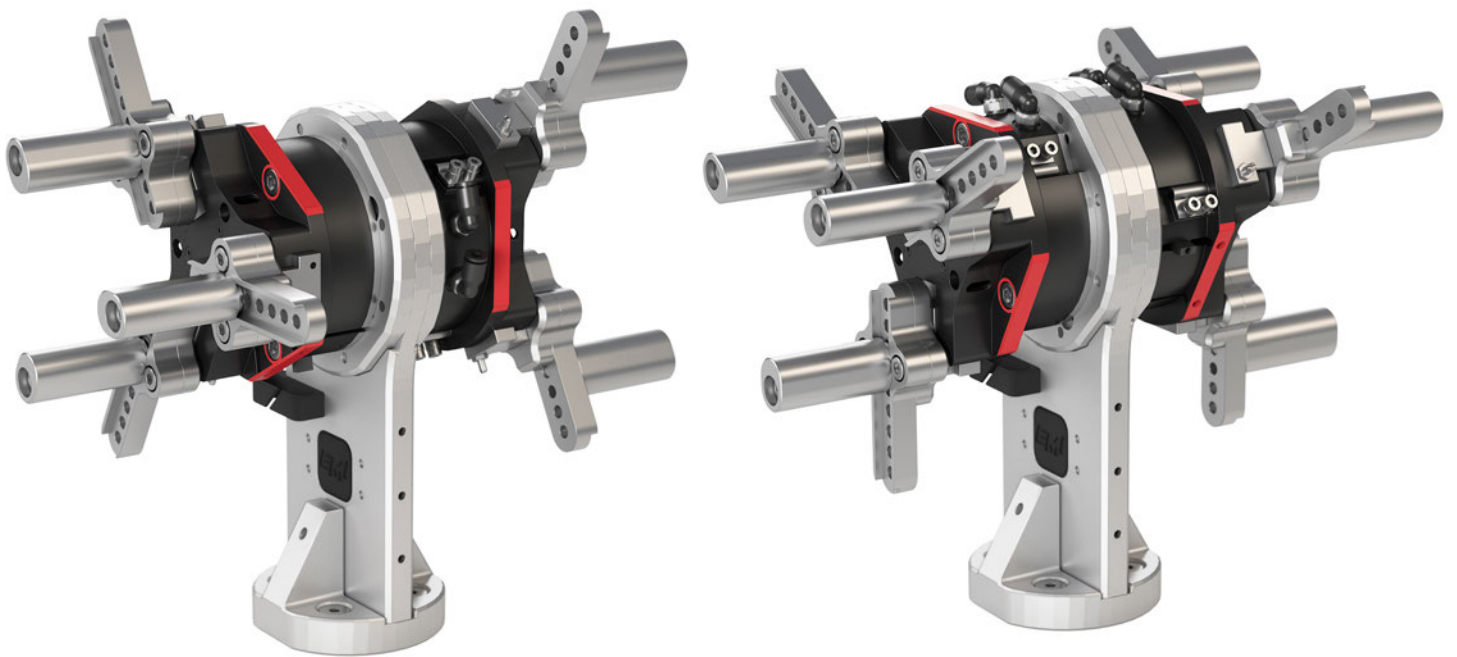
[Use Quick#s for easy online ordering.](#)

Machine Tending – D180 Parallel and Concentric Gripper Kits



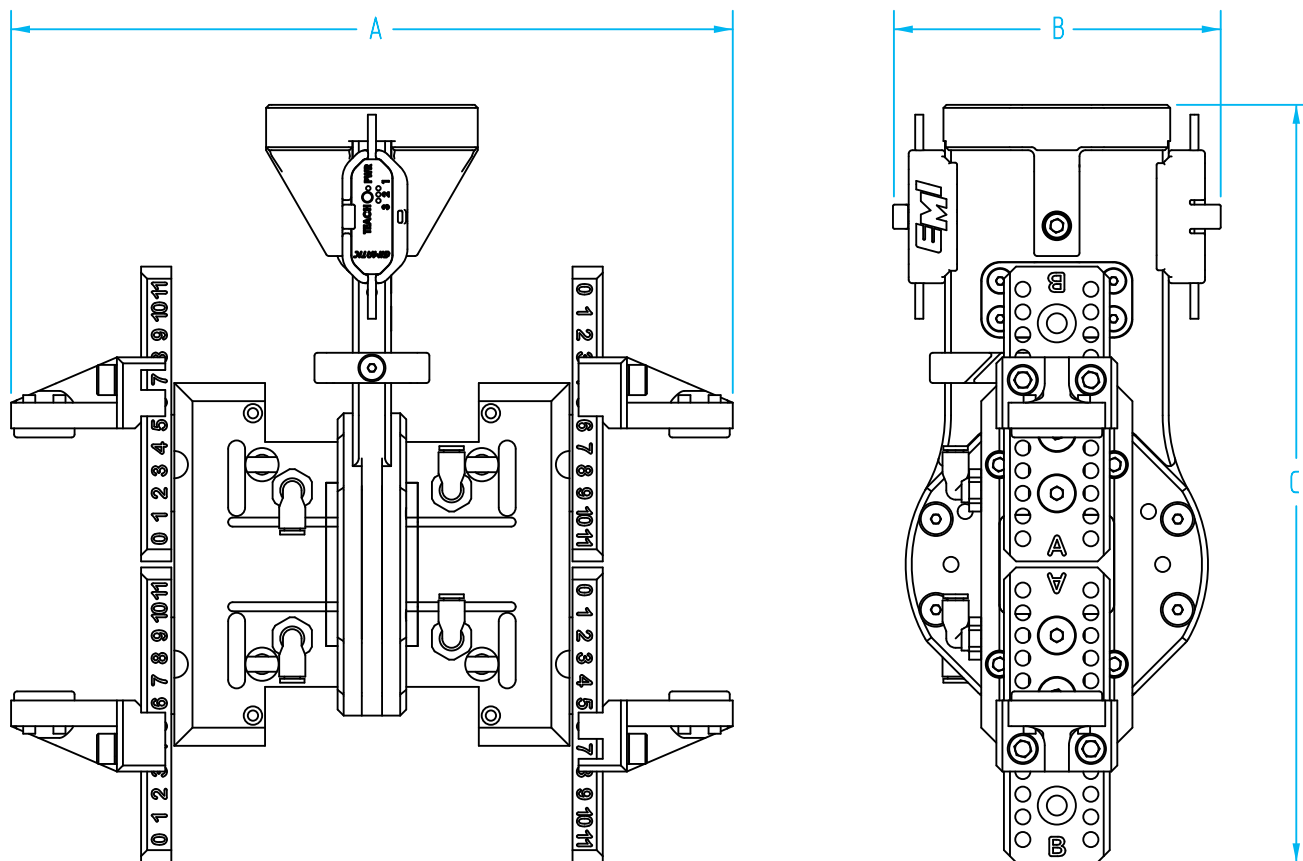
- CU
- QC
- VG
- VC
- VA
- SG
- GR
- MT**
- AC
- CS
- CC

Grippers can be mounted horizontally or vertically.



Machine Tending – 2-Jaw D-180 Parallel Gripper Kits

Quick#'s 8113 & 8114 Dimensions



Horizontal Gripper Orientation

Quick#	A (Width)	B (Depth)	C (Height)
8113	256.7mm	108.4mm	253.8mm
8114			258.8mm

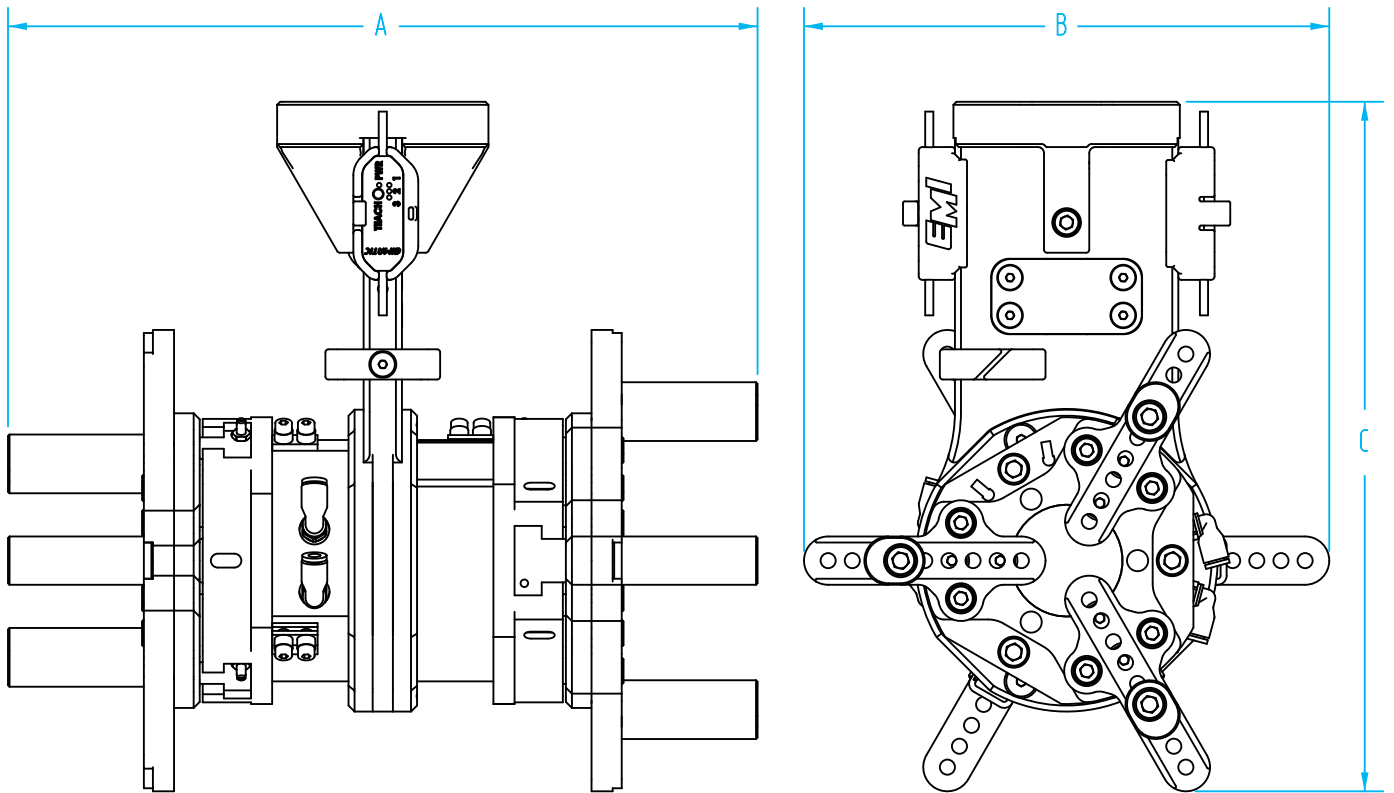
Vertical Gripper Orientation

Quick#	A (Width)	B (Depth)	C (Height)
8113	256.7mm	214.5mm	196.5mm
8114		224.5mm	

All dimensions represent the maximum value with the gripper in an OPEN configuration.
Dimensions may vary based on finger type and position.

Machine Tending – 3-Jaw D-180 Concentric Gripper Kits

Quick#'s 8119 & 8120 Dimensions



- CU
- QC
- VG
- VC
- VA
- SG
- GR
- MT**
- AC
- CS
- CC

Horizontal Gripper Orientation

Quick#	A (Width)	B (Depth)	C (Height)
8119	248.3mm	157.6mm	243.0mm
8120		161.6mm	247.0mm

Vertical Gripper Orientation

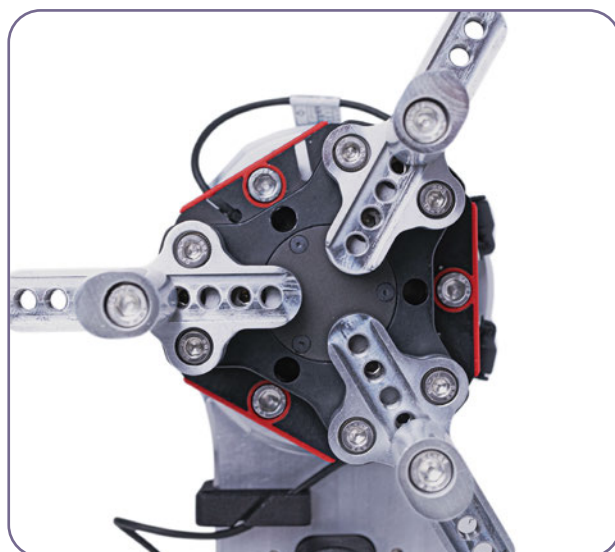
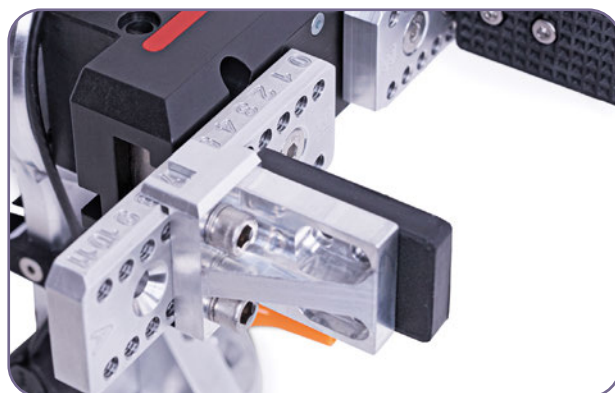
Quick#	A (Width)	B (Depth)	C (Height)
8119	248.3mm	182.0mm	230.8mm
8120		190.0mm	234.3mm

All dimensions represent the maximum value with the gripper in an OPEN configuration. Dimensions may vary based on finger type and position.

Machine Tending – S180 Parallel and Concentric Gripper Kits

S180 Kit Features:

- Gimatic DH or TH self-centering, pneumatic gripper at an 90° mounting configuration.
- Two-Jaw kits include aluminum jaws, and HNBR & rubber pad options. They feature a reversible finger base for increased gripping range.
- Three-Jaw kits include dual-sided gripper fingers to accommodate a larger variety of grip ranges.
- Both kits can be used to pick either external (closed grip) or interior surfaces (open grip).
- Two-Jaw grippers can be mounted in multiple 90° orientations.
- Three-Jaw grippers can be mounted in multiple 90° orientations.
- See EMI website for more information on DH & TH grippers.



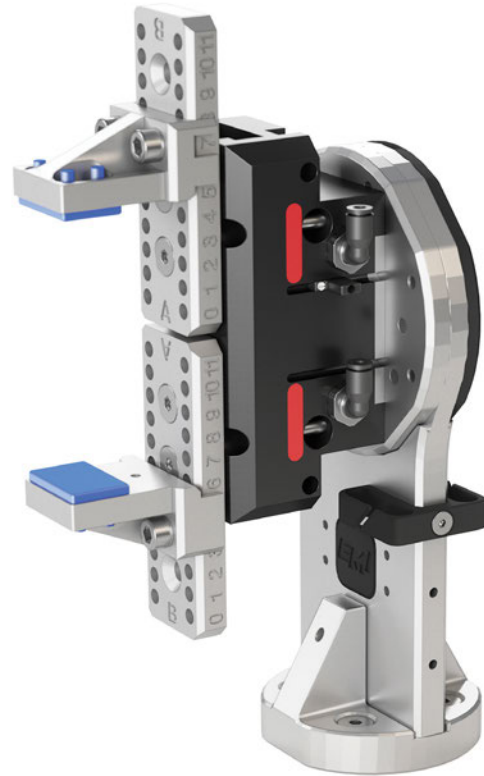
Quick#	8115	8116	8121	8122
Part#	CRK-DH4410-S180-A	CRK-DH4420-S180-A	CRK-TH5404-S180-A	CRK-TH5408-S180-A
Price	\$1,945.00	\$1,945.00	\$1,995.00	\$1,995.00
Mount configuration				
Operating pressure range	36–116 psi			
Gripper stroke	2x5mm	2x10mm	3x4mm	3x8mm
Gripper type	1x DH4410	1x DH4420	1x TH5404	1x TH5408
Closing force w/stock jaws	247.3 lbf	123.6 lbf	370.9 lbf	185.5 lbf
Kit Operating Grip Range*^	0–160mm	0–170mm	0–150mm	0–158mm
Maximum work piece mass***^	6.2 kg	3.0 kg	8.9 kg	4.4 kg
Weight	1.89 kg	1.87 kg	1.87 kg	1.87 kg

*Minimum to maximum external grip range with the included stock finger kit.

**Indicates usage at 87psi with stock finger kit with dry & clear surface conditions. Varies based on grip style, orientation, materials and input pressure.

^ Values may vary based on certain application conditions. See online product page for more detailed information.

Machine Tending – S180 Parallel and Concentric Gripper Kits



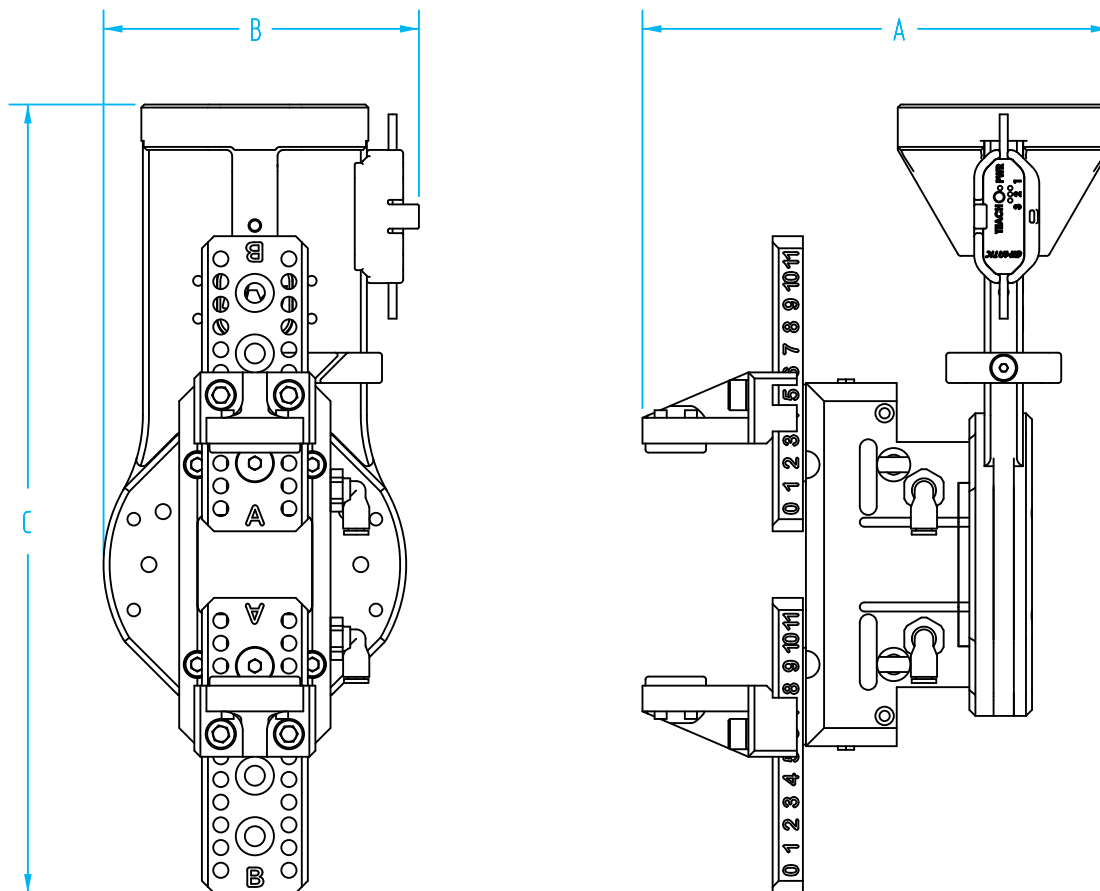
- CU
- QC
- VG
- VC
- VA
- SG
- GR
- MT**
- AC
- CS
- CC

Grippers can be mounted horizontally or vertically.



Machine Tending – 2-Jaw S-180 Parallel Gripper Kits

Quick#'s 8115 & 8116 Dimensions



Horizontal Gripper Orientation

Quick#	A (Width)	B (Depth)	C (Height)
8115	163.4mm	104.2mm	253.8mm
8116			258.8mm

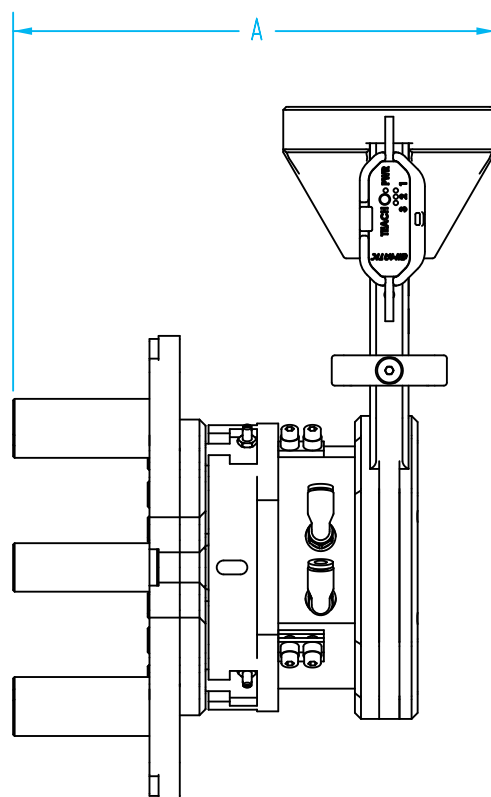
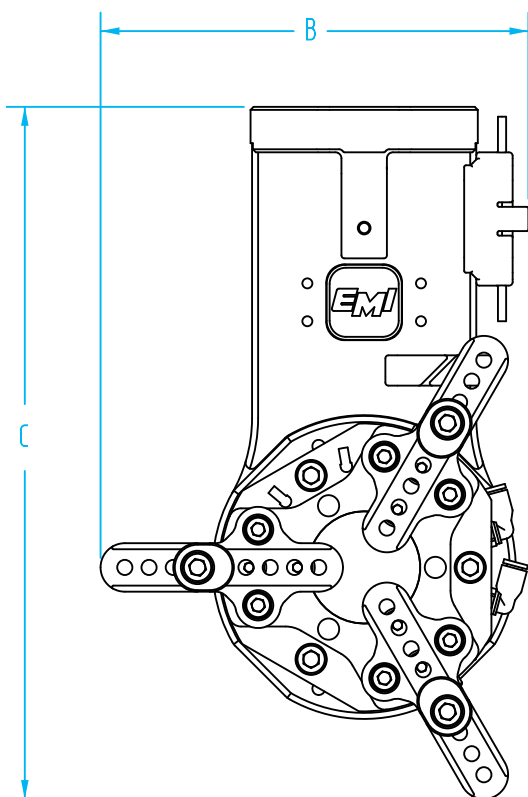
Vertical Gripper Orientation

Quick#	A (Width)	B (Depth)	C (Height)
8115	163.4mm	214.5mm	196.5mm
8116		224.5mm	

All dimensions represent the maximum value with the gripper in an OPEN configuration.
 Dimensions may vary based on finger type and position.

Machine Tending – 3-Jaw S180 Concentric Gripper Kits

Quick#'s 8121 & 8122 Dimensions



Horizontal Gripper Orientation

Quick#	A (Width)	B (Depth)	C (Height)
8121	159.2mm	157.6mm	243.0mm
8122		164.5mm	247.0mm

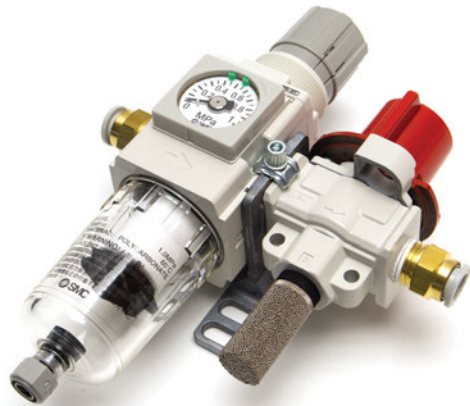
Vertical Gripper Orientation

Quick#	A (Width)	B (Depth)	C (Height)
8121	159.2mm	145.2mm	230.8mm
8122		149.2mm	234.3mm

All dimensions represent the maximum value with the gripper in an OPEN configuration.
Dimensions may vary based on finger type and position.

- CU
- QC
- VG
- VC
- VA
- SG
- GR
- MT**
- AC
- CS
- CC

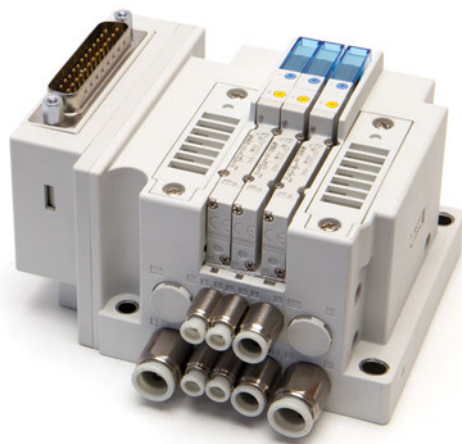
Machine Tending – Accessories



Filter / Regulator Assembly

Quick#	Part#	Description	Price
2800	CRA-FR-R14-1	Filter / Regulator with Shut-off and R1/4" Ports, Ø8mm fittings	\$99.50

- Purchase the complete kits below or the components individually and build yourself.
- Other configurations available upon request.



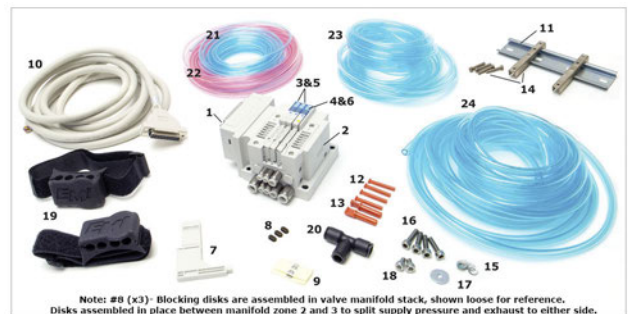
3-Station JSY1000 Valve Assembly

Quick#	Part#	Description	Price
2801	CRA-JSY1-P3Z-1	2x 5/2 Single Solenoid + 1x 5/4 Double Solenoid, PNP	\$635.00
2802	CRA-JSY1-P3Z-2	2x 5/2 Double Solenoid + 1x 5/4 Double Solenoid, PNP	\$695.00
2803	CRA-JSY1-N3Z-1	2x 5/2 Single Solenoid + 1x 5/4 Double Solenoid, NPN	\$635.00
2804	CRA-JSY1-N3Z-2	2x 5/2 Double Solenoid + 1x 5/4 Double Solenoid, NPN	\$695.00

Features:

- Filter regulator with embedded pressure gauge. A combination filter and regulator, minimizing space and piping by integrating two units into one.
- Maximum operating pressure: 145psi.
- Output pressure range: 7–125psi.
- Nominal filtration rating: 5µm.
- Pressure relief valve included with safety locking holes.
- Includes mounting bracket.
- See website for dimensional information.

Detailed view online with Valve Assembly contents:



Parts for 2801 JSY1000 Valve Manifold PNP 3-Station 2-Position Single Solenoid

Enter the quantity for each needed part and click add to cart

No.	Part No.	Item Description	Qty Req.	Price	Qty
1	JSY11M 1P 3A51 CB	2815 JSY1000 Manifold Block	1	\$39.65 Each	
2	JSY11M 3P 1A5 CB	2816 JSY1000 Manifold Block	1	\$16.00 Each	
3	JSY11M 2P 1DA C4	2821 6.5mm Pitch Manifold Base with 4mm Fittings	2	\$13.40 Each	
4	JSY11M 2P 2DA C6	2822 9mm Pitch Manifold Base	1	\$13.40 Each	
5	JSY1100T 5NZ	2827 Single Solenoid Valve 2 Position-PNP	2	\$45.00 Each	
6	JSY1A00T 5NZ	2833 Double Solenoid Valve 4 Position Dual 3 Port-PNP	1	\$71.80 Each	
7	JSY11M 26P 1A	2835 Blanking Plate for JSY1000 Valve Manifold	1	\$4.40 Each	
8	JSY11M 40P 1A	2875 Supply/Exhaust Blocking Disk (1pc)	3	\$2.10 Each	
9	SJ3000 155 1A	2876 Supply/Exhaust Blocking Disk LABEL (1pc)	1	\$11.30 Each	
10	AXT100 DS25 030	2908 25-Pin D-Sub Cable -3m	1	\$95.80 Each	
11	EL 704W	5073 Din Rail 1M	1	\$18.92 Each	
12	GSF QP 04	192 Plug Fitting For #4mm Tube	4	\$0.40 Each	
13	GSF QP 06	193 Plug Fitting For #6mm Tube	2	\$1.00 Each	
14	JSY11M 15P 1A	2909 Din Rail Bracket	2	\$10.30 Each	
15	GSC MS LW SS	M5 Lock Washer	6	\$0.20 Each	
16	GSC MS 20 SS	M5x20mm SHCS-Stainless Steel	4	\$0.50 Each	
17	GSC MS FW	868 M5 Fender Washer	2	\$0.10 Each	
18	GSC MS 8 SS	M5x8mm SHCS-Stainless	2	\$0.40 Each	
19	CRA CMK 1	8015 Cable Management Kit for Collaborative Robots	2	\$35.00 Each	
20	GSF QTU 08	149 8mm Push-In T Fitting	1	\$4.90 Each	
21	GSU PB 0424	960 4mm Blue Polyurethane Tubing - 25' Coil	1	\$5.68 Each	
22	GSU PR 0424	966 4mm Red Polyurethane Tubing - 25' Coil	1	\$5.68 Each	
23	GSU PB 0604	961 6mm Blue Polyurethane Tubing - 25' Coil	1	\$9.38 Each	
24	GSU PB 0806	962 8mm Blue Polyurethane Tubing - 25' Coil	1	\$16.37 Each	

Enter the quantity for each needed part and click add to cart

In-Stock Replacement Parts



Gimatic 2-Jaw DH44.. Finger Kit

Quick#	Part#	Description	Price
8131	CRA-DH44-FK1	Aluminum jaws, and HNBR & rubber pad options, along with the mounting plate and hardware.	\$174.95



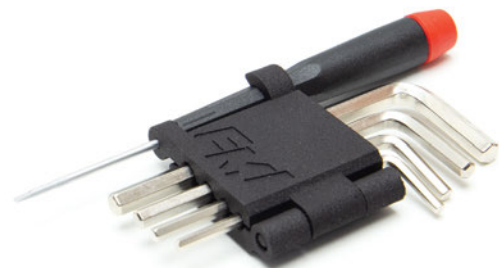
Gimatic 2-Jaw TH54.. Finger Kit

Quick#	Part#	Description	Price
8132	CRA-TH54-FK1	Dual-sided gripper fingers to accommodate a larger variety of grip ranges, along with the mounting plate and hardware.	\$239.95



Machine Tending Blow-Off Kit

Quick#	Part#	Description	Price
8130	CRA-LLBO-1	Loc-Line® Blow-Off Kit	\$34.95



Machine Tending Toolkit with Magnet

Quick#	Part#	Description	Price
8110	CRA-TOOLKIT-1	2.5 – 5mm Hex Wrench and 1.8 PFHSD	\$22.95

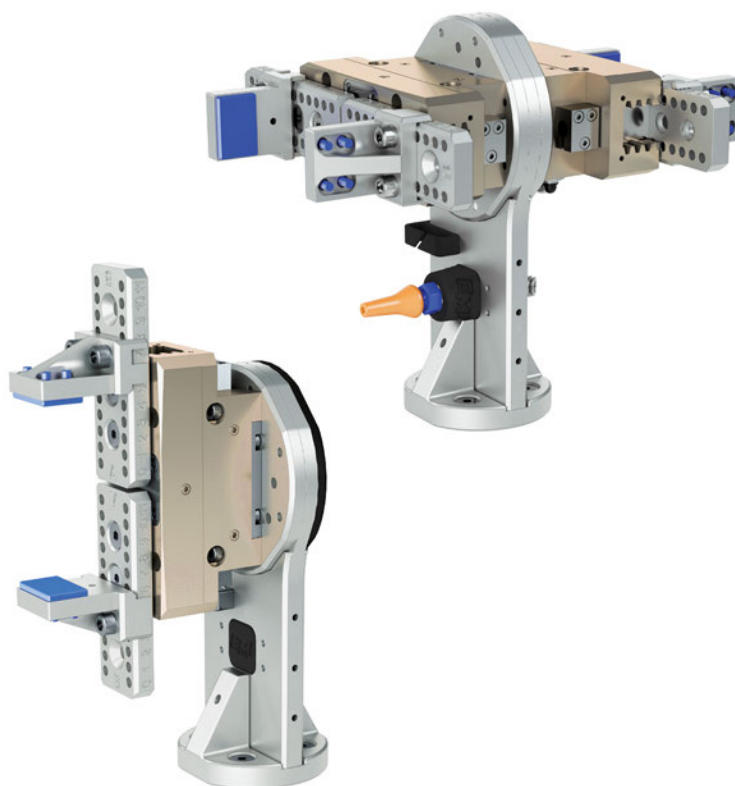
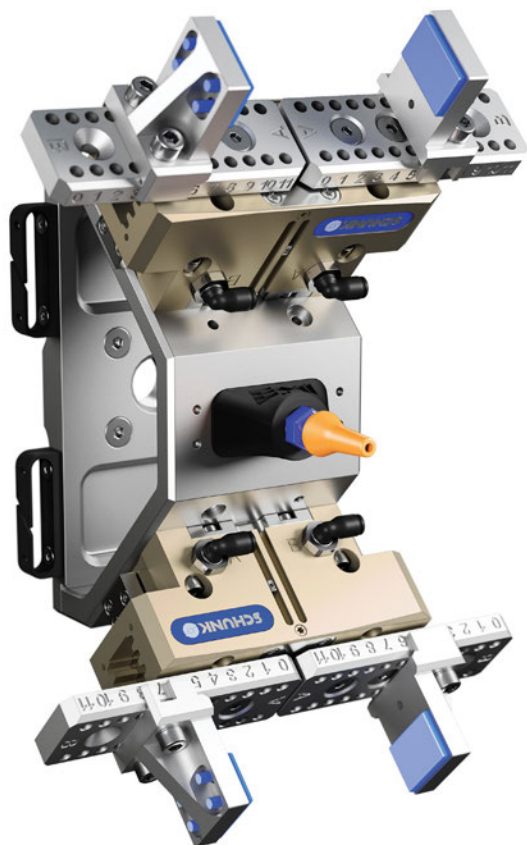
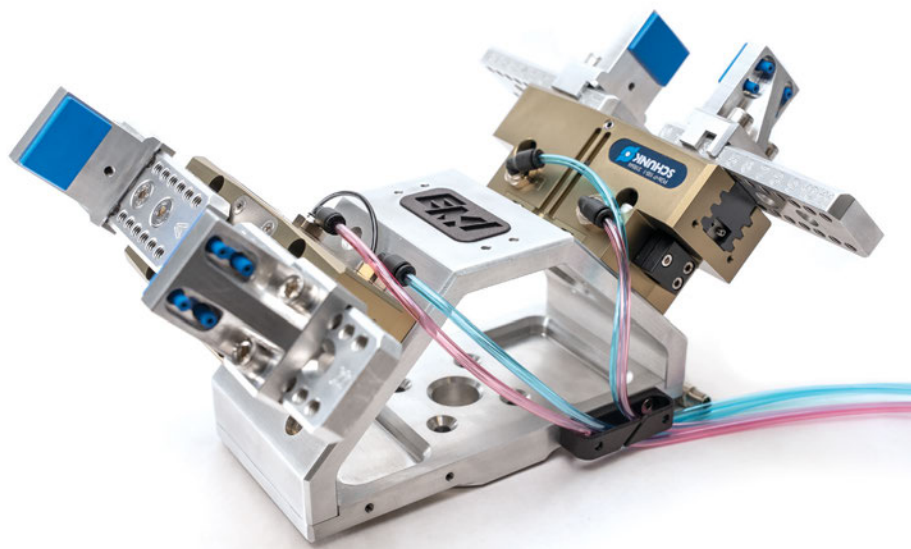
- CU
- QC
- VG
- VC
- VA
- SG
- GR
- MT**
- AC
- CS
- CC

SCHUNK PGN-plus-P – 2-Jaw Gripper for Machine Tending

EMI's Machine Tending Kits are now available with one of the industry's most iconic gripper, the PGN-plus-P self centering, 2-jaw parallel gripper by SCHUNK.

Compatible with EMI's existing mounting interface and adjustable gripper fingers, the PGN series gripper is a fantastic compliment to EMI's product offering.

- 2-jaw, self centering parallel gripper.
- Precision ground guidance for high repeatability.
- Lubrication pockets integrated into the jaws for maximum service life.
- High grip force and safety load rating.
- Protection class: IP40.
- Integrated positive pressure port for increased protection.
- Sensor ready housing.
- Dust proof cover accessory available for increased protection.

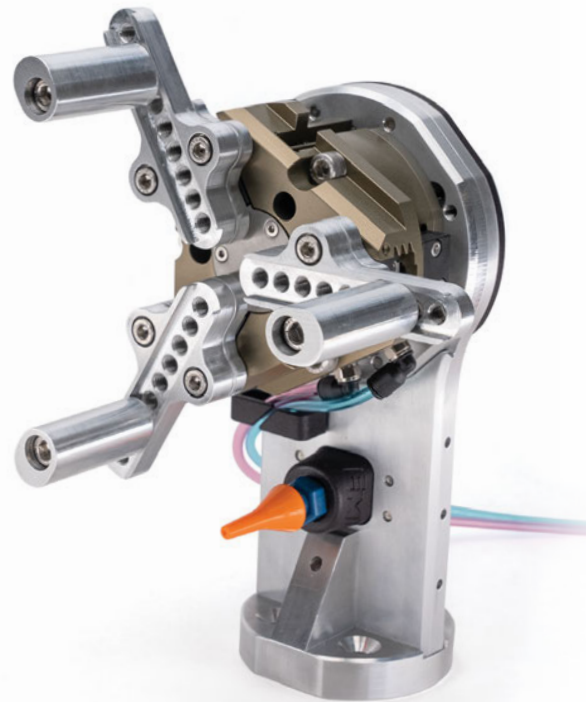


SCHUNK PZN-plus – 3-Jaw Gripper for Machine Tending

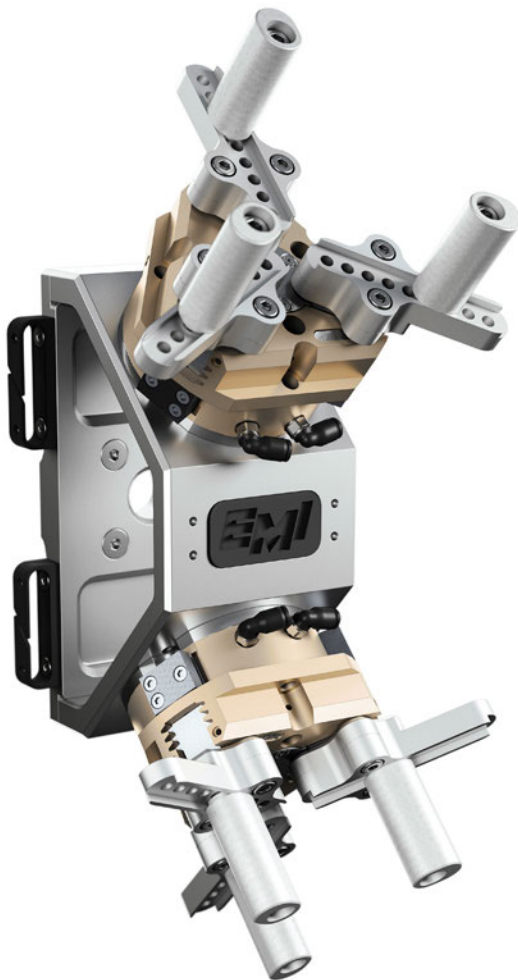
Elevate your 3-jaw, concentric style parallel gripper Machine Tending Kit by EMI with the PZN-plus gripper series. Contact EMI for both existing and new applications!

Known for its precision and robustness, the PZN series gripper by SCHUNK is a great fit for loading and unloading parts out of mills and lathes.

- 3-jaw concentric, parallel gripper.
- Precision guidance for high repeatability.
- High grip force and safety load rating.
- Protection class: IP40.
- Sensor ready housing.
- Dust proof cover accessory available for increased protection.



- CU
- QC
- VG
- VC
- VA
- SG
- GR
- MT**
- AC
- CS
- CC

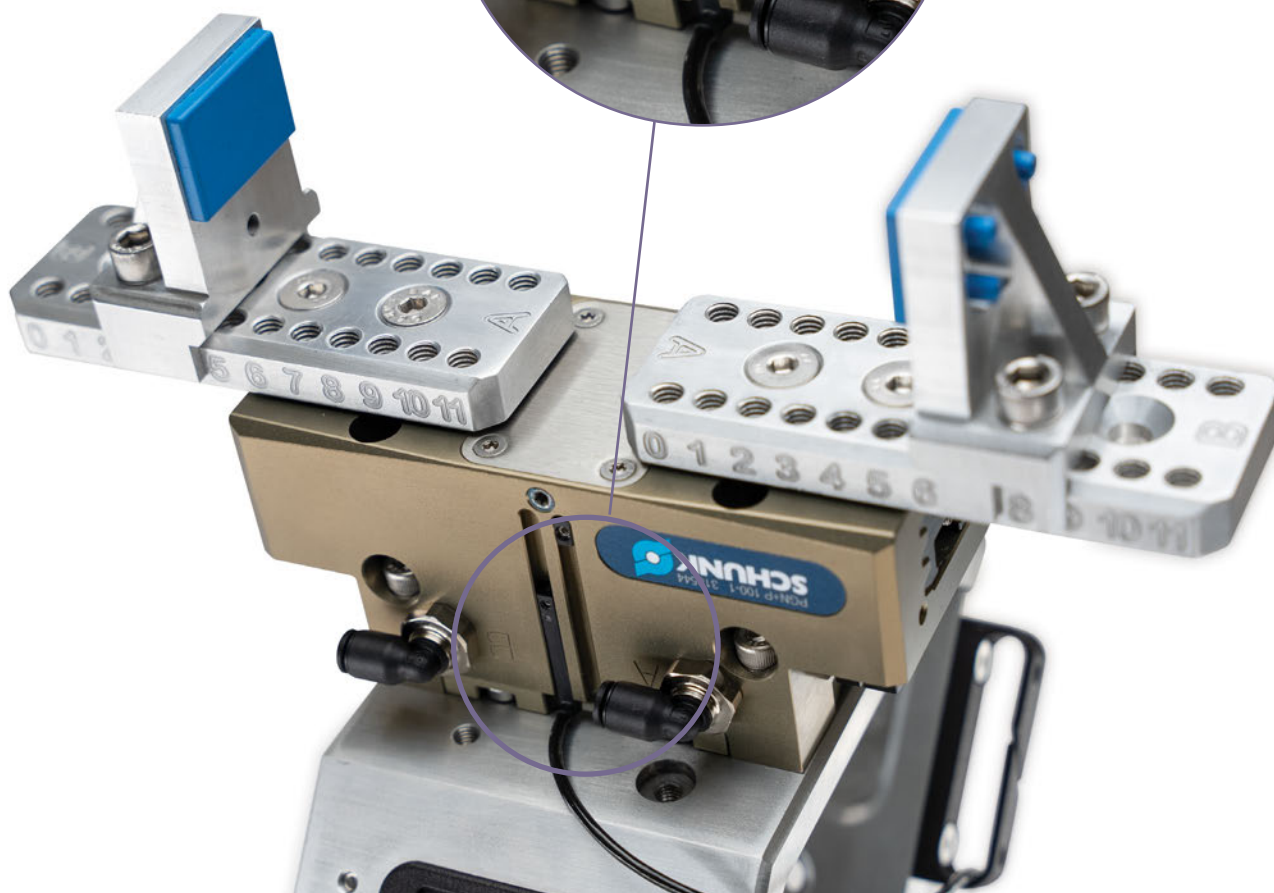


Accessories for PGN-plus-P & PZN-plus Grippers by SCHUNK

Sensors are critical for any application to communicate the gripper state to the robot or control system. A variety of styles of sensors are available that are compatible with SCHUNK's PGN and PZN gripper.

Don't see the sensor configuration you need? Contact EMI for more options!

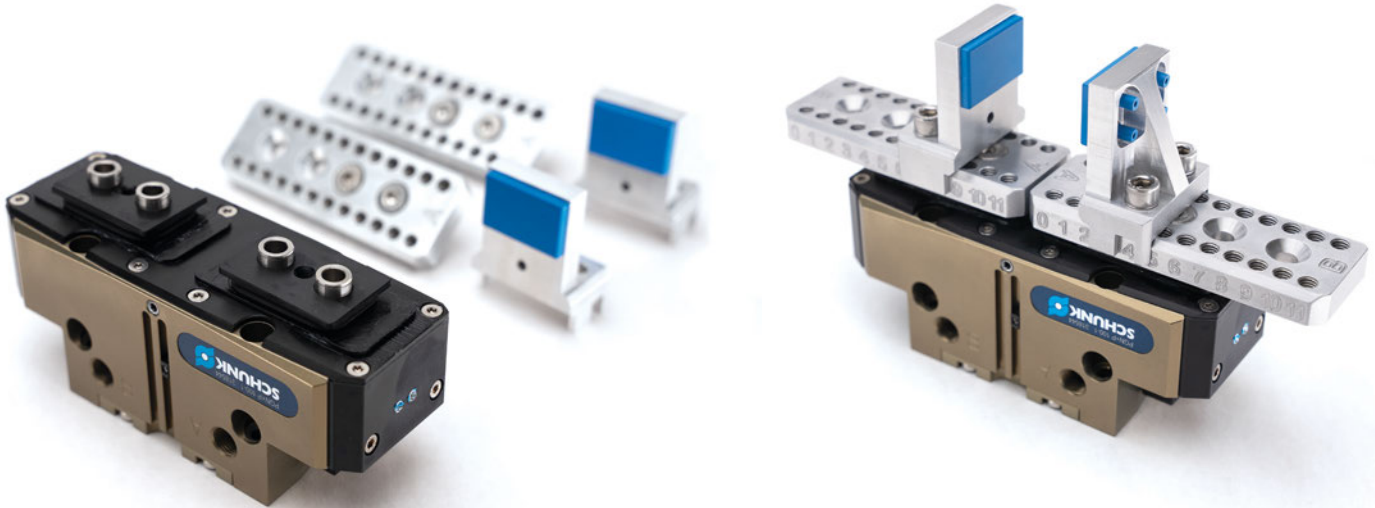
- Straight and 90° (lateral) sensors bodies.
- PNP or NPN signal type.
- Single and multi-output options available.
- Lead wire or M8 connector.



Accessories for PGN-plus-P & PZN-plus Grippers by SCHUNK

Dust Cover Retro-fit Kits for PGN-plus-P Grippers

- Retro-fit kits include all necessary hardware to adapt to gripper.
- Improves gripper protection against penetrating substances.



Quick Change Gripper Jaws

- Manual quick change system for gripper fingers.
- Tool-free locking mechanism.
- Versions available to adapt directly to PGN-series and PZN-series grippers.
- Jaw base and finger studs sold separately, per finger.
- Contact EMI for more details.



- CU
- QC
- VG
- VC
- VA
- SG
- GR
- MT
- AC
- CS
- CC

Slides and Rotaries for Automation Available from EMI



Vacuum Cylinder



Rotating Cylinder



Clampable Cylinder



Rotary Actuators



Slide for EOAT



Mini Slide



Heavy-Duty Guided Slide

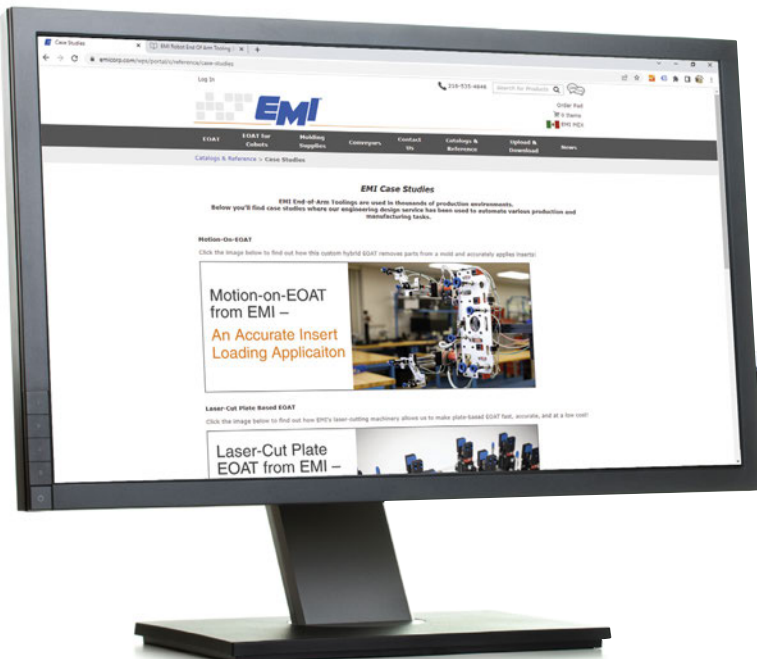
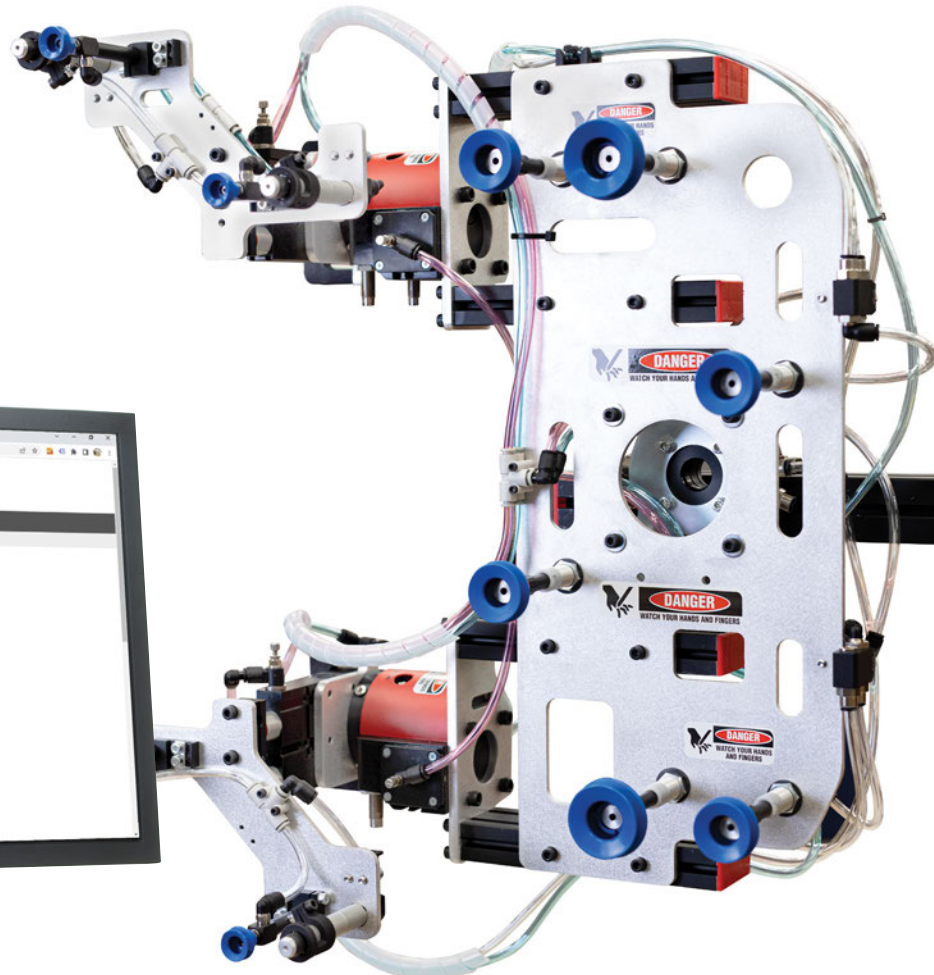


Precision Slide

Click the boxes above to Shop!

EMI EOAT's are used in thousands of production environments.

On our website you'll find case studies where our engineering design service has been used to automate various production and manufacturing tasks.



Accessories and Peripheral Equipment Overview

**One Stop Shop for Cobot Accessories!
Contact EMI for Custom Solutions!**



- CU
- QC
- VG
- VC
- VA
- SG
- GR
- MT
- AC
- CS
- CC

Solenoid Valve Kit

p.260



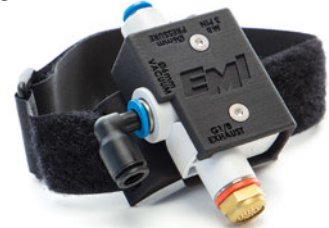
Vacuum Generator Kit – High-Flow

p.259



Vacuum Generator Kit – High-Vacuum

p.258



Cable Management Kit

p.262



Wrist Wrangler

p.261



Tubing Management Kit

p.263



Sensors

p.264



Tubing, Cables, Connectors

p.266



Fittings, Adaptors, Plugs



Shop Online!



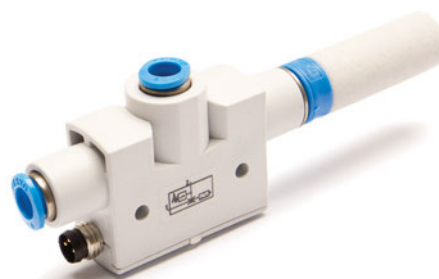
Vacuum Generator Kit – High-Vacuum



High Vacuum!

- Housing made of lightweight impact-resistant plastic.
- Connection of compressed air and vacuum with push-in Ø6mm.
- Operating temp: 32–122° F.
- Festo Vacuum Generator #8091.
- Kit includes User Manual, Silencer, Velcro strap, 3-Pin Cable, and Clear PU tubing.

EMI's **Vacuum Generator Kit** operates off of a 24Vdc, mono-stable signal and is the ideal solution for vacuum EOAT. With an incorporated teachable vacuum switch, 3D printed housing and anti-slip straps, the VGK is a true plug and play solution for your cobot.



For product specifications, see page 168.

High-Vacuum Vacuum Generator Kit with Teachable Vacuum Switch

Quick#	Part#	Price	Max Vacuum Level*	Max Suction Flow*		Air Consumption*		Std. Supply Pressure		Overall Length**	Wt
				CFM	l/min	CFM	l/min	psi	Bar		
8021	CRA-VGK-1	\$265.00	93%	0.77 CFM	21.8 l/min	1.97 CFM	55.8 l/min	87 psi	6 Bar	73.8mm	36g

**Values listed are achieved when supplied at the listed standard supply pressure. Max operating pressure is 8 Bar/ 116psi.*

***Overall Length is 73.8mm when using Quick# 8069 and increases to 107mm when using standard silencer (shown above). Dimensional drawing online.*



Vacuum Generator Kit – High-Flow

- Lightweight POM generator body with PA12 shroud.
- Gimatic Vacuum Generator #V2133.
- Atmospheric quick release valve.
- Pre-set vacuum switch: PNP, -30kPa.
- Compressed air connection: Ø6mm.
- Vacuum Connection: Ø8mm.
- Kit Includes: User Manual, Velcro straps, 3-pin cable and clear PU tubing.



High Flow!

EMI's **High Flow Vacuum Generator Kit** includes includes similar features to our Q#8021 that are more focused on high porous material handling. Lightweight construction and plug & play with most robot arms.



For product specifications, see page 176.

High-Flow Vacuum Generator Kit with Pre-set Vacuum Switch and Quick Release Valve

Quick#	Part#	Price	Max Vacuum Level*	Max Suction Flow*		Air Consumption*		Std. Supply Pressure		Overall Length**	Wt**
				CFM	l/min	CFM	l/min	psi	Bar		
8028	CRA-VGK-2	\$268.00	73%	2.86 CFM	81 l/min	0.91 CFM	25.8 l/min	87 psi	6 Bar	164.4mm	133g

*Values listed are achieved when supplied at the listed standard supply pressure. Max operating pressure is 7 Bar/ 101 psi

**Dimensional drawing online.



- CU
- QC
- VG
- VC
- VA
- SG
- GR
- MT
- AC
- CS
- CC

Cobot Solenoid Valve Kit



**One-Time Purchase!
Compatible with ALL
EMI Grippers!**



Pin#	Function	Wire	Control Box Terminal
1	Not Used	Brown	N/A
3	Ground	Blue	0Vdc
4	Power / Switch Input	Black	Digital Output (DO)

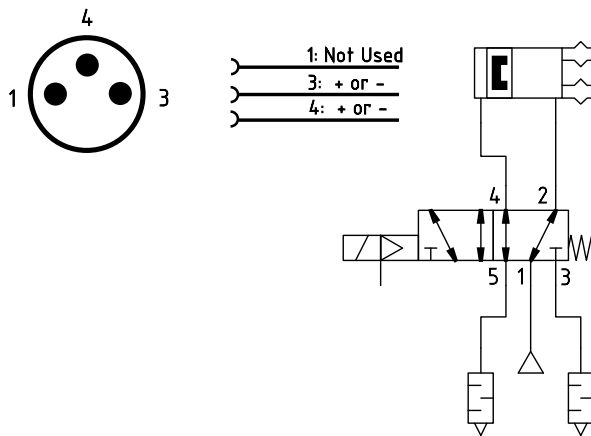
Cobot Solenoid Valve Kit

Quick#	Part#	Price	Wt.
8016	CRA-SVK-1	\$149.00	230g

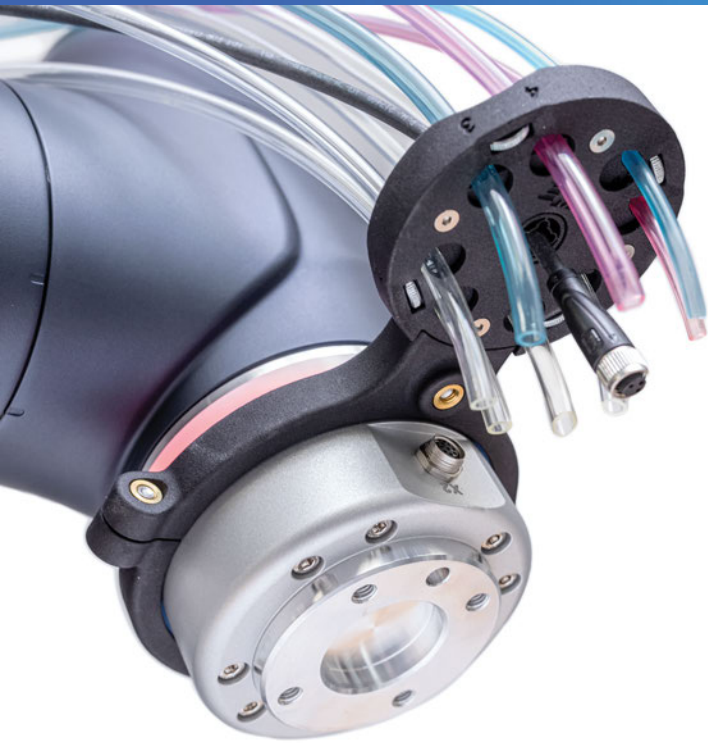
Use Quick#s for easy online ordering.

- Simple, on-arm design with protective shroud and non-slip Velcro® strap to mount to the robot arm.
- Quick# 8067: 5/2 Solenoid Valve – Single - Solenoid, monostable. See website for product specifications.

EMI's **Solenoid Valve Kit** for Collaborative Robots is an essential add-on for all pneumatic applications. It enables you to actuate single acting (NO/NC) and double acting end effectors while using a single digital output and compressed air line. Includes a M8, 3-pole cable, 4mm and 6mm fittings, silencers, threaded and push plugs, neoprene padded strap and a 3D printed shroud. EMI's Cobot Solenoid Valve Kit is the cornerstone of all pneumatic end effectors.



Wrist Wrangler



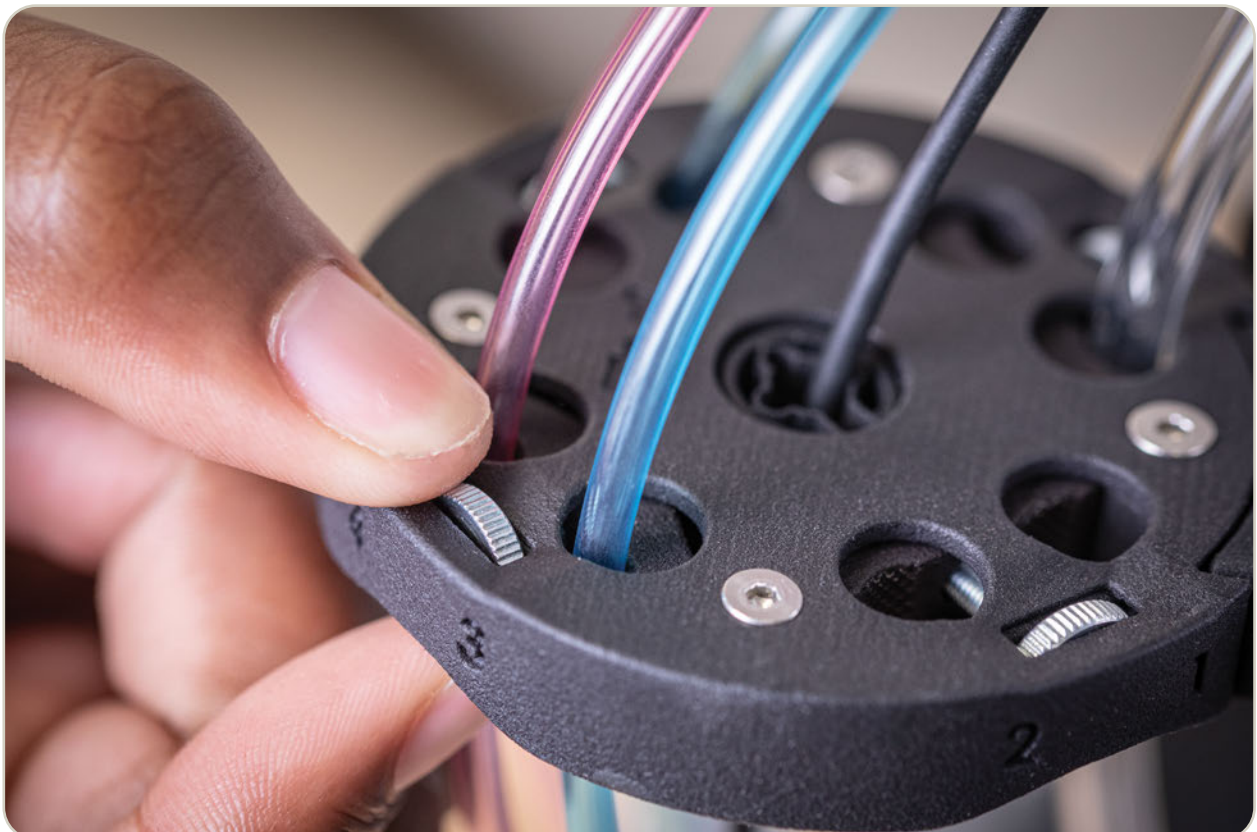
Wrist Wrangler

Quick#	Part#	Description	Price
8024	CRA-WW1-A3	Ø63mm Wrist Mount	\$184.00
8025	CRA-WW1-A5	Ø75mm Wrist Mount	\$189.00
8027	CRA-WW1-A10	Ø90mm Wrist Mount	\$194.00

EMI's **Wrist Wrangler** is a cable and tubing management solution designed for collaborative robots. It clamps at the wrist of your robot and it helps organize cables and pneumatic lines for more complex EOAT or for multiple gripper tools. Available with Ø63mm, Ø75mm and Ø90mm robot wrist clamps, it can secure 8x conduits up to Ø10mm each with an additional grommet at the center for additional tubing and cables.



Click for our Wrist Wrangler Video!



- CU
- QC
- VG
- VC
- VA
- SG
- GR
- MT
- AC
- CS
- CC

Cable Management Kit



Cable Management Kit

Quick#	Part#	Price	Wt.
8015	CRA-CMK-1	\$35.00	65g

Organize and secure pneumatic and electric lines running down your robot arm. Clamps have (4x) channels for tubing and cables up to 8mm diameter. Kit includes two clamps, one 12in. strap, and one 18in. strap that fit most Collaborative Robots.

Contact EMI for Custom Solutions!



EMI's In-House Custom Approach

Find the Perfect lightweight, cost-effective solution!

EMI's in-house laser cutting, and 3D printing service allows us to provide considerable time and cost savings without sacrificing quality. This equipment allows us to provide custom solutions quickly and cost effectively.



Tubing Management Kit



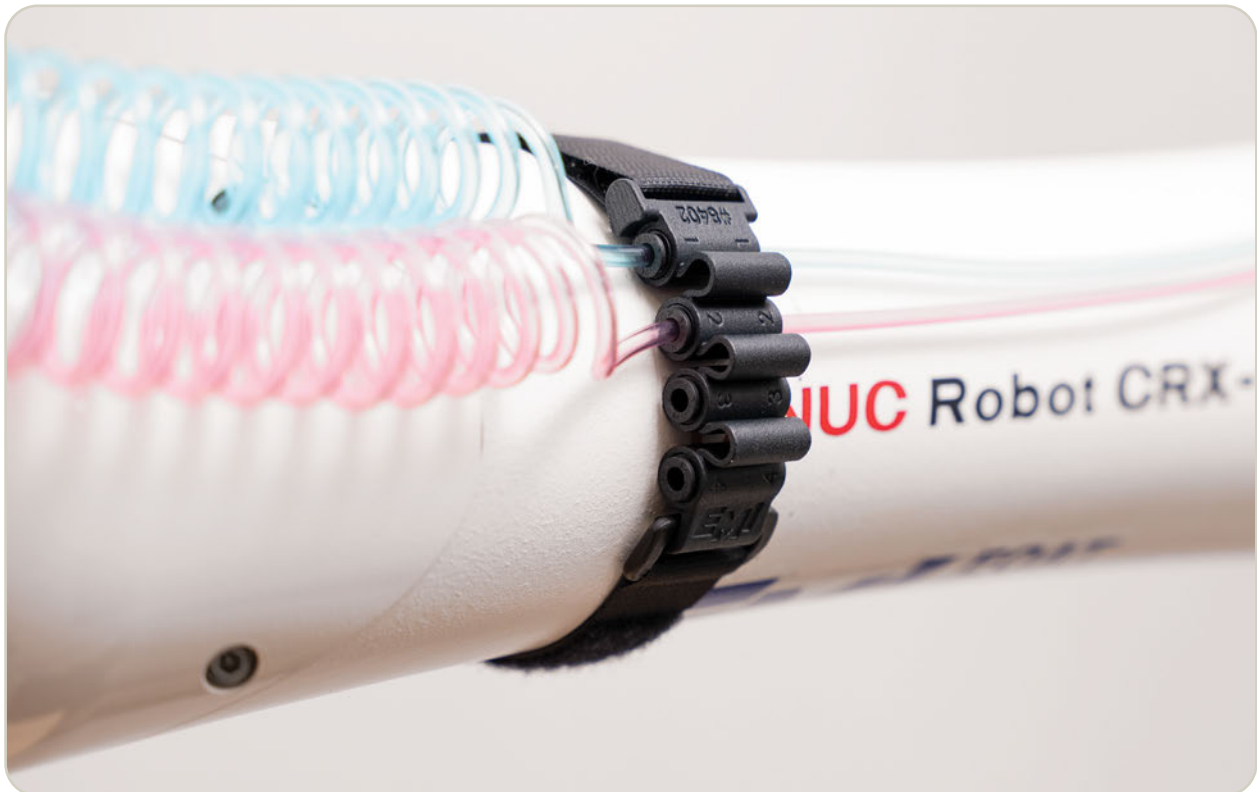
See PU tubing available from EMI on page 271.



Tubing Management Kit

Quick#	Part#	Description	Price
8402	CRA-TMK2-4P04	For Ø4mm Tubing	\$37.75
8403	CRA-TMK2-4P06	For Ø6mm Tubing	\$43.00
8404	CRA-TMK2-4P08	For Ø8mm Tubing	\$48.50

EMI's **Tubing Management Kit** is an ideal solution to transition between joints or as a way to keep tubing organized along the arm of your robot. Available with push-to-connect fittings for Ø4mm, Ø6mm, Ø8mm and designed to flex and conform to different robot arm diameters. This kit includes one 12" and one 18" Velcro strap and push-to-connect fittings (4x).



- CU
- QC
- VG
- VC
- VA
- SG
- GR
- MT
- AC
- CS
- CC

Gimatic Teachable Sensors

Gimatic PRO-SS and PRO-SN 5-Wire sensors are digital magnetoresistive sensors with up to 3 programmable output signals, for example: gripper fully open, gripper fully closed, and part gripped.

Configuring the outputs is achieved through a simple one-button interface. It includes a TEACH button and various LED lights, one for power and one for each output signal: 1, 2, and 3. For more details on programming, we have a Programming Procedure that can be found online at: www.EMICorp.com.

- Highly accurate, this sensor is ideal for part confirmation/mid-stroke detection for any size gripper.
- Easy single button programming.
- Ideal for applications where space is limited and multiple output signals are needed.
- For Gimatic C-shaped sensor slots and fixed in place with set screw.
- Each output can be independently configured to Normally Open or Normally Closed and is clearly identified by LEDs.
- Wide +/- 30mm sensing range (relative to the magnet and the sensor).
- Adaptor cable #7527 is available for splitting the single 8-pin M8 connector into 3x3-pin M8 connectors. Extension cable #2581 is available to assist with wiring.



SS.. Programmable Magnetic Sensors for C-Slots

Quick#	Part#	Signal	Style	Description	Wt.	Price
7521	PRO-SS4N225G	PNP	Straight	with leads, 12/24 Vdc, 0.2 A, PUR cable, 2.5m long	50g	\$70.00
7522	PRO-SS4M225G	NPN			50g	\$70.00
7525	PRO-SS3N215G	PNP		with M8 8-pin Connector, 12/24 Vdc, 0.2 A, PUR cable, 1.5m long	70g	\$92.00
7625	PRO-SS3M215G	NPN			70g	\$92.00

SN.. Programmable Magnetic Sensors for C-Slots

Quick#	Part#	Signal	Style	Description	Wt.	Price
7523	PRO-SN4N225G	PNP	90°	with leads, 12/24 Vdc, 0.2 A, PUR cable, 2.5m long	50g	\$70.00
7524	PRO-SN4M225G	NPN			50g	\$70.00
7526	PRO-SN3N215G	PNP		with M8 8-pin Connector, 12/24 Vdc, 0.2 A, PUR cable, 1.5m long	70g	\$92.00
7626	PRO-SN3M215G	NPN			70g	\$92.00

SN..HSG Programmable Magnetic Sensors for New Style SGP-S Grippers

Quick#	Part#	Signal	Style	Description	Wt.	Price
7635	PRO-SN4N225HSG	PNP	90°	with leads, 12/24 Vdc, 0.2 A, PUR cable, 2.5m long	50g	\$70.00
7636	PRO-SN4M225HSG	NPN			50g	\$70.00
7633	PRO-SN3N215HSG	PNP		with M8 8-pin Connector, 12/24 Vdc, 0.2 A, PUR cable, 1.5m long	70g	\$80.00
7634	PRO-SN3M215HSG	NPN			70g	\$80.00

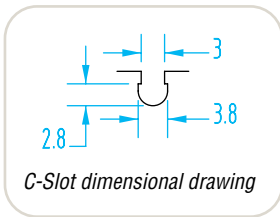
SSR.. Programmable Magnetic Sensors with 2 Programmable Positions & 1 Driven by NOR logic gate

Quick#	Part#	Signal	Style	Description	Wt.	Price
7644	PRO-SSR4N225G	PNP	Straight	with leads, 12/24 Vdc, 0.2 A, PUR cable, 2.5m long	50g	\$70.00
7645	PRO-SSR4M225G	NPN			50g	\$70.00
7646	PRO-SSR3N215G	PNP		with M8 8-pin Connector, 12/24 Vdc, 0.2 A, PUR cable, 1.5m long	70g	\$87.00
7647	PRO-SSR3M215G	NPN			70g	\$87.00

Use Quick#s for easy online ordering.

Gimatic Magnetostrictive C-Slot Sensors

- Power Supply: 6–30V dc
- Max. Switching Frequency: 200 KHz
- Operating Temp.: -10° to 70°C
- Voltage Drop: 1V dc
- IEC Rating: IP 67
- Cable: PUR



C-Slot Magnetostrictive Sensors

Quick#	Part#	Price	Type	Signal	Connection
1882	SS4N225G	\$27.20	Standard 3-Wire	PNP	lead, 2.5m long
1883	SS4M225G	\$27.20	Standard 3-Wire	NPN	
6282	SS3N203G	\$31.16	Standard 3-Wire	PNP	M8 connector, 0.3m long
1884	SS3M203G	\$31.16	Standard 3-Wire	NPN	
6278	SN4N225G	\$27.20	90° Standard 3-Wire	PNP	lead, 2.5m long
6357	SN4M225G	\$27.20	90° Standard 3-Wire	NPN	
6277	SN3N203G	\$31.16	90° Standard 3-Wire	PNP	M8 connector, 0.3m long
6356	SN3M203G	\$31.16	90° Standard 3-Wire	NPN	

Use Quick#s for easy online ordering.



EMI provides many How-To Sensor videos to help you through setup!

Additional Sensors from EMI:

[Click here to Shop!](#)

When part detection is important, EMI can help! We offer a curated selection of sensors specific to cobot applications. If you need help, EMI can advise the correct sensor for your application!



Fiber Optic Sensors

- High-functioning amplifier and many sensor head options.



Keyence Sensor Amplifier

- Its high power enables a wide range of detection applications.



Photo Eye Sensors

- Many sizes and style in-stock with many detectable ranges.

Extension and Interface Cables

- Continuous flex cables can handle the high cycle requirements of many automation applications.
- Thin cables can be used when space is tight and multiple cables are required such as sensor boxes.
- Pin diagrams and other specifications can be found on our online product pages at: www.EMICorp.com
- See page 60 for OnRobot cables.
- See page 28 for Wingman cables & connectors.
- Additional cables and connectors on EMI's website.
- Contact us with any questions: Cobots@emicorp.com

Power your Cobot End Effectors!



#7714, 3-Pin M8 to M8 Interface Cable



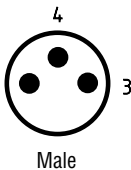
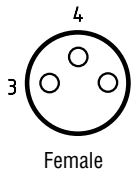
#7160, 3-Pin Cable with M8 Connector



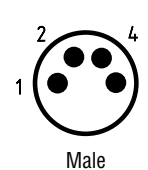
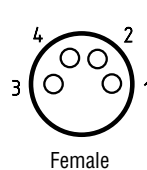
#7827, 8-Pin Cable with M12 Connector

Pin Diagrams:

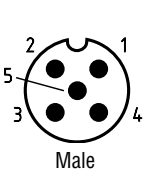
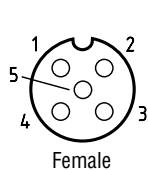
3-Pin:



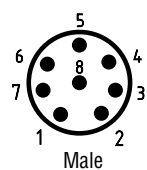
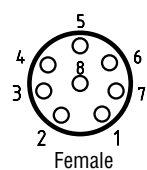
4-Pin:



5-Pin:



8-Pin:



Interface Cables

(connectors on both ends)



Quick#	Part#	End 1 (to component)		Cord		End 2 (to robot)		Notes:	Price
		Pins	Connector	Length	Ø	Pins	Connector		
7712	GSE-TSC180-M803	3 (F)	M8 Straight	0.3m	2.2mm	3 (M)	M8 Straight	Thin cable	\$13.94
7713	GSE-TSC180-M805	3 (F)		0.5m	2.2mm	3 (M)		Thin cable	\$15.08
7714	GSE-TSC180-M812	3 (F)		1.2m	2.2mm	3 (M)		Thin cable	\$16.22
7335	GSE-CS180-M81	3 (F)		1m	4mm	3 (M)		Standard cable	\$17.00
7336	GSE-CS180-M82	3 (F)		2m	4mm	3 (M)		Standard cable	\$17.50
8084	CRC-650-3P	3 (F)		650mm	4mm	3 (M)		Continuous Flex	\$32.00
8085	CRC-750-3P	3 (F)		750mm	4mm	3 (M)		Continuous Flex	\$32.00
8086	CRC-1000-3P	3 (F)		1000mm	4mm	3 (M)		Continuous Flex	\$32.00
8088	CFGM8908CF8903010*	3 (F)		M8 Angled	100mm	4.3mm		8 (M)	M8 Angled
8089	CFGM8908CF8904010*	4 (F)	100mm		4.3mm	8 (M)	Standard cable	\$35.75	

Use Quick#s for easy online ordering.

Extension and Interface Cables

Extension Cables
(connector with free lead wire)



Quick#	Part#	End 1 (plug)		Cord		End 2 (free leads reference)	Notes:	Price		
		Pins	Connector	Length	Ø					
7161	CFGM890325P	3-Pin Female	M8 Angled	2.5m	4.3mm	3 wire 1 - Brown 3 - Blue 4 - Black	Continuous Flex	\$13.00		
2582	GSE-NAN-3A			5m	3.8mm		Standard cable	\$15.00		
7720	GSE-TSCE90-M825			2.5m	2.2mm		Thin cable	\$12.43		
7160	CFGM800325P			2.5m	4.3mm		Continuous Flex	\$13.00		
7159	CFGM800325		M8 Straight	2.5m	3.8mm		Standard cable	\$13.00		
2583	GSE-NAN-3F			5m	3.8mm		Standard cable	\$15.00		
7715	GSE-TSCE-M825			2.5m	2.2mm		Thin cable	\$12.43		
461	GSF-VMC-90			4-Pin Female	M8 Angled		5m	3.8mm	4 wire 1 - Brown 2 - White 3 - Blue 4 - Black	Standard cable
7719	GSE-TSCE90-M825-4P	2.5m	2.5mm			Thin cable	\$14.75			
8082	GSE-RFC-M8-4P	M8 Straight	5m		4.3mm	Continuous Flex	\$16.00			
462	GSF-VMC-S		5m		3.8mm	Standard cable	\$15.00			
7718	GSE-TSCE-M825-4P		2.5m		2.5mm	Thin cable	\$14.75			
7824	GSE-ACS-F5M12A-5M	5-Pin Female	M12 Angled	5m	6mm	5 wire 1 - Brown 2 - White 3 - Blue 4 - Black 5 - Grey	Standard cable	\$23.00		
7823	GSE-SCS-F5M12A-5M		M12 Straight	5m	5mm		Standard cable	\$23.00		
7826	GSE-ACS-M5M12A-5M	5-Pin Male	M12 Angled	5m	5mm		Standard cable	\$25.00		
7825	GSE-SCS-M5M12A-5M		M12 Straight	5m	5mm		Standard cable	\$25.00		
8087	CFGM890802P*	8-Pin Female	M8 Angled	200mm	5mm		8 wire 1 - White 2 - Brown 3 - Green 4 - Yellow 5 - Gray 6 - Pink 7 - Blue 8 - Red	Standard cable	\$33.88	
7831	GSE-ACS-F8M8-5M			5m	5mm	Standard cable		\$37.50		
2581	GSE-RCS-8FS-5000		M8 Straight	5m	5mm	Standard cable		\$26.75		
7828	GSE-ACS-F8M12A-5M			M12 Angled	5m	6mm		Standard cable	\$42.00	
7827	GSE-SCS-F8M12A-5M			M12 Straight	5m	6mm		Standard cable	\$42.00	
7832	GSE-ACS-M8M8-5M			M8 Straight	M8 Angled	5m		5mm	Standard cable	\$37.50
2580	GSE-RCS-8MS-5000		5m		5mm	Standard cable		\$40.35		
8079	CMGM800803P*		8-Pin Male		300mm	5mm		Standard cable	\$27.92	
7830	GSE-ACS-M8M12A-5M				M12 Angled	5m		6mm	Standard cable	\$42.00
7829	GSE-SCS-M8M12A-5M				M12 Straight	5m		6mm	Standard cable	\$42.00

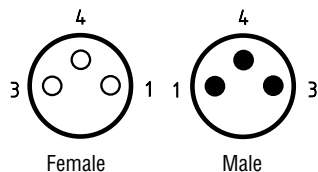
- CU
- QC
- VG
- VC
- VA
- SG
- GR
- MT
- AC
- CS
- CC

Field Wireable Connectors

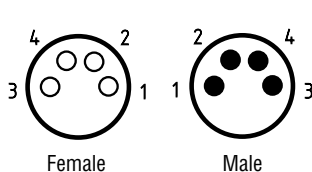
- Field wireable connectors provide a quick-disconnect and the ability to make custom length cables.
- Can be used in applications where a custom-built connections need to be added to cables.
- Pin diagrams and other specifications can be found on our online product pages at: www.EMICorp.com

Pin Diagrams:

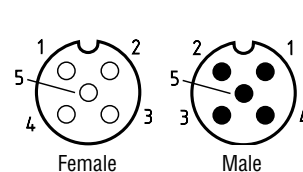
3-Pin:



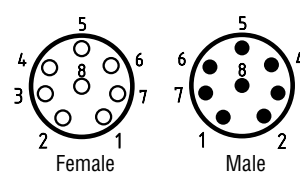
4-Pin:



5-Pin:



8-Pin:



Quick#	Part#	Pins	Connector	Connection Type	Price
7810	GSE-AFC-F3M8-ST	3-Pin Female	M8 Angled	Screw Terminals	\$26.05
7284	CFGM800300		M8 Straight	Screw Terminals	\$14.00
7808	GSE-SFC-F3M8-ID		M8 Straight	Insulation Displacement Terminals	\$26.00
7811	GSE-AFC-M3M8-ST	3-Pin Male	M8 Angled	Screw Terminals	\$25.00
7285	CMGM800300		M8 Straight	Screw Terminals	\$14.00
7809	GSE-SFC-M3M8-ID		M8 Straight	Insulation Displacement Terminals	\$26.67
7814	GSE-AFC-F4M8-ST	4-Pin Female	M8 Angled	Screw Terminals	\$30.22
7699	CFGM800400		M8 Straight	Screw Terminals	\$14.00
7812	GSE-SFC-F4M8-ID		M8 Straight	Insulation Displacement Terminals	\$25.33
7815	GSE-AFC-M4M8-ST	4-Pin Male	M8 Angled	Screw Terminals	\$27.08
7698	CMGM800400		M8 Straight	Screw Terminals	\$14.00
7813	GSE-SFC-M4M8-ID		M8 Straight	Insulation Displacement Terminals	\$25.33
7817	GSE-AFC-F5M12A-ST	5-Pin Female	M12 Angled	Screw Terminals	\$25.33
7816	GSE-SFC-F5M12A-ST		M12 Straight	Screw Terminals	\$25.33
7819	GSE-AFC-M5M12A-ST	5-Pin Male	M12 Angled	Screw Terminals	\$28.00
7818	GSE-SFC-M5M12A-ST		M12 Straight	Screw Terminals	\$28.00
7822	GSE-AFC-F8M12A-ST	8-Pin Female	M12 Angled	Screw Terminals	\$33.00
7684	GSE-SFC-F8M12A-ST		M12 Straight	Screw Terminals	\$33.00
7820	GSE-AFC-F8M12A-ID		M12 Angled	Insulation Displacement Terminals	\$54.17
7686	CMGM1290800	8-Pin Male	M12 Angled	Screw Terminals	\$32.00
7821	GSE-AFC-M8M12A-ID		M12 Angled	Insulation Displacement Terminals	\$58.33
7685	GSE-SFC-M8M12A-ST		M12 Straight	Screw Terminals	\$33.00

Use Quick#s for easy online ordering.

M8 Angled Connectors with Screw Terminals:



#7810, Female 3-Pin

#7811, Male 3-Pin

M8 & 12 Straight Connector with Screw Terminals:



#7685, Male 8-Pin

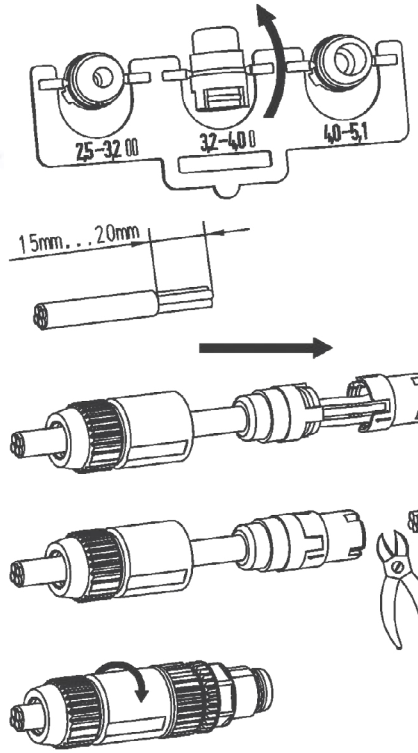
#7284, Female 3-Pin

Insulation displacement connection: A type of wire termination in which the wire is punched down into a metal holder that cuts into the insulation wire and makes contact with the conductor, thus causing the electrical connection to be made. An advantage of this connection type is the insulation on the wires does not have to be stripped prior to termination, or soldered, or individually crimped.

M8 Straight Connectors with Insulation Displacement Terminals:



#7809, Male 3-Pin shown with spares that are included with these connectors.



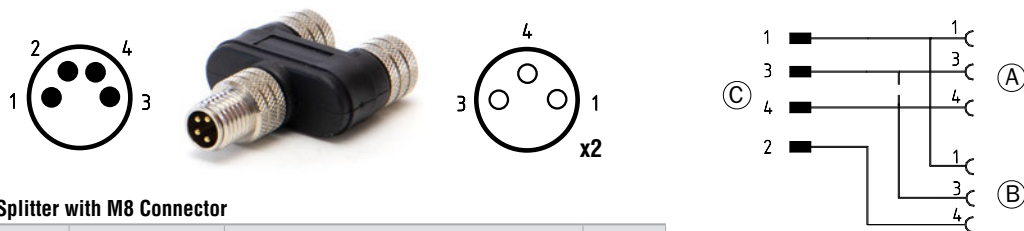
Remove the required seal.

Fully tighten seal and replace when worn.

M12 Angled Connector with Insulation Displacement Terminals:



#7820, Female 8-Pin



Y-Splitter with M8 Connector

Quick#	Part#	Description	Price
8081	GSE-E12269	2x M8 3-pin female, 1x M8 4-pin Male	\$41.00

Combine two sensor cables to simplify I/O requirements.

- CU
- QC
- VG
- VC
- VA
- SG
- GR
- MT
- AC
- CS
- CC

OnRobot Compute Box

OnRobot Grippers are compatible with a wide variety of Robots using the Compute Box to communicate via Ethernet or Digital I/O interface. The Compute Box is also required for OnRobot's more advanced products: Dual QC, HEX Force/Torque Sensor.

OnRobot's WebLogic App can also be accessed through a computer to program your gripper remotely though Ethernet or while on the robot if you are using Digital I/O.

Email Cobots@emicorp.com for support!



Ethernet



Digital I/O



OnRobot's Compute Box is needed with:

- All OnRobot Grippers to be used on robots other than UR®:
 - Doosan® Kuka® Kawasaki®
 - Hanwha® Fanuc® Nachi®
 - Techman Robot® Yaskawa® Other
- Dual Quick Changer on any robot, including UR.
- Hex Force/Torque Sensor on any robot, including UR.
- RG2 F/T Gripper on any robot, including UR.
- Gecko Gripper on any robot, including UR.
- A computer to access WebLogic App.

Box Includes:

- Compute box
- 5m Cable (M12 to M8)
- UTP Cable (RJ45 to RJ45)
- Power supply
- USB stick
- 4x Cable strap
- 3x Terminal blocks
- 8x I/O Wires

OnRobot Compute Box

Quick#	Part#	Description	Price
8231	OR-113761	Works with Various Robot Models. Interface plates sold separately.	\$986.00



OnRobot Adapter Plate K for Techman / Omron

Quick#	Part#	Description	Weight	Price
8269	OR-101850	Plate K for Techman / Omron ISO 9409 Mount Pattern	151g	\$128.00

50mm offset away from TM Camera, see application photo on page 67.



OnRobot ABB Interface Cable

Quick#	Part#	Description	Price
8239	OR-113690	For ABB Gofa - Connects to the Robot Wrist I/O	\$409.00

- CU
- QC
- VG
- VC
- VA
- SG
- GR
- MT
- AC
- CS
- CC

Polyurethane Tube for Push-In Fittings - Sold in 25' Coils

Quick#	Part#	øOD	øID	Color	Min. Radius	Price
957	GSU-PC-0424	4	2.4	Clear	10mm	\$6.80
958	GSU-PC-0604	6	4	Clear	13mm	\$11.50
959	GSU-PC-0806	8	5	Clear	19mm	\$20.00
960	GSU-PB-0424	4	2.4	Blue	10mm	\$6.80
961	GSU-PB-0604	6	4	Blue	13mm	\$11.50
962	GSU-PB-0806	8	5	Blue	19mm	\$20.00
966	GSU-PR-0424	4	2.4	Red	10mm	\$6.80
967	GSU-PR-0604	6	4	Red	13mm	\$11.50
968	GSU-PR-0806	8	5	Red	19mm	\$20.00
923	GSU-PC-1065	10	6.5	Clear	22mm	\$44.64
925	GSU-PC-1208	12	8	Clear	28mm	\$65.36
926	GSU-PC-1611	16	11	Clear	76mm	\$114.10



Spiral Polyurethane Tubing

Quick#	Part#	Description	Price
987	GSU-PCR-0424	Ø4mm Transparent Red, 2.6m long	\$21.35
988	GSU-PCB-0424	Ø4mm Transparent Blue, 2.6m long	\$21.35
996	GSU-PCC-0604	Ø6mm Transparent Clear, 2.6m long	\$23.33
997	GSU-PCR-0604	Ø6mm Transparent Red, 2.6m long	\$23.33
998	GSU-PCB-0604	Ø6mm Transparent Blue, 2.6m long	\$23.33



Ideal to avoid tension between robot joints

- Ø4mm spiral tubing has a maximum suggested working length of 2.6m, with a retracted coil length of 135mm.
- Ø6mm spiral tubing has a maximum suggested working length of 2.6m, with a retracted coil length of 150mm.

Pneumatic Fittings: Many sizes and styles to choose!

[Click here to Shop!](#)



Push-In Fittings



Push-In T Fittings



Push-In Union Fittings

Pressure Regulators

[Click here to Shop!](#)



Regulator with Indicator

- With push-in fitting for Ø6mm or Ø8mm tubing.
- Gauge: 15–116psi.



Mini Inline Regulators

- With push-in fitting for Ø6mm & Ø8mm tubing or with threaded G1/8" or G1/4" fitting.



Mini Regulators

- With push-in fitting for Ø4mm, Ø6mm & Ø8mm tubing or with threaded G1/8" or G1/4" fitting.

Industrial Cobot Stands

Adaptable Base Design

A grid of threaded M8 holes, spaced every 40mm allows the fixed and adjustable height risers to be placed anywhere on the mobile base.

Combine with EMI's Cobot Ready Conveyors

EMI Cobot-Ready Conveyors are certified by Doosan, UR, and compatible with various other robot platforms. Achieve easy and continuous part transfer ideal for pick and place, machine tending, packaging applications.

Reliable Manufacturing, Made in USA

Our production facility in Jackson Center, Ohio can design and build custom industrial equipment for cobots. If you need a custom stand, contact us at: Cobots@EMInc.com.

Stands Ship Fully Assembled

All stands are available for purchase online. Freight dimensions and weights can be found on our online product pages.

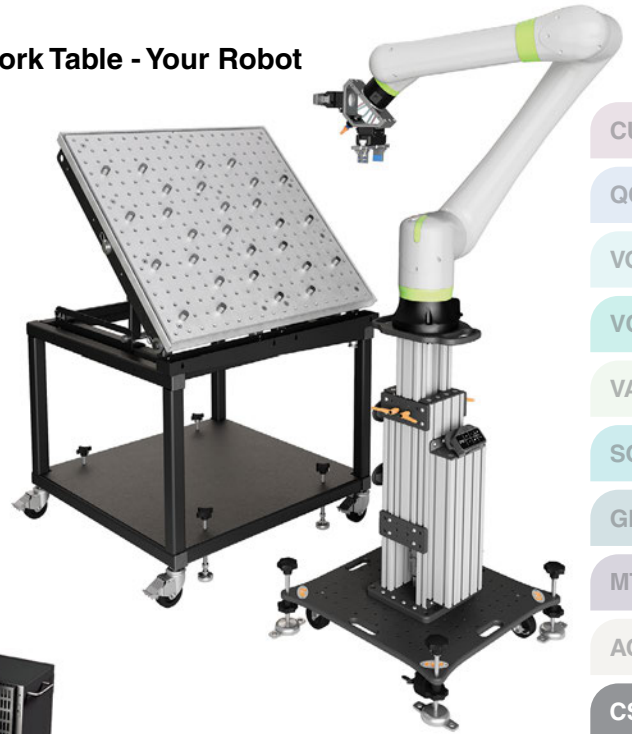
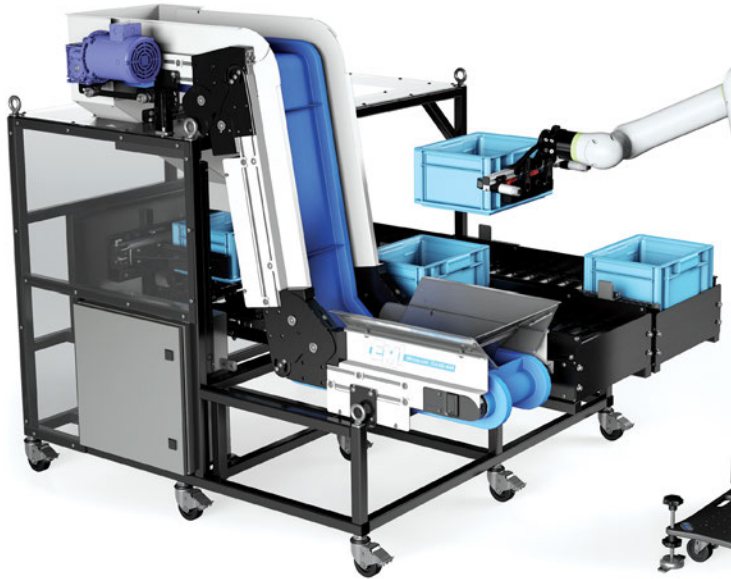


Watch our Industrial Cobot Stand YouTube Video!

Industrial Cobot Stands

Everything but the robot!

Our Conveyor - Our Cobot Stand - Our End Effector - Our Work Table - Your Robot



- CU
- QC
- VG
- VC
- VA
- SG
- GR
- MT
- AC
- CS
- CC



Adjustable Height Cobot Stand

EMI's Cobot Pedestals extend the reach of a cobot arm. These heavy-duty robot stands are perfect in an industrial environment where redeployment and adjustability may be required.

The extruded aluminum profile riser is the perfect solution when a variable height set-up is needed. These pedestals can be fixed directly to the floor using ½" floor anchors or integrate onto our mobile base for easy mobility and redeployment.

Cobot Stands are partially assembled, and ship based on customer configuration and shipping instructions. Usually within 1-2 days. Custom height options and configurations are available upon request.

- Aluminum profile riser with adjustable height.
- Dual handle on each side of riser for easier adjustments.
- Cable management included (x2).
- In-Stock standard sizes for quick delivery.
- Accepts (4x) ½" floor anchor (not supplied with stand).
- Locking casters and leveling pads (mobile base units only).
- Refer to page 283 for Cobot Stand Mounting Pattern Compatibility.
- Find optional accessories on page 284.



Adjustable Height Cobot Stand



- CU
- QC
- VG
- VC
- VA
- SG
- GR
- MT
- AC
- CS
- CC

Fixed Base (Aluminum Profile Riser) with Adjustable Height

Quick #	Part #	Description	Wt.	Price
8920	CRS-FA-2339	23.7"–39.9" OAH	59 lbs	\$1,610.00
8921	CRS-FA-3054	30.8"–54" OAH	65 lbs	\$1,662.00

Mobile Base (Aluminum Profile Riser) with Adjustable Height

Quick #	Part #	Description	Wt.	Price
8901	CRS-MA-2844	28.5"–44.5" OAH	167 lbs	\$2,920.00
8902	CRS-MA-3558	35.5"–58.8" OAH	173 lbs	\$2,972.00



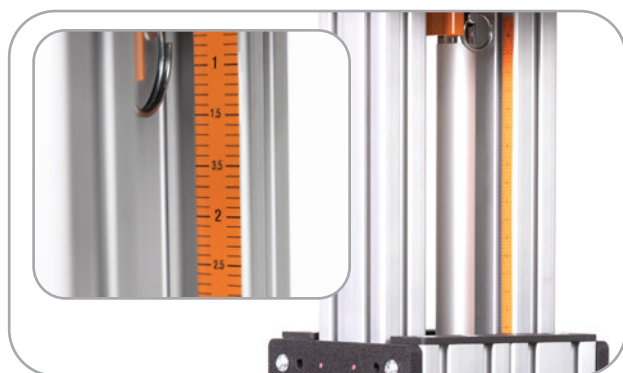
Electric Riser Cobot Stand

The New Electrically-Driven Riser from EMI offers the same mobility and rugged design as our standard stands, with the added convenience of a precise, 400 pound capacity lift available in 16" and 24" strokes.

With 4 user-defined positions, you can now recall your robot's position for the right job with the touch of a button. Alternatively, you can disengage the electric actuator for manual operation or in case of power loss.

The Electric Riser is compatible with the mobile base and can be shipped pre-assembled for your convenience. Once your position is set, it is recommended to tighten the orange riser levers for added stability and peace of mind.

- Electrically-driven riser is actuated by the end user. This product is not to be used as a 7th axis that is controlled by the robot.
- Aluminum extrusion riser with electrically-driven height adjustment via touch control.
- 400 lbs. maximum lift capacity.
- Four programmable positions for height adjustment.
- Available in 16" and 24" stroke.
- Dual handle on each side of riser for tightening in case of loss of power.
- Cable management included (x2).
- Accepts (4x) ½" floor anchor (not supplied with stand).
- Locking casters and leveling pads (mobile base units only).
- Refer to page 283 for Cobot Stand Mounting Pattern Compatibility.
- Find optional accessories on page 284.



Electric Riser Cobot Stand



- CU
- QC
- VG
- VC
- VA
- SG
- GR
- MT
- AC
- CS
- CC

Fixed Base w/ Electrically-Driven Aluminum Riser

Quick #	Part #	Description	Wt.	Price
8960	CRS-FAE-2743	16" Adjustable Stroke 27"-43" OAH	84 lbs	\$3,363.00
8961	CRS-FAE-3559	24" Adjustable Stroke 35"-59" OAH	94 lbs	\$3,487.00

Mobile Base w/ Electrically-Driven Aluminum Riser

Quick #	Part #	Description	Wt.	Price
8970	CRS-MAE-3248	16" Adjustable Stroke 32"-48" OAH	192 lbs	\$4,673.00
8971	CRS-MAE-4064	24" Adjustable Stroke 40"-64" OAH	202 lbs	\$4,797.00

Note: The mobile base unit adds roughly 4.7" to the overall height.



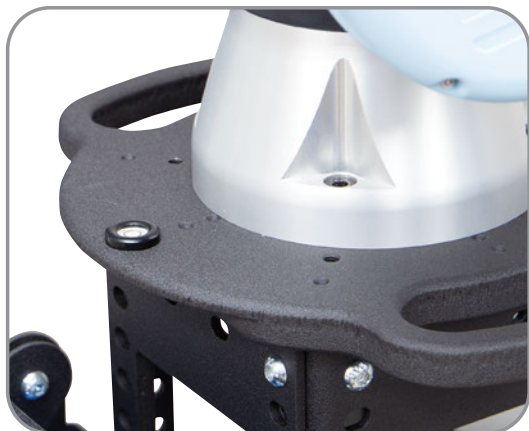
Fixed Height Cobot Stand

When a more robust cobot pedestal is required, consider EMI's Fixed Height Cobot Stand. The powder coated, 7ga. steel riser is available in 30", 36", 42" and 48" height options and is ideal for applications that require repeatable height.

Similar to the adjustable riser, the fixed height cobot stand can be secured directly to the floor with ½" floor anchors or a mobile base unit can be added for easier mobility and redeployment.

Cobot Stands are partially assembled, and ship based on customer configuration and shipping instructions. Usually within 1-2 days. Custom height options and configurations are available upon request.

- 7ga. Steel riser with fixed heights (custom sizes upon request).
- Powder coated matte black (custom paint upon request).
- Cable management included (x2).
- Integrated shelves for storage.
- Locking casters and leveling pads (mobile base unit only).
- Refer to page 283 for Cobot Stand Mounting Pattern Compatibility.
- Find optional accessories on page 284.



Fixed Height Cobot Stand



Fixed Base (Steel Riser) with Fixed Height

Quick #	Part #	Description	Wt.	Price
8930	CRS-FF-30	30.6" OAH	68 lbs	\$1,271.00
8931	CRS-FF-36	36.9" OAH	71 lbs	\$1,346.00
8932	CRS-FF-42	42.5" OAH	79 lbs	\$1,421.00
8933	CRS-FF-48	48.7" OAH	87 lbs	\$1,496.00

Use Quick#s for easy online ordering.

Mobile Base (Steel Riser) with Fixed Height

Quick #	Part #	Description	Wt.	Price
8910	CRS-MF-35	35.3" OAH	176 lbs	\$2,581.00
8911	CRS-MF-41	41.6" OAH	179 lbs	\$2,656.00
8912	CRS-MF-47	47.2" OAH	187 lbs	\$2,731.00
8913	CRS-MF-53	53.5" OAH	195 lbs	\$2,806.00

Note: The mobile base unit adds roughly 4.7" to the overall height.

- CU
- QC
- VG
- VC
- VA
- SG
- GR
- MT
- AC
- CS
- CC



Heavy-Duty Fixed Height Cobot Stand

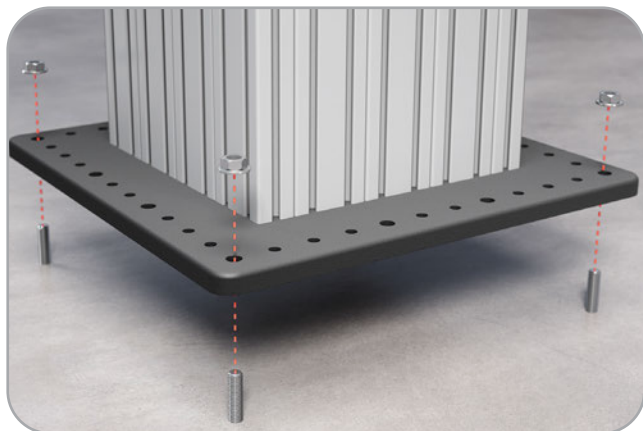
Designed with larger collaborative robots in mind, EMI's New Heavy-Duty Cobot Stand offers versatility, ease of use, providing great quality at a competitive price.

Given the design for larger robots, this fixed base stand is to be secured to the floor using 1/2" floor anchors.

Like our other cobot stand models, the Heavy-Duty Cobot Stand is in-stock and ready to ship when you place an order.

Standard height is 31". Custom height and robot mounting options available.

- Lifting eye bolt for easy lifting.
- Includes (2x) standard-size and (2x) XL cable management brackets for oversized cables and connectors.
- Accepts (4x) 1/2" floor anchor (not supplied with stand).
- Refer to page 283 for Cobot Stand Mounting Pattern Compatibility.
- Find optional accessories on page 284.



Heavy-Duty Fixed Height Cobot Stand

Contact us for Custom Height Stands



- CU
- QC
- VG
- VC
- VA
- SG
- GR
- MT
- AC
- CS
- CC

Heavy-Duty Fixed Base with Fixed Height

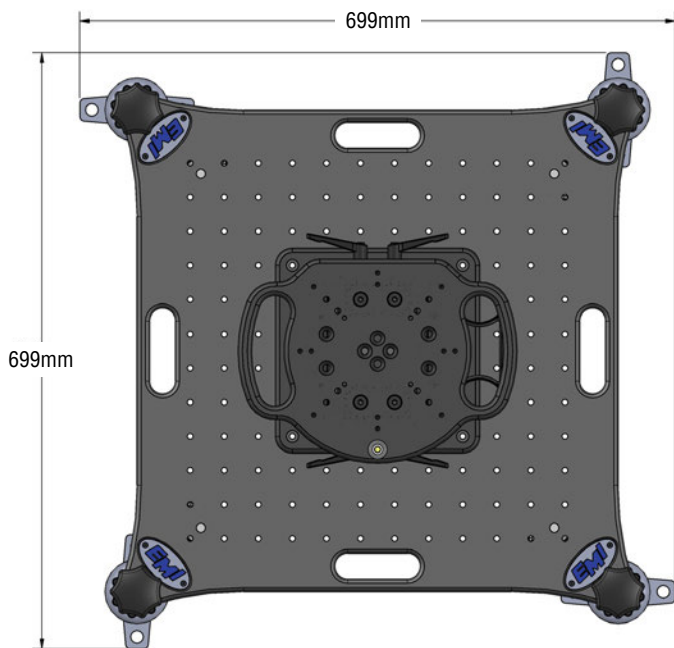
Quick #	Part #	Description	Wt.	Price
8935	CRS-FF-31-HD	31" OAH	210 lbs	\$2,235.00

When ordering, use Quick#s to ensure order accuracy.

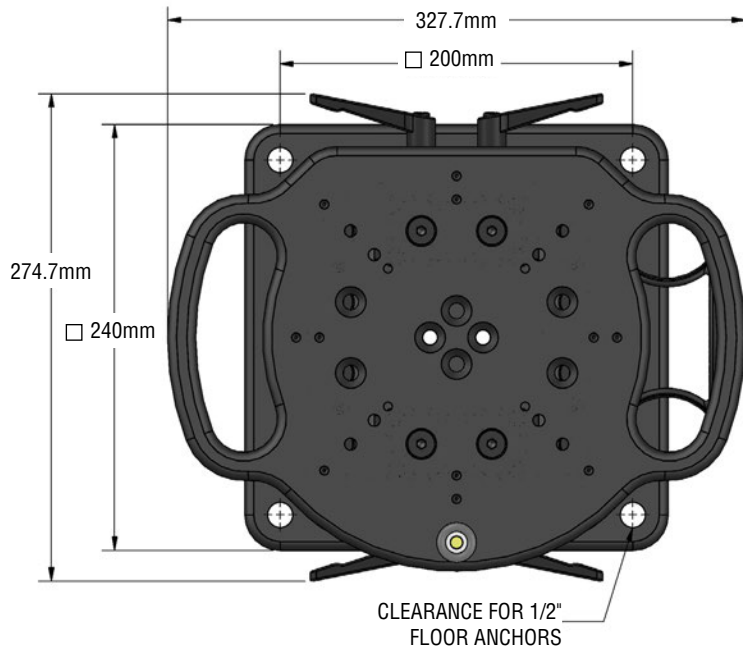


Cobot Stand Footprint

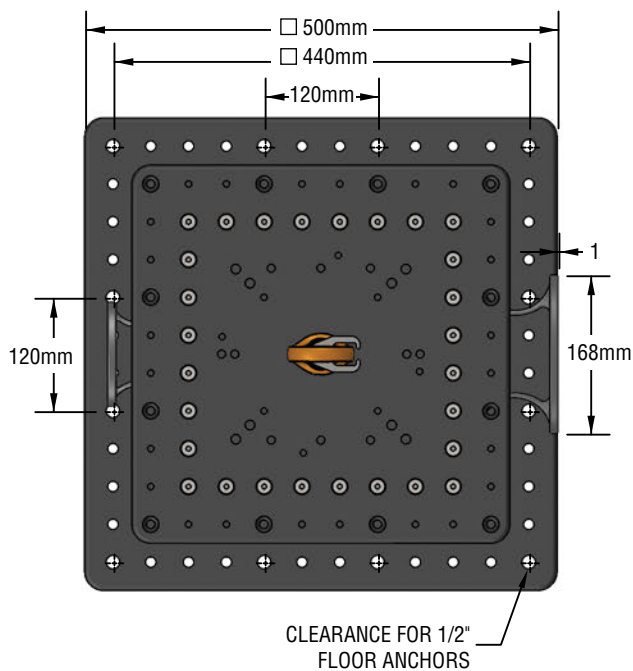
Mobile Stand Footprint



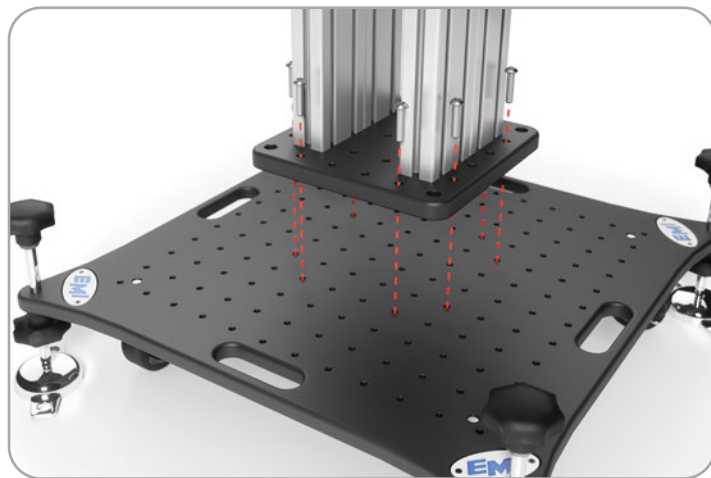
Fixed Stand Footprint



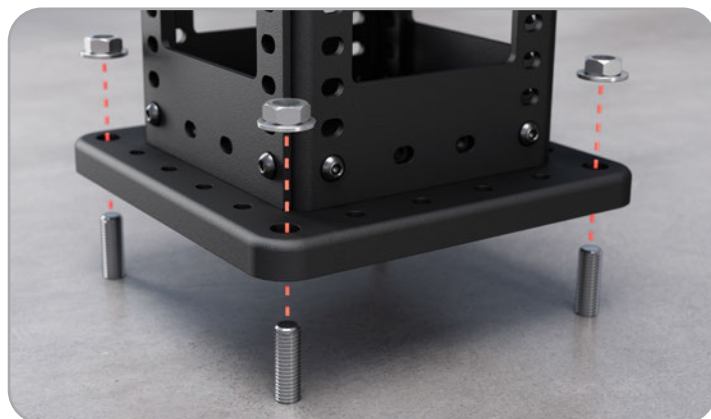
Heavy-Duty Fixed Stand Footprint



With M8 threaded every 40mm, the cobot stand riser can be placed anywhere on the mobile base.



Fixed-base stands easily anchor to floor:



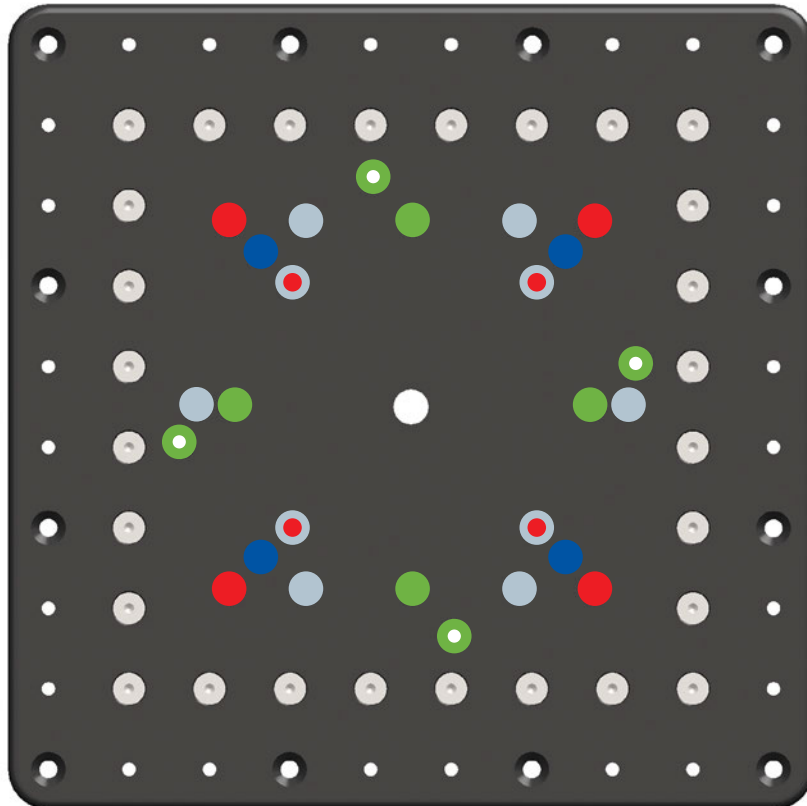
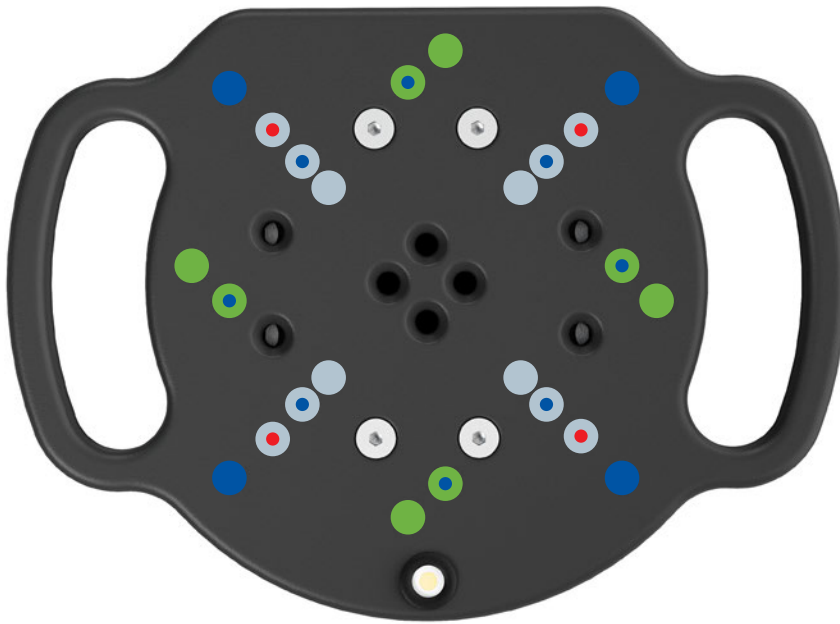
Cobot Mounting Plates

Robust and versatile, EMI cobot mounting plates come ready for many cobots listed on the next page.

Need a custom robot mounting plate?

We can help! Contact us today!

Cobot Stand Mounting Pattern Compatibility



Adjustable / Fixed / Electric Cobot Stand Compatibility

Universal Robots	Thread	Mounting Pattern
UR3	(4x) M6	Ø110mm
UR5	(4x) M8x1.25	Ø132mm
UR10 / UR16		Ø170mm
Fanuc	Thread	Mounting Pattern
CRX 5	(4x) M8x1.25	Ø132mm
CRX 10		Ø170mm
Doosan	Thread	Mounting Pattern
M Series / A Series	(4x) M8x1.25	□150mm
Techman	Thread	Mounting Pattern
TM5	(4x) M10x1.5	□110mm
TM12 / TM14		Ø182mm

Some mounting patterns may require you to offset the home position of the robot J1. Please contact EMI if you would like to have a custom base plate designed.

Heavy-Duty Cobot Stand Compatibility

Universal Robots	Thread	Mounting Pattern
UR10 / UR16	(4x) M8x1.25	Ø170mm
UR20	(6x) M10x1.5	Ø210mm
Fanuc	Thread	Mounting Pattern
CRX 10 / CRX 20	(4x) M8x1.25	Ø170mm
CRX 25	(4x) M12x1.75	□180mm
Doosan	Thread	Mounting Pattern
H / M / A Series	(4x) M8x1.25	□150mm
Techman	Thread	Mounting Pattern
TM12 / TM14 / TM16	(4x) M10x1.5	Ø182mm
TM25	(4x) M12x1.75	Ø230mm

Some mounting patterns may require you to offset the home position of the robot J1. Please contact EMI if you would like to have a custom base plate designed.



www.youtube.com/EMICorpVideo

Visit and subscribe to EMI's YouTube channel to watch the latest videos!

Optional Accessories for EMI Cobot Stands

Control Box Hangers and Mounts

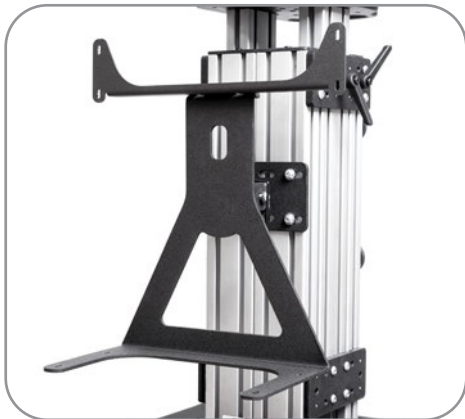
Q# 8940 For Universal Robot



Q# 8943 For Doosan and Fanuc CRX



Q# 8945 For Techman Control Box Mount swivels for ease of access.



Control Box Hangers and Mounts

Quick #	Part #	Description	Price
8940	CRS-CBM-UR	UR Control Box Mount	\$35.00
8943	CRS-CBM-DO	Doosan & Fanuc CRX Control Box Mount	\$204.00
8945	CRS-CBM-TM	Techman Control Box Mount w/ Swivel	\$204.00

When ordering, use Quick#s to ensure order accuracy.

Don't see accessories for your robot model?

Check online as we are constantly adding new accessories or contact us for a custom solution.

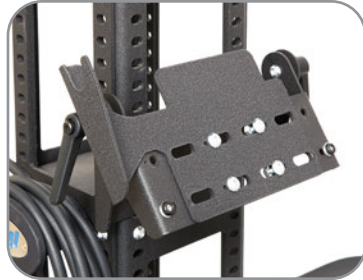
Optional Accessories for EMI Cobot Stands

Adjustable Tilt Pendant / Controller Hangers

Q# 8941 For Universal Robot



Q# 8944 For Doosan



Q# 8946 For Fanuc CRX



Pendant / Controller Hangers

Quick #	Part #	Description	Price
8941	CRS-TPH-UR	UR Pendant Hanger w/ Adj. Tilt Angle*	\$99.00
8944	CRS-TPH-DO	Doosan Pendant Hanger w/ Adj. Tilt Angle	\$109.00
8946	CRS-TPH-CRX	Fanuc CRX Pendant Hanger w/ Adj. Tilt Angle	\$136.00

*Teach pendant hanger includes bracket for older model (CB-Series) UR Teach Pendant

Cable Management / DIN Rail Mounting Bracket



Q# 8942 Cable Management (2x included with Stands)



Q# 8947 X-Large Cable Management (2x included with the Heavy-Duty Stand)



Q# 2809 Din Rail Mounting Bracket (shown attached to the stand, includes mounting hardware)

Optional Accessories

Quick #	Part #	Description	Price
8942	CRS-CM-1	Cable Management (x2)	\$39.00
8947	CRS-CM-1-XL	XL Cable Management (x2)	\$127.00
2809	CRA-DRM-1	Din Rail Mount Bracket Kit	\$37.89

- CU
- QC
- VG
- VC
- VA
- SG
- GR
- MT
- AC
- CS
- CC

Cobot Ready Conveyors

EMI has developed a conveyor package to easily integrate with your Collaborative Robot.

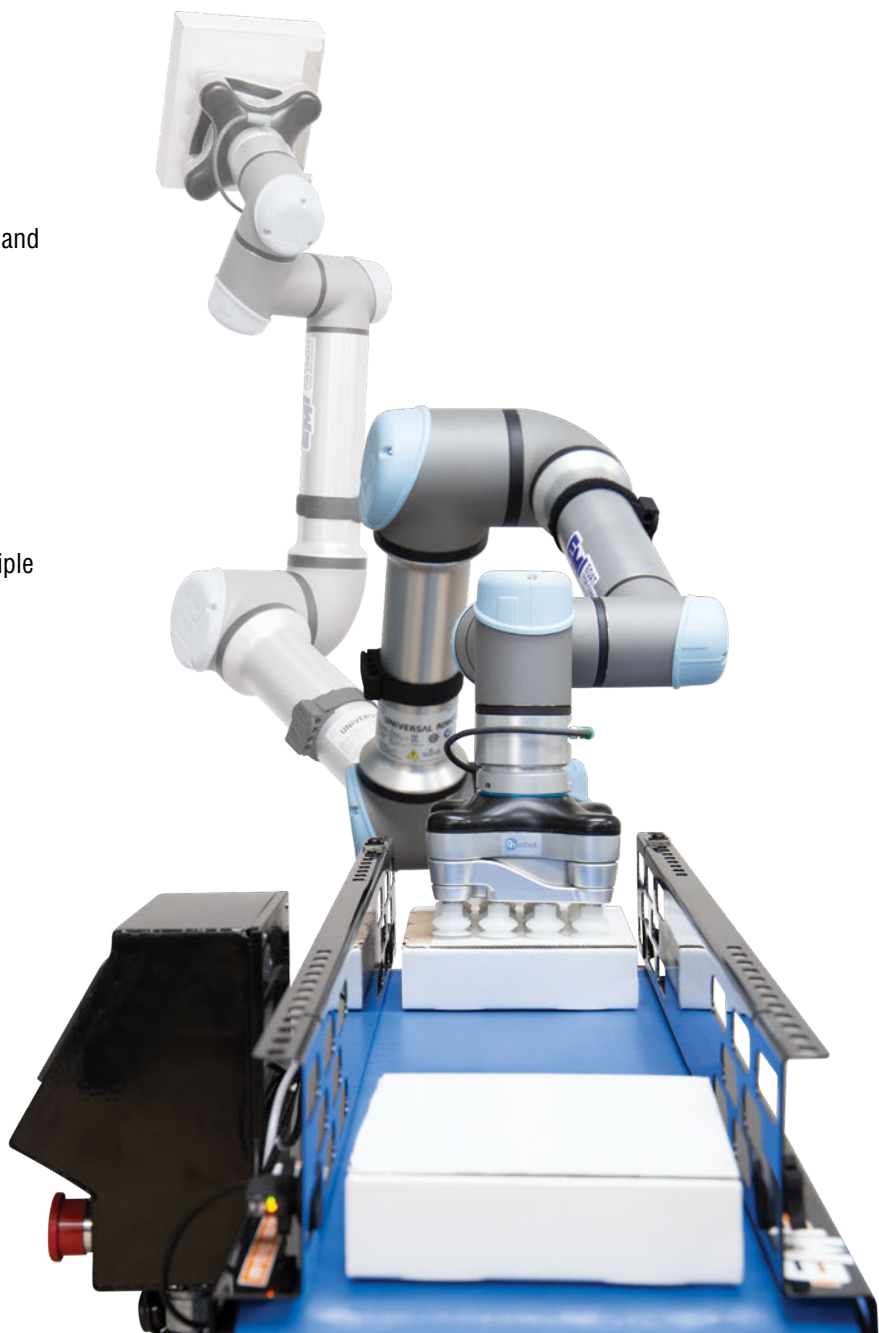
With every Cobot Conveyor:

- Universal modbus signal for UR, Doosan, Kuka, Fanuc, and other Collaborative Robots. Contact us to discuss!
- Two photo-eyes (at infeed and discharge ends of the conveyor).
- Variable Speed, Internal Motor Drive Package (EA-ID Package) or External Drive. (See below)
- Compact touch screen speed control allows for independent control, if necessary.
- 4" x 90° 12ga. Steel powder coated side rails with multiple photo eye mounting positions.
- Adjustable leg sets with 4" swivel, locking castors.

**To request more information,
call 216-535-4848 or email
Sales@EMICorp.com**

 [Click here to learn more!](#)

 [Click here to download the Cobot Ready Conveyor Order Form](#)



Choose Either Internal or External Drive:

Internal Drive Package: (Extruded Aluminum Model Conveyors Only)

- MODBUS communication via Ethernet (EA-PLC-COBOT Electrical Package)
- Power: 110V/ 5amp
- Maximum load: 50lbs
- Maximum belt speed: 70FPM*
- Belt widths: 4"–60" at 2" increments
- Belt lengths: starting at 4ft

*Belt speed may vary based on overall length and width

External Drive Package:

- Steel or aluminum frame
- MODBUS communication via Ethernet (T-99-Cobot Electrical Package)
- Power: 110V/ 5 amp
- Maximum load & belt widths based on Conveyor model, see EMI website for more information
- Belt lengths: starting at 4ft
- Speed: 20, 40 or 80 FPM
- Variable frequency drive as compared to EA-ID

EMI Service and Support

EMI has over 50 years of experience providing quality, custom conveyor automation solutions. Whether you need a single automation cell or a lights out, plant-wide system EMI will design and build an automation system that meets your requirements and exceeds your expectations.

Getting started is easy. If you have a concept in mind just fill out the appropriate datasheets. An EMI Sales Representative will talk with you about the scope of your project and gather all of the technical data necessary to design a system that meets your requirements.

EMI Conveyors are built in the USA!



- CU
- QC
- VG
- VC
- VA
- SG
- GR
- MT
- AC
- CS
- CC

	Extruded Aluminum	Extruded Aluminum	Trim Line (steel / aluminum)	Merit Line (steel / aluminum)	Clean Room (aluminum)	Signature Line (steel)
Electrical Package	Internal Drive with EA-PLC-COBOT Package	External Drive with T-99 Cobot Controller Package				
Price for standard Cobot Ready Flat Belt Conveyor (18" wide by 10' long) <i>Other sizes available</i>	EAF-18-10-20 \$5,842	EAF-18-10-20 \$5,243	STL / ATL-18-10-20 \$5,033	ADF-18-10-20 \$5,597 DDF-18-10-20 \$5,817	ACRF-18-10-20 \$5,897	RM-18-10-20 \$6,110

Pricing effective 05/01/2024

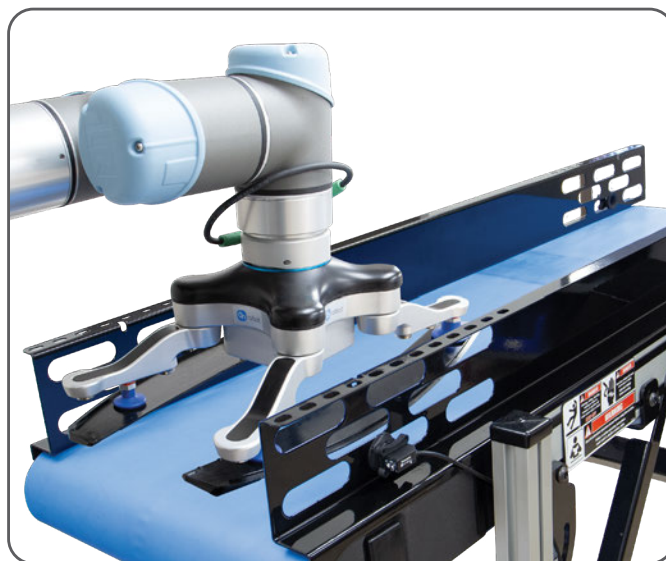
Cobot Ready Conveyors

EMI's conveyors are built to withstand heavy-duty industrial use!

T-99-Cobot Controller Package:

- Can be added to any EMI conveyor with an external drive.
- Ideal for robot indexing, box filling, and process control tie-in applications.
- Indexing, reversing, and 20-80FPM depending on what is selected for FPM.
- Continuous run mode.
- Accepts momentary or maintained signals for indexing and reversing.
- Easily adjustable digital timers.

Note: Programming includes the possibility to run in any sequence with indexing/reversing continuous run. "Maintained or Momentary" normally open dry contact or 24VDC signals are both accepted for indexing and reversing inputs. All timers shall be programmed via keypad function.





- CU
- QC
- VG
- VC
- VA
- SG
- GR
- MT
- AC
- CS
- CC**

Cobot Ready Conveyors

Easily automate tasks to increase productivity!

Whether you are automating your process using multiple cobot assisted conveyors or multiple collaborative robots, EMI can help develop an ideal solution.



Electrical Features:

If you're considering automating your process with a conveyor indexing program, EMI's control packages, combined with an EMI conveyor, can provide a wide range of automation benefits.

Implementing a box packing, stacking, or indexing system can increase productivity and decrease down-time.



- Adjustable photo eye placement within the side rails.
- We offer many types of photo eyes for different applications depending on the size and color of the part you are detecting.



- MODBUS communication via Ethernet (EA-PLC-COBOT Electrical Package shown)



- Touch screen display



- Digital and Ethernet connections for internal and external drive.

Decades of constant improvement and custom conveying applications make EMI conveyor systems the standard in the plastics industry.

Manufactured in our Ohio facility, EMI conveyors are designed to your specifications, crafted by experienced assemblers and are made to last in industrial environments while offering advanced features to manufacturers.

Suitable Applications:

- Machine tending
- Injection molding
- Material handling
- Pick and place
- Box filling



Click for a 360° View!

- CU
- QC
- VG
- VC
- VA
- SG
- GR
- MT
- AC
- CS
- CC



Click for a 360° View!



Click for a 360° View!

Quick Number Index

Quick#.....	Page#				
244.....	168	3466.....	77	7714.....	266
461.....	267	3682.....	77	7715.....	267
462.....	267	5135.....	125	7718.....	267
923.....	271	5157.....	126	7719.....	267
925.....	271	5173.....	125	7720.....	267
926.....	271	5315.....	126	7732.....	34
957.....	271	5316.....	126	7733.....	34
958.....	271	5448.....	155	7745.....	131
959.....	271	5639.....	125	7747.....	131
960.....	271	5640.....	125	7748.....	131
961.....	271	5641.....	125	7751.....	131
962.....	271	5642.....	123	7752.....	131
966.....	271	5643.....	123	7753.....	131
967.....	271	5644.....	123	7757.....	151
968.....	271	5645.....	123	7758.....	151
987.....	271	5646.....	123	7759.....	151
988.....	271	5647.....	123	7760.....	151
996.....	271	5648.....	123	7761.....	151
997.....	271	6277.....	265	7762.....	151
998.....	271	6278.....	265	7763.....	151
1439.....	126	6282.....	265	7764.....	151
1440.....	126	6356.....	265	7765.....	153
1441.....	126	6357.....	265	7766.....	153
1442.....	126	7159.....	267	7767.....	153
1443.....	126	7160.....	267	7768.....	153
1444.....	126	7161.....	267	7769.....	153
1826.....	125	7284.....	268	7770.....	153
1827.....	125	7285.....	268	7771.....	151
1882.....	265	7335.....	266	7772.....	151
1883.....	265	7336.....	266	7773.....	151
1884.....	265	7435.....	74	7808.....	268
1931.....	187	7521.....	264	7809.....	268
1932.....	187	7522.....	264	7810.....	268
2050.....	169	7523.....	264	7811.....	268
2051.....	169	7524.....	264	7812.....	268
2052.....	169	7525.....	264	7813.....	268
2358.....	155	7526.....	264	7814.....	268
2359.....	155	7600.....	34	7815.....	268
2360.....	155	7601.....	34	7816.....	268
2361.....	155	7602.....	34	7817.....	268
2580.....	267	7603.....	34	7818.....	268
2581.....	267	7604.....	34	7819.....	268
2582.....	267	7625.....	264	7820.....	268
2583.....	267	7626.....	264	7821.....	268
2693.....	187	7684.....	268	7822.....	268
2695.....	187	7685.....	268	7823.....	267
2696.....	187	7686.....	268	7824.....	267
2697.....	187	7698.....	268	7825.....	267
2800.....	250	7699.....	268	7826.....	267
2801.....	250	7703.....	34	7827.....	267
2802.....	250	7704.....	41	7828.....	267
2803.....	250	7705.....	41	7829.....	267
2804.....	250	7706.....	171	7830.....	267
2809.....	285	7711.....	34	7831.....	267
3464.....	77	7712.....	266	7832.....	267
3465.....	77	7713.....	266	8001.....	210

Quick#.....	Page#				
8002.....	206	8116.....	246	8271.....	95
8003.....	211	8117.....	238	8272.....	225
8004.....	86	8118.....	238	8273.....	225
8005.....	82	8119.....	242	8274.....	225
8011.....	93	8120.....	242	8275.....	225
8015.....	262	8121.....	246	8276.....	225
8016.....	260	8122.....	246	8277.....	225
8017.....	75	8130.....	251	8278.....	227
8018.....	75	8131.....	251	8279.....	66
8021.....	258	8132.....	251	8280.....	192
8024.....	261	8150.....	32	8281.....	193
8025.....	261	8151.....	32	8282.....	193
8027.....	261	8152.....	39	8283.....	193
8028.....	259	8153.....	36	8289.....	67
8030.....	92	8154.....	36	8290.....	227
8057.....	70	8155.....	32	8291.....	227
8058.....	68	8156.....	32	8292.....	227
8061.....	200	8157.....	40	8293.....	227
8062.....	200	8158.....	40	8294.....	227
8063.....	72	8159.....	40	8295.....	223
8069.....	168	8160.....	42	8296.....	223
8070.....	198	8161.....	42	8297.....	223
8071.....	196	8162.....	42	8301.....	194
8072.....	198	8170.....	38	8302.....	194
8073.....	196	8171.....	38	8310.....	188
8074.....	198	8172.....	56	8321.....	212
8079.....	267	8173.....	56	8322.....	212
8080.....	198	8174.....	56	8331.....	214
8081.....	269	8175.....	56	8332.....	214
8082.....	267	8201.....	224	8352.....	58
8084.....	266	8202.....	224	8353.....	58
8085.....	266	8203.....	226	8361.....	58
8086.....	266	8204.....	220	8362.....	58
8087.....	267	8205.....	102	8401.....	26
8088.....	266	8206.....	220	8402.....	263
8089.....	266	8210.....	98	8403.....	263
8090.....	114	8211.....	94	8404.....	263
8091.....	168	8212.....	228	8411.....	28
8093.....	52	8213.....	100	8412.....	28
8094.....	52	8221.....	60	8413.....	28
8095.....	52	8222.....	62	8421.....	28
8096.....	52	8223.....	64	8422.....	28
8097.....	52	8224.....	60	8423.....	28
8098.....	32	8225.....	60	8431.....	28
8099.....	168	8230.....	60	8432.....	28
8101.....	76	8231.....	270	8441.....	28
8102.....	76	8237.....	60	8442.....	28
8103.....	76	8239.....	60	8443.....	28
8104.....	76	8239.....	270	8444.....	28
8106.....	76	8240.....	225	8445.....	28
8110.....	251	8241.....	225	8446.....	28
8111.....	238	8242.....	63	8450.....	28
8112.....	238	8243.....	95	8451.....	28
8113.....	242	8269.....	67	8460.....	44
8114.....	242	8269.....	270	8465.....	46
8115.....	246	8270.....	95	8466.....	46

- CU
- QC
- VG
- VC
- VA
- SG
- GR
- MT
- AC
- CS
- CC

Quick Number Index

Quick#.....	Page#				
8467.....	46	8627.....	161	8760.....	133
8468.....	48	8628.....	161	8761.....	133
8469.....	48	8701.....	157	8762.....	133
8470.....	48	8704.....	157	8763.....	133
8477.....	46	8705.....	157	8764.....	133
8478.....	46	8709.....	159	8765.....	133
8479.....	46	8710.....	159	8766.....	138
8480.....	46	8711.....	159	8767.....	138
8481.....	46	8712.....	159	8768.....	138
8482.....	46	8713.....	159	8769.....	138
8483.....	46	8714.....	159	8770.....	145
8489.....	46	8715.....	159	8771.....	145
8490.....	48	8716.....	159	8772.....	145
8491.....	48	8717.....	159	8773.....	140
8501.....	121	8718.....	159	8774.....	140
8502.....	121	8719.....	159	8775.....	140
8503.....	121	8720.....	159	8776.....	140
8504.....	121	8721.....	159	8777.....	140
8505.....	121	8722.....	159	8778.....	140
8506.....	121	8723.....	159	8779.....	141
8507.....	121	8724.....	159	8780.....	141
8508.....	121	8725.....	159	8781.....	141
8509.....	121	8726.....	159	8782.....	141
8510.....	121	8727.....	159	8783.....	141
8511.....	121	8728.....	159	8784.....	141
8512.....	121	8729.....	159	8785.....	154
8513.....	121	8730.....	159	8786.....	154
8514.....	121	8731.....	135	8787.....	154
8515.....	121	8732.....	138	8788.....	186
8516.....	121	8733.....	138	8789.....	186
8601.....	147	8734.....	135	8790.....	186
8602.....	147	8735.....	138	8791.....	186
8603.....	147	8736.....	138	8792.....	172
8604.....	147	8737.....	135	8793.....	172
8605.....	147	8738.....	135	8794.....	172
8606.....	147	8739.....	135	8795.....	172
8607.....	147	8740.....	138	8796.....	172
8608.....	147	8741.....	135	8797.....	172
8609.....	147	8742.....	139	8798.....	172
8610.....	147	8743.....	139	8799.....	172
8611.....	147	8744.....	139	8800.....	172
8612.....	147	8745.....	139	8801.....	172
8613.....	147	8746.....	135	8805.....	174
8614.....	147	8747.....	135	8806.....	174
8615.....	147	8748.....	135	8807.....	174
8616.....	149	8749.....	139	8808.....	174
8617.....	149	8750.....	139	8809.....	174
8618.....	149	8751.....	137	8810.....	174
8619.....	149	8752.....	137	8811.....	178
8620.....	149	8753.....	137	8812.....	178
8621.....	149	8754.....	137	8814.....	179
8622.....	161	8755.....	137	8815.....	179
8623.....	161	8756.....	143	8816.....	179
8624.....	161	8757.....	143	8819.....	180
8625.....	161	8758.....	133	8820.....	180
8626.....	161	8759.....	133	8821.....	180

Quick#.....	Page#				
8823.....	181	8861.....	108	V1123.....	131
8824.....	181	8862.....	108	V1125.....	131
8825.....	181	8863.....	116	V1126.....	131
8826.....	182	8864.....	116	V1127.....	131
8827.....	112	8865.....	116	V1128.....	131
8828.....	106	8901.....	275	V1129.....	131
8829.....	106	8902.....	275	V1130.....	131
8830.....	106	8910.....	279	V1865.....	129
8831.....	106	8911.....	279	V1870.....	129
8832.....	106	8912.....	279	V1939.....	187
8833.....	106	8913.....	279	V2130.....	176
8834.....	106	8920.....	275	V2131.....	176
8835.....	106	8921.....	275	V2132.....	176
8836.....	106	8930.....	279	V2133.....	176
8837.....	106	8931.....	279	V2134.....	176
8838.....	106	8932.....	279	V2135.....	176
8841.....	106	8933.....	279	V2495.....	129
8842.....	106	8935.....	281	V2496.....	129
8843.....	106	8940.....	284	V7687.....	170
8844.....	106	8941.....	285	V7688.....	170
8845.....	106	8942.....	285	V7689.....	170
8850.....	104	8943.....	284	V7690.....	170
8851.....	105	8944.....	285	V7691.....	170
8852.....	104	8945.....	284	V7692.....	170
8853.....	105	8946.....	285	V7744.....	129
8856.....	105	8947.....	285	V7746.....	129
8857.....	105	8960.....	277	V7749.....	129
8858.....	105	8961.....	277	V7750.....	129
8859.....	105	8970.....	277		
8860.....	108	8971.....	277		

- CU
- QC
- VG
- VC
- VA
- SG
- GR
- MT
- AC
- CS
- CC

Sales and Service in Mexico!



¡Contamos con un Gran Inventario con Despachos Diarios!



EMI Plásticos Internacional S de RL de CV, a subsidiary of EMI Corp, was established in 2011 to provide technical, service, and sales support to our customers in Mexico. Staffed by knowledgeable and helpful EMI Plásticos employees, our Querétaro facility stocks a large inventory of our EOAT products, injection machine supplies, conveyors and is home to a team of dedicated Engineers and Sales Managers.

Ventas@emicorp.com

+52 442-349-7646

www.EMInc.com.mx

Part Number Index

Part#	Page#		Page#		Page#
9120-ML8-M	56	CRA-TMK2-4P06	263	CRS-FA-2339	275
9120-ML8-T	56	CRA-TMK2-4P08	263	CRS-FA-3054	275
9122-050M-000	56	CRA-TOOLKIT-1	251	CRS-FAE-2743	277
9122-050T-000	56	CRA-VGK-1	258	CRS-FAE-3559	277
80007941	179	CRA-VGK-2	259	CRS-FF-30	279
AC-BPG30	151	CRA-WW1-A3	261	CRS-FF-31-HD	281
AC-BPG41	151	CRA-WW1-A5	261	CRS-FF-36	279
AC-BPG48	151	CRA-WW1-A10	261	CRS-FF-42	279
AC-BPG55	151	CRC-650-3P	266	CRS-FF-48	279
AC-LPG30	153	CRC-750-3P	266	CRS-MA-2844	275
AC-LPG41	153	CRC-1000-3P	266	CRS-MA-3558	275
AC-LPG48	153	CRG-PSG-3S-G18M	198	CRS-MAE-3248	277
AMTE-M-H-G18	168	CRG-PSG30-3S-G18M	198	CRS-MAE-4064	277
ASK-B-WS-DOOSAN	106	CRG-PSG30-3S-GW14M	198	CRS-MF-35	279
ASK-B-WS-TM-ROBOT	106	CRG-PSG50-2S-G18M	196	CRS-MF-41	279
ASK-WB-S	106	CRG-PSG50-2S-GW14M	196	CRS-MF-47	279
ASK-WB-WB-UR	106	CRG-PSG50-3S-GW14M	198	CRS-MF-53	279
BEF-WIN-1.5-VSI-D-M8	186	CRG-PSG100-4S-G14M	200	CRS-TPH-CRX	285
CC-CVGC-C1-UR	105	CRG-PSG100-4S-GW14M	200	CRS-TPH-DO	285
CC-CVGC-C2-TM	105	CRK-CPT-400X140-FOAM	108	CRS-TPH-UR	285
CC-CVGC-C3-DOO	105	CRK-DH4410-D90-A	238	CRV-30-180X180-FOAM	116
CC-CVGC-C7-NGUR	105	CRK-DH4410-D180-A	242	CRV-30-420X260-FOAM	116
CFGM8908CF8903010	266	CRK-DH4410-S180-A	246	CRV-CPT-18XG14-CUPS	108
CFGM8908CF8904010	266	CRK-DH4420-D90-A	238	CRV-CPT-30-400X140	108
CFGM800300	268	CRK-DH4420-D180-A	242	CSAQC	52
CFGM800325	267	CRK-DH4420-S180-A	246	CVGC-240X120-DF2LX	104
CFGM800325P	218	CRK-MAG40-A	211	CVGC-320x160-DF2LX	104
CFGM800325P	267	CRK-MPK1-A	82	DI-PL-295X125-20X20	106
CFGM800400	268	CRK-MPK2-A	86	DI-PL-FQE-120X60	106
CFGM890325P	218	CRK-PICOBOT-L-1	116	DKS10L	77
CFGM890325P	267	CRK-SGP32S-A	210	DKS14X	77
CFGM890802P	267	CRK-SX2520-A	206	DKS20X	77
CMAQC	52	CRK-TH5404-D90-A	238	DKS-X-20-50	77
CMBQC	52	CRK-TH5404-D180-A	242	ECBPM-UR	114
CMGM800300	268	CRK-TH5404-S180-A	246	EGP-C-40-N-N-FCRXID	212
CMGM800400	268	CRK-TH5408-D90-A	238	EGP-C-40-N-N-URID	212
CMGM800803P	267	CRK-TH5408-D180-A	242	EGP-C-64-N-N-FCRID	214
CMGM1290800	268	CRK-TH5408-S180-A	246	EGP-C-64-N-N-URID	214
CMS 050-A	58	CRM-0138-2A	68	EJ-SLG-M-HF-2	176
CMS-050-K	58	CRM-0241-VGC10-1	95	EJ-SLG-M-HF-3	176
CMSHD90X50SVX	178	CRM-0241-VGC10-4	95	EJ-SLG-M-HV-2	176
CMSHD90X100SVX	178	CRM-0337-1A	70	EJ-SLG-M-HV-3	176
CRA-4ZHV-1S	188	CRM-0337-2A	72	EJ-SLG-M-LP-2	176
CRA-CMK-1	262	CRM-EQC20B-A	38	EJ-SLG-M-LP-3	176
CRA-DH44-FK1	251	CRM-EQC20B-X	38	EQC05-A	40
CRA-DRM-1	285	CRM-MC10-A	76	EQC05-B	40
CRA-FR-R14-1	250	CRM-MC14-A	76	EQC05-K1	42
CRA-JSY1-N3Z-1	250	CRM-MC20-A	76	EQC05-K40	42
CRA-JSY1-N3Z-2	250	CRM-MC30-A	76	EQC05-K50	42
CRA-JSY1-P3Z-1	250	CRM-MCSP25	76	EQC05N-A	40
CRA-JSY1-P3Z-2	250	CRS-CBM-DO	284	EQC20-A	32
CRA-LLBO-1	251	CRS-CBM-TM	284	EQC20-B	32
CRA-SVK-1	260	CRS-CBM-UR	284	EQC20-K1	39
CRA-TH54-FK1	251	CRS-CM-1	285	EQC20-K50	36
CRA-TMK2-4P04	263	CRS-CM-1-XL	285	EQC20-K63	36

Part#	Page#		Page#		Page#
EQC20N-A	32	GOC-2322134	129	GSE-SFC-M8M12A-ST	268
EQC20TM-A	32	GOC-2322139	129	GSE-TSC180-M803	266
EQC20U-A	32	GOC-2322211	129	GSE-TSC180-M805	266
FGC-40-NBR-55-SC080	154	GOC-2322216	129	GSE-TSC180-M812	266
FGC-50-NBR-55-SC080	154	GOC-3030157	187	GSE-TSCE90-M825	267
FGC-60-NBR-55-SC090	154	GOC-3330084	170	GSE-TSCE90-M825-4P	267
FLAN-PL-UR-KUK-1	106	GOC-3330085	170	GSE-TSCE-M825	267
FPC-35-35S	147	GOC-3330086	170	GSE-TSCE-M825-4P	267
FPC-35-50S	147	GOC-3330087	170	GSF-04AJ	155
FPC-45-35S	147	GOC-3330088	170	GSF-04AL	155
FPC-45-50S	147	GOC-3330089	170	GSF-030-G18F	138
FPC-60-35S	147	GOC-3330106	176	GSF-030-G18M	138
FPC-60-50S	147	GOC-3330107	176	GSF-030-M5F	138
FPC-120100-35S	149	GOC-3330108	176	GSF-030-M5M	138
FPC-120100-50S	149	GOC-3330109	176	GSF-040-G14F	138
FPCA-35-35S-G14F	147	GOC-3330110	176	GSF-040-G14M	138
FPCA-35-50S-G14F	147	GOC-3330111	176	GSF-040-G14M	157
FPCA-45-35S-G38F	147	GSE-ACS-F5M12A-5M	267	GSF-040-G18F	138
FPCA-45-50S-G38F	147	GSE-ACS-F8M8-5M	267	GSF-040-G18M	138
FPCA-60-35S-G38F	147	GSE-ACS-F8M12A-5M	267	GSF-040-G18M	157
FPCA-60-50S-G38F	147	GSE-ACS-M5M12A-5M	267	GSF-040-M5M	138
FPCA-120100-35S-G38F	149	GSE-ACS-M8M8-5M	267	GSF-050-G14F-MOD	139
FPCA-120100-50S-G38F	149	GSE-ACS-M8M12A-5M	267	GSF-050-G14M-MOD	139
FPI-FPC-35	147	GSE-AFC-F3M8-ST	268	GSF-050-G18F	139
FPN-35-G14F	147	GSE-AFC-F4M8-ST	268	GSF-050-G18M-MOD	139
FPN-45-60-G38F	147	GSE-AFC-F5M12A-ST	268	GSF-065-G14F-L-MOD	139
FPN-45-60-G38F	147	GSE-AFC-F8M12A-ID	268	GSF-065-G14M-L-MOD	139
FPN-120100-BP	149	GSE-AFC-F8M12A-ST	268	GSF-080-G14F	140
FPN-120100-G38F	149	GSE-AFC-M3M8-ST	268	GSF-080-G14M	140
FQE-XC-120X60-AB	106	GSE-AFC-M4M8-ST	268	GSF-080-G14M	157
FQE-XC-300X130-SW100	106	GSE-AFC-M5M12A-ST	268	GSF-080-G18F	140
FT-G14M-18	131	GSE-AFC-M8M12A-ID	268	GSF-080-G18M	140
FT-G14M-E10	151	GSE-CS180-M81	266	GSF-080-G18M	157
FT-G14M-E10	153	GSE-CS180-M82	266	GSF-080-G38F	140
FT-G18M-17	131	GSE-E12269	269	GSF-080-G38M	140
FT-G18M-18	131	GSE-NAN-3A	267	GSF-080-G38M	157
FT-G18M-E8	151	GSE-NAN-3F	267	GSF-090-G14F	141
FT-G18M-E8	153	GSE-PQ-0809	187	GSF-090-G14M	141
FT-G38M-18	131	GSE-PQ-0834	187	GSF-090-G18F	141
FT-G38M-E10	151	GSE-PQ-7809	187	GSF-090-G18M	141
FT-G38M-E10	153	GSE-PQ-7834	187	GSF-090-G38F	141
FT-M5F	131	GSE-RCS-8FS-5000	267	GSF-090-G38M	141
FT-M5M	131	GSE-RCS-8MS-5000	267	GSF-CBC-G38MA	161
GCPI-50-5XM12-5	182	GSE-RFC-M8-4P	267	GSF-G-G8	168
GNT-DUO-2F-0	194	GSE-SCS-F5M12A-5M	267	GSF-NF8-G4F	155
GNT-DUO-2F-T	194	GSE-SCS-F8M12A-5M	267	GSF-VMC-90	267
GOC-1700016	131	GSE-SCS-M5M12A-5M	267	GSF-VMC-S	267
GOC-1800019	131	GSE-SCS-M8M12A-5M	267	GSU-PB-0424	271
GOC-1900014	131	GSE-SFC-F3M8-ID	268	GSU-PB-0604	271
GOC-1900018	131	GSE-SFC-F4M8-ID	268	GSU-PB-0806	271
GOC-1900019	131	GSE-SFC-F5M12A-ST	268	GSU-PC-0424	271
GOC-1900038	131	GSE-SFC-F8M12A-ST	268	GSU-PC-0604	271
GOC-1900039	131	GSE-SFC-M3M8-ID	268	GSU-PC-0806	271
GOC-2322126	129	GSE-SFC-M4M8-ID	268	GSU-PC-1065	271
GOC-2322130	129	GSE-SFC-M5M12A-ST	268	GSU-PC-1208	271

- CU
- QC
- VG
- VC
- VA
- SG
- GR
- MT
- AC
- CS
- CC

Part Number Index

Part#	Page#		Page#		Page#
GSU-PC-1611	271	GSV-MX65-DD-G38M	121	OR-103860	193
GSU-PCB-0424	271	GSV-SAXM-20-G14F	159	OR-104160	227
GSU-PCB-0604	271	GSV-SAXM-20-G14M	159	OR-104161	227
GSU-PCC-0604	271	GSV-SAXM-20-G38F	159	OR-104162	227
GSU-PCR-0424	271	GSV-SAXM-20-G38M	159	OR-104240	227
GSU-PCR-0604	271	GSV-SAXM-30-G14F	159	OR-104241	227
GSU-PR-0424	271	GSV-SAXM-30-G14M	159	OR-105202	228
GSU-PR-0604	271	GSV-SAXM-30-G38F	159	OR-105870	66
GSU-PR-0806	271	GSV-SAXM-30-G38M	159	OR-105871	225
GSV-01AC	126	GSV-SAXM-40-G14F	159	OR-106376	220
GSV-1BDD-10	123	GSV-SAXM-40-G14M	159	OR-106553	223
GSV-1BDD-15	123	GSV-SAXM-40-G38F	159	OR-106559	223
GSV-1BDD-20	123	GSV-SAXM-40-G38M	159	OR-106957	225
GSV-1BDD-25	123	GSV-SAXM-50-G14F	159	OR-106959	225
GSV-1BDD-35	123	GSV-SAXM-50-G14M	159	OR-106960	225
GSV-1BDD-52	123	GSV-SAXM-50-G38F	159	OR-106963	227
GSV-1BDD-75	123	GSV-SAXM-50-G38M	159	OR-106966	225
GSV-02AB	126	GSV-SAXM-60-G38F	159	OR-106967	225
GSV-02AF	126	GSV-SAXM-60-G38M	159	OR-107242	100
GSV-04AB	126	GSV-SAXM-80-G38F	159	OR-107456	60
GSV-04AG	126	GSV-SAXM-80-G38M	159	OR-108585	102
GSV-04AI	126	GSV-SAXM-100-G38F	159	OR-109878	62
GSV-05AB	126	GSV-SAXM-100-G38M	159	OR-113012	223
GSV-05AG	126	GSV-SVE-33-PU-55	157	OR-113375	67
GSV-05AI	126	GSV-SVE-53-PU-55	157	OR-113690	60
GSV-BDD-10	125	GSV-SVE-53-SIMD-55	157	OR-113690	270
GSV-BDD-15	125	HMIHD1FIXA	179	OR-113761	270
GSV-BDD-20	125	HMIHD1M84P	179	OR-114000	220
GSV-BDD-25	125	HTR-VSI-CLIP	186	OR-QC-A1	60
GSV-BDD-35	125	KIT-TM-V	92	PGN-PLUS-P	252
GSV-BDD-52	125	KIT-UR-V	93	PIL-I-T-2-66-6-X-XXX	174
GSV-BL30-3P-4L	155	MFI-A372	74	PIVG-AQR-DBL-TI6	174
GSV-BL40-3	155	MFI-A374A	75	PIVG-AQR-DBL-TI8	174
GSV-BX75P-4K-07UFF	125	MFI-A374B	75	PIVG-AQR-SGL-TI6	174
GSV-CBC22-G38F	161	MFV-A106	171	PIVG-MICRO-SI6	169
GSV-CBC30-G38F	161	MOD-FLAN-71X72X24	106	PIVG-MINI-SI6	169
GSV-CBC45-G38F	161	MOD-FLAN-99X77X37	106	PIVG-MINI-SI8	169
GSV-CBC60-G38F	161	MOD-FLAN-108X63X13	106	PIVG-NEBR-DBL-TI8	174
GSV-CBC85-G38F	161	OR-100064	95	PIVG-NEBR-SGL-TI6	174
GSV-CBC115-G38F	161	OR-100669	225	PRO-SN3M215G	264
GSV-MX25-DD-G18M	121	OR-100670	225	PRO-SN3M215HSG	264
GSV-MX35-DD-G14M	121	OR-101661	98	PRO-SN3N215G	264
GSV-MX35-DD-G18M	121	OR-101850	67	PRO-SN3N215HSG	264
GSV-MX35-DD-G38M	121	OR-102012	224	PRO-SN4M225G	264
GSV-MX42-DD-G14M	121	OR-102014	60	PRO-SN4M225HSG	264
GSV-MX42-DD-G18M	121	OR-102021	224	PRO-SN4N225G	264
GSV-MX42-DD-G38M	121	OR-102111	64	PRO-SN4N225HSG	264
GSV-MX50-DD-G14M	121	OR-102113	60	PRO-SS3M215G	264
GSV-MX50-DD-G18M	121	OR-102326	60	PRO-SS3N215G	264
GSV-MX50-DD-G38M	121	OR-102844	94	PRO-SS4M225G	264
GSV-MX57-DD-G14M	121	OR-102919	63	PRO-SS4N225G	264
GSV-MX57-DD-G18M	121	OR-103456	192	PRO-SSR3M215G	264
GSV-MX57-DD-G38M	121	OR-103666	226	PRO-SSR3N215G	264
GSV-MX65-DD-G14M	121	OR-103689	193	PRO-SSR4M225G	264
GSV-MX65-DD-G18M	121	OR-103691	193	PRO-SSR4N225G	264

Part# Page#

PSK-100-D6N	187	SP-120X60X34-SPB2-SI.....	106	SS-2111	46
PSK-100-D6P.....	187	SPB1-10-ED-65-SC030.....	135	SS-2120	46
PSPF-33-SI-DUO-SC080.....	145	SPB1-15-ED-65-SC040.....	135	SS-2155	48
PSPF-43-SI-DUO-SC080	145	SPB1-20-ED-65-SC040.....	135	SS-2156	48
PSPF-53-SI-DUO-SC090.....	145	SPB1-25-ED-65-SC040.....	135	SS-2600	48
PZN-PLUS-P	253	SPB1-30-ED-65-SC040.....	135	SS-3000	46
QC75-A	52	SPB1-40-ED-65-SC050.....	135	SS-3500	48
QC75-B	52	SPB1-50-ED-65-SC050.....	135	SS-5000	46
RECBI-24V-DC-NC	112	SPB1-60-ED-65-SC050.....	135	SS-9225	44
RMAQC	34	SPB1-80-ED-65-SC065.....	135	ST-20-AL-EL	181
RMAQC05	41	SPB2-20-ED-65-SC040.....	137	ST-25-AL-EL	181
RMAQC-TM.....	34	SPB2-20-SI-40-P	143	ST-32-AL-EL	181
RMAQC-UR.....	34	SPB2-25-ED-65-SC040.....	137	SWO-EM8-011-A	58
RMBQC	34	SPB2-30-ED-65-SC040.....	137	SWO-EM8-011-K	58
RMBQC05	41	SPB2-40-ED-65-SC050.....	137	VG-BPG30FSI-40	151
RMBQC-TM.....	34	SPB2-40-SI-55-P	143	VG-BPG41FSI-40	151
RMBQC-UR.....	34	SPB2-50-ED-65-SC050.....	137	VG-BPG48FSI-40	151
RRAQC	34	SPF-10-ED-65-SC030	133	VG-BPG55FSI-40	151
RRAQCN	34	SPF-15-ED-65-SC040	133	VG-LPG30FSI-40	153
RRBQC	34	SPF-20-ED-65-SC040	133	VG-LPG41FSI-40	153
SBP-HF-2-03-7	172	SPF-25-ED-65-SC040	133	VG-LPG48FSI-40	153
SBP-HF-2-06-13-SD	172	SPF-30-ED-65-SC040	133	VN10H-T4-PQ2-VQ2-01P	168
SBP-HF-2-13-22-SD	172	SPF-40-ED-65-SC050	133	VN10L-T4-PQ2-VQ2-01P.....	168
SBP-HF-3-06-13-SD	172	SPF-50-ED-65-SC050	133	VSI-V-D-M8-4	186
SBP-HF-3-13-22-SD	172	SPF-60-ED-65-SC050	133	VSI-VP8-D-M8-4.....	186
SBP-HV-2-04-7	172	SP-FQE-120X60-AB-21	106	WM1-A-01-01-01.....	28
SBP-HV-2-07-13-SD	172	SP-FQE-300X130AB-24D.....	106	WM1-A-01-02-01.....	28
SBP-HV-2-16-22-SD	172	SP-FQE-300X130X37.....	106	WM1-A-01-02-02.....	28
SBP-HV-3-07-13-SD	172	SS3M203G.....	265	WM1-A-02-01-01.....	28
SBP-HV-3-16-22-SD	172	SS3N203G	265	WM1-A-02-01-02.....	28
SBPL-25-HF	180	SS4M225G.....	265	WM1-A-02-01-03.....	28
SBPL-50-HF	180	SS4N225G	265	WM1-A-03-01	28
SBPL-100-HF	180	SS-1110.....	46	WM1-A-03-02.....	28
SFCVGC-240X120-DF2LX	105	SS-1111	46	WM1-A-08-02-01.....	28
SFCVGC-320X160-DF2LX	105	SS-1112.....	46	WM1-DK-05-00-A.....	26
SM1-P-10-01-01.....	28	SS-1113.....	46	WM1-P-01-01-01.....	28
SM1-P-20-01-01.....	28	SS-1114.....	46	WM1-P-02-01-01.....	28
SN3M203G	265	SS-1120.....	46	WM1-P-03-01	28
SN3N203G	265	SS-1600.....	48	WM1-S-02-10.....	28
SN4M225G	265	SS-2110.....	46	WM1-SK-01-01.....	28
SN4N225G	265	SS-2110.....	48		

- CU
- QC
- VG
- VC
- VA
- SG
- GR
- MT
- AC
- CS
- CC

EMI Terms & Conditions

Definitions: “EMI” means EMI Corp and its subsidiaries and divisions. “Buyer” means any customer purchasing goods or services from EMI.

Acceptance: The willingness of EMI Corp and its subsidiaries and divisions (“EMI”) to sell products to Buyer is expressly conditioned on Buyer’s assent to these Terms and Conditions. All orders are subject to approval by EMI. EMI objects to and rejects any additional or contrary terms and conditions of sale included in any purchase order, acknowledgement or other communication submitted by the Buyer. The following shall constitute Buyer’s acceptance of these Terms: (1) Buyer’s execution of this Agreement; (2) Buyer’s order for any Products, whether communicated to EMI verbally, in writing, by electronic data interface or other electronic commerce; (3) Buyer’s request for EMI to commence work; (4) Buyer’s failure to object within 10 days after receiving these Terms; or (5) Buyer’s communication by any other means indicating Buyer’s willingness to order Products. Reference in EMI’s order acknowledgement to Buyer’s purchase order or purchase order number shall in no way constitute an acceptance of any of Buyer’s terms or conditions of purchase.

Prices: Unless otherwise specifically stated in the Quote, quoted prices are effective for 30 days from date of quotation; thereafter, prices are subject to change by EMI without notice. Prices listed in EMI’s catalogs are current at time of publication and are subject to change without notice. Quantity discounts are offered only as specifically stated in the Quote or EMI’s catalog and, unless otherwise specified in the Quote or EMI’s catalog, must be ordered at the same time, on a single purchase order, for shipment per EMI’s standard delivery schedule. Any local, state, or federal tax levied on the sale will be added to the purchase price and paid by the Buyer. Any portion of the price not paid when due will bear interest from the due date at the rate of 1.5% per month, compounded monthly, or at the next lowest annual percentage rate as is permissible under any applicable usury law.

Payment Terms & Credit: All orders are subject to credit approval by EMI. For orders [and multiple purchase orders constituting a project, approved in advance and in writing by EMI] less than \$20,000: Net 30 Days. For orders [and multiple purchase orders constituting a project, approved in advance and in writing by EMI] over \$20,000: 30% down with order, 70% net 30 days.

EMI reserves the right to require advance payment or provision of securities for first and subsequent deliveries if there is any doubt regarding Buyer’s creditworthiness or for other business reasons. If the requested advance payment or securities are not provided to EMI’s satisfaction, EMI reserves the right to suspend performance or reject the order, in whole or in part, without prejudice to EMI’s other rights or remedies, including the right to full compensation. EMI may revoke or shorten any payment periods previously granted in EMI’s sole determination. Buyer does not have the right to suspend or withhold payment of the full amount due under any circumstances.

Security Interest: To secure payment of all sums due from Buyer, EMI retains a security interest in all Products delivered to Buyer and, Buyer’s acceptance of these Terms is deemed to be a Security Agreement under the Uniform Commercial Code. Buyer authorizes EMI as its attorney to execute and file on Buyer’s behalf all documents EMI deems necessary to perfect EMI’s security interest.

Cancellation & Termination: Orders may not be cancelled without EMI’s prior written consent and upon terms that will indemnify, defend and hold EMI harmless against all direct, incidental and consequential loss or damage and any additional expense. EMI, may, at any time and for any reason, change features, specifications, designs and availability of Products. EMI may cancel any order, package of orders, or terminate any agreement governed by or arising from these Terms, at any time and for any reason, by giving Buyer 30 day’s written or electronic notice. EMI may immediately terminate, in writing, if Buyer: (a) breaches any provision of these Terms, (b) becomes or is deemed insolvent, (c) appoints or has appointed a trustee, receiver or custodian for all or any part of Buyer’s property, (d) files a petition for relief in bankruptcy on its own behalf, or one is filed against Buyer by a third party, (e) makes an assignment for the benefit of creditors; or (f) dissolves its business or liquidates all or a majority of its assets.

Setoff: Buyer may not withhold payment of any amounts due and payable as a deduction, setoff, or recoupment of any amount, claim or dispute with EMI, regardless of whether relating to EMI’s breach or otherwise. EMI, in its sole discretion, shall have the right to credit toward the payment of any monies that may become due, any sums which may now or hereafter be owed to Buyer by Buyer, whether or not related to a single transaction.

Limitation on Assignment: Buyer may not assign its rights or obligations without the prior written consent of EMI.

Shipment Schedule: All shipping dates are approximate, and EMI is not responsible for any delay. Shipment shown is only an estimate based on available inventory, and engineering and production schedules at time of quotation. EMI reserves the right to update the estimated shipping date of Product at any time for any reason.

Force Majeure: EMI will not be liable for any damage, loss of profit, or expenses arising out of delays in shipment or other nonperformance of this transaction caused by or imposed by: (a) strikes, accidents, fires, floods, disasters, riots, rebellions, acts of terrorism, embargoes, acts of God, delay in transportation, sudden increase in cost of raw material, components, fuel or oil, or the transportation thereof, energy crisis, energy or fuel interruption, equipment or facility condition or breakdown, pandemics, epidemics, other widespread illness, public health emergency, cyber related disruptions or downtime, cyber-attacks, ransomware, sabotage (b) acts of Buyer, (c) shortages of labor, oil, fuel, power, materials, supplies, transportation or manufacturing facilities, (d) government action, (e) subcontractor or carrier delay or failure (f) any other cause or condition beyond

EMI's reasonable control. Additionally, EMI assumes NO responsibility for delivery performance, cost surcharges, or other fees imposed by a carrier, whether selected by Buyer or EMI. Force majeure in the meaning of these Terms means any circumstances beyond EMI's control that permanently or temporarily hinders performance, even where that circumstance was already foreseen. Buyer shall not be entitled to order cancellation following EMI's issuance of a unilateral production stop not initiated by government decision.

Confidential Information: Buyer acknowledges and agrees that any technical, commercial, or other confidential information of EMI, including, without limitation, pricing, technical drawings or prints and/or part lists, which has been or will be disclosed, delivered, or made available, whether directly or indirectly, to Buyer ("Confidential Information"), has been and will be received in confidence and will remain the property of EMI. Buyer further agrees that it will not use EMI's Confidential Information for any purpose other than for the benefit of EMI and shall return all such Confidential Information to EMI within thirty (30) days of termination of the agreement pursuant to which such Confidential Information was disclosed.

Waiver and Severability: Failure to enforce any provision of these Terms will not invalidate that provision; nor will any such failure prejudice either party's right to enforce that provision in the future. Invalidation of any provision of these Terms shall not invalidate any other provision herein and, the remaining provisions will remain in full force and effect.

Duration: If Buyer orders Products in installments over successive periods, unless otherwise stated in the Quote or EMI's order acknowledgement, any agreement governed by or arising from these Terms shall: (a) be for an initial duration of 90 days; and (b) shall automatically renew for successive 90-day terms unless terminated by Buyer with at least 180-days written notice to Seller or if Seller terminates the agreement for convenience or breach pursuant to these Terms. Unless otherwise stated in EMI's Quote or Order Acknowledgement, any agreement governed by or arising from these Terms shall not be a requirements or output contract.

Shipment: Shipment of products is ExW (ex-works incoterms 2022), EMI facility, Jackson Center OH, or EMI facility, Wickliffe, OH. Packages weighing less than 75lbs. are shipped via small parcel service, pre-paid via EMI carrier of choice and added to the invoice unless otherwise specified. Shipments weighing over 75lbs., or oversized, are shipped Freight Collect via truck (common carrier) unless otherwise specified and agreed to by EMI. All shipments will be insured at the buyer's cost for the full value of the shipment unless buyer expressly waives insurance coverage in writing prior to shipment. All claims of shortages, defects or rejections must be made by the Buyer in writing within 15 days after receipt of the shipment. Claims of damage must be made to the carrier in accordance with its procedures. Buyer agrees that EMI has no liability for any damage during shipment.

Notes: (1) In cases of skid or crate shipments, Buyer shall specify a freight carrier with whom Buyer has an established account. Buyer's failure to specify a carrier can result in shipment delays or require Buyer's payment to freight company before equipment can be unloaded at Buyer's dock. (2) EMI assumes no responsibility for shipments delayed or those received "Driver Collect" due to a freight carrier not being specified by Buyer. (3) Truck shipments shipped Freight Prepaid and charged back will be invoiced to Buyer on a separate Freight Invoice plus a 10% handling fee with terms of net 15 days.

Delivery Loss and Damage Claims: All claims must be made by Buyer, in writing, within 10 days of delivery, otherwise the Product will be accepted by Buyer in "as-is" condition. Buyer must set aside, protect, and hold safe Products claimed as damaged. Claims must be filed with the freight carrier and must be initiated by the party who is responsible for payment of freight – EMI for Prepaid terms, the Buyer for Collect or Receiver terms. EMI will attempt to assist in the resolution of freight claims but shall not assume responsibility for Collect/Receiver initiated claims. Freight carriers may require shipping charges to be paid before issuing a credit on a claim and does not relieve the responsible party for payment of freight charges.

Proof of delivery requests must be received within 90 calendar days of shipment. After 90 days of shipment, the Buyer waives its right to dispute delivery of goods and agrees not to withhold payment against alleged non-delivery.

Export Control: Buyer acknowledges that EMI's products are subject to U.S. export controls and economic sanctions laws and regulations. Buyer agrees not to export, re-export, or retransfer EMI's products to any entity subject to US sanctions, embargoes, or trade restrictions, and to comply with all applicable U.S. export controls and economic sanctions laws and regulations regarding EMI products.

Export Shipment: Buyer is responsible for the payment of all international shipping costs and taxes and duties including but not limited to: VAT, tariff, duty, taxes, customs clearance charges, freight forwarder fees and warehousing charges, and other charges related to international shipments. EMI is not responsible for delays due to freight transport, customs clearance, import/export holds, freight forwarder delays, or the Buyer not providing EMI necessary information for export documentation. For all shipments having a destination outside of the United States ("International Shipments"), Buyer shall be responsible, and bears the risk of loss, for customs clearance, documentation, fees, inspections, and processes including but not limited to any detentions, holds, and quarantines. EMI may provide Buyer, in EMI's exercise of reasonable care, information regarding the Products including but not limited to physical merchandise, packaging, merchandise descriptions, units of measure, valuation, country of origin, product labeling, use and application of intellectual property, customer name, customer address, customer order information and any other information relating to the Products ("Shipping Information"). In

- CU
- QC
- VG
- VC
- VA
- SG
- GR
- MT
- AC
- CS
- CC

EMI Terms & Conditions

no event shall EMI have any liability to Buyer arising from the Shipping Information, pre-entry, post-entry or otherwise, including but not limited to audits, claims, damages, errors, fees, injury or verifications or any other action related to the Products. In no instance shall EMI be designated as the importer of record for any international shipments.

An Automated Export System (AES) filing is required for most exports exceeding \$2,500. An AES filing is often submitted by the U.S. Principal Party in Interest (USPPI), which is typically EMI. It can also be submitted by an authorized agent of the USPPI, such as a freight forwarder. If EMI authorizes the Buyer's freight forwarder or agent to file on behalf of EMI, EMI must receive a full copy of the AES filing submitted by the freight forwarder within three business days of receipt by the freight forwarder. If EMI does not receive a copy of the filing within three business days of shipment, EMI reserves the right to not authorize future power of attorney documentation to file the AES on behalf of EMI and to withhold further shipments pending EMI being provided all information necessary for AES filing.

Installation: Unless otherwise indicated, Buyer is solely responsible for safe installation of the equipment. In all cases, Buyer remains responsible for proper maintenance and guarding in accordance with applicable OSHA, federal, state, local, and other applicable regulations. Buyer shall comply with all instructions, guides and specifications provided by EMI with the Quote or the Products. If Buyer uses or resells the Products in any way prohibited by EMI's instructions, guides or specifications, or Buyer otherwise fails to comply with EMI's instructions, guides and specifications, Buyer acknowledges that any such use, resale, or non-compliance is at Buyer's sole risk.

SERIOUS BODILY INJURY OR PROPERTY DAMAGE MAY RESULT FROM IMPROPER USE, GUARDING, OR MAINTENANCE OF EMI PRODUCTS OR PRODUCTS RESOLD BY EMI.

Limited Warranty:

Conveyor Products: Conveyors (other than belting), motors, gear reducers and other drive components are guaranteed for 36 months from the date of shipment to be free from defects in material and workmanship when maintained in accordance with EMI manuals and operated under the conditions for which they were designed. Belting is guaranteed for 90 days under the same conditions.

EOAT Products: EMI, Gimatic, and Senvex EOAT products are guaranteed for 24 months from the date of shipment to be free from defects in material and workmanship when maintained in accordance with their respective product manuals and operated under the conditions for which they were designed. Wear items such as, but not limited to; vacuum cups, nipper blades, air hand expanders and inflators are not warranted and are sold on an "as-is" basis.

Injection Molding Supplies: EMI manufactured accessory products for injection machines are guaranteed for 12 months from the date of shipment to be free from defects in material and workmanship when maintained in accordance with their respective product manuals and operated under the

conditions for which they were designed. Wear and consumable items such as, but not limited to; non-return valves, nozzles, gate cutters, mold spray, oil sorbent, oil filters, etc. are not warranted and are sold on an "as-is" basis. **Third party equipment or components** are not warranted except where specified, but any third-party warranties are, to the extent permitted, passed through to the Buyer. Damage, due to abuse, accident, misuse, modification, improper installation or maintenance, or improper electrical or mechanical applications are not covered by this Limited Warranty.

Furthermore, this Limited Warranty shall be void and of no effect whatsoever in the event the equipment is not used in accordance with and/or for the purpose provided, or if damaged by reason of abnormal weather conditions, acts of God, falling objects, explosions, fire, riots, civil commotion, external forces, faulty or inadequate installation, acts of war, radiation, harmful fumes or foreign substances in the atmosphere, floods or use in structures not in accordance with accepted engineering standards.

Any claim for breach of the Limited Warranty must be made and presented to EMI in writing within a period of thirty (30) days following the discovery of the alleged defect, failing which the foregoing Limited Warranty shall be void and of no effect whatsoever. Alleged defective products shall be returned to EMI for inspection. Buyer must receive written authorization from EMI before returning any products and Buyer shall ship the products to EMI freight pre-paid at Buyer's expense. Authorization to return products is for purposes of inspection and shall not constitute acceptance of a product defect. Returned products must be suitably crated or packaged by the Buyer to prevent damage. EMI will inspect the returned products for defects. If inspection reveals a defect, Buyer's sole recourse for breach of warranty is the repair or replacement of defective products or the return of purchase price, at EMI's sole discretion. Repaired or replaced products are returned to the Buyer at no charge. If inspection reveals no defect, EMI will return the product to the Buyer at the Buyer's expense.

EMI MAKES NO OTHER WARRANTIES, EXPRESS OR IMPLIED, WITH RESPECT TO THE EQUIPMENT OR THE USE OF THE EQUIPMENT OR THE PERFORMANCE OF THE EQUIPMENT. EMI SPECIFICALLY MAKES NO WARRANTY OF MERCHANTABILITY OR FITNESS FOR A PARTICULAR PURPOSE. EMI NEITHER ASSUMES, NOR AUTHORIZES ANY PERSON TO ASSUME FOR IT, ANY WARRANTY NOT SPECIFICALLY PROVIDED HEREIN.

Limitation of Liability: EMI's liability under this transaction will not exceed the purchase price. **EMI IS NOT LIABLE FOR ANY CONSEQUENTIAL, SPECIAL, OR INCIDENTAL DAMAGES ARISING OUT OF OR RELATING DIRECTLY OR INDIRECTLY TO THIS TRANSACTION OR AS A RESULT OF THE SALE OF PRODUCTS OR EQUIPMENT, A BREACH OF THE WARRANTY PROVIDED HEREIN, OR ANY USE OR MISUSE OF THE PRODUCTS OR EQUIPMENT.**

Indemnification: Buyer agrees to indemnify and hold EMI harmless and defend EMI from and against all liability, loss, claims, damages, lawsuits, judgments, costs and expense (including attorneys' fees and costs) whether for personal or bodily injury, intellectual property infringement, property damage, economic loss, or any other claim arising, directly or indirectly, from, or in connection with, (a) improper selection, design, specification, application, or any misuse of Products; (b) any act or omission, negligent or otherwise, of Buyer; (c) EMI's use of patterns, tools, equipment, plans, drawings, designs, specifications or other information or things furnished by Buyer; (d) damage to the Products from an external cause, repair or attempted repair by anyone other than EMI, failure to follow instructions, guides and specifications provided by EMI, use with goods not provided by EMI, or opening, modifying, deconstructing, tampering with or repackaging the Products; or (e) Buyer's failure to comply with these Terms, including any legal or administrative proceedings, collection efforts, or other actions arising from or relating to such failure to comply. EMI shall not indemnify Buyer under any circumstance except as otherwise provided in these Terms. Buyer acknowledges that this Section was specifically and separately negotiated by the parties.

Returns: Buyers may request a product be returned to EMI for credit of purchase price. A material return number (RMA#) must be obtained before any products may be sent back to EMI. Buyer understands that obtaining an RMA number does not constitute EMI's acceptance of the return. Return of Products under this Section is at EMI's sole discretion, approval of which is only permitted if in writing by an authorized EMI representative. Buyer may return the products via freight carrier of their choice, and shipping must be at Buyers cost (pre-paid).

Buyer must package the products suitably to prevent damage to the products being returned. An inspection of the returned products will be conducted to determine if full or partial credit will be issued against the original purchase price. If the item is returned in the same condition as it was originally sent, and sealed in the original packaging that it was shipped from EMI a re-stocking fee or other credit adjustment is typically waived. Built to order, customized, and non-standard or other non-stock parts including but not limited to alterations to the product that Buyer makes are subject to a re-stocking fee and may not qualify for return credit.

Entire Agreement: These Terms, along with the terms set forth in the body of any Quote, form the entire agreement between the Buyer and EMI and constitute the final, complete, and exclusive expression of the terms of sale and purchase. In the event of a conflict between any term set forth in the body of a Quote or Order Acknowledgment and these Terms, the terms set forth in the body of the Quote or Order Acknowledgment shall prevail. All prior or contemporaneous written or oral agreements or negotiations with respect to the subject matter shall have no effect. These Terms may not be modified unless in a hard copy/non-electronic writing that is signed by an authorized representative of EMI. These Terms cannot be modified by a 'clickwrap' or other purported electronic assent to different or additional terms, including any electronic communication such as email or any type of electronic signature.

Law: This transaction is governed and construed in accordance with the laws of the State of Ohio (exclusive of any conflict of laws provision) and the Buyer consents and submits to the jurisdiction of any state court located in Shelby County, Ohio. If any provision of these Terms and Conditions is deemed to be held invalid, illegal, unenforceable, or inoperative, the balance of these Terms and Conditions will remain in full force and effect as if such revision had not been included.

(rev. 10/11/2023)

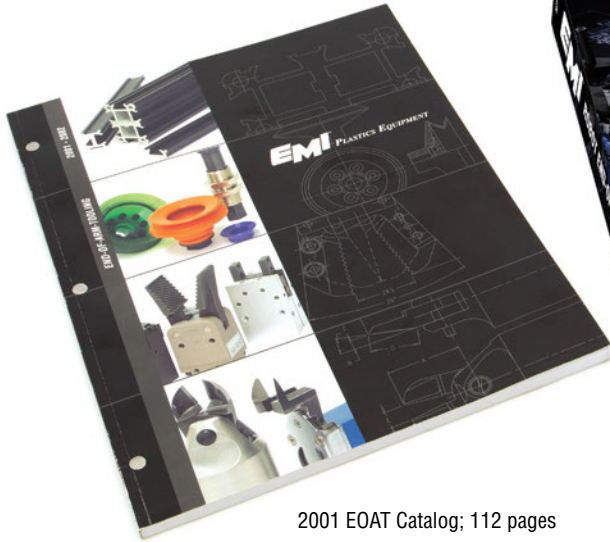
Visit [EMICorp.com](https://www.emicorp.com) to download our Credit Application.

CU
QC
VG
VC
VA
SG
GR
MT
AC
CS
CC

Request our Comprehensive EOAT Catalog!

Over the years, EMI has established itself as a leading authority in the plastic molding and EOAT robot tooling industries, and we're only continuing to grow.

We use our comprehensive expertise to perform a wide range of services for our clients, from supplying ready-to-use components from the leading manufacturers, to providing complete custom-designed components and build services.



2001 EOAT Catalog; 112 pages



2022 EOAT Catalog; 1020 pages



Extensive Inventory
in US & Mexico!

Easy Online Ordering!

- Upfront Pricing
- Create Supply Lists
- Order from History
- Export Purchase Orders
- Track Orders

Product Pages Include:

- Application Examples
- CAD file downloads
- 360° 3D Views
- Dimensional drawings
- Related items & Spare parts

We make every effort we can to ensure all orders of in-stock EOAT components ship same-day!



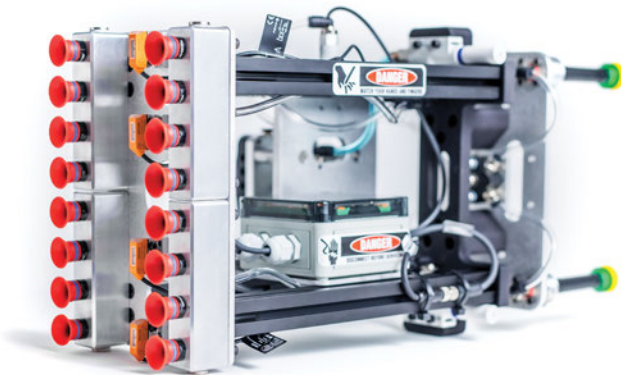


*Customer-focused
innovation and growth
since 1968*



Our fully staffed Customer Service Department can help with Order Entry, Lead Times, Spare Parts, Warranties, New Applications, Pricing, and Availability. Contacting us is easy!

Sales@emicorp.com • 216-535-4848



End-of-Arm Tooling:

Convenient online ordering and CAD file downloads are available for most products simply by registering for an account. EMI's experienced engineering department is dedicated to help design and support all your EOAT and Cobot needs. We're easily accessible, friendly, and helpful. Give us a call and let us help you.

Our extensive framing components are specifically engineered to be utilized by injection molders, and we supply the largest variety of accompanying EOAT components, including cups, grippers, and everything needed in between. Make EMI the one-stop resource for all of your facilities' EOAT robot tooling, EOAT components, and custom robot end effector-building needs.



Conveyors & Automation Systems:

The engineers at EMI manufacture custom heavy-duty industrial conveyors to ensure that they expertly accommodate the needs your facility. Our indexing controls make it easy to interface our conveyor with your robot.

Our standard industrial conveyor belts come in flat belt, incline, adjustable angle and Z-belt models. Many specialty applications are also available, including models for box filling and transport, quality control and parts diverting, metal detecting, runner separation, plastic cooling conveyor systems, and conveyor shoots.

At EMI, we provide our clients with industry-leading comprehensive expertise and service. Our specialists know what questions to ask and which details to consider when designing custom industrial conveyor belts and conveyor shoots to satisfy the needs of your application.



Industrial Cobot Stands

EMI's Cobot Pedestals extend the reach of a cobot arm. These heavy-duty cobot stands are perfect to an industrial environment where redeployment and adjustability may be required.

Easy Online Ordering!

EMI provides advanced solutions for Collaborative Robots. All items listed in this catalog can be ordered online.

Need help with your Cobot Application? Contact Cobots@emicorp.com and one of our engineers will gladly help.

- **Ready to Ship**
- **Affordable**
- **Heavy-Duty**



Sales & Design Engineering

Sales@EMICorp.com
Phone: 216-535-4848

28300 Euclid Ave.
Wickliffe, Ohio 44092



Manufacturing & Administrative Offices

801 West Pike Street,
Jackson Center, Ohio 45334



EMI México

Ventas@EMICorp.com
Teléfono: +52 (442) 349-7646

Parque Industrial Querétaro
Santa Rosa de Jáuregui, Querétaro 76220



EMICorp.com



216.535.4848



Live Chat



Sales@EMICorp.com