

MD-360DL

A compact DALI based activity and presence detector with an embedded daylight sensor for truly unobtrusive flush-mount into the ceiling. Also well adapted for panel mounting.

- Start/stop via lighting scene call or group call
- Multisensor, combines as well IR-receiver, ambient light and movement sensing
- Can be manually overridden using a momentary switch
- Made for flush-mounting into the ceiling

DALI-DIM ...



MD-360DL

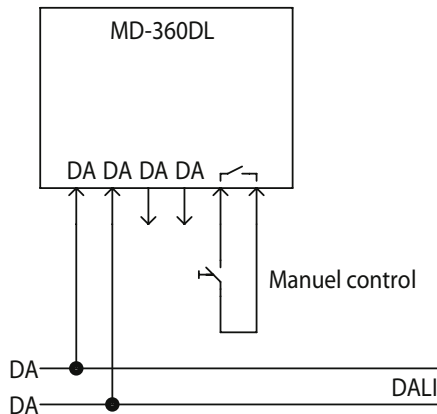
For use with:

- Electronic transformers TE-one4all, TE-DC 0300 D101
- DALI controlled ballasts for fluorescent and compact fluorescent lamps
- DALI controlled light dimmers Dimlight-Digital/LCR
- DALI controlled relay modules RM-1 DIN DALI, RM-4 DIN DALI
- DALI to DSI converters DSI-1 DIN DALI, DSI-4 DIN DALI
- DALI to 1..10V converters DDA-1 DIN DALI, DDA-4 DIN DALI

Controlled using:

- Momentary manual switch
- IRC hand held transmitter
- Bang & Olufsen® remote controls

Installation:



A useful hint:

Extensive office environments should be divided into zones by connecting several MD-360DL units onto the same DALI bus. Using this configuration you will obtain a localised daylight and presence detection in the zones, so that the lighting automatically turns off when the area is vacated.

Detailed user instructions are ready for download at our website www.unotech.dk

| Type | | MD-360DL |
|--------------------------|-----|--------------------------------|
| EAN-no. | - | 5706499091172 |
| Power Supply | VDC | Via the DALI Bus |
| Power Consumption | mA | 6 |
| Output Signal | - | DALI |
| Number of Groups | - | 1-16/Broadcast |
| Ambient Temperature (ta) | °C | +5 thru +40 |
| Air Humidity | - | 20 thru 95% RH, non condensing |
| Weight | kg | 0,080 |
| Dimensions | mm | Ø80x44 |
| Colour (Enclosure) | - | Grey |
| Material (Enclosure) | - | ABS Fire Retardant |



Specifications are subject to change without notice