

## FEEDOS M HIGH PRECISION FEEDER

Make no compromise on hygiene, cleanability & tightness!

The FEEDOS M is a high-precision feeding and dosing device for medium capacities between 20 and 3000 dm<sup>3</sup>/h.

### Your Advantages:

- Fully tight thanks to new sealing concept
- Easy access to all sections for inspection and cleaning
- Volumetric and gravimetric feeding and dosing executions to fit your process requirements

The FEEDOS M combines simple operation with easy cleaning and minimal maintenance. Thanks to its modular design, it is versatile and highly adaptable to suit both the bulk material and the process.

### Cleanability and Hygienic Design

The feeding chamber combines great accessibility for easy cleaning and elimination of dead corners with a shape that facilitates even material flow. That allows the use in many demanding applications, from hygienic requirements to medium and poorly flowing bulk solids.

The easy access and dismantling also includes the external sections, making the FEEDOS M a very service friendly machine.



### Tight. Period.

The FEEDOS M comes with a new sealing concept. Using lip seals on the drive shafts of the feeding tool and intromitter, the feeder is extremely tight, even at the critical interfaces to the moving parts. This makes the FEEDOS M a perfect dosing device in industries with demanding OEL requirements or the need of WIP/CIP.

### Easy Process Integration

A newly developed connection to the hopper simplifies the mounting, while allowing for a robust and tight connection.

Like the other feeders from Gericke, also the FEEDOS M can be used as a volumetric or gravimetric device.

This unique combination of benefits makes the FEEDOS M the optimal device for the food, chemical and pharmaceutical industries where, along with the highest dosing reliability, a hygienic and easy-to-maintain design is required.



*Flush design with maximized radii enabled by using a casted feeding chamber*

**Technical Data**

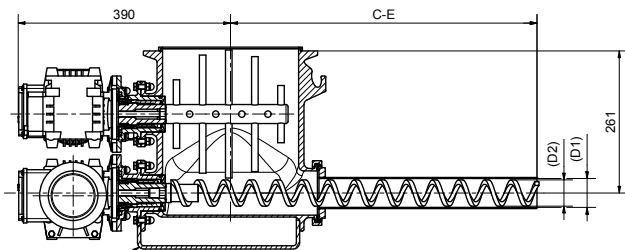
Feedrate:	20 – 3'000 dm <sup>3</sup> /h
Available hoppers:	50 – 300 dm <sup>3</sup>
Surface finish:	Ra ≤ 0.8 µm (product touching parts), glass bead blasted (outside)
Material:	Stainless steel 1.4404
Hygiene:	All interfaces and sealings fulfill aseptic & containment design guidelines
Cleaning:	Easy-Clean swiveling system for faster cleaning available
Drives:	3-phase AC, 0.25 kW (feeding tool), 0.18 kW (intromitter)
Available certificates:	2.2 / 3.1 / FDA / EC1935/2004
ATEX:	1/3 D, 1/2 D, 1/3 G, 1/2 G
Protection:	IP65

Screw size	4	5	6	7
Feed rate* / dm <sup>3</sup> /h	20 - 420	30 - 760	85 - 2200	120 - 3000

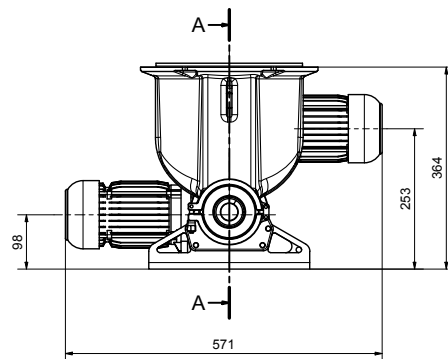
\* Guiding values for good flowing bulk products.



*FEEDOS M integrated in the DIW-3E frame scale for high accuracy gravimetric feeding*



All dimensions in mm  
Other dimensions on request



No. 687\_UK