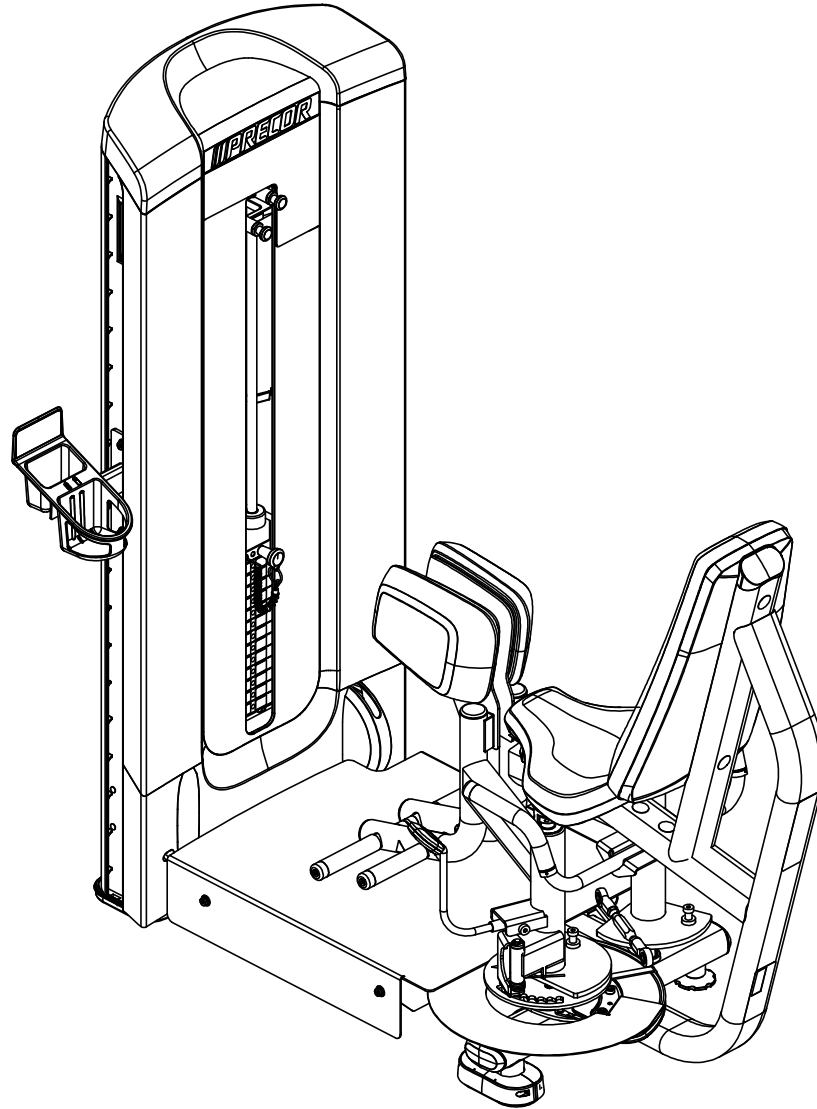


NOTES:

1. THIS LABEL IS FURNISHED AS PART OF A LABEL KIT. ORDER REPLACEMENT LABEL KITS AS FOLLOWS:

ENGLISH - BUBBLE #201  
CHINESE - BUBBLE #202  
FRENCH - BUBBLE #203  
GERMAN - BUBBLE #204  
JAPANESE - BUBBLE #205  
SPANISH - BUBBLE #206  
DUTCH - BUBBLE #207  
PORTUGUESE - BUBBLE #208  
RUSSIAN - BUBBLE #209  
HEBREW - BUBBLE # 210  
ITALIAN - BUBBLE #211



C620EC - INNER THIGH

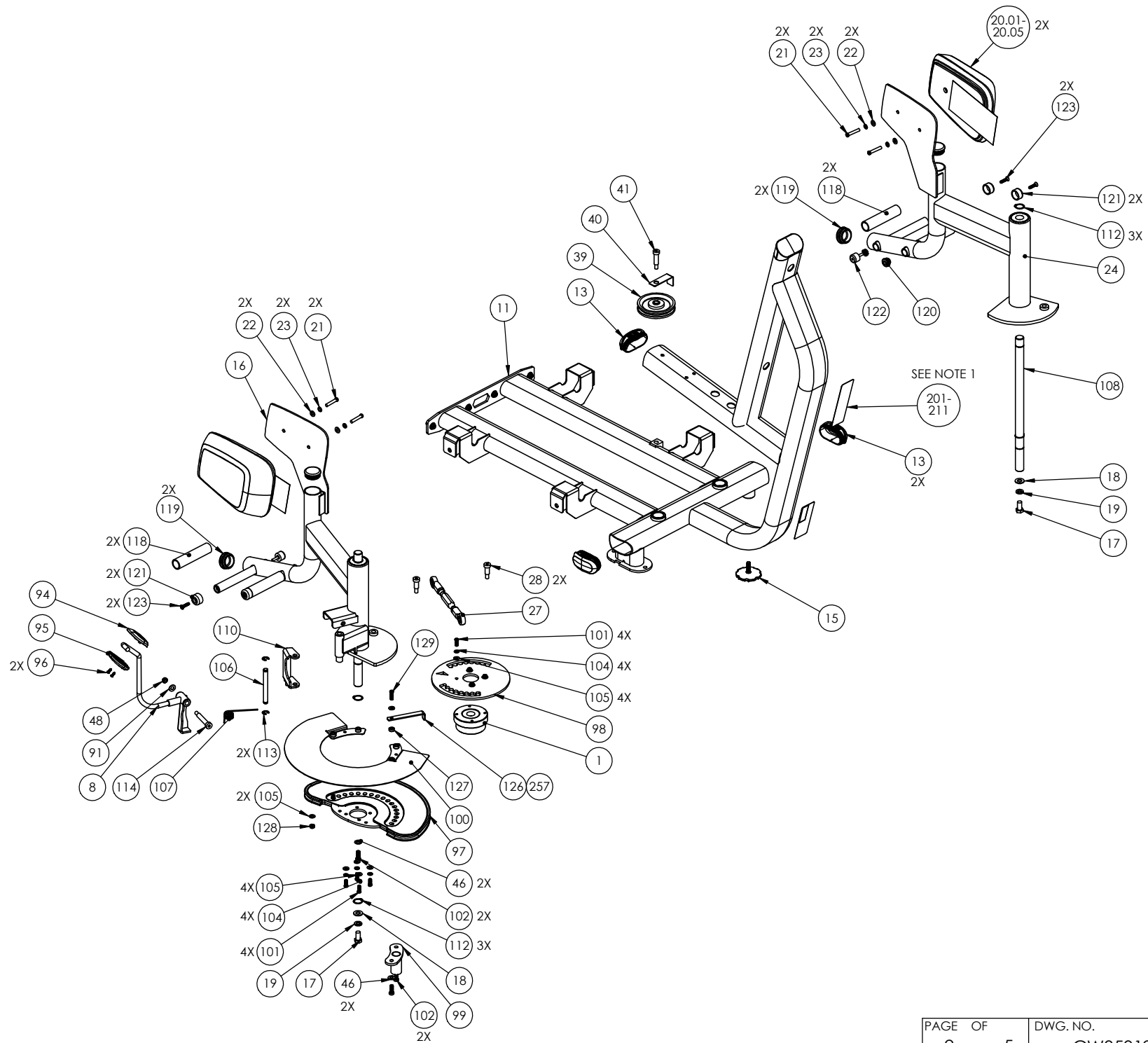
P/N : CW35012-101

SUBREV : H

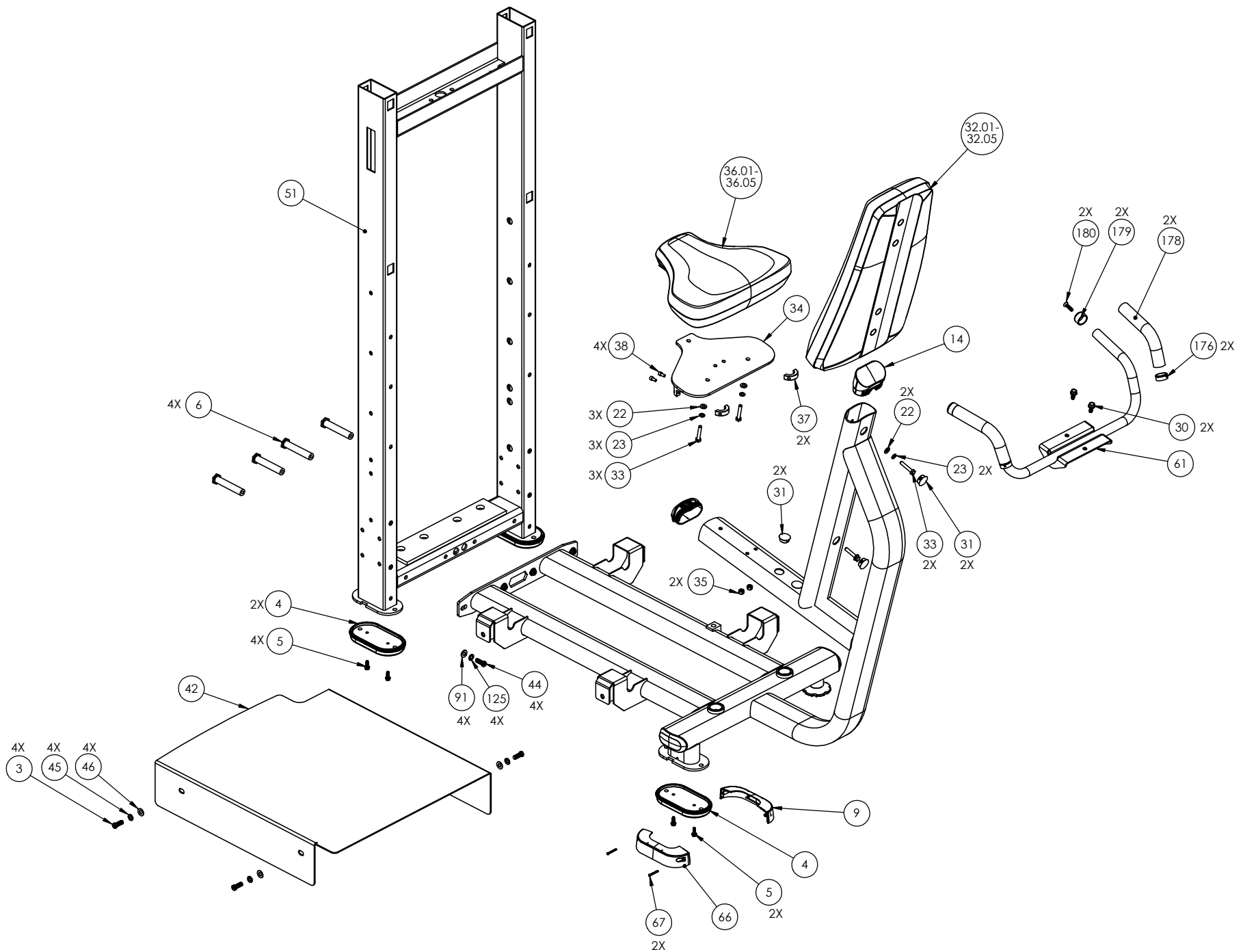
DRAWN BY : MAH

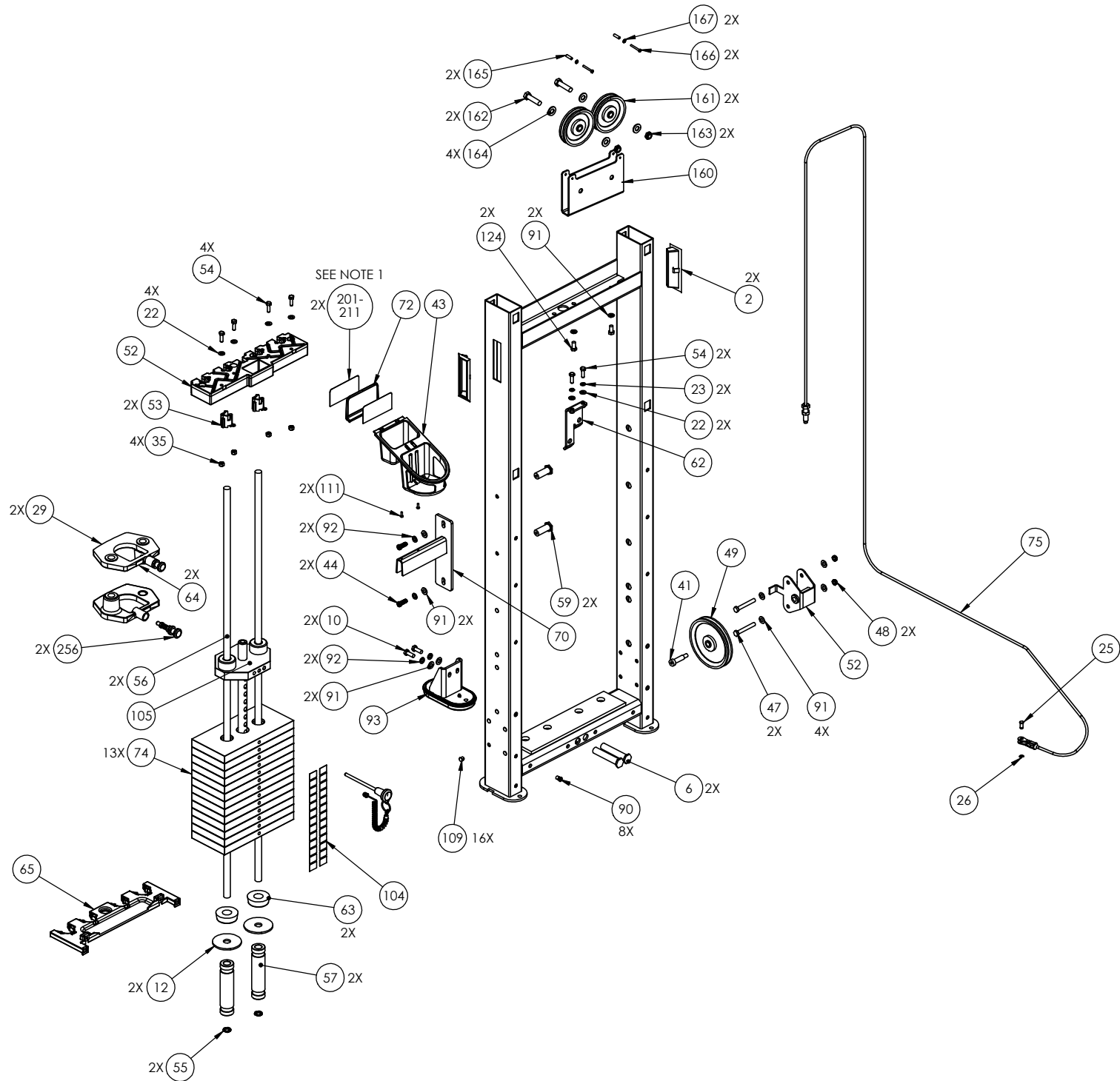
DATE : 06.03.11

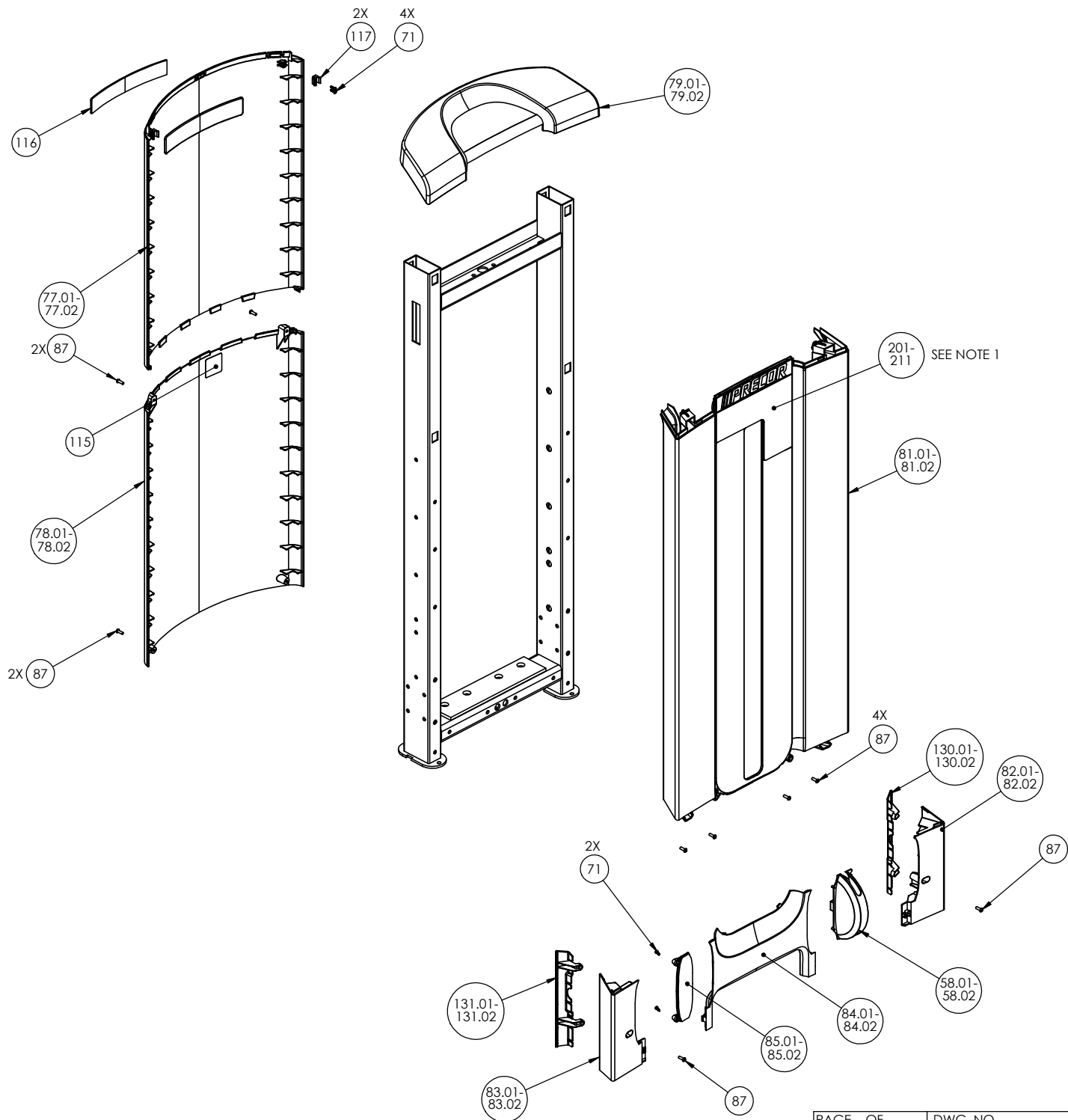
SHEET 1 OF 5











### C620EC Inner Thigh, C-Line

Part Number	Description	Bubble Number
CW50251-101	ASSEMBLY, BEARING ASSEMBLY, INNER/O	1
CW34067-101	PLASTIC RECESSED HANDLE	2
CWCPTN038-100	SCREW, SOCKET LOW HEAD, SHARPERIZED	3
CWPLCN025-075	SLOTTED, HEX, WASHER, HEAD, 1/4-20	5
CW33991-101	WEIGHT TOWER BOLT ON, LONG	6
CW50254-101	ASSEMBLY, RELEASE HANDLE, INNER/OUT	8
CW34061-101	FOOT COVER FRONT, 90 DEGREES	9
CWHCCN038-100	SCREW, HEX, CLR ZINC, 3/8-16 X 1.00	10
CW34315-102	WLDMT, MAIN FRAME, IT/OT, PC	11
CW33894-101	WASHER, BUMPER BACKING	12
CW33996-101	DOUBLE D TUBE END CAP	13
CW34366-101	END CAP ASSY, SEAT BACK, DOUBLE D T	14
CW39916-103	FOOT, ADJUSTING, NO LOGO	15
CW50255-101	ASSEMBLY, PIVOT, CAM SIDE INNER TH	16
CWHCCN050-125	SCREW, HEX HEAD,ZN, 1/2-13 X 1 1/4	17
CWWBCN050-010	WASHER, FLAT, TYPE A, NARROW, 1/2 I	18
CWWALCN050-013	WASHER, SPLIT, 1/2 ID, CLR ZINC	19
CWPD4026-101	CHEST/BACK PAD, RENOVO, BLACK	20.01
CWPD4026-114	CHEST/BACK PAD, RENOVO, CUSTOM	20.02
CWPD4026-118	CHEST/BACK PAD, RENOVO, IMP BLUE	20.03
CWPD4026-122	CHEST/BACK PAD, RENOVO, PAPRIKA	20.04
CWPD4026-131	CHEST/BACK PAD, RENOVO, MAHOGANY	20.05
CWCPMN031-175	SCREW, SOCKET LOW HEAD, MECH CLR ZI	21
CWWBCN031-007	WASHER, FLAT, TYPE A, SAE, 5/16 ID	22
CWWALCN031-008	WASHER, SPLIT, 5/16 ID, ZN	23
CW50256-101	ASSEMBLY, PIVOT, PULLEY SIDE, INNER	24
CW34252-101	PIN, CLEVIS W/ GROOVE,5/16 DIA	25
CWAECN031-003	E-RING, .31 DIA X .03 THICK, CLR ZN	26
CW35015-102	ASSY, LINK ROD, INNER/OUTER THIGH	27
CWRANN038-100	BOLT, SHOULDER, 3/8-16 X 1/2 X 1	28
CW33966-102	ASSEMBLY, CAST DROP DOWN,BOTTOM	29
CWHRCN031-075	SCREW, LOCK WASHER HD, HEX, 5/16-18	30
CW11095-109	CAP, PLASTIC, HEYCO, DOME PLUG, 1.0	31
CWPD4033-101	BACK PAD, RENOVO, BLACK	32.01
CWPD4033-114	BACK PAD, RENOVO, CUSTOM	32.02
CWPD4033-118	BACK PAD, RENOVO,IMP BLUE	32.03
CWPD4033-122	BACK PAD, RENOVO, PAPRIKA	32.04
CWPD4033-131	BACK PAD, RENOVO, MAHOGANY	32.05
CWHCCN031-175	SCREW, HEX, GR 5, 5/16-18 X 1 3/4 C	33
CW34393-101	WLDMT, SEAT, INNER/OUTER THIGH, PC	34
CWKACN031-016	LOCKNUT,HALF, 5/16-18,ZN	35
CWEANN016-013	SCREW, SET, SCKT, CUP POINT, 8-32 X	36
CWPD4003-101	SEAT PAD, RENOVO, BLACK	36.01
CWPD4003-114	SEAT PAD, RENOVO, CUSTOM	36.02
CWPD4003-118	SEAT PAD, RENOVO,IMP BLUE	36.03
CWPD4003-122	SEAT PAD, RENOVO, PAPRIKA	36.04
CWPD4003-131	SEAT PAD, RENOVO, MAHOGANY	36.05
CW35027-101	SHAFT COLLAR, SPLIT,1.00 ID X 1.75	37

CWCAMN025-050	SCREW,SKHD,1/4-20 X .50, ZN,(MECH P	38
<b>CWAC1009-101</b>	PULLEY, 4 1/2 DIA X 1/2 ID	39
CW34394-101	FORMED SHEET, .075 THICK, CABLE KEE	40
CWRANN038-150	BOLT, SHOULDER, 3/8-16 X 1/2 X 1 1/	41
CW34346-101	FORMED SHEET, .12 THICK, STEP PLATE	42
<b>CW34787-101</b>	WATER BOTTLE HOLDER, WEIGHT STACK	43
CWCPMN038-100	SCREW, SCKT LW HD, MCH CLR ZI,3/8-1	44
<b>CWWALYN038-009</b>	WASHER, SPLIT, 3/8 ID, BLK XYLAN	45
CWWBTN038-007	WASHER, FLAT, TYPE A, SAE, 3/8 ID	46
<b>CWHCCN038-275</b>	SCREW, HEX, CLR. ZINC, 3/8-16 X 2 3	47
CWKACN038-027	LOCKNUT,HALF, 3/8-16, ZN	48
<b>CWAC1010-101</b>	PULLEY, 6 DIA X 1/2 ID	49
CW33767-103	WLDMT, WEIGHT TOWER, SHORT,PTD	51
CW33773-101	WLDMT, WS BASE PULLEY	52
CW34014-101	UPPER GUIDE ROD SUPPORT	52
CW34015-101	UPPER GUIDE ROD LOCK	53
<b>CWHCCN031-100</b>	SCREW, HEX, GR 5, 5/16-18 X 1.0, ZN	54
CW12651-101	WAVE SPRING, .85 OD X .66 ID X .17	55
CW33994-101	BAR, .750 DIA, SHORT GUIDE ROD	56
<b>CW10158-101</b>	BEARING, BALL, 6205, 52MM OD X 25MM	57
CW33633-101	BAR, 1.50 DIA, WEIGHT STACK RISER	57
CW34012-103	PULLEY COVER, 6 INCH, SILVER GRAY	58.01
CW34012-104	PULLEY COVER, 6 INCH, AMAZON STONE	58.02
CW33991-102	WEIGHT TOWER BOLT ON, SHORT	59
CW50245-101	ASSEMBLY, HANDLE, LEG CURL/EXT	61
CW33967-102	PLATE, .19 THICK, DRP DW WT MNT	62
<b>CW12402-101</b>	BUMPER, ID 1.050, BLK RUBBER	63
CW34367-101	LOWER COVER SUPPORT ASSY	65
CW34061-102	FOOT COVER BACK, 90 DEGREES	66
CWPMTN016-125	SCREW, SELF TAPPING,#8 X 1 1/4 PHIL	67
CW34364-101	WLDMT, WATER BOTTLE HOLDER	70
CWPMTN016-063	SCREW, SELF TAPPING,#8 X 5/8 PHIL,	71
CW34788-101	LABEL PLACARD, WATER BOTTLE, WEIGHT	72
<b>CW33870-104</b>	ASSEMBLY, 5" WEIGHT STACK PIN & LEA	73
CW34292-101	ASSEMBLY, WEIGHT PLATE, RECTANGULAR	74
<b>CWCLNP157-875</b>	ASSY, CABLE, INNER THIGH, RENOVO	75
CW34072-101	ASSY, BACK TOP SHROUD, SHORT, PACIF	77.01
CW34072-102	ASSY, BACK TOP SHROUD, SHORT, DARK	77.02
CW34375-101	ASSY,COVER, BACK, LOWER, SHORT, PAC	78.01
CW34375-102	ASSY,COVER, BACK, LOWER, SHORT, DAR	78.02
<b>CW33947-103</b>	COVER, TOP	79.01
CW33947-104	COVER, TOP, AMAZON STONE	79.02
CW34005-103	ASSY, WINDOW BASE SHROUD, SHORT, SI	81.01
CW34005-104	ASSY, WINDOW BASE SHROUD, SHORT, AM	81.02
CW34343-101	CORNER COVER ASSY, LEFT, SILVER GRA	82.01
CW34343-103	CORNER COVER ASSY, LEFT, AMAZON STO	82.02
CW34343-102	CORNER COVER ASSY, RIGHT, SILVER GR	83.01
CW34343-104	CORNER COVER ASSY, RIGHT, AMAZON ST	83.02
CW33945-101	COVER, CENTER	84.01
<b>CW33945-102</b>	COVER, CENTER, AMAZON STONE	84.02
CW34013-101	PLUG, PULLEY, SILVER GRAY	85.01

CW34013-102	PLUG, PULLEY, AMAZON STONE	85.02
CWTATN025-075	SCREW, BUTTON HEAD, SHARPERIZED BLK	87
CW34345-101	BAR,4.00 DIA, CAM HUB, IN/OUT THIGH	88
CW12112-101	RIVNUT,INSERT,HEX,1/4-20	90
CWWBCN038-007	WASHER, FLAT, TYPE A, 3/8 ID X 13/1	91
CWWALCN038-009	WASHER, SPLIT, 3/8 ID, CLR ZINC	92
CW34380-101	ASSY, STABILITY FOOT	93
CW34063-101	SEAT ADJUST HANDLE, TOP	94
CW34063-102	SEAT ADJUST HANDLE BOTTOM	95
CWPMCN016-050	SCREW, SELF TAPPING,#8 X 1/2 PHIL,	96
CW33932-101	CAM, MOLDED PULLEY	97
CW34344-101	PLATE, .25 THICK, RATCHET, IN/OUT T	98
CW34899-102	ASSEMBLY, CAM STOP, 2.5"	99
CW35009-101	FORMED SHEET, .075 THK,CAM GUARD,IN	100
CWCAKN031-075	SCREW,SHC,5/16-18X.75,BZ	101
CWCPTN038-100	SCREW, SOCKET LOW HEAD, SHARPERIZED	102
CW50267-101	KIT, WEIGHT STACK LABELS, 170 LB	104
CWWALYN031-008	WASHER, SPLIT, 5/16 ID, BL	104
CW34298-101	ASSEMBLY, TOP PLATE, 215 LBS RECTAN	105
CWWBTN031-007	WASHER, FLAT, TYPE A, SAE, 5/16 ID	105
CW34180-102	BAR, RND, 0.50 OD X 4.63 L, PAWL PI	106
CW34313-102	SPRING,TORSION,1.117 OD X .105 WIRE	107
CW34347-101	BAR, 25MM(1.00), PIVOT SHAFT,IN/OUT	108
CW11095-107	CAP, PLASTIC, HEYCO, DOME PLUG, 0.3	109
CW34970-102	ASSEMBLY, PAWL/PIN, PC	110
CWMGCN016-050	SCREW, MCH, 8-32 X 1/2, PANHD, PHIL	111
CWABHN025-001	RING,RETAINING,25MM,EXT	112
CWAECN050-004	E-RING,.50 DIA X .04 THICK, CLEAR Z	113
CWRANN038-250	BOLT, SHOULDER, 3/8-16 X 1/2 X 2.50	114
CW34373-101	LABEL,CABLE BOLT WARNING STRENGTH,	115
CW34073-102	PRECOR BADGE, BACK	116
CW34074-101	REAR COVER SNAP	117
CWGR4605-375	GRIP, RUBBER, 1.00" OD HANDLE, 5.38	118
CW11382-108	CAP, TUBE, PLASTIC, ROUND, CCF-2-10	119
CW11382-101	CAP, TUBE, PLASTIC, ROUND, CCF-1- 1	120
CW34091-101	HANDLE END CAP, ALUM,	121
CW34404-101	STOP BUMPER,W/THRD STUD,1/4-20, 1"	122
CWMACMN025-100	SCREW, FLT HEAD, SOCKET, MECH CLR Z	123
CWHCCN038-075	SCREW, HEX, CLR. CLR. ZINC, 3/8-16	124
CWWATCN038-032	WASHER, LK, INT. TOOTH, .375	125
CW35124-102	SHEET, STEEL, 11GA(.12), CAM CABLE	126
CWAC1228-901	SPACER, ALU,.328 ID X .625 OD X .25	127
CWKAYN031-025	LOCKNUT, NYLON INSERT, HALF, UNC, 5	128
CWCPTN031-100	SCREW, SOCKET LOW HEAD, BLACK SHARP	129
CW34341-101	BOTTOM, EDGE COVER, RAIL, LEFT, SIL	130.01
CW34341-103	BOTTOM, EDGE COVER, RAIL, LEFT, AMA	130.02
CW34341-102	BOTTOM, EDGE COVER, RAIL, RIGHT, SI	131.01
CW34341-104	BOTTOM, EDGE COVER, RAIL, RIGHT, AM	131.02
CW35978-101	DBL PULLY BRKT,FORMED PLATE,10GA(.1	160
CWAC1009-101	PULLEY, 4 1/2 DIA X 1/2 ID	161
CWHCCN050-200	SCREW, HEX HEAD,ZN, 1/2-13 X 2.0	162

CWKACN050-031	LOCKNUT,HALF, 1/2-13, ZN	163
<b>CWWBCN050-010</b>	WASHER, FLAT, TYPE A, NARROW, 1/2 I	164
CW35980-101	SPACER, ALU,.166 ID X .25 OD X .875	165
CWMGCN016-150	SCREW,MCH,8-32X1-1/2,PANHD,	166
CWWAMCN016-020	WASHER, LOCK, EXT TOOTH, #8	167
<b>CWAC219-902</b>	HNDL RETAINER RNG, W/SS,1.040" I.D.	176
<b>CWGR4608-500</b>	GRIP, RUBBER, 1.00" OD HANDLE, 8.50	178
<b>CW34091-101</b>	HANDLE END CAP, ALUM,	179
CWMACMN025-100	SCREW, FLT HEAD, SOCKET, MECH CLR Z	180
CW50271-101	KIT, DROP DOWN WEIGHTS.	250
<b>CW50288-101</b>	KIT, POP PIN, DROP DOWN WEIGHT	256
CW35145-101	CUT PIECE CREPE, .06" THICK	257
CW50289-102	KIT, CAM CABLE KEEPER, IOT	257
CW58001-101	KIT, INNER/OUTER REPAIR, C620EC, C6	258
CW11095-111	CAP, PLASTIC, HEYCO, PRY OUT PLUG,	265