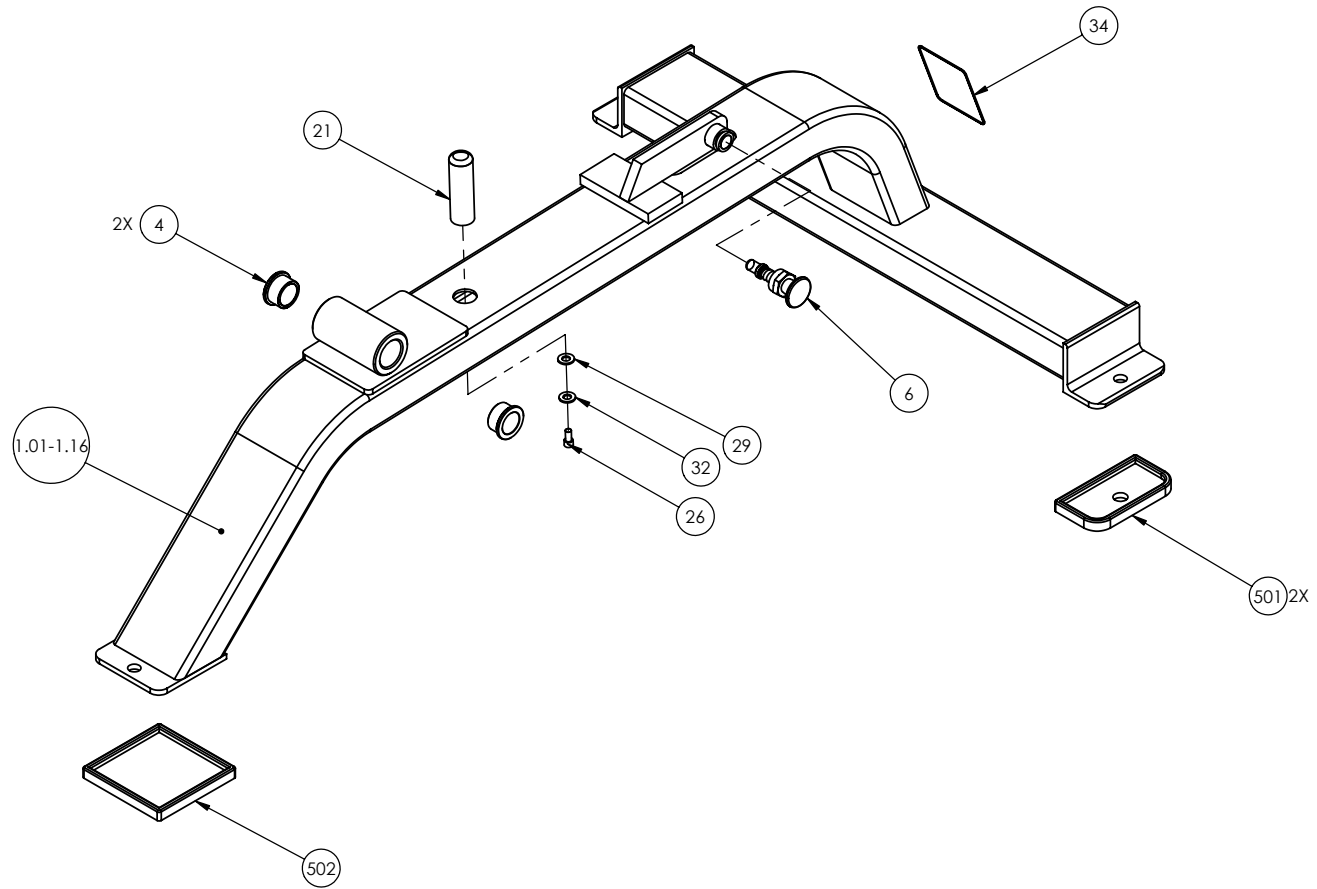
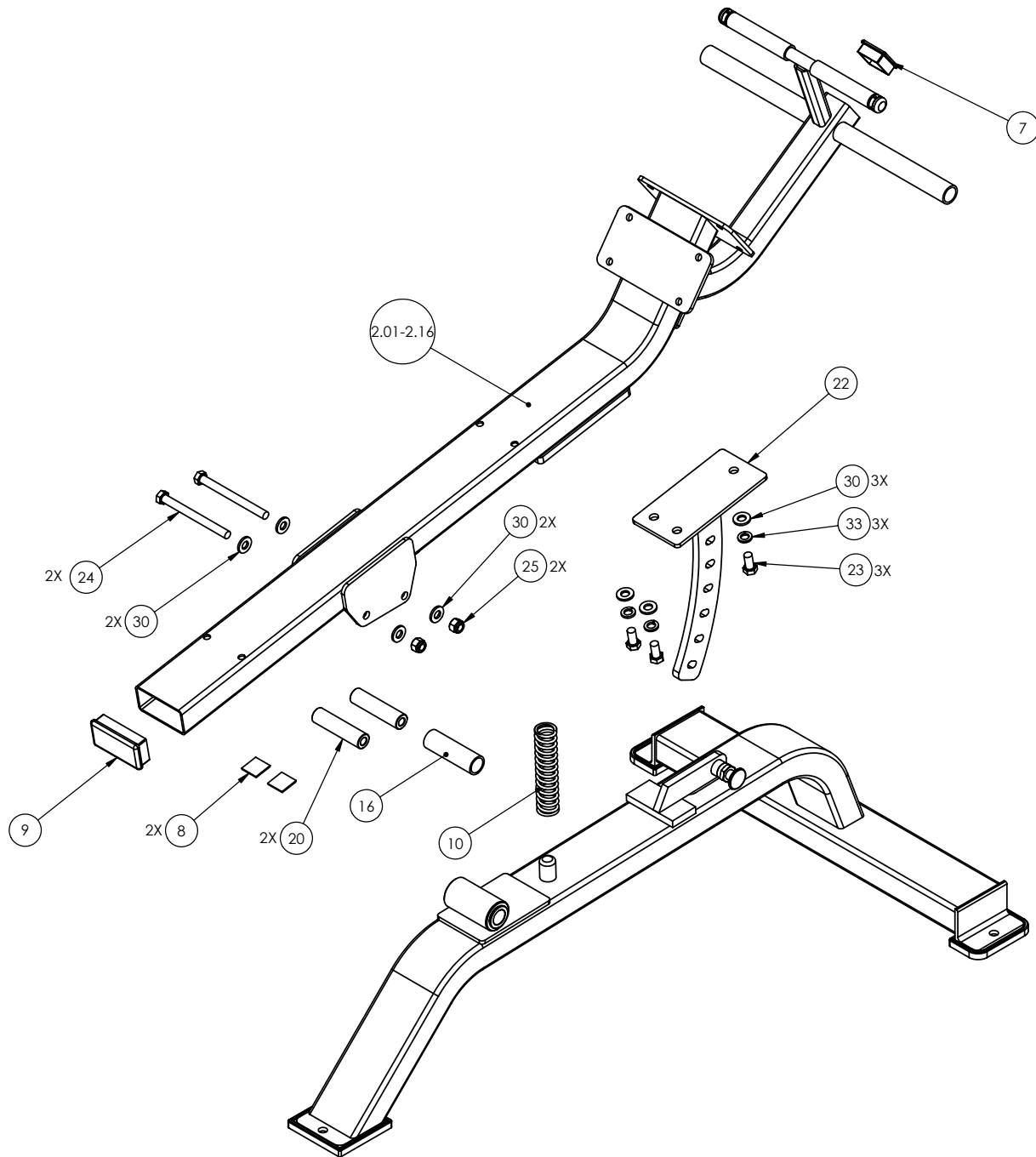


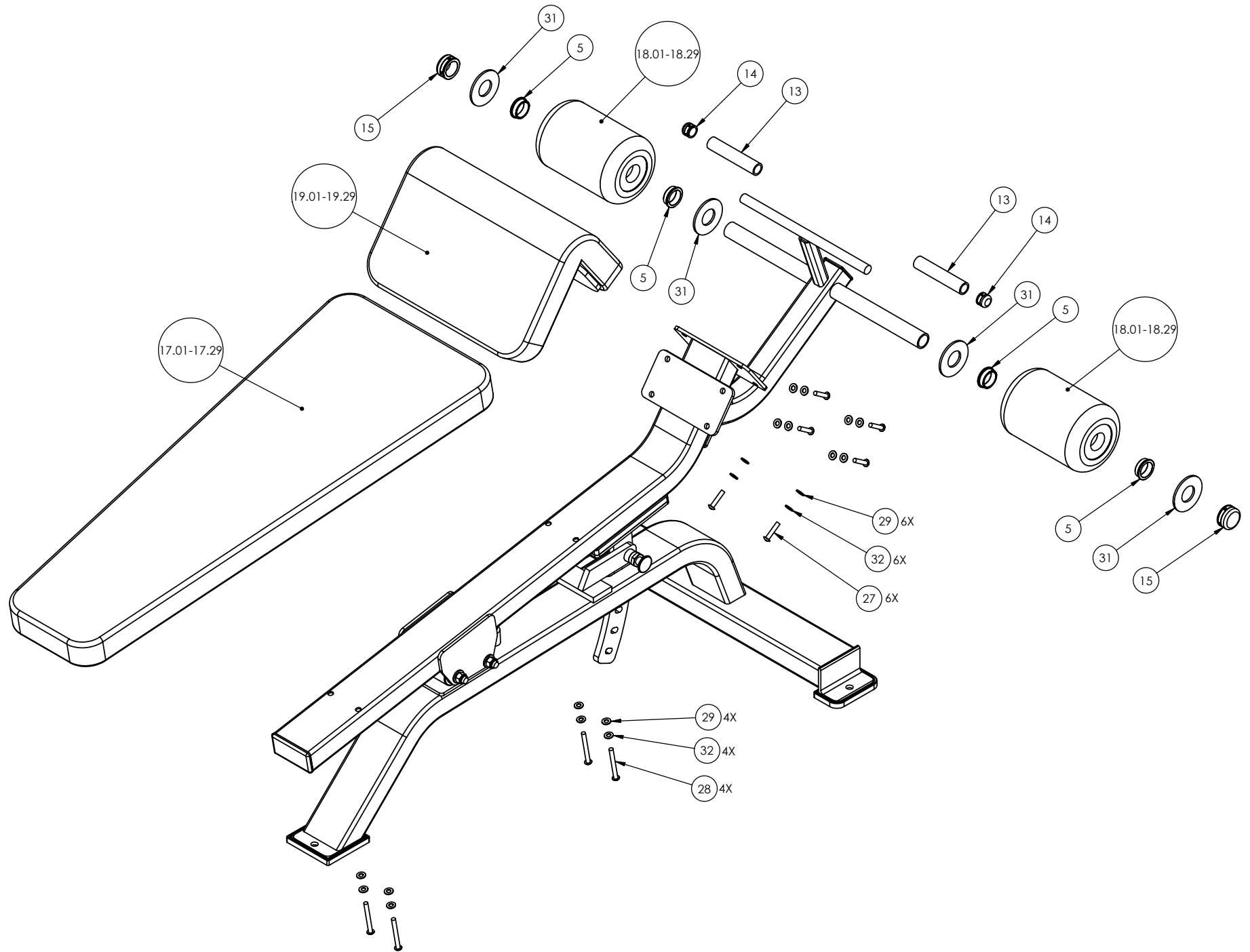
| | | |
|---------------|-------------------|--------------|
| 113 | P/N : CW30925-101 | SUBREV : B |
| DRAWN BY : CT | DATE : 09.21.05 | SHEET 1 OF 4 |



| | | |
|---------------|-------------------|--------------|
| 113 | P/N : CW30925-101 | SUBREV : B |
| DRAWN BY : CT | DATE : 09.21.05 | SHEET 2 OF 4 |



| | | |
|---------------|-------------------|--------------|
| 113 | P/N : CW30925-101 | SUBREV : B |
| DRAWN BY : CT | DATE : 09.21.05 | SHEET 3 OF 4 |



| | | |
|---------------|-------------------|--------------|
| 113 | P/N : CW30925-101 | SUBREV : B |
| DRAWN BY : CT | DATE : 09.21.05 | SHEET 4 OF 4 |

113 Adjustable Decline Bench

| Part Number | Description | Bubble Number |
|-----------------------|-------------------------------------|---------------|
| CW113SA1-211 | ASSY,FRAME,MAIN,113,SKY WHITE | 1.01 |
| CW113SA1-311 | ASSY,FRAME,MAIN,113,STONE H | 1.11 |
| CW113SA1-321 | ASSY,FRAME,MAIN,113,TITANIUM HG | 1.12 |
| CW113SA2-211 | ASSY,FRAME,SEAT,113,SKY WHITE | 2.01 |
| CW113SA2-311 | ASSY,FRAME,SEAT,113,STONE HG | 2.11 |
| CW113SA2-321 | ASSY,FRAME,SEAT,113,TITANIUM HG | 2.12 |
| CWAC1001-101 | LABEL, "ICARIAN", 1 1/2 X 8 1/8 | 3 |
| CW10043-134 | BUSHING, BRONZE, 1" ID X 1 1/4" OD | 4 |
| CW10043-135 | BUSHING, BRONZE, 1 1/4" ID X 1 1/2" | 5 |
| CW30165-752 | ASSY, POP PIN, 0.450 DIA NOSE, BLU | 6 |
| CW11311-103 | ENDCAP, REC TUBE, 2X2, BLK PLASTIC | 7 |
| CW12575-101 | MOULDED BUMPON, BLACK, 31.75MM SQ (| 8 |
| CW11311-102 | ENDCAP, REC TUBE, 2X4, BLK PLASTIC | 9 |
| CWAC115-8731 | SPRING, COMPRESSION, 1 9/32 OD X 1 | 10 |
| CW34822-101 | LABEL, "ASSEMBLED IN THE USA" | 11 |
| CWAC1164-101 | LABEL, F.P.I. SERIAL NUMBER | 12 |
| CWAC220-901 | HANDLE END CAP W/SET SCREWS, DIA 3/ | 14 |
| CWAC221-901 | SHAFT END CAP W/SET SCREWS, DIA 1 1 | 15 |
| CWGR4604-000 | GRIP, RUBBER, 1.00" OD HANDLE, 4.00 | 16 |
| CWPD1208J-101 | PAD,9X17X42,4HOLES,W/BP,BLACK,W/SLI | 17.01 |
| CWPD1401A-101 | PAD,5.625ODX1.5IDX8.125,BLACK | 18.01 |
| CWPD1505B-101 | PAD,ANG,2P(6X17)(9X17)BLK | 19.01 |
| CWPF3441-741 | BAR, STEEL, RND, CLR ZN | 20 |
| CWPF1457-741 | BAR,STEEL, RND, DIA 1" X (3 1/4), 1 | 21 |
| CWSA1111-721 | ASSY,SICKLE,6 POS 25 DEG RANGE, WRK | 22 |
| CWHCYN050-100 | SCREW,HEX HEAD,BLK XYLAN,1/2-13 X 1 | 23 |
| CWHADYN050-550 | SCREW, HEX,BLK, 1/2-13 X 5 1/2 FUL | 24 |
| CWKDYN050-059 | LOCKNUT, NYLON INSERT, FULL, UNC, 1 | 25 |
| CWTAYN031-050 | SCREW, BUTTON HEAD, BLK XYLAN, 5/16 | 26 |
| CWTAYN031-150 | SCREW, BUTTON HEAD, BLK XYLAN, 5/16 | 27 |
| CWTAYN031-300 | SCREW, BUTTON HEAD, BLK XYLAN, 5/16 | 28 |
| CWWBKN031-007 | WASHER, FLAT, TYPE A, SAE, 5/16 ID | 29 |
| CWWBKN050-010 | WASHER, FLAT, TYPE A, SAE, 1/2 ID X | 30 |
| CWWNKN138-016 | WASHER, FLAT, 1 3/8 ID X 3 OD, 0.15 | 31 |
| CWWALYN031-008 | WASHER, SPLIT, 5/16 ID, BL | 32 |
| CWWALYN050-013 | WASHER, SPLIT, 1/2 ID, BLK XYLAN | 33 |
| CW31759-101 | LABEL, SMALL PRECOR USA ICARIAN LIN | 34 |
| CWAC1179-101 | FLOOR PROTECTOR, RUBBER, 4.813 X 2. | 501 |
| CWAC1181-101 | FLOOR PROTECTOR, RUBBER, 4.563 X 4. | 502 |