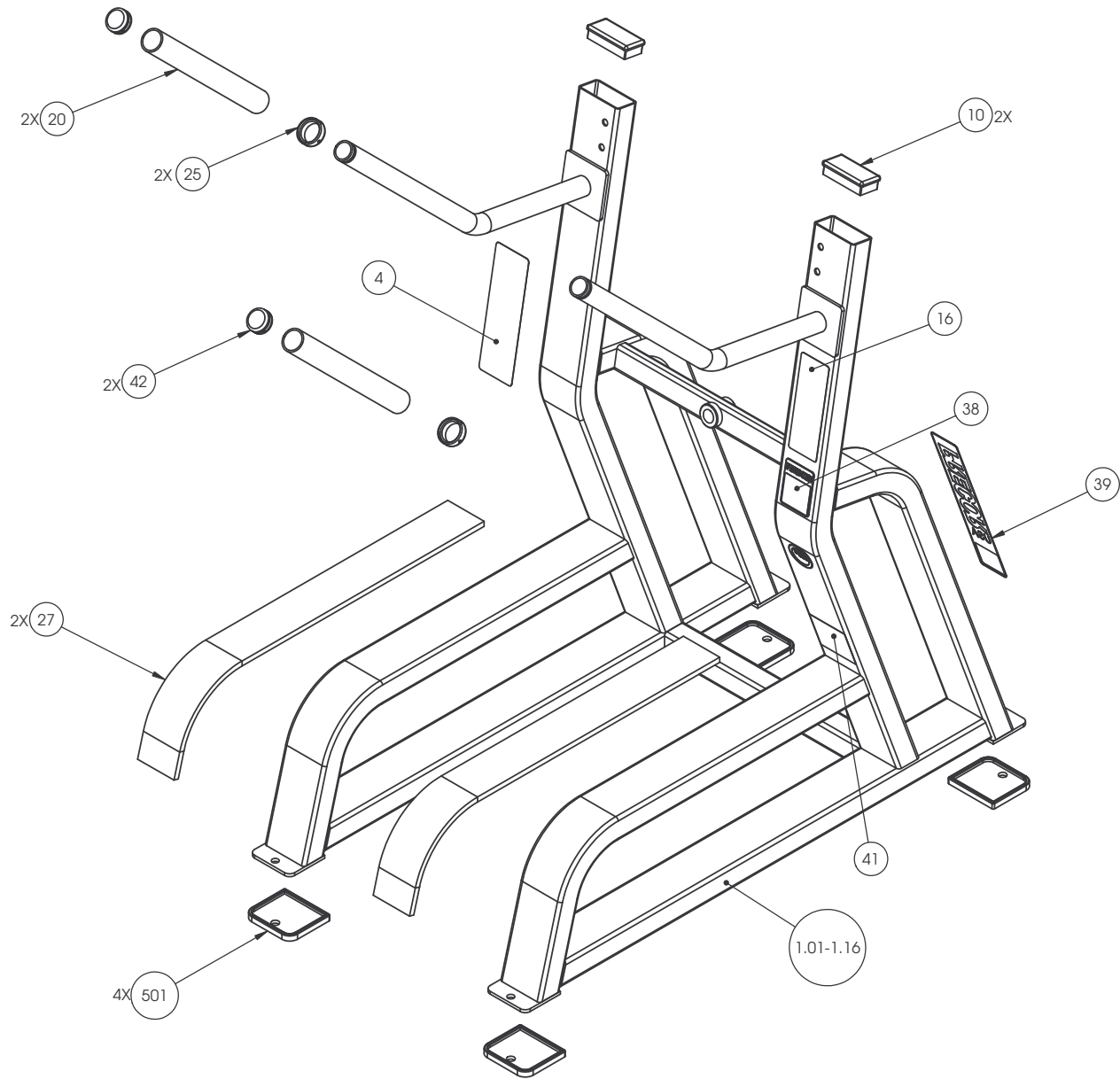
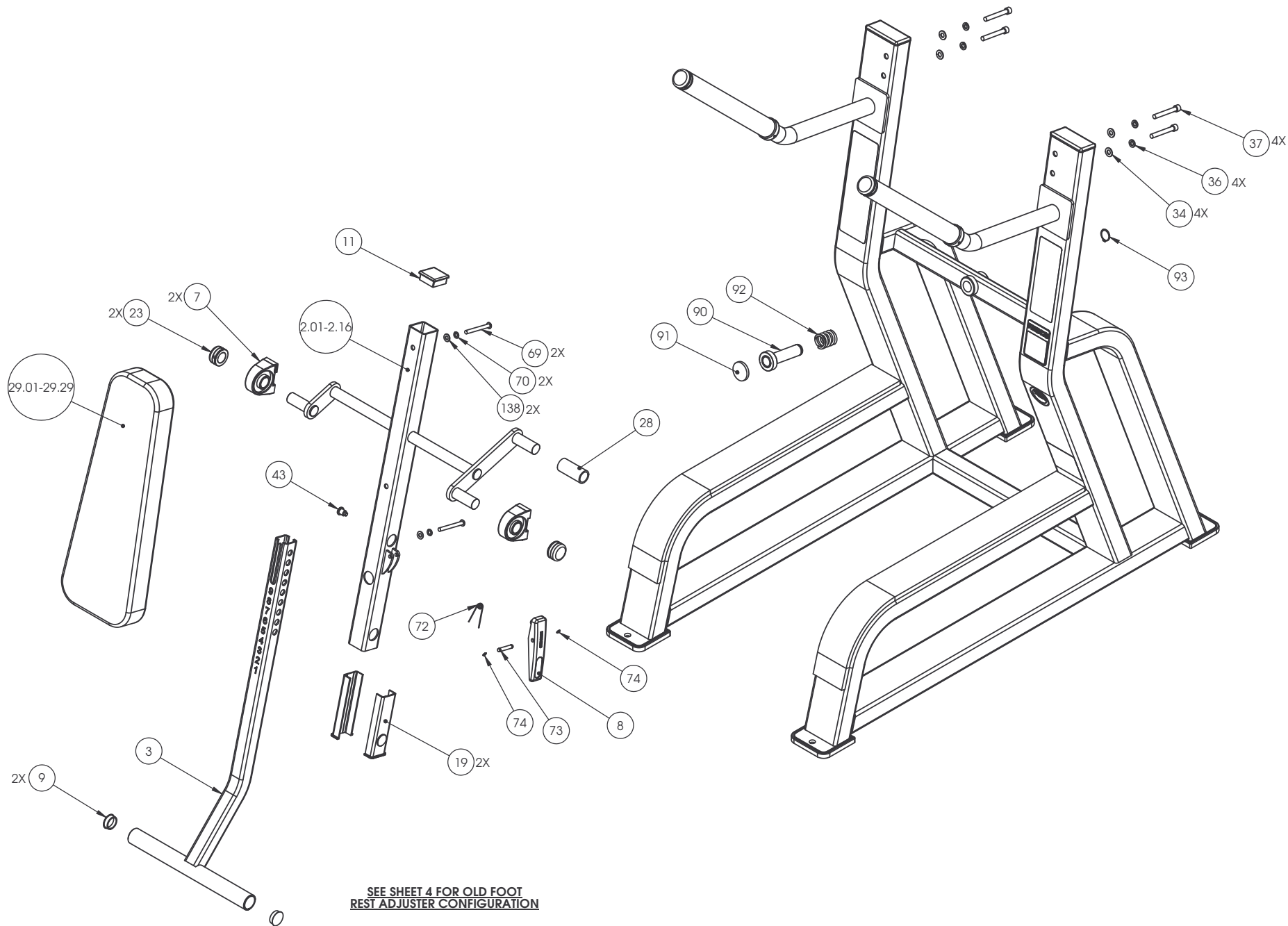


AB103	P/N : CW30958-101	SUBREV : D
DRAWN BY : CT	DATE : 04.05.06	SHEET 1 OF 4

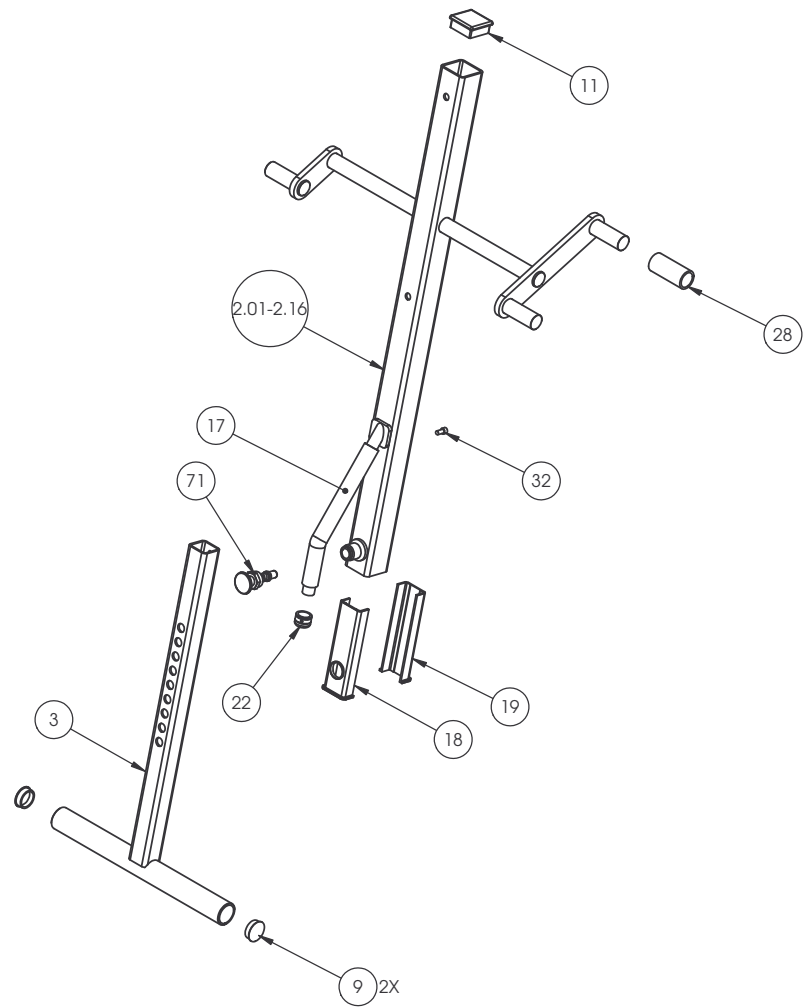


AB103	P/N : CW30958-101	SUBREV : D
DRAWN BY : CT	DATE : 04.05.06	SHEET 2 OF 4



SEE SHEET 4 FOR OLD FOOT
REST ADJUSTER CONFIGURATION

AB103	P/N : CW30958-101	SUBREV : D
DRAWN BY : CT	DATE : 04.05.06	SHEET 3 OF 4



FOOT REST ADJUSTER
PRIOR TO 8/29/2005

AB103	P/N : CW30958-101	SUBREV : D
DRAWN BY : CT	DATE : 04.05.06	SHEET 4 OF 4

AB103 Vertical Abdominal Crunch

Part Number	Description	Bubble Number
PPP00CWAB103SA1211	ASSY,FRAME,MAIN,AB103,SKY WHITE	1.01
PPP00CWAB103SA1311	ASSY,FRAME,MAIN,AB103,STONE HG	1.11
PPP00CWAB103SA1321	ASSY,FRAME,MAIN,AB103,TITANIUM HG	1.12
PPP00CWAB103SA3712	ASSY,FOOTREST ADJ.,AB103,CHROME	3
PPP00000CW30064101	LABEL,INSTRUCTION,AB103	4
PPP00000CWAC1001101	LABEL, "ICARIAN", 1 1/2 X 8 1/8	5
PPP00000CWAC1002101	LABEL, "ICARIAN", 3 X 16 3/8	6
PPP00000CW12406101	PILLOW BLOCK, BEARING, 2 BOLT	7
PPP00000CW32460221	ASSY, RATCHETING LEVER, BLACK	8
PPP00000CW11095105	CAP, PLASTIC, HEYCO, DOME PLUG, 1.2	9
PPP00000CW11311102	ENDCAP, REC TUBE, 2X4, BLK PLASTIC	10
PPP00000CW11311103	ENDCAP, REC TUBE, 2X2, BLK PLASTIC	11
PPP00000CW34822101	LABEL, "ASSEMBLED IN THE USA"	14
PPP00000CWAC1164101	LABEL, F.P.I. SERIAL NUMBER	15
PPP00000CW30010102	LABEL,WARNING STRENGTH	16
PPP00000CWGR2509375	GRIP,RUBBER,3/4" DIA, 9-3/8"	17
PPP00000CWGR4809375	GRIP, RUBBER, .75" OD HANDLE, 9.38"	17
PPP00000CWAC1236104	GUIDE INSERT, PLASTIC WITH HOLE, BL	18
PPP00000CWAC1236102	GUIDE INSERT, PLASTIC WITH HOLE, BL	19
PPP00000CWGR4915000	GRIP, RUBBER, 1.50" OD HANDLE, 15.0	20
PPP00000CWAC220901	HANDLE END CAP W/SET SCREWS, DIA 3/	22
PPP00000CWAC222901	ASSY, SHAFT END CAP W/SET SCREWS, D	23
PPP00000CWAC261901	HANDLE RETAINER RING W/SET SCREWS D	25
PPP00000CW30014114	CUT PIECE, CREPE, 3/8 THICK	27
PPP00000CWGR2602750	GRIP,RUBBER, 1" DIA, 2-3/4"	28
PPP00000CWGR4602750	GRIP, RUBBER, 1.00" OD HANDLE, 2.75	28
PPP00000CWPD1205B101	PAD,5.88X8.75X23.75,2HL,W/BP,BLACK	29.01
PPP00000CW30799731	ASSY, SPRING STOP, BLK ZN	30
PPP00000CWCAYN025050	SCREW, SOCKET HEAD, BLK XYLAN	32
PPP00000CWWBKN038007	WASHER, FLAT, TYPE A, SAE, 3/8 ID	34
PPP00000CWWALYN038009	WASHER, SPLIT, 3/8 ID, BLK XYLAN	36
PPP00000CWCAYN038275	SCREW, SOCKET HEAD, BLK XYLAN, 3/	37
PPP00000CW31758102	LABEL, ABENCH LINE	38
PPP00000CW31757102	LABEL, PRECOR USA	39
PPP00000CWAC1247101	LABEL, HESTER DESIGN	41
PPP00000CWAC242901	HANDLE END CAP W/SET SCREWS, DIA 1	42
PPP00000CW31784731	STOP PLUG, BLK ZN	43
PPP00000CWTAYN031325	SCREW, BUTTON HEAD, BLK XYLAN, 5/16	69
PPP00000CWWALYN031008	WASHER, SPLIT, 5/16 ID, BL	70
PPP00000CW30165752	ASSY, POP PIN, 0.450 DIA NOSE, BLU	71
PPP00000CW12634101	SPRING, TORSION 90 DEG X 0.484 X 0.	72
PPP00000CW31770742	LATCH PIVOTING PIN, CLR ZN	73
PPP00000CWAMNN028003	RING, RETAINING, 2-TURN, SPIRAL, SS	74
PPP00000CWSA1120731	WELDMENT, SPRING STOP, BLK ZN	90
PPP00000CWWBKN031007	WASHER, FLAT, TYPE A, SAE, 5/16 ID	138
PPP00000CWAC1177101	FLOOR PROTECTOR, RUBBER, 4.563 X 4.	501