

 lichtvoll

Pure Light

Furniture & recessed lighting

Lichtvoll presents their latest product line-up. Quality and flexibility – ideal for modern lighting solutions.



2019 | 2020

Light

Downlight

pp. 8-9

Improve the lighting plan of your room with downlights by lichtvoll. These lights are perfectly suited for hidden areas within the ceiling and effectively help to improve the lighting quality of any room.

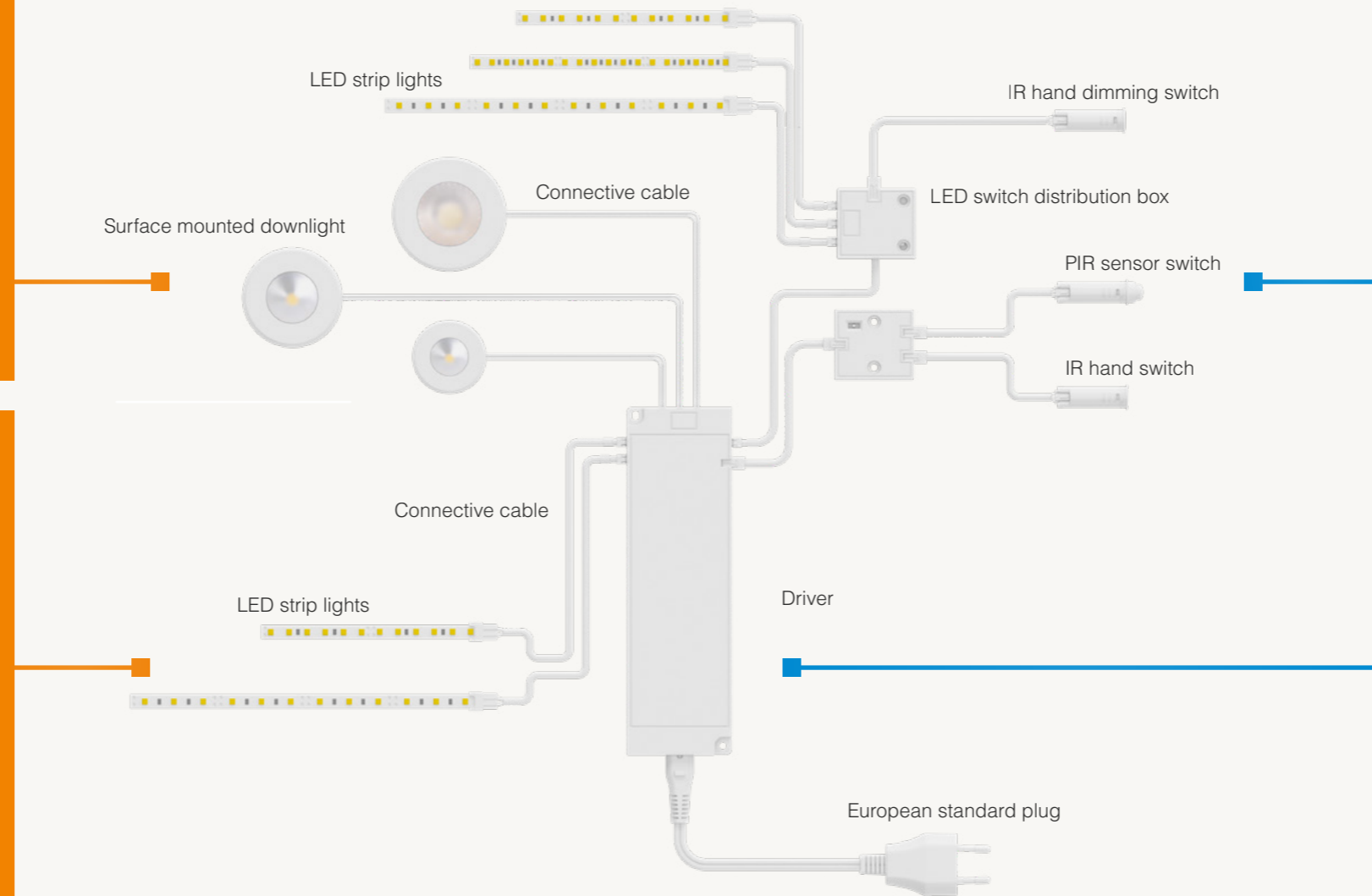
LED Strip

pp. 12-17

LED strips are your ideal solution to bring light to tight and narrow spaces. They are perfect to install in furniture or wall recesses and easily enhance their look.

Pure Light.

Pure Emotion.



Electrical Fittings

Switch

pp. 30-32

Lichtvoll offers a variety of switches to choose from, each with their respective area of application. Our infrared door switches are able to detect hand and door movement or even hand rotations for dimming.

Driver

pp. 26-29

Our LED drivers follow the industry standards and their respective safety and performance norms. Adjust the driver system to your needs with our modular solution.

Profile Light

pp. 18-23

With profile lights by lichtvoll you have the choice between two installation options to offer you a variety of applications. Our profile lights are perfect to, i.e. highlight working surfaces in the kitchen area or improve the lighting situation in narrow spaces.

Accessories

pp. 34-42

We offer a variety of accessories for our lighting solutions to ensure a perfect fit for every installation. Create a seamless integration of your lights with different types of profile housings or interconnect multiple lights with our smart distribution boxes to create a beautiful installation.

Order information

p. 43

Lichtvoll offers a well-rounded service to make your purchase as smooth as possible. Refer to page 43 for more details or visit our homepage at www.lichtvoll-gmbh.de.



Light

Electrical Fittings

Accessories

Order

We care

It is our obligation to handle existing resources responsibly. As a manufacturer of high-quality lighting products, we think about how we can contribute to the preservation of our environment through our daily activities. Therefore we are constantly working on improving the sustainability of our products. Our goal is to make our own production and the production of our partners 100% CO2-neutral.



We are

We bring light to life. We are the lichtvoll GmbH. As a young German company with over 10 years of experience as one of the leading suppliers to the European furniture industry we have a deep insight into the needs of customers and the market. From this long experience we design and produce our lights with a lot of passion for detail.

For us, global action and sustainable thinking and acting are not contradictions, but a matter of fact. We stand for high product quality according to local and international standards and combine this demand on our products with the advantages of an international production. Engineered in Germany, manufactured in China. In this way we can offer you products of the highest quality and sustainability at the best price.

We create

Light is more than brightness - our products create a unique atmosphere. With our innovative products and design, we want to offer our customers the greatest possible flexibility and inspiration in lighting design. In our „Pure Light“ product catalogue, we present our basic range of furniture luminaires and accessories.

We offer

High product quality, fair price and best service. In addition to our usual high product quality, we would like to make ordering as easy as possible for you with the best service.

Our Service

- Small purchase quantities
- Regular delivery time of 2 weeks
- 72 hours delivery service (for basic products ex stock)
- Individual solutions on request
- Support from concept to implementation

Our Products

- Innovative energy-saving technology
- Sustainable production (target CO2 neutrality)
- Permanently fair price
- Certified quality



Pure
Light.

Pure
Emotion.

Direct Order

Email: order@lichtvoll-gmbh.de
Direct phone: +49 201 558744-0

Direct fax: +49 201 558744-19



Scope of Application



LIVING ROOM



BEDROOM



KITCHEN



Light



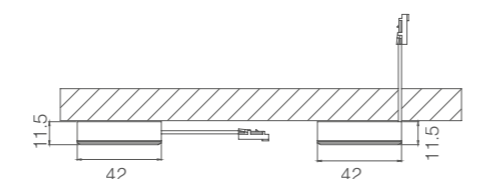
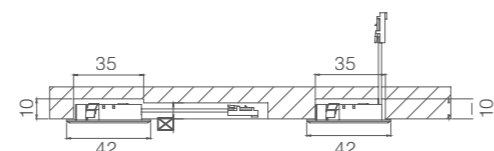
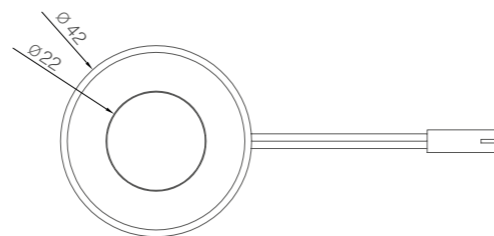
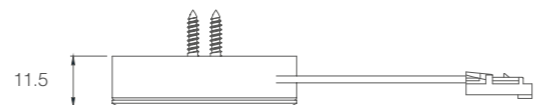
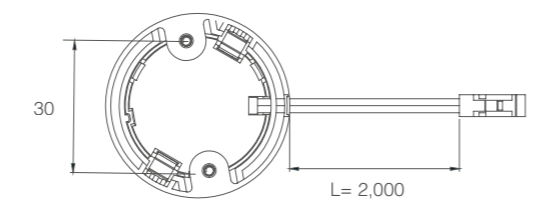
Downlight



Product feature

Construction (mm)

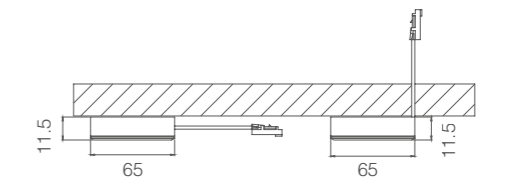
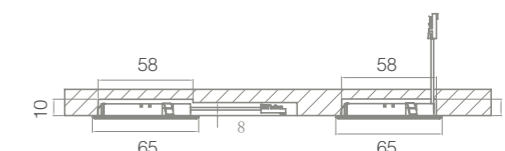
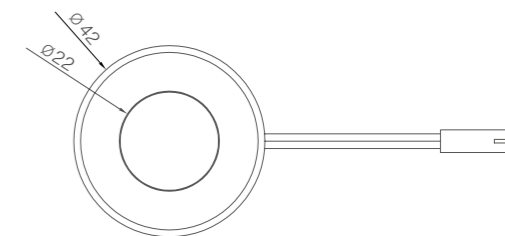
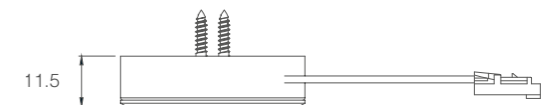
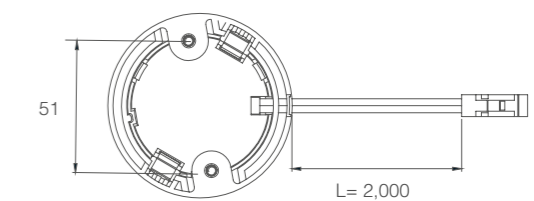
Item Number	19126	19127
Model	LV3001.01.01.03	LV3001.02.03.03
Wattage (W)	1	
Voltage (V)	24	
Luminous (lm)	70	
Degree of Protection	IP20	
CRI	90	
CCT (K)	3,000	
Beam angle	95°	
Material	PCB aluminium and housing with plastic	
Finish / Colour	silver Anodization	white
LED Quantity	1	
Cut Out Diameter (mm)	Ø 35	
Supplied With	2 m cable installation base	
Warranty	3 years	
Dimmable	no	



Product feature

Construction (mm)

Item Number	19128	19129
Model	LV3002.01.03.03	LV3002.02.02.03
Wattage (W)	2.5	
Voltage (V)	24	
Luminous (lm)	200	
Degree of Protection	IP20	
CRI	90	
CCT (K)	3,000	
Beam angle	95°	
Material	PCB aluminium and housing with plastic	
Finish / Colour	silver Anodization	white
LED Quantity	3	
Cut Out Diameter (mm)	Ø 58	
Supplied With	2 m cable installation base	
Warranty	3 years	
Dimmable	no	



Exposure level 19126 / 19127

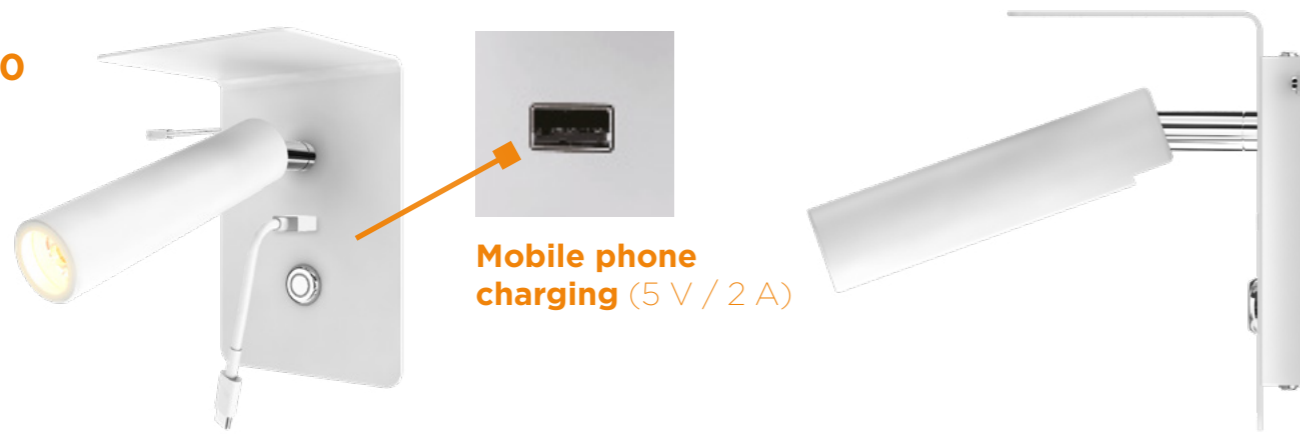
3,000 K		↘ 95°
193 lx	250 mm	
48 lx	500 mm	
21 lx	750 mm	
12 lx	1,000 mm	

Exposure level 19128 / 19129

3,000 K		↘ 95°
463 lx	250 mm	
116 lx	500 mm	
51 lx	750 mm	
28 lx	1,000 mm	

Bed Light

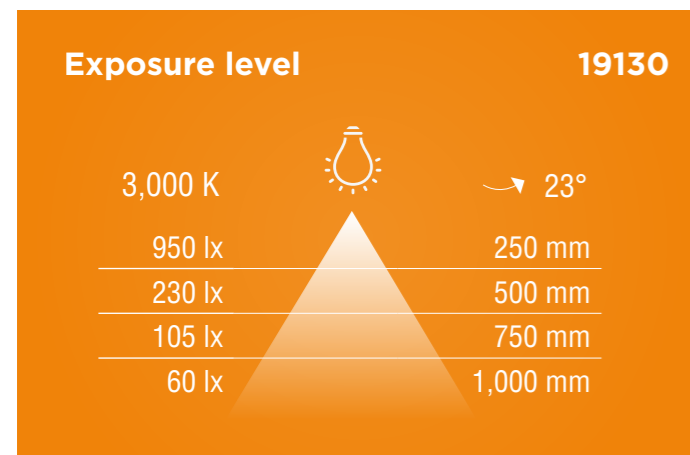
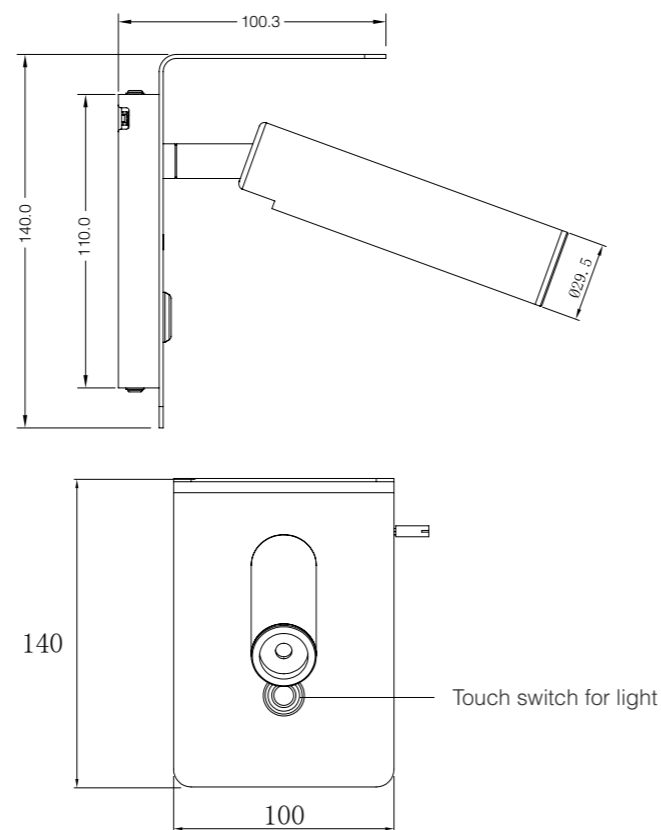
19130



Product feature

Item number	19130
LED power (W)	5
USB power (W)	10 (5 V / 2 A)
Lighting power (W)	10
Voltage (V)	24
Luminous (lm)	370
Degree of protection	IP20
CRI	90
Beam angle	23°
LED quantity	1
Material	iron
Finish / Colour	white
Diameter (mm)	Ø 35
Height (mm)	140
CCT (K)	3,000
Warranty	3 years
Type	dimmable (10% / 60% / 100%)

Construction (mm)

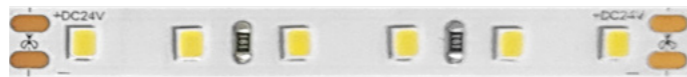


LED Strip Light

19009 / 19010

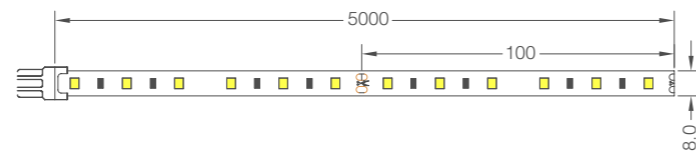


CRI (Ra) 80	LED quantity 300	Power 5 W/m
----------------	---------------------	----------------



The values apply to a strip light length of 5 m. Cut on the cutting mark according to actual need. Distance between each cutting mark is 100 mm.

- Order reference / complementary products and accessories
- Driver separately
- LED switch distribution
- Aluminium profile



Product feature

Item Number	19009	19010
Model	LV1002.60.30	LV1002.60.40
Wattage (W/m)	25 (5 W/m)	
Voltage (V)	24	
Luminousflux (lm/m)	550±10%	600±10%
Luminous Efficacy (lm/w)	100	
Degree of Protection	IP20	
Colour Rendering Index CRI (Ra/R9)	80	
Energy Efficiency Class	A+	
Dimmable	yes	
Material	plastic	
Finish/Colour	White	
Width	8 mm, 10 mm with cover	
Height	1.3 mm, 4.8 mm with cover	
Lifetime	35,000 h	
Installation	self-adhesive tape	
Colour Temperature (K)	3000	4000
Length (mm)	5000	
Quantity (LEDs/m)	300 (60/m)	
Warranty	3 years	

Exposure level 19009

3,000 K		↪ 120°
642 lx		250 mm
160 lx		500 mm
71 lx		750 mm
40 lx		1,000 mm

Exposure level 19010

4,000 K		↪ 120°
664 lx		250 mm
166 lx		500 mm
74 lx		750 mm
41 lx		1,000 mm

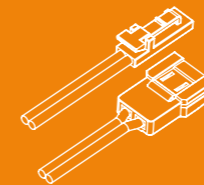
CE IP20



Light

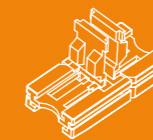
Accessories

Interconnecting lead with clip for LED strip light



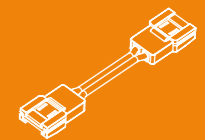
19015 24 V 1,000 mm
19016 24 V 2,000 mm

2468 2*20 AWG white cable with one end as terminal and the other as SL-8*B-2 terminal.



19020 24 V 1,000 mm

Solder free fast connector for 8 mm single CCT LED wide light strip.



19017 24 V 150 mm
19018 24 V 500 mm
19019 24 V 2,000 mm

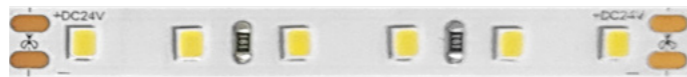
2468 2*20 AWG white cable with one end as terminal and the other as SL-8*B-2 terminal.

LED Strip Light

19011 / 19012

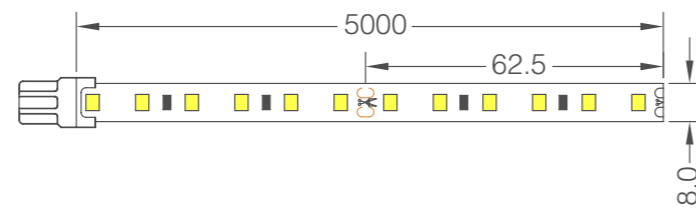


CRI (Ra) 80	LED quantity 480	Power 8 W/m
----------------	---------------------	----------------



The values apply to a strip light length of 5 m. Cut on the cutting mark according to actual need. Distance between each cutting mark is 62.5 mm.

- Order reference / complementary products and accessories
- Driver separately
- LED switch distribution
- Aluminium profile



Product feature

Item Number	19011	19012
Model	LV1002.96.30	LV1002.96.40
Wattage (W/m)	40 (8 W/m)	
Voltage (V)	24	
Luminousflux (lm/m)	900±10%	950±10%
Luminous Efficacy (lm/w)	100	
Degree of Protection	IP20	
Colour Rendering Index CRI (Ra/R9)	80	
Energy Efficiency Class	A+	
Dimmable	yes	
Material	plastic	
Finish/Colour	white	
Width	8 mm, 10 mm with cover	
Height	1.3 mm, 4.8 mm with cover	
Lifetime	35,000 h	
Installation	self-adhesive tape	
Colour Temperature (K)	3,000	4,000
Length (mm)	5,000	
Quantity (LEDs/m)	480 (96/m)	
Warranty	3 years	

Exposure level 19011

3,000 K		↪ 120°
1,114 lx		
278 lx		
124 lx		
70 lx		
		250 mm
		500 mm
		750 mm
		1,000 mm

Exposure level 19012

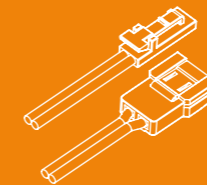
4,000 K		↪ 120°
1,160 lx		
290 lx		
129 lx		
72 lx		
		250 mm
		500 mm
		750 mm
		1,000 mm

CE IP20



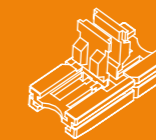
Light

Accessories Interconnecting lead with clip for LED strip light



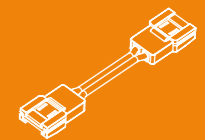
19015 24 V 1,000 mm
19016 24 V 2,000 mm

2468 2*20 AWG white cable with one end as terminal and the other as SL-8*B-2 terminal.



19020 24 V 1,000 mm

Solder free fast connector for 8 mm single CCT LED wide light strip.



19017 24 V 150 mm
19018 24 V 500 mm
19019 24 V 2,000 mm

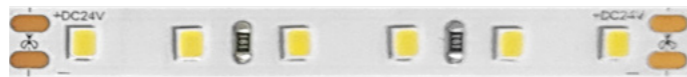
2468 2*20 AWG white cable with one end as terminal and the other as SL-8*B-2 terminal.

LED Strip Light

19013 / 19014

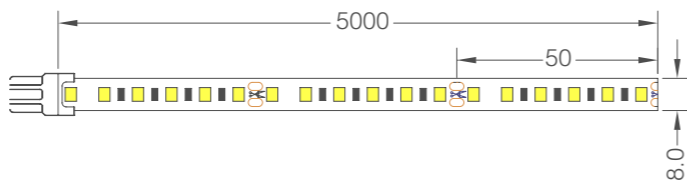


CRI (Ra) 80	LED quantity 600	Power 10 W/m
----------------	---------------------	-----------------



The values apply to a strip light length of 5 m. Cut on the cutting mark according to actual need. Distance between each cutting mark is 50 mm.

- Order reference / complementary products and accessories
- Driver separately
- LED switch distribution
- Aluminium profile



Product feature

Item Number	19013	19014
Model	LV1002.120.30	LV1002.120.40
Wattage (W/m)	50 (10 W/m)	
Voltage (V)	24	
Luminousflux (lm/m)	1100±10%	1200±10%
Luminous Efficacy (lm/w)	100	
Degree of Protection	IP20	
Colour Rendering Index CRI (Ra/R9)	80	
Energy Efficiency Class	A+	
Dimmable	yes	
Material	plastic	
Finish/Colour	white	
Width	8 mm, 10 mm with cover	
Height	1.3 mm, 4.8 mm with cover	
Lifetime	35,000 h	
Installation	self-adhesive tape	
Colour Temperature (K)	3,000	4,000
Length (mm)	5,000	
Quantity (LEDs/m)	600 (120/m)	
Warranty	3 years	

Exposure level 19013

3,000 K		↪ 120°
1,237 lx		
309 lx		
137 lx		
77 lx		
		250 mm
		500 mm
		750 mm
		1,000 mm

Exposure level 19014

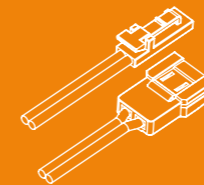
4,000 K		↪ 120°
1,285 lx		
321 lx		
143 lx		
80 lx		
		250 mm
		500 mm
		750 mm
		1,000 mm

CE IP20



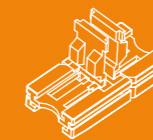
Light

Accessories Interconnecting lead with clip for LED strip light



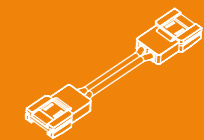
19015 24 V 1,000 mm
19016 24 V 2,000 mm

2468 2*20 AWG white cable with one end as terminal and the other as SL-8*B-2 terminal.



19020 24 V 1,000 mm

Solder free fast connector for 8 mm single CCT LED wide light strip.



19017 24 V 150 mm
19018 24 V 500 mm
19019 24 V 2,000 mm

2468 2*20 AWG white cable with one end as terminal and the other as SL-8*B-2 terminal.

Aluminium Profile Light



Aluminium alloy

CRI (Ra)	LED quantity	Lumen
80	96	<660



Aluminium alloy

CRI (Ra)	LED quantity	Lumen
80	96	<530

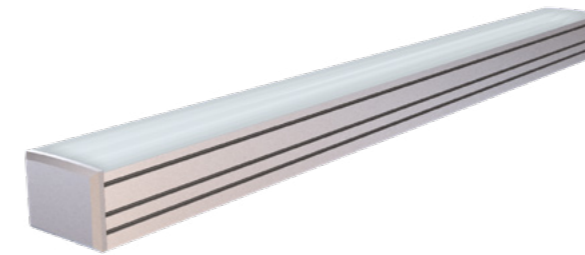
Light



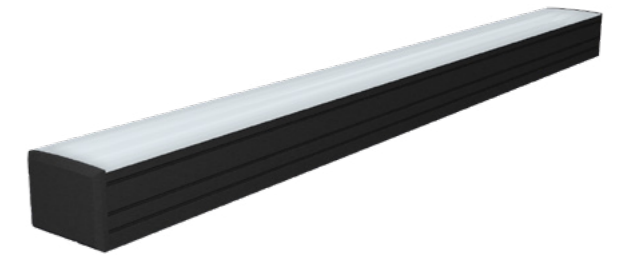
Silver colour, anodization



Black colour, anodization



Silver colour, anodization



Black colour, anodization

Installation with double-sided 3M tape

Item	Model	Length (mm)	Luminous (lm)	Wattage (W)	Finish / Colour	CCT (K)
19042	LV2001.01.04.03	450	320	3.6	silver, anodization	3,000
19043	LV2001.02.04.03	450	250	3.6	black, anodization	3,000
19044	LV2001.01.04.04	450	335	3.6	silver, anodization	4,000
19045	LV2001.02.04.04	450	265	3.6	black, anodization	4,000
19046	LV2001.01.05.03	600	410	4.7	silver, anodization	3,000
19047	LV2001.02.05.03	600	330	4.7	black, anodization	3,000
19048	LV2001.01.05.04	600	430	4.7	silver, anodization	4,000
19049	LV2001.02.05.04	600	350	4.7	black, anodization	4,000
19050	LV2001.01.07.03	900	630	7.2	silver, anodization	3,000
19051	LV2001.02.07.03	900	505	7.2	black, anodization	3,000
19052	LV2001.01.07.04	900	660	7.2	silver, anodization	4,000
19053	LV2001.02.07.04	900	535	7.2	black, anodization	4,000

Installation with double-sided 3M tape

Item	Model	Length (mm)	Luminous (lm)	Wattage (W)	Finish / Colour	CCT (K)
19054	LV2002.01.04.03	450	270	3.6	silver, anodization	3,000
19055	LV2002.02.04.03	450	230	3.6	black, anodization	3,000
19056	LV2002.01.04.04	450	285	3.6	silver, anodization	4,000
19057	LV2002.02.04.04	450	240	3.6	black, anodization	4,000
19058	LV2002.01.05.03	600	340	4.7	silver, anodization	3,000
19059	LV2002.02.05.03	600	300	4.7	black, anodization	3,000
19060	LV2002.01.05.04	600	350	4.7	silver, anodization	4,000
19061	LV2002.02.05.04	600	310	4.7	black, anodization	4,000
19062	LV2002.01.07.03	900	515	7.2	silver, anodization	3,000
19063	LV2002.02.07.03	900	465	7.2	black, anodization	3,000
19064	LV2002.01.07.04	900	530	7.2	silver, anodization	4,000
19065	LV2002.02.07.04	900	485	7.2	black, anodization	4,000

Aluminium Profile Light



Aluminium alloy

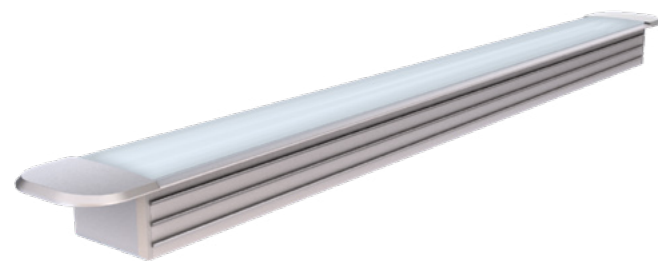
CRI (Ra)	LED quantity	Lumen
80	120	<600



Aluminium alloy

CRI (Ra)	LED quantity	Lumen
80	96	<560

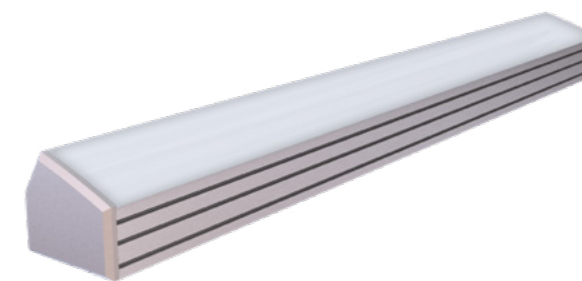
Light



Silver colour, anodization



Black colour, anodization



Silver colour, anodization



Black colour, anodization

Recessed

Item	Model	Length (mm)	Luminous (lm)	Wattage (W)	Finish / Colour	CCT (K)
19066	LV2003.01.04.03	413	280	3.7	silver, anodization	3,000
19067	LV2003.02.04.03	413	235	3.7	black, anodization	3,000
19068	LV2003.01.04.04	413	300	3.7	silver, anodization	4,000
19069	LV2003.02.04.04	413	245	3.7	black, anodization	4,000
19070	LV2003.01.05.03	563	375	5	silver, anodization	3,000
19071	LV2003.02.05.03	563	320	5	black, anodization	3,000
19072	LV2003.01.05.04	563	395	5	silver, anodization	4,000
19073	LV2003.02.05.04	563	350	5	black, anodization	4,000
19074	LV2003.01.08.03	863	565	7.8	silver, anodization	3,000
19075	LV2003.02.08.03	863	485	7.8	black, anodization	3,000
19076	LV2003.01.08.04	863	600	7.8	silver, anodization	4,000
19077	LV2003.02.08.04	863	500	7.8	black, anodization	4,000

Installation with double-sided 3M tape

Item	Model	Length (mm)	Luminous (lm)	Wattage (W)	Finish / Colour	CCT (K)
19078	LV2004.01.04.03	450	270	3.6	silver, anodization	3,000
19079	LV2004.02.04.03	450	230	3.6	black, anodization	3,000
19080	LV2004.01.04.04	450	280	3.6	silver, anodization	4,000
19081	LV2004.02.04.04	450	240	3.6	black, anodization	4,000
19082	LV2004.01.05.03	600	340	4.7	silver, anodization	3,000
19083	LV2004.02.05.03	600	300	4.7	black, anodization	3,000
19084	LV2004.01.05.04	600	355	4.7	silver, anodization	4,000
19085	LV2004.02.05.04	600	310	4.7	black, anodization	4,000
19086	LV2004.01.07.03	900	540	7.2	silver, anodization	3,000
19087	LV2004.02.07.03	900	465	7.2	black, anodization	3,000
19088	LV2004.01.07.04	900	560	7.2	silver, anodization	4,000
19089	LV2004.02.07.04	900	485	7.2	black, anodization	4,000

Aluminium Profile Light



Aluminium alloy

CRI (Ra)	LED quantity	Lumen
80	96	<530



Aluminium alloy

CRI (Ra)	LED quantity	Lumen
80	120	<630



Silver colour, anodization



Black colour, anodization



Silver colour, anodization



Black colour, anodization

Installation with double-sided 3M tape

Item	Model	Length (mm)	Luminous (lm)	Wattage (W)	Finish / Colour	CCT (K)
19090	LV2005.01.04.03	450	270	3.6	silver, anodization	3,000
19091	LV2005.02.04.03	450	230	3.6	black, anodization	3,000
19092	LV2005.01.04.04	450	290	3.6	silver, anodization	4,000
19093	LV2005.02.04.04	450	240	3.6	black, anodization	4,000
19094	LV2005.01.05.03	600	335	4.7	silver, anodization	3,000
19095	LV2005.02.05.03	600	300	4.7	black, anodization	3,000
19096	LV2005.01.05.04	600	350	4.7	silver, anodization	4,000
19097	LV2005.02.05.04	600	310	4.7	black, anodization	4,000
19098	LV2005.01.07.03	900	515	7.2	silver, anodization	3,000
19099	LV2005.02.07.03	900	465	7.2	black, anodization	3,000
19100	LV2005.01.07.04	900	530	7.2	silver, anodization	4,000
19101	LV2005.02.07.04	900	485	7.2	black, anodization	4,000

Recessed

Item	Model	Length (mm)	Luminous (lm)	Wattage (W)	Finish / Colour	CCT (K)
19102	LV2006.01.04.03	413	280	3.7	silver, anodization	3,000
19103	LV2006.02.04.03	413	235	3.7	black, anodization	3,000
19104	LV2006.01.04.04	413	280	3.7	silver, anodization	4,000
19105	LV2006.02.04.04	413	245	3.7	black, anodization	4,000
19106	LV2006.01.05.03	563	395	5	silver, anodization	3,000
19107	LV2006.02.05.03	563	320	5	black, anodization	3,000
19108	LV2006.01.05.04	563	415	5	silver, anodization	4,000
19109	LV2006.02.05.04	563	350	5	black, anodization	4,000
19110	LV2006.01.08.03	863	590	7.8	silver, anodization	3,000
19111	LV2006.02.08.03	863	485	7.8	black, anodization	3,000
19112	LV2006.01.08.04	863	630	7.8	silver, anodization	4,000
19113	LV2006.02.08.04	863	500	7.8	black, anodization	4,000



Pure
Light.

Pure
Emotion.



Electrical
Fittings

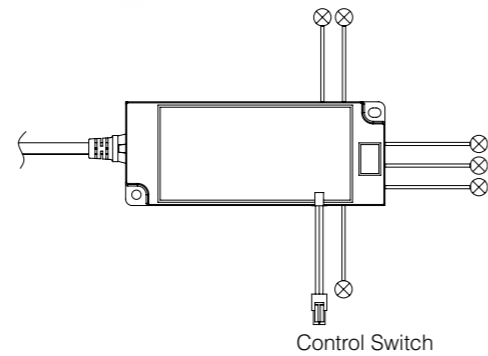


LV15-12 V Product feature 19001

Power output	15 W
Input voltage	220-240 Vac
Input frequency	50 / 60 Hz
Output voltage	12 Vdc
Output current	1.25 A
Stand-by power consumption	< 0.5 W
Degree of protection	IP20
Colour	black
Universal switch input	yes
Number of slots for lights	6
Dimensions (LxWxH)	120x48x16 mm
Ambient temp. (Ta)	-10 °C +40 °C
Warranty	3 years
Material	PC



15 W
12 V

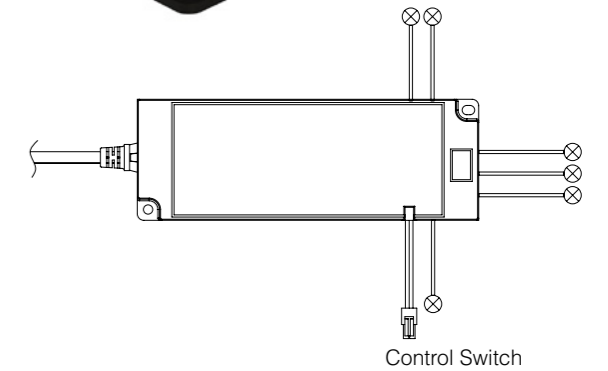


LV30-12 V Product feature 19003

Power output	30 W
Input voltage	220-240 Vac
Input frequency	50 / 60 Hz
Output voltage	12 Vdc
Output current	2.5 A
Stand-by power consumption	< 0.5 W
Degree of protection	IP20
Colour	black
Universal switch input	yes
Number of slots for lights	6
Dimensions (LxWxH)	158x56x16.5 mm
Ambient temp. (Ta)	-10 °C +40 °C
Warranty	3 years
Material	PC



30 W
12 V

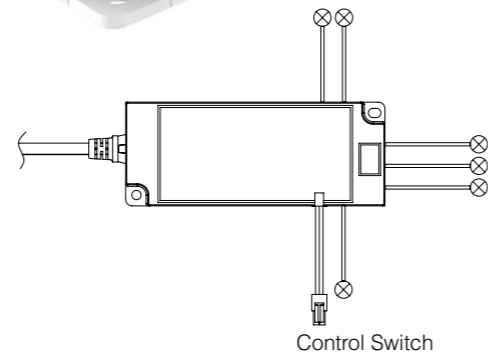


LV15-24 V Product feature 19002

Power output	15 W
Input voltage	220-240 Vac
Input frequency	50 / 60 Hz
Output voltage	24 Vdc
Output current	0.625 A
Stand-by power consumption	< 0.5 W
Degree of protection	IP20
Colour	white
Universal switch input	yes
Number of slots for lights	6
Dimensions (LxWxH)	120x48x16 mm
Ambient temp. (Ta)	-10 °C +40 °C
Warranty	3 years
Material	PC



15 W
24 V

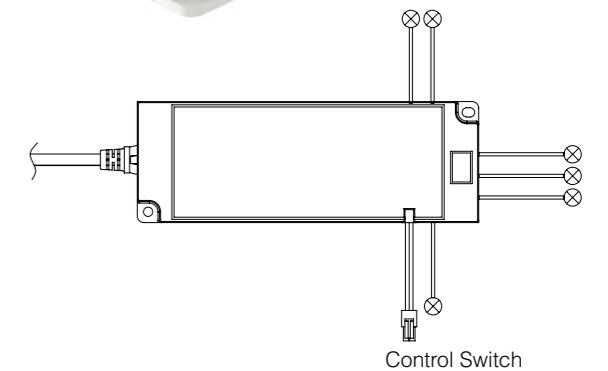


LV30-24 V Product feature 19004

Power output	30 W
Input voltage	220-240 Vac
Input frequency	50 / 60 Hz
Output voltage	24 Vdc
Output current	1.25 A
Stand-by power consumption	< 0.5 W
Degree of protection	IP20
Colour	white
Universal switch input	yes
Number of slots for lights	6
Dimensions (LxWxH)	158x56x16.5 mm
Ambient temp. (Ta)	-10 °C +40 °C
Warranty	3 years
Material	PC



30 W
24 V



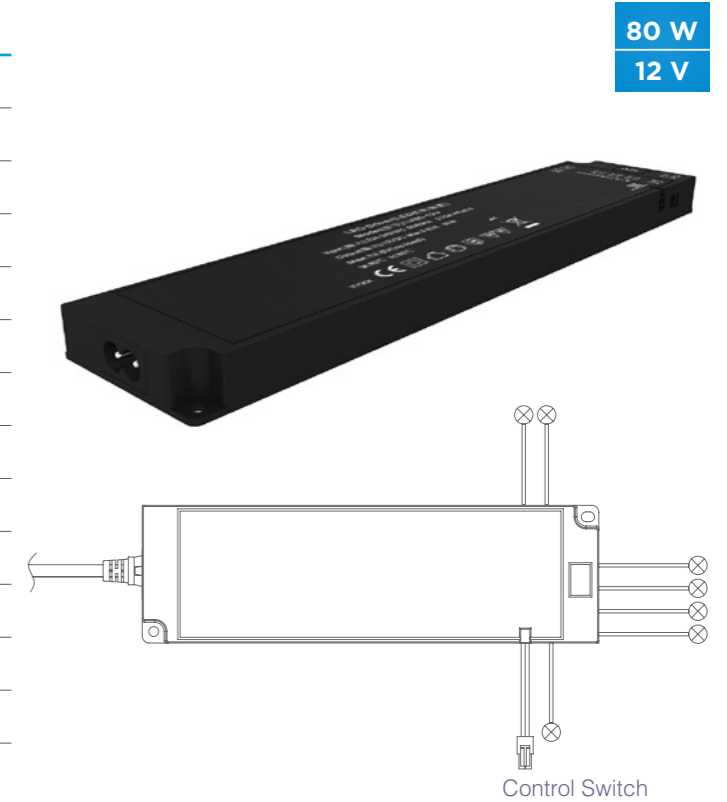
LV60-12 V Product feature 19005

Power output	60 W
Input voltage	220-240 Vac
Input frequency	50 / 60 Hz
Output voltage	12 Vdc
Output current	5 A
Stand-by power consumption	< 0.5 W
Degree of protection	IP20
Colour	black
Universal switch input	yes
Number of slots for lights	6
Dimensions (LxWxH)	199x60x16.5 mm
Ambient temp. (Ta)	-10 °C +35 °C
Warranty	3 years
Material	PC



LV80-12 V Product feature 19007

Power output	80 W
Input voltage	220-240 Vac
Input frequency	50 / 60 Hz
Output voltage	12 Vdc
Output current	6.67 A
Stand-by power consumption	< 0.5 W
Degree of protection	IP20
Colour	black
Universal switch input	yes
Number of slots for lights	6
Dimensions (LxWxH)	276x60x16.5 mm
Ambient temp. (Ta)	-10 °C +40 °C
Warranty	3 years
Material	PC



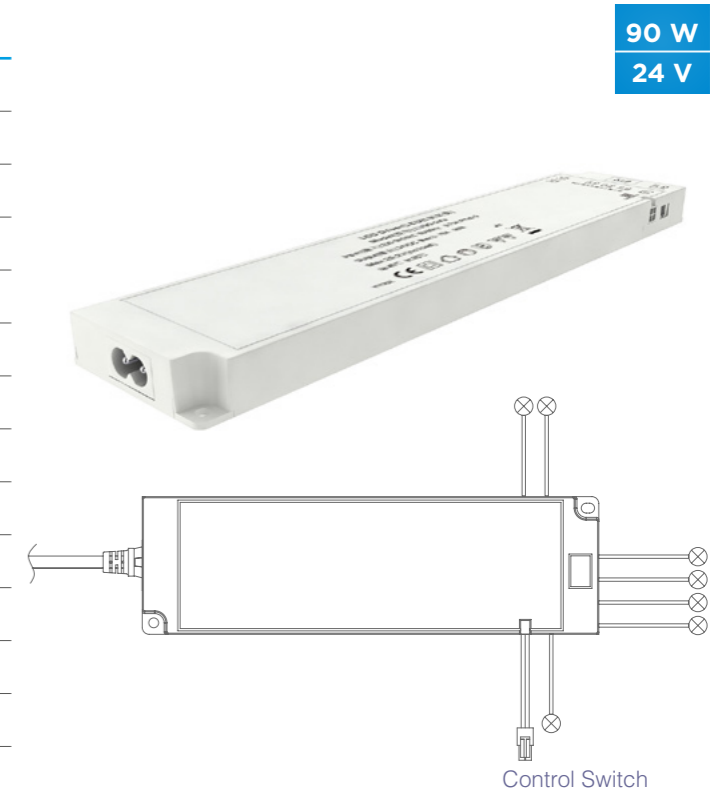
LV60-24 V Product feature 19006

Power output	60 W
Input voltage	220-240 Vac
Input frequency	50 / 60 Hz
Output voltage	24 Vdc
Output current	2.5 A
Stand-by power consumption	< 0.5 W
Degree of protection	IP20
Colour	white
Universal switch input	yes
Number of slots for lights	6
Dimensions (LxWxH)	199x60x16.5 mm
Ambient temp. (Ta)	-10 °C +40 °C
Warranty	3 years
Material	PC



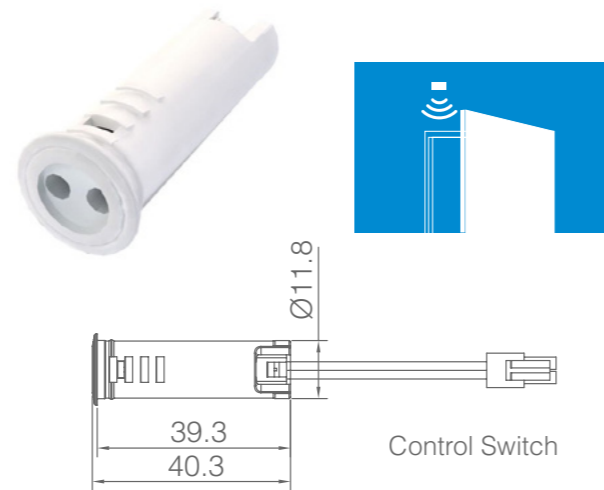
LV90-24 V Product feature 19008

Power output	90 W
Input voltage	220-240 Vac
Input frequency	50 / 60 Hz
Output voltage	24 Vdc
Output current	3.75 A
Stand-by power consumption	< 0.5 W
Degree of protection	IP20
Colour	white
Universal switch input	yes
Number of slots for lights	6
Dimensions (LxWxH)	276x60x16.5 mm
Ambient temp. (Ta)	-10 °C +40 °C
Warranty	3 years
Material	PC



IR Door Switch

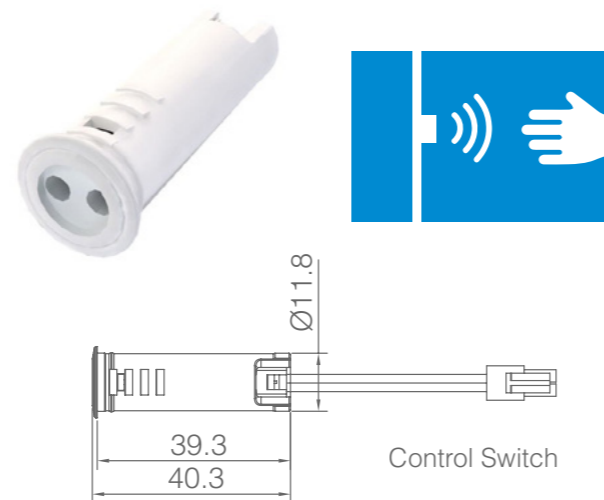
Product feature	19023
Material	plastic
Colour	white
Degree of protection	IP20
Sensing range	0~50 mm
Standby power	< 0.3 W
Cut-out	12 mm
Remarks	with 2 m cable



Installation base for switch refer to page 32

IR Hand Switch

Product feature	19024
Material	plastic
Colour	white
Degree of protection	IP20
Sensing range	0~50 mm
Standby power	< 0.3 W
Cut-out	12 mm
Remarks	with 2 m cable



Installation base for switch refer to page 32

IR Hand Dimming Switch

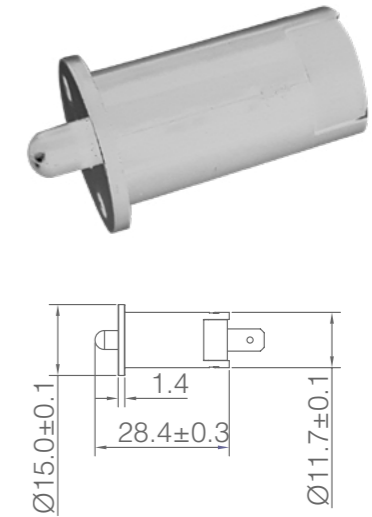
Product feature	19025
Material	plastic
Colour	white
Degree of protection	IP20
Sensing range	0~50 mm
Standby power	< 0.3 W
Cut-out	12 mm
Remarks	with 2 m cable



Installation base for switch refer to page 32

Mechanical Door Switch

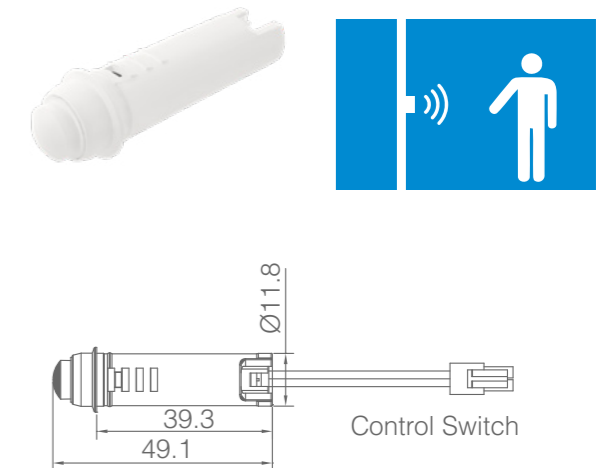
Product feature	19026
Material	plastic
Colour	white
Degree of protection	IP20
Sensing range	-
Standby power	< 0.1 W
Cut-out	12 mm
Remarks	with 2 m cable



Installation base for switch refer to page 32

PIR Sensor Switch

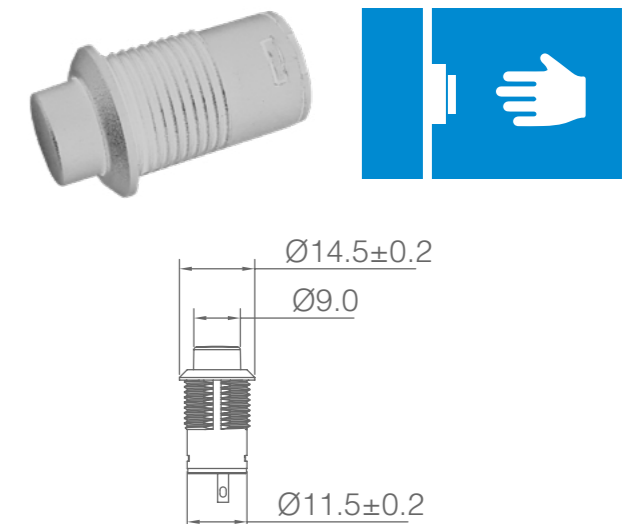
Product feature	19027
Material	plastic
Colour	white
Degree of protection	IP20
Sensing range	0~3,000 mm
Standby power	< 0.3 W
Cut-out	12 mm
Remarks	with 2 m cable



Installation base for switch refer to page 32

Mechanical Push Switch

Product feature	19028
Material	plastic
Colour	white
Degree of protection	IP20
Sensing range	-
Standby power	< 0.1 W
Cut-out	12 mm
Remarks	with 2 m cable



Installation base for switch refer to page 32

Switch

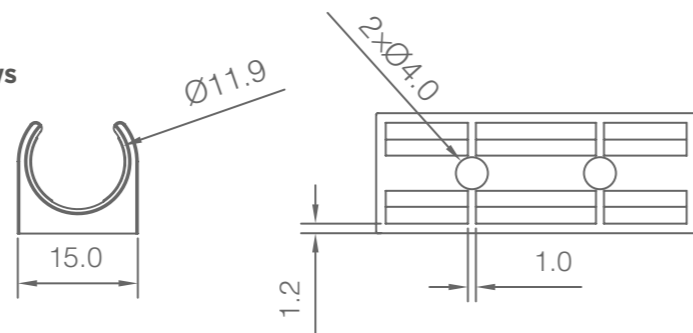
Installation base (optional accessories)

Product feature	19133
Material	PC
Colour	white
Application	diameter 12 mm switch
Installation	screw fixing



Profile for recess installation (mm)

One switch Installation base with 2 PCS M3*12 screws
applications (optional accessories)



- 19023 IR Door Switch
- 19024 IR Hand Switch
- 19025 IR Hand Dimming Switch
- 19026 Mechanical Door Switch
- 19027 PIR Sensor Switch
- 19028 Mechanical Push Switch

Accessories



Aluminium Profile Used For LED Strip

19030



Aluminium profile used for LED strip, surface mounting with milky white cover, 2.5 m, black or silver colour, anodization.

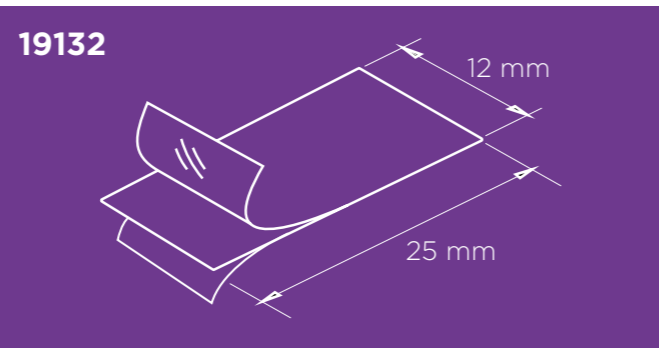
Optional double-sided 3M tape, 25x12x1.2 (T) mm for fixing aluminium on wood, metal or plastics. Double-sided high instant adhesion, high temperature resistance.

Product feature

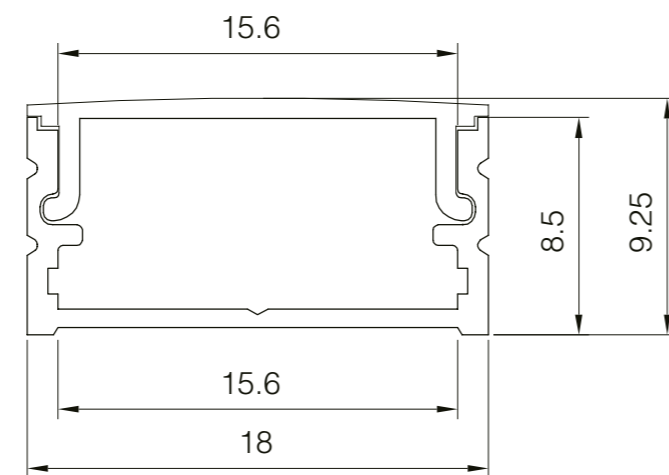
Item number	19030	19031
Model	LV2001.01	LV2001.02
Material	aluminium alloy	
Colour	silver	black
Length x width (mm)	2,500 x 18	
Height (mm)	9.25	
Supplied with	1 profile, 1 diffuser	

Item number	19114	19115
Material	plastic	
Colour	silver	black
Supplied with	2 pieces	

19031



Construction (mm)



Aluminium profile with milky white decorative cover.

19032



Aluminium profile used for LED strip, surface mounting with milky white cover, 2.5 m, black or silver colour, anodization.

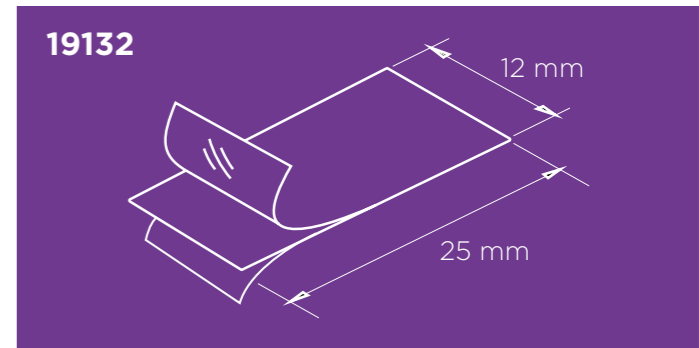
Optional double-sided 3M tape, 25x12x1.2 (T) mm for fixing aluminium on wood, metal or plastics. Double-sided high instant adhesion, high temperature resistance.

Product feature

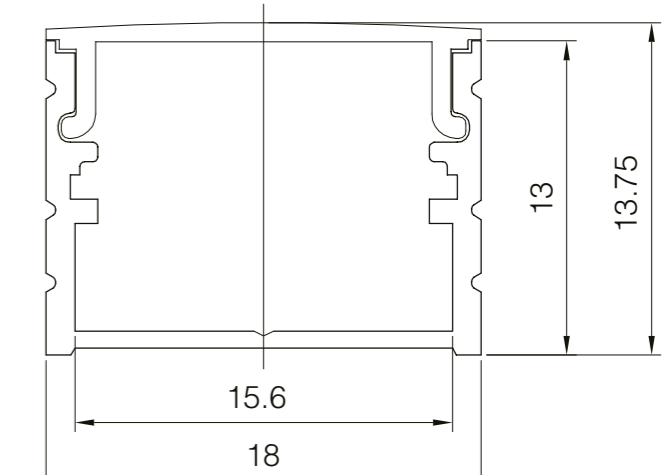
Item number	19032	19033
Model	LV2002.01	LV2002.02
Material	aluminium alloy	
Colour	silver	black
Length x width (mm)	2,500 x 18	
Height (mm)	13.75	
Supplied with	1 profile, 1 diffuser	

Item number	19116	19117
Material	plastic	
Colour	silver	black
Supplied with	2 pieces	

19033



Construction (mm)



Aluminium profile with milky white decorative cover.

Aluminium Profile Used For LED Strip

19034



19035



19036



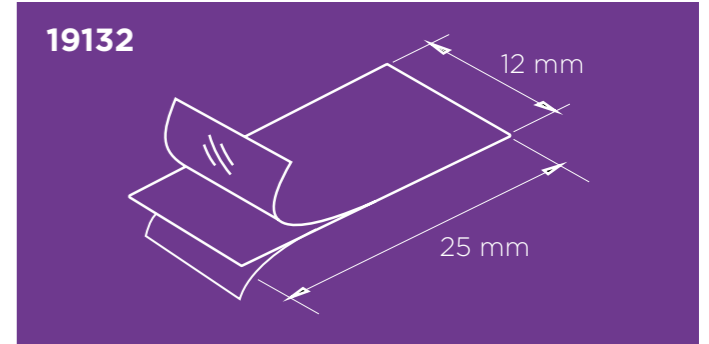
19037



Aluminium profile for flexible strip, with recessed milky white cover, 2.5 m, black or silver colour, anodization.

Aluminium profile used for LED strip, surface mounting with milky white cover, 2.5 m, black or silver colour, anodization.

Optional double-sided 3M tape, 25x12x1.2 (T) mm for fixing aluminium on wood, metal or plastics. Double-sided high instant adhesion, high temperature resistance.

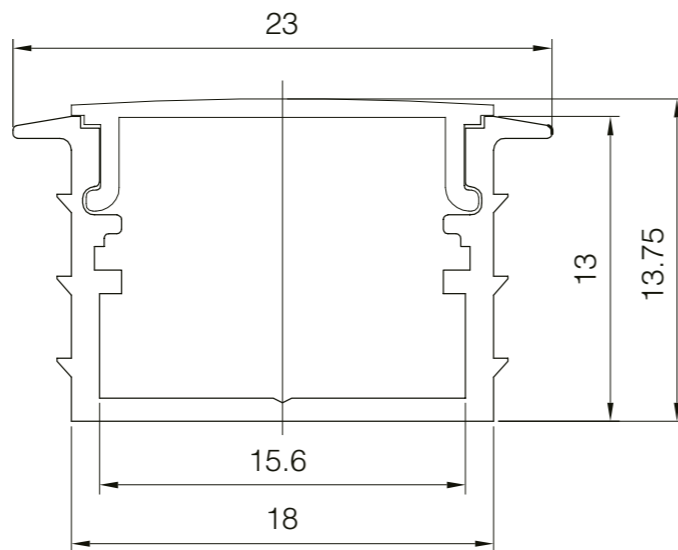


Product feature

Item number	19034	19035
Model	LV2003.01	LV2003.02
Material	aluminium alloy	
Colour	silver	black
Length x width (mm)	2,500 x 23	
Height (mm)	13.75	
Supplied with	1 profile, 1 diffuser	

Item number	19118	19119
Material	plastic	
Colour	silver	black
Supplied with	2 pieces	

Construction (mm)



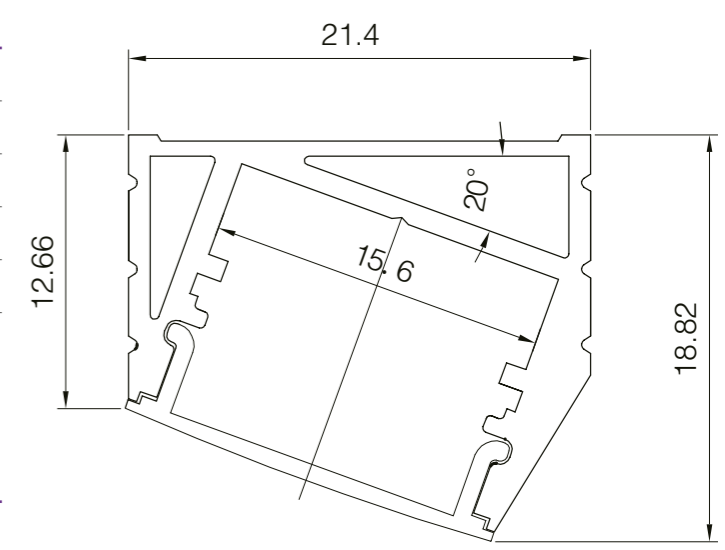
Aluminium profile with milky white decorative cover.

Product feature

Item number	19036	19037
Model	LV2004.01	LV2004.02
Material	aluminium alloy	
Colour	silver	black
Length x width (mm)	2,500 x 21.4	
Height (mm)	18.8	
Supplied with	1 profile, 1 diffuser	

Item number	19120	19121
Material	plastic	
Colour	silver	black
Supplied with	2 pieces, 1 piece left, 1 piece right	

Construction (mm)



Aluminium profile with milky white decorative cover.

Aluminium Profile Used For LED Strip

19038



Aluminium profile used for LED strip, surface mounting with milky white cover, 2.5 m, black or silver colour, anodization.

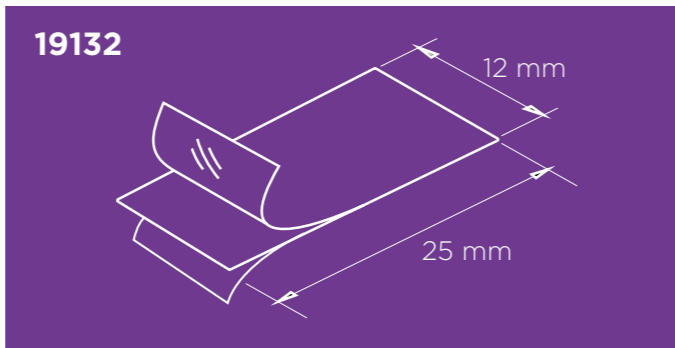
Optional double-sided 3M tape, 25x12x1.2 (T) mm for fixing aluminium on wood, metal or plastics. Double-sided high instant adhesion, high temperature resistance.

Product feature

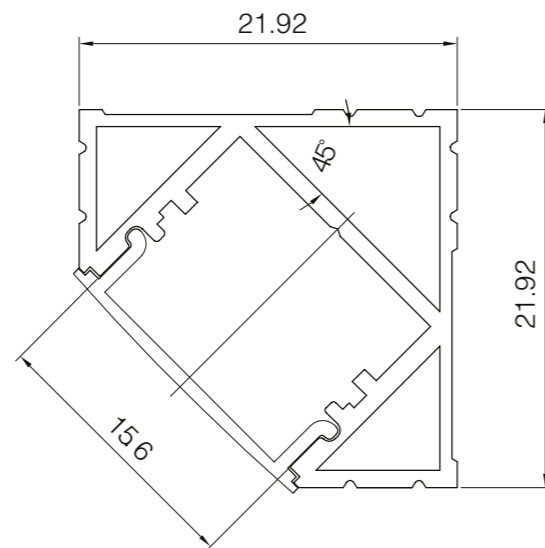
Item number	19038	19039
Model	LV2005.01	LV2005.02
Material	aluminium alloy	
Colour	silver	black
Length x Width (mm)	2,500 x 21.92	
Height (mm)	21.92	
Supplied with	1 profile, 1 diffuser	

Item number	19122	19123
Material	plastic	
Colour	silver	black
Supplied with	2 pieces	

19039



Construction (mm)



Aluminium profile with milky white decorative cover.

19040



Aluminium profile for flexible strip, with recessed milky white cover, 2.5 m, black or silver colour, anodization.

Product feature

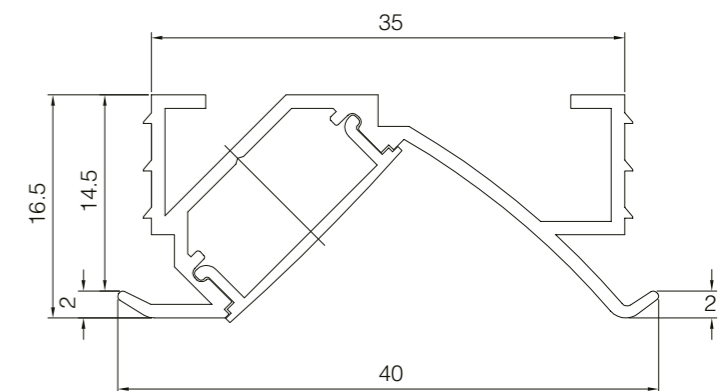
Item number	19040	19041
Model	LV2006.01	LV2006.02
Material	aluminium alloy	
Colour	silver	black
Length x Width (mm)	2,500 x 40	
Height (mm)	16.5	
Supplied with	1 profile, 1 diffuser	

Item number	19124	19125
Material	plastic	
Colour	silver	black
Supplied with	2 pieces	

19041

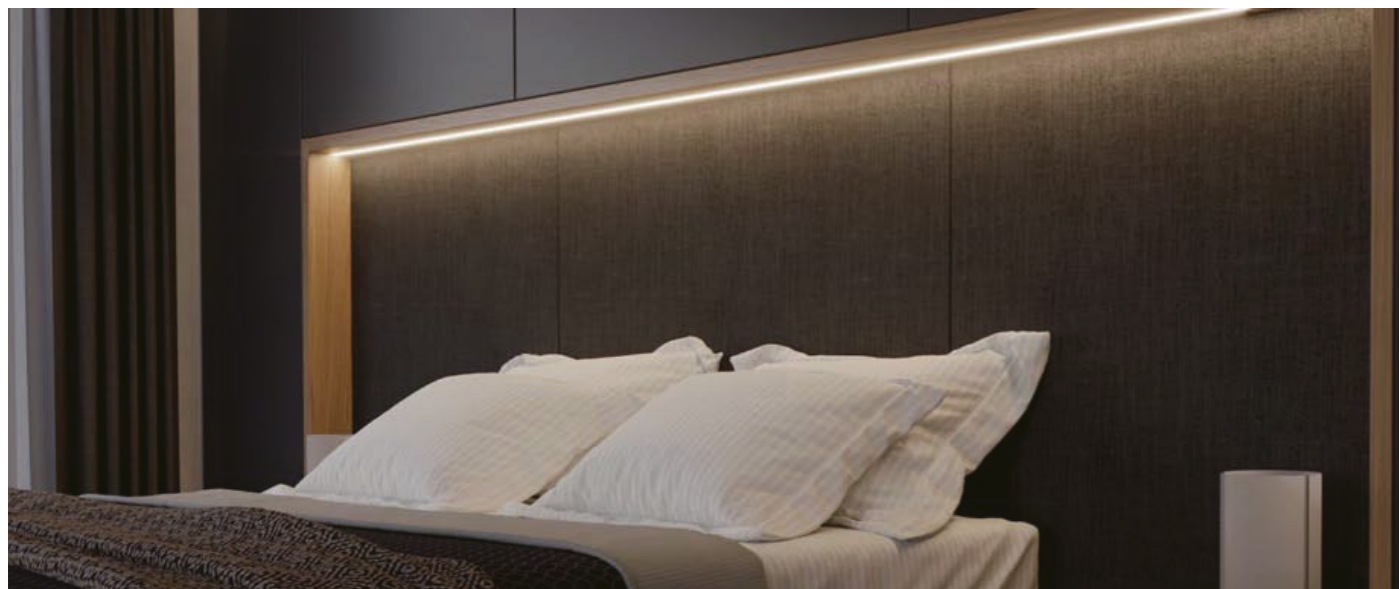


Construction (mm)



Aluminium profile with milky white decorative cover.

Diffuser Cover

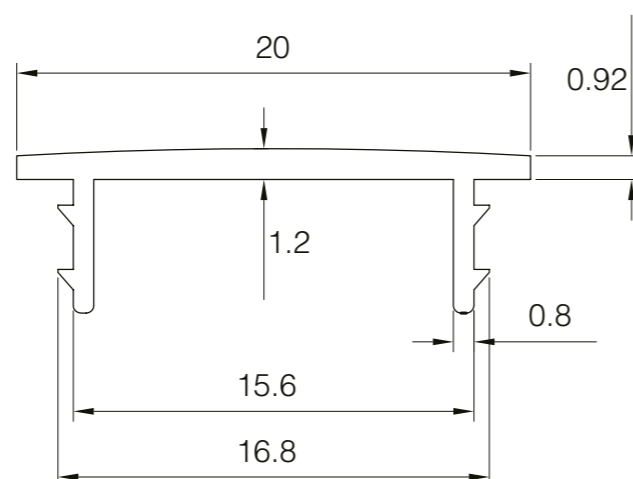


19131

Product feature

Item number	19131
Model	LV2007.01
Material	plastic
Version	milky white
Length (mm)	2,500
Application	for recess installation
Supplied with	1 profile

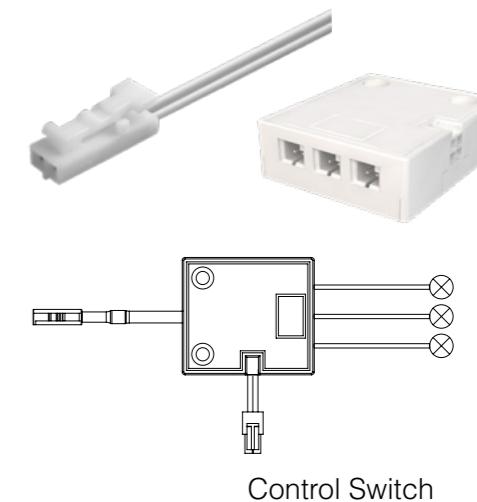
Construction (mm)



Connector

LED Switch Distribution Box

Item number	19029
Input voltage	24 V
Input current max.	3 A
Output watt	72 W
Material	plastic
Colour	white



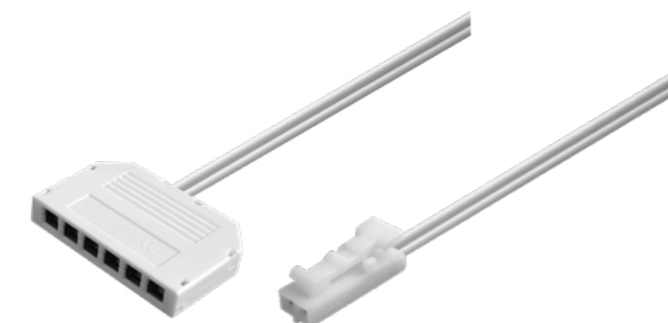
Control Switch

6-Way Distribution Box

Item number	19021
Length (mm)	1,000
Supplied with	1 lead

For extending the connection leads of the LED lights. Lead length from driver to light max. 6 m.

2468 2*20 AWG white cable with one end as mini, the other end connected with 6-way distribution box max. 3 A.

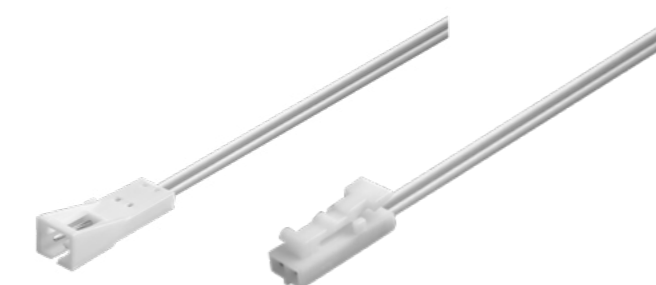


2 m Connective Cable

Item number	19022
Length (mm)	2,000
Supplied with	1 lead

For extending the connection leads of the LED lights. Lead length from driver to light max. 6 m.

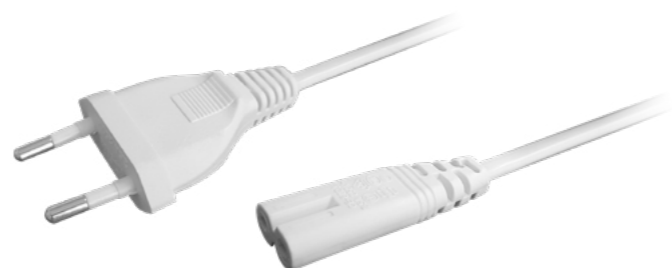
2468 2*20 AWG white cable with one end as white mini male plug, the other as white mini female plug max. 3 A.



Plug

European Standard Plug

European 2 PIN plug with 2 m H03 2*0.75 mm² width cable, end with C7 plug, white colour.



19135

UK Standard Plug

UK plug with 2 m H03 2*0.75 mm² width cable, end with C7 plug, white colour.



19136

C7 Plug

2 m 2*0.75 mm² H03VVF cable end with C7 plug, white colour.



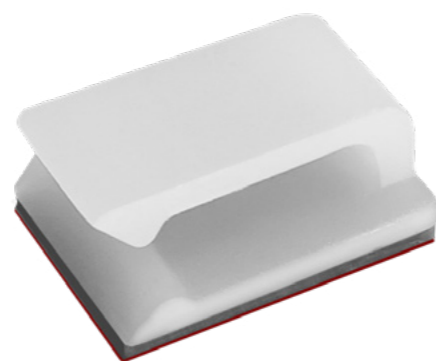
19137

Wiring Buckle

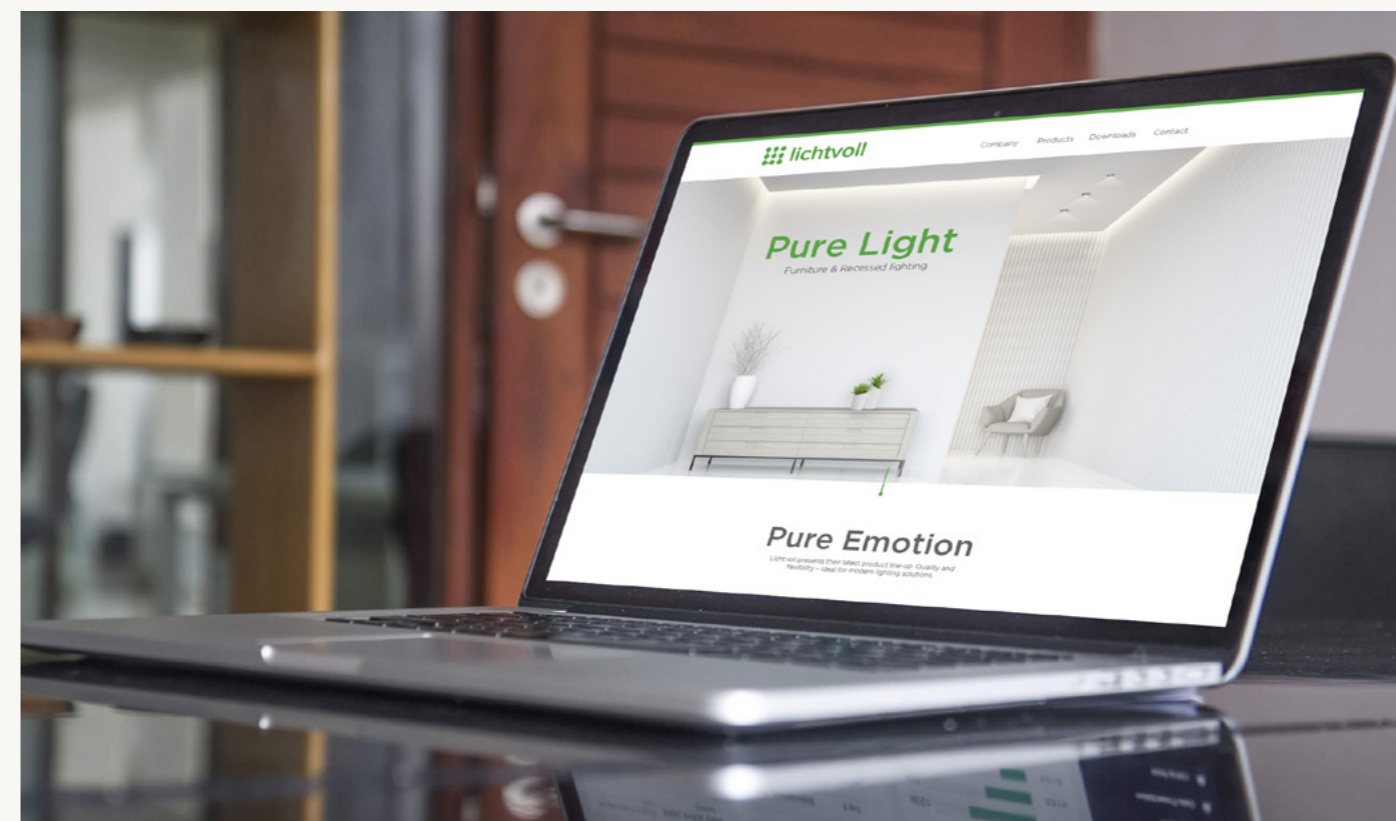
Item number	19134
Length (mm)	12
Width (mm)	9.5
Height (mm)	6
Material	PA66
Colour	white

3M adhesive tape on the back side, drill-free, quickly bundle and unwrap wires, can be reused.

Note: Hang the cable 24 hours after sticking.



19134



Direct Order



+49 201 558744-0



+49 201 558744-19



order@lichtvoll-gmbh.de

Mo-Th. from 08:00 - 17:00 and Fr. 08:00 - 14:00



Small purchase quantities



Regular delivery time of 2 weeks



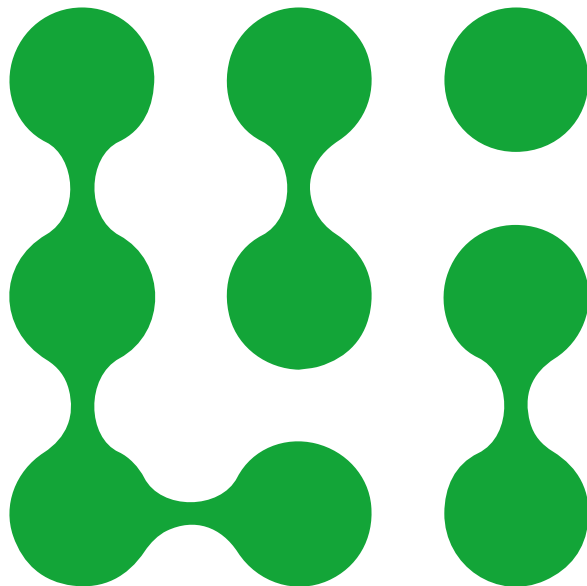
72 hours delivery service (for basic products ex stock)



Individual solutions on request



Support from concept to implementation



We care about the eco-friendly
production of our products.
We create innovative lighting
products for our customers.
We offer quality products, fair
prices and the best service.

We are lichtvoll.