



*Quality
on Display*

FlexScan® L788

**48 cm (19")
COLOR LCD MONITOR**

Trading Partner

The FlexScan L788 is the ideal monitor for trading rooms and similar environments demanding high performance in restricted space. The 19" LCD panel provides plenty of room for multiple windows, but thanks to its ultra-slim bezel design, the monitor occupies a minimum of space. The thin bezels also provide a near-seamless view in a multi-panel array. The L788 has outstanding image quality and provides extensive image adjustment capabilities. Users will also appreciate the ergonomic design, as well as the variety of mounting stands and arms that are available. A five-year warranty, which only EIZO offers, minimizes total cost of ownership.



SLIM AND CONVENIENT

The bezels on this stylish monitor are even thinner than those of our previous SlimEdge models: a mere 15 mm top and bottom and just under 13 mm on the sides. This not only saves space on crowded desktops, it facilitates multi-panel configurations. And with its 100 mm height-adjustable stand, 90° pivot, and tilt/swivel capabilities, getting the best viewing position is easy.

DETAILED IMAGE CONTROL

The high quality image reproduction of this monitor is complemented by extensive color control features. Color temperature can be adjusted in 500 K increments from 4,000 to 10,000 K (including 9,300 K). Independent control of hue, saturation and gain are also provided for achieving maximum color performance.

DUAL DVI-I PORTS

With two DVI-I ports, the L788 accepts digital and analog signals from up to two computers. A button on the front panel lets you switch between the two connections instantaneously.

FlexScan® L788

48 cm (19") COLOR LCD MONITOR

Additional Features

HIGH SPEED USB HUB

This one upstream, two downstream hub facilitates high speed (480 MB/s) connections with other USB peripherals.

GAMMA CORRECTION

Ensures smooth, accurate color tones by converting the 8-bit PC data to 10-bit, selecting the ideal gamma values, and reassigning it back to 8-bit for display.

REGULATORY STANDARDS

Complies with leading industry standards, including TCO'03, TÜV Ergonomics, and EPA Energy Star. It also conforms to EIZO's own strict Eco Products 2004 environmental criteria for design, manufacture, packaging, and usage.



Accessories

A variety of accessories are available for enhancing convenience and flexibility, such as a panel protector, client management software, and various mounting arms and stands. For more information, please see www.eizo.com/products/accessories/

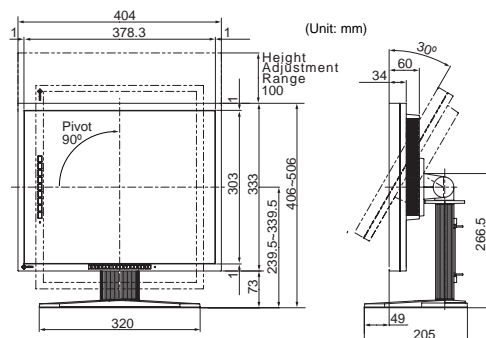
Support

EIZO and its authorized distributors offer a five year limited warranty for the FlexScan L788.



The usage time is limited to 30,000 hours or less, and the warranty period of the LCD panel and backlight is limited to three years from the date of purchase.

Dimensions



Specifications

Panel Size and Type	48 cm (19") TFT color LCD panel
Available Cabinet Colors	Gray, Black
Pixel Pitch	0.294 × 0.294 mm
Display Colors	16.77 million from a palette of 1.06 billion
Viewing Angles (H, V)	178°, 178° (at contrast ratio of 10:1)
Scanning Frequency (H, V)	Analog: 30 – 82 kHz, 49 – 86 Hz Digital: 30 – 65 kHz, 59 – 61 Hz (VGA Text: 69 – 71 Hz)
Native Resolution	1280 × 1024
Brightness	250 cd/m ²
Contrast Ratio	1000:1
Dot Clock	Analog: 135 MHz, Digital: 108 MHz
Response Time	25 ms (typical)
Input Signals	RGB Analog, DVI Standard 1.0
Sync Format	Separate, Composite, Sync-on-Green
Input Terminals	DVI-I 29 pin × 2 (switchable)
USB Ports	1 upstream, 2 downstream
Active Display Size (H × V)	376 × 301 mm
Viewable Image Size	481 mm (diagonal)
Plug & Play	VESA DDC 2B
Screen Control	ScreenManager®, One Touch Auto Adjustment Function
Power Requirements	AC 100 – 120 V, 200 – 240 V: 50 / 60 Hz
Power Management	VESA DPMS, EIZO MPMS, DVI DMPM
Power Consumption	50 W (maximum)
Power Save Mode	Less than 2 W
OSD Languages	English, French, German, Italian, Japanese, Spanish, Swedish
Height Adjustment Range	100 mm
Dimensions (W × H × D)	With Stand: 404 × 406 – 506 × 205 mm Without Stand: 404 × 333 × 60 mm
Net Weight	With Stand: 6.8 kg, Without Stand: 4.8 kg
Tilt / Swivel / Pivot	30° Up, 0° Down / 35° Right, 35° Left / 90°
Certifications and Standards	TCO'03 (gray), TCO'99 (black), TÜV/Ergonomics (including ISO 13406-2), TÜV/GS, c-Tick CE, CB, UL (cTÜVus), CSA (cTÜVus), FCC-B, Canadian ICES-003-B, TÜV/S, VCCI-B, EPA ENERGY STAR®, EIZO Eco Products 2004
Supplied Accessories	AC power cord, user's manual, signal cables (D-Sub – DVI-I, DVI-D – DVI-D), USB cable, EIZO LCD Utility Disk (ICC Profile), 4 screws for mount option, warranty registration card
Warranty	Five Years

With current LCD technology, a panel may contain a limited number of missing or flickering pixels.

Specifications are subject to change without notice.

Copyright© 2004 Eizo Nanao Corporation. All rights reserved. All product names are trademarks or registered trademarks of their respective companies. FlexScan, EIZO, and ScreenManager are registered trademarks of Eizo Nanao Corporation.

EIZO NANAO CORPORATION

153 Shimokashiwano, Matto, Ishikawa 924-8566 Japan

Phone +81-76-277-6792 Fax: +81-76-277-6793

www.eizo.com

