

# 210 CV1

8" Polyglass woofer



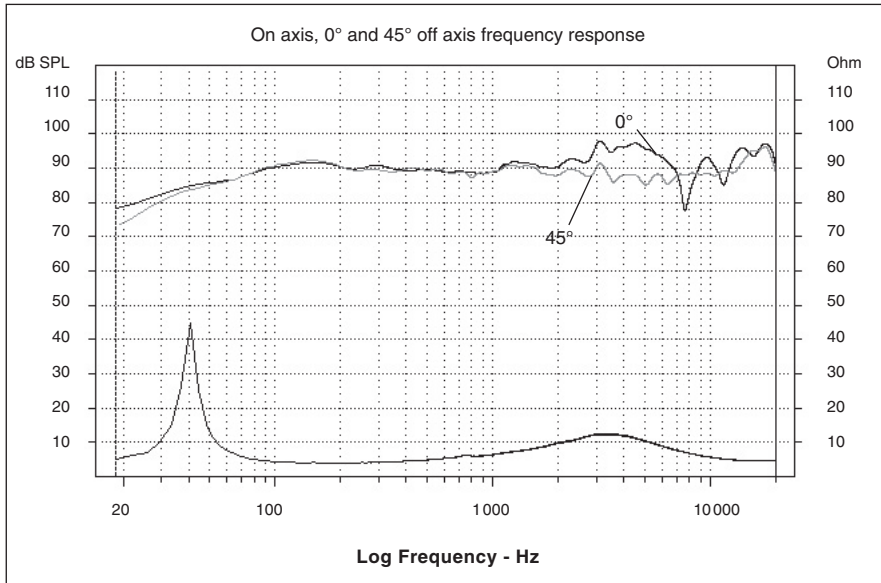
- Polyglass cone
- Aluminum inverted dome tweeter



## Specifications

Nominal power	80 W	
Maximum power	160 W	
Sensitivity (2.83V/m)	94 dB	
Cone	Polyglass	
Surround	Butyl	
Nom. impedance	4 ohm	
DC resistance	3.45 ohm	
VC diameter	32 mm	1-1/4 in
VC height	12 mm	0.5 in
Former	Kapton®	
Layers	2	
Wire	Copper	
Inductance	-	
Xmax	3.5 mm	0.15 in
Magnet (hxd)	90 x 17 mm	3.55 x 0.67 in
Magnet weight	430 g	0.95 lb
Flux density	1 T	
Gap height	5 mm	0.20 in
Net weight	1250 g	2.75 lb

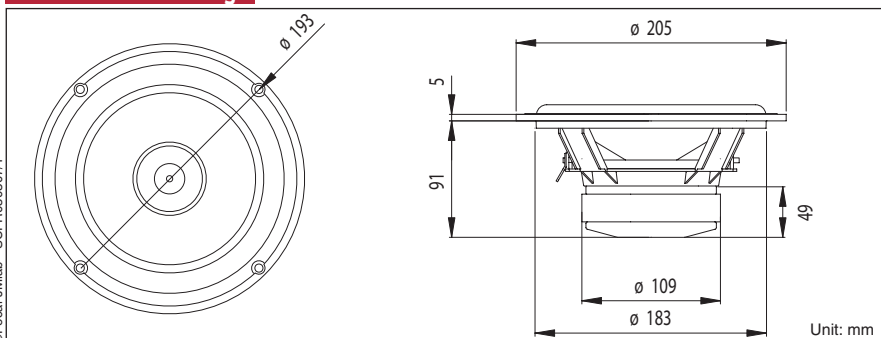
## Frequency Response / Impedance



## Parameters

Fs	47.09 Hz	
Vas	34.11 l	1.2 Ft <sup>3</sup>
Qts	0,689	
Qes	0.73	
Qms	12.18	
Re	3.45 ohms	
Sd	226.98 cm <sup>2</sup>	35.20 in <sup>2</sup>
Cas	2.43E-07 m <sup>5</sup> /N	
Mas	47.03 kg/m <sup>4</sup>	
Ras	1142.46 ohms.ac	
Cms	4.71E-04 m/N	
Mms	24.23 g	0.053 lb
Rms	589 g/s	
Ces	715.15 mF	
Les	15.97 mH	
Res	57.56 ohms	
BI	5.82 N/A	
SPL	88.72 dB/W/m	

## Mechanical Drawing



Focal® is a trademark of Focal-JMLab®