

690 CV1

6x9" Polyglass woofer



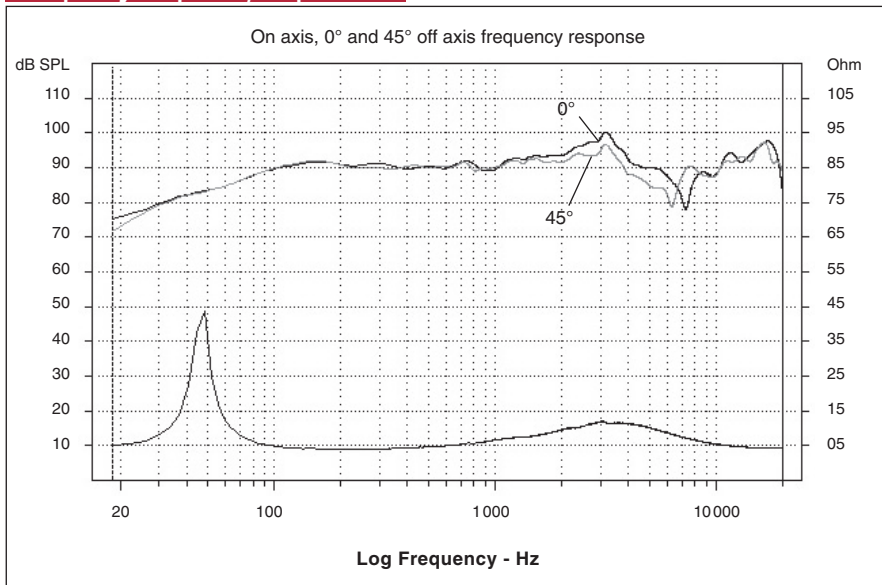
- Polyglass cone
- Aluminum inverted dome tweeter
- 80% ABS / 20% fiberglass basket



Specifications

Nominal power	80 W	
Maximum power	160 W	
Sensitivity (2.83V/m)	93 dB	
Cone	Polyglass	
Surround	Butyl	
Nom. impedance	4 ohm	
DC resistance	3.63 ohm	
VC diameter	32 mm	1-1/4 in
VC height	12 mm	0.5 in
Former	Kapton®	
Layers	2	
Wire	Copper	
Inductance	-	
Xmax	3.5 mm	0.15 in
Magnet (hxd)	90 x 17 mm	3.55 x 0.67 in
Magnet weight	430 g	0.95 lb
Flux density	1 T	
Gap height	5 mm	0.20 in
Net weight	1300 g	2.86 lb

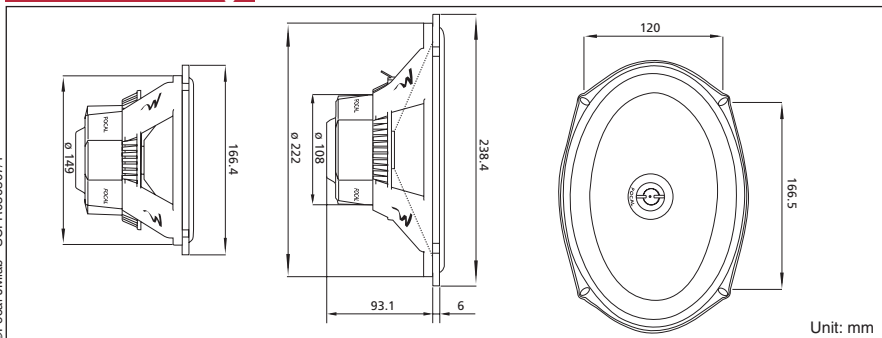
Frequency Response / Impedance



Parameters

Fs	47.09 Hz	
Vas	35.37 l	5.48 Ft ³
Qts	0.582	
Qes	0.62	
Qms	9.52	
Re	3.63 ohms	
Sd	226.98 cm ²	35.20 in ²
Cas	2.52E-07 m ⁵ /N	
Mas	45.36 kg/m ⁴	
Ras	1409.79 ohms.ac	
Cms	4.89E-04 m/N	
Mms	23.37 g	0.05 lb
Rms	726 g/s	
Ces	577.27 mF	
Les	19.79 mH	
Res	55.74 ohms	
BI	6.36 N/A	
SPL	89.59 dB/W/m	

Mechanical Drawing



Focal® is a trademark of Focal-JMLab®