



THE ASSORTMENT AT A GLANCE

LEDVANCE LED LUMINAIRES

OCTOBER 2022



[LEDVANCE.COM](https://www.ledvance.com)































LEDVANCE

SHEDDING LIGHT, SYMBOLS AND ABBREVIATIONS

LIST OF ABBREVIATIONS

ASYM	Asymmetric
AT	Auto Test
BK	Black
CCT	Correlated Color Temperature
D	Direct
DA	Double Asymmetric
D/I	Direct/Indirect
DEG	Degree (beam angle)
DK	Dark Light (cut-off)
DL	Downlight
DN	Diameter Nominal
DP	Damp Proof
DS	Double Symmetric
EM	Emergency
ER	Energy Rail
FL	Flood (beam angle)
Flood	Floodlight
FP	Fire-Proof (fire rated up to ...)
GY	Gray
HB	High Bay
HO	High Output
IND	Indirect
INDV	IndiviLED
LN	Linear
MT	Manual Test
MP	Microprismatic (= UGR < 19)
N	Narrow (beam angle)
NFL	Narrow Flood (beam angle)
O	Outdoor
OP	Opal
PFM	Performance
RD	Round
S	Sensor
SF	Surface
SI	Silver
SP	Spot
SQ	Square
Surface-C	Surface Circular
SYM	Symmetric
TH	Through-wiring
Track	Tracklight
UGR	Unified Glare Rating
UO	Ultra Output
VAL	Value
VN	Very Narrow Beam Angle
VW	Very Wide Beam Angle
W	Wide (90° beam)
WT	White
WW	Wallwasher = asymmetric

	Type of protection		t [h]: L70/B50 @ 25 °C (T _a)
	Type of protection, back / front		t [h]: L80/B10 @ 25 °C (T _a)
	IK impact rating		t [h]: L90/B10 @ 25 °C (T _a)
	Color rendering index		Beam angle in °
	MacAdam color consistency		Weight
	Dimmable or DALI		Unit of packaging
	Luminous flux in lm		Recommended retail price
	Power in W		Fig. no.
	Color temperature in K		Powerselect
	Luminous efficacy		Protection class I
	Guarantee		Protection class II
	Sensor versions		ENEC certification
	Ceiling opening		TÜV Süd certification
	Replacement for traditional lamp technology		TÜV Rheinland certification

LEDVANCE: ADVANCING LIGHT

BAD LIGHT MAKES YOU RAGE? BETTER SWITCH TO LEDVANCE LUMINAIRES.

With over 100 years of experience in general lighting, LEDVANCE combines traditional lighting technology with pioneering lighting innovations for almost any application. In addition to this unique know-how, we particularly rely on long-term customer relationships and a strong global sales network.

As technology trend experts, we are leading the way in meeting the rapidly changing demands for high-quality and long-lasting light. And as a strong local partner, we are always reliably at your side in over 140 countries.

Whether it's luminaires, lamps, our LED Strip System or state-of-the-art light management solutions, our teams of specialists are focused on the specific needs of our customers. We are making a decisive contribution to increasing your competitiveness with technical innovations and easy-to-use, intelligent lighting solutions compliant with EU regulations.

With this in mind, our revised and significantly expanded lighting portfolio also provides convincing answers to the challenges of our time. It comprises more energy- and resource-saving products than ever before and also offers great functionality, ease of maintenance and lighting quality at an attractive price/performance ratio. This allows you to offer your customers sustainable, future-proof lighting solutions.

We always focus on the benefit for you as a lighting professional. That's why we do everything we can to make our products and systems particularly easy to plan, install and combine.

Based on these principles, we will continue to develop sophisticated products and provide you with optimum support in your personal fight against bad light.



CONTENTS

LEDVANCE LUMINAIRE PORTFOLIO: WHAT'S NEW?

06

DOWNLIGHTS

20

Downlight UGR19	22
Downlight Comfort	24
Downlight Alu	26
Downlight Slim Alu	28



STANDARD APPLICATIONS: Public Areas | Shops | Stairways | Corridors
Foyers | Bathrooms | Kitchens

PANEL LUMINAIRES

72

Panel IndiviLED	74
Panel IP54	76
Panel Comfort	78
Panel Performance Gen 3	80
Panel Value	84
Panel Accessories	86



STANDARD APPLICATIONS: General Indoor Lighting | Public Buildings
Offices | Conference Rooms | Corridors

SPOTLIGHTS

30

Spot Vario	34
Spot Multi	36
Spot Fix	38
Spot Adjust	40
Spot Darklight	42
Spot Fire Rated	44
Spot Air Fix	46
Spot Air Adjust	48
Spot Accessories	50



STANDARD APPLICATIONS: General Illumination | Hotels | Restaurants
Cafés | Accent Lighting | Galleries | Museums | Residential Interiors

PENDANT AND SURFACE-MOUNTED LUMINAIRES

90

Panel Direct/Indirect	92
Linear IndiviLED Direct/Indirect	94
Linear IndiviLED Direct/Indirect	96
Accessories	98
Linear IndiviLED Direct	98
Linear IndiviLED Direct	101
Accessories	101



STANDARD APPLICATIONS: General Indoor Lighting | Offices | Libraries
Schools | Corridors | Entrance Areas

TRACKLIGHTS

52

Tracklight Spot Zoom DIM	54
Tracklight Spot	56
Tracklight Spot Reflector	58



STANDARD APPLICATIONS: Shops | Fashion Stores | Boutiques
Department Stores | Hotels | Cafés | Galleries | Museums | Showrooms

LINEAR LUMINAIRES

102

Linear Surface IP44 Gen 2	104
Linear Ultra Output	106
Linear Compact	108
Linear Magnetic Batten T5	110



STANDARD APPLICATIONS: Public Buildings | Corridors | Entrance Areas
Stairwells | Cove Lighting | Shelving

WALL AND CEILING LUMINAIRES

60

Surface Compact IK10	62
Surface Circular	64
Surface Circular Cover	66
Surface Bulkhead	68
Surface Bulkhead Accessories	71



STANDARD APPLICATIONS: Public Areas | Walkways | Stairways
Bathrooms | Foyers

TRUNKING SYSTEMS

112

TruSys Flex	114
TruSys Flex Energy Rails & Accessories	118
TruSys	124
TruSys Energy Rail & Accessories	126



STANDARD APPLICATIONS: Factories | Warehouses | Discounters
Workshops

Please use the back-button
on the following pages to get
back to the content page



FURTHER INFORMATION ON LEDVANCE

216

DAMP-PROOF LUMINAIRES

132

Damp Proof Compact Gen 1	134
Damp Proof Compact Gen 2	136
Damp Proof Gen 2	138
Damp Proof Sensor	142
Damp Proof Special Gen 2	144
Damp Proof Housing	146
Damp Proof Housing Accessories	147
Damp Proof Slim Value	150
Damp Proof Value	152



STANDARD APPLICATIONS: Factories and Warehouses | Parking Lots
Underpasses | Garages | Workshops | Production Lines | Agriculture

STREETLIGHTS

198

Streetlight Flex Small	200
Streetlight Flex Medium	202
Streetlight Flex Large	204
Streetlight Flex Accessories	206



STANDARD APPLICATIONS: M-, C- and P-class Roads
acc. to EN 13201 | Parking | Public Areas | Industry

HIGH-BAY LUMINAIRES

154

High Bay Gen 4	156
High Bay Gen 3 DALI	158
High Bay Accessories	160
High Bay Compact	162
High Bay Compact Accessories	164



STANDARD APPLICATIONS: Warehouses | Logistics Centers | Industry
High Ceilings (e.g. Airports)

EMERGENCY LIGHTING

208

Single-Battery	
Emergency Luminaires	209
Emergency Conversion Box	211



STANDARD APPLICATIONS: Escape Routes (Corridors) | Open Areas
(Anti-Panic) | Public Buildings | Shops | Offices

LOW-BAY LUMINAIRES

166

Low Bay Flex	168
Low Bay Flex Ball Proof	170
Low Bay Flex Accessories	171



STANDARD APPLICATIONS: Warehouses | Logistics Halls | Industrial and
Storage Facilities | Discounters, Supermarkets

LED DRIVERS FOR CONSTANT CURRENT

212

LED Driver DALI Performance	213
LED Driver Phase-Cut Performance	214
LED Driver Dip-Switch Performance	215



FLOODLIGHTS

172

Floodlight 10 W – 50 W	174
Floodlight 65 W – 200 W	176
Floodlight Sensor	178
Floodlight Photocell	180
Floodlight Compact	182
Floodlight Max	186
Floodlight Max Power Supply	189
Floodlight Performance	190
Floodlight Performance DALI	193
Floodlight Area	196



STANDARD APPLICATIONS: Building Facades | Public Areas
Industry | Lighting of large Areas | Sports Facilities | Construction Sites
Parking Lots | Underpasses

Look for the following to help navigate
this brochure and learn more:

Return to Contents Page



Click for further information



All the following values for the IP and IK
protection classes apply exclusively to
luminaires (excluding accessories).

BETTER LIGHT – QUICK AND EASY TO INSTALL LED LUMINAIRES FROM LEDVANCE

FOCUSING ON YOUR NEEDS

LEDVANCE is a strong partner to have by your side when you need to inspire your customers with perfect lighting solutions. We listen carefully to installers and lighting professionals – and are constantly working to improve our products and services. We aim not just to meet your expectations but exceed them – in the choice of products, the quality of the light and simple, user-friendly installation.

We're proving it once again with our revised and greatly expanded luminaire portfolio. Improved in performance and efficiency, and including a number of new products, it now offers you even more options for office, industrial, parking, shop and urban applications.

This allows you to give your customers convincing answers to today's challenges for every project – sustainable lighting solutions that save energy and resources, reduce maintenance costs and combine high functionality with high lighting quality.

TOGETHER FOR BETTER LIGHT

LEDVANCE supports you with a comprehensive lighting portfolio from a single source, an excellent price-performance ratio and guarantees¹ of up to 5 years. But that's not nearly all. Our services are perfectly tailored to the needs of professional users. For example, our global supplier and sales network means we are always at your side wherever you may be. And you can count on us throughout all your lighting projects – from initial consultation to technical after-sales support.

¹ For precise terms and conditions go to www.ledvance.com/guarantee



SCALE – AWARD-WINNING LUMINAIRE DESIGN

Design makes products unique – like our individual, aesthetic and functional SCALE design language. It combines unique luminaire design with tangible value in every product and takes the modern tonality of the LEDVANCE brand into new territory. A fascinating combination of form and function, which is loved not only by our customers – as the 2019 German Design Award proves.

EASY TO INSTALL LUMINAIRE



YOUR BENEFITS AT A GLANCE



Global network



Extensive portfolio
from a single source



Outstanding services

FULL SERVICE FOR YOUR PROJECT SUCCESS

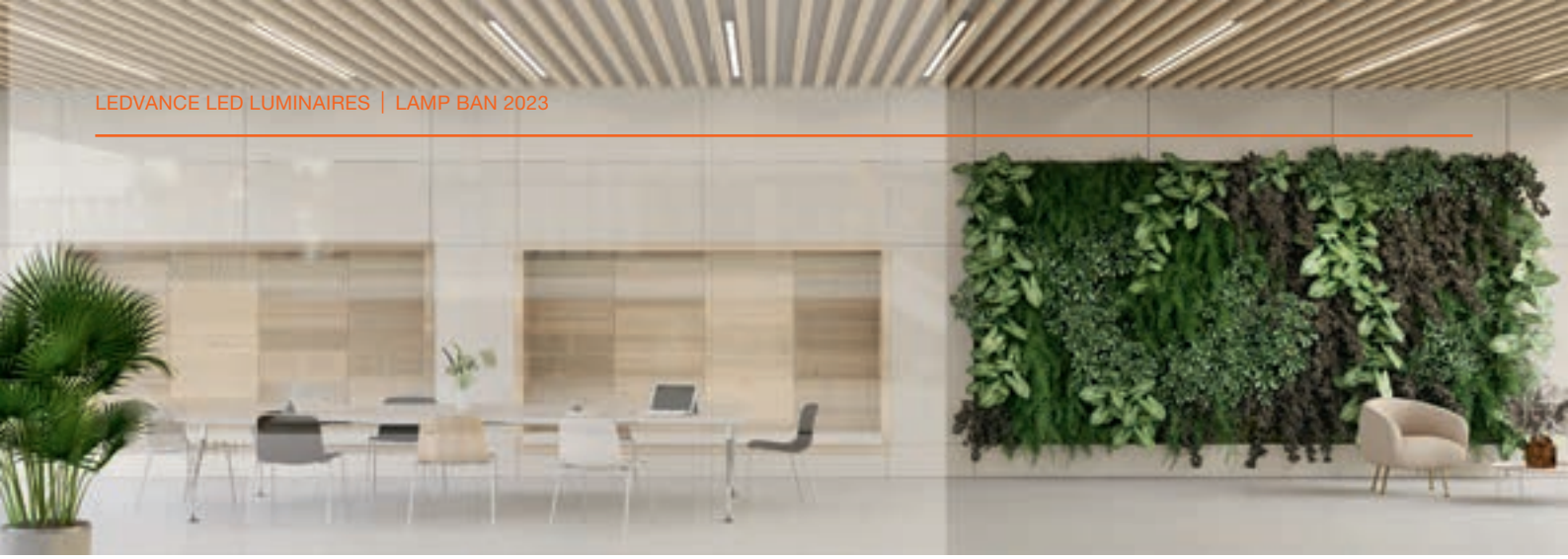
In addition to first-class products and competent customer service (contact@ledvance.com), we support you in numerous other ways throughout your lighting projects. Go to www.ledvance.com and discover valuable service concepts such as the Fast Light Calculation Tool, our eLearning modules or the DIALux/RELUX light planning software.

ENGINEER-TO-ORDER LUMINAIRE

Do you need tailor-made luminaires for a project? We are happy to develop a lighting solution adapted to your needs.

Please get in touch to discuss your requirements.





THE BEST TIME TO CHANGE IS NOW!

EU-COMPLIANT LED SOLUTIONS FROM LEDVANCE



THE SITUATION MORE EFFICIENCY FOR OUR CLIMATE

As a measure against climate change, the EU aims to reduce CO₂ emissions in buildings by 30 % by 2030. What's more, the EU RoHS Directive is further restricting exceptions for mercury in light sources. As a result, mercury-containing and inefficient lamps may gradually no longer be placed on the market during 2023.



THE CHALLENGE SWITCHING TO LED

LED technology is efficient, versatile and future-proof. However, the switch from outdated T5/T8 fluorescent tubes and CFLni compact fluorescent lamps to innovative LED alternatives in existing lighting systems does not always work as a straightforward retrofit – local conditions differ too much.

GOODBYE FLUORESCENT LAMP. HELLO LED.

The lamp ban 2023 is approaching. So play it safe and switch to EU-compliant and energy- and cost-efficient LED solutions from LEDVANCE now.

CIRCULAR FLUORESCENT LAMPS T5/T9*

COMPACT FLUORESCENT LAMPS with plug-in bases (CFLni-2pin/4pin)

LINEAR FLUORESCENT LAMPS T5 and T8

HALOGEN PINS G4, GY6.35, G9

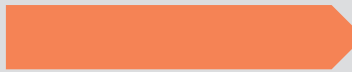
Products affected



2023



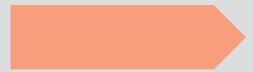
25.02.



25.08.



01.09.



LEDVANCE LED replacement products



*T9 phase-out by LEDVANCE



THE SOLUTION LAMP REPLACEMENT OR NEW LUMINAIRE

In LEDVANCE, you have a lighting partner at your side who offers you a convincing alternative for your situation and supports you in finding solutions – from direct replacement and rewiring to upgrades and new installations.

This gives you peace of mind for always having the right answer to lamp bans, climate change and energy shortages – and at the same time allows you to successfully participate in the market.



A detailed overview of the lamp ban 2023 can be found at:
ledvance.com/lampban2023



4 OPTIONS FOR ALL SITUATIONS – HOW TO SWITCH

SOLUTIONS WITH LED TUBES

RETROFIT



Simple 1:1 replacement:

- Wide range of LED tubes for easy, quick and safe lamp replacement
- No rewiring necessary
- As a replacement for fluorescent tubes operated on CCG or compatible ECG
- Find the right LED tube in just a few steps with the handy Tube Finder

CONVERSION



If there is no retrofit alternative or if the customer values maximum energy savings and low maintenance, rewiring is the solution.

1. LED tube on mains voltage:

Particularly quick and application-oriented with the conversion kit and the matching range of T5 and T8 LED tubes

2. LED Tube External System: T5/T8 LED tube and external driver:

The perfect solution for switching from old fluorescent lamps and dimmable DALI control gear to efficient and dimmable LED technology

SOLUTIONS WITH LED LUMINAIRES

UPGRADE



Upgrade using the luminaire-in-luminaire principle:

- LINEAR MAGNETIC BATTEN T5 upgrade kit for existing T5 and T8 metal louver luminaires
- Positioning and mounting using adjustable magnets
- Quick, tool-free rewiring thanks to connector box
- Designed for use with T5 AC LED tubes
- Available in three different lengths

NEW INSTALLATION

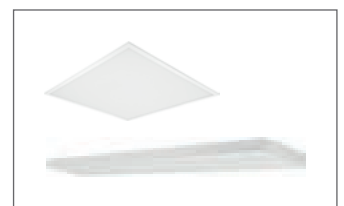


Complete replacement with modern LED luminaires:

- Large range of innovative luminaires for new construction or renovation projects
- Attractive design and high quality
- High functionality for intelligent lighting control
- Long life and maximum potential for energy savings



Go directly to the Tube Finder:
ledvance.com/tubefinder



VIVARES – COMFORTABLE AND ENERGY-EFFICIENT LIGHT MANAGEMENT



Further information can be found online and in our LEDVANCE VIVARES Light Management System brochure: ledvance.com/vivares



VIVARES, the future-proof IoT light management system (LMS) from LEDVANCE, brings light to life. It makes it easier and more flexible than ever to always produce optimum lighting conditions for defined requirements. The system is suitable for all office solutions and is extremely reliable and compatible. It can be maintained remotely which increases economy beyond general maintenance and energy savings. LEDVANCE offers you everything from one source: all LMS components and matching LED luminaires.

Another advantage of the portfolio is its great flexibility. Whether you go for the wireless option via VIVARES Zigbee or the wired version based on DALI technology, we always have the right solution for you and support you every step of the way. But what you can expect from both technologies is that they are extremely comfortable and easy to install by anyone.

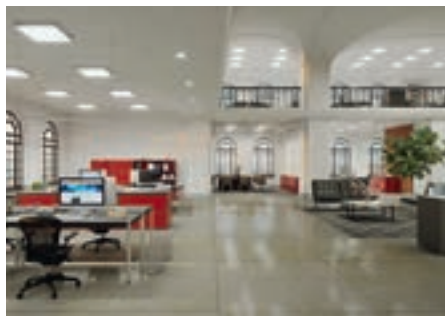
The new VIVARES HCL system combines the advantages of lighting control with human centric lighting, supplying entire floor solutions with HCL lighting – for greater concentration, well-being and performance.

WIRELESS, MODERN, FLEXIBLE: VIVARES ZIGBEE

YOUR IDEAL SOLUTION IF YOU CAN'T MAKE TOO MANY STRUCTURAL CHANGES AND/OR ARE LOOKING FOR FLEXIBLE ROOM SITUATIONS.

The wireless VIVARES Zigbee system is ideal for modernizing existing buildings where rewiring is often not an option. If a building is listed or has no suspended ceilings, you will need products that require no additional control lines. Even in situations where the distribution of light needs changing more often, VIVARES Zigbee is the perfect choice because the system is easy to adapt.

LEDVANCE offers you the necessary components and a well-assorted selection of compatible LED luminaires which allow the VIVARES Zigbee system to provide energy-saving lighting in existing buildings. As an option, the system can be connected to a cloud application to generate maintenance and energy consumption reports.

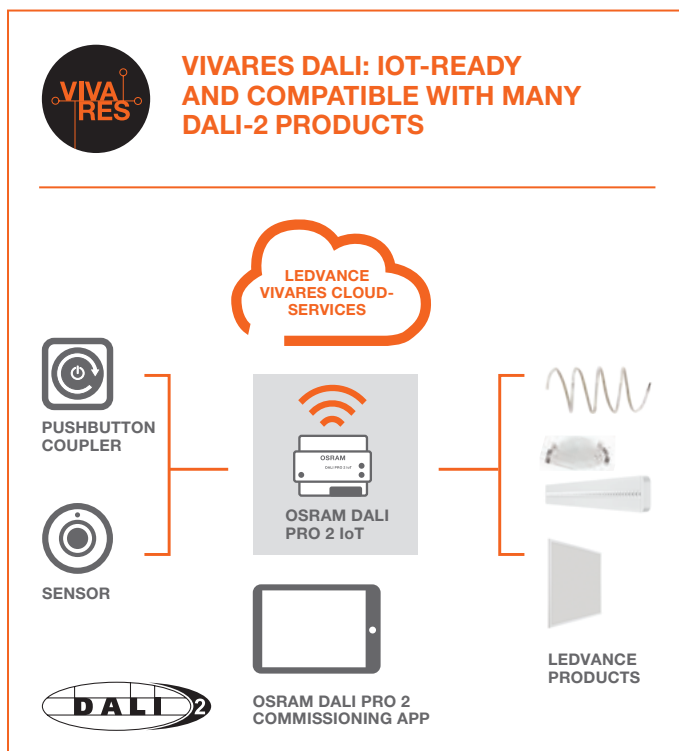


WIRED INDUSTRY STANDARD REDEFINED: VIVARES DALI

VIVARES DALI IS IDEAL FOR NEW BUILDINGS AND RENOVATIONS, WITH ROOM FOR ADDITIONAL CONTROL LINES.

The system is suitable if the control lines can be wired and the requirements for assigning the light distribution are long-term. All VIVARES DALI products are DALI-2-certified and technically matched to perfection. Since this is an open system, it is also compatible with other DALI-2 products.

Commissioning is simple and self-explanatory via a browser-based commissioning tool. And of course VIVARES DALI is also ready for the Internet of Things (IoT) – and therefore capable of generating maintenance and energy consumption reports via the VIVARES Cloud.





LEDVANCE BIOLUX: FOCUSING ON PEOPLE WITH HUMAN CENTRIC LIGHTING

Offices with little daylight, dark meeting rooms and artificial light until late at night – this is typical of modern working conditions. But light is essential and one of the most important sources – for our well-being, performance and satisfaction. A lack of daylight can cause serious disruption to our day/night rhythm (our “inner clock”), and massive degradation in our performance and overall well-being. Human centric lighting (HCL) is all about this biological effect of light. Lighting solutions for modern work environments must be designed to promote creative thinking and high levels of concentration at desks, in service sectors and in factories. Human centric lighting places the focus on people and their need for natural

light. Flexible, stimulating and effective. It creates a working environment that simulates the changes in natural daylight with its visual, biological and emotional effects. Through color temperatures and illuminance levels, human centric lighting provides positive support for the human circadian rhythm. A neutral or cold white light color, for example, can energize in the morning. Warm white light is relaxing and ideal for the evening.

With the HCL system BIOLUX from LEDVANCE we are opening up completely new opportunities for you and your customers.

REFERENCE PROJECT



PROJECT: Installation of BIOLUX HCL at the premises of professional handball club THW Kiel

APPLICATION: Sports club; illumination of the video room in the training center and the meeting room in the administrative building

TECHNOLOGY: Human centric lighting, LED

LEDVANCE PRODUCTS: BIOLUX HCL controllers, LED panels and LED downlights

As part of its partnership with THW Kiel, LEDVANCE installed the BIOLUX HCL system in the video room of the training center and in the meeting room of the administrative building. Using the preset NATURAL profile, the system automatically adjusts the lighting to the natural changes in daylight and ensures greater concentration, vitality and performance. The coach and players can also use a rotary switch to select the FOCUS and RELAX light profiles and dynamically adjust the lighting to their respective needs. This is how innovative LEDVANCE lighting technology helps boost the handball stars' performance.

LEDVANCE BIOLUX HCL SYSTEM

BIOLUX is the innovative HCL system from LEDVANCE. With the help of an intelligent algorithm, it automatically adjusts the artificial light to simulate the changes in natural daylight – accurate for the time of day and the location – to produce the best possible biological effect. Changes in color temperatures and lighting levels support our natural bio-rhythms.

THE SMART ENTRY-LEVEL HCL SYSTEM

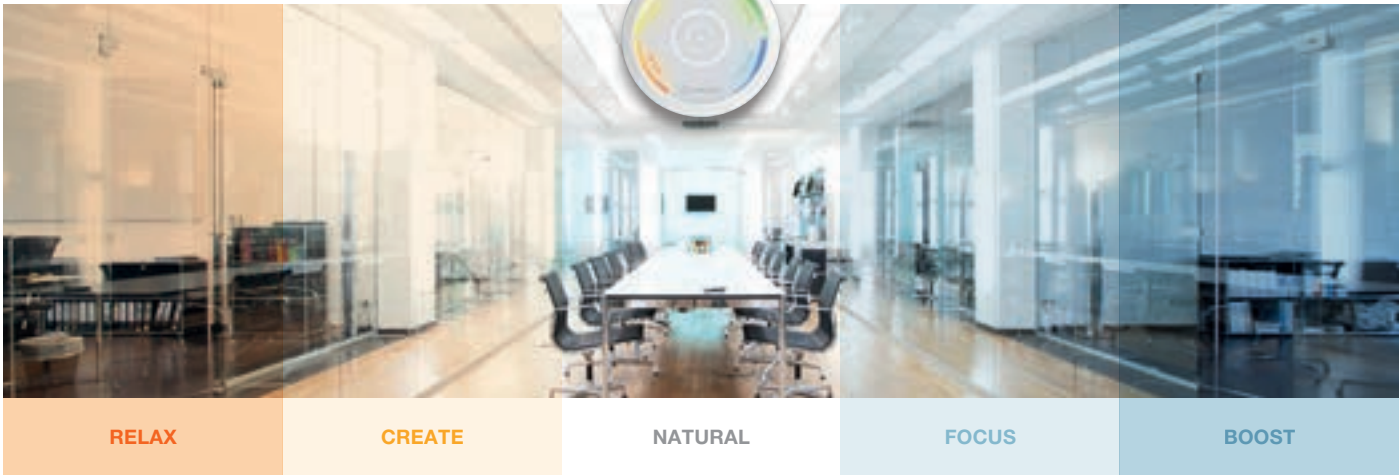
BIOLUX consists of two components: the BIOLUX control unit and the BIOLUX LED products (luminaires/ LED strips/occupancy sensors) which communicate with each other wirelessly via the Zigbee protocol. Operation is intuitive. Pre-programmed light profiles can be set at the control unit in no time at all, with five manually adjustable modes being available, suitable for any work situation (see diagram). And BIOLUX is so easy to install as there is no need for wiring or configuration.

WINNER OF DESIGN, FUNCTION & INNOVATION AWARDS:



reddot winner 2020

THE FIVE LIGHT PROFILES OF BIOLUX



E.g. during breaks in meetings

Creativity in workshops, e.g. in brainstorming sessions

Default setting

Enhanced concentration, e.g. in meetings

Highest concentration for highly detailed and particularly demanding tasks

THE BIOLUX COMPONENTS



BIOLUX CONTROL UNIT



BIOLUX HCL DOWNLIGHT



BIOLUX HCL PANEL



BIOLUX HCL LED STRIP KIT

BIOLUX is ideal for single room solutions with up to 48 BIOLUX HCL products – such as meeting rooms or offices with little or no daylight.
You will find more information at hcl.ledvance.com or in our flyer on human centric lighting.



Discover our **BIOLUX HCL System** video in open office on **YouTube**:

OFFICE LIGHT AS A FACTOR FOR SUCCESS



DOWNLIGHT COMFORT
Page 24



DOWNLIGHT UGR19
Page 22



PANEL PERFORMANCE
Page 80



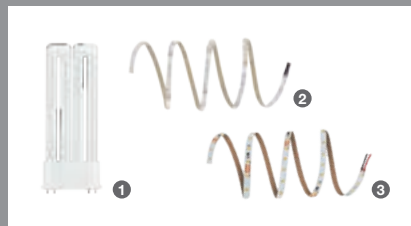
LINEAR INDIVILED
Page 98



PANEL INDIVILED
Page 74



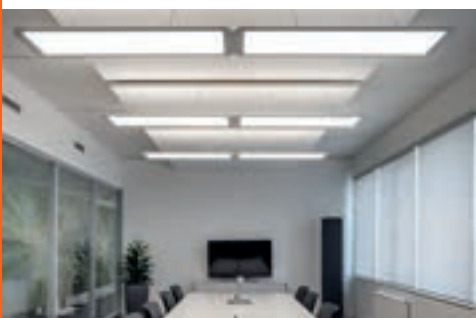
PANEL DIRECT/INDIRECT
Page 92



THE RIGHT LAMPS AND LED STRIPS:

From the ultra-low-profile OSRAM DULUX F **1** full glass LED lamp featuring excellent luminous efficacy all the way to the flexible LED STRIP PERFORMANCE RGBW **2** and WHITE **3**, LEDVANCE offers you tailored lighting solutions for large and small offices.

REFERENCE PROJECT



PROJECT: SIEMENS Campus, Erlangen, Germany

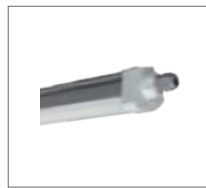
APPLICATION: Lighting of meeting rooms and open-plan offices

TECHNOLOGY: LED technology

LEDVANCE PRODUCTS: LINEAR INDIVILED DIRECT/INDIRECT DALI SENSOR, PANEL DIRECT/INDIRECT DALI

When it came to selecting luminaires for the SIEMENS Campus in Erlangen, the existing suspended ceilings were a particular challenge. The LEDVANCE LINEAR INDIVILED DIRECT/INDIRECT DALI SENSOR and PANEL DIRECT/INDIRECT DALI luminaires were chosen as they offer excellent light comfort with direct/indirect beam characteristic, good glare reduction ($UGR \leq 19$), low maintenance and low operating costs. What's more, brightness is kept at a consistent 500 lux in compliance with relevant standards. The luminaires blend into the building design perfectly and, thanks to integrated presence detection, offer optimum efficiency.

INDUSTRY LIGHT MAKES HARD WORK EASIER



**DAMP PROOF
COMPACT GEN 1**
Page 134



TRUSYS FLEX
Page 114



HIGH BAY GEN 4
Page 156



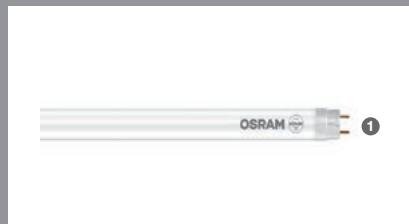
**HIGH BAY
REFLECTOR**
Page 160



**DAMP PROOF
SPECIAL GEN 2**
Page 144



**HIGH BAY
SENSOR GEN 4**
Page 157



THE RIGHT LED TUBES:

SUBSTITUBE PRO EM LED ¹ tubes are shatterproof, highly efficient and durable. They replace conventional fluorescent tubes and are suitable for use even in adverse conditions such as in cold stores and warehouses.

REFERENCE PROJECT



PROJECT: Harald Meyer Installationen GmbH, Sittensen, Germany

APPLICATION: Energy-related renovation of an old industrial building with LED lighting

TECHNOLOGY: LED technology

LEDVANCE PRODUCTS: DAMP PROOF, HIGH BAY with reflectors, FLOODLIGHT PFM

Harald Meyer Installationen GmbH commissioned LEDVANCE to plan and implement a new lighting concept for an old industrial building which is now used as a warehouse and workshop. The lighting experts relied on innovative LED technology throughout using a combination of HIGH BAY luminaires for the high-bay warehouses, DAMP PROOF luminaires for the workshop and FLOODLIGHT PERFORMANCE luminaires for the loading area. And even for shower rooms and changing rooms LEDVANCE had other ideal LED solutions in store. This helped improve the quality of light and energy efficiency, reduce operating costs and take advantage of government funding.

PARKING LIGHT MEANS SAFETY & SECURITY



DAMP PROOF HOUSING
Page 146



FLOODLIGHT PERFORMANCE
Page 190



DAMP PROOF SENSOR
Page 142



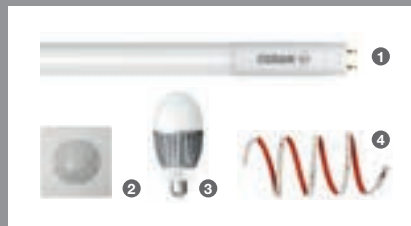
FLOODLIGHT SENSOR
Page 178



SURFACE BULKHEAD
Page 68



STREETLIGHT FLEX SMALL
Page 200



THE RIGHT LED TUBES, HQL LED LAMPS AND LED STRIPS:

For indoor parking, LEDVANCE offers the SUBSTITUBE CONNECTED ADVANCED ULTRA OUTPUT **1** together with the CONNECTED SENSOR **2**. Efficient, high-output HQL LED PRO lamps **3** are ideal for outdoor use. And for both applications, LED STRIP PERFORMANCE PROTECTED **4** provides great design freedom.

REFERENCE PROJECT



PROJECT: Tirol Kliniken, Innsbruck, Austria

APPLICATION: Lighting of underground garages

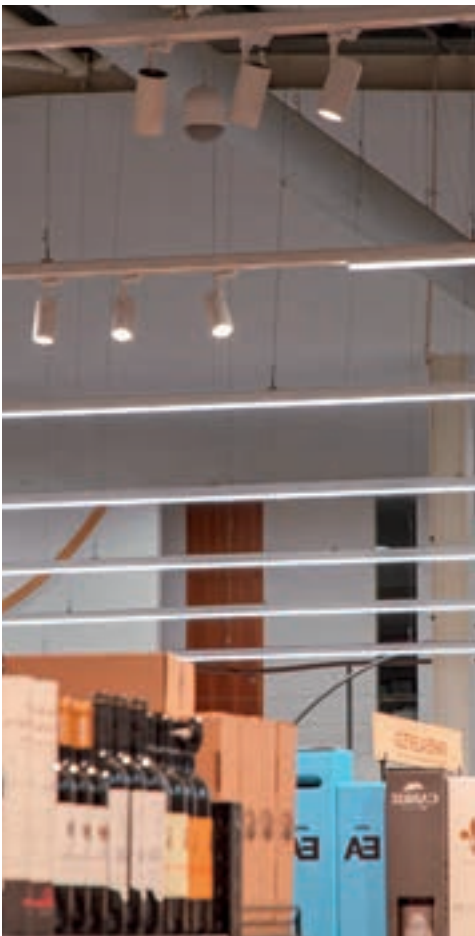
TECHNOLOGY: LED technology

LEDVANCE PRODUCTS: LED DAMP PROOF

In the underground garages of the Medical Center and Surgery West the former luminaires equipped with fluorescent tubes were replaced by new 30 watt LED DAMP PROOF luminaires. Due to their robust design with an IP65 protection rating and IK08 impact resistance these are not only ideal for use in damp and dusty environments, but their beam angle of 105 degrees also ensures homogeneous uniform light giving a greater feeling of safety for employees and visitors.

SHOP

AESTHETIC ILLUMINATION MEETS FUNCTIONALITY



TRACKLIGHT SPOT
Page 56



SPOT VARIO
Page 34



SPOT MULTI
Page 36



TRUSYS
Page 124



TRACKLIGHT SPOT ZOOM DIM
Page 54



SPOT ADJUST
Page 40



THE RIGHT LED REFLECTOR AND TUBE LAMPS AS WELL AS LED STRIPS:

LEDVANCE lighting solutions – including fully dimmable PARATHOM PRO LED reflector lamps **1**, flexible LED STRIP SUPERIOR TUNABLE WHITE **2** lights and SUBSTITUBE FOOD LED **3** tubes for food retailers – present all your merchandise in the best light.

REFERENCE PROJECT



PROJECT: Supermarket lighting E.LECLERC, Lousada, Portugal

APPLICATION: LED lighting for the supermarket's clothing and wine department

TECHNOLOGY: LED technology

LEDVANCE PRODUCTS: TRACKLIGHT SPOT, TRUSYS PERFORMANCE

A better overall quality of light, greater attention for specific areas and contemporary energy efficiency. These were the requirements that the managers of E.LECLERC supermarket in Lousada, Portugal, outlined when they approached LEDVANCE. The lighting experts came up with an extremely impressive solution. Thanks to their high luminous flux, a total of 450 luminaires in the TRUSYS PERFORMANCE system produce uniformly bright, efficient basic lighting. On top of that, tilt and swivel TRACKLIGHT SPOTS featuring excellent color rendering of CRI>90 highlight the goods to best effect. This is a whole new shopping experience for supermarket customers.

LUMINAIRE VARIETY COMES PRODUCT CLASS SYSTEM

Your work involves everything from simple lighting tasks to the most complex and demanding – and it is precisely this bandwidth that is covered by LEDVANCE’s luminaire portfolio. To ensure that you always keep track of all this variety and quickly find the most suitable product, we have divided our luminaires into three segments: Superior Class, Performance Class and Value Class. With the help of consistent color coding and clear labeling you can immediately see in the catalog and also on the packaging which of the three segments a luminaire belongs to. So you can easily meet the needs of your customers – today and tomorrow.



Clear color coding on the new sustainable packaging will help you keep track of the products and quickly identify the right product for the job.

Sample packaging

PRODUCT CLASSES:



IN THREES:



SUPERIOR CLASS

Sometimes only the best will do. The LEDVANCE Superior Class range comprises premium products that set standards in technology, quality and design. These top-of-the-line products are impressive in every respect and are the right choice for realizing particularly demanding, prestigious projects with special lighting requirements.



PERFORMANCE CLASS

In the LEDVANCE Performance Class you will find a reliable solution for the majority of your lighting tasks. Our core portfolio includes a wide range of high-quality, demand-oriented luminaires with excellent performance in terms of lifetime, efficiency, material and quality of light. Features such as easy installation, DALI versions and comprehensive guarantees add value.



VALUE CLASS

High performance at an attractive price – that’s what the LEDVANCE Value Class is about. The luminaires in this range are characterized by a standard lifetime, efficiency and quality of light, making them the right choice for everyday installation needs and projects where, in addition to reliability, the focus is on cost-effectiveness in particular. Additional features such as DALI extend the range of applications in this class.


LEDVANCE LED LUMINAIRES | DOWNLIGHTS

DOWNLIGHTS

OUR CHAMPIONS FOR HOMOGENEOUS GENERAL LIGHTING

DOWNLIGHT URBIS

Plus 10



DOWNLIGHT URBIS

• 100% DALI dimming (DALI 2)


• 100% DALI dimming (DALI 2)

• 100% DALI dimming (DALI 2)

• 100% DALI dimming (DALI 2)

DOWNLIGHT COMFORT

Plus 10



DOWNLIGHT COMFORT

• 100% DALI dimming (DALI 2)


• 100% DALI dimming (DALI 2)

• 100% DALI dimming (DALI 2)

• 100% DALI dimming (DALI 2)

DOWNLIGHT ALLI

Plus 10



DOWNLIGHT ALLI

• 100% DALI dimming (DALI 2)


• 100% DALI dimming (DALI 2)

• 100% DALI dimming (DALI 2)

• 100% DALI dimming (DALI 2)

DOWNLIGHT BLISS ALLI

Plus 10



DOWNLIGHT BLISS ALLI

• 100% DALI dimming (DALI 2)

• 100% DALI dimming (DALI 2)

• 100% DALI dimming (DALI 2)

• 100% DALI dimming (DALI 2)

THE LEDVANCE VALUE CLASS

Plus 10

• 100% DALI dimming (DALI 2)

• 100% DALI dimming (DALI 2)

• 100% DALI dimming (DALI 2)

• 100% DALI dimming (DALI 2)

TRACKLED SPEC

Lighting through DALI and DALI dimming (DALI 2)

Model	Power	Beam angle	Beam diameter	Beam diameter at 2m	Beam diameter at 3m	Beam diameter at 4m	Beam diameter at 5m	Beam diameter at 6m	Beam diameter at 7m	Beam diameter at 8m	Beam diameter at 9m	Beam diameter at 10m
Plus 10	10W	30°	100mm	170mm	240mm	310mm	380mm	450mm	520mm	590mm	660mm	730mm
Plus 10	10W	30°	100mm	170mm	240mm	310mm	380mm	450mm	520mm	590mm	660mm	730mm
Plus 10	10W	30°	100mm	170mm	240mm	310mm	380mm	450mm	520mm	590mm	660mm	730mm
Plus 10	10W	30°	100mm	170mm	240mm	310mm	380mm	450mm	520mm	590mm	660mm	730mm
Plus 10	10W	30°	100mm	170mm	240mm	310mm	380mm	450mm	520mm	590mm	660mm	730mm

KEEPING TRACK – FINDING YOUR WAY AROUND THE BROCHURE AND RANGE

The clear Product Class System of the LEDVANCE luminaire portfolio is also reflected in the introductory pages of each chapter and the product pages of this brochure. Each product class has been assigned a color that you can find throughout the catalog. This makes finding suitable luminaires easier and faster than ever.

Go on, give it a try!

DOWNLIGHTS

OUR CHAMPIONS FOR HOMOGENEOUS GENERAL LIGHTING

DOWNLIGHT UGR19



Page 22



PERFORMANCE CLASS

DOWNLIGHT UGR19

- Good glare reduction (UGR < 19) and cut-off angle up to 30° for comfortable indoor lighting
- Easy and quick installation thanks to connector box with 5-pole toolless terminal
- Low-flicker light < 10 %

DOWNLIGHT COMFORT



Page 24



PERFORMANCE CLASS

3-IN-1 CCT, LOW UGR VALUE

- Three light colors in one luminaire: warm white 3000K, neutral white 4000K and cold white 5700K
- Good glare reduction (UGR ≤ 22)
- Simple connection thanks to plug-in terminal



DOWNLIGHT ALU



Page 26

DOWNLIGHT ALU
DOWNLIGHT ALU DALI



VALUE CLASS

NEW GENERATION, NOW IP44

- Suitable for use in dusty and humid environments thanks to higher IP rating
- Wide range of applications thanks to a large variety of versions
- Up to 60 % energy savings compared with luminaires that use compact fluorescent lamps



ONE LUMINAIRE, THREE OPTIONS

On the **Downlight Comfort** you can switch between three light colors (3000/4000/5700K)

An additional advantage ...
... is that wholesalers and installers can minimize their stock risks because they always have a luminaire with the right light color in stock.

DOWNLIGHT SLIM ALU



Page 28



VALUE CLASS

LOW IN HEIGHT AND PRICE

- Extremely small mounting depth due to very low-profile housing
- Up to 60 % energy savings compared with luminaires that use compact fluorescent lamps
- External driver for easy replacement (included)



DOWNLIGHT UGR19

Downlights with low glare and low flicker



PRODUCT FEATURES

- Housing Material: aluminum with mirror-finished reflector
- Type of protection: IP54 (room side) / IP20 (back side)
- Through-wiring possible
- Luminaire available with on/off driver, DALI 2.0 IoT driver or Zigbee 3.0
- Connector box with push wire terminal for tool-free connection

PRODUCT BENEFITS

- Good glare reduction (UGR <19) and cut-off angle up to 30° for comfortable indoor lighting
- Easy and quick installation thanks to connector box with 5-pole toolless terminal
- Low-flicker light
- Suitable for use in dusty and humid environments thanks to high IP rating
- 5 years guarantee

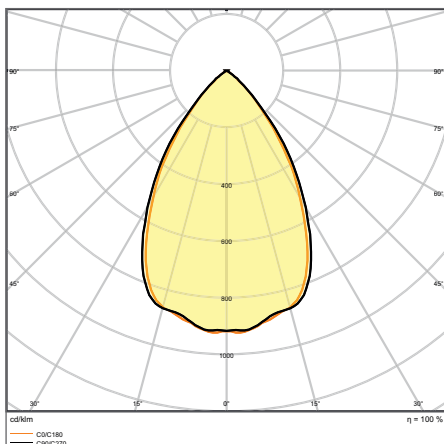
AREAS OF APPLICATION

- Suitable for office applications, especially for computer screen workplaces
- Direct replacement for luminaires with compact fluorescent lamps
- Entrances / Hallways
- Bathrooms, kitchens and sheltered outdoor areas
- General illumination

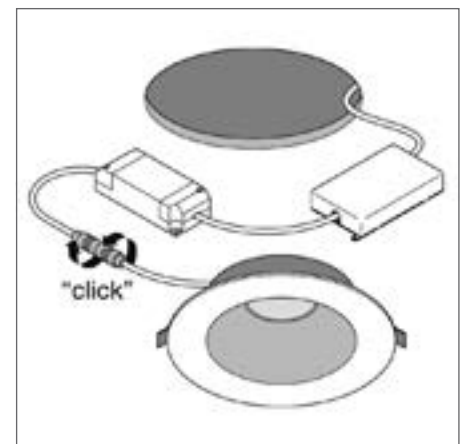
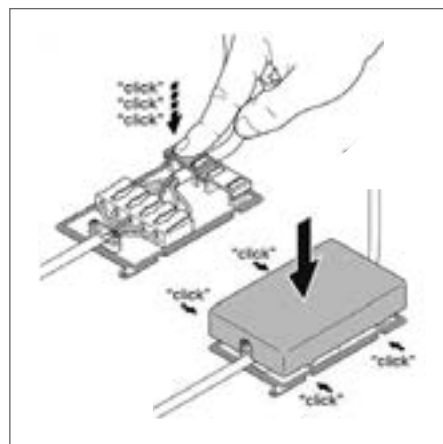
EQUIPMENT/ACCESSORIES

- External control gear included

FURTHER PRODUCT DETAILS



DL UGR19 PFM DN195 21 W 840 WT IP54



DOWNLIGHT UGR19

Downlights with low glare and low flicker



Product name	EAN (GTIN)	Replacement for	W	lm	lm/w	K	L70 ²	△°				L × W × H [mm] Ø × H [mm]
DL UGR19 PFM DN155 14 W 830 WT IP54	4058075459137	1 × 26 W CFLi	14	1500	105	3000	70000	65	—	—	155	180 × 65
DL UGR19 PFM DN155 14 W 840 WT IP54	4058075459151	1 × 26 W CFLi	14	1600	115	4000	70000	65	—	—	155	180 × 65
DL UGR19 PFM DN195 21 W 830 WT IP54	4058075459250	2 × 26 W CFLi	21	2400	115	3000	70000	65	—	—	195	220 × 82
DL UGR19 PFM DN195 21 W 840 WT IP54	4058075459274	2 × 26 W CFLi	21	2520	120	4000	70000	65	—	—	195	220 × 82
DL UGR19 PFM DN155 14 W 830 WT IP54 DALI	4058075459298	1 × 26 W CFLi	14	1500	105	3000	70000	65	DALI-2/loT	—	155	180 × 65
DL UGR19 PFM DN155 14 W 840 WT IP54 DALI	4058075459311	1 × 26 W CFLi	14	1600	115	4000	70000	65	DALI-2/loT	—	155	180 × 65
DL UGR19 DN155 PFM 14 W-840 ZBVR WT	4058075459892	1 × 26 W CFLi	14	1600	115	4000	70000	65	—	Zigbee	155	180 × 65
DL UGR19 PFM DN195 21 W 830 WT IP54 DALI	4058075459830	2 × 26 W CFLi	21	2400	115	3000	70000	65	DALI-2/loT	—	195	220 × 82
DL UGR19 PFM DN195 21 W 840 WT IP54 DALI	4058075459854	2 × 26 W CFLi	21	2520	120	4000	70000	65	DALI-2/loT	—	195	220 × 82
DL UGR19 DN195 PFM 21 W-840 ZBVR WT	4058075459397	2 × 26 W CFLi	21	2520	120	4000	70000	65	—	Zigbee	195	220 × 82

¹ Refer to www.ledvance.com/guarantee for precise conditions

² t[h]: L70/B50 @ 25 °C (T_a)/t[h]: L80/B10 @ 25 °C (T_a)

DOWNLIGHT COMFORT

Downlights with adjustable white light colors



PRODUCT FEATURES

- Material: aluminum (housing), polycarbonate (diffusor)
- Three light colors selectable via side switch
- Type of protection: IP54 (room side)
- Through-wiring possible

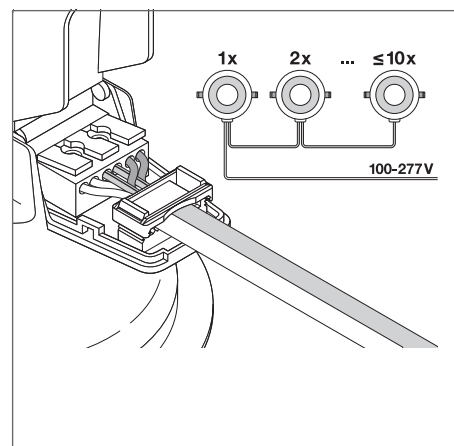
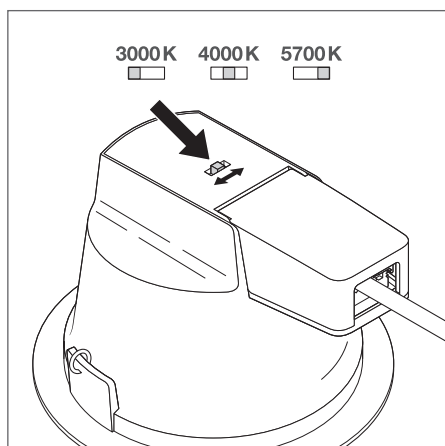
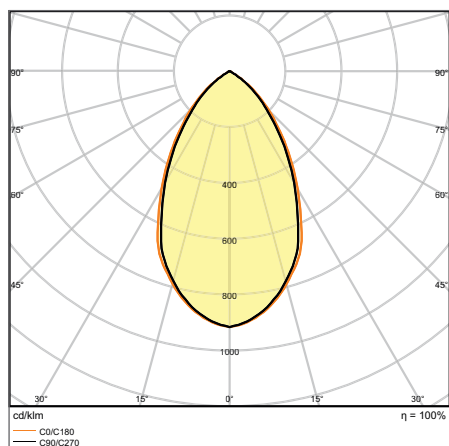
PRODUCT BENEFITS

- Three light colors in one luminaire: warm white 3000K, daylight white 4000K, cold white 5700K
- Good glare reduction ($UGR \leq 22$)
- Easy connection thanks to push terminal
- Suitable for use in dusty and humid environments thanks to high IP rating
- 5 years guarantee

AREAS OF APPLICATION

- Direct replacement for luminaires with compact fluorescent lamps
- General illumination
- Bathrooms, kitchens and sheltered outdoor areas
- Offices
- Corridors

FURTHER PRODUCT DETAILS



DL COMFORT DN 130 13 W 3CCT IP54 WT

DOWNLIGHT COMFORT

Downlights with adjustable white light colors

PERFOR-
MANCE
CLASS

Product name	EAN (GTIN)	Replacement for	W	lm	lm/w	K	L70 ²			L x W x H [mm] Ø x H [mm]
DL COMFORT DN 130 13 W 3CCT IP54 WT	4058075 104068	1 x 18 W CFLi	13	1030...1210	85	3000...5700	50000	60	130	145 x 82
DL COMFORT DN 155 18 W 3CCT IP54 WT	4058075 104082	2 x 18 W CFLi	18	1040...1620	85	3000...5700	50000	60	155	172 x 95
DL COMFORT DN 205 20 W 3CCT IP54 WT	4058075 104105	2 x 26 W CFLi	20	1720...1930	90	3000...5700	50000	60	205	228 x 98

¹ Refer to www.ledvance.com/guarantee for precise conditions
² t[h]: L70/B50 @ 25 °C (T_a)/t[h]; L80/B10 @ 25 °C (T_a)

DOWNLIGHT ALU

Downlight luminaires with aluminum housing



PRODUCT FEATURES

- Housing material: aluminum
- Diffuser made of opal polycarbonate
- Type of protection, front side: IP44
- Luminaire available as switchable and DALI versions

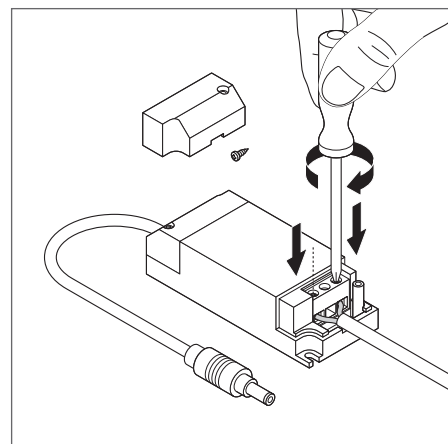
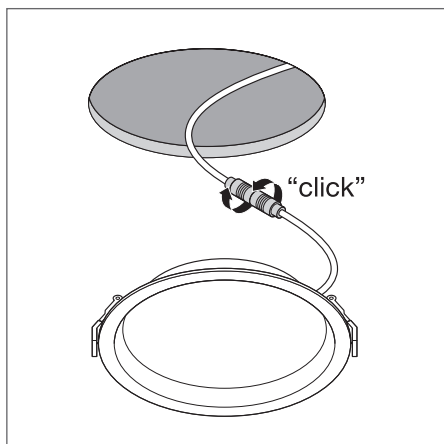
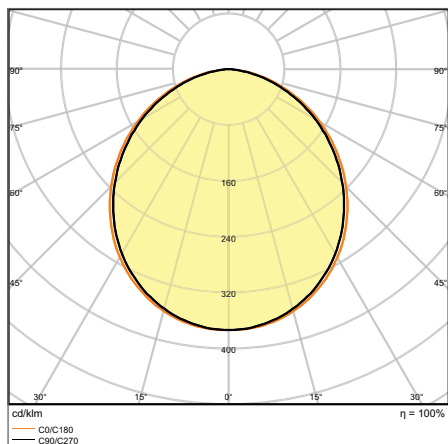
PRODUCT BENEFITS

- Suitable for use in dusty and humid environments thanks to high IP rating
- Wide range of applications thanks to a large variety of versions
- Energy savings of up to 60 % compared to luminaires that use CFL
- Up to 5 years guarantee

AREAS OF APPLICATION

- Direct replacement for luminaires with compact fluorescent lamps
- General illumination
- Public areas
- Stairways
- Corridors

FURTHER PRODUCT DETAILS



DL ALU DALI DN 200 35 W 6500 K
IP44/IP20 WT

DOWNLIGHT ALU

Downlight luminaires with aluminum housing



Product name	EAN (GTIN)	Replacement for	W	lm	lm/w	K	L70 ³	°	⤴	⤵	L x W x H [mm] Ø x H [mm]
DL ALU DN 150 14 W 3000 K IP44/IP20 WT	4058075091436	1 x 26W CFLi	14	1190	85	3000	50000	100	—	150	160 x 52
DL ALU DN 150 14 W 4000 K IP44/IP20 WT	4058075091450	1 x 26W CFLi	14	1260	90	4000	50000	100	—	150	160 x 52
DL ALU DN 150 14 W 6500 K IP44/IP20 WT	4058075091474	1 x 26W CFLi	14	1330	95	6500	50000	100	—	150	160 x 52
DL ALU DN 200 25 W 3000 K IP44/IP20 WT	4058075091498	2 x 26W CFLi	25	2250	90	3000	50000	100	—	200	215 x 61
DL ALU DN 200 25 W 4000 K IP44/IP20 WT	4058075091511	2 x 26W CFLi	25	2370	95	4000	50000	100	—	200	215 x 61
DL ALU DN 200 25 W 6500 K IP44/IP20 WT	4058075091535	2 x 26W CFLi	25	2370	95	6500	50000	100	—	200	215 x 61
DL ALU DN 200 35 W 3000 K IP44/IP20 WT	4058075091559	2 x 42W CFLi	35	2975	85	3000	50000	100	—	200	215 x 61
DL ALU DN 200 35 W 4000 K IP44/IP20 WT	4058075091573	2 x 42W CFLi	35	3150	90	4000	50000	100	—	200	215 x 61
DL ALU DN 200 35 W 6500 K IP44/IP20 WT	4058075091597	2 x 42W CFLi	35	3150	90	6500	50000	100	—	200	215 x 61
DL ALU DALI DN 150 14 W 3000 K IP44/IP20 WT	4058075202610	1 x 26W CFLi	14	1190	85	3000	50000	100	DALI-2	150	160 x 52
DL ALU DALI DN 150 14 W 4000 K IP44/IP20 WT	4058075202634	1 x 26W CFLi	14	1260	90	4000	50000	100	DALI-2	150	160 x 52
DL ALU DALI DN 150 14 W 6500 K IP44/IP20 WT	4058075202658	1 x 26W CFLi	14	1330	95	6500	50000	100	DALI-2	150	160 x 52
DL ALU DALI DN 200 25 W 3000 K IP44/IP20 WT	4058075091610	2 x 26W CFLi	25	2250	90	3000	50000	100	DALI-2	200	215 x 61
DL ALU DALI DN 200 25 W 4000 K IP44/IP20 WT	4058075091634	2 x 26W CFLi	25	2370	95	4000	50000	100	DALI-2	200	215 x 61
DL ALU DALI DN 200 25 W 6500 K IP44/IP20 WT	4058075091658	2 x 26W CFLi	25	2370	95	6500	50000	100	DALI-2	200	215 x 61
DL ALU DALI DN 200 35 W 3000 K IP44/IP20 WT	4058075091672	2 x 42W CFLi	35	2975	85	3000	50000	100	DALI-2	200	215 x 61
DL ALU DALI DN 200 35 W 4000 K IP44/IP20 WT	4058075091696	2 x 42W CFLi	35	3150	90	4000	50000	100	DALI-2	200	215 x 61
DL ALU DALI DN 200 35 W 6500 K IP44/IP20 WT	4058075091719	2 x 42W CFLi	35	3150	90	6500	50000	100	DALI-2	200	215 x 61

¹ The ENEC and TÜV certifications apply exclusively to the switchable versions of the luminaire family, DALI versions are excepted.

² Refer to www.ledvance.com/guarantee for precise conditions

³ t[h]: L70/B50 @ 25 °C (Ta)/t[h]: L80/B10 @ 25 °C (Ta)

DOWNLIGHT SLIM ALU

Flat downlights with external driver and aluminum housing



PRODUCT FEATURES

- Solid aluminum housing in white
- Diffuser made of opal PMMA
- Small visible bezel

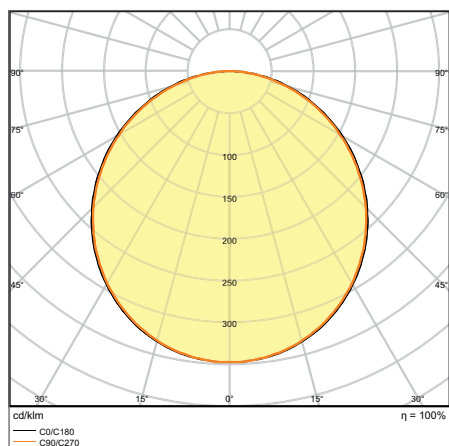
PRODUCT BENEFITS

- Extremely small mounting depth due to very low-profile housing
- Energy savings of up to 60 % compared to luminaires that use CFL
- External driver for easy replacement
- 5 years guarantee

AREAS OF APPLICATION

- Direct replacement for luminaires with compact fluorescent lamps
- General illumination
- Public areas
- Stairways
- Corridors

FURTHER PRODUCT DETAILS



DL SLIM ALU DN 205 22 W 4000 K WT

DOWNLIGHT SLIM ALU

Flat downlights with external driver and aluminum housing

VALUE
CLASS

Product name	EAN (GTIN)	Replacement for	W	lm	lm/W	K	L70 ²			L x W x H [mm] Ø x H [mm]
DL SLIM ALU DN 180 17 W 3000 K WT	4058075 063921	1 x 26W CFLi	17	1350	80	3000	50000	120	180	192 x 23
DL SLIM ALU DN 180 17 W 4000 K WT	4058075 063945	1 x 26W CFLi	17	1400	80	4000	50000	120	180	192 x 23
DL SLIM ALU DN 205 22 W 3000 K WT	4058075 064003	2 x 18W CFLi	22	1850	85	3000	50000	120	205	225 x 23
DL SLIM ALU DN 205 22 W 4000 K WT	4058075 064027	2 x 18W CFLi	22	1920	90	4000	50000	120	205	225 x 23

¹ Refer to www.ledvance.com/guarantee for precise conditions
² t[h]: L70/B50 @ 25 °C (T_a)/t[h]; L80/B10 @ 25 °C (T_a)

SPOTLIGHTS

IMPRESSIVE ALL ROUND: OUR SPOTLIGHTS

SPOT VARIO



PERFORMANCE CLASS

Page 34



VERSATILE SWIVEL SPOTLIGHT FOR THE RETAIL AREA

- Ideal for accent lighting thanks to highly flexible tilt and swivel capability
- Easy replacement of the external driver thanks to plug with bayonet connection
- Low-flicker light < 10 %

SPOT MULTI



PERFORMANCE CLASS

Page 36



POWERFUL MULTI-SPOTLIGHT WITH GIMBAL

- Low-flicker light < 10 %
- Flexible application thanks to excellent anti-glare properties UGR < 16
- Light-proof housing

SPOT FIX OR ADJUST



PERFORMANCE CLASS

Page 38

SPOT FIX
SPOT ADJUST



VERSATILE REPLACEMENT FOR HALOGEN SPOTLIGHTS

- Energy savings of up to 90 % compared to halogen lamp spotlights (in certain fire rated ceilings)
- Advanced flexibility due to external DIMABLE driver (included), easy and quick installation, completely toolless, with twist and lock connector
- Powerselect: Brightness adjustment via dip switches on the driver

SPOT DARKLIGHT



PERFORMANCE CLASS

Page 42



IMPROVED SPOT WITH ANTI-GLARE LIGHT-COMFORT

- Darklight: Special construction for enhanced low-glare light-comfort
- Powerselect: Brightness adjustment via dip switches on the driver
- Advanced flexibility due to external DIMABLE driver (included), easy and quick installation, completely toolless, with twist and lock connector

SPOT FIRE RATED



PERFORMANCE CLASS

Page 44



OPTIMAL FOR CERTAIN FIRE-RESISTANT CEILINGS

- Fire-rated: Designed and tested to meet fire rating standards (in certain fire rated ceilings)
- Advanced flexibility due to external DIMABLE driver (included), easy and quick installation, completely toolless, with twist and lock connector
- Powerselect: Brightness adjustment via dip switches on the driver

SPOT AIR FIX OR ADJUST



PERFORMANCE CLASS

Page 46

SPOT AIR FIX
SPOT AIR ADJUST



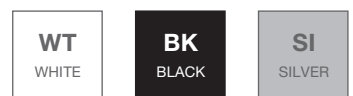
SPOTLIGHTS FOR LOW-ENERGY AND NARROW CEILINGS

- Airtight construction for reduced air-leakage and limited energy loss
- Coverable by many types of thermal insulation material
- Low profile enables installation into shallow ceiling voids
- Advanced flexibility due to external DIMABLE driver (included), easy and quick installation, completely toolless, with twist and lock connector

NEW HIGHLIGHTS: VERSATILE SPOTLIGHT FAMILY, FROM STANDARD APPLICATION TO MORE CHALLENGING CEILING TYPE

GREAT QUALITY

- Full metal aluminum housing
- LEDVANCE SCALE Design
- In 3 different colors available



GREAT LIGHT

- Faceted PMMA lens with perfectly shaped 38° beam angle
- Latest LED COB generation, CRI 90 and SDCM 3
- In 3 different color temperatures available



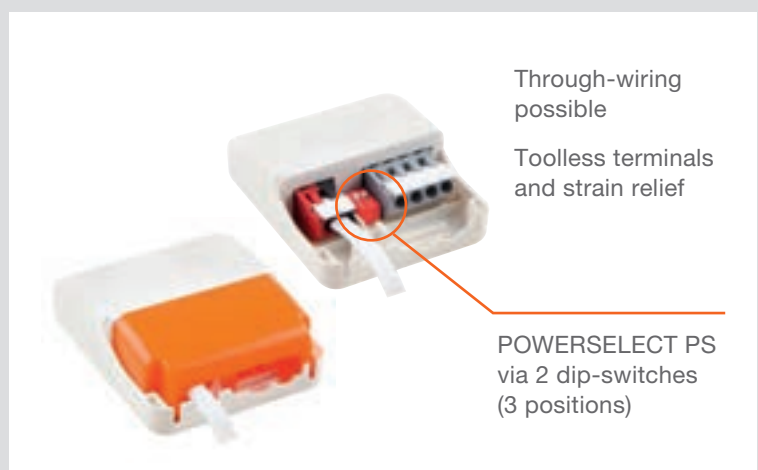
VERSATILE

- FIX or ADJUSTABLE $\pm 25^\circ$
- Convenient mounting (standard-cut of 68 mm, toolless, through-wiring, soft silicon pad, strong clips, refurbishment rings)
- Specialists for special ceiling-types (low profile, low built-in height, high IP)
- Water resistant versions with IP44 or IP65 protection class from roomside

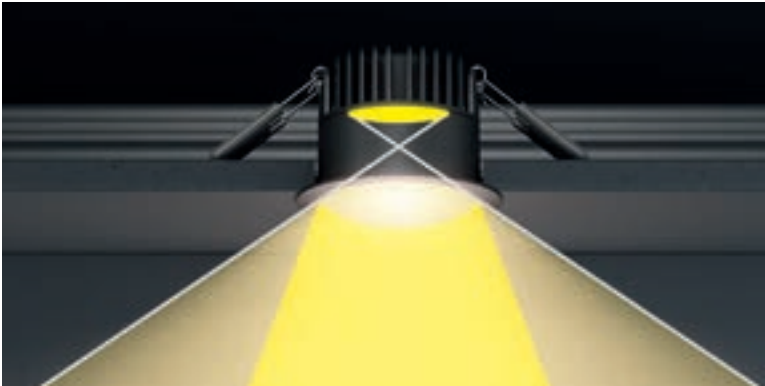


SIMPLE, CONVENIENT, VERSATILE SPOT DRIVER PS 4/6/8 W DIM

A perfect team: Each LEDVANCE SPOT comes with an LED driver. It is perfectly matched to the luminaire's power values and boasts high functionality. Thanks to the piano key terminals, it can be connected without any tools. It can even be wired through to the next luminaire. POWERSELECT PS: A dip switch can be used to set the SPOT's maximum brightness in three levels. The driver is also steplessly controllable on standard LED universal or leading-edge/trailing-edge phase dimmers.



ADVANCED PROPERTIES FOR SPECIAL APPLICATIONS: THE EXPERTS AMONG LEDVANCE SPOTLIGHTS CAN DO MORE



SPOT DARKLIGHT THE LIGHTING COMFORT SPECIALIST

The first choice for hotels and homes. The light output of the SPOT DARKLIGHT, which is lowered deep into the housing, provides a wide upper shielding angle and therefore excellent glare control – especially in the black housing version with a warm white light color. Together with the luminaire’s easy dimmability, this creates a high level of lighting comfort.



SPOT FIRE RATED THE FIRE PROTECTION SPECIALIST

To meet stringent fire protection requirements, ceilings in certain building types and parts must have a special fire-retardant structure.

The SPOT FIRE RATED from LEDVANCE ensures that the functionality of the fire ceiling is maintained after installation for certain ceiling systems and fires*.



SPOT AIR FIX & AIR ADJUST THE ENERGY-SAVING SPECIALISTS

The German Buildings Energy Act (GEG) prescribes an airtight building envelope and uniformly thick thermal insulation throughout to prevent energy losses – especially for top floors. The LEDVANCE SPOT AIR uses a lamellar seal to create an airtight connection to the ceiling. It can also be covered directly with suitable rollable or blow-in insulating materials. If there is a vapor barrier, the SPOT HOLDER is used as a spacer.

SPOT ACCESSOIRES

Whether it’s the SPOT RING to reduce an existing ceiling cut-out, the SPOT HOLDER to increase the distance between the spotlight and the insulation material or the CONNECTOR BOX for tool-free connection – the LEDVANCE SPOT accessories meet your individual needs. More from page 50 or at www.ledvance.com/spots-gen2/accessories

* Refer to the latest installation and safety instructions



SPOT VARIO

Recessed mounted spotlight, swivelable



PRODUCT FEATURES

- Housing material: aluminum
- Rotation angle: 0°...350°, tilt angle: 0°...35°
- Beam angle: 24°
- Large faceted reflector for high light output

PRODUCT BENEFITS

- Ideal for accent lighting thanks to highly flexible tilt and swivel capability
- Easy replacement of external driver thanks to plug with bayonet lock
- Low-flicker light
- Die-cast aluminum housing for improved heat dissipation
- 5 years guarantee

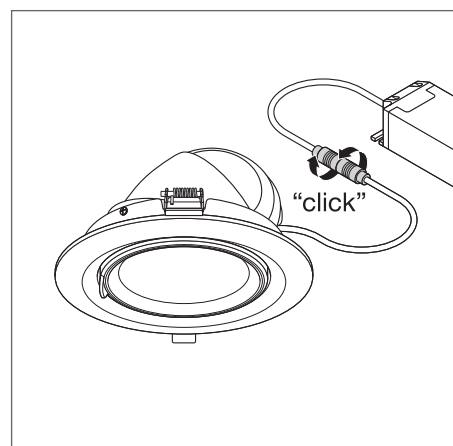
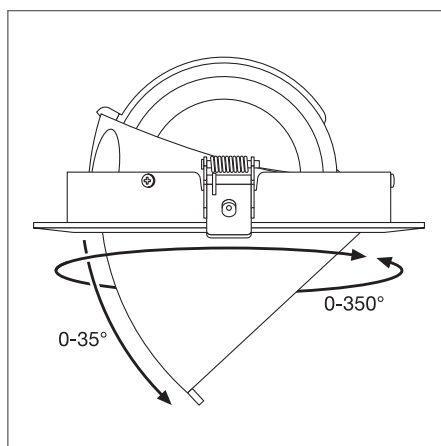
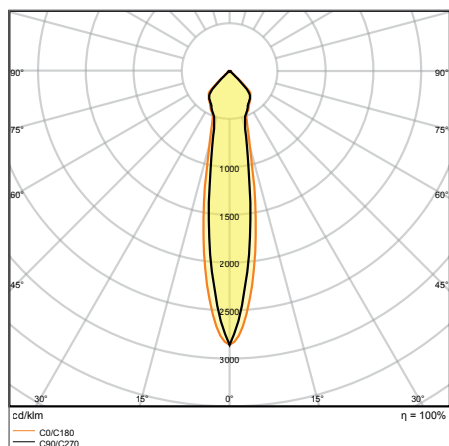
AREAS OF APPLICATION

- Accent- and general lighting for all kind of salesrooms
- Retail
- Supermarkets
- Shops, boutiques
- Hotel rooms

EQUIPMENT/ACCESSORIES

- Driver included

FURTHER PRODUCT DETAILS



SPOT VARIO DN 170 35 W 3000 K
24DEG WT

SPOT VARIO

Recessed mounted spotlight, swivelable



Product name	EAN (GTIN)	Replacement for	W	lm	lm/W	K	L70 ²			L x W x H [mm] Ø x H [mm]
SPOT VARIO DN 170 35 W 3000 K 24DEG WT	4058075104020	1 x 70 W HID	35	3350	95	3000	50000	24	170	180 x 129
SPOT VARIO DN 170 35 W 4000 K 24DEG WT	4058075104044	1 x 70 W HID	35	3550	100	4000	50000	24	170	180 x 129

¹ Refer to www.ledvance.com/guarantee for precise conditions
² t[h]: L70/B50 @ 25 °C (T_a)/t[h]; L80/B10 @ 25 °C (T_a)

SPOT MULTI

Recessed mounted spotlight, swivelable



PRODUCT FEATURES

- Housing material: aluminum
- Housing, black; frame, white
- One driver per luminaire head (1-, 2-lamp)
- Gimbal adjustment angle: +/- 25°

PRODUCT BENEFITS

- Low-flicker light
- Flexible application thanks to excellent anti-glare properties UGR < 16
- Light-proof housing
- Easy replacement of external driver thanks to plug with bayonet lock

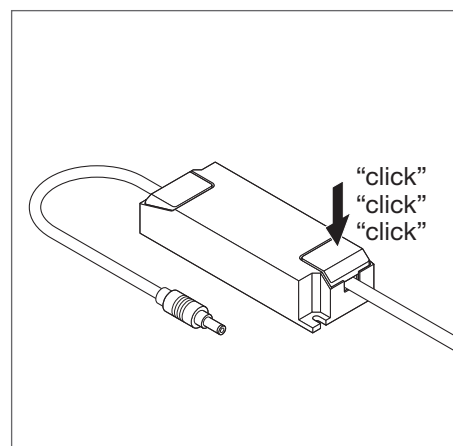
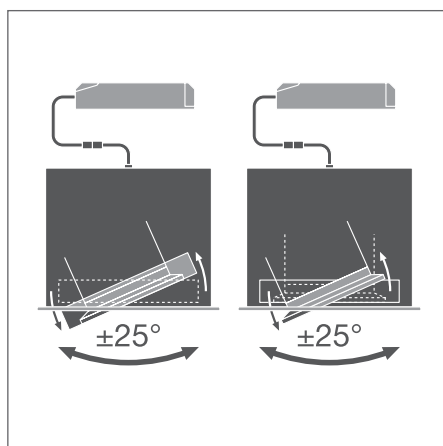
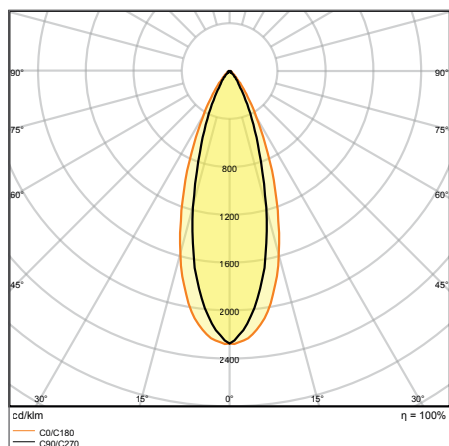
AREAS OF APPLICATION

- Accent- and general lighting for all kind of salesrooms
- Fashion shops, accessories shops
- Shops, boutiques
- Hotel rooms
- Cafés

EQUIPMENT/ACCESSORIES

- Driver included

FURTHER PRODUCT DETAILS



SPOT MULTI 1 x 30W 3000K FL WT/BK

SPOT MULTI

Recessed mounted spotlight, swivelable

PERFORMANCE
CLASS

Product name	EAN (GTIN)	Replacement for	W	lm	lm/w	K	L70 ²			L x W x H [mm] Ø x H [mm]	No.
SPOT MULTI 1 x 30W 3000K FL WT/BK	4058075113923	1 x 35 W HID	30	2700	90	3000	50000	38	164 x 160	173 x 173 x 135	1
SPOT MULTI 1 x 30W 4000K FL WT/BK	4058075113947	1 x 35 W HID	30	2700	90	4000	50000	38	164 x 160	173 x 173 x 135	1
SPOT MULTI 2 x 30W 3000K FL WT/BK	4058075113961	2 x 35 W HID	2 x 30	2 x 2700	90	3000	50000	38	320 x 160	330 x 173 x 135	2
SPOT MULTI 2 x 30W 4000K FL WT/BK	4058075113985	2 x 35 W HID	2 x 30	2 x 2700	90	4000	50000	38	320 x 160	330 x 173 x 135	2

¹ Refer to www.ledvance.com/guarantee for precise conditions
² t[h]: L70/B50 @ 25 °C (T_a)/t[h]; L80/B10 @ 25 °C (T_a)

SPOT FIX

Recessed mounted spotlight for indoor use, fixed



PRODUCT FEATURES

- Color rendering index CRI: 90
- Type of protection: IP44 (room side)
- Beam angle: 36°
- Die-cast aluminum housing
- Silicon-pad protected springs
- Dimmable (with many common dimmers, see also www.ledvance.com/dim)
- Through-wiring possible

PRODUCT BENEFITS

- Energy savings of up to 90 % compared to halogen lamp spotlights
- Powerselect: Brightness adjustment via dip switches on the driver
- Easy replacement of external driver thanks to plug with bayonet lock
- Easy installation and electrical connection thanks to tool-free electrical connectors
- SCALE Design – great appearance, valuable materials and small size fits into every surrounding
- 5 years guarantee

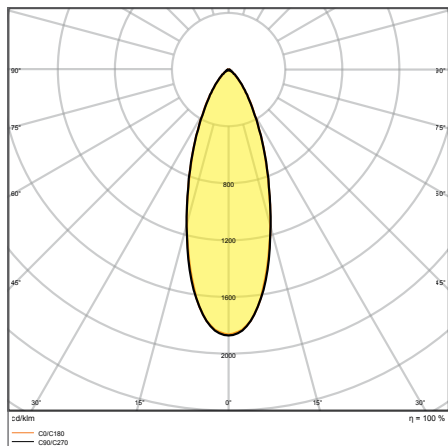
AREAS OF APPLICATION

- Direct replacement for recessed spotlights with halogen lamps
- General illumination
- Hotel rooms and corridors
- Bars, restaurants
- Accent lighting
- Galleries, museums
- Residential interiors

EQUIPMENT / ACCESSORIES

- External control gear included with dip-switches to select power during installation
- Refurbishment rings are available as accessory
- Selected DALI 2.0 driver available as accessory

FURTHER PRODUCT DETAILS



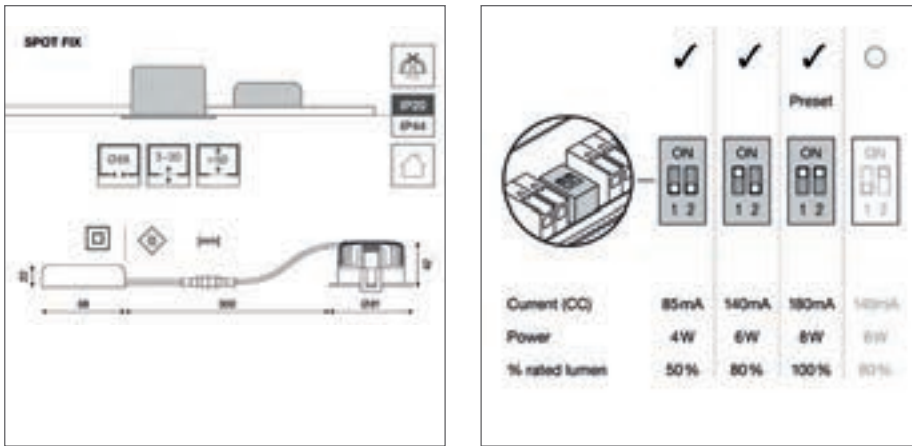
Distance [m]	Cone diameter [m]	Beam type	Beam angle [°]	Beam diameter [m]	Illuminance [lx]
0.5	2.32	E0(°)	18.0°	4774	
	2.32	E(C90)	18.0°	2064	
		E(C0)	17.9°	2066	
1.0	2.66	E0(°)	18.0°	1194	
	2.66	E(C90)	18.0°	516	
		E(C0)	17.9°	517	
1.5	2.97	E0(°)	18.0°	630	
	2.97	E(C90)	18.0°	229	
		E(C0)	17.9°	230	
2.0	3.30	E0(°)	18.0°	386	
	3.30	E(C90)	18.0°	129	
		E(C0)	17.9°	129	
2.5	3.62	E0(°)	18.0°	191	
	3.62	E(C90)	18.0°	53	
		E(C0)	17.9°	53	
3.0	3.95	E0(°)	18.0°	133	
	3.94	E(C90)	18.0°	37	
		E(C0)	17.9°	37	

SP FIX P 8W 927 PS DIM IP44 WT

SP FIX P 8W 927 PS DIM IP44 WT

The pictures shown in the catalog are for illustration purposes only. For information on size and color, please refer to the product table.

FURTHER PRODUCT DETAILS



SPOT FIX

Recessed mounted spotlight for indoor use, fixed



Product name	EAN (GTIN)	Replacement for	W	lm	lm/W	K	L70 ²	△	Phase Cut	L x W x H [mm] Ø x H [mm]
SP FIX P 8W 927 PS DIM IP44 WT	4058075799523	75 W HAL	8	640	80	2700	50000	36	Phase Cut	81 x 42
SP FIX P 8W 930 PS DIM IP44 WT	4058075799547	75 W HAL	8	680	85	3000	50000	36	Phase Cut	81 x 42
SP FIX P 8W 940 PS DIM IP44 WT	4058075799561	75 W HAL	8	720	90	4000	50000	36	Phase Cut	81 x 42
SP FIX P 8W 927 PS DIM IP44 BK	4099854000126	75 W HAL	8	640	80	2700	50000	36	Phase Cut	81 x 42
SP FIX P 8W 930 PS DIM IP44 BK	4058075799585	75 W HAL	8	680	85	3000	50000	36	Phase Cut	81 x 42
SP FIX P 8W 930 PS DIM IP44 SI	4058075799608	75 W HAL	8	680	85	3000	50000	36	Phase Cut	81 x 42

¹ Refer to www.ledvance.com/guarantee for precise conditions
² t[h]: L70/B50 @ 25 °C (T_a)/t[h]: L80/B10 @ 25 °C (T_a)

SPOT ADJUST

Recessed mounted spotlight for indoor use, adjustable



PRODUCT FEATURES

- Adjustable swivel angle: $\pm 25^\circ$
- Color rendering index CRI: 90
- Beam angle: 36°
- Die-cast aluminum housing
- Silicon-pad protected springs
- Dimmable (with many common dimmers, see also www.ledvance.com/dim)
- Through-wiring possible

PRODUCT BENEFITS

- Energy savings of up to 90 % compared to halogen lamp spotlights
- Powerselect: Brightness adjustment via dip switches on the driver
- Easy replacement of external driver thanks to plug with bayonet lock
- Easy installation and electrical connection thanks to tool-free electrical connectors
- SCALE Design – great appearance, valuable materials and small size fits into every surrounding
- 5 years guarantee

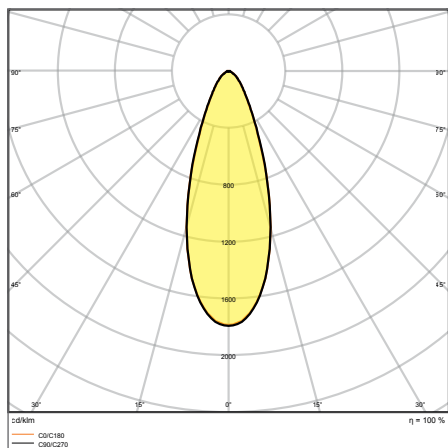
AREAS OF APPLICATION

- Direct replacement for recessed spotlights with halogen lamps
- General illumination
- Hotel rooms and corridors
- Bars, restaurants
- Accent lighting
- Galleries, museums
- Residential interiors

EQUIPMENT / ACCESSORIES

- External control gear included with dip-switches to select power during installation
- Refurbishment rings are available as accessory
- Selected DALI 2.0 driver available as accessory

FURTHER PRODUCT DETAILS

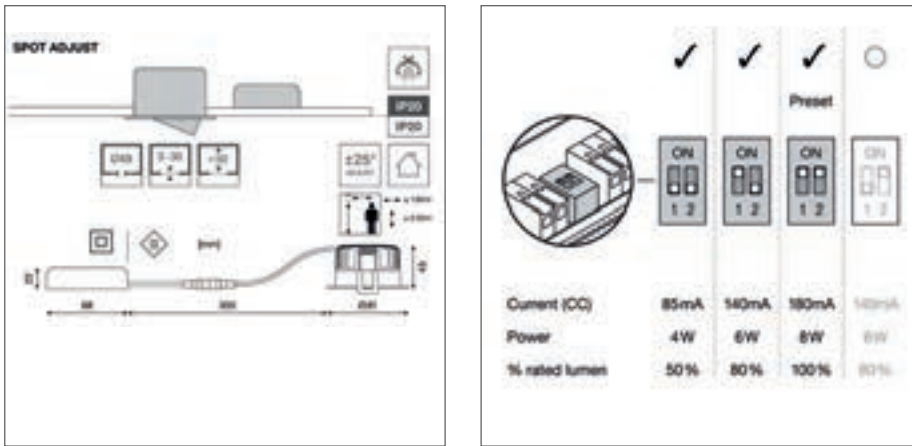


SP ADJ P 8W 927 PS DIM IP20 WT

Distance [m]	Cone diameter [m]	Beam angle [°]	Beam diameter [m]	Beam diameter [ft]	Illuminance [lx]
0.5	0.33	E0° E(C0)	18.2"	4570 1502	
1.0	0.66	E0° E(C0)	18.2"	1143 493	
1.5	0.99	E0° E(C0)	18.2"	508 219	
2.0	1.32	E0° E(C0)	18.2"	386 123	
2.5	1.64	E0° E(C0)	18.2"	193 71	
3.0	1.97	E0° E(C0)	18.2"	127 55	

SP ADJ P 8W 927 PS DIM IP20 WT

FURTHER PRODUCT DETAILS



SPOT ADJUST

Recessed mounted spotlight for indoor use, adjustable



Product name	EAN (GTIN)	Replacement for	W	lm	lm/W	K	L70 ²	△	Phase Cut	L x W x H [mm] Ø x H [mm]
SP ADJ P 8W 927 PS DIM IP20 WT	4058075799622	75W HAL	8	640	80	2700	50000	36	Phase Cut	81 x 43
SP ADJ P 8W 930 PS DIM IP20 WT	4058075799646	75W HAL	8	680	85	3000	50000	36	Phase Cut	81 x 43
SP ADJ P 8W 940 PS DIM IP20 WT	4058075799660	75W HAL	8	720	90	4000	50000	36	Phase Cut	81 x 43
SP ADJ P 8W 927 PS DIM IP20 BK	4099854000140	75W HAL	8	640	80	2700	50000	36	Phase Cut	81 x 43
SP ADJ P 8W 930 PS DIM IP20 BK	4058075799684	75W HAL	8	680	85	3000	50000	36	Phase Cut	81 x 43
SP ADJ P 8W 930 PS DIM IP20 SI	4058075799707	75W HAL	8	680	85	3000	50000	36	Phase Cut	81 x 43

¹ Refer to www.ledvance.com/guarantee for precise conditions
² t[h]: L70/B50 @ 25°C (T_a)/t[h]: L80/B10 @ 25°C (T_a)

SPOT DARKLIGHT

Recessed mounted spotlight with improved anti-glare light-comfort UGR < 19, fixed



PRODUCT FEATURES

- Color rendering index
- Type of protection: IP44 (room side)
- Beam angle: 36°
- Die-cast aluminum housing
- Silicon-pad protected springs
- Dimmable (with many common dimmers, see also www.ledvance.com/dim)
- Through-wiring possible

PRODUCT BENEFITS

- Darklight: Special construction for enhanced low-glare light-comfort
- Stealth appearance thanks to extra small bezel
- Powerselect: Brightness adjustment via dip switches on the driver
- Easy replacement of external driver thanks to plug with bayonet lock
- Easy installation and electrical connection thanks to tool-free electrical connectors
- SCALE Design – great appearance, valuable materials and small size fits into every surrounding
- 5 years guarantee

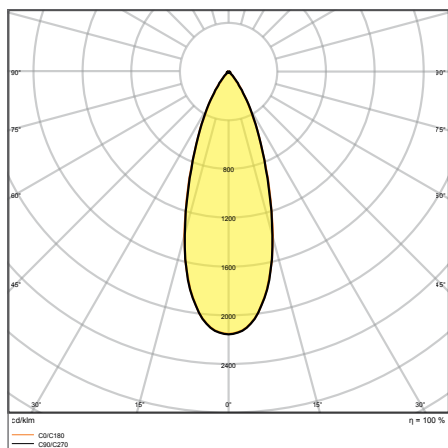
AREAS OF APPLICATION

- Direct replacement for recessed spotlights with halogen lamps
- General illumination
- Hotel rooms and corridors
- Bars, restaurants
- Accent lighting
- Galleries, museums
- Residential interiors

EQUIPMENT / ACCESSORIES

- External control gear included with dip-switches to select power during installation
- Refurbishment rings are available as accessory
- Selected DALI 2.0 driver available as accessory

FURTHER PRODUCT DETAILS



SP DK FIX P 8W 927 PS DIM IP44 WT

Distance [m]	Cone diameter [m]	E(0°)	E(C90)	E(C0)	Illuminance [lx]
0.5	2.33 2.33	E(0°)	E(C90)	E(C0)	5515 2367 2367
1.0	2.66 2.67	E(0°)	E(C90)	E(C0)	1379 592 592
1.5	2.99 2.99	E(0°)	E(C90)	E(C0)	413 263 262
2.0	1.32 1.33	E(0°)	E(C90)	E(C0)	345 148 148
2.5	1.65 1.66	E(0°)	E(C90)	E(C0)	221 95 94
3.0	1.98 2.00	E(0°)	E(C90)	E(C0)	153 66 66

SP DK FIX P 8W 927 PS DIM IP44 WT

FURTHER PRODUCT DETAILS



	✓	✓	✓	○
	ON	ON	ON	OFF
	1 2	1 2	1 2	1 2
Current (CC)	85mA	140mA	180mA	140mA
Power	4W	6W	8W	6W
% rated lumen	50%	80%	100%	80%

SPOT DARKLIGHT

Recessed mounted spotlight with improved anti-glare light-comfort UGR < 19, fixed

Product name	EAN (GTIN)	Replacement for	W	lm	lm/w	K	L70 ²	△	Phase Cut	L x W x H [mm] Ø x H [mm]
SP DK FIX P 8W 927 PS DIM IP44 WT	4058075799806	75W HAL	8	640	80	2700	50000	36	Phase Cut	81 x 54
SP DK FIX P 8W 930 PS DIM IP44 WT	4058075799820	75W HAL	8	680	85	3000	50000	36	Phase Cut	81 x 54
SP DK FIX P 8W 940 PS DIM IP44 WT	4058075799844	75W HAL	8	720	90	4000	50000	36	Phase Cut	81 x 54
SP DK FIX P 8W 927 PS DIM IP44 BK	4099854000164	75W HAL	8	640	80	2700	50000	36	Phase Cut	81 x 54
SP DK FIX P 8W 930 PS DIM IP44 BK	4058075799868	75W HAL	8	680	85	3000	50000	36	Phase Cut	81 x 54
SP DK FIX P 8W 930 PS DIM IP44 SI	4058075799882	75W HAL	8	680	85	3000	50000	36	Phase Cut	81 x 54

¹ Refer to www.ledvance.com/guarantee for precise conditions
² t[h]: L70/B50 @ 25°C (T_a)/t[h]; L80/B10 @ 25°C (T_a)

SPOT FIRE RATED

Recessed mounted spotlight for certain fire-resistant ceilings, fixed



PRODUCT FEATURES

- Color rendering index CRI: 90
- Type of protection: IP65 (room side)
- Beam angle: 36°
- Die-cast aluminum housing
- Thermal expansion ribbon already preinstalled
- Silicon-pad protected springs
- Dimmable (with many common dimmers, see also www.ledvance.com/dim)
- Through-wiring possible

PRODUCT BENEFITS

- Fire-rated: Designed and tested to meet fire rating standards (in certain fire rated ceilings)
- Airtight construction for reduced air-leakage and limited energy loss
- Powerselect: Brightness adjustment via dip switches on the driver
- Easy replacement of external driver thanks to plug with bayonet lock
- Easy installation and electrical connection thanks to tool-free electrical connectors
- SCALE Design – great appearance, valuable materials and small size fits into every surrounding
- 5 years guarantee

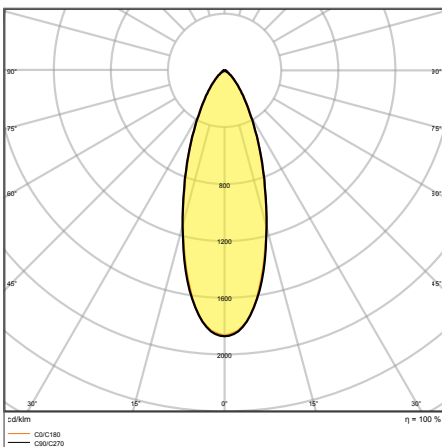
AREAS OF APPLICATION

- Direct replacement for recessed spotlights with halogen lamps
- Fire resistant ceilings
- Hotel rooms and corridors
- Bars, restaurants
- Galleries, museums

EQUIPMENT/ACCESSORIES

- External control gear included with dip-switches to select power during installation
- Selected DALI 2.0 driver available as accessory

FURTHER PRODUCT DETAILS



Distance [m]	Cone diameter [m]	Beam type	Beam angle [°]	Illuminance [lx]
0.5	3.32	E0°	18.0°	4774
		E(C90)	17.9°	2694
1.0	3.65	E0°	18.0°	1194
		E(C90)	17.9°	517
1.5	3.97	E0°	18.0°	530
		E(C90)	17.9°	229
2.0	1.30	E0°	18.0°	298
		E(C90)	17.9°	129
2.5	1.62	E0°	18.0°	191
		E(C90)	17.9°	83
3.0	1.95	E0°	18.0°	133
		E(C90)	17.9°	57

SP FP FIX P 8W 927 PS DIM IP65 WT

SP FP FIX P 8W 927 PS DIM IP65 WT

SAFETY ADVICE

Installation hints in the current user instruction (www.ledvance.com) must be observed. Coordination with your responsible fire safety inspector is required in advance.

The pictures shown in the catalog are for illustration purposes only. For information on size and color, please refer to the product table.

FURTHER PRODUCT DETAILS



SPOT FIRE RATED

Recessed mounted spotlight for certain fire-resistant ceilings, fixed



Product name	EAN (GTIN)	Replacement for	W	lm	lm/W	K	L70 ²	△	Phase Cut	L x W x H [mm] Ø x H [mm]
SP FP FIX P 8W 927 PS DIM IP65 WT	4058075799721	75W HAL	8	640	80	2700	50000	36	Phase Cut	81 x 42
SP FP FIX P 8W 930 PS DIM IP65 WT	4058075799745	75W HAL	8	680	85	3000	50000	36	Phase Cut	81 x 42
SP FP FIX P 8W 940 PS DIM IP65 WT	4058075799769	75W HAL	8	720	90	4000	50000	36	Phase Cut	81 x 42
SP FP FIX P 8W 927 PS DIM IP65 BK	4099854000027	75W HAL	8	640	80	2700	50000	36	Phase Cut	81 x 42
SP FP FIX P 8W 930 PS DIM IP65 BK	4058075799783	75W HAL	8	680	85	3000	50000	36	Phase Cut	81 x 42

¹ Refer to www.ledvance.com/guarantee for precise conditions
² t[h]: L70/B50 @ 25 °C (T_a)/t[h]; L80/B10 @ 25 °C (T_a)

SPOT AIR FIX

Recessed mounted spotlight for low-energy and narrow ceilings, fixed



PRODUCT FEATURES

- Color rendering index CRI: 90
- Type of protection: IP65 (room side)
- Beam angle: 36°
- Die-cast aluminum housing
- Silicon-pad protected springs
- Dimmable (with many common dimmers, see also www.ledvance.com/dim)
- Through-wiring possible

PRODUCT BENEFITS

- Airtight construction for reduced air-leakage and limited energy loss
- Coverable by many types of thermal insulation material
- Low profile enables installation into shallow ceiling voids
- Powerselect: Brightness adjustment via dip switches on the driver
- Easy replacement of external driver thanks to plug with bayonet lock
- Easy installation and electrical connection thanks to tool-free electrical connectors
- SCALE Design – great appearance, valuable materials and small size fits into every surrounding
- 5 years guarantee

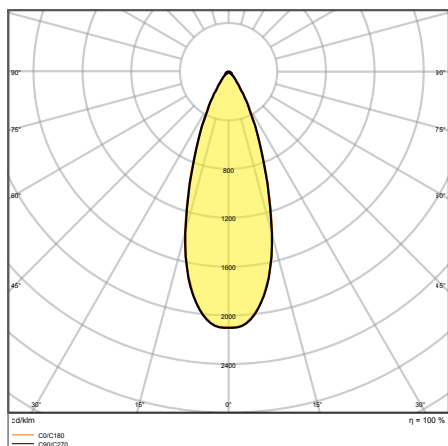
AREAS OF APPLICATION

- Direct replacement for recessed spotlights with halogen lamps
- Ceilings in low-energy houses
- General illumination
- Hotel rooms and corridors
- Bars, restaurants
- Accent lighting
- Residential interiors

EQUIPMENT / ACCESSORIES

- External control gear included with dip-switches to select power during installation

FURTHER PRODUCT DETAILS



Distance [m]	Cone diameter [m]	E(0°)	E(C90)	E(C0)	illumance [lx]
0.5	2.33	4301	1734	1731	
	3.33		18.2"	18.3"	
			18.2"	18.3"	
1.0	2.66	508	433	433	
	3.66		18.2"	18.3"	
			18.2"	18.3"	
1.5	2.99	448	353	352	
	3.99		18.2"	18.3"	
			18.2"	18.3"	
2.0	1.32	252	156	158	
	1.32		18.2"	18.3"	
			18.2"	18.3"	
2.5	1.64	161	69	69	
	1.64		18.2"	18.3"	
			18.2"	18.3"	
3.0	1.97	112	48	45	
	1.97		18.2"	18.3"	
			18.2"	18.3"	

SP AIR FIX P 6W 927 PS DIM IP65 WT

SP AIR FIX P 6W 927 PS DIM IP65 WT

SAFETY ADVICE

Installation hints in the current user instruction (www.ledvance.com) must be observed. If there is a moisture barrier foil, the spacer SP HOLDER must be used!

The pictures shown in the catalog are for illustration purposes only. For information on size and color, please refer to the product table.

FURTHER PRODUCT DETAILS



	✓	✓	✗	✗
SP AIR FIX	✓	✓	✗	✗
SP AIR ADJUST	✓	✗	✗	✗
Current (IC)	85mA	140mA	180mA	140mA
Power	4W	8W	8W	8W
% rated lumen FIX	80%	100%	100%	100%
% rated lumen ADJ	100%	100%	200%	100%

SPOT AIR FIX

Recessed mounted spotlight for low energy and narrow ceilings, fixed

PERFORMANCE CLASS COMING SOON ENEC TUV SUD Flicker Value < 5% CRI 90 IP20/IP65 LEDVANCE 5 year guarantee

Product name	EAN (GTIN)	Replacement for	W	lm	lm/w	K	L70 ²	△	Phase Cut	L x W x H [mm] Ø x H [mm]
SP AIR FIX P 6W 927 PS DIM IP65 WT	4058075799905	50W HAL	6	480	80	2700	50000	36	Phase Cut	81 x 34
SP AIR FIX P 6W 930 PS DIM IP65 WT	4058075799929	50W HAL	6	510	85	3000	50000	36	Phase Cut	81 x 34
SP AIR FIX P 6W 940 PS DIM IP65 WT	4058075799943	50W HAL	6	570	95	4000	50000	36	Phase Cut	81 x 34
SP AIR FIX P 6W 927 PS DIM IP65 BK	4099854000188	50W HAL	6	480	80	2700	50000	36	Phase Cut	81 x 34
SP AIR FIX P 6W 930 PS DIM IP65 BK	4058075799967	50W HAL	6	510	85	3000	50000	36	Phase Cut	81 x 34
SP AIR FIX P 6W 930 PS DIM IP65 SI	4058075799981	50W HAL	6	510	85	3000	50000	36	Phase Cut	81 x 34

¹ Refer to www.ledvance.com/guarantee for precise conditions
² t[h]: L70/B50 @ 25 °C (T_a)/t[h]; L80/B10 @ 25 °C (T_a)

SPOT AIR ADJUST

Recessed mounted spotlight for low-energy and narrow ceilings, adjustable



PRODUCT FEATURES

- Adjustable swivel angle: $\pm 25^\circ$
- Color rendering index CRI: 90
- Type of protection: IP23 (room side)
- Beam angle: 36°
- Die-cast aluminum housing
- Silicon-pad protected springs
- Dimmable (with many common dimmers, see also www.ledvance.com/dim)
- Through-wiring possible

PRODUCT BENEFITS

- Airtight construction for reduced air-leakage and limited energy loss
- Coverable by many types of thermal insulation material
- Low profile enables installation into shallow ceiling voids
- Easy replacement of external driver thanks to plug with bayonet lock
- Easy installation and electrical connection thanks to tool-free electrical connectors
- SCALE Design – great appearance, valuable materials and small size fits into every surrounding
- 5 years guarantee

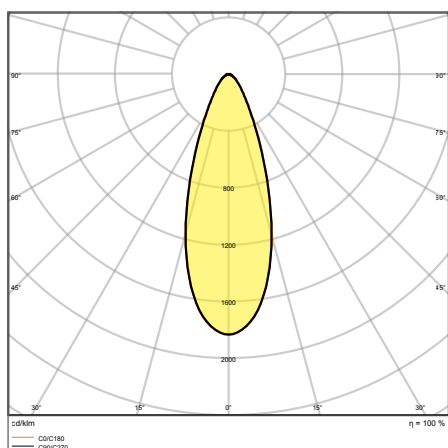
AREAS OF APPLICATION

- Direct replacement for recessed spotlights with halogen lamps
- Ceilings in low-energy houses
- General illumination
- Hotel rooms and corridors
- Bars, restaurants
- Accent lighting
- Residential interiors

EQUIPMENT / ACCESSORIES

- External control gear included

FURTHER PRODUCT DETAILS



SP AIR ADJ P 4W 927 DIM IP23 WT

Distance [m]	Core diameter [m]	E(0°) E(C0)	18.2°	2197 949
0.5	3.33	E(0°) E(C0)	18.2°	2197 949
1.0	3.66	E(0°) E(C0)	18.2°	549 237
1.5	3.99	E(0°) E(C0)	18.2°	344 105
2.0	1.32	E(0°) E(C0)	18.2°	137 59
2.5	1.64	E(0°) E(C0)	18.2°	88 38
3.0	1.97	E(0°) E(C0)	18.2°	61 26

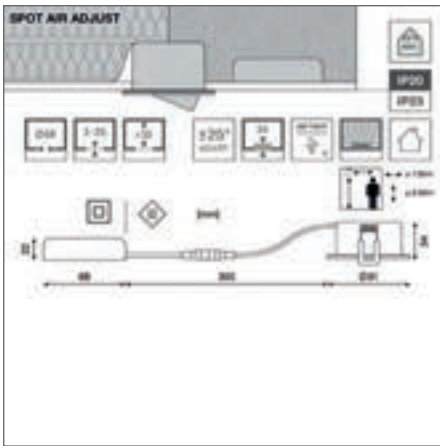
SP AIR ADJ P 4W 927 DIM IP23 WT

SAFETY ADVICE

Installation hints in the current user instruction (www.ledvance.com) must be observed. If there is a moisture barrier foil, the spacer SP HOLDER must be used!

The pictures shown in the catalog are for illustration purposes only. For information on size and color, please refer to the product table.

FURTHER PRODUCT DETAILS



	✓	✓	✗	✗
SP AIR FIX	✓	✓	✗	✗
SP AIR ADJUST	✓	✗	✗	✗
Current (IC)	85mA	140mA	180mA	140mA
Power	4W	6W	6W	6W
% rated lumen FIX	80%	100%	100%	100%
% rated lumen ADJ	100%	100%	200%	100%

SPOT AIR ADJUST

Recessed mounted spotlight for low-energy and narrow ceilings, adjustable

PERFORMANCE CLASS COMING SOON ENEC TUV SUD Flicker Value < 5% CRI 90 IP20 IP23 LEDVANCE 5 year guarantee

Product name	EAN (GTIN)	Replacement for	W	lm	lm/W	K	L70 ²	°	Phase Cut	L x W x H [mm] Ø x H [mm]
SP AIR ADJ P 4W 927 DIM IP23 WT LEDV	4099854000003	35W HAL	4	300	75	2700	50000	36	Phase Cut	81 x 34
SP AIR ADJ P 4W 930 DIM IP23 WT LEDV	4099854000041	35W HAL	4	320	80	3000	50000	36	Phase Cut	81 x 34
SP AIR ADJ P 4W 940 DIM IP23 WT LEDV	4099854000065	35W HAL	4	340	85	4000	50000	36	Phase Cut	81 x 34
SP AIR ADJ P 4W 927 DIM IP23 BK LEDV	4099854000201	35W HAL	4	300	75	2700	50000	36	Phase Cut	81 x 34
SP AIR ADJ P 4W 930 DIM IP23 BK LEDV	4099854000089	35W HAL	4	320	80	3000	50000	36	Phase Cut	81 x 34
SP AIR ADJ P 4W 930 DIM IP23 SI LEDV	4099854000102	35W HAL	4	320	80	3000	50000	36	Phase Cut	81 x 34

¹ Refer to www.ledvance.com/guarantee for precise conditions
² t[h]: L70/B50 @ 25 °C (T_a)/t[h]; L80/B10 @ 25 °C (T_a)

SPOT ACCESSORIES



SPOT RING

Refurbishment rings to reduce existing cut-out in recessed ceilings

PRODUCT FEATURES

- Material: deep-drawn steel
- Suitable only for LEDVANCE SPOTs in 68 mm cut-out
- Silicon-pad protected springs

PRODUCT BENEFITS

- Retrofit: Replacement of old recessed lights with LEDVANCE SPOTs FIX or ADJ in latest LED-technology
- Standardize: Reduce existing cut-outs to a standard cut-out of 68 mm
- Versatile: Refurbishment rings for padding cut-out holes from $\varnothing 68$ – $\varnothing 115$ mm or $\varnothing 115$ – $\varnothing 160$ mm

AREAS OF APPLICATION

- Refurbishment of existing cut-outs in recessed ceilings

SPOT HOLDER

Spacer to increase distance between spotlight and thermal insulation material

PRODUCT FEATURES

- Material: fibre-reinforced polyamide PA66
- Glow Wire Test according to IEC 60695-2-12: 850 °C
- Suitable only for LEDVANCE SPOTs in 68 mm cut-out

PRODUCT BENEFITS

- Increase distance between spotlight and thermal insulation material
- Protects moisture barrier foil from hot surface of spotlight and driver
- Robust: 4-leg spacer to hold thermal insulation material
- Improved lifetime for LED and driver thanks to increased air-volume

AREAS OF APPLICATION

- Ceilings in low-energy houses
- Ceilings with thermal insulation material

CONNECTOR BOX

Toolless electrical connection of luminaires und LED-drivers

PRODUCT FEATURES

- Connector box with push wire terminal for tool-free connection
- Suitable for recessed On-/Off-luminaires of the electric class II (L/N version)

PRODUCT BENEFITS

- Through-wiring possible on the primary side

AREAS OF APPLICATION

- For use in recessed ceilings

SPOT ACCESSORIES

COMING
SOON

Product name	EAN (GTIN)	L × W × H [mm] Ø × H [mm]	MATERIAL	COLOR	Light No.
SP RING D133 WT	4099854013355	133 × 3	Steel	White	1
SP RING D133 BK	4099854013386	133 × 3	Steel	Black	—
SP RING D180 WT	4099854013416	180 × 3	Steel	White	2
SP RING D180 BK	4099854013447	180 × 3	Steel	Black	—
SP HOLDER DN68 H65	4099854013478	93 × 93 × 73	Polyamid (PA)	Grey	3
CONNECTOR BOX 3POLE L/N/E	4099854013508	94 × 35 × 22	Polycarbonate (PC)	White	4

SAFETY ADVICE

Installation hints in the current user instruction (www.ledvance.com) must be observed
This spacer is only allowed to be used in combination with SP AIR FIX or SP AIR ADJ!

TRACKLIGHTS

REDUCED DESIGN, EXTENSIVE FUNCTIONS

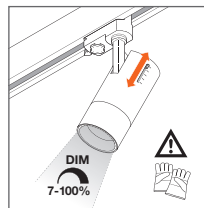
TRACKLIGHT SPOT ZOOM DIM

Accurately focused light for flexible illumination
Page 54

PERFORMANCE CLASS

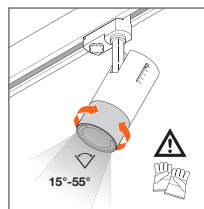


Outstanding quality of light thanks to $CRI \geq 97$ with $Ra9 > 90$ (color rendering of red tones) and low-flicker light ($< 10\%$).



DIM FUNCTION

Dimmable (7%–100%) by means of a slider on the housing; DIM level visible on a scale.



ZOOM LENS

Mechanical ZOOM lens made of high-quality PMMA with adjustable beam angle (15°–55°); angle visible on a scale on the lens holder. The ZOOM mechanism concealed in the housing keeps the shape of the housing unchanged.

Choice of color for housing:



Matt white (WT)



Matt black (BK)



OUR SPOTLIGHTS ARE ALSO CHARACTERIZED BY THE FOLLOWING SHARED QUALITY FEATURES:

- Included 3-phase adapter compatible with common power rails (such as NORLUX, GLOBAL, NUCO, NORDIC)
- High material quality thanks to die-cast aluminum housing
- High flexibility thanks to tilt and swivel joints





TRACKLIGHT SPOT

Simply compact – a true all-rounder: Excellent light comfort thanks to CRI 90, SDCM ≤ 3 and UGR < 16. They master a wide range of lighting tasks thanks to replaceable, dust-proof reflectors and various power levels.

Page 56

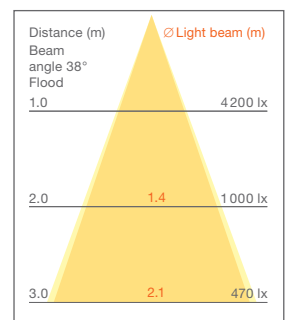
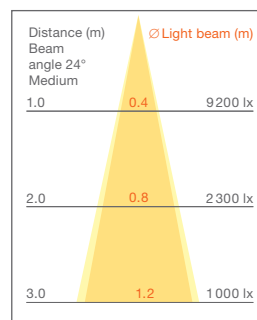
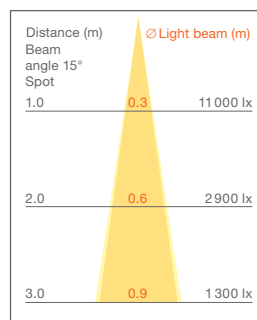
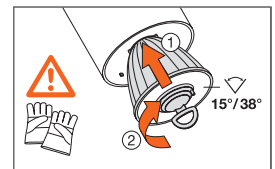
PERFORMANCE CLASS



THREE REFLECTORS FOR FLEXIBLE ACCENT LIGHTING

The reflectors are quick and easy to replace thanks to the practical bayonet connection and the supplied rubber suction cup.

The following replaceable reflectors are available: the supplied standard Medium 24° reflector, as well as 2 Spot 15° and Flood 38° reflectors (order separately as accessories).



Choice of color for housing:



EAN: 4058075113442, Tracklight Spot 25 W/3000 K, rounded measured values

TRACKLIGHT SPOT ZOOM DIM

Dimmable 3-phase tracklight spot with mechanical zoom lens



PRODUCT FEATURES

- Robust die-cast aluminum housing
- Available in matt white (like RAL9016), matt black (like RAL9004)
- Very good color rendering index CRI 97 and CRI > 90
- Dimmable (7 %–100 %) via slider potentiometer directly on each luminaire
- Mechanical zoom lens with a beam angle of 15° to 55°

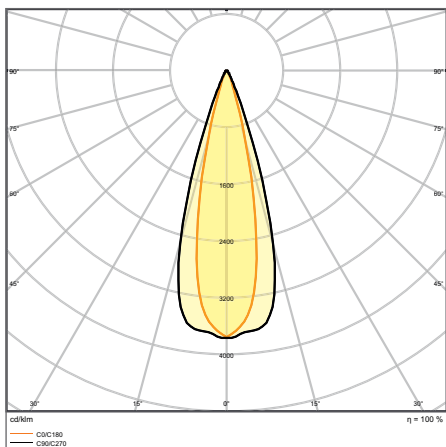
PRODUCT BENEFITS

- Dimmable 3-phase track-mounted spotlight with mechanical zoom optics integrated in the housing
- Included 3-phase adapter compatible with common tracks (GLOBAL, POWERGEAR, EUTRAC, STAFF, NORLUX, NUCO, NORDIC)
- High-quality spotlight thanks to excellent color rendering
- Low-flicker light
- 5 years guarantee

AREAS OF APPLICATION

- Direct replacement for luminaires using HID lamps
- Accent lighting
- Galleries, museums
- Fashion shops, accessories shops
- Shops, changing rooms, shop windows

FURTHER PRODUCT DETAILS

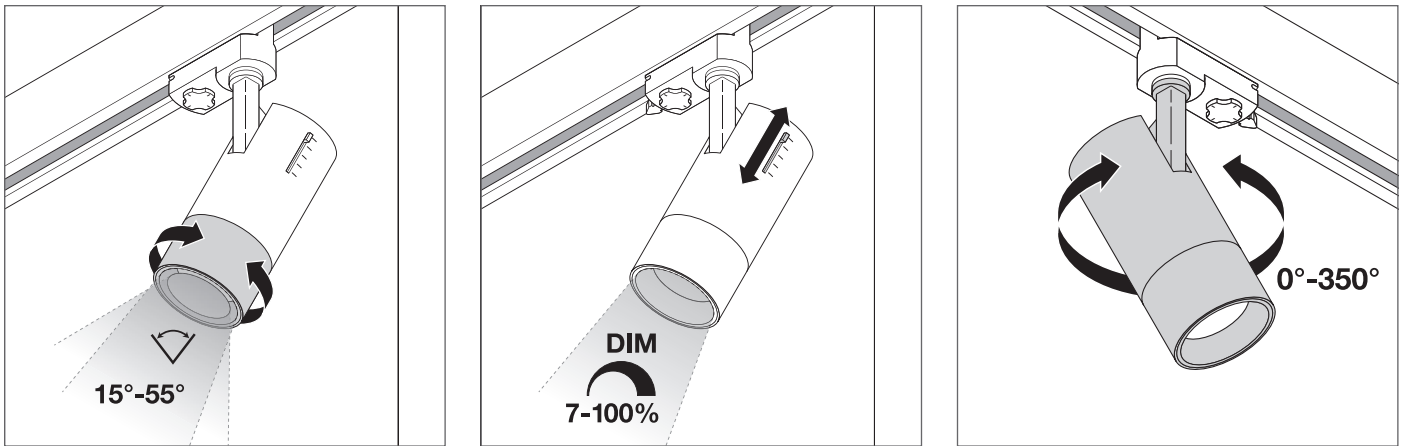


TR SP ZOOM DIM D85 25 W 3000 K 97R WT

Distance [m]	Cone diameter [m]	E(0°)	E(C90)	E(C180)	E(C270)	Illuminance [lx]
0.5	0.28	E(0°)	E(C90)	E(C180)	E(C270)	25949
	0.20	15.7°	11.5°	11.5°	12309	
1.0	0.56	E(0°)	E(C90)	E(C180)	E(C270)	6487
	0.41	15.7°	11.5°	11.5°	3077	
1.5	0.84	E(0°)	E(C90)	E(C180)	E(C270)	2883
	0.61	15.7°	11.5°	11.5°	1332	1268
2.0	1.12	E(0°)	E(C90)	E(C180)	E(C270)	1622
	0.81	15.7°	11.5°	11.5°	749	769
2.5	1.41	E(0°)	E(C90)	E(C180)	E(C270)	1038
	1.02	15.7°	11.5°	11.5°	480	492
3.0	1.69	E(0°)	E(C90)	E(C180)	E(C270)	721
	1.22	15.7°	11.5°	11.5°	333	342

TR SP ZOOM DIM D85 25 W 4000 K DIM 25DEG

FURTHER PRODUCT DETAILS



TRACKLIGHT SPOT ZOOM DIM

Dimmable 3-phase tracklight spot with mechanical zoom lens



Product name	EAN (GTIN)	Replacement for	W	lm	lm/w	K	L70 ²			L x W x H [mm] Ø x H [mm]	No.
TR SP ZOOM DIM D85 25 W 3000 K 97R WT	4058075335769	50W HCL	25	1500	60	3000	50000	15...55	✓	85 x 265	2
TR SP ZOOM DIM D85 25 W 4000 K 97R WT	4058075335783	50W HCL	25	1500	60	4000	50000	15...55	✓	85 x 265	2
TR SP ZOOM DIM D85 25 W 3000 K 97R BK	4058075335806	50W HCL	25	1500	60	3000	50000	15...55	✓	85 x 265	3
TR SP ZOOM DIM D85 25 W 4000 K 97R BK	4058075335820	50W HCL	25	1500	60	4000	50000	15...55	✓	85 x 265	3

¹ Refer to www.ledvance.com/guarantee for precise conditions
² t[h]: L70/B50 @ 25 °C (T_a)/t[h]; L80/B10 @ 25 °C (T_a)

TRACKLIGHT SPOT

3-phase tracklight spot with integrated control gear



1



2



3

PRODUCT FEATURES

- Robust die-cast aluminum housing
- Available in matt white (like RAL9016), matt black (like RAL9004) and concrete grey (like RAL7042)
- Very good color rendering index $R_a: 90$
- Rotation angle: 350° , tilt angle: 90°
- Equipped with reflectors with 24° beam angle

PRODUCT BENEFITS

- Deep reflector and black antiglare ring for minimized glare ($UGR \leq 16$)
- Accessory reflectors with 15° or 38° beam angle available
- Reflector easily replaceable thanks to bayonet catch and rubber suction pad
- Included 3-phase adapter compatible with common tracks (GLOBAL, POWERGEAR, EUTRAC, STAFF, NORLUX, NUCO, NORDIC)
- Low-flicker light

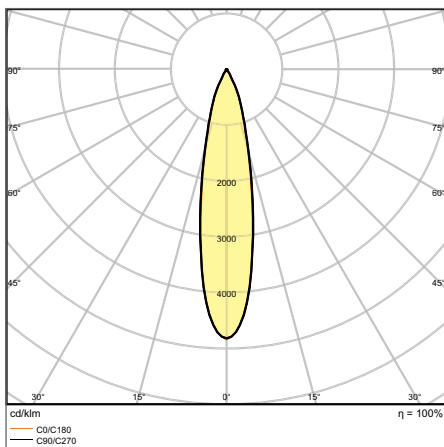
AREAS OF APPLICATION

- Direct replacement for luminaires using HID lamps
- Accent lighting
- Fashion shops, accessories shops
- Retail
- Hotels, restaurants, shops

EQUIPMENT/ACCESSORIES

- Accessory reflectors with 15° or 38° beam angle available as an optional accessory

FURTHER PRODUCT DETAILS



TRACK SP D95 55 W 4000 K 90RA NFL GY

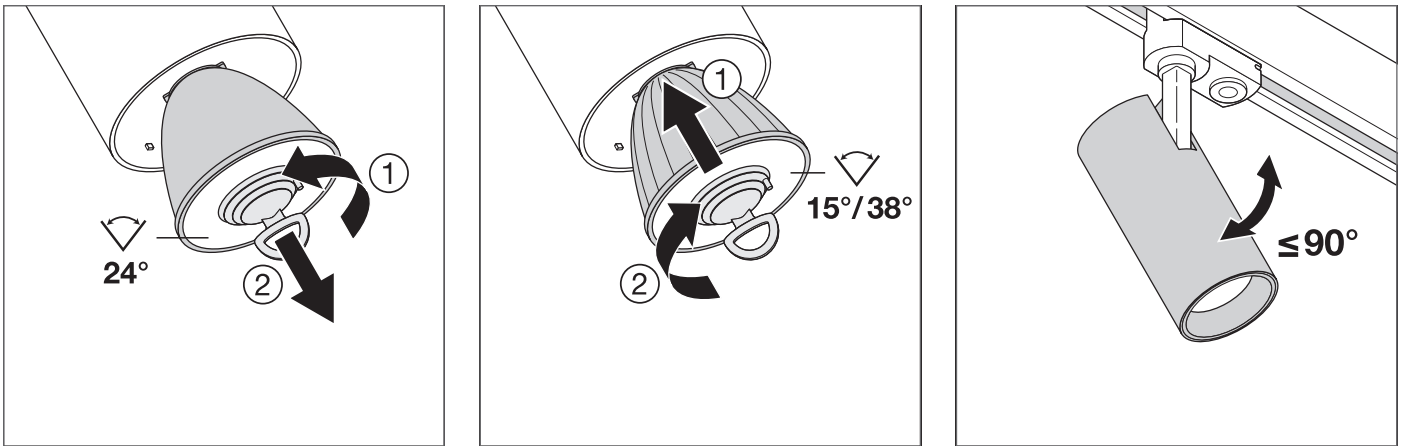
Distance [m]	Cone diameter [m]	E(0°)	E(C90)	E(C0)	Illuminance [lx]
0.5	0.19 0.19	81247	38656	38871	
1.0	0.39 0.39	20312	9664	9718	
1.5	0.58 0.58	9327	4295	4319	
2.0	0.78 0.77	5078	2416	2429	
2.5	0.97 0.96	3250	1546	1555	
3.0	1.17 1.16	2257	1074	1080	

Distance [m] Cone diameter [m] Illuminance [lx]

— C0/C180 (Half beam angle [°]: 21.8°)
— C90/C270 (Half beam angle [°]: 22.0°)

TRACK SP D95 55 W 4000 K NFL

FURTHER PRODUCT DETAILS



TRACKLIGHT SPOT

3-phase tracklight spot with integrated control gear



Product name	EAN (GTIN)	Replacement for	W	lm	lm/W	K	L70 ²		L x W x H [mm] ∅ x H [mm]	No.
TRACK SP D75 25 W 3000 K 90RA NFL WT	4058075113442	35 W HID	25	1750	70	3000	50000	24	75 x 255	1
TRACK SP D75 25 W 4000 K 90RA NFL WT	4058075113466	35 W HID	25	1900	75	4000	50000	24	75 x 255	1
TRACK SP D75 25 W 3000 K 90RA NFL BK	4058075113565	35 W HID	25	1750	75	3000	50000	24	75 x 255	—
TRACK SP D75 25 W 4000 K 90RA NFL BK	4058075113589	35 W HID	25	1900	80	4000	50000	24	75 x 255	—
TRACK SP D75 25 W 3000 K 90RA NFL GY	4058075113688	35 W HID	25	1750	75	3000	50000	24	75 x 255	—
TRACK SP D75 25 W 4000 K 90RA NFL GY	4058075113701	35 W HID	25	1900	75	4000	50000	24	75 x 255	—
TRACK SP D85 35 W 3000 K 90RA NFL WT	4058075113480	50 W HID	35	2660	70	3000	50000	24	85 x 267	—
TRACK SP D85 35 W 4000 K 90RA NFL WT	4058075113503	50 W HID	35	2800	75	4000	50000	24	85 x 267	—
TRACK SP D85 35 W 3000 K 90RA NFL BK	4058075113602	50 W HID	35	2660	75	3000	50000	24	85 x 267	—
TRACK SP D85 35 W 4000 K 90RA NFL BK	4058075113626	50 W HID	35	2800	80	4000	50000	24	85 x 267	—
TRACK SP D85 35 W 3000 K 90RA NFL GY	4058075113725	50 W HID	35	2660	75	3000	50000	24	85 x 267	—
TRACK SP D85 35 W 4000 K 90RA NFL GY	4058075113749	50 W HID	35	2800	75	4000	50000	24	85 x 267	—
TRACK SP D95 55 W 3000 K 90RA NFL WT	4058075113527	70 W HID	55	4000	70	3000	50000	24	95 x 297	—
TRACK SP D95 55 W 4000 K 90RA NFL WT	4058075113541	70 W HID	55	4200	75	4000	50000	24	95 x 297	—
TRACK SP D95 55 W 3000 K 90RA NFL BK	4058075113640	70 W HID	55	4000	75	3000	50000	24	95 x 297	2
TRACK SP D95 55 W 4000 K 90RA NFL BK	4058075113664	70 W HID	55	4200	80	4000	50000	24	95 x 297	2
TRACK SP D95 55 W 3000 K 90RA NFL GY	4058075113763	70 W HID	55	4000	75	3000	50000	24	95 x 297	3
TRACK SP D95 55 W 4000 K 90RA NFL GY	4058075113787	70 W HID	55	4200	75	4000	50000	24	95 x 297	3

¹ Refer to www.ledvance.com/guarantee for precise conditions
² t[h]: L70/B50 @ 25 °C (T_a)/t[h]: L80/B10 @ 25 °C (T_a)

TRACKLIGHT SPOT REFLECTOR

Interchangeable reflector



PRODUCT FEATURES

- Reflector easily replaceable thanks to bayonet catch and rubber suction pad
- Clear cover protects the reflector against dust and contact
- High optical efficacy
- Housing material: polycarbonate (PC)
- Accessory reflectors available in different beam angles

TRACKLIGHT SPOT REFLECTOR

Interchangeable reflector



Product name	EAN (GTIN)	L × W × H [mm] ∅ × H [mm]	MATERIAL	COLOR			
TRACK SP REFLECTOR D75 SP	4058075 113800	63 × 53	Polycarbonate (PC)	Silver	15	1	1
TRACK SP REFLECTOR D75 FL	4058075 113824	63 × 53	Polycarbonate (PC)	Silver	38	1	2
TRACK SP REFLECTOR D85 SP	4058075 113848	75 × 63	Polycarbonate (PC)	Silver	15	1	1
TRACK SP REFLECTOR D85 FL	4058075 113862	75 × 63	Polycarbonate (PC)	Silver	38	1	2
TRACK SP REFLECTOR D95 SP	4058075 113886	82 × 69	Polycarbonate (PC)	Silver	15	1	1
TRACK SP REFLECTOR D95 FL	4058075 113909	82 × 69	Polycarbonate (PC)	Silver	38	1	2

¹ Refer to www.ledvance.com/guarantee for precise conditions



WALL AND CEILING LUMINAIRES

IDEAL FOR PUBLIC AREAS



SURFACE COMPACT IK10



PERFORMANCE CLASS

Page 62



ROBUST, POWERFUL SURFACE-MOUNTED LUMINAIRE

- Resistant to vandalism
- Transparent cover protects against dust and moisture
- High luminous efficacy

SURFACE BULKHEAD



PERFORMANCE CLASS

Page 68

SURFACE BULKHEAD
SURFACE BULKHEAD SENSOR
SURFACE BULKHEAD EMERGENCY
SURFACE BULKHEAD SENSOR
EMERGENCY
SURFACE BULKHEAD ACCESSORY RINGS



GREAT PERFORMANCE INDOORS AND OUTDOORS

- Extremely versatile through switchable, HF-sensor and 3h single-battery versions
- Suitable for use in public areas thanks to high IK rating
- Easy installation on wall and ceiling with through-wiring option

SURFACE CIRCULAR



VALUE CLASS

Page 64

SURFACE CIRCULAR
SURFACE CIRCULAR SENSOR
SURFACE CIRCULAR COVER



FOR STANDARD APPLICATIONS

- Versions with sensor: easy adjustment of the sensor range, daylight detection and illumination time
- Energy savings of up to 55 % compared with luminaires that use compact fluorescent lamps
- Quick and easy installation

ROBUST VANDALISM PROTECTION AND INTELLIGENT SENSOR TECHNOLOGY



SURFACE
COMPACT IK10

SURFACE BULKHEAD

ROBUST, RUGGED AND VANDAL-PROOF

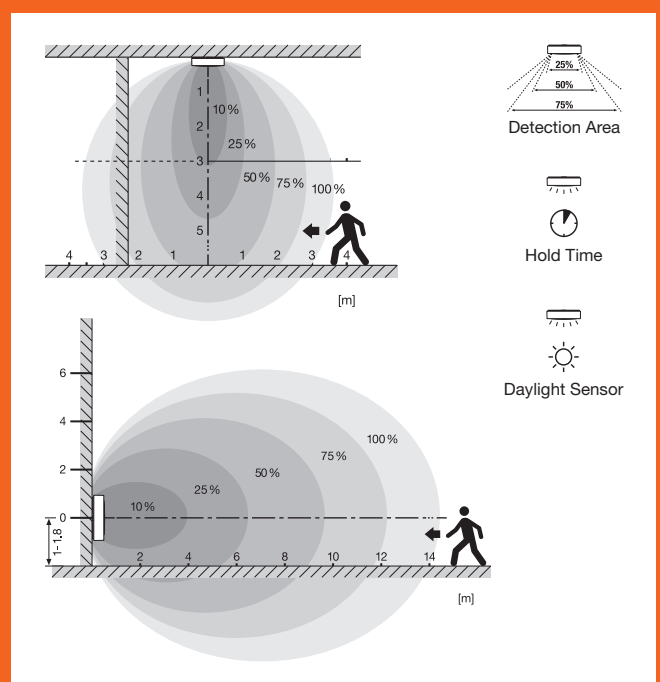
LEDVANCE SURFACE BULKHEAD and **LEDVANCE SURFACE COMPACT IK10** are characterized by rugged design, an impact-resistant housing made of reinforced polycarbonate with IK10 rating, and high IP65 degree of protection. Torx screws make it harder for the luminaires to be removed with a conventional screwdriver, making them ideally protected against vandalism.



SENSORS FOR SAFETY AND EFFICIENCY

LEDVANCE SURFACE BULKHEAD and **CIRCULAR** luminaires are available with state-of-the-art sensor technology. The flexible adjustment options allow illumination as required. This allows for light comfort and safety to be combined with maximum efficiency:

- HF sensor technology for motion detection
- Four-step twilight switching; activation adjustable between 2 and 50 lux
- Motion sensor with wide detection range (for wall and ceiling mounting); adjustable in five steps between 10 and 100 percent
- Hold time from 5 seconds to 30 minutes



Motion sensor with many adjustment options

SURFACE COMPACT IK10

Wall and ceiling luminaire with high impact resistance



PRODUCT FEATURES

- Housing and cover made from polycarbonate
- Impact resistance: IK10
- Glow Wire Test according to IEC 60695-2-12: 850 °C
- Through-wiring possible

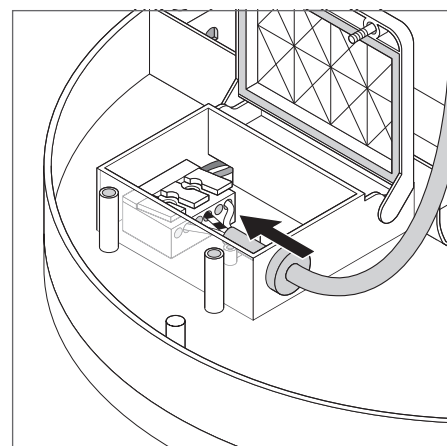
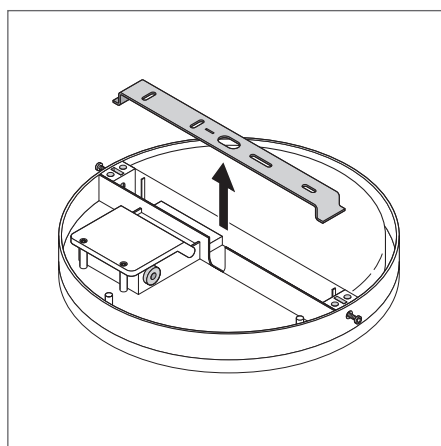
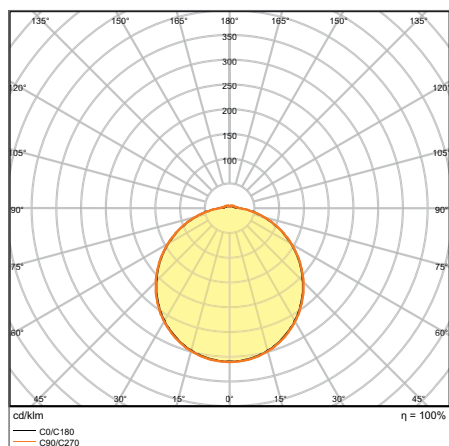
PRODUCT BENEFITS

- Resistance against vandalism
- Transparent cover protects against dust and moisture
- LED protected for safe installation
- High luminous efficacy
- 5 years guarantee

AREAS OF APPLICATION

- Corridors
- Stairways
- Bathrooms
- Foyers
- Public areas

FURTHER PRODUCT DETAILS



SF COMPACT IK10 300 24 W 4000 K
IP65 WT

SURFACE COMPACT IK10

Wall and ceiling luminaire with high impact resistance



Product name	EAN (GTIN)	Replacement for	W	lm	lm/W	K	L70 ²	°	IK	L x W x H [mm] Ø x H [mm]
SF COMPACT IK10 300 24 W 3000 K IP65 WT	4058075062207	2 x 18 W CFLP	24	1800	75	3000	50000	120	IK10	300 x 61
SF COMPACT IK10 300 24 W 4000 K IP65 WT	4058075062221	2 x 18 W CFLP	24	1920	80	4000	50000	120	IK10	300 x 61

¹ Refer to www.ledvance.com/guarantee for precise conditions
² t[h]: L70/B50 @ 25 °C (T_a)/t[h]; L80/B10 @ 25 °C (T_a)

SURFACE CIRCULAR

Wall and ceiling luminaires



PRODUCT FEATURES

- Metal housing, PMMA cover
- Versions with sensor: high-frequency sensor for daylight and motion detection
- Versions with sensor: 110° and 8 m detection range, threshold: 25 lx, 5 s/1 min/3 min/10 min
- Ambient temperature in operation: -20...+40 °C

PRODUCT BENEFITS

- Versions with sensor: easy adjustment of the sensor range, daylight detection and illumination time
- Energy savings of up to 55 % compared to luminaires that use CFL
- Easy and quick installation

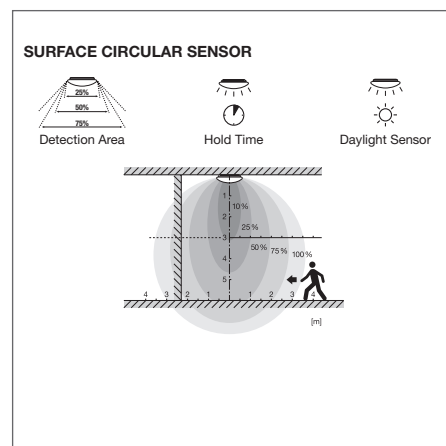
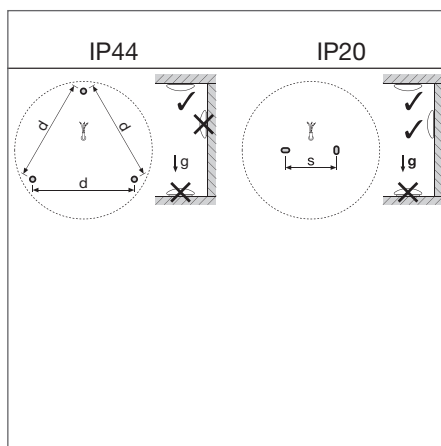
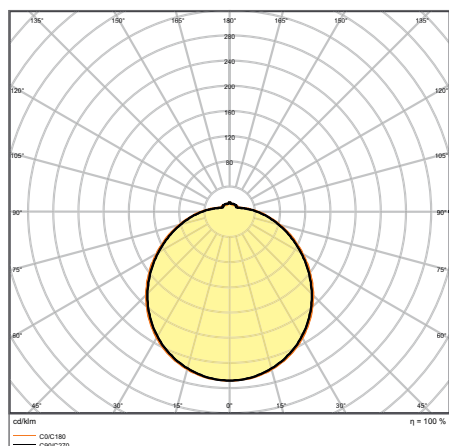
AREAS OF APPLICATION

- Corridors
- Stairways
- Bathrooms
- Foyers

EQUIPMENT / ACCESSORIES

- Replacement cover available as an optional accessory

FURTHER PRODUCT DETAILS



SF CIRCULAR 400 S 24 W 3000 K IP44 WT

SURFACE CIRCULAR

Wall and ceiling luminaire with IP44



Product name	EAN (GTIN)	Replacement for	W	lm	lm/W	K	L70 ²		L x W x H [mm] Ø x H [mm]
SF CIRC 250 V 13 W 830 IP44	4058075617865	18W CFLP	13	920	70	3000	30000	120	250 x 91
SF CIRC 250 V 13 W 840 IP44	4058075617889	18W CFLP	13	960	75	4000	30000	120	250 x 91
SF CIRC 350 V 18 W 830 IP44	4058075617940	24W CFLP	18	1440	80	3000	30000	120	350 x 115
SF CIRC 350 V 18 W 840 IP44	4058075617964	24W CFLP	18	1440	80	4000	30000	120	350 x 115
SF CIRC 400 V 24 W 830 IP44	4058075618022	2 x 18W CFLP	24	1920	80	3000	30000	120	400 x 120
SF CIRC 400 V 24 W 840 IP44T	4058075618046	2 x 18W CFLP	24	1920	80	4000	30000	120	400 x 120

SURFACE CIRCULAR SENSOR

Wall and ceiling luminaire with IP44 and high frequency sensor



Product name	EAN (GTIN)	Replacement for	W	lm	lm/W	K	L70 ²		L x W x H [mm] Ø x H [mm]
SF CIRC 250 SEN V 13 W 830 IP44	4058075617902	18W CFLP	13	920	70	3000	30000	120	250 x 91
SF CIRC 250 SEN V 13 W 840 IP44	4058075617926	18W CFLP	13	960	75	4000	30000	120	250 x 91
SF CIRC 350 SEN V 18 W 830 IP44	4058075617988	26W CFLP	18	1440	80	3000	30000	120	350 x 115
SF CIRC 350 SEN V 18 W 840 IP44	4058075618008	26W CFLP	18	1440	80	4000	30000	120	350 x 115
SF CIRC 400 SEN V 24 W 830 IP44	4058075618084	32W CFLP	24	1920	80	3000	30000	120	400 x 120
SF CIRC 400 SEN V 24 W 840 IP44	4058075618121	32W CFLP	24	1920	80	4000	30000	120	400 x 120

SENSOR PROPERTIES

Product name	Type of sensor	Sensor technology	Detection threshold of daylight sensor	Detection range of motion sensor	Sensor detection angle	Sensor controlled switching time
SURFACE CIRCULAR 250 SENSOR	Motion/Light	Microwave	25 lx	8 m	110°	5 s/1 min/3 min/10 min
SURFACE CIRCULAR 350 SENSOR	Motion/Light	Microwave	25 lx	8 m	110°	5 s/1 min/3 min/10 min
SURFACE CIRCULAR 400 SENSOR	Motion/Light	Microwave	25 lx	8 m	110°	5 s/1 min/3 min/10 min

¹ Refer to www.ledvance.com/guarantee for precise conditions

² t[h]: L70/B50 @ 25°C (T_a)/t[h]; L80/B10 @ 25°C (T_a)

SURFACE CIRCULAR COVER

Replacement cover for Surface Circular



PRODUCT FEATURES

- Easy replacement of the cover without changing the luminaire
- Opal cover made of PMMA
- Impact resistance: IK03

AREAS OF APPLICATION

- Replacement for Surface Circular covers

Product name	EAN (GTIN)	L × W × H [mm] Ø × H [mm]	MATERIAL	COLOR		
SF CIRCULAR 250 Cover	4058075156722	250 × 80	Polymethylmethacrylate (PMMA) / Polymethyl methacrylate (PMMA)	White	120	1
SF CIRCULAR 350 Cover	4058075156807	350 × 104	Polymethylmethacrylate (PMMA) / Polymethyl methacrylate (PMMA)	White	120	1
SF CIRCULAR 400 Cover	4058075156821	400 × 112	Polymethylmethacrylate (PMMA) / Polymethyl methacrylate (PMMA)	White	120	1

The pictures shown in the catalog are for illustration purposes only. For information on size and color, please refer to the product table.



SURFACE BULKHEAD

Robust wall and ceiling luminaire for indoor or outdoor use



1*



2*



3*

PRODUCT FEATURES

- Housing and cover made of UV-resistant PC
- Available in 2 diameters, 2 housing colors and 2 light colors
- Always order cover separately
- Versions: ring or eyelid cover
- Impact resistance: IK10
- Type of protection: IP65

PRODUCT BENEFITS

- Extremely versatile through switchable, HF-sensor and 3h single-battery versions
- Suitable for use in public areas thanks to high IK rating
- Easy installation on wall and ceiling with through-wiring option
- High luminous efficacy in normal operation
- All versions with 5-year guarantee, except emergency version: 3 years (built-in 3h battery)

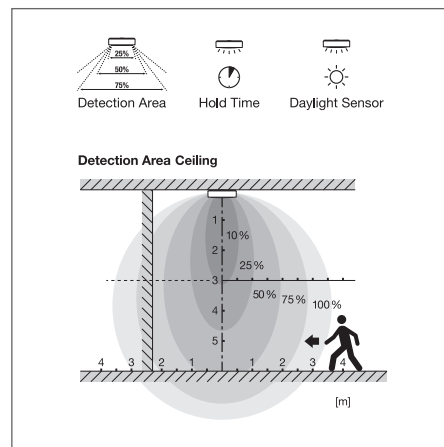
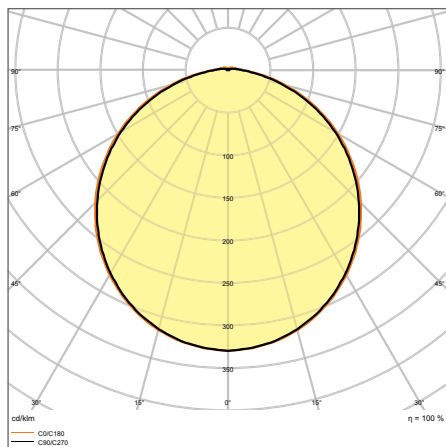
AREAS OF APPLICATION

- Direct replacement for luminaires with fluorescent lamps
- Corridors, stairways, entrance areas
- Passages, underpasses
- Public areas

EQUIPMENT / ACCESSORIES

- Additional cover rings in different designs available as an optional accessory
- Mounting screws and dowels included

FURTHER PRODUCT DETAILS



Luminaire Status	Control LED
Normal	Green
Emergency	OFF
Testing	Green: (1s, 1s, 1s ...)
Battery connection fault	Red: (1s, 1s, 1s ...)
Battery capacity fault	Red
Luminaire fault	Red: (4s, 4s, 4s ...)

SF BLKH 250 10W/3000K WT IP65

*All pictures show the luminaire with the accessory: SF BLKH RING. The accessory must be ordered separately. The pictures shown in the catalog are for illustration purposes only. For information on size and color, please refer to the product table.

SURFACE BULKHEAD ON/OFF

Robust wall and ceiling luminaire with IP65 protection

PERFOR-
MANCE
CLASSFLICKER
VALUE
<5%CRI
>80

IP65

LEDVANCE
5 year
guarantee

Product name	EAN (GTIN)	Replacement for	W	lm	lm/W	K	L70 ²	°	IK	L × W × H [mm] Ø × H [mm]	Light No.
SF BLKH 250 10W/3000K WT IP65	4058075647145	1 × 16W CFL	10	800	80	3000	50000	120	IK10	250 × 70	3
SF BLKH 250 10W/4000K WT IP65	4058075647169	1 × 16W CFL	10	800	80	4000	50000	120	IK10	250 × 70	3
SF BLKH 250 10W/3000K BK IP65	4058075647183	1 × 16W CFL	10	800	80	3000	50000	120	IK10	250 × 70	1
SF BLKH 250 10W/4000K BK IP65	4058075647206	1 × 16W CFL	10	800	80	4000	50000	120	IK10	250 × 70	1
SF BLKH 300 15W/3000K WT IP65	4058075647466	1 × 28W CFL	15	1400	93	3000	50000	120	IK10	300 × 70	3
SF BLKH 300 15W/4000K WT IP65	4058075647480	1 × 28W CFL	15	1400	93	4000	50000	120	IK10	300 × 70	3
SF BLKH 300 15W/3000K BK IP65	4058075647503	1 × 28W CFL	15	1400	93	3000	50000	120	IK10	300 × 70	1
SF BLKH 300 15W/4000K BK IP65	4058075647527	1 × 28W CFL	15	1400	93	4000	50000	120	IK10	300 × 70	1

SURFACE BULKHEAD SENSOR

Robust wall and ceiling luminaire with IP65 protection and high-frequency sensor

PERFOR-
MANCE
CLASSFLICKER
VALUE
<5%CRI
>80

IP65

LEDVANCE
5 year
guarantee

Product name	EAN (GTIN)	Replacement for	W	lm	lm/W	K	L70 ²	°	IK	L × W × H [mm] Ø × H [mm]	Light No.
SF BLKH 250 S 10W/3000K WT IP65	4058075647220	1 × 16W CFL	10	800	80	3000	50000	120	IK10	250 × 70	3
SF BLKH 250 S 10W/4000K WT IP65	4058075647244	1 × 16W CFL	10	800	80	4000	50000	120	IK10	250 × 70	3
SF BLKH 250 S 10W/3000K BK IP65	4058075647268	1 × 16W CFL	10	800	80	3000	50000	120	IK10	250 × 70	1
SF BLKH 250 S 10W/4000K BK IP65	4058075647282	1 × 16W CFL	10	800	80	4000	50000	120	IK10	250 × 70	1
SF BLKH 300 S 15W/3000K WT IP65	4058075647541	1 × 28W CFL	15	1400	93	3000	50000	120	IK10	300 × 70	3
SF BLKH 300 S 15W/4000K WT IP65	4058075647565	1 × 28W CFL	15	1400	93	4000	50000	120	IK10	300 × 70	3
SF BLKH 300 S 15W/3000K BK IP65	4058075647589	1 × 28W CFL	15	1400	93	3000	50000	120	IK10	300 × 70	1
SF BLKH 300 S 15W/4000K BK IP65	4058075647602	1 × 28W CFL	15	1400	93	4000	50000	120	IK10	300 × 70	1

SURFACE BULKHEAD EMERGENCY

Robust wall and ceiling luminaire with IP65 protection and integrated emergency lighting function

PERFOR-
MANCE
CLASSFLICKER
VALUE
<5%CRI
>80

IP65

LEDVANCE
3 year
guarantee

Product name	EAN (GTIN)	Replacement for	W	lm	lm/W	K	L70 ²	°	IK	L × W × H [mm] Ø × H [mm]	Light No.
SF BLKH 250 EM 10 W 3000 K WT IP65	4058075647305	1 × 16W CFL	10	800	80	3000	50000	120	IK10	250 × 70	3
SF BLKH 250 EM 10 W 4000 K WT IP65	4058075647329	1 × 16W CFL	10	800	80	4000	50000	120	IK10	250 × 70	3
SF BLKH 250 EM 10 W 3000 K BK IP65	4058075647343	1 × 16W CFL	10	800	80	3000	50000	120	IK10	250 × 70	1
SF BLKH 250 EM 10 W 4000 K BK IP65	4058075647367	1 × 16W CFL	10	800	80	4000	50000	120	IK10	250 × 70	1
SF BLKH 300 EM 15 W 3000 K WT IP65	4058075647626	1 × 28W CFL	15	1400	93	3000	50000	120	IK10	300 × 70	3
SF BLKH 300 EM 15 W 4000 K WT IP65	4058075647640	1 × 28W CFL	15	1400	93	4000	50000	120	IK10	300 × 70	3
SF BLKH 300 EM 15 W 3000 K BK IP65	4058075647664	1 × 28W CFL	15	1400	93	3000	50000	120	IK10	300 × 70	1
SF BLKH 300 EM 15 W 4000 K BK IP65	4058075647688	1 × 28W CFL	15	1400	93	4000	50000	120	IK10	300 × 70	1

¹ Refer to www.ledvance.com/guarantee for precise conditions
² t[h]: L70/B50 @ 25 °C (T_a)/t[h]: L80/B10 @ 25 °C (T_a)

SURFACE BULKHEAD SENSOR EMERGENCY

Robust wall and ceiling luminaire with IP65 protection, high-frequency sensor and integrated emergency lighting function



Product name	EAN (GTIN)	Replacement for	W	lm	lm/W	K	L70 ²	IK	L x W x H [mm] Ø x H [mm]	Light No.	
SF BLKH 250 S EM 10W/3000K WT IP65	4058075647381	1 x 16W CFL	12	800	80	3000	50000	120	IK10	258 x 70	3
SF BLKH 250 S EM 10W/4000K WT IP65	4058075647404	1 x 16W CFL	12	800	80	4000	50000	120	IK10	258 x 70	3
SF BLKH 250 S EM 10W/3000K BK IP65	4058075647428	1 x 16W CFL	12	800	80	3000	50000	120	IK10	258 x 70	1
SF BLKH 250 S EM 10W/4000K BK IP65	4058075647442	1 x 16W CFL	12	800	80	4000	50000	120	IK10	258 x 70	1
SF BLKH 300 S EM 15W/3000K WT IP65	4058075647701	1 x 28W CFL	17	1400	93	3000	50000	120	IK10	308 x 70	3
SF BLKH 300 S EM 15W/4000K WT IP65	4058075647725	1 x 28W CFL	17	1400	93	4000	50000	120	IK10	308 x 70	3
SF BLKH 300 S EM 15W/3000K BK IP65	4058075647749	1 x 28W CFL	17	1400	93	3000	50000	120	IK10	308 x 70	1
SF BLKH 300 S EM 15W/4000K BK IP65	4058075647763	1 x 28W CFL	17	1400	93	4000	50000	120	IK10	308 x 70	1

SENSOR PROPERTIES

Product name	Type of sensor	Sensor technology	Detection threshold of daylight sensor	Detection range of motion sensor	Sensor detection angle	Sensor controlled switching time
SURFACE BULKHEAD 250 SENSOR	Motion/Light	Microwave	25 lx	8 m	110°	5 s/30 s/90 s/3 min/20 min/30 min
SURFACE BULKHEAD 300 SENSOR	Motion/Light	Microwave	25 lx	8 m	110°	5 s/30 s/90 s/3 min/20 min/30 min
SURFACE BULKHEAD 250 SENSOR EMERGENCY	Motion/Light	Microwave	25 lx	8 m	110°	5 s/30 s/90 s/3 min/20 min/30 min
SURFACE BULKHEAD 300 SENSOR EMERGENCY	Motion/Light	Microwave	25 lx	8 m	110°	5 s/30 s/90 s/3 min/20 min/30 min

EMERGENCY LIGHTING PROPERTIES

Product name	Battery life in emergency operation mode	Type of emergency operation test	Type of emergency light operation	Luminous flux in emergency operation mode	Type of Battery
SF BLKH 250 EM 10 W 3000 K WT IP65	3 h	Automatic	Maintained/Non-maintained	300 lm	LiFePO4
SF BLKH 250 EM 10 W 4000 K WT IP65	3 h	Automatic	Maintained/Non-maintained	300 lm	LiFePO4
SF BLKH 250 EM 10 W 3000 K BK IP65	3 h	Automatic	Maintained/Non-maintained	300 lm	LiFePO4
SF BLKH 250 EM 10 W 4000 K BK IP65	3 h	Automatic	Maintained/Non-maintained	300 lm	LiFePO4
SF BLKH 300 EM 15 W 3000 K WT IP65	3 h	Automatic	Maintained/Non-maintained	300 lm	LiFePO4
SF BLKH 300 EM 15 W 4000 K WT IP65	3 h	Automatic	Maintained/Non-maintained	300 lm	LiFePO4
SF BLKH 300 EM 15 W 3000 K BK IP65	3 h	Automatic	Maintained/Non-maintained	300 lm	LiFePO4
SF BLKH 300 EM 15 W 4000 K BK IP65	3 h	Automatic	Maintained/Non-maintained	300 lm	LiFePO4
SF BLKH 250 S EM 10W/3000K WT IP65	3 h	Automatic	Maintained/Non-maintained	300 lm	LiFePO4
SF BLKH 250 S EM 10W/4000K WT IP65	3 h	Automatic	Maintained/Non-maintained	300 lm	LiFePO4
SF BLKH 250 S EM 10W/3000K BK IP65	3 h	Automatic	Maintained/Non-maintained	300 lm	LiFePO4
SF BLKH 250 S EM 10W/4000K BK IP65	3 h	Automatic	Maintained/Non-maintained	300 lm	LiFePO4
SF BLKH 300 S EM 15W/3000K WT IP65	3 h	Automatic	Maintained/Non-maintained	300 lm	LiFePO4
SF BLKH 300 S EM 15W/4000K WT IP65	3 h	Automatic	Maintained/Non-maintained	300 lm	LiFePO4
SF BLKH 300 S EM 15W/3000K BK IP65	3 h	Automatic	Maintained/Non-maintained	300 lm	LiFePO4
SF BLKH 300 S EM 15W/4000K BK IP65	3 h	Automatic	Maintained/Non-maintained	300 lm	LiFePO4

¹ Refer to www.ledvance.com/guarantee for precise conditions

² t[h]: L70/B50 @ 25°C (T_a)/t[h]: L80/B10 @ 25°C (T_a)

SURFACE BULKHEAD ACCESSORIES

Recommended equipment for Surface Bulkhead



1



2



3



4

PRODUCT FEATURES

- Wide range of applications thanks to a large variety of versions
- PC cover in white or black
- As a ring or with eyelid cover
- Anti-theft screw (Torx) included

EQUIPMENT / ACCESSORIES

- Anti-theft screw included

SURFACE BULKHEAD RING

Attachable cover ring (IK10)



Product name	EAN (GTIN)	L x W x H [mm] Ø x H [mm]	MATERIAL	COLOR		No.
SF BLKH RING 250 WT	4058075 399334	258 x 57	Polycarbonate (PC)	White	1	1
SF BLKH RING 250 BK	4058075 399358	258 x 57	Polycarbonate (PC)	Black	1	2
SF BLKH RING 300 WT	4058075 399372	308 x 57	Polycarbonate (PC)	White	1	1
SF BLKH RING 300 BK	4058075 399396	308 x 57	Polycarbonate (PC)	Black	1	2

SURFACE BULKHEAD EYELID

Attachable half-visor ring (IK10)



Product name	EAN (GTIN)	L x W x H [mm] Ø x H [mm]	MATERIAL	COLOR		No.
SF BLKH EYELID 250 WT	4058075 375482	258 x 64	Polycarbonate (PC) / Polycarbonate (PC)	White	1	3
SF BLKH EYELID 250 BK	4058075 375505	258 x 64	Polycarbonate (PC) / Polycarbonate (PC)	Black	1	4
SF BLKH EYELID 300 WT	4058075 375529	308 x 65	Polycarbonate (PC) / Polycarbonate (PC)	White	1	3
SF BLKH EYELID 300 BK	4058075 375543	308 x 65	Polycarbonate (PC) / Polycarbonate (PC)	Black	1	4

¹ Refer to www.ledvance.com/guarantee for precise conditions

PANEL LUMINAIRES

SUITABLE FOR EVERY NEED: OUR FUNCTIONAL PANELS

PERFORMANCE CLASS



1. PANEL INDIVILED Page 74 

The panel luminaire for perfectionists: perfect lighting and SCALE design

PERFORMANCE CLASS



2. PANEL IP54 Page 76 

The tough panel luminaire: IP54 and resistant PMMA surface

PERFORMANCE CLASS



3. PANEL COMFORT CRI 90 Page 78 

Highly versatile Panel including CCT and Power Select

THE MOST IMPORTANT SPECIFICATIONS AT A GLANCE

	Product family	Specifications	Guarantee ¹	Installation accessories included	Available versions	Grid size
1	PANEL INDIVILED	Up to 120 lm/W 60 000 h (L80/B10 @ 25 °C) SDCM 3 UGR < 16 IP40/IK08	5 years	External driver with Fast Connector 4 x security and suspension brackets Security cable DALI types have 5-pole connector box for toolless installation and through-wiring	ON/OFF IoT-ready DALI/Zigbee versions (dimmi-able)	600 x 600 625 x 625
2	PANEL IP54	120 lm/W 60 000 h (L80/B10 @ 25 °C) SDCM 3 UGR < 22 IP54	5 years	External driver 4 x security and suspension brackets Security cable	ON/OFF DALI	600 x 600 625 x 625
3	PANEL COMFORT CRI 90	Up to 122 lm/W CRI 90 CCT and Power select on driver (CPS) 60 000h (L80/B10 @ 25 °C) SDCM 3 UGR < 19	5 years	External driver with twist-lock connector. Switches on top of the driver to select CCT and Power (DALI separate CCT switch) 5-pole connector box for toolless installation and through-wiring 4 x security & suspension brackets included Security wire (Panel 600)	ON/OFF (non-dimmi-able) IoT-ready DALI versions	600 x 600 625 x 625

¹ For precise terms and conditions go to www.ledvance.com/guarantee



PERFORMANCE CLASS



4. PANEL PERFORMANCE Page 80

The panel luminaire for everyday applications and convenient installation

VALUE CLASS



5. PANEL VALUE Page 84

The value model for cost-effective applications



6. PANEL ACCESSORIES Page 86

Versatile mounting options

THE MOST IMPORTANT SPECIFICATIONS AT A GLANCE

	Product family	Specifications	Guarantee ¹	Installation accessories included	Available versions	Grid size
4	PANEL PERFORMANCE	Up to 120 lm/W Up to 60 000 h (L80/B10 @ 25 °C) SDCM 3 UGR < 22/UGR < 19 IP40/IP20	5 years	External driver with Fast Connector 3- or 5-pole connector box for toolless installation and through-wiring (except TP(A) version) 4 x security & suspension brackets included Security wire (all Panel PFM 600 and 1200, except TP(A) versions)	ON/OFF IoT-ready DALI/Zigbee versions (dimnable) Emergency (with EM CONV BOX) CRI 90	600 x 600 625 x 625 1200 x 300
5	PANEL VALUE	Up to 100 lm/W 50 000 h (L70/B50 @ 25 °C) SDCM 5 UGR < 22/UGR < 19 IP40	3 years	External driver with Fast Connector 2 x security brackets	ON/OFF DALI Emergency (with EM CONV BOX)	600 x 600 625 x 625 1200 x 600

¹ For precise terms and conditions go to www.ledvance.com/guarantee

PANEL INDIVILED

Recessed luminaires with IndiviLED® optics



PRODUCT FEATURES

- Metal housing, lenses and reflectors made of polycarbonate (PC)
- Each LED with individual lens and reflector for $UGR \leq 16$ and homogenous light distribution
- Lifetime (L80/B10): up to 60 000 h (at 25 °C)
- Initial color consistency: 3 SDCM
- Accessories available for various recessed and surface-mounted options

PRODUCT BENEFITS

- Homogenous light distribution and reduced glare thanks to the IndiviLED® optics
- Low-flicker light
- Robust structure with IK08
- Versions available with on/off, IoT-ready DALI-2.0 or Zigbee 3.0 or emergency lighting function acc. to IEC 60598-2-22
- 5 years guarantee

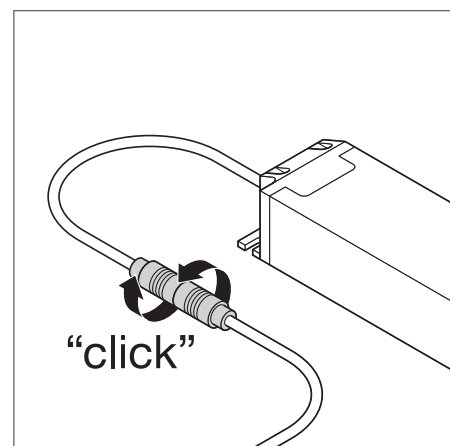
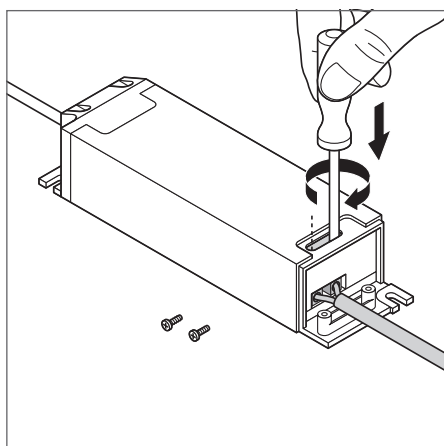
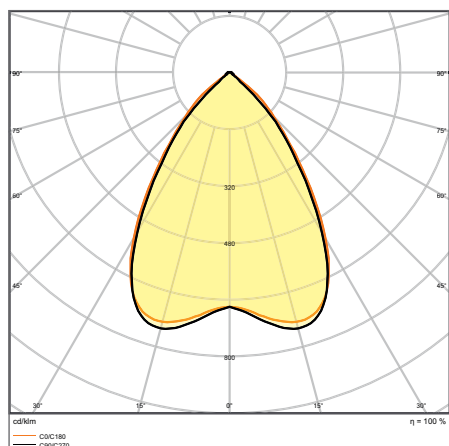
AREAS OF APPLICATION

- Direct replacement for luminaires with fluorescent lamps
- Corridors
- Offices
- Conference rooms
- Reception areas

EQUIPMENT/ACCESSORIES

- Accessories for several mounting options available as an optional accessory
- Security rope for luminaire included
- External control gear included

FURTHER PRODUCT DETAILS



PANEL INDV EM 600 33 W 4000 K

PANEL INDIVILED

Square, recessed luminaires with IndiviLED® optics



Product name	EAN (GTIN)	Replacement for	W	lm	lm/W	K	L80 ³	Beam angle	Wireless	L x W x H [mm] Ø x H [mm]
PANEL INDV 600 33 W 3000 K	4058075201132	4 x 18W/4 x 14W FL	33	3800	115	3000	60000	70	—	595 x 595 x 13
PANEL INDV 600 33 W 4000 K	4058075201156	4 x 18W/4 x 14W FL	33	4000	120	4000	60000	70	—	595 x 595 x 13
PANEL INDV 625 33 W 4000 K	4058075201194	4 x 18W/4 x 14W FL	33	4000	120	4000	60000	70	—	620 x 620 x 13
PANEL INDV 600 33 W 3000 K DALI	4058075503885	4 x 18W/4 x 14W FL	33	3800	115	3000	60000	70	DALI-2/loT	595 x 595 x 13
PANEL INDV 600 33 W 4000 K DALI	4058075503861	4 x 18W/4 x 14W FL	33	3800	115	4000	60000	70	DALI-2/loT	595 x 595 x 13
PANEL INDV 625 33 W 4000 K DALI	4058075503922	4 x 18W/4 x 14W FL	33	3800	115	4000	60000	70	DALI-2/loT	620 x 620 x 13
PANEL INDV 600 33 W-4000 K ZBVR	4058075521841	4 x 18W/4 x 14W FL	33	4000	115	4000	60000	70	Zigbee	595 x 595 x 13
PANEL INDV 625 33W-4000 K ZBVR	4058075521865	4 x 18W/4 x 14W FL	33	4000	115	4000	60000	70	Zigbee	620 x 620 x 13

PANEL INDIVILED EMERGENCY

Square recessed luminaire with IndiviLED® optics, self-contained emergency luminaire



Product name	EAN (GTIN)	Replacement for	W	lm	lm/W	K	L80 ³	Beam angle	Wireless	L x W x H [mm] Ø x H [mm]
PANEL INDV EM 600 33 W 3000 K	4058075201293	4 x 18W/4 x 14W FL	33	3800	115	3000	60000	70	—	595 x 595 x 13
PANEL INDV EM 600 33 W 4000 K	4058075201316	4 x 18W/4 x 14W FL	33	4000	120	4000	60000	70	—	595 x 595 x 13
PANEL INDV EM 625 33 W 4000 K	4058075201354	4 x 18W/4 x 14W FL	33	4000	120	4000	60000	70	—	620 x 620 x 13

EMERGENCY LIGHTING PROPERTIES

Product name	Battery life in emergency operation mode	Type of emergency operation test	Type of emergency light operation	Luminous flux in emergency operation mode	Type of Battery
PANEL INDV EM 600 33 W 3000 K	3 h	Automatic	Maintained/Non-maintained	450 lm	LiFePO4
PANEL INDV EM 600 33 W 4000 K	3 h	Automatic	Maintained/Non-maintained	480 lm	LiFePO4
PANEL INDV EM 625 33 W 4000 K	3 h	Automatic	Maintained/Non-maintained	480 lm	LiFePO4

¹ The ENEC and TÜV certifications apply exclusively to the switchable versions of the luminaire family, DALI versions are exempt.

² Refer to www.ledvance.com/guarantee for precise conditions

³ t[h]: L70/B50 @ 25°C (T_a)/t[h]: L80/B10 @ 25°C (T_a)

PANEL IP54

Recessed panel luminaires with IP54 protection



PRODUCT FEATURES

- Aluminum housing, PMMA diffuser
- Lifetime (L80/B10): up to 60 000 h (at 25 °C)
- Initial color consistency: 3 SDCM
- Type of protection: IP54 (room side)
- Accessories available for various recessed and surface-mounted options

PRODUCT BENEFITS

- Suitable for use in dusty and damp locations thanks to high IP rating
- Low-flicker light
- Energy savings of up to 50 % (compared to luminaires that use fluorescent lamps)
- 5 years guarantee

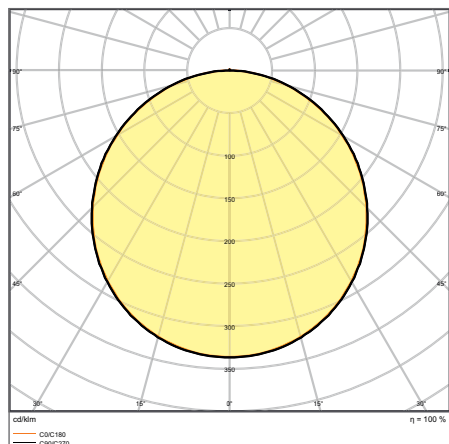
AREAS OF APPLICATION

- Direct replacement for luminaires with fluorescent lamps
- Hospitals
- Laboratories
- Suitable for recessed ceiling systems with grid size of 600 × 600 mm
- Kitchens, workspaces

EQUIPMENT / ACCESSORIES

- Accessories for several mounting options available as an optional accessory
- External control gear included

FURTHER PRODUCT DETAILS



PANEL 600 IP54 36 W 3000 K OP WT

PANEL IP54

Recessed panel luminaires with IP54 protection



Product name	EAN (GTIN)	Replacement for	W	lm	lm/W	K	L80 ⁴	°	⤵	L × W × H [mm] Ø × H [mm]
PANEL 600 IP54 36 W 3000 K OP WT	4058075149489	4 × 18W/4 × 14W FL	36	4320	120	3000	60000	120	—	595 × 595 × 12.6
PANEL 600 IP54 36 W 4000 K OP WT	4058075149502	4 × 18W/4 × 14W FL	36	4320	120	4000	60000	120	—	595 × 595 × 12.6
PANEL 625 IP54 36 W 3000 K OP WT	4058075149526	4 × 18W/4 × 14W FL	36	4320	120	3000	60000	120	—	620 × 620 × 12.6
PANEL 625 IP54 36 W 4000 K OP WT	4058075149540	4 × 18W/4 × 14W FL	36	4320	120	4000	60000	120	—	620 × 620 × 12.6
PANEL 600 IP54 36 W 3000 K OP WT DALI	4058075217720	4 × 18W/4 × 14W FL	36	4320	120	3000	60000	120	DALI	595 × 595 × 12.6
PANEL 600 IP54 36 W 4000 K OP WT DALI	4058075217744	4 × 18W/4 × 14W FL	36	4320	120	4000	60000	120	DALI	595 × 595 × 12.6
PANEL 625 IP54 36 W 3000 K OP WT DALI	4058075217768	4 × 18W/4 × 14W FL	36	4320	120	3000	60000	120	DALI	620 × 620 × 12.6
PANEL 625 IP54 36 W 4000 K OP WT DALI	4058075217782	4 × 18W/4 × 14W FL	36	4320	120	4000	60000	120	DALI	620 × 620 × 12.6

¹ The ENEC and TÜV certifications apply exclusively to the switchable versions of the luminaire family, DALI versions are exempt.

² Applies only to DALI versions

³ Refer to www.ledvance.com/guarantee for precise conditions

⁴ t[h]: L70/B50 @ 25 °C (T_a)/t[h]; L80/B10 @ 25 °C (T_a)

PANEL COMFORT

Recessed panel luminaires with CRI 90, selectable CCT and power select



PRODUCT FEATURES

- Extruded aluminum frame
- Polystyrene diffuser
- 5-pole terminal block, cable cross section up to 5 x 2.5 mm² (36W versions)
- Luminaire versions with IoT-ready DALI-2 driver available
- Lifetime (L80/B10): up to 60 000h (at 25 °C)

PRODUCT BENEFITS

- High performance with CRI 90 and high luminous efficacy
- Luminaire available with on-off and DALI-2 driver
- Good glare reduction (UGR < 19)
- High color consistency with SDCM 3
- Through-wiring possible with included connector box

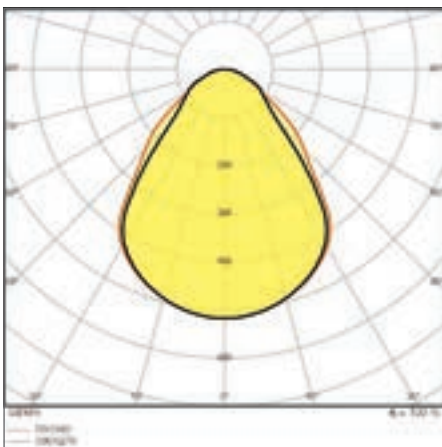
AREAS OF APPLICATION

- Direct replacement for recessed luminaires with fluorescent lamps
- Offices, conference rooms
- Reception areas, foyers, corridors, elevators, schools, public buildings

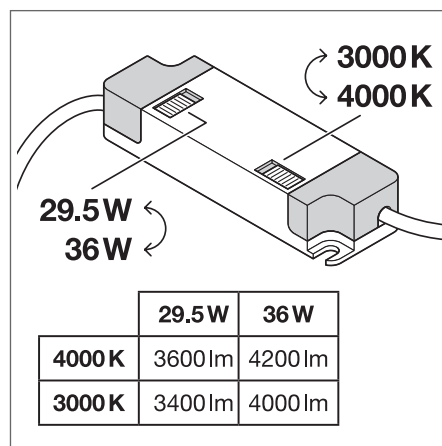
EQUIPMENT / ACCESSORIES

- Selectable CCT and power on the external driver (On-off version) or separate CCT switch (DALI version)
- Connector box with 5-pole terminal included

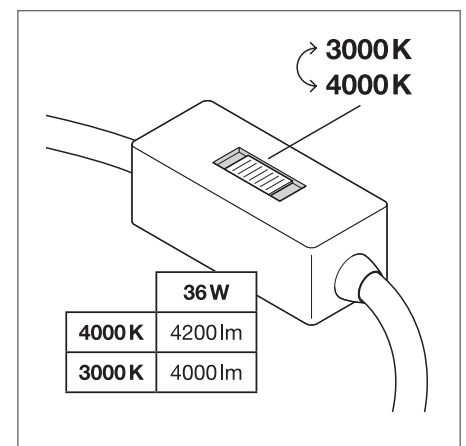
FURTHER PRODUCT DETAILS



PANEL COMFORT 600 P 36W 930/940 U19 CPS



On/Off versions with CCT and lumen switch on driver



DALI versions with external CCT switch

PANEL COMFORT 600 / 625 UGR<19

Recessed panel luminaires with CRI 90, selectable CCT and power select



Product name	EAN (GTIN)	W	lm	lm/w	K	L80 ²	°	—	L x W x H [mm] Ø x H [mm]
PANEL COMFORT 600 P 36W 930/940 U19 CPS	4058075 694460	29.5	3400	115	3000	60000	90	—	595 x 595 x 35
		29.5	3600	122	4000				
		36.0	4000	111	3000				
		36.0	4200	116	4000				
PANEL COMFORT 625 P 36W 930/940 U19 CPS	4058075 694484	29.5	3400	115	3000	60000	90	—	620 x 620 x 35
		29.5	3600	122	4000				
		36.0	4000	111	3000				
		36.0	4200	116	4000				
PANEL COMFORT 600 P 36W 930/940 U19 DALIVR	4058075 694507	36.0	4000	111	3000	60000	90	DALI-2/loT	595 x 595 x 35
		36.0	4200	116	4000				
PANEL COMFORT 625 P 36W 930/940 U19 DALIVR	4058075 694521	36.0	4000	111	3000	60000	90	DALI-2/loT	620 x 620 x 35
		36.0	4200	116	4000				

¹ Refer to www.ledvance.com/guarantee for precise conditions

² t[h]: L70/B50 @ 25 °C (T_a)/t[h]: L80/B10 @ 25 °C (T_a)

PANEL PERFORMANCE GEN 3

Recessed panel luminaires with high luminous efficacy up to 120 lm/W and tool-free installation



PRODUCT FEATURES

- Extruded aluminum frame, polystyrene diffuser
- Lifetime (L80/B10): up to 60 000 h (at 25 °C)
- High luminous efficacy: up to 120 lm/W
- 3-pole terminal block, cable cross section up to 3 × 2.5 mm² (25 W & 30 W versions)
- DALI versions with DALI 2.0 IoT-ready driver, excluding UGR < 19 TPA version

PRODUCT BENEFITS

- Comfortable light and high color consistency SDCM ≤ 3
- Through-wiring possible up to 2.5 mm² with included connector box
- Low-flicker light thanks to special electronic control gear
- Energy savings thanks to high system efficacy of up to 120 lm/W
- 5 years guarantee

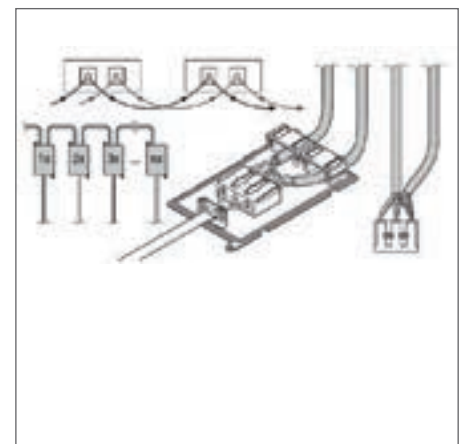
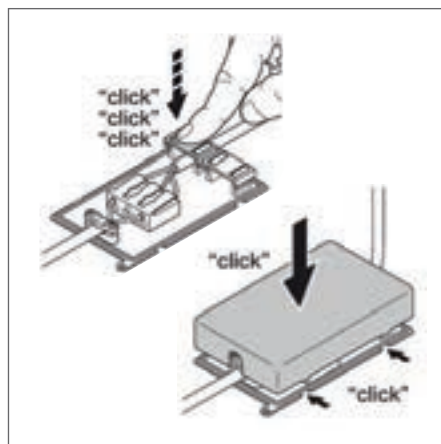
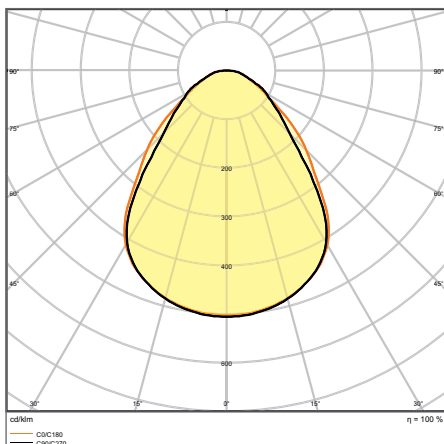
AREAS OF APPLICATION

- Direct replacement for luminaires with fluorescent lamps
- Offices, conference rooms
- Reception areas, foyers, corridors, elevators

EQUIPMENT / ACCESSORIES

- Accessories for several mounting options available as an optional accessory
- Connector box with 3-pole or 5-pole terminal included
- Security rope for luminaire included

FURTHER PRODUCT DETAILS



PL PFM 600 UGR19 30 W 3000 K

PANEL PERFORMANCE GEN 3

Recessed panel luminaires with high luminous efficacy up to 120 lm/W and tool-free installation



Product name	EAN (GTIN)	W	lm	lm/W	K	L80 ³	°C	⤵	L x W x H [mm] Ø x H [mm]	ⓘ No.
PL PFM 600 25 W 3000 K	4058075440159	25	3000	120	3000	60000	120	—	595 x 595 x 32	2
PL PFM 600 25 W 4000 K	4058075440197	25	3000	120	4000	60000	120	—	595 x 595 x 32	2
PL PFM 600 30 W 3000 K	4058075440234	30	3600	120	3000	60000	120	—	595 x 595 x 32	2
PL PFM 600 30 W 4000 K	4058075440258	30	3600	120	4000	60000	120	—	595 x 595 x 32	2
PL PFM 600 36 W 3000 K	4058075440319	36	4320	120	3000	60000	120	—	595 x 595 x 32	2
PL PFM 600 36 W 4000 K	4058075440333	36	4320	120	4000	60000	120	—	595 x 595 x 32	2
PL PFM 625 25 W 3000 K	4058075440494	25	3000	120	3000	60000	120	—	620 x 620 x 32	3
PL PFM 625 25 W 4000 K	4058075440517	25	3000	120	4000	60000	120	—	620 x 620 x 32	3
PL PFM 625 30 W 3000 K	4058075440531	30	3600	120	3000	60000	120	—	620 x 620 x 32	3
PL PFM 625 30 W 4000 K	4058075440555	30	3600	120	4000	60000	120	—	620 x 620 x 32	3
PL PFM 625 36 W 3000 K	4058075440678	36	4320	120	3000	60000	120	—	620 x 620 x 32	3
PL PFM 625 36 W 4000 K	4058075440692	36	4320	120	4000	60000	120	—	620 x 620 x 32	3
PL PFM 1200 33 W 3000 K	4058075440050	33	4000	120	3000	60000	120	—	1195 x 295 x 9	1
PL PFM 1200 33 W 4000 K	4058075440074	33	4000	120	4000	60000	120	—	1195 x 295 x 9	1
PL PFM 600 DALI 30 W-3000 K	4058075537972	30	3600	120	3000	60000	120	DALI-2/loT	595 x 595 x 32	2
PL PFM 600 DALI 30 W-4000 K	4058075538030	30	3600	120	4000	60000	120	DALI-2/loT	595 x 595 x 32	2
PL PFM 600 36 W/3000 K DALI	4058075440357	36	4320	120	3000	60000	120	DALI-2/loT	595 x 595 x 32	2
PL PFM 600 36 W/4000 K DALI	4058075440395	36	4320	120	4000	60000	120	DALI-2/loT	595 x 595 x 32	2
PL PFM 600 36 W-4000 K ZBVR	4058075522824	36	4320	120	4000	60000	120	Zigbee	595 x 595 x 32	2
PL PFM 625 DALI 30 W-3000 K	4058075538160	30	3600	120	3000	60000	120	DALI-2/loT	620 x 620 x 32	3
PL PFM 625 DALI 30 W-4000 K	4058075538191	30	3600	120	4000	60000	120	DALI-2/loT	620 x 620 x 32	3
PL PFM 625 36 W/3000 K DALI	4058075440616	36	4320	120	3000	60000	120	DALI-2/loT	620 x 620 x 32	3
PL PFM 625 36 W/4000 K DALI	4058075440654	36	4320	120	4000	60000	120	DALI-2/loT	620 x 620 x 32	3
PL PFM 625 36 W-4000 K ZBVR	4058075522848	36	4320	120	4000	60000	120	Zigbee	620 x 620 x 32	3
PL PFM 1200 33W/3000 K DALI	4058075440135	33	4000	120	3000	60000	120	DALI-2/loT	1195 x 295 x 9	1
PL PFM 1200 33 W/4000 K DALI	4058075440173	33	4000	120	4000	60000	120	DALI-2/loT	1195 x 295 x 9	1

¹ PL PFM 1200 versions are exempt with IP40² Refer to www.ledvance.com/guarantee for precise conditions³ t[h]: L70/B50 @ 25 °C (T_a)/t[h]; L80/B10 @ 25 °C (T_a)

PANEL PERFORMANCE UGR<19

Square recessed panel luminaires with luminous efficacy up to 120 lm/W, low glare



Product name	EAN (GTIN)	W	lm	lm/W	K	L80 ⁴	△	⤵	L × W × H [mm] ∅ × H [mm]	Light No.
PL PFM 600 UGR19 30 W 3000 K	4058075440272	30	3600	120	3000	60000	90	—	595 x 595 x 32	2
PL PFM 600 UGR19 30 W 4000 K	4058075440296	30	3600	120	4000	60000	90	—	595 x 595 x 32	2
PL PFM 600 30 W-940 UGR19	4058075521940	30	3150	105	4000	60000	90	—	595 x 595 x 32	2
PL PFM 600 UGR19 36 W 3000 K	4058075440418	36	4320	120	3000	60000	90	—	595 x 595 x 32	2
PL PFM 600 UGR19 36 W 4000 K	4058075440432	36	4320	120	4000	60000	90	—	595 x 595 x 32	2
PL PFM 600 36 W-940 UGR19	4058075521964	36	3750	105	4000	60000	90	—	595 x 595 x 32	2
PL PFM 625 UGR19 30 W 3000 K	4058075440579	30	3600	120	3000	60000	90	—	620 x 620 x 32	3
PL PFM 625 UGR19 30 W 4000 K	4058075440593	30	3600	120	4000	60000	90	—	620 x 620 x 32	3
PL PFM 625 UGR19 36 W 3000 K	4058075440715	36	4320	120	3000	60000	90	—	620 x 620 x 32	3
PL PFM 625 UGR19 36 W 4000 K	4058075440739	36	4320	120	4000	60000	90	—	620 x 620 x 32	3
PL PFM 1200 UGR19 30 W 4000 K	4058075440111	30	3600	120	4000	60000	90	—	1195 x 295 x 9	1
PL PFM 1200 UGR19 30 W 3000 K	4058075440098	30	3450	115	3000	60000	90	—	1195 x 295 x 9	1
PL PFM 1200 30 W-940 UGR19	4058075522008	30	3000	100	4000	60000	90	—	1195 x 295 x 9	1
PL PFM 600 DALI 30 W-3000 K UGR19	4058075538085	30	3600	120	3000	60000	90	DALI-2/loT	595 x 595 x 32	2
PL PFM 600 DALI 30 W-4000 K UGR19	4058075538122	30	3600	120	4000	60000	90	DALI-2/loT	595 x 595 x 32	2
PL PFM 600 UGR19 36W/3000 K DALI	4058075440456	36	4320	120	3000	60000	90	DALI-2/loT	595 x 595 x 32	2
PL PFM 600 UGR19 36W/4000 K DALI	4058075440470	36	4320	120	4000	60000	90	DALI-2/loT	595 x 595 x 32	2
PL PFM 600 36 W-940 UGR19 DALI	4058075521988	36	3750	105	4000	60000	90	DALI-2/loT	595 x 595 x 32	2
PL PFM 600 36 W-4000 K UGR19 ZBVR	4058075522862	36	4320	120	4000	60000	90	Zigbee	595 x 595 x 32	2
PL PFM 625 DALI 30 W 3000 K UGR19	4058075538221	30	3600	120	3000	60000	90	DALI-2/loT	620 x 620 x 32	3
PL PFM 625 DALI 30 W-4000 K UGR19	4058075538252	30	3600	120	4000	60000	90	DALI-2/loT	620 x 620 x 32	3
PL PFM 625 UGR19 36 W/3000 K DALI	4058075440753	36	4320	120	3000	60000	90	DALI-2/loT	620 x 620 x 32	3
PL PFM 625 UGR19 36 W/4000 K DALI	4058075440777	36	4320	120	4000	60000	90	DALI-2/loT	620 x 620 x 32	3
PL PFM 625 36 W-4000 K UGR19 ZBVR	4058075522886	36	4320	120	4000	60000	90	Zigbee	620 x 620 x 32	3
PL PFM 1200 UGR19 30 W/3000 K DALI	4058075440210	30	3450	115	3000	60000	90	DALI-2/loT	1195 x 295 x 9	1
PL PFM 1200 UGR19 30 W/4000 K DALI	4058075440630	30	3600	120	4000	60000	90	DALI-2/loT	1195 x 295 x 9	1
PL PFM 1200 30 W-940 UGR19 DALI	4058075522022	30	3000	100	4000	60000	90	DALI-2/loT	1195 x 295 x 9	1

PANEL PERFORMANCE 600 UGR<19 TPA

Square recessed panel luminaires with TP(A) rated diffuser, low glare, 600 × 600 mm



Product name	EAN (GTIN)	Replacement for	W	lm	lm/W	K	L80 ⁴	△	L × W × H [mm] ∅ × H [mm]
PANEL PFM 600 UGR < 19 TPA 36 W 4000 K WT	4058075384309	4 × 18W/4 × 14W FL	36	3960	110	4000	50000	90	595 × 595 × 34
PANEL PFM 600 UGR < 19 TPA 36 W 4000 K WT DALI	4058075384323	4 × 18W/4 × 14W FL	36	3960	110	4000	50000	90	595 × 595 × 34

¹ Except for 940 versions which have CRI > 90

² Except for PL PFM 1200 UGR19 30W versions with IP40

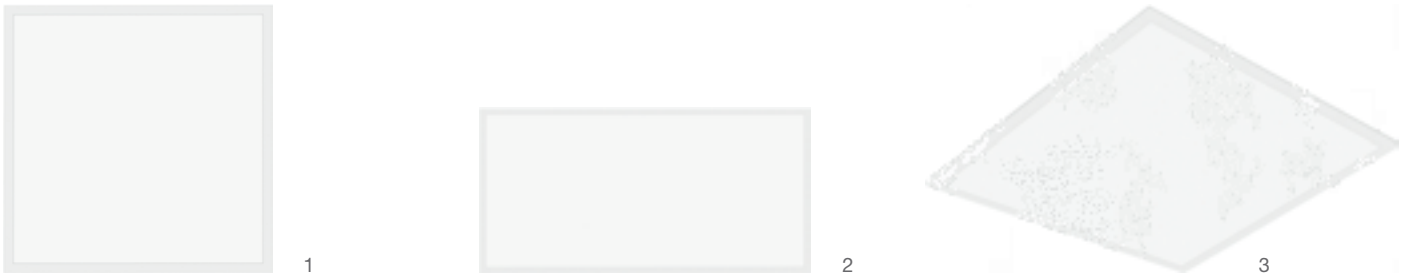
³ Refer to www.ledvance.com/guarantee for precise conditions

⁴ t[h]: L70/B50 @ 25 °C (T_a)/t[h]: L80/B10 @ 25 °C (T_a)



PANEL VALUE

Recessed panel luminaires



PRODUCT FEATURES

- Extruded aluminum frame
- Polystyrene diffuser
- Lifetime (L70/B50): 50 000 h (at 25 °C)
- Accessories available for various recessed and surface-mounted options

PRODUCT BENEFITS

- Good glare reduction (UGR < 19)
- Low-flicker light
- Value for money luminaire

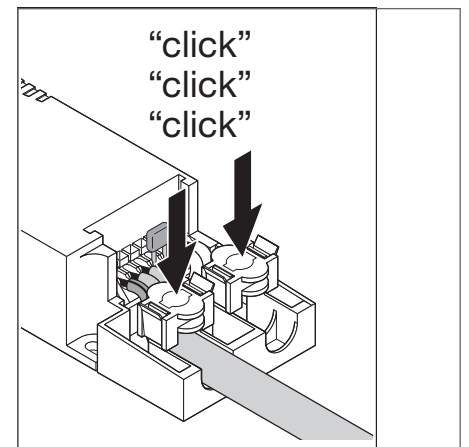
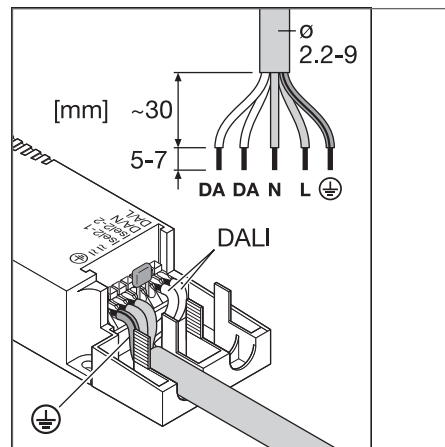
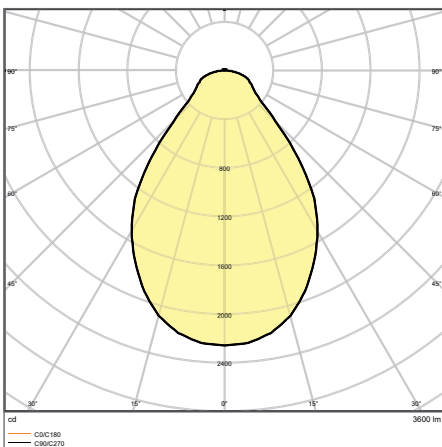
AREAS OF APPLICATION

- Direct replacement for luminaires with fluorescent lamps
- Offices, conference rooms
- Reception areas, foyers, corridors, elevators
- Suitable for recessed ceiling systems with grid size of 600 × 600 mm

EQUIPMENT / ACCESSORIES

- Accessories for several mounting options available as an optional accessory
- External control gear included
- Security brackets included

FURTHER PRODUCT DETAILS



PANEL VAL 600 36 W 3000 K WT

PANEL VALUE

Recessed panel luminaires



Product name	EAN (GTIN)	Replacement for	W	lm	lm/w	K	L80 ³	°	⤵	L × W × H [mm] Ø × H [mm]	Light No.
PANEL VAL 600 36 W 3000 K WT	4058075392366	4 × 18 W/4 × 14 W FL	36	3600	100	3000	50000	120	—	595 × 595 × 35	3
PANEL VAL 600 36 W 4000 K WT	4058075392380	4 × 18 W/4 × 14 W FL	36	3600	100	4000	50000	120	—	595 × 595 × 35	3
PANEL VAL 600 36 W 6500 K WT	4058075392403	4 × 18 W/4 × 14 W FL	36	3600	100	6500	50000	120	—	595 × 595 × 35	3
PANEL VAL 600 36 W 3000 K WT DALI	4058075392441	4 × 18 W/4 × 14 W FL	36	3600	100	3000	50000	120	DALI-2	595 × 595 × 35	3
PANEL VAL 600 36 W 4000 K WT DALI	4058075392465	4 × 18 W/4 × 14 W FL	36	3600	100	4000	50000	120	DALI-2	595 × 595 × 35	3
PANEL VAL 600 36 W 6500 K WT DALI	4058075392489	4 × 18 W/4 × 14 W FL	36	3600	100	6500	50000	120	DALI-2	595 × 595 × 35	3
PANEL VAL 600 UGR < 19 36 W 3000 K WT	4058075392427	4 × 18 W/4 × 14 W FL	36	3600	100	3000	50000	90	—	595 × 595 × 35	3
PANEL VAL 600 UGR < 19 36 W 4000 K WT	4058118142200	4 × 18 W/4 × 14 W FL	36	3600	100	4000	50000	90	—	595 × 595 × 35	3
PANEL VAL 625 UGR < 19 36 W 4000 K WT	4058075392588	4 × 18 W/4 × 14 W FL	36	3600	100	4000	50000	90	—	620 × 620 × 35	3
PANEL VAL 600 UGR < 19 36 W 3000 K WT DALI	4058075392502	4 × 18 W/4 × 14 W FL	36	3600	100	3000	50000	90	DALI-2	595 × 595 × 35	3
PANEL VAL 600 UGR < 19 36 W 4000 K WT DALI	4058075392526	4 × 18 W/4 × 14 W FL	36	3600	100	4000	50000	90	DALI-2	595 × 595 × 35	3
PANEL VAL DALI 625 UGR < 19 36 W 4000 K WT DALI	4058075392601	4 × 18 W/4 × 14 W FL	36	3600	100	4000	50000	90	DALI-2	620 × 620 × 35	3

PANEL VALUE

Recessed panel luminaires



Product name	EAN (GTIN)	Replacement for	W	lm	lm/w	K	L80 ³	°	⤵	L × W × H [mm] Ø × H [mm]	Light No.
PANEL VAL 600 TPB 36 W 4000 K WT	4058075384347	4 × 18 W/4 × 14 W FL	36	3240	90	4000	50000	120	—	595 × 595 × 34	1
PANEL VALUE 1200x600 TPB 65 W 4000 K WT	4058075384361	4 × 36 W/4 × 28 W FL	65	5850	90	4000	50000	120	—	1195 × 595 × 35	2

¹ Applies only to UGR < 19 versions

² Refer to www.ledvance.com/guarantee for precise conditions

³ t[h]: L70/B50 @ 25 °C (T_a)/t[h]: L80/B10 @ 25 °C (T_a)

COMPATIBILITY OF PANEL ACCESSORIES WITH PANEL FAMILIES¹

1. SURFACE MOUNT KIT



- Pre-assembled ready to install
- Simple fixing with magnets
- Cross brace for greater stability
- Material: aluminum

2. SURFACE MOUNT KIT VALUE



- Kit for tool-free mounting with corner clips
- Material: aluminum

3. SUSPENSION KIT



- Suspension length: 1 500 mm
- Material: steel

4. PANEL SECURITY KIT 4 x



- Includes wires and brackets
- Material: steel

5. RECESSED MOUNT CLIPS



- Ceiling thickness: 10 to 20 mm
- Material: steel

6. RECESSED MOUNT FRAME



- Pre-assembled ready to install
- Seamless recessed mounting
- Ceiling thickness: 8 to 30 mm
- Material: aluminum

7. CONNECTOR BOX 5-POLE



- Tool-free electrical connection due to push button connector
- Through-wiring made possible
- Suitable for cable cross section up to 5 x 2.5 mm²

¹The accessories are compatible with the Panels in the respectively matching size. For details refer to the User Instructions.



COMPATIBILITIES AT A GLANCE

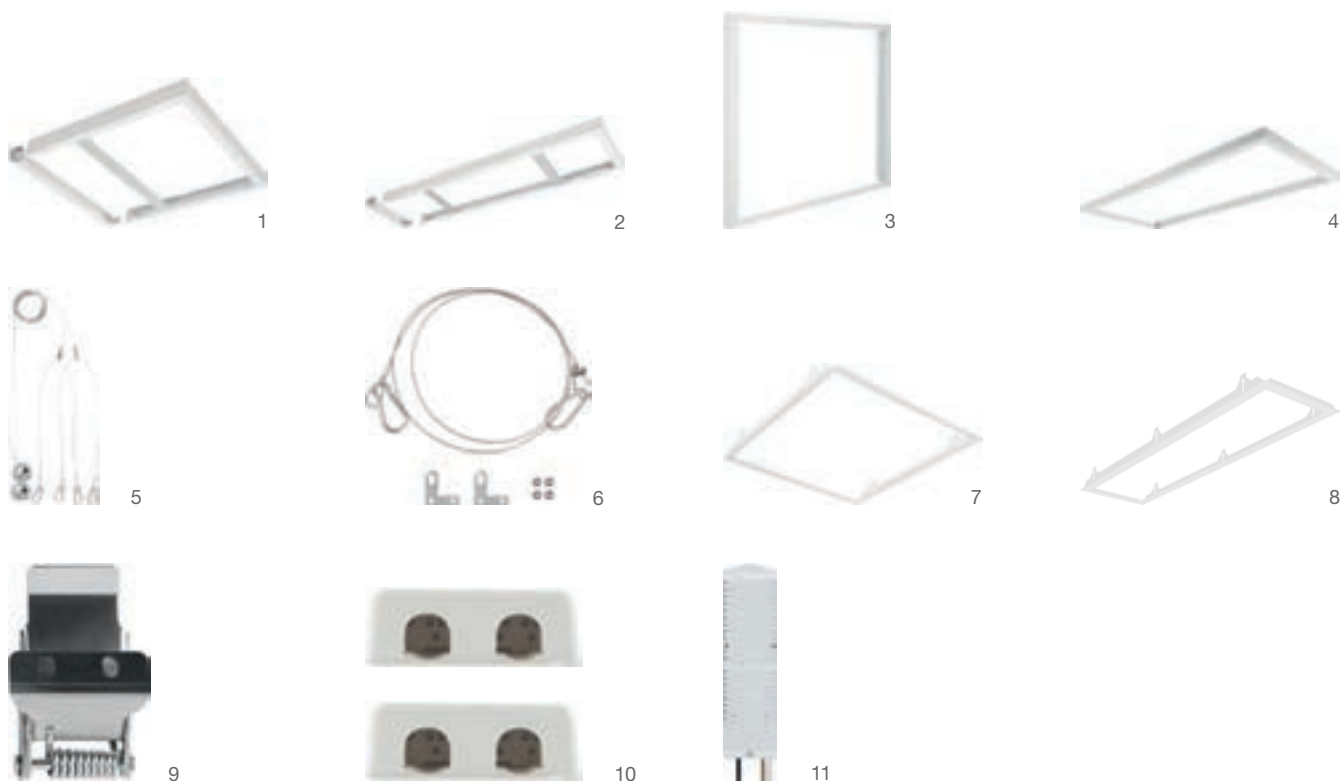
	Accessories	GTIN (EAN)	PANEL INDIVILED	PANEL IP54	PANEL PERFORMANCE	PANEL VALUE
1	Panel 600 Surface Mount Kit H75	4058075472914		✓	✓	✓
	Panel 625 Surface Mount Kit H75	4058075472938		✓	✓	✓
	Panel 1200x300 Surface Mount Kit	4058075108820			✓	
2	Panel 600 Surface Mount Kit H70 Value	4058075402843		✓	✓	✓
	Panel 625 Surface Mount Kit H70 Value	4058075402867		✓	✓	✓
	Panel 1200x300 Surface Mount Kit Value	4058075472952			✓	
	Panel 1200x300 Surface Mount Kit Value	4058075389823			✓	
3	Panel Suspension Kit	4058075402928	✓ ¹	✓	✓	✓
4	Panel Security Kit 4x	4058075472990			✓	✓
5	Panel Recessed Mount Clips Value 4x	4058075409859	✓	✓	✓	✓
6	Panel 600 Recessed Mount Frame	4058075402881		✓	✓	✓
	Panel 625 Recessed Mount Frame	4058075402904		✓	✓	✓
	Panel 1200x300 Recessed Mount Frame	4058075472976			✓	
7	Connector Box 5-Pole L/N	4058075473010	✓ ²	✓ ²		✓ ²
	Connector Box 5-Pole L/N/PE/D+/D-	4058075473034	✓ ³	✓ ³		✓ ³

Technical product details
for panel accessories
found on next page

¹ Not in combination with Panel IndivILED Emergency | ² Only with standard versions, not for DALI or Emergency versions | ³ Only with DALI or Emergency versions

PANEL ACCESSORIES

Mounting accessories for panel luminaires, combination according to the accessories matrix



- Suspension Kit: suspension length 1.5 m adjustable for various applications by screw connection
- Surface Mount Kit: sturdy, cross-stiffened aluminum frame with magnetic corners

- Surface Mount Kit Value: aluminum frame with polycarbonate strip. With rectangular frame, panel insertion is possible from short or long frame side.
- Recessed Mount Clips Value 1x4: ceiling thickness 10–20 mm, plasterboard, wood and metal ceilings

PANEL ACCESSORIES

Mounting accessories for panel luminaires, combination according to the accessories matrix



Product name	EAN (GTIN)	L × W × H [mm] ∅ × H [mm]	MATERIAL	COLOR		
PANEL 600 SURFACE MOUNT KIT H75	4058075 472914	601 × 601 × 75	Aluminum	White	1	1
PANEL 625 SURFACE MOUNT KIT H75	4058075 472938	626 × 626 × 75	Aluminum	White	1	1
PANEL 1200 Surface Mount Kit	4058075 108820	1201 × 301 × 56	Aluminum	White	1	2
PANEL 1200x300 SURFACE MOUNT KIT VAL	4058075 472952	1212 × 312 × 52	Aluminum	White	1	4
PANEL 600 SURFACE MOUNT KIT H70 VAL	4058075 402843	613 × 613 × 70	Aluminum	White	1	3
PANEL 625 SURFACE MOUNT KIT H70 VAL	4058075 402867	638 × 638 × 70	Aluminum	White	1	3
PANEL 1200x600 SURFACE MOUNT KIT VAL	4058075 389823	1213 × 613 × 72	Aluminum	White	1	4
PANEL Suspension Kit	4058075 402928	30 × —	Steel	Steel	1	5
PANEL SECURITY KIT 4x	4058075 472990	1000 × 17 × 4	Steel	Steel	4	6
PANEL 600 RECESSED MOUNT FRAME	4058075 402881	625 × 625 × 76	Aluminum	White	1	7
PANEL 625 RECESSED MOUNT FRAME	4058075 402904	650 × 650 × 76	Aluminum	White	1	7
PANEL 1200x300 RECESSED MOUNT FRAME	4058075 472976	1224 × 324 × 76	Aluminum	White	1	8
PANEL RECESSED MOUNT CLIPS VAL 4x	4058075 409859	25 × 45 × 33	Steel	Steel	4	9
CONNECTOR BOX 5POLE L/N 4x	4058075 473010	115 × 56 × 19	Polycarbonate (PC)	White	4	10
CONNECTOR BOX 5POLE L/N/PE/D+/D- 4x	4058075 473034	115 × 56 × 19	Polycarbonate (PC)	White	4	10
EM CONVERSION BOX	4058075 237025	292 × 81 × 41	—	—	1	11

¹ Refer to www.ledvance.com/guarantee for precise conditions

PENDANT AND SURFACE-MOUNTED LUMINAIRES

GOOD LIGHT FOR GOOD RESULTS

PANEL DIRECT/INDIRECT



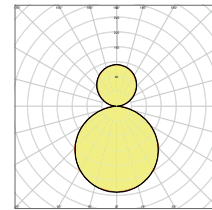
Page 92

PANEL DIRECT/INDIRECT
 PANEL DIRECT/INDIRECT DALI
 PANEL DIRECT/INDIRECT ZIGBEE



ADVANCED PENDANT LUMINAIRE WITH DIRECT AND INDIRECT EMISSION OF LIGHT

- Functional SCALE design luminaire for office applications (driver integrated in the ceiling rose)
- Special directional light design and PMMA diffuser for homogeneous, low-glare lighting (UGR < 19)
- Low-flicker light thanks to special electronic control gear



Light distribution curve (30 % / 70 %)

PANEL 1200 DIRECT/INDIRECT

Exclusive and modern SCALE design pendant luminaire with very good light comfort through direct (70 %) and indirect (30 %) emission of light.

LINEAR INDIVILED DIRECT/INDIRECT



Page 94

LINEAR INDIVILED DIRECT/INDIRECT
 LINEAR INDIVILED DIRECT/INDIRECT EMERGENCY
 LINEAR INDIVILED ACCESSORIES FOR PENDANT MOUNTING AND STRIP LIGHTING



LINEAR INDIVILED PENDANT LUMINAIRE WITH DIRECT AND INDIRECT EMISSION OF LIGHT

- Luminaire in timeless SCALE design, usable as a single or lighting strip solution
- Versions available with DALI ECG or emergency lighting
- Increased light comfort with direct and indirect beam characteristic

LINEAR INDIVILED DIRECT



Page 98

LINEAR INDIVILED DIRECT
 LINEAR INDIVILED DIRECT EMERGENCY
 LINEAR INDIVILED ACCESSORIES FOR PENDANT MOUNTING AND STRIP LIGHTING



LINEAR INDIVILED SURFACE-MOUNTED AND PENDANT LUMINAIRE

- Luminaire in timeless SCALE design, usable as a single or lighting strip solution
- Versions available with DALI ECG (1 500 25 W), IoT-ready DALI-2.0 (all other) or Zigbee 3.0 or emergency lighting
- Direct-light, surface-mounted luminaire also usable as pendant (order accessories separately)



PANEL DIRECT/INDIRECT

Suspended edge-lit luminaires for direct and indirect light emission, low glare UGR < 19



PRODUCT FEATURES

- Very slim aluminum housing
- Rectangular (1 200 mm × 300 mm) stand-alone luminaires with direct (70 %) and indirect (30 %) light emission
- Steel cable suspension, length: 1.5 m
- Lifetime (L70/B50): up to 50 000 h (at 25 °C)
- IoT-ready versions with DALI-2.0 driver or Zigbee 3.0 technology

PRODUCT BENEFITS

- Functional SCALE design luminaire for office applications (driver integrated in the ceiling rose)
- Special directional light design and PMMA diffuser for homogeneous, low-glare lighting (UGR < 19)
- Low flicker light thanks to special electronic control gear
- Comfortable light and high color consistency SDCM ≤ 3
- 5 years guarantee

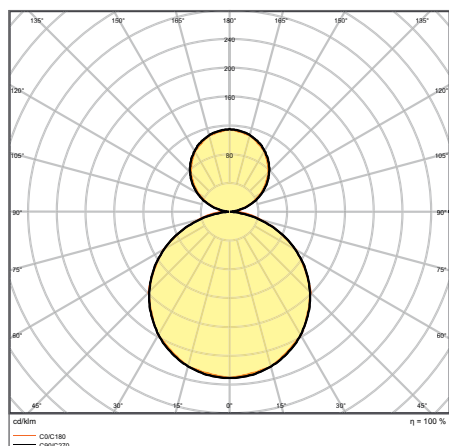
AREAS OF APPLICATION

- Efficient replacement for traditional T8 and T5 luminaires
- Offices
- Meeting rooms
- Conference rooms
- Reception areas and foyers

EQUIPMENT/ACCESSORIES

- Suspension kit included

FURTHER PRODUCT DETAILS



PANEL D/I 1200 UGR 19 36 W 4000 K

PANEL DIRECT/INDIRECT

Suspended edge-lit luminaires for direct and indirect light emission, low glare UGR < 19



Product name	EAN (GTIN)	Replacement for	W	lm	lm/w	K	L80 ⁴	°	⤵	L x W x H [mm] Ø x H [mm]
PANEL D/I 1200 UGR 19 36 W 3000 K	4058075144606	2 x 58 W FL	36	3800	100	3000	60000	110	—	1200 x 300 x 16
PANEL D/I 1200 UGR 19 36 W 4000 K	4058075144620	2 x 58 W FL	36	4000	110	4000	60000	110	—	1200 x 300 x 16
PANEL D/I 1200 UGR 19 36 W 3000 K DALI	4058075504028	2 x 58 W FL	36	3800	105	3000	60000	110	DALI-2/loT	1200 x 300 x 16
PANEL D/I 1200 UGR 19 36 W 4000 K DALI	4058075504042	2 x 58 W FL	36	4000	110	4000	60000	110	DALI-2/loT	1200 x 300 x 16
PANEL D-I 1200 36 W-4000 K UGR19 ZBVR	4058075521889	2 x 58 W FL	36	4000	110	4000	60000	110	Zigbee	1200 x 300 x 16

¹ Flicker value < 5% for DALI versions

² On/Off versions are exempt

³ Refer to www.ledvance.com/guarantee for precise conditions

⁴ t[h]: L70/B50 @ 25°C (T_a)/t[h]: L80/B10 @ 25°C (T_a)

LINEAR INDIVILED DIRECT/INDIRECT

Pendant luminaires with direct and indirect light emission



PRODUCT FEATURES

- Aluminum housing, plastic end caps, white
- Each LED with individual lens and reflector for $UGR \leq 16$ and homogeneous light distribution
- Usable as a single or strip lighting luminaire
- The suspension kit has to be ordered separately as an accessory

PRODUCT BENEFITS

- Luminaire in timeless SCALE design, usable as a single or lighting strip solution
- Versions available with DALI ECG or emergency lighting
- Increased light comfort thanks to direct and indirect light emission
- Low flicker light thanks to special electronic control gear
- All versions with 5-year guarantee, except emergency version: 3 years (built-in 3h battery)

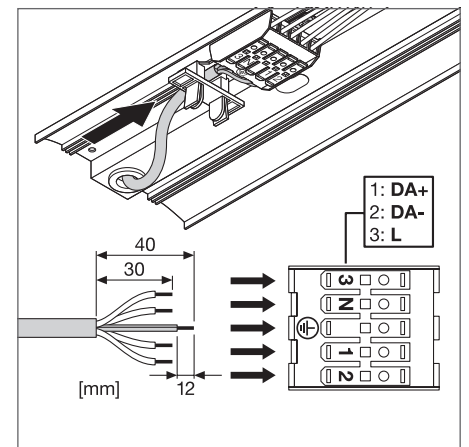
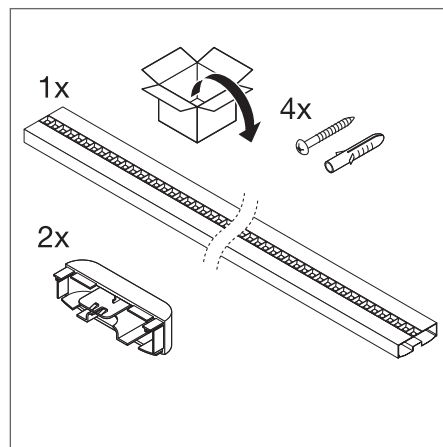
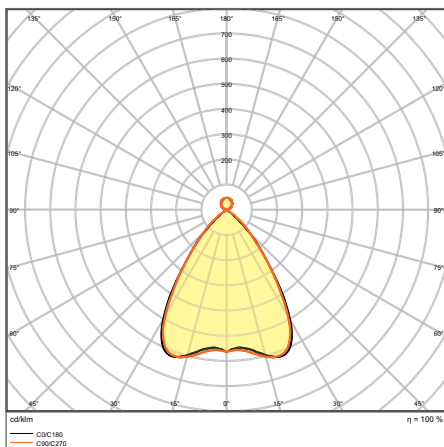
AREAS OF APPLICATION

- Direct replacement for luminaires with fluorescent lamps
- Offices, schools
- General indoor illumination
- Corridors, entrance areas
- Seamless linear lighting

EQUIPMENT/ACCESSORIES

- Suspension kit available as an optional accessory
- Line connection adapter available as an optional accessory

FURTHER PRODUCT DETAILS



LN INDV D/I 1500 56 W 4000 K EM

LINEAR INDIVILED DIRECT/INDIRECT

Pendant luminaire for single luminaire or light line application



Product name	EAN (GTIN)	Replacement for	W	lm	lm/W	K	L80 ³	⚡	⌚	L × W × H [mm] ∅ × H [mm]
LN INDV D/I 1200 42 W 3000 K	4058075109728	2 × 28 W FL	42	4650	110	3000	50000	70	—	1199 × 120 × 40
LN INDV D/I 1200 42 W 4000 K	4058075109742	2 × 28 W FL	42	5050	120	4000	50000	70	—	1199 × 120 × 40
LN INDV D/I 1500 56 W 3000 K	4058075109766	2 × 49 W FL	56	6150	110	3000	50000	70	—	1488 × 120 × 40
LN INDV D/I 1500 56 W 4000 K	4058075110441	2 × 49 W FL	56	6550	115	4000	50000	70	—	1488 × 120 × 40
LN INDV D/I 1200 42 W 3000 K DALI	4058075109001	2 × 28 W FL	42	4650	110	3000	50000	70	DALI-2	1199 × 120 × 40
LN INDV D/I 1200 42 W 4000 K DALI	4058075109025	2 × 28 W FL	42	5050	120	4000	50000	70	DALI-2	1199 × 120 × 40
LN INDV D/I 1500 56 W 3000 K DALI	4058075109049	2 × 49 W FL	56	6150	110	3000	50000	70	DALI-2	1488 × 120 × 40
LN INDV D/I 1500 56 W 4000 K DALI	4058075109063	2 × 49 W FL	56	6550	115	4000	50000	70	DALI-2	1488 × 120 × 40

LINEAR INDIVILED DIRECT/INDIRECT EMERGENCY

Pendant luminaire for single luminaire or light line application with emergency lighting



Product name	EAN (GTIN)	Replacement for	W	lm	lm/W	K	L80 ³	⚡	L × W × H [mm] ∅ × H [mm]
LN INDV D/I 1200 42 W 3000 K EM	4058075109841	2 × 28 W FL	42	4650	110	3000	50000	70	1199 × 120 × 40
LN INDV D/I 1200 42 W 4000 K EM	4058075109865	2 × 28 W FL	42	5050	120	4000	50000	70	1199 × 120 × 40
LN INDV D/I 1500 56 W 3000 K EM	4058075109889	2 × 49 W FL	56	6150	110	3000	50000	70	1488 × 120 × 40
LN INDV D/I 1500 56 W 4000 K EM	4058075109902	2 × 49 W FL	56	6550	115	4000	50000	70	1488 × 120 × 40

EMERGENCY LIGHTING PROPERTIES

Product name	Battery life in emergency operation mode	Type of emergency operation test	Type of emergency light operation	Luminous flux in emergency operation mode	Type of Battery
LN INDV D/I 1200 42 W 3000 K EM	3 h	Automatic	Maintained/Non-maintained	410 lm	LiFePO4
LN INDV D/I 1200 42 W 4000 K EM	3 h	Automatic	Maintained/Non-maintained	410 lm	LiFePO4
LN INDV D/I 1500 56 W 3000 K EM	3 h	Automatic	Maintained/Non-maintained	410 lm	LiFePO4
LN INDV D/I 1500 56 W 4000 K EM	3 h	Automatic	Maintained/Non-maintained	410 lm	LiFePO4

¹ The ENEC certification applies exclusively to the switchable versions of the luminaire family, all other versions: DALI, sensor, and emergency versions are exempt

² Refer to www.ledvance.com/guarantee for precise conditions

³ t[h]: L70/B50 @ 25 °C (Ta)/t[h]: L80/B10 @ 25 °C (Ta)

LINEAR INDIVILED DIRECT/INDIRECT ACCESSORIES

Mounting accessories for LINEAR INDIVILED luminaires



1



2



3



4



5



6

- Suspension Kit:
1 x transparent 1.5 m cable 3 x 0.75 mm
+ 2 x Y wire suspension 1.5 m
- DALI Suspension Kit:
1 x transparent 1.5 m cable 5 x 0.75 mm
+ 2 x Y wire suspension 1.5 m
- Suspension Wire:
1 x Y wire suspension 1.5 m
- Through Wiring Kit:
3 x 1.5 mm with fast connector
- DALI Through Wiring Kit:
2 x 1.5 mm with fast connector



Product name	EAN (GTIN)	L x W x H [mm] Ø x H [mm]	MATERIAL	COLOR		No.
LN INDV Suspension Kit	4058075133280	100 x 25	Steel	White	1	1
LN INDV DALI Suspension Kit	4058075133303	100 x 25	Steel	White	1	2
LN INDV Suspension Wire	4058075133327	1560 x 1 x 1	Steel	Steel	1	3
LN INDV Lightline Connector	4058075133341	82 x 40 x 12	Steel	Steel	1	4
LN INDV 1200 Through Wiring Kit	4058075158030	1250 x 20 x 7	Polycarbonate (PC)	Yellow	1	5
LN INDV 1500 Through Wiring Kit	4058075133365	1560 x 20 x 7	Polycarbonate (PC)	Yellow	1	5
LN INDV DALI 1200 Through Wiring Kit	4058075158016	1250 x 13 x 7	Polycarbonate (PC)	Yellow	1	6
LN INDV DALI 1500 Through Wiring Kit	4058075157996	1560 x 13 x 7	Polycarbonate (PC)	Yellow	1	6

¹ Refer to www.ledvance.com/guarantee for precise conditions

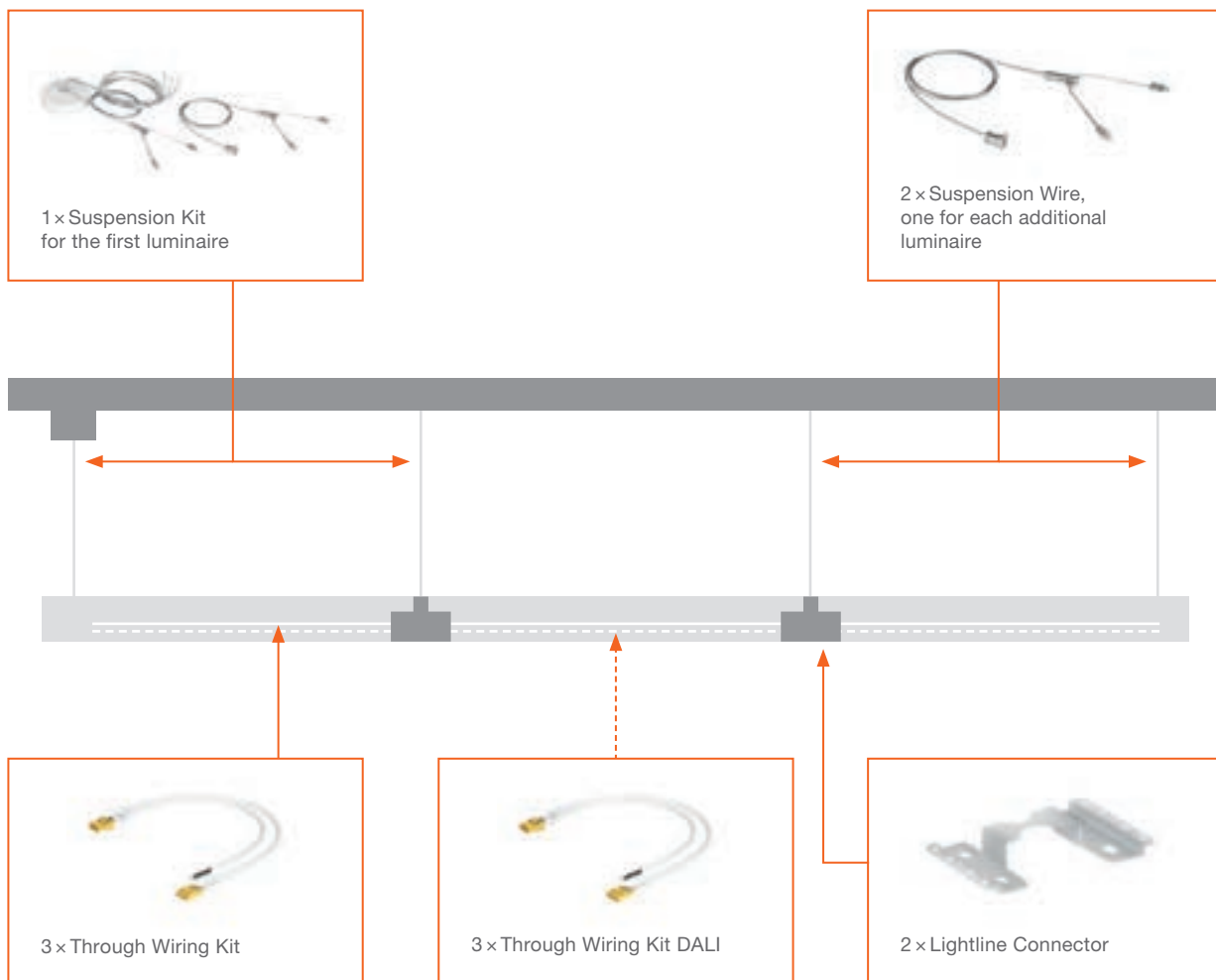
The pictures shown in the catalog are for illustration purposes only. For information on size and color, please refer to the product table.

OUR CHECKLIST FOR YOUR LINEAR INDIVILED DALI SYSTEM

Typical installation: We have put together for you all the necessary components for suspended installation of three luminaires as strip lighting. For more information see the operating instructions for Linear IndiviLED.

UP TO 20 LUMINAIRES!

INSTALLATION OF 3 × LINEAR INDIVILED DALI



The through-wiring must be fitted by an installer.



ORDER LIST

- 3 × Linear IndiviLED Luminaire
- 3 × Through Wiring Kit
- 3 × Through Wiring Kit DALI
- 2 × Lightline Connector
- 1 × Suspension Kit
- 2 × Suspension Wire



LINEAR INDIVILED DIRECT

Surface luminaires with direct light emission for single luminaire or light line application



PRODUCT FEATURES

- Aluminum housing, plastic end caps, white
- Each LED with individual lens and reflector for $UGR \leq 16$ and homogeneous light distribution
- Usable as a single or strip lighting luminaire
- Mountable directly on the ceiling as a surface-mounted luminaire without additional accessories
- The suspension kit has to be ordered separately as an accessory

PRODUCT BENEFITS

- Luminaire in timeless SCALE design, usable as a single or lighting strip solution
- Versions available with DALI ECG (1 500 25 W), IoT-ready DALI-2.0 (all other), Zigbee 3.0 or emergency lighting
- Also usable as pendant (order accessories separately)
- Low flicker light thanks to special electronic control gear
- All versions with 5-year guarantee, except emergency version: 3 years (built-in 3h battery)

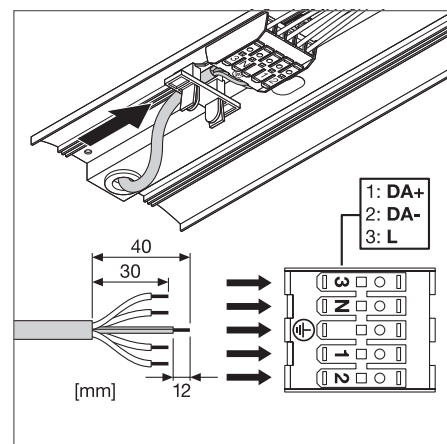
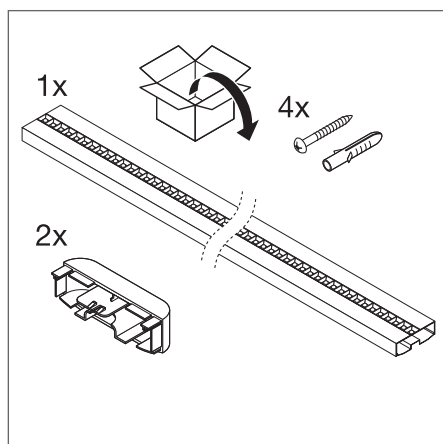
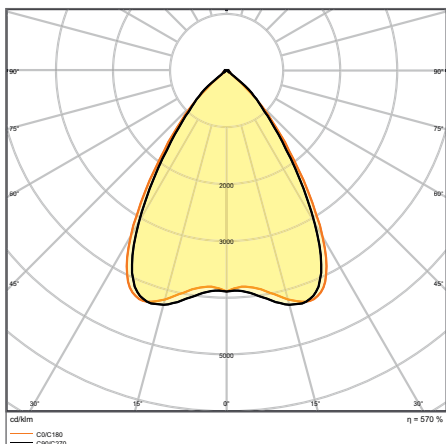
AREAS OF APPLICATION

- Direct replacement for luminaires with fluorescent lamps
- Offices, schools
- General indoor illumination
- Corridors, entrance areas
- Seamless linear lighting

EQUIPMENT/ACCESSORIES

- Suspension kit available as an optional accessory
- Line connection adapter available as an optional accessory

FURTHER PRODUCT DETAILS



LN INDV D 1500 48 W 4000 K DALI

LINEAR INDIVILED DIRECT

Surface mounted luminaire for single luminaire or light line application



Product name	EAN (GTIN)	Replacement for	W	lm	lm/w	K	L80 ⁵	°	⤵	L × W × H [mm] Ø × H [mm]
LN INDV D 1200 34 W 3000 K	4058075109605	2 × 28W FL	34	3800	110	3000	50000	70	—	1199 × 120 × 40
LN INDV D 1200 34 W 4000 K	4058075109629	2 × 28W FL	34	4200	120	4000	50000	70	—	1199 × 120 × 40
LN INDV D 1200 34 W-940	4058075522435	2 × 28W FL	34	3550	105	4000	50000	70	—	1199 × 120 × 40
LN INDV D 1500 25 W 3000 K	4058075109643	1 × 49W FL	25	3100	125	3000	50000	70	—	1488 × 120 × 40
LN INDV D 1500 25 W 4000 K	4058075109667	1 × 49W FL	25	3300	125	4000	50000	70	—	1488 × 120 × 40
LN INDV D 1500 25 W-940	4058075522459	1 × 49W FL	25	2800	110	4000	50000	70	—	1488 × 120 × 40
LN INDV D 1500 48 W 3000 K	4058075109681	2 × 49W FL	48	5300	110	3000	50000	70	—	1488 × 120 × 40
LN INDV D 1500 48 W 4000 K	4058075109704	2 × 49W FL	48	5700	120	4000	50000	70	—	1488 × 120 × 40
LN INDV D 1500 48 W-940	4058075522473	2 × 49W FL	48	4800	100	4000	50000	70	—	1488 × 120 × 40
LN INDV D 1200 34 W 3000 K DALI	4058075503946	2 × 28W FL	34	3800	110	3000	50000	70	DALI-2/loT	1199 × 120 × 40
LN INDV D 1200 34 W 4000 K DALI	4058075503960	2 × 28W FL	34	4200	125	4000	50000	70	DALI-2/loT	1199 × 120 × 40
LN INDV D 1200 34 W-4000 K ZBVR	4058075521902	2 × 28W FL	34	4200	125	4000	50000	70	Zigbee	1199 × 120 × 40
LN INDV D DALI 1500 25 W 3000 K	4058075108929	1 × 49W FL	25	3100	125	3000	50000	70	DALI-2	1488 × 120 × 40
LN INDV D DALI 1500 25 W 4000 K	4058075108943	1 × 49W FL	25	3300	125	4000	50000	70	DALI-2	1488 × 120 × 40
LN INDV D 1500 48 W 3000 K DALI	4058075503984	2 × 49W FL	48	5300	110	3000	50000	70	DALI-2/loT	1488 × 120 × 40
LN INDV D 1500 48 W 4000 K DALI	4058075504004	2 × 49W FL	48	5700	120	4000	50000	70	DALI-2/loT	1488 × 120 × 40
LN INDV D 1500 48 W-4000 K ZBVR	4058075521926	2 × 49W FL	48	5700	120	4000	50000	70	Zigbee	1488 × 120 × 40

¹ The ENEC certification applies exclusively to the switchable versions of the luminaire family, all other versions: DALI and emergency versions are exempt

² Flicker value < 5% for DALI versions

³ Except for 940 versions which have CRI > 90

⁴ Refer to www.ledvance.com/guarantee for precise conditions

⁵ t[h]: L70/B50 @ 25 °C (T_a)/t[h]: L80/B10 @ 25 °C (T_a)

LINEAR INDIVILED DIRECT EMERGENCY

Surface mounted luminaire for single luminaire or light line application with emergency lighting



Product name	EAN (GTIN)	Replacement for	W	lm	lm/W	K	L80 ²		L x W x H [mm] Ø x H [mm]
LN INDV D 1200 34 W 3000 K EM	4058075109520	2 x 28W FL	34	3800	110	3000	50000	70	1199 x 120 x 40
LN INDV D 1200 34 W 4000 K EM	4058075109544	2 x 28W FL	34	4200	120	4000	50000	70	1199 x 120 x 40
LN INDV D 1500 25 W 3000 K EM	4058075109568	1 x 49W FL	25	3100	125	3000	50000	70	1488 x 120 x 40
LN INDV D 1500 25 W 4000 K EM	4058075109582	1 x 49W FL	25	3300	125	4000	50000	70	1488 x 120 x 40
LN INDV D 1500 48 W 3000 K EM	4058075109803	2 x 49W FL	48	5300	110	3000	50000	70	1488 x 120 x 40
LN INDV D 1500 48 W 4000 K EM	4058075109827	2 x 49W FL	48	5700	120	4000	50000	70	1488 x 120 x 40

EMERGENCY LIGHTING PROPERTIES

Product name	Battery life in emergency operation mode	Type of emergency operation test	Type of emergency light operation	Luminous flux in emergency operation mode	Type of Battery
LN INDV D 1200 34 W 3000 K EM	3 h	Automatic	Maintained/Non-maintained	410 lm	LiFePO4
LN INDV D 1200 34 W 4000 K EM	3 h	Automatic	Maintained/Non-maintained	410 lm	LiFePO4
LN INDV D 1500 25 W 3000 K EM	3 h	Automatic	Maintained/Non-maintained	410 lm	LiFePO4
LN INDV D 1500 25 W 4000 K EM	3 h	Automatic	Maintained/Non-maintained	410 lm	LiFePO4
LN INDV D 1500 48 W 3000 K EM	3 h	Automatic	Maintained/Non-maintained	410 lm	LiFePO4
LN INDV D 1500 48 W 4000 K EM	3 h	Automatic	Maintained/Non-maintained	410 lm	LiFePO4

¹ Refer to www.ledvance.com/guarantee for precise conditions

² t[h]: L70/B50 @ 25 °C (T_a)/t[h]: L80/B10 @ 25 °C (T_a)

LINEAR INDIVILED DIRECT ACCESSORIES

Mounting accessories for LINEAR INDIVILED luminaires



1



2



3



4



5



6

- Suspension Kit:
1 x transparent 1.5 m cable 3 x 0.75 mm
+ 2 x Y wire suspension 1.5 m
- DALI Suspension Kit:
1 x transparent 1.5 m cable 5 x 0.75 mm
+ 2 x Y wire suspension 1.5 m
- Suspension Wire:
1 x Y wire suspension 1.5 m
- Through Wiring Kit:
3 x 1.5 mm with fast connector
- DALI Through Wiring Kit:
2 x 1.5 mm with fast connector



Product name	EAN (GTIN)	L x W x H [mm] Ø x H [mm]	MATERIAL	COLOR		No.
LN INDV Suspension Kit	4058075 133280	100 x 25	Steel	White	1	1
LN INDV DALI Suspension Kit	4058075 133303	100 x 25	Steel	White	1	2
LN INDV Suspension Wire	4058075 133327	1560 x 1 x 1	Steel	Steel	1	3
LN INDV Lightline Connector	4058075 133341	82 x 40 x 12	Steel	Steel	1	4
LN INDV 1200 Through Wiring Kit	4058075 158030	1250 x 20 x 7	Polycarbonate (PC)	Yellow	1	5
LN INDV 1500 Through Wiring Kit	4058075 133365	1560 x 20 x 7	Polycarbonate (PC)	Yellow	1	5
LN INDV DALI 1200 Through Wiring Kit	4058075 158016	1250 x 13 x 7	Polycarbonate (PC)	Yellow	1	6
LN INDV DALI 1500 Through Wiring Kit	4058075 157996	1560 x 13 x 7	Polycarbonate (PC)	Yellow	1	6

¹ Refer to www.ledvance.com/guarantee for precise conditions

The pictures shown in the catalog are for illustration purposes only. For information on size and color, please refer to the product table.

LINEAR LUMINAIRES

HIGH LEVELS OF COMFORT AND FLEXIBILITY

LINEAR SURFACE IP44 GEN 2



PERFORMANCE CLASS

Page 104

LINEAR SURFACE IP44
LINEAR SURFACE IP44 DALI¹
LINEAR SURFACE IP44 EM¹



IDEAL FOR SPECIAL APPLICATIONS WITH A HIGH DEGREE OF PROTECTION

- Robust IP44 and IK08 luminaire with integrated driver for surface and pendant mounting
- Replacement for traditional 2/14 W, 2/28 W, and 2/49 W versions
- Also available with 3-hour single battery on request (please note longer delivery time)

LINEAR ULTRA OUTPUT



PERFORMANCE CLASS

Page 106

LINEAR ULTRA OUTPUT
LINEAR ULTRA OUTPUT EMERGENCY



EXCELLENT LIGHT OUTPUT

- Replacement of conventional T8 luminaires: equivalent to 1/36 W, 2/36 W, 1/58 W, 2/58 W and 2 x 80 W depending on the version
- Robust housing with IK08
- Easy and time saving installation

LINEAR COMPACT



VALUE CLASS

Page 108

LINEAR COMPACT SWITCH
LINEAR COMPACT HIGH OUTPUT
LINEAR COMPACT BATTEN



COMPACT AND VERSATILE

- Flexible strip lighting versions possible, plug-in (HIGH OUTPUT and SWITCH) or with wiring (BATTEN)
- Many options for fast and flexible mounting through extensive accessories
- High luminous flux of up to 2 500 lm

LINEAR MAGNETIC BATTEN T5



Page 110



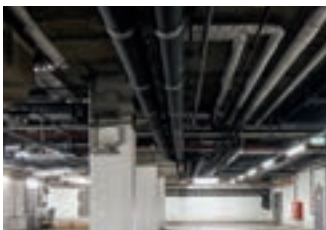
LED LUMINAIRE INSERT: SIMPLY BRILLIANT

- Replacement-kit for modernizing existing metallic ceiling lights (T8 and T5 fluorescent tubes) to energy-saving LED technology
- Certified “Luminaire-in-a-Luminaire”
- Easy Mounting (hands-free, over-head) thanks to strong magnets and toolfree electrical connection

¹ Coming December 2022

WHICH LUMINAIRE IS SUITABLE FOR WHICH APPLICATION?

LINEAR SURFACE IP44 GEN 2



General lighting and special applications requiring a high degree of protection

LINEAR ULTRA OUTPUT



Industry, general lighting

LINEAR COMPACT



Cove lighting, shop and hospitality

LINEAR MAGNETIC BATTEN T5



Refurbishment of old T8 (and T5) fluorescent luminaires



LINEAR SURFACE IP44 GEN 2

Robust IP44 luminaires with direct light emission and integrated driver for surface applications, up to 137 lm/W



PRODUCT FEATURES

- Surface mounted luminaires with direct light emission
- Type of protection: IP44
- Impact resistance: IK08
- Available in 3 different lengths: 600 mm, 1200 mm and 1500 mm
- High luminous efficacy: up to 137 lm/W
- Through-wiring cable already installed
- Lifetime (L80/B10): 70 000 h (at 25 °C)
- White painted steel housing (like RAL 9003)
- Diffusor material: UV-stable polycarbonate
- End caps (made of polycarbonate) screwed to the housing

PRODUCT BENEFITS

- Low maintenance and low operational costs
- Cable entry on the back of the luminaire and on each end-caps for easy electrical connection
- Easy and quick installation
- Low flicker light thanks to special electronic control gear
- 5 years guarantee

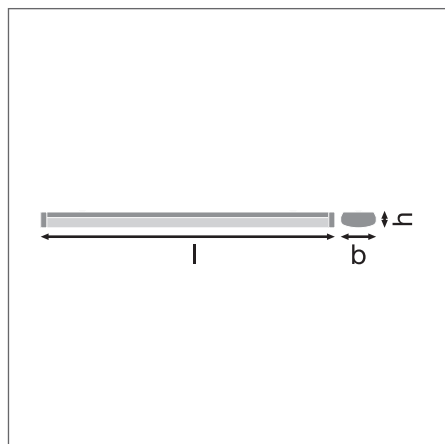
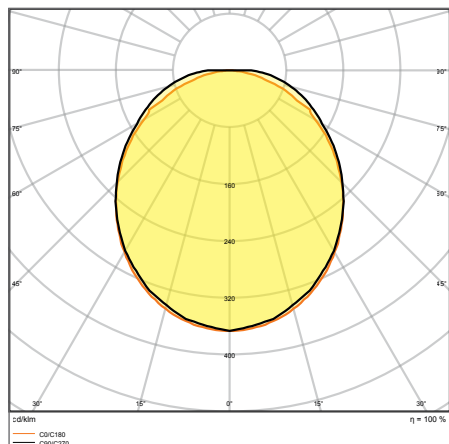
AREAS OF APPLICATION

- Efficient replacement for traditional T8 and T5 luminaires
- Public buildings
- General illumination
- Libraries, schools

EQUIPMENT / ACCESSORIES

- Equipped with through-wiring cables and connectors
- Tool-free cable strain reliefs included

FURTHER PRODUCT DETAILS



LN SF 1200 P 32W 840 WT IP44

The pictures shown in the catalog are for illustration purposes only. For information on size and color, please refer to the product table.

LINEAR SURFACE IP44 GEN 2

Robust IP44 luminaires with direct light emission and integrated driver for surface applications, up to 137 lm/W

PERFORMANCE
CLASSFLICKER
VALUE
<5%CRI
>80

IP44

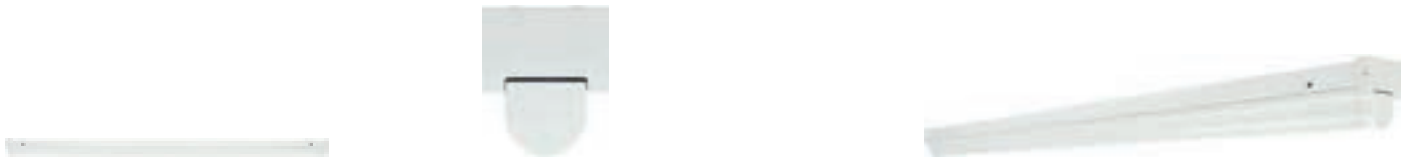
LEDVANCE¹
5 year
guarantee

Product name	EAN (GTIN)	Replacement for	W	lm	lm/W	K	L80 ²		L x W x H [mm] Ø x H [mm]
LN SF 600 P 18W 830 WT IP44	4058075733152	2 x 14W FL	18	2250	125	3000	70000	110	608 x 166 x 63
LN SF 600 P 18W 840 WT IP44	4058075733091	2 x 14W FL	18	2430	135	4000	70000	110	608 x 166 x 63
LN SF 1200 P 32W 830 WT IP44	4058075733176	2 x 28W FL	32	4160	130	3000	70000	110	1176 x 166 x 63
LN SF 1200 P 32W 840 WT IP44	4058075733114	2 x 28W FL	32	4384	137	4000	70000	110	1176 x 166 x 63
LN SF 1500 P 45W 830 WT IP44	4058075733190	2 x 49W FL	45	5850	130	3000	70000	110	1476 x 166 x 63
LN SF 1500 P 45W 840 WT IP44	4058075733138	2 x 49W FL	45	6165	137	4000	70000	110	1476 x 166 x 63

¹ Refer to www.ledvance.com/guarantee for precise conditions
² t[h]: L70/B50 @ 25 °C (T_a)/t[h]; L80/B10 @ 25 °C (T_a)

LINEAR ULTRA OUTPUT

Surface luminaire with high lumen output and high luminous efficacy



PRODUCT FEATURES

- Housing made of robust white sheet steel, end cap and opal diffuser made of polycarbonate (PC)
- Versions with luminous flux between 3500 and 7100 lm available
- Very high luminous efficacy: up to 125 lm/W
- Through-wiring possible
- Tool-free installation by push button terminal and simple click system of the diffuser

PRODUCT BENEFITS

- Replacement of conventional T8 luminaires: equivalent to 2/36 W, 1/58 W, 2/58 W and 2 × 80 W
- Robust structure with IK08
- Optional reflector accessory and multiple wiring possibilities for flexible applications
- Energy savings of up to 60 % compared to luminaires that use CFL
- 5 years guarantee

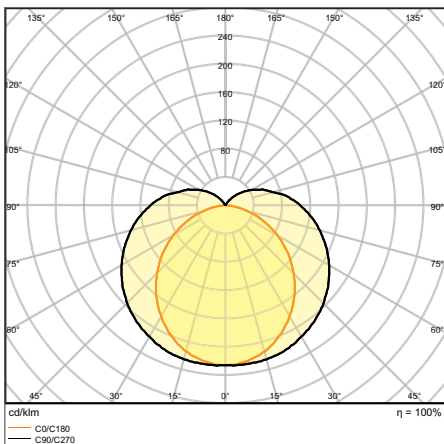
AREAS OF APPLICATION

- Direct replacement for luminaires with fluorescent lamps
- Indoor applications
- Industrial and commercial halls
- Public areas
- Corridors, stairwells, basements

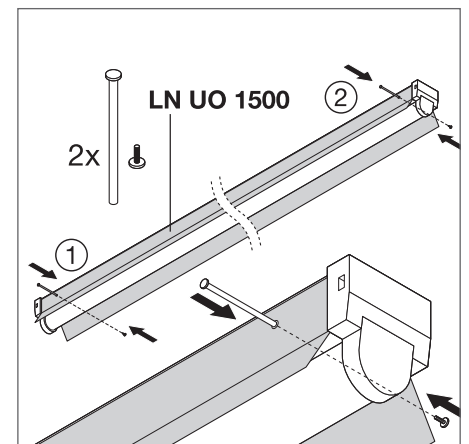
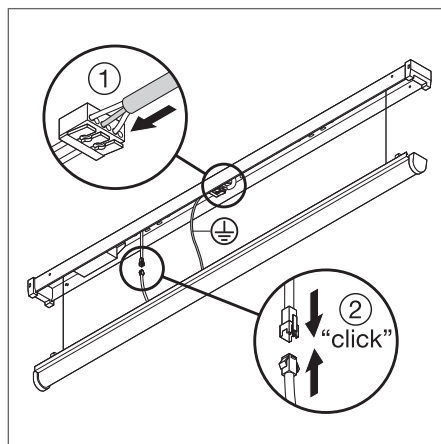
EQUIPMENT/ACCESSORIES

- Mounting screws and dowels included

FURTHER PRODUCT DETAILS



LN UO 1500 60 W 4000 K



LINEAR ULTRA OUTPUT

Surface luminaire with high luminous flux

PERFORMANCE CLASS



Product name	EAN (GTIN)	Replacement for	W	lm	lm/W	K	L70 ²		L x W x H [mm] Ø x H [mm]
LN UO 1200 25 W 3000 K	4058075479937	—	25	2850	115	3000	50000	110	1168 x 62 x 74
LN UO 1200 25 W 4000 K	4058075479951	—	25	2950	120	4000	50000	110	1168 x 62 x 74
LN UO 1200 33 W 3000 K	4058075122147	2 x 36W FL	33	3700	110	3000	50000	110	1168 x 62 x 74
LN UO 1200 33 W 4000 K	4058075122161	2 x 36W FL	33	4000	120	4000	50000	110	1168 x 62 x 74
LN UO 1500 30 W 4000 K	4058075122208	1 x 58W FL	30	3800	125	4000	50000	110	1458 x 62 x 74
LN UO 1500 46 W 4000 K	4058075122246	2 x 58W FL	46	5500	120	4000	50000	110	1458 x 62 x 74
LN UO 1500 60 W 4000 K	4058075122284	2 x 80W FL	60	7100	120	4000	50000	110	1458 x 62 x 74

LINEAR ULTRA OUTPUT EMERGENCY

Surface luminaire with high luminous flux and integrated emergency lighting function

PERFORMANCE CLASS



Product name	EAN (GTIN)	Replacement for	W	lm	lm/W	K	L70 ²		L x W x H [mm] Ø x H [mm]
LN UO EM 1200 25 W 3000 K	4058075515208	1 x 36W FL	25	2850	115	3000	50000	120	1168 x 62 x 74
LN UO EM 1200 25 W 4000 K	4058075515222	1 x 36W FL	25	2950	120	4000	50000	120	1168 x 62 x 74
LN UO EM 1200 33 W 3000 K	4058075515246	2 x 36W FL	33	3700	110	3000	50000	120	1168 x 62 x 74
LN UO EM 1200 33 W 4000 K	4058075515260	2 x 36W FL	33	4000	120	4000	50000	120	1168 x 62 x 74
LN UO EM 1500 30 W 3000 K	4058075515284	1 x 58W FL	30	3500	220	3000	50000	120	1458 x 62 x 74
LN UO EM 1500 30 W 4000 K	4058075515307	1 x 58W FL	30	3800	240	4000	50000	120	1458 x 62 x 74
LN UO EM 1500 46 W 3000 K	4058075515321	2 x 58W FL	46	5000	110	3000	50000	120	1458 x 62 x 74
LN UO EM 1500 46 W 4000 K	4058075515352	2 x 58W FL	46	5500	120	4000	50000	120	1458 x 62 x 74
LN UO EM 1500 60 W 3000 K	4058075515376	2 x 80W FL	60	6600	110	3000	50000	120	1458 x 62 x 74
LN UO EM 1500 60 W 4000 K	4058075515390	2 x 80W FL	60	7100	120	4000	50000	120	1458 x 62 x 74

EMERGENCY LIGHTING PROPERTIES

Product name	Battery life in emergency operation mode	Type of emergency operation test	Type of emergency light operation	Luminous flux in emergency operation mode	Type of Battery
LN UO EM 1200 25 W 3000 K	3 h	Automatic	Maintained/Non-maintained	370 lm	LiFePO4
LN UO EM 1200 25 W 4000 K	3 h	Automatic	Maintained/Non-maintained	370 lm	LiFePO4
LN UO EM 1200 33 W 3000 K	3 h	Automatic	Maintained/Non-maintained	370 lm	LiFePO4
LN UO EM 1200 33 W 4000 K	3 h	Automatic	Maintained/Non-maintained	370 lm	LiFePO4
LN UO EM 1500 30 W 3000 K	3 h	Automatic	Maintained/Non-maintained	370 lm	LiFePO4
LN UO EM 1500 30 W 4000 K	3 h	Automatic	Maintained/Non-maintained	370 lm	LiFePO4
LN UO EM 1500 46 W 3000 K	3 h	Automatic	Maintained/Non-maintained	370 lm	LiFePO4
LN UO EM 1500 46 W 4000 K	3 h	Automatic	Maintained/Non-maintained	370 lm	LiFePO4
LN UO EM 1500 60 W 3000 K	3 h	Automatic	Maintained/Non-maintained	370 lm	LiFePO4
LN UO EM 1500 60 W 4000 K	3 h	Automatic	Maintained/Non-maintained	370 lm	LiFePO4

¹ Refer to www.ledvance.com/guarantee for precise conditions² t[h]: L70/B50 @ 25 °C (T_a)/t[h]: L80/B10 @ 25 °C (T_a)

LINEAR COMPACT

Compact single or light line luminaire



PRODUCT FEATURES

- Housing made of durable polycarbonate
- High Output and Switch: fast and seamless connection up to a maximum of 10 luminaires per strip
- Batten: lighting strip with connection via the rear of the luminaire with up to 60 luminaires
- Up to 4 different lengths available
- Glow Wire Test according to IEC 60695-2-12: 850 °C

PRODUCT BENEFITS

- Flexible strip lighting versions possible, plug-in (High Output and Switch) or with wiring (Batten)
- Many options for fast and flexible mounting through extensive accessories
- High luminous flux up to 2 500 lm
- Low flicker light thanks to special electronic control gear
- 5 years guarantee

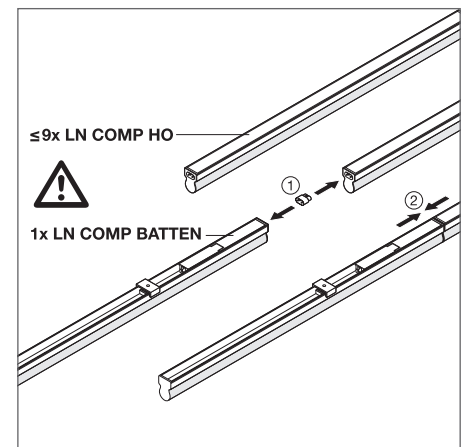
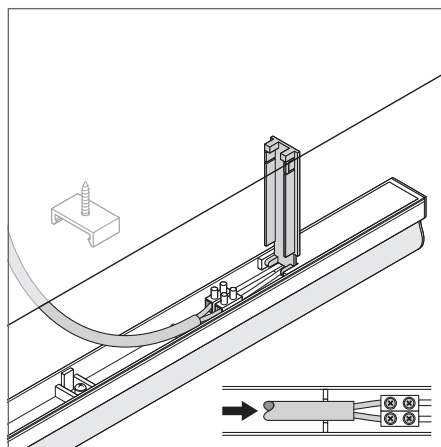
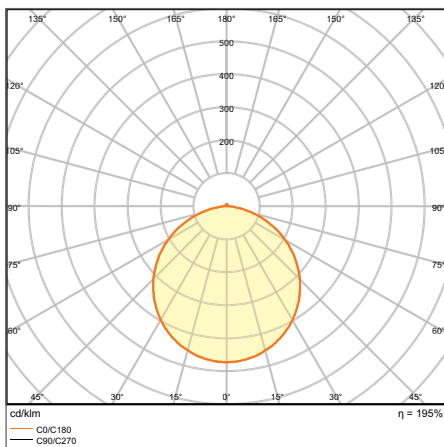
AREAS OF APPLICATION

- Direct replacement for luminaires with fluorescent lamps
- Indoor applications
- Accent lighting
- Public areas

EQUIPMENT / ACCESSORIES

- Equipped with power plug, cable connector and line adapter for connecting further luminaires*
- Mounting material for wall and ceiling installations included

FURTHER PRODUCT DETAILS



LN COMP Batten 1500 25 W 3000 K

*Applies only to Linear Compact HO and Switch
The pictures shown in the catalog are for illustration purposes only. For information on size and color, please refer to the product table.

LINEAR COMPACT SWITCH

Compact single or light line luminaire with switch

VALUE
CLASSFLICKER
VALUE
< 5%CRI
> 80

IP 20

LEDVANCE
5 year
guarantee

Product name	EAN (GTIN)	Replacement for	W	lm	lm/W	K	L70 ²		L x W x H [mm] Ø x H [mm]
LN COMP SWITCH 300 4 W 3000 K	4058075106079	1 x 9W FL	4	400	100	3000	50000	140	313 x 28 x 36
LN COMP SWITCH 300 4 W 4000 K	4058075106093	1 x 9W FL	4	450	110	4000	50000	140	313 x 28 x 36
LN COMP SWITCH 600 8 W 3000 K	4058075106116	1 x 18W FL	8	800	100	3000	50000	140	573 x 28 x 36
LN COMP SWITCH 600 8 W 4000 K	4058075106130	1 x 18W FL	8	800	100	4000	50000	140	573 x 28 x 36
LN COMP SWITCH 900 12 W 3000 K	4058075106192	1 x 30W FL	12	1200	100	3000	50000	140	873 x 28 x 36
LN COMP SWITCH 900 12 W 4000 K	4058075106215	1 x 30W FL	12	1200	100	4000	50000	140	873 x 28 x 36
LN COMP SWITCH 1200 14 W 3000 K	4058075106154	1 x 36W FL	14	1400	100	3000	50000	140	1173 x 28 x 36
LN COMP SWITCH 1200 14 W 4000 K	4058075106178	1 x 36W FL	14	1500	100	4000	50000	140	1173 x 28 x 36
LN COMP SWITCH 1500 17W/3000K	4058075683341	1 x 36W FL	17	1800	106	3000	50000	140	1473 x 28 x 36
LN COMP SWITCH 1500 17W/4000K	4058075683365	1 x 36W FL	17	1900	112	4000	50000	140	1473 x 28 x 36

LINEAR COMPACT HIGH OUTPUT

Compact single or light line luminaire with high luminous flux

VALUE
CLASSCRI
> 80

IP 20

LEDVANCE
5 year
guarantee

Product name	EAN (GTIN)	Replacement for	W	lm	lm/W	K	L70 ²		L x W x H [mm] Ø x H [mm]
LN COMP HO 600 10 W 3000 K	4058075106277	1 x 18W FL	10	1000	100	3000	50000	140	573 x 24 x 36
LN COMP HO 600 10 W 4000 K	4058075106291	1 x 18W FL	10	1000	100	4000	50000	140	573 x 24 x 36
LN COMP HO 900 15 W 3000 K	4058075106239	1 x 30W FL	15	1500	100	3000	50000	140	873 x 24 x 36
LN COMP HO 900 15 W 4000 K	4058075106253	1 x 30W FL	15	1500	100	4000	50000	140	873 x 24 x 36
LN COMP HO 1200 20 W 3000 K	4058075106314	1 x 36W FL	20	2000	100	3000	50000	140	1173 x 24 x 36
LN COMP HO 1200 20 W 4000 K	4058075106338	1 x 36W FL	20	2000	100	4000	50000	140	1173 x 24 x 36
LN COMP HO 1500 25 W 3000 K	4058075106352	1 x 58W FL	25	2500	100	3000	50000	140	1473 x 24 x 36
LN COMP HO 1500 25 W 4000 K	4058075106376	1 x 58W FL	25	2500	100	4000	50000	140	1473 x 24 x 36

LINEAR COMPACT BATTEN

Compact luminaires with a wiring on the back side

VALUE
CLASSCRI
> 80

IP 20

LEDVANCE
5 year
guarantee

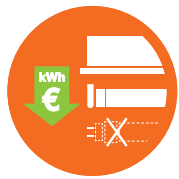
Product name	EAN (GTIN)	Replacement for	W	lm	lm/W	K	L70 ²		L x W x H [mm] Ø x H [mm]
LN COMP Batten 600 10 W 3000 K	4058075099692	1 x 18W FL	10	1000	100	3000	50000	140	575 x 27 x 38
LN COMP Batten 600 10 W 4000 K	4058075099715	1 x 18W FL	10	1000	100	4000	50000	140	575 x 27 x 38
LN COMP Batten 1200 20 W 3000 K	4058075099739	1 x 36W FL	20	2000	100	3000	50000	140	1175 x 27 x 38
LN COMP Batten 1200 20 W 4000 K	4058075099753	1 x 36W FL	20	2000	100	4000	50000	140	1175 x 27 x 38
LN COMP Batten 1500 25 W 3000 K	4058075099777	1 x 58W FL	25	2500	100	3000	50000	140	1475 x 27 x 38
LN COMP Batten 1500 25 W 4000 K	4058075099791	1 x 58W FL	25	2500	100	4000	50000	140	1475 x 27 x 38

¹ Refer to www.ledvance.com/guarantee for precise conditions | ² t[h]: L70/B50 @ 25 °C (T_a)/t[h]: L80/B10 @ 25 °C (T_a)

LINEAR MAGNETIC BATTEN T5

THE LUMINAIRE IN THE LUMINAIRE

Our portfolio of matching LED TUBE T5 AC find at: ledvance.com/tubes



If the luminaire cannot be removed from the ceiling, or if the customer does not dare to do a **CONVERSION** due to CE-conformity constrains, then a “luminaire-in-a-luminaire” **UPGRADE** is the solution.

Make new from old: LINEAR MAGNETIC BATTEN T5 is an innovative luminaire-insert for easy LED modernization of existing T8 (or T5) fluorescent-lamp based, metallic luminaires.

The upgrade can be carried out in no time at all, as LINEAR MAGNETIC BATTEN T5 is simply installed into the original luminaire housing via strong magnets and connect via a tool-free CONNECTOR BOX.

As a major benefit, the interior of the original luminaire remains mostly untouched, and even dismantling the existing luminaire from the ceiling can often be avoided.

As a perfect match, our extensive LEDVANCE LED TUBE T5 AC range is available as suitable light source family, providing the right lumen amount and light color for a wide range of applications.

FLEXIBLE AND EASY UPGRADE

Strong neodymium magnets for secure hold

CONNECTOR BOX with luminaire terminal

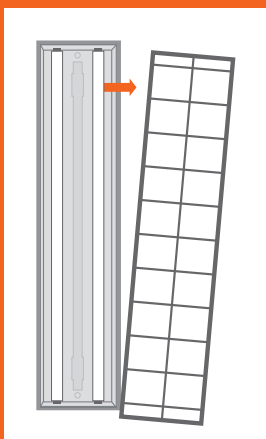


TOOL-FREE CONNECTION

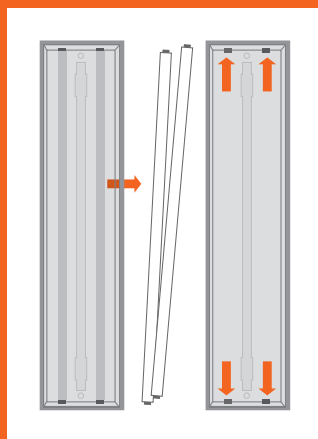
The electrical connection of the LINEAR MAGNETIC BATTEN T5 is also easy and time-saving. Thanks to the key terminal in the CONNECTOR BOX, the luminaire insert can be easily wired without tools.



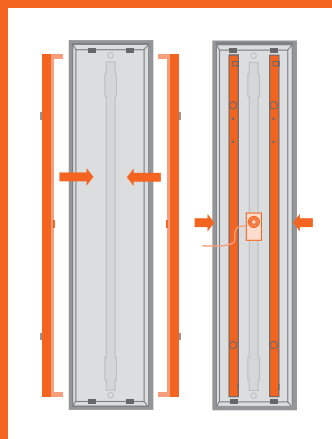
EXTREMELY EASY: INSTALLATION



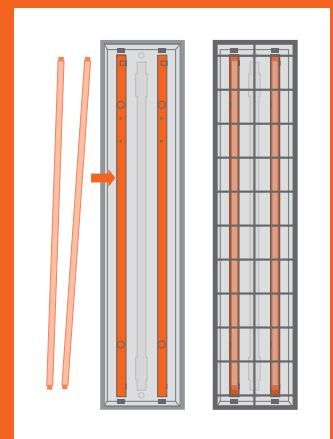
Remove louver from the luminaire



Remove old T8 fluorescent tube and disconnect power on the luminaire terminal



Insert LINEAR MAGNETIC BATTEN T5 with the help of the magnetic attachment and connect to power supply using the tool-free CONNECTOR BOX



Insert new LED TUBE T5 AC and louver. Done!

LINEAR MAGNETIC BATTEN T5

Luminaire-insert for upgrading existing metallic ceiling luminaires (T8 and T5 fluorescent) to energy-saving LED technology



* Illustrations non-binding

PRODUCT FEATURES

- Available in 4 lengths 568, 868, 1168, 1468 mm
- Luminaire-insert for accommodating a LED TUBE T5 AC 230 V
- Suitable for LED TUBE T5 AC, HE or HO, 830/840/865
- Strong Neodym-Magnets
- Connector Box 3-pole included

PRODUCT BENEFITS

- Upgrade without complete replacement of existing luminaires
- The old luminaires may remain installed on the ceiling during the upgrade process
- Control gear and wiring may remain in the old luminaire
- The easy replacement of the LED TUBE T5 AC allows you to participate in the progress of LED-technology over time
- Quick and easy upgrade solution

AREAS OF APPLICATION

- Offices and public buildings
- Supermarkets and department stores
- Industry
- Hallways, foyers, waiting areas

COMING SOON

LEDVANCE¹
5 year guarantee

Product name	EAN (GTIN)	L × W × H [mm] Ø × H [mm]	Suitable lamp (not included)	MATERIAL	COLOR
LN MAG BATTEN T5 568	4099854009723	568 × 25 × 45	LED TUBE T5 AC HE14 549 8W (830/840/865) LED TUBE T5 AC HO24 549 10W (830/840/865)	Steel	White
LN MAG BATTEN T5 868	4058075821798	868 × 25 × 45	LED TUBE T5 AC HE21 849 10W (830/840/865) LED TUBE T5 AC HO39 849 16W (830/840/865)	Steel	White
LN MAG BATTEN T5 1168	4099854009747	1168 × 25 × 45	LED TUBE T5 AC HE28 1149 16W (830/840/865) LED TUBE T5 AC HO54 1149 26W (830/840/865)	Steel	White
LN MAG BATTEN T5 1468	4099854009761	1468 × 25 × 45	LED TUBE T5 AC HE35 1449 18W (830/840/865) LED TUBE T5 AC HO49 1449 26W (830/840/865) LED TUBE T5 AC HO80 1449 36W (830/840/865)	Steel	White

LUMINAIRE AND LAMP FROM A SINGLE SOURCE

The LINEAR MAGNETIC BATTEN T5 does not come with an LED tube.
The LED TUBE T5 AC is a perfect match and is also available from LEDVANCE.


Find out more about the LEDVANCE LED TUBE T5 AC
at ledvance.com/tubes




¹ Refer to www.ledvance.com/guarantee for precise conditions

TRUNKING SYSTEMS


TRUSYS FLEX VERSUS TRUSYS


TRUSYS FLEX  **PAGE 114**




PERFORMANCE CLASS

- TRUSYS FLEX ON/OFF
- TRUSYS FLEX DALI
- TRUSYS FLEX EM
- (Coming December 2022)
- TRUSYS FLEX ENERGY RAIL
- TRUSYS FLEX ACCESSORIES




TRUSYS  **PAGE 124**



PERFORMANCE CLASS

- TRUSYS
- TRUSYS DALI
- TRUSYS ENERGY RAIL
- TRUSYS ACCESSORIES




Flexible from shop lighting to industrial applications, warehouses, factories, workshops	← APPLICATIONS →	Shop lighting, discounters, DIY stores
4000K, Tracklight spots, opal lens	← AVAILABLE OPTIONS →	3000, 4000 and 6500K
6000, 8600, 12100 lm (up to 175 lm/W) allow use in different heights	← AVAILABLE LUMEN VALUES →	Up to 7200 lm (up to 135 lm/W) for optimal lighting of merchandise in shops
Modern, simple, functional design, attractive white housing	← DESIGN →	High-quality attractive SCALE design, anodized aluminum housing
Very wide (VW): 120°, wide (W): 90°, narrow (N): 60°, very narrow (VN): 30°, double symmetric (DS): 2 × 30°	← BEAM ANGLE →	Wide (W): 105°, narrow (NFL): 25°, asymmetrical (WW): 45°, double asymmetrical (DA): 2 × 35°
Very simple and time-saving installation thanks to tool-free "Click & Place" system	← INSTALLATION →	Thanks to snap-in system and interior luminaire holders

For more detailed information about the TRUSYS and TRUSYS FLEX systems see the system data sheet at www.ledvance.com/professional



TRUSYS FLEX

Efficient trunking system for a wide range of applications



PRODUCT FEATURES

- Sheet steel housing, lens material: PMMA
- Lifetime (L80/B10): up to 76000 h (at 25 °C)
- Fixed luminaire taps
- Click into place solution with smart click buttons
- Emergency types are coming in DEC 2022

PRODUCT BENEFITS

- Economical thanks to high luminous efficacy of 175 lm/W
- Flexible application through a wide range of beam angles
- Easy and time saving installation, no tools required for connection
- New lens “Opal” with beam angle of 90°

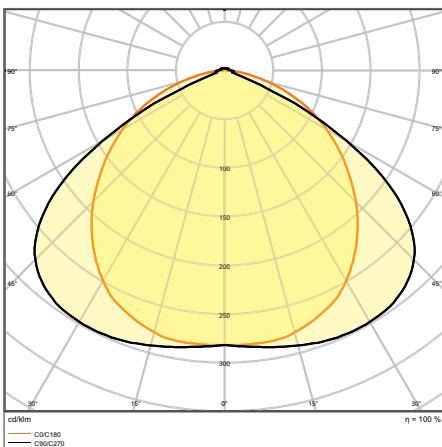
AREAS OF APPLICATION

- Direct replacement for luminaires with fluorescent lamps
- Industry halls, high rack warehouse, hardware stores
- Discounters, supermarkets

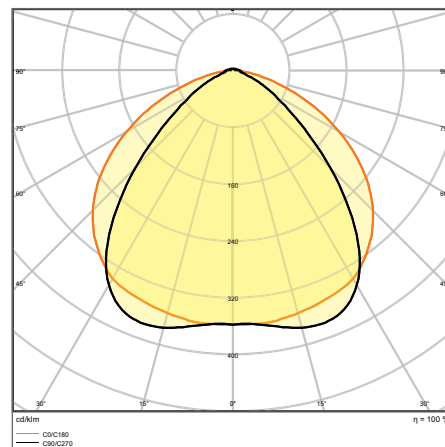
EQUIPMENT / ACCESSORIES

- Mounting rail with fixed integrated 5- and 8-pole cable

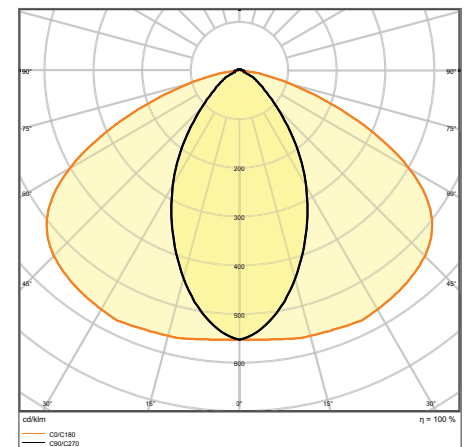
FURTHER PRODUCT DETAILS



TRUSYS FLEX VW 70W 4000K

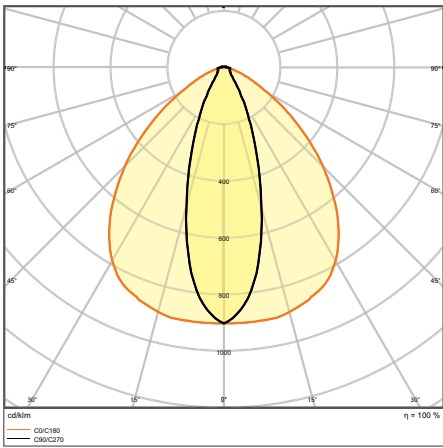


TRUSYS FLEX W 70W 4000K

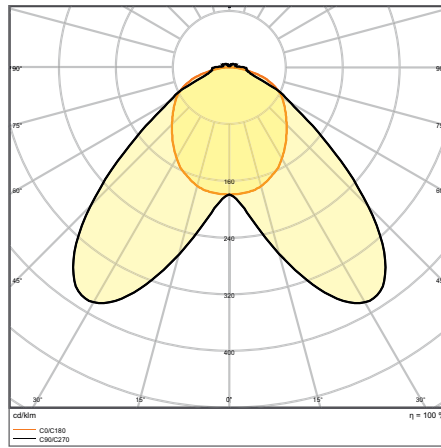


TRUSYS FLEX N 70W 4000K

FURTHER PRODUCT DETAILS



TRUSYS FLEX VN 70W 4000K





TRUSYS FLEX DS 70W 4000K

TRUSYS FLEX VERY WIDE

Luminaire inserts with very wide light distribution, up to 175 lm/W



PERFORMANCE CLASS  DALI VERSIONS   ¹ FLICKER VALUE ≤ 5%  IP40  ²

Product name	EAN (GTIN)	Replacement for	W	lm	lm/W	K	L70 ³			L x W x H [mm] Ø x H [mm]
TRUSYS FLEX P 35W 840 VW CL WT	4058075771017	2 x 49W FL	35	6000	175	4000	100000	120	—	1500 x 77.7 x 39.4
TRUSYS FLEX P 50W 840 VW CL WT	4058075771444	2 x 80W FL	50	8600	175	4000	100000	120	—	1500 x 77.7 x 39.4
TRUSYS FLEX P 70W 840 VW CL WT	4058075771840	3 x 80W FL	70	12100	175	4000	100000	120	—	1500 x 77.7 x 39.4
TRUSYS FLEX P 35W 840 VW CL WT DALI	4058075770799	2 x 49W FL	35	5700	175	4000	100000	120	DALI-2	1500 x 77.7 x 39.4
TRUSYS FLEX P 50W 840 VW CL WT DALI	4058075770911	2 x 80W FL	50	8600	175	4000	100000	120	DALI-2	1500 x 77.7 x 39.4
TRUSYS FLEX P 70W 840 VW CL WT DALI	4058075771055	3 x 80W FL	70	12100	175	4000	100000	120	DALI-2	1500 x 77.7 x 39.4

TRUSYS FLEX WIDE

Luminaire inserts with wide light distribution, up to 175 lm/W

PERFORMANCE CLASS  DALI VERSIONS   ¹ FLICKER VALUE ≤ 5%  IP40  ²

Product name	EAN (GTIN)	Replacement for	W	lm	lm/W	K	L70 ³			L x W x H [mm] Ø x H [mm]
TRUSYS FLEX P 35W 840 W CL WT	4058075771093	2 x 49W FL	35	6000	175	4000	100000	90	—	1500 x 77.7 x 39.4
TRUSYS FLEX P 50W 840 W CL WT	4058075771482	2 x 80W FL	50	8600	175	4000	100000	90	—	1500 x 77.7 x 39.4
TRUSYS FLEX P 70W 840 W CL WT	4058075771864	3 x 80W FL	70	12100	175	4000	100000	90	—	1500 x 77.7 x 39.4
TRUSYS FLEX P 35W 840 W CL WT DALI	4058075770812	2 x 49W FL	35	5800	175	4000	100000	90	DALI-2	1500 x 77.7 x 39.4
TRUSYS FLEX P 50W 840 W CL WT DALI	4058075770935	2 x 80W FL	50	8600	175	4000	100000	90	DALI-2	1500 x 77.7 x 39.4
TRUSYS FLEX P 70W 840 W CL WT DALI	4058075771079	3 x 80W FL	70	12100	175	4000	100000	90	DALI-2	1500 x 77.7 x 39.4










¹ Flicker value ≤ 10% for DALI versions

² Refer to www.ledvance.com/guarantee for precise conditions

³ t[h]: L70/B50 @ 25°C (T_a)/t[h]: L80/B10 @ 25°C (T_a)










TRUSYS FLEX WIDE OPAL

Luminaire inserts with wide light distribution and opal lens, up to 167 lm/W

Product name	EAN (GTIN)	Replacement for	        								L x W x H [mm] Ø x H [mm]
			W	lm	lm/w	K	L70 ³	°	°		
TRUSYS FLEX P 35W 840 W OP WT	4058075771406	2 x 49W FL	35	5800	167	4000	100000	90	—	—	1500 x 77.7 x 39.4
TRUSYS FLEX P 50W 840 W OP WT	4058075771826	2 x 80W FL	50	8300	167	4000	100000	90	—	—	1500 x 77.7 x 39.4
TRUSYS FLEX P 70W 840 W OP WT	4058075772090	3 x 80W FL	70	11700	167	4000	100000	90	—	—	1500 x 77.7 x 39.4
TRUSYS FLEX P 35W 840 W OP WT DALI	4058075770898	2 x 49W FL	35	5600	167	4000	100000	90	DALI-2	—	1500 x 77.7 x 39.4
TRUSYS FLEX P 50W 840 W OP WT DALI	4058075771031	2 x 80W FL	50	8300	167	4000	100000	90	DALI-2	—	1500 x 77.7 x 39.4
TRUSYS FLEX P 70W 840 W OP WT DALI	4058075771901	3 x 80W FL	70	11700	167	4000	100000	90	DALI-2	—	1500 x 77.7 x 39.4










TRUSYS FLEX NARROW

Luminaire inserts with narrow light distribution, up to 175 lm/W

Product name	EAN (GTIN)	Replacement for	        								L x W x H [mm] Ø x H [mm]
			W	lm	lm/w	K	L70 ³	°	°		
TRUSYS FLEX P 35W 840 N CL WT	4058075771307	2 x 49W FL	35	6000	175	4000	100000	60	—	—	1500 x 77.7 x 39.4
TRUSYS FLEX P 50W 840 N CL WT	4058075771574	2 x 80W FL	50	8600	175	4000	100000	60	—	—	1500 x 77.7 x 39.4
TRUSYS FLEX P 70W 840 N CL WT	4058075771888	3 x 80W FL	70	12100	175	4000	100000	60	—	—	1500 x 77.7 x 39.4
TRUSYS FLEX P 35W 840 N CL WT DALI	4058075770836	2 x 49W FL	35	5800	175	4000	100000	60	DALI-2	—	1500 x 77.7 x 39.4
TRUSYS FLEX P 50W 840 N CL WT DALI	4058075770959	2 x 80W FL	50	8600	175	4000	100000	60	DALI-2	—	1500 x 77.7 x 39.4
TRUSYS FLEX P 70W 840 N CL WT DALI	4058075771116	3 x 80W FL	70	12100	175	4000	100000	60	DALI-2	—	1500 x 77.7 x 39.4

TRUSYS FLEX VERY NARROW

Luminaire inserts with very narrow light distribution, up to 175 lm/W

Product name	EAN (GTIN)	Replacement for	        								L x W x H [mm] Ø x H [mm]
			W	lm	lm/w	K	L70 ³	°	°		
TRUSYS FLEX P 35W 840 VN CL WT	4058075771345	2 x 49W FL	35	6000	175	4000	100000	30	—	—	1500 x 77.7 x 39.4
TRUSYS FLEX P 50W 840 VN CL WT	4058075771604	2 x 80W FL	50	8600	175	4000	100000	30	—	—	1500 x 77.7 x 39.4
TRUSYS FLEX P 70W 840 VN CL WT	4058075771925	3 x 80W FL	70	12100	175	4000	100000	30	—	—	1500 x 77.7 x 39.4
TRUSYS FLEX P 35W 840 VN CL WT DALI	4058075770850	2 x 49W FL	35	5800	175	4000	100000	30	DALI-2	—	1500 x 77.7 x 39.4
TRUSYS FLEX P 50W 840 VN CL WT DALI	4058075770973	2 x 80W FL	50	8600	175	4000	100000	30	DALI-2	—	1500 x 77.7 x 39.4
TRUSYS FLEX P 70W 840 VN CL WT DALI	4058075771130	3 x 80W FL	70	12100	175	4000	100000	30	DALI-2	—	1500 x 77.7 x 39.4

¹ Flicker value ≤ 10% for DALI versions

² Refer to www.ledvance.com/guarantee for precise conditions

³ t[h]: L70/B50 @ 25°C (T_a)/t[h]; L80/B10 @ 25°C (T_a)

TRUSYS FLEX DOUBLE SYMMETRIC

Luminaire inserts with double symmetric light distribution, up to 175 lm/W



Product name	EAN (GTIN)	Replacement for	W	lm	lm/w	K	L70 ³	Beam angle	Beam spread	L x W x H [mm] Ø x H [mm]
TRUSYS FLEX P 35W 840 DS CL WT	4058075771383	2 x 49W FL	35	6000	175	4000	100000	2 x 30	—	1500 x 77.7 x 39.4
TRUSYS FLEX P 50W 840 DS CL WT	4058075771802	2 x 80W FL	50	8600	175	4000	100000	2 x 30	—	1500 x 77.7 x 39.4
TRUSYS FLEX P 70W 840 DS CL WT	4058075771994	3 x 80W FL	70	12100	175	4000	100000	2 x 30	—	1500 x 77.7 x 39.4
TRUSYS FLEX P 35W 840 DS CL WT DALI	4058075770874	2 x 49W FL	35	5700	175	4000	100000	2 x 30	DALI-2	1500 x 77.7 x 39.4
TRUSYS FLEX P 50W 840 DS CL WT DALI	4058075770997	2 x 80W FL	50	8600	175	4000	100000	2 x 30	DALI-2	1500 x 77.7 x 39.4
TRUSYS FLEX P 70W 840 DS CL WT DALI	4058075771154	3 x 80W FL	70	12100	175	4000	100000	2 x 30	DALI-2	1500 x 77.7 x 39.4

¹ Flicker value ≤ 10% for DALI versions

² Refer to www.ledvance.com/guarantee for precise conditions

³ t[h]: L70/B50 @ 25°C (T_a)/t[h]; L80/B10 @ 25°C (T_a)

TRUSYS FLEX ENERGY RAIL 5-POLE

Trunking system 5-pole mounting energy rail



PRODUCT FEATURES

- Through-wired with 5-core cable
- Different lengths available
- Electrical connection internal at the first luminaire, no external connection unit required
- Steel-sheet housing
- End rail without electrical and mechanical connectors

PRODUCT BENEFITS

- Simple installation
- High flexibility thanks to two available lengths (1 500 mm, 3 000 mm, 4 500 mm and 1 500 mm end rail)

AREAS OF APPLICATION

- Industry halls, high rack warehouse, hardware stores

EQUIPMENT / ACCESSORIES

- Various accessories available as an optional accessory

PERFOR-
MANCE
CLASS



Product name	EAN (GTIN)	L x W x H [mm] Ø x H [mm]	MATERIAL	COLOR
TRUSYS FLEX P RAIL 1500 5P WT	4058075 781672	1650 x 70.2 x 38.8	Steel	White
TRUSYS FLEX P RAIL 1500 5P END WT	4058075 781733	1500 x 70.2 x 38.8	Steel	White
TRUSYS FLEX P RAIL 3000 5P WT	4058075 781757	3150 x 70.2 x 38.8	Steel	White
TRUSYS FLEX P RAIL 4500 5P WT	4058075 793156	4650 x 70.2 x 38.8	Steel	White

¹ Refer to www.ledvance.com/guarantee for precise conditions

The pictures shown in the catalog are for illustration purposes only. For information on size and color, please refer to the product table.

TRUSYS FLEX ENERGY RAIL 8-POLE

Trunking system 8-pole mounting energy rail



PRODUCT FEATURES

- Through-wired with 8-core cable
- Different lengths available
- Electrical connection internal at the first luminaire, no external connection unit required
- Steel-sheet housing
- End rail without electrical and mechanical connectors

PRODUCT BENEFITS

- Simple installation
- High flexibility thanks to two available lengths (1 500 mm, 3 000 mm, 4 500 mm and 1 500 mm end rail)

AREAS OF APPLICATION

- Industry halls, high rack warehouse, hardware stores

EQUIPMENT / ACCESSORIES

- Various accessories available as an optional accessory

PERFOR-
MANCE
CLASS



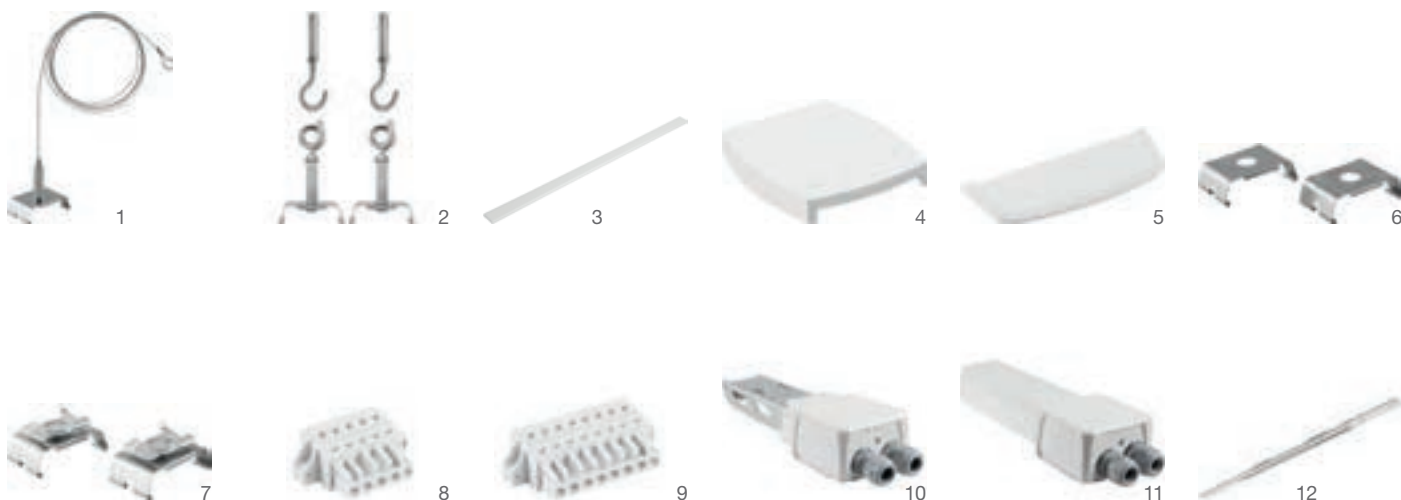
Product name	EAN (GTIN)	L x W x H [mm] Ø x H [mm]	MATERIAL	COLOR
TRUSYS FLEX P RAIL 1500 8P WT	4058075 781696	1650 x 70.2 x 38.8	Steel	White
TRUSYS FLEX P RAIL 1500 8P END WT	4058075 781719	1500 x 70.2 x 38.8	Steel	White
TRUSYS FLEX P RAIL 3000 8P WT	4058075 781771	3150 x 70.2 x 38.8	Steel	White
TRUSYS FLEX P RAIL 4500 8P WT	4058075 793170	4650 x 70.2 x 38.8	Steel	White

¹ Refer to www.ledvance.com/guarantee for precise conditions

The pictures shown in the catalog are for illustration purposes only. For information on size and color, please refer to the product table.

TRUSYS FLEX ACCESSORIES

Trunking system accessories



- Suspension Kit: for mounting rail, set of two adjustable suspension systems
- Chain Kit: set of two mounting brackets and chain hooks
- Blind cover: cover for the mounting rail sections with-out mounted luminaire, including optional side covers for luminaire inserts
- End Cap Energy rail: clickable endcap for the mounting rail
- Surface Clip: set of two mounting clips
- Grid Ceiling Clip: mounting clip for surface mounting on grid ceilings
- Feed-in Connector: feed-in 5- and 8-poles connector
- Feed-in Box: connector box 5- and 8-pole
- Feed-out Box: connector box 5- and 8-pole
- Spot Track 1500: 150 cm insert with a 90 cm track rail in powergear layout, suitable for LEDVANCE Trackspots, up to 3 track spots can be installed



Product name	EAN (GTIN)	L x W x H [mm] Ø x H [mm]	MATERIAL	COLOR	Light No.
TRUSYS FLEX SUSPENSION KIT	4058075781795	58 x 35 x 65	Steel	Silver	1
TRUSYS FLEX CHAIN KIT	4058075781818	90 x 28 x 10	Steel	Silver	2
TRUSYS FLEX BLIND COVER WT	4058118270828	1500 x 70 x 21	Polycarbonate (PC)	White	3
TRUSYS FLEX END CAP RAIL WT	4058075781856	78 x 72 x 19	Polycarbonate (PC)	White	4
TRUSYS FLEX END CAP LOW RAIL WT	4058075781870	57 x 72 x 19	Polycarbonate (PC)	White	5
TRUSYS FLEX SURFACE CLIP	4058075781894	57 x 35 x 18	Steel	Silver	6
TRUSYS FLEX GRID CEILING CLIP	4058075781917	57 x 35 x 26	Steel	Silver	7
TRUSYS FLEX FEED IN 5P	4058075781931	39 x 27 x 14	Polyamid (PA)	White	8
TRUSYS FLEX FEED IN 8P	4058075781955	54 x 27 x 14	Polyamid (PA)	White	9
TRUSYS FLEX FEED IN BOX 5P WT	4058075781979	272 x 92 x 58	Steel/Polycarbonate (PC)	White	10
TRUSYS FLEX FEED IN BOX 8P WT	4058075781993	27 x 92 x 582	Steel/Polycarbonate (PC)	White	10
TRUSYS FLEX FEED OUT BOX 5P WT	4058075782013	296 x 92 x 58	Steel/Polycarbonate (PC)	White	11
TRUSYS FLEX FEED OUT BOX 8P WT	4058075782037	296 x 92 x 58	Steel/Polycarbonate (PC)	White	11
TRUSYS FLEX SPOT TRACK 1500 WT	4058075782051	1500 x 70 x 15.2	Aluminum	White	12

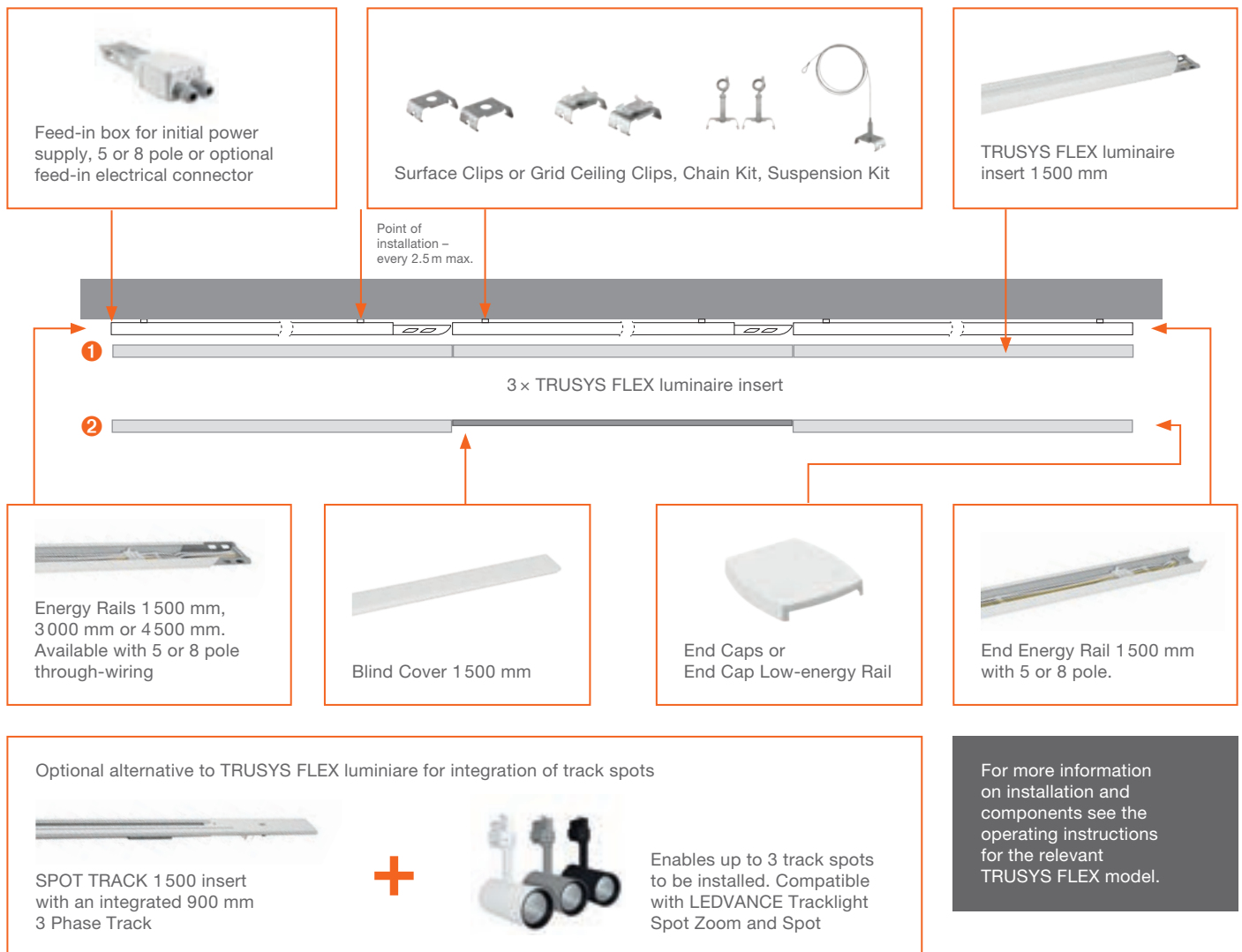
¹ Refer to www.ledvance.com/guarantee for precise conditions

The pictures shown in the catalog are for illustration purposes only. For information on size and color, please refer to the product table.

OUR CHECKLIST FOR YOUR PERFECT TRUSYS FLEX SOLUTION

Example installation: So you can install a tailor-made TRUSYS FLEX lighting system for your customers we have put together a summary of the components you'll need for individual luminaires or strip lighting. With appropriate accessories depending on the type of mounting (surface or suspended). For simple strip lighting the mechanical and electrical connectors are already integrated in the trunking.

TRUSYS FLEX INSTALLATION ① WITHOUT AND ② WITH BLIND COVER



FOR INSTALLATION YOU WILL NEED:

- 1 x TRUSYS FLEX Feed-in Box/Feed-in electrical connector (5 or 8 pole)
- X x TRUSYS FLEX Energy Rail 5 or 8 pole
- 1 x TRUSYS FLEX End Energy Rail
- X x TRUSYS FLEX LED luminaire insert (TRUSYS FLEX Blind Cover as required)
- X x TRUSYS FLEX Spot Track 1500 insert (optional)
- X x Accessories depending on type of mounting (surface or suspended)
- 1 x Set TRUSYS FLEX End Cap Energy Rail or End Cap Low-energy Rail



TRUSYS FLEX REQUIREMENTS TABLE

Requirements table for sample strip lighting when allocating luminaire inserts to every second insert adapter (50 %) or every third insert adapter (33 %) on the mounting rails (Energy Rail). Additional configurations are of course also possible, for example with no insert adapters (100 %). For a precise light planning for your project, please contact your sales representative.



50 %								
Length of strip lighting	TRUSYS FLEX luminaire insert	Blind cover	3 m rail	1.5 m rail	End rail	Min. installation points ¹	Feed-in	End caps
4.5 m	2	1	1	0	1	2	1	2
7.5 m	3	2	2	0	1	3	1	2
10.5 m	4	3	3	0	1	4	1	2
13.5 m	5	4	4	0	1	5	1	2
16.5 m	6	5	5	0	1	6	1	2
19.5 m	7	6	6	0	1	7	1	2
22.5 m	8	7	7	0	1	8	1	2
25.5 m	9	8	8	0	1	9	1	2
28.5 m	10	9	9	0	1	10	1	2
31.5 m	11	10	10	0	1	11	1	2
34.5 m	12	11	11	0	1	12	1	2
37.5 m	13	12	12	0	1	13	1	2
40.5 m	14	13	13	0	1	14	1	2
43.5 m	15	14	14	0	1	15	1	2
46.5 m	16	15	15	0	1	16	1	2
49.5 m	17	16	16	0	1	17	1	2

33 %								
Length of strip lighting	TRUSYS FLEX luminaire insert	Blind cover	3 m rail	1.5 m rail	End rail	Min. installation points ¹	Feed-in	End caps
6.0 m	2	2	1	1	1	3	1	2
10.5 m	3	4	3	0	1	4	1	2
15.0 m	4	6	4	1	1	6	1	2
19.5 m	5	8	5	0	1	7	1	2
24.0 m	6	10	7	1	1	9	1	2
28.5 m	7	12	9	0	1	10	1	2
33.0 m	8	14	10	1	1	12	1	2
37.5 m	9	16	12	0	1	13	1	2
42.0 m	10	18	13	1	1	15	1	2
46.5 m	11	20	15	0	1	16	1	2
51.0 m	12	22	16	1	1	18	1	2

 Luminaire insert 1 500 mm

 Blind cover 1 500 mm

All figures mentioned are based on a single installation; deviations from the content possible as per EAN. For precise light planning for your project, please contact your sales representative.
¹ Calculation based on a distance of 0.75 m from the start and end of the rail to the first and last installation point. Additional installation points every 3 m max.



TRUSYS

High quality trunking system for a wide range of applications



PRODUCT FEATURES

- Luminaire carrier made of high-quality aluminum
- Lifetime (L80/B10): up to 50 000 h (at 25 °C)
- Fixed energy taps for electrical connection
- Mounting clips not visible after installation

PRODUCT BENEFITS

- Luminous efficacy: up to 135 lm/ W
- Innovative optical design with a rod lense-technology over the entire length of the luminaire
- Rows of up to 81 luminaires and a overall length of 124 m possible
- Energy savings of up to 65 % compared to luminaires with 2 x 80 W T5 lamps
- Flexible application through a wide range of beam angles including asymmetrical optics

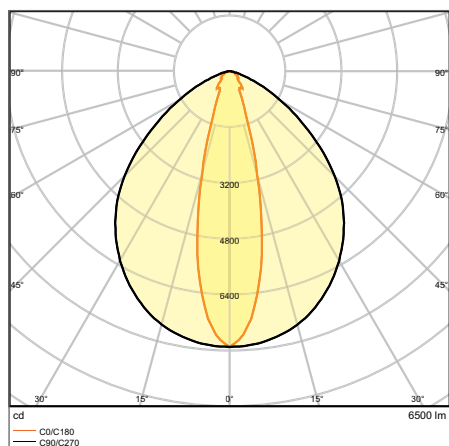
AREAS OF APPLICATION

- Direct replacement for luminaires with compact fluorescent lamps
- Industry halls, high rack warehouse, garages, hardware stores
- Discounters, supermarkets

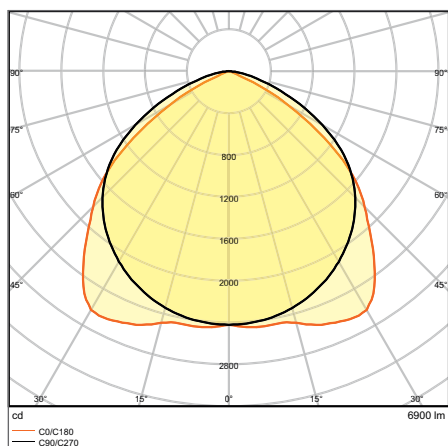
EQUIPMENT / ACCESSORIES

- Mounting rail with fixed integrated 5- (On-Off) / 7-pole (DALI) cable

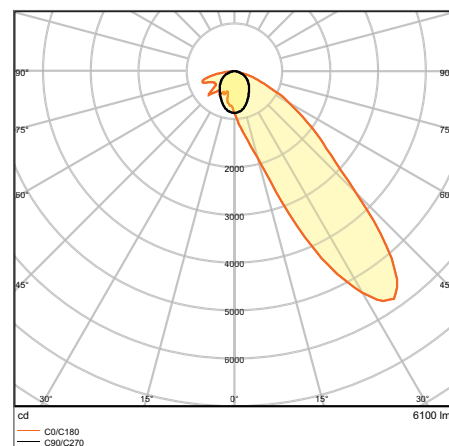
FURTHER PRODUCT DETAILS



TRUSYS 53 W 6500 K NFL

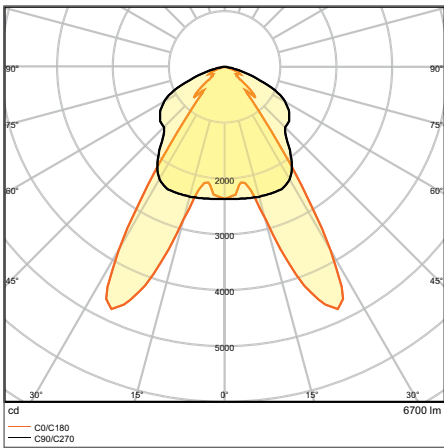


TRUSYS 53 W 6500 K W



TRUSYS 53 W 6500 K WW

FURTHER PRODUCT DETAILS



TRUSYS 53 W 6500 K DA

TRUSYS

Luminaire inserts for trunking system TruSys: ON/OFF and DALI



Product name	EAN (GTIN)	Replacement for	W	lm	lm/W	K	L80 ²	⊙	⊙	L × W × H [mm] ∅ × H [mm]
TruSys W 53 W 3000 K SI	4058075100459	2 × 80 W FL	53	6600	125	3000	50000	105	—	1534 × 71 × 53
TruSys W 53 W 4000 K SI	4058075100473	2 × 80 W FL	53	7200	135	4000	50000	105	—	1534 × 71 × 53
TruSys W 53 W 6500 K SI	4058075100497	2 × 80 W FL	53	6900	130	6500	50000	105	—	1534 × 71 × 53
TruSys NFL 53 W 3000 K SI	4058075100510	2 × 80 W FL	53	6200	115	3000	50000	25	—	1534 × 71 × 53
TruSys NFL 53 W 4000 K SI	4058075100534	2 × 80 W FL	53	6700	125	4000	50000	25	—	1534 × 71 × 53
TruSys NFL 53 W 6500 K SI	4058075100558	2 × 80 W FL	53	6500	125	6500	50000	25	—	1534 × 71 × 53
TruSys WW 53 W 3000 K SI	4058075100572	2 × 80 W FL	53	5700	110	3000	50000	45	—	1534 × 71 × 53
TruSys WW 53 W 4000 K SI	4058075100596	2 × 80 W FL	53	6300	120	4000	50000	45	—	1534 × 71 × 53
TruSys WW 53 W 6500 K SI	4058075100619	2 × 80 W FL	53	6100	115	6500	50000	45	—	1534 × 71 × 53
TruSys DA 53 W 3000 K SI	4058075100633	2 × 80 W FL	53	6400	120	3000	50000	2 × 35	—	1534 × 71 × 53
TruSys DA 53 W 4000 K SI	4058075100657	2 × 80 W FL	53	6900	130	4000	50000	2 × 35	—	1534 × 71 × 53
TruSys DA 53 W 6500 K SI	4058075100671	2 × 80 W FL	53	6700	125	6500	50000	2 × 35	—	1534 × 71 × 53
TruSys W 53 W 3000 K SI DALI	4058075102460	2 × 80 W FL	53	6600	125	3000	50000	105	DALI-2	1534 × 71 × 53
TruSys W 53 W 4000 K SI DALI	4058075102484	2 × 80 W FL	53	7200	135	4000	50000	105	DALI-2	1534 × 71 × 53
TruSys W 53 W 6500 K SI DALI	4058075102507	2 × 80 W FL	53	6900	130	6500	50000	105	DALI-2	1534 × 71 × 53
TruSys NFL 53 W 3000 K SI DALI	4058075102521	2 × 80 W FL	53	6200	115	3000	50000	25	DALI-2	1534 × 71 × 53
TruSys NFL 53 W 4000 K SI DALI	4058075102545	2 × 80 W FL	53	6700	125	4000	50000	25	DALI-2	1534 × 71 × 53
TruSys NFL 53 W 6500 K SI DALI	4058075102569	2 × 80 W FL	53	6500	125	6500	50000	25	DALI-2	1534 × 71 × 53
TruSys WW 53 W 3000 K SI DALI	4058075102583	2 × 80 W FL	53	5700	110	3000	50000	45	DALI-2	1534 × 71 × 53
TruSys WW 53 W 4000 K SI DALI	4058075102606	2 × 80 W FL	53	6300	120	4000	50000	45	DALI-2	1534 × 71 × 53
TruSys WW 53 W 6500 K SI DALI	4058075102620	2 × 80 W FL	53	6100	115	6500	50000	45	DALI-2	1534 × 71 × 53
TruSys DA 53 W 3000 K SI DALI	4058075102644	2 × 80 W FL	53	6400	120	3000	50000	2 × 35	DALI-2	1534 × 71 × 53
TruSys DA 53 W 4000 K SI DALI	4058075102668	2 × 80 W FL	53	6900	130	4000	50000	2 × 35	DALI-2	1534 × 71 × 53
TruSys DA 53 W 6500 K SI DALI	4058075102682	2 × 80 W FL	53	6700	125	6500	50000	2 × 35	DALI-2	1534 × 71 × 53

¹ Refer to www.ledvance.com/guarantee for precise conditions
² t[h]: L70/B50 @ 25 °C (T_a)/t[h]; L80/B10 @ 25 °C (T_a)

TRUSYS

Trunking system – Energy rails



PRODUCT FEATURES

- High flexibility thanks to three available lengths (1 500 mm, 3000 mm, 4 500 mm)
- Simple installation
- Rigid housing made of aluminum
- Internal power supply at the first luminaire with separate feeder
- Through-wired with 5-pin or 7-pin cable

AREAS OF APPLICATION

- Industry halls, high rack warehouse, garages, hardware stores
- Discounters, supermarkets

EQUIPMENT / ACCESSORIES

- Various accessories available as an optional accessory

TRUSYS ENERGY RAILS

Mounting rails for trunking system TruSys



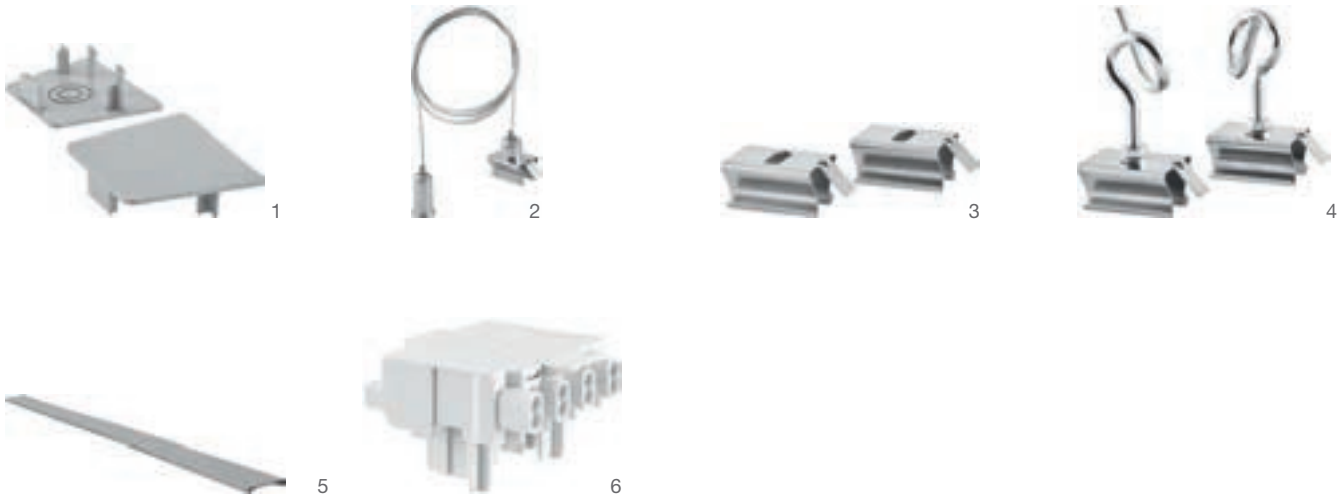
Product name	EAN (GTIN)	L x W x H [mm] Ø x H [mm]	MATERIAL	COLOR	
TruSys ENERGY RAIL 1500 5X2,5	4058075 100299	1535 x 67 x 44	Aluminum	Silver	1
TruSys ENERGY RAIL 3000 5X2,5	4058075 100312	3070 x 67 x 44	Aluminum	Silver	1
TruSys ENERGY RAIL 4500 5X2,5	4058075 100336	4605 x 67 x 44	Aluminum	Silver	1
TruSys ENERGY RAIL DALI 1500 7X2,5	4058075 103450	1535 x 67 x 44	Aluminum	Silver	1
TruSys ENERGY RAIL DALI 3000 7X2,5	4058075 103474	3068 x 67 x 44	Aluminum	Silver	1
TruSys ENERGY RAIL DALI 4500 7X2,5	4058075 103498	4601 x 67 x 44	Aluminum	Silver	1

¹ Refer to www.ledvance.com/guarantee for precise conditions

The pictures shown in the catalog are for illustration purposes only. For information on size and color, please refer to the product table.

TRUSYS

Trunking system – Accessories



- Suspension Kit:
wire suspension with bracket and
3 m steel cable
- Blind Cover: 1534 mm
- Electrical Connector:
for initial power supply



Product name	EAN (GTIN)	L × W × H [mm] ∅ × H [mm]	MATERIAL	COLOR	No.	No.
TruSys End Cap Energy Rail	4058075100411	12 × 67 × 47	Aluminum	Aluminum	2	1
TruSys Suspension Kit	4058075100350	3000 × — × —	Aluminum	Silver	2	2
TruSys Mounting Brackets	4058075100435	30 × 20 × 15	Aluminum	Aluminum	2	3
TruSys Chain Kit	4058075100374	44 × 40 × 55	Aluminum	Silver	2	4
TruSys Blind Cover	4058075100398	1534 × 67 × 12	Aluminum	Silver	1	5
TruSys Electrical Connector	4058075155565	42 × 41 × 29	Aluminum	White	1	6
TruSys Electrical Connector DALI	4058075155589	42 × 41 × 29	Aluminum	White	1	6

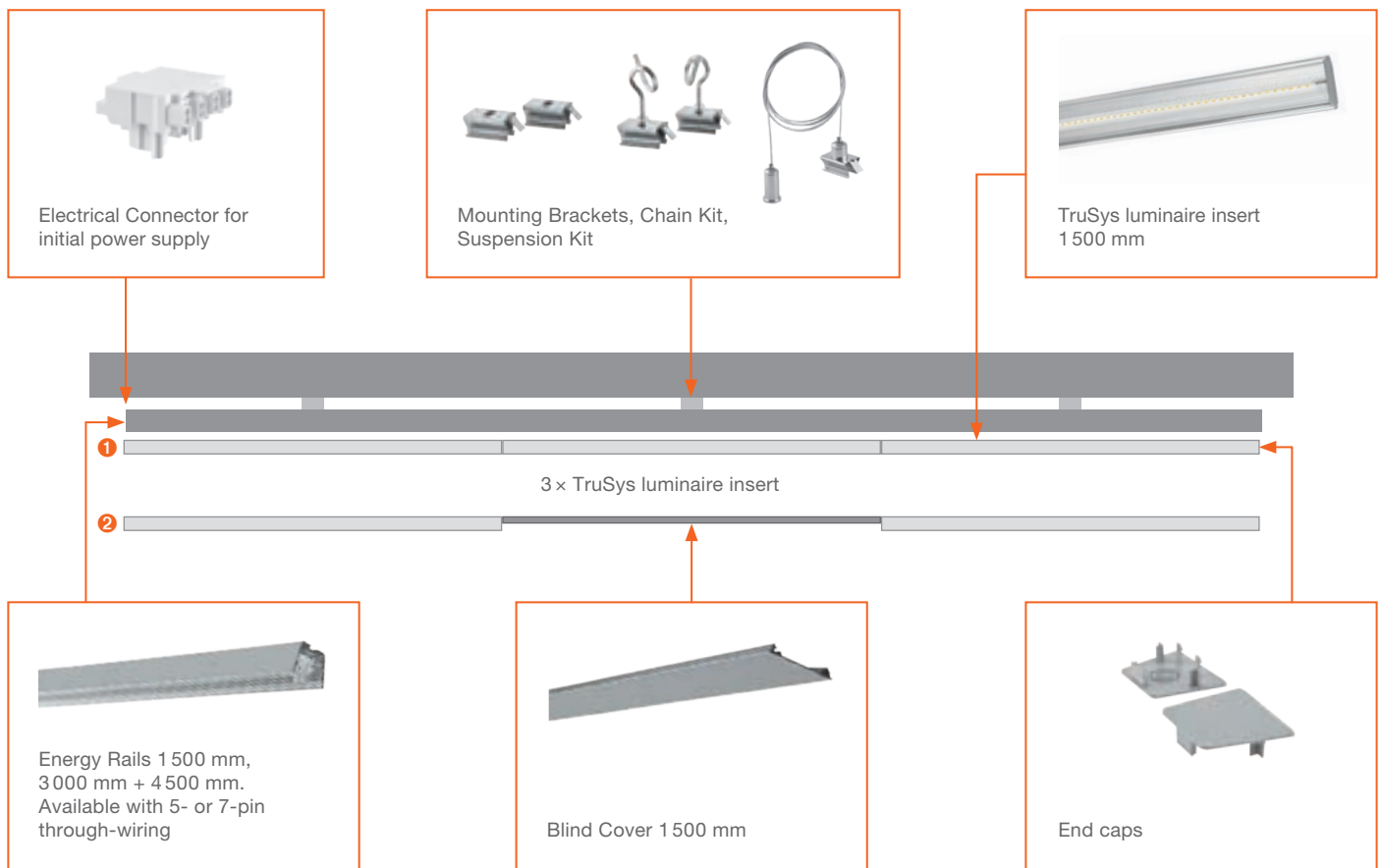
¹ Refer to www.ledvance.com/guarantee for precise conditions

The pictures shown in the catalog are for illustration purposes only. For information on size and color, please refer to the product table.

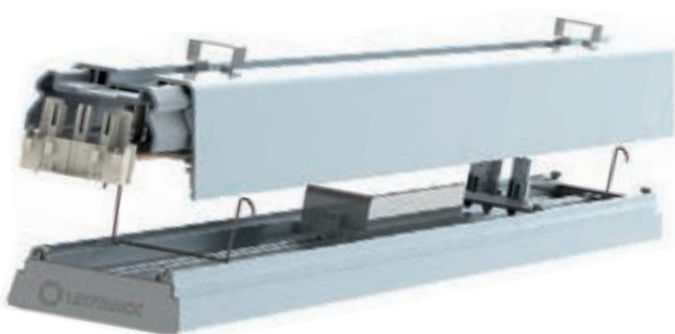
OUR CHECKLIST FOR YOUR PERFECT TRUSYS SOLUTION

Example installation: So you can install a tailor-made TruSys lighting system for your customers we have put together a summary of the components you'll need for individual luminaires or strip lighting. With appropriate accessories depending on the type of mounting (surface or suspended). For simple strip lighting the mechanical and electrical connectors are already integrated in the trunking.

TRUSYS INSTALLATION ❶ WITHOUT AND ❷ WITH BLIND COVER



For more information on installation and components see the operating instructions for the relevant TruSys model.



FOR INSTALLATION YOU WILL NEED:



- 1 x TruSys Electrical Connector (5 x 2.5 or 7 x 2.5)
- X x TruSys Energy Rail
- X x TruSys LED luminaire insert (TruSys Blind Cover as required)
- X x Accessories depending on type of mounting (surface or suspended)
- 1 x Set TruSys End Cap Energy Rail



TRUSYS REQUIREMENTS TABLE

Requirements table for sample strip lighting when allocating luminaire inserts to every second insert adapter (50 %) or every third insert adapter (33 %) on the mounting rails (Energy Rail).



50 %								
Length of strip lighting	TruSys luminaire insert	Blind cover	4.5 m rail	3 m rail	1.5 m rail	Min. installation points ¹	Feed-in adapter	End caps
4.5 m	2	1	1	0	1	2	1	2
7.5 m	3	2	1	1	0	3	1	2
10.5 m	4	3	2	0	1	4	1	2
13.5 m	5	4	3	0	0	5	1	2
16.5 m	6	5	3	1	0	6	1	2
19.5 m	7	6	4	0	1	7	1	2
22.5 m	8	7	5	0	0	8	1	2
25.5 m	9	8	5	1	0	9	1	2
28.5 m	10	9	6	0	1	10	1	2
31.5 m	11	10	7	0	0	11	1	2
34.5 m	12	11	7	1	0	12	1	2
37.5 m	13	12	8	0	1	13	1	2
40.5 m	14	13	9	0	0	14	1	2
43.5 m	15	14	9	1	0	15	1	2
46.5 m	16	15	10	0	1	16	1	2
49.5 m	17	16	11	0	0	17	1	2

33 %								
Length of strip lighting	TruSys luminaire insert	Blind cover	4.5 m rail	3 m rail	1.5 m rail	Min. installation points ¹	Feed-in adapter	End caps
6.0 m	2	2	1	0	1	3	1	2
10.5 m	3	4	2	0	1	4	1	2
15.0 m	4	6	3	0	1	6	1	2
19.5 m	5	8	4	0	1	7	1	2
24.0 m	6	10	5	0	1	9	1	2
28.5 m	7	12	6	0	1	10	1	2
33.0 m	8	14	7	0	1	12	1	2
37.5 m	9	16	8	0	1	13	1	2
42.0 m	10	18	9	0	1	15	1	2
46.5 m	11	20	10	0	1	16	1	2
51.0 m	12	22	11	0	1	18	1	2

Luminaire insert 1500 mm

Blind cover 1500 mm

All figures mentioned are based on a single installation; deviations from the content possible as per EAN. For precise light planning for your project, please contact your sales representative.
¹ Calculation based on a distance of 0.75 m from the start and end of the rail to the first and last installation point. Additional installation points every 3 m max.



DAMP-PROOF LUMINAIRES

FIRST-CLASS LIGHTING AND EASY INSTALLATION –
STANDING OUT IN DEMANDING ENVIRONMENTS



DAMP PROOF COMPACT GEN 1

- Easy access to the terminal thanks to the twist and lock mechanism on the end cap
- Movable mounting bracket over the full length allows use of old drill holes
- Fast rewiring thanks to integrated through-wiring



Page 134



DAMP PROOF COMPACT GEN 2

- Highly versatile due to available power select versions that allow 2 different lumen packages
- Easy access to electrical terminal thanks to end caps with twist and lock mechanism
- Tool-free electrical connection due to push button connector



Page 136



DAMP PROOF GEN 2

DAMP PROOF | DAMP PROOF DALI DAMP PROOF 5X THROUGHWIRING
DAMP PROOF EMERGENCY | DAMP PROOF SENSOR

- Wide range of applications (switchable, DALI, through-wired, battery for safety lighting)
- Flexible use through extensive mounting and suspension accessories (included)
- No risk of electrostatic discharge through integration of the LED module into the luminaire cover



Page 138



DAMP PROOF SPECIAL GEN 2

- Completely sealed for use in agricultural applications
- Also usable in uncovered outdoor areas
- Via the rotatable mounting the luminaire can be fixed in any position for optimal light steering



Page 144



DAMP PROOF HOUSING

DAMP PROOF HOUSING | DAMP PROOF HOUSING ACCESSORIES

- Sustainable solution thanks to replaceable lamps
- Prewired for easy installation of tubular AC LED lamps
- Robust housing



Page 146



DAMP PROOF SLIM VALUE

- Homogeneous quality of light with a wide beam angle
- Simple installation thanks to mounting clips that can be freely positioned on the luminaire
- Easy access to the terminal thanks to the snap-on mechanism on the end cap



Page 150



DAMP PROOF VALUE

- Uniform distribution of light
- Energy savings of up to 50 % (compared with luminaires that use fluorescent lamps)
- Easy installation and tool-free connection



Page 152

THE RIGHT DAMP-PROOF LUMINAIRE FOR EVERY OCCASION

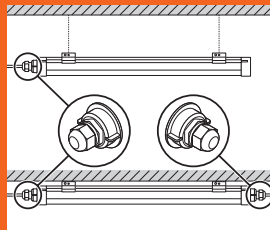
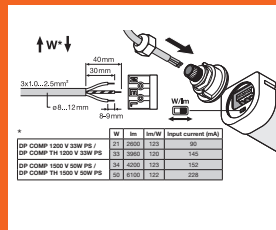
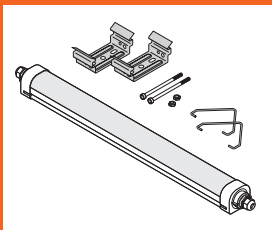
Discover now our broad portfolio which can be used for almost any standard application: In addition to classic versions, our range includes modern design luminaires – both in Performance Class and Value Class. There's also our Damp Proof Special with exceptional performance which is perfect for demanding environments.

OUR LEDVANCE DAMP PROOFS ARE EASY TO MOUNT

Damp Proof Compact



INSTALLATION IN NO TIME AT ALL USING THE DAMP PROOF COMPACT AS AN EXAMPLE



The end caps with their "Twist and Lock" mechanism allow for quick tool-free electrical connection.

THROUGH-WIRING OF DAMP PROOFS AT A GLANCE

	Material	Application	Lifetime ¹ Guarantee ²	One-sided connection	3 × 1.5 mm ² through-wiring preinstalled	5 × 2.5 mm ² through-wiring preinstalled	DALI	Lumen/power selection switch	Emergency lighting function
DP Special	PMMA		50 000 h L80 5 years		✓				
DP Compact Gen 1	PC, stainless steel		50 000 h L70 5 years		✓				
DP Compact Gen 2	PC, stainless steel		up to 50 000h L80 5 years	✓	✓		✓		
DP Slim Value	PC, stainless steel		30 000 h L70 3 years	✓	Through-wiring possible ³				
DP LED	PC, stainless steel		50 000 h L80 5 years	✓	Through-wiring possible ³	32 W 4 000 K 46 W 4 000 K ⁴	✓	81 W 4 000 K ⁵ 81 W 4 000 K ⁵	✓
DP VALUE	PC, stainless steel		50 000 h L70 3 years	✓	Through-wiring possible ³	Through-wiring possible ³			
DP Housing	PC, stainless steel		5 years	✓	Possible via separate kit	Possible via separate kit			

¹ t [h]: L70/B50 @ 25 °C (T_a) / t [h]: L80/B10 @ 25 °C (T_a) | ² For precise terms and conditions go to www.ledvance.com/guarantee | ³ The product is technically equipped for through-wiring. Additional components may be required. Please refer to the operating instructions for accessories included. | ⁴ Through-Wiring kit also available separately for standard DP Gen 2 products
⁵ 4 × lumen/powerselection

Other wiring & driver combinations are possible via special request for Damp Proof LED, VALUE and Housing.

DAMP PROOF COMPACT GEN 1

Damp-proof luminaire, through-wired (L, N, E)



PRODUCT FEATURES

- Polycarbonate housing with stainless steel mounting brackets and suspension and anti-theft kit
- Through-wiring cable 3 x 1.5 mm² already installed
- Type of protection: IP66
- Ambient temperature in operation: -30...+50 °C
- High luminous efficacy: up to 120 lm/W

PRODUCT BENEFITS

- Easy access to electrical terminal thanks end caps with twist and lock mechanism
- Movable mounting bracket over the full length allows use of old drill holes
- Fast rewiring thanks to integrated through-wiring
- Tool-free electrical connection due to push button connector
- 5 years guarantee

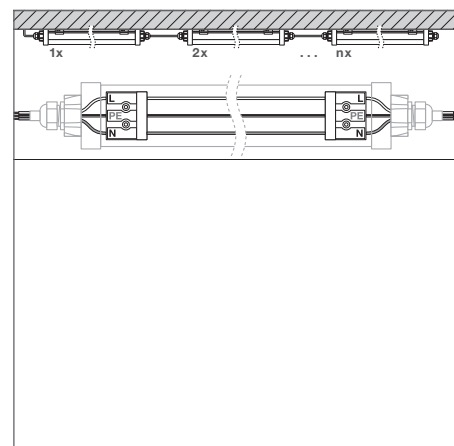
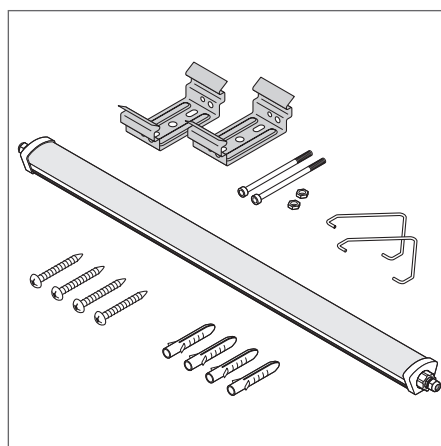
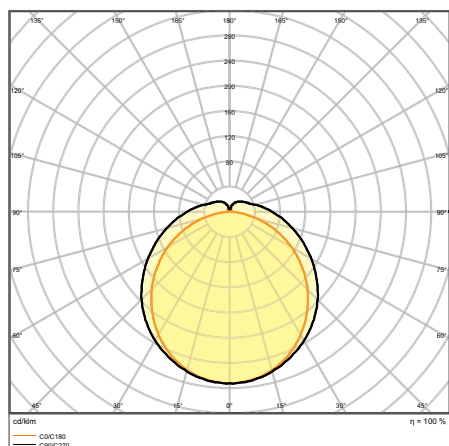
AREAS OF APPLICATION

- Industrial and storage facilities
- Car parks and underpasses
- Garages
- Workshops, assembly lines

EQUIPMENT / ACCESSORIES

- Stainless steel clamps with safety screws included
- Mounting accessories included (suspension kit, theft protection kit)

FURTHER PRODUCT DETAILS



DP COMPACT 1500 55 W 4000K IP66 GR

DAMP PROOF COMPACT GEN 1

Damp-proof luminaire, through-wired (L, N, E)



Product name	EAN (GTIN)	Replacement for								L x W x H [mm]	
			W	lm	lm/w	K	L80 ²		Ø x H [mm]		
DP COMPACT 1200 23W/3000K IP66 GR	4058075424227	1 x 36W FL	23	2600	115	3000	35000	120	1290 x 86 x 68		
DP COMPACT 1200 23 W 4000K IP66 GR	4058075210028	1 x 36W FL	23	2800	120	4000	35000	120	1290 x 86 x 68		
DP COMPACT 1200 44W/3000K IP66 GR	4058075424241	2 x 36W FL	44	5100	115	3000	35000	120	1290 x 86 x 68		
DP COMPACT 1200 44 W 4000K IP66 GR	4058075210042	2 x 36W FL	44	5400	120	4000	35000	120	1290 x 86 x 68		
DP COMPACT 1200 44 W 6500K IP66 GR	4058075210066	2 x 36W FL	44	5400	120	6500	35000	120	1290 x 86 x 68		
DP COMPACT 1500 31W/3000K IP66 GR	4058075424265	1 x 58W FL	31	3500	115	3000	35000	120	1590 x 86 x 68		
DP COMPACT 1500 31 W 4000K IP66 GR	4058075210080	1 x 58W FL	31	3800	120	4000	35000	120	1590 x 86 x 68		
DP COMPACT 1500 55W/3000K IP66 GR	4058075424289	2 x 58W FL	55	6300	115	3000	35000	120	1590 x 86 x 68		
DP COMPACT 1500 55 W 4000K IP66 GR	4058075210103	2 x 58W FL	55	6700	120	4000	35000	120	1590 x 86 x 68		
DP COMPACT 1500 55 W 6500K IP66 GR	4058075210127	2 x 58W FL	55	6700	120	6500	35000	120	1590 x 86 x 68		

¹ Refer to www.ledvance.com/guarantee for precise conditions

² t[h]: L70/B50 @ 25 °C (T_a)/t[h]; L80/B10 @ 25 °C (T_a)

DAMP PROOF COMPACT GEN 2

Modern damp-proof luminaires with lumen-switchable versions



PRODUCT FEATURES

- Power select option available to select between 2 lumen packages
- Versions with preinstalled 3 x 1.5 mm² through-wiring available
- Lifetime (L80/B10): up to 50 000 h (at 25 °C)
- High luminous efficacy: up to 123 lm/W
- Polycarbonate housing IP66 and IK08
- Beam angle: 120°

PRODUCT BENEFITS

- Highly versatile due to available power select versions that allow 2 different lumen packages
- Excellently usable in bigger installations due to preinstalled through-wiring (3 x 1.5 mm²)
- Easy access to electrical terminal thanks to end caps with twist and lock mechanism
- Tool-free electrical connection due to push button connector
- Evenly distributed light
- 5 years guarantee

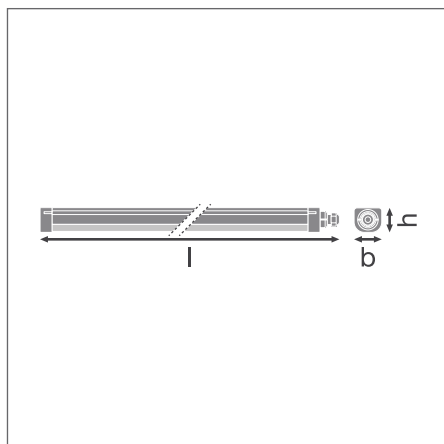
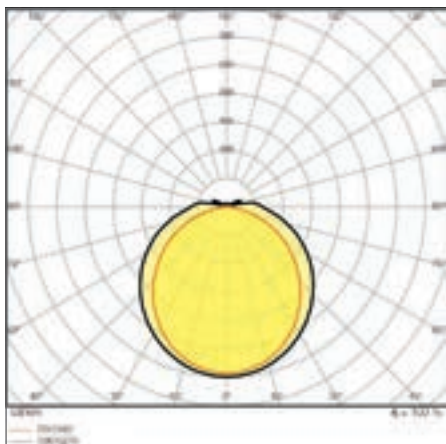
AREAS OF APPLICATION

- Industrial and storage facilities
- Car parks and underpasses
- Garages
- Workshops, assembly lines

EQUIPMENT / ACCESSORIES

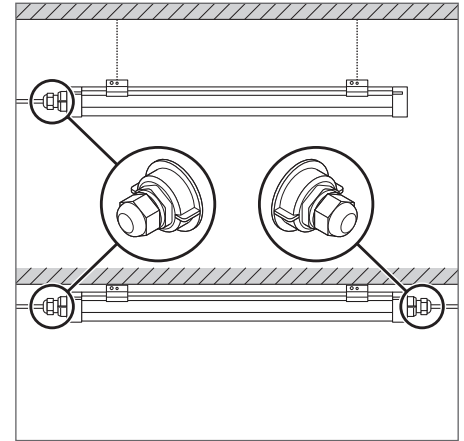
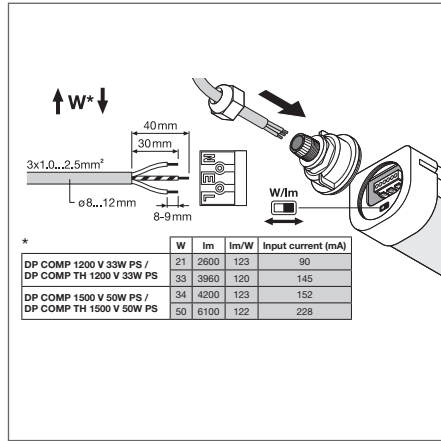
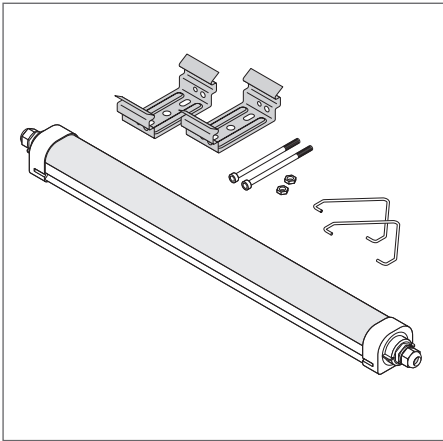
- Stainless steel clamps with safety screws included
- Mounting accessories included (suspension kit, theft protection kit)

FURTHER PRODUCT DETAILS



DP COMP 1200 V 33W 840 IP66 PS

FURTHER PRODUCT DETAILS



DAMP PROOF COMPACT GEN 2

Modern damp-proof luminaires with lumen-switchable versions

VALUE CLASS
COMING SOON
TUV SUD
FLICKER VALUE <10%
CRI ≥ 80
IP66
IK08
LEDVANCE 5 year guarantee

Product name	EAN (GTIN)	Replacement for	W	lm	lm/W	K	L70 ²	L x W x H [mm] Ø x H [mm]
DP Comp 600 V 16W 840 IP66	4058075740853	2 x 18W FL	16	1920	120	4000	75000 120	643 x 60 x 53
DP Comp 1200 V 33W 840 IP66 PS	4058075740877	2 x 36W FL	33	3960	123	4000	75000 120	1243 x 60 x 53
DP Comp 1500 V 50W 840 IP66 PS	4058075740891	2 x 58W FL	50	6100	123	4000	75000 120	1543 x 60 x 53

DAMP PROOF COMPACT THROUGHWIRING GEN 2

Modern damp-proof luminaires with through-wiring and lumen-switchable versions

VALUE CLASS
COMING SOON
TUV SUD
FLICKER VALUE <10%
CRI ≥ 80
IP66
IK08
LEDVANCE 5 year guarantee

Product name	EAN (GTIN)	Replacement for	W	lm	lm/W	K	L70 ²	L x W x H [mm] Ø x H [mm]
DP Comp TH 1200 V 33W 840 IP66 PS	4058075740914	2 x 36W FL	33	3960	123	4000	75000 120	1285 x 60 x 53
DP Comp TH 1200 V 33W 865 IP66 PS	4058075740952	2 x 36W FL	33	3960	123	6500	75000 120	1285 x 60 x 53
DP Comp TH 1500 V 50W 840 IP66 PS	4058075740938	2 x 58W FL	50	6100	123	4000	75000 120	1585 x 60 x 53
DP Comp TH 1500 V 50W 865 IP66 PS	4058075740976	2 x 58W FL	50	6100	123	6500	75000 120	1585 x 60 x 53
DP Comp TH 1500 V 62W 840 IP66	4058075740990	3 x 58W FL	62	7500	120	4000	55000 120	1585 x 60 x 53

¹ Refer to www.ledvance.com/guarantee for precise conditions
² t[h]: L70/B50 @ 25°C (T_a)/t[h]: L80/B10 @ 25°C (T_a)

DAMP PROOF GEN 2

Damp-proof luminaires



PRODUCT FEATURES

- Polycarbonate housing with stainless steel mounting brackets and suspension and anti-theft kit
- Available as switchable, 5 x 2.5 mm² through-wired, DALI and emergency 3h battery
- Type of protection: IP65
- Ambient temperature range during operation: -25°C to +40°C
- High luminous efficacy: up to 135 lm/W

PRODUCT BENEFITS

- Wide range of applications (switchable, DALI, through-wired, battery for safety lighting)
- Flexible use through extensive mounting and suspension accessories (included)
- D-marking for mounting on surfaces with limited surface temperature
- Energy savings of up to 60 % (compared to luminaires that use fluorescent lamps)
- All versions with 5-year guarantee, except emergency version: 3 years (built-in 3h battery)

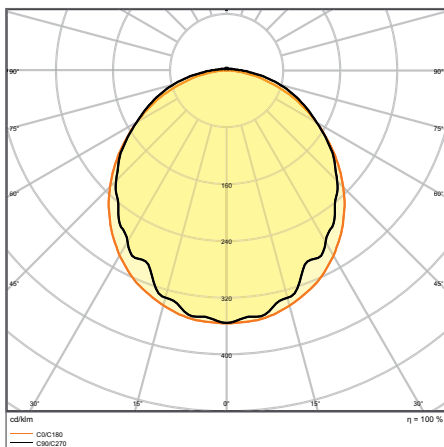
AREAS OF APPLICATION

- Industrial and storage facilities
- Car parks and underpasses
- Garages
- Workshops, assembly lines

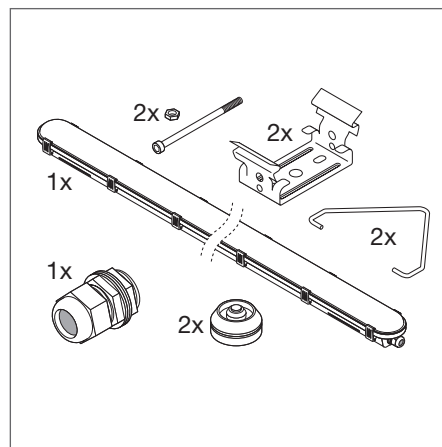
EQUIPMENT / ACCESSORIES

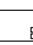
- Stainless steel clamps with safety screws included
- Mounting accessories included (suspension kit, theft protection kit)

FURTHER PRODUCT DETAILS



DP 1200 18 W 4000 K IP65 GY



DP 1500 81W 840 IP65 GY DP 1500 81W 865 IP65 GY	ON ← → OFF		W	lm
	PIN1	PIN2		
230V  LED	ON	ON	81	11000
	ON	OFF	69	9600
	OFF	ON	57	8200
	OFF	OFF	46	6600

DAMP PROOF ON/OFF + DALI

Damp-proof luminaires, classic shape



Product name	EAN (GTIN)	Replacement for	W	lm	lm/W	K	L80 ³	⌵	⌶	L x W x H [mm] Ø x H [mm]
DP 1200 18W 840 IP65 GY	4058075541047	1 x 36W FL	18	2400	135	4000	50000	110	—	1200 x 82 x 68
DP 1200 18W 865 IP65 GY	4058075541061	1 x 36W FL	18	2400	135	6500	50000	110	—	1200 x 82 x 68
DP 1200 32W 830 IP65 GY	4058075541085	2 x 36W FL	32	4000	125	3000	50000	110	—	1200 x 82 x 68
DP 1200 32W 840 IP65 GY	4058075541108	2 x 36W FL	32	4400	135	4000	50000	110	—	1200 x 82 x 68
DP 1200 32W 865 IP65 GY	4058075541122	2 x 36W FL	32	4400	135	6500	50000	110	—	1200 x 82 x 68
DP 1500 26W 840 IP65 GY	4058075541146	1 x 58W FL	26	3500	135	4000	50000	110	—	1500 x 82 x 68
DP 1500 26W 865 IP65 GY	4058075541160	1 x 58W FL	26	3500	115	6500	50000	110	—	1500 x 82 x 68
DP 1500 46W 830 IP65 GY	4058075541184	2 x 58W FL	46	5750	125	3000	50000	110	—	1500 x 82 x 68
DP 1500 46W 840 IP65 GY	4058075541207	2 x 58W FL	46	6400	135	4000	50000	110	—	1500 x 82 x 68
DP 1500 46W 865 IP65 GY	4058075541221	2 x 58W FL	46	6400	135	6500	50000	110	—	1500 x 82 x 68
DP 1500 58W 840 IP65 GY	4058075541245	2 x 70W FL	58	8000	135	4000	50000	110	—	1500 x 82 x 68
DP 1500 58W 865 IP65 GY	4058075541269	2 x 70W FL	58	8000	135	6500	50000	110	—	1500 x 82 x 68
DP 1500 81W 840 IP65 GY	4058075541283	2 x 80W FL	81	11000	135	4000	50000	110	—	1500 x 82 x 68
DP 1500 81W 865 IP65 GY	4058075541306	2 x 80W FL	81	11000	135	6500	50000	110	—	1500 x 82 x 68
DP DALI 1200 18W 840 IP65 GY	4058075541641	1 x 36W FL	18	2400	135	4000	50000	110	DALI-2	1200 x 82 x 68
DP DALI 1200 18W 865 IP65 GY	4058075541665	1 x 36W FL	18	2400	135	6500	50000	110	DALI-2	1200 x 82 x 68
DP DALI 1200 32W 830 IP65 GY	4058075541689	2 x 36W FL	32	4000	125	3000	50000	110	DALI-2	1200 x 82 x 68
DP DALI 1200 32W 840 IP65 GY	4058075541702	2 x 36W FL	32	4400	135	4000	50000	110	DALI-2	1200 x 82 x 68
DP DALI 1200 32W 865 IP65 GY	4058075541726	1 x 36W FL	32	4000	125	6500	50000	110	DALI-2	1200 x 82 x 68
DP DALI 1500 26W 840 IP65 GY	4058075541740	1 x 58W FL	26	3500	135	4000	50000	110	DALI-2	1500 x 82 x 68
DP DALI 1500 26W 865 IP65 GY	4058075541764	1 x 58W FL	26	3500	135	6500	50000	110	DALI-2	1500 x 82 x 68
DP DALI 1500 46W 830 IP65 GY	4058075541788	2 x 58W FL	46	5750	125	3000	50000	110	DALI-2	1500 x 82 x 68
DP DALI 1500 46W 840 IP65 GY	4058075541801	2 x 58W FL	46	6400	135	4000	50000	110	DALI-2	1500 x 82 x 68
DP DALI 1500 46W 865 IP65 GY	4058075541825	2 x 58W FL	46	6400	135	6500	50000	110	DALI-2	1500 x 82 x 68
DP DALI 1500 58W 840 IP65 GY	4058075541849	2 x 70W FL	58	8000	135	4000	50000	110	DALI-2	1500 x 82 x 68
DP DALI 1500 58W 865 IP65 GY	4058075541863	2 x 70W FL	58	8000	135	6500	50000	110	DALI-2	1500 x 82 x 68

DAMP PROOF 5X THROUGHWIRING

Damp-proof luminaires, classic shape with 5 x 2.5 mm² through-wiring

Product name	EAN (GTIN)	Replacement for	W	lm	lm/W	K	L80 ³	⌵	L x W x H [mm] Ø x H [mm]
DP 5TH 1200 32W 840 IP65 GY	4058075541924	2 x 36W FL	32	4400	135	4000	50000	110	1200 x 82 x 68
DP 5TH 1500 46W 840 IP65 GY	4058075541948	2 x 58W FL	46	6400	135	4000	50000	110	1500 x 82 x 68

¹ The Damp Proof luminaires are certified as follows: On /Off, DALI and through-wiring versions: TÜV Süd and ENEC, Emergency versions: CE.

² Refer to www.ledvance.com/guarantee for precise conditions

³ t[h]: L70/B50 @ 25 °C (T_a)/t[h]; L80/B10 @ 25 °C (T_a)

DAMP PROOF EMERGENCY

Damp-proof luminaires, classic shape with integrated emergency lighting function



Product name	EAN (GTIN)	Replacement for	W	lm	lm/W	K	L80 ²		L x W x H [mm] Ø x H [mm]
DP EM 1200 18W 840 IP65 GY	4058075541320	1 x 36W FL	18	2400	135	4000	50000	110	1200 x 82 x 68
DP EM 1200 18W 865 IP65 GY	4058075541344	1 x 36W FL	18	2400	135	6500	50000	110	1200 x 82 x 68
DP EM 1200 32W 830 IP65 GY	4058075541368	2 x 36W FL	32	4000	125	3000	50000	110	1200 x 82 x 68
DP EM 1200 32W 840 IP65 GY	4058075541382	2 x 36W FL	32	4400	135	4000	50000	110	1200 x 82 x 68
DP EM 1200 32W 865 IP65 GY	4058075541405	2 x 36W FL	32	4400	125	6500	50000	110	1200 x 82 x 68
DP EM 1500 26W 840 IP65 GY	4058075541429	1 x 58W FL	26	3500	150	4000	50000	110	1500 x 82 x 68
DP EM 1500 26W 865 IP65 GY	4058075541443	1 x 58W FL	26	3500	135	6500	50000	110	1500 x 82 x 68
DP EM 1500 46W 830 IP65 GY	4058075541467	2 x 58W FL	46	5750	125	3000	50000	110	1500 x 82 x 68
DP EM 1500 46W 840 IP65 GY	4058075541481	2 x 58W FL	46	6400	135	4000	50000	110	1500 x 82 x 68
DP EM 1500 46W 865 IP65 GY	4058075541504	2 x 58W FL	46	6400	135	6500	50000	110	1500 x 82 x 68
DP EM 1500 58W 840 IP65 GY	4058075541528	2 x 70W FL	58	8000	135	4000	50000	110	1500 x 82 x 68
DP EM 1500 58W 865 IP65 GY	4058075541542	2 x 70W FL	58	8000	135	6500	50000	110	1500 x 82 x 68
DP EM 1500 81W 840 IP65 GY	4058075541566	2 x 80W FL	81	11000	135	4000	50000	110	1500 x 82 x 68
DP EM 1500 81W 865 IP65 GY	4058075541580	2 x 80W FL	81	11000	135	6500	50000	110	1500 x 82 x 68

EMERGENCY LIGHTING PROPERTIES

Product name	Battery life in emergency operation mode	Type of emergency operation test	Type of emergency light operation	Luminous flux in emergency operation mode	Type of Battery
DP EM 1200 18W 840 IP65 GY	3 h	Automatic	Maintained/Non-maintained	500 lm	LiFePO4
DP EM 1200 18W 865 IP65 GY	3 h	Automatic	Maintained/Non-maintained	500 lm	LiFePO4
DP EM 1200 32W 830 IP65 GY	3 h	Automatic	Maintained/Non-maintained	500 lm	LiFePO4
DP EM 1200 32W 840 IP65 GY	3 h	Automatic	Maintained/Non-maintained	500 lm	LiFePO4
DP EM 1200 32W 865 IP65 GY	3 h	Automatic	Maintained/Non-maintained	500 lm	LiFePO4
DP EM 1500 26W 840 IP65 GY	3 h	Automatic	Maintained/Non-maintained	500 lm	LiFePO4
DP EM 1500 26W 865 IP65 GY	3 h	Automatic	Maintained/Non-maintained	500 lm	LiFePO4
DP EM 1500 46W 830 IP65 GY	3 h	Automatic	Maintained/Non-maintained	500 lm	LiFePO4
DP EM 1500 46W 840 IP65 GY	3 h	Automatic	Maintained/Non-maintained	500 lm	LiFePO4
DP EM 1500 46W 865 IP65 GY	3 h	Automatic	Maintained/Non-maintained	500 lm	LiFePO4
DP EM 1500 58W 840 IP65 GY	3 h	Automatic	Maintained/Non-maintained	500 lm	LiFePO4
DP EM 1500 58W 865 IP65 GY	3 h	Automatic	Maintained/Non-maintained	500 lm	LiFePO4
DP EM 1500 81W 840 IP65 GY	3 h	Automatic	Maintained/Non-maintained	500 lm	LiFePO4
DP EM 1500 81W 865 IP65 GY	3 h	Automatic	Maintained/Non-maintained	500 lm	LiFePO4

¹ Refer to www.ledvance.com/guarantee for precise conditions
² t[h]: L70/B50 @ 25 °C (T_a)/t[h]: L80/B10 @ 25 °C (T_a)



DAMP PROOF SENSOR

Damp-proof luminaires, classic shape with high frequency sensor



PRODUCT FEATURES

- High frequency sensor for daylight and motion detection
- Sensor with leader-follower and leader-leader functionality
- High luminous efficacy: up to 139 lm/W
- Beam angle: 110°

PRODUCT BENEFITS

- Installation of multiple sensor switched luminaires possible due to leader-follower and leader-leader functionality
- Multiple adjustments of sensor range, daylight detection and hold time
- Low flicker $\leq 10\%$
- Easy installation, no tools required for connection
- 5 years guarantee

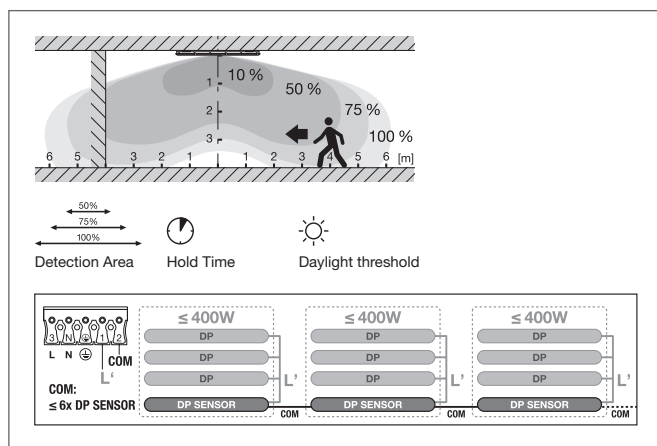
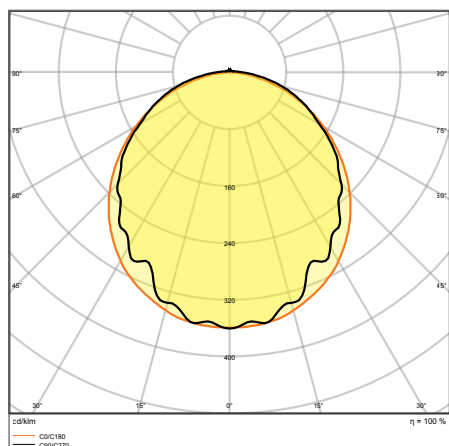
AREAS OF APPLICATION

- Industrial and storage facilities
- Car parks and underpasses
- Garages
- Workshops, assembly lines

EQUIPMENT / ACCESSORIES

- Accessories for several mounting options available as optional separate accessory
- Mounting brackets, antitheft protection, triangle, 2nd cable gland and 2 grommets included

FURTHER PRODUCT DETAILS



DP S 1200 32W 840 IP65 GY

DAMP PROOF SENSOR

Damp-proof luminaires, classic shape with high frequency sensor



Product name	EAN (GTIN)	Replacement for	W	lm	lm/W	K	L80 ²		L x W x H [mm] Ø x H [mm]
DP S 1200 32W 840 IP65 GY	4058075541962	2 x 36W FL	32	4 400	138	4 000	50000	110	1 200 x 82 x 68
DP S 1500 46W 840 IP65 GY	4058075541986	2 x 58W FL	46	6 400	139	4 000	50000	110	1 500 x 82 x 68
DP S 1500 58W 840 IP65 GY	4058075542006	2 x 70W FL	58	8 000	138	4 000	50000	110	1 500 x 82 x 68

SENSOR PROPERTIES

Product name	Type of sensor	Sensor technology	Detection threshold of daylight sensor	Detection range of motion sensor	Sensor detection angle	Sensor controlled switching time
DP S 1200 32W 840 IP65 GY	Motion/Light	Microwave	2...50 lx	6...14 m	110°	5 s...15 min
DP S 1500 46W 840 IP65 GY	Motion/Light	Microwave	2...50 lx	6...14 m	110°	5 s...15 min
DP S 1500 58W 840 IP65 GY	Motion/Light	Microwave	2...50 lx	6...14 m	110°	5 s...15 min

¹ Refer to www.ledvance.com/guarantee for precise conditions
² t[h]: L70/B50 @ 25 °C (T_a)/t[h]: L80/B10 @ 25 °C (T_a)

DAMP PROOF SPECIAL GEN 2

Tubular damp-proof luminaire with extra high IP rating, ammonium-resistant and for outdoor applications



PRODUCT FEATURES

- Sealed housing made of PMMA
- Ammonium resistant
- Type of protection: IP67 (DIN EN 60529), IP69K (ISO 20653:2013)
- Through-wiring cable already installed in the luminaire

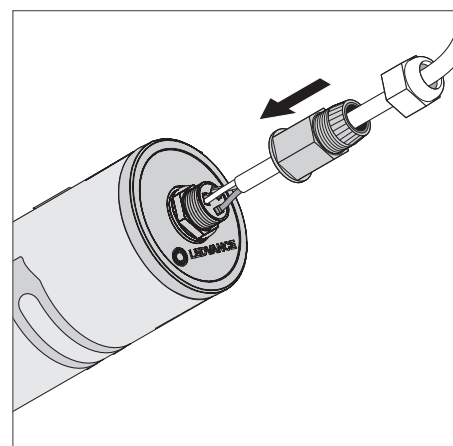
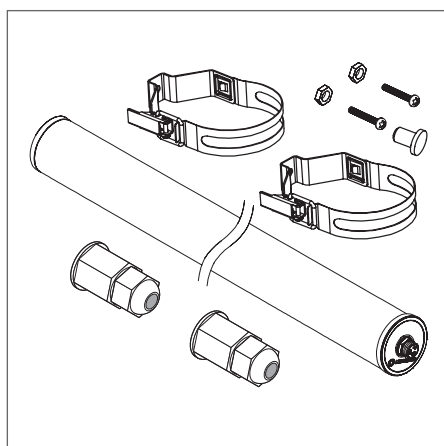
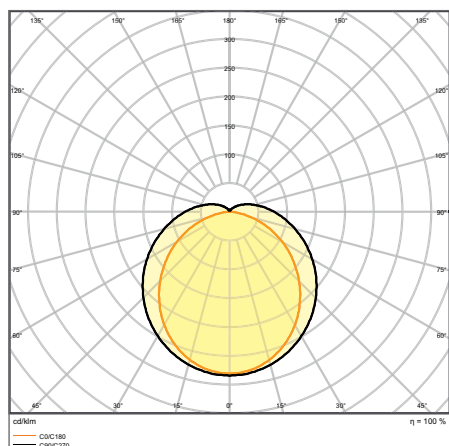
PRODUCT BENEFITS

- Completely sealed for use in agricultural applications
- Also usable in uncovered outdoor areas
- Via the rotatable mounting the luminaire can be fixed in any position for optimal light steering
- Easy installation as mounting brackets can be positioned freely on the luminaire
- 5 years guarantee

AREAS OF APPLICATION

- Keeping farm animals except poultry
- Food industry
- Open car parks and underpasses
- Garages
- Workshops, assembly lines

FURTHER PRODUCT DETAILS



DP SPECIAL 1500 50 W 4000 K WT IP67

DAMP PROOF SPECIAL GEN 2

Tubular damp-proof luminaire with extra high IP rating, ammonium-resistant and for outdoor applications



Product name	EAN (GTIN)	Replacement for	W	lm	lm/W	K	L80 ²		L x W x H [mm] Ø x H [mm]
DP SPECIAL 1200 22 W 4000 K WT IP67	4058075 452114	2 x 58 W FL	22	2800	130	4000	50000	120	1200 x 82
DP SPECIAL 1200 42 W 4000 K WT IP67	4058075 452152	2 x 58 W FL	42	5500	130	4000	50000	120	1200 x 82
DP SPECIAL 1500 30 W 4000 K WT IP67	4058075 452138	2 x 58 W FL	30	3900	130	4000	50000	120	1500 x 82
DP SPECIAL 1500 50 W 4000 K WT IP67	4058075 452176	2 x 58 W FL	50	6500	130	4000	50000	120	1500 x 82

¹ Refer to www.ledvance.com/guarantee for precise conditions
² t[h]: L70/B50 @ 25 °C (T_a)/t[h]; L80/B10 @ 25 °C (T_a)

DAMP PROOF HOUSING

Damp-proof luminaire for T8 LED lamps



PRODUCT FEATURES

- Housing made of robust polycarbonate (PC), gray
- Suitable for SubstiTUBE EM/UN and SubstiTUBE Connected
- Luminaire housing, available for 1 or 2 T8 LED lamps
- Type of protection: IP65
- Impact resistance: IK08

PRODUCT BENEFITS

- Sustainable solution thanks to exchangeable lamps
- Prewired for easy installation of tubular AC LED lamps
- Robust housing
- Easy and quick installation
- 5 years guarantee

EQUIPMENT / ACCESSORIES


- All required accessories included

DAMP PROOF HOUSING

Damp-proof luminaire for T8 LED lamps

PERFORMANCE CLASS



Product name	EAN (GTIN)		L x W x H [mm] Ø x H [mm]
DP HOUSING 600 1x Lamp IP65	4058075312395	105	651 x 64 x 75
DP HOUSING 600 2x Lamp IP65	4058075312418	105	651 x 103 x 75
DP HOUSING 1200 1x Lamp IP65	4058075312432	105	1261 x 64 x 75
DP HOUSING 1200 2x Lamp IP65	4058075312456	105	1261 x 103 x 75
DP HOUSING 1500 1x Lamp IP65	4058075312470	105	1561 x 64 x 75
DP HOUSING 1500 2x Lamp IP65	4058075312494	105	1561 x 103 x 75

¹ Refer to www.ledvance.com/guarantee for precise conditions

The pictures shown in the catalog are for illustration purposes only. For information on size and color, please refer to the product table.

DAMP PROOF HOUSING ACCESSORIES

Through-wiring kits for DAMP PROOF HOUSING GEN 2



PRODUCT FEATURES

- Through-wiring kits with tool-free connectors

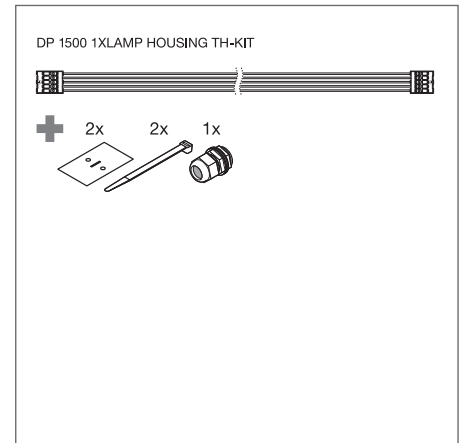
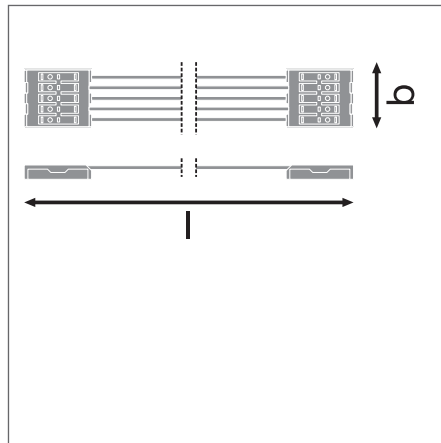
PRODUCT BENEFITS

- Easy installation and electrical connection thanks to tool-free electrical connectors

EQUIPMENT/ACCESSORIES

- 5 × 2.5 mm² cables with tool-free connectors, cable gland and cable holders
- All required accessories included

FURTHER PRODUCT DETAILS



DAMP PROOF HOUSING ACCESSORIES

Through-wiring kits for DAMP PROOF HOUSING GEN 2


COMING
SOON

LEDVANCE¹
5 year
guarantee

Product name	EAN (GTIN)	L × W × H [mm] Ø × H [mm]	MATERIAL	COLOR
DP 1200 1XLAMP HOUSING TH-KIT 5X2.5LEDV	4058075695078	1150 × 27 × 16	Polycarbonate (PC)	Multicolored
DP 1500 1XLAMP HOUSING TH-KIT 5X2.5LEDV	4058075695092	1450 × 27 × 16	Polycarbonate (PC)	Multicolored
DP 1200 2XLAMP HOUSING TH-KIT 5X2.5LEDV	4058075695115	1150 × 50 × 23	Polycarbonate (PC)	Multicolored
DP 1500 2XLAMP HOUSING TH-KIT 5X2.5LEDV	4058075695139	1450 × 50 × 23	Polycarbonate (PC)	Multicolored

¹ Refer to www.ledvance.com/guarantee for precise conditions
The pictures shown in the catalog are for illustration purposes only. For information on size and color, please refer to the product table.

Find out more:
ledvance.com/tubes



THE DREAM TEAM FOR WAREHOUSES AND CAR PARKS

The LEDVANCE DAMP PROOF HOUSING is a functional and robust luminaire which is ideal for warehouse and car park applications with ceiling heights of up to 4 meters. But it gets even better. In combination with OSRAM SubstiTUBE T8 CONNECTED LED tubes and the LEDVANCE CONNECTED SENSOR ST8 LOW BAY you can create an intelligent lighting system in no time.

Using the Zigbee 3.0 wireless standard, the motion sensor controls the coupled LED tubes without wiring. The result: light in the right place at the right time and significantly reduced energy consumption.

OSRAM SubstiTUBE T8 EM CONNECTED 4058075187634 EAN (GTIN) Operation on CCG

Light on demand: intelligent control via a sensor reduces energy consumption.

- Communication via Zigbee 3.0
- Low-flicker according to EU 2019/2020
- (WSVM ≤ 0.4; P_{st}LM ≤ 1)
- Glass tube with splinter protection
- Only in connection with the LEDVANCE CONNECTED SENSOR ST8 LOW BAY (4058075232969 EAN (GTIN)); Installation height: up to 4 m



A STRONG COMBINATION, E. G. FOR LARGE INDOOR CAR PARKS:



OSRAM SUBSTITUBE T8 CONNECTED ADVANCED ULTRA OUTPUT LED tube, installed in the robust DAMP PROOF HOUSING (IP65), is connected wirelessly to LEDVANCE CONNECTED SENSOR ST8 LOW BAY via Zigbee. Two-stage switching (0% ⇆ 100% and 20% ⇆ 100%) increases efficiency even further.

ENERGY SAVINGS

Lighting technology	Net luminous flux	Number of luminaires	Luminaire wattage incl. losses	Connected load	Energy consumption per year	Energy savings vs old system
SUBSTITUBE CONNECTED ADVANCED ULTRA OUTPUT ST8AU-CON 24 W/4000K 1500 mm	3 600 lm	50	24 W	1 200 W	4 992 kWh	66%*
Conventional: damp-proof luminaire T8 1 x 58 W	3 454 lm	50	70 W	3 500 W	14 560 kWh	

OPERATING DATA: Operation per year (days): 260 · Operation per day (hours): 16 · Estimated active times per day (hours): 8

The energy consumption refers to the LED lighting solution without LMS and does not take into account any lighting scenes or their dimming states.
 * Assumed savings through LMS in relation to the new system with LEDs: 40%; based on the following assumptions: Motion detector with comfort dimming 40%. During operating times, the lighting system will only be dimmed down to 20%. This is more comfortable for users because they do not have to enter the space in complete darkness. The assumptions made for the LMS savings calculations are approximate and are based on practical experience from the lighting industry. Energy savings through LMS always need to be calculated based on the specific project



DAMP PROOF SLIM VALUE

Damp-proof luminaire with slim housing



PRODUCT FEATURES

- Polycarbonate housing with stainless steel mounting brackets and suspension and anti-theft kit
- Type of protection: IP65
- Wide beam angle: 120°
- High luminous efficacy: up to 110 lm/W

PRODUCT BENEFITS

- Homogeneous quality of light with a wide beam angle
- Easy installation as mounting brackets can be positioned freely on the luminaire
- Easy access to electrical terminal thanks end caps with clip mechanism
- Elegant, slim design
- Tool-free electrical connection due to push button connector

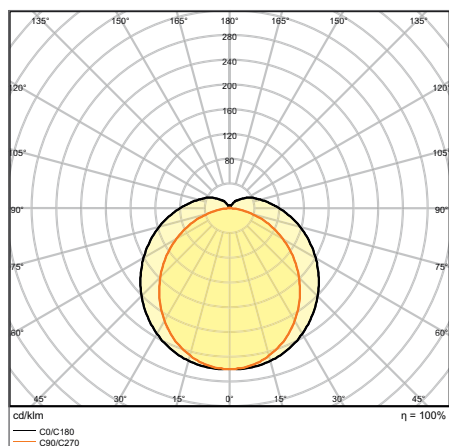
AREAS OF APPLICATION

- Industrial and storage facilities
- Car parks and underpasses
- Garages
- Workshops, assembly lines

EQUIPMENT / ACCESSORIES

- Stainless steel clamps with safety screws included
- Mounting accessories included (suspension kit, theft protection kit)

FURTHER PRODUCT DETAILS



DP SLIM VALUE 1500 50 W 4000 K IP65 GY

DAMP PROOF SLIM VALUE

Damp-proof luminaire with slim housing

VALUE
CLASS

Product name	EAN (GTIN)	Replacement for	W	lm	lm/W	K	L80 ²		L x W x H [mm] Ø x H [mm]
DP SLIM VALUE 1200 36 W 4000 K IP65 GY	4058075066458	2 x 36W FL	36	4000	110	4000	27000	120	1200 x 35 x 48
DP SLIM VALUE 1200 36 W 6500 K IP65 GY	4058075066472	2 x 36W FL	36	4000	110	6500	27000	120	1200 x 35 x 48
DP SLIM VALUE 1500 50 W 4000 K IP65 GY	4058075066496	2 x 58W FL	50	5500	110	4000	27000	120	1500 x 35 x 48
DP SLIM VALUE 1500 50 W 6500 K IP65 GY	4058075066519	2 x 58W FL	50	5500	110	6500	27000	120	1500 x 35 x 48

¹ Refer to www.ledvance.com/guarantee for precise conditions
² t[h]: L70/B50 @ 25°C (T_a)/t[h]; L80/B10 @ 25°C (T_a)

DAMP PROOF VALUE

Damp-proof luminaires, classic shape



PRODUCT FEATURES

- High luminous efficacy: up to 120 lm/W
- Type of protection: IP65
- Beam angle: 115°
- Through-wiring possible
- Polycarbonate housing

PRODUCT BENEFITS

- Evenly distributed light
- Energy savings of up to 50 % (compared to luminaires that use fluorescent lamps)
- Easy installation, no tools required for connection
- 3 years guarantee

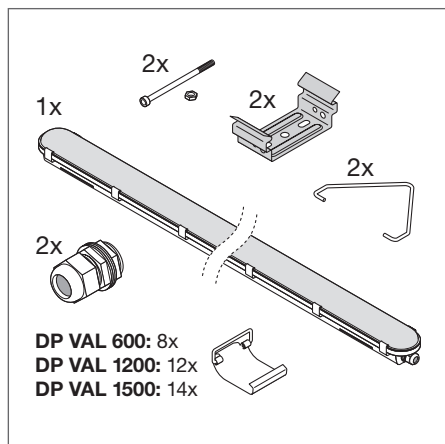
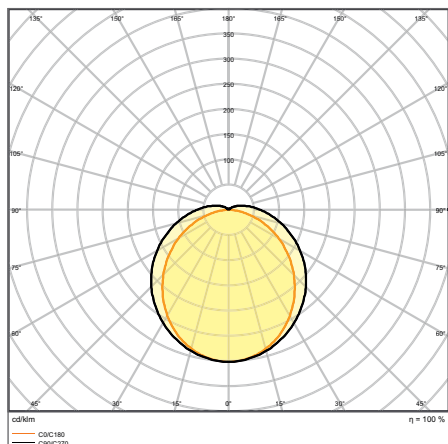
AREAS OF APPLICATION

- Industrial and storage facilities
- Car parks and underpasses
- Garages
- Workshops, assembly lines

EQUIPMENT / ACCESSORIES

- Stainless steel clamps with safety screws included
- Mounting accessories included (suspension kit, theft protection kit)

FURTHER PRODUCT DETAILS



DP VAL 1800 70 W 4000 K IP65

DAMP PROOF VALUE

Damp-proof luminaires, classic shape



Product name	EAN (GTIN)	Replacement for	W	lm	lm/W	K	L70 ²		L x W x H [mm] Ø x H [mm]
DP VAL 600 9 W 4000 K IP65	4058075300705	1 x 18W FL	9	1080	120	4000	50000	115	600 x 77 x 66
DP VAL 600 18 W 4000 K IP65	4058075300743	2 x 18W FL	18	2160	120	4000	50000	115	600 x 77 x 66
DP VAL 1200 20 W 4000 K IP65	4058075300781	1 x 36W FL	20	2400	120	4000	50000	115	1200 x 77 x 66
DP VAL 1200 40 W 4000 K IP65	4058075300828	2 x 36W FL	40	4800	120	4000	50000	115	1200 x 77 x 66
DP VAL 1500 25 W 4000 K IP65	4058075300866	1 x 58W FL	25	3000	120	4000	50000	115	1500 x 77 x 66
DP VAL 1500 50 W 4000 K IP65	4058075300903	2 x 58W FL	50	6000	120	4000	50000	115	1500 x 77 x 66
DP VAL 1800 34 W 4000 K IP65	4058075300941	1 x 70W FL	34	3700	110	4000	30000	115	1800 x 96 x 83
DP VAL 1800 70 W 4000 K IP65	4058075300989	2 x 70W FL	70	7500	105	4000	30000	115	1800 x 96 x 83

¹ Refer to www.ledvance.com/guarantee for precise conditions

² t[h]: L70/B50 @ 25°C (T_a)/t[h]; L80/B10 @ 25°C (T_a)

HIGH-BAY LUMINAIRES

HIGH EFFICIENCY AND OPTIMUM QUALITY OF LIGHT

HIGH BAY GEN 4



PERFORMANCE CLASS

Page 156



NEW HIGH BAY GENERATION WITH HIGH LUMINOUS EFFICACY

- Suitable for industrial use due to broad temperature range and long lifetime
- Energy savings of up to 64 % compared to conventional high-bay luminaires
- Suitable for use in dusty and damp locations thanks to high IP rating

HIGH BAY GEN 4 SENSOR



PERFORMANCE CLASS

Page 157



HIGHLY INTELLIGENT AND EFFICIENT

- Multiple adjustments of sensor with corridor functionality
- Energy savings of up to 64 % compared to conventional high-bay luminaires
- Suitable for use in dusty and damp locations thanks to high IP rating

HIGH BAY GEN 3 DALI



PERFORMANCE CLASS

Page 158



FOR HIGH LIGHTING DEMANDS

- LED high-bay luminaires with DALI 2 interface
- Different versions for ceiling heights from 6 m to 14 m
- Low-flicker light thanks to special electronic control gear

HIGH BAY ACCESSORIES



Page 160

- HIGH BAY REFLECTOR
- HIGH BAY REFRACTOR
- HIGH BAY BRACKET
- HIGH BAY REMOTE CONTROL



HIGHLY INTELLIGENT AND EFFICIENT

- High-quality aluminum reflector or polycarbonate refractor for optimization of UGR and beam shaping
- Sturdy steel bracket, with huge adjustment range of +/- 90°
- Remote control for configuration sensor

HIGH BAY COMPACT



VALUE CLASS

Page 162



GOOD LIGHTING FOR EVERYDAY APPLICATIONS

- Modern slim design with optimized weight and size
- Energy savings of up to 60 % compared to conventional high bay luminaires

HIGH BAY COMPACT ACCESSORIES



Page 164

- HIGH BAY COMPACT REFLECTOR
- HIGH BAY COMPACT BRACKET



ACCESSORIES FOR OPTIMUM QUALITY OF LIGHT

- High-quality aluminum reflector for beam shaping and glare reduction
- Sturdy steel bracket, with huge adjustment range of +/- 60°

HIGH BAY GEN 4 SENSOR EFFICIENT LIGHT FOR HIGH CEILINGS



The new sensor version of HIGH BAY GEN 4 enables you to implement intelligent lighting even in warehouses, industrial facilities and logistics centers with ceiling heights of up to approximately 12 meters with minimal effort. Quick and convenient: configuration via remote control.

SIMPLE BASIC CONFIGURATION DIRECTLY ON THE SENSOR

SWITCH 1: DETECTION AREA

In this area the RF sensor detects movement.

SWITCHES 2 AND 3: HOLD TIME

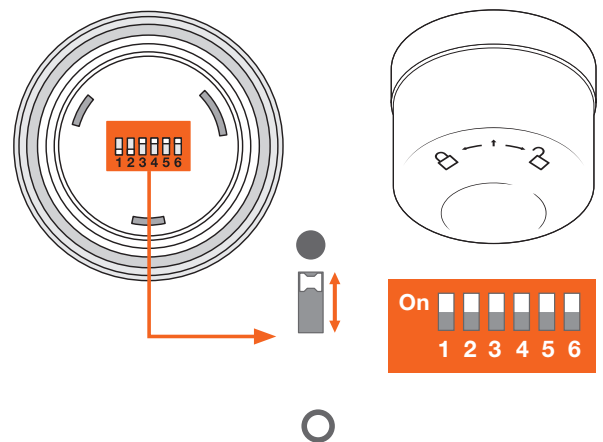
During this time, the light is still switched on 100 % after moving objects have left the detection area.

SWITCH 4: DAYLIGHT THRESHOLD

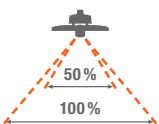
Here you can define the sensor's dependence on daylight. When the daylight function is activated the motion sensor does not react until the ambient brightness is below 100 lux. When it is deactivated the sensor always reacts to movement.

SWITCHES 5 AND 6: DIMMING LEVEL

The luminaire dims to this defined brightness value during standby after the set hold time has elapsed.



DETECTION AREA



1	
●	100 %
○	5 %

HOLD TIME



2	3	
●	●	30 s
●	○	1 min
○	●	5 min
○	○	10 min

DAYLIGHT SENSOR

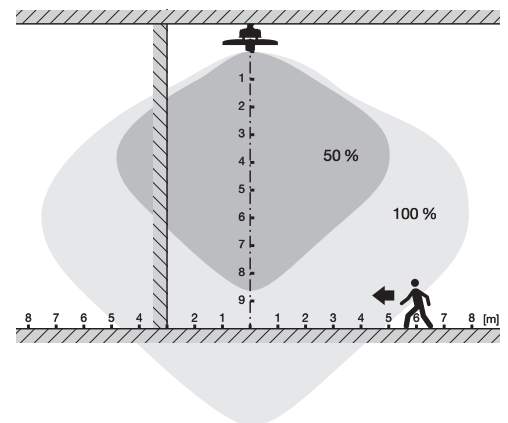


4	
●	Disable
○	100 lux

DIMMING LEVEL



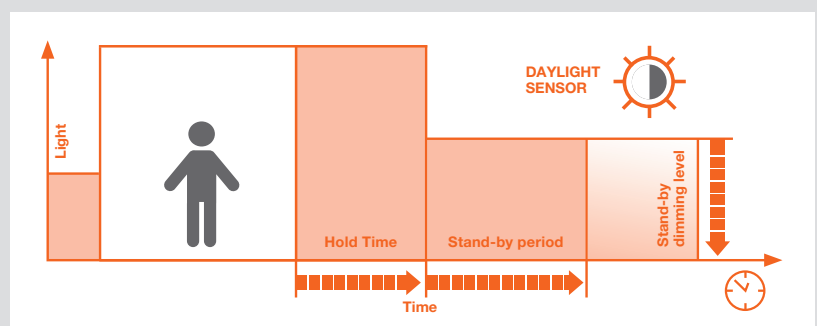
5	6	
●	●	Off
○	●	10 %
●	○	30 %



ECONOMICAL THANKS TO INTELLIGENT CORRIDOR FUNCTION

Wherever 24-hour lighting is required the corridor function helps to efficiently provide the necessary light.

The lighting can be activated depending on presence and, if required, on daylight to suit individual requirements. If it does not detect presence it will dim to the set level or switch off completely for a certain time.



HIGH BAY GEN 4

High bay luminaires up to 150 lm/W and attractive UGR



PRODUCT FEATURES

- High frequency sensor for daylight and motion detection
- Different luminous flux and beam angle for mounting heights of ~6 m to 14 m in 4 000 K or 6 500 K or ~6 m to 10 m in 4 000 K for sensor version

PRODUCT BENEFITS

- High luminous efficacy
- Energy savings of up to 64 % compared to conventional high bay luminaires
- 5 years guarantee
- Suitable for use in dusty and damp locations thanks to high IP rating
- Multiple adjustments of sensor range, daylight detection and hold time on sensor version

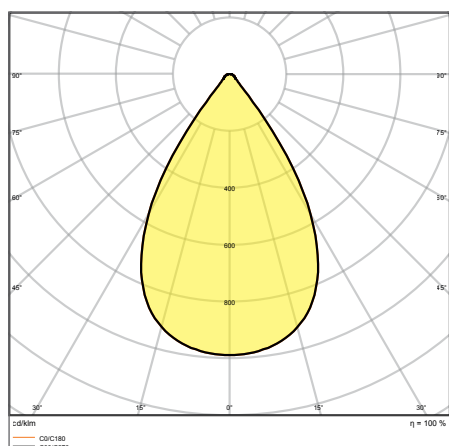
AREAS OF APPLICATION

- Replacement for high bay luminaires with mercury vapor or metal halide lamps
- Warehouses
- Logistics halls
- Industry
- High ceiling (e.g. in shopping malls, airports, commercial buildings, lobbies)

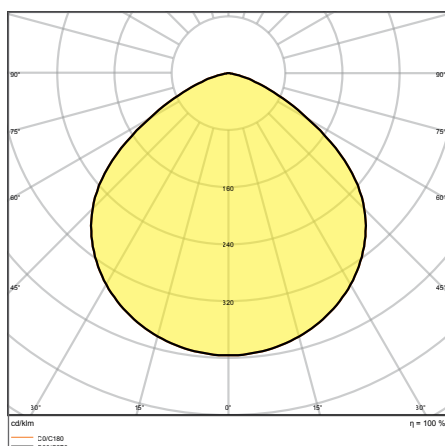
EQUIPMENT / ACCESSORIES

- Mounting brackets, reflectors and refractors available as optional separate accessory. High Bay Sensor versions include bracket
- Mounting hook included

FURTHER PRODUCT DETAILS



HB P 87W 840 70DEG IP65



HB P 87W 840 110DEG IP65

HIGH BAY GEN 4

High bay luminaires up to 150 lm/W and attractive UGR



Product name	EAN (GTIN)	Replacement for	W	lm	lm/W	K	L80 ²		L × W × H [mm] Ø × H [mm]	No.
HB P 87W 840 70DEG IP65	4058075692787	250 W HID	87	13000	150	4000	50000	70	280 × 155	1
HB P 87W 840 110DEG IP65	4058075692718	250 W HID	87	13000	150	4000	50000	110	280 × 155	1
HB P 87W 865 70DEG IP65	4058075692855	250 W HID	87	13000	150	6500	50000	70	280 × 155	1
HB P 87W 865 110DEG IP65	4058075692848	250 W HID	87	13000	150	6500	50000	110	280 × 155	1
HB P 147W 840 70DEG IP65	4058075692800	400 W HID	147	22000	150	4000	50000	70	321 × 152	1
HB P 147W 840 110DEG IP65	4058075692794	400 W HID	147	22000	150	4000	50000	110	321 × 152	1
HB P 147W 865 110DEG IP65	4058075692862	400 W HID	147	22000	150	6500	50000	110	321 × 152	1
HB P 190W 840 70DEG IP65	4058075692824	500 W HID	190	27000	140	4000	50000	70	321 × 156	1
HB P 190W 840 110DEG IP65	4058075692817	500 W HID	190	27000	140	4000	50000	110	321 × 156	1
HB P 190W 865 70DEG IP65	4058075692879	500 W HID	190	27000	140	6500	50000	70	321 × 156	1
HB P 210W 840 70DEG IP65	4058075692831	500 W HID	210	30000	140	4000	50000	70	321 × 156	1
HB P 210W 865 70DEG IP65	4058075692886	500 W HID	210	30000	140	6500	50000	70	321 × 156	1

HIGH BAY SENSOR GEN 4

High bay luminaires in IP65 with high frequency sensor



Product name	EAN (GTIN)	Replacement for	W	lm	lm/W	K	L80 ²		L × W × H [mm] Ø × H [mm]	No.
HB SEN P 87W 840 110DEG IP65	4058075603257	250 W HID	87	13000	150	4000	50000	110	280 × 190	2
HB SEN P 147W 840 70DEG IP65	4058075603271	400 W HID	147	22000	150	4000	50000	70	321 × 188	2
HB SEN P 147W 840 110DEG IP65	4058075603264	400 W HID	147	22000	150	4000	50000	110	321 × 188	2
HB SEN P 190W 840 110DEG IP65	4058075603288	500 W HID	190	27000	140	4000	50000	110	321 × 192	2

SENSOR PROPERTIES

Product name	Type of sensor	Sensor technology	Detection threshold of daylight sensor	Detection range of motion sensor	Sensor detection angle	Sensor controlled switching time
HB SEN P 87W 840 110DEG IP65	Motion/Light	Microwave	100 lx	6...15 m	< 150°	30 s...10 min
HB SEN P 147W 840 70DEG IP65	Motion/Light	Microwave	100 lx	6...15 m	< 150°	30 s...10 min
HB SEN P 147W 840 110DEG IP65	Motion/Light	Microwave	100 lx	6...15 m	< 150°	30 s...10 min
HB SEN P 190W 840 110DEG IP65	Motion/Light	Microwave	100 lx	6...15 m	< 150°	30 s...10 min

¹ Refer to www.ledvance.com/guarantee for precise conditions

² t[h]: L70/B50 @ 25 °C (T_a)/t[h]: L80/B10 @ 25 °C (T_a)

HIGH BAY GEN 3 DALI

LED high-bay luminaires with DALI interface



PRODUCT FEATURES

- Robust aluminum housing with 1.5 m connection cable 3 × 1.5 mm², high-quality PC cover
- Ambient temperature in operation: -30...+50 °C
- High luminous efficacy: up to 140 lm/W
- Includes mounting hook for suspended installation. Surface-mounting possible via separate bracket.
- Type of protection: IP65

PRODUCT BENEFITS

- High luminous efficacy
- Usable from 6 m to 14 m ceiling height
- Low flicker light thanks to special electronic control gear
- D-marking for mounting on surfaces with limited surface temperature
- 5 years guarantee

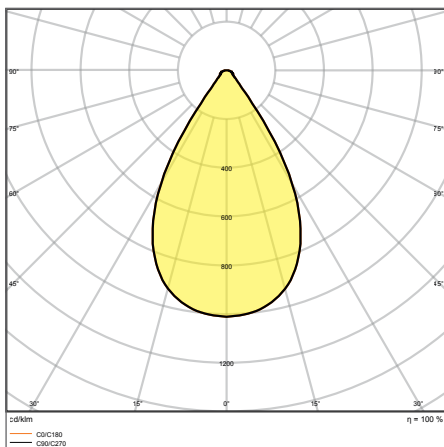
AREAS OF APPLICATION

- Replacement for high bay luminaires with mercury vapor or metal halide lamps
- Warehouses
- Logistics halls
- Industry
- High ceiling (e.g. in shopping malls, airports, commercial buildings, lobbies)

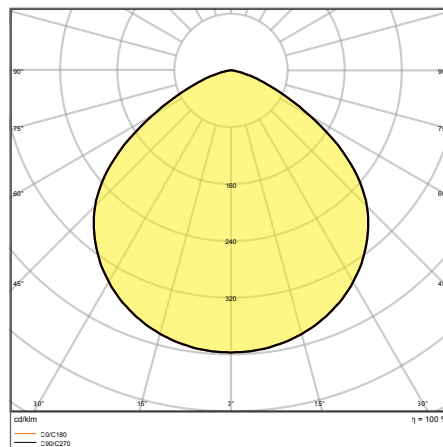
EQUIPMENT / ACCESSORIES

- Mounting hook included
- Mounting brackets, reflectors and refractors available as optional separate accessory*

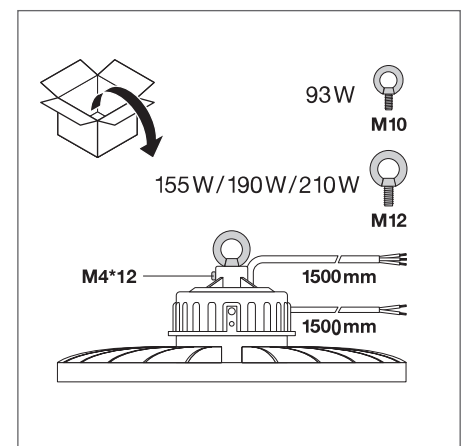
FURTHER PRODUCT DETAILS



HB DALI 190 W-4000 K 70DEG IP65



HB DALI 190 W-4000 K 110DEG IP65



DALI versions

*All DALI versions include mounting brackets.
The pictures shown in the catalog are for illustration purposes only. For information on size and color, please refer to the product table.

HIGH BAY GEN 3 DALI

LED high-bay luminaires with DALI interface



Product name	EAN (GTIN)	W	lm	lm/W	K	L80 ²			L x W x H [mm] Ø x H [mm]
HB DALI 93 W-4000 K 70DEG IP65	4058075 543911	93	13000	140	4000	50000	70	DALI-2	280 x 160
HB DALI 93 W-4000 K 110DEG IP65	4058075 543904	93	13000	141	4000	50000	110	DALI-2	280 x 160
HB DALI 155 W-4000 K 70DEG IP65	4058075 543935	155	22000	142	4000	50000	70	DALI-2	321 x 163
HB DALI 155 W-4000 K 110DEG IP65	4058075 543928	155	22000	143	4000	50000	110	DALI-2	321 x 163
HB DALI 190 W-4000 K 70DEG IP65	4058075 543959	190	27000	144	4000	50000	70	DALI-2	321 x 168
HB DALI 190 W-4000 K 110DEG IP65	4058075 543942	190	27000	145	4000	50000	110	DALI-2	321 x 168
HB DALI 210 W-4000 K 70DEG IP65	4058075 543966	210	30000	146	4000	50000	70	DALI-2	321 x 168

¹ Refer to www.ledvance.com/guarantee for precise conditions² t[h]: L70/B50 @ 25 °C (T_a)/t[h]; L80/B10 @ 25 °C (T_a)

HIGH BAY ACCESSORIES

Reflectors, refractors and mounting accessories for HIGH BAY luminaires



- High quality aluminum reflector
- High quality polycarbonate refractor
- Brackets made of black steel with adjustable swivel angle: $\pm 90^\circ$ *
- Remote control for advanced sensor settings

Product name	EAN (GTIN)	L x W x H [mm] Ø x H [mm]	MATERIAL	COLOR		 No.
HB ALU REFLECTOR 87W	4058075 699397	415 x 205	Aluminum	Silver	1	1
HB ALU REFLECTOR 93 W	4058075 507043	415 x 208	Aluminum	Silver	2	—
HB ALU REFLECTOR 155 W - 210 W	4058075 507050	499 x 81	Aluminum	Silver	2	—
HB ALU REFLECTOR 147 190 210W	4058075 699410	500 x 235	AluminumSilver	Silver	1	1
HB PC REFRACTOR 87W	4058075 699359	413 x 205	Polycarbonate (PC)	Transparent	1	2
HB PC REFRACTOR 93 W	4058075 507029	309 x 76	Polycarbonate (PC)	—	2	—
HB PC REFRACTOR 147 190 210W	4058075 699373	480 x 250	Polycarbonate (PC)	Transparent	1	2
HB PC REFRACTOR 155 W - 210 W	4058075 507036	414 x 138	Polycarbonate (PC)	—	2	—
HB BRACKET 87 147 190 210W	4058075 695191	138 x 35 x 150	Steel	Black	1	3
HB BRACKET 190 W - 210 W	4058075 505308	— x 150	Steel	Black	1	3
HB SENSOR REMOTE CONTROL 93W - 190W	4058075 611436	117 x 56 x 15	Polycarbonate (PC)	—	1	4

* Bracket only for standard types. Sensor types already include bracket.

The pictures shown in the catalog are for illustration purposes only. For information on size and color, please refer to the product table.

COMPATIBILITY OF HIGH BAY ACCESSORIES

Product name	EAN (GTIN)	HB Gen 4 Compatibility*
HB ALU REFLECTOR 87W	4058075 699397	✓
HB ALU REFLECTOR 93W	4058075 507043	Fits to 87W
HB ALU REFLECTOR 155W-210W	4058075 507050	Fits to 147W, 190W, 210W
HB ALU REFLECTOR 147 190 210W	4058075 699410	✓
HB PC REFRACTOR 87W	4058075 699359	✓
HB PC REFRACTOR 93W	4058075 507029	Fits to 87W
HB PC REFRACTOR 147 190 210W	4058075 699373	✓
HB PC REFRACTOR 155W-210W	4058075 507036	Fits to 147W, 190W, 210W
HB BRACKET 87 147 190 210W	4058075 695191	✓
HB BRACKET 190W-210W	4058075 505308	Fits to all wattages

* Not for High Bay Sensor & DALI types. Brackets are already included with each of these types.

HIGH BAY COMPACT

High bay luminaires up to 120 lm/W



PRODUCT FEATURES

- Operating temperature: $-20 \dots 45^{\circ}\text{C}$
- Black aluminum housing, tempered glass cover
- Opal cover
- Type of protection: IP65
- Lifetime (L70): up to 50 000 h
- High luminous efficacy: up to 120 lm/W

PRODUCT BENEFITS

- Modern exclusive design
- Energy savings of up to 60 % compared to conventional high bay luminaires
- 3 years guarantee
- Optimized weight and size due to compact design

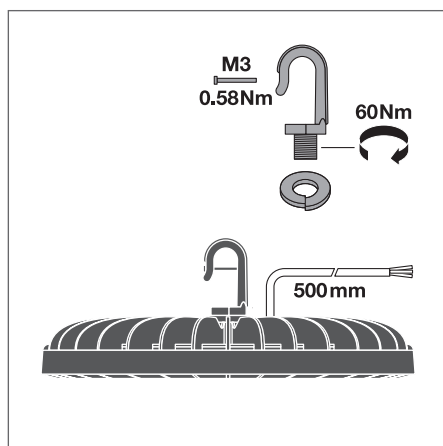
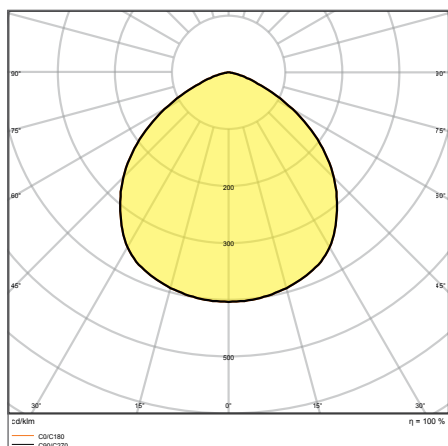
AREAS OF APPLICATION

- Replacement for high bay luminaires with mercury vapor or metal halide lamps
- Warehouses
- Logistics halls
- Industry
- High ceiling (e.g. in shopping malls, airports, commercial buildings, lobbies)

EQUIPMENT / ACCESSORIES

- Accessories for several mounting options available as an optional accessory

FURTHER PRODUCT DETAILS



HB COMP V 83W 840 110DEG IP65

HIGH BAY COMPACT

High bay luminaires up to 120 lm/W



Product name	EAN (GTIN)	Replacement for	W	lm	lm/W	K	L80 ²		L x W x H [mm] Ø x H [mm]
HB COMP V 83W 840 110DEG IP65 VS1	4058075708174	250W HID	83	10000	120	4000	45000	110	180 x 50
HB COMP V 83W 865 110DEG IP65 VS1	4058075708211	250W HID	83	10000	120	6500	45000	110	180 x 50
HB COMP V 133W 840 110DEG IP65 VS1	4058075708181	400W HID	133	16000	120	4000	45000	110	220 x 50
HB COMP V 166W 840 110DEG IP65 VS1	4058075708198	500W HID	166	20000	120	4000	45000	110	260 x 50
HB COMP V 166W 865 110DEG IP65 VS1	4058075708228	500W HID	166	20000	120	6500	45000	110	260 x 50
HB COMP V 225W 840 110DEG IP65 VS1	4058075708204	500W HID	225	27000	120	4000	45000	110	300 x 50

¹ Refer to www.ledvance.com/guarantee for precise conditions
² t[h]: L70/B50 @ 25°C (T_a)/t[h]; L80/B10 @ 25°C (T_a)

HIGH BAY COMPACT ACCESSORIES

Reflectors and mounting accessories for HIGH BAY COMPACT luminaires



1



2

- Reflector Beam angle: 80°
- High-quality aluminum reflector
- Brackets made of black steel
- Bracket's adjustable swivel angle: ±60°



Product name	EAN (GTIN)	L × W × H [mm] ∅ × H [mm]	MATERIAL	COLOR	Beam angle	Quantity	Stock	Light No.
HB COMP V REFL 83W 80DEG SI	4058075715233	274 × 70	Aluminum	Silver	80	2	1	1
HB COMP V REFL 133W 80DEG SI	4058075715240	320 × 80	Aluminum	Silver	80	2	1	1
HB COMP V REFL 166W 80DEG SI	4058075715257	363 × 112	Aluminum	Silver	80	2	1	1
HB COMP V REFL 225W 80DEG SI	4058075715264	475 × 140	Aluminum	Silver	80	2	1	1
HB COMP V BRACKET 83W	4058075715271	116 × 22 × 78	Steel	Black	—	1	2	2
HB COMP V BRACKET 133W	4058075715295	152 × 22 × 108	Steel	Black	—	1	2	2
HB COMP V BRACKET 166W	4058075715318	190 × 35 × 123	Steel	Black	—	1	2	2
HB COMP V BRACKET 225W	4058075715332	233 × 35 × 138	Steel	Black	—	1	2	2

¹Refer to www.ledvance.com/guarantee for precise conditions
The pictures shown in the catalog are for illustration purposes only. For information on size and color, please refer to the product table.



LOW-BAY LUMINAIRES

A MULTI-TALENTED SOLUTION FOR CEILINGS UP TO 10 METERS HIGH

LOW BAY FLEX



Page 168

PERFORMANCE CLASS



LUMINAIRE DESIGNED FOR VARIOUS APPLICATIONS

- Economical thanks to high luminous efficacy up to 160 lm/W
- Easy and quick installation thanks to toolless connector box with 5- and 7-pole terminals

LOW BAY FLEX BALL PROOF



Page 170

PERFORMANCE CLASS



BALL-PROOF AND ATTRACTIVE LINEAR DESIGN

- Ball-proof luminaire with increased physical robustness
- Economical thanks to high luminous efficacy up to 155 lm/W
- Easy and quick installation thanks to toolless connector box with 5- and 7-pole terminals



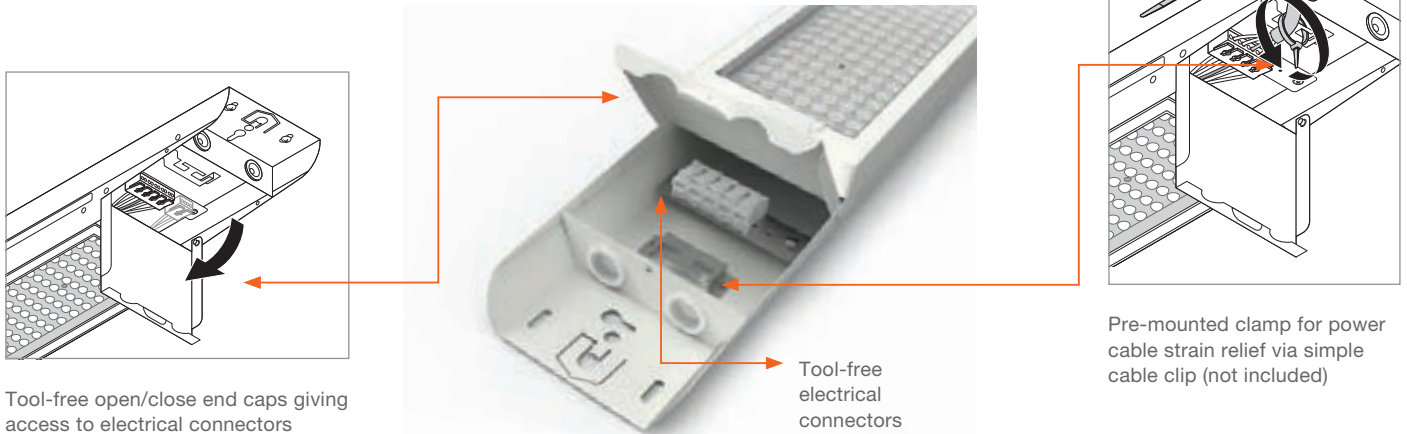
LOW BAY FLEX: A MULTI-TALENTED SOLUTION FOR CEILING HEIGHTS UP TO 10 METERS HIGH

The new LOW BAY FLEX luminaires are designed for various applications such as warehouses and logistics centers with ceiling heights between 4 and 10 meters. The ball-proof versions are ideal for use in indoor sporting facilities or applications where increased physical robustness is required. This easy-to-install solution offers high efficiency of up to 160 lm/W and a life of up to 100 000 hours.¹

It covers many different applications thanks to various mounting options and 3 beam angles. Tool-free open/close end caps, pre-mounted clamps for strain relief and complete through-wiring make installation effortless for larger installations.

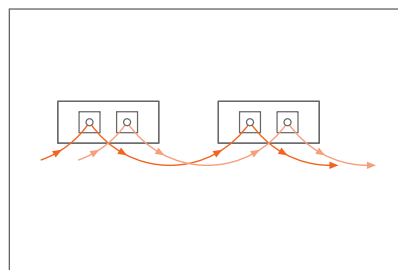
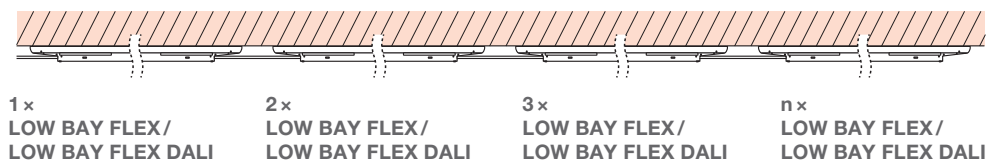
CONVENIENT AND TIME-SAVING: WIRING

The end caps can be opened and the electrical wiring can be connected without any tools. And the pre-mounted clamp for strain relief makes installation even easier.



COMPLETE THROUGH-WIRING POSSIBLE

LOW BAY FLEX luminaires are well equipped for complete through-wiring – in both ON/OFF and DALI operation.



	B16	C10	C16
LOW BAY FLEX 1200 P 42 W	18	14	23
LOW BAY FLEX 1200 DALI P 42 W	9	8	12
LOW BAY FLEX 1200 P 73 W	17	13	22
LOW BAY FLEX 1200 DALI P 73 W	27	23	36
LOW BAY FLEX 1500 P 105 W	21	16	27
LOW BAY FLEX 1500 DALI P 105 W	27	17	28

¹t [h]: L70/B50 @ 25°C (T_a)

LOW BAY FLEX

Low-bay luminaires with attractive linear design, up to 160 lm/W



PRODUCT FEATURES

- Different luminous flux and beam angle for mounting heights of ~4 m to ~10 m in 4000 K
- Through-wiring cable already installed
- Long lifetime (L80/B10): up to 100 000 h
- High color consistency: ≤ 3 SDCM

PRODUCT BENEFITS

- Economical thanks to high luminous efficacy up to 160 lm/W
- Easy and quick installation thanks to toolless connector box with 5- and 7-pole terminals
- Modern and robust design
- 5 years guarantee

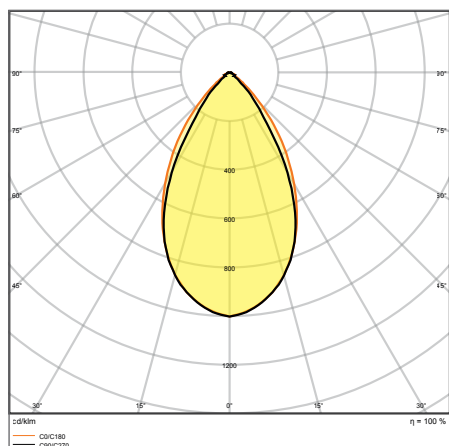
AREAS OF APPLICATION

- Replacement for luminaires with mercury vapor or metal halide lamps
- Warehouses
- Logistics halls
- Industrial and storage facilities
- Discounters, supermarkets

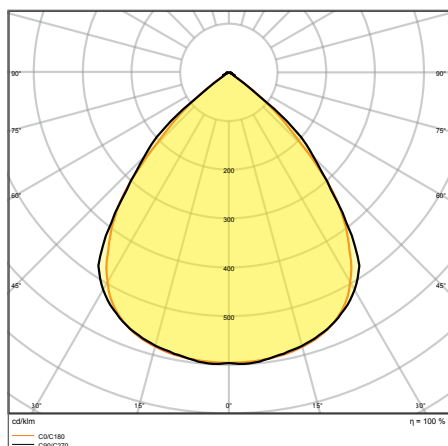
EQUIPMENT/ACCESSORIES

- Suspension kit available as optional separate accessory.

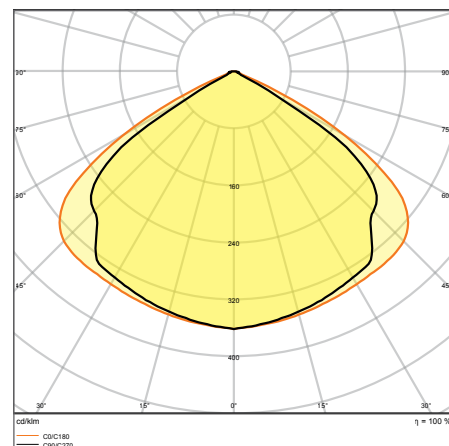
FURTHER PRODUCT DETAILS



LB FLEX 1500 P 105W 840 N



LB FLEX 1500 P 105W 840 W



LB FLEX 1500 P 105W 840 VW

LOW BAY FLEX

Low-bay luminaires with attractive linear design, up to 160 lm/W



Product name	EAN (GTIN)	Replacement for	W	lm	lm/W	K	L80 ²	⊖	⊖	L × W × H [mm] ∅ × H [mm]
LB FLEX 1200 P 42W 840 W	4058075676060	2 × 58 W FL	42	6510	155	4000	100000	90	—	1236 × 115 × 65
LB FLEX 1200 P 42W 840 VW	4058075676084	2 × 58 W FL	42	6510	155	4000	100000	120	—	1236 × 115 × 65
LB FLEX 1200 P 73W 840 W	4058075676107	4 × 58 W FL	73	11315	155	4000	100000	90	—	1236 × 115 × 65
LB FLEX 1200 P 73W 840 VW	4058075676121	4 × 58 W FL	73	11315	155	4000	100000	120	—	1236 × 115 × 65
LB FLEX 1500 P 105W 840 N	4058075676244	4 × 80 W FL	105	16800	160	4000	100000	60	—	1527 × 115 × 65
LB FLEX 1500 P 105W 840 W	4058075676268	4 × 80 W FL	105	16800	160	4000	100000	90	—	1527 × 115 × 65
LB FLEX 1500 P 105W 840 VW	4058075676282	4 × 80 W FL	105	16800	160	4000	100000	120	—	1527 × 115 × 65
LB FLEX 1200 DALI P 42W 840 W	4058075676145	2 × 58 W FL	42	6510	155	4000	100000	90	DALI	1236 × 115 × 65
LB FLEX 1200 DALI P 42W 840 VW	4058075676169	2 × 58 W FL	42	6510	155	4000	100000	120	DALI	1236 × 115 × 65
LB FLEX 1200 DALI P 73W 840 W	4058075676206	4 × 58 W FL	73	11315	155	4000	100000	90	DALI2	1236 × 115 × 65
LB FLEX 1200 DALI P 73W 840 VW	4058075676220	4 × 58 W FL	73	11315	155	4000	100000	120	DALI2	1236 × 115 × 65
LB FLEX 1500 DALI P 105W 840 N	4058075676305	4 × 80 W FL	105	16800	160	4000	100000	60	DALI2	1527 × 115 × 65
LB FLEX 1500 DALI P 105W 840 W	4058075676329	4 × 80 W FL	105	16800	160	4000	100000	90	DALI2	1527 × 115 × 65
LB FLEX 1500 DALI P 105W 840 VW	4058075676343	4 × 80 W FL	105	16800	160	4000	100000	120	DALI2	1527 × 115 × 65

¹ Refer to www.ledvance.com/guarantee for precise conditions

² t[h]: L70/B50 @ 25 °C (T_a)/t[h]; L80/B10 @ 25 °C (T_a)

LOW BAY FLEX BALL PROOF

Ball-proof low-bay luminaires with attractive linear design, up to 155 lm/W



PRODUCT FEATURES

- Ball-proof low-bay luminaires for mounting heights up to ~10m in 4000 K
- Through-wiring cable already installed
- Long lifetime (L80/B10): up to 100 000 h
- High color consistency: ≤ 3 SDCM

PRODUCT BENEFITS

- Ball-proof luminaire with increased physical robustness
- Economical thanks to high luminous efficacy up to 155 lm/W
- Easy and quick installation thanks to toolless connector box with 5- and 7-pole terminals
- Modern and robust design
- 5 years guarantee

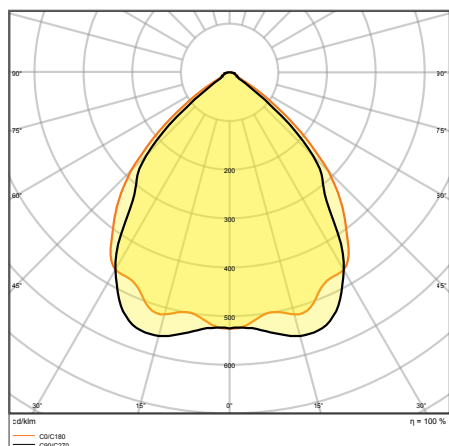
AREAS OF APPLICATION

- Sports halls
- Indoor sports facilities

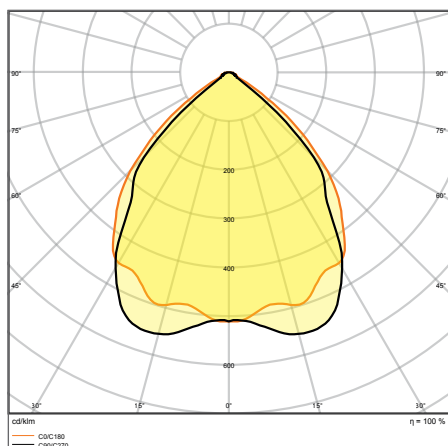
EQUIPMENT / ACCESSORIES

- Various mounting options by using screws

FURTHER PRODUCT DETAILS



LB FLEX BP 1500 P 105W 840 W



LB FLEX BP 1500 DALI P 105W 840 W

LOW BAY FLEX BALL PROOF

Ball-proof low-bay luminaires with attractive linear design, up to 155 lm/W

PERFORMANCE CLASS
COMING SOON


DALI VERSIONS

FLICKER VALUE <10%
CRI ≥80
IP23
IK08
LEDVANCE 5 year guarantee

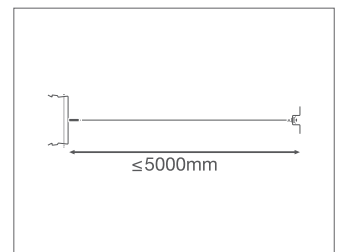
Product name	EAN (GTIN)	Replacement for	W	lm	lm/W	K	L80 ²	°	⌒	L x W x H [mm] Ø x H [mm]
LB FLEX BP 1500 P 105W 840 W	4058075676367	4 x 80 W FL	105	16275	155	4000	100000	90	—	1527 x 117 x 76
LB FLEX BP 1500 DALI P 105W 840 W	4058075676381	4 x 80 W FL	105	16275	155	4000	100000	90	DALI-2	1527 x 117 x 76

LOW BAY FLEX ACCESSORIES

Suspension kit for LOW BAY FLEX



- Wire suspension with bracket and 5 m adjustable steel cable
- Easy installation with click-in suspension brackets



LEDVANCE
2 year guarantee

Product name	EAN (GTIN)	L x W x H [mm] Ø x H [mm]	MATERIAL	1
LB FLEX SUSPENSION KIT BT1	4058075693722	125 x 30 x 46	Steel	1

¹ Refer to www.ledvance.com/guarantee for precise conditions | ² t[h]: L70/B50 @ 25 °C (T_a)/t[h]: L80/B10 @ 25 °C (T_a)
The pictures shown in the catalog are for illustration purposes only. For information on size and color, please refer to the product table.

FLOODLIGHTS

THE RIGHT ILLUMINATION FOR A WIDE VARIETY OF OUTDOOR AREA AND SPORTS LIGHTING PROJECTS

GENERAL OUTDOOR LIGHTING



FLOODLIGHT: POWERFUL ALL-ROUNDERS



Broad floodlight portfolio for highly efficient and long-lasting illumination across a wide range of applications.

PERFORMANCE CLASS

Page 174



FLOODLIGHT SENSOR AND PHOTOCELL SENSOR: INTELLIGENT AND EFFICIENT

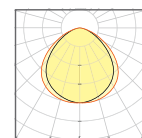


Luminaires with programmable, adjustable IP65 daylight and motion sensor. As well as products with highly protected photocell daylight sensor.

PERFORMANCE CLASS

Page 178

Distribution of light
SYM 100



Symmetrical light pattern 100° x 100°
General outdoor and facade lighting



FLOODLIGHT COMPACT: VERSATILE

Luminaires equipped with all essential features for safe and worry-free outdoor lighting.

VALUE CLASS

Page 182



FLOODLIGHT COMPACT SENSOR: FUNCTIONAL

Luminaires for optimized outdoor lighting by means of motion and daylight sensor.

VALUE CLASS

Page 184



AREA & SPORTS LIGHTING



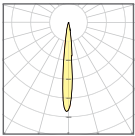
FLOODLIGHT MAX: HIGHEST LUMEN OUTPUT

Extremely robust, yet very modular high-power floodlight with four beam angles and up to 164 000 lumen light output. Suitable for replacing high-pressure discharge luminaires of up to 2 kW.

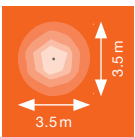
PERFORMANCE CLASS

Page 186

Distribution of light SYM 10

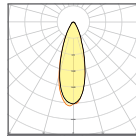


Symmetrical 10°
Illumination of small areas with very high light level requirements

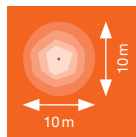


2500 lx $U_0 > 0.7$

Distribution of light SYM 30

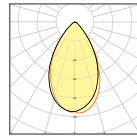


Symmetrical 30°
Illumination of sports grounds and applications that require high illumination levels

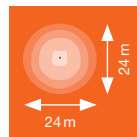


300 lx $U_0 > 0.7$

Distribution of light SYM 60

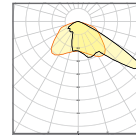


Symmetrical 60°
Illumination of sports areas and applications with high or medium light levels

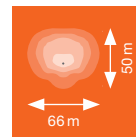


120 lx $U_0 > 0.7$

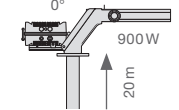
Distribution of light ASYM 50 x 110



Asymmetrical wide beam 50° x 110°
Illumination of areas, parking lots and sports grounds



20 lx $U_0 > 0.25$



Typical application results with products installed as displayed. Grey dot shows mast position.



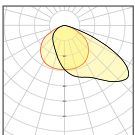
FLOODLIGHT PERFORMANCE: POWERFUL AND PRECISE

Highly durable and efficient floodlights, with up to 140 lm/W. Available in four light distributions and light output configurations ranging from 6300 to 40800 lumen, ideal for replacing conventional luminaires and new installations alike. Also available with DALI connectivity.

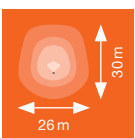
PERFORMANCE CLASS

Page 190

Distribution of light ASYM 55 x 110

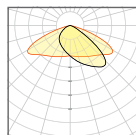


Asymmetrical wide beam 55° x 110°
Illumination of areas, parking lots, sports grounds and facades

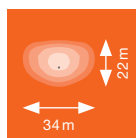


20 lx $U_0 > 0.25$

Distribution of light ASYM 45 x 140

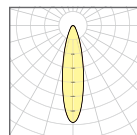


Asymmetrical extra wide beam 45° x 140°
Illumination of areas, parking lots and (industrial) roads with wide mast spacing

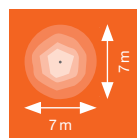


20 lx $U_0 > 0.25$

Distribution of light SYM R30

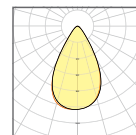


Rotationally symmetrical 30°
Illumination of sports grounds and applications that require high illuminance levels

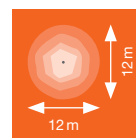


200 lx $U_0 > 0.5$

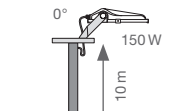
Distribution of light SYM 60



NEW: Symmetrical 60°
Illumination of sports areas and applications with high or medium light levels



100 lx $U_0 > 0.5$



Typical application results with products installed as displayed. Grey dot shows mast position.



FLOODLIGHT AREA: UNIVERSAL LIGHT

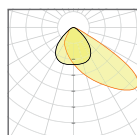
Highly efficient and flexible floodlight for universal area lighting.

VALUE CLASS

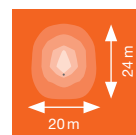
Page 196



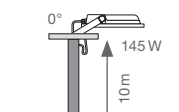
Distribution of light ASYM 48 x 92



Asymmetric beam angle 48° x 92°
Ideal for area and small field sports lighting



20 lx $U_0 > 0.25$



Typical application results with products installed as displayed. Grey dot shows mast position.

FLOODLIGHT 10W – 50W

Floodlight with reflector based, symmetric light distribution up to 120 lm/W



PRODUCT FEATURES

- Aluminum housing with toughened glass, black or white
- Symmetrical beam angle: 100° × 100°
- Mounting bracket with 30° angle and wide rotation
- Connection via flexible 1 m cable, wiring required
- Surge protection: up to 4 kV (L/N-PE), 2 kV (L-N)

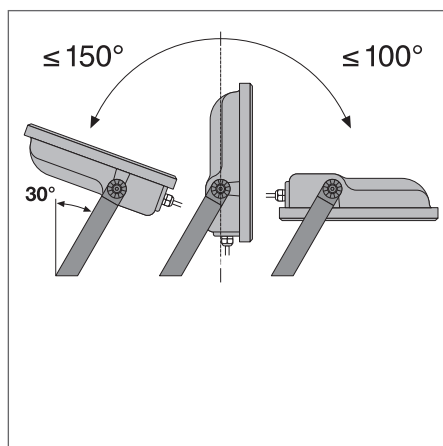
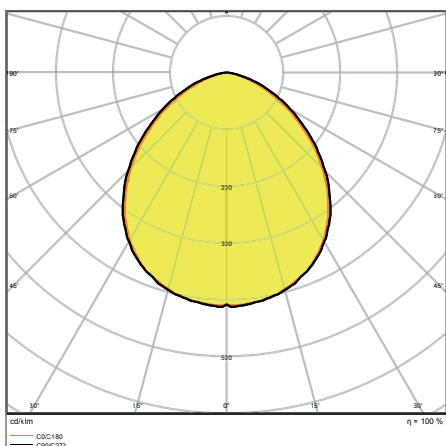
PRODUCT BENEFITS

- Frosted cover made of tempered glass for uniform illumination
- Energy savings of up to 90 % compared to halogen lamp floodlights
- No upper light output ratio (ULOR 0 %) when mounted at 0° tilt
- Impact resistance: IK07
- 5 years guarantee

AREAS OF APPLICATION

- Replacement for floodlights with halogen lamps
- Outdoor use (IP65)
- Public areas
- Building facades
- Construction areas

FURTHER PRODUCT DETAILS



FL PFM 50 W 6500 K SYM 100 WT

FLOODLIGHT 10 W – 50 W

Floodlight with reflector based, symmetric light distribution up to 120 lm/W

PERFOR-
MANCE
CLASSCRI
≥ 80

IP65

IK07

LEDVANCE¹
5
year
guarantee

Product name	EAN (GTIN)	Replacement for	W	lm	lm/W	K	L80 ²		L x W x H [mm] Ø x H [mm]
FL PFM 10 W 3000 K SYM 100 BK	4058075420847	80W HAL	10	1100	110	3000	55000	100 x 100	122 x 131 x 36
FL PFM 10 W 3000 K SYM 100 WT	4058075420861	80W HAL	10	1100	110	3000	55000	100 x 100	122 x 131 x 36
FL PFM 10 W 4000 K SYM 100 BK	4058075420885	80W HAL	10	1200	120	4000	55000	100 x 100	122 x 131 x 36
FL PFM 10 W 4000 K SYM 100 WT	4058075420908	80W HAL	10	1200	120	4000	55000	100 x 100	122 x 131 x 36
FL PFM 10 W 6500 K SYM 100 BK	4058075420922	80W HAL	10	1200	120	6500	55000	100 x 100	122 x 131 x 36
FL PFM 10 W 6500 K SYM 100 WT	4058075420946	80W HAL	10	1200	120	6500	55000	100 x 100	122 x 131 x 36
FL PFM 20 W 3000 K SYM 100 BK	4058075420960	160W HAL	20	2200	110	3000	55000	100 x 100	144 x 156 x 42
FL PFM 20 W 3000 K SYM 100 WT	4058075420991	160W HAL	20	2200	110	3000	55000	100 x 100	144 x 156 x 42
FL PFM 20 W 4000 K SYM 100 BK	4058075421011	160W HAL	20	2400	120	4000	55000	100 x 100	144 x 156 x 42
FL PFM 20 W 4000 K SYM 100 WT	4058075421035	160W HAL	20	2400	120	4000	55000	100 x 100	144 x 156 x 42
FL PFM 20 W 6500 K SYM 100 BK	4058075421059	160W HAL	20	2400	120	6500	55000	100 x 100	144 x 156 x 42
FL PFM 20 W 6500 K SYM 100 WT	4058075421073	160W HAL	20	2400	120	6500	55000	100 x 100	144 x 156 x 42
FL PFM 30 W 3000 K SYM 100 BK	4058075421097	250W HAL	30	3300	110	3000	55000	100 x 100	177 x 186 x 42
FL PFM 30 W 3000 K SYM 100 WT	4058075421110	250W HAL	30	3300	110	3000	55000	100 x 100	177 x 186 x 42
FL PFM 30 W 4000 K SYM 100 BK	4058075421134	250W HAL	30	3600	120	4000	55000	100 x 100	177 x 186 x 42
FL PFM 30 W 4000 K SYM 100 WT	4058075421165	250W HAL	30	3600	120	4000	55000	100 x 100	177 x 186 x 42
FL PFM 30 W 6500 K SYM 100 BK	4058075421189	250W HAL	30	3600	120	6500	55000	100 x 100	177 x 186 x 42
FL PFM 30 W 6500 K SYM 100 WT	4058075421202	250W HAL	30	3600	120	6500	55000	100 x 100	177 x 186 x 42
FL PFM 50 W 3000 K SYM 100 BK	4058075421226	400W HAL	50	5500	110	3000	55000	100 x 100	206 x 218 x 46
FL PFM 50 W 3000 K SYM 100 WT	4058075421240	400W HAL	50	5500	110	3000	55000	100 x 100	206 x 218 x 46
FL PFM 50 W 4000 K SYM 100 BK	4058075421264	400W HAL	50	6000	120	4000	55000	100 x 100	206 x 218 x 46
FL PFM 50 W 4000 K SYM 100 WT	4058075421288	400W HAL	50	6000	120	4000	55000	100 x 100	206 x 218 x 46
FL PFM 50 W 6500 K SYM 100 BK	4058075421301	400W HAL	50	6000	120	6500	55000	100 x 100	206 x 218 x 46
FL PFM 50 W 6500 K SYM 100 WT	4058075421325	400W HAL	50	6000	120	6500	55000	100 x 100	206 x 218 x 46

¹ Refer to www.ledvance.com/guarantee for precise conditions² t[h]: L70/B50 @ 25 °C (T_a)/t[h]: L80/B10 @ 25 °C (T_a)

FLOODLIGHT 65W – 200W

Floodlight with reflector based, symmetric light distribution up to 125 lm/W



PRODUCT FEATURES

- Aluminum housing with toughened glass
- Symmetrical beam angle: 100° x 100°
- Mounting bracket with 30° angle and wide rotation
- Breather membrane to optimize air exchange, without compromising IP protection
- Surge protection: up to 6 kV (L/N-PE), 4 kV (L-N)

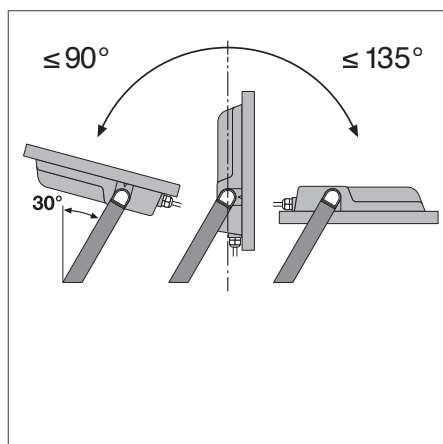
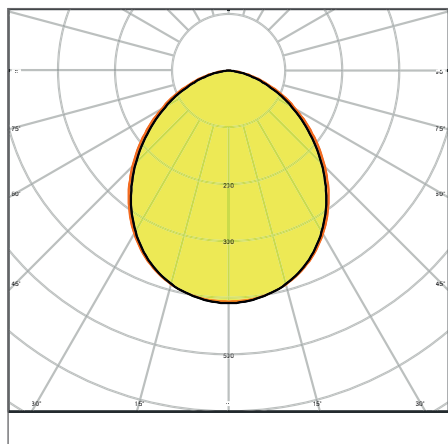
PRODUCT BENEFITS

- Frosted cover made of tempered glass for uniform illumination
- Energy savings of up to 90 % compared to halogen lamp floodlights
- No upper light output ratio (ULOR 0 %) when mounted at 0° tilt
- Impact resistance: IK08
- 5 years guarantee

AREAS OF APPLICATION

- Replacement for floodlights with halogen lamps
- Outdoor use (IP65)
- Public areas
- Building facades
- Construction areas

FURTHER PRODUCT DETAILS



FL PFM 200 W 6500 K SYM 100 BK

FLOODLIGHT 65 W – 200 W

Floodlight with reflector based, symmetric light distribution up to 125 lm/W

PERFOR-
MANCE
CLASSFLICKER
VALUE
< 5%¹CRI
≥ 80

IP 65

IK 08

LEDVANCE²
5
year
guarantee

Product name	EAN (GTIN)	Replacement for	W	lm	lm/W	K	L80 ³		L x W x H [mm] Ø x H [mm]
FL PFM 65 W 3000 K SYM 100 BK	4058075422445	500 W HAL	65	7150	110	3000	55000	100 x 100	268 x 237 x 49
FL PFM 65 W 4000 K SYM 100 BK	4058075422469	500 W HAL	65	8000	123	4000	55000	100 x 100	268 x 237 x 49
FL PFM 65 W 6500 K SYM 100 BK	4058075422483	500 W HAL	65	8000	123	6500	55000	100 x 100	268 x 237 x 49
FL PFM 80 W 3000 K SYM 100 BK	4058075422506	750 W HAL	80	8800	110	3000	55000	100 x 100	335 x 250 x 55
FL PFM 80 W 4000 K SYM 100 BK	4058075422520	750 W HAL	80	10000	125	4000	55000	100 x 100	335 x 250 x 55
FL PFM 80 W 6500 K SYM 100 BK	4058075422544	750 W HAL	80	10000	125	6500	55000	100 x 100	335 x 250 x 55
FL PFM 125 W 3000 K SYM 100 BK	4058075423695	1000 W HAL	125	13750	110	3000	55000	100 x 100	381 x 290 x 59
FL PFM 125 W 4000 K SYM 100 BK	4058075423701	1000 W HAL	125	15000	120	4000	55000	100 x 100	381 x 290 x 59
FL PFM 125 W 6500 K SYM 100 BK	4058075423718	1000 W HAL	125	15000	120	6500	55000	100 x 100	381 x 290 x 59
FL PFM 165 W 3000 K SYM 100 BK	4058075423725	1500 W HAL	165	18150	110	3000	55000	100 x 100	418 x 322 x 60
FL PFM 165 W 4000 K SYM 100 BK	4058075423732	1500 W HAL	165	20000	121	4000	55000	100 x 100	418 x 322 x 60
FL PFM 165 W 6500 K SYM 100 BK	4058075423749	1500 W HAL	165	20000	121	6500	55000	100 x 100	418 x 322 x 60
FL PFM 200 W 3000 K SYM 100 BK	4058075423756	2000 W HAL	200	22000	110	3000	55000	100 x 100	454 x 354 x 62
FL PFM 200 W 4000 K SYM 100 BK	4058075423763	2000 W HAL	200	25000	125	4000	55000	100 x 100	454 x 354 x 62
FL PFM 200 W 6500 K SYM 100 BK	4058075423770	2000 W HAL	200	25000	125	6500	55000	100 x 100	454 x 354 x 62

¹ Applies only to 125 W, 165 W and 200 W² Refer to www.ledvance.com/guarantee for precise conditions³ t[h]: L70/B50 @ 25 °C (T_a)/t[h]: L80/B10 @ 25 °C (T_a)

FLOODLIGHT SENSOR

Floodlight with flexible motion and daylight sensor



PRODUCT FEATURES

- Aluminum housing with toughened glass, black or white
- Symmetrical beam angle: 100° × 100°
- Mounting bracket with 30° angle and wide rotation
- PIR motion and daylight sensor
- Connection via flexible 1 m cable, wiring required

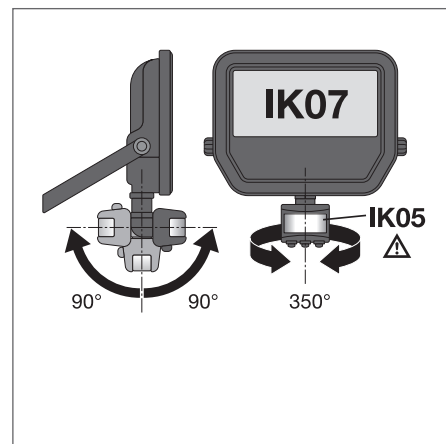
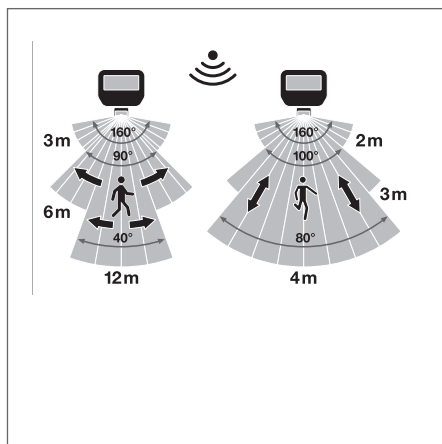
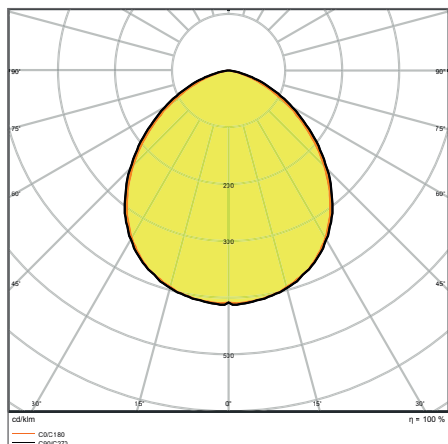
PRODUCT BENEFITS

- Demand optimized illumination due to flexible and programmable sensor
- Easy configuration of sensor range, daylight and motion detection via rotary switch
- Always-on override, activated via special mains switching pattern
- No upper light output ratio (ULOR 0%) when mounted at 0° tilt
- 5 years guarantee

AREAS OF APPLICATION

- Replacement for floodlights with halogen lamps
- Outdoor use (IP65)
- Public areas
- Building facades
- Construction areas

FURTHER PRODUCT DETAILS



FL PFM 50 W 4000 K SYM 100 S BK

FLOODLIGHT SENSOR

Floodlight with flexible motion and daylight sensor

PERFORMANCE
CLASS

Product name	EAN (GTIN)	Replacement for	W	lm	lm/W	K	L80 ²		L x W x H [mm] Ø x H [mm]
FL PFM 10 W 3000 K SYM 100 S BK	4058075460836	80W HAL	10	1100	110	3000	55000	100 x 100	159 x 131 x 53
FL PFM 10 W 3000 K SYM 100 S WT	4058075460850	80W HAL	10	1100	110	3000	55000	100 x 100	159 x 131 x 53
FL PFM 10 W 4000 K SYM 100 S BK	4058075460874	80W HAL	10	1200	120	4000	55000	100 x 100	159 x 131 x 53
FL PFM 10 W 4000 K SYM 100 S WT	4058075460898	80W HAL	10	1200	120	4000	55000	100 x 100	159 x 131 x 53
FL PFM 20 W 3000 K SYM 100 S BK	4058075460911	160W HAL	20	2200	110	3000	55000	100 x 100	176 x 156 x 55
FL PFM 20 W 3000 K SYM 100 S WT	4058075460935	160W HAL	20	2200	110	3000	55000	100 x 100	176 x 156 x 55
FL PFM 20 W 4000 K SYM 100 S BK	4058075460959	160W HAL	20	2400	120	4000	55000	100 x 100	176 x 156 x 55
FL PFM 20 W 4000 K SYM 100 S WT	4058075460973	160W HAL	20	2400	120	4000	55000	100 x 100	176 x 156 x 55
FL PFM 50 W 3000 K SYM 100 S BK	4058075460997	400W HAL	50	5500	110	3000	55000	100 x 100	225 x 219 x 59
FL PFM 50 W 3000 K SYM 100 S WT	4058075461017	400W HAL	50	5500	110	3000	55000	100 x 100	225 x 219 x 59
FL PFM 50 W 4000 K SYM 100 S BK	4058075461031	400W HAL	50	6000	120	4000	55000	100 x 100	225 x 219 x 59
FL PFM 50 W 4000 K SYM 100 S WT	4058075461055	400W HAL	50	6000	120	4000	55000	100 x 100	225 x 219 x 59

SENSOR PROPERTIES

Product name	Type of sensor	Sensor technology	Detection threshold of daylight sensor	Detection range of motion sensor	Sensor detection angle	Sensor controlled switching time
FLOODLIGHT SENSOR 10 W	Motion/Light	Passive infrared/Photocell	10...2000 lx	2...12 m	40°...160 °	10 s...12 min
FLOODLIGHT SENSOR 20 W	Motion/Light	Passive infrared/Photocell	10...2000 lx	2...12 m	40°...160 °	10 s...12 min
FLOODLIGHT SENSOR 50 W	Motion/Light	Passive infrared/Photocell	10...2000 lx	2...12 m	40°...160 °	10 s...12 min

¹ Refer to www.ledvance.com/guarantee for precise conditions
² t[h]: L70/B50 @ 25 °C (T_a)/t[h]: L80/B10 @ 25 °C (T_a)

FLOODLIGHT PHOTOCELL

Floodlight with daylight sensor



PRODUCT FEATURES

- Aluminum housing with toughened glass, black
- Integrated photocell daylight sensor, auto on <math>< 35 \text{ lx}</math>, auto off $> 95 \text{ lx}$
- Symmetrical beam angle: $100^\circ \times 100^\circ$
- Mounting bracket with 30° angle and wide rotation
- Connection via flexible 1 m cable, wiring required

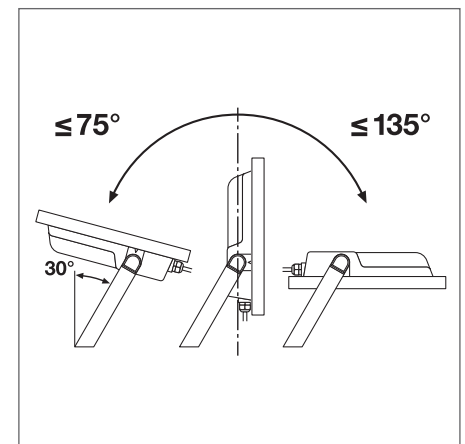
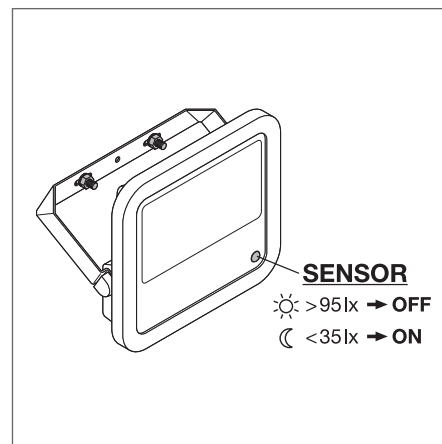
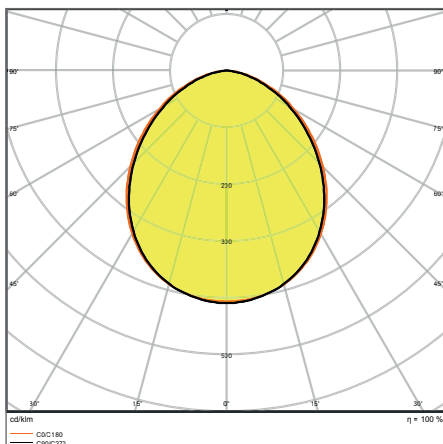
PRODUCT BENEFITS

- Automatically switches on and off according to the amount of available daylight thanks to photocell light sensor
- Always-on override, activated via special mains switching pattern
- No upper light output ratio (ULOR 0 %) when mounted at 0° tilt
- Impact resistance: IK08 (IK08 photocell sensor)
- 5 years guarantee

AREAS OF APPLICATION

- Replacement for floodlights with halogen lamps
- Outdoor use (IP65)
- Industry
- Public areas
- Construction areas

FURTHER PRODUCT DETAILS



FL PFM 200 W 4000 K SYM 100 SL BK

FLOODLIGHT PHOTOCELL

Floodlight with daylight sensor

PERFORMANCE
CLASSFLICKER
VALUE
<5%CRI
≥80

IP65

IK08

LEDVANCE¹
5 year
guarantee

Product name	EAN (GTIN)	Replacement for	W	lm	lm/W	K	L80 ²		L x W x H [mm] Ø x H [mm]
FL PFM 65 W 4000 K SYM 100 SL BK	4058075461093	500 W HAL	65	8000	125	4000	55000	100 × 100	268 × 237 × 49
FL PFM 80 W 4000 K SYM 100 SL BK	4058075461130	750 W HAL	80	10000	125	4000	55000	100 × 100	335 × 250 × 55
FL PFM 125 W 4000 K SYM 100 SL BK	4058075461161	1000 W HAL	125	15000	125	4000	55000	100 × 100	381 × 290 × 59
FL PFM 165 W 4000 K SYM 100 SL BK	4058075461185	1500 W HAL	165	20000	125	4000	55000	100 × 100	418 × 322 × 60
FL PFM 200 W 4000 K SYM 100 SL BK	4058075461208	2000 W HAL	200	25000	125	4000	55000	100 × 100	454 × 354 × 62

SENSOR PROPERTIES

Product name	Type of sensor	Sensor technology	Detection threshold of daylight sensor
FLOODLIGHT PHOTOCELL 65 W	Light	Photocell	35...95 lx
FLOODLIGHT PHOTOCELL 80 W	Light	Photocell	35...95 lx
FLOODLIGHT PHOTOCELL 125 W	Light	Photocell	35...95 lx
FLOODLIGHT PHOTOCELL 165 W	Light	Photocell	35...95 lx
FLOODLIGHT PHOTOCELL 200 W	Light	Photocell	35...95 lx

¹ Refer to www.ledvance.com/guarantee for precise conditions
² t[h]: L70/B50 @ 25 °C (T_a)/t[h]; L80/B10 @ 25 °C (T_a)

FLOODLIGHT COMPACT

Floodlight with reflector based, symmetric light distribution



PRODUCT FEATURES

- Luminaire efficacy: up to 100 lm/W
- Symmetrical beam angle: 100° x 100°
- Mounting bracket with 30° angle and wide rotation area
- Flexible motion and daylight sensor
- Sensor with 350° pan and 180° tilt

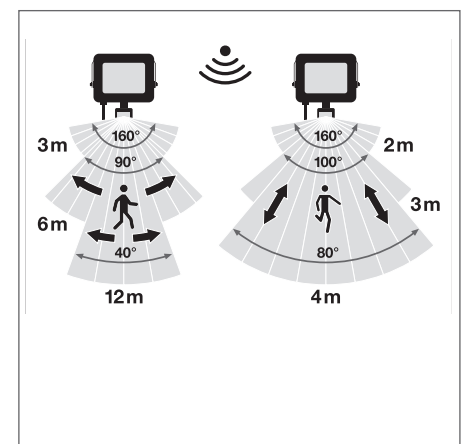
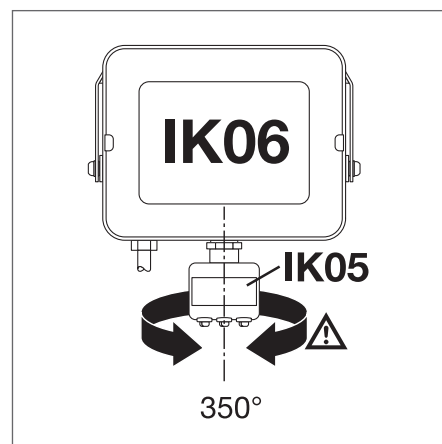
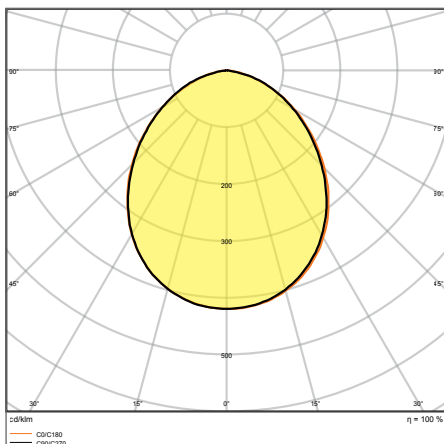
PRODUCT BENEFITS

- Robust, yet light and compact design
- Safe and very uniform illumination, due to frosted and tempered glass diffuser
- No upper light output ratio (ULOR 0 %) when mounted at 0° tilt
- Demand optimized illumination due to flexible and programmable sensor
- Easy adjustment of sensor range, daylight detection and hold time

AREAS OF APPLICATION

- Replacement for floodlights with halogen lamps
- Outdoor use (IP65)
- Public areas
- Building facades
- Construction areas

FURTHER PRODUCT DETAILS



FL COMP V 135W 840 SYM 100 BK

FLOODLIGHT COMPACT

Floodlight with reflector based, symmetric light distribution

VALUE
CLASSFLICKER
VALUE
<10%CRI
≥80

IP65

IK08

LEDVANCE
3 year
guarantee

Product name	EAN (GTIN)	Replacement for	W	lm	lm/W	K	L80 ³		L x W x H [mm] Ø x H [mm]
FL COMP V 10W 830 SYM 100 BK	4058075574557	80 W HAL	10	900	90	3000	35000	100 x 100	114 x 109 x 29
FL COMP V 10W 830 SYM 100 WT	4058075574571	80 W HAL	10	900	90	3000	35000	100 x 100	114 x 109 x 29
FL COMP V 10W 840 SYM 100 BK	4058075574595	80 W HAL	10	1000	100	4000	35000	100 x 100	114 x 109 x 29
FL COMP V 10W 840 SYM 100 WT	4058075574618	80 W HAL	10	1000	100	4000	35000	100 x 100	114 x 109 x 29
FL COMP V 10W 865 SYM 100 BK	4058075574656	80 W HAL	10	1000	100	6500	35000	100 x 100	114 x 109 x 29
FL COMP V 10W 865 SYM 100 WT	4058075574694	80 W HAL	10	1000	100	6500	35000	100 x 100	114 x 109 x 29
FL COMP V 20W 830 SYM 100 BK	4058075574731	160 W HAL	20	1800	90	3000	35000	100 x 100	124 x 122 x 29
FL COMP V 20W 830 SYM 100 WT	4058075574755	160 W HAL	20	1800	90	3000	35000	100 x 100	124 x 122 x 29
FL COMP V 20W 840 SYM 100 BK	4058075574779	160 W HAL	20	2000	100	4000	35000	100 x 100	124 x 122 x 29
FL COMP V 20W 840 SYM 100 WT	4058075574793	160 W HAL	20	2000	100	4000	35000	100 x 100	124 x 122 x 29
FL COMP V 20W 865 SYM 100 BK	4058075574816	160 W HAL	20	2000	100	6500	35000	100 x 100	124 x 122 x 29
FL COMP V 20W 865 SYM 100 WT	4058075574830	160 W HAL	20	2000	100	6500	35000	100 x 100	124 x 122 x 29
FL COMP V 50W 830 SYM 100 BK	4058075574854	400 W HAL	50	4500	90	3000	35000	100 x 100	160 x 170 x 36
FL COMP V 50W 830 SYM 100 WT	4058075574878	400 W HAL	50	4500	90	3000	35000	100 x 100	160 x 170 x 36
FL COMP V 50W 840 SYM 100 BK	4058075574892	400 W HAL	50	5000	100	4000	35000	100 x 100	160 x 170 x 36
FL COMP V 50W 840 SYM 100 WT	4058075574915	400 W HAL	50	5000	100	4000	35000	100 x 100	160 x 170 x 36
FL COMP V 50W 865 SYM 100 BK	4058075574939	400 W HAL	50	5000	100	6500	35000	100 x 100	160 x 170 x 36
FL COMP V 50W 865 SYM 100 WT	4058075574960	400 W HAL	50	5000	100	6500	35000	100 x 100	160 x 170 x 36
FL COMP V 90W 830 SYM 100 BK	4058075574984	750 W HAL	90	8100	90	3000	35000	100 x 100	236 x 255 x 40
FL COMP V 90W 840 SYM 100 BK	4058075575004	750 W HAL	90	9000	100	4000	35000	100 x 100	236 x 255 x 40
FL COMP V 90W 865 SYM 100 BK	4058075575080	750 W HAL	90	9000	100	6500	35000	100 x 100	236 x 255 x 40
FL COMP V 135W 830 SYM 100 BK	4058075575103	1000 W HAL	135	12150	90	3000	35000	100 x 100	274 x 305 x 48
FL COMP V 135W 840 SYM 100 BK	4058075575127	1000 W HAL	135	13500	100	4000	35000	100 x 100	274 x 305 x 48
FL COMP V 135W 865 SYM 100 BK	4058075575141	1000 W HAL	135	13500	100	6500	35000	100 x 100	274 x 305 x 48
FL COMP V 180 W 830 SYM 100 BK	4058075575165	1500 W HAL	180	16800	90	3000	35000	100 x 100	300 x 340 x 55
FL COMP V 180W 840 SYM 100 BK	4058075575189	1500 W HAL	180	18000	100	4000	35000	100 x 100	300 x 340 x 55
FL COMP V 180W 865 SYM 100 BK	4058075575202	1500 W HAL	180	18000	100	6500	35000	100 x 100	300 x 340 x 55

¹ 10W–50W have IK06² Refer to www.ledvance.com/guarantee for precise conditions³ t[h]: L70/B50 @ 25 °C (T_a)/t[h]; L80/B10 @ 25 °C (T_a)

FLOODLIGHT COMPACT SENSOR

Floodlight with motion and daylight sensor



Product name	EAN (GTIN)	Replacement for	W	lm	lm/W	K	L80 ²		L x W x H [mm] Ø x H [mm]
FL COMP SEN V 10W 830 SYM 100 BK	4058075575226	80W HAL	10	900	90	3000	35000	100 x 100	153 x 109 x 53
FL COMP SEN V 10W 840 SYM 100 BK	4058075575240	80W HAL	10	1000	100	4000	35000	100 x 100	153 x 109 x 53
FL COMP SEN V 20W 830 SYM 100 BK	4058075575264	160W HAL	20	1800	90	3000	35000	100 x 100	165 x 122 x 53
FL COMP SEN V 20W 840 SYM 100 BK	4058075575288	160W HAL	20	2000	100	4000	35000	100 x 100	165 x 122 x 53
FL COMP SEN V 50W 830 SYM 100 BK	4058075575301	400W HAL	50	4500	90	3000	35000	100 x 100	202 x 170 x 60
FL COMP SEN V 50W 840 SYM 100 BK	4058075575325	400W HAL	50	5000	100	4000	35000	100 x 100	202 x 170 x 60

SENSOR PROPERTIES

Product name	Type of sensor	Sensor technology	Detection threshold of daylight sensor	Detection range of motion sensor	Sensor detection angle	Sensor controlled switching time
FLOODLIGHT COMPACT SENSOR 10W	Motion/Light	Passive infrared/Photocell	10...2000 lx	2...12 m	40°...160°	10 s...12 min
FLOODLIGHT COMPACT SENSOR 20W	Motion/Light	Passive infrared/Photocell	10...2000 lx	2...12 m	40°...160°	10 s...12 min
FLOODLIGHT COMPACT SENSOR 50W	Motion/Light	Passive infrared/Photocell	10...2000 lx	2...12 m	40°...160°	10 s...12 min

¹ Refer to www.ledvance.com/guarantee for precise conditions

² t[h]: L70/B50 @ 25 °C (T_a)/t[h]; L80/B10 @ 25 °C (T_a)



FLOODLIGHT MAX LUMINAIRE HEAD

High-power floodlight for large area and sports lighting



PRODUCT FEATURES

- Modular, high-power floodlight with up to 137 lm/W
- Joint or separate installation possible with Floodlight Max power supply
- Available with 10°, 30° and 60° symmetric beam angles, and 50° x 110° asymmetric light distribution
- Mounting bracket for up to 180° tilting
- Highly-transparent, tempered glass diffuser

PRODUCT BENEFITS

- Very bright, robust and durable
- Energy savings of up to 45 % compared to luminaires that use conventional discharge lamps
- Easy dimming up to 50 % by wiring
- No upper light output ratio (ULOR 0 %) when mounted at 0° tilt
- 5 years guarantee

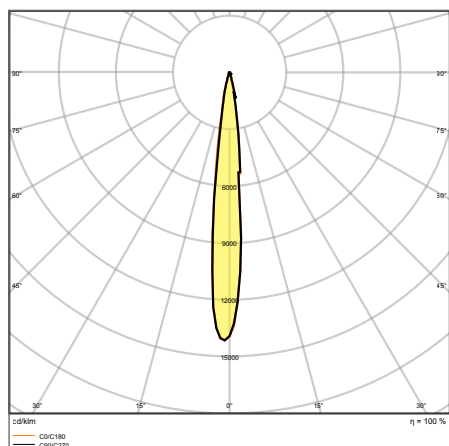
AREAS OF APPLICATION

- Outdoor use (IP66)
- Lighting of large areas
- Sports facilities
- Construction areas
- Direct replacement for luminaires using HID lamps

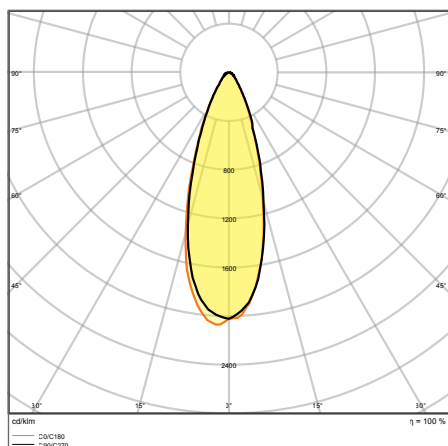
EQUIPMENT/ACCESSORIES

- Operation only with separately available official matching power supply

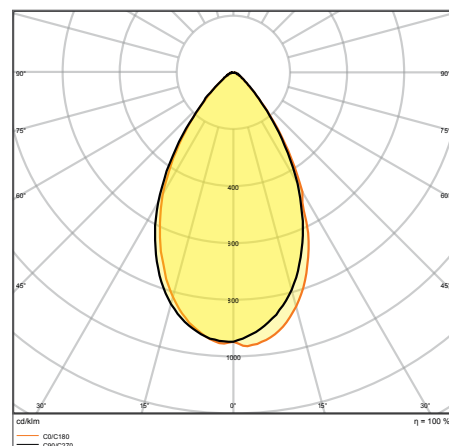
FURTHER PRODUCT DETAILS



FL MAX LUM P 600W 757 SYM 10 WAL



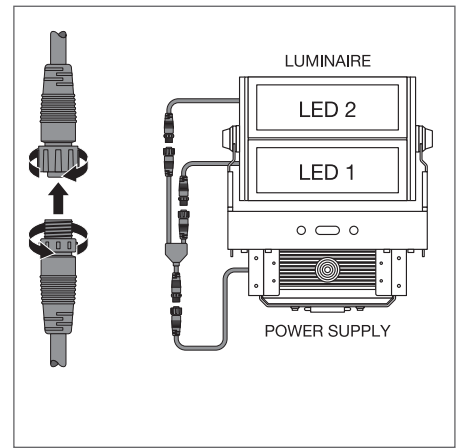
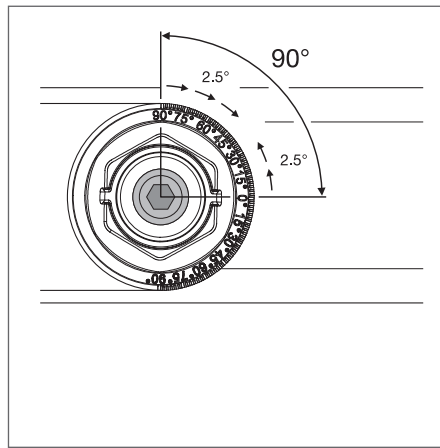
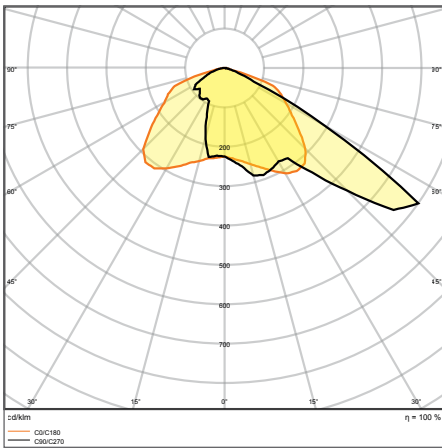
FL MAX LUM P 600W 757 SYM 30 WAL



FL MAX LUM P 600W 757 SYM 60 WAL

The pictures shown in the catalog are for illustration purposes only. For information on size and color, please refer to the product table.

FURTHER PRODUCT DETAILS



FL MAX LUM P 600W 757 ASYM50x110WAL

FLOODLIGHT MAX SYM 10

High-power floodlight with 10° symmetric light distribution for large area and sports lighting



Product name	EAN (GTIN)	W	lm	lm/W	K	L80 ²	°	L × W × H [mm] ∅ × H [mm]	No.
FL MAX LUM P 600W 757 SYM 10 WAL	4058075580589	600	78000	130	5700	75000	10	472 × 591 × 279	1
FL MAX LUM P 900W 757 SYM 10 WAL	4058075580626	900	117000	130	5700	75000	10	660 × 591 × 279	2
FL MAX LUM P 1200W 757 SYM 10 WAL	4058075580664	1200	155000	129	5700	75000	10	841 × 591 × 282	3

FLOODLIGHT MAX SYM 30

High-power floodlight with 30° symmetric light distribution for large area and sports lighting



Product name	EAN (GTIN)	W	lm	lm/W	K	L80 ²	°	L × W × H [mm] ∅ × H [mm]	No.
FL MAX LUM P 600W 757 SYM 30 WAL	4058075580596	600	81000	135	5700	75000	30	472 × 591 × 279	1
FL MAX LUM P 900W 757 SYM 30 WAL	4058075580633	900	121000	134	5700	75000	30	660 × 591 × 279	2
FL MAX LUM P 1200W 757 SYM 30 WAL	4058075580671	1200	162000	135	5700	75000	30	841 × 591 × 282	3

¹ Refer to www.ledvance.com/guarantee for precise conditions
² t[h]: L70/B50 @ 25 °C (T_a)/t[h]: L80/B10 @ 25 °C (T_a)

FLOODLIGHT MAX SYM 60

High-power floodlight with 60° symmetric light distribution for large area and sports lighting



Product name	EAN (GTIN)	W	lm	lm/w	K	L80 ²	Beam angle	L x W x H [mm] Ø x H [mm]	No.
FL MAX LUM P 600W 757 SYM 60 WAL	4058075 580602	600	80500	134	5700	75000	60	472 x 591 x 279	1
FL MAX LUM P 900W 757 SYM 60 WAL	4058075 580640	900	120000	133	5700	75000	60	660 x 591 x 279	2
FL MAX LUM P 1200W 757 SYM 60 WAL	4058075 580688	1200	161000	134	5700	75000	60	841 x 591 x 282	3

FLOODLIGHT MAX ASYM 50 x 110

High-power floodlight with 50° x 110° asymmetric light distribution for large area and sports lighting



Product name	EAN (GTIN)	W	lm	lm/w	K	L80 ²	Beam angle	L x W x H [mm] Ø x H [mm]	No.
FL MAX LUM P 600W 757 ASYM 50x110 WAL	4058075 580619	600	82000	137	5700	75000	50 x 110	472 x 591 x 279	1
FL MAX LUM P 900W 757 ASYM 50x110 WAL	4058075 580657	900	123000	137	5700	75000	50 x 110	660 x 591 x 279	2
FL MAX LUM P 1200W 757 ASYM 50x110 WAL	4058075 580695	1200	164000	137	5700	75000	50 x 110	841 x 591 x 282	3

¹ Refer to www.ledvance.com/guarantee for precise conditions
² t[h]: L70/B50 @ 25 °C (T_a)/t[h]: L80/B10 @ 25 °C (T_a)

FLOODLIGHT MAX POWER SUPPLY

Power supplies for FLOODLIGHT MAX luminaires



PRODUCT FEATURES

- Power supply for Floodlight Max luminaire heads
- Joint or separate installation with Floodlight Max luminaire head
- M20 and M25 PG glands for mains cable feed-in
- LED-module wiring by means of pre-installed fast quick release connector
- High surge protection: up to 10 kV (L/N-PE and L-N)

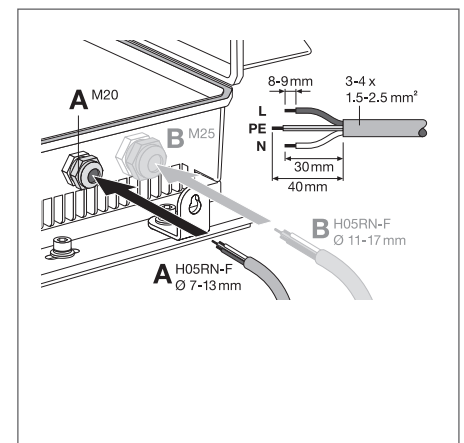
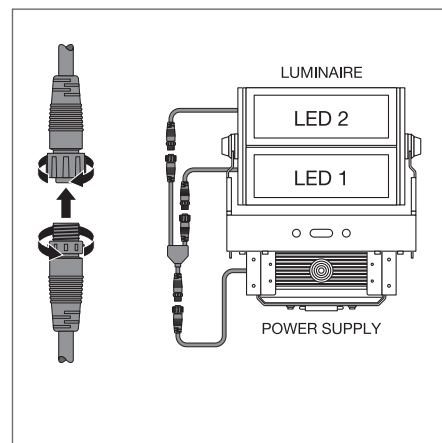
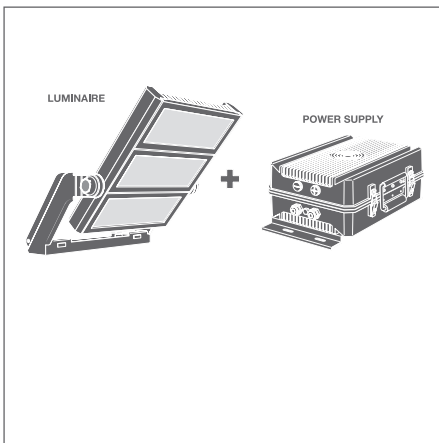
PRODUCT BENEFITS

- Highly robust and durable
- Quick and easy wiring, due to tool-free housing opening
- Optimized logistic, luminaire head and power supply arrive in individual packaging
- 5 years guarantee

AREAS OF APPLICATION

- Outdoor use (IP66)
- Sports facilities
- Construction areas

FURTHER PRODUCT DETAILS



Product name	EAN (GTIN)	W	L × W × H [mm] Ø × H [mm]	No.
FL MAX POWER SUPPLY P 600W WAL	4058075580718	600	188 × 447 × 146	1
FL MAX POWER SUPPLY P 900W WAL	4058075580732	900	270 × 447 × 166	2
FL MAX POWER SUPPLY P 1200W WAL	4058075580749	1200	270 × 447 × 166	2

¹ Refer to www.ledvance.com/guarantee for precise conditions

The pictures shown in the catalog are for illustration purposes only. For information on size and color, please refer to the product table.

FLOODLIGHT PERFORMANCE

IP66 floodlight with lens based light distribution up to 140 lm/W



PRODUCT FEATURES

- New versions with DALI 2.0 interface available, for light management system integration
- Aluminum die-cast housing, black (similar to RAL 9017) with toughened glass
- Robust design: IP66, IK08. -30 °C to +50 °C temperature resistance and surge protection < 10 kV
- Integrated breather for preventing condensation inside the luminaire
- Suitable for locations with fire hazards according to EN 60598-2-24 (D-mark)
- 2 m connection cable with open, crimped wire ends for flexible installation

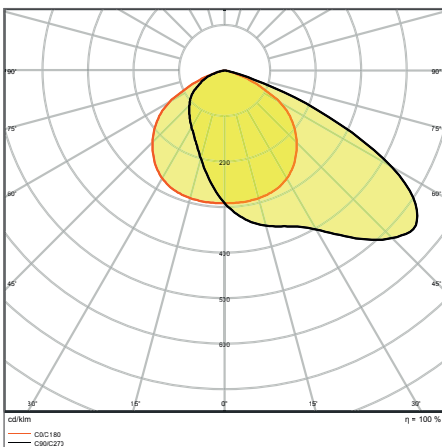
PRODUCT BENEFITS

- Available in 5 power levels, for replacement of traditional luminaires, up to 2000 W (HAL)
- Available in 4 light distributions for optimum illumination of a wide range of applications
- Suitable for wall or mast mounting thanks to angled bracket with a great rotation range
- Highly efficient directional light through single lenses, with up to 140 lm/W luminous efficacy
- 5 years guarantee

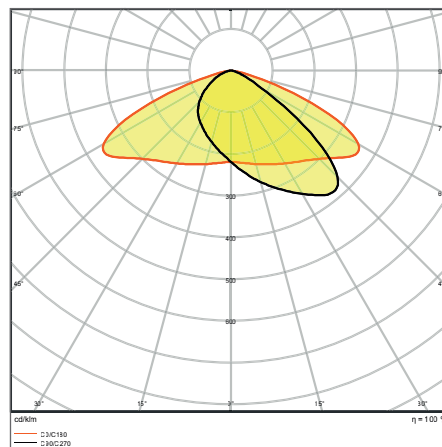
AREAS OF APPLICATION

- Direct replacement for luminaires using HID lamps
- Outdoor use (IP66)
- Public areas
- Industry
- Sports facilities

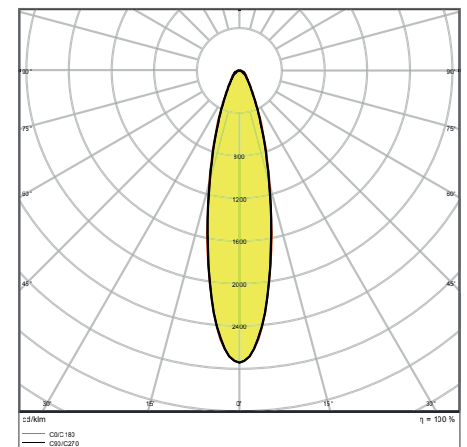
FURTHER PRODUCT DETAILS



FL PFM ASYM 55x110 290W 4000K BK

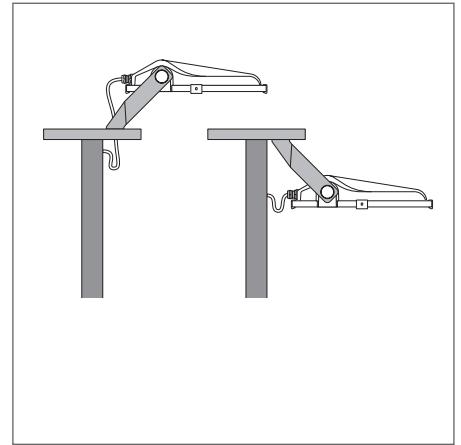
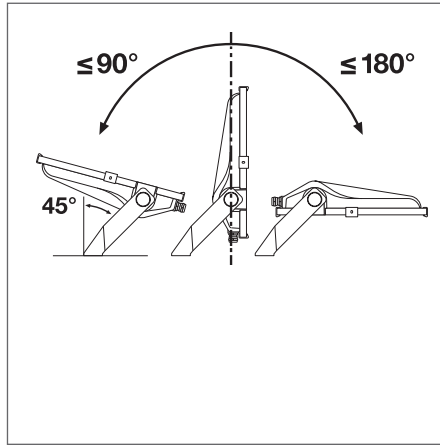
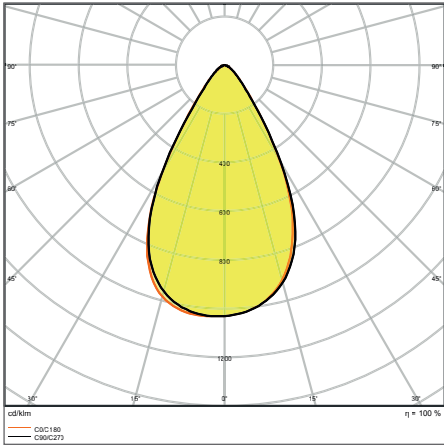


FL PFM ASYM 45x140 290W 4000K BK



FL PFM SYM R30 290W 4000K BK

FURTHER PRODUCT DETAILS 




FL PFM SYM 60 290W4000K BK

FLOODLIGHT PERFORMANCE ASYM 55 × 110

Floodlight with wide beam, asymmetric light distribution for various application areas



Product name	EAN (GTIN)	Replacement for	W	lm	lm/W	K	L80 ³		L × W × H [mm] Ø × H [mm]
FL PFM ASYM 55x110 50 W 3000 K BK	4058075353299	500 W HAL	50	5800	115	3000	70000	55 × 110	314 × 240 × 63
FL PFM ASYM 55x110 50 W 4000 K BK	4058075353305	500 W HAL	50	6300	125	4000	70000	55 × 110	314 × 240 × 63
FL PFM ASYM 55x110 100 W 3000 K BK	4058075353312	1000 W HAL	100	11900	120	3000	70000	55 × 110	418 × 330 × 77
FL PFM ASYM 55x110 100 W 4000 K BK	4058075353527	1000 W HAL	100	12900	130	4000	70000	55 × 110	418 × 330 × 77
FL PFM ASYM 55x110 150 W 3000 K BK	4058075353534	1500 W HAL	150	18400	125	3000	70000	55 × 110	451 × 330 × 77
FL PFM ASYM 55x110 150 W 4000 K BK	4058075353541	1500 W HAL	150	19900	135	4000	70000	55 × 110	451 × 330 × 77
FL PFM ASYM 55x110 200 W 3000 K BK	4058075353558	1500 W HAL	200	24400	130	3000	70000	55 × 110	494 × 395 × 87
FL PFM ASYM 55x110 200 W 4000 K BK	4058075353565	1500 W HAL	200	26400	140	4000	70000	55 × 110	494 × 395 × 87
FL PFM ASYM 55x110 290 W 3000 K BK	4058075353572	2000 W HAL	290	35600	125	3000	70000	55 × 110	567 × 465 × 97
FL PFM ASYM 55x110 290 W 4000 K BK	4058075353602	2000 W HAL	290	38500	135	4000	70000	55 × 110	567 × 465 × 97

¹ Applies to 100W–290W

² Refer to www.ledvance.com/guarantee for precise conditions

³ t[h]: L70/B50 @ 25 °C (T_a)/t[h]: L80/B10 @ 25 °C (T_a)

FLOODLIGHT PERFORMANCE ASYM 45 × 140

Floodlight with very wide beam, asymmetric light distribution for area lighting












Product name	EAN (GTIN)	Replacement for	W	lm	lm/W	K	L80 ³		L x W x H [mm] Ø x H [mm]
FL PFM ASYM 45x140 50 W 3000 K BK	4058075353619	500 W HAL	50	5700	115	3000	70000	45 × 140	314 × 240 × 63
FL PFM ASYM 45x140 50 W 4000 K BK	4058075353626	500 W HAL	50	6200	125	4000	70000	45 × 140	314 × 240 × 63
FL PFM ASYM 45x140 100 W 3000 K BK	4058075353633	1000 W HAL	100	11800	120	3000	70000	45 × 140	418 × 330 × 77
FL PFM ASYM 45x140 100 W 4000 K BK	4058075353688	1000 W HAL	100	12800	130	4000	70000	45 × 140	418 × 330 × 77
FL PFM ASYM 45x140 150 W 3000 K BK	4058075353695	1500 W HAL	150	18300	120	3000	70000	45 × 140	451 × 330 × 77
FL PFM ASYM 45x140 150 W 4000 K BK	4058075353701	1500 W HAL	150	19800	130	4000	70000	45 × 140	451 × 330 × 77
FL PFM ASYM 45x140 200 W 3000 K BK	4058075353718	1500 W HAL	200	24200	130	3000	70000	45 × 140	494 × 395 × 87
FL PFM ASYM 45x140 200 W 4000 K BK	4058075353725	1500 W HAL	200	26200	140	4000	70000	45 × 140	494 × 395 × 87
FL PFM ASYM 45x140 290 W 3000 K BK	4058075353732	2000 W HAL	290	35300	120	3000	70000	45 × 140	567 × 465 × 97
FL PFM ASYM 45x140 290 W 4000 K BK	4058075353749	2000 W HAL	290	38200	130	4000	70000	45 × 140	567 × 465 × 97

FLOODLIGHT PERFORMANCE SYM R30

Floodlight with rotational symmetric light distribution for high mast area lighting













Product name	EAN (GTIN)	Replacement for	W	lm	lm/W	K	L80 ³		L x W x H [mm] Ø x H [mm]
FL PFM SYM R30 150 W 3000 K BK	4058075353756	1500 W HAL	150	18700	125	3000	70000	30	451 × 330 × 77
FL PFM SYM R30 150 W 4000 K BK	4058075353763	1500 W HAL	150	20200	135	4000	70000	30	451 × 330 × 77
FL PFM SYM R30 200 W 3000 K BK	4058075353770	1500 W HAL	200	24800	130	3000	70000	30	494 × 395 × 87
FL PFM SYM R30 200 W 4000 K BK	4058075353787	1500 W HAL	200	26800	140	4000	70000	30	494 × 395 × 87
FL PFM SYM R30 290 W 3000 K BK	4058075353794	2000 W HAL	290	36200	125	3000	70000	30	567 × 465 × 97
FL PFM SYM R30 290 W 4000 K BK	4058075353800	2000 W HAL	290	39100	135	4000	70000	30	567 × 465 × 97

FLOODLIGHT PERFORMANCE SYM 60

Floodlight with symmetric light distribution for medium to high mast area lighting












Product name	EAN (GTIN)	Replacement for	W	lm	lm/W	K	L80 ³		L x W x H [mm] Ø x H [mm]
FL PFM SYM 60 150 W 3000 K BK	4058075540989	1500 W HAL	150	19800	132	3000	70000	60 × 60	451 × 330 × 77
FL PFM SYM 60 150 W 4000 K BK	4058075540996	1500 W HAL	150	21000	140	4000	70000	60 × 60	451 × 330 × 77
FL PFM SYM 60 200 W 3000 K BK	4058075541009	1500 W HAL	200	26400	132	3000	70000	60 × 60	494 × 395 × 87
FL PFM SYM 60 200 W 4000 K BK	4058075541016	1500 W HAL	200	28000	140	4000	70000	60 × 60	494 × 395 × 87
FL PFM SYM 60 290 W 3000 K BK	4058075541023	2000 W HAL	290	38300	132	3000	70000	60 × 60	567 × 465 × 97
FL PFM SYM 60 290 W 4000 K BK	4058075541030	2000 W HAL	290	40600	140	4000	70000	60 × 60	567 × 465 × 97

¹Applies to 100W–290W | ²Refer to www.ledvance.com/guarantee for precise conditions | ³t[h]: L70/B50 @ 25°C (T_a)/t[h]: L80/B10 @ 25°C (T_a)

FLOODLIGHT PERFORMANCE DALI ASYM 55 × 110

DALI 2.0 based floodlight with wide beam, asymmetric light distribution for various application areas

Product name	EAN (GTIN)	Replacement for	W		lm		lm/w		K		L80 ²		°		L × W × H [mm] Ø × H [mm]
			W	lm	lm/w	K	L80 ²	°							
FL PFM DA 50W 3000K ASYM 55X110 BK	4058075760523	500W HAL	50	5800	116	3000	70000	55 × 110	DALI-2	314 × 240 × 63					
FL PFM DA 50W 4000K ASYM 55X110 BK	4058075760530	500W HAL	50	6300	126	4000	70000	55 × 110	DALI-2	314 × 240 × 63					
FL PFM DA 100W 3000K ASYM 55X110 BK	4058075760547	1000W HAL	100	11900	119	3000	70000	55 × 110	DALI-2	418 × 330 × 77					
FL PFM DA 100W 4000K ASYM 55X110 BK	4058075760554	1000W HAL	100	12900	129	4000	70000	55 × 110	DALI-2	418 × 330 × 77					
FL PFM DA 150W 3000K ASYM 55X110 BK	4058075760561	1500W HAL	150	18400	122	3000	70000	55 × 110	DALI-2	451 × 330 × 77					
FL PFM DA 150W 4000K ASYM 55X110 BK	4058075760578	1500W HAL	150	19900	132	4000	70000	55 × 110	DALI-2	451 × 330 × 77					
FL PFM DA 200W 3000K ASYM 55X110 BK	4058075760585	1500W HAL	200	24400	122	3000	70000	55 × 110	DALI-2	494 × 395 × 87					
FL PFM DA 200W 4000K ASYM 55X110 BK	4058075760592	1500W HAL	200	26400	132	4000	70000	55 × 110	DALI-2	494 × 395 × 87					
FL PFM DA 290W 3000K ASYM 55X110 BK	4058075760608	2000W HAL	290	35600	122	3000	70000	55 × 110	DALI-2	567 × 465 × 97					
FL PFM DA 290W 4000K ASYM 55X110 BK	4058075760615	2000W HAL	290	38500	132	4000	70000	55 × 110	DALI-2	567 × 465 × 97					

FLOODLIGHT PERFORMANCE DALI ASYM 45 × 140

DALI 2.0 based floodlight with very wide beam, asymmetric light distribution for area lighting

Product name	EAN (GTIN)	Replacement for	W		lm		lm/w		K		L80 ²		°		L × W × H [mm] Ø × H [mm]
			W	lm	lm/w	K	L80 ²	°							
FL PFM DA 50W 3000K ASYM 45X140 BK	4058075760622	500W HAL	50	5700	114	3000	70000	45 × 140	DALI-2	314 × 240 × 63					
FL PFM DA 50W 4000K ASYM 45X140 BK	4058075760639	500W HAL	50	6200	124	4000	70000	45 × 140	DALI-2	314 × 240 × 63					
FL PFM DA 100W 3000K ASYM 45X140 BK	4058075760646	1000W HAL	100	11800	118	3000	70000	45 × 140	DALI-2	418 × 330 × 77					
FL PFM DA 100W 4000K ASYM 45X140 BK	4058075760653	1000W HAL	100	12800	128	4000	70000	45 × 140	DALI-2	418 × 330 × 77					
FL PFM DA 150W 3000K ASYM 45X140 BK	4058075760660	1500W HAL	150	18300	122	3000	70000	45 × 140	DALI-2	451 × 330 × 77					
FL PFM DA 150W 4000K ASYM 45X140 BK	4058075760677	1500W HAL	150	19800	132	4000	70000	45 × 140	DALI-2	451 × 330 × 77					
FL PFM DA 200W 3000K ASYM 45X140 BK	4058075760684	1500W HAL	200	24200	121	3000	70000	45 × 140	DALI-2	494 × 395 × 87					
FL PFM DA 200W 4000K ASYM 45X140 BK	4058075760691	1500W HAL	200	26200	131	4000	70000	45 × 140	DALI-2	494 × 395 × 87					
FL PFM DA 290W 3000K ASYM 45X140 BK	4058075760707	2000W HAL	290	35300	121	3000	70000	45 × 140	DALI-2	567 × 465 × 97					
FL PFM DA 290W 4000K ASYM 45X140 BK	4058075760714	2000W HAL	290	38200	131	4000	70000	45 × 140	DALI-2	567 × 465 × 97					

¹ Refer to www.ledvance.com/guarantee for precise conditions² t[h]: L70/B50 @ 25 °C (T_a)/t[h]: L80/B10 @ 25 °C (T_a)

FLOODLIGHT PERFORMANCE DALI SYM R30

DALI 2.0 based floodlight with rotational symmetric light distribution for high mast area lighting

PERFORMANCE CLASS






FLICKER VALUE <10%

CRI >80

IP66

IK08

LEDVANCE
5 year guarantee

Product name	EAN (GTIN)	Replacement for	W	lm	lm/W	K	L80 ²			L x W x H [mm] Ø x H [mm]
FL PFM DA 150W 3000K SYM R30 BK	4058075760721	1500 W HAL	150	18700	124	3000	70000	30	DALI-2	451 x 330 x 77
FL PFM DA 150W 4000K SYM R30 BK	4058075760738	1500 W HAL	150	20200	134	4000	70000	30	DALI-2	451 x 330 x 77
FL PFM DA 200W 3000K SYM R30 BK	4058075760745	1500 W HAL	200	24800	124	3000	70000	30	DALI-2	494 x 395 x 87
FL PFM DA 200W 4000K SYM R30 BK	4058075760752	1500 W HAL	200	26800	134	4000	70000	30	DALI-2	494 x 395 x 87
FL PFM DA 290W 3000K SYM R30 BK	4058075760769	2000 W HAL	290	36200	124	3000	70000	30	DALI-2	567 x 465 x 97
FL PFM DA 290W 4000K SYM R30 BK	4058075760776	2000 W HAL	290	39100	134	4000	70000	30	DALI-2	567 x 465 x 97

FLOODLIGHT PERFORMANCE DALI SYM 60

DALI 2.0 based floodlight with symmetric light distribution for medium to high mast area lighting

PERFORMANCE CLASS







FLICKER VALUE <10%

CRI >80

IP66

IK08

LEDVANCE
5 year guarantee

Product name	EAN (GTIN)	Replacement for	W	lm	lm/W	K	L80 ²			L x W x H [mm] Ø x H [mm]
FL PFM DA 150W 3000K SYM 60 BK	4058075760783	1500 W HAL	150	19800	132	3000	70000	60 x 60	DALI-2	451 x 330 x 77
FL PFM DA 150W 4000K SYM 60 BK	4058075760790	1500 W HAL	150	21000	140	4000	70000	60 x 60	DALI-2	451 x 330 x 77
FL PFM DA 200W 3000K SYM 60 BK	4058075760837	1500 W HAL	200	26400	132	3000	70000	60 x 60	DALI-2	494 x 395 x 87
FL PFM DA 200W 4000K SYM 60 BK	4058075760844	1500 W HAL	200	28000	140	4000	70000	60 x 60	DALI-2	494 x 395 x 87
FL PFM DA 290W 3000K SYM 60 BK	4058075760851	2000 W HAL	290	38300	132	3000	70000	60 x 60	DALI-2	567 x 465 x 97
FL PFM DA 290W 4000K SYM 60 BK	4058075760868	2000 W HAL	290	40600	140	4000	70000	60 x 60	DALI-2	567 x 465 x 97

¹ Refer to www.ledvance.com/guarantee for precise conditions
² t[h]: L70/B50 @ 25 °C (T_a)/t[h]: L80/B10 @ 25 °C (T_a)



FLOODLIGHT AREA

Floodlight with lens based asymmetric light distribution up to 140 lm/W



PRODUCT FEATURES

- Asymmetric light distribution: 48° × 92°
- Robust design: IP65, IK08, -30 °C to +50 °C temperature resistance, up to 6 kV surge protection (L/N-PE)
- Integrated breather for preventing condensation inside the luminaire
- Pre-installed, flexible 1m cable (H05RN-F)

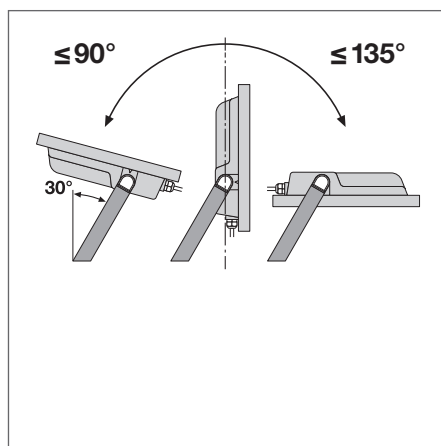
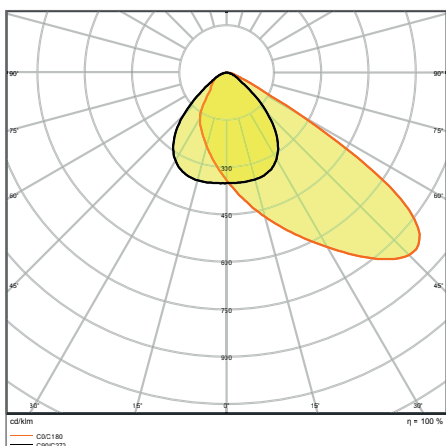
PRODUCT BENEFITS

- Energy savings of up to 90 % compared to halogen lamp floodlights
- Energy savings of up to 45 % compared to luminaires that use conventional discharge lamps
- High light uniformity
- No upper light output ration (ULOR 0 %) when mounted at 0° tilt
- 5 years guarantee

AREAS OF APPLICATION

- Direct replacement for luminaires using HID lamps
- Outdoor use (IP65)
- Public areas & parking
- Industry
- Sports facilities

FURTHER PRODUCT DETAILS



FL AREA 105W 840 ASYM 48X92 BK

FLOODLIGHT AREA

Floodlight with lens based asymmetric light distribution up to 140 lm/W

VALUE
CLASSFLICKER
VALUE
<10%CRI
≥80

IP65

IK08

LEDVANCE¹
5
year
guarantee

Product name	EAN (GTIN)	Replacement for	W	lm	lm/W	K	L80 ²		L x W x H [mm] Ø x H [mm]
FL AREA ASYM 48x92 72 W 3000 K BK	4058075539730	750 W HAL	72	9200	129	3000	50000	48 x 92	381 x 290 x 59
FL AREA ASYM 48x92 72 W 4000 K BK	4058075539747	750 W HAL	72	10000	139	4000	50000	48 x 92	381 x 290 x 59
FL AREA ASYM 48x92 105 W 3000 K BK	4058075539754	1000 W HAL	105	13750	132	3000	50000	48 x 92	418 x 322 x 60
FL AREA ASYM 48x92 105 W 4000 K BK	4058075539761	1000 W HAL	105	15000	143	4000	50000	48 x 92	418 x 322 x 60
FL AREA ASYM 48x92 145 W 3000 K BK	4058075539778	1500 W HAL	145	18400	129	3000	50000	48 x 92	454 x 354 x 62
FL AREA ASYM 48x92 145 W 4000 K BK	4058075539785	1500 W HAL	145	20000	138	4000	50000	48 x 92	454 x 354 x 62

¹ Refer to www.ledvance.com/guarantee for precise conditions
² t[h]: L70/B50 @ 25 °C (T_a)/t[h]; L80/B10 @ 25 °C (T_a)

STREETLIGHTS

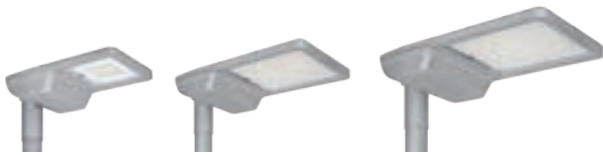
VERSATILE, DURABLE AND HIGHLY SUSTAINABLE ILLUMINATION OF URBAN SPACES

STREETLIGHT FLEX



PERFORMANCE CLASS

Page 200
STREETLIGHT FLEX SMALL, MEDIUM & LARGE



HIGHLY FLEXIBLE AND EFFICIENT STREETLIGHTS

- Modern and durable design for long lasting performance, up to 100 000 h L90B10 (at 25 °C)
- Extremely high efficiency, up to 155 lm/W, for great TCO in many replacement scenarios
- Broad range for wide application fit in road lighting and parking: 7 LED configurations, 3 CCTs, 2 beam angles

STREETLIGHT FLEX ACCESSORIES



PERFORMANCE CLASS

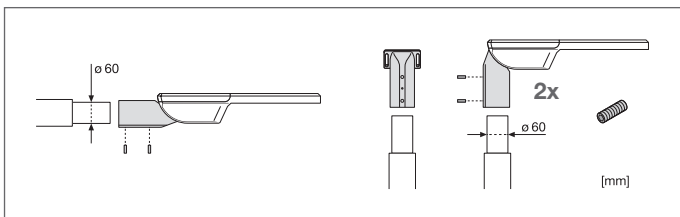
Page 206



MOUNTING ACCESSORIES FOR INCREASED VERSATILITY

- Larger pole adapter, suitable for 76 mm poles
- Reduction piece, enabling the standard adapter to be installed on 42 mm poles
- Suitable for all Streetlight Flex types

VERY SIMPLE AND FLEXIBLE INSTALLATION



- Pole adapter for 60 mm pole diameter is included as standard with all Streetlight Flex luminaires
- The flexible design allows for either side-entry or post-top installation of the luminaire
- $\pm 15^\circ$ tilt angle adjustment without opening the housing



STREETLIGHT FLEX: EFFICIENT, DURABLE, FLEXIBLE

Designed for ease of installation and featuring materials of the highest quality, an extremely long service life and two different light distribution patterns, Streetlight Flex is our efficient and flexible answer to the high demands placed on modern street and parking lot lighting.

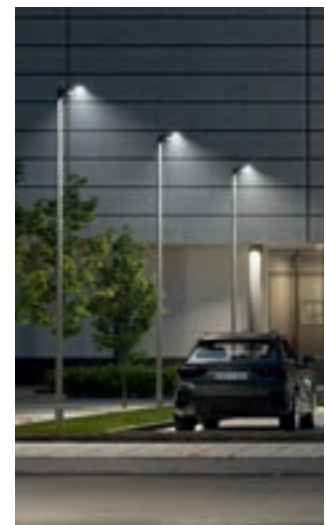
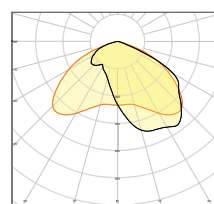
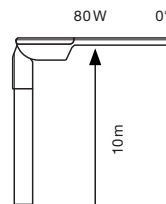
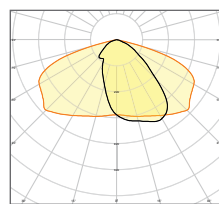
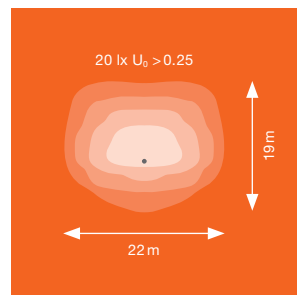
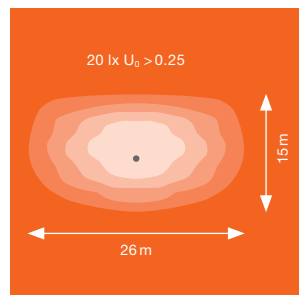
LIGHT DISTRIBUTION OPTIONS

RV25ST light distribution

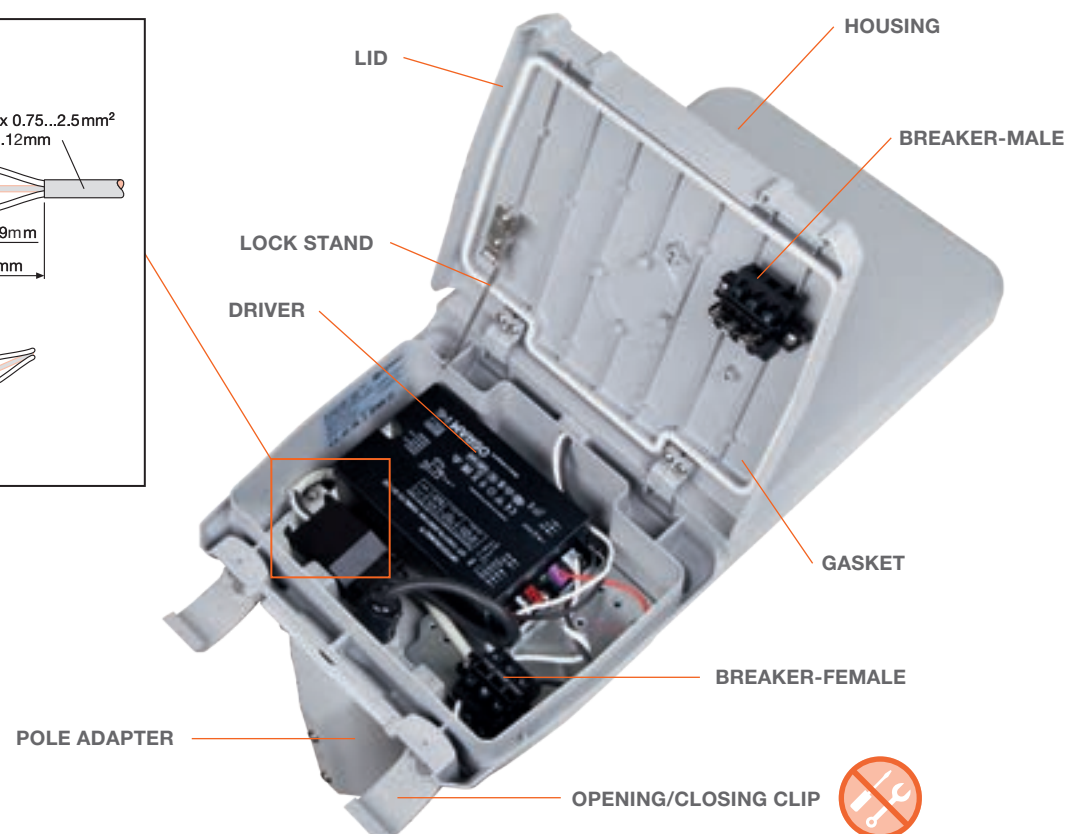
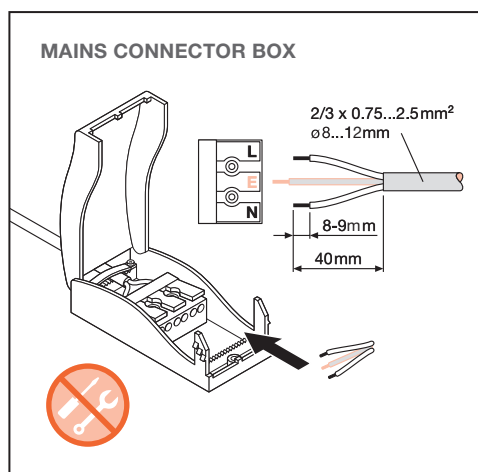
- For normal roads with a typical width equal to or greater than the road height (width approx. 1 to 1.25 × pole height)
- For rectangular-shaped parking areas in front of the pole

RW35ST light distribution

- For very wide roads with road width greater than the pole height
- For square-shaped parking and area lighting in front of the pole



WIRING IS TOOL-FREE, FAST AND CONVENIENT



STREETLIGHT FLEX SMALL

IP66 streetlight with up to 144 lm/W



PRODUCT FEATURES

- High luminous efficacy: up to 144 lm/W
- Very long lifetime (L90/B10): up to 100000h (at 25 °C)
- Spigot included, suitable for 48...60 mm diameter poles
- Adjustable spigot for both side-entry and post-top installation
- +/-15° tilt angle adjustment without opening the housing

PRODUCT BENEFITS

- Durable IP66 & IK08 design and highest quality component selection for long lasting performance
- Easy installation due to tool-free housing opening and push button wiring terminal
- High light uniformity
- No upper light output ratio (ULOR 0 %) when mounted at 0° tilt
- 5 years guarantee

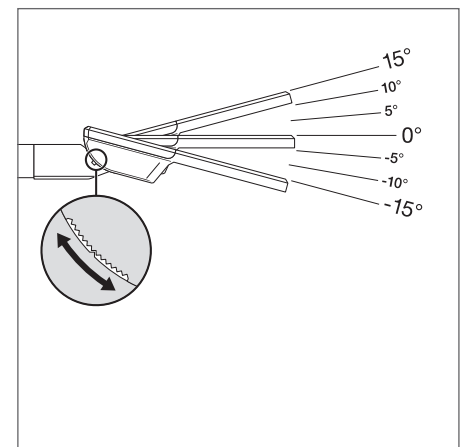
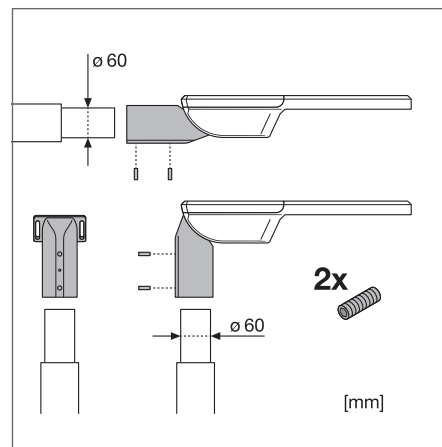
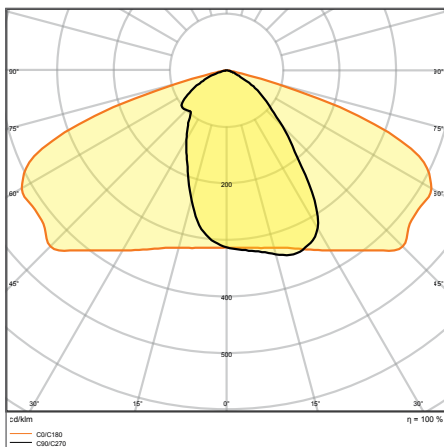
AREAS OF APPLICATION

- Outdoor use (IP66)
- M-, C- and P-class roads acc. to EN 13201
- Parking
- Public areas
- Industry

EQUIPMENT/ACCESSORIES

- Spigot for 42 and 76 mm poles available separately

FURTHER PRODUCT DETAILS



SL FLEX SM RV25ST P 36W 740 WAL

STREETLIGHT FLEX SMALL RV25ST

Very wide light distribution for general road lighting

PERFOR-
MANCE
CLASSFLICKER
VALUE
≤10%

IP66

IK08

LEDVANCE¹
5
year
guarantee

Product name	EAN (GTIN)	W	lm	lm/w	K	L90 ²		CRI	L x W x H [mm] Ø x H [mm]
SL FLEX SM RV25ST P 13W 727 WAL	4058075552234	13	1650	127	2700	100000	25 × 145	70	445 × 250 × 90
SL FLEX SM RV25ST P 13W 730 WAL	4058075552241	13	1700	131	3000	100000	25 × 145	70	445 × 250 × 90
SL FLEX SM RV25ST P 13W 740 WAL	4058075552258	13	1780	137	4000	100000	25 × 145	70	445 × 250 × 90
SL FLEX SM RV25ST P 25W 727 WAL	4058075552265	25	3270	131	2700	100000	25 × 145	70	445 × 250 × 90
SL FLEX SM RV25ST P 25W 730 WAL	4058075552272	25	3370	135	3000	100000	25 × 145	70	445 × 250 × 90
SL FLEX SM RV25ST P 25W 740 WAL	4058075552289	25	3550	141	4000	100000	25 × 145	70	445 × 250 × 90
SL FLEX SM RV25ST P 36W 727 WAL	4058075552296	36	4850	135	2700	100000	25 × 145	70	445 × 250 × 90
SL FLEX SM RV25ST P 36W 730 WAL	4058075552302	36	4950	138	3000	100000	25 × 145	70	445 × 250 × 90
SL FLEX SM RV25ST P 36W 740 WAL	4058075552319	36	5180	144	4000	100000	25 × 145	70	445 × 250 × 90

¹ Refer to www.ledvance.com/guarantee for precise conditions² t[h]; L90/B10 @ 25 °C (T_a)

STREETLIGHT FLEX MEDIUM

IP66 streetlight with up to 147 lm/W



PRODUCT FEATURES

- High luminous efficacy: up to 147 lm/W
- Very long lifetime (L90/B10): up to 100000h (at 25 °C)
- Spigot included, suitable for 48...60 mm diameter poles
- Adjustable spigot for both side-entry and post-top installation
- +/-15° tilt angle adjustment without opening the housing

PRODUCT BENEFITS

- Durable IP66 & IK08 design and highest quality component selection for long lasting performance
- Easy installation due to tool-free housing opening and push button wiring terminal
- High light uniformity
- No upper light output ratio (ULOR 0 %) when mounted at 0° tilt
- 5 years guarantee

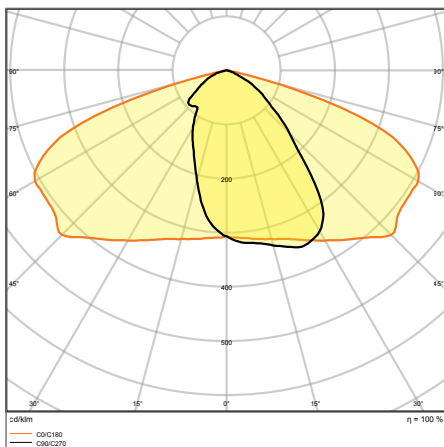
AREAS OF APPLICATION

- Outdoor use (IP66)
- M-, C- and P-class roads acc. to EN 13201
- Parking
- Public areas
- Industry

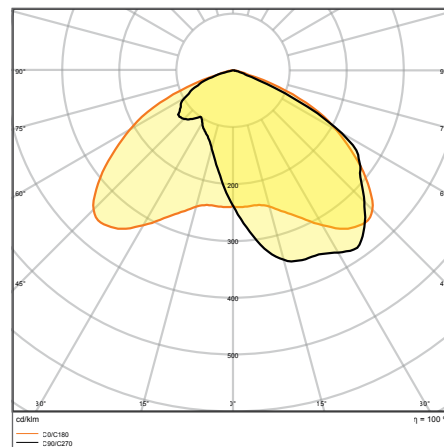
EQUIPMENT/ACCESSORIES

- Spigot for 42 and 76 mm poles available separately

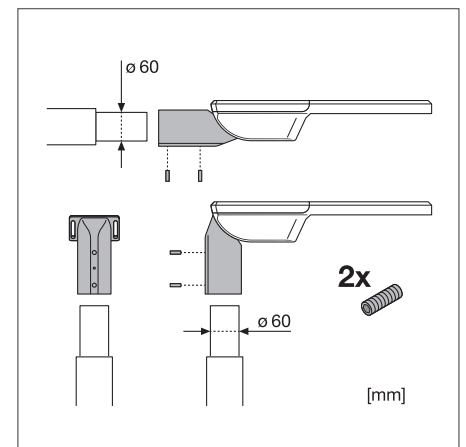
FURTHER PRODUCT DETAILS



SL FLEX MD RV25ST P 80W 740 WAL



SL FLEX MD RW35ST P 80W 740 WAL



STREETLIGHT FLEX MEDIUM RV25ST

Very wide light distribution for general road lighting

PERFOR-
MANCE
CLASSFLICKER
VALUE
≤10%

IP66

IK08

LEDVANCE¹
5
year
guarantee

Product name	EAN (GTIN)	W	lm	lm/w	K	L90 ²		CRI	L x W x H [mm] Ø x H [mm]
SL FLEX MD RV25ST P 58W 727 WAL	4058075552326	58	7750	134	2700	100000	25 × 145	70	496 × 250 × 90
SL FLEX MD RV25ST P 58W 730 WAL	4058075552333	58	8250	142	3000	100000	25 × 145	70	496 × 250 × 90
SL FLEX MD RV25ST P 58W 740 WAL	4058075552340	58	8500	147	4000	100000	25 × 145	70	496 × 250 × 90
SL FLEX MD RV25ST P 80W 727 WAL	4058075552357	80	10550	132	2700	100000	25 × 145	70	496 × 250 × 90
SL FLEX MD RV25ST P 80W 730 WAL	4058075552371	80	11400	143	3000	100000	25 × 145	70	496 × 250 × 90
SL FLEX MD RV25ST P 80W 740 WAL	4058075552395	80	11650	146	4000	100000	25 × 145	70	496 × 250 × 90

STREETLIGHT FLEX MEDIUM RW35ST

Wide light distribution optimized for wider roads and area lighting

PERFOR-
MANCE
CLASSFLICKER
VALUE
≤10%

IP66

IK08

LEDVANCE¹
5
year
guarantee

Product name	EAN (GTIN)	W	lm	lm/w	K	L90 ²		CRI	L x W x H [mm] Ø x H [mm]
SL FLEX MD RW35ST P 80W 727 WAL	4058075552364	80	10500	131	2700	100000	35 × 135	70	496 × 250 × 90
SL FLEX MD RW35ST P 80W 730 WAL	4058075552388	80	11300	141	3000	100000	35 × 135	70	496 × 250 × 90
SL FLEX MD RW35ST P 80W 740 WAL	4058075552401	80	11500	144	4000	100000	35 × 135	70	496 × 250 × 90

¹ Refer to www.ledvance.com/guarantee for precise conditions² t[h]; L90/B10 @ 25 °C (T_a)

STREETLIGHT FLEX LARGE

IP66 streetlight with up to 155 lm/W



PRODUCT FEATURES

- High luminous efficacy: up to 155 lm/W
- Very long lifetime (L90/B10): up to 100000h (at 25 °C)
- Spigot included, suitable for 48...60 mm diameter poles
- Adjustable spigot for both side-entry and post-top installation
- +/-15° tilt angle adjustment without opening the housing

PRODUCT BENEFITS

- Durable IP66 & IK08 design and highest quality component selection for long lasting performance
- Easy installation due to tool-free housing opening and push button wiring terminal
- High light uniformity
- No upper light output ratio (ULOR 0 %) when mounted at 0° tilt
- 5 years guarantee

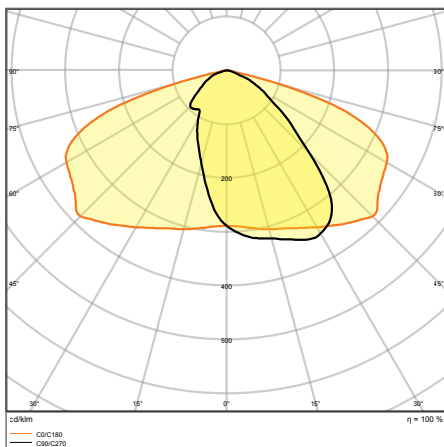
AREAS OF APPLICATION

- Outdoor use (IP66)
- M-, C- and P-class roads acc. to EN 13201
- Parking
- Public areas
- Industry

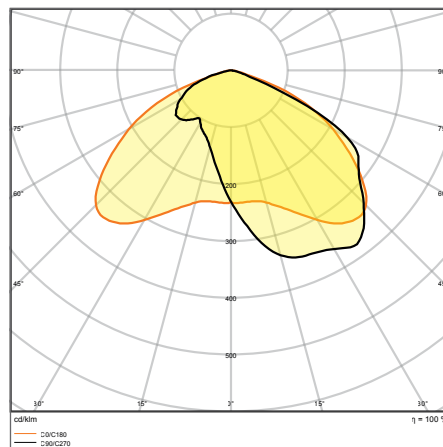
EQUIPMENT/ACCESSORIES

- Spigot for 42 and 76 mm poles available separately

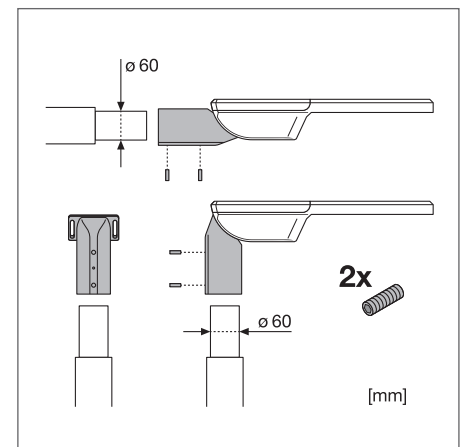
FURTHER PRODUCT DETAILS



SL FLEX LA RV25ST P 158W 740 WAL



SL FLEX LA RW35ST P 158W 740 WAL



STREETLIGHT FLEX LARGE RV25ST

Very wide light distribution for general road lighting

PERFOR-
MANCE
CLASSFLICKER
VALUE
≤10%

IP66

IK08

LEDVANCE¹
5
year
guarantee

Product name	EAN (GTIN)	W	lm	lm/w	K	L90 ²		CRI	L x W x H [mm] Ø x H [mm]
SL FLEX LA RV25ST P 110W 727 WAL	4058075552418	110	15250	139	2700	100000	25 × 145	70	617 × 300 × 90
SL FLEX LA RV25ST P 110W 730 WAL	4058075552432	110	16500	150	3000	100000	25 × 145	70	617 × 300 × 90
SL FLEX LA RV25ST P 110W 740 WAL	4058075552456	110	16800	153	4000	100000	25 × 145	70	617 × 300 × 90
SL FLEX LA RV25ST P 158W 727 WAL	4058075552470	158	21150	134	2700	100000	25 × 145	70	617 × 300 × 90
SL FLEX LA RV25ST P 158W 730 WAL	4058075552494	158	23350	148	3000	100000	25 × 145	70	617 × 300 × 90
SL FLEX LA RV25ST P 158W 740 WAL	4058075552517	158	24450	155	4000	100000	25 × 145	70	617 × 300 × 90

STREETLIGHT FLEX LARGE RW35ST

Wide light distribution optimized for wider roads and area lighting

PERFOR-
MANCE
CLASSFLICKER
VALUE
≤10%

IP66

IK08

LEDVANCE¹
5
year
guarantee

Product name	EAN (GTIN)	W	lm	lm/w	K	L90 ²		CRI	L x W x H [mm] Ø x H [mm]
SL FLEX LA RW35ST P 110W 727 WAL	4058075552425	110	15200	138	2700	100000	35 × 135	70	617 × 300 × 90
SL FLEX LA RW35ST P 110W 730 WAL	4058075552449	110	16350	149	3000	100000	35 × 135	70	617 × 300 × 90
SL FLEX LA RW35ST P 110W 740 WAL	4058075552463	110	16650	151	4000	100000	35 × 135	70	617 × 300 × 90
SL FLEX LA RW35ST P 158W 727 WAL	4058075552487	158	21000	133	2700	100000	35 × 135	70	617 × 300 × 90
SL FLEX LA RW35ST P 158W 730 WAL	4058075552500	158	23200	147	3000	100000	35 × 135	70	617 × 300 × 90
SL FLEX LA RW35ST P 158W 740 WAL	4058075552524	158	23900	151	4000	100000	35 × 135	70	617 × 300 × 90

¹ Refer to www.ledvance.com/guarantee for precise conditions² t[h]: L90/B10 @ 25 °C (T_a)

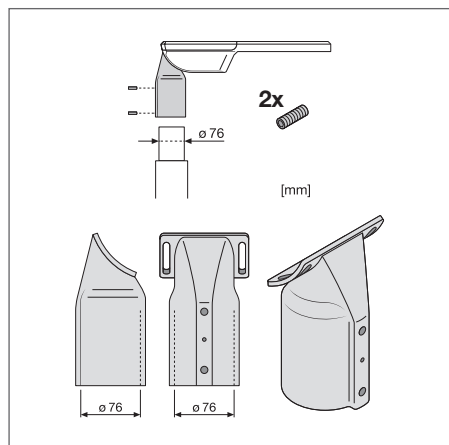
STREETLIGHT FLEX ACCESSORIES

Mounting accessories for STREETLIGHT FLEX luminaires

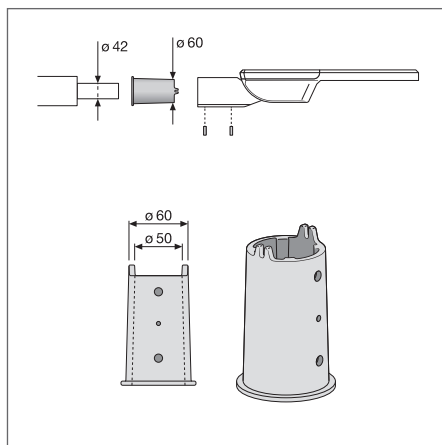


- Larger pole adapter, suitable for 76 mm poles
- Reduction piece, enabling the standard adapter for installation at 42 mm poles
- Suitable for all Streetlight Flex types

FURTHER PRODUCT DETAILS



ADAPTER FOR 76 MM POLES



REDUCTION ADAPTER FOR 42 MM POLES



Product name	EAN (GTIN)	L x W x H [mm] Ø x H [mm]	MATERIAL	COLOR	No.
SL FLEX SPIGOT 76MM WAL	4058075552531	191 x 114 x 91	Aluminum	White Aluminum	1
SL FLEX REDUCTION 60 TO 42MM WAL	4058075552579	76 x 122	Aluminum	White Aluminum	2

¹ Refer to www.ledvance.com/guarantee for precise conditions
The pictures shown in the catalog are for illustration purposes only. For information on size and color, please refer to the product table.



EMERGENCY LIGHTING

SAFETY: A QUESTION OF LIGHT

Using the right emergency lighting, buildings can be evacuated quickly and safely. It helps prevent panic. This requires the installed luminaires to work even if power supply is interrupted. LEDVANCE offers a wide range of certified single-battery emergency luminaires and emergency lighting components that can be retrofitted:

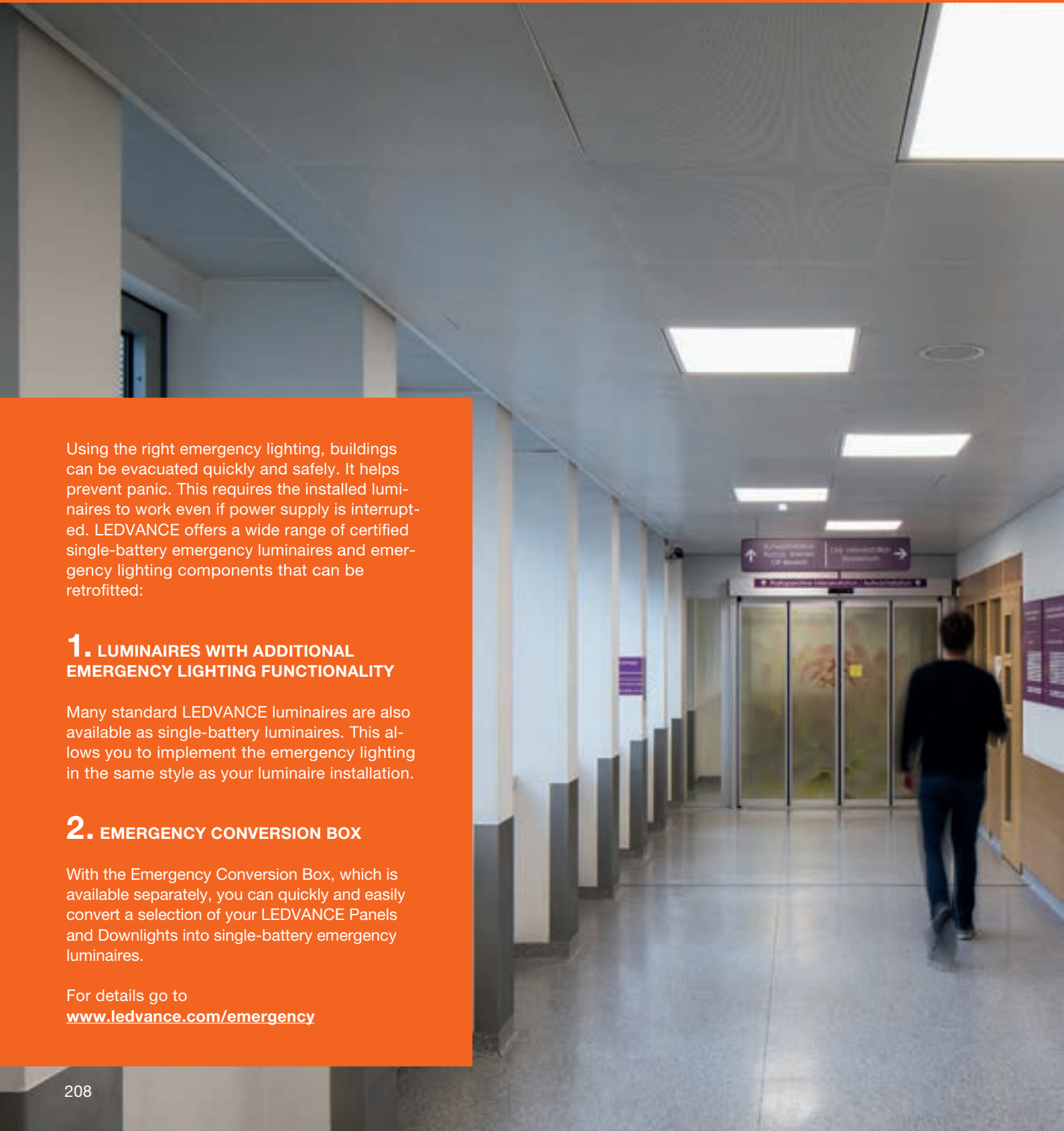
1. LUMINAIRES WITH ADDITIONAL EMERGENCY LIGHTING FUNCTIONALITY

Many standard LEDVANCE luminaires are also available as single-battery luminaires. This allows you to implement the emergency lighting in the same style as your luminaire installation.

2. EMERGENCY CONVERSION BOX

With the Emergency Conversion Box, which is available separately, you can quickly and easily convert a selection of your LEDVANCE Panels and Downlights into single-battery emergency luminaires.

For details go to www.ledvance.com/emergency



STANDARD LUMINAIRES WITH EMERGENCY LIGHTING FUNCTIONALITY

1



SURFACE BULKHEAD EM



LINEAR INDIVILED EM



PANEL INDIVILED EM



DAMP PROOF LED EM



LINEAR SURFACE IP44 EM



TRUSYS FLEX EM



LINEAR ULTRA OUTPUT EM

LEDVANCE OFFERS AN EXTENSIVE PORTFOLIO OF SINGLE-BATTERY EMERGENCY LUMINAIRES

- Emergency luminaires certified to EN 60598-2-22
- Integrated automatic test function for simple testing of emergency lighting operation
- Emergency lighting and battery status display by means of integrated status LED
- Emergency lighting operated on a long-life LiFePO4 battery (3h discharge time)

For details of the available EANs see the relevant product sections of the luminaires displayed.

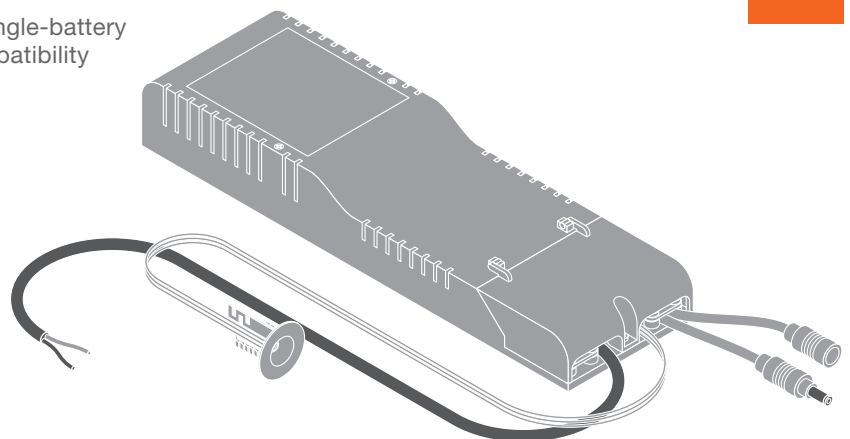
LUMINAIRE UPGRADES WITH THE EMERGENCY CONVERSION BOX

2

Using our Emergency Conversion Box, certified luminaires can be equipped with single-battery emergency functionality. An up to date compatibility list is available through our website.

YOUR BENEFITS OF UPGRADING WITH THE EMERGENCY CONVERSION BOX:

- Plug-and-play system allows easy installation and quick conversion of existing luminaires
- Emergency lighting module reduces warehousing complexity for emergency luminaires
- Integrated automatic test function for simple testing of emergency lighting operation
- Emergency lighting operated on a long-life LiFePO4 battery (3h discharge time)

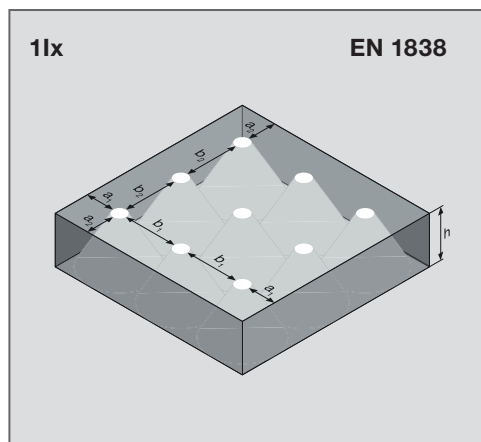


DAMP PROOF LED EMERGENCY: PLANNING EXAMPLE FOR ANTI-PANIC AND ESCAPE ROUTE LIGHTING



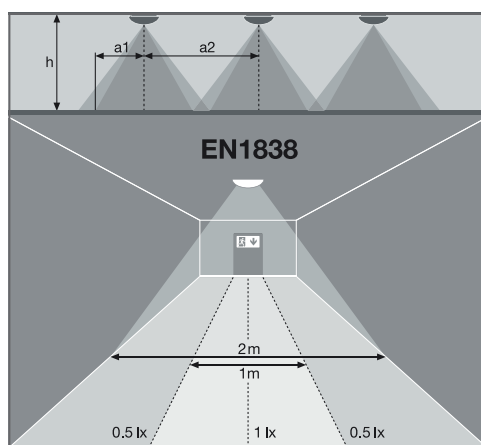
DAMP PROOF LED EM

For more information and planning aids for emergency luminaires see the eCatalog at www.ledvance.com/professional



ANTI-PANIC LIGHTING

h [m]	a ₁ [m]	b ₁ [m]	a ₂ [m]	b ₂ [m]
2.5	4.0	9.5	4.0	9.0
3.0	4.5	10.0	4.5	9.5
3.5	5.0	10.5	5.0	10.0
4.0	5.5	11.0	5.5	10.5



ESCAPE ROUTE LIGHTING

h [m]	a ₁ [m]	a ₂ [m]
2.5	4.0	9.0
3.0	4.5	9.5
3.5	5.0	10.0
4.0	5.5	10.5



EMERGENCY CONVERSION BOX

Emergency conversion box to convert recessed luminaires to self-contained emergency luminaires



- Self-contained emergency conversion unit
- Function test of emergency lighting: automatic (AT)
- Battery technology: LiFePO4
- Recessed ceiling mounting
- Conversion of selected LEDVANCE panels and downlights to emergency luminaires
- Emergency conversion unit reduces stock keeping complexity from emergency lighting
- Plug-and-play system allows easy installation
- Simple testing of luminaires with emergency lighting function thanks to integrated automatic test function
- Operation of integrated emergency lighting function with long life LiFePO4 battery with 3h battery discharge time



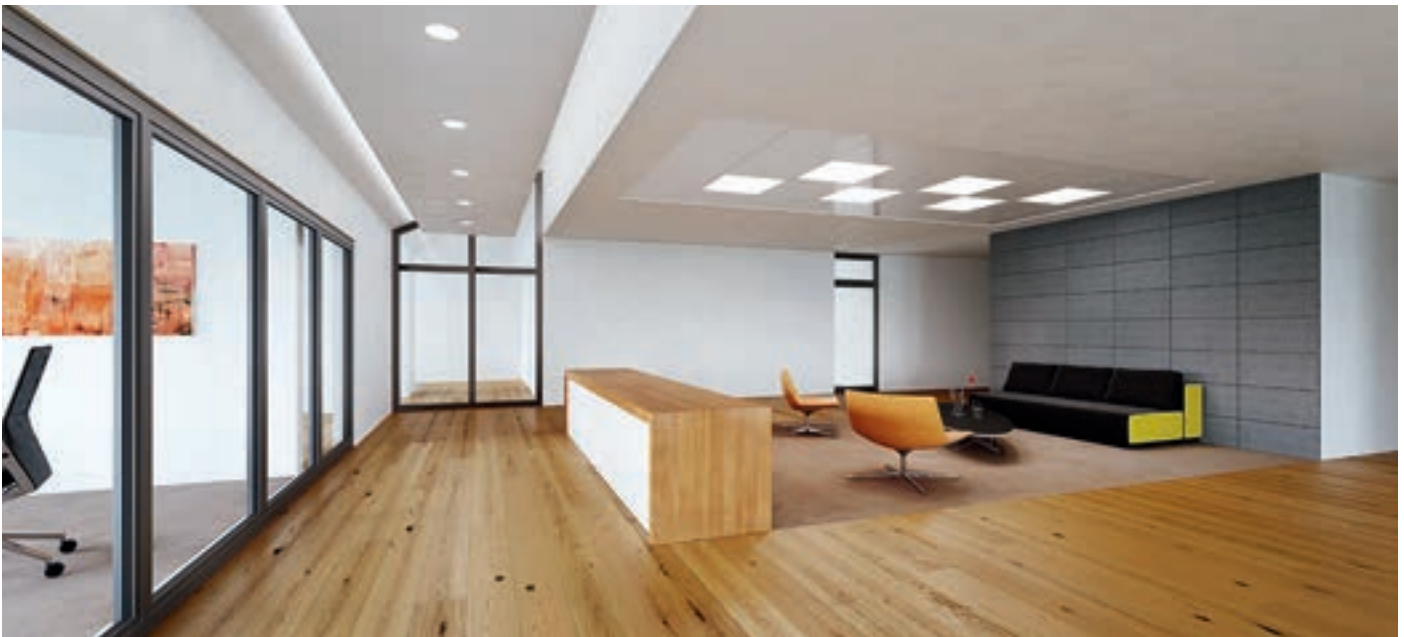
Product name	EAN (GTIN)	L x W x H [mm] Ø x H [mm]	MATERIAL	COLOR	
EM Conversion Box	4058075237025	292x81 x41	—	—	1

EMERGENCY LIGHTING PROPERTIES

Product name	Battery life in emergency operation mode	Type of emergency operation test	Type of emergency light operation	Luminous flux in emergency operation mode	Type of Battery
EM Conversion Box	3h	Automatic	Maintained/Non-maintained	300...480 lm (depending on the luminaire)	LiFePO4

¹ Refer to www.ledvance.com/guarantee for precise conditions
The pictures shown in the catalog are for illustration purposes only. For information on size and color, please refer to the product table.

HIGH-QUALITY, COMPACT AND EFFICIENT LEDVANCE LED DRIVERS FOR CONSTANT CURRENT



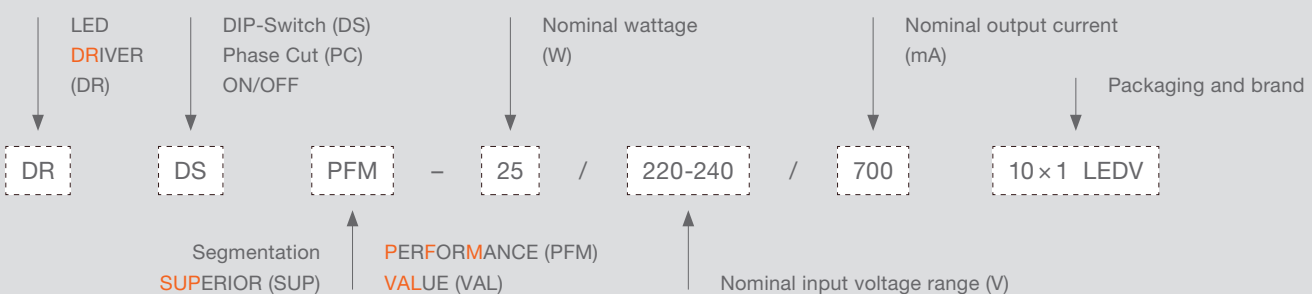
LEDVANCE also offers the right solution for integration in LED luminaires or operation of independent indoor downlighting/spotlighting with its drivers for constant current (CC).

The wide range of high-quality SELV-insulated LEDVANCE constant current LED drivers with output currents of 250 mA to 1 400 mA provides you with solid options for operating virtually all standard LED modules. Flexible power settings allow for correct integration in different LED luminaires. Leading-edge

and trailing-edge phase cut options are available for dimming applications. The compact housing design, optional cable clamps and simple wiring make installation quick and easy even in tight spaces, reducing your installation time and costs. The life of up to 50 000 hours is another strong argument.

NAMING OF THE CC DRIVERS

The names of the CC drivers reveal their properties:



LED DRIVER DALI PERFORMANCE G2

Compact constant current LED driver with DALI dimming interface



PRODUCT BENEFITS

- Low flickering enables high light quality as well as good visual comfort
- Push DIM application for easy control
- High-quality dimming of 1...100 %
- Flexible dip switch current settings in 50 mA steps
- Toolless installation

AREAS OF APPLICATION

- Suitable for indoor SELV installations
- Suitable for use in emergency lighting systems (DC capable)
- Attachment and installation in furniture
- Linear lighting for office, education, storage areas and retail



Product name	EAN (GTIN)	W	V	V _{OUT}	Hz	I _{mA}
DR DALI-PFM-26/220-240/700	4058075779631	26	220...240	9...52	50/60	150/200/250/300/350/400/450/500/550/600/650/700
DR DALI-PFM-44/220-240/1050	4058075779723	44	220...240	9...52	50/60	700/750/800/850/900/950/1000/1050
DR DALI-PFM-60/220-240/1A4	4058075779662	60	220...240	9...52	50/60	700/750/800/850/900/950/1000/1050/1100/1200/1250/1300/1350/1400

Product name	W	t _{inj} ²	T _a	T _c	PROTECTION CLASS	L x W x H [mm] Ø x H [mm]	No.
DR DALI-PFM-26/220-240/700	+/- 5	1...100	50000	-20...+50	85	II	98 x 44 x 32 1
DR DALI-PFM-44/220-240/1050	+/- 5	1...100	50000	-20...+50	90	II	98 x 44 x 32 2
DR DALI-PFM-60/220-240/1A4	+/- 5	1...100	50000	-20...+50	90	II	112 x 76 x 32 3

EQUIPMENT/ACCESSORIES



Product name	DR AY ZB+DALI CLAMP DUO
Description	—
GTIN (EAN)	4058075483125
L x W x H [mm]	52.5 x 76 x 32



Product name	DR AY ZB+DALI CLAMP
Description	—
GTIN (EAN)	4058075483149
L x W x H [mm]	50 x 44 x 32

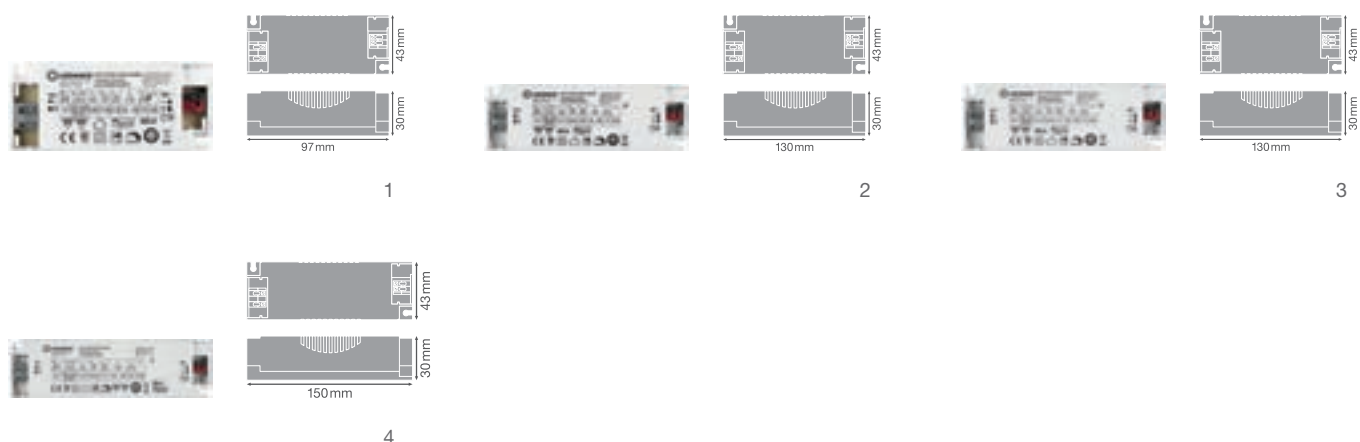
¹ Refer to www.ledvance.com/guarantee for precise conditions

² At maximum T_c = 75°C / 10% failure rate

The pictures shown in the catalog are for illustration purposes only. For information on size and color, please refer to the product table.

LED DRIVER PHASE-CUT PERFORMANCE

Constant current LED driver with phase-cut dimming interface



PRODUCT BENEFITS

- Enables installation with commonly used leading-edge and trailing-edge dimmers
- 5 years guarantee
- Slim housing for narrow installations
- High efficiency and reliability

AREAS OF APPLICATION

- Suitable for LED luminaires and LED modules
- Applicable for luminaires of protection classes I and II
- For indoor SELV installations
- Offices, shopping centers, hospitals, restaurants, hotels

PERFORMANCE CLASS

LEDVANCE
5
year guarantee

Product name	EAN (GTIN)	W	V	V _{OUT}	Hz	I _{mA}	
DR PC-PFM-13/220-240/350	4058075239814	13	220...240	17...36	50/60	350	< 5
DR PC-PFM-18/220-240/350	4058075239838	18	220...240	32...54	50/60	350	< 5
DR PC-PFM-25/220-240/700	4058075239852	25	220...240	20...36	50/60	700	< 5
DR PC-PFM-35/220-240/700	4058075239876	35	220...240	30...50	50/60	700	< 5

Product name	W	t _h ²	T _a	T _c	PROTECTION CLASS	L × W × H [mm] Ø × H [mm]	
DR PC-PFM-13/220-240/350	10...100	50000 ^{a)}	-20...+50	75	II	97 × 43 × 30	1
DR PC-PFM-18/220-240/350	10...100	50000 ^{a)}	-20...+50	70	II	130 × 43 × 30	2
DR PC-PFM-25/220-240/700	10...100	50000 ^{a)}	-20...+50	75	II	130 × 43 × 30	3
DR PC-PFM-35/220-240/700	10...100	50000 ^{a)}	-20...+50	85	II	150 × 43 × 30	4

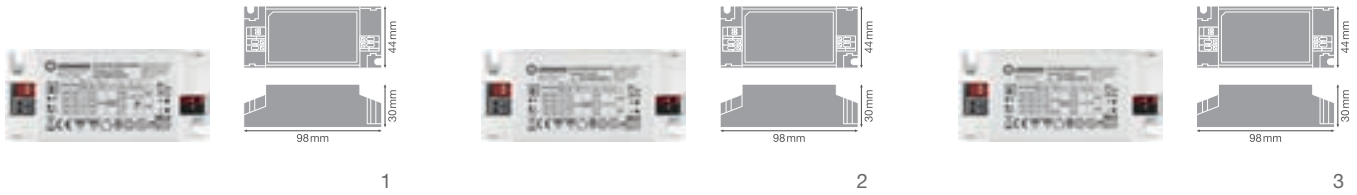
EQUIPMENT/ACCESSORIES

	Product name	DR AY PC-PFM-CLAMP DUO
	Description	Cable clamps for Phase-Cut LED Drivers
	GTIN (EAN)	4058075313170
	L × W × H [mm]	38.3x34x28.5

¹ Refer to www.ledvance.com/guarantee for precise conditions | ² a) At maximum T_c = 75°C / 10% failure rate, b) At maximum T_c = 70°C / 10% failure rate, c) At maximum T_c = 85°C / 10% failure rate
The pictures shown in the catalog are for illustration purposes only. For information on size and color, please refer to the product table.

LED DRIVER DIP-SWITCH PERFORMANCE

Constant current LED driver with dip-switch current setting



PRODUCT BENEFITS

- High flexibility due to adjustable output currents via dip switch
- Low flickering enables high light quality as well as good visual comfort
- 5 years guarantee
- Slim housing for narrow installations
- High efficiency and reliability

AREAS OF APPLICATION

- Suitable for LED luminaires and LED modules
- Applicable for luminaires of protection classes I and II
- Suitable for build-in luminaires with adjustable current setting
- For indoor SELV installations
- Offices, shopping centers, hospitals, restaurants, hotels

PERFORMANCE CLASS



Product name	EAN (GTIN)	W	V	V _{OUT}	Hz	I _{mA}	IP
DR DS-PFM-20/220-240/500	4058075239753	20	220...240	25...42	50/60	250/350/450/500	< 5
DR DS-PFM-30/220-240/700	4058075239777	30	220...240	25...42	50/60	500/600/650/700	< 5
DR DS-PFM-40/220-240/1A0	4058075239791	40	220...240	25...40	50/60	800/900/950/1050	< 5

Product name	t _{IN} ²	T _a	T _c	PROTECTION CLASS	L × W × H [mm] Ø × H [mm]	No.
DR DS-PFM-20/220-240/500	50000	-20...+50	75	II	98 × 44 × 30	1
DR DS-PFM-30/220-240/700	50000	-20...+50	75	II	98 × 44 × 30	2
DR DS-PFM-40/220-240/1A0	50000	-20...+50	75	II	98 × 44 × 30	3

EQUIPMENT/ACCESSORIES



Product name	DR AY DS-PFM-CLAMP DUO
Description	Cable clamps for DIP-Switch LED Drivers
GTIN (EAN)	4058075313200
L × W × H [mm]	35.7 × 35.2 × 28.2

¹ Refer to www.ledvance.com/guarantee for precise conditions | ² At maximum T_c = 75°C / 10% failure rate
The pictures shown in the catalog are for illustration purposes only. For information on size and color, please refer to the product table.

QUICK & EASY

TAILOR-MADE CALCULATIONS – WITH OUR FAST LIGHT CALCULATION TOOL OR DIALUX/RELUX

We have put together our tools and services for achieving accurate calculations for your projects. Do you want quick information from the Fast Light Calculation Tool or detailed professional planning with DIALux and RELUX? We'll give you individual advice and, together with you, we'll plan the optimum lighting for your complete project.

FAST LIGHT CALCULATION TOOL

With the handy calculation tool on our website, we offer installers and lighting professionals a quick and easy way to plan lighting projects successfully. The results are compiled in a PDF document which you can attach to your email tenders, for example. For more information go to ledvance.com/flct



THE INFORMATION PROVIDED BY THE TOOL INCLUDES THE FOLLOWING:

- Number of luminaires needed
- Floor plan showing the distribution of the luminaires
- Illuminance, total power (W) and specific load (W/m²)
- Light distribution curve for every luminaire

MORE BENEFITS FOR YOU:

- Intuitive operation of the tool
- Preselection of application areas with minimum lux values
- Info boxes explaining the values to be entered
- Generation of a final PDF with the results, including a floor plan showing the distribution of the luminaires

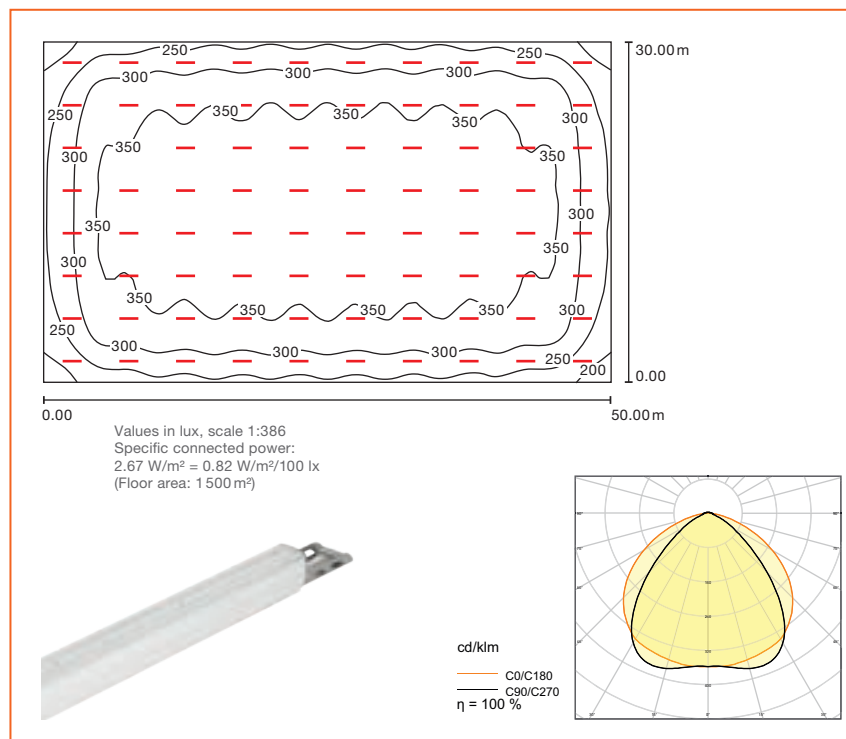
The Fast Light Calculation Tool is no substitute for comprehensive professional planning with DIALux or any other professional light planning software.

PROFESSIONAL

DIALUX AND RELUX

Good news for DIALux and RELUX users: Since the start of 2018 LEDVANCE has been working with the software producers. DIALux and RELUX users can now easily integrate LEDVANCE products in their lighting plans. Our luminaire data is also BIM-compatible.

We also support users with customized advice on planning their lighting systems and offer tailored solutions for an extremely wide variety of lighting requirements – all entirely from a single source.



SAMPLE DIALUX CALCULATION WITH TRUSYS PFM 50W/4000K

ROOM DEFINITION

Industrial storage

ROOM DIMENSIONS

- Floor area: 1500 m²
- Ceiling height: 8 m
- Installation height: 7 m

REFLECTANCE

- Ceiling: 70 %
- Walls (4): 50 %
- Flooring: 20 %

BASIS FOR CALCULATION

- Relevant standard DIN EN12464-1
- Required illuminance E_m: 300 lx
- Required uniformity E_{min}/E_m: 0.40
- Maintenance factor: 0.80
- Boundary zone: 0.00 m

RESULTS: ILLUMINANCE IN THE STORAGE ROOMS

Area	Average (target)	Min	Max	Uniformity E _{min} /E _m (target)
work level, storage space	325 lx (300 lx)	168 lx	385 lx	0.516 (0.4)

YOUR BENEFITS AT A GLANCE

Tailored calculation for accurate planning of your project:

- Uniformly good light distribution
- Precise wattage per sqm
- Maximum efficient calculation of required number of luminaires

See for yourself.

CASE STUDY: TYROL CLINIC MODERN LED SOLUTIONS FR

PROJECT:

Upgrade to LED lighting at Innsbruck hospital
VERTICAL: Facility management – Health care
APPLICATION: Lighting for hospitals and clinics
TECHNOLOGY: LED technology

LEDVANCE PRODUCTS:



LED Panel 625



LED Panel 1200



LED Damp Proof



LED Downlight



S – OM A SINGLE SOURCE

The Tyrol clinics in the Innsbruck, Hall and Hochzirl-Natters hospitals are committed to sustainability – especially in terms of energy management. The lighting at Innsbruck hospital has consequently been upgraded step-by-step to LED technology since 2016. Among other things, about **6 000 modern LED luminaires from LEDVANCE** have been installed in that time, for example in the corridors of the central supply building, in the underground garage, in the lift areas and in the canteen. Patients, visitors and employees benefit not only from better quality of light. The LED luminaires also achieve **energy savings of up to 50 %**. Other advantages for the Tyrol clinics include simple installation, longer **service life for the luminaires of up to 50 000 hours** and hence reduced expenditure for installation and maintenance.

THE MOST IMPORTANT FACTS AT A GLANCE:

- Around 6 000 new LED luminaires for Innsbruck hospital
- Energy savings for the lighting: up to 50 %
- Cost savings: up to 50 % including light source replacement costs
- Improved quality of light in various areas
- Simple installation, low maintenance

GOOD LIGHT ALL ROUND

THE FULL LEDVANCE RANGE

LEDVANCE is leading the fight against bad light in every area. That's good news for you if you're looking for energy-efficient and future-proof lighting. Whether you need luminaires, lamps, HCL systems, electronic components, light management systems or smart residential products, LEDVANCE is your expert partner for complex lighting projects. You can always rely on LEDVANCE for excellent brand quality, professional service and a good price/performance ratio.



FUNCTIONAL AESTHETIC LUMINAIRES

The extensive luminaire portfolio covers virtually all professional and residential applications and delivers outstanding quality and functionality. The new BIOLUX HCL system is a winner of the VDE Quality Certificate, the 2020 Red Dot Award for Product Design and the 2020 German Innovation Award.

EACH LAMP A LIGHTING SOLUTION

The lamp portfolio includes a wide choice of shapes and base sizes as well as types with additional functions (e.g. sensors), all with outstanding efficiency and durability. Alongside UV-C and LED lamps, LEDVANCE will continue to offer conventional halogen, energy-saving, fluorescent and gas discharge lamps.

FLEXIBLE LED STRIP SYSTEM

The LED Strip System comprises a large number of flexible LED strips, drivers and matching accessories. With a wide range of luminous fluxes and light colors, the system allows bespoke lighting solutions to be created for virtually any indoor or outdoor application. Easy to plan, easy to combine and easy to install – that's the principle here.

VIVARES: LIGHT MANAGEMENT, MORE COMFORTABLE THAN EVER

The future-proof IoT light management system (LMS) from LEDVANCE makes it easier and more flexible than ever to always produce optimal lighting conditions for defined requirements. The system is extremely reliable and compatible and offers all LMS components and matching LED luminaires from one source.

SMART LIGHTING FOR RESIDENTIAL APPLICATIONS

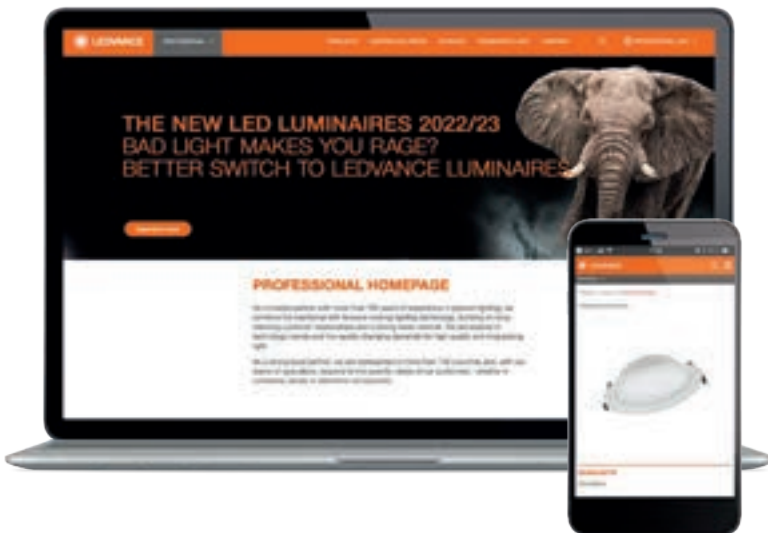
Our smart residential products offer a comprehensive combination of innovation, quality, reliability and user-friendliness. We provide a suitable solution for a variety of requirements that intelligent lighting has to meet.

MORE INFORMATION AND CLEVER TOOLS

Go to ledvance.com for more information on LEDVANCE's extensive product portfolio, clever apps and tools that will help you in your day-to-day work.
www.ledvance.com

WHENEVER AND WHEREVER: THE ONLINE PORTAL WITH ALL THE INFORMATION, ADVICE AND EXPERTISE

Are you looking for information about our products and services? LEDVANCE always keeps you up to date: at wholesalers, through our sales employees or via our Customer Service Center (email: contact@ledvance.com). Here you'll find an overview of our competencies, databases and tools.



▶ PERFECTLY FILTERED

Use the online filters to find precisely what you're looking for in our luminaire portfolio – type of mounting, IP rating, light color, etc.: [ledvance.com/luminaires](https://www.ledvance.com/luminaires)

▶ REFERENCES PROVIDE INSPIRATION

A selection of some top lighting projects can be found at [ledvance.com/projects](https://www.ledvance.com/projects)

▶ LEDVANCE SERVICE-PLUS

Our specialized sales department supports and advises our commercial end customers – including face-to-face. Find out all you need to know at [ledvance.com/vam](https://www.ledvance.com/vam)

▶ DOWNLOAD CENTER

Catalogs, compatibility overviews, brochures, and much more are available for you in our download center: [ledvance.com/download](https://www.ledvance.com/download)

▶ OUR TOOLS FOR YOU

From the LED strip system configurator to the TCO calculator for lamps, you will find all the practical tools you need at [ledvance.com/tools](https://www.ledvance.com/tools)

▶ SERVICE AT A GLANCE

You will find a summary of all of our service offerings at [ledvance.com/services](https://www.ledvance.com/services)

▶ FIND OUR LATEST NEWS ON:



THE ONLINE TRAINING PLATFORM

A host of application-oriented eLearnings for professional users, practical advice on installation, integrated standards checks, planning tips, and much more.

Register and find out more at [training.ledvance.com](https://www.training.ledvance.com)



FAST LIGHT CALCULATOR

The light calculation tool – calculate your luminaire project requirement really conveniently, taking account of relevant parameters such as room size.¹ Available directly in the e-catalog!

LIGHT CALCULATION WITH DIALUX AND RELUX

DIALux and RELUX users can now also integrate LEDVANCE products really easily into their lighting planning. We also support users through consultancy, calculation and aftersales support.

¹ The Fast Light Calculation Tool is no substitute for comprehensive professional planning with DIALux or any other professional light planning software.

ABOUT LEDVANCE

With offices in more than 50 countries and business activities in more than 140 countries, LEDVANCE is one of the world's leading general lighting providers for professional users and end consumers. Having emerged from OSRAM's general lighting division, LEDVANCE offers a wide-ranging portfolio of LED luminaires for a broad spectrum of applications, intelligent lighting products for Smart Home and Smart Building solutions, one of the most comprehensive ranges of advanced LED lamps in the lighting industry, traditional light sources, an LED Strip System and light management systems.



LEDVANCE

LEDVANCE GmbH
Parkring 29–33
85748 Garching
Germany
[LEDVANCE.COM](https://www.ledvance.com)

Partner:



LEDVANCE is licensee of product trademark OSRAM for lamps products in general lighting.

[LEDVANCE.COM](https://www.ledvance.com)

