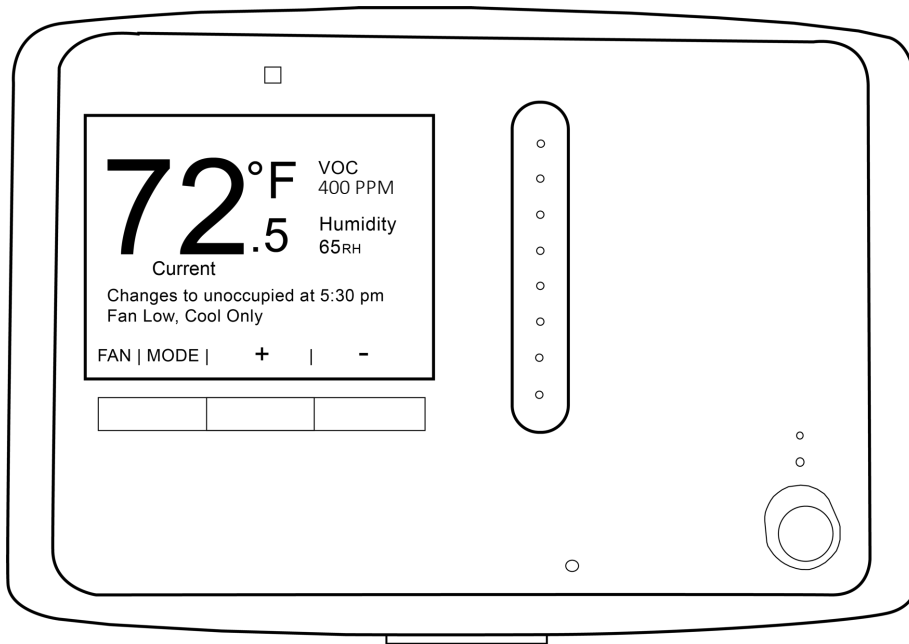


ClimaVision HyperStat BACnet

Thermostat and humidistat with 8 on-board sensors for IAQM and efficiency in buildings with an existing BMS

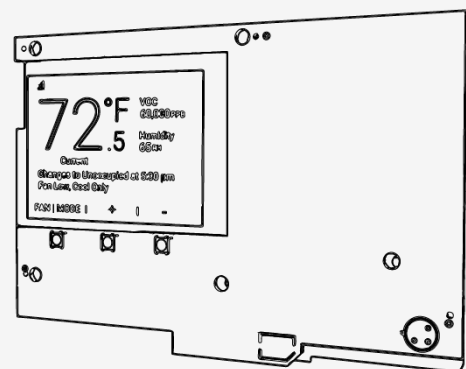


- Application-specific BACnet controller that is [fully BTL Certified](#)
- Occupancy, temperature, VOC, light, humidity, sound, CO₂ and optional particulate matter
- TFT LCD display with touch slider and user buttons
- (6) Onboard relays
- (3) Analog outputs
- (2) Thermistor inputs
- (2) Analog inputs

ClimaVision HyperStat BACnet

Give your occupants the power of IAQ management and localized temperature control with the HyperStat, an all-in-one thermostat and humidistat thoughtfully crafted to support healthy, comfortable spaces. Each stat has up to eight on-board sensors for a complete picture of IAQ in your zone and has control capabilities for two-stage equipment to fine-tune sequences for optimal building health.

The HyperStat BACnet forgoes its online capabilities to bring the best IAQM and efficiency to buildings with an existing BMS.



OVERVIEW

The HyperStat with BACnet MSTP is a wired (RS-485) thermostat, humidistat, and IAQ sensing station. It comes with an industry-leading eight onboard sensors for occupancy, temperature, humidity, VOCs, light, sound, CO2 and PM2.5 to support the WELL Building Standard.

The standard HyperStat works out of the box with ClimaVision's BMS, delivering IAQ data every 60 seconds for seamless digital twin integration. With BACnet MSTP, it can be integrated into an existing BMS without the online features such as wireless communication and cloud-connected data.

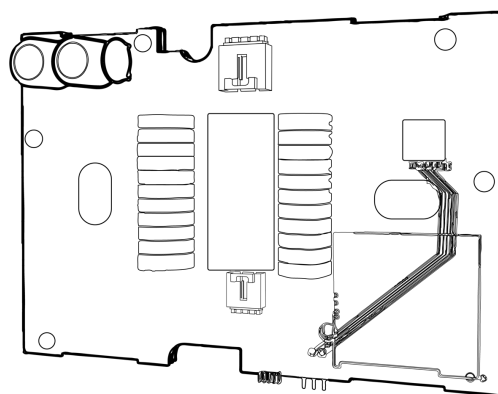
KEY FEATURES

- Data that complies with the WELL Building Standard, right out of the box.
- Built-in sequences for occupancy detection mean your HyperStat prioritizes health and comfort when it matters most and saves valuable energy when spaces are empty.
- Industry-leading connectivity allows interfacing to a wide variety of staged and fully modulating equipment.

EQUIPMENT CONTROL

Up to five stages of cooling/heating/fan or fully modulating:

- Unit Heaters
- Water Source Heat Pumps
- Rooftop Units
- PTAC Units
- 4-Pipe Fan Coil Units
- 2-Pipe Fan Coil Units
- Induction Units



INCLUDED

-
- (1) HyperStat
-
- (1) 10K type-2 thermistor with 30' cable
-
- (2) Mounting screws
-



ClimaVision HyperStat BACnet

MECHANICAL

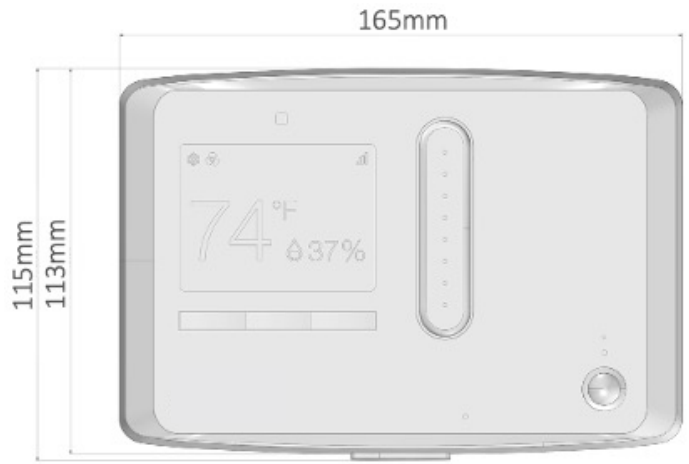
Dimensions	165mm x 115mm x 29 mm (6.5" x 4.5" x 1.15")
Mounting	(2) screws in drywall
Screen	2.8" 240x320 pixel TFT LCD
Operating Range	0 to 122 F (-17 to 50 C)

SENSORS

Temperature	Operating range between 0 to 122°F; typical accuracy of +/- 0.2C
Humidity	Operating range between 20 to 80% noncondensing; Typical accuracy of +/- 2% RH
Dedicated CO₂ Sensor	Range 0-40'000 ppm; Accuracy +/-30ppm; drift +/- 50ppm over range of 400-5000ppm and lifetime of 15 years
VOC sensor	TVOC: 0-60'000 ppb. Typical Accuracy - 15% of measured value
Light	Ambient light sensor; high-accuracy UV index sensor; matches erythema curve; < 100 mix resolution
Sound	40-120dB response for 100 Hz to 10Khz
Occupancy	Passive Infra Red (PIR) with detection range of 4m with 30-degree angle

OPTIONAL SENSORS

PM2.5, PM10	Detection range of 0-1000ug/m3 and accuracy of +/- 10ug/m3 (PM2.5, 0-100 ug/m3) or +/- 25ug/m3 (PM10, 0-100ug/m3)
--------------------	---

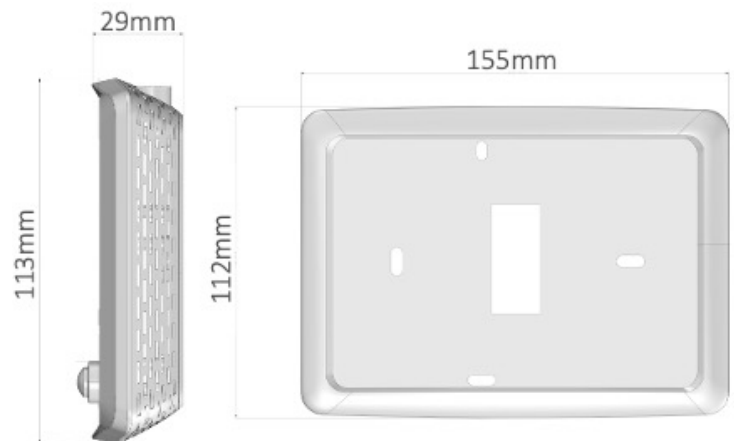


ELECTRICAL

Power	24V AC/DC (+/-15%) with nominal power consumption 1.0W and maximum consumption of 2.5W
--------------	--

COMMUNICATIONS

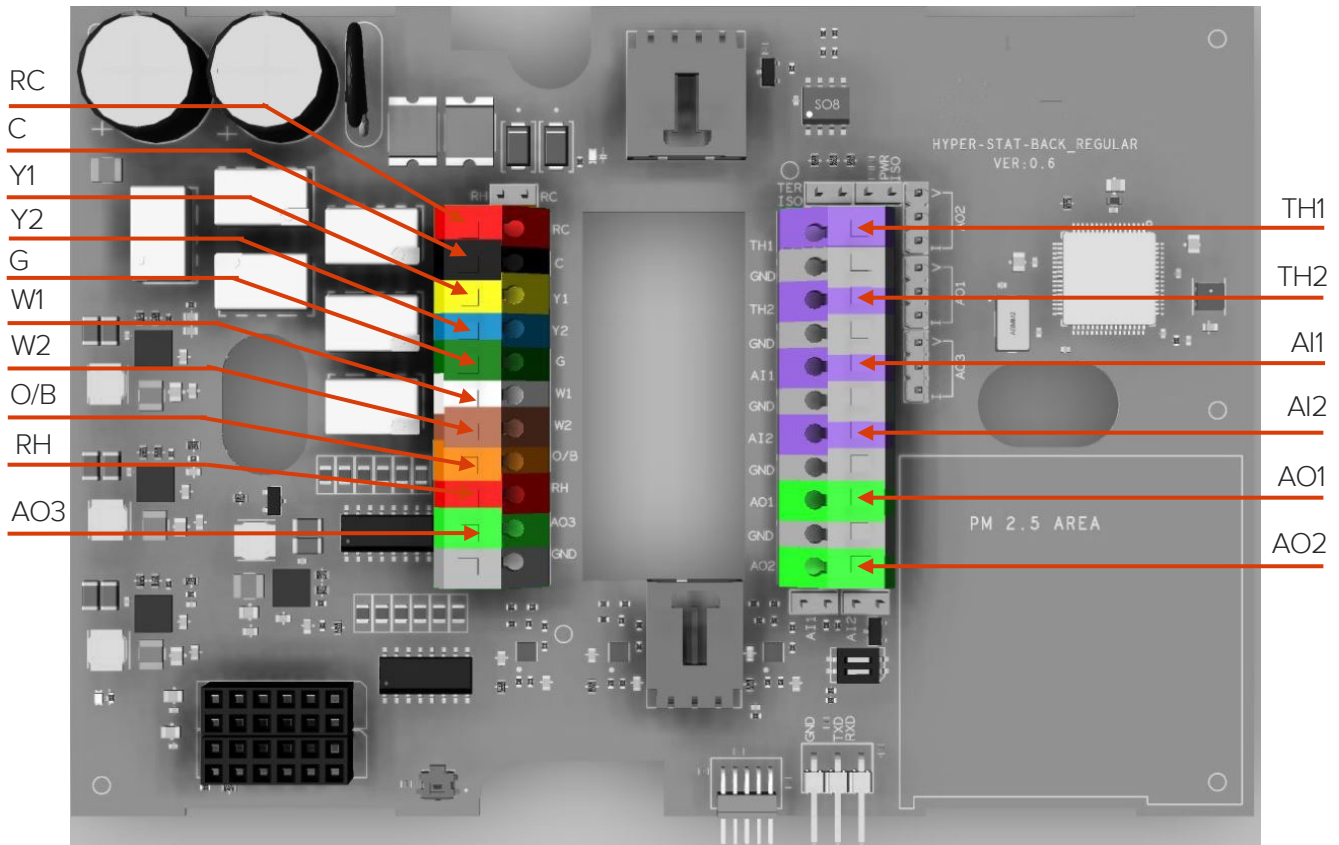
Wired	4 wire RS-485 interface 3 wire connector for low-power sensor bus
--------------	--



ClimaVision HyperStat BACnet

I/O

Inputs	(2) 10k type-2 thermistor inputs with 2% accuracy (2) 0-10V analog voltage inputs with 2% detection accuracy
Outputs	(6) Relays rated at 110V ac, 24V dc/1A (3) 0-10V/4 -20ma (max load of 20mA per channel) analog outputs



WALL PLATE

Dimensions 165mm x 113 mm (6.5" x 4.5")

