

# TECHNICAL DATA SHEET

## S.5570W.19 MEGAZIP LED DOWNLIGHT ROUND

SIMES  
luce per l'architettura

### -PRODUCT TYPE

False ceiling-recessed down-light fitting .  
Recessing depth 216 mm  
IP rating IP 65

### -MATERIAL CHARACTERISTICS

"Copper Free" Aluminium die cast housing in EN AB 44100 with high resistance against corrosion.

Stone wash surface treatment prior to painting process.

2 mm thick front trim in Stainless Steel - Grade AISI 316L with 2,5-3% molybdenum content.

A4 grade Stainless Steel screws with 2,5-3% molybdenum content which increases the resistance against corrosion.

Pre treated Silicone Gaskets.

Painting Process :

3 Step Process

1) Surface treatment with BONDERITE . A heavy metal free chemical surface treatment containing ceramic nano particles giving a cohesive, inorganic and highly dense protective coating .

2) PRE POLYMERIZATION a process of introducing an epoxy primer with excellent characteristics to the paint which also offers very high resistance to oxidation due to its Zinc content.

3) POLYMERIZATION a process with the application of polyester powder with high resistance against UV rays and harsh weather conditions. Improved protection for Marine applications.

Mechanical resistance of glass IK 09

### -LIGHTING PERFORMANCE

Reflector in 99.98% pure aluminium .

Toughened semiacid-etched glass 12mm thick.

Lamp adjustable  $\pm 15^\circ$  position.

LOR --

### -INSTALLATION AND MAINTENANCE

The luminaires are fixed to the false ceiling by a heavy-duty bracket system, adjustable from inside the luminaire.

Model comes with a steel safety wire.

Front re-lamping without removing the complete fitting from the ceiling.

### -WIRING

Double cable entry with cable glands PG 13.5 ( $\varnothing$  6÷12 mm) .

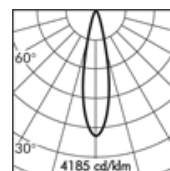
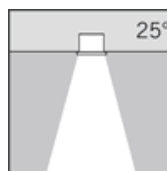
Isolation: CLASS I .

Available colours: STAINLESS STEEL (cod.19).

Weight: 4.89 Kg

Glow Wire test: 850°C

Class 2 L.E.D circuit included. (CEI EN 60825-1:2003-02)



	25°		
h(m)	$\varnothing$ (m)	E(lx)	
1	0.42	1068	
2	0.84	267	
3	1.25	119	
4	1.67	67	
5	2.09	43	

\* Photometric measured using COLD WHITE LED 6650K

7 ACCENT LED 3200K 17,5W 230V  
Electronic trasformer 100/240V 50÷60Hz

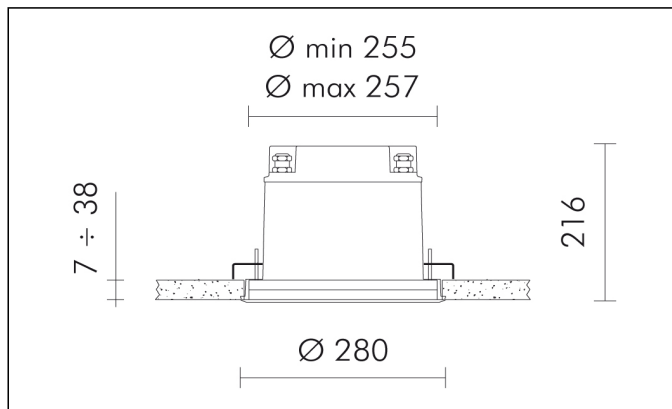
IP 65

CE

⊕

⚡

⚙



LAST UPDATE 14/09/2010

SIMES S.p.A.  
Via G.Pastore 2/4  
25040 - Corte Franca - BRESCIA (ITALY)  
<http://www.simes.com> - e-mail: [simes@simes.com](mailto:simes@simes.com)

Tel:		Fax:	
Export Sales:	+39 0309860440	Export Sales:	+39 0309860449
Technical Dep.:	+39 0309860450	Technical Dep.:	+39 0309860459
Lighting Design Dep.:	+39 0309860425	Lighting Design Dep.:	+39 0309860429



The present technical data sheet and all the information contained is property of SIMES S.p.A. All rights reserved.  
We reserve the right to change specifications without prior written notice.

# TECHNICAL DATA SHEET

## S.5570W.19

### ACCESSORIES FOR MEGAZIP LED DOWNLIGHT ROUND

SIMES  
luce per l'architettura



**S.5530**

**Concrete ceiling installation kit**

Kit :

- \_ steel plate;
- \_ round recessed box.

Dimensions: Ø 260 mm h 245 mm

LAST UPDATE 14/09/2010

SIMES S.p.A.  
Via G.Pastore 2/4  
25040 - Corte Franca - BRESCIA (ITALY)  
<http://www.simes.com> - e-mail: [simes@simes.com](mailto:simes@simes.com)

Tel:  
Export Sales: +39 0309860440  
Technical Dep. +39 0309860450  
Lighting Design Dep.: +39 0309860425

Fax:  
Export Sales: +39 0309860449  
Technical Dep.: +39 0309860459  
Lighting Design Dep.: +39 0309860429



The present technical data sheet and all the information contained is property of SIMES S.p.A. All rights reserved.  
We reserve the right to change specifications without prior written notice.