



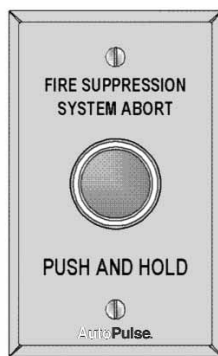
Abort Switches and Releasing Appliance Circuit (RAC) Maintenance Switches (Z-10)

Features

- **Abort switches provide a manual Fire Suppression System release abort request:**
 - Pushbutton momentary switch is mounted on a stainless steel single-gang plate
 - A protruding collar protects the switch from accidental contact (collar is removable if required)
 - Available flush or surface mount
 - Flush mounting requires standard single-gang box
 - Surface mounting includes a red mounting box
 - Models are available with internal 1.2kΩ resistor for current limited operation
- **Maintenance switches provide a secure and visible disconnect means for servicing Fire Suppression System Releasing Appliance Circuits (RACs):**
 - Maintained position keyswitch is mounted on a stainless steel double-gang plate
 - Key is removable in either normal or disabled position
 - Disabled position opens connection to output circuit to initiate a supervisory condition at the host panel
 - Disconnect indicator lamp is a bright incandescent bulb with red lens, powered from separate 24 VDC
 - Available for flush or surface mount
 - Flush mounting requires a standard double-gang box
 - Surface mount models include a red mounting box
- **UL listed to Standard 864, 9th Edition**

Description

Releasing systems typically require maintenance disconnect switches and often require abort switches. These abort and maintenance switches are clearly labeled and combine easy operation with rugged construction for high integrity operation.



Abort Switch

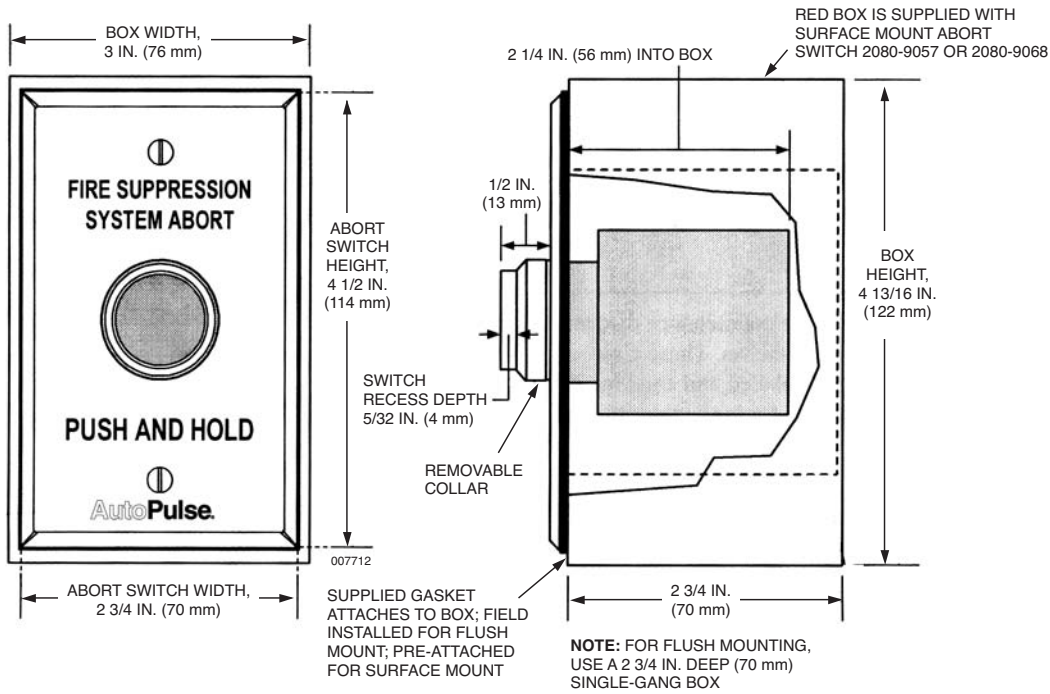


Maintenance Switch with Disconnect Indicator Lamp

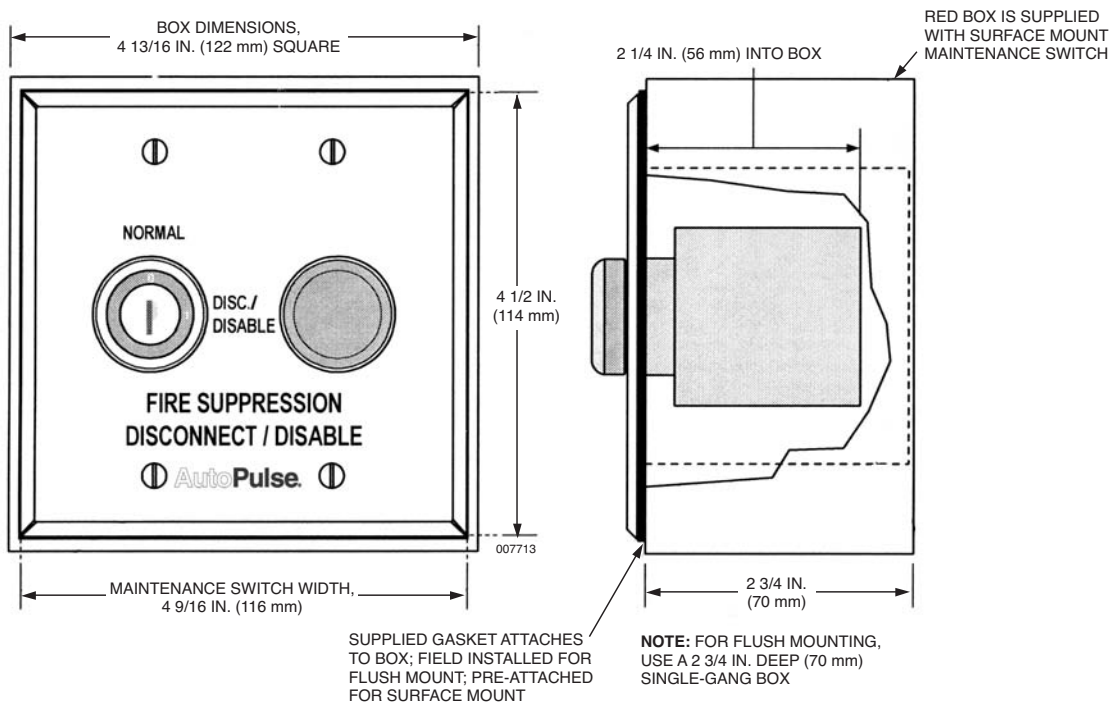
Specifications

Electrical Ratings	
Abort Switch; One Contact block	Silver contacts; 1 NO & 1 NC; rated 2 A resistive @ 30 VDC
Maintenance Switch with Lamp; Two Contact blocks	Circuit control: Silver contacts; 1 NO & 1 NC; rated 2A resistive @ 30 VDC
	Lamp control: Silver contacts; 1 Form C; rated 2 A resistive @ 30 VDC
Maintenance Switch Indicator Light	Replaceable 2 W incandescent bulb; 24 to 30 VDC typical; 83 mA @ 35 VDC; requires -separate 24 VDC
Wiring Connections	
Abort Switch	Terminal blocks for in/out wiring; 18 to 14 AWG wire (0.82 mm ² to 2.08 mm ²)
Abort Switch with Current Limited Resistor	Terminal blocks for first wire connection; 18 to 14 AWG wire (0.82 mm ² to 2.08 mm ²); 18 AWG wire lead for second wire connection
Maintenance Switch	18 AWG (0.82 mm ²) color coded wire leads for suppression circuit; terminal blocks for lamp wiring; 18 to 14 AWG wire (0.82 mm ² to 2.08 mm ²)
Environmental Ratings	
Temperature Range	32 °F to 120 °F (0 °C to 49 °C)
Humidity Range	Up to 93% at 90 °F (32 °C)

Abort Switch Installation Reference



Maintenance Switch Installation Reference



Listings and Approvals

UL Listed	S8332
ULC Listed	S8332
CSFM	Approved
MEA (NYC)	Approved

Ordering Information

Part No.	Description	Shipping Weight	
		lb	(kg)
433936	Flush Mount Maintenance Switch	2	(0.9)
433937	Surface Mount Maintenance Switch	2	(0.9)
433940	Flush Mount Abort Switch	1	(0.5)