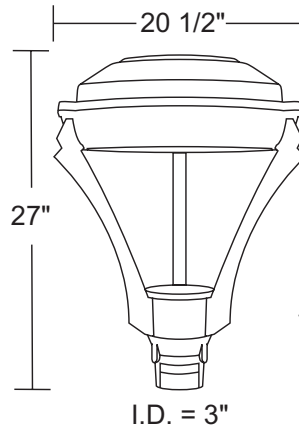


COMMERCIAL





C40T-



Commercial LED standard in 4000K, Type V, other options available upon request. Integral surge suppression. 5 year warranty on LED components.

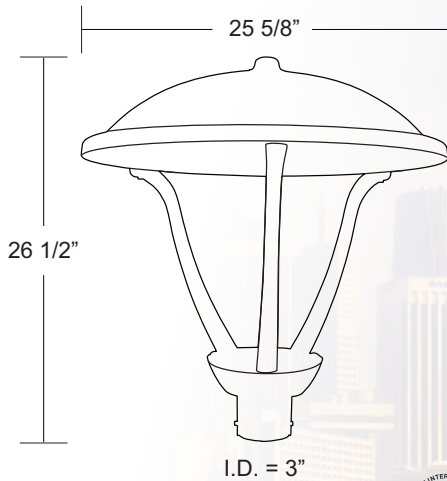
GUIDE: C40TL-L40C-BK



ITEM #	LENS	LIGHT SOURCE	COLOR
C40T	ACRYLIC	LED LIGHT SOURCE	
	L-Opal Drop Lens FF-Frost Flat Lens	120-277v DEDICATED LED L40 -40W 4000lm L60 -60W 6000lm	CCT C -4K W -3K B -5K BK -Black BZ -Bronze WH -White



SCAN FOR VIDEO



C41T-



GUIDE: C41TC-L40C-BK



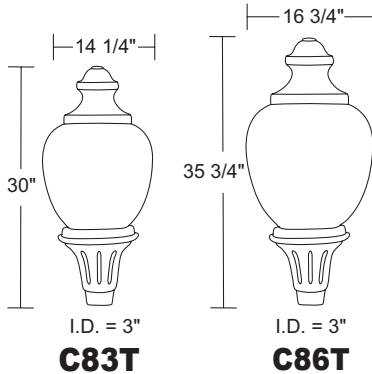
ITEM #	LENS	LIGHT SOURCE	COLOR	OPTION
C41T	GLASS C-Clear Lens	LED LIGHT SOURCE		T3 -Type III Distribution
		120-277v DEDICATED LED L40 -40W 3500lm L80 -85W 6100lm	CCT C -4K WH -White	

SPEC SHEETS AND IES FILES AVAILABLE ONLINE. Specifications subject to change without notice. LED option information on page 6.

WAVE LIGHTING • PHONE 877.870.WAVE (9283)

- LED & HID Models
- 0-10V Dimming LED Options
- LED Models Are DLC Listed

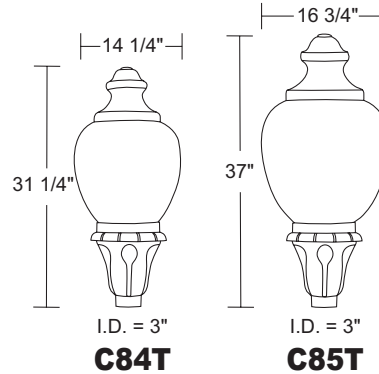
C83TLA-
Style B Fitter



C83T

C86T

STYLE B FITTER



C84T

C85T

STYLE A FITTER

Acorns have 8" Neck

See Page 81 for Acorn Replacements & Measurements

C85TC-
Style A Fitter



LED
COMMERCIAL
system

Commercial LED standard in 4000K, Type V, other options available upon request. Integral surge suppression. 5 year warranty on LED components.

AFB
Plastic Finial Topper
supplied with 1/4-20 x 1 1/4"
Stainless Steel Hex Screw



GUIDE: C84TC-L40C-BK-T3



ITEM #	ACORN	LIGHT SOURCE	COLOR	OPTIONS
C83T -Style B C84T -Style A C85T -Style A C86T -Style B	POLYCARBONATE C-Clear Textured ACRYLIC LA-Opal Textured CA-Clear Textured FA-Frost Textured	LED LIGHT SOURCE 120-277v DEDICATED LED L40-40W 4000lm L60-60W 6000lm E39 CORN COB LED 100-277v LC5-54W 7290lm, Type 5 ☆ LC3-40W 5600lm, Type 3 ☆ LCD-54W 5900lm, Dark Sky ☆	BK -Black BZ -Bronze WH -White	AFB -Acorn Finial Topper D - 0-10V Dimming (Dedicated LED Only) T3 -Type III Distribution (Dedicated LED Only, T3 is Special Order, Type V Standard)
		CCT C-4K(standard) W-3K(special order) B-5K(special order) CCT C-4K(standard)		

GUIDE: C84TC-150MH-BK-HS



ITEM #	ACORN	LIGHT SOURCE	COLOR	OPTIONS
C83T -Style B C84T -Style A C85T -Style A C86T -Style B	POLYCARBONATE C-Clear Textured ACRYLIC LA-Opal Textured CA-Clear Textured FA-Frost Textured	INCANDESCENT (1) 200W MAX Medium Base HPF MAGNETIC BALLAST 100MH-(1) 100W Metal Halide ☆ 150MH-(1) 150W Metal Halide ☆ 100H-(1) 100W HPS ☆ 150H-(1) 150W HPS ☆	BK -Black BZ -Bronze WH -White	AFB -Acorn Finial Topper DSR -Dark Sky Reflector HS -House Shield MG -E39 Mogul Socket MT208 -208v Multi-Tap MT240 -240v Multi-Tap MT277 -277v Multi-Tap R3 -Type III Refractor R5 -Type V Refractor (See Page 70 for Light Distribution)
	★ Lamp Included Posts sold separately.			

4Kv medium base socket standard in HID, Mogul Upon Request.
120V HPF integral ballast standard in HID models, specify voltage for multi-tap.

Not all options can be used in combination. Consult factory for details.

SPEC SHEETS AND IES FILES AVAILABLE ONLINE. Specifications subject to change without notice. LED option information on page 6.

FAX 330.630.1994 • WWW.WAVELIGHTING.COM

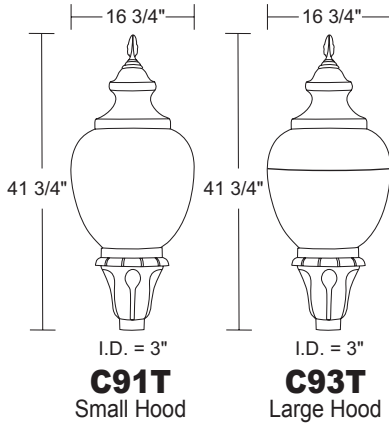
C91TC-



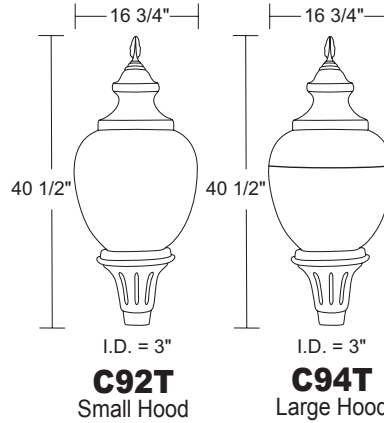
C94TC-



- LED & HID Models
- 0-10V Dimming LED Options
- LED Models Are DLC Listed



STYLE A FITTER



STYLE B FITTER

HS
House Shield



Acorns have 8" Neck
See Page 81
for Acorn
Replacements &
Measurements

LED
COMMERCIAL
system

Commercial LED standard in 4000K,
Type V, other options available upon request.
Integral surge suppression.
5 year warranty on LED components.

GUIDE: C91TC-L40C-BK-T3



ITEM #	ACORN	LIGHT SOURCE	COLOR	OPTIONS
C91T -Style A	POLYCARBONATE	LED LIGHT SOURCE	BK -Black	D - 0-10V Dimming (Dedicated LED Only)
C92T -Style B	C -Clear Textured	120-277v DEDICATED LED	BZ -Bronze	T3 -Type III Distribution (Dedicated LED Only, T3 is Special Order, Type V Standard)
C93T -Style A	ACRYLIC	L40 -40W 4000lm	WH -White	
C94T -Style B	LA -Opal Textured	L60 -60W 6000lm		
	CA -Clear Textured	E39 CORN COB LED 100-277v		
	FA -Frost Textured	LC5 -54W 7290lm, Type 5 ☆		
		LC3 -40W 5600lm, Type 3 ☆		
		LCD -54W 5900lm, Dark Sky ☆		
		CCT		
		C-4K (standard)		
		W-3K (special order)		
		B-5K (special order)		
		C-4K (standard)		



GUIDE: C91TC-150MH-BK-HS



ITEM #	ACORN	LIGHT SOURCE	COLOR	OPTIONS
C91T -Style A	POLYCARBONATE	INCANDESCENT	BK -Black	DSR -Dark Sky Reflector
C92T -Style B	C -Clear Textured	(1) 200W MAX Medium Base	BZ -Bronze	HS -House Shield
C93T -Style A	ACRYLIC	HPF MAGNETIC BALLAST	WH -White	MG -E39 Mogul Socket
C94T -Style B	LA -Opal Textured	100MH -(1) 100W Metal Halide ☆		MT208 -208v Multi-Tap
	CA -Clear Textured	150MH -(1) 150W Metal Halide ☆		MT240 -240v Multi-Tap
	FA -Frost Textured	100H -(1) 100W HPS ☆		MT277 -277v Multi-Tap
		150H -(1) 150W HPS ☆		R3 -Type III Refractor
				R5 -Type V Refractor (See Page 70 for Light Distribution)

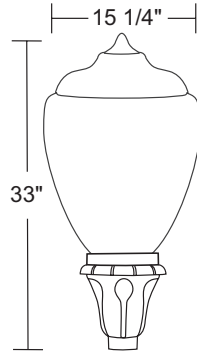
4Kv medium base socket standard in HID, Mogul Upon Request.

120V HPF integral ballast standard in HID models, specify voltage for multi-tap.

☆ Lamp Included

SPEC SHEETS AND IES FILES AVAILABLE ONLINE. Specifications subject to change without notice. LED option information on page 6.

C75TC-



C75T

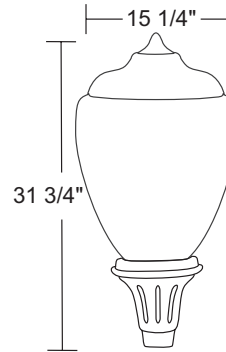
STYLE A FITTER



Commercial LED standard in 4000K, Type V, other options available upon request. Integral surge suppression. 5 year warranty on LED components.

- LED & HID Models
- 0-10V Dimming LED Options
- LED Models Are DLC Listed

C76TC-



C76T

STYLE B FITTER

Acorns have 8" Neck
See Page 81 for Acorn Replacements & Measurements

Other Acorn styles available. Contact Sales with questions.

GUIDE: C75TC-L40C-BK-T3

ITEM #	ACORN	LIGHT SOURCE	COLOR	OPTIONS
C75T -Style A C76T -Style B	POLYCARBONATE C-Clear Textured ACRYLIC LA-Opal Textured CA-Clear Textured FA-Frost Textured	LED LIGHT SOURCE 120-277v DEDICATED LED L40-40W 4000lm L60-60W 6000lm E39 CORN COB LED 100-277v LC5-54W 7290lm, Type 5 ☆ LC3-40W 5600lm, Type 3 ☆ LCD-54W 5900lm, Dark Sky ☆	CCT C-4K(standard) W-3K(special order) B-5K(special order) CCT C-4K(standard)	BK -Black BZ -Bronze WH -White D - 0-10V Dimming (Dedicated LED Only) T3 -Type III Distribution (Dedicated LED Only, T3 is Special Order, Type V Standard)



4Kv medium base socket standard in HID, Mogul Upon Request.

120V HPF integral ballast standard in HID models, specify voltage for multi-tap.

GUIDE: C75TC-150MH-BK-HS

ITEM #	ACORN	LIGHT SOURCE	COLOR	OPTIONS
C75T -Style A C76T -Style B	POLYCARBONATE C-Clear Textured ACRYLIC LA-Opal Textured CA-Clear Textured FA-Frost Textured	INCANDESCENT (1) 200W MAX Medium Base HPF MAGNETIC BALLAST 100MH-(1) 100W Metal Halide ☆ 150MH-(1) 150W Metal Halide ☆ 100H-(1) 100W HPS ☆ 150H-(1) 150W HPS ☆	BK -Black BZ -Bronze WH -White	DSR -Dark Sky Reflector HS -House Shield MG -E39 Mogul Socket MT208 -208v Multi-Tap MT240 -240v Multi-Tap MT277 -277v Multi-Tap R3 -Type III Refractor R5 -Type V Refractor (See Page 70 for Light Distribution)



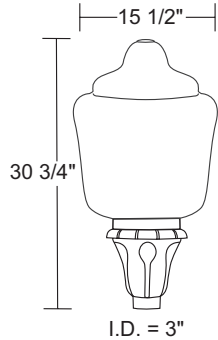
Posts sold separately.

SPEC SHEETS AND IES FILES AVAILABLE ONLINE. Specifications subject to change without notice. LED option information on page 6.

C77TC-

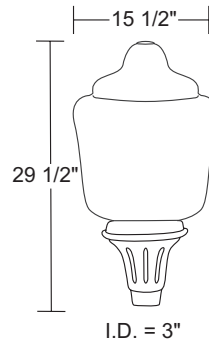


- LED & HID Models
- 0-10V Dimming LED Options
- LED Models Are DLC Listed



C77T

STYLE A FITTER



C78T

STYLE B FITTER

Other Acorn styles available.
Contact Sales with questions.

Acorns have 8" Neck
See Page 81 for Acorn
Replacements & Measurements



Commercial LED standard in 4000K,
Type V, other options available upon request.
Integral surge suppression.
5 year warranty on LED components.

GUIDE: C77TC-L40C-BK-T3



ITEM #	ACORN	LIGHT SOURCE	COLOR	OPTIONS	
C77T -Style A C78T -Style B	POLYCARBONATE	LED LIGHT SOURCE		BK -Black BZ -Bronze WH -White	AFB -Acorn Finial Topper D - 0-10V Dimming (Dedicated LED Only) T3 -Type III Distribution (Dedicated LED Only, T3 is Special Order, Type V Standard)
	C -Clear Textured ACRYLIC CA -Clear Textured	120-277v DEDICATED LED L40 -40W 4000lm L60 -60W 6000lm	CCT C -4K(standard) W -3K(special order) B -5K(special order)		
		E39 CORN COB LED 100-277v LC5 -54W 7290lm, Type 5 ☆ LC3 -40W 5600lm, Type 3 ☆ LCD -54W 5900lm, Dark Sky ☆	CCT C -4K(standard)		



4Kv medium base socket standard
in HID, Mogul Upon Request.

120V HPF integral ballast standard in
HID models, specify voltage for multi-tap.

GUIDE: C78TC-150MH-BK-HS



ITEM #	ACORN	LIGHT SOURCE	COLOR	OPTIONS
C77T -Style A C78T -Style B	POLYCARBONATE	INCANDESCENT (1) 200W MAX Medium Base	BK -Black BZ -Bronze WH -White	AFB -Acorn Finial Topper DSR -Dark Sky Reflector HS -House Shield MG -E39 Mogul Socket MT208 -208v Multi-Tap MT240 -240v Multi-Tap MT277 -277v Multi-Tap R3 -Type III Refractor R5 -Type V Refractor (See Page 70 for Light Distribution)
	C -Clear Textured ACRYLIC CA -Clear Textured	HPF MAGNETIC BALLAST 100MH -(1) 100W Metal Halide ☆ 150MH -(1) 150W Metal Halide ☆ 100H -(1) 100W HPS ☆ 150H -(1) 150W HPS ☆		

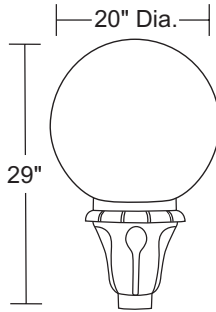
☆ Lamp Included

SPEC SHEETS AND IES FILES AVAILABLE ONLINE. Specifications subject to change without notice. LED option information on page 6.

WAVE LIGHTING • PHONE 877.870.WAVE (9283)

- LED & HID Models
- 0-10V Dimming LED Options
- LED Models Are DLC Listed

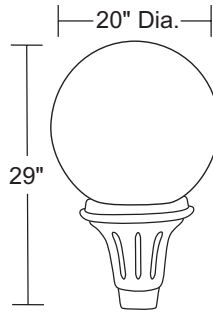
C2015TL-



I.D. = 3"

STYLE A FITTER

C2015T C8015T
Polycarbonate Globe Acrylic Globe



I.D. = 3"

STYLE B FITTER

C2025T C8025T
Polycarbonate Globe Acrylic Globe

Globes have 8" Neck, See Page 81 for Replacements



Commercial LED standard in 4000K, Type V, other options available upon request. Integral surge suppression. 5 year warranty on LED components.

24", 27", 30" & 36" Globes Available
Contact Sales for Details

GUIDE: C2015TC-L40C-BK



ITEM #	ACORN	LIGHT SOURCE	COLOR	OPTIONS
C2015T -Style A C2025T -Style B	POLYCARBONATE C-Clear L-Opal S-Smoke P-Clear Prism	LED LIGHT SOURCE 120-277v DEDICATED LED L40 -40W 4000lm L60 -60W 6000lm E39 CORN COB LED 100-277v LC5 -54W 7290lm, Type 5 ☆ LC3 -40W 5600lm, Type 3 ☆ LCD -54W 5900lm, Dark Sky ☆	BK -Black BZ -Bronze WH -White	D - 0-10V Dimming (Dedicated LED Only) T3 -Type III Distribution (Dedicated LED Only, T3 is Special Order, Type V Standard)
C8015T -Style A C8025T -Style B	ACRYLIC C-Clear L-Opal S-Smoke P-Clear Prism			



GUIDE: C2015TC-150MH-BK-HS



ITEM #	ACORN	LIGHT SOURCE	COLOR	OPTIONS
C2015T -Style A C2025T -Style B	POLYCARBONATE C-Clear L-Opal S-Smoke P-Clear Prism	INCANDESCENT (1) 200W MAX Medium Base HPF MAGNETIC BALLAST 100MH -(1) 100W Metal Halide ☆ 150MH -(1) 150W Metal Halide ☆ 100H -(1) 100W HPS ☆ 150H -(1) 150W HPS ☆	BK -Black BZ -Bronze WH -White	DSR -Dark Sky Reflector HS -House Shield MG -E39 Mogul Socket MT208 -208v Multi-Tap MT240 -240v Multi-Tap MT277 -277v Multi-Tap R3 -Type III Refractor R5 -Type V Refractor (See Page 70 for Light Distribution)
C8015T -Style A C8025T -Style B	ACRYLIC C-Clear L-Opal S-Smoke P-Clear Prism			

☆ Lamp Included

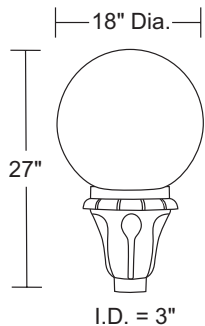
4Kv medium base socket standard in HID, Mogul Upon Request.

120V HPF integral ballast standard in HID models, specify voltage for multi-tap.

SPEC SHEETS AND IES FILES AVAILABLE ONLINE. Specifications subject to change without notice. LED option information on page 6.

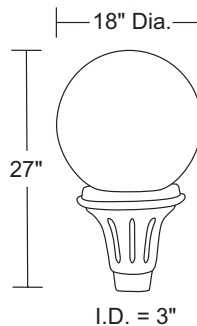
FAX 330.630.1994 • WWW.WAVELIGHTING.COM

C2014TP-



STYLE A FITTER

C2014T Polycarbonate Globe
C8014T Acrylic Globe



STYLE B FITTER

C2024T Polycarbonate Globe
C8024T Acrylic Globe

C8024TC-

(shown with R3)



Globes have 8" Neck. See Page 81 for Replacements



GUIDE: C2014TL-L40C-BK-T3



ITEM #	ACORN	LIGHT SOURCE	COLOR	OPTIONS
C2014T-Style A C2024T-Style B	POLYCARBONATE C-Clear L-Opal S-Smoke P-Clear Prism	LED LIGHT SOURCE 120-277v DEDICATED LED L40-40W 4000lm L60-60W 6000lm E39 CORN COB LED 100-277v LC5-54W 7290lm, Type 5 ☆ LC3-40W 5600lm, Type 3 ☆ LCD-54W 5900lm, Dark Sky ☆	BK-Black BZ-Bronze WH-White CCT C-4K(standard) W-3K(special order) B-5K(special order)	D- 0-10V Dimming (Dedicated LED Only) T3-Type III Distribution (Dedicated LED Only, T3 is Special Order, Type V Standard)
C8014T-Style A C8024T-Style B	ACRYLIC C-Clear L-Opal S-Smoke P-Clear Prism		CCT C-4K(standard)	

Commercial LED standard in 4000K, Type V, other options available upon request. Integral surge suppression. 5 year warranty on LED components.

Posts sold separately.



4Kv medium base socket standard in HID, Mogul Upon Request.

120V HPF integral ballast standard in HID models, specify voltage for multi-tap.

☆ Lamp Included

GUIDE: C2014TL-150MH-BK-HS

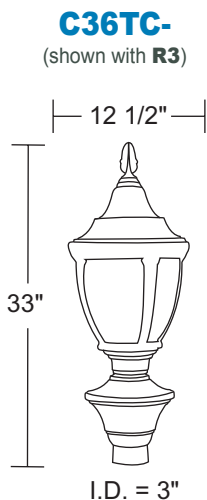


ITEM #	ACORN	LIGHT SOURCE	COLOR	OPTIONS
C2014T-Style A C2024T-Style B	POLYCARBONATE C-Clear L-Opal S-Smoke P-Clear Prism	INCANDESCENT (1) 200W MAX Medium Base HPF MAGNETIC BALLAST 100MH -(1) 100W Metal Halide ☆ 150MH *-(1) 150W Metal Halide ☆	BK-Black BZ-Bronze WH-White	DSR-Dark Sky Reflector HS-House Shield MG-E39 Mogul Socket MT208 -208v Multi-Tap MT240 -240v Multi-Tap MT277 -277v Multi-Tap R3 -Type III Refractor R5 -Type V Refractor (See Page 70 for Light Distribution)
C8014T-Style A C8024T-Style B	ACRYLIC C-Clear L-Opal S-Smoke P-Clear Prism	100H -(1) 100W HPS ☆ 150H *-(1) 150W HPS ☆		

*Not available with C8014T or C8024T

SPEC SHEETS AND IES FILES AVAILABLE ONLINE. Specifications subject to change without notice. LED option information on page 6.

- LED & HID Models
- 0-10V Dimming LED Options
- DLC LED Lamp Available



LED
COMMERCIAL
system

Commercial LED standard in 4000K, Type V, other options available upon request.
Integral surge suppression.
5 year warranty on LED components.

C37TL-



GUIDE: C36TC-L40C-BK



ITEM #	LENS	LIGHT SOURCE	COLOR
C36T C37T	ACRYLIC L-Opal C-Clear	LED LIGHT SOURCE	BK -Black BZ -Bronze WH -White
		120-277v DEDICATED LED L40 -40W 4000lm L60 -60W 6000lm <hr/> E39 CORN COB LED 100-277v LC5 -54W 7290lm, Type 5 ☆ LC3 -40W 5600lm, Type 3 ☆ LCD -54W 5900lm, Dark Sky ☆	
		CCT C -4K W -3K B -5K <hr/> CCT C -4K(standard)	



4Kv medium base socket standard in HID, Mogul Upon Request.

120V HPF integral ballast standard in HID models, specify voltage for multi-tap.

★ **Lamp Included**

GUIDE: C36TC-150MH-BK-R3



ITEM #	LENS	LIGHT SOURCE	COLOR	OPTIONS
C36T C37T	ACRYLIC L-Opal C-Clear	INCANDESCENT (1) 200W MAX Medium Base HPF MAGNETIC BALLAST 100MH -(1) 100W Metal Halide ☆ 150MH -(1) 150W Metal Halide ☆ 100H -(1) 100W HPS ☆ 150H -(1) 150W HPS ☆	BK -Black BZ -Bronze WH -White	DSR -Dark Sky Reflector MG -E39 Mogul Socket MT208 -208v Multi-Tap MT240 -240v Multi-Tap MT277 -277v Multi-Tap R3 -Type III Refractor R5 -Type V Refractor (See Page 70 for Light Distribution)

SPEC SHEETS AND IES FILES AVAILABLE ONLINE. Specifications subject to change without notice. LED option information on page 6.

- LED & HID Models
- DLC LED Lamp Available



C59TF-



C32TP-



C33TP-

LED
COMMERCIAL
system

GUIDE: C32TC-L40C-BK-BP1

ITEM #	LENS	LIGHT SOURCE	COLOR	OPTIONS
C32T	ACRYLIC	LED LIGHT SOURCE	BK-Black	ACRYLIC BLACK OUT PANELS
C33T	L-Opal P-Clear Prism	120-277v DEDICATED LED L40-40W 4000lm L60-60W 6000lm	BZ-Bronze WH-White	BP1-One Panel BP2-Two Panels BP3-Three Panels
C59T	GLASS F-Frosted	E39 CORN COB LED 100-277v LC5-54W 7290lm, Type 5 ☆ LC3-40W 5600lm, Type 3 ☆ LCD-54W 5900lm, Dark Sky ☆		
		CCT C-4K W-3K B-5K C-4K(standard)		



Commercial LED standard in 4000K, Type V, other options available upon request. Integral surge suppression. 5 year warranty on LED components.



4Kv medium base socket standard in HID, Mogul Upon Request.

120V HPF integral ballast standard in HID models, specify voltage for multi-tap.

☆ Lamp Included

GUIDE: C32TC-150MH-BK-R3

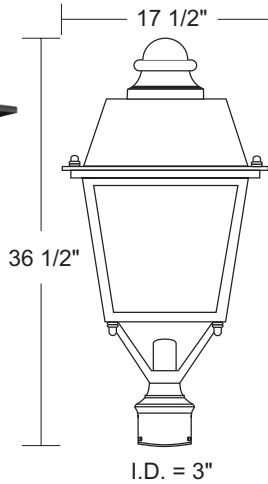
ITEM #	LENS	LIGHT SOURCE	COLOR	OPTIONS
C32T	ACRYLIC	INCANDESCENT	BK-Black	MG-E39 Mogul Socket
C33T	L-Opal P-Clear Prism	(1) 200W MAX Medium Base HPF MAGNETIC BALLAST 100MH-(1) 100W Metal Halide ☆ 150MH-(1) 150W Metal Halide ☆ 100H-(1) 100W HPS ☆ 150H-(1) 150W HPS ☆	BZ-Bronze WH-White	MT208-208v Multi-Tap MT240-240v Multi-Tap MT277-277v Multi-Tap R3-Type III Refractor R5-Type V Refractor (See Page 70 for Light Distribution)
C59T	GLASS F-Frosted	HPF MAGNETIC BALLAST 100MH-(1) 100W Metal Halide ☆ 70H-(1) 70W HPS ☆ 100H-(1) 100W HPS ☆ 150H-(1) 150W HPS ☆		ACRYLIC BLACK OUT PANELS BP1-One Panel BP2-Two Panels BP3-Three Panels



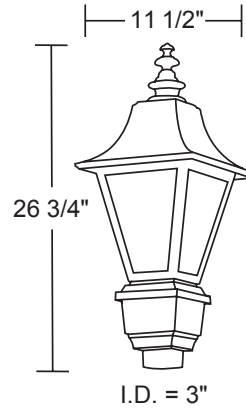
SPEC SHEETS AND IES FILES AVAILABLE ONLINE. Specifications subject to change without notice. LED option information on page 6.

- LED & HID Models
- DLC LED Lamp Available

C30TC-



C31TP-



Commercial LED standard in 4000K, Type V, other options available upon request.
Integral surge suppression.
5 year warranty on LED components.

GUIDE: C30TC-L40C-BK-T3

ITEM #	LENS	LIGHT SOURCE	COLOR	OPTIONS	
C30T	GLASS COVER C-Clear	LED LIGHT SOURCE		BK-Black BZ-Bronze WH-White	T3-Type III Distribution (Dedicated LED Only, T3 is Special Order, Type V Standard)
		120-277v DEDICATED LED L40-40W 4000lm L60-60W 6000lm	CCT C-4K		
C31T	ACRYLIC L-Opal P-Clear Prism	120-277v DEDICATED LED L40-40W 4000lm L60-60W 6000lm	CCT C-4K W-3K B-5K	BK-Black BZ-Bronze WH-White	ACRYLIC BLACK OUT PANELS BP1-One Panel BP2-Two Panels BP3-Three Panels
		E39 CORN COB LED 100-277v LC5-54W 7290lm, Type 5 ☆ LC3-40W 5600lm, Type 3 ☆ LCD-54W 5900lm, Dark Sky ☆	CCT C-4K(standard)		



4Kv medium base socket standard in HID, Mogul Upon Request.

120V HPF integral ballast standard in HID models, specify voltage for multi-tap.

☆ **Lamp Included**

GUIDE: C31TC-150MH-BK-HS

ITEM #	LENS	LIGHT SOURCE	COLOR	OPTIONS
C31T	ACRYLIC L-Opal P-Clear Prism	INCANDESCENT (1) 200W MAX Medium Base HPF MAGNETIC BALLAST 100MH-(1) 100W Metal Halide ☆ 150MH-(1) 150W Metal Halide ☆ 100H-(1) 100W HPS ☆ 150H-(1) 150W HPS ☆	BK-Black BZ-Bronze WH-White	MG-E39 Mogul Socket MT208-208v Multi-Tap MT240-240v Multi-Tap MT277-277v Multi-Tap R3-Type III Refractor R5-Type V Refractor (See Page 70 for Light Distribution) ACRYLIC BLACK OUT PANELS BP1-One Panel BP2-Two Panels BP3-Three Panels



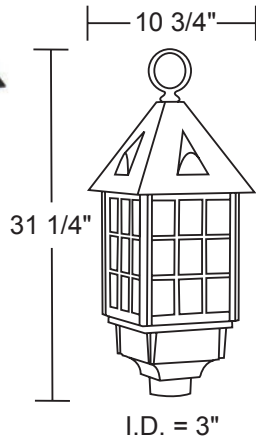
SPEC SHEETS AND IES FILES AVAILABLE ONLINE. Specifications subject to change without notice. LED option information on page 6.

FAX 330.630.1994 • WWW.WAVELIGHTING.COM

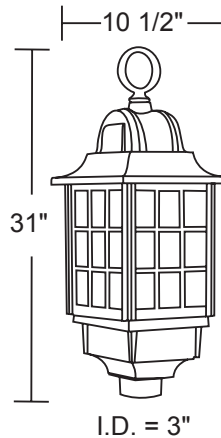
- LED & HID Models
- DLC LED Lamp Available



C35TF-



C34TF-



GUIDE: C34TC-L40C-BK



ITEM #	LENS	LIGHT SOURCE	COLOR	OPTIONS
C34T C35T	ACRYLIC F-Frosted	LED LIGHT SOURCE 120-277v DEDICATED LED L40-40W 4000lm E39 CORN COB LED 100-277v LC5-54W 7290lm, Type 5 ☆ LC3-40W 5600lm, Type 3 ☆ LCD-54W 5900lm, Dark Sky ☆	BK-Black BZ-Bronze WH-White	ACRYLIC BLACK OUT PANELS BP1-One Panel BP2-Two Panels BP3-Three Panels
		CCT C-4K W-3K B-5K		
		CCT C-4K(standard)		



4Kv medium base socket standard in HID, Mogul Upon Request.

120V HPF integral ballast standard in HID models, specify voltage for multi-tap.

☆ Lamp Included

GUIDE: C34TC-150MH-BK-R3

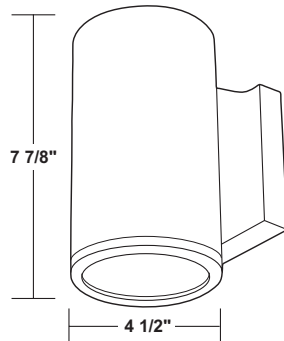


ITEM #	LENS	LIGHT SOURCE	COLOR	OPTIONS
C34T C35T	ACRYLIC F-Frosted	INCANDESCENT (1) 200W MAX Medium Base HPF MAGNETIC BALLAST 100MH-(1) 100W Metal Halide ☆ 150MH-(1) 150W Metal Halide ☆ 100H-(1) 100W HPS ☆ 150H-(1) 150W HPS ☆	BK-Black BZ-Bronze WH-White	MG-E39 Mogul Socket MT208-208v Multi-Tap MT240-240v Multi-Tap MT277-277v Multi-Tap R3-Type III Refractor R5-Type V Refractor (See Page 70 for Light Distribution) ACRYLIC BLACK OUT PANELS BP1-One Panel BP2-Two Panels BP3-Three Panels

SPEC SHEETS AND IES FILES AVAILABLE ONLINE. Specifications subject to change without notice. LED option information on page 6.

502VF

- DOWNLIGHT
- DIE CAST ALUMINUM



EXTENDS: 5 7/8"
H/CTR: 2 1/4"
BACKPLATE: 4 1/2" x 4 1/2"



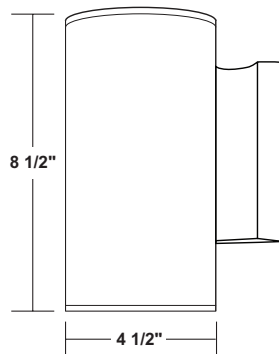
See Page 23 for
Non-Metallic Version

GUIDE: 502VF-LR11W-BK

ITEM #	LENS	LIGHT SOURCE	COLOR
502V	GLASS F-Frosted	LED LIGHT SOURCE	
		120V LED LR11-11W, 870lm	CCT C-4K W-3K
			BK-Black BZ-Bronze

502SF

- UP & DOWNLIGHT
- DIE CAST ALUMINUM

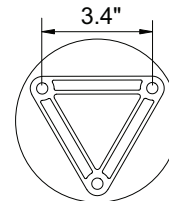
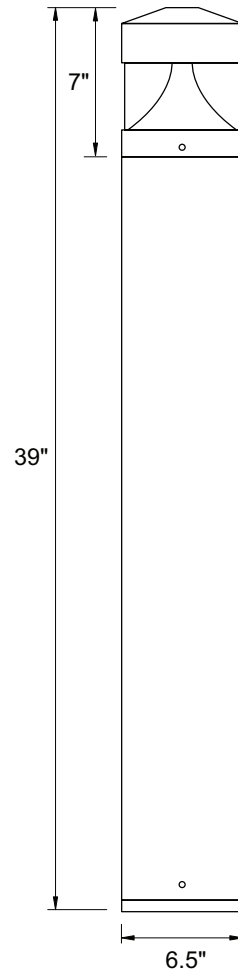


EXTENDS: 5 7/8"
H/CTR: 2 1/4"
BACKPLATE: 4 1/2" x 4 1/2"



GUIDE: 502SF-LR22W-BK

ITEM #	LENS	LIGHT SOURCE	COLOR
502S	GLASS F-Frosted	LED LIGHT SOURCE	
		120V LED LR22-22W, 1740lm	CCT C-4K W-3K
			BK-Black BZ-Bronze



Anchor Bolt M10 x 6.7"
(3 anchor bolts and template included)

C200BC



GUIDE: C200BC-L10C-BK

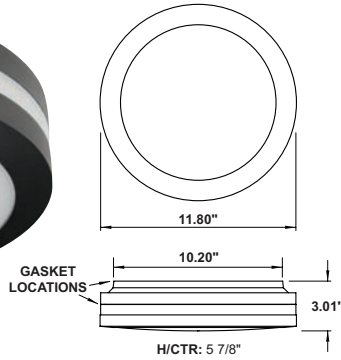
ITEM #	LENS	LIGHT SOURCE	COLOR	OPTIONS
C200B	POLYCARB C-Clear	LED LIGHT SOURCE		D-0-10v Dimming
		100-277V MULTI-VOLT L10-10W, 937lm	CCT C-4K	
			BK-Black BZ-Bronze	

SPEC SHEETS AND IES FILES AVAILABLE ONLINE. Specifications subject to change without notice. LED option information on page 6.

- WALL OR CEILING MOUNT • INSECT & DUST PROOF
- ENCLOSED & GASKETED • DIE CAST ALUMINUM
- HOSE DOWN • IP65 RATED



166FM
Ring



169FM
Eyelid

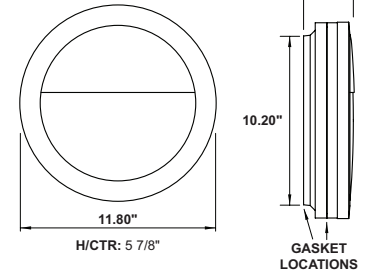


SCAN FOR VIDEO



GUIDE: 166FMF-LR15C-BK

ITEM #	DIFFUSER	LIGHT SOURCE	COLOR	OPTION
166FM	POLYCARBONATE	LED LIGHT SOURCE	BK-Black	O-Occupancy Sensor
169FM	F-Frosted	120V LIGHTWAVE LED LR15-15W 1400lm LR22-23W 1900lm	WH-White CCT C-4K W-3K	

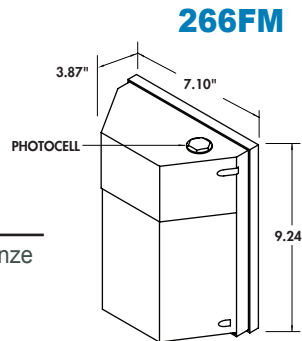


- WALL MOUNT • INSECT & DUST PROOF
- ENCLOSED & GASKETED • PHOTOCELL INCLUDED
- HOSE DOWN • IP65 RATED



GUIDE: 266FMF-LR12-BZ

ITEM #	DIFFUSER/HOUSING	LIGHT SOURCE	COLOR
266FM	POLYCARBONATE	LED LIGHT SOURCE	BZ-Bronze
	F-Frosted	120V LIGHTWAVE LED LR12-13W 1000lm	CCT C-4K



Energy Star Qualified Product

SPEC SHEETS AND IES FILES AVAILABLE ONLINE. Specifications subject to change without notice. LED option information on page 6.

WAVE LIGHTING • PHONE 877.870.WAVE (9283)